

Model: 997T10**Model life 2010>>2013**

Model Overview Sales Type

Sales term	Description	Mounting time	Remark
997420	Turbo	08/09-05/12	
997421	Turbo	08/09-05/12	
997450	Turbo S	08/10-05/12	
997451	Turbo S	08/10-05/12	
997470	Turbo S 918 Edition	05/11-05/12	
997471	Turbo S 918 Edition	05/11-05/12	
997630	Turbo Cabrio	08/09-05/12	
997631	Turbo Cabrio	08/09-05/12	
997650	Turbo S Cabrio	08/10-05/12	
997651	Turbo S Cabrio	08/10-05/12	
997670	Turbo S Cabrio 918 Edition	05/11-05/12	
997671	Turbo S Cabrio 918 Edition	05/11-05/12	
997860	GT2 RS	08/10-05/11	
997861	GT2 RS	08/10-05/11	

Model: 997T10

Model life 2010>>2013

Model Overview EC

EC	Sales term	LTR	KW	Hp	Cyl	Mounting time	Remark
9770		3,60	456	620	6	08/10-05/11	
A170		3,80	368	500	6	08/09-05/13	
A170		3,80	390	530	6	08/10-05/13	

Model: 997T10

Model life 2010>>2013

Model Overview TC

TC	Sales term	Type	Mounting time	Remark
CG150		7C	08/09-05/13	
G9755		6S	08/09-05/13	
G9788		6S	08/10-05/11	

Model: 997T10 Model life 2010>>2013

VIN-Numbers Overview

Model year	Date	VIN		Remark
2010	01.08.2009	99-AS760061	>99-AS766000	997 Turbo
2010	01.08.2009	A9-AS766061	>A9-AS770000	997 Turbo (USA, CDN)
2010	01.08.2009	99-AS770061	>99-AS773000	997 Turbo Cabrio
2010	01.08.2009	99-AS766061	>99-AS770000	997 Turbo (CN, MEX, BR, KOR)
2010	01.08.2009	99-AS773061	>99-AS775000	997 Turbo Cabrio (CN, MEX, BR, KOR)
2010	01.08.2009	A9-AS773061	>A9-AS775000	997 Turbo Cabrio (USA, CDN)
2011	01.08.2010	99-BS776061	>99-BS778000	997 GT2 RS
2011	01.08.2010	A9-BS778061	>A9-BS780000	997 GT2 RS (USA, CDN)
2011	01.08.2010	99-BS760061	>99-BS766000	997 Turbo
2011	01.08.2010	A9-BS766061	>A9-BS770000	997 Turbo (USA, CDN)
2011	01.08.2010	99-BS770061	>99-BS773000	997 Turbo Cabrio
2011	01.08.2010	99-BS766061	>99-BS770000	997 Turbo (CN, MEX, BR, KOR)
2011	01.08.2010	99-BS773061	>99-BS776000	997 Turbo Cabrio (CN, MEX, BR, KOR)
2011	01.08.2010	A9-BS773061	>A9-BS776000	997 Turbo Cabrio (USA, CDN)
2011	01.08.2010	99-BS778061	>99-BS780000	997 GT2 RS (CN, MEX, BR, KOR)
2012	01.06.2011	99-CS760061	>99-CS766000	997 Turbo
2012	01.06.2011	A9-CS766061	>A9-CS770000	997 Turbo (USA, CDN)
2012	01.06.2011	99-CS770061	>99-CS773000	997 Turbo Cabrio
2012	01.06.2011	99-CS766061	>99-CS770000	997 Turbo (CN, MEX, BR, KOR)
2012	01.06.2011	99-CS773061	>99-CS776000	997 Turbo Cabrio (CN, MEX, BR, KOR)
2012	01.06.2011	A9-CS773061	>A9-CS776000	997 Turbo Cabrio (USA, CDN)
2013	01.06.2012	99-DS760061	>99-DS766000	997 Turbo
2013	01.06.2012	A9-DS766061	>A9-DS770000	997 Turbo (USA, CDN)
2013	01.06.2012	99-DS770061	>99-DS773000	997 Turbo Cabrio
2013	01.06.2012	99-DS766061	>99-DS770000	997 Turbo (CN, MEX, BR, KOR)
2013	01.06.2012	99-DS773061	>99-DS776000	997 Turbo Cabrio (CN, MEX, BR, KOR)
2013	01.06.2012	A9-CS773061	>A9-CS776000	997 Turbo Cabrio (USA, CDN)

Model: 997T10**Model life 2010>>2013**

Engine Numbers

Engine number	Model year	Vehicle type	Engine type
__A 00501>60000	2010	997 TURBO	A170
__B 00501>60000	2011	997 TURBO	A170
S_B 00501>60000	2011	997 TURBO S +I092	A170
62B 30501>40000	2011	997 GT2 RS	9770
__C 00501>60000	2012	997 TURBO	A170
S_C 00501>60000	2012	997 TURBO S +I092	A170
__D 00501>60000	2013	997 TURBO	A170
S_D 00501>60000	2013	997 TURBO S +I092	A170

Model: 997T10**Model life 2010>>2013**

Transmission Numbers

Transmission Number	Model year	Vehicle type	Gearbox type
CG150 1 002001>999999	2010	997 TURBO PDK	CG150
G9755 1 002001>999999	2010	997 TURBO	G9755
CG150 1 002001>999999	2011	997 TURBO / S PDK	CG150
G9755 1 002001>999999	2011	997 TURBO	G9755
G9788 2 002001>999999	2011	997 GT2 RS	G9788
CG150 1 002001>999999	2012	997 TURBO / S PDK	CG150
G9755 1 002001>999999	2012	997 TURBO	G9755
CG150 1 002001>999999	2013	997 TURBO / S PDK	CG150
G9755 1 002001>999999	2013	997 TURBO	G9755

Model: 997T10

Model life 2010>>2013

NR	Description
003	Clubsport package
004	RS version
018	Special model: 911 Turbo S Edition 918 Spyder
022	Black-coloured instrument dials, instrument cluster
023	Silver -coloured instrument dials, instrument cluster
024	Version for Greece
025	Black-coloured instrument dials, stopwatch
026	Silver-coloured instrument dials, stopwatch
029	Standard chassis
030	Sports suspension
032	Touring suspension
034	Version for Italy
058	Impact absorbers, front and rear
061	Version for Great Britain
062	sweden version
063	Version Luxemburg
064	Version for Netherlands
065	Version for Denmark
066	Version for Norway
067	Version for Finland
068	PAP right-hand drive version
069	Other country version
071	EU country version
072	Version for Mexico
073	Version for Russia
074	PAP left-hand drive version
075	Chinese version
082	Fuel tank, 90-litre
092	Turbo S
098	Left-hand drive version
099	Right-hand drive version
101	Special GT2 engine parts
111	Version for Austria
113	Version for Canada
114	Version for Taiwan
119	Version for Spain
124	Version for France
126	Control and indications in French lettering
127	Control and indications in Swedish lettering
130	Control and indications in English lettering
140	Dynamic engine mounts (PADM)
150	Operation with leaded gas
152	Fuel cooling
191	Lightweight battery
193	japan version

Model: 997T10

Model life 2010>>2013

NR	Description
194	Battery, 60 Ah
195	Battery, 70 Ah
196	Battery, 80 Ah
197	Stronger battery
198	Enhanced starter motor (1.7 kW)
199	Battery disconnection switch
200	95 Ah battery
210	Licence plate holder version 2
211	Licence plate holder version 3
215	Version for Saudi Arabia
218	Licence plate holder version 4
219	Differential
220	Locking differential 40 %
225	Version for Belgium
250	PDK transmission (dual clutch)
265	Automatic anti-dazzle interior mirror with rain sensor
266	Automatic anti-dazzle door mirror
267	Automatically dimmable interior and door mirrors
268	Rain sensor
270	Door mirrors -flat - driver's side, electrically adjustable and heatable
271	Door mirrors -aspherical- driver's side, electrically adjustable and heatable
273	Door mirrors, electrically adjustable and heatable
274	Vanity mirror, illuminated
277	Swiss version
288	Headlamp washer
301	Transmission ratio long
303	Front-axle final drive with higher setting torque
305	Gear lever in Alcantara, Black
308	Selector lever in Alcantara, Black
325	Version for South Africa/New Zealand
335	Automatic seat belt, 3-point, rear
338	Rear-wheel drive
339	All-wheel drive
342	Seat heating, left/right seat
345	Heated steering wheel
346	Rims, painted Silver
369	Standard seat, left
370	Standard seat, right
375	Sports seat, backrest shell, left
376	Sports seat, backrest shell, right

Model: 997T10

Model life 2010>>2013

NR	Description
377	Sports seat, backrest shell, left, electrically adjustable
378	Sports seat, backrest shell, right, electrically adjustable
384	Carrera GT bucket seat, left
385	Carrera GT bucket seat, right
388	Sports bucket seat, left
389	Sports bucket seat, right
392	17-inch Carrera wheel
393	17-inch Boxster II wheel (987)
397	18-inch Boxster II wheel (987)
398	19" Cayman S wheel
401	18-in. Cayman S wheel
402	Carrera 3 wheel 18-inch
403	Carrera S wheel 19-inch
404	19" Turbo-1 wheel
405	Carrera Classic wheel 19-inch
406	Carrera GT wheel 19-inch/20-inch
407	SportDesign wheel 19-inch
410	18" Turbo-2/Panamera wheel
411	18-inch Carrera wheel -->2005 19-inch Carrera wheel 2012-->
415	18-inch Turbo-Look II wheel
416	18-inch GT3 wheel
418	18-inch Turbo II wheel in GT Silver
420	GT3 wheel 19"
421	Turbo 2 wheel, 19"
422	Turbo wheel, 19", central lock
424	CD storage unit
425	Rear window wiper
426	Without rear window wiper
430	GT3 wheel, 19", central lock
431	Multi-function steering wheel, touch + feel
432	19" Carrera wheel (6)
435	911 Turbo S wheel, 20" central lock
436	3-spoke airbag steering wheel
437	Comfort seat, left, electrically adjustable
438	Comfort seat, right, electrically adjustable
439	20" 911 Turbo 4 wheel
440	Antenna diversity
441	Basic sound package
444	Anti-theft lock, wheel bolts "THATCHAM"
446	Concave wheel centers with full-colour Porsche Crest
447	Emergency wheel

Model: 997T10

Model life 2010>>2013

NR	Description
448	Brake pad; sport version
450	Ceramic brake (PCCB)
451	Multi-function steering wheel, Makassar Ebony, touch + feel
452	Multi-function steering wheel, Sycamore, touch + feel
453	Multi-function steering wheel, Carbon, touch + feel
454	Automatic speed control
459	3-spoke airbag steering wheel, touch + feel
460	20" RS Spyder Design wheel
461	External antenna
465	Rear fog light, left
466	Rear fog light, right
475	"PASM" electronic damper control
476	Porsche Stability Management (PSM)
478	Central wheel lock
479	Version for Australia
480	6-speed manual transmission
482	Tire Pressure Monitoring TPM, 433 MHz
483	315-MHz TPM, Tire Pressure Monitoring
484	Version for USA
488	Inscriptions in German language
490	Sound system "ASK"
492	Headlights for left-hand traffic
498	Deletion of model designation on rear end
499	Version for Germany
501	Car cover
509	Fire extinguishers
510	Contrasting colour: Red (GTX RS)
511	Contrasting colour: Gold (GTX RS)
513	Lumbar support, right seat
521	Tilt sensor
524	Immobilizer, central locking, 433 MHz
525	Immobilizer, central locking, 315 MHz
532	Alarm system remote control omitted
533	Radio convertible-top operation omitted
534	Theft security system, 433 MHz
535	Theft security system, 315 MHz
536	-07 Alarm siren and tilt sensor 08- Alarm siren
537	Seat position control for comfort seat, left
538	Seat position control for comfort seat, right
539	Mechanical seat height adjustment, left
540	Mechanical seat height adjustment, right
541	Active seat ventilation (incl. heated seats)

Model: 997T10

Model life 2010>>2013

NR	Description
544	Anti-theft protection without infrared monitoring, 433 MHz
545	Anti-theft protection without infrared monitoring, 315 MHz
549	Roof Transport System
550	Hardtop
551	Wind deflector
553	Version for USA, Canada
554	Front spoiler lip included
555	Black seat belts
560	Advanced airbag
562	Airbag, driver's side and front passenger's side
563	Side airbag
566	Front fog lights, white
567	Windscreen tinted, upper part darker coloured
568	Windscreen without shade band
571	Activated charcoal filter
572	Manual air-conditioning system
573	Air conditioner
574	No air conditioning
575	Luggage compartment cooling system
581	Centre console, front
584	Storage box on engine cover
585	Cupholder
586	Lumbar support, left seat
589	Front wing in Carbon
594	Alcantara rooflining
599	Aluminium doors
600	Lightweight halogen headlights
601	Xenon lighting system
602	Center high-mounted stop light
603	Bi-Xenon and dynamic cornering light
605	LED daytime driving lights
606	Daytime driving lights
607	Garage door opener "Homelink", 315 MHz
608	Garage door opener "Homelink" 433 MHz
609	without radio
610	DVD navigation, "Europe package"
611	DVD navigation South Africa
612	DVD navigation middle east
613	DVD navigation australia
614	DVD navigation asia-pacific
615	DVD navigation system, North America
616	DVD, Navigation Russia
617	DVD Navigation China
618	Phone preparation

Model: 997T10

Model life 2010>>2013

NR	Description
619	Mobile phone preparation (BLUETOOTH) without console
621	12-V socket, passenger's side, footwell
625	"KESSY" Porsche Entry and Drive
635	Park distance control
639	Sport Chrono package
640	Sport Chrono Plus package
641	electronic log book
650	Electrical sliding roof
651	Electric window opener
652	Without sliding/tilting roof
657	Power steering
659	on-board computer
660	Obd 2
661	Stricter emission-control concept
663	Fuel pump activation
664	Orvr
665	-2008 PCM 2, 2009- PCM 3 basic module incl. radio
666	-2008 PCM 2, 2009- PCM 3 telephone (GSM)
668	PCM2 telephone handset
669	PCM 3 - Telephone handset (BLUETOOTH)
670	PCM2 navigation
671	Voice control system
672	-2008 PCM 2, 2009- PCM 3 Offroad navigation
673	Navigation system preparation, China
674	"Vehicle Tracking System" preparation
675	Without radio preparation (Japan navigation system)
676	TV tuner
677	"Driver card" antenna
678	Alarm system connection
679	Restart inhibitor
680	BOSE sound package
685	Rear seats, split
686	SAT radio reception XM (SDARS)
689	Preperation for CD autochanger
690	CD radio "Porsche Online Pro"
692	CD autochanger "Porsche"
693	Integrated CD/DVD autochanger
694	CD radio "PORSCHE CDR 24"
695	CD radio, Porsche CDR 30
697	CD radio "Porsche CDR-23"
703	without Clubsport package
711	Omission underbody protection
789	Colour to sample
796	Full leather trim natural leather
798	Full leather trim special leather
799	Full leather trim by choice
801	Makassar Ebony wood package, dark (matt satin

Model: 997T10

Model life 2010>>2013

NR	Description
	finish)
802	Sycamore package, light (matt satin finish)
803	Carbon package
804	GT2 Carbon exterior package
805	Lifestyle package
810	foot mats
839	GT3 Alcantara steering wheel
840	Sports steering wheel (for PDK with paddle)
841	Basic steering wheel Smooth leather
844	Multi-function steering wheel Smooth leather
845	Multi-function steering wheel Carbon
847	Multi-function steering wheel Makassar
870	Universal multimedia interface
912	without identification plate
936	Seat covers, rear, leather
937	Seat covers, rear, leatherette
939	Seat covers, rear, draped leather
946	Seat covers, front, leather/leather/leatherette
950	Alcantara seat covers, front
951	Seat covers front, Alcantara/leather/leather
970	Two-tone interior
971	"TORO" embossed leather
981	Leather equipment, without seat covers
982	Seat covers, front, draped leather/leather/leather
983	Seat covers, front, leather
985	Seat covers, leather/leather/leatherette, 2
990	Seat covers, front, cloth/cloth/leatherette
991	Steering wheel airbag module in leather
998	Leather, natural
999	Passenger compartment monitoring sensor for leather colour of choice
IY2	Model year period from week 45 to week 22
XAA	Aerokit Cup
XAF	Turbo aerokit
XAG	Carrera - rear spoiler
XAH	Carrera 4S aerokit
XAJ	Painted sill covers
XCA	Dashboard trim strip (3-part) sports seats
XCB	Instrument surround sports seats
XCC	Side air vents sports seats
XCD	Center air vent bracket sports seats
XCE	Rear center console sports seats
XCG	Sports seat backrest in Aluminium Look finish
XCH	Side/centre air vent slats, sports seats

Model: 997T10

Model life 2010>>2013

NR	Description
XCK	Rear center console in Galvano Silver
XCL	Instrument surround in Galvano Silver
XCM	Roll-over bar in Galvano Silver
XCN	Side air vents in Aluminium Look finish (997)
XCW	Aluminium Look trim on belt opening in B-pillar
XCY	Center air vent in Aluminium Look finish
XCZ	Short shifter
XDJ	Decorative trim on gear lever/selector, painted
XDM	Decorative dashboard trim, painted
XDP	Instrument cluster frame, painted
XDR	Painted trim on belt opening in B-pillar
XDS	Ignition lock surround in leather
XDU	Leather trim on belt opening in B-pillar
XDV	Dashboard end-trim in leather
XDX	Mirror attachment point finisher, leather
XDZ	Selector lever cover in leather
XD9	Wheel painted in body colour
XEA	Passive handset in leather
XE8	Gear lever knob aluminium/dark burr maple/leather
XE9	Handbrake lever aluminium/dark burr maple/leather
XFD	Instrument dials in Sand Beige
XFE	Instrument dials in Terracotta
XFF	Instrument dials in Brown/Natural
XFG	Instrument dials in Guards Red
XFH	Instrument dials in Speed Yellow
XFJ	Instrument dials in Carrara White
XFP	Handbrake lever Aluminium II
XGB	Decorative dashboard trim, carbon
XGC	Dashboard carbon/Alcantara
XGD	Parking brake handle carbon/Alcantara
XGE	Handle recess insert, carbon
XJJ	Carbon trim on belt opening in B-pillar
XJL	Makassar Ebony side air vent
XJM	Sycamore side air vent
XJN	Makassar Ebony center air vent
XJP	Sycamore center air vent
XJR	Makassar Ebony windscreen defroster panel
XJS	Sycamore windscreen defroster panel
XJT	Makassar Ebony rear center console
XJU	Sycamore rear center console
XJ4	Leather cover for ignition lock surround
XKB	Side air vent in light burr maple
XKC	Side air vent in dark burr maple
XKD	Side air vent in Carbon
XKG	"Defroster trim in light burr maple; leather"
XKH	"Defroster trim in dark burr maple; leather"
XXJ	Defroster trim in Carbon/leather

Model: 997T10

Model life 2010>>2013

NR	Description
XKL	Leather speaker covers
XKM	Speaker covers in light burr maple
XKN	Speaker covers in dark burr maple
XKP	Carbon speaker covers
XKR	Center air vent bracket in light burr maple
XKS	Center air vent bracket in dark burr maple
XLF	Sports exhaust system
XLG	Centre console storage bin cover in Alcantara, with logo
XMA	Rooflining in leather
XME	Rear section of centre console painted
XMF	Front center console including 2 storage bins, leather
XMJ	Rear section of centre console in Carbon
XMK	Roll-over bar in exterior color
XML	Rear center console in light burr maple
XMP	Leather sun visor, 2 illuminated vanity mirrors *
XMR	Sun visor in leather, 2 illuminated vanity mirrors,
XMZ	Rear section of centre console in leather
XNB	Rear center console in dark burr maple
XNG	Instrument surround in leather
XNN	Center air vent bracket in leather
XNR	Carbon center air vent bracket
XNS	Leather steering column trim, 4-part
XNU	Leather trim strip (dashboard)
XNV	Trim strip (dashboard) in light burr maple
XNW	Trim strip (dashboard) in dark burr maple
XNX	Carbon trim strip (dashboard)
XN3	Dashboard side air vent in leather
XPA	3-spoke sports steering wheel in leather interior co
XPB	3-spoke sports steering wheel, light burr maple, leather
XPC	3-spoke sports steering wheel, dark burr maple, leather
XPD	3-spoke sports steering wheel, Carbon/leather
XPG	3-spoke sports steering wheel, sports seats
XPT	Centre console storage bin lid with crest
XPU	Multi-function steering wheel Galvano Silver, new generation
XPV	Multi-function steering wheel, Galvano Silver
XPW	Instrument surround in light burr maple
XPX	Instrument surround in dark burr maple *
XPY	Carbon instrument surround
XRB	18-inch Sport Classic II wheel
XRC	18-inch SportTechno wheel

Model: 997T10

Model life 2010>>2013

NR	Description
XRL	18-inch SportDesign wheel
XRN	17-mm spacers, rear
XRP	5-mm spacers, front/rear
XRR	19-in. Carrera Sport wheel
XSA	Painted sports seat backrest
XSB	Leather sports seat backrest
XSC	Porsche Crest embossed in headrest
XSD	Front seat controls in leather
XSE	Bucket seat, left
XSF	Bucket seat, right
XSG	Racing bucket seat, left
XSH	Silver seat belts
XSJ	6-point harness
XSL	6-point safety catch
XSM	Racing safety cage
XSN	Omission of rear seats
XSR	Carbon back for bucket seat, right
XSS	Carbon back for bucket seat, left
XST	Seat belts in Sand Beige
XSU	Upholstered seat
XSW	Seat belts in Maritime Blue
XSX	Seat belts in Guards Red
XSY	Seat belts in Speed Yellow
XTG	Inner door sills in leather
XTJ	Door panel parts in light burr maple
XTK	Door panel parts in dark burr maple
XTL	Door panel parts in Carbon
XTR	Door panel parts in Aluminium Look finish
XTT	Makassar Ebony door panel parts
XTU	Sycamore door panel parts
XTV	Leather door panel parts
XTW	Door panel parts in Galvano Silver
XUA	Spoiler lip painted
XUB	Cover on headlight cleaning system, painted
XUC	Model designation painted
XUE	Rear apron painted in exterior colour
XUV	Centre console storage bin lid with logo
XVM	Leather center air vent
XVP	Trim strip including cupholder cover in leather
XVR	Side/centre air vent in leather
XVT	Cover for loudspeakers, doors and rear in leather
XV1	Defroster trim in leather
XWR	PDK gate frame in Aluminium Look
XWS	PDK gate frame painted
XWT	PDK gate frame painted Black

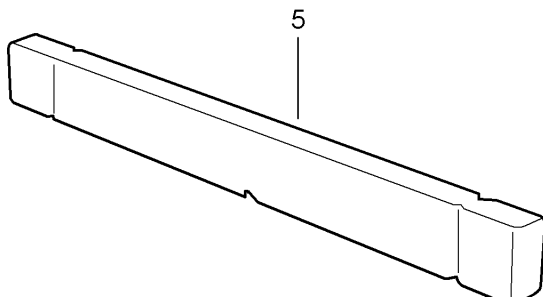
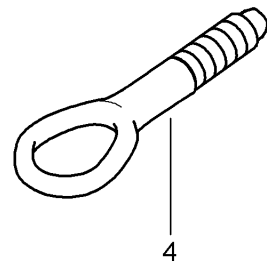
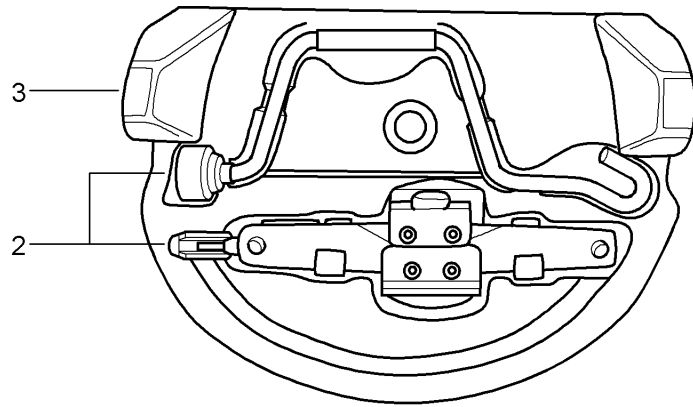
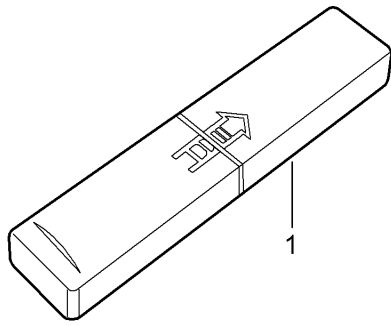
Model: 997T10

Model life 2010>>2013

NR	Description
XWU	PDK gate frame in leather
XXB	Door entry guards, stainless steel, illuminated
XXD	Door entry guards, carbon, illuminated
XXF	Red tail lights
XXG	Tail lights in clear glass look
XXZ	Footrest
XX1	Floor mats, logo, leather border
XX2	footwell light
XYA	PDK selector lever (EXC)
XY5	Tiptronic gear selector gate in leather
XZB	Carbon centre air vent
XZD	Interior light surround in leather
X45	Instrument dial in interior color
X46	Tiptronic selector lever in aluminium/leather
X47	Gear lever knob in Carbon/leather
X48	Tiptronic selector lever in Carbon/aluminium
X50	Powerkit 331/340 kW
X54	Stainless steel tailpipes
X58	Handbrake lever in Carbon/leather
X65	Tiptronic selector lever in light burr maple/aluminium
X66	Tiptronic selector lever in dark burr maple/aluminium
X69	Door entry guards in Carbon with logo
X70	Door entry guards in stainless steel with logo
X71	Instrument dial painted/Aluminium Look finish
X72	Gear lever knob aluminium/light burr maple/leather
X73	Turbo sports suspension
X74	Sports suspension (exclusive)
X75	Differential lock (exclusive)
X76	Inner door sill guard, left/right
X97	Gear lever knob in aluminium/leather
X98	Handbrake lever in aluminium/leather
X99	Natural leather

Model: 997T10

Model life 2010>>2013



Model: 997T10

Model life 2010>>2013

Pos	Part Number	Description	Remark	Qty	Model
1	997 721 115 00	Tool jack Toolbox with contents comprising:		1	
-	477 012 229	Double open-ended spanner 10 X 13		1	
-	477 012 231	screwdriver		1	
-	111 012 287	handle for screwdriver		1	
-	999 571 077 02	Socket wrench - 5 - for Headlights		1	
2	996 721 211 00	Scissors type jack		1	PR:447
3	996 722 101 00	Foam part		1	TURBO PR:447,-450
3	996 722 101 00	Foam part		1	GT2/RS PR:447
(3)	997 722 101 00	Foam part		1	TURBO PR:422,447, 450
-	999 571 074 30	Threaded stud for Assembly Wheels		1	PR:447
-	477 012 221 A	wheel bolt wrench		1	PR:447
-	999 571 070 30	operating rod for Tool		1	PR:447
-	997 361 181 52	Wheel bolt		1	PR:422,430, 447
-	997 361 069 02	Tool for Wheel bolt		1	PR:422,430
-	997 361 161 00	Extension for Tool Wheel bolt		1	PR:422,430, 447
-	997 362 193 00	Shim	front	1	PR:422,430, 447
-	997 362 195 00	Shim	rear	1	PR:422,430, 447
-	997 722 801 00	Mounting for vehicle tools		1	PR:447
-	996 361 521 00	Protective sleeve		1	PR:447
-	997 722 061 01	Cover Spare wheel		1	TURBO PR:447,-422, -450
-	997 722 061 02	Cover Spare wheel		1	TURBO PR:422,447, 450
-	997 722 061 02	Cover Spare wheel		1	GT2/RS PR:430,447
-	997 722 073 00	tensioning strap Spare wheel		1	TURBO PR:422,447, 450
-	997 722 103 00	Support Spare wheel		1	TURBO/COUPE PR:447
-	997 722 103 01	Support Spare wheel		1	TURBO/CABRIO PR:447
4	997 721 551 00	Tow hitch		1	
5	000 722 722 06	warning triangle		1	

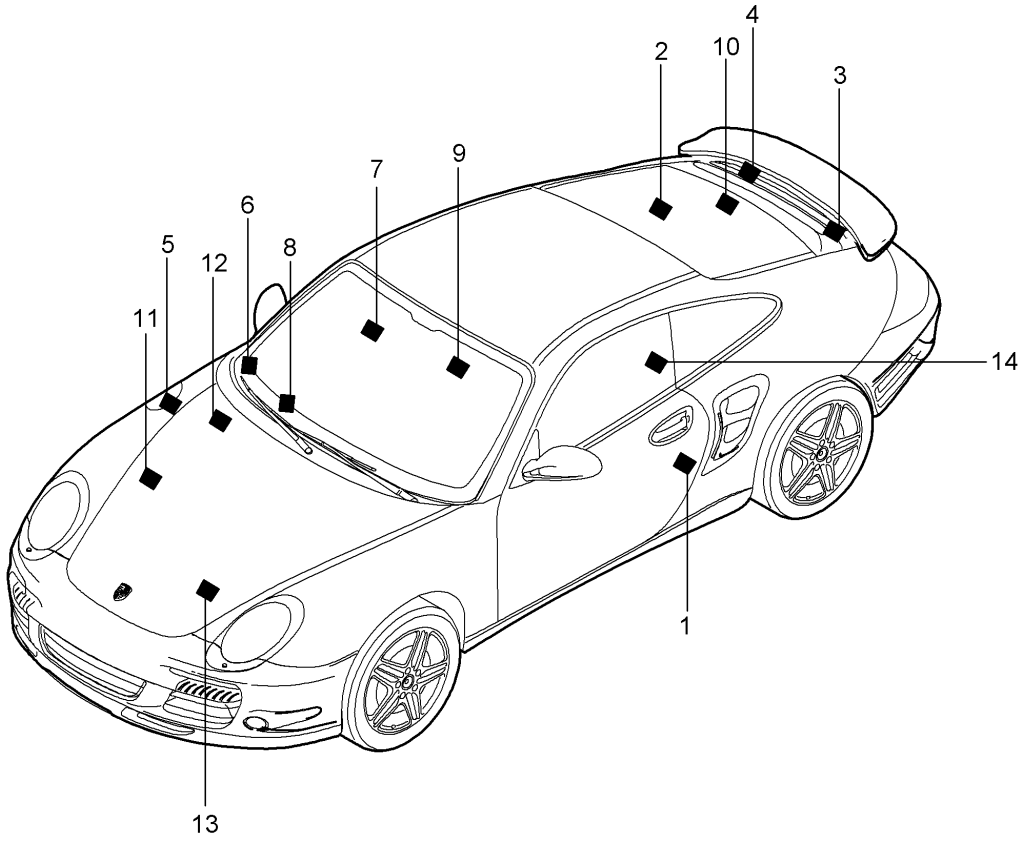
Model: 997T10

Model life 2010>>2013

Pos	Part Number	Description	Remark	Qty	Model
-	997 722 709 00	retaining strap for warning triangle		2	
-	993 722 041 00	first aid kit		1	

Model: 997T10

Model life 2010>>2013



Model: 997T10

Model life 2010>>2013

Pos	Part Number	Description	Remark	Qty	Model
2	7PP 010 707 K	Signs/notices Sticker		1	PR:422,447, 450
-		Signs/notices Engine specifications			
3	7PP 010 751 C	Sticker		1	PR:068
3	955 701 675 00	Sticker		1	PR:193
4	997 006 544 00	Reservoir Sticker		1	
4	997 701 535 00	engine oil - MOBIL 1 - Sticker		1	PR:193
-		Engine-oil level Signs/notices			
5	996 006 117 00	Type of fuel Sticker		1	
5	996 006 117 01	98 ROZ Sticker		1	PR:150
5	996 006 117 02	98 ROZ Sticker		1	"AUS"
5	996 006 117 03	96 ROZ Sticker		1	PR:193
5	955 701 676 15	93 RON/MON/2 sticker for		1	PR:193
5	955 701 676 10	fuel filler neck Sticker		1	PR:193
-		Fuel filler flap Signs/notices			
6	3B0 010 219 B	Airbag sticker with pictogram for - airbag / child's seat		1	
6	8D0 010 141 Q	child seat sticker with pictogram for - airbag / child's seat		1	"AUS"
6	997 701 430 00	child seat Sticker		1	
6	997 701 430 01	German Sticker		1	
6	997 701 430 02	child seat English Sticker		1	
6	997 701 430 03	child seat French Sticker		1	
6	997 701 430 04	child seat Italian Sticker		1	
6	997 701 430 05	child seat Swedish Sticker		1	
6	997 701 430 06	child seat Spanish Sticker		1	
6	997 701 430 07	child seat Arabic Sticker		1	
6	955 701 675 10	child seat Chinese Sticker		1	PR:193
9	997 701 531 00	Recycling Sticker Airbag		1	PR:193

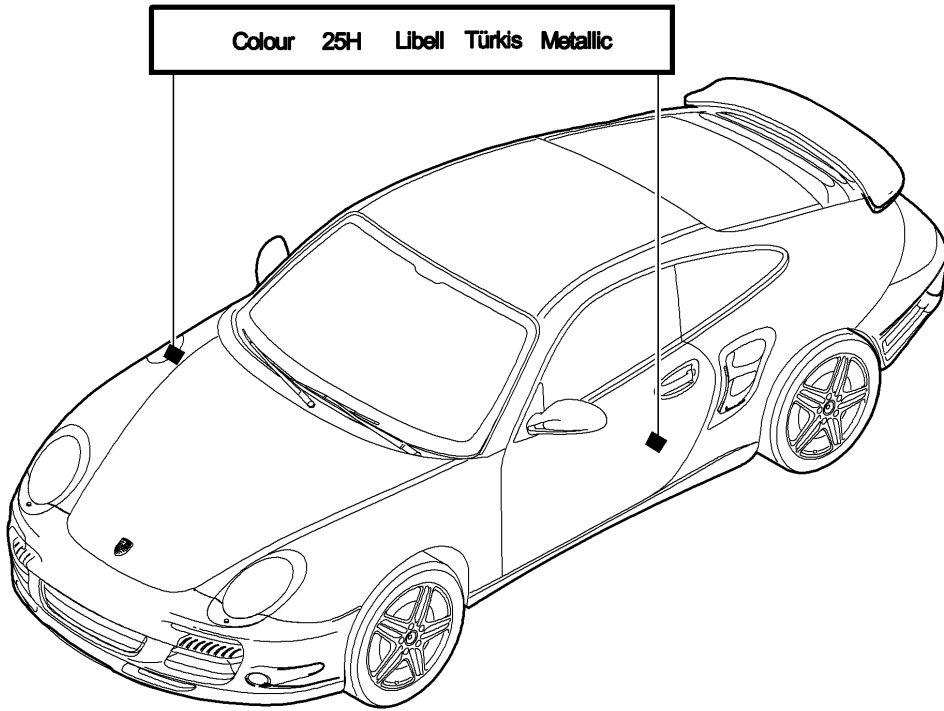
Model: 997T10

Model life 2010>>2013

Pos	Part Number	Description	Remark	Qty	Model
9	955 701 676 00	Sticker Warning light Engine		1	PR:193
10	955 701 675 15	Sticker Import Japan		1	PR:193
11	996 701 141 01	Sticker Air conditioning		1	
11	997 701 521 00	Sticker Air conditioning		1	PR:193
12	955 701 673 00	Sticker Battery		1	PR:193
12	997 701 170 00	Sticker first aid kit		1	
13	997 701 527 00	Sticker Headlights		1	PR:193
13	955 701 675 05	Sticker brake fluid		1	PR:193

Model: 997T10

Model life 2010>>2013



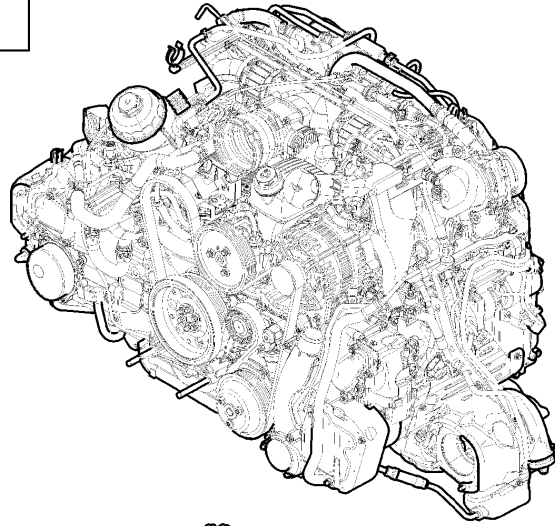
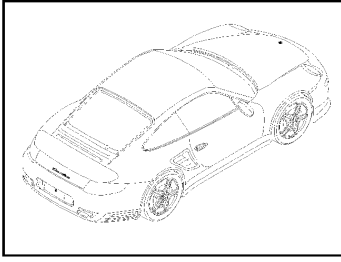
Model: 997T10

Model life 2010>>2013

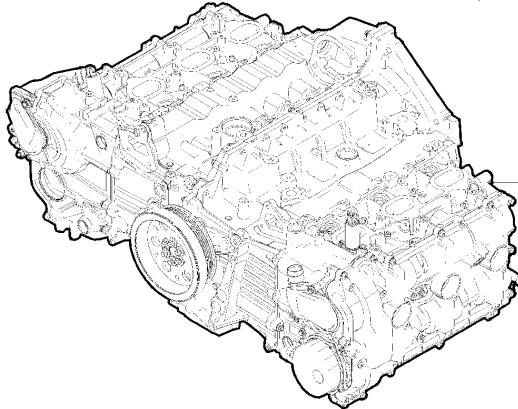
Pos	Part Number	Description	Remark	Qty	Model
		paint touch-up applicator			
		Paints			
-	911 095 932 20	paint touch-up applicator		X	
	911 095 932 20 041	Black			A 1
	911 095 932 20 80K	guards red (Porsche)			G 1
	911 095 932 20 B9A	Carrara white			B 4
	911 095 932 20 12G	Speed yellow			X 4
	911 095 932 20 51A	cream white			T 2
-	911 095 933 20	Paint pen set		X	
		Set			
		comprising:			
		base paint			
		clear paint			
	911 095 933 20 92T	Arctic silver metallic			X 1
	911 095 933 20 C9Z	Basalt black metallic			Z 4
	911 095 933 20 M7X	Atlas grey metallic			E 7
	911 095 933 20 M7Z	GT Silver Metallic			U 2
	911 095 933 20 M7W	Meteor Grey Metallic			9 Q
	911 095 933 20 M3X	Ruby red metallic			A 6
	911 095 933 20 M8W	Macadamia Metallic			9 S
	911 095 933 20 2B5	Malachite Green Metallic			H 1
	911 095 933 20 M2Z	Nordic Gold Metallic			8 W
	911 095 933 20 M5R	Aqua blue metallic			D 2
	911 095 933 20 M5X	Dark blue metallic			N 4
	911 095 933 20 22G	Racing Green Metallic			J 1
	911 095 933 20 M4Z	Amethyst metallic			N 6
	911 095 933 20 M5Q	Ice blue metallic			H 3
	911 095 933 20 M7T	Platinum Silver Metallic			1 H
	911 095 933 20 3S2	Ipanema Blue Metallic			F 2

Model: 997T10

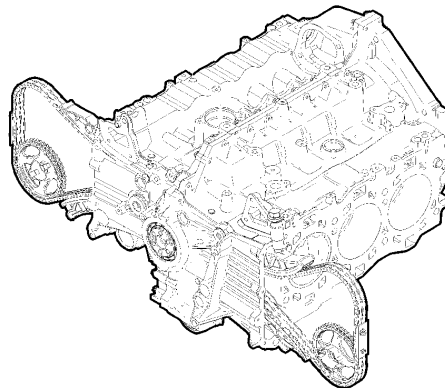
Model life 2010>>2013



1



2



3

Model: 997T10

Model life 2010>>2013

Pos	Part Number	Description	Remark	Qty	Model
1	9A1 100 970 00	Replacement engine Replacement engine D >> - MJ 2010 Discontinued part		1	A170 PR:480
1	9A1 100 970 X	Replacement engine D >> - MJ 2010 Discontinued part		1	PR:480
1	9A1 100 970 02	Replacement engine D - MJ 2011>> Discontinued part		1	PR:480,-092
1	9A1 100 970 CX	Replacement engine D - MJ 2011>> Discontinued part		1	PR:480,-092
1	9A1 100 970 05	Replacement engine D - MJ 2012>> Discontinued part		1	PR:480,-092
1	9A1 100 970 EX	Replacement engine D - MJ 2012>> Discontinued part		1	PR:480,-092
1	9A1 100 970 10	Replacement engine D - MJ 2013>> Discontinued part		1	PR:480,-092
1	9A1 100 970 KX	Replacement engine D - MJ 2013>> Discontinued part		1	PR:480,-092
1	9A1 100 970 01	Replacement engine D >> - MJ 2010 Discontinued part		1	PR:250
1	9A1 100 970 AX	Replacement engine D >> - MJ 2010 Discontinued part		1	PR:250
1	9A1 100 970 03	Replacement engine D - MJ 2011>> Discontinued part		1	PR:250,-092
1	9A1 100 970 06	Replacement engine D - MJ 2011>> Discontinued part		1	PR:250,-092
1	9A1 100 970 BX	Replacement engine D - MJ 2011>> Discontinued part		1	PR:250,-092
1	9A1 100 970 06	Replacement engine D - MJ 2012>> Discontinued part		1	PR:250,-092
1	9A1 100 970 FX	Replacement engine D - MJ 2012>> Discontinued part		1	PR:250,-092
1	9A1 100 970 11	Replacement engine D - MJ 2013>> Discontinued part		1	PR:250,-092
1	9A1 100 970 LX	Replacement engine D - MJ 2013>> Discontinued part		1	PR:250,-092
1	9A1 100 970 08	Replacement engine No longer use the part here		1	PR:250,-092, 075
1	9A1 100 970 HX	Replacement engine No longer use the part here		1	PR:250,-092, 075
1	9A1 100 970 04	Replacement engine M >> B 03675 Discontinued part		1	PR:092
1	9A1 100 970 07	Replacement engine M >> B 03675 Discontinued part		1	PR:092
1	9A1 100 970 DX	Replacement engine M >> B 03675 Discontinued part		1	PR:092
1	9A1 100 970 07	Replacement engine M B 03675 >> Discontinued part		1	PR:092
1	9A1 100 970 GX	Replacement engine M B 03675 >> Discontinued part		1	PR:092
1	9A1 100 970 12	Replacement engine D - MJ 2013>> Discontinued part		1	PR:092
1	9A1 100 970 MX	Replacement engine D - MJ 2013>> Discontinued part		1	PR:092
1	9A1 100 970 09	Replacement engine M B 03675 >> No longer use the part here		1	PR:092,075

Model: 997T10

Model life 2010>>2013

Pos	Part Number	Description	Remark	Qty	Model
1	9A1 100 970 JX	Replacement engine M B 03675 >> No longer use the part here		1	PR:092,075
2	9A1 100 970 60	Base engine comprising: Crankcase housing Cylinder head Valve cover Connecting rod Crankshaft piston oil pump timing chain Parts kit without: Gaskets		1	
		also use:	999 073 536 01	18	
			997 111 217 70	2	
			999 170 228 90	6	
			948 107 222 00	1	
			948 107 322 00	1	
2	9A1 100 970 RX	Base engine comprising: Crankcase housing Cylinder head Valve cover Connecting rod Crankshaft piston oil pump timing chain Parts kit without: Gaskets		1	
		also use:	999 073 536 01	18	
			997 111 217 70	2	
			999 170 228 90	6	
			948 107 222 00	1	
			948 107 322 00	1	
-	997 111 107 31	Seal Base engine 9A110097060/RX Parts kit for seals also use:		2	
			9A1 110 866 04	6	
			999 701 112 41	6	
			9A1 110 524 02	6	
			900 906 011 02	6	
			9A1 110 520 01	6	
			999 704 020 90	6	
			999 707 643 40	1	
			999 707 404 40	2	
			9A1 106 225 02	1	
			999 707 517 40	4	
			999 707 589 40	4	
			9A1 106 305 00	1	
			999 707 625 40	1	
			9A1 106 558 00	1	
-	9A1 110 215 01	Seal intake air distributor Base engine 9A110097060/RX Parts kit for seals Accessories		6	

Model: 997T10 Model life 2010>>2013

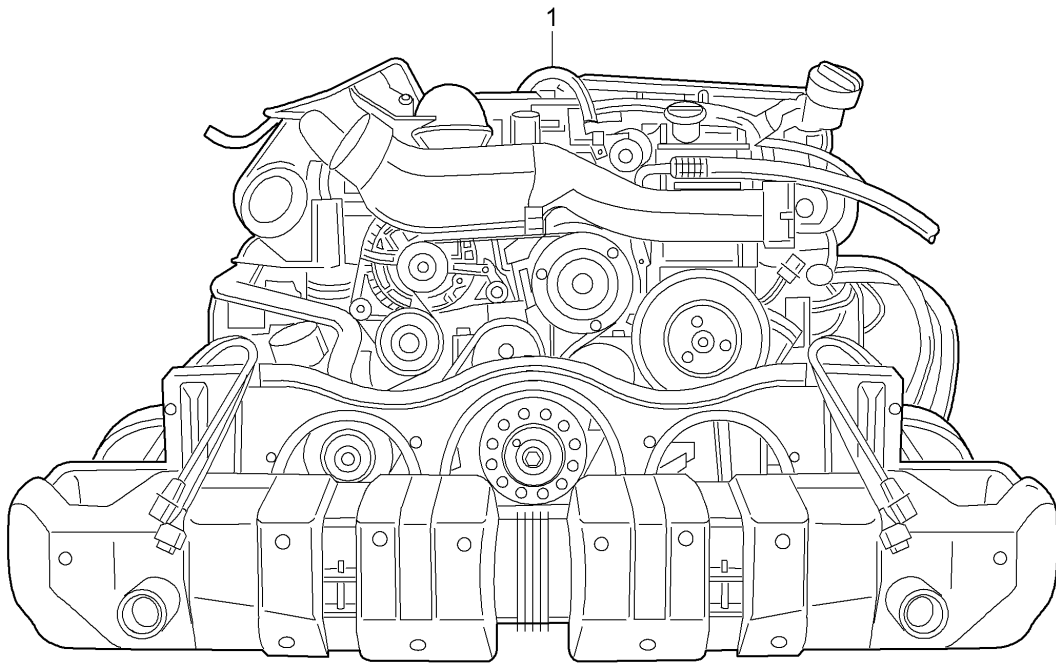
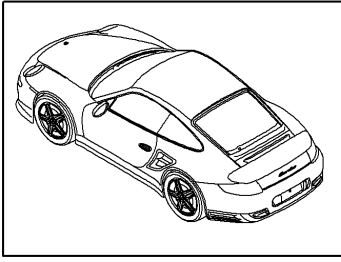
Pos	Part Number	Description	Remark	Qty	Model
			also use:		
			999 707 348 40	1	
			9A1 106 215 00	2	
			9A1 106 325 00	1	
			9A1 106 326 00	1	
			9A1 102 312 00	1	
			9A1 102 322 00	2	
			999 707 604 40	2	
			999 707 589 40	2	
3	9A1 100 970 50	Short block comprising: Crankcase housing Connecting rod Crankshaft piston oil pump timing chain Parts kit		1	
			without:		
		Gaskets			
			also use:		
			999 073 536 01	18	
			997 111 217 70	2	
			999 170 228 90	6	
			948 107 222 00	1	
			948 107 322 00	1	
			999 107 465 01	2	
			999 707 594 40	1	
			999 707 595 40	1	
3	9A1 100 970 TX	Short block comprising: Crankcase housing Connecting rod Crankshaft piston oil pump timing chain Parts kit		1	
			without:		
		Gaskets			
			also use:		
			999 073 536 01	18	
			997 111 217 70	2	
			999 170 228 90	6	
			948 107 222 00	1	
			948 107 322 00	1	
			999 107 465 01	2	
			999 707 594 40	1	
			999 707 595 40	1	
-	9A1 104 147 03	Cylinder head gasket Short block 9A110097050/TX Parts kit for seals		1	
			also use:		
			9A1 104 146 03	1	
			9A1 110 866 04	6	
			999 701 112 41	6	
			9A1 110 524 02	6	
			900 906 011 02	6	
			9A1 110 520 01	6	
			999 704 020 90	6	
			999 707 643 40	1	
			999 707 404 40	2	
			997 111 107 31	2	
			9A1 105 731 03	1	
			9A1 105 732 03	1	
			000 043 207 31	X	

Model: 997T10 Model life 2010>>2013

Pos	Part Number	Description	Remark	Qty	Model
-	9A1 110 215 01	Seal intake air distributor Short block 9A110097050/TX Parts kit for seals Accessories		6	
		also use:	999 707 348 40	1	
			9A1 106 215 00	2	
			9A1 106 325 00	1	
			9A1 106 326 00	1	
			9A1 102 312 00	1	
			9A1 102 322 00	2	
			999 707 604 40	2	
			9A1 105 339 00	1	
			999 707 636 40	2	
			999 707 505 40	1	
			999 707 589 40	2	
-	9A1 106 225 02	Thermostat insert Short block 9A110097050/TX Parts kit for seals Accessories		1	
		also use:	999 707 517 40	4	
			999 707 589 40	4	
			9A1 106 305 00	1	
			999 707 625 40	1	
			9A1 106 558 00	1	
			9A1 105 153 04	2	
			9A1 105 155 04	2	
			9A1 105 101 03	2	
			999 707 346 40	6	
			900 123 011 21	2	
			999 701 066 40	2	

Model: 997T10

Model life 2010>>2013



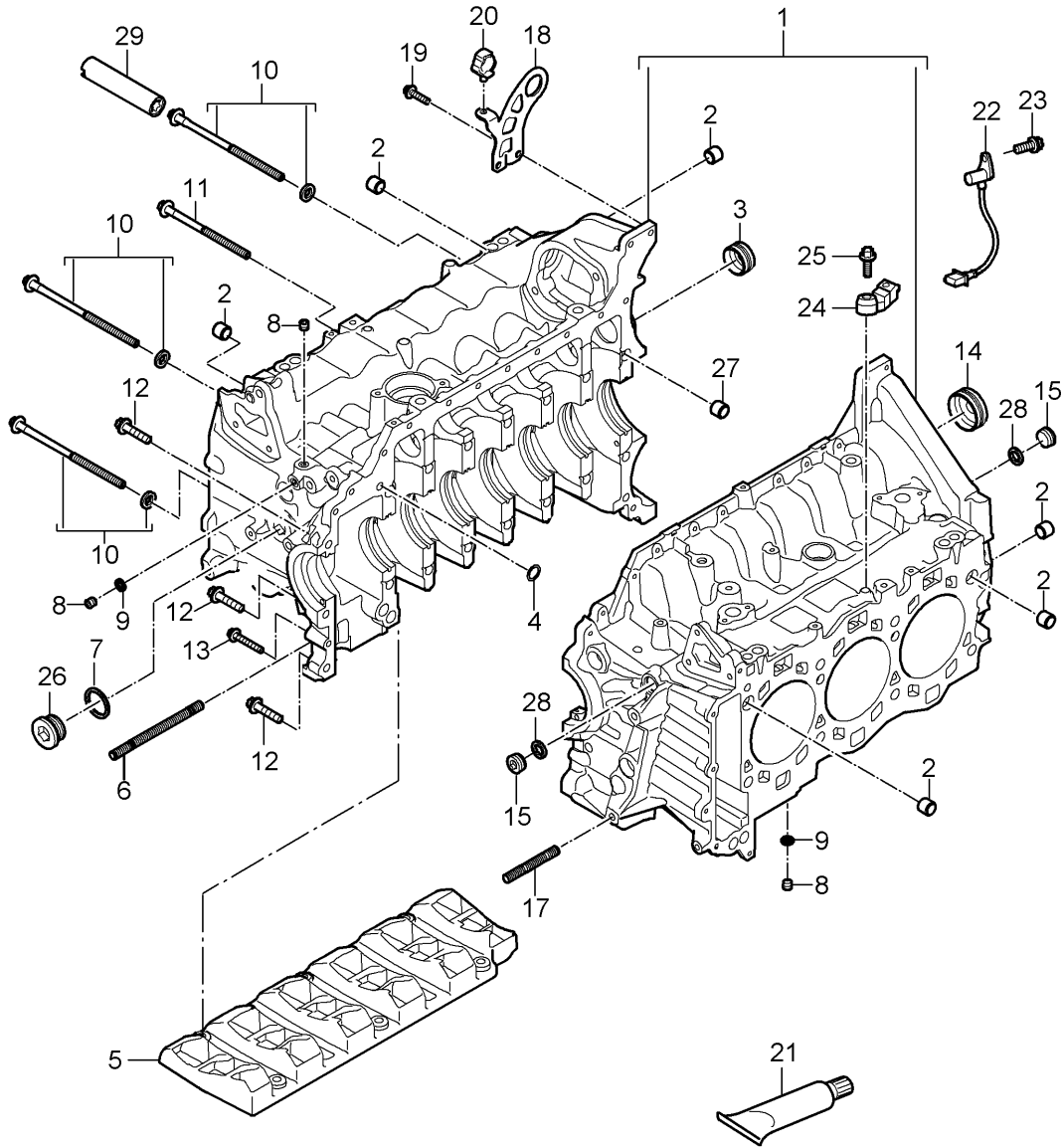
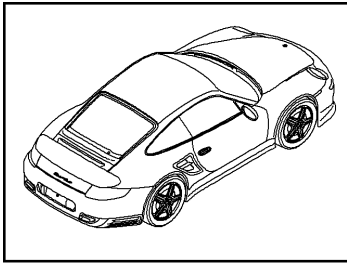
Model: 997T10

Model life 2010>>2013

Pos	Part Number	Description	Remark	Qty	Model
(1)	997 100 970 80	Replacement engine Replacement engine D - MJ 2011>>		1	9770 PR:004,101, 480,152,573
(1)	997 100 970 1X	Replacement engine D - MJ 2011>>		1	PR:004,101, 480,152,573
(1)	997 100 970 81	Replacement engine D - MJ 2011>>		1	PR:004,101, 480,574
(1)	997 100 970 2X	Replacement engine D - MJ 2011>>		1	PR:004,101, 480,574

Model: 997T10

Model life 2010>>2013



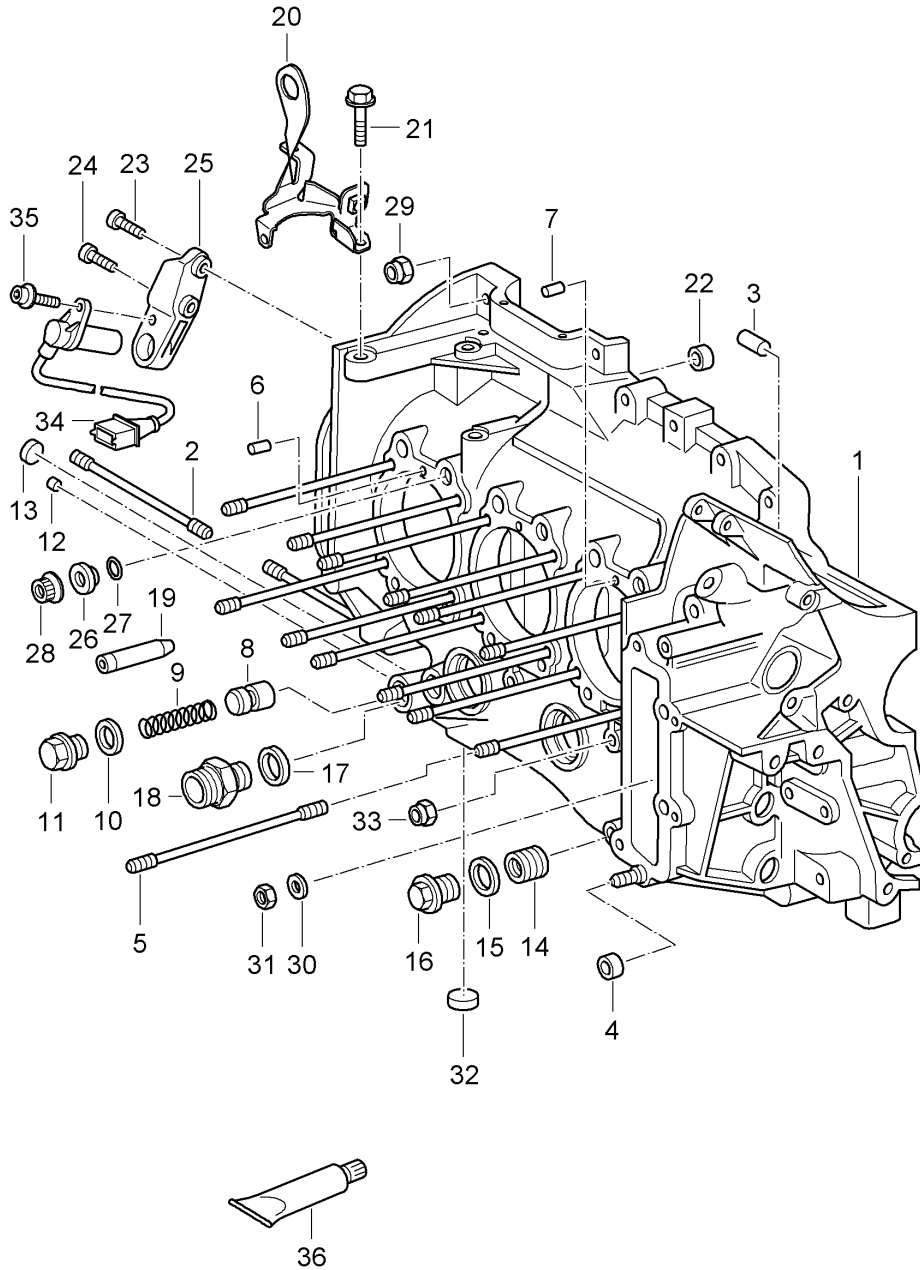
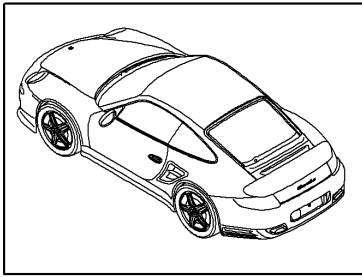
Model: 997T10

Model life 2010>>2013

Pos	Part Number	Description	Remark	Qty	Model
		Crankcase housing			A170
1	9A1 101 939 00	Crankcase housing		1	
2	014 301 153 B	dowel sleeve		6	
3	9A1 101 215 01	End cap		1	
4	999 707 568 40	O-ring		1	
		12,0 X 3,0			
5		oil separator		1	
		see illustration:	104-002		
6	900 060 108 01	Threaded pin		1	
		M10 X 60			
7	900 123 015 30	seal ring		1	
		A30 X 36			
8	900 219 023 01	sealing plug		4	
		M10 X 1,0			
9	900 123 160 30	seal ring		4	
		10 X 13,5			
10	9A1 101 250 00	Outer hexagon round screw		14	
		M10 X 1,5 X 195			
11	900 385 281 01	Torx screw		1	
		M8 X 120			
12	900 385 042 01	Torx screw		3	
		M8 x 35			
13	900 385 045 01	Torx screw		1	
		M6 X 40			
14	9A1 101 216 01	End cap		1	
15	900 219 019 01	sealing plug		2	
		M20 X 1,5			
17	900 060 108 01	Threaded pin		1	
		M10 x 60			
18	9A1 101 213 00	Transportation shackle		1	
19	900 385 072 01	Torx screw		14	
		M6 X 25			
20	999 507 075 40	Cable holder		1	
21	000 043 207 31	sealant		X	
		80 ML			
22	9A1 606 112 01	impulse sender		1	
23	900 387 264 01	Socket head bolt		2	
		M6 X 16			
		Discontinued part			
23	N 105 464 03	Hexagon socket head bolt		2	
		M6 X 16			
24	997 606 121 00	Knock sensor		2	
25	900 385 042 01	Torx screw		3	
		M8 X 35			
26	900 219 025 30	sealing plug		1	
		M30 x 1,5			
27	996 101 225 50	dowel sleeve		1	
28	900 123 159 30	seal ring		2	
		20 x 24			
29	9A1 101 511 01	reducing piece		12	

Model: 997T10

Model life 2010>>2013



Model: 997T10

Model life 2010>>2013

Pos	Part Number	Description	Remark	Qty	Model
1	996 101 901 75	Crankcase housing Crankcase housing with studs	left	1	9770
2	900 060 096 01	Threaded pin BM 10FO X 105		3	
3	999 501 065 30	Sealing cap 9,2 MM		1	
4	901 101 145 00	dowel sleeve		4	
5	996 101 172 70	Threaded pin		24	
6	900 012 046 00	Cylinder pin A 8,0 X 14		2	
7	900 012 057 00	Cylinder pin A 6,0 X 14		2	
8	911 107 512 00	piston		1	
9	901 107 531 01	Pressure spring		1	
10	900 123 106 30	seal ring A18 X 24		1	
11	999 064 026 01	sealing plug AM 18 X 1,5		1	
12	911 101 186 02	Sealing cap 7,5 X 8,0		1	
(12)	911 101 186 01	Sealing cap oversize 8,5 X 8,0		1	
13	900 036 047 01	End cap A 13		1	
(13)	911 101 182 01	Sealing cap oversize 14,00 X 8,5		1	
14	999 504 127 00	threaded insert 20 X 1,5		1	
15	900 123 118 30	seal ring A 22 X 27		1	
16	944 107 197 03	sealing plug		1	
17	900 123 011 30	seal ring A 22 X 27		1	
18	999 136 044 01	threaded union 18		1	
19	997 101 018 92	Spray jet D = 1,2		6	
(19)	997 101 018 93	Spray jet D = 0,8		6	
20	997 101 251 73	Retaining bar		1	
21	900 074 040 03	Hexagon bolt M 8 X 50		1	
22	901 101 195 00	dowel sleeve		2	
23	900 385 009 01	Torx screw M 6 X 16		1	
24	900 385 270 01	Hexagon head bolt M 6 X 35		1	
25	964 101 187 01	Bracket		1	
26	964 101 313 71	Washer Discontinued part		12	
26	964 101 313 05	Washer		12	
27	999 701 006 41	O-ring 8 X 2		12	
28	959 101 172 70	Nut Discontinued part		12	
28	959 101 172 00	Nut		12	
29	999 084 202 01	Locknut M 8		21	
30	900 025 008 03	Washer A 10,5		1	

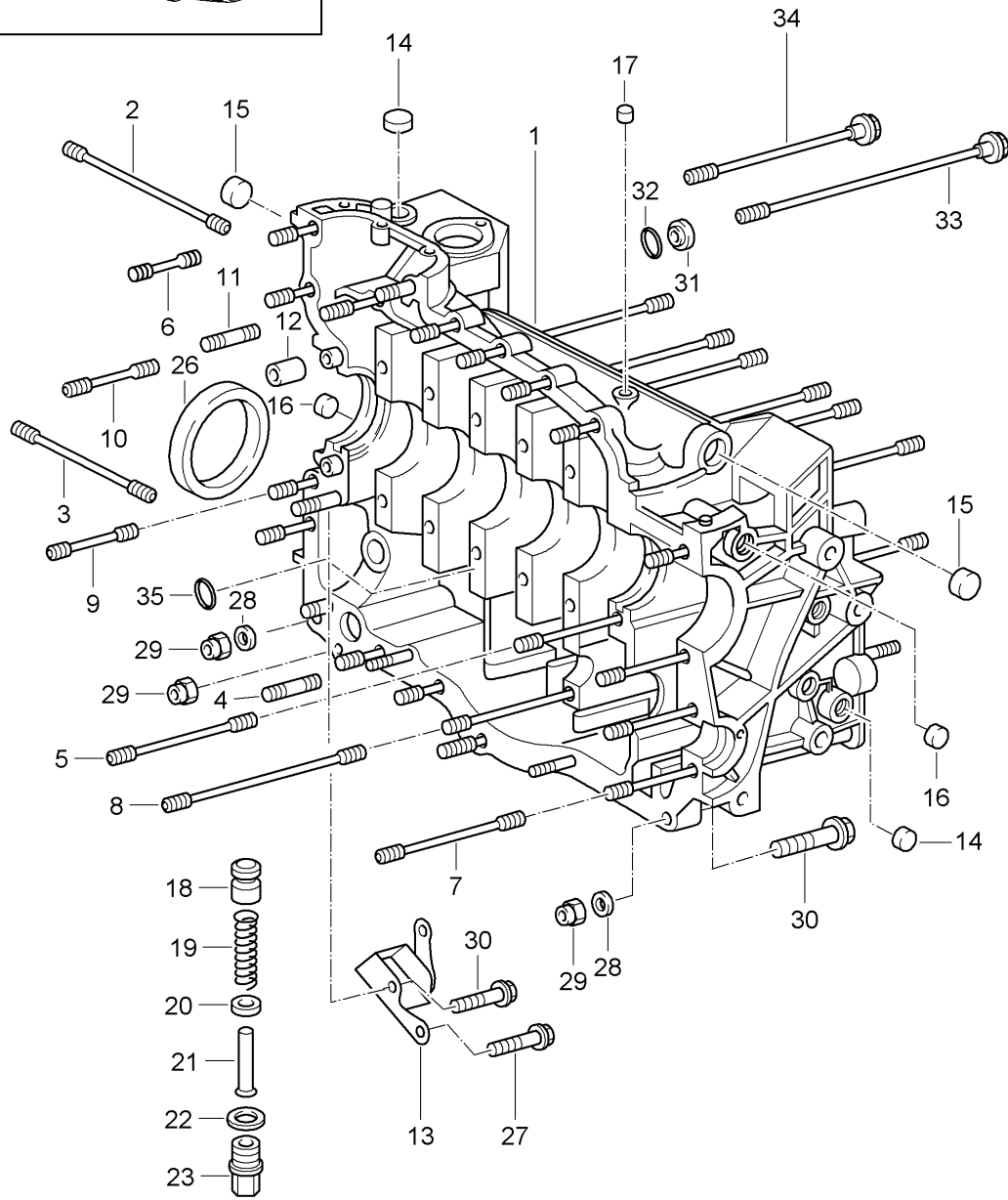
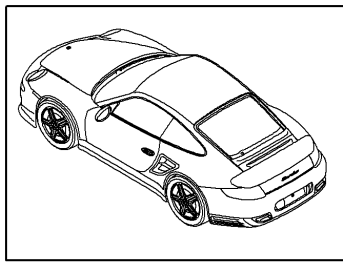
Model: 997T10

Model life 2010>>2013

Pos	Part Number	Description	Remark	Qty	Model
31	999 084 096 02	Locknut M 10 X 1,25 Discontinued part		1	
31	900 910 130 01	Locknut M 10 X 1,25		1	
(32)	911 101 184 01	Sealing cap oversize 20,00 X 13		1	
33	999 084 096 02	Locknut M 10 Discontinued part		1	
33	900 910 130 01	Locknut M 10		1	
34	996 606 105 01	impulse sender Discontinued part		1	
34	996 606 105 02	impulse sender		1	
35	900 387 264 01	Socket head bolt M 6 X 16 Discontinued part		1	
35	N 105 464 03	Hexagon socket head bolt M 6 X 16		1	
36	000 043 204 58	sealant 30 GR. DREI BOND SILIKON 2210 Discontinued part		X	
36	000 043 305 33	sealant 75 ML DOBOSEAL 224N		X	

Model: 997T10

Model life 2010>>2013



Model: 997T10

Model life 2010>>2013

Pos	Part Number	Description	Remark	Qty	Model
1	996 101 901 75	Crankcase housing Crankcase housing with studs	right	1	9770
2	900 060 095 01	Threaded pin BM 10 X 140		1	
3	900 060 096 01	Threaded pin BM 10 X 105		1	
4	900 060 106 01	Threaded pin BM8FO x 22		3	
5	996 101 175 70	Threaded pin		1	
6	900 060 104 01	Threaded pin BM8FO x 32		13	
7	900 060 101 01	Threaded pin BM 8 X 78		3	
8	900 060 099 01	Threaded pin BM 10FO X 110		1	
9	900 060 103 01	Threaded pin BM 8FOX 48		2	
10	900 060 102 01	Threaded pin BM 8FO x 52		1	
11	900 060 105 01	Threaded pin BM 8FO X 28		1	
12	901 101 195 00	dowel sleeve		2	
13	996 101 206 71	Catch hook		1	
(14)	911 101 184 01	Sealing cap oversize 20,00 X 13		2	
15	900 036 046 01	End cap A 22		2	
(15)	911 101 185 01	Sealing cap oversize 23,00 X 9		2	
16	900 036 047 01	End cap A 13		2	
(16)	911 101 182 01	Sealing cap oversize 14,00 X 8,5		2	
17	911 101 186 02	Sealing cap 7,5 X 8,0		1	
(17)	911 101 186 01	Sealing cap oversize 8,50 X 8		2	
18	911 107 512 00	piston		1	
19	930 107 531 01	Pressure spring		1	
20	964 107 532 01	Spacer ring		1	
21	930 107 533 01	guide sleeve		1	
22	900 123 106 30	seal ring A 18 X 24		1	
23	999 064 026 01	sealing plug AM 18 X 1,5		1	
24	900 036 008 03	End cap B 15		1	
25	900 036 029 03	End cap B 16		1	
26	999 113 426 41	Radial shaft seal 90 X 110 X 12		1	
27	900 378 150 01	Hexagon bolt M 8 X 55		1	
28	900 031 105 01	Washer 8,4 X 15 X 1,6		1	
29	999 084 202 01	Locknut M 8		1	
30	900 378 150 01	Hexagon bolt		1	

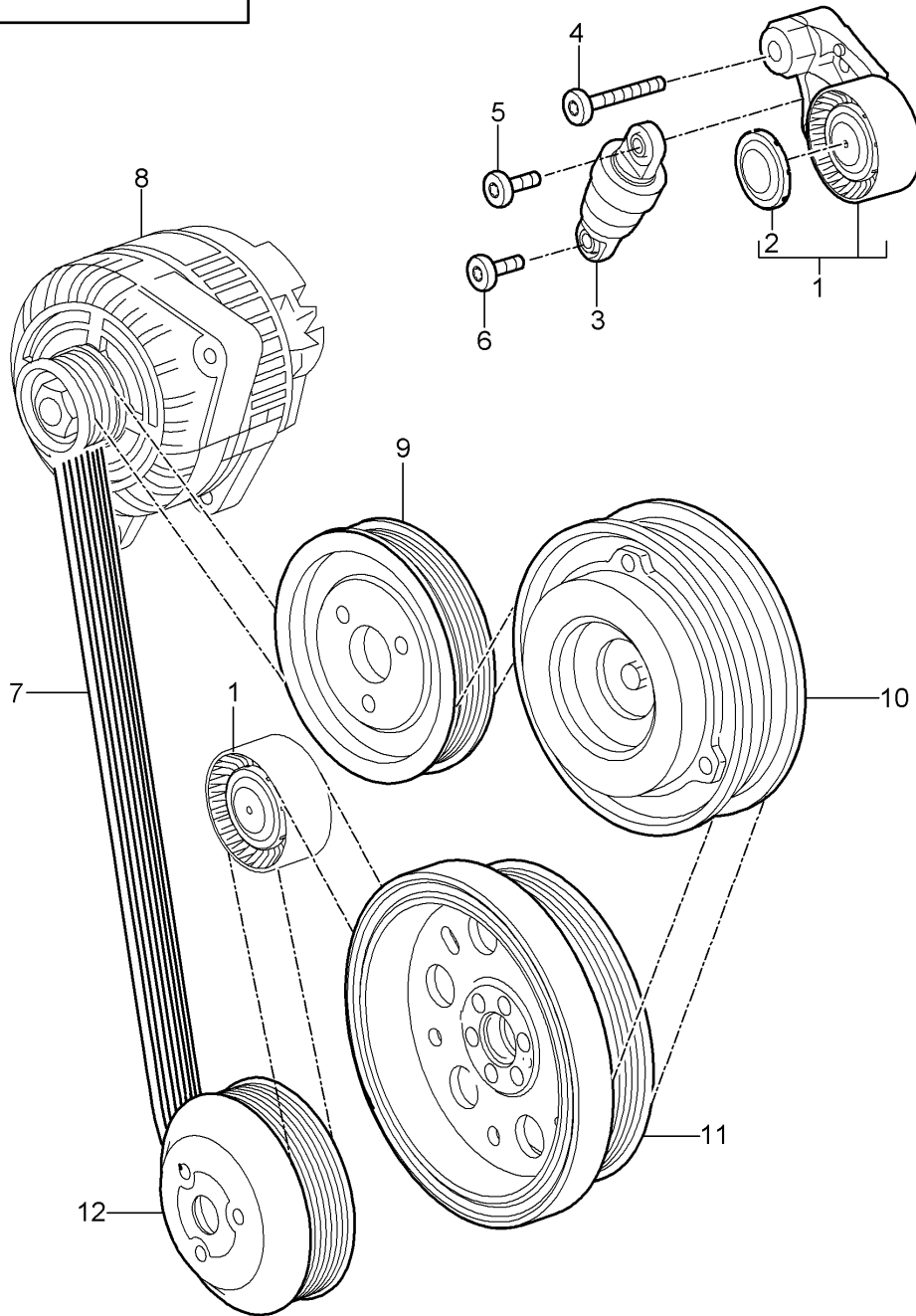
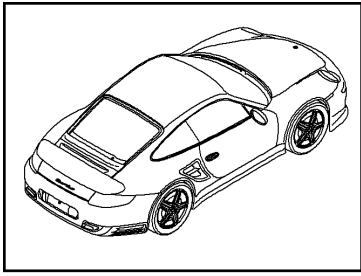
Model: 997T10

Model life 2010>>2013

Pos	Part Number	Description	Remark	Qty	Model
31	964 101 313 71	M 8 X 55 Washer Discontinued part		12	
31	964 101 313 05	Washer		12	
32	999 701 006 41	O-ring 8 X 2		12	
33	959 101 173 70	Screw Discontinued part		11	
33	959 101 173 01	Screw		11	
34	964 101 174 70	Screw Discontinued part		2	
34	964 101 174 00	Screw		2	
35	999 701 596 40	O-ring 8,3 X 2,4		2	

Model: 997T10

Model life 2010>>2013



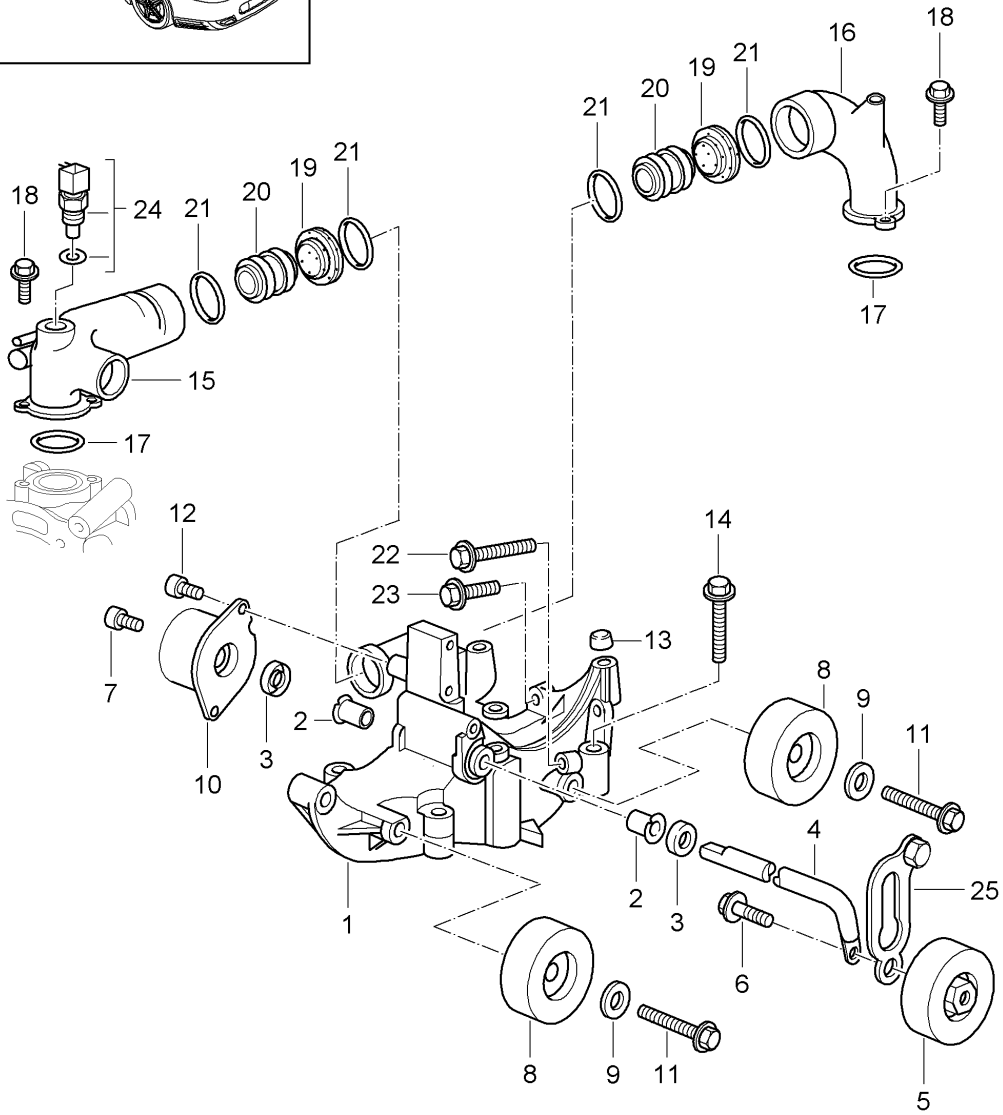
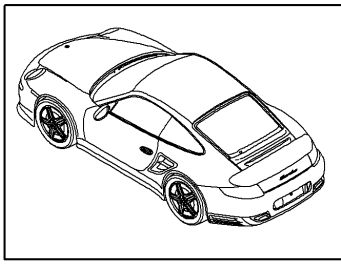
Model: 997T10

Model life 2010>>2013

Pos	Part Number	Description	Remark	Qty	Model
		Belt tensioner			A170
1	9A1 102 211 00	v-belt lever		1	
1	9A2 102 211 00	Tensioning roller lever		1	
		Tensioning roller	also use:		
			9A1 102 212 00		
			999 073 579 01		
			948 102 839 00		
2	948 102 839 00	Protective cap		1	
3	948 102 261 00	tensioner Hydraulic		1	
4	999 073 411 01	Hexagon socket flat head bolt		1	
		M8 X 60			
5	999 073 246 09	Torx screw		1	
		M8 X 33			
6	999 073 412 01	Torx screw		1	
		M8 X 26			
7	9A1 102 216 01	v-belt		1	
8		Alternator		1	
		see illustration:	902-005		
9		pulley		1	
		Power-steering pump			
		see illustration:	403-003		
10		pulley		1	
		Compressor			
		see illustration:	813-015		
11		pulley		1	
		Crankshaft			
		see illustration:	102-000		
12		pulley		1	
		Coolant pump			
		see illustration:	105-000		

Model: 997T10

Model life 2010>>2013



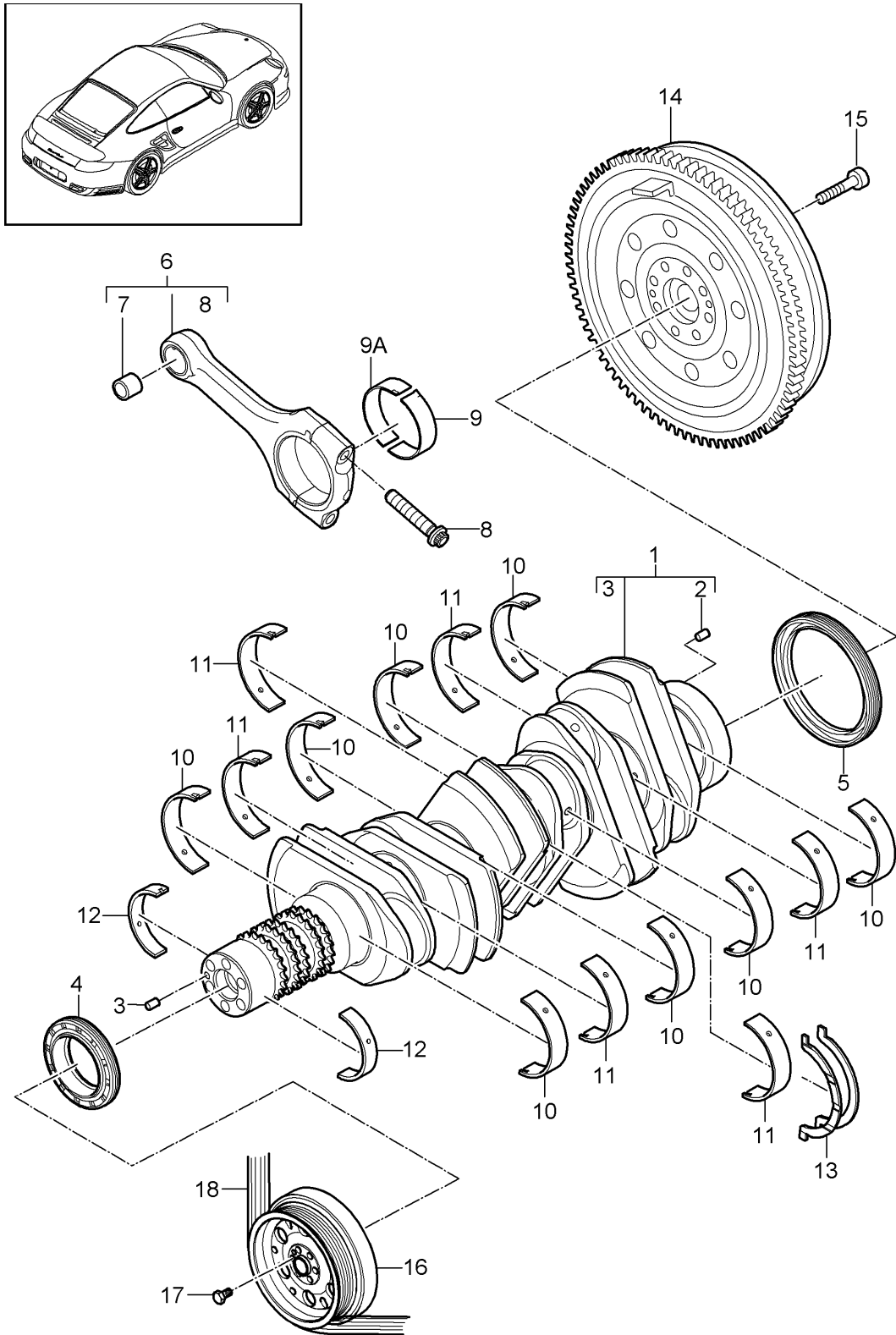
Model: 997T10

Model life 2010>>2013

Pos	Part Number	Description	Remark	Qty	Model
		Belt tensioner			9770
		Belt drive			
1	996 115 112 70	Console		1	
2	997 102 167 00	Bush		2	
3	996 102 365 50	dust cap		2	
4	996 115 913 71	lever		1	
5	996 115 016 72	Tensioning roller		1	
6	999 072 039 01	Hexagon bolt M 10 X 30		1	
7	900 067 117 05	Socket head bolt M 6 X 16		1	
8	996 115 015 75	idler pulley		X	
8	996 115 015 75	idler pulley		X	PR:573,101
		D - MJ 2011>>			
(8)	997 102 118 70	idler pulley		1	PR:574,101
		D - MJ 2011>>			
9	996 102 125 53	Cover disc		2	
10	996 115 221 72	tensioner		1	
11	900 385 120 01	Hexagon socket head bolt M 10 X 55		2	
12	900 067 131 03	Socket head bolt M 8 X 16		2	
13	999 095 063 01	dowel sleeve 11 M 6 X 10		X	
14	900 385 004 01	Torx screw AM 10 X 60		4	
15	997 106 039 72	connection piece		1	
16	997 106 440 70	connection piece		1	
17	999 707 410 40	O-ring 39,20 X 3,00		2	
18	900 385 019 01	Torx screw M 6 X 20		4	
19	996 106 214 70	protective ring		2	
20	996 106 238 71	Connector union		2	
21	999 707 411 40	O-ring 28,00 X 4,50		4	
22	900 385 036 01	Hexagon socket head bolt M 8 X 55		1	
23	900 385 098 01	Torx screw M 8 X 25		2	
24	997 606 420 00	Temperature sensor		1	
25	996 115 213 71	Follower		1	
26	9A1 102 290 01	Cover v-belt see Quick Information: SY 2513		1	
27	9A1 102 295 01	Bracket Cover		1	
28	9A1 110 292 01	Bracket Throttle valve		1	
29	900 385 009 01	Torx screw M 6 X 16		2	

Model: 997T10

Model life 2010>>2013



Model: 997T10

Model life 2010>>2013

Pos	Part Number	Description	Remark	Qty	Model
		Crankshaft			A170
1	9A1 102 077 70	Crankshaft		1	
2	900 095 031 00	Spring pin 6,0 X 16		1	
3	900 302 016 00	Cylinder pin A 6,0 X 16		1	
4	9A1 101 222 02	Shaft oil seal 52,5 X 9		1	
5	997 101 212 01	Shaft oil seal 85 x 105 x 11		1	
6	9A1 103 917 03	Connecting rod Set comprising: Connecting rods		1	
8	9A1 103 115 02	bolt - connecting rod M 10 X 1,25 X 51		6 12	
9	9A1 103 053 00	connecting rod bearing shell Identification: >> >> red		6	
(9)	9A1 103 053 01	connecting rod bearing shell Identification: >> >> yellow		6	
(9)	9A1 103 053 02	connecting rod bearing shell Identification: >> >> blue		6	
9A	9A1 103 073 03	connecting rod bearing shell Identification: >> >> red		6	
9A	9A1 103 073 04	connecting rod bearing shell Identification: >> >> yellow		6	
9A	9A1 103 073 07	Discontinued part connecting rod bearing shell Identification: >> >> yellow		6	
9A	9A1 103 073 05	connecting rod bearing shell Identification: >> >> blue		6	
10	9A1 101 064 00	crankshaft bearing Identification: >> >> red		8	
(10)	9A1 101 064 01	crankshaft bearing Identification: >> >> yellow		8	
(10)	9A1 101 064 02	crankshaft bearing Identification: >> >> blue		8	
11	9A1 101 063 00	crankshaft bearing with: Partial-groove Identification: >> >> red		6	
(11)	9A1 101 063 01	crankshaft bearing with: Partial-groove Identification: >> >> yellow		6	
(11)	9A1 101 063 02	crankshaft bearing with: Partial-groove Identification: >> >> blue		6	
12	9A1 101 052 00	crankshaft bearing		2	

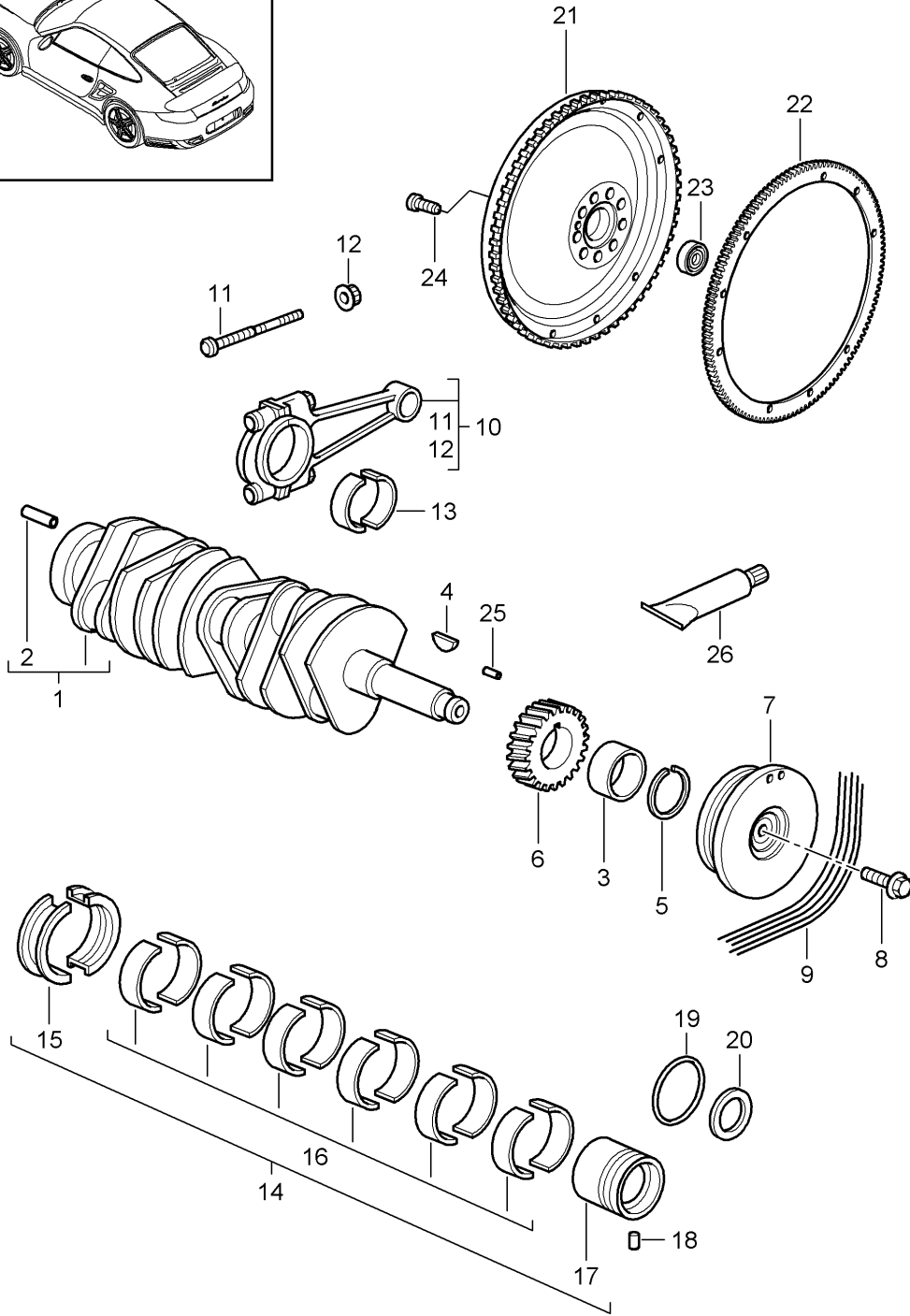
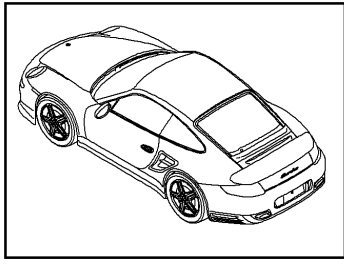
Model: 997T10

Model life 2010>>2013

Pos	Part Number	Description	Remark	Qty	Model
(12)	9A1 101 052 01	Identification: >> >> red crankshaft bearing		2	
(12)	9A1 101 052 02	Identification: >> >> yellow crankshaft bearing		2	
13	996 101 132 00	Identification: >> >> blue thrust washer D = 63		2	
14	9G1 114 012 51	Dual-mass flywheel		1	PR:480
(14)	9G1 114 020 51	Dual-mass flywheel		1	PR:250
15	N 906 651 01	Socket head bolt with inner multipoint head M 10 X 1 X 29		10	PR:250
15	999 119 033 01	Socket head bolt M 10 X 1 X 57 Discontinued part		10	PR:480
15	999 119 037 01	Socket head bolt M 10 X 1 X 57		10	PR:480
16	9A1 102 146 02	pulley		1	
		with:			
17	900 385 127 01	vibration damper Hexagon head bolt M 8 X 25		6	
18		v-belt		1	
		see illustration:	101-010		

Model: 997T10

Model life 2010>>2013



Model: 997T10

Model life 2010>>2013

Pos	Part Number	Description	Remark	Qty	Model
		Crankshaft			9770
1	997 102 021 77	Crankshaft		1	
2	900 095 031 00	Spring pin 6 X 16		1	
3	959 102 321 00	Intermediate ring		1	
4	901 102 147 00	woodruff key		1	
5	901 102 148 00	Securing ring Number 0		1	
5	901 102 148 01	Securing ring Number 1		1	
5	901 102 148 02	Securing ring Number 2		1	
5	901 102 148 03	Securing ring Number 3		1	
6		see illustration:	103-017	1	
7	996 102 017 72	pulley		1	
8	999 217 128 02	Hexagon bolt M 14 X 1,5 X 33		1	
9	999 192 379 50	Poly-rib belt		1	PR:573
(9)	997 102 151 70	Poly-rib belt		1	PR:574,101
10	997 103 920 70	Connecting rod		1	
		Connecting rods comprising:			
		Connecting rods		6	
10	997 103 921 70	Connecting rod		1	PR:004,101
		Connecting rods comprising:			
		Connecting rods		6	
11	996 103 176 70	bolt - connecting rod		12	
12	993 103 174 02	Connecting rod nut		12	
13	997 103 901 00	1 set: conrod bearings		6	
14	997 101 901 00	1 set: crankshaft bearings		1	
15	996 101 231 92	Thrust bearing I		2	
16	996 101 232 92	Main bearing II-VII Discontinued part		12	
16	996 101 232 95	Main bearing II-VII		12	
17	964 101 138 01	Bearing bush VIII		1	
18	900 012 061 00	Cylinder pin 5 H 8 X 10		1	
19	999 707 285 41	O-ring 51 X 4,5		1	
20	999 113 290 41	Radial shaft seal 30 X 50 X 10		1	
21	964 102 239 81	flywheel		1	
22	964 114 143 31	Crown gear		1	
23	931 102 111 00	grooved ball bearing Discontinued part		1	
23	931 102 111 02	grooved ball bearing		1	
24	928 102 151 01	Socket head bolt M 10 X 1,25 X 24		9	
25	900 302 046 01	Cylinder pin M 5 X 18		1	
26	000 043 300 21	Grease 100 Gr. for Titanium		1	
(26)	000 043 024 00	bolt - connecting rod Extreme-pressure grease 1 tube		1	

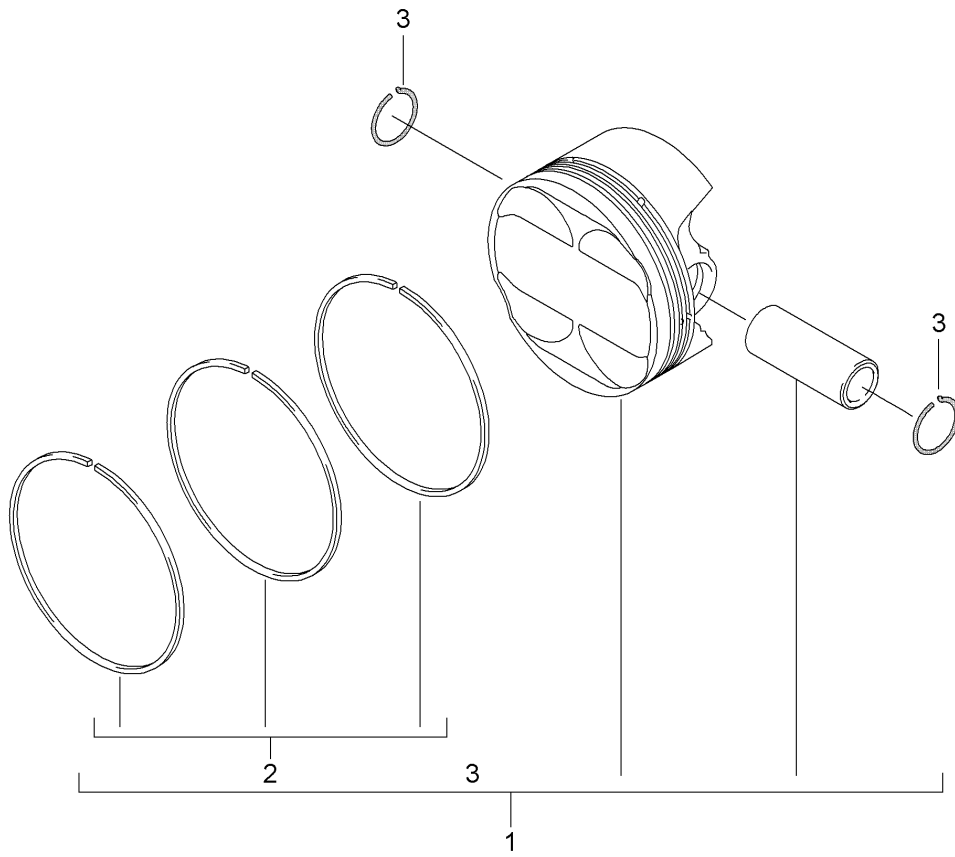
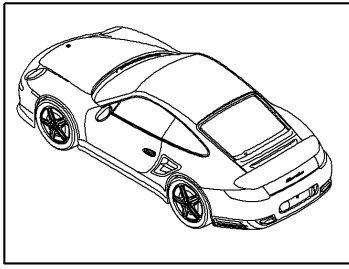
Model: 997T10

Model life 2010>>2013

Pos	Part Number	Description	Remark	Qty	Model
		80 Gr. for connecting rod bearing shell			

Model: 997T10

Model life 2010>>2013



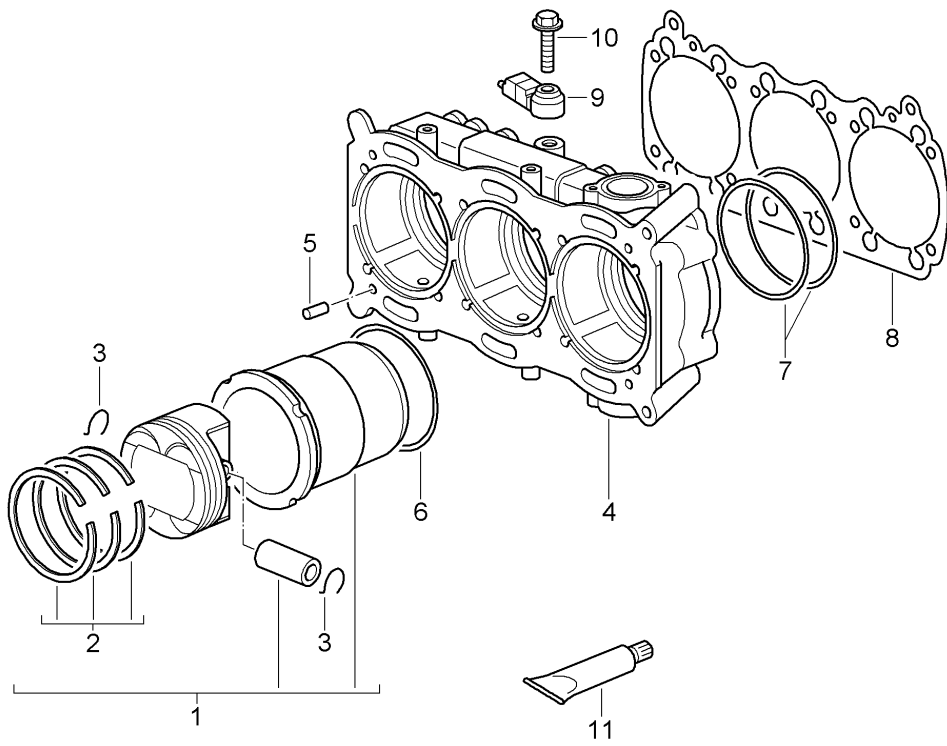
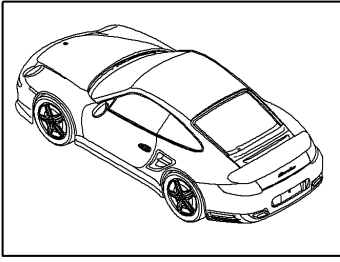
Model: 997T10

Model life 2010>>2013

Pos	Part Number	Description	Remark	Qty	Model
1	9A1 103 039 73	piston piston Tolerance range X		6	A170
2	9A1 103 075 02	1 set: piston rings		6	
3	9A1 103 241 01	Securing ring		12	

Model: 997T10

Model life 2010>>2013



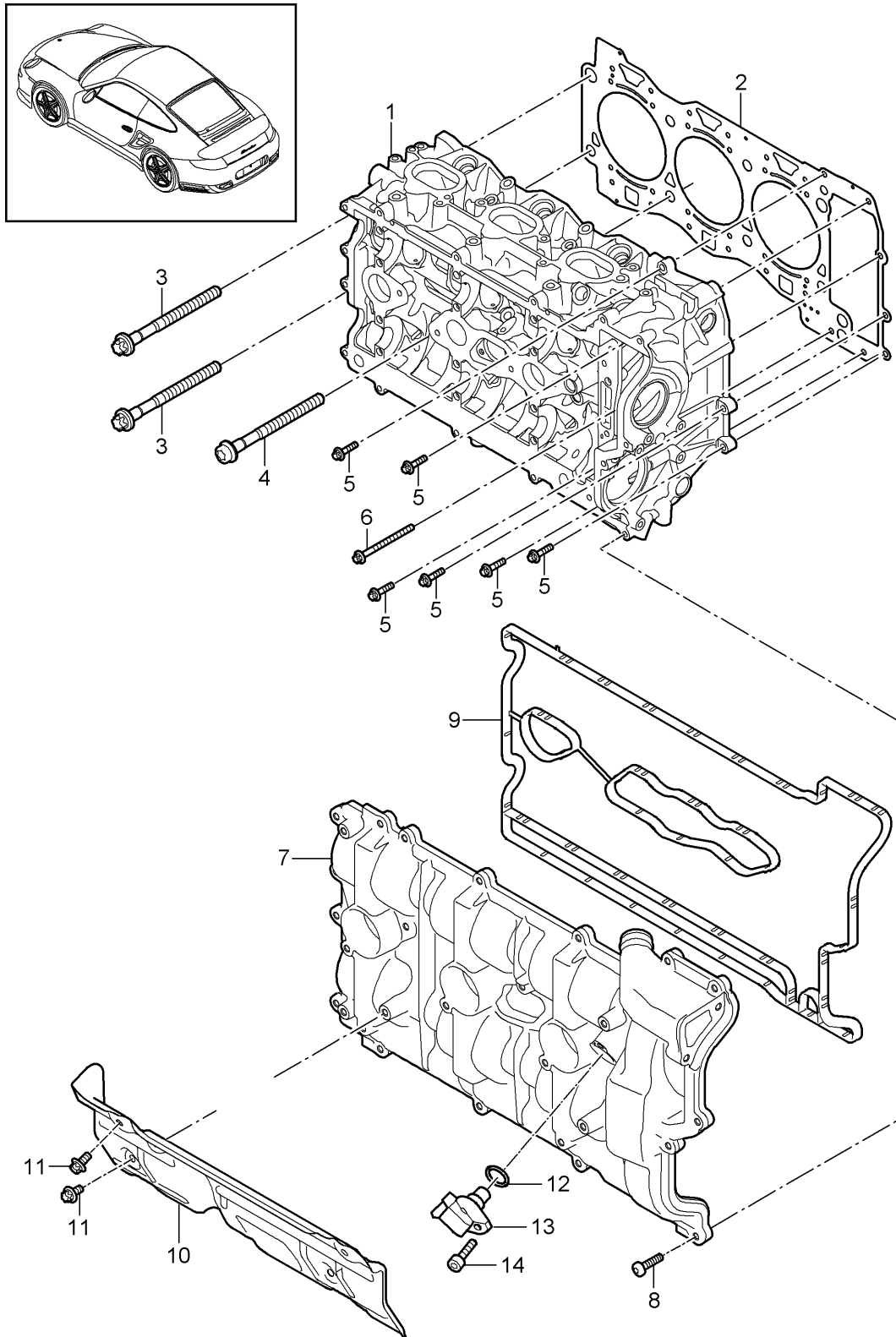
Model: 997T10

Model life 2010>>2013

Pos	Part Number	Description	Remark	Qty	Model
1	997 103 915 71	Cylinder with pistons Cylinder with pistons Number plate /- 564 - 570 G		6	9770
(1)	997 103 916 71	Cylinder with pistons Number plate /+ 570 - 576 G		6	
2	997 103 071 70	1 set: piston rings		6	
3	999 178 016 00	snap ring		12	
4	997 101 311 70	housing		2	
5	900 012 046 00	Cylinder pin A 8,0 X 14		8	
6	999 707 393 40	O-ring 104,00 X 2,00		6	
7	999 707 394 40	O-ring 110,00 X 2,50		12	
8	997 101 193 71	Cylinder base gasket		2	
9	997 606 121 00	Knock sensor		2	
10	900 385 042 01	Torx screw M 8 X 35		2	
11	000 043 205 10	Grease 80 GR.		1	

Model: 997T10

Model life 2010>>2013

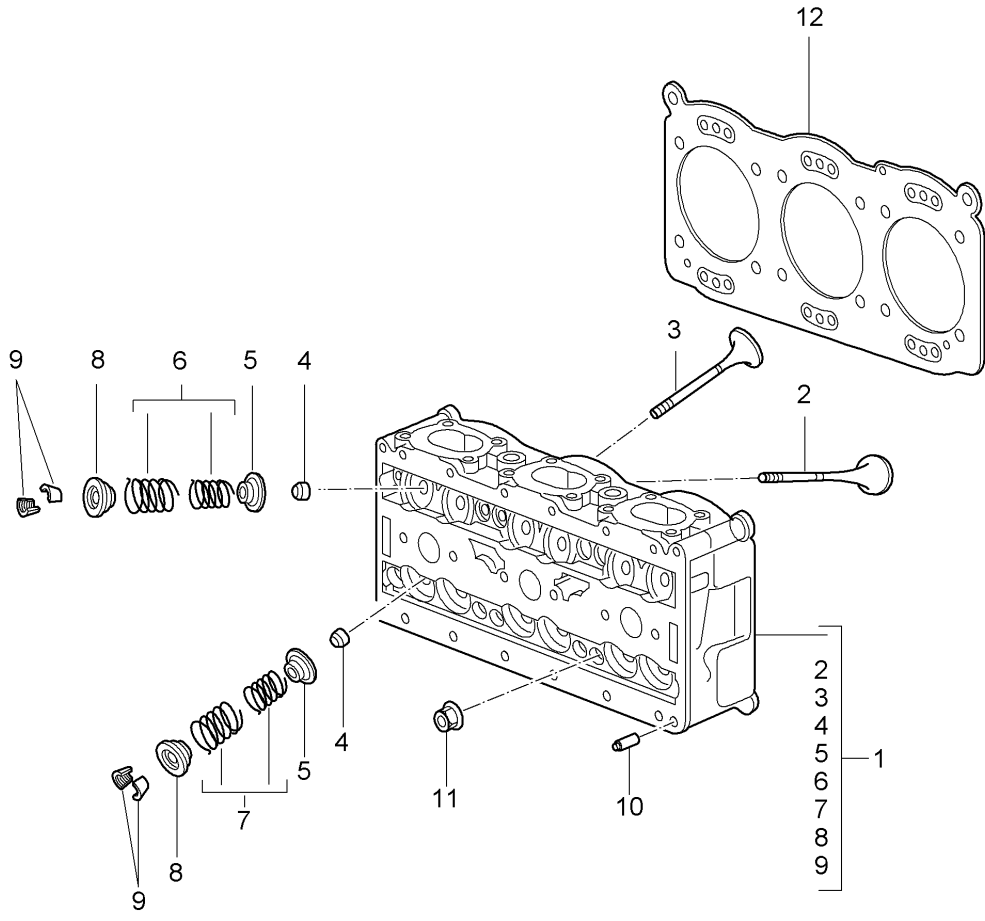
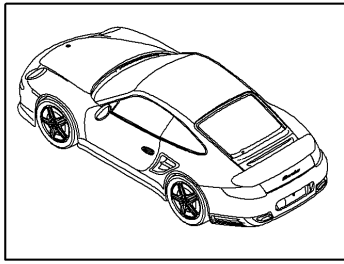


Model: 997T10 Model life 2010>>2013

Pos	Part Number	Description	Remark	Qty	Model
		Cylinder head with: Valves Cylinder head gasket Valve cover			A170
1	9A1 104 909 00	Cylinder head Cyl. 1 - 3		1	
(1)	9A1 104 910 00	Cylinder head Cyl. 4 - 6		1	
2	9A1 104 147 03	Cylinder head gasket Cyl. 1 - 3		1	
(2)	9A1 104 146 03	Cylinder head gasket Cyl. 4 - 6		1	
3	9A1 104 191 00	Torx screw M12 X 1,5 X 140		4	
4	9A1 104 191 02	Torx screw M12 X 1,5 X 140		12	
5	900 385 072 01	Torx screw M6 X 25		10	
6	900 385 108 02	Torx screw M6 X 80		2	
7	9A1 105 231 04	Valve cover Cyl. 1 - 3		1	
(7)	9A1 105 232 04	Valve cover Cyl. 4 - 6		1	
8	9A1 107 313 00	Torx screw M6 X 25		40	
9	9A1 105 731 03	Seal Valve cover Cyl. 1 - 3		1	
(9)	9A1 105 732 03	Seal Valve cover Cyl. 4 - 6		1	
10	9A1 104 309 71	Heat insulation Cyl. 1 - 3		1	
10	9A1 104 309 72	D >> - MJ 2010 Heat insulation Cyl. 1 - 3		1	
(10)	9A1 104 310 70	D - MJ 2011>> Heat insulation Cyl. 4 - 6		1	
11	900 385 041 01	Torx screw M6 X 12		4	
12	999 707 404 40	O-ring 17,05 X 1,78		2	
		To Use 997.606.106.03			
		To Use 997.606.106.03			
		No longer use the part here			
13	997 606 106 03	Hall sensor		2	
14	900 387 264 01	Socket head bolt M 6 X 16		2	
14	N 105 464 03	Discontinued part Hexagon socket head bolt M 6 X 16		2	

Model: 997T10

Model life 2010>>2013



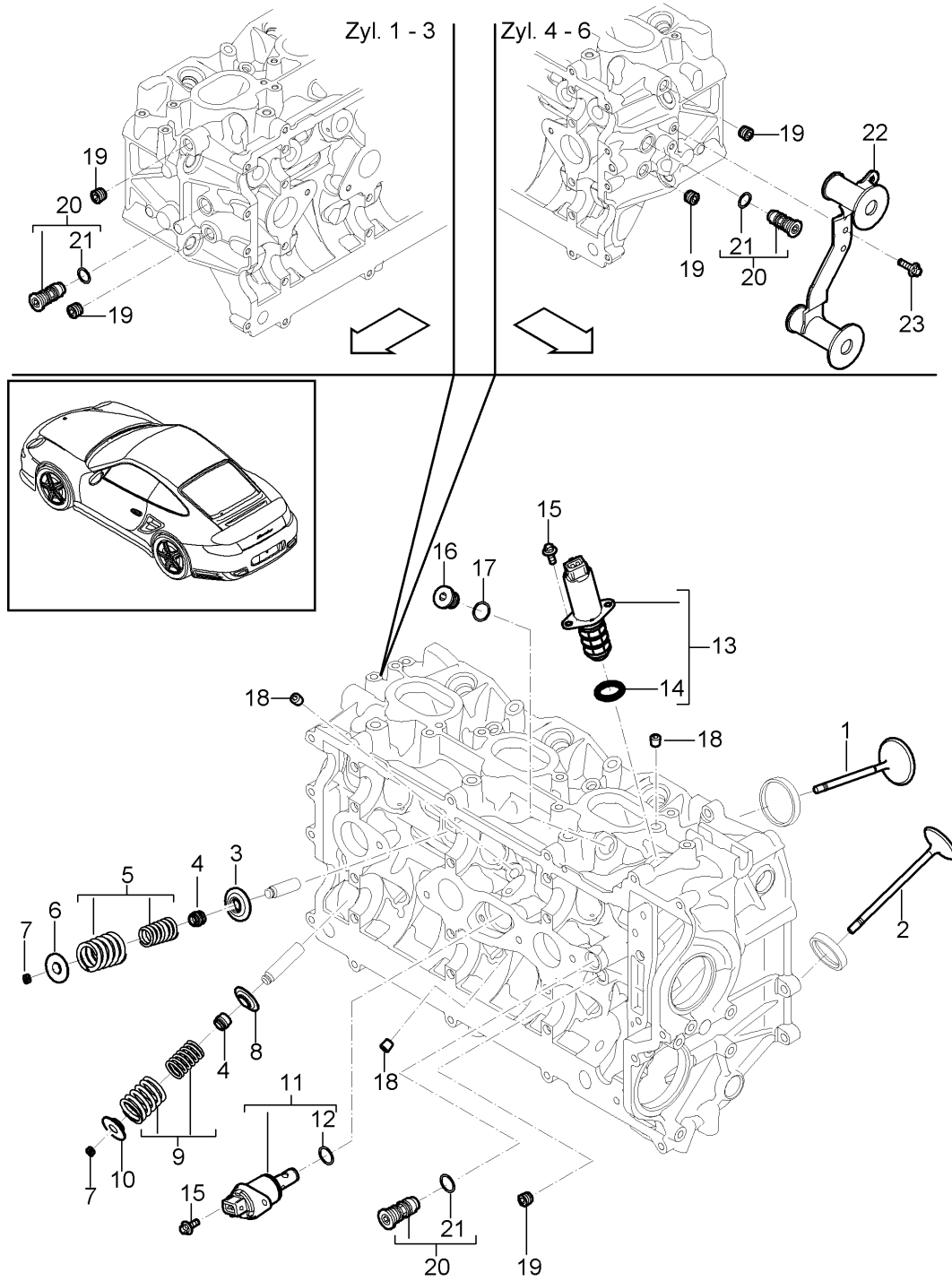
Model: 997T10

Model life 2010>>2013

Pos	Part Number	Description	Remark	Qty	Model
1	997 104 001 72	Cylinder head Cylinder head Ready for installation		2	9770
2	996 105 111 72	Inlet valve		12	
3	996 105 113 72	exhaust valve		12	
4	996 105 115 52	Valve stem seal		24	
5	996 105 117 74	spring disc		24	
6	996 105 093 70	1 set of valve springs		12	
7	997 105 025 71	1 set of valve springs		12	
8	996 105 121 73	spring disc		24	
9	996 105 123 52	cotter, split		48	
10	900 012 046 00	Cylinder pin		4	
11	996 104 382 71	Cylinder head nut		24	
12	997 104 170 71	Cylinder head gasket		2	

Model: 997T10

Model life 2010>>2013



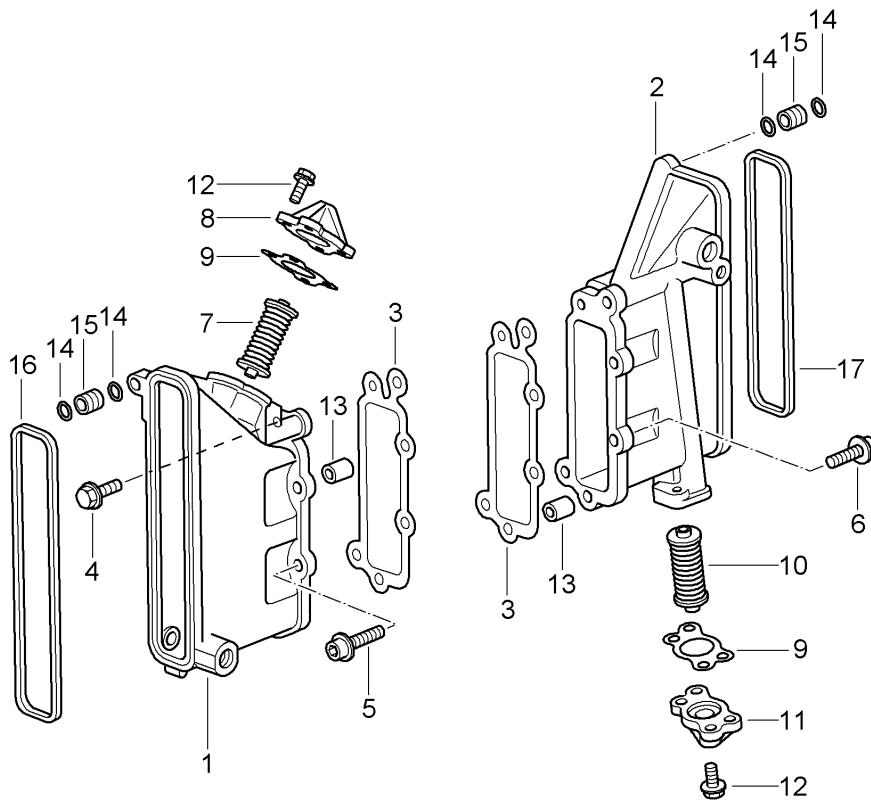
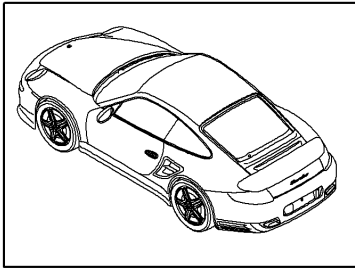
Model: 997T10

Model life 2010>>2013

Pos	Part Number	Description	Remark	Qty	Model
		Cylinder head Accessories Valves			A170
1	9A1 105 312 02	Inlet valve		12	
2	9A1 105 326 00	exhaust valve		12	
3	948 105 151 01	spring disc Intake	lower	12	
4	996 105 115 52	Valve stem seal		24	
5	948 105 094 00	1 set of valve springs Intake		12	
6	948 105 150 01	spring disc Intake	upper	12	
7	996 105 123 52	cotter, split		48	
8	9A1 105 253 70	spring disc Exhaust	lower	12	
9	9A1 105 115 70	1 set of valve springs Set Exhaust		12	
10	9A1 105 252 70	spring disc Exhaust	upper	12	
11	9A1 105 308 02	throttle control element VVS		2	
12	900 331 057 40	O-ring 11,2 X 2,65		2	
13	9A1 105 304 02	throttle control element NVS		2	
13	9A1 105 304 03	Discontinued part throttle control element NVS		2	
13	9A1 105 304 04	Discontinued part throttle control element NVS		2	
14	999 707 446 40	O-ring 18 X 2,5		2	
15	900 385 112 01	Torx screw M 5 X 12		8	
15	999 073 650 01	Torx screw	M5X12	1	
16	900 219 002 03	sealing plug		1	
17	900 123 104 30	seal ring 14 X 18		2	
18	999 063 035 02	sealing plug M 8 X 1,0 Cyl. 1 - 3		3	
(18)	999 063 035 02	sealing plug M 8 X 1,0 Cyl. 4 - 6		4	
20	9A1 104 250 00	choke		4	
21	999 707 577 40	O-ring 10 x 2,5N		4	
22	9A1 104 370 01	Distance piece Cyl. 4 - 6		1	
22	9A1 104 272 01	Discontinued part Distance piece Cyl. 4 - 6		1	
23	900 385 019 01	Torx screw M 6 x 20		2	
24	9A1 104 371 00	sound absorber piece		2	

Model: 997T10

Model life 2010>>2013



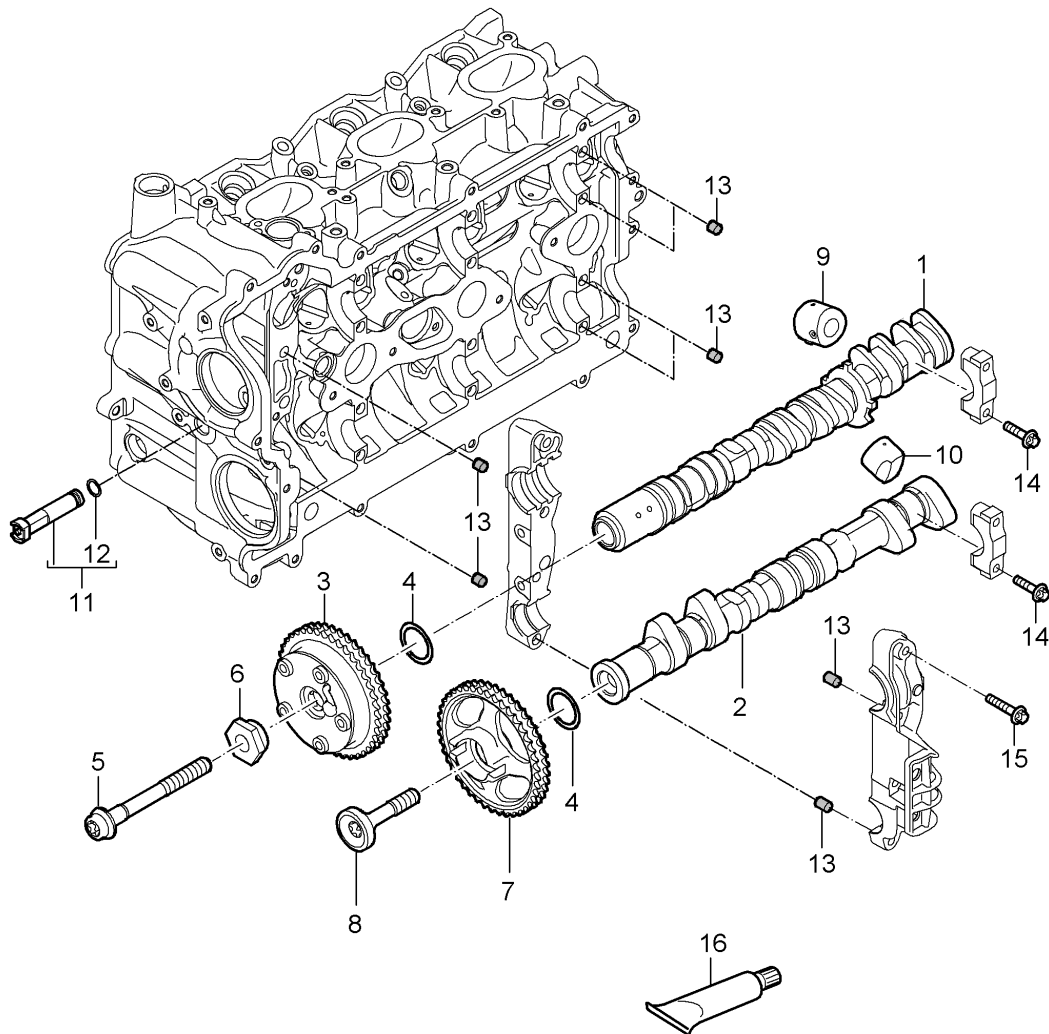
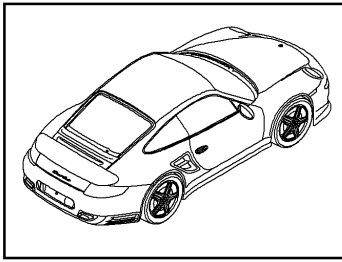
Model: 997T10

Model life 2010>>2013

Pos	Part Number	Description	Remark	Qty	Model
		Chain case chain tensioner			9770
1	997 105 143 70	Chain case	left	1	
2	997 105 144 72	Chain case	right	1	
3	996 105 192 71	Seal		2	
4	900 385 098 01	Torx screw AM 8 X 25		1	
5	900 067 276 01	Bolt with washer M 8 X 35		4	
6	900 067 247 01	Bolt with washer M 8 X 30		5	
7	997 105 061 70	chain tensioner	left	1	
8	997 105 023 71	Cover	left	1	
9	996 105 172 70	Seal		2	
10	997 105 062 70	chain tensioner	right	1	
11	993 105 022 01	Cover	right	1	
12	900 385 019 01	Torx screw M 6 X 20		4	
13	901 101 145 00	dowel sleeve		4	
14	999 707 229 40	O-ring 9,25 x 1,78		4	
15	996 105 229 90	Intermediate piece		2	
16	996 105 513 72	Seal	left	1	
17	996 105 514 72	Seal	right	1	

Model: 997T10

Model life 2010>>2013



Model: 997T10

Model life 2010>>2013

Pos	Part Number	Description	Remark	Qty	Model
		Camshaft Hydraulic tappet camshaft adjuster unit			A170
1	9A1 105 013 74	Camshaft Intake Cyl. 1 - 3 Discontinued part		1	
1	9A1 105 013 75	Camshaft Intake Cyl. 1 - 3		1	
(1)	9A1 105 014 74	Camshaft Intake Cyl. 4 - 6 Discontinued part		1	
(1)	9A1 105 014 75	Camshaft Intake Cyl. 4 - 6		1	
2	9A1 105 215 73	Camshaft Exhaust Cyl. 1 - 3 Discontinued part		1	
2	9A1 105 215 74	Camshaft Exhaust Cyl. 1 - 3		1	
(2)	9A1 105 216 73	Camshaft Exhaust Cyl. 4 - 6 Discontinued part		1	
(2)	9A1 105 216 74	Camshaft Exhaust Cyl. 4 - 6		1	
3	9A1 105 052 01	camshaft adjuster unit		2	
4	9A1 105 403 02	Washer for camshaft camshaft adjuster unit		4	
5	9A1 105 254 02	Torx screw M12 X 50		2	
6	9A1 105 245 00	Sleeve camshaft adjuster unit		2	
7	9A1 105 147 02	Chain sprocket Camshaft Exhaust Cyl. 1 - 3		1	
7	9A1 105 148 02	Chain sprocket Camshaft Exhaust Cyl. 4 - 6		1	
8	9A1 105 255 01	Torx screw Discontinued part		2	
8	9A1 105 255 02	Torx screw		2	
9	9A1 105 070 03	Hydraulic tappet Intake		12	
10	9A1 105 071 00	Hydraulic tappet Exhaust		12	
11	9A1 104 402 02	oil pipe Cyl. 4 - 6		1	
12	999 707 576 40	O-ring 7,0 X 2,5		1	
13	999 095 075 01	dowel sleeve 8 x 7		32	
14	999 073 450 02	Outer hexagon round screw M 6 X 37		24	
15	900 385 111 01	Torx screw M 6 X 55		8	

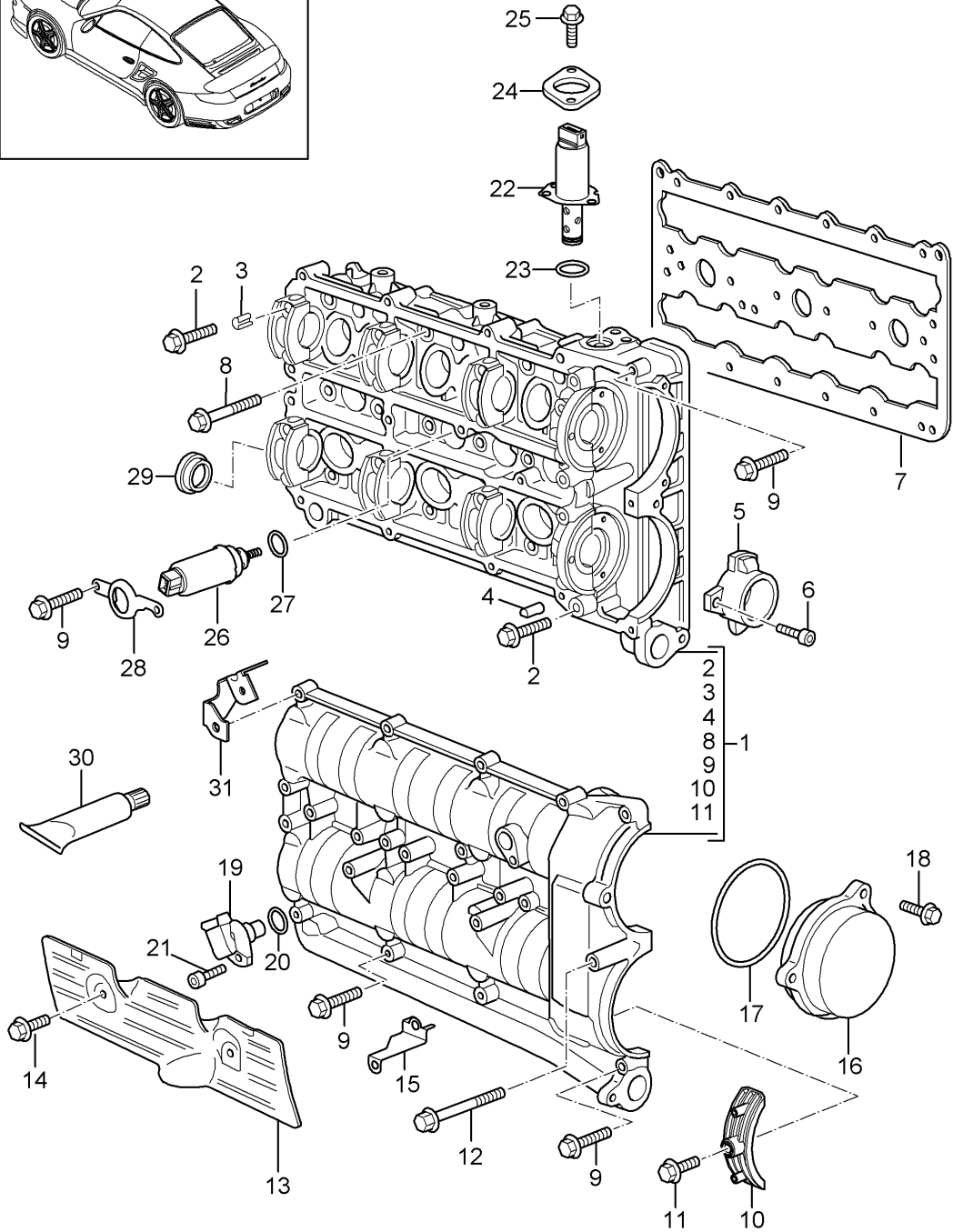
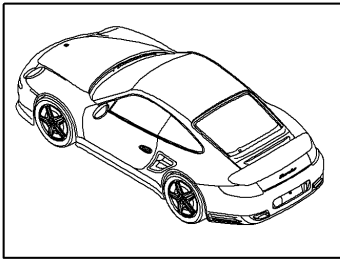
Model: 997T10

Model life 2010>>2013

Pos	Part Number	Description	Remark	Qty	Model
16	000 043 024 00	Extreme-pressure grease 1 tube 80 Gr. for Camshaft		1	

Model: 997T10

Model life 2010>>2013



Model: 997T10

Model life 2010>>2013

Pos	Part Number	Description	Remark	Qty	Model
1	997 105 929 70	Camshaft housing	left	1	9770
(1)	997 105 930 70	Camshaft housing Cyl. 1 - 3	right	1	
2	900 385 048 01	Torx screw M 6 X 30		40	
3	944 104 361 00	dowel sleeve		24	
4	900 012 071 00	Cylinder pin A 4,0 X 8		4	
5	996 105 233 73	Oil-conducting housing	left	1	
(5)	996 105 234 73	Oil-conducting housing	right	1	
6	900 067 051 03	Socket head bolt M 5 X 10		6	
7	996 105 613 75	Seal	left	1	
(7)	996 105 614 75	Seal	right	1	
8	900 385 071 01	Torx screw M 8 X 50		36	
9	900 385 270 01	Hexagon head bolt M 6 X 35		28	
10	997 105 311 70	Glide piece		2	
11	999 385 005 02	Torx screw M 6 X 16		2	
12	900 385 118 01	Outer hexagon round screw M 6 X 75		2	
13	997 104 426 70	Guard plate	right	1	
13	997 104 426 71	Guard plate	right	1	PR:004,101
(13)	997 104 427 70	Guard plate	left	1	
(13)	997 104 427 71	Guard plate	left	1	PR:004,101
14	900 385 041 01	Torx screw M 6 X 12		4	
15	997 104 425 70	Bracket	right	1	
16	997 105 315 71	Cover		2	
17	999 707 482 41	O-ring 90,00 X 2,50		2	
18	900 385 019 01	Torx screw M 6 X 20		6	
19	997 606 106 03	Hall sensor		2	
20	999 707 404 40	O-ring 17,05 X 1,78		2	
		To Use 997.606.106.03 No longer use the part here			
21	900 387 264 01	Socket head bolt M 6 X 16		2	
21	N 105 464 03	Discontinued part Hexagon socket head bolt M 6 X 16		2	
22	997 105 303 72	throttle control element Camshaft		2	
(22)	997 105 303 73	Discontinued part throttle control element Camshaft		2	
23	996 105 903 05	O-ring 18,72 X 2,62		2	
24	997 105 305 75	bracket f.throttle contr.elem. Camshaft		2	
25	900 385 275 01	Torx screw M 6 X 20		4	
26	996 105 301 04	throttle control element Valve		2	

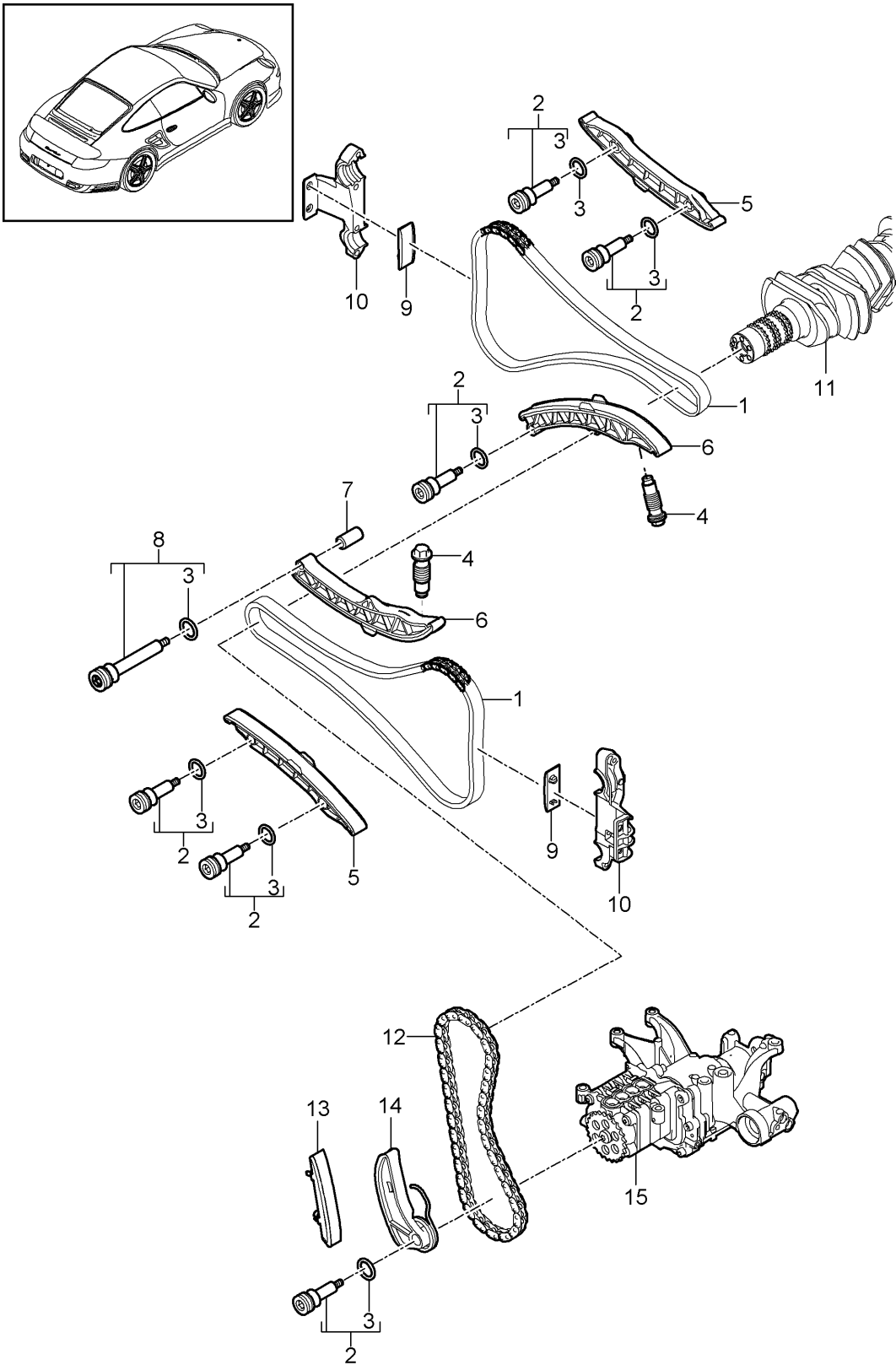
Model: 997T10

Model life 2010>>2013

Pos	Part Number	Description	Remark	Qty	Model
27	996 105 901 03	O-ring 21,00 X 3,00		2	
28	997 105 310 71	bracket f.throttle contr.elem. Valve		2	
29	996 105 329 70	End cap		4	
30	000 043 204 58	sealant DREI BOND 2210 30 GR. Discontinued part		1	
30	000 043 305 33	sealant 75 ML		X	
(30)	000 043 024 00	DOBOSEAL 224N Extreme-pressure grease 1 tube 80 Gr. for Camshaft		1	
31	997 606 114 04	bracket for speed sensor Cable		1	

Model: 997T10

Model life 2010>>2013



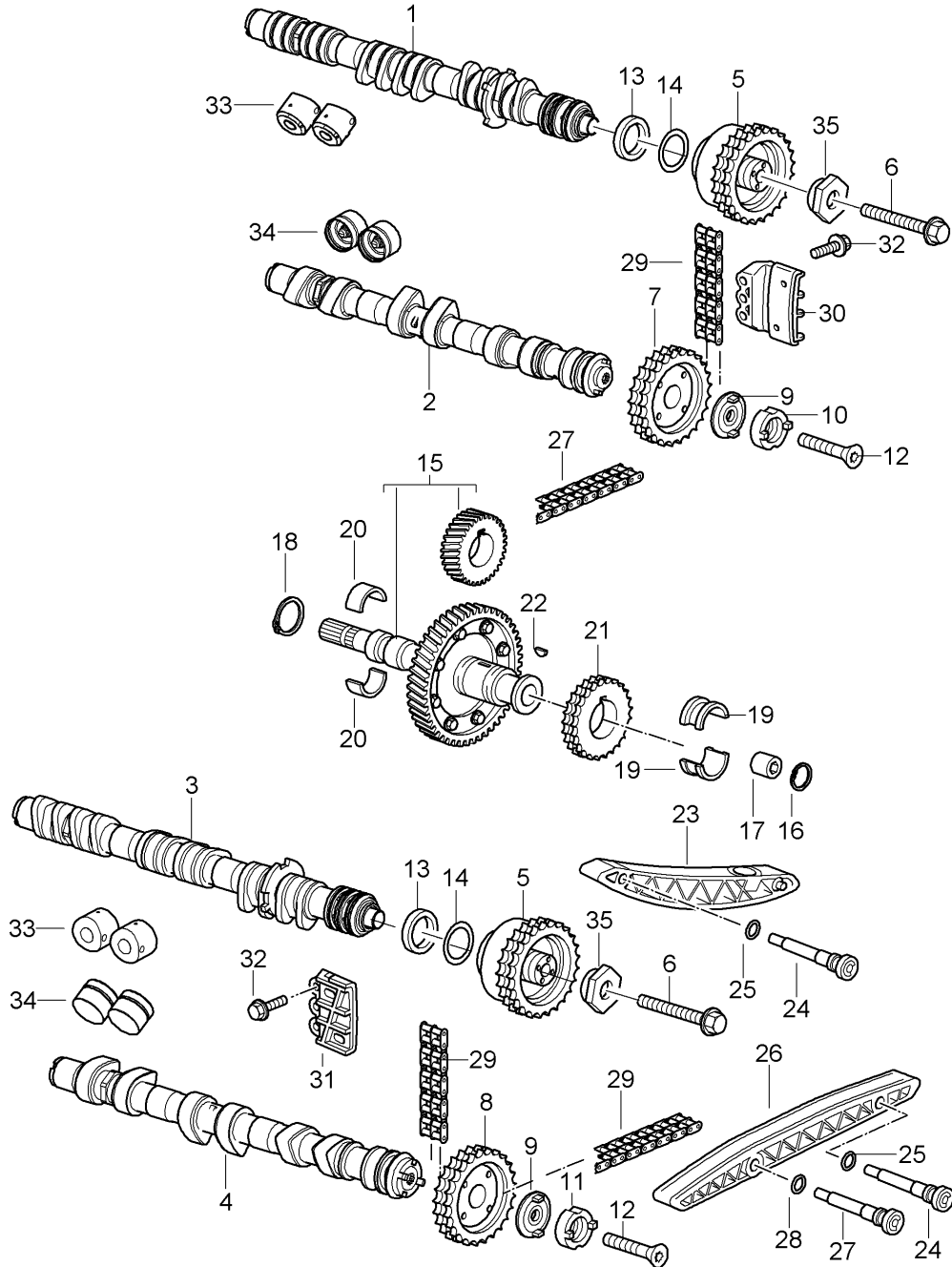
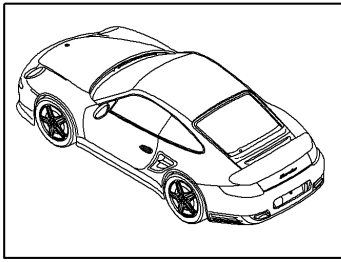
Model: 997T10

Model life 2010>>2013

Pos	Part Number	Description	Remark	Qty	Model
1	9A1 105 142 02	Valve control timing chain Camshaft Crankshaft		2	A170
2	9A1 105 162 01	Screw Tensioner blade		6	
3	999 707 346 40	O-ring 15,0 X 3,0		X	
4	9A1 105 157 02	chain tensioner		2	
5	9A1 105 153 02	slide rail		2	
6	9A1 105 155 02	Tensioner blade		2	
7	9A1 105 165 01	spacer sleeve		2	
8	9A1 105 163 01	Screw		1	
9	9A1 105 101 02	slide rail		2	
10		Bearing cover		2	
		see illustration:	103-000		
11		Crankshaft		1	
		see illustration:	102-000		
12	9A1 105 233 02	timing chain oil pump Crankshaft		1	
13	9A1 105 237 02	slide rail		1	
14	9A1 105 235 02	Tensioner blade		1	
15		oil pump		1	
		see illustration:	104-000		

Model: 997T10

Model life 2010>>2013



Model: 997T10

Model life 2010>>2013

Pos	Part Number	Description	Remark	Qty	Model
1	997 105 019 73	Valve control Camshaft Intake Cyl. 1 - 3 Discontinued part		1	9770
1	997 105 019 74	Camshaft Intake Cyl. 1 - 3		1	
2	997 105 217 74	Camshaft Exhaust Cyl. 1 - 3		1	
3	997 105 020 73	Camshaft Intake Cyl. 4 - 6 Discontinued part		1	
3	997 105 020 74	Camshaft Intake Cyl. 4 - 6		1	
4	997 105 218 73	Camshaft Exhaust Cyl. 4 - 6		1	
5	997 105 051 71	camshaft adjuster unit Discontinued part		2	
5	997 105 051 72	camshaft adjuster unit		2	
6	987 105 254 00	Hexagon bolt M 12 X 1,5 X 130		2	
7	996 105 177 72	Chain sprocket Cyl. 1 - 3		1	
8	996 105 178 72	Chain sprocket Cyl. 4 - 6		1	
9	996 105 647 81	Washer		2	
10	959 105 161 03	Clutch plate Cyl. 1 - 3		1	
11	959 105 161 04	Clutch plate Cyl. 4 - 6		1	
12	997 105 317 71	Socket head bolt		2	
13	996 105 280 90	ring		6	
14	997 105 203 70	Washer for camshaft		2	
15	996 105 911 70	Intermediate shaft	with:	1	
		Timing gear Size 0			
15	996 105 911 71	Intermediate shaft	with:	1	
		Timing gear Size 1			
16	900 041 026 01	Securing ring 13 X 1		1	
17	993 105 275 52	Intermediate piece		1	
18	900 041 025 01	Securing ring 36 X 1,75		2	
19	996 101 137 80	Mounting		2	
20	996 101 435 70	bearing shell		2	
21	901 105 125 04	Chain sprocket		2	
22	900 118 010 00	woodruff key		2	
23	997 105 165 70	Tensioner blade		2	
24	964 105 171 03	Pin		4	
25	900 123 131 30	seal ring A16 X 20		4	
26	996 105 167 70	slide rail	left	1	
(26)	996 105 166 70	slide rail	right	1	
27	996 105 175 70	bearing pin		2	
28	900 123 152 30	seal ring		2	

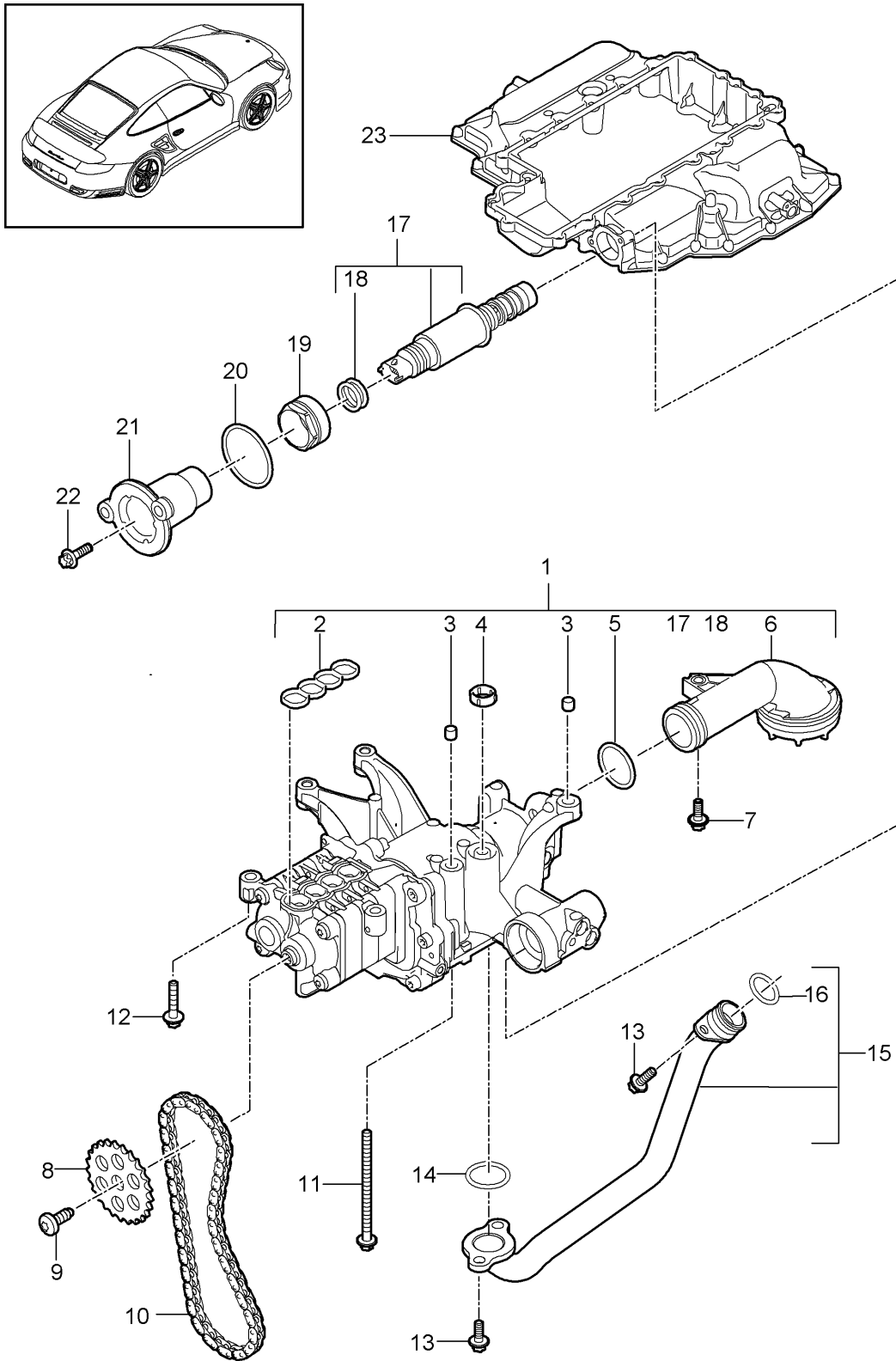
Model: 997T10

Model life 2010>>2013

Pos	Part Number	Description	Remark	Qty	Model
29	997 105 551 71	A16 X 22 timing chain		2	
30	996 105 037 75	slide rail	left	1	
31	996 105 038 75	slide rail	right	1	
32	900 385 072 01	Torx screw M 6 X 20		6	
33	996 105 255 25	Hydraulic tappet Intake		12	
34	996 105 041 73	Hydraulic tappet Exhaust		12	
35	997 105 260 70	Intermediate piece camshaft adjuster unit		2	
-	000 043 024 00	Extreme-pressure grease 1 tube 80 Gr. for Camshaft		1	

Model: 997T10

Model life 2010>>2013



Model: 997T10

Model life 2010>>2013

Pos	Part Number	Description	Remark	Qty	Model
1	9A1 107 070 04	oil pump oil pump D >> - MJ 2011 Discontinued part		1	A170
(1)	9A1 107 070 05	oil pump D - MJ 2012>> Discontinued part		1	
(1)	9A1 107 070 10	oil pump		1	
2	9A1 107 370 00	Seal for oil pump Use with: 9A110707004 9A110707005		1	
3	996 106 103 50	dowel sleeve 8,2 X 7,0		2	
4	9A1 107 327 00	seal ring		1	
5	999 707 375 40	O-ring 30,00 X 3,00		1	
6	9A1 107 075 02	Suction tube D >> - MJ 2011		1	
(6)	9A1 107 075 10	Suction tube D - MJ 2012>>		1	
7	999 073 102 01	flat round head bolt M6 X 25		1	
8	9A1 105 225 02	Chain sprocket oil pump		1	
9	999 073 380 01	Torx screw M8 X 22		1	
10		Chain oil pump		1	
11	900 385 126 01	see illustration: Torx screw M6 X 95	103-015	1	
12	900 385 048 01	Torx screw M6 X 30		5	
13	900 385 009 01	Torx screw M6 X 16		1	
14	999 707 409 41	O-ring 26,00 X 3,00 D >> - MJ 2011		1	
15	9A1 107 025 01	oil pipe oil pump Crankcase housing		1	
16	999 707 575 40	O-ring 20,00 X 3,00		1	
17	948 107 113 02	Solenoid valve D >> - MJ 2011		1	
(17)	948 107 113 10	Solenoid valve D - MJ 2012>> Discontinued part		1	
(17)	948 107 113 11	Solenoid valve		1	
18	999 707 567 40	O-ring 17,00 X 3,00		2	
19	999 261 024 01	Union nut M36 x 1,0 x 12		1	
20	999 707 570 40	O-ring 44,00 x 3,00		1	
21	9A1 107 330 01	Sealing flange control valve		1	
22	900 385 019 01	Torx screw M6 X 20		2	
23		oil sump Upper part		1	

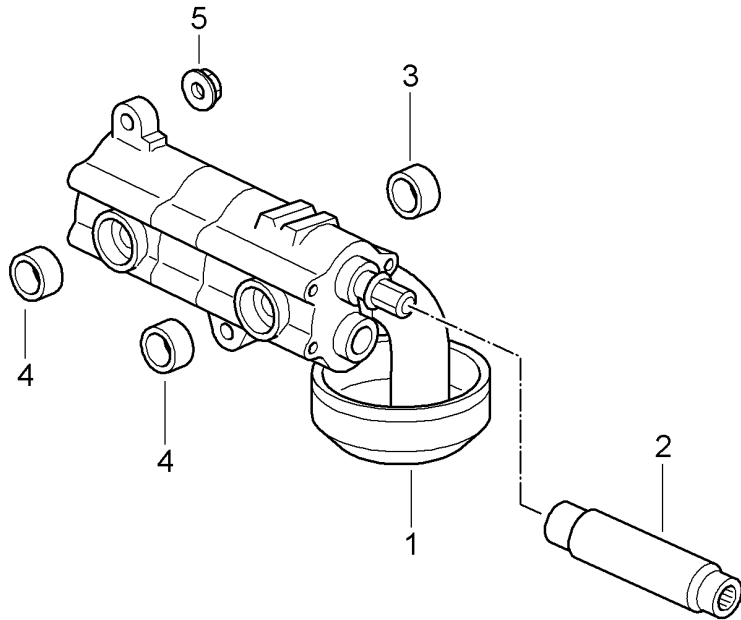
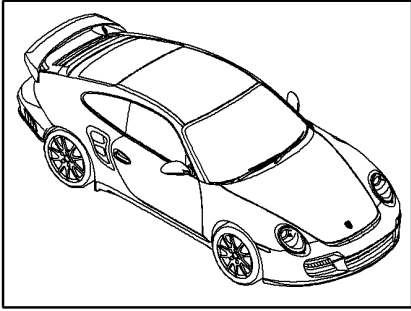
Model: 997T10

Model life 2010>>2013

Pos	Part Number	Description	Remark	Qty	Model
-	9A1 107 545 72	see illustration: connection piece	104-002	1	

Model: 997T10

Model life 2010>>2013



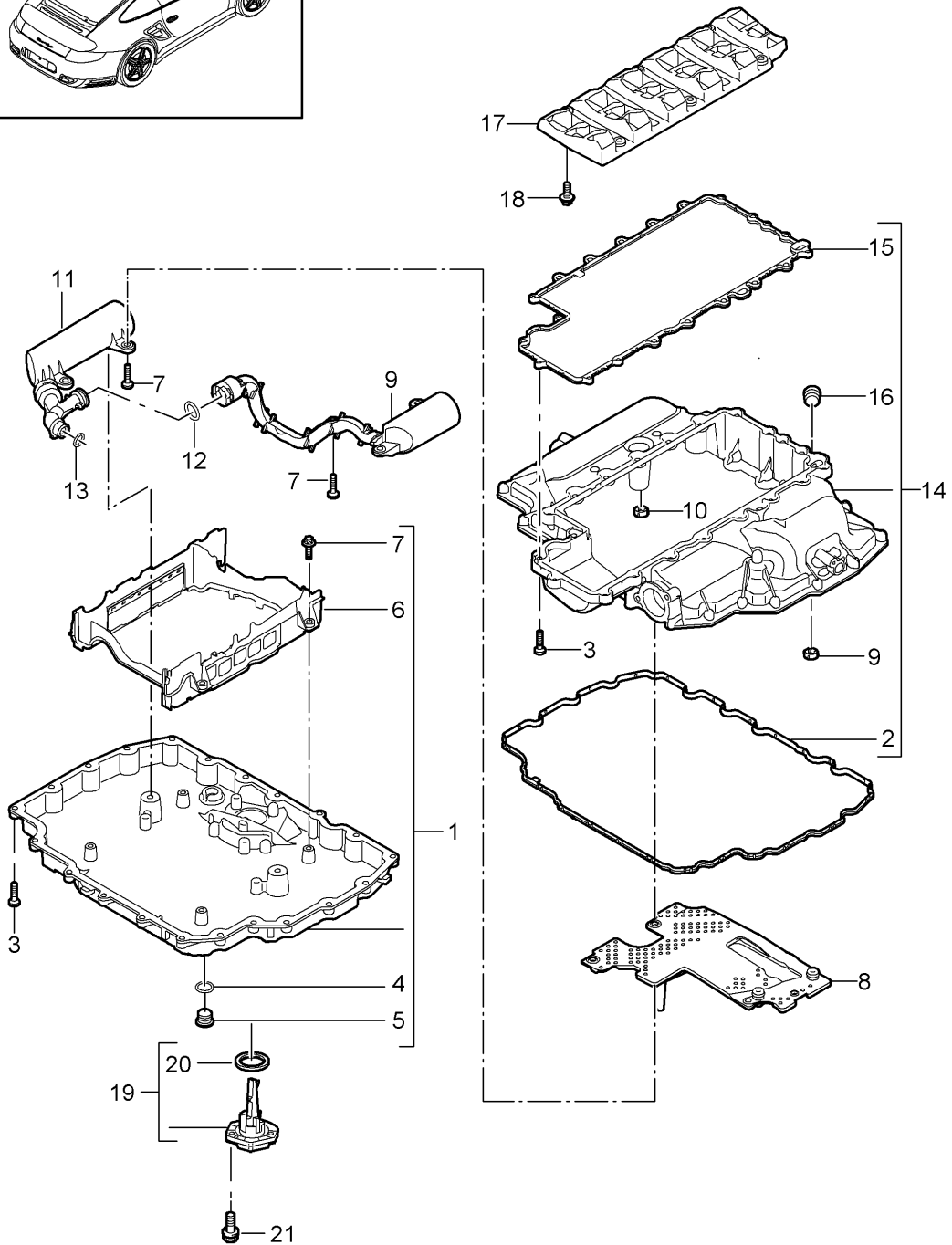
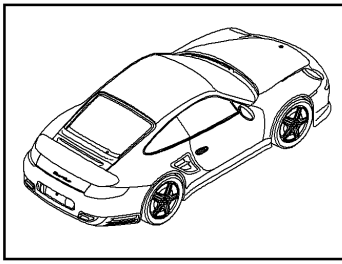
Model: 997T10

Model life 2010>>2013

Pos	Part Number	Description	Remark	Qty	Model
1	996 107 007 94	oil pump		1	9770
2	930 107 143 03	oil pump		1	
3	999 704 173 50	Connecting shaft		1	
		seal ring		1	
		19,5 X 26			
4	999 704 172 50	seal ring		2	
		16,3 X 22			
5	900 380 005 01	Nut		3	
		M 8			

Model: 997T10

Model life 2010>>2013



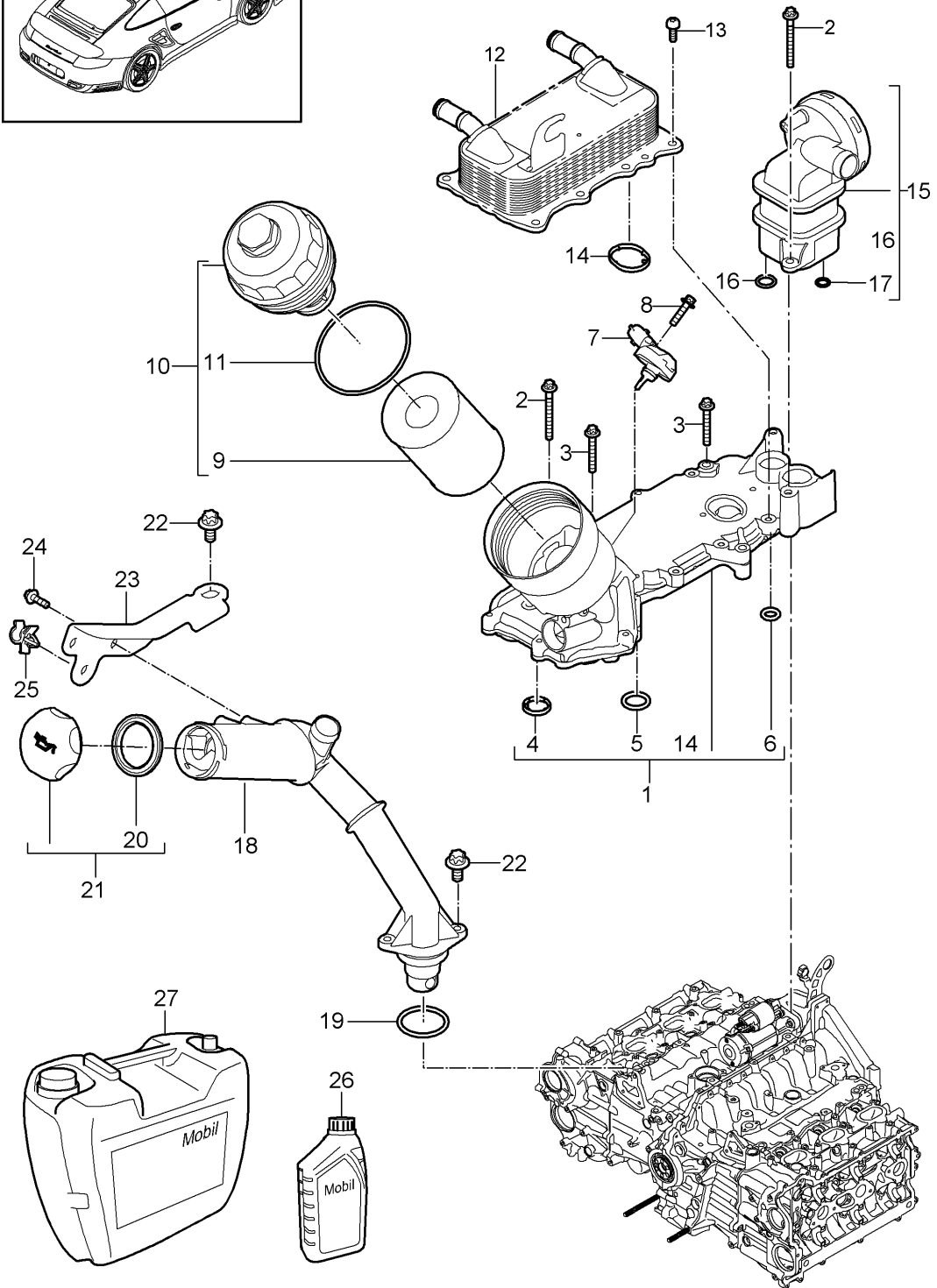
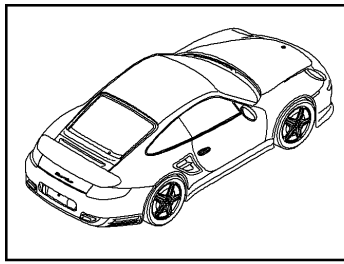
Model: 997T10

Model life 2010>>2013

Pos	Part Number	Description	Remark	Qty	Model
		oil sump			A170
1	9A1 107 032 71	oil sump-lower part		1	
		Discontinued part			
1	9A1 107 032 70	oil sump-lower part		1	
		Discontinued part			
1	9A1 107 032 75	oil sump		1	
		Lower part			
2	9A1 107 325 02	gasket for oil sump		1	
3	9A1 107 313 00	Torx screw		X	
		M 6 X 25			
4	900 123 106 30	seal ring		1	
		A 18 X 24			
5	900 219 020 31	sealing plug		1	
		M 18 X 1,5			
6	9A1 107 243 70	filler plate		1	
		Discontinued part			
(6)	9A1 107 243 75	filler plate		1	
7	900 385 019 01	Torx screw		4	
		M6 x 20			
8	9A1 107 420 70	oil separator		1	
9	9A1 107 383 01	oil separator		1	
10	9A1 107 327 00	seal ring		3	
11	9A1 107 380 01	oil separator		1	
12	948 107 439 10	O-ring		2	
		20,0 X 3,8			
		D >> - MJ 2011			
(12)	999 707 651 40	O-ring		2	
		20,0 X 3,8 N			
		D - MJ 2012>>			
13	999 707 637 40	O-ring		1	
		15,0 X 3,0			
		Deleted			
		without:			
		Replacement			
		D >> - MJ 2011			
14	9A1 107 031 71	oil sump-upper part		1	
15	9A1 107 315 03	gasket for oil sump		1	
16	900 063 010 01	sealing plug		1	
		M8 X 1,0			
17	9A1 101 010 00	oil separator		1	
18	900 385 019 01	Torx screw		3	
		M6 X 20			
19	948 606 150 00	oil level sender		1	
20	948 606 240 00	Seal		1	
21	900 385 072 01	Torx screw		3	
		M 6 X 25			

Model: 997T10

Model life 2010>>2013



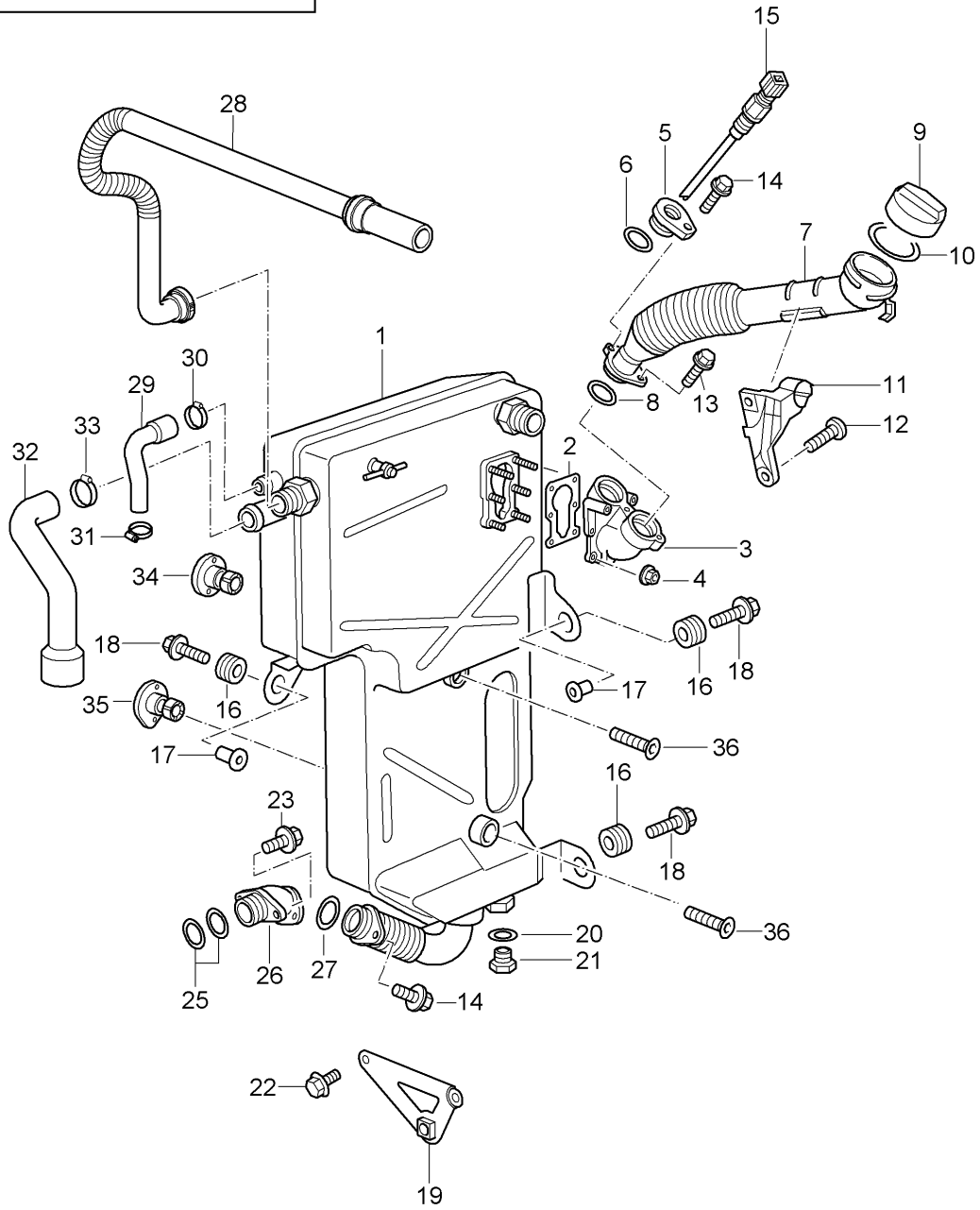
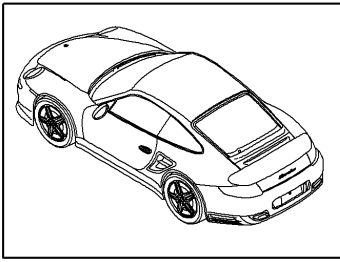
Model: 997T10

Model life 2010>>2013

Pos	Part Number	Description	Remark	Qty	Model
1	9A1 107 030 02	Engine lubrication Oil-conducting housing Discontinued part		1	A170
1	9A1 107 030 03	Oil-conducting housing Discontinued part		1	
1	9A1 107 030 04	Oil-conducting housing		1	
1	9A1 107 030 06	Oil-conducting housing		1	
2	900 385 276 01	Torx screw M 6 X 60		1	
3	900 385 125 01	Torx screw M 6 X 45		6	
4	9A1 107 465 01	seal ring Oil-conducting housing Crankcase housing		2	
5	999 707 595 40	O-ring 20,0 x 4,0		1	
6	999 707 594 40	O-ring 11 X 4,0		1	
7	948 606 213 00	Oil pressure sender		1	
8	900 385 019 01	Torx screw M 6 X 25		2	
9	948 107 222 00	Oil filter insert		1	
10	948 107 022 00	oil filter (complete)	also use: 948 107 322 00	1	
11	948 107 322 00	seal ring 91,0 X 4,0		1	
12	9A1 107 455 00	heat exchanger		1	
13	999 073 416 01	Bolt with washer M 6 X 20		6	
14	948 107 175 00	Seal		2	
15	9A1 107 040 00	oil separator		1	
16	999 707 635 40	O-ring 21,0 x 4,0		1	
17	999 707 634 40	O-ring 18,50 X 4,0		1	
18	9A1 107 115 02	Filler tube engine oil		1	
19	999 707 348 40	O-ring 42,0 X 4,0		1	
20	9A1 107 336 00	Seal End cap		1	
21	9A1 107 035 01	End cap		1	
22	900 385 019 01	Torx screw M 6 X 20		5	
23	9A1 107 215 02	Bracket Filler tube		1	
24	900 385 041 01	Torx screw M 6 X 20		X	
25	999 507 886 40	Hose bracket		1	
26	000 043 301 19	engine oil EXXON MOBIL 1 0W-40 1 LITER		X	
27	000 043 301 21	Container engine oil EXXON MOBIL 1 0W-40 20 LITER		X	

Model: 997T10

Model life 2010>>2013



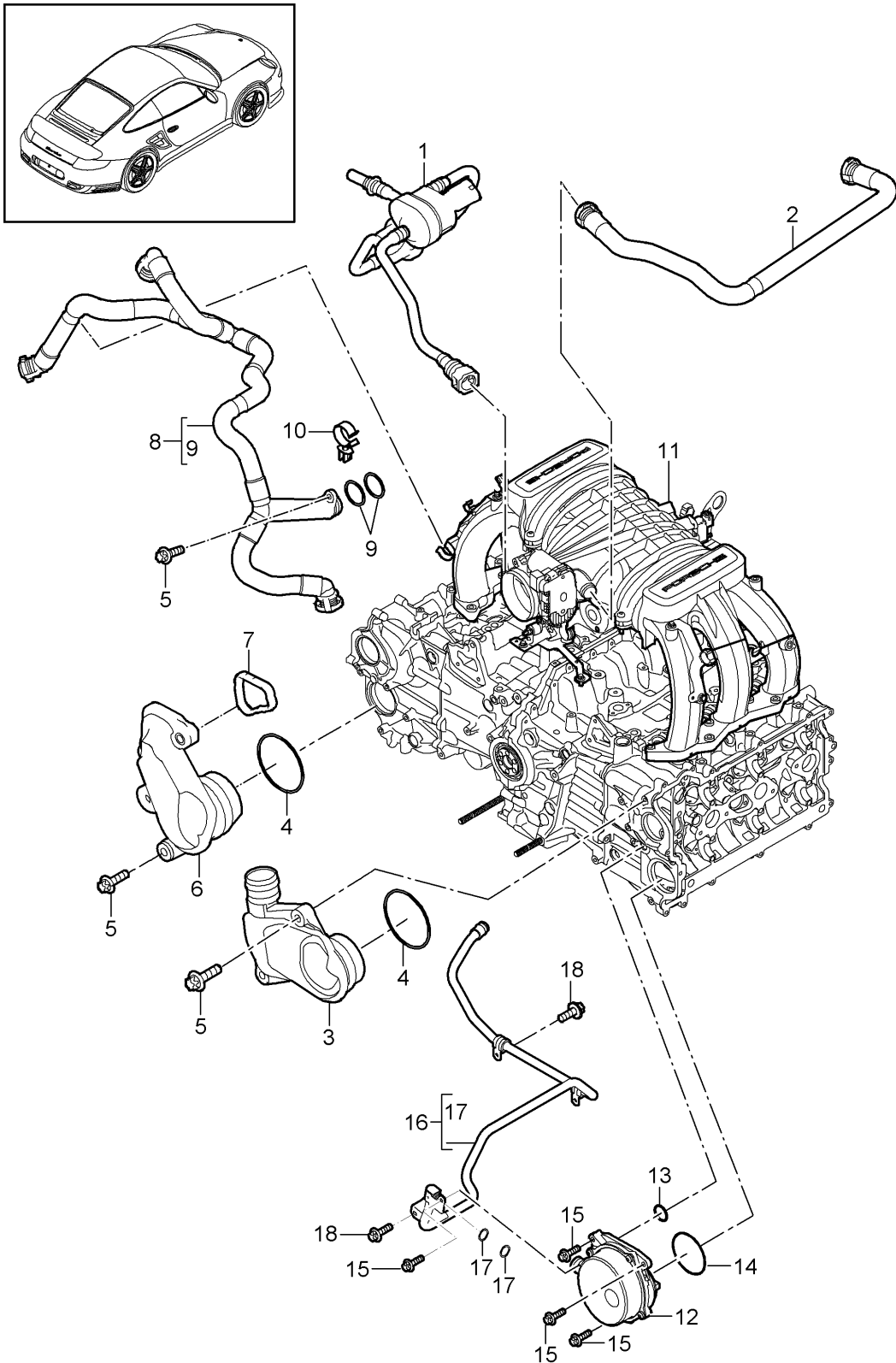
Model: 997T10

Model life 2010>>2013

Pos	Part Number	Description	Remark	Qty	Model
		Engine lubrication			9770
		Oil tank			
1	997 207 070 72	Oil tank		1	
2	993 207 226 00	Seal		1	
3	996 207 150 73	Intermediate piece		1	
4	900 377 009 01	Hexagon nut M 5		6	
5	996 207 212 70	flange		1	
6	999 707 343 41	O-ring 25,07 X 2,62		1	
7	997 207 016 70	Filler tube		1	
8	999 707 481 40	O-ring 24 X 3,0		1	
9	996 107 035 52	End cap		1	
10	996 107 336 00	Seal		1	
11	997 207 216 73	Bracket for Filler tube		1	
12	999 073 189 01	flat round head bolt M 6 X 12		2	
13	900 385 050 01	Hexagon head bolt M 6 x 16		1	
14	900 385 275 01	Torx screw M 6 X 20		1	
15	996 606 140 00	oil level sender		1	
16	999 702 193 40	Rubber grommet 17,0 X 24,0 X 1,8		3	
17	999 209 037 01	spacer sleeve 8,4 X 1,8		3	
18	900 385 116 01	Torx screw M 8 X 30		3	
19	997 207 417 71	Bracket		1	
20	900 123 010 20	seal ring		1	
21	900 065 018 00	sealing plug		1	
22	900 385 042 01	Torx screw M 8 X 35		2	
23	900 385 001 01	Torx screw M 8 X 20		1	
25	999 707 316 41	O-ring 21,89 X 2,62		2	
26	996 207 012 74	Intake connection		1	
27	999 707 364 41	seal ring 30 X 2,5		1	
28	997 207 037 72	Breather line		1	
29	997 207 139 71	Hose Tank ventilation		1	
30	999 512 652 09	Hose clamp 19 X 12		1	
31	999 512 651 09	Hose clamp 15 X 12		1	
32	997 207 143 71	Vent hose		1	
33	999 512 252 01	Hose clamp 23 - 35/9		1	
34	996 207 207 73	Distance piece		1	
35	996 207 206 73	Distance piece		1	
36	900 249 061 01	countersunk bolt M 12 X 40		2	

Model: 997T10

Model life 2010>>2013



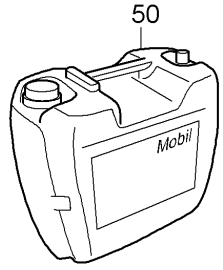
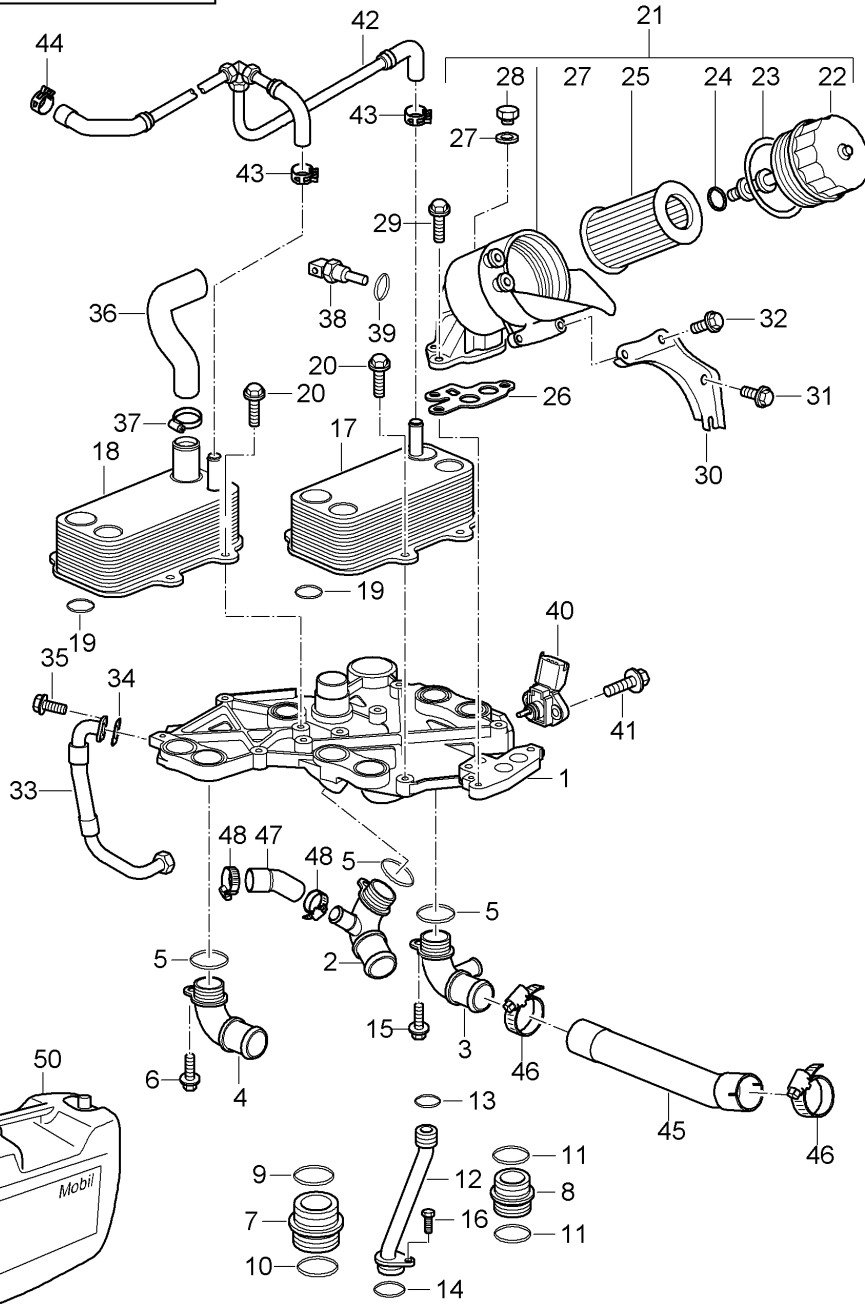
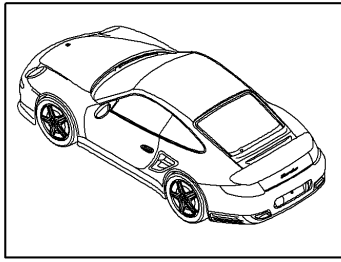
Model: 997T10

Model life 2010>>2013

Pos	Part Number	Description	Remark	Qty	Model
		Crankcase housing Bleeding Tank ventilation Vacuum pump			A170
1	9A1 110 093 71	Breather line (complete)		1	
2	9A1 107 530 01	Breather line Distributor tube		1	
3	9A1 105 038 00	Cover Crankcase housing Bleeding		1	
4	999 707 636 40	Cyl. 4 - 6 O-ring 44,0 X 3,5N		2	
5	900 385 019 01	Torx screw M 6 x 20		6	
6	9A1 105 039 00	Cover Crankcase housing Bleeding		1	
7	9A1 105 339 00	Cyl. 1 - 3 Seal for Cover		1	
8	9A1 107 525 00	Crankcase housing Breather line		1	
9	999 707 639 40	Crankcase housing O-ring		2	
12	9A1 110 090 03	Vacuum pump for brake servo Discontinued part		1	
12	9A1 110 090 04	Vacuum pump for brake servo Discontinued part		1	
12	9A1 110 090 05	Vacuum pump for brake servo Discontinued part		1	
12	9A1 110 090 06	Vacuum pump for brake servo		1	
13	999 701 504 40	O-ring 10 x 2,5		1	
14	999 701 505 40	O-ring 54 x 2,5		1	
15	900 385 019 01	Torx screw M 6 x 20		3	
16	9A1 110 055 02	Vacuum line Discontinued part		1	
16	9A1 110 055 03	Vacuum line Discontinued part		1	
16	9A1 110 055 04	Vacuum line		1	
17	999 701 789 40	O-ring 12 x 2,0		2	
18	900 385 041 01	Torx screw M 6 x 12		4	
19	9A1 107 540 74	Ventilation pipe Crankcase housing		1	

Model: 997T10

Model life 2010>>2013



Model: 997T10

Model life 2010>>2013

Pos	Part Number	Description	Remark	Qty	Model
		oil filter			9770
		Console			
1	997 107 233 74	Console		1	
2	997 106 315 70	Pipe union		1	
3	997 106 314 71	Pipe union		1	
4	997 106 313 72	Pipe union		1	
5	999 707 478 40	O-ring		6	
		24,00 X 3,00			
6	900 385 009 01	Torx screw		3	
		M 6 X 16			
7	996 107 441 71	Connector union		1	
8	997 107 451 71	Connector union		1	
9	999 707 422 41	O-ring		1	
		32,92 X 3,53			
10	999 707 426 41	O-ring		1	
		37,69 X 3,53			
11	999 707 113 41	O-ring		2	
		20,22 X 3,53			
12	997 107 311 72	oil pipe		1	
13	999 701 789 40	O-ring		1	
		12,00 X 2,00			
14	999 707 446 40	O-ring		2	
		18,00 X 2,50			
15	999 073 316 02	flat round head bolt		4	
		M 6 X 20			
16	900 385 041 01	Torx screw		1	
		M 6 X 12			
17	997 107 025 71	heat exchanger		1	
		1			
18	997 107 026 71	heat exchanger		1	
		2			
19	999 707 409 41	O-ring		7	
		26,00 X 3,00			
20	900 385 009 01	Torx screw		8	
		M 6 X 16			
21	997 107 020 70	housing		1	
22	996 107 285 70	Cover		1	
23	996 107 313 51	seal ring		1	
24	999 707 465 40	O-ring		1	
		10,00 X 2,00			
25	996 107 225 53	filter element		1	
26	996 107 217 71	Seal		1	
27	900 123 104 30	seal ring		1	
		14 X 18			
28	900 219 002 03	sealing plug		1	
		M 14 X1,5			
29	900 385 098 01	Torx screw		3	
		M 8 X 25			
30	997 107 301 71	Bracket		1	
31	900 067 291 01	Bolt with washer		2	
		M 8 X 16			
32	900 385 041 01	Torx screw		2	
		M 6 X 12			
33	997 107 028 70	return line		1	
34	993 113 258 51	Seal		1	
35	900 385 019 01	Torx screw		2	
		M 6 X 20			
36	997 107 121 73	Molded hose		1	
37	999 512 657 09	Hose clamp		1	
38	997 606 420 00	Temperature sensor		1	
39	993 110 530 01	Grommet		1	
40	997 606 203 02	Oil pressure sender		1	
41	900 385 019 01	Torx screw		2	

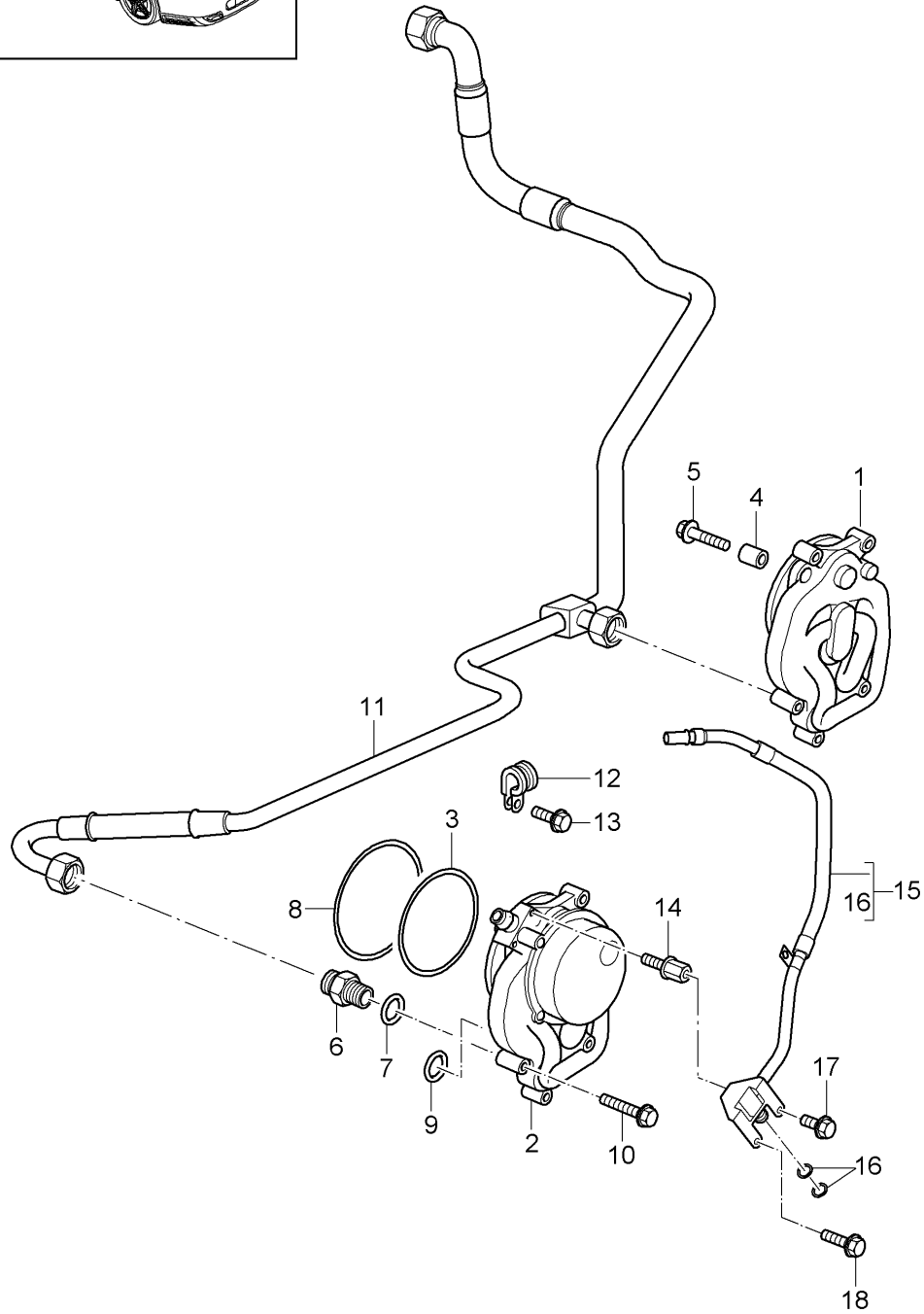
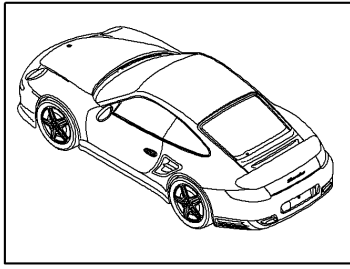
Model: 997T10

Model life 2010>>2013

Pos	Part Number	Description	Remark	Qty	Model
		M 6 X 20			
42	997 106 049 72	Breather line		1	
43	999 512 568 01	Clamp 13,9 - 16,1		2	
44	999 512 633 00	Clamp 15,6 - 17,8		1	
45	997 106 328 72	Water hose Return line		1	
46	999 512 552 01	Hose clamp 20- 32/9		2	
47	997 106 374 73	Water hose Supply Coolant pump Exhaust gas turbocharger		1	
48	999 512 346 01	Hose clamp 16- 27/9		2	
49	000 043 301 19	engine oil EXXON MOBIL 1 0W-40 1 LITER Container		X	
50	000 043 301 21	engine oil EXXON MOBIL 1 0W-40 20 LITER Container		X	

Model: 997T10

Model life 2010>>2013



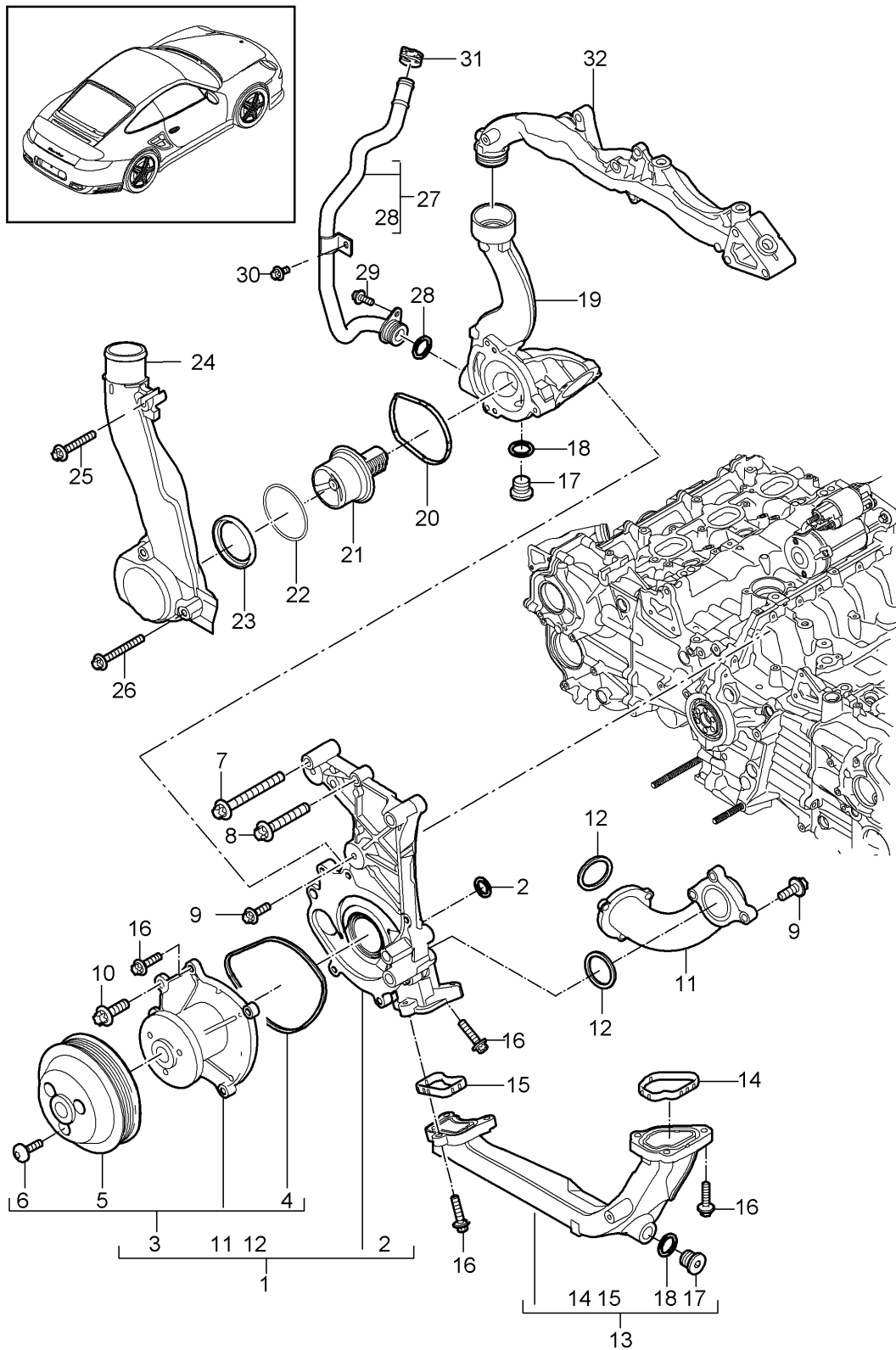
Model: 997T10

Model life 2010>>2013

Pos	Part Number	Description	Remark	Qty	Model
		Oil supply			9770
1	996 107 021 73	Return line oil pump		1	
2	997 107 022 72	Cyl. 4 - 6 Tandem pump		1	
3	999 707 425 40	Cyl. 1 - 3 O-ring		2	
4	999 095 067 00	85,32 X 3,53 dowel sleeve		4	
5	900 378 225 01	8M6 X 10 Hexagon bolt		8	
6	900 915 006 01	M 6 X 30 threaded union		2	
7	900 123 106 30	A 15 seal ring		2	
8	999 707 482 41	A 18 X 24 O-ring		2	
9	999 707 499 40	90,00 X 2,5 O-ring		4	
10	900 385 128 01	21,00 X 3,00 Hexagon bolt		1	
11	997 107 019 71	M 6 X 25 return line		1	
12	999 511 250 01	Clamp		1	
13	900 385 041 01	Torx screw		1	
14	997 107 357 70	M 6 X 12 Bolt with washer		1	
15	997 105 036 70	Vacuum line		1	
-	999 651 394 40	Tandem pump Cable holder		1	
16	999 701 789 40	O-ring		2	
17	900 385 130 01	12 X 2 Hexagon socket head bolt		1	
18	900 385 050 01	M 6 X 10 Hexagon head bolt		1	
		M 6 X 16			

Model: 997T10

Model life 2010>>2013



Model: 997T10

Model life 2010>>2013

Pos	Part Number	Description	Remark	Qty	Model
		Coolant pump thermostat housing			A170
1	9A1 106 038 71	Coolant pump (complete)		1	
		Discontinued part			
1	9A1 106 038 72	Coolant pump (complete)		1	
2	999 707 604 40	O-ring 34,0 X 3,0		2	
3	9A1 106 048 70	Coolant pump Discontinued part		1	
3	9A1 106 048 71	Coolant pump		1	
4	9A1 106 217 00	Seal		1	
5	9A1 106 248 00	pulley		1	
6	999 073 104 01	Torx screw M8 X 16		3	
7	900 385 115 01	Torx screw M8 X 70		X	
8	900 385 071 01	Torx screw M8 X 50		X	
9	900 385 019 01	Torx screw M6 X 20		3	
10	900 385 098 01	Torx screw M8 X 25		1	
(10)	900 385 114 01	Torx screw M8 X 25		1	
11	9A1 106 238 00	Water pipe		1	
12	9A1 106 215 00	Seal Water pipe		2	
13	9A1 106 125 01	Water pipe		1	
14	9A1 106 326 00	Seal Water pipe		1	
15	9A1 106 325 00	Seal Water pipe		1	
16	900 385 072 01	Torx screw M6 X 25		16	
17	900 219 018 30	sealing plug M14 X 1,5 No longer use the part here		2	
17	999 063 038 01	sealing plug M14 X 1,5		2	
18	900 123 104 30	seal ring 14 X 18 No longer use the part here		2	
18	900 123 173 20	seal ring 14 X 18		2	
19	9A1 106 150 01	thermostat housing		1	
20	9A1 106 305 00	Seal thermostat		1	
21	9A1 106 225 01	Thermostat insert No longer use the part here		1	
21	9A1 106 225 02	Thermostat insert		1	
22	999 707 625 40	O-ring 59,0 X 5,2		1	
23	9A1 106 558 00	seal ring		1	
24	9A1 106 111 01	Water guide housing		1	
25	900 385 045 01	Torx screw M6 X 40		4	
26	900 385 070 01	Torx screw M6 X 50		3	
26	PAF 008 685 00	Torx screw M6 X 50		3	
27	9A1 106 850 03	Water line		1	

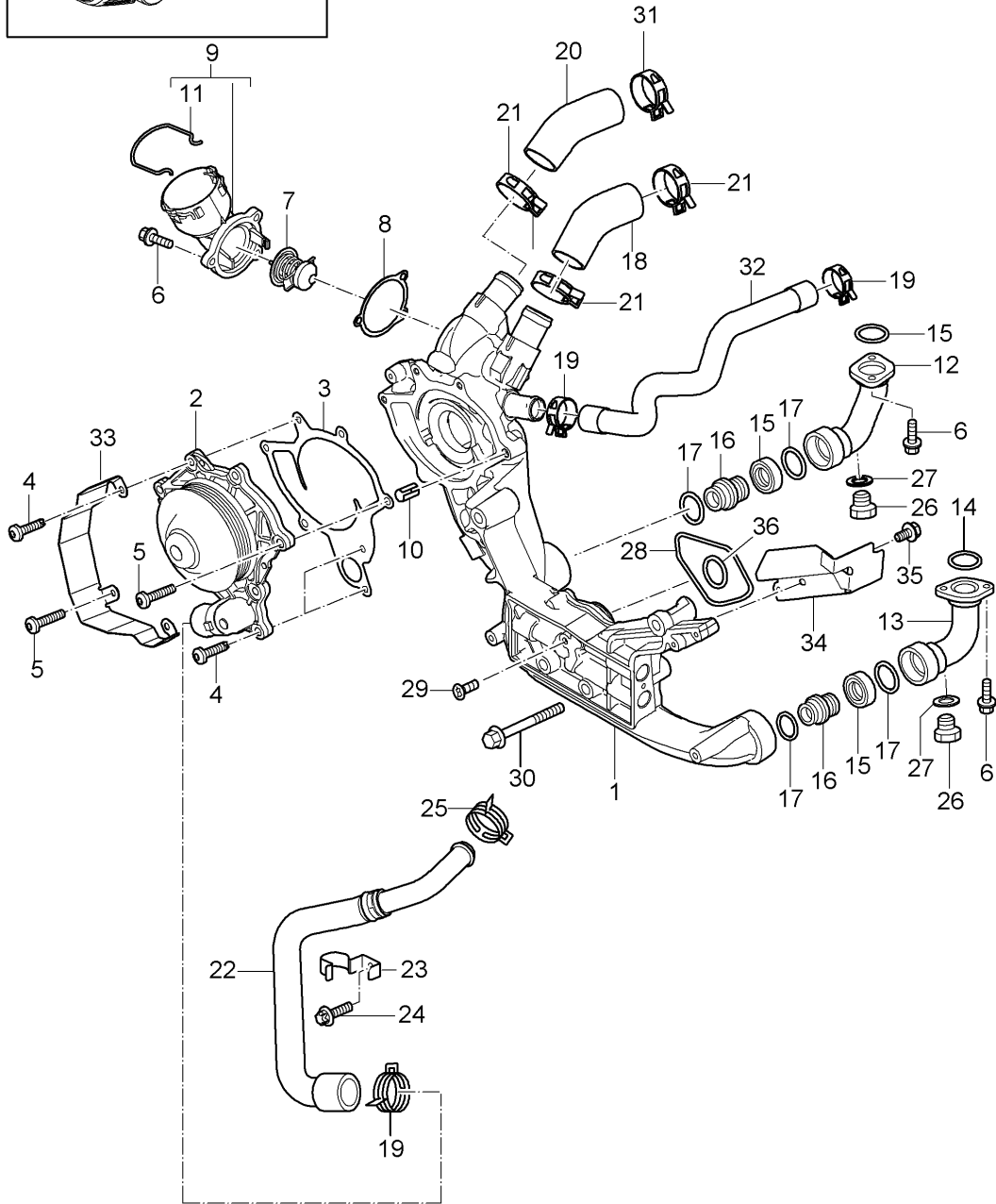
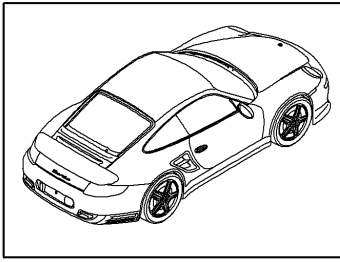
Model: 997T10

Model life 2010>>2013

Pos	Part Number	Description	Remark	Qty	Model
28	999 707 517 40	O-ring 22 X 3		2	
29	900 385 009 01	Torx screw M6 X 16		1	
30	900 385 041 01	Torx screw M6 X 12		1	
31	999 512 683 09	Hose clamp		1	
32		Assembly carrier see illustration:	105-003	1	

Model: 997T10

Model life 2010>>2013



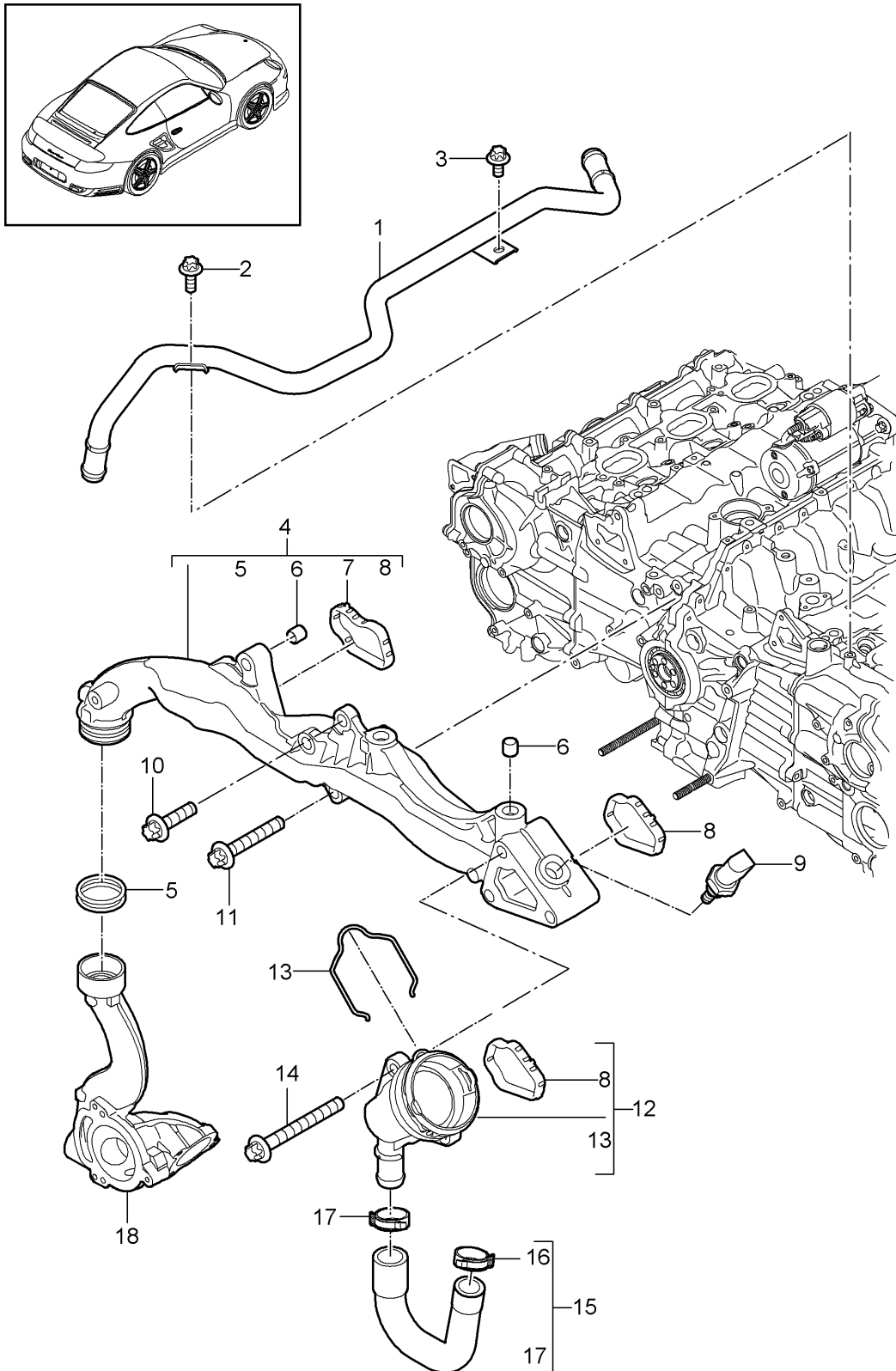
Model: 997T10

Model life 2010>>2013

Pos	Part Number	Description	Remark	Qty	Model
		Coolant pump			9770
		Water pump housing			
1	997 106 002 70	Water pump housing		1	
2	997 106 011 70	Coolant pump		1	
		Discontinued part			
(2)	997 106 011 71	Coolant pump		1	
(2)	997 106 011 72	Coolant pump		1	
3	997 106 340 00	Seal		1	
4	999 073 102 01	flat round head bolt M 6 X 25		5	
5	999 073 110 01	flat round head bolt M 6 X 30		2	
6	900 385 019 01	Torx screw BM 6 X 20		11	
7	996 106 125 72	Thermostat insert		1	
8	996 106 326 71	Seal		1	
9	996 106 121 72	Cover		1	
10	996 106 103 50	dowel sleeve 8,2 X 7		2	
11	997 106 802 03	Spring		1	
12	996 106 139 71	connection piece		1	
13	996 106 140 71	connection piece		1	
14	999 707 410 40	O-ring 39,20 X 3,00		2	
15	996 106 214 70	protective ring		2	
16	996 106 238 71	Connector union		2	
17	999 707 411 40	O-ring 28,00 X 4,50		4	
18	996 106 529 73	Hose		1	
19	999 512 552 01	Hose clamp 20 -32/9		2	
20	996 106 512 74	Return hose		1	
21	999 512 551 01	Hose clamp 25 - 40/9		3	
22	997 106 250 72	Hose		1	
23	996 106 550 72	Hose bracket		1	
24	900 385 041 01	Torx screw M 6 X 12		1	
25	999 512 660 09	Hose clamp 29 X 12		1	
26	900 219 007 01	sealing plug M 10 X 1		2	
27	900 123 144 30	seal ring A 10 X 13,5		2	
28	999 707 468 40	O-ring 68 X 2		1	
29	999 073 013 01	countersunk bolt M 6 X 10		1	
30	900 385 119 01	Hexagon head bolt M 10 X 70		4	
31	999 512 252 01	Hose clamp 23- 35/9		1	
32	997 106 477 72	Hose	feed	1	
33	996 115 521 73	Bracket	left	1	
34	997 115 661 70	Protective plate	right	1	
35	900 385 041 01	Torx screw M 6 X 12		2	
36	999 707 315 41	O-ring 33,30 X 2,4		1	

Model: 997T10

Model life 2010>>2013



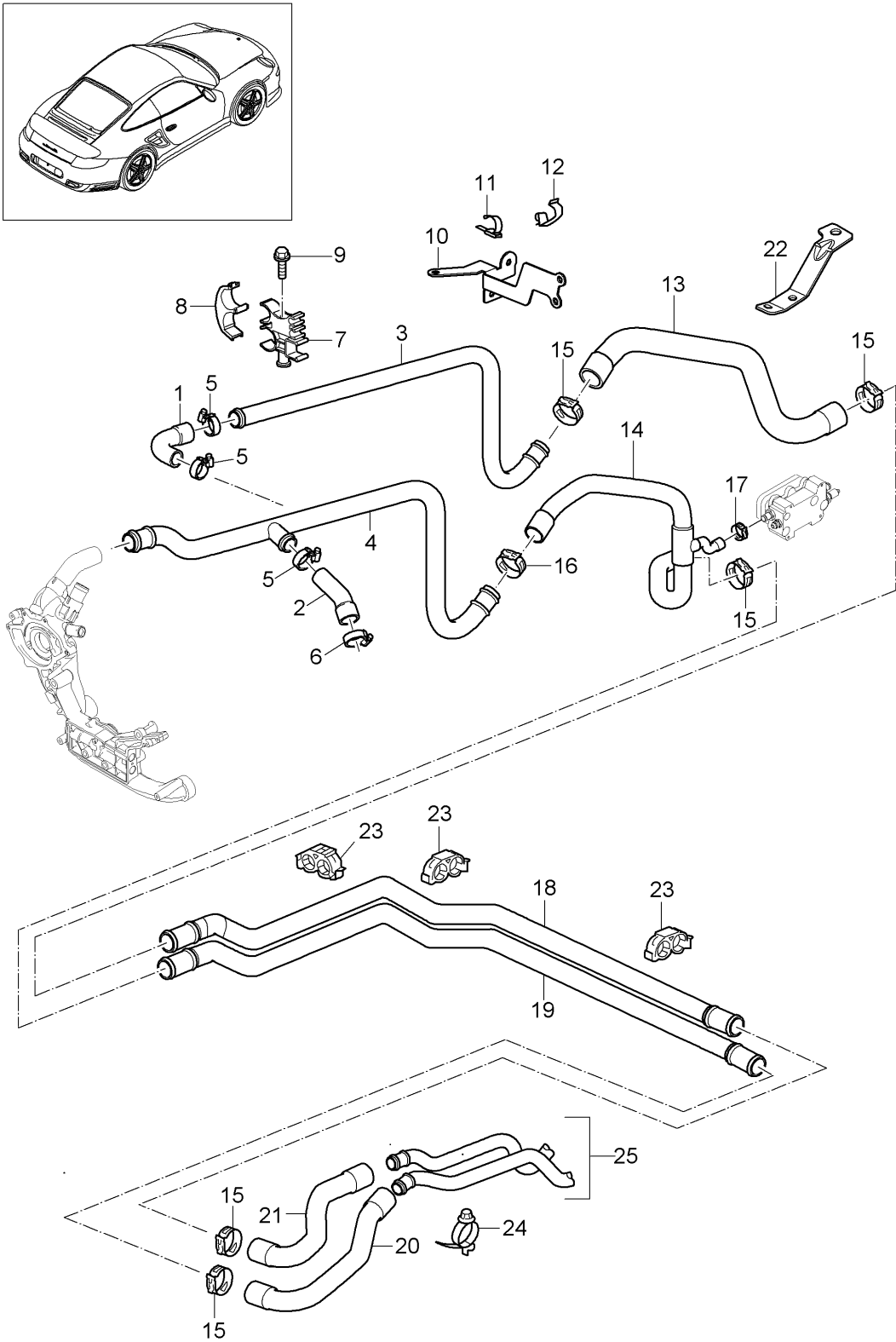
Model: 997T10

Model life 2010>>2013

Pos	Part Number	Description	Remark	Qty	Model
		Assembly carrier			A170
1	9A1 106 810 01	Water pipe		1	
		Hot air duct			
		Supply			
2	900 385 009 01	Torx screw		1	
		6 X 16			
3	900 385 041 01	Torx screw		1	
		M6 X 12			
4	9A1 102 112 02	Assembly carrier		1	
5	999 707 589 40	O-ring		2	
		31,0 X 3,0			
6	999 095 063 01	dowel sleeve		2	
		11 M6 X 10			
7	9A1 102 312 00	Seal		1	
		Cyl. 1 - 3			
8	9A1 102 322 00	Seal		2	
		Cyl. 4 - 6			
9	997 606 420 01	Temperature sensor		1	
		also use:	900 123 111 20		
10	900 385 116 01	Torx screw		2	
		M8 X 30			
11	900 385 071 01	Torx screw		2	
		M8 X 50			
12	9A1 106 131 00	connection piece		1	
13	997 106 802 03	Spring		1	
14	900 385 115 01	Torx screw		3	
		M8 X 70			
15	9A1 106 660 00	Water hose		1	
		Supply			
		D >> - MJ 2010			
16	999 512 601 09	Hose clamp		1	
		23 X 12			
		No longer use the part here			
(16)	999 512 683 09	Hose clamp		1	
		23 X 12			
17	999 512 603 09	Hose clamp		1	
		26 X 12			
		No longer use the part here			
(17)	999 512 657 09	Hose clamp		1	
		26 X 12			
18	900 123 111 20	seal ring		1	
		Copper			
		Temperature sensor			
		Discontinued part			
18	900 123 111 21	seal ring		1	
		Copper			
		Temperature sensor			
19		housing			
		thermostat			
		see illustration:	105-000		

Model: 997T10

Model life 2010>>2013



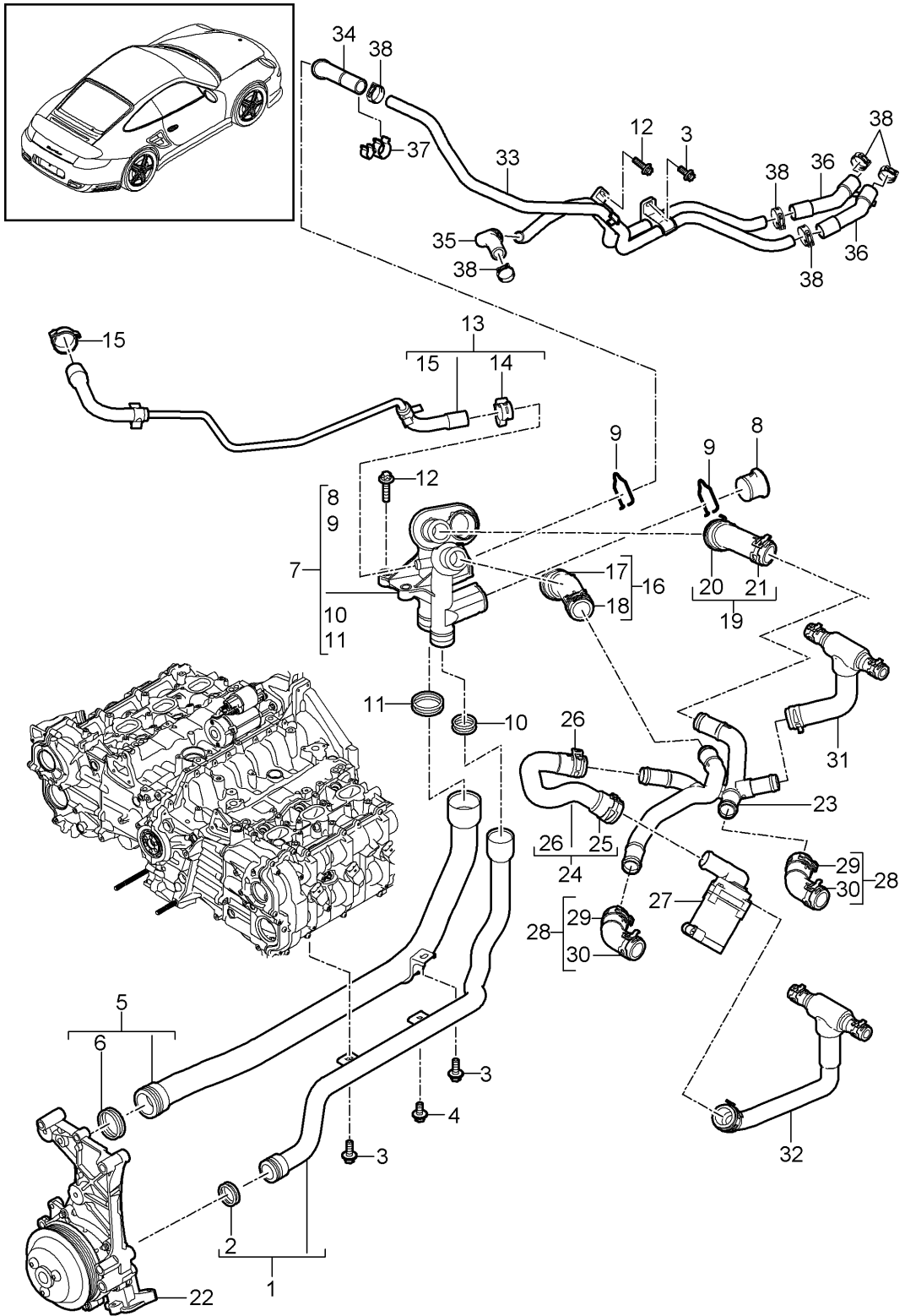
Model: 997T10

Model life 2010>>2013

Pos	Part Number	Description	Remark	Qty	Model
		Lines heater GT2 RS			9770
1	997 106 233 72	Hose Supply		1	
2	997 106 328 72	Water hose Return line		1	
3	997 106 252 71	Water pipe Supply		1	
4	997 106 254 71	Water pipe Return line		1	
5	999 512 552 01	Hose clamp		3	
6	999 512 346 01	20- 32/9 Hose clamp		1	
7	997 106 455 71	16- 27/9 Retainer for coolant hose		2	
8	997 106 456 71	Retaining bar		2	
9	900 385 111 01	Torx screw M 6 X 55		2	
10	997 106 450 71	Bracket		1	
11	999 651 300 40	Hose bracket 25,0 - 30,0		1	
12	999 507 728 40	Bracket 18,0 - 19,0		1	
13	997 106 434 90	Water hose Supply		1	
14	996 106 422 78	Return hose		1	
15	999 512 658 09	Hose clamp B27 X 12		7	
16	999 512 662 09	Hose clamp B32 X 12		1	
17	999 512 656 09	Hose clamp B25 X 12		1	
18	997 106 312 90	Water pipe Supply		1	
19	996 106 322 72	Water pipe Return line		1	
20	996 106 212 75	Hose Supply		1	
21	996 106 222 75	Return hose		1	
22	996 106 526 90	Bracket		1	
23	999 507 700 41	Hose bracket		3	
24	999 513 023 40	Cable ties 15 - 40		2	
25		Water pipe Heizung see illustration:	813-000	1	

Model: 997T10

Model life 2010>>2013



Model: 997T10 Model life 2010>>2013

Pos	Part Number	Description	Remark	Qty	Model
		Connection			A170
1	9A1 106 620 01	Water pipe		1	
2	999 707 517 40	Water pipe Intake O-ring 22 X 3		4	
3	900 385 009 01	Torx screw M6 X 16		4	
4	900 385 041 01	Torx screw M6 X 12		1	
5	9A1 106 625 01	Water pipe Return line		1	
6	999 707 589 40	O-ring 31 X 3		4	
7	9A1 106 010 01	Connection Discontinued part		1	
(7)	9A1 106 010 02	Connection		1	
8	9A1 106 546 00	Bungs		3	
8	0PB 121 099	Bungs		3	
9	997 106 802 04	Spring clip		3	
10	999 707 517 40	O-ring 22 X 3		2	
11	999 707 589 40	O-ring 31 X 3		2	
12	900 385 072 01	Torx screw M6 X 25		3	
13	9A1 106 549 01	Breather line		1	
14	999 512 699 01	Hose clamp 18 X 12		1	
		with:			
15	999 512 741 01	Clip Hose clamp 19 X 12		1	
16	9A1 106 606 72	Molded hose Supply		1	
17	999 512 658 09	Hose clamp B 27 X 12		1	
18	999 512 656 09	Hose clamp B 25 X 12		1	
19	9A1 106 607 72	Molded hose Return line		1	
20	999 512 662 09	Hose clamp B 32 X 12		1	
21	999 512 658 09	Hose clamp B 27 X 12		1	
22		Coolant pump			
		see illustration:	105-000		
23	9A1 106 605 70	Distributor tube Water cooling		1	
24	9A1 106 609 72	Molded hose Coolant pump		1	
25	999 512 658 09	Hose clamp B 27 X 12		1	
26	999 512 656 09	Hose clamp B 25 X 12		1	
27		Coolant pump Exhaust gas turbocharger		1	
		see illustration, item:	202-005,33		
28	9A1 106 608 72	Molded hose Supply		2	
29	999 512 658 09	Return line Hose clamp B 27 X 12		2	

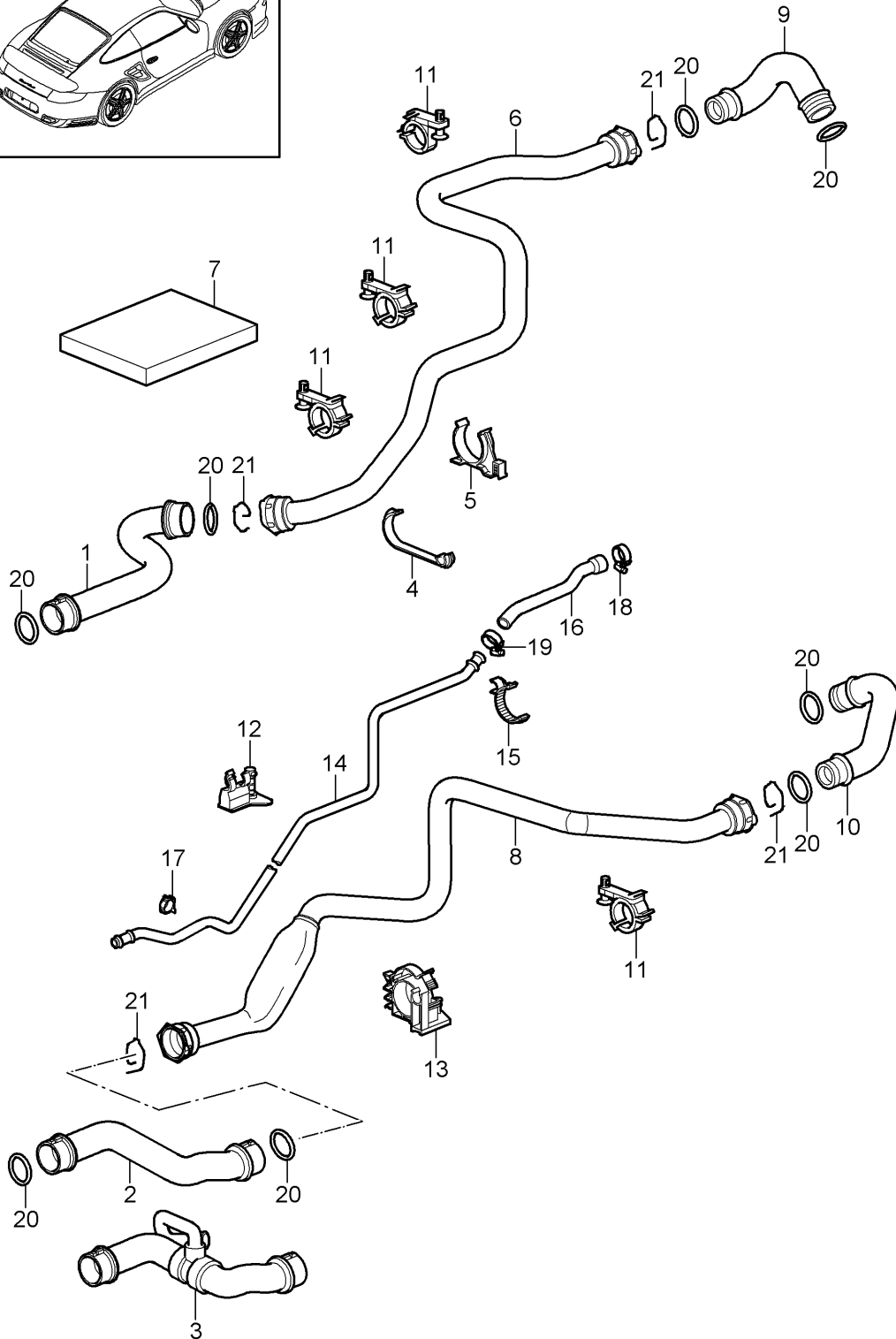
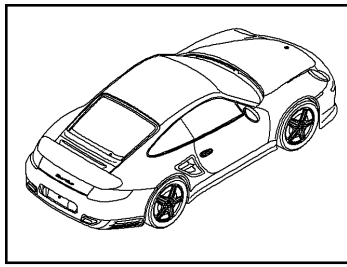
Model: 997T10

Model life 2010>>2013

Pos	Part Number	Description	Remark	Qty	Model
30	999 512 656 09	Hose clamp B 25 X 12		2	
31		t-piece Water line		1	
32		see illustration, item: t-piece Water line	202-005,28	1	
33	997 106 181 72	Heater pipeline		1	PR:480
(33)	997 106 182 32	Heater pipeline		1	PR:250
34	997 106 822 31	Return hose		1	
35	997 106 812 30	Hose Supply		1	
36	997 106 212 32	Hose		2	
37	999 507 807 41	Bracket 9,5 / 18		1	
(37)	N 107 675 01	toothed lock washer 19 X 30 X 20 for Heater pipeline		1	
38	999 512 658 09	Hose clamp 27 X 12		6	

Model: 997T10

Model life 2010>>2013



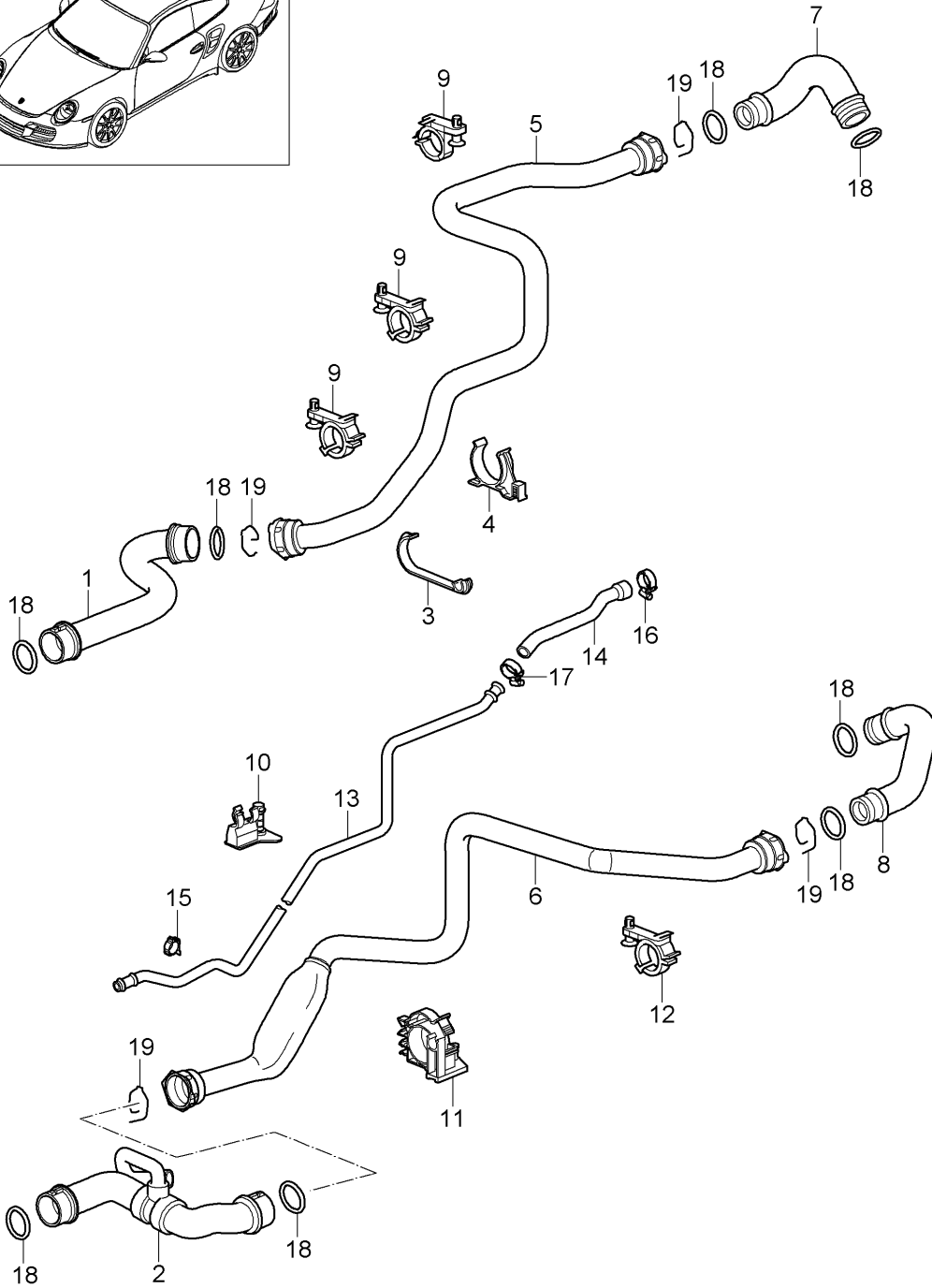
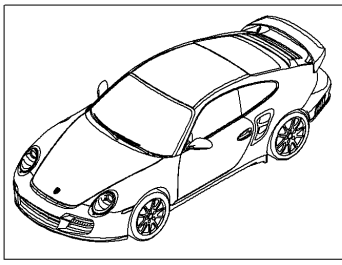
Model: 997T10

Model life 2010>>2013

Pos	Part Number	Description	Remark	Qty	Model
1	997 106 740 06	Water cooling 1 Water hose Supply		1	A170
2	997 106 741 07	Water hose Return line		1	PR:480
3	997 106 742 71	Water hose Return line		1	PR:250
4	997 106 426 00	Bracket		1	
5	997 106 427 01	Bracket		1	
6	997 106 610 31	Coolant pipe Supply		1	
8	997 106 809 01	Coolant pipe Return line		1	
8	997 106 069 00	Coolant pipe Return line		1	
9	997 106 831 31	Water hose Supply		1	
10	997 106 832 31	Water hose Return line		1	
11	996 106 417 73	Bracket		4	
11	996 106 417 73	Bracket		5	
(11)	997 106 457 32	Bracket		1	
12	997 106 428 01	Bracket		1	
13	997 106 429 01	No longer use the part here Bracket		1	
14	997 106 681 32	Breather line		1	
14	997 106 682 03	Breather line		1	
15	997 106 512 03	Distance piece No longer use the part here		1	
16	997 106 251 01	Vent hose		1	
17	999 507 743 40	Cable holder 12,0		1	
18	999 512 656 09	Hose clamp 25 X 12		1	
19	999 512 653 09	Hose clamp 20 X 12		1	
20	996 106 801 03	O-ring		8	
21	997 106 802 03	Spring		4	
22	997 106 609 01	Bracket		1	
23	900 378 074 01	Hexagon bolt M 8 X 16		1	

Model: 997T10

Model life 2010>>2013



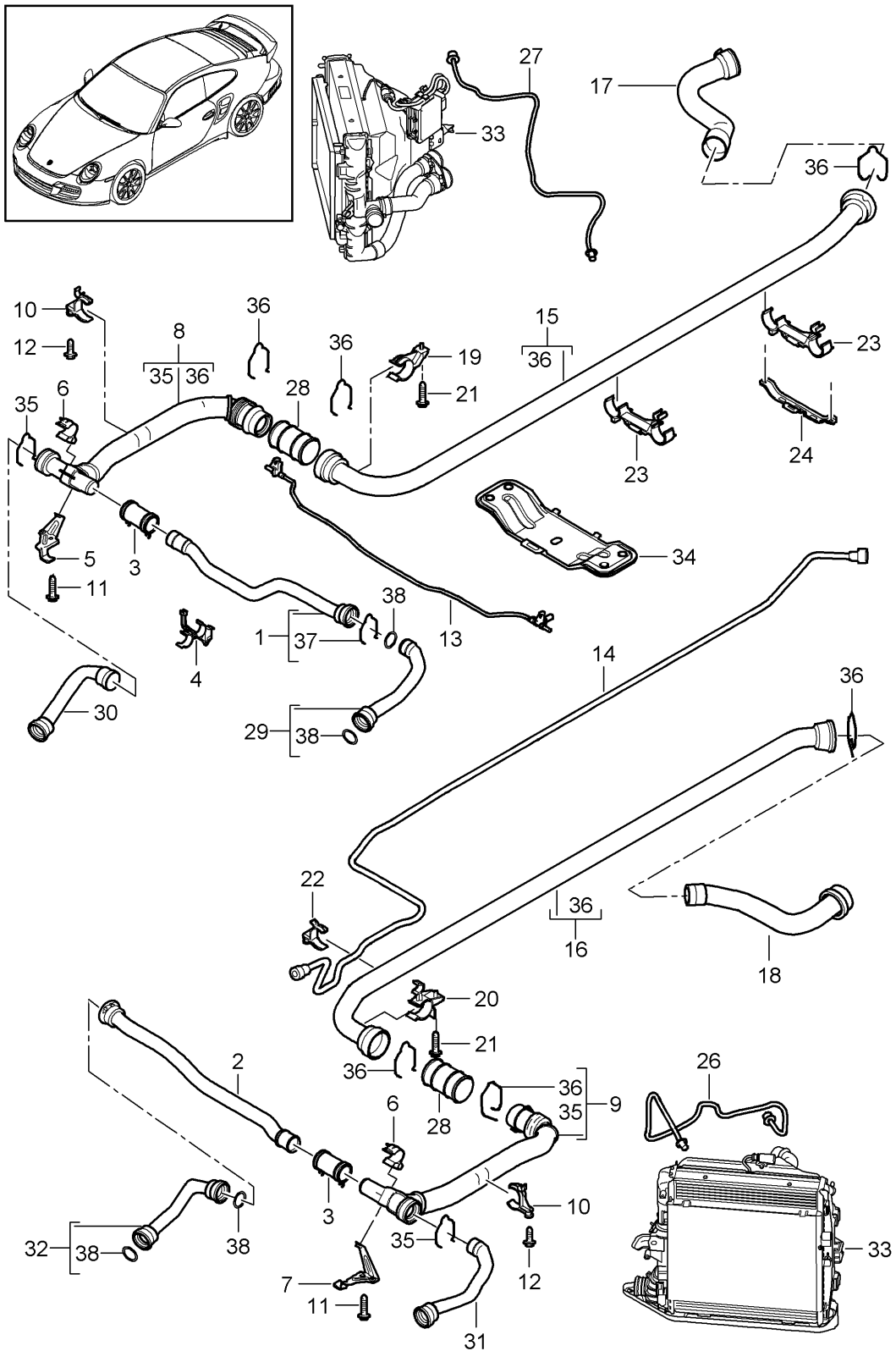
Model: 997T10

Model life 2010>>2013

Pos	Part Number	Description	Remark	Qty	Model
1	997 106 740 06	Water cooling 1 Water hose Supply		1	9770
2	997 106 889 96	Water hose Return line		1	
3	997 106 426 00	Bracket		1	
4	997 106 427 01	Bracket		1	
5	997 106 610 31	Coolant pipe Supply		1	
6	997 106 069 00	Coolant pipe Return line		1	
7	997 106 501 01	Water hose Supply		1	
8	997 106 502 00	Water hose Return line		1	
9	996 106 417 73	Bracket		4	
10	997 106 428 01	Bracket		1	
11	997 106 429 01	Bracket		1	
12	997 106 457 32	Bracket		1	
13	997 106 682 03	Breather line		1	
14	997 106 251 01	Vent hose		1	
15	999 507 743 40	Cable holder 12,0		1	
16	999 512 656 09	Hose clamp 25 X 12		1	
17	999 512 653 09	Hose clamp 20 X 12		1	
18	996 106 801 03	O-ring		8	
19	997 106 802 03	Spring		4	

Model: 997T10

Model life 2010>>2013



Model: 997T10

Model life 2010>>2013

Pos	Part Number	Description	Remark	Qty	Model
1	997 106 711 02	Water cooling 2 Water pipe Cross tube Supply Discontinued part		1	A170
1	997 106 711 03	Water pipe Cross tube Supply		1	
2	997 106 720 02	Water pipe Cross tube Return line Discontinued part		1	
2	997 106 720 03	Water pipe Cross tube Return line		1	
3	997 106 723 06	Water hose		2	
4	997 106 525 01	Bracket Water pipe Cross tube	center	1	
5	997 106 574 02	pipe holder Distributor tube	right	1	
6	997 106 526 01	Bracket Cross tube	upper	2	
7	997 106 573 02	pipe holder Distributor tube	left	1	
8	997 106 752 04	Distributor tube Supply		1	
9	997 106 751 04	Distributor tube Return line		1	
10	997 106 413 01	pipe holder Distributor tube		2	
(10)	997 106 413 01	pipe holder Distributor tube	right	1	PR:601
(10)	997 106 414 00	Bracket Distributor tube	left	1	PR:601
11	900 378 013 09	Hexagon bolt M6 X 25		2	
12	900 378 036 09	Hexagon bolt M6 X 12		2	
13	997 106 767 02	Breather line Transverse		1	
14	997 106 227 03	Breather line tunnel		1	
15	997 106 651 03	Water pipe Supply tunnel Discontinued part		1	PR:-004
15	997 106 651 04	Water pipe Supply tunnel		1	PR:-004
(15)	997 106 651 90	Water pipe Supply tunnel		1	PR:004
16	997 106 652 03	Return pipe tunnel Discontinued part		1	PR:-004
16	997 106 652 04	Return pipe tunnel		1	PR:-004
(16)	997 106 652 90	Return pipe tunnel		1	PR:004
17	997 106 520 02	Bracket filler plate	right	1	
18	997 106 521 01	Bracket	left	1	

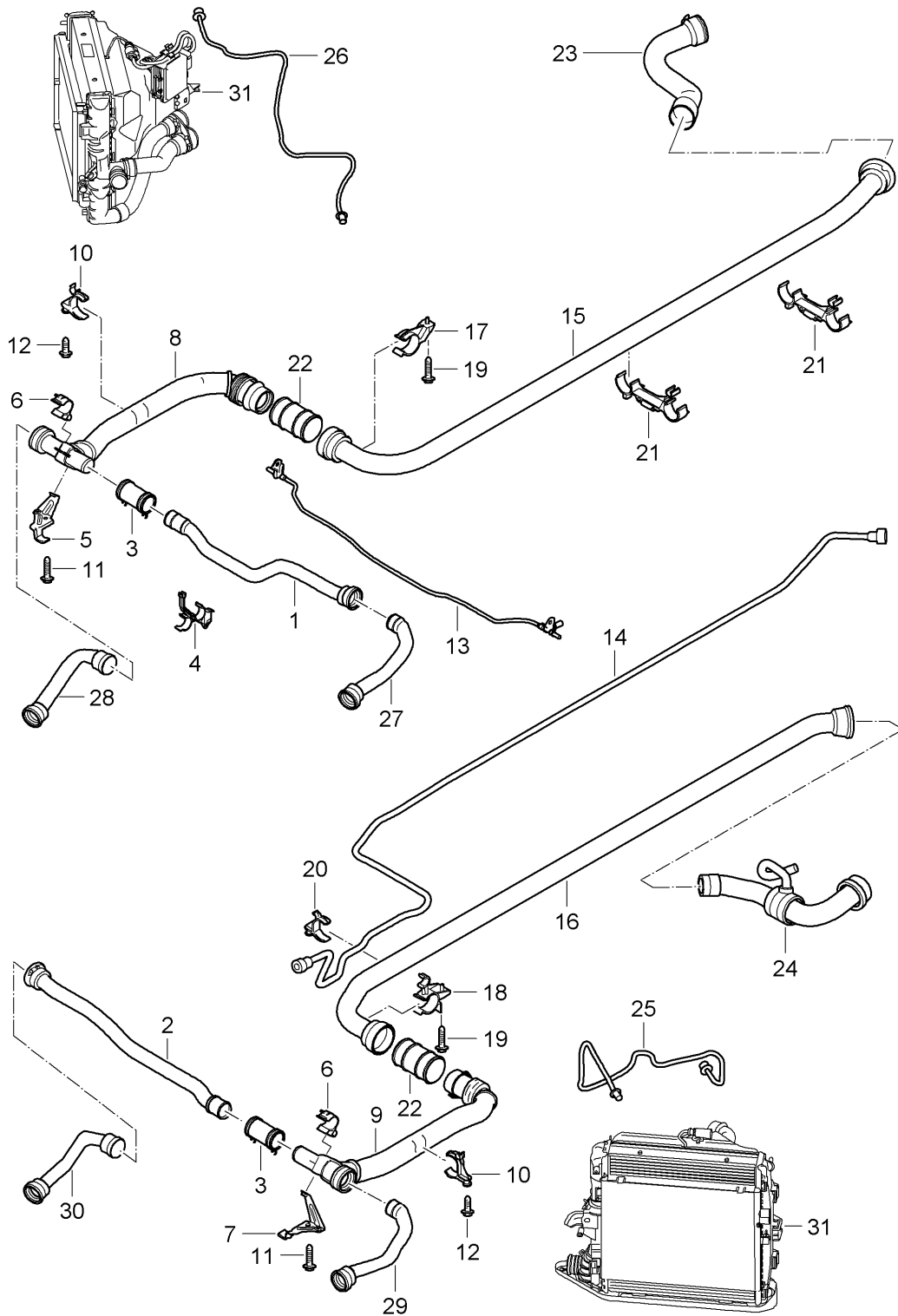
Model: 997T10

Model life 2010>>2013

Pos	Part Number	Description	Remark	Qty	Model
19	900 378 035 01	filler plate Hexagon bolt M6 X 16		2	
20	997 106 512 03	Distance piece Breather line		1	
21	997 106 540 02	Bracket tunnel		2	
22	997 106 551 03	Sleeve		2	
23		see illustration:	105-005	X	
24		see illustration:	105-005	X	
26	997 106 865 02	Line	left	1	
27	997 106 866 02	Line	right	1	
28	997 106 551 03	Sleeve		2	
29	997 106 623 03	Water hose Return line	left	1	
30	997 106 627 03	Water hose Supply	right	1	
31	997 106 728 03	Water hose Return line	left	1	
32	997 106 624 03	Water hose Return line	right	1	
33		Radiator		X	
34		see illustration: Transverse strut tunnel	105-015	X	
35	997 106 802 02	Spring SCB 36	see illustration: 801-070	2	
36	997 106 802 03	Spring SCB 42		6	
37	997 106 802 01	Spring SCB 33		2	
38	996 106 801 02	O-ring		X	

Model: 997T10

Model life 2010>>2013



Model: 997T10 Model life 2010>>2013

Pos	Part Number	Description	Remark	Qty	Model
1	997 106 711 02	Water cooling 2 Water pipe Cross tube Supply Discontinued part		1	9770
1	997 106 711 03	Water pipe Cross tube Supply		1	
2	997 106 720 02	Water pipe Cross tube Return line Discontinued part		1	
2	997 106 720 03	Water pipe Cross tube Return line		1	
3	997 106 723 07	Water hose		2	
4	997 106 525 01	Bracket Water pipe Cross tube	center	1	
5	997 106 574 02	pipe holder Distributor tube	right	1	
6	997 106 526 01	Bracket Cross tube	upper	2	
7	997 106 573 02	pipe holder Distributor tube	left	1	
8	997 106 752 04	Distributor tube Supply		1	
9	997 106 751 04	Distributor tube Return line		1	
10	997 106 413 01	pipe holder Distributor tube	left	1	
(10)	997 106 414 00	Bracket Distributor tube	right	1	
11	900 378 013 01	Hexagon bolt M6 X 25		2	
12	900 378 036 01	Hexagon bolt M6 X 12		2	
13	997 106 767 02	Breather line Transverse		1	
14	997 106 227 03	Breather line tunnel		1	
15	997 106 651 90	Water pipe Supply tunnel		1	
16	997 106 652 90	Return pipe tunnel		1	
17	997 106 520 02	Bracket filler plate	right	1	
18	997 106 521 01	Bracket filler plate	left	1	
19	900 378 035 01	Hexagon bolt M6 X 16		2	
20	997 106 512 03	Distance piece Breather line		1	
21	997 106 540 02	Bracket		2	
22	997 106 551 03	Sleeve		2	
23		Water hose		1	
24		Water hose see illustration:	105-008		
		Water hose see illustration:	105-008		
25	997 106 865 02	Line	left	1	
26	997 106 866 02	Line	right	1	
27	997 106 623 03	Water hose	left	1	

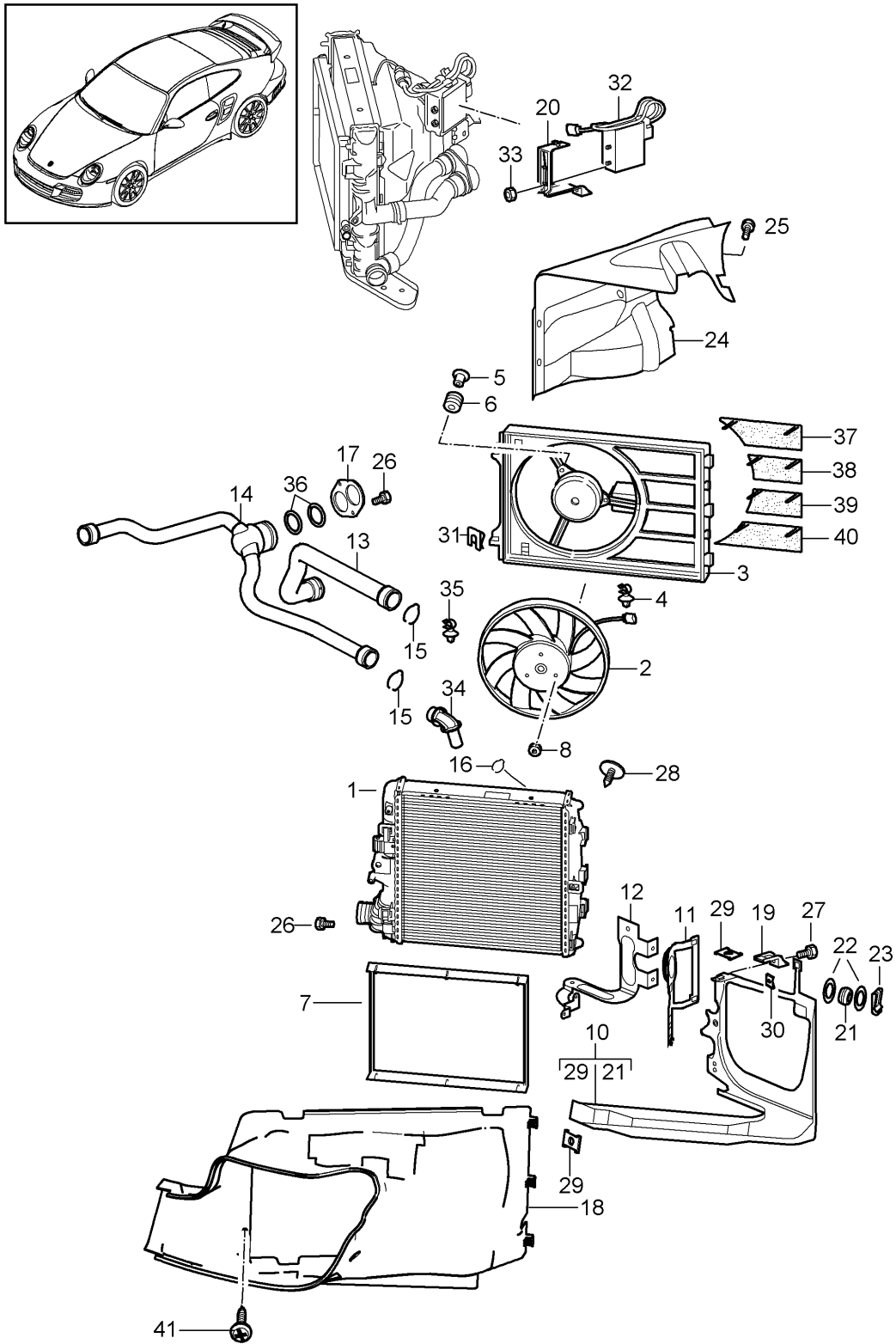
Model: 997T10

Model life 2010>>2013

Pos	Part Number	Description	Remark	Qty	Model
28	997 106 627 03	Supply Water hose	right	1	
29	997 106 728 03	Supply Water hose	left	1	
30	997 106 624 03	Return line Water hose	right	1	
31		Return line see illustration:	105-016	1	

Model: 997T10

Model life 2010>>2013



Model: 997T10

Model life 2010>>2013

Pos	Part Number	Description	Remark	Qty	Model
		Water cooling 3			A170
1	996 106 131 74	Radiator	left	1	
(1)	996 106 132 72	Radiator	right	1	
(2)	997 624 127 02	Radiator fan	left	1	
(2)	997 624 128 02	Fan	right	1	
3	997 624 141 00	Air guide		2	
4	999 507 085 40	Clip		2	
5	996 624 175 00	bush		6	
6	996 624 173 00	Rubber bush		6	
7	996 573 711 01	Frame		2	
8	900 377 010 09	Hexagon nut		6	
9	999 209 049 02	spacer sleeve		6	
10	997 106 165 02	Console	left	1	
(10)	997 106 166 02	Console	right	1	
11	997 106 265 01	Support for coolant radiator	left	1	
(11)	997 106 266 01	Support for coolant radiator	right	1	
12	997 106 365 02	Bracket	left	1	
(12)	997 106 366 02	Bracket	right	1	
13	997 106 635 02	Water hose	left	1	
		Return line			
(13)	997 106 636 01	Water hose	right	1	
		Return line			
14	997 106 631 01	Water hose	left	1	
		Supply			
(14)	997 106 632 01	Water hose	right	1	
		Supply			
15	996 106 802 16	retaining spring		4	
		SC 32			
16	996 106 802 15	retaining spring		2	
		SC 08			
17	997 106 255 02	Connecting piece		2	
18	997 575 321 01	Air guide	left	1	
(18)	997 575 322 01	Air guide	right	1	
19	997 106 455 00	Bracket	left	1	
20	997 106 456 00	Bracket	right	1	
21	999 702 214 40	Grommet		4	
		14 X 20,5 X 7,5			
22	999 025 255 02	Washer		12	
23	999 166 017 01	Kl-lock		6	
24	997 575 341 01	Air guide	left	1	
(24)	997 575 342 01	Air guide	right	1	
25	999 919 134 09	fillister hd. bolt		12	
		6,0 X 16			
26	900 378 123 01	Hexagon bolt		2	
		M 8 X 12			
27	900 378 035 01	Hexagon bolt		6	
		M 6 X 16			
28	999 073 231 09	panel screw		12	
		4,8 X 16			
29	999 591 329 01	panel nut		10	
		ST 4,8			
30	999 591 350 01	panel nut		2	
		ST 4,8			
31	999 591 699 01	panel nut		8	
		ST 4,8			
32		Control unit		1	
		see illustration, item:	901-003,22		
33	900 377 010 01	Hexagon nut		2	
		M 6			
34	997 106 565 00	Adapter		2	
35	999 507 126 40	Hose bracket		1	
36	996 106 801 02	O-ring		4	
37	996 624 157 00	Air flap	left	1	

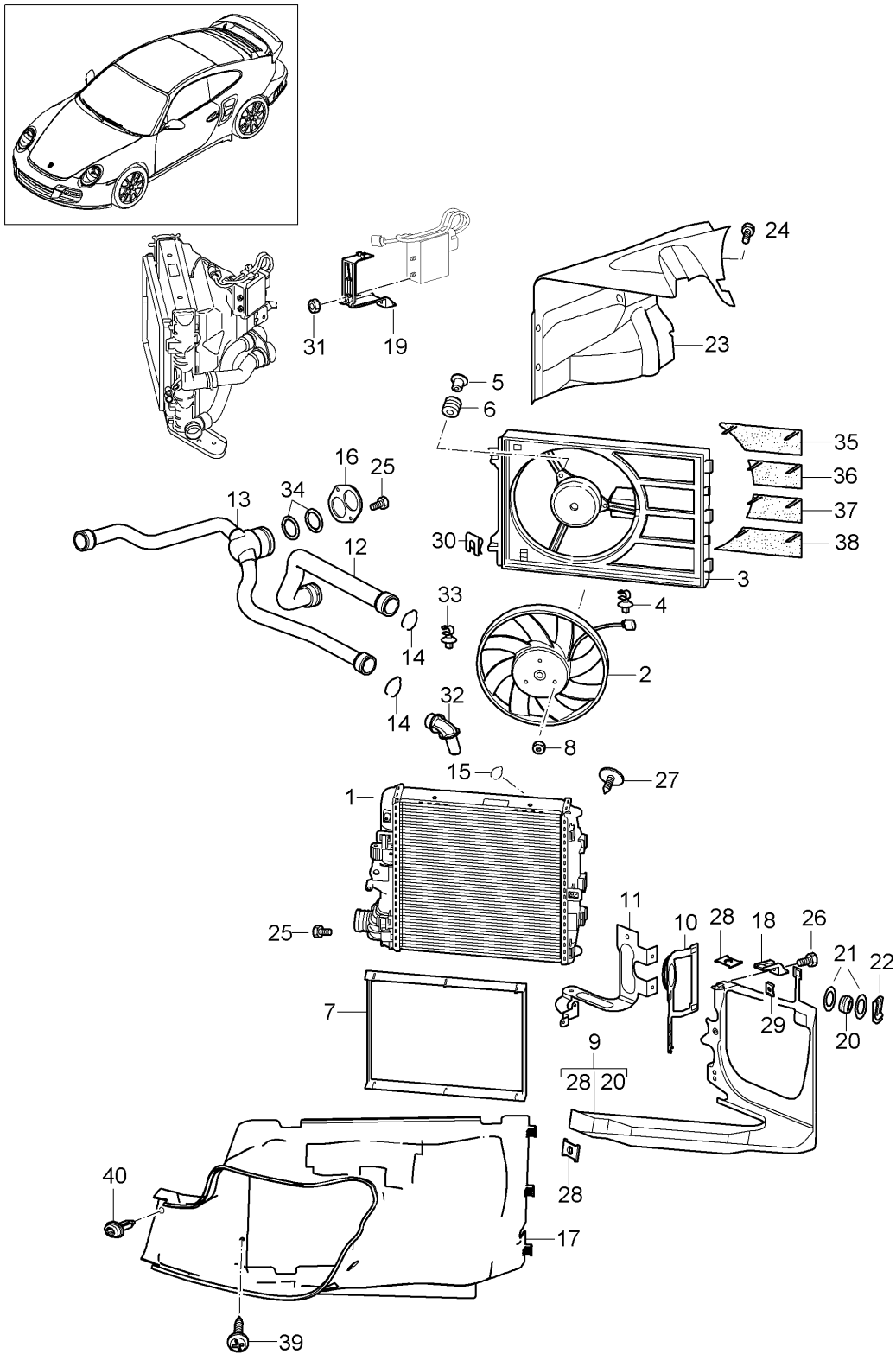
Model: 997T10

Model life 2010>>2013

Pos	Part Number	Description	Remark	Qty	Model
(37)	996 624 158 00	Air flap	right	1	
38	996 624 159 00	Air flap	left	1	
(38)	996 624 160 00	Air flap	right	1	
39	996 624 161 00	Air flap	left	1	
(39)	996 624 162 00	Air flap	right	1	
40	996 624 163 00	Air flap	left	1	
(40)	996 624 164 00	Air flap	right	1	
41	N 906 487 02	Oval hexagon socket head bolt ST 4,8 X 16		4	
-	997 106 113 70	Protection cover Radiator	left	1	
-	997 106 114 70	Protection cover Radiator	right	1	

Model: 997T10

Model life 2010>>2013



Model: 997T10

Model life 2010>>2013

Pos	Part Number	Description	Remark	Qty	Model
		Water cooling 3			9770
1	996 106 131 74	Radiator	left	1	
(1)	996 106 132 72	Radiator	right	1	
2	997 624 128 02	Fan	right	1	
3	997 624 141 00	Air guide	right	1	
4	999 507 085 40	Clip		1	
5	996 624 175 00	bush		3	
6	996 624 173 00	Rubber bush		3	
7	996 573 711 01	Frame		2	
8	900 377 010 01	Hexagon nut		3	
9	997 106 165 02	Console	left	1	
(9)	997 106 166 02	Console	right	1	
10	997 106 265 01	Support for coolant radiator	left	1	
(10)	997 106 266 01	Support for coolant radiator	right	1	
11	997 106 365 02	Bracket	left	1	
(11)	997 106 366 02	Bracket	right	1	
12	997 106 631 01	Water hose	left	1	
		Supply			
(12)	997 106 632 80	Water hose	right	1	
		Supply			
13	997 106 635 80	Water hose	left	1	
		Return line			
(13)	997 106 636 01	Water hose	right	1	
		Return line			
14	996 106 802 16	retaining spring		4	
		SC 32			
15	996 106 802 15	retaining spring		2	
		SC 08			
16	997 106 255 02	Connecting piece		2	
17	997 575 321 80	Air guide	left	1	
(17)	997 575 322 80	Air guide	right	1	
18	997 106 455 00	Bracket	left	1	
19	997 106 456 00	Bracket	right	1	
20	999 702 214 40	Grommet		6	
		14 X 20,5 X 7,5			
21	999 025 255 01	Washer		12	
22	999 166 017 02	Kl-lock		6	
23	997 575 341 01	Air guide	left	1	
(23)	997 575 342 01	Air guide	right	1	
24	999 919 134 09	fillister hd. bolt		12	
		6,0 X 16			
25	900 378 123 01	Hexagon bolt		2	
		M 8 X 12			
26	900 378 035 01	Hexagon bolt		6	
		M 6 X 16			
27	999 073 231 09	panel screw		12	
		4,8 X 16			
28	999 591 329 09	panel nut		10	
		ST 4,8			
29	999 591 350 01	panel nut		2	
		ST 4,8			
30	999 591 699 01	panel nut		8	
		ST 4,8			
31	900 377 010 01	Hexagon nut		2	
		M 6			
32	997 106 565 00	Adapter		2	
33	999 507 126 40	Hose bracket		1	
34	996 106 801 02	O-ring		4	
35	996 624 158 00	Air flap	right	1	
36	996 624 160 00	Air flap	right	1	
37	996 624 162 00	Air flap	right	1	
38	996 624 164 00	Air flap	right	1	
39	999 073 418 01	panel screw		4	

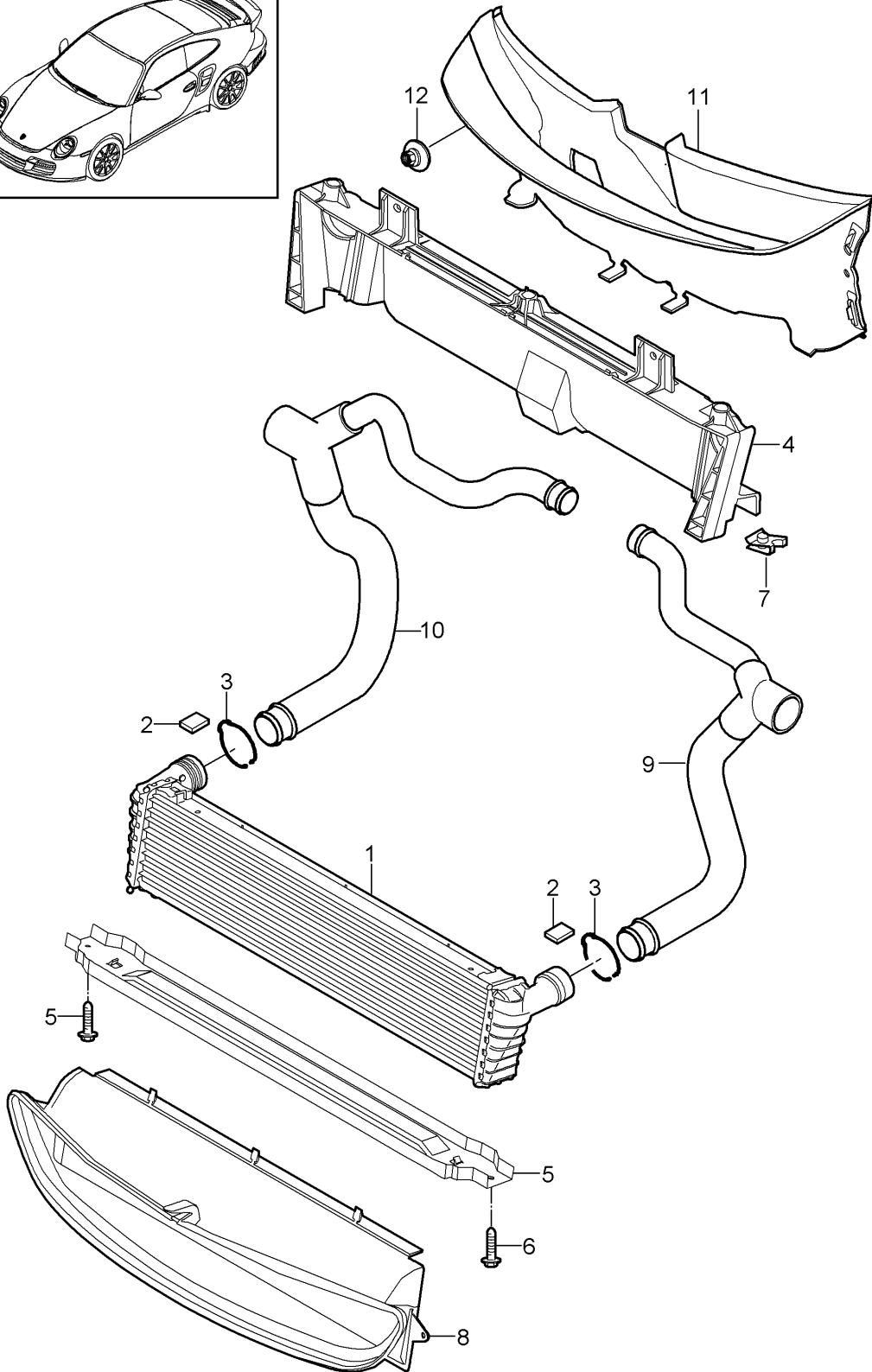
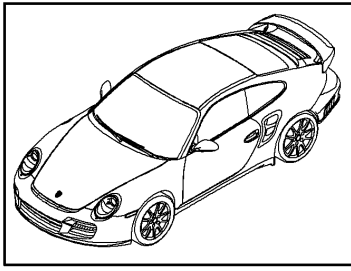
Model: 997T10

Model life 2010>>2013

Pos	Part Number	Description	Remark	Qty	Model
40	999 591 941 40	ST 4,8 X 19 Spreader rivet ST 4,2		2	

Model: 997T10

Model life 2010>>2013



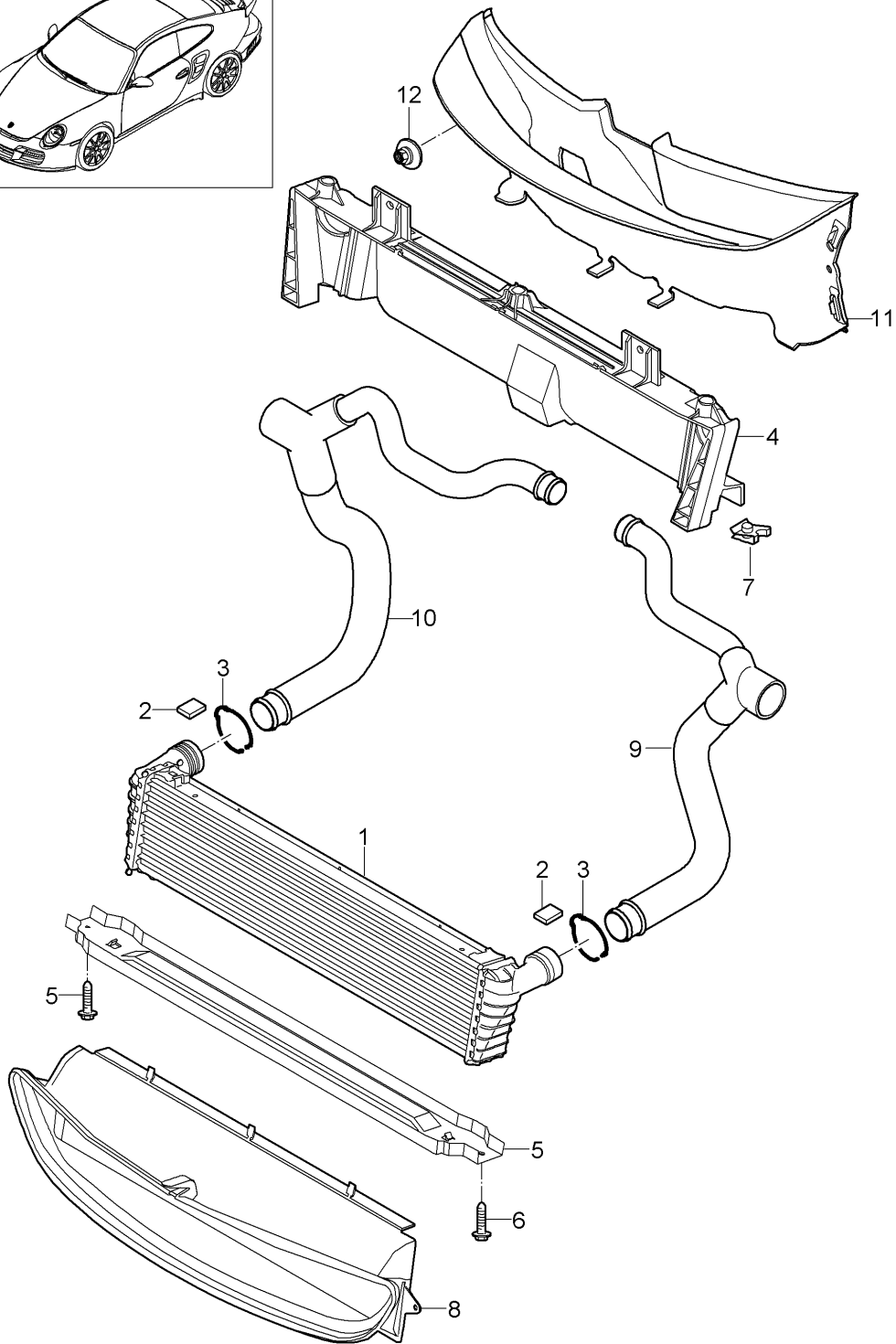
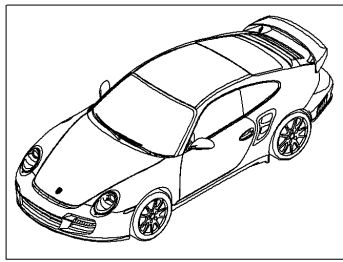
Model: 997T10

Model life 2010>>2013

Pos	Part Number	Description	Remark	Qty	Model
1	997 106 038 04	Radiator	center	1	A170
2	997 106 437 02	Radiator Rubber bush		4	
3	997 106 802 00	Spring SCB-26		2	
4	997 504 487 01	Frame for coolant radiator		1	
5	997 504 485 01	form rail Radiator	lower	1	
6	900 378 035 01	Hexagon bolt M 6 X 16		2	
7	999 591 882 01	panel nut M 6		2	
8	997 575 141 01	Air guide		1	
9	997 106 635 02	Water hose Return line		1	
10	997 106 632 01	Water hose Supply		1	

Model: 997T10

Model life 2010>>2013



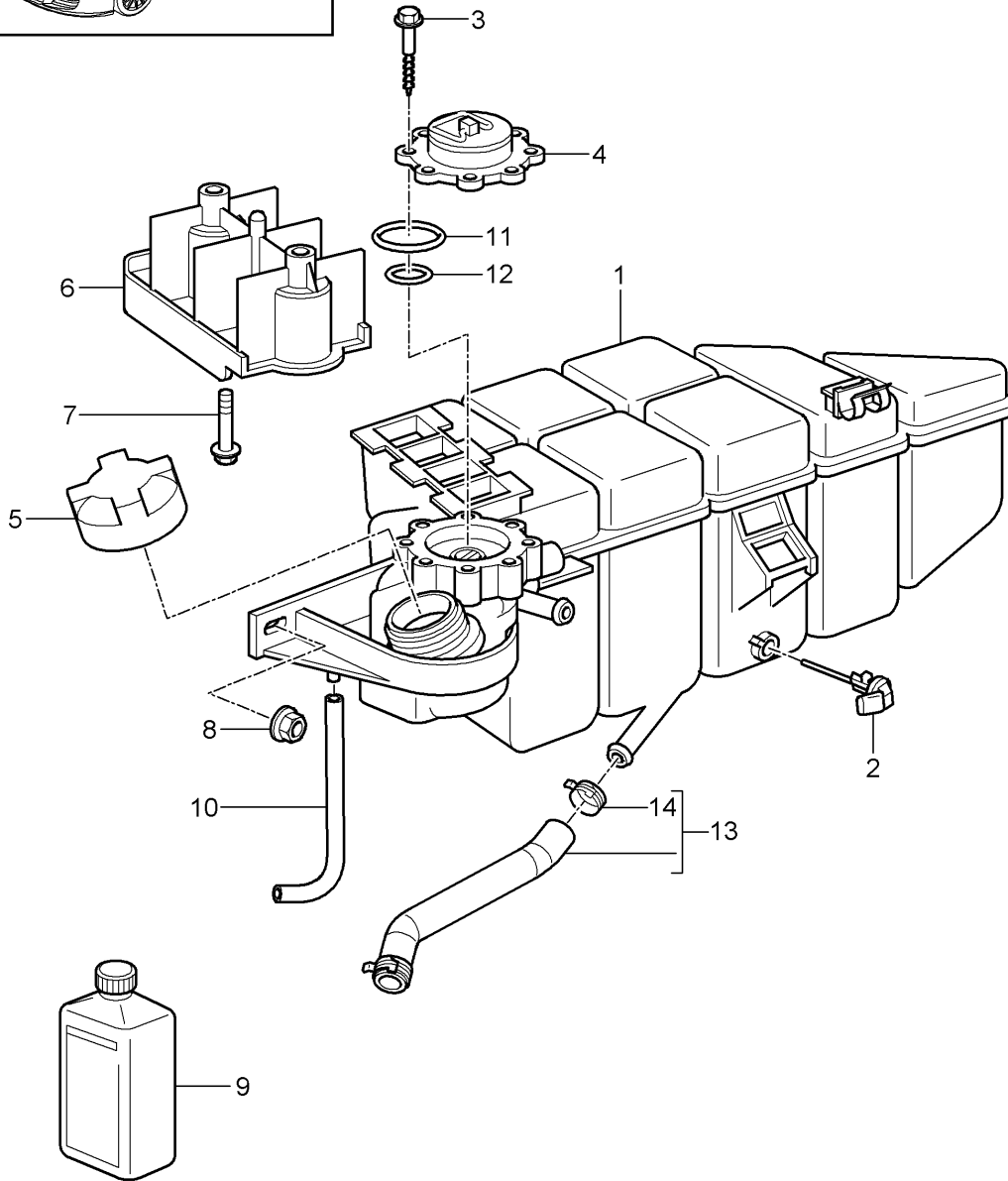
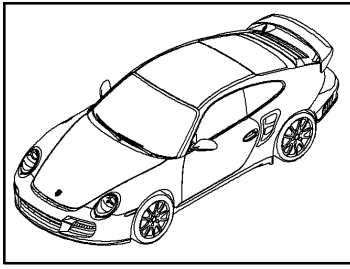
Model: 997T10

Model life 2010>>2013

Pos	Part Number	Description	Remark	Qty	Model
1	996 106 037 75	Radiator	center	1	9770
-	996 106 545 71	Radiator Bungs		1	
		Water drain valve			
2	930 113 430 00	Rubber bush		4	
3	996 106 802 17	retaining spring SC-25		2	
-	996 106 802 15	retaining spring SC-08		3	
4	997 504 487 80	Frame for coolant radiator		1	
5	997 504 485 81	Retaining frame	lower	1	
6	900 378 035 01	Radiator Hexagon bolt M 6 X 16		2	
7	999 591 882 01	panel nut M 6		2	
8	997 575 141 80	Air guide		1	
9	997 106 635 80	Water hose Return line		1	
10	997 106 632 80	Water hose Supply		1	
11	997 504 489 81	Air guide channel		1	
12	999 049 029 01	Hexagon nut T5		2	

Model: 997T10

Model life 2010>>2013



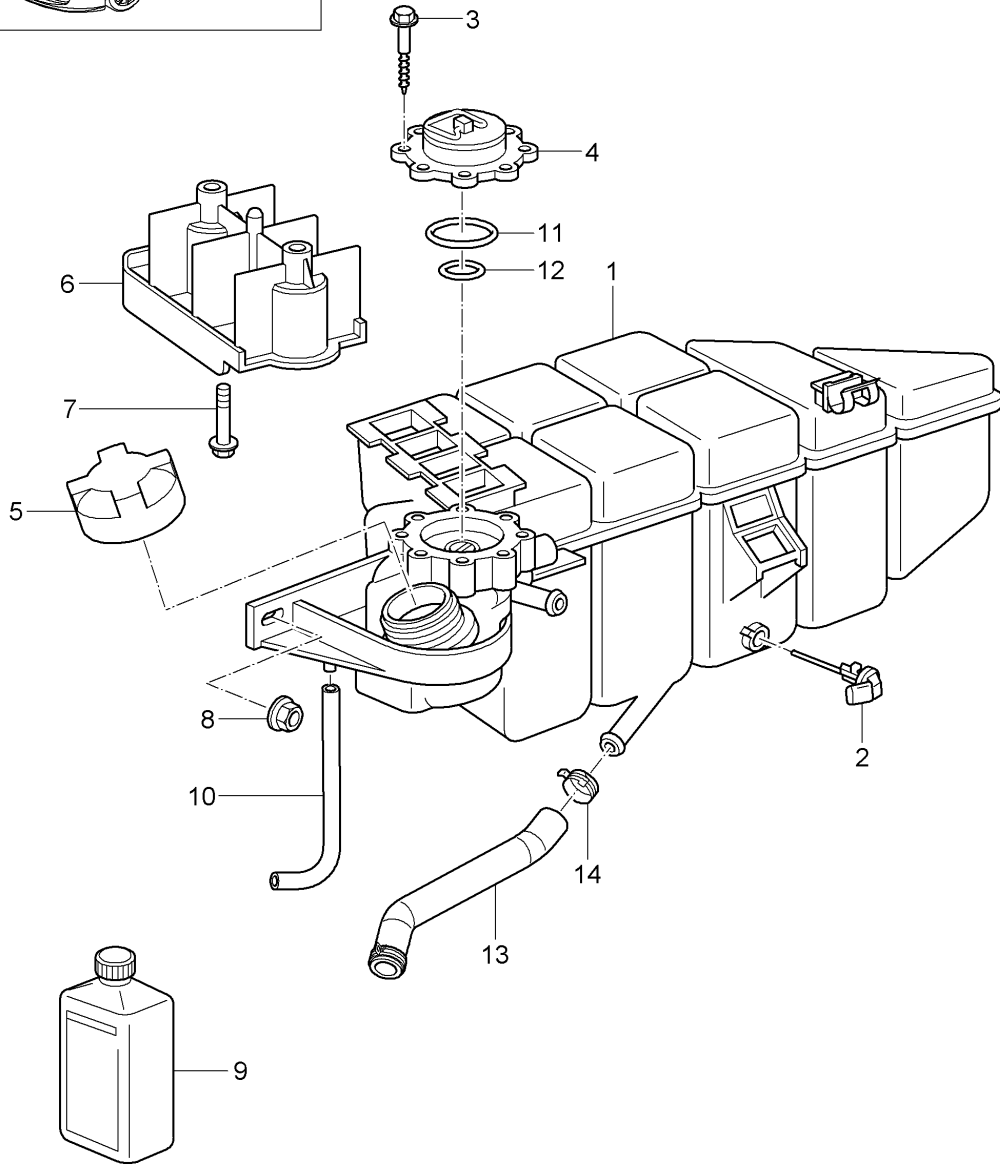
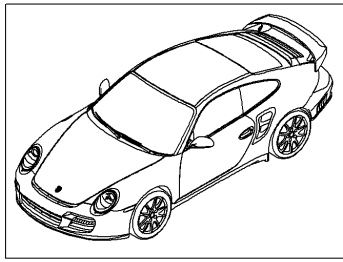
Model: 997T10

Model life 2010>>2013

Pos	Part Number	Description	Remark	Qty	Model
		Water cooling 4			A170
1	996 106 157 03	Water reservoir		1	
2	997 641 503 00	Switch		1	
3	999 919 058 02	Hexagon bolt 5,0 X 40		8	
4	996 106 347 02	Bleed valve		1	
5	996 106 447 01	cap for expansion tank See technical manual see main group 1 (engine)		1	
6	996 106 405 52	Retainer for reservoir		1	
7	900 378 141 09	Hexagon bolt M 6 X 35		2	
8	999 076 071 02	Hexagon nut M 6		1	
9	000 043 301 03	Coolant additive 1 LTR. Container		X	
(9)	000 043 301 04	Coolant additive 20 LTR. Container		X	
(9)	000 043 305 64	Cleaning solution	20ltr.	1	
10	996 106 297 05	Overflow hose		1	
11	999 707 370 40	O-ring 47 X 4		1	
12	999 707 371 40	O-ring 17 X 4		1	
13	997 106 851 34	Water hose		1	
14	999 512 660 09	Hose clamp 29 X 12		1	

Model: 997T10

Model life 2010>>2013



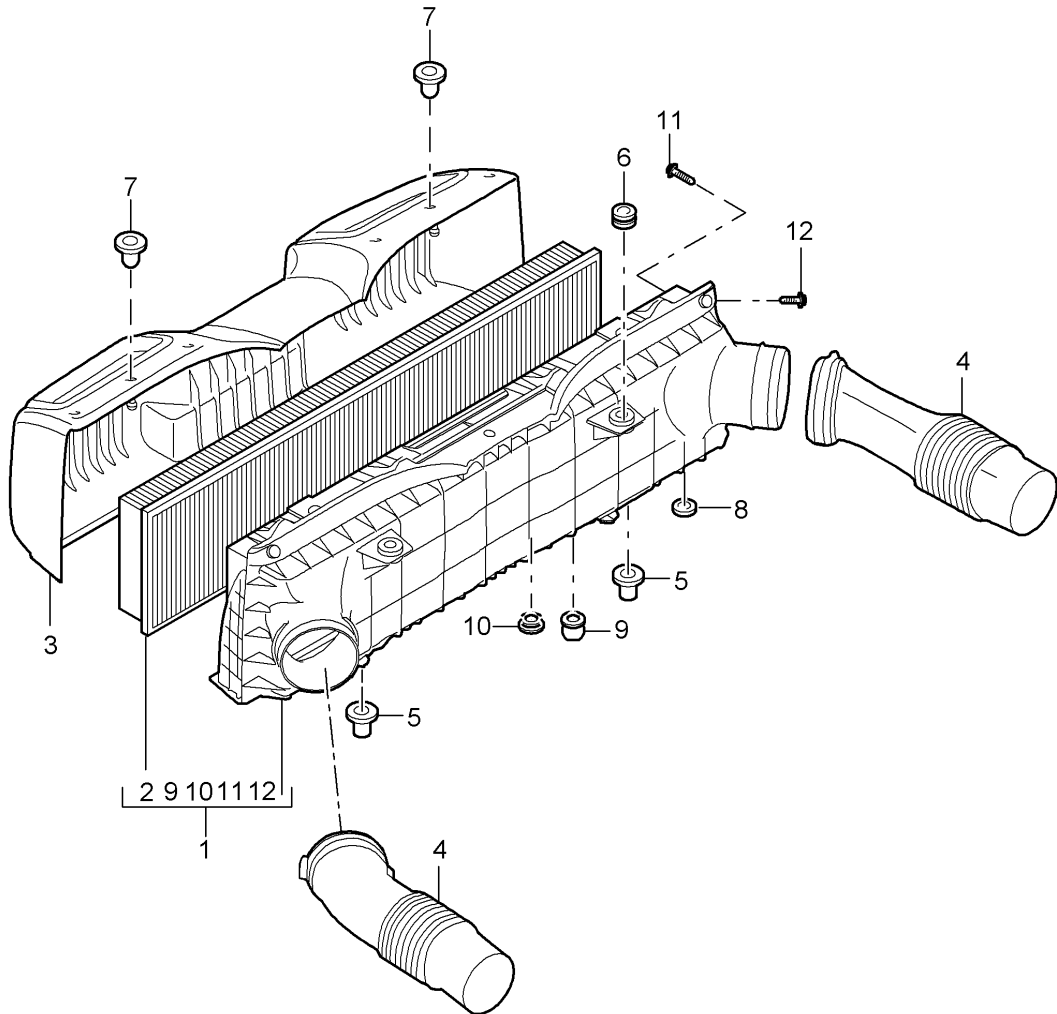
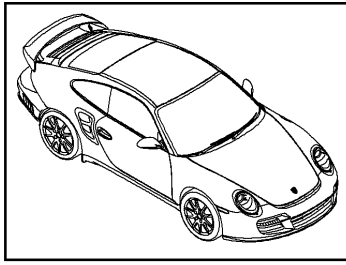
Model: 997T10

Model life 2010>>2013

Pos	Part Number	Description	Remark	Qty	Model
		Water cooling 4			9770
1	996 106 157 03	Water reservoir		1	
2	997 641 503 00	Switch		1	
3	999 919 058 01	Hexagon bolt 5,0 X 40		8	
4	996 106 347 02	Bleed valve		1	
5	996 106 447 04	cap for expansion tank		1	
6	996 106 405 52	Retainer for reservoir		1	
7	900 378 141 01	Hexagon bolt M 6 X 35		2	
8	999 076 071 02	Hexagon nut M 6		1	
9	000 043 301 03	Coolant additive 1 LTR. Container		X	
(9)	000 043 301 04	Coolant additive 20 LTR. Container		X	
(9)	000 043 305 64	Cleaning solution	20ltr.	1	
10	996 106 297 05	Overflow hose		1	
11	999 707 370 40	O-ring 47 X 4		1	
12	999 707 371 40	O-ring 17 X 4		1	
13	997 106 350 00	Water hose		1	
14	999 512 660 09	Hose clamp 29 X 12		1	

Model: 997T10

Model life 2010>>2013



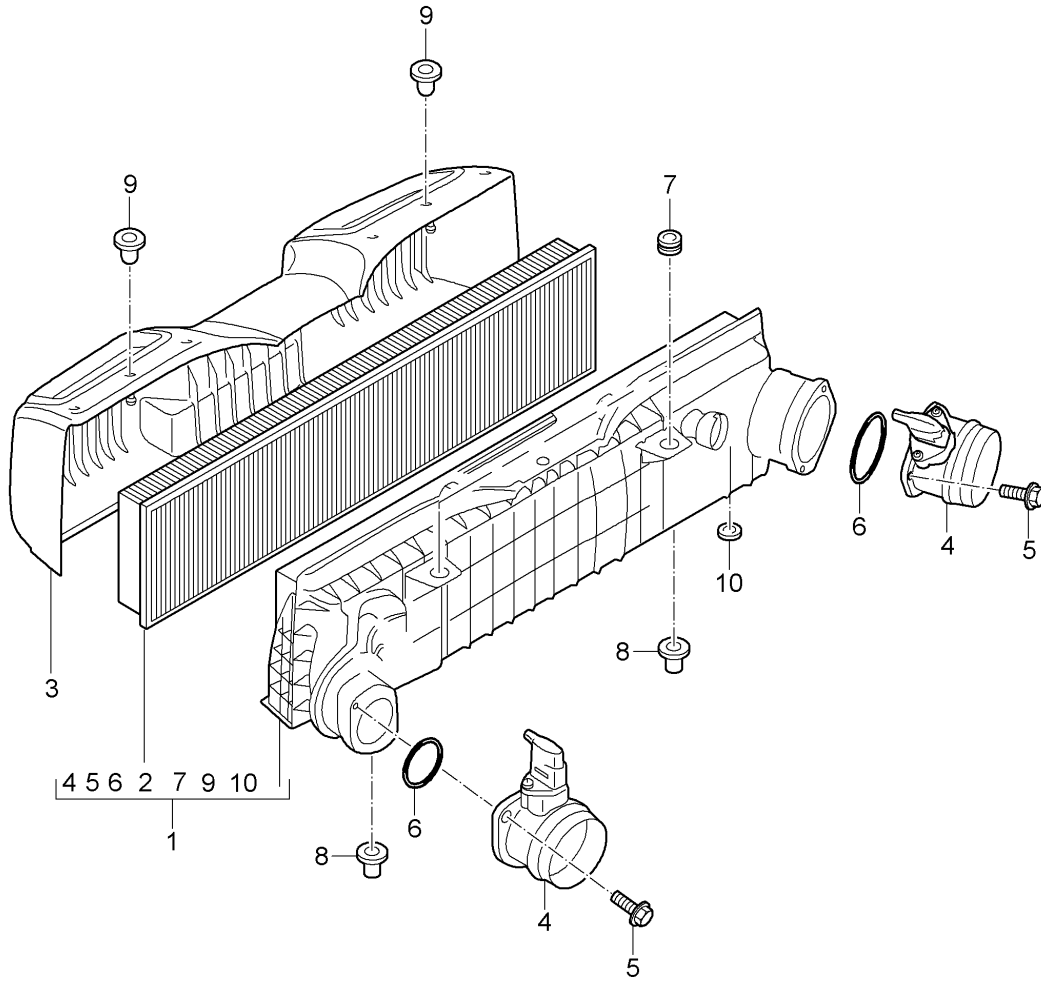
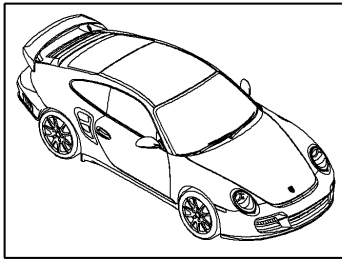
Model: 997T10

Model life 2010>>2013

Pos	Part Number	Description	Remark	Qty	Model
1	997 110 028 30	Air filter		1	A170
2	997 110 131 30	Air filter element		1	
3	997 110 122 30	Air filter		1	
(3)	997 110 124 30	air cleaner upper part Discontinued part		1	PR:092
(3)	997 110 124 31	air cleaner upper part		1	PR:092
4	997 606 125 00	Air mass meter		2	
5		fillister hd. bolt 5 X 21 part number in Preparation		8	
6	999 701 089 40	O-ring		1	
7	999 702 246 40	Grommet 12,0 X 17,0 X 3		2	
8	999 703 267 40	bush		1	
9	997 110 239 00	Support		4	
10	997 110 238 00	Stop buffer		3	
11	999 919 237 00	fillister hd. bolt M 5 X 20		4	
12	997 555 533 01	Stop		4	

Model: 997T10

Model life 2010>>2013



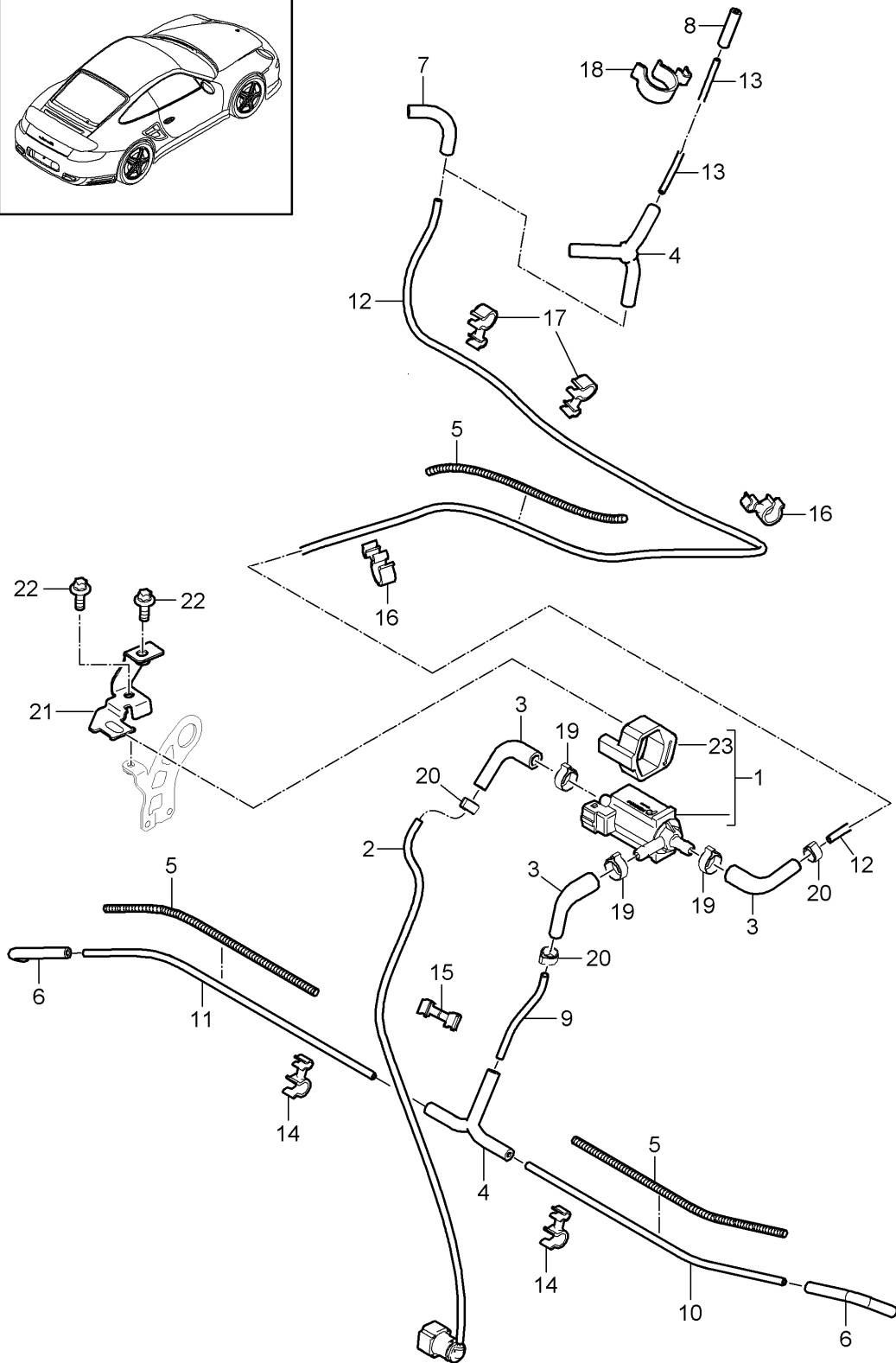
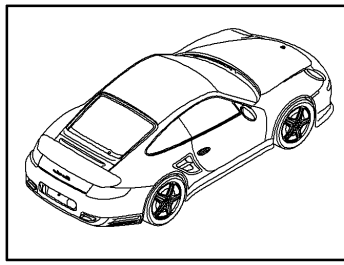
Model: 997T10

Model life 2010>>2013

Pos	Part Number	Description	Remark	Qty	Model
		Air filter			9770
1	997 110 021 74	Air filter		1	
2	997 110 131 74	Air filter element		1	
3	997 110 124 80	Air filter		1	
4	997 606 125 00	Air mass meter		2	
5	999 919 160 07	fillister hd. bolt 5 X 20		8	
6	999 701 089 40	O-ring 79,0 X 6,0		1	
7	999 702 246 40	Grommet 12,0 X 17,0 X 3		2	
8	999 703 267 40	bush		1	
9	997 110 239 00	Support		4	
10	997 110 238 00	Stop buffer		3	

Model: 997T10

Model life 2010>>2013



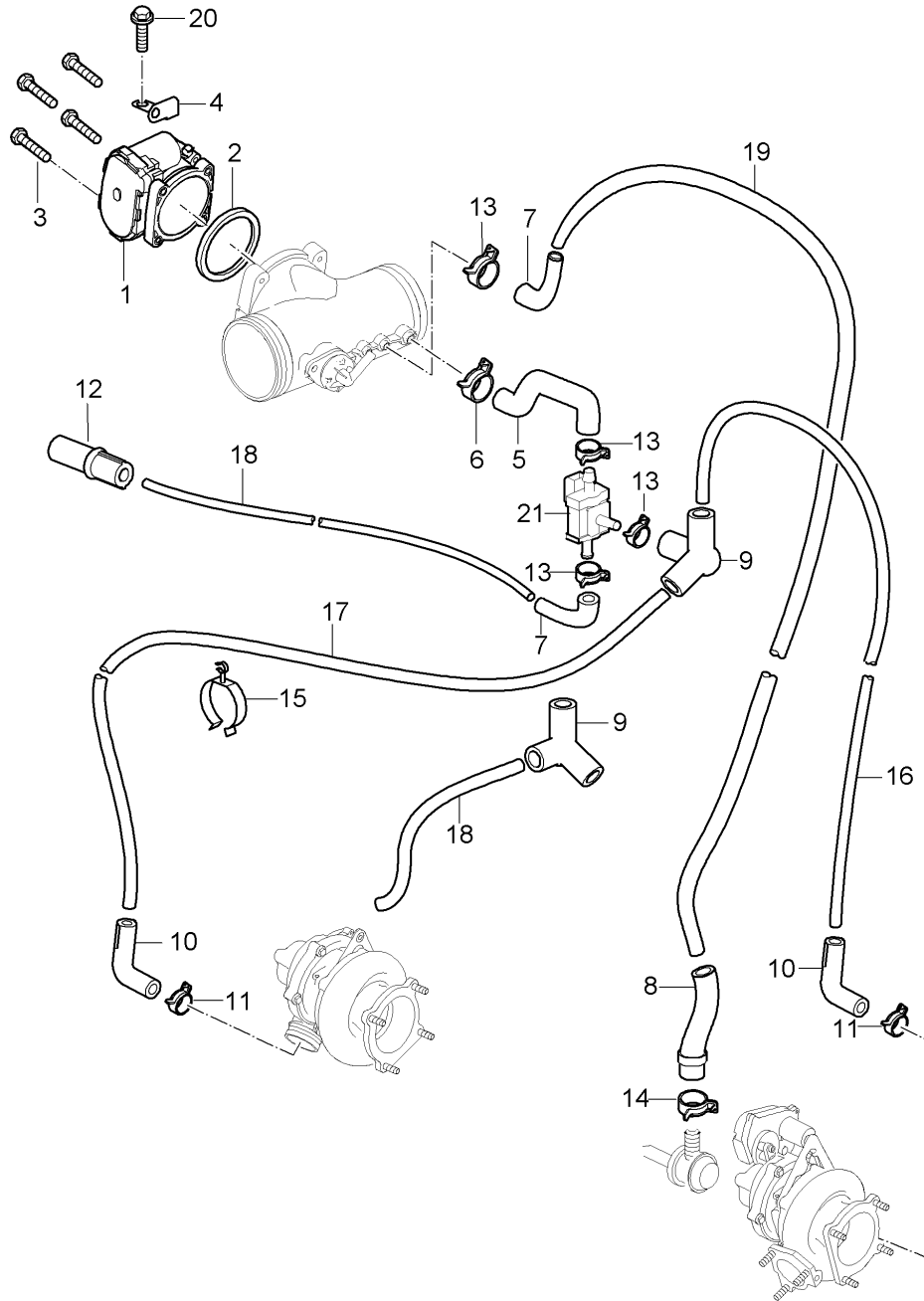
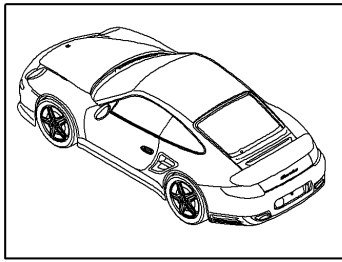
Model: 997T10

Model life 2010>>2013

Pos	Part Number	Description	Remark	Qty	Model
		Vacuum control			A170
1	9A1 605 125 00	Change-over valve		1	
2	9A1 110 170 70	Vacuum line		1	
3	996 110 695 71	Molded hose		3	
4	928 573 727 05	Distributor		1	G9755
4	928 573 727 05	Distributor		2	CG150
5	999 181 445 40	Protective hose 5 X 200		3	
6	999 239 042 40	Hose		2	
7	928 574 717 05	Molded hose		1	G9755
7	928 574 717 07	Molded hose		1	G9755
7	9P1 129 487	No longer use the part here Molded hose		1	G9755
8	999 239 040 40	Connecting piece		1	CG150
9	999 181 447 40	Vacuum line 5 X 1,0 X 70		1	
10	999 181 448 40	Vacuum line 5 X 1,0 X 250		1	
11	999 181 449 40	Vacuum line 5 X 1,0 X 280		1	
12	999 181 435 40	Vacuum line 5 X 1,0 X 980		1	
13	999 181 397 40	Vacuum line 4 X 1,0 X 420		1	G9755
14	999 507 904 40	Line holder		2	
15	999 507 866 40	Line holder		1	
16	999 507 905 40	Line holder 5.0 / 14.0		1	
17	999 507 821 40	Line holder 5.0 / 11.0		1	
18	999 507 872 40	Bracket 4.0 / 22.0		1	CG150
19	999 512 498 00	Hose clamp		3	
20	999 512 527 00	Clamp		3	
21	9A1 106 213 70	Bracket		1	
22	900 385 041 01	Torx screw		1	
23	07L 145 726 A	rubber support ring		1	

Model: 997T10

Model life 2010>>2013



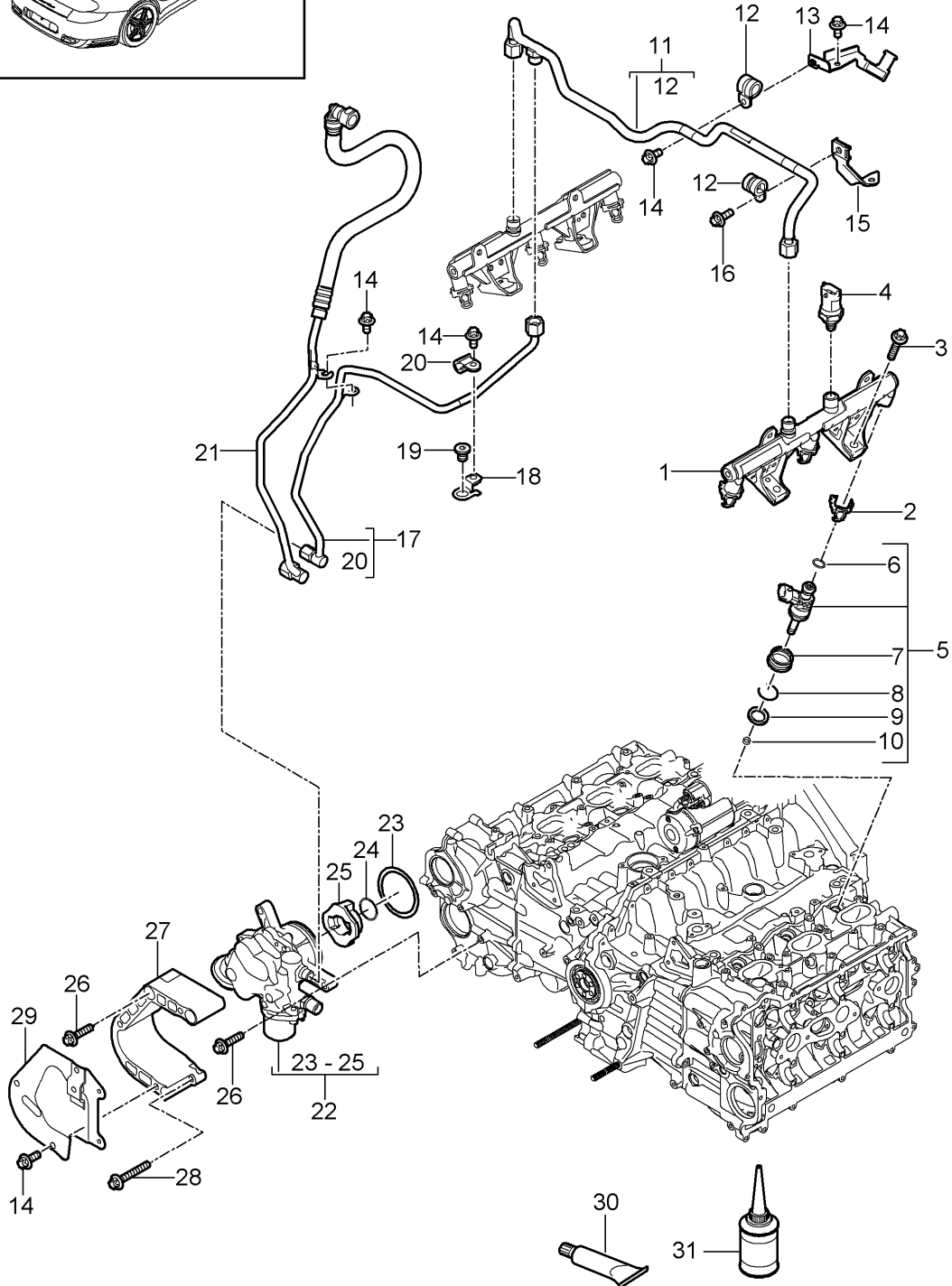
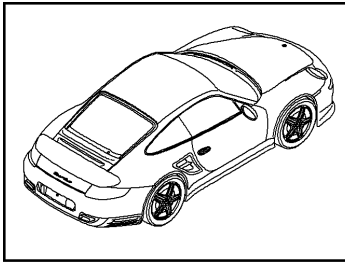
Model: 997T10

Model life 2010>>2013

Pos	Part Number	Description	Remark	Qty	Model
		throttle valve adapter			9770
1	997 605 115 01	throttle valve adapter		1	
2	997 110 319 00	Seal		1	
3	900 385 045 01	Torx screw BM 6 X 40		4	PR:-101
3	900 385 045 01	Torx screw BM 6 X 40		2	PR:101
(3)	900 385 125 01	Torx screw BM 6 X 45		2	PR:101
-	900 385 023 01	Torx screw BM 6 X 25		1	PR:101
4	997 110 423 70	angle		1	PR:-101
4	997 110 423 71	angle		1	PR:004,101
5	997 110 693 70	Hose Recirculating air valve		1	
6	999 512 498 00	Hose clamp		1	
7	996 110 695 71	Molded hose		2	
8	928 574 717 05	Molded hose		1	
8	928 574 717 07	Molded hose		1	
8	9P1 129 487	No longer use the part here Molded hose		1	
9	997 110 683 70	Y-piece Change-over valve Electric		2	
10	997 110 666 71	Elbow fitting Vacuum unit Exhaust gas turbocharger		2	
11	999 512 445 00	Clamp		2	
12	997 110 697 71	Connector union		1	
13	999 512 498 00	Hose clamp		4	
14	999 512 527 00	Clamp		1	
15	999 507 859 40	Hose bracket		1	
-	900 918 005 40	Pipe 5 X 1,0		X	
16		shorten to:	980 MM	1	
17		shorten to:	600 MM	1	
18		shorten to:	420 MM	1	
-	000 043 205 01	Pipe 4 X 1,0		*	
19		shorten to:	480 MM	1	
20	900 377 010 04	Hexagon nut M 6		1	
20	900 377 010 01	Discontinued part Hexagon nut M 6		1	
21		Change-over valve see illustration:	108-007	1	

Model: 997T10

Model life 2010>>2013



Model: 997T10

Model life 2010>>2013

Pos	Part Number	Description	Remark	Qty	Model
		Fuel collection pipe high pressure pump			A170
1	9A1 110 859 71	Fuel collection pipe Cyl. 1 - 3 Discontinued part		1	
1	9A1 110 859 72	Fuel collection pipe Cyl. 1 - 3		1	
(1)	9A1 110 860 72	Fuel collection pipe Cyl. 4 - 6 Discontinued part		1	
(1)	9A1 110 860 73	Fuel collection pipe Cyl. 4 - 6		1	
2	9A1 110 866 01	Fixing Fuel collection pipe high-pressure injector Discontinued part		6	
(2)	9A1 110 866 02	Fixing Fuel collection pipe high-pressure injector Discontinued part		6	
(2)	9A1 110 866 03	Fixing Fuel collection pipe high-pressure injector D - MJ 2011>>		6	
3	900 385 048 01	Torx screw M6 X 30		8	
4	948 606 230 01	Pressure sensor M10 X 1		2	
-	999 653 067 40	Connector Pressure sensor		1	
5	9A1 110 128 70	high-pressure injector Discontinued part		6	
5	9A1 110 128 71	high-pressure injector		6	
6	999 701 112 40	O-ring 7,52 X 3,51 See technical manual		6	
		Group:			
7	9A1 110 524 02	24 Bellows high-pressure injector		6	
8	900 906 011 02	snap ring A 14		6	
9	9A1 110 520 01	Spacer ring		6	
10	999 704 020 90	seal ring 6,3 X 2,8		6	
11	9A1 110 092 70	Pressure line Fuel collection pipe See technical manual		1	
		Group:			
11	9A1 110 092 71	24 Discontinued part Pressure line Fuel collection pipe See technical manual		1	
		Group:			
12	999 511 803 01	24 Hose clamp D1 11X 15		2	
13	9A1 110 945 70	bracket for pressure line		1	
14	900 385 009 01	Torx screw M6 X 16		X	
15	9A1 110 947 01	bracket for pressure line		1	
16	900 385 009 01	Torx screw		1	

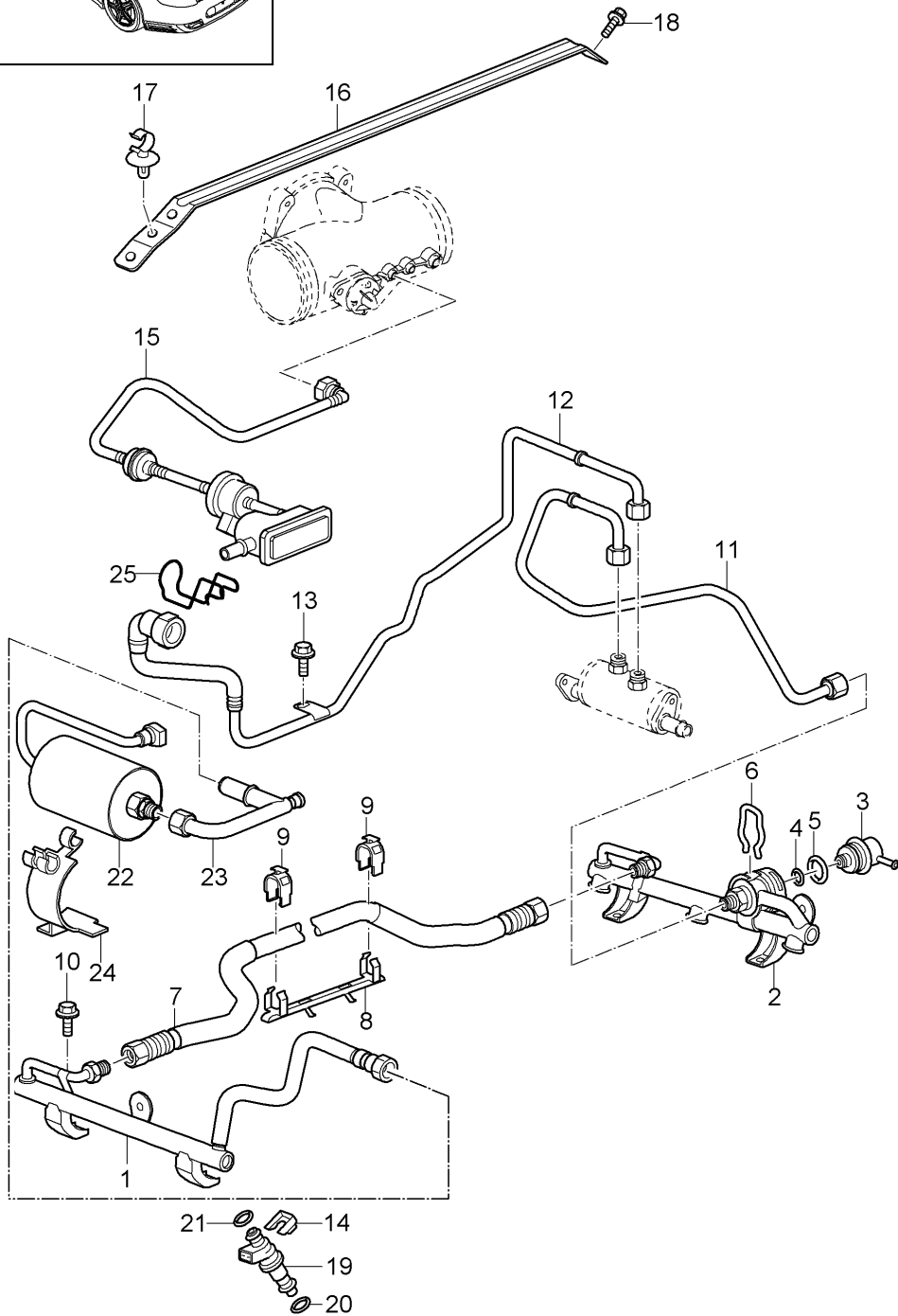
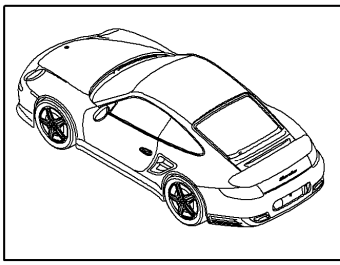
Model: 997T10

Model life 2010>>2013

Pos	Part Number	Description	Remark	Qty	Model
17	9A1 110 095 70	M6 X 16 Pressure line high pressure pump t-piece See technical manual Group:		1	
17	9A1 110 095 71	24 Discontinued part Pressure line high pressure pump t-piece See technical manual Group:		1	
18	9A1 110 940 01	bracket for pressure line		1	
19	900 219 006 01	sealing plug M12 X 1,5		1	
20	999 511 153 01	Hose clamp D1 8 X 15		1	
21	9A1 110 905 71	Fuel line See technical manual Group:		1	
21	9A1 110 905 72	24 Discontinued part Fuel line See technical manual Group:		1	
22	9A1 110 315 70	24 high pressure pump Discontinued part		1	
(22)	9A1 110 315 72	high pressure pump		1	
23	999 707 643 40	O-ring 55,25 x 2,62		1	
24	999 701 362 40	O-ring 19,5 x 1,55		1	
25	9A1 105 291 70	Coupling		1	
-	9A1 110 525 00	Cover cap for high pressure pump		1	
26	900 385 072 01	Torx screw M6 X 25		4	
27	9A1 110 880 70	Cover high pressure pump		1	
28	900 385 045 01	Torx screw M6 X 40		1	
29	9A1 110 881 70	Heat insulation high pressure pump		1	
30	000 043 207 35	Grease 30 ml		1	
31	000 043 207 36	Lubricants 50 ml		1	
31	000 043 303 27	Discontinued part Lubricants 50 ml		1	

Model: 997T10

Model life 2010>>2013



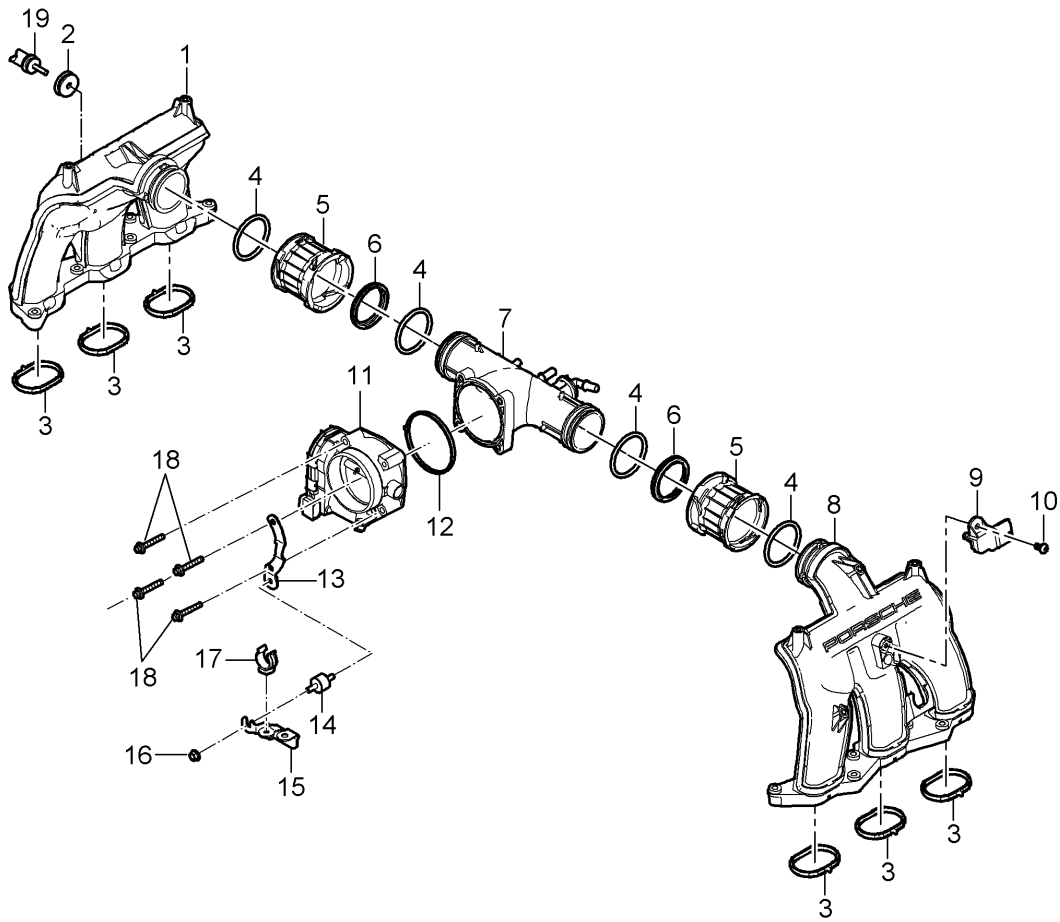
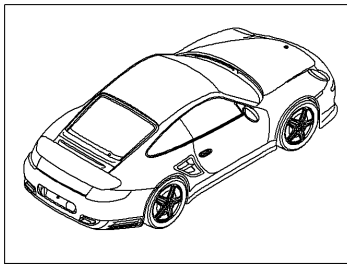
Model: 997T10

Model life 2010>>2013

Pos	Part Number	Description	Remark	Qty	Model
1	997 110 307 74	Fuel collection pipe		1	9770
2	997 110 308 73	Fuel collection pipe Cyl. 1 - 3		1	
3	997 110 199 70	Fuel collection pipe Cyl. 4 - 6		1	
4	999 707 276 40	pressure regulator		1	
5	999 707 277 40	O-ring 5 X 2,5		1	
6	993 110 196 00	O-ring 20 X 2,5		1	
7	997 110 309 72	Retaining clip		1	
8	997 110 311 70	Fuel hose		1	
9	997 110 312 70	Guide rail		1	
10	900 385 041 01	Fuel line		2	
11	997 110 314 71	Clamp		4	
12	997 110 315 70	Torx screw M 6 X 12		1	
(12)	997 110 315 72	Fuel line		1	PR:573
13	900 385 009 01	fuel cooler		1	PR:574
14	996 110 113 53	Fuel line		1	
15	997 110 029 73	Return line		1	
16	997 110 249 71	Torx screw M 6 X 16		6	
17	999 507 128 41	Retaining clip		1	
18	900 385 041 01	Breather line		1	
19	997 605 132 01	Bracket		1	
19	997 605 132 02	Tank ventilation		2	
20	999 707 573 40	Line holder		2	
21	999 707 574 40	Torx screw M 6 X 12		6	
22	996 110 253 52	Injection valve		6	
23	997 110 065 01	mit		6	
24	997 110 257 03	O-ring		6	
25	997 110 267 70	O-ring 8,30 x 3,05		1	
		O-ring 7,52 x 3,51		1	
		Fuel filter		1	
		Bleed valve		1	
		Bracket		1	
		securing clip		1	

Model: 997T10

Model life 2010>>2013



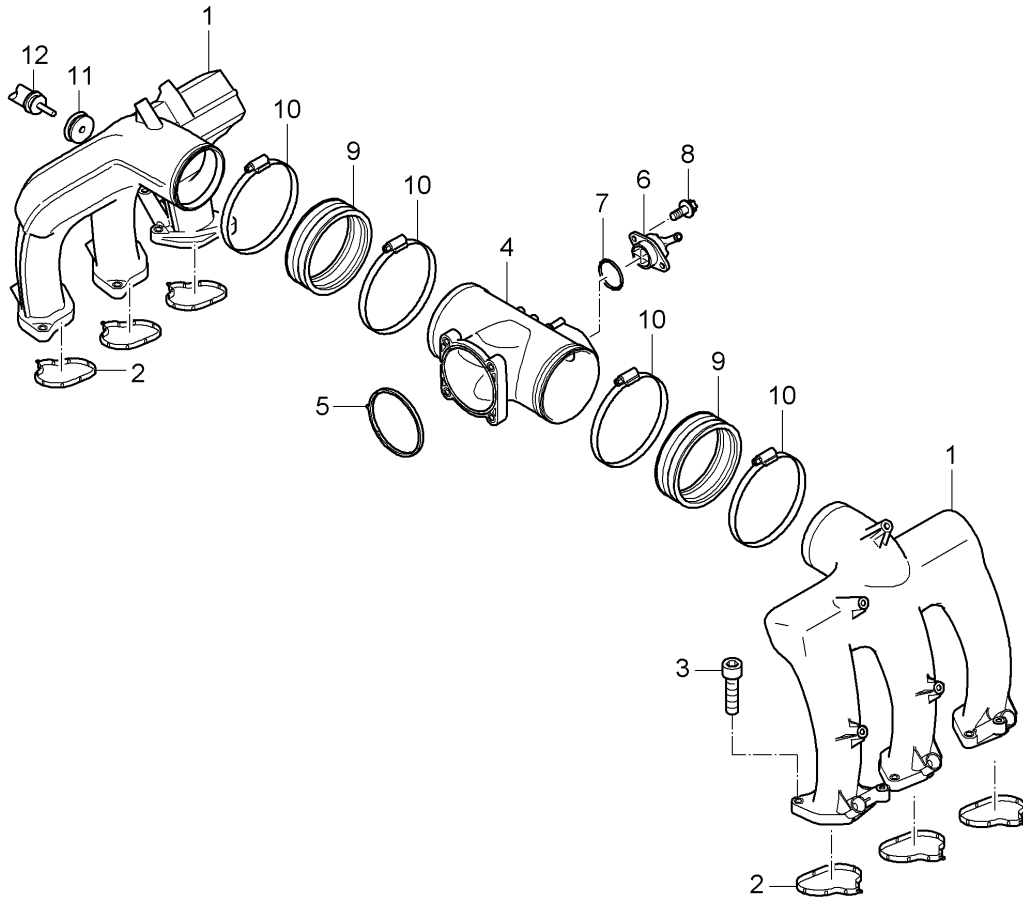
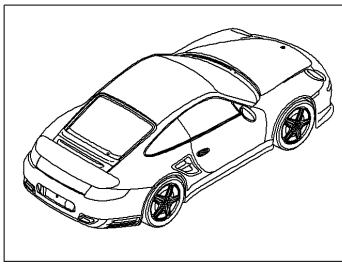
Model: 997T10

Model life 2010>>2013

Pos	Part Number	Description	Remark	Qty	Model
		intake air distributor throttle valve adapter			A170
1	9A1 110 117 72	intake air distributor		1	
2	993 110 530 01	Grommet		1	
3	9A1 110 215 01	Seal		6	
4	999 707 642 40	O-ring 53,00 x 5,00		4	
5	9A1 110 222 71	Sleeve		2	
6	9A1 110 223 70	seal ring		2	
7	9A1 110 120 74	Distributor tube		1	
8	9A1 110 118 71	intake air distributor		1	
8	9A1 110 118 71	M >> B 03674 intake air distributor		1	PR:075
(8)	9A1 110 118 72	M B 03675 >> intake air distributor		1	PR:-075
(8)	9A1 110 118 72	M B 03675 >> intake air distributor		2	
9	996 606 180 00	D - MJ 2012>> Sensor Boost pressure		1	
9	996 606 180 00	M >> B 03674 Sensor Boost pressure		1	PR:075
(9)	948 606 180 00	M B 03675 >> Pressure sensor Boost pressure		1	PR:-075
10	999 919 241 01	M B 03675 >> Oval-head screw M 6 x 15		1	PR:-004,-101
(10)	999 919 246 01	fillister hd. bolt M 6 X 18		1	PR:004,101
11	997 605 115 01	throttle valve adapter		1	
12	997 110 319 00	Seal for Distributor tube		1	
13	9A1 110 290 71	angle		1	
14	999 703 239 01	sound absorber piece		1	
15	9A1 110 292 70	Bracket		1	
16	900 377 010 01	Hexagon nut M6		1	
17	999 507 930 40	Hose bracket 21,0 - 23,0		1	
18	900 385 045 01	Torx screw M 6 x 40		4	
(18)	900 385 125 01	Torx screw BM 6 X 45		2	
19	997 606 213 00	Temperature sensor Engine bay		1	
-	9A1 110 249 70	Bracket intake air distributor		1	
-	900 385 041 01	Torx screw M 6 x 12		2	

Model: 997T10

Model life 2010>>2013



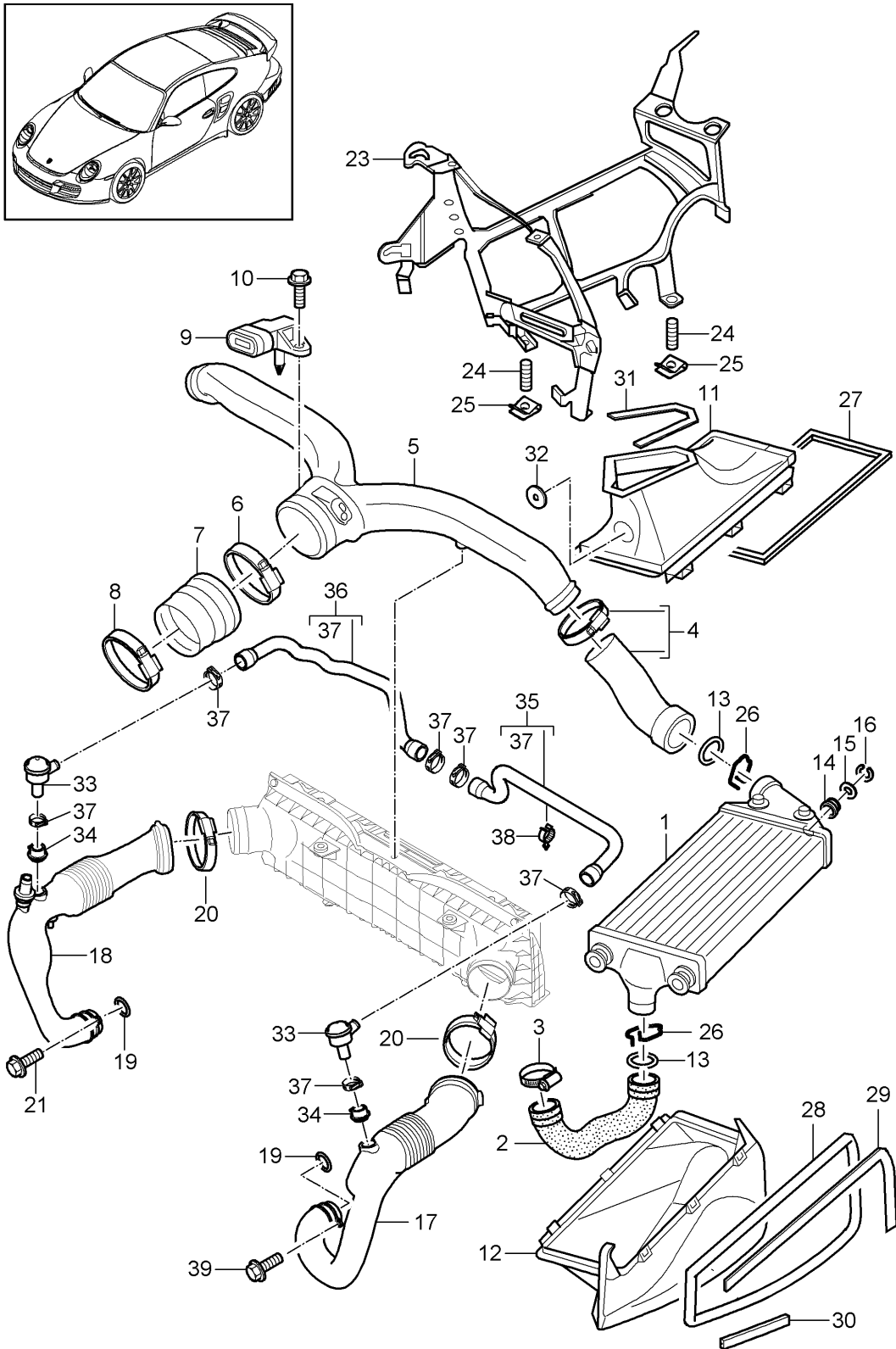
Model: 997T10

Model life 2010>>2013

Pos	Part Number	Description	Remark	Qty	Model
1	997 110 157 70	intake air distributor		2	9770
1	997 110 677 72	intake air distributor No longer use the part here		2	
1	997 110 477 72	intake air distributor		2	
2	997 110 747 70	Seal		6	
3	900 067 354 01	Bolt with washer M 6 X 25		12	
4	997 110 159 70	Distributor tube		1	
(4)	997 110 059 70	Discontinued part Distributor tube (complete)		1	
5	997 110 319 00	Seal		1	
6	997 110 178 70	Non-return valve		1	
7	999 707 409 41	O-ring 26,0 X 3,0		1	
8	900 385 050 01	Hexagon head bolt M 6 X 16		2	
9	997 110 687 71	Rubber sleeve		2	
10	999 512 698 01	Hose clamp 70 - 90/9		4	
11	993 110 530 01	Grommet		1	
12	997 606 213 00	Temperature sensor Engine bay		1	

Model: 997T10

Model life 2010>>2013



Model: 997T10 Model life 2010>>2013

Pos	Part Number	Description	Remark	Qty	Model
		Turbocharging			A170
1	997 110 639 70	Charge air cooler	left	1	
(1)	997 110 639 71	Discontinued part Charge air cooler	left	1	
(1)	997 110 640 70	Charge air cooler	right	1	
		Discontinued part			
(1)	997 110 640 71	Charge air cooler	right	1	
2	997 110 635 71	Pressure hose	left	1	
		Exhaust gas turbocharger			
		Cyl. 1 - 3			
		D >> - MJ 2010			
(2)	997 110 635 72	Pressure hose	left	1	
		Exhaust gas turbocharger			
		Cyl. 1 - 3			
		D - MJ 2011>>			
(2)	997 110 636 72	Pressure hose	right	1	
		Exhaust gas turbocharger			
		Cyl. 4 - 6			
-	996 106 801 06	seal ring		2	
		for			
		Pressure hose			
3	999 512 348 01	Hose clamp		2	
		40 - 60			
4	997 110 645 70	Pressure hose	left	1	
		for			
		pressure pipe			
(4)	997 110 644 70	Pressure hose	right	1	
		for			
		pressure pipe			
5	997 110 646 74	pressure pipe		1	
		Discontinued part			
5	997 110 046 72	pressure pipe		1	
6	999 512 629 00	Hose clamp		1	
		90 - 110			
7	997 110 647 73	Rubber sleeve		1	
8	999 512 542 00	Hose clamp		1	
		80 - 100			
9	996 606 180 00	Sensor		1	
10	999 919 241 01	Oval-head screw		1	
		M 6 X 15			
11	997 575 657 01	Air guide	left	1	
(11)	997 575 658 01	Air guide	right	1	
12	997 575 471 01	Air guide	left	1	
	997 575 471 01 01C	Satin black			
(12)	997 575 472 01	Air guide	right	1	
	997 575 472 01 01C	Satin black			
13	996 106 801 06	seal ring		4	
14	996 110 638 70	Rubber bush		8	
15	999 025 255 01	Washer		8	
		16 X 32 X 0,5			
16	900 116 015 09	Retaining washer		8	
17	9A1 110 623 73	suction line	left	1	
18	9A1 110 624 73	suction line	right	1	
19	999 707 564 40	O-ring		2	
		50.00 X 2,50			
20	999 512 698 01	Hose clamp		2	
		70 - 90/9			
21	900 385 019 01	Torx screw		4	
		M 6 X 20			
22	900 377 010 02	Hexagon nut		1	
		M 6			
23	997 504 253 01	Console	left	1	
(23)	997 504 254 01	Console	right	1	

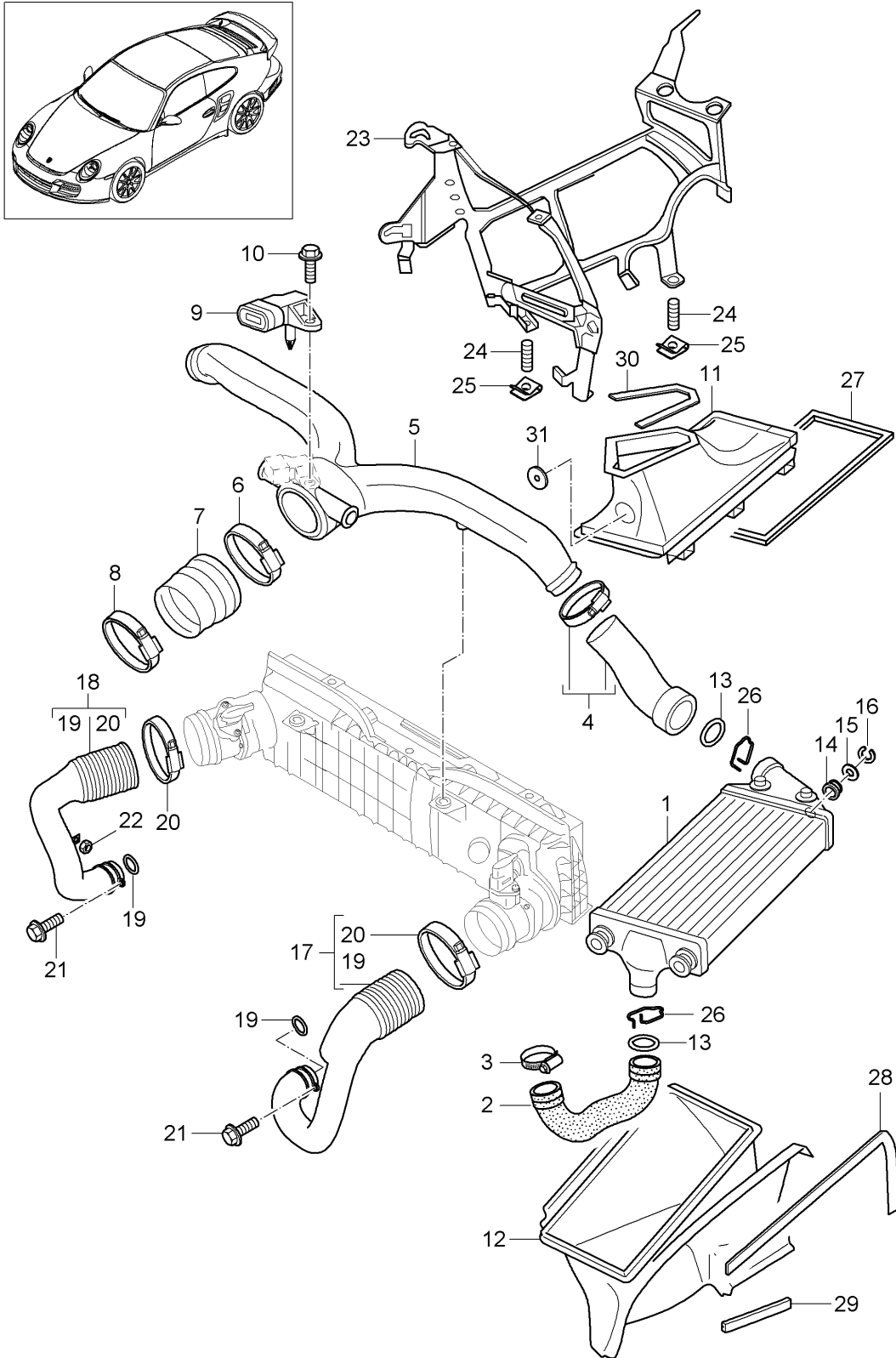
Model: 997T10

Model life 2010>>2013

Pos	Part Number	Description	Remark	Qty	Model
24	999 516 023 05	Threaded stud		8	
25	999 507 668 02	panel nut ST 4,8 Discontinued part		12	
25	999 507 668 01	panel nut ST 4,8		12	
26	997 106 802 05	retaining spring D 41		4	
27	997 575 869 01	Seal Charge air cooler	left a. right	1	
28	997 575 890 00	Seal Air-guide cowl 1110 mm	left a. right	1	
31	997 575 789 00	Plastic foam strip Air-guide cowl	left a. right	1	
32	997 575 777 00	Cover Air-guide cowl	left a. right	1	
33	9A1 110 337 70	cut-off valve	left a. right	1	
34	9A1 110 662 70	Rubber sleeve	left a. right	1	
35	9A1 110 663 70	Pressure hose	left	1	
36	9A1 110 664 70	Pressure hose	right	1	
37	999 512 662 09	Hose clamp Clip 32 X 12		6	
38	999 507 159 40	Hose bracket		1	
39	900 385 048 01	Torx screw BM 6 X 30		2	

Model: 997T10

Model life 2010>>2013



Model: 997T10 Model life 2010>>2013

Pos	Part Number	Description	Remark	Qty	Model
		Turbocharging			9770
1	997 110 639 70	Charge air cooler	left	1	
(1)	997 110 639 71	Discontinued part Charge air cooler	left	1	
(1)	997 110 640 70	Charge air cooler	right	1	
		Discontinued part			
(1)	997 110 640 71	Charge air cooler	right	1	
2	997 110 631 02	Pressure hose	left	1	
(2)	997 110 630 02	Pressure hose	right	1	
3	999 512 348 01	Hose clamp		2	
		40 - 60			
4	997 110 645 70	Pressure hose	left	1	
		for			
		pressure pipe			
(4)	997 110 644 70	Pressure hose	right	1	
		for			
		pressure pipe			
5	997 110 046 73	pressure pipe		1	
6	999 512 629 00	Hose clamp		1	
		90 - 110			
7	997 110 647 73	Rubber sleeve		1	
8	999 512 542 00	Hose clamp		1	
		80 - 100			
9	997 606 180 00	Sensor		1	
10	999 919 246 01	fillister hd. bolt		1	
		M 6 X 18			
11	997 575 657 01	Air guide	left	1	
(11)	997 575 658 01	Air guide	right	1	
12	997 575 571 81	Air guide	left	1	
(12)	997 575 572 81	Air guide	right	1	
13	996 106 801 06	seal ring		4	
14	996 110 638 70	Rubber bush		8	
15	999 025 255 01	Washer		8	
		16 X 32 X 0,5			
16	900 116 015 09	Retaining washer		8	
17	997 110 623 73	suction line	left	1	
		Discontinued part			
(17)	997 110 623 74	suction line	left	1	PR:004,101
		Discontinued part			
(17)	997 110 023 74	suction line	left	1	PR:004,101
17	997 110 023 73	suction line	left	1	
17	997 110 023 74	suction line	left	1	PR:004,101
18	997 110 624 73	suction line	right	1	
		Discontinued part			
18	997 110 024 73	suction line	right	1	
19	999 707 564 40	O-ring		2	
		50.00 X 2,50			
20	999 512 698 01	Hose clamp		2	
		70 - 90/9			
21	900 385 019 01	Torx screw		4	
		M 6 X 20			
22	900 377 010 02	Hexagon nut		1	
		M 6			
23	997 504 253 81	Console	left	1	
(23)	997 504 254 81	Console	right	1	
24	999 516 023 05	Threaded stud		8	
25	999 507 795 09	panel nut		12	
		ST 4,8			
26	997 106 802 05	retaining spring		4	
		D 41			
27	997 575 869 01	Seal	left a. right	1	
		Charge air cooler			
28	997 575 889 81	Seal	left a. right	1	

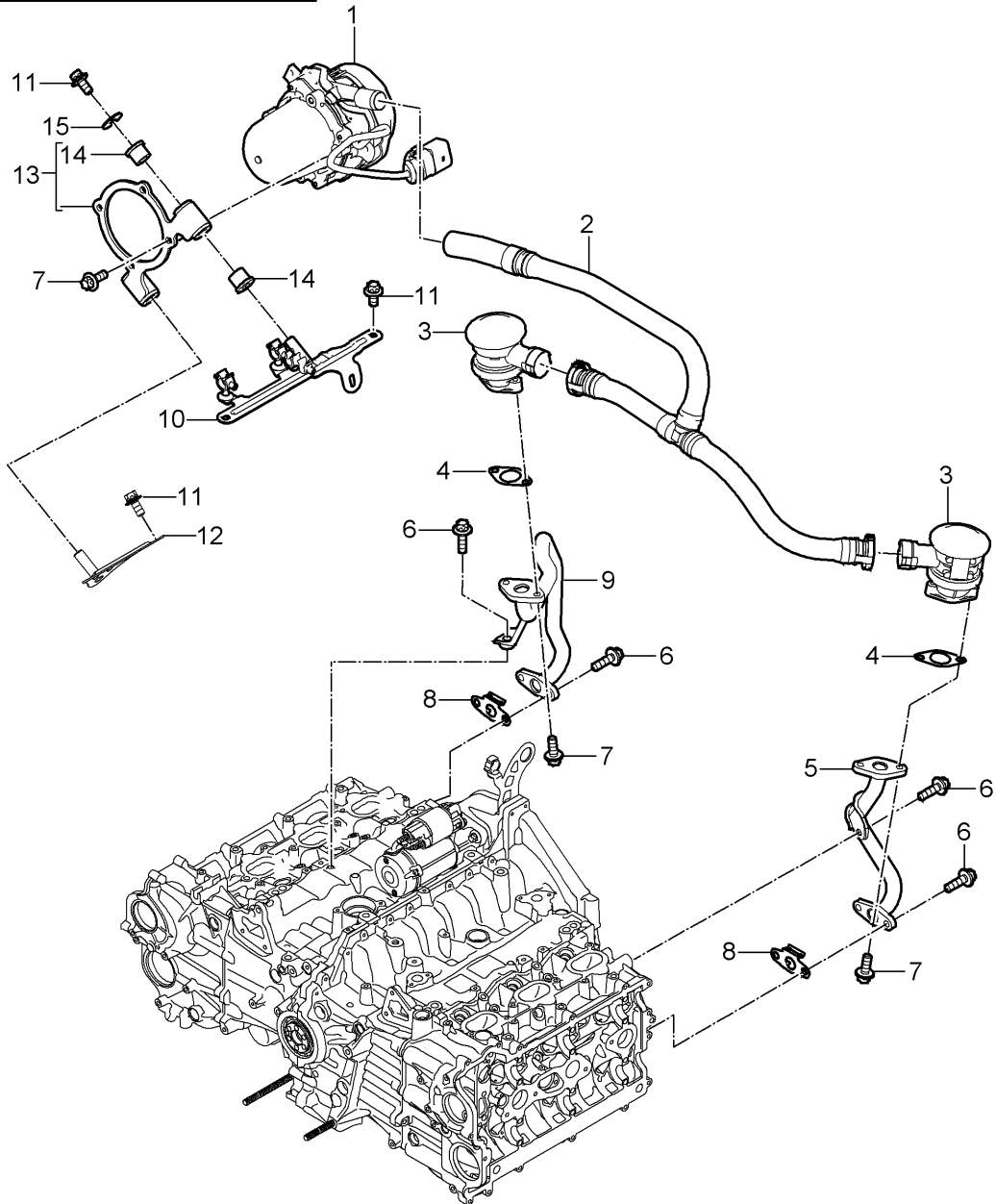
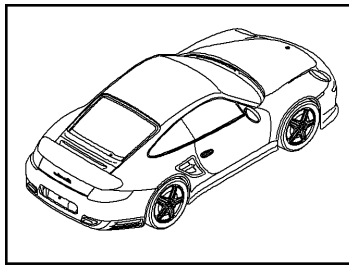
Model: 997T10

Model life 2010>>2013

Pos	Part Number	Description	Remark	Qty	Model
29	997 575 890 81	Air-guide cowl 600 mm Seal	left a. right	1	
30	997 575 789 00	Air-guide cowl 160 mm Plastic foam strip	left a. right	1	
31	997 575 777 00	Air-guide cowl Cover Air-guide cowl	left a. right	1	

Model: 997T10

Model life 2010>>2013



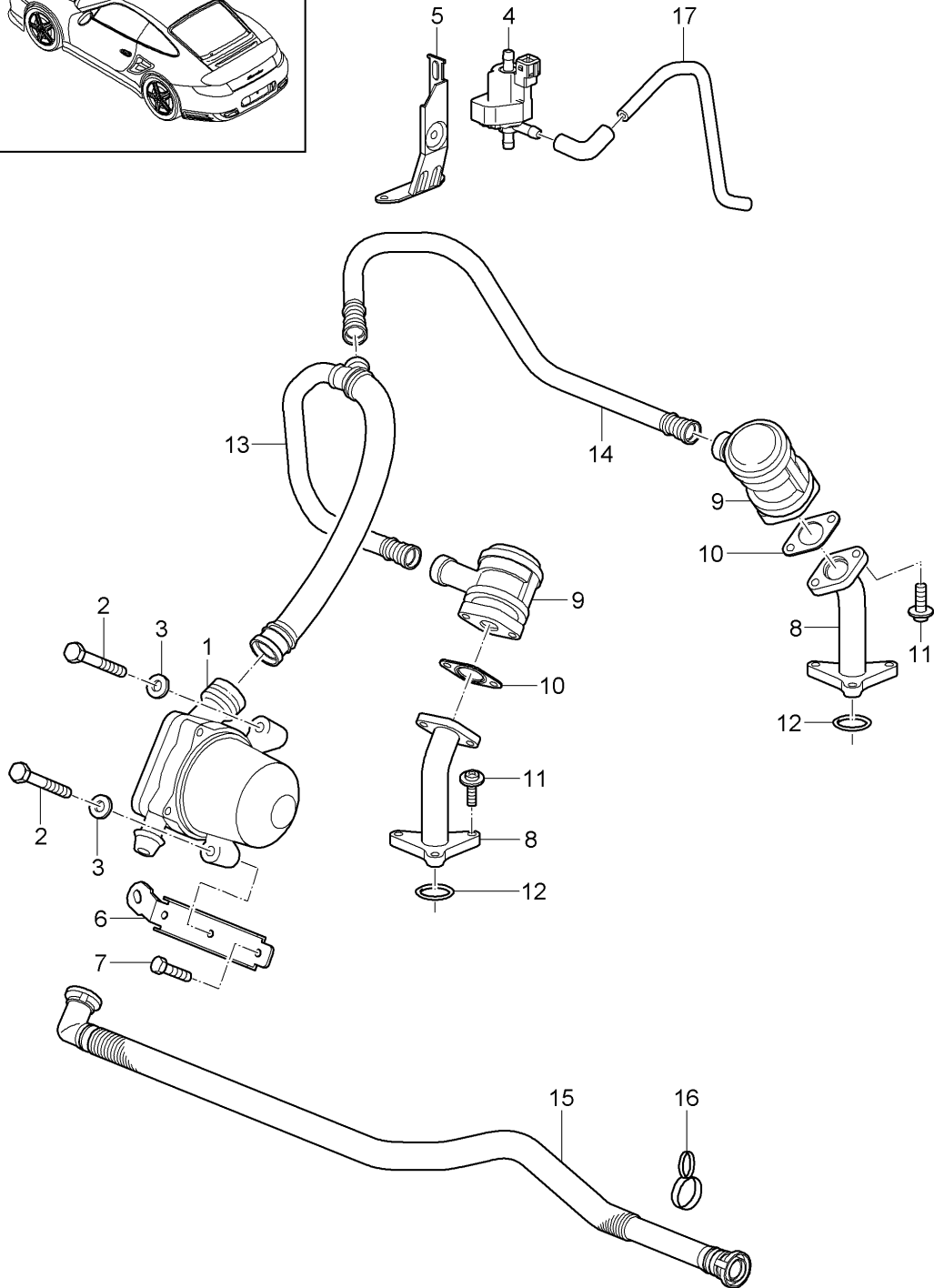
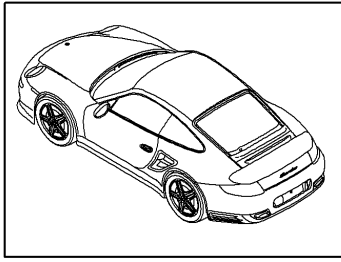
Model: 997T10

Model life 2010>>2013

Pos	Part Number	Description	Remark	Qty	Model
		Exhaust purification system w. secondary air injection			A170
1	9A1 605 104 71	Secondary pump Discontinued part		1	
(1)	9A1 605 104 72	Secondary air pump Discontinued part		1	
(1)	95B 959 253	Secondary air pump		1	
2	9A1 113 340 71	Pressure line		1	
3	997 113 203 71	Valve		2	
4	993 113 258 51	Seal		2	
5	9A1 113 118 75	Connecting line	cylinders 4-6	1	
6	900 385 019 01	Torx screw	M6X20	6	
7	900 385 009 01	Torx screw	M6X16	8	
8	9A1 113 258 00	Seal		2	
9	9A1 113 017 72	Connecting line	cylinders 1-3	1	
10	9A1 113 106 76	Bracket	upper	1	
11	900 385 041 01	Torx screw	M6X12	6	
12	9A1 113 105 75	Bracket	lower	1	
13	9A1 113 101 72	Console	lower	1	
14	970 113 231 00	Rubber bush Console		4	
15	999 025 268 01	Washer	6,4X18X1,2	2	

Model: 997T10

Model life 2010>>2013



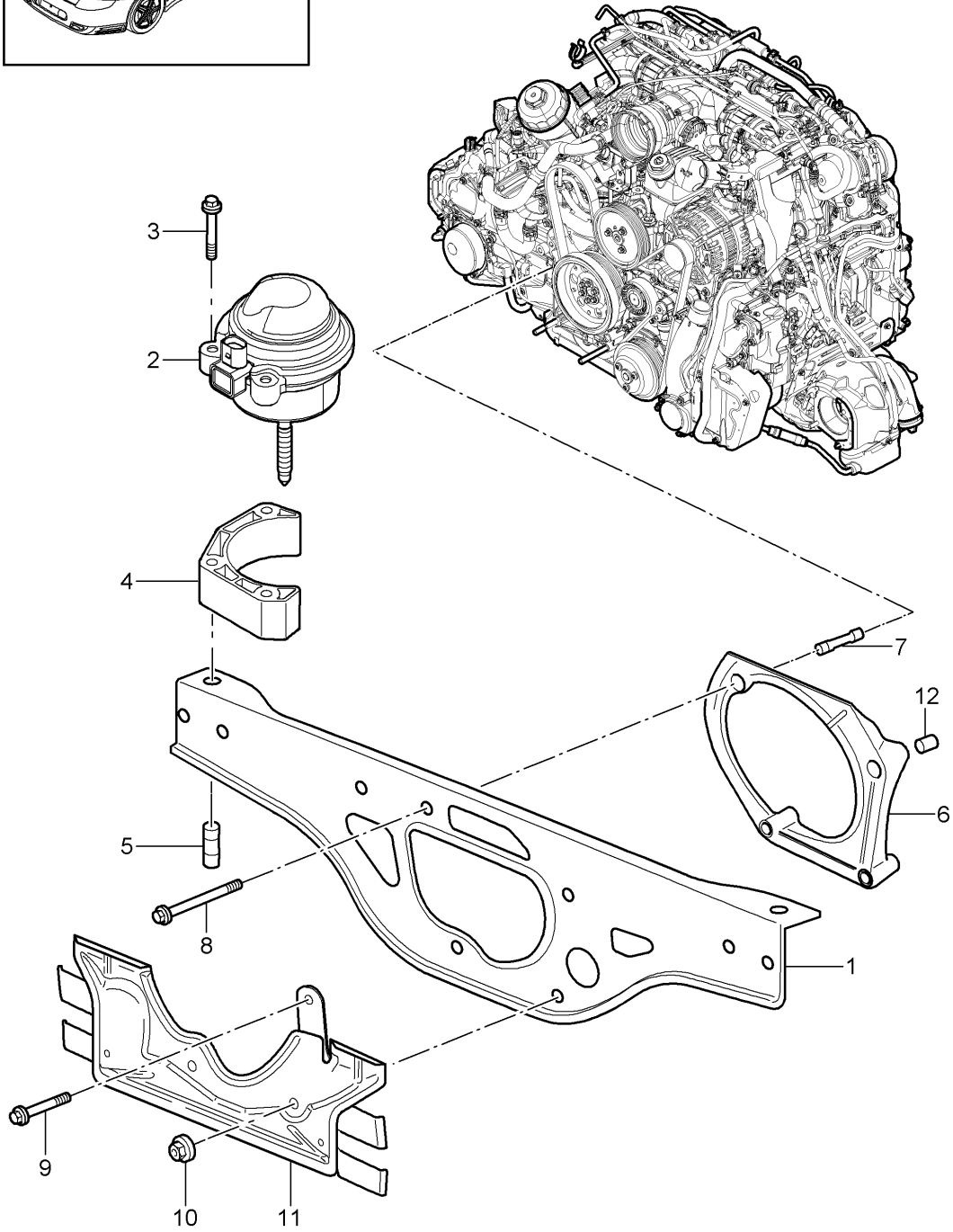
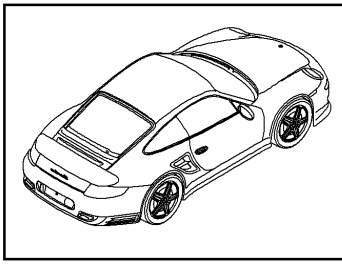
Model: 997T10

Model life 2010>>2013

Pos	Part Number	Description	Remark	Qty	Model
		Air injection			9770
1	997 605 204 00	Secondary pump		1	
2	900 385 070 01	Torx screw		2	
		M 6 X 50			
2	PAF 008 685 00	Torx screw		2	
		M 6 X 50			
3	999 025 268 01	Washer		2	
		6,4 X 18 X 1,2			
4	948 605 125 01	Change-over valve		1	
-	948 605 167 01	Bracket		1	
		for			
		Change-over valve			
5	997 605 101 01	Bracket		1	
		Change-over valve			
6	997 113 105 71	Bracket		1	
		Secondary pump			
7	900 385 041 01	Torx screw		2	
		M 6 X 12			
8	997 113 101 74	Console		2	
9	997 113 203 71	Valve		2	
10	993 113 258 51	Seal		2	
11	900 067 207 01	Bolt with washer		10	
		M 6 X 20			
12	999 707 472 40	O-ring		2	
		20,00 X 2,50			
13	997 113 111 70	Pressure line		1	
		Cyl. 1 - 3			
14	997 113 112 70	Pressure line		1	
		Cyl. 4 - 6			
15	997 113 211 72	Intake hose		1	
16	999 507 857 40	bracket for suction hose		1	
		16,0 / 8,0			
17		Pipe			
		see illustration:	107-002		

Model: 997T10

Model life 2010>>2013



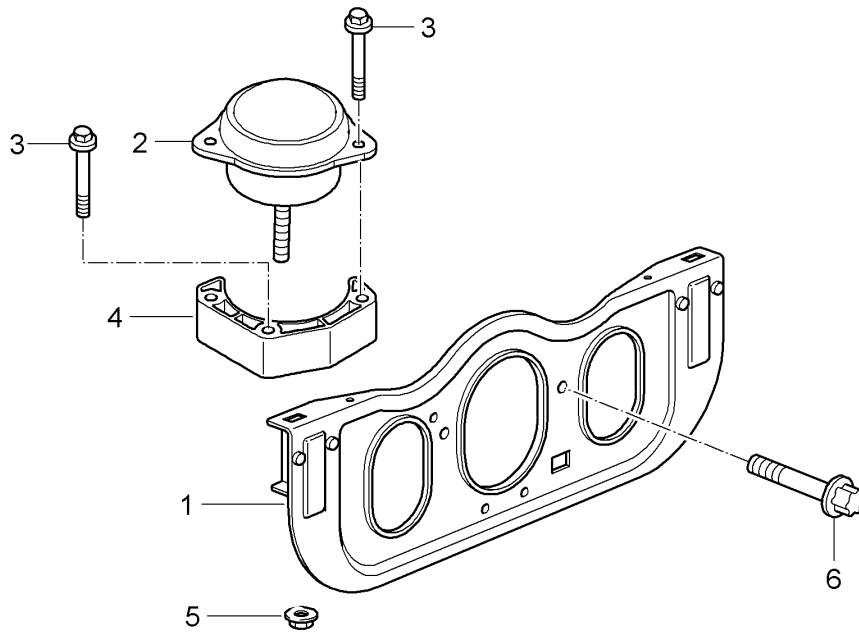
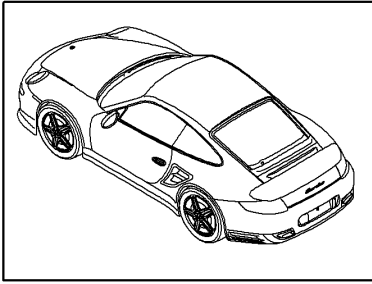
Model: 997T10

Model life 2010>>2013

Pos	Part Number	Description	Remark	Qty	Model
		Engine suspension			A170
1	9A1 375 013 03	Engine brackets		1	
2	997 375 049 07	hydro-mounting		2	CABRIO PR:-140
(2)	997 375 049 08	hydro-mounting		2	COUPE PR:-140
(2)	997 375 059 01	hydro-mounting Discontinued part	left	1	COUPE PR:140
(2)	997 375 059 03	hydro-mounting	left	1	COUPE PR:140
(2)	997 375 060 01	hydro-mounting Discontinued part	right	1	COUPE PR:140
(2)	997 375 060 03	hydro-mounting	right	1	COUPE PR:140
(2)	997 375 059 02	hydro-mounting Discontinued part	left	1	CABRIO PR:140
(2)	997 375 059 04	hydro-mounting Discontinued part	left	1	CABRIO PR:140
(2)	997 375 059 06	hydro-mounting	left	1	CABRIO PR:140
(2)	997 375 060 02	hydro-mounting Discontinued part	right	1	CABRIO PR:140
(2)	997 375 060 04	hydro-mounting	right	1	CABRIO PR:140
3	900 378 159 01	Hexagon bolt M 8 X 60		6	PR:-140
3	900 385 121 01	Outer hexagon round screw M 8 X 75		6	PR:140
4	996 375 221 02	Adapter		2	
5	9A1 375 425 01	Sleeve M 12 X 1,5		2	
6	9A1 375 235 02	Intermediate flange		1	
7	9A1 375 245 01	spacer sleeve		1	
8	900 378 283 01	Torx screw M 10 X 130		1	
8	900 385 286 01	No longer use the part here Outer hexagon round screw BM 10 X 130		1	
9	900 378 261 01	Hexagon bolt M 10 X 65		1	
9	900 378 310 01	No longer use the part here Hexagon bolt M 10 X 80		1	
9	900 385 062 01	No longer use the part here Outer hexagon round screw BM 10 X 80		1	
10	900 380 021 01	Hexagon nut M 12 x 1,5		2	
11		Bracket Front silencer			
12	9A1 115 245 00	see illustration: spacer sleeve	202-000	1	

Model: 997T10

Model life 2010>>2013



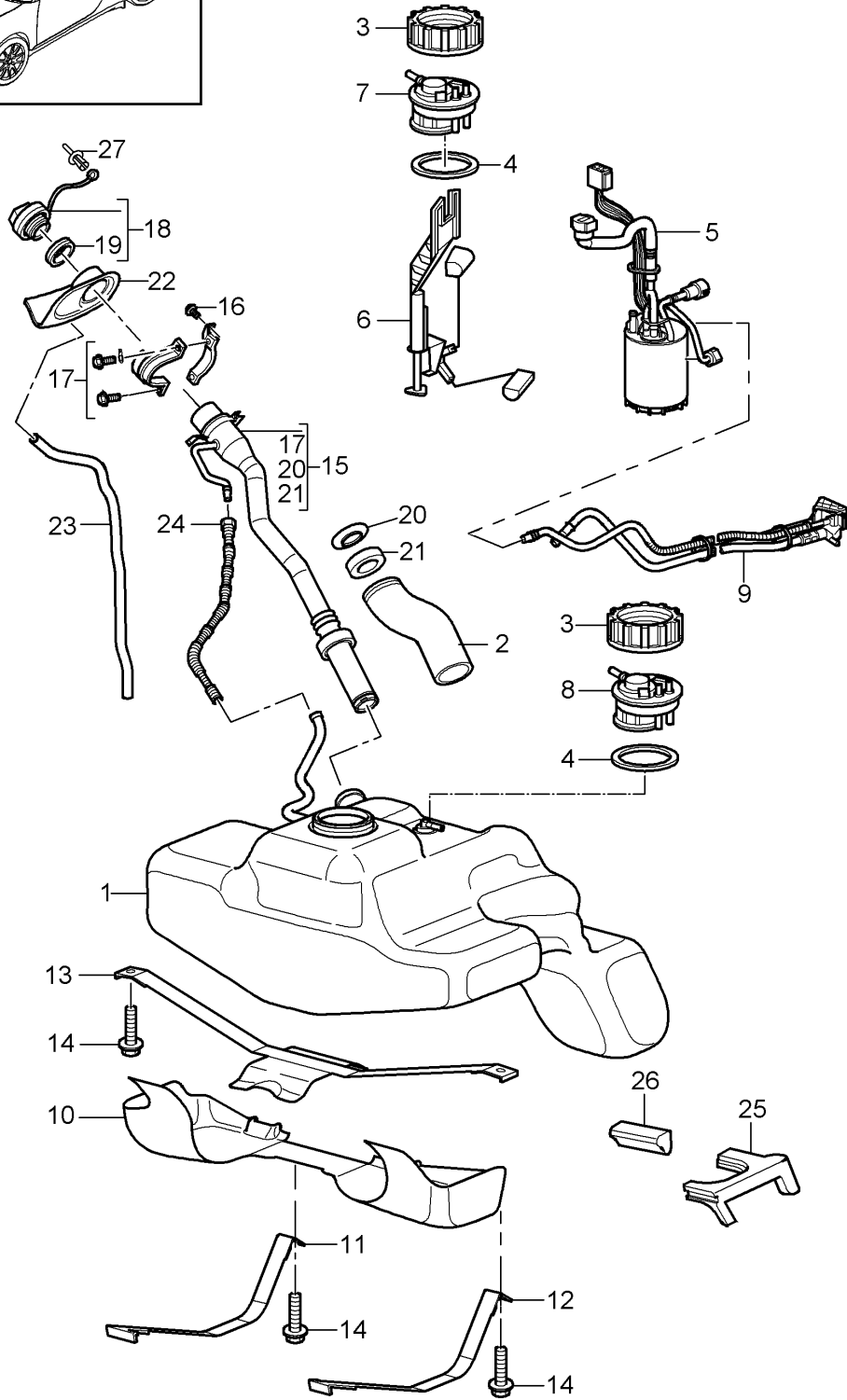
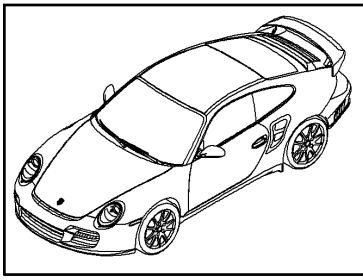
Model: 997T10

Model life 2010>>2013

Pos	Part Number	Description	Remark	Qty	Model
1	996 375 013 01	Engine suspension		1	9770
2	997 375 049 91	Engine brackets		2	
3	900 378 159 01	hydro-mounting		6	
		Hexagon bolt			
		AM 8 X 60			
4	996 375 221 02	Adapter		2	
5	999 084 215 01	Locknut		2	
		M 12 X 1,5			
6	900 385 119 01	Hexagon head bolt		4	
		M 10 X 70			

Model: 997T10

Model life 2010>>2013



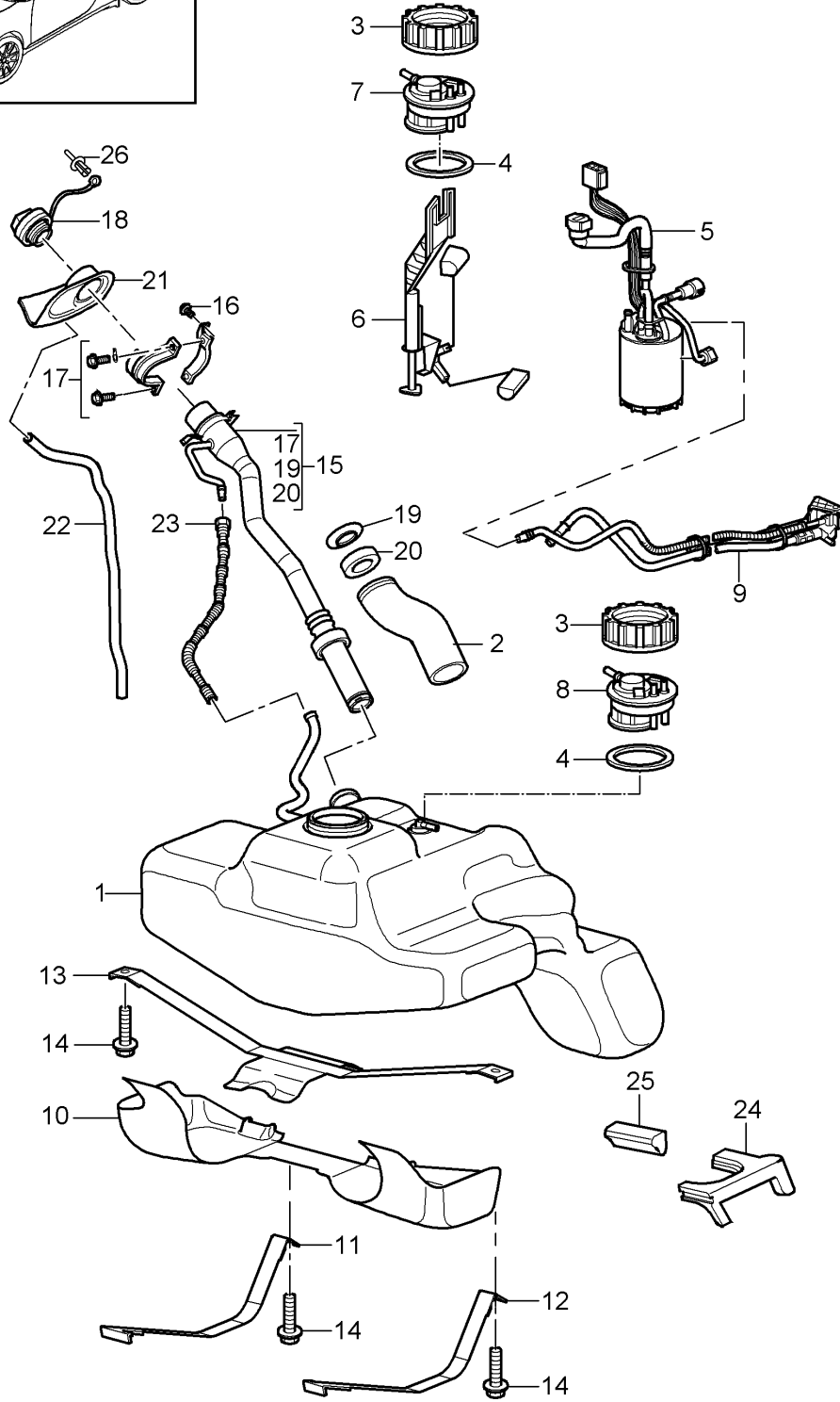
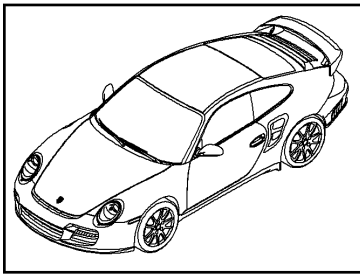
Model: 997T10

Model life 2010>>2013

Pos	Part Number	Description	Remark	Qty	Model
1	997 201 021 01	Fuel tank	lhd	1	PR:098
(1)	997 201 022 00	Fuel tank	rhd	1	PR:099
(3)	997 201 623 00	Union nut		1	
(4)	997 201 733 00	seal ring		1	
5	997 620 148 00	Fuel pump		1	
6	997 620 833 00	Tank gauge		1	
		without:			
7	997 201 421 01	flange flange for Tank gauge		1	
9	997 620 117 00	suction jet pump		1	
10	997 201 331 00	Bottom protection for fuel tank		1	
11	997 201 106 00	tensioning strap	right	1	
12	997 201 105 00	tensioning strap	left	1	
13	997 201 107 00	tensioning strap		1	
14	900 075 479 01	Bolt with washer M 8 X 40		4	
15	997 201 043 12	fuel filler neck		1	
(15)	997 201 043 10	fuel filler neck		1	PR:150,193
16	999 073 348 09	fillister hd. bolt M 6 X 20		1	
17	997 201 951 02	Bracket for filler neck		1	
18	996 201 241 03	Fuel tank cap		1	
		with:			
19	191 201 557	Clip		1	
20	996 201 755 00	seal ring support washer		1	
21	996 201 753 00	Seal		1	
22	997 201 667 00	Sleeve		1	
23	996 201 153 00	Hose		1	
24	996 201 613 00	Breather line	rhd	1	PR:099
		Fuel tank To fuel filler neck			
(24)	997 201 711 00	Breather line	lhd	1	PR:098
		Fuel tank To fuel filler neck			
(24)	997 201 721 00	Breather line	inner	1	
		In-tank fuel pump To			
26	997 201 813 00	Foam part		1	
27	999 507 499 40	Spreader rivet 5,0 X 11,5		1	

Model: 997T10

Model life 2010>>2013



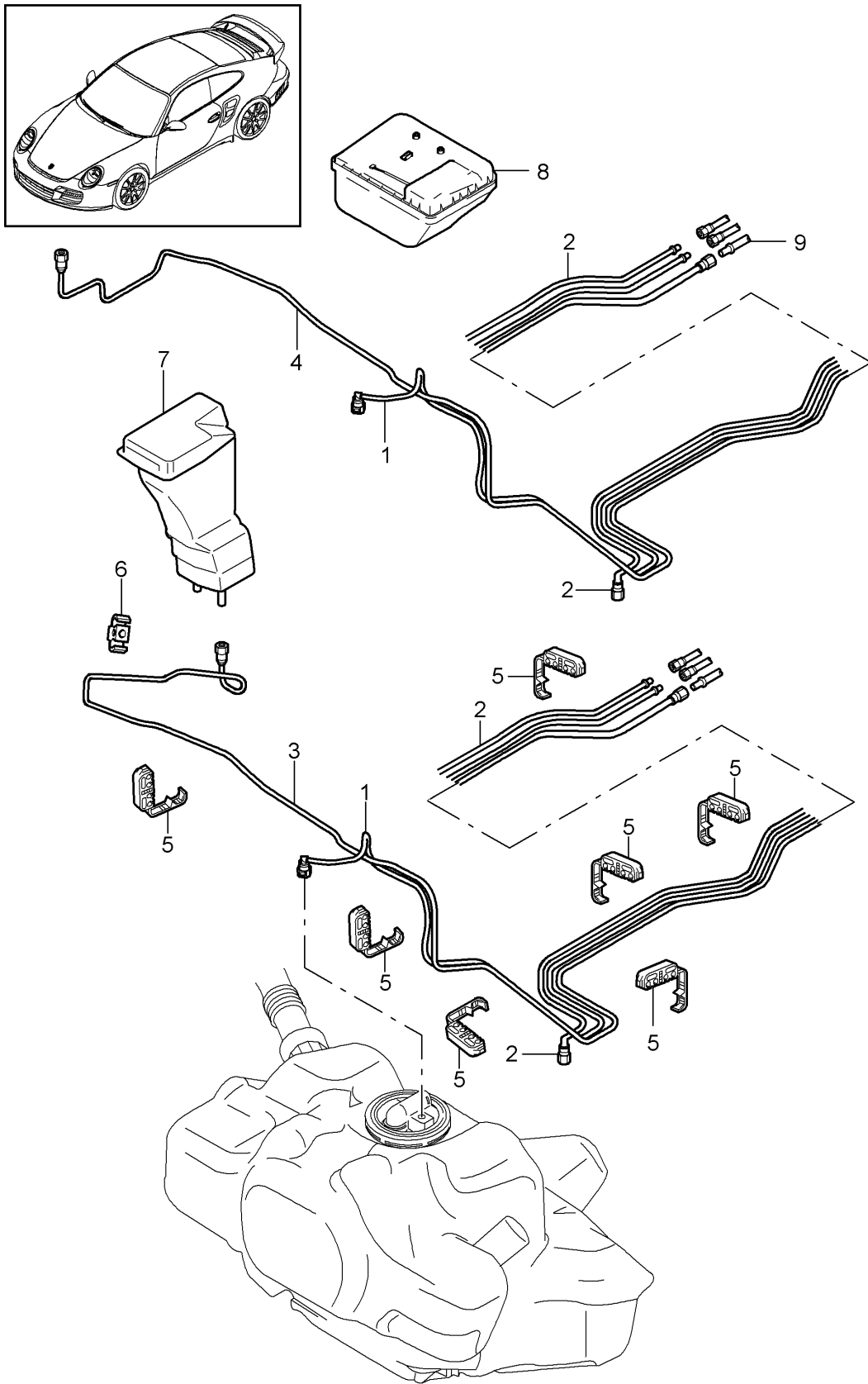
Model: 997T10

Model life 2010>>2013

Pos	Part Number	Description	Remark	Qty	Model
1	997 201 021 90	Fuel tank		1	GT2 RS
(1)	997 201 022 00	Fuel tank	lhd	1	PR:098
2	997 201 543 90	Pipe	rhd	1	PR:099
			lhd	1	PR:098
			inner		
3	997 201 623 00	Union nut		2	
4	997 201 733 00	seal ring		2	
5	997 620 129 00	Fuel pump		1	
6	997 620 833 00	Tank gauge		1	
		without:			
		flange			
7	997 201 421 01	flange		1	
		for			
		Tank gauge			
8	997 201 421 03	flange	lhd	1	PR:098
		for			
		Tank gauge			
9	997 620 116 00	suction jet pump		1	
10	997 201 331 90	Bottom protection for	lhd	1	PR:098
		fuel tank			
(10)	997 201 331 00	Bottom protection for	rhd	1	PR:099
		fuel tank			
11	997 201 106 00	tensioning strap	right	1	PR:-082
(11)	997 201 106 01	tensioning strap	right	1	PR:082
12	997 201 105 00	tensioning strap	left	1	
13	997 201 107 00	tensioning strap		1	
14	900 075 479 01	Bolt with washer		4	
		M 8 X 40			
15	997 201 043 12	fuel filler neck		1	
(15)	997 201 043 10	fuel filler neck		1	PR:150
16	999 073 348 09	fillister hd. bolt		1	
		M 6 X 20			
17	997 201 951 02	Bracket for filler neck		1	
18	997 201 981 00	Fuel tank cap		1	
19	996 201 755 00	support washer		1	
20	996 201 753 00	Seal		1	
21	997 201 667 00	Sleeve		1	
22	996 201 153 00	Hose		1	
23	997 201 711 90	Breather line	lhd	1	PR:098
(23)	996 201 613 00	Breather line	rhd	1	PR:099
(23)	997 201 723 90	Breather line	lhd	1	PR:098
		Fuel tank	inner		
(23)	997 201 721 00	Breather line	rhd	1	PR:099
		Fuel tank	inner		
25	997 201 813 00	Foam part		1	
26	999 507 499 40	Spreader rivet		1	
		5,0 X 11,5			

Model: 997T10

Model life 2010>>2013



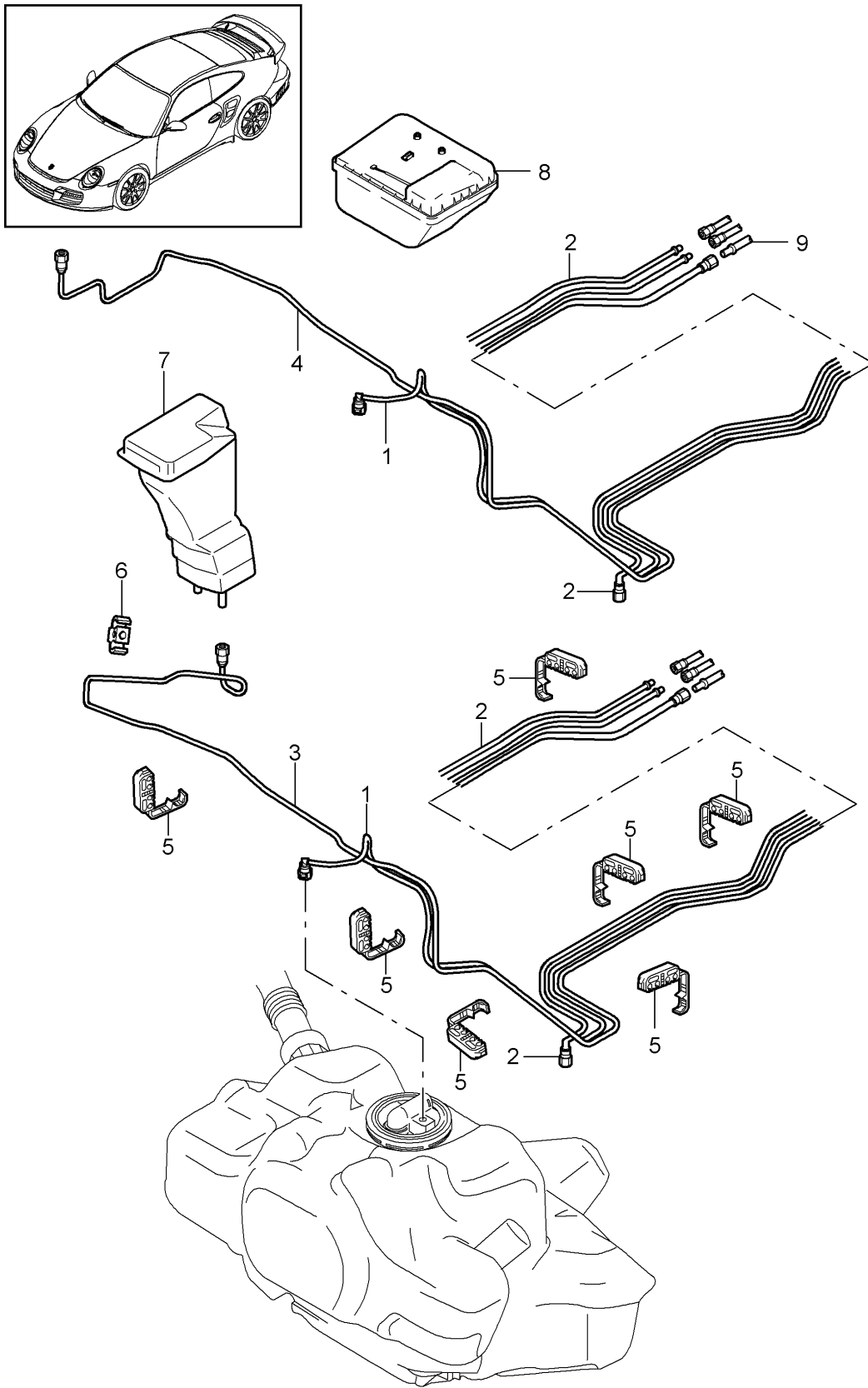
Model: 997T10

Model life 2010>>2013

Pos	Part Number	Description	Remark	Qty	Model
1	997 201 261 03	Fuel system Fuel line Fuel pump for Engine	front front	1	
2	997 201 271 01	Fuel line Return line		1	TURBO
(2)	997 201 271 01	Fuel line Return line		1	TURBO
3	997 201 351 02	Purge-air line Activated charcoal container for Engine	front	1	
5	999 507 521 40	Cable holder 8,0/8/10		8	
6	999 507 727 40	Cable holder 8,0/10,0		1	
7		Activated charcoal container see illustration:		1	
9		Lines see illustration:	201-020 rear 201-010	1	

Model: 997T10

Model life 2010>>2013



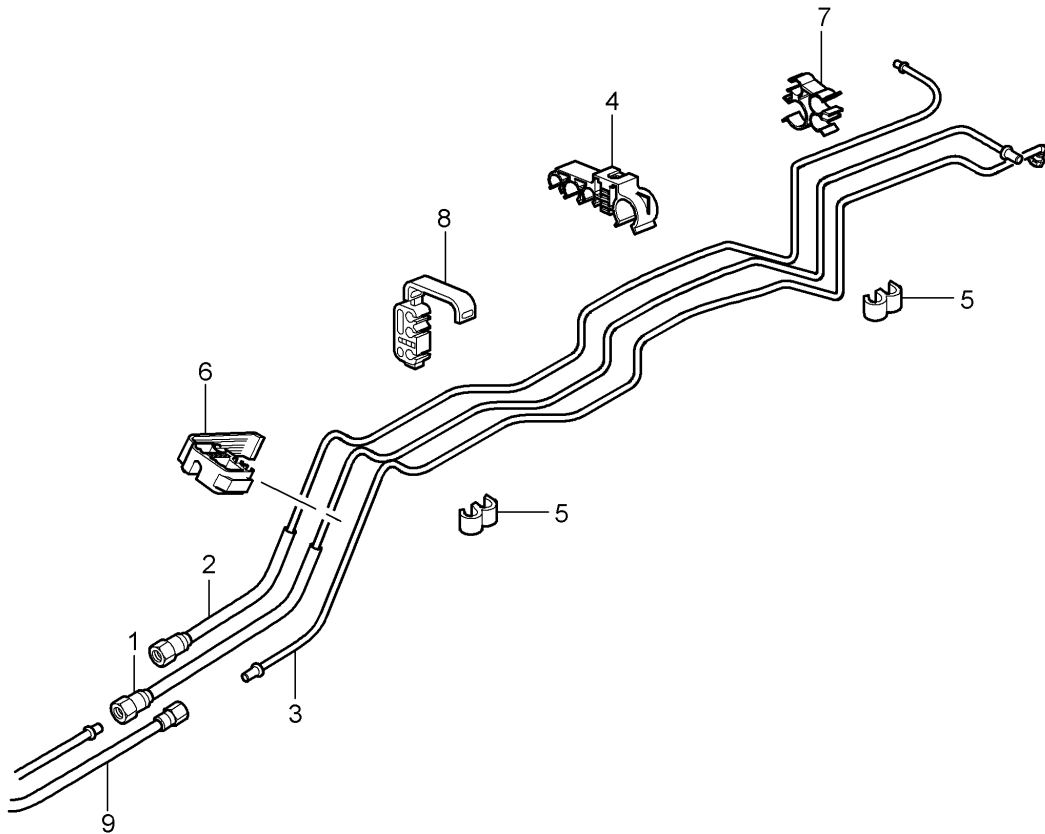
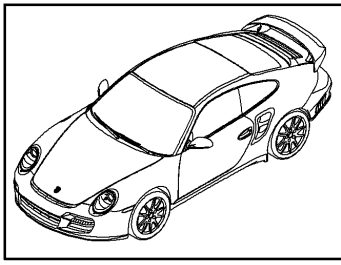
Model: 997T10

Model life 2010>>2013

Pos	Part Number	Description	Remark	Qty	Model
1	997 201 261 03	Fuel system Fuel line Fuel pump for Engine	front front	1	GT2 RS
2	997 201 271 90	Fuel line Return line Discontinued part		1	
(2)	997 201 271 92	Fuel line Return line		1	
(2)	997 201 271 00	Fuel line Return line Discontinued part		1	PR:664
(2)	997 201 271 01	Fuel line Return line		1	PR:664
3	997 201 351 02	Purge-air line Activated charcoal container for Engine	front	1	
5	999 507 521 40	Cable holder 8,0/8/10,0		8	
6	999 507 727 40	Cable holder 8,0/10,0		1	
7		Activated charcoal container see illustration:		1	
9		Lines see illustration:	201-022 rear 201-012	1	

Model: 997T10

Model life 2010>>2013



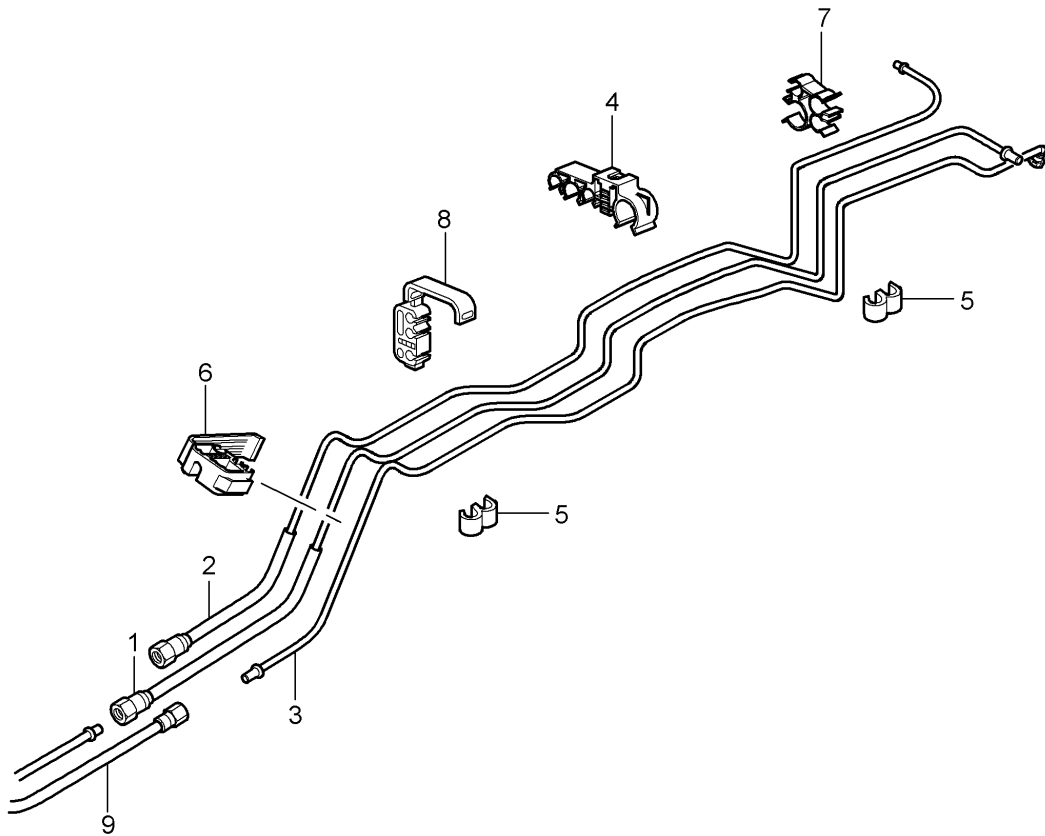
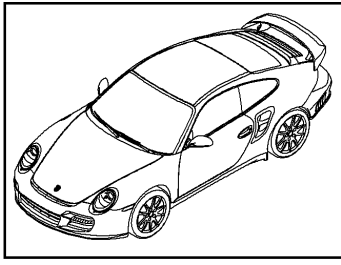
Model: 997T10

Model life 2010>>2013

Pos	Part Number	Description	Remark	Qty	Model
1	997 201 265 02	Fuel system Fuel line Fuel pump for Engine	rear rear	1	
3	997 201 355 02	Purge-air line Activated charcoal container for Engine	rear	1	
4	999 507 833 40	Cable holder 15/8/10/8		1	
5	999 507 488 40	Cable holder 5,0/10,0		4	
6	999 507 521 40	Cable holder 8/8/10		1	
7	999 507 850 40	Cable holder 8,0/15,0		1	
8	999 507 727 40	Cable holder 8/10		1	
9		Lines see illustration:	front 201-005		

Model: 997T10

Model life 2010>>2013



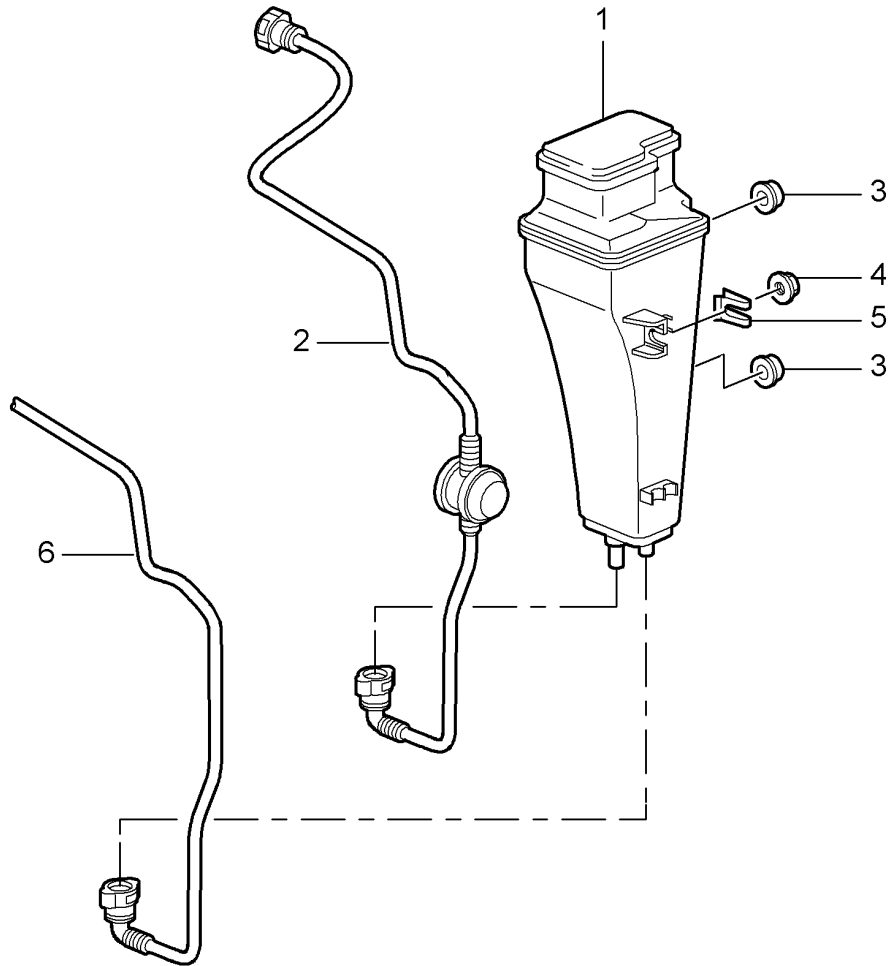
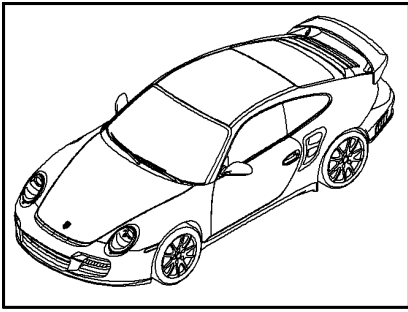
Model: 997T10

Model life 2010>>2013

Pos	Part Number	Description	Remark	Qty	Model
1	997 201 265 01	Fuel system Fuel line Fuel pump for Engine	rear rear	1	GT2 RS
2	997 201 275 00	Fuel line Return line	rear	1	
3	997 201 355 01	Air line Activated charcoal container for Engine	rear	1	
4	999 507 833 40	Cable holder 15/8/10/8		1	
5	999 507 488 40	Cable holder 5,0/10,0		2	
6	999 507 521 40	Cable holder 8/8/10		1	
7	999 507 850 40	Cable holder 8,0/15,0		1	
8	999 507 727 40	Cable holder 8,0/10,0		1	
9		Lines see illustration:	front 201-007		

Model: 997T10

Model life 2010>>2013



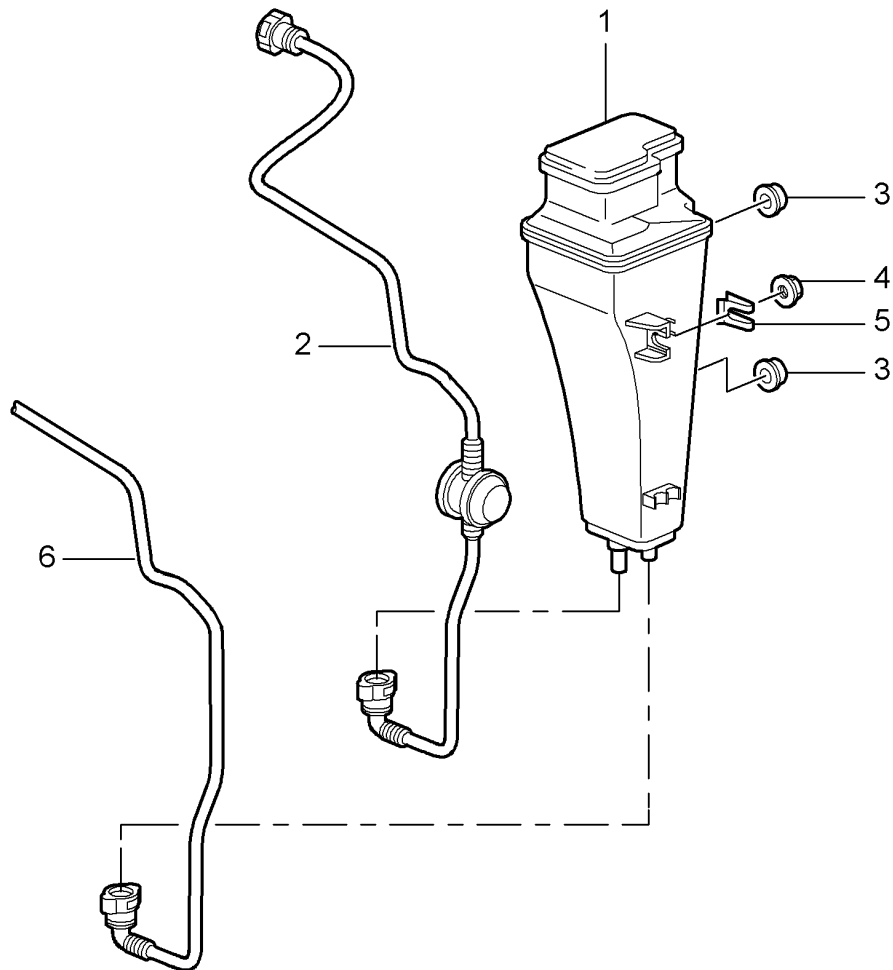
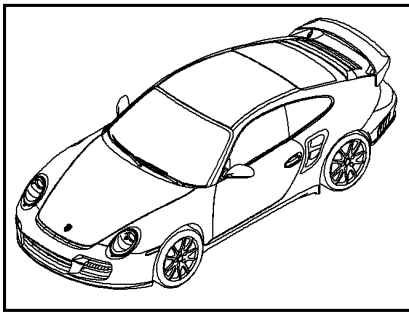
Model: 997T10

Model life 2010>>2013

Pos	Part Number	Description	Remark	Qty	Model
1	997 201 221 01	Activated charcoal container Activated charcoal container (complete)		1	
2	997 201 251 01	Breather line Fuel tank for Activated charcoal container		1	
3	999 702 221 40	Grommet		2	
4	999 084 629 01	Hexagon nut M 6		1	
5	999 507 543 02	Clip 2,00 - 3,00		1	
6		Purge-air line see illustration:	front 201-005		

Model: 997T10

Model life 2010>>2013



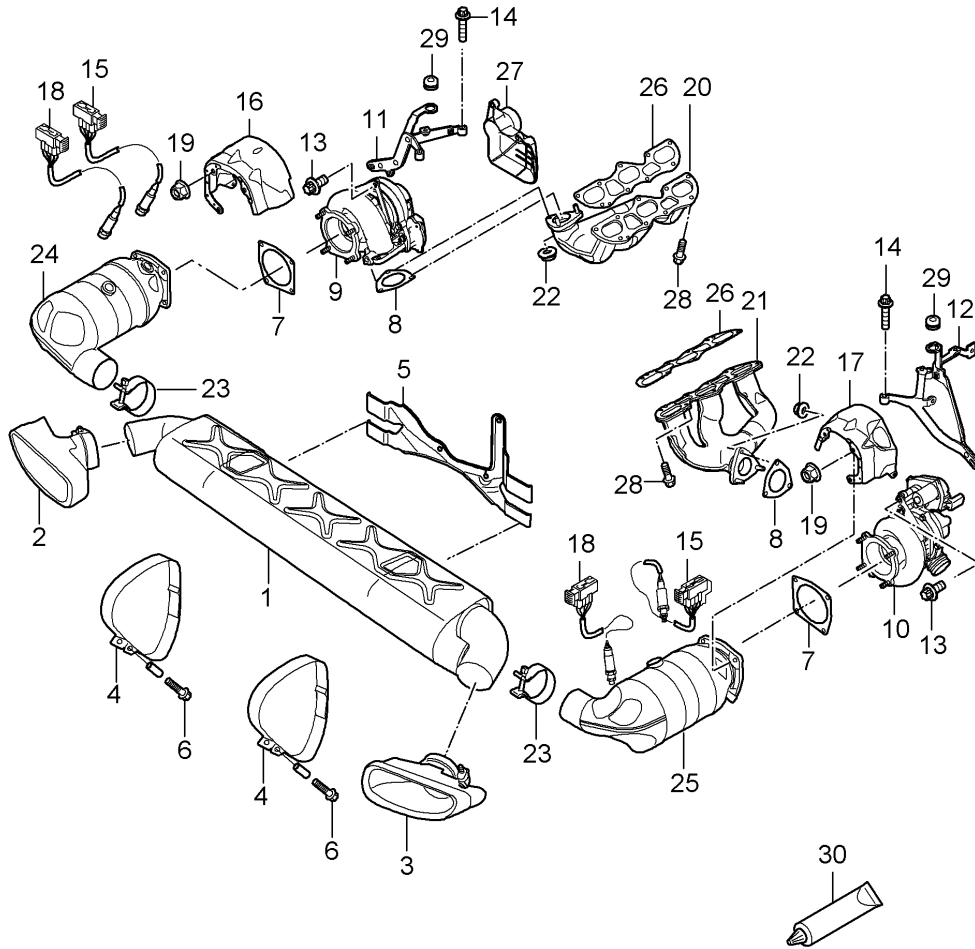
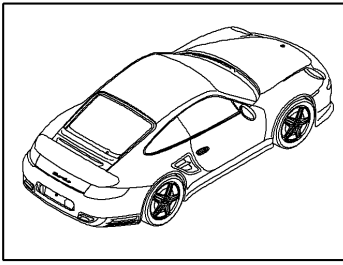
Model: 997T10

Model life 2010>>2013

Pos	Part Number	Description	Remark	Qty	Model
1	997 201 221 01	Activated charcoal container Activated charcoal container (complete)		1	GT2 RS
2	997 201 251 01	Breather line Fuel tank for Activated charcoal container		1	
3	999 702 221 40	Grommet		2	
4	999 084 629 01	Hexagon nut M 6		1	
5	999 507 543 02	Clip 2,00 - 3,00		1	
6		Purge-air line see illustration:	front 201-007		

Model: 997T10

Model life 2010>>2013



Model: 997T10 Model life 2010>>2013

Pos	Part Number	Description	Remark	Qty	Model
1	997 111 027 30	exhaust system with: Heat protection Silencer D >> - MJ 2010 Discontinued part		1	
(1)	997 111 027 31	Silencer F >> 99-BS761 031 D - MJ 2011>> Discontinued part		1	
(1)	997 111 027 32	Silencer F 99-BS761 032>>		1	
2	997 111 251 32	Tailpipe chromed	left	1	
3	997 111 252 32	Tailpipe chromed	right	1	
4	997 113 119 31	tensioning strap		2	
5	997 113 027 31	bracket for exhaust silencer		1	
(5)	997 113 026 32	Bracket Silencer with: Heat protection D - MJ 2011>>		1	
6	900 067 362 01	Socket head bolt M 8 x 50		2	
7	997 111 217 70	Seal Exhaust gas turbocharger Silencer		2	
8	997 111 215 70	Seal Exhaust manifolds		2	
9	9A1 123 013 74	Exhaust gas turbocharger Cyl. 1 - 3 Discontinued part	left	1	
(9)	9A1 123 013 X	Exhaust gas turbocharger Cyl. 1 - 3 Discontinued part	left	1	
(9)	9A1 123 013 75	Exhaust gas turbocharger Cyl. 1 - 3	left	1	
(9)	9A1 123 013 AX	Exhaust gas turbocharger Cyl. 1 - 3	left	1	
10	9A1 123 014 73	Exhaust gas turbocharger Cyl. 4 - 6 Discontinued part	right	1	
(10)	9A1 123 014 X	Exhaust gas turbocharger Cyl. 4 - 6 Discontinued part	right	1	
(10)	9A1 123 014 74	Exhaust gas turbocharger Cyl. 4 - 6	right	1	
(10)	9A1 123 014 AX	Exhaust gas turbocharger Cyl. 4 - 6	right	1	
11	9A1 111 213 70	Carrier Exhaust gas turbocharger Cyl. 1 - 3	left	1	A170
(11)	997 111 023 70	Carrier Exhaust gas turbocharger Cyl. 1 - 3	left	1	9770
12	9A1 111 214 71	Carrier Exhaust gas turbocharger Cyl. 4 - 6	right	1	A170
(12)	997 111 024 70	Carrier Exhaust gas turbocharger Cyl. 4 - 6	right	1	9770

Model: 997T10

Model life 2010>>2013

Pos	Part Number	Description	Remark	Qty	Model
13	900 385 044 01	Torx screw M 8 x 16		2	
14	900 385 042 01	Torx screw M 8 X 35		4	
15	9A1 606 128 00	Lambda probe in front of Catalytic converter		2	
16	9A1 123 215 71	Guard plate Cyl. 1 - 3	left	1	
17	9A1 123 216 71	Guard plate Cyl. 4 - 6	right	1	
18	9A1 606 138 01	Lambda probe After Catalytic converter		1	
19	999 084 642 02	Hexagon nut M 8		8	
20	997 111 171 32	Exhaust manifolds Cyl. 1 - 3 Discontinued part		1	
(20)	997 111 171 33	Exhaust manifolds Cyl. 1 - 3		1	
21	997 111 172 32	Exhaust manifolds Cyl. 4 - 6 Discontinued part		1	
(21)	997 111 172 33	Exhaust manifolds Cyl. 4 - 6		1	
22	999 084 642 02	Hexagon nut M 8		6	
23	997 111 230 80	clamp		2	
24	997 113 009 30	Catalytic converter Cyl. 1 - 3		1	
24	997 113 009 AX	Catalytic converter Cyl. 1 - 3		1	
25	997 113 010 30	Catalytic converter Cyl. 4 - 6		1	
25	997 113 010 AX	Catalytic converter Cyl. 4 - 6		1	
26	997 111 107 30	Seal		2	
(26)	997 111 107 31	D >> - MJ 2010 Seal D - MJ 2011>>		2	
27	9A1 123 211 70	Cover Exhaust gas turbocharger Cyl. 1 - 3		1	
28	999 073 536 01	Torx screw M 8 x 27		18	
29	999 702 246 40	Grommet 12,0 X 17,0 X 3,0		2	
30	000 043 207 07	grease for oxygen sensor		1	
-	9A1 606 161 71	Holder for lambda probe		1	
-	9A1 606 162 71	Holder for lambda probe		1	
-	999 651 407 01	Cable fastener 12,0 - 14,0		2	
-	999 651 399 40	Line holder 5,0		1	
-	9A1 123 209 70	Guard plate Cyl. 1 - 3		1	
-	997 606 169 02	Holder for lambda probe Line	left	1	
-	997 606 167 00	Holder for lambda probe Line	right	1	
-	999 651 394 40	Cable holder		2	

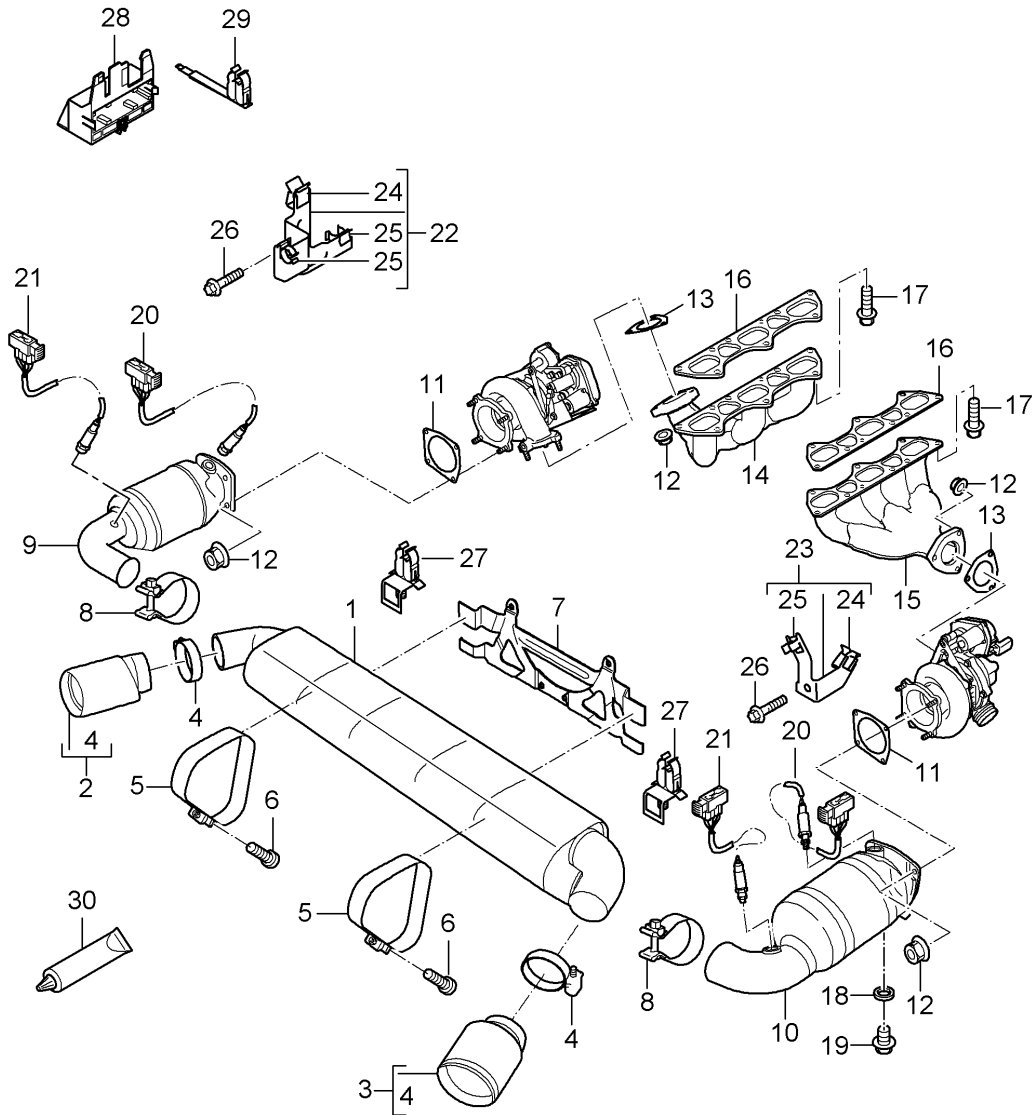
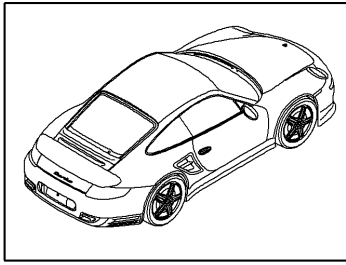
Model: 997T10

Model life 2010>>2013

Pos	Part Number	Description	Remark	Qty	Model
-	999 651 392 07	6,0 Line Cable holder 9,5 - 10,5 Line		3	
-	997 606 151 01	Lambda probe Holder for lambda probe Line		2	
-	997 606 107 02	Holder for lambda probe Connector		2	
-	997 606 108 00	Clip Line		2	
-	000 043 303 68	Lambda probe Cleaning solution Tailpipe DR.WACK P21S ALU-POLISH		X	

Model: 997T10

Model life 2010>>2013



Model: 997T10

Model life 2010>>2013

Pos	Part Number	Description	Remark	Qty	Model
		exhaust system			GT2 RS 9770
1	997 111 026 80	Silencer		1	
2	997 111 252 82	Tailpipe	left	1	
3	997 111 251 82	Tailpipe	right	1	
4	997 111 240 80	Clamp		2	
5	997 113 119 31	tensioning strap		2	
6	900 067 362 01	Socket head bolt AM 8 X 50		2	
7	997 111 124 81	Bracket Silencer		1	
8	997 111 230 80	clamp		2	
9	997 113 009 80	Catalytic converter Cyl. 1 - 3	left	1	
9	997 113 009 BX	Catalytic converter Cyl. 1 - 3	left	1	
10	997 113 010 80	Catalytic converter Cyl. 4 - 6	right	1	
10	997 113 010 BX	Catalytic converter Cyl. 4 - 6	right	1	
11	997 111 217 70	Seal		2	
12	999 084 203 01	Locknut M 8		14	
13	997 111 215 70	Seal		2	
14	996 111 101 76	Exhaust manifolds Cyl. 1 - 3	left	1	
15	996 111 102 76	Exhaust manifolds Cyl. 4 - 6	right	1	
16	996 111 107 71	Seal		2	
17	900 378 227 01	Exhaust manifolds Hexagon bolt AM 8 X 28		18	
18	900 123 050 20	seal ring 8 X 11,5		2	
19	900 124 021 01	sealing plug CM 8 X 1		2	
20	997 606 128 02	Lambda probe in front of Catalytic converter		2	
21	997 606 185 00	Lambda probe After Catalytic converter		2	
22	997 606 169 02	Holder for lambda probe Line	left	1	
23	997 606 167 00	Holder for lambda probe Line	right	1	
24	999 651 394 40	Cable holder 6,0 Line		2	
25	999 651 392 07	Cable holder 9,5 - 10,5 Line		3	
26	900 385 019 01	Lambda probe Torx screw M 6 X 20		2	
27	997 606 151 01	Holder for lambda probe Line		2	
28	997 606 107 02	Holder for lambda probe Connector		2	
29	997 606 108 00	Clip Line		2	
30	000 043 207 07	Lambda probe grease		1	

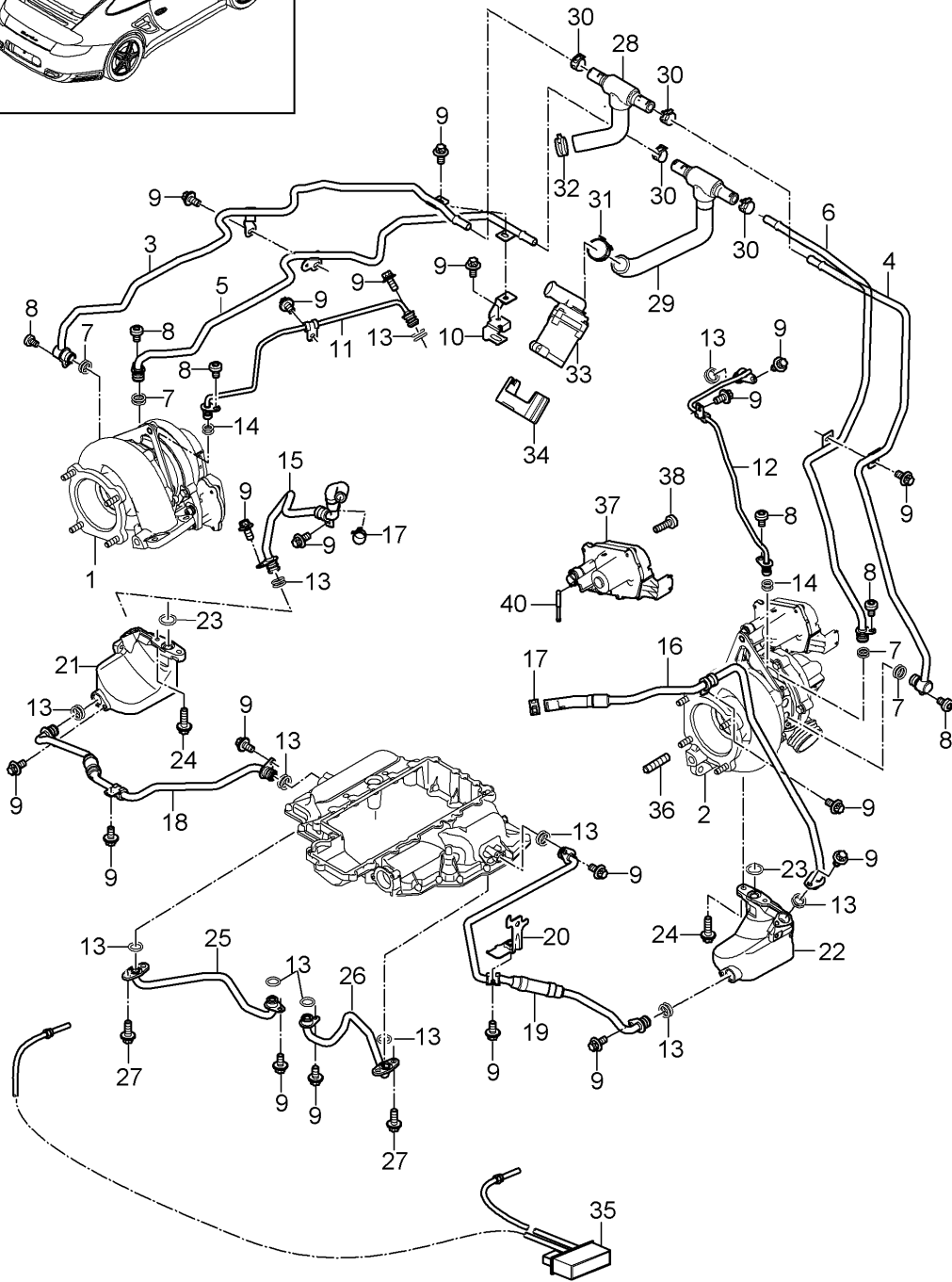
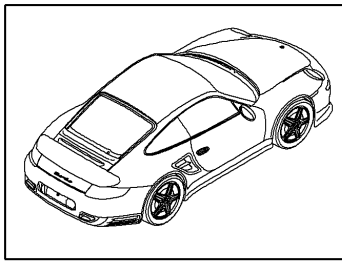
Model: 997T10

Model life 2010>>2013

Pos	Part Number	Description	Remark	Qty	Model
		for Lambda probe			
31	9A1 606 161 71	Holder for lambda probe		1	
32	9A1 606 162 71	Holder for lambda probe		1	
33	999 651 407 01	Cable fastener 12,0 - 14,0		2	
34	999 651 399 40	Line holder 5,0		1	

Model: 997T10

Model life 2010>>2013



Model: 997T10

Model life 2010>>2013

Pos	Part Number	Description	Remark	Qty	Model
1		Exhaust gas turbocharger with: Heat protection and Oil pipe Water line Exhaust gas turbocharger Cyl. 1 - 3		1	
2		see illustration: Exhaust gas turbocharger Cyl. 4 - 6	202-000	1	
3	9A1 106 073 70	see illustration: Water line Supply Cyl. 1 - 3	202-000	1	
4	9A1 106 074 70	Water line Supply Cyl. 4 - 6		1	
5	9A1 106 075 70	Water line Return line Cyl. 1 - 3		1	
6	9A1 106 076 70	Water line Return line Cyl. 4 - 6		1	
7	999 707 597 40	O-ring 12,00 X 2,50		8	
8	999 073 236 0A	fillister hd. bolt M 6 X 10		6	
9	900 385 041 01	Torx screw BM 6 X 12		20	
10	9A1 106 213 70	Bracket Water line		1	
11	9A1 107 219 70	Pressure line Cyl. 1 - 3 Discontinued part		1	
(11)	9A1 107 219 71	Pressure line Cyl. 1 - 3		1	
12	9A1 107 220 70	Pressure line Cyl. 4 - 6 Discontinued part		1	
(12)	9A1 107 220 71	Pressure line Cyl. 4 - 6		1	
13	999 707 612 40	O-ring 12,00 X 2,50		20	
14	999 707 613 40	O-ring 8,00 X 2,50		4	
15	9A1 107 239 70	Breather line Cyl. 1 - 3		1	
16	9A1 107 240 70	Breather line Cyl. 4 - 6		1	
17	999 512 651 09	Hose clamp B 15 X 12		2	
18	9A1 107 323 70	suction line Exhaust gas turbocharger Cyl. 1 - 3		1	
19	9A1 107 324 70	suction line Exhaust gas turbocharger Cyl. 4 - 6		1	
20	9A1 107 424 70	Bracket suction line Cyl. 4 - 6		1	
21	9A1 107 331 70	collector container Exhaust gas turbocharger		1	

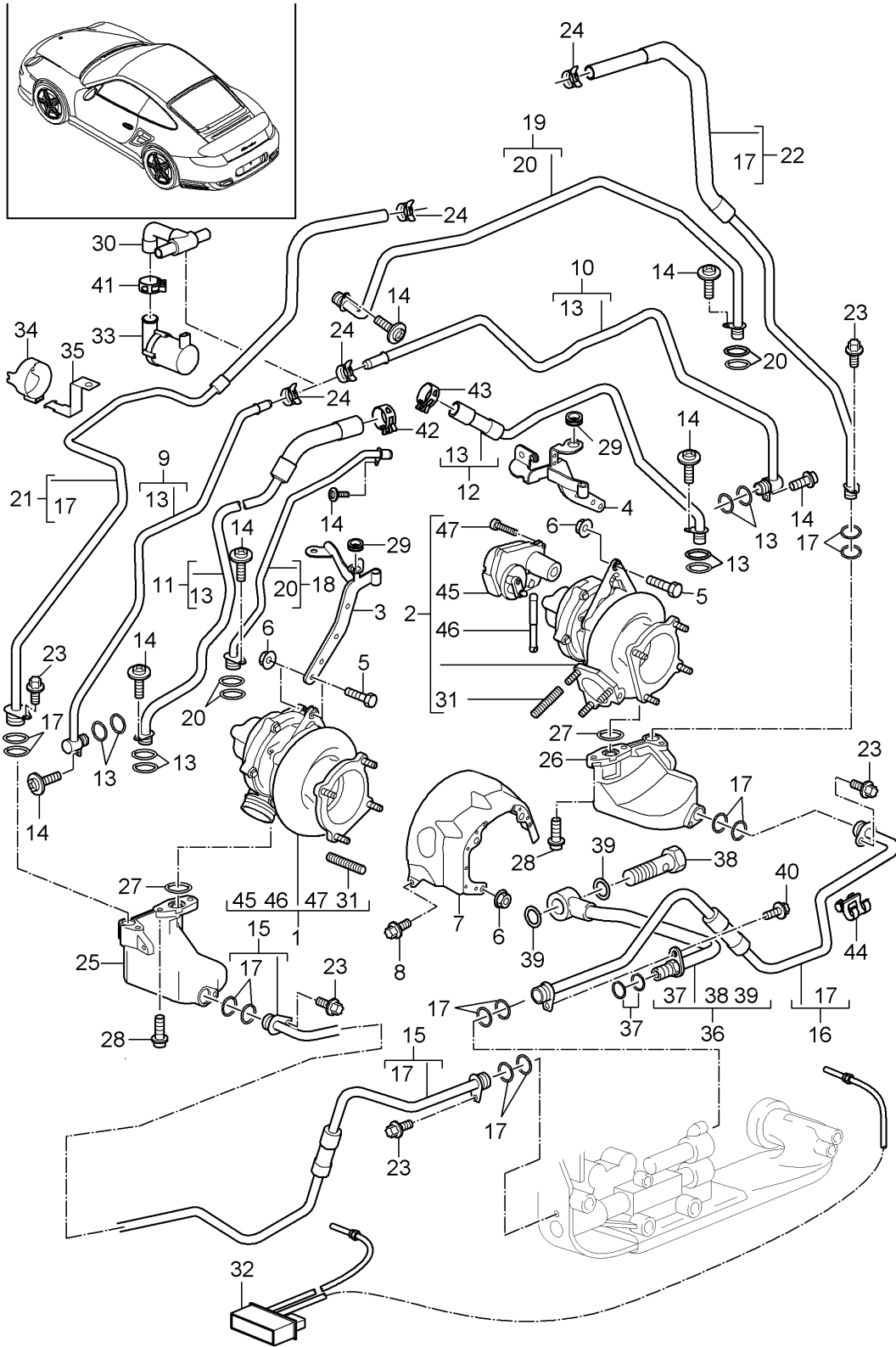
Model: 997T10

Model life 2010>>2013

Pos	Part Number	Description	Remark	Qty	Model
22	9A1 107 332 70	Cyl. 1 - 3 collector container Exhaust gas turbocharger		1	
23	999 707 387 40	Cyl. 4 - 6 O-ring 15,00 X 2,50		2	
24	900 385 019 01	Torx screw BM 6 X 20		4	
25	9A1 107 311 70	suction line oil pump		1	
26	9A1 107 312 70	Cyl. 1 - 3 suction line oil pump		1	
27	900 385 009 01	Cyl. 4 - 6 Torx screw BM 6 X 16		4	
28	9A1 106 651 72	t-piece Water line Return line		1	
29	9A1 106 649 72	t-piece Water line Supply		1	
30	999 512 686 09	Hose clamp B 17 X 12		4	
31	999 512 656 09	Hose clamp B 25 X 12		1	
32	999 512 658 09	Hose clamp B 27 X 12		1	
33	9A1 620 251 00	Coolant pump Exhaust gas turbocharger		1	
34	9A1 106 201 70	Thrust ring Coolant pump Exhaust gas turbocharger		1	
35	9A1 606 250 06	Sensor Exhaust gas Discontinued part		1	
(35)	9A1 606 250 07	Temperature sensor Exhaust gas		1	
36	900 081 059 00	Threaded pin M 8 X 22 Discontinued part		14	
36	900 081 059 01	Threaded pin M 8 X 22		10	
(37)	9A1 605 315 02	Adjusting motor Cyl. 1 - 3 No longer use the part here		1	
(37)	9A1 605 315 03	Adjusting motor Cyl. 1 - 3		1	
37	9A1 605 316 01	Adjusting motor Cyl. 4 - 6 No longer use the part here		1	
(37)	9A1 605 316 02	Adjusting motor Cyl. 4 - 6		1	
38	000 043 207 53	Socket head bolt M 6 X 25,6 -8.8		6	
39	997 606 950 00	Protective hose		1	
40	997 123 123 70	operating rod Cyl. 1 - 3		1	
(40)	997 123 124 70	operating rod Cyl. 4 - 6		1	
41	9A1 606 163 01	Bracket Sensor Exhaust gas		1	

Model: 997T10

Model life 2010>>2013



Model: 997T10

Model life 2010>>2013

Pos	Part Number	Description	Remark	Qty	Model
		Exhaust gas turbocharger with: Heat protection and Oil pipe Water line			GT2 RS 9770
1	997 123 077 73	Exhaust gas turbocharger Cyl. 1 - 3		1	
(1)	997 123 077 AX	Exhaust gas turbocharger Cyl. 1 - 3		1	
2	997 123 078 73	Exhaust gas turbocharger Cyl. 4 - 6		1	
(2)	997 123 078 AX	Exhaust gas turbocharger Cyl. 4 - 6		1	
3	997 111 023 71	Carrier Cyl. 1 - 3		1	
4	997 111 024 71	Carrier Cyl. 4 - 6		1	
5	900 385 044 01	Torx screw M 8 X 16		2	
6	999 084 203 01	Locknut M 8		10	
7	997 123 215 72	Guard plate Cyl. 1 - 3		1	
(7)	997 123 216 72	Guard plate Cyl. 4 - 6		1	
8	900 385 041 01	Torx screw M 6 X 16		2	
9	997 106 073 75	Water line Supply Cyl. 1 - 3		1	
10	997 106 074 74	Water line Supply Cyl. 4 - 6		1	
11	997 106 075 74	Water line Return line Cyl. 1 - 3		1	
12	997 106 076 73	Water line Return line Cyl. 4 - 6		1	
12	997 106 076 74	Discontinued part Water line Return line Cyl. 4 - 6		1	
13	999 707 583 40	O-ring 12,0 X 2,0		8	
14	999 073 236 0A	fillister hd. bolt M 6 X 10		8	
15	997 107 329 70	suction line Cyl. 1 - 3		1	
16	997 107 328 70	suction line Cyl. 4 - 6		1	
17	999 701 789 40	O-ring 12,0 X 2,0		8	
18	997 107 219 76	Pressure line Cyl. 1 - 3		1	
19	997 107 220 75	Pressure line Cyl. 4 - 6		1	
20	999 707 614 40	O-ring 9,25 X 1,78		6	
21	997 107 239 76	Breather line Cyl. 1 - 3		1	
22	997 107 240 74	Breather line		1	

Model: 997T10

Model life 2010>>2013

Pos	Part Number	Description	Remark	Qty	Model
23	900 385 041 01	Cyl. 4 - 6 Torx screw M 6 X 12		5	
24	999 512 686 09	Hose clamp B 17 X 12		4	
25	997 107 327 72	collector container Cyl. 1 - 3		1	
26	997 107 326 72	collector container Cyl. 4 - 6		1	
27	999 707 387 40	O-ring 15,0 X 2,5		2	
28	900 385 019 01	Torx screw M 6 X 20		4	
29	999 702 246 40	Grommet		2	
30	997 106 649 74	t-piece Water line Supply		1	
31	900 081 059 00	Exhaust gas turbocharger Threaded pin M 8 X 22		14	
31	900 081 059 01	Discontinued part Threaded pin M 8 X 22		14	
32	997 606 250 04	Temperature sensor Exhaust gas M >> B 30811		1	
(32)	997 606 250 05	Temperature sensor Exhaust gas M B 30812 >>		1	
33	997 620 251 01	Coolant pump Exhaust gas turbocharger		1	
34	997 106 201 71	Thrust ring Coolant pump Exhaust gas turbocharger		1	
35	997 106 211 72	Bracket Coolant pump Exhaust gas turbocharger		1	
36	997 107 216 70	return line		1	
37	999 701 789 40	O-ring 12,0 X 2,0		2	
38	900 175 022 09	Banjo bolt M 16 X 1,5 X 36		1	
39	900 123 152 30	seal ring A 16 X 22		2	
40	900 385 009 01	Torx screw M 6 X 16		2	
41	999 512 658 09	Hose clamp B 27 X 12		1	
42	999 512 652 09	Hose clamp B 19 X 12		1	
43	999 512 655 09	Hose clamp B 22 X 12		1	
44	999 651 122 01	Cable fastener 7 - 1		2	
(45)	997 605 315 03	Adjusting motor Cyl. 1 - 3		1	
45	997 605 316 04	Adjusting motor Cyl. 4 - 6		1	
(46)	997 123 123 70	operating rod Cyl. 1 - 3		1	
46	997 123 124 70	operating rod Cyl. 4 - 6		1	
47	000 043 207 53	Socket head bolt		3	

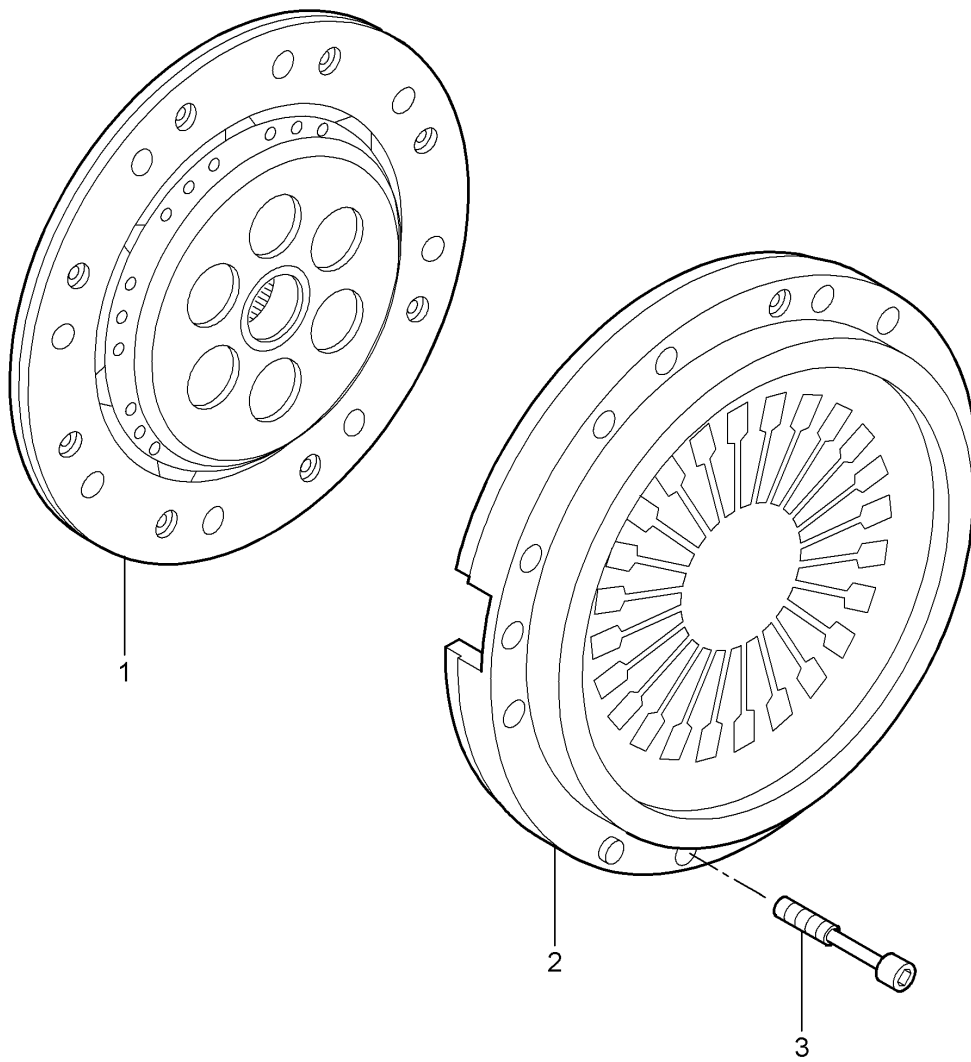
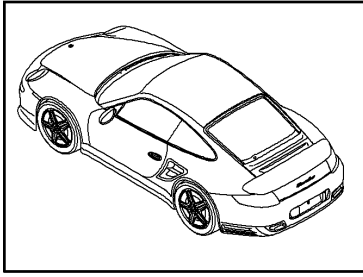
Model: 997T10

Model life 2010>>2013

Pos	Part Number	Description	Remark	Qty	Model
		M 6 X 25,6 -8.8			

Model: 997T10

Model life 2010>>2013



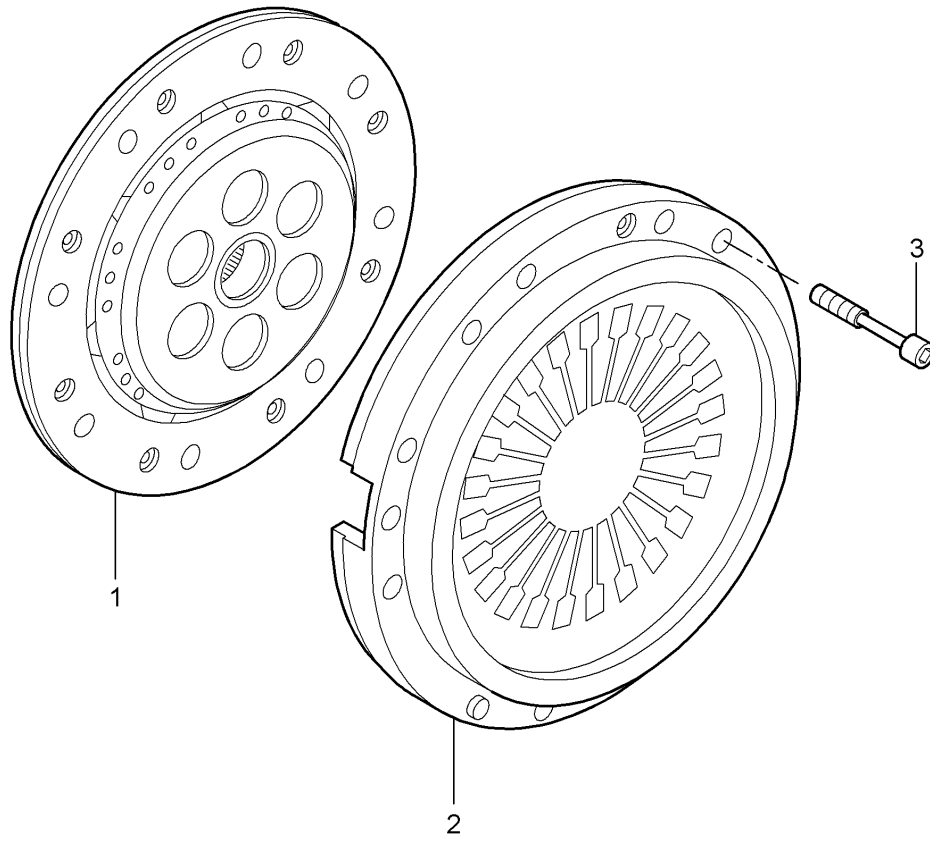
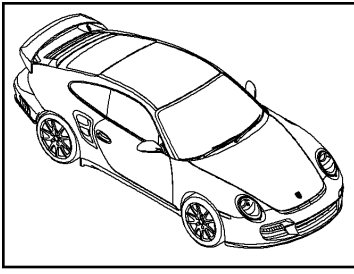
Model: 997T10

Model life 2010>>2013

Pos	Part Number	Description	Remark	Qty	Model
1	997 116 013 51	Coupling		1	
2	997 116 027 50	Clutch plate		1	
		Pressure plate			
		Discontinued part			
(2)	997 116 027 51	Pressure plate		1	
3	999 510 015 01	Socket head bolt		9	
		M 8 X 40			

Model: 997T10

Model life 2010>>2013



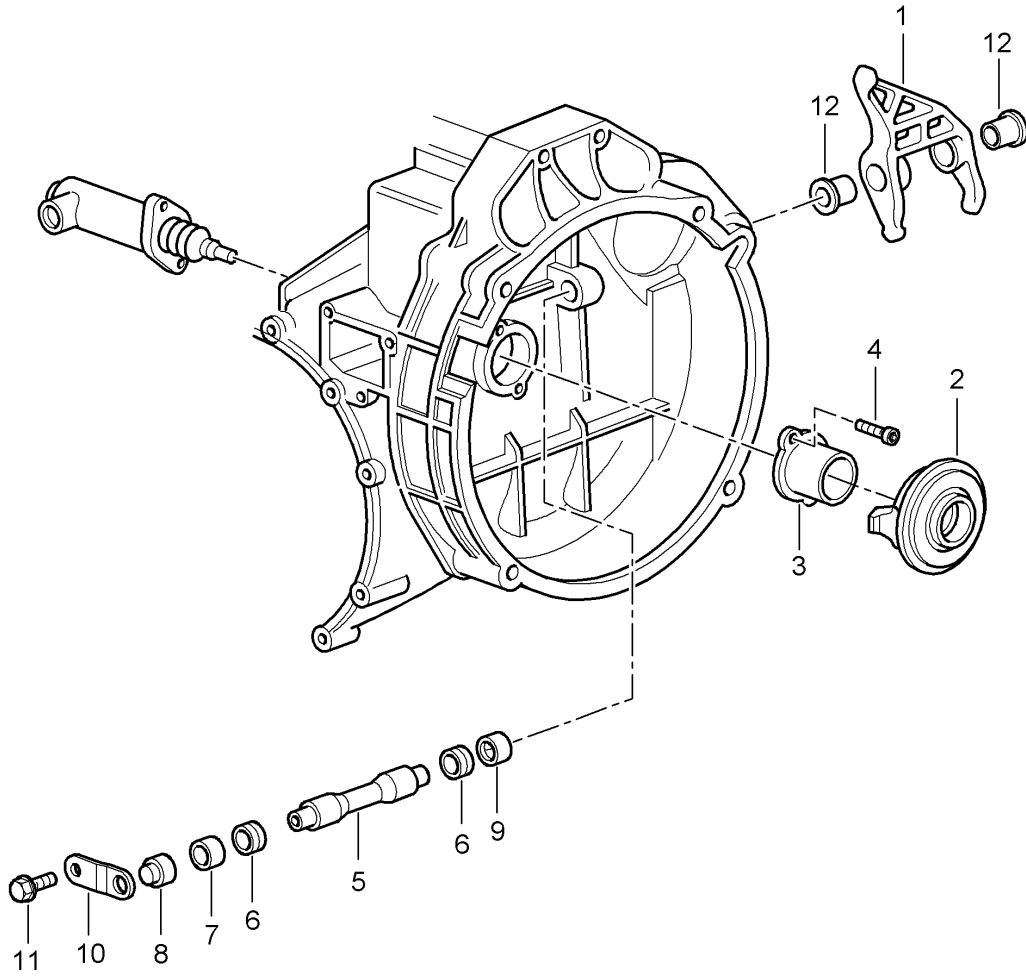
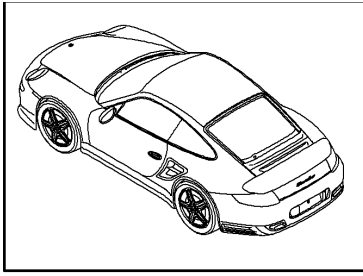
Model: 997T10

Model life 2010>>2013

Pos	Part Number	Description	Remark	Qty	Model
		Coupling			GT2 RS 9770
1	997 116 013 91	Clutch plate		1	
2	996 116 027 51	Pressure plate		1	
(2)	996 116 027 52	Pressure plate		1	
3	900 067 073 02	Socket head bolt M 8 X 45		9	

Model: 997T10

Model life 2010>>2013



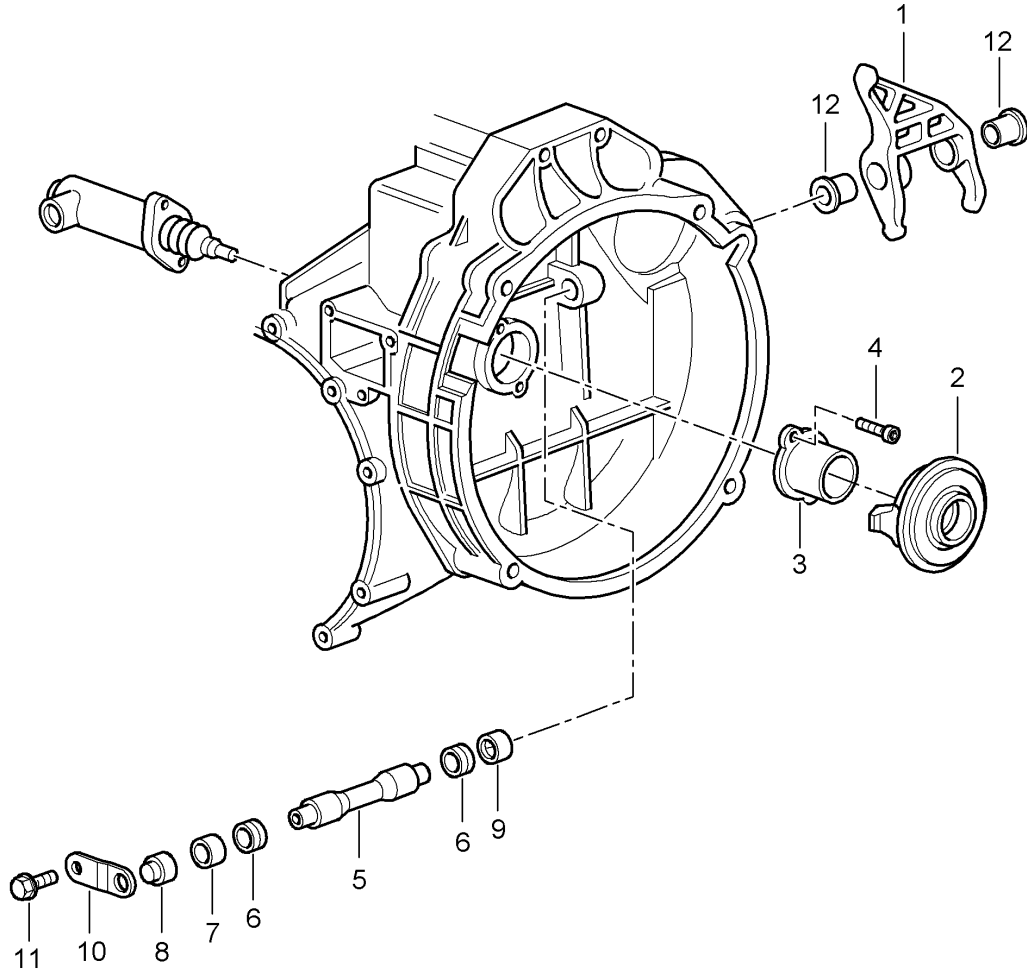
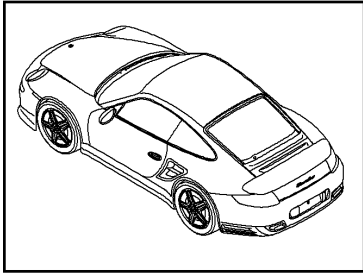
Model: 997T10

Model life 2010>>2013

Pos	Part Number	Description	Remark	Qty	Model
		Clutch release Clutch slave cylinder			G9755
1	997 116 712 50	see illustration: clutch operating lever without:	702-008	1	
		bush			
2	950 116 080 08	release bearing		1	
3	950 116 813 06	guide tube		1	
4	999 270 070 01	fillister hd. bolt M 6 X 14		2	
5	950 116 710 04	release shaft		1	
6	999 113 418 40	Seal 12,3 X 16,4		2	
7	999 201 339 00	bush		1	
8	950 116 725 00	Cover		1	
9	999 201 365 00	Bearing bush Discontinued part		1	
9	999 201 365 01	Bearing bush		1	
10	950 116 713 02	Retaining plate		1	
11	900 075 057 03	Hexagon bolt M 6 X 16		1	
12	950 116 715 01	bush		2	

Model: 997T10

Model life 2010>>2013



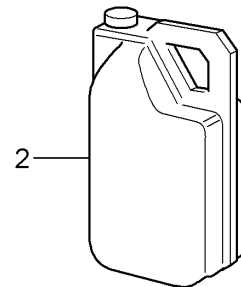
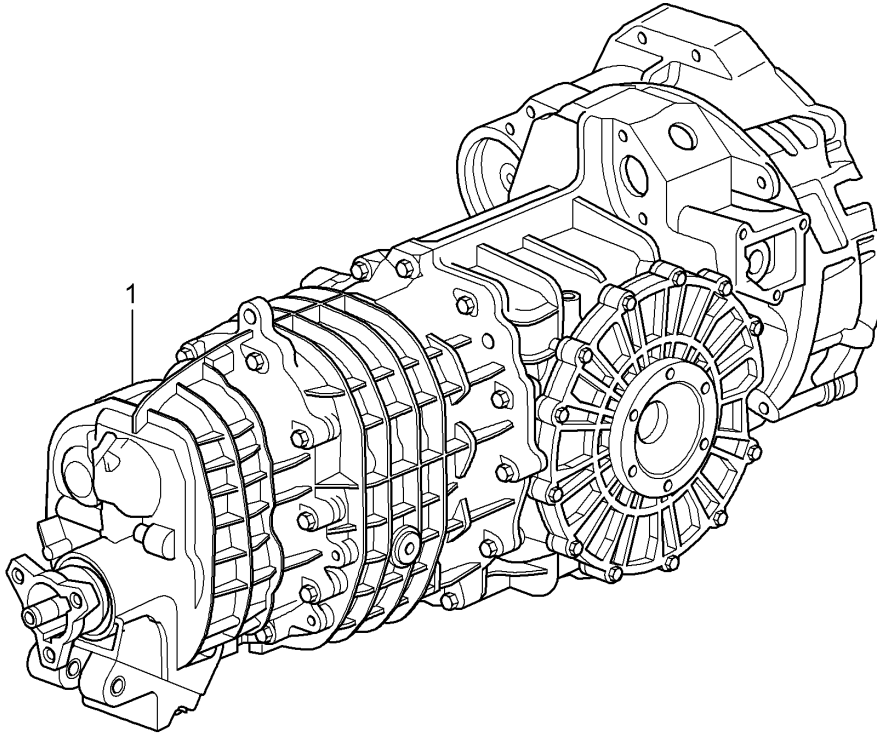
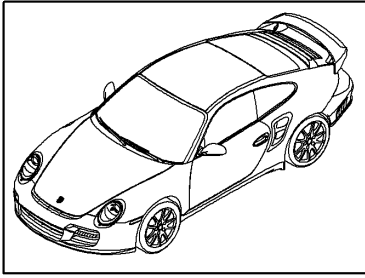
Model: 997T10

Model life 2010>>2013

Pos	Part Number	Description	Remark	Qty	Model
		Clutch release Clutch slave cylinder			GT2 RS G9788
1	997 116 086 90	Release fork see illustration: with:	702-008	1	
2	944 116 080 01	bush release bearing		1	
3	950 116 813 30	guide tube		1	
4	999 270 070 01	fillister hd. bolt M 6 X 14		2	
5	950 116 710 04	release shaft		1	
6	999 113 418 40	Seal 12,3 X 16,4		2	
7	999 201 339 00	bush 13 X 19		1	
8	950 116 725 00	Cover		1	
9	999 201 365 00	Bearing bush 13 X 19 Discontinued part		1	
9	999 201 365 01	Bearing bush 13 X 19		1	
10	950 116 713 02	Retaining plate		1	
11	900 075 057 03	Hexagon bolt M 6 X 16		1	
12	950 116 715 01	bush Release fork		2	

Model: 997T10

Model life 2010>>2013



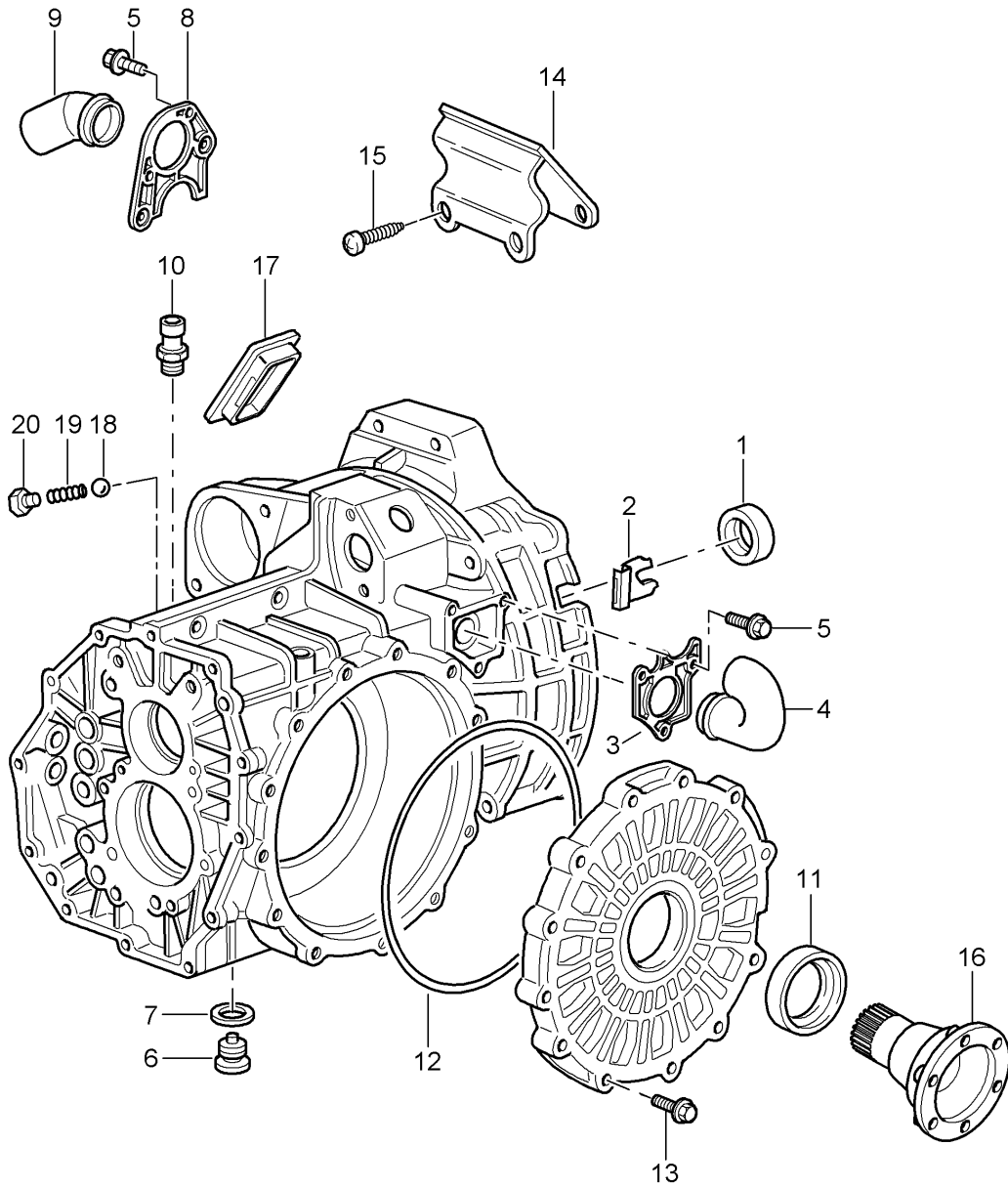
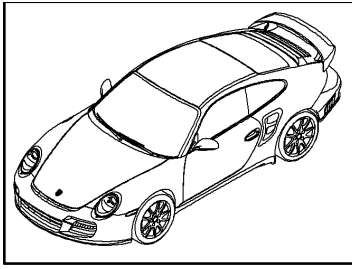
Model: 997T10

Model life 2010>>2013

Pos	Part Number	Description	Remark	Qty	Model
1	997 300 010 55	Replacement transmission 6-speed manual transmission without: limited slip differential Discontinued part		1	G9755 G9755+ PR:219
1	997 300 010 56	6-speed manual transmission without: limited slip differential		1	G9755+ PR:219
1	997 300 010 2X	6-speed manual transmission without: limited slip differential		1	G9755+ PR:219
1	997 300 010 56	D >> - MJ 2010 6-speed manual transmission without: limited slip differential		1	G9755+ PR:219
1	997 300 010 3X	D - MJ 2011>> 6-speed manual transmission without: limited slip differential		1	G9755+ PR:219
1	997 300 020 55	D - MJ 2011>> 6-speed manual transmission with: limited slip differential		1	G9755+ PR:220
1	997 300 020 3X	6-speed manual transmission with: limited slip differential		1	G9755+ PR:220
2	000 043 204 20	Transmission fluid MOBILUBE PTX 75 W 90 Container 20 LTR.		X	

Model: 997T10

Model life 2010>>2013

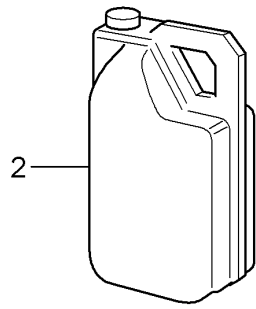
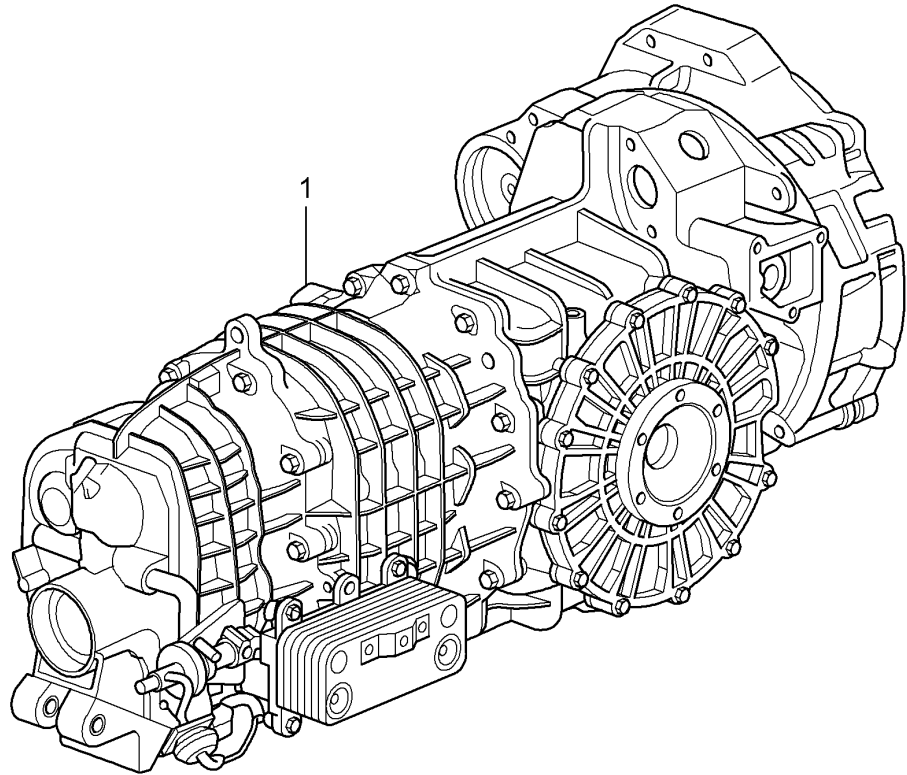
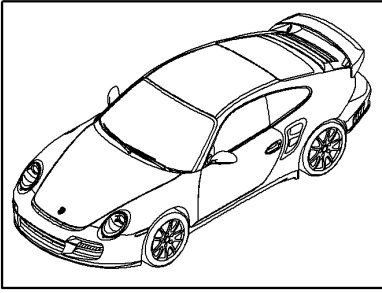


Model: 997T10 Model life 2010>>2013

Pos	Part Number	Description	Remark	Qty	Model
		Gear housing			G9755
1	999 113 326 41	Shaft oil seal 26,5 X 40		1	
2	993 116 630 00	Cap closure		1	
3	996 116 612 00	flange		1	
4	993 116 610 00	intake manifold		1	
5	900 378 035 09	Hexagon bolt M 6 X 16		5	
6	999 063 008 02	sealing plug with magnet M 22 X 1,5		1	
7	900 123 118 30	seal ring		1	
8	996 116 710 00	Flange socket		1	
9	993 116 610 00	intake manifold		1	
10	996 301 071 00	breather assy. 17 X 12 X 28,1		1	
11	999 113 356 40	Shaft oil seal 48 X 68 X 10		2	
12	999 701 008 40	O-ring 215 X 3,5		1	
13	999 141 048 01	Hexagon socket head bolt M 8 X 40		12	
14	997 449 101 50	Catch hook		1	
15	999 073 190 09	fillister hd. bolt M 8 X 60		2	
16	997 332 209 51	Drive flange Discontinued part		2	
(16)	997 332 209 52	Drive flange		2	
17	950 301 151 01	Cap closure		1	
18	900 108 064 00	ball 8		4	
19	996 303 245 00	Pressure spring		4	
20	900 124 027 01	sealing plug CM 10 X 1		4	
-	996 606 133 00	Switch		1	
-	000 043 209 23	Back-up light Grease LIQUI MOLY PU 53 / WDR 50 GR.		X	

Model: 997T10

Model life 2010>>2013



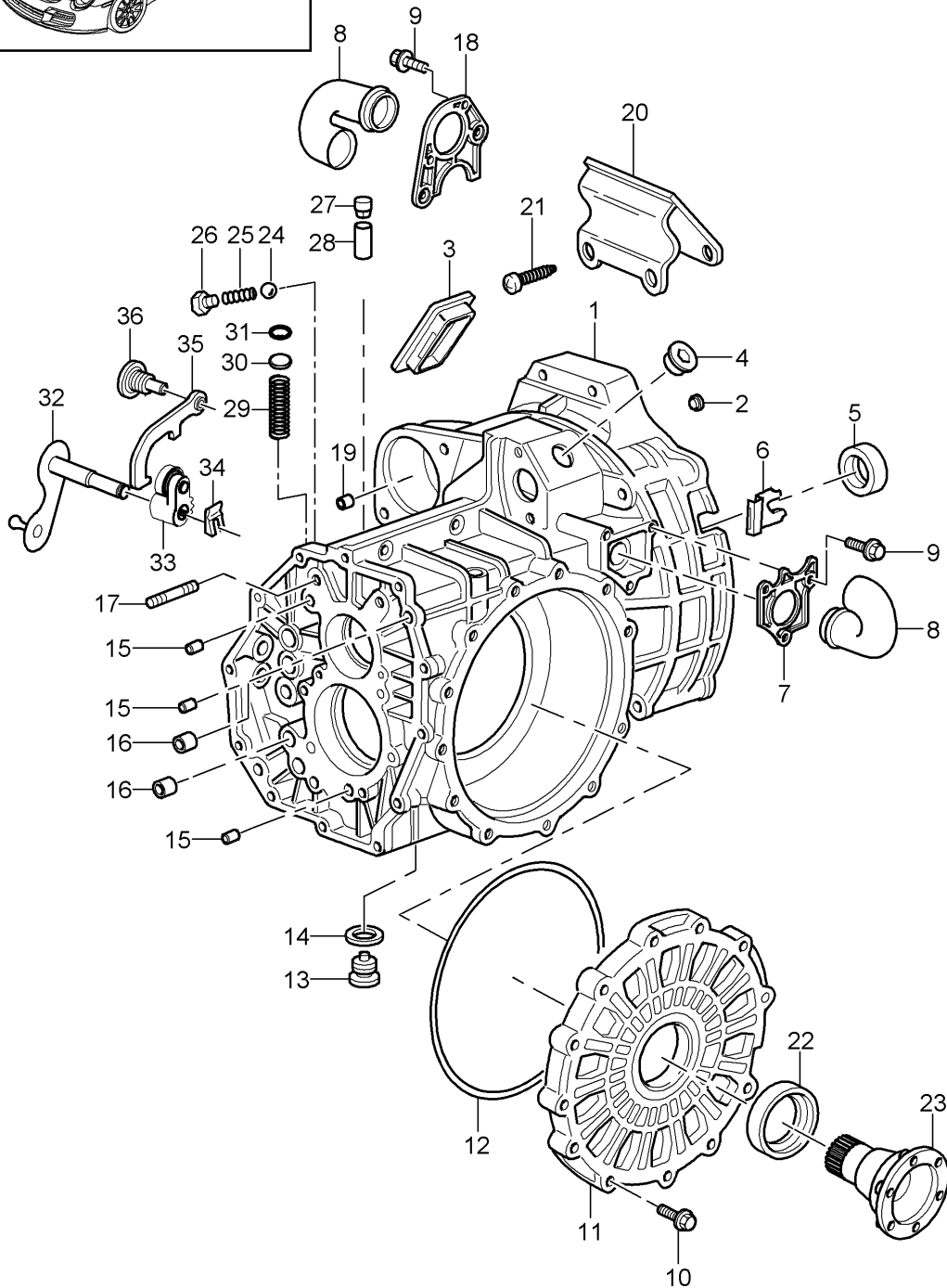
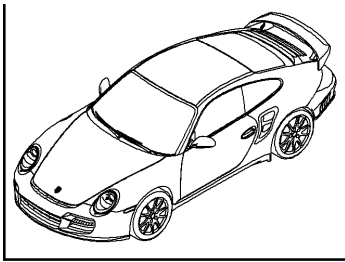
Model: 997T10

Model life 2010>>2013

Pos	Part Number	Description	Remark	Qty	Model
		Replacement transmission			GT2 RS G9788 PR:220
1	997 300 020 81	Manual gearbox		1	
		with:			
		limited slip differential			
1	997 300 020 8X	Manual gearbox		1	PR:220
		with:			
		limited slip differential			
2	000 043 204 20	Transmission fluid		X	
		MOBILUBE PTX			
		75 W 90			
		Container			
		20 LTR.			

Model: 997T10

Model life 2010>>2013



Model: 997T10

Model life 2010>>2013

Pos	Part Number	Description	Remark	Qty	Model
		Gear housing			GT2 RS G9788
1	996 301 101 88	Gear housing		1	
2	999 036 002 40	End cap A 14 X 4,0		1	
3	950 301 151 01	Cap closure		1	
4	999 703 490 40	End cap 30 X 42		1	
5	999 113 326 41	Shaft oil seal 26,5 X 40		1	
6	993 116 630 00	Cap closure		1	
7	996 116 612 00	flange		1	
8	993 116 610 00	intake manifold		2	
9	900 378 035 01	Hexagon bolt M 6 X 16		5	
10	900 378 281 01	Hexagon bolt M 8 X 35		12	
11	996 301 312 51	Gearbox cover		1	
12	999 707 480 40	O-ring 205 X 3,5		1	
13	997 301 307 00	sealing plug with magnet M 22 X 1,5		1	
14	900 123 118 30	seal ring A 22 X 27		1	
15	900 012 144 00	Cylinder pin 12 M 6 X 14		4	
16	996 303 513 00	Round socket 15 X 21 X 22		4	
17	900 081 042 01	Threaded pin BM 8 X 42		7	
18	996 116 710 00	Flange socket		1	
19	999 531 017 10	bush 12,1 X 14		1	
20	997 449 101 50	Catch hook		1	
21	999 073 374 01	fillister hd. bolt M 8 X 60		2	
22	999 113 356 40	Shaft oil seal 48 X 60 X 10		2	
23	997 332 209 51	Drive flange Discontinued part		2	
(23)	997 332 209 52	Drive flange		2	
24	900 108 064 00	ball 8		4	
25	996 303 245 00	Pressure spring		4	
26	900 219 007 01	sealing plug M 10 X 1		4	
27	014 301 485	Cap for venting the gearbox breather assy.		1	
28	014 301 473	Sleeve 12 X 30 Discontinued part		1	
28	0A2 301 473	Sleeve		1	
29	996 303 255 00	Pressure spring		1	
30	996 303 257 00	Cover 20 X 4		1	
31	900 042 003 01	Securing ring 20 X 1		1	
32	996 303 055 01	selector lever		1	
33	996 303 057 00	pinion		1	
34	996 303 383 00	fuse		1	
35	996 303 053 00	selector lever		1	
36	996 303 519 00	Bearing screw		1	

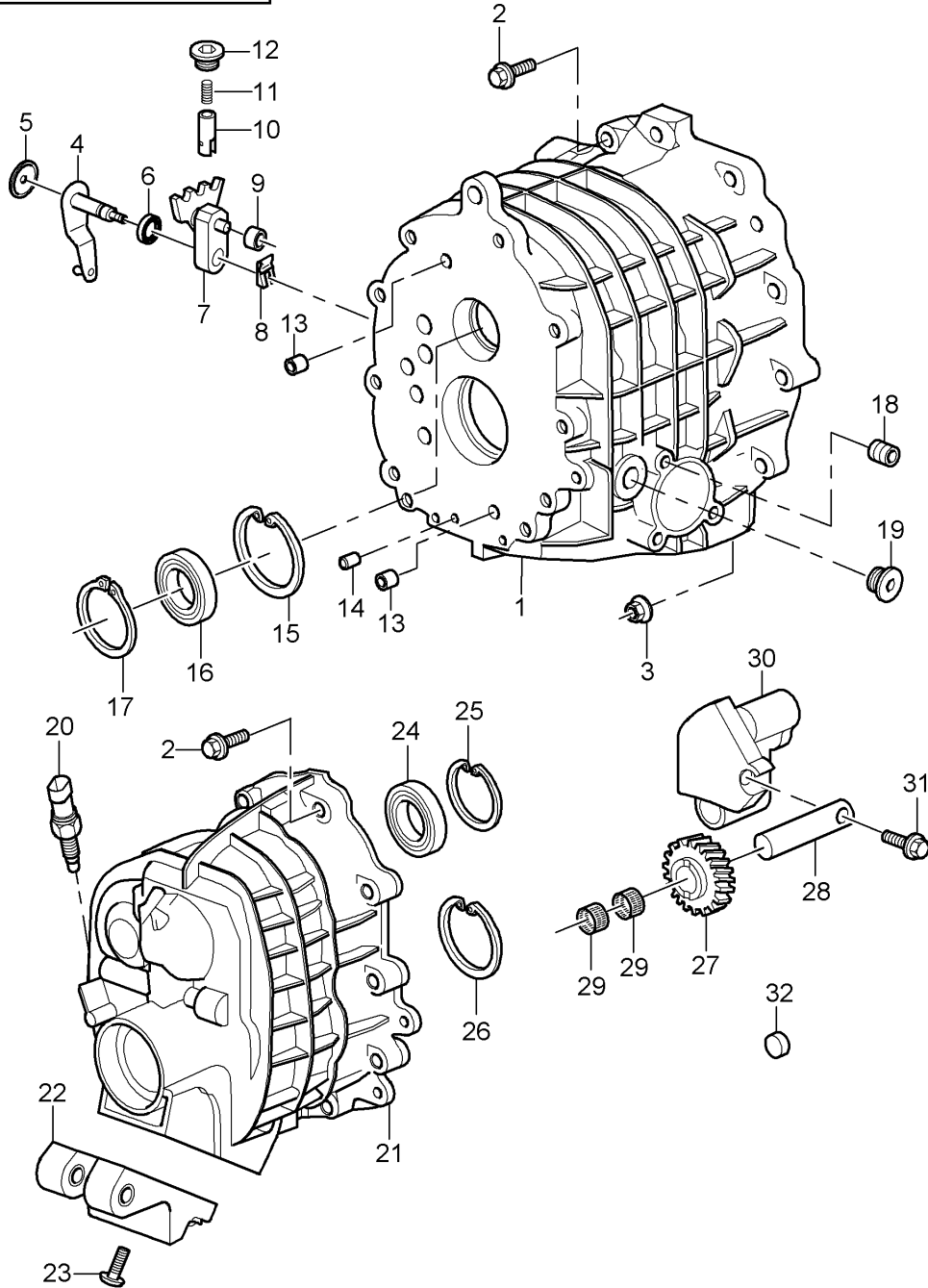
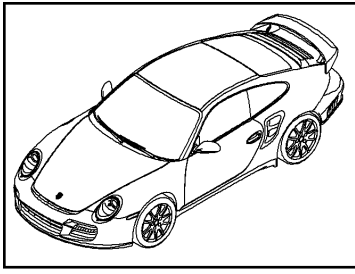
Model: 997T10

Model life 2010>>2013

Pos	Part Number	Description	Remark	Qty	Model
-	000 043 209 23	Grease LIQUI MOLY PU 53 / WDR 50 GR.		X	

Model: 997T10

Model life 2010>>2013



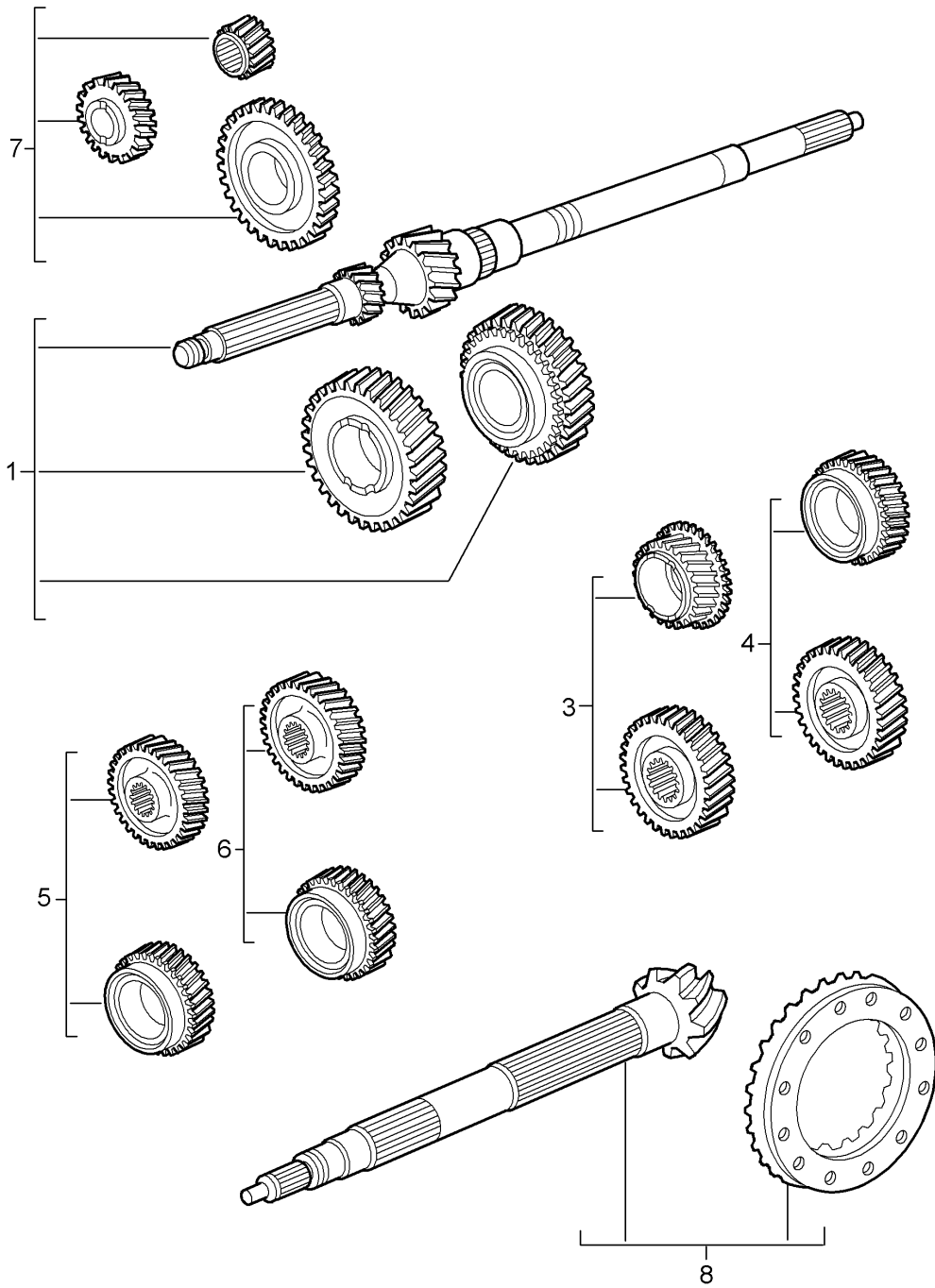
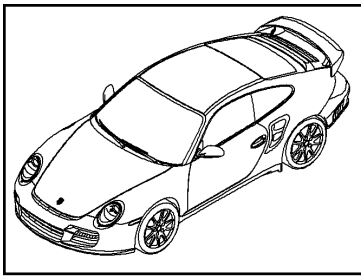
Model: 997T10

Model life 2010>>2013

Pos	Part Number	Description	Remark	Qty	Model
		Gear housing			GT2 RS
		Gearbox cover			G9788
1	996 301 102 9A	Gear housing		1	
2	900 378 281 01	Hexagon bolt		10	
		M 8 X 35			
3	900 076 064 02	Hexagon nut		2	
		M 8			
4	996 303 031 9A	gearshift lever		1	
5	986 424 133 00	Washer		1	
6	996 303 517 01	Shaft oil seal		1	
		15 X 21 X 7			
		Discontinued part			
6	996 303 517 00	Shaft oil seal		1	
		15 X 21 X 7			
7	996 303 033 00	Shift segment		1	
8	996 303 383 00	fuse		1	
9	996 303 303 00	roller		1	
		20 X 8 X 8			
10	996 303 035 00	Pin		1	
11	996 303 235 00	Pressure spring		1	
12	900 908 021 01	sealing plug		1	
		M 18 X 1,5			
13	996 303 515 00	Bearing bush		2	
		15 X 17 X 12			
14	900 012 144 00	Cylinder pin		2	
		A 12,0 X 14			
15	999 152 031 01	snap ring		1	
		SB 68 X 1,50			
16	999 110 181 00	cylinder roller bearing		1	
		30 X 62 X 16			
17	900 111 001 00	snap ring		1	
		SP 62			
18	999 504 004 00	threaded insert		3	
		M 8 X 16			
19	N 910 597 01	sealing plug		1	
		M 22 x 1,5			
20	996 606 133 00	Switch		1	
		Back-up light			
21	996 301 301 9A	Gearbox cover	rear	1	
22	722 260 006 2	gearbox mounting		1	
		Gearbox cover			
23	999 073 095 01	fillister hd. bolt		4	
		M 8 X 30			
24	999 110 194 01	cylinder roller bearing		1	
		25 X 52 X 15			
25	999 152 062 01	snap ring		1	
		SB 52 X 1,5			
26	999 152 024 01	snap ring		1	
		SB 62 X 1,5			
27		reverse gear		1	
		see illustration:	303-001		
28	996 302 228 50	Pin		1	
		reverse gear			
29	996 302 224 00	Needle cage		2	
		20 X 26 X 17			
(30)	996 302 225 51	Segment		1	
31	900 378 150 01	Hexagon bolt		1	
		M 8 X 55			
32	999 501 023 30	Sealing cap		1	
		6,7			
33	996 303 523 01	Bearing bush		2	
		13X15X10			

Model: 997T10

Model life 2010>>2013



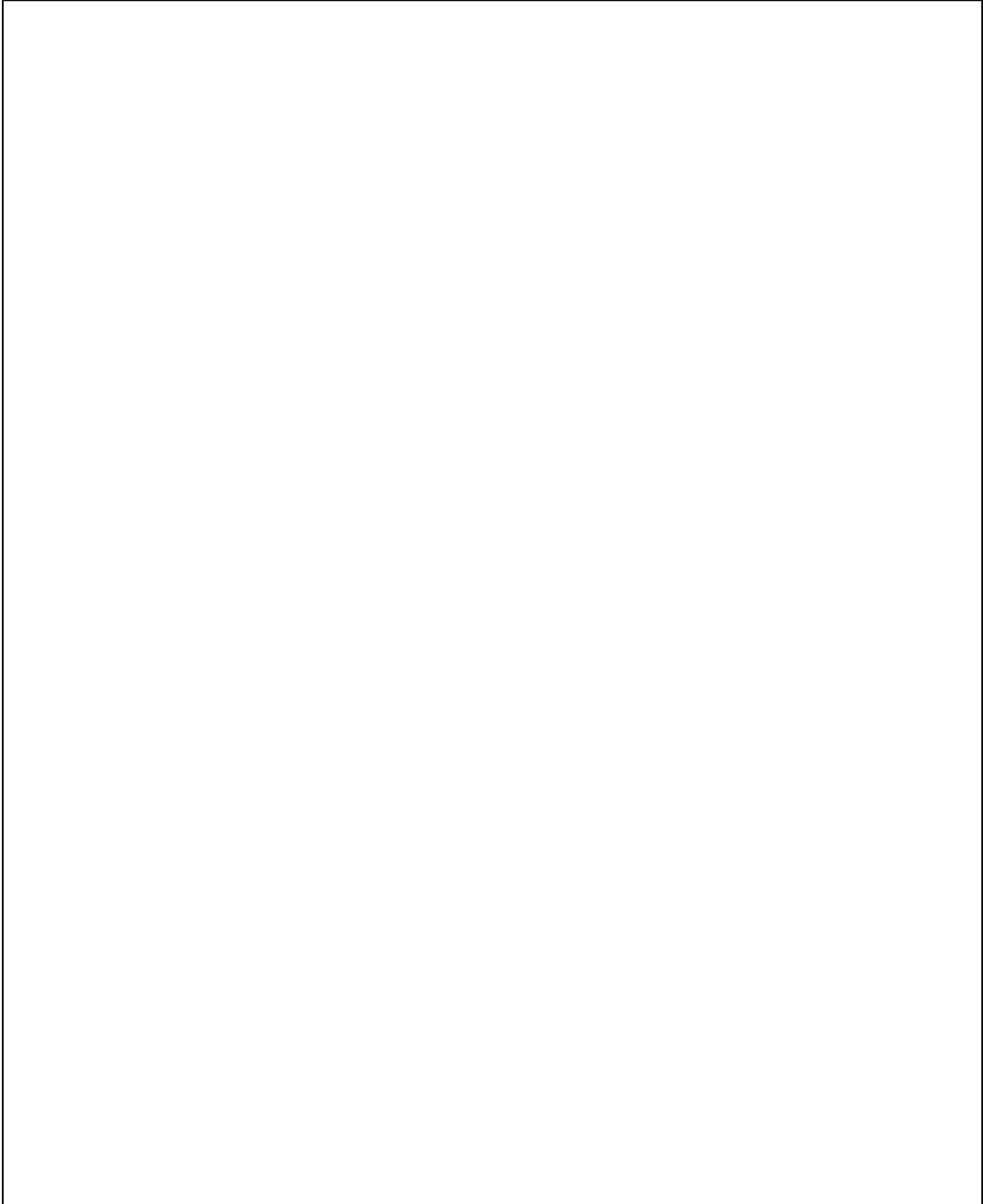
Model: 997T10

Model life 2010>>2013

Pos	Part Number	Description	Remark	Qty	Model
		Gear wheel sets			GT2 RS G9788
1	997 302 901 88	gear set 1st / 2nd gear 1st gear Z = 41 : 13 2nd gear Z = 34 : 18		1	
3	997 302 953 88	gear set 3rd gear Z = 35 : 25		1	
4	997 302 954 88	gear set 4th speed Z = 35 : 32		1	
5	997 302 955 88	gear set 5th gear Z = 33 : 37		1	
6	997 302 956 88	gear set 6th gear Z = 33 : 45		1	
7	997 302 907 88	gear set Reverse gear		1	
8	950 302 911 71	pinion gear set 31 : 9		1	

Model: 997T10

Model life 2010>>2013



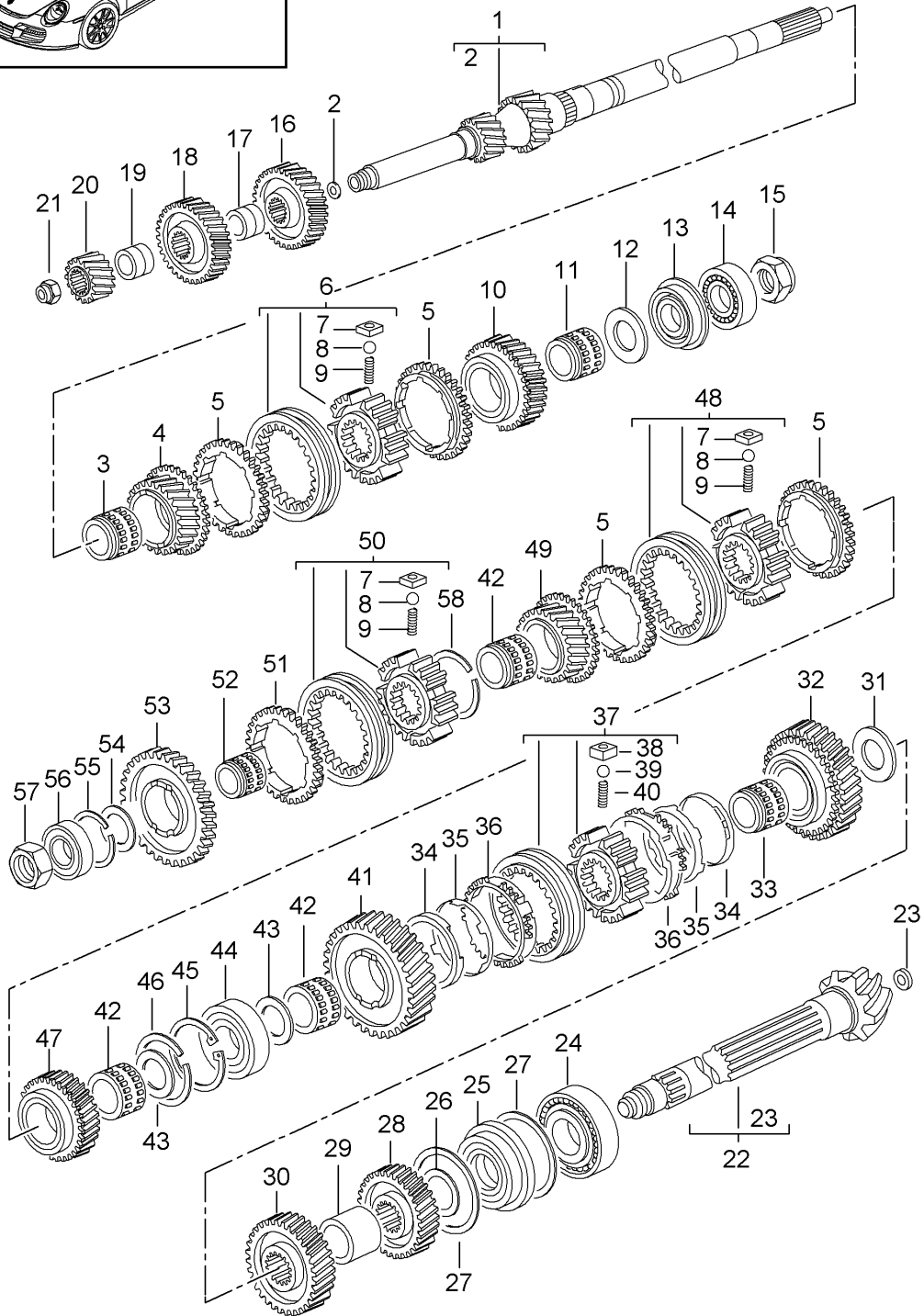
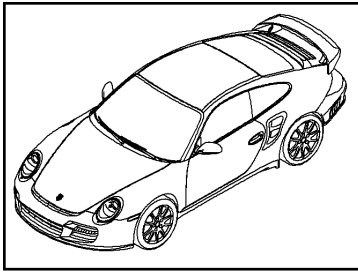
Model: 997T10

Model life 2010>>2013

Pos	Part Number	Description	Remark	Qty	Model
1	996 302 121 9A	gears and shafts Retaining plate		1	G9788

Model: 997T10

Model life 2010>>2013



Model: 997T10

Model life 2010>>2013

Pos	Part Number	Description	Remark	Qty	Model
		gears and shafts			GT2 RS G9788
-		Gear wheel sets see illustration:	303-001		
1		Input shaft		1	
2	964 302 335 02	Washer 7 MM		1	
3	999 201 718 02	needle bearing - 42 X 47 X 32		1	
4		Loose gear wheel 3rd gear		1	
5	928 304 211 30	synchronizer ring		4	
6	996 304 021 51	Guide sleeve 3rd/4th gear		1	
10		Loose gear wheel 4th speed		1	
11	999 201 719 02	needle bearing - 35 X 47 X 32,2		1	
12	996 302 294 50	thrust washer 4th speed		1	
13	999 052 094 00	Four-point contact bearing 30 X 62 X 16		1	
13	999 052 098 00	Four-point contact bearing 30 X 62 X 16		1	
14	999 110 117 01	cylinder roller bearing 30 X 62 X 20		1	
15	999 034 033 00	Hexagon nut M 30 X 1,5		1	
16		Fixed gear wheel 6th gear		1	
17	950 302 268 12	spacer bush 5th gear and 6th gear		1	
18		Fixed gear wheel 5th gear			
19	950 302 270 02	spacer bush		1	
20		Fixed gear wheel Reverse gear		1	
21	999 034 035 00	Locknut M 22 X 1,5		1	
22		Pinion shaft		1	
23	964 302 335 01	Washer 14,5		1	
24	999 110 119 01	cylinder roller bearing 40 X 90 X 23		1	
25	999 052 227 00	angular ball bearing 40 X 82 X 18		1	
26	996 302 163 50	fitted washer 90 X 97 X 0,50		X	
26	996 302 163 51	fitted washer 90 X 97 X 0,55		X	
26	996 302 163 52	fitted washer 90 X 97 X 0,60		X	
26	996 302 163 53	fitted washer 90 X 97 X 0,65		X	
26	996 302 163 54	fitted washer 90 X 97 X 0,70		X	
26	996 302 163 55	fitted washer 90 X 97 X 0,75		X	
26	996 302 163 56	fitted washer 90 X 97 X 0,80		X	
26	996 302 163 57	fitted washer		X	

Model: 997T10

Model life 2010>>2013

Pos	Part Number	Description	Remark	Qty	Model
26	996 302 163 58	90 X 97 X 0,85 fitted washer		X	
26	996 302 163 59	90 X 97 X 0,90 fitted washer		X	
26	996 302 163 60	90 X 97 X 0,95 fitted washer		X	
26	996 302 163 61	90 X 97 X 1,00 fitted washer		X	
26	996 302 163 62	90 X 97 X 1,05 fitted washer		X	
26	996 302 163 63	90 X 97 X 1,10 fitted washer		X	
26	996 302 163 64	90 X 97 X 1,15 fitted washer		X	
26	996 302 163 65	90 X 97 X 1,20 fitted washer		X	
26	996 302 163 66	90 X 97 X 1,25 fitted washer		X	
26	996 302 163 67	90 X 97 X 1,30 fitted washer		X	
26	996 302 163 68	90 X 97 X 1,35 fitted washer		X	
26	996 302 163 69	90 X 97 X 1,40 fitted washer		X	
26	996 302 163 70	90 X 97 X 1,45 fitted washer		X	
26	996 302 163 71	90 X 97 X 1,50 fitted washer		X	
26	996 302 163 72	90 X 97 X 1,55 fitted washer		X	
27	996 302 151 50	90 X 97 X 1,60 fitted washer		X	
27	996 302 151 51	40 X 50 X 0,40 fitted washer		X	
27	996 302 151 52	40 X 50 X 0,45 fitted washer		X	
27	996 302 151 53	40 X 50 X 0,50 fitted washer		X	
27	996 302 151 54	40 X 50 X 0,55 fitted washer		X	
27	996 302 151 55	40 X 50 X 0,60 fitted washer		X	
27	996 302 151 56	40 X 50 X 0,65 fitted washer		X	
27	996 302 151 57	40 X 50 X 0,70 fitted washer		X	
27	996 302 151 58	40 X 50 X 0,80 fitted washer		X	
27	996 302 151 59	40 X 50 X 0,90 fitted washer		X	
27	996 302 151 60	40 X 50 X 1,00 fitted washer		X	
27	996 302 151 61	40 X 50 X 1,10 fitted washer		X	
27	996 302 151 62	40 X 50 X 1,20 fitted washer		X	
27	996 302 151 63	40 X 50 X 1,30 fitted washer		X	
28		40 X 50 X 0,75 Fixed gear wheel		1	
(29)	964 307 331 01	4th speed Drive wheel oil pump		1	

Model: 997T10

Model life 2010>>2013

Pos	Part Number	Description	Remark	Qty	Model
30		Fixed gear wheel 3rd gear		1	
31	996 302 295 50	thrust washer 2nd gear		1	
32		Loose gear wheel 2nd gear		1	
(33)	999 201 471 00	needle bearing - 45 X 50 X 32 Large red		1	
(33)	999 201 471 01	needle bearing - 45 X 50 X32 Medium Black		1	
33	999 201 471 02	needle bearing - 45 X 50 X 32 Small Grey		1	
-	999 201 472 00	inner ring needle bearing - 39,68 X 45		1	
34	950 304 617 20	ring		2	
35	996 304 613 20	Conical ring		2	
36	950 304 611 20	synchronizer ring		2	
37	996 304 061 50	Guide sleeve 1st / 2nd gear		1	
38	996 304 651 00	Stone		3	
39	900 108 058 00	ball 5 MM		3	
40	950 304 661 03	Pressure spring		3	
41		Loose gear wheel 1st gear		1	
42	999 201 715 02	needle bearing - 35 X 50 X 32,2		3	
43	950 302 295 07	thrust washer 1st gear and 6th gear		2	
44	999 110 109 01	cylinder roller bearing 35 X 80 X 18		1	
45	999 152 106 00	snap ring		1	
46	N 100 709 01	snap ring SP 80		1	
47		Loose gear wheel 6th gear		1	
48	950 304 021 23	Guide sleeve 5th gear and 6th gear		1	
49		Loose gear wheel 5th gear		1	
50	996 304 021 50	Guide sleeve		1	
51	928 304 211 24	Reverse gear synchronizer ring		1	
52	999 201 716 02	Reverse gear needle bearing - 32 X 45 X 27,2		1	
53		Loose gear wheel Reverse gear		1	
54	950 302 296 07	thrust washer Reverse gear		1	
55	999 152 024 01	snap ring 62 X 1,50		1	

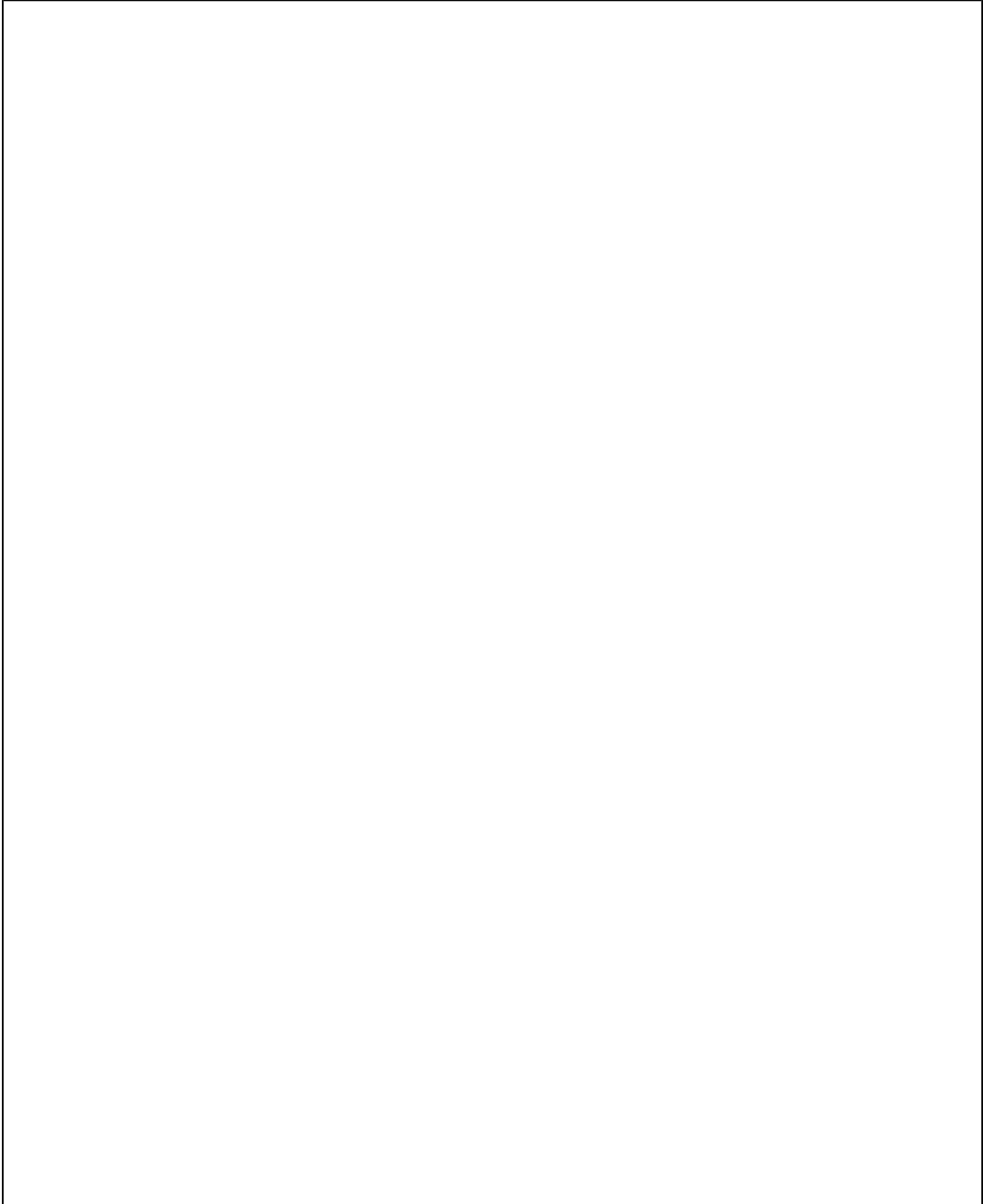
Model: 997T10

Model life 2010>>2013

Pos	Part Number	Description	Remark	Qty	Model
56	999 110 192 00	cylinder roller bearing 30 X 62 X 16		1	
57	999 034 034 00	Hexagon nut M 30 X 1,25		1	
58	999 152 111 00	snap ring 78 X 1,50		1	

Model: 997T10

Model life 2010>>2013



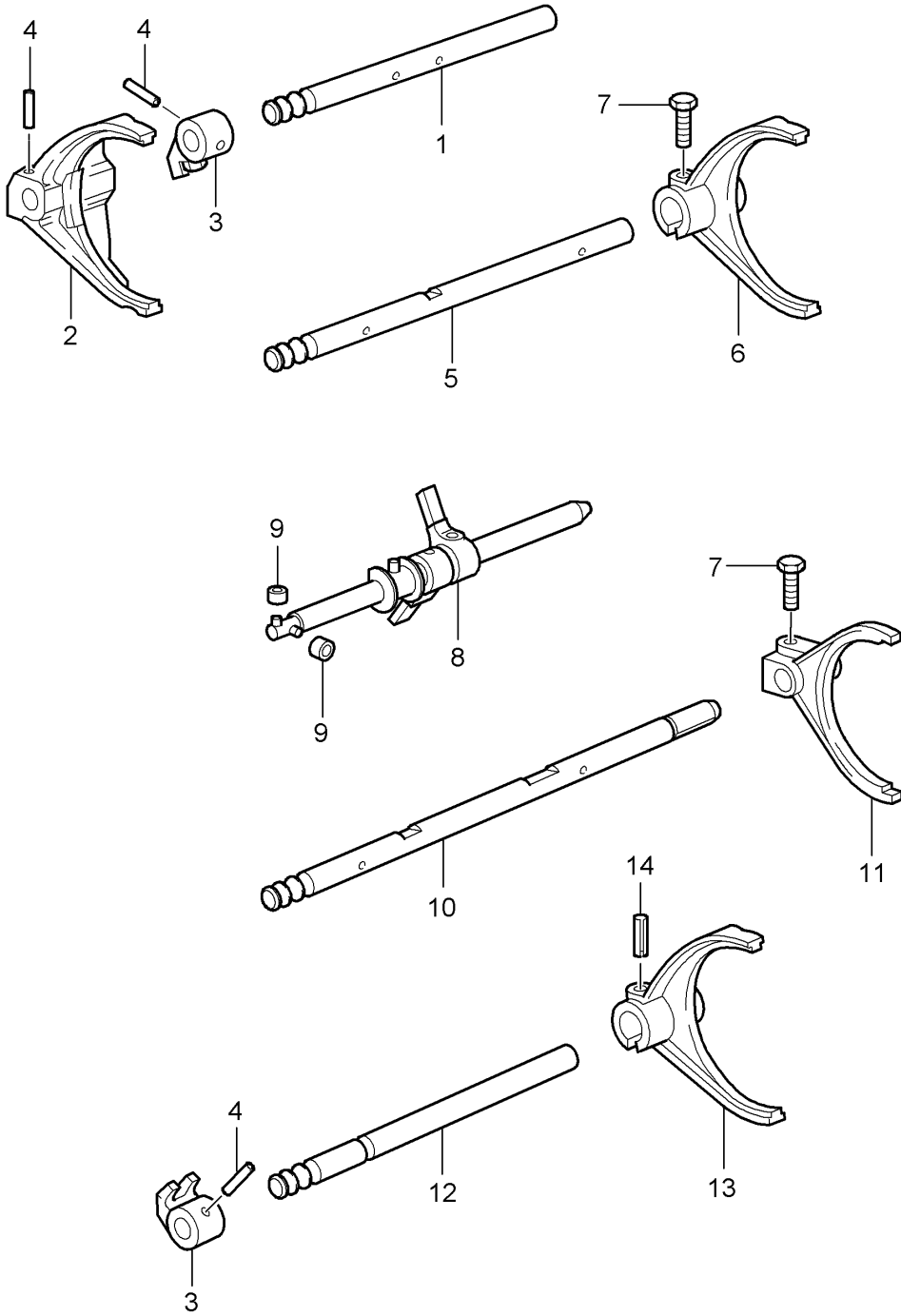
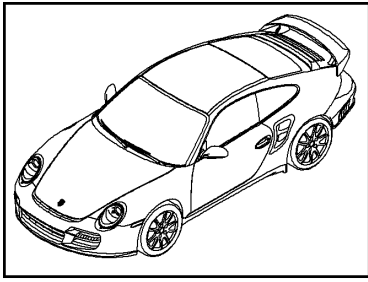
Model: 997T10

Model life 2010>>2013

Pos	Part Number	Description	Remark	Qty	Model
-		selector shaft Selector fork shift rod			G9755
1	997 303 103 50	selector shaft 3rd/4th gear		1	
2	997 303 113 50	Selector fork 3rd/4th gear		1	
3	996 303 121 50	Follower		2	
4	900 309 008 00	spring pin 6 X 24		3	
5	997 303 106 50	selector shaft 5th gear and 6th gear		1	
6	997 303 116 50	Selector fork 5th gear and 6th gear		1	
7	997 303 021 50	shift rod		1	
8	996 303 403 00	roller 10 X 5 X 3		4	
9	997 303 105 50	selector shaft Reverse gear		1	
10	997 303 115 50	Selector fork Reverse gear		1	
11	997 303 101 50	selector shaft 1st / 2nd gear		1	
12	997 303 111 50	Selector fork 1st / 2nd gear		1	
13	900 095 017 01	spring pin 5,0 X 24		2	
14	996 303 142 50	locking piece Short		2	
15	996 303 143 50	locking piece Intermediate piece		2	
16	996 303 301 00	Spiral clamping pin		2	

Model: 997T10

Model life 2010>>2013



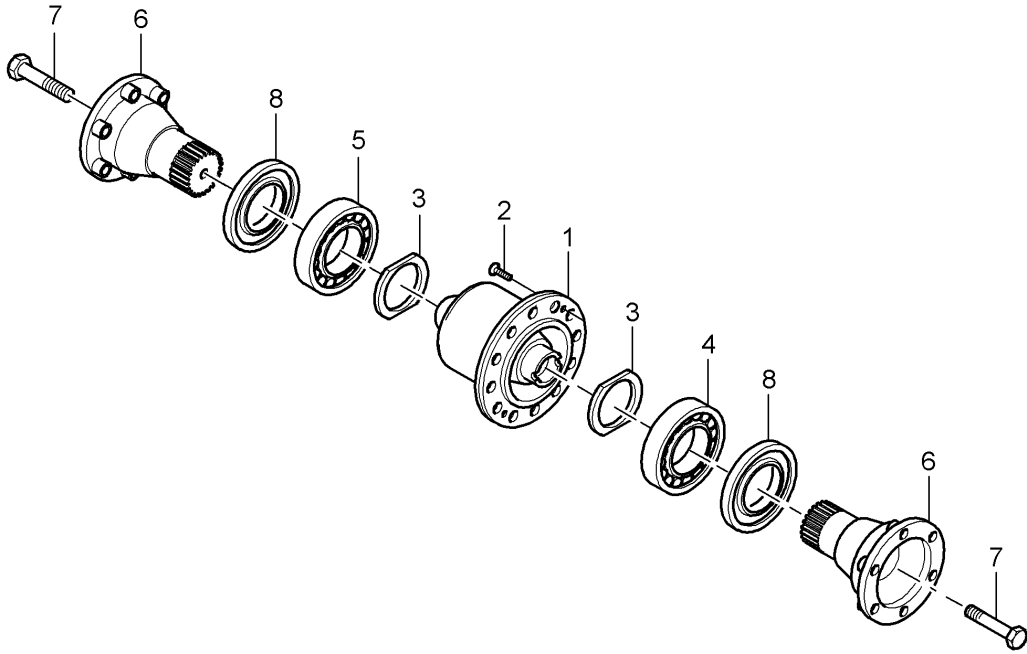
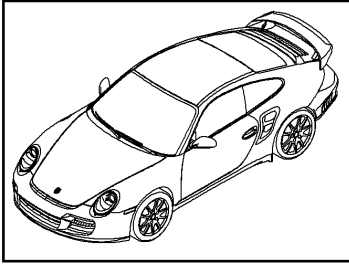
Model: 997T10

Model life 2010>>2013

Pos	Part Number	Description	Remark	Qty	Model
-		selector shaft			GT2 RS G9788
-		Selector fork			
-		shift rod			
1	996 303 103 52	selector shaft		1	
		3rd/4th gear			
2	996 303 113 88	Selector fork		1	
		3rd/4th gear			
3	996 303 121 50	Follower		2	
4	900 309 008 00	spring pin		3	
		6 X 24			
5	996 303 106 51	selector shaft		1	
		5th gear			
		and			
		6th gear			
6	996 303 116 50	Selector fork		1	
		5th gear			
		and			
		6th gear			
7	999 217 036 01	Hexagon bolt		2	
		M 8 X 30			
8	997 303 021 52	shift rod		1	
9	996 303 403 00	roller		4	
		10 X 5 X 3			
10	996 303 105 52	selector shaft		1	
		Reverse gear			
11	996 303 115 50	Selector fork		1	
		Reverse gear			
12	996 303 101 51	selector shaft		1	
		1st / 2nd gear			
13	996 303 111 51	Selector fork		1	
		1st / 2nd gear			
14	900 095 017 01	spring pin		2	
		5,0 X 24			
-	996 303 141 50	locking piece		1	
-	996 303 142 50	locking piece		2	
		Short			
-	996 303 143 50	locking piece		2	
		Intermediate piece			

Model: 997T10

Model life 2010>>2013



Model: 997T10

Model life 2010>>2013

Pos	Part Number	Description	Remark	Qty	Model
-		limited slip differential (complete)			GT2 RS G9788
1	997 332 083 91	limited slip differential 28/40 %		1	
2	999 217 152 01	Hexagon bolt M 12 X 1,25		12	
3	996 332 266 50	Adjusting ring 50,4 X 65 X 1,50		X	
3	996 332 266 51	Adjusting ring 50,4 X 65 X 1,55		X	
3	996 332 266 52	Adjusting ring 50,4 X 65 X 1,60		X	
3	996 332 266 53	Adjusting ring 50,4 X 65 X 1,65		X	
3	996 332 266 54	Adjusting ring 50,4 X 65 X 1,70		X	
3	996 332 266 55	Adjusting ring 50,4 X 65 X 1,75		X	
3	996 332 266 56	Adjusting ring 50,4 X 65 X 1,80		X	
3	996 332 266 57	Adjusting ring 50,4 X 65 X 1,85		X	
3	996 332 266 58	Adjusting ring 50,4 X 65 X 1,90		X	
3	996 332 266 59	Adjusting ring 50,4 X 65 X 1,95		X	
3	996 332 266 60	Adjusting ring 50,4 X 65 X 2,00		X	
3	996 332 266 61	Adjusting ring 50,4 X 65 X 2,05		X	
3	996 332 266 62	Adjusting ring 50,4 X 65 X 2,10		X	
3	996 332 266 63	Adjusting ring 50,4 X 65 X 2,15		X	
3	996 332 266 64	Adjusting ring 50,4 X 65 X 2,20		X	
3	996 332 266 65	Adjusting ring 50,4 X 65 X 2,25		X	
3	996 332 266 66	Adjusting ring 50,4 X 65 X 2,30		X	
3	996 332 266 67	Adjusting ring 50,4 X 65 X 2,35		X	
3	996 332 266 68	Adjusting ring 50,4 X 65 X 2,40		X	
3	996 332 266 69	Adjusting ring 50,4 X 65 X 2,45		X	
3	996 332 266 70	Adjusting ring 50,4 X 65 X 2,50		X	
3	996 332 266 71	Adjusting ring 50,4 X 65 X 2,55		X	
3	996 332 266 72	Adjusting ring 50,4 X 65 X 2,60		X	
3	996 332 266 73	Adjusting ring 50,4 X 65 X 2,65		X	
3	996 332 266 74	Adjusting ring 50,4 X 65 X 2,70		X	
3	996 332 266 75	Adjusting ring 50,4 X 65 X 2,75		X	
3	996 332 266 76	Adjusting ring 50,4 X 65 X 2,80		X	
4	999 059 064 00	Taper roller bearing 50 X 90 X 20		1	

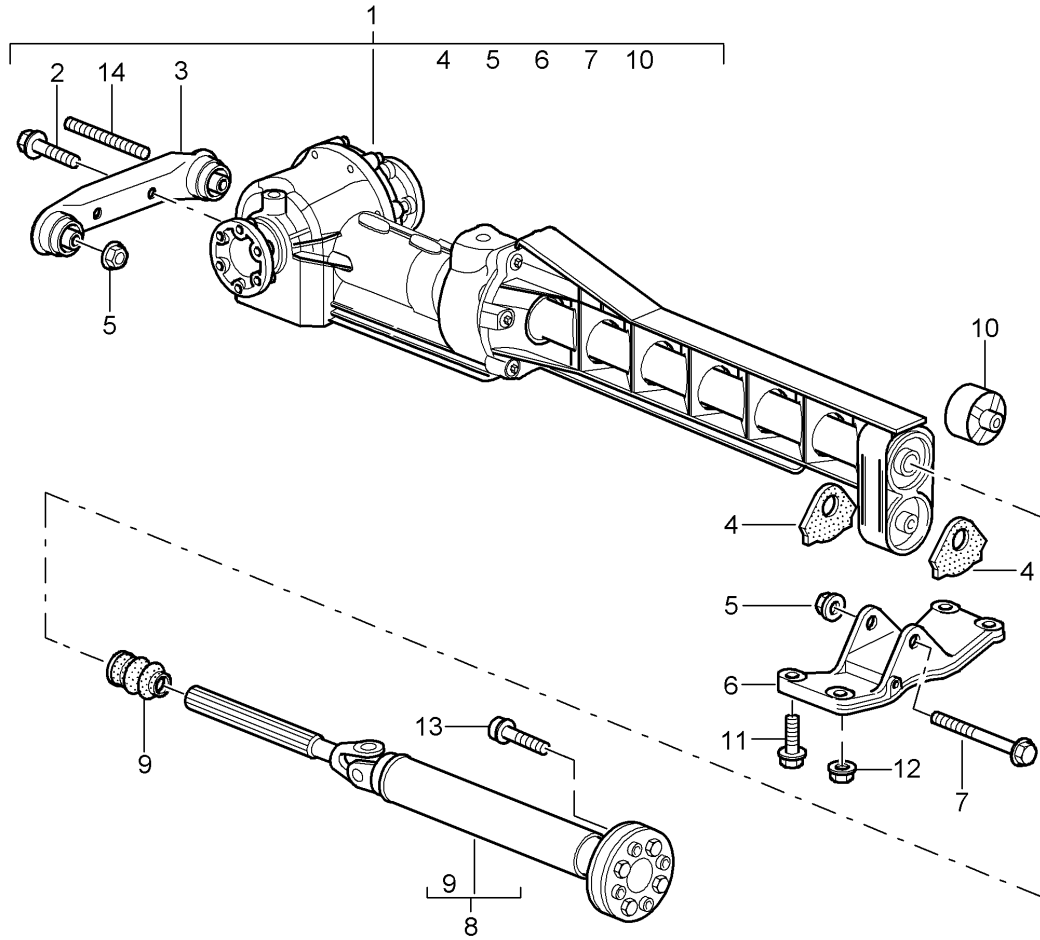
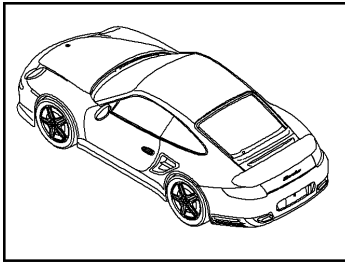
Model: 997T10

Model life 2010>>2013

Pos	Part Number	Description	Remark	Qty	Model
5	999 059 066 02	Taper roller bearing 50 X 80 X 20		1	
6	997 332 209 51	Drive flange Discontinued part		2	
(6)	997 332 209 52	Drive flange		2	
7	999 217 027 01	Hexagon bolt M 10 X 85		2	
8	999 113 356 40	Shaft oil seal 48 X 68 X 10		2	

Model: 997T10

Model life 2010>>2013



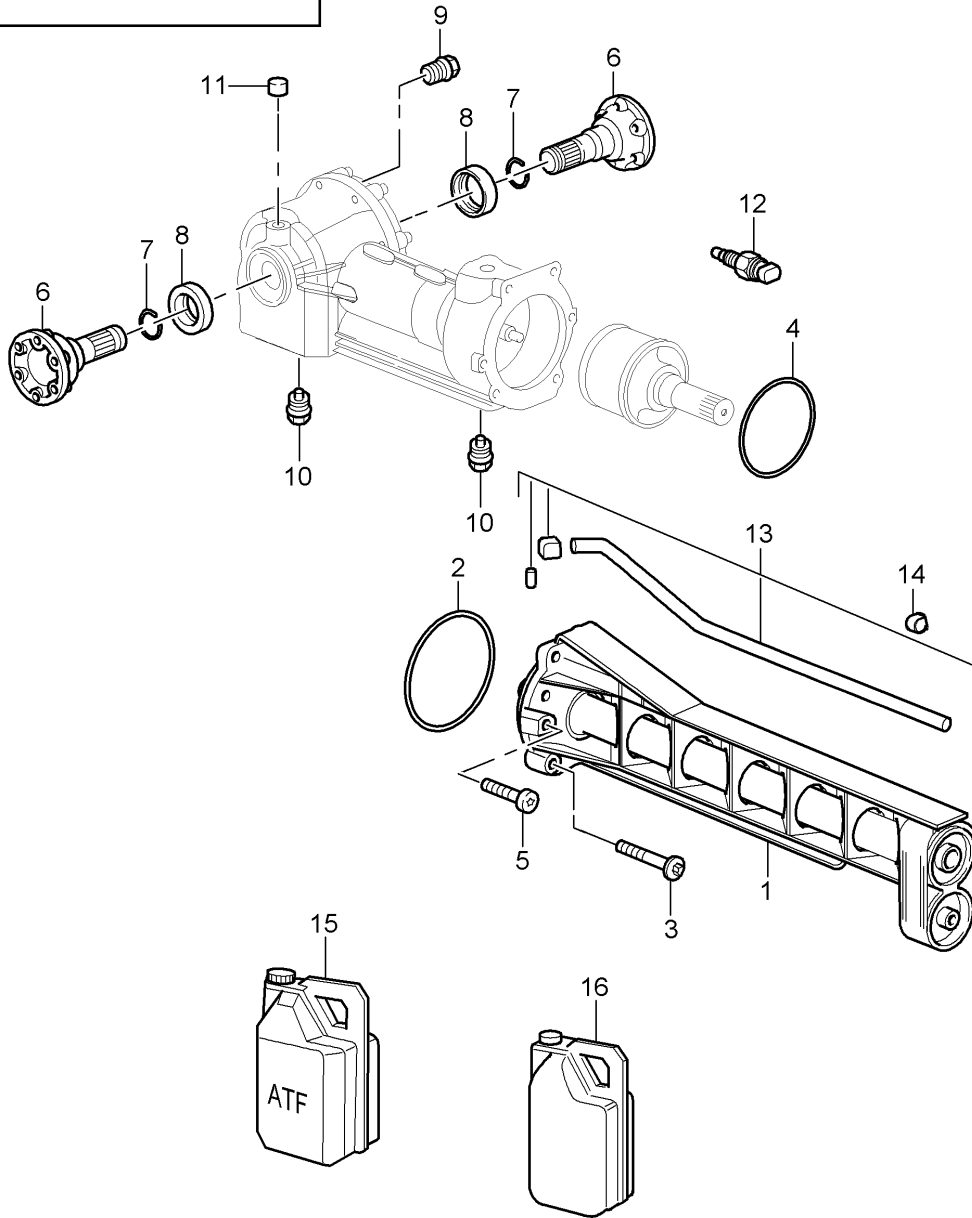
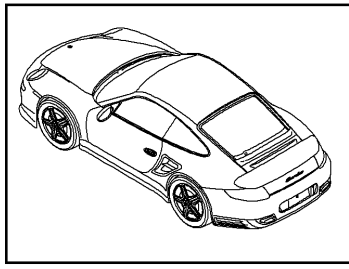
Model: 997T10

Model life 2010>>2013

Pos	Part Number	Description	Remark	Qty	Model
1	997 349 020 53	Front axle differential Cardan shaft Front axle differential Ready for installation Discontinued part		1	
1	997 349 020 54	Front axle differential Ready for installation No longer use the part here		1	
1	997 349 010 50	Front axle differential Ready for installation		1	PR:303
2	999 072 034 01	Conical screw M 10 X 28		2	
3	997 375 934 00	transmission carrier	front	1	
4	997 375 257 00	Stop		2	
5	900 380 008 01	Hexagon nut M 10		1	
6	997 375 343 00	transmission carrier	rear	1	
7	900 378 142 01	Hexagon bolt M 10 X 90		1	
8	997 421 020 01	Cardan shaft		1	PR:480
(8)	9G1 421 020 01	Cardan shaft		1	PR:250
9	996 421 145 01	Gaiter		1	
10	996 375 054 03	gearbox mounting	rear	1	
11	900 385 123 01	Bolt with washer M 10 X 25		4	
12	999 076 053 09	Hexagon nut M 10		2	
13	900 385 097 01	Torx screw M 10 X 35		3	
14	999 061 111 99	Threaded pin M 10 X 121		2	

Model: 997T10

Model life 2010>>2013



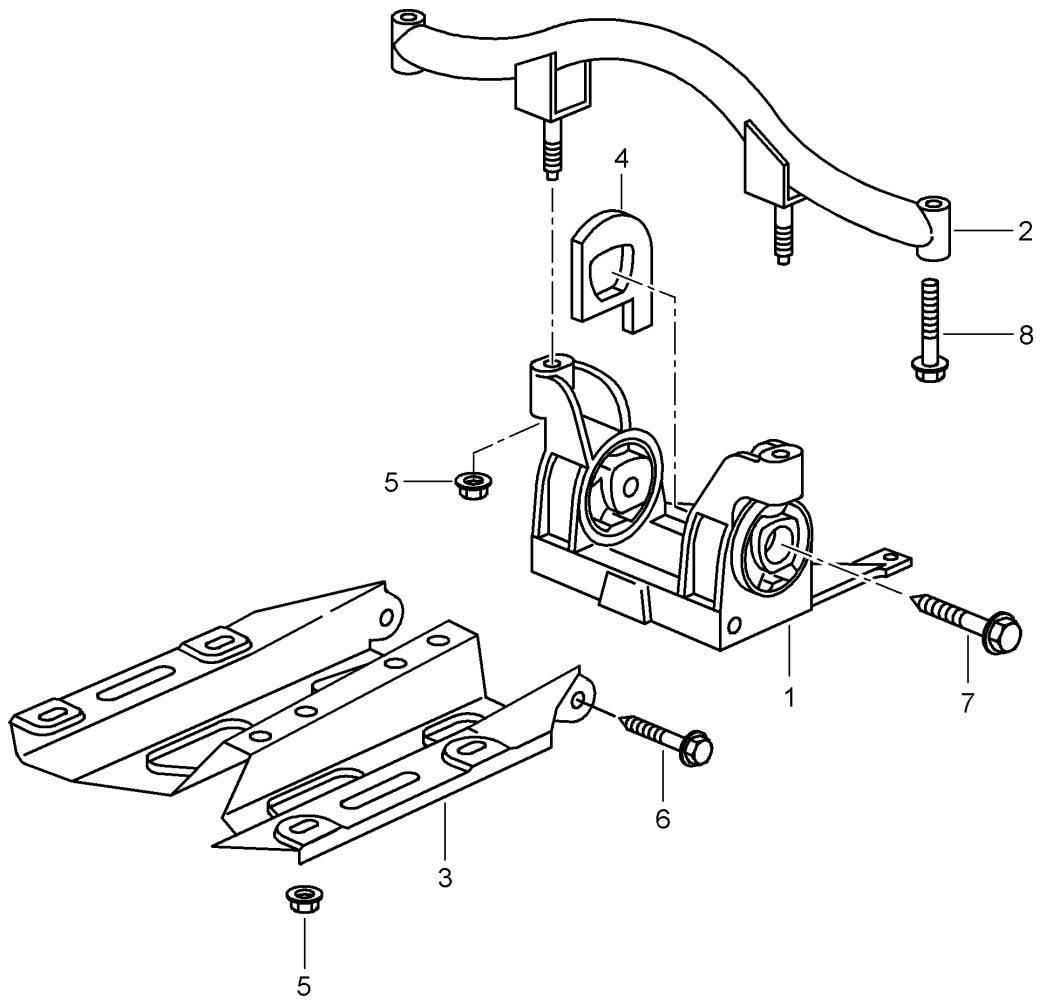
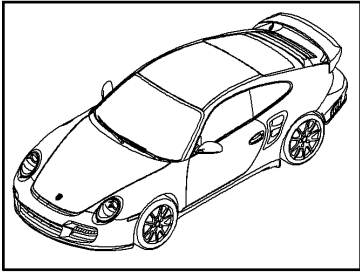
Model: 997T10

Model life 2010>>2013

Pos	Part Number	Description	Remark	Qty	Model
-		Front axle differential Coupling Individual parts			
1	997 337 041 50	Support		1	
2	999 707 455 40	O-ring 123 X 3		1	
3	900 385 141 01	Torx screw M 8 X 40		5	
5	997 337 825 00	Socket head bolt M 8 X 25		2	
6	997 332 309 00	Drive flange		2	
7	996 332 311 00	snap ring 20 X 2,5		2	
8	999 113 454 40	Shaft oil seal 40 X 60 X 9		2	
9	900 124 013 01	sealing plug M 18 X 1,5		2	
10	900 124 014 01	Oil filler screw sealing plug M 18 X 1,5		2	
11	014 301 485	drain plug Cap for venting the gearbox breather assy. 17 X 13,5		1	
12	997 606 303 00	Temperature sensor		1	
13	997 337 071 00	Vent hose		1	
14	999 507 339 01	cable terminal		4	
15	000 043 303 00	Transmission fluid for Coupling 1 LTR. Container		1	
(15)	000 043 305 40	Discontinued part Transmission fluid for Coupling 1 LTR. Container		1	
16		Transmission fluid Front axle differential see illustration:	302-000		

Model: 997T10

Model life 2010>>2013



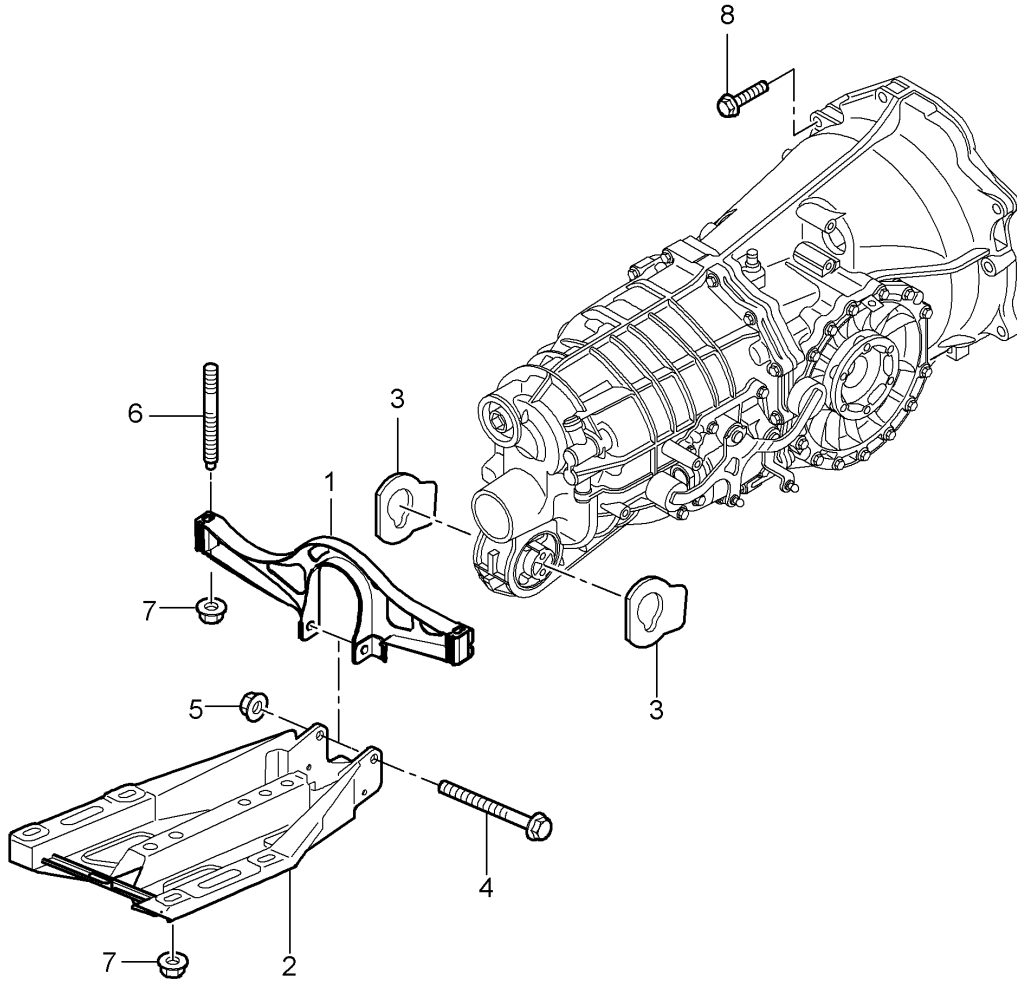
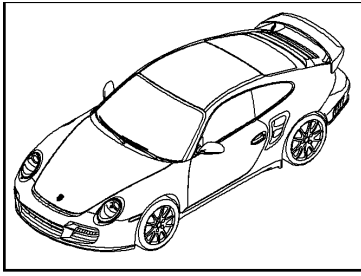
Model: 997T10

Model life 2010>>2013

Pos	Part Number	Description	Remark	Qty	Model
1	997 375 033 03	Transmission suspension transmission carrier		1	G9755,G9788
2	996 375 317 06	Carrier	upper	1	G9755,G9788
3	997 375 115 00	Side member		1	
4	997 375 259 01	Stop		2	
5	999 084 648 01	Hexagon nut M 10		6	
6	900 378 313 01	Hexagon bolt M 10 x 55		2	
7	900 378 315 01	Hexagon bolt M 12 x 1,5 x 75		2	
8	900 378 098 01	Hexagon bolt M 10 x 60		2	

Model: 997T10

Model life 2010>>2013



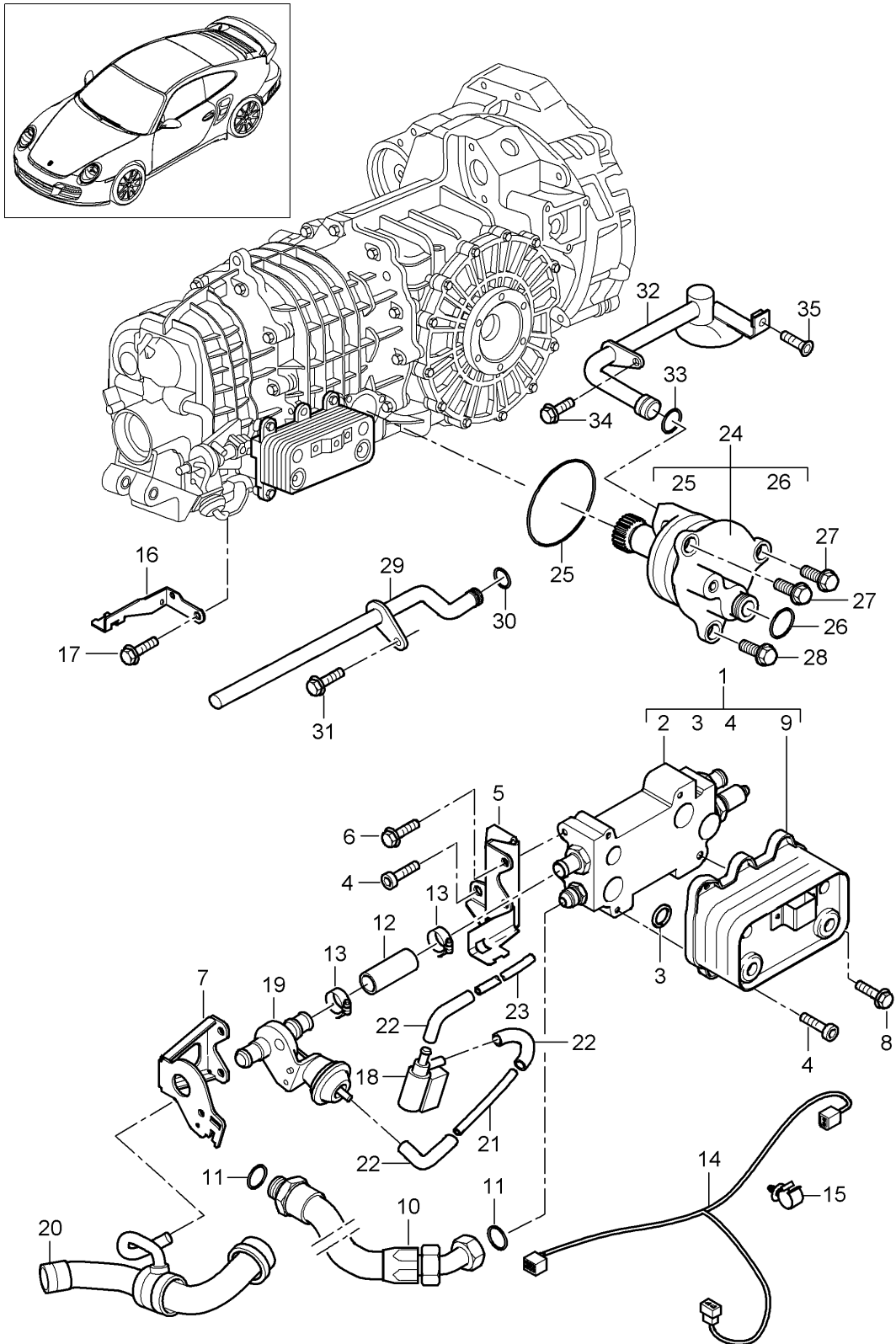
Model: 997T10

Model life 2010>>2013

Pos	Part Number	Description	Remark	Qty	Model
1	9A1 375 039 01	Transmission suspension transmission carrier Discontinued part		1	CG150
(1)	9A1 375 039 02	transmission carrier		1	
2	9A1 375 113 01	Side member		1	
3	9A1 375 255 00	Stop		2	
(3)	9A1 375 256 00	Stop		2	
4	900 385 283 01	Torx screw BM12 X 1,5 X 130		1	
5	999 086 009 02	Nut M12 X 1,5		1	
6	999 061 116 01	Threaded pin M10 X 100		2	
7	999 084 648 01	Hexagon nut M 10		6	
8	999 385 009 01	Hexagon head bolt BM 12 X 1,5 X 55		2	

Model: 997T10

Model life 2010>>2013



Model: 997T10

Model life 2010>>2013

Pos	Part Number	Description	Remark	Qty	Model
		Gear oil cooler Lines oil pump			GT2 RS G9788
1	996 307 015 8A	Gear oil cooler (complete)		1	
2	996 307 020 8A	Port plate		1	
3	900 331 021 40	O-ring 20 X 3,55		4	
4	999 073 103 01	flat round head bolt M 6 X 16		5	
5	996 307 141 89	Bracket		1	
6	900 378 017 01	Hexagon bolt M 8 X 20		2	
(7)	996 307 145 89	Retainer for valve Disc valve		1	
8	900 378 191 01	Hexagon bolt M 6 X 55		1	
9	996 307 209 88	Gear oil cooler Discontinued part		1	
9	991 307 209 8A	Gear oil cooler		1	
10	996 307 333 88	Oil hose		1	
11	900 123 152 30	seal ring A 16 X 22		2	
12	900 181 067 50	Water hose B18 X 3,5 X47		1	
13	999 512 552 00	Hose clamp A 20-32 / 9 Discontinued part		2	
13	999 512 552 01	Hose clamp A 20-32 / 9		2	
14	996 612 401 70	Wire set		1	
15	811 971 848 B	Retaining clip		3	
16	996 106 536 73	Bracket		1	
17	900 378 074 01	Hexagon bolt M 8 X 16		2	
18	996 605 123 01	Change-over valve		1	
(19)	928 574 573 03	Disc valve		1	
20	-	see illustration: Pipe 4,0 X 1,0	105-011	*	
21	-	shorten to:	75 MM	1	
22	928 574 717 05	Molded hose		3	
22	928 574 717 07	Molded hose		3	
22	9P1 129 487	No longer use the part here Molded hose		3	
-	000 043 205 01	Pipe 4,0 X 1,0		*	
23	-	shorten to:	1100 MM	1	
24	997 307 023 90	oil pump		1	
25	999 701 799 40	O-ring 65,0 X 3,0		1	
26	999 701 123 50	O-ring 15,0 X 3,0		1	
27	900 378 022 01	Hexagon bolt M8 X 25		2	
28	900 378 033 01	Hexagon bolt M8 X 30		1	
29	996 307 043 88	Oil splash tube		1	
30	999 701 439 40	O-ring 11,5 X 1,5		1	
31	900 075 001 03	Hexagon bolt M 5X 8		1	
32	996 307 049 9B	Intake manifold		1	

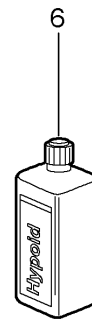
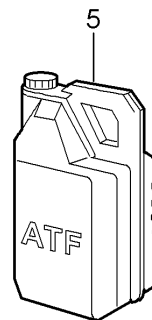
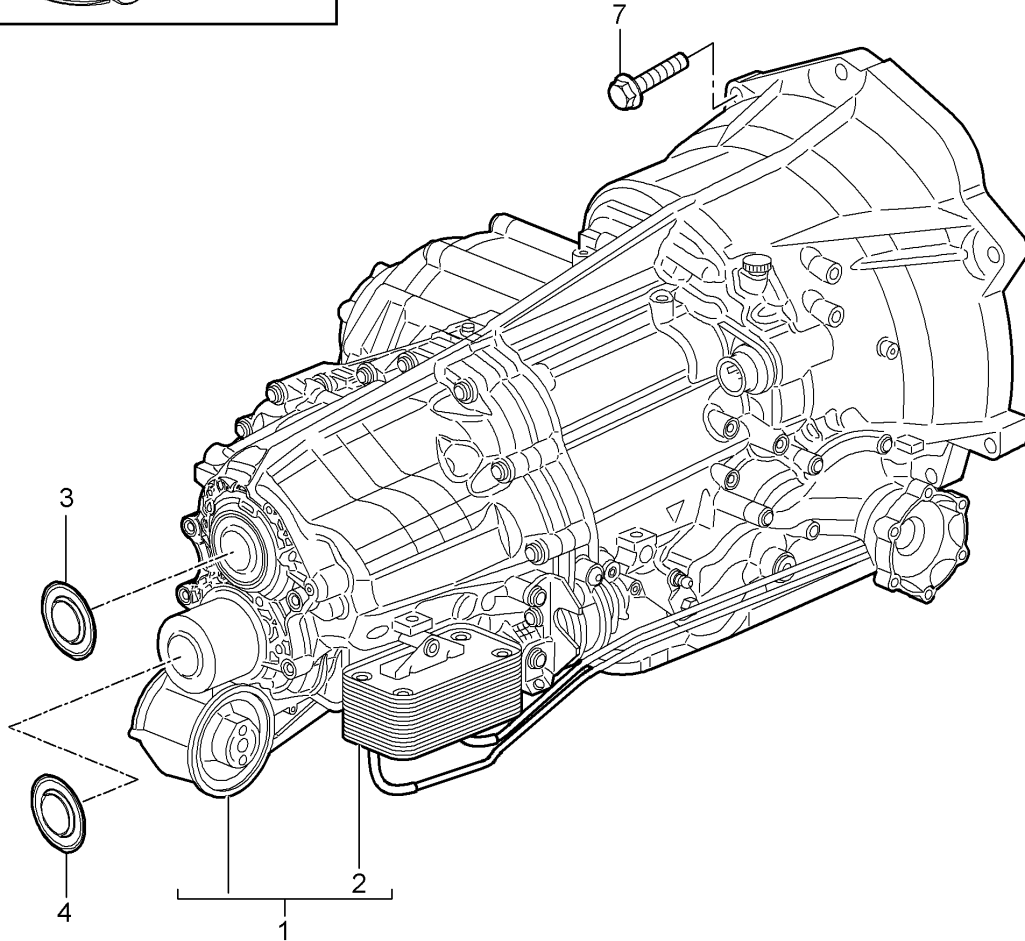
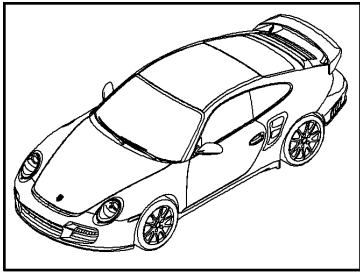
Model: 997T10

Model life 2010>>2013

Pos	Part Number	Description	Remark	Qty	Model
33	999 707 171 40	O-ring 13,0 X 1,5		1	
34	900 378 036 01	Hexagon bolt M 6 X 12		1	
35	900 269 107 01	countersunk bolt M 6 X 10		1	

Model: 997T10

Model life 2010>>2013



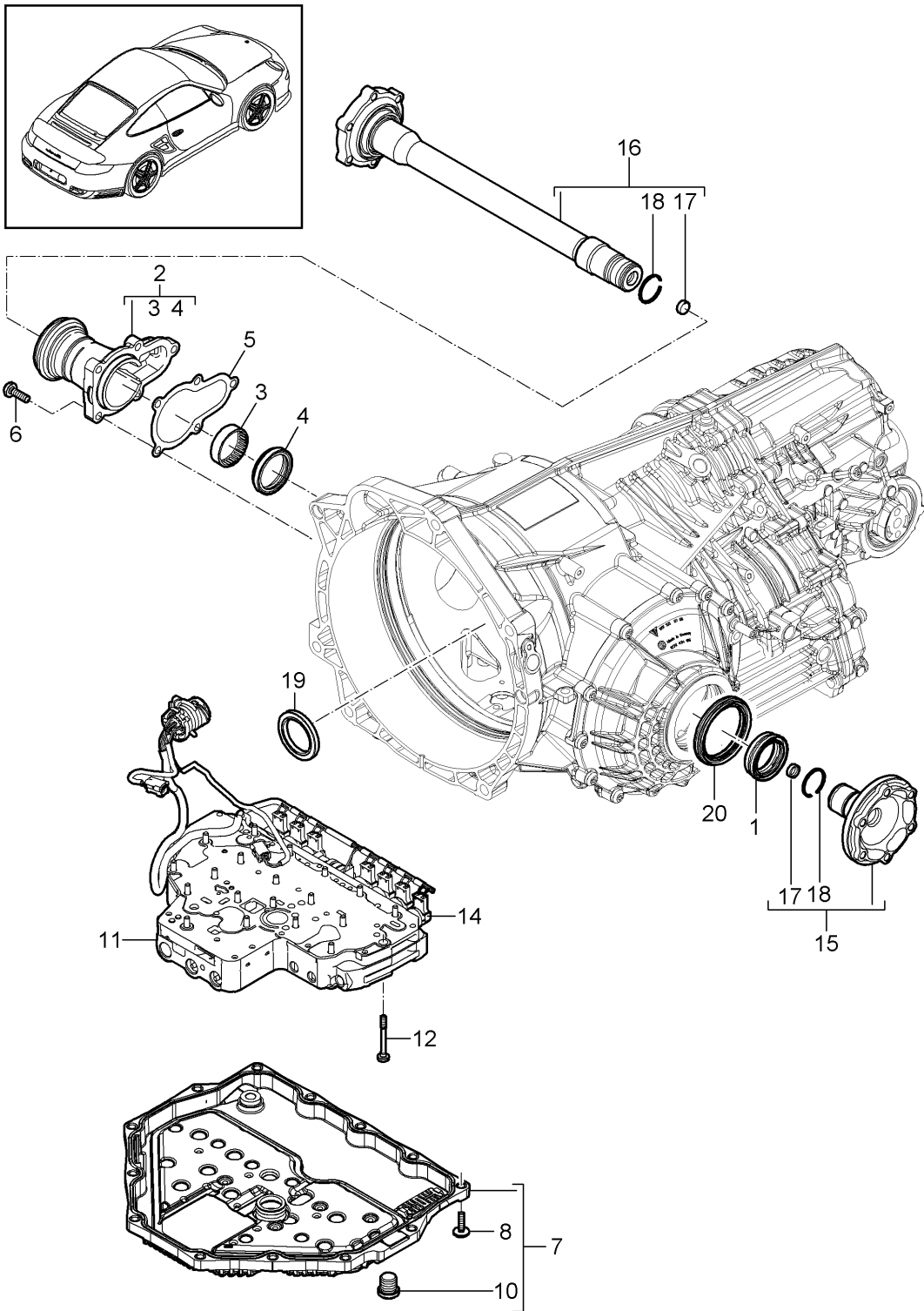
Model: 997T10

Model life 2010>>2013

Pos	Part Number	Description	Remark	Qty	Model
		- PDK - Gearbox Replacement transmission			CG150
1	9G1 300 011 50	Gearbox		1	PR:219
1	9G1 300 011 CX	Gearbox		1	PR:219
1	9G1 300 021 50	Gearbox		1	PR:220
1	9G1 300 021 CX	Gearbox		1	PR:220 -"CN."
2		heat exchanger see illustration:	360-000	1	
3	9G1 321 360 00	End cap Gear housing	rear	2	
4	9G1 321 360 00	End cap Gear housing	rear	1	
5	000 043 207 30	Transmission fluid Pentosin FFL 3 20 LTR. Container		X	
(5)	000 043 207 29	Transmission fluid Pentosin FFL 3 1 LTR. Container		X	
6	999 917 546 00	Transmission fluid 75 W 90 Differential 1 LTR. Container		X	
6	000 043 305 49	Discontinued part Transmission fluid 75 W 90 Differential 1 LTR. Container		X	
7	999 385 009 01	Hexagon head bolt M12 X 1,5 X 55 Threaded joint Engine and transmission		6	

Model: 997T10

Model life 2010>>2013

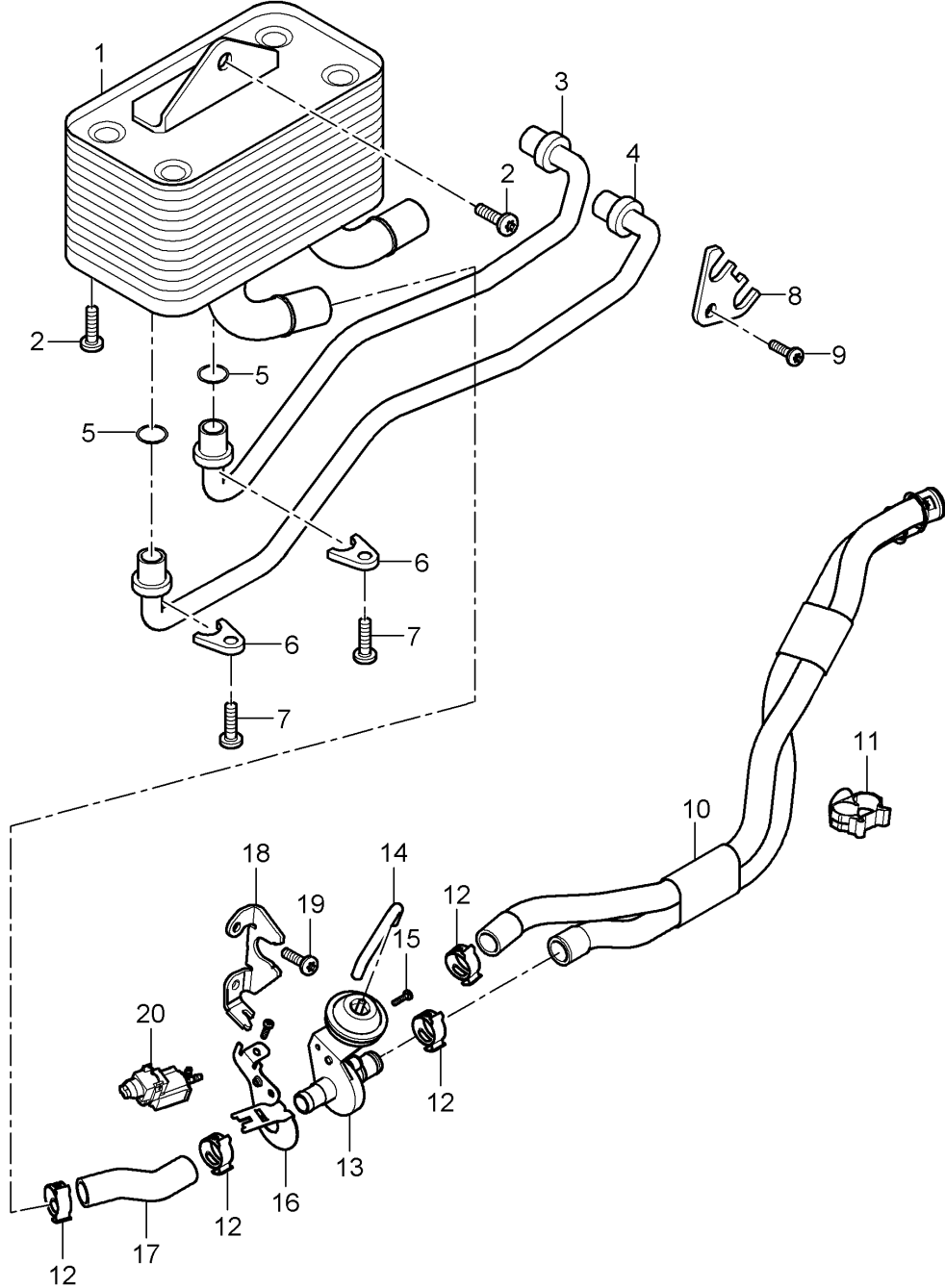
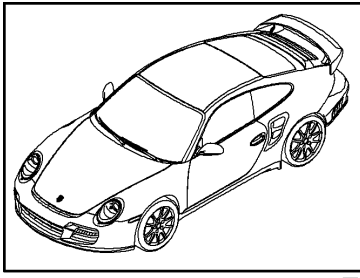


Model: 997T10 Model life 2010>>2013

Pos	Part Number	Description	Remark	Qty	Model
		- PDK - Gearbox Individual parts			
1	9G1 332 806 00	Shaft oil seal 40X52 / 55X40		1	
2	9G1 321 959 00	Housing neck (complete) Discontinued part		1	
2	9G1 321 059 00	Housing neck (complete)		1	
4	9G1 332 804 00	Shaft oil seal 42 X 55 X 7		1	
5	9G1 321 259 00	Seal flange		1	
6	9G1 332 801 00	Torx screw M8 X 25		5	
7	9G1 321 025 00	oil sump (complete)		1	
8	9G1 321 801 00	Torx screw M6 X 25		13	
9	9G1 321 805 00	Seal bolt with sealing ring		1	
10	9G1 321 825 00	sealing plug Included seal ring Discontinued part		1	
10	9G1 321 825 01	sealing plug Included seal ring		1	
11	9G1 317 015 00	Control unit Hydraulic		1	
12	9G1 317 801 00	- PDK - Screw M6x55		20	
13	9G1 317 697 00	Connector housing pressure regulator		2	
14	9G1 317 698 00	Connector housing Solenoid valve		6	
(15)	9G1 332 028 50	Drive flange Short		1	
(15)	9G1 332 028 55	D >> - MJ 2010 Drive flange Short		1	
(16)	9G1 332 029 50	D - MJ 2011>> Drive flange Long		1	
(16)	9G1 332 029 55	Discontinued part Drive flange Long		1	
17	9G1 332 821 00	End cap		2	
18	9G1 332 820 00	snap ring D36 x 2,6		2	
19	9G1 116 807 00	Shaft oil seal 40 x 57 x 6		1	
20	9G1 332 803 00	Shaft oil seal 64X82X8		1	
21	9G1 307 385 05	Pressure sensor		2	
22	970 324 805 00	Shaft oil seal 10 X 18 X 5		1	
22	9G1 321 815 00	O-ring 221 X 3 Cover limited slip differential		1	

Model: 997T10

Model life 2010>>2013



Model: 997T10

Model life 2010>>2013

Pos	Part Number	Description	Remark	Qty	Model
		- PDK - Gearbox heat exchanger oil pipe Water pipe			CG150
1	9G1 307 017 00	heat exchanger		1	
2	9G1 307 813 00	Torx screw M6 X 12		3	
3	9G1 307 087 00	Oil pipe heat exchanger Return line C 007896 >> C 003628 >>		2	
3	9G1 307 087 05	Oil pipe heat exchanger Return line C >> 007897 C >> 003629		2	
4	9G1 307 085 00	Oil return line heat exchanger Supply C 007896 >> C 003628 >>		1	
4	9G1 307 085 05	Oil return line heat exchanger Supply C >> 007897 C >> 003629		1	
5	9G1 307 891 00	seal ring Oil pipe		4	
6	9G1 307 245 00	heat exchanger Retaining plate Oil pipe		2	
7	9G1 307 813 00	heat exchanger Torx screw M6 X 12		2	
8	9G1 307 255 00	Retaining plate Oil pipe Gearbox		1	
9	9G1 307 802 00	Torx screw M8 X 15		1	
10	9G1 307 711 01	Hose		1	
(10)	9G1 307 715 00	No longer use the part here Hose Return line		1	
-	999 707 590 40	O-ring 21,35 x 3,0		X	
11	999 507 855 40	Cable holder 22,0 / 22,0		1	
12	999 512 656 09	Hose clamp B25 X 12		4	
(13)	928 574 573 03	Disc valve		1	
13	991 307 573 00	Disc valve		1	
14	9G1 307 673 00	Molded hose	also use: 9G1 307 401 05	1	
15	999 073 415 01	flat round head bolt M4 X 16		2	
(16)	9G1 307 401 02	Bracket Disc valve		1	
16	9G1 307 401 05	No longer use the part here Bracket Disc valve Together with		1	

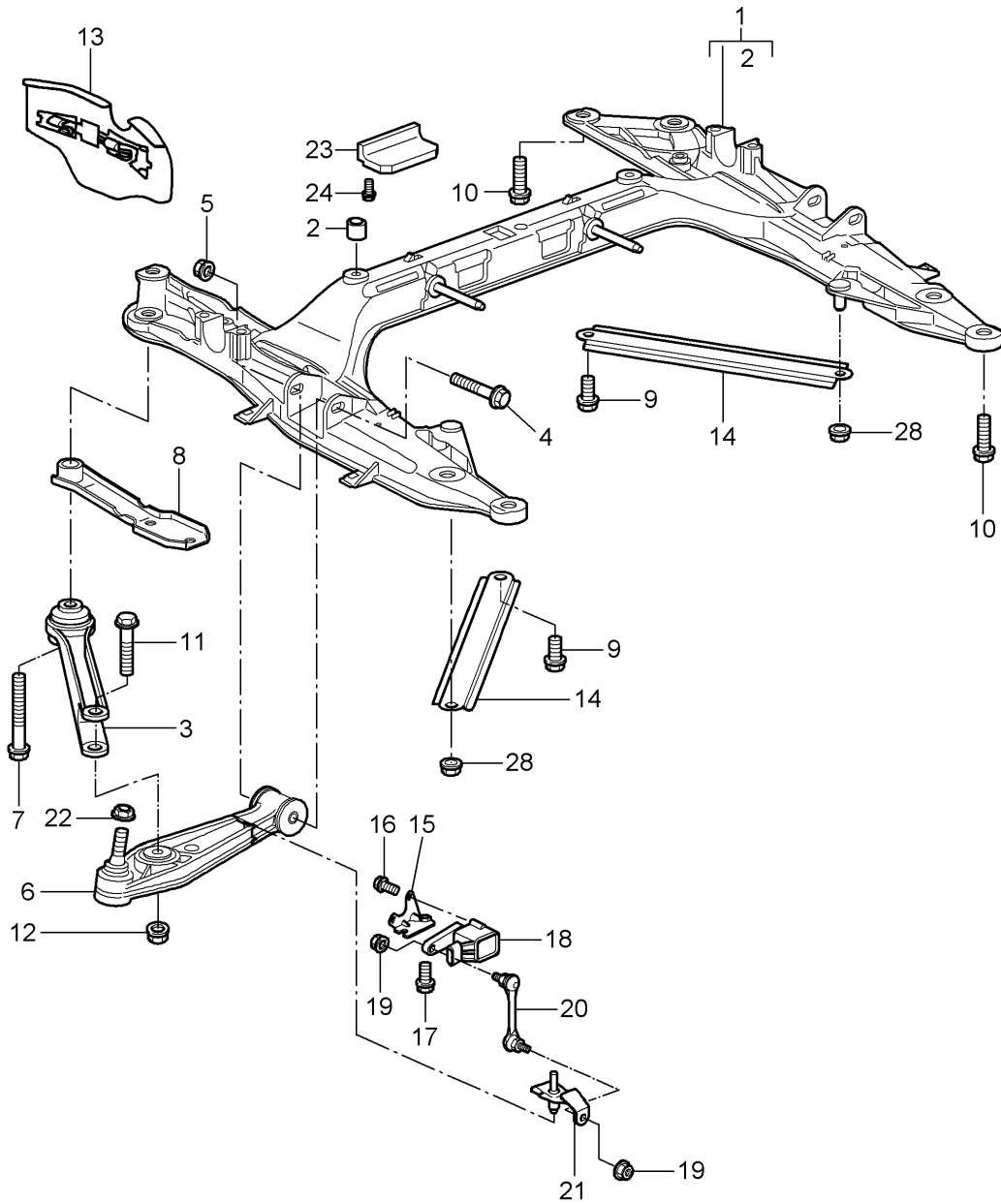
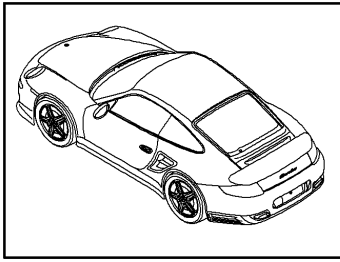
Model: 997T10

Model life 2010>>2013

Pos	Part Number	Description	Remark	Qty	Model
17	9G1 307 713 00	991.307.573.00 Water hose		1	
18	9G1 426 211 00	abutment		1	
19	9G1 426 801 00	flat round head bolt M8 X 20		2	
20	996 605 123 01	Change-over valve		1	

Model: 997T10

Model life 2010>>2013



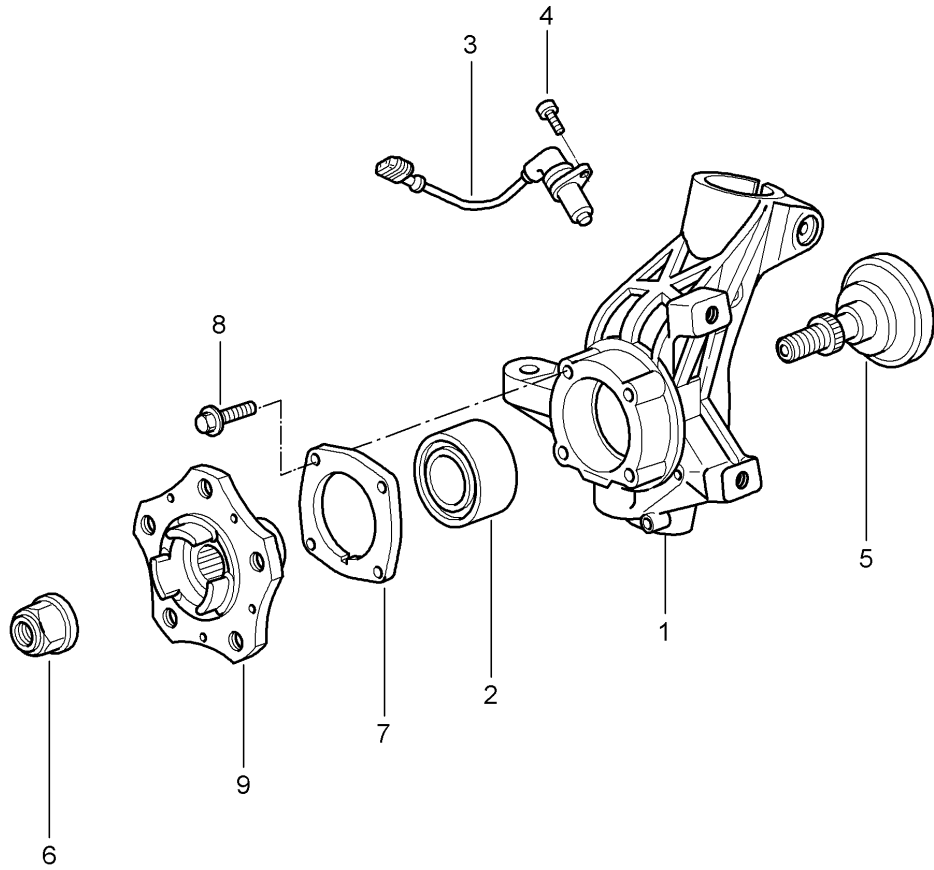
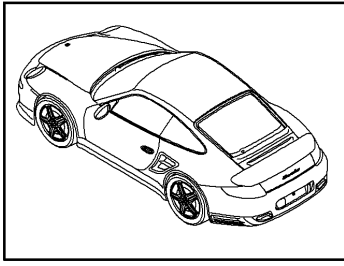
Model: 997T10

Model life 2010>>2013

Pos	Part Number	Description	Remark	Qty	Model
		Cross member Wishbone			
1	997 341 081 11	Cross member		1	TURBO
1	997 341 081 06	Cross member		1	GT-2 RS
2	900 197 070 00	spring pin 13 X 14		1	
3	997 341 043 00	Guide		2	TURBO
3	996 341 043 06	Guide		2	GT-2 RS
4	900 378 165 01	Hexagon bolt M 12 X 1,5 X 95		2	
5	999 084 445 01	Locknut M 12 x 1,5		2	
6	997 341 053 04	Wishbone		2	TURBO
(6)	997 341 041 98	Wishbone	left	1	GT-2 RS
(6)	997 341 042 98	Wishbone	right	1	GT-2 RS
7	999 072 050 01	Hexagon bolt M 14 X 1,5 X 120		2	
8	997 341 145 05	plate		2	
9	999 072 047 01	Hexagon bolt M 12 x 1,5 x 30		4	
(10)	900 378 072 01	Hexagon bolt M 12 X 1,5 X 30	front	2	
10	900 378 192 01	Hexagon bolt M 14 x 1,5 x 50	rear	2	
11	900 378 279 01	Hexagon bolt M 14 X 1,5 X 95		2	TURBO
(11)	900 378 135 01	Hexagon bolt M 14 X 1,5 X 73		2	GT-2 RS
12	900 380 012 09	Hexagon nut M 14 X 1,5		2	
12	900 380 012 01	Discontinued part Hexagon nut M 14 X 1,5		2	
13	997 341 483 03	Spoiler	left	1	TURBO
13	997 341 483 92	Spoiler	left	1	GT-2 RS
(13)	997 341 484 03	Spoiler	right	1	TURBO
(13)	997 341 484 92	Spoiler	right	1	GT-2 RS
14	997 504 433 01	Brace		2	
15		Bracket			TURBO
16	900 146 003 03	fillister hd. bolt M 5 x 10	see illustration: 105-010	2	PR:603 TURBO
17	900 378 036 01	Hexagon bolt M 6 x 12		1	PR:603 TURBO
18	997 631 121 00	Level sensor		1	PR:603 TURBO
19	900 380 015 01	Hexagon nut VM 6		2	PR:603 TURBO
20	997 341 375 01	Brace		1	PR:603 TURBO
21	996 341 371 03	Bracket for cross member		1	PR:603 TURBO
22	999 084 449 09	Locknut M 12 X 1,5		2	PR:603 TURBO
23	997 341 431 02	Stop		1	
24	999 072 047 01	Hexagon bolt M 12 x 1,5 x 30		4	
28	999 084 445 01	Locknut M 12 X 1,5		2	

Model: 997T10

Model life 2010>>2013

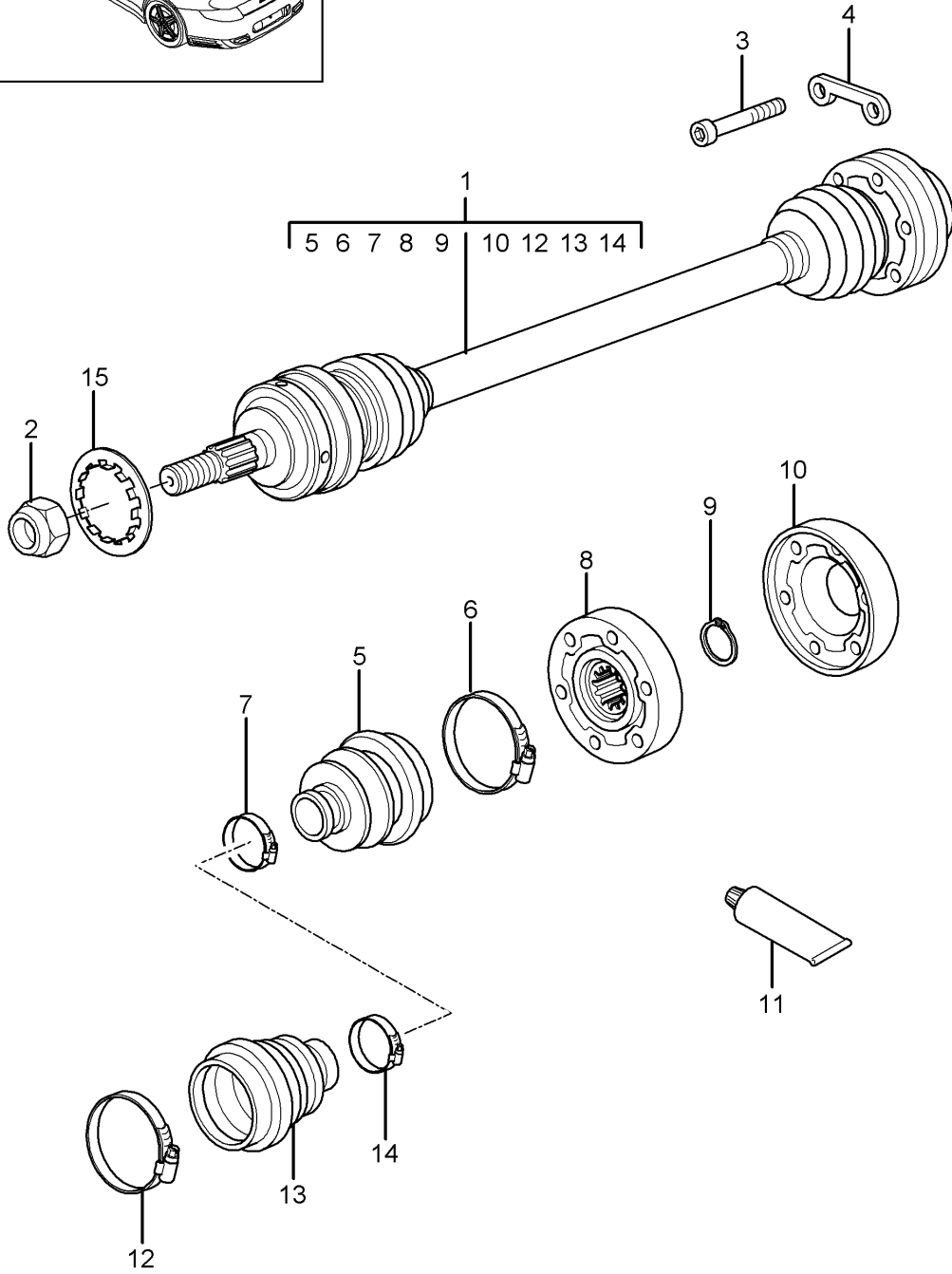
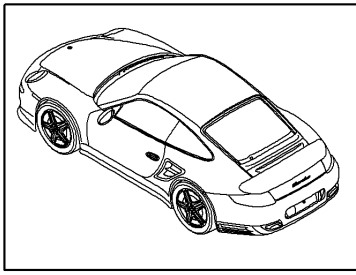


Model: 997T10 Model life 2010>>2013

Pos	Part Number	Description	Remark	Qty	Model
1	997 341 165 24	Wheel carrier Wheel hub	left	1	TURBO
(1)	997 341 165 25	Wheel carrier D >> - MJ 2010	left	1	TURBO
(1)	997 341 157 95	Wheel carrier	left	1	GT-2 RS
(1)	997 341 166 24	Wheel carrier D - MJ 2011>>	right	1	TURBO
(1)	997 341 166 25	Wheel carrier D >> - MJ 2010	right	1	TURBO
(1)	997 341 158 95	Wheel carrier	right	1	GT-2 RS
2	999 053 054 06	angular ball bearing		2	
3	997 606 407 01	speed sensor		2	
-	997 341 321 90	Bracket		2	
4	900 067 117 04	Cable speed sensor		2	
5	997 341 131 00	Socket head bolt M 6 x 16		2	
6	999 084 641 01	retaining bolt		2	GT-2 RS
7	999 217 042 01	Locknut M 22 x 1,5		2	
(7)	986 331 661 20	Cover		2	TURBO
(7)	997 341 661 90	Cover		2	GT-2 RS
8	999 217 042 09	Hexagon bolt M 8 X 35		8	TURBO
8	999 217 042 03	Hexagon bolt M 8 X 35		12	GT-2 RS
9	997 341 605 01	Wheel hub		2	TURBO
(9)	991 341 605 02	Discontinued part Wheel hub		2	PR:-478
(9)	991 341 605 03	Discontinued part Wheel hub		2	PR:-478
(9)	997 341 607 02	Wheel hub		2	TURBO
(9)	997 341 607 02	Wheel hub		2	PR:422 GT-2 RS

Model: 997T10

Model life 2010>>2013



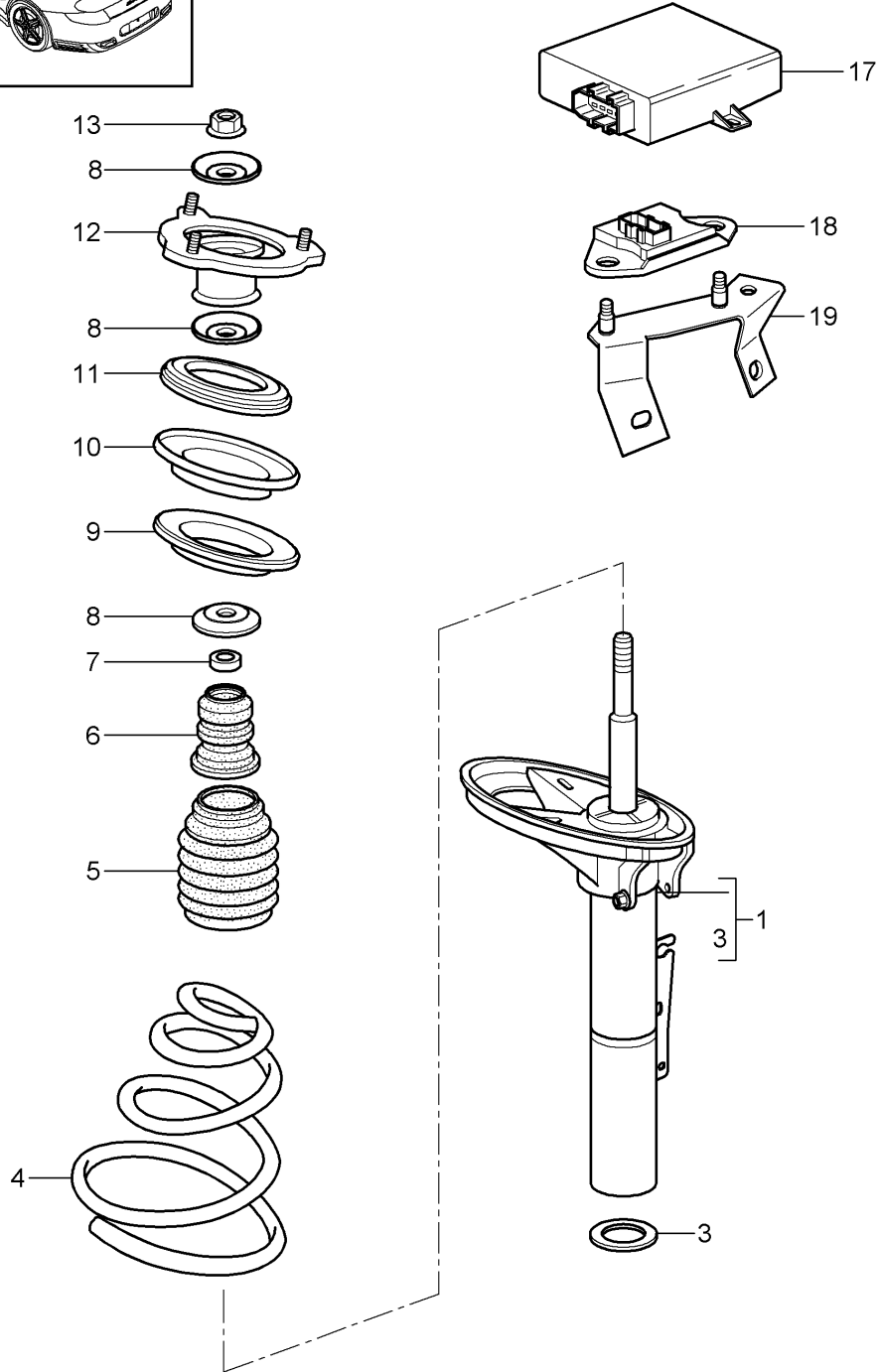
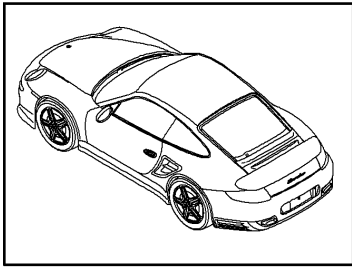
Model: 997T10

Model life 2010>>2013

Pos	Part Number	Description	Remark	Qty	Model
		Drive shaft			TURBO
1	997 349 038 01	Drive shaft		2	
2	999 084 641 01	Locknut		2	
		M 22 X 1,5			
3	900 067 073 02	Socket head bolt		12	
		M 8 X 45			
(4)	996 349 191 01	Spacer		6	
		Discontinued part			
(4)	9P1 407 306	Spacer		6	
5	996 349 293 00	Dust bellows		2	
-	997 349 955 00	Bellows		2	
		with:			
		Bellow support			
6	997 349 957 00	Clip		2	
7	996 349 257 03	Clip		2	
8	996 349 030 00	Joint		2	
9	900 041 011 01	Securing ring		2	
10	996 349 267 00	End cap		2	
		Discontinued part			
10	996 349 267 01	End cap		2	
11	000 043 110 01	Grease		X	
		1 100-gramme tube			
(11)	000 043 205 36	sealant		X	
		Drive shaft			
		1 100-gramme tube			
12	996 349 257 00	Clip		2	
13	996 349 291 00	Dust bellows		2	
14	996 349 257 01	Clip		2	
15	997 349 269 00	protective ring		2	

Model: 997T10

Model life 2010>>2013



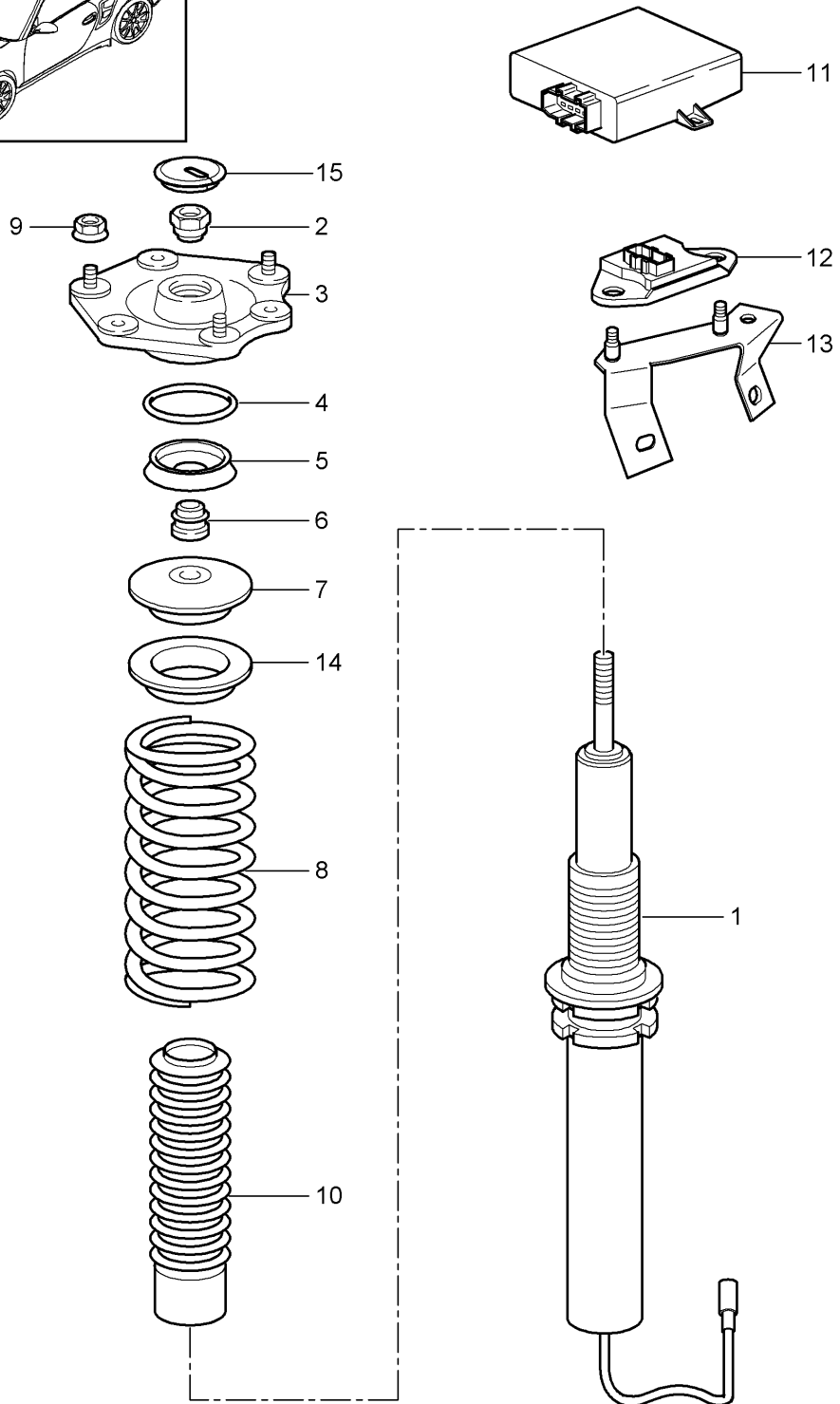
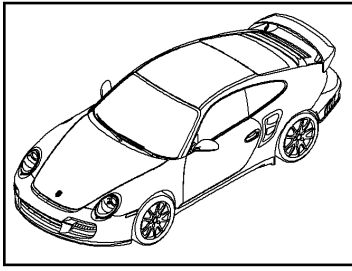
Model: 997T10

Model life 2010>>2013

Pos	Part Number	Description	Remark	Qty	Model
		suspension			TURBO
1	997 343 047 35	Shock absorber strut	left	1	
(1)	997 343 048 35	vibration damper	right	1	
-		Mount			
-		Shock absorbers			
-	900 378 138 01	Hexagon bolt		2	
-		M 12 X 1,5 X 70			
-	999 084 445 01	Locknut		2	
-		M 12 xs 1,5			
4	997 343 533 41	Coil spring		1	
		1 set			
	997 343 533 41 504	1 pair of springs			
		white			
		green			
5	996 343 509 01	Bellows		2	
6	996 343 301 02	helper spring		2	
7	996 343 513 00	Washer		2	
8	997 343 107 00	Stop plate	upper	2	
(8)	997 343 107 01	Stop plate	lower	4	
9	996 343 525 00	Balancing plate		X	
		3,0 MM			
(9)	996 343 525 01	Balancing plate		X	
		6,5 MM			
10	996 343 523 00	Thrust ring		2	
11	996 343 501 00	angular ball bearing		2	
12	997 343 015 02	Shock absorber bearing	left	1	
(12)	997 343 016 02	Shock absorber bearing	right	1	
-	999 084 447 01	Hexagon nut		12	
-		M 8			
-	PAF 003 923	Hexagon nut		12	
-		M 8			
13	900 380 012 01	Hexagon nut		2	
-		M 14 X 1,5			
-	999 703 457 40	End cap		2	
		Engine support bearing			
(17)	997 618 460 01	Control unit		1	
		Discontinued part			
(17)	997 618 460 02	Control unit		1	
18	997 606 111 01	Acceleration sensor for		1	
		bodywork			
19	997 606 212 01	Bracket		1	
		Accelerator sensor			

Model: 997T10

Model life 2010>>2013



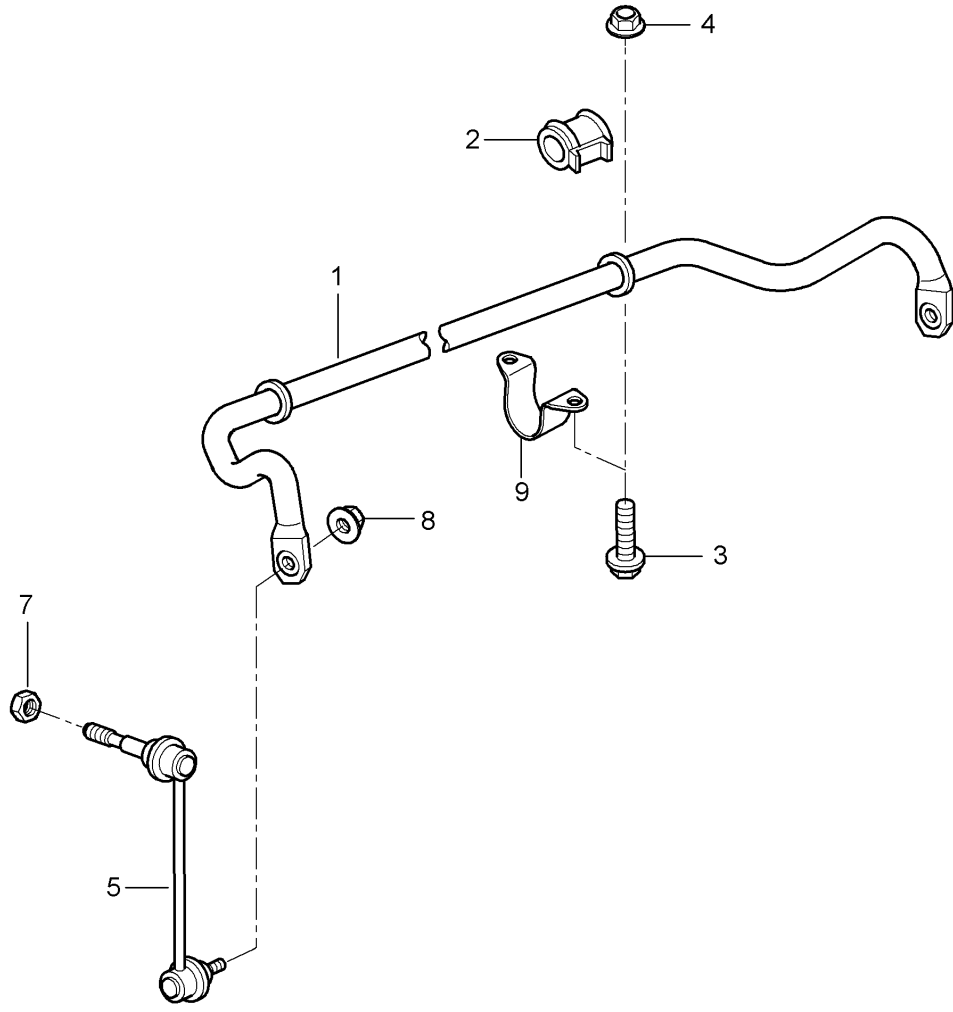
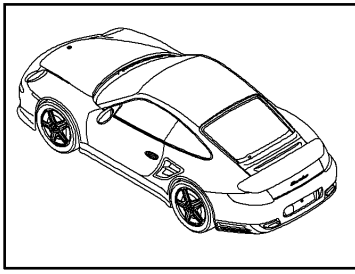
Model: 997T10

Model life 2010>>2013

Pos	Part Number	Description	Remark	Qty	Model
		suspension			GT-2 RS
1	997 343 041 80	Shock absorber strut vibration damper		2	
-		Mount			
-	900 378 138 01	Shock absorbers Hexagon bolt m 12 x 1,5 x 70		2	
2	997 343 561 90	Nut		2	
3	997 343 011 94	Shock absorber bearing		2	
-	999 084 447 01	Hexagon nut M 8		6	
-	PAF 003 923	Hexagon nut M 8		6	
4	964 343 188 80	retaining spring		2	
5	964 343 186 80	sealing cap		2	
6	997 343 563 90	Washer		2	
7	997 343 511 92	spring bush		1	
8	997 343 531 80	Coil spring		1	
	997 343 531 80 504	1 pair of springs			
9	999 084 447 01	Hexagon nut M 8		6	
9	PAF 003 923	Hexagon nut M 8		6	
10	996 343 567 90	Bellows for spring bush		2	
11	997 618 105 96	Control unit Shock absorbers		1	
12	997 606 111 01	Acceleration sensor for bodywork		1	
13	997 606 212 01	Bracket Accelerator sensor		1	
14	997 343 521 91	Plain bearing black/yellow		2	
15	999 703 457 40	End cap		2	

Model: 997T10

Model life 2010>>2013

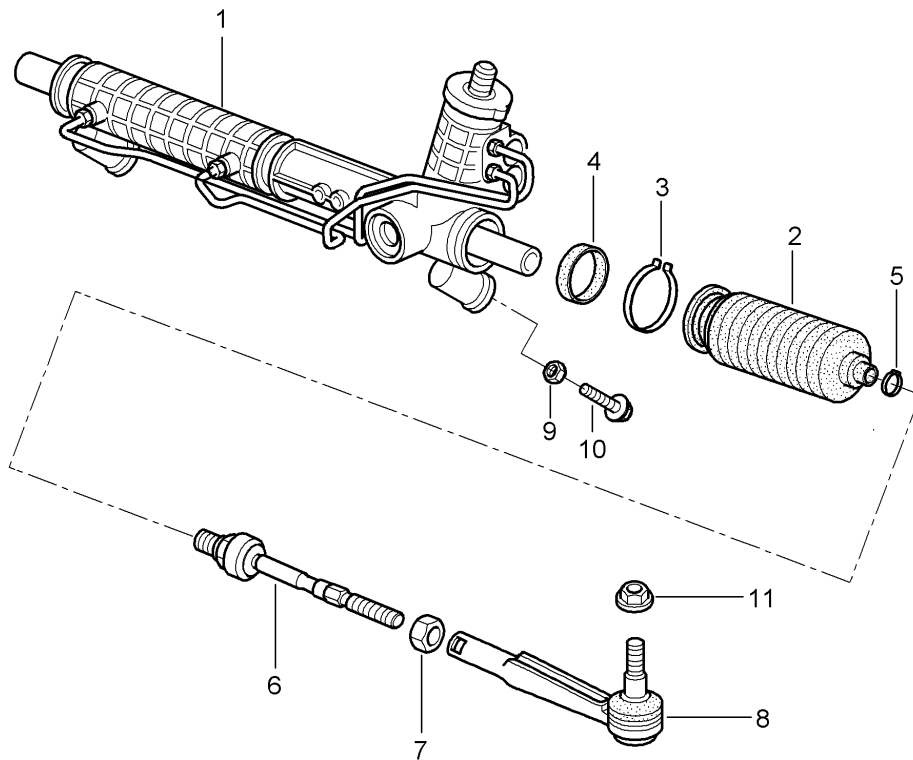
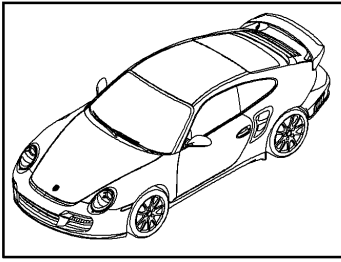


Model: 997T10 Model life 2010>>2013

Pos	Part Number	Description	Remark	Qty	Model
1	997 343 703 10	Anti-roll bar Anti-roll bar		1	TURBO COUPE CABRIO PR:-220
(1)	997 343 703 07	Anti-roll bar		1	TURBO COUPE CABRIO PR:220
(1)	997 343 701 94	Anti-roll bar		1	GT-2 RS
(2)	996 343 792 17	anti-roll bar bearing bracket		2	TURBO COUPE CABRIO PR:-220
(2)	997 343 792 00	anti-roll bar bearing bracket		2	TURBO COUPE CABRIO PR:220
(2)	997 343 792 00	anti-roll bar bearing bracket		2	GT-2 RS
3	900 378 098 01	Hexagon bolt m 10 x 60		2	
4	900 380 008 01	Hexagon nut M 10		4	
5	997 343 073 03	Coupling rod	left	1	TURBO
(5)	997 343 074 03	Coupling rod	right	1	TURBO
(5)	997 343 069 03	Coupling rod	left	1	GT-2 RS
(5)	997 343 070 03	Coupling rod	right	1	GT_2 RS
7	999 084 643 09	Hexagon nut M 10		4	
8	999 084 643 09	Hexagon nut M 10		4	
9	997 343 777 01	Clamp		2	

Model: 997T10

Model life 2010>>2013



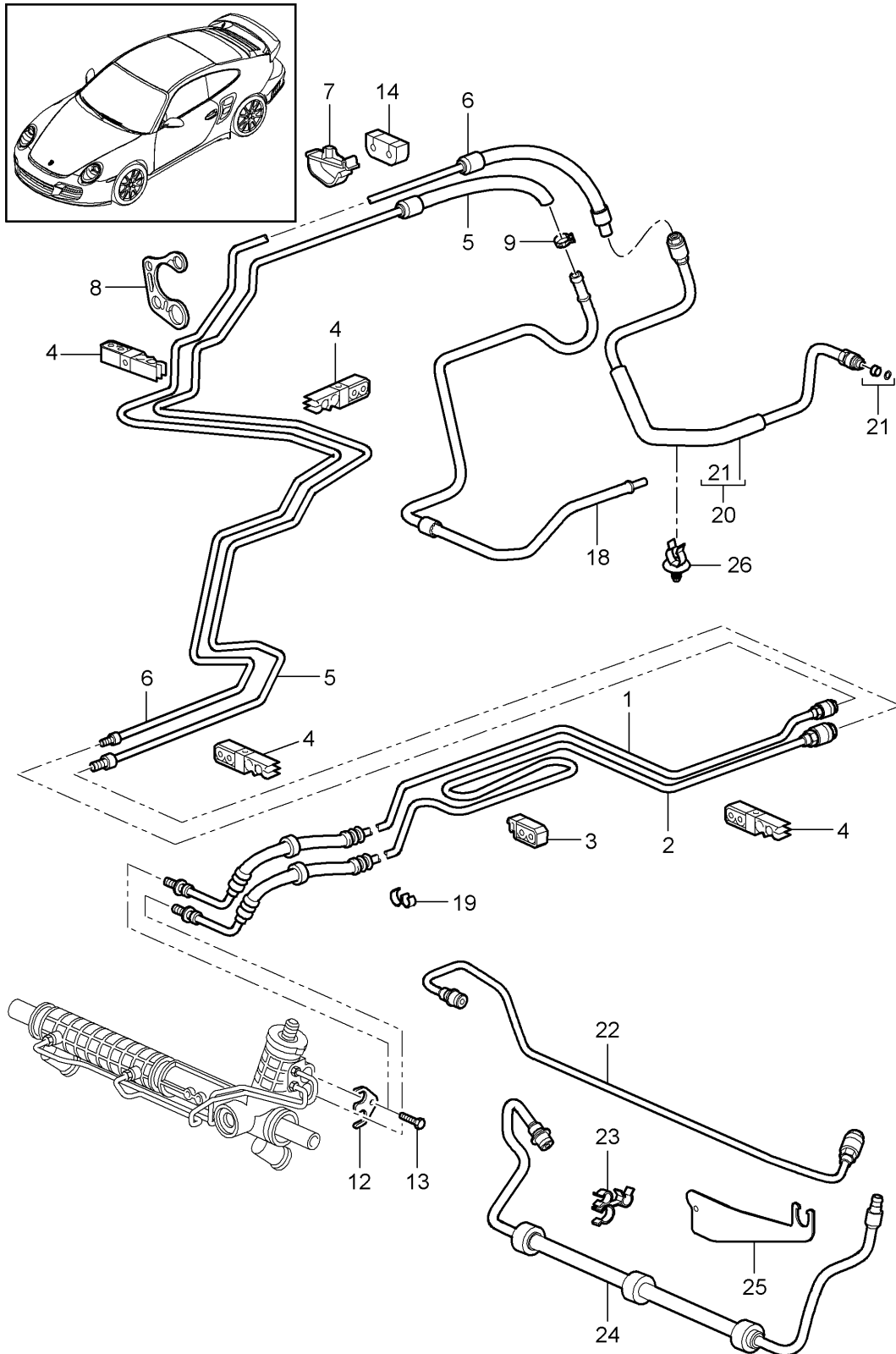
Model: 997T10

Model life 2010>>2013

Pos	Part Number	Description	Remark	Qty	Model
1	997 347 011 06	Power steering Steering gear Steering parts Steering gear	lhd	1	PR:098
1	997 347 011 FX	Power steering Steering gear	lhd	1	PR:098
(1)	997 347 012 05	Power steering Steering gear	rhd	1	PR:099
(1)	997 347 012 EX	Power steering Steering gear Power steering	rhd	1	PR:099
2	997 347 191 00	Bellows		2	
3	996 347 293 05	clamping ring		2	
4	997 347 373 00	seal ring		2	
5	999 512 645 09	Hose clamp		2	
6	997 347 322 01	Joint		2	
7	999 034 037 09	Hexagon nut M 14 X 1,5		2	
8	996 347 131 04	Track rod		2	
9		see illustration, item:	401-000,2		
10	900 378 100 01	Hexagon bolt AM 10 X 45		2	
11	999 084 449 09	Locknut M 12 X 1,5		2	

Model: 997T10

Model life 2010>>2013



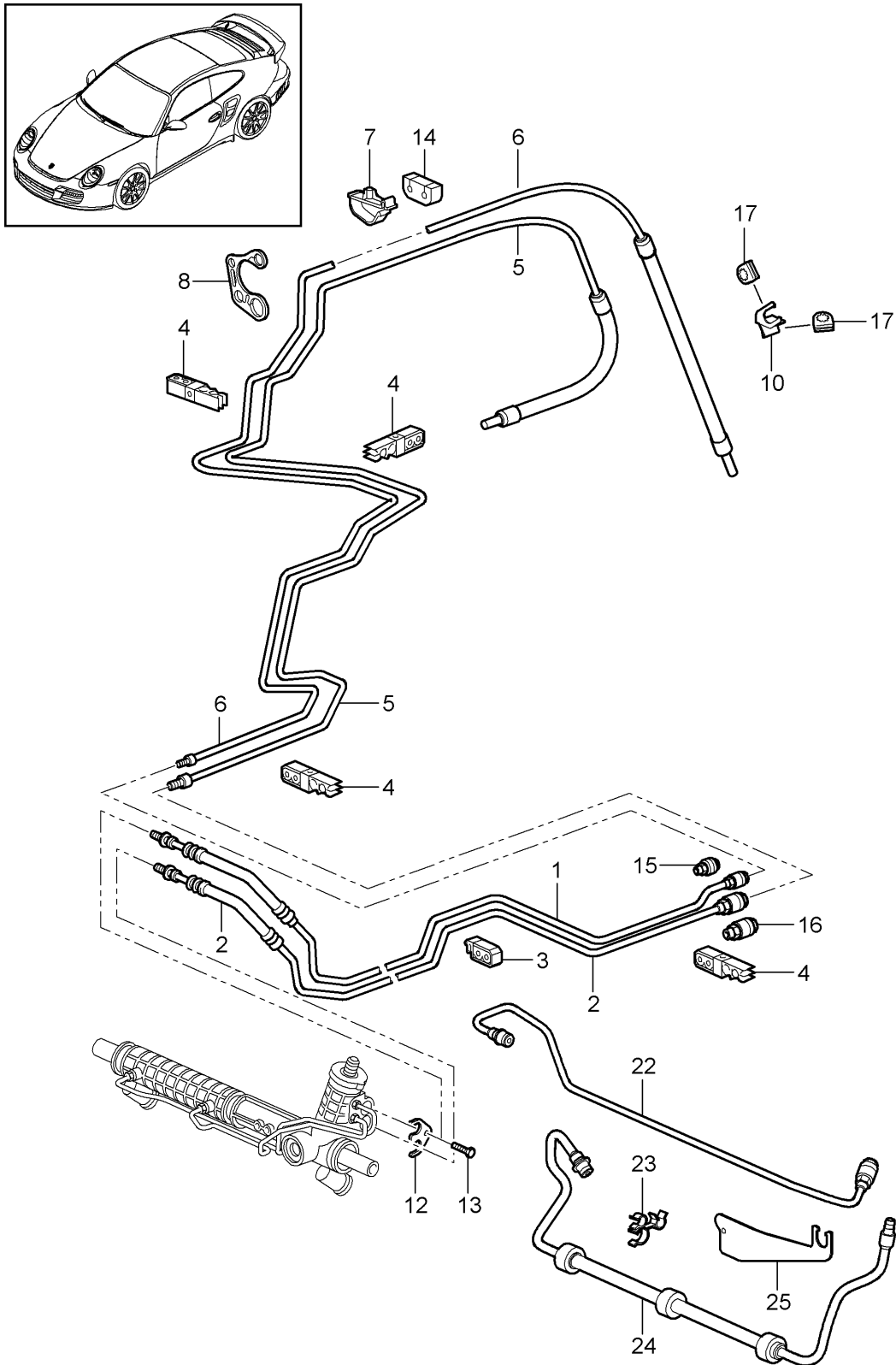
Model: 997T10

Model life 2010>>2013

Pos	Part Number	Description	Remark	Qty	Model
		Power steering Lines			TURBO
1	997 347 451 11	Pressure line		1	PR:098
		Discontinued part			
1	997 347 451 12	Pressure line		1	PR:098
(1)	997 347 452 12	Pressure line		1	PR:099
		Discontinued part			
(1)	997 347 452 13	Pressure line		1	PR:099
2	997 347 449 11	return line		1	PR:098
(2)	997 347 650 11	return line		1	PR:099
		Discontinued part			
(2)	997 347 650 13	return line		1	PR:099
3	996 347 543 00	Cable holder		X	
4	996 355 543 00	Bracket		1	
5	997 347 439 12	return line	center	1	
				1	
5	997 347 439 17	D >> - MJ 2010 return line	center	1	
				1	
(5)	997 347 439 18	D - MJ 2011>> Discontinued part return line	center	1	
				1	
6	997 347 445 12	D - MJ 2011>> Pressure line	center	1	
				1	
(6)	997 347 445 13	Discontinued part Pressure line	center	1	
				1	
(6)	997 347 445 14	Discontinued part Pressure line	center	1	
				1	
7	996 347 549 01	bracket for pressure line		2	
8	997 347 544 00	Line holder		1	
9	999 512 639 09	Spring clip		1	
12	996 347 769 01	Tension shackle		1	
13	900 067 063 03	Socket head bolt M 10 x 20		1	
14	996 347 551 01	Retaining plate		1	
18	9A1 347 441 03	return line		1	
19	999 507 091 40	Cable holder		3	
20	9A1 347 443 02	Pressure line		1	
		Discontinued part			
(20)	9A1 347 443 03	Pressure line		1	
21	997 347 945 00	repair set comprising: Spring O-ring		X	
22	997 347 564 11	Pressure line		1	PR:099
23	999 507 963 40	Line holder		1	PR:099
24	997 347 462 11	return line		1	PR:099
25	997 347 560 00	Line holder		1	PR:099
26	999 507 136 41	Cable holder		1	

Model: 997T10

Model life 2010>>2013

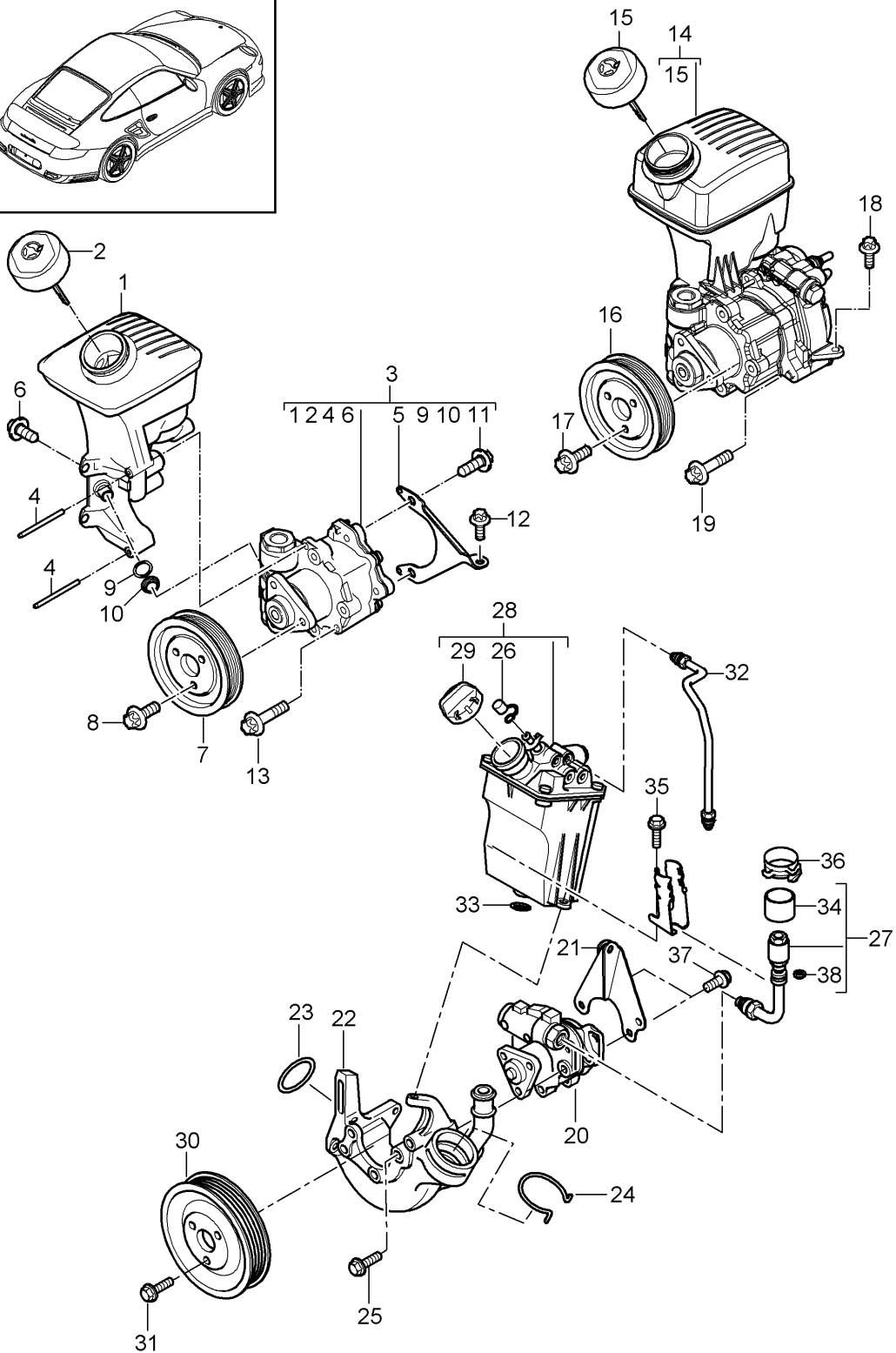
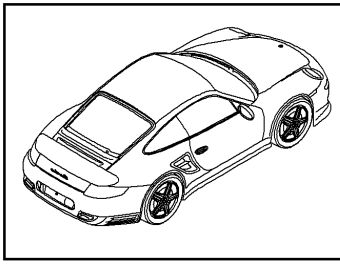


Model: 997T10 Model life 2010>>2013

Pos	Part Number	Description	Remark	Qty	Model
		Power steering Lines			GT-2 RS
1	997 347 451 04	Pressure line		1	PR:098
		Discontinued part			
(1)	997 347 451 05	Pressure line		1	PR:098
(1)	997 347 452 02	Pressure line		1	PR:099
-	999 230 543 40	repair set		1	
		O-ring			
2	987 347 449 05	return line		1	PR:098
		Discontinued part			
2	987 347 449 07	return line		1	PR:098
(2)	987 347 650 03	return line		1	PR:099
-	999 230 542 40	O-ring		1	
3	996 347 543 00	Cable holder		4	
4	996 355 543 00	Bracket		3	
(4)	999 507 091 40	Cable holder		3	
		Simple			
5	997 347 439 52	return line	center	1	
		Discontinued part			
(5)	997 347 439 53	return line	center	1	
6	997 347 445 51	Pressure line		1	
		Discontinued part			
(6)	997 347 445 52	Pressure line		1	
7	996 347 549 01	bracket for pressure line		2	
8	997 347 544 00	Line holder		1	
-	999 230 683 40	securing clip		1	
		for			
		Threaded joint			
		Pressure line			
-	999 230 584 40	Securing ring	lhd	1	PR:098
		for			
		Threaded joint			
		return line			
-	999 230 584 40	Securing ring	rhd	2	PR:099
		for			
		Threaded joint			
		return line			
10	997 347 749 00	Line holder		1	
12	996 347 769 01	Tension shackle		1	
13	900 067 063 03	Socket head bolt		1	
		M 10 x 20			
14	996 347 551 01	Retaining plate		1	
15	999 230 539 10	Threaded joint		X	
16	999 230 540 10	Threaded joint		X	
17	999 702 210 40	Rubber grommet		2	
22	997 347 564 03	Pressure line		1	PR:099
		Discontinued part			
22	997 347 564 04	Pressure line		1	PR:099
23	999 507 963 40	Line holder		1	PR:099
(24)	997 347 462 03	return line		1	PR:099
		Discontinued part			
(24)	997 347 462 04	return line		1	PR:099
25	997 347 560 00	Line holder		1	PR:099

Model: 997T10

Model life 2010>>2013



Model: 997T10 Model life 2010>>2013

Pos	Part Number	Description	Remark	Qty	Model
-		Power steering Power-steering pump container for Turbo			
1	9A1 314 220 05	oil container		1	PR:250
2	9A1 314 223 02	Cover		1	PR:250
(3)	9A1 314 020 04	Power-steering pump		1	PR:250
4	996 314 320 03	Cylinder pin		2	PR:250
5	9A1 314 430 02	Support		1	PR:250
6	900 385 044 01	Torx screw BM 8 X 16		2	PR:250
7	9A1 147 123 00	pulley		1	PR:250
8	900 385 099 01	Torx screw BM 8 X 12		3	PR:250
9		seal ring 12,5 X 2,15		1	PR:250
10		Guide		1	PR:250
11	900 385 044 01	Torx screw BM 8 X 16		2	PR:250
12	900 385 009 01	Torx screw BM 6 X 16		1	PR:250
13	900 385 042 01	Torx screw BM 8 X 35		2	PR:250
-	000 043 203 33	Pentosin 1000 ML		X	
14	9A1 314 020 33	Power-steering pump D - MJ 2010>> - MJ 2010		1	PR:480
14	9A1 314 020 34	Power-steering pump D - MJ 2011>>		1	PR:480
15	9A1 314 223 32	Cover		1	PR:480
16	9A1 147 123 00	pulley		1	PR:480
17	900 385 099 01	Torx screw BM 8 X 12		3	PR:480
18	900 385 009 01	Torx screw BM 6 X 16		1	PR:480
19	900 385 042 01	Torx screw BM 8 X 35		2	PR:480
-		for GT2 RS			GT-2 RS
20	996 314 050 51	Power-steering pump		1	
21	996 314 431 53	Support		1	
22	997 115 091 72	Carrier		1	
23	999 707 298 40	O-ring		1	
24	996 106 802 10	retaining spring		1	
25	900 385 098 01	Torx screw M 8 X 25		3	
26	997 314 332 00	Rubber flap		1	
27	997 347 643 52	Pressure line		1	
-	999 707 355 40	seal ring 7,65 x 1,65		1	
28	997 314 920 50	container		1	
-	996 314 331 00	Drip pan for Pentosin		1	
-	993 314 803 00	Notice green for container		1	
29	997 314 223 50	Cover		1	
-	999 707 364 41	seal ring 30 X 2,5		1	
30	996 147 223 71	pulley		1	

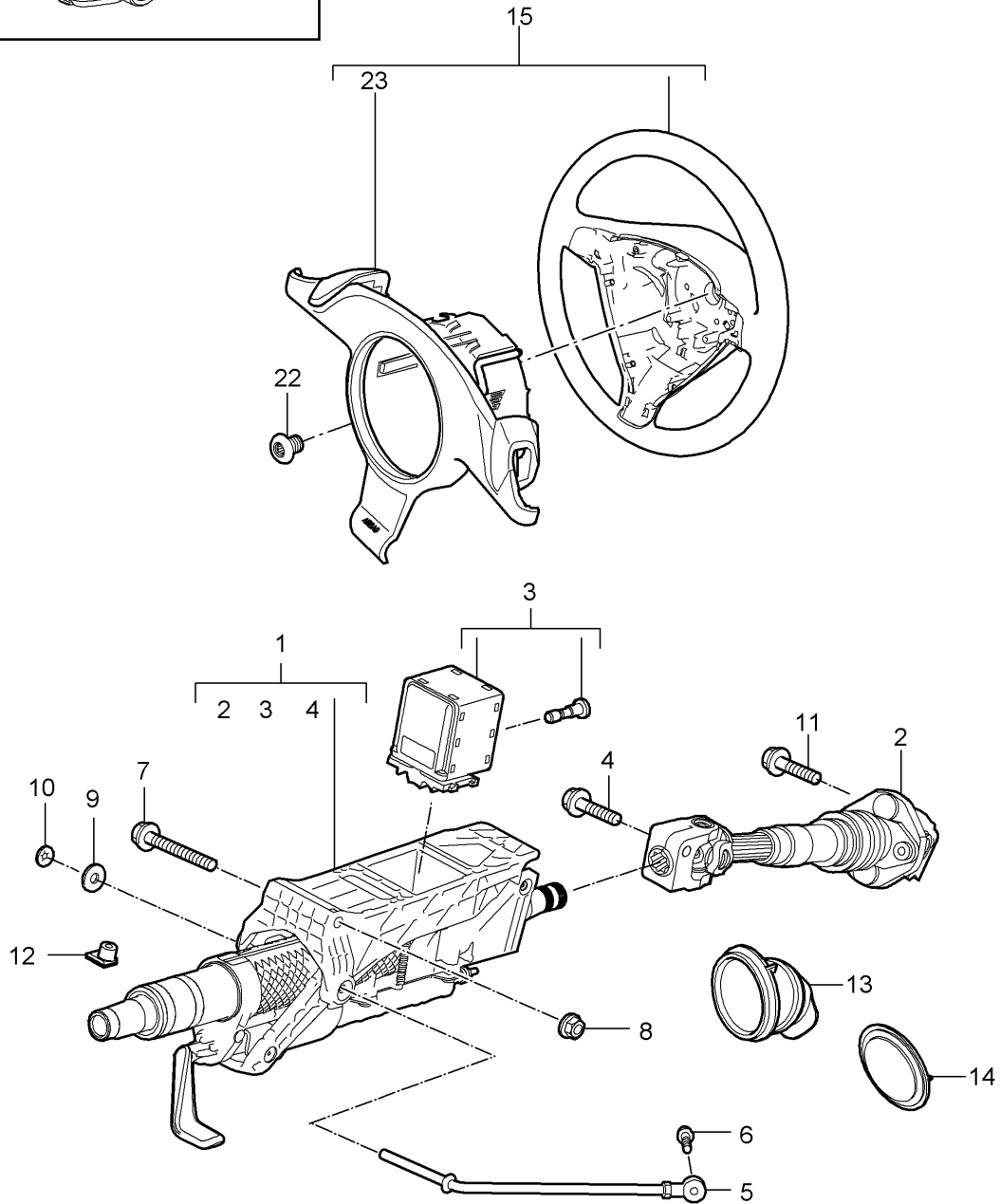
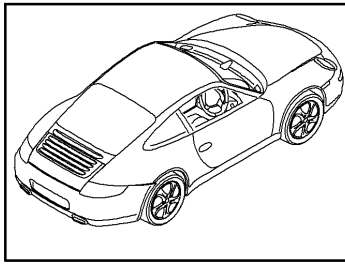
Model: 997T10

Model life 2010>>2013

Pos	Part Number	Description	Remark	Qty	Model
31	900 385 099 04	Torx screw BM 8 x 12 Discontinued part		3	
31	900 385 099 01	Torx screw BM 8 x 12		3	
32	997 314 269 01	Pressure line Discontinued part		1	
(32)	997 314 269 02	Pressure line		1	
33	999 707 204 40	seal ring 12.5 X 2N		1	
34	997 347 748 52	rubber ring		1	
35	999 073 104 01	Torx screw M 8 X 16		1	
36	999 512 740 01	Clamp		1	
37	999 073 104 01	Torx screw M 8 X 16		2	
-	000 043 203 33	Pentosin 1000 ML		X	
38	999 702 020 50	Rubber grommet 8,0X12,0X2,5		1	

Model: 997T10

Model life 2010>>2013



Model: 997T10 Model life 2010>>2013

Pos	Part Number	Description	Remark	Qty	Model
		Steering protective pipe			TURBO
		Intermediate steering shaft			PR:250
		Steering wheels			
(1)	997 347 007 10	Complete steering column		1	
		Intermediate steering shaft			
2	997 347 023 04	Intermediate steering shaft		1	
3	997 618 158 04	Control unit		1	
		Steering column			
		with:			
		Screw			
4	999 217 042 03	Hexagon bolt		1	
		M 8 X 35			
		Discontinued part			
4	999 217 042 04	Hexagon bolt		1	
		M 8 X 35			
5	997 347 243 00	Support		1	
6	900 378 173 01	Hexagon bolt		1	
		M 6 x 20			
7	900 378 095 01	Hexagon bolt		1	
		M 10 X 100			
8	900 380 008 01	Hexagon nut		1	
		M 10			
9	900 151 006 03	Washer		1	
10	999 507 217 07	Clamping washer		1	
11	999 217 042 03	Hexagon bolt		1	
		M 8 X 35			
		Discontinued part			
11	999 217 042 04	Hexagon bolt		1	
		M 8 X 35			
12	999 920 019 40	Plug-in nut		1	
		3,5 X 2,5 X 9			
13	986 347 037 01	Bellows		1	
14	996 347 339 02	Rubber seal		1	
		filler plate			
-		Steering wheels			
		D >> - MJ 2010			
15	997 347 803 32	steering wheel		1	PR:841
		Plain leather			
		D >> - MJ 2010			
		Discontinued part			
	997 347 803 32 A34	Black			
	997 347 803 32 B24	Stone grey			
	997 347 803 32 T24	Sand beige			
	997 347 803 32 E24	sea blue			
	997 347 803 32 M24	Terracotta			
	997 347 803 32 R24	Cocoa			
	997 347 803 32 D14	Dark grey/natural			
	997 347 803 32 T34	Brown/natural			
	997 347 803 32 N14	Carrera Red			
(15)	997 347 803 98	steering wheel		1	PR:841,-345
		Plain leather			
		D >> - MJ 2010			
		Discontinued part			
	997 347 803 98 A34	Black			
	997 347 803 98 B24	Stone grey			
	997 347 803 98 T24	Sand beige			
	997 347 803 98 E24	sea blue			
	997 347 803 98 M24	Terracotta			
	997 347 803 98 R24	Cocoa			
	997 347 803 98 D14	Dark grey/natural			
	997 347 803 98 T34	Brown/natural			
	997 347 803 98 N14	Carrera Red			
(15)	997 347 803 D6	steering wheel		1	PR:841,-345

Model: 997T10 Model life 2010>>2013

Pos	Part Number	Description	Remark	Qty	Model
		Plain leather D >> - MJ 2010			
	997 347 803 D6 A34	Black			
	997 347 803 D6 B24	Stone grey			
	997 347 803 D6 T24	Sand beige			
	997 347 803 D6 E24	sea blue			
	997 347 803 D6 M24	Terracotta			
	997 347 803 D6 R24	Cocoa			
	997 347 803 D6 D14	Dark grey/natural			
	997 347 803 D6 T34	Brown/natural			
	997 347 803 D6 N14	Carrera Red			
(15)	997 347 803 37	steering wheel Plain leather D >> - MJ 2010 Discontinued part		1	PR:841,345
	997 347 803 37 A34	Black			
	997 347 803 37 B24	Stone grey			
	997 347 803 37 T24	Sand beige			
	997 347 803 37 E24	sea blue			
	997 347 803 37 M24	Terracotta			
	997 347 803 37 R24	Cocoa			
	997 347 803 37 D14	Dark grey/natural			
	997 347 803 37 T34	Brown/natural			
	997 347 803 37 N14	Carrera Red			
(15)	997 347 803 A3	steering wheel Plain leather D >> - MJ 2010 Discontinued part		1	PR:841,345
	997 347 803 A3 A34	Black			
	997 347 803 A3 B24	Stone grey			
	997 347 803 A3 T24	Sand beige			
	997 347 803 A3 E24	sea blue			
	997 347 803 A3 M24	Terracotta			
	997 347 803 A3 R24	Cocoa			
	997 347 803 A3 D14	Dark grey/natural			
	997 347 803 A3 T34	Brown/natural			
	997 347 803 A3 N14	Carrera Red			
(15)	997 347 803 E1	steering wheel Plain leather D >> - MJ 2010		1	PR:841,345
	997 347 803 E1 A34	Black			
	997 347 803 E1 B24	Stone grey			
	997 347 803 E1 T24	Sand beige			
	997 347 803 E1 E24	sea blue			
	997 347 803 E1 M24	Terracotta			
	997 347 803 E1 R24	Cocoa			
	997 347 803 E1 D14	Dark grey/natural			
	997 347 803 E1 T34	Brown/natural			
	997 347 803 E1 N14	Carrera Red			
(15)	997 347 803 33	multifunction steering wheel Plain leather D >> - MJ 2010 Discontinued part		1	PR:844
	997 347 803 33 A34	Black			
	997 347 803 33 B24	Stone grey			
	997 347 803 33 T24	Sand beige			
	997 347 803 33 E24	sea blue			
	997 347 803 33 M24	Terracotta			
	997 347 803 33 R24	Cocoa			
	997 347 803 33 D14	Dark grey/natural			
	997 347 803 33 T34	Brown/natural			
	997 347 803 33 N14	Carrera Red			
(15)	997 347 803 99	multifunction steering wheel		1	PR:844

Model: 997T10

Model life 2010>>2013

Pos	Part Number	Description	Remark	Qty	Model
		Plain leather D >> - MJ 2010 Discontinued part			
	997 347 803 99 A34	Black			
	997 347 803 99 B24	Stone grey			
	997 347 803 99 T24	Sand beige			
	997 347 803 99 E24	sea blue			
	997 347 803 99 M24	Terracotta			
	997 347 803 99 R24	Cocoa			
	997 347 803 99 D14	Dark grey/natural			
	997 347 803 99 T34	Brown/natural			
	997 347 803 99 N14	Carrera Red			
(15)	997 347 803 D7	multifunction steering wheel Plain leather D >> - MJ 2010		1	PR:844
	997 347 803 D7 A34	Black			
	997 347 803 D7 B24	Stone grey			
	997 347 803 D7 T24	Sand beige			
	997 347 803 D7 E24	sea blue			
	997 347 803 D7 M24	Terracotta			
	997 347 803 D7 R24	Cocoa			
	997 347 803 D7 D14	Dark grey/natural			
	997 347 803 D7 T34	Brown/natural			
	997 347 803 D7 N14	Carrera Red			
(15)	997 347 803 36	multifunction steering wheel Plain leather D >> - MJ 2010		1	PR:844,345
	997 347 803 36 A34	Black			
	997 347 803 36 B24	Stone grey			
	997 347 803 36 T24	Sand beige			
	997 347 803 36 E24	sea blue			
	997 347 803 36 M24	Terracotta			
	997 347 803 36 R24	Cocoa			
	997 347 803 36 D14	Dark grey/natural			
	997 347 803 36 T34	Brown/natural			
	997 347 803 36 N14	Carrera Red			
(15)	997 347 803 A2	multifunction steering wheel Plain leather D >> - MJ 2010		1	PR:844,345
	997 347 803 A2 A34	Black			
	997 347 803 A2 B24	Stone grey			
	997 347 803 A2 T24	Sand beige			
	997 347 803 A2 E24	sea blue			
	997 347 803 A2 M24	Terracotta			
	997 347 803 A2 R24	Cocoa			
	997 347 803 A2 D14	Dark grey/natural			
	997 347 803 A2 T34	Brown/natural			
	997 347 803 A2 N14	Carrera Red			
(15)	997 347 803 E0	multifunction steering wheel Plain leather D >> - MJ 2010		1	PR:844,345
	997 347 803 E0 A34	Black			
	997 347 803 E0 B24	Stone grey			
	997 347 803 E0 T24	Sand beige			
	997 347 803 E0 E24	sea blue			
	997 347 803 E0 M24	Terracotta			
	997 347 803 E0 R24	Cocoa			
	997 347 803 E0 D14	Dark grey/natural			
	997 347 803 E0 T34	Brown/natural			
	997 347 803 E0 N14	Carrera Red			
(15)	997 347 803 34	multifunction steering wheel		1	PR:845,345

Model: 997T10 Model life 2010>>2013

Pos	Part Number	Description	Remark	Qty	Model
		Carbon D >> - MJ 2010 Discontinued part			
	997 347 803 34 A34	Black Discontinued part			
	997 347 803 34 B24	Stone grey Discontinued part			
	997 347 803 34 T24	Sand beige Discontinued part			
	997 347 803 34 E24	sea blue Discontinued part			
	997 347 803 34 M24	Terracotta Discontinued part			
	997 347 803 34 R24	Cocoa Discontinued part			
	997 347 803 34 D14	Dark grey/natural Discontinued part			
	997 347 803 34 T34	Brown/natural Discontinued part			
	997 347 803 34 N14	Carrera Red Discontinued part			
(15)	997 347 803 A0	multifunction steering wheel Carbon D >> - MJ 2010 Discontinued part		1	PR:845,345
	997 347 803 A0 A34	Black			
	997 347 803 A0 B24	Stone grey			
	997 347 803 A0 T24	Sand beige			
	997 347 803 A0 E24	sea blue			
	997 347 803 A0 M24	Terracotta			
	997 347 803 A0 R24	Cocoa			
	997 347 803 A0 D14	Dark grey/natural			
	997 347 803 A0 T34	Brown/natural			
	997 347 803 A0 N14	Carrera Red			
(15)	997 347 803 D8	multifunction steering wheel Carbon D >> - MJ 2010		1	PR:845,345
	997 347 803 D8 A34	Black			
	997 347 803 D8 B24	Stone grey			
	997 347 803 D8 T24	Sand beige			
	997 347 803 D8 E24	sea blue			
	997 347 803 D8 M24	Terracotta			
	997 347 803 D8 R24	Cocoa			
	997 347 803 D8 D14	Dark grey/natural			
	997 347 803 D8 T34	Brown/natural			
	997 347 803 D8 N14	Carrera Red			
(15)	997 347 803 35	multifunction steering wheel macassar D >> - MJ 2010 Discontinued part		1	PR:847,345
	997 347 803 35 A34	Black Discontinued part			
	997 347 803 35 B24	Stone grey Discontinued part			
	997 347 803 35 T24	Sand beige Discontinued part			
	997 347 803 35 E24	sea blue Discontinued part			
	997 347 803 35 M24	Terracotta Discontinued part			
	997 347 803 35 R24	Cocoa Discontinued part			
	997 347 803 35 D14	Dark grey/natural			

Model: 997T10 Model life 2010>>2013

Pos	Part Number	Description	Remark	Qty	Model
	997 347 803 35 T34	Discontinued part Brown/natural			
	997 347 803 35 N14	Discontinued part Carrera Red			
(15)	997 347 803 A1	Discontinued part multifunction steering wheel macassar D >> - MJ 2010 Discontinued part		1	PR:847,345
	997 347 803 A1 A34	Black			
	997 347 803 A1 B24	Stone grey			
	997 347 803 A1 T24	Sand beige			
	997 347 803 A1 E24	sea blue			
	997 347 803 A1 M24	Terracotta			
	997 347 803 A1 R24	Cocoa			
	997 347 803 A1 D14	Dark grey/natural			
	997 347 803 A1 T34	Brown/natural			
(15)	997 347 803 A1 N14	Carrera Red multifunction steering wheel macassar D >> - MJ 2010		1	PR:847,345
	997 347 803 D9 A34	Black			
	997 347 803 D9 B24	Stone grey			
	997 347 803 D9 T24	Sand beige			
	997 347 803 D9 E24	sea blue			
	997 347 803 D9 M24	Terracotta			
	997 347 803 D9 R24	Cocoa			
	997 347 803 D9 D14	Dark grey/natural			
	997 347 803 D9 T34	Brown/natural			
	997 347 803 D9 N14	Carrera Red			
(15)	997 347 980 09	multifunction steering wheel Aluminium look D >> - MJ 2010 Discontinued part		1	PR:XPU,345
	997 347 980 09 A34	Black			
	997 347 980 09 B24	Stone grey			
	997 347 980 09 T24	Sand beige			
	997 347 980 09 E24	sea blue			
	997 347 980 09 M24	Terracotta			
	997 347 980 09 R24	Cocoa			
	997 347 980 09 D14	Dark grey/natural			
	997 347 980 09 T34	Brown/natural			
	997 347 980 09 N14	Carrera Red			
(15)	997 347 980 14	multifunction steering wheel Aluminium look D >> - MJ 2010 Discontinued part		1	PR:XPU,345
	997 347 980 14 A34	Black			
	997 347 980 14 B24	Stone grey			
	997 347 980 14 T24	Sand beige			
	997 347 980 14 E24	sea blue			
	997 347 980 14 M24	Terracotta			
	997 347 980 14 R24	Cocoa			
	997 347 980 14 D14	Dark grey/natural			
	997 347 980 14 T34	Brown/natural			
	997 347 980 14 N14	Carrera Red			
(15)	997 347 980 B7	multifunction steering wheel Aluminium look D >> - MJ 2010		1	PR:XPU,345
	997 347 980 B7 A34	Black			
	997 347 980 B7 B24	Stone grey			
	997 347 980 B7 T24	Sand beige			
	997 347 980 B7 E24	sea blue			

Model: 997T10 Model life 2010>>2013

Pos	Part Number	Description	Remark	Qty	Model
15	997 347 980 B7 M24	Terracotta		1	PR:841,640,639
	997 347 980 B7 R24	Cocoa			
	997 347 980 B7 D14	Dark grey/natural			
	997 347 980 B7 T34	Brown/natural			
	997 347 980 B7 N14	Carrera Red			
	997 347 803 03	steering wheel Plain leather D >> - MJ 2010			
	997 347 803 03 A34	Black			
	997 347 803 03 B24	Stone grey			
	997 347 803 03 T24	Sand beige			
	997 347 803 03 E24	sea blue			
	997 347 803 03 M24	Terracotta			
	997 347 803 03 R24	Cocoa			
	997 347 803 03 D14	Dark grey/natural			
	997 347 803 03 T34	Brown/natural			
	997 347 803 03 N14	Carrera Red			
(15)	997 347 803 16	steering wheel Plain leather D >> - MJ 2010		1	PR:841,640,639
	997 347 803 16 A34	Black			PR:345
	997 347 803 16 B24	Stone grey			
	997 347 803 16 T24	Sand beige			
	997 347 803 16 E24	sea blue			
	997 347 803 16 M24	Terracotta			
	997 347 803 16 R24	Cocoa			
	997 347 803 16 D14	Dark grey/natural			
	997 347 803 16 T34	Brown/natural			
	997 347 803 16 N14	Carrera Red			
(15)	997 347 803 10	multifunction steering wheel Plain leather D >> - MJ 2010		1	PR:844,640,639
	997 347 803 10 A34	Black			
	997 347 803 10 B24	Stone grey			
	997 347 803 10 T24	Sand beige			
	997 347 803 10 E24	sea blue			
	997 347 803 10 M24	Terracotta			
	997 347 803 10 R24	Cocoa			
	997 347 803 10 D14	Dark grey/natural			
	997 347 803 10 T34	Brown/natural			
	997 347 803 10 N14	Carrera Red			
(15)	997 347 803 A5	multifunction steering wheel Plain leather D >> - MJ 2010 Discontinued part		1	PR:844,640,639
	997 347 803 A5 A34	Black			
	997 347 803 A5 B24	Stone grey			
	997 347 803 A5 T24	Sand beige			
	997 347 803 A5 E24	sea blue			
	997 347 803 A5 M24	Terracotta			
	997 347 803 A5 R24	Cocoa			
	997 347 803 A5 D14	Dark grey/natural			
	997 347 803 A5 T34	Brown/natural			
	997 347 803 A5 N14	Carrera Red			
(15)	997 347 803 E3	multifunction steering wheel Plain leather D >> - MJ 2010		1	PR:844,640,639
	997 347 803 E3 A34	Black			
	997 347 803 E3 B24	Stone grey			
	997 347 803 E3 T24	Sand beige			
	997 347 803 E3 E24	sea blue			
	997 347 803 E3 M24	Terracotta			
	997 347 803 E3 R24	Cocoa			

Model: 997T10 Model life 2010>>2013

Pos	Part Number	Description	Remark	Qty	Model
(15)	997 347 803 E3 D14	Dark grey/natural		1	PR:844,640, 639,345
	997 347 803 E3 T34	Brown/natural			
	997 347 803 E3 N14	Carrera Red			
	997 347 803 15	multifunction steering wheel Plain leather			
		D >> - MJ 2010			
		Discontinued part			
	997 347 803 15 A34	Black			
	997 347 803 15 B24	Stone grey			
	997 347 803 15 T24	Sand beige			
	997 347 803 15 E24	sea blue			
(15)	997 347 803 15 M24	Terracotta		1	PR:844,640, 639,345
	997 347 803 15 R24	Cocoa			
	997 347 803 15 D14	Dark grey/natural			
	997 347 803 15 T34	Brown/natural			
	997 347 803 15 N14	Carrera Red			
	997 347 803 A8	multifunction steering wheel Plain leather			
		D >> - MJ 2010			
		Discontinued part			
	997 347 803 A8 A34	Black			
	997 347 803 A8 B24	Stone grey			
(15)	997 347 803 A8 T24	Sand beige		1	PR:844,640, 639,345
	997 347 803 A8 E24	sea blue			
	997 347 803 A8 M24	Terracotta			
	997 347 803 A8 R24	Cocoa			
	997 347 803 A8 D14	Dark grey/natural			
	997 347 803 A8 T34	Brown/natural			
	997 347 803 A8 N14	Carrera Red			
	997 347 803 E6	multifunction steering wheel Plain leather			
		D >> - MJ 2010			
		Discontinued part			
(15)	997 347 803 E6 A34	Black		1	PR:845,640, 639,345
	997 347 803 E6 B24	Stone grey			
	997 347 803 E6 T24	Sand beige			
	997 347 803 E6 E24	sea blue			
	997 347 803 E6 M24	Terracotta			
	997 347 803 E6 R24	Cocoa			
	997 347 803 E6 D14	Dark grey/natural			
	997 347 803 E6 T34	Brown/natural			
	997 347 803 E6 N14	Carrera Red			
	997 347 803 11	multifunction steering wheel			
(15)		Carbon		1	PR:847,640, 639,345
		D >> - MJ 2010			
	997 347 803 11 A34	Black			
	997 347 803 11 B24	Stone grey			
	997 347 803 11 T24	Sand beige			
	997 347 803 11 E24	sea blue			
	997 347 803 11 M24	Terracotta			
	997 347 803 11 R24	Cocoa			
	997 347 803 11 D14	Dark grey/natural			
	997 347 803 11 T34	Brown/natural			
(15)	997 347 803 11 N14	Carrera Red		1	PR:847,640, 639,345
	997 347 803 13	multifunction steering wheel			
		macassar			
		D >> - MJ 2010			
	997 347 803 13 A34	Black			
	997 347 803 13 B24	Stone grey			
	997 347 803 13 T24	Sand beige			
	997 347 803 13 E24	sea blue			
	997 347 803 13 M24	Terracotta			

Model: 997T10 Model life 2010>>2013

Pos	Part Number	Description	Remark	Qty	Model			
(15)	997 347 803 13 R24	Cocoa		1	PR:XPU,640, 639,345			
	997 347 803 13 D14	Dark grey/natural						
	997 347 803 13 T34	Brown/natural						
	997 347 803 13 N14	Carrera Red						
	997 347 980 06	multifunction steering wheel						
		Aluminium look						
		D >> - MJ 2010						
		Discontinued part						
	997 347 980 06 A34	Black						
	997 347 980 06 B24	Stone grey						
	997 347 980 06 T24	Sand beige						
	997 347 980 06 E24	sea blue						
	997 347 980 06 M24	Terracotta						
	997 347 980 06 R24	Cocoa						
	997 347 980 06 D14	Dark grey/natural						
(15)	997 347 980 06 T34	Brown/natural		1	PR:XPU,640, 639,345			
	997 347 980 06 N14	Carrera Red						
	997 347 980 13	multifunction steering wheel						
		Aluminium look						
		D >> - MJ 2010						
		Discontinued part						
	997 347 980 13 A34	Black						
	997 347 980 13 B24	Stone grey						
	997 347 980 13 T24	Sand beige						
	997 347 980 13 E24	sea blue						
	997 347 980 13 M24	Terracotta						
	997 347 980 13 R24	Cocoa						
	997 347 980 13 D14	Dark grey/natural						
	997 347 980 13 T34	Brown/natural						
	997 347 980 13 N14	Carrera Red						
(15)	997 347 980 B6	multifunction steering wheel		1	PR:XPU,640, 639,345			
		Aluminium look						
		D >> - MJ 2010						
	997 347 980 B6 A34	Black						
	997 347 980 B6 B24	Stone grey						
	997 347 980 B6 T24	Sand beige						
	997 347 980 B6 E24	sea blue						
	997 347 980 B6 M24	Terracotta						
	997 347 980 B6 R24	Cocoa						
	997 347 980 B6 D14	Dark grey/natural						
	997 347 980 B6 T34	Brown/natural						
	997 347 980 B6 N14	Carrera Red						
	(15)	997 347 803 30	steering wheel				1	PR:840
			Shifting paddle					
			D >> - MJ 2010					
		Discontinued part						
997 347 803 30 A34		Black						
997 347 803 30 B24		Stone grey						
997 347 803 30 T24		Sand beige						
997 347 803 30 E24		sea blue						
997 347 803 30 M24		Terracotta						
997 347 803 30 R24		Cocoa						
997 347 803 30 D14		Dark grey/natural						
997 347 803 30 T34		Brown/natural						
997 347 803 30 N14		Carrera Red						
(15)		997 347 803 B7	steering wheel		1	PR:840		
			Shifting paddle					
		D >> - MJ 2010						
		Discontinued part						
	997 347 803 B7 A34	Black						

Model: 997T10 Model life 2010>>2013

Pos	Part Number	Description	Remark	Qty	Model
	997 347 803 B7 B24	Stone grey			
	997 347 803 B7 T24	Sand beige			
	997 347 803 B7 E24	sea blue			
	997 347 803 B7 M24	Terracotta			
	997 347 803 B7 R24	Cocoa			
	997 347 803 B7 D14	Dark grey/natural			
	997 347 803 B7 T34	Brown/natural			
	997 347 803 B7 N14	Carrera Red			
(15)	997 347 803 G0	steering wheel Shifting paddle D >> - MJ 2010		1	PR:840
	997 347 803 G0 A34	Black			
	997 347 803 G0 B24	Stone grey			
	997 347 803 G0 T24	Sand beige			
	997 347 803 G0 E24	sea blue			
	997 347 803 G0 M24	Terracotta			
	997 347 803 G0 R24	Cocoa			
	997 347 803 G0 D14	Dark grey/natural			
	997 347 803 G0 T34	Brown/natural			
	997 347 803 G0 N14	Carrera Red			
(15)	997 347 803 31	steering wheel Shifting paddle D >> - MJ 2010 Discontinued part		1	PR:840,640,639
	997 347 803 31 A34	Black			
	997 347 803 31 B24	Stone grey			
	997 347 803 31 T24	Sand beige			
	997 347 803 31 E24	sea blue			
	997 347 803 31 M24	Terracotta			
	997 347 803 31 R24	Cocoa			
	997 347 803 31 D14	Dark grey/natural			
	997 347 803 31 T34	Brown/natural			
	997 347 803 31 N14	Carrera Red			
(15)	997 347 803 B8	steering wheel Shifting paddle D >> - MJ 2010 Discontinued part		1	PR:840,640,639
	997 347 803 B8 A34	Black			
	997 347 803 B8 B24	Stone grey			
	997 347 803 B8 T24	Sand beige			
	997 347 803 B8 E24	sea blue			
	997 347 803 B8 M24	Terracotta			
	997 347 803 B8 R24	Cocoa			
	997 347 803 B8 D14	Dark grey/natural			
	997 347 803 B8 T34	Brown/natural			
	997 347 803 B8 N14	Carrera Red			
(15)	997 347 803 G1	steering wheel Shifting paddle D >> - MJ 2010		1	PR:840,640,639
	997 347 803 G1 A34	Black			
	997 347 803 G1 B24	Stone grey			
	997 347 803 G1 T24	Sand beige			
	997 347 803 G1 E24	sea blue			
	997 347 803 G1 M24	Terracotta			
	997 347 803 G1 R24	Cocoa			
	997 347 803 G1 D14	Dark grey/natural			
	997 347 803 G1 T34	Brown/natural			
	997 347 803 G1 N14	Carrera Red			
-		Steering wheels D - MJ 2011>>			
15	997 347 803 59	steering wheel Plain leather D - MJ 2011>>		1	PR:841

Model: 997T10

Model life 2010>>2013

Pos	Part Number	Description	Remark	Qty	Model
		Discontinued part			
	997 347 803 59 A34	Black			
	997 347 803 59 B24	Stone grey			
	997 347 803 59 T24	Sand beige			
	997 347 803 59 E24	sea blue			
	997 347 803 59 M24	Terracotta			
	997 347 803 59 R24	Cocoa			
	997 347 803 59 D14	Dark grey/natural			
	997 347 803 59 T34	Brown/natural			
	997 347 803 59 N14	Carrera Red			
15	997 347 803 98	steering wheel Plain leather D - MJ 2011>> Discontinued part		1	PR:841
	997 347 803 98 A34	Black			
	997 347 803 98 B24	Stone grey			
	997 347 803 98 T24	Sand beige			
	997 347 803 98 E24	sea blue			
	997 347 803 98 M24	Terracotta			
	997 347 803 98 R24	Cocoa			
	997 347 803 98 D14	Dark grey/natural			
	997 347 803 98 T34	Brown/natural			
	997 347 803 98 N14	Carrera Red			
15	997 347 803 98 6H6	Espresso			
15	997 347 803 D6	steering wheel Plain leather D - MJ 2011>>		1	PR:841
	997 347 803 D6 A34	Black			
	997 347 803 D6 B24	Stone grey			
	997 347 803 D6 T24	Sand beige			
	997 347 803 D6 E24	sea blue			
	997 347 803 D6 M24	Terracotta			
	997 347 803 D6 R24	Cocoa			
	997 347 803 D6 D14	Dark grey/natural			
	997 347 803 D6 T34	Brown/natural			
	997 347 803 D6 N14	Carrera Red			
	997 347 803 D6 6H6	Espresso			
(15)	997 347 803 64	steering wheel Plain leather D - MJ 2011>> Discontinued part		1	PR:841,345
	997 347 803 64 A34	Black			
	997 347 803 64 B24	Stone grey			
	997 347 803 64 T24	Sand beige			
	997 347 803 64 E24	sea blue			
	997 347 803 64 M24	Terracotta			
	997 347 803 64 R24	Cocoa			
	997 347 803 64 D14	Dark grey/natural			
	997 347 803 64 T34	Brown/natural			
	997 347 803 64 N14	Carrera Red			
(15)	997 347 803 A3	steering wheel Plain leather D - MJ 2011>> Discontinued part		1	PR:841,345
	997 347 803 A3 A34	Black			
	997 347 803 A3 B24	Stone grey			
	997 347 803 A3 T24	Sand beige			
	997 347 803 A3 E24	sea blue			
	997 347 803 A3 M24	Terracotta			
	997 347 803 A3 R24	Cocoa			
	997 347 803 A3 D14	Dark grey/natural			
	997 347 803 A3 T34	Brown/natural			
	997 347 803 A3 N14	Carrera Red			

Model: 997T10 Model life 2010>>2013

Pos	Part Number	Description	Remark	Qty	Model
(15)	997 347 803 A3 6H6 997 347 803 E1	Espresso steering wheel Plain leather D - MJ 2011>>		1	PR:841,345
	997 347 803 E1 A34	Black			
	997 347 803 E1 B24	Stone grey			
	997 347 803 E1 T24	Sand beige			
	997 347 803 E1 E24	sea blue			
	997 347 803 E1 M24	Terracotta			
	997 347 803 E1 R24	Cocoa			
	997 347 803 E1 D14	Dark grey/natural			
	997 347 803 E1 T34	Brown/natural			
	997 347 803 E1 N14	Carrera Red			
(15)	997 347 803 E1 6H6 997 347 803 60	Espresso multifunction steering wheel Plain leather D - MJ 2011>> Discontinued part		1	PR:844
	997 347 803 60 A34	Black			
	997 347 803 60 B24	Stone grey			
	997 347 803 60 T24	Sand beige			
	997 347 803 60 E24	sea blue			
	997 347 803 60 M24	Terracotta			
	997 347 803 60 R24	Cocoa			
	997 347 803 60 D14	Dark grey/natural			
	997 347 803 60 T34	Brown/natural			
	997 347 803 60 N14	Carrera Red			
(15)	997 347 803 99	multifunction steering wheel Plain leather D - MJ 2011>> Discontinued part		1	PR:844
	997 347 803 99 A34	Black			
	997 347 803 99 B24	Stone grey			
	997 347 803 99 T24	Sand beige			
	997 347 803 99 E24	sea blue			
	997 347 803 99 M24	Terracotta			
	997 347 803 99 R24	Cocoa			
	997 347 803 99 D14	Dark grey/natural			
	997 347 803 99 T34	Brown/natural			
	997 347 803 99 N14	Carrera Red			
(15)	997 347 803 99 6H6 997 347 803 D7	Espresso multifunction steering wheel Plain leather D - MJ 2011>>		1	PR:844
	997 347 803 D7 A34	Black			
	997 347 803 D7 B24	Stone grey			
	997 347 803 D7 T24	Sand beige			
	997 347 803 D7 E24	sea blue			
	997 347 803 D7 M24	Terracotta			
	997 347 803 D7 R24	Cocoa			
	997 347 803 D7 D14	Dark grey/natural			
	997 347 803 D7 T34	Brown/natural			
	997 347 803 D7 N14	Carrera Red			
(15)	997 347 803 D7 6H6 997 347 803 63	Espresso multifunction steering wheel Plain leather D - MJ 2011>> Discontinued part		1	PR:844,345
	997 347 803 63 A34	Black			
	997 347 803 63 B24	Stone grey			
	997 347 803 63 T24	Sand beige			
	997 347 803 63 E24	sea blue			
	997 347 803 63 M24	Terracotta			

Model: 997T10 Model life 2010>>2013

Pos	Part Number	Description	Remark	Qty	Model			
(15)	997 347 803 63 R24	Cocoa		1	PR:844,345			
	997 347 803 63 D14	Dark grey/natural						
	997 347 803 63 T34	Brown/natural						
	997 347 803 63 N14	Carrera Red						
	997 347 803 A2	multifunction steering wheel Plain leather D - MJ 2011>> Discontinued part						
	997 347 803 A2 A34	Black						
	997 347 803 A2 B24	Stone grey						
	997 347 803 A2 T24	Sand beige						
	997 347 803 A2 E24	sea blue						
	997 347 803 A2 M24	Terracotta						
	997 347 803 A2 R24	Cocoa						
	997 347 803 A2 D14	Dark grey/natural						
	997 347 803 A2 T34	Brown/natural						
	997 347 803 A2 N14	Carrera Red						
	(15)	997 347 803 A2 6H6	Espresso				1	PR:844,345
997 347 803 E0		multifunction steering wheel Plain leather D - MJ 2011>>						
997 347 803 E0 A34		Black						
997 347 803 E0 B24		Stone grey						
997 347 803 E0 T24		Sand beige						
997 347 803 E0 E24		sea blue						
997 347 803 E0 M24		Terracotta						
997 347 803 E0 R24		Cocoa						
997 347 803 E0 D14		Dark grey/natural						
997 347 803 E0 T34		Brown/natural						
997 347 803 E0 N14		Carrera Red						
997 347 803 E0 6H6		Espresso						
(15)		997 347 803 61	multifunction steering wheel Carbon D - MJ 2011>> Discontinued part		1	PR:845,345		
		997 347 803 61 A34	Black					
		997 347 803 61 B24	Stone grey					
	997 347 803 61 T24	Sand beige						
	997 347 803 61 E24	sea blue						
	997 347 803 61 M24	Terracotta						
	997 347 803 61 R24	Cocoa						
	997 347 803 61 D14	Dark grey/natural						
	997 347 803 61 T34	Brown/natural						
	997 347 803 61 N14	Carrera Red						
	(15)	997 347 803 A0	multifunction steering wheel Carbon D - MJ 2011>> Discontinued part				1	PR:845,345
		997 347 803 A0 A34	Black					
		997 347 803 A0 B24	Stone grey					
		997 347 803 A0 T24	Sand beige					
		997 347 803 A0 E24	sea blue					
997 347 803 A0 M24		Terracotta						
997 347 803 A0 R24		Cocoa						
997 347 803 A0 D14		Dark grey/natural						
997 347 803 A0 T34		Brown/natural						
997 347 803 A0 N14		Carrera Red						
(15)		997 347 803 A0 6H6	Espresso		1	PR:845,345		
		997 347 803 D8	multifunction steering wheel Carbon D - MJ 2011>>					
		997 347 803 D8 A34	Black					
		997 347 803 D8 B24	Stone grey					

Model: 997T10 Model life 2010>>2013

Pos	Part Number	Description	Remark	Qty	Model
	997 347 803 D8 T24	Sand beige			
	997 347 803 D8 E24	sea blue			
	997 347 803 D8 M24	Terracotta			
	997 347 803 D8 R24	Cocoa			
	997 347 803 D8 D14	Dark grey/natural			
	997 347 803 D8 T34	Brown/natural			
	997 347 803 D8 N14	Carrera Red			
	997 347 803 D8 6H6	Espresso			
(15)	997 347 803 62	multifunction steering wheel macassar D - MJ 2011>> Discontinued part		1	PR:847,345
	997 347 803 62 A34	Black			
	997 347 803 62 B24	Stone grey			
	997 347 803 62 T24	Sand beige			
	997 347 803 62 E24	sea blue			
	997 347 803 62 M24	Terracotta			
	997 347 803 62 R24	Cocoa			
	997 347 803 62 D14	Dark grey/natural			
	997 347 803 62 T34	Brown/natural			
	997 347 803 62 N14	Carrera Red			
(15)	997 347 803 A1	multifunction steering wheel macassar D - MJ 2011>> Discontinued part		1	PR:847,345
	997 347 803 A1 A34	Black			
	997 347 803 A1 B24	Stone grey			
	997 347 803 A1 T24	Sand beige			
	997 347 803 A1 E24	sea blue			
	997 347 803 A1 M24	Terracotta			
	997 347 803 A1 R24	Cocoa			
	997 347 803 A1 D14	Dark grey/natural			
	997 347 803 A1 T34	Brown/natural			
	997 347 803 A1 N14	Carrera Red			
	997 347 803 A1 6H6	Espresso			
(15)	997 347 803 D9	multifunction steering wheel macassar D - MJ 2011>>		1	PR:847,345
	997 347 803 D9 A34	Black			
	997 347 803 D9 B24	Stone grey			
	997 347 803 D9 T24	Sand beige			
	997 347 803 D9 E24	sea blue			
	997 347 803 D9 M24	Terracotta			
	997 347 803 D9 R24	Cocoa			
	997 347 803 D9 D14	Dark grey/natural			
	997 347 803 D9 T34	Brown/natural			
	997 347 803 D9 N14	Carrera Red			
	997 347 803 D9 6H6	Espresso			
(15)	997 347 980 11	multifunction steering wheel Aluminium look D - MJ 2011>> Discontinued part		1	PR:XPU,345
	997 347 980 11 A34	Black			
	997 347 980 11 B24	Stone grey			
	997 347 980 11 T24	Sand beige			
	997 347 980 11 E24	sea blue			
	997 347 980 11 M24	Terracotta			
	997 347 980 11 R24	Cocoa			
	997 347 980 11 D14	Dark grey/natural			
	997 347 980 11 T34	Brown/natural			
	997 347 980 11 N14	Carrera Red			
(15)	997 347 980 14	multifunction steering wheel Aluminium look		1	PR:XPU,345

Model: 997T10 Model life 2010>>2013

Pos	Part Number	Description	Remark	Qty	Model
		D - MJ 2011>> Discontinued part			
	997 347 980 14 A34	Black			
	997 347 980 14 B24	Stone grey			
	997 347 980 14 T24	Sand beige			
	997 347 980 14 E24	sea blue			
	997 347 980 14 M24	Terracotta			
	997 347 980 14 R24	Cocoa			
	997 347 980 14 D14	Dark grey/natural			
	997 347 980 14 T34	Brown/natural			
	997 347 980 14 N14	Carrera Red			
	997 347 980 14 6H6	Espresso			
(15)	997 347 980 B7	multifunction steering wheel Aluminium look D - MJ 2011>>		1	PR:XPU, 345
	997 347 980 B7 A34	Black			
	997 347 980 B7 B24	Stone grey			
	997 347 980 B7 T24	Sand beige			
	997 347 980 B7 E24	sea blue			
	997 347 980 B7 M24	Terracotta			
	997 347 980 B7 R24	Cocoa			
	997 347 980 B7 D14	Dark grey/natural			
	997 347 980 B7 T34	Brown/natural			
	997 347 980 B7 N14	Carrera Red			
	997 347 980 B7 6H6	Espresso			
(15)	997 347 980 10	multifunction steering wheel Aluminium look D - MJ 2011>> Discontinued part		1	PR:XPU, 345, 639, 640
	997 347 980 10 A34	Black			
	997 347 980 10 B24	Stone grey			
	997 347 980 10 T24	Sand beige			
	997 347 980 10 E24	sea blue			
	997 347 980 10 M24	Terracotta			
	997 347 980 10 R24	Cocoa			
	997 347 980 10 D14	Dark grey/natural			
	997 347 980 10 T34	Brown/natural			
	997 347 980 10 N14	Carrera Red			
(15)	997 347 980 13	multifunction steering wheel Aluminium look D - MJ 2011>> Discontinued part		1	PR:XPU, 345, 639, 640
	997 347 980 13 A34	Black			
	997 347 980 13 B24	Stone grey			
	997 347 980 13 T24	Sand beige			
	997 347 980 13 E24	sea blue			
	997 347 980 13 M24	Terracotta			
	997 347 980 13 R24	Cocoa			
	997 347 980 13 D14	Dark grey/natural			
	997 347 980 13 T34	Brown/natural			
	997 347 980 13 N14	Carrera Red			
	997 347 980 13 6H6	Espresso			
(15)	997 347 980 B6	multifunction steering wheel Aluminium look D - MJ 2011>>		1	PR:XPU, 345, 639, 640
	997 347 980 B6 A34	Black			
	997 347 980 B6 B24	Stone grey			
	997 347 980 B6 T24	Sand beige			
	997 347 980 B6 E24	sea blue			
	997 347 980 B6 M24	Terracotta			

Model: 997T10 Model life 2010>>2013

Pos	Part Number	Description	Remark	Qty	Model
	997 347 980 B6 R24	Cocoa			
	997 347 980 B6 D14	Dark grey/natural			
	997 347 980 B6 T34	Brown/natural			
	997 347 980 B6 N14	Carrera Red			
	997 347 980 B6 6H6	Espresso			
15	997 347 803 65	steering wheel Plain leather D - MJ 2011>>		1	PR:841,640, 639
	997 347 803 65 A34	Black			
	997 347 803 65 B24	Stone grey			
	997 347 803 65 T24	Sand beige			
	997 347 803 65 E24	sea blue			
	997 347 803 65 M24	Terracotta			
	997 347 803 65 R24	Cocoa			
	997 347 803 65 D14	Dark grey/natural			
	997 347 803 65 T34	Brown/natural			
	997 347 803 65 N14	Carrera Red			
(15)	997 347 803 70	steering wheel Plain leather D - MJ 2011>>		1	PR:841,640, 639
	997 347 803 70 A34	Black			PR:345
	997 347 803 70 B24	Stone grey			
	997 347 803 70 T24	Sand beige			
	997 347 803 70 E24	sea blue			
	997 347 803 70 M24	Terracotta			
	997 347 803 70 R24	Cocoa			
	997 347 803 70 D14	Dark grey/natural			
	997 347 803 70 T34	Brown/natural			
	997 347 803 70 N14	Carrera Red			
(15)	997 347 803 66	multifunction steering wheel Plain leather D - MJ 2011>>		1	PR:844,640, 639
	997 347 803 66 A34	Black			
	997 347 803 66 B24	Stone grey			
	997 347 803 66 T24	Sand beige			
	997 347 803 66 E24	sea blue			
	997 347 803 66 M24	Terracotta			
	997 347 803 66 R24	Cocoa			
	997 347 803 66 D14	Dark grey/natural			
	997 347 803 66 T34	Brown/natural			
	997 347 803 66 N14	Carrera Red			
(15)	997 347 803 A5	multifunction steering wheel Plain leather D - MJ 2011>> Discontinued part		1	PR:844,640, 639
	997 347 803 A5 A34	Black			
	997 347 803 A5 B24	Stone grey			
	997 347 803 A5 T24	Sand beige			
	997 347 803 A5 E24	sea blue			
	997 347 803 A5 M24	Terracotta			
	997 347 803 A5 R24	Cocoa			
	997 347 803 A5 D14	Dark grey/natural			
	997 347 803 A5 T34	Brown/natural			
	997 347 803 A5 N14	Carrera Red			
(15)	997 347 803 E3	multifunction steering wheel Plain leather D - MJ 2011>>		1	PR:844,640, 639
	997 347 803 E3 A34	Black			
	997 347 803 E3 B24	Stone grey			
	997 347 803 E3 T24	Sand beige			
	997 347 803 E3 E24	sea blue			
	997 347 803 E3 M24	Terracotta			
	997 347 803 E3 R24	Cocoa			

Model: 997T10 Model life 2010>>2013

Pos	Part Number	Description	Remark	Qty	Model
(15)	997 347 803 E3 D14	Dark grey/natural		1	PR:844,640, 639,345
	997 347 803 E3 T34	Brown/natural			
	997 347 803 E3 N14	Carrera Red			
	997 347 803 69	multifunction steering wheel Plain leather D - MJ 2011>> Discontinued part			
	997 347 803 69 A34	Black			
	997 347 803 69 B24	Stone grey			
	997 347 803 69 T24	Sand beige			
	997 347 803 69 E24	sea blue			
	997 347 803 69 M24	Terracotta			
	997 347 803 69 R24	Cocoa			
(15)	997 347 803 69 D14	Dark grey/natural		1	PR:844,640, 639,345
	997 347 803 69 T34	Brown/natural			
	997 347 803 69 N14	Carrera Red			
	997 347 803 A8	multifunction steering wheel Plain leather D - MJ 2011>> Discontinued part			
	997 347 803 A8 A34	Black			
	997 347 803 A8 B24	Stone grey			
	997 347 803 A8 T24	Sand beige			
	997 347 803 A8 E24	sea blue			
	997 347 803 A8 M24	Terracotta			
	997 347 803 A8 R24	Cocoa			
(15)	997 347 803 A8 D14	Dark grey/natural		1	PR:844,640, 639,345
	997 347 803 A8 T34	Brown/natural			
	997 347 803 A8 N14	Carrera Red			
	997 347 803 A8 6H6	Espresso			
	997 347 803 E6	multifunction steering wheel Plain leather D - MJ 2011>>			
	997 347 803 E6 A34	Black			
	997 347 803 E6 B24	Stone grey			
	997 347 803 E6 T24	Sand beige			
	997 347 803 E6 E24	sea blue			
	997 347 803 E6 M24	Terracotta			
(15)	997 347 803 E6 R24	Cocoa		1	PR:845,640, 639,345
	997 347 803 E6 D14	Dark grey/natural			
	997 347 803 E6 T34	Brown/natural			
	997 347 803 E6 N14	Carrera Red			
	997 347 803 E6 6H6	Espresso			
	997 347 803 67	multifunction steering wheel Carbon D - MJ 2011>> Discontinued part			
	997 347 803 67 A34	Black Discontinued part			
	997 347 803 67 B24	Stone grey Discontinued part			
	997 347 803 67 T24	Sand beige Discontinued part			
	997 347 803 67 E24	sea blue Discontinued part			
997 347 803 67 M24	Terracotta Discontinued part				
997 347 803 67 R24	Cocoa Discontinued part				
997 347 803 67 D14	Dark grey/natural Discontinued part				
997 347 803 67 T34	Brown/natural				

Model: 997T10 Model life 2010>>2013

Pos	Part Number	Description	Remark	Qty	Model
	997 347 803 67 N14	Discontinued part Carrera Red			
(15)	997 347 803 A6	Discontinued part multifunction steering wheel		1	PR:845,640, 639,345
		Carbon D - MJ 2011>> Discontinued part			
	997 347 803 A6 A34	Black			
	997 347 803 A6 B24	Stone grey			
	997 347 803 A6 T24	Sand beige			
	997 347 803 A6 E24	sea blue			
	997 347 803 A6 M24	Terracotta			
	997 347 803 A6 R24	Cocoa			
	997 347 803 A6 D14	Dark grey/natural			
	997 347 803 A6 T34	Brown/natural			
	997 347 803 A6 N14	Carrera Red			
(15)	997 347 803 A6 6H6	Black/espresso multifunction steering wheel		1	PR:845,640, 639,345
		Carbon D - MJ 2011>>			
	997 347 803 E4 A34	Black			
	997 347 803 E4 B24	Stone grey			
	997 347 803 E4 T24	Sand beige			
	997 347 803 E4 E24	sea blue			
	997 347 803 E4 M24	Terracotta			
	997 347 803 E4 R24	Cocoa			
	997 347 803 E4 D14	Dark grey/natural			
	997 347 803 E4 T34	Brown/natural			
	997 347 803 E4 N14	Carrera Red			
(15)	997 347 803 E4 6H6	Black/espresso multifunction steering wheel		1	PR:847,640, 639,345
		macassar D - MJ 2011>> Discontinued part			
	997 347 803 68 A34	Black			
	997 347 803 68 B24	Discontinued part Stone grey			
	997 347 803 68 T24	Discontinued part Sand beige			
	997 347 803 68 E24	Discontinued part sea blue			
	997 347 803 68 M24	Discontinued part Terracotta			
	997 347 803 68 R24	Discontinued part Cocoa			
	997 347 803 68 D14	Discontinued part Dark grey/natural			
	997 347 803 68 T34	Discontinued part Brown/natural			
	997 347 803 68 N14	Discontinued part Carrera Red			
(15)	997 347 803 A7	Discontinued part multifunction steering wheel		1	PR:847,640, 639,345
		macassar D - MJ 2011>> Discontinued part			
	997 347 803 A7 A34	Black			
	997 347 803 A7 B24	Stone grey			
	997 347 803 A7 T24	Sand beige			

Model: 997T10

Model life 2010>>2013

Pos	Part Number	Description	Remark	Qty	Model
	997 347 803 A7 E24	sea blue			
	997 347 803 A7 M24	Terracotta			
	997 347 803 A7 R24	Cocoa			
	997 347 803 A7 D14	Dark grey/natural			
	997 347 803 A7 T34	Brown/natural			
	997 347 803 A7 N14	Carrera Red			
	997 347 803 A7 6H6	Black/espresso			
(15)	997 347 803 E5	multifunction steering wheel		1	PR:847,640, 639,345
		macassar			
		D - MJ 2011>>			
	997 347 803 E5 A34	Black			
	997 347 803 E5 B24	Stone grey			
	997 347 803 E5 T24	Sand beige			
	997 347 803 E5 E24	sea blue			
	997 347 803 E5 M24	Terracotta			
	997 347 803 E5 R24	Cocoa			
	997 347 803 E5 D14	Dark grey/natural			
	997 347 803 E5 T34	Brown/natural			
	997 347 803 E5 N14	Carrera Red			
	997 347 803 E5 6H6	Black/espresso			
(15)	997 347 803 80	steering wheel		1	PR:840,-639, -640,-345
		PADDLE			
		D - MJ 2011>>			
		Discontinued part			
	997 347 803 80 A34	Black			
	997 347 803 80 B24	Stone grey			
	997 347 803 80 T24	Sand beige			
	997 347 803 80 E24	sea blue			
	997 347 803 80 M24	Terracotta			
	997 347 803 80 R24	Cocoa			
	997 347 803 80 D14	Dark grey/natural			
	997 347 803 80 T34	Brown/natural			
	997 347 803 80 N14	Carrera Red			
(15)	997 347 803 91	steering wheel		1	PR:840,-639, -640,-345
		Shifting paddle			
		D - MJ 2011>>			
		Discontinued part			
	997 347 803 91 A34	Black			
	997 347 803 91 B24	Stone grey			
		Discontinued part			
	997 347 803 91 T24	Sand beige			
	997 347 803 91 E24	sea blue			
	997 347 803 91 M24	Terracotta			
		Discontinued part			
	997 347 803 91 R24	Cocoa			
	997 347 803 91 D14	Dark grey/natural			
		Discontinued part			
	997 347 803 91 T34	Brown/natural			
	997 347 803 91 N14	Carrera Red			
		Discontinued part			
	997 347 803 91 6H6	Espresso			
(15)	997 347 803 B7	steering wheel		1	PR:840,-639, -640,-345
		Shifting paddle			
		D - MJ 2011>>			
		Discontinued part			
	997 347 803 B7 A34	Black			
	997 347 803 B7 B24	Stone grey			
	997 347 803 B7 T24	Sand beige			
	997 347 803 B7 E24	sea blue			
	997 347 803 B7 M24	Terracotta			
	997 347 803 B7 R24	Cocoa			
	997 347 803 B7 D14	Dark grey/natural			

Model: 997T10 Model life 2010>>2013

Pos	Part Number	Description	Remark	Qty	Model
(15)	997 347 803 B7 T34	Brown/natural		1	PR:840,-639, -640,-345
	997 347 803 B7 N14	Carrera Red			
	997 347 803 B7 6H6	Espresso			
	997 347 803 G0	steering wheel PADDLE D - MJ 2011>>			
	997 347 803 G0 A34	Black			
	997 347 803 G0 B24	Stone grey			
	997 347 803 G0 T24	Sand beige			
	997 347 803 G0 E24	sea blue			
	997 347 803 G0 M24	Terracotta			
	997 347 803 G0 R24	Cocoa			
(15)	997 347 803 G0 D14	Dark grey/natural		1	PR:840,639, 640,-345
	997 347 803 G0 T34	Brown/natural			
	997 347 803 G0 N14	Carrera Red			
	997 347 803 G0 6H6	Espresso			
	997 347 803 81	steering wheel Shifting paddle D - MJ 2011>> Discontinued part			
	997 347 803 81 A34	Black			
	997 347 803 81 B24	Stone grey			
	997 347 803 81 T24	Sand beige			
	997 347 803 81 E24	sea blue			
	997 347 803 81 M24	Terracotta			
(15)	997 347 803 81 R24	Cocoa		1	PR:840,639, 640,-345
	997 347 803 81 D14	Dark grey/natural			
	997 347 803 81 T34	Brown/natural			
	997 347 803 81 N14	Carrera Red			
	997 347 803 92	steering wheel Shifting paddle D - MJ 2011>> Discontinued part			
	997 347 803 92 A34	Black Discontinued part			
	997 347 803 92 B24	Stone grey Discontinued part			
	997 347 803 92 T24	Sand beige			
	997 347 803 92 E24	sea blue			
	997 347 803 92 M24	Terracotta Discontinued part			
(15)	997 347 803 92 R24	Cocoa Discontinued part		1	PR:840,639, 640,-345
	997 347 803 92 D14	Dark grey/natural Discontinued part			
	997 347 803 92 T34	Brown/natural Discontinued part			
	997 347 803 92 N14	Carrera Red Discontinued part			
	997 347 803 92 6H6	Espresso			
	997 347 803 B8	steering wheel Shifting paddle D - MJ 2011>> Discontinued part			
	997 347 803 B8 A34	Black			
	997 347 803 B8 B24	Stone grey			
	997 347 803 B8 T24	Sand beige			
	997 347 803 B8 E24	sea blue			
997 347 803 B8 M24	Terracotta				
997 347 803 B8 R24	Cocoa				
997 347 803 B8 D14	Dark grey/natural				
997 347 803 B8 T34	Brown/natural				
997 347 803 B8 N14	Carrera Red				

Model: 997T10 Model life 2010>>2013

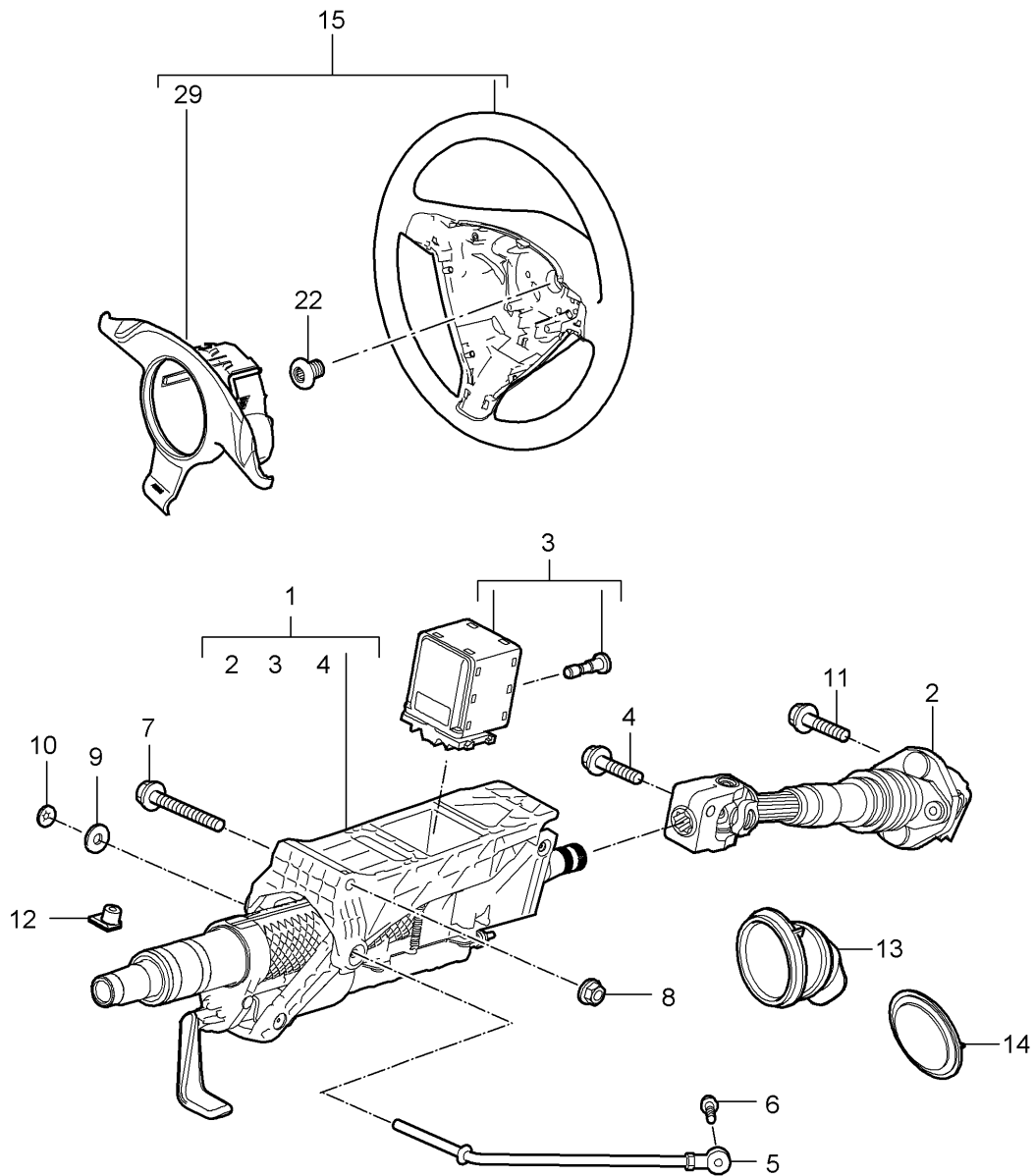
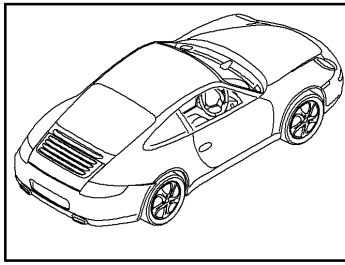
Pos	Part Number	Description	Remark	Qty	Model
(15)	997 347 803 B8 6H6 997 347 803 G1	Espresso steering wheel Shifting paddle D - MJ 2011>>		1	PR:840,639, 640,-345
	997 347 803 G1 A34 997 347 803 G1 B24 997 347 803 G1 T24 997 347 803 G1 E24 997 347 803 G1 M24 997 347 803 G1 R24 997 347 803 G1 D14 997 347 803 G1 T34 997 347 803 G1 N14	Black Stone grey Sand beige sea blue Terracotta Cocoa Dark grey/natural Brown/natural Carrera Red			
(15)	997 347 803 G1 6H6 997 347 803 97	Espresso steering wheel Shifting paddle D - MJ 2012>> Discontinued part		1	PR:018,639, 640,840
	997 347 803 97 DTB 997 347 803 97 DTP	Black/Carrara White Black/Pure Blue			
(15)	997 347 803 C3	steering wheel Shifting paddle D - MJ 2012>> Discontinued part		1	PR:018,639, 640,840
	997 347 803 C3 DTB 997 347 803 C3 DTP	Black/Carrara White Black/Pure Blue			
(15)	997 347 803 G6	steering wheel Shifting paddle D - MJ 2012>>		1	PR:018,639, 640,840
	997 347 803 G6 DTB 997 347 803 G6 DTP	Black/Carrara White Black/Pure Blue			
(15)	997 347 803 K4	steering wheel Shifting paddle		1	PR:018,639, 640,840
	997 347 803 K4 FVC	Black/Acid Green	-53,99		
-	7PP 951 527 7PP 951 527 A05	Switch Black		1	PR:345
22	N 910 207 01	Screw with int. serrations M 18 X 1,5 X 26		1	
23	997 613 461 00	Module		1	PR:250,841
	997 613 461 00 FUP	Volcano grey/galvanosilver			
23	997 613 461 00	Module		1	PR:250,841
	997 613 461 00 5Q0	Black			
(23)	997 613 465 00	Module Discontinued part		1	PR:250,844, 845,847
	997 613 465 00 FUQ	Volcano grey/galvanosilver			
(23)	997 613 465 01	Module		1	PR:250,844, 845,847
	997 613 465 01 FUQ	Volcano grey/galvanosilver			
(23)	997 613 465 01	Module		1	PR:250,844, 845,847
	997 613 465 01 5Q0	Black			
(23)	997 613 467 00	Module Discontinued part		1	PR:250,639, 640,841
	997 613 467 00 FUP	Volcano grey/galvanosilver			
(23)	997 613 467 03	Module		1	PR:250,639, 640,841
	997 613 467 03 FUP	Volcano grey/galvanosilver			
(23)	997 613 467 00	Module Discontinued part		1	PR:250,639, 640,841
	997 613 467 00 5Q0	Black			
(23)	997 613 467 03	Module		1	PR:250,639, 640,841
	997 613 467 03 5Q0	Black			

Model: 997T10 Model life 2010>>2013

Pos	Part Number	Description	Remark	Qty	Model
(23)	997 613 469 00	Module Discontinued part		1	PR:250,639, 640,844,845, 847
	997 613 469 00 FUQ	Volcano grey/galvanosilver Multi-function			
(23)	997 613 469 03	Module		1	PR:250,639, 640,844,845, 847
	997 613 469 03 FUQ	Volcano grey/galvanosilver Multi-function			
(23)	997 613 469 00	Module Discontinued part		1	PR:250,639, 640,844,845, 847
	997 613 469 00 5Q0	Black Multi-function			
(23)	997 613 469 03	Module		1	PR:250,639, 640,844,845, 847
	997 613 469 03 5Q0	Black Multi-function			
(23)		Module paddle See technical manual 48 12 55			PR:840
-	000 043 207 50	emulsion tube		X	
-	000 043 207 48	Adhesive set steering wheel See technical manual suspension		1	
		Group: 48 12 55 Discontinued part			
-	000 043 209 01	emulsion tube only in conj. with: 000.043.209.00		X	
-	000 043 209 00	Adhesive set steering wheel only in conj. with: 000.043.209.01 See technical manual suspension		1	
		Group: 48 12 55			

Model: 997T10

Model life 2010>>2013



Model: 997T10 Model life 2010>>2013

Pos	Part Number	Description	Remark	Qty	Model
		Steering protective pipe Intermediate steering shaft Steering wheels Complete steering column Intermediate steering shaft		1	PR:480
1	997 347 007 10			1	
2	997 347 023 04	Intermediate steering shaft		1	
3	997 618 158 04	Control unit Steering column		1	
		with:			
4	999 217 042 03	Screw Hexagon bolt M 8 X 35		1	
4	999 217 042 04	Discontinued part Hexagon bolt M 8 X 35		1	
5	997 347 243 00	Support		1	
6	900 378 173 01	Hexagon bolt M 6 x 20		1	
7	900 378 095 01	Hexagon bolt M 10 X 100		1	
8	900 380 008 01	Hexagon nut M 10		1	
9	900 151 006 03	Washer		1	
10	999 507 217 07	Clamping washer		1	
11	999 217 042 03	Hexagon bolt M 8 X 35 Discontinued part		1	
11	999 217 042 04	Hexagon bolt M 8 X 35		1	
12	999 920 019 40	Plug-in nut 3,5 X 2,5 X 9		1	
13	986 347 037 01	Bellows		1	
14	996 347 339 02	Rubber seal filler plate		1	
-		Steering wheels D - MJ 2010>> - MJ 2010			
(15)	997 347 803 51	steering wheel (leather) Discontinued part		1	PR:841
	997 347 803 51 A34	Black			
	997 347 803 51 B24	Stone grey			
	997 347 803 51 T24	Sand beige			
	997 347 803 51 E24	sea blue			
	997 347 803 51 R24	Cocoa			
	997 347 803 51 M24	Terracotta			
	997 347 803 51 D14	Dark grey/natural			
	997 347 803 51 T34	Brown/natural			
	997 347 803 51 N14	Carrera Red			
(15)	997 347 803 E8	steering wheel Leather		1	PR:841
	997 347 803 E8 A34	Black			
	997 347 803 E8 B24	Stone grey			
	997 347 803 E8 T24	Sand beige			
	997 347 803 E8 E24	sea blue			
	997 347 803 E8 R24	Cocoa			
	997 347 803 E8 M24	Terracotta			
	997 347 803 E8 D14	Dark grey/natural			
	997 347 803 E8 T34	Brown/natural			
	997 347 803 E8 N14	Carrera Red			
(15)	997 347 803 57	steering wheel Leather Discontinued part		1	PR:841,345
	997 347 803 57 A34	Black			
	997 347 803 57 B24	Stone grey			

Model: 997T10 Model life 2010>>2013

Pos	Part Number	Description	Remark	Qty	Model
	997 347 803 57 T24	Sand beige			
	997 347 803 57 E24	sea blue			
	997 347 803 57 R24	Cocoa			
	997 347 803 57 M24	Terracotta			
	997 347 803 57 D14	Dark grey/natural			
	997 347 803 57 T34	Brown/natural			
	997 347 803 57 N14	Carrera Red			
(15)	997 347 803 F2	steering wheel Leather		1	PR:841,345
	997 347 803 F2 A34	Black			
	997 347 803 F2 B24	Stone grey			
	997 347 803 F2 T24	Sand beige			
	997 347 803 F2 E24	sea blue			
	997 347 803 F2 R24	Cocoa			
	997 347 803 F2 M24	Terracotta			
	997 347 803 F2 D14	Dark grey/natural			
	997 347 803 F2 T34	Brown/natural			
	997 347 803 F2 N14	Carrera Red			
(15)	997 347 803 52	steering wheel Leather Discontinued part		1	PR:844
	997 347 803 52 A34	Black			
	997 347 803 52 B24	Stone grey			
	997 347 803 52 T24	Sand beige			
	997 347 803 52 E24	sea blue			
	997 347 803 52 R24	Cocoa			
	997 347 803 52 M24	Terracotta			
	997 347 803 52 D14	Dark grey/natural			
	997 347 803 52 T34	Brown/natural			
	997 347 803 52 N14	Carrera Red			
(15)	997 347 803 E9	steering wheel Leather Discontinued part		1	PR:844
	997 347 803 E9 A34	Black			
	997 347 803 E9 B24	Stone grey			
	997 347 803 E9 T24	Sand beige			
	997 347 803 E9 E24	sea blue			
	997 347 803 E9 R24	Cocoa			
	997 347 803 E9 M24	Terracotta			
	997 347 803 E9 D14	Dark grey/natural			
	997 347 803 E9 T34	Brown/natural			
	997 347 803 E9 N14	Carrera Red			
(15)	997 347 803 58	steering wheel Leather Discontinued part		1	PR:844,345
	997 347 803 58 A34	Black			
	997 347 803 58 B24	Stone grey			
	997 347 803 58 T24	Sand beige			
	997 347 803 58 E24	sea blue			
	997 347 803 58 R24	Cocoa			
	997 347 803 58 M24	Terracotta			
	997 347 803 58 D14	Dark grey/natural			
	997 347 803 58 T34	Brown/natural			
	997 347 803 58 N14	Carrera Red			
(15)	997 347 803 F3	steering wheel Leather Discontinued part		1	PR:844,345
	997 347 803 F3 A34	Black			
	997 347 803 F3 B24	Stone grey			
	997 347 803 F3 T24	Sand beige			
	997 347 803 F3 E24	sea blue			
	997 347 803 F3 R24	Cocoa			
	997 347 803 F3 M24	Terracotta			
	997 347 803 F3 D14	Dark grey/natural			
	997 347 803 F3 T34	Brown/natural			

Model: 997T10 Model life 2010>>2013

Pos	Part Number	Description	Remark	Qty	Model
(15)	997 347 803 F3 N14 997 347 803 53	Carrera Red steering wheel Leather		1	PR:845,345
	997 347 803 53 A34 997 347 803 53 B24 997 347 803 53 T24 997 347 803 53 E24 997 347 803 53 R24 997 347 803 53 M24 997 347 803 53 D14 997 347 803 53 T34 997 347 803 53 N14	Black Stone grey Sand beige sea blue Cocoa Terracotta Dark grey/natural Brown/natural Carrera Red			
(15)	997 347 803 55	steering wheel Leather		1	PR:847,345
	997 347 803 55 A34 997 347 803 55 B24 997 347 803 55 T24 997 347 803 55 E24 997 347 803 55 R24 997 347 803 55 M24 997 347 803 55 D14 997 347 803 55 T34 997 347 803 55 N14	Black Stone grey Sand beige sea blue Cocoa Terracotta Dark grey/natural Brown/natural Carrera Red			
(15)	997 347 980 08	steering wheel Leather		1	PR:XPU,345
	997 347 980 08 A34 997 347 980 08 B24 997 347 980 08 T24 997 347 980 08 E24 997 347 980 08 R24 997 347 980 08 M24 997 347 980 08 D14 997 347 980 08 T34 997 347 980 08 N14	Black Stone grey Sand beige sea blue Cocoa Terracotta Dark grey/natural Brown/natural Carrera Red			
-		Steering wheels D - MJ 2011>>			
(15)	997 347 803 71	steering wheel (leather) D - MJ 2011>> Discontinued part		1	PR:841
	997 347 803 71 A34 997 347 803 71 B24 997 347 803 71 T24 997 347 803 71 E24 997 347 803 71 R24 997 347 803 71 M24 997 347 803 71 D14 997 347 803 71 T34 997 347 803 71 N14	Black Stone grey Sand beige sea blue Cocoa Terracotta Dark grey/natural Brown/natural Carrera Red			
(15)	997 347 803 B0	steering wheel (leather) D - MJ 2011>> Discontinued part		1	PR:841
	997 347 803 B0 A34 997 347 803 B0 B24 997 347 803 B0 T24 997 347 803 B0 E24 997 347 803 B0 R24 997 347 803 B0 M24 997 347 803 B0 D14 997 347 803 B0 T34 997 347 803 B0 N14	Black Stone grey Sand beige sea blue Cocoa Terracotta Dark grey/natural Brown/natural Carrera Red			
(15)	997 347 803 F4	steering wheel (leather) D - MJ 2011>>		1	PR:841
	997 347 803 F4 A34	Black			

Model: 997T10 Model life 2010>>2013

Pos	Part Number	Description	Remark	Qty	Model
	997 347 803 F4 B24	Stone grey			
	997 347 803 F4 T24	Sand beige			
	997 347 803 F4 E24	sea blue			
	997 347 803 F4 R24	Cocoa			
	997 347 803 F4 M24	Terracotta			
	997 347 803 F4 D14	Dark grey/natural			
	997 347 803 F4 T34	Brown/natural			
	997 347 803 F4 N14	Carrera Red			
(15)	997 347 803 76	steering wheel Leather D - MJ 2011>> Discontinued part		1	PR:841,345
	997 347 803 76 A34	Black			
	997 347 803 76 B24	Stone grey			
	997 347 803 76 T24	Sand beige			
	997 347 803 76 E24	sea blue			
	997 347 803 76 R24	Cocoa			
	997 347 803 76 M24	Terracotta			
	997 347 803 76 D14	Dark grey/natural			
	997 347 803 76 T34	Brown/natural			
	997 347 803 76 N14	Carrera Red			
(15)	997 347 803 B5	steering wheel Leather D - MJ 2011>> Discontinued part		1	PR:841,345
	997 347 803 B5 A34	Black			
	997 347 803 B5 B24	Stone grey			
	997 347 803 B5 T24	Sand beige			
	997 347 803 B5 E24	sea blue			
	997 347 803 B5 R24	Cocoa			
	997 347 803 B5 M24	Terracotta			
	997 347 803 B5 D14	Dark grey/natural			
	997 347 803 B5 T34	Brown/natural			
	997 347 803 B5 N14	Carrera Red			
(15)	997 347 803 B5 6H6	Espresso			
(15)	997 347 803 F8	steering wheel Leather D - MJ 2011>>		1	PR:841,345
	997 347 803 F8 A34	Black			
	997 347 803 F8 B24	Stone grey			
	997 347 803 F8 T24	Sand beige			
	997 347 803 F8 E24	sea blue			
	997 347 803 F8 R24	Cocoa			
	997 347 803 F8 M24	Terracotta			
	997 347 803 F8 D14	Dark grey/natural			
	997 347 803 F8 T34	Brown/natural			
	997 347 803 F8 N14	Carrera Red			
(15)	997 347 803 F8 6H6	Espresso			
(15)	997 347 803 72	steering wheel Leather D - MJ 2011>> Discontinued part		1	PR:844
	997 347 803 72 A34	Black			
	997 347 803 72 B24	Stone grey			
	997 347 803 72 T24	Sand beige			
	997 347 803 72 E24	sea blue			
	997 347 803 72 R24	Cocoa			
	997 347 803 72 M24	Terracotta			
	997 347 803 72 D14	Dark grey/natural			
	997 347 803 72 T34	Brown/natural			
	997 347 803 72 N14	Carrera Red			
(15)	997 347 803 B1	steering wheel Leather		1	PR:844

Model: 997T10

Model life 2010>>2013

Pos	Part Number	Description	Remark	Qty	Model
		D - MJ 2011>> Discontinued part			
	997 347 803 B1 A34	Black			
	997 347 803 B1 B24	Stone grey			
	997 347 803 B1 T24	Sand beige			
	997 347 803 B1 E24	sea blue			
	997 347 803 B1 R24	Cocoa			
	997 347 803 B1 M24	Terracotta			
	997 347 803 B1 D14	Dark grey/natural			
	997 347 803 B1 T34	Brown/natural			
	997 347 803 B1 N14	Carrera Red			
	997 347 803 B1 6H6	Espresso			
(15)	997 347 803 F5	steering wheel Leather		1	PR:844
		D - MJ 2011>>			
	997 347 803 F5 A34	Black			
	997 347 803 F5 B24	Stone grey			
	997 347 803 F5 T24	Sand beige			
	997 347 803 F5 E24	sea blue			
	997 347 803 F5 R24	Cocoa			
	997 347 803 F5 M24	Terracotta			
	997 347 803 F5 D14	Dark grey/natural			
	997 347 803 F5 T34	Brown/natural			
	997 347 803 F5 N14	Carrera Red			
	997 347 803 F5 6H6	Espresso			
(15)	997 347 803 77	steering wheel Leather		1	PR:844,345
		D - MJ 2011>> Discontinued part			
	997 347 803 77 A34	Black			
	997 347 803 77 B24	Stone grey			
	997 347 803 77 T24	Sand beige			
	997 347 803 77 E24	sea blue			
	997 347 803 77 R24	Cocoa			
	997 347 803 77 M24	Terracotta			
	997 347 803 77 D14	Dark grey/natural			
	997 347 803 77 T34	Brown/natural			
	997 347 803 77 N14	Carrera Red			
(15)	997 347 803 B6	steering wheel Leather		1	PR:844,345
		D - MJ 2011>> Discontinued part			
	997 347 803 B6 A34	Black			
	997 347 803 B6 B24	Stone grey			
	997 347 803 B6 T24	Sand beige			
	997 347 803 B6 E24	sea blue			
	997 347 803 B6 R24	Cocoa			
	997 347 803 B6 M24	Terracotta			
	997 347 803 B6 D14	Dark grey/natural			
	997 347 803 B6 T34	Brown/natural			
	997 347 803 B6 N14	Carrera Red			
	997 347 803 B6 6H6	Espresso			
(15)	997 347 803 F9	steering wheel Leather		1	PR:844,345
		D - MJ 2011>>			
	997 347 803 F9 A34	Black			
	997 347 803 F9 B24	Stone grey			
	997 347 803 F9 T24	Sand beige			
	997 347 803 F9 E24	sea blue			
	997 347 803 F9 R24	Cocoa			
	997 347 803 F9 M24	Terracotta			
	997 347 803 F9 D14	Dark grey/natural			
	997 347 803 F9 T34	Brown/natural			

Model: 997T10

Model life 2010>>2013

Pos	Part Number	Description	Remark	Qty	Model
(15)	997 347 803 F9 N14	Carrera Red		1	PR:845,345
	997 347 803 F9 6H6	Espresso			
	997 347 803 73	steering wheel			
		Leather			
		D - MJ 2011>>			
		Discontinued part			
	997 347 803 73 A34	Black			
	997 347 803 73 B24	Stone grey			
	997 347 803 73 T24	Sand beige			
	997 347 803 73 E24	sea blue			
(15)	997 347 803 73 R24	Cocoa		1	PR:845,345
	997 347 803 73 M24	Terracotta			
	997 347 803 73 D14	Dark grey/natural			
	997 347 803 73 T34	Brown/natural			
	997 347 803 73 N14	Carrera Red			
	997 347 803 B2	steering wheel			
		Leather			
		D - MJ 2011>>			
		Discontinued part			
	997 347 803 B2 A34	Black			
(15)	997 347 803 B2 B24	Stone grey		1	PR:845,345
	997 347 803 B2 T24	Sand beige			
	997 347 803 B2 E24	sea blue			
	997 347 803 B2 R24	Cocoa			
	997 347 803 B2 M24	Terracotta			
	997 347 803 B2 D14	Dark grey/natural			
	997 347 803 B2 T34	Brown/natural			
	997 347 803 B2 N14	Carrera Red			
	997 347 803 B2 6H6	Espresso			
	997 347 803 F6	steering wheel			
(15)		Leather		1	PR:847,345
		D - MJ 2011>>			
	997 347 803 F6 A34	Black			
	997 347 803 F6 B24	Stone grey			
	997 347 803 F6 T24	Sand beige			
	997 347 803 F6 E24	sea blue			
	997 347 803 F6 R24	Cocoa			
	997 347 803 F6 M24	Terracotta			
	997 347 803 F6 D14	Dark grey/natural			
	997 347 803 F6 T34	Brown/natural			
(15)	997 347 803 F6 N14	Carrera Red		1	PR:847,345
	997 347 803 F6 6H6	Espresso			
	997 347 803 75	steering wheel			
		Leather			
		D - MJ 2011>>			
		Discontinued part			
	997 347 803 75 A34	Black			
	997 347 803 75 B24	Stone grey			
	997 347 803 75 T24	Sand beige			
	997 347 803 75 E24	sea blue			
(15)	997 347 803 75 R24	Cocoa		1	PR:847,345
	997 347 803 75 M24	Terracotta			
	997 347 803 75 D14	Dark grey/natural			
	997 347 803 75 T34	Brown/natural			
	997 347 803 75 N14	Carrera Red			
	997 347 803 B4	steering wheel			
		Leather			
		D - MJ 2011>>			
		Discontinued part			
	997 347 803 B4 A34	Black			
997 347 803 B4 B24	Stone grey				
997 347 803 B4 T24	Sand beige				
997 347 803 B4 E24	sea blue				

Model: 997T10

Model life 2010>>2013

Pos	Part Number	Description	Remark	Qty	Model
	997 347 803 B4 R24	Cocoa			
	997 347 803 B4 M24	Terracotta			
	997 347 803 B4 D14	Dark grey/natural			
	997 347 803 B4 T34	Brown/natural			
	997 347 803 B4 N14	Carrera Red			
	997 347 803 B4 6H6	Espresso			
(15)	997 347 803 F7	steering wheel Leather D - MJ 2011>>		1	PR:847,345
	997 347 803 F7 A34	Black			
	997 347 803 F7 B24	Stone grey			
	997 347 803 F7 T24	Sand beige			
	997 347 803 F7 E24	sea blue			
	997 347 803 F7 R24	Cocoa			
	997 347 803 F7 M24	Terracotta			
	997 347 803 F7 D14	Dark grey/natural			
	997 347 803 F7 T34	Brown/natural			
	997 347 803 F7 N14	Carrera Red			
	997 347 803 F7 6H6	Espresso			
(15)	997 347 980 12	steering wheel Leather D - MJ 2011>> Discontinued part		1	PR:XPU,345
	997 347 980 12 A34	Black Discontinued part			
	997 347 980 12 B24	Stone grey Discontinued part			
	997 347 980 12 T24	Sand beige Discontinued part			
	997 347 980 12 E24	sea blue Discontinued part			
	997 347 980 12 R24	Cocoa Discontinued part			
	997 347 980 12 M24	Terracotta Discontinued part			
	997 347 980 12 D14	Dark grey/natural Discontinued part			
	997 347 980 12 T34	Brown/natural Discontinued part			
	997 347 980 12 N14	Carrera Red Discontinued part			
(15)	997 347 980 B3	steering wheel Leather D - MJ 2011>> Discontinued part		1	PR:XPU,345
	997 347 980 B3 A34	Black			
	997 347 980 B3 B24	Stone grey			
	997 347 980 B3 T24	Sand beige			
	997 347 980 B3 E24	sea blue			
	997 347 980 B3 R24	Cocoa			
	997 347 980 B3 M24	Terracotta			
	997 347 980 B3 D14	Dark grey/natural			
	997 347 980 B3 T34	Brown/natural			
	997 347 980 B3 N14	Carrera Red			
	997 347 980 B3 6H6	Espresso			
(15)	997 347 980 C0	steering wheel Leather D - MJ 2011>>		1	PR:XPU,345
	997 347 980 C0 A34	Black			
	997 347 980 C0 B24	Stone grey			
	997 347 980 C0 T24	Sand beige			
	997 347 980 C0 E24	sea blue			
	997 347 980 C0 R24	Cocoa			

Model: 997T10 Model life 2010>>2013

Pos	Part Number	Description	Remark	Qty	Model
	997 347 980 C0 M24	Terracotta			
	997 347 980 C0 D14	Dark grey/natural			
	997 347 980 C0 T34	Brown/natural			
	997 347 980 C0 N14	Carrera Red			
	997 347 980 C0 6H6	Espresso			
(15)	997 347 803 95	steering wheel Leather D - MJ 2012>> Discontinued part		1	PR:480,840
	997 347 803 95 A34	Black Discontinued part			
	997 347 803 95 B24	Stone grey Discontinued part			
	997 347 803 95 T24	Sand beige Discontinued part			
	997 347 803 95 E24	sea blue Discontinued part			
	997 347 803 95 R24	Cocoa Discontinued part			
	997 347 803 95 M24	Terracotta Discontinued part			
	997 347 803 95 D14	Dark grey/natural Discontinued part			
	997 347 803 95 T34	Brown/natural Discontinued part			
	997 347 803 95 N14	Carrera Red Discontinued part			
	997 347 803 95 6H6	Espresso Discontinued part			
(15)	997 347 803 C1	steering wheel Leather D - MJ 2012>> Discontinued part		1	PR:480,840
	997 347 803 C1 A34	Black			
	997 347 803 C1 B24	Stone grey			
	997 347 803 C1 T24	Sand beige			
	997 347 803 C1 E24	sea blue			
	997 347 803 C1 R24	Cocoa			
	997 347 803 C1 M24	Terracotta			
	997 347 803 C1 D14	Dark grey/natural			
	997 347 803 C1 T34	Brown/natural			
	997 347 803 C1 N14	Carrera Red			
	997 347 803 C1 6H6	Espresso			
(15)	997 347 803 G4	steering wheel (leather) D - MJ 2012>>		1	PR:480,840
	997 347 803 G4 A34	Black			
	997 347 803 G4 B24	Stone grey			
	997 347 803 G4 T24	Sand beige			
	997 347 803 G4 E24	sea blue			
	997 347 803 G4 R24	Cocoa			
	997 347 803 G4 M24	Terracotta			
	997 347 803 G4 D14	Dark grey/natural			
	997 347 803 G4 T34	Brown/natural			
	997 347 803 G4 N14	Carrera Red			
	997 347 803 G4 6H6	Espresso			
(29)	997 347 803 71	steering wheel (leather) D - MJ 2011>> Discontinued part		1	GT2-RS PR:004,841
	997 347 803 71 A34	Black			
(29)	997 347 803 B0	steering wheel (leather) D - MJ 2011>>		1	GT2-RS PR:004,841

Model: 997T10 Model life 2010>>2013

Pos	Part Number	Description	Remark	Qty	Model
(29)	997 347 803 B0 A34 997 347 803 F4	Discontinued part Black steering wheel (leather)		1	GT2-RS PR:004,841
(29)	997 347 803 F4 A34 997 347 804 96	D - MJ 2011>> Black sports steering wheel Leather Alcantara D - MJ 2011>> Discontinued part		1	GT2-RS PR:004,839
(29)	997 347 804 96 A15 997 347 804 A1	Black Alcantara sports steering wheel Leather Alcantara D - MJ 2011>>		1	GT2-RS PR:004,839
(29)	997 347 804 A1 A15 997 347 804 96	Black Alcantara sports steering wheel Leather Alcantara D - MJ 2011>> Discontinued part		1	GT2-RS PR:004,839
(29)	997 347 804 96 DRA 997 347 804 A1	black/red sports steering wheel Leather Alcantara D - MJ 2011>>		1	GT2-RS PR:004,839
-	997 347 804 A1 DRA 7PP 951 527	black/red Switch		1	PR:345
22	7PP 951 527 A05 N 910 207 01	Black Screw with int. serrations M 18 X 1,5 X 26		1	
29	997 613 463 01	Module D >> - MJ 2010 Discontinued part		1	PR:480,844, 845,847
29	997 613 463 01 FUR 997 613 463 03	Volcano grey/matt black/ volcano grey/matt black Multi-function Module D >> - MJ 2010		1	PR:480,844, 845,847
29	997 613 463 03 FUR 997 613 463 01	Volcano grey/matt black/ volcano grey/matt black Multi-function Module D - MJ 2011>> Discontinued part		1	PR:480,844, 845,847
29	997 613 463 01 5Q0 997 613 463 03	Black Multi-function Module D - MJ 2011>>		1	PR:480,844, 845,847
-	997 613 463 03 5Q0 000 043 207 50	Black Multi-function emulsion tube		X	
-	000 043 207 48	Adhesive set steering wheel See technical manual suspension		1	
-	000 043 209 01	Group: 48 12 55 Discontinued part emulsion tube		X	

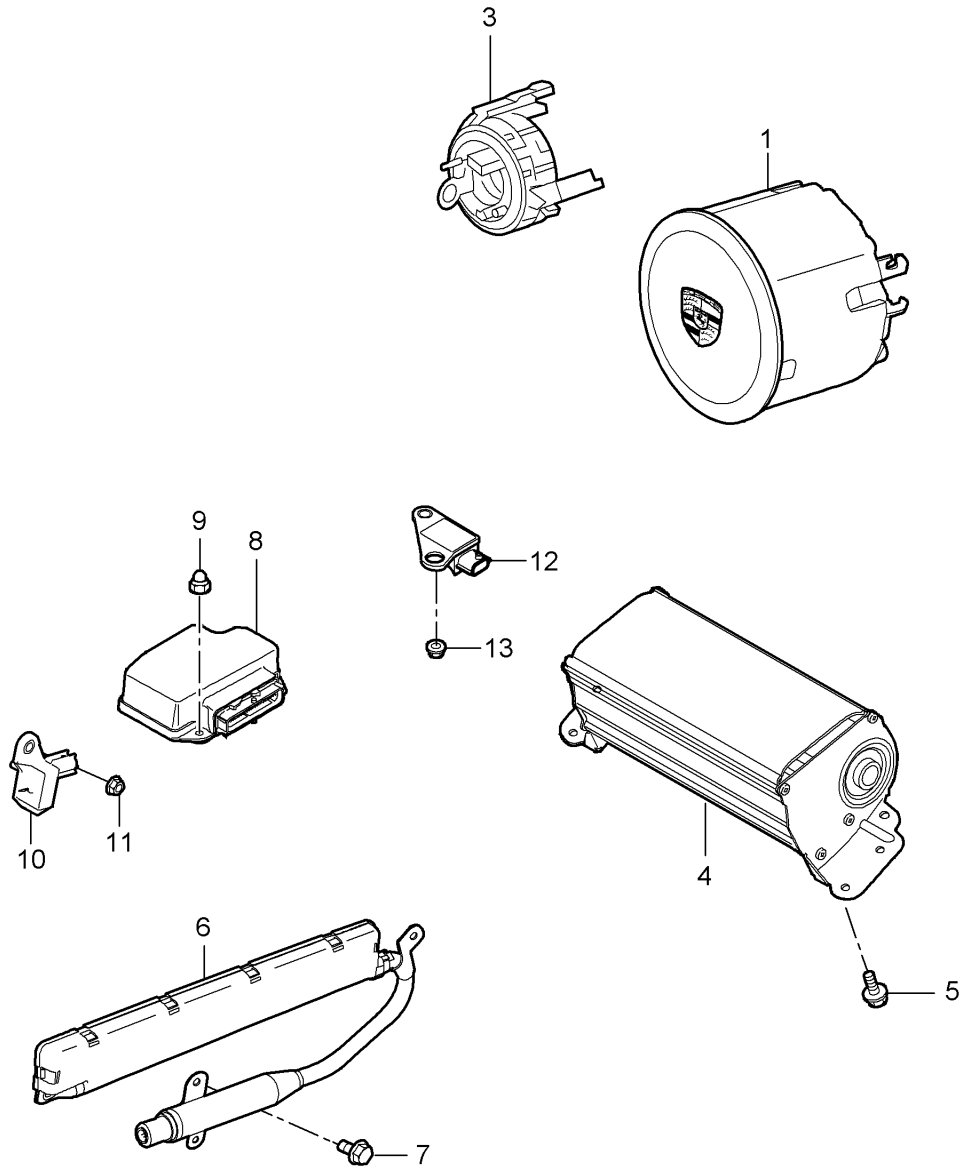
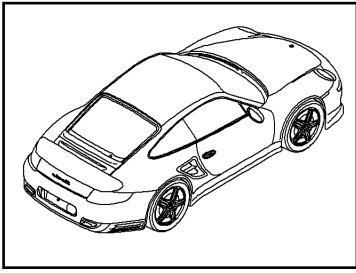
Model: 997T10

Model life 2010>>2013

Pos	Part Number	Description	Remark	Qty	Model
-	000 043 209 00	only in conj. with: 000.043.209.00 Adhesive set steering wheel only in conj. with: 000.043.209.01 See technical manual suspension Group: 48 12 55		1	

Model: 997T10

Model life 2010>>2013



Model: 997T10 Model life 2010>>2013

Pos	Part Number	Description	Remark	Qty	Model
1	997 803 089 12	Airbag Airbag unit Leather Discontinued part		1	TURBO
	997 803 089 12 A34	Black			
	997 803 089 12 B24	Stone grey			
	997 803 089 12 T24	Sand beige			
	997 803 089 12 E24	sea blue			
	997 803 089 12 M24	Terracotta			
	997 803 089 12 R24	Cocoa			
	997 803 089 12 D14	Dark grey/natural			
	997 803 089 12 T34	Brown/natural			
	997 803 089 12 N14	Carrera Red			
(1)	997 803 089 24	Airbag unit Leather Discontinued part		1	TURBO
	997 803 089 24 A34	Black			
	997 803 089 24 B24	Stone grey			
	997 803 089 24 T24	Sand beige			
	997 803 089 24 E24	sea blue			
	997 803 089 24 M24	Terracotta			
	997 803 089 24 R24	Cocoa			
	997 803 089 24 D14	Dark grey/natural			
	997 803 089 24 T34	Brown/natural			
	997 803 089 24 N14	Carrera Red			
(1)	997 803 089 12	Airbag unit Leather Discontinued part		1	
	997 803 089 12 A34	Black			PR:839,841
		D - MJ 2011>>			
(1)	997 803 089 12 6H6	Espresso		1	PR:840
	997 803 089 24	Airbag unit Leather Discontinued part		1	
	997 803 089 24 A34	Black			PR:839,841
		D - MJ 2011>>			
	997 803 089 24 6H6	Espresso		1	PR:840
3	955 652 211 11	Spring		1	
		steering sensor	with:		
3	955 652 211 22	Spring		1	PR:345
		steering sensor	with:		
4	997 803 071 08	Airbag unit (passenger side)		1	
5	900 378 222 01	Hexagon bolt M 6 X 16		4	
6	997 803 091 04	Side airbag unit for	left	1	
(6)	997 803 092 04	Head airbag unit Side airbag unit for	right	1	
7	900 378 035 01	Hexagon bolt M 6 X 16		6	
8	997 618 217 08	Control unit for airbag		1	TURBO COUPE
(8)	997 618 219 09	Control unit for airbag		1	TURBO CABRIO
(8)	997 618 217 08	Control unit for airbag		1	GT-2 RS
9	999 070 015 02	domed cap nut M 6		3	
10	997 618 221 01	Crash sensor for airbag Side airbag unit		2	
11	999 084 629 01	Hexagon nut		8	

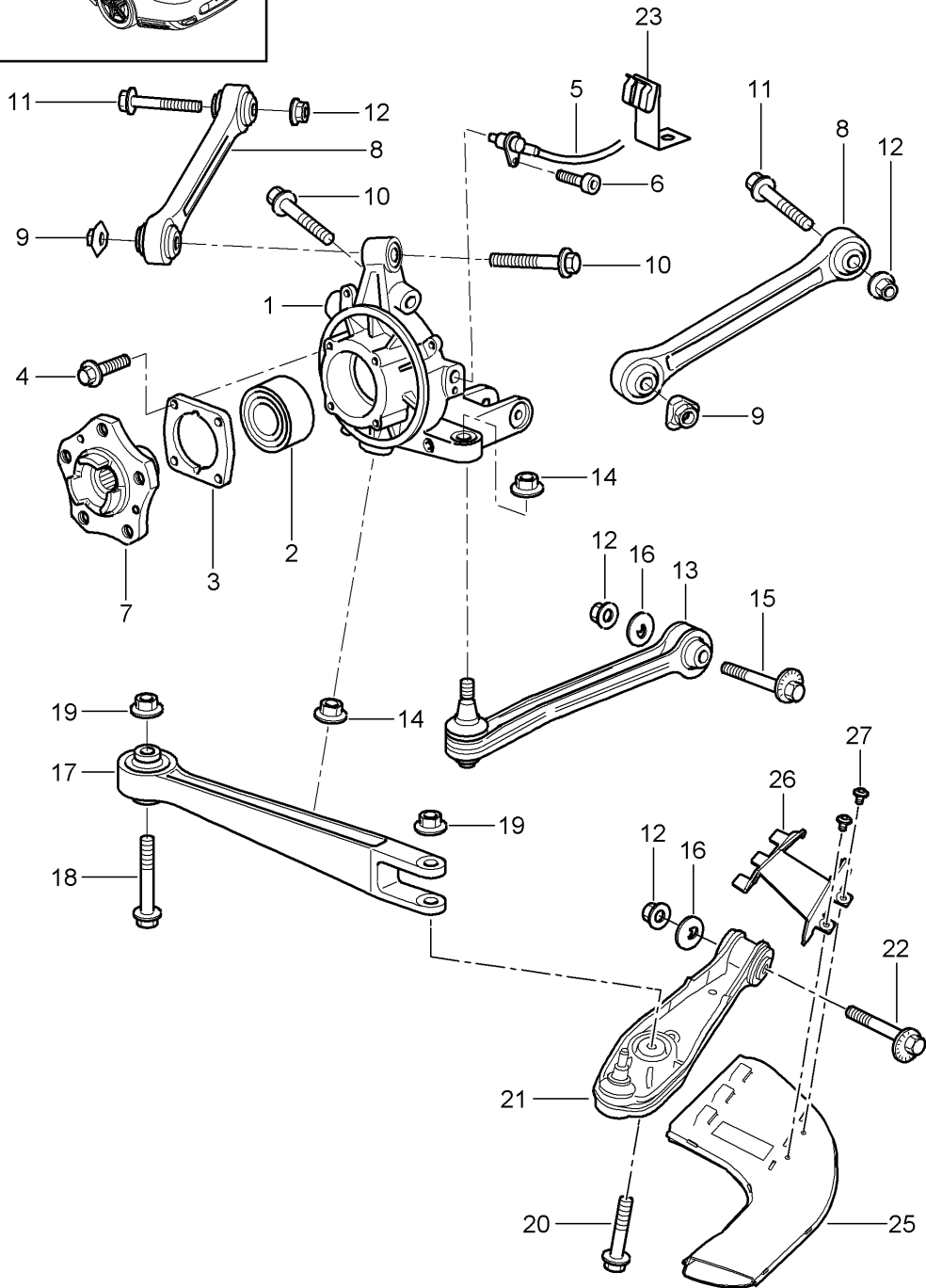
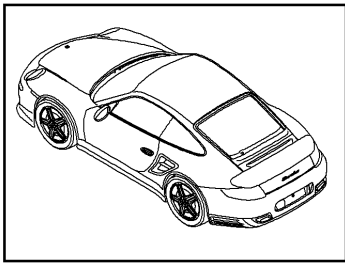
Model: 997T10

Model life 2010>>2013

Pos	Part Number	Description	Remark	Qty	Model
12	997 618 223 02	M 6 Accelerator sensor Airbag Front		2	
13	999 084 638 01	Hexagon nut M 6 SB		2	

Model: 997T10

Model life 2010>>2013



Model: 997T10

Model life 2010>>2013

Pos	Part Number	Description	Remark	Qty	Model
		Rear axle			
		Wheel carrier			
		Guide			
		Wheel hub			
1	997 331 111 07	Wheel carrier	left	1	TURBO
1	997 331 111 80	Wheel carrier	left	1	GT-2 RS
(1)	997 331 112 07	Wheel carrier	right	1	TURBO
1	997 331 112 80	Wheel carrier	right	1	GT-2 RS
2	999 053 055 02	angular ball bearing		2	
3	996 331 661 01	Cover		2	
(4)	999 217 042 04	Hexagon bolt M 8 X 35		8	
5	997 606 407 01	speed sensor		2	
(6)	900 067 117 04	Socket head bolt M 6 x 16		2	
7	997 331 605 00	Wheel hub Discontinued part		2	TURBO
7	997 331 605 01	Wheel hub		2	
(7)	997 331 607 02	Wheel hub		2	TURBO
(7)	997 331 607 04	Wheel hub		2	PR:422 GT-2 RS PR:430
8	997 331 047 01	Wishbone		2	
(9)	999 084 445 01	Locknut M 12 x 1,5		4	
10	900 378 138 01	Hexagon bolt M 12 X 70		4	
11	900 378 165 01	Hexagon bolt M 12 X 95		4	
(12)	999 084 445 01	Locknut M 12 x 1,5		10	
13	997 331 045 04	Track rod		2	TURBO
13	997 331 045 80	Track rod		2	GT-2 RS
14	999 084 449 09	Locknut M 12 X 1,5		4	
15	997 331 217 02	Eccentric bolt M 12 X 83		2	
16	996 331 219 00	eccentric washer		2	
17	997 331 043 01	Guide		2	
(18)	900 378 051 01	Hexagon bolt M 14 x 100		2	
19	900 380 012 09	Hexagon nut M 14 X 1,5		4	
19	900 380 012 01	Hexagon nut M 14 X 1,5 Discontinued part		4	
(20)	900 378 135 01	Hexagon bolt M 14 x 1,5 x 75		2	
21	997 331 053 02	Wishbone		2	TURBO
21	997 331 041 80	Wishbone	left	2	GT-2 RS
(21)	997 331 042 80	Wishbone	right	2	GT-2 RS
22	997 331 217 03	Eccentric bolt		2	
23	997 331 487 02	Spoiler	left	1	
(23)	997 331 488 02	Spoiler	right	1	
24	999 507 530 00	Cable holder		2	
25	997 575 531 90	speed sensor Air guide	left	1	GT-2 RS
(25)	997 575 532 90	Air guide	right	2	GT-2 RS
26	997 575 631 91	Bracket	left	1	GT-2 RS
(26)	997 575 632 91	Bracket	right	1	GT-2 RS
27	999 073 516 01	fillister hd. bolt M 6 X 10		2	GT-2 RS
28	900 060 070 01	Threaded pin		1	

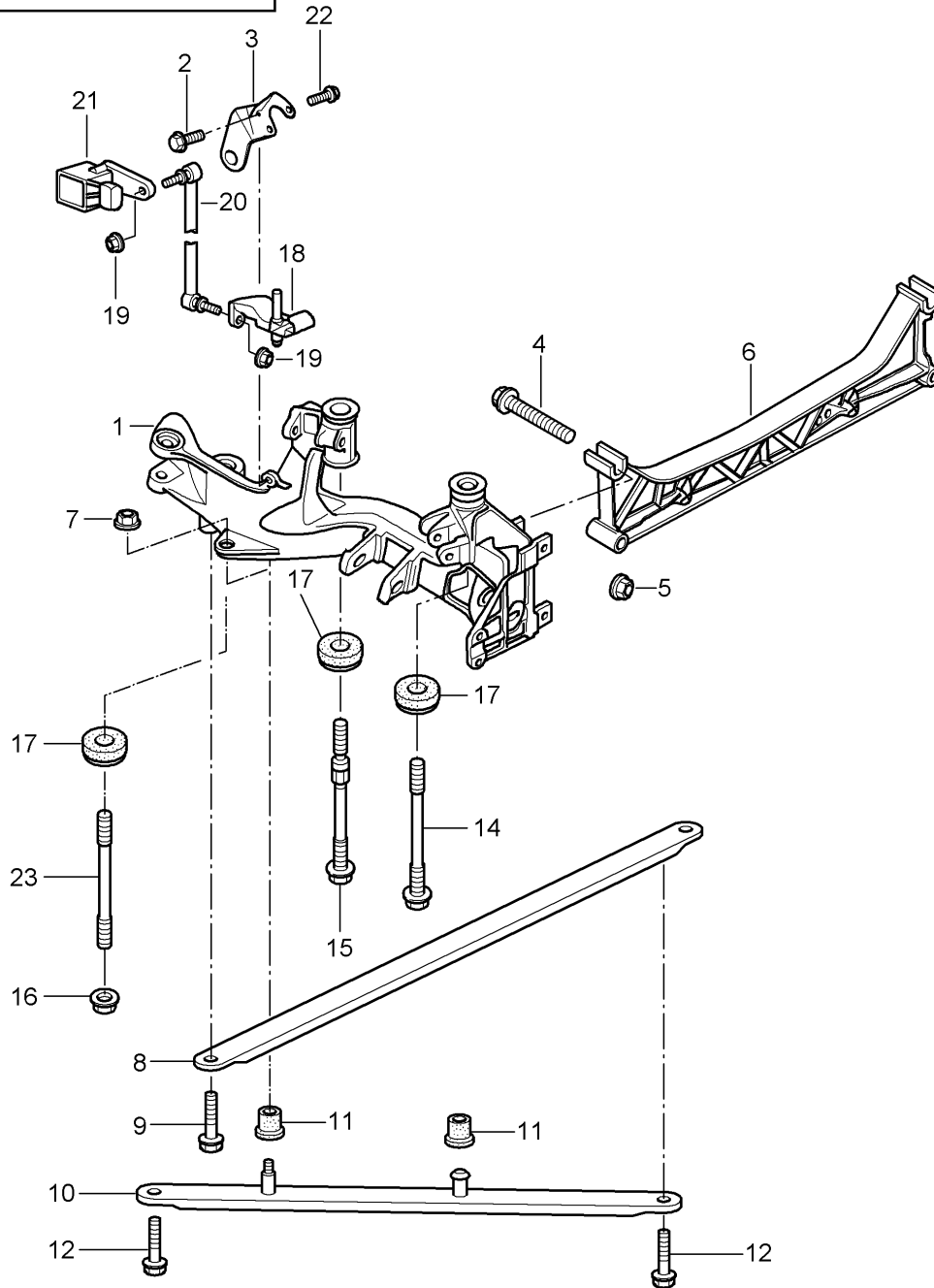
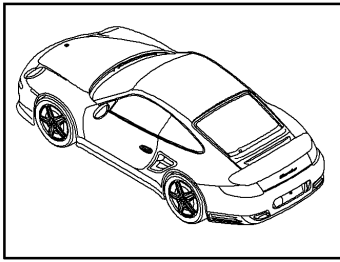
Model: 997T10

Model life 2010>>2013

Pos	Part Number	Description	Remark	Qty	Model
		M6X30 Mount speed sensor D - MJ 2010>>			

Model: 997T10

Model life 2010>>2013



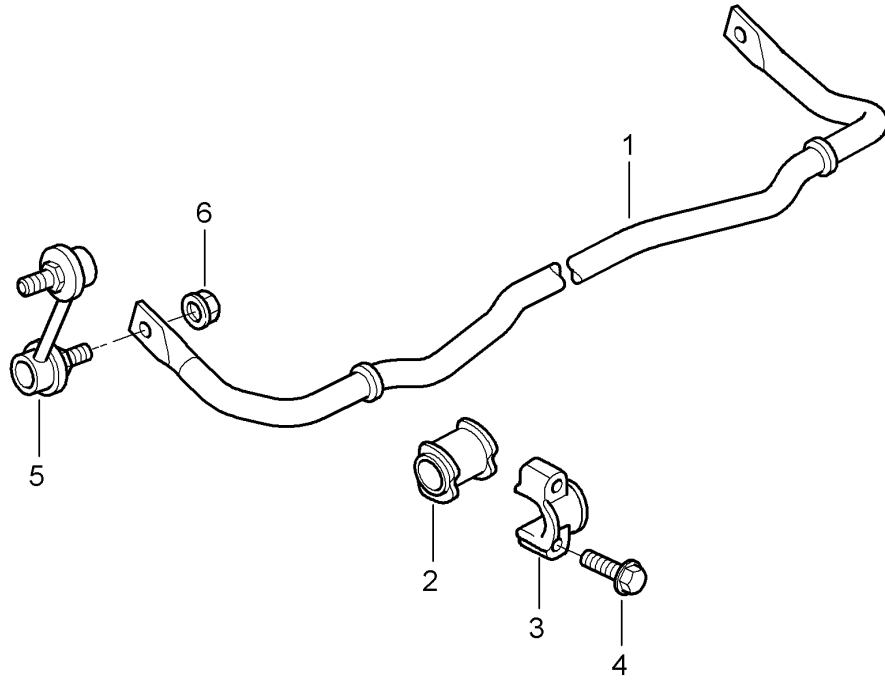
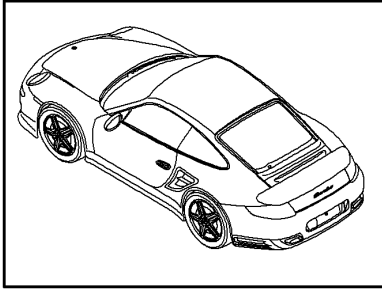
Model: 997T10

Model life 2010>>2013

Pos	Part Number	Description	Remark	Qty	Model
		Rear axle			
		Side part			
		Carrier			
1	997 331 051 05	Side part	left	1	TURBO
(1)	997 331 051 94	Side part	left	1	GT-2 RS
(1)	997 331 052 05	Side part	right	1	TURBO
(1)	997 331 052 94	Side part	right	1	GT-2 RS
2	900 067 117 04	Socket head bolt m 6 x 16		2	
3	997 355 505 02	Retainer for brake hose for	left	1	
(3)	997 355 506 02	Retainer for brake hose for	right	1	
4	900 378 139 01	Hexagon bolt M 12 x 1,5 x 80		4	
5	999 084 445 01	Locknut M 12 x 1,5		4	
6	997 331 261 22	Cross member		1	TURBO
6	997 331 261 02	Cross member		1	GT-2 RS
7	999 076 053 01	Hexagon nut M 10		2	
8	997 331 171 20	Transverse strut	front	1	
-	999 591 629 01	Cage nut		X	
9	999 073 443 01	Underbody protection Bolt with washer M 10 X 1,5 X 40		2	
10	997 331 081 20	Brace		2	TURBO
10	997 331 081 92	Brace		2	GT-2 RS
-	999 591 629 01	Cage nut		X	
11	996 331 385 00	Underbody protection Rubber bush		6	
12	900 378 072 09	Hexagon bolt M 12 X 1,5 X 30		2	
12	900 378 072 01	Discontinued part Hexagon bolt M 12 X 1,5 X 30		2	
14	900 178 010 01	Hexagon bolt M 12 x 130		2	
15	900 178 010 01	Hexagon bolt M 12 x 130		2	
16	999 084 445 01	Locknut M 12 x 1,5		2	
17	997 331 291 00	Washer		6	
18	996 341 371 03	Bracket for cross member		1	TURBO
19	900 380 015 01	Hexagon nut VM 6		2	PR:603
20	997 331 375 03	Brace		1	TURBO
21	997 631 121 00	Level sensor		1	PR:603
22	900 146 003 03	fillister hd. bolt M 5 x 10		2	TURBO
23	999 061 103 01	Threaded pin M 12 X 1,5		2	PR:603

Model: 997T10

Model life 2010>>2013



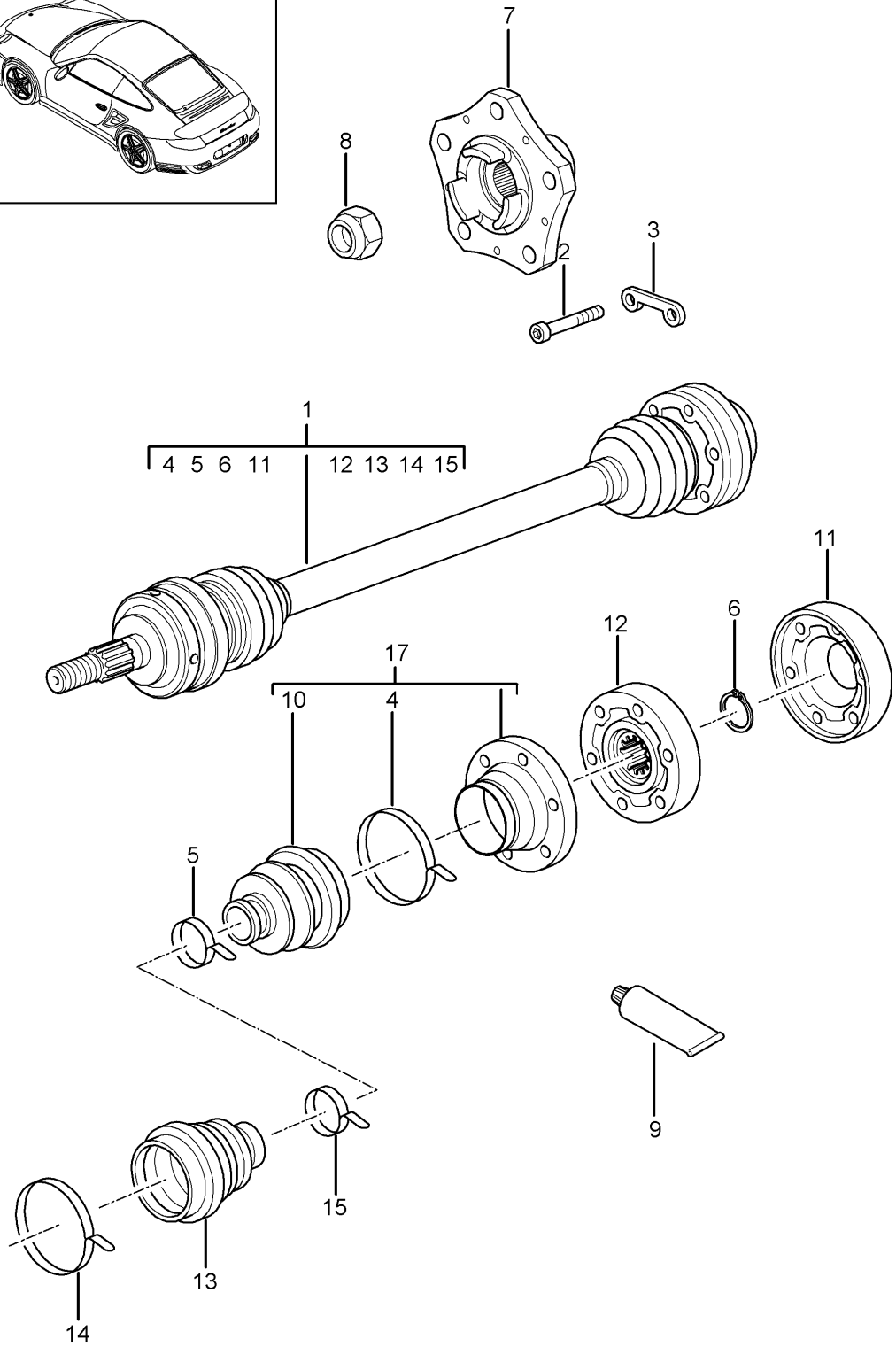
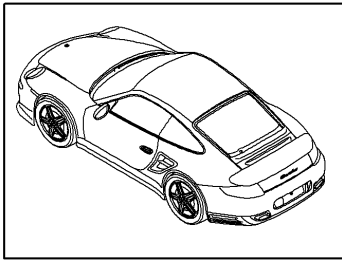
Model: 997T10

Model life 2010>>2013

Pos	Part Number	Description	Remark	Qty	Model
1	997 333 703 03	Anti-roll bar		1	TURBO
(1)	997 333 701 96	Anti-roll bar		1	GT-2 RS
2	996 333 792 26	anti-roll bar bearing bracket		2	TURBO
(2)	997 333 792 95	anti-roll bar bearing bracket		2	GT-2 RS
3	996 333 777 01	Bearing clamp		2	
4	900 378 055 01	Hexagon bolt AM 8 X 40		4	
5	997 333 069 06	Coupling rod	left	1	
(5)	997 333 070 06	Coupling rod	right	1	
6	999 084 123 09	Hexagon nut M 10		2	
(6)	999 084 643 01	Coupling rod Anti-roll bar Hexagon nut M 10 Anti-roll bar Wheel carrier		2	

Model: 997T10

Model life 2010>>2013



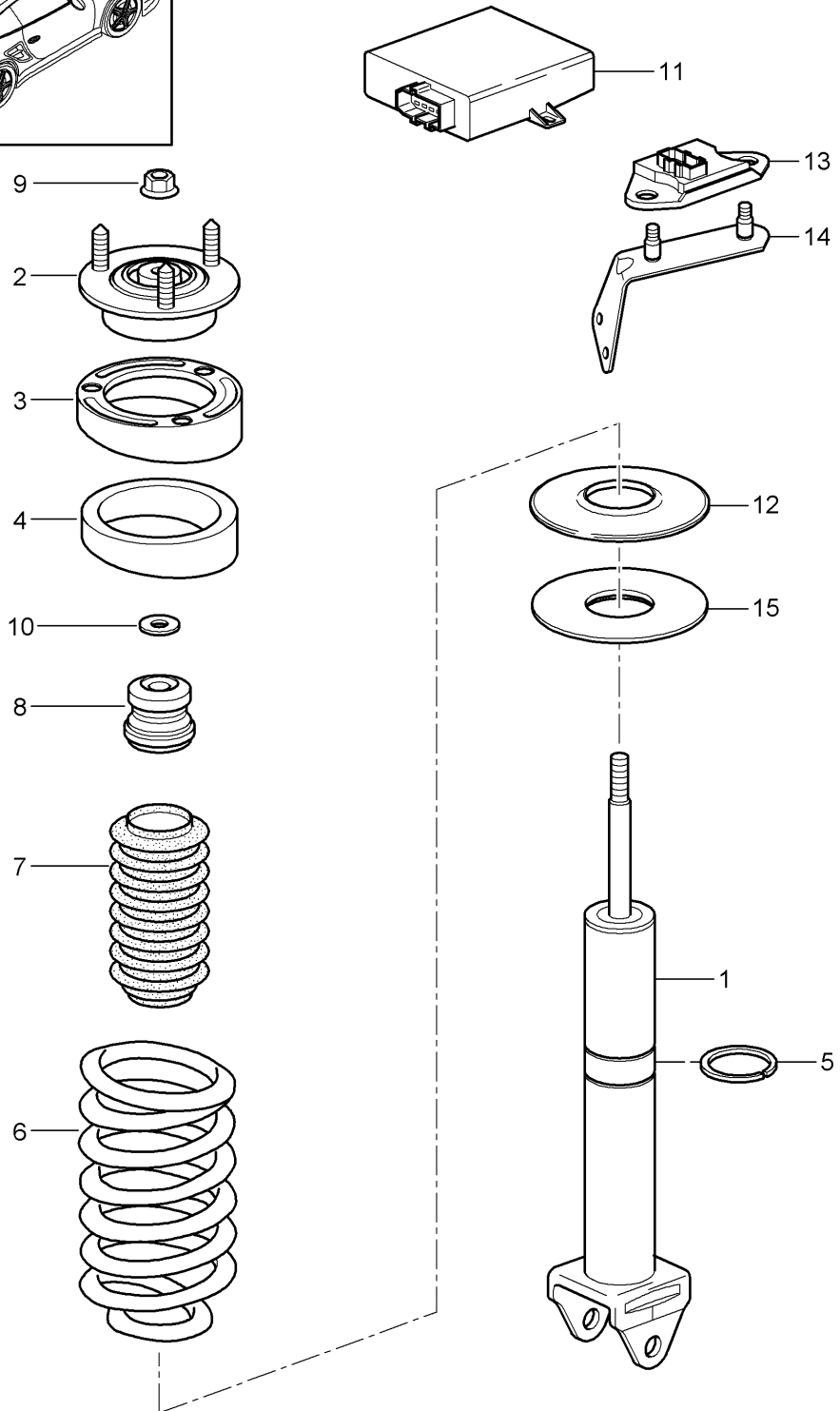
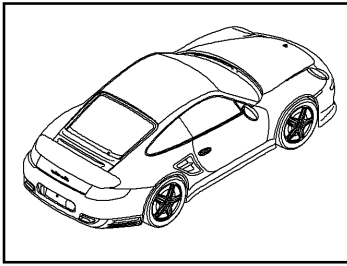
Model: 997T10

Model life 2010>>2013

Pos	Part Number	Description	Remark	Qty	Model
1	997 332 024 42	Drive shaft Wheel hub		2	PR:480
1	997 332 024 43	Drive shaft		2	PR:480
(1)	997 332 024 56	Discontinued part Drive shaft		2	TURBO PR:250
(1)	997 332 024 57	Discontinued part Drive shaft		2	TURBO PR:250
2	999 073 517 01	Socket head bolt M 10 X 1 X 46,5		12	
3	996 332 191 00	Spacer		6	
4	997 332 257 00	Clip		2	
5	996 332 957 00	Clip		2	
6	900 041 055 01	Securing ring		2	
7	997 331 605 00	Wheel hub Discontinued part		2	TURBO PR:421
7	997 331 605 01	Wheel hub		2	
7	997 331 607 04	Wheel hub		2	GT-2 RS
(7)	997 331 607 02	Wheel hub		2	TURBO PR:422
8	999 084 641 01	Locknut M 22 X 1,5		2	
9	000 043 110 01	Grease 1 100-gramme tube		X	
(9)	000 043 205 36	sealant Drive shaft 1 100-gramme tube		X	
10	997 332 293 00	Dust bellows		2	
11	997 332 267 00	End cap		2	
12	997 332 033 00	Joint		2	
13	997 332 293 00	Dust bellows		2	
14	997 332 257 00	Clip		2	
15	996 332 957 00	Clip		2	
17	997 332 955 01	Bellows		2	
		with: Bracket			

Model: 997T10

Model life 2010>>2013



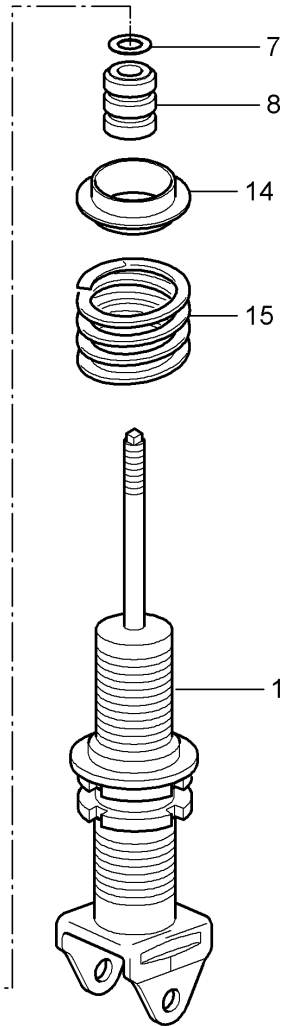
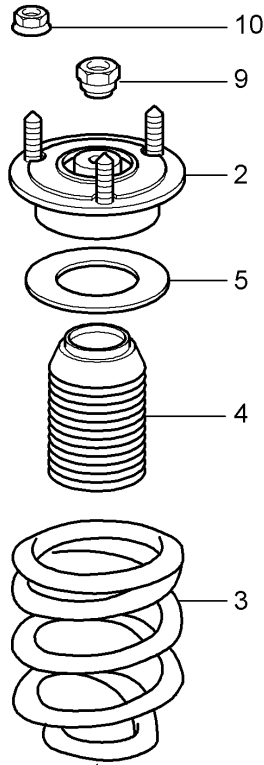
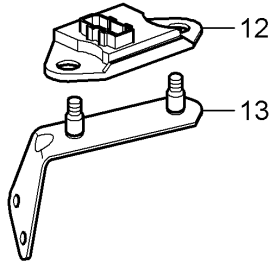
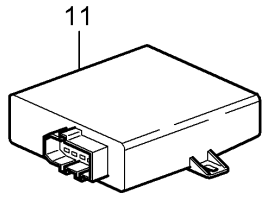
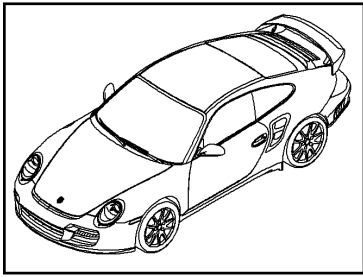
Model: 997T10

Model life 2010>>2013

Pos	Part Number	Description	Remark	Qty	Model
		Shock absorbers			TURBO
1	997 333 053 26	Coil spring		2	
-		vibration damper			
		Mount			
-	900 378 138 01	Shock absorbers		2	
		Hexagon bolt			
		M 12 X 1,5 X 70			
-	999 084 445 01	Locknut		2	
		M 12 x 1,5		2	
2	997 333 061 01	Shock absorber bearing		2	
-	900 380 008 01	Hexagon nut		12	
		M 10			
3	996 333 511 02	Balancing plate		X	
		0,5 MM			
(3)	996 333 511 03	Balancing plate		X	
		4,0 MM			
4	997 333 504 01	shelf		2	
5	999 152 163 00	snap ring		2	
		SW 52			
6	997 333 531 68	Coil spring		1	
		1 set			
	997 333 531 68 504	1 pair of springs			
		white			
		white			
		green			
7	993 333 107 01	Bellows		2	
8	997 333 105 01	helper spring		2	
9	999 084 050 02	Hexagon nut		2	
		M 12 X 1			
10	999 025 271 02	Washer		2	
11	997 618 460 01	Control unit		1	
		Shock absorbers			
		Discontinued part			
11	997 618 460 02	Control unit		1	
		Shock absorbers			
-	997 618 205 00	Retainer for control units		1	
		for			
12	997 333 523 02	spring disc		2	
13	997 606 111 01	Acceleration sensor for		1	
		bodywork			
14	997 606 214 01	Bracket		1	
		Accelerator sensor		1	
15	997 333 513 03	spring disc		2	
		shelf			

Model: 997T10

Model life 2010>>2013



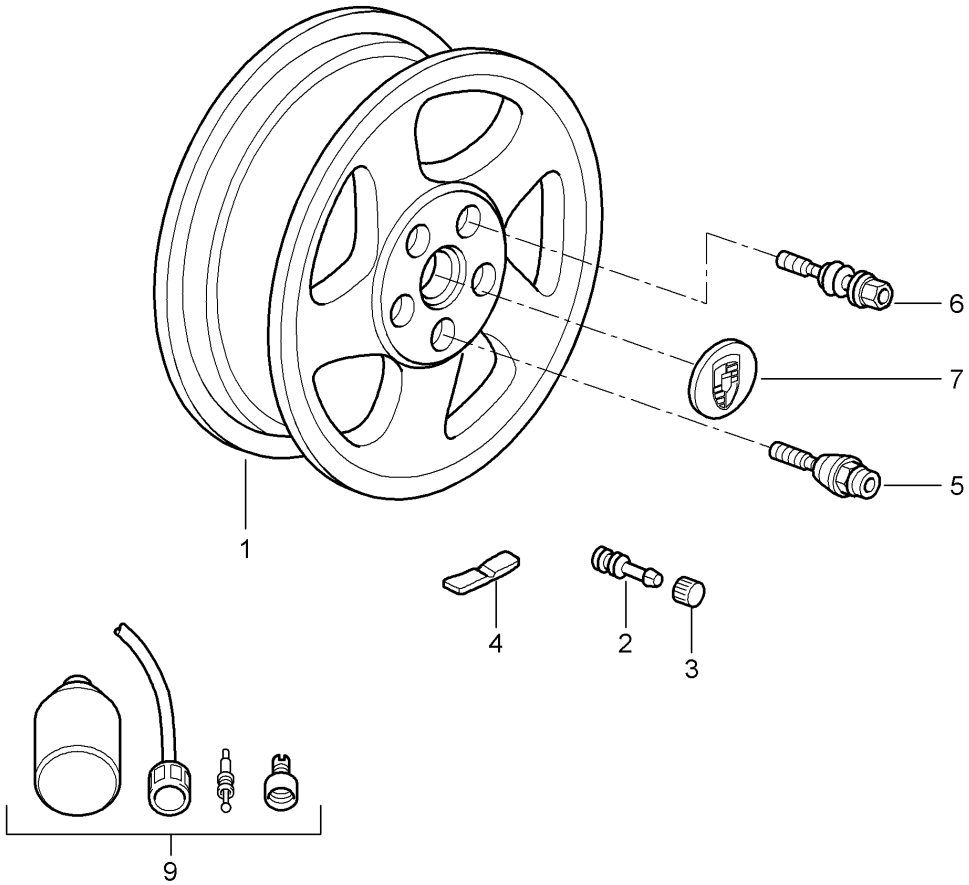
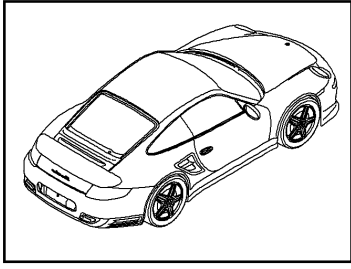
Model: 997T10

Model life 2010>>2013

Pos	Part Number	Description	Remark	Qty	Model
		Shock absorbers			GT-2 RS
1	997 333 051 80	Coil spring		2	
-		Shock absorbers			
		Mount			
-	900 378 138 01	Shock absorbers		2	
		Hexagon bolt			
		M 12 X 1,5 X 70			
-	999 084 445 01	Locknut		2	
		M 12 X 1,5			
2	997 333 061 80	Shock absorber bearing		2	
3	997 333 531 81	Coil spring		1	
4	997 333 531 81 504	1 pair of springs			
4	996 343 505 00	Bellows		2	
5	996 333 551 90	Rubber support		2	
7	999 025 271 02	Washer		2	
8	997 333 105 01	helper spring		2	
9	999 084 050 02	Hexagon nut		2	
		M 12 X 1			
10	900 380 008 01	Hexagon nut		6	
		M 10			
11	997 618 105 96	Control unit		1	
-	997 618 205 00	Shock absorbers			
		Retainer for control units		1	
		for			
12	997 606 111 01	Acceleration sensor for		1	
		bodywork			
13	997 606 214 01	Bracket		1	
		Accelerator sensor			
14	997 333 511 80	Intermediate ring		2	
15	997 333 537 81	helper spring		2	

Model: 997T10

Model life 2010>>2013



Model: 997T10 Model life 2010>>2013

Pos	Part Number	Description	Remark	Qty	Model
-		Wheels Wheel bolts see Technical information 84/11 Group 4 4407	TURBO		
(1)	997 362 156 55	Alloy wheel 8,5 J X 19 ET 55	front	2	PR:XRR
-		Paint modify in workshop			
1	997 362 157 05	Alloy wheel 8,5 J X 19 ET 56	front	2	PR:421
(1)	997 362 157 56	Alloy wheel 8,5 J X 19 ET 55 F 99BS7 66189 F 99BS7 66190 F 99BS7 66194 F 99BS7 66195 F 99BS7 66196 F 99BS7 66198 F 99BS7 66202 F 99BS7 66204 F 99BS7 66206 F 99BS7 66207	front	2	"CN."
-		Paint modify in workshop			
(1)	997 362 162 56	Alloy wheel 11,5 J x 19 ET 50	rear	2	PR:XRR
-		Paint modify in workshop			
(1)	997 362 163 02	Alloy wheel 11 J x 19 ET 51	rear	2	PR:421
(1)	997 362 163 56	Alloy wheel 11,5 J X 19 ET 50 F 99BS7 66189 F 99BS7 66190 F 99BS7 66194 F 99BS7 66195 F 99BS7 66196 F 99BS7 66198 F 99BS7 66202 F 99BS7 66204 F 99BS7 66206 F 99BS7 66207	rear	2	"CN."
-		Paint modify in workshop			
2	900 265 001 50	Rubber valve Rubber		4	
(2)	900 265 001 51	Rubber valve Rubber		4	
(2)	311 601 361	Discontinued part Rubber valve Rubber		4	
-		Valve tyre pressure control system see illustration:	601-005		PR:482,483

Model: 997T10

Model life 2010>>2013

Pos	Part Number	Description	Remark	Qty	Model
3	955 361 163 00	Cap for Rubber valve		4	
(4)	997 361 405 00	Balancer weight (self-adhesive) 5.G.		X	
(4)	997 361 410 00	Balancer weight (self-adhesive) 10 G.		X	
(4)	997 361 415 00	Balancer weight (self-adhesive) 15 G.		X	
(4)	997 361 420 00	Balancer weight (self-adhesive) 20 G.		X	
(4)	997 361 425 00	Balancer weight (self-adhesive) 25 G.		X	
(4)	997 361 430 00	Balancer weight (self-adhesive) 30 G.		X	
(4)	997 361 435 00	Balancer weight (self-adhesive) 35 G.		X	
(4)	997 361 440 00	Balancer weight (self-adhesive) 40 G.		X	
(4)	997 361 445 00	Balancer weight (self-adhesive) 45 G.		X	
(4)	997 361 450 00	Balancer weight (self-adhesive) 50 G.		X	
(4)	997 361 455 00	Balancer weight (self-adhesive) 55 G.		X	
(4)	997 361 460 00	Balancer weight (self-adhesive) 60 G.		X	
(4)	997 361 465 00	Balancer weight (self-adhesive) 65 G.		X	
(4)	997 361 470 00	Balancer weight (self-adhesive) 70 G.		X	
(4)	997 361 475 00	Balancer weight (self-adhesive) 75 G.		X	
(4)	997 361 480 00	Balancer weight (self-adhesive) 80 G.		X	
(4)	997 361 485 00	Balancer weight (self-adhesive) 85 G.		X	
(4)	997 361 490 00	Balancer weight (self-adhesive) 90 G.		X	
-		Wheel bolts see Technical information 84/11 Group 4 4407			

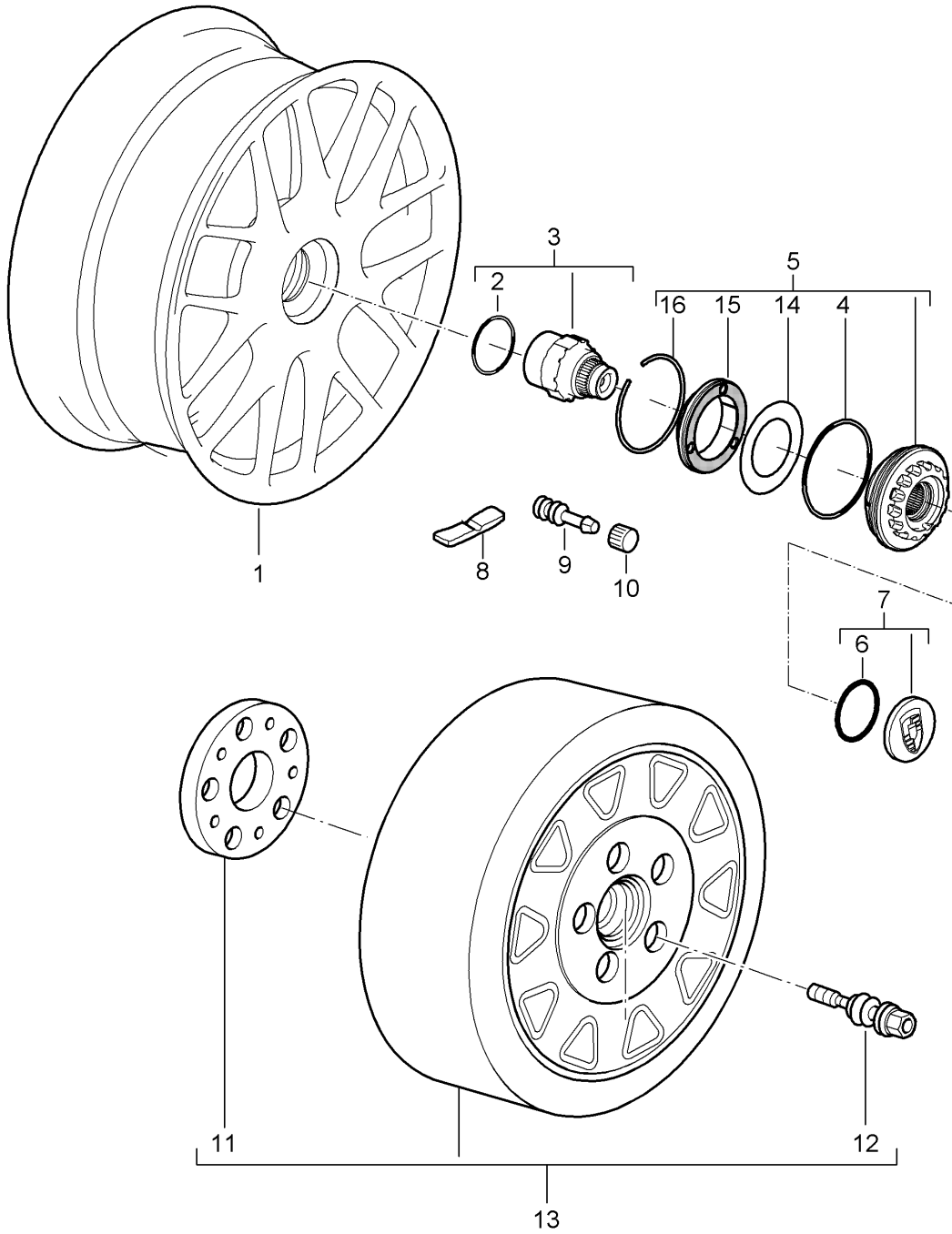
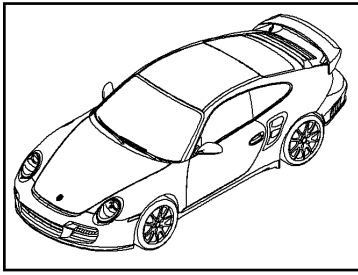
Model: 997T10

Model life 2010>>2013

Pos	Part Number	Description	Remark	Qty	Model
5	997 361 057 02	Set Anti-theft protection 1 set silver		1	
(5)	991 361 057 01	1 set wheel studs, anti-theft Black Discontinued part		1	PR:-444
(5)	997 361 057 01	Set Anti-theft protection 1 set silver		1	PR:444 "GB."
(5)	991 361 057 00	1 set wheel studs, anti-theft Black Discontinued part		1	PR:444 "GB."
(5)	991 361 057 02	1 set wheel studs, anti-theft Black Discontinued part		1	PR:444 "GB."
(5)	WHT 006 980 A	1 set wheel studs, anti-theft Black Discontinued part		1	PR:444 "GB."
(5)	WHT 006 980 C	1 set wheel studs, anti-theft Black Discontinued part		1	PR:444 "GB."
6	997 361 203 01	Wheel bolt silver Discontinued part		16	
6	997 361 203 02	Wheel bolt silver		16	
(6)	970 361 203 00	Wheel bolt Black Discontinued part		X	
7	7PP 601 149	Hub cap		4	PR:421
7	7PP 601 149 A	Hub cap		4	PR:421,446
-	999 914 001 40	Plastic gloves No longer use the part here		X	PR:447
(9)	955 722 631 00	Compressed air bottle Discontinued part		1	
(9)	4L0 012 619 A	Tyre sealant		1	
(9)	997 652 057 00	Compressor for Spare wheel		1	PR:447
-	996 362 020 04	Spare wheel Grey cast iron Brake		1	PR:447
-	997 362 050 00	Spare wheel PCCB Brake		1	PR:447,450

Model: 997T10

Model life 2010>>2013



Model: 997T10

Model life 2010>>2013

Pos	Part Number	Description	Remark	Qty	Model
		Central locking			TURBO PR:422
1	997 362 157 06	Alloy wheel with central locking 8,5 J X 19 ET 56	front	2	
1	997 362 157 07	Alloy wheel with central locking 8,5 J X 19 ET 56	front	2	PR:018
(1)	997 362 163 04	Alloy wheel 11 J X 19 ET 51	rear	2	
(1)	997 362 163 05	Alloy wheel 11 J X 19 ET 51	rear	2	PR:018
2	999 707 012 40	O-ring 37 X 2,5 N		4	
3	997 341 251 04	Locking mechanism		2	
4	999 707 648 40	O-ring 92,00 X 3,5		4	
5	997 361 081 05	Wheel bolt No longer use the part here		4	
5	997 361 081 06	Wheel bolt		4	
6	999 701 045 40	O-ring 32 X 2,0 N		4	
7	997 361 207 03	Hub cap		4	
7	997 361 207 04	Hub cap		4	PR:018
8	997 361 405 00	Balancer weight (self-adhesive) 5.G.		X	
(8)	997 361 410 00	Balancer weight (self-adhesive) 10 G.		X	
(8)	997 361 415 00	Balancer weight (self-adhesive) 15 G.		X	
(8)	997 361 420 00	Balancer weight (self-adhesive) 20 G.		X	
(8)	997 361 425 00	Balancer weight (self-adhesive) 25 G.		X	
(8)	997 361 430 00	Balancer weight (self-adhesive) 30 G.		X	
(8)	997 361 435 00	Balancer weight (self-adhesive) 35 G.		X	
(8)	997 361 440 00	Balancer weight (self-adhesive) 40 G.		X	
(8)	997 361 445 00	Balancer weight (self-adhesive) 45 G.		X	
(8)	997 361 450 00	Balancer weight (self-adhesive) 50 G.		X	
(8)	997 361 455 00	Balancer weight (self-adhesive) 55 G.		X	
(8)	997 361 460 00	Balancer weight (self-adhesive)		X	

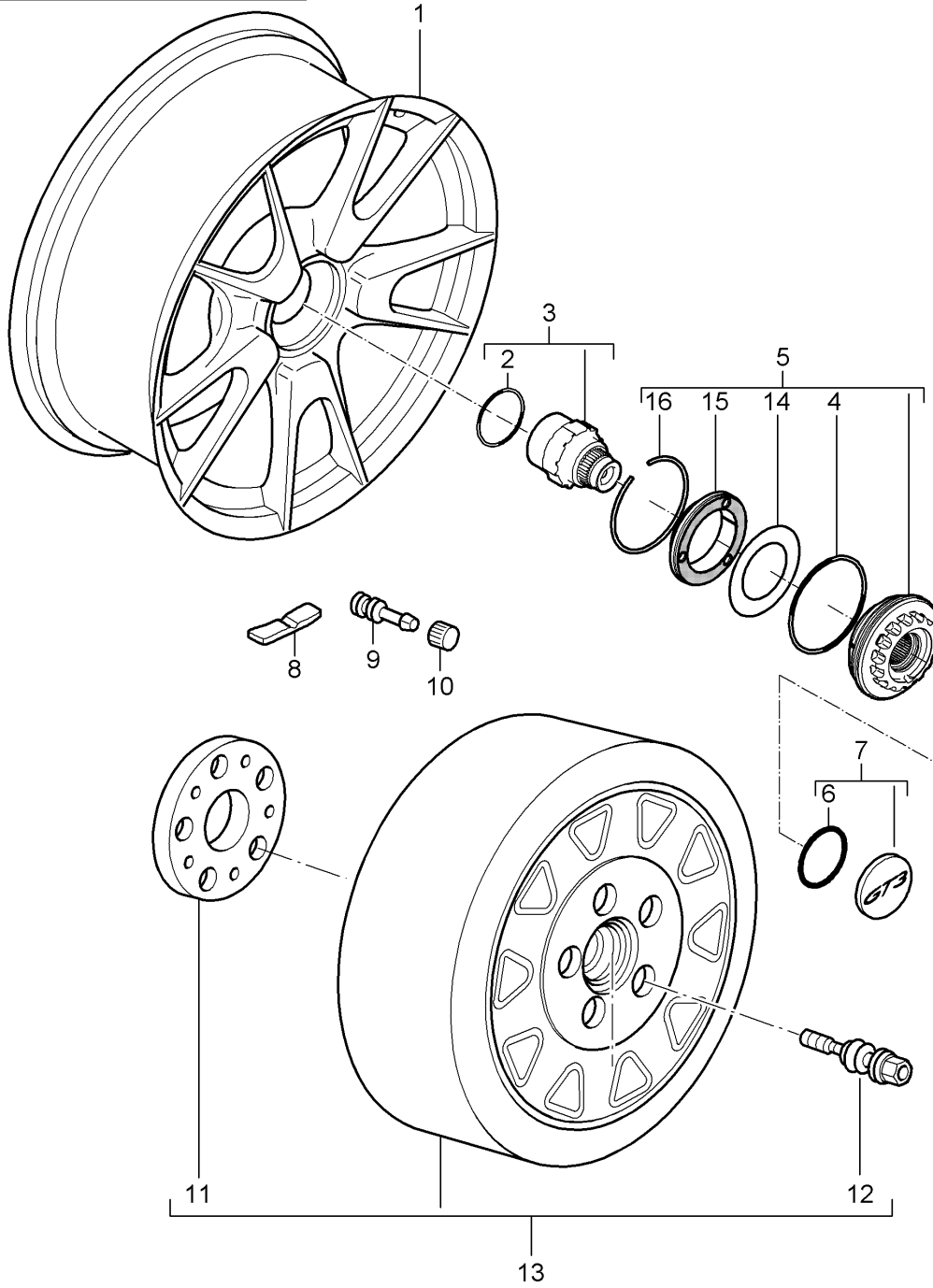
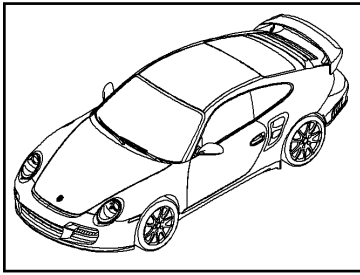
Model: 997T10

Model life 2010>>2013

Pos	Part Number	Description	Remark	Qty	Model
(8)	997 361 465 00	60 G. Balancer weight (self-adhesive)		X	
(8)	997 361 470 00	65 G. Balancer weight (self-adhesive)		X	
(8)	997 361 475 00	70 G. Balancer weight (self-adhesive)		X	
(8)	997 361 480 00	75 G. Balancer weight (self-adhesive)		X	
(8)	997 361 485 00	80 G. Balancer weight (self-adhesive)		X	
(8)	997 361 490 00	85 G. Balancer weight (self-adhesive)		X	
9	900 265 001 50	90 G. Rubber valve Rubber		4	
9	900 265 001 51	Rubber valve Rubber		4	
9	311 601 361	Discontinued part Rubber valve Rubber		4	
10	955 361 163 00	Cap for Rubber valve		4	
11	997 362 191 00	Adapter Spare wheel		1	PR:447
12	997 361 203 01	Wheel bolt Adapter Discontinued part		5	PR:447
12	997 361 203 02	Wheel bolt Adapter		5	PR:447
13	997 362 021 00	Spare wheel		1	PR:447
14	997 361 189 00	Washer		4	
15		Conical ring		4	
16	997 361 187 00	Securing ring 2,0		4	

Model: 997T10

Model life 2010>>2013



Model: 997T10

Model life 2010>>2013

Pos	Part Number	Description	Remark	Qty	Model
1	997 362 157 96	Central locking Alloy wheel with central locking	front	2	GT-2 RS
	997 362 157 96 539	White gold metallic 9 J X 19 ET 47			
1	997 362 157 06	Alloy wheel 8,5 J X 19 ET 56 for winter use Paint	front	2	PR:346
1	997 362 165 91	Alloy wheel with central locking	rear	2	
	997 362 165 91 539	White gold metallic 12 J X 19 ET 48			
1	997 362 163 04	Alloy wheel 11 J X 19 ET 51 for winter use Paints modify in workshop	rear	2	PR:346
2	999 707 012 40	O-ring 37 X 2,5 N		4	
3	997 341 251 04	Locking mechanism		2	
4	999 707 648 40	O-ring 92,00 X 3,5		4	
5	997 361 081 92	Wheel bolt No longer use the part here		4	
5	997 361 081 93	Wheel bolt Discontinued part		4	
5	997 361 081 94	Fastening screw		4	
6	999 701 045 40	O-ring 32 X 2,0 N		4	
7	997 361 207 92	Hub cap RS inscription gold		4	PR:511
7	997 361 207 03	Hub cap Porsche crest Coloured		4	PR:346
8	997 361 405 00	Balancer weight (self-adhesive) 5.G.		X	
(8)	997 361 410 00	Balancer weight (self-adhesive) 10 G.		X	
(8)	997 361 415 00	Balancer weight (self-adhesive) 15 G.		X	
(8)	997 361 420 00	Balancer weight (self-adhesive) 20 G.		X	
(8)	997 361 425 00	Balancer weight (self-adhesive) 25 G.		X	
(8)	997 361 430 00	Balancer weight (self-adhesive) 30 G.		X	
(8)	997 361 435 00	Balancer weight (self-adhesive) 35 G.		X	

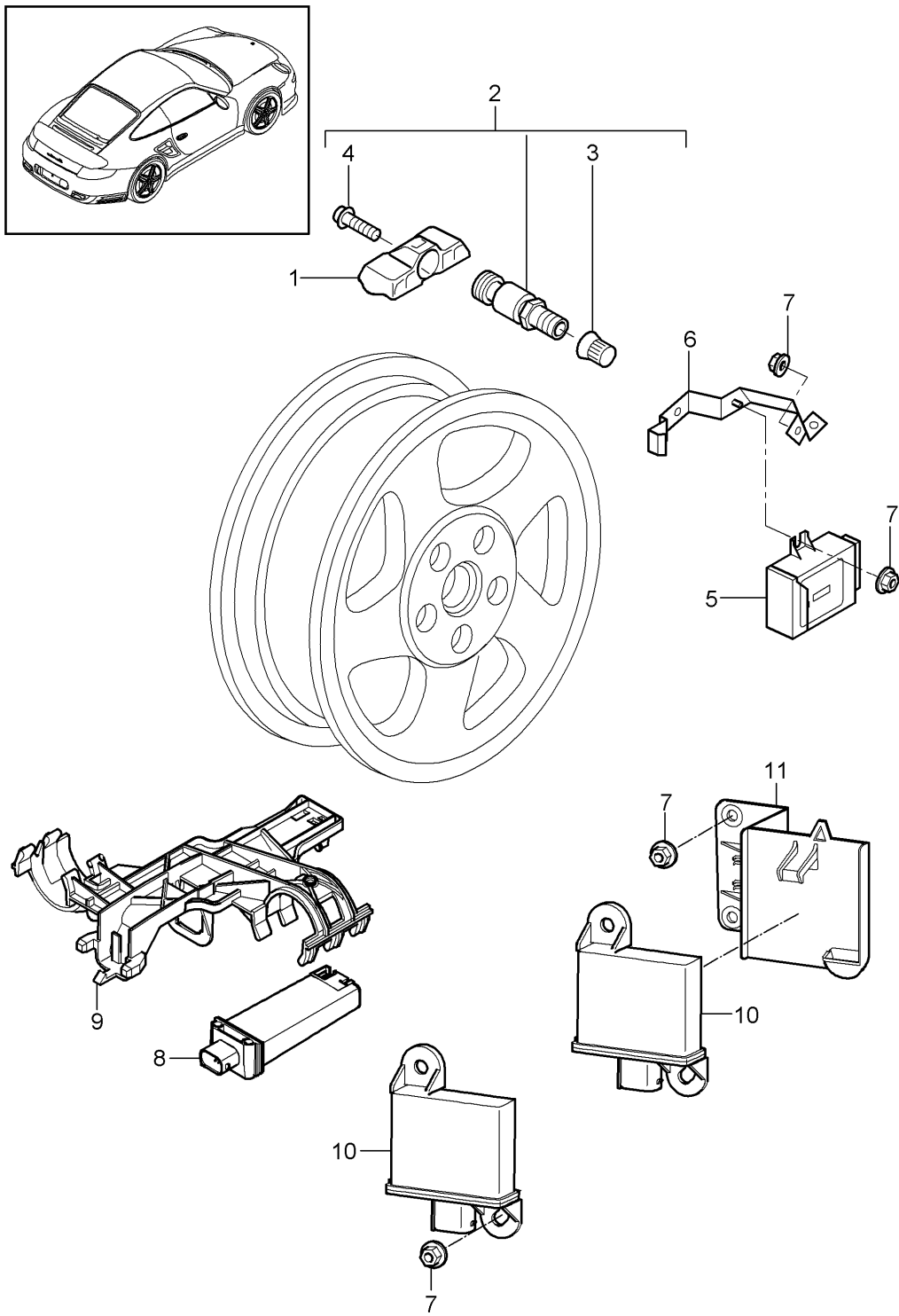
Model: 997T10

Model life 2010>>2013

Pos	Part Number	Description	Remark	Qty	Model
(8)	997 361 440 00	Balancer weight (self-adhesive) 40 G.		X	
(8)	997 361 445 00	Balancer weight (self-adhesive) 45 G.		X	
(8)	997 361 450 00	Balancer weight (self-adhesive) 50 G.		X	
(8)	997 361 455 00	Balancer weight (self-adhesive) 55 G.		X	
(8)	997 361 460 00	Balancer weight (self-adhesive) 60 G.		X	
(8)	997 361 465 00	Balancer weight (self-adhesive) 65 G.		X	
(8)	997 361 470 00	Balancer weight (self-adhesive) 70 G.		X	
(8)	997 361 475 00	Balancer weight (self-adhesive) 75 G.		X	
(8)	997 361 480 00	Balancer weight (self-adhesive) 80 G.		X	
(8)	997 361 485 00	Balancer weight (self-adhesive) 85 G.		X	
(8)	997 361 490 00	Balancer weight (self-adhesive) 90 G.		X	
9	900 265 001 50	Rubber valve Rubber		4	
9	900 265 001 51	Rubber valve Rubber		4	
9	311 601 361	Discontinued part Rubber valve Rubber		4	
10	955 361 163 00	Cap for Rubber valve		4	
11	997 362 191 00	Adapter Spare wheel		1	PR:447
12	997 361 203 01	Wheel bolt Adapter Discontinued part		5	PR:447
12	997 361 203 02	Wheel bolt Adapter		5	PR:447
13	997 362 021 00	Spare wheel		1	PR:447
14	997 361 189 01	Washer		4	
15		Conical ring			
16	997 361 187 00	Securing ring 2,0		4	
-	955 722 631 00	Compressed air bottle Discontinued part		X	
-	4L0 012 619 A	Tyre sealant		X	

Model: 997T10

Model life 2010>>2013

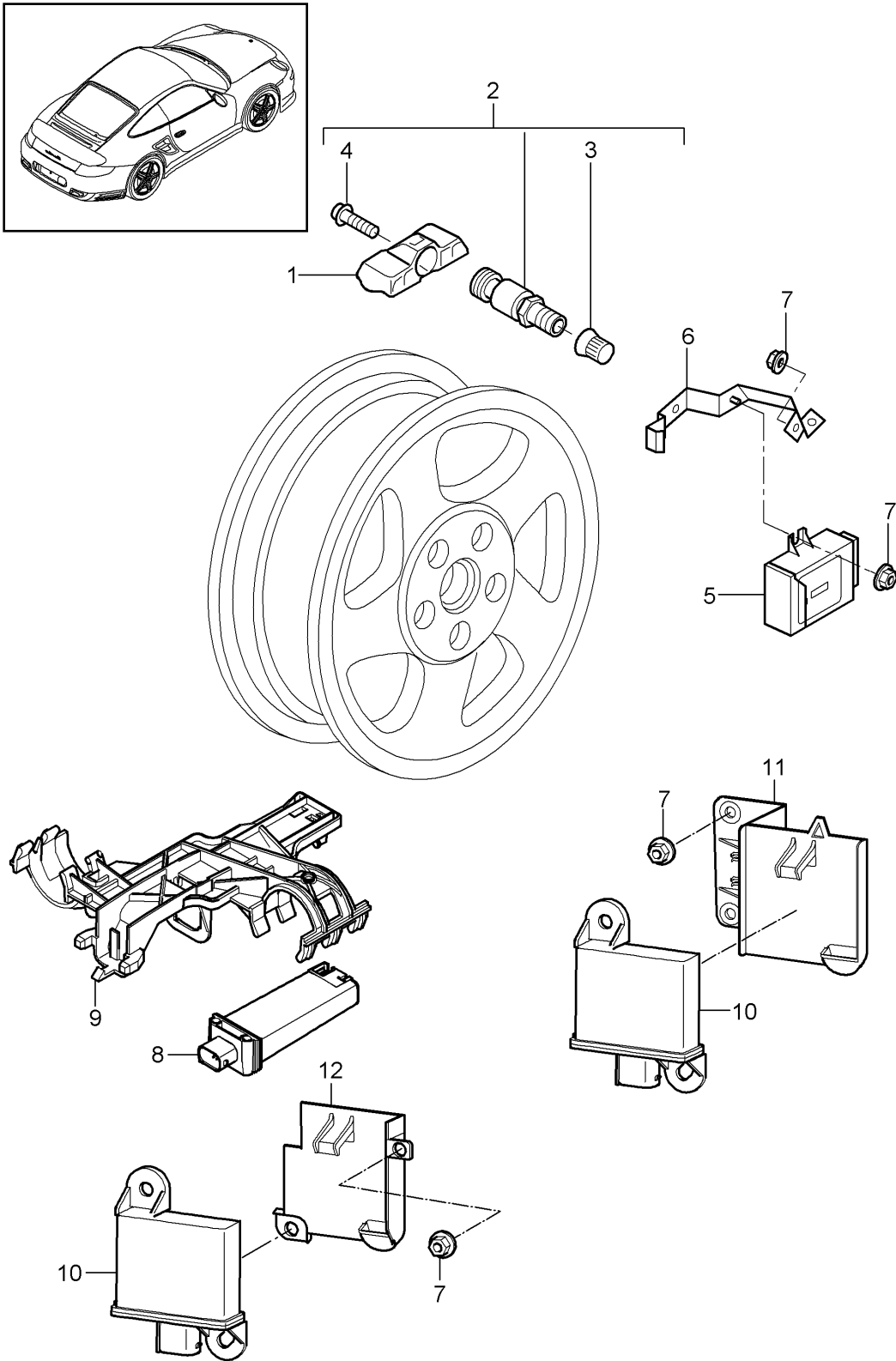


Model: 997T10 Model life 2010>>2013

Pos	Part Number	Description	Remark	Qty	Model
1	997 606 021 20	tyre pressure control system Sensor		4	TURBO PR:482,483 PR:482
(1)	958 361 661 00	tyre pressure control system also use: Discontinued part Sensor	955 361 053 00	4	PR:482
(1)	7PP 907 275 F	tyre pressure control system also use: Discontinued part Tyre pressure sensor	955 361 053 00	4	PR:482
(1)	997 606 023 21	tyre pressure control system also use: Sensor	955 361 053 00	4	PR:483
(1)	958 361 661 50	tyre pressure control system also use: D >> - MJ 2009 Sensor	955 361 053 00	4	PR:483
2	955 361 053 00	tyre pressure control system also use: D - MJ 2010>> Valve aluminium		4	
(2)	9P1 601 361 A	Discontinued part Valve aluminium		4	
3	N 908 729 01	Valve cap for valve unit		4	
4	4D0 601 365	Hexagon socket head bolt, self-locking		4	
5	997 618 191 02	Control unit		1	
6	997 618 203 02	Bracket		1	
7	999 076 081 40	Control unit Hexagon plastic collar nut T5 16 X 11, 2		8	
8	955 606 101 00	Aerial 433 MHZ		1	PR:482
(8)	955 606 103 00	Aerial 315 MHZ		1	PR:483
9	997 606 259 00	Retainer for aerial		1	
10	7PP 907 283	Sender unit		4	
11	997 606 242 00	Holder for sender unit	right front	1	
(11)	997 606 241 00	Holder for sender unit	left front	1	
-	997 652 057 00	Compressor for Spare wheel		1	

Model: 997T10

Model life 2010>>2013



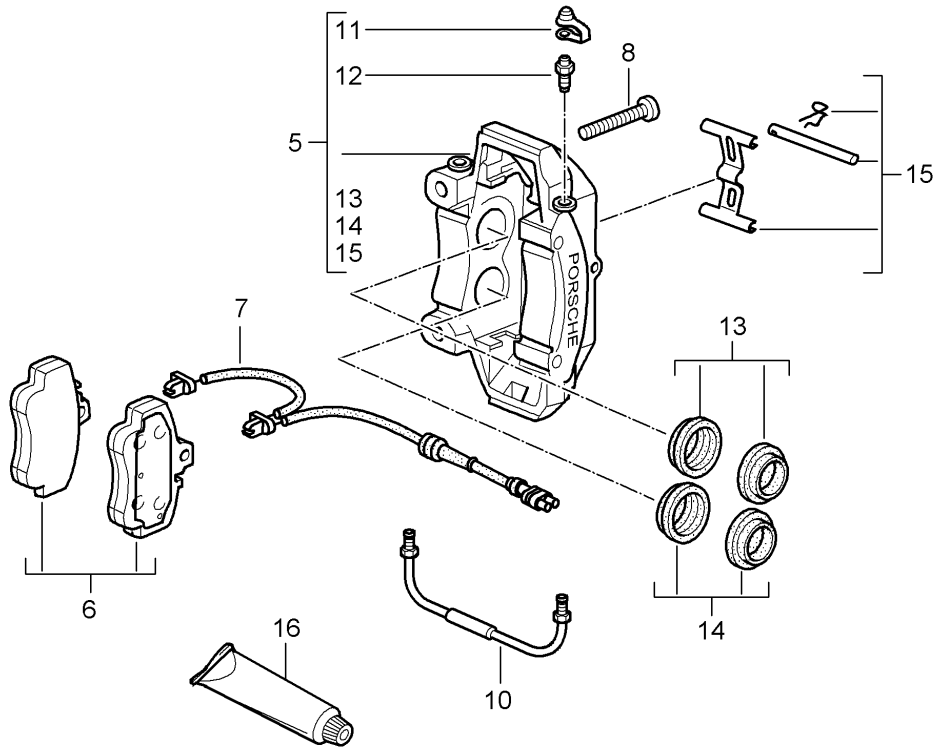
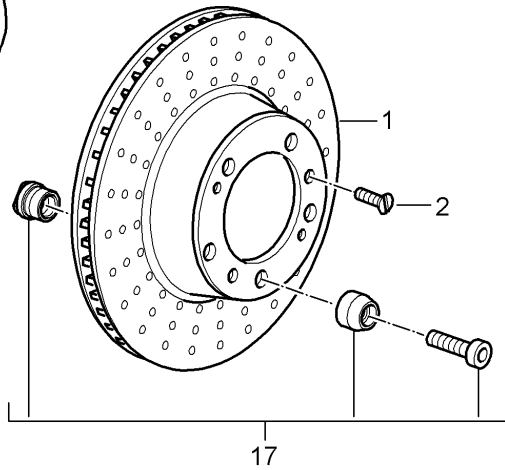
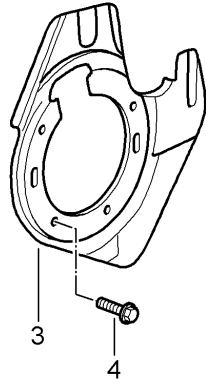
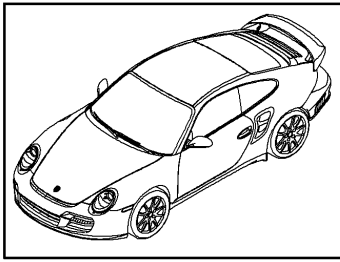
Model: 997T10

Model life 2010>>2013

Pos	Part Number	Description	Remark	Qty	Model
1	997 606 021 20	tyre pressure control system Sensor		4	GT-2 RS PR:482,483 PR:482
(1)	958 361 661 00	tyre pressure control system also use: Discontinued part Sensor	955 361 053 00	4	PR:482
(1)	7PP 907 275 F	tyre pressure control system also use: Discontinued part Tyre pressure sensor	955 361 053 00	4	PR:482
(1)	997 606 023 21	tyre pressure control system also use: Sensor	955 361 053 00	4	PR:483
2	955 361 053 00	tyre pressure control system also use: Valve aluminium	955 361 053 00	4	
(2)	9P1 601 361 A	Discontinued part Valve aluminium		4	
3	N 908 729 01	Valve cap for valve unit		4	
4	4D0 601 365	Hexagon socket head bolt, self-locking		4	
5	997 618 103 23	Control unit for tyre pressure control		1	
6	997 618 203 02	Bracket Control unit		1	
7	999 076 081 40	Hexagon plastic collar nut T5 16 X 11, 2		8	
8	955 606 101 00	Aerial 433 MHZ		1	PR:482
(8)	955 606 103 00	Aerial 315 MHZ		1	PR:483
9	997 606 259 00	Retainer for aerial		1	
10	955 618 113 00	Sender for tyre pressure monitoring system		4	
11	997 606 242 00	Holder for sender unit	right front	1	
(11)	997 606 241 00	Holder for sender unit	left front	1	
-	997 652 057 00	Compressor for Spare wheel		1	

Model: 997T10

Model life 2010>>2013



Model: 997T10 Model life 2010>>2013

Pos	Part Number	Description	Remark	Qty	Model
-		Disc brake Front axle Brake disc Only in pairs Replace Technical manual Attention			TURBO
1	997 351 405 01	Brake disc	left front	1	PR:450
(1)	997 351 405 02	Brake disc	left front	1	PR:422
		also use: See technical manual			
		Group: 46 50 19			
1	997 351 031 33	Brake disc	997 341 901 00 left front	X 1	PR:450
(1)	997 351 031 33	Brake disc	left front	1	PR:450,422
		also use: See technical manual	997 341 901 00	X	
		Group: 46 51 19			
(1)	997 351 406 01	Brake disc	right front	1	
(1)	997 351 406 02	Brake disc	right front	1	PR:422
		also use: See technical manual			
		Group: 46 50 19			
(1)	997 351 032 33	Brake disc	997 341 901 00 right front	X 1	PR:450
(1)	997 351 032 36	Brake disc	right front	1	PR:450,422
		also use: See technical manual	997 341 901 00	X	
		Group: 46 51 19			
(2)	900 269 047 01	countersunk bolt M 6 X 12		4	
3	997 351 805 05	Cover plate	left	1	
(3)	997 351 806 05	Cover plate	right	1	
4	999 217 116 01	Hexagon bolt M 6 x 16		X	
5	997 351 431 10	caliper without brake pads	left	1	
(5)	997 351 427 32	caliper without brake pads	also use: left	2 1	PR:450
(5)	997 351 427 33	caliper without brake pads	also use: left	2 1	PR:018,450
(5)	997 351 432 10	caliper without brake pads	also use: right	2 1	
		Fasteners Fastening screw 999.067.047.09		2	
(5)	997 351 428 32	caliper without brake pads	right	1	PR:450
(5)	997 351 428 33	caliper without brake pads	also use: right	2 1	PR:018,450
		also use: 999 067 054 09			
-	997 351 505 02	Adapter		2	PR:450
-	999 073 313 09	flat round head bolt M 12 x 1,5		4	PR:450
(6)	997 351 947 01	1 set of brake pads for disk brake	front	1	
		also use: Fasteners			
(6)	997 351 948 02	1 set of brake pads for disk brake	front	1	PR:450

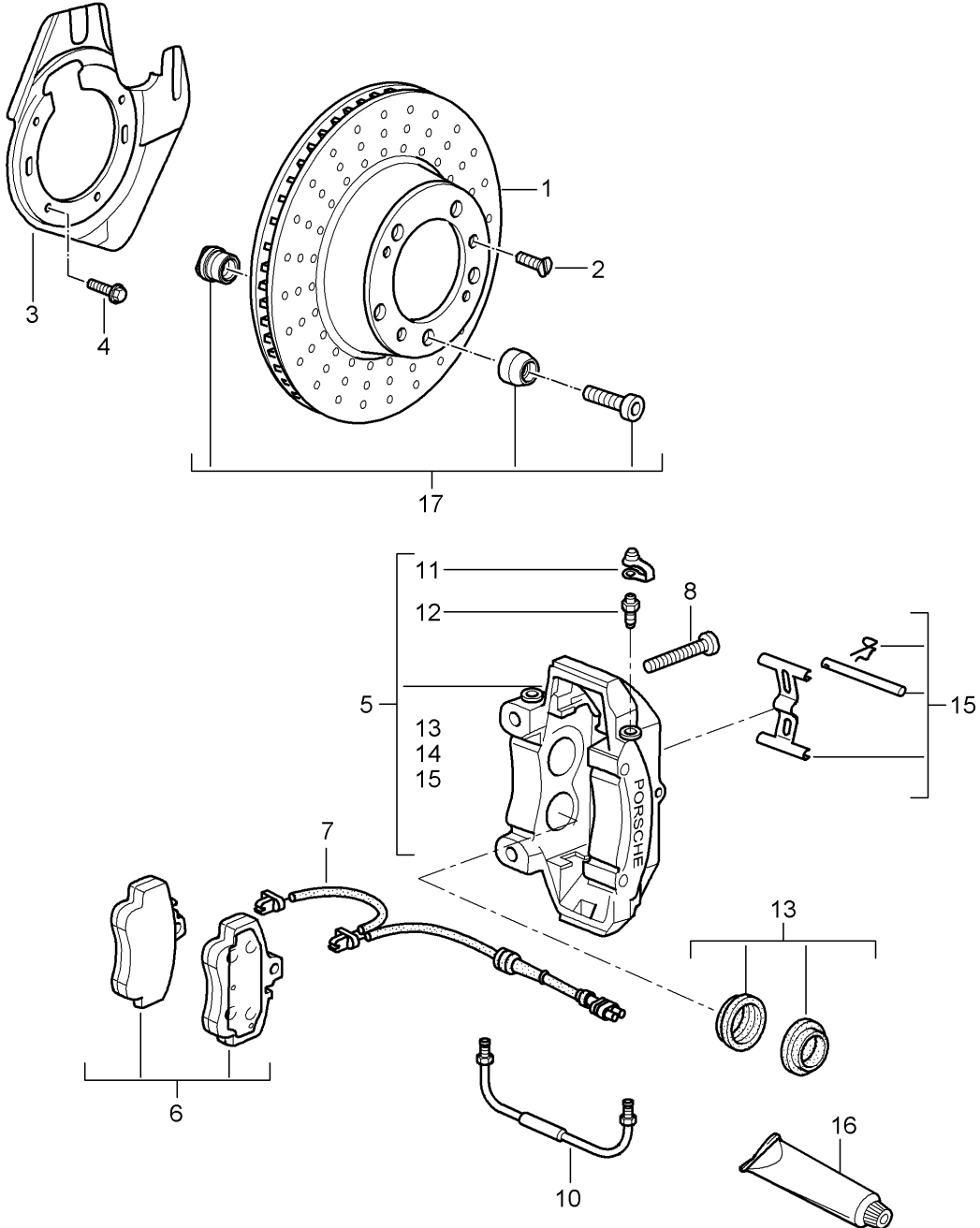
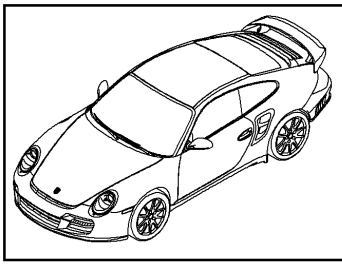
Model: 997T10

Model life 2010>>2013

Pos	Part Number	Description	Remark	Qty	Model
		also use: Fasteners See technical manual	4		
		Group: D >> - MJ 2010	NR. 46 34 20		
(6)	997 351 948 01	1 set of brake pads for disk brake	front	1	PR:450
		also use: Fasteners			
7	997 612 677 00	sender wire (pad wear indicator)		2	
-	999 507 464 40	bracket for speed sensor		2	
-	944 612 627 00	Line holder for		3	
(8)	999 067 053 09	Warning contact Socket head bolt M 12 x 1,5 x 85		4	
(8)	999 067 054 09	Socket head bolt M 12 X 1,5 X 62		4	PR:450
(1)	996 351 961 30	Connecting line		2	
(10)	980 351 961 00	Connecting line		2	PR:450
11	930 351 927 00	dust cap Discontinued part		2	
11	930 351 927 01	dust cap		2	
12	997 352 919 00	Breather valve		2	
13	951 352 917 00	repair set Protection caps 28 mm		X	
14	996 351 915 00	repair set Protection caps 32 mm		X	
(13)	996 351 915 01	repair set Protection caps 38 mm		X	
(13)	951 352 917 00	repair set Protection caps 28 mm		X	PR:450
(13)	996 351 915 00	repair set Protection caps 32 mm		X	PR:450
(13)	951 351 917 00	repair set Protection caps 36 mm		X	PR:450
(15)	996 351 959 30	repair set Fasteners Pin Cup expander spring Screw		1	
16	000 043 117 00	brake cylinder paste 50 G		X	
(16)	000 043 020 00	Assembly paste 100 G		X	
17	997 341 901 00	Assembly kit comprising: Driving pin Sleeve Fastening screw See technical manual 46 50 19 46 51 19		2 5 5 5	PR:422

Model: 997T10

Model life 2010>>2013



Model: 997T10 Model life 2010>>2013

Pos	Part Number	Description	Remark	Qty	Model
-		Disc brake Front axle Brake disc Only in pairs Replace Technical manual Attention			GT-2 RS
1	997 351 031 96	Brake disc also use: See technical manual Group: 46 51 19	left front 997 341 901 00	1	
(1)	997 351 032 96	Brake disc also use: See technical manual Group: 46 51 19	right front 997 341 901 00	1	
2	999 015 025 09	Oval-head screw M 6 X 12		4	
3	997 351 813 90	Cover plate	left lower	1	
(3)	996 351 815 90	Air guide plate	left	1	
(3)	997 351 814 90	Cover plate	right lower	1	
(3)	996 351 816 90	Air guide plate	right	1	
-	900 378 036 01	Hexagon bolt M 6 x 16		4	
-	900 380 015 01	Hexagon nut M 6		4	
4	999 217 116 01	Hexagon bolt M 6 x 16		X	
5	997 351 431 92	caliper without brake pads	left	1	
(5)	997 351 432 92	caliper without brake pads also use:	right 999 067 054 09	4	
6	997 351 948 90	1 set of brake pads for disk brake also use:	front 999 067 054 09	4	
7	997 612 677 90	sender wire (pad wear indicator)		2	
-	999 507 464 40	bracket for speed sensor		2	
-	944 612 627 00	Line holder for Warning contact		3	
8	999 067 054 09	Socket head bolt M 12 X 1,5 X 62		4	
10	980 351 961 00	Connecting line		2	
11	930 351 927 00	dust cap Discontinued part		2	
11	930 351 927 01	dust cap		2	
12	997 352 919 00	Breather valve		2	
13	951 352 917 00	repair set Protection caps 28 MM		X	
(13)	996 351 915 00	repair set Protection caps 32 MM		X	
(13)	951 352 917 01	repair set Protection caps 30 mm		X	
15	996 351 959 30	repair set		1	

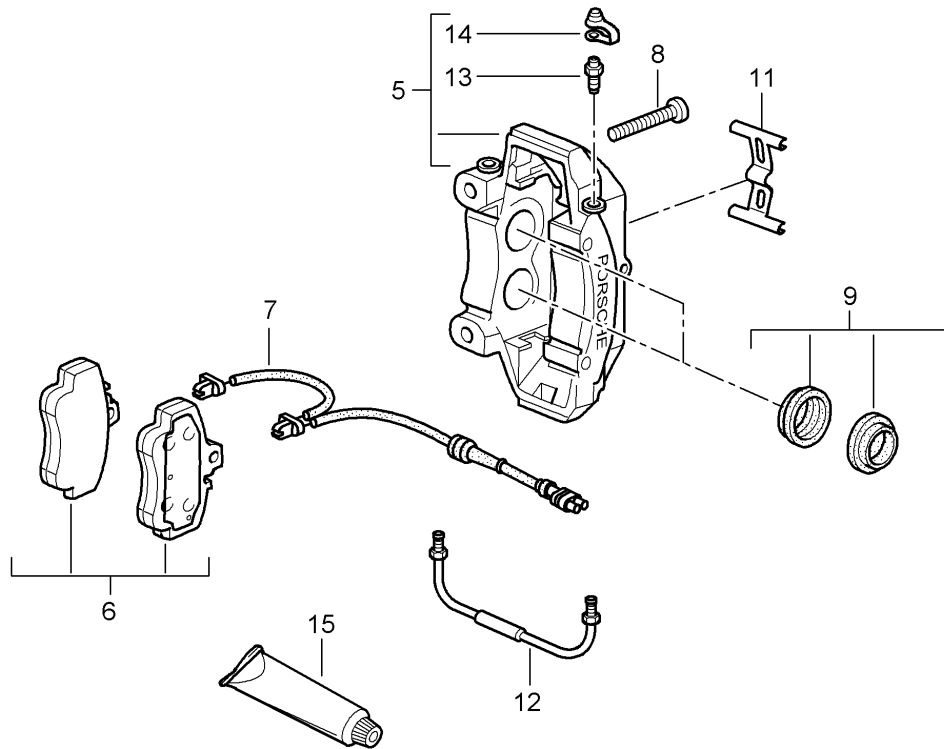
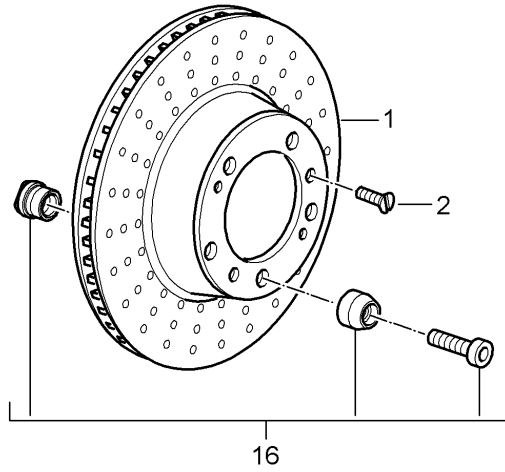
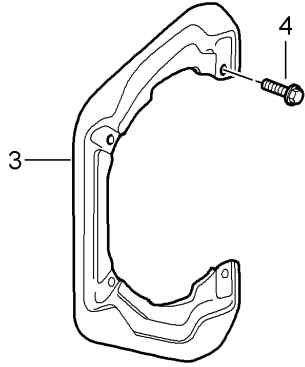
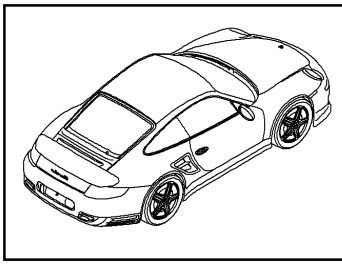
Model: 997T10

Model life 2010>>2013

Pos	Part Number	Description	Remark	Qty	Model
		Fasteners			
		Pin			
		Cup expander spring			
		Screw			
16	000 043 117 00	brake cylinder paste		X	
		50 G			
16	000 043 020 00	Assembly paste		X	
		100 G			
17	997 341 901 00	Assembly kit		2	
		comprising:			
		Driving pin		5	
		Sleeve		5	
		Fastening screw		5	
		See technical manual			
		46 50 19			
		46 51 19			

Model: 997T10

Model life 2010>>2013



Model: 997T10

Model life 2010>>2013

Pos	Part Number	Description	Remark	Qty	Model
-		Disc brake Rear axle Brake disc Only in pairs Replace Technical manual Attention			TURBO
1	997 352 405 02	Brake disc	left rear	1	PR:450
(1)	997 352 405 03	Brake disc	left rear	1	PR:422
		also use: See technical manual 46 53 19			
(1)	997 352 031 01	Brake disc Discontinued part	997 341 901 00 left rear	X 1	PR:450
(1)	298 615 601	Brake disc Discontinued part	left rear	1	PR:450
(1)	298 615 601 C	Brake disc	left rear	1	PR:450
(1)	997 352 031 01	Brake disc	left rear	1	PR:450,422
		also use: See technical manual 46 54 19	997 341 901 00	X	
(1)	298 615 601	Discontinued part Brake disc	left rear	1	PR:450,422
		also use: See technical manual 46 54 19	997 341 901 00	X	
(1)	298 615 601 C	Discontinued part Brake disc	left rear	1	PR:450,422
		also use: See technical manual 46 54 19	997 341 901 00	X	
(1)	997 352 406 02	Brake disc	right rear	1	
(1)	997 352 406 03	Brake disc	right rear	1	PR:422
		also use: See technical manual 46 53 19			
(1)	997 352 032 01	Brake disc Discontinued part	997 341 901 00 right rear	X 1	PR:450
(1)	298 615 602	Brake disc Discontinued part	right rear	1	PR:450
(1)	298 615 602 C	Brake disc	right rear	1	PR:450
(1)	997 352 032 01	Brake disc	right rear	1	PR:450,422
		also use: See technical manual 46 54 19	997 341 901 00	X	
(1)	298 615 602	Discontinued part Brake disc	right rear	1	PR:450,422
		also use: See technical manual 46 54 19	997 341 901 00	X	
(1)	298 615 602 C	Discontinued part Brake disc	right rear	1	PR:450,422
		also use: See technical manual 46 54 19	997 341 901 00	X	
(2)	900 269 047 01	countersunk bolt M 6 X 12		4	
3	996 352 801 03	Cover plate		2	
(3)	997 352 801 02	Cover plate	left	1	PR:450
(3)	997 352 802 02	Cover plate	right	1	PR:450

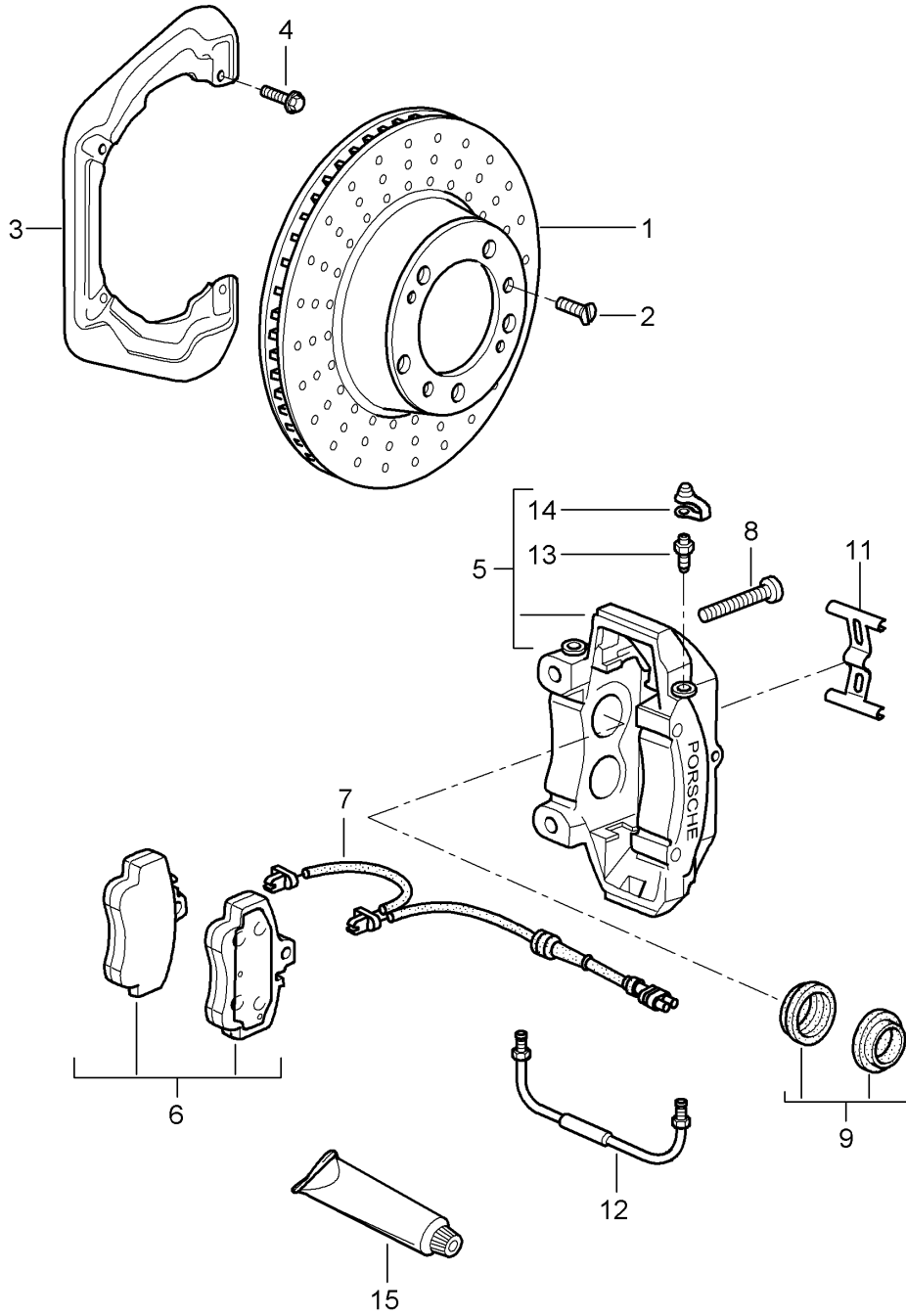
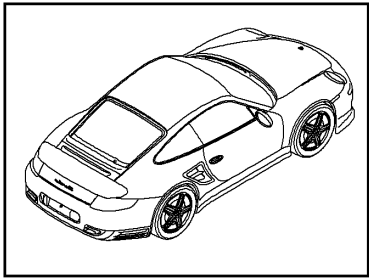
Model: 997T10

Model life 2010>>2013

Pos	Part Number	Description	Remark	Qty	Model
4	999 217 116 01	Hexagon bolt M 6 x 16		X	
5	997 352 425 12	caliper without brake pads	left	1	
(5)	997 352 425 32	caliper without brake pads	left	1	PR:450
(5)	997 352 425 33	caliper without brake pads Acid Green	left	1	PR:018,450
(5)	997 352 426 12	caliper without brake pads	right	1	
(5)	997 352 426 32	caliper without brake pads	right	1	PR:450
(5)	997 352 426 33	caliper without brake pads Acid Green	right	1	PR:018,450
(6)	997 352 949 05	1 set of brake pads for disk brake	rear	2 1 4	
(6)	997 352 947 02	1 set of brake pads for disk brake	rear	1	PR:450
-	997 352 086 02	Damping plate 34 mm only in conj. with: Grey cast iron Brake	Group: 4	4	
7	997 612 754 00	sender wire (pad wear indicator)		2	
-	999 507 464 40	bracket for speed sensor Warning contact		2	
8	999 067 040 01	Socket head bolt M 12 X 1,5 X 95		4	
9	965 352 917 00	Repair set for rear axle		X 2	
11	997 352 959 10	Protection caps Spring		2	
13	930 351 919 01	Breather valve		4	
14	930 351 927 00	dust cap Discontinued part		4	
14	930 351 927 01	dust cap		4	
15	000 043 117 00	brake cylinder paste 50 G		X	
(15)	000 043 020 00	Assembly paste 100 G		X	
16	997 341 901 00	Assembly kit comprising: Driving pin Sleeve Fastening screw See technical manual 46 53 19 46 54 19		2 5 5 5	PR:422

Model: 997T10

Model life 2010>>2013



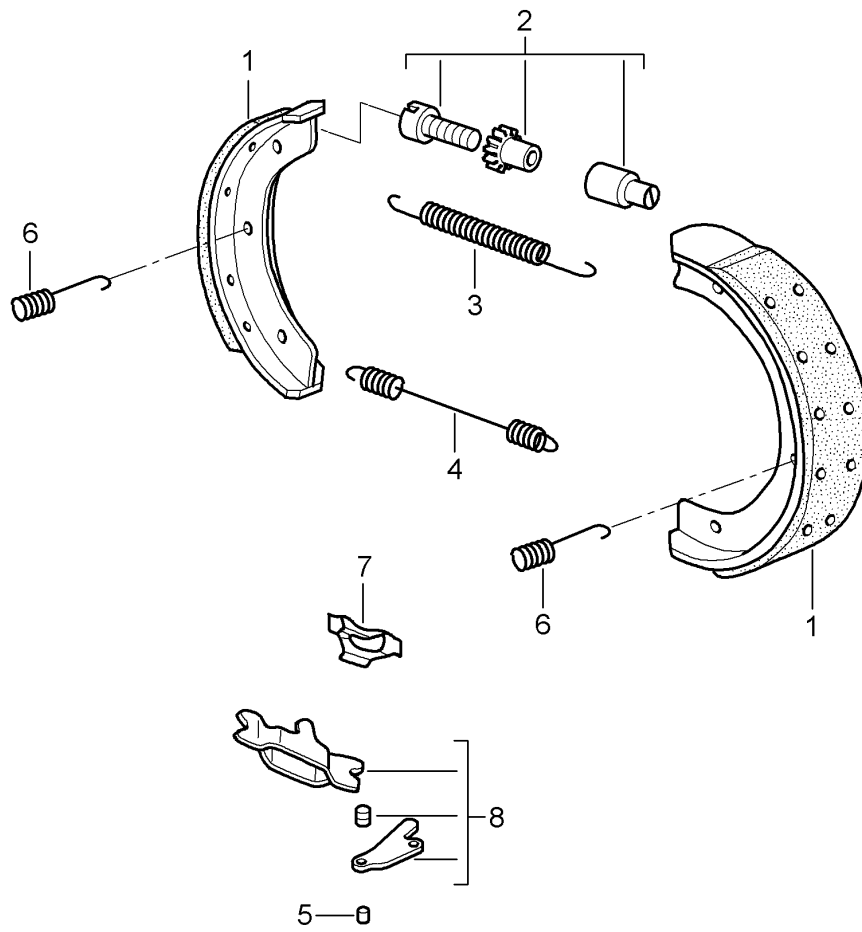
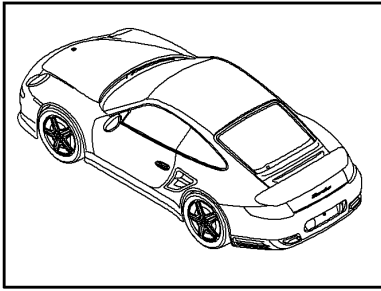
Model: 997T10

Model life 2010>>2013

Pos	Part Number	Description	Remark	Qty	Model
-		Disc brake Rear axle Brake disc Only in pairs Replace Technical manual Attention			GT-2 RS
1	997 352 031 94	Brake disc	left rear	1	
(1)	997 352 032 94	Brake disc	right rear	1	
2	900 269 047 01	countersunk bolt M 6 X 12		4	
3	996 352 801 30	Cover plate	left	2	
(3)	996 352 802 30	Cover plate	right	2	
4	999 217 116 01	Hexagon bolt M 6 x 16		X	
5	997 352 425 98	caliper without brake pads	left	2	
		also use:	999 067 040 01	2	
(5)	997 352 426 98	caliper without brake pads	right	1	
		also use:	999 067 040 01	2	
6	997 352 947 90	1 set of brake pads for disk brake	rear	1	
		also use:	999 067 040 01	4	
7	997 612 754 00	sender wire (pad wear indicator)		2	
-	999 507 464 40	bracket for speed sensor Warning contact		2	
8	999 067 040 01	Socket head bolt M 12 X 1,5 X 95		4	
9	965 352 917 00	Repair set for rear axle		2	
		Protection caps		2	
11	997 352 959 10	Spring		2	
12	997 351 961 00	Connecting line		2	
13	997 352 919 00	Breather valve		4	
14	930 351 927 00	dust cap Discontinued part		4	
14	930 351 927 01	dust cap		4	
15	000 043 117 00	brake cylinder paste 50 G		X	
(15)	000 043 020 00	Assembly paste 100 G		X	

Model: 997T10

Model life 2010>>2013



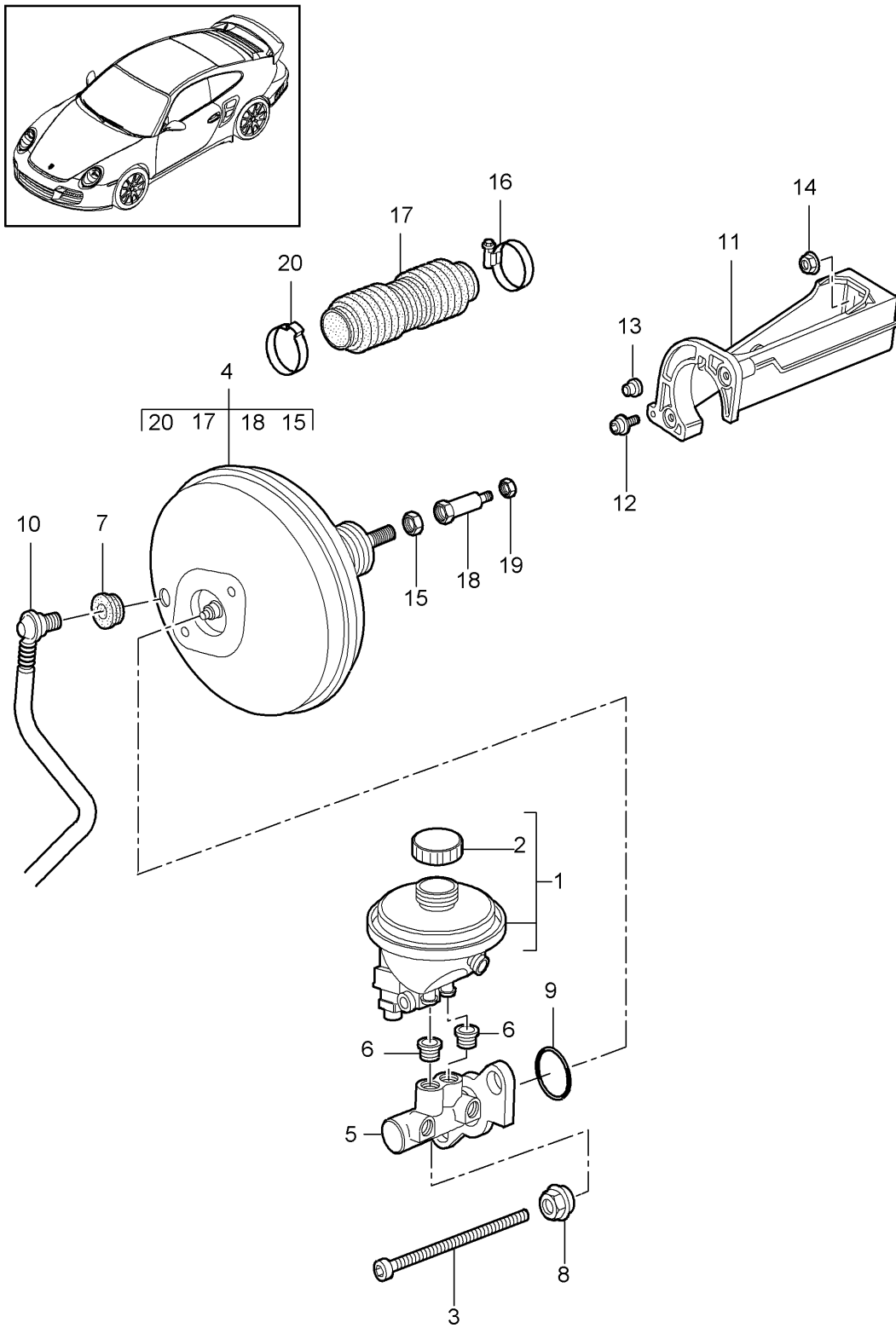
Model: 997T10

Model life 2010>>2013

Pos	Part Number	Description	Remark	Qty	Model
1	997 352 993 02	handbrake Brake shoe 1 set		1	
2	993 352 071 00	adjustment screw Discontinued part		2	
(2)	298 609 723	adjustment screw		2	
3	997 352 721 01	tension spring Short Discontinued part		2	
(3)	298 609 717	tension spring		2	
4	997 352 723 02	tension spring Long		2	
5	993 352 737 00	Pin		2	
6	997 352 741 02	Pressure spring Discontinued part		4	
(6)	298 609 583	Pressure spring		4	
7	997 352 807 00	Support panel		2	
8	928 352 090 01	Push-button lock (complete)		2	

Model: 997T10

Model life 2010>>2013



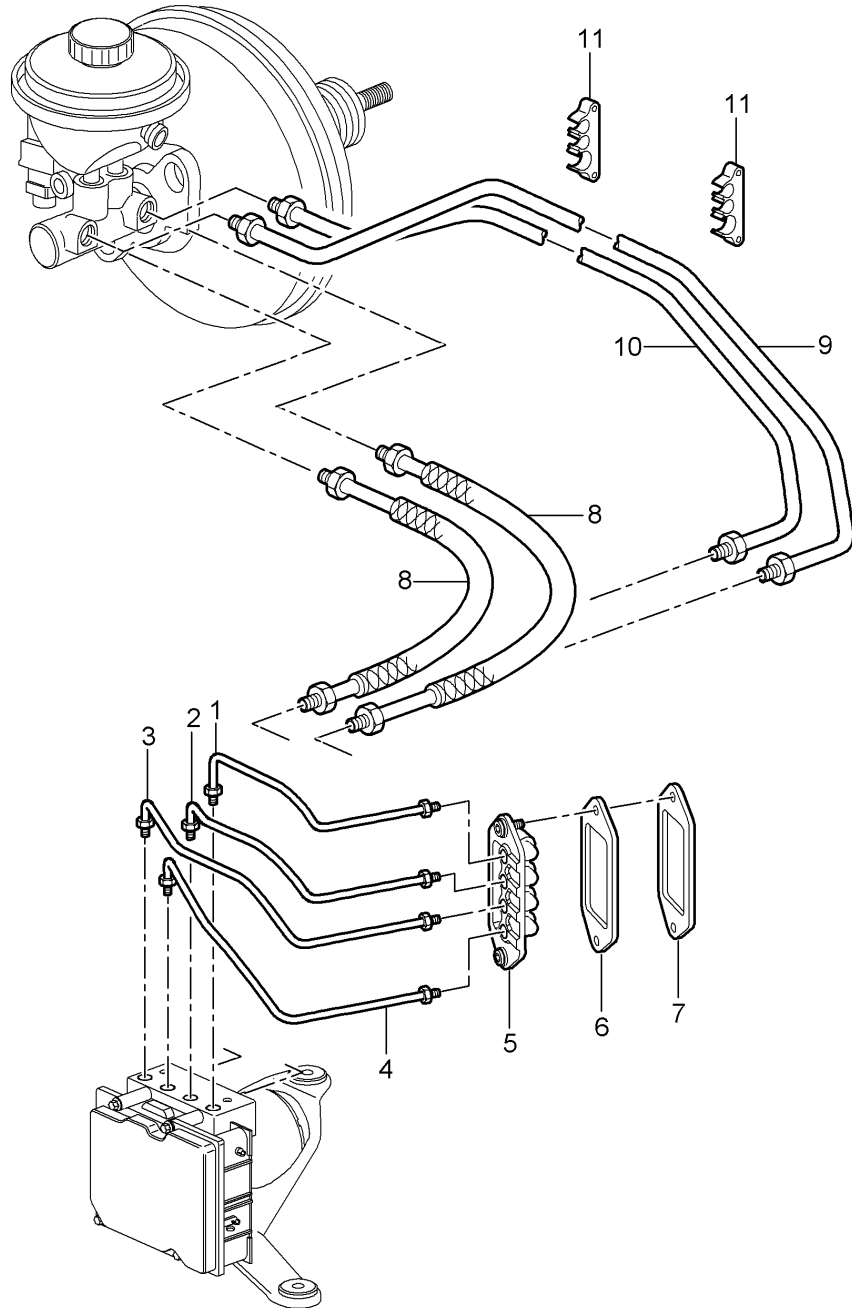
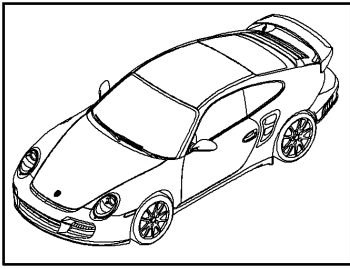
Model: 997T10

Model life 2010>>2013

Pos	Part Number	Description	Remark	Qty	Model
-	000 043 210 82	Brake master cylinder			
-	000 043 210 86	Brake servo			
-	000 043 210 86	brake fluid	1.0 Ltr.	X	
-	000 043 210 86	brake fluid	30ltr.	X	
1	997 355 013 21	Reservoir for brake fluid		1	TURBO
1	997 355 013 01	Reservoir for brake fluid		1	GT-2 RS
2	996 355 119 01	catch		1	
-	997 355 125 00	contact carrier for container		1	
3	999 073 327 09	Socket head bolt M 8 X 197 X 29		2	
4	997 355 925 37	Brake servo		1	TURBO
4	997 355 923 90	Brake servo		1	GT-2 RS
5	997 355 910 30	Brake master cylinder		1	
6	993 355 922 00	Grommet		2	
7	999 702 182 40	Rubber bush		1	
8	997 355 925 00	Hexagon nut		2	
9	993 355 212 00	Seal		1	
10	997 355 577 26	Vacuum line	lhd	1	PR:098
(10)	997 355 578 26	Vacuum line	rhd	1	PR:099
11	997 423 251 00	Intermediate piece		1	
12	999 073 189 01	flat round head bolt M 6 X 12		2	
13	999 703 448 50	Bungs	right	1	
14	900 380 005 01	Nut M 8		2	
15	900 183 015 01	Hexagon nut M 12 X 1,5		1	
-	996 355 901 01	Seal		1	
		Brake servo filler plate			
16	999 512 478 00	Hose clamp		1	
17	997 355 969 00	Bellows		1	
18	996 355 927 01	Connecting piece		1	
19	900 380 015 01	Hexagon nut M 6		1	
20	999 512 672 00	clamp		1	

Model: 997T10

Model life 2010>>2013



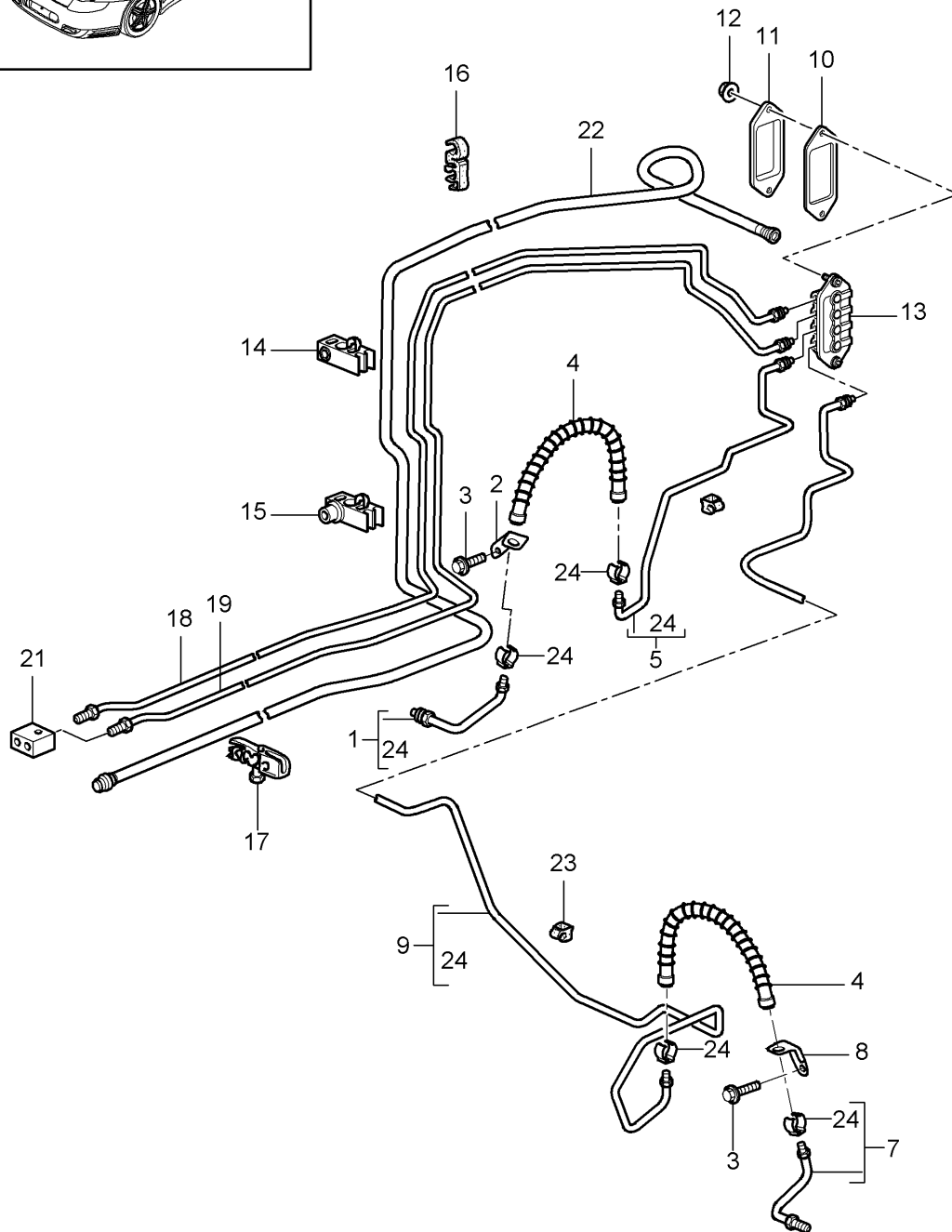
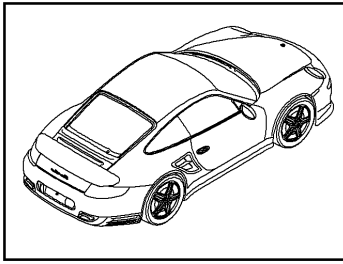
Model: 997T10

Model life 2010>>2013

Pos	Part Number	Description	Remark	Qty	Model
1	997 355 315 30	Brake lines Front end Brake line	lhd	1	PR:098
		Discontinued part			
(1)	997 355 315 31	Brake line	lhd	1	PR:098
(1)	997 355 315 10	Brake line	rhd	1	PR:099
2	997 355 316 30	Brake line	lhd	1	PR:098
		Discontinued part			
(2)	997 355 316 31	Brake line	lhd	1	PR:098
(2)	997 355 316 10	Brake line	rhd	1	PR:099
3	997 355 327 30	Brake line	lhd	1	PR:098
		Discontinued part			
(3)	997 355 327 31	Brake line	lhd	1	PR:098
(3)	997 355 327 10	Brake line	rhd	1	PR:099
4	997 355 326 30	Brake line	lhd	1	PR:098
		Discontinued part			
(4)	997 355 326 31	Brake line	lhd	1	PR:098
(4)	997 355 326 10	Brake line	rhd	1	PR:099
5	997 355 650 00	Intermediate piece		1	
6	997 355 752 00	Seal		1	
7	997 355 753 00	Reinforcement		1	
8	997 355 311 10	Pressure line	lhd	1	PR:098
(9)	997 355 312 30	Pressure line	rhd	1	PR:099
10	997 355 314 30	Pressure line	rhd	1	PR:099
11	999 507 632 40	Cable holder	rhd	2	PR:099

Model: 997T10

Model life 2010>>2013

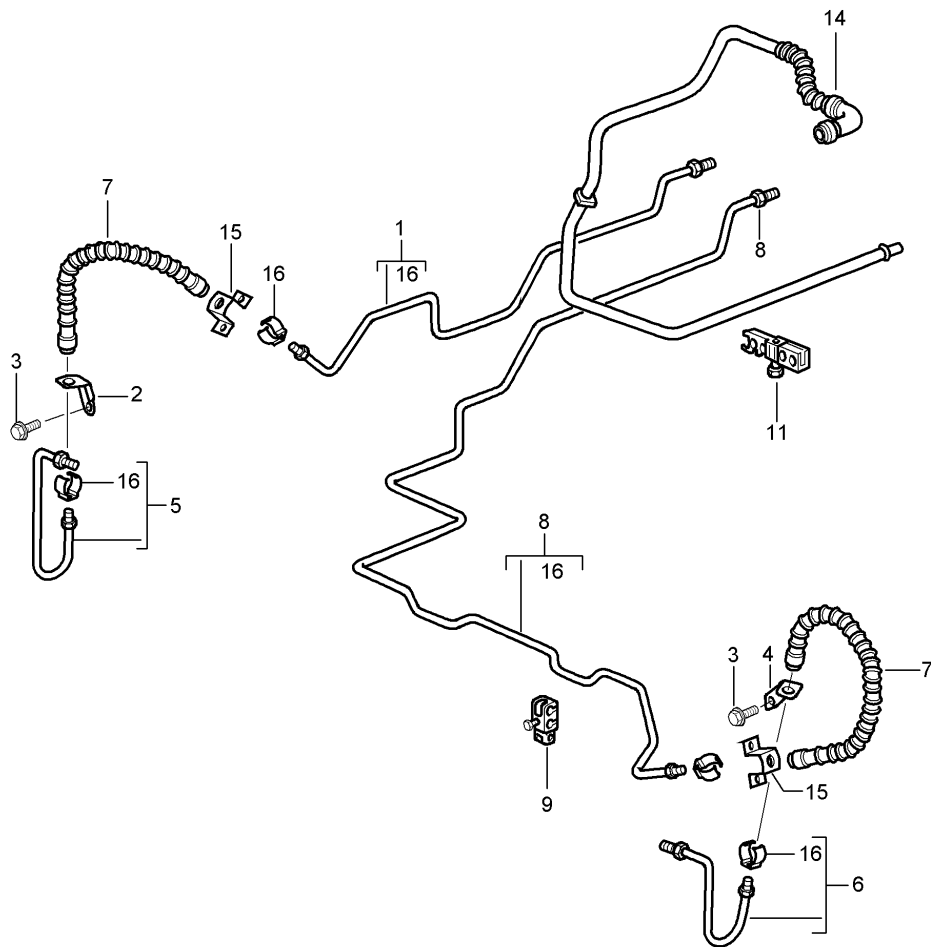
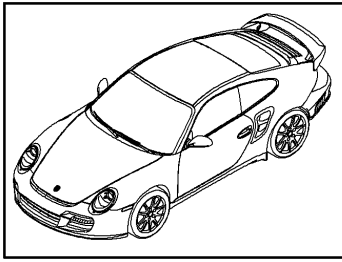


Model: 997T10 Model life 2010>>2013

Pos	Part Number	Description	Remark	Qty	Model
		Brake lines			
		Brake lines			
		Underbody			
		Vacuum line			
1	997 355 587 03	Brake line	left	1	TURBO
(1)	997 355 587 11	Brake line	left	1	TURBO PR:450
(1)	997 355 581 92	Brake line	left	1	GT-2 RS
2	996 355 507 05	Brake hose bracket	left	1	TURBO
2	997 355 501 90	Brake hose bracket	left	1	GT-2 RS
3	900 067 117 04	Socket head bolt M 6 x 16		4	TURBO
3	999 217 116 01	Hexagon bolt M 6 x 16		4	GT-2 RS
4	996 355 139 01	Brake hose Discontinued part		2	
(4)	996 355 139 03	Brake hose		2	
5	997 355 175 30	Brake line Discontinued part	left	1	TURBO
(5)	997 355 175 31	Brake line	left	1	TURBO
(5)	997 355 175 10	Brake line Discontinued part	left	1	GT-2 RS
(5)	997 355 175 11	Brake line	left	1	GT-2 RS
7	997 355 588 03	Brake line	right	1	TURBO
(7)	997 355 588 11	Brake line	right	1	TURBO PR:450
(7)	997 355 582 92	Brake line	right	1	GT-2 RS
5	997 355 175 30	Brake line Discontinued part	left	1	TURBO
(5)	997 355 175 31	Brake line	left	1	TURBO
(5)	997 355 175 10	Brake line Discontinued part	left	1	GT-2 RS
(5)	997 355 175 11	Brake line	left	1	GT-2 RS
8	996 355 508 05	Brake hose bracket	right	1	TURBO
8	997 355 502 90	Brake hose bracket	right	1	GT-2 RS
9	997 355 176 30	Brake line		1	TURBO
9	997 355 176 90	Brake line Discontinued part		1	GT-2 RS
9	997 355 176 91	Brake line		1	GT-2 RS
10	997 355 753 00	Reinforcement		1	
11	997 355 752 00	Seal		1	
12	900 380 015 01	Hexagon nut M 6		3	
13	997 355 650 00	Intermediate piece		1	
14	996 355 545 00	Bracket		3	
15	996 355 549 00	Bracket		1	
16	996 355 547 01	Bracket		2	
17	996 355 543 00	Bracket		1	
18	997 355 177 10	Brake line		1	
19	997 355 179 10	Brake line Discontinued part		1	
(19)	997 355 179 11	Brake line		1	
21	996 355 760 31	Connecting piece		1	
22	997 355 571 01	Vacuum line		1	
-	999 702 289 41	Grommet		1	
		Wheel housing			
23	999 651 331 40	Cable holder		5	
24	997 355 331 01	retaining spring for Brake line		X	

Model: 997T10

Model life 2010>>2013



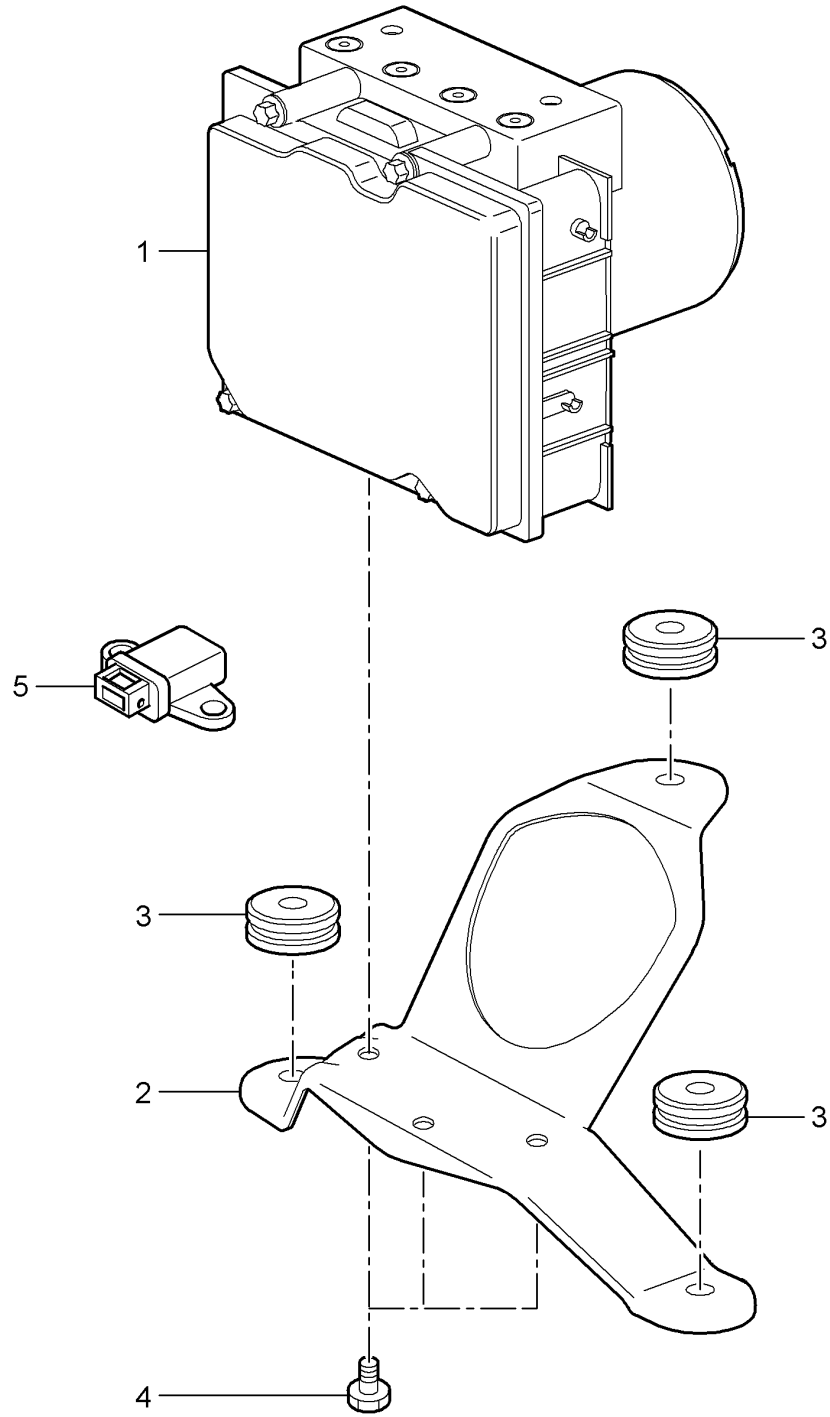
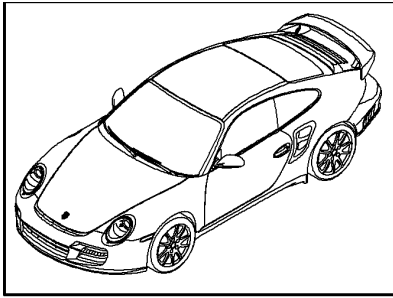
Model: 997T10

Model life 2010>>2013

Pos	Part Number	Description	Remark	Qty	Model
1	997 355 189 10	Brake line Underbody Rear axle Vacuum line Brake line	left	1	
(1)	997 355 189 11	Discontinued part Brake line	left	1	
2	997 355 503 10	Retainer for brake hose	left	1	
3	900 067 117 04	Socket head bolt M 6 x 16		2	
4	997 355 504 10	Retainer for brake hose	right	1	
5	996 355 585 11	Brake line	left	1	
6	996 355 586 11	Brake line	right	1	
7	996 355 139 01	Brake hose Discontinued part		2	
(7)	996 355 139 03	Brake hose		2	
8	997 355 190 11	Brake line Discontinued part		1	TURBO
(8)	997 355 190 14	Brake line		1	TURBO
8	997 355 190 10	Brake line Discontinued part		1	GT-2 RS
(8)	997 355 190 13	Brake line		1	GT-2 RS
9	996 347 543 00	Cable holder		3	
11	996 355 543 00	Bracket		1	
14	997 355 575 12	Vacuum line		1	TURBO
14	997 355 575 51	Vacuum line		1	GT-2 RS
-	999 507 495 40	Bracket		1	
15	996 501 815 02	Brake line bracket		2	
	996 501 815 02 GRV	primed			
16	997 355 331 00	retaining spring for Brake line		X	

Model: 997T10

Model life 2010>>2013



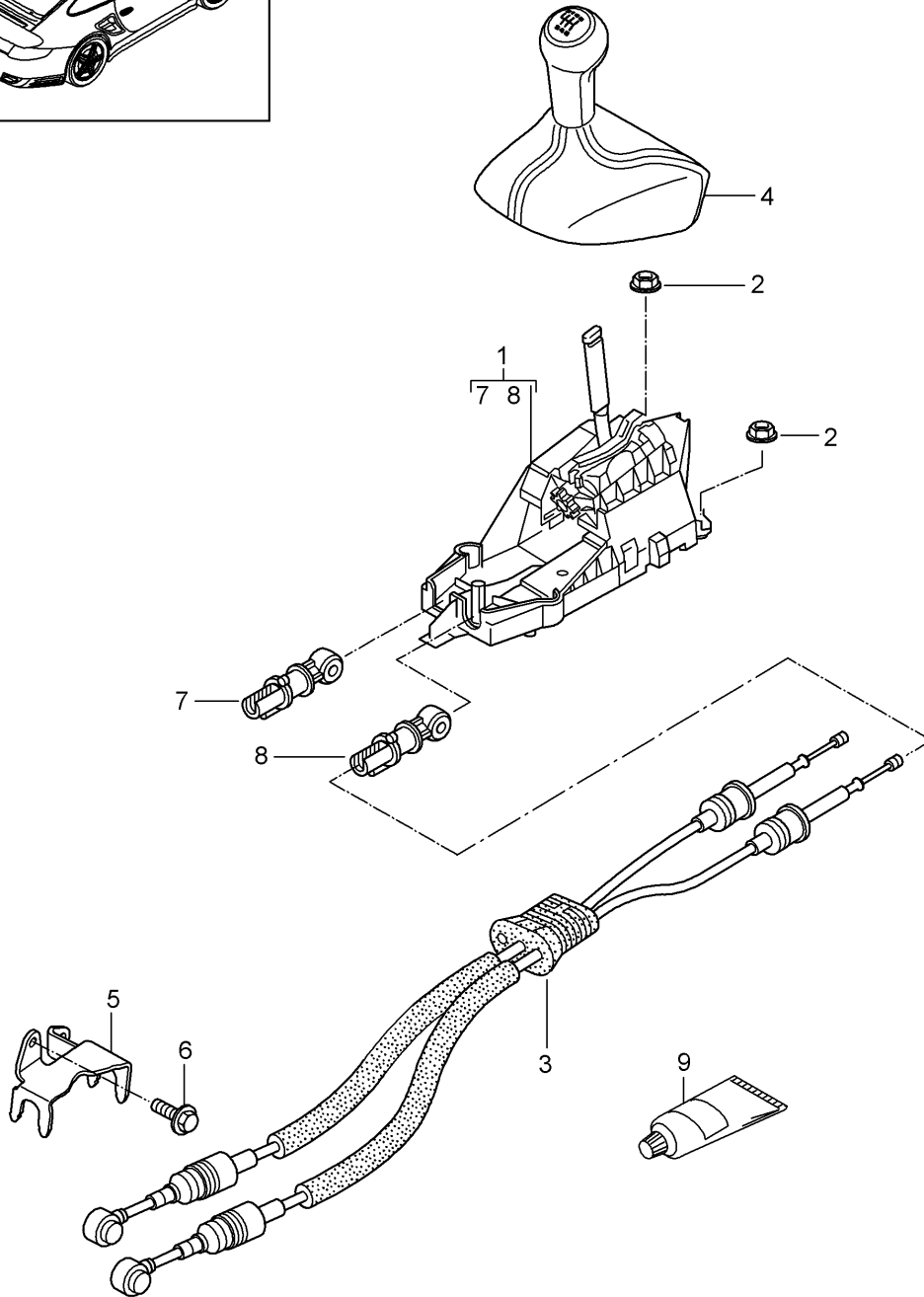
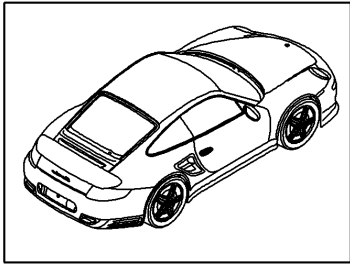
Model: 997T10

Model life 2010>>2013

Pos	Part Number	Description	Remark	Qty	Model
		Hydraulic unit anti-locking brake syst. -abs- Control			
1	997 355 955 63	Hydraulic unit		1	TURBO
1	997 355 955 97	Hydraulic unit		1	GT-2 RS
2	997 355 033 25	Bracket		1	PR:098
		with:			
(2)	997 355 033 00	Rubber bush Bracket		1	PR:099
		with:			
3	964 356 635 00	Rubber bush		3	
-	999 045 004 40	Hexagon nut		3	
		plastic			
4	900 385 060 01	Screw BM 6 X 10		3	
5	997 606 145 05	Sensor		1	
		D - MJ 2010>> - MJ 2010			
5	997 606 145 07	Sensor		1	
		D - MJ 2011>>			
-	900 378 035 01	Hexagon bolt M 6 X 16		2	

Model: 997T10

Model life 2010>>2013



Model: 997T10

Model life 2010>>2013

Pos	Part Number	Description	Remark	Qty	Model
		Transmission control			PR:480
		Manual gearbox			
(1)	997 424 010 00	ball housing - gearshift lever		1	TURBO
(1)	997 424 983 00	ball housing - gearshift lever		1	TURBO
(1)	997 424 010 91	ball housing - gearshift lever		1	PR:XCZ GT-2 RS
2	999 084 629 01	Hexagon nut		4	
		M 6 SB			
3	997 424 041 50	cable for shift mechanism		1	TURBO
		Transmission control			
3	997 424 041 88	cable for shift mechanism		1	GT-2 RS
		Transmission control			
4	997 424 075 50	gearstick knob (leather)		1	TURBO
	997 424 075 50 FOT	black/black			
	997 424 075 50 FOU	Stone grey/stone grey			
	997 424 075 50 FOV	Sand beige/sand beige			
	997 424 075 50 FOW	Sea blue/sea blue			
	997 424 075 50 FPW	Terracotta/terracotta			
	997 424 075 50 FPX	Cocoa/Cocoa			
	997 424 075 50 FOY	Dark grey/dark grey			
	997 424 075 50 FOZ	Brown nat./brown nat.			
	997 424 075 50 FSR	Carrera Red/Carrera Red			
(4)	997 424 075 54	gearstick knob		1	TURBO
		macassar			PR:801
	997 424 075 54 FPA	Black			
	997 424 075 54 FPB	Stone grey			
	997 424 075 54 FPC	Sand beige			
	997 424 075 54 FPD	sea blue			
	997 424 075 54 FPY	Terracotta			
	997 424 075 54 FPZ	Cocoa			
	997 424 075 54 FPF	Dark grey/natural			
	997 424 075 54 FPG	Brown/natural			
	997 424 075 54 FST	Carrera Red			
(4)	997 424 075 53	gearstick knob		1	TURBO
		Carbon			PR:803
	997 424 075 53 FPP	Black			
	997 424 075 53 FPQ	Stone grey			
	997 424 075 53 FPR	Sand beige			
	997 424 075 53 FPS	sea blue			
	997 424 075 53 FQC	Terracotta			
	997 424 075 53 FQD	Cocoa			
	997 424 075 53 FPU	Dark grey/natural			
	997 424 075 53 FPV	Brown/natural			
	997 424 075 53 FSS	Carrera Red			
(4)	997 424 981 00	gearstick knob		1	TURBO
		Aluminium look			PR:X97
		Leather			
	997 424 981 00 8YR	Black			
	997 424 981 00 5X5	Stone grey			
	997 424 981 00 8G1	Sand beige			
	997 424 981 00 3S8	sea blue			
	997 424 981 00 9N2	Terracotta			
	997 424 981 00 9Q3	Cocoa			
	997 424 981 00 D11	Dark grey/natural			
	997 424 981 00 T11	Brown/natural			
	997 424 981 00 N11	Carrera Red			
(7)	997 424 990 00	gearstick knob		1	TURBO
		aluminium			
	997 424 990 00 8YR	Black			
	997 424 990 00 5X5	Stone grey			
	997 424 990 00 8G1	Sand beige			
	997 424 990 00 3S8	sea blue			
	997 424 990 00 9N2	Terracotta			

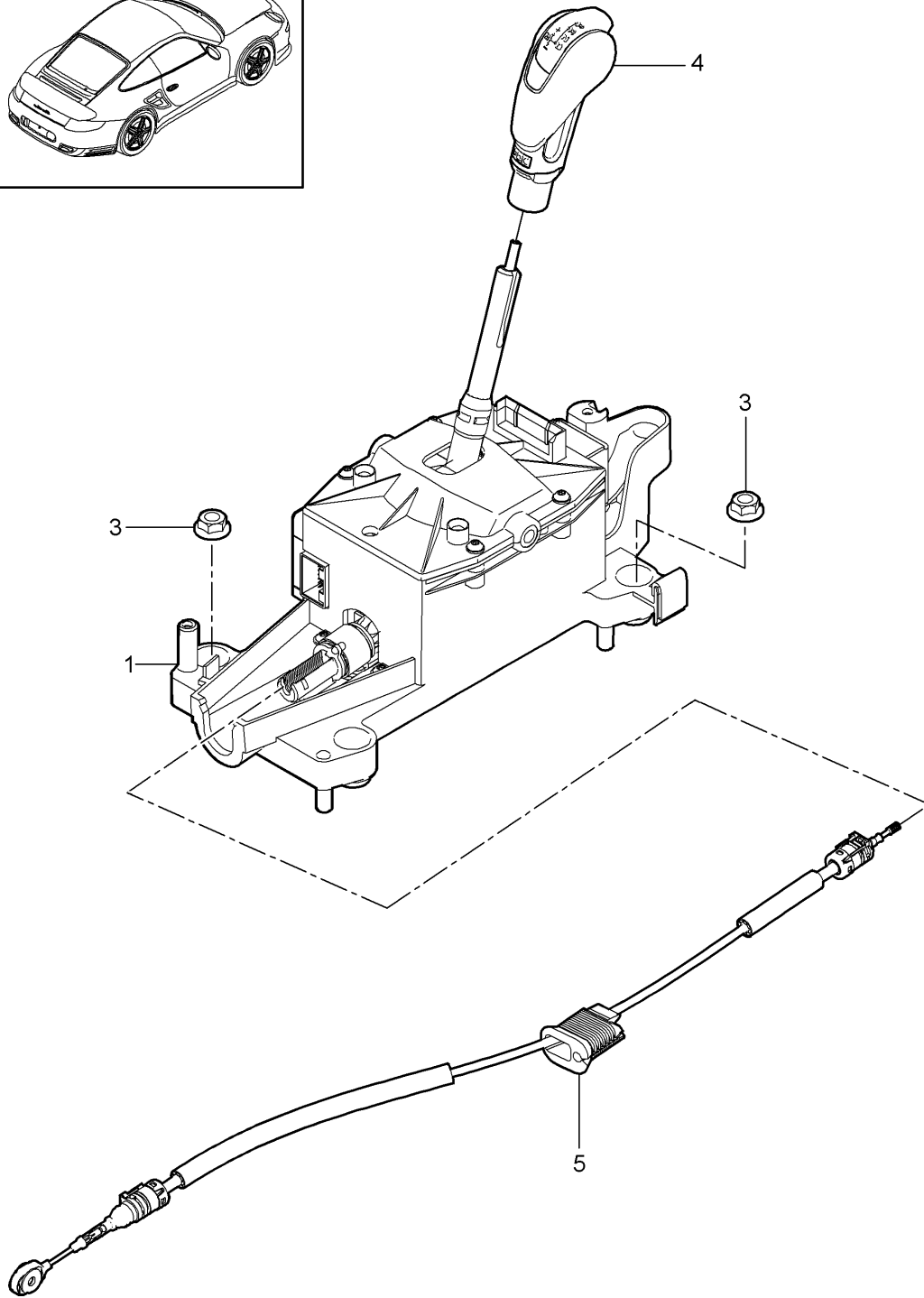
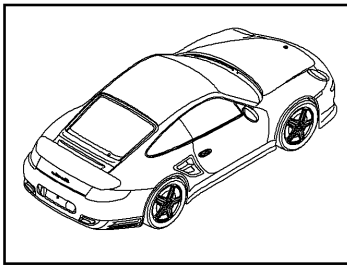
Model: 997T10

Model life 2010>>2013

Pos	Part Number	Description	Remark	Qty	Model
	997 424 990 00 9Q3	Cocoa			
	997 424 990 00 D11	Dark grey/natural			
	997 424 990 00 T11	Brown/natural			
	997 424 990 00 N11	Carrera Red			
4	997 424 075 90	gearstick knob (leather)		1	GT-2 RS
	997 424 075 90 A15	Black			
	997 424 075 90 DRB	Black/Guards Red			
-	996 424 445 00	Clip for Securing element		X	
5	997 424 165 55	Bracket		1	TURBO
5	996 424 165 9B	Bracket		1	GT-2 RS
6	999 073 209 09	Socket head bolt M 10 x 20		2	TURBO
(6)	900 378 017 09	Hexagon bolt M 8 x 20		2	GT-2 RS
7	996 424 145 01	Securing element for Cable Adjustable		1	
8	996 424 147 00	Securing element for Cable Adjustable		1	
9	000 043 205 93	grease 1 100-gramme tube		X	

Model: 997T10

Model life 2010>>2013



Model: 997T10 Model life 2010>>2013

Pos	Part Number	Description	Remark	Qty	Model
1	9G1 426 011 05	selector lever Tiptronic Support		1	TURBO PR:250
		with:			
3	999 084 629 01	housing Hexagon nut M 6		4	
4	9G1 426 069 00	Selector knob Leather Volcano grey		1	
	9G1 426 069 00 FTE	Black			
	9G1 426 069 00 FTF	Stone grey			
	9G1 426 069 00 FTG	Sand beige			
	9G1 426 069 00 FTH	sea blue			
	9G1 426 069 00 FTJ	Terracotta			
	9G1 426 069 00 FTK	Cocoa			
	9G1 426 069 00 FTL	Dark grey/natural			
	9G1 426 069 00 FTM	Brown/natural			
	9G1 426 069 00 FTN	Carrera Red			
(4)	9G1 426 069 04	Selector knob macassar Volcano grey		1	PR:801
	9G1 426 069 04 FTO	Black			
	9G1 426 069 04 FTP	Stone grey			
	9G1 426 069 04 FTQ	Sand beige			
	9G1 426 069 04 FTR	sea blue			
	9G1 426 069 04 FTS	Terracotta			
	9G1 426 069 04 FTT	Cocoa			
	9G1 426 069 04 FTU	Dark grey/natural			
	9G1 426 069 04 FTV	Brown/natural			
	9G1 426 069 04 FTW	Carrera Red			
(4)	9G1 426 069 14	Selector knob macassar Volcano grey		1	PR:801
	9G1 426 069 14 FTO	Black			
	9G1 426 069 14 FTP	Stone grey			
	9G1 426 069 14 FTQ	Sand beige			
	9G1 426 069 14 FTR	sea blue			
	9G1 426 069 14 FTS	Terracotta			
	9G1 426 069 14 FTT	Cocoa			
	9G1 426 069 14 FTU	Dark grey/natural			
	9G1 426 069 14 FTV	Brown/natural			
	9G1 426 069 14 FTW	Carrera Red			
(4)	9G1 426 069 03	Selector knob Leather Carbon Volcano grey		1	PR:803
	9G1 426 069 03 FTX	Black			
	9G1 426 069 03 FTY	Stone grey			
	9G1 426 069 03 FTZ	Sand beige			
	9G1 426 069 03 FUA	sea blue			
	9G1 426 069 03 FUB	Terracotta			
	9G1 426 069 03 FUC	Cocoa			
	9G1 426 069 03 FUD	Dark grey/natural			
	9G1 426 069 03 FUE	Brown/natural			
	9G1 426 069 03 FUF	Carrera Red			
(4)	9G1 426 069 13	Selector knob Leather Carbon Volcano grey		1	PR:803
	9G1 426 069 13 FTX	Black			
	9G1 426 069 13 FTY	Stone grey			
	9G1 426 069 13 FTZ	Sand beige			

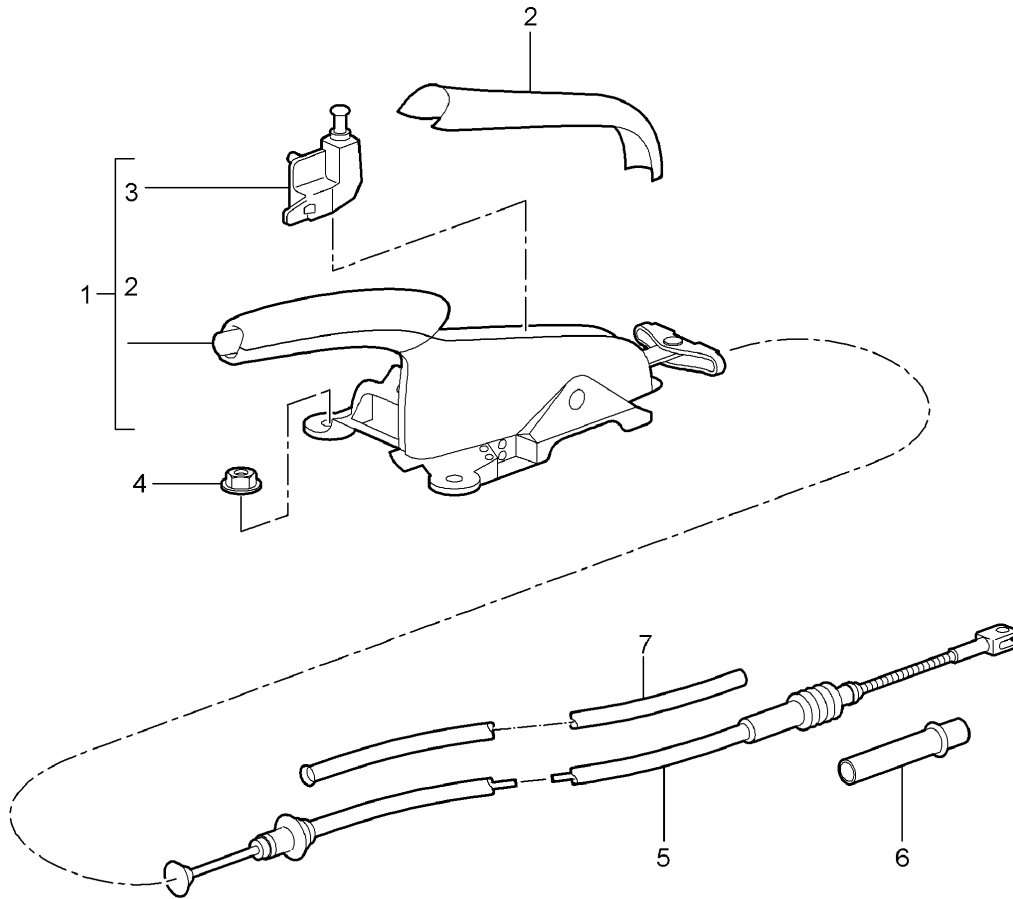
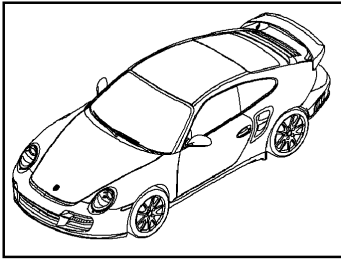
Model: 997T10

Model life 2010>>2013

Pos	Part Number	Description	Remark	Qty	Model
	9G1 426 069 13 FUA	sea blue			
	9G1 426 069 13 FUB	Terracotta			
	9G1 426 069 13 FUC	Cocoa			
	9G1 426 069 13 FUD	Dark grey/natural			
	9G1 426 069 13 FUE	Brown/natural			
	9G1 426 069 13 FUF	Carrera Red			
(4)	9G1 426 980 00	Selector knob		1	PR:XYA
	9G1 426 980 00 D11	Dark grey/natural			
	9G1 426 980 00 N11	Carrera Red			
	9G1 426 980 00 T11	Brown/natural			
	9G1 426 980 00 3S8	sea blue			
	9G1 426 980 00 5X5	Stone grey			
	9G1 426 980 00 8G1	Sand beige			
	9G1 426 980 00 FTE	Black			
	9G1 426 980 00 9N2	Terracotta			
	9G1 426 980 00 9Q3	Cocoa			
5	9G1 426 033 00	Cable		1	

Model: 997T10

Model life 2010>>2013



Model: 997T10

Model life 2010>>2013

Pos	Part Number	Description	Remark	Qty	Model
(1)	997 424 031 67	handbrake Actuator handbrake lever grip (leather) (complete)		1	TURBO
	997 424 031 67 8YR	Black			
	997 424 031 67 5X5	Stone grey			
	997 424 031 67 8G1	Sand beige			
	997 424 031 67 3S8	sea blue			
	997 424 031 67 9N2	Terracotta			
	997 424 031 67 9Q3	Cocoa			
	997 424 031 67 D11	Dark grey/natural			
	997 424 031 67 T11	Brown/natural			
	997 424 031 67 N11	Carrera Red			
(1)	997 424 031 68	Brake lever (complete) macassar		1	TURBO PR:801
	997 424 031 68 8YR	Black			
	997 424 031 68 5X5	Stone grey			
	997 424 031 68 8G1	Sand beige			
	997 424 031 68 3S8	sea blue			
	997 424 031 68 9N2	Terracotta			
	997 424 031 68 9Q3	Cocoa			
	997 424 031 68 D11	Dark grey/natural			
	997 424 031 68 T11	Brown/natural			
	997 424 031 68 N11	Carrera Red			
(1)	997 424 031 70	Brake lever (complete) Carbon		1	TURBO PR:803
	997 424 031 70 8YR	Black			
	997 424 031 70 5X5	Stone grey			
	997 424 031 70 8G1	Sand beige			
	997 424 031 70 3S8	sea blue			
	997 424 031 70 9N2	Terracotta			
	997 424 031 70 9Q3	Cocoa			
	997 424 031 70 D11	Dark grey/natural			
	997 424 031 70 T11	Brown/natural			
	997 424 031 70 N11	Carrera Red			
(1)	997 424 980 00	handbrake lever grip (leather) (complete) Discontinued part	lhd	1	TURBO PR:X98,098
	997 424 980 00 8YR	Black			
	997 424 980 00 5X5	Stone grey			
	997 424 980 00 8G1	Sand beige			
	997 424 980 00 3S8	sea blue			
	997 424 980 00 9N2	Terracotta			
	997 424 980 00 9Q3	Cocoa			
	997 424 980 00 D11	Dark grey/natural			
	997 424 980 00 T11	Brown/natural			
	997 424 980 00 N11	Carrera Red			
	997 424 980 00 TSF	black/black			
(1)	997 424 980 06	handbrake lever grip (leather) (complete)	lhd	1	TURBO PR:X98,098
	997 424 980 06 8YR	Black			
	997 424 980 06 5X5	Stone grey			
	997 424 980 06 8G1	Sand beige			
	997 424 980 06 3S8	sea blue			
	997 424 980 06 9N2	Terracotta			
	997 424 980 06 9Q3	Cocoa			
	997 424 980 06 D11	Dark grey/natural			
	997 424 980 06 T11	Brown/natural			
	997 424 980 06 N11	Carrera Red			
	997 424 980 06 TSF	black/black			
(1)	997 424 991 00	Brake lever	lhd	1	TURBO

Model: 997T10 Model life 2010>>2013

Pos	Part Number	Description	Remark	Qty	Model
		(complete)			PR:XFP,098
	997 424 991 00 8YR	Black			
	997 424 991 00 5X5	Stone grey			
	997 424 991 00 8G1	Sand beige			
	997 424 991 00 3S8	sea blue			
	997 424 991 00 9N2	Terracotta			
	997 424 991 00 9Q3	Cocoa			
	997 424 991 00 D11	Dark grey/natural			
	997 424 991 00 T11	Brown/natural			
	997 424 991 00 N11	Carrera Red			
	997 424 991 00 TSF	black/black			
(1)	997 424 980 01	handbrake lever grip (leather)	rhd	1	TURBO PR:X98,099
		(complete)			
		Discontinued part			
	997 424 980 01 8YR	Black			
	997 424 980 01 5X5	Stone grey			
	997 424 980 01 8G1	Sand beige			
	997 424 980 01 3S8	sea blue			
	997 424 980 01 9N2	Terracotta			
	997 424 980 01 9Q3	Cocoa			
	997 424 980 01 D11	Dark grey/natural			
	997 424 980 01 T11	Brown/natural			
	997 424 980 01 N11	Carrera Red			
	997 424 980 01 TSF	black/black			
(1)	997 424 980 07	handbrake lever grip (leather)	rhd	1	TURBO PR:X98,099
		(complete)			
	997 424 980 07 8YR	Black			
	997 424 980 07 5X5	Stone grey			
	997 424 980 07 8G1	Sand beige			
	997 424 980 07 3S8	sea blue			
	997 424 980 07 9N2	Terracotta			
	997 424 980 07 9Q3	Cocoa			
	997 424 980 07 D11	Dark grey/natural			
	997 424 980 07 T11	Brown/natural			
	997 424 980 07 N11	Carrera Red			
	997 424 980 07 TSF	black/black			
(1)	997 424 991 01	Brake lever	rhd	1	TURBO PR:XFP,099
		(complete)			
		Discontinued part			
	997 424 991 01 8YR	Black			
	997 424 991 01 5X5	Stone grey			
	997 424 991 01 8G1	Sand beige			
	997 424 991 01 3S8	sea blue			
	997 424 991 01 9N2	Terracotta			
	997 424 991 01 9Q3	Cocoa			
	997 424 991 01 D11	Dark grey/natural			
	997 424 991 01 T11	Brown/natural			
	997 424 991 01 N11	Carrera Red			
	997 424 991 01 TSF	black/black			
(1)	997 424 991 03	Brake lever	rhd	1	TURBO PR:XFP,099
		(complete)			
	997 424 991 03 8YR	Black			
	997 424 991 03 5X5	Stone grey			
	997 424 991 03 8G1	Sand beige			
	997 424 991 03 3S8	sea blue			
	997 424 991 03 9N2	Terracotta			
	997 424 991 03 9Q3	Cocoa			
	997 424 991 03 D11	Dark grey/natural			
	997 424 991 03 T11	Brown/natural			
	997 424 991 03 N11	Carrera Red			
	997 424 991 03 TSF	black/black			
(1)	997 424 031 93	Brake lever		1	GT-2 RS
		(complete)			

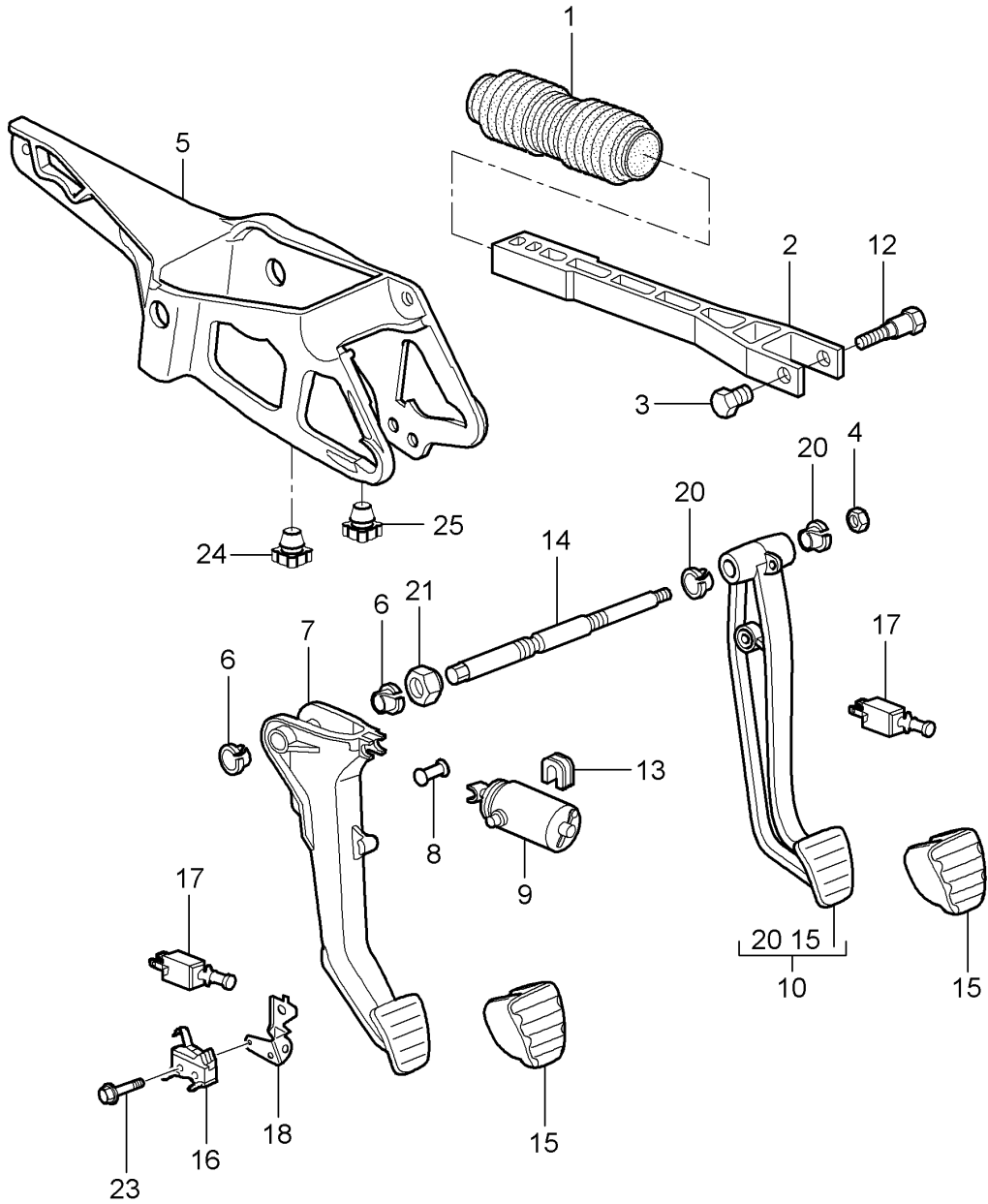
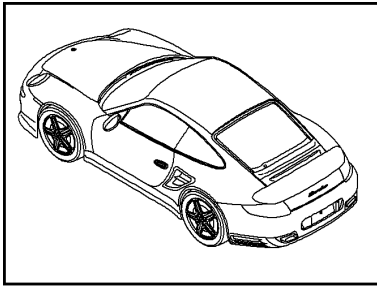
Model: 997T10

Model life 2010>>2013

Pos	Part Number	Description	Remark	Qty	Model
2	997 424 031 93 A15	Alcantara Black		1	TURBO
	997 424 031 93 DRA	black/red			
	997 424 155 00	trim for handbrake lever Leather			
	997 424 155 00 8YR	Black			
	997 424 155 00 5X5	Stone grey			
	997 424 155 00 8G1	Sand beige			
	997 424 155 00 3S8	sea blue			
	997 424 155 00 9N2	Terracotta			
	997 424 155 00 9Q3	Cocoa			
	997 424 155 00 D11	Dark grey/natural			
	997 424 155 00 T11	Brown/natural			
997 424 155 00 N11	Carrera Red				
3	996 613 112 01	Switch		1	
4	999 084 630 09	Hexagon nut		4	
		M 8			
5	997 424 141 06	Parking-brake cable		2	
6	996 424 721 02	guide tube		2	
7	997 501 691 01	guide tube	left	1	TURBO
		Parking-brake cable tunnel			
(7)	997 501 692 01	guide tube Parking-brake cable tunnel	right	1	TURBO

Model: 997T10

Model life 2010>>2013



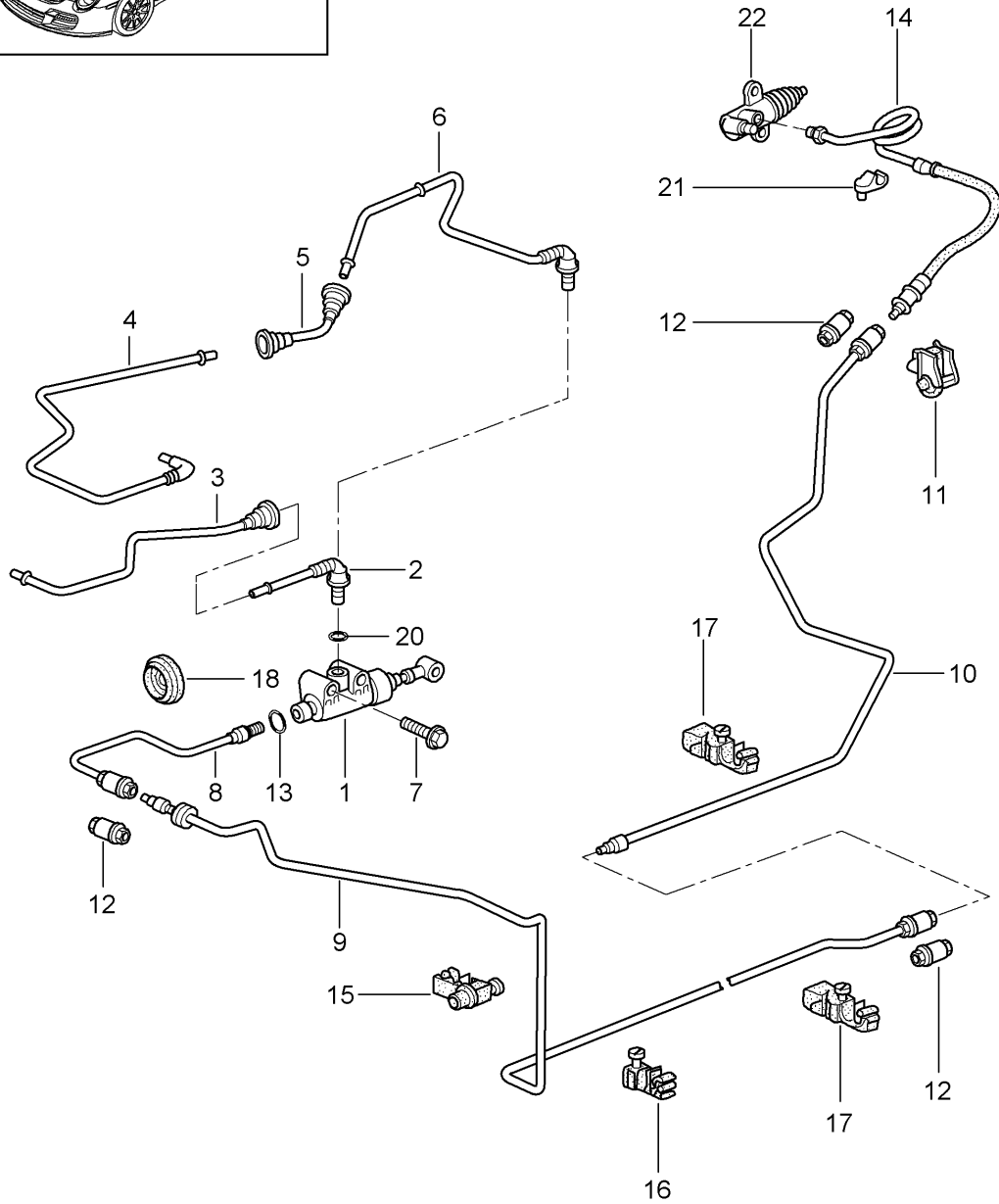
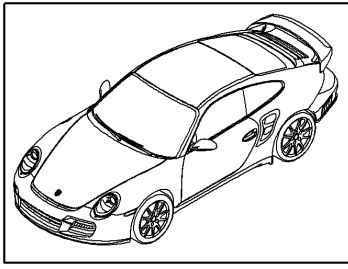
Model: 997T10

Model life 2010>>2013

Pos	Part Number	Description	Remark	Qty	Model
-	000 043 206 17	Pedals universal low temperat. grease 1 tube		X	
1		Bellows see illustration:	604-000		
2	996 423 165 05	push rod		1	
3	996 423 307 00	Sleeve		1	
4	999 084 457 01	Hexagon nut M 8		3	
5	997 423 571 02	Console for Servo spring bush		1	PR:480
6	997 423 399 01	Clutch pedal switch		2	PR:480
7	997 423 139 01	Pin		1	PR:480
8	996 423 315 06	Pin		1	PR:480
-	999 166 022 01	Kl-lock for Pin		1	PR:480
9	997 423 081 52	Servo spring		1	
10	997 423 091 04	brake pedal	lhd	1	PR:480,098
(10)	997 423 092 04	brake pedal	rhd	1	PR:480,099
(10)	997 423 093 04	brake pedal	lhd	1	TURBO PR:250,098
10	997 423 094 04	brake pedal	rhd	1	TURBO PR:250,099
12	996 423 308 00	Pin		1	
13	997 423 581 00	bearing shell		1	
14	997 423 281 00	axle	lhd	1	PR:480,098
(14)	997 423 284 00	axle	rhd	1	PR:480,099
(14)	996 423 283 05	axle	lhd	1	TURBO PR:250,098
(14)	996 423 286 05	axle	rhd	1	TURBO PR:250,099
-	996 423 277 00	Bearing sleeve brake pedal	rhd	1	PR:099
15	997 423 910 00	pad for brake and clutch pedals		2	PR:480
(15)	997 423 912 00	Cap for foot brake pedal		1	TURBO PR:250
16	997 613 109 02	Switch for clutch pedal		1	PR:480
16	997 613 109 50	Discontinued part Switch for clutch pedal		1	PR:480
17	996 613 113 02	switch for brake pedal		2	
(17)	996 613 114 01	Switch for clutch pedal		1	
18	997 423 541 00	Bracket		1	
20	997 423 401 00	bush	lhd	2	PR:098
(20)	997 423 402 00	bush	rhd	2	PR:099
21	997 423 275 01	sealing plug		1	
23	900 146 159 02	flat round head bolt M 3 X 20		1	
23	999 073 480 01	Discontinued part Bolt with washer M 3 X 20		1	
24	997 423 695 00	Rubber stop		1	
25	997 423 697 00	Rubber stop		1	

Model: 997T10

Model life 2010>>2013

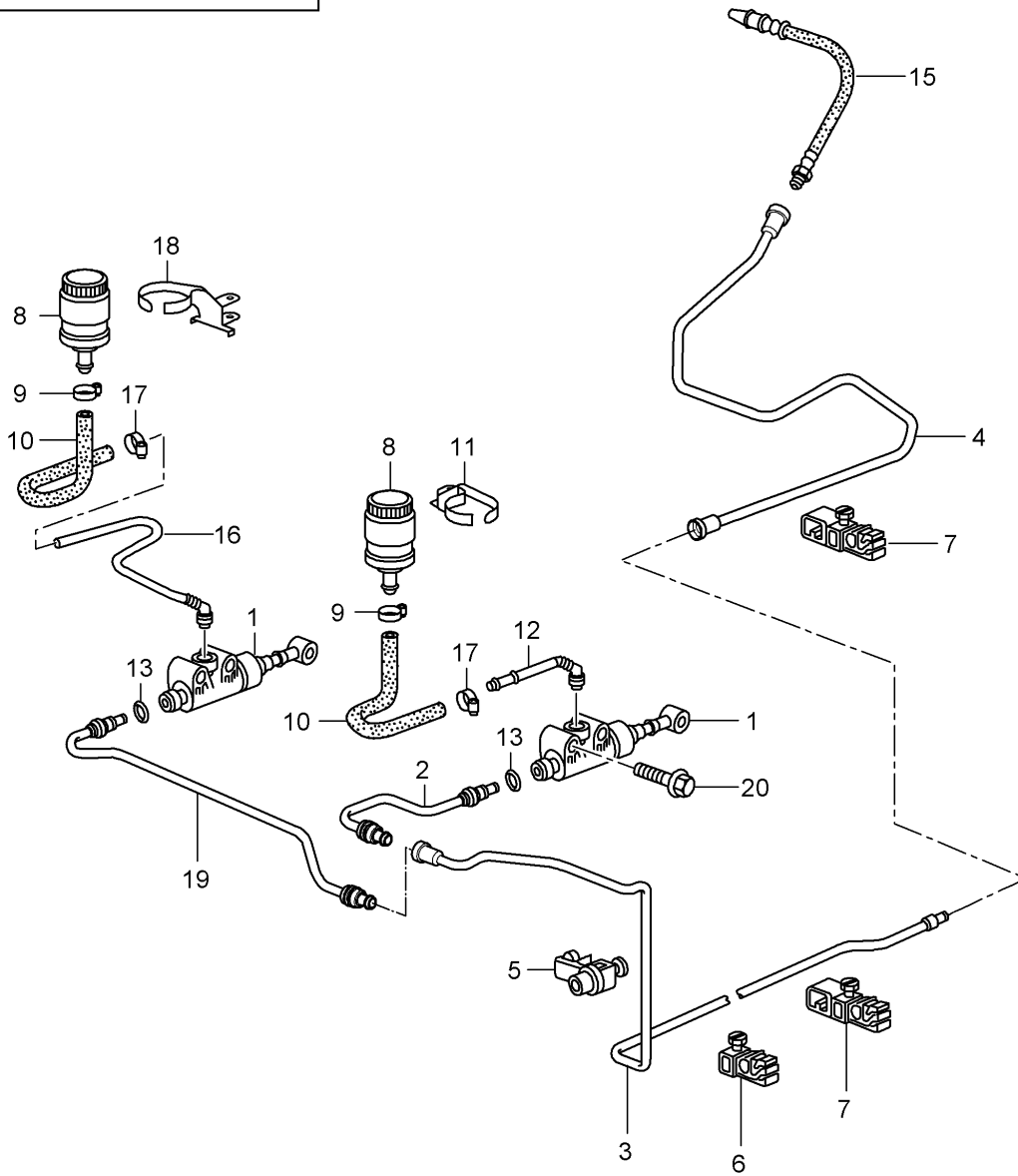
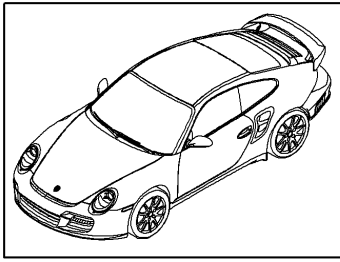


Model: 997T10 Model life 2010>>2013

Pos	Part Number	Description	Remark	Qty	Model
		clutch actuation			GT-2 RS
		Clutch master cylinder			
		Clutch tube			
1	997 423 171 01	Clutch master cylinder		1	
-	996 423 614 00	Securing ring		1	
		Pressure line			
-	996 423 315 06	Pin		1	
-	999 166 022 01	Kl-lock		1	
		for			
		Pin			
2	997 423 147 00	Feed line	lhd	1	PR:098
3	997 423 137 25	Feed line	lhd	1	PR:098
4	997 423 138 25	Line	rhd	1	PR:099
5	996 423 140 02	Feed line	rhd	1	PR:099
6	996 423 142 02	Feed line	rhd	1	PR:099
7	900 378 217 09	Hexagon bolt		2	
		M 6 X 40			
8	996 423 107 10	Clutch tube	lhd	1	PR:098
		Discontinued part			
(8)	996 423 107 11	Clutch tube	lhd	1	PR:098
(8)	997 423 108 00	Clutch tube	rhd	1	PR:099
		Discontinued part			
(8)	997 423 108 01	Clutch tube	rhd	1	PR:099
-	999 702 174 50	Grommet	lhd	1	PR:098
9	997 423 109 00	Clutch tube		1	
		Discontinued part			
(9)	997 423 109 01	Clutch tube		1	
10	997 423 113 00	Clutch tube		1	
		D >> - 31.07.2008			
10	997 423 113 12	Clutch tube		1	
		D - 01.08.2008>>			
11	999 507 495 40	Bracket		1	
12	999 230 541 10	Threaded joint		3	
13	999 707 333 40	seal ring		1	
14	996 423 377 90	Clutch hose		1	
		Discontinued part			
(14)	996 423 377 92	Clutch hose		1	
15	996 355 549 00	Bracket		1	
16	996 355 545 00	Bracket		2	
17	996 355 543 00	Bracket		4	
18	999 702 216 42	Grommet		1	
-	999 507 586 40	Cable holder		1	
20	999 707 333 40	seal ring		1	
		6,07 X 1,78N			
21	999 507 586 40	Cable holder		1	
22	996 116 237 90	Clutch slave cylinder		1	
-	900 075 222 09	Bolt with washer		2	
		M 8 X 30			

Model: 997T10

Model life 2010>>2013

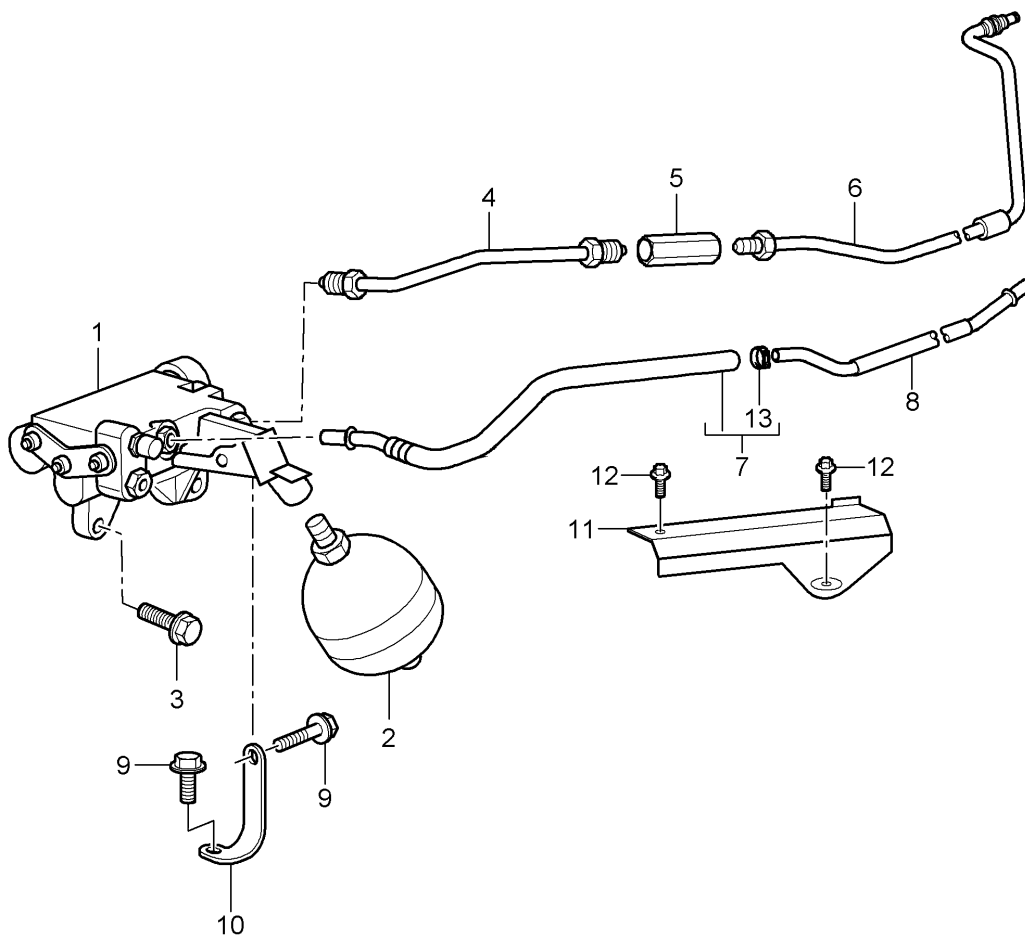
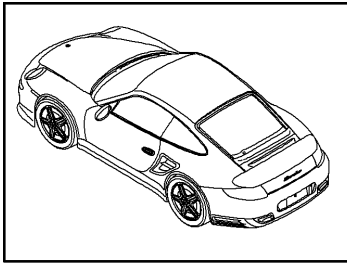


Model: 997T10 Model life 2010>>2013

Pos	Part Number	Description	Remark	Qty	Model
		clutch actuation			TURBO
		Clutch master cylinder			
		Clutch tube			
1	997 423 171 50	Clutch master cylinder		1	
-	996 423 614 00	Securing ring		1	
		Pressure line			
-	996 423 315 06	Pin		1	
-	999 166 022 01	Kl-lock		1	
		for			
		Pin			
2	997 423 107 60	Clutch tube	lhd	1	PR:098
		Discontinued part			
2	997 423 107 61	Clutch tube	lhd	1	PR:098
		Discontinued part			
(2)	997 423 107 62	Clutch tube	lhd	1	PR:098
3	997 423 109 60	Clutch tube		1	
		Discontinued part			
3	997 423 109 61	Clutch tube		1	
		Discontinued part			
(3)	997 423 109 62	Clutch tube		1	
4	997 423 113 60	Clutch tube		1	
		Discontinued part			
(4)	997 423 113 61	Clutch tube		1	
5	996 355 549 00	Bracket		1	
6	996 355 545 00	Bracket		2	
7	996 355 543 00	Bracket		4	
8	993 423 417 00	container		1	
9	999 512 650 09	Hose clamp		1	
10	997 423 343 51	Molded hose	lhd	1	PR:098
(10)	997 423 344 51	Molded hose	rhd	1	PR:099
11	997 423 245 50	Retainer for reservoir	lhd	1	PR:098
12	997 423 147 50	Feed line	lhd	1	PR:098
13	997 423 913 00	repair set		X	
		comprising:			
		O-ring		1	
		Sealing rubber		1	
-	999 591 964 40	Bracket		X	
		Clutch hose			
15	9A1 423 377 50	Clutch hose		1	
16	996 423 142 51	Clutch tube	rhd	1	PR:099
17	999 512 650 09	Hose clamp		1	
18	997 423 246 50	Retainer for reservoir	rhd	1	PR:099
19	997 423 108 60	Clutch tube	rhd	1	PR:099
		Discontinued part			
(19)	997 423 108 61	Clutch tube	rhd	1	PR:099
		Discontinued part			
(19)	997 423 108 62	Clutch tube	rhd	1	PR:099
20	900 378 029 01	Hexagon bolt		2	
		M 6 X 40			
-	000 043 203 33	Pentosin		X	
		1000 ML			

Model: 997T10

Model life 2010>>2013



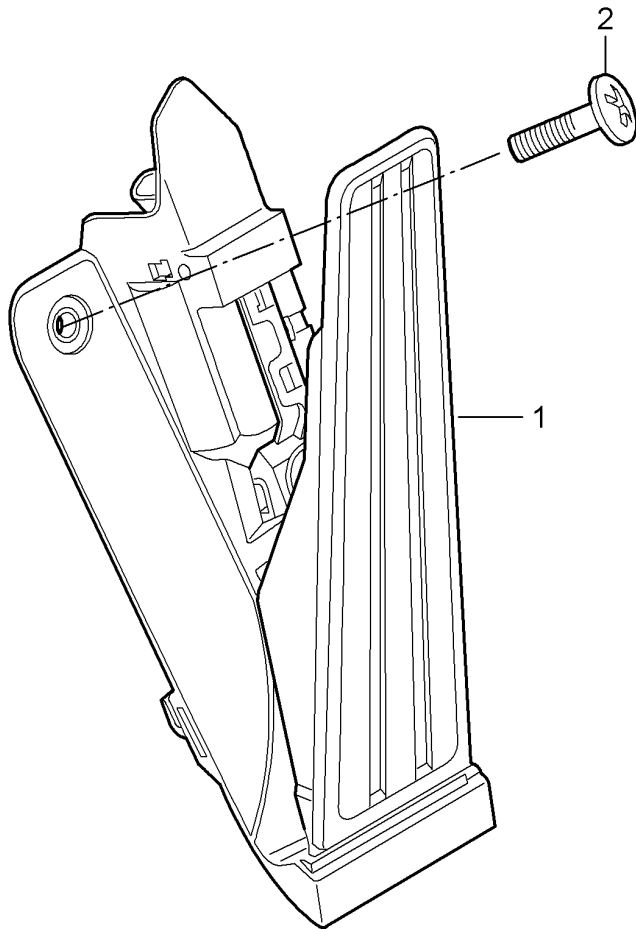
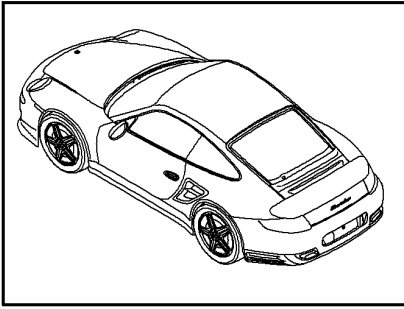
Model: 997T10

Model life 2010>>2013

Pos	Part Number	Description	Remark	Qty	Model
		clutch actuation			TURBO
		Clutch tube			PR:480
		Pressure accumulator			
1	996 116 237 52	Clutch slave cylinder		1	
-	999 507 745 09	Clutch slave cylinder		1	
		Cable fastener			
		13,5			
2	997 314 166 00	Pressure accumulator		1	
-	999 707 529 40	seal ring		1	
		for			
		Pressure accumulator			
3	900 075 222 09	Bolt with washer		2	
		M 8 X 30			
4	9A1 314 288 02	Pressure line		1	
		Discontinued part			
(4)	9A1 314 288 03	Pressure line		1	
5	999 136 041 30	Threaded joint		1	
6	9A1 314 282 03	Pressure line		1	
7	9A1 314 283 01	return line		1	
8	9A1 314 280 03	return line		1	
		Discontinued part			
8	9A1 314 280 04	return line		1	
		Discontinued part			
(8)	9A1 314 280 05	return line		1	
9	900 378 017 01	Hexagon bolt		2	
		M 8 x 20			
10	997 116 201 55	Bracket		1	
11	9A1 314 312 01	bracket for pressure line		1	
-	999 651 122 01	Cable fastener		2	
		7.00/11,00			
12	900 385 009 01	Torx screw		2	
		M 6 X 16			
13	999 512 775 01	Hose clamp		1	
-	000 043 203 33	Pentosin		X	
		1000 ML			

Model: 997T10

Model life 2010>>2013



Model: 997T10

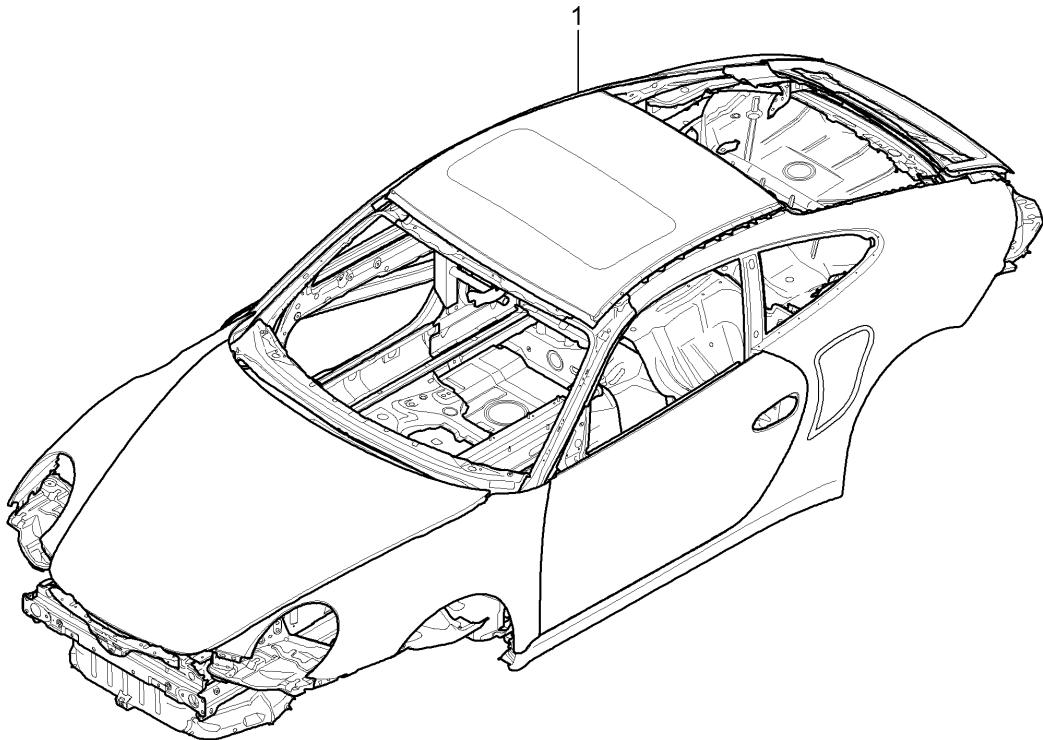
Model life 2010>>2013

Pos	Part Number	Description	Remark	Qty	Model
		Pedals			
		throttle control			
1	997 423 019 02	throttle control		1	PR:480
(1)	997 423 021 02	throttle control		1	PR:250
2	900 146 161 09	flat round head bolt M 6 X 20		1	

Model: 997T10

Model life 2010>>2013

- B — WPOZZZ **99 z 7S780070**
 - C — **997 420**
M9701-685 G9701
 - G — **L6B4 AT**
 - D — C00 267 268 425 437
 - E — 438 446 454 537 610
635 640 650 666 670
 - F — 00641 20772
- A



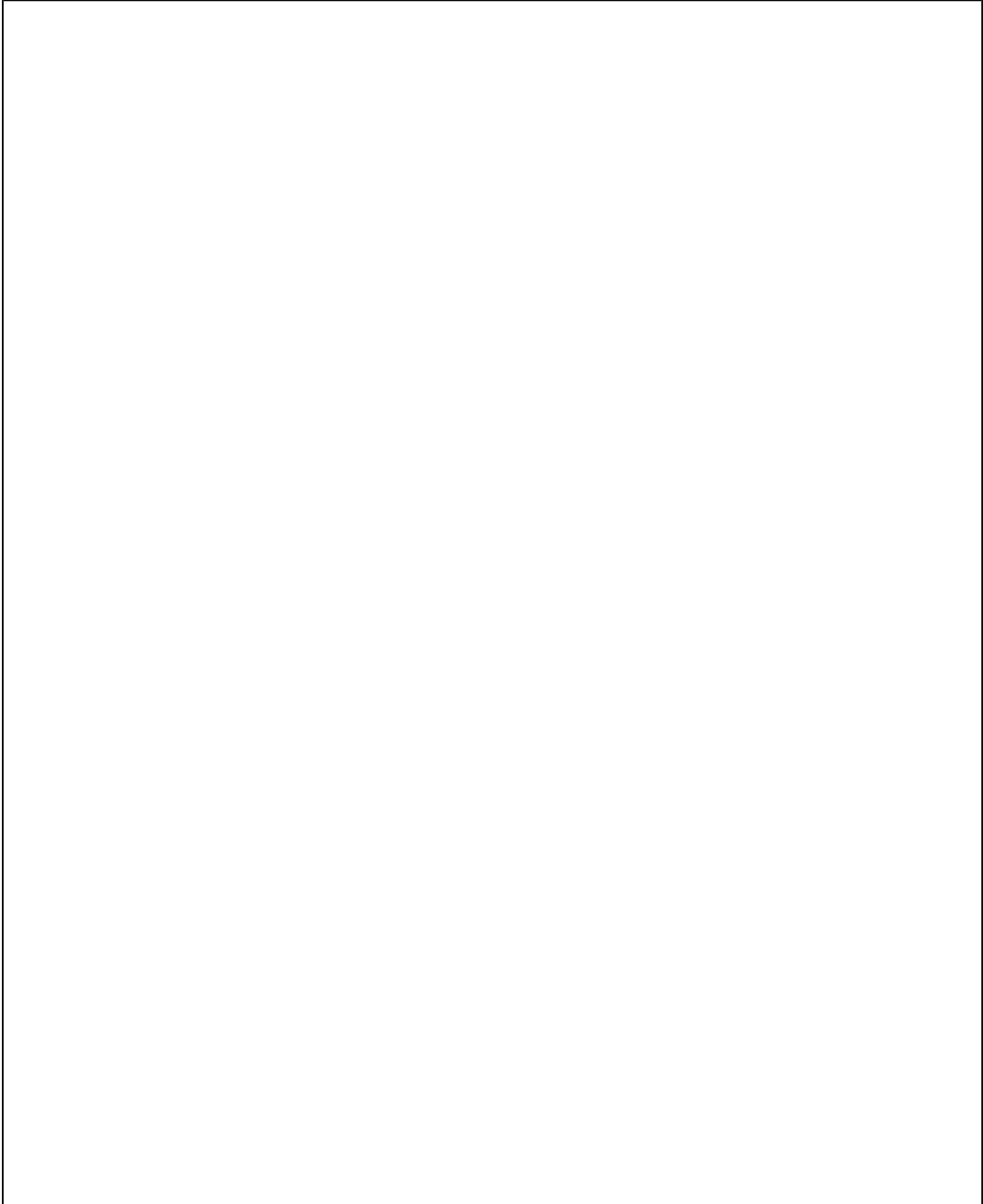
Model: 997T10

Model life 2010>>2013

Pos	Part Number	Description	Remark	Qty	Model
-		Car body primed Sealed			
		with: Underbody protection			
		with: Doors/lids/wings			
-		Bodyshells can only only available from current Model year available			
-		The data required for your order Can be found on the Vehicle data carrier in Vehicle wallet Please indicate this data in your order			
A		Vehicle data carrier			
B		Vehicle Ident. No.			
C		Order type			
D		Country equipment			
E		Optional extras			
F		Additional applications			
G		Please state the colour			
1	997 500 900 00 997 500 900 00 GRV	Car body primed		1	

Model: 997T10

Model life 2010>>2013



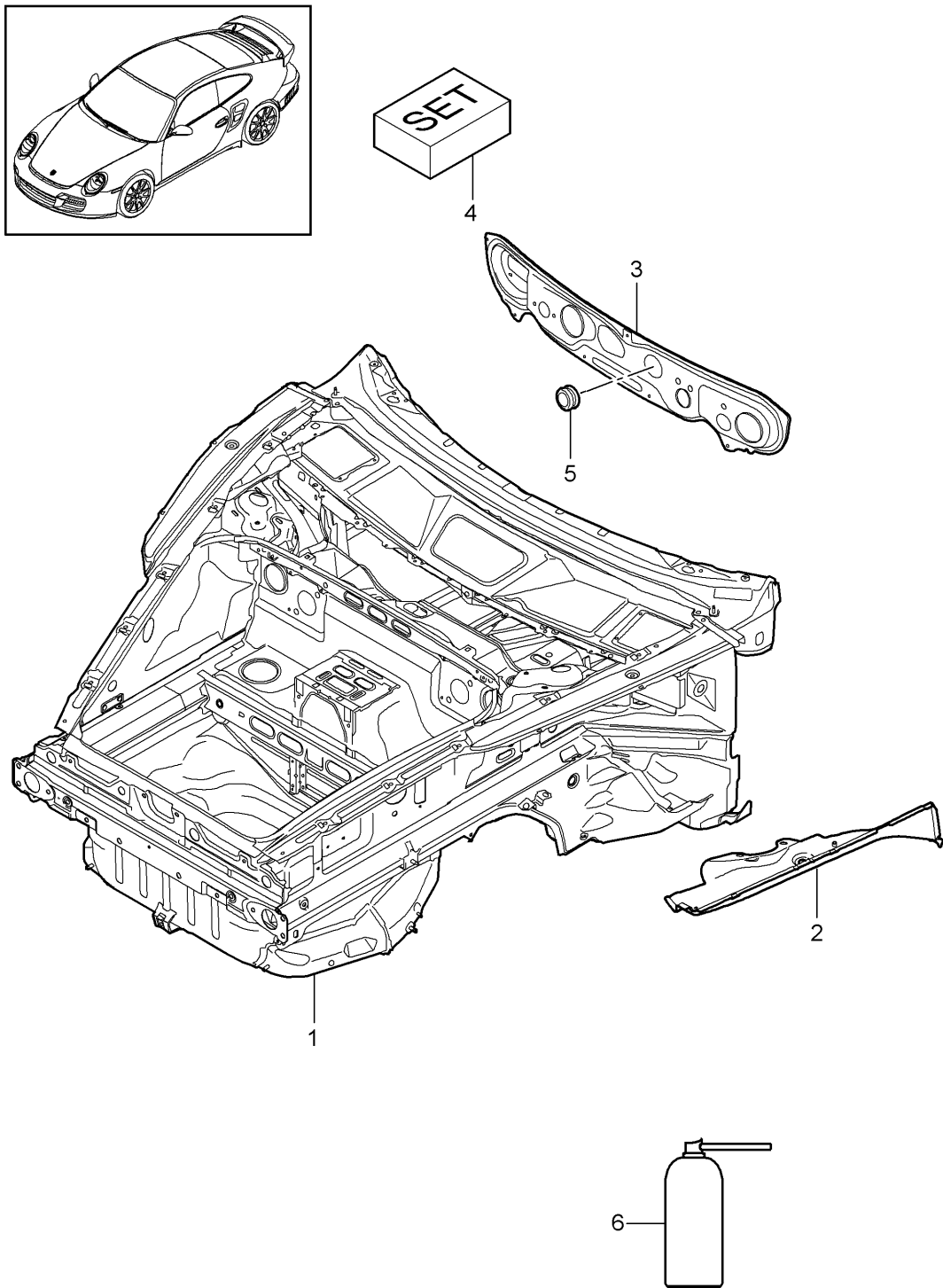
Model: 997T10

Model life 2010>>2013

Pos	Part Number	Description	Remark	Qty	Model
1	999 703 462 40	Bungs End cap 10 x 6,5		X	
2	999 703 421 40	Grommet 15 mm		X	
3	999 703 318 40	End cap 20 x 28		X	
4	803 803 583 A	Bungs 20 x 30 Discontinued part		X	
4	999 703 196 40	End cap 20 x 30		X	
5	999 703 420 40	Bungs 20,3 x 30 x 11		X	
6	803 803 583	Rubber grommet 30 x 40 Discontinued part		X	
6	999 703 195 40	Rubber grommet 30 x 40		X	
7	999 703 433 40	Bungs 30 x 42		X	
8	999 703 454 40	Cover 55 x 70		X	

Model: 997T10

Model life 2010>>2013



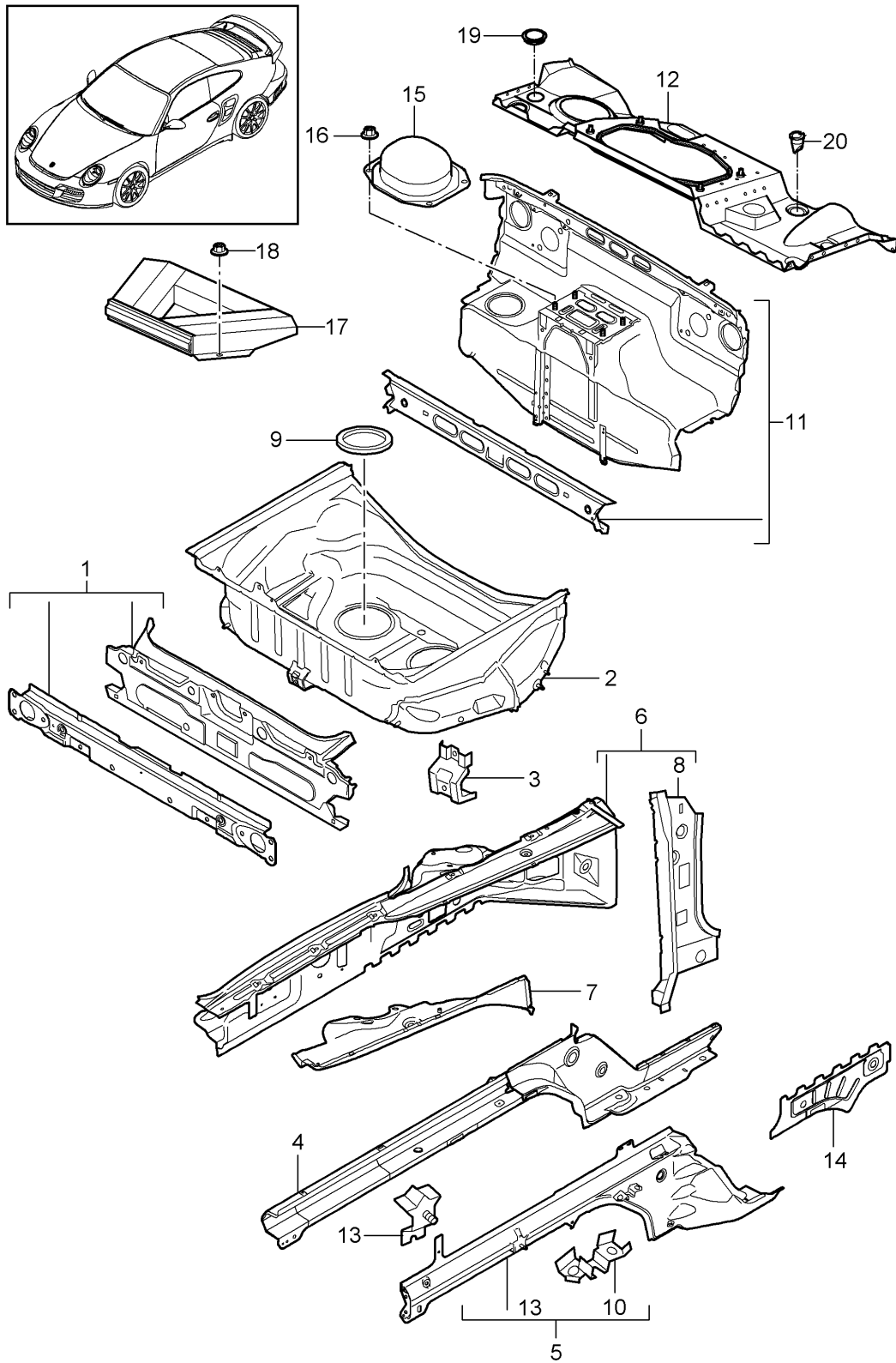
Model: 997T10

Model life 2010>>2013

Pos	Part Number	Description	Remark	Qty	Model
1	997 501 911 01 997 501 911 01 GRV	Front end Front end primed also use: sealant Pos. 5 Processing instructions See technical manual	lhd	1	PR:098
(1)	997 501 911 02 997 501 911 02 GRV	Front end primed also use: sealant Pos. 5 Processing instructions See technical manual	rhd	1	PR:099
-		also use:			
2	997 501 945 00 997 501 945 00 GRV	Lower part primed	left	1	
(2)	997 501 946 01 997 501 946 01 GRV	Lower part primed	right	1	
3	997 504 121 00	Cover	lhd	1	PR:098
(3)	997 504 121 01	Cover	rhd	1	PR:099
		also use:			
4	000 043 300 94	Adhesive set		1	
5	999 702 255 41	End cap 61,5 X 72,6		1	
6	999 915 337 40	sealant		1	

Model: 997T10

Model life 2010>>2013



Model: 997T10

Model life 2010>>2013

Pos	Part Number	Description	Remark	Qty	Model
		Front end			
		Individual parts			
1	997 501 931 00	Cross panel		1	
	997 501 931 00 GRV	primed			
2	997 501 979 01	Spare wheel well	lhd	1	PR:098
	997 501 979 01 GRV	primed			
2	997 501 979 02	Spare wheel well	rhd	1	PR:099
	997 501 979 02 GRV	primed			
3	996 501 621 00	Bracket		3	
	996 501 621 00 GRV	primed			
4	997 501 305 01	Side member	left	1	
		Discontinued part			
	997 501 305 01 GRV	primed			
4	997 501 905 00	Side member	left	1	
	997 501 905 00 GRV	primed			
(4)	997 501 306 01	Side member	right	1	
		Discontinued part			
	997 501 306 01 GRV	primed			
(4)	997 501 906 00	Side member	right	1	
	997 501 906 00 GRV	primed			
5	997 501 915 01	Side member	left	1	
	997 501 915 01 GRV	primed			
(5)	997 501 916 01	Side member	right	1	
	997 501 916 01 GRV	primed			
6	997 501 935 01	Wheel housing	left	1	
	997 501 935 01 GRV	primed			
(6)	997 501 936 01	Wheel housing	right	1	
	997 501 936 01 GRV	primed			
7	997 501 945 00	Lower part	left	1	
	997 501 945 00 GRV	primed			
(7)	997 501 946 01	Lower part	right	1	
	997 501 946 01 GRV	primed			
8	997 501 937 00	Hinge pillar	left	1	
	997 501 937 00 GRV	primed			
(8)	997 501 938 00	Hinge pillar	right	1	
	997 501 938 00 GRV	primed			
9	996 504 201 01	Cover		2	
		\$ 145 MM			
10	996 501 815 02	Brake line bracket		2	
	996 501 815 02 GRV	primed			
11	997 502 915 00	filler plate	lhd	1	PR:098
	997 502 915 00 GRV	primed			
(11)	997 502 915 01	filler plate	rhd	1	PR:099
	997 502 915 01 GRV	primed			
12	997 502 017 00	Cross panel		1	
	997 502 017 00 GRV	primed			
13	996 501 341 00	Bracket		2	
	996 501 341 00 GRV	primed			
14	997 501 665 01	Web plate	left	1	
	997 501 665 01 GRV	primed			
(14)	997 501 666 01	Web plate	right	1	
	997 501 666 01 GRV	primed			
15	997 504 471 00	Cover		1	
		filler plate			
16	900 380 015 09	Hexagon nut		7	
		M6			
17	997 504 403 00	Insert		1	
		Spare wheel well			
18	999 084 638 09	Hexagon nut		3	
		M 6			
19	803 803 583	Rubber grommet		1	
		30,0 X 40,0			
		Discontinued part			

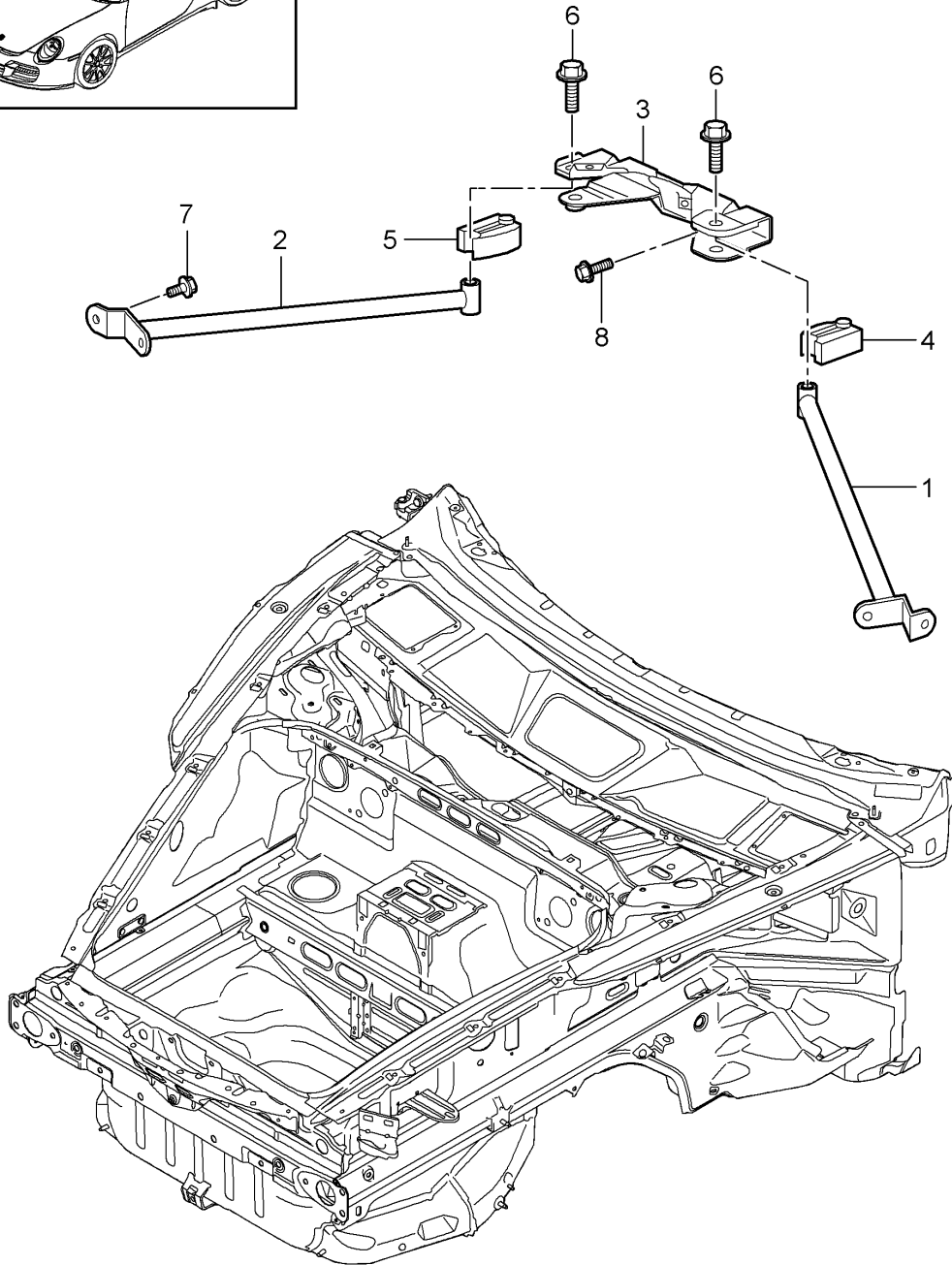
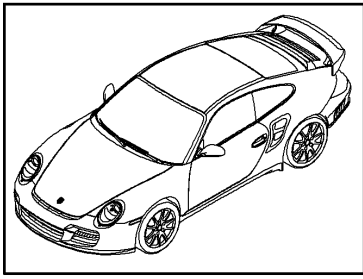
Model: 997T10

Model life 2010>>2013

Pos	Part Number	Description	Remark	Qty	Model
19	999 703 195 40	Rubber grommet 30,0 X 40,0		1	
20	999 703 476 40	Grommet 29,8 X 1,0		4	
20	999 703 476 41	Grommet 29,8 X 1,0		4	

Model: 997T10

Model life 2010>>2013



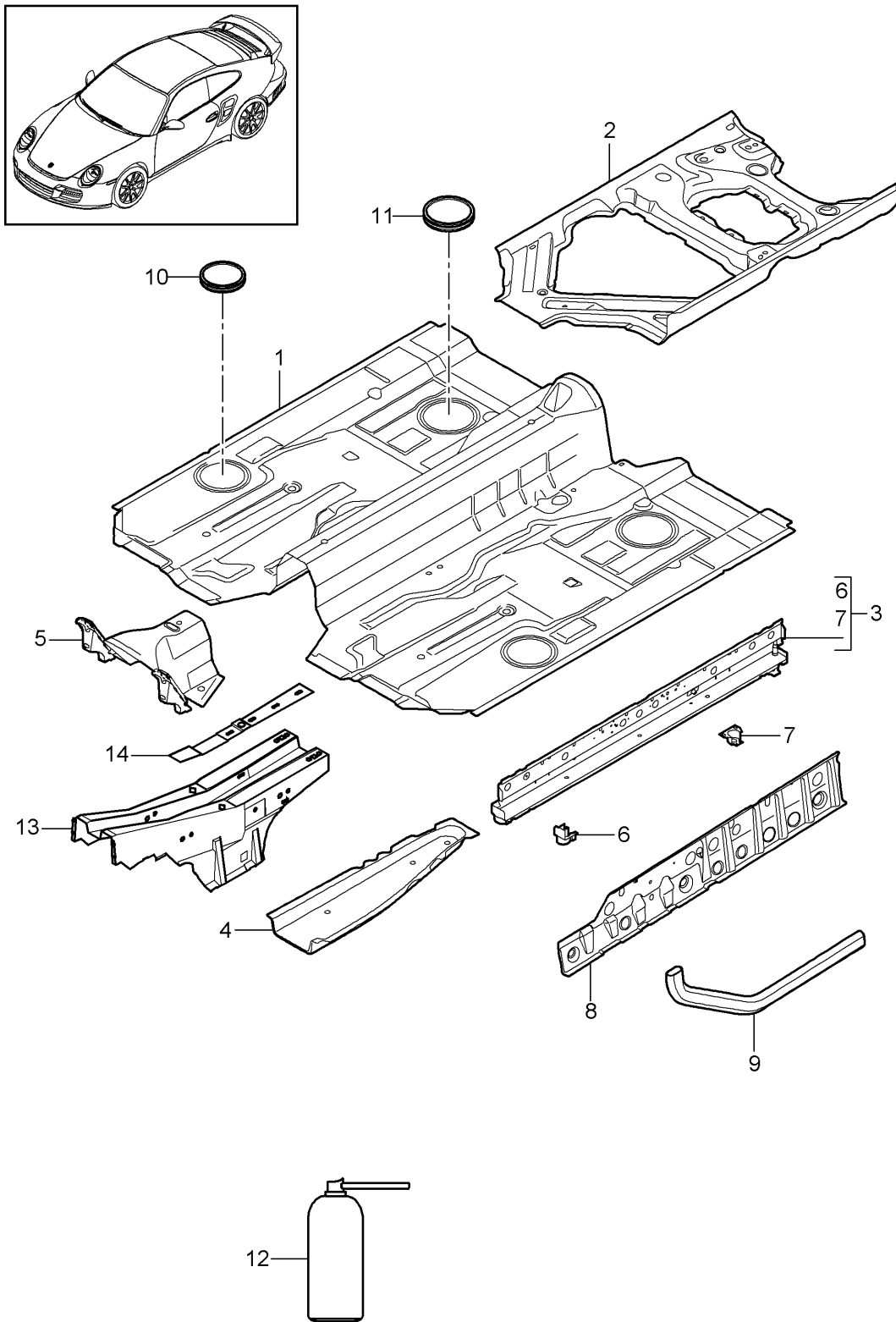
Model: 997T10

Model life 2010>>2013

Pos	Part Number	Description	Remark	Qty	Model
1	996 504 233 01	Dome strut	left	1	
2	996 504 234 01	Dome strut	right	1	
3	997 504 359 00	Console		1	
4	996 504 633 00	Filler piece	left	1	
5	996 504 634 00	Filler piece	right	1	
6	900 378 100 01	Hexagon bolt AM 10 X 45		2	
7	900 075 010 09	Hexagon bolt M 6 X 12		4	
8	900 378 173 01	Hexagon bolt M 6 X 20		4	

Model: 997T10

Model life 2010>>2013



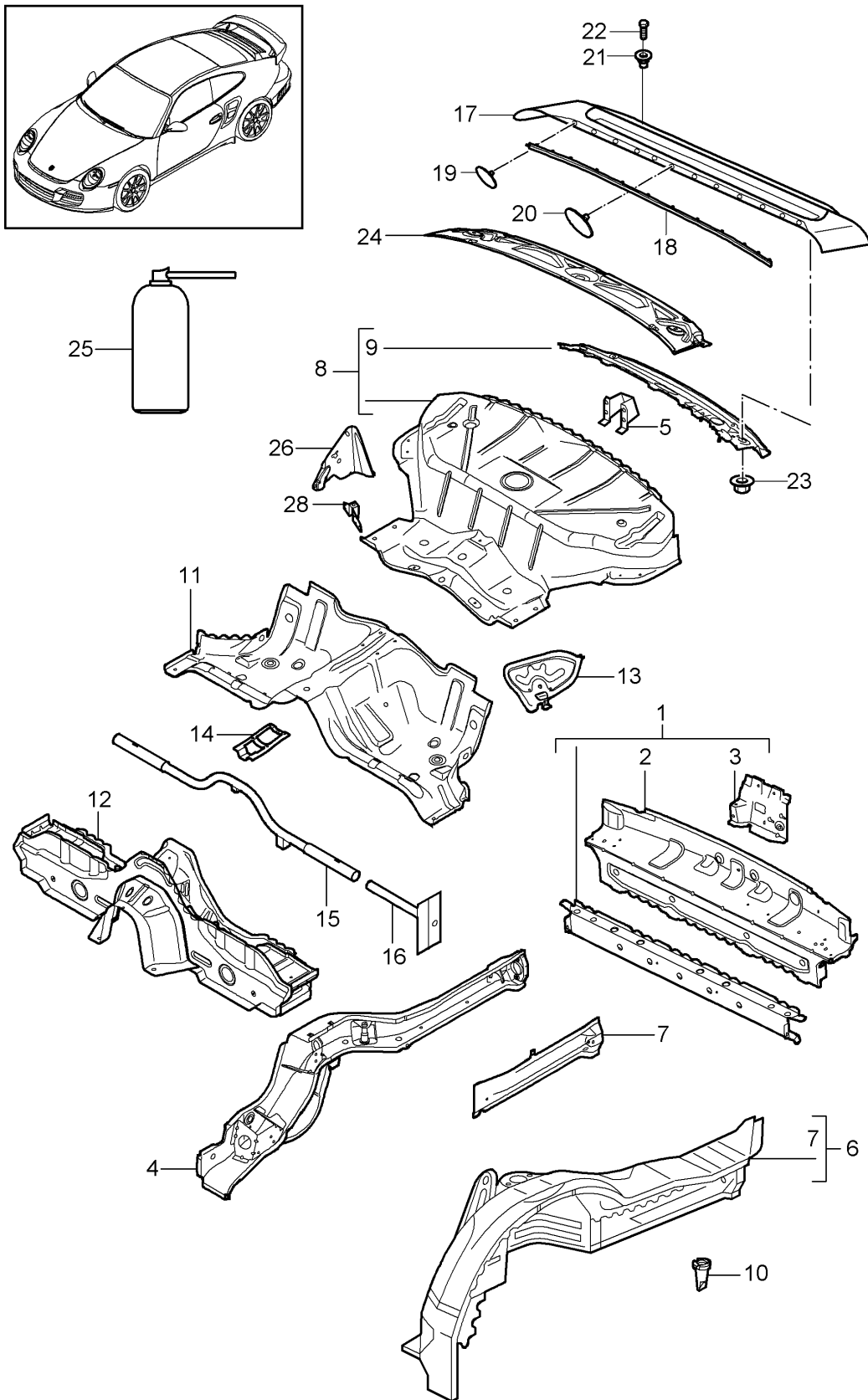
Model: 997T10

Model life 2010>>2013

Pos	Part Number	Description	Remark	Qty	Model
-	000 043 206 29	Floor Adhesive set	center	X	
-	000 043 206 30	Body comprising: adhesive		1	
-	000 043 206 31	Double cartridge gun		1	
-	000 043 206 32	emulsion tube		1	
-	000 043 206 33	activator		1	
1	997 501 551 01	Floor		1	
	997 501 551 01 GRV	primed			
2	997 501 953 01	Seat support	left	1	
	997 501 953 01 GRV	primed			
(2)	997 501 954 02	Seat support	right	1	
	997 501 954 02 GRV	primed			
3	997 501 157 01	Side member	left	1	
	997 501 157 01 GRV	primed			
(3)	997 501 158 01	Side member	right	1	
	997 501 158 01 GRV	primed			
4	997 501 525 00	Side member	left	1	
	997 501 525 00 GRV	primed			
(4)	997 501 526 00	Side member	right	1	
	997 501 526 00 GRV	primed			
5	996 501 751 00	Extension		1	
	996 501 751 00 GRV	primed			
6	996 501 785 00	socket - jack	left front	1	
	996 501 785 00 GRV	primed			
(6)	996 501 786 00	socket - jack	right front	1	
	996 501 786 00 GRV	primed			
7	997 501 481 00	socket - jack	left rear	1	
	997 501 481 00 GRV	primed			
(7)	997 501 482 00	socket - jack	right rear	1	
	997 501 482 00 GRV	primed			
8	997 501 329 00	Retaining plate	left	1	
	997 501 329 00 GRV	primed			
(8)	997 501 330 00	Retaining plate	right	1	
	997 501 330 00 GRV	primed			
9	997 501 439 00	Support tube		2	
	997 501 439 00 GRV	primed			
		also use:			
		sealant			
		Pos. 12			
		Processing instructions			
		See technical manual			
		51 49 55			
10	996 504 205 01	Cover		2	
		\$ 125 MM			
11	996 504 201 01	Cover		2	
		\$ 145 MM			
12	999 915 337 40	sealant		1	
13	997 501 409 00	Support	front	1	
14	997 501 619 00	Closing element		1	

Model: 997T10

Model life 2010>>2013



Model: 997T10

Model life 2010>>2013

Pos	Part Number	Description	Remark	Qty	Model
1	997 501 973 01	Rear end Cross panel		1	
	997 501 973 01 GRV	primed			
2	997 501 273 01	Cross panel		1	
	997 501 273 01 GRV	primed			
3	997 501 247 00	lock carrier		1	
	997 501 247 00 GRV	primed			
4	997 501 977 00	Side member	left	1	
	997 501 977 00 GRV	primed			
		also use:			
		sealant			
		POS. 25			
		Processing instructions			
		See technical manual			
		53 48 55			
(4)	997 501 978 01	Side member	right	1	
	997 501 978 01 GRV	primed			
		also use:			
		sealant			
		POS. 25			
		Processing instructions			
		See technical manual			
		53 48 55			
5	997 502 525 00	Console		1	
	997 502 525 00 GRV	primed			
6	997 501 943 02	Wheel housing	left	1	COUPE
	997 501 943 02 GRV	primed			
		modify in workshop			
		See workshop manual			
6	997 501 943 03	Wheel housing	left	1	CABRIO
	997 501 943 03 GRV	primed			
		modify in workshop			
		See workshop manual			
(6)	997 501 944 02	Wheel housing	right	1	COUPE
	997 501 944 02 GRV	primed			
		modify in workshop			
		See workshop manual			
(6)	997 501 944 03	Wheel housing	right	1	CABRIO
	997 501 944 03 GRV	primed			
		modify in workshop			
		See workshop manual			
7	996 501 595 01	Side member	left	1	
	996 501 595 01 GRV	primed			
(7)	996 501 596 01	Side member	right	1	
	996 501 596 01 GRV	primed			
8	997 502 911 02	rear panel		1	
	997 502 911 02 GRV	primed			
		also use:			
		POS. 12			
		See workshop manual			
8	997 502 911 02	rear panel		1	
	997 502 911 02 GRV	primed			
		also use:			
		POS. 12			
		See workshop manual			
8	997 502 911 04	rear panel		1	CABRIO
	997 502 911 04 GRV	primed			
		also use:			
		POS. 12			
		See workshop manual			
9	997 502 673 00	Cross member		1	
	997 502 673 00 GRV	primed			
9	997 502 673 01	Cross member		1	CABRIO

Model: 997T10 Model life 2010>>2013

Pos	Part Number	Description	Remark	Qty	Model
10	997 502 673 01 GRV 996 561 825 00	primed Water drain valve	rear	2	PR:650
11	997 501 949 01	Wheel housing Seat well		1	
12	997 501 949 01 GRV 997 501 955 00	primed Cross member Seat well		1	
13	997 501 955 00 GRV 997 501 461 00	primed Reinforcement Seat well	left	1	
(13)	997 501 461 00 GRV 996 501 462 02	primed Reinforcement Seat well	right	1	
14	996 501 462 02 GRV 996 501 659 01	primed Console Bracket		1	
15	996 501 659 01 GRV 996 501 411 00	primed Pipe		1	
16	996 501 411 00 GRV 996 501 415 00	primed Sleeve		2	
17	996 501 415 00 GRV 997 504 345 01	primed Rear centre panel	outer	1	
(17)	997 504 345 01 GRV 997 504 345 80	primed Rear centre panel Carbon		1	PR:004
18	997 504 612 00	Seal Rear centre panel primed		1	
19	999 507 973 40	Mount 2,8 X 6 X 30		2	
20	999 507 974 40	Mount 2,8 X 6 X 50		10	
21	999 500 109 02	rivetted cap nut M 6/0,8 - 3		3	
22	999 073 263 09	Bolt with washer M 6 X 12		3	
23	999 076 029 02	Hexagon nut M 6		2	
24	997 502 409 01 997 502 409 01 GRV	Closing plate primed Rear centre panel		1	
-	999 915 650 40	adhesive TEROMIX 6700	also use:	X	
-	000 043 300 48	Tool set		X	
-	000 043 206 29	Adhesive set Body comprising:	also use:	X	
-	000 043 206 30	adhesive		1	
-	000 043 206 31	Double cartridge gun		1	
-	000 043 206 32	emulsion tube		1	
-	000 043 206 33	activator		1	
25	999 915 337 40	sealant		1	
25	000 043 305 59	sealant		1	
26	997 504 797 00 997 504 797 00 GRV	Console primed Belt	left	1	
(26)	997 504 798 01 997 504 798 01 GRV	Console primed Belt	right	1	
27	996 502 653 01 996 502 653 01 GRV	Connection piece primed	left	1	COUPE

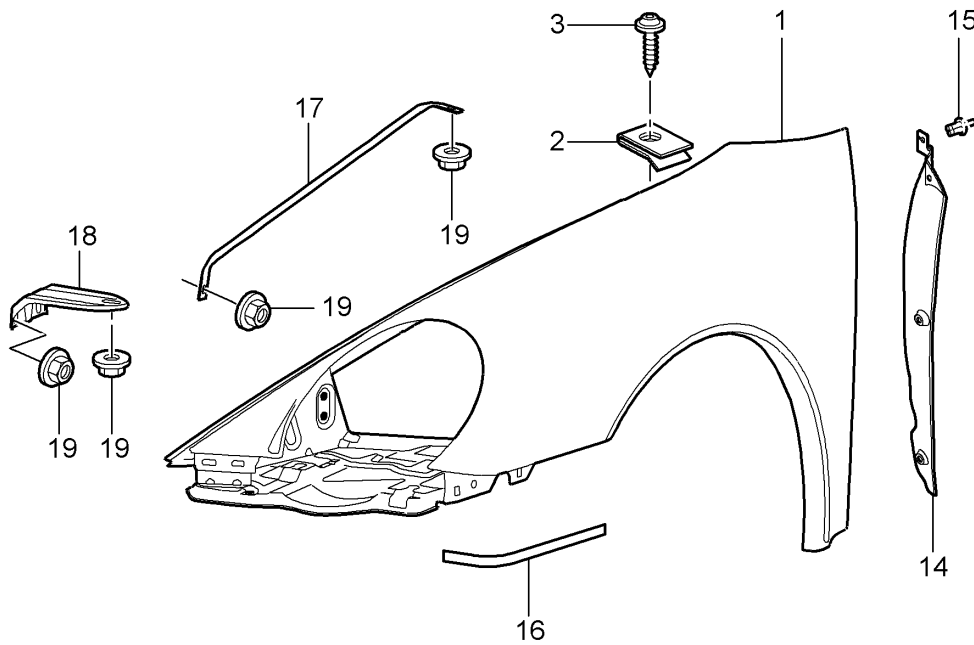
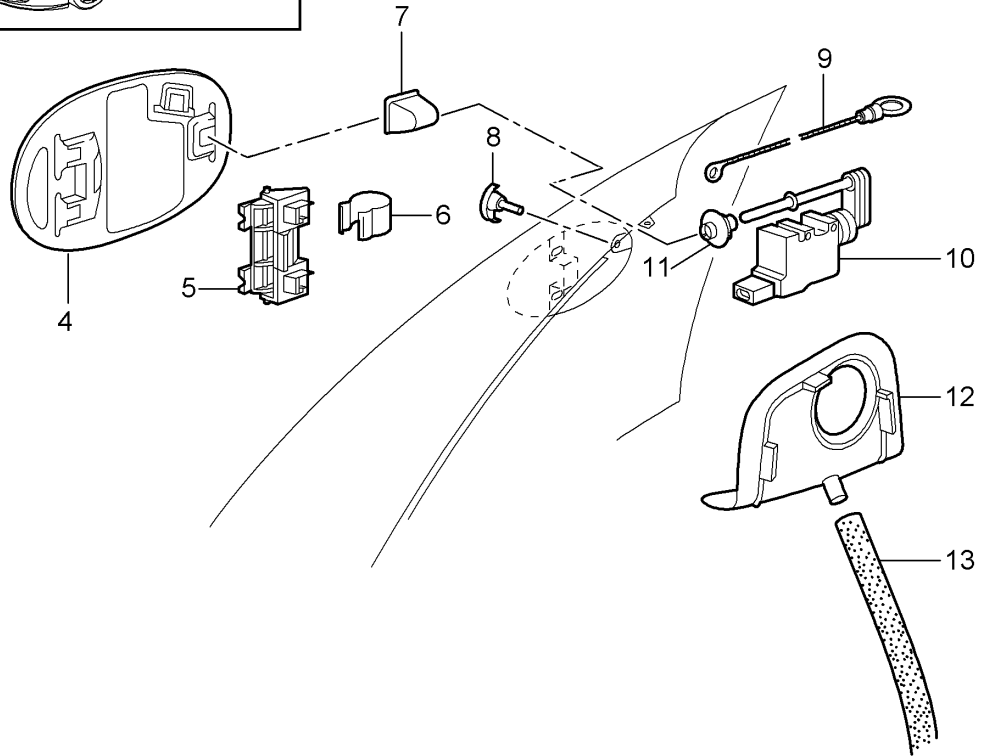
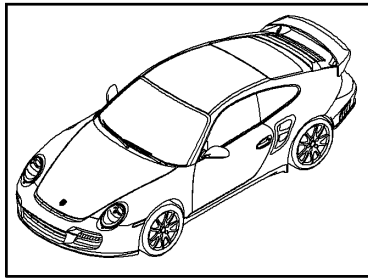
Model: 997T10

Model life 2010>>2013

Pos	Part Number	Description	Remark	Qty	Model
(27)	996 502 654 01	Connection piece	right	1	COUPE
	996 502 654 01 GRV	primed			
27	997 502 553 00	Connection piece	left	1	CABRIO
	997 502 553 00 GRV	primed			
(27)	997 502 554 00	Connection piece	right	1	CABRIO
	997 502 554 00 GRV	primed			
28	997 501 611 00	Support		1	
	997 501 611 00 GRV	primed			
(28)	997 501 612 00	Support		1	
	997 501 612 00 GRV	primed			

Model: 997T10

Model life 2010>>2013



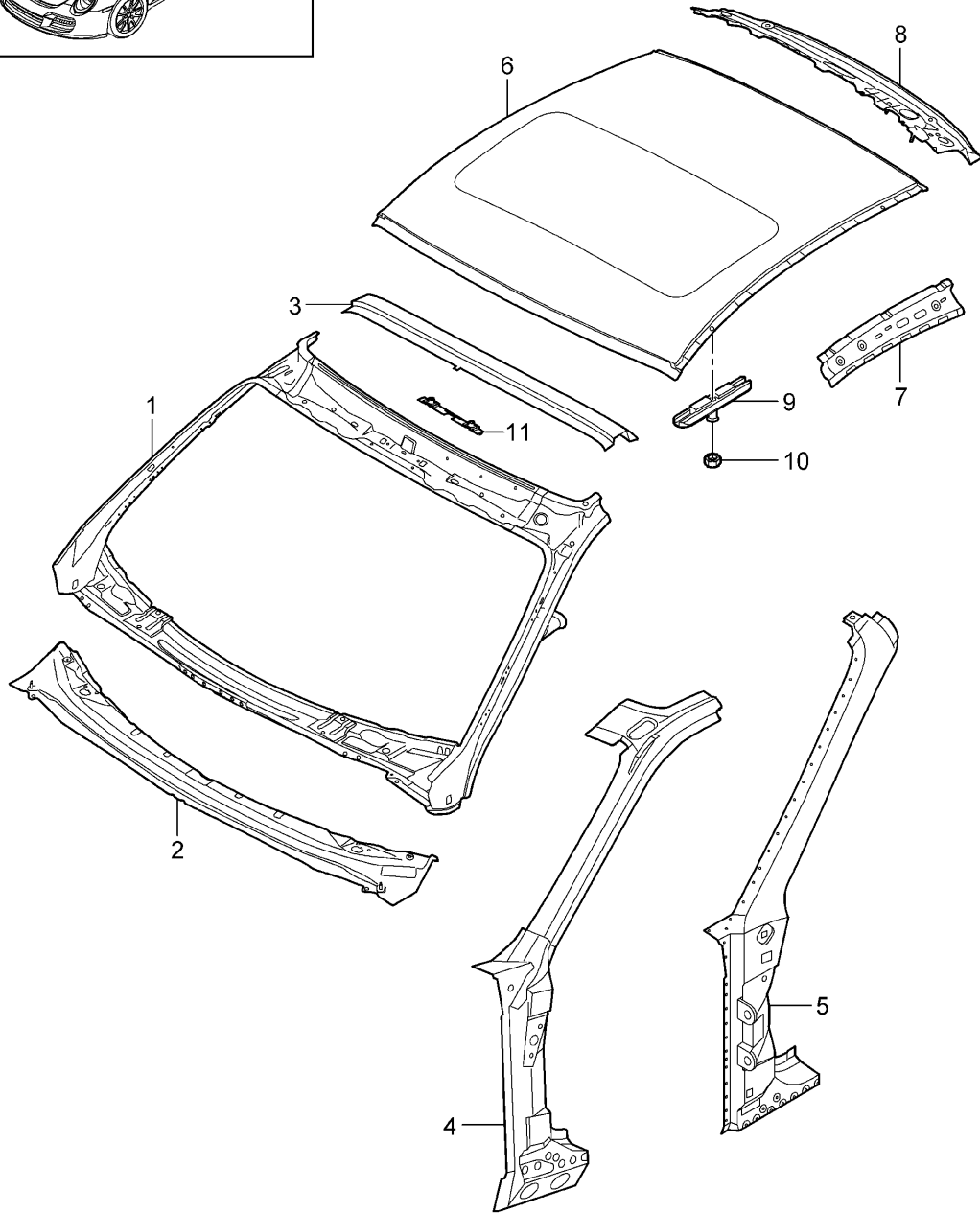
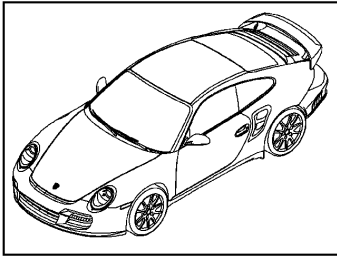
Model: 997T10

Model life 2010>>2013

Pos	Part Number	Description	Remark	Qty	Model
1	997 503 031 00	Wing			
	997 503 031 00 GRV	Wing primed	left	1	
1	997 503 031 92	Wing	left	1	GT2RS PR:004
	997 503 031 92 GRV	Wing primed			
1	997 503 031 A1	Wing	left	1	GT2RS PR:004,589
		primed			
(1)	997 503 032 02	Wing	right	1	
	997 503 032 02 GRV	Wing primed			
(1)	997 503 032 92	Wing	right	1	GT2RS PR:004
	997 503 032 92 GRV	Wing primed			
(1)	997 503 032 A1	Wing	right	1	GT2RS PR:004,589
		primed			
2	999 507 003 01	panel nut		22	
		ST 6,3			
3	999 073 128 02	panel screw		22	
		ST 6,3 X 14			
4	997 504 134 00	Fuel filler flap		1	
	997 504 134 00 GRV	Fuel filler flap primed			
5	997 201 063 00	Hinge		1	
6	997 504 711 00	Spring		1	
7	996 201 423 00	Cap		1	
8	997 504 888 01	Rubber stop		1	
9	996 201 493 00	Emergency operation		1	
10	997 624 113 00	throttle control element		1	
11	997 624 505 00	Guide rose		1	
12	997 201 667 00	Sleeve		1	
13	996 201 153 00	Hose		1	
14	997 504 641 02	lining for fender	left	1	
	997 504 641 02 01C	Black			
(14)	997 504 642 02	lining for fender	right	1	
	997 504 642 02 01C	Black			
15	999 591 712 40	Spreader rivet		6	
		A 6,0 X 12,0			
16	997 504 531 00	Protective film	left	1	
(16)	997 504 532 00	Protective film	right	1	
17	997 504 441 00	Brace		2	
	997 504 441 00 GRV	Brace primed			
18	997 504 555 00	Console		2	
	997 504 555 00 GRV	Console primed			
19	999 076 066 09	Hexagon nut		10	
		M 6			

Model: 997T10

Model life 2010>>2013



Model: 997T10

Model life 2010>>2013

Pos	Part Number	Description	Remark	Qty	Model
1	997 502 137 00 997 502 137 00 GRV	Scuttle Scuttle primed	inner also use: 000 043 206 30	1	
(1)	997 502 137 01 997 502 137 01 GRV	Scuttle Scuttle primed	inner also use: 000 043 206 30	1	CABRIO
2	997 502 437 00 997 502 437 00 GRV	Scuttle Scuttle primed	outer	1	
3	997 502 529 00 997 502 529 00 GRV	Scuttle Scuttle primed	outer	1	CABRIO
4	997 502 135 03 997 502 135 03 GRV	Reinforcement for A-pillar Reinforcement for A-pillar primed	left inner also use: 000 043 206 30	1	COUPE
(4)	997 502 135 04 997 502 135 04 GRV	Reinforcement for A-pillar Reinforcement for A-pillar primed	left inner also use: 000 043 206 30	1	CABRIO
(4)	997 502 136 03 997 502 136 03 GRV	Reinforcement for A-pillar Reinforcement for A-pillar primed	right inner also use: 000 043 206 30	1	COUPE
(4)	997 502 136 04 997 502 136 04 GRV	Reinforcement for A-pillar Reinforcement for A-pillar primed	right inner also use: 000 043 206 30	1	CABRIO
-	000 043 206 29	Adhesive set Body comprising:		X	
-	000 043 206 30	adhesive		1	
-	000 043 206 31	Double cartridge gun		1	
-	000 043 206 32	emulsion tube		1	
-	000 043 206 33	activator		1	
5	997 502 335 00 997 502 335 00 GRV	Hinge pillar Hinge pillar primed	left also use: 000 043 206 30	1	CABRIO
(5)	997 502 336 00 997 502 336 00 GRV	Hinge pillar Hinge pillar primed	right also use: 000 043 206 30	1	CABRIO
-	000 043 206 29	Adhesive set Body comprising:		X	
-	000 043 206 30	adhesive		1	
-	000 043 206 31	Double cartridge gun		1	
-	000 043 206 32	emulsion tube		1	
-	000 043 206 33	activator		1	
(6)	996 503 501 00 996 503 501 00 GRV	Outer roof panel Outer roof panel primed		1	
(6)	997 503 501 00 997 503 501 00 GRV	Outer roof panel Outer roof panel primed		1	PR:461
6	996 503 087 03 996 503 087 03 GRV	Outer roof panel Outer roof panel primed		1	PR:650
(6)	997 503 087 00 997 503 087 00 GRV	Outer roof panel Outer roof panel primed	with: Frame for sliding sunroof aperture primed	1	PR:650,461
-	000 043 204 38	sealant 70 ML Processing instructions See technical manual	also use:	X	
7	996 502 305 03 996 502 305 03 GRV	roof frame roof frame primed	left	1	
(7)	996 502 306 03 996 502 306 03 GRV	roof frame roof frame primed	right	1	

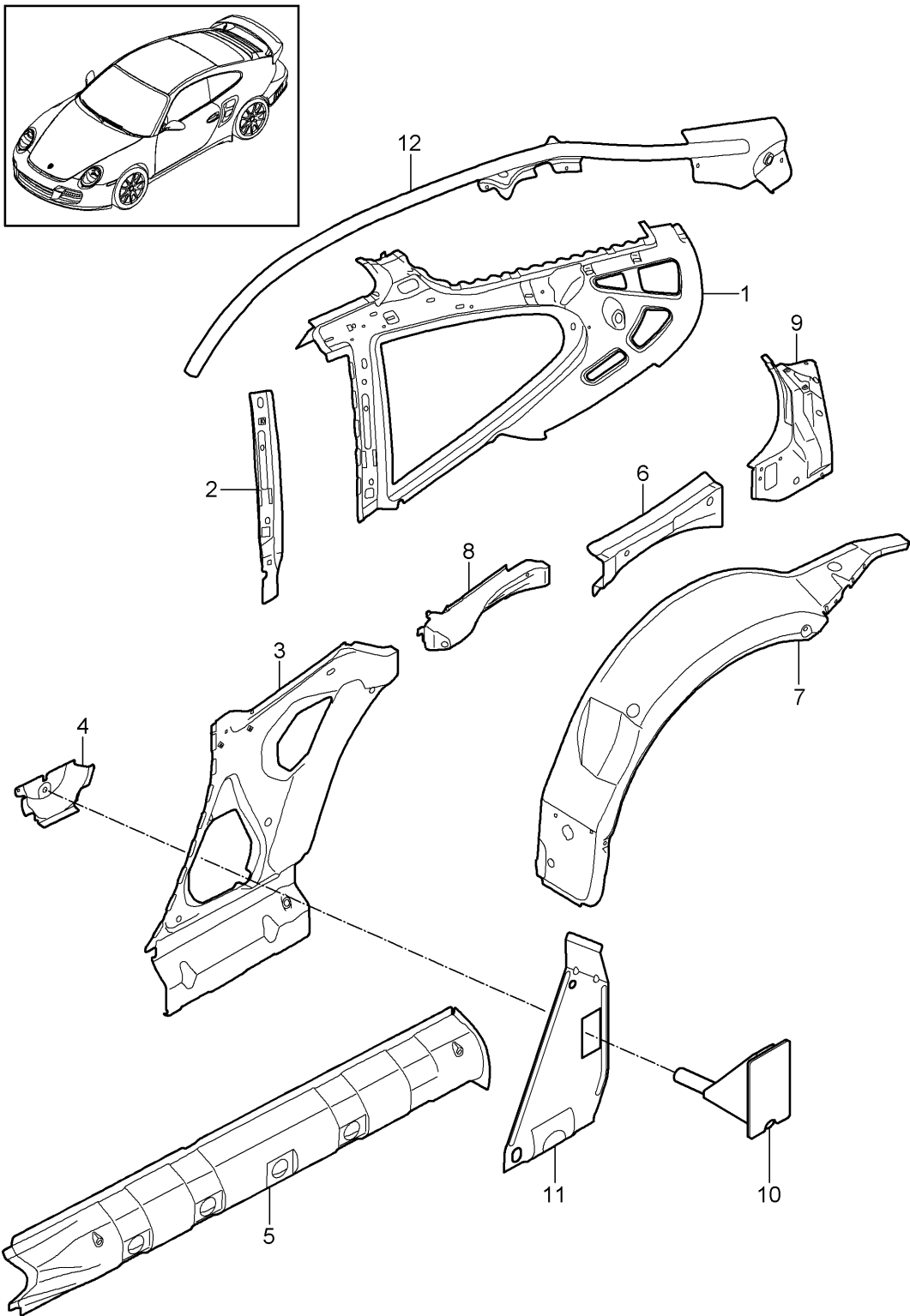
Model: 997T10

Model life 2010>>2013

Pos	Part Number	Description	Remark	Qty	Model
8	997 502 505 00	roof frame		1	
	997 502 505 00 GRV	primed			
9	996 504 911 00	basic plate		X	
		with:			
		threaded pin			
10	900 377 021 02	Hexagon nut		X	
		M10 X 1			
11	997 502 739 01	panel nut		1	
		M6			
		Scuttle			

Model: 997T10

Model life 2010>>2013



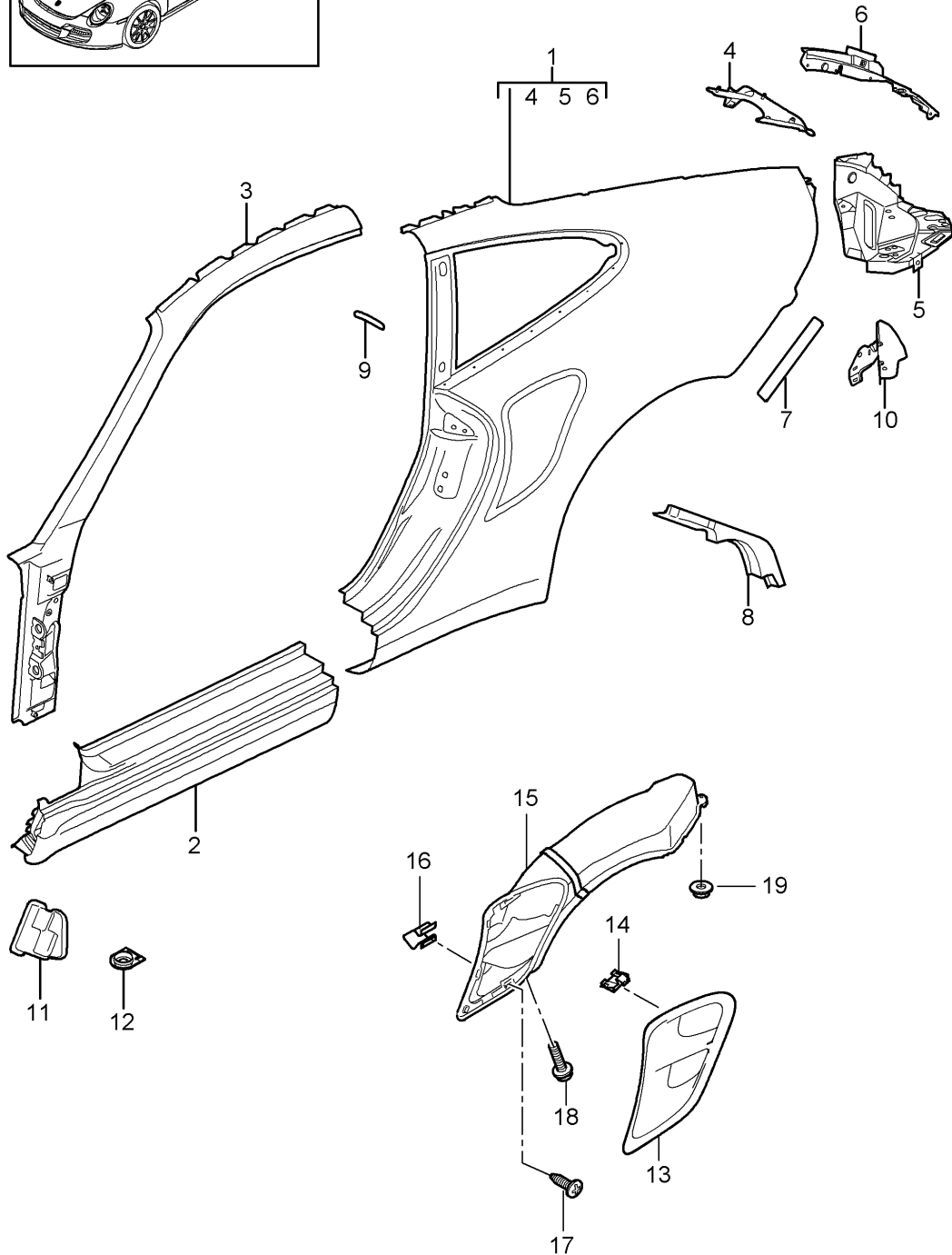
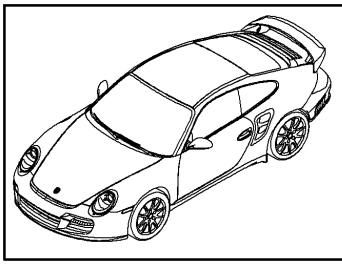
Model: 997T10

Model life 2010>>2013

Pos	Part Number	Description	Remark	Qty	Model
1	997 502 153 00	Side part	inner		COUPE
	997 502 153 00 GRV	Side part primed	left	1	
(1)	997 502 154 00	Side part	right	1	
	997 502 154 00 GRV	Side part primed			
2	997 502 423 00	Reinforcement	left	1	
	997 502 423 00 GRV	Reinforcement primed			
(2)	997 502 424 00	Reinforcement	right	1	
	997 502 424 00 GRV	Reinforcement primed			
3	996 502 083 02	Side part	left	1	
	996 502 083 02 GRV	Side part primed			
(3)	996 502 084 02	Side part	right	1	
	996 502 084 02 GRV	Side part primed			
4	996 502 383 01	Console		2	
	996 502 383 01 GRV	Console primed			
5	996 502 733 01	Reinforcement	left	1	
	996 502 733 01 GRV	Reinforcement primed			
(5)	996 502 734 01	Reinforcement	right	1	
	996 502 734 01 GRV	Reinforcement primed			
-		also use:			
-	000 043 206 29	Adhesive set		X	
		Body comprising:			
-	000 043 206 30	adhesive		1	
-	000 043 206 31	Double cartridge gun		1	
-	000 043 206 32	emulsion tube		1	
-	000 043 206 33	activator		1	
-	999 703 433 40	Bungs 30 X 42 for POS. 5		10	
6	997 502 115 00	Side part	left	1	
	997 502 115 00 GRV	Side part primed			
(6)	997 502 116 00	Side part	right	1	
	997 502 116 00 GRV	Side part primed			
7	997 502 215 05	Wheel housing	left	1	
	997 502 215 05 GRV	Wheel housing primed			
(7)	997 502 216 05	Wheel housing	right	1	
	997 502 216 05 GRV	Wheel housing primed			
8	997 502 707 00	Reinforcement	left	1	
	997 502 707 00 GRV	Reinforcement primed			
(8)	997 502 708 00	Reinforcement	right	1	
	997 502 708 00 GRV	Reinforcement primed			
9	997 502 161 00	Side part	left	1	
	997 502 161 00 GRV	Side part primed			
(9)	997 502 162 00	Side part	right	1	
	997 502 162 00 GRV	Side part primed			
10	997 502 711 00	Pipe		2	
	997 502 711 00 GRV	Pipe primed			
11	997 502 745 00	Reinforcement plate	left	1	
	997 502 745 00 GRV	Reinforcement plate primed			
(11)	997 502 746 00	Reinforcement plate	right	1	
	997 502 746 00 GRV	Reinforcement plate primed			
12	997 502 619 00	Pipe	left	1	
	997 502 619 00 GRV	Pipe primed			
(12)	997 502 620 00	Pipe	right	1	
	997 502 620 00 GRV	Pipe primed			

Model: 997T10

Model life 2010>>2013



Model: 997T10 Model life 2010>>2013

Pos	Part Number	Description	Remark	Qty	Model
1	997 503 961 12 997 503 961 12 GRV	Side part Side part primed	outer left	1	COUPE
(1)	997 503 962 12 997 503 962 12 GRV	Side part primed	also use: 000 043 305 41 right	1	
2	997 503 963 02 997 503 963 02 GRV	Sill primed	also use: 000 043 305 41 left	1	
(2)	997 503 964 02 997 503 964 02 GRV	Sill primed	right	1	
3	997 503 965 03 997 503 965 03 GRV	roof frame primed	left	1	
(3)	997 503 966 03 997 503 966 03 GRV	roof frame primed	right	1	
4	997 502 365 00 997 502 365 00 GRV	Sealing channel primed	left	1	
(4)	997 502 366 00 997 502 366 00 GRV	Sealing channel primed	right	1	
5	997 502 461 01 997 502 461 01 GRV	Frame for light Discontinued part primed	left	1	
5	997 502 461 02 997 502 461 02 GRV	Frame for light primed	left	1	
(5)	997 502 462 01 997 502 462 01 GRV	Frame for light Discontinued part primed	right	1	
(5)	997 502 462 02 997 502 462 02 GRV	Frame for light primed	right	1	
6	997 502 213 02 997 502 213 02 GRV	Console Gas filled strut primed	left	1	
(6)	997 502 214 01 997 502 214 01 GRV	Console Gas filled strut primed	right	1	
7	997 504 631 00	Protective film		2	
8	997 504 907 00	Seal		2	
9	996 537 237 00	See workshop manual Protective film		2	
10	997 501 487 02 997 501 487 02 GRV	Reinforcement primed	left	1	
(10)	997 501 488 02 997 501 488 02 GRV	Reinforcement primed	also use: right	1	
-	000 043 206 29	Adhesive set Body comprising:		X	
-	000 043 206 30	adhesive		1	
-	000 043 206 31	Double cartridge gun		1	
-	000 043 206 32	emulsion tube		1	
-	000 043 206 33	activator		1	
11	997 572 311 01	Water protection	left	1	
(11)	997 572 312 01	Water protection	right	1	
12	999 703 475 40	drain tube Sill		2	
13	997 504 361 01 997 504 361 01 G2X	Air inlet primed	left	1	
(13)	997 504 361 80	Air inlet Carbon	left	1	PR:004
(13)	997 504 361 81	Air inlet Carbon	left	1	PR:018
(13)	997 504 362 01	Air inlet	right	1	

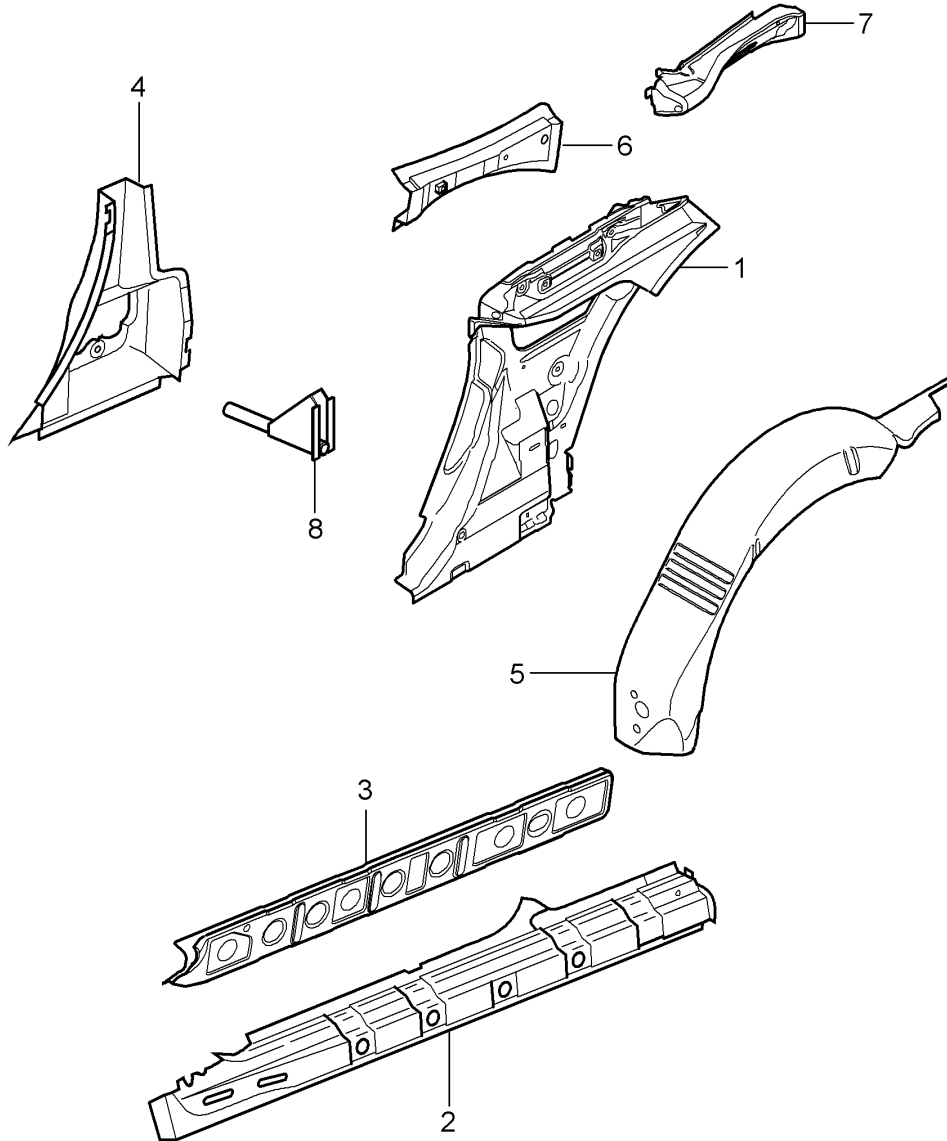
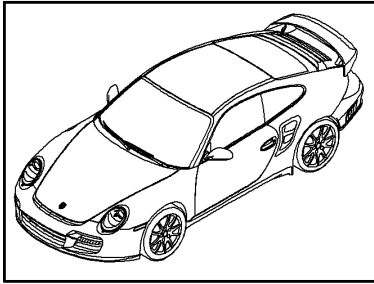
Model: 997T10

Model life 2010>>2013

Pos	Part Number	Description	Remark	Qty	Model
13	997 504 362 01 G2X 997 504 362 80	primed Air inlet Carbon	right	1	PR:004
(13)	997 504 362 81	Air inlet Carbon	right	1	PR:018
14	999 507 835 09	Clip 1,50		4	
15	997 504 459 00	Air guide channel	left front, inner	1	PR:-004
15	997 504 459 00 01C 997 504 459 80	Black Air guide channel	left front, inner	1	PR:004,018
(15)	997 504 459 80 01C 997 504 460 00	Black Air guide channel	right front, inner	1	PR:-004
15	997 504 460 00 01C 997 504 460 80	Black Air guide channel	right front, inner	1	PR:004,018
16	997 504 460 80 01C 999 507 836 09	Black Clamp 9,0 X 13,0/4,0		10	
17	999 073 155 09	panel screw ST 4,2 X 13		14	
18	999 074 060 09	Hexagon bolt M6 X 18		20	
19	999 076 078 01	Hexagon nut M 6		4	

Model: 997T10

Model life 2010>>2013



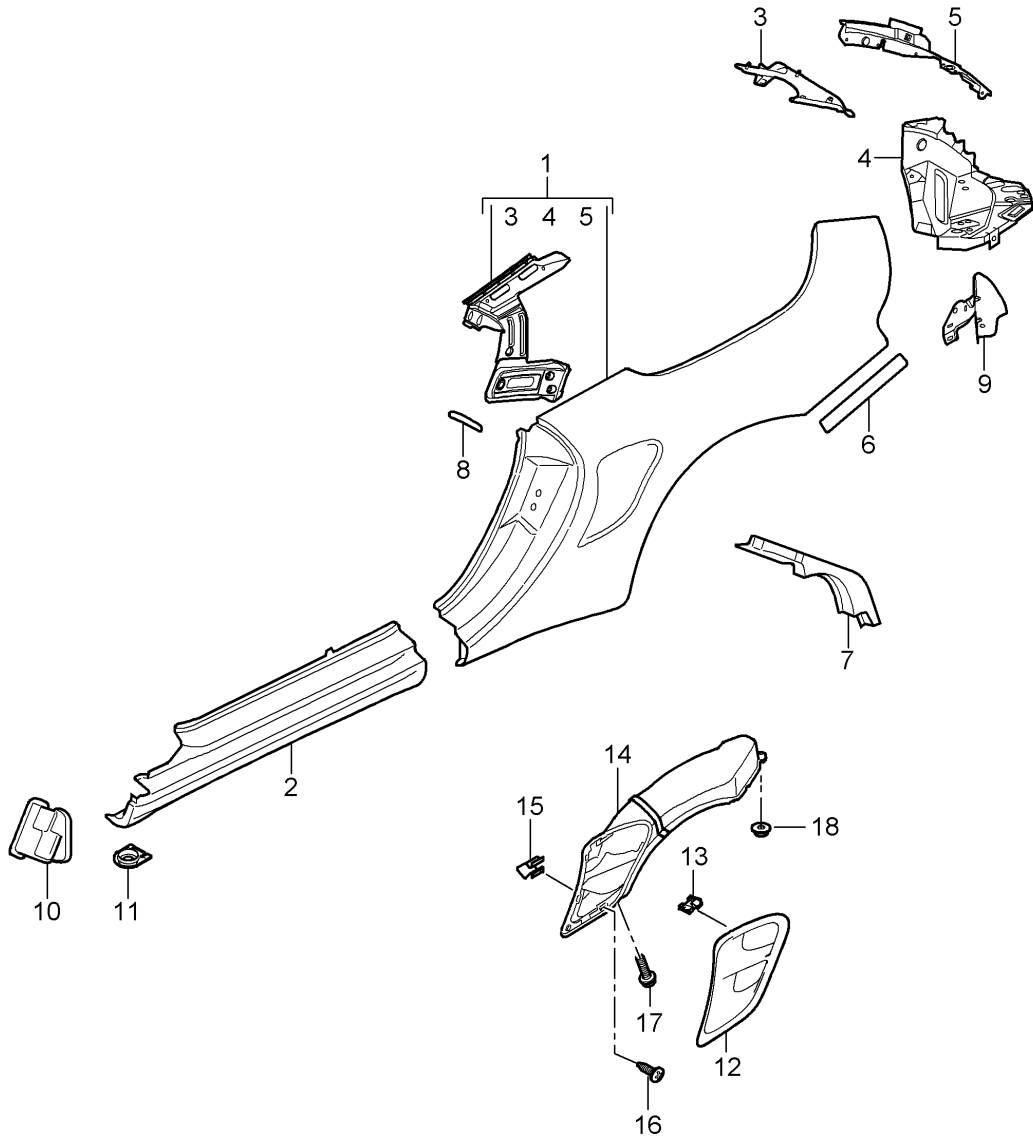
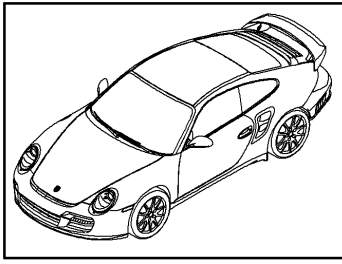
Model: 997T10

Model life 2010>>2013

Pos	Part Number	Description	Remark	Qty	Model
1	997 502 073 02	Side part	inner		CABRIO
	997 502 073 02 GRV	Side part primed	left	1	
(1)	997 502 074 02	Side part	right	1	
	997 502 074 02 GRV	Side part primed			
2	997 502 663 00	Reinforcement	left	1	
	997 502 663 00 GRV	Reinforcement primed			
		also use:			
(2)	997 502 664 00	Reinforcement	right	1	
	997 502 664 00 GRV	Reinforcement primed			
		also use:			
-	000 043 206 29	Adhesive set		X	
		Body comprising:			
-	000 043 206 30	adhesive		1	
-	000 043 206 31	Double cartridge gun		1	
-	000 043 206 32	emulsion tube		1	
-	000 043 206 33	activator		1	
3	996 502 683 01	Web plate	left	1	
	996 502 683 01 GRV	Web plate primed			
(3)	996 502 684 01	Web plate	right	1	
	996 502 684 01 GRV	Web plate primed			
4	996 502 415 01	B-pillar	left	1	
	996 502 415 01 GRV	B-pillar primed			
(4)	996 502 416 01	B-pillar	right	1	
	996 502 416 01 GRV	B-pillar primed			
5	997 502 215 02	Wheel housing	left	1	
	997 502 215 02 GRV	Wheel housing primed			
(5)	997 502 216 02	Wheel housing	right	1	
	997 502 216 02 GRV	Wheel housing primed			
6	997 502 115 02	Side part	left	1	
	997 502 115 02 GRV	Side part primed			
(6)	997 502 116 02	Side part	right	1	
	997 502 116 02 GRV	Side part primed			
7	997 502 161 01	Side part	left	1	
	997 502 161 01 GRV	Side part primed			
(7)	997 502 162 01	Side part	right	1	
	997 502 162 01 GRV	Side part primed			
8	997 502 711 01	Pipe		2	
	997 502 711 01 GRV	Pipe primed			

Model: 997T10

Model life 2010>>2013



Model: 997T10

Model life 2010>>2013

Pos	Part Number	Description	Remark	Qty	Model
1	997 503 961 06	Side part	outer	1	CABRIO
	997 503 961 06 GRV	Side part primed	left		
(1)	997 503 962 06	Side part	right	1	
	997 503 962 06 GRV	Side part primed			
-		also use:			
-	999 915 650 40	adhesive TEROMIX 6700		X	
-	000 043 300 48	Tool set		X	
		Processing instructions			
		See technical manual			
		Group 5			
		53 55 55			
2	997 503 963 03	Sill	left	1	
	997 503 963 03 GRV	Sill primed			
(2)	997 503 964 03	Sill	right	1	
	997 503 964 03 GRV	Sill primed			
3	997 502 365 01	Sealing channel	left	1	
	997 502 365 01 GRV	Sealing channel primed			
(3)	997 502 366 01	Sealing channel	right	1	
	997 502 366 01 GRV	Sealing channel primed			
4	997 502 461 01	Frame for light	left	1	
		Discontinued part			
	997 502 461 01 GRV	Frame for light primed			
4	997 502 461 02	Frame for light	left	1	
	997 502 461 02 GRV	Frame for light primed			
(4)	997 502 462 01	Frame for light	right	1	
		Discontinued part			
	997 502 462 01 GRV	Frame for light primed			
(4)	997 502 462 02	Frame for light	right	1	
	997 502 462 02 GRV	Frame for light primed			
5	997 502 213 02	Console	left	1	
	997 502 213 02 GRV	Console primed			
(5)	997 502 214 01	Console	right	1	
	997 502 214 01 GRV	Console primed			
6	997 504 631 00	Protective film		2	
7	997 504 907 00	Seal		2	
		modify in workshop			
		See workshop manual			
8	996 537 237 00	Protective film		2	
9	997 501 487 02	Reinforcement	left	1	
	997 501 487 02 GRV	Reinforcement primed			
(9)	997 501 488 02	Reinforcement	right	1	
	997 501 488 02 GRV	Reinforcement primed			
10	997 572 311 01	Water protection	left	1	
(10)	997 572 312 01	Water protection	right	1	
11	999 703 475 40	drain tube		2	
		Sill			
12	997 504 361 01	Air inlet	left	1	
	997 504 361 01 G2X	Air inlet primed			
(12)	997 504 362 01	Air inlet	right	1	
	997 504 362 01 G2X	Air inlet primed			
13	999 507 835 09	Clip		4	
		1,50			
14	997 504 459 00	Air guide channel		1	
	997 504 459 00 01C	Air guide channel Black			
(14)	997 504 460 00	Air guide channel		1	
	997 504 460 00 01C	Air guide channel Black			
15	999 507 836 09	Clamp		10	
		9,0 x 13,0/4,0			
16	999 073 155 09	panel screw		14	
		st 4,2 x 13			
17	999 074 060 09	Hexagon bolt		20	

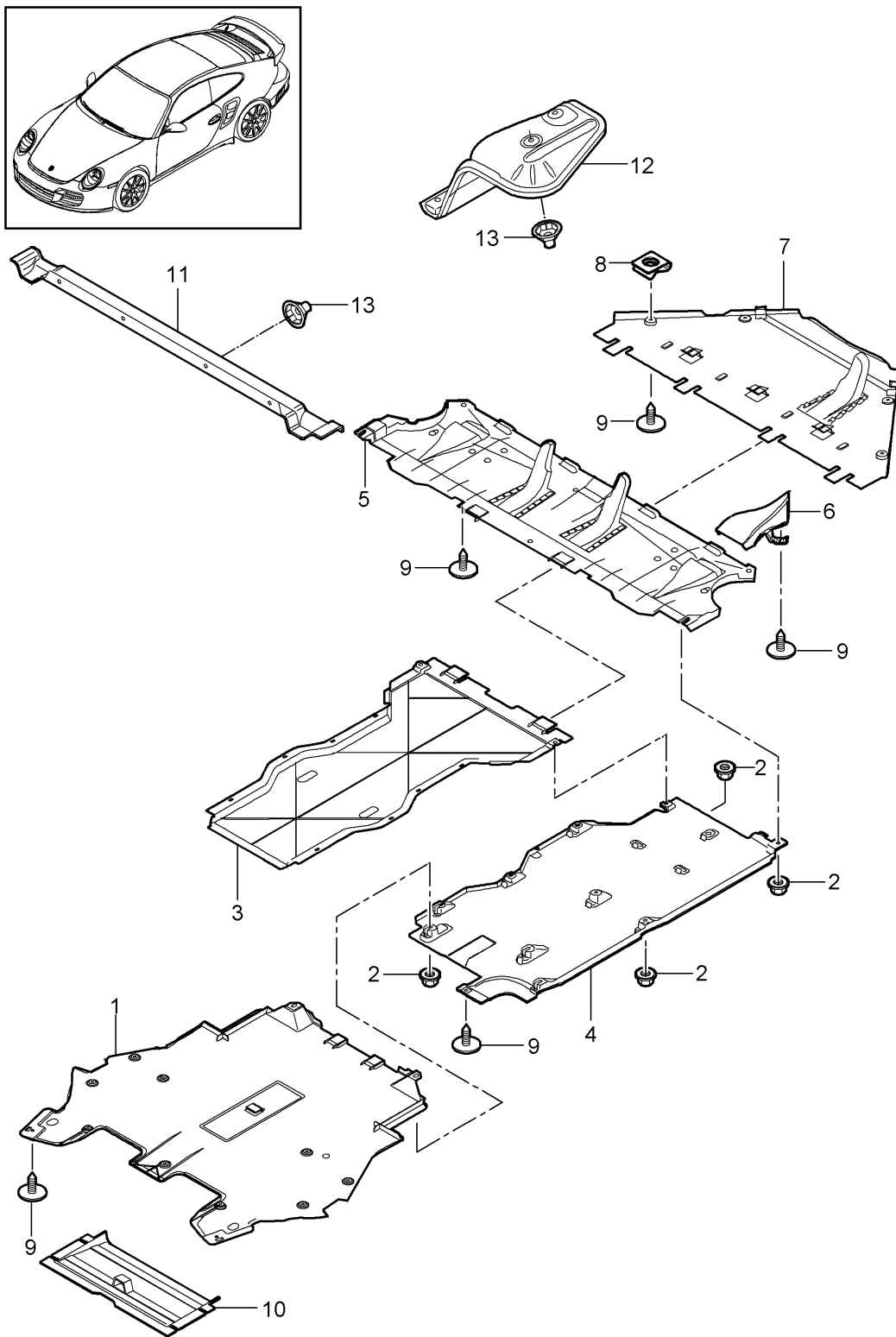
Model: 997T10

Model life 2010>>2013

Pos	Part Number	Description	Remark	Qty	Model
18	999 076 078 01	m 6 x 18 Hexagon nut m 6		4	

Model: 997T10

Model life 2010>>2013



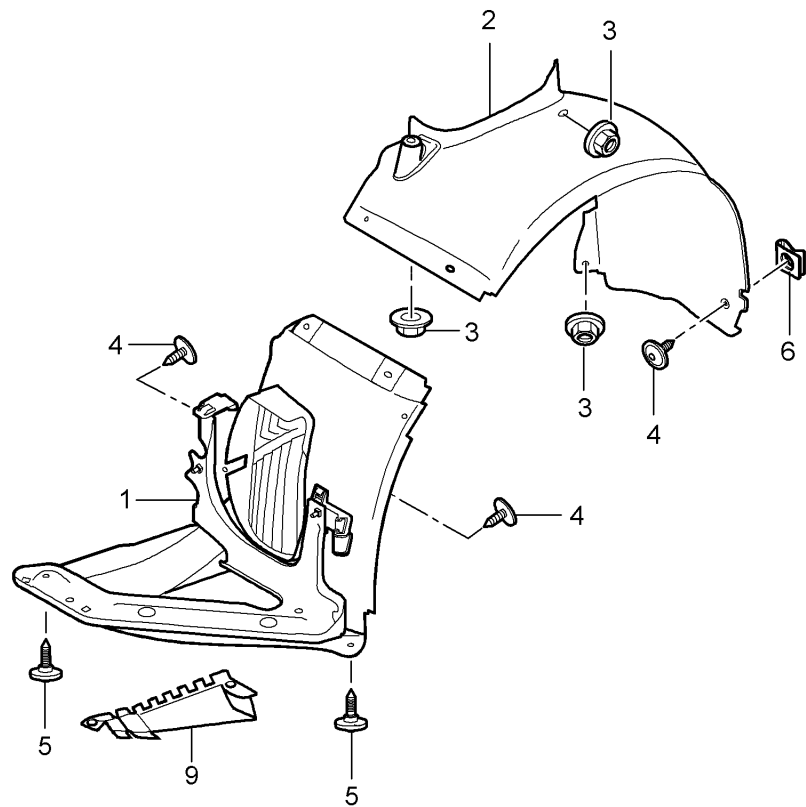
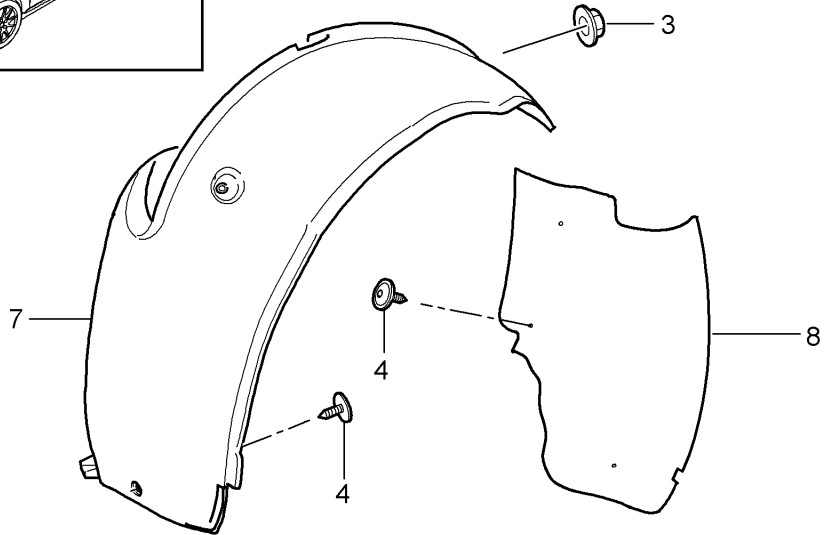
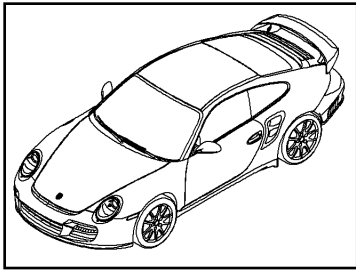
Model: 997T10

Model life 2010>>2013

Pos	Part Number	Description	Remark	Qty	Model
		Linings			
		Underbody			
1	997 504 527 01	Cover	front	1	
1	997 504 527 01	Cover	front rhd	1	GT2
(1)	997 504 527 02	Cover	front lhd	1	PR:099 GT2
2	999 049 028 40	Plastic nut T 5	front	26	PR:098
3	997 504 043 00	Cover	center	1	
4	997 504 343 03	Cover	left	1	
(4)	997 504 344 03	Cover	right	1	
5	997 504 029 03	Cover	center	1	TURBO
(5)	997 504 629 03	Cover		1	PR:480 TURBO
(5)	997 504 629 92	Cover	rear	1	PR:250 GT2
6	997 575 183 01	Air guide channel	left	1	PR:480
(6)	997 575 184 01	Air guide channel	right	1	
7	997 504 429 01	Brake Cover		1	PR:480
(7)	997 504 029 04	Gearbox Cover		1	PR:250
8	999 507 795 09	Gearbox panel nut ST 4,8		9	
9	999 073 231 09	panel screw ST 4,8 X 16		15	
10	997 575 161 01	Cooling air duct		1	TURBO
11	996 505 471 00	Heat insulation		1	
12	997 505 477 01	Heat insulation	left	1	
(12)	997 505 478 01	Heat insulation	right	1	
13	999 049 025 09	Collar nut T5		12	

Model: 997T10

Model life 2010>>2013

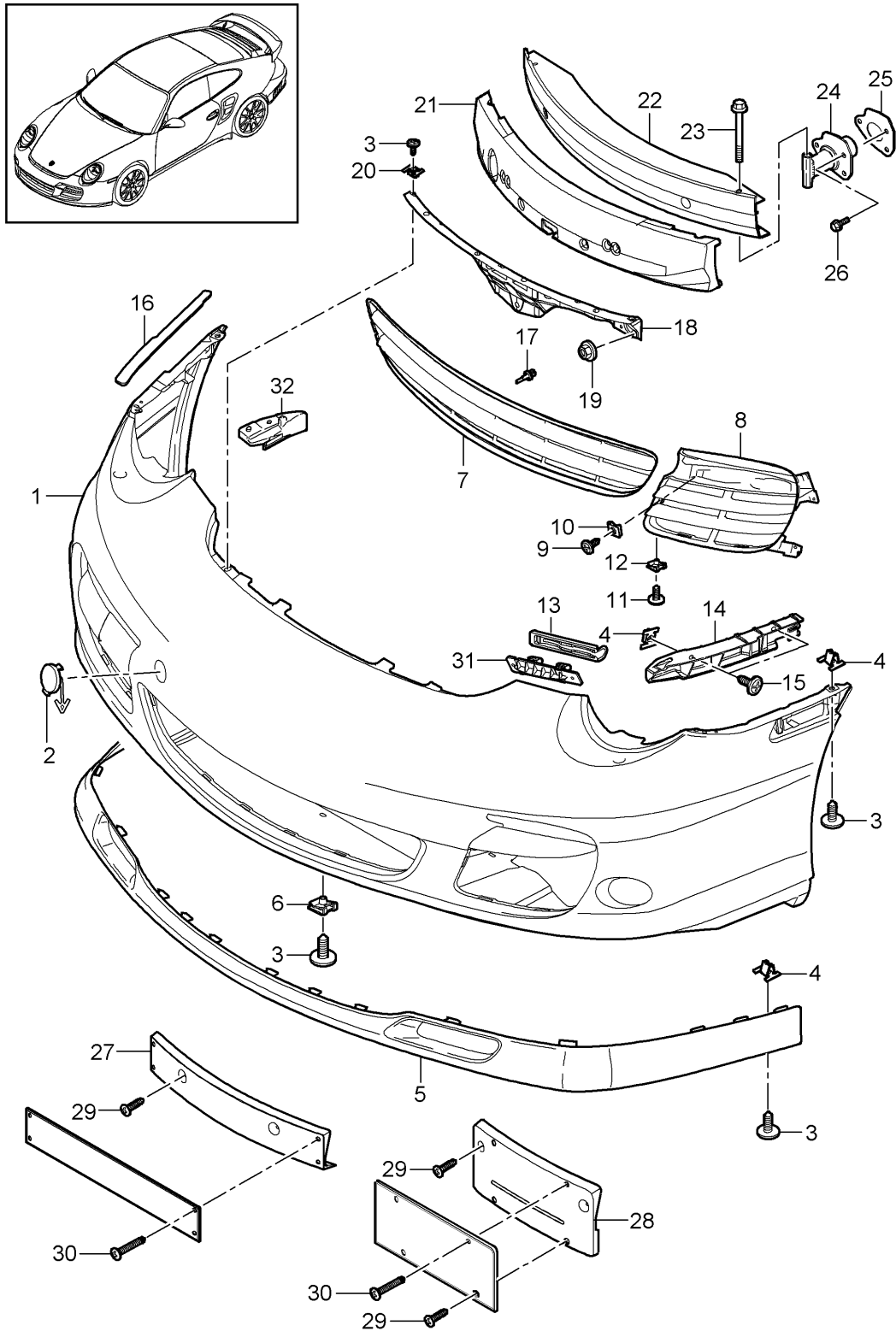


Model: 997T10 Model life 2010>>2013

Pos	Part Number	Description	Remark	Qty	Model
1	997 504 123 01	Linings Wheel housing Wheel housing liner	left front front	1	
(1)	997 504 124 01	Wheel housing liner	right front front	1	
(1)	997 504 123 80	Wheel housing liner	left front front	1	GT2
(1)	997 504 124 80	Wheel housing liner	right front front	1	GT2
-	997 504 303 80	Spoiler	left	1	GT2
-	997 504 304 80	Spoiler	right	1	GT2
2	997 504 203 01	Wheel housing liner	left rear	1	
(2)	997 504 203 92	Wheel housing liner	left rear	1	GT2 PR:004,-589
(2)	997 504 203 93	Wheel housing liner	left rear	1	GT2 PR:004,589
(2)	997 504 204 01	Wheel housing liner	right rear front	1	
(2)	997 504 204 92	Wheel housing liner	right rear	1	GT2 PR:004,-589
(2)	997 504 204 93	Wheel housing liner	right rear	1	GT2 PR:004,589
3	999 049 007 40	Plastic nut T5		12	
4	999 073 231 09	panel screw ST 4,8 X 16		18	
5	999 073 227 09	panel screw ST 4,8 X 19		6	
6	999 507 795 09	panel nut ST 4,8		5	
7	997 504 573 02	Wheel housing liner	left front	1	
(7)	997 504 574 02	Wheel housing liner	right front rear	1	
8	997 504 623 00	Wheel housing liner	left rear	1	
(8)	997 504 624 00	Wheel housing liner	right rear	1	
9	997 504 603 00	Air guide	left	1	TURBO
(9)	996 504 604 01	Air guide	right	1	TURBO

Model: 997T10

Model life 2010>>2013



Model: 997T10 Model life 2010>>2013

Pos	Part Number	Description	Remark	Qty	Model
1	997 505 191 06	bumper Trim primed	front	1	PR:288
2	997 505 703 01	cover for towing eye		1	
	997 505 703 01 G2X	primed			
3	999 073 227 09	panel screw ST 4,8 X 19		10	
4	999 507 849 01	Cage nut ST 4,8		10	
5	997 505 557 01	Spoiler		1	
	997 505 557 01 01C	Satin black			
(5)	997 505 557 07	Spoiler primed		1	PR:XUA
				1	
(5)	997 505 557 11	Spoiler primed		1	PR:XAF
6	999 591 699 01	panel nut ST 4,8		1	
7	997 505 541 04	Retaining frame	center	1	
	997 505 541 04 01C	Satin black			
8	997 505 563 06	Retaining frame for Vanes	left side	1	
	997 505 563 06 01C	Satin black			
8	997 505 763 50	disc set	left 2-part	1	
	997 505 763 50 9B1	Titanium metallic			
(8)	997 505 564 06	Retaining frame	right side	1	
	997 505 564 06 01C	Satin black			
(8)	997 505 764 50	disc set	right 2-part	1	
	997 505 764 50 9B1	Titanium metallic			
-	999 902 057 40	Velcro fastener for Turn signal indicator		2	
9	999 073 080 02	Bolt with washer ST 4,2 X 16		4	
10	999 507 768 02	panel nut ST 4,2		4	
11	999 073 505 01	panel screw 4,8 X 16		20	
12	999 507 795 09	panel nut ST 4,8		2	
13	997 505 719 00	Fixing		2	
14	997 505 535 01	retaining strip	left side	1	
(14)	997 505 536 01	retaining strip	right side	1	
15	999 073 418 01	panel screw ST 4,8 X 19		4	
(16)	997 504 531 00	Protective film	left	1	
16	997 504 532 00	Protective film	right	1	
17	996 641 142 00	Temperature sensor		1	
18	997 505 531 00	retaining strip	center	1	
19	999 076 048 01	Hexagon nut M6		3	
20	999 507 849 01	Cage nut ST 4,8		3	
21	997 505 777 00	Insert		1	
22	997 505 141 02	Bumper carrier		1	
23	900 378 088 01	Hexagon bolt M 12 X 100		2	
24	997 505 319 00	Impact pipe		2	

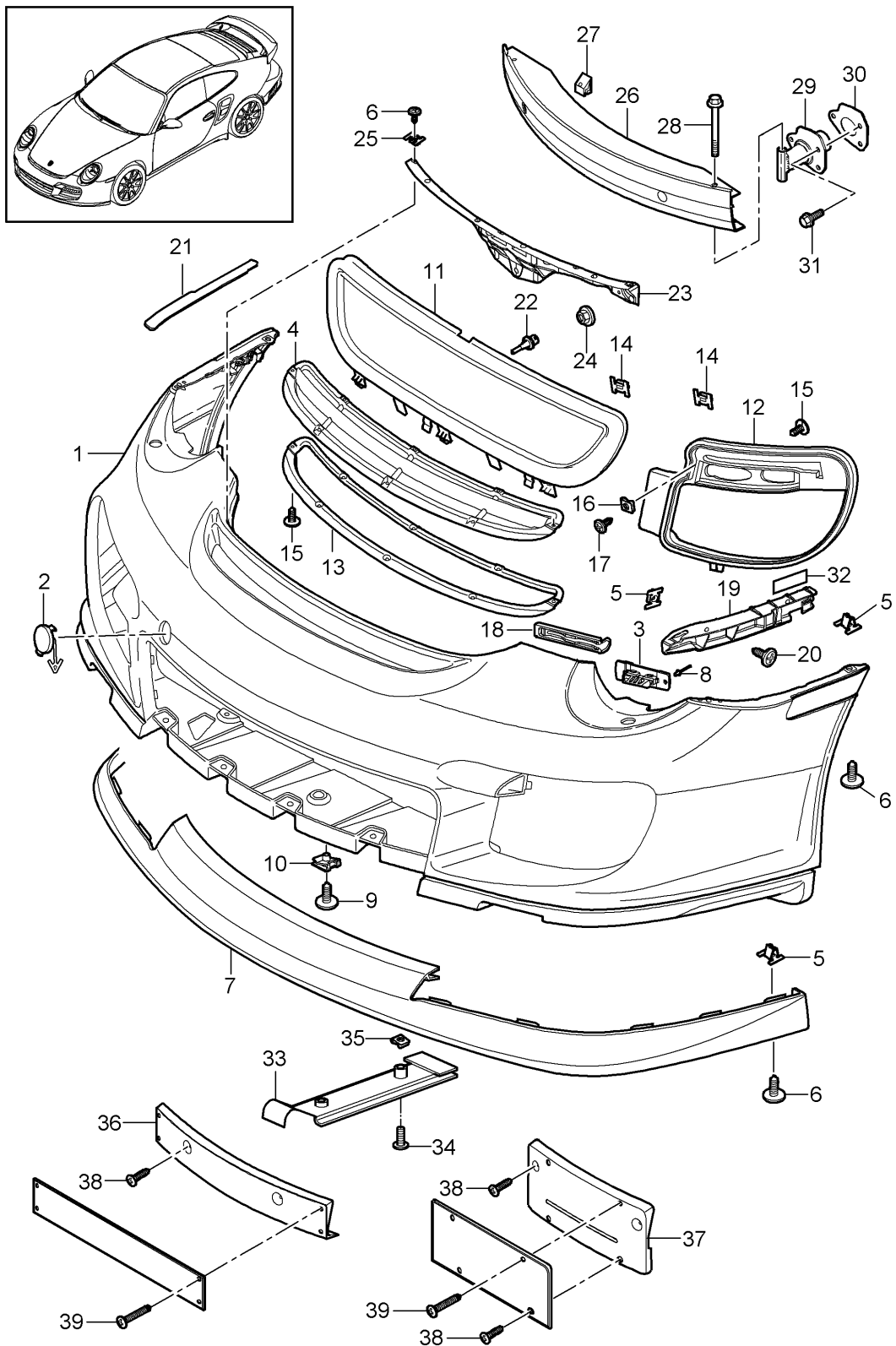
Model: 997T10

Model life 2010>>2013

Pos	Part Number	Description	Remark	Qty	Model
25	997 505 751 02	Seal Shock absorber		2	
26	900 378 267 01	Hexagon bolt M 8 X 30		6	
27	997 701 105 01	Licence plate holder		1	PR:211
	997 701 105 01 01C	Black			
(27)	997 701 109 01	Licence plate holder		1	PR:210
	997 701 109 01 01C	Black			
29	999 919 243 01	Screw 5.0 x 13		2	PR:210,211, 218
30	999 919 242 01	Screw 5,0 x 28		2	PR:210,211, 218
31	997 505 317 00	Retaining plate Trim		2	
-	999 190 104 30	Pop rivet A 3,2X7,9		4	
32	997 505 301 00	corner part Trim	left	1	
		Of			
(32)	997 505 302 00	corner part Trim	right	1	
		Of			
-	999 591 709 40	Bracket Hose Headlight washer system		2	

Model: 997T10

Model life 2010>>2013



Model: 997T10 Model life 2010>>2013

Pos	Part Number	Description	Remark	Qty	Model
		bumper	front		GT2RS
1	997 505 191 81	Trim primed		1	PR:004
1	997 505 191 82	Trim primed		1	PR:-288
2	997 505 703 80	cover for towing eye		1	
	997 505 703 80 G2X	primed			
3	997 505 301 00	corner part	left	1	
		Trim Of			
(3)	997 505 302 00	corner part	right	1	
		Trim Of			
4	997 575 327 81	Trim for bumper		1	
		Air exhaust Carbon			
5	999 507 849 01	Cage nut ST 4,8		10	
6	999 073 227 09	panel screw ST 4,8 X 19		15	
7	997 505 557 81	Spoiler		1	
	997 505 557 81 01C	Satin black			
8	999 190 481 30	Pop rivet A 4,0 X 18,8		7	
9	999 073 227 09	panel screw ST 4,8 X 19		1	
10	999 591 699 02	panel nut ST 4,8		1	
11	997 505 441 81	Retaining frame	center	1	
		Carbon with:			
	997 505 441 81 01C	Satin black			
12	997 505 563 82	Retaining frame	left side	1	
		Carbon with:			
	997 505 563 82 01C	Satin black			
(12)	997 505 564 82	Retaining frame	right side	1	
		Carbon with:			
	997 505 564 82 01C	Satin black			
13	997 575 325 80	Frame	center	1	
		Air exhaust			
14	999 507 696 00	U-clip 1,2 - 1,7		21	
15	999 919 118 09	fillister hd. bolt 4,0 X 14		14	
16	999 507 768 02	panel nut ST 4,2 for		4	
		Turn signal indicator			
17	999 073 080 02	Bolt with washer ST 4,2 X 16 for		4	
		Turn signal indicator			
18	997 505 719 00	Fixing		2	
19	997 505 535 01	retaining strip	left side	1	
(19)	997 505 536 01	retaining strip	right side	1	
20	999 073 418 01	panel screw	side	4	

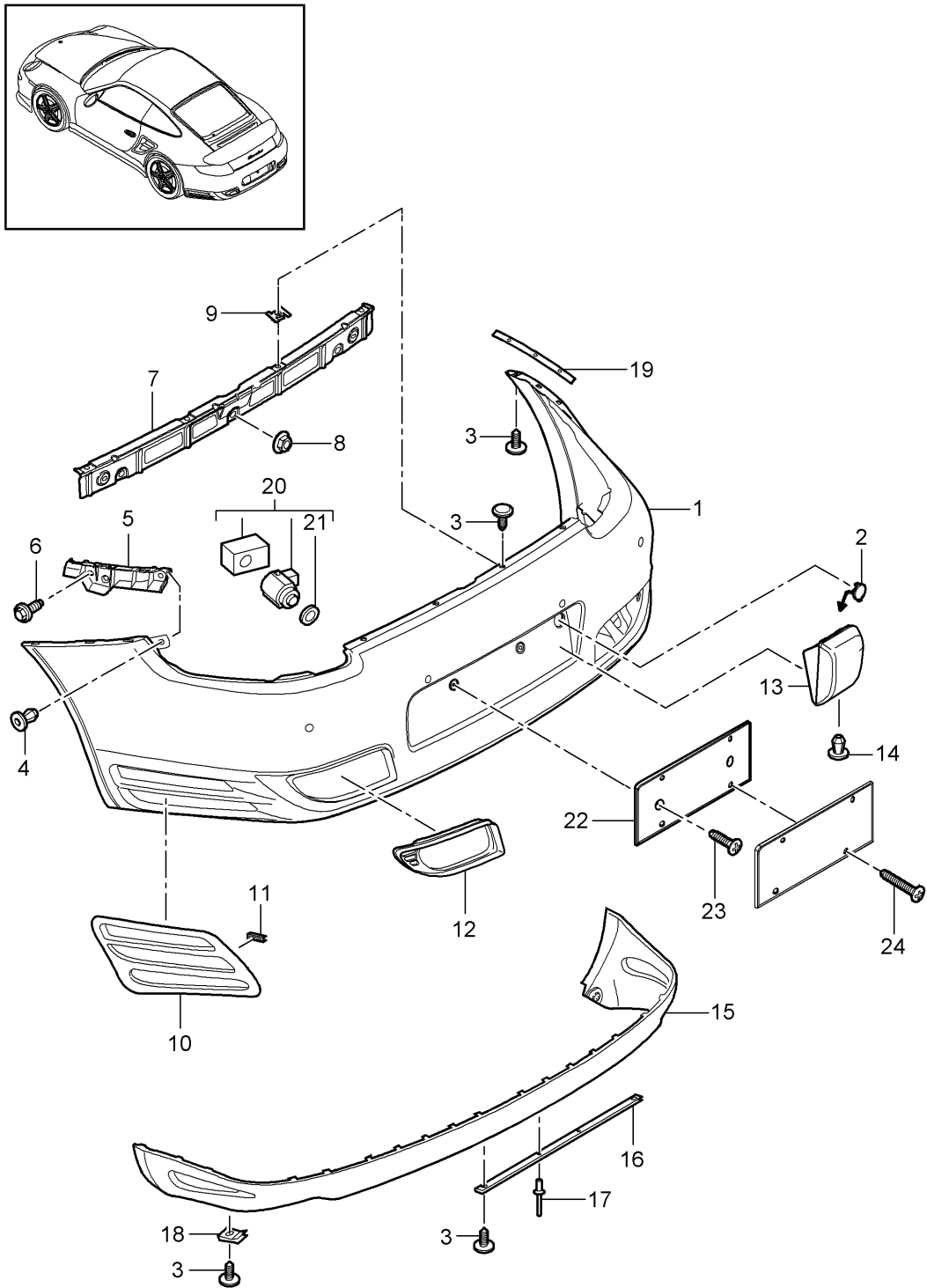
Model: 997T10

Model life 2010>>2013

Pos	Part Number	Description	Remark	Qty	Model
(21)	997 504 531 00	ST 4,8 X 19 Protective film	left	1	
21	997 504 532 00	Protective film	right	1	
22	958 505 535 00	Sensor		1	
23	997 505 531 00	retaining strip	center	1	
24	999 076 048 01	Hexagon nut M6		3	
25	999 507 849 01	Cage nut ST 4,8		3	
26	997 505 141 02	Bumper carrier		1	
28	900 378 088 01	Hexagon bolt M 12 X 100		2	
29	997 505 319 00	Impact pipe		2	
30	997 505 751 02	Seal		2	
31	900 378 267 01	Shock absorber Hexagon bolt M 8 X 30		6	
32	999 902 057 40	Velcro fastener for Turn signal indicator		2	
33	997 505 585 81	Support panel Front apron		1	
		with:			
34	999 073 252 09	Securing element fillister hd. bolt		2	
		also use:			
35	999 591 882 01	panel nut		2	
36	997 701 105 80	Licence plate holder		1	PR:211
	997 701 105 80 01C	Black			
(36)	997 701 109 80	Licence plate holder		1	PR:218
	997 701 109 80 01C	Black			
38	999 919 243 01	Screw 5.0 x 13		2	
39	999 919 242 01	Screw 5,0 x 28		2	

Model: 997T10

Model life 2010>>2013

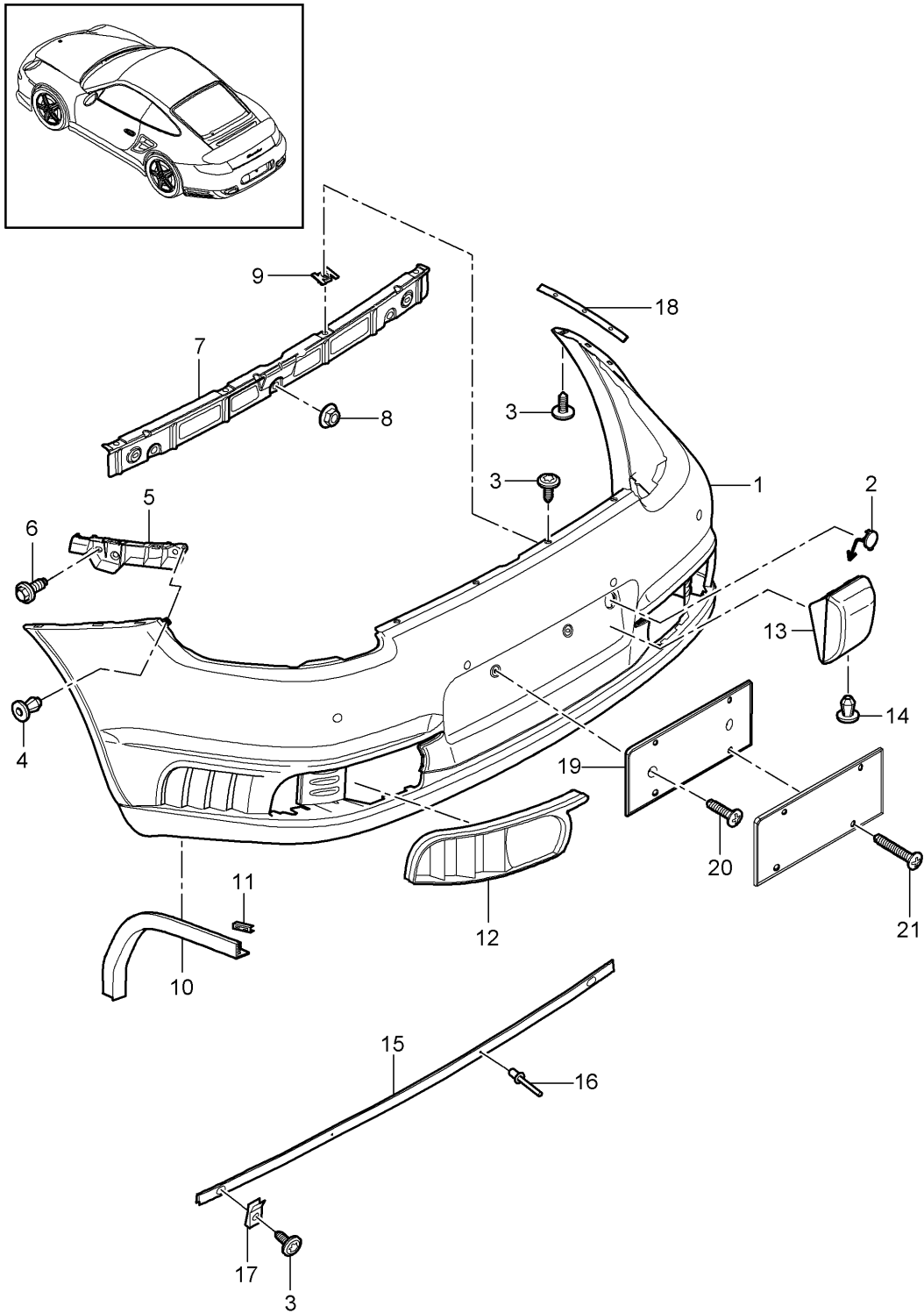


Model: 997T10 Model life 2010>>2013

Pos	Part Number	Description	Remark	Qty	Model
1	997 505 411 40	Trim bumper	rear	1	PR: -635
1	997 505 411 41	Trim primed		1	PR:635
2	997 505 803 02	Cover		1	
	997 505 803 02 G2X	Tow hitch primed			
3	999 073 227 09	panel screw 4,8 X 16		10	
4	999 591 941 40	Spreader rivet ST 4,8		2	
5	997 505 635 01	retaining strip	left side	1	
(5)	997 505 636 01	retaining strip	right side	1	
6	900 075 459 01	Bolt with washer M6 X 12		4	
7	997 505 641 03	Securing strip	center	1	
8	999 076 078 01	Hexagon nut M6		4	
9	999 507 590 02	Cage nut ST 4,8		6	
10	997 505 663 00	Frame	left	1	
	997 505 663 00 01C	Air exhaust Satin black			
(10)	997 505 664 00	Frame	right	1	
	997 505 664 00 01C	Air exhaust Satin black			
11	999 507 696 00	U-clip 1,20 - 1,70		10	
12	997 505 651 02	Trim for exhaust tail pipe	left	1	
	997 505 651 02 01C	Exhaust pipe Satin black			
(12)	997 505 652 02	Trim for exhaust tail pipe	right	1	
	997 505 652 02 01C	Exhaust pipe Satin black			
15	997 505 511 00	Trim	lower	1	
	997 505 511 00 01C	Satin black			
(15)	997 505 511 01	Trim	lower	1	PR: XUE , XAF
16	997 505 837 01	retaining rail	lower	1	
17	999 190 104 30	Pop rivet A 3,2 X 7,9		2	
18	999 507 795 09	panel nut ST 4,8		6	
19	997 504 631 00	Protective film		2	
20	955 606 275 03	Sensor		4	PR:635
		Parking aid			
21	955 606 659 01	ring		4	PR:635

Model: 997T10

Model life 2010>>2013



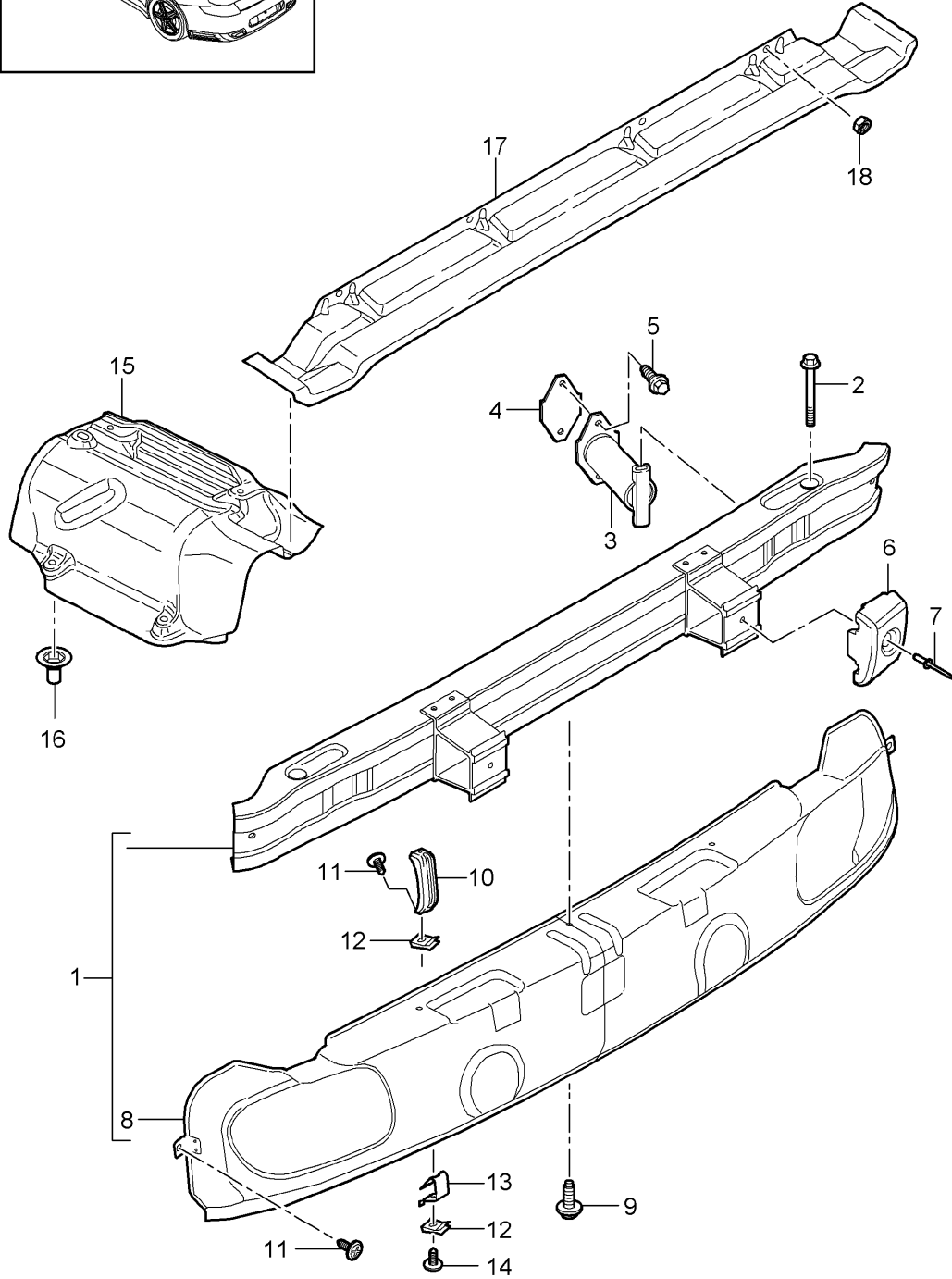
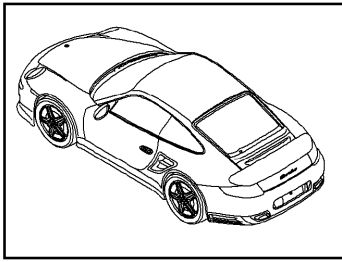
Model: 997T10

Model life 2010>>2013

Pos	Part Number	Description	Remark	Qty	Model
		Trim bumper	rear		GT2RS
1	997 505 421 82	Trim primed		1	
2	997 505 803 03	cover for towing eye primed		1	
3	999 073 227 09	panel screw 4,8 X 19		12	
4	999 591 941 40	Spreader rivet ST 4,8		2	
5	997 505 635 01	retaining strip	left side	1	
(5)	997 505 636 01	retaining strip	right side	1	
6	999 073 442 01	Screw M6 X 25		4	
7	997 505 641 03	Securing strip	center	1	
8	999 076 048 01	Hexagon nut M6		3	
9	999 507 849 01	Cage nut ST 4,8		6	
11	999 507 696 00	U-clip 1,20 - 1,70		6	
12	997 505 651 82	Trim for exhaust tail pipe Exhaust pipe Carbon	left	1	
(12)	997 505 652 82	Trim for exhaust tail pipe Exhaust pipe Carbon	right	1	
15	997 505 837 81	retaining rail	lower	1	
16	999 190 104 30	Pop rivet A 3,2 X 7,9		4	
17	999 507 795 09	panel nut ST 4,8		4	
18	997 504 631 00	Protective film		2	

Model: 997T10

Model life 2010>>2013



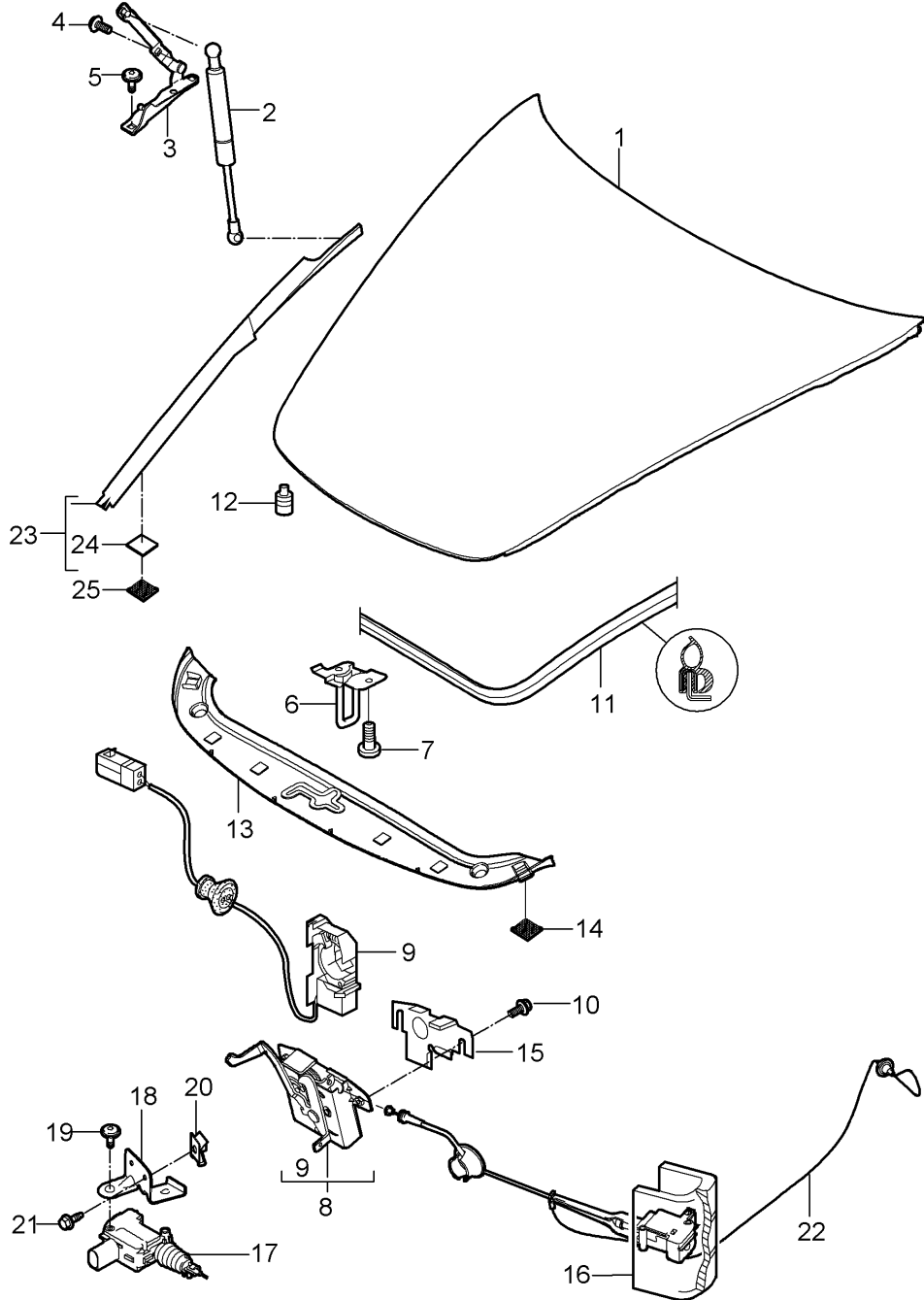
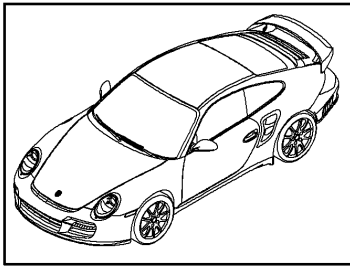
Model: 997T10

Model life 2010>>2013

Pos	Part Number	Description	Remark	Qty	Model
		bumper	rear		
		Heat protection			
(1)	997 505 121 08	Bumper carrier		1	
2	900 378 088 01	Hexagon bolt		2	
		M 12 X 100			
3	996 505 019 01	Impact pipe		2	
4	996 505 775 00	Underlay		2	
5	900 378 267 01	Hexagon bolt		4	
		M 8 X 30			
8	997 505 475 03	Heat insulation	center	1	
(8)	997 505 475 81	Heat insulation	center	1	PR:004
9	999 075 056 01	Bolt with washer		3	
		M 6 X 22			
10	997 505 639 01	Rear support		2	
11	999 073 418 01	panel screw		2	
		ST 4,8 X 16			
12	999 507 795 09	panel nut		4	
		ST 4,8			
13	997 505 649 00	Connecting plate		2	
14	999 073 227 09	panel screw		2	
		ST 4,8 X 19			
15	997 505 477 03	Heat insulation	left side	1	
				1	
				1	
(15)	997 505 477 80	Heat insulation	left side	1	PR:004
				1	
				1	
(15)	997 505 478 03	Heat insulation	right side	1	
(15)	997 505 478 80	Heat insulation	right side	1	PR:004
16	999 049 025 09	Collar nut		8	
		T5			
17	996 505 471 00	Heat insulation	upper	1	
18	999 049 029 01	Hexagon nut		4	
		T5			

Model: 997T10

Model life 2010>>2013



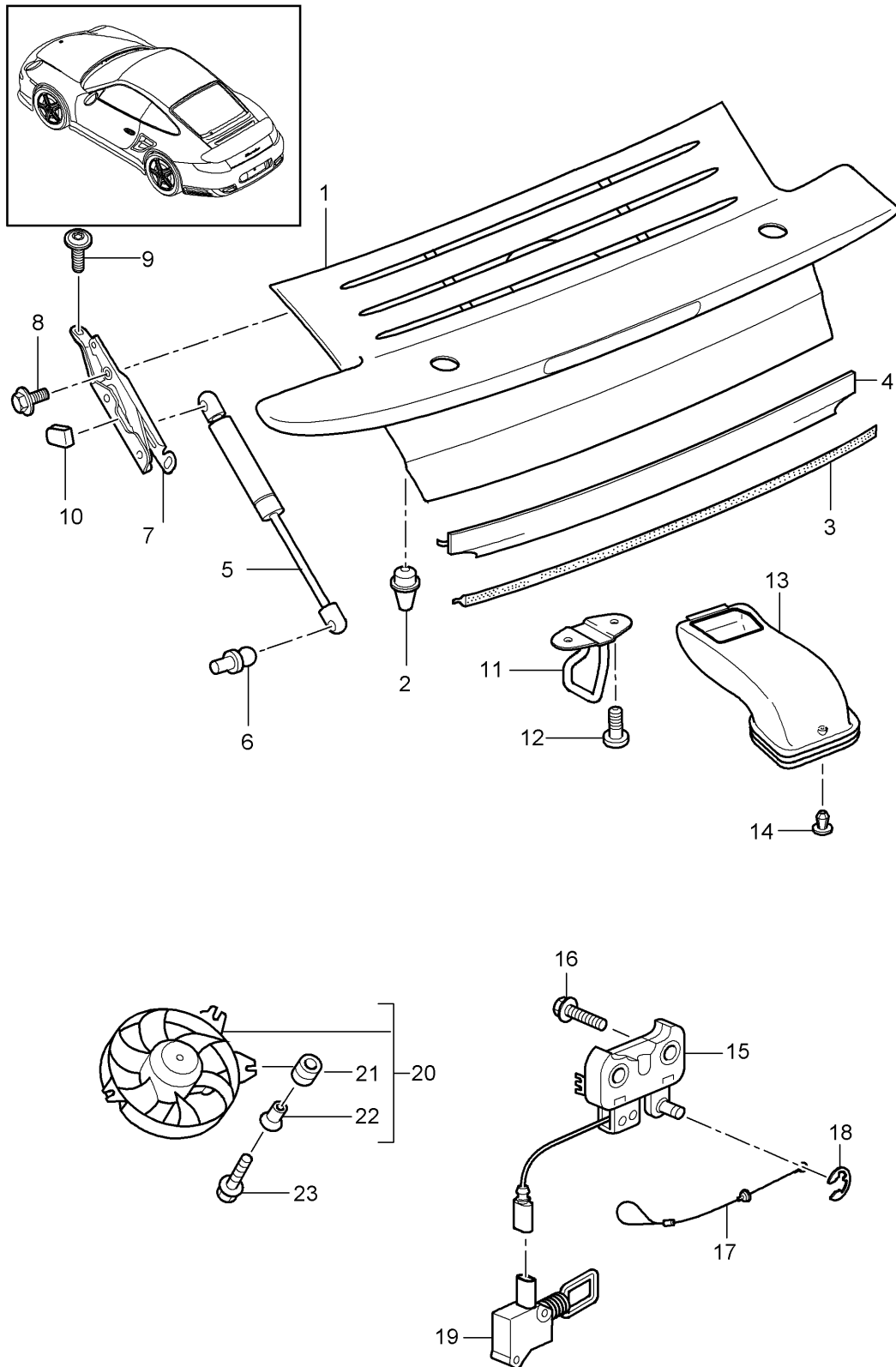
Model: 997T10

Model life 2010>>2013

Pos	Part Number	Description	Remark	Qty	Model
1	997 511 011 00	Cover	front	1	
	997 511 011 00 GRV	Cover			
(1)	997 511 011 92	primed Cover		1	GT2 RS PR:004
		Carbon			
2	997 511 551 01	Gas filled strut		2	
3	997 511 151 01	Hinge	left	1	
(3)	997 511 152 01	Hinge	right	1	
4	999 073 357 01	fillister hd. bolt M 6 X 12		4	
5	999 073 348 09	fillister hd. bolt M 6 X 20		4	
6	997 511 051 00	Lock upper part		1	
7	999 073 378 02	flat round head bolt M 6 X 20		2	
8	997 511 053 00	Lock lower part		1	
9	997 613 206 00	Micro switch		1	
10	900 075 505 01	Bolt with washer M 6 X 20		2	
11	997 511 611 01	Seal		1	
12	999 703 140 41	Rubber buffer		2	
13	997 504 811 04	Cover panel		1	
	997 504 811 04 FMT	Satin black			
14	999 902 049 40	Velcro fastener		4	
15	996 511 653 00	Cover		1	
16	997 511 117 00	throttle control element		1	
(23)	997 572 465 02	Cover panel	left	1	
		Wing			
	997 572 465 02 02A	Black			
23	997 572 466 02	Cover panel	right	1	
		Wing			
	997 572 466 02 02A	Black			
24	999 902 052 40	Velcro fastener		4	
		Cover			
		20 X 20			
25	999 902 051 40	Velcro fastener		4	
		Wing			
		20 X 20			

Model: 997T10

Model life 2010>>2013



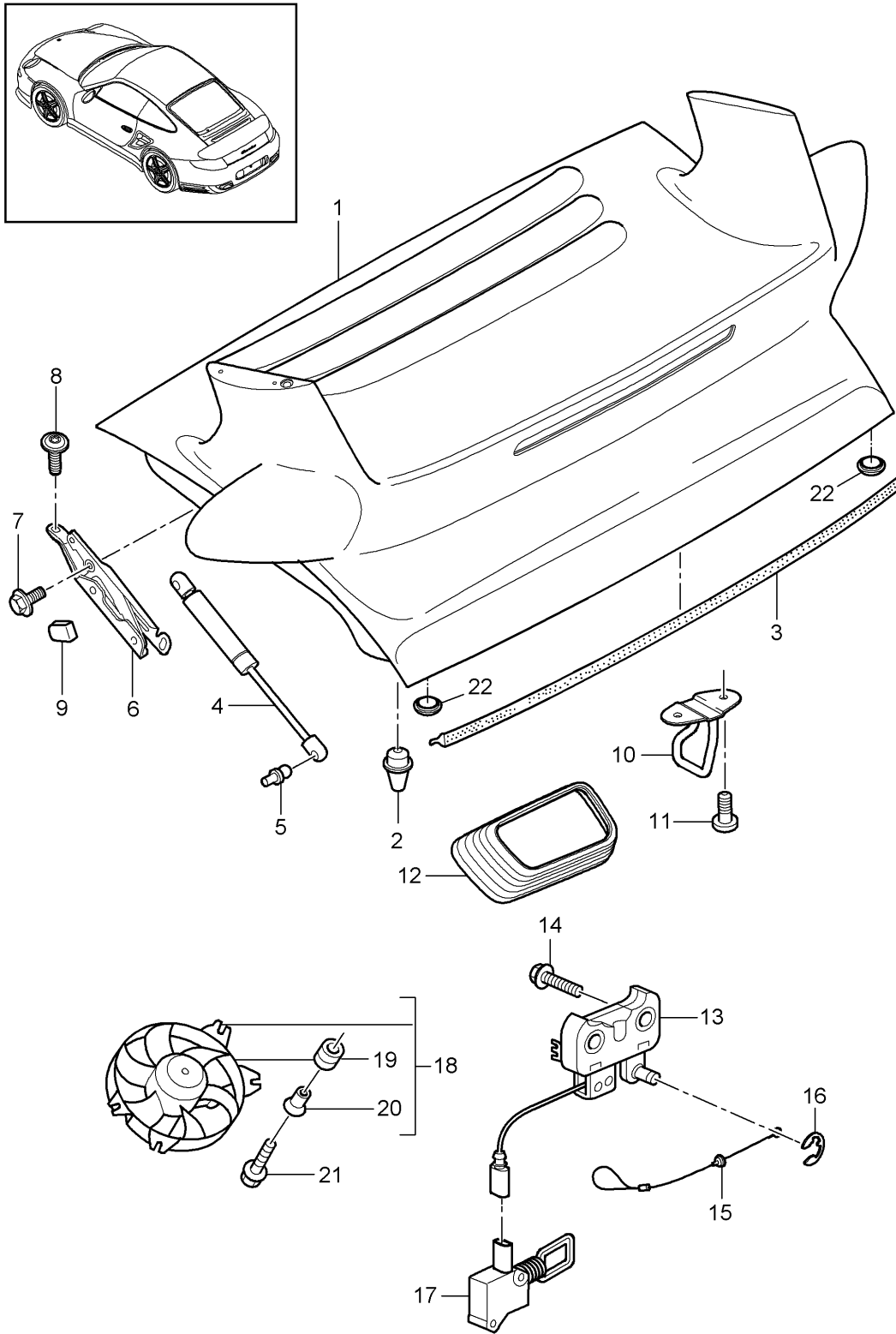
Model: 997T10

Model life 2010>>2013

Pos	Part Number	Description	Remark	Qty	Model
1	997 512 921 00	Cover Cover primed	rear	1	
-	000 043 204 38	sealant	also use:	1	
2	996 512 987 00	adjusting screw Cover		2	
3	997 512 611 01	Seal		1	
4	997 512 711 00	Additional gasket Cover	rear	1	
5	996 512 551 03	Gas filled strut		2	
6	999 167 051 03	Ball stud		2	
7	997 512 151 03	Hinge	left	1	
(7)	997 512 152 01	Hinge	right	1	
8	900 378 214 01	Hexagon bolt M 6 X 18		4	
9	900 075 466 09	Bolt with washer M 6 X 16		6	
10	997 512 153 00	Stop Hinge		2	
11	997 512 213 01	Lock upper part		1	
12	900 378 214 01	Hexagon bolt M 6 X 18		2	
(13)	997 110 171 00	intake manifold Air filter	left	1	
13	997 110 172 00	intake manifold Air filter	right	1	
14	999 591 712 40	Spreader rivet intake manifold 6,0 X 12,0		2	
15	997 512 053 00	Lock lower part		1	
16	N 910 664 01	Hexagon socket head bolt (combi) M 6 X 40		2	
17	997 512 521 00	Cable Emergency operation		1	
18	900 116 002 02	Retaining washer		1	
19	997 624 118 01	throttle control element		1	
20	997 624 056 01	Fan Engine bay		1	
21	999 703 451 40	Rubber grommet 9,0 X 14,0 X 1,5		3	
22	999 209 093 01	spacer sleeve 7,0 X 1,0 X 12		3	
23	999 073 417 01	fillister hd. bolt M6 X 30		4	

Model: 997T10

Model life 2010>>2013



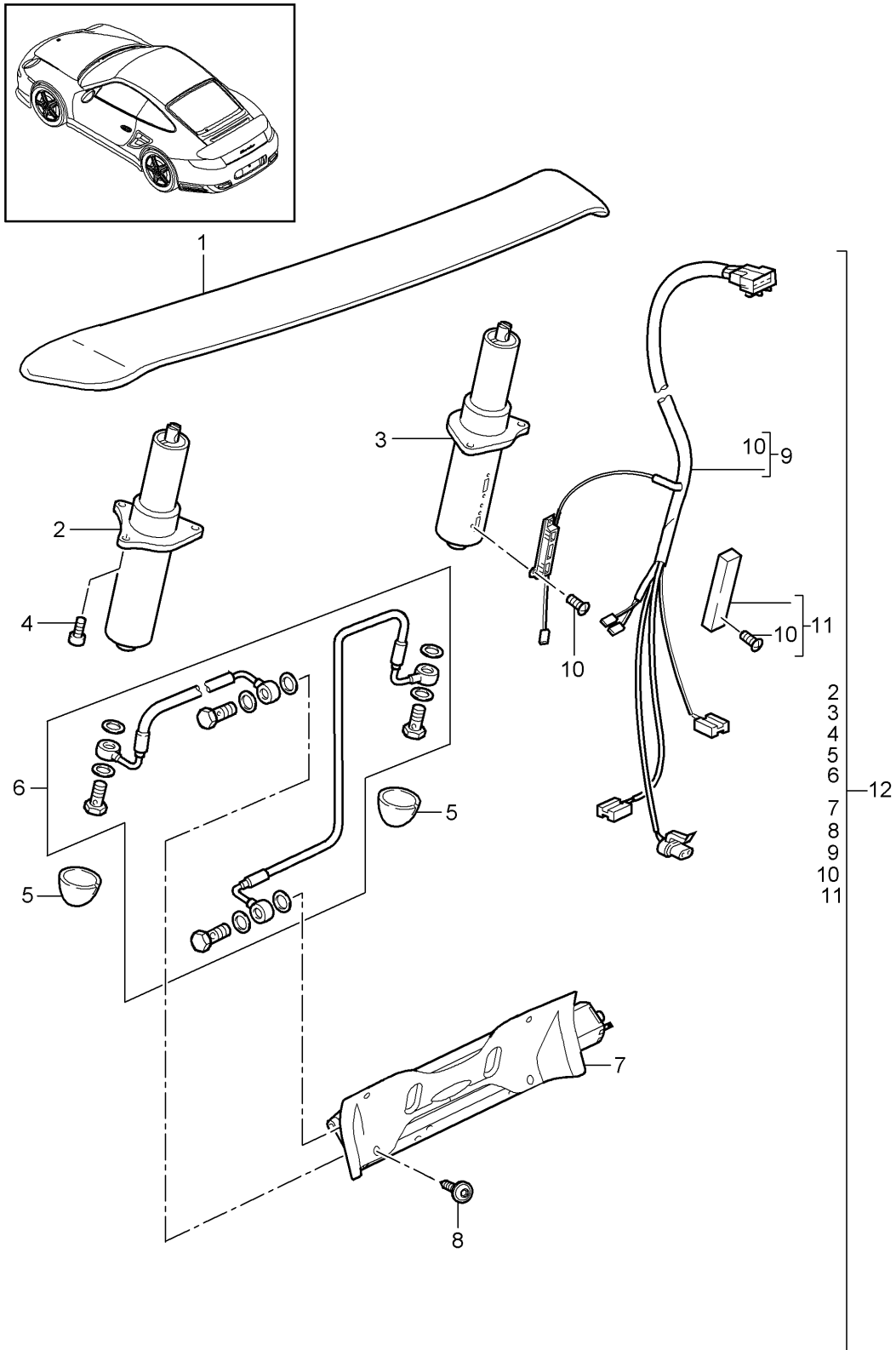
Model: 997T10

Model life 2010>>2013

Pos	Part Number	Description	Remark	Qty	Model
1	997 512 233 83	Cover Cover primed	rear	1	GT2
-	000 043 204 38	sealant	also use:	1	
2	996 512 987 00	adjusting screw Cover		2	
3	997 512 611 01	Seal		1	
4	997 512 551 90	Gas filled strut		1	
5	999 167 051 03	Ball stud		2	
6	997 512 151 03	Hinge	left	1	
(6)	997 512 152 01	Hinge	right	1	
7	900 378 214 01	Hexagon bolt M 6 X 18		4	
8	900 075 466 01	Bolt with washer M 6 X 16		4	
9	997 512 153 00	Stop Hinge		2	
10	997 512 213 01	Lock upper part		1	
11	999 073 378 02	flat round head bolt M 6 X 20		2	
12	997 512 771 00	Air guide channel Air filter	left	1	
(12)	997 512 772 00	Air guide channel Air filter	right	1	
(12)	997 512 772 00	Air guide channel Air filter	right	1	
13	997 512 053 01	Lock lower part		1	
14	N 910 664 01	Hexagon socket head bolt (combi) M 6 X 40		2	
15	997 512 521 00	Cable Emergency operation		1	
16	900 116 002 03	Retaining washer		1	
17	997 624 118 01	throttle control element		1	
18	997 624 056 05	Fan Engine bay		1	
19	999 703 451 40	Rubber grommet 9,0 X 14,0 X 1,5		4	
20	999 209 093 01	spacer sleeve 7,0 X 1,0 X 12		4	
21	999 073 417 01	fillister hd. bolt M6 X 30		4	
22	999 703 019 40	End cap 25,5 X 37,0		4	

Model: 997T10

Model life 2010>>2013

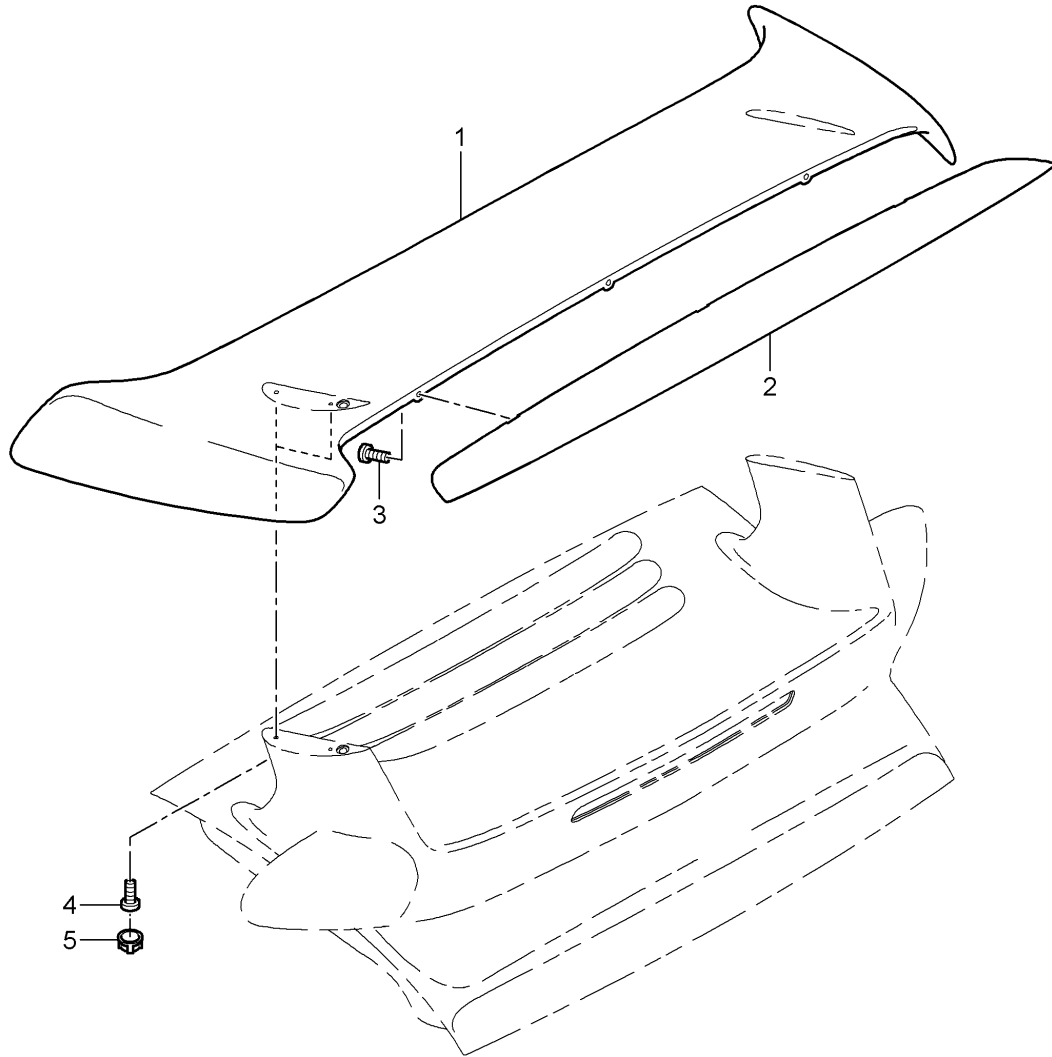
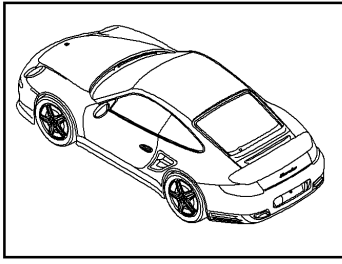


Model: 997T10 Model life 2010>>2013

Pos	Part Number	Description	Remark	Qty	Model
1	997 512 901 00	Rear spoiler Rear spoiler primed		1	
2	997 512 951 00	Toggle catch	left	1	COUPE
(2)	997 512 951 01	Toggle catch	left	1	CABRIO
3	997 512 952 00	Toggle catch	right	1	COUPE
(3)	997 512 952 01	Toggle catch	right	1	CABRIO
4	900 387 003 09	Bolt with washer M6 X 25		6	
5	996 512 617 00	Cover cap Toggle catch		1	
6	997 512 915 00	Hydraulic line Set		1	
7	997 512 943 00	Pump		1	
		with:			
8	999 073 152 09	Bracket fillister hd. bolt M6 X 18		4	
9	997 622 670 00	Wire set		1	COUPE
		with:			
		Micro switch			
		also use:	997 622 970 00		
(9)	997 622 671 01	Wire set		1	CABRIO
		with:			
		Micro switch			
		also use:	997 622 971 00		
10	999 919 002 02	fillister hd. bolt 3,0 X 6,0		2	
(11)	997 613 248 00	Cover cap Micro switch repair set Wire set Use Discontinued part		1	
11	997 622 970 00	repair set Wire set		1	COUPE
		with:			
		Cover Cable clip Cable ties fillister hd. bolt			
11	997 622 971 00	repair set Wire set		1	CABRIO
		with:			
		Cover Cable clip Cable ties fillister hd. bolt			
12	997 512 111 02	Driving mechanism (complete)		1	COUPE
12	997 512 111 03	Driving mechanism (complete)		1	CABRIO

Model: 997T10

Model life 2010>>2013



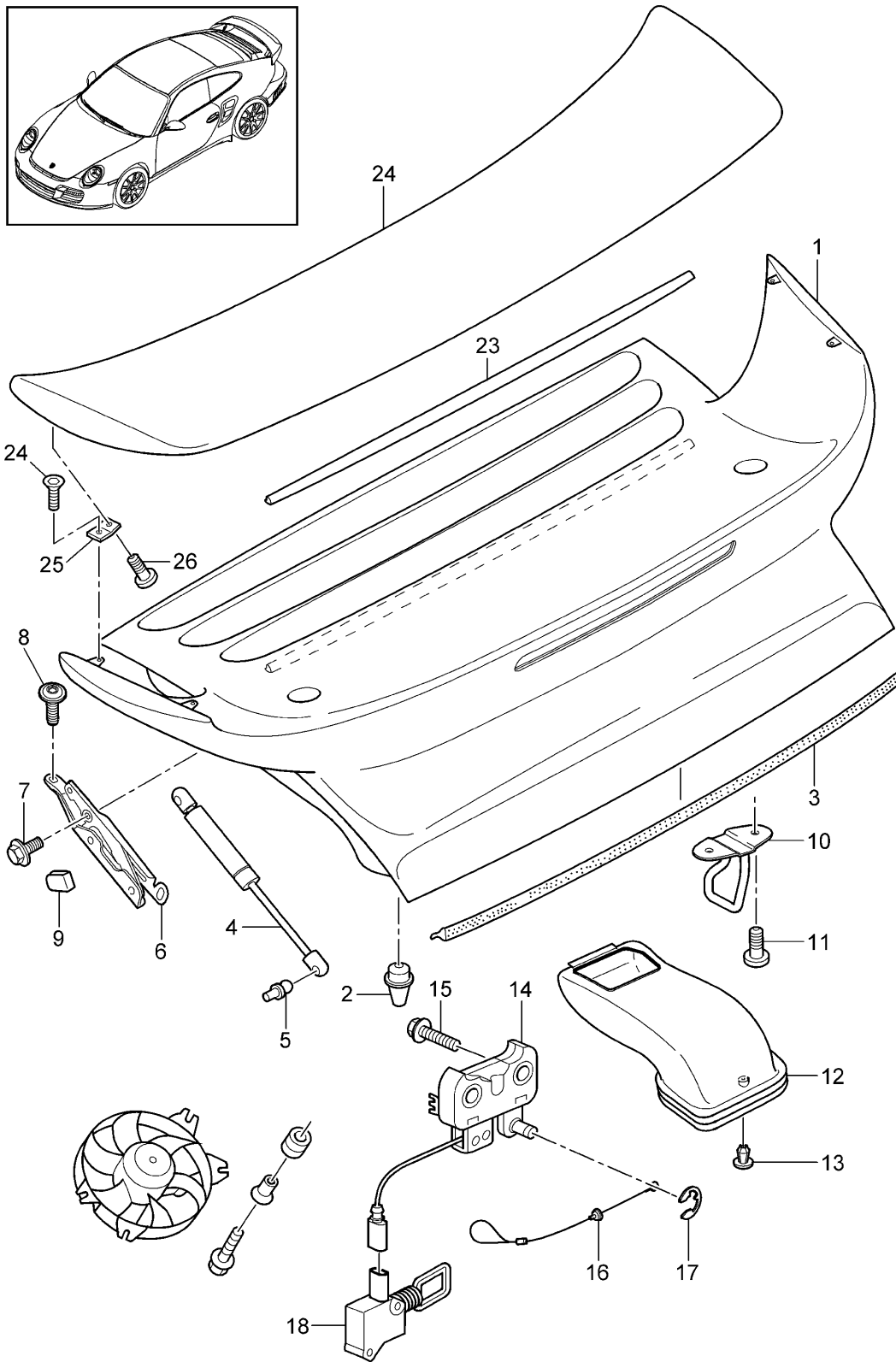
Model: 997T10

Model life 2010>>2013

Pos	Part Number	Description	Remark	Qty	Model
1	997 512 261 81	Rear spoiler		1	GT2
2	997 512 365 81	Rear spoiler		1	PR:789
		Spoiler		1	PR:004
(2)	997 512 365 82	D >> - MJ 2010		1	PR:004
		Spoiler		1	PR:004
		Carbon		1	PR:004
		D - MJ 2011>>		1	PR:004
3	999 073 252 09	fillister hd. bolt		3	
		M 6 X 20		3	
4	999 015 042 01	fillister hd. bolt		4	
		m 6 x 14		4	
		Micro-self-locking		4	
5	999 076 082 40	Cap		26	
		T5/16 X 7,0		26	
-		see illustration:	803-006	1	

Model: 997T10

Model life 2010>>2013



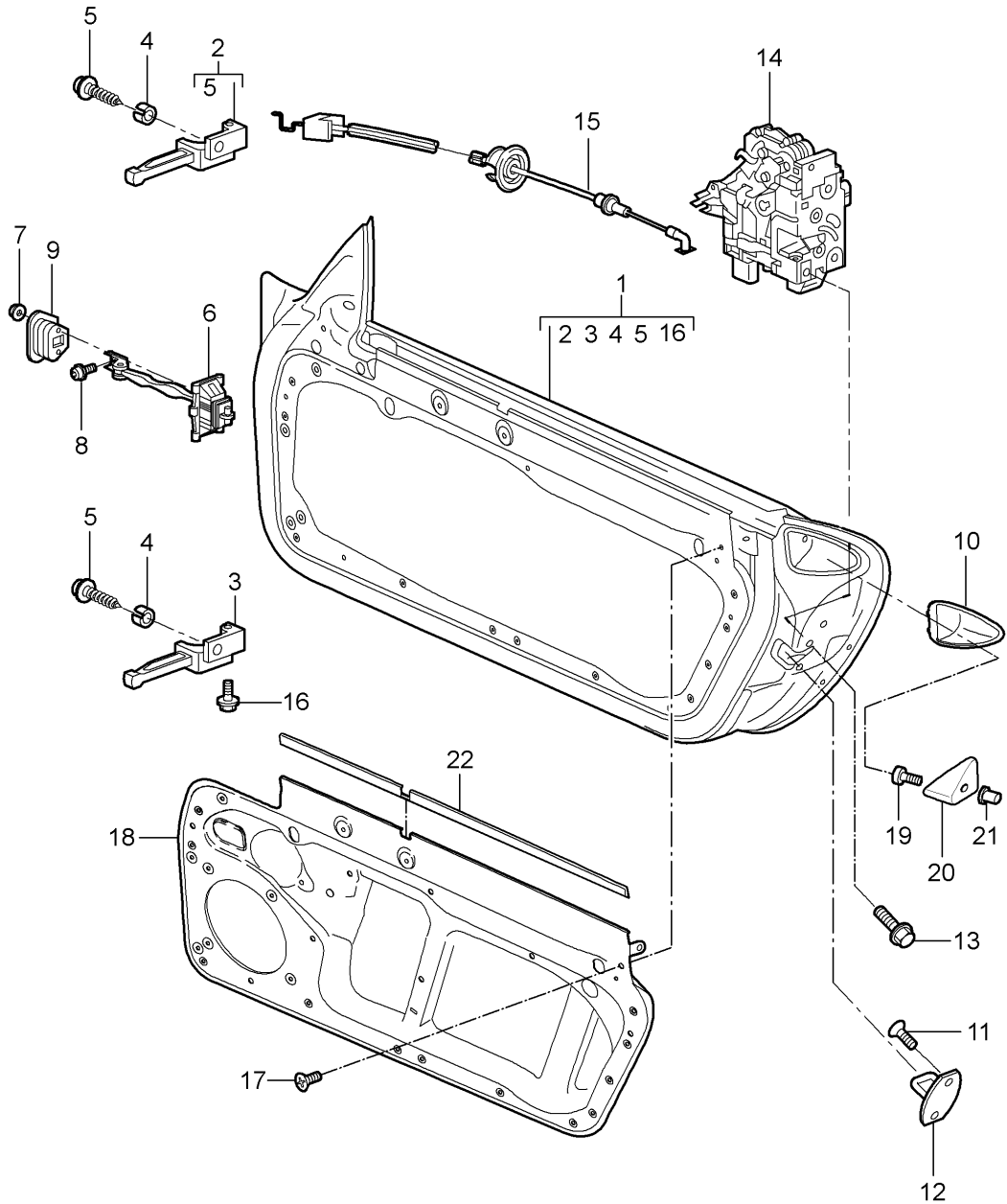
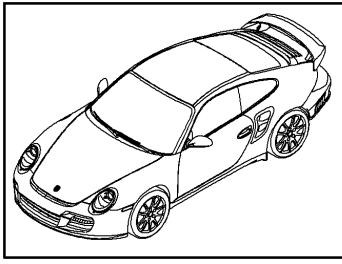
Model: 997T10

Model life 2010>>2013

Pos	Part Number	Description	Remark	Qty	Model
1	997 512 221 03	Cover and Rear spoiler Cover primed	rear	1	PR:XAF
2	996 512 987 00	adjusting screw Cover	also use:	2	
3	997 512 611 01	Seal		1	
4	997 512 551 00	Gas filled strut		1	
5	999 167 051 03	Ball stud		2	
6	997 512 151 02	Hinge	left	1	
(6)	997 512 152 01	Hinge	right	1	
7	900 378 214 01	Hexagon bolt M 6 X 18		4	
8	900 075 466 09	Bolt with washer M 6 X 16		6	
8	900 075 466 01	Bolt with washer M 6 X 16		6	
9	997 512 153 00	Stop Hinge		2	
10	997 512 213 01	Lock upper part		1	
11	999 073 378 02	flat round head bolt M 6 X 20		2	
12	997 110 171 00	intake manifold Air filter	left	1	COUPE
(12)	997 110 172 00	intake manifold Air filter	right	1	COUPE
(12)	997 110 171 03	intake manifold Air filter	left	1	CABRIO
(12)	997 110 172 03	intake manifold Air filter	right	1	CABRIO
13	999 507 499 40	Spreader rivet 5,0 X 11,5		2	
14	997 512 053 00	Lock lower part		1	
15	N 910 664 01	Hexagon socket head bolt (combi) M 6 X 40		2	
16	997 512 521 00	Cable Emergency operation		1	
17	900 116 002 03	Retaining washer		1	
18	997 624 118 00	throttle control element		1	
(18)	997 624 118 01	throttle control element		1	
-	997 612 916 00	repair set Wire set throttle control element		1	
19	997 624 056 02	Fan		1	
20	999 703 451 40	Rubber grommet 9,0 X 14,0 X 1,5		4	
21	999 209 093 01	spacer sleeve 7,0 X 1,0 X 12		4	
22	999 073 417 01	fillister hd. bolt M6 X 30		4	
23	997 512 471 01	Spoiler		1	
24	997 512 261 03	Rear spoiler		1	
25	997 512 977 01	Connecting piece	left	1	
25	997 512 977 02	Connecting piece	left	1	
(25)	997 512 978 01	Connecting piece	right	1	
26	900 119 126 02	Socket head bolt M 6 X 18		4	
27	900 249 055 09	countersunk bolt M 6 X 20		4	

Model: 997T10

Model life 2010>>2013



Model: 997T10 Model life 2010>>2013

Pos	Part Number	Description	Remark	Qty	Model
		Door shell Installation parts Door lock			
(1)	997 531 011 05	Door shell	left	1	PR:599
	997 531 011 05 GRV	primed			
1	997 531 012 05	Door shell	right	1	PR:599
	997 531 012 05 GRV	primed			
-		also use:			
-	000 043 204 38	sealant		1	
(2)	997 531 321 01	Hinge	left	1	
2	997 531 322 01	Hinge	right	1	
			upper		
(3)	997 531 319 01	Hinge	left	1	
3	997 531 320 01	Hinge	right	1	
			lower		
4	996 531 831 00	Sleeve		4	
5	999 073 192 01	Socket head bolt M 8 X 20		2	
6	997 537 151 01	Door catch Discontinued part		2	
6	997 537 151 02	Door catch		2	
7	999 084 212 03	Hexagon nut M 6		4	
8	999 073 138 01	flat round head bolt M 8 X 25		2	
9	996 537 751 00	Seal		2	
(10)	997 537 331 00	Support	left	1	
	997 537 331 00 01C	Satin black			
10	997 537 332 00	Support	right	1	
	997 537 332 00 01C	Satin black			
11	N 910 174 01	countersunk multi-point socket head bolt M 8 X 22		4	
12	3C0 837 767 A	Striker		2	
13	WHT 000 439	flat round head bolt M 8 X 20		2	
(14)	3D1 837 015	Door lock	left lhd	1	PR:098
14	3D1 837 016	Door lock	right lhd	1	PR:098
(14)	3D1 837 015 C	Door lock	left	1	PR:072
(14)	3D1 837 016 C	Door lock	right	1	PR:072
(14)	3D2 837 015	Door lock	left rhd	1	PR:099
(14)	3D2 837 016	Door lock	right rhd	1	PR:099
15	997 537 319 03	Bowden cable		2	
-	970 556 525 00	sound absorber for side panel		2	
16	999 072 043 09	Hexagon bolt M 6 X 12 Micro-self-locking fillister hd. bolt M 6 X 16		2	
17	999 073 333 09			8	
(18)	987 537 201 01	Inner panel	left	1	
18	987 537 202 01	Inner panel	right	1	
19	900 119 072 00	Socket head bolt M8 X 16		2	
(20)	997 537 333 00	Support	left	1	
	997 537 333 00 G2X	primed			
20	997 537 334 00	Support	right	1	
		Side part			
	997 537 334 00 G2X	primed			
21	999 500 121 02	rivetted cap nut M8 / 0,8 - 3		2	
-	999 551 172 40	Lining strap 25 x 1,3 x 730 for		2	

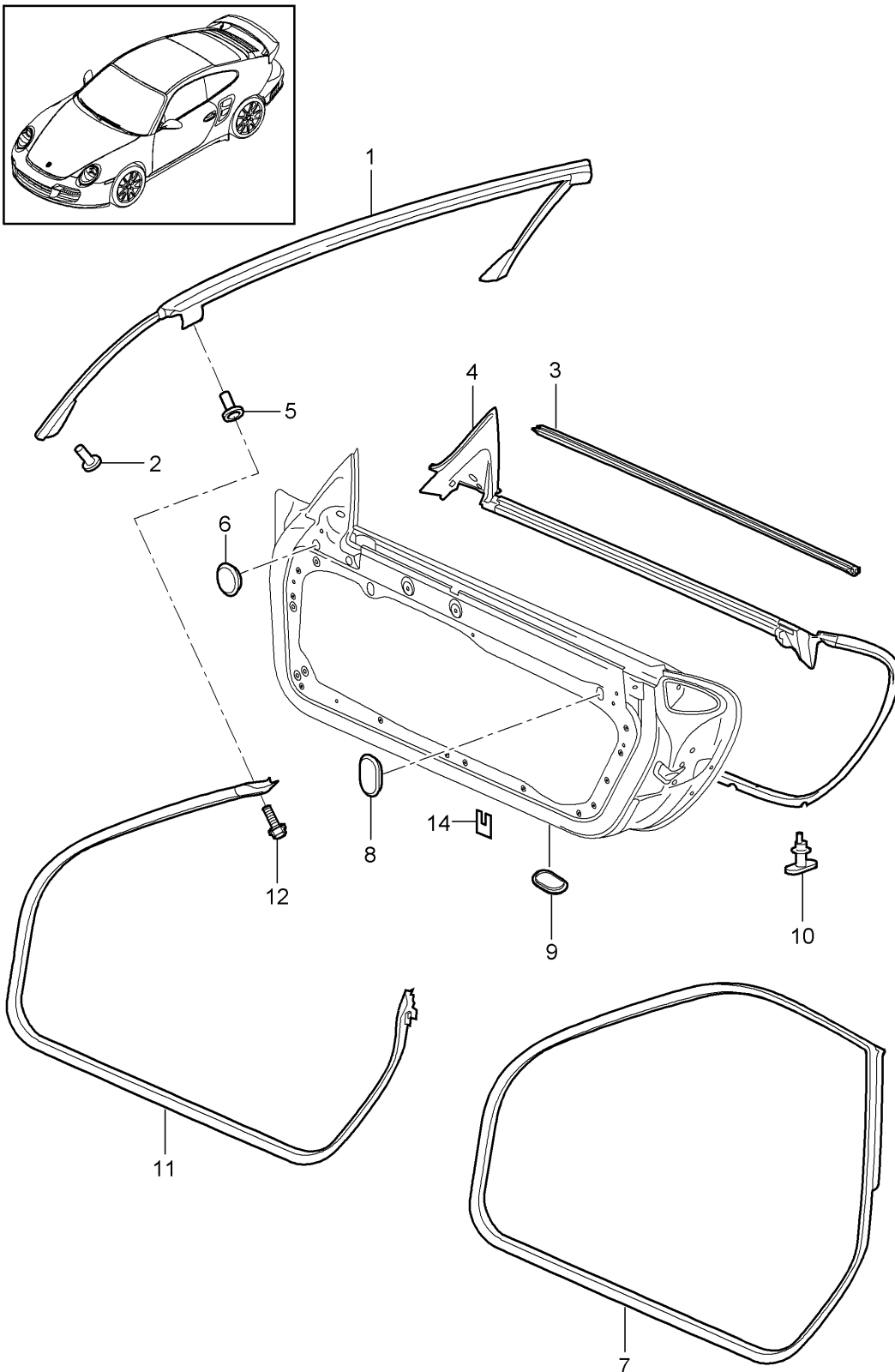
Model: 997T10

Model life 2010>>2013

Pos	Part Number	Description	Remark	Qty	Model
		Inner panel			

Model: 997T10

Model life 2010>>2013



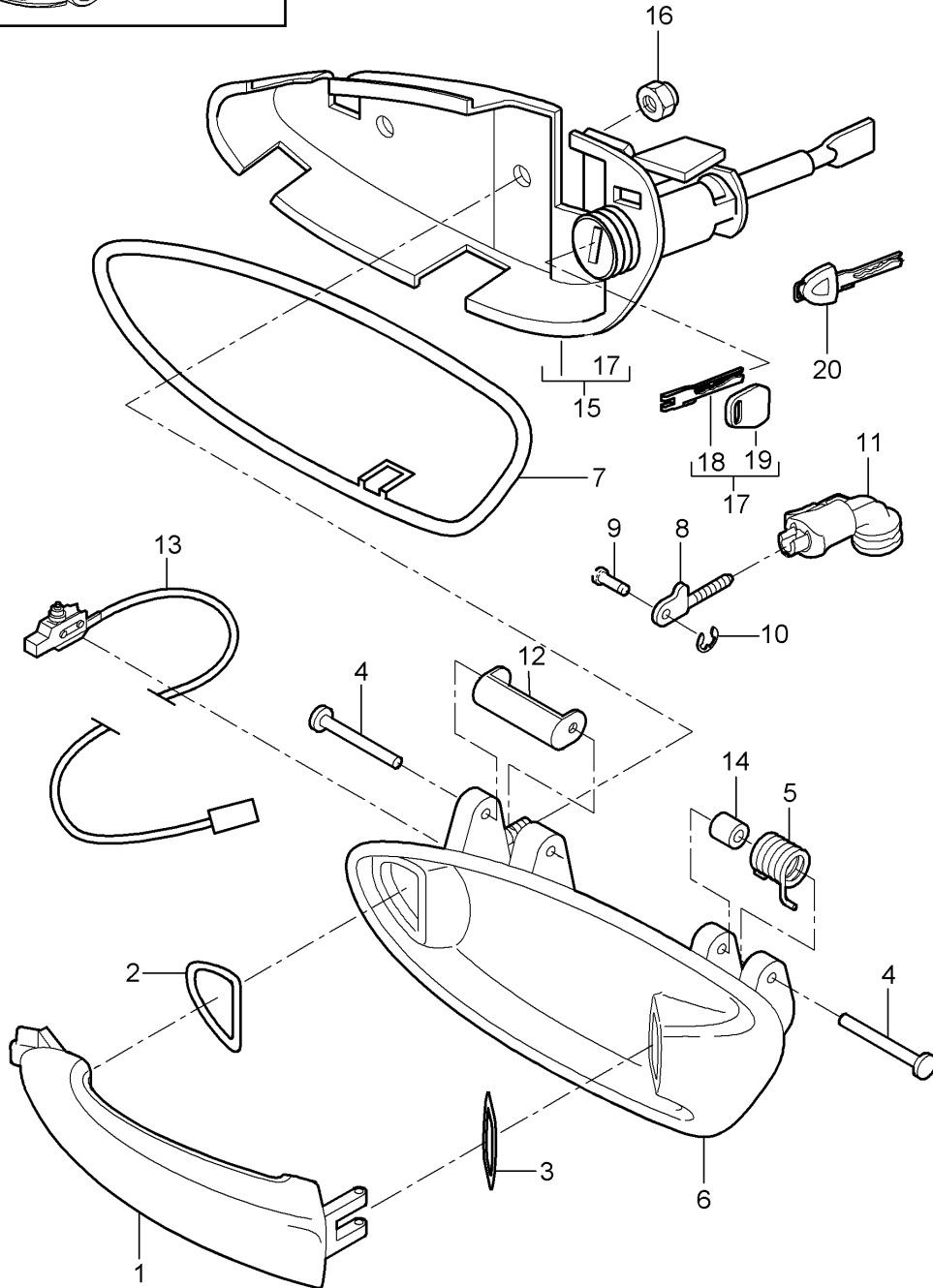
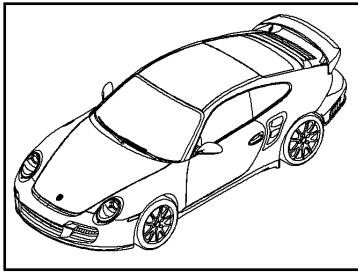
Model: 997T10

Model life 2010>>2013

Pos	Part Number	Description	Remark	Qty	Model
1	997 537 077 02	Door seal Seal Windscreen Seal		1	CABRIO
2	999 190 445 37	Windscreen Pop rivet A 4,0 X 7,9		36	CABRIO
3	997 537 085 03	Seal	left	1	
(3)	997 537 086 03	Seal	outer right	1	
4	997 537 531 08	Seal	outer left	1	
(4)	997 537 532 08	Seal	inner right	1	
5	999 500 098 02	Seal rivetted cap nut M5/0 - 3	inner	1	
6	803 803 583 A	Bungs 20,0 X 30,0		2	
6	999 703 196 40	Discontinued part End cap 20,0 X 30,0		2	
(7)	997 537 075 05	Door seal	left	1	COUPE
7	997 537 076 05	Door seal	right	1	COUPE
8	999 703 541 40	End cap 20 X 28 X 1		4	
9	999 703 542 40	End cap 23,8 X 38,7		8	
10	999 507 304 41	Clip Seal 5,0 X 4,9	outer	36	
11	997 537 075 07	Door seal	left	1	CABRIO
(11)	997 537 076 07	Door seal	right	1	CABRIO
12	900 075 362 01	Bolt with washer M 5 X 16		2	CABRIO
13	999 500 098 02	rivetted cap nut M 5/0 - 3		2	CABRIO
14	996 537 337 00	protective foil for door		4	

Model: 997T10

Model life 2010>>2013



Model: 997T10

Model life 2010>>2013

Pos	Part Number	Description	Remark	Qty	Model
1	997 537 613 01	Door handle			
(1)	997 537 614 01	Door handle, exterior primed	left	1	
			right	1	
2	997 537 623 00	Stop buffer		2	
3	997 537 625 00	Stop buffer		2	
4	997 537 621 00	axle		2	
5	997 537 611 00	Return spring	left	1	
(5)	997 537 612 00	Return spring	right	1	
6	997 537 645 01	Handle liner	left	1	PR:099
	997 537 645 01 G2X	primed			
(6)	997 537 646 01	Handle liner	right	1	PR:098
	997 537 646 01 G2X	primed			
(6)	997 537 645 02	Handle liner	left	1	PR:098,789
(6)	997 537 646 02	Handle liner	right	1	PR:099,789
(6)	997 537 645 03	Handle liner	left	1	PR:099,789
(6)	997 537 646 03	Handle liner primed	right	1	PR:098,789
7	997 537 637 01	Underlay	left	1	
(7)	997 537 638 01	Underlay	right	1	
8	997 537 627 00	operating rod		2	
9	997 537 629 00	Pin		2	
10	997 537 641 00	Retaining washer		2	
11	997 537 445 03	Connecting piece		2	
12	997 537 653 00	Actuating lever	left	1	
(12)	997 537 654 00	Actuating lever	right	1	
13	997 613 125 01	Micro switch		2	
		Window regulator			
		Discontinued part			
13	997 613 125 02	Micro switch		2	
		Window regulator			
14	997 537 633 00	bush		2	
15	997 538 963 00	Bracket	left	1	PR:098
		with lock cylinder			
(15)	997 538 964 00	Bracket	right	1	PR:099
		with lock cylinder			
		with stipulated lock number			
(15)	997 538 963 01	Bracket	left	1	PR:098
		with lock cylinder			
(15)	997 538 964 01	Bracket	right	1	PR:099
		with lock cylinder			
		W/o stipulated lock number			
(15)	997 538 963 02	Bracket	left	1	PR:625,098
		with lock cylinder			
(15)	997 538 964 02	Bracket	right	1	PR:625,099
		with lock cylinder			
		W/o stipulated lock number			
(15)	997 538 963 03	Bracket	left	1	PR:625,098
		with lock cylinder			
(15)	997 538 964 03	Bracket	right	1	PR:625,099
		with lock cylinder			
		with stipulated lock number			
(15)	997 537 463 01	Bracket	left	1	PR:099
		Without lock cylinder			
(15)	997 537 464 01	Bracket	right	1	PR:098
		Without lock cylinder			
16	900 380 015 09	Hexagon nut		2	
		M 6			
17	997 538 931 00	Replacement key		X	
		with stipulated lock number			
		State lock number			
18	997 538 531 00	Blank key		X	
19	944 538 431 00	Key cover		X	

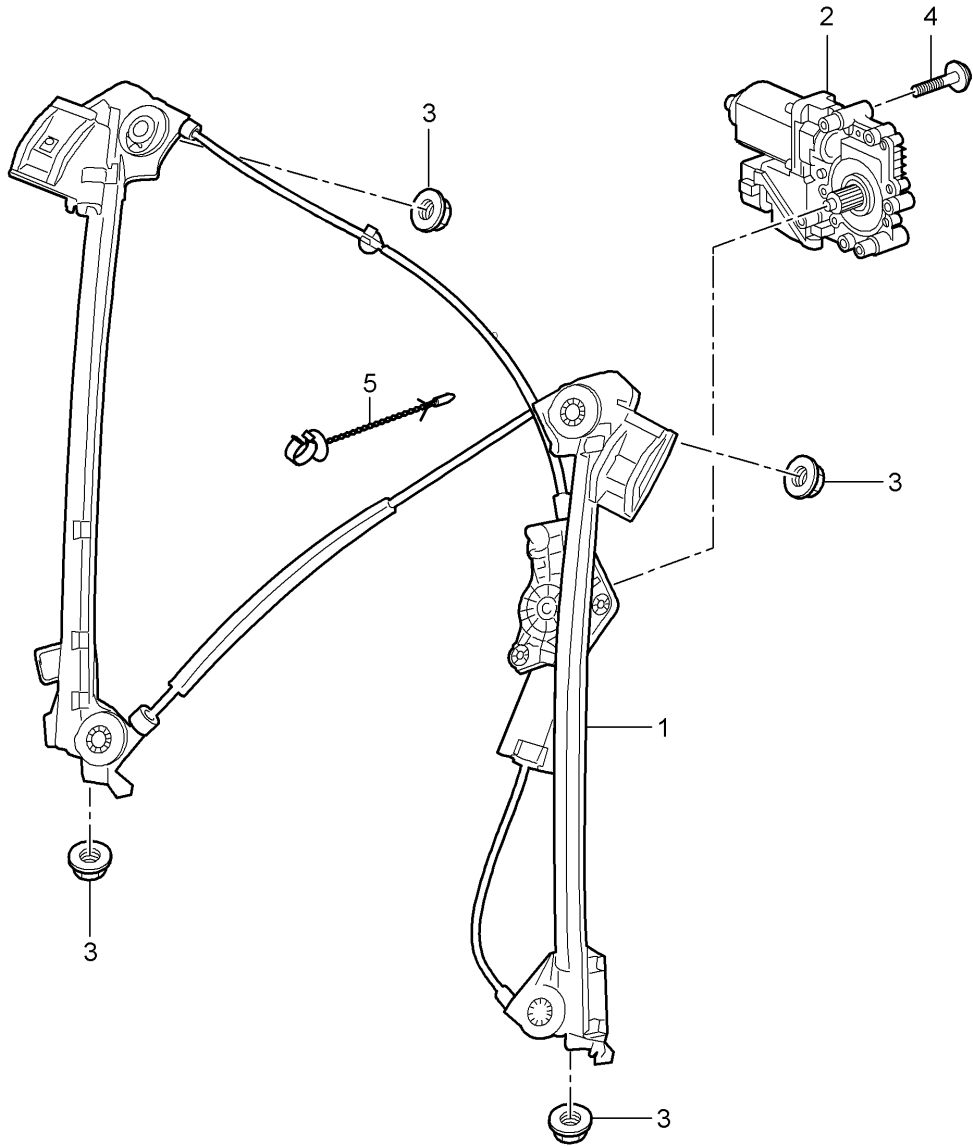
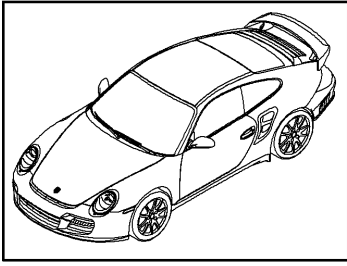
Model: 997T10

Model life 2010>>2013

Pos	Part Number	Description	Remark	Qty	Model
20	955 538 916 00	emergency key with stipulated lock number State lock number		X	
(20)	955 538 216 00	emergency key W/o stipulated lock number		X	

Model: 997T10

Model life 2010>>2013



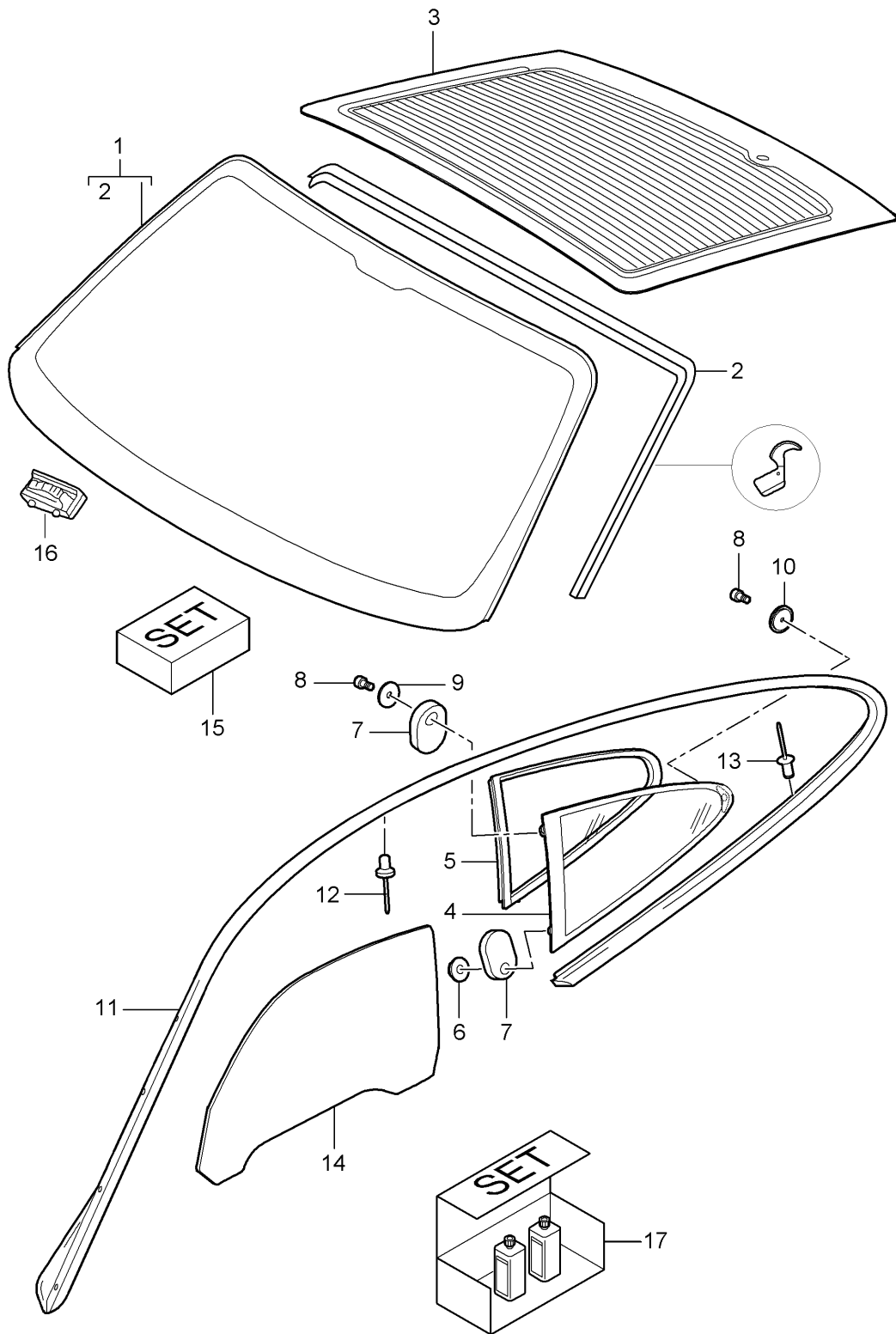
Model: 997T10

Model life 2010>>2013

Pos	Part Number	Description	Remark	Qty	Model
1	997 542 075 01	Window regulator		1	
(1)	997 542 076 01	Window regulator	left	1	
2	997 624 181 06	Window regulator	right	1	
(2)	997 624 182 06	Electric motor	left	1	PR:098
(2)	997 624 182 06	Electric motor	right	1	PR:098
(2)	997 624 181 06	Electric motor	right	1	PR:099
(2)	997 624 182 06	Electric motor	left	1	PR:099
3	900 380 015 09	Hexagon nut		4	
		M6			
4	999 919 209 09	fillister hd. bolt		3	
		M 5 X 22			
5	987 542 941 00	Clip		1	
		Bowden cable			
		Window regulator			

Model: 997T10

Model life 2010>>2013



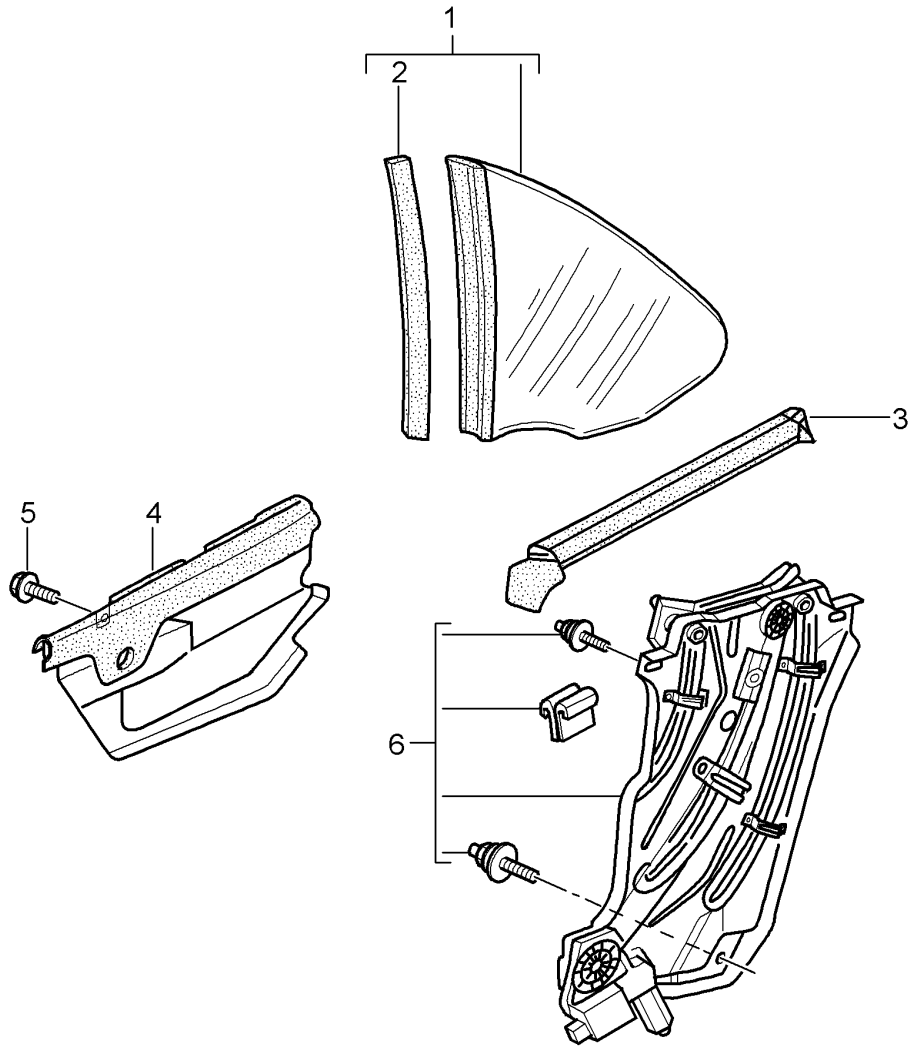
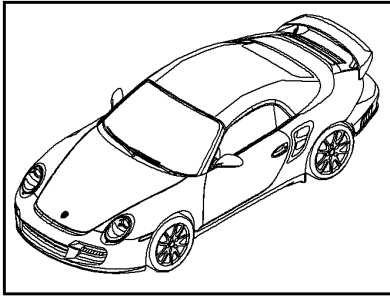
Model: 997T10

Model life 2010>>2013

Pos	Part Number	Description	Remark	Qty	Model
1	997 541 911 06	window glazing Windscreen Tinted		1	Cabrio PR:440,568
(1)	997 541 911 07	Windscreen Tinted		1	Cabrio PR:440,567
(1)	997 541 911 08	Windscreen Tinted		1	Coupe PR:440,568
(1)	997 541 911 09	Windscreen Tinted		1	Coupe PR:440,567
2	997 541 901 09	Seal for front window		1	Cabrio
(2)	997 541 901 10	Seal for front window		1	Coupe
3	997 545 911 01	Rear window Discontinued part		1	PR:425
3	997 545 911 03	Rear window		1	PR:425
(3)	997 545 911 00	Rear window		1	PR:426
-	997 545 901 00	Seal for rear window		1	
(3)	997 545 111 91	Rear window		1	PR:004
(3)	997 545 111 93	Rear window		1	PR:004
4	997 543 111 05	Side window	left	1	
(4)	997 543 111 80	Side window	left	1	PR:004
(4)	997 543 112 05	Side window	right	1	
(4)	997 543 112 80	Side window	right	1	PR:004
5	996 543 325 00	Sealing frame Side window	left	1	
(5)	996 543 326 00	Sealing frame Side window	right	1	
6	999 084 210 01	Hexagon nut M 8		1	
7	996 543 611 02	Seal		2	
8	999 218 011 03	Socket head bolt M 6 X 12		2	
9	999 025 270 02	Washer 6,4 X 30 X 1,5		1	
10	996 543 625 00	Sealing plate		1	
11	997 537 481 00	roof frame seal	left	1	
(11)	997 537 482 00	roof frame seal	right	1	
12	999 190 445 37	Pop rivet 4,0 X 7,9		13	
13	999 190 450 37	Pop rivet 4,0 X 6,3		7	
14	997 542 511 02	Door window	left	1	COUPE
(14)	997 542 512 02	Door window	right	1	COUPE
(14)	997 542 511 03	Door window	left	1	CABRIO
(14)	997 542 512 03	Door window	right	1	CABRIO
15	000 043 300 94	Adhesive set TEROSTAT 8593		1	
16	999 507 576 41	Bracket		2	
17	000 043 206 47	Car care set Side window See technical manual		X	

Model: 997T10

Model life 2010>>2013



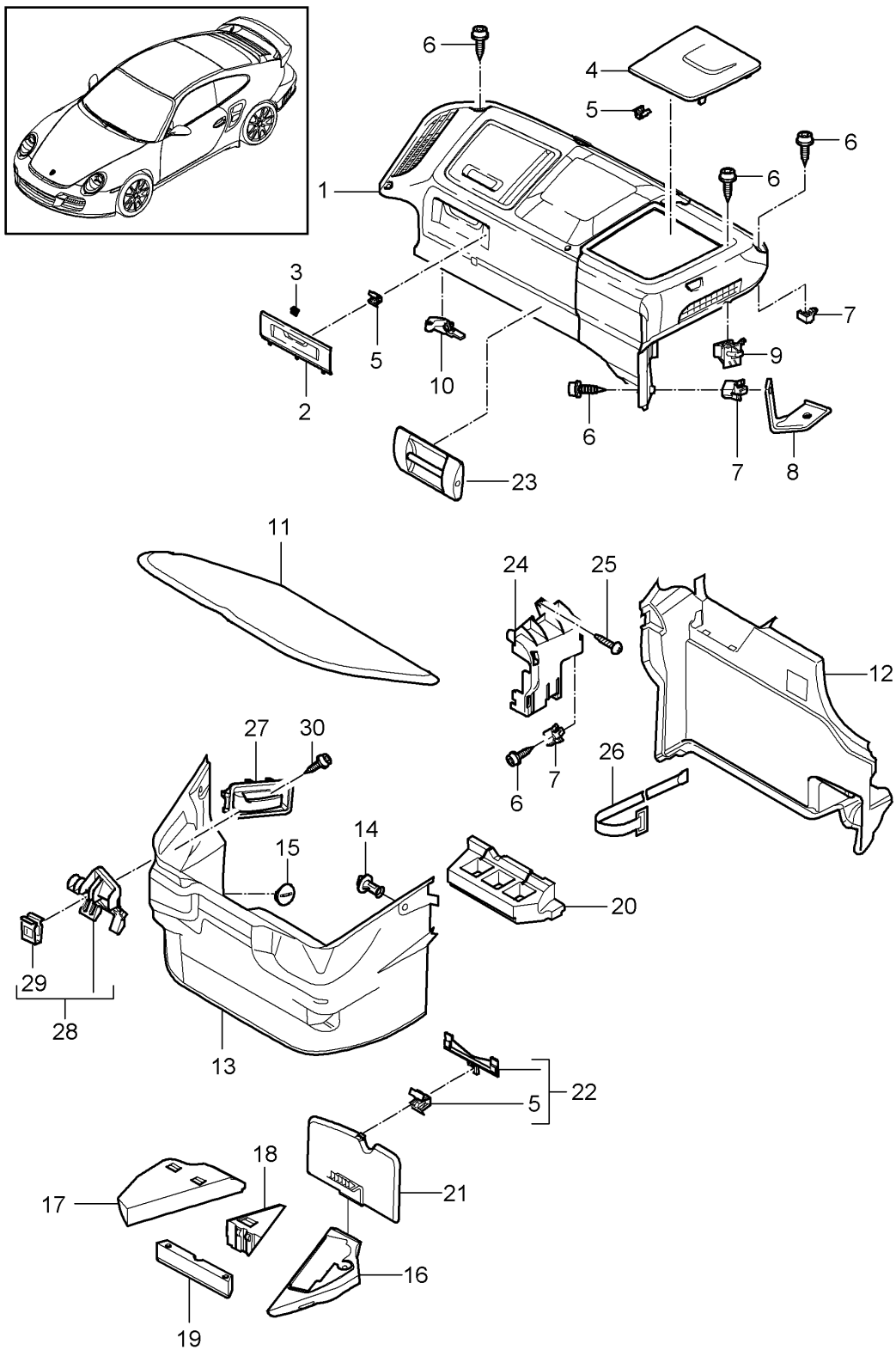
Model: 997T10

Model life 2010>>2013

Pos	Part Number	Description	Remark	Qty	Model
		Side window			CABRIO
1	997 543 111 11	Side window	left	1	
(1)	997 543 112 11	Side window	right	1	
2	996 543 615 03	Seal	left	1	
(2)	996 543 616 03	Seal	right	1	
3	997 543 475 00	Seal	left	1	
			outer		
(3)	997 543 476 00	Seal	right	1	
			outer		
4	996 543 177 01	Seal	left	1	
			inner		
(4)	996 543 178 01	Seal	right	1	
			inner		
5	900 378 036 01	Hexagon bolt M 6 X 12		4	
6	997 543 015 02	Window regulator FA.KUESTER	left	1	
(6)	997 543 016 02	Window regulator FA.KUESTER	right	1	

Model: 997T10

Model life 2010>>2013



Model: 997T10 Model life 2010>>2013

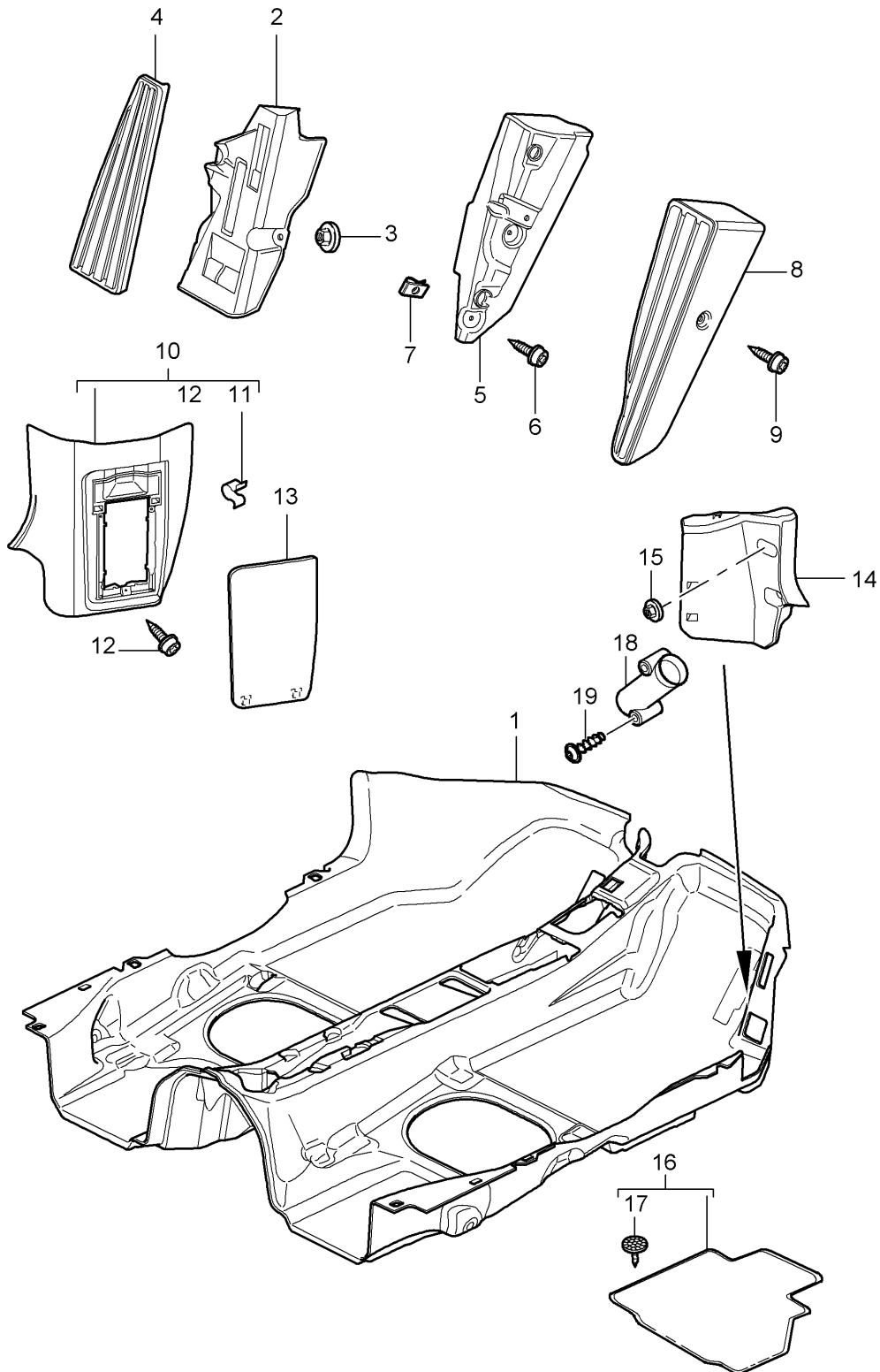
Pos	Part Number	Description	Remark	Qty	Model
1	997 551 630 00	Luggage compartment			
	997 551 630 00 FMU	Luggage compartment trim	lhd	1	PR:098
		black/black			
1	997 551 630 01	Luggage compartment trim	rhd	1	PR:099
	997 551 630 01 FMU	black/black			
2	997 551 304 00	Cover trim	lhd	1	PR:098
			lower		
	997 551 304 00 02A	Black			
3	997 551 817 00	Bracket	lhd	2	PR:098
		Hinge			
4	997 551 309 00	Cover	lhd	1	PR:098
		Brake servo			
	997 551 309 00 02A	Black			
(4)	997 551 310 00	Cover	rhd	1	PR:099
		Brake servo			
	997 551 310 00 02A	Black			
5	999 507 552 01	Spring clip		X	
		9 X 13/3,0			
6	999 073 048 02	panel screw		X	
		ST 3,5 X 13			
7	999 507 734 40	Bracket		X	
		ST 3,5			
8	997 551 771 02	Bracket		1	
		Trim			
		Luggage compartment			
9	999 507 512 40	Bracket		X	
		ST 3,5			
10	997 551 772 02	Bracket for trim		1	
(11)	997 551 351 00	Cover		1	
		Tool			
		Carpet			
	997 551 351 00 A31	Black			
12	997 551 051 29	Luggage compartment trim	lhd	1	Turbo PR:098
		filler plate			
		Carpet			
	997 551 051 29 A31	Black			
(12)	997 551 051 30	Luggage compartment trim	rhd	1	Turbo PR:099
		filler plate			
		Carpet			
	997 551 051 30 A31	Black			
(12)	997 551 051 31	Luggage compartment trim	lhd	1	Turbo PR:098,422
		filler plate			
		Carpet			
	997 551 051 31 A31	Black			
(12)	997 551 051 32	Luggage compartment trim	rhd	1	Turbo PR:099,422
		filler plate			
		Carpet			
	997 551 051 32 A31	Black			
13	997 551 045 17	Trim	lhd	1	Turbo PR:098
		Luggage compartment liner			
		Carpet			
	997 551 045 17 A31	Black			
(13)	997 551 045 19	Trim	rhd	1	Turbo PR:099
		Luggage compartment liner			
		Carpet			
	997 551 045 19 A31	Black			
(13)	997 551 045 90	Trim		1	GT2
		Luggage compartment liner			
		Carpet			
	997 551 045 90 A31	Black			
14	999 049 006 40	Plastic nut		2	
		T5 / 30 X 7,5			
15	997 551 807 00	cap nut		1	

Model: 997T10 Model life 2010>>2013

Pos	Part Number	Description	Remark	Qty	Model
(15)	999 703 455 41	End cap		1	
16	997 551 401 00	Foam part Tool	left lhd	1	TURBO PR:098
(16)	997 551 402 00	Foam part Tool	right rhd	1	TURBO PR:099
(16)	997 551 121 90	Foam part Tool		1	GT2
17	997 551 408 00	Foam part Luggage compartment liner	right lhd	1	TURBO PR:098
(17)	997 551 407 00	Foam part Luggage compartment liner	left rhd	1	TURBO PR:099
18	997 551 405 00	Foam part Compressor	rear	1	TURBO
19	997 551 403 00	Foam part Compressor	front	1	TURBO
20	997 551 432 00	Foam part filler plate	lhd	1	PR:098
20	997 551 431 00	Foam part filler plate	rhd	1	PR:099
21	997 551 501 00	Cover Compressed air bottle	lhd	1	PR:098
21	997 551 501 00 A31	Black			
21	997 551 501 00	Cover Compressed air bottle	rhd	1	Turbo PR:099,422
21	997 551 501 00 A31	Black			
(21)	997 551 502 00	Cover Compressed air bottle	rhd	1	PR:099
(21)	997 551 502 00 A31	Black			
(21)	997 551 502 00	Cover Compressed air bottle	lhd	1	Turbo PR:098,422
22	997 551 502 00 A31	Black			
22	997 551 415 00	Adapter Compressed air bottle		1	
22	997 551 415 00	Adapter Compressed air bottle		1	Turbo PR:422
23	997 551 805 01	Eye Luggage compartment	front	1	
	997 551 805 01 02A	Black			
24	997 551 736 01	Cover for control unit		1	
25	999 073 061 02	panel screw ST 4,8 X 16		X	
26	997 551 741 00	retaining strap for first aid kit		1	PR:024
(26)	997 551 741 00	retaining strap for first aid kit		1	PR:499

Model: 997T10

Model life 2010>>2013



Model: 997T10

Model life 2010>>2013

Pos	Part Number	Description	Remark	Qty	Model
1	997 551 011 08	Flooring Linings Flooring (carpet)	lhd	1	TURBO/COUPE PR:098
	997 551 011 08 FMB	Terracotta			
	997 551 011 08 FMC	Cocoa			
	997 551 011 08 FMD	Dark grey/natural			
	997 551 011 08 FME	Brown/natural			
1	997 551 011 08	Flooring (carpet)	lhd	1	TURBO/COUPE PR:098
		Until Chassis number See technical information GR.7 NR. 17/11 KD-NR. 70			
	997 551 011 08 FLW	Black			
	997 551 011 08 FLX	Stone grey			
	997 551 011 08 FLY	Sand beige			
	997 551 011 08 FLZ	sea blue			
	997 551 011 08 FSV	Carrera Red			
1	997 551 011 18	Flooring (carpet)	lhd	1	TURBO/COUPE PR:098
		From Chassis number See technical information GR.7 NR. 17/11 KD-NR. 70			
	997 551 011 18 FLW	Black			
	997 551 011 18 FLX	Stone grey			
	997 551 011 18 FLY	Sand beige			
	997 551 011 18 FLZ	sea blue			
	997 551 011 18 FWG	Espresso			
	997 551 011 18 FSV	Carrera Red			
(1)	997 551 011 09	Flooring (carpet)	rhd	1	TURBO/COUPE PR:099
	997 551 011 09 FMB	Terracotta			
	997 551 011 09 FMC	Cocoa			
	997 551 011 09 FMD	Dark grey/natural			
	997 551 011 09 FME	Brown/natural			
(1)	997 551 011 09	Flooring (carpet)	rhd	1	TURBO/COUPE PR:099
		Until Chassis number See technical information GR.7 NR. 17/11 KD-NR. 70			
	997 551 011 09 FLW	Black			
	997 551 011 09 FLX	Stone grey			
	997 551 011 09 FLY	Sand beige			
	997 551 011 09 FLZ	sea blue			
	997 551 011 09 FSV	Carrera Red			
(1)	997 551 011 19	Flooring (carpet)	rhd	1	TURBO/COUPE PR:099
		From Chassis number See technical information GR.7 NR. 17/11 KD-NR. 70			
	997 551 011 19 FLW	Black			
	997 551 011 19 FLX	Stone grey			
	997 551 011 19 FLY	Sand beige			
	997 551 011 19 FLZ	sea blue			
	997 551 011 19 FSV	Carrera Red			

Model: 997T10 Model life 2010>>2013

Pos	Part Number	Description	Remark	Qty	Model
(1)	997 551 011 12	Flooring (carpet)	lhd	1	CABRIO PR:098,680
	997 551 011 12 FMB	Terracotta			
	997 551 011 12 FMC	Cocoa			
	997 551 011 12 FMD	Dark grey/natural			
	997 551 011 12 FME	Brown/natural			
(1)	997 551 011 12	Flooring (carpet)	lhd	1	CABRIO PR:098,680
		Until			
		Chassis number			
		See technical information			
		GR.7 NR. 17/11			
		KD-NR. 70			
	997 551 011 12 FLW	Black			
	997 551 011 12 FLX	Stone grey			
	997 551 011 12 FLY	Sand beige			
	997 551 011 12 FLZ	sea blue			
	997 551 011 12 FSV	Carrera Red			
(1)	997 551 011 22	Flooring (carpet)	lhd	1	CABRIO PR:098,680
		From			
		Chassis number			
		See technical information			
		GR.7 NR. 17/11			
		KD-NR. 70			
	997 551 011 22 FLW	Black			
	997 551 011 22 FWG	Espresso			
	997 551 011 22 FLX	Stone grey			
	997 551 011 22 FLY	Sand beige			
	997 551 011 22 FLZ	sea blue			
	997 551 011 22 FSV	Carrera Red			
(1)	997 551 011 13	Flooring (carpet)	rhd	1	CABRIO PR:099,680
	997 551 011 13 FMB	Terracotta			
	997 551 011 13 FMC	Cocoa			
	997 551 011 13 FMD	Dark grey/natural			
	997 551 011 13 FME	Brown/natural			
(1)	997 551 011 13	Flooring (carpet)	rhd	1	CABRIO PR:099,680
		From			
		Chassis number			
		See technical information			
		GR.7 NR. 17/11			
		KD-NR. 70			
	997 551 011 13 FLW	Black			
	997 551 011 13 FLX	Stone grey			
	997 551 011 13 FLY	Sand beige			
	997 551 011 13 FLZ	sea blue			
	997 551 011 13 FSV	Carrera Red			
(1)	997 551 011 23	Flooring (carpet)	rhd	1	CABRIO PR:099,680
		From			
		Chassis number			
		See technical information			
		GR.7 NR. 17/11			
		KD-NR. 70			
	997 551 011 23 FLW	Black			
	997 551 011 23 FLX	Stone grey			
	997 551 011 23 FLY	Sand beige			
	997 551 011 23 FLZ	sea blue			
	997 551 011 23 FSV	Carrera Red			
-	997 551 813 01	Protective film Carpet	lhd	1	PR:098

Model: 997T10 Model life 2010>>2013

Pos	Part Number	Description	Remark	Qty	Model
-	997 551 815 01	Protective film Carpet	rhd	1	PR:099
2	997 551 211 01	Foot rest	lhd	1	PR:098
3	999 076 081 40	Hexagon plastic collar nut T5/16 X 11,2 for Mount	lhd	2	PR:098
4	997 551 611 00	Foot rest			
	997 551 611 00 01C	Cover for footrest Satin black	lhd	1	PR:098
(4)	997 551 986 00	Cover for footrest	lhd	1	PR:XXZ,098
5	997 551 212 00	Foot rest	rhd	1	PR:099
6	999 073 060 02	panel screw ST 4,8 X 13 for Mount	rhd	2	PR:099
7	999 591 485 01	Foot rest panel nut ST 4,8 for Mount	rhd	2	PR:099
8	997 551 612 00	Foot rest			
	997 551 612 00 01C	Cover for footrest Satin black	rhd	1	PR:099
9	999 919 188 09	fillister hd. bolt 5,0 X 30 for Mount	rhd	1	PR:099
10	997 551 101 00	Cover Foot rest Trim			
	997 551 101 00 A10	Fuse box Carpet Black	lhd	1	Turbo PR:098
	997 551 101 00 B10	Stone grey			
	997 551 101 00 T10	Sand beige			
	997 551 101 00 E10	sea blue			
	997 551 101 00 M10	Terracotta			
	997 551 101 00 R10	Cocoa			
	997 551 101 00 D11	Dark grey/natural			
	997 551 101 00 T11	Brown/natural			
	997 551 101 00 N10	Carrera Red			
(10)	997 551 102 00	Foot rest Trim	rhd	1	Turbo PR:099
	997 551 102 00 A10	Fuse box Carpet Black			
	997 551 102 00 B10	Stone grey			
	997 551 102 00 T10	Sand beige			
	997 551 102 00 E10	sea blue			
	997 551 102 00 M10	Terracotta			
	997 551 102 00 R10	Cocoa			
	997 551 102 00 D11	Dark grey/natural			
	997 551 102 00 T11	Brown/natural			
	997 551 102 00 N10	Carrera Red			
11	999 507 552 01	Spring clip 9,0 X 13/4,0		2	
12	999 919 161 09	fillister hd. bolt 5,0 X 18 for Mount		3	
13	997 551 621 00	Trim Fuse box Cover trim	lhd	1	PR:098

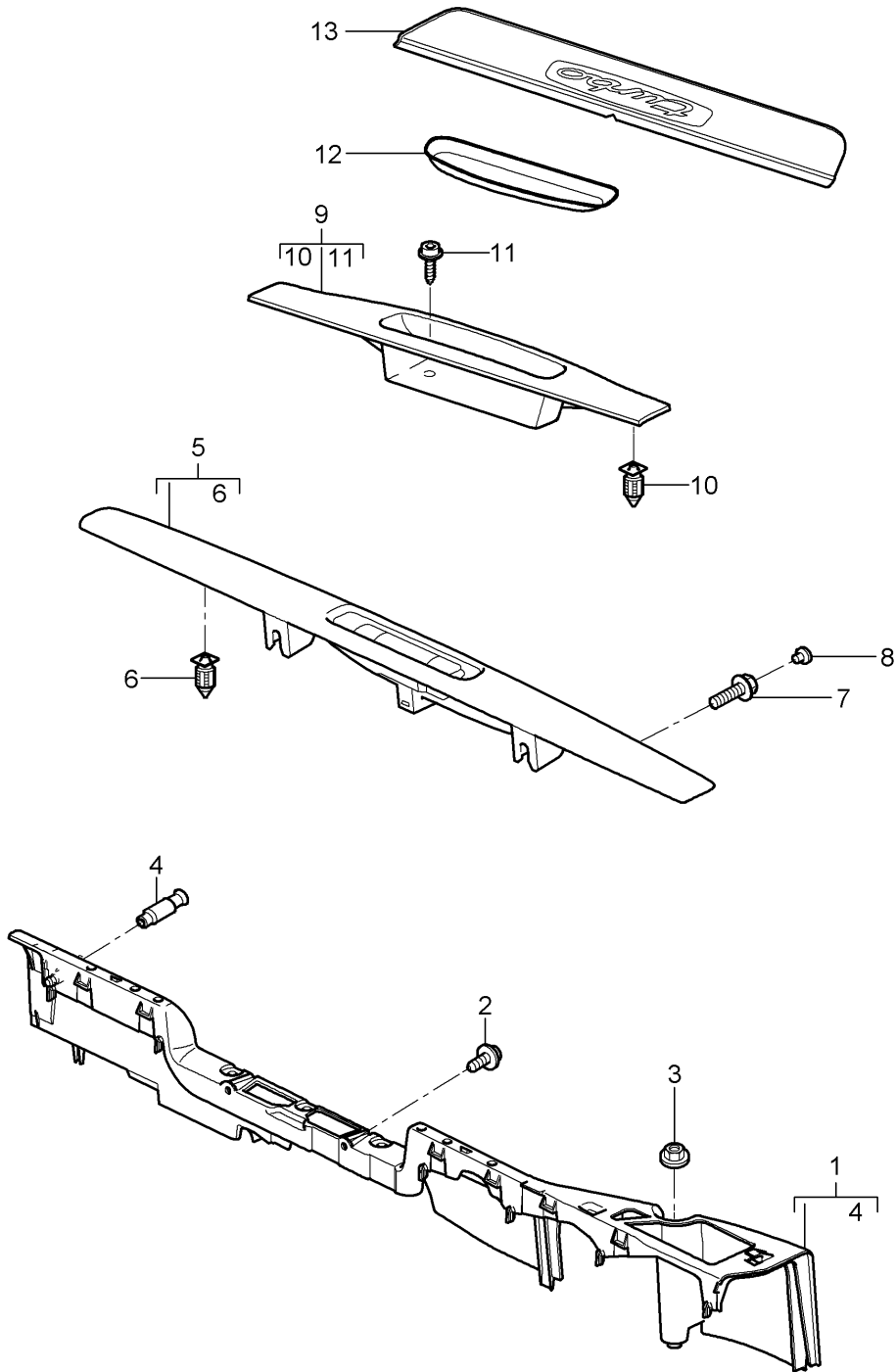
Model: 997T10

Model life 2010>>2013

Pos	Part Number	Description	Remark	Qty	Model
(13)	997 551 621 00 01C 997 551 622 00	Fuse box Satin black Cover trim	rhd	1	PR:099
(14)	997 551 622 00 01C 997 551 712 02	Fuse box Satin black Bracket	lhd	1	PR:098
(14)	997 551 711 02	Flooring Bracket	rhd	1	PR:099
15	999 076 081 40	Flooring Hexagon plastic collar nut T5/16 X 11,2 Mount		2	
16		Bracket Flooring Floor mats Set		1	
17	999 902 054 40	See group 8/07/06 Tequipment catalogue Fixing plate for		4	
18	964 551 751 00	Floor mats Bracket	rhd	1	PR:099,193
(18)	997 551 852 00	Warning light Bracket	lhd	1	PR:098,193
19	WHT 004 083	Warning light fillister hd. bolt 40 x 36,5		2	PR:193

Model: 997T10

Model life 2010>>2013



Model: 997T10

Model life 2010>>2013

Pos	Part Number	Description	Remark	Qty	Model
1	997 551 619 02	Trim Sill Support	left	1	
(1)	997 551 620 01	Sill Support	right	1	
2	900 143 082 01	Sill panel screw ST 6,3 X 13 for Mount Support		4	
3	999 076 081 40	Sill Hexagon plastic collar nut T5 16 X 11,2 for Mount Support		2	
4	996 551 873 00	Sill Locating peg for Mount Support		2	
5	997 551 019 04	Sill Trim (drivers side)	lhd	1	PR:098
(5)	997 551 019 04 A03	Black			
	997 551 019 05	Trim Sill (drivers side)	rhd	1	PR:099
	997 551 019 05 A03	Black			
5	997 551 982 00	Trim Sill (drivers side) Leather	lhd	1	Turbo PR:098,XTG
	997 551 982 00 A11	Black			
	997 551 982 00 5X6	Stone grey			
	997 551 982 00 8G2	Sand beige			
	997 551 982 00 3S9	sea blue			
	997 551 982 00 9S5	Terracotta			
	997 551 982 00 9V6	Cocoa			
	997 551 982 00 D12	Dark grey/natural			
	997 551 982 00 T12	Brown/natural			
	997 551 982 00 N12	Carrera Red			
	997 551 982 00 6J0	Espresso			
	997 551 982 00 TSB	Black-black			
(5)	997 551 982 01	Trim Sill (drivers side) Leather	rhd	1	Turbo PR:099,XTG
	997 551 982 01 A11	Black			
	997 551 982 01 5X6	Stone grey			
	997 551 982 01 8G2	Sand beige			
	997 551 982 01 3S9	sea blue			
	997 551 982 01 9S5	Terracotta			
	997 551 982 01 9V6	Cocoa			
	997 551 982 01 D12	Dark grey/natural			
	997 551 982 01 T12	Brown/natural			
	997 551 982 01 N12	Carrera Red			
	997 551 982 01 6J0	Espresso			
	997 551 982 01 TSB	Black-black			
6	999 507 484 40	expanding nut 9 X 22		6	

Model: 997T10 Model life 2010>>2013

Pos	Part Number	Description	Remark	Qty	Model
7	999 067 046 01	Bolt with washer M 6 X 20		2	
8	999 703 443 40	Bungs 8,0 X 11		2	
	999 703 443 40 01C	Satin black			
9	997 551 120 01	Trim Sill (passenger side)		1	
	997 551 120 01 A03	Black			
(9)	997 551 983 00	Trim Sill (passenger side) Leather		1	Turbo PR:XTG
	997 551 983 00 A11	Black			
	997 551 983 00 5X6	Stone grey			
	997 551 983 00 8G2	Sand beige			
	997 551 983 00 3S9	sea blue			
	997 551 983 00 9S5	Terracotta			
	997 551 983 00 9V6	Cocoa			
	997 551 983 00 D12	Dark grey/natural			
	997 551 983 00 T12	Brown/natural			
	997 551 983 00 N12	Carrera Red			
	997 551 983 00 6J0	Espresso			
	997 551 983 00 TSB	Black-black			
10	999 507 484 40	expanding nut 9 X 22		6	
11	999 919 164 09	fillister hd. bolt 5,0 X 12		1	
12	996 551 513 00	Mat		1	
13	997 551 303 11	Sill trim strip Lacquered		2	TURBO
	997 551 303 11 A03	Black Sill trim strip Exclusive	without:		
		Lighting See catalogue Tequipment 8/07/06			
13	997 551 303 15	Sill trim strip Sill Lacquered D - MJ 2011>>		2	TURBO "S" PR:092
	997 551 303 15 A03	Black			
(13)	997 551 990 34	Sill trim strip Set stainless steel	with:	1	TURBO PR:XXB
		Lighting D - MJ 2010>>			
(13)	997 551 990 35	Sill trim strip Set stainless steel	with:	1	TURBO S PR:XXB,092
		Lighting D - MJ 2011>>			
(13)	997 551 991 34	Sill trim strip Set Carbon	with:	1	TURBO PR:XXD
		Lighting D - MJ 2010>> Discontinued part			

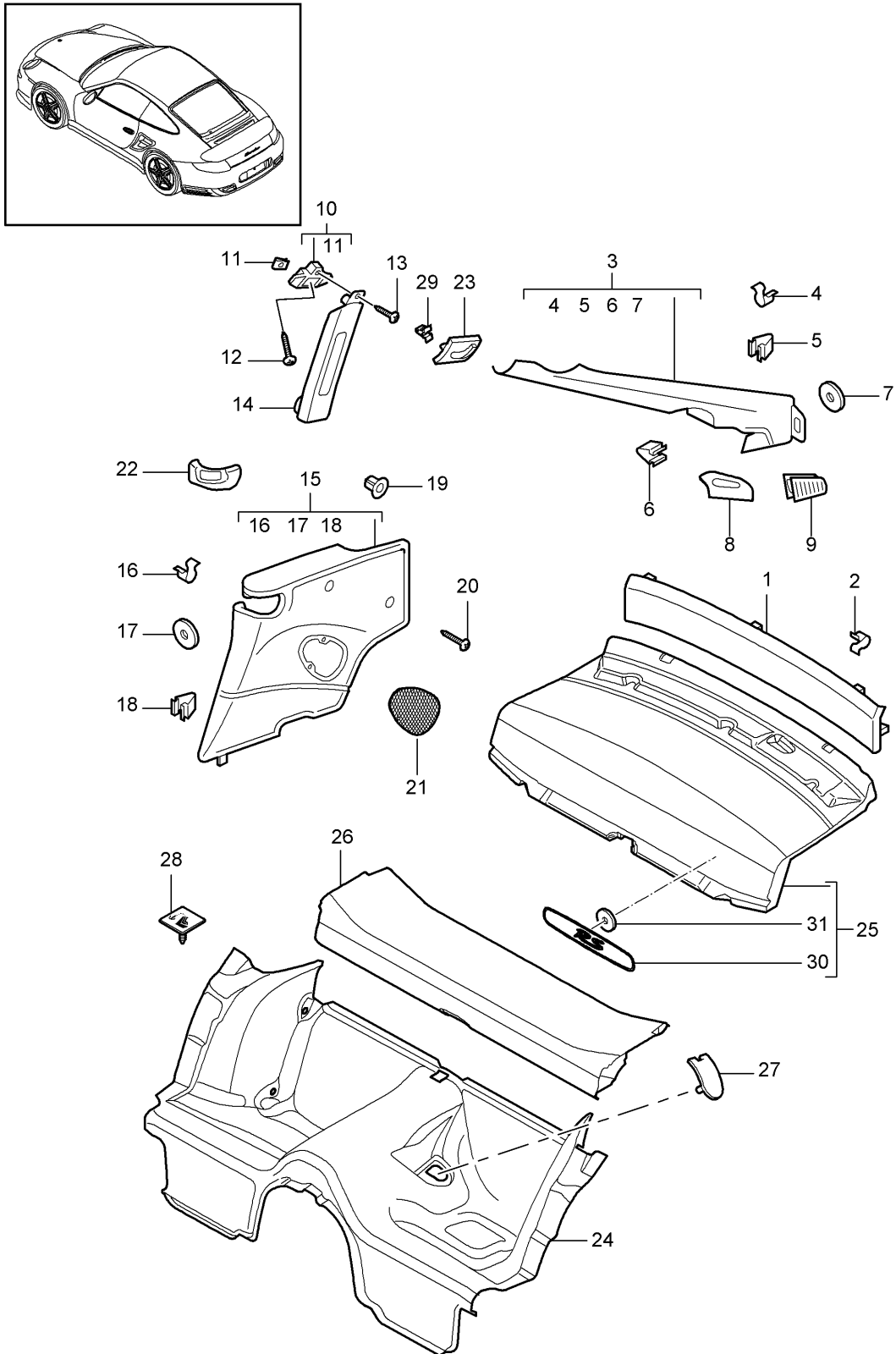
Model: 997T10

Model life 2010>>2013

Pos	Part Number	Description	Remark	Qty	Model
(13)	997 551 991 35	Sill trim strip Set Carbon with: Lighting D - MJ 2010>>		1	TURBO S PR:XXD,092
(13)	997 551 223 80	1 set of sill strips Carbon		1	GT2 RS PR:004,X69
(13)	997 551 991 41	1 set of sill strips Carbon with: Lighting D - MJ 2012>>		1	Turbo Spyder PR:XXD,018, 092

Model: 997T10

Model life 2010>>2013



Model: 997T10 Model life 2010>>2013

Pos	Part Number	Description	Remark	Qty	Model
1	997 555 081 00	Linings Rear panel trim	rear	1	COUPE Turbo PR:426
	997 555 081 00 A10	Carpet Black			
	997 555 081 00 B10	Stone grey			
	997 555 081 00 T10	Sand beige			
	997 555 081 00 E10	sea blue			
	997 555 081 00 M10	Terracotta			
	997 555 081 00 R10	Cocoa			
	997 555 081 00 D11	Dark grey/natural			
	997 555 081 00 T11	Brown/natural			
	997 555 081 00 N10	Carrera Red			
1	997 555 081 00	Rear panel trim		1	GT2RS PR:426
	997 555 081 00 A10	Carpet D - MJ 2011>> Black			
(1)	997 555 093 00	Rear panel trim		1	Turbo S PR:426
	997 555 093 00 R75	Carpet D - MJ 2012>> Espresso			
(1)	997 555 081 01	Rear panel trim		1	TURBO PR:425
	997 555 081 01 A10	Carpet Black			
	997 555 081 01 B10	Stone grey			
	997 555 081 01 T10	Sand beige			
	997 555 081 01 E10	sea blue			
	997 555 081 01 M10	Terracotta			
	997 555 081 01 R10	Cocoa			
	997 555 081 01 D11	Dark grey/natural			
	997 555 081 01 T11	Brown/natural			
	997 555 081 01 N10	Carrera Red			
2	999 507 687 05	Retaining clip 11,3		5	
3	997 555 187 01	C-pillar trim	left	1	Turbo PR:981
	997 555 187 01 A11	Leather Black			
	997 555 187 01 5X6	Stone grey			
	997 555 187 01 8G2	Sand beige			
	997 555 187 01 3S9	sea blue			
	997 555 187 01 9S5	Terracotta			
	997 555 187 01 9V6	Cocoa			
	997 555 187 01 D12	Dark grey/natural			
	997 555 187 01 T12	Brown/natural			
	997 555 187 01 N12	Carrera Red			
(3)	997 555 187 00	C-pillar trim Leatherette D - MJ 2011>> Black	left	1	GT2RS
3	997 555 187 00 1MZ	C-pillar trim	left	1	GT2RS PR:981
	997 555 187 01 A11	Leather D - MJ 2011>> Black			
(3)	997 555 188 01	C-pillar trim	right	1	Turbo PR:981
	997 555 188 01 A11	Leather Black			
	997 555 188 01 5X6	Stone grey			

Model: 997T10 Model life 2010>>2013

Pos	Part Number	Description	Remark	Qty	Model
	997 555 188 01 8G2	Sand beige			
	997 555 188 01 3S9	sea blue			
	997 555 188 01 9S5	Terracotta			
	997 555 188 01 9V6	Cocoa			
	997 555 188 01 D12	Dark grey/natural			
	997 555 188 01 T12	Brown/natural			
	997 555 188 01 N12	Carrera Red			
(3)	997 555 188 00	C-pillar trim Leatherette D - MJ 2011>>	right	1	GT2RS
(3)	997 555 188 00 1MZ	Black			
	997 555 188 01	C-pillar trim Leather D - MJ 2011>>	right	1	GT2RS PR:981
	997 555 188 01 A11	Black			
4	999 507 533 02	Clamp 8,0 X10,0/2,5		4	
5	999 507 479 01	Clip 2,5/09		6	
(5)	999 507 676 09	Clip 2,5/2,2		2	
6	999 651 307 01	Cable fastener 18,0		2	
7	999 551 609 40	Plastic washer 8,0 X 23 X 3,0		7	
8	996 555 545 01	Rosette Seat belt Lacquered	left rear	1	TURBO
	996 555 545 01 A03	Black			
	996 555 545 01 5V7	Stone grey			
	996 555 545 01 5Z1	Sand beige			
	996 555 545 01 8W7	sea blue			
	996 555 545 01 8X8	Terracotta			
	996 555 545 01 8P9	Cocoa			
	996 555 545 01 T13	Brown/natural			
	996 555 545 01 N23	Carrera Red			
(8)	996 555 546 01	Rosette Seat belt Lacquered	right rear	1	TURBO
	996 555 546 01 A03	Black			
	996 555 546 01 5V7	Stone grey			
	996 555 546 01 5Z1	Sand beige			
	996 555 546 01 8W7	sea blue			
	996 555 546 01 8X8	Terracotta			
	996 555 546 01 8P9	Cocoa			
	996 555 546 01 T13	Brown/natural			
	996 555 546 01 N23	Carrera Red			
(8)	997 555 545 90	Rosette Seat belt D - MJ 2011>>	left rear	1	GT2RS
(8)	997 555 545 90 01C	Satin black			
	997 555 546 90	Rosette Seat belt D - MJ 2011>>	right rear	1	GT2RS
9	997 555 546 90 01C	Satin black			
	996 555 645 00	Grille Bleeding Lacquered	left	1	Turbo
	996 555 645 00 A03	Black			
	996 555 645 00 5V7	Stone grey			
	996 555 645 00 5Z1	Sand beige			

Model: 997T10 Model life 2010>>2013

Pos	Part Number	Description	Remark	Qty	Model
9	996 555 645 00 8W7	sea blue	left	1	GT2RS
	996 555 645 00 8X8	Terracotta			
	996 555 645 00 8P9	Cocoa			
	996 555 645 00 T13	Brown/natural			
	996 555 645 00 N23	Carrera Red			
	996 555 645 00	Grille			
		Bleeding			
		Lacquered			
		D - MJ 2011>>			
		Black			
(9)	996 555 646 00 A03	Black	right	1	Turbo
	996 555 646 00	Grille			
		Bleeding			
		Lacquered			
	996 555 646 00 A03	Black			
	996 555 646 00 5V7	Stone grey			
	996 555 646 00 5Z1	Sand beige			
	996 555 646 00 8W7	sea blue			
	996 555 646 00 8X8	Terracotta			
	996 555 646 00 8P9	Cocoa			
(9)	996 555 646 00 T13	Brown/natural	right	1	GT2RS
	996 555 646 00 N23	Carrera Red			
	996 555 646 00	Grille			
		Bleeding			
		Lacquered			
		D - MJ 2011>>			
		Black			
	996 555 646 00 A03	Black			
	996 555 821 02	Console			
	10	996 555 821 02			
996 555 822 02		Console	right	1	
11	999 507 695 01	Coat hook		2	
	999 507 695 01	panel nut		2	
12	999 073 128 01	ST 4,8		2	
	999 073 128 01	panel screw		2	
(12)	999 073 128 01	6,3 X 14		2	
	999 025 268 01	Mount		2	
13	999 025 268 01	Console		2	
	999 025 268 01	Coat hook		2	
14	999 073 060 02	Washer		2	
	999 073 060 02	6,4 X 18		2	
14	997 555 183 01	Mount		2	
	997 555 183 01	Console		2	
14	997 555 183 01	Coat hook		2	
	997 555 183 01	panel screw		2	
14	997 555 183 01	4,8 X 13		2	
	997 555 183 01	B-pillar trim	left	1	Turbo PR:981
(14)	997 555 183 01 A11	Leather	right	1	Turbo PR:981
	997 555 183 01 5X6	Black			
	997 555 183 01 8G2	Stone grey			
	997 555 183 01 3S9	Sand beige			
	997 555 183 01 9S5	sea blue			
	997 555 183 01 9V6	Terracotta			
	997 555 183 01 D12	Cocoa			
	997 555 183 01 T12	Dark grey/natural			
	997 555 183 01 N12	Brown/natural			
	997 555 183 01 N12	Carrera Red			
	997 555 184 01	B-pillar trim			
		Leather			
	997 555 184 01 A11	Black			
	997 555 184 01 5X6	Stone grey			
997 555 184 01 8G2	Sand beige				
997 555 184 01 3S9	sea blue				

Model: 997T10 Model life 2010>>2013

Pos	Part Number	Description	Remark	Qty	Model
	997 555 184 01 9S5	Terracotta			
	997 555 184 01 9V6	Cocoa			
	997 555 184 01 D12	Dark grey/natural			
	997 555 184 01 T12	Brown/natural			
	997 555 184 01 N12	Carrera Red			
-	996 555 859 00	Grommet		2	
		B-pillar			
15	997 555 071 01	Side panel trim (leather)	left	1	TURBO PR:981
	997 555 071 01 FSA	black/grey			
	997 555 071 01 FSD	Sea blue/grey			
	997 555 071 01 FSF	Terracotta/terracotta			
	997 555 071 01 FSG	Cocoa/Cocoa			
	997 555 071 01 FSH	Darkgrey natural/grey			
	997 555 071 01 FSJ	Brown nat./brown nat.			
15	997 555 071 01	Side panel trim (leather)	left	1	TURBO PR:981
		Until Chassis number See technical information GR.7 NR. 17/11 KD-NR. 70			
	997 555 071 01 FSB	Stone grey/stone grey			
	997 555 071 01 FSC	Sand beige/sand beige			
	997 555 071 01 FSP	Carrera Red			
15	997 555 911 00	Side panel trim (leather)	left	1	TURBO PR:981
		From Chassis number See technical information GR.7 NR. 17/11 KD-NR. 70			
	997 555 911 00 FSB	Stone grey/stone grey			
	997 555 911 00 FSC	Sand beige/sand beige			
	997 555 911 00 FSP	Carrera Red			
(15)	997 555 072 01	Side panel trim (leather)	right	1	TURBO PR:981
	997 555 072 01 FSA	black/grey			
	997 555 072 01 FSD	Sea blue/grey			
	997 555 072 01 FSF	Terracotta/terracotta			
	997 555 072 01 FSG	Cocoa/Cocoa			
	997 555 072 01 FSH	Darkgrey natural/grey			
	997 555 072 01 FSJ	Brown nat./brown nat.			
(15)	997 555 072 01	Side panel trim (leather)	right	1	TURBO PR:981
		Until Chassis number See technical information GR.7 NR. 17/11 KD-NR. 70			
	997 555 072 01 FSB	Stone grey/stone grey			
	997 555 072 01 FSC	Sand beige/sand beige			
	997 555 072 01 FSP	Carrera Red			
(15)	997 555 912 00	Side panel trim (leather)	right	1	TURBO PR:981
		From Chassis number See technical information GR.7 NR. 17/11 KD-NR. 70			
	997 555 912 00 FSB	Stone grey/stone grey			
	997 555 912 00 FSC	Sand beige/sand beige			
	997 555 912 00 FSP	Carrera Red			

Model: 997T10 Model life 2010>>2013

Pos	Part Number	Description	Remark	Qty	Model
15	997 555 071 06	Side panel trim two-colour	left	1	TURBO PR:970
	997 555 071 06 BCG	Black/stone grey			
	997 555 071 06 BCH	Black/sand beige			
	997 555 071 06 BCJ	Black/terracotta			
(15)	997 555 072 06	Side panel trim two-colour	right	1	TURBO PR:970
	997 555 072 06 BCG	Black/stone grey			
	997 555 072 06 BCH	Black/sand beige			
	997 555 072 06 BCJ	Black/terracotta			
(15)	997 555 071 10	Side panel trim (leather)	left	1	GT2 PR:981
	997 555 071 10 FSA	black/grey			
	997 555 071 10 FSH	Darkgrey natural/grey			
(15)	997 555 072 10	Side panel trim (leather)	right	1	GT2 PR:981
	997 555 072 10 FSA	black/grey			
	997 555 072 10 FSH	Darkgrey natural/grey			
16	999 507 479 01	Clip 2,5/0,88		2	
17	999 551 609 40	Plastic washer 8,0 X 23 X 3,0		2	
18	999 507 533 02	Clamp 8.0 X 10 /2,5		1	
19	999 507 050 40	expanding nut ST 4,2		2	
20	999 073 142 09	panel screw ST 4,2 X 19		2	
21	997 555 049 00	Loudspeaker trim Side panel trim Lacquered	left	1	GT2
21	997 555 049 00 A03	Black			
	997 555 049 00	Loudspeaker trim Side panel trim Lacquered	left	1	Turbo
	997 555 049 00 A03	Black			
	997 555 049 00 5V7	Stone grey			
	997 555 049 00 5Z1	Sand beige			
	997 555 049 00 8W7	sea blue			
	997 555 049 00 8X8	Terracotta			
	997 555 049 00 8P9	Cocoa			
	997 555 049 00 T13	Brown/natural			
	997 555 049 00 N23	Carrera Red			
(21)	997 555 049 01	Loudspeaker trim Side panel trim Leather D - MJ 2010>>	left	1	Turbo PR:XVT
	997 555 049 01 A11	Black			
	997 555 049 01 5X6	Stone grey			
	997 555 049 01 8G2	Sand beige			
	997 555 049 01 3S9	sea blue			
	997 555 049 01 9S5	Terracotta			
	997 555 049 01 9V6	Cocoa			
	997 555 049 01 D12	Dark grey/natural			
	997 555 049 01 T12	Brown/natural			
	997 555 049 01 N12	Carrera Red			
(21)	997 555 050 00	Loudspeaker trim Side panel trim Lacquered	right	1	GT2
	997 555 050 00 A03	Black			
(21)	997 555 050 00	Loudspeaker trim Side panel trim Lacquered	right	1	Turbo

Model: 997T10 Model life 2010>>2013

Pos	Part Number	Description	Remark	Qty	Model
	997 555 050 00 A03	Black			
	997 555 050 00 5V7	Stone grey			
	997 555 050 00 5Z1	Sand beige			
	997 555 050 00 8W7	sea blue			
	997 555 050 00 8X8	Terracotta			
	997 555 050 00 8P9	Cocoa			
	997 555 050 00 T13	Brown/natural			
	997 555 050 00 N23	Carrera Red			
(21)	997 555 050 01	Loudspeaker trim Side panel trim Leather D - MJ 2010>>	right	1	Turbo PR:XVT
	997 555 050 01 A11	Black			
	997 555 050 01 5X6	Stone grey			
	997 555 050 01 8G2	Sand beige			
	997 555 050 01 3S9	sea blue			
	997 555 050 01 9S5	Terracotta			
	997 555 050 01 9V6	Cocoa			
	997 555 050 01 D12	Dark grey/natural			
	997 555 050 01 T12	Brown/natural			
	997 555 050 01 N12	Carrera Red			
22	997 555 061 00	Rosette Seat belt Lacquered	left	1	GT2
	997 555 061 00 A03	Black			
22	997 555 062 00	Rosette Seat belt Lacquered	right	1	GT2
	997 555 062 00 A03	Black			
22	997 555 061 00	Rosette Seat belt Lacquered	left	1	Turbo
	997 555 061 00 A03	Black			
	997 555 061 00 5V7	Stone grey			
	997 555 061 00 5Z1	Sand beige			
	997 555 061 00 8W7	sea blue			
	997 555 061 00 8X8	Terracotta			
	997 555 061 00 8P9	Cocoa			
	997 555 061 00 T13	Brown/natural			
	997 555 061 00 N23	Carrera Red			
(22)	997 555 062 00	Rosette Seat belt Lacquered	right	1	Turbo
	997 555 062 00 A03	Black			
	997 555 062 00 5V7	Stone grey			
	997 555 062 00 5Z1	Sand beige			
	997 555 062 00 8W7	sea blue			
	997 555 062 00 8X8	Terracotta			
	997 555 062 00 8P9	Cocoa			
	997 555 062 00 T13	Brown/natural			
	997 555 062 00 N23	Carrera Red			
(22)	997 555 998 01	Rosette Seat belt Leather D - MJ 2010>>	left	1	Turbo PR:XDU
	997 555 998 01 A11	Black			
	997 555 998 01 5X6	Stone grey			
	997 555 998 01 8G2	Sand beige			
	997 555 998 01 3S9	sea blue			
	997 555 998 01 9S5	Terracotta			
	997 555 998 01 9V6	Cocoa			
	997 555 998 01 D12	Dark grey/natural			
	997 555 998 01 T12	Brown/natural			

Model: 997T10 Model life 2010>>2013

Pos	Part Number	Description	Remark	Qty	Model
(22)	997 555 998 01 N12	Carrera Red			
	997 555 998 02	Rosette	right	1	Turbo
		Seat belt			PR:XDU
		Leather			
		D - MJ 2010>>			
	997 555 998 02 A11	Black			
	997 555 998 02 5X6	Stone grey			
	997 555 998 02 8G2	Sand beige			
	997 555 998 02 3S9	sea blue			
	997 555 998 02 9S5	Terracotta			
	997 555 998 02 9V6	Cocoa			
	997 555 998 02 D12	Dark grey/natural			
	997 555 998 02 T12	Brown/natural			
	997 555 998 02 N12	Carrera Red			
(22)	997 555 998 05	Rosette	left	1	Turbo
		Seat belt			PR:XCW
		aluminium			
		D - MJ 2010>>			
(22)	997 555 998 05 V04	Galvano silver			
(22)	997 555 998 06	Rosette	right	1	Turbo
		Seat belt			PR:XCW
		aluminium			
		D - MJ 2010>>			
(22)	997 555 998 06 V04	Galvano silver			
(22)	997 555 998 09	Rosette	left	1	Turbo
		Seat belt			PR:XDR
		D - MJ 2010>>			
(22)	997 555 998 09 G2X	primed			
(22)	997 555 998 10	Rosette	right	1	Turbo
		Seat belt			PR:XDR
		D - MJ 2010>>			
(22)	997 555 998 10 G2X	primed			
(22)	997 555 998 21	Rosette	left	1	Turbo
		Seat belt			PR:XJJ
		Carbon			
		D - MJ 2010>>			
(22)	997 555 998 21 A35	Black			
(22)	997 555 998 22	Rosette	right	1	Turbo
		Seat belt			PR:XJJ
		Carbon			
		D - MJ 2010>>			
23	997 555 998 22 A35	Black			
	997 555 573 00	Coat hook	left	1	Turbo
		Lacquered			
	997 555 573 00 A03	Black			
	997 555 573 00 5V7	Stone grey			
	997 555 573 00 5Z1	Sand beige			
	997 555 573 00 8W7	sea blue			
	997 555 573 00 8X8	Terracotta			
	997 555 573 00 8P9	Cocoa			
	997 555 573 00 T13	Brown/natural			
	997 555 573 00 N23	Carrera Red			
(23)	997 555 574 00	Coat hook	right	1	Turbo
		Lacquered			
	997 555 574 00 A03	Black			
	997 555 574 00 5V7	Stone grey			
	997 555 574 00 5Z1	Sand beige			
	997 555 574 00 8W7	sea blue			
	997 555 574 00 8X8	Terracotta			
	997 555 574 00 8P9	Cocoa			
	997 555 574 00 T13	Brown/natural			
	997 555 574 00 N23	Carrera Red			
24	997 551 017 02	Adhesive carpet		1	TURBO

Model: 997T10 Model life 2010>>2013

Pos	Part Number	Description	Remark	Qty	Model
		Seat well			PR:685
	997 551 017 02 M10	Terracotta			
	997 551 017 02 R10	Cocoa			
	997 551 017 02 D11	Dark grey/natural			
	997 551 017 02 T11	Brown/natural			
24	997 551 017 02	Adhesive carpet		1	TURBO PR:685
		Seat well			
		Until			
		Chassis number			
		See technical information			
		GR.7 NR. 17/11			
		KD-NR. 70			
	997 551 017 02 A10	Black			
	997 551 017 02 B10	Stone grey			
	997 551 017 02 T10	Sand beige			
	997 551 017 02 E10	sea blue			
	997 551 017 02 N10	Carrera Red			
24	997 551 017 06	Adhesive carpet		1	TURBO PR:685
		Seat well			
		From			
		Chassis number			
		See technical information			
		GR.7 NR. 17/11			
		KD-NR. 70			
	997 551 017 06 A10	Black			
	997 551 017 06 B10	Stone grey			
	997 551 017 06 T10	Sand beige			
	997 551 017 06 E10	sea blue			
	997 551 017 06 R75	Espresso			
	997 551 017 06 N10	Carrera Red			
(25)	997 551 031 21	Adhesive carpet		1	TURBO PR:680
		rear panel			
		Carpet			
	997 551 031 21 M10	Terracotta			
	997 551 031 21 R10	Cocoa			
	997 551 031 21 D11	Dark grey/natural			
	997 551 031 21 T11	Brown/natural			
(25)	997 551 031 21	Adhesive carpet		1	TURBO PR:680
		rear panel			
		Carpet			
		Until			
		Chassis number			
		See technical information			
		GR.7 NR. 17/11			
		KD-NR. 70			
	997 551 031 21 A10	Black			
	997 551 031 21 B10	Stone grey			
	997 551 031 21 T10	Sand beige			
	997 551 031 21 E10	sea blue			
	997 551 031 21 N10	Carrera Red			
(25)	997 551 031 32	Adhesive carpet		1	TURBO PR:680
		rear panel			
		Carpet			
		From			
		Chassis number			
		See technical information			
		GR.7 NR. 17/11			
		KD-NR. 70			
	997 551 031 32 A10	Black			
	997 551 031 32 B10	Stone grey			
	997 551 031 32 T10	Sand beige			
	997 551 031 32 E10	sea blue			
	997 551 031 32 R75	Espresso			

Model: 997T10 Model life 2010>>2013

Pos	Part Number	Description	Remark	Qty	Model
(25)	997 551 031 32 N10 997 551 031 22	Carrera Red Adhesive carpet rear panel Carpet		1	TURBO PR:479,680
	997 551 031 22 M10 997 551 031 22 R10 997 551 031 22 D11 997 551 031 22 T11	Terracotta Cocoa Dark grey/natural Brown/natural			
(25)	997 551 031 22	Adhesive carpet rear panel Carpet Until Chassis number See technical information GR.7 NR. 17/11 KD-NR. 70		1	TURBO PR:479,680
	997 551 031 22 A10 997 551 031 22 B10 997 551 031 22 T10 997 551 031 22 E10 997 551 031 22 N10	Black Stone grey Sand beige sea blue Carrera Red			
(25)	997 551 031 33	Adhesive carpet rear panel Carpet From Chassis number See technical information GR.7 NR. 17/11 KD-NR. 70		1	TURBO PR:479,680
	997 551 031 33 A10 997 551 031 33 B10 997 551 031 33 T10 997 551 031 33 E10 997 551 031 33 N10	Black Stone grey Sand beige sea blue Carrera Red			
(25)	997 551 031 86	Adhesive carpet rear panel Carpet		1	GT2RS PR:004
		with: inscription D - MJ 2011>>			
26	997 551 031 86 A10 997 551 033 01	Black Trim Control units Carpet		1	Turbo PR:680
	997 551 033 01 M10 997 551 033 01 R10 997 551 033 01 D11 997 551 033 01 T11	Terracotta Cocoa Dark grey/natural Brown/natural			
26	997 551 033 01	Trim Control units Carpet Until Chassis number See technical information GR.7 NR. 17/11 KD-NR. 70		1	Turbo PR:680
	997 551 033 01 A10 997 551 033 01 B10 997 551 033 01 T10 997 551 033 01 E10 997 551 033 01 N10	Black Stone grey Sand beige sea blue Carrera Red			
26	997 551 033 04	Trim Control units		1	Turbo PR:680

Model: 997T10 Model life 2010>>2013

Pos	Part Number	Description	Remark	Qty	Model
		Carpet From Chassis number See technical information GR.7 NR. 17/11 KD-NR. 70			
	997 551 033 04 A10	Black			
	997 551 033 04 B10	Stone grey			
	997 551 033 04 T10	Sand beige			
	997 551 033 04 E10	sea blue			
	997 551 033 04 R75	Espresso			
	997 551 033 04 N10	Carrera Red			
(26)	997 551 033 80	Trim Control units Carpet Until Chassis number See technical information GR.7 NR. 17/11 KD-NR. 70 D - MJ 2011>>		1	GT2RS
	997 551 033 80 A10	Black			
(26)	997 551 033 83	Trim Control units Carpet From Chassis number See technical information GR.7 NR. 17/11 KD-NR. 70 D - MJ 2011>>		1	GT2RS
	997 551 033 83 A10	Black			
(26)	997 551 033 81	Trim Control units Carpet Until Chassis number See technical information GR.7 NR. 17/11 KD-NR. 70 D - MJ 2011>>		1	GT2RS PR:003
	997 551 033 81 A10	Black			
(26)	997 551 033 82	Trim Control units Carpet From Chassis number See technical information GR.7 NR. 17/11 KD-NR. 70 D - MJ 2011>>		1	GT2RS PR:003
	997 551 033 82 A10	Black			
27	997 551 525 00	Cover Belt latch	left	1	Turbo
	997 551 525 00 01C	Satin black			
(27)	997 551 526 00	Cover Belt latch	right	1	Turbo
	997 551 526 00 01C	Satin black			
29	999 507 476 01	Clamp 8,0 x 10 / 2,5 Mount		2	
30	997 551 355 90	Coat hook inscription		1	GT2RS

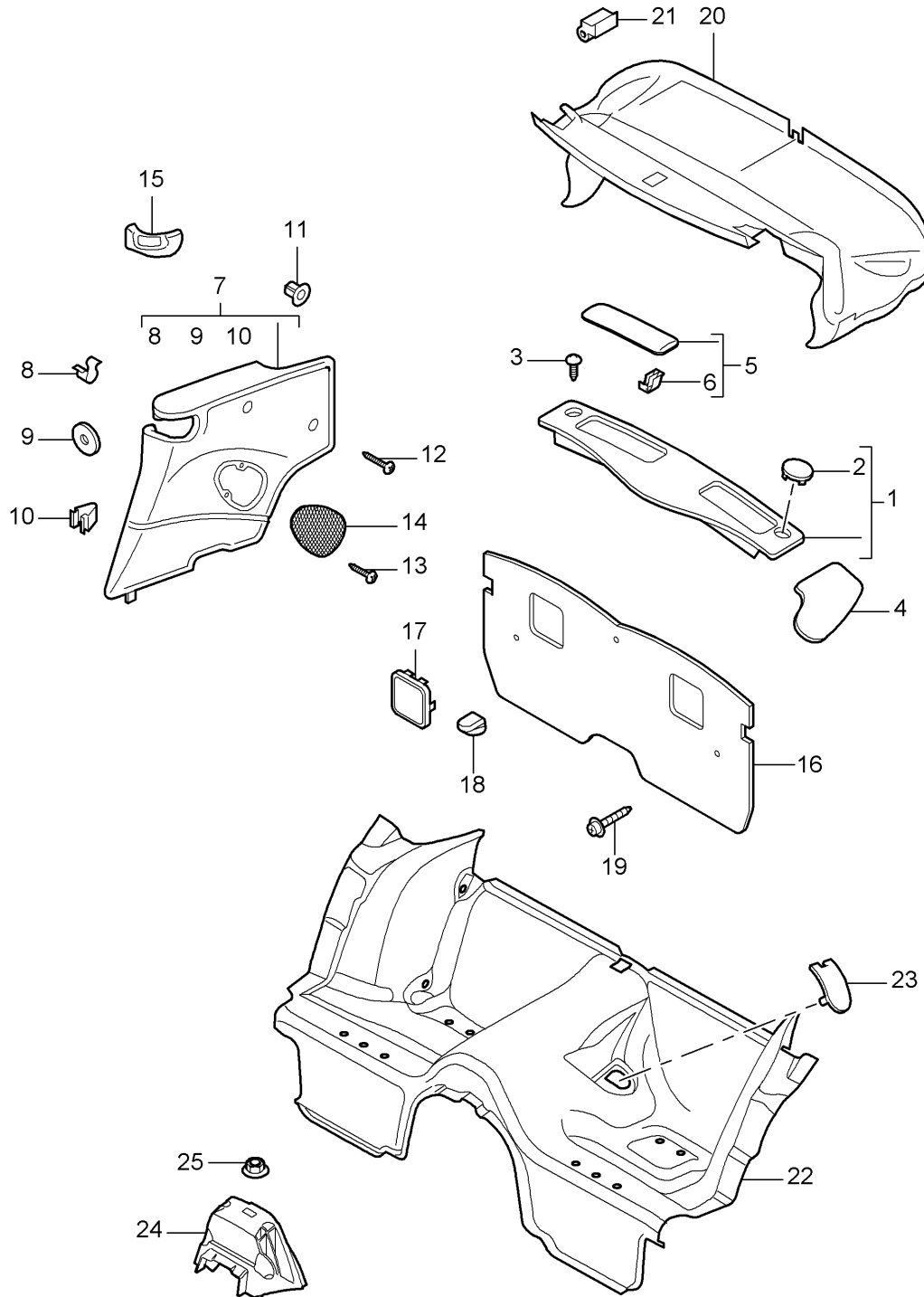
Model: 997T10

Model life 2010>>2013

Pos	Part Number	Description	Remark	Qty	Model
31	997 551 355 90 A03 997 551 897 01	RS D - MJ 2011>> Black Retaining washer for Mount inscription D - MJ 2011>>		3	PR:004 GT2RS PR:004

Model: 997T10

Model life 2010>>2013



Model: 997T10

Model life 2010>>2013

Pos	Part Number	Description	Remark	Qty	Model
1	996 555 083 04	Linings Cover Convertible top Cloth	rear	1	CABRIO
	996 555 083 04 EDK	Black			
	996 555 083 04 FNX	Stone grey			
	996 555 083 04 ERN	Metropole blue			
	996 555 083 04 FNZ	brown			
2	996 555 457 00	End cap hardtop Support Lacquered		2	
	996 555 457 00 A10	Black			
	996 555 457 00 5V7	Stone grey			
	996 555 457 00 G10	Metropole blue			
	996 555 457 00 8P9	Cocoa			
3	999 073 060 02	panel screw 4,8 X 13 for Mount Cover		3	
4	996 555 263 03	Convertible top Flap Convertible top Cloth	left	1	
	996 555 263 03 A07	Black			
	996 555 263 03 C19	Stone grey			
	996 555 263 03 G03	Metropole blue			
	996 555 263 03 R18	brown			
(4)	996 555 264 03	Flap Convertible top Cloth	right	1	
	996 555 264 03 A07	Black			
	996 555 264 03 C19	Stone grey			
	996 555 264 03 G03	Metropole blue			
	996 555 264 03 R18	brown			
5	996 555 341 01	Flap Cover	left	1	
	996 555 341 01 A07	Black			
	996 555 341 01 C19	Stone grey			
	996 555 341 01 G03	Metropole blue			
	996 555 341 01 R18	brown			
(5)	996 555 342 01	Flap Cover	right	1	
	996 555 342 01 A07	Black			
	996 555 342 01 C19	Stone grey			
	996 555 342 01 G03	Metropole blue			
	996 555 342 01 R18	brown			
6	996 555 355 00	Hinge	outer	2	
(6)	996 555 356 00	Hinge	inner	2	
-	996 580 667 00	Bracket		2	
-	999 591 489 02	panel nut 4,8 Discontinued part		2	
-	999 591 489 01	panel nut 4,8		2	
-	999 073 060 02	panel screw 4,8 X 13		3	
7	997 555 071 12	Side panel trim (leather) use if required: See TPI Group 8 Nr. 52	left 999 551 173 40	1	PR:981

Model: 997T10

Model life 2010>>2013

Pos	Part Number	Description	Remark	Qty	Model
7	997 555 071 12 FSA	black/grey			
	997 555 071 12 FSD	Sea blue/grey			
	997 555 071 12 FSF	Terracotta/terracotta			
	997 555 071 12 FSG	Cocoa/Cocoa			
	997 555 071 12 FSH	Darkgrey natural/grey			
	997 555 071 12 FSJ	Brown nat./brown nat.			
7	997 555 071 12	Side panel trim (leather) use if required: See TPI Group 8 Nr. 52 Until Chassis number See technical information GR.7 NR. 17/11 KD-NR. 70	left 999 551 173 40	1	PR:981
7	997 555 071 12 FSB	Stone grey/stone grey			
	997 555 071 12 FSC	Sand beige/sand beige			
	997 555 911 03	Side panel trim (leather) use if required: See TPI Group 8 Nr. 52 From Chassis number See technical information GR.7 NR. 17/11 KD-NR. 70	left 999 551 173 40	1	PR:981
(7)	997 555 911 03 FSB	Stone grey/stone grey			
	997 555 911 03 FSC	Sand beige/sand beige			
	997 555 072 12	Side panel trim (leather) use if required: See TPI Group 8 Nr. 52	right 999 551 173 40	1	PR:981
(7)	997 555 072 12 FSA	black/grey			
	997 555 072 12 FSD	Sea blue/grey			
	997 555 072 12 FSF	Terracotta/terracotta			
	997 555 072 12 FSG	Cocoa/Cocoa			
	997 555 072 12 FSH	Darkgrey natural/grey			
	997 555 072 12 FSJ	Brown nat./brown nat.			
(7)	997 555 072 12	Side panel trim (leather) use if required: See TPI Group 8 Nr. 52 Until Chassis number See technical information GR.7 NR. 17/11 KD-NR. 70	right 999 551 173 40	1	PR:981
(7)	997 555 072 12 FSB	Stone grey/stone grey			
	997 555 072 12 FSC	Sand beige/sand beige			
	997 555 912 03	Side panel trim (leather) use if required: See TPI Group 8 Nr. 52 From Chassis number See technical information GR.7 NR. 17/11 KD-NR. 70	right 999 551 173 40	1	PR:981

Model: 997T10 Model life 2010>>2013

Pos	Part Number	Description	Remark	Qty	Model
7	997 555 912 03 FSB	Stone grey/stone grey	left	1	PR:970
	997 555 912 03 FSC	Sand beige/sand beige			
	997 555 071 13	Side panel trim two-colour			
		use if required:	999 551 173 40		
		See TPI Group 8 Nr. 52			
	997 555 071 13 BCK	Black/stone grey			
	997 555 071 13 BCL	Black/sand beige			
	997 555 071 13 BCM	Black/terracotta			
(7)	997 555 072 13	Side panel trim two-colour	right	1	PR:970
		use if required:	999 551 173 40		
		See TPI Group 8 Nr. 52			
	997 555 072 13 BCK	Black/stone grey			
	997 555 072 13 BCL	Black/sand beige			
	997 555 072 13 BCM	Black/terracotta			
-	999 551 173 40	felt strip 35 x 22 x 5		2	
8	999 507 676 09	Clip 2,5/2,2		1	
9	999 551 609 40	Plastic washer 8,0 X 23 X3,0		1	
10	999 507 533 02	Clamp 8,0 X 10 /2,5		2	
11	999 507 050 40	expanding nut ST 4,2		2	
12	999 073 142 09	panel screw ST 4,2 X 19		2	
13	999 073 048 02	panel screw ST 3,5 X 13		2	
14	997 555 049 00	Loudspeaker trim Side panel trim Lacquered	left	1	
	997 555 049 00 A03	Black			
	997 555 049 00 5V7	Stone grey			
	997 555 049 00 5Z1	Sand beige			
	997 555 049 00 8W7	sea blue			
	997 555 049 00 8X8	Terracotta			
	997 555 049 00 8P9	Cocoa			
	997 555 049 00 T13	Brown/natural			
	997 555 049 00 N23	Carrera Red			
(14)	997 555 050 00	Loudspeaker trim Side panel trim Lacquered	right	1	
	997 555 050 00 A03	Black			
	997 555 050 00 5V7	Stone grey			
	997 555 050 00 5Z1	Sand beige			
	997 555 050 00 8W7	sea blue			
	997 555 050 00 8X8	Terracotta			
	997 555 050 00 8P9	Cocoa			
	997 555 050 00 T13	Brown/natural			
	997 555 050 00 N23	Carrera Red			
(14)	997 555 049 01	Loudspeaker trim Side panel trim Leather	left	1	PR:XVT
		D - MJ 2010>>			
	997 555 049 01 A11	Black			
	997 555 049 01 5X6	Stone grey			
	997 555 049 01 8G2	Sand beige			

Model: 997T10 Model life 2010>>2013

Pos	Part Number	Description	Remark	Qty	Model
	997 555 049 01 3S9	sea blue			
	997 555 049 01 9S5	Terracotta			
	997 555 049 01 9V6	Cocoa			
	997 555 049 01 D12	Dark grey/natural			
	997 555 049 01 T12	Brown/natural			
	997 555 049 01 N12	Carrera Red			
(14)	997 555 050 01	Loudspeaker trim Side panel trim Leather D - MJ 2010>>	right	1	PR:XVT
	997 555 050 01 A11	Black			
	997 555 050 01 5X6	Stone grey			
	997 555 050 01 8G2	Sand beige			
	997 555 050 01 3S9	sea blue			
	997 555 050 01 9S5	Terracotta			
	997 555 050 01 9V6	Cocoa			
	997 555 050 01 D12	Dark grey/natural			
	997 555 050 01 T12	Brown/natural			
	997 555 050 01 N12	Carrera Red			
(15)	997 555 671 01	Rosette Seat belt	left	1	
	997 555 671 01 A03	Black			
	997 555 671 01 5V7	Stone grey			
	997 555 671 01 5Z1	Sand beige			
	997 555 671 01 8W7	sea blue			
	997 555 671 01 N23	Carrera Red			
	997 555 671 01 8X8	Terracotta			
	997 555 671 01 8P9	Cocoa			
	997 555 671 01 T13	Brown/natural			
(15)	997 555 672 01	Rosette Seat belt	right	1	
	997 555 672 01 A03	Black			
	997 555 672 01 5V7	Stone grey			
	997 555 672 01 5Z1	Sand beige			
	997 555 672 01 8W7	sea blue			
	997 555 672 01 N23	Carrera Red			
	997 555 672 01 8X8	Terracotta			
	997 555 672 01 8P9	Cocoa			
	997 555 672 01 T13	Brown/natural			
(15)	997 555 998 03	Rosette Seat belt Leather D - MJ 2010>>	left	1	PR:XDU
	997 555 998 03 A11	Black			
	997 555 998 03 5X6	Stone grey			
	997 555 998 03 8G2	Sand beige			
	997 555 998 03 3S9	sea blue			
	997 555 998 03 9S5	Terracotta			
	997 555 998 03 9V6	Cocoa			
	997 555 998 03 D12	Dark grey/natural			
	997 555 998 03 T12	Brown/natural			
	997 555 998 03 N12	Carrera Red			
(15)	997 555 998 04	Rosette Seat belt Leather D - MJ 2010>>	right	1	PR:XDU
	997 555 998 04 A11	Black			
	997 555 998 04 5X6	Stone grey			
	997 555 998 04 8G2	Sand beige			
	997 555 998 04 3S9	sea blue			
	997 555 998 04 9S5	Terracotta			
	997 555 998 04 9V6	Cocoa			
	997 555 998 04 D12	Dark grey/natural			

Model: 997T10 Model life 2010>>2013

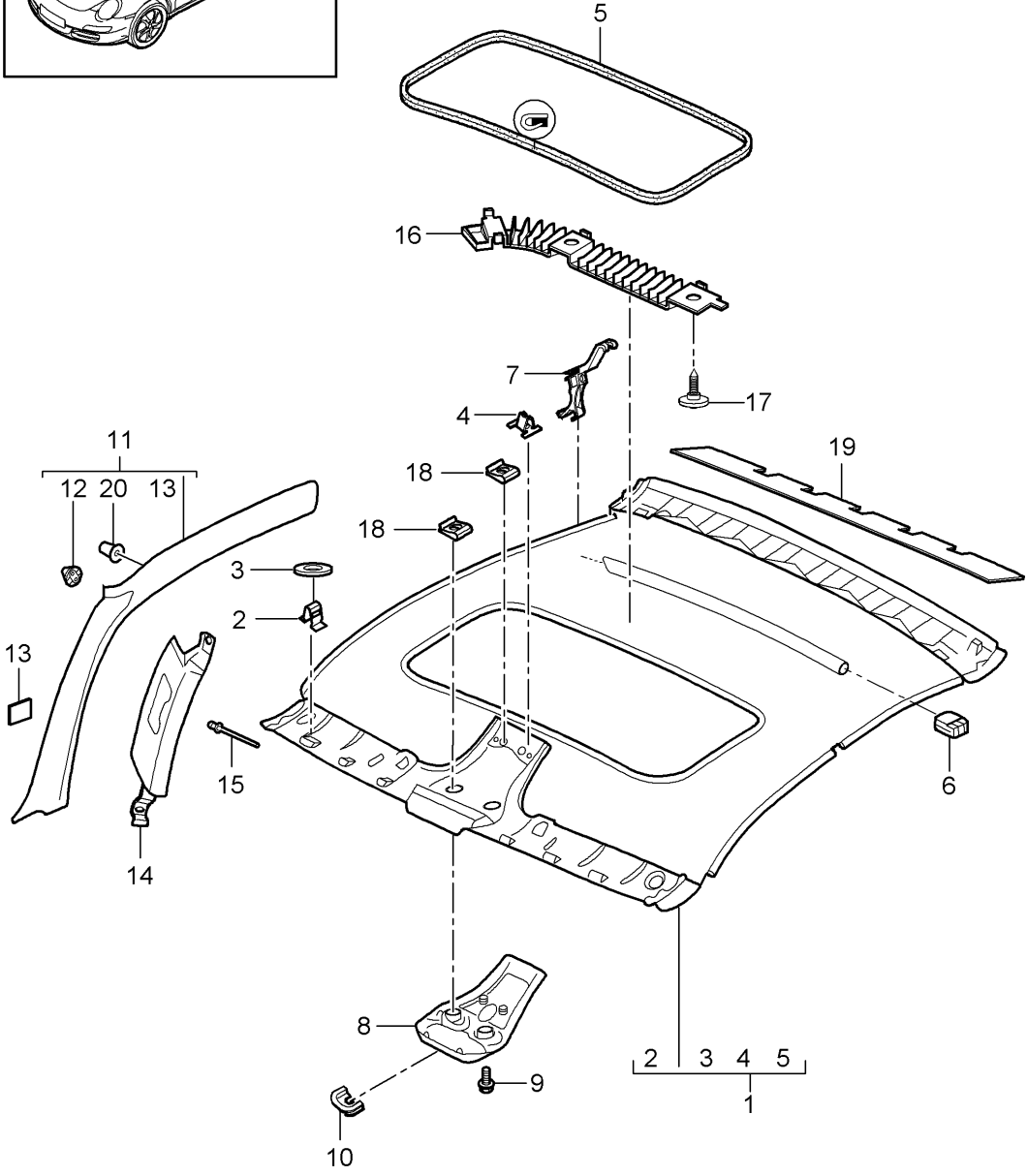
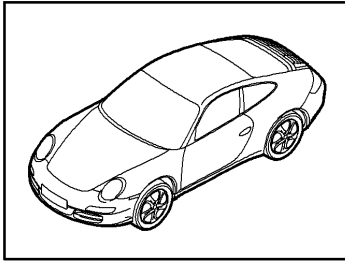
Pos	Part Number	Description	Remark	Qty	Model
(15)	997 555 998 04 T12	Brown/natural	left	1	PR:XCW
	997 555 998 04 N12	Carrera Red			
	997 555 998 07	Rosette Seat belt aluminium D - MJ 2010>>			
(15)	997 555 998 07 V04	Galvano silver	right	1	PR:XCW
	997 555 998 08	Rosette Seat belt aluminium D - MJ 2010>>			
(15)	997 555 998 08 V04	Galvano silver	left	1	PR:XDR
	997 555 998 11	Rosette Seat belt D - MJ 2010>>			
(15)	997 555 998 11 G2X	primed	right	1	PR:XDR
	997 555 998 12	Rosette Seat belt D - MJ 2010>>			
(15)	997 555 998 12 G2X	primed	left	1	PR:XJJ
	997 555 998 23	Rosette Seat belt Carbon D - MJ 2010>>			
(15)	997 555 998 23 A35	Black	right	1	PR:XJJ
	997 555 998 24	Rosette Seat belt Carbon D - MJ 2010>>			
(16)	997 555 998 24 A35	Black		1	
	996 555 281 06	Rear panel trim Carpet			
	996 555 281 06 A10	Black			
	996 555 281 06 B10	Stone grey			
	996 555 281 06 E10	sea blue			
	996 555 281 06 N10	Carrera Red			
	996 555 281 06 M10	Terracotta			
	996 555 281 06 R10	Cocoa			
	996 555 281 06 D11	Dark grey/natural			
	996 555 281 06 T11	Brown/natural			
16	996 555 281 07	Rear panel trim Carpet		1	PR:479
	996 555 281 07 A10	Black			
	996 555 281 07 B10	Stone grey			
	996 555 281 07 E10	sea blue			
	996 555 281 07 N10	Carrera Red			
	996 555 281 07 M10	Terracotta			
	996 555 281 07 R10	Cocoa			
	996 555 281 07 D11	Dark grey/natural			
	996 555 281 07 T11	Brown/natural			
	17	996 555 785 00			
996 555 785 00 EDA		Black			
996 555 785 00 FNQ		Stone grey			
996 555 785 00 FNR		Sand beige			
996 555 785 00 FNS		sea blue			
996 555 785 00 FSW		Carrera Red			
996 555 785 00 FNU		Terracotta			
996 555 785 00 FNV		Cocoa			
996 555 785 00 VSM		Dark grey/natural			
996 555 785 00 VSN		Brown/natural			
18	996 555 789 00	shelf		1	

Model: 997T10 Model life 2010>>2013

Pos	Part Number	Description	Remark	Qty	Model
19	996 555 789 00 01C 999 073 062 02	Windbreak Satin black panel screw 4,8 X 12		2	
20	997 551 035 01	Trim top frame Carpet		1	
21	997 551 035 01 B04 999 703 432 40	dark grey Bungs for Mount Trim top frame		X	
22	997 551 017 03 997 551 017 03 M10 997 551 017 03 R10 997 551 017 03 D11 997 551 017 03 T11	Adhesive carpet Seat well Carpet Terracotta Cocoa Dark grey/natural Brown/natural		1	
22	997 551 017 03	Adhesive carpet Seat well Carpet Until Chassis number See technical information GR.7 NR. 17/11 KD-NR. 70		1	
22	997 551 017 03 A10 997 551 017 03 B10 997 551 017 03 T10 997 551 017 03 E10 997 551 017 03 N10	Black Stone grey Sand beige sea blue Carrera Red		1	
(23)	997 551 017 07 997 551 017 07 A10 997 551 017 07 B10 997 551 017 07 T10 997 551 017 07 E10 997 551 017 07 N10	Adhesive carpet Seat well Carpet From Chassis number See technical information GR.7 NR. 17/11 KD-NR. 70 Black Stone grey Sand beige sea blue Carrera Red		1	
23	997 551 525 00 997 551 525 00 01C 997 551 526 00	Cover Belt latch Satin black Cover Belt latch	left right	1 1	
24	997 551 526 00 01C 997 551 221 00	Satin black Support Seat well		1	
25	999 076 081 40	Hexagon plastic collar nut T5 16 X 11,2		2	
26	996 561 871 00	Retaining clip Side panel trim and Water drip pan		1	

Model: 997T10

Model life 2010>>2013



Model: 997T10 Model life 2010>>2013

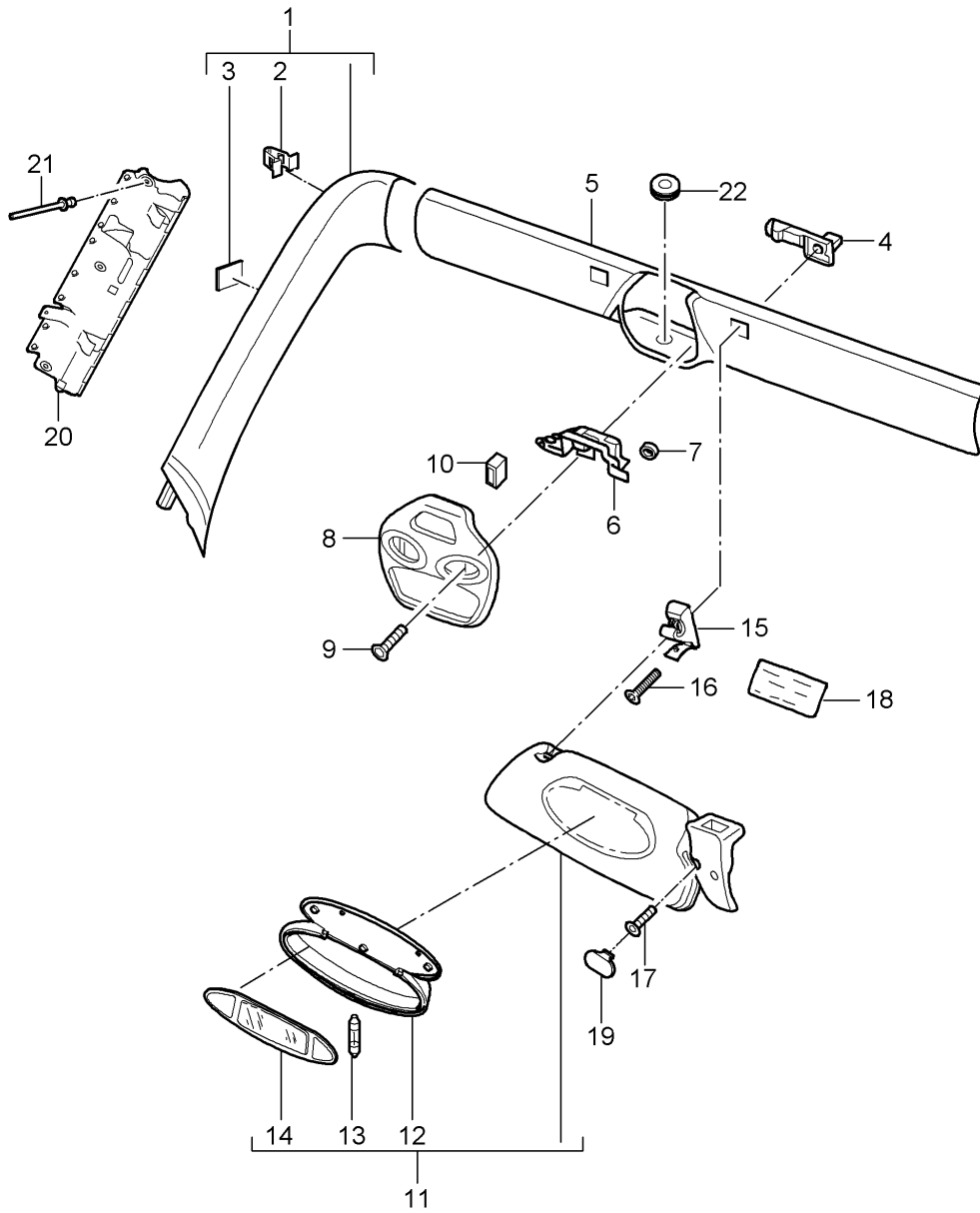
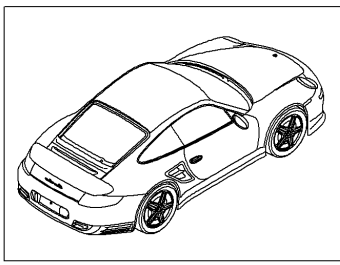
Pos	Part Number	Description	Remark	Qty	Model
1	997 555 091 02	roof trim A-pillar roof trim Alcantara		1	COUPE Turbo PR:652
	997 555 091 02 A14	Black			
	997 555 091 02 B14	Stone grey			
	997 555 091 02 T44	Sand beige			
	997 555 091 02 G14	Metropole blue			
(1)	997 555 091 03	roof trim Alcantara		1	TURBO PR:650
	997 555 091 03 A14	Black			
	997 555 091 03 B14	Stone grey			
	997 555 091 03 T44	Sand beige			
	997 555 091 03 G14	Metropole blue			
(1)	997 555 980 02	roof trim		1	Turbo PR:652,XMA
	997 555 980 02 A11	Black			
	997 555 980 02 5X6	Stone grey			
	997 555 980 02 8G2	Sand beige			
	997 555 980 02 3S9	sea blue			
	997 555 980 02 9S5	Terracotta			
	997 555 980 02 9V6	Cocoa			
	997 555 980 02 D12	Dark grey/natural			
	997 555 980 02 T12	Brown/natural			
	997 555 980 02 N12	Carrera Red			
(1)	997 555 980 03	roof trim		1	TURBO PR:650,XMA
	997 555 980 03 A11	Black			
	997 555 980 03 5X6	Stone grey			
	997 555 980 03 8G2	Sand beige			
	997 555 980 03 3S9	sea blue			
	997 555 980 03 9S5	Terracotta			
	997 555 980 03 9V6	Cocoa			
	997 555 980 03 D12	Dark grey/natural			
	997 555 980 03 T12	Brown/natural			
	997 555 980 03 N12	Carrera Red			
2	999 507 479 01	Clip 2,5/0,9		6	
3	999 551 609 40	Plastic washer 8,0 X 23 X 3,0		6	
4	999 507 533 02	Clamp 8 X 10/2,5		2	TURBO PR:650
5	996 564 231 02	beading		1	TURBO PR:650
6	997 555 823 00	Bracket Transverse strut		2	TURBO PR:650
7	996 555 691 02	Clip Mount roof trim		8	
(8)	996 555 557 09	Cover interior light		1	TURBO PR:650
	996 555 557 09 A03	Black			
	996 555 557 09 5V7	Stone grey			
	996 555 557 09 5Z1	Sand beige			
	996 555 557 09 8W7	sea blue			
8	996 555 557 11	Cover interior light		1	Turbo PR:652
	996 555 557 11 A03	Black			
	996 555 557 11 5V7	Stone grey			
	996 555 557 11 5Z1	Sand beige			
	996 555 557 11 8W7	sea blue			
(8)	996 555 993 02	Cover (leather) interior light		1	TURBO PR:XZD,650

Model: 997T10 Model life 2010>>2013

Pos	Part Number	Description	Remark	Qty	Model
	996 555 993 02 A11	Black			
	996 555 993 02 5X6	Stone grey			
	996 555 993 02 8G2	Sand beige			
	996 555 993 02 3S9	sea blue			
	996 555 993 02 9S5	Terracotta			
	996 555 993 02 9V6	Cocoa			
	996 555 993 02 D12	Dark grey/natural			
	996 555 993 02 T12	Brown/natural			
	996 555 993 02 N12	Carrera Red			
(8)	996 555 993 03	Cover (leather) interior light		1	Turbo PR:XZD,652
	996 555 993 03 A11	Black			
	996 555 993 03 5X6	Stone grey			
	996 555 993 03 8G2	Sand beige			
	996 555 993 03 3S9	sea blue			
	996 555 993 03 9S5	Terracotta			
	996 555 993 03 9V6	Cocoa			
	996 555 993 03 D12	Dark grey/natural			
	996 555 993 03 T12	Brown/natural			
	996 555 993 03 N12	Carrera Red			
9	999 073 061 02	panel screw 4,8 X 16		X	
10	996 555 619 00	Grommet Wire set		1	
(11)	997 555 181 05	Rain sensor A-pillar trim (leather)	left	1	Turbo PR:981
	997 555 181 05 A11	Black			
	997 555 181 05 5X6	Stone grey			
	997 555 181 05 8G2	Sand beige			
	997 555 181 05 3S9	sea blue			
	997 555 181 05 9S5	Terracotta			
	997 555 181 05 9V6	Cocoa			
	997 555 181 05 D12	Dark grey/natural			
	997 555 181 05 T12	Brown/natural			
	997 555 181 05 N12	Carrera Red			
(11)	997 555 182 05	A-pillar trim (leather)	right	1	Turbo PR:981
	997 555 182 05 A11	Black			
	997 555 182 05 5X6	Stone grey			
	997 555 182 05 8G2	Sand beige			
	997 555 182 05 3S9	sea blue			
	997 555 182 05 9S5	Terracotta			
	997 555 182 05 9V6	Cocoa			
	997 555 182 05 D12	Dark grey/natural			
	997 555 182 05 T12	Brown/natural			
	997 555 182 05 N12	Leather			
12	999 507 681 01	Clip 2,5/3,0		5	
(12)	999 507 839 01	Clip 3,5		2	
(12)	999 507 047 01	Clip 3,6		3	
13	999 551 134 40	Adhesive tape 20 X 65		5	
15	999 190 184 01	Pop rivet 4,0 X 8,5		8	
18	999 591 348 01	panel nut St 4,8		X	
19	997 556 603 00	Sound absorber tensioner	rear	1	
20	997 555 857 00	Grommet A-pillar		X	

Model: 997T10

Model life 2010>>2013



Model: 997T10 Model life 2010>>2013

Pos	Part Number	Description	Remark	Qty	Model
1	997 555 181 07	A-pillar windshield frame sun vizors A-pillar trim (leather)	left	1	CABRIO CABRIO COUPE/CABRIO CABRIO PR:981
	997 555 181 07 A11	Black			
	997 555 181 07 5X6	Stone grey			
	997 555 181 07 8G2	Sand beige			
	997 555 181 07 3S9	sea blue			
	997 555 181 07 9S5	Terracotta			
	997 555 181 07 9V6	Cocoa			
	997 555 181 07 D12	Dark grey/natural			
	997 555 181 07 T12	Brown/natural			
	997 555 181 07 N12	Carrera Red			
(1)	997 555 182 07	A-pillar trim (leather)	right	1	CABRIO PR:981
	997 555 182 07 A11	Black			
	997 555 182 07 5X6	Stone grey			
	997 555 182 07 8G2	Sand beige			
	997 555 182 07 3S9	sea blue			
	997 555 182 07 9S5	Terracotta			
	997 555 182 07 9V6	Cocoa			
	997 555 182 07 D12	Dark grey/natural			
	997 555 182 07 T12	Brown/natural			
	997 555 182 07 N12	Carrera Red			
2	999 507 047 01	Clip 3,6		2	
3	999 551 134 40	Adhesive tape 20 X 65		2	
4	986 731 541 01	basic plate for sun vizors		2	
5	997 555 059 01	Trim Windscreen frame part Leather		1	CABRIO PR:981
	997 555 059 01 A11	Black			
	997 555 059 01 5X6	Stone grey			
	997 555 059 01 8G2	Sand beige			
	997 555 059 01 3S9	sea blue			
	997 555 059 01 9S5	Terracotta			
	997 555 059 01 9V6	Cocoa			
	997 555 059 01 D12	Dark grey/natural			
	997 555 059 01 T12	Brown/natural			
	997 555 059 01 N12	Carrera Red			
6	996 613 795 01	Micro switch		1	CABRIO
7	999 507 534 02	Clamping washer 2,5		2	CABRIO
8	996 561 635 00	Cover interior light Lacquered		1	CABRIO
	996 561 635 00 A09	Rally black			
-	996 561 613 00	Cover		1	CABRIO
	996 561 613 00 01C	Satin black			
9	999 073 166 09	countersunk bolt M6 X 25		2	CABRIO
10	996 561 609 00	Cap		1	CABRIO
11	997 731 031 15	Sun visor with mirror Leatherette	left	1	TURBO/COUPE
	997 731 031 15 A12	Black			
	997 731 031 15 8W4	Stone grey			
	997 731 031 15 7E3	Sand beige			
	997 731 031 15 8Z5	sea blue			
11	997 731 031 15	Sun visor with mirror	left	1	GT2RS

Model: 997T10 Model life 2010>>2013

Pos	Part Number	Description	Remark	Qty	Model
(11)	997 731 031 15 A12 997 731 032 15	Leatherette D - MJ 2011>> Black Sun visor with mirror	right	1	TURBO/COUPE
(11)	997 731 032 15 A12 997 731 032 15 8W4 997 731 032 15 7E3 997 731 032 15 8Z5 997 731 032 15	Leatherette Black Stone grey Sand beige sea blue Sun visor with mirror	right	1	GT2RS
(11)	997 731 032 15 A12 997 731 981 00	Leatherette D - MJ 2011>> Black Sun visor	left	1	TURBO/COUPE PR: XMP
(11)	997 731 981 00 A11 997 731 981 00 5X6 997 731 981 00 8G2 997 731 981 00 3S9 997 731 981 00 9S5 997 731 981 00 9V6 997 731 981 00 T12 997 731 981 00 D12 997 731 981 00 N12 997 731 981 00 TSB	Black Stone grey Sand beige sea blue Terracotta Cocoa Brown/natural Dark grey/natural Carrera Red black/black			Turbo S
(11)	997 731 982 00 997 731 982 00 A11 997 731 982 00 5X6 997 731 982 00 8G2 997 731 982 00 3S9 997 731 982 00 9S5 997 731 982 00 9V6 997 731 982 00 T12 997 731 982 00 D12 997 731 982 00 N12 997 731 982 00 TSB	D - MJ 2011>> Sun visor Leather Black Stone grey Sand beige sea blue Terracotta Cocoa Brown/natural Dark grey/natural Carrera Red black/black	right	1	TURBO/COUPE PR: XMP
(11)	997 731 031 18 997 731 031 18 A12 997 731 031 18 8W4 997 731 031 18 7E3 997 731 031 18 8Z5 997 731 032 18	D - MJ 2011>> Sun visor Leatherette Black Stone grey Sand beige sea blue	left	1	CABRIO
(11)	997 731 032 18 997 731 032 18 A12 997 731 032 18 8W4 997 731 032 18 7E3 997 731 032 18 8Z5 997 731 981 06	Sun visor Leatherette Black Stone grey Sand beige sea blue Sun visor	right	1	CABRIO
(11)	997 731 981 06 A11 997 731 981 06 5X6 997 731 981 06 8G2 997 731 981 06 3S9 997 731 981 06 9S5 997 731 981 06 9V6 997 731 981 06 D12 997 731 981 06 T12 997 731 981 06 N12 997 731 981 06 TSB	Leather Black Stone grey Sand beige sea blue Sun visor Leather Black Stone grey Sand beige sea blue Dark grey/natural Brown/natural Carrera Red black/black	left	1	CABRIO PR: XMP
					Turbo S

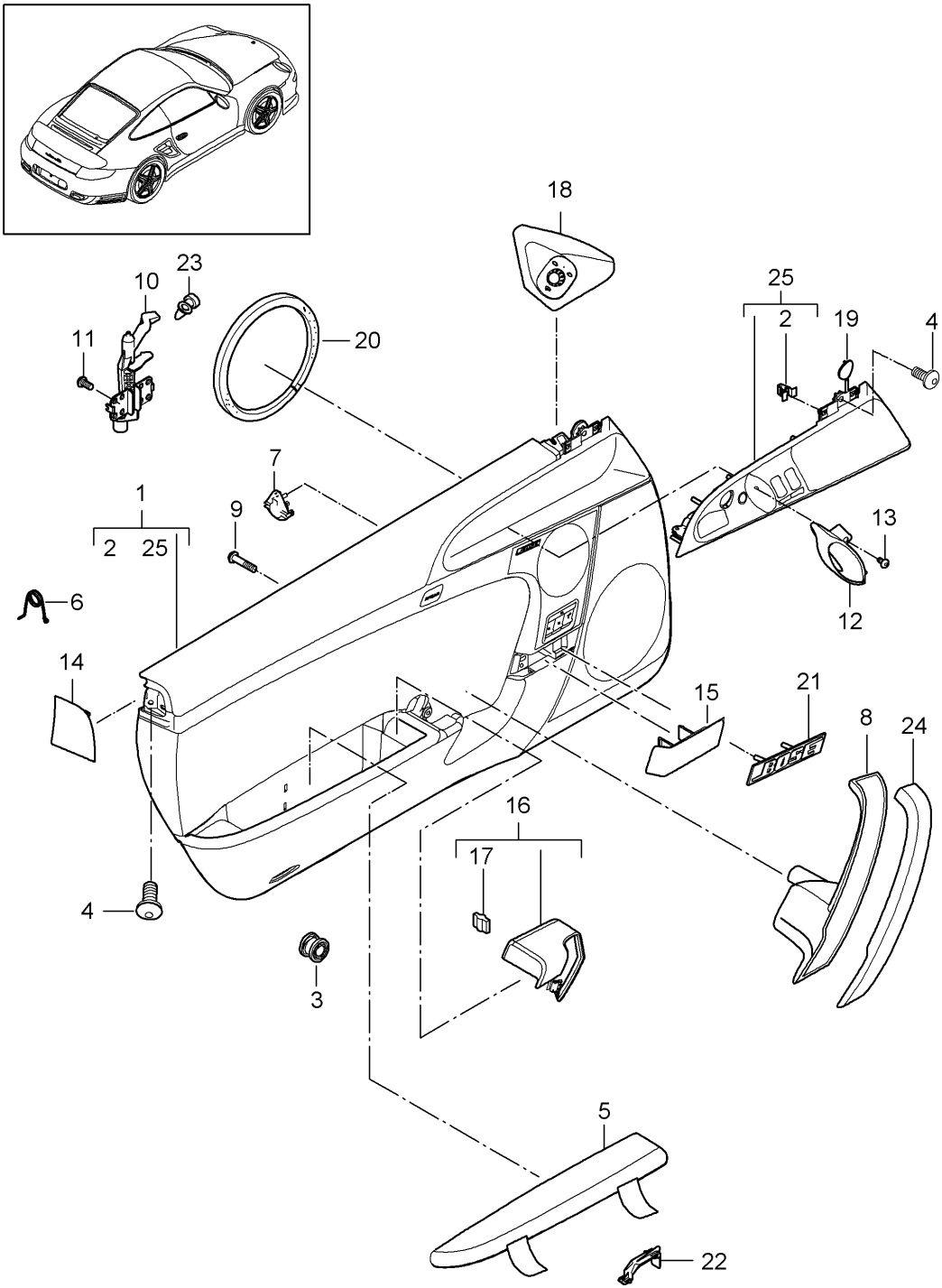
Model: 997T10

Model life 2010>>2013

Pos	Part Number	Description	Remark	Qty	Model
(11)	997 731 982 06	D - MJ 2011>> Sun visor Leather	right	1	CABRIO PR:XMP
	997 731 982 06 A11	Black			
	997 731 982 06 5X6	Stone grey			
	997 731 982 06 8G2	Sand beige			
	997 731 982 06 3S9	sea blue			
	997 731 982 06 9S5	Terracotta			
	997 731 982 06 9V6	Cocoa			
	997 731 982 06 D12	Dark grey/natural			
	997 731 982 06 T12	Brown/natural			
	997 731 982 06 N12	Carrera Red			
	997 731 982 06 TSB	black/black			Turbo S
12	996 731 903 00	D - MJ 2011>> Mirror housing		1	
		with: Lighting			
13	996 731 903 00 01C	Satin black		4	
	999 631 147 90	bulb 3 W			
14	996 731 531 01	Mirror glass		2	
		with: Frame			
15	996 731 531 01 01C	Satin black	left	1	
	996 731 341 00	Support			
(15)	996 731 341 00 01C	Satin black	right	1	
	996 731 342 00	Support			
16	996 731 342 00 01C	Satin black		1	
17	999 919 120 09	fillister hd. bolt M 4 x 18		42	CABRIO
(17)	999 073 166 09	countersunk bolt M 6 X 25		2	COUPE
(17)	999 073 326 09	fillister hd. bolt M 5 X 10		2	COUPE
(18)	999 500 093 02	Nut M5		1	CABRIO PR:488
(18)	997 701 401 06	Notice Convertible top control German		1	CABRIO PR:130
(18)	997 701 401 07	Notice Convertible top control English		1	CABRIO PR:113,126
(18)	997 701 401 08	Notice Convertible top control French		1	CABRIO PR:034
(18)	997 701 401 09	Notice Convertible top control Italian		1	CABRIO PR:119
(18)	997 701 401 10	Notice Convertible top control Spanish		1	CABRIO PR:193
19	997 701 401 11	Notice Convertible top control Japanese		1	CABRIO
	996 561 613 00	Cover Support		1	
23	996 561 613 00 01C	Satin black		1	
	996 555 619 00	Grommet Wire set Rain sensor			

Model: 997T10

Model life 2010>>2013



Model: 997T10

Model life 2010>>2013

Pos	Part Number	Description	Remark	Qty	Model
1	997 555 201 09	door panel Accessories Door panel trim (leather)	left lhd	1	TURBO/COUPE PR:098,680, 981,-XVT, -537
	997 555 201 09 FSA	black/grey			
	997 555 201 09 FSB	Stone grey/stone grey			
	997 555 201 09 FSC	Sand beige/sand beige			
	997 555 201 09 FSD	Sea blue/grey			
	997 555 201 09 FSF	Terracotta/terracotta			
	997 555 201 09 FSG	Cocoa/Cocoa			
	997 555 201 09 FSH	Darkgrey natural/grey			
	997 555 201 09 FSJ	Brown nat./brown nat.			
	997 555 201 09 FSP	Carrera Red			
	997 555 201 09 FWH	Espresso			
	997 555 201 09 BCB	Black/stone grey			
	997 555 201 09 BCD	Black/stone grey			
	997 555 201 09 BCE	Black/sand beige			
	997 555 201 09 BCF	Black/terracotta			
	997 555 201 09 BCN	Black/Cream			
	997 555 201 09 BCO	Black/Titanium Blue			
	997 555 201 09 BCP	Espresso/Luxor Beige			
1	997 555 201 11	Door panel trim (leather)	left lhd	1	TURBO/COUPE PR:537,680, 981,-XVT,098
	997 555 201 11 FSA	black/grey			
	997 555 201 11 FSB	Stone grey/stone grey			
	997 555 201 11 FSC	Sand beige/sand beige			
	997 555 201 11 FSD	Sea blue/grey			
	997 555 201 11 FSF	Terracotta/terracotta			
	997 555 201 11 FSG	Cocoa/Cocoa			
	997 555 201 11 FSH	Darkgrey natural/grey			
	997 555 201 11 FSJ	Brown nat./brown nat.			
	997 555 201 11 FSP	Carrera Red			
	997 555 201 11 FVB	Black/Peridot			
	997 555 201 11 BCD	Black/stone grey			
	997 555 201 11 BCE	Black/sand beige			
	997 555 201 11 BCF	Black/terracotta			
	997 555 201 11 BCN	Black/Cream			
	997 555 201 11 BCO	Black/Titanium Blue			
1	997 555 201 11	Door panel trim (leather)	left lhd	1	TURBO/COUPE PR:537,680, 981,-XVT, -018,098
	997 555 201 11 FSA	black/grey			
	997 555 201 11 FSB	Stone grey/stone grey			
	997 555 201 11 FSC	Sand beige/sand beige			
	997 555 201 11 FSD	Sea blue/grey			
	997 555 201 11 FSP	Carrera Red			
	997 555 201 11 FWH	Espresso			
	997 555 201 11 BCD	Black/stone grey			
	997 555 201 11 BCE	Black/sand beige			
	997 555 201 11 BCN	Black/Cream			
	997 555 201 11 BCO	Black/Titanium Blue			
	997 555 201 11 BCP	Espresso/Luxor Beige			
(1)	997 555 201 21	Door panel trim (leather)	left lhd	1	CABRIO PR:098,680, 981,-XVT
	997 555 201 21 FSA	black/grey			
	997 555 201 21 FSB	Stone grey/stone grey			
	997 555 201 21 FSC	Sand beige/sand beige			
	997 555 201 21 FSD	Sea blue/grey			

Model: 997T10 Model life 2010>>2013

Pos	Part Number	Description	Remark	Qty	Model
	997 555 201 21 FSF	Terracotta/terracotta			
	997 555 201 21 FSG	Cocoa/Cocoa			
	997 555 201 21 FSH	Darkgrey natural/grey			
	997 555 201 21 FSJ	Brown nat./brown nat.			
	997 555 201 21 BCD	Black/stone grey			
	997 555 201 21 BCE	Black/sand beige			
	997 555 201 21 BCF	Black/terracotta			
	997 555 201 21 FSP	Carrera Red			
(1)	997 555 201 23	Door panel trim (leather)	left lhd	1	CABRIO PR:537,680, 981,-XVT,098
	997 555 201 23 FSA	black/grey			
	997 555 201 23 FSB	Stone grey/stone grey			
	997 555 201 23 FSC	Sand beige/sand beige			
	997 555 201 23 FSD	Sea blue/grey			
	997 555 201 23 FSF	Terracotta/terracotta			
	997 555 201 23 FSG	Cocoa/Cocoa			
	997 555 201 23 FSH	Darkgrey natural/grey			
	997 555 201 23 FSJ	Brown nat./brown nat.			
	997 555 201 23 BCD	Black/stone grey			
	997 555 201 23 BCE	Black/sand beige			
	997 555 201 23 BCF	Black/terracotta			
	997 555 201 23 FSP	Carrera Red			
	997 555 201 23 FWH	Espresso			
	997 555 201 23 BCN	Black/Cream			
	997 555 201 23 BCO	Black/Titanium Blue			
	997 555 201 23 BCP	Espresso/Luxor Beige			
(1)	997 555 202 29	Door panel trim (leather)	right lhd	1	TURBO/COUPE PR:098,680, 981,-XVT
	997 555 202 29 FSA	black/grey			
	997 555 202 29 FSB	Stone grey/stone grey			
	997 555 202 29 FSC	Sand beige/sand beige			
	997 555 202 29 FSD	Sea blue/grey			
	997 555 202 29 FSF	Terracotta/terracotta			
	997 555 202 29 FSG	Cocoa/Cocoa			
	997 555 202 29 FSH	Darkgrey natural/grey			
	997 555 202 29 FSJ	Brown nat./brown nat.			
	997 555 202 29 FVB	Black/Peridot			
	997 555 202 29 BCD	Black/stone grey			
	997 555 202 29 BCE	Black/sand beige			
	997 555 202 29 BCF	Black/terracotta			
	997 555 202 29 FSP	Carrera Red			
	997 555 202 29 BCN	Black/Cream			
	997 555 202 29 BCO	Black/Titanium Blue			
(1)	997 555 202 29	Door panel trim (leather)	right lhd	1	TURBO/COUPE PR:098,680, 981,-XVT, -018
	997 555 202 29 FSA	black/grey			
	997 555 202 29 FSB	Stone grey/stone grey			
	997 555 202 29 FSC	Sand beige/sand beige			
	997 555 202 29 FSD	Sea blue/grey			
	997 555 202 29 FWH	Espresso			
	997 555 202 29 FSP	Carrera Red			
	997 555 202 29 BCD	Black/stone grey			
	997 555 202 29 BCE	Black/sand beige			
	997 555 202 29 BCN	Black/Cream			
	997 555 202 29 BCO	Black/Titanium Blue			
	997 555 202 29 BCP	Espresso/Luxor Beige			
(1)	997 555 202 29	Door panel trim (leather)	right lhd	1	CABRIO PR:098,680, 981,-XVT

Model: 997T10 Model life 2010>>2013

Pos	Part Number	Description	Remark	Qty	Model
	997 555 202 29 FSA	black/grey			
	997 555 202 29 FSB	Stone grey/stone grey			
	997 555 202 29 FSC	Sand beige/sand beige			
	997 555 202 29 FSD	Sea blue/grey			
	997 555 202 29 FSF	Terracotta/terracotta			
	997 555 202 29 FSG	Cocoa/Cocoa			
	997 555 202 29 FSH	Darkgrey natural/grey			
	997 555 202 29 FSJ	Brown nat./brown nat.			
	997 555 202 29 BCD	Black/stone grey			
	997 555 202 29 BCE	Black/sand beige			
	997 555 202 29 BCF	Black/terracotta			
	997 555 202 29 FSP	Carrera Red			
	997 555 202 29 FWH	Espresso			
(1)	997 555 202 09	Door panel trim (leather)	right rhd	1	TURBO/COUPE PR:099,680, 981,-XVT, -538
	997 555 202 09 FSA	black/grey			
	997 555 202 09 FSB	Stone grey/stone grey			
	997 555 202 09 FSC	Sand beige/sand beige			
	997 555 202 09 FSD	Sea blue/grey			
	997 555 202 09 FSF	Terracotta/terracotta			
	997 555 202 09 FSG	Cocoa/Cocoa			
	997 555 202 09 FSH	Darkgrey natural/grey			
	997 555 202 09 FSJ	Brown nat./brown nat.			
	997 555 202 09 FWH	Espresso			
	997 555 202 09 BCD	Black/stone grey			
	997 555 202 09 BCE	Black/sand beige			
	997 555 202 09 BCF	Black/terracotta			
	997 555 202 09 BCO	Black/Titanium Blue			
	997 555 202 09 BCP	Espresso/Luxor Beige			
	997 555 202 09 FSP	Carrera Red			
(1)	997 555 202 11	Door panel trim (leather)	right rhd	1	TURBO/COUPE PR:538,680, 981,-XVT,099
	997 555 202 11 FSA	black/grey			
	997 555 202 11 FSB	Stone grey/stone grey			
	997 555 202 11 FSC	Sand beige/sand beige			
	997 555 202 11 FSD	Sea blue/grey			
	997 555 202 11 FSF	Terracotta/terracotta			
	997 555 202 11 FSG	Cocoa/Cocoa			
	997 555 202 11 FSH	Darkgrey natural/grey			
	997 555 202 11 FSJ	Brown nat./brown nat.			
	997 555 202 11 FVB	Black/Peridot			
	997 555 202 11 BCD	Black/stone grey			
	997 555 202 11 BCE	Black/sand beige			
	997 555 202 11 BCF	Black/terracotta			
	997 555 202 11 FSP	Carrera Red			
	997 555 202 11 BCN	Black/Cream			
	997 555 202 11 BCO	Black/Titanium Blue			
(1)	997 555 202 11	Door panel trim (leather)	right rhd	1	TURBO/COUPE PR:538,680, 981,-XVT, -018,099
	997 555 202 11 FSA	black/grey			
	997 555 202 11 FSB	Stone grey/stone grey			
	997 555 202 11 FSC	Sand beige/sand beige			
	997 555 202 11 FSD	Sea blue/grey			
	997 555 202 11 FWH	Espresso			
	997 555 202 11 BCP	Espresso/Luxor Beige			
	997 555 202 11 BCD	Black/stone grey			
	997 555 202 11 BCE	Black/sand beige			
	997 555 202 11 FSP	Carrera Red			

Model: 997T10 Model life 2010>>2013

Pos	Part Number	Description	Remark	Qty	Model
(1)	997 555 202 11 BCN	Black/Cream			
	997 555 202 11 BCO	Black/Titanium Blue			
	997 555 202 11 BCP	Espresso/Luxor Beige			
	997 555 202 21	Door panel trim (leather)	right rhd	1	CABRIO PR:099,680, 981,-XVT
	997 555 202 21 FSA	black/grey			
	997 555 202 21 FSB	Stone grey/stone grey			
	997 555 202 21 FSC	Sand beige/sand beige			
	997 555 202 21 FSD	Sea blue/grey			
	997 555 202 21 FSF	Terracotta/terracotta			
	997 555 202 21 FSG	Cocoa/Cocoa			
(1)	997 555 202 21 FSH	Darkgrey natural/grey			
	997 555 202 21 FSJ	Brown nat./brown nat.			
	997 555 202 21 BCD	Black/stone grey			
	997 555 202 21 BCE	Black/sand beige			
	997 555 202 21 BCF	Black/terracotta			
	997 555 202 21 FSP	Carrera Red			
	997 555 202 23	Door panel trim (leather)	right rhd	1	CABRIO PR:538,680, 981,-XVT,099
	997 555 202 23 FSA	black/grey			
	997 555 202 23 FSB	Stone grey/stone grey			
	997 555 202 23 FSC	Sand beige/sand beige			
(1)	997 555 202 23 FSD	Sea blue/grey			
	997 555 202 23 FSF	Terracotta/terracotta			
	997 555 202 23 FSG	Cocoa/Cocoa			
	997 555 202 23 FSH	Darkgrey natural/grey			
	997 555 202 23 FSJ	Brown nat./brown nat.			
	997 555 202 23 BCD	Black/stone grey			
	997 555 202 23 BCE	Black/sand beige			
	997 555 202 23 BCF	Black/terracotta			
	997 555 202 23 FSP	Carrera Red			
	997 555 202 23 BCN	Black/Cream			
(1)	997 555 202 23 BCO	Black/Titanium Blue			
	997 555 201 29	Door panel trim (leather)	left rhd	1	TURBO/COUPE PR:099,680, 981,-XVT
	997 555 201 29 FSA	black/grey			
	997 555 201 29 FSB	Stone grey/stone grey			
	997 555 201 29 FSC	Sand beige/sand beige			
	997 555 201 29 FSD	Sea blue/grey			
	997 555 201 29 FSF	Terracotta/terracotta			
	997 555 201 29 FSG	Cocoa/Cocoa			
	997 555 201 29 FSJ	Brown nat./brown nat.			
	997 555 201 29 FVB	Black/Peridot			
(1)	997 555 201 29 BCD	Black/stone grey			
	997 555 201 29 BCE	Black/sand beige			
	997 555 201 29 BCF	Black/terracotta			
	997 555 201 29 FSP	Carrera Red			
	997 555 201 29 BCN	Black/Cream			
	997 555 201 29 BCO	Black/Titanium Blue			
	997 555 201 29	Door panel trim (leather)	left rhd	1	TURBO/COUPE PR:099,680, 981,-XVT, -018
	997 555 201 29 FSA	black/grey			
	997 555 201 29 FSB	Stone grey/stone grey			
	997 555 201 29 FSC	Sand beige/sand beige			
997 555 201 29 FSD	Sea blue/grey				
997 555 201 29 FWH	Espresso				
997 555 201 29 BCP	Espresso/Luxor Beige				
997 555 201 29 BCD	Black/stone grey				

Model: 997T10 Model life 2010>>2013

Pos	Part Number	Description	Remark	Qty	Model
(1)	997 555 201 29 BCE	Black/sand beige			CABRIO PR:099,680, 981,-XVT
	997 555 201 29 FSP	Carrera Red			
	997 555 201 29 BCN	Black/Cream			
	997 555 201 29 BCO	Black/Titanium Blue			
	997 555 201 29 BCP	Espresso/Luxor Beige			
	997 555 201 29	Door panel trim (leather)	left rhd	1	
	997 555 201 29 FSA	black/grey			
	997 555 201 29 FSB	Stone grey/stone grey			
	997 555 201 29 FSC	Sand beige/sand beige			
	997 555 201 29 FSD	Sea blue/grey			
	997 555 201 29 FSF	Terracotta/terracotta			
	997 555 201 29 FSG	Cocoa/Cocoa			
	997 555 201 29 FSH	Darkgrey natural/grey			
997 555 201 29 FSJ	Brown nat./brown nat.				
997 555 201 29 BCD	Black/stone grey				
997 555 201 29 BCE	Black/sand beige				
997 555 201 29 BCF	Black/terracotta				
997 555 201 29 FSP	Carrera Red				
(1)	997 555 981 02	Door panel trim (leather)	left lhd	1	TURBO/COUPE PR:XVT,098, 680,981,-537
		D - MJ 2010>>			
	997 555 981 02 A11	Black			
	997 555 981 02 5X6	Stone grey			
	997 555 981 02 8G2	Sand beige			
	997 555 981 02 3S9	sea blue			
	997 555 981 02 9S5	Terracotta			
	997 555 981 02 9V6	Cocoa			
	997 555 981 02 BCD	Black/stone grey			
	997 555 981 02 BCE	Black/sand beige			
	997 555 981 02 BCF	Black/terracotta			
	997 555 981 02 D12	Dark grey/natural			
	997 555 981 02 T12	Brown/natural			
	997 555 981 02 N12	Carrera Red			
(1)	997 555 981 03	Door panel trim (leather)	left lhd	1	TURBO/COUPE PR:XVT,537, 680,981,098
		D - MJ 2010>>			
	997 555 981 03 A11	Black			
	997 555 981 03 5X6	Stone grey			
	997 555 981 03 8G2	Sand beige			
	997 555 981 03 3S9	sea blue			
	997 555 981 03 9S5	Terracotta			
	997 555 981 03 9V6	Cocoa			
	997 555 981 03 BCD	Black/stone grey			
	997 555 981 03 BCE	Black/sand beige			
	997 555 981 03 BCF	Black/terracotta			
	997 555 981 03 D12	Dark grey/natural			
	997 555 981 03 T12	Brown/natural			
	997 555 981 03 N12	Carrera Red			
(1)	997 555 981 06	Door panel trim (leather)	left lhd	1	CABRIO PR:XVT,098, 680,981
		D - MJ 2010>>			
	997 555 981 06 A11	Black			
	997 555 981 06 5X6	Stone grey			
	997 555 981 06 8G2	Sand beige			
	997 555 981 06 3S9	sea blue			
	997 555 981 06 9S5	Terracotta			
	997 555 981 06 9V6	Cocoa			
	997 555 981 06 BCD	Black/stone grey			
	997 555 981 06 BCE	Black/sand beige			
	997 555 981 06 BCF	Black/terracotta			
	997 555 981 06 D12	Dark grey/natural			

Model: 997T10 Model life 2010>>2013

Pos	Part Number	Description	Remark	Qty	Model
(1)	997 555 981 06 T12	Brown/natural	left lhd	1	CABRIO PR:XVT,537, 680,981,098
	997 555 981 06 N12	Carrera Red			
	997 555 981 07	Door panel trim (leather)			
		D - MJ 2010>>			
	997 555 981 07 A11	Black			
	997 555 981 07 5X6	Stone grey			
	997 555 981 07 8G2	Sand beige			
	997 555 981 07 3S9	sea blue			
	997 555 981 07 9S5	Terracotta			
	997 555 981 07 9V6	Cocoa			
	997 555 981 07 BCD	Black/stone grey			
	997 555 981 07 BCE	Black/sand beige			
	997 555 981 07 BCF	Black/terracotta			
(1)	997 555 981 07 D12	Dark grey/natural	right lhd	1	PR:XVT,098, 680,981
	997 555 981 07 T12	Brown/natural			
	997 555 981 07 N12	Carrera Red			
	997 555 982 09	Door panel trim (leather)			
		D - MJ 2010>>			
	997 555 982 09 A11	Black			
	997 555 982 09 5X6	Stone grey			
	997 555 982 09 8G2	Sand beige			
	997 555 982 09 3S9	sea blue			
	997 555 982 09 9S5	Terracotta			
	997 555 982 09 9V6	Cocoa			
	997 555 982 09 BCD	Black/stone grey			
	997 555 982 09 BCE	Black/sand beige			
997 555 982 09 BCF	Black/terracotta				
(1)	997 555 982 09 D12	Dark grey/natural	right rhd	1	TURBO/COUPE PR:XVT,099, 680,981
	997 555 982 09 T12	Brown/natural			
	997 555 982 09 N12	Carrera Red			
	997 555 982 02	Door panel trim (leather)			
		D - MJ 2010>>			
	997 555 982 02 A11	Black			
	997 555 982 02 5X6	Stone grey			
	997 555 982 02 8G2	Sand beige			
	997 555 982 02 3S9	sea blue			
	997 555 982 02 9S5	Terracotta			
	997 555 982 02 9V6	Cocoa			
	997 555 982 02 BCD	Black/stone grey			
	997 555 982 02 BCE	Black/sand beige			
997 555 982 02 BCF	Black/terracotta				
(1)	997 555 982 02 D12	Dark grey/natural	right rhd	1	TURBO/COUPE PR:XVT,538, 680,981,099
	997 555 982 02 T12	Brown/natural			
	997 555 982 02 N12	Carrera Red			
	997 555 982 03	Door panel trim (leather)			
		D - MJ 2010>>			
	997 555 982 03 A11	Black			
	997 555 982 03 5X6	Stone grey			
	997 555 982 03 8G2	Sand beige			
	997 555 982 03 3S9	sea blue			
	997 555 982 03 9S5	Terracotta			
	997 555 982 03 9V6	Cocoa			
	997 555 982 03 BCD	Black/stone grey			
	997 555 982 03 BCE	Black/sand beige			
997 555 982 03 BCF	Black/terracotta				
(1)	997 555 982 03 D12	Dark grey/natural	right rhd	1	CABRIO
	997 555 982 03 T12	Brown/natural			
	997 555 982 03 N12	Carrera Red			
	997 555 982 06	Door panel trim (leather)			
		D - MJ 2010>>			

Model: 997T10 Model life 2010>>2013

Pos	Part Number	Description	Remark	Qty	Model
		D - MJ 2010>>			PR:XVT,099, 680,981
	997 555 982 06 A11	Black			
	997 555 982 06 5X6	Stone grey			
	997 555 982 06 8G2	Sand beige			
	997 555 982 06 3S9	sea blue			
	997 555 982 06 9S5	Terracotta			
	997 555 982 06 9V6	Cocoa			
	997 555 982 06 BCD	Black/stone grey			
	997 555 982 06 BCE	Black/sand beige			
	997 555 982 06 BCF	Black/terracotta			
	997 555 982 06 D12	Dark grey/natural			
	997 555 982 06 T12	Brown/natural			
	997 555 982 06 N12	Carrera Red			
(1)	997 555 982 07	Door panel trim (leather)	right rhd	1	CABRIO PR:XVT,538, 680,981,099
		D - MJ 2010>>			
	997 555 982 07 A11	Black			
	997 555 982 07 5X6	Stone grey			
	997 555 982 07 8G2	Sand beige			
	997 555 982 07 3S9	sea blue			
	997 555 982 07 9S5	Terracotta			
	997 555 982 07 9V6	Cocoa			
	997 555 982 07 BCD	Black/stone grey			
	997 555 982 07 BCE	Black/sand beige			
	997 555 982 07 BCF	Black/terracotta			
	997 555 982 07 D12	Dark grey/natural			
	997 555 982 07 T12	Brown/natural			
	997 555 982 07 N12	Carrera Red			
(1)	997 555 981 09	Door panel trim (leather)	left rhd	1	PR:XVT,099, 680,981
		D - MJ 2010>>			
	997 555 981 09 A11	Black			
	997 555 981 09 5X6	Stone grey			
	997 555 981 09 8G2	Sand beige			
	997 555 981 09 3S9	sea blue			
	997 555 981 09 9S5	Terracotta			
	997 555 981 09 9V6	Cocoa			
	997 555 981 09 BCD	Black/stone grey			
	997 555 981 09 BCE	Black/sand beige			
	997 555 981 09 BCF	Black/terracotta			
	997 555 981 09 D12	Dark grey/natural			
	997 555 981 09 T12	Brown/natural			
	997 555 981 09 N12	Carrera Red			
(1)	997 555 981 12	Door panel trim (leather)	left lhd	1	TURBO/COUPE PR:XTL,XVT, 098,680,981
		D - MJ 2010>>			
	997 555 981 12 A11	Black			
	997 555 981 12 5X6	Stone grey			
	997 555 981 12 8G2	Sand beige			
	997 555 981 12 3S9	sea blue			
	997 555 981 12 9S5	Terracotta			
	997 555 981 12 9V6	Cocoa			
	997 555 981 12 BCD	Black/stone grey			
	997 555 981 12 BCE	Black/sand beige			
	997 555 981 12 BCF	Black/terracotta			
	997 555 981 12 D12	Dark grey/natural			
	997 555 981 12 T12	Brown/natural			
	997 555 981 12 N12	Carrera Red			
(1)	997 555 981 13	Door panel trim (leather)	left lhd	1	TURBO/COUPE PR:XTL,XVT, 537,680,981, 098
		D - MJ 2010>>			

Model: 997T10

Model life 2010>>2013

Pos	Part Number	Description	Remark	Qty	Model
	997 555 981 13 A11	Black			
	997 555 981 13 5X6	Stone grey			
	997 555 981 13 8G2	Sand beige			
	997 555 981 13 3S9	sea blue			
	997 555 981 13 9S5	Terracotta			
	997 555 981 13 9V6	Cocoa			
	997 555 981 13 BCD	Black/stone grey			
	997 555 981 13 BCE	Black/sand beige			
	997 555 981 13 BCF	Black/terracotta			
	997 555 981 13 D12	Dark grey/natural			
	997 555 981 13 T12	Brown/natural			
	997 555 981 13 N12	Carrera Red			
(1)	997 555 981 18	Door panel trim (leather)	left lhd	1	CABRIO PR:XTL,XVT, 098,680,981
		D - MJ 2010>>			
	997 555 981 18 A11	Black			
	997 555 981 18 5X6	Stone grey			
	997 555 981 18 8G2	Sand beige			
	997 555 981 18 3S9	sea blue			
	997 555 981 18 9S5	Terracotta			
	997 555 981 18 9V6	Cocoa			
	997 555 981 18 BCD	Black/stone grey			
	997 555 981 18 BCE	Black/sand beige			
	997 555 981 18 BCF	Black/terracotta			
	997 555 981 18 D12	Dark grey/natural			
	997 555 981 18 T12	Brown/natural			
	997 555 981 18 N12	Carrera Red			
(1)	997 555 981 19	Door panel trim (leather)	left lhd	1	CABRIO PR:XTL,XVT, 537,680,981, 098
		D - MJ 2010>>			
	997 555 981 19 A11	Black			
	997 555 981 19 5X6	Stone grey			
	997 555 981 19 8G2	Sand beige			
	997 555 981 19 3S9	sea blue			
	997 555 981 19 9S5	Terracotta			
	997 555 981 19 9V6	Cocoa			
	997 555 981 19 BCD	Black/stone grey			
	997 555 981 19 BCE	Black/sand beige			
	997 555 981 19 BCF	Black/terracotta			
	997 555 981 19 D12	Dark grey/natural			
	997 555 981 19 T12	Brown/natural			
	997 555 981 19 N12	Carrera Red			
(1)	997 555 982 15	Door panel trim (leather)	left lhd	1	PR:XTL,XVT, 098,680,981
		D - MJ 2010>>			
	997 555 982 15 A11	Black			
	997 555 982 15 5X6	Stone grey			
	997 555 982 15 8G2	Sand beige			
	997 555 982 15 3S9	sea blue			
	997 555 982 15 9S5	Terracotta			
	997 555 982 15 9V6	Cocoa			
	997 555 982 15 BCD	Black/stone grey			
	997 555 982 15 BCE	Black/sand beige			
	997 555 982 15 BCF	Black/terracotta			
	997 555 982 15 D12	Dark grey/natural			
	997 555 982 15 T12	Brown/natural			
	997 555 982 15 N12	Carrera Red			
(1)	987 555 981 35	Door panel trim (leather)	left lhd	1	PR:XTL,098, 680,981,-XVT
		Carbon			
		D - MJ 2010>>			
	987 555 981 35 A11	Black			

Model: 997T10 Model life 2010>>2013

Pos	Part Number	Description	Remark	Qty	Model
	987 555 981 35 8G2	Sand beige			
	987 555 981 35 N12	Carrera Red			
	987 555 981 35 6J0	Espresso			
	987 555 981 35 BCE	Black/sand beige			
	987 555 981 35 BCN	Black/Cream			
	987 555 981 35 BC0	Black/Titanium Blue			
	987 555 981 35 BCP	Espresso/Luxor Beige			
(1)	987 555 982 27	Door panel trim (leather)	right lhd	1	PR:XTL,098, 680,981,-XVT
		Carbon			
		D - MJ 2010>>			
	987 555 982 27 A11	Black			
	987 555 982 27 8G2	Sand beige			
	987 555 982 27 N12	Carrera Red			
	987 555 982 27 6J0	Espresso			
	987 555 982 27 BCE	Black/sand beige			
	987 555 982 27 BCN	Black/Cream			
	987 555 982 27 BC0	Black/Titanium Blue			
	987 555 982 27 BCP	Espresso/Luxor Beige			
(1)	997 555 982 12	Door panel trim (leather)	right rhd	1	TURBO/COUPE PR:XTL,XVT, 099,680,981
		D - MJ 2010>>			
	997 555 982 12 A11	Black			
	997 555 982 12 5X6	Stone grey			
	997 555 982 12 8G2	Sand beige			
	997 555 982 12 3S9	sea blue			
	997 555 982 12 9S5	Terracotta			
	997 555 982 12 9V6	Cocoa			
	997 555 982 12 BCD	Black/stone grey			
	997 555 982 12 BCE	Black/sand beige			
	997 555 982 12 BCF	Black/terracotta			
	997 555 982 12 D12	Dark grey/natural			
	997 555 982 12 T12	Brown/natural			
	997 555 982 12 N12	Carrera Red			
(1)	997 555 982 13	Door panel trim (leather)	right rhd	1	TURBO/COUPE PR:XTL,XVT, 538,680,981, 099
		D - MJ 2010>>			
	997 555 982 13 A11	Black			
	997 555 982 13 5X6	Stone grey			
	997 555 982 13 8G2	Sand beige			
	997 555 982 13 3S9	sea blue			
	997 555 982 13 9S5	Terracotta			
	997 555 982 13 9V6	Cocoa			
	997 555 982 13 BCD	Black/stone grey			
	997 555 982 13 BCE	Black/sand beige			
	997 555 982 13 BCF	Black/terracotta			
	997 555 982 13 D12	Dark grey/natural			
	997 555 982 13 T12	Brown/natural			
	997 555 982 13 N12	Carrera Red			
(1)	997 555 982 18	Door panel trim (leather)	right rhd	1	CABRIO PR:XTL,XVT, 099,680,981
		D - MJ 2010>>			
	997 555 982 18 A11	Black			
	997 555 982 18 5X6	Stone grey			
	997 555 982 18 8G2	Sand beige			
	997 555 982 18 3S9	sea blue			
	997 555 982 18 9S5	Terracotta			
	997 555 982 18 9V6	Cocoa			
	997 555 982 18 BCD	Black/stone grey			
	997 555 982 18 BCE	Black/sand beige			
	997 555 982 18 BCF	Black/terracotta			
	997 555 982 18 D12	Dark grey/natural			

Model: 997T10 Model life 2010>>2013

Pos	Part Number	Description	Remark	Qty	Model
(1)	997 555 982 18 T12	Brown/natural	right rhd	1	CABRIO PR:XTL,XVT, 538,680,981, 099
	997 555 982 18 N12	Carrera Red			
	997 555 982 19	Door panel trim (leather)			
		D - MJ 2010>>			
	997 555 982 19 A11	Black			
	997 555 982 19 5X6	Stone grey			
	997 555 982 19 8G2	Sand beige			
	997 555 982 19 3S9	sea blue			
	997 555 982 19 9S5	Terracotta			
	997 555 982 19 9V6	Cocoa			
	997 555 982 19 BCD	Black/stone grey			
	997 555 982 19 BCE	Black/sand beige			
	997 555 982 19 BCF	Black/terracotta			
(1)	997 555 982 19 D12	Dark grey/natural	left rhd	1	PR:XTL,XVT, 099,680,981
	997 555 982 19 T12	Brown/natural			
	997 555 982 19 N12	Carrera Red			
	997 555 981 15	Door panel trim (leather)			
		D - MJ 2010>>			
	997 555 981 15 A11	Black			
	997 555 981 15 5X6	Stone grey			
	997 555 981 15 8G2	Sand beige			
	997 555 981 15 3S9	sea blue			
	997 555 981 15 9S5	Terracotta			
	997 555 981 15 9V6	Cocoa			
	997 555 981 15 BCD	Black/stone grey			
	997 555 981 15 BCE	Black/sand beige			
997 555 981 15 BCF	Black/terracotta				
(1)	997 555 981 15 D12	Dark grey/natural	left lhd	1	TURBO/COUPE PR:XTT,XVT, 098,680,981
	997 555 981 15 T12	Brown/natural			
	997 555 981 15 N12	Carrera Red			
	997 555 981 22	Door panel trim (leather)			
		D - MJ 2010>>			
	997 555 981 22 A11	Black			
	997 555 981 22 5X6	Stone grey			
	997 555 981 22 8G2	Sand beige			
	997 555 981 22 3S9	sea blue			
	997 555 981 22 9S5	Terracotta			
	997 555 981 22 9V6	Cocoa			
	997 555 981 22 BCD	Black/stone grey			
	997 555 981 22 BCE	Black/sand beige			
997 555 981 22 BCF	Black/terracotta				
(1)	997 555 981 22 D12	Dark grey/natural	left lhd	1	TURBO/COUPE PR:XTT,XVT, 537,680,981, 098
	997 555 981 22 T12	Brown/natural			
	997 555 981 22 N12	Carrera Red			
	997 555 981 23	Door panel trim (leather)			
		D - MJ 2010>>			
	997 555 981 23 A11	Black			
	997 555 981 23 5X6	Stone grey			
	997 555 981 23 8G2	Sand beige			
	997 555 981 23 3S9	sea blue			
	997 555 981 23 9S5	Terracotta			
	997 555 981 23 9V6	Cocoa			
	997 555 981 23 BCD	Black/stone grey			
	997 555 981 23 BCE	Black/sand beige			
997 555 981 23 BCF	Black/terracotta				
997 555 981 23 D12	Dark grey/natural				
997 555 981 23 T12	Brown/natural				

Model: 997T10 Model life 2010>>2013

Pos	Part Number	Description	Remark	Qty	Model
(1)	997 555 981 23 N12 997 555 981 28	Carrera Red Door panel trim (leather)	left lhd	1	CABRIO PR:XTT,XVT, 098,680,981
		D - MJ 2010>>			
	997 555 981 28 A11	Black			
	997 555 981 28 5X6	Stone grey			
	997 555 981 28 8G2	Sand beige			
	997 555 981 28 3S9	sea blue			
	997 555 981 28 9S5	Terracotta			
	997 555 981 28 9V6	Cocoa			
	997 555 981 28 BCD	Black/stone grey			
	997 555 981 28 BCE	Black/sand beige			
	997 555 981 28 BCF	Black/terracotta			
	997 555 981 28 D12	Dark grey/natural			
	997 555 981 28 T12	Brown/natural			
(1)	997 555 981 29	Carrera Red Door panel trim (leather)	left lhd	1	CABRIO PR:XTT,XVT, 537,680,981, 098
		D - MJ 2010>>			
	997 555 981 29 A11	Black			
	997 555 981 29 5X6	Stone grey			
	997 555 981 29 8G2	Sand beige			
	997 555 981 29 3S9	sea blue			
	997 555 981 29 9S5	Terracotta			
	997 555 981 29 9V6	Cocoa			
	997 555 981 29 BCD	Black/stone grey			
	997 555 981 29 BCE	Black/sand beige			
	997 555 981 29 BCF	Black/terracotta			
	997 555 981 29 D12	Dark grey/natural			
	997 555 981 29 T12	Brown/natural			
(1)	997 555 981 29 N12 997 555 982 25	Carrera Red Door panel trim (leather)	right lhd	1	PR:XTT,XVT, 098,680,981
		D - MJ 2010>>			
	997 555 982 25 A11	Black			
	997 555 982 25 5X6	Stone grey			
	997 555 982 25 8G2	Sand beige			
	997 555 982 25 3S9	sea blue			
	997 555 982 25 9S5	Terracotta			
	997 555 982 25 9V6	Cocoa			
	997 555 982 25 BCD	Black/stone grey			
	997 555 982 25 BCE	Black/sand beige			
	997 555 982 25 BCF	Black/terracotta			
	997 555 982 25 D12	Dark grey/natural			
	997 555 982 25 T12	Brown/natural			
(1)	997 555 982 25 N12 997 555 982 22	Carrera Red Door panel trim (leather)	right rhd	1	TURBO/COUPE PR:XTT,XVT, 099,680,981
		D - MJ 2010>>			
	997 555 982 22 A11	Black			
	997 555 982 22 5X6	Stone grey			
	997 555 982 22 8G2	Sand beige			
	997 555 982 22 3S9	sea blue			
	997 555 982 22 9S5	Terracotta			
	997 555 982 22 9V6	Cocoa			
	997 555 982 22 BCD	Black/stone grey			
	997 555 982 22 BCE	Black/sand beige			
	997 555 982 22 BCF	Black/terracotta			
	997 555 982 22 D12	Dark grey/natural			
	997 555 982 22 T12	Brown/natural			
(1)	997 555 982 22 N12 997 555 982 23	Carrera Red Door panel trim (leather)	right rhd	1	TURBO/COUPE

Model: 997T10

Model life 2010>>2013

Pos	Part Number	Description	Remark	Qty	Model
		D - MJ 2010>>			PR:XTT,XVT, 538,680,981, 099
	997 555 982 23 A11	Black			
	997 555 982 23 5X6	Stone grey			
	997 555 982 23 8G2	Sand beige			
	997 555 982 23 3S9	sea blue			
	997 555 982 23 9S5	Terracotta			
	997 555 982 23 9V6	Cocoa			
	997 555 982 23 BCD	Black/stone grey			
	997 555 982 23 BCE	Black/sand beige			
	997 555 982 23 BCF	Black/terracotta			
	997 555 982 23 D12	Dark grey/natural			
	997 555 982 23 T12	Brown/natural			
	997 555 982 23 N12	Carrera Red			
(1)	997 555 982 28	Door panel trim (leather)	right rhd	1	CABRIO PR:XTT,XVT, 099,680,981
		D - MJ 2010>>			
	997 555 982 28 A11	Black			
	997 555 982 28 5X6	Stone grey			
	997 555 982 28 8G2	Sand beige			
	997 555 982 28 3S9	sea blue			
	997 555 982 28 9S5	Terracotta			
	997 555 982 28 9V6	Cocoa			
	997 555 982 28 BCD	Black/stone grey			
	997 555 982 28 BCE	Black/sand beige			
	997 555 982 28 BCF	Black/terracotta			
	997 555 982 28 D12	Dark grey/natural			
	997 555 982 28 T12	Brown/natural			
	997 555 982 28 N12	Carrera Red			
(1)	997 555 982 29	Door panel trim (leather)	right rhd	1	CABRIO PR:XTT,XVT, 538,680,981, 099
		D - MJ 2010>>			
	997 555 982 29 A11	Black			
	997 555 982 29 5X6	Stone grey			
	997 555 982 29 8G2	Sand beige			
	997 555 982 29 3S9	sea blue			
	997 555 982 29 9S5	Terracotta			
	997 555 982 29 9V6	Cocoa			
	997 555 982 29 BCD	Black/stone grey			
	997 555 982 29 BCE	Black/sand beige			
	997 555 982 29 BCF	Black/terracotta			
	997 555 982 29 D12	Dark grey/natural			
	997 555 982 29 T12	Brown/natural			
	997 555 982 29 N12	Carrera Red			
(1)	997 555 981 25	Door panel trim (leather)	left rhd	1	PR:XTT,XVT, 099,680,981
		D - MJ 2010>>			
	997 555 981 25 A11	Black			
	997 555 981 25 5X6	Stone grey			
	997 555 981 25 8G2	Sand beige			
	997 555 981 25 3S9	sea blue			
	997 555 981 25 9S5	Terracotta			
	997 555 981 25 9V6	Cocoa			
	997 555 981 25 BCD	Black/stone grey			
	997 555 981 25 BCE	Black/sand beige			
	997 555 981 25 BCF	Black/terracotta			
	997 555 981 25 D12	Dark grey/natural			
	997 555 981 25 T12	Brown/natural			
	997 555 981 25 N12	Carrera Red			
(1)	997 555 981 32	Door panel trim (leather)	left lhd	1	TURBO/COUPE PR:XTV,XVT,

Model: 997T10 Model life 2010>>2013

Pos	Part Number	Description	Remark	Qty	Model
		D - MJ 2010>>			098,680,981
	997 555 981 32 A11	Black			
	997 555 981 32 5X6	Stone grey			
	997 555 981 32 8G2	Sand beige			
	997 555 981 32 3S9	sea blue			
	997 555 981 32 9S5	Terracotta			
	997 555 981 32 9V6	Cocoa			
	997 555 981 32 BCD	Black/stone grey			
	997 555 981 32 BCE	Black/sand beige			
	997 555 981 32 BCF	Black/terracotta			
	997 555 981 32 D12	Dark grey/natural			
	997 555 981 32 T12	Brown/natural			
	997 555 981 32 N12	Carrera Red			
(1)	997 555 981 33	Door panel trim (leather)	left lhd	1	TURBO/COUPE PR:XTV,XVT, 537,680,981, 098
		D - MJ 2010>>			
	997 555 981 33 A11	Black			
	997 555 981 33 5X6	Stone grey			
	997 555 981 33 8G2	Sand beige			
	997 555 981 33 3S9	sea blue			
	997 555 981 33 9S5	Terracotta			
	997 555 981 33 9V6	Cocoa			
	997 555 981 33 BCD	Black/stone grey			
	997 555 981 33 BCE	Black/sand beige			
	997 555 981 33 BCF	Black/terracotta			
	997 555 981 33 D12	Dark grey/natural			
	997 555 981 33 T12	Brown/natural			
	997 555 981 33 N12	Carrera Red			
(1)	997 555 981 38	Door panel trim (leather)	left lhd	1	CABRIO PR:XTV,XVT, 098,680,981
		D - MJ 2010>>			
	997 555 981 38 A11	Black			
	997 555 981 38 5X6	Stone grey			
	997 555 981 38 8G2	Sand beige			
	997 555 981 38 3S9	sea blue			
	997 555 981 38 9S5	Terracotta			
	997 555 981 38 9V6	Cocoa			
	997 555 981 38 BCD	Black/stone grey			
	997 555 981 38 BCE	Black/sand beige			
	997 555 981 38 BCF	Black/terracotta			
	997 555 981 38 D12	Dark grey/natural			
	997 555 981 38 T12	Brown/natural			
	997 555 981 38 N12	Carrera Red			
(1)	997 555 981 39	Door panel trim (leather)	left lhd	1	CABRIO PR:XTV,XVT, 537,680,981, 098
		D - MJ 2010>>			
	997 555 981 39 A11	Black			
	997 555 981 39 5X6	Stone grey			
	997 555 981 39 8G2	Sand beige			
	997 555 981 39 3S9	sea blue			
	997 555 981 39 9S5	Terracotta			
	997 555 981 39 9V6	Cocoa			
	997 555 981 39 BCD	Black/stone grey			
	997 555 981 39 BCE	Black/sand beige			
	997 555 981 39 BCF	Black/terracotta			
	997 555 981 39 D12	Dark grey/natural			
	997 555 981 39 T12	Brown/natural			
	997 555 981 39 N12	Carrera Red			
(1)	997 555 982 35	Door panel trim (leather)	right lhd	1	PR:XTV,XVT, 098,680,981
		D - MJ 2010>>			

Model: 997T10 Model life 2010>>2013

Pos	Part Number	Description	Remark	Qty	Model
	997 555 982 35 A11	Black			
	997 555 982 35 5X6	Stone grey			
	997 555 982 35 8G2	Sand beige			
	997 555 982 35 3S9	sea blue			
	997 555 982 35 9S5	Terracotta			
	997 555 982 35 9V6	Cocoa			
	997 555 982 35 BCD	Black/stone grey			
	997 555 982 35 BCE	Black/sand beige			
	997 555 982 35 BCF	Black/terracotta			
	997 555 982 35 D12	Dark grey/natural			
	997 555 982 35 T12	Brown/natural			
	997 555 982 35 N12	Carrera Red			
(1)	997 555 982 32	Door panel trim (leather)	right rhd	1	TURBO/COUPE PR:XTV,XVT, 099,680,981
		D - MJ 2010>>			
	997 555 982 32 A11	Black			
	997 555 982 32 5X6	Stone grey			
	997 555 982 32 8G2	Sand beige			
	997 555 982 32 3S9	sea blue			
	997 555 982 32 9S5	Terracotta			
	997 555 982 32 9V6	Cocoa			
	997 555 982 32 BCD	Black/stone grey			
	997 555 982 32 BCE	Black/sand beige			
	997 555 982 32 BCF	Black/terracotta			
	997 555 982 32 D12	Dark grey/natural			
	997 555 982 32 T12	Brown/natural			
	997 555 982 32 N12	Carrera Red			
(1)	997 555 982 33	Door panel trim (leather)	right rhd	1	TURBO/COUPE PR:XTV,XVT, 538,680,981, 099
		D - MJ 2010>>			
	997 555 982 33 A11	Black			
	997 555 982 33 5X6	Stone grey			
	997 555 982 33 8G2	Sand beige			
	997 555 982 33 3S9	sea blue			
	997 555 982 33 9S5	Terracotta			
	997 555 982 33 9V6	Cocoa			
	997 555 982 33 BCD	Black/stone grey			
	997 555 982 33 BCE	Black/sand beige			
	997 555 982 33 BCF	Black/terracotta			
	997 555 982 33 D12	Dark grey/natural			
	997 555 982 33 T12	Brown/natural			
	997 555 982 33 N12	Carrera Red			
(1)	997 555 982 38	Door panel trim (leather)	right rhd	1	CABRIO PR:XTV,XVT, 099,680,981
		D - MJ 2010>>			
	997 555 982 38 A11	Black			
	997 555 982 38 5X6	Stone grey			
	997 555 982 38 8G2	Sand beige			
	997 555 982 38 3S9	sea blue			
	997 555 982 38 9S5	Terracotta			
	997 555 982 38 9V6	Cocoa			
	997 555 982 38 BCD	Black/stone grey			
	997 555 982 38 BCE	Black/sand beige			
	997 555 982 38 BCF	Black/terracotta			
	997 555 982 38 D12	Dark grey/natural			
	997 555 982 38 T12	Brown/natural			
	997 555 982 38 N12	Carrera Red			
(1)	997 555 982 39	Door panel trim (leather)	right rhd	1	CABRIO PR:XTV,XVT, 538,680,981, 099
		D - MJ 2010>>			
	997 555 982 39 A11	Black			

Model: 997T10 Model life 2010>>2013

Pos	Part Number	Description	Remark	Qty	Model
	997 555 982 39 5X6	Stone grey			
	997 555 982 39 8G2	Sand beige			
	997 555 982 39 3S9	sea blue			
	997 555 982 39 9S5	Terracotta			
	997 555 982 39 9V6	Cocoa			
	997 555 982 39 BCD	Black/stone grey			
	997 555 982 39 BCE	Black/sand beige			
	997 555 982 39 BCF	Black/terracotta			
	997 555 982 39 D12	Dark grey/natural			
	997 555 982 39 T12	Brown/natural			
	997 555 982 39 N12	Carrera Red			
(1)	997 555 981 35	Door panel trim (leather)	left rhd	1	PR:XTV,XVT, 099,680,981
		D - MJ 2010>>			
	997 555 981 35 A11	Black			
	997 555 981 35 5X6	Stone grey			
	997 555 981 35 8G2	Sand beige			
	997 555 981 35 3S9	sea blue			
	997 555 981 35 9S5	Terracotta			
	997 555 981 35 9V6	Cocoa			
	997 555 981 35 BCD	Black/stone grey			
	997 555 981 35 BCE	Black/sand beige			
	997 555 981 35 BCF	Black/terracotta			
	997 555 981 35 D12	Dark grey/natural			
	997 555 981 35 T12	Brown/natural			
	997 555 981 35 N12	Carrera Red			
(1)	997 555 981 32	Door panel trim (leather)	left lhd	1	TURBO/COUPE PR:XTV,XVT, 098,680,981
		D - MJ 2010>>			
	997 555 981 32 A11	Black			
	997 555 981 32 5X6	Stone grey			
	997 555 981 32 8G2	Sand beige			
	997 555 981 32 3S9	sea blue			
	997 555 981 32 9S5	Terracotta			
	997 555 981 32 9V6	Cocoa			
	997 555 981 32 BCD	Black/stone grey			
	997 555 981 32 BCE	Black/sand beige			
	997 555 981 32 BCF	Black/terracotta			
	997 555 981 32 D12	Dark grey/natural			
	997 555 981 32 T12	Brown/natural			
	997 555 981 32 N12	Carrera Red			
(1)	997 555 981 33	Door panel trim (leather)	left lhd	1	TURBO/COUPE PR:XTV,XVT, 537,680,981, 098
		D - MJ 2010>>			
	997 555 981 33 A11	Black			
	997 555 981 33 5X6	Stone grey			
	997 555 981 33 8G2	Sand beige			
	997 555 981 33 3S9	sea blue			
	997 555 981 33 9S5	Terracotta			
	997 555 981 33 9V6	Cocoa			
	997 555 981 33 BCD	Black/stone grey			
	997 555 981 33 BCE	Black/sand beige			
	997 555 981 33 BCF	Black/terracotta			
	997 555 981 33 D12	Dark grey/natural			
	997 555 981 33 T12	Brown/natural			
	997 555 981 33 N12	Carrera Red			
(1)	997 555 981 38	Door panel trim (leather)	left lhd	1	CABRIO PR:XTV,XVT, 098,680,981
		D - MJ 2010>>			
	997 555 981 38 A11	Black			
	997 555 981 38 5X6	Stone grey			
	997 555 981 38 8G2	Sand beige			

Model: 997T10 Model life 2010>>2013

Pos	Part Number	Description	Remark	Qty	Model
	997 555 981 38 3S9	sea blue			
	997 555 981 38 9S5	Terracotta			
	997 555 981 38 9V6	Cocoa			
	997 555 981 38 BCD	Black/stone grey			
	997 555 981 38 BCE	Black/sand beige			
	997 555 981 38 BCF	Black/terracotta			
	997 555 981 38 D12	Dark grey/natural			
	997 555 981 38 T12	Brown/natural			
	997 555 981 38 N12	Carrera Red			
(1)	997 555 981 39	Door panel trim (leather)	left lhd	1	CABRIO PR: XTV, XVT, 537,680,981, 098
		D - MJ 2010>>			
	997 555 981 39 A11	Black			
	997 555 981 39 5X6	Stone grey			
	997 555 981 39 8G2	Sand beige			
	997 555 981 39 3S9	sea blue			
	997 555 981 39 9S5	Terracotta			
	997 555 981 39 9V6	Cocoa			
	997 555 981 39 BCD	Black/stone grey			
	997 555 981 39 BCE	Black/sand beige			
	997 555 981 39 BCF	Black/terracotta			
	997 555 981 39 D12	Dark grey/natural			
	997 555 981 39 T12	Brown/natural			
	997 555 981 39 N12	Carrera Red			
(1)	997 555 982 35	Door panel trim (leather)	right lhd	1	PR: XTV, XVT, 098,680,981
		D - MJ 2010>>			
	997 555 982 35 A11	Black			
	997 555 982 35 5X6	Stone grey			
	997 555 982 35 8G2	Sand beige			
	997 555 982 35 3S9	sea blue			
	997 555 982 35 9S5	Terracotta			
	997 555 982 35 9V6	Cocoa			
	997 555 982 35 BCD	Black/stone grey			
	997 555 982 35 BCE	Black/sand beige			
	997 555 982 35 BCF	Black/terracotta			
	997 555 982 35 D12	Dark grey/natural			
	997 555 982 35 T12	Brown/natural			
	997 555 982 35 N12	Carrera Red			
(1)	997 555 982 32	Door panel trim (leather)	right rhd	1	TURBO/COUPE PR: XTV, XVT, 099,680,981
		D - MJ 2010>>			
	997 555 982 32 A11	Black			
	997 555 982 32 5X6	Stone grey			
	997 555 982 32 8G2	Sand beige			
	997 555 982 32 3S9	sea blue			
	997 555 982 32 9S5	Terracotta			
	997 555 982 32 9V6	Cocoa			
	997 555 982 32 BCD	Black/stone grey			
	997 555 982 32 BCE	Black/sand beige			
	997 555 982 32 BCF	Black/terracotta			
	997 555 982 32 D12	Dark grey/natural			
	997 555 982 32 T12	Brown/natural			
	997 555 982 32 N12	Carrera Red			
(1)	997 555 982 33	Door panel trim (leather)	right rhd	1	TURBO/COUPE PR: XTV, XVT, 538,680,981, 099
		D - MJ 2010>>			
	997 555 982 33 A11	Black			
	997 555 982 33 5X6	Stone grey			
	997 555 982 33 8G2	Sand beige			
	997 555 982 33 3S9	sea blue			

Model: 997T10 Model life 2010>>2013

Pos	Part Number	Description	Remark	Qty	Model
	997 555 982 33 9S5	Terracotta			
	997 555 982 33 9V6	Cocoa			
	997 555 982 33 BCD	Black/stone grey			
	997 555 982 33 BCE	Black/sand beige			
	997 555 982 33 BCF	Black/terracotta			
	997 555 982 33 D12	Dark grey/natural			
	997 555 982 33 T12	Brown/natural			
	997 555 982 33 N12	Carrera Red			
(1)	997 555 982 38	Door panel trim (leather)	right rhd	1	CABRIO PR:XTV,XVT, 099,680,981
		D - MJ 2010>>			
	997 555 982 38 A11	Black			
	997 555 982 38 5X6	Stone grey			
	997 555 982 38 8G2	Sand beige			
	997 555 982 38 3S9	sea blue			
	997 555 982 38 9S5	Terracotta			
	997 555 982 38 9V6	Cocoa			
	997 555 982 38 BCD	Black/stone grey			
	997 555 982 38 BCE	Black/sand beige			
	997 555 982 38 BCF	Black/terracotta			
	997 555 982 38 D12	Dark grey/natural			
	997 555 982 38 T12	Brown/natural			
	997 555 982 38 N12	Carrera Red			
(1)	997 555 982 39	Door panel trim (leather)	right rhd	1	CABRIO PR:XTV,XVT, 538,680,981, 099
		D - MJ 2010>>			
	997 555 982 39 A11	Black			
	997 555 982 39 5X6	Stone grey			
	997 555 982 39 8G2	Sand beige			
	997 555 982 39 3S9	sea blue			
	997 555 982 39 9S5	Terracotta			
	997 555 982 39 9V6	Cocoa			
	997 555 982 39 BCD	Black/stone grey			
	997 555 982 39 BCE	Black/sand beige			
	997 555 982 39 BCF	Black/terracotta			
	997 555 982 39 D12	Dark grey/natural			
	997 555 982 39 T12	Brown/natural			
	997 555 982 39 N12	Carrera Red			
(1)	997 555 981 35	Door panel trim (leather)	left rhd	1	PR:XTV,XVT, 099,680,981
		D - MJ 2010>>			
	997 555 981 35 A11	Black			
	997 555 981 35 5X6	Stone grey			
	997 555 981 35 8G2	Sand beige			
	997 555 981 35 3S9	sea blue			
	997 555 981 35 9S5	Terracotta			
	997 555 981 35 9V6	Cocoa			
	997 555 981 35 BCD	Black/stone grey			
	997 555 981 35 BCE	Black/sand beige			
	997 555 981 35 BCF	Black/terracotta			
	997 555 981 35 D12	Dark grey/natural			
	997 555 981 35 T12	Brown/natural			
	997 555 981 35 N12	Carrera Red			
(1)	997 555 981 42	Door panel trim (leather)	left lhd	1	TURBO/COUPE PR:XTW,XVT, 098,680,981
		D - MJ 2010>>			
	997 555 981 42 A11	Black			
	997 555 981 42 5X6	Stone grey			
	997 555 981 42 8G2	Sand beige			
	997 555 981 42 3S9	sea blue			
	997 555 981 42 9S5	Terracotta			
	997 555 981 42 9V6	Cocoa			

Model: 997T10 Model life 2010>>2013

Pos	Part Number	Description	Remark	Qty	Model
	997 555 981 42 BCD	Black/stone grey			
	997 555 981 42 BCE	Black/sand beige			
	997 555 981 42 BCF	Black/terracotta			
	997 555 981 42 D12	Dark grey/natural			
	997 555 981 42 T12	Brown/natural			
	997 555 981 42 N12	Carrera Red			
(1)	997 555 981 43	Door panel trim (leather)	left lhd	1	TURBO/COUPE PR:XTW,XVT, 537,680,981, 098
		D - MJ 2010>>			
	997 555 981 43 A11	Black			
	997 555 981 43 5X6	Stone grey			
	997 555 981 43 8G2	Sand beige			
	997 555 981 43 3S9	sea blue			
	997 555 981 43 9S5	Terracotta			
	997 555 981 43 9V6	Cocoa			
	997 555 981 43 BCD	Black/stone grey			
	997 555 981 43 BCE	Black/sand beige			
	997 555 981 43 BCF	Black/terracotta			
	997 555 981 43 D12	Dark grey/natural			
	997 555 981 43 T12	Brown/natural			
	997 555 981 43 N12	Carrera Red			
(1)	997 555 981 48	Door panel trim (leather)	left lhd	1	CABRIO PR:XTW,XVT, 098,680,981
		D - MJ 2010>>			
	997 555 981 48 A11	Black			
	997 555 981 48 5X6	Stone grey			
	997 555 981 48 8G2	Sand beige			
	997 555 981 48 3S9	sea blue			
	997 555 981 48 9S5	Terracotta			
	997 555 981 48 9V6	Cocoa			
	997 555 981 48 BCD	Black/stone grey			
	997 555 981 48 BCE	Black/sand beige			
	997 555 981 48 BCF	Black/terracotta			
	997 555 981 48 D12	Dark grey/natural			
	997 555 981 48 T12	Brown/natural			
	997 555 981 48 N12	Carrera Red			
(1)	997 555 981 49	Door panel trim (leather)	left lhd	1	CABRIO PR:XTW,XVT, 537,680,981, 098
		D - MJ 2010>>			
	997 555 981 49 A11	Black			
	997 555 981 49 5X6	Stone grey			
	997 555 981 49 8G2	Sand beige			
	997 555 981 49 3S9	sea blue			
	997 555 981 49 9S5	Terracotta			
	997 555 981 49 9V6	Cocoa			
	997 555 981 49 BCD	Black/stone grey			
	997 555 981 49 BCE	Black/sand beige			
	997 555 981 49 BCF	Black/terracotta			
	997 555 981 49 D12	Dark grey/natural			
	997 555 981 49 T12	Brown/natural			
	997 555 981 49 N12	Carrera Red			
(1)	997 555 982 45	Door panel trim (leather)	right lhd	1	PR:XTW,XVT, 098,680,981
		D - MJ 2010>>			
	997 555 982 45 A11	Black			
	997 555 982 45 5X6	Stone grey			
	997 555 982 45 8G2	Sand beige			
	997 555 982 45 3S9	sea blue			
	997 555 982 45 9S5	Terracotta			
	997 555 982 45 9V6	Cocoa			
	997 555 982 45 BCD	Black/stone grey			

Model: 997T10 Model life 2010>>2013

Pos	Part Number	Description	Remark	Qty	Model
(1)	997 555 982 45 BCE	Black/sand beige			
	997 555 982 45 BCF	Black/terracotta			
	997 555 982 45 D12	Dark grey/natural			
	997 555 982 45 T12	Brown/natural			
	997 555 982 45 N12	Carrera Red			
	997 555 982 42	Door panel trim (leather)	right rhd	1	TURBO/COUPE PR:XTW,XVT, 099,680,981
		D - MJ 2010>>			
	997 555 982 42 A11	Black			
	997 555 982 42 5X6	Stone grey			
	997 555 982 42 8G2	Sand beige			
	997 555 982 42 3S9	sea blue			
	997 555 982 42 9S5	Terracotta			
	997 555 982 42 9V6	Cocoa			
(1)	997 555 982 42 BCD	Black/stone grey			
	997 555 982 42 BCE	Black/sand beige			
	997 555 982 42 BCF	Black/terracotta			
	997 555 982 42 D12	Dark grey/natural			
	997 555 982 42 T12	Brown/natural			
	997 555 982 42 N12	Carrera Red			
	997 555 982 43	Door panel trim (leather)	right rhd	1	TURBO/COUPE PR:XTW,XVT, 538,680,981, 099
		D - MJ 2010>>			
	997 555 982 43 A11	Black			
	997 555 982 43 5X6	Stone grey			
	997 555 982 43 8G2	Sand beige			
	997 555 982 43 3S9	sea blue			
	997 555 982 43 9S5	Terracotta			
997 555 982 43 9V6	Cocoa				
(1)	997 555 982 43 BCD	Black/stone grey			
	997 555 982 43 BCE	Black/sand beige			
	997 555 982 43 BCF	Black/terracotta			
	997 555 982 43 D12	Dark grey/natural			
	997 555 982 43 T12	Brown/natural			
	997 555 982 43 N12	Carrera Red			
	997 555 982 48	Door panel trim (leather)	right rhd	1	CABRIO PR:XTW,XVT, 099,680,981
		D - MJ 2010>>			
	997 555 982 48 A11	Black			
	997 555 982 48 5X6	Stone grey			
	997 555 982 48 8G2	Sand beige			
	997 555 982 48 3S9	sea blue			
	997 555 982 48 9S5	Terracotta			
997 555 982 48 9V6	Cocoa				
(1)	997 555 982 48 BCD	Black/stone grey			
	997 555 982 48 BCE	Black/sand beige			
	997 555 982 48 BCF	Black/terracotta			
	997 555 982 48 D12	Dark grey/natural			
	997 555 982 48 T12	Brown/natural			
	997 555 982 48 N12	Carrera Red			
	997 555 982 49	Door panel trim (leather)	right rhd	1	CABRIO PR:XTW,XVT, 538,680,981, 099
		D - MJ 2010>>			
	997 555 982 49 A11	Black			
	997 555 982 49 5X6	Stone grey			
	997 555 982 49 8G2	Sand beige			
	997 555 982 49 3S9	sea blue			
	997 555 982 49 9S5	Terracotta			
997 555 982 49 9V6	Cocoa				
997 555 982 49 BCD	Black/stone grey				
997 555 982 49 BCE	Black/sand beige				

Model: 997T10 Model life 2010>>2013

Pos	Part Number	Description	Remark	Qty	Model	
(1)	997 555 982 49 BCF	Black/terracotta				
	997 555 982 49 D12	Dark grey/natural				
	997 555 982 49 T12	Brown/natural				
	997 555 982 49 N12	Carrera Red				
	997 555 981 45	Door panel trim (leather)	left rhd	1	PR:XTW,XVT, 099,680,981	
		D - MJ 2010>>				
	997 555 981 45 A11	Black				
	997 555 981 45 5X6	Stone grey				
	997 555 981 45 8G2	Sand beige				
	997 555 981 45 3S9	sea blue				
	997 555 981 45 9S5	Terracotta				
	997 555 981 45 9V6	Cocoa				
	997 555 981 45 BCD	Black/stone grey				
	997 555 981 45 BCE	Black/sand beige				
(1)	997 555 981 45 BCF	Black/terracotta				
	997 555 981 45 D12	Dark grey/natural				
	997 555 981 45 T12	Brown/natural				
	997 555 981 45 N12	Carrera Red				
	987 555 993 37	door panel Leather	left lhd	1	PR:XTV,537, 680,981,098	
	987 555 993 37 A11	Black				
	987 555 993 37 5X6	Stone grey				
	987 555 993 37 8G2	Sand beige				
	987 555 993 37 3S9	sea blue				
	987 555 993 37 9S5	Terracotta				
	987 555 993 37 9V6	Cocoa				
	987 555 993 37 D12	Dark grey/natural				
	987 555 993 37 T12	Brown/natural				
	987 555 993 37 6J0	Espresso				
(1)	987 555 993 37 N12	Carrera Red				
	987 555 993 37 BCD	Black/stone grey				
	987 555 993 37 BCE	Black/sand beige				
	987 555 993 37 BCF	Black/terracotta				
	987 555 993 37 BCN	Black/Cream				
	987 555 993 37 BCO	Black/Titanium Blue				
	987 555 993 37 BCP	Espresso/Luxor Beige				
	987 555 994 27	door panel Leather	right lhd	1	PR:XTV,098, 680,981	
	987 555 994 27 A11	Black				
	987 555 994 27 5X6	Stone grey				
	987 555 994 27 8G2	Sand beige				
	987 555 994 27 3S9	sea blue				
	987 555 994 27 9S5	Terracotta				
	987 555 994 27 9V6	Cocoa				
987 555 994 27 D12	Dark grey/natural					
(1)	987 555 994 27 T12	Brown/natural				
	987 555 994 27 6J0	Espresso				
	987 555 994 27 N12	Carrera Red				
	987 555 994 27 BCD	Black/stone grey				
	987 555 994 27 BCE	Black/sand beige				
	987 555 994 27 BCF	Black/terracotta				
	987 555 994 27 BCN	Black/Cream				
	987 555 994 27 BCO	Black/Titanium Blue				
	987 555 994 27 BCP	Espresso/Luxor Beige				
	987 555 981 22	Door panel trim (leather)	left	1	PR:018,537, 680,981	
	(1)	987 555 981 22 FVB	Black/Peridot			
		987 555 981 37	Door panel trim (leather)	left	1	PR:018,537, 680,981
	(1)	987 555 981 37 FVB	Black/Peridot			
		987 555 981 27	Door panel trim (leather)	left rhd	1	PR:018,099, 680,981

Model: 997T10 Model life 2010>>2013

Pos	Part Number	Description	Remark	Qty	Model
(1)	987 555 981 27 FVB 987 555 982 22	Black/Peridot Door panel trim (leather)	right	1	PR:018,538, 680,981
(1)	987 555 982 22 FVB 987 555 982 37	Black/Peridot Door panel trim (leather)	right	1	PR:018,538, 680,981
(1)	987 555 982 37 FVB 987 555 982 27	Black/Peridot Door panel trim (leather)	right lhd	1	PR:018,098, 680,981
2	987 555 982 27 FVB 999 507 533 02	Black/Peridot Clamp		2	
3	955 555 243 00	8,0X 10/2,5 Retaining clip for door panel		9	
4	999 073 322 02	fillister hd. bolt M 6 X 20 for Mount door panel		5	
5	997 555 221 01	Cover Stowage compartment	left	1	TURBO PR:-XTL, -XTT,-XTW
	997 555 221 01 FSA	black/grey			
	997 555 221 01 FSB	Stone grey/stone grey			
	997 555 221 01 FSC	Sand beige/sand beige			
	997 555 221 01 FSD	Sea blue/grey			
	997 555 221 01 FSF	Terracotta/terracotta			
	997 555 221 01 FSG	Cocoa/Cocoa			
	997 555 221 01 FSH	Darkgrey natural/grey			
	997 555 221 01 FSJ	Brown nat./brown nat.			
	997 555 221 01 FSP	Carrera Red			
(5)	997 555 222 01	Cover Stowage compartment	right	1	TURBO PR:-XTL, -XTT,-XTW
	997 555 222 01 FSA	black/grey			
	997 555 222 01 FSB	Stone grey/stone grey			
	997 555 222 01 FSC	Sand beige/sand beige			
	997 555 222 01 FSD	Sea blue/grey			
	997 555 222 01 FSF	Terracotta/terracotta			
	997 555 222 01 FSG	Cocoa/Cocoa			
	997 555 222 01 FSH	Darkgrey natural/grey			
	997 555 222 01 FSJ	Brown nat./brown nat.			
	997 555 222 01 FSP	Carrera Red			
(5)	997 555 989 00	Cover for stowage compartment	left	1	TURBO PR:XTL
	997 555 989 00 A35	Carbon Black			
(5)	997 555 990 00	Cover for stowage compartment	right	1	TURBO PR:XTL
	997 555 990 00 A35	Carbon Black			
(5)	997 555 989 02	Cover for stowage compartment	left	1	TURBO PR:XTT
	997 555 989 02 S61	macassar			
(5)	997 555 990 02	Cover for stowage compartment	right	1	TURBO PR:XTT
	997 555 990 02 S61	macassar			
(5)	997 555 989 03	Cover for stowage compartment	left	1	TURBO PR:XTW
	997 555 989 03 V04	Galvano silver			
(5)	997 555 990 03	Cover for stowage compartment	right	1	TURBO PR:XTW

Model: 997T10 Model life 2010>>2013

Pos	Part Number	Description	Remark	Qty	Model
6	997 555 990 03 V04 997 555 833 00	Galvano silver Leg spring for Cover Stowage compartment	left	1	
(6)	997 555 834 00	Leg spring for Cover Stowage compartment	right	1	
7	997 555 841 00	Damper Stowage compartment		1	
(8)	997 555 261 01	Pull handle (leather) Lower part	left	1	TURBO
	997 555 261 01 A11	Black			
	997 555 261 01 5X6	Stone grey			
	997 555 261 01 8G2	Sand beige			
	997 555 261 01 3S9	sea blue			
	997 555 261 01 9S5	Terracotta			
	997 555 261 01 9V6	Cocoa			
	997 555 261 01 D12	Dark grey/natural			
	997 555 261 01 T12	Brown/natural			
	997 555 261 01 N12	Carrera Red			
(8)	997 555 262 01	Pull handle (leather) Lower part	right	1	TURBO
	997 555 262 01 A11	Black			
	997 555 262 01 5X6	Stone grey			
	997 555 262 01 8G2	Sand beige			
	997 555 262 01 3S9	sea blue			
	997 555 262 01 9S5	Terracotta			
	997 555 262 01 9V6	Cocoa			
	997 555 262 01 D12	Dark grey/natural			
	997 555 262 01 T12	Brown/natural			
	997 555 262 01 N12	Carrera Red			
9	999 919 229 02	fillister hd. bolt 6,0 X 40,0 for Mount Pull handle		2	
(10)	997 555 381 03	Axle bearing	left	1	
(10)	997 555 382 03	Axle bearing	right	1	
11	999 919 164 09	fillister hd. bolt 5 X 12 for Mount Axle bearing		3	
12	997 555 461 01	lever Inner actuator	left	1	
(12)	997 555 461 01 V05 997 555 462 01	Galvano silver lever Inner actuator	right	1	
13	997 555 462 01 V05 999 919 164 09	Galvano silver fillister hd. bolt 5 X 12 for Mount lever Inner actuator		1	
14	997 555 683 00	Cover cap Airbag	left	1	
	997 555 683 00 A03	Black			
	997 555 683 00 5V7	Stone grey			
	997 555 683 00 5Z1	Sand beige			
	997 555 683 00 8W7	sea blue			

Model: 997T10 Model life 2010>>2013

Pos	Part Number	Description	Remark	Qty	Model
(14)	997 555 683 00 8X8	Terracotta	right	1	
	997 555 683 00 8P9	Cocoa			
	997 555 683 00 T13	Brown/natural			
	997 555 683 00 N23	Carrera Red			
	997 555 684 00	Cover cap			
		Airbag			
	997 555 684 00 A03	Black			
	997 555 684 00 5V7	Stone grey			
	997 555 684 00 5Z1	Sand beige			
	997 555 684 00 8W7	sea blue			
15	997 555 684 00 8X8	Terracotta	left front	1	PR:-XVT
	997 555 684 00 8P9	Cocoa			
	997 555 684 00 T13	Brown/natural			
	997 555 684 00 N23	Carrera Red			
	997 555 643 01	Trim			
		Lacquered			
	997 555 643 01 A03	Black			
	997 555 643 01 5V7	Stone grey			
	997 555 643 01 5Z1	Sand beige			
	997 555 643 01 8W7	sea blue			
(15)	997 555 643 01 8X8	Terracotta	right front	1	PR:-XVT
	997 555 643 01 8P9	Cocoa			
	997 555 643 01 T13	Brown/natural			
	997 555 643 01 N23	Carrera Red			
	997 555 644 01	Trim			
		Lacquered			
	997 555 644 01 A03	Black			
	997 555 644 01 5V7	Stone grey			
	997 555 644 01 5Z1	Sand beige			
	997 555 644 01 8W7	sea blue			
(15)	997 555 644 01 8X8	Terracotta	left front	1	PR:XVT
	997 555 644 01 8P9	Cocoa			
	997 555 644 01 T13	Brown/natural			
	997 555 644 01 N23	Carrera Red			
	997 555 643 02	Leather panel			
		D - MJ 2010>>			
	997 555 643 02 A11	Black			
	997 555 643 02 5X6	Stone grey			
	997 555 643 02 8G2	Sand beige			
	997 555 643 02 3S9	sea blue			
(15)	997 555 643 02 9S5	Terracotta	right front	1	PR:XVT
	997 555 643 02 9V6	Cocoa			
	997 555 643 02 D12	Dark grey/natural			
	997 555 643 02 T12	Brown/natural			
	997 555 643 02 N12	Carrera Red			
	997 555 644 02	Leather panel			
		D - MJ 2010>>			
	997 555 644 02 A11	Black			
	997 555 644 02 5X6	Stone grey			
	997 555 644 02 8G2	Sand beige			
16	997 555 644 02 3S9	sea blue	left	1	TURBO PR:-XTL, -XTT, -XTW
	997 555 644 02 9S5	Terracotta			
	997 555 644 02 9V6	Cocoa			
	997 555 644 02 D12	Dark grey/natural			
	997 555 644 02 T12	Brown/natural			
	997 555 644 02 N12	Carrera Red			
	997 555 431 01	Leather panel			
		Door handle			

Model: 997T10

Model life 2010>>2013

Pos	Part Number	Description	Remark	Qty	Model
	997 555 431 01 FSA	black/grey			
	997 555 431 01 FSB	Stone grey/stone grey			
	997 555 431 01 FSC	Sand beige/sand beige			
	997 555 431 01 FSD	Sea blue/grey			
	997 555 431 01 FSF	Terracotta/terracotta			
	997 555 431 01 FSG	Cocoa/Cocoa			
	997 555 431 01 FSH	Darkgrey natural/grey			
	997 555 431 01 FSJ	Brown nat./brown nat.			
	997 555 431 01 FSP	Carrera Red			
(16)	997 555 432 01	Leather panel Door handle	right	1	TURBO PR: -XTL, -XTT, -XTW
	997 555 432 01 FSA	black/grey			
	997 555 432 01 FSB	Stone grey/stone grey			
	997 555 432 01 FSC	Sand beige/sand beige			
	997 555 432 01 FSD	Sea blue/grey			
	997 555 432 01 FSF	Terracotta/terracotta			
	997 555 432 01 FSG	Cocoa/Cocoa			
	997 555 432 01 FSH	Darkgrey natural/grey			
	997 555 432 01 FSJ	Brown nat./brown nat.			
	997 555 432 01 FSP	Carrera Red			
(16)	997 555 991 00	Trim Door handle Carbon	left	1	TURBO PR: XTL
	997 555 991 00 A11	Black			
	997 555 991 00 5X6	Stone grey			
	997 555 991 00 8G2	Sand beige			
	997 555 991 00 3S9	sea blue			
	997 555 991 00 9S5	Terracotta			
	997 555 991 00 9V6	Cocoa			
	997 555 991 00 D12	Dark grey/natural			
	997 555 991 00 T12	Brown/natural			
	997 555 991 00 N12	Carrera Red			
(16)	997 555 992 00	Trim Door handle Carbon	right	1	TURBO PR: XTL
	997 555 992 00 A11	Black			
	997 555 992 00 5X6	Stone grey			
	997 555 992 00 8G2	Sand beige			
	997 555 992 00 3S9	sea blue			
	997 555 992 00 9S5	Terracotta			
	997 555 992 00 9V6	Cocoa			
	997 555 992 00 D12	Dark grey/natural			
	997 555 992 00 T12	Brown/natural			
	997 555 992 00 N12	Carrera Red			
(16)	997 555 991 02	Trim Door handle macassar	left	1	TURBO PR: XTT
	997 555 991 02 A11	Black			
	997 555 991 02 5X6	Stone grey			
	997 555 991 02 8G2	Sand beige			
	997 555 991 02 3S9	sea blue			
	997 555 991 02 9S5	Terracotta			
	997 555 991 02 9V6	Cocoa			
	997 555 991 02 D12	Dark grey/natural			
	997 555 991 02 T12	Brown/natural			
	997 555 991 02 N12	Carrera Red			
(16)	997 555 992 02	Trim Door handle macassar	right	1	TURBO PR: XTT
	997 555 992 02 A11	Black			
	997 555 992 02 5X6	Stone grey			
	997 555 992 02 8G2	Sand beige			

Model: 997T10 Model life 2010>>2013

Pos	Part Number	Description	Remark	Qty	Model
(16)	997 555 992 02 3S9	sea blue	left	1	TURBO PR:XTW
	997 555 992 02 9S5	Terracotta			
	997 555 992 02 9V6	Cocoa			
	997 555 992 02 D12	Dark grey/natural			
	997 555 992 02 T12	Brown/natural			
	997 555 992 02 N12	Carrera Red			
	997 555 991 03	Trim			
		Door handle			
		Aluminium look			
	997 555 991 03 A11	Black			
	997 555 991 03 5X6	Stone grey			
	997 555 991 03 8G2	Sand beige			
	997 555 991 03 3S9	sea blue			
	997 555 991 03 9S5	Terracotta			
	997 555 991 03 9V6	Cocoa			
	(16)	997 555 991 03 D12			
997 555 991 03 T12		Brown/natural			
997 555 991 03 N12		Carrera Red			
997 555 992 03		Trim			
		Door handle			
		Aluminium look			
997 555 992 03 A11		Black			
997 555 992 03 5X6		Stone grey			
997 555 992 03 8G2		Sand beige			
997 555 992 03 3S9		sea blue			
997 555 992 03 9S5		Terracotta			
997 555 992 03 9V6		Cocoa			
997 555 992 03 D12		Dark grey/natural			
997 555 992 03 T12		Brown/natural			
997 555 992 03 N12		Carrera Red			
17		999 591 380 01	Cable fastener		4
(18)	997 555 685 02	Cover	left	1	PR:098
		Exterior mirror (drivers side)			
		Lacquered			
	997 555 685 02 A03	Black			
	997 555 685 02 5V7	Stone grey			
	997 555 685 02 5Z1	Sand beige			
	997 555 685 02 8W7	sea blue			
	997 555 685 02 8X8	Terracotta			
	997 555 685 02 8P9	Cocoa			
	997 555 685 02 T13	Brown/natural			
	997 555 685 02 N23	Carrera Red			
	997 555 686 03	Cover			
		Exterior mirror (drivers side)			
		Lacquered			
	997 555 686 03 A03	Black			
	997 555 686 03 5V7	Stone grey			
997 555 686 03 5Z1	Sand beige				
997 555 686 03 8W7	sea blue				
997 555 686 03 8X8	Terracotta				
997 555 686 03 8P9	Cocoa				
997 555 686 03 T13	Brown/natural				
997 555 686 03 N23	Carrera Red				
(18)	997 555 995 00	Cover (leather)	left	1	PR:098 ,XDX
		Exterior mirror (drivers side)			
		Lacquered			
	997 555 995 00 A11	Black			
	997 555 995 00 5X6	Stone grey			
	997 555 995 00 8G2	Sand beige			
997 555 995 00 3S9	sea blue				
997 555 995 00 9S5	Terracotta				

Model: 997T10 Model life 2010>>2013

Pos	Part Number	Description	Remark	Qty	Model
(18)	997 555 995 00 9V6	Cocoa			
	997 555 995 00 T12	Brown/natural			
	997 555 995 00 N12	Carrera Red			
	997 555 996 01	Cover (leather)	right rhd	1	PR:099, XDX
		Exterior mirror (drivers side)			
	997 555 996 01 A11	Black			
	997 555 996 01 5X6	Stone grey			
	997 555 996 01 8G2	Sand beige			
	997 555 996 01 3S9	sea blue			
	997 555 996 01 9S5	Terracotta			
(18)	997 555 996 01 9V6	Cocoa			
	997 555 996 01 T12	Brown/natural			
	997 555 996 01 N12	Carrera Red			
	997 555 686 02	Cover	right lhd	1	PR:098
		Exterior mirror (passenger side)			
		Lacquered			
	997 555 686 02 A03	Black			
	997 555 686 02 5V7	Stone grey			
	997 555 686 02 5Z1	Sand beige			
	997 555 686 02 8W7	sea blue			
(18)	997 555 686 02 8X8	Terracotta			
	997 555 686 02 8P9	Cocoa			
	997 555 686 02 T13	Brown/natural			
	997 555 686 02 N23	Carrera Red			
	997 555 685 03	Cover	left rhd	1	PR:099
		Exterior mirror (passenger side)			
		Lacquered			
	997 555 685 03 A03	Black			
	997 555 685 03 5V7	Stone grey			
	997 555 685 03 5Z1	Sand beige			
(18)	997 555 685 03 8W7	sea blue			
	997 555 685 03 8X8	Terracotta			
	997 555 685 03 8P9	Cocoa			
	997 555 685 03 T13	Brown/natural			
	997 555 685 03 N23	Carrera Red			
	997 555 996 00	Cover (leather)	right lhd	1	PR:098, XDX
		Exterior mirror (passenger side)			
	997 555 996 00 A11	Black			
	997 555 996 00 5X6	Stone grey			
	997 555 996 00 8G2	Sand beige			
(18)	997 555 996 00 3S9	sea blue			
	997 555 996 00 9S5	Terracotta			
	997 555 996 00 9V6	Cocoa			
	997 555 996 00 D12	Dark grey/natural			
	997 555 996 00 T12	Brown/natural			
	997 555 996 00 N12	Carrera Red			
	997 555 995 01	Cover (leather)	left rhd	1	PR:099, XDX
		Exterior mirror (passenger side)			
	997 555 995 01 A11	Black			
	997 555 995 01 5X6	Stone grey			
19	997 555 995 01 8G2	Sand beige			
	997 555 995 01 3S9	sea blue			
	997 555 995 01 9S5	Terracotta			
	997 555 995 01 9V6	Cocoa			
	997 555 995 01 D12	Dark grey/natural			
	997 555 995 01 T12	Brown/natural			
	997 555 995 01 N12	Carrera Red			
	997 555 577 00	Cover cap		1	

Model: 997T10 Model life 2010>>2013

Pos	Part Number	Description	Remark	Qty	Model
	997 555 577 00 A03	Handle liner Black			
	997 555 577 00 5V7	Stone grey			
	997 555 577 00 8W7	sea blue			
	997 555 577 00 8X8	Terracotta			
	997 555 577 00 8P9	Cocoa			
	997 555 577 00 T13	Brown/natural			
	997 555 577 00 N23	Carrera Red			
20	997 555 895 00	Plastic foam strip for		1	
21	997 645 511 00	Bass loudspeaker inscription		2	PR:680
22	997 555 597 00	Distance piece		2	
		Bonnet hinge			
23	999 702 281 41	Grommet		1	
		Axle bearing			
24	997 555 271 01	Pull handle (leather) Upper part	left	1	TURBO
	997 555 271 01 FSA	black/grey			
	997 555 271 01 FSB	Stone grey/stone grey			
	997 555 271 01 FSC	Sand beige/sand beige			
	997 555 271 01 FSD	Sea blue/grey			
	997 555 271 01 FSF	Terracotta/terracotta			
	997 555 271 01 FSG	Cocoa/Cocoa			
	997 555 271 01 FSH	Darkgrey natural/grey			
	997 555 271 01 FSJ	Brown nat./brown nat.			
	997 555 271 01 FSP	Carrera Red			
(24)	997 555 272 01	Pull handle (leather) Upper part	right	1	TURBO
	997 555 272 01 FSA	black/grey			
	997 555 272 01 FSB	Stone grey/stone grey			
	997 555 272 01 FSC	Sand beige/sand beige			
	997 555 272 01 FSD	Sea blue/grey			
	997 555 272 01 FSF	Terracotta/terracotta			
	997 555 272 01 FSG	Cocoa/Cocoa			
	997 555 272 01 FSH	Darkgrey natural/grey			
	997 555 272 01 FSJ	Brown nat./brown nat.			
	997 555 272 01 FSP	Carrera Red			
(24)	997 555 987 00	Pull handle Upper part	left	1	TURBO PR:XTL
	997 555 987 00 A35	Black			
(24)	997 555 988 00	Pull handle Upper part	right	1	TURBO PR:XTL
		Carbon			
	997 555 988 00 A35	Black			
(24)	997 555 987 02	Pull handle Upper part	left	1	TURBO PR:XTT
	997 555 987 02 S61	macassar			
(24)	997 555 988 02	Pull handle Upper part	right	1	TURBO PR:XTT
	997 555 988 02 S61	macassar			
(24)	997 555 987 03	Pull handle Upper part	left	1	TURBO PR:XTW
	997 555 987 03 V04	Galvano silver			
(24)	997 555 988 03	Pull handle Upper part	right	1	TURBO PR:XTW
	997 555 988 03 V04	aluminium			
25	997 555 351 03	Insert Handle liner Lacquered	left lhd	1	COUPE PR:098
	997 555 351 03 A03	Black			
	997 555 351 03 5V7	Stone grey			
	997 555 351 03 5Z1	Sand beige			

Model: 997T10 Model life 2010>>2013

Pos	Part Number	Description	Remark	Qty	Model	
25	997 555 351 03 8W7	sea blue				
	997 555 351 03 8X8	Terracotta				
	997 555 351 03 8P9	Cocoa				
	997 555 351 03 T13	Brown/natural				
	997 555 351 03 N23	Carrera Red				
	997 555 352 03	Insert Handle liner Lacquered	right rhd	1	COUPE PR:099	
	997 555 352 03 A03	Black				
	997 555 352 03 5V7	Stone grey				
	997 555 352 03 5Z1	Sand beige				
	997 555 352 03 8W7	sea blue				
	997 555 352 03 8X8	Terracotta				
	997 555 352 03 8P9	Cocoa				
	997 555 352 03 T13	Brown/natural				
	997 555 352 03 N23	Carrera Red				
(25)	997 555 351 05	Insert Handle liner Lacquered	left lhd	1	CABRIO PR:098	
(25)	997 555 351 05 A03	Black				
	997 555 351 05 5V7	Stone grey				
	997 555 351 05 5Z1	Sand beige				
	997 555 351 05 8W7	sea blue				
	997 555 351 05 8X8	Terracotta				
	997 555 351 05 8P9	Cocoa				
	997 555 351 05 T13	Brown/natural				
	997 555 351 05 N23	Carrera Red				
	(25)	997 555 352 05	Insert Handle liner Lacquered	right rhd	1	CABRIO PR:099
	25	997 555 352 05 A03	Black			
		997 555 352 05 5V7	Stone grey			
		997 555 352 05 5Z1	Sand beige			
		997 555 352 05 8W7	sea blue			
		997 555 352 05 8X8	Terracotta			
997 555 352 05 8P9		Cocoa				
997 555 352 05 T13		Brown/natural				
997 555 352 05 N23		Carrera Red				
(25)		997 555 352 04	Insert Handle liner Lacquered	right lhd	1	PR:098
(25)		997 555 352 04 A03	Black			
		997 555 352 04 5V7	Stone grey			
		997 555 352 04 5Z1	Sand beige			
		997 555 352 04 8W7	sea blue			
		997 555 352 04 8X8	Terracotta			
	997 555 352 04 8P9	Cocoa				
	997 555 352 04 T13	Brown/natural				
	997 555 352 04 N23	Carrera Red				
	(25)	997 555 351 04	Insert Handle liner Lacquered	left rhd	1	PR:099
	25	997 555 351 04 A03	Black			
		997 555 351 04 5V7	Stone grey			
		997 555 351 04 5Z1	Sand beige			
		997 555 351 04 8W7	sea blue			
		997 555 351 04 8X8	Terracotta			
997 555 351 04 8P9		Cocoa				
997 555 351 04 T13		Brown/natural				
997 555 351 04 N23		Carrera Red				
(25)		997 555 985 00	Insert Handle liner Leather	left lhd	1	COUPE PR:XTV,098

Model: 997T10 Model life 2010>>2013

Pos	Part Number	Description	Remark	Qty	Model
	997 555 985 00 A11	Black			
	997 555 985 00 5X6	Stone grey			
	997 555 985 00 8G2	Sand beige			
	997 555 985 00 3S9	sea blue			
	997 555 985 00 9S5	Terracotta			
	997 555 985 00 9V6	Cocoa			
	997 555 985 00 D12	Dark grey/natural			
	997 555 985 00 T12	Brown/natural			
	997 555 985 00 N12	Carrera Red			
(25)	997 555 986 01	Insert Handle liner Leather	right rhd	1	COUPE PR:XTV,099
	997 555 986 01 A11	Black			
	997 555 986 01 5X6	Stone grey			
	997 555 986 01 8G2	Sand beige			
	997 555 986 01 3S9	sea blue			
	997 555 986 01 9S5	Terracotta			
	997 555 986 01 9V6	Cocoa			
	997 555 986 01 D12	Dark grey/natural			
	997 555 986 01 T12	Brown/natural			
	997 555 986 01 N12	Carrera Red			
(25)	997 555 985 01	Insert Handle liner Leather	left lhd	1	CABRIO PR:XTV,098
	997 555 985 01 A11	Black			
	997 555 985 01 5X6	Stone grey			
	997 555 985 01 8G2	Sand beige			
	997 555 985 01 3S9	sea blue			
	997 555 985 01 9S5	Terracotta			
	997 555 985 01 9V6	Cocoa			
	997 555 985 01 D12	Dark grey/natural			
	997 555 985 01 T12	Brown/natural			
	997 555 985 01 N12	Carrera Red			
(25)	997 555 986 02	Insert Handle liner Leather	right rhd	1	CABRIO PR:XTV,099
	997 555 986 02 A11	Black			
	997 555 986 02 5X6	Stone grey			
	997 555 986 02 8G2	Sand beige			
	997 555 986 02 3S9	sea blue			
	997 555 986 02 9S5	Terracotta			
	997 555 986 02 9V6	Cocoa			
	997 555 986 02 D12	Dark grey/natural			
	997 555 986 02 T12	Brown/natural			
	997 555 986 02 N12	Carrera Red			
(25)	997 555 986 00	Insert Handle liner Leather	right lhd	1	PR:XTV,098
	997 555 986 00 A11	Black			
	997 555 986 00 5X6	Stone grey			
	997 555 986 00 8G2	Sand beige			
	997 555 986 00 3S9	sea blue			
	997 555 986 00 9S5	Terracotta			
	997 555 986 00 9V6	Cocoa			
	997 555 986 00 D12	Dark grey/natural			
	997 555 986 00 T12	Brown/natural			
	997 555 986 00 N12	Carrera Red			
(25)	997 555 985 02	Insert Handle liner Leather	left rhd	1	PR:XTV,099
	997 555 985 02 A11	Black			
	997 555 985 02 5X6	Stone grey			
	997 555 985 02 8G2	Sand beige			

Model: 997T10 Model life 2010>>2013

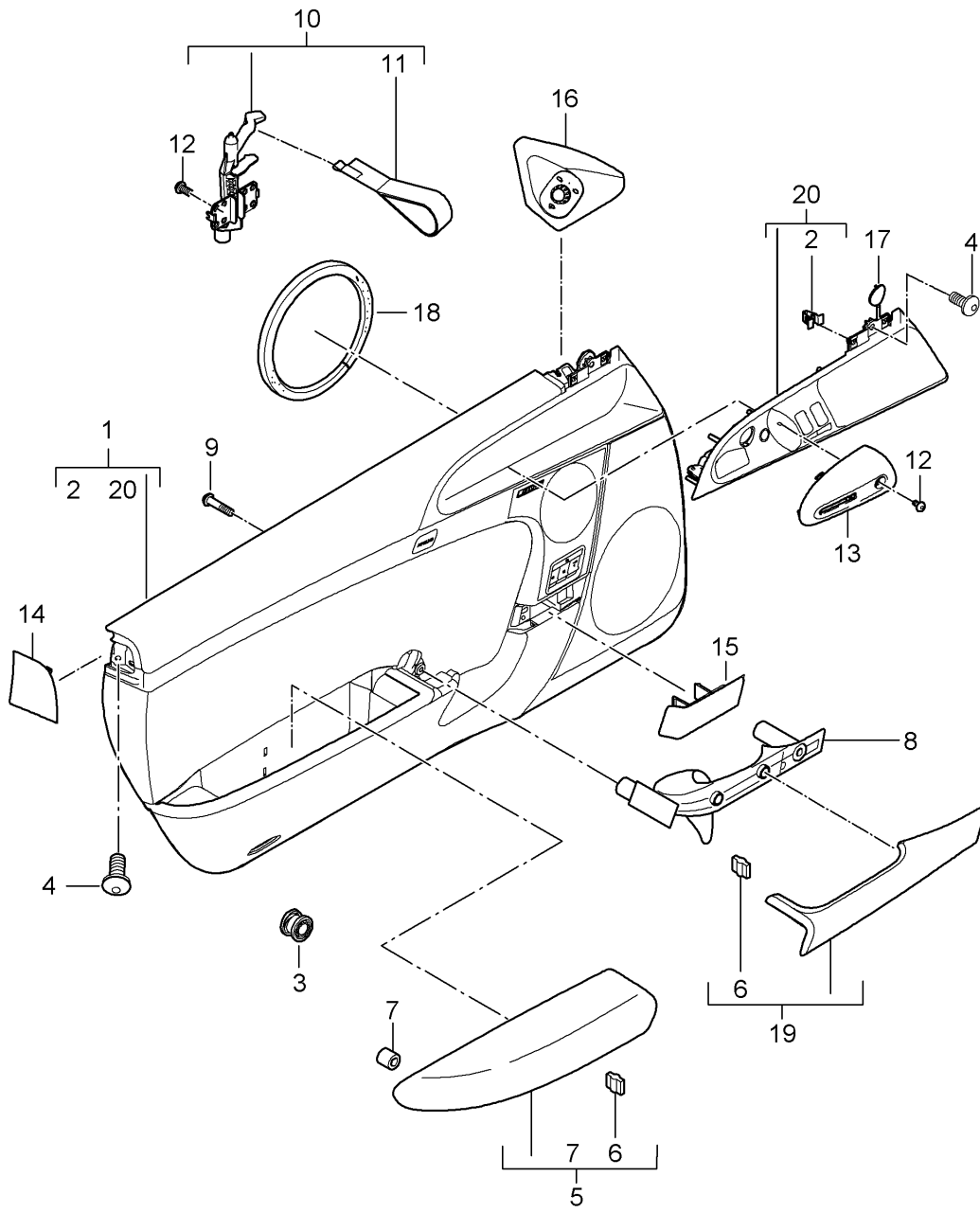
Pos	Part Number	Description	Remark	Qty	Model
	997 555 985 02 3S9	sea blue			
	997 555 985 02 9S5	Terracotta			
	997 555 985 02 9V6	Cocoa			
	997 555 985 02 D12	Dark grey/natural			
	997 555 985 02 T12	Brown/natural			
	997 555 985 02 N12	Carrera Red			
25	997 555 985 03	Insert Handle liner Carbon	left lhd	1	TURBO/COUPE PR:XTL,098
(25)	997 555 985 03 A35	Black			
(25)	997 555 985 03	Insert Handle liner Carbon	left lhd	1	Coupe PR:018,098
(25)	997 555 985 03 A35	Black			
(25)	997 555 986 04	Insert Handle liner Carbon	right rhd	1	TURBO/COUPE PR:XTL,099
(25)	997 555 986 04 A35	Black			
(25)	997 555 986 04	Insert Handle liner Carbon	right rhd	1	Coupe PR:018,099
(25)	997 555 986 04 A35	Black			
(25)	997 555 985 04	Insert Handle liner Carbon	left lhd	1	CABRIO PR:XTL,098
(25)	997 555 985 04 A35	Black			
(25)	997 555 985 04	Insert Handle liner Carbon	left lhd	1	CABRIO PR:018,098
(25)	997 555 985 04 A35	Black			
(25)	997 555 986 05	Insert Handle liner Carbon	right rhd	1	CABRIO PR:XTL,099
(25)	997 555 986 05 A35	Black			
(25)	997 555 986 05	Insert Handle liner Carbon	right rhd	1	Cabrio PR:018,099
(25)	997 555 986 05 A35	Black			
(25)	997 555 986 03	Insert Handle liner Carbon	right lhd	1	TURBO PR:XTL,098
(25)	997 555 986 03 A35	Black			
(25)	997 555 986 03	Insert Handle liner Carbon	right lhd	1	PR:018,098
(25)	997 555 986 03 A35	Black			
(25)	997 555 985 05	Insert Handle liner Carbon	left rhd	1	TURBO PR:XTL,099
(25)	997 555 985 05 A35	Black			
(25)	997 555 985 05	Insert Handle liner Carbon	left rhd	1	PR:018,099
25	997 555 985 05 A35	Black			
(25)	997 555 985 09	Insert Handle liner	left lhd	1	TURBO/COUPE PR:XTT,098
(25)	997 555 985 09 S61	macassar			
(25)	997 555 986 10	Insert Handle liner	right rhd	1	TURBO/COUPE PR:XTT,099
(25)	997 555 986 10 S61	macassar			
(25)	997 555 985 10	Insert Handle liner	left lhd	1	CABRIO PR:XTT,098
	997 555 985 10 S61	macassar			

Model: 997T10 Model life 2010>>2013

Pos	Part Number	Description	Remark	Qty	Model
(25)	997 555 986 11	Insert Handle liner	right rhd	1	CABRIO PR:XTT,099
	997 555 986 11 S61	macassar			
25	997 555 986 09	Insert Handle liner	right lhd	1	TURBO PR:XTT,098
	997 555 986 09 S61	macassar			
(25)	997 555 985 11	Insert Handle liner	left rhd	1	TURBO PR:XTT,099
	997 555 985 11 S61	macassar			
25	997 555 985 12	Insert Handle liner	left lhd	1	TURBO/COUPE PR:XTW,098
	997 555 985 12 V04	Galvano silver			
(25)	997 555 986 13	Insert Handle liner	right rhd	1	TURBO/COUPE PR:XTW,099
	997 555 986 13 V04	Galvano silver			
(25)	997 555 985 13	Insert Handle liner	left lhd	1	CABRIO PR:XTW,098
	997 555 985 13 V04	Galvano silver			
(25)	997 555 986 14	Insert Handle liner	right rhd	1	CABRIO PR:XTW,099
	997 555 986 14 V04	Galvano silver			
25	997 555 986 12	Insert Handle liner	right lhd	1	TURBO PR:XTW,098
	997 555 986 12 V04	Galvano silver			
(25)	997 555 985 14	Insert Handle liner	left rhd	1	TURBO PR:XTW,099
	997 555 985 14 V04	Galvano silver			
(25)	997 555 985 14	Insert Handle liner	left rhd	1	TURBO PR:XTW,099
	997 555 985 14 V04	Galvano silver			

Model: 997T10

Model life 2010>>2013



Model: 997T10 Model life 2010>>2013

Pos	Part Number	Description	Remark	Qty	Model
		door panel Accessories for vehicles with sports seat			GT2 RS PR:004,377, 378,388,389
1	997 555 201 90	door panel Leatherette	left lhd	1	PR:004,098, 377,441
	997 555 201 90 9L4	Black			
(1)	997 555 201 90	door panel Leatherette	left lhd	1	PR:004,098, 388,441
	997 555 201 90 9L4	Black			
(1)	997 555 201 92	door panel Leatherette	left lhd	1	PR:004,098, 377,490
	997 555 201 92 9L4	Black			
(1)	997 555 201 92	door panel Leatherette	left lhd	1	PR:004,098, 388,490
	997 555 201 92 9L4	Black			
(1)	997 555 202 94	door panel Leatherette	right lhd	1	PR:004,098, 378,441
	997 555 202 94 9L4	Black			
(1)	997 555 202 94	door panel Leatherette	right lhd	1	PR:004,098, 389,441
	997 555 202 94 9L4	Black			
(1)	997 555 202 95	door panel Leatherette	right lhd	1	PR:004,098, 378,490
	997 555 202 95 9L4	Black			
(1)	997 555 202 95	door panel Leatherette	right lhd	1	PR:004,098, 389,490
	997 555 202 95 9L4	Black			
(1)	997 555 202 90	door panel Leatherette	right rhd	1	PR:004,099, 378,441
	997 555 202 90 9L4	Black			
(1)	997 555 202 90	door panel Leatherette	right rhd	1	PR:004,099, 389,441
	997 555 202 90 9L4	Black			
(1)	997 555 202 92	door panel Leatherette	right rhd	1	PR:004,099, 378,490
	997 555 202 92 9L4	Black			
(1)	997 555 202 92	door panel Leatherette	right rhd	1	PR:004,099, 378,490
	997 555 202 92 9L4	Black			
(1)	997 555 201 94	door panel Leatherette	left rhd	1	PR:004,099, 377,441
	997 555 201 94 9L4	Black			
(1)	997 555 201 94	door panel Leatherette	left rhd	1	PR:004,099, 388,441
	997 555 201 94 9L4	Black			
(1)	997 555 201 95	door panel Leatherette	left rhd	1	PR:004,099, 377,490
	997 555 201 95 9L4	Black			
(1)	997 555 201 95	door panel Leatherette	left rhd	1	PR:004,099, 388,490
	997 555 201 95 9L4	Black			
2	999 507 533 02	Clamp		2	
		8,0X 10/2,5			
3	955 555 243 00	Retaining clip for door panel		9	
4	999 073 322 02	fillister hd. bolt M 6 X 20 for Mount door panel		5	
5	997 555 403 00	Armrest for door panel	left	1	PR:004,377,

Model: 997T10 Model life 2010>>2013

Pos	Part Number	Description	Remark	Qty	Model
	997 555 403 00 FSO	black/grey			388
	997 555 403 00 DRD	black/red			
(5)	997 555 404 00	Armrest for door panel	right	1	PR:004,378, 389
	997 555 404 00 FSO	black/grey			
	997 555 404 00 DRD	black/red			
6	999 591 380 01	Cable fastener		X	PR:004
7	997 555 857 00	Grommet		X	PR:004
8	997 555 261 90	Pull handle	left	1	PR:004,377, 388
		Lower part			
	997 555 261 90 A25	Black			
	997 555 261 90 N13	guards red (Porsche)			
(8)	997 555 262 90	Pull handle	right	1	PR:004,378, 389
		Lower part			
	997 555 262 90 A25	Black			
	997 555 262 90 N13	guards red (Porsche)			
9	999 919 229 02	fillister hd. bolt 6,0 X 40,0 for Mount		2	
		Pull handle			
10	987 555 381 00	Axle bearing	left	1	PR:004
	987 555 381 00 N13	guards red (Porsche)			
(10)	987 555 382 00	Axle bearing	right	1	PR:004
	987 555 382 00 N13	guards red (Porsche)			
11	987 555 563 00	Inner actuator		2	PR:004
	987 555 563 00 N13	guards red (Porsche)			
12	999 919 164 09	fillister hd. bolt 5 X 12		X	PR:004
13	987 555 463 00	Trim	left	1	PR:004
		Inner actuator Lacquered			
	987 555 463 00 A03	Black			
(13)	987 555 464 00	Trim	right	1	PR:004
		Inner actuator Lacquered			
	987 555 464 00 A03	Black			
14	997 555 683 00	Cover cap	left	1	PR:004
		Airbag			
	997 555 683 00 A03	Black			
(14)	997 555 684 00	Cover cap	right	1	PR:004
		Airbag			
	997 555 684 00 A03	Black			
15	997 555 643 01	Trim	left front	1	PR:004
		Lacquered			
	997 555 643 01 A03	Black			
(15)	997 555 644 01	Trim	right front	1	PR:004
		Lacquered			
	997 555 644 01 A03	Black			
16	997 555 685 02	Cover	left lhd	1	PR:004,098
		Exterior mirror (drivers side) Lacquered			
	997 555 685 02 A03	Black			
(16)	997 555 686 02	Cover	right lhd	1	PR:004,098
		Exterior mirror (passenger side) Lacquered			
	997 555 686 02 A03	Black			
(16)	997 555 686 03	Cover	right rhd	1	PR:004,099

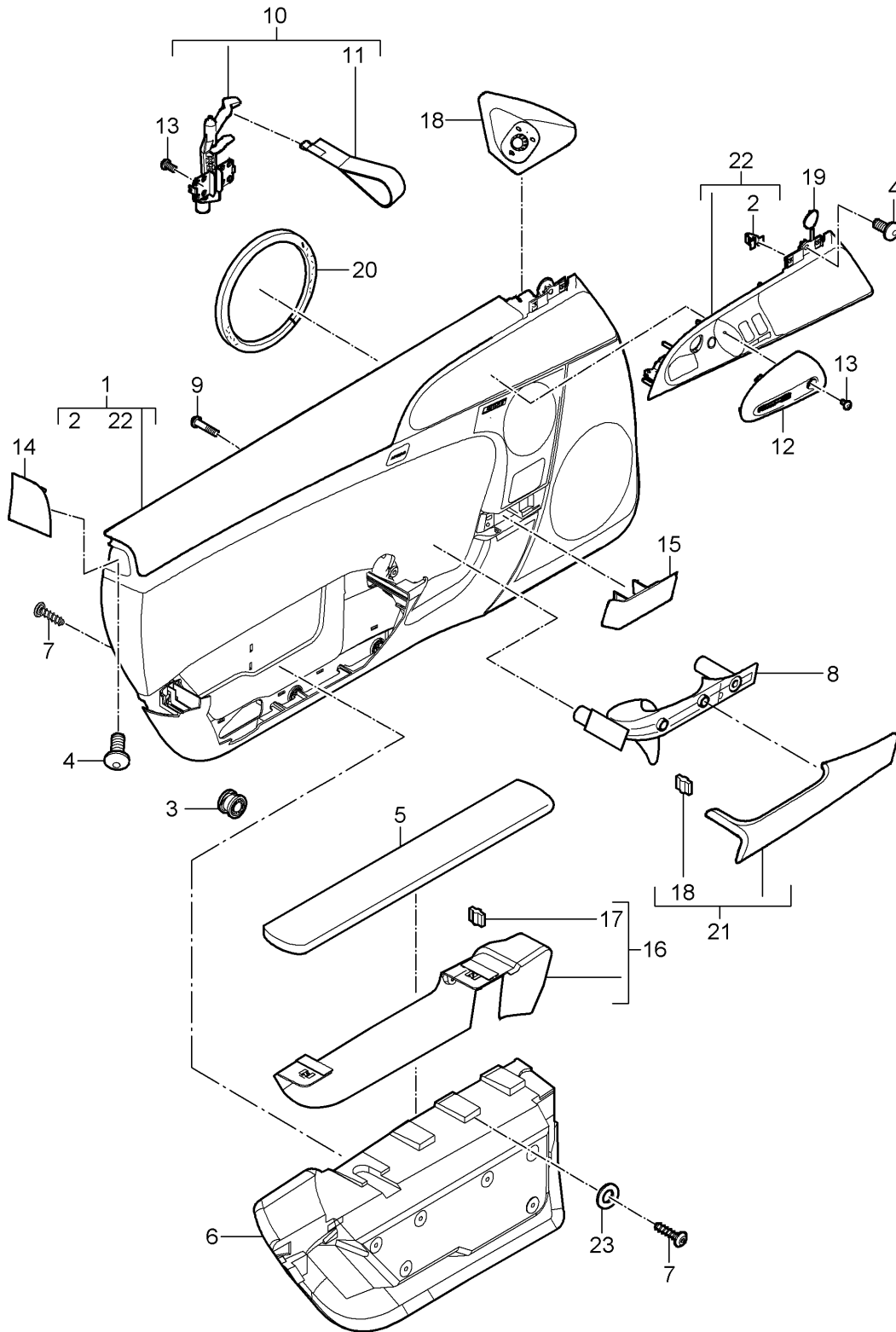
Model: 997T10

Model life 2010>>2013

Pos	Part Number	Description	Remark	Qty	Model
(16)	997 555 686 03 A03 997 555 685 03	Exterior mirror (drivers side) Lacquered Black Cover	left rhd	1	PR:004,099
17	997 555 685 03 A03 997 555 577 00	Exterior mirror (passenger side) Lacquered Black Cover cap		2	PR:004
18	997 555 577 00 A03 997 555 895 00	Handle liner Black Plastic foam strip for		2	PR:004
19	997 555 271 90	Bass loudspeaker Pull handle	left	1	PR:004
(19)	997 555 271 90 FS0 997 555 271 90 DRD 997 555 272 90	Upper part black/grey black/red Pull handle	right	1	PR:004
20	997 555 272 90 FS0 997 555 272 90 DRD 987 555 351 01	Upper part black/grey black/red Insert Handle liner (drivers side) Lacquered	left lhd	1	PR:004,098
(20)	987 555 351 01 A03 987 555 352 02	Black Insert Handle liner (passenger side) Lacquered	right lhd	1	PR:004,098
(20)	987 555 352 02 A03 987 555 352 01	Black Insert Handle liner (drivers side) Lacquered	right rhd	1	PR:004,099
(20)	987 555 352 01 A03 987 555 351 02 987 555 351 02 A03	Black Insert Handle liner (passenger side) Lacquered Black	left rhd	1	PR:004,099

Model: 997T10

Model life 2010>>2013



Model: 997T10 Model life 2010>>2013

Pos	Part Number	Description	Remark	Qty	Model
		door panel Accessories for vehicles with bucket seat GT			GT2 RS PR:004,384, 385
1	997 555 201 96	door panel Leatherette	left lhd	1	PR:004,098, 384,441
	997 555 201 96 9L4	Black			
(1)	997 555 201 98	door panel Leatherette	left lhd	1	PR:004,098, 384,490
	997 555 201 98 9L4	Black			
(1)	997 555 202 97	door panel Leatherette	right lhd	1	PR:004,098, 385,441
	997 555 202 97 9L4	Black			
(1)	997 555 202 99	door panel Leatherette	right lhd	1	PR:004,098, 385,490
	997 555 202 99 9L4	Black			
(1)	997 555 202 96	door panel Leatherette	right rhd	1	PR:004,099, 385,441
	997 555 202 96 9L4	Black			
(1)	997 555 202 98	door panel Leatherette	right rhd	1	PR:004,099, 385,490
	997 555 202 98 9L4	Black			
(1)	997 555 201 97	door panel Leatherette	left rhd	1	PR:004,099, 384,441
	997 555 201 97 9L4	Black			
(1)	997 555 201 99	door panel Leatherette	left rhd	1	PR:004,099, 384,490
	997 555 201 99 9L4	Black			
(1)	997 555 201 C9	Door trim (Alcantara) Leather	left lhd	1	PR:004,098, 384,490,981
	997 555 201 C9 FSM	black/black			
(1)	997 555 202 D9	Door trim (Alcantara) Leather	right lhd	1	PR:004,098, 385,490,981
	997 555 202 D9 FSM	black/black			
(1)	997 555 202 C9	Door trim (Alcantara) Leather	right rhd	1	PR:004,099, 385,490,981
	997 555 202 C9 FSM	black/black			
(1)	997 555 201 D9	Door trim (Alcantara) Leather	left rhd	1	PR:004,099, 384,490,981
	997 555 201 D9 FSM	black/black			
2	999 507 533 02	Clamp		2	
		8,0X 10/2,5			
3	955 555 243 00	Retaining clip for		9	
		door panel			
4	999 073 322 02	fillister hd. bolt M 6 X 20 for Mount		5	
		door panel			
5	997 555 241 91	Armrest Alcantara	left	1	PR:004,384
	997 555 241 91 A14	Black			
	997 555 241 91 N13	guards red (Porsche)			
(5)	997 555 242 91	Armrest Alcantara	right	1	PR:004,385
	997 555 242 91 A14	Black			
	997 555 242 91 N13	guards red (Porsche)			
6	997 555 491 90	Padding	left	1	PR:004,384
		door panel			
	997 555 491 90 FSA	black/grey			
(6)	997 555 492 90	Padding	right	1	PR:004,385

Model: 997T10 Model life 2010>>2013

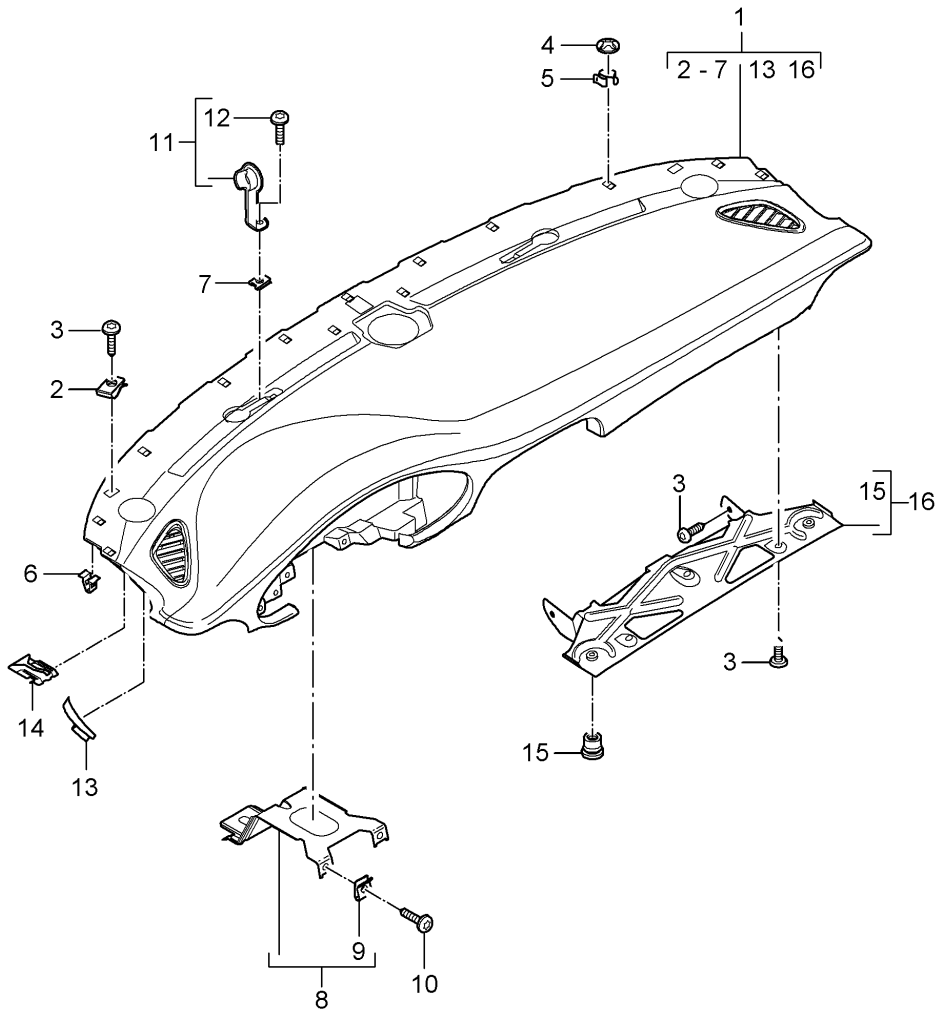
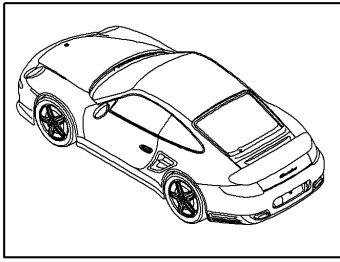
Pos	Part Number	Description	Remark	Qty	Model
7	997 555 492 90 FSA 999 919 237 00	door panel black/grey fillister hd. bolt 5 x 20		X	
8	997 555 261 02	Pull handle Lower part	left	1	PR:004,384
	997 555 261 02 A14	Black			
	997 555 261 02 N13	guards red (Porsche)			
(8)	997 555 262 02	Pull handle Lower part	right	1	PR:004,385
	997 555 262 02 A14	Black			
	997 555 262 02 N13	guards red (Porsche)			
9	999 919 229 02	fillister hd. bolt 6,0 X 40,0 for Mount Pull handle		2	
10	987 555 381 00	Axle bearing	left	1	PR:004,384
	987 555 381 00 N13	guards red (Porsche)			
(10)	987 555 382 00	Axle bearing	right	1	PR:004,385
	987 555 382 00 N13	guards red (Porsche)			
11	987 555 563 00	Inner actuator		2	PR:004
	987 555 563 00 N13	guards red (Porsche)			
12	987 555 463 00	Trim Inner actuator	left	1	PR:004,384
	987 555 463 00 A03	Black			
(12)	987 555 464 00	Trim Inner actuator	right	1	PR:004,385
	987 555 464 00 A03	Black			
13	999 919 164 09	fillister hd. bolt 5 X 12		X	
14	997 555 683 00	Cover cap Airbag	left	1	PR:004,384
	997 555 683 00 A03	Black			
(14)	997 555 684 00	Cover cap Airbag	right	1	PR:004,385
	997 555 684 00 A03	Black			
15	997 555 643 01	Trim	left front	1	PR:004,384
	997 555 643 01 A03	Lacquered Black			
(15)	997 555 644 01	Trim	right front	1	PR:004,385
	997 555 644 01 A03	Lacquered Black			
16	997 555 431 91	Trim Padding	left	1	PR:004,384
	997 555 431 91 A14	Black			
(16)	997 555 432 91	Trim Padding	right	1	PR:004,385
	997 555 432 91 A14	Black			
17	999 591 380 01	Cable fastener		4	
18	997 555 685 02	Cover Exterior mirror (drivers side) Lacquered	left lhd	1	PR:004,098, 384
	997 555 685 02 A03	Black			
(18)	997 555 686 03	Cover Exterior mirror (drivers side) Lacquered	right rhd	1	PR:004,099, 385
	997 555 686 03 A03	Black			
(18)	997 555 686 02	Cover	right lhd	1	PR:004,098,

Model: 997T10 Model life 2010>>2013

Pos	Part Number	Description	Remark	Qty	Model
		Exterior mirror (passenger side) Lacquered			385
(18)	997 555 686 02 A03 997 555 685 03	Black Cover	left rhd	1	PR:004,099, 384
		Exterior mirror (passenger side) Lacquered			
19	997 555 685 03 A03 997 555 577 00	Black Cover cap Handle liner		2	PR:004
20	997 555 577 00 A03 997 555 895 00	Black Plastic foam strip for		2	PR:004
		Bass loudspeaker			
21	997 555 271 02	Pull handle Upper part	left	1	PR:004,384
	997 555 271 02 FSO	black/grey			
	997 555 271 02 DRD	black/red			
(21)	997 555 272 02	Pull handle Upper part	right	1	PR:004,385
	997 555 272 02 FSO	Black			
	997 555 272 02 DRD	black/red			
22	987 555 351 01	Insert Handle liner Lacquered	left lhd	1	PR:004,098, 384
(22)	987 555 351 01 A03 987 555 352 01	Black Insert Handle liner Lacquered	right rhd	1	PR:004,099, 385
	987 555 352 01 A03	Black			
(22)	987 555 352 02	Insert Handle liner Lacquered	right lhd	1	PR:004,098, 385
	987 555 352 02 A03	Black			
(22)	987 555 351 02	Insert Handle liner Lacquered	left rhd	1	PR:004,099, 384
	987 555 351 02 A03	Black			
23	900 151 027 03	Washer		7	

Model: 997T10

Model life 2010>>2013



Model: 997T10

Model life 2010>>2013

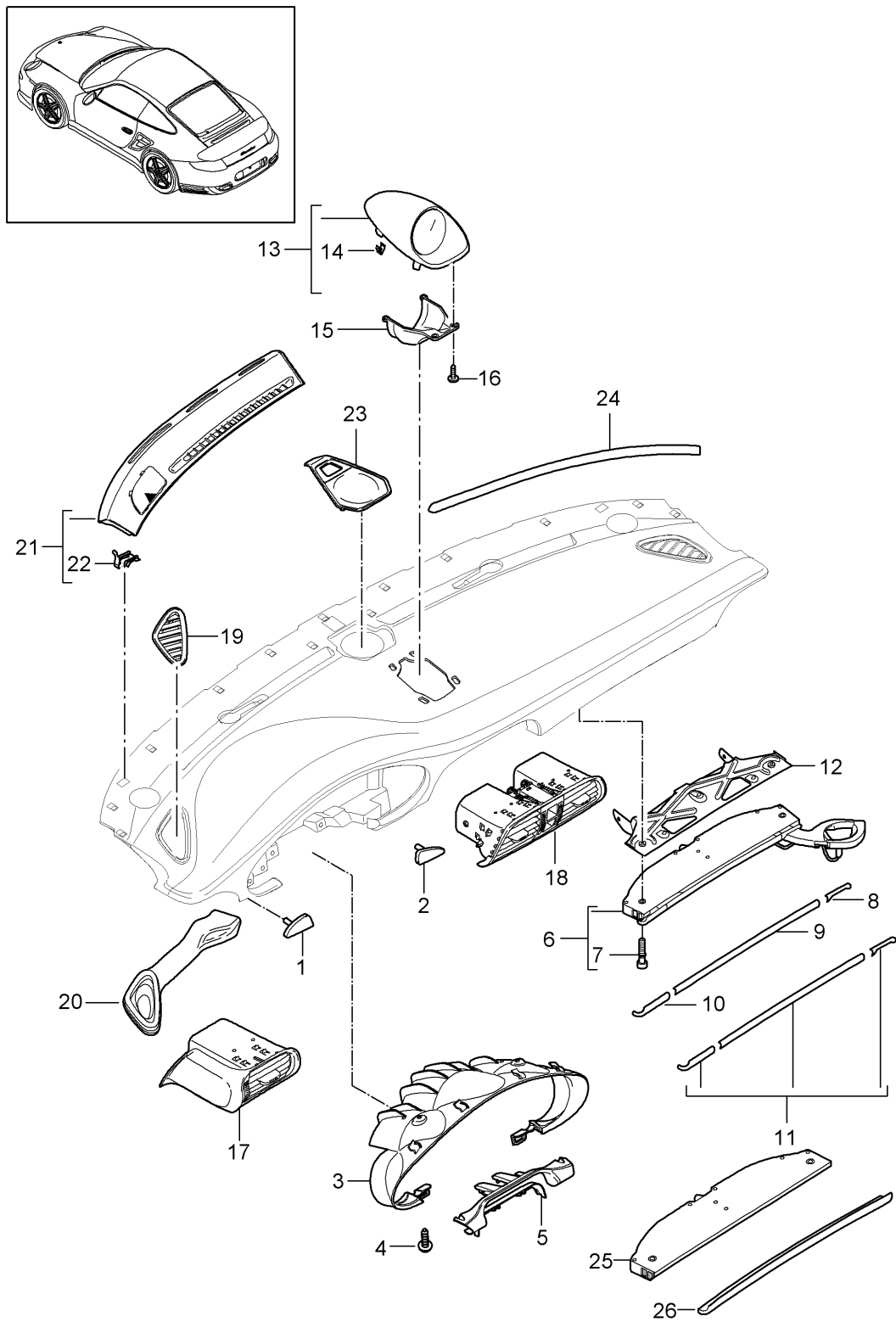
Pos	Part Number	Description	Remark	Qty	Model
-		Instrument panel trim Upper part with: Fasteners Accessories			
1	997 552 101 11	dashboard Upper part Leather 997 552 101 11 FSA Black 997 552 101 11 FSB Stone grey 997 552 101 11 FSC Sand beige 997 552 101 11 FSD sea blue 997 552 101 11 FSF Terracotta 997 552 101 11 FSG Cocoa 997 552 101 11 FSH Dark grey/natural 997 552 101 11 FSJ Brown/natural 997 552 101 11 FSP Carrera Red	809-001 lhd	1	PR:098,981
1	997 552 102 11	dashboard Upper part Leather 997 552 102 11 FSA Black 997 552 102 11 FSB Stone grey 997 552 102 11 FSC Sand beige 997 552 102 11 FSD sea blue 997 552 102 11 FSF Terracotta 997 552 102 11 FSG Cocoa 997 552 102 11 FSH Dark grey/natural 997 552 102 11 FSJ Brown/natural 997 552 102 11 FSP Carrera Red	rhd	1	PR:099,981
1	997 552 101 13	dashboard Upper part Leather 997 552 101 13 FSA Black 997 552 101 13 FSB Stone grey 997 552 101 13 FSC Sand beige 997 552 101 13 FSD sea blue 997 552 101 13 FSF Terracotta 997 552 101 13 FSG Cocoa 997 552 101 13 FSH Dark grey/natural 997 552 101 13 FSJ Brown/natural 997 552 101 13 FSP Carrera Red 997 552 101 13 FWH Espresso 997 552 101 13 FWM Espresso/Luxor Beige 997 552 101 13 TSA Black/Titanium Blue 997 552 101 13 TSC Black/Cream	lhd	1	PR:098,639, 640,981
(1)	997 552 102 13	dashboard Upper part Leather 997 552 102 13 FSA Black 997 552 102 13 FSB Stone grey 997 552 102 13 FSC Sand beige 997 552 102 13 FSD sea blue 997 552 102 13 FSF Terracotta 997 552 102 13 FSG Cocoa 997 552 102 13 FSH Dark grey/natural 997 552 102 13 FSJ Brown/natural 997 552 102 13 FSP Carrera Red 997 552 102 13 FWH Espresso 997 552 102 13 TSA Black/Titanium Blue 997 552 102 13 TSC Black/Cream	rhd	1	Turbo S Turbo S Turbo S PR:099,639, 640,981
(19)	997 552 101 10	dashboard Upper part	lhd	1	Turbo S Turbo S GT2RS PR:098

Model: 997T10 Model life 2010>>2013

Pos	Part Number	Description	Remark	Qty	Model
(1)	997 552 101 10 9L4 997 552 102 10	Leatherette D - MJ 2011>> Black dashboard Upper part Leatherette D - MJ 2011>>	rhd	1	GT2RS PR:099
(1)	997 552 102 10 9L4 997 552 101 12	Black dashboard Upper part Leatherette D - MJ 2011>>	lhd	1	GT2RS PR:098,639, 640
(1)	997 552 101 12 9L4 997 552 102 12	Black dashboard Upper part Leatherette D - MJ 2011>>	rhd	1	GT2RS PR:099,639, 640
2	997 552 102 12 9L4 999 507 971 01	Black panel nut ST 4,2		X	
3	999 073 155 09	panel screw ST 4,2 X 13		X	
4	999 507 106 02	Clamping washer 8,0		X	
5	999 507 573 02	Clip 6,7 - 8,1		X	
6	999 507 732 01	Clamp 8,0 X 12,0 /4,0		X	
7	999 507 020 01	panel nut ST 4,2 for Mount dashboard		X	
8	997 552 617 01	bracket for dash panel (drivers side)		1	
9	999 507 020 01	panel nut ST 4,2		2	
10	999 073 155 09	panel screw ST 4,2 X 13		2	
11	997 552 673 00	Cover Defroster trim		2	
12	999 073 226 09	panel screw ST 4,2 X 16		2	
13	997 552 481 00	Insert A-pillar	left	1	
(13)	997 552 482 00	Insert A-pillar	right	1	
14	8E0 857 117	Clip Mount dashboard Cowl panel		2	
(15)	999 507 319 01	Cage nut M 5		2	
16	997 552 360 03	Retaining plate for Beverages Bracket	lhd	1	PR:098
16	997 552 359 03	Retaining plate for Beverages Bracket	rhd	1	PR:099

Model: 997T10

Model life 2010>>2013



Model: 997T10 Model life 2010>>2013

Pos	Part Number	Description	Remark	Qty	Model
1	997 552 381 02	Accessories Instrument panel trim Upper part Trim (drivers side)	outer lhd	1	TURBO PR:098
1	997 552 381 02 V04 997 552 382 02	Galvano silver Trim (drivers side)	outer rhd	1	TURBO PR:099
1	997 552 382 02 V04 997 552 381 03	Galvano silver Trim (drivers side)	outer lhd	1	TURBO PR:098,801
1	997 552 381 03 S61 997 552 382 03	macassar Trim (drivers side)	outer rhd	1	TURBO PR:099,801
1	997 552 382 03 S61 997 552 381 05	macassar Trim (drivers side)	outer lhd	1	TURBO PR:098,803
1	997 552 381 05 A35 997 552 381 05	Black Trim (drivers side) Carbon D - MJ 2011>>	outer lhd	1	GT2RS PR:098,XGB
(1)	997 552 381 05 A35 997 552 382 05	Black Trim (drivers side)	outer rhd	1	TURBO PR:099,803
(1)	997 552 382 05 A35 997 552 382 05	Black Trim (drivers side) Carbon D - MJ 2011>>	outer rhd	1	GT2RS PR:099,XGB
1	997 552 382 05 A35 997 552 986 00	Black Trim (drivers side)	outer lhd	1	PR:098,XVP
	997 552 986 00 A11 997 552 986 00 5X6 997 552 986 00 8G2 997 552 986 00 3S9 997 552 986 00 9S5 997 552 986 00 9V6 997 552 986 00 D12 997 552 986 00 T12 997 552 986 00 N12	Black Stone grey Sand beige sea blue Terracotta Cocoa Dark grey/natural Brown/natural Carrera Red			
(1)	997 552 986 00 6J0 997 552 986 01	Espresso Trim (drivers side)	outer rhd	1	PR:099,XVP
	997 552 986 01 A11 997 552 986 01 5X6 997 552 986 01 8G2 997 552 986 01 3S9 997 552 986 01 9S5 997 552 986 01 9V6 997 552 986 01 D12 997 552 986 01 T12 997 552 986 01 N12	Black Stone grey Sand beige sea blue Terracotta Cocoa Dark grey/natural Brown/natural Carrera Red			
(1)	997 552 986 01 6J0 997 552 986 50	Espresso Trim (drivers side)	outer lhd	1	PR:098,XDM
(1)	997 552 986 50 G2X 997 552 986 51	primed Trim (drivers side)	outer rhd	1	PR:099,XDM
2	997 552 986 51 G2X 997 552 383 02	primed Trim (drivers side)	center lhd	1	TURBO PR:098

Model: 997T10 Model life 2010>>2013

Pos	Part Number	Description	Remark	Qty	Model
(2)	997 552 383 02 V04	Galvano silver			
	997 552 384 02	Trim (drivers side)	center rhd	1	TURBO PR:099
2	997 552 384 02 V04	Galvano silver			
	997 552 383 03	Trim (drivers side)	center lhd	1	TURBO PR:098,801
(2)	997 552 383 03 S61	macassar			
	997 552 384 03	Trim (drivers side)	center rhd	1	TURBO PR:099,801
2	997 552 384 03 S61	macassar			
	997 552 383 05	Trim (drivers side)	center lhd	1	TURBO PR:098,803
2	997 552 383 05 A35	Black			
	997 552 383 05	Trim (drivers side) Carbon D - MJ 2011>>	center lhd	1	GT2RS PR:098,XGB
(2)	997 552 383 05 A35	Black			
	997 552 384 05	Trim (drivers side)	center rhd	1	TURBO PR:099,803
(2)	997 552 384 05 A35	Black			
	997 552 384 05	Trim (drivers side) Carbon D - MJ 2011>>	center rhd	1	GT2RS PR:099,XGB
2	997 552 384 05 A35	Black			
	997 552 987 00	Trim (drivers side)	center lhd	1	PR:098,XVP
	997 552 987 00 A11	Black			
	997 552 987 00 5X6	Stone grey			
	997 552 987 00 8G2	Sand beige			
	997 552 987 00 3S9	sea blue			
	997 552 987 00 9S5	Terracotta			
	997 552 987 00 9V6	Cocoa			
	997 552 987 00 D12	Dark grey/natural			
	997 552 987 00 T12	Brown/natural			
	997 552 987 00 N12	Carrera Red			
(2)	997 552 987 00 6J0	Espresso			
	997 552 987 01	Trim (drivers side)	center rhd	1	PR:099,XVP
	997 552 987 01 A11	Black			
	997 552 987 01 5X6	Stone grey			
	997 552 987 01 8G2	Sand beige			
	997 552 987 01 3S9	sea blue			
	997 552 987 01 9S5	Terracotta			
	997 552 987 01 9V6	Cocoa			
	997 552 987 01 D12	Dark grey/natural			
	997 552 987 01 T12	Brown/natural			
	997 552 987 01 N12	Carrera Red			
(2)	997 552 987 01 6J0	Espresso			
	997 552 987 50	Trim (drivers side)	center lhd	1	PR:098,XDM
(2)	997 552 987 50 G2X	primed			
	997 552 987 51	Trim (drivers side)	center rhd	1	PR:099,XDM
3	997 552 987 51 G2X	primed			
	997 552 325 01	Trim Combi-instrument see Technical information Group 9 NUMMER 53/10	center lhd	1	PR:098
	997 552 325 01 A03	Black			

Model: 997T10 Model life 2010>>2013

Pos	Part Number	Description	Remark	Qty	Model
	997 552 325 01 5V7	Stone grey			
	997 552 325 01 5Z1	Sand beige			
	997 552 325 01 8W7	sea blue			
	997 552 325 01 8X8	Terracotta			
	997 552 325 01 8P9	Cocoa			
	997 552 325 01 T13	Brown/natural			
	997 552 325 01 N23	Carrera Red			
	997 552 325 01 2S8	Espresso			
(3)	997 552 326 01	Trim Combi-instrument see Technical information Group 9 NUMMER 53/10	rhd	1	PR:099
	997 552 326 01 A03	Black			
	997 552 326 01 5V7	Stone grey			
	997 552 326 01 5Z1	Sand beige			
	997 552 326 01 8W7	sea blue			
	997 552 326 01 8X8	Terracotta			
	997 552 326 01 8P9	Cocoa			
	997 552 326 01 T13	Brown/natural			
	997 552 326 01 N23	Carrera Red			
	997 552 326 01 2S8	Espresso			
3	997 552 989 00	Leather panel Combi-instrument see Technical information Group 9 NUMMER 53/10	lhd	1	PR:XNG,098
	997 552 989 00 A11	Black			
	997 552 989 00 5X6	Stone grey			
	997 552 989 00 8G2	Sand beige			
	997 552 989 00 3S9	sea blue			
	997 552 989 00 9S5	Terracotta			
	997 552 989 00 9V6	Cocoa			
	997 552 989 00 D12	Dark grey/natural			
	997 552 989 00 T12	Brown/natural			
	997 552 989 00 N12	Carrera Red			
	997 552 989 00 6J0	Espresso			
(3)	997 552 989 01	Leather panel Combi-instrument see Technical information Group 9 NUMMER 53/10	rhd	1	PR:XNG,099
	997 552 989 01 A11	Black			
	997 552 989 01 5X6	Stone grey			
	997 552 989 01 8G2	Sand beige			
	997 552 989 01 3S9	sea blue			
	997 552 989 01 9S5	Terracotta			
	997 552 989 01 9V6	Cocoa			
	997 552 989 01 D12	Dark grey/natural			
	997 552 989 01 T12	Brown/natural			
	997 552 989 01 N12	Carrera Red			
	997 552 989 01 6J0	Espresso			
3	997 552 989 02	Trim Combi-instrument see Technical information Group 9 Nummer 53/10	lhd	1	TURBO PR:XCL,098
	997 552 989 02 V04	Galvano silver			
(3)	997 552 989 03	Trim	rhd	1	TURBO

Model: 997T10

Model life 2010>>2013

Pos	Part Number	Description	Remark	Qty	Model
		Combi-instrument see Technical information Group 9 Nummer 53/10			PR:XCL,099
(3)	997 552 989 03 V04 997 552 995 00	Galvano silver Trim Combi-instrument see Technical information Group 9 Nummer 53/10	lhd	1	TURBO PR:XDP,098
(3)	997 552 995 00 G2X 997 552 995 01	primed Trim Combi-instrument see Technical information Group 9 Nummer 53/10	rhd	1	TURBO PR:XDP,099
4	997 552 995 01 G2X 999 073 155 09	primed panel screw ST 4,2 X 13		2	
5	997 552 271 01 997 552 271 01 A03 997 552 271 01 5V7 997 552 271 01 5Z1 997 552 271 01 8W7 997 552 271 01 8X8 997 552 271 01 8P9 997 552 271 01 T13 997 552 271 01 N23	Bridge Black Stone grey Sand beige sea blue Terracotta Cocoa Brown/natural Carrera Red		1	
5	997 552 271 01 2S8 997 552 978 00	Espresso Bridge Leather		1	PR:XNS
	997 552 978 00 A11 997 552 978 00 5X6 997 552 978 00 8G2 997 552 978 00 3S9 997 552 978 00 9S5 997 552 978 00 9V6 997 552 978 00 D12 997 552 978 00 T12 997 552 978 00 N12 997 552 978 00 6J0	Black Stone grey Sand beige sea blue Terracotta Cocoa Dark grey/natural Brown/natural Carrera Red Espresso			
6	997 552 294 03	Drinks holder	lhd	1	PR:098
(6)	997 552 293 04	Drinks holder	rhd	1	PR:099
-	997 552 905 00	repair set Flap torsion spring for Beverages Bracket		1	
7	900 067 416 01	Socket head bolt M5 X 27		2	
8	997 552 394 02	Retainer for trim	right lhd	1	TURBO PR:098
(8)	997 552 394 02 V04 997 552 393 02	Galvano silver Retainer for trim	right rhd	1	TURBO PR:099
8	997 552 393 02 V04 997 552 396 05	Galvano silver Retainer for trim	right lhd	1	TURBO PR:098,803
	997 552 396 05 A35	Black			

Model: 997T10 Model life 2010>>2013

Pos	Part Number	Description	Remark	Qty	Model
(8)	997 552 396 05	Retainer for trim Carbon	right lhd	1	GT2RS PR:XGB,098, 585
(8)	997 552 396 05 A35 997 552 395 05	Black Retainer for trim	right rhd	1	TURBO PR:099,803
(8)	997 552 395 05 A35 997 552 395 05	Black Retainer for trim Carbon	right rhd	1	GT2RS PR:099,585, XGB
8	997 552 395 05 A35 997 552 993 00 997 552 993 00 A11 997 552 993 00 5X6 997 552 993 00 8G2 997 552 993 00 3S9 997 552 993 00 9S5 997 552 993 00 9V6 997 552 993 00 D12 997 552 993 00 T12 997 552 993 00 N12	Black Leather panel Black Stone grey Sand beige sea blue Terracotta Cocoa Dark grey/natural Brown/natural Carrera Red	right lhd	1	PR:XVP,098
(8)	997 552 993 00 6J0 997 552 993 01 997 552 993 01 A11 997 552 993 01 5X6 997 552 993 01 8G2 997 552 993 01 3S9 997 552 993 01 9S5 997 552 993 01 9V6 997 552 993 01 D12 997 552 993 01 T12 997 552 993 01 N12 997 552 993 01 6J0	Espresso Leather panel Black Stone grey Sand beige sea blue Terracotta Cocoa Dark grey/natural Brown/natural Carrera Red Espresso	right rhd	1	PR:XVP,099
(8)	997 552 993 50 997 552 993 50 G2X	Retainer for trim primed	right lhd	1	PR:XDM,098
(8)	997 552 993 51 997 552 993 51 G2X	Retainer for trim primed	right rhd	1	PR:XDM,099
9	997 552 398 01 997 552 398 01 V04	Retainer for trim Galvano silver	center lhd	1	TURBO PR:098
(9)	997 552 397 01 997 552 397 01 V04	Retainer for trim Galvano silver	center rhd	1	TURBO PR:099
9	997 552 398 04 997 552 398 04 A35	Retainer for trim Black	center lhd	1	TURBO PR:098,803
9	997 552 398 04 997 552 398 04 A35	Retainer for trim Carbon Black	center lhd	1	GT2RS PR:098,585, XGB
(9)	997 552 397 04 997 552 397 04 A35	Retainer for trim Black	center rhd	1	TURBO PR:099,803
(9)	997 552 397 04 997 552 397 04 A35	Retainer for trim Carbon Black	center rhd	1	GT2RS PR:099,585, XGB
9	997 552 397 04 A35 997 552 994 00 997 552 994 00 A11 997 552 994 00 5X6 997 552 994 00 8G2 997 552 994 00 3S9	Leather panel Black Black Stone grey Sand beige sea blue	center lhd	1	PR:XVP,098

Model: 997T10 Model life 2010>>2013

Pos	Part Number	Description	Remark	Qty	Model
	997 552 994 00 9S5	Terracotta			
	997 552 994 00 9V6	Cocoa			
	997 552 994 00 D12	Dark grey/natural			
	997 552 994 00 T12	Brown/natural			
	997 552 994 00 N12	Carrera Red			
	997 552 994 00 6J0	Espresso			
9	997 552 994 01	Leather panel	center rhd	1	PR:XVP,099
	997 552 994 01 A11	Black			
	997 552 994 01 5X6	Stone grey			
	997 552 994 01 8G2	Sand beige			
	997 552 994 01 3S9	sea blue			
	997 552 994 01 9S5	Terracotta			
	997 552 994 01 9V6	Cocoa			
	997 552 994 01 D12	Dark grey/natural			
	997 552 994 01 T12	Brown/natural			
	997 552 994 01 N12	Carrera Red			
	997 552 994 01 6J0	Espresso			
9	997 552 994 50	Retainer for trim	center lhd	1	PR:XDM,098
	997 552 994 50 G2X	primed			
9	997 552 994 51	Retainer for trim	center rhd	1	PR:XDM,099
	997 552 994 51 G2X	primed			
10	997 552 396 02	Retainer for trim	left lhd	1	TURBO PR:098
	997 552 396 02 V04	Galvano silver			
(10)	997 552 395 02	Retainer for trim	left rhd	1	TURBO PR:099
	997 552 395 02 V04	Galvano silver			
10	997 552 394 05	Retainer for trim	left lhd	1	TURBO PR:098,803
	997 552 394 05 A35	Black			
10	997 552 394 05	Retainer for trim Carbon	left lhd	1	GT2RS PR:098,585, XGB
	997 552 394 05 A35	Black			
(10)	997 552 393 05	Retainer for trim	left rhd	1	TURBO PR:099,803
	997 552 393 05 A35	Black			
(10)	997 552 393 05	Retainer for trim Carbon	left rhd	1	GT2RS PR:099,585, XGB
	997 552 393 05 A35	Black			
10	997 552 992 00	Leather panel	left lhd	1	PR:XVP,098
	997 552 992 00 A11	Black			
	997 552 992 00 5X6	Stone grey			
	997 552 992 00 8G2	Sand beige			
	997 552 992 00 3S9	sea blue			
	997 552 992 00 9S5	Terracotta			
	997 552 992 00 9V6	Cocoa			
	997 552 992 00 D12	Dark grey/natural			
	997 552 992 00 T12	Brown/natural			
	997 552 992 00 N12	Carrera Red			
	997 552 992 00 6J0	Espresso			
(10)	997 552 992 01	Leather panel	left rhd	1	PR:XVP,099
	997 552 992 01 A11	Black			
	997 552 992 01 5X6	Stone grey			
	997 552 992 01 8G2	Sand beige			
	997 552 992 01 3S9	sea blue			
	997 552 992 01 9S5	Terracotta			
	997 552 992 01 9V6	Cocoa			
	997 552 992 01 D12	Dark grey/natural			

Model: 997T10 Model life 2010>>2013

Pos	Part Number	Description	Remark	Qty	Model
	997 552 992 01 T12	Brown/natural			
	997 552 992 01 N12	Carrera Red			
	997 552 992 01 6J0	Espresso			
(10)	997 552 992 50	Retainer for trim	left lhd	1	PR:XDM,098
	997 552 992 50 G2X	primed			
(10)	997 552 992 51	Retainer for trim	left rhd	1	PR:XDM,099
	997 552 992 51 G2X	primed			
11	997 552 904 00	Set Trim Wood	lhd	1	TURBO PR:098,801
	997 552 904 00 S61	macassar			
(11)	997 552 903 00	Set Trim Wood	rhd	1	TURBO PR:099,801
	997 552 903 00 S61	macassar			
12		Retaining plate for Beverages Bracket		1	
(13)	997 552 371 01	see illustration: Air guide Upper part	809-000	1	PR:639,640, 981
	997 552 371 01 A11	Black			
	997 552 371 01 5X6	Stone grey			
	997 552 371 01 8G2	Sand beige			
	997 552 371 01 3S9	sea blue			
	997 552 371 01 9S5	Terracotta			
	997 552 371 01 9V6	Cocoa			
	997 552 371 01 D12	Dark grey/natural			
	997 552 371 01 T12	Brown/natural			
	997 552 371 01 N12	Carrera Red			
	997 552 371 01 6J0	Espresso			
14	999 507 920 01	U-clip 1,7-2,1		4	PR:639,640
15	997 552 373 01	Retainer, upper part for Air guide		1	PR:639,640
16	999 919 167 09	fillister hd. bolt 3,0 X 10 for Mount Bracket		4	
17	997 552 131 07	Air guide Vent D - MJ 2011>>	left	1	GT2RS
(17)	997 552 131 07 D07	Volcano grey			
	997 552 132 07	Vent D - MJ 2011>>	right	1	GT2RS
	997 552 132 07 D07	Volcano grey			
17	997 552 131 08	Vent	left	1	TURBO
(17)	997 552 131 08 V04	Galvano silver			
	997 552 132 08	Vent	right	1	TURBO
	997 552 132 08 V04	Galvano silver			
17	997 552 981 00	Vent	left	1	PR: XN3
	997 552 981 00 A11	Black			
	997 552 981 00 5X6	Stone grey			
	997 552 981 00 8G2	Sand beige			
	997 552 981 00 3S9	sea blue			
	997 552 981 00 9S5	Terracotta			
	997 552 981 00 9V6	Cocoa			
	997 552 981 00 D12	Dark grey/natural			
	997 552 981 00 T12	Brown/natural			
	997 552 981 00 N12	Carrera Red			

Model: 997T10

Model life 2010>>2013

Pos	Part Number	Description	Remark	Qty	Model
(17)	997 552 981 00 6J0	Espresso			
	997 552 982 00	Vent	right	1	PR: XN3
	997 552 982 00 A11	Black			
	997 552 982 00 5X6	Stone grey			
	997 552 982 00 8G2	Sand beige			
	997 552 982 00 3S9	sea blue			
	997 552 982 00 9S5	Terracotta			
	997 552 982 00 9V6	Cocoa			
	997 552 982 00 D12	Dark grey/natural			
	997 552 982 00 T12	Brown/natural			
	997 552 982 00 N12	Carrera Red			
17	997 552 982 00 6J0	Espresso			
	997 552 981 01	Vent	left	1	PR: XKD
	997 552 981 01 A11	Black			
	997 552 981 01 5X6	Stone grey			
	997 552 981 01 8G2	Sand beige			
	997 552 981 01 3S9	sea blue			
	997 552 981 01 9S5	Terracotta			
	997 552 981 01 9V6	Cocoa			
	997 552 981 01 D12	Dark grey/natural			
	997 552 981 01 T12	Brown/natural			
	997 552 981 01 N12	Carrera Red			
(17)	997 552 981 01 6J0	Espresso			
	997 552 982 01	Vent	right	1	PR: XKD
	997 552 982 01 A11	Black			
	997 552 982 01 5X6	Stone grey			
	997 552 982 01 8G2	Sand beige			
	997 552 982 01 3S9	sea blue			
	997 552 982 01 9S5	Terracotta			
	997 552 982 01 9V6	Cocoa			
	997 552 982 01 D12	Dark grey/natural			
	997 552 982 01 T12	Brown/natural			
	997 552 982 01 N12	Carrera Red			
17	997 552 982 01 6J0	Espresso			
	997 552 981 03	Vent	left	1	TURBO PR: XJL
	997 552 981 03 A11	Black			
	997 552 981 03 5X6	Stone grey			
	997 552 981 03 8G2	Sand beige			
	997 552 981 03 3S9	sea blue			
	997 552 981 03 9S5	Terracotta			
	997 552 981 03 9V6	Cocoa			
	997 552 981 03 D12	Dark grey/natural			
	997 552 981 03 T12	Brown/natural			
	997 552 981 03 N12	Carrera Red			
(17)	997 552 981 03 6J0	Espresso			
	997 552 982 03	Vent	right	1	TURBO PR: XJL
	997 552 982 03 A11	Black			
	997 552 982 03 5X6	Stone grey			
	997 552 982 03 8G2	Sand beige			
	997 552 982 03 3S9	sea blue			
	997 552 982 03 9S5	Terracotta			
	997 552 982 03 9V6	Cocoa			
	997 552 982 03 D12	Dark grey/natural			
	997 552 982 03 T12	Brown/natural			
	997 552 982 03 N12	Carrera Red			
17	997 552 982 03 6J0	Espresso			
	997 552 981 04	Vent	left	1	TURBO PR: XCN
	997 552 981 04 A11	Black			
	997 552 981 04 5X6	Stone grey			
	997 552 981 04 8G2	Sand beige			

Model: 997T10 Model life 2010>>2013

Pos	Part Number	Description	Remark	Qty	Model
	997 552 981 04 3S9	sea blue			
	997 552 981 04 9S5	Terracotta			
	997 552 981 04 9V6	Cocoa			
	997 552 981 04 D12	Dark grey/natural			
	997 552 981 04 T12	Brown/natural			
	997 552 981 04 N12	Carrera Red			
	997 552 981 04 6J0	Espresso			
(17)	997 552 982 04	Vent	right	1	TURBO PR:XCN
	997 552 982 04 A11	Black			
	997 552 982 04 5X6	Stone grey			
	997 552 982 04 8G2	Sand beige			
	997 552 982 04 3S9	sea blue			
	997 552 982 04 9S5	Terracotta			
	997 552 982 04 9V6	Cocoa			
	997 552 982 04 D12	Dark grey/natural			
	997 552 982 04 T12	Brown/natural			
	997 552 982 04 N12	Carrera Red			
	997 552 982 04 6J0	Espresso			
(18)	997 552 141 09	Centre nozzle D - MJ 2011>>		1	GT2RS
(18)	997 552 141 09 D07	Volcano grey			
(18)	997 552 141 10	Centre nozzle		1	TURBO
(18)	997 552 141 10 V04	Galvano silver			
(18)	997 552 980 05	Centre nozzle		1	PR:XVM
	997 552 980 05 A11	Black			
	997 552 980 05 5X6	Stone grey			
	997 552 980 05 8G2	Sand beige			
	997 552 980 05 3S9	sea blue			
	997 552 980 05 9S5	Terracotta			
	997 552 980 05 9V6	Cocoa			
	997 552 980 05 D12	Dark grey/natural			
	997 552 980 05 T12	Brown/natural			
	997 552 980 05 N12	Carrera Red			
	997 552 980 05 6J0	Espresso			
(18)	997 552 980 06	Centre nozzle		1	PR:XZB
	997 552 980 06 A11	Black			
	997 552 980 06 5X6	Stone grey			
	997 552 980 06 8G2	Sand beige			
	997 552 980 06 3S9	sea blue			
	997 552 980 06 9S5	Terracotta			
	997 552 980 06 9V6	Cocoa			
	997 552 980 06 D12	Dark grey/natural			
	997 552 980 06 T12	Brown/natural			
	997 552 980 06 N12	Carrera Red			
	997 552 980 06 6J0	Espresso			
(18)	997 552 980 08	Centre nozzle		1	TURBO PR:XJN
	997 552 980 08 A11	Black			
	997 552 980 08 5X6	Stone grey			
	997 552 980 08 8G2	Sand beige			
	997 552 980 08 3S9	sea blue			
	997 552 980 08 9S5	Terracotta			
	997 552 980 08 9V6	Cocoa			
	997 552 980 08 D12	Dark grey/natural			
	997 552 980 08 T12	Brown/natural			
	997 552 980 08 N12	Carrera Red			
	997 552 980 08 6J0	Espresso			
(18)	997 552 980 09	Centre nozzle		1	TURBO PR:XCY
	997 552 980 09 A11	Black			
	997 552 980 09 5X6	Stone grey			
	997 552 980 09 8G2	Sand beige			

Model: 997T10 Model life 2010>>2013

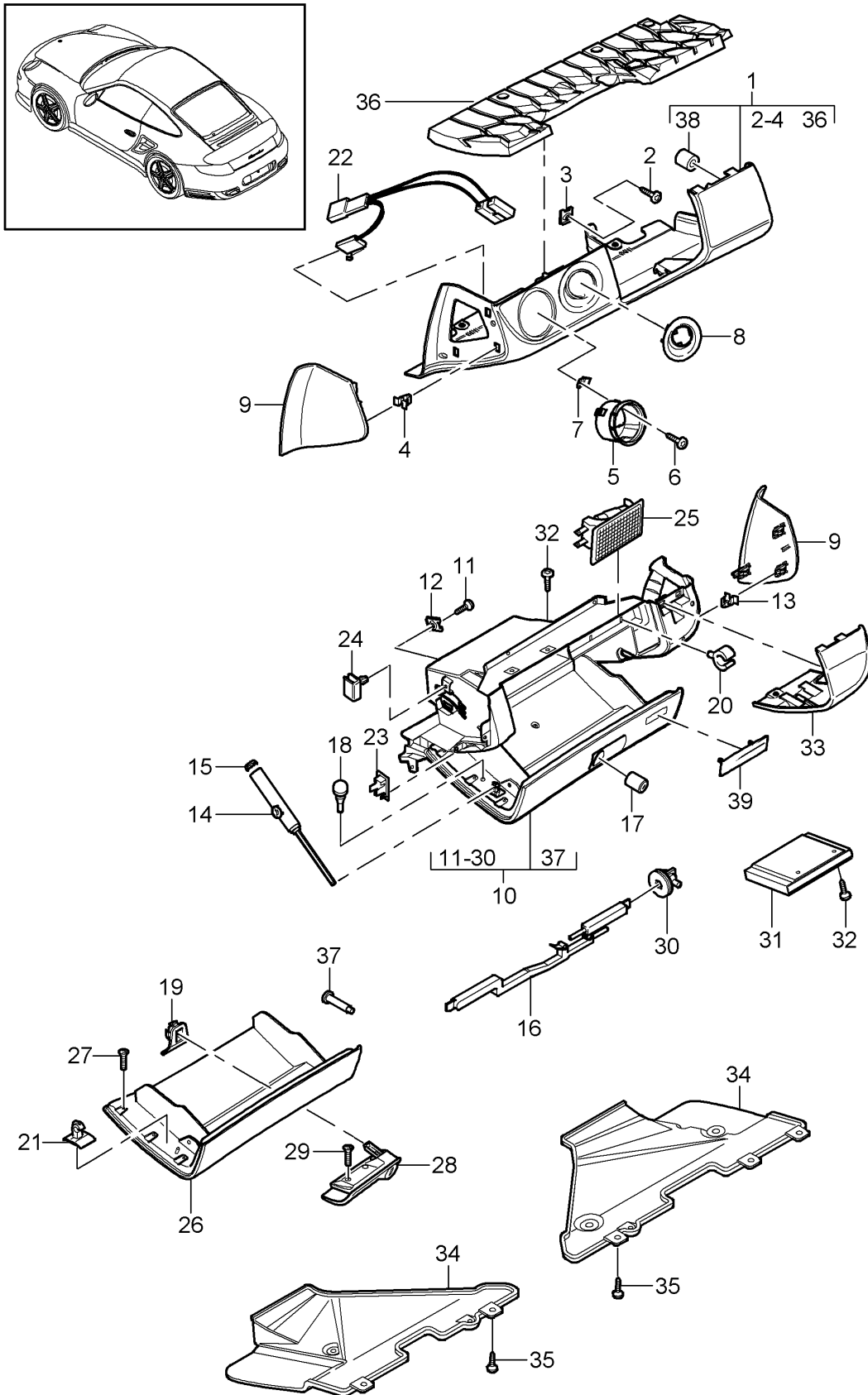
Pos	Part Number	Description	Remark	Qty	Model
	997 552 980 09 3S9	sea blue			
	997 552 980 09 9S5	Terracotta			
	997 552 980 09 9V6	Cocoa			
	997 552 980 09 D12	Dark grey/natural			
	997 552 980 09 T12	Brown/natural			
	997 552 980 09 N12	Carrera Red			
	997 552 980 09 6J0	Espresso			
19	997 552 455 01	Cover	left	1	
		Defroster vent			
	997 552 455 01 A03	Black			
	997 552 455 01 5V7	Stone grey			
	997 552 455 01 5Z1	Sand beige			
	997 552 455 01 8W7	sea blue			
	997 552 455 01 8X8	Terracotta			
	997 552 455 01 8P9	Cocoa			
	997 552 455 01 T13	Brown/natural			
	997 552 455 01 N23	Carrera Red			
	997 552 455 01 2S8	Espresso			
(19)	997 552 456 01	Cover	right	1	
		Defroster vent			
	997 552 456 01 A03	Black			
	997 552 456 01 5V7	Stone grey			
	997 552 456 01 5Z1	Sand beige			
	997 552 456 01 8W7	sea blue			
	997 552 456 01 8X8	Terracotta			
	997 552 456 01 8P9	Cocoa			
	997 552 456 01 T13	Brown/natural			
	997 552 456 01 N23	Carrera Red			
	997 552 456 01 2S8	Espresso			
20	997 552 315 02	Air guide	left	1	
			side		
(20)	997 552 316 02	Air guide	right	1	
			side		
21	997 552 175 01	Defroster trim	left	1	
	997 552 175 01 A03	Black			
	997 552 175 01 5V7	Stone grey			
	997 552 175 01 5Z1	Sand beige			
	997 552 175 01 8W7	sea blue			
	997 552 175 01 8X8	Terracotta			
	997 552 175 01 8P9	Cocoa			
	997 552 175 01 T13	Brown/natural			
	997 552 175 01 N23	Carrera Red			
	997 552 175 01 2S8	Espresso			
(21)	997 552 176 01	Defroster trim	right	1	
	997 552 176 01 A03	Black			
	997 552 176 01 5V7	Stone grey			
	997 552 176 01 5Z1	Sand beige			
	997 552 176 01 8W7	sea blue			
	997 552 176 01 8X8	Terracotta			
	997 552 176 01 8P9	Cocoa			
	997 552 176 01 T13	Brown/natural			
	997 552 176 01 N23	Carrera Red			
	997 552 176 01 2S8	Espresso			
21	997 552 983 00	Defroster trim	left	1	PR:XV1
	997 552 983 00 A11	Black			
	997 552 983 00 5X6	Stone grey			
	997 552 983 00 8G2	Sand beige			
	997 552 983 00 3S9	sea blue			
	997 552 983 00 9S5	Terracotta			
	997 552 983 00 9V6	Cocoa			
	997 552 983 00 D12	Dark grey/natural			
	997 552 983 00 T12	Brown/natural			
	997 552 983 00 N12	Carrera Red			

Model: 997T10 Model life 2010>>2013

Pos	Part Number	Description	Remark	Qty	Model
(21)	997 552 983 00 2S8	Espresso			
	997 552 984 00	Defroster trim	right	1	PR: XV1
	997 552 984 00 A11	Black			
	997 552 984 00 5X6	Stone grey			
	997 552 984 00 8G2	Sand beige			
	997 552 984 00 3S9	sea blue			
	997 552 984 00 9S5	Terracotta			
	997 552 984 00 9V6	Cocoa			
	997 552 984 00 D12	Dark grey/natural			
	997 552 984 00 T12	Brown/natural			
	997 552 984 00 N12	Carrera Red			
22	999 591 307 01	U-clip		2	
		Mount			
		Defroster trim			
23	997 552 351 01	Trim	center	1	
	997 552 351 01 A03	Black			
	997 552 351 01 5V7	Stone grey			
	997 552 351 01 5Z1	Sand beige			
	997 552 351 01 8W7	sea blue			
	997 552 351 01 8X8	Terracotta			
	997 552 351 01 8P9	Cocoa			
	997 552 351 01 T13	Brown/natural			
	997 552 351 01 N23	Carrera Red			
(23)	997 552 985 00	Leather panel	center	1	PR: XV1
	997 552 985 00 A11	Black			
	997 552 985 00 5X6	Stone grey			
	997 552 985 00 8G2	Sand beige			
	997 552 985 00 3S9	sea blue			
	997 552 985 00 9S5	Terracotta			
	997 552 985 00 9V6	Cocoa			
	997 552 985 00 D12	Dark grey/natural			
	997 552 985 00 T12	Brown/natural			
	997 552 985 00 N12	Carrera Red			
24	997 552 645 00	Seal		1	
		Scuttle			
25	987 552 374 00	Retainer for trim	lhd	1	GT2RS PR: XGB, 004, 098
		D - MJ 2011>>			
(25)	987 552 373 00	Retainer for trim	rhd	1	GT2RS PR: XGB, 004, 099
		D - MJ 2011>>			
26	997 552 318 80	Trim	lhd	1	GT2RS PR: XGB, 004, 098
		Carbon			
		D - MJ 2011>>			
(26)	997 552 318 80 A35	Black			
	997 552 319 80	Trim	rhd	1	GT2RS PR: XGB, 004, 099
		Carbon			
		D - MJ 2011>>			
	997 552 319 80 A35	Black			

Model: 997T10

Model life 2010>>2013



Model: 997T10 Model life 2010>>2013

Pos	Part Number	Description	Remark	Qty	Model
1	997 552 201 03	Glove box Cover and Trim (drivers side) Trim lower section Leather	lhd	1	PR:098,981
	997 552 201 03 A11	Black			
	997 552 201 03 5X6	Stone grey			
	997 552 201 03 8G2	Sand beige			
	997 552 201 03 3S9	sea blue			
	997 552 201 03 9S5	Terracotta			
	997 552 201 03 9V6	Cocoa			
	997 552 201 03 D12	Dark grey/natural			
	997 552 201 03 T12	Brown/natural			
	997 552 201 03 N12	Carrera Red			
(1)	997 552 202 03	Trim lower section Leather	rhd	1	PR:099,981
	997 552 202 03 A11	Black			
	997 552 202 03 5X6	Stone grey			
	997 552 202 03 8G2	Sand beige			
	997 552 202 03 3S9	sea blue			
	997 552 202 03 9S5	Terracotta			
	997 552 202 03 9V6	Cocoa			
	997 552 202 03 D12	Dark grey/natural			
	997 552 202 03 T12	Brown/natural			
	997 552 202 03 N12	Carrera Red			
(1)	997 552 201 02	Trim lower section Leatherette D - MJ 2011>>	lhd	1	GT2RS PR:098
	997 552 201 02 1MZ	Black			
(1)	997 552 202 02	Trim lower section Leatherette D - MJ 2011>>	rhd	1	GT2RS PR:099
	997 552 202 02 1MZ	Black			
2	999 073 155 09	panel screw 4,2 X 13 for Mount		8	
3	999 507 971 01	Trim panel nut 4,2 for Mount		8	
4	999 507 732 01	Trim Clamp 8 X 12/ 4 for Mount		7	
5	997 552 427 01	Trim Trim Light switch		1	
	997 552 427 01 A03	Black			
	997 552 427 01 5V7	Stone grey			
	997 552 427 01 5Z1	Sand beige			
	997 552 427 01 8W7	sea blue			
	997 552 427 01 8X8	Terracotta			
	997 552 427 01 8P9	Cocoa			
	997 552 427 01 T13	Brown/natural			
	997 552 427 01 N23	Carrera Red			
6	999 073 155 09	panel screw 4,2 X 13 for		3	

Model: 997T10 Model life 2010>>2013

Pos	Part Number	Description	Remark	Qty	Model
7	999 507 971 01	Mount Trim Light switch panel nut 4,2 for Mount Trim		3	
8	997 552 425 01	Light switch Trim Ignition starter lock	lhd	1	PR:098
	997 552 425 01 A03	Black			
	997 552 425 01 5V7	Stone grey			
	997 552 425 01 5Z1	Sand beige			
	997 552 425 01 8W7	sea blue			
	997 552 425 01 8X8	Terracotta			
	997 552 425 01 8P9	Cocoa			
	997 552 425 01 T13	Brown/natural			
	997 552 425 01 N23	Carrera Red			
(8)	997 552 426 01	Trim Ignition starter lock	rhd	1	PR:099
	997 552 426 01 A03	Black			
	997 552 426 01 5V7	Stone grey			
	997 552 426 01 5Z1	Sand beige			
	997 552 426 01 8W7	sea blue			
	997 552 426 01 8X8	Terracotta			
	997 552 426 01 8P9	Cocoa			
	997 552 426 01 T13	Brown/natural			
	997 552 426 01 N23	Carrera Red			
(8)	997 552 998 00	Leather panel Ignition starter lock	lhd	1	PR:XDS,098
	997 552 998 00 A11	Black			
	997 552 998 00 5X6	Stone grey			
	997 552 998 00 8G2	Sand beige			
	997 552 998 00 3S9	sea blue			
	997 552 998 00 9S5	Terracotta			
	997 552 998 00 9V6	Cocoa			
	997 552 998 00 D12	Dark grey/natural			
	997 552 998 00 T12	Brown/natural			
	997 552 998 00 N12	Carrera Red			
(8)	997 552 999 00	Leather panel Ignition starter lock	rhd	1	PR:XDS,099
	997 552 999 00 A11	Black			
	997 552 999 00 5X6	Stone grey			
	997 552 999 00 8G2	Sand beige			
	997 552 999 00 3S9	sea blue			
	997 552 999 00 9S5	Terracotta			
	997 552 999 00 9V6	Cocoa			
	997 552 999 00 D12	Dark grey/natural			
	997 552 999 00 T12	Brown/natural			
	997 552 999 00 N12	Carrera Red			
9	997 552 405 02	Trim	left	1	
	997 552 405 02 A03	Black			
	997 552 405 02 5V7	Stone grey			
	997 552 405 02 5Z1	Sand beige			
	997 552 405 02 8W7	sea blue			
	997 552 405 02 8X8	Terracotta			
	997 552 405 02 8P9	Cocoa			
	997 552 405 02 T13	Brown/natural			
	997 552 405 02 N23	Carrera Red			
(9)	997 552 406 02	Trim	right	1	
	997 552 406 02 A03	Black			
	997 552 406 02 5V7	Stone grey			

Model: 997T10 Model life 2010>>2013

Pos	Part Number	Description	Remark	Qty	Model				
(9)	997 552 406 02 5Z1	Sand beige	left	1	TURBO PR:XDV				
	997 552 406 02 8W7	sea blue							
	997 552 406 02 8X8	Terracotta							
	997 552 406 02 8P9	Cocoa							
	997 552 406 02 T13	Brown/natural							
	997 552 406 02 N23	Carrera Red							
	997 552 996 01	Leather panel							
	997 552 996 01 A11	Black							
	997 552 996 01 5X6	Stone grey							
	997 552 996 01 8G2	Sand beige							
(9)	997 552 996 01 3S9	sea blue	right	1	TURBO PR:XDV				
	997 552 996 01 9S5	Terracotta							
	997 552 996 01 9V6	Cocoa							
	997 552 996 01 D12	Dark grey/natural							
	997 552 996 01 T12	Brown/natural							
	997 552 996 01 N12	Carrera Red							
	997 552 996 02	Leather panel							
	997 552 996 02 A11	Black							
	997 552 996 02 5X6	Stone grey							
	997 552 996 02 8G2	Sand beige							
10	997 552 996 02 3S9	sea blue	lhd	1	PR:098,981				
	997 552 996 02 9S5	Terracotta							
	997 552 996 02 9V6	Cocoa							
	997 552 996 02 D12	Dark grey/natural							
	997 552 996 02 T12	Brown/natural							
	997 552 996 02 N12	Carrera Red							
	997 552 204 07	Glove box Leather (complete)							
	997 552 204 07 A11	Black							
	997 552 204 07 5X6	Stone grey							
	997 552 204 07 8G2	Sand beige							
(10)	997 552 204 07 3S9	sea blue	rhd	1	PR:099,981				
	997 552 204 07 9S5	Terracotta							
	997 552 204 07 9V6	Cocoa							
	997 552 204 07 D12	Dark grey/natural							
	997 552 204 07 T12	Brown/natural							
	997 552 204 07 N12	Carrera Red							
	997 552 203 07	Glove box Leather (complete)							
	997 552 203 07 A11	Black							
	997 552 203 07 5X6	Stone grey							
	997 552 203 07 8G2	Sand beige							
(10)	997 552 203 07 3S9	sea blue	lhd	1	GT2RS PR:004,098				
	997 552 203 07 9S5	Terracotta							
	997 552 203 07 9V6	Cocoa							
	997 552 203 07 D12	Dark grey/natural							
	997 552 203 07 T12	Brown/natural							
	997 552 203 07 N12	Carrera Red							
	987 552 204 04	Glove box Leatherette (complete) D - MJ 2011>>							
	987 552 204 04 1MZ	Black							
	(10)	987 552 203 07				Glove box Leatherette (complete) D - MJ 2011>>	rhd	1	GT2RS PR:004,099
		987 552 203 07 1MZ				Black			
(10)	997 552 204 80	Glove box	lhd	1	GT2RS				

Model: 997T10 Model life 2010>>2013

Pos	Part Number	Description	Remark	Qty	Model
		Alcantara (complete) D - MJ 2011>>			PR:004,098, 981
(10)	997 552 204 80 A14 997 552 203 80	Black Glove box	rhd	1	GT2RS PR:004,099, 981
(10)	997 552 203 80 A14 987 552 204 06	Alcantara (complete) D - MJ 2011>> Black Glove box	lhd	1	PR:018,098, 981
(10)	987 552 204 06 A11 987 552 203 06	Leather (complete) D - MJ 2012>> Black Glove box	rhd	1	PR:018,099, 981
11	987 552 203 06 A11 999 073 155 09	(complete) D - MJ 2012>> Black panel screw 4,2 X 13 for Mount		X	
12	999 507 971 01	Glove box panel nut 4,2 for Mount		X	
13	999 507 732 01	Glove box Clamp 8 X 12 /4 for Mount		X	
14	997 552 484 01	Glove box Damper		1	
15	997 552 612 00	Glove box Cover		1	
16	997 552 410 01	Damper Release	lhd	1	PR:098
(16)	997 552 409 01	Glove box Release	rhd	1	PR:099
17	996 552 915 01	Glove box Lock cylinders		1	
18	999 703 068 40	Glove box Vehicle Ident. No. Indicate Stop buffer 3,7 x 10,3 Glove box		2	
19	997 552 509 02	Support	left lhd	1	PR:098
(19)	997 552 510 02	Closing element Support	right lhd	1	PR:098
(19)	997 552 509 03	Closing element Support	left rhd	1	PR:099
(19)	997 552 510 03	Closing element Support	right rhd	1	PR:099
20	996 552 813 00	Closing element Pen holder		2	
21	996 552 879 00	Adapter for Damper		2	
22	997 612 651 00	Wire set Glove box light		1	

Model: 997T10 Model life 2010>>2013

Pos	Part Number	Description	Remark	Qty	Model
23	999 650 564 40	Clip for Wire set Micro switch		1	
24	999 650 565 40	Clip for Wire set		1	
25	997 632 071 00	Glove box light		1	
26	997 552 252 03	Glove compartment cover Leather	lhd	1	PR:098,981
	997 552 252 03 A11	Black			
	997 552 252 03 5X6	Stone grey			
	997 552 252 03 8G2	Sand beige			
	997 552 252 03 3S9	sea blue			
	997 552 252 03 9S5	Terracotta			
	997 552 252 03 9V6	Cocoa			
	997 552 252 03 D12	Dark grey/natural			
	997 552 252 03 T12	Brown/natural			
	997 552 252 03 N12	Carrera Red			
(26)	997 552 251 03	Glove compartment cover Leather	rhd	1	PR:099,981
	997 552 251 03 A11	Black			
	997 552 251 03 5X6	Stone grey			
	997 552 251 03 8G2	Sand beige			
	997 552 251 03 3S9	sea blue			
	997 552 251 03 9S5	Terracotta			
	997 552 251 03 9V6	Cocoa			
	997 552 251 03 D12	Dark grey/natural			
	997 552 251 03 T12	Brown/natural			
	997 552 251 03 N12	Carrera Red			
(26)	987 552 252 01	Glove compartment cover Leatherette D - MJ 2011>>	lhd	1	GT2RS PR:004,098
(26)	987 552 252 01 1MZ	Black			
(26)	987 552 251 03	Glove compartment cover Leatherette D - MJ 2011>>	rhd	1	GT2RS PR:004,099
(26)	987 552 251 03 1MZ	Black			
(26)	997 552 252 80	Glove compartment cover Alcantara D - MJ 2011>>	lhd	1	GT2RS PR:004,098, 981
(26)	997 552 252 80 A14	Black			
(26)	997 552 251 80	Glove compartment cover Alcantara D - MJ 2011>>	rhd	1	GT2RS PR:004,099, 981
(26)	997 552 251 80 A14	Black			
(26)	987 552 252 03	Glove compartment cover Leather D - MJ 2012>>	lhd	1	PR:018,098, 981
(26)	987 552 252 03 A11	Black			
(26)	987 552 251 02	Glove compartment cover Leather D - MJ 2012>>	rhd	1	PR:018,099, 981
(26)	987 552 251 02 A11	Black			
27	999 073 249 07	panel screw 3.5 X 12 for Mount Glove compartment cover		11	
28	997 552 362 01	handle (complete)	lhd	1	PR:098,981
	997 552 362 01 A03	Black			
	997 552 362 01 5V7	Stone grey			

Model: 997T10 Model life 2010>>2013

Pos	Part Number	Description	Remark	Qty	Model
	997 552 362 01 5Z1	Sand beige			
	997 552 362 01 8W7	sea blue			
	997 552 362 01 8X8	Terracotta			
	997 552 362 01 8P9	Cocoa			
	997 552 362 01 T13	Brown/natural			
	997 552 362 01 N23	Carrera Red			
(28)	997 552 361 01	handle (complete)	rhd	1	PR:099,981
	997 552 361 01 A03	Black			
	997 552 361 01 5V7	Stone grey			
	997 552 361 01 5Z1	Sand beige			
	997 552 361 01 8W7	sea blue			
	997 552 361 01 8X8	Terracotta			
	997 552 361 01 8P9	Cocoa			
	997 552 361 01 T13	Brown/natural			
	997 552 361 01 N23	Carrera Red			
29	999 073 240 01	Screw M 4 X 10 for Mount handle		2	
30	997 552 448 00	Stop		1	
31	997 552 663 00	Box for cds		1	PR:424
32	999 073 240 01	Screw M 4 X 10 for Mount Box for cds		2	
33	997 552 256 03	Leather panel (passenger side)	lhd	1	PR:098,981
	997 552 256 03 A11	Black			
	997 552 256 03 5X6	Stone grey			
	997 552 256 03 8G2	Sand beige			
	997 552 256 03 3S9	sea blue			
	997 552 256 03 9S5	Terracotta			
	997 552 256 03 9V6	Cocoa			
	997 552 256 03 D12	Dark grey/natural			
	997 552 256 03 T12	Brown/natural			
	997 552 256 03 N12	Carrera Red			
(33)	997 552 255 03	Leather panel (passenger side)	rhd	1	PR:099,981
	997 552 255 03 A11	Black			
	997 552 255 03 5X6	Stone grey			
	997 552 255 03 8G2	Sand beige			
	997 552 255 03 3S9	sea blue			
	997 552 255 03 9S5	Terracotta			
	997 552 255 03 9V6	Cocoa			
	997 552 255 03 D12	Dark grey/natural			
	997 552 255 03 T12	Brown/natural			
	997 552 255 03 N12	Carrera Red			
(33)	997 552 256 02	Trim (passenger side) Leatherette D - MJ 2011>>	lhd	1	GT2RS PR:098
(33)	997 552 256 02 1MZ	Black			
(33)	997 552 255 02	Trim (passenger side) Leatherette D - MJ 2011>>	rhd	1	GT2RS PR:099
(33)	997 552 255 02 1MZ	Black			
(33)	997 552 256 90	Trim (passenger side) D - MJ 2011>>	lhd	1	GT2RS PR:098,981

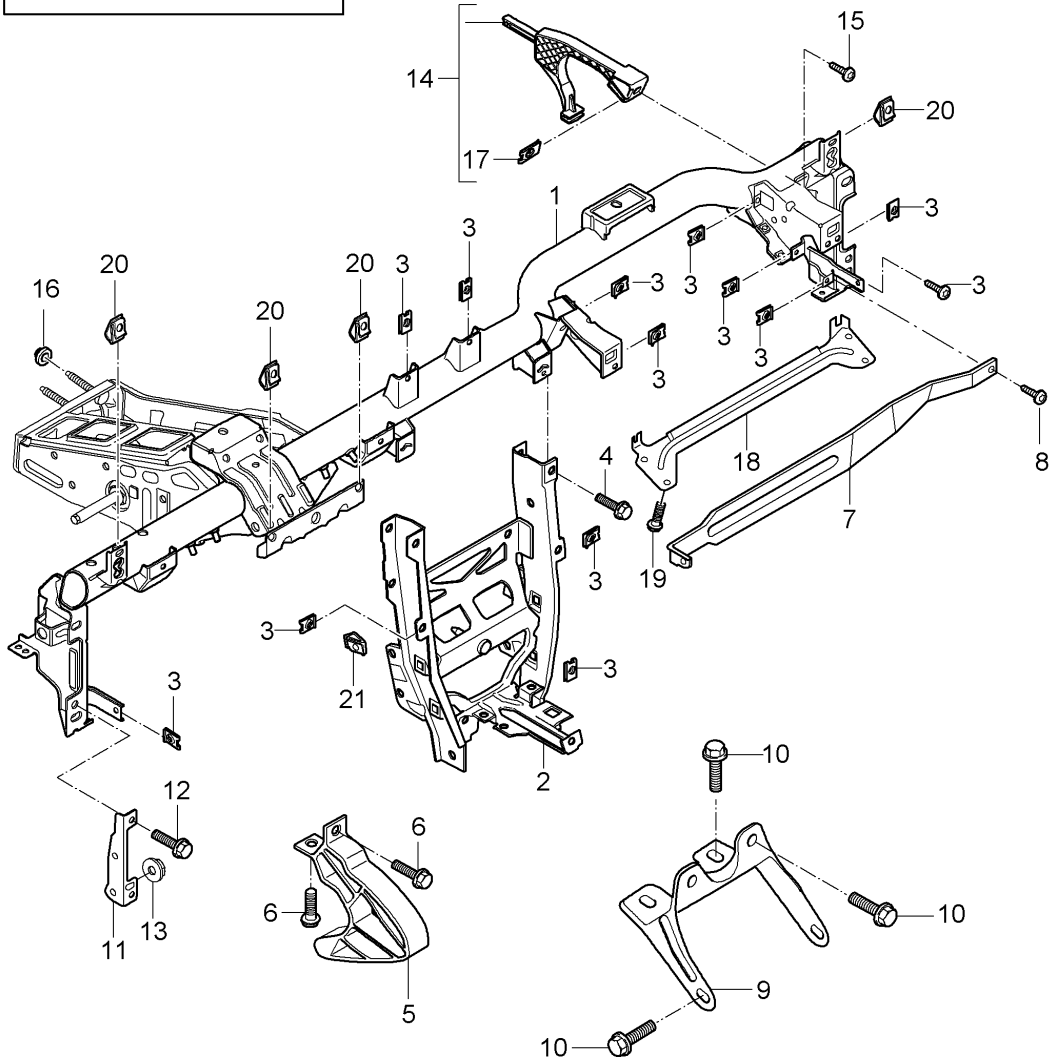
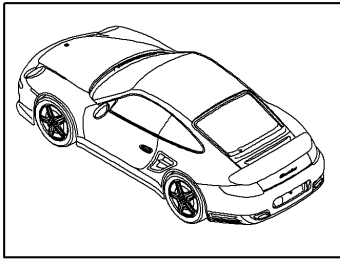
Model: 997T10

Model life 2010>>2013

Pos	Part Number	Description	Remark	Qty	Model
(33)	997 552 256 90 A14 997 552 255 90	Black Trim (passenger side) D - MJ 2011>>	rhd	1	GT2RS PR:099,981
34	997 552 255 90 A14 997 552 414 01	Black Trim Footwell (passenger side)	lhd	1	PR:098
(34)	997 552 413 01	Trim Footwell (passenger side)	rhd	1	PR:099
35	1H0 819 943	round hd. screw for Mount Trim Footwell		X	
36	997 552 451 01	Insert	lhd	1	PR:098
36	997 552 452 01	Insert	rhd	1	PR:099
37	997 552 649 01	Hinge bolt Glove box		2	
38	997 552 821 00	Grommet		3	
39	997 552 783 80	Badge Special model Vehicle Ident. No. Indicate D - MJ 2011>>		1	GT2RS PR:004

Model: 997T10

Model life 2010>>2013



Model: 997T10

Model life 2010>>2013

Pos	Part Number	Description	Remark	Qty	Model
1	997 552 063 08	retaining frame dashboard			
(1)	997 552 063 10	retaining frame	lhd	1	PR:098
2	997 552 163 05	retaining frame	rhd	1	PR:099
		Support	lhd	1	PR:098
(2)	997 552 163 06	tunnel			
		Support	rhd	1	PR:099
		tunnel			
3	999 507 020 01	panel nut ST 4,2		X	
4	900 378 305 01	Hexagon bolt M 8 X 65 for Mount		2	
		Support			
9	997 552 515 01	Bracket		1	
		tunnel			
10	999 073 442 01	Screw M 6 X 25 for Mount		X	
		Bracket			
		tunnel			
11	997 552 407 01	bracket for dash panel	left	1	
		A-pillar			
(11)	997 552 408 01	bracket for dash panel	right	1	
		A-pillar			
12	900 378 176 01	Hexagon bolt M 8 X 20 for Mount		4	
		Bracket			
		A-pillar			
13	999 084 630 09	Hexagon nut M 8 for Mount		4	
		Bracket			
		A-pillar			
14	997 552 401 00	Retainer for support frame heater		1	
15	999 073 155 09	panel screw ST 4,2 X 13 for Mount		1	
		Bracket			
		heater			
16	997 423 299 01	Nut for Adjustment		2	
		retaining frame			
		Firewall			
17	999 507 971 01	panel nut ST 4,2 for Mount		1	
		Bracket			
		heater			
18	997 552 603 01	Reinforcement plate		1	
		Bracket			
		Airbag			
19	900 378 222 09	Hexagon bolt M 6 X 16		4	

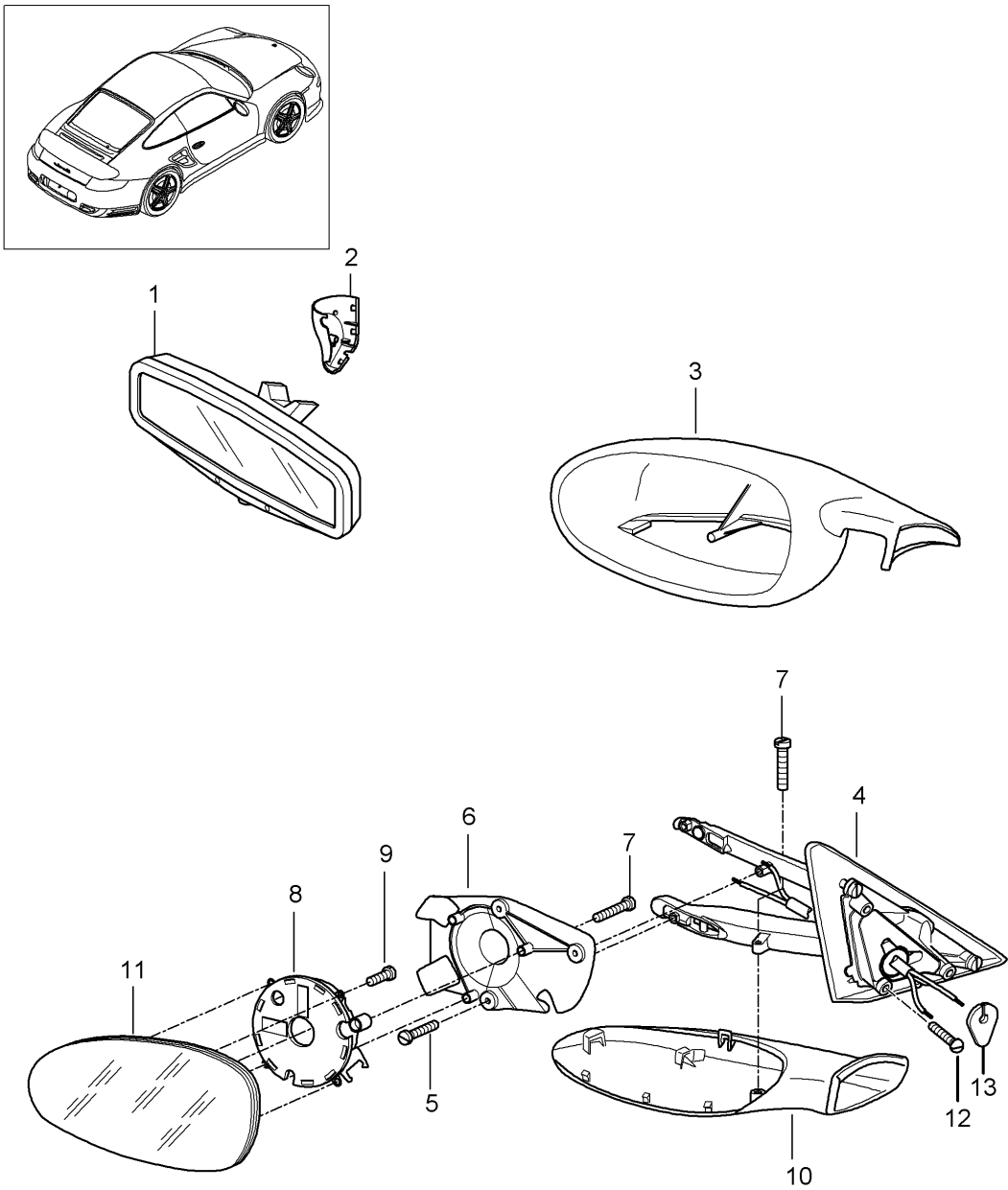
Model: 997T10

Model life 2010>>2013

Pos	Part Number	Description	Remark	Qty	Model
20	999 591 850 01	panel nut ST 4,2		X	
21	999 591 951 03	panel nut ST 4,2		X	

Model: 997T10

Model life 2010>>2013



Model: 997T10 Model life 2010>>2013

Pos	Part Number	Description	Remark	Qty	Model
1	997 731 511 05	Interior mirror Exterior mirror		1	PR:267
2	997 731 811 00	Interior mirror, automatic anti-dazzle Cover	left	1	
(2)	997 731 811 00 01C	Satin black			
	997 731 812 00	Interior mirror Cover	right	1	
	997 731 812 00 01C	Satin black			
3	997 731 619 02	Exterior mirror housing	left	1	
(3)	997 731 619 02 G2L	primed			
	997 731 619 04	Mirror housing Carbon	left	1	PR:018
(3)	997 731 619 81	Mirror housing Carbon	left	1	PR:004
(3)	997 731 619 82	Mirror housing Carbon	left	1	PR:004,499
(3)	997 731 620 02	Exterior mirror housing	right	1	
	997 731 620 02 G2L	primed			
(3)	997 731 620 04	Mirror housing Carbon	right	1	PR:018
(3)	997 731 620 81	Mirror housing Carbon	right	1	PR:004
(3)	997 731 620 82	Mirror housing Carbon	right	1	PR:004,499
4	997 731 219 00	Mirror base	left lhd	1	PR:098
	997 731 219 00 G2L	primed			
		with:			
(4)	997 731 220 00	Wire set Mirror base	right lhd	1	PR:098
	997 731 220 00 G2L	Exterior mirror primed			
		with:			
(4)	997 731 219 01	Wire set Mirror base	left lhd	1	PR:537,098
	997 731 219 01 G2L	Exterior mirror primed			
		with:			
(4)	997 731 220 01	Wire set Mirror base	right lhd	1	PR:537,098
	997 731 220 01 G2L	Exterior mirror primed			
		with:			
(4)	997 731 219 02	Wire set Mirror base	left lhd	1	PR:098,267
	997 731 219 02 G2L	Exterior mirror primed			
		with:			
(4)	997 731 220 02	Wire set Mirror base	right lhd	1	PR:098,267
	997 731 220 02 G2L	Exterior mirror primed			
		with:			
(4)	997 731 219 03	Wire set Mirror base	left lhd	1	PR:267,537, 098
	997 731 219 03 G2L	Exterior mirror primed			
		with:			
(4)	997 731 220 03	Wire set Mirror base	right lhd	1	PR:267,537, 098
	997 731 220 03 G2L	Exterior mirror primed			

Model: 997T10 Model life 2010>>2013

Pos	Part Number	Description	Remark	Qty	Model
(4)	997 731 219 04	Wire set Mirror base Exterior mirror primed	with: left rhd	1	PR:099
	997 731 219 04 G2L				
(4)	997 731 220 04	Wire set Mirror base Exterior mirror primed	with: right rhd	1	PR:099
	997 731 220 04 G2L				
(4)	997 731 219 05	Wire set Mirror base Exterior mirror primed	with: left rhd	1	PR:099,538
	997 731 219 05 G2L				
(4)	997 731 220 05	Wire set Mirror base Exterior mirror primed	with: right rhd	1	PR:099,538
	997 731 220 05 G2L				
(4)	997 731 219 06	Wire set Mirror base Exterior mirror primed	with: left rhd	1	PR:099,267
	997 731 219 06 G2L				
(4)	997 731 220 06	Wire set Mirror base Exterior mirror primed	with: right rhd	1	PR:099,267
	997 731 220 06 G2L				
(4)	997 731 219 07	Wire set Mirror base Exterior mirror primed	with: left rhd	1	PR:267,538, 099
	997 731 219 07 G2L				
(4)	997 731 220 07	Wire set Mirror base Exterior mirror primed	with: right rhd	1	PR:267,538, 099
	997 731 220 07 G2L				
5	999 919 024 09	Wire set fillister hd. bolt 3,0 X 12		3	
6	997 731 519 00	plate Exterior mirror	left	1	
(6)	997 731 520 00	plate Exterior mirror	right	1	
7	999 141 043 02	fillister hd. bolt M 3 X 14		4	
8	997 624 047 00	Adjusting motor Discontinued part		2	PR:-537,-538
8	997 624 047 01	Adjusting motor		2	PR:-537,-538
(8)	997 624 048 00	Adjusting motor Discontinued part		2	PR:537,538
(8)	997 624 048 01	Adjusting motor		2	PR:537,538
(8)	997 624 048 01	Adjusting motor		2	PR:538
9	999 141 043 02	fillister hd. bolt M 3,0 X 14		3	
10	997 731 719 02	Trim for exterior mirror housing	left lower	1	
	997 731 719 02 G2L	primed			
(10)	997 731 720 02	Trim for exterior	right	1	

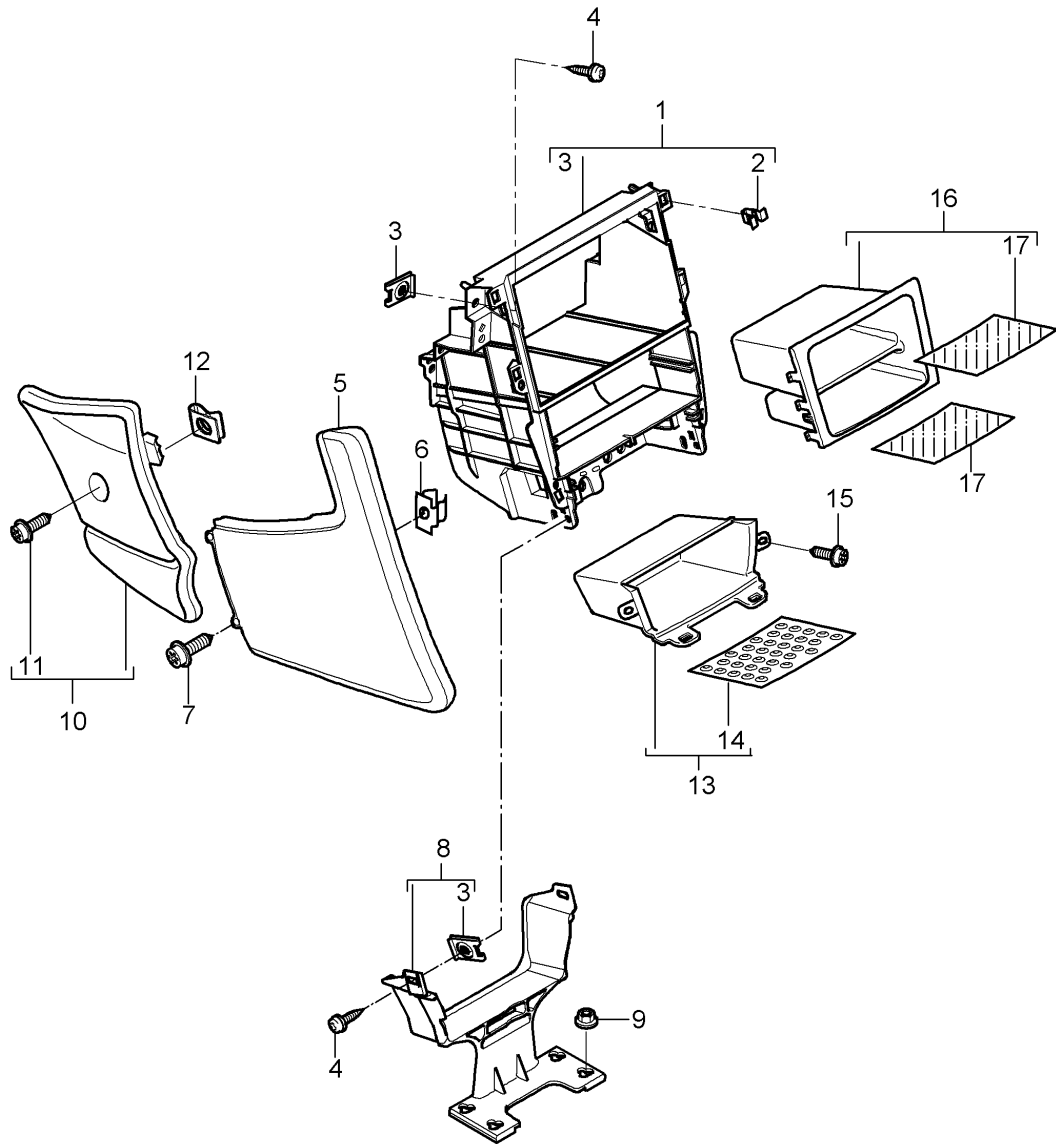
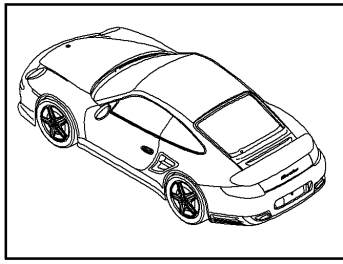
Model: 997T10

Model life 2010>>2013

Pos	Part Number	Description	Remark	Qty	Model
		mirror housing	lower		
	997 731 720 02 G2L	primed			
11	997 731 035 06	Mirror glass (flat)	left lhd	1	PR:098,270
(11)	997 731 035 08	Mirror glass (flat)	left lhd	1	PR:098,267,270
(11)	997 731 035 07	Mirror (aspherical) Aspherical	left lhd	1	PR:098,271,004
(11)	997 731 035 09	Mirror (aspherical) Aspherical	left lhd	1	PR:098,267,271
(11)	997 731 036 07	Mirror (aspherical)	right rhd	1	PR:099,271,004
(11)	997 731 036 09	Mirror (aspherical) Aspherical	right rhd	1	PR:099,267,271
(11)	997 731 038 09	Mirror glass (convex)	right lhd	1	PR:098,004
(11)	997 731 038 10	Mirror glass (convex)	right lhd	1	PR:074,098,004
(11)	997 731 038 11	Mirror glass (convex)	right lhd	1	PR:215,098,004
(11)	997 731 038 12	Mirror glass (convex)	right lhd	1	PR:098,267
(11)	997 731 038 13	Mirror glass (convex)	right lhd	1	PR:074,267,098
(11)	997 731 038 14	Mirror glass (convex)	right lhd	1	PR:215,267,098
(11)	997 731 037 03	Mirror glass (convex)	left rhd	1	PR:099,004
(11)	997 731 037 04	Mirror glass (convex)	left rhd	1	PR:099,267
12	999 073 345 09	Oval-head screw M 5 X 18		3	
13	997 537 733 00	Seal Cable plug Mirror base		1	

Model: 997T10

Model life 2010>>2013



Model: 997T10 Model life 2010>>2013

Pos	Part Number	Description	Remark	Qty	Model
1	997 553 111 03	Centre console Carrier	front front	1	
2	999 507 476 01	Centre console Clamp		6	
3	999 507 971 01	8,0 X 10,0/2,5 panel nut		X	
4	999 073 155 09	st 4,2 panel screw		X	
5	997 553 117 06	st 4,2 x 13 Leather panel	left side	1	PR:981,618, 619,668,669
	997 553 117 06 FSA	black/grey			
	997 553 117 06 FSB	Stone grey/stone grey			
	997 553 117 06 FSC	Sand beige/sand beige			
	997 553 117 06 FSD	Sea blue/grey			
	997 553 117 06 FSF	Terracotta/terracotta			
	997 553 117 06 FSG	Cocoa/Cocoa			
	997 553 117 06 FSH	Darkgrey natural/grey			
	997 553 117 06 FSJ	Brown nat./brown nat.			
	997 553 117 06 FSP	Carrera Red			
	997 553 117 06 TSB	black/black			Turbo S
(5)	997 553 118 06	D - MJ 2011>> Leather panel	right side	1	PR:981,618, 619,668,669
	997 553 118 06 FSA	black/grey			
	997 553 118 06 FSB	Stone grey/stone grey			
	997 553 118 06 FSC	Sand beige/sand beige			
	997 553 118 06 FSD	Sea blue/grey			
	997 553 118 06 FSF	Terracotta/terracotta			
	997 553 118 06 FSG	Cocoa/Cocoa			
	997 553 118 06 FSH	Darkgrey natural/grey			
	997 553 118 06 FSJ	Brown nat./brown nat.			
	997 553 118 06 FSP	Carrera Red			
	997 553 118 06 TSB	black/black			Turbo S
(5)	997 553 117 05	D - MJ 2011>> Trim	left side	1	GT2RS
		Leatherette			
(5)	997 553 117 05 9L4	Black			
(5)	997 553 118 05	Trim	right side	1	GT2RS
		Leatherette			
-	997 553 118 05 9L4	Black			
		Trim	side	1	
		with: preparation for telephone see illustration:	911-010		
6	999 591 508 01	Cage nut st 4,2 for Mount	side	4	
7	999 073 226 09	Trim panel screw ST 4,2 X 16 for Mount	side	4	
8	997 553 361 01	Trim Support	center	1	
9	999 084 629 01	Hexagon nut M 6		4	
10	997 553 131 01	Cover Footwell outlet vent Carpet	left	1	PR:098

Model: 997T10 Model life 2010>>2013

Pos	Part Number	Description	Remark	Qty	Model
10	997 553 131 01 A10	Black	left	1	PR:099
	997 553 131 01 B10	Stone grey			
	997 553 131 01 T10	Sand beige			
	997 553 131 01 E10	sea blue			
	997 553 131 01 M10	Terracotta			
	997 553 131 01 R10	Cocoa			
	997 553 131 01 D11	Dark grey/natural			
	997 553 131 01 T11	Brown/natural			
	997 553 131 01	Cover			
		Footwell outlet vent			
		Carpet			
(10)	997 553 131 01 A10	Black	right lhd	1	PR:098,621
	997 553 131 01 B10	Stone grey			
	997 553 131 01 T10	Sand beige			
	997 553 131 01 E10	sea blue			
	997 553 131 01 M10	Terracotta			
	997 553 131 01 R10	Cocoa			
	997 553 131 01 D11	Dark grey/natural			
	997 553 131 01 T11	Brown/natural			
	997 553 132 01	Cover			
		Footwell outlet vent			
		Carpet			
(10)	997 553 132 01 A10	Black	right lhd	1	PR:098
	997 553 132 01 B10	Stone grey			
	997 553 132 01 T10	Sand beige			
	997 553 132 01 E10	sea blue			
	997 553 132 01 M10	Terracotta			
	997 553 132 01 R10	Cocoa			
	997 553 132 01 D11	Dark grey/natural			
	997 553 132 01 T11	Brown/natural			
	997 553 132 01 N10	Carrera Red			
	997 553 132 02	Cover			
		Footwell outlet vent			
	Carpet				
(10)	997 553 132 02 A10	Black	right rhd	1	PR:099
	997 553 132 02 B10	Stone grey			
	997 553 132 02 T10	Sand beige			
	997 553 132 02 E10	sea blue			
	997 553 132 02 M10	Terracotta			
	997 553 132 02 R10	Cocoa			
	997 553 132 02 D11	Dark grey/natural			
	997 553 132 02 T11	Brown/natural			
	997 553 132 02 N10	Carrera Red			
	997 553 132 02	Cover			
		Footwell outlet vent			
	Carpet				
11	997 553 132 02 A10	Black		2	
	997 553 132 02 B10	Stone grey			
	997 553 132 02 T10	Sand beige			
	997 553 132 02 E10	sea blue			
	997 553 132 02 M10	Terracotta			
	997 553 132 02 R10	Cocoa			
	997 553 132 02 D11	Dark grey/natural			
	997 553 132 02 T11	Brown/natural			
	997 553 132 02 N10	Carrera Red			
	999 073 223 07	fillister hd. bolt M 6 X 25 for Mount Cover			
		Footwell outlet vent			
12	999 507 766 02	panel nut M 6		2	

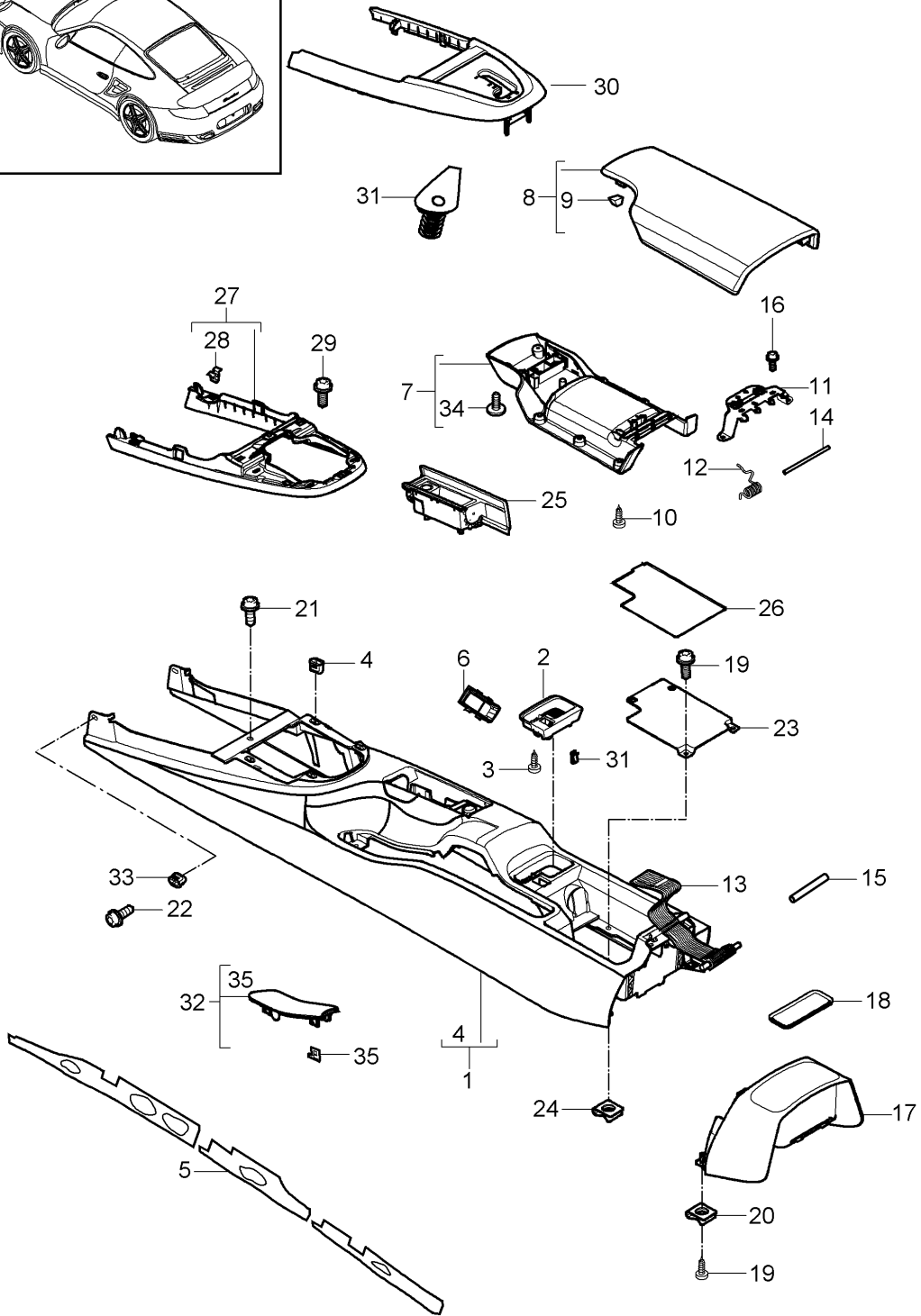
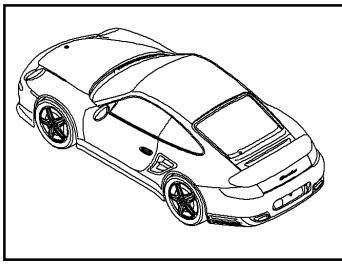
Model: 997T10

Model life 2010>>2013

Pos	Part Number	Description	Remark	Qty	Model
13	997 553 143 02	for Mount Cover Footwell outlet vent Stowage compartment Centre console	front	1	
	997 553 143 02 A05	Matt black			
14	997 553 543 01	Insert for centre console Stowage compartment		1	
15	999 919 164 09	fillister hd. bolt 5,0 X 12,0 for Mount Stowage compartment		3	
16	987 553 671 00	Stowage compartment Stowage compartment D - MJ 2011>>	center	1	PR:609
	987 553 671 00 A05	Matt black			
17	987 553 871 00	insert for stowage compartment D - MJ 2011>>	center	2	PR:609

Model: 997T10

Model life 2010>>2013



Model: 997T10 Model life 2010>>2013

Pos	Part Number	Description	Remark	Qty	Model
1	997 553 901 00	Centre console	rear	1	COUPE
	997 553 901 00 A03	Black			
	997 553 901 00 5V7	Stone grey			
	997 553 901 00 5Z1	Sand beige			
	997 553 901 00 8W7	sea blue			
	997 553 901 00 8X8	Terracotta			
	997 553 901 00 8P9	Cocoa			
	997 553 901 00 T13	Brown/natural			
	997 553 901 00 N23	Carrera Red			
(1)	997 553 901 02	Centre console		1	CABRIO
	997 553 901 02 A03	Black			
	997 553 901 02 5V7	Stone grey			
	997 553 901 02 5Z1	Sand beige			
	997 553 901 02 8W7	sea blue			
	997 553 901 02 8X8	Terracotta			
	997 553 901 02 8P9	Cocoa			
	997 553 901 02 T13	Brown/natural			
	997 553 901 02 N23	Carrera Red			
(1)	997 553 980 69	Centre console		1	COUPE PR:XMZ
		Leather			
	997 553 980 69 A11	Black			
	997 553 980 69 5X6	Stone grey			
	997 553 980 69 8G2	Sand beige			
	997 553 980 69 3S9	sea blue			
	997 553 980 69 9S5	Terracotta			
	997 553 980 69 9V6	Cocoa			
	997 553 980 69 D12	Dark grey/natural			
	997 553 980 69 T12	Brown/natural			
	997 553 980 69 N12	Carrera Red			
(1)	997 553 980 71	Centre console		1	CABRIO PR:XMZ
		Leather			
	997 553 980 71 A11	Black			
	997 553 980 71 5X6	Stone grey			
	997 553 980 71 8G2	Sand beige			
	997 553 980 71 3S9	sea blue			
	997 553 980 71 9S5	Terracotta			
	997 553 980 71 9V6	Cocoa			
	997 553 980 71 D12	Dark grey/natural			
	997 553 980 71 T12	Brown/natural			
	997 553 980 71 N12	Carrera Red			
(1)	997 553 980 52	Centre console		1	COUPE PR:XMJ
		Carbon			
	997 553 980 52 A35	Black			
(1)	997 553 980 54	Centre console		1	CABRIO PR:XMJ
		Carbon			
	997 553 980 54 A35	Black			
(1)	997 553 980 56	Centre console		1	COUPE PR:XJT
	997 553 980 56 S61	macassar			
(1)	997 553 980 58	Centre console		1	CABRIO PR:XJT
	997 553 980 58 S61	macassar			
(1)	997 553 980 60	Centre console		1	COUPE PR:XCK
	997 553 980 60 V04	Galvano silver			
(1)	997 553 980 62	Centre console		1	CABRIO PR:XCK
	997 553 980 62 V04	Galvano silver			
(1)	997 553 980 64	Centre console		1	COUPE PR:XME
	997 553 980 64 041	Black			
	997 553 980 64 84A	guards red (Porsche)			

Model: 997T10 Model life 2010>>2013

Pos	Part Number	Description	Remark	Qty	Model
	997 553 980 64 12H	Speed yellow			
	997 553 980 64 B9A	Carrara white			
	997 553 980 64 92U	Arctic silver metallic			
	997 553 980 64 C9Z	Basalt black metallic			
	997 553 980 64 M7X	Atlas grey metallic			
	997 553 980 64 39C	Midnight Blue Metallic			
	997 553 980 64 M7W	Meteor Grey Metallic			
	997 553 980 64 M8W	Macadamia Metallic			
	997 553 980 64 M3X	Ruby red metallic			
	997 553 980 64 M5X	Dark blue metallic			
	997 553 980 64 22G	Racing Green Metallic			
	997 553 980 64 M5R	Aqua blue metallic			
	997 553 980 64 51A	cream white			
	997 553 980 64 M2Z	Nordic Gold Metallic			
	997 553 980 64 M7Z	GT Silver Metallic			
	997 553 980 64 2B5	Malachite Green Metallic			
(1)	997 553 980 66	Centre console		1	CABRIO PR:XME
	997 553 980 66 041	Black			
	997 553 980 66 84A	guards red (Porsche)			
	997 553 980 66 12H	Speed yellow			
	997 553 980 66 B9A	Carrara white			
	997 553 980 66 92U	Arctic silver metallic			
	997 553 980 66 C9Z	Basalt black metallic			
	997 553 980 66 M7X	Atlas grey metallic			
	997 553 980 66 39C	Midnight Blue Metallic			
	997 553 980 66 M7W	Meteor Grey Metallic			
	997 553 980 66 M8W	Macadamia Metallic			
	997 553 980 66 M3X	Ruby red metallic			
	997 553 980 66 M5X	Dark blue metallic			
	997 553 980 66 22G	Racing Green Metallic			
	997 553 980 66 M5R	Aqua blue metallic			
	997 553 980 66 51A	cream white			
	997 553 980 66 M2Z	Nordic Gold Metallic			
	997 553 980 66 M7Z	GT Silver Metallic			
	997 553 980 66 2B5	Malachite Green Metallic			
(1)	997 553 997 01	Protective film Centre console See technical manual 681749		2	
2	997 553 575 02	Insert Locking mechanism Centre console		1	
3	997 553 575 02 01C 999 919 159 09	Satin black fillister hd. bolt 4 X 12 for Mount Insert Locking mechanism expanding nut		1	
4	999 591 210 40	4,2		4	
5	997 553 843 00	Sound absorber	left	1	
(5)	997 553 844 00	Sound absorber	right	1	
7	997 553 433 01	cover for center console	inner	1	
	997 553 433 01 01C	Satin black			
8	997 553 231 01	Cover (leather)	outer	1	TURBO
	997 553 231 01 A11	Black			
	997 553 231 01 5X6	Stone grey			
	997 553 231 01 8G2	Sand beige			
	997 553 231 01 3S9	sea blue			
	997 553 231 01 9S5	Terracotta			
	997 553 231 01 9V6	Cocoa			

Model: 997T10

Model life 2010>>2013

Pos	Part Number	Description	Remark	Qty	Model	
(8)	997 553 231 01 D12	Dark grey/natural				
	997 553 231 01 T12	Brown/natural				
	997 553 231 01 N12	Carrera Red				
	997 553 231 90	cover for center console Alcantara	outer	1	GT2RS	
(8)	997 553 231 90 A25	Black				
	997 553 231 90 N13	guards red (Porsche)				
(8)	997 553 991 05	Cover	outer	1	TURBO PR:XPT	
		with:				
		Porsche crest				
	997 553 991 05 A11	Black				
	997 553 991 05 5X6	Stone grey				
	997 553 991 05 8G2	Sand beige				
	997 553 991 05 3S9	sea blue				
	997 553 991 05 9S5	Terracotta				
	997 553 991 05 9V6	Cocoa				
	997 553 991 05 D12	Dark grey/natural				
	997 553 991 05 T12	Brown/natural				
	997 553 991 05 N12	Carrera Red				
	997 553 991 29	Cover	outer lhd	1	TURBO PR:XUV,098	
		with:				
		inscription Turbo				
(8)	997 553 991 29 A11	Black				
	997 553 991 29 5X6	Stone grey				
	997 553 991 29 8G2	Sand beige				
	997 553 991 29 3S9	sea blue				
	997 553 991 29 9S5	Terracotta				
	997 553 991 29 9V6	Cocoa				
	997 553 991 29 D12	Dark grey/natural				
	997 553 991 29 T12	Brown/natural				
	997 553 991 29 N12	Carrera Red				
	997 553 991 30	Cover	outer rhd	1	TURBO PR:XUV,099	
		with:				
		inscription Turbo				
	(8)	997 553 991 30 A11	Black			
		997 553 991 30 5X6	Stone grey			
		997 553 991 30 8G2	Sand beige			
997 553 991 30 3S9		sea blue				
997 553 991 30 9S5		Terracotta				
997 553 991 30 9V6		Cocoa				
997 553 991 30 D12		Dark grey/natural				
997 553 991 30 T12		Brown/natural				
997 553 991 30 N12		Carrera Red				
997 553 991 43		Cover	outer lhd	1	TURBO S PR:XUV,098	
		with:				
		inscription Turbo S				
(8)		997 553 991 43 A11	Black			
		997 553 991 43 5X6	Stone grey			
		997 553 991 43 8G2	Sand beige			
	997 553 991 43 3S9	sea blue				
	997 553 991 43 9S5	Terracotta				
	997 553 991 43 9V6	Cocoa				
	997 553 991 43 D12	Dark grey/natural				
	997 553 991 43 T12	Brown/natural				
	997 553 991 43 N12	Carrera Red				
	997 553 991 43 TSB	Black-black				

Model: 997T10

Model life 2010>>2013

Pos	Part Number	Description	Remark	Qty	Model
(8)	997 553 991 44	Cover	outer rhd	1	TURBO S PR:XUV,099
		with:			
		inscription			
		Turbo S			
	997 553 991 44 A11	Black			
	997 553 991 44 5X6	Stone grey			
	997 553 991 44 8G2	Sand beige			
	997 553 991 44 3S9	sea blue			
	997 553 991 44 9S5	Terracotta			
	997 553 991 44 9V6	Cocoa			
	997 553 991 44 D12	Dark grey/natural			
	997 553 991 44 T12	Brown/natural			
	997 553 991 44 N12	Carrera Red			
	997 553 991 44 TSB	Black-black			
(8)	997 553 991 20	Cover	outer lhd	1	PR:XLG,098
		Alcantara			
(8)	997 553 991 20 A25	Black			
(8)	997 553 991 21	Cover	outer rhd	1	PR:XLG,099
		Alcantara			
	997 553 991 21 A25	Black			
9	999 507 972 01	panel nut	outer	8	
		3,5			
		3,5 X 14			
		for			
		Mount			
		Cover			
10	999 073 153 01	panel screw	outer	8	
		3,5 X 14			
		for			
		Mount			
		Cover			
11	997 553 437 01	Hinge		1	
12	997 553 439 00	Leg spring		1	
13	997 553 441 00	Belt		1	
14	997 553 447 00	axle		1	
15	997 553 733 00	Locking pin		1	
16	999 919 159 09	fillister hd. bolt		X	
		M4X12			
17	997 553 221 01	Extension for		1	COUPE/TURBO
		centre console			
		Lacquered			
	997 553 221 01 A03	Black			
	997 553 221 01 5V7	Stone grey			
	997 553 221 01 5Z1	Sand beige			
	997 553 221 01 8W7	sea blue			
	997 553 221 01 8X8	Terracotta			
	997 553 221 01 8P9	Cocoa			
	997 553 221 01 T13	Brown/natural			
	997 553 221 01 N23	Carrera Red			
(17)	997 553 983 00	Extension for		1	COUPE/TURBO
		centre console			PR:XMZ
		Leather			
	997 553 983 00 A11	Black			
	997 553 983 00 5X6	Stone grey			
	997 553 983 00 8G2	Sand beige			
	997 553 983 00 3S9	sea blue			
	997 553 983 00 9S5	Terracotta			
	997 553 983 00 9V6	Cocoa			
	997 553 983 00 D12	Dark grey/natural			
	997 553 983 00 T12	Brown/natural			

Model: 997T10 Model life 2010>>2013

Pos	Part Number	Description	Remark	Qty	Model
(17)	997 553 983 00 N12	Carrera Red			
	997 553 983 01	Extension for centre console Leather		1	COUPE/TURBO PR:XMJ
	997 553 983 01 A11	Black			
	997 553 983 01 5X6	Stone grey			
	997 553 983 01 8G2	Sand beige			
	997 553 983 01 3S9	sea blue			
	997 553 983 01 9S5	Terracotta			
	997 553 983 01 9V6	Cocoa			
	997 553 983 01 D12	Dark grey/natural			
	997 553 983 01 T12	Brown/natural			
	997 553 983 01 N12	Carrera Red			
(17)	997 553 983 03	Extension for centre console Leather		1	COUPE/TURBO PR:XJT
	997 553 983 03 A11	Black			
	997 553 983 03 5X6	Stone grey			
	997 553 983 03 8G2	Sand beige			
	997 553 983 03 3S9	sea blue			
	997 553 983 03 9S5	Terracotta			
	997 553 983 03 9V6	Cocoa			
	997 553 983 03 D12	Dark grey/natural			
	997 553 983 03 T12	Brown/natural			
	997 553 983 03 N12	Carrera Red			
(17)	997 553 983 04	Extension for centre console Leather		1	COUPE/TURBO PR:XCK
	997 553 983 04 A11	Black			
	997 553 983 04 5X6	Stone grey			
	997 553 983 04 8G2	Sand beige			
	997 553 983 04 3S9	sea blue			
	997 553 983 04 9S5	Terracotta			
	997 553 983 04 9V6	Cocoa			
	997 553 983 04 D12	Dark grey/natural			
	997 553 983 04 T12	Brown/natural			
	997 553 983 04 N12	Carrera Red			
(17)	997 553 983 05	Extension for centre console Lacquered		1	COUPE/TURBO PR:XME
	997 553 983 05 041	Black			
	997 553 983 05 84A	guards red (Porsche)			
	997 553 983 05 12H	Speed yellow			
	997 553 983 05 B9A	Carrara white			
	997 553 983 05 92U	Arctic silver metallic			
	997 553 983 05 C9Z	Basalt black metallic			
	997 553 983 05 M7X	Atlas grey metallic			
	997 553 983 05 39C	Midnight Blue Metallic			
	997 553 983 05 M7W	Meteor Grey Metallic			
	997 553 983 05 M8W	Macadamia Metallic			
	997 553 983 05 M3X	Ruby red metallic			
	997 553 983 05 M5X	Dark blue metallic			
	997 553 983 05 22G	Racing Green Metallic			
	997 553 983 05 M5R	Aqua blue metallic			
	997 553 983 05 51A	cream white			
	997 553 983 05 M2Z	Nordic Gold Metallic			
	997 553 983 05 M7Z	GT Silver Metallic			
	997 553 983 05 2B5	Malachite Green Metallic			
18	997 553 625 01	Insert for centre console Extension		1	COUPE/TURBO
19	999 073 226 09	panel screw 4,2 X 16		X	
20	999 507 020 01	panel nut		X	

Model: 997T10 Model life 2010>>2013

Pos	Part Number	Description	Remark	Qty	Model
21	999 919 121 09	4,2 fillister hd. bolt 5 X 16		2	
22	999 073 155 09	panel screw 4,2 X 13		2	
23	997 553 615 01	Floor Centre console		1	
24	999 507 028 01	panel nut 4,2		X	
25	997 553 902 00	ashtray Lacquered		1	
	997 553 902 00 A03	Black			
	997 553 902 00 5V7	Stone grey			
	997 553 902 00 5Z1	Sand beige			
	997 553 902 00 8W7	sea blue			
	997 553 902 00 8X8	Terracotta			
	997 553 902 00 8P9	Cocoa			
	997 553 902 00 T13	Brown/natural			
	997 553 902 00 N23	Carrera Red			
(25)	997 553 982 06	ashtray Leather		1	PR:XMZ
	997 553 982 06 A11	Black			
	997 553 982 06 5X6	Stone grey			
	997 553 982 06 8G2	Sand beige			
	997 553 982 06 3S9	sea blue			
	997 553 982 06 9S5	Terracotta			
	997 553 982 06 9V6	Cocoa			
	997 553 982 06 D12	Dark grey/natural			
	997 553 982 06 T12	Brown/natural			
	997 553 982 06 N12	Carrera Red			
(25)	997 553 982 01	ashtray Carbon		1	PR:XMJ
	997 553 982 01 A35	Black			
(25)	997 553 982 03	ashtray		1	PR:XJT
	997 553 982 03 S61	macassar			
(25)	997 553 982 04	ashtray Aluminium look		1	PR:XCK
	997 553 982 04 V04	Galvano silver			
(25)	997 553 982 05	ashtray Lacquered		1	PR:XME
	997 553 982 05 041	Black			
	997 553 982 05 84A	guards red (Porsche)			
	997 553 982 05 12H	Speed yellow			
	997 553 982 05 B9A	Carrara white			
	997 553 982 05 92U	Arctic silver metallic			
	997 553 982 05 C9Z	Basalt black metallic			
	997 553 982 05 M7X	Atlas grey metallic			
	997 553 982 05 39C	Midnight Blue Metallic			
	997 553 982 05 M7W	Meteor Grey Metallic			
	997 553 982 05 M8W	Macadamia Metallic			
	997 553 982 05 M3X	Ruby red metallic			
	997 553 982 05 M5X	Dark blue metallic			
	997 553 982 05 22G	Racing Green Metallic			
	997 553 982 05 M5R	Aqua blue metallic			
	997 553 982 05 51A	cream white			
	997 553 982 05 M2Z	Nordic Gold Metallic			
	997 553 982 05 M7Z	GT Silver Metallic			
	997 553 982 05 2B5	Malachite Green Metallic			
26	997 553 611 01	Insert for centre console		1	
(26)	997 553 613 00	Insert for centre console		1	PR:870
27	997 553 261 06	Frame Lacquered		1	Turbo
	997 553 261 06 V04	Galvano silver			

Model: 997T10 Model life 2010>>2013

Pos	Part Number	Description	Remark	Qty	Model
(27)	987 553 261 01	Frame D - MJ 2010>>		1	Turbo PR: XDJ
	987 553 261 01 G2X	primed			
(27)	997 553 261 05	Frame Lacquered D - MJ 2011>>		1	GT2RS
	997 553 261 05 D07	Volcano grey			
28	999 507 533 02	Clamp 8,0 X 10,0/2,5		7	
29	999 073 155 09	panel screw 4,2 X 13 for Mount Frame		4	
30	997 553 245 01	Cover Shift gate		1	Turbo PR: 250
	997 553 245 01 FUG	Black/Galvano Silver			
	997 553 245 01 FUH	Stone Grey/Galvano Silver			
	997 553 245 01 FUJ	Sand Beige/Galvano Silver			
	997 553 245 01 FUK	Ocean Blue/Galvano Silver			
	997 553 245 01 FUL	Terracotta/Galvano Silver			
	997 553 245 01 FUM	Cocoa/Galvano Silver			
	997 553 245 01 FUN	Natural Brown/Galvano Silver			
	997 553 245 01 FU0	Carrera Red/Galvano Silver			
(30)	997 553 987 00	Cover Shift gate Lacquered		1	PR: XWS, 250
	997 553 987 00 041	Black			
	997 553 987 00 84A	guards red (Porsche)			
	997 553 987 00 12H	Speed yellow			
	997 553 987 00 B9A	Carrara white			
	997 553 987 00 92U	Arctic silver metallic			
	997 553 987 00 C9Z	Basalt black metallic			
	997 553 987 00 M7X	Atlas grey metallic			
	997 553 987 00 39C	Midnight Blue Metallic			
	997 553 987 00 M7W	Meteor Grey Metallic			
	997 553 987 00 M8W	Macadamia Metallic			
	997 553 987 00 M3X	Ruby red metallic			
	997 553 987 00 M5X	Dark blue metallic			
	997 553 987 00 22G	Racing Green Metallic			
	997 553 987 00 M5R	Aqua blue metallic			
	997 553 987 00 51A	cream white			
	997 553 987 00 M2Z	Nordic Gold Metallic			
	997 553 987 00 M7Z	GT Silver Metallic			
	997 553 987 00 2B5	Malachite Green Metallic			
(30)	997 553 987 00	Cover Shift gate Lacquered		1	PR: XWT, 250
	997 553 987 00 041	Black			
(30)	997 553 987 01	Cover Shift gate		1	PR: XWR, 250
	997 553 987 01 V04	Galvano silver			
(30)	997 553 987 02	Cover (leather) Shift gate		1	PR: XWU, 250
	997 553 987 02 A11	Black			
	997 553 987 02 5X6	Stone grey			
	997 553 987 02 8G2	Sand beige			
	997 553 987 02 3S9	sea blue			
	997 553 987 02 9S5	Terracotta			
	997 553 987 02 9V6	Cocoa			
	997 553 987 02 D12	Dark grey/natural			
	997 553 987 02 T12	Brown/natural			
	997 553 987 02 N12	Carrera Red			

Model: 997T10 Model life 2010>>2013

Pos	Part Number	Description	Remark	Qty	Model
(30)	997 553 243 01	Cover Shift gate Lacquered		1	PR:480
	997 553 243 01 A03	Black			
	997 553 243 01 5V7	Stone grey			
	997 553 243 01 5Z1	Sand beige			
	997 553 243 01 8W7	sea blue			
	997 553 243 01 8X8	Terracotta			
	997 553 243 01 8P9	Cocoa			
	997 553 243 01 T13	Brown/natural			
	997 553 243 01 N23	Carrera Red			
(30)	997 553 996 00	Cover (leather) Shift gate		1	Turbo PR:XDZ,480
	997 553 996 00 A11	Black			
	997 553 996 00 5X6	Stone grey			
	997 553 996 00 8G2	Sand beige			
	997 553 996 00 3S9	sea blue			
	997 553 996 00 9S5	Terracotta			
	997 553 996 00 9V6	Cocoa			
	997 553 996 00 D12	Dark grey/natural			
	997 553 996 00 T12	Brown/natural			
	997 553 996 00 N12	Carrera Red			
31	999 507 922 01	U-clip 4,0		1	PR:870
32	997 553 903 00	Cover Brake lever Lacquered		1	
	997 553 903 00 A03	Black			
	997 553 903 00 5V7	Stone grey			
	997 553 903 00 5Z1	Sand beige			
	997 553 903 00 8W7	sea blue			
	997 553 903 00 8X8	Terracotta			
	997 553 903 00 8P9	Cocoa			
	997 553 903 00 T13	Brown/natural			
	997 553 903 00 N23	Carrera Red			
(32)	997 553 981 00	Cover Brake lever		1	PR:XCK
	997 553 981 00 A11	Black			
	997 553 981 00 5X6	Stone grey			
	997 553 981 00 8G2	Sand beige			
	997 553 981 00 3S9	sea blue			
	997 553 981 00 9S5	Terracotta			
	997 553 981 00 9V6	Cocoa			
	997 553 981 00 D12	Dark grey/natural			
	997 553 981 00 T12	Brown/natural			
	997 553 981 00 N12	Carrera Red			
(32)	997 553 981 00	Cover Brake lever		1	PR:XJT
	997 553 981 00 A11	Black			
	997 553 981 00 5X6	Stone grey			
	997 553 981 00 8G2	Sand beige			
	997 553 981 00 3S9	sea blue			
	997 553 981 00 9S5	Terracotta			
	997 553 981 00 9V6	Cocoa			
	997 553 981 00 D12	Dark grey/natural			
	997 553 981 00 T12	Brown/natural			
	997 553 981 00 N12	Carrera Red			
(32)	997 553 981 00	Cover Brake lever		1	PR:XME
	997 553 981 00 A11	Black			
	997 553 981 00 5X6	Stone grey			
	997 553 981 00 8G2	Sand beige			
	997 553 981 00 3S9	sea blue			

Model: 997T10

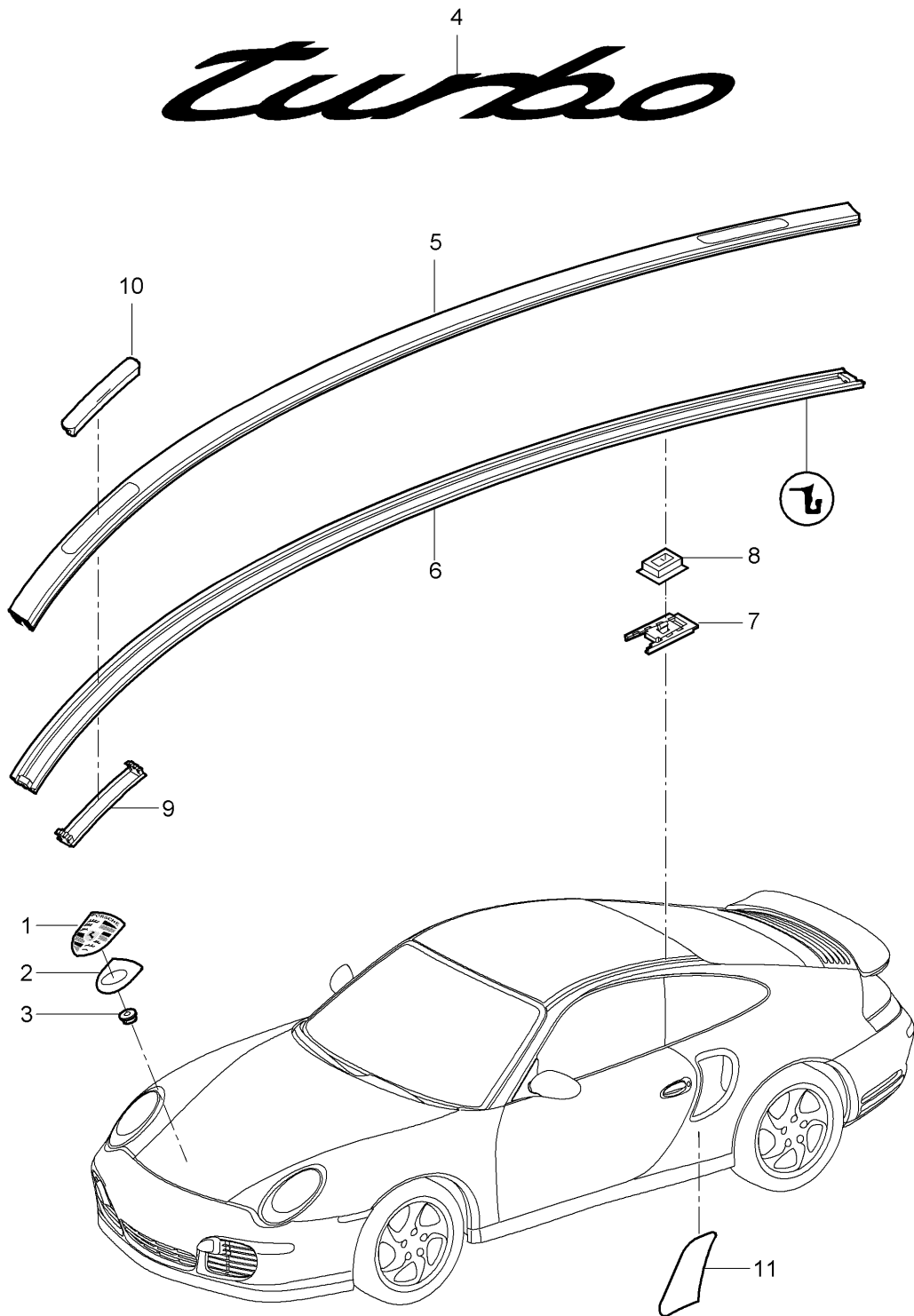
Model life 2010>>2013

Pos	Part Number	Description	Remark	Qty	Model			
(32)	997 553 981 00 9S5	Terracotta		1	PR:XMJ			
	997 553 981 00 9V6	Cocoa						
	997 553 981 00 D12	Dark grey/natural						
	997 553 981 00 T12	Brown/natural						
	997 553 981 00 N12	Carrera Red						
	997 553 981 00	Cover						
		Brake lever						
	997 553 981 00 A11	Black						
	997 553 981 00 5X6	Stone grey						
	997 553 981 00 8G2	Sand beige						
	997 553 981 00 3S9	sea blue						
	997 553 981 00 9S5	Terracotta						
	997 553 981 00 9V6	Cocoa						
	997 553 981 00 D12	Dark grey/natural						
	997 553 981 00 T12	Brown/natural						
	(32)	997 553 981 00 N12	Carrera Red				1	PR:XMZ
997 553 981 07		Cover						
		Brake lever						
997 553 981 07 A11		Black						
997 553 981 07 5X6		Stone grey						
997 553 981 07 8G2		Sand beige						
997 553 981 07 3S9		sea blue						
997 553 981 07 9S5		Terracotta						
997 553 981 07 9V6		Cocoa						
997 553 981 07 D12		Dark grey/natural						
997 553 981 07 T12		Brown/natural						
997 553 981 07 N12		Carrera Red						
33		999 591 215 40	expanding nut 4,2		2			
34		997 553 732 00	Rubber buffer Cover	inner	2			
35		997 553 861 00	Clamp		4	PR:XMZ		

Model: 997T10

Model life 2010>>2013

Turbo



Model: 997T10 Model life 2010>>2013

Pos	Part Number	Description	Remark	Qty	Model
		inscriptions/lettering			
		Decorative fittings			
		Stone guard film			
1	997 559 211 00	Porsche crest		1	
(1)	996 559 211 90	Porsche crest		1	GT2RS
2	7L5 853 611 B	Underlay		1	
3	999 591 423 03	Tapping nut		2	
4	997 559 237 03	inscription		1	TURBO
		Turbo			
		chromed			
(4)	997 559 984 02	inscription		1	TURBO PR:XUC
		Turbo			
		primed			
(4)	987 559 985 00	inscription		1	TURBO PR:XUC,092
		S			
		primed			
(4)	986 559 243 01	inscription		1	TURBO PR:092
		S			
		chromed			
(4)	997 559 237 81	inscription		1	GT2RS PR:004
		GT2RS			
	997 559 237 81 539	White gold metallic			
(4)	997 559 237 81	inscription		1	GT2RS PR:004
		GT2RS			
	997 559 237 81 A72	Matt black			
5	997 559 401 00	Roof edge strip	left	1	
	997 559 401 00 G2X	primed			
(5)	997 559 401 91	Roof edge strip	left	1	GT2RS
	997 559 401 91 G2L	orange			
(5)	997 559 402 00	Roof edge strip	right	1	
	997 559 402 00 G2X	primed			
(5)	997 559 402 91	Roof edge strip	right	1	
	997 559 402 91 G2L	orange			
6	997 559 721 00	Seal	left	1	
		Roof edge strip			
(6)	997 559 722 00	Seal	right	1	
		Roof edge strip			
7	996 559 403 01	Clip		10	
8	996 559 405 01	Adapter		10	
9	996 559 729 00	Bracket		4	
		for			
		Flap			
10	996 559 501 00	Flap	front	2	
	996 559 501 00 G2X	primed			
(10)	996 559 503 00	Flap	rear	2	
	996 559 503 00 G2X	primed			
11	997 504 825 03	Stone guard film	left	1	
		Side part			
		Discontinued part			
(11)	997 504 825 80	Stone guard film	left	1	GT2RS
		Side part			
(11)	997 504 826 03	Stone guard film	right	1	
		Side part			
		Discontinued part			
(11)	997 504 826 80	Stone guard film	right	1	GT2RS
		Side part			
12	997 559 333 81	inscription	side	1	GT2RS PR:004
		GT2RS			
	997 559 333 81 539	White gold metallic			
(12)	997 559 333 81	inscription	side	1	GT2RS PR:004
		GT2RS			

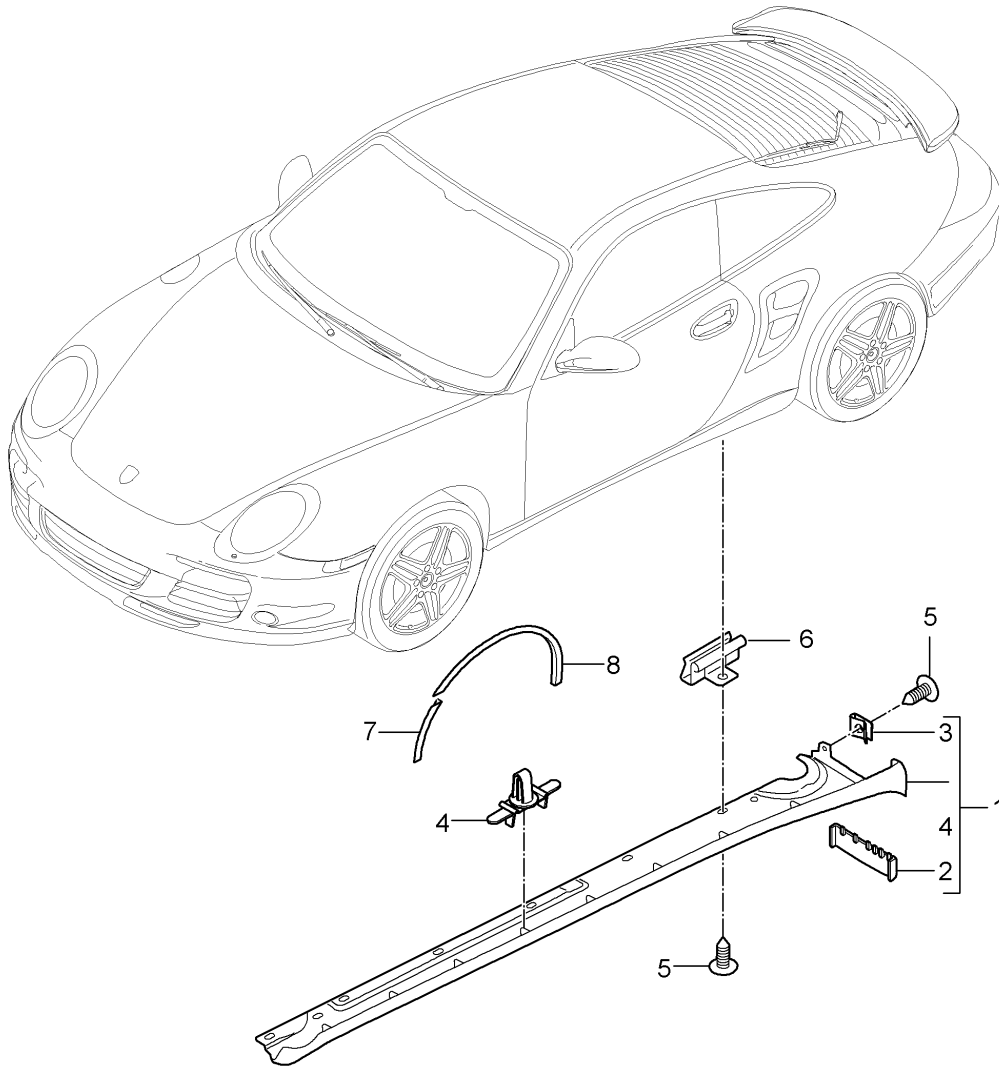
Model: 997T10

Model life 2010>>2013

Pos	Part Number	Description	Remark	Qty	Model
	997 559 333 81 A72	Matt black			

Model: 997T10

Model life 2010>>2013



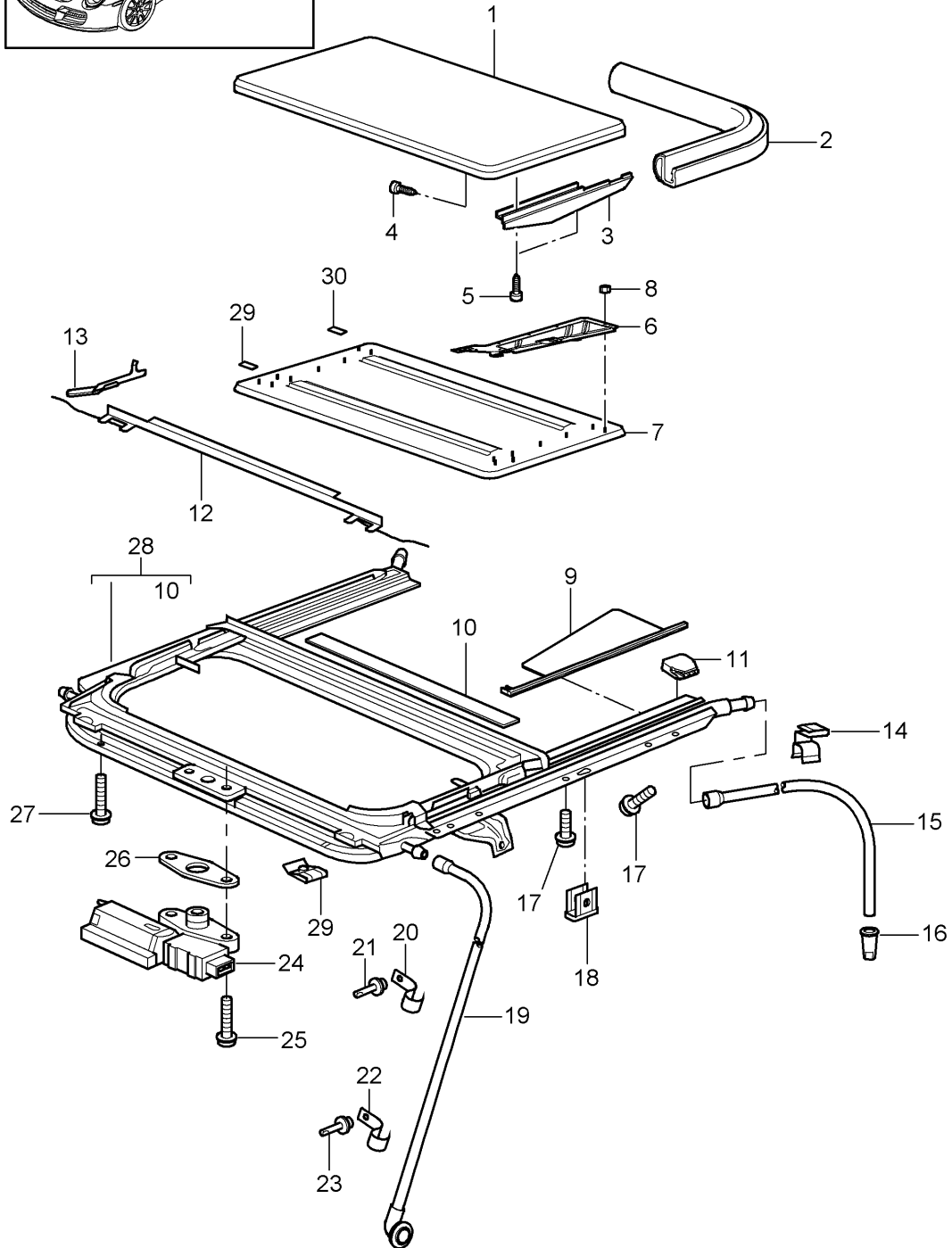
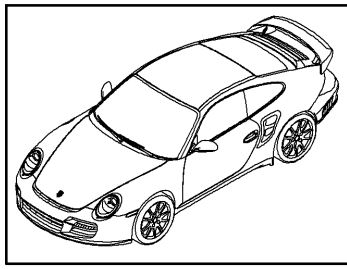
Model: 997T10

Model life 2010>>2013

Pos	Part Number	Description	Remark	Qty	Model
1	997 504 363 00	Side member trim	outer	1	TURBO
		Side member trim	left		
	997 504 363 00 01C	Satin black			
1	997 504 363 80	Side member trim	left	1	GT2RS
	997 504 363 80 01C	Satin black			
(1)	997 504 364 00	Side member trim	right	1	TURBO
	997 504 364 00 01C	Satin black			
(1)	997 504 364 80	Side member trim	right	1	GT2RS
	997 504 364 80 01C	Satin black			
1	997 504 981 00	Side member trim	left	1	TURBO PR:XAJ
	997 504 981 00 G2X	primed			
(1)	997 504 982 00	Side member trim	right	1	TURBO PR:XAJ
	997 504 982 00 G2X	primed			
2	997 504 863 00	Rubber lip	left	1	TURBO
		Side member trim			
	997 504 863 00 01C	Satin black			
(2)	997 504 863 80	Rubber lip	left	1	GT2RS
		Side member trim			
	997 504 863 80 01C	Satin black			
(2)	997 504 864 00	Rubber lip	right	1	TURBO
		Side member trim			
	997 504 864 00 01C	Satin black			
(2)	997 504 864 80	Rubber lip	right	1	GT2RS
		Side member trim			
	997 504 864 80 01C	Satin black			
3	999 507 795 09	panel nut		4	
		ST 4,8			
4	999 507 986 40	Retaining clip		18	
		Side member trim			
		9,0 x 1,5			
5	999 073 505 01	panel screw		20	
		4,8 X 16			
6	999 507 640 09	U-clip		18	
7	997 505 365 A2	wheel cover	front	1	PR:004
		Trim	left		
		primed			
(7)	997 505 366 A2	D - MJ 2010>> wheel cover	front	1	PR:004
		Trim	right		
		primed			
		D - MJ 2010>>			
8	997 503 401 A1	wheel cover	front	1	PR:004
		Wing	left		
		primed			
(8)	997 503 402 A1	wheel cover	front	1	PR:004
		Wing	right		
		primed			

Model: 997T10

Model life 2010>>2013



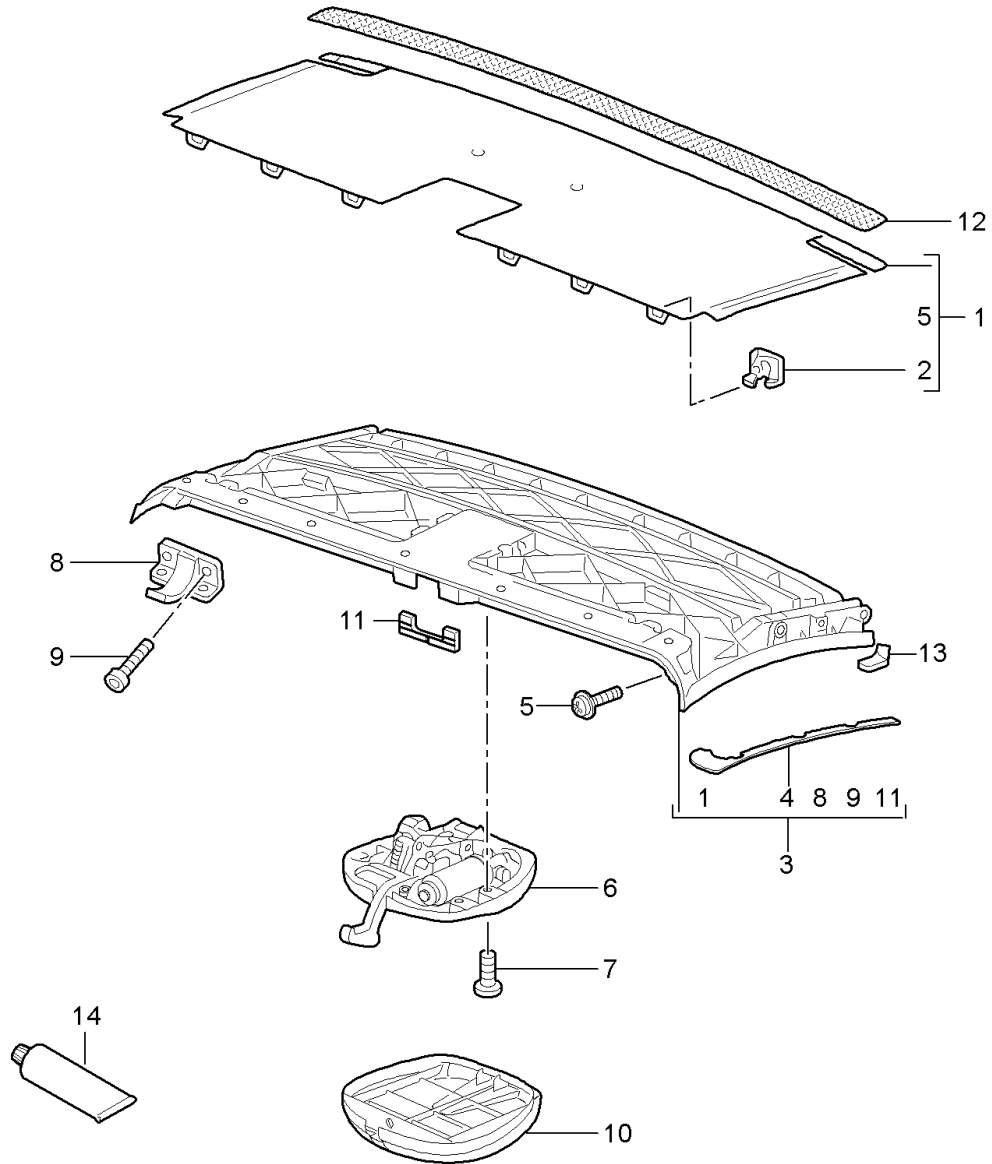
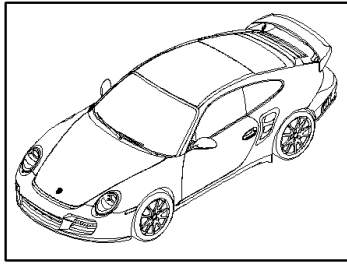
Model: 997T10

Model life 2010>>2013

Pos	Part Number	Description	Remark	Qty	Model
		Sunroof			PR:650
1	996 564 941 01	Cover		1	
	996 564 941 01 GRV	primed			
2	997 564 211 00	Seal		1	
3	997 564 181 00	Trim	left	1	
	997 564 181 00 01C	Black			
(3)	997 564 182 00	Trim	right	1	
	997 564 182 00 01C	Black			
4	996 564 245 00	Bolt with washer		4	
5	900 143 189 09	panel screw		4	
6	996 564 321 01	Guide plate	left	1	
(6)	996 564 322 01	Guide plate	right	1	
7	997 564 021 00	Roofliner		1	
		Alcantara			
	997 564 021 00 A14	Black			
	997 564 021 00 B14	Stone grey			
	997 564 021 00 G14	Metropole blue			
	997 564 021 00 T44	Sand beige			
(7)	996 564 983 00	Roofliner		1	
		Leather			
	996 564 983 00 A11	Black			
	996 564 983 00 5X6	Stone grey			
	996 564 983 00 8G2	Sand beige			
	996 564 983 00 3S9	sea blue			
	996 564 983 00 9S5	Terracotta			
	996 564 983 00 D12	Dark grey/natural			
	996 564 983 00 T12	Natural brown			
	996 564 983 00 9V6	Cocoa			
	996 564 983 00 N12	Carrera Red			
8	900 076 084 02	Nut		16	
9	997 564 241 00	Interior lining	left	1	
(9)	997 564 242 00	Interior lining	right	1	
10	997 564 671 00	Edge protection		1	
11	997 555 823 00	Bracket		2	
12	997 564 161 00	wind deflector		1	
13	996 564 522 01	Toggle catch	right	1	
(13)	996 564 521 01	Toggle catch	left	1	
14	999 507 631 01	Cable holder		4	
15	996 564 205 01	Water drainage hose	rear	2	
16	996 561 825 00	Water drain valve	rear	2	
17	999 073 279 02	fillister hd. bolt		6	
18	999 703 258 42	Clip		2	
19	996 564 207 00	Water drainage hose	front	2	
20	997 564 301 00	Retainer for coolant hose	upper	2	
21	999 190 190 01	Pop rivet 4,0X8,5		2	
22	997 564 303 00	Retainer for coolant hose	lower	2	
23	999 190 445 37	Pop rivet 4,0X6,3		1	
24	997 624 211 00	Driving mechanism		1	
25	999 073 135 01	countersunk bolt		2	
26	996 564 213 00	Distance piece		1	
27	999 073 366 02	fillister hd. bolt		4	
28	997 564 911 00	Frame for sliding sunroof aperture		1	
		without:			
29	997 564 903 00	Driving mechanism sound absorber piece	front	3	
30	997 564 905 00	sound absorber piece	rear	3	

Model: 997T10

Model life 2010>>2013

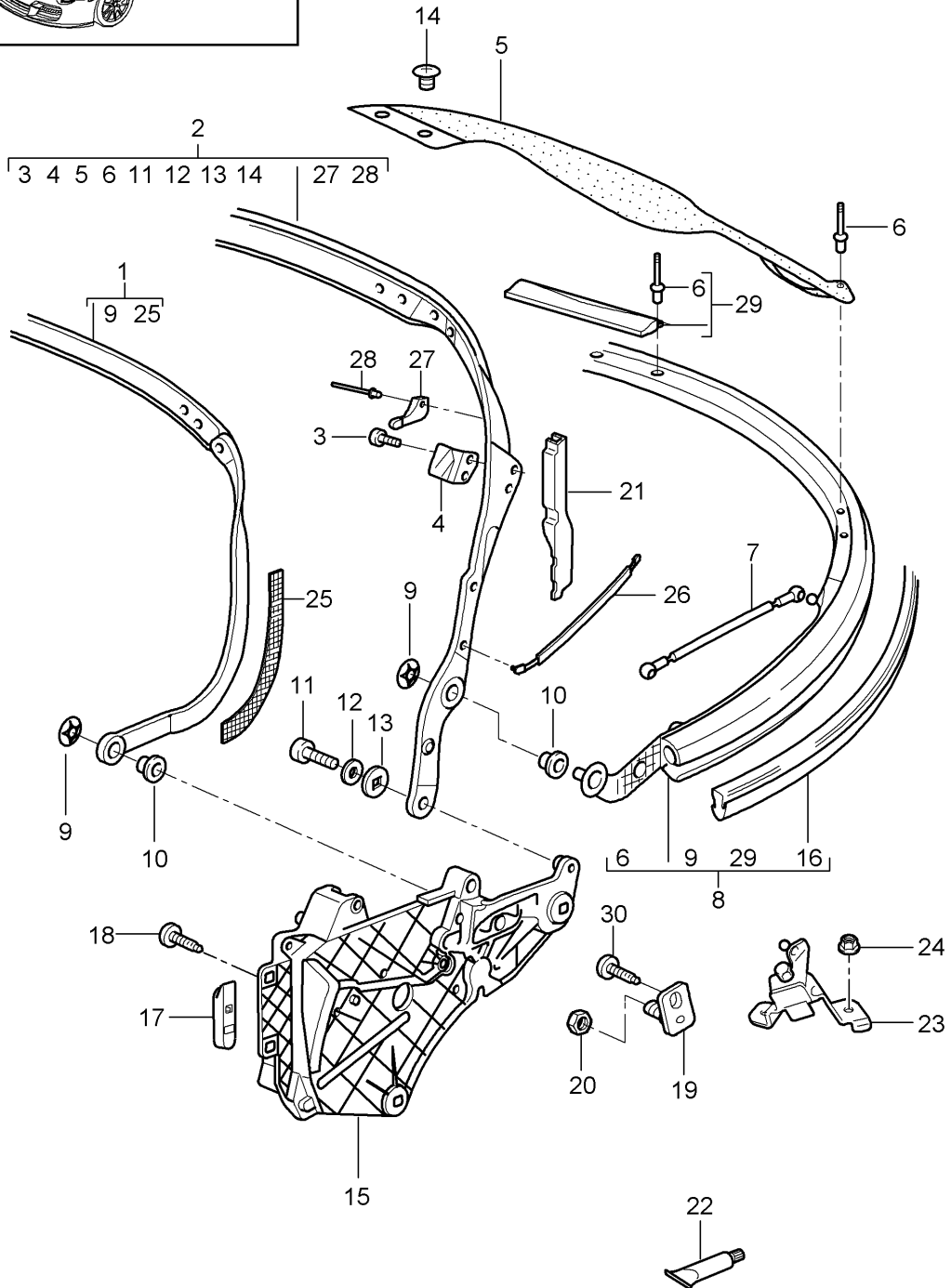
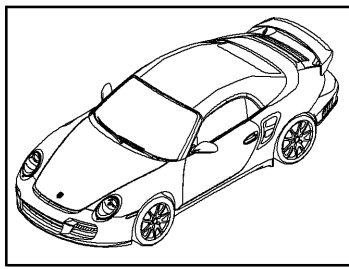


Model: 997T10 Model life 2010>>2013

Pos	Part Number	Description	Remark	Qty	Model
1	996 561 963 00	top frame roof frame catch Lubricants shelf with:	front	1	Cabrio
2	996 561 731 00	Felt Clip		6	
3	997 561 905 00	roof frame		1	
-	997 561 905 00 A09	Black			
-	997 561 509 00	felt strip 60 x 25 See TPI Group 8 Nummer 53 also use:		1	
4	996 561 807 00	roof frame seal	left	1	
(4)	996 561 808 00	roof frame seal Plastic foam strip roof frame Plastic foam strip	right	1	
5	999 507 497 40	Spreader rivet		6	
6	997 561 117 01	Soft top catch		1	
7	999 073 195 01	flat round head bolt M6x20		4	
8	997 561 605 00	Centring journal	left	1	
(8)	997 561 606 00	Centring journal	right	1	
9	999 919 144 09	fillister hd. bolt		4	
10	997 561 515 00	Cover panel		1	
11	997 561 515 00 01C	Black Buffer		1	
12	000 043 207 44	felt strip 30 mm x 5 Meter see illustration:	811-009	1	
13	997 561 827 00	Foam part	left	1	
(13)	997 561 828 00	Foam part	right	1	
14	000 043 206 65	Grease Krytox 1 tube		X	
(14)	000 043 206 83	56 Gramm Grease Optitemp LG2 1 tube		X	
(14)	999 917 557 00	80 Gramm Grease Osixo 30 ml		X	

Model: 997T10

Model life 2010>>2013



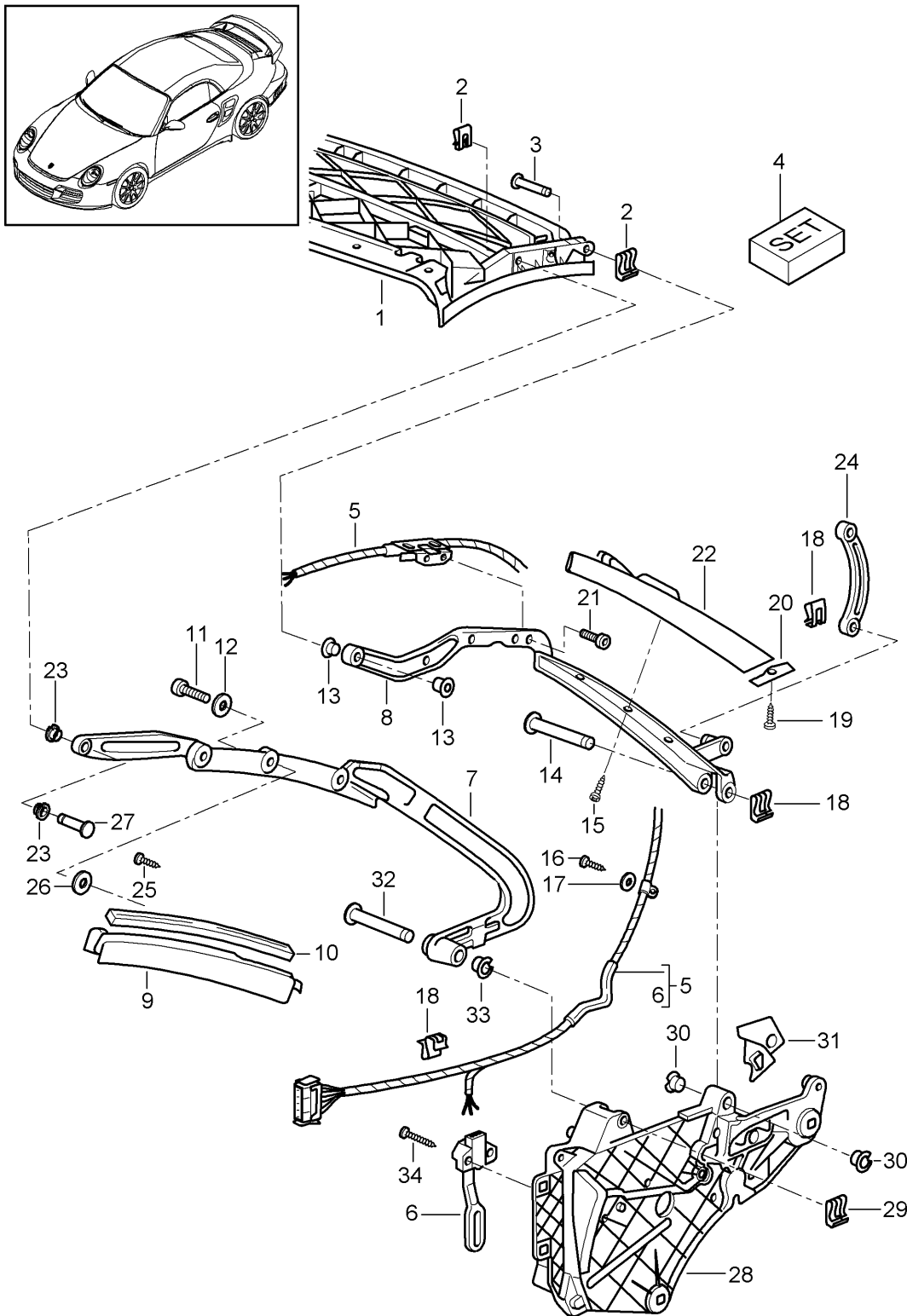
Model: 997T10

Model life 2010>>2013

Pos	Part Number	Description	Remark	Qty	Model
		top frame			Cabrio
		Individual parts			
1	997 561 942 00	Roof arch		1	
2	997 561 931 00	Main bracing		1	
		Set			
3	900 146 003 03	fillister hd. bolt		4	
4	996 561 959 00	Thrust wedge		2	
5	997 561 089 02	tensioning strap	left	1	
(5)	997 561 090 02	tensioning strap	right	1	
6	999 190 446 30	Pop rivet		X	
7	996 561 191 00	tension wire	lower	2	
8	997 561 941 00	Roof arch		1	
		with:			
		Buffer			
9	996 561 645 00	fuse		8	
10	999 924 122 40	bush		8	
11	999 073 195 01	flat round head bolt		2	
		M6 X 20			
12	900 151 006 03	Washer		2	
		6,4			
13	999 924 131 30	Washer		2	
		8,5 X 28 X 2			
14	999 919 141 09	fillister hd. bolt		4	
		M5 X 12			
15	997 561 943 00	Convertible top support	left	1	
(15)	997 561 944 00	Convertible top support	right	1	
16	996 561 693 00	Gaskets		2	
		for			
		Roof arch			
		POS.8			
17	996 561 735 02	adjusting washer		2	
18	999 075 065 09	Hexagon bolt		6	
		M8x35			
		Mount			
		Convertible top support			
19	996 561 715 00	Bracket		2	
20	999 084 629 01	Hexagon nut		2	
21	996 561 259 00	Seal	left	1	
(21)	996 561 260 00	Seal	right	1	
22	928 101 921 00	Loctite		1	
23	996 561 055 01	Console	left	1	
		for			
		tension wire			
(23)	996 561 056 01	Console	right	1	
		for			
		tension wire			
24	999 084 629 01	Hexagon nut		4	
25	997 561 897 00	Velcro	left	1	
(25)	997 561 898 00	Velcro	right	1	
26	997 561 531 00	spring plate		2	
27	997 561 579 00	Protective plate	left	1	
(27)	997 561 580 00	Protective plate	right	1	
28	999 190 494 30	Rivet		2	
		A 4.8x12.0			
29	997 561 961 00	Repair set for		1	
		stop buffer			
		Set			
30	999 073 138 01	flat round head bolt		1	
		M8x25			

Model: 997T10

Model life 2010>>2013



Model: 997T10

Model life 2010>>2013

Pos	Part Number	Description	Remark	Qty	Model
		top frame			Cabrio
1	997 561 905 00	Individual parts		1	
	997 561 905 00 A09	roof frame			
		Black			
-		also use:			
-	997 561 509 00	felt strip		1	
		60 x 25			
		See TPI			
		Group 8			
		Nr. 53			
2	999 166 075 09	securing clip		X	
3	999 088 050 30	Pin		2	
		8X27,8			
4	997 561 909 00	repair set		1	
		bush			
		Pin			
		fuse			
		for			
		roof frame			
5	997 612 698 01	Wire set		1	
		Only			
		for			
		Convertible top			
		Black			
5	997 612 698 03	Wire set		1	
		for			
		Convertible top			
		Coloured			
-	997 561 965 00	Protective sleeve		1	
		for			
		Wire set			
6	996 613 313 02	Potentiometer		1	
7	996 561 335 00	roof frame	left	1	
(7)	996 561 336 00	roof frame	right	1	
8	997 561 939 00	roof frame	left	1	
(8)	997 561 940 00	roof frame	right	1	
9	997 561 355 01	Sealing frame	left	1	
	997 561 355 01 A09	Black			
(9)	997 561 356 01	Sealing frame	right	1	
	997 561 356 01 A09	Black			
10	996 561 219 00	Seal		2	
		for			
		Sealing frame			
11	999 073 195 09	fillister hd. bolt		10	
		M 6X20			
12	900 151 006 09	Washer		X	
13	999 924 086 40	Bearing bush		16	
14	999 088 037 30	Pin		1	
15	999 919 153 09	fillister hd. bolt		X	
16	900 144 101 02	panel screw		X	
17	900 151 027 02	Washer		8	
18	999 166 076 02	securing clip		4	
		Discontinued part			
18	999 166 076 01	securing clip		4	
19	999 190 495 30	Pop rivet		2	
20	997 561 239 00	roof frame seal	left	1	
(20)	997 561 240 00	roof frame seal	right	1	
21	N 014 128 13	fillister hd. bolt		4	
		M5X8			
22	997 561 319 03	Sealing frame	left	1	
	997 561 319 03 A09	Black			
(22)	997 561 320 03	Sealing frame	right	1	
	997 561 320 03 A09	Black			

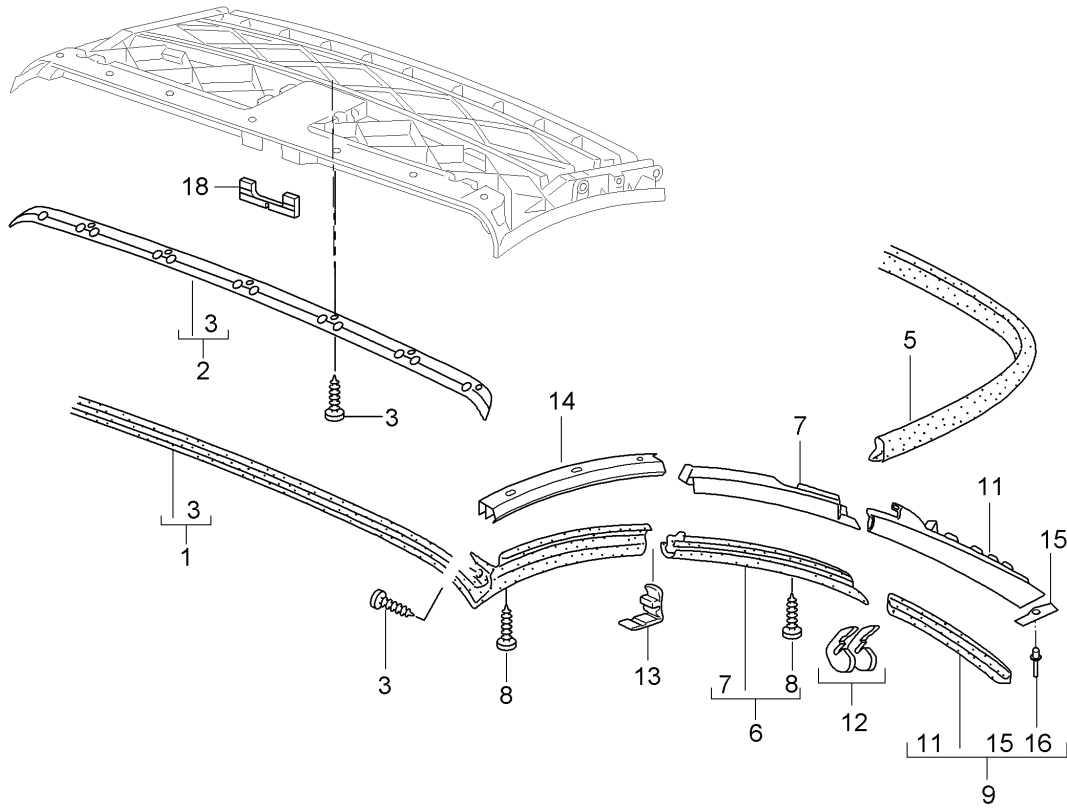
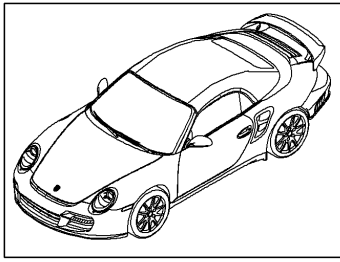
Model: 997T10

Model life 2010>>2013

Pos	Part Number	Description	Remark	Qty	Model
23	999 924 086 40	Bearing bush		8	
24	996 561 051 01	Lever	left	1	
(24)	996 561 052 01	Lever	right	1	
25	999 919 141 09	fillister hd. bolt		8	
26	999 025 267 09	Washer		4	
27	999 088 049 30	Pin 8x32,8		2	
28	997 561 943 00	Convertible top support	left	1	
(28)	997 561 944 00	Convertible top support	right	1	
29	999 166 076 02	securing clip Discontinued part		6	
29	999 166 076 01	securing clip		6	
30	999 924 125 40	bush		2	
31	996 561 249 01	Sealing strip	left	1	
(31)	996 561 250 01	Sealing strip	right	1	
32	999 088 031 30	Pin		4	
33	999 924 125 40	bush		4	
34	999 919 152 09	fillister hd. bolt 3,5X8		2	

Model: 997T10

Model life 2010>>2013



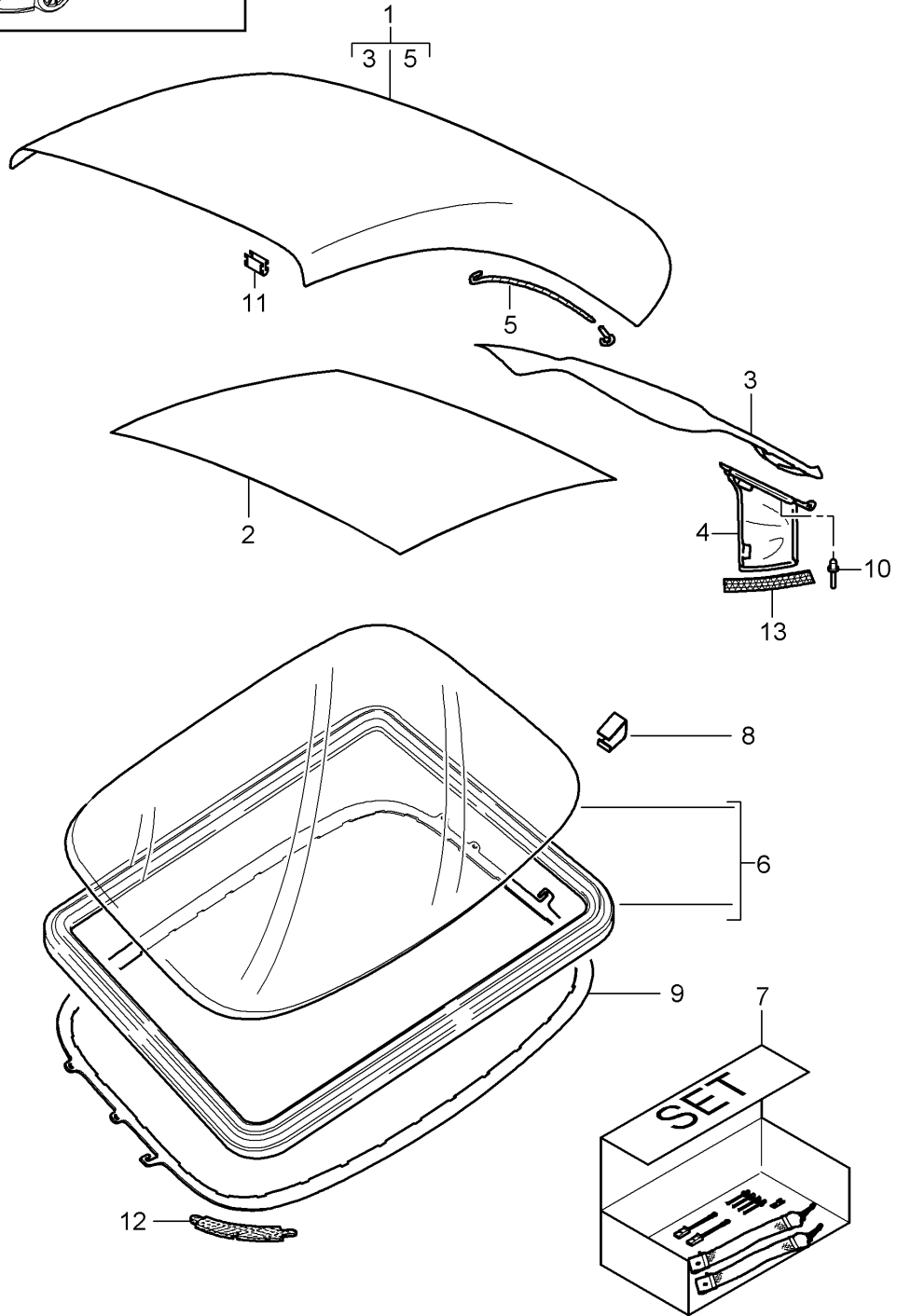
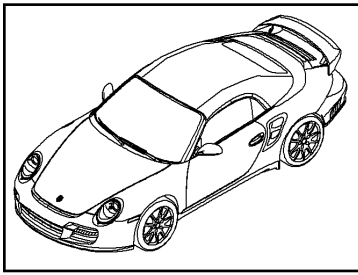
Model: 997T10

Model life 2010>>2013

Pos	Part Number	Description	Remark	Qty	Model
		Convertible top			Cabrio
1	997 561 937 00	Seal roof frame seal		1	
2	997 561 951 00	Set retaining strip		1	
3	999 141 036 09	Set fillister hd. bolt		7	
5	997 561 949 00	Seal Roof arch		1	
6	997 561 913 02	Gasket set Assembly kit	left	1	
(6)	997 561 914 02	Gasket set Assembly kit	right	1	
7	997 561 355 01	Sealing frame	left	1	
	997 561 355 01 A09	Black			
(7)	997 561 356 01	Sealing frame	right	1	
	997 561 356 01 A09	Black			
8	999 919 152 09	fillister hd. bolt		X	
9	997 561 923 03	Gaskets Assembly kit	left	1	
(9)	997 561 924 03	Gaskets Assembly kit	right	1	
11	997 561 319 03	Sealing frame	left	1	
	997 561 319 03 A09	Black			
(11)	997 561 320 03	Sealing frame	right	1	
	997 561 320 03 A09	Black			
12	996 561 935 00	Filler piece Set		2	
13	997 561 813 00	Filler piece roof frame	left front	1	
(13)	997 561 814 00	Filler piece roof frame	right front	1	
14	996 561 527 00	Support	left	1	
(14)	996 561 528 00	Support	right	1	
15	997 561 239 00	roof frame seal	left	1	
(15)	997 561 240 00	roof frame seal	right	1	
16	999 190 495 30	Pop rivet		4	
18	996 561 745 00	Stop buffer		1	

Model: 997T10

Model life 2010>>2013



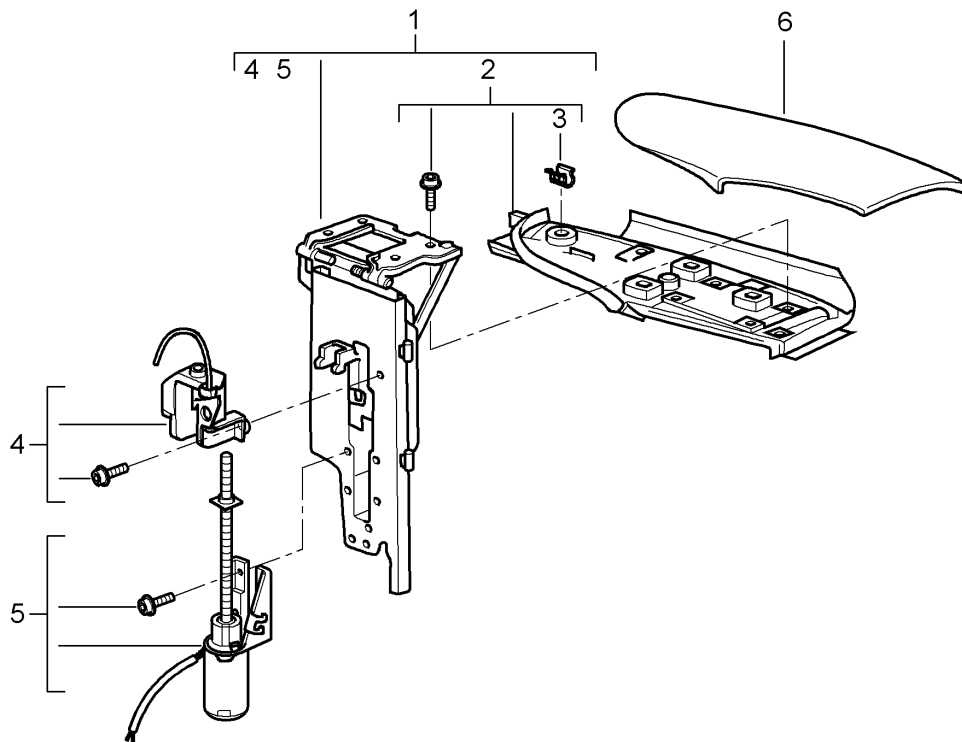
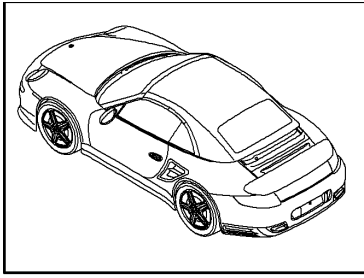
Model: 997T10

Model life 2010>>2013

Pos	Part Number	Description	Remark	Qty	Model
		Convertible top covering Roofliner			Cabrio
1	997 561 901 03	Convertible top covering without:		1	
		Rear window			
	997 561 901 03 A10	Black			
	997 561 901 03 C17	Stone grey			
	997 561 901 03 G02	Metropole blue			
	997 561 901 03 R17	brown			
2	997 561 085 02	Moulded headliner		1	
	997 561 085 02 A21	Black			
3		tensioning strap		2	
		see illustration:	811-006		
4	997 561 095 02	Stripe	left	1	
	997 561 095 02 A21	Black			
(4)	997 561 096 02	Stripe	right	1	
	997 561 096 02 A21	Black			
5	996 561 931 01	tension wire repair set		2	
6	997 561 979 00	Seal for rear window		1	
		with:			
7	997 561 929 00	1 set attachment parts Frame Rear window		1	
8	996 561 205 00	Clip		32	
9	996 561 203 00	Rear window frame		1	
		also use:	997 561 929 00		
-	997 561 929 00	1 set attachment parts		1	
10	999 190 446 30	Pop rivet		4	
11	997 561 915 00	1 set of retaining clips for Roofliner	Pieces	1	
				20	
12	997 561 721 00	Velcro Frame Rear window		2	
13	997 561 897 00	Velcro Mount Pocket	left	1	
(13)	997 561 898 00	Velcro Mount Pocket	right	1	

Model: 997T10

Model life 2010>>2013



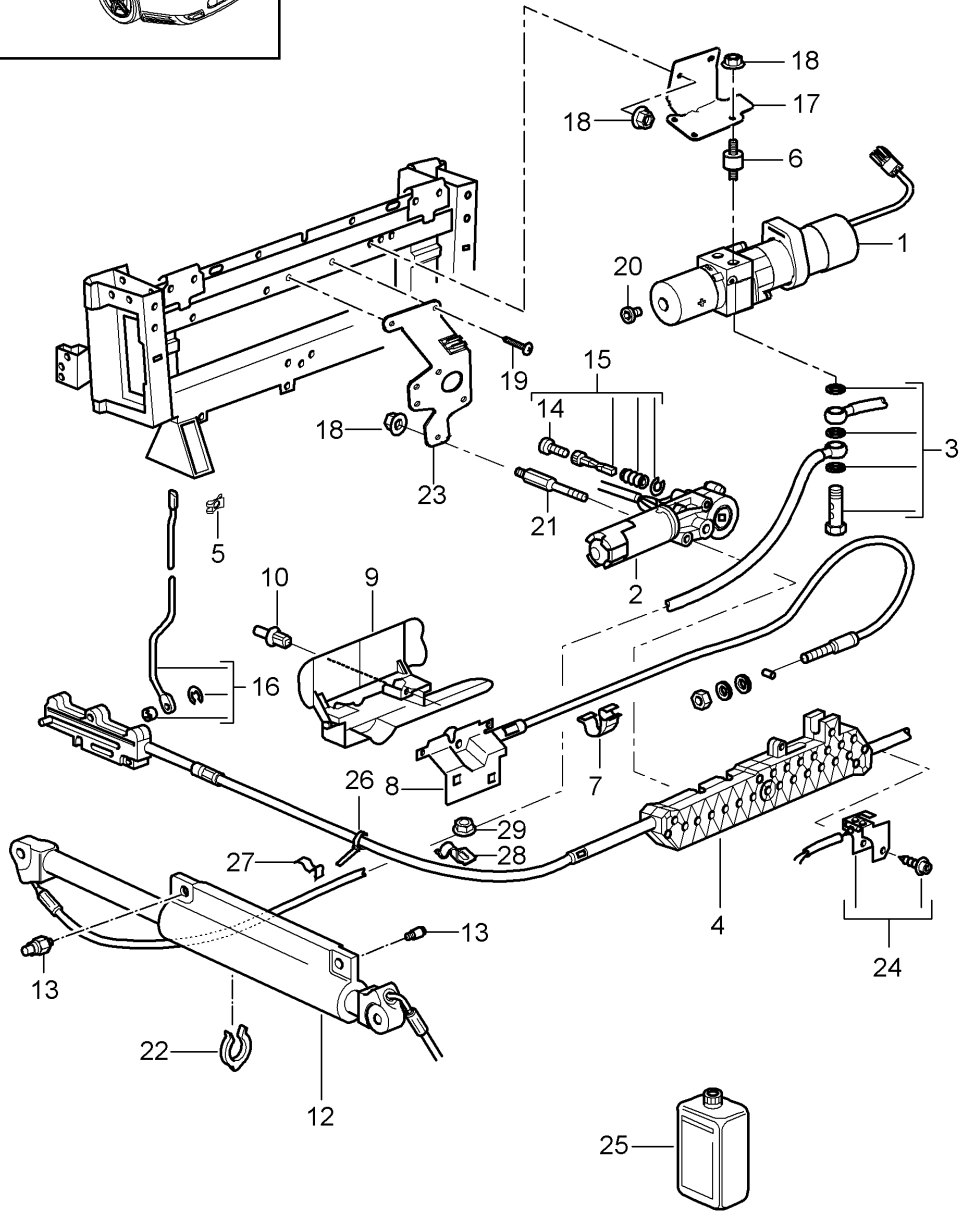
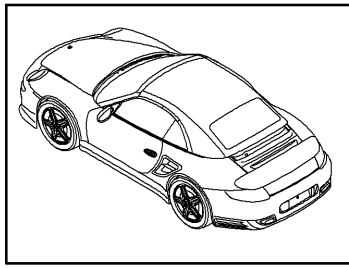
Model: 997T10

Model life 2010>>2013

Pos	Part Number	Description	Remark	Qty	Model
		Flap	side		Cabrio
		Folding top			
1	996 561 175 01	Flap for soft top box	left	1	
(1)	996 561 176 01	Flap for soft top box	right	1	
2	996 561 625 00	Lower part	left	1	
(2)	996 561 626 00	Lower part	right	1	
3	999 507 533 02	Clamp		X	
4	996 561 685 00	Micro switch	left	1	
(4)	996 561 686 00	Micro switch	right	1	
5	996 561 675 00	Driving mechanism	left	1	
(5)	996 561 676 00	Driving mechanism	right	1	
6		see illustration:	807-007	1	

Model: 997T10

Model life 2010>>2013



Model: 997T10

Model life 2010>>2013

Pos	Part Number	Description	Remark	Qty	Model
		Convertible top			Cabrio
		Driving mechanism			
		Hydraulic			
1	997 561 307 00	Hydraulic unit		1	
2	996 561 933 01	Engine		1	
3	996 561 573 00	Banjo bolt		2	
4	997 561 021 00	Driving mechanism		1	
5	999 166 054 01	Sl-lock		2	
6	999 703 235 01	Bonded rubber buffer		2	
7	999 507 683 40	Cable holder		X	
8	996 561 065 01	Locking mechanism		1	
9	996 561 265 03	Trim		1	
10	999 591 941 40	Spreader rivet		X	
12	997 561 945 01	cylinder		2	
13	996 561 245 00	Pin		1	
		Set			
14	996 561 671 00	Screw		1	
		Emergency operation			
15	996 561 673 01	repair set		1	
16	996 561 229 00	slide rod	left	1	
(16)	996 561 230 00	slide rod	right	1	
17	997 561 217 00	Bracket		1	
		Hydraulic unit			
18	900 377 010 01	Hexagon nut		7	
		M 6			
19	999 073 228 09	panel screw		6	
		St 4,8			
20	996 561 407 01	Oil filler screw		1	
21	996 561 863 01	Threaded pin		3	
22	996 561 281 00	Clamping ring		2	
23	996 561 207 01	Retainer for pump		1	
		Driving mechanism			
		convertible top stowage box			
24	996 561 165 01	Micro switch		1	
25	000 043 204 89	Oil		X	
		250 ML			
26	999 513 077 40	Cable ties		2	
27	997 561 773 00	Clip		2	
		Hydraulic line			
28	997 561 775 00	holder for bowden cable		2	
29	900 380 015 01	Hexagon nut		2	
		M6			

Model: 997T10

Model life 2010>>2013

Pos	Part Number	Description	Remark	Qty	Model
		convertible top stowage box Cover Gaskets			Cabrio
1	997 514 011 05	cabrio top stowage box cover		1	PR:-686
	997 514 011 05 GRV	primed			
2	997 514 633 01	Sealing strip		1	
		also use:			
-	000 043 207 26	Adhesive tape 3 Meter 8mm breit		1	
3	996 514 731 00	Seal		1	
4	997 514 714 02	Edge protection		1	
5	997 514 211 01	seal for conv. top stowage box		1	
		Body			
6	997 561 928 00	Hinge	right	1	
		also use:	996 561 904 00	1	
(6)	997 561 927 00	Hinge	left	1	
		also use:	996 561 904 00	1	
7	996 561 904 00	Seal Hinge		1	
8	900 378 180 01	Hexagon bolt		2	
9	997 561 806 00	Water drip pan	right	1	
(9)	997 561 805 00	Water drip pan	left	1	
10	996 561 816 01	Water drainage hose	right	1	
(10)	996 561 815 01	Water drainage hose	left	1	
11	996 561 809 00	Clip for Pos. 10		1	
12	999 703 432 40	Bungs		1	
13	900 377 003 03	Hexagon nut M 8		X	
14	900 380 015 01	Hexagon nut M6		1	
15	997 561 633 01	Buffer Foam part		1	
16	999 507 600 09	U-clip		4	
17	997 514 651 02	Support	left	1	
(17)	997 514 652 02	Support	right	1	
18	999 591 712 40	Spreader rivet		2	
19	997 561 775 00	holder for bowden cable		1	
20	999 507 647 01	Clamping washer for Water deflector strip	front	1	
21	996 561 062 02	Flap for soft top box	right	1	
(21)	996 561 061 02	Flap for soft top box	left	1	
22	999 911 673 41	sealing cord		1	
23	997 561 756 02	Water deflector strip	right	1	
(23)	997 561 755 02	Water deflector strip	left	1	
24	996 612 504 00	Cable guide Wire set Brake light	left	1	
25	997 561 522 01	Cover	right	1	
(25)	997 561 521 01	Cover	left	1	
26	996 561 465 00	arm		1	
27	999 703 140 40	Rubber buffer		2	
28	997 561 801 00	Stop -2MM		2	
28	997 561 801 01	Stop -1MM		2	
28	997 561 801 02	Stop +-0		2	
28	997 561 801 03	Stop +1MM		2	

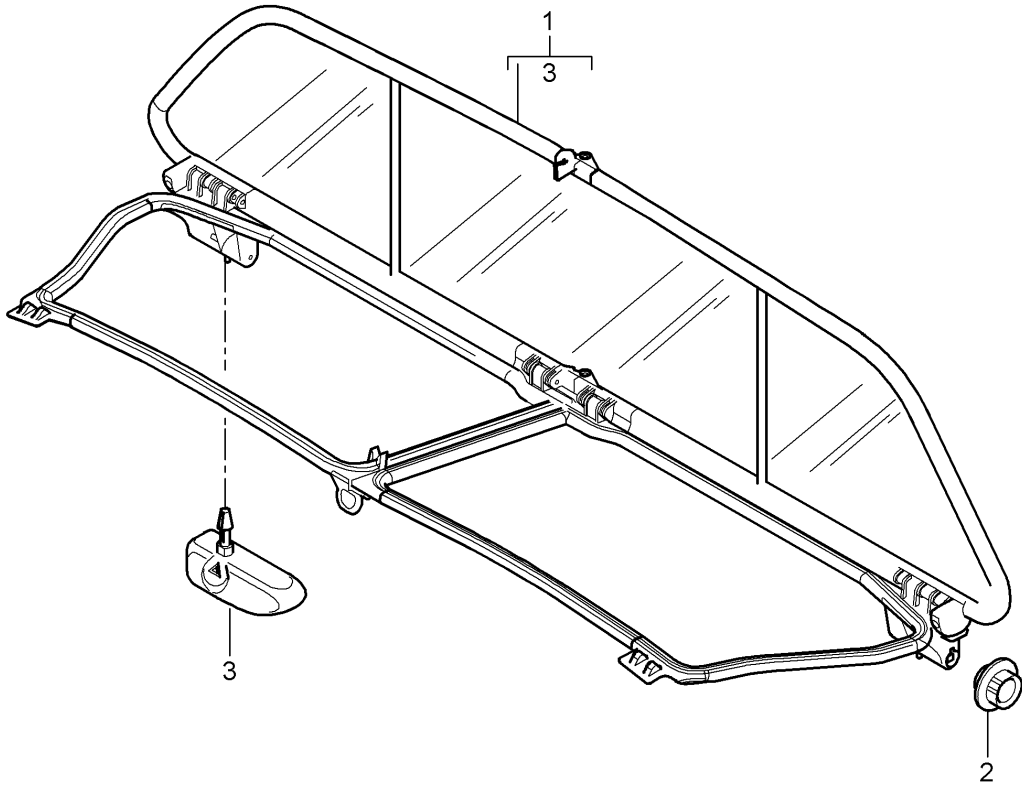
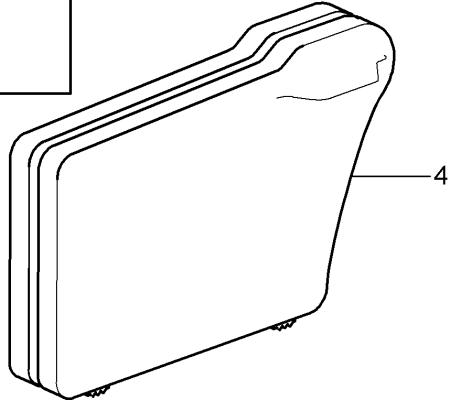
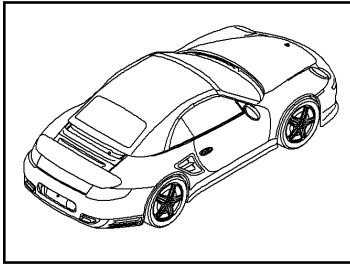
Model: 997T10

Model life 2010>>2013

Pos	Part Number	Description	Remark	Qty	Model
28	997 561 801 04	Stop +2MM		2	
28	997 561 801 05	Stop +3MM		2	
29	999 073 130 02	fillister hd. bolt		2	
30	996 514 511 00	Clip		2	
31	999 703 462 40	End cap 10x6,5	Turbo	2	
-	999 703 117 40	Bungs		1	

Model: 997T10

Model life 2010>>2013



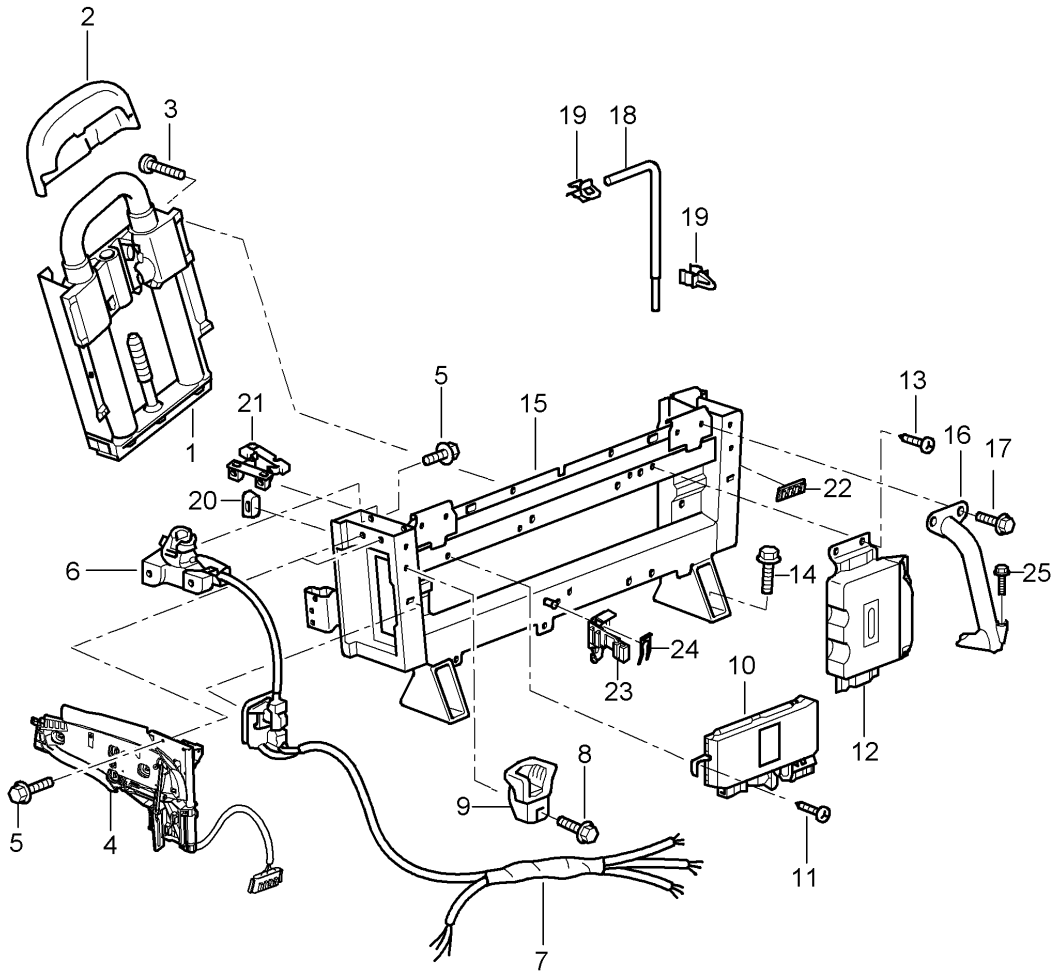
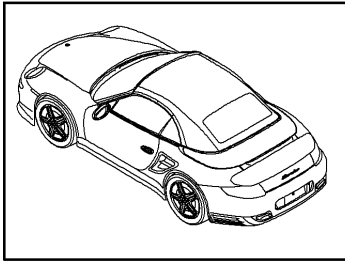
Model: 997T10

Model life 2010>>2013

Pos	Part Number	Description	Remark	Qty	Model
1	997 561 125 01	Windbreak		1	PR:551
	997 561 125 01 01C	Black			
2	996 561 127 00	Rosette	left	1	
	996 561 127 00 01C	Black			
2	996 561 128 00	Rosette	right	1	
	996 561 128 00 01C	Black			
3	997 561 955 00	Locking mechanism	left	1	
		repair set			
(3)	997 561 956 00	Locking mechanism	right	1	
		repair set			
4	997 561 161 02	Pocket		1	
		Windbreak			

Model: 997T10

Model life 2010>>2013



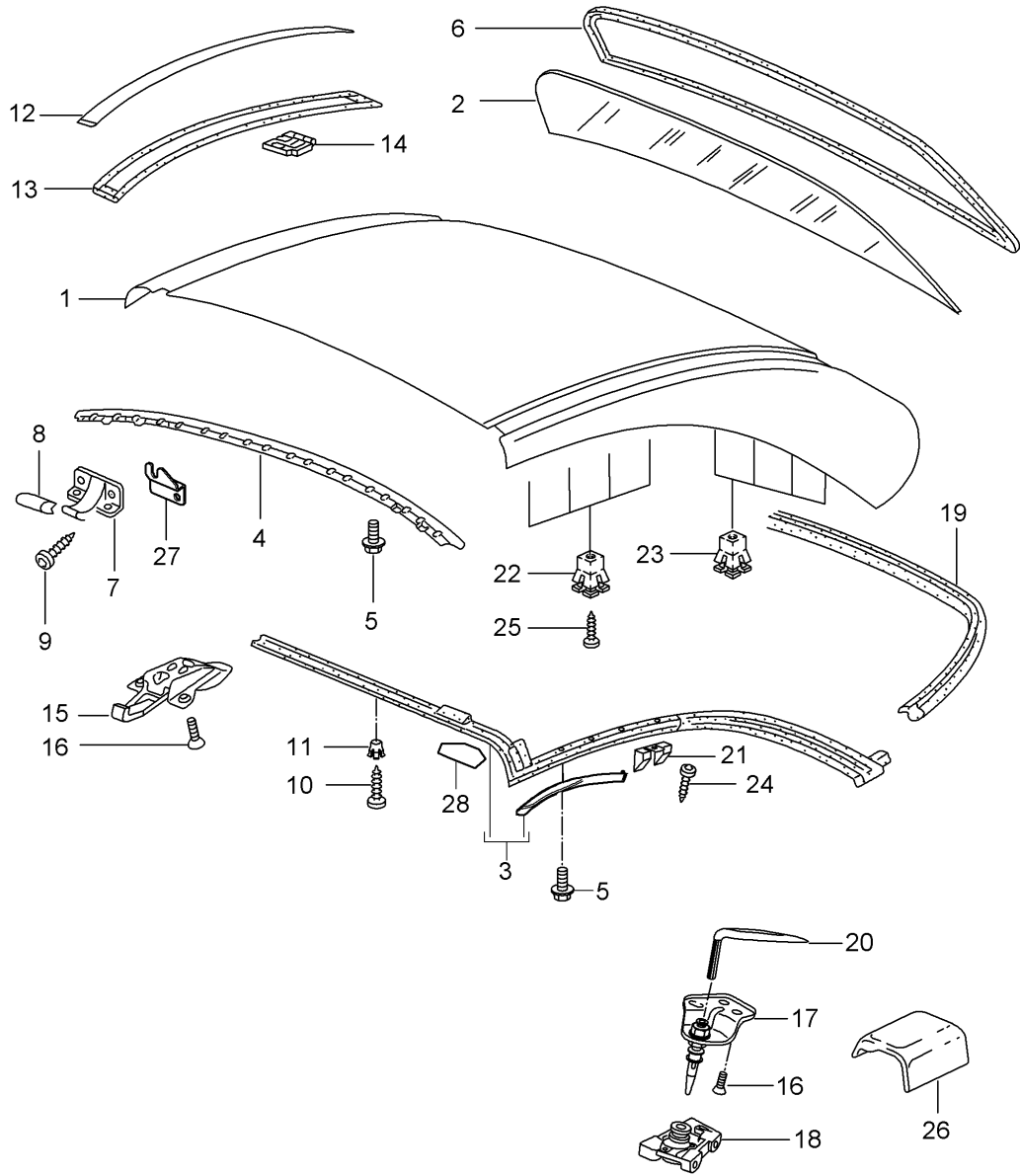
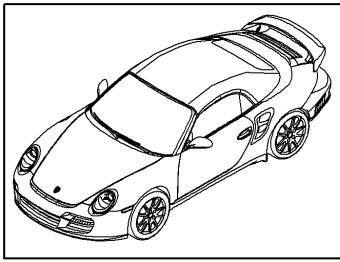
Model: 997T10

Model life 2010>>2013

Pos	Part Number	Description	Remark	Qty	Model
		roll bar			Cabrio
1	997 580 021 04	Cassette		2	
2	996 580 191 01	Cover		2	
3	900 067 394 01	Socket head bolt		12	
4	996 561 175 01	Flap for soft top box	left	1	
		see illustration:	811-030		
(4)	996 561 176 01	Flap for soft top box	right	1	
		see illustration:	811-030		
5	900 378 173 01	Hexagon bolt		6	
6		Support		2	PR:550
		see illustration:	811-055		
6	996 561 653 04	Support	left	1	PR:550
(6)	996 561 654 04	Support	right	1	PR:550
7	997 612 696 00	Wire set		1	
8	900 378 173 01	Hexagon bolt		4	
		M6 X 20			
9	996 561 463 02	Guide	left	1	
(9)	996 561 464 02	Guide	right	1	
10	997 618 111 03	Control unit for convertible roof controls		1	
11	999 073 228 09	panel screw		X	
12		Control unit		X	
		- dme -			
		see illustration:	901-003		
13	999 073 228 09	panel screw		X	
14	999 385 006 01	Outer hexagon round screw		4	
15	997 580 911 00	Support frame		1	
		also use:			
-	997 580 913 00	1 set attachment parts		1	
		Pop rivet			
		Screw			
16	997 580 331 02	Support	left	1	
(16)	997 580 332 02	Support	right	1	
17	900 385 097 01	Torx screw		4	
		BM10 X 35			
18	999 571 079 03	screwdriver		1	
		Emergency operation			
19	999 507 633 40	Clip		2	
20	997 561 457 00	Sleeve		2	
21	996 561 297 00	Insert	left	1	PR:-550
(21)	996 561 298 00	Insert	right	1	PR:-550
22	999 650 176 40	Clip for Connector housing		3	
23	996 610 126 00	bracket for relay bracket		1	
		Relay carrier 2			
24	996 610 128 00	Retaining clip		1	
		Relay carrier 2			
25	999 217 166 01	Hexagon bolt		2	
		M10x55			

Model: 997T10

Model life 2010>>2013



Model: 997T10

Model life 2010>>2013

Pos	Part Number	Description	Remark	Qty	Model
		hardtop Accessories Gaskets hardtop		1	PR:550
1	996 563 911 00	without: Accessories			
	996 563 911 00 GRV	primed			
2	996 563 091 00	Rear window Ready for installation		1	
3	997 563 225 00	roof frame seal	rear	1	
		with: retaining strip			
-	996 563 309 00	use if required: retaining strip	left	1	
-	996 563 310 00	retaining strip	front right front	1	
4	996 563 319 00	retaining strip		1	
5	999 073 049 02	panel screw for retaining strip	front	8	
6	996 563 029 00	Transverse Seal for rear window		1	
7	996 563 405 00	Centring journal	left	1	
(7)	996 563 406 00	Centring journal	right	1	
8	996 563 705 01	Cap	left	1	
(8)	996 563 706 01	Cap	right	1	
9	999 919 144 09	fillister hd. bolt		4	
10	999 073 049 02	panel screw		14	
11	999 507 547 40	expanding nut		8	
12	996 563 707 00	Cover trim	left	1	
	996 563 707 00 GRV	primed			
(12)	996 563 708 00	Cover trim	right	1	
	996 563 708 00 GRV	primed			
13	996 563 361 00	Seal	left	1	
(13)	996 563 362 00	Seal	right	1	
14	986 563 721 00	Clip		8	
15	996 563 401 00	catch		1	
16	900 249 055 09	countersunk bolt M 6X20		3	
17	996 563 403 04	catch	left	1	
(17)	996 563 404 04	catch	right	1	
18	997 561 653 00	Support	left	1	
-	996 561 657 02	Insert		1	
-	900 249 031 09	countersunk bolt		6	
(18)	997 561 654 00	Support	right	1	
-	996 561 658 02	Insert		1	
19	996 563 027 01	Seal		1	
20	996 563 413 01	Tool		1	
21	996 563 125 00	Thrust wedge		2	
22	999 507 923 40	expanding nut green		8	
23	999 507 924 40	expanding nut yellow		8	
24	999 450 008 09	panel screw		2	
25	999 073 049 02	panel screw		16	
26	996 563 421 01	Protective tab		2	
-	999 507 659 40	expanding nut	left	1	
		hardtop contact carrier			
-	999 507 662 40	expanding nut hardtop	right	1	

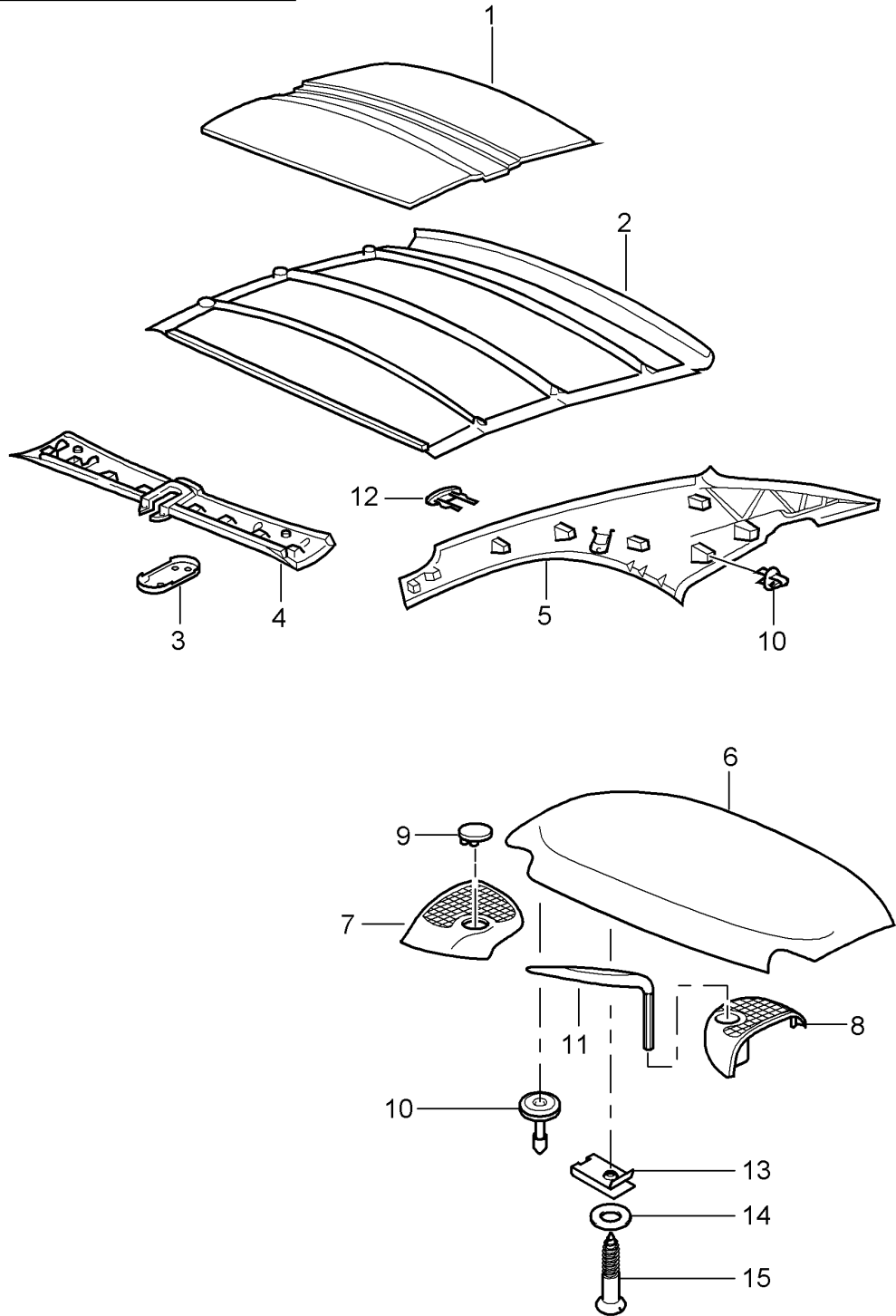
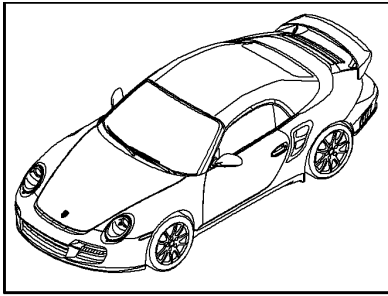
Model: 997T10

Model life 2010>>2013

Pos	Part Number	Description	Remark	Qty	Model
27	996 563 509 00	contact carrier Bracket for trim	left	1	
(27)	996 563 510 00	see illustration: Bracket for trim	811-060 right	1	
28	997 563 539 00	see illustration: Protective film Scuttle	811-060 left	1	
(28)	997 563 540 00	Protective film Scuttle	right	1	

Model: 997T10

Model life 2010>>2013

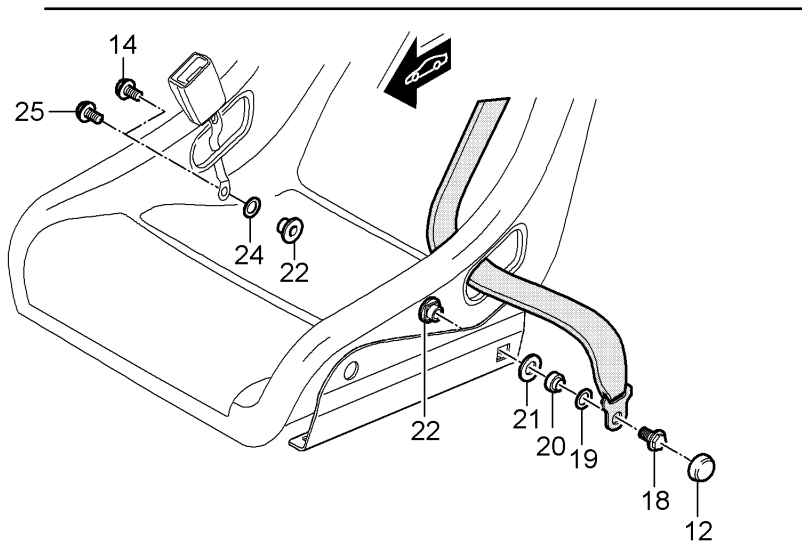
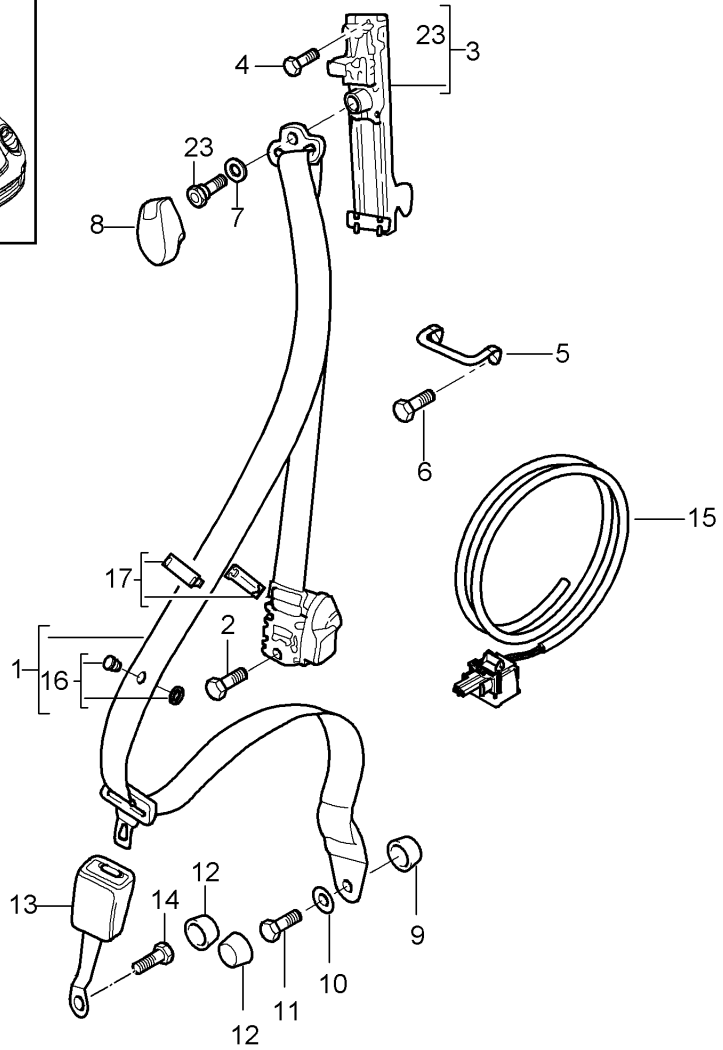
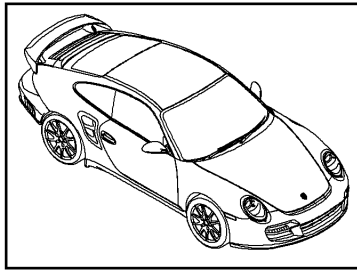


Model: 997T10 Model life 2010>>2013

Pos	Part Number	Description	Remark	Qty	Model
		hardtop			PR:550
1	996 563 523 00	Sound absorber		1	
2	996 563 111 01	Moulded headliner		1	
	996 563 111 01 A21	Black			
3	997 563 551 00	Cover panel		1	
	997 563 551 00 01C	Black			
4	997 563 501 00	Trim		1	
		Leatherette			
	997 563 501 00 1MZ	Black			
	997 563 501 00 1TK	Sand beige			
	997 563 501 00 1VM	sea blue			
	997 563 501 00 1YP	Stone grey			
5	997 563 503 00	Trim	left	1	
		Leatherette			
	997 563 503 00 1MZ	Black			
	997 563 503 00 1TK	Sand beige			
	997 563 503 00 1VM	sea blue			
	997 563 503 00 1YP	Stone grey			
(5)	997 563 504 00	Trim	right	1	
		Leatherette			
	997 563 504 00 1MZ	Black			
	997 563 504 00 1TK	Sand beige			
	997 563 504 00 1VM	sea blue			
	997 563 504 00 1YP	Stone grey			
6	996 563 505 00	Trim		1	
	996 563 505 00 A07	Black			
	996 563 505 00 C19	Stone grey			
	996 563 505 00 R18	brown			
	996 563 505 00 G03	Metropole blue			
7	996 563 554 00	Trim	right	1	
	996 563 554 00 A10	Black			
	996 563 554 00 5V7	Stone grey			
	996 563 554 00 8P9	Cocoa			
	996 563 554 00 G10	Metropole blue			
8	996 563 553 00	Trim	left	1	
	996 563 553 00 A10	Black			
	996 563 553 00 5V7	Stone grey			
	996 563 553 00 8P9	Cocoa			
	996 563 553 00 G10	Metropole blue			
9	996 555 457 00	End cap		2	
	996 555 457 00 A10	Black			
	996 555 457 00 5V7	Stone grey			
	996 555 457 00 8P9	Cocoa			
	996 555 457 00 G10	Metropole blue			
10	999 507 764 40	Clip		X	
11	996 563 413 01	Tool		1	
12	996 563 561 00	Stop buffer		2	
		for			
		sun vizors			
	996 563 561 00 01C	Black			
13	999 507 139 01	panel nut		X	
14	900 151 027 02	Washer		2	
15	900 143 046 02	oval head panel screw		2	
		Discontinued part			
15	900 143 046 01	oval head panel screw		2	

Model: 997T10

Model life 2010>>2013



Model: 997T10

Model life 2010>>2013

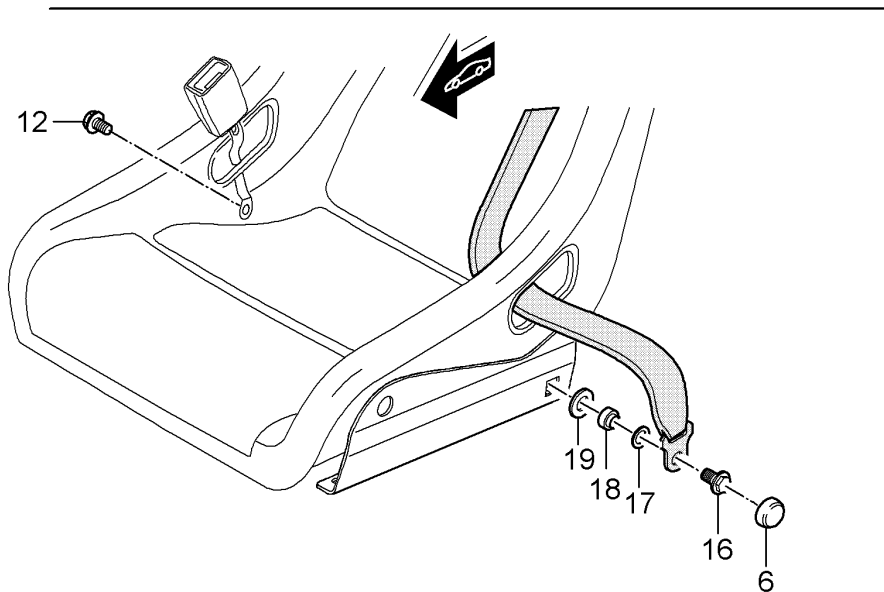
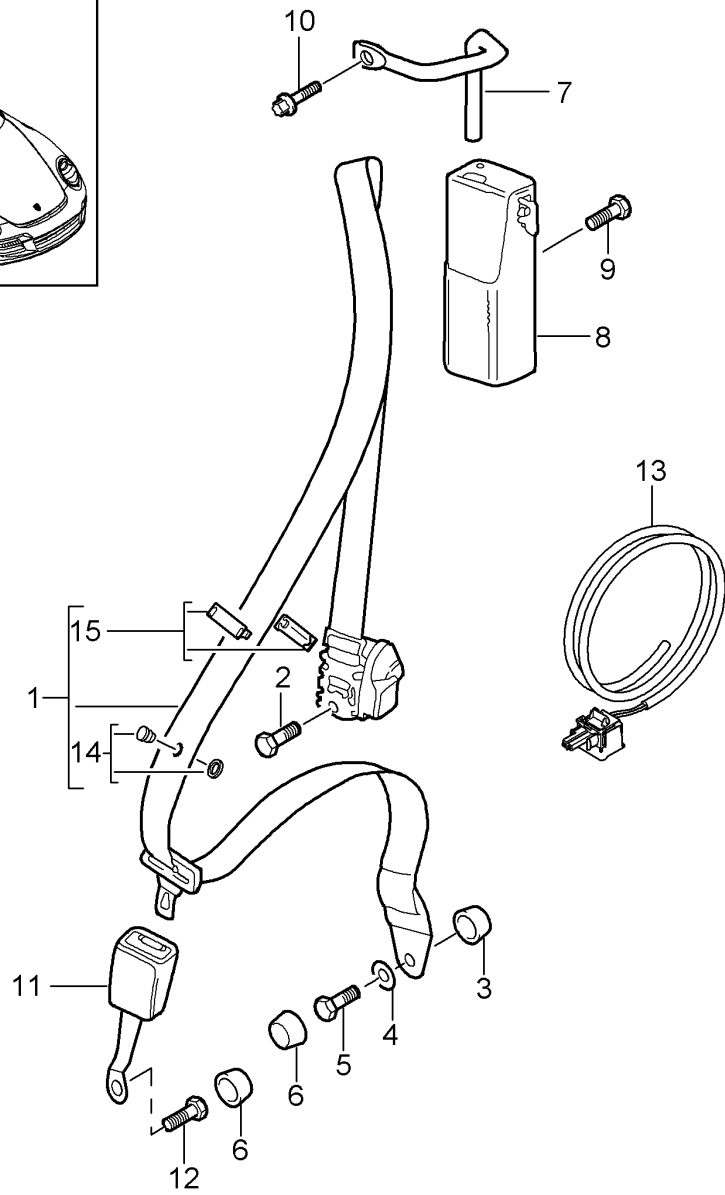
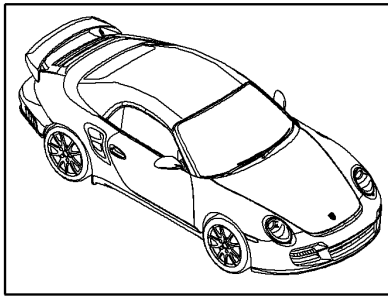
Pos	Part Number	Description	Remark	Qty	Model
		Seat belt	front		Coupe
		Roll cage			
1	997 803 033 05	Three-point safety belt	left	1	
	997 803 033 05 A23	Black			PR:555
	997 803 033 05 N13	guards red (Porsche)			PR:XSX
	997 803 033 05 U01	silver			PR:XSH
	997 803 033 05 V02	Speed yellow			PR:XSX
(1)	997 803 034 10	Three-point safety belt	right	1	
	997 803 034 10 A23	Black			PR:555
	997 803 034 10 N13	guards red (Porsche)			PR:XSX
	997 803 034 10 U01	silver			PR:XSH
	997 803 034 10 V02	Speed yellow			PR:XSX
2	999 075 070 09	Hexagon bolt		2	
3	997 803 231 01	Bracket		2	
		Front vertical adjustment			
		with:			
		Fastening screw			
		Belt			
-	999 075 078 01	Hexagon bolt		2	
4	900 067 131 02	Socket head bolt		2	
5	996 803 825 01	Deflection angle		2	
6	900 378 036 09	Hexagon bolt		4	
7	999 031 052 40	adjusting washer		2	
8	997 803 521 00	Cover		2	
	997 803 521 00 A03	Black			
9	999 924 064 02	spacer sleeve		2	
		Discontinued part			
9	999 924 064 01	spacer sleeve		2	
10	211 857 771	Washer		2	
11	999 075 079 01	Hexagon bolt		2	
12	811 857 845	Cover cap		X	
	811 857 845 01C	Satin black			
13	996 803 183 08	Belt latch		1	
		(passenger side)			
(13)	997 803 183 09	Belt latch		1	
		(drivers side)			
13	997 803 183 11	Belt latch		1	PR:388
		(drivers side)			
(13)	997 803 183 11	Belt latch		1	PR:389
		(drivers side)			
(13)	997 803 183 05	Belt latch		1	PR:389
		(passenger side)			
13	997 803 183 05	Belt latch		1	PR:388
		(passenger side)			
13	997 803 183 03	Belt latch		1	PR:384,385
		(passenger side)			
(13)	997 803 183 10	Belt latch		1	PR:384,385
		(drivers side)			
14	999 218 101 02	Hexagon bolt		2	
14	999 218 101 02	Hexagon bolt		2	PR:388,389
15		Cable		X	
		for			
		Seat belt tensioner			
		see illustration:	902-010		
16	955 803 056 00	knob		2	
	955 803 056 00 HCP	Black			
17	997 803 334 00	clamping piece		2	
	997 803 334 00 01C	Black			
18	999 075 072 09	Hexagon bolt		1	PR:388,389, 384,385
19	999 028 022 01	Spring washer		1	PR:388,389, 384,385
20	997 803 663 00	spacer sleeve		1	PR:388,389

Model: 997T10 Model life 2010>>2013

Pos	Part Number	Description	Remark	Qty	Model
(20)	980 803 664 00	spacer sleeve		1	PR:384,385
21	999 025 275 A2	Washer		2	PR:388,389, 384,385
22	999 048 012 01	Threaded bush		2	PR:384,385
23	999 075 078 01	Hexagon bolt		1	
		Belt			
24	999 025 275 A2	Washer		1	PR:384,385
25	999 075 072 09	Hexagon bolt		1	PR:384,385
-	997 580 986 05	Roll cage		1	GT2RS
		with installation parts			
		D - MJ 2011>>			
-	997 803 037 90	Six-point safety belt		2	GT2RS
		Six-point safety belt			
		red			
		D - MJ 2011>>			

Model: 997T10

Model life 2010>>2013



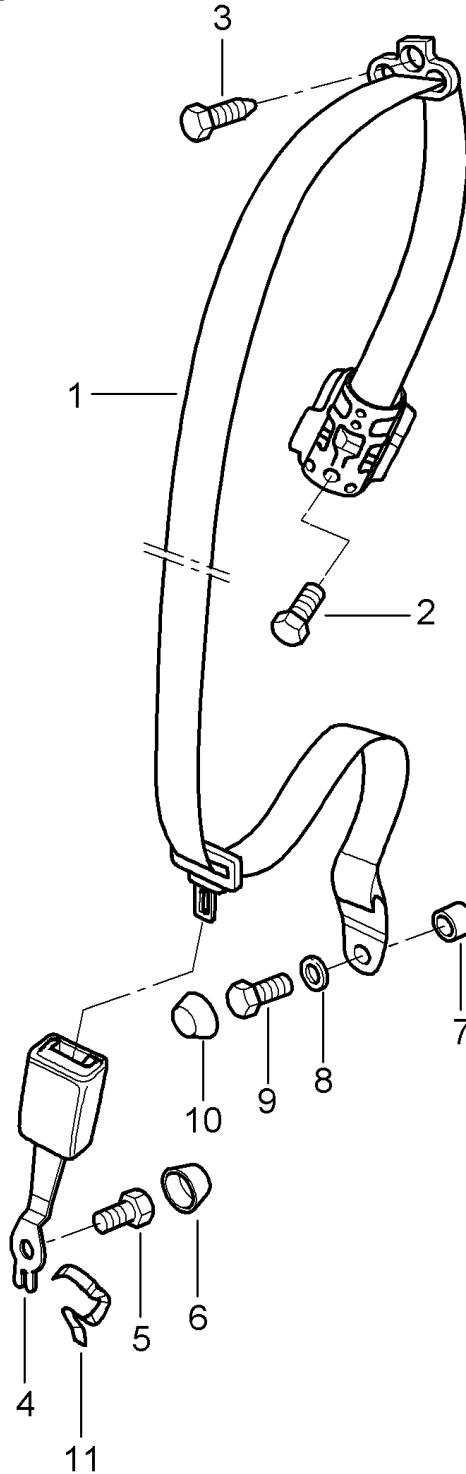
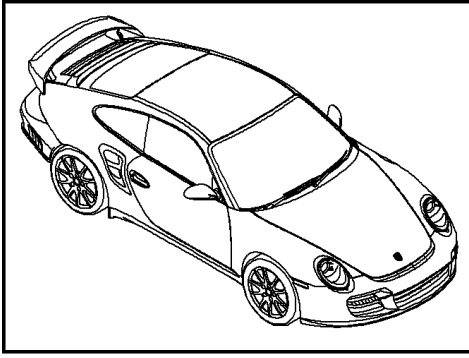
Model: 997T10

Model life 2010>>2013

Pos	Part Number	Description	Remark	Qty	Model
1	997 803 033 06	Seat belt Three-point safety belt	front left	1	Cabrio
	997 803 033 06 A23	Black			PR:555
	997 803 033 06 N13	guards red (Porsche)			PR:XSX
	997 803 033 06 V02	Speed yellow			PR:XSX
	997 803 033 06 U01	silver			PR:XSH
	997 803 033 06 6M4	Sand beige			PR:XST
(1)	997 803 034 11	Three-point safety belt	right	1	
	997 803 034 11 A23	Black			PR:555
	997 803 034 11 N13	guards red (Porsche)			PR:XSX
	997 803 034 11 V02	Speed yellow			PR:XSX
	997 803 034 11 U01	silver			PR:XSH
	997 803 034 11 6M4	Sand beige			PR:XST
2	999 075 070 09	Hexagon bolt		2	
3	999 924 064 02	spacer sleeve		2	
		Discontinued part			
3	999 924 064 01	spacer sleeve		2	
4	211 857 771	Washer		2	
5	999 075 079 01	Hexagon bolt		2	
6	811 857 845	Cover cap		X	
	811 857 845 01C	Satin black			
7	996 803 815 00	relay lever	left	1	
(7)	996 803 816 00	relay lever	right	1	
8	996 803 581 00	Support	left	1	
(8)	996 803 582 00	Support	right	1	
9	999 075 065 09	Hexagon bolt		4	
		M8x35			
10	900 378 017 01	Hexagon bolt		2	
		M8x20			
11	996 803 183 08	Belt latch		1	
		(passenger side)			
(11)	997 803 183 09	Belt latch		1	
		(drivers side)			
11	997 803 183 11	Belt latch		1	PR:388
		(drivers side)			
(11)	997 803 183 11	Belt latch		1	PR:389
		(drivers side)			
(11)	997 803 183 05	Belt latch		1	PR:389
		(passenger side)			
11	997 803 183 05	Belt latch		1	PR:388
		(passenger side)			
12	999 218 101 02	Hexagon bolt		2	
13		Cable		X	
		for Seat belt tensioner			
		see illustration:	902-010		
14	955 803 056 00	knob		2	
	955 803 056 00 HCP	Black			
15	997 803 334 00	clamping piece		2	
	997 803 334 00 01C	Black			
16	999 075 072 09	Hexagon bolt		2	PR:388,389
17	999 028 022 01	Spring washer		1	PR:388,389
18	997 803 663 00	spacer sleeve		1	PR:388,389
19	999 025 275 A2	Washer		1	PR:388,389

Model: 997T10

Model life 2010>>2013



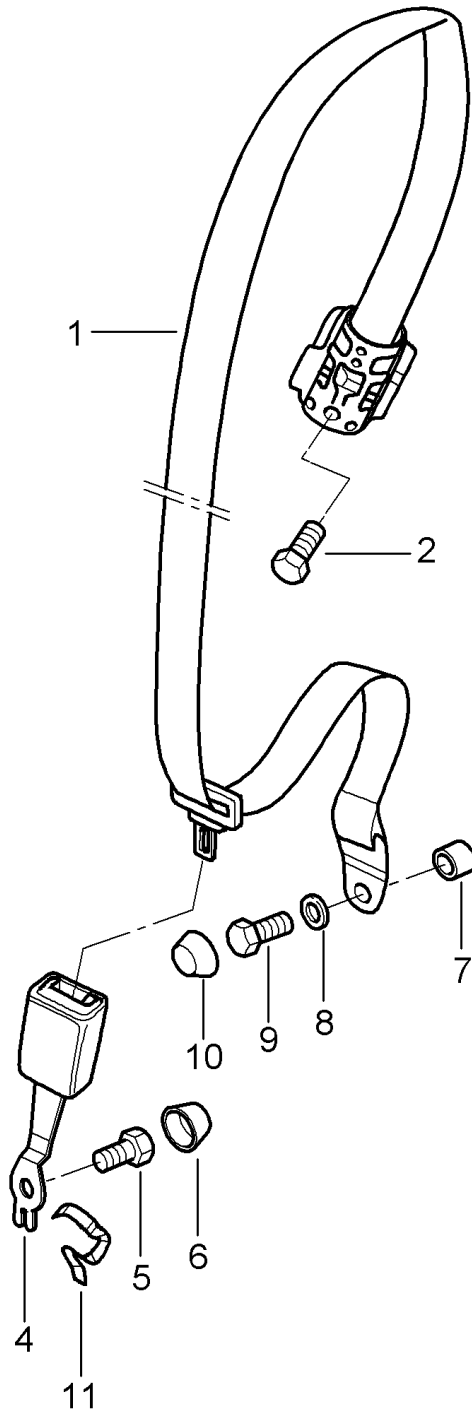
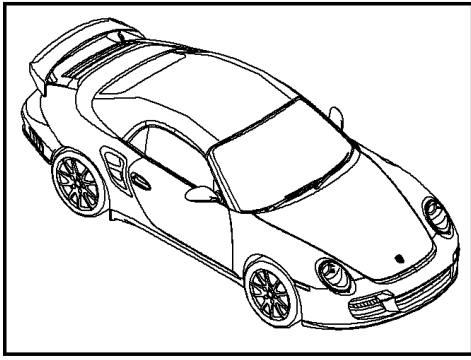
Model: 997T10

Model life 2010>>2013

Pos	Part Number	Description	Remark	Qty	Model
1	997 803 035 02	Seat belt	rear		Coupe
	997 803 035 02 V02	Three-point safety belt	left	1	
	997 803 035 02 N13	Speed yellow			PR:XSX
	997 803 035 02 U01	guards red (Porsche)			PR:XSH
	997 803 035 02 A23	silver			PR:555
	997 803 035 02 6M4	Black			PR:XST
(1)	997 803 036 02	Sand beige	right	1	
	997 803 036 02 V02	Three-point safety belt			PR:XSX
	997 803 036 02 N13	Speed yellow			PR:XSH
	997 803 036 02 U01	guards red (Porsche)			PR:555
	997 803 036 02 A23	silver			PR:XST
	997 803 036 02 6M4	Black			
2	999 075 070 09	Hexagon bolt		2	
3	999 075 057 09	Hexagon bolt		2	
4	996 803 165 01	Hexagon bolt	left	1	
(4)	996 803 166 01	Belt latch	right	1	
5	999 075 070 09	Hexagon bolt		2	
6	811 857 845	Cover cap		2	
	811 857 845 01C	Satin black			
7	999 924 064 01	spacer sleeve		2	
8	211 857 771	Washer		2	
9	999 075 079 01	Hexagon bolt		2	
10	811 857 845	Cover cap		2	PR:193
	811 857 845 01C	Satin black			
11	996 551 745 00	Securing clip	left	2	
(11)	996 551 746 00	Securing clip	right	2	

Model: 997T10

Model life 2010>>2013



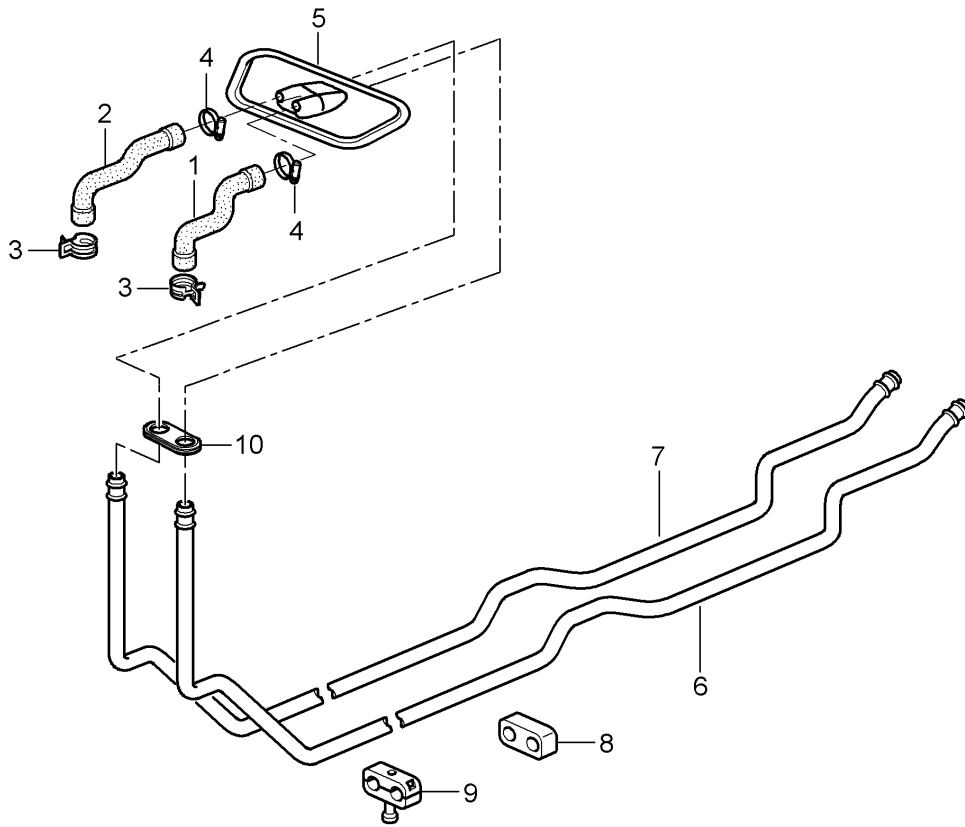
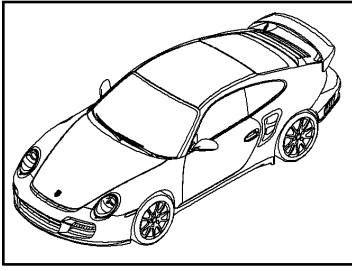
Model: 997T10

Model life 2010>>2013

Pos	Part Number	Description	Remark	Qty	Model
1	997 803 035 00	Seat belt	rear	1	Cabrio PR:553
	997 803 035 00 V02	Three-point safety belt	left		
	997 803 035 00 N13	Speed yellow			
	997 803 035 00 U01	guards red (Porsche)			
	997 803 035 00 A23	silver			
	997 803 035 00 6M4	Black			
(1)	997 803 036 00	Sand beige	right		
	997 803 036 00 V02	Three-point safety belt			
	997 803 036 00 N13	Speed yellow			
	997 803 036 00 U01	guards red (Porsche)			
	997 803 036 00 A23	silver			
	997 803 036 00 6M4	Black			
2	999 075 070 09	Hexagon bolt		2	
4	996 803 165 01	Belt latch	left	1	
(4)	996 803 166 01	Belt latch	right	1	
5	999 075 070 09	Hexagon bolt		2	
6	811 857 845	Cover cap		2	
	811 857 845 01C	Satin black			
7	999 924 064 01	spacer sleeve		2	
8	211 857 771	Washer		2	
9	999 075 079 01	Hexagon bolt		2	
10	811 857 845	Cover cap		2	
	811 857 845 01C	Satin black			
11	996 551 745 00	Securing clip		2	

Model: 997T10

Model life 2010>>2013



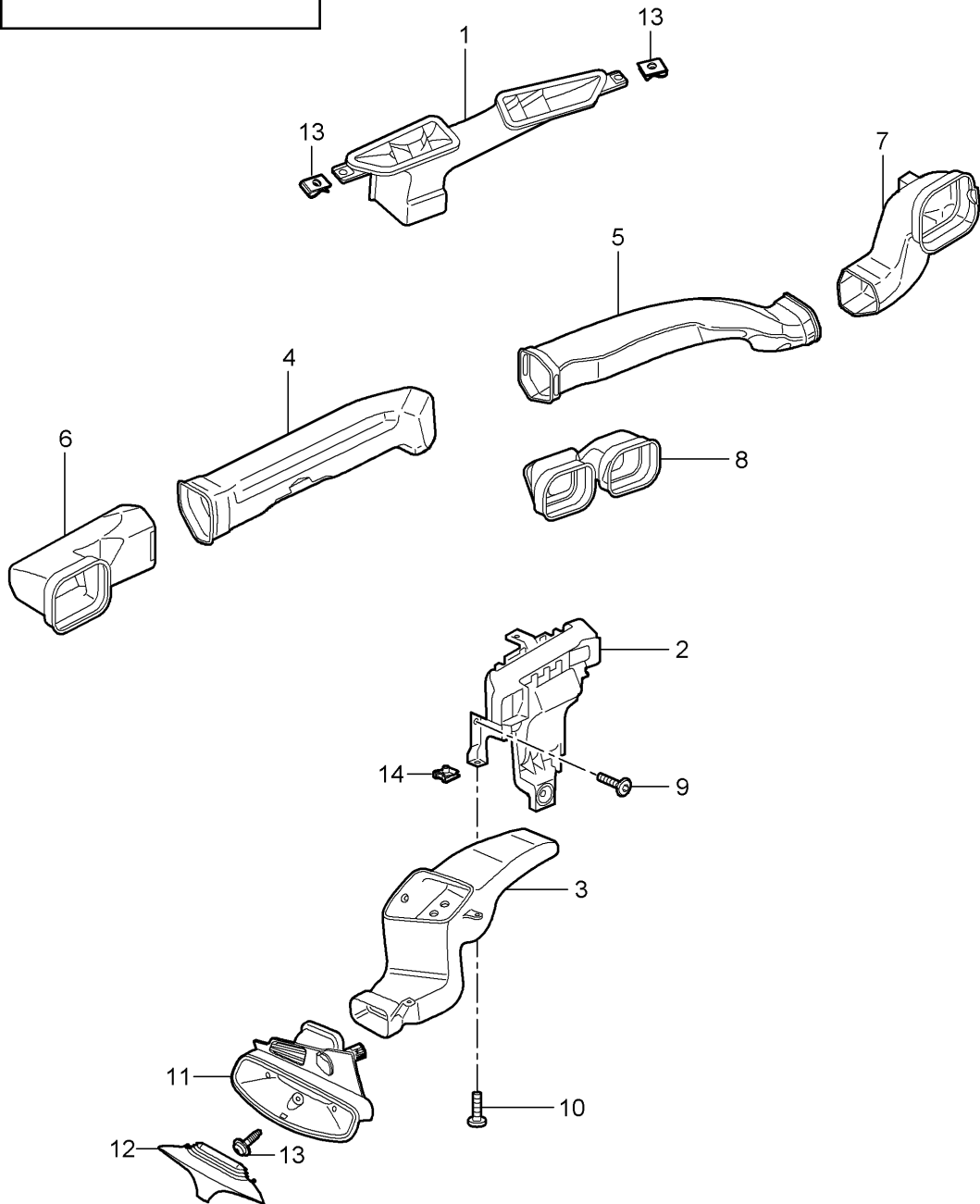
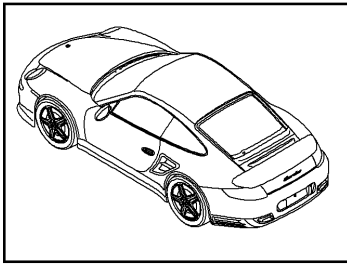
Model: 997T10

Model life 2010>>2013

Pos	Part Number	Description	Remark	Qty	Model
1	997 572 553 00	Heating system 1 Feed line return line Heating hose	lhd	1	PR:098
(1)	997 572 553 01	Intake Heating hose	rhd	1	PR:099
2	997 572 555 00	Intake Heating hose	lhd	1	PR:098
(2)	997 572 555 01	Return line Heating hose	rhd	1	PR:099
3	999 512 656 09	Return line Hose clamp		2	
4	999 512 346 01	B25 X 12 Hose clamp		2	
5	996 572 263 02	A16-27/9 Seal	lhd	1	PR:098
(5)	996 572 263 03	Seal	rhd	1	PR:099
6	997 572 681 00	Heater pipeline Supply		1	
7	997 572 683 00	Discontinued part Heater pipeline Return line		1	
8	996 572 785 00	Discontinued part Distance piece		X	
9	999 511 230 40	Cable holder		4	
-	999 511 232 41	Rubber bush		4	
10	996 572 765 02	19/19 Grommet		1	

Model: 997T10

Model life 2010>>2013



Model: 997T10 Model life 2010>>2013

Pos	Part Number	Description	Remark	Qty	Model
1	997 572 631 00	Air distributor Passenger compartment Defroster nozzle for wind- screen	lhd	1	PR:098
(1)	997 572 631 01	Defroster nozzle for wind- screen	rhd	1	PR:099
2	997 572 171 00	Air distributor	lhd	1	PR:098
(2)	997 572 171 01	Air distributor	rhd	1	PR:099
3	997 572 793 00	Footwell outlet vent	lhd	1	PR:098
(3)	997 572 793 02	Footwell outlet vent	lhd	1	PR:098,680
(3)	997 572 793 01	Footwell outlet vent	rhd	1	PR:099
(3)	997 572 793 03	Footwell outlet vent	rhd	1	PR:099,680
4	997 572 463 00	Air guide	left lhd	1	PR:098
(4)	997 572 463 01	Air guide	left rhd	1	PR:099
5	997 572 464 00	Air guide	right lhd	1	PR:098
(5)	997 572 464 01	Air guide	right rhd	1	PR:099
6	997 572 767 00	Air guide	left lhd	1	PR:098
(6)	997 572 767 01	Air guide	left rhd	1	PR:099
7	997 572 768 00	Air guide	right rhd	1	PR:099
(7)	997 572 768 01	Air guide	right lhd	1	PR:098
8	997 572 769 00	Air guide		1	
(8)	997 572 769 01	Air guide		1	
9	999 919 118 09	fillister hd. bolt		2	
10	999 073 339 09	panel screw		2	
(11)	997 572 396 02	Trim	right lhd	1	PR:098,680
	997 572 396 02 01C	Satin black			
11	997 572 395 02	Trim	left rhd	1	PR:099,680
	997 572 395 02 01C	Satin black			
(11)	997 572 396 03	Trim	right lhd	1	PR:098,680
	997 572 396 03 5V7	Stone grey			
	997 572 396 03 N23	Carrera Red			
	997 572 396 03 5Z1	Sand beige			
	997 572 396 03 8P9	Cocoa			
	997 572 396 03 8W7	sea blue			
	997 572 396 03 8X8	Terracotta			
	997 572 396 03 T13	Brown/natural			
(11)	997 572 395 03	Trim	left rhd	1	PR:099,680
		Lacquered			
	997 572 395 03 5V7	Stone grey			
	997 572 395 03 N23	Carrera Red			
	997 572 395 03 5Z1	Sand beige			
	997 572 395 03 8P9	Cocoa			
	997 572 395 03 8W7	sea blue			
	997 572 395 03 8X8	Terracotta			
	997 572 395 03 T13	Brown/natural			
(12)	997 572 798 02	Trim	right lhd	1	PR:098,680
	997 572 798 02 01C	Satin black			
12	997 572 797 02	Trim	left rhd	1	PR:099,680
	997 572 797 02 01C	Satin black			
12	997 572 798 03	Trim	lhd	1	PR:098,680
		Lacquered			
	997 572 798 03 5V7	Stone grey			
	997 572 798 03 N23	Carrera Red			
	997 572 798 03 5Z1	Sand beige			
	997 572 798 03 8P9	Cocoa			
	997 572 798 03 8W7	sea blue			
	997 572 798 03 8X8	Terracotta			
	997 572 798 03 T13	Brown/natural			
12	997 572 797 03	Trim	rhd	1	PR:099,680
		Lacquered			
	997 572 797 03 5V7	Stone grey			
	997 572 797 03 N23	Carrera Red			
	997 572 797 03 5Z1	Sand beige			

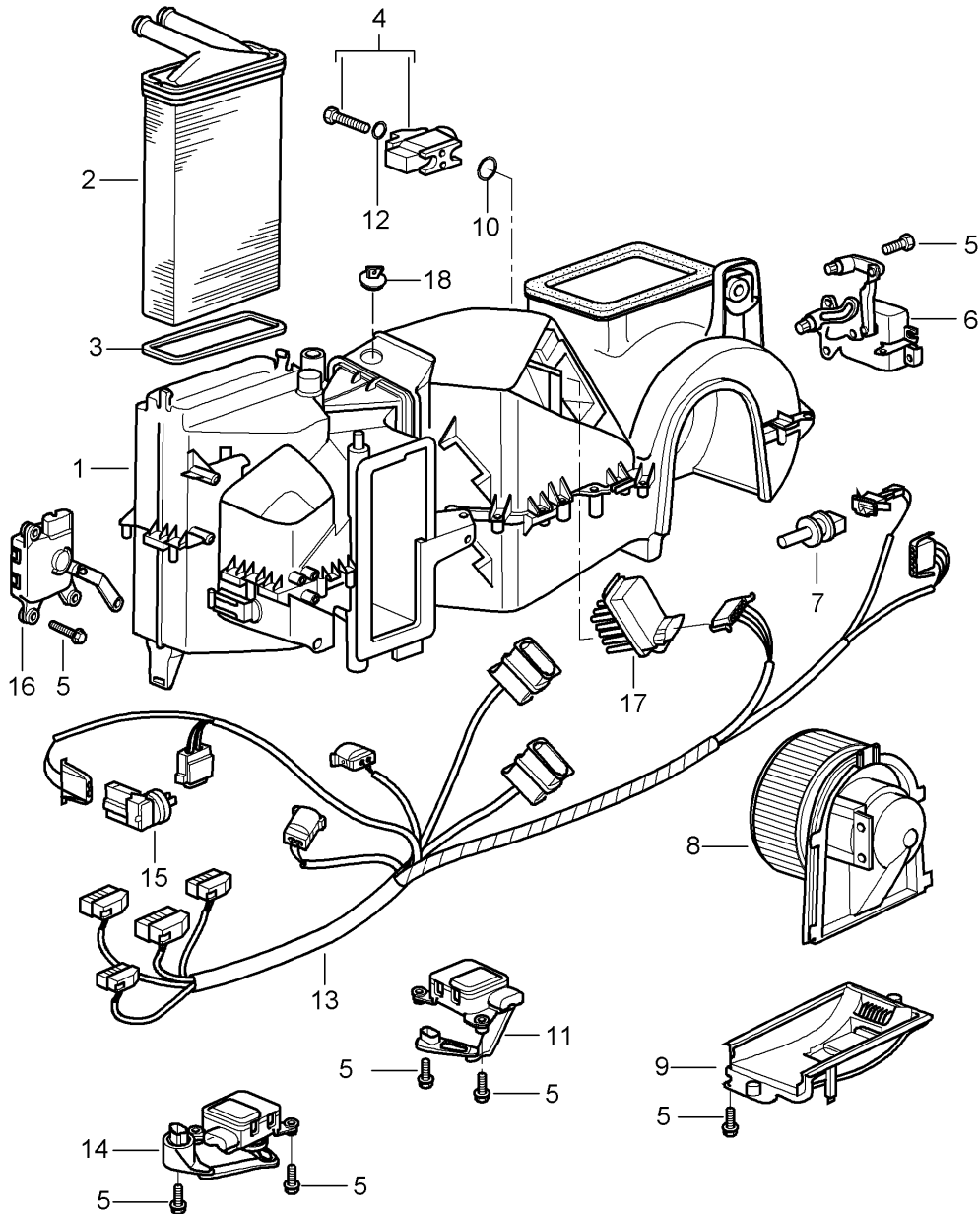
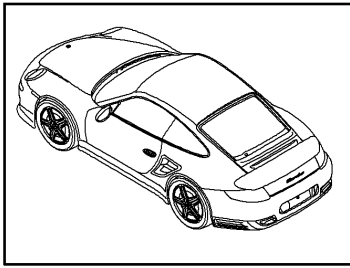
Model: 997T10

Model life 2010>>2013

Pos	Part Number	Description	Remark	Qty	Model
	997 572 797 03 8P9	Cocoa			
	997 572 797 03 8W7	sea blue			
	997 572 797 03 8X8	Terracotta			
	997 572 797 03 T13	Brown/natural			
13	999 073 345 09	Oval-head screw M 5 x 18		1	PR:680
14	999 507 785 02	panel nut ST 4,2		3	
14	999 507 785 01	panel nut ST 4,2		3	

Model: 997T10

Model life 2010>>2013



Model: 997T10 Model life 2010>>2013

Pos	Part Number	Description	Remark	Qty	Model
(1)	997 573 901 04	Air conditioner Individual parts Air conditioner without: heat exchanger with: evaporator	lhd	1	PR:098,573
(1)	997 573 901 05	Air conditioner without: heat exchanger with: evaporator	rhd	1	PR:099,573
2	997 572 129 00	heat exchanger		1	
3	996 572 913 00	Seal		1	
4	996 573 929 01	Expansion valve		1	
5	900 143 102 02	Bolt with washer		X	
6	996 573 915 00	actuator motor for fresh air flap	lhd	1	PR:098,573
		fresh air flap Identification: >> >>		1 1 1	
(6)	996 573 915 01	actuator motor for fresh air flap Identification: >> >> Black	rhd	1	PR:099,573
7	955 572 304 10	Temperature sensor		1	
8	996 624 107 01	Fan	lhd	1	PR:098
(8)	996 624 108 01	Fan	rhd	1	PR:099
9	996 573 905 00	Cover		1	
10	999 707 596 40	O-ring 14x1,82		1	
11	996 573 919 02	Servomotor Temperature valve Identification: >> >> pink	lhd	1	PR:098
(11)	996 573 919 03	Servomotor Temperature valve Identification: >> >> pink	rhd	1	PR:099
12	999 707 534 41	O-ring 17x2,00		1	
13	997 612 655 26	Wire set	lhd	1	PR:098,573
(13)	987 612 656 26	Wire set	rhd	1	PR:099,572
-	997 612 664 01	Wire set		1	
-		interference suppression coil			
14	996 573 921 02	Servomotor for defroster flap Identification: >> >> yellow	lhd	1	PR:098
(14)	996 573 921 03	Servomotor for defroster flap Identification: >> >> yellow	rhd	1	PR:099
15	1H0 907 543 A	Temperature sensor		1	
16	996 573 917 02	central flap positioning motor Identification: >> >> green	lhd	1	PR:098
(16)	996 573 917 03	central flap positioning motor Identification: >> >> green	rhd	1	PR:099
17	996 573 923 00	Resistor		1	
-	996 573 927 00	Blower outlet sensor		1	PR:573

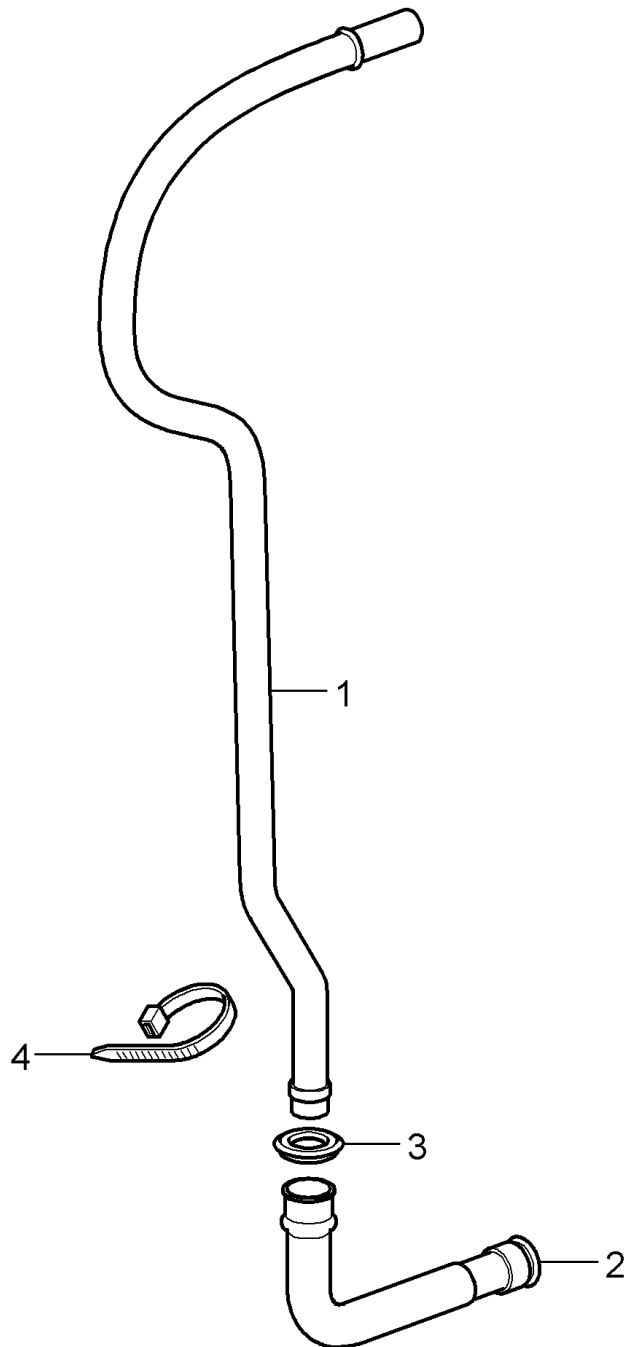
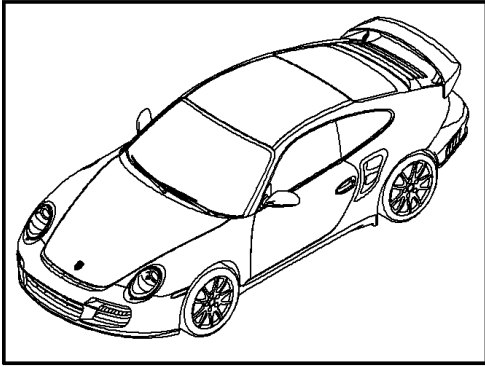
Model: 997T10

Model life 2010>>2013

Pos	Part Number	Description	Remark	Qty	Model
-	1H0 819 943	round hd. screw		2	
18	997 573 935 00	Bungs		1	
-	997 573 937 00	Seal		1	
		Air inlet			
-	997 573 939 00	Seal		1	
		heat exchanger			
-	997 573 941 00	Seal		1	
		Evaporator housing			
-	997 573 943 00	Seal		1	
		Pipe			
		evaporator			
-	997 573 945 00	Seal	lhd	1	PR:098
		Expansion valve			
-	997 573 947 00	Seal	rhd	1	PR:099
		Expansion valve			

Model: 997T10

Model life 2010>>2013



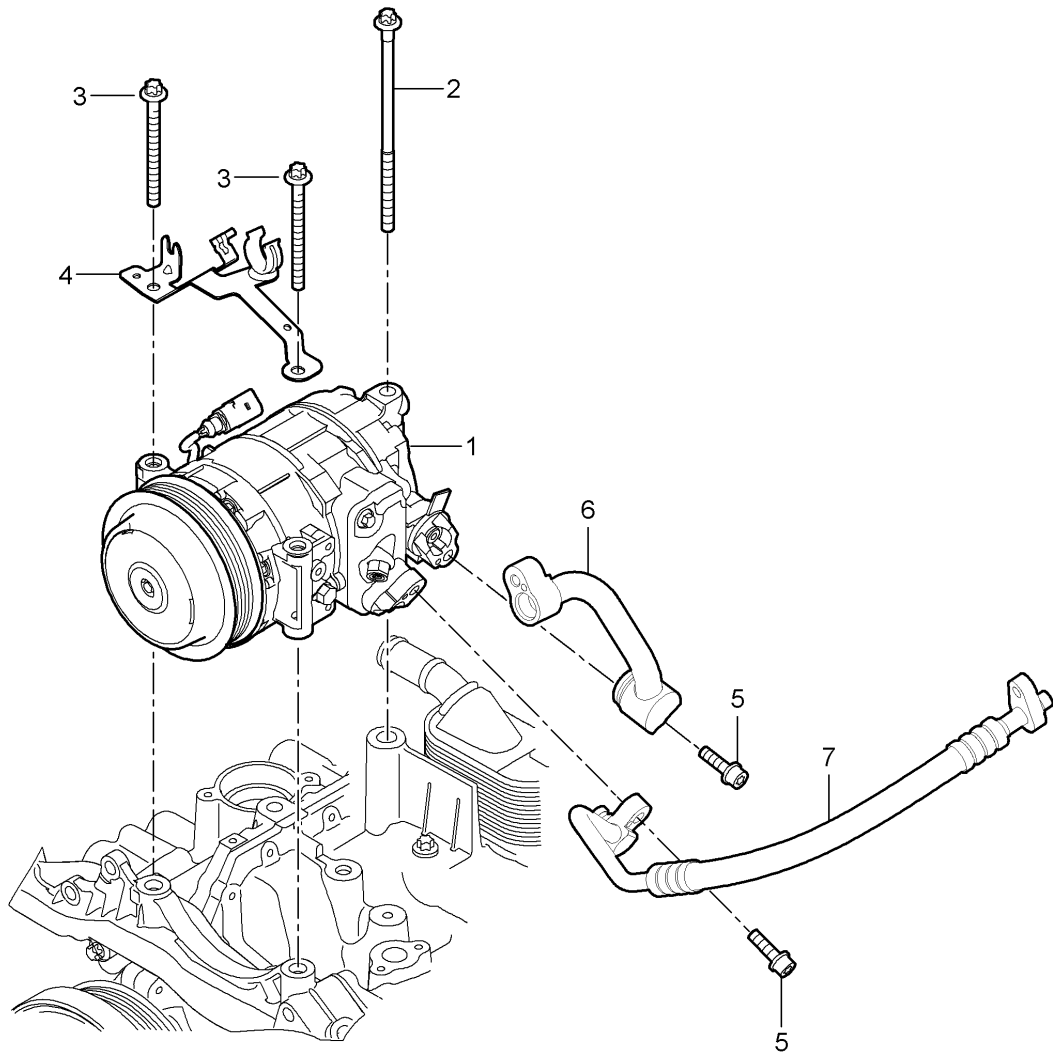
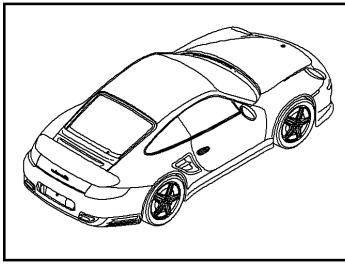
Model: 997T10

Model life 2010>>2013

Pos	Part Number	Description	Remark	Qty	Model
		water drain pipe			
		Mount			
		Air conditioner			
1	996 573 793 01	water drain pipe	lhd	1	PR:098
1	996 573 794 01	water drain pipe	rhd	1	PR:099
2	997 573 797 00	Connecting piece		1	
3	996 573 795 01	Grommet		1	
4	999 513 049 40	Cable ties		1	

Model: 997T10

Model life 2010>>2013



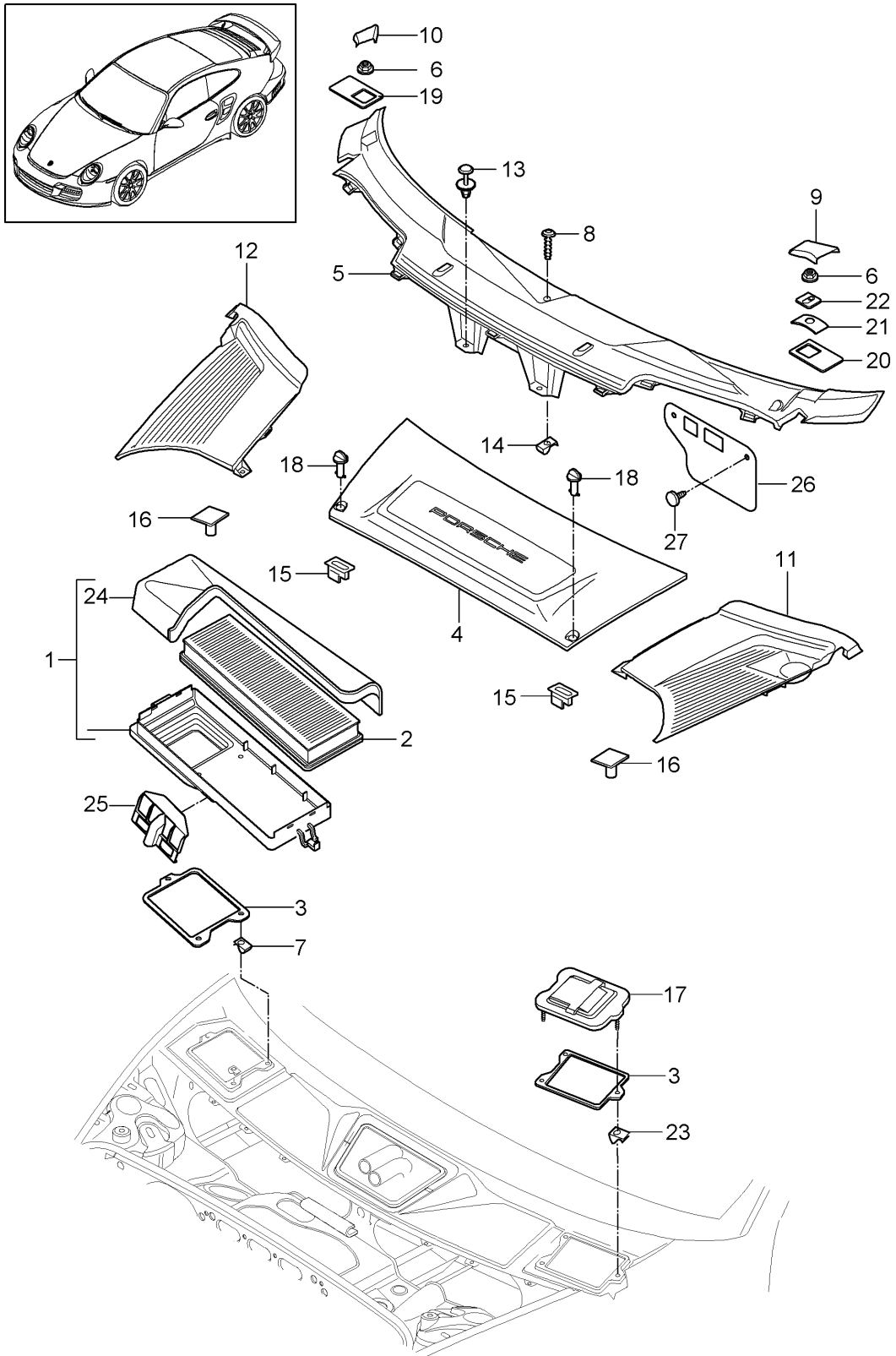
Model: 997T10

Model life 2010>>2013

Pos	Part Number	Description	Remark	Qty	Model
1	9A1 126 011 02	Compressor		1	
2	900 385 134 01	Compressor Hexagon head bolt M 8 X 170		1	
3	900 385 102 01	Torx screw M 8 X 90		2	
4		Bracket			
5	N 104 144 02	see illustration: Socket head bolt with hexagon socket head suction line	107-010	2	
6		see illustration, item:	813-025,28		
7		Pressure line see illustration, item:	813-025,1		
-	000 043 200 04	Compressor oil 250 ml		1	

Model: 997T10

Model life 2010>>2013



Model: 997T10 Model life 2010>>2013

Pos	Part Number	Description	Remark	Qty	Model
1	997 572 019 04	Particulate filter housing	lhd	1	PR:098
(1)	997 572 019 05	Cowl panel covering housing	rhhd	1	PR:099
2	997 571 219 01	Dust and pollen filter		1	
3	997 572 221 00	Seal		1	
4	997 572 567 04	Battery cover		1	
	997 572 567 04 FMT	Black Battery			
(4)	997 572 729 02	Dust and pollen filter insert	lhd	1	PR:098
(4)	997 572 729 03	Dust and pollen filter insert	rhhd	1	PR:099
		Particulate filter			
5	997 572 563 08	Cover	lhd	1	PR:098
		Scuttle			
	997 572 563 08 FMT	Black			
5	997 572 563 09	Cover	rhhd	1	PR:099
		Scuttle			
	997 572 563 09 FMT	Black			
6	999 076 071 02	Hexagon nut M6		2	
7	999 507 348 01	panel nut		3	
8	N 906 487 04	Hexagon socket oval head bolt		1	
9	997 572 569 04	Cover cap	left	2	PR:098
	997 572 569 04 FMT	Black			
(9)	997 572 569 05	Cover cap	left	2	PR:099
	997 572 569 05 FMT	Black			
10	997 572 570 04	Cover cap	right	1	PR:098
	997 572 570 04 FMT	Black			
(10)	997 572 570 05	Cover cap	right	1	PR:099
	997 572 570 05 FMT	Black			
11	997 572 361 07	Plenum chamber cover	left	1	
	997 572 361 07 02A	Black			
12	997 572 362 08	Plenum chamber cover	right	1	
	997 572 362 08 02A	Black			
13	999 507 497 40	Spreader rivet 8 X 14		2	
14	999 507 834 41	expanding nut ST 4,8		1	
15	999 590 046 40	Cam disc		2	
16	999 902 046 40	catch		1	
17	997 572 419 03	Cover		2	
18	997 572 867 00	Locking bolt		2	
	997 572 867 00 02A	Black			
18	997 572 867 01	Locking bolt		2	
	997 572 867 01 02A	Black			
19	997 572 842 01	Pressure plate (passenger side)	right lhd	1	PR:098
19	997 572 842 02	Pressure plate (passenger side)	left rhhd	1	PR:099
20	997 572 841 00	Pressure plate (drivers side)		1	
21	997 572 837 00	spring plate (drivers side)		1	
22	997 572 533 00	Retaining plate (drivers side)		1	
23	999 591 855 02	panel nut		3	
24	997 572 729 02	Dust and pollen filter insert	lhd	1	PR:098
		Particulate filter			
(24)	997 572 729 03	Dust and pollen filter insert	rhhd	1	PR:099
		Particulate filter			
25	997 572 862 01	Support		1	
26	997 572 763 00	Cover		1	

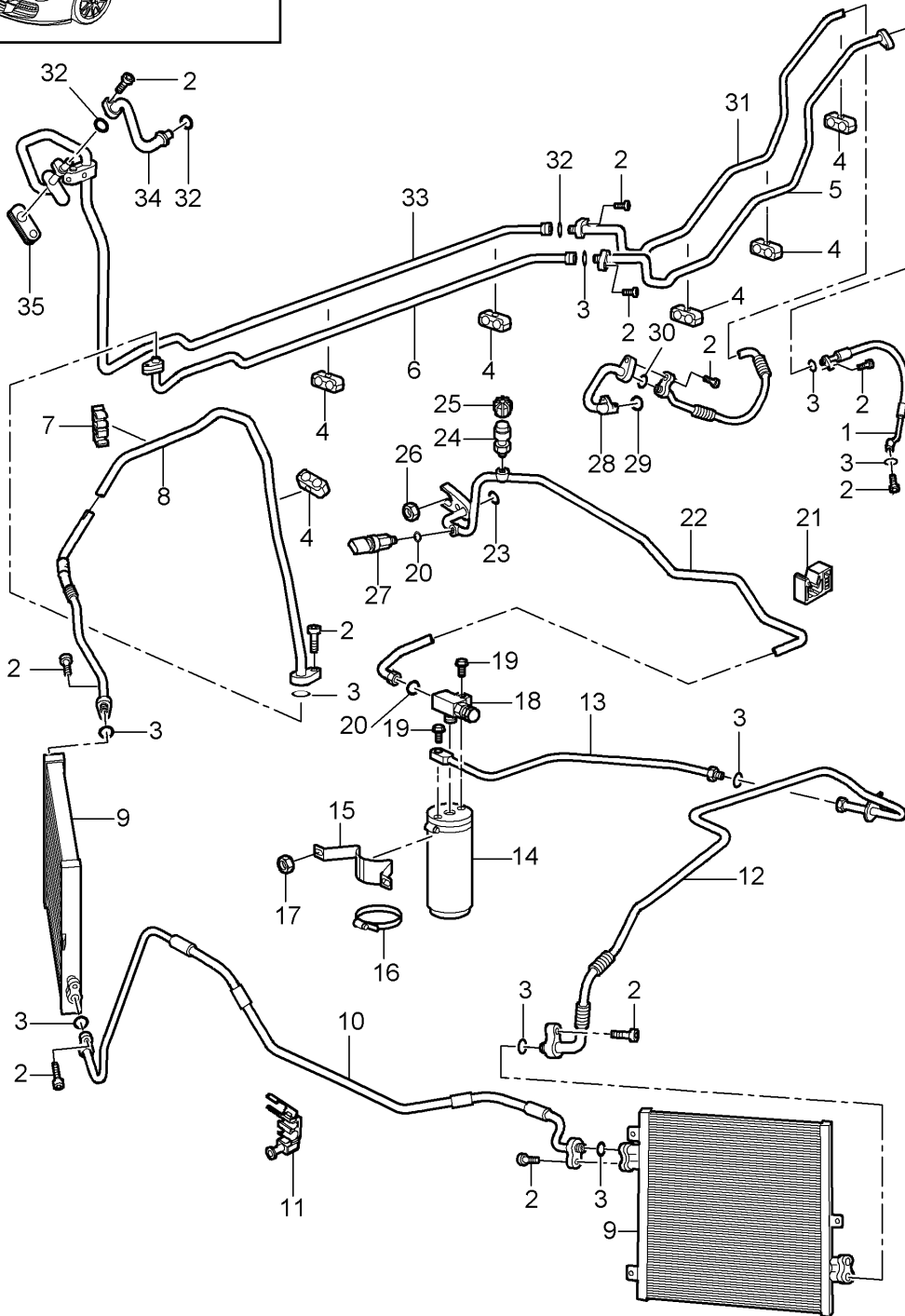
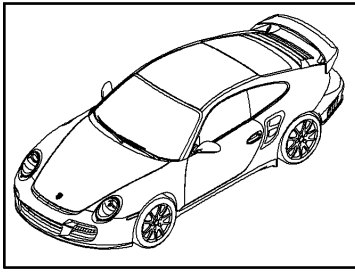
Model: 997T10

Model life 2010>>2013

Pos	Part Number	Description	Remark	Qty	Model
27	999 703 432 40	Bungs 8,0 12,2 X 25		2	

Model: 997T10

Model life 2010>>2013



Model: 997T10 Model life 2010>>2013

Pos	Part Number	Description	Remark	Qty	Model
1	9A1 573 097 02	refrigerant circuit Pressure line		1	
2	900 067 247 02	Compressor Bolt with washer M8 X 30		X	
2	900 067 247 01	Discontinued part Bolt with washer M8 X 30		X	
3	999 707 434 41	O-ring 10,6 X 2,0		X	
4	999 511 230 40	Cable holder		X	
5	997 573 096 05	Pressure line		1	
6	996 573 092 02	Pressure line		1	
7	996 355 547 01	Bracket		1	
8	997 573 094 03	Pressure line		1	
9	997 573 911 02	Condenser		2	
10	997 573 103 03	Pressure line		1	TURBO
11	996 347 543 00	Cable holder 4,75 / 8,0		2	
12	997 573 105 04	Pressure line Condenser		1	
13	996 573 106 00	Drier Refrigerant line		1	
14	944 573 143 01	Drier		1	
15	996 573 451 00	bracket for drier		1	
16	999 512 349 01	Hose clamp A50-70/9		1	
17	900 380 015 09	Hexagon nut M6		2	
18	997 573 243 00	Distributor		1	
19	900 075 340 01	Bolt with washer M6 X 22		2	
20	999 707 555 41	O-ring 10,8 X 1,8		X	
21	999 591 922 40	Bracket 4,8 / 8,0	lhd	1	PR:098
(21)	999 513 049 40	Cable ties 8,0 - 30	rhd	1	PR:099
22	997 573 108 04	Pressure line	lhd	1	PR:098
(22)	997 573 108 03	Pressure line	rhd	1	PR:099
23	999 707 531 41	O-ring 7,5 X 2,04		X	
24	996 573 466 00	Pressure valve Pressure line		1	
(24)	996 573 465 00	Valve suction line		1	
25	944 573 663 02	Cap Pressure line		1	
(25)	944 573 663 01	Cap suction line		1	
26	900 377 010 09	Hexagon nut M6		2	
27	955 613 137 01	Pressure sensor Discontinued part		1	
(27)	955 613 137 02	Pressure sensor		1	
28	9A1 573 099 02	suction line		1	
29	999 707 439 41	O-ring 23,8 X 2,4		X	
30	999 707 558 41	O-ring 13,7 X 2,5		X	
31	997 573 095 05	suction line		1	
32	999 707 534 41	O-ring		X	

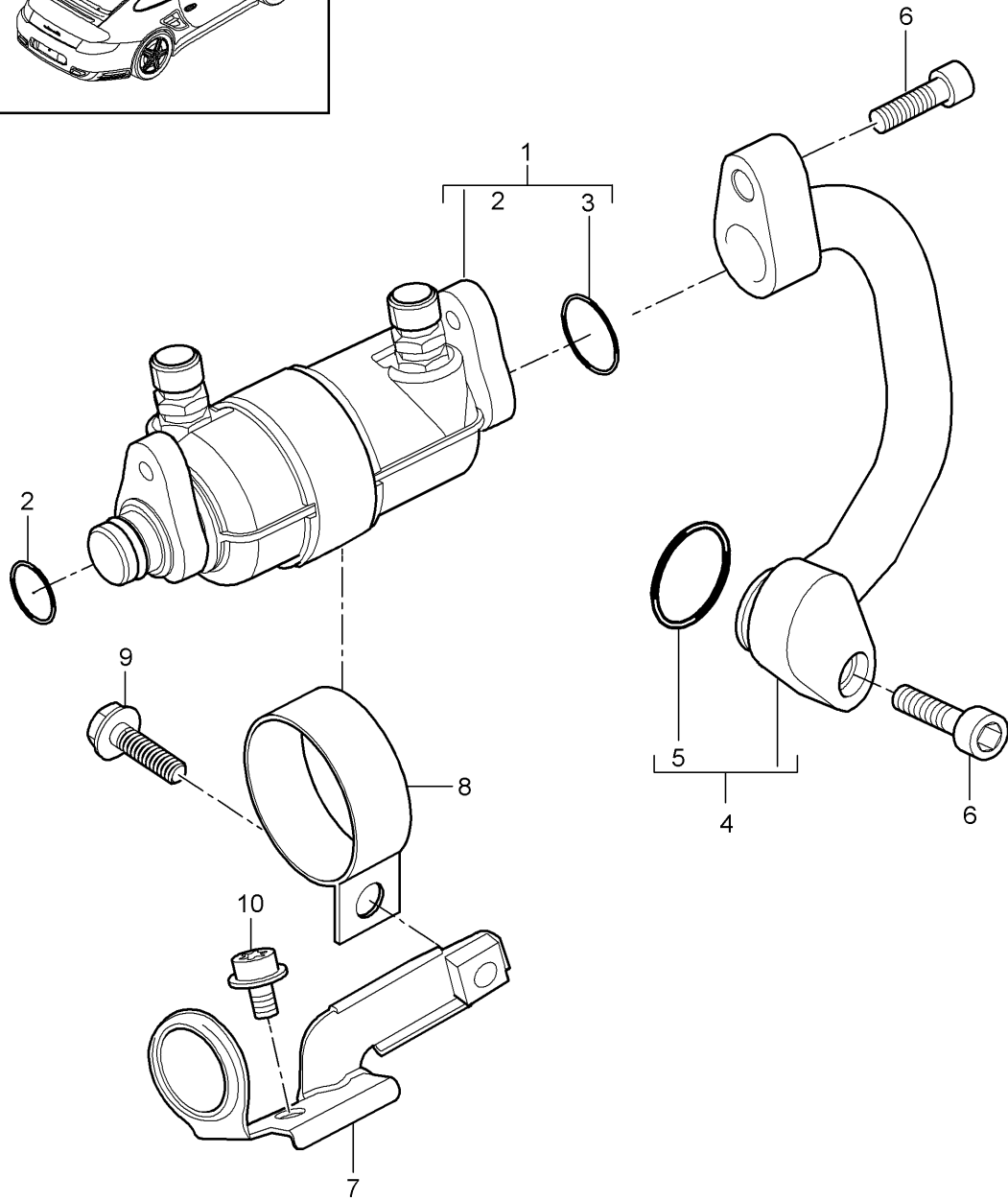
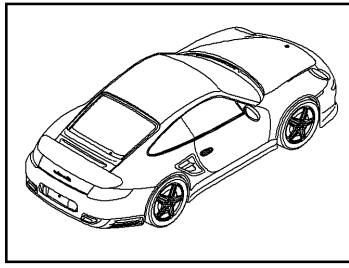
Model: 997T10

Model life 2010>>2013

Pos	Part Number	Description	Remark	Qty	Model
33	996 573 091 01	17,0 X 2,0 suction line		1	
34	996 573 093 06	suction line	lhd	1	PR:098
(34)	996 573 093 07	suction line	rhd	1	PR:099
35	996 573 769 01	Grommet		1	

Model: 997T10

Model life 2010>>2013



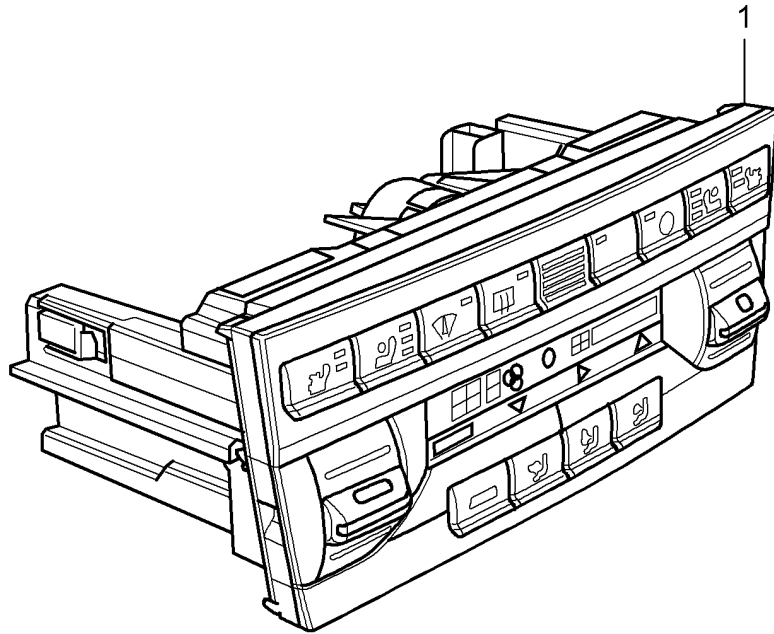
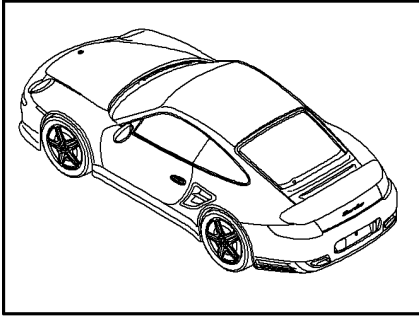
Model: 997T10

Model life 2010>>2013

Pos	Part Number	Description	Remark	Qty	Model
1	997 573 069 01	fuel cooling fuel cooler		1	
2	999 707 558 41	O-ring 13,70 X 2,50N		1	
3	999 707 534 41	O-ring 17,00 X 2,00N		1	
4	997 573 099 03	suction line		1	
5	999 707 439 41	O-ring 23,80 X 2,40N		1	
6	900 067 276 01	Bolt with washer M8 X 35		2	
7	997 573 231 03	Bracket		1	
(7)	997 126 231 70	Bracket Temperature sensor D - MJ 2011>> - MJ 2011		1	9770+ PR:004,101, 574
8	999 512 202 01	Clamp B1 49 X 20		1	
9	900 067 314 01	Bolt with washer M8 X 25		1	
10	900 385 001 01	Torx screw M8 X 20		1	

Model: 997T10

Model life 2010>>2013



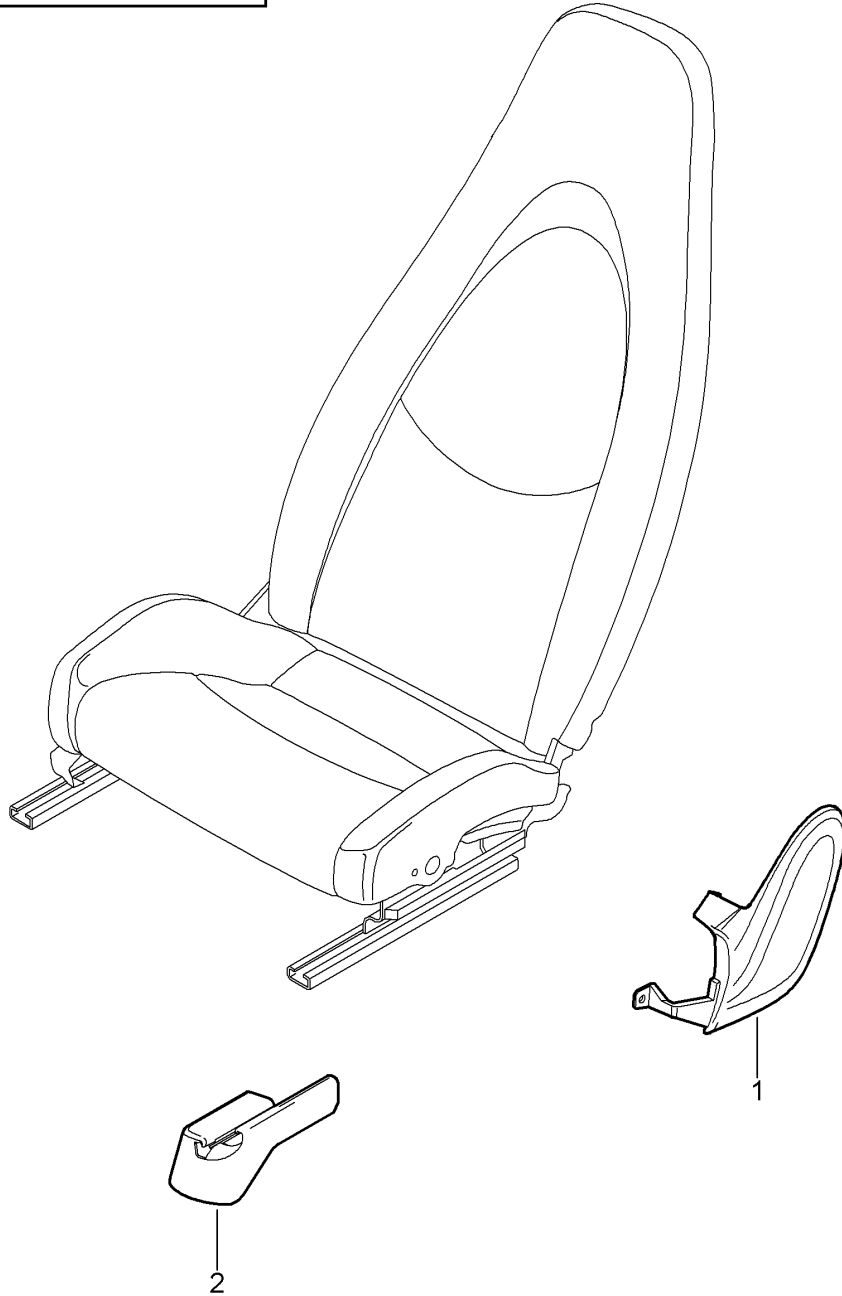
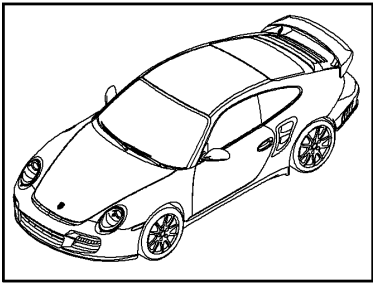
Model: 997T10

Model life 2010>>2013

Pos	Part Number	Description	Remark	Qty	Model
(1)	997 653 201 02	Control switch		1	PR:573
	997 653 201 02	Control panel			
	997 653 201 02 FTC	Matt Black/Galvano Silver			
(1)	997 653 201 04	Control panel		1	PR:573
	997 653 201 04 FTC	Matt Black/Galvano Silver			
(1)	997 653 211 02	Control panel		1	PR:573,342
	997 653 211 02 FTC	Matt Black/Galvano Silver			
(1)	997 653 211 04	Control panel		1	PR:573,342
	997 653 211 04 FTC	Matt Black/Galvano Silver			
(1)	997 653 221 04	Control panel		1	PR:342,541, 573
	997 653 221 04 FTC	Matt Black/Galvano Silver			

Model: 997T10

Model life 2010>>2013



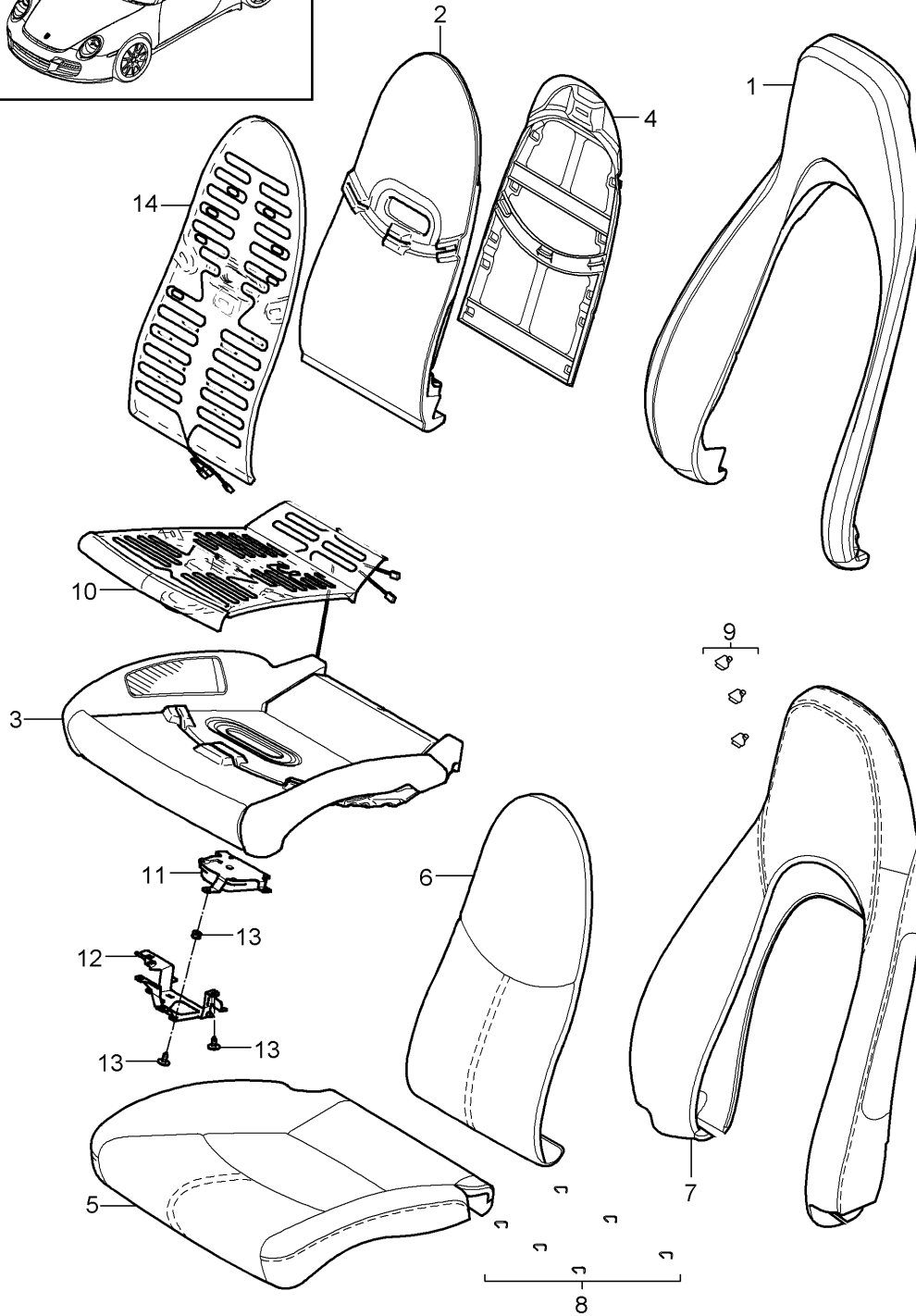
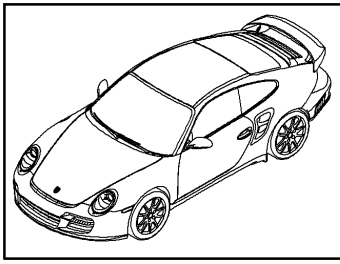
Model: 997T10

Model life 2010>>2013

Pos	Part Number	Description	Remark	Qty	Model
1	997 521 315 02	Front seat (complete) Not available Comfort seat Cover panel Mounting component	left	1	PR:375,377, 437
(1)	997 521 315 02 D07	Volcano grey			
	997 521 316 02	Cover panel Mounting component	right	1	PR:376,378, 438
	997 521 316 02 D07	Volcano grey			
2	997 521 359 01	Rail Seat rail	left	1	PR:375,388
(2)	997 521 359 01 01C	Satin black			
	997 521 362 00	Rail Seat rail	right	1	PR:375,377, 378,388,437, 438
(2)	997 521 362 00 01C	Satin black			
	997 521 361 00	Rail Seat rail	left	1	PR:376,377, 378,389,437, 438
(2)	997 521 361 00 01C	Satin black			
	997 521 360 01	Rail Seat rail	right	1	PR:376,389
	997 521 360 01 01C	Satin black			

Model: 997T10

Model life 2010>>2013



Model: 997T10 Model life 2010>>2013

Pos	Part Number	Description	Remark	Qty	Model
1	997 521 535 00	Foam part Cover Standard seat Comfort seat		1	PR:437,438
(1)	997 521 535 03	Foam part backrest Outer part		1	PR:437,438, 541
2	997 521 581 00	Foam part backrest Centre part		1	PR:375,376, 377,378,437, 438
(2)	997 521 581 01	Foam part backrest Centre part		1	PR:437,438, 541
3	997 521 571 00	Foam part Seat cushion with heating		1	PR:437,438
(3)	997 521 571 03	Foam part Seat cushion with heating		1	PR:438,560
(3)	997 521 571 06	Foam part Seat cushion with heating		1	PR:437,438, 541
(3)	997 521 571 07	Foam part Seat cushion with heating		1	PR:438,541, 560
4	997 521 551 01	Backrest-padding support part		1	
5	997 521 161 01	Seat cover		1	PR:438,437, 983
	997 521 161 01 FLC	Black			
	997 521 161 01 FLF	Stone grey			
	997 521 161 01 FLJ	Sand beige			
	997 521 161 01 FLM	sea blue			
	997 521 161 01 FLQ	Terracotta			
	997 521 161 01 FLR	Cocoa			
	997 521 161 01 VAA	Dark grey/natural			
	997 521 161 01 VAB	Brown/natural			
	997 521 161 01 VAC	Carrera Red			
	997 521 161 01 TLA	Black/Cream			
	997 521 161 01 FLI	Black/Titanium Blue			
(5)	997 521 161 10	Seat cover		1	PR:437,438, 983,541
	997 521 161 10 FLC	Black			
	997 521 161 10 FLF	Stone grey			
	997 521 161 10 FLJ	Sand beige			
	997 521 161 10 FLM	sea blue			
	997 521 161 10 FLQ	Terracotta			
	997 521 161 10 FLR	Cocoa			
	997 521 161 10 VAA	Dark grey/natural			
	997 521 161 10 VAB	Brown/natural			
	997 521 161 10 VAC	Carrera Red			
	997 521 161 10 TLA	Black/Cream			
	997 521 161 10 FLI	Black/Titanium Blue			
(5)	997 521 161 02	Seat cover		1	PR:437,438, 982
	997 521 161 02 FLC	Black			
	997 521 161 02 FLF	Stone grey			
	997 521 161 02 FLJ	Sand beige			
	997 521 161 02 FLM	sea blue			
	997 521 161 02 FLQ	Terracotta			
	997 521 161 02 FLR	Cocoa			

Model: 997T10 Model life 2010>>2013

Pos	Part Number	Description	Remark	Qty	Model	
6	997 521 161 02 VAA	Dark grey/natural		1	PR:375,376, 377,378,437, 438,983	
	997 521 161 02 VAB	Brown/natural				
	997 521 161 02 VAC	Carrera Red				
	997 521 161 02 TLA	Black/Cream				
	997 521 161 02 FLI	Black/Titanium Blue				
	997 521 151 00	Backrest cushion cover Centre part				
	997 521 151 00 8YR	Black				
	997 521 151 00 5X5	Stone grey				
	997 521 151 00 8G1	Sand beige				
	997 521 151 00 3S8	sea blue				
	997 521 151 00 9N2	Terracotta				
	997 521 151 00 9Q3	Cocoa				
	997 521 151 00 D11	Dark grey/natural				
	997 521 151 00 T11	Brown/natural				
	997 521 151 00 N11	Carrera Red				
	997 521 151 00 6G0	Cream				
	(6)	997 521 151 00 DJ3	Titanium Blue			
(6)	997 521 151 03	Backrest cushion cover Centre part		1	PR:437,438, 983,541	
	997 521 151 03 8YR	Black				
	997 521 151 03 5X5	Stone grey				
	997 521 151 03 8G1	Sand beige				
	997 521 151 03 3S8	sea blue				
	997 521 151 03 9N2	Terracotta				
	997 521 151 03 9Q3	Cocoa				
	997 521 151 03 D11	Dark grey/natural				
	997 521 151 03 T11	Brown/natural				
	997 521 151 03 N11	Carrera Red				
	997 521 151 03 6G0	Cream				
	997 521 151 03 DJ3	Titanium Blue				
	(6)	997 521 151 01	Backrest cushion cover Centre part			
	997 521 151 01 8YR	Black				
	997 521 151 01 5X5	Stone grey				
	997 521 151 01 8G1	Sand beige				
	997 521 151 01 3S8	sea blue				
997 521 151 01 9N2	Terracotta					
997 521 151 01 9Q3	Cocoa					
997 521 151 01 D11	Dark grey/natural					
997 521 151 01 T11	Brown/natural					
997 521 151 01 N11	Carrera Red					
997 521 151 01 6G0	Cream					
997 521 151 01 DJ3	Titanium Blue					
7	997 521 141 01	Backrest cover Outer part	left	1	PR:437,982, 983	
997 521 141 01 FLC	Black					
997 521 141 01 FLF	Stone grey					
997 521 141 01 FLJ	Sand beige					
997 521 141 01 FLM	sea blue					
997 521 141 01 FLQ	Terracotta					
997 521 141 01 FLR	Cocoa					
997 521 141 01 VAA	Dark grey/natural					
997 521 141 01 VAB	Brown/natural					
997 521 141 01 VAC	Carrera Red					
997 521 141 01 TSD	Black/Cream					
997 521 141 01 TSE	Black/Titanium Blue					
(7)	997 521 141 05	Backrest cover Outer part	left			
997 521 141 05 FLC	Black					
997 521 141 05 FLF	Stone grey					
997 521 141 05 FLJ	Sand beige					

Model: 997T10 Model life 2010>>2013

Pos	Part Number	Description	Remark	Qty	Model
	997 521 141 05 FLM	sea blue			
	997 521 141 05 FLQ	Terracotta			
	997 521 141 05 FLR	Cocoa			
	997 521 141 05 VAA	Dark grey/natural			
	997 521 141 05 VAB	Brown/natural			
	997 521 141 05 VAC	Carrera Red			
	997 521 141 05 TSD	Black/Cream			
	997 521 141 05 TSE	Black/Titanium Blue			
(7)	997 521 142 01	Backrest cover Outer part	right	1	PR:438,982, 983
	997 521 142 01 FLC	Black			
	997 521 142 01 FLF	Stone grey			
	997 521 142 01 FLJ	Sand beige			
	997 521 142 01 FLM	sea blue			
	997 521 142 01 FLQ	Terracotta			
	997 521 142 01 FLR	Cocoa			
	997 521 142 01 VAA	Dark grey/natural			
	997 521 142 01 VAB	Brown/natural			
	997 521 142 01 VAC	Carrera Red			
	997 521 142 01 TSD	Black/Cream			
	997 521 142 01 TSE	Black/Titanium Blue			
(7)	997 521 142 05	Backrest cover Outer part	right	1	PR:438,541, 983
	997 521 142 05 FLC	Black			
	997 521 142 05 FLF	Stone grey			
	997 521 142 05 FLJ	Sand beige			
	997 521 142 05 FLM	sea blue			
	997 521 142 05 FLQ	Terracotta			
	997 521 142 05 FLR	Cocoa			
	997 521 142 05 VAA	Dark grey/natural			
	997 521 142 05 VAB	Brown/natural			
	997 521 142 05 VAC	Carrera Red			
	997 521 142 05 TSD	Black/Cream			
	997 521 142 05 TSE	Black/Titanium Blue			
(7)	997 521 941 01	Backrest cover Outer part	left	1	PR:XSC,437, 983,982
	997 521 941 01 8YR	Black			
	997 521 941 01 5X5	Stone grey			
	997 521 941 01 8G1	Sand beige			
	997 521 941 01 3S8	sea blue			
	997 521 941 01 9N2	Terracotta			
	997 521 941 01 9Q3	Cocoa			
	997 521 941 01 D11	Dark grey/natural			
	997 521 941 01 T11	Brown/natural			
	997 521 941 01 N11	Carrera Red			
	997 521 941 01 TSD	Black/Cream			
	997 521 941 01 TSE	Black/Titanium Blue			
(7)	997 521 942 01	Backrest cover Outer part	right	1	PR:XSC,438, 983,982
	997 521 942 01 8YR	Black			
	997 521 942 01 5X5	Stone grey			
	997 521 942 01 8G1	Sand beige			
	997 521 942 01 3S8	sea blue			
	997 521 942 01 9N2	Terracotta			
	997 521 942 01 9Q3	Cocoa			
	997 521 942 01 D11	Dark grey/natural			
	997 521 942 01 T11	Brown/natural			
	997 521 942 01 N11	Carrera Red			
	997 521 942 01 TSD	Black/Cream			
	997 521 942 01 TSE	Black/Titanium Blue			
(7)	997 521 941 05	Backrest cover Outer part	left	1	PR:XSC,437, 983,541
	997 521 941 05 8YR	Black			

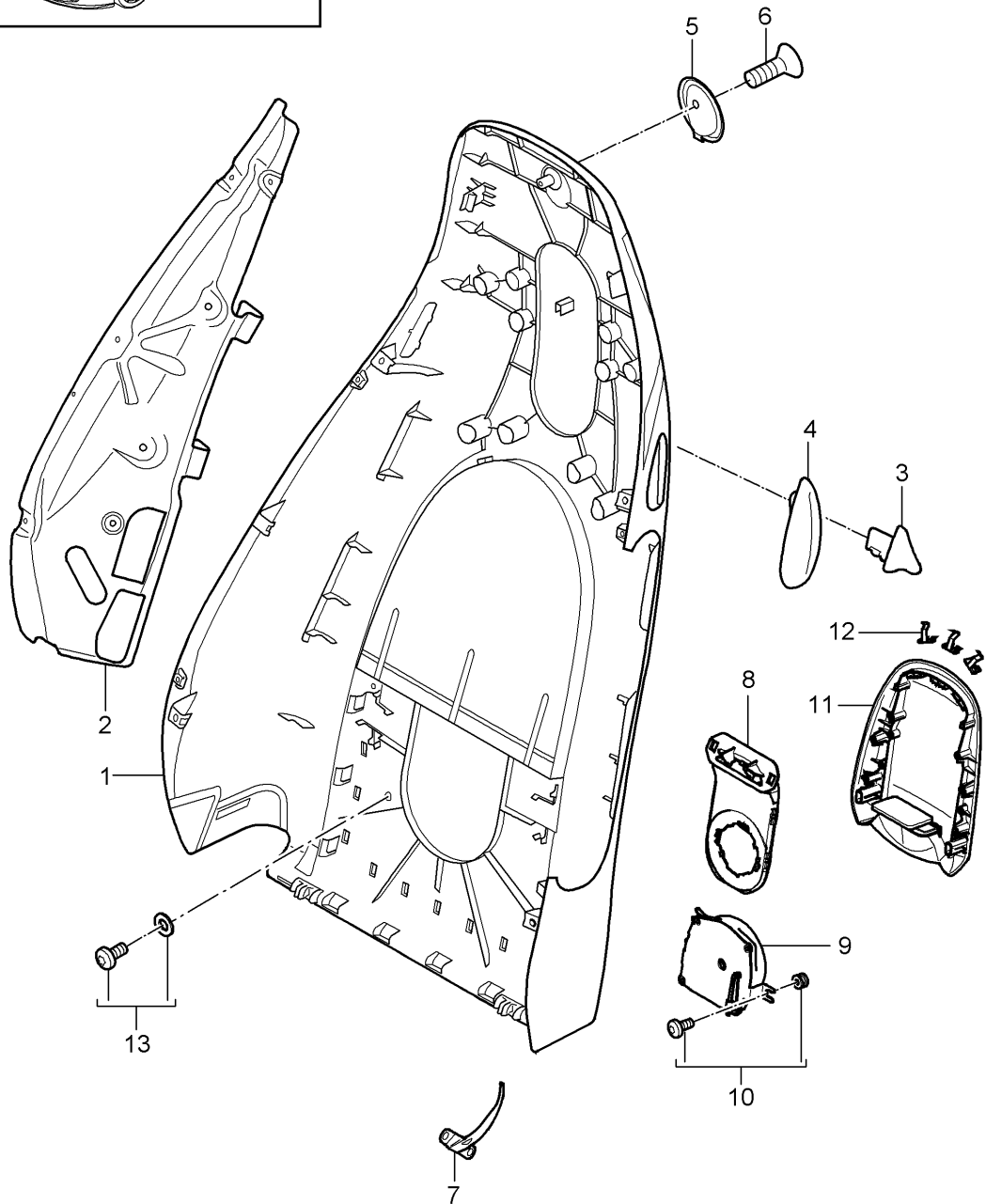
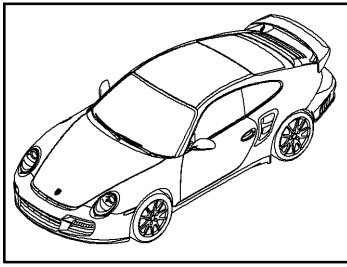
Model: 997T10

Model life 2010>>2013

Pos	Part Number	Description	Remark	Qty	Model
	997 521 941 05 5X5	Stone grey			
	997 521 941 05 8G1	Sand beige			
	997 521 941 05 3S8	sea blue			
	997 521 941 05 9N2	Terracotta			
	997 521 941 05 9Q3	Cocoa			
	997 521 941 05 D11	Dark grey/natural			
	997 521 941 05 T11	Brown/natural			
	997 521 941 05 N11	Carrera Red			
(7)	997 521 942 05	Backrest cover Outer part	right	1	PR:XSC,438, 983,541
	997 521 942 05 8YR	Black			
	997 521 942 05 5X5	Stone grey			
	997 521 942 05 8G1	Sand beige			
	997 521 942 05 3S8	sea blue			
	997 521 942 05 9N2	Terracotta			
	997 521 942 05 9Q3	Cocoa			
	997 521 942 05 D11	Dark grey/natural			
	997 521 942 05 T11	Brown/natural			
	997 521 942 05 N11	Carrera Red			
8	997 521 837 00	Clip Padding		6	
(8)	000 043 207 39	Retaining clip Seat		3	PR:541
9	997 521 897 00	Clip Backrest cover		5	
(9)	000 043 207 39	Retaining clip Backrest cover		3	PR:541
10	997 521 721 00	Airbag Seat cushion		1	PR:437,438, 541
11	997 624 335 00	Electric motor Seat cushion		1	PR:541
12	997 521 661 00	Bracket Electric motor Seat cushion		1	PR:541,437, 438
13	000 043 207 38	1 set attachment parts Electric motor Seat cushion backrest		13	PR:541
14	997 521 731 00	Airbag backrest		1	PR:438,437, 541
14	997 521 731 00	Airbag backrest		1	PR:437,438, 541
15	997 521 709 03	Lumbar support Airbag		1	PR:437,438, 541,537,538
(15)	997 521 709 02	Memory Lumbar support Airbag Memory	with: without:	1	PR:437,438, 541

Model: 997T10

Model life 2010>>2013



Model: 997T10 Model life 2010>>2013

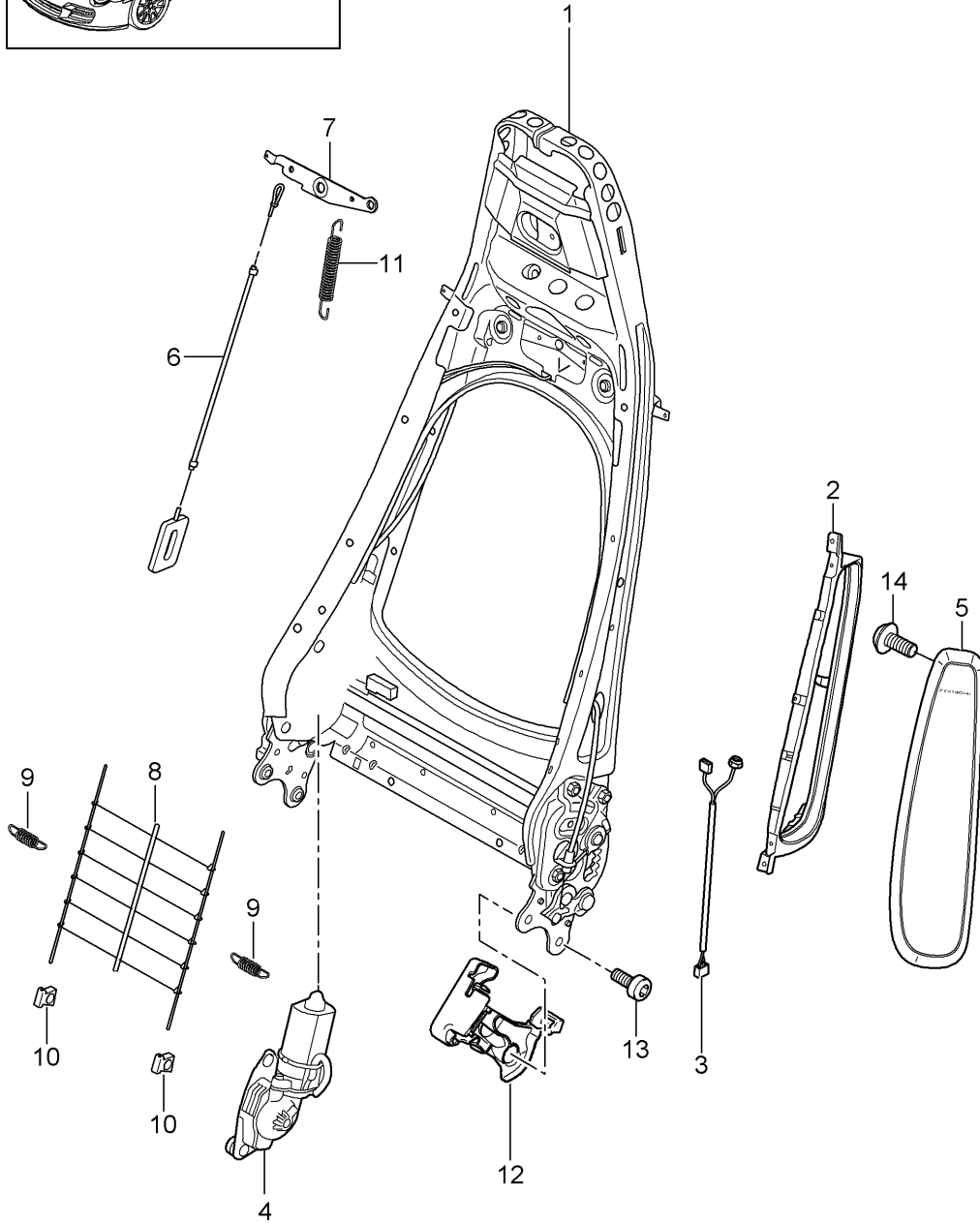
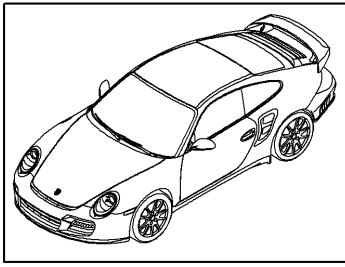
Pos	Part Number	Description	Remark	Qty	Model
1	997 521 303 10	Backrest shell Standard seat Comfort seat Accessories	left	1	PR:437,982, 983
	997 521 303 10 A80	Black			
	997 521 303 10 B80	Stone grey			
	997 521 303 10 T80	Sand beige			
	997 521 303 10 E80	sea blue			
	997 521 303 10 M80	Terracotta			
	997 521 303 10 R80	Cocoa			
(1)	997 521 303 15	Backrest shell	left	1	PR:437,541, 983
	997 521 303 15 A80	Black			
	997 521 303 15 B80	Stone grey			
	997 521 303 15 T80	Sand beige			
	997 521 303 15 E80	sea blue			
	997 521 303 15 M80	Terracotta			
	997 521 303 15 R80	Cocoa			
(1)	997 521 304 10	Backrest shell	right	1	PR:438,983, 982
	997 521 304 10 A80	Black			
	997 521 304 10 B80	Stone grey			
	997 521 304 10 T80	Sand beige			
	997 521 304 10 E80	sea blue			
	997 521 304 10 M80	Terracotta			
	997 521 304 10 R80	Cocoa			
(1)	997 521 304 15	Backrest shell	right	1	PR:438,541, 983
	997 521 304 15 A80	Black			
	997 521 304 15 B80	Stone grey			
	997 521 304 15 T80	Sand beige			
	997 521 304 15 E80	sea blue			
	997 521 304 15 M80	Terracotta			
	997 521 304 15 R80	Cocoa			
(1)	997 521 303 11	Backrest shell	left	1	PR:437,983, 998
	997 521 303 11 D11	Dark grey/natural			
	997 521 303 11 T11	Brown/natural			
	997 521 303 11 N11	Carrera Red			
(1)	997 521 303 16	Backrest shell	left	1	PR:437,541, 983,998
	997 521 303 16 D11	Dark grey/natural			
	997 521 303 16 T11	Brown/natural			
	997 521 303 16 N11	Carrera Red			
(1)	997 521 304 11	Backrest shell	right	1	PR:438,983, 998,982
	997 521 304 11 D11	Dark grey/natural			
	997 521 304 11 T11	Brown/natural			
	997 521 304 11 N11	Carrera Red			
(1)	997 521 304 16	Backrest shell	right	1	PR:438,541, 983,998
	997 521 304 16 D11	Dark grey/natural			
	997 521 304 16 T11	Brown/natural			
	997 521 304 16 N11	Carrera Red			
2	997 521 319 00	Support	left	1	
(2)	997 521 320 00	Backrest side bolster Support	right	1	
3	997 521 623 02	Actuator button	left	1	
	997 521 623 02 V05	lever for folding backrest Galvano silver			

Model: 997T10 Model life 2010>>2013

Pos	Part Number	Description	Remark	Qty	Model
(3)	997 521 624 02	Actuator button lever for folding backrest	right	1	
4	997 521 624 02 V05 997 521 621 02	Galvano silver Rosette lever for folding backrest	left	1	PR:437,438
(4)	997 521 621 02 D07 997 521 622 02	Volcano grey Rosette lever for folding backrest		1	PR:437,438
5	997 521 622 02 D07 997 521 373 01	Volcano grey Coat hook		1	
6	997 521 373 01 D07 999 919 232 09	Volcano grey Screw M5 X 20 Coat hook		1	PR:369,370, 437,438
7	997 521 783 00	Support panel Backrest shell	left	1	
(7)	997 521 784 00	Support panel Backrest shell	right	1	
8	997 521 733 00	Air guide channel Backrest shell		1	PR:437,438, 541
9	997 624 337 00	Electric motor Vented backrest		1	PR:541
10	000 043 207 38	1 set attachment parts Electric motor		1	PR:541
11	997 521 491 01	Cover Fan		1	PR:437,438, 541,983
	997 521 491 01 A80 997 521 491 01 B80 997 521 491 01 T80 997 521 491 01 E80 997 521 491 01 M80 997 521 491 01 R80	Black Stone grey Sand beige sea blue Terracotta Cocoa			
(11)	997 521 491 02	Cover Fan		1	PR:437,438, 983,998,541
	997 521 491 02 D11 997 521 491 02 T11 997 521 491 02 N11	Dark grey/natural Brown/natural Carrera Red			
12	000 043 207 40	Clip Mount Cover Fan		3	PR:541
13	000 043 207 41	1 set attachment parts Mount Cover Fan		1	PR:541

Model: 997T10

Model life 2010>>2013



Model: 997T10 Model life 2010>>2013

Pos	Part Number	Description	Remark	Qty	Model
1	997 521 329 02	Backrest frame Standard seat Comfort seat backrest frame		1	PR:377,378, 437,438
(1)	997 521 329 03	without: Memory backrest frame		1	PR:537,538
2	997 521 533 00	with: Memory Cushion carrier	left	1	PR:437
(2)	997 521 534 00	Side airbag unit Cushion carrier	right	1	PR:438
3	997 612 785 01	Side airbag unit Wire set	left	1	PR:537
(3)	997 612 786 01	Side airbag unit Wire set	right	1	PR:538
4	997 624 331 00	Side airbag unit Electric motor Backrest frame Memory		1	PR:537,538
(4)	997 624 321 00	without: Electric motor Backrest frame		1	PR:377,378, 437,438
5	997 803 081 02	Memory Side airbag unit	left	1	PR:437
	997 803 081 02 A03	Black			
	997 803 081 02 5V7	Stone grey			
	997 803 081 02 5Z1	Sand beige			
	997 803 081 02 8W7	sea blue			
	997 803 081 02 8X8	Terracotta			
	997 803 081 02 8P9	Cocoa			
	997 803 081 02 T13	Brown/natural			
	997 803 081 02 N23	Carrera Red			
	997 803 081 02 2S8	Espresso			
(5)	997 803 082 02	Side airbag unit	right	1	PR:438
	997 803 082 02 A03	Black			
	997 803 082 02 5V7	Stone grey			
	997 803 082 02 5Z1	Sand beige			
	997 803 082 02 8W7	sea blue			
	997 803 082 02 8X8	Black			
	997 803 082 02 8P9	Cocoa			
	997 803 082 02 T13	Black/brown/nature			
	997 803 082 02 N23	Carrera Red			
	997 803 082 02 2S8	Espresso			
6	997 521 485 00	Bowden cable Backrest frame		2	PR:437,438
7	997 521 375 00	Release Backrest frame		1	PR:437,438, 377,378
8	997 521 855 00	Grille Backrest frame		1	PR:377,378, 437,438
9	997 521 893 00	tension spring Inner spring		2	PR:377,378, 437,438
10	997 521 895 00	Clip Inner spring		2	PR:377,378, 437,438
11	997 521 797 00	tension spring Release backrest		1	PR:377,378, 437,438
12	997 521 335 01	Trim Mounting component	left inner	1	PR:377,378, 437,438
(12)	997 521 335 01 D07	Volcano grey			
	997 521 336 01	Trim Mounting component	right inner	1	PR:377,378, 437,438
	997 521 336 01 D07	Volcano grey			

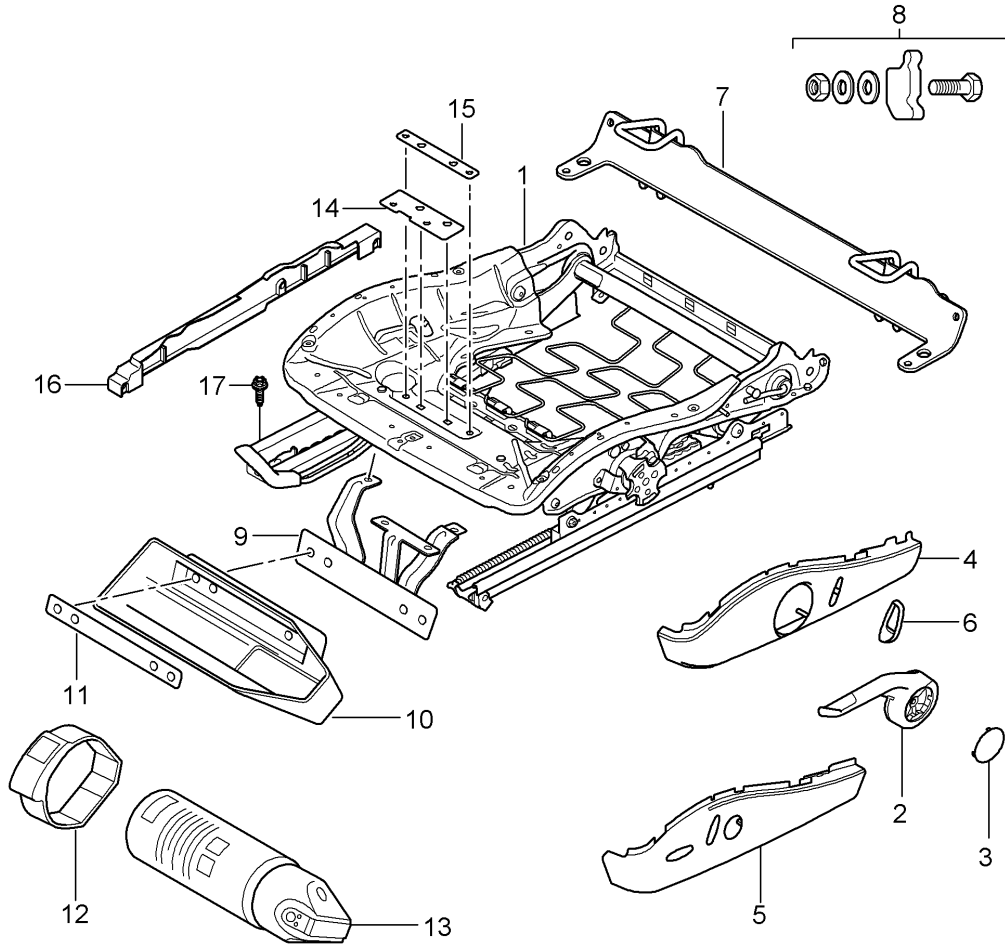
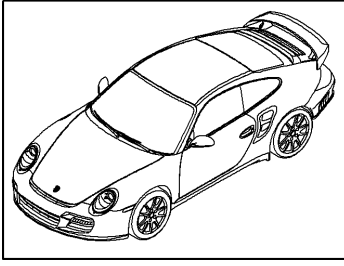
Model: 997T10

Model life 2010>>2013

Pos	Part Number	Description	Remark	Qty	Model
13	999 073 375 09	Screw Mount backrest Seat frame		4	
14	999 073 306 09	Screw Mount Side airbag unit		2	

Model: 997T10

Model life 2010>>2013



Model: 997T10 Model life 2010>>2013

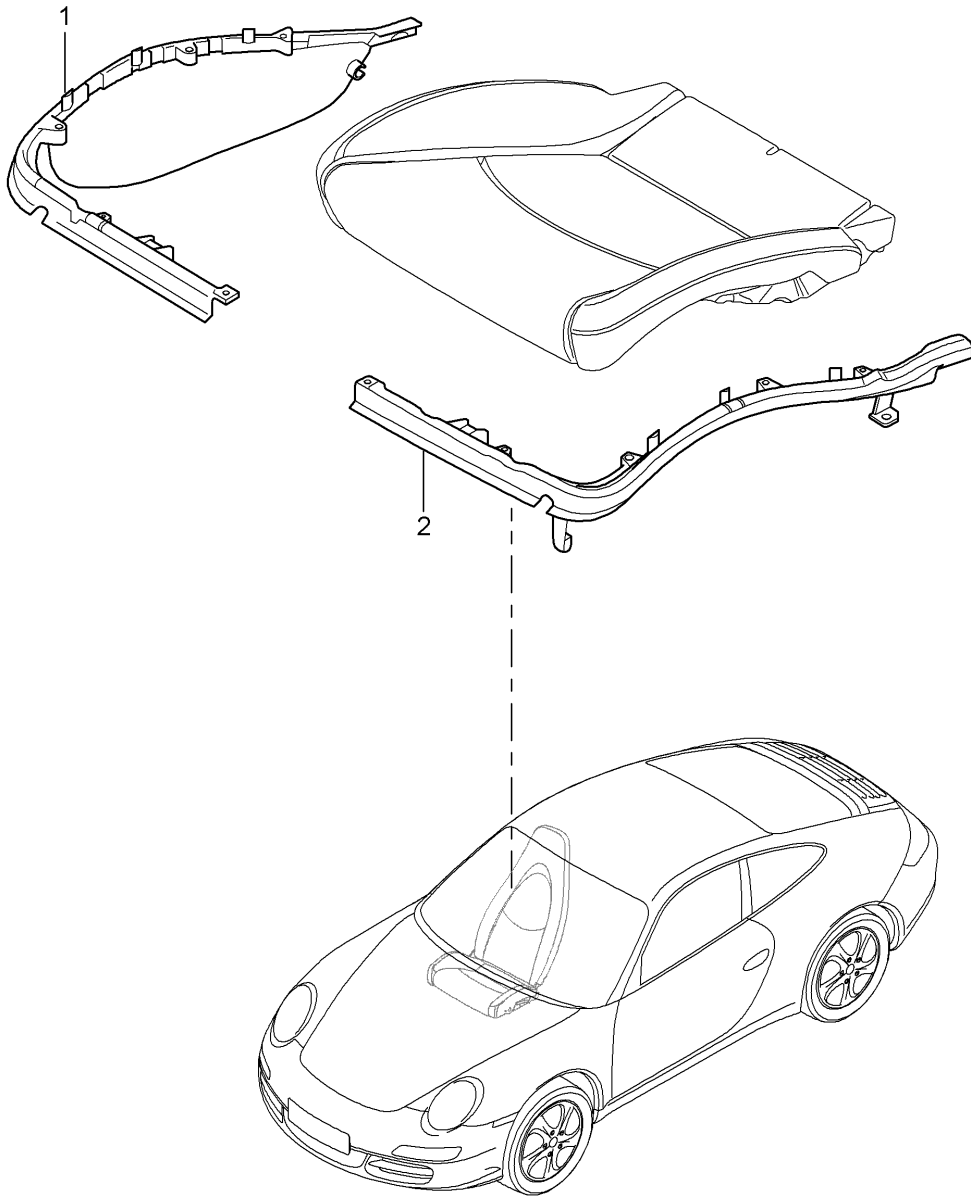
Pos	Part Number	Description	Remark	Qty	Model
1	997 521 201 24	Seat frame Standard seat Comfort seat Seat frame Electric without:	left	1	PR:437,480
(1)	997 521 201 26	Memory (drivers side) Seat frame Electric without:	left	1	PR:437,541
(1)	997 521 202 30	Memory (drivers side) Seat frame Electric without:	right	1	PR:438
(1)	997 521 202 24	Memory (drivers side) Seat frame Electric without:	right	1	PR:438,560
(1)	997 521 202 32	Memory (drivers side) Seat frame Electric without:	right	1	PR:438,541
(1)	997 521 201 25	Memory (drivers side) Seat frame Electric with:	left	1	PR:437,537
(1)	997 521 201 27	Memory (drivers side) Seat frame Electric with:	left	1	PR:437,537, 541
(1)	997 521 202 31	Memory (drivers side) Seat frame Electric with:	right	1	PR:438,538
(1)	997 521 202 33	Memory (drivers side) Seat frame Electric with:	right	1	PR:438,538, 541
2	997 521 627 01	Memory (drivers side) Actuating lever Height adjustment	left	1	PR:369,375
(2)	997 521 627 01 V05	Galvano silver			
(2)	997 521 628 01	Actuating lever Height adjustment Galvano silver	right	1	PR:370,376
3	997 521 629 01	Cover cap Actuating lever		2	PR:369,370, 375,376
5	997 521 629 01 D07	Volcano grey			
(5)	997 521 325 07	Trim for switch	left	1	PR:437
(5)	997 521 325 07 D07	Volcano grey			
(5)	997 521 326 07	Trim for switch	right	1	PR:438
(5)	997 521 326 07 D07	Volcano grey			
(5)	997 521 326 10	Trim for switch	right	1	PR:438,560
(5)	997 521 326 10 D07	Volcano grey			

Model: 997T10 Model life 2010>>2013

Pos	Part Number	Description	Remark	Qty	Model
6	997 521 631 01	Actuator button backrest D >> - MJ 2010		1	PR:437,438
6	997 521 631 01 V05 997 521 631 02	Galvano silver Actuator button backrest D - MJ 2011>>		1	PR:437,438
7	997 521 631 02 V05 997 521 061 01	Galvano silver Retainer plate child seat ISOFIX Not for: AUSTRALIEN		1	
8	997 521 961 01	1 set attachment parts Retainer plate		1	
9	997 521 251 00	Holder for fire extinguisher		1	PR:098,509
(9)	997 521 252 00	Holder for fire extinguisher		1	PR:099,509
10	7PP 882 650	Cup Fire extinguishers		1	PR:509
11	7PP 882 649	Insert Cup Fire extinguishers		1	PR:509
12	7PP 882 645	tensioning strap Fire extinguishers		1	PR:509
13	996 722 115 00	Fire extinguishers Information available		1	PR:509
14	997 521 841 00	Reinforcement	front	1	PR:509
15	997 521 843 00	Reinforcement	rear	1	PR:509
16	997 521 427 01	Cover Sensor Weight	left	1	PR:438,560
(16)	997 521 427 01 01C 997 521 426 01	Satin black Cover Sensor Weight	right	1	PR:438,560
17	997 521 426 01 01C 999 141 047 01	Satin black Torx screw Seat rail Mount		4	

Model: 997T10

Model life 2010>>2013



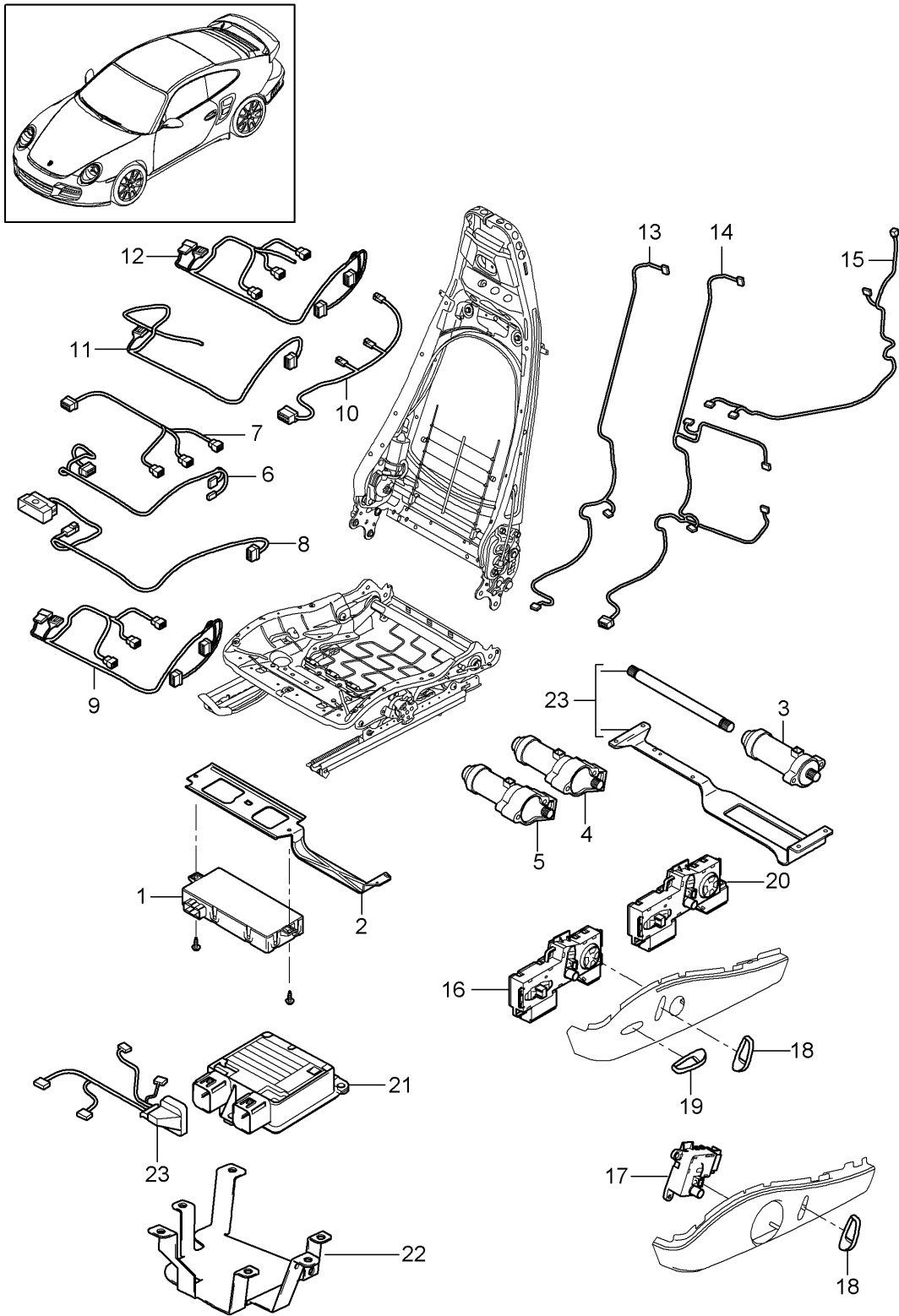
Model: 997T10

Model life 2010>>2013

Pos	Part Number	Description	Remark	Qty	Model
1	997 521 547 00	Cushion carrier Frame Seat surface Standard seat Comfort seat Frame	left inner	1	PR:438
(1)	997 521 548 00	Frame	right inner	1	PR:437
2	997 521 545 00	Frame	left outer	1	PR:437
(2)	997 521 546 00	Frame	right outer	1	PR:438
(2)	997 521 546 01	Frame	right outer	1	PR:438,560

Model: 997T10

Model life 2010>>2013



Model: 997T10

Model life 2010>>2013

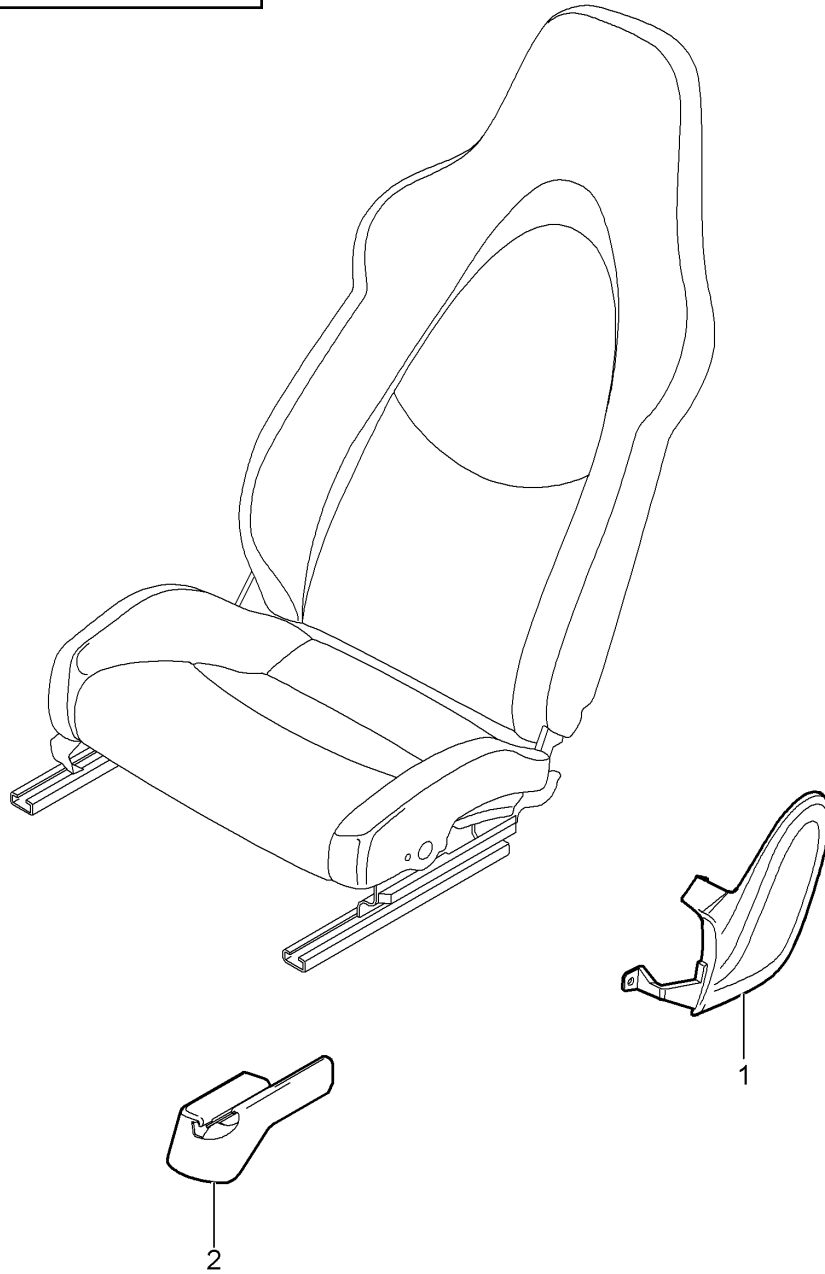
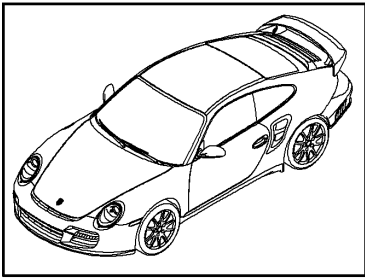
Pos	Part Number	Description	Remark	Qty	Model
1	997 618 537 07	Wiring looms Switch Control unit Electric motor Standard seat Comfort seat Control unit		1	PR:537,538
2	997 521 643 01	Seating position control Retainer for control units		1	PR:437,438, 537,538
3	997 624 322 00	Seating position control Electric motor Seat adjuster Lengthways		1	PR:437,438
(3)	997 624 332 00	Memory Electric motor Seat adjuster Lengthways	without:	1	PR:537,538
4	997 624 322 00	Memory Electric motor Seat adjuster Height adjustment	with:	1	PR:437,438
(4)	997 624 332 00	Memory Electric motor Seat adjuster Height adjustment	without:	1	PR:537,538
5	997 624 323 00	Memory Electric motor Seat adjuster Tilt angle	with:	1	PR:437,438
(5)	997 624 333 00	Memory Electric motor Seat adjuster Tilt angle	without:	1	PR:537,538
6	997 612 684 00	Memory Wire set Seat adjuster		1	PR:537,538
7	997 612 690 00	Memory Wire set Lengthways Height adjustment		1	PR:537,538
9	997 612 683 01	Memory Wire set Switch Seat adjuster		1	PR:437,438
10	997 612 657 00	Memory Wire set Seat	without:	2	PR:541
12	997 612 659 00	Wire set Comfort seat Electric		1	PR:437,438, 541
13	997 612 689 00	Wire set Lumbar support		1	PR:437,438
14	997 612 687 00	Memory Wire set	without:	1	PR:437,537,

Model: 997T10 Model life 2010>>2013

Pos	Part Number	Description	Remark	Qty	Model
		Lumbar backrest			438,538
15	997 612 685 01	Memory Wire set	left	1	PR:437
(15)	997 612 686 01	backrest Wire set	right	1	PR:438
16	997 613 721 01	backrest switch for seat adjustment	left	1	PR:437,537
	997 613 721 01 V05	Memory switch			
(16)	997 613 722 01	Galvano silver switch for seat adjustment	right	1	PR:438,538
	997 613 722 01 V05	Memory switch			
18	997 521 631 01	Galvano silver Actuator button		1	PR:437,438
		backrest D >> - MJ 2010			
(18)	997 521 631 01 V05	Galvano silver		1	PR:437,438
	997 521 631 02	Actuator button backrest			
	997 521 631 02 V05	D - MJ 2011>>			
19	997 521 633 02	Galvano silver Actuator button		1	PR:437,438
	997 521 633 02 V05	Seat cushion			
20	997 613 717 01	Galvano silver switch for seat adjustment	left	1	PR:437
		without:			
(20)	997 613 717 01 V05	Memory Galvano silver			
	997 613 718 01	switch for seat adjustment	right	1	PR:438
		without:			
(21)	997 613 718 01 V05	Memory Galvano silver			
	997 618 233 05	Control unit for seat occupied sensor		1	PR:438,560
22	997 521 646 00	Retainer for control units		1	PR:438,560
23	997 612 688 01	seat occupied recognition		1	PR:438,560
(24)	997 521 901 00	Wire set seat occupied recognition repair set		1	
		Pliable shaft			
-	999 650 973 40	Console for engine mounting Clip Mount Wire set seat occupied recognition		1	

Model: 997T10

Model life 2010>>2013



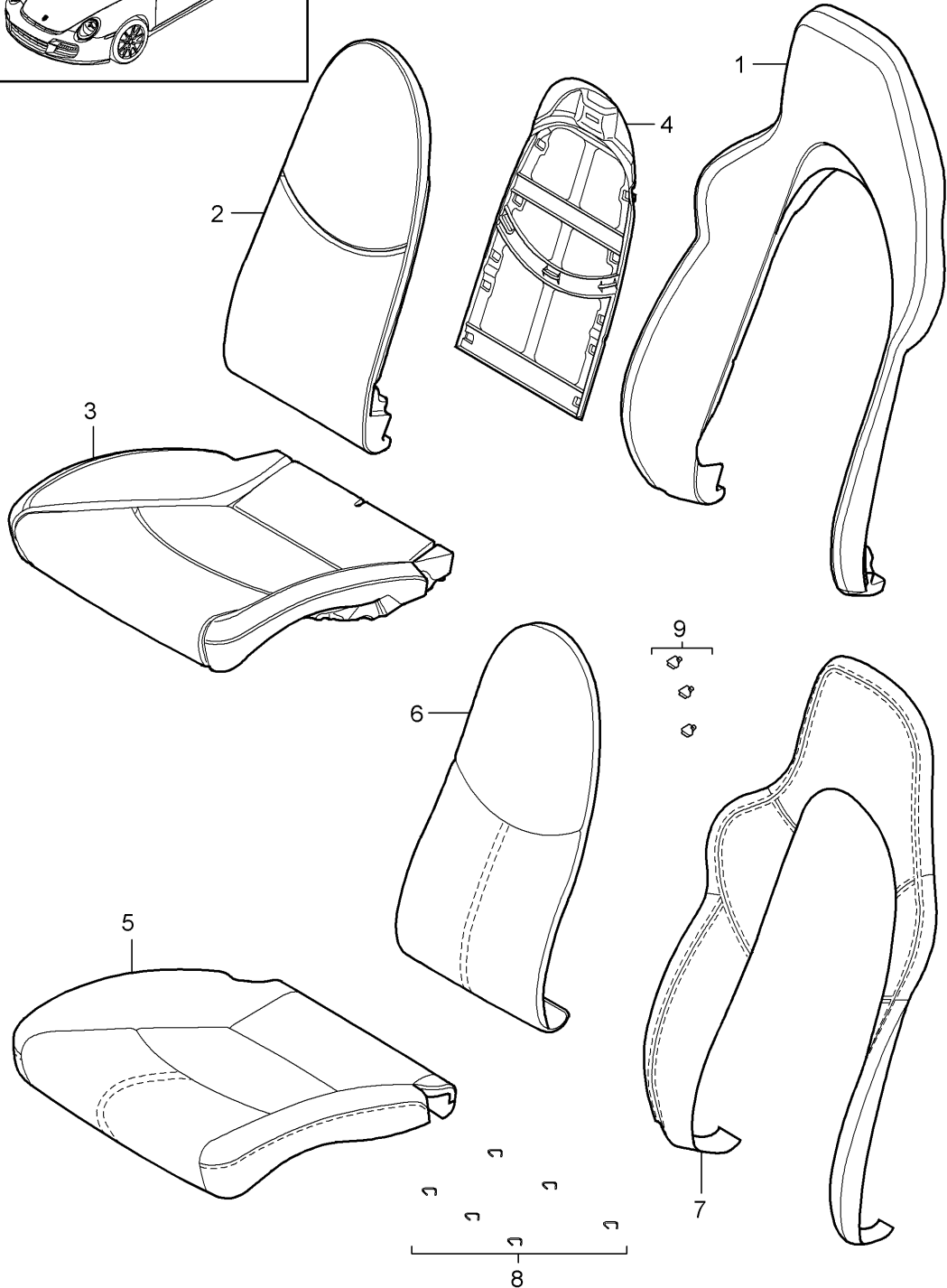
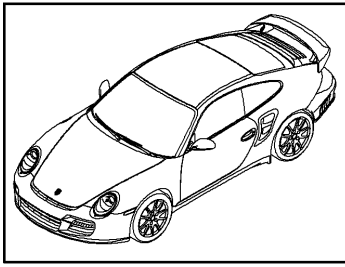
Model: 997T10

Model life 2010>>2013

Pos	Part Number	Description	Remark	Qty	Model
1	997 521 315 02	Front seat (complete) Not available sports seat Cover panel Mounting component	left	1	PR:375,377
(1)	997 521 315 02 D07	Volcano grey			
	997 521 316 02	Cover panel Mounting component	right	1	PR:376,378, 438,370
	997 521 316 02 D07	Volcano grey			
	997 521 316 02 A03	Black			
2	997 521 359 01	Rail Seat rail	left	1	PR:375,388
	997 521 359 01 01C	Satin black			
(2)	997 521 362 00	Rail Seat rail	right	1	PR:375,377, 378
	997 521 362 00 01C	Satin black			
(2)	997 521 361 00	Rail Seat rail	left	1	PR:376,377, 378
	997 521 361 00 01C	Satin black			
(2)	997 521 360 01	Rail Seat rail	right	1	PR:376,389
	997 521 360 01 01C	Satin black			

Model: 997T10

Model life 2010>>2013



Model: 997T10 Model life 2010>>2013

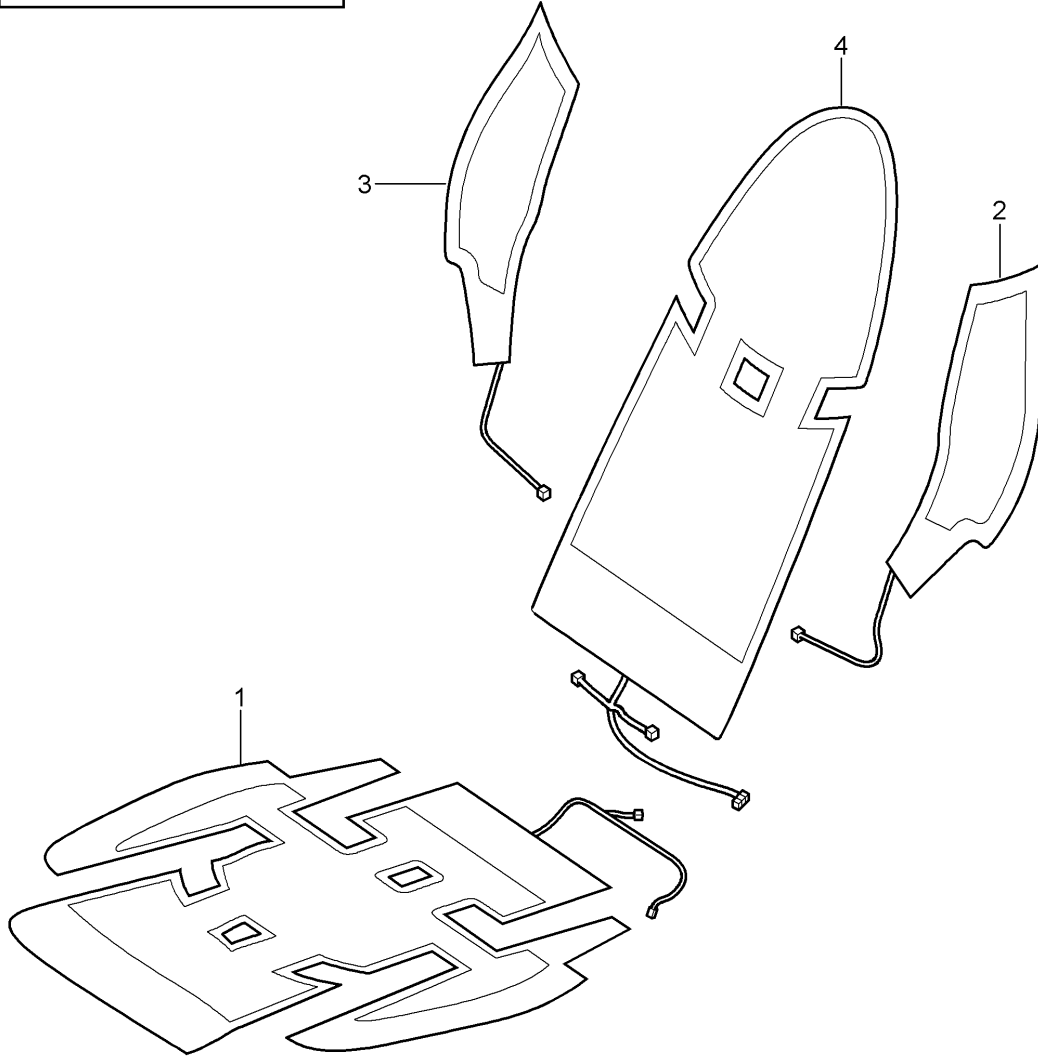
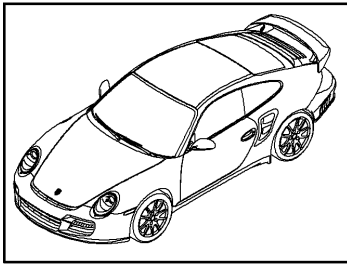
Pos	Part Number	Description	Remark	Qty	Model
1	997 521 535 01	Foam part Cover sports seat	outer	2	PR:375,376
(1)	997 521 535 02	Foam part backrest	outer	2	PR:377,378
2	997 521 581 00	Foam part backrest		1	PR:375,376, 377,378
3	997 521 571 01	Centre part Foam part		1	PR:375,376
(3)	997 521 571 02	Seat cushion with heating		1	PR:378
(3)	997 521 571 04	Foam part Seat cushion with heating		1	PR:376,560
(3)	997 521 571 05	Foam part Seat cushion with heating		1	PR:378,560
4	997 521 551 01	Backrest-padding support part		2	PR:375,376, 377,378
5	997 521 161 03	Seat cover		1	PR:375,376, 983
	997 521 161 03 FLC	Black			
	997 521 161 03 FLF	Stone grey			
	997 521 161 03 FLJ	Sand beige			
	997 521 161 03 FLM	sea blue			
	997 521 161 03 FLQ	Terracotta			
	997 521 161 03 FLR	Cocoa			
	997 521 161 03 VAA	Dark grey/natural			
	997 521 161 03 VAB	Brown/natural			
	997 521 161 03 VAC	Carrera Red			
	997 521 161 03 TLA	Black/Cream			
	997 521 161 03 FLI	Black/Titanium Blue			
(5)	997 521 161 06	Seat cover		1	PR:377,378, 983
	997 521 161 06 FLC	Black			
	997 521 161 06 FLF	Stone grey			
	997 521 161 06 FLJ	Sand beige			
	997 521 161 06 FLM	sea blue			
	997 521 161 06 FLQ	Terracotta			
	997 521 161 06 FLR	Cocoa			
	997 521 161 06 VAA	Dark grey/natural			
	997 521 161 06 VAB	Brown/natural			
	997 521 161 06 VAC	Carrera Red			
	997 521 161 06 TLA	Black/Cream			
	997 521 161 06 FLI	Black/Titanium Blue			
	997 521 161 06 TLB	Luxor beige			
(5)	997 521 161 14	Seat cover		1	PR:018,377, 378,983
	997 521 161 14 FVA	black/green			
6	997 521 151 00	Backrest cushion cover		1	PR:375,376, 377,378,983
	997 521 151 00 8YR	Centre part Black			
	997 521 151 00 5X5	Stone grey			
	997 521 151 00 8G1	Sand beige			
	997 521 151 00 3S8	sea blue			
	997 521 151 00 9N2	Terracotta			
	997 521 151 00 9Q3	Cocoa			
	997 521 151 00 D11	Dark grey/natural			

Model: 997T10 Model life 2010>>2013

Pos	Part Number	Description	Remark	Qty	Model
	997 521 151 00 T11	Brown/natural			
	997 521 151 00 N11	Carrera Red			
	997 521 151 00 6G0	Cream			
	997 521 151 00 DJ3	Titanium Blue			
(6)	997 521 151 08	Backrest cushion cover Centre part		1	PR:018,092, 377,983,378
	997 521 151 08 8YR	Black			
(7)	997 521 155 01	Backrest cover Outer part		2	PR:377,378, 983,375,376
	997 521 155 01 FLC	Black			
	997 521 155 01 FLF	Stone grey			
	997 521 155 01 FLJ	Sand beige			
	997 521 155 01 FLM	sea blue			
	997 521 155 01 FLQ	Terracotta			
	997 521 155 01 FLR	Cocoa			
	997 521 155 01 VAA	Dark grey/natural			
	997 521 155 01 VAB	Brown/natural			
	997 521 155 01 VAC	Carrera Red			
	997 521 155 01 TSD	Black/Cream			
	997 521 155 01 TSE	Black/Titanium Blue			
(7)	997 521 941 02	Backrest cover Outer part		1	PR:XSC,375, 376,377,378, 983
	997 521 941 02 8YR	Black			
	997 521 941 02 5X5	Stone grey			
	997 521 941 02 8G1	Sand beige			
	997 521 941 02 3S8	sea blue			
	997 521 941 02 9N2	Terracotta			
	997 521 941 02 9Q3	Cocoa			
	997 521 941 02 D11	Dark grey/natural			
	997 521 941 02 T11	Brown/natural			
	997 521 941 02 N11	Carrera Red			
	997 521 941 02 TSD	Black/Cream			
	997 521 941 02 TSE	Black/Titanium Blue			
(7)	997 521 155 04	Backrest cover Outer part		1	PR:018,377, 378,983
	997 521 155 04 FVA	black/green			
8	997 521 837 00	Clip Padding Seat		6	
-	999 917 822 40	Paint for Seat side bolster cover	outer	X	Berucoat

Model: 997T10

Model life 2010>>2013



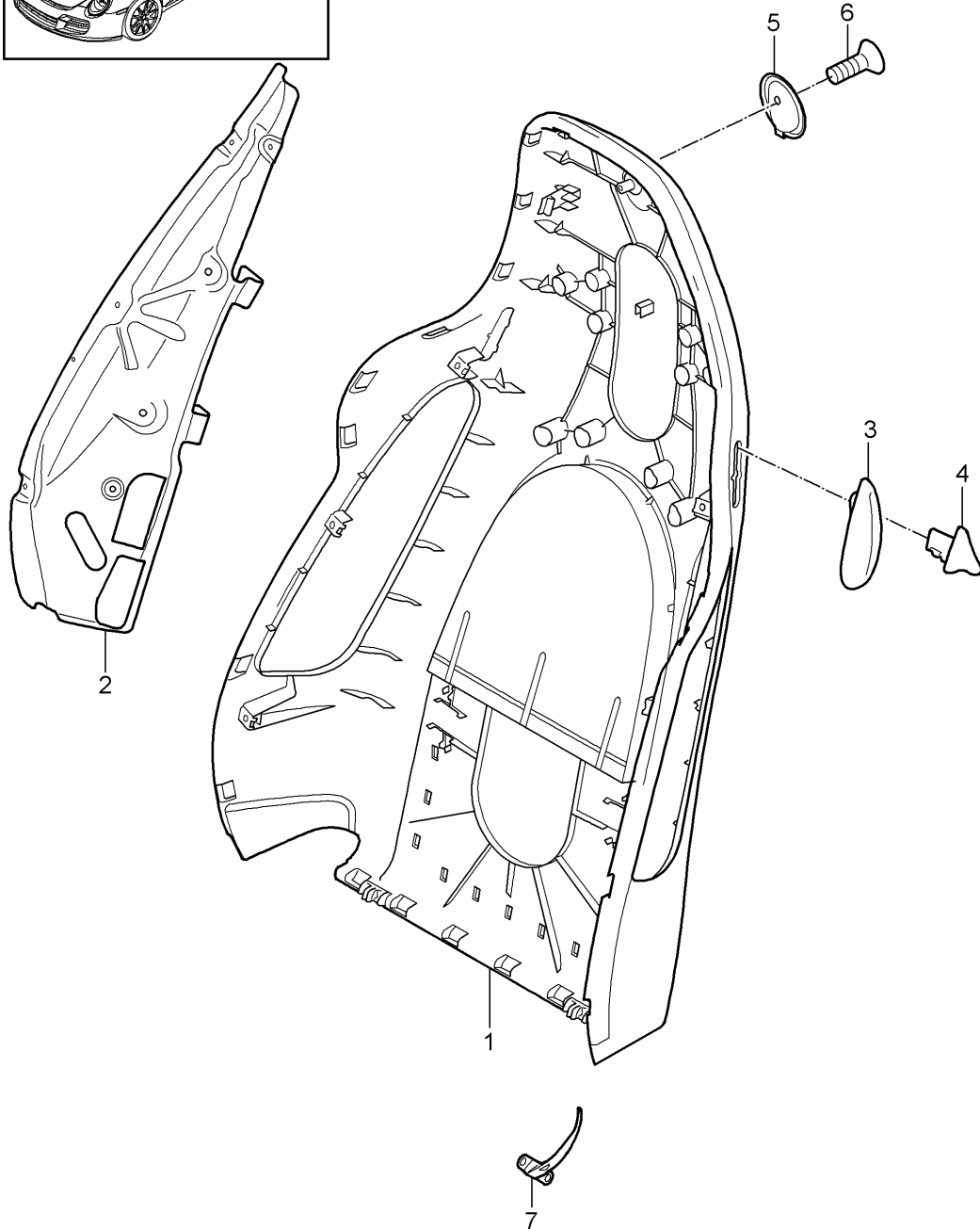
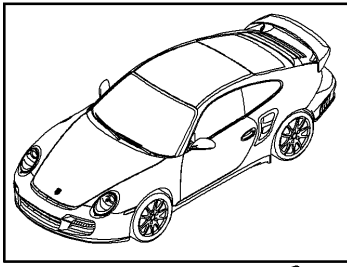
Model: 997T10

Model life 2010>>2013

Pos	Part Number	Description	Remark	Qty	Model
1	997 653 105 02	heater Front seat Heating element Seat cushion Standard seat Comfort seat		2	PR:342,437, 438
(1)	997 653 105 03	Heating element Seat cushion sports seat		2	PR:342,375, 376,377,378
(1)	997 653 117 00	Heating element Seat side bolster	left	2	PR:541
(1)	997 653 118 00	Heating element Seat side bolster	right	2	PR:541
2	997 653 109 00	Heating element Backrest side bolster Standard seat Comfort seat	left	1	PR:342,437, 438
(2)	997 653 121 00	Heating element Backrest side bolster Standard seat Comfort seat	left	1	PR:541
(2)	997 653 109 01	Heating element Backrest side bolster sports seat	left	1	PR:342,375, 376,377,378
3	997 653 110 00	Heating element Backrest side bolster Standard seat Comfort seat	right	1	PR:342,437, 438
(3)	997 653 122 00	Heating element Backrest side bolster Standard seat Comfort seat	right	1	PR:541
(3)	997 653 110 01	Heating element Backrest side bolster sports seat	right	1	PR:342,375, 376,377,378
4	997 653 107 00	Heating element Backrest cushion		2	PR:342

Model: 997T10

Model life 2010>>2013



Model: 997T10 Model life 2010>>2013

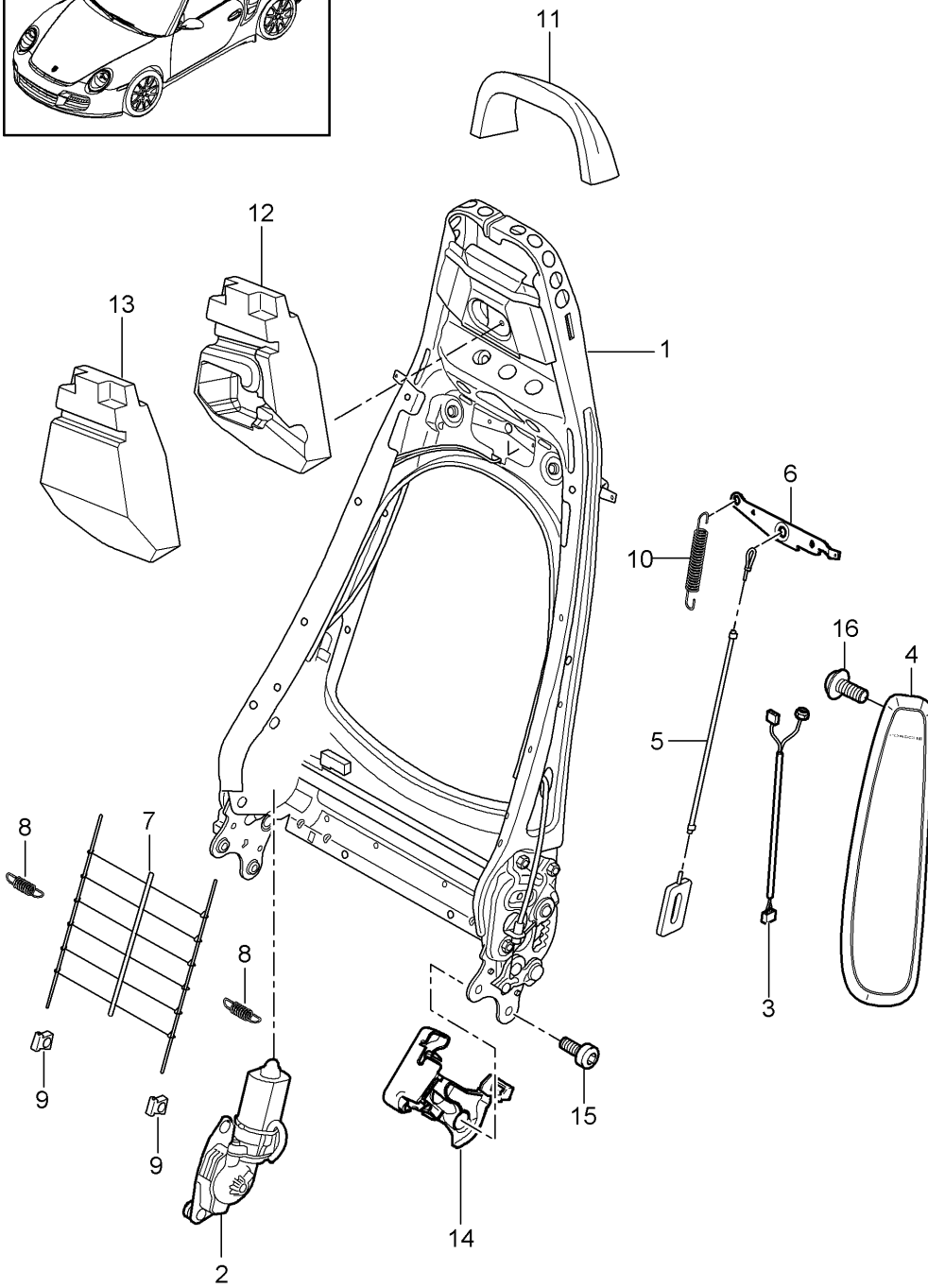
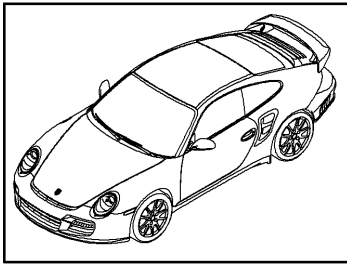
Pos	Part Number	Description	Remark	Qty	Model
1	997 521 303 13	Backrest shell sports seat			
	997 521 303 13 D07	Volcano grey	left	1	PR:375,377
(1)	997 521 304 13	Backrest shell	right	1	PR:376,378
	997 521 304 13 D07	Volcano grey			
(1)	997 521 981 00	Backrest shell	left	1	PR:XSA,375,377
	997 521 981 00 041	Black			
	997 521 981 00 84A	guards red (Porsche)			
	997 521 981 00 12H	Speed yellow			
	997 521 981 00 B9A	Carrara white			
	997 521 981 00 92U	Arctic silver metallic			
	997 521 981 00 C9Z	Basalt black metallic			
	997 521 981 00 M7X	Atlas grey metallic			
	997 521 981 00 39C	Midnight Blue Metallic			
	997 521 981 00 M7Z	GT Silver Metallic			
	997 521 981 00 M7W	Meteor Grey Metallic			
	997 521 981 00 M8W	Macadamia Metallic			
	997 521 981 00 M3X	Ruby red metallic			
	997 521 981 00 M5X	Dark blue metallic			
	997 521 981 00 22G	Racing Green Metallic			
	997 521 981 00 M5R	Aqua blue metallic			
	997 521 981 00 51A	cream white			
	997 521 981 00 M2Z	Nordic Gold Metallic			
	997 521 981 00 2B5	Malachite Green Metallic			
(1)	997 521 982 00	Backrest shell	right	1	PR:XSA,376,378
	997 521 982 00 041	Black			
	997 521 982 00 84A	guards red (Porsche)			
	997 521 982 00 12H	Speed yellow			
	997 521 982 00 B9A	Carrara white			
	997 521 982 00 92U	Arctic silver metallic			
	997 521 982 00 C9Z	Basalt black metallic			
	997 521 982 00 M7X	Atlas grey metallic			
	997 521 982 00 39C	Midnight Blue Metallic			
	997 521 982 00 M7Z	GT Silver Metallic			
	997 521 982 00 M7W	Meteor Grey Metallic			
	997 521 982 00 M8W	Macadamia Metallic			
	997 521 982 00 M3X	Ruby red metallic			
	997 521 982 00 M5X	Dark blue metallic			
	997 521 982 00 22G	Racing Green Metallic			
	997 521 982 00 M5R	Aqua blue metallic			
	997 521 982 00 51A	cream white			
	997 521 982 00 M2Z	Nordic Gold Metallic			
	997 521 982 00 2B5	Malachite Green Metallic			
(1)	997 521 981 02	Backrest shell	left	1	PR:XSB,375,377
		Leather			
	997 521 981 02 A11	Black			
	997 521 981 02 5X6	Stone grey			
	997 521 981 02 8G2	Sand beige			
	997 521 981 02 3S9	sea blue			
	997 521 981 02 9S5	Terracotta			
	997 521 981 02 9V6	Cocoa			
	997 521 981 02 D12	Dark grey/natural			
	997 521 981 02 T12	Brown/natural			
	997 521 981 02 N12	Carrera Red			
(1)	997 521 982 02	Backrest shell	right	1	PR:XSB,376,378
		Leather			
	997 521 982 02 A11	Black			
	997 521 982 02 5X6	Stone grey			
	997 521 982 02 8G2	Sand beige			
	997 521 982 02 3S9	sea blue			

Model: 997T10 Model life 2010>>2013

Pos	Part Number	Description	Remark	Qty	Model
	997 521 982 02 9S5	Terracotta			
	997 521 982 02 9V6	Cocoa			
	997 521 982 02 D12	Dark grey/natural			
	997 521 982 02 T12	Brown/natural			
	997 521 982 02 N12	Carrera Red			
2	997 521 319 00	Support	left	1	
		Backrest side bolster			
(2)	997 521 320 00	Support	right	1	
		Backrest side bolster			
3	997 521 621 03	Rosette	left	1	PR:375,376, 377,378
		lever for folding backrest			
	997 521 621 03 D07	Volcano grey			
(3)	997 521 622 03	Rosette	right	1	PR:375,376, 377,378
		lever for folding backrest			
	997 521 622 03 D07	Volcano grey			
4	997 521 623 02	Actuator button	left	1	PR:375,376, 377,378
		lever for folding backrest			
	997 521 623 02 V05	Galvano silver			
(4)	997 521 624 02	Actuator button	right	1	PR:375,376, 377,378
		lever for folding backrest			
	997 521 624 02 V05	Galvano silver			
5	997 521 373 01	Coat hook		2	PR:375,376, 377,378
	997 521 373 01 D07	Volcano grey			
6	999 919 232 09	Screw		1	PR:375,376, 377,378
		M5 X 20			
		Coat hook			
7	997 521 783 00	Support panel	left	1	PR:375,376, 377,378
		Backrest shell			
(7)	997 521 784 00	Support panel	right	1	PR:375,376, 377,378
		Backrest shell			

Model: 997T10

Model life 2010>>2013



Model: 997T10 Model life 2010>>2013

Pos	Part Number	Description	Remark	Qty	Model
1	997 521 329 02	Backrest frame sports seat backrest frame without:		1	PR:375,376, 377,378
(1)	997 521 329 03	Memory backrest frame with:		1	PR:537,538
2	997 624 331 00	Memory Electric motor backrest with:		1	PR:537,538
(2)	997 624 321 00	Memory Electric motor backrest without:		1	PR:375,376, 377,378
3	997 612 785 01	Memory Wire set Side airbag unit	left	1	PR:537
(3)	997 612 786 01	Wire set Side airbag unit	right	1	PR:538
(3)	997 612 685 01	Wire set Side airbag unit without:	left	1	PR:375,377
3	997 612 686 01	Memory Wire set Side airbag unit without:	right	1	PR:376,378
4	997 803 081 02	Memory Side airbag unit	left	1	PR:375,377, 388
(4)	997 803 081 02 D07	Volcano grey			
(4)	997 803 082 02	Side airbag unit	right	1	PR:376,378, 389
(4)	997 803 082 02 D07	Volcano grey			
(4)	997 803 981 00	Side airbag unit	left	1	PR:XSA,375, 377,XSB
	997 803 981 00 A03	Black			
	997 803 981 00 5V7	Stone grey			
	997 803 981 00 5Z1	Sand beige			
	997 803 981 00 8W7	sea blue			
	997 803 981 00 8X8	Terracotta			
	997 803 981 00 8P9	Cocoa			
	997 803 981 00 T13	Brown/natural			
	997 803 981 00 N23	Carrera Red			
(4)	997 803 982 00	Side airbag unit	right	1	PR:XSA,376, 378,XSB
	997 803 982 00 A03	Black			
	997 803 982 00 5V7	Stone grey			
	997 803 982 00 5Z1	Sand beige			
	997 803 982 00 8W7	sea blue			
	997 803 982 00 8X8	Terracotta			
	997 803 982 00 8P9	Cocoa			
	997 803 982 00 T13	Brown/natural			
	997 803 982 00 N23	Carrera Red			
5	997 521 485 00	Bowden cable		2	PR:375,376, 377,378
6	997 521 375 00	Backrest frame Release		1	PR:375,376, 377,378
7	997 521 855 00	Grille Backrest frame		1	PR:375,376, 377,378
8	997 521 893 00	tension spring Inner spring		2	PR:375,376, 377,378
9	997 521 895 00	Clip		2	PR:375,376,

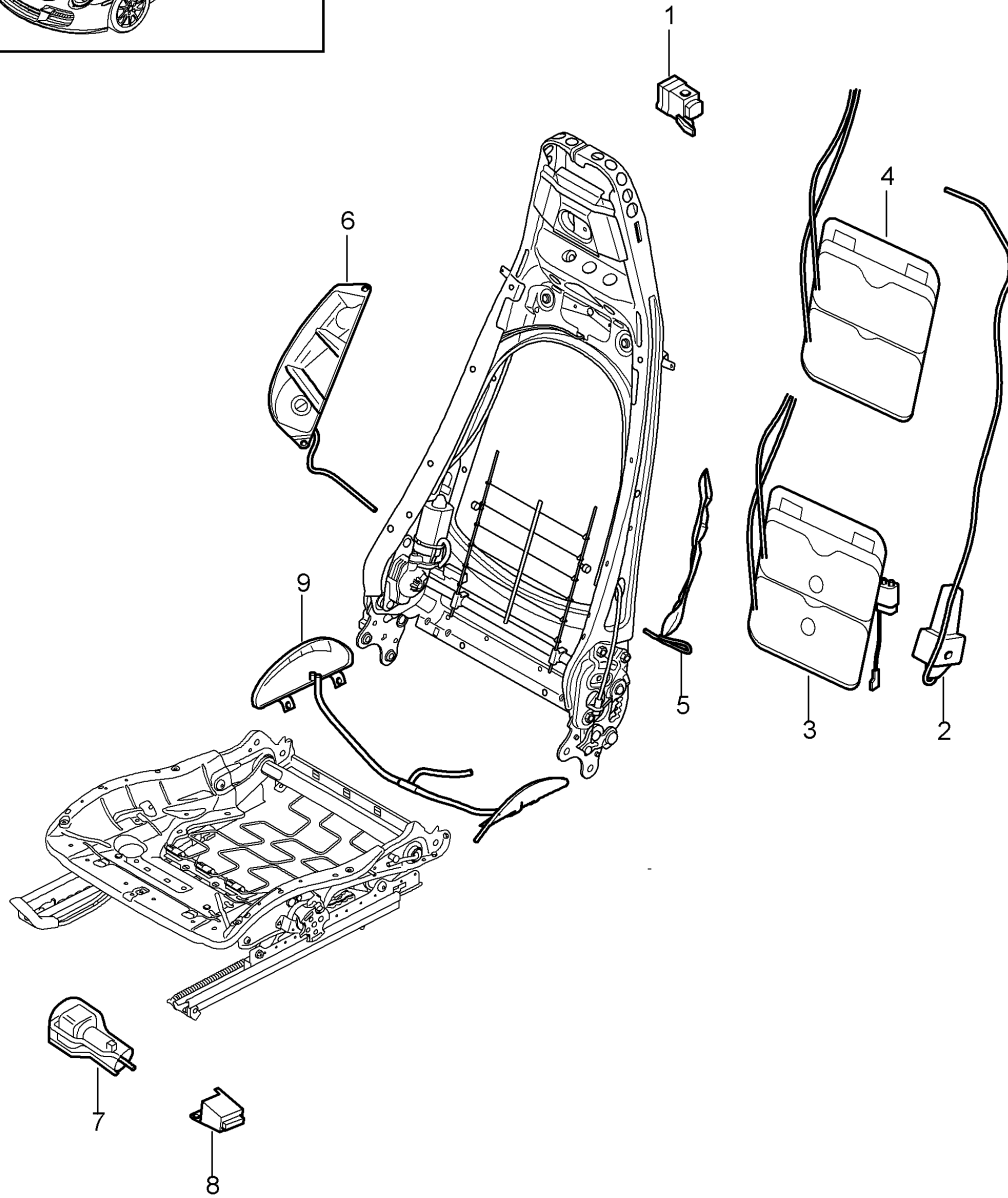
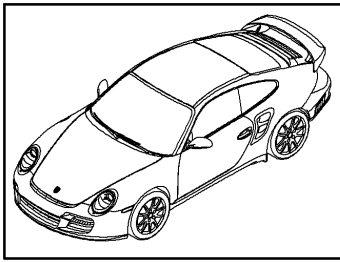
Model: 997T10

Model life 2010>>2013

Pos	Part Number	Description	Remark	Qty	Model
10	997 521 797 00	Inner spring tension spring		1	377,378 PR:375,376, 377,378
11	997 521 885 00	Release backrest Foam part	upper	1	PR:375,376, 377,378
12	997 521 887 01	Head restraint Foam part	center	1	PR:377,378
13	997 521 887 00	Head restraint Electric Foam part	center	1	PR:375,376
14	997 521 335 01	Head restraint Trim	left	1	PR:375,376, 377,378
(14)	997 521 335 01 D07	Mounting component Volcano grey	inner	1	PR:375,376, 377,378
	997 521 336 01	Trim Mounting component	right		
	997 521 336 01 D07	Volcano grey	inner		
15	999 073 375 09	Screw Mount backrest		4	
16	999 073 306 09	Seat frame Screw Mount Side airbag unit		2	

Model: 997T10

Model life 2010>>2013

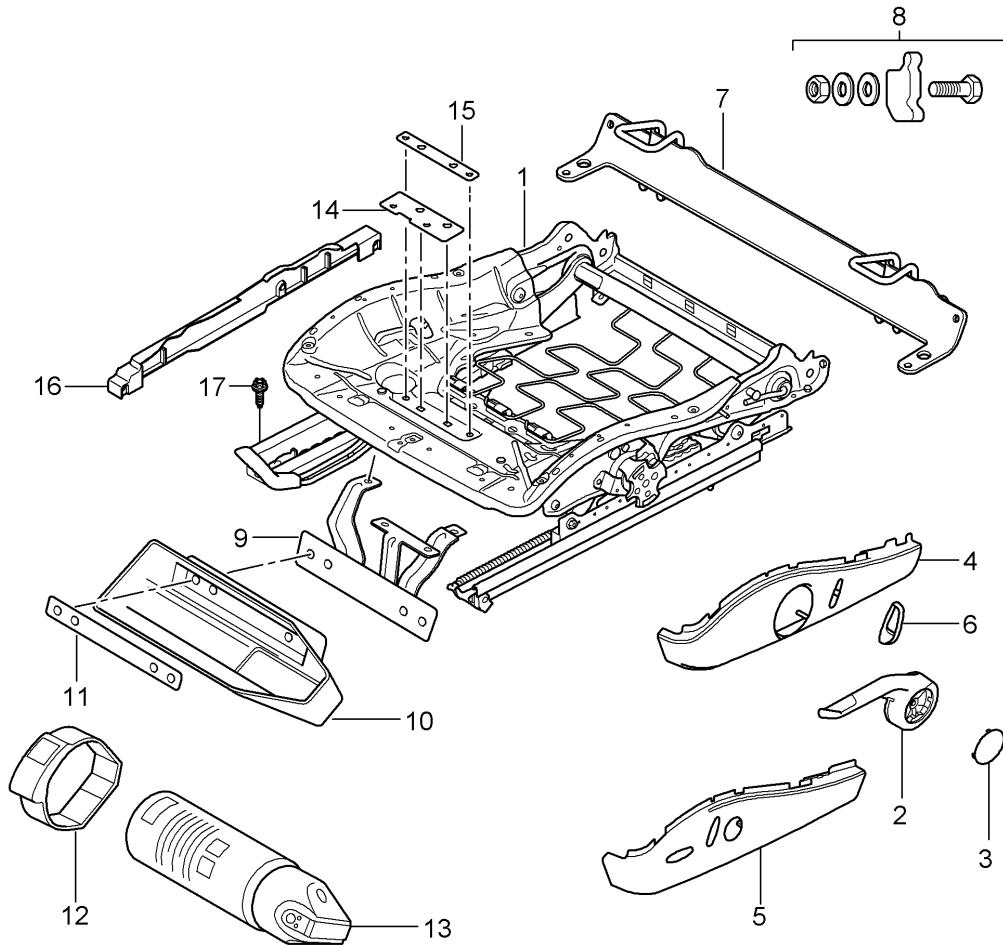
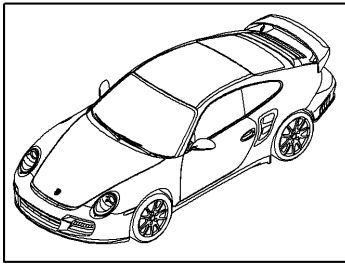


Model: 997T10 Model life 2010>>2013

Pos	Part Number	Description	Remark	Qty	Model
1	997 617 725 00	Lumbar support Seat width adjustment Seat frame Valve Lumbar support without:		1	PR:377,378, 437,438
(1)	997 617 726 00	Memory Valve Lumbar support Memory		1	PR:537,538
2	997 620 725 00	Compressor		1	PR:377,378, 437,438
3	997 521 709 01	Lumbar Lumbar support Airbag with:		1	PR:377,537, 378,437,438, 538
(3)	997 521 709 03	Memory Lumbar support Airbag with:		1	PR:437,537, 541,438,538
4	997 521 709 00	Memory Lumbar support Airbag without:		1	PR:377,378
(4)	997 521 709 02	Memory Lumbar support Airbag without:		1	PR:437,541, 438
5	997 521 711 00	Memory container Air distributor	left	1	PR:377,378
6	997 521 712 00	Backrest side bolster container Air distributor Backrest side bolster	right	1	PR:377,378
7	997 620 727 00	Compressor Adjustment Seat side bolster		1	PR:377,378
8	997 617 727 00	Valve Adjustment Seat Wide		1	PR:377,378
9	997 521 713 01	container Air distributor Seat side bolster		1	PR:377,378

Model: 997T10

Model life 2010>>2013



Model: 997T10 Model life 2010>>2013

Pos	Part Number	Description	Remark	Qty	Model
1	997 521 201 10	Seat frame sports seat Seat frame Manually (drivers side)	left lhd	1	PR:098,375
(1)	997 521 202 19	Seat frame Manually (drivers side)	right rhd	1	PR:099,376
(1)	997 521 202 23	Seat frame Manually (passenger side)	right	1	PR:376,560
(1)	997 521 201 24	Seat frame Electric without:	left	1	PR:377
(1)	997 521 201 26	Memory (drivers side) Seat frame Electric without:	left	1	PR:377,541
(1)	997 521 202 30	Memory (drivers side) Seat frame Electric without:	right	1	PR:378
(1)	997 521 202 24	Memory (drivers side) Seat frame Electric without:	right	1	PR:378,560
(1)	997 521 201 25	Memory (drivers side) Seat frame Electric	left	1	PR:377,537
(1)	997 521 201 27	Memory (drivers side) Seat frame Electric	left	1	PR:377,537, 541
(1)	997 521 202 31	Memory (drivers side) Seat frame Electric	right	1	PR:378,538
(1)	997 521 202 20	Memory (drivers side) Seat frame Manually (passenger side)	right lhd	1	PR:098,376
(1)	997 521 201 11	Seat frame Manually (passenger side)	left rhd	1	PR:099,375
2	997 521 627 01	Actuating lever Height adjustment	left	1	PR:375
(2)	997 521 627 01 V05	Galvano silver			
(2)	997 521 628 01	Actuating lever Height adjustment	right	1	PR:376
(2)	997 521 628 01 V05	Galvano silver			
3	997 521 629 01	Cover cap Height adjustment		2	PR:375,376
4	997 521 629 01 D07	Volcano grey			
4	997 521 325 06	Trim for switch	left	1	PR:375
(4)	997 521 325 06 D07	Volcano grey			
(4)	997 521 326 06	Trim for switch	right	1	PR:376
(4)	997 521 326 06 D07	Volcano grey			
(4)	997 521 326 09	Trim for switch	right	1	PR:376,560

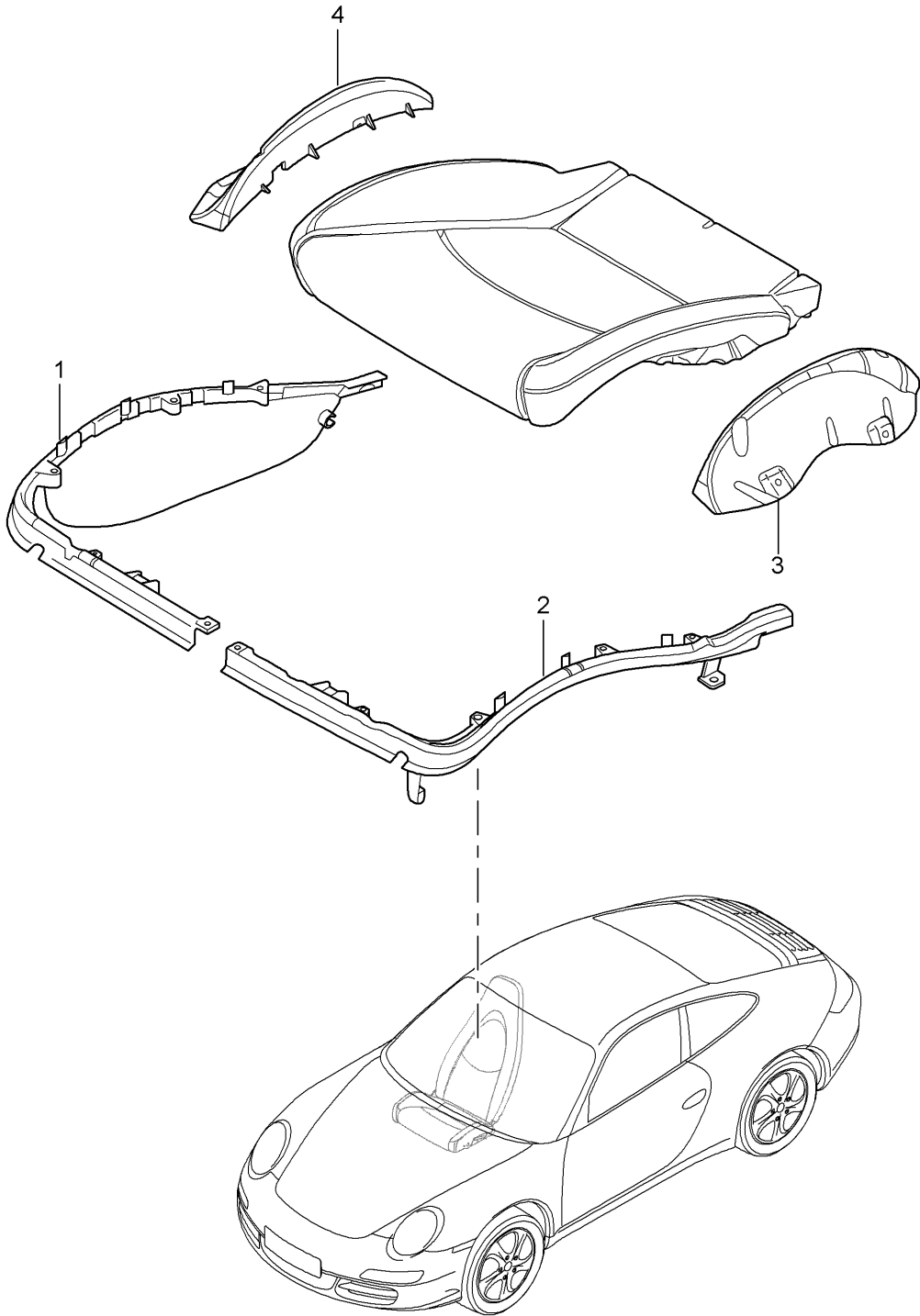
Model: 997T10

Model life 2010>>2013

Pos	Part Number	Description	Remark	Qty	Model
5	997 521 326 09 D07	Volcano grey			
	997 521 325 08	Trim for switch	left	1	PR:377
(5)	997 521 325 08 D07	Volcano grey			
	997 521 326 08	Trim for switch	right	1	PR:378
(5)	997 521 326 08 D07	Volcano grey			
	997 521 326 11	Trim for switch		1	PR:378,560
6	997 521 326 11 D07	Volcano grey			
	997 521 631 01	Actuator button		1	PR:375,376, 377,378
(6)		backrest			
		D >> - MJ 2010			
	997 521 631 01 V05	Galvano silver			
	997 521 631 02	Actuator button		1	PR:375,376, 377,378
7		backrest			
		D - MJ 2011>>			
	997 521 631 02 V05	Galvano silver			
8	997 521 061 01	Retainer plate		1	
		child seat			
9		Retainer plate			
		Not for:			
10	997 521 961 01	AUSTRALIEN		1	
		1 set attachment parts			
(9)	997 521 251 00	Retainer plate		1	PR:098,509
	997 521 252 00	Holder for fire extinguisher		1	PR:099,509
11	7PP 882 650	Cup		1	PR:509
		Fire extinguishers			
12	7PP 882 649	Insert		1	PR:509
		Cup			
13	997 521 851 00	Fire extinguishers		1	PR:509
		tensioning strap			
14	996 722 115 00	Fire extinguishers		1	PR:509
		Fire extinguishers			
15	997 521 841 00	Information available			
	997 521 843 00	Reinforcement	front	1	PR:509
16	997 521 427 01	Reinforcement	rear	1	PR:509
		Cover	left	1	PR:376,378, 560
(16)		Sensor			
		Weight			
	997 521 427 01 01C	Satin black			
	997 521 426 01	Cover	right	1	PR:376,378, 560
17		Sensor			
		Weight			
	997 521 426 01 01C	Satin black			
	999 141 047 01	Torx screw		4	
		Seat rail			
		Mount			

Model: 997T10

Model life 2010>>2013



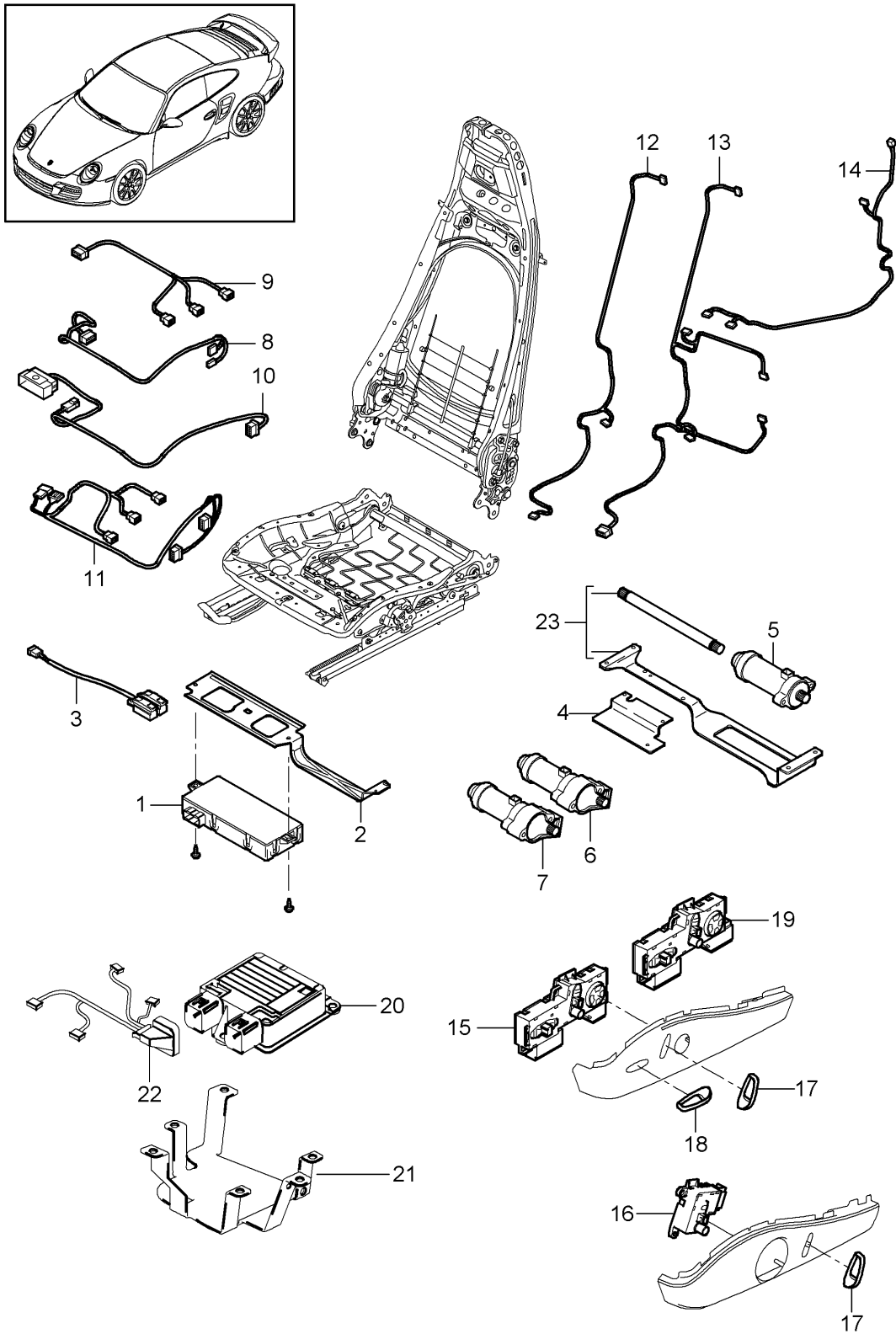
Model: 997T10

Model life 2010>>2013

Pos	Part Number	Description	Remark	Qty	Model
1	997 521 547 00	Cushion carrier Frame Seat surface sports seat Frame	left inner	1	PR:376,378
(1)	997 521 548 00	Frame	right inner	1	PR:375,377
2	997 521 545 00	Frame	left outer	1	PR:375,377
(2)	997 521 546 00	Frame	right outer	1	PR:376,378
(2)	997 521 546 01	Frame	right outer	1	PR:376,378, 560
3	997 521 519 00	Support plate Seat cushion	left	1	PR:377,378
4	997 521 520 00	Support plate Seat cushion	right	1	PR:377,378

Model: 997T10

Model life 2010>>2013



Model: 997T10 Model life 2010>>2013

Pos	Part Number	Description	Remark	Qty	Model
1	997 618 537 07	Wiring looms Switch Control unit Electric motor sports seat Control unit		1	PR:537,538
2	997 521 643 01	Seating position control Retainer for control units Seating position control		1	PR:537,538
3	997 613 725 00	Switch Seat adjuster		1	PR:377
(3)	997 613 725 00 V05	Galvano silver		1	PR:378
	997 613 726 00	Switch Seat adjuster			
4	997 613 726 00 V05	Galvano silver		1	PR:377,378
5	997 521 343 00	Bracket for compressor Electric motor		1	PR:377,378
		Electric motor Seat adjuster Lengthways			
(5)	997 624 322 00	without: Memory		1	PR:537,538
		Electric motor Seat adjuster Lengthways			
6	997 624 322 00	with: Memory		1	PR:377,378
		Electric motor Seat adjuster Height adjustment			
(6)	997 624 322 00	without: Memory		1	PR:537,538
		Electric motor Seat adjuster Height adjustment			
7	997 624 323 00	with: Memory		1	PR:377,378
		Electric motor Seat adjuster Tilt angle			
(7)	997 624 323 00	without: Memory		1	PR:537,538
		Electric motor Seat adjuster Tilt angle			
8	997 624 333 00	with: Memory		1	PR:537,538
		Electric motor Seat adjuster Tilt angle			
9	997 612 684 00	without: Memory		1	PR:537,538
		Wire set Switch Seat adjuster			
9	997 612 690 00	Memory		1	PR:537,538
		Wire set Lengthways Height adjustment			
10	997 612 682 01	Memory Wire set Switch		1	PR:375,376
11	997 612 691 02	Seat adjuster		1	PR:377,378
		Wire set Switch			
12	997 612 689 00	without: Memory		1	PR:377,378
		Wire set			

Model: 997T10 Model life 2010>>2013

Pos	Part Number	Description	Remark	Qty	Model
13	997 612 692 01	Lumbar support without: Memory Wire set backrest Lumbar		1	PR:377,537, 378,538
14	997 612 685 01	with: Memory Wire set backrest	left	1	PR:375,377
(14)	997 612 686 01	without: Memory Wire set backrest	right	1	PR:376,378
15	997 613 721 01	without: Memory switch for seat adjustment	left	1	PR:377,537
(15)	997 613 721 01 V05	Memory switch Galvano silver			
(15)	997 613 722 01	switch for seat adjustment Memory switch	right	1	PR:378,538
16	997 613 722 01 V05	Galvano silver			
16	997 613 713 00	switch for seat adjustment Manually adjustable	left	1	PR:375
(16)	997 613 713 01	D >> - MJ 2010 switch for seat adjustment Manually adjustable	left	1	PR:375
(16)	997 613 714 00	D - MJ 2011>> switch for seat adjustment Manually adjustable	right	1	PR:376
(16)	997 613 714 01	D >> - MJ 2010 switch for seat adjustment Manually adjustable	right	1	PR:376
17	997 521 631 01	D - MJ 2011>> Actuator button backrest		1	PR:375,376, 377,378
(17)	997 521 631 01 V05	D >> - MJ 2010 Galvano silver			
(17)	997 521 631 02	Actuator button backrest		1	PR:375,376, 377,378
18	997 521 631 02 V05	D - MJ 2011>> Galvano silver			
18	997 521 633 02	Actuator button Seat cushion		1	PR:377,378
19	997 521 633 02 V05	Galvano silver			
19	997 613 717 01	switch for seat adjustment without:	left	1	PR:377
(19)	997 613 717 01 V05	Memory Galvano silver			
(19)	997 613 718 01	switch for seat adjustment without:	right	1	PR:378
(20)	997 613 718 01 V05	Memory Galvano silver			
(20)	997 618 233 05	Control unit for seat occupied sensor		1	PR:376,378, 560,389
(21)	997 521 646 00	Retainer for control units		1	PR:376,378, 560
22	997 612 688 01	seat occupied recognition Wire set		1	PR:376,378, 560
(23)	997 521 901 00	seat occupied recognition repair set Pliable shaft Console for engine mounting		1	

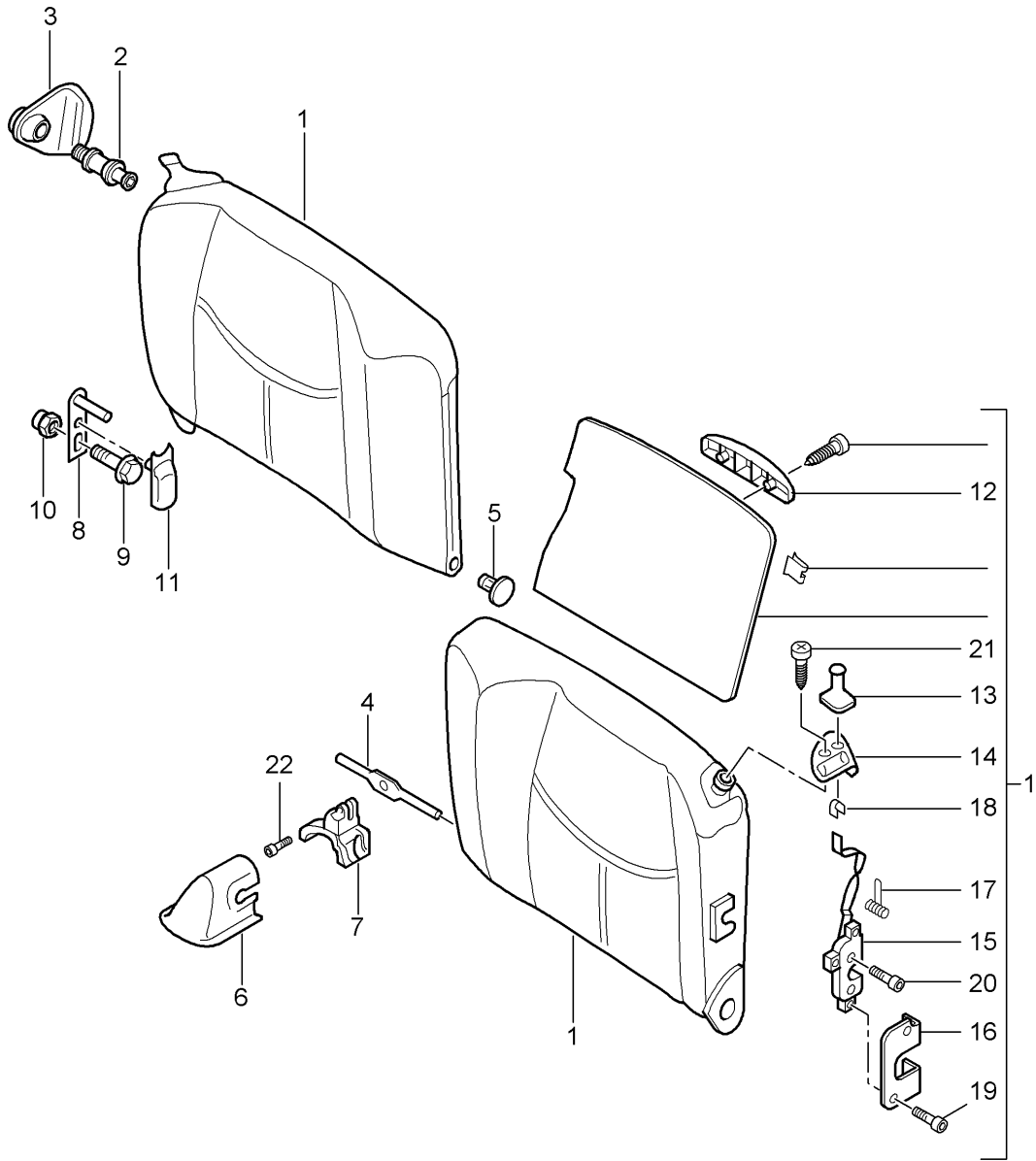
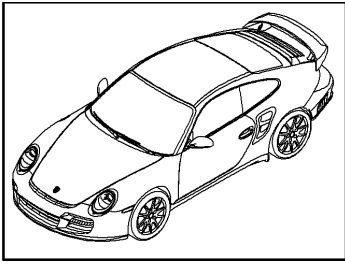
Model: 997T10

Model life 2010>>2013

Pos	Part Number	Description	Remark	Qty	Model
-	999 650 973 40	Clip Mount Wire set seat occupied recognition		1	

Model: 997T10

Model life 2010>>2013



Model: 997T10 Model life 2010>>2013

Pos	Part Number	Description	Remark	Qty	Model
		Emergency seat backrest Accessories			Coupe
1	997 522 011 07	Emergency seat backrest	left	1	PR:685,936
	997 522 011 07 8YR	Black			
	997 522 011 07 5X5	Stone grey			
	997 522 011 07 8G1	Sand beige			
	997 522 011 07 3S8	sea blue			
	997 522 011 07 9N2	Terracotta			
	997 522 011 07 9Q3	Cocoa			
	997 522 011 07 D11	Dark grey/natural			
	997 522 011 07 T11	Brown/natural			
	997 522 011 07 N11	Carrera Red			
(1)	997 522 012 07	Emergency seat backrest	right	1	PR:685,936
	997 522 012 07 8YR	Black			
	997 522 012 07 5X5	Stone grey			
	997 522 012 07 8G1	Sand beige			
	997 522 012 07 3S8	sea blue			
	997 522 012 07 9N2	Terracotta			
	997 522 012 07 9Q3	Cocoa			
	997 522 012 07 D11	Dark grey/natural			
	997 522 012 07 T11	Brown/natural			
	997 522 012 07 N11	Carrera Red			
(1)	997 522 011 08	Emergency seat backrest	left	1	PR:685,939
	997 522 011 08 8YR	Black			
	997 522 011 08 5X5	Stone grey			
	997 522 011 08 8G1	Sand beige			
	997 522 011 08 3S8	sea blue			
	997 522 011 08 9N2	Terracotta			
	997 522 011 08 9Q3	Cocoa			
	997 522 011 08 D11	Dark grey/natural			
	997 522 011 08 T11	Brown/natural			
	997 522 011 08 N11	Carrera Red			
(1)	997 522 012 08	Emergency seat backrest	right	1	PR:685,939
	997 522 012 08 8YR	Black			
	997 522 012 08 5X5	Stone grey			
	997 522 012 08 8G1	Sand beige			
	997 522 012 08 3S8	sea blue			
	997 522 012 08 9N2	Terracotta			
	997 522 012 08 9Q3	Cocoa			
	997 522 012 08 D11	Dark grey/natural			
	997 522 012 08 T11	Brown/natural			
	997 522 012 08 N11	Carrera Red			
(1)	997 522 011 15	Emergency seat backrest	left	1	PR:018,437, 685,936
	997 522 011 15 8YR	Black			
(1)	997 522 012 15	Emergency seat backrest	right	1	PR:018,438, 685,936
	997 522 012 15 8YR	Black			
(1)	997 522 011 24	Emergency seat backrest	left	1	PR:018,377, 685,936
	997 522 011 24 8YR	Black			
(1)	997 522 012 24	Emergency seat backrest	right	1	PR:018,378, 685,936
	997 522 012 24 8YR	Black			
2	996 522 267 06	Pin		2	PR:685
		Locking mechanism			
3	997 522 095 01	Stop	left	1	PR:685
	997 522 095 01 01C	Satin black			
(3)	997 522 096 01	Stop	right	1	PR:685
	997 522 096 01 01C	Satin black			
4	997 522 615 01	Bearing shaft		1	PR:685
-	999 073 436 01	Bolt with washer		1	PR:685
		Bearing shaft			

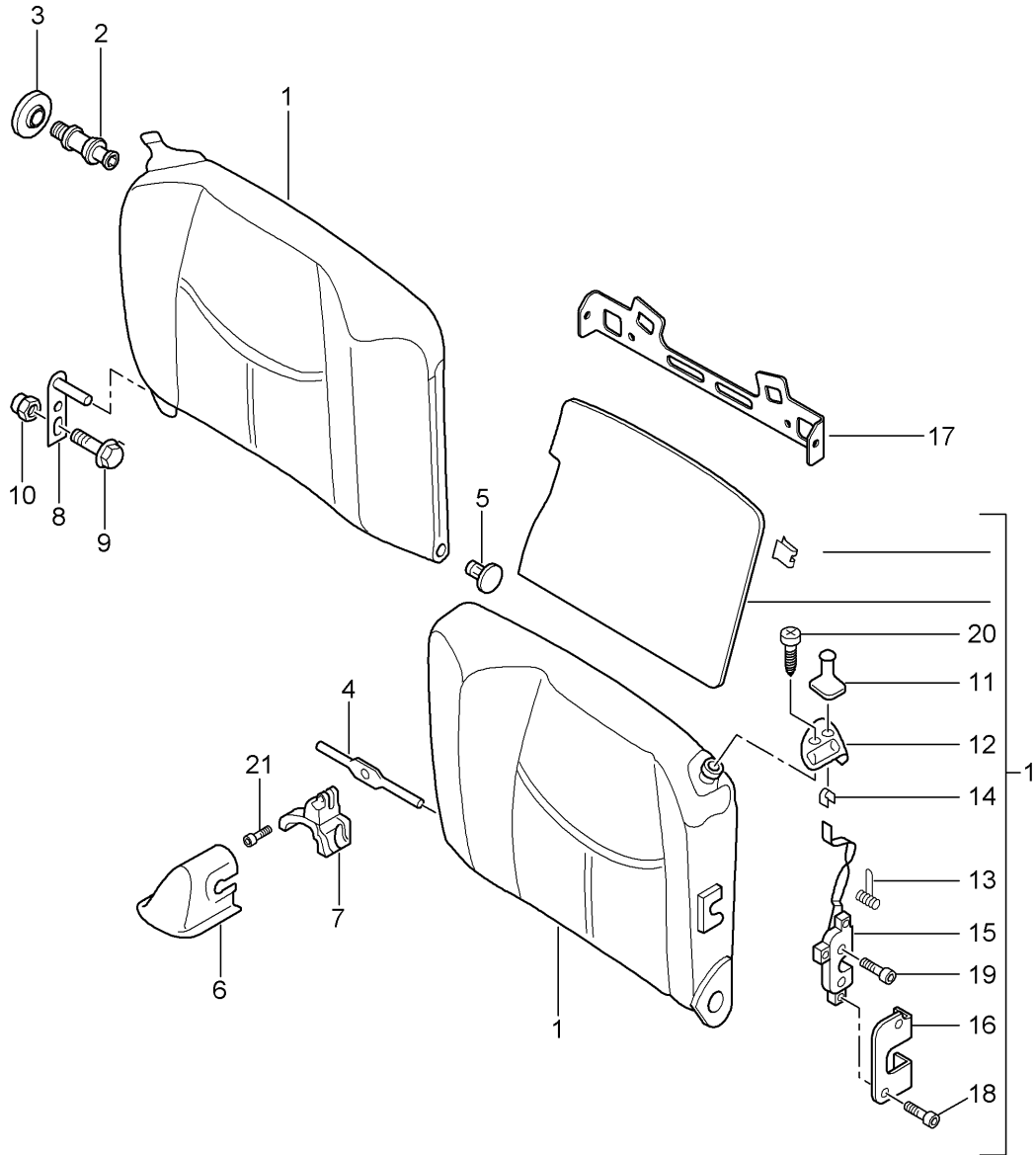
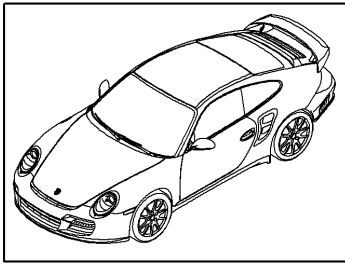
Model: 997T10

Model life 2010>>2013

Pos	Part Number	Description	Remark	Qty	Model
5	996 522 571 00	Protection washer		1	PR:685
	996 522 571 00 01C	Protection washer			
6	996 522 431 02	Cover		1	PR:685
	996 522 431 02 01C	Black			
7	996 522 333 00	Console		1	PR:685
8	997 522 211 00	Mounting	outer	2	PR:685
9	999 073 138 01	flat round head bolt M 8 X 25		2	PR:685
10	996 522 271 00	bush		2	PR:685
11	996 522 425 01	Cover		1	PR:685
	996 522 425 01 01C	Black			
12	996 522 421 00	Stop Backrest		2	PR:685
	996 522 421 00 01C	Satin black			
13	997 522 321 00	Actuating lever Backrest	left	1	PR:685
	997 522 321 00 01C	Satin black			
(13)	997 522 322 00	Actuating lever Backrest	right	1	PR:685
	997 522 322 00 01C	Satin black			
14	996 522 315 00	Rosette Actuator button	left	1	PR:685
	996 522 315 00 01C	Satin black			
(14)	996 522 316 00	Rosette Actuator button	right	1	PR:685
	996 522 316 00 01C	Satin black			
15	996 522 281 02	lock Backrest	left	1	PR:685
(15)	996 522 282 02	lock Backrest	right	1	PR:685
16	997 522 771 00	Cover panel lock	left	1	PR:685
	997 522 771 00 01C	Satin black			
(16)	997 522 772 00	Cover panel lock	right	1	PR:685
	997 522 772 00 01C	Satin black			
17	996 522 653 00	Spring lock		2	PR:685
18	999 507 630 01	Clip Actuator button		2	PR:685
19	999 073 049 02	panel screw ST 3,5 X 16		4	PR:685
20	900 269 028 03	countersunk bolt M 8 X 30		4	PR:685
21	900 145 041 07	panel screw B 3,5 X 16		4	PR:685
22	999 073 436 01	Bolt with washer M 5 X 16		1	PR:685

Model: 997T10

Model life 2010>>2013



Model: 997T10 Model life 2010>>2013

Pos	Part Number	Description	Remark	Qty	Model
		Emergency seat backrest Accessories			Cabrio
1	997 522 011 10	Emergency seat backrest	left	1	PR:685,936
	997 522 011 10 8YR	Black			
	997 522 011 10 5X5	Stone grey			
	997 522 011 10 8G1	Sand beige			
	997 522 011 10 3S8	sea blue			
	997 522 011 10 9N2	Terracotta			
	997 522 011 10 9Q3	Cocoa			
	997 522 011 10 D11	Dark grey/natural			
	997 522 011 10 T11	Brown/natural			
	997 522 011 10 N11	Carrera Red			
	997 522 011 10 TLA	Black/Cream			
	997 522 011 10 FLI	Black/Titanium Blue			
(1)	997 522 012 10	Emergency seat backrest	right	1	PR:685,936
	997 522 012 10 8YR	Black			
	997 522 012 10 5X5	Stone grey			
	997 522 012 10 8G1	Sand beige			
	997 522 012 10 3S8	sea blue			
	997 522 012 10 9N2	Terracotta			
	997 522 012 10 9Q3	Cocoa			
	997 522 012 10 D11	Dark grey/natural			
	997 522 012 10 T11	Brown/natural			
	997 522 012 10 N11	Carrera Red			
	997 522 012 10 TLA	Black/Cream			
	997 522 012 10 FLI	Black/Titanium Blue			
(1)	997 522 011 11	Emergency seat backrest	left	1	PR:685,939
	997 522 011 11 8YR	Black			
	997 522 011 11 5X5	Stone grey			
	997 522 011 11 8G1	Sand beige			
	997 522 011 11 3S8	sea blue			
	997 522 011 11 9N2	Terracotta			
	997 522 011 11 9Q3	Cocoa			
	997 522 011 11 D11	Dark grey/natural			
	997 522 011 11 T11	Brown/natural			
	997 522 011 11 N11	Carrera Red			
(1)	997 522 012 11	Emergency seat backrest	right	1	PR:685,939
	997 522 012 11 8YR	Black			
	997 522 012 11 5X5	Stone grey			
	997 522 012 11 8G1	Sand beige			
	997 522 012 11 3S8	sea blue			
	997 522 012 11 9N2	Terracotta			
	997 522 012 11 9Q3	Cocoa			
	997 522 012 11 D11	Dark grey/natural			
	997 522 012 11 T11	Brown/natural			
	997 522 012 11 N11	Carrera Red			
(1)	997 522 011 18	Emergency seat backrest	left	1	PR:018,437, 685,936
	997 522 011 18 8YR	Black			
(1)	997 522 012 18	Emergency seat backrest	right	1	PR:018,438, 685,936
	997 522 012 18 8YR	Black			
(1)	997 522 011 25	Emergency seat backrest	left	1	PR:018,377, 685,936
	997 522 011 25 8YR	Black			
(1)	997 522 012 25	Emergency seat backrest	right	1	PR:018,378, 685,936
	997 522 012 25 8YR	Black			
2	996 522 267 07	Pin		2	PR:685
3	996 522 097 08	Rosette		2	PR:685
	996 522 097 08 01C	Satin black			
4	997 522 615 01	Bearing shaft		1	PR:685

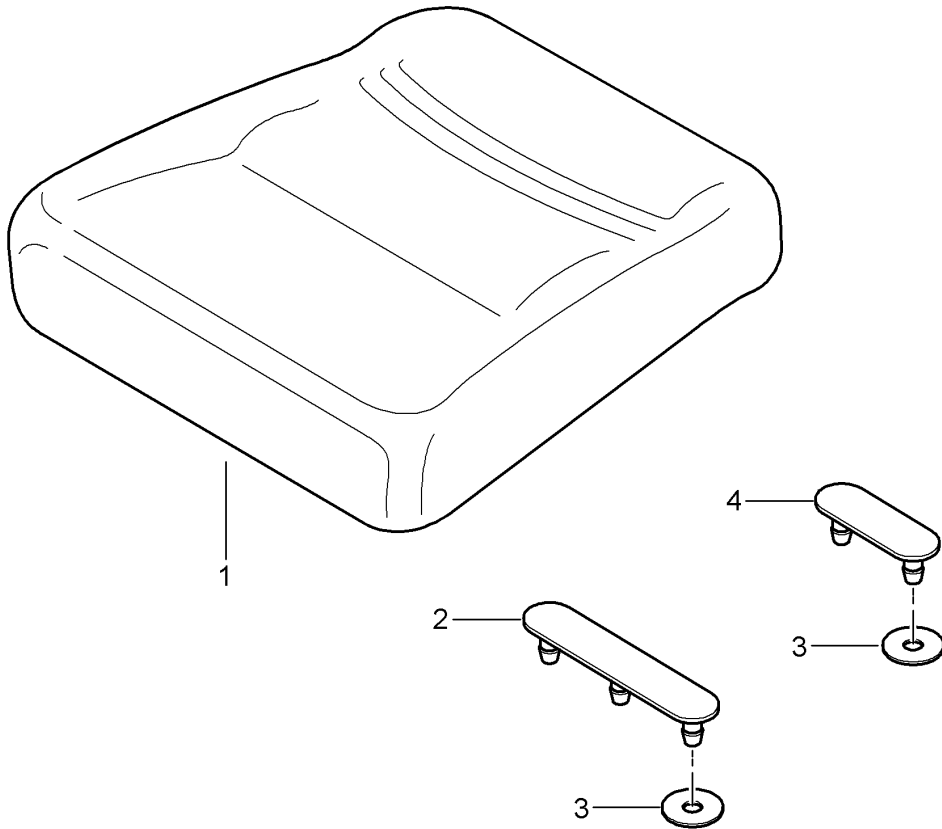
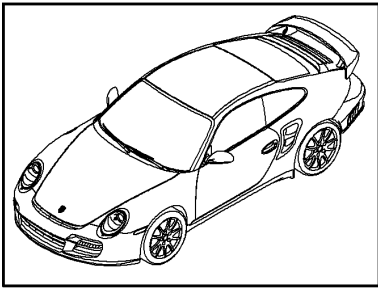
Model: 997T10

Model life 2010>>2013

Pos	Part Number	Description	Remark	Qty	Model
-	999 073 436 01	Bolt with washer Bearing shaft		1	PR:685
5	996 522 571 00	Protection washer		1	PR:685
	996 522 571 00 01C	Protection washer			
6	996 522 431 02	Cover		1	PR:685
	996 522 431 02 01C	Black			
7	996 522 041 00	Mounting		1	
8	997 522 211 00	Mounting	outer	2	PR:685
9	999 073 138 01	flat round head bolt M 8 X 25		2	PR:685
10	996 522 271 00	bush		2	PR:685
11	997 522 321 00	Actuating lever	left	1	PR:685
	997 522 321 00 01C	Satin black			
(11)	997 522 322 00	Actuating lever	right	1	PR:685
	997 522 322 00 01C	Satin black			
12	996 522 315 00	Rosette	left	1	PR:685
	996 522 315 00 01C	Satin black			
(12)	996 522 316 00	Rosette	right	1	PR:685
	996 522 316 00 01C	Satin black			
13	996 522 653 00	Spring lock		2	PR:685
14	999 507 630 01	Clip Actuator button		2	PR:685
15	996 522 281 02	lock Backrest	left	1	PR:685
(15)	996 522 282 02	lock Backrest	right	1	PR:685
16	997 522 771 00	Cover panel	left	1	PR:685
	997 522 771 00 01C	Satin black			
(16)	997 522 772 00	Cover panel	right	1	PR:685
	997 522 772 00 01C	Satin black			
17	997 803 721 00	bracket for child seat Connecting plate Back seat backrest		1	PR:335,479
18	999 073 049 02	panel screw ST 4,3 X 16		4	PR:685
19	900 269 028 03	countersunk bolt M 8 X 30		4	PR:685
20	900 145 041 07	panel screw B 3,5 X 16		4	PR:685
21	999 073 436 01	Bolt with washer M 5 X 16		1	PR:685

Model: 997T10

Model life 2010>>2013

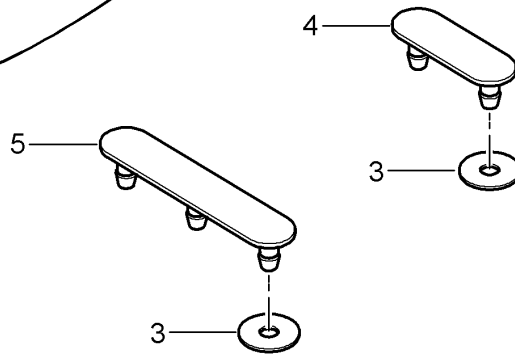
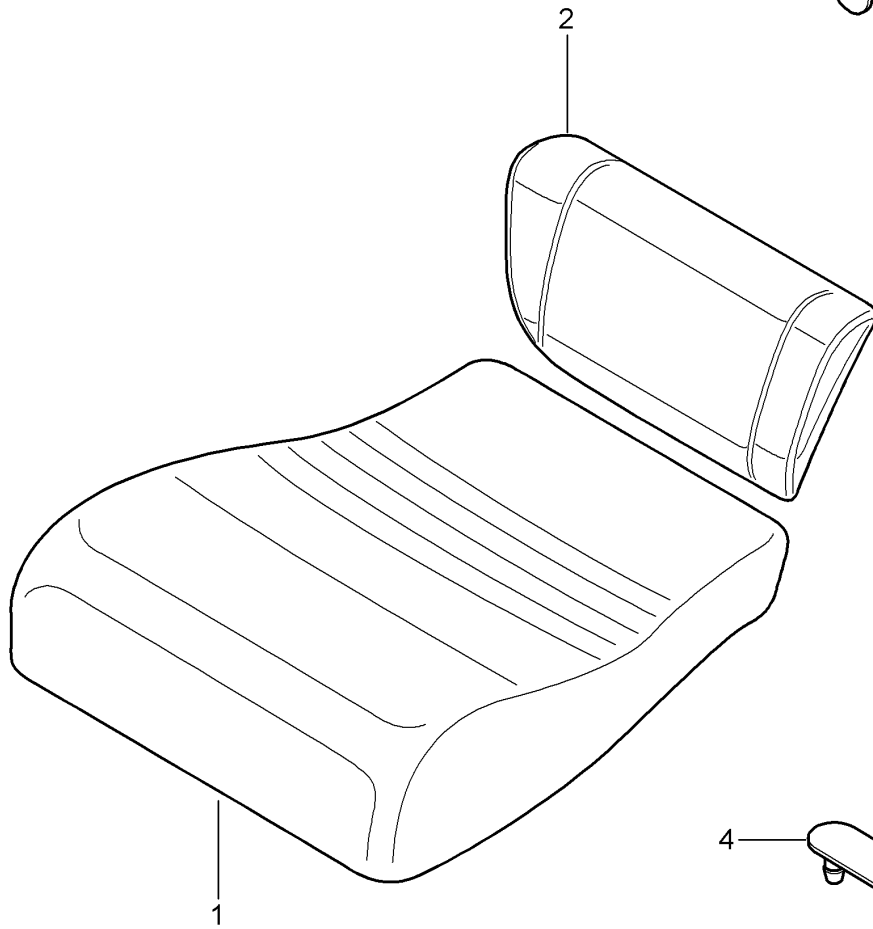
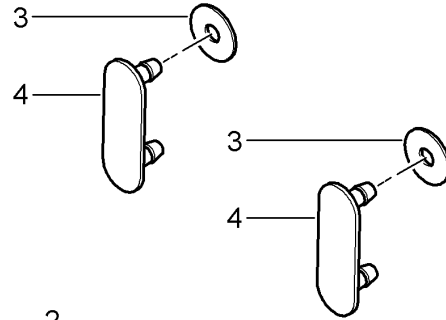
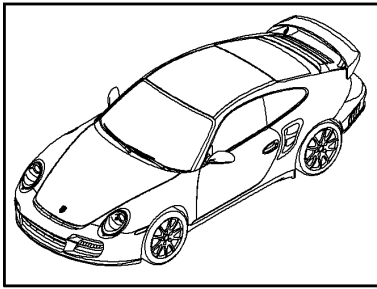


Model: 997T10 Model life 2010>>2013

Pos	Part Number	Description	Remark	Qty	Model
1	997 522 051 01	Back seat cushion	left	1	Coupe PR:685,936
	997 522 051 01 8YR	Black			
	997 522 051 01 5X5	Stone grey			
	997 522 051 01 8G1	Sand beige			
	997 522 051 01 3S8	sea blue			
	997 522 051 01 9N2	Terracotta			
	997 522 051 01 9Q3	Cocoa			
	997 522 051 01 D11	Dark grey/natural			
	997 522 051 01 T11	Brown/natural			
	997 522 051 01 N11	Carrera Red			
(1)	997 522 051 01 8C0	Espresso	right	1	PR:685,936
	997 522 052 01	Back seat cushion			
	997 522 052 01 8YR	Black			
	997 522 052 01 5X5	Stone grey			
	997 522 052 01 8G1	Sand beige			
	997 522 052 01 3S8	sea blue			
	997 522 052 01 9N2	Terracotta			
	997 522 052 01 9Q3	Cocoa			
	997 522 052 01 D11	Dark grey/natural			
	997 522 052 01 T11	Brown/natural			
	997 522 052 01 N11	Carrera Red	left	1	PR:685,939
(1)	997 522 051 02	Back seat cushion			
	997 522 051 02 8YR	Black			
	997 522 051 02 5X5	Stone grey			
	997 522 051 02 8G1	Sand beige			
	997 522 051 02 3S8	sea blue			
	997 522 051 02 9N2	Terracotta			
	997 522 051 02 9Q3	Cocoa			
	997 522 051 02 D11	Dark grey/natural			
	997 522 051 02 T11	Brown/natural			
	997 522 051 02 N11	Carrera Red	right	1	PR:685,939
(1)	997 522 052 02	Back seat cushion			
	997 522 052 02 8YR	Black			
	997 522 052 02 5X5	Stone grey			
	997 522 052 02 8G1	Sand beige			
	997 522 052 02 3S8	sea blue			
	997 522 052 02 9N2	Terracotta			
	997 522 052 02 9Q3	Cocoa			
	997 522 052 02 D11	Dark grey/natural			
	997 522 052 02 T11	Brown/natural			
	997 522 052 02 N11	Carrera Red	left	1	PR:018,685, 936
(1)	997 522 051 14	Back seat cushion			
	997 522 051 14 8YR	Black	right	1	PR:018,685, 936
(1)	997 522 052 14	Back seat cushion			
	997 522 052 14 8YR	Black			
2	997 551 893 01	Clip Triple		X	PR:685
3	997 551 897 01	Retaining washer		X	PR:685
4	997 551 895 01	Clip Double		X	PR:685

Model: 997T10

Model life 2010>>2013



Model: 997T10

Model life 2010>>2013

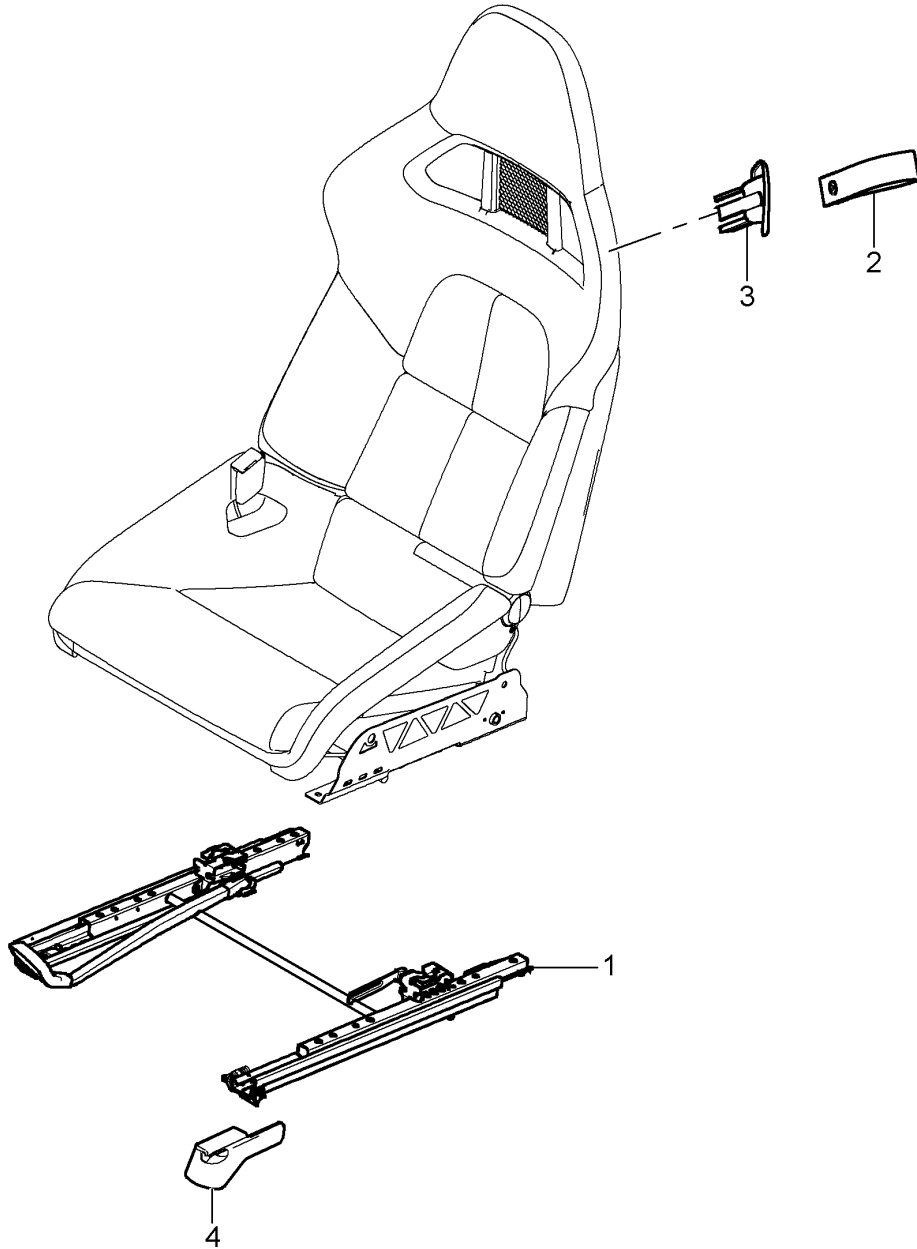
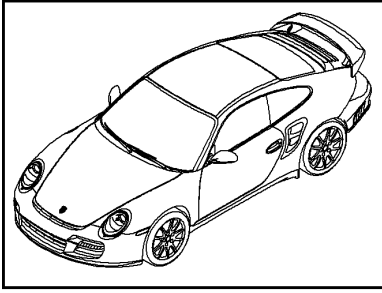
Pos	Part Number	Description	Remark	Qty	Model
1	997 522 051 10	Back seat cushion	left	1	Cabrio PR:685,936
	997 522 051 10 8YR	Black			
	997 522 051 10 5X5	Stone grey			
	997 522 051 10 8G1	Sand beige			
	997 522 051 10 3S8	sea blue			
	997 522 051 10 9N2	Terracotta			
	997 522 051 10 9Q3	Cocoa			
	997 522 051 10 D11	Dark grey/natural			
	997 522 051 10 T11	Brown/natural			
	997 522 051 10 N11	Carrera Red			
	997 522 051 10 6G0	Cream			
		D - MJ 2011>>			
(1)	997 522 052 10	Back seat cushion	right	1	PR:685,936
	997 522 052 10 8YR	Black			
	997 522 052 10 5X5	Stone grey			
	997 522 052 10 8G1	Sand beige			
	997 522 052 10 3S8	sea blue			
	997 522 052 10 9N2	Terracotta			
	997 522 052 10 9Q3	Cocoa			
	997 522 052 10 D11	Dark grey/natural			
	997 522 052 10 T11	Brown/natural			
	997 522 052 10 N11	Carrera Red			
	997 522 052 10 6G0	Cream			
		D - MJ 2011>>			
(1)	997 522 051 11	Back seat cushion	left	1	PR:685,939
	997 522 051 11 8YR	Black			
	997 522 051 11 5X5	Stone grey			
	997 522 051 11 8G1	Sand beige			
	997 522 051 11 3S8	sea blue			
	997 522 051 11 9N2	Terracotta			
	997 522 051 11 9Q3	Cocoa			
	997 522 051 11 D11	Dark grey/natural			
	997 522 051 11 T11	Brown/natural			
	997 522 051 11 N11	Carrera Red			
(1)	997 522 052 11	Back seat cushion	right	1	PR:685,939
	997 522 052 11 8YR	Black			
	997 522 052 11 5X5	Stone grey			
	997 522 052 11 8G1	Sand beige			
	997 522 052 11 3S8	sea blue			
	997 522 052 11 9N2	Terracotta			
	997 522 052 11 9Q3	Cocoa			
	997 522 052 11 D11	Dark grey/natural			
	997 522 052 11 T11	Brown/natural			
	997 522 052 11 N11	Carrera Red			
(1)	997 522 051 17	Back seat cushion	left	1	PR:018,685, 936
	997 522 051 17 8YR	Black			
(1)	997 522 052 17	Back seat cushion	right	1	PR:018,685, 936
	997 522 052 17 8YR	Black			
2	997 522 235 01	Centre part	left	1	PR:685,936
		Back seat backrest			
	997 522 235 01 8YR	Black			
	997 522 235 01 5X5	Stone grey			
	997 522 235 01 8G1	Sand beige			
	997 522 235 01 3S8	sea blue			
	997 522 235 01 9N2	Terracotta			
	997 522 235 01 9Q3	Cocoa			
	997 522 235 01 D11	Dark grey/natural			
	997 522 235 01 T11	Brown/natural			
	997 522 235 01 N11	Carrera Red			
(2)	997 522 236 01	Centre part	right	1	PR:685,936

Model: 997T10 Model life 2010>>2013

Pos	Part Number	Description	Remark	Qty	Model
		Back seat backrest			
	997 522 236 01 8YR	Black			
	997 522 236 01 5X5	Stone grey			
	997 522 236 01 8G1	Sand beige			
	997 522 236 01 3S8	sea blue			
	997 522 236 01 9N2	Terracotta			
	997 522 236 01 9Q3	Cocoa			
	997 522 236 01 D11	Dark grey/natural			
	997 522 236 01 T11	Brown/natural			
	997 522 236 01 N11	Carrera Red			
(2)	997 522 235 02	Centre part	left	1	PR:685,939
		Back seat backrest			
	997 522 235 02 8YR	Black			
	997 522 235 02 5X5	Stone grey			
	997 522 235 02 8G1	Sand beige			
	997 522 235 02 3S8	sea blue			
	997 522 235 02 9N2	Terracotta			
	997 522 235 02 9Q3	Cocoa			
	997 522 235 02 D11	Dark grey/natural			
	997 522 235 02 T11	Brown/natural			
	997 522 235 02 N11	Carrera Red			
(2)	997 522 236 02	Centre part	right	1	PR:685,939
		Back seat backrest			
	997 522 236 02 8YR	Black			
	997 522 236 02 5X5	Stone grey			
	997 522 236 02 8G1	Sand beige			
	997 522 236 02 3S8	sea blue			
	997 522 236 02 9N2	Terracotta			
	997 522 236 02 9Q3	Cocoa			
	997 522 236 02 D11	Dark grey/natural			
	997 522 236 02 T11	Brown/natural			
	997 522 236 02 N11	Carrera Red			
(3)	997 551 897 01	Retaining washer		X	PR:685
4	997 551 895 01	Clip		X	
		Double			
5	997 551 893 01	Clip		X	PR:685
		Triple			

Model: 997T10

Model life 2010>>2013



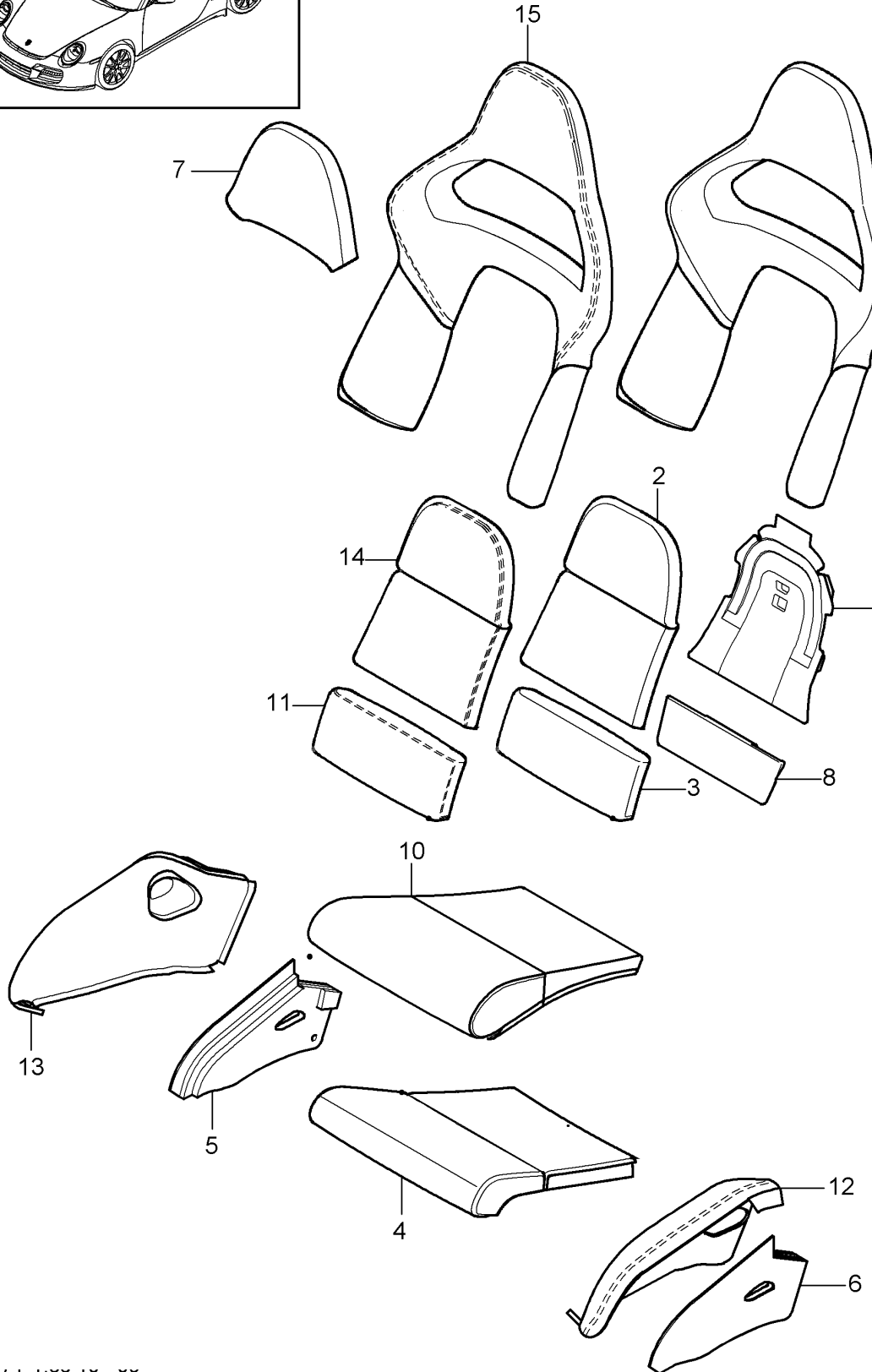
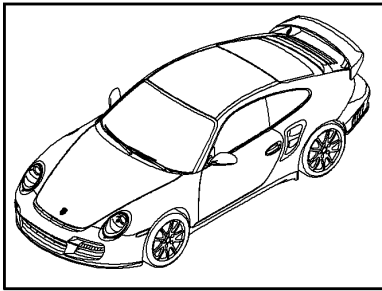
Model: 997T10

Model life 2010>>2013

Pos	Part Number	Description	Remark	Qty	Model
		bucket seat Collapsible (complete) Not available			COUPE CABRIO
(1)	997 521 430 01	1 set of seat rails (passenger side)	right lhd	1	PR:098,389
(1)	997 521 429 02	1 set of seat rails (passenger side)	left rhd	1	PR:099,388
2	997 521 539 00	Pull loop Backrest frame	left	1	PR:388
	997 521 539 00 A80	Black			
(2)	997 521 540 00	Pull loop Backrest frame	right	1	PR:389
	997 521 540 00 A80	Black			
3	997 521 538 00	Rosette Pull loop Backrest frame	right	1	PR:389
	997 521 538 00 01C	Satin black			
(3)	997 521 537 00	Rosette Pull loop Backrest frame	left	1	PR:388
	997 521 537 00 01C	Satin black			
4	997 521 359 01	Rail Seat rail Manually	left	1	PR:388
	997 521 359 01 01C	Satin black			
(4)	997 521 360 01	Rail Seat rail Manually	right	1	PR:389
	997 521 360 01 01C	Satin black			
(4)	997 521 361 00	Rail Seat rail	left	1	PR:388
	997 521 361 00 01C	Satin black			
(4)	997 521 362 00	Rail Seat rail	right	1	PR:389
	997 521 362 00 01C	Satin black			

Model: 997T10

Model life 2010>>2013



001 1.00 10 00

Model: 997T10 Model life 2010>>2013

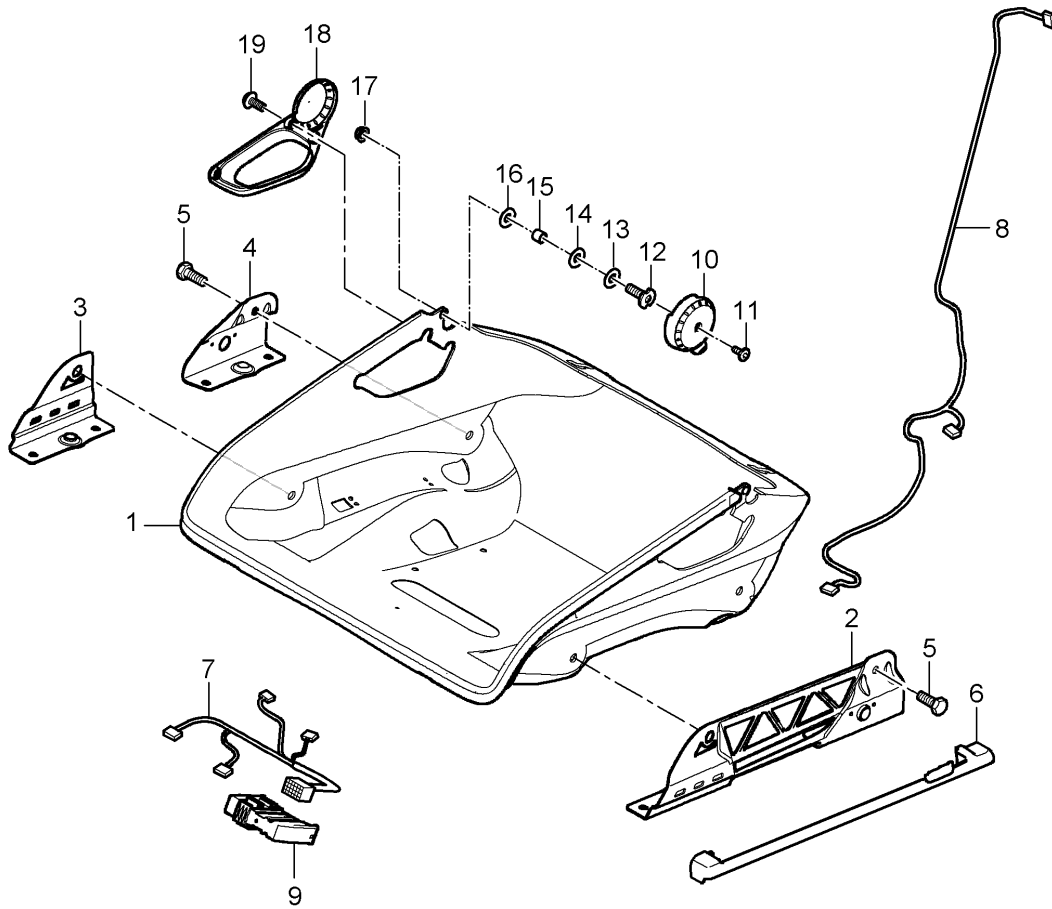
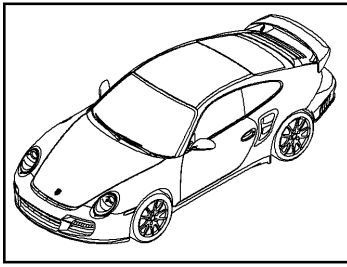
Pos	Part Number	Description	Remark	Qty	Model
1	997 521 447 00	Foam part Cover Seat and backrest surface bucket seat Collapsible		2	PR:388,389
2	997 521 448 00	Foam part backrest Outer part		2	PR:388,389
3	997 521 441 00	Foam part Seat cushion	rear	2	PR:388,389
4	997 521 440 00	Foam part Seat cushion	front	2	PR:388,389
5	997 521 443 00	Foam part Seat cushion	left side outer	1	PR:388
(5)	997 521 444 00	Foam part Seat cushion	side inner left	1	PR:388
6	997 521 446 00	Foam part Seat cushion	right side outer	1	PR:389
(6)	997 521 445 00	Foam part Seat cushion	right side inner	1	PR:389
7	997 521 458 00	Foam part Head restraint		2	PR:388,389
8	997 521 456 00	Foam part Seat cushion	rear	1	PR:388,389
9	997 521 457 00	Foam part backrest		1	PR:388,389
10	997 521 380 00	Seat cover	front	1	PR:388,389, 983
	997 521 380 00 8YR	Black			
	997 521 380 00 5X5	Stone grey			
	997 521 380 00 8G1	Sand beige			
	997 521 380 00 3S8	sea blue			
	997 521 380 00 9N2	Terracotta			
	997 521 380 00 9Q3	Cocoa			
	997 521 380 00 D11	Dark grey/natural			
	997 521 380 00 T11	Brown/natural			
	997 521 380 00 N11	Carrera Red			
11	997 521 381 00	Seat cover	rear	1	PR:388,389, 983
	997 521 381 00 8YR	Black			
	997 521 381 00 5X5	Stone grey			
	997 521 381 00 8G1	Sand beige			
	997 521 381 00 3S8	sea blue			
	997 521 381 00 9N2	Terracotta			
	997 521 381 00 9Q3	Cocoa			
	997 521 381 00 D11	Dark grey/natural			
	997 521 381 00 T11	Brown/natural			
	997 521 381 00 N11	Carrera Red			
12	997 521 383 00	Cover	left side outer	1	PR:388,983
	997 521 383 00 8YR	Black			
	997 521 383 00 5X5	Stone grey			
	997 521 383 00 8G1	Sand beige			
	997 521 383 00 3S8	sea blue			
	997 521 383 00 9N2	Terracotta			

Model: 997T10 Model life 2010>>2013

Pos	Part Number	Description	Remark	Qty	Model
13	997 521 383 00 9Q3	Cocoa	left side inner	1	PR:388,983
	997 521 383 00 D11	Dark grey/natural			
	997 521 383 00 T11	Brown/natural			
	997 521 383 00 N11	Carrera Red			
	997 521 384 00	Seat cover (leather)			
	997 521 384 00 8YR	Black			
	997 521 384 00 5X5	Stone grey			
	997 521 384 00 8G1	Sand beige			
	997 521 384 00 3S8	sea blue			
	997 521 384 00 9N2	Terracotta			
(13)	997 521 384 00 9Q3	Cocoa	right side outer	1	PR:389,983
	997 521 384 00 D11	Dark grey/natural			
	997 521 384 00 T11	Brown/natural			
	997 521 384 00 N11	Carrera Red			
	997 521 386 00	Cover			
	997 521 386 00 8YR	Black			
	997 521 386 00 5X5	Stone grey			
	997 521 386 00 8G1	Sand beige			
	997 521 386 00 3S8	sea blue			
	997 521 386 00 9N2	Terracotta			
(13)	997 521 386 00 9Q3	Cocoa	right side inner	1	PR:389,983
	997 521 386 00 D11	Dark grey/natural			
	997 521 386 00 T11	Brown/natural			
	997 521 386 00 N11	Carrera Red			
	997 521 385 00	Seat cover (leather)			
	997 521 385 00 8YR	Black			
	997 521 385 00 5X5	Stone grey			
	997 521 385 00 8G1	Sand beige			
	997 521 385 00 3S8	sea blue			
	997 521 385 00 9N2	Terracotta			
14	997 521 385 00 9Q3	Cocoa	outer	1	PR:388,389, 983
	997 521 385 00 D11	Dark grey/natural			
	997 521 385 00 T11	Brown/natural			
	997 521 385 00 N11	Carrera Red			
	997 521 387 00	Backrest centre part w. cover			
	997 521 387 00 8YR	Black			
	997 521 387 00 5X5	Stone grey			
	997 521 387 00 8G1	Sand beige			
	997 521 387 00 3S8	sea blue			
	997 521 387 00 9N2	Terracotta			
15	997 521 387 00 9Q3	Cocoa	outer	1	PR:388,389, 983
	997 521 387 00 D11	Dark grey/natural			
	997 521 387 00 T11	Brown/natural			
	997 521 387 00 N11	Carrera Red			
	997 521 388 00	backrest cover (leather)			
	997 521 388 00 8YR	Black			
	997 521 388 00 5X5	Stone grey			
	997 521 388 00 8G1	Sand beige			
	997 521 388 00 3S8	sea blue			
	997 521 388 00 9N2	Terracotta			
	997 521 388 00 9Q3	Cocoa			
	997 521 388 00 D11	Dark grey/natural			
	997 521 388 00 T11	Brown/natural			
	997 521 388 00 N11	Carrera Red			

Model: 997T10

Model life 2010>>2013



Model: 997T10 Model life 2010>>2013

Pos	Part Number	Description	Remark	Qty	Model
1	997 521 281 00	bucket seat Collapsible Seat frame Accessories Cup Seat frame		2	PR:388,389
		without:			
2	997 521 433 00	seat occupied recognition Adapter Seat frame	outer left	1	PR:388
(2)	997 521 434 00	Discontinued part Adapter Seat frame	outer right	1	PR:389
3	997 521 436 00	Discontinued part Adapter Seat frame	front, inner right	1	PR:388
(3)	997 521 435 00	Discontinued part Adapter Seat frame	front, inner left	1	PR:389
		without:			
4	997 521 438 00	seat occupied recognition Discontinued part Adapter Seat frame	rear, inner right	1	PR:388
(4)	997 521 437 00	Discontinued part Adapter Seat frame	rear, inner left	1	PR:389
		without:			
5	999 217 168 01	seat occupied recognition Discontinued part Hexagon bolt M 8 X 16 Mount Seat rail		4	
6	997 521 427 03	bucket seat Cover Sensor	left	1	PR:389,560
	997 521 427 03 01C	seat occupied recognition Satin black			
(6)	997 521 426 03	Cover Sensor	right	1	PR:389,560
	997 521 426 03 01C	seat occupied recognition Satin black			
7	997 612 688 11	Wire set		1	PR:389,560
8	997 612 785 10	seat occupied recognition Wire set		1	PR:388,389
9	997 618 233 05	Side airbag unit Control unit for seat occupied sensor		1	PR:389,560
10	997 521 563 00	Trim Hinge	left inner	1	
	997 521 563 00 01C	Satin black			
(10)	997 521 564 00	Trim Hinge	right inner	1	
	997 521 564 00 01C	Satin black			
11	999 073 456 01	flat round head bolt M4 X 12 Mount Trim	inner	2	
12	997 521 690 00	bearing pin Backrest shell Cup	lower	2	
13	999 523 019 01	Belleville spring		2	

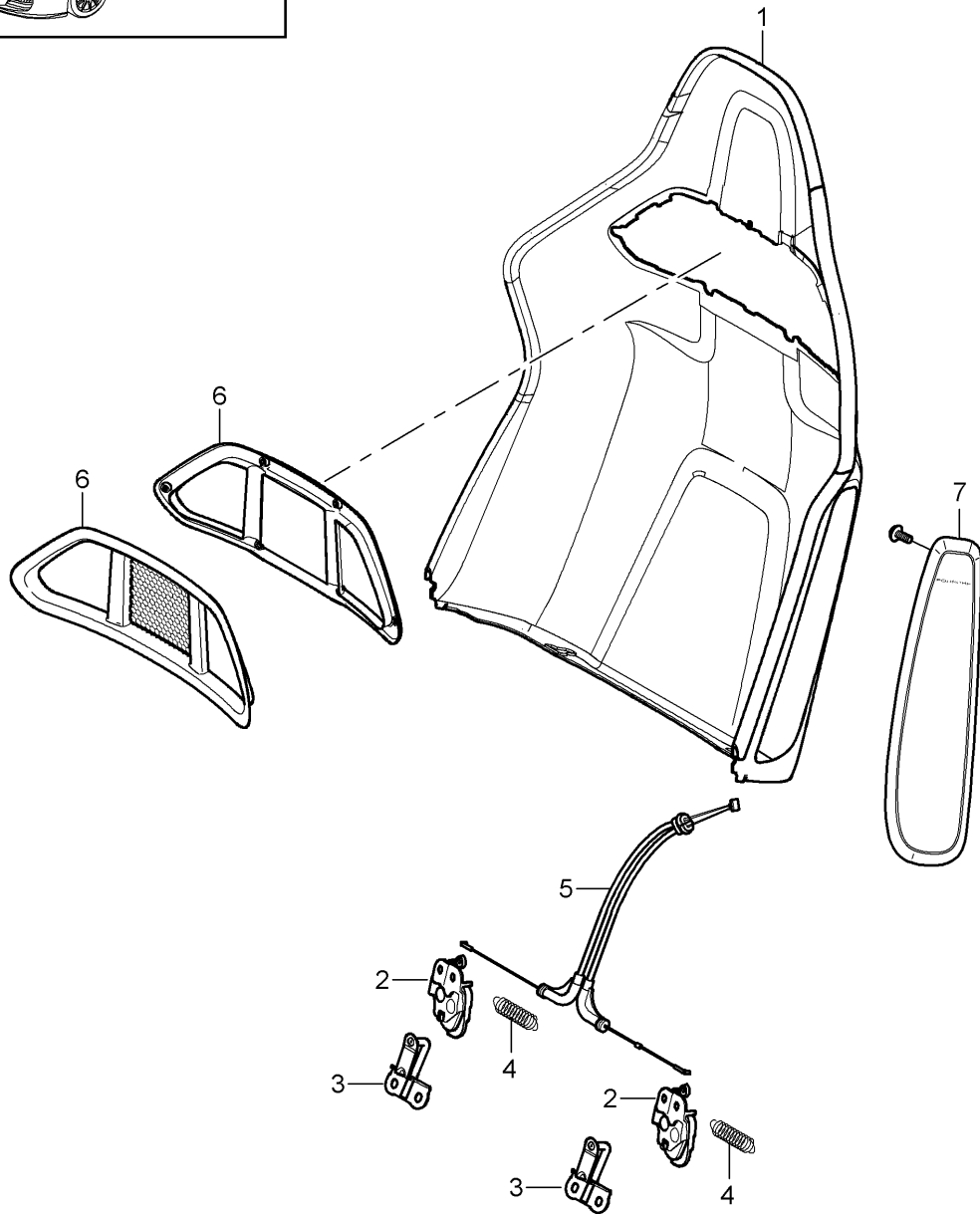
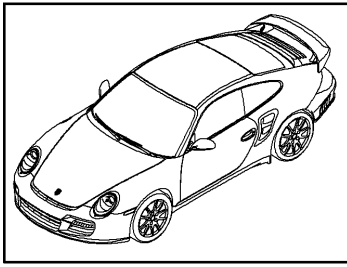
Model: 997T10

Model life 2010>>2013

Pos	Part Number	Description	Remark	Qty	Model
14	999 234 034 00	A25 fitted washer 12 X 18 X 0,2		2	
15	999 924 136 40	Plain bearing F12 X 5 X 14		2	
16	999 025 122 40	thrust washer 20 X 12 X 0,5		2	
17	900 380 024 01	Outer hexagon round nut M8		2	
18	997 521 561 00	Trim Seat belt	left lower	1	
(18)	997 521 561 00 01C	Satin black			
	997 521 562 00	Trim Seat belt	right lower	1	
	997 521 562 00 01C	Satin black			
19	999 141 049 01	Oval-head screw M5 X 10 Mount Trim		3	

Model: 997T10

Model life 2010>>2013

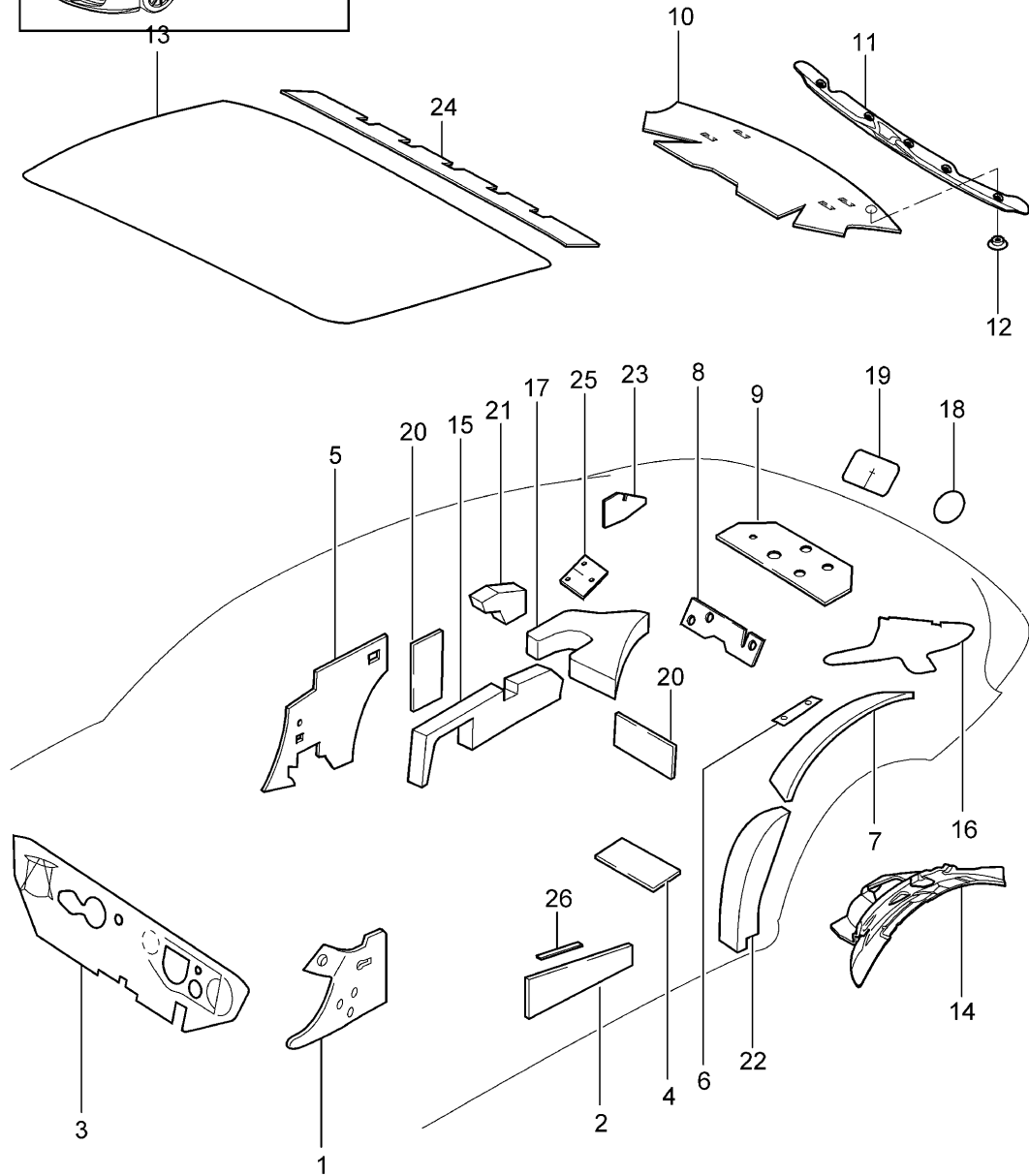
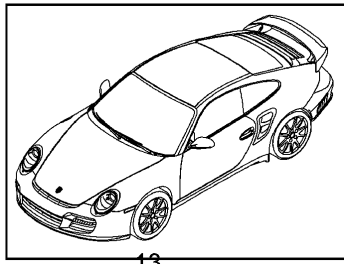


Model: 997T10 Model life 2010>>2013

Pos	Part Number	Description	Remark	Qty	Model
1	997 521 271 00	Backrest shell bucket seat Collapsible Accessories	left	1	PR:388
(1)	997 521 272 00	Backrest shell bucket seat Collapsible	right	1	PR:389
2	997 521 651 00	backrest lock	left	1	PR:388,389
(2)	997 521 652 00	backrest lock	right	1	PR:388,389
3	997 521 660 00	Closing element lock		2	PR:388,389
4	997 521 650 00	Backrest shell tension spring lock		2	PR:388,389
5	997 521 640 01	backrest Bowden cable Release		1	PR:388,389
6	997 521 330 00	backrest Trim	front	1	PR:388,389
(6)	997 521 330 00 01C	Seat belt Satin black			
	997 521 531 00	Trim	rear	1	PR:388,389
	997 521 531 00 01C	Seat belt Satin black			
7	997 803 081 02	Side airbag unit Front seat		1	PR:388
(7)	997 803 081 02 A03	Black			
	997 803 082 02	Side airbag unit Front seat		1	PR:389
	997 803 082 02 A03	Black			
-	999 507 147 40	Clip Bowden cable Front seat		1	PR:388,389

Model: 997T10

Model life 2010>>2013



Model: 997T10

Model life 2010>>2013

Pos	Part Number	Description	Remark	Qty	Model
		Body			
1	997 556 605 00	Sound proofing 1 Sound absorber	left	1	COUPE
(1)	997 556 606 00	Wheel housing Sound absorber	front right	1	
2	997 556 531 01	Wheel housing sound absorber for door	front	2	PR:599
3	997 556 723 00	Sound absorber Firewall	lhd	1	PR:098
(3)	997 556 724 00	Sound absorber Firewall	rhd	1	PR:099
4	997 556 503 00	Insulation for floor		2	
5	997 556 655 00	Sound absorber	left	1	
(5)	997 556 656 00	Side panel trim Sound absorber	right	1	
6	997 556 523 00	Side panel trim Damping		2	
7	997 556 507 00	tray sound absorb.for wheel housing	left	1	
(7)	997 556 508 00	sound absorb.for wheel housing	rear right rear	1	
8	997 556 511 00	sound absorber for rear panel	lower	1	
9	997 556 521 00	sound absorber for rear panel	upper	1	
10	997 556 711 03	Sound absorber		1	
11	996 556 761 01	Engine bay retaining strip		1	
12	999 049 020 40	Engine bay Plastic nut		5	
13	997 556 647 00	T5/30 X 5,1 Sound absorber		1	PR:652
14	997 556 657 02	Roof Sound absorber	left	1	
(14)	997 556 658 00	Wheel housing liner Sound absorber	rear right	1	
15	997 556 571 02	Wheel housing liner Sound absorber	rear	2	
16	996 556 753 01	Side panel trim Seal		1	
(16)	996 556 754 01	Seal Side part	left upper	1	
17	997 556 811 01	Seal Side part	right upper	1	
(17)	997 556 812 01	Filler piece Wheel housing	left	1	
18	997 556 807 00	Filler piece Wheel housing	right	1	
19	997 556 805 00	Wheel housing Sound absorber 40,0		2	
		Cross panel Rear end			
19	997 556 805 00	Sound absorber 120 X 90		1	
		Cross panel Rear end			
20	997 556 801 00	Sound absorber		4	
21	997 556 803 00	Seat well Filler piece		2	
23	997 556 619 00	Seat well Sound absorber	left	1	
(23)	997 556 620 00	Air guide Sound absorber	right	1	
24	997 556 603 00	Air guide Sound absorber	rear	1	

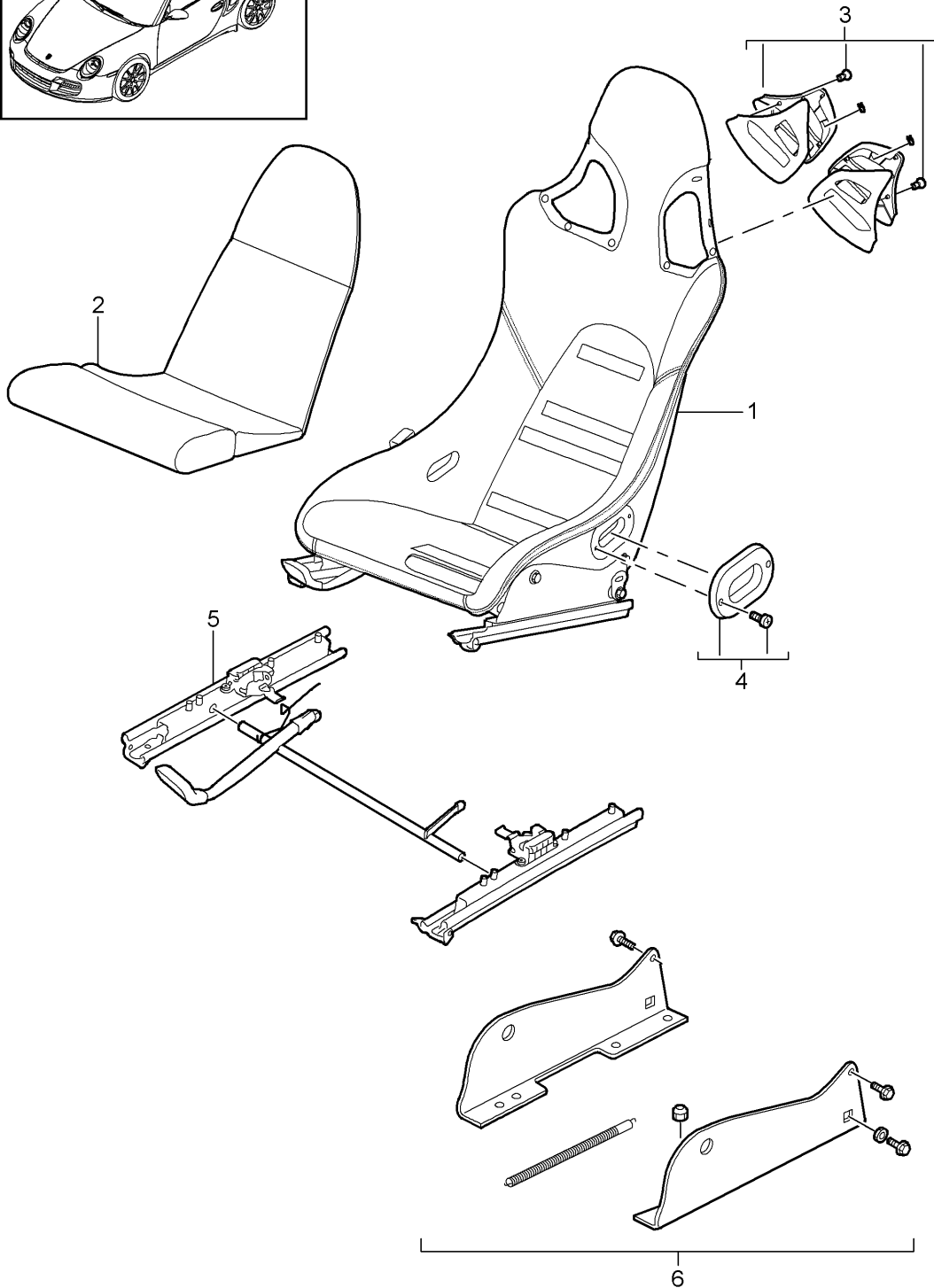
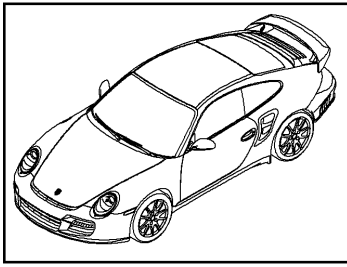
Model: 997T10

Model life 2010>>2013

Pos	Part Number	Description	Remark	Qty	Model
25	997 556 613 00	tensioner Sound absorber Support Spring strut	left	1	
(25)	997 556 614 00	Sound absorber Support Spring strut	right	1	
27	999 049 027 40	Plastic nut 30 X 1,8		2	

Model: 997T10

Model life 2010>>2013



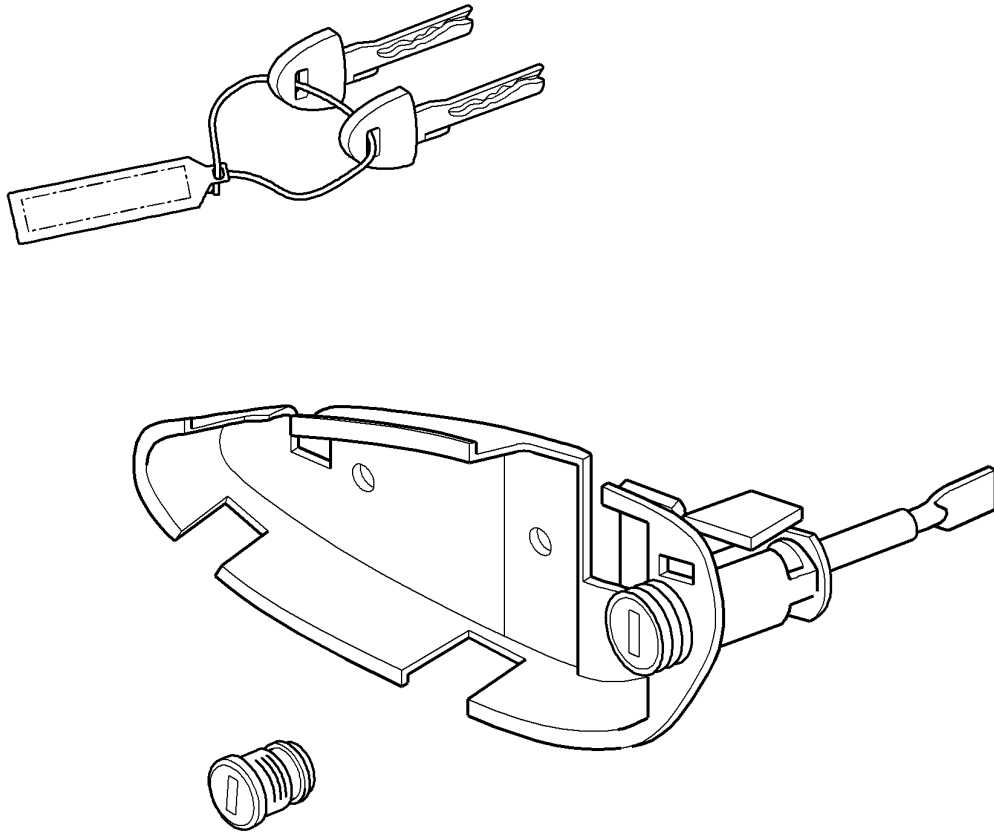
Model: 997T10

Model life 2010>>2013

Pos	Part Number	Description	Remark	Qty	Model
		bucket seat Cover Leather D - MJ 2011>> - MJ 2011			GT2 RS
1	997 521 401 02	Cup	left	1	PR:384
		Partial leather			
	997 521 401 02 8YR	Black			
(1)	997 521 402 02	Cup	right	1	PR:385
		Partial leather			
	997 521 402 02 8YR	Black			
2	997 521 403 00	Set		2	PR:951
		Cushion			
		Leather			
	997 521 403 00 A15	Black			
(2)	997 521 403 01	Set		2	PR:990
		Cushion			
		Cloth			
3	997 521 405 90	Set	upper	1	
		Trim			
		Support for seatbelt			
4	996 521 907 90	Parts kit	lower	1	
		Guide			
		Belt			
5	997 521 429 00	1 set of seat rails	left	1	PR:384
(5)	997 521 430 00	1 set of seat rails	right	1	PR:385
		Set			
6	997 521 423 00	Adapter		1	
		Set			
7	999 141 047 01	Torx screw		4	
		M 10 X 28			
		Mount			
		Seat rail			

Model: 997T10

Model life 2010>>2013



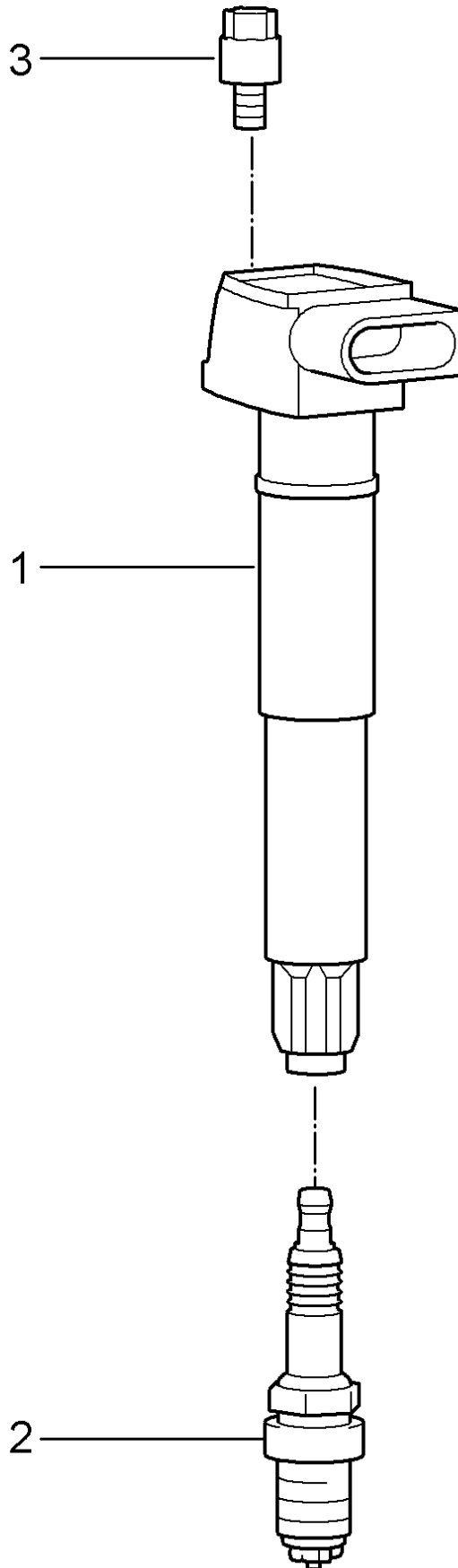
Model: 997T10

Model life 2010>>2013

Pos	Part Number	Description	Remark	Qty	Model
-	997 538 011 06	repair kits Set of locks comprising: Bracket Door handle, exterior Glove compartment lock key 1 set of lock cylinders with handheld trans. & emerg. key	lhd	1	PR:098
-	997 538 011 07	1 set of lock cylinders with handheld trans. & emerg. key	rhd	1	PR:099

Model: 997T10

Model life 2010>>2013



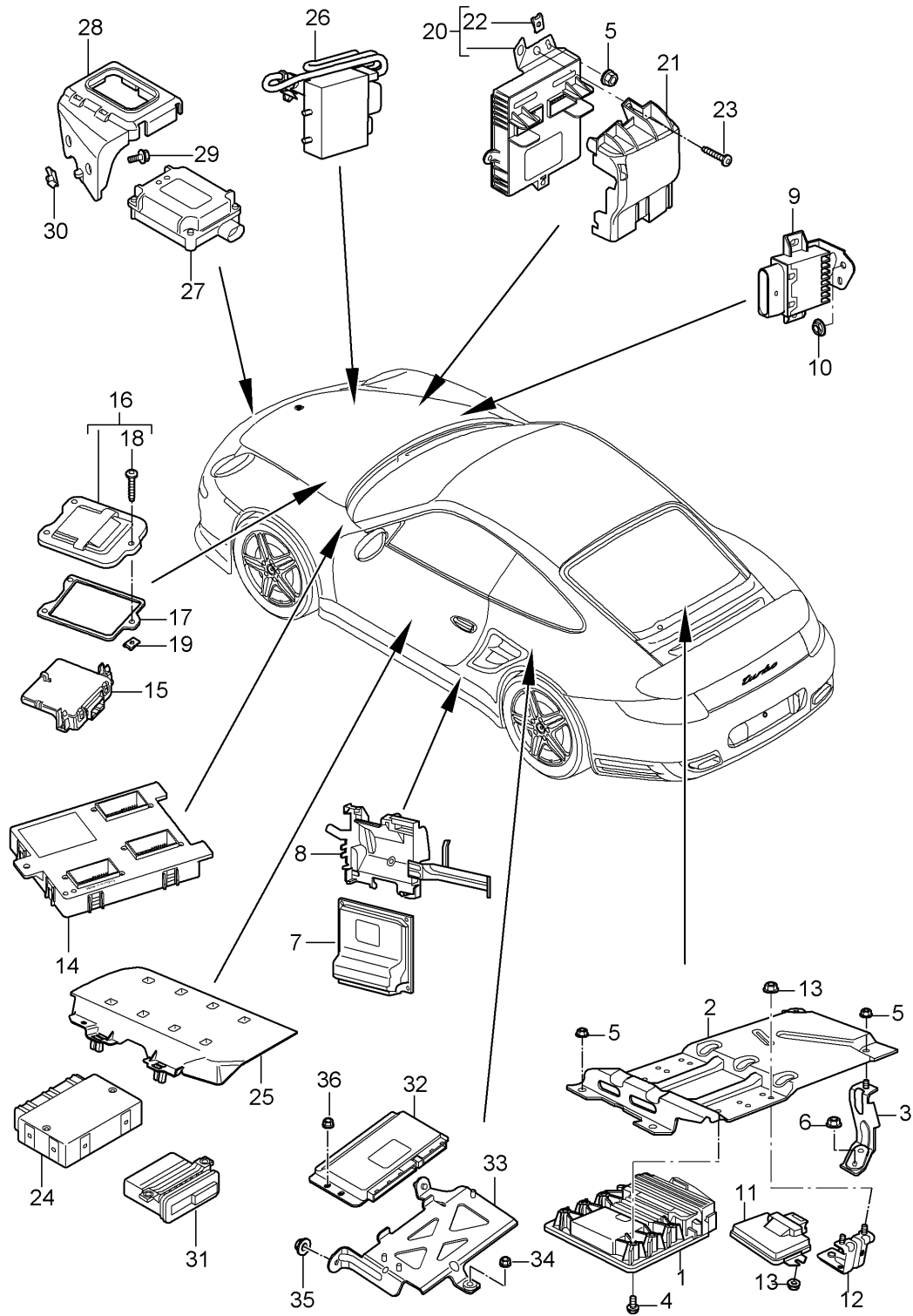
Model: 997T10

Model life 2010>>2013

Pos	Part Number	Description	Remark	Qty	Model
1	9A1 602 104 02	Ignition system Ignition coil Discontinued part		6	A170
1	9A1 602 104 03	Ignition coil		6	A170
1	997 602 104 00	ignition coil with spark plug connector		1	9770
2	999 170 228 90	Spark plug FR6 NPP		6	A170
2	999 170 103 90	Spark plug FR6 DPP332		6	9770
3	999 073 103 01	flat round head bolt M 6 X 16		6	A170
3	900 387 008 01	Socket head bolt M 6 X 25		2	9770
3	900 385 025 01	Torx screw M 6 X 40		10	9770

Model: 997T10

Model life 2010>>2013



Model: 997T10

Model life 2010>>2013

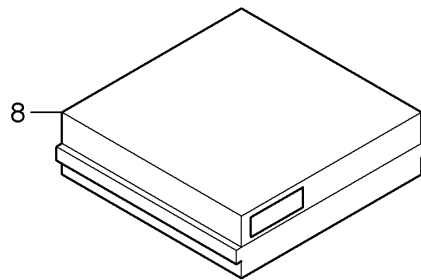
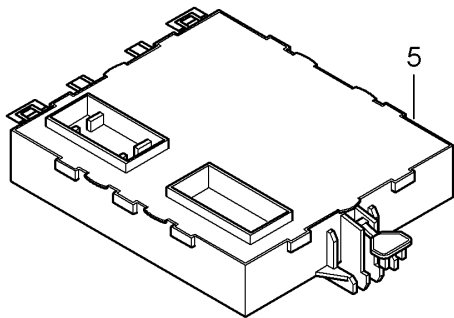
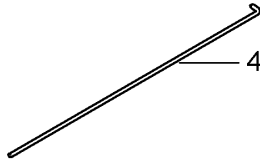
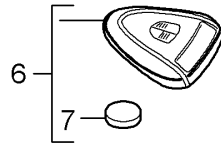
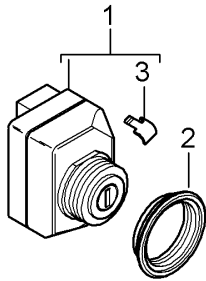
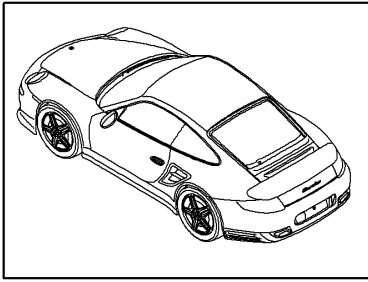
Pos	Part Number	Description	Remark	Qty	Model
1	997 618 607 05	Control units Control unit		1	TURBO/S
1	997 618 602 03	- dme - Control unit		1	GT2/RS
2	997 618 133 00	- dme - Retainer for control units		1	COUPE
(2)	996 618 129 01	- dme - Retainer for control units		1	GT2/RS
(2)	997 618 141 00	- dme - Retainer for control units		1	CABRIO
3	997 618 134 00	Bracket		1	COUPE
4	999 141 044 09	fillister hd. bolt M 6 X 16		6	TURBO/S
(4)	999 073 189 01	flat round head bolt M 6 X 12		6	GT2/RS
5	999 084 629 01	Hexagon nut M 6		4	COUPE
(5)	999 073 228 09	panel screw 4,8 X 13		3	CABRIO
6	999 049 025 09	Collar nut T 5		2	COUPE
7	997 618 270 33	Control unit - PDK -		1	PR:250
7	997 618 270 40	Discontinued part Control unit - PDK -		1	PR:250
8	997 618 255 00	Retainer for control units - PDK -		1	PR:250
9	997 618 025 01	Control unit for fuel pump		1	PR:663
9	997 618 027 00	Control unit for fuel pump		1	PR:663,676
10	999 049 025 09	Collar nut T 5		2	
-		Control unit Convertible top control see illustration:	811-015	1	CABRIO
11	997 618 195 20	Control unit for four-wheel drive Discontinued part		1	TURBO/S
11	997 618 195 21	Control unit for four-wheel drive		1	TURBO/S
12	997 618 143 00	Bracket Control unit All-wheel		2	COUPE
13	900 377 010 01	Hexagon nut M 6		6	COUPE
14	997 618 516 01	Onboard supply control unit		1	
15	997 610 107 04	Control unit for gateway		1	
16	997 572 419 03	Cover		1	
17	997 572 221 00	Seal		1	
18	900 143 094 09	panel screw ST 4,8 X 19		3	
19	999 591 855 01	panel nut ST 4,8		3	
20	997 618 513 01	Control unit FRONT luggage compartment		1	
21	997 551 736 01	Cover for control unit		1	
22	999 507 462 09	panel nut 4,8		1	
23	999 073 061 02	panel screw 4,8 X 16		1	

Model: 997T10 Model life 2010>>2013

Pos	Part Number	Description	Remark	Qty	Model
24	997 618 260 08	Control unit Rear end		1	
25	997 618 381 00	bracket for parking aid control unit		1	
26	997 618 436 03	Control unit Cooling air control		1	TURBO/S
26	997 618 436 92	Control unit Cooling air control		1	GT2/RS
27	997 618 225 03	Control unit for opening garage door		1	PR:608
27	997 618 227 02	Control unit for opening garage door		1	PR:607
27	997 618 227 03	Discontinued part Control unit for opening garage door		1	PR:607
28	997 618 257 00	Bracket Control unit Garage door opener		1	
(28)	997 618 367 80	Bracket Additional support Control unit Garage door opener		1	GT2/RS
29	900 075 505 01	Bolt with washer M 6 X 20		2	
30	999 591 882 01	panel nut M 6		2	
31	997 618 183 01	Control unit for parking aid Sensor		1	PR:635
32	997 618 465 03	Control unit Unit mount	see illustration: 802-005	1	PR:140
32	997 618 465 04	Control unit Unit mount		1	PR:140
33	997 618 163 00	Retainer for control units Unit mount		1	COUPE PR:140
34	999 703 236 40	Plastic nut		1	COUPE PR:140
35	999 703 496 40	Rubber bush T 5		2	COUPE PR:140
36	900 377 010 02	Hexagon nut M 6		3	COUPE PR:140

Model: 997T10

Model life 2010>>2013



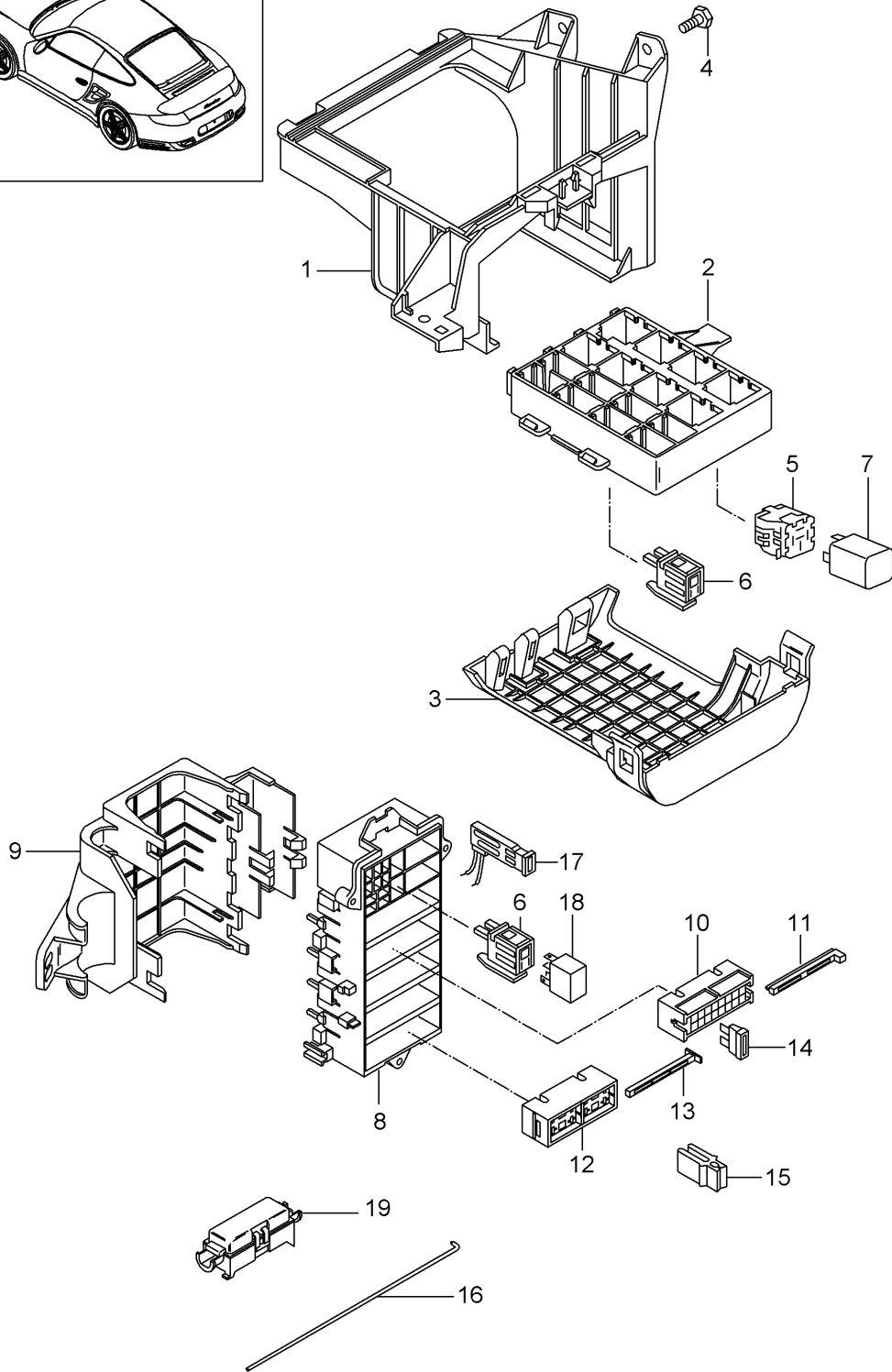
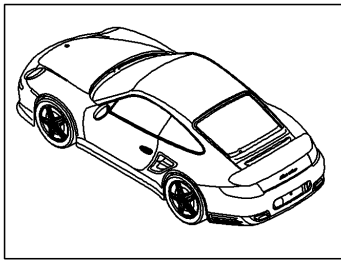
Model: 997T10

Model life 2010>>2013

Pos	Part Number	Description	Remark	Qty	Model
1	997 618 159 04	Control units Ignition/starter switch PORSCHE ACCES SYSTEM Control unit		1	
2	997 618 759 00	Ignition/starter switch Nut		1	
3	997 618 361 00	Cover Release		1	
4	970 618 761 00	Handheld transmitter Emergency operation Release		1	
5	997 618 171 16	Ignition/starter switch Control unit for central locking		1	PR:524
5	997 618 172 16	PORSCHE ACCESS SYSTEM Control unit for central locking		1	PR:525
-	997 612 053 00	PORSCHE ACCESS SYSTEM Connecting line Aerial amplifier Control unit POS. 5	lhd	1	PR:098,665
-	997 612 053 01	Connecting line Aerial amplifier Control unit POS. 5	lhd	1	PR:098,675
-	997 612 054 00	Connecting line Aerial amplifier Control unit POS. 5	rhd	1	PR:099,665
-	997 612 054 01	Connecting line Aerial amplifier Control unit POS. 5	rhd	1	PR:099,675
-	997 612 064 51	Aerial cable VEHICLE TRACKING SYSTEM		1	PR:674
6	997 637 107 01	Handheld transmitter		1	COUPE PR:524
6	997 637 107 01	Handheld transmitter		1	CABRIO PR:524,533
6	997 637 109 01	Handheld transmitter		1	COUPE PR:525
6	997 637 109 01	Handheld transmitter		1	CABRIO PR:525,533
6	997 637 111 01	Handheld transmitter		1	COUPE PR:525 "J.."
(6)	997 637 101 01	Handheld transmitter		1	CABRIO PR:524
(6)	997 637 103 01	Handheld transmitter		1	CABRIO PR:525
(6)	997 637 105 01	Handheld transmitter		1	CABRIO PR:525 "J.."
7	999 611 108 00	Battery for hand sender		1	
8	997 618 210 01	Sensor for interior monitoring		1	
-		Alarm horn Tilt angle sensor see illustration:	903-000		PR:536,521

Model: 997T10

Model life 2010>>2013



Model: 997T10 Model life 2010>>2013

Pos	Part Number	Description	Remark	Qty	Model
		central electrics dashboard			
1	997 610 117 01	bracket for relay bracket	lhd	1	PR:098
(1)	997 610 118 00	bracket for relay bracket	rhd	1	PR:099
2	997 610 110 01	relay plate Mounting frame		1	
3	997 610 112 00	Cover Mounting frame		1	
4	900 378 155 01	Hexagon bolt M 6 X 16 ASP		2	
(4)	900 377 010 01	Hexagon nut M 6		1	
5	928 610 511 00	relay plate		X	
6	999 650 538 40	relay plate		X	
7		Relay			
(7)	999 657 015 90	Relay Fuel pump		1	
		relay location/code no.:	S1		
(7)	999 657 015 90	Relay Fuel pump		1	
		relay location/code no.:	S2		
(7)	999 657 014 90	Relay KL. 86S		1	
		relay location/code no.:	S4		
(7)	999 657 013 90	Relay - dme -		1	
		relay location/code no.:	S11		
(7)	999 657 013 90	Relay heater		1	
		relay location/code no.:	S12		
(7)	999 657 013 90	Relay Headlight washer system		1	PR:288
		relay location/code no.:	S14		
(7)	999 657 013 90	Relay Starter		1	
		relay location/code no.:	S15		
(7)	999 657 013 90	Relay KL. 15		1	
		relay location/code no.:	S16		
8	997 610 340 00	Carrier		1	
9	997 610 341 00	Cover		1	
10	999 650 209 40	fuse holder		4	
11	999 650 210 40	slide valve		4	
12	999 650 750 40	fuse holder		1	
13	999 650 749 40	slide valve		1	
14	999 607 082 00	fuse 5 A		X	
(14)	999 607 083 00	fuse 7 , 5 A		X	
(14)	999 607 084 00	fuse 10 A		X	
(14)	999 607 085 00	fuse 15 A		X	
(14)	999 607 087 00	fuse 25 A		X	
(14)	999 607 088 00	fuse 30 A		X	
(14)	999 607 072 00	fuse 30 A		X	
(14)	999 607 073 00	Large fuse 40 A Large		X	

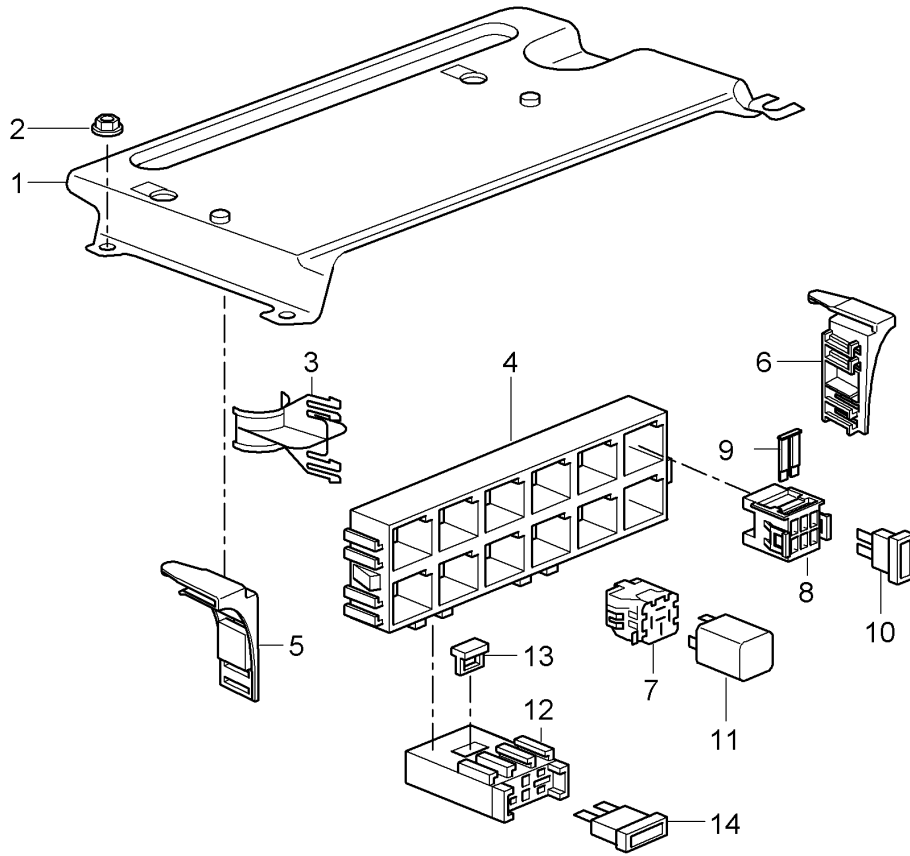
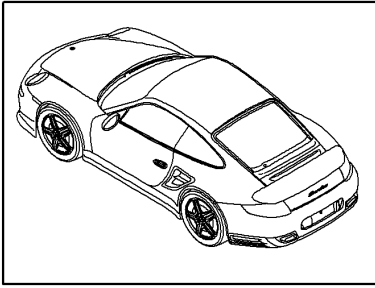
Model: 997T10

Model life 2010>>2013

Pos	Part Number	Description	Remark	Qty	Model
15	999 107 300 40	Tool		X	
-	997 610 195 25	Assignment sticker fuse		X	
16	970 618 761 00	Emergency operation Release Ignition/starter switch		1	
-		Emergency operation Cover			
17	996 610 240 00	Terminal clamp		1	
18	999 657 014 90	Relay		1	
19	997 610 915 00	fuse holder		1	
		with:			
		fuse 80 A for Cooling air control			
-		Cover for housing fuse		X	
		see illustration:	807-002		

Model: 997T10

Model life 2010>>2013



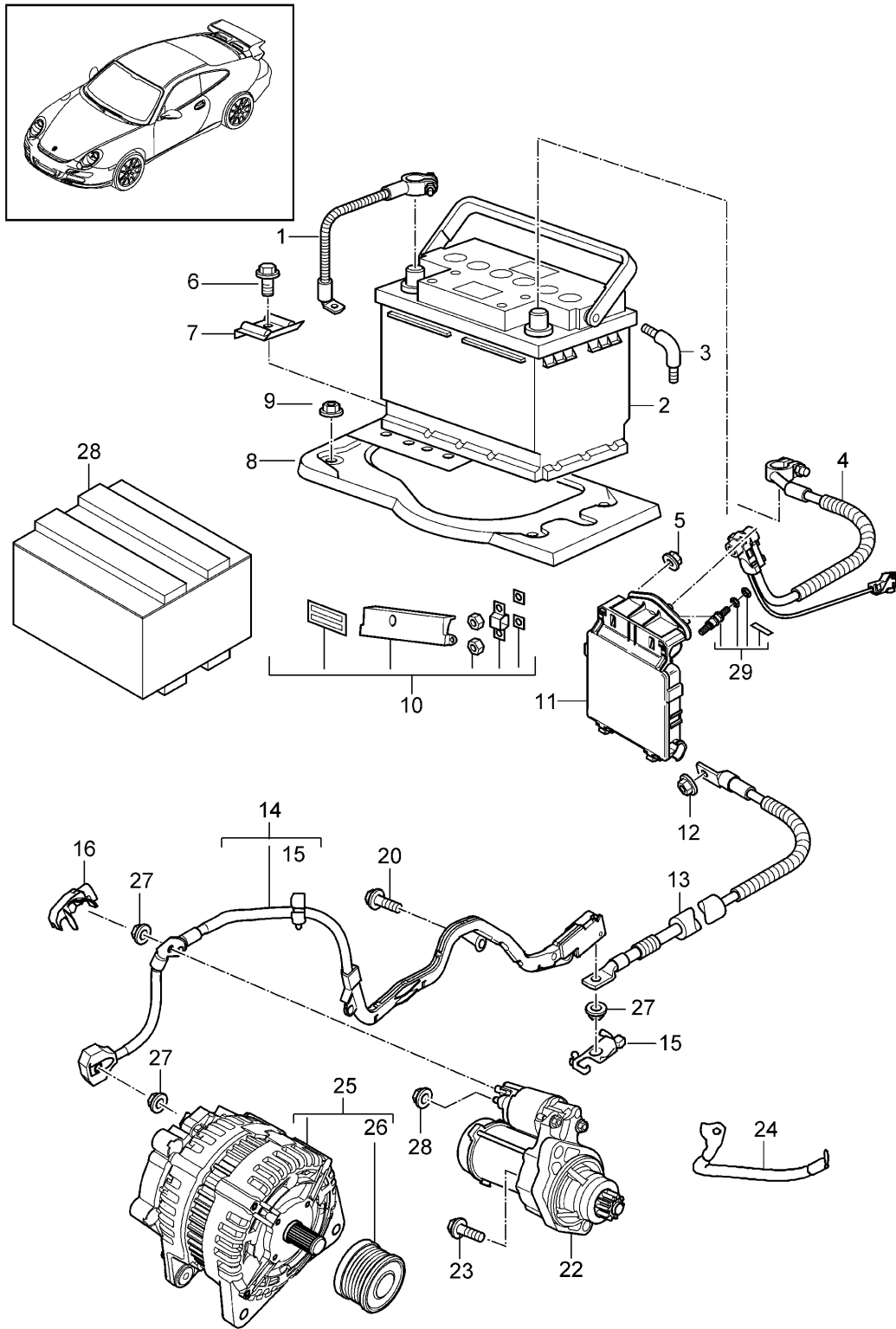
Model: 997T10

Model life 2010>>2013

Pos	Part Number	Description	Remark	Qty	Model
		central electrics			
		Rear end			
(1)	996 610 229 03	mounting plate		1	COUPE
2	999 084 629 01	Hexagon nut		2	
		M 6			
3	996 610 112 00	Cable holder		1	
4	996 610 111 00	relay plate		X	
		Mounting frame			
5	987 610 118 00	bracket for relay bracket	right	1	COUPE
(5)	996 610 126 00	bracket for relay bracket	right	1	CABRIO
6	987 610 117 00	bracket for relay bracket	left	1	COUPE
(6)	996 610 127 00	bracket for relay bracket	left	1	CABRIO
-	996 610 128 00	Retaining clip		2	CABRIO
-	999 074 059 01	flat round head bolt		2	CABRIO
		M 5			
7	928 610 511 00	relay plate		X	
8	999 650 747 40	fuse holder		1	
9	999 650 748 40	Locking mechanism		1	
10	999 607 084 00	fuse		X	
		10 A			
10	999 607 098 00	fuse		X	
		3 A			
11		Relay			
(11)	999 657 013 90	Relay		1	COUPE
		Rear window heating			
		relay location/code no.:	S1		
(11)	996 615 112 00	Relay		1	CABRIO
		Rear window heating			
		relay location/code no.:	S2		
(11)	999 657 016 90	Relay		1	
		Fan			
		Engine bay			
		relay location/code no.:	S7		
(11)	999 657 016 90	Relay		1	
		Fan			
		Engine bay			
		relay location/code no.:	S8		
(11)	999 657 017 90	Relay		1	PR:661
		Secondary pump			
		relay location/code no.:	S9		
12	999 650 193 40	fuse holder		3	
13	999 650 371 40	Locking mechanism		3	
14	999 607 073 00	fuse		X	
		40 A			
		Large			
14	999 607 077 00	fuse		X	PR:661
		60 A			
		Large			

Model: 997T10

Model life 2010>>2013



Model: 997T10 Model life 2010>>2013

Pos	Part Number	Description	Remark	Qty	Model
		Battery Power distributor Starter Alternator Battery main switch			
1	997 611 090 00	Earth line	lhd	1	PR:098
(1)	997 611 091 00	Earth line	rhd	1	PR:099
-		use if required:			
-	900 377 010 01	Hexagon nut M 6		1	
(2)	999 611 070 20	Battery 70 AH		1	
2	999 611 080 20	Battery 80 AH		1	
(2)	999 611 095 20	Battery 95 AH		1	PR:200
(2)	997 611 020 00	Battery 18 AH		1	PR:191
(2)	997 611 020 X	Battery 18 AH		1	PR:191
(2)	999 611 060 20	Battery 60 AH		1	PR:194
3	893 915 507	Elbow fitting		1	
4	997 612 993 00	repair set Wire set Battery Power distributor	lhd	1	PR:098
(4)	997 612 995 00	Discontinued part repair set Wire set Battery Power distributor	rhd	1	PR:099
(4)	997 612 908 00	Discontinued part repair set Wire set Battery Power distributor	lhd	1	PR:098
(4)	997 612 909 00	see Technical information 9789 repair set Wire set Battery Power distributor	rhd	1	PR:099
5	900 380 005 01	Nut VM 8		2	
6	900 378 017 01	Hexagon bolt M 8 X 20		1	
7	996 611 209 01	Rail Battery		1	
8	997 504 151 01	Carrier plate for battery		1	
-	996 504 622 01	Seal Carrier plate for battery		1	
9	999 084 630 01	Hexagon nut VM 8 SB		4	
10	997 610 912 00	repair set Replacement Fuse element		1	
-		comprising: Fuse element		1	

Model: 997T10 Model life 2010>>2013

Pos	Part Number	Description	Remark	Qty	Model
-		50 AMPERE Fuse element		1	
-		70 AMPERE Fuse element		1	
-		80 AMPERE Hexagon nut		4	
-		M 5 square washer		4	
-		Cover		1	
-		blue Seal label		1	
-		red repair set		1	
(10)	997 610 913 00	Replacement Fuse element comprising:			
-		Fuse element 150 AMPERE		1	
-		Hexagon nut M 8		2	
-		square washer		2	
-		Cover		1	
-		blue Seal label		1	
-		red repair set		1	
11	997 610 911 00	Replacement Power distributor comprising:			
-		Power distributor		1	
-		without: Fuse element			
-		Hexagon nut M 5		8	
-		Hexagon nut M 8		3	
-		Seal label red		1	
12	900 084 123 02	Hexagon nut M 8		1	
13	997 612 092 25	Cable Power distributor	lhd	1	TURBO PR:098,480
13	997 612 092 01	Connection point Cable Power distributor	lhd	1	GT2/RS PR:098
(13)	997 612 098 25	Starter Cable Power distributor	rhd	1	TURBO PR:099,480
(13)	997 612 098 00	Connection point Cable Power distributor	rhd	1	GT2/RS PR:099
(13)	997 612 091 25	Starter Cable Power distributor	lhd	1	TURBO PR:098,250
(13)	997 612 097 00	Connection point Cable Power distributor	rhd	1	TURBO PR:099,250
-	999 651 404 01	Connection point Cable fastener 16,0 for Mount POS. 13		1	PR:480

Model: 997T10 Model life 2010>>2013

Pos	Part Number	Description	Remark	Qty	Model
-	999 084 629 01	Hexagon nut M 6 for Cable fastener		1	PR:480
14	9A1 607 031 01	Wire set	with:	1	TURBO PR:480
(14)	997 607 031 00	Connection point Starter Alternator Wire set Starter Alternator		1	GT2/RS
(14)	9A1 607 032 00	Wire set	with:	1	TURBO PR:250
15	9A1 607 237 00	Connection point Cover		1	TURBO PR:480
(15)	9A1 607 230 00	Cover Connection point		1	TURBO PR:250
16	9A1 607 251 70	Protective cap Starter		1	TURBO
(16)	996 604 118 00	Protective cap Starter		1	GT2/RS
20	900 385 009 01	Torx screw BM 6 X 16		X	
22	9A1 604 103 00	Starter		1	TURBO
22	9A1 604 103 X	Starter		1	TURBO
22	996 604 107 02	Starter		1	GT2/RS
22	996 604 107 BX	Starter		1	GT2/RS
23	900 385 097 01	Torx screw BM 10 X 35		2	
24	9A1 607 070 00	Earth line Engine Body		1	
25	9A1 603 012 00	Alternator		1	TURBO
25	9A1 603 012 X	Alternator		1	TURBO
(25)	997 603 022 05	Alternator	with:	1	GT2/RS
(25)	997 603 022 EX	pulley Freewheel Alternator	with:	1	GT2/RS -"CN."
26	9A1 603 953 00	pulley Freewheel repair set		1	TURBO
(26)	997 603 154 00	pulley pulley	with:	1	GT2/RS
-		Freewheel Fasteners Alternator			
-	900 385 102 01	Torx screw BM 8 X 90		2	
27	900 377 003 01	Hexagon nut M 8		3	
28	900 377 010 02	Hexagon nut M 6		1	
-		Battery main switch			GT2/RS
-	997 611 027 70	Assembly kit		1	GT2/RS
-	997 611 227 70	Battery main switch		1	GT2/RS

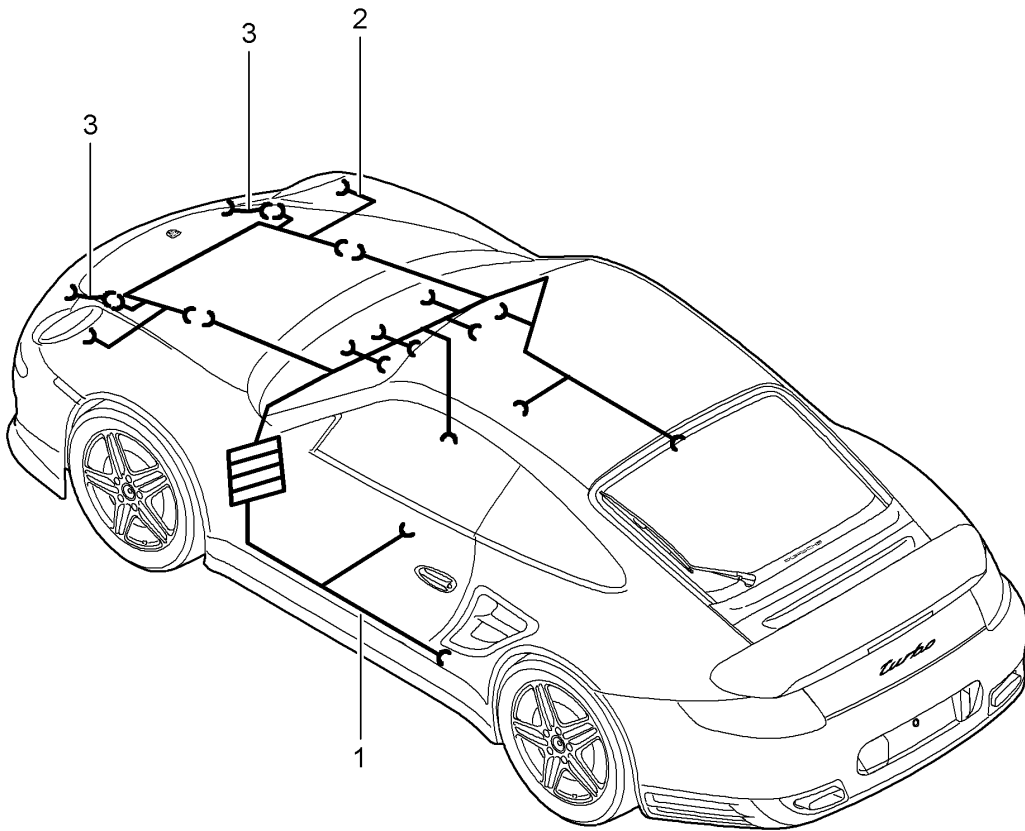
Model: 997T10

Model life 2010>>2013

Pos	Part Number	Description	Remark	Qty	Model
-	997 613 183 70	Battery main switch	outer	1	GT2/RS
-	997 613 187 70	Battery main switch	inner	1	GT2/RS
29	000 998 020	Recycling box for lithium-ion battery Lithium Ionen Starter Battery Defect		1	
30	997 610 916 00	repair set Screw bolt Power distributor comprising: Screw bolt Nut Seal label		1 1 2 1	

Model: 997T10

Model life 2010>>2013



Model: 997T10 Model life 2010>>2013

Pos	Part Number	Description	Remark	Qty	Model
1	997 622 903 00	Wiring looms Passenger compartment FRONT luggage compartment Trim Airbag Seat belt tensioner repair kits Shock absorbers anti-locking brake syst. -abs- brake pad wear display Front axle	front	1	
1	997 612 914 00	Wire set Passenger compartment Vehicle Ident. No. Indicate		1	
-	996 610 120 01	Wire set Lighting Sill trim strip		1	
-	999 651 302 40	Bracket Socket Diagnostic connector Retaining clip		X	
-	999 651 284 40	Wire set Passenger compartment Sill Retaining clip		X	
2	997 622 521 26	Wire set FRONT luggage compartment F >> 99-AS760 327 F >> 99-AS770 198		1	TURBO
2	997 622 521 27	Wire set FRONT luggage compartment F 99-AS760 328>> F 99-AS770 199>>		1	PR:601 TURBO
2	997 612 522 77	Wire set FRONT luggage compartment F >> 99-AS760 327 F >> 99-AS770 198		1	PR:601 TURBO
2	997 622 522 78	Wire set FRONT luggage compartment F 99-AS760 328>> F 99-AS770 199>>		1	PR:603 TURBO
2	997 622 521 76	Wire set FRONT luggage compartment		1	PR:603 GT2/RS
2	997 612 520 26	Wire set FRONT luggage compartment		1	PR:601 GT2/RS
-	997 610 215 01	Cable guide for Sensor Airbag		2	PR:600
3	997 622 501 25	Wire set Trim	front	2	TURBO
(3)	997 622 501 81	Wire set Trim	front	2	GT2/RS
-	997 612 781 25	Wire set Airbag		1	

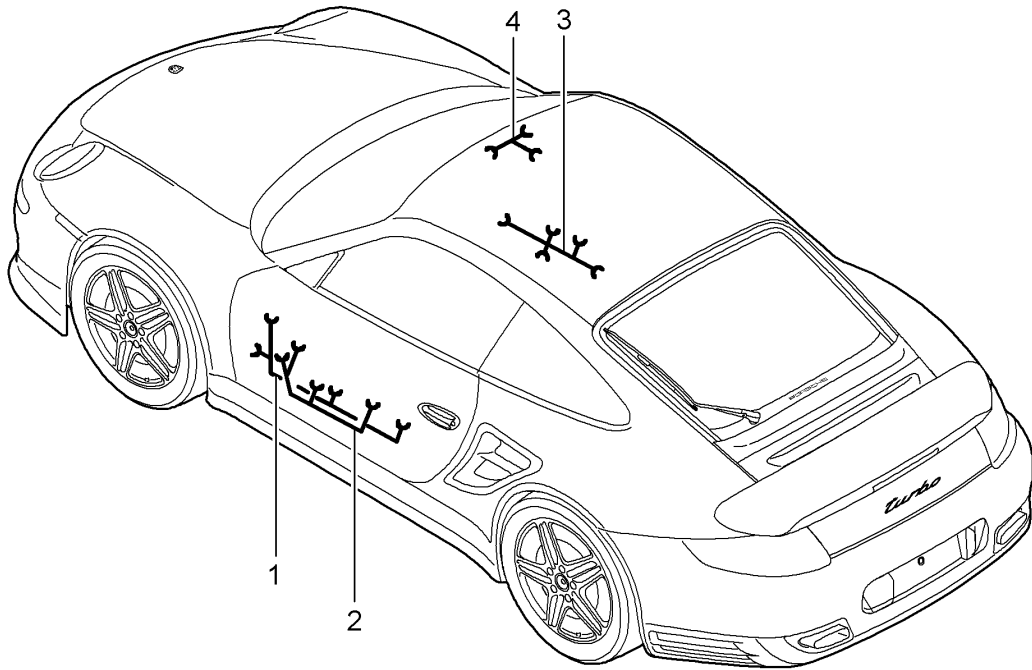
Model: 997T10

Model life 2010>>2013

Pos	Part Number	Description	Remark	Qty	Model
-	997 612 783 25	(passenger side) Setting 1 Connector green Wire set Airbag		1	
-	997 612 992 00	(passenger side) Setting2 Connector yellow Wire set Control unit Airbag Connection point Door		2	
-		Wire set Airbag Seat			
-	997 612 793 01	see illustration: Wire set Seat belt tensioner	817-006	2	
-	997 612 950 00	repair set Wire set Shock absorbers	front	2	TURBO PR:475
-		repair set Wire set anti-locking brake syst. -abs- brake pad wear display Front axle			
-	997 612 965 00	Repair set for front axle Wire set	left front	1	
-	997 612 964 00	Repair set for front axle Wire set	right front	1	
-	999 513 049 40	use if required: Cable ties repair set Wire set Rear axle		4	
-		see illustration:	902-020		

Model: 997T10

Model life 2010>>2013



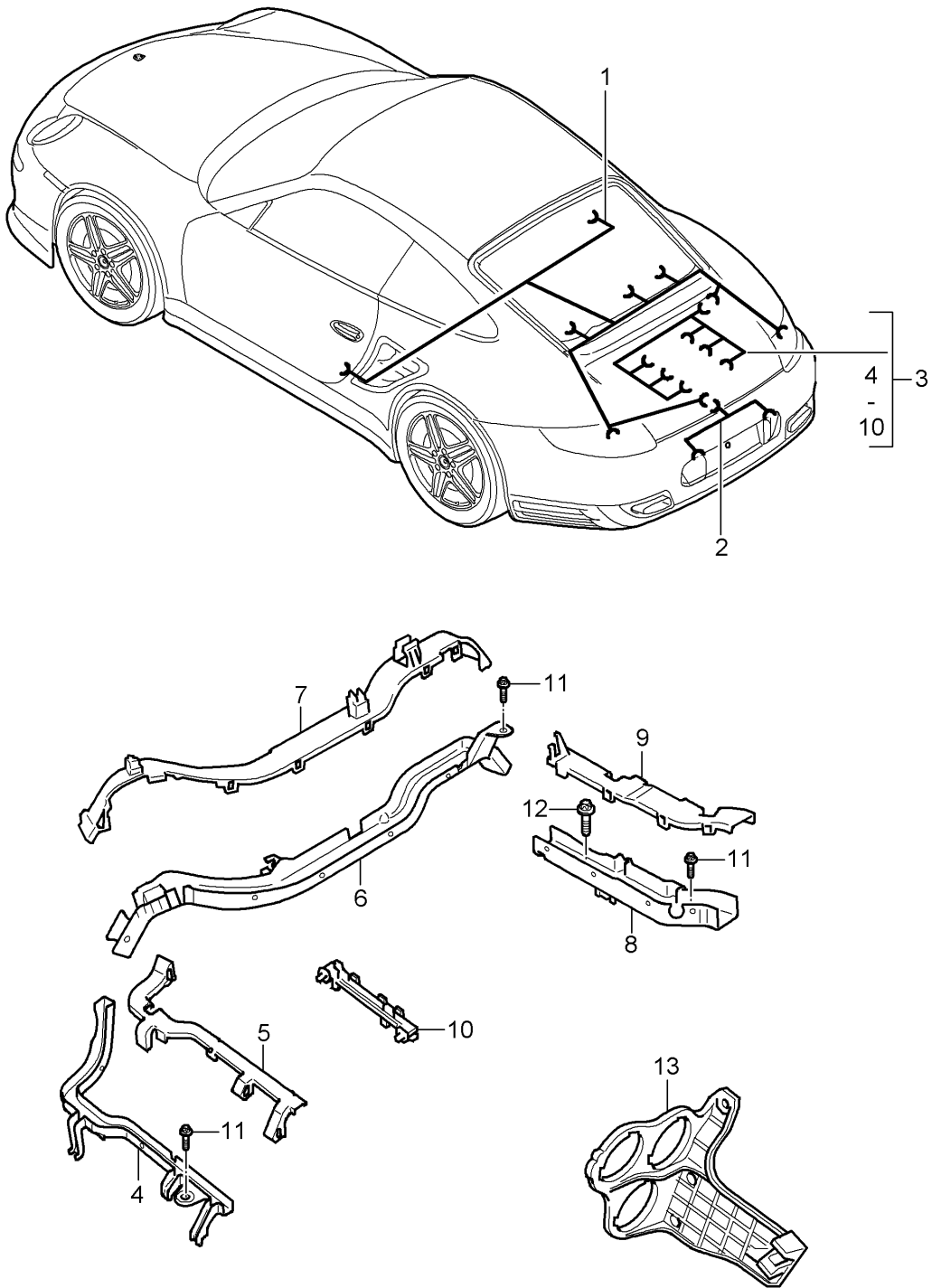
Model: 997T10

Model life 2010>>2013

Pos	Part Number	Description	Remark	Qty	Model
		Wiring looms doors Airbag Centre console Glove box Convertible top control Support frame			
1	997 612 642 07	Wire set	lhd	1	PR:098
		Assembly frame Driver's door			
(1)	997 612 644 57	Wire set	rhd	1	PR:099
		Assembly frame Driver's door			
(1)	997 612 643 57	Wire set	lhd	1	PR:098
		Assembly frame Passenger's door			
(1)	997 612 645 07	Wire set	rhd	1	PR:099
		Assembly frame Passenger's door			
-	997 612 780 16	Wire set		2	
2	997 612 647 10	Wire set	lhd	1	PR:098
		door panel Driver's door			
(2)	997 612 650 10	Wire set	rhd	1	PR:099
		door panel Driver's door			
(2)	997 612 648 10	Wire set	lhd	1	PR:098
		door panel Passenger's door			
(2)	997 612 649 10	Wire set	rhd	1	PR:099
		door panel Passenger's door			
3	997 612 652 75	Wire set		1	
4	997 612 651 00	Wire set		1	
		Glove box			
-		Wire set		1	CABRIO
		Convertible top control			
		see illustration:	811-015		
-		Wire set		1	CABRIO
		Support frame			
		see illustration:	811-015		

Model: 997T10

Model life 2010>>2013



Model: 997T10 Model life 2010>>2013

Pos	Part Number	Description	Remark	Qty	Model
1	997 622 905 00	Wiring looms Rear end Rear lid Licence plate light Engine Gearbox repair kits Shock absorbers anti-locking brake syst. -abs- brake pad wear display Rear axle Wire set Rear end Vehicle Ident. No. Indicate		1	GT2/RS
-	997 622 670 70	Wire set Rear lid		1	GT2/RS
2	997 612 660 01	Wire set Licence plate light		1	
(2)	997 612 661 25	Wire set Parking aid Licence plate light		1	PR:635
-	999 507 944 40	Retaining clip for Connection point POS.2		1	
3	9A1 607 015 02	Wire set Engine M >> B 02510		1	TURBO
3	9A1 607 015 03	Wire set Engine M B 02511 >>		1	TURBO
(3)	997 607 015 03	Wire set Engine		1	GT2/RS
-	999 702 324 40	Grommet Air mass meter		1	
4	9A1 607 115 00	Cable guide Cyl. 1 - 3		1	TURBO
(4)	997 607 141 00	Cable guide Cyl. 1 - 3		1	GT2/RS
5	9A1 607 125 00	Cover Cable guide Cyl. 1 - 3		1	TURBO
(5)	997 607 151 00	Cover Cable guide Cyl. 1 - 3		1	GT2/RS
6	9A1 607 110 00	Cable guide	center	1	TURBO
(6)	997 607 143 00	Cable guide	center	1	GT2/RS
7	9A1 607 120 01	Cover Cable guide	center	1	TURBO
(7)	997 607 153 00	Cover Cable guide	center	1	GT2/RS
8	9A1 607 116 00	Cable guide Cyl. 4 - 6		1	TURBO
(8)	997 607 142 01	Cable guide Cyl. 4 - 6		1	GT2/RS
9	9A1 607 126 00	Cover Cable guide Cyl. 4 - 6		1	TURBO
(9)	997 607 152 00	Cover Cable guide Cyl. 4 - 6		1	GT2/RS
10	9A1 607 113 00	Cable guide		2	TURBO

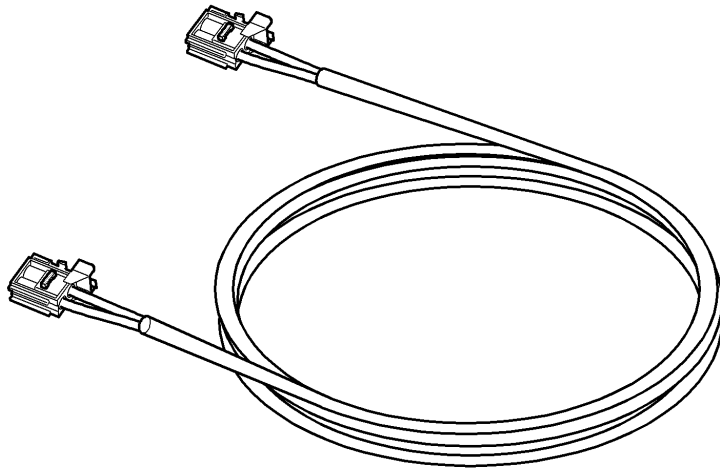
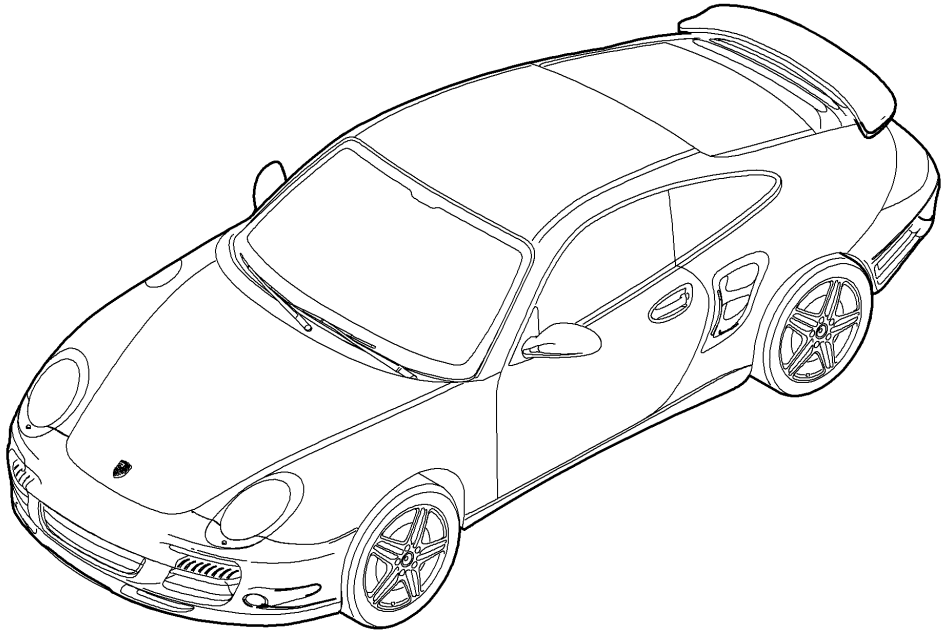
Model: 997T10

Model life 2010>>2013

Pos	Part Number	Description	Remark	Qty	Model
11	900 385 009 01	Fuel collection pipe Torx screw BM 6 X 16		4	
12	900 385 044 01	Torx screw BM 8 X 16		1	
13	997 610 131 00	Bracket Connection point Wire set Engine		1	
-	997 612 950 00	repair set Wire set Shock absorbers	rear	2	PR:475
-		repair set Wire set anti-locking brake syst. -abs- brake pad wear display Rear axle			
-	997 612 967 00	Repair set for rear axle Wire set	left rear	1	
-	997 612 966 00	Repair set for rear axle Wire set	right rear	1	
-		repair set Wire set Front axle see illustration:	902-010		

Model: 997T10

Model life 2010>>2013



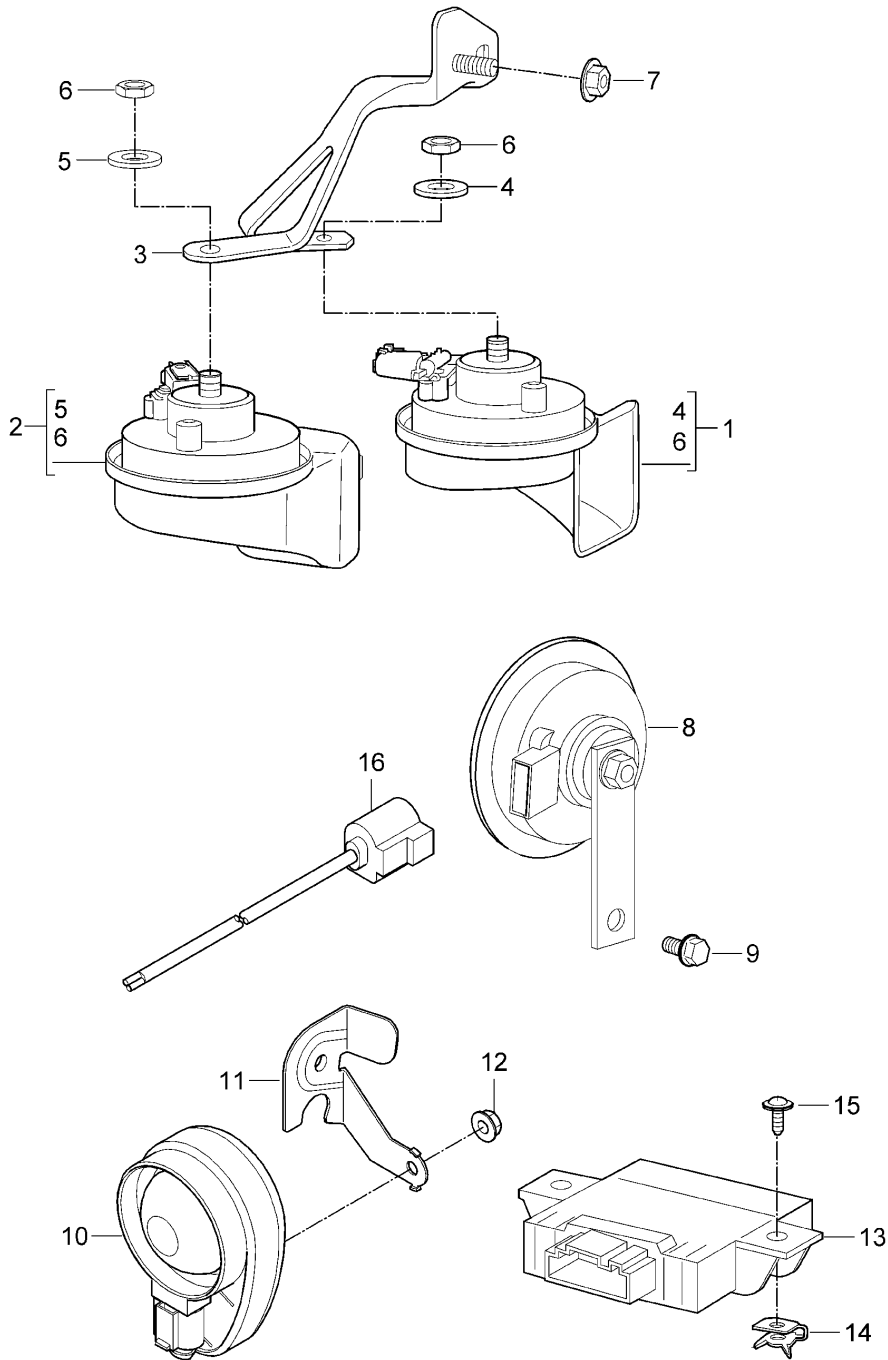
Model: 997T10

Model life 2010>>2013

Pos	Part Number	Description	Remark	Qty	Model
-	997 622 701 25	fibre optic wave conductor fibre optic wave conductor Module	lhd	1	PR:098,665, 680
-	997 622 701 75	fibre optic wave conductor Module	rhd	1	PR:099,665, 680
-	997 622 704 25	fibre optic wave conductor Module	lhd	1	PR:098,665, 676,680
-	997 622 704 75	fibre optic wave conductor Module	rhd	1	PR:099,665, 676,680
-	999 650 091 40	Plug inserts fibre optic wave conductor		X	

Model: 997T10

Model life 2010>>2013



Model: 997T10

Model life 2010>>2013

Pos	Part Number	Description	Remark	Qty	Model
1	997 635 206 04	Fanfare Signal horn alarm system		1	
1	997 635 216 00	Fanfare High-pitched No longer use the part here		1	
-	997 612 947 00	Adapter cable see Technical information GR.9 NR.100/13 KD-NR.9050		1	
2	997 635 205 04	Fanfare Low-pitched No longer use the part here		1	
(2)	997 635 215 00	Fanfare Low-pitched see Technical information GR.9 NR.100/13 KD-NR.9050		1	
-	997 612 947 00	Adapter cable see Technical information GR.9 NR.100/13 KD-NR.9050		1	
3	997 635 150 05	Bracket for fanfare		1	
4		Washer High-pitched		1	
5		Washer Low-pitched		1	
6	900 034 001 04	Nut M 8		2	
7	900 377 003 03	Hexagon nut M 8		1	
8	996 637 117 03	Signal horn for alarm system		1	
8	996 637 117 05	Signal horn for alarm system Replacement for 996.637.117.03		1	
9	900 075 459 01	Bolt with washer M 6 X 12 Z2	use if required: 9P1 998 003 A	1	
10	955 618 237 01	Alarm horn		1	PR:536
11	997 637 419 01	Bracket		1	PR:536
12	900 380 015 01	Hexagon nut M 6		1	PR:536
13	997 618 265 00	Control unit Tilt angle sensor		1	PR:521
14	999 591 742 01	panel nut 4,2		2	PR:521
15	999 073 155 09	panel screw 4,2 X 13		2	PR:521
16	9P1 998 003 A	Wire set		1	

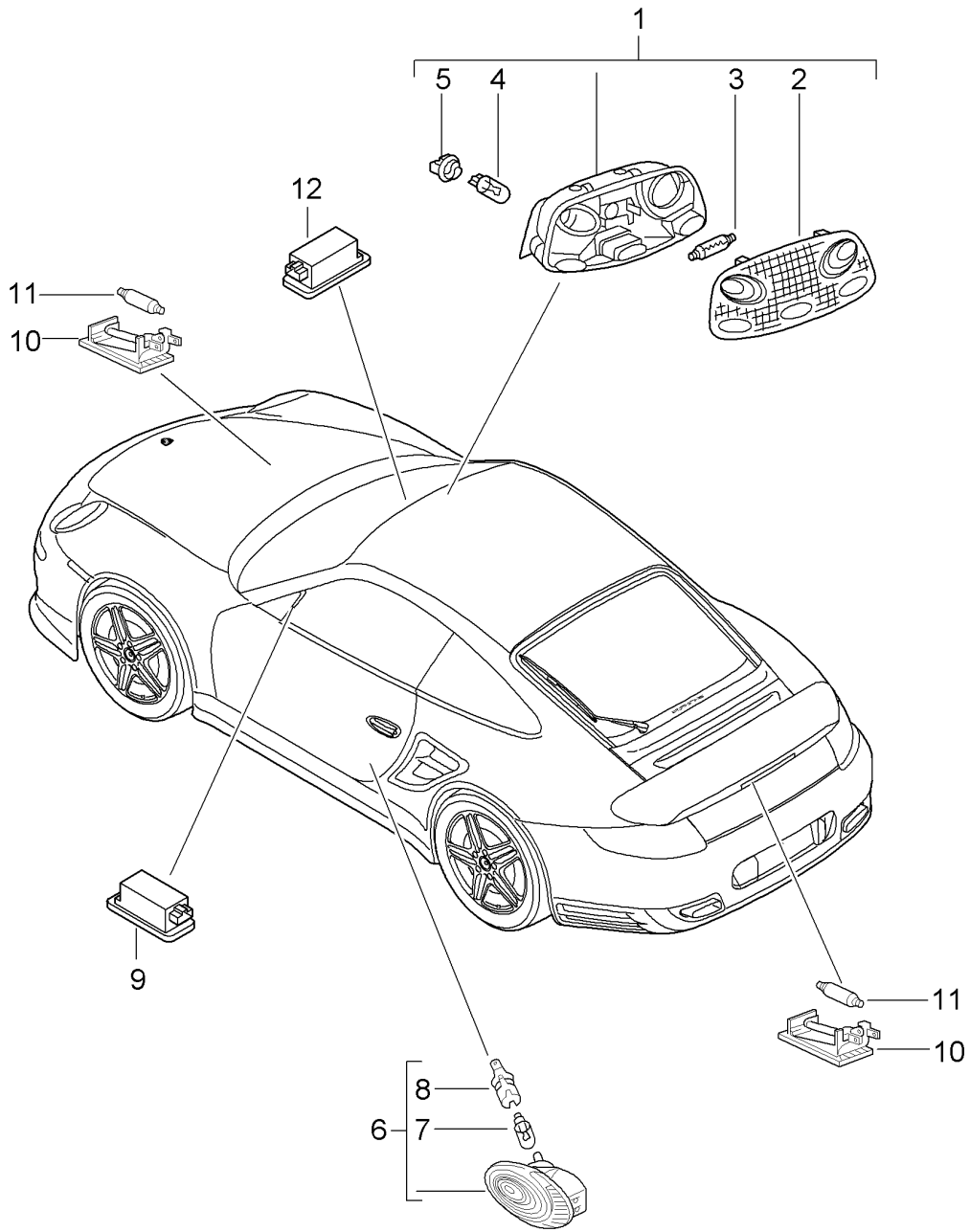
Model: 997T10

Model life 2010>>2013

Pos	Part Number	Description	Remark	Qty	Model
		Modification kit Signal horn			

Model: 997T10

Model life 2010>>2013



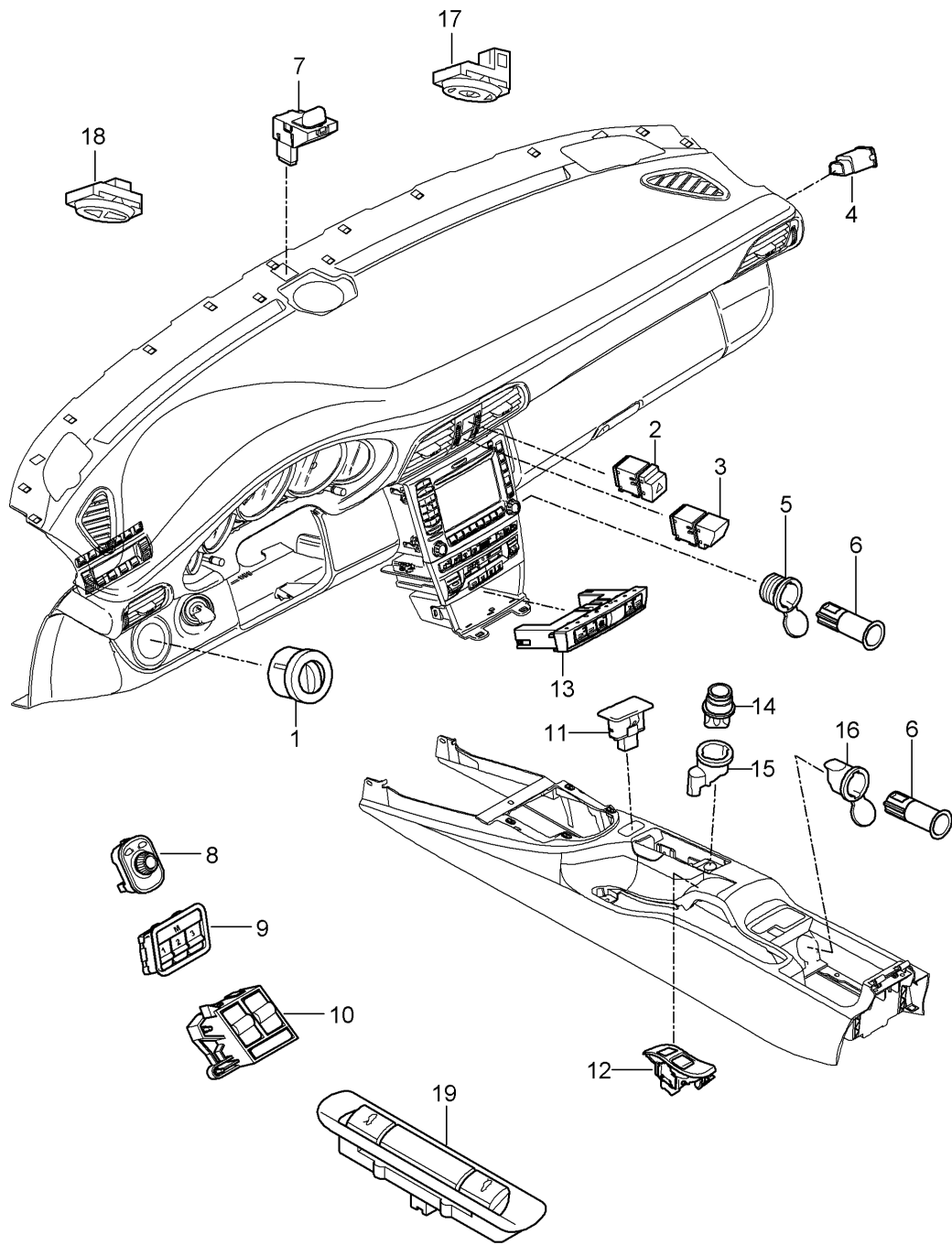
Model: 997T10

Model life 2010>>2013

Pos	Part Number	Description	Remark	Qty	Model
		Interior lights			
		Luggage compartment lamp			
		Engine compartment light			
		Glove box light			
		Footwell light			
1	997 632 051 00	interior light		1	
2	996 632 151 00	Lens		1	
3	900 631 106 90	Linolite lamp		1	
		10 W			
4	999 631 134 90	bulb		2	
		6 W			
5	999 632 018 00	Bulb holder		2	
6	996 632 132 01	Door warning light		2	
7	999 631 032 90	bulb		2	
		5 W			
8	161 949 111	Bulb holder		2	
9	955 632 202 00	Light		2	
		Footwell			
10	997 632 201 00	Light		2	
		Engine bay			
		Luggage compartment			
11	900 631 106 90	Linolite lamp		2	
		10 W			
12	997 632 071 00	Glove box light		1	
-	999 631 147 90	bulb		4	
		3 W			
		Vanity mirror			

Model: 997T10

Model life 2010>>2013



Model: 997T10 Model life 2010>>2013

Pos	Part Number	Description	Remark	Qty	Model
1	997 613 525 00	Switch switch for lighting		1	PR:605
	997 613 525 00 A05	Matt black			
2	997 613 120 02	Hazard warning light sw. Discontinued part		1	
	997 613 120 02 A05	Matt black			
2	997 613 120 03	Hazard warning light sw.		1	
	997 613 120 03 A05	Matt black			
3	997 613 143 00	Switch Central locking system		1	
	997 613 143 00 A05	Matt black			
4	955 613 165 02	Switch		1	
		Airbag			
	955 613 165 02 9B9	Satin black			
5	997 652 103 00	clamping ring		1	
		with:			
		Cover			
6	955 652 107 00	Socket		2	
7	997 653 251 00	Sensor		1	PR:573
		Air conditioning			
8	997 613 241 01	Switch Exterior mirror		1	
	997 613 241 01 A05	Matt black			
9	997 613 103 00	Memory switch Discontinued part	left	1	PR:537
	997 613 103 00 A05	Matt black			
9	997 613 103 01	Memory switch	left	1	PR:537
	997 613 103 01 A05	Matt black			
(9)	997 613 104 00	Memory switch	right	1	PR:538
	997 613 104 00 A05	Matt black			
10	997 613 151 05	Switch for electric window regulator (drivers side)	lhd	1	COUPE PR:098
	997 613 151 05 A05	Matt black			
(10)	997 613 152 04	Switch for electric window regulator (drivers side) Discontinued part	rhd	1	COUPE PR:099
	997 613 152 04 A05	Matt black			
(10)	997 613 152 05	Switch for electric window regulator (drivers side)	rhd	1	COUPE PR:099
	997 613 152 05 A05	Matt black			
(10)	997 613 153 04	Switch for electric window regulator (drivers side) Discontinued part	lhd	1	CABRIO PR:098
	997 613 153 04 A05	Matt black			
(10)	997 613 153 05	Switch for electric window regulator (drivers side)	lhd	1	CABRIO PR:098
	997 613 153 05 A05	Matt black			
(10)	997 613 154 04	Switch for electric window regulator (drivers side) Discontinued part	rhd	1	CABRIO PR:099
	997 613 154 04 A05	Matt black			
(10)	997 613 154 05	Switch for electric window regulator (drivers side)	rhd	1	CABRIO PR:099
	997 613 154 05 A05	Matt black			
(10)	997 613 156 04	Switch for electric window regulator	lhd	1	PR:098

Model: 997T10 Model life 2010>>2013

Pos	Part Number	Description	Remark	Qty	Model
(10)	997 613 156 04 A05 997 613 156 05	(passenger side) Discontinued part Matt black Switch for electric window regulator (passenger side)	lhd	1	PR:098
(10)	997 613 156 05 A05 997 613 155 04	Matt black Switch for electric window regulator (passenger side)	rhd	1	PR:099
11	997 613 155 04 A05 997 641 165 01	Matt black warning lamp Airbag		1	
(12)	997 641 165 01 A05 997 613 141 11	Matt black Switch for convertible roof control		1	CABRIO
(13)	997 613 141 11 A05 997 613 547 01	Matt black Combined switch D >> - MJ 2011		1	TURBO/S PR:475,476,480,639,640
(13)	997 613 547 01 A05 997 613 547 02	Matt black Combined switch D - MJ 2012>>		1	TURBO/S PR:475,476,480,639,640
(13)	997 613 547 02 A05 997 613 559 01	Matt black Combined switch D >> - MJ 2011		1	TURBO/S PR:250,475,476,639,640
(13)	997 613 559 01 A05 997 613 559 02	Matt black Combined switch D - MJ 2012>>		1	TURBO/S PR:250,475,476,639,640
(13)	997 613 559 02 A05 997 613 545 01	Matt black Combined switch D >> - MJ 2011		1	TURBO/S PR:475,476
(13)	997 613 545 01 A05 997 613 545 02	Matt black Combined switch D - MJ 2012>>		1	TURBO/S PR:475,476
(13)	997 613 545 02 A05 997 613 539 81	Matt black Combined switch		1	GT2/RS PR:475
14	997 613 539 81 A05 997 652 101 00	Matt black Cigarette lighter		1	
15	997 652 101 00 A05 7PP 919 341	Matt black Spring pin Headlight unit		1	
16	997 652 104 00	clamping ring		1	
17	997 613 147 00	with: Cover Switch Sunroof Discontinued part		1	PR:650
17	997 613 147 00 A05 997 613 147 01	Matt black Switch Sunroof		1	PR:650
18	997 613 147 01 A05 997 613 225 02	Matt black Switch Garage door opener	left	1	PR:607,608
(18)	997 613 225 02 A05 997 613 227 01	Matt black Switch Garage door opener Discontinued part	right	1	PR:607,608
	997 613 227 01 A05	Matt black			

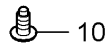
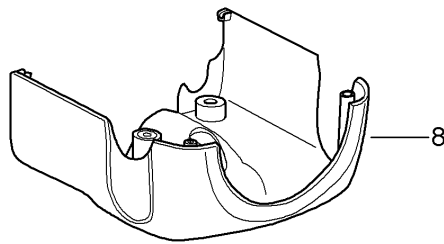
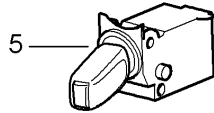
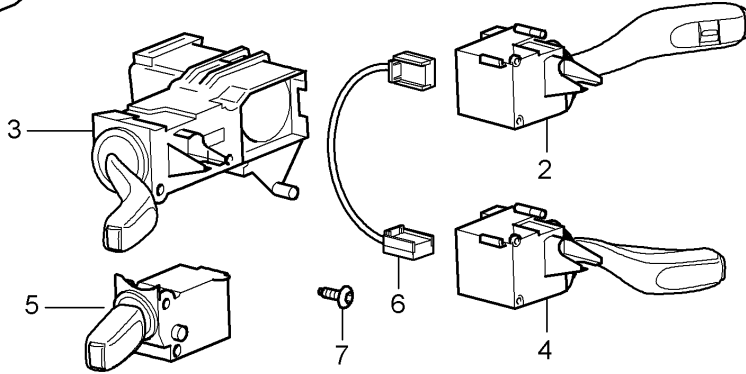
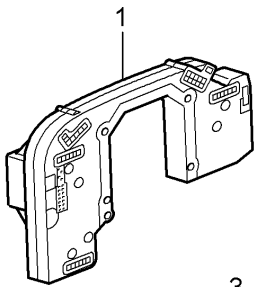
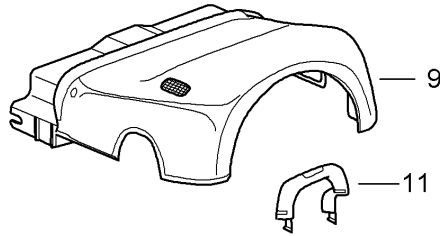
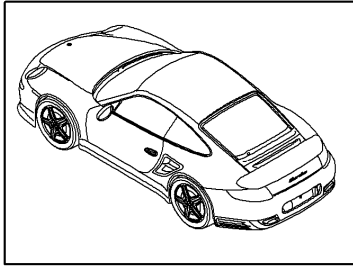
Model: 997T10

Model life 2010>>2013

Pos	Part Number	Description	Remark	Qty	Model
(18)	997 613 227 02	Switch Garage door opener	right	1	PR:607,608
	997 613 227 02 A05	Matt black			
(18)	997 613 235 00	Dummy cover		2	
	997 613 235 00 01C	Satin black			
19	997 613 105 02	Switch Cover	front and rear	1	
	997 613 105 02 A05	Matt black			

Model: 997T10

Model life 2010>>2013



Model: 997T10 Model life 2010>>2013

Pos	Part Number	Description	Remark	Qty	Model
1	997 613 289 01	Steering column switch Electronic unit		1	
1	997 613 299 01	Electronic unit Discontinued part		1	PR:345
1	997 613 299 02	Electronic unit		1	PR:345
2	997 613 253 00	Wiper switch		1	PR:288
	997 613 253 00 01C	Satin black			
(2)	997 613 257 00	Wiper switch		1	PR:288,425
	997 613 257 00 01C	Satin black			
3	997 613 245 00	Direction indicator switch		1	
	997 613 245 00 01C	Satin black			
4	997 613 261 00	Switch Cruise control		1	PR:454
	997 613 261 00 01C	Satin black			
5	997 613 265 00	switch for on-board computer		1	PR:659
	997 613 265 00 01C	Satin black			
5	997 613 267 00	switch for on-board computer		1	PR:659,671
	997 613 267 00 01C	Satin black			
6	997 622 674 00	Wire set Cruise control		1	PR:454
7	N 909 068 01	Hex socket head locating bolt M 2,5 X 2,6 X 43,5-D		X	
8	997 552 475 02	Switch housing	lower	1	
	997 552 475 02 A03	Black			
(8)	997 552 475 03	Switch housing	lower	1	PR:454
	997 552 475 03 A03	Black			
8	997 552 979 00	Switch housing Leather	lower	1	PR:XNS
	997 552 979 00 A11	Black			
	997 552 979 00 5X6	Stone grey			
	997 552 979 00 8G2	Sand beige			
	997 552 979 00 3S9	sea blue			
	997 552 979 00 9S5	Terracotta			
	997 552 979 00 9V6	Cocoa			
	997 552 979 00 D12	Dark grey/natural			
	997 552 979 00 T12	Brown/natural			
	997 552 979 00 N12	Carrera Red			
(8)	997 552 979 01	Switch housing Leather	lower	1	PR:XNS,454
	997 552 979 01 A11	Black			
	997 552 979 01 5X6	Stone grey			
	997 552 979 01 8G2	Sand beige			
	997 552 979 01 3S9	sea blue			
	997 552 979 01 9S5	Terracotta			
	997 552 979 01 9V6	Cocoa			
	997 552 979 01 D12	Dark grey/natural			
	997 552 979 01 T12	Brown/natural			
	997 552 979 01 N12	Carrera Red			
9	997 552 273 02	Switch housing	upper	1	
	997 552 273 02 A03	Black			
9	997 552 997 00	Switch housing Leather	upper	1	PR:XNS
	997 552 997 00 A11	Black			
	997 552 997 00 5X6	Stone grey			
	997 552 997 00 8G2	Sand beige			
	997 552 997 00 3S9	sea blue			
	997 552 997 00 9S5	Terracotta			
	997 552 997 00 9V6	Cocoa			
	997 552 997 00 D12	Dark grey/natural			
	997 552 997 00 T12	Brown/natural			
	997 552 997 00 N12	Carrera Red			
10	999 919 136 01	fillister hd. bolt 3,5 X 18		3	

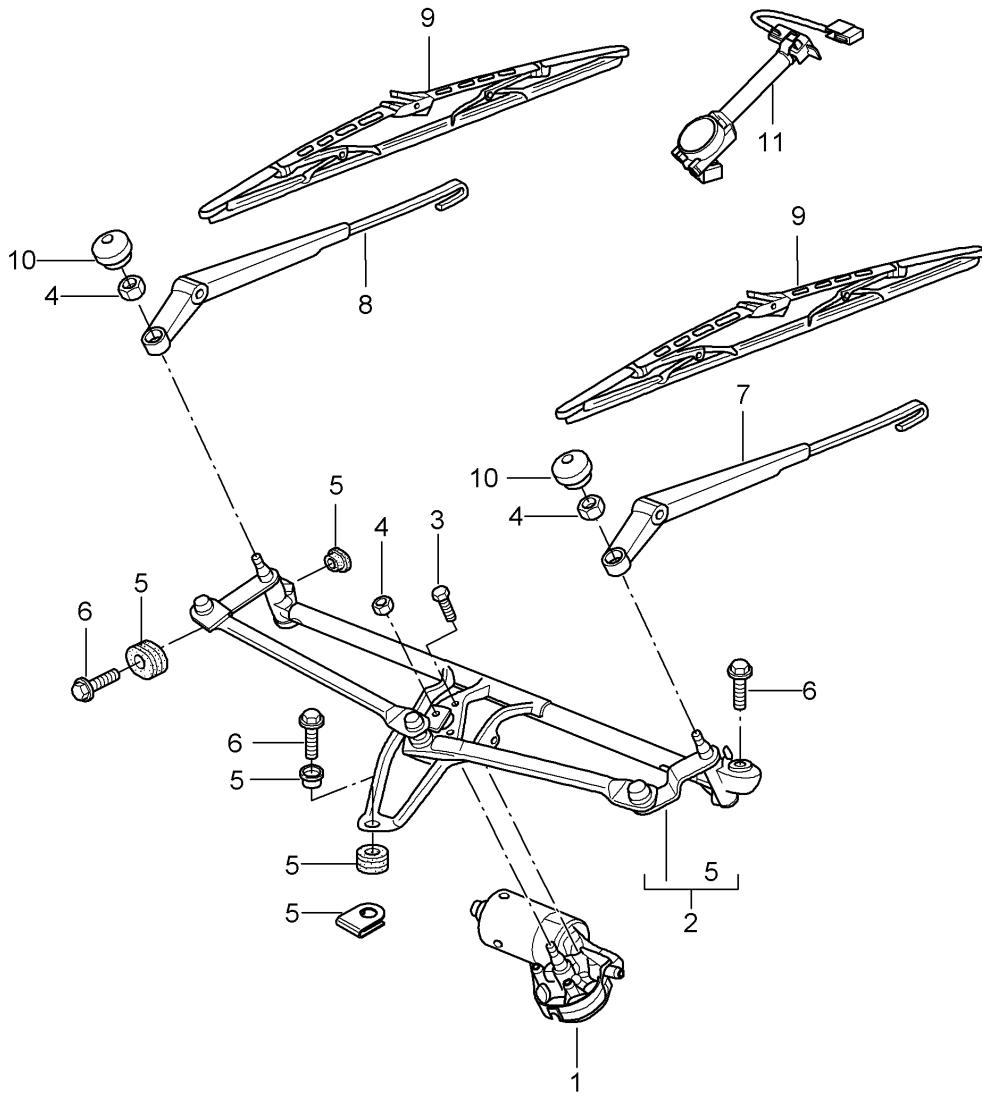
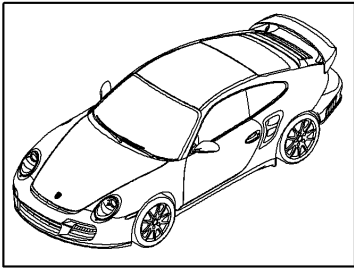
Model: 997T10

Model life 2010>>2013

Pos	Part Number	Description	Remark	Qty	Model
11	997 610 206 00	Cable guide		1	

Model: 997T10

Model life 2010>>2013



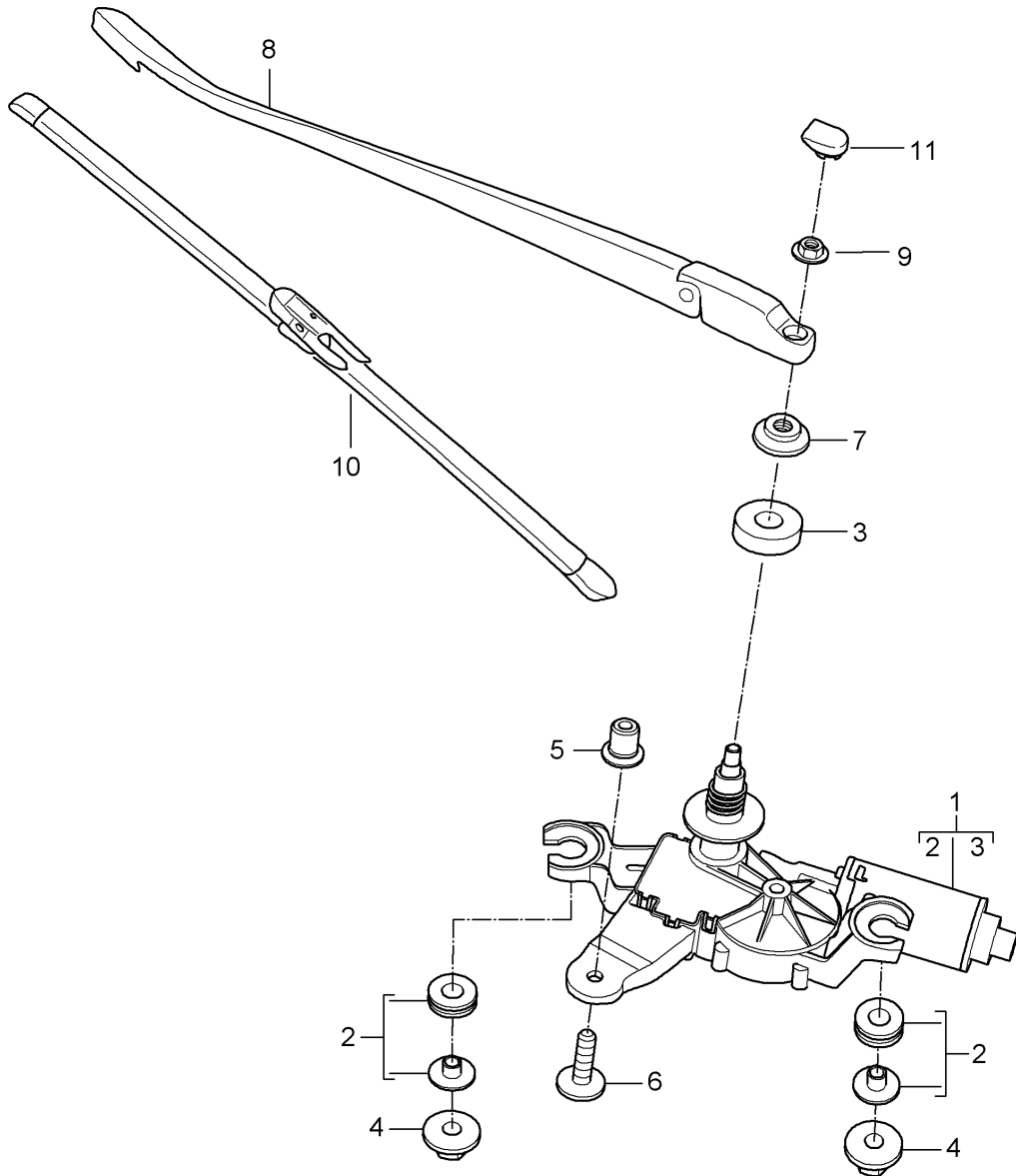
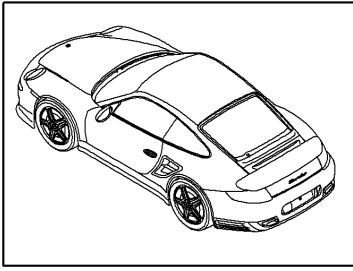
Model: 997T10

Model life 2010>>2013

Pos	Part Number	Description	Remark	Qty	Model
		Windscreen wiper system, compl			
		Rain sensor			
1	997 624 105 01	Wiper motor	lhd	1	PR:098
(1)	997 624 106 01	Wiper motor	rhd	1	PR:099
2	997 628 235 01	Crank drive	lhd	1	PR:098
(2)	997 628 236 01	Crank drive	rhd	1	PR:099
3	999 073 152 02	Torx screw M 6 X 18		3	
4	900 076 064 02	Hexagon nut M 8		3	
5	997 628 928 00	repair set comprising:		1	
-		Bearing sleeve		1	
-		Rubber bush		1	
-		Bearing sleeve		1	
-		Rubber bush		1	
-		Clip		2	
6	999 075 075 01	Bolt with washer M 6 X 22 SC		3	
7	997 628 027 00	Wiper arm (drivers side)	lhd	1	PR:098
(7)	997 628 030 00	Wiper arm (passenger side)	rhd	1	PR:099
8	997 628 029 00	Wiper arm (passenger side)	lhd	1	PR:098
(8)	997 628 028 00	Wiper arm (drivers side)	rhd	1	PR:099
9	996 628 901 08	1 set: wiper blades (drivers side) (passenger side)	front	1	
10	944 628 305 01	Cover cap		2	
11	997 612 694 00	Rain sensor		1	COUPE PR:267,268
		Wire set with:			
(11)	997 612 694 25	Rain sensor		1	CABRIO PR:267,268
		Wire set with:			
(11)	997 612 693 00	Rain sensor		1	GT2/RS PR:268
		Wire set with:			
-	000 043 204 65	Adhesive film for		1	
(11)	997 612 695 00	Rain sensor Wire set		1	GT2/RS PR:-267,-268
		Light with: for cars without Rain sensor			

Model: 997T10

Model life 2010>>2013



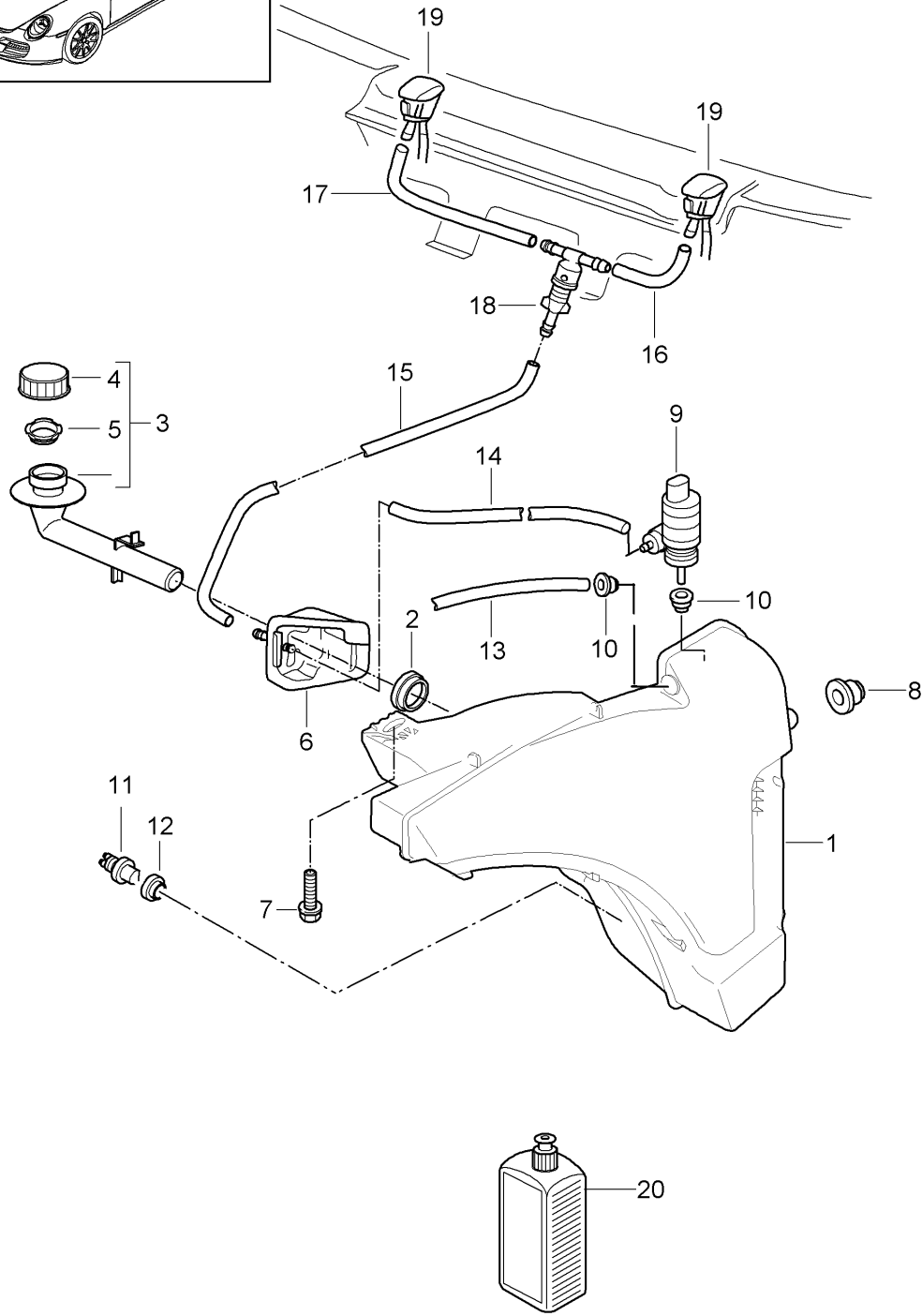
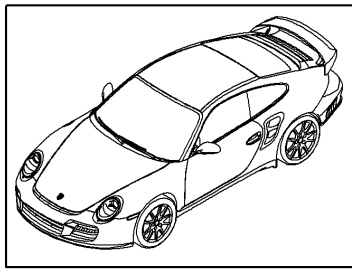
Model: 997T10

Model life 2010>>2013

Pos	Part Number	Description	Remark	Qty	Model
		Rear window wiper			PR:425
1	997 628 080 00	Wiper motor		1	
2	997 628 908 00	repair set comprising: Grommet bush		1 2 2	
3	997 628 910 00	seal ring		1	
4	999 076 078 01	Hexagon nut M 6		2	
5	999 500 078 00	press insert nut		1	
6	999 073 468 01	Bolt with washer M 6 X 22 SC		1	
7	997 628 273 00	Grommet		1	
8	997 628 169 00	Wiper arm		1	
9	900 377 003 03	Hexagon nut		1	
10	997 628 189 00	wiper blade	rear	1	
11	997 628 122 00	Cover cap		1	

Model: 997T10

Model life 2010>>2013



Model: 997T10

Model life 2010>>2013

Pos	Part Number	Description	Remark	Qty	Model
1	997 528 701 01	Windscreen washer system		1	PR:288
(1)	997 528 701 00	Water reservoir		1	GT2/RS PR:-288
2	996 528 711 00	Seal		1	
3	997 528 605 00	fuel filler neck		1	
4	996 528 607 00	Cover		1	
5	997 528 621 00	strainer		1	
6	996 528 615 01	Console		1	
-	999 137 091 40	Connector union		X	
		Repair material for Console 996.528.615.01			
7	900 378 154 01	Hexagon bolt AM 8 X 35 SB		1	
8	999 702 221 40	Grommet		2	
9	997 628 182 00	Windscreen washer system pump		1	
10	431 955 465 B	seal ring		2	
11	955 628 105 00	Water level switch		1	
12	955 528 721 00	Seal		1	
13	999 181 347 40	Breather line 273 MM		*	
-	999 181 815 40	Hose 5,0 X 2,5		*	
14		shorten to:	375 MM	1	
15		shorten to:	650 MM	1	
16		shorten to:	97 MM	1	
17		shorten to:	347 MM	1	
(18)	999 137 005 40	t-piece		1	
19	997 628 077 00	jet		2	
20	999 901 017 42	Window cleaning solution 250 ML Summer		X	

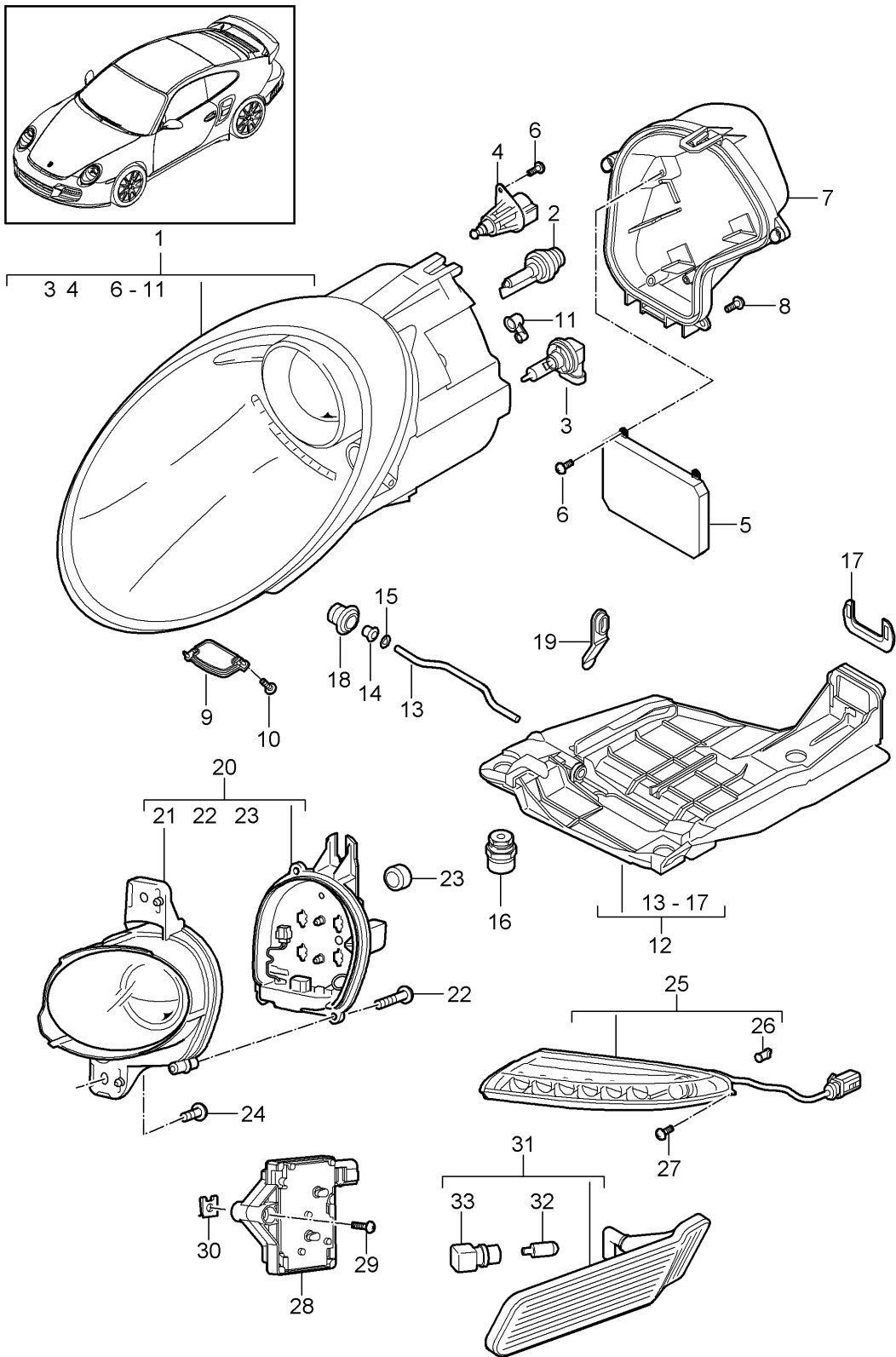
Model: 997T10

Model life 2010>>2013

Pos	Part Number	Description	Remark	Qty	Model
1	997 624 502 00	Headlight washer system Pump for headlight- washer system		1	PR:288
2	928 628 193 00	Seal		1	
-	000 043 204 79	Hose 8 X 3		*	
3		shorten to:	890 MM	1	
4	996 628 204 00	Coupling		1	
5	997 628 208 00	Hose connector		1	
-	999 181 760 40	Hose 10 X 3		*	
6		shorten to:	405 MM		
7		shorten to:	2340 MM		
8	997 628 207 00	t-piece		1	
9	997 628 205 00	Coupling		3	
10	997 628 133 01	jet		2	
11	997 628 231 00	Nozzle head		2	
-	997 628 981 02	Cap primed for POS 10 + 11		2	PR:XUB

Model: 997T10

Model life 2010>>2013



Model: 997T10 Model life 2010>>2013

Pos	Part Number	Description	Remark	Qty	Model
-		Headlights Additional headlight Turn signal indicator side marker light Turn signal repeater Headlights without: Control unit and bulb XENON			PR:601
1	997 631 157 03	Headlights	left	1	PR:601
1	997 631 157 07	Headlights	left	1	PR:601,676
(1)	997 631 158 03	Headlights	right	1	PR:601
(1)	997 631 158 07	Headlights	right	1	PR:601,676
1	997 631 157 13	Headlights	left	1	PR:492,601
1	997 631 157 17	Headlights	left	1	PR:492,601, 676
(1)	997 631 158 13	Headlights	right	1	PR:492,601
(1)	997 631 158 17	Headlights	right	1	PR:492,601, 676
2	999 631 036 90	Gas discharge lamp - PHILIPS -		2	
3	999 631 144 91	Halogen bulb H 11		2	
4	997 631 141 00	Servomotor Headlight range control		2	
5	997 631 183 00	Control unit		2	PR:601
5	997 631 283 01	Control unit		2	PR:601,676
6	997 631 199 00	Screw		6	
7	997 631 101 00	Protective hood	left	1	
(7)	997 631 102 00	Protective hood	right	1	
8	997 631 191 00	Screw		8	
9	997 631 149 10	Ventilation component	left	1	
(9)	997 631 150 10	Ventilation component	right	1	
10	997 631 153 00	Screw		4	
11	997 631 249 00	Ventilation component		2	
12	997 631 073 02	Mounting for main beam headl.	left	1	
(12)	997 631 074 02	Mounting for main beam headl.	right	1	
13	997 631 273 01	Retainer bracket		2	
14	997 631 272 00	Bearing bush		2	
15	900 116 004 09	Retaining washer		2	
16	997 631 194 02	Securing element		6	
17	997 631 245 00	Locking mechanism Connector housing		2	
18	999 703 413 40	Bungs		2	
19	993 631 170 03	Bungs		4	
-		Additional headlight			
20	997 631 077 01	Additional headlight D >> - MJ 2010	left	1	PR:605
20	997 631 077 03	Additional headlight D - MJ 2011>>	left	1	PR:605
(20)	997 631 078 01	Additional headlight D >> - MJ 2010	right	1	PR:605
(20)	997 631 078 03	Additional headlight D - MJ 2011>>	right	1	PR:605
21	997 631 177 00	Housing for light D >> - MJ 2010	left	1	PR:605
21	997 631 177 02	Housing for light D - MJ 2011>>	left	1	PR:605
(21)	997 631 178 00	Housing for light D >> - MJ 2010	right	1	PR:605
(21)	997 631 178 02	Housing for light	right	1	PR:605

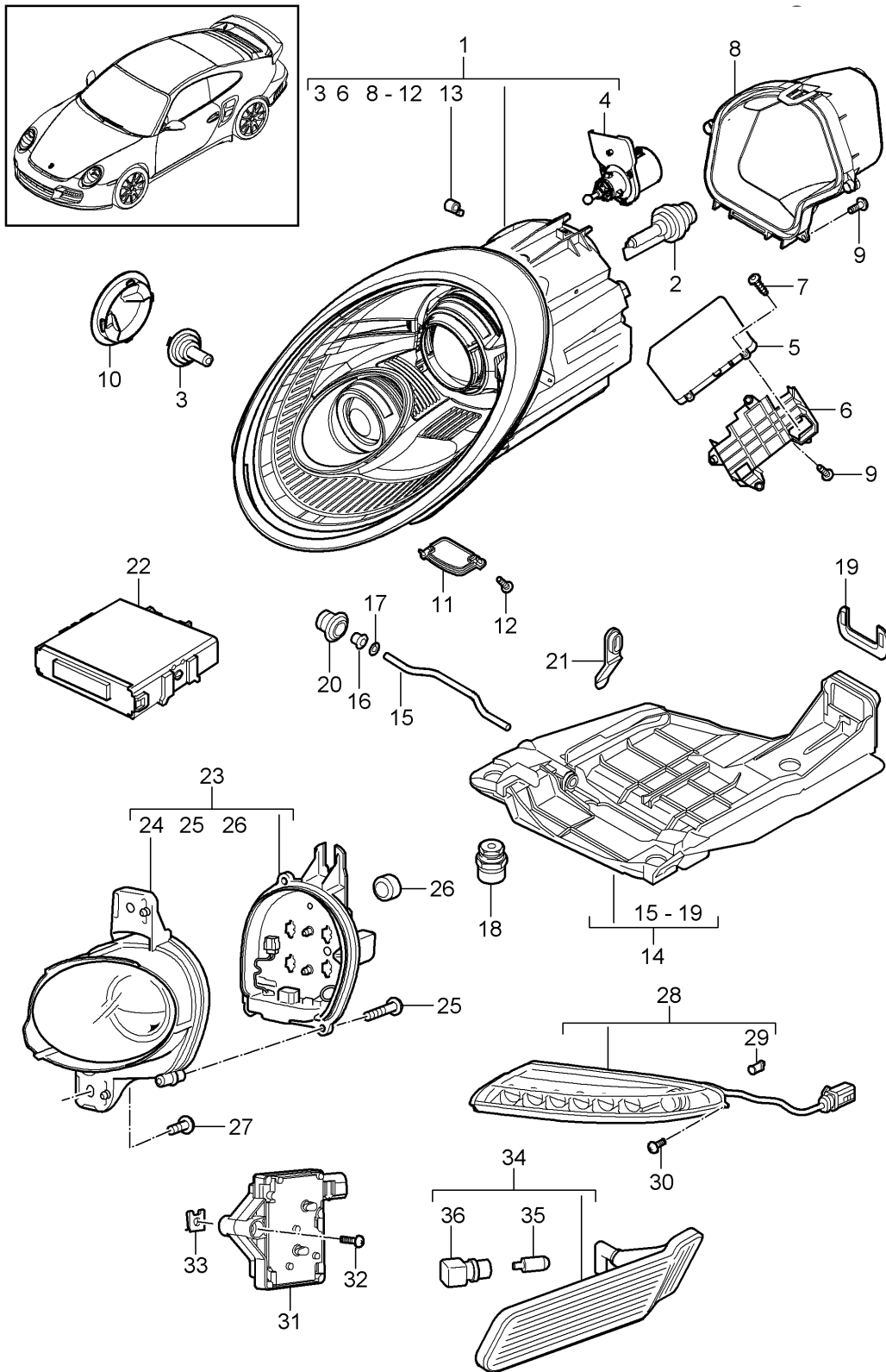
Model: 997T10

Model life 2010>>2013

Pos	Part Number	Description	Remark	Qty	Model
		D - MJ 2011>>			
22	997 631 297 00	Screw		6	PR:605
23	987 631 291 00	Cover cap		2	PR:605
24	999 073 231 09	panel screw 4,8 X 16		4	
-		Turn signal indicator			
25	997 631 091 03	Turn signal indicator	left	1	
		use if required:			
-	999 902 057 40	Velcro fastener 25 X 30		2	
(25)	997 631 092 03	Turn signal indicator	right	1	
		use if required:			
-	999 902 057 40	Velcro fastener 25 X 30		2	
26	999 631 040 90	bulb 5 W		2	
		Position light			
27	999 073 080 02	Bolt with washer 4,2 X 16		2	
28	997 618 201 00	Control unit		2	
		Turn signal indicator			
29	999 073 376 01	panel screw 6,3 X 45		2	
30	999 507 003 01	panel nut 6,3		2	
31	997 631 033 02	Turn signal repeater	left	1	TURBO/S
31	997 631 033 90	Turn signal repeater	left	1	GT2/RS PR:004
(31)	997 631 034 02	Turn signal repeater	right	1	TURBO/S
(31)	997 631 034 90	Turn signal repeater	right	1	GT2/RS PR:004
32	999 631 138 90	bulb 5 W yellow		2	
33	997 631 133 00	Bulb holder		2	

Model: 997T10

Model life 2010>>2013



Model: 997T10 Model life 2010>>2013

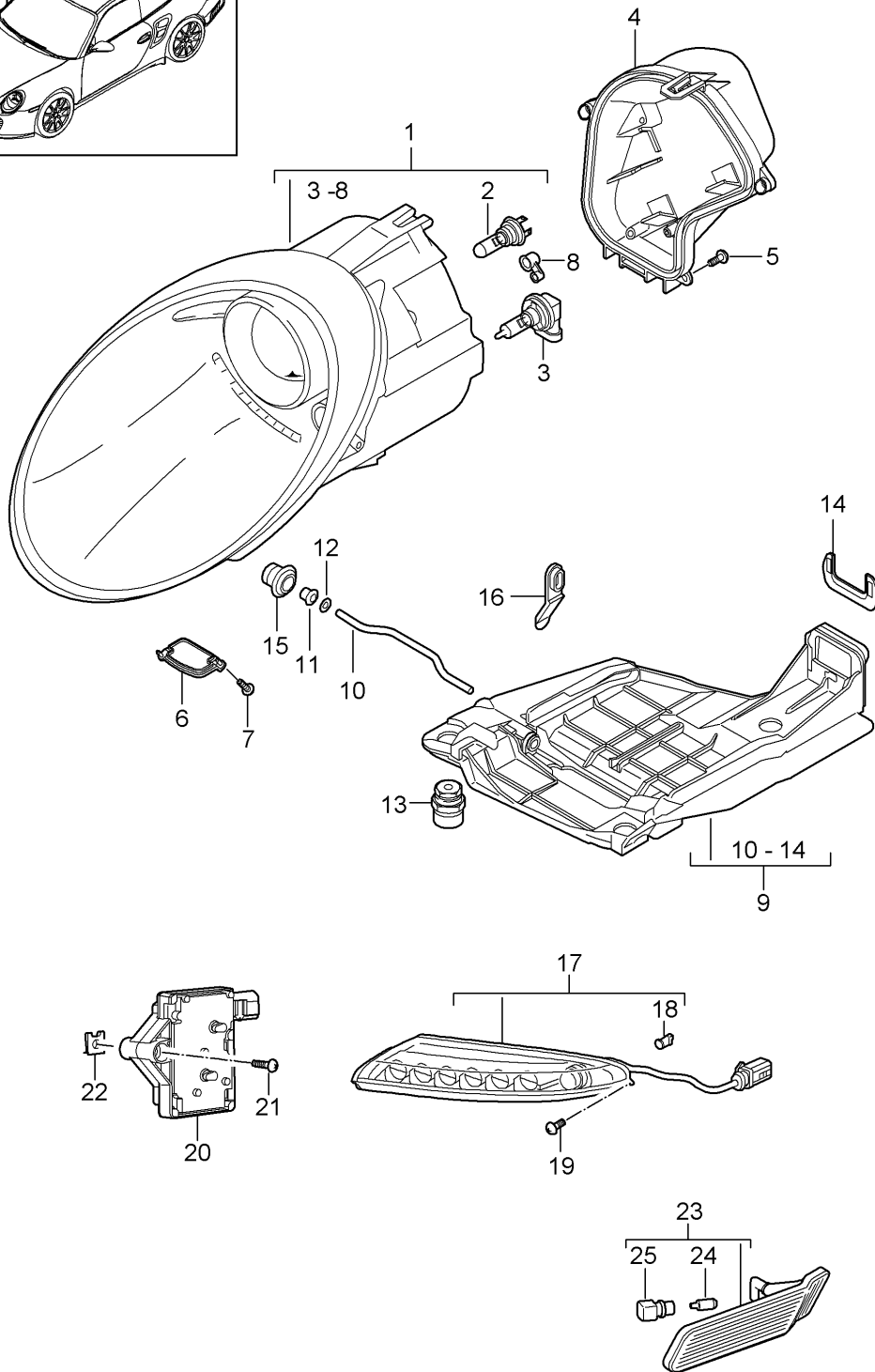
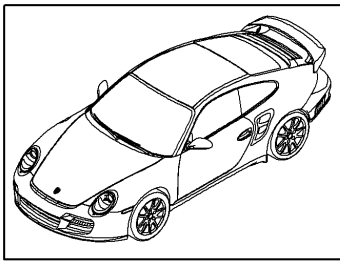
Pos	Part Number	Description	Remark	Qty	Model
-		Headlights Additional headlight side marker light Turn signal repeater Headlights Control unit and bulb XENON without:			PR:603
1	997 631 169 01	Headlights	left	1	
(1)	997 631 170 01	Headlights	right	1	
1	997 631 169 11	Headlights	left	1	PR:492
(1)	997 631 170 11	Headlights	right	1	PR:492
(1)	997 631 169 50	Headlights Only for F 99BS7 66189 F 99BS7 66190 F 99BS7 66194 F 99BS7 66195 F 99BS7 66196 F 99BS7 66198 F 99BS7 66202 F 99BS7 66204 F 99BS7 66206 F 99BS7 66207	left	1	"CN."
(1)	997 631 170 50	Headlights Only for F 99BS7 66189 F 99BS7 66190 F 99BS7 66194 F 99BS7 66195 F 99BS7 66196 F 99BS7 66198 F 99BS7 66202 F 99BS7 66204 F 99BS7 66206 F 99BS7 66207	right	1	"CN."
2	999 631 036 90	Gas discharge lamp - PHILIPS -		2	
3	999 631 133 91	Halogen bulb H 7		2	
4	997 631 227 01	Servomotor Headlight range control	left	1	
(4)	997 631 228 01	Servomotor Headlight range control	right	1	
5	997 631 283 01	Control unit		2	
6	997 631 223 00	Retainer for control units	left	1	
(6)	997 631 224 00	Retainer for control units	right	1	
7	997 631 199 00	Screw		4	
8	997 631 201 00	Protective hood	left	1	
(8)	997 631 202 00	Protective hood	right	1	
9	997 631 191 00	Screw		14	
10	997 631 211 00	Protective hood High beam		2	
11	997 631 149 10	Ventilation component	left	1	
(11)	997 631 150 10	Ventilation component	right	1	
12	997 631 153 00	Screw		4	
13	997 631 249 00	Ventilation component		2	
14	997 631 073 02	Mounting for main beam headl.	left	1	
(14)	997 631 074 02	Mounting for main beam headl.	right	1	

Model: 997T10 Model life 2010>>2013

Pos	Part Number	Description	Remark	Qty	Model
15	997 631 273 01	Retainer bracket		2	
16	997 631 272 00	Bearing bush		2	
17	900 116 004 09	Retaining washer		2	
18	997 631 194 02	Securing element		6	
19	997 631 245 00	Locking mechanism		2	
		Connector housing			
20	999 703 413 40	Bungs		2	
21	993 631 170 03	Bungs		6	
22	997 618 321 02	Control unit		1	
		Dynamic cornering light			
		Additional headlight			
23	997 631 077 01	Additional headlight	left	1	PR:605
		D >> - MJ 2010			
23	997 631 077 03	Additional headlight	left	1	PR:605
		D - MJ 2011>>			
(23)	997 631 078 01	Additional headlight	right	1	PR:605
		D >> - MJ 2010			
(23)	997 631 078 03	Additional headlight	right	1	PR:605
		D - MJ 2011>>			
24	997 631 177 00	Housing for light	left	1	PR:605
		D >> - MJ 2010			
24	997 631 177 02	Housing for light	left	1	PR:605
		D - MJ 2011>>			
(24)	997 631 178 00	Housing for light	right	1	PR:605
		D >> - MJ 2010			
(24)	997 631 178 02	Housing for light	right	1	PR:605
		D - MJ 2011>>			
25	997 631 297 00	Screw		6	PR:605
26	987 631 291 00	Cover cap		2	PR:605
27	999 073 231 09	panel screw		4	
		4,8 X 16			
		Turn signal indicator			
28	997 631 091 03	Turn signal indicator	left	1	
		use if required:			
-	999 902 057 40	Velcro fastener		2	
		25 X 30			
(28)	997 631 092 03	Turn signal indicator	right	1	
		use if required:			
-	999 902 057 40	Velcro fastener		2	
		25 X 30			
29	999 631 040 90	bulb		2	
		5 W			
		Position light			
30	999 073 080 02	Bolt with washer		2	
		4,2 X 16			
31	997 618 201 00	Control unit		2	
		Turn signal indicator			
32	999 073 376 01	panel screw		2	
		6,3 X 45			
33	999 507 003 01	panel nut		2	
		6,3			
34	997 631 033 02	Turn signal repeater	left	1	
(34)	997 631 034 02	Turn signal repeater	right	1	
35	999 631 138 90	bulb		2	
		5 W			
		yellow			
36	997 631 133 00	Bulb holder		2	

Model: 997T10

Model life 2010>>2013



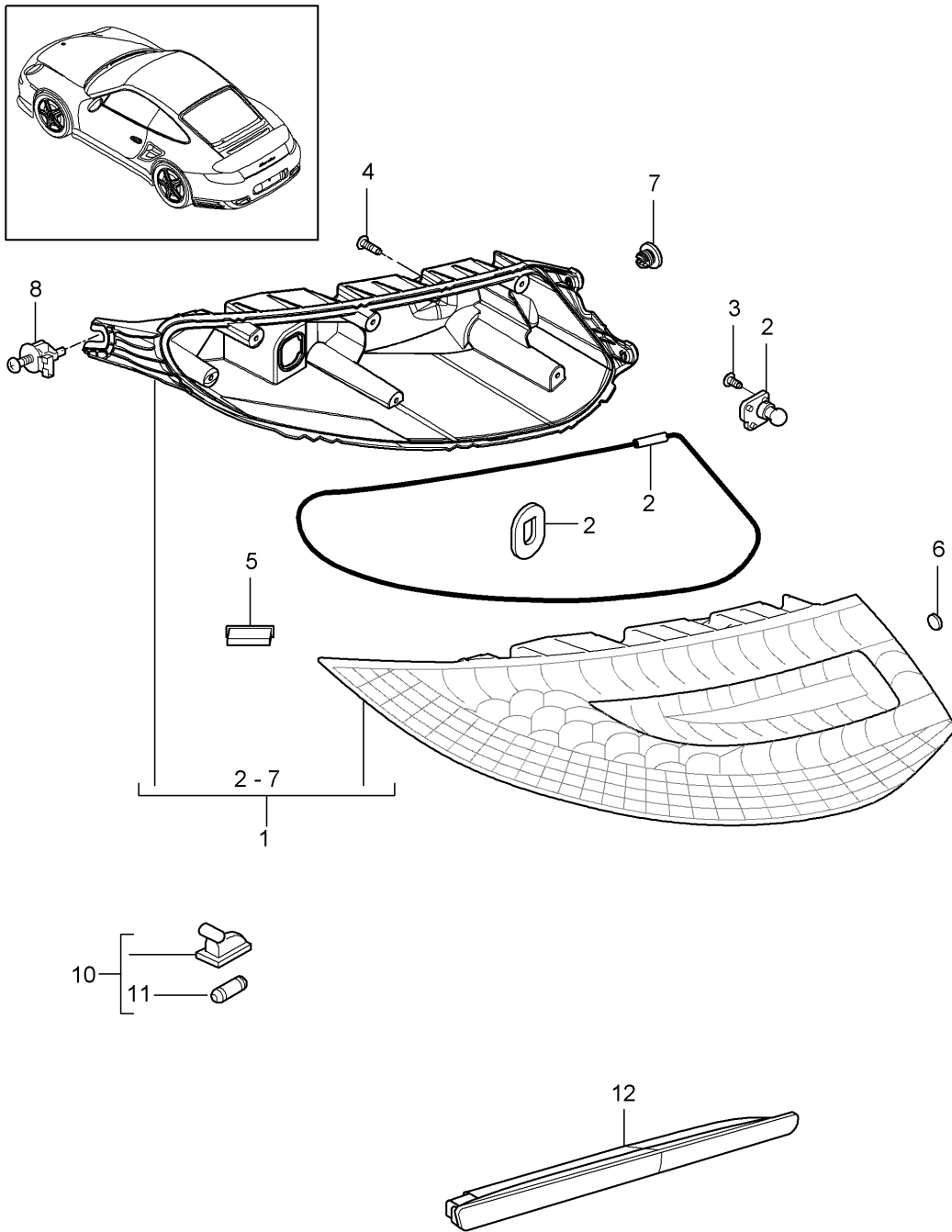
Model: 997T10

Model life 2010>>2013

Pos	Part Number	Description	Remark	Qty	Model
		Headlights Additional headlight side marker light Turn signal repeater			GT2/RS PR:600
1	997 631 163 03	Headlights	left	1	PR:600
(1)	997 631 164 03	Headlights	right	1	PR:600
1	997 631 163 13	Headlights	left	1	PR:492,600
(1)	997 631 164 13	Headlights	right	1	PR:492,600
2	999 631 133 91	Halogen bulb H 7		2	
3	999 631 143 90	Halogen bulb H 9		2	
4	997 631 101 00	Protective hood	left	1	
(4)	997 631 102 00	Protective hood	right	1	
5	997 631 191 00	Screw		8	
6	997 631 149 10	Ventilation component	left	1	
(6)	997 631 150 10	Ventilation component	right	1	
7	997 631 153 00	Screw		4	
8	997 631 249 00	Ventilation component		2	
9	997 631 073 02	Mounting for main beam headl.	left	1	
(9)	997 631 074 02	Mounting for main beam headl.	right	1	
10	997 631 273 01	Retainer bracket		2	
11	997 631 272 00	Bearing bush		2	
12	900 116 004 09	Retaining washer		2	
13	997 631 194 02	Securing element		6	
14	997 631 245 00	Locking mechanism Connector housing		2	
15	999 703 413 40	Bungs		2	
16	993 631 170 03	Bungs		4	
-		Turn signal indicator			
17	997 631 091 03	Turn signal indicator	left	1	
-		use if required:			
-	999 902 057 40	Velcro fastener 25 X 30		2	
(17)	997 631 092 03	Turn signal indicator	right	1	
-		use if required:			
-	999 902 057 40	Velcro fastener 25 X 30		2	
18	999 631 040 90	bulb 5 W		2	
19	999 073 080 02	Position light Bolt with washer 4,2 X 16		2	
20	997 618 201 00	Control unit		2	
21	999 073 376 01	Turn signal indicator panel screw 6,3 X 45		2	
22	999 507 003 01	panel nut 6,3		2	
23	997 631 033 90	Turn signal repeater	left	1	
(23)	997 631 034 90	Turn signal repeater	right	1	
24	999 631 138 90	bulb 5 W yellow		2	
25	997 631 133 00	Bulb holder		2	

Model: 997T10

Model life 2010>>2013



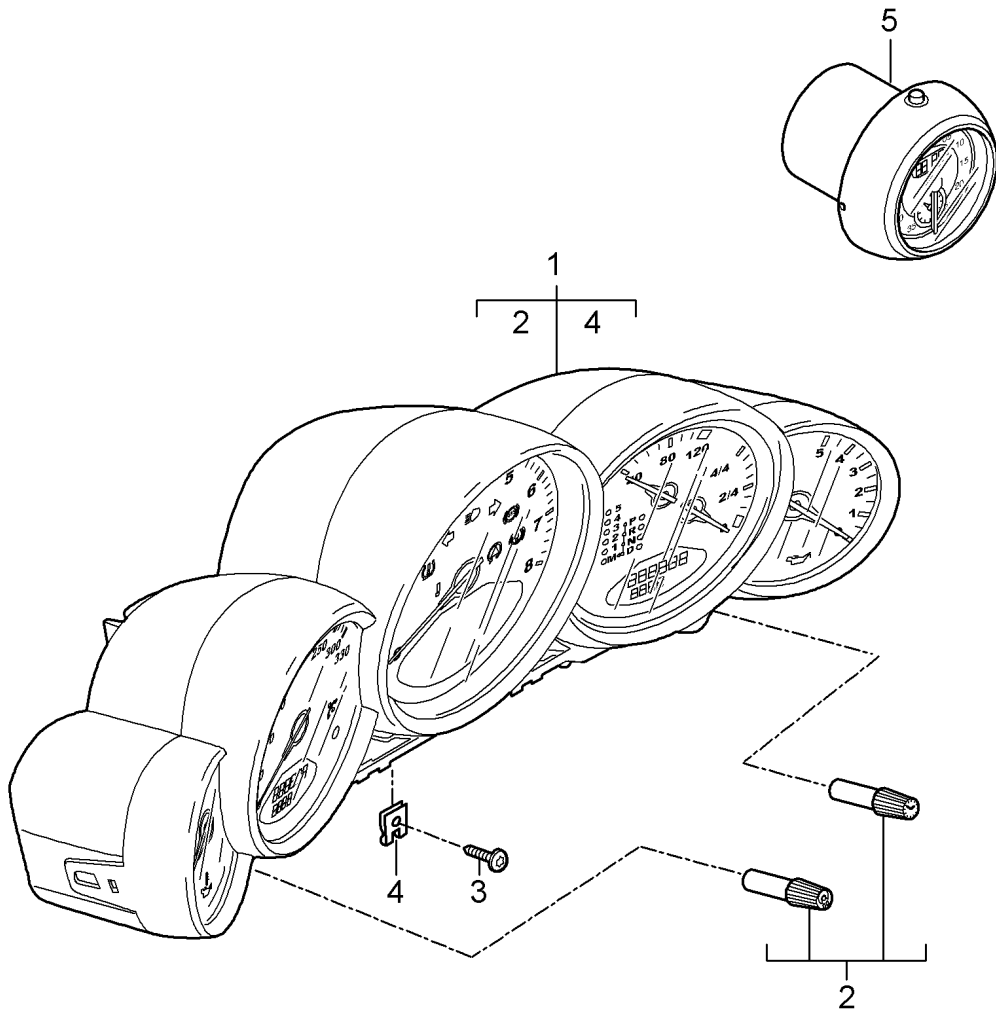
Model: 997T10

Model life 2010>>2013

Pos	Part Number	Description	Remark	Qty	Model
1	997 631 411 03	Rear light Licence plate light Additional brake light	left	1	PR:465
1	997 631 411 04	Rear light	left	1	PR:465
1	997 631 989 00	Rear light Discontinued part	left	1	PR:XXG,465
1	997 631 989 01	Rear light Discontinued part	left	1	PR:XXG,465
1	997 631 989 02	Rear light	left	1	PR:XXG,465
(1)	997 631 412 03	Rear light Discontinued part	right	1	PR:465
(1)	997 631 412 04	Rear light	right	1	PR:465
(1)	997 631 990 00	Rear light Discontinued part	right	1	PR:XXG,465
(1)	997 631 990 01	Rear light Discontinued part	right	1	PR:XXG,465
(1)	997 631 990 02	Rear light	right	1	PR:XXG,465
1	997 631 417 03	Rear light Discontinued part	left	1	PR:466
1	997 631 417 04	Rear light	left	1	PR:466
1	997 631 993 00	Rear light Discontinued part	left	1	PR:XXG,466
1	997 631 993 01	Rear light Discontinued part	left	1	PR:XXG,466
1	997 631 993 02	Rear light	left	1	PR:XXG,466
(1)	997 631 418 03	Rear light Discontinued part	right	1	PR:466
(1)	997 631 418 04	Rear light	right	1	PR:466
(1)	997 631 994 00	Rear light Discontinued part	right	1	PR:XXG,466
(1)	997 631 994 01	Rear light Discontinued part	right	1	PR:XXG,466
(1)	997 631 994 02	Rear light	right	1	PR:XXG,466
2	997 631 931 01	repair set bulb Back-up light		2	
3	997 631 598 00	Screw		6	
4	997 631 497 00	Screw		14	
5	997 631 585 00	Stop buffer		2	
6	997 631 441 00	Ventilation component		4	
7	997 631 499 00	Screw		4	
8	997 631 471 00	Support		2	
10	997 631 620 01	Licence plate light Discontinued part		2	
10	997 631 620 02	Licence plate light		2	
11	900 631 025 90	bulb 12V 5W		2	
12	997 631 052 01	Additional brake light		1	

Model: 997T10

Model life 2010>>2013



Model: 997T10 Model life 2010>>2013

Pos	Part Number	Description	Remark	Qty	Model
-		Instruments Stopwatch See technical information GR. 9 NR. 5/09 KD - NR. 9025			
1	997 641 333 01	Combi-instrument (complete) D >> - MJ 2011		1	TURBO PR:023,480
1	997 641 333 01 D07 997 641 333 03	Volcano grey Combi-instrument (complete) D - MJ 2012>>		1	TURBO PR:023,480
1	997 641 333 03 D07 997 641 105 84	Volcano grey Combi-instrument (complete)		1	GT2/RS PR:022,480
1	997 641 105 84 D07 997 641 334 01	Volcano grey Combi-instrument (complete) D >> - MJ 2011		1	TURBO PR:023,250
1	997 641 334 01 D07 997 641 334 02	Volcano grey Combi-instrument (complete) D >> - MJ 2011		1	TURBO PR:023,250
1	997 641 334 02 D07 997 641 334 03	Volcano grey Combi-instrument (complete) D - MJ 2012>>		1	TURBO PR:023,250
1	997 641 334 03 D07 997 641 384 01	Volcano grey Combi-instrument (complete) D >> - MJ 2011		1	TURBO S PR:023,092, 250
1	997 641 384 01 D07 997 641 384 02	Volcano grey Combi-instrument (complete) D - MJ 2012>>		1	TURBO S PR:023,092, 250
1	997 641 384 02 D07 997 641 354 00	Volcano grey Combi-instrument (complete)		1	TURBO S 918 PR:018,022, 092,250
1	997 641 354 00 V04 997 641 337 01	Galvano silver Combi-instrument (complete) D >> - MJ 2011		1	TURBO PR:023,480 "GB."
1	997 641 337 01 D07 997 641 337 03	Volcano grey Combi-instrument (complete) D - MJ 2012>>		1	TURBO PR:023,480 "GB."
1	997 641 337 03 D07 997 641 107 84	Volcano grey Combi-instrument (complete)		1	GT2/RS PR:022,480 "GB."
1	997 641 107 84 D07 997 641 338 01	Volcano grey Combi-instrument (complete) D >> - MJ 2011		1	TURBO PR:023,250 "GB."
1	997 641 338 01 D07 997 641 338 03	Volcano grey Combi-instrument (complete) D - MJ 2012>>		1	TURBO PR:023,250 "GB."
1	997 641 338 03 D07 997 641 388 01	Volcano grey Combi-instrument (complete)		1	TURBO S PR:023,092,

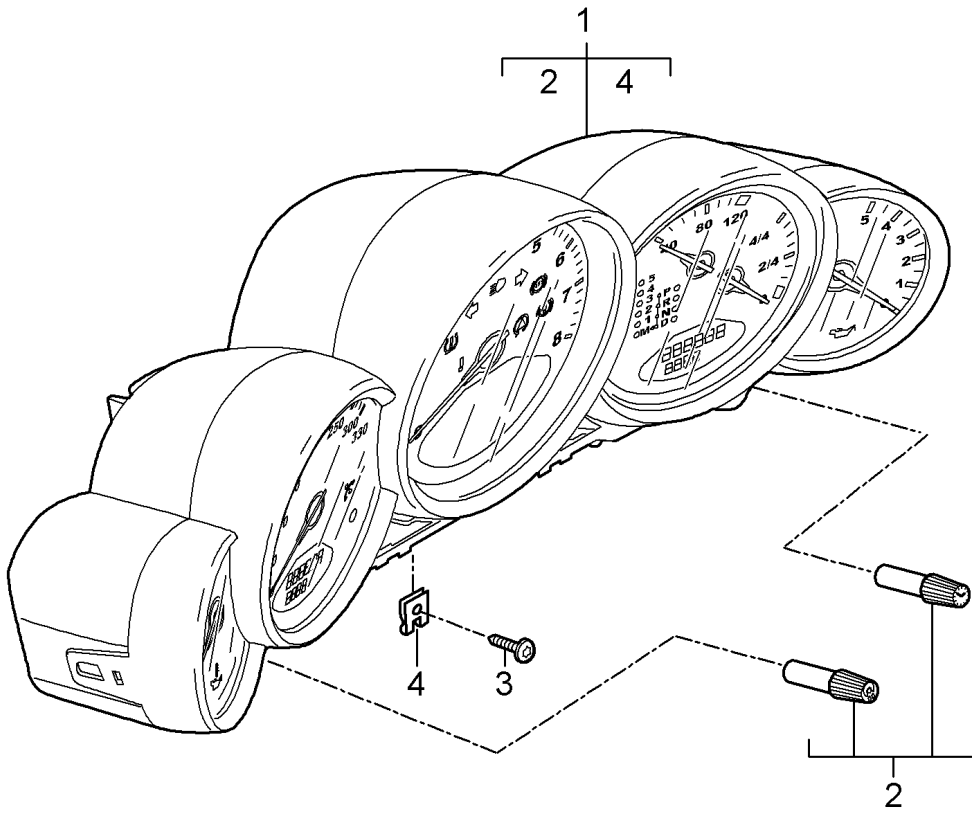
Model: 997T10

Model life 2010>>2013

Pos	Part Number	Description	Remark	Qty	Model
		D >> - MJ 2011			250 "GB."
1	997 641 388 01 D07 997 641 388 02	Volcano grey Combi-instrument (complete) D - MJ 2012>>		1	TURBO S PR:023,092, 250 "GB."
1	997 641 388 02 D07 997 641 358 00	Volcano grey Combi-instrument (complete)		1	TURBO S 918 PR:018,022, 092,250 "GB."
2	997 641 358 00 V04 997 641 911 00	Galvano silver knob throttle control element Trip meter and Clock		1	
3	999 073 155 09	panel screw 4,2 X 19		2	
4	999 507 403 02	U-clip		2	
-		Stopwatch			
5	997 641 311 26	Stopwatch		1	TURBO/S PR:026,639, 640
5	997 641 311 26 V05 997 641 301 98	Galvano silver Stopwatch		1	TURBO S 918 PR:018,025, 639,640
5	997 641 301 98 V05 997 641 301 96	Galvano silver Stopwatch		1	GT2/RS PR:639,640
	997 641 301 96 V05	Galvano silver			

Model: 997T10

Model life 2010>>2013



Model: 997T10 Model life 2010>>2013

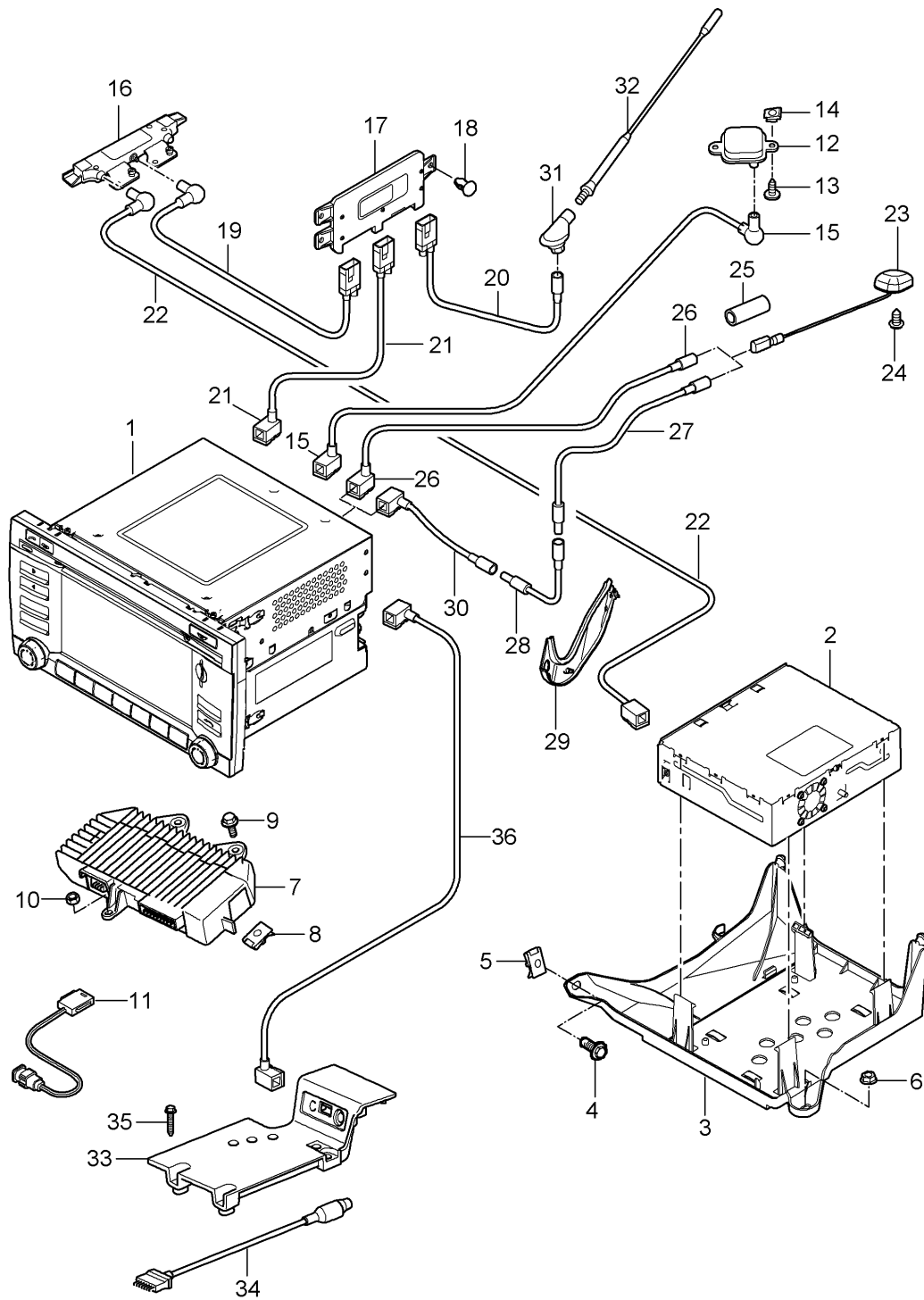
Pos	Part Number	Description	Remark	Qty	Model
-		Instruments Exclusive programme See technical information GR. 9 NR. 5/09 KD - NR. 9025			
(1)	997 641 985 53	Combi-instrument (complete) Dial Lacquered D >> - MJ 2011 Discontinued part		1	PR:480
	997 641 985 53 5Z1	Sand beige			PR:XFD
	997 641 985 53 84A	guards red (Porsche)			PR:XFG
	997 641 985 53 12H	Speed yellow			PR:XFH
	997 641 985 53 B9A	Carrara white			PR:XFJ
(1)	997 641 985 63	Combi-instrument (complete) Dial Lacquered		1	PR:480
	997 641 985 63 5Z1	Sand beige			PR:XFD
	997 641 985 63 84A	guards red (Porsche)			PR:XFG
	997 641 985 63 12H	Speed yellow			PR:XFH
	997 641 985 63 B9A	Carrara white			PR:XFJ
1	997 641 985 54	Combi-instrument (complete) Dial Lacquered D >> - MJ 2011 Discontinued part		1	PR:250
	997 641 985 54 5Z1	Sand beige			PR:XFD
	997 641 985 54 84A	guards red (Porsche)			PR:XFG
	997 641 985 54 12H	Speed yellow			PR:XFH
	997 641 985 54 B9A	Carrara white			PR:XFJ
1	997 641 985 64	Combi-instrument (complete) Dial Lacquered		1	PR:250
	997 641 985 64 5Z1	Sand beige			PR:XFD
	997 641 985 64 84A	guards red (Porsche)			PR:XFG
	997 641 985 64 12H	Speed yellow			PR:XFH
	997 641 985 64 B9A	Carrara white			PR:XFJ
1	997 641 986 04	Combi-instrument (complete) Dial Lacquered D >> - MJ 2011		1	PR:092,250
	997 641 986 04 5Z1	Sand beige			PR:XFD
	997 641 986 04 84A	guards red (Porsche)			PR:XFG
	997 641 986 04 12H	Speed yellow			PR:XFH
	997 641 986 04 B9A	Carrara white			PR:XFJ
1	997 641 986 14	Combi-instrument (complete) Dial Lacquered D - MJ 2012>>		1	PR:092,250
	997 641 986 14 5Z1	Sand beige			PR:XFD
	997 641 986 14 84A	guards red (Porsche)			PR:XFG
	997 641 986 14 12H	Speed yellow			PR:XFH
	997 641 986 14 B9A	Carrara white			PR:XFJ
(1)	997 641 985 57	Combi-instrument (complete) Dial Lacquered		1	PR:480 "GB."

Model: 997T10 Model life 2010>>2013

Pos	Part Number	Description	Remark	Qty	Model
		D >> - MJ 2011 Discontinued part			
	997 641 985 57 5Z1	Sand beige			PR: XFD
	997 641 985 57 84A	guards red (Porsche)			PR: XFG
	997 641 985 57 12H	Speed yellow			PR: XFH
	997 641 985 57 B9A	Carrara white			PR: XFJ
(1)	997 641 985 67	Combi-instrument (complete) Dial Lacquered		1	PR: 480 "GB."
	997 641 985 67 5Z1	Sand beige			PR: XFD
	997 641 985 67 84A	guards red (Porsche)			PR: XFG
	997 641 985 67 12H	Speed yellow			PR: XFH
	997 641 985 67 B9A	Carrara white			PR: XFJ
1	997 641 985 58	Combi-instrument (complete) Dial Lacquered		1	PR: 250 "GB."
		D >> - MJ 2011 Discontinued part			
	997 641 985 58 5Z1	Sand beige			PR: XFD
	997 641 985 58 84A	guards red (Porsche)			PR: XFG
	997 641 985 58 12H	Speed yellow			PR: XFH
	997 641 985 58 B9A	Carrara white			PR: XFJ
1	997 641 985 68	Combi-instrument (complete) Dial Lacquered		1	PR: 250 "GB."
	997 641 985 68 5Z1	Sand beige			PR: XFD
	997 641 985 68 84A	guards red (Porsche)			PR: XFG
	997 641 985 68 12H	Speed yellow			PR: XFH
	997 641 985 68 B9A	Carrara white			PR: XFJ
1	997 641 986 08	Combi-instrument (complete) Dial Lacquered		1	PR: 092,250 "GB."
		D >> - MJ 2011			
	997 641 986 08 5Z1	Sand beige			PR: XFD
	997 641 986 08 84A	guards red (Porsche)			PR: XFG
	997 641 986 08 12H	Speed yellow			PR: XFH
	997 641 986 08 B9A	Carrara white			PR: XFJ
1	997 641 986 18	Combi-instrument (complete) Dial Lacquered		1	PR: 092,250 "GB."
		D - MJ 2012>>			
	997 641 986 18 5Z1	Sand beige			PR: XFD
	997 641 986 18 84A	guards red (Porsche)			PR: XFG
	997 641 986 18 12H	Speed yellow			PR: XFH
	997 641 986 18 B9A	Carrara white			PR: XFJ
(2)	997 641 911 00	knob throttle control element Trip meter and Clock		1	
3	999 073 155 09	panel screw 4,2 X 19		2	
4	999 507 403 02	U-clip		2	

Model: 997T10

Model life 2010>>2013



Model: 997T10 Model life 2010>>2013

Pos	Part Number	Description	Remark	Qty	Model
-		Control panel Navigation system Receiving part TV Amplifiers			
1	997 642 960 X 997 642 960 X FTC	Control panel Only in exchange Control panel Matt Black/Galvano Silver We take back: 997.642.960.00.FTC		1	PR:665
1	997 642 962 X 997 642 962 X FTC	Control panel Matt Black/Galvano Silver We take back: 997.642.962.00.FTC		1	PR:665,693 -"CN."
1	997 642 970 X 997 642 970 X FTC	Control panel D - MJ 2010>> - MJ 2010 Matt Black/Galvano Silver We take back: 997.642.970.00.FTC		1	PR:665,672
1	997 642 970 AX 997 642 970 AX FTC	Control panel D - MJ 2011>> Matt Black/Galvano Silver We take back: 997.642.970.01.FTC		1	PR:665,672
1	997 642 972 X 997 642 972 X FTC	Control panel D - MJ 2010>> - MJ 2010 Matt Black/Galvano Silver We take back: 997.642.972.00.FTC		1	PR:665,672, 693
1	997 642 972 AX 997 642 972 AX FTC	Control panel D - MJ 2011>> Matt Black/Galvano Silver We take back: 997.642.972.01.FTC		1	PR:665,672, 693
1	997 642 974 X 997 642 974 X FTC	Control panel Matt Black/Galvano Silver We take back: 997.642.974.00.FTC		1	PR:665,673
1	997 642 975 X 997 642 975 X FTC	Control panel Matt Black/Galvano Silver We take back: 997.642.975.00.FTC		1	PR:665,673, 693 -"CN."
-		Control unit Telephone			
-	997 642 929 00	see illustration: Rot. knob for Control panel	911-010 left	1	PR:665
-	997 642 930 00	Rot. knob for Control panel	right	1	PR:665
(1)	997 645 138 06 997 645 138 06 FTC	radio CDR 30 Matt Black/Galvano Silver		1	GT2/RS PR:695
(1)	997 645 138 FX 997 645 138 FX FTC	radio CDR 30 Matt Black/Galvano Silver We take back: 997.645.138.06		1	GT2/RS PR:695

Model: 997T10

Model life 2010>>2013

Pos	Part Number	Description	Remark	Qty	Model
(1)	997 645 142 06	radio CDR 30		1	GT2/RS PR:618,619, 695
(1)	997 645 142 06 FTC 997 645 142 FX	Matt Black/Galvano Silver radio CDR 30		1	GT2/RS PR:618,619, 695
(1)	997 645 142 FX FTC 997 645 920 00	Matt Black/Galvano Silver We take back: 997.645.142.06 repair set Key Radio unit CDR 30		1	PR:695
-	997 642 125 00	Adapter -CAN-		1	PR:673
-	999 591 941 40	Spreader rivet for Mount Adapter -CAN-		1	PR:673
-	997 642 148 02	CD-ROM for electronic driver's logbook D >> - MJ 2011		1	PR:641
-	7PP 919 855	CD-ROM for electronic driver's logbook D - MJ 2012>>		1	PR:641
-	997 642 271 51	DVD-ROM for navigation system for Software		1	PR:610
-	997 642 271 52	DVD-ROM for navigation system for Software		1	PR:610
-	997 642 271 53	DVD-ROM for navigation system for Software		1	PR:610
-	997 642 271 54	DVD-ROM for navigation system for Software 7PP.919.193.BG		1	PR:610
-	997 642 271 55	DVD-ROM for navigation system for Software		1	PR:610
-	997 642 275 51	DVD-ROM for navigation system for Software		1	PR:611
-	997 642 275 52	DVD-ROM for navigation system for Software		1	PR:611
-	997 642 275 53	DVD-ROM for navigation system for Software		1	PR:611
-	997 642 275 54	DVD-ROM for navigation system for Software 7PP.919.193.AN		1	PR:611

Model: 997T10

Model life 2010>>2013

Pos	Part Number	Description	Remark	Qty	Model
-	997 642 275 55	for Software DVD-ROM for navigation system		1	PR:611
-	997 642 277 51	for Software DVD-ROM for navigation system		1	PR:612
-	997 642 277 52	for Software DVD-ROM for navigation system		1	PR:612
-	997 642 277 53	for Software DVD-ROM for navigation system		1	PR:612
-	997 642 277 54	for Software DVD-ROM for navigation system		1	PR:612
-	997 642 277 55	for Software DVD-ROM for navigation system		1	PR:612
-	997 642 279 51	for Software DVD-ROM for navigation system		1	PR:613
-	997 642 279 52	for Software DVD-ROM for navigation system		1	PR:613
-	997 642 279 53	for Software DVD-ROM for navigation system		1	PR:613
-	997 642 279 54	for Software DVD-ROM for navigation system		1	PR:613
-	997 642 279 55	for Software DVD-ROM for navigation system		1	PR:613
-	997 642 281 51	for Software DVD-ROM for navigation system		1	PR:614
-	997 642 281 52	for Software DVD-ROM for navigation system		1	PR:614
-	997 642 281 53	for Software DVD-ROM for navigation system		1	PR:614
-	997 642 281 54	for Software DVD-ROM for navigation system		1	PR:614
-	997 642 281 55	for Software DVD-ROM for navigation		1	PR:614

Model: 997T10

Model life 2010>>2013

Pos	Part Number	Description	Remark	Qty	Model
-	997 642 283 51	system for Software DVD-ROM for navigation system		1	PR:616
-	997 642 283 52	system for Software DVD-ROM for navigation system		1	PR:616
-	997 642 283 53	for Software DVD-ROM for navigation system		1	PR:616
-	997 642 283 54	for Software DVD-ROM for navigation system		1	PR:616
-	997 642 283 55	for Software DVD-ROM for navigation system		1	PR:616
2	7PP 919 148	Receiving part TV Discontinued part		1	PR:676
2	7PP 919 148 A	Receiving part TV		1	PR:676
3	997 642 333 00	Bracket Receiving part TV	lhd	1	PR:676,098
3	997 642 339 00	Bracket Navigation system		1	PR:673
(3)	997 642 332 00	Bracket Receiving part TV	rhd	1	PR:676,099
4	900 378 179 09	Hexagon bolt M 6 X 16	lhd	1	PR:673,676, 098
5	999 507 766 02	panel nut M 6	lhd	1	PR:673,676, 098
6	999 084 638 01	Hexagon nut M 6	lhd	1	PR:673,676, 098
7	7PP 035 223 K	Amplifiers Note coding		1	PR:680
(7)	997 645 441 01	Amplifiers		1	GT2/RS
(7)	7PP 035 223 J	Amplifiers		1	PR:675,680
8	999 507 766 02	panel nut M 6		2	PR:490,680
9	900 378 035 01	Hexagon bolt M 6 X 16		2	PR:490,680
10	999 084 638 01	Hexagon nut M 6		1	PR:490,680
11	997 646 315 00	microphone		1	PR:618,619, 666,671,680
11	997 646 317 00	microphone		1	PR:680
11	997 646 319 00	microphone		1	PR:618,619, 665,666,671
11	997 646 313 00	microphone		1	GT2/RS PR:490,619, 666,671
-	997 610 233 01	Cable guide microphone		1	
12	997 642 105 00	Aerial		1	PR:672,673

Model: 997T10 Model life 2010>>2013

Pos	Part Number	Description	Remark	Qty	Model
13	999 073 210 00	GPS panel screw 4,8 X 13		1	PR:672,673
14	999 507 441 01	panel nut 4,8		1	PR:672,673
15	997 612 030 75	Aerial connection line Control panel		1	PR:672
(15)	997 612 073 25	Aerial connection line Control panel		1	PR:673
16	997 647 117 00	Aerial amplifier	left	1	PR:440
(16)	997 647 118 00	Aerial amplifier	right	1	PR:440
(16)	997 647 119 00	Aerial amplifier	left	1	PR:440,676
(16)	997 647 120 00	Aerial amplifier	right	1	PR:440,676
17	997 618 122 00	Control unit		1	PR:440
18	999 591 904 40	Securing element		2	PR:440
19	997 612 069 25	Connecting line	lhd	1	PR:098,461
			left		
		Aerial amplifier Control unit			
19	997 612 069 75	Connecting line	rhd	1	PR:099,461
			left		
		Aerial amplifier Control unit			
19	997 612 055 25	Connecting line	lhd	1	PR:098,665
			left		
		Aerial amplifier Control unit			
19	997 612 056 25	Connecting line	lhd	1	PR:098,665
			right		
		Aerial amplifier Control unit			
19	997 612 055 75	Connecting line	rhd	1	PR:099,665
			left		
		Aerial amplifier Control unit			
19	997 612 056 75	Connecting line	rhd	1	PR:099,665
			right		
		Aerial amplifier Control unit			
20	997 612 066 25	Connecting line aerial base		1	PR:461
(20)	997 612 067 01	Control unit Connecting line aerial base		1	PR:461
21	997 612 057 25	Power supply Connecting line	lhd	1	PR:098,665
		Control unit Control panel			
21	997 612 057 75	Connecting line	rhd	1	PR:099,665
		Control unit Control panel			
22	997 612 089 25	Connecting line Aerial amplifier	lhd	1	PR:098,676
		Receiving part TV			
22	997 612 089 75	Connecting line Aerial amplifier	rhd	1	PR:099,676
		Receiving part TV			
(22)	997 612 074 25	Connecting line Control panel Computer Navigation system		1	PR:673

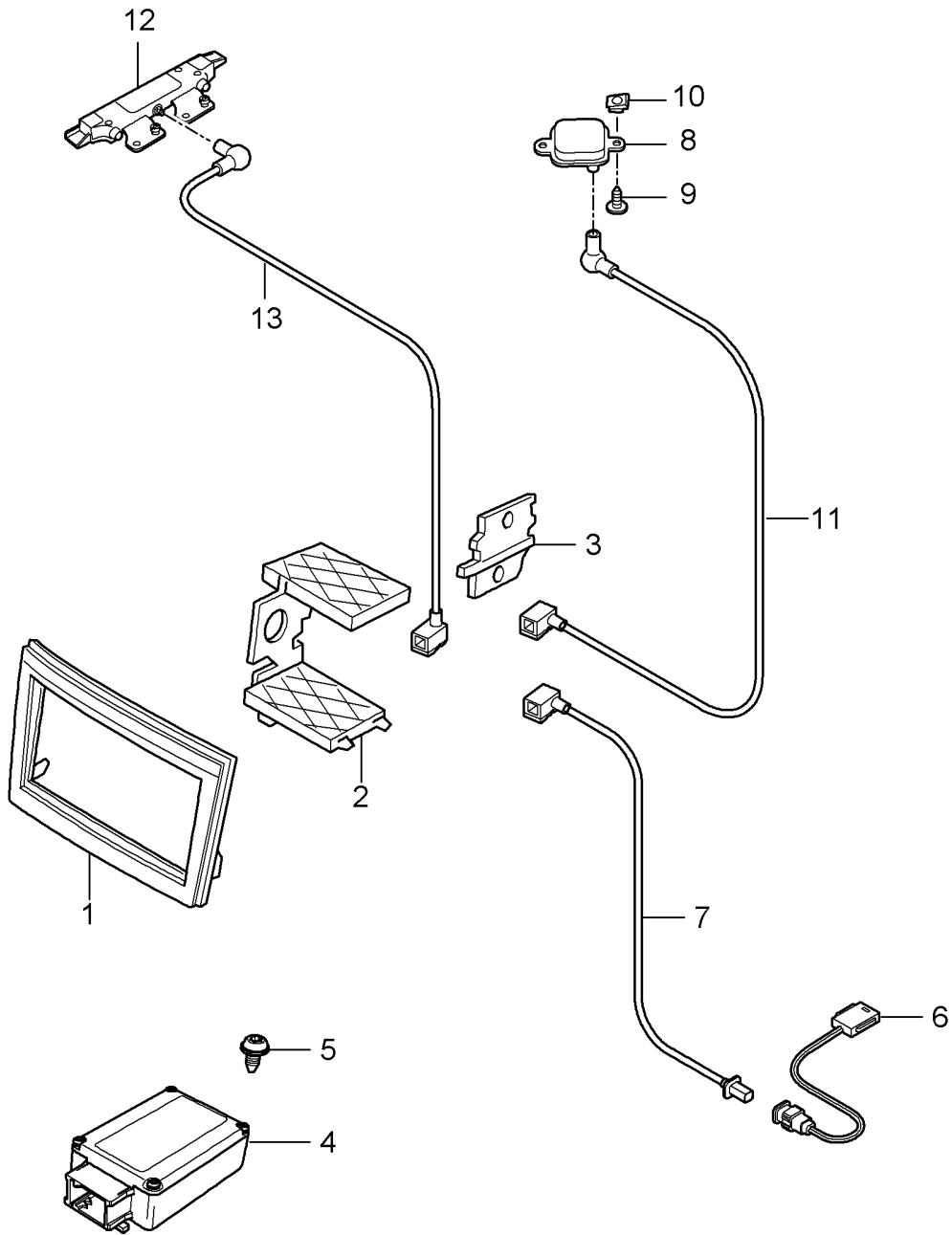
Model: 997T10

Model life 2010>>2013

Pos	Part Number	Description	Remark	Qty	Model
(22)	997 612 072 25	Connecting line Computer Navigation system - IR - Sensor		1	PR:673
31	997 647 221 00	aerial base		1	PR:461
32	997 647 223 00	rod-type aerial		1	PR:461
33	997 642 465 00	Adapter Multimedia interface		1	PR:665,870
	997 642 465 00 01C	Satin black			
(33)	997 642 463 00	Adapter Multimedia interface		1	GT2/RS PR:695,870
	997 642 463 00 01C	Satin black			
34	997 612 471 02	Connection cable iPOD		1	PR:665,870
35	999 073 429 01	panel screw 4,2 X 25		3	PR:870
36	997 612 049 75	Connecting line Multimedia interface Control panel		1	PR:665,870

Model: 997T10

Model life 2010>>2013

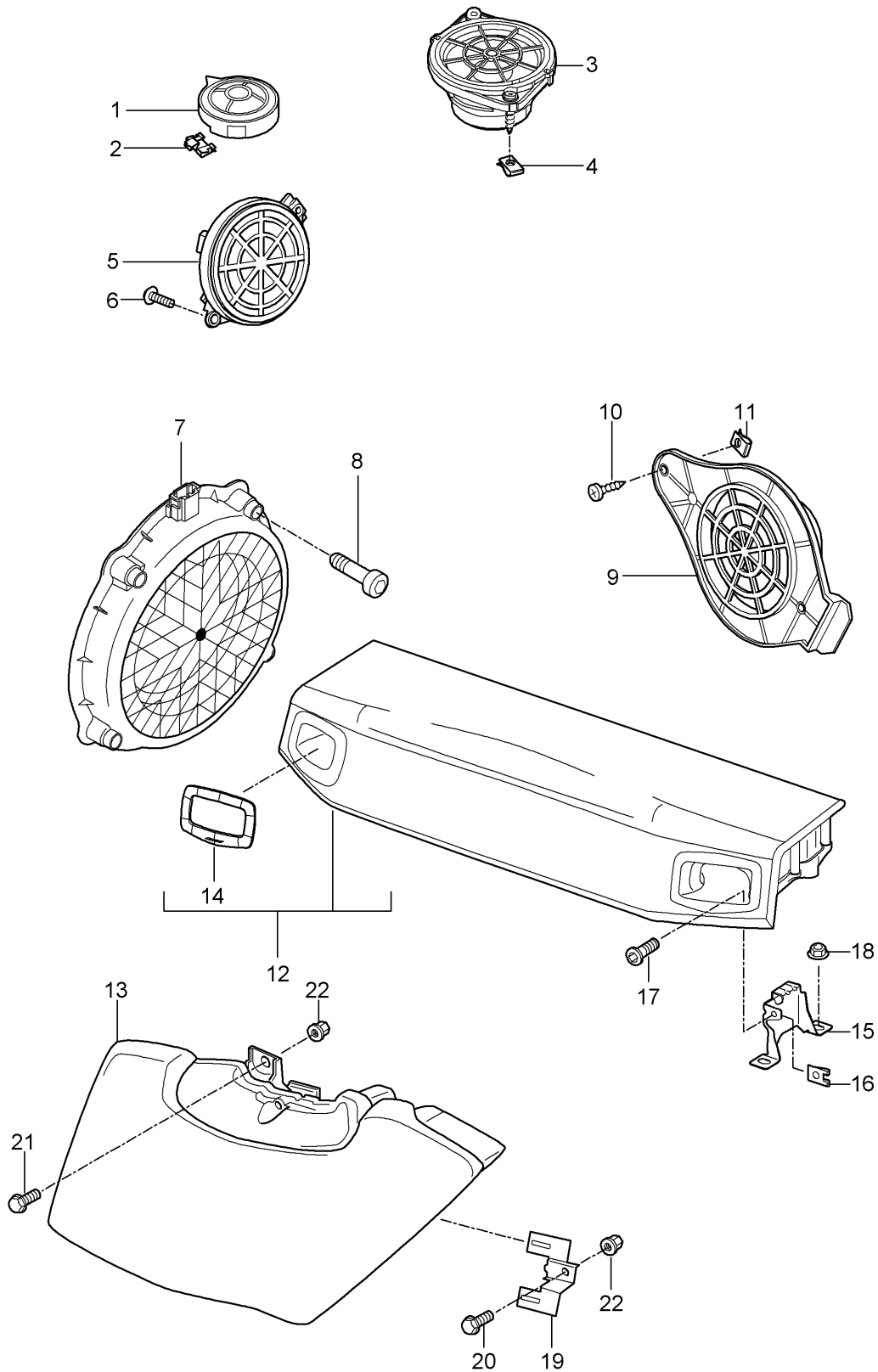


Model: 997T10 Model life 2010>>2013

Pos	Part Number	Description	Remark	Qty	Model
		Preparation Navigation system Japan			PR:675
1	997 642 913 00	Front frame		1	PR:675
	997 642 913 00 A05	Matt black			
2	997 642 905 00	Bracket		2	PR:675
3	997 642 907 00	Guide rail		2	PR:675
-	997 642 329 00	Bracket		1	PR:675
	997 642 329 00 1E0	Black			
		Card reader			
		Glove box			
-	999 073 240 01	Screw M 4 X 10 for Bracket		2	PR:675
		Card reader			
		Glove box			
4	997 642 127 00	Adapter - CAN -		1	PR:675
5	999 591 941 40	Spreader rivet		1	PR:675
6	997 646 309 00	microphone		1	PR:675
-	997 610 233 01	Cable guide		1	PR:675
		microphone			
7	997 612 075 75	Connecting line microphone		1	PR:675
		Control panel			
(7)	997 612 046 25	Connecting line Card reader TV		1	PR:675
		Control panel			
8	997 642 105 00	Aerial		1	PR:675
		Navigation system			
9	999 073 210 00	panel screw 4,8 X 13		1	PR:675
10	999 507 441 01	panel nut 4,8		1	PR:675
11	997 612 079 75	Aerial connection line Navigation system Control panel		1	PR:675
12	997 647 109 00	Aerial amplifier	left	1	PR:675
(12)	997 647 110 00	Aerial amplifier	right	1	PR:675
13	997 612 076 25	Connecting line Aerial amplifier Control panel	left	1	PR:675
		Radio unit			
(13)	997 612 077 25	Connecting line Aerial amplifier Control panel TV	left	1	PR:675
		Connecting line			
(13)	997 612 078 25	Aerial amplifier Control panel TV	right lhd	1	PR:675,098
		Connecting line			
(13)	997 612 078 75	Aerial amplifier Control panel TV	right rhd	1	PR:675,099
		Connecting line			
(13)	997 612 047 25	Aerial connection line - VICS BEACON - Control panel		1	PR:675

Model: 997T10

Model life 2010>>2013



Model: 997T10 Model life 2010>>2013

Pos	Part Number	Description	Remark	Qty	Model
1	997 645 021 00	Loudspeaker Treble speaker dashboard		2	GT2/RS PR:441,490
(1)	997 645 025 00	Treble speaker dashboard		2	PR:680
2	999 591 303 01	U-clip		4	
3	997 645 033 00	Loudspeaker dashboard	center	1	GT2/RS PR:490
(3)	997 645 035 00	Loudspeaker dashboard	center	1	PR:680
4	999 507 971 01	panel nut 4,2		4	
5	997 645 543 00	Mid tone speaker Door		2	GT2/RS PR:490
(5)	997 645 545 00	Mid tone speaker Door		2	PR:680
6	999 919 164 09	fillister hd. bolt 5,0 X 12		4	
7	997 645 551 00	Bass loudspeaker		2	GT2/RS PR:441
7	997 645 553 00	Bass loudspeaker		2	GT2/RS PR:490
(7)	997 645 555 00	Bass loudspeaker		2	PR:680
8	900 067 012 03	Socket head bolt M 6 X 30		8	
9	997 645 041 01	Loudspeaker	rear	2	GT2/RS PR:490
(9)	997 645 045 01	Loudspeaker	rear	2	PR:680
10	999 073 225 09	panel screw 4,8 X 16		2	
11	999 507 441 09	panel nut 4,8		2	
-		Subwoofer			
12	997 645 564 00	Subwoofer		1	COUPE PR:680
	997 645 564 00 FMP	Terracotta			
	997 645 564 00 FMQ	Cocoa			
	997 645 564 00 FMR	Dark grey/natural			
	997 645 564 00 FMS	Brown/natural			
12	997 645 564 00	Subwoofer Until Chassis number See technical information GR.7 NR. 17/11 KD-NR. 70		1	COUPE PR:680
	997 645 564 00 FMF	Black			
	997 645 564 00 FMG	Stone grey			
	997 645 564 00 FMM	Sand beige			
	997 645 564 00 FMN	sea blue			
	997 645 564 00 FTA	Carrera Red			
12	997 645 564 01	Subwoofer From Chassis number See technical information GR.7 NR. 17/11 KD-NR. 70		1	COUPE PR:680
	997 645 564 01 FMF	Black			
	997 645 564 01 FMG	Stone grey			
	997 645 564 01 FMM	Sand beige			
	997 645 564 01 FMN	sea blue			
	997 645 564 01 FTA	Carrera Red			
	997 645 564 01 FWK	Espresso			
13	997 645 566 00	Subwoofer	lhd	1	CABRIO

Model: 997T10 Model life 2010>>2013

Pos	Part Number	Description	Remark	Qty	Model
	997 645 566 00 M10	Terracotta			PR:098,680
	997 645 566 00 R10	Cocoa			
	997 645 566 00 D11	Dark grey/natural			
	997 645 566 00 T11	Brown/natural			
13	997 645 566 00	Subwoofer	lhd	1	CABRIO PR:098,680
		Until Chassis number See technical information GR.7 NR. 17/11 KD-NR. 70			
	997 645 566 00 A10	Black			
	997 645 566 00 B10	Stone grey			
	997 645 566 00 T10	Sand beige			
	997 645 566 00 E10	sea blue			
	997 645 566 00 N10	Carrera Red			
13	997 645 566 01	Subwoofer	lhd	1	CABRIO PR:098,680
		From Chassis number See technical information GR.7 NR. 17/11 KD-NR. 70			
	997 645 566 01 A10	Black			
	997 645 566 01 B10	Stone grey			
	997 645 566 01 T10	Sand beige			
	997 645 566 01 E10	sea blue			
	997 645 566 01 N10	Carrera Red			
(13)	997 645 567 00	Subwoofer	rhd	1	CABRIO PR:099,680
	997 645 567 00 M10	Terracotta			
	997 645 567 00 R10	Cocoa			
	997 645 567 00 D11	Dark grey/natural			
	997 645 567 00 T11	Brown/natural			
(13)	997 645 567 00	Subwoofer	rhd	1	CABRIO PR:099,680
		Until Chassis number See technical information GR.7 NR. 17/11 KD-NR. 70			
	997 645 567 00 A10	Black			
	997 645 567 00 B10	Stone grey			
	997 645 567 00 T10	Sand beige			
	997 645 567 00 E10	sea blue			
	997 645 567 00 N10	Carrera Red			
(13)	997 645 567 01	Subwoofer	rhd	1	CABRIO PR:099,680
		From Chassis number See technical information GR.7 NR. 17/11 KD-NR. 70			
	997 645 567 01 A10	Black			
	997 645 567 01 B10	Stone grey			
	997 645 567 01 T10	Sand beige			
	997 645 567 01 E10	sea blue			
	997 645 567 01 N10	Carrera Red			
14	996 645 568 00	Rosette		2	COUPE PR:680
	996 645 568 00 A03	Black			
	996 645 568 00 5V7	Stone grey			

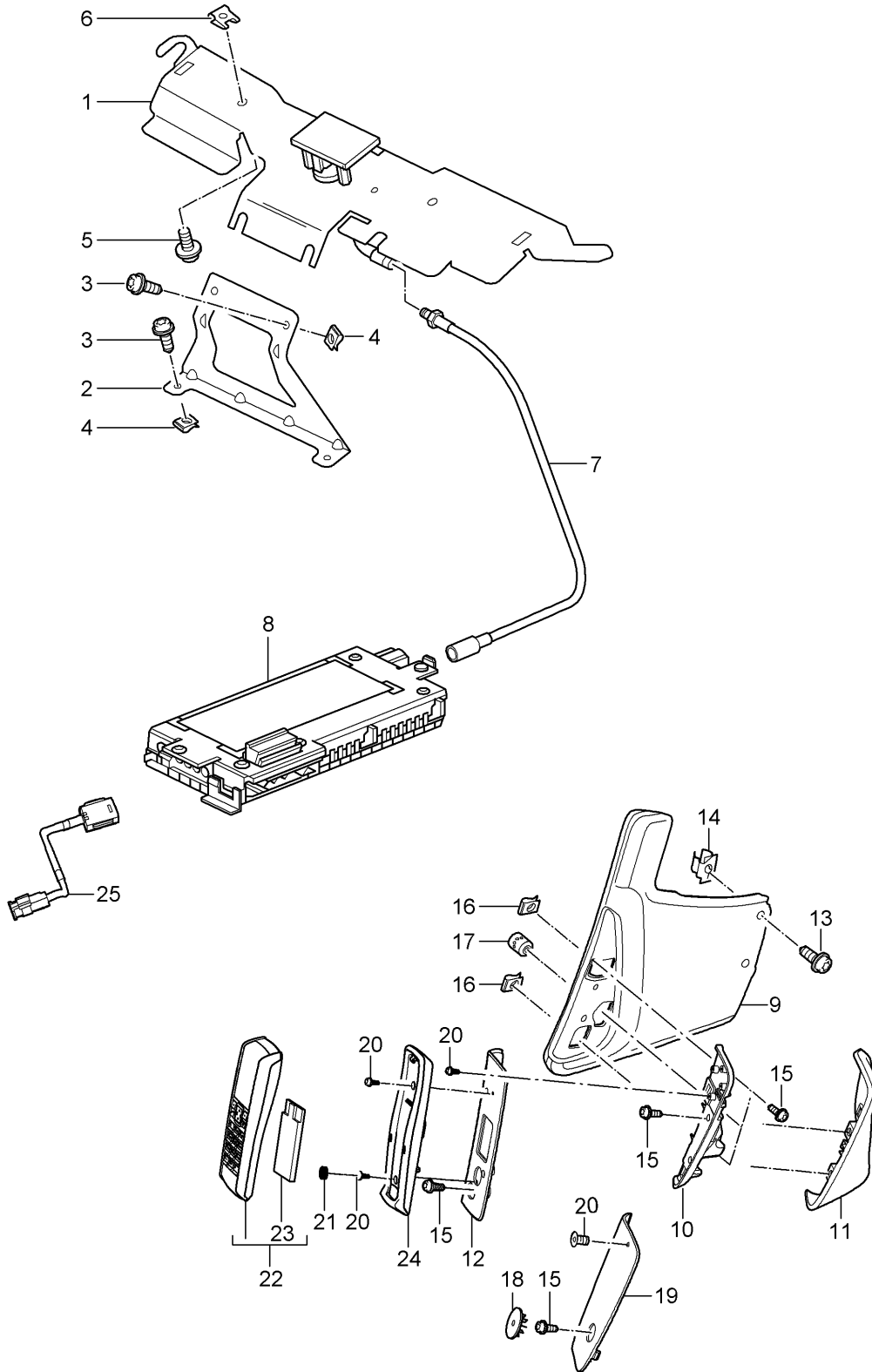
Model: 997T10

Model life 2010>>2013

Pos	Part Number	Description	Remark	Qty	Model
	996 645 568 00 5Z1	Sand beige			
	996 645 568 00 8W7	sea blue			
	996 645 568 00 8X8	Terracotta			
	996 645 568 00 8P9	Cocoa			
	996 645 568 00 T13	Brown/natural			
	996 645 568 00 N23	Carrera Red			
(15)	996 645 245 00	Bracket for subwoofer	left	1	COUPE PR:680
15	996 645 246 00	Bracket for subwoofer	right	1	COUPE PR:680
16	999 507 766 02	panel nut M 6		2	COUPE PR:680
17	999 073 113 09	fillister hd. bolt M 6,0 X 50 ASP		2	COUPE PR:680
18	900 380 015 01	Hexagon nut VM 6		4	COUPE PR:680
19	997 645 569 00	Bracket for subwoofer		2	CABRIO PR:680
20	900 378 035 01	Hexagon bolt M 6 X 16		2	CABRIO PR:680
21	999 073 223 01	Bolt with washer M 6 X 25		1	CABRIO PR:680
22	999 500 069 01	rivitted cap nut M 6		3	CABRIO PR:680

Model: 997T10

Model life 2010>>2013



Model: 997T10 Model life 2010>>2013

Pos	Part Number	Description	Remark	Qty	Model
1	997 647 125 01	Telephone			
(1)	997 647 126 01	Telephone aerial	lhd	1	PR:098
2	997 647 127 00	Telephone aerial	rhd	1	PR:099
(2)	997 647 128 00	Bracket	lhd	1	PR:098
3	999 073 236 0A	Bracket	rhd	1	PR:099
		fillister hd. bolt		4	
		M 6 X 10			
4	999 507 550 01	panel nut		4	
		M 6			
5	999 073 210 00	panel screw		2	
		4,8 X 13			
6	999 507 441 01	panel nut		2	
		4,8			
7	997 612 065 75	Connecting line		1	PR:666
(7)	997 612 061 25	Aerial connection line		1	PR:618,619
8	7PP 035 730 B	Control unit for telephone		1	PR:666,IY2
		Discontinued part			
8	7PP 035 730 C	Control unit for telephone		1	PR:666,IY2
9	997 553 118 07	Leather panel	lhd	1	PR:098
			side		
	997 553 118 07 FSA	black/grey			
	997 553 118 07 FSB	Stone grey/stone grey			
	997 553 118 07 FSC	Sand beige/sand beige			
	997 553 118 07 FSD	Sea blue/grey			
	997 553 118 07 FSF	Terracotta/terracotta			
	997 553 118 07 FSG	Cocoa/Cocoa			
	997 553 118 07 FSH	Darkgrey natural/grey			
	997 553 118 07 FSJ	Brown nat./brown nat.			
	997 553 118 07 FSP	Carrera Red/Carrera Red			
	997 553 118 07 FWH	Espresso			
(9)	997 553 117 07	Leather panel	rhd	1	PR:099
			side		
	997 553 117 07 FSA	black/grey			
	997 553 117 07 FSB	Stone grey/stone grey			
	997 553 117 07 FSC	Sand beige/sand beige			
	997 553 117 07 FSD	Sea blue/grey			
	997 553 117 07 FSF	Terracotta/terracotta			
	997 553 117 07 FSG	Cocoa/Cocoa			
	997 553 117 07 FSH	Darkgrey natural/grey			
	997 553 117 07 FSJ	Brown nat./brown nat.			
	997 553 117 07 FSP	Carrera Red/Carrera Red			
	997 553 117 07 FWH	Espresso			
10	997 553 520 00	Adapter	lhd	1	PR:098,618
(10)	997 553 516 00	Adapter	lhd	1	PR:098,669
(10)	997 553 519 00	Adapter	rhd	1	PR:099,618
(10)	997 553 515 00	Adapter	rhd	1	PR:099,669
11	997 553 418 01	Trim	lhd	1	PR:098,618
	997 553 418 01 A11	Black			
	997 553 418 01 5X6	Stone grey			
	997 553 418 01 8G2	Sand beige			
	997 553 418 01 3S9	sea blue			
	997 553 418 01 9S5	Terracotta			
	997 553 418 01 9V6	Cocoa			
	997 553 418 01 D12	Dark grey/natural			
	997 553 418 01 T12	Brown/natural			
	997 553 418 01 N12	Carrera Red			
	997 553 418 01 6J0	Espresso			
(11)	997 553 416 00	Trim	lhd	1	PR:098,669
	997 553 416 00 A11	Black			
	997 553 416 00 5X6	Stone grey			
	997 553 416 00 8G2	Sand beige			
	997 553 416 00 3S9	sea blue			
	997 553 416 00 9S5	Terracotta			

Model: 997T10 Model life 2010>>2013

Pos	Part Number	Description	Remark	Qty	Model
	997 553 416 00 9V6	Cocoa			
	997 553 416 00 D12	Dark grey/natural			
	997 553 416 00 T12	Brown/natural			
	997 553 416 00 N12	Carrera Red			
	997 553 416 00 6J0	Espresso			
(11)	997 553 417 01	Trim	rhd	1	PR:099,618
	997 553 417 01 A11	Black			
	997 553 417 01 5X6	Stone grey			
	997 553 417 01 8G2	Sand beige			
	997 553 417 01 3S9	sea blue			
	997 553 417 01 9S5	Terracotta			
	997 553 417 01 9V6	Cocoa			
	997 553 417 01 D12	Dark grey/natural			
	997 553 417 01 T12	Brown/natural			
	997 553 417 01 N12	Carrera Red			
	997 553 417 01 6J0	Espresso			
(11)	997 553 415 00	Trim	rhd	1	PR:099,669
	997 553 415 00 A11	Black			
	997 553 415 00 5X6	Stone grey			
	997 553 415 00 8G2	Sand beige			
	997 553 415 00 3S9	sea blue			
	997 553 415 00 9S5	Terracotta			
	997 553 415 00 9V6	Cocoa			
	997 553 415 00 D12	Dark grey/natural			
	997 553 415 00 T12	Brown/natural			
	997 553 415 00 N12	Carrera Red			
	997 553 415 00 6J0	Espresso			
12	997 553 524 00	Carrier plate	lhd	1	PR:098,669
	997 553 524 00 01C	Satin black			
(12)	997 553 523 00	Carrier plate	rhd	1	PR:099,669
	997 553 523 00 01C	Satin black			
13	999 073 226 09	panel screw		2	
		4,2 X 16			
14	999 591 508 01	Cage nut		2	
		4,2			
15	999 073 155 09	panel screw		7	
		4,2 X 13			
16	999 507 971 01	panel nut		2	
		4,2			
17	999 507 645 02	Threaded piece		1	
		4,2			
18	997 553 751 00	Cover cap		1	PR:618
	997 553 751 00 01C	Satin black			
19	997 553 522 01	Carrier plate	lhd	1	PR:098,618
	997 553 522 01 01C	Satin black			
(19)	997 553 521 01	Carrier plate	rhd	1	PR:099,618
	997 553 521 01 01C	Satin black			
20	999 919 230 00	countersunk bolt		4	
		3 X 10			
21	955 646 311 00	Bungs		2	PR:669
22	7PP 035 725	Telephone controls/receiver		1	PR:669
		Discontinued part			
22	7PP 035 725 C	Telephone controls/receiver		1	PR:669
23	997 646 216 00	Battery		1	PR:669
		Discontinued part			
23	997 646 916 00	Battery		1	PR:669
24	955 646 214 00	Support for cellphone receiver		1	PR:669
(25)	997 646 315 00	microphone		1	PR:618,619, 666,671,680
(25)	997 646 319 00	microphone		1	PR:618,619, 665,666,671
-	997 610 233 01	Cable guide		1	

Model: 997T10

Model life 2010>>2013

Pos	Part Number	Description	Remark	Qty	Model
		microphone			