

Model: 928 92**Model life 1992>>1995**

ORDER-INFO

THIS PARTS CATALOGUE CONTAINS ALL ORDER INFORMATION OF
TYPE 928 GTS FROM MODEL YEAR 1992 TO MODEL YEAR 1995

IT IS AVAILABLE IN TWO EDITIONS IN THE FOLLOWING LANGUAGES:

EDITION

USA, CANADA

- *

EDITION

ALL OTHER COUNTRIES

- GERMAN

* - ENGLISH

- FRENCH

- ITALIAN

- SPANISH

UPDATING IS BEING PERFORMED BY CHANGING OF UPDATE.

THE EDITION CAN BE RECOGNIZED BY THE CURRENT NO.
YEAR IN THE BOTTOM LINE OF SUBJECT UPDATE.

THE PREVIOUS UPDATE SHOULD NO LONGER BE USED.

ALL ILLUSTRATIONS ARE SUBJECT TO CHANGE WITHOUT OBLIGATION.

Model: 928 92

Model life 1992>>1995

EXPLANAT.- VIN

EXPLANATION OF THE ABRIDGED VERSION OF THE VEHICLE IDENT. NUMBERS (VIN)
 =====
 USED IN THE CATALOGUE
 =====

DIGIT:		1	2	3	4	5	6	7	8	9	10	11	12	13	14	15	16	17
--------	--	---	---	---	---	---	---	---	---	---	----	----	----	----	----	----	----	----

EXAMPLE:		W	P	O	Z	Z	Z	9	2	Z	N	S	8	4	0	1	2	5
----------	--	---	---	---	---	---	---	---	---	---	---	---	---	---	---	---	---	---

								===		=	=	=						
--	--	--	--	--	--	--	--	-----	--	---	---	---	--	--	--	--	--	--

								!		!	!	!						!
--	--	--	--	--	--	--	--	---	--	---	---	---	--	--	--	--	--	---

VEHICLE TYPE 1ST+2ND DIGIT-----+										!	!	!						!
----------------------------------	--	--	--	--	--	--	--	--	--	---	---	---	--	--	--	--	--	---

										!	!	!						!
--	--	--	--	--	--	--	--	--	--	---	---	---	--	--	--	--	--	---

MODEL YEAR-----+											!	!						!
------------------	--	--	--	--	--	--	--	--	--	--	---	---	--	--	--	--	--	---

											!	!						!
--	--	--	--	--	--	--	--	--	--	--	---	---	--	--	--	--	--	---

MANUFACTURING LOCATION-----+												!						!
------------------------------	--	--	--	--	--	--	--	--	--	--	--	---	--	--	--	--	--	---

												!						!
--	--	--	--	--	--	--	--	--	--	--	--	---	--	--	--	--	--	---

VEHICLE TYPE 3RD DIGIT-----+																		!
------------------------------	--	--	--	--	--	--	--	--	--	--	--	--	--	--	--	--	--	---

																		!
--	--	--	--	--	--	--	--	--	--	--	--	--	--	--	--	--	--	---

SERIAL NUMBER-----+																		!
---------------------	--	--	--	--	--	--	--	--	--	--	--	--	--	--	--	--	--	---

Model: 928 92

Model life 1992>>1995

SUMMARY TYPES

VEHICLE TYPE	MY	VIN	ENGINE TYPE
928 GTS	92 N	92NS8 00061>05000	M28.49/50 257 KW
928 GTS (USA) (CDN)	92 N	92PS8 15061>19999	M28.49/50 257 KW
928 GTS	93 P	92PS8 00061>05000	M28.49/50 257 KW
928 GTS (USA) (CDN)	93 P	92PS8 20061>25000	M28.49/50 257 KW
928 GTS	94 R	92RS8 00061>05000	M28.49/50 257 KW
928 GTS (USA) (CDN)	94 R	92RS8 20061>25000	M28.49/50 257 KW
928 GTS	95 S	92SS8 00061>05000	M28.49/50 257 KW
928 GTS (USA) (CDN)	95 S	92SS8 20061>25000	M28.49/50 257 KW

Model: 928 92

Model life 1992>>1995

EXPL. ENGINE-NO.

EXPLANATION OF THE MOTOR-NUMBERS USED IN THE CATALOGUE

=====

DIGIT:	1	2	3	4	5	6	7	8
EXAMPLE:	8	1	N	0	0	1	3	6
	=	=	=	=	=	=	=	=
	!	!	!			!		
ENGINE TYPE (8 = 8-CYL.-ENGINE)-----+	!	!				!		
		!	!			!		
ENGINE VERSION-----+			!			!		
						!		
MODEL YEAR-----+						!		
								!
SERIAL NUMBER-----+								!

Model: 928 92

Model life 1992>>1995

SUMMARY ENGINES

VEHICLE TYPE	ENGINE			TECHNICAL DATA
	TYPE	MY	ENGINE NO.	
928 GTS	M28.49	92 N 85N	00501>20000	8CYL/5,4L/257KW
928 GTS M249	M28.50	92 N 81N	50501>60000	8CYL/5,4L/257KW
928 GTS	M28.49	93 P 85P	00501>20000	8ZYL/5,4L/257 KW
928 GTS M249	M28.50	93 P 81P	50501>60000	8ZYL/5,4L/257 KW
928 GTS	M28.49	94 R 85R	00501>20000	8ZYL/5,4L/257 KW
928 GTS M249	M28.50	94 R 81R	50501>60000	8ZYL/5,4L/257 KW
928 GTS	M28.49	95 S 85S	00501>20000	8ZYL/5,4L/257 KW
928 GTS M249	M28.50	95 S 81S	50501>60000	8ZYL/5,4L/257 KW

Model: 928 92

Model life 1992>>1995

EXPL. TRANSMISS.

EXPLANATION OF THE TRANSMISSION-NUMBERS USED IN THE CATALOGUE MOD.92>>

```

=====
DIGIT:                1  2  3  4  5      6  7  8  9 10 11 12
EXAMPLE:              G  2  8  5  7      1  0  0  0  5  4  3
                      =  =====  =  =  =====
                      !      !      !      !
                      !      !      !      !
TRANSMISSION TYPE-----+      !      !      !
                      !      !      !      !
TRANSMISSION VERSION-----+      !      !      !
                      !      !      !      !
INDEX OF VARIANTS-----+      !      !      !
                      !      !      !      !
SERIAL NUMBER-----+

```

SHORT TRANSMISSION NO.=====> PORSCHE-TRANSMISSION-TYPE

```

722 270 32 01 722 360 03 . . . . . = A28.18
          I_____I

```

```

          V
SHORT TRANSMISSION NO.      V
=====                    V
          V
DIGIT:                1  2 3 4  5 6 7
EXAMPLE:              A  9 0 9  6 3 8
                      =  =====
                      !      !
TRANSMISSION TYPE----+      !
                      !
SERIAL NUMBER-----+

```

Model: 928 92

Model life 1992>>1995

SUMM. TRANSMISS.

VEHICLE TYPE	TRANSM. TYPE	MY	TRANSMISSION NO.	TECHNICAL DATA
928 GTS	G28.57	92 N	G2857 3002001>999999	5-SPEED
928 GTS M249	A28.18	92 N	A2818 3002001>999999	4-SPEED
928 GTS	G28.57	93 P	G2857 3002001>999999	5-SPEED
928 GTS M249	A28.18	93 P	A2818 3002001>999999	4-SPEED
928 GTS	G28.57	94 R	G2857 3002001>999999	5-SPEED
928 GTS M249	A28.18	94 R	A2818 3002001>999999	4-SPEED
928 GTS	G28.57	95 S	G2857 3002001>999999	5-SPEED
928 GTS M249	A28.18	95 S	A2818 3002001>999999	4-SPEED

Model: 928 92

Model life 1992>>1995

LEGENDS/NOTICES

LEGENDS AND NOTICES

=====

IN COLUMN -S- STATUS

- N NEW ADDITION
- P PART ALREADY IN PROGRAMME, BUT NEW AT THIS APPLICATION
- W DELETED AT THIS APPLICATION, BUT CONTINUED TO BE CARRIED
- A STOCK TO BE USED UP
- U DELETED WITHOUT REPLACEMENT
- * PART ALSO OR ONLY AVAILABLE IN REPAIR KIT
- > ALSO AVAILABLE IN EXCHANGE

IN COLUMN - ILL. -

- 1 IDENTIFICATION NO. IN ILLUSTRATION
- (1) PART ONLY SIMILAR AS ILLUSTRATED
- PART IS NOT ILLUSTRATED

FIG.-NUMBERS FOR WHICH THERE IS SHOWN NO TEXT ARE NOT VALID FOR THIS EDITION OF CATALOGUE

IN COLUMN -PART NUMBER/CODE-

000 000 000 00 PART NUMBER EQUALS ORDERING NO., IF A CODE IS SHOWN, IT WILL HAVE TO BE PART OF ORDERING NUMBER

01C COLOUR CODE

IN COLUMN -TEXT

INSTALLATION WITH ENGINE OR CHASSIS NUMBER-RANGE

EXAMPLE:

M 81N 00391>>

FROM ENGINE NO.

Model: 928 92**Model life 1992>>1995**

F

>>92NS84 0391

UP TO CHASSIS NO.

Model: 928 92

Model life 1992>>1995

LEGENDS/NOTICES

IN COLUMN - A -

IDENTIFICATION LETTER FOR PERIOD OF INSTALLATION
THAT IS REPEATED SEVERAL TIMES IN THE CATALOG GROUP.

EXPLANATION PLEASE FIND IN TEXT COLUMN OF THE CATALOG GROUP

IN COLUMN - QU - = NO. OF PIECES

1 NUMBER PER APPLICATION

X NUMBER AS NEEDED

* AVAILABLE ONLY IN RUNNING LENGTHS 1 = 1 METRE

IN COLUMN - MODEL/SYMBOL -

M650 OPTIONAL EQUIPMENT - SEE M-NO. LIST

-93 LIMITATION OF MODEL YEAR FOR INSTANCE: VALID UP TO
END OF MODEL YEAR 1993

/LL LHD

/RL RHD

/V FRONT I
I

/H REAR I

/L LEFT I I----> APPLIES TO
DIRECTION OF TRAVEL

/R RIGHT I

-----+

AUT. AUTOMATIC

WW THE PART CAN BE USED INSTEAD OF THE
PRECEDING ONE

Model: 928 92

Model life 1992>>1995

COUNTRY-EQIPM.

EQUIPMENT BY COUNTRY REGULATIONS

=====

(A)	AUSTRIA
(AG)	ARABIAN GULF STATES
(AUS)	AUSTRALIA
(B)	BELGIUM
(CDN)	CANADA
(CH)	SWITZERLAND
(D)	FEDERAL REPUBLIC OF GERMANY
(DK)	DENMARK
(E)	SPAIN
(F)	FRANCE
(GB)	GREAT BRITAIN
(GR)	GREECE
(HK)	HONGKONG
(I)	ITALY
(J)	JAPAN
(L)	LUXEMBURG
(N)	NORWAY
(NL)	NETHERLANDS
(NZ)	NEW ZEALAND
(P)	PORTUGAL
(RC)	TAIWAN
(S)	SWEDEN
(SA)	SAUDI ARABIA
(SF)	FINLAND
(USA)	UNITED STATES OF AMERICA
(ZA)	SOUTH AFRICA

Model: 928 92

Model life 1992>>1995

NR	Description
M000	+-----+ ! Summary of optional extras "M"! +-----+
M018	Sports steering wheel with elevated hub 30 mm
M020	Speedometer with two scales mph-km/h
M024	Version for Greece
M034	Version for Italy
M058	Impact absorbers, front and rear
M061	Version for Great Britain
M062	Version for Sweden
M063	Version Luxemburg
M113	Version for Canada
M114	Version for Taiwan
M119	Version for Spain
M124	Version for France
M126	Control and indications in French lettering
M127	Control and indications in Swedish
M130	Control and indications in English lettering
M139	Seat heating system, left seat
M150	Operation with leaded gas
M157	Three-way catalytic converter, oxygen sensor and digital engine electronics (DME)
M193	Version for Japan
M195	Preparation for mobile telephone system
M208	Trailer coupling
M215	Version for Saudi Arabia
M249	Automatic transmission
M261	Door mirror - flat - passenger's side, electrically adjustable and heatable
M277	Version for Switzerland
M317	Equipment for countries with dust-laden air
M325	Version for South Africa/New Zealand
M327	Radio "Symphony RDS"
M331	Radio "Porsche CR-1"
M332	Radio "Porsche CR-2"
M340	Seat heating system, right seat
M383	Sports seat, left, electrically vertically adjustable
M387	Sports seat, right, electrically vertically adjustable
M403	Cast wheel "Cup", 17-inch
M418	Side protection moldings
M423	Holder for cassettes and coins
M437	Comfort seat, left, electrically adjustable

Model: 928 92 Model life 1992>>1995

NR	Description
M438	Comfort seat, right, electrically adjustable
M463	Clear windscreen
M467	Door mirror for driver's side, convex, electrically heatable and adjustable
M474	Shock absorber (sporting), front and rear
M479	Version for Australia
M481	Manual transmission
M483	Differing engine parts for right-hand drive
M484	Version for USA
M488	Inscriptions in German language
M489	Switches and insignias in German language
M492	Headlamps for left-hand traffic
M498	Deletion of model designation on rear end
M499	Version for Germany
M513	Lumbar support, right seat
M537	Seating position control for comfort seat, left
M538	Seating position control for comfort seat, right
M553	Version for USA, Canada
M561	Airbag, driver's side
M562	Airbag, driver's side and front passenger's side
M564	Without airbag
M567	Windscreen tinted, upper part darker coloured
M570	Air conditioner with improved efficiency
M573	Air conditioner
M576	Without rear fog lamp
M586	Lumbar support, left seat
M595	Rear spoiler with color of the car
M596	
M602	Raised stop lamp
M611	Preparation for telephone installation Nokia (D-network)
M612	Preparation for Philips telephone "C2" network
M614	Preparation for telephone installation Motorola (D-network)
M650	Electrical sliding roof
M690	CD player "CD-10" radio + ARI
M691	CD player "CD-2" with radio
M692	CD autochanger "Porsche "
M693	CD radio London RDM 42
M900	Tourist's cars
M930	Seat covers, rear, leather

Model: 928 92

Model life 1992>>1995

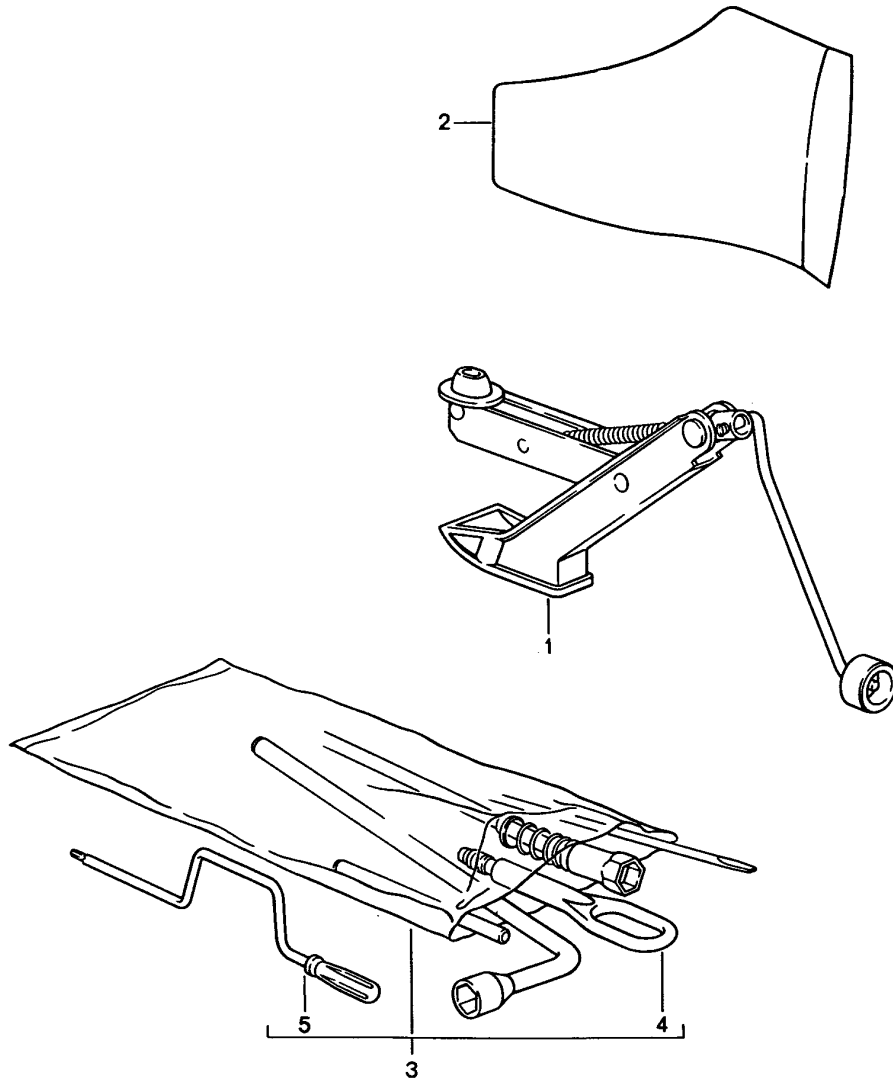
NR	Description
M933	Seat covers, rear cloth/leather/leather
M935	Seat covers, rear, draped leather
M948	Seat covers, front, cloth/leather/leather
M980	Seat cover - draped leather
M981	Leather equipment
M983	Seat covers, front, leather
M986	Partial leather equipment

Model: 928 92

Model life 1992>>1995

Model: 928 92

Model life 1992>>1995

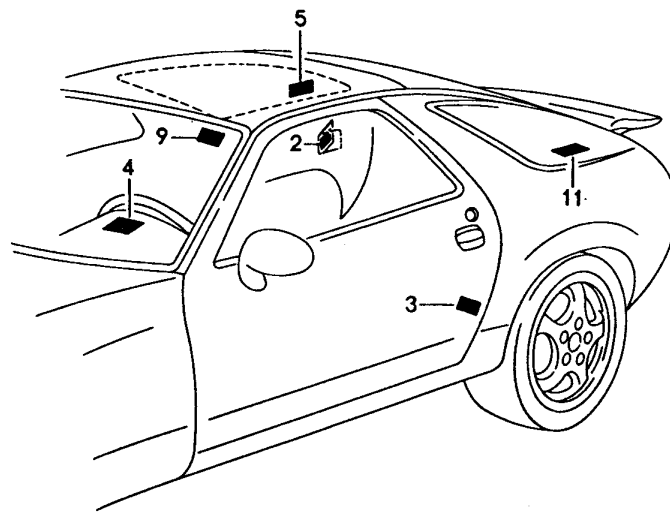
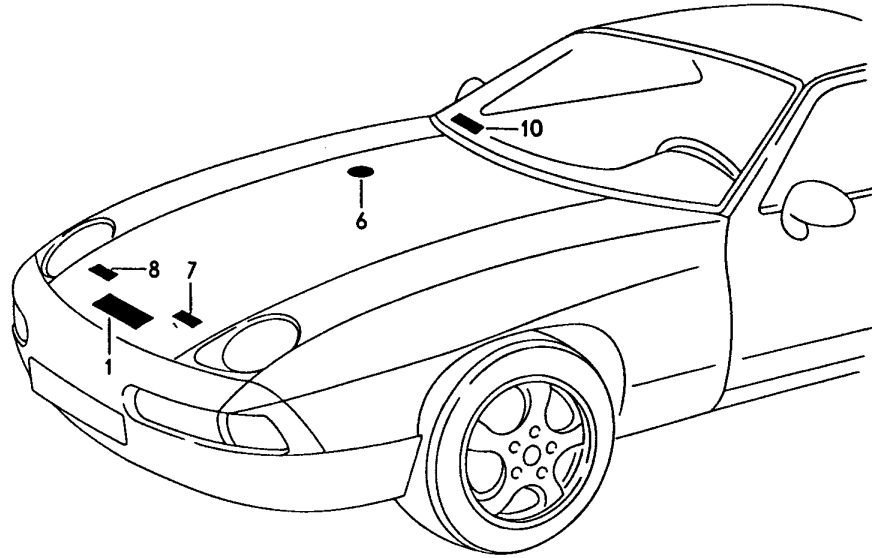


Model: 928 92 Model life 1992>>1995

Pos	Part Number	Description	Remark	Qty	Model
1	000 721 711 00	Tool Jack		1	
(1)	000 721 710 01	Jack	-93	1	
(1)	000 721 710 03	Jack	94-	1	
(1)	000 721 711 01	Jack	94-	1	
(1)	000 721 711 01	Jack	(AUS) -93	1	
(1)	000 721 711 01	Jack	(AUS) 94-	1	
2	928 551 093 02	Bag for Jack		1	
3		Tool Set		1	
-	477 012 233	Comprising: Spark plug wrench		1	
-	999 571 045 02	Rim wrench		1	
-	999 195 011 02	Double-end spanner 8 X 9		1	
-	999 195 012 02	Double-end spanner 10 X 11		1	
-	999 195 013 02	Double-end spanner 12 X 13		1	
-	999 195 014 02	Double-end spanner 14 X 15		1	
-	999 195 015 02	Double-end spanner 17 X 19		1	
-	911 721 107 02	Screwdriver Set		1	
-	999 107 006 02	Universal pliers		1	
4	928 722 101 05	Towing lug		X	
5	928 521 907 02	Crank		1	
-	911 721 237 00	Intermediate piece for emergency control Power windows		1	

Model: 928 92

Model life 1992>>1995



Model: 928 92 Model life 1992>>1995

Pos	Part Number	Description	Remark	Qty	Model
1	928 006 101 87	Stickers Sticker	(S)	1	
1	928 006 119 05	Engine specifications Sticker	(CH)	1	
2	928 006 117 20	Engine specifications Sticker		1	
2	928 006 117 22	Type of fuel Unleaded Sticker		1	
2	928 006 117 24	Required octane number Leaded fuel Sticker	(AUS) 94-	1	
2	928 006 101 92	Required octane number Sticker	(AUS) 92	1	
2	928 006 101 95	Engine specifications Sticker	(AUS) 93	1	
2	928 006 101 98	Engine specifications Sticker	(AUS) 94	1	
2	930 701 203 05	Engine specifications Sticker	(J)	1	
2	928 701 287 15	Required octane number Sticker	92	1	
2	928 701 287 23	Tyre pressure monitoring Sticker	93	1	
2	928 701 287 16	Tyre pressure monitoring Sticker	(GB) 92	1	
2	928 701 287 24	Tyre pressure monitoring Sticker	(GB) 93	1	
2	928 701 287 17	Tyre pressure monitoring Sticker	(F) 92	1	
2	928 701 287 25	Tyre pressure monitoring Sticker	(F) 93	1	
2	928 701 287 18	Tyre pressure monitoring Sticker	(I) 92	1	
2	928 701 287 26	Tyre pressure monitoring Sticker	(I) 93	1	
2	928 701 287 19	Tyre pressure monitoring Sticker	(E) 92	1	
2	928 701 287 27	Tyre pressure monitoring Sticker	(E) 93	1	
2	928 701 287 20	Tyre pressure monitoring Sticker	(AUS) 92	1	
2	928 701 287 28	Tyre pressure monitoring Sticker	(AUS) 93	1	
2	928 701 287 30	Tyre pressure monitoring Sticker	94-	1	
2	928 701 287 32	Tyre pressure Sticker	(AUS) 94-	1	
4	928 701 173 02	Tyre pressure Sticker		1	
4	928 701 173 06	Unleaded Sticker	(S) 92	1	
4	928 701 347 00	Unleaded Sticker	(J)	1	
6	928 006 511 00	Steering lock Sticker	(F)	1	
6	928 006 511 01	Coolant Sticker		1	
7	964 701 163 00	Coolant Sticker		1	
7	928 006 105 03	High voltage Sticker		1	
		Firing order			

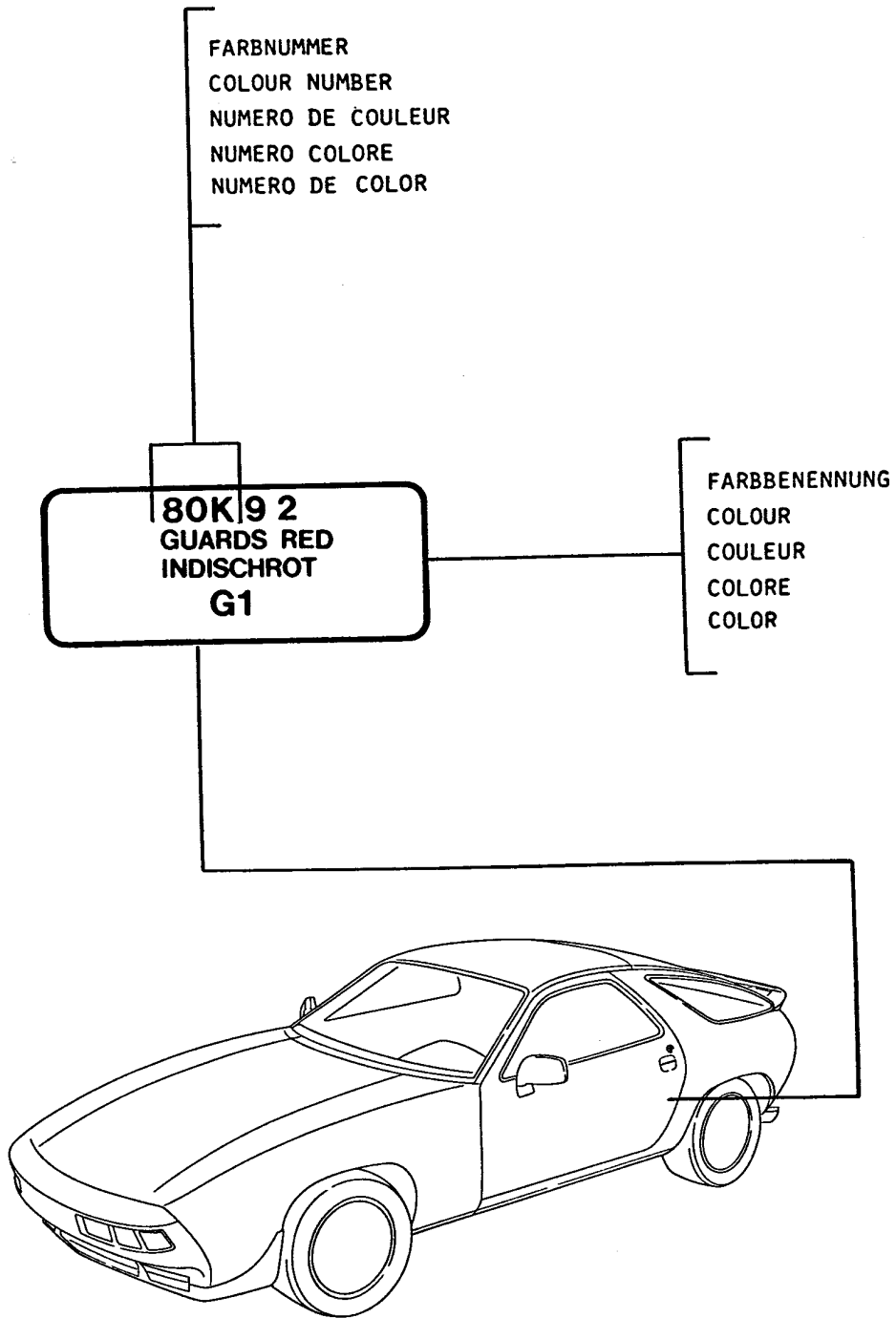
Model: 928 92

Model life 1992>>1995

Pos	Part Number	Description	Remark	Qty	Model
11	911 701 250 00	Sticker Alarm system		1	

Model: 928 92

Model life 1992>>1995



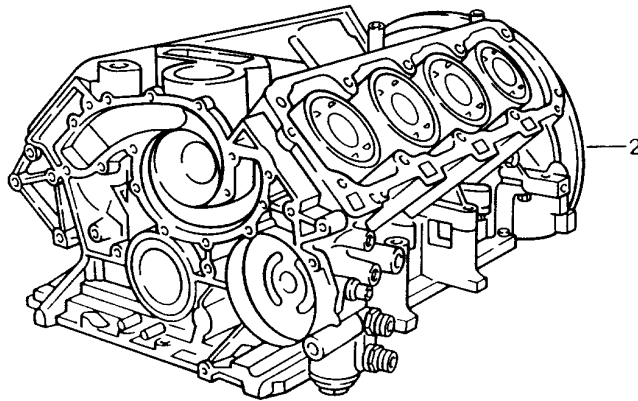
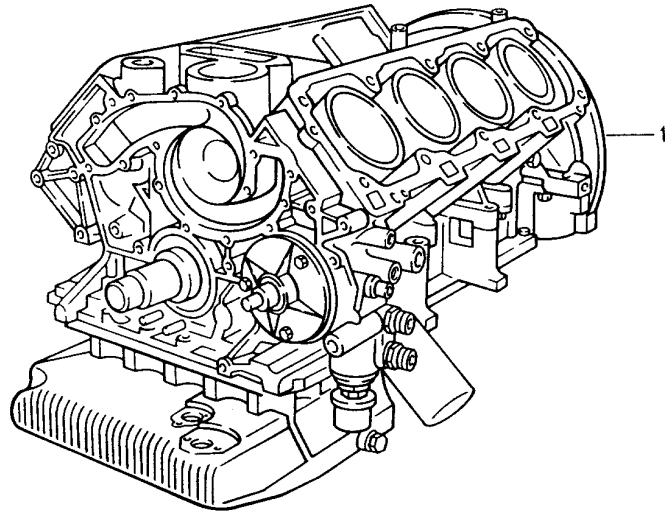
Model: 928 92

Model life 1992>>1995

Pos	Part Number	Description	Remark	Qty	Model
-	911 095 932 20	Lacquers			
	911 095 932 20 027	Paint touch-up applicator		X	
	911 095 932 20 027	Guards red			027
	911 095 932 20 700	Black			700
	911 095 932 20 719	Black	93-		719
	911 095 932 20 908	Grand prix white			908
	911 095 932 20 38B	Maritime blue			38B
	911 095 932 20 22S	Signal green			22S
	911 095 932 20 22R	Mint green			22R
	911 095 932 20 82N	Rubystone red			82N
	911 095 932 20 12G	Speed yellow			
	911 095 932 20 39E	Riviera blue			
	911 095 932 20 39D	Amaranth violet			
-	911 095 933 20	Paint touch-up applicator		X	
		Set			
		Comprising:			
		Top-coat paint			
		And			
		Clear lacquer			
	911 095 933 20 80D	Cassis red metallic			80D
	911 095 933 20 22L	Oak green metallic			22L
	911 095 933 20 738	Black-metallic	-92		738
	911 095 933 20 744	Black-metallic	93-		744
	911 095 933 20 37X	Horizon blue metallic			37X
	911 095 933 20 37U	Cobalt blue metallic			37U
	911 095 933 20 37W	Midnight Blue Metallic			37W
	911 095 933 20 82H	Coral red metallic			82H
	911 095 933 20 38A	Amethyst metallic			38A
	911 095 933 20 37Z	Amazon green metallic			
	911 095 933 20 39A	Amazon green metallic			37Z
	911 095 933 20 92E	Polar silver metallic			92E
	911 095 933 20 39N	Iris blue metallic			
	911 095 933 20 39R	Aventurine green metallic			
	911 095 933 20 22D	Slate grey metallic			

Model: 928 92

Model life 1992>>1995



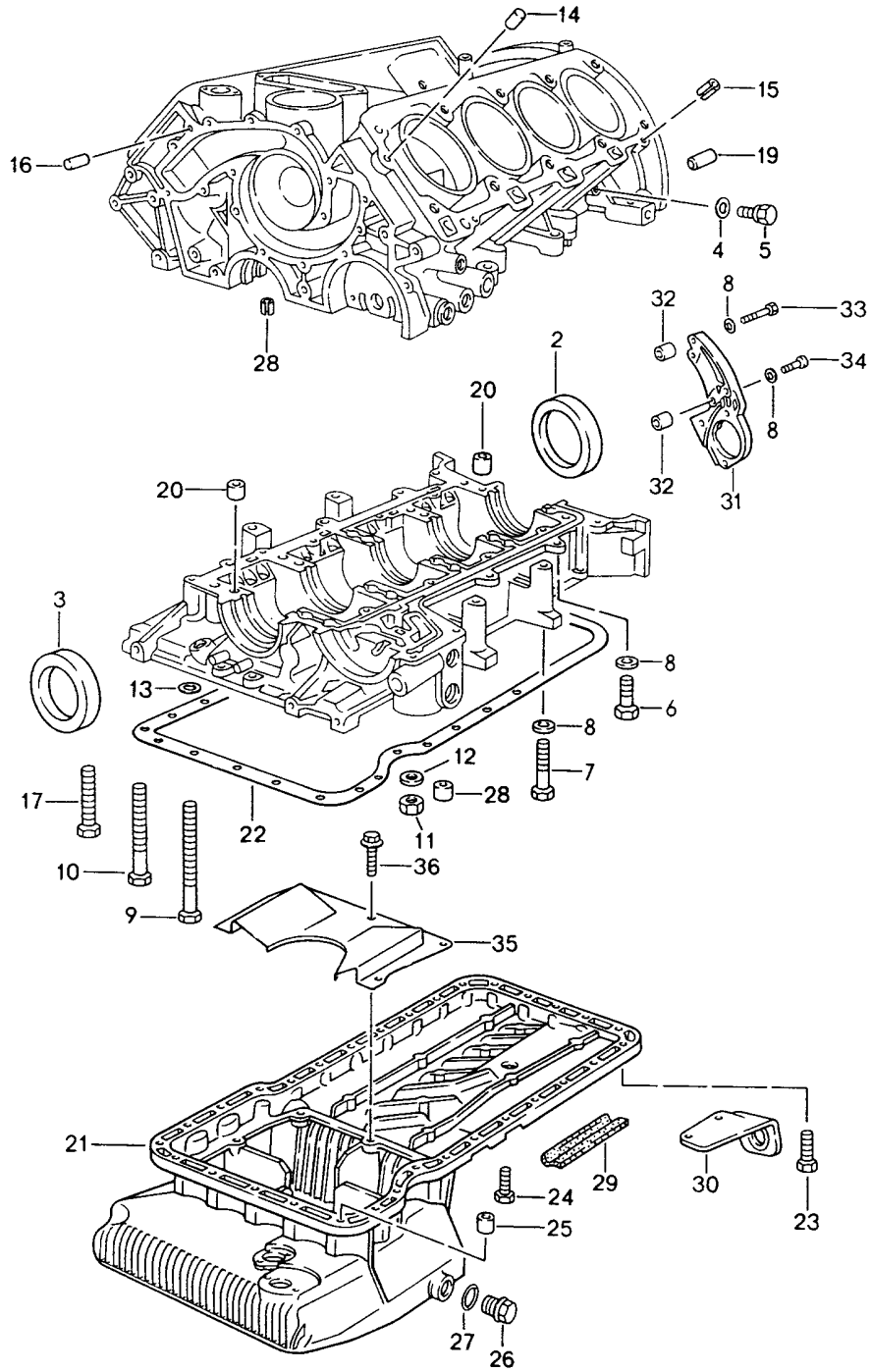
Model: 928 92

Model life 1992>>1995

Pos	Part Number	Description	Remark	Qty	Model
		Replacement engine			M28.49/50
		Short engine			M28.49/50
		Crankcase			M28.49/50
		Replacement engine			
		Ready for installation			
		On request			
		Short engine			M28.49/50
		with pistons			
		Crankshaft			
		Oil pump			
		Oil pan			
1	928 100 911 13	Short engine		1	M28.49/50
2	928 101 907 08	Crankcase		1	M28.49/50
		with pistons			

Model: 928 92

Model life 1992>>1995



Model: 928 92 Model life 1992>>1995

Pos	Part Number	Description	Remark	Qty	Model
		Crankcase Single parts			M28.49/50
2	999 113 264 40	Radial sealing ring 90 X 110 X 12		1	
2	999 113 461 40	Radial sealing ring 90 X 110 X 12		1	
2	999 113 426 40	Radial sealing ring 90 X 110 X 12		1	
2	999 113 426 41	Radial sealing ring 90 X 110 X 12		1	
3	999 113 263 40	Shaft sealing ring 60 X 85 X 10		1	
4	900 123 055 30	Sealing ring A 12 X 17		2	
5	N 029 703 1	Screw plug M 12 X 1,5		2	
6	900 075 099 02	Hexagon-head bolt M 8 X 30		6	
6	900 075 099 03	Hexagon-head bolt M 8 X 30		6	
7	N 010 361 4	Hexagon-head bolt M 8 X 65		10	
7	N 010 361 13	Hexagon-head bolt M 8 X 65		10	
8	900 025 007 02	Washer A 8,4		24	
8	900 025 007 03	Washer A 8,4		24	
9	900 082 068 02	Hexagon-head bolt M 12 X 1,5 X 130		1	
10	900 082 040 02	Hexagon-head bolt M 12 X 1,5 X 120		9	
11	N 011 010 13	Hexagon nut M 10		22	
12	900 025 008 09	Washer A 10,5		2	
12	900 025 008 04	Washer A 10,5		2	
13	928 101 303 00	Washer		10	
14	999 012 034 00	Straight pin 8 M 6 X 12		4	
15	900 095 072 01	Tensioning sleeve 6 X 12		2	
16	N 013 199 1	Straight pin 6 X 12		2	
17	900 074 181 02	Screw M 10 X 95		10	
(17)	N 010 500 3	Hexagon-head bolt M 10 X 110		4	
19	900 012 070 00	Straight pin 12 X 18		2	
20	928 101 195 03	Fitting bushing		2	
21	928 101 208 01	Oil pan		1	
22	928 101 207 00	Oil sump gasket		1	
23	900 075 347 02	Combination screw M 6 X 28 Z1		25	
24	900 075 341 02	Combination screw M 6 X 25 Z1		5	
24	900 075 341 01	Combination screw M 6 X 25 Z1		5	
25	928 101 189 00	Dowel sleeve		2	
26	944 107 197 01	Screw plug		1	
27	900 123 118 30	Sealing ring		1	

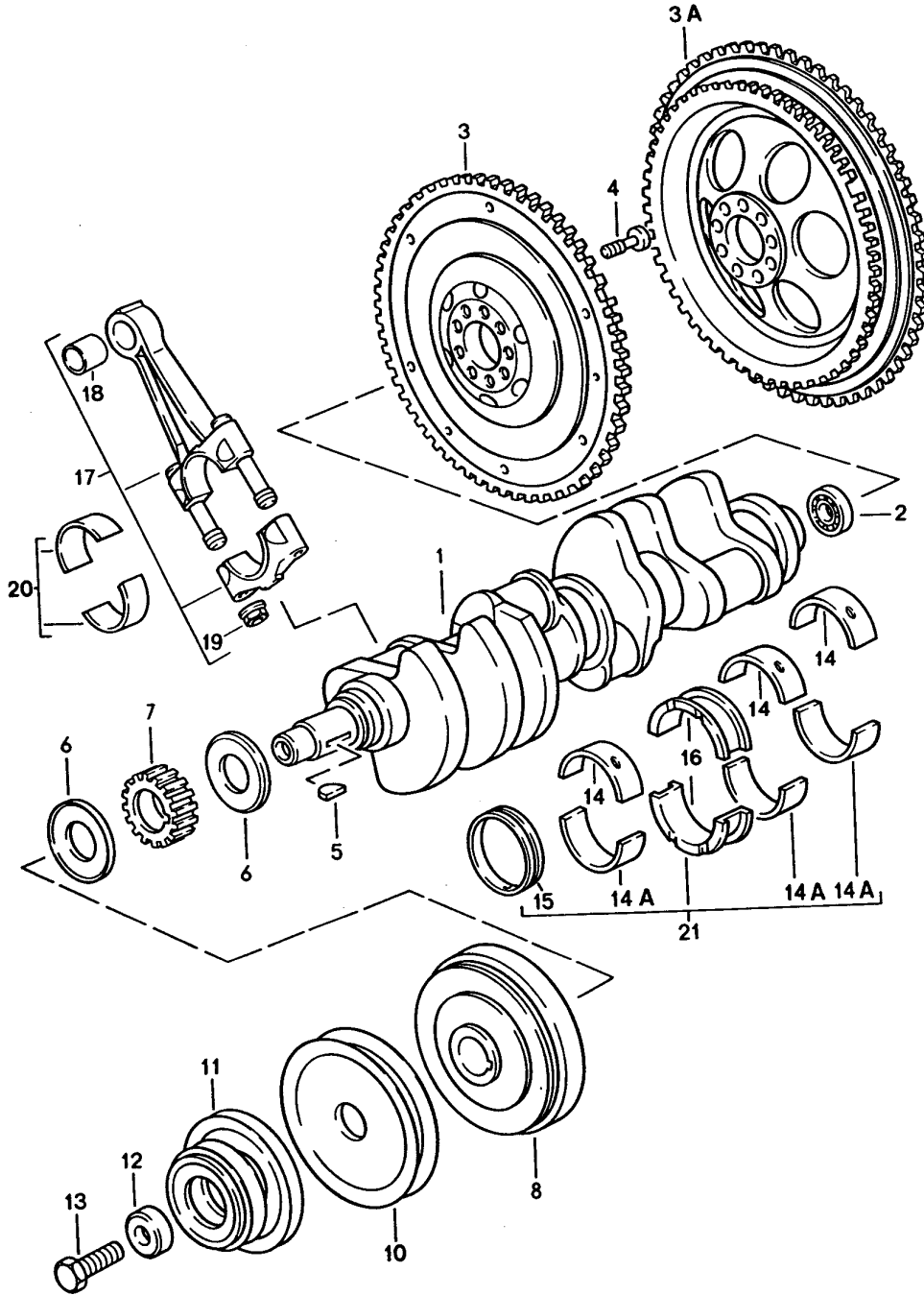
Model: 928 92

Model life 1992>>1995

Pos	Part Number	Description	Remark	Qty	Model
28	N 013 315 1	A 22 X 27 Roll pin 5 X 10		1	
29	928 604 121 00	Insulating piece		1	
30	928 423 221 01	Support		1	
31	928 101 093 02	Mounting plate		1	
32	928 101 197 00	Fitting bushing		2	
33	N 040 301 1	Hexagon-head bolt M 8 X 48		2	
34	900 119 004 02	Pan-head screw M 8 X 30		2	
35	928 107 139 07	Insert for oil sump		1	
36	900 067 240 02	Combination screw M 6 X 12 Z1		X	
-	900 074 063 02	Hexagon-head bolt M 10 X 55		1	
-	900 074 380 01	Hexagon-head bolt M 10 X 55		1	
-	900 074 059 02	Hexagon-head bolt M 10 X 40		1	
-	900 074 379 01	Hexagon-head bolt M 10 X 40		1	

Model: 928 92

Model life 1992>>1995



Model: 928 92 Model life 1992>>1995

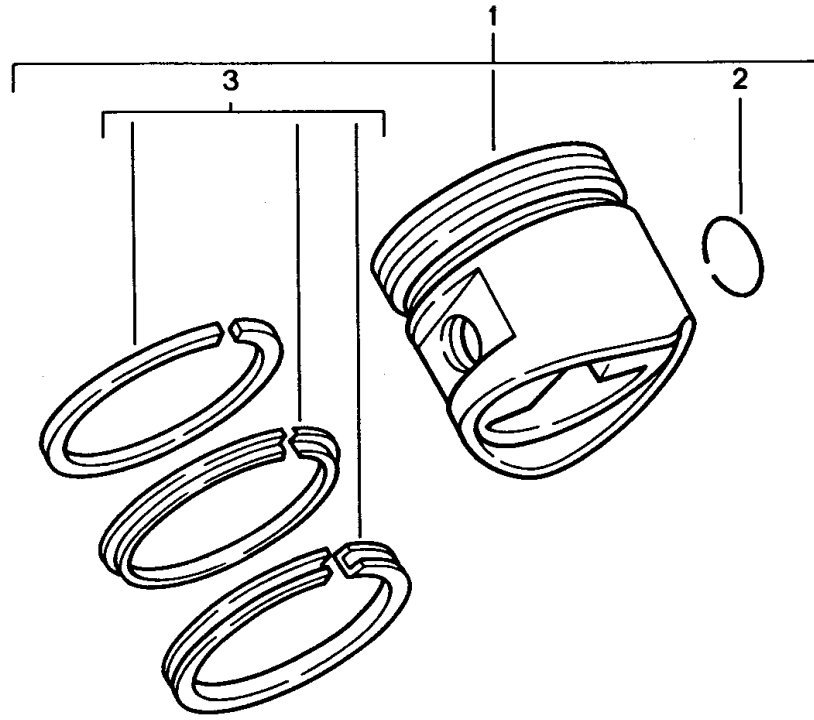
Pos	Part Number	Description	Remark	Qty	Model
		Crankshaft			M28.49/50
		Connecting rod			M28.49/50
1	928 102 028 03	Crankshaft		1	
2	928 102 111 02	Deep-groove ball bearing		1	
3	928 102 208 03	Flywheel		1	M28.49
3	928 102 208 AX	Flywheel		1	
		We take back: 928.102.208.03			
3A	928 102 075 04	Flywheel	AUT.	1	M28.50
4	928 102 151 01	Pan-head screw		9	
5	900 118 014 00	Woodruff key		1	
6	928 102 125 02	Flange washer		2	
7	928 105 125 12	Gear wheel		1	
		Orange			
7	928 105 125 14	Gear wheel		1	
		Orange			
8	928 102 120 24	Vibration damper		1	M28.49/50
10	928 102 118 03	V-belt pulley		1	
		Compressor			
11	928 102 139 12	Pulley		1	M28.49/50
12	928 102 124 01	Thrust washer		1	
13	900 083 036 02	Hexagon-head bolt		1	
		M 18 X 1,5 X 45			
13	900 083 036 01	Hexagon-head bolt		1	
		M 18 X 1,5 X 45			
14	928 101 115 02	Main bearing shell		3	
	928 101 115 02 002	Upper half 2,4,5			
14	928 101 115 15	Main bearing shell		3	
		Set			
		Standard			
		Comprising:			
		Lower half 2,4,5			
		Upper half 2,4,5			
14	928 101 115 16	Main bearing shell		3	
		Set			
		Standard			
		Comprising:			
		Lower half 2,4,5			
		Upper half 2,4,5			
14A	928 101 115 03	Main bearing shell		3	
	928 101 115 03 002	Lower half 2,4,5			
14A	928 101 115 15	Main bearing shell		3	
		Set			
		Standard			
		Comprising:			
		Lower half 2,4,5			
		Upper half 2,4,5			
14A	928 101 115 16	Main bearing shell		3	
		Set			
		Standard			
		Comprising:			
		Lower half 2,4,5			
		Upper half 2,4,5			
14A	928 101 115 15	Main bearing shell		3	
		Set			
		Standard			
		Comprising:			
		Lower half 2,4,5			
		Upper half 2,4,5			
14A	928 101 115 16	Main bearing shell		3	
		Set			
		Standard			
		Comprising:			

Model: 928 92 Model life 1992>>1995

Pos	Part Number	Description	Remark	Qty	Model
14	928 101 115 50	Lower half 2,4,5 Upper half 2,4,5 Main bearing shell		X	
14A	928 101 115 51	Upper half 2,4,5 Undersize 0.25 mm Main bearing shell		X	
14	928 101 115 60	Lower half 2,4,5 Undersize 0.25 mm Main bearing shell		X	
14A	928 101 115 61	Upper half 2,4,5 Undersize 0.50 mm Main bearing shell		X	
15	928 101 117 08	Lower half 2,4,5 Undersize 0.50 mm Main bearing bush i		1	
15	928 101 117 58	Main bearing bush i Undersize 0.25 mm		1	
15	928 101 117 68	Main bearing bush i Undersize 0.50 mm		1	
16	928 101 142 03	Thrust bearing		2	
16	928 101 142 03 002	NR.3			
16	928 101 142 54	Thrust bearing NR.3 Undersize 0.25 mm		2	
16	928 101 142 64	Thrust bearing NR.3 Undersize 0.50 mm		2	
17	928 103 008 04	Connecting rod		8	
17		Connecting rod		8	
-	928 103 173 03	Connecting rod bolt		8	
18	944 103 133 02	Piston pin bush		8	
19	928 103 172 02	Connecting rod nut		16	
20	928 103 143 15	Connecting-rod bearing Set		8	
20	928 103 143 52	Conrod bearing shell Oversize 0.25 mm		X	
20	928 103 143 57	Conrod bearing shell Oversize 0.50 mm		X	
21	928 101 901 07	Set of crankshaft bearings		1	
21	928 101 901 57	Set of crankshaft bearings Undersize 0.25 mm		1	
21	928 101 901 67	Set of crankshaft bearings Undersize 0.50 mm		1	

Model: 928 92

Model life 1992>>1995

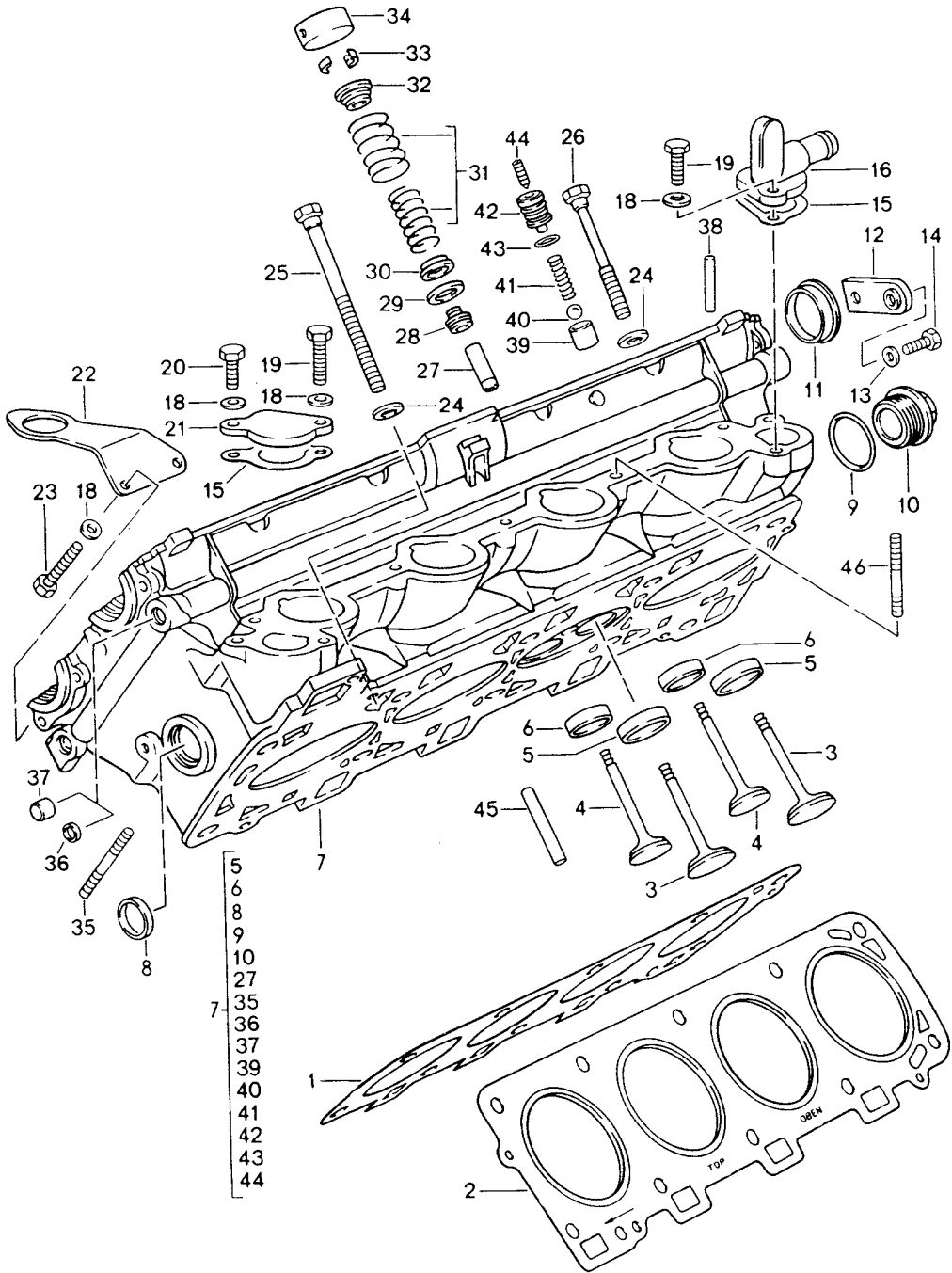


Model: 928 92 Model life 1992>>1995

Pos	Part Number	Description	Remark	Qty	Model
1	928 103 042 05	Piston Piston rings Piston Tolerance group 0 99,98 MM - ks -		8	M28.49/50
1	928 103 042 15	Piston Tolerance group 1 99,99 MM - ks -		8	
1	928 103 042 25	Piston Tolerance group 2 100,00 MM - ks -		8	
1	928 103 042 55	Piston Tolerance group 0 100,48 MM - ks -		X	
1	928 103 042 65	Piston Tolerance group 1 100,49 MM - ks -		X	
1	928 103 042 75	Piston Tolerance group 2 100,50 MM - ks -		X	
2	N 012 277 1	Circlip		16	
3	928 103 906 26	Set of piston rings 100,00 MM		X	
3	928 103 906 27	Set of piston rings 100,50		X	

Model: 928 92

Model life 1992>>1995



Model: 928 92

Model life 1992>>1995

Pos	Part Number	Description	Remark	Qty	Model
1	928 104 367 05	Cylinder head Cylinder head gasket Cylinders 1 - 4 without asbestos	/R	1	M28.49/50
1	928 104 367 11	Cylinder head gasket Cylinders 1 - 4 for Recond. cylinder heads	/R	1	
2	928 104 368 05	Cylinder head gasket Cylinders 5 - 8 without asbestos	/L	1	
2	928 104 368 11	Cylinder head gasket Cylinders 5 - 8 for Recond. cylinder heads	/L	1	
3	928 105 641 05	Intake valve		16	
4	928 105 642 06	Exhaust valve		16	
5	928 104 611 12	Valve seat ring Intake		16	
5	928 104 611 15	Valve seat ring Intake		16	
6	928 104 612 14	Valve seat ring Exhaust		16	
6		Valve seat ring Exhaust		16	
7	928 104 014 06	Cylinder head		2	
8	900 036 014 02	Lid		2	
9	N 043 811 1	Sealing ring C 38 X 44		2	
10	944 104 228 00	Screw plug		2	
10		Screw plug		2	
11	928 105 215 00	Lid		6	
12	928 105 205 00	Support		6	
13	N 011 524 7	Washer A 6,4		6	
13	N 011 524 27	Washer A 6,4		6	
14	900 075 016 02	Hexagon-head bolt M 6 X 22		5	
14	900 075 016 03	Hexagon-head bolt M 6 X 22		5	
15	928 106 167 01	Gasket without asbestos		2	
16	928 104 713 02	Adapter Cylinders 1 - 4		1	
18	900 025 007 02	Washer A 8,4		8	
18	900 025 007 03	Washer A 8,4		8	
19	N 010 242 12	Hexagon-head bolt M 8 X 25		3	
20	900 075 079 02	Hexagon-head bolt M 8 X 22		1	
21	928 104 219 00	Lid Cylinders 5 - 8		1	
22	928 113 173 02	Shackle for transportation		1	
23	900 075 085 02	Hexagon-head bolt M 8 X 20		2	
(23)		Hexagon-head bolt M 8 X 20		2	
24	944 104 229 00	Washer M 12 X 1,5		20	
25	928 101 231 02	Hexagon-head bolt		18	

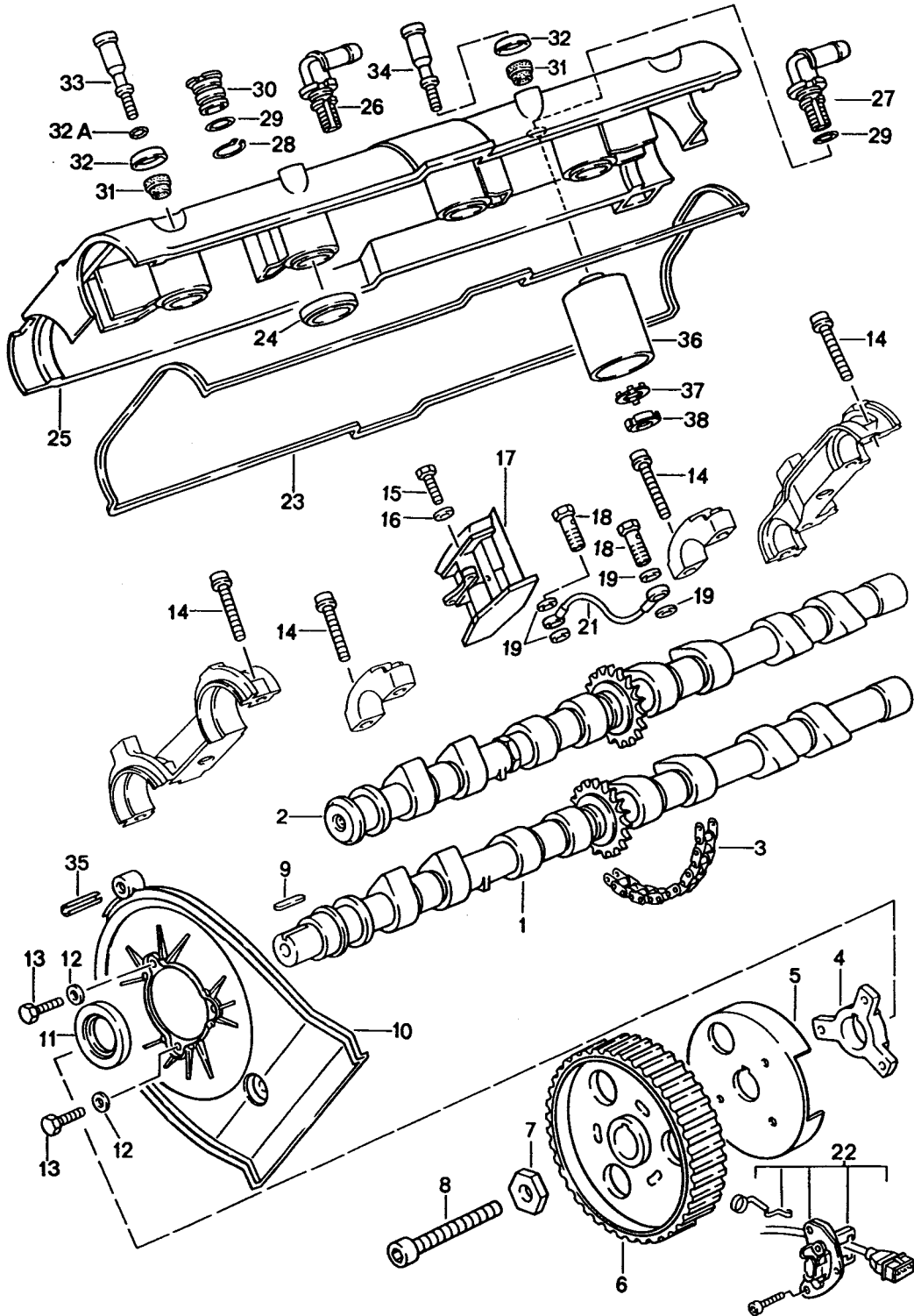
Model: 928 92

Model life 1992>>1995

Pos	Part Number	Description	Remark	Qty	Model
25	928 101 231 03	M 12 X 1,5 X 199 Hexagon-head bolt		18	
26	928 101 233 02	M 12 X 1,5 X 199 Hexagon-head bolt		2	
27	944 104 327 51	M 12 X 1,5 X 149 Valve guide 1st oversize		32	
28	928 104 601 00	Valve stem seal		32	
28	928 104 601 04	Valve stem seal		32	
28	928 104 601 07	Valve stem seal		32	
29	944 105 465 02	Washer 0,5 MM		X	
(29)	944 105 465 03	Washer 1,0 MM		X	
(29)	944 105 465 04	Washer 1,5 MM		X	
(29)	944 105 465 05	Washer 2,0 MM		X	
30	928 105 469 07	Washer		32	
31	928 105 905 07	Set of valve springs		32	
32	944 105 467 03	Concave washer		32	
33	928 105 221 10	Valve collet		64	
34	928 105 312 02	Hydraulic valve tappet		32	
35	999 062 044 02	Stud BM 8 X 30		16	
36	N 011 918 1	Lid		X	
37	911 101 182 00	Stopper		X	
(38)	928 105 262 00	Pin		5	
39	928 104 121 00	Valve seat		1	
40	N 025 669 2	Ball		1	
41	928 104 129 00	Compression spring		1	
42	928 104 119 01	Spring guide		1	
43	999 701 654 40	O-ring		1	
44	999 218 035 02	Threaded pin		1	
45	000 043 204 45	Sleeve 7 MM		X	
46	999 223 002 02	Stud M 8 X 40		10	

Model: 928 92

Model life 1992>>1995



Model: 928 92 Model life 1992>>1995

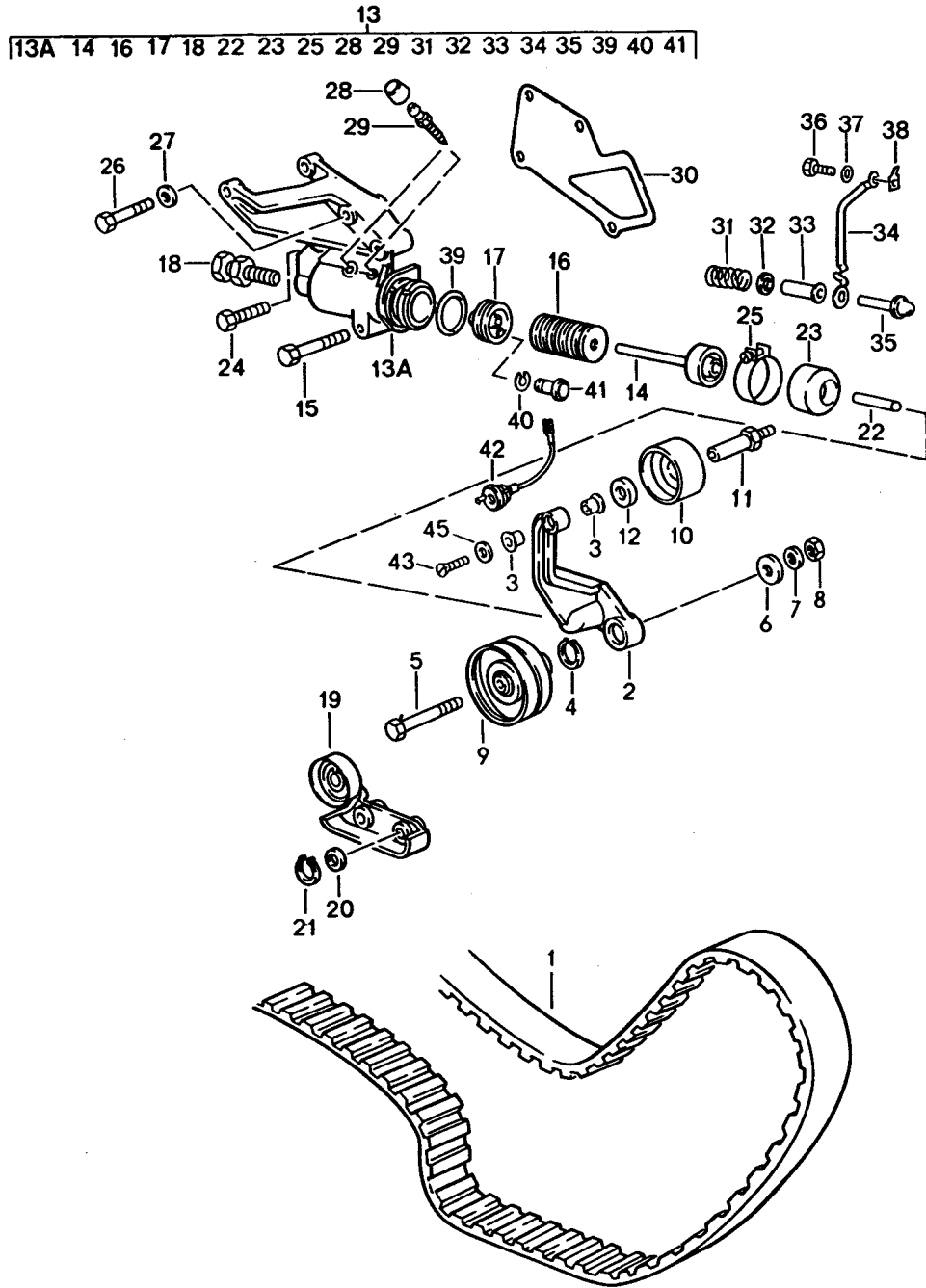
Pos	Part Number	Description	Remark	Qty	Model
1	928 105 273 03	Camshaft Camshaft Exhaust Cylinders 1 - 4		1	M28.49/50
(1)	928 105 274 03	Camshaft Exhaust Cylinders 5 - 8		1	
2	928 105 271 03	Camshaft Intake Cylinders 1 - 4		1	
(2)	928 105 272 03	Camshaft Intake Cylinders 5 - 8		1	
3	944 105 501 05	Timing chain		2	
4	928 105 459 00	Hub		2	
5	928 105 460 01	Rotor trim		2	
6	928 105 530 01	Camshaft timing gear		2	
6	928 105 530 04	Camshaft timing gear		2	
7	928 105 457 02	Washer		2	
8	N 010 455 3	Hexagon-head bolt M 10 X 55		2	
9	900 117 073 00	Feather key M 4 X 4 X 20		2	
10	928 105 127 06	Toothed belt covering	/L	1	
(10)	928 105 148 06	Toothed belt covering	/R	1	
11	999 113 282 40	Shaft sealing ring		2	
12	900 025 007 02	Washer A 6,4		6	
12	900 025 007 03	Washer A 6,4		6	
13	900 075 014 02	Hexagon-head bolt M 6 X 18		6	
13	900 075 014 03	Hexagon-head bolt M 6 X 18		6	
14	999 218 023 02	Combination screw M 8 X 35		52	
(14)	999 510 029 02	Combination screw M 8 X 40		18	
15	900 067 089 02	Pan-head screw M 6 X 22		4	
15	900 067 089 01	Pan-head screw M 6 X 22		4	
16	N 011 524 7	Washer A 6,4		4	
16	N 011 524 27	Washer A 6,4		4	
17	928 105 028 08	Chain adjuster Cylinders 1 - 4		1	
17	928 105 028 09	Chain adjuster Cylinders 1 - 4		1	
(17)	928 105 027 08	Chain adjuster Cylinders 5 - 8		1	
(17)	928 105 027 09	Chain adjuster Cylinders 5 - 8		1	
18	928 105 476 00	Banjo bolt		2	
(18)	928 105 476 04	Banjo bolt		2	
19	900 123 050 30	Sealing ring		4	
20	928 105 476 00	Banjo bolt		1	
(20)	928 105 476 04	Banjo bolt		2	
21	928 105 213 04	Pipeline Cylinders 1 - 4		1	
(21)	928 105 214 04	Pipeline Cylinders 5 - 8		1	

Model: 928 92 Model life 1992>>1995

Pos	Part Number	Description	Remark	Qty	Model
22		See group 9/01/02			
23	928 104 447 09	Gasket		2	
24	928 104 443 08	Sealing ring		8	
25	928 104 461 08	Cylinder head cover		2	
26	928 107 733 02	Adapter Cylinders 1 - 4		1	
27	928 107 733 00	Adapter Cylinders 1 - 4	92	1	
27	928 107 733 01	Adapter Cylinders 1 - 4 Cylinders 5 - 8	93-	2	
28	N 012 420 1	Circlip 20 X 1,2		2	
29	900 174 056 40	O-ring 17 X 2,5		4	
30	928 104 485 01	Lid Cylinders 5 - 8		2	
31	928 104 115 02	Thrust ring		26	
32	928 104 116 00	Thrust washer		26	
32A	900 123 144 30	Sealing ring		12	
33	928 104 111 01	Pan-head screw Short		18	
33	928 104 111 02	Pan-head screw Short		18	
34	928 104 117 01	Pan-head screw Long		28	
34	928 104 117 03	Pan-head screw Long		28	
35	999 095 103 01	Roll pin		2	
36	928 107 731 01	Oil separator		1	
37	900 160 015 00	Tab washer		2	
37	900 160 015 01	Tab washer		2	
38	900 159 008 02	Grooved nut		2	
-	928 105 509 01	Guide rail Upper		1	
-	944 105 949 00	Guide rail Repair kit		1	

Model: 928 92

Model life 1992>>1995



Model: 928 92

Model life 1992>>1995

Pos	Part Number	Description	Remark	Qty	Model
		Driving mechanism			M28.49/50
		Camshaft			
1	928 105 157 50	Toothed belt		1	
2	928 105 489 02	Carrier for tension roller		1	
3	928 105 613 04	Bearing sleeve		2	
4	N 042 364 1	Circlip 20 X 1,75		1	
5	900 074 139 02	Hexagon-head bolt M 8 X 55		1	
5	900 074 139 03	Hexagon-head bolt M 8 X 55		1	
6	999 025 068 07	Washer 9 X 25 X 3,5		1	
7	900 025 007 02	Washer A 8,4		1	
7	900 025 007 03	Washer A 8,4		1	
8	900 076 025 02	Hexagon nut M 8		1	
8	900 076 064 02	Hexagon nut M 8		1	
9	928 105 512 12	Tensioning roller		1	
10	928 105 571 04	Roller		1	
11	928 105 570 08	Bearing pin		1	
12	928 105 572 00	Washer		1	
13	928 105 036 00	Tension roller housing		1	
13	928 105 036 02	Tension roller housing		1	
13A	928 105 066 00	Tension roller housing		1	
14	928 105 059 04	Piston		1	
15	N 010 360 6	Hexagon-head bolt M 8 X 60		1	
15	N 010 360 19	Hexagon-head bolt M 8 X 60		1	
16	928 105 539 03	Bi-metal plate		35	
16	928 105 539 02	Bi-metal plate		35	
17	928 105 588 00	Valve support		1	
18	928 105 075 03	Adjusting screw		1	
19	928 105 067 00	Bracket		1	
20	900 234 003 02	Shim 8 X 14 X 1		2	
20	900 234 003 01	Shim 8 X 14 X 1		2	
21	N 012 408 2	Circlip 8 X 0,8		2	
22	928 105 551 02	Push rod		1	
23	928 105 552 08	Convoluted air bellows		1	
24	900 074 134 02	Hexagon-head bolt M 8 X 45		1	
25	999 512 344 02	Terminal 49,9 - 53,0		1	
25	999 512 564 02	Terminal 49,9 - 53,0		1	
25	999 512 564 0B	Terminal 49,9 - 53,0		1	
26	900 074 139 02	Hexagon-head bolt M 8 X 55		2	
26	900 074 139 03	Hexagon-head bolt M 8 X 55		2	
27	900 025 007 02	Washer A 8,4		1	
27	900 025 007 03	Washer A 8,4		1	
28	211 611 483	Dust boot		2	

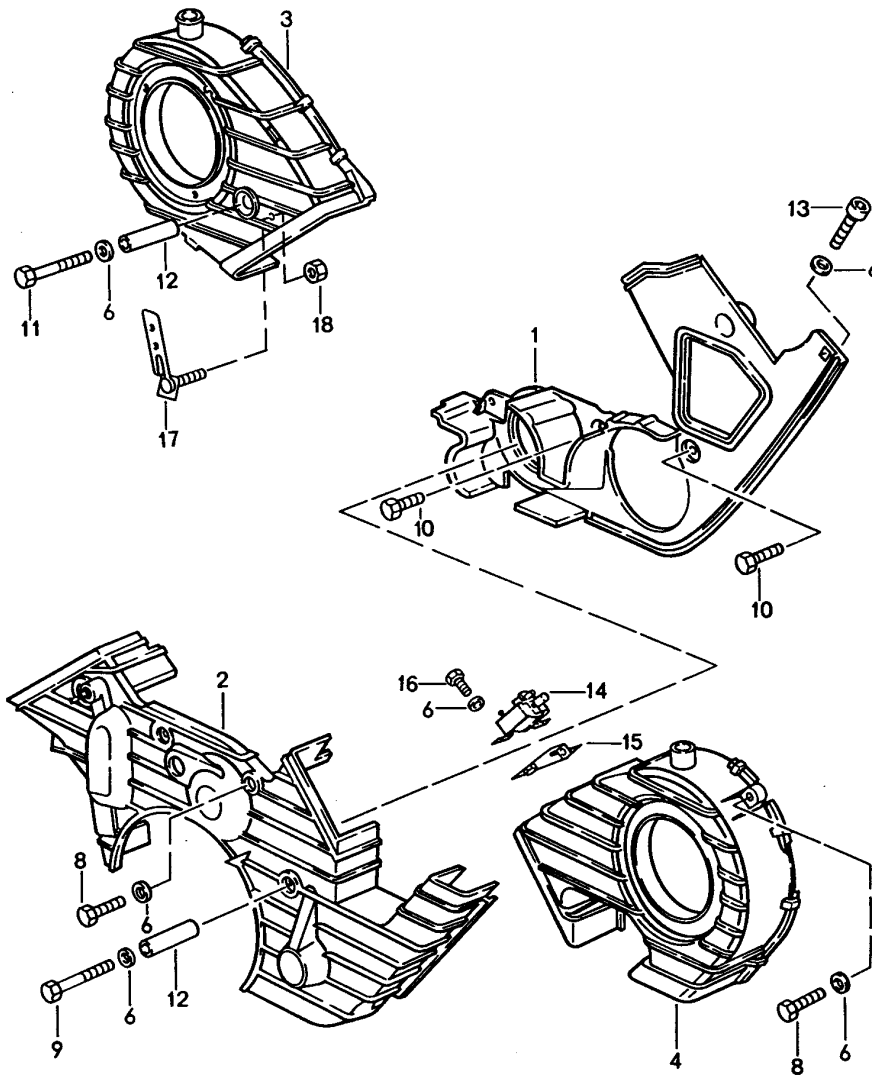
Model: 928 92

Model life 1992>>1995

Pos	Part Number	Description	Remark	Qty	Model
29	211 611 477 A	Ventilation valve		2	
30	928 105 611 05	Gasket		1	
30		Gasket without asbestos		1	
31	928 105 577 03	Compression spring		1	
32	900 025 008 09	Washer		1	
32	900 025 008 04	Washer		1	
33	928 105 574 01	Guide sleeve		1	
34	928 607 110 00	Cable		1	
35	928 105 573 02	Push rod		1	
36	N 010 205 6	Hexagon-head bolt M 5 X 10		1	
36	900 075 105 02	Screw M 5 X 10		1	
37	900 025 003 02	Washer A 5,3		1	
38	999 652 315 02	Flat plug for Carrier for tension roller		1	
39	999 701 650 40	O-ring 27,5 X 1,5		1	
40	900 906 002 00	Circlip		1	
41	928 105 589 00	Valve		1	
42	928 606 148 00	Extension cable		1	
43	900 249 008 02	Countersunk-head screw 6 X 12		1	
45	928 105 562 00	Washer		1	
-	900 041 013 01	Circlip 25 X 1,2		1	

Model: 928 92

Model life 1992>>1995



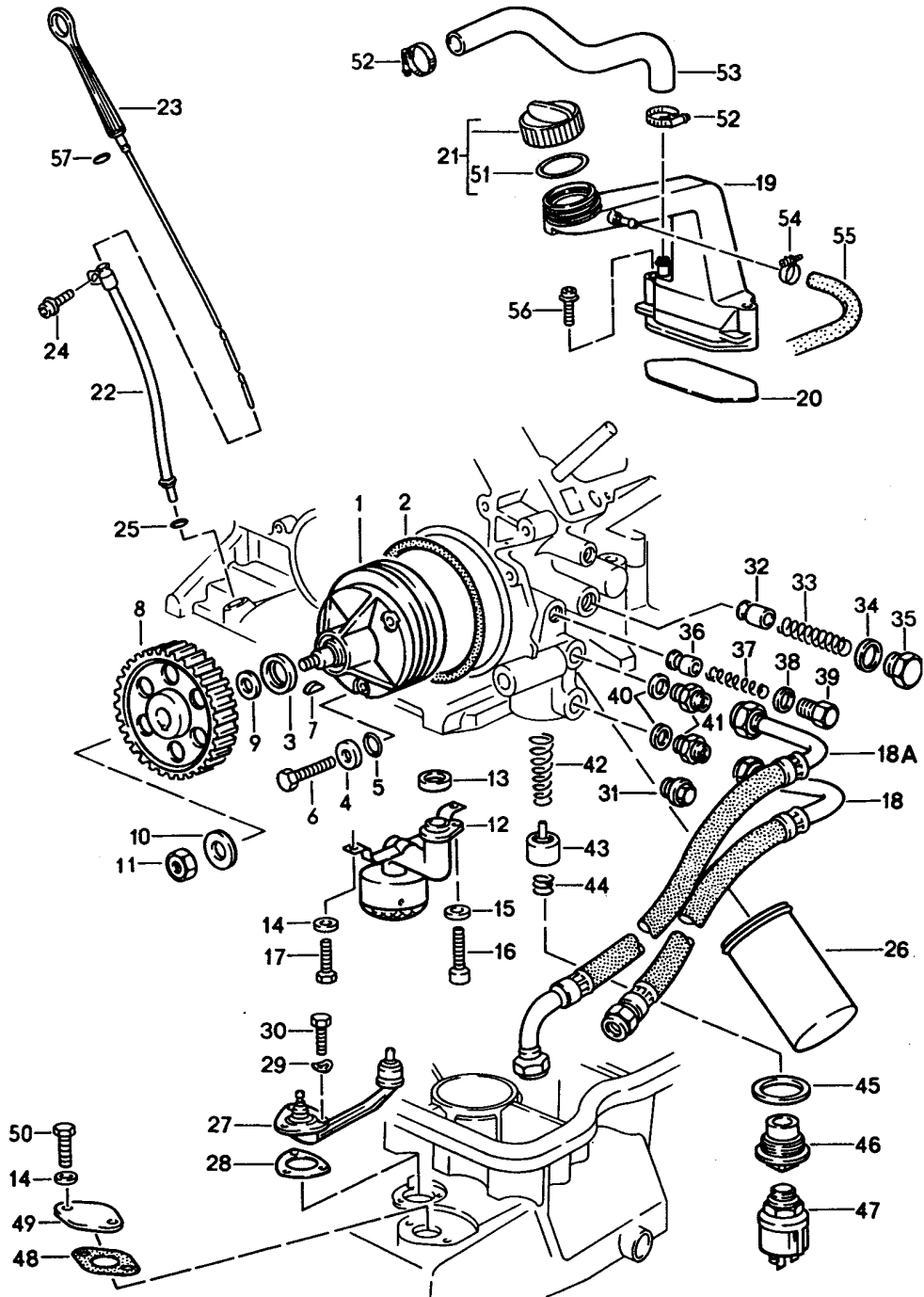
Model: 928 92

Model life 1992>>1995

Pos	Part Number	Description	Remark	Qty	Model
1	928 105 147 05	Toothed belt covering Toothed belt covering Rear		1	M28.49/50
2	928 105 144 07	Toothed belt covering Front		1	
2	928 105 144 08	Toothed belt covering Front		1	
3	928 105 146 06	Toothed belt covering	/R	1	
4	928 105 145 09	Toothed belt covering	/L	1	
5	900 075 341 01	Combination screw M 6 X 25		1	
6	N 011 666 7	Washer A 6,4		X	
8	900 075 014 02	Hexagon-head bolt M 6 X 18		5	
8	900 075 014 03	Hexagon-head bolt M 6 X 18		5	
9	N 040 307 1	Hexagon-head bolt M 6 X 73		1	
10	900 074 015 02	Hexagon-head bolt M 6 X 30		2	
10	900 074 015 03	Hexagon-head bolt M 6 X 30		2	
11	900 075 346 02	Combination screw M 6 X 40		1	
(11)	N 010 366 4	Hexagon-head bolt M 6 X 55		1	
12	928 105 445 00	Spacer tube 44,5 MM			
13	900 067 011 02	Pan-head screw M 6 X 20		X	
13	900 067 011 03	Pan-head screw M 6 X 20		X	
14	911 618 123 01	Change-over valve		1	
15	928 110 532 00	Support			
16	900 074 015 02	Hexagon-head bolt M 6 X 30		2	
16	900 074 015 03	Hexagon-head bolt M 6 X 30		2	
17	928 602 067 00	Support		1	
18	900 910 012 02	Lock nut		1	
18	900 910 047 09	Lock nut		1	

Model: 928 92

Model life 1992>>1995



Model: 928 92 Model life 1992>>1995

Pos	Part Number	Description	Remark	Qty	Model
		Engine lubrication			M28.49/50
1	928 107 008 02	Oil pump		1	
2	999 701 633 40	O-ring 98 X 3		1	
3	999 113 275 40	Shaft sealing ring 20 X 30 X 7		1	
4	928 107 165 00	Washer A 8,4		3	
5	999 701 006 40	O-ring		3	
6	N 040 301 1	Hexagon-head bolt M 8 X 48		3	
7	N 012 713 1	Woodruff key 5 X 6,5		1	
8	928 107 107 13	Gear wheel		1	
9	928 107 166 00	Support washer		1	
10	928 101 303 00	Washer 10,5		1	
11	N 011 010 6	Hexagon nut M 10		1	
11	N 101 552 10	Hexagon nut M 10		1	
12	928 107 032 06	Suction tube		1	
13	928 107 136 04	Sealing ring		1	
14	N 011 524 7	Washer A 6,4		4	
14	N 011 524 27	Washer A 6,4		4	
15	900 025 007 02	Washer A 8,4		1	
15	900 025 007 03	Washer A 8,4		1	
16	N 014 726 1	Pan-head screw M 8 X 30		1	
17	999 072 005 09	Hexagon nut M 6 X 12		2	
17	999 072 005 01	Hexagon nut M 6 X 12		2	
18	928 107 301 08	Oil hose		1	
(18A)	928 107 302 09	Oil hose		1	
19	928 107 303 09	Filler neck		1	
20	928 107 307 00	Gasket		1	
21	944 107 091 01	Oil filler cover		1	
22	928 107 020 03	Guide tube		1	
23	928 107 041 01	Oil level dipstick		1	
24	900 075 357 02	Combination screw M 6 X 12 Z1		1	
24	900 075 456 01	Combination screw M 6 X 12 Z1		1	
25	900 174 044 40	Round seal 9 X 2		1	
26	928 107 201 05	Oil filter		1	
26	928 107 201 07	Oil filter Red	-(IND)	1	
27	928 606 301 03	Tank gauge switch		1	
28	928 606 213 03	Gasket without asbestos		1	
29	900 028 007 02	Spring washer B 5		3	
30	N 010 207 6	Hexagon-head bolt M 5 X 12		3	
30	N 010 207 17	Hexagon-head bolt M 5 X 12		3	
31	N 016 163 2	Screw plug		2	

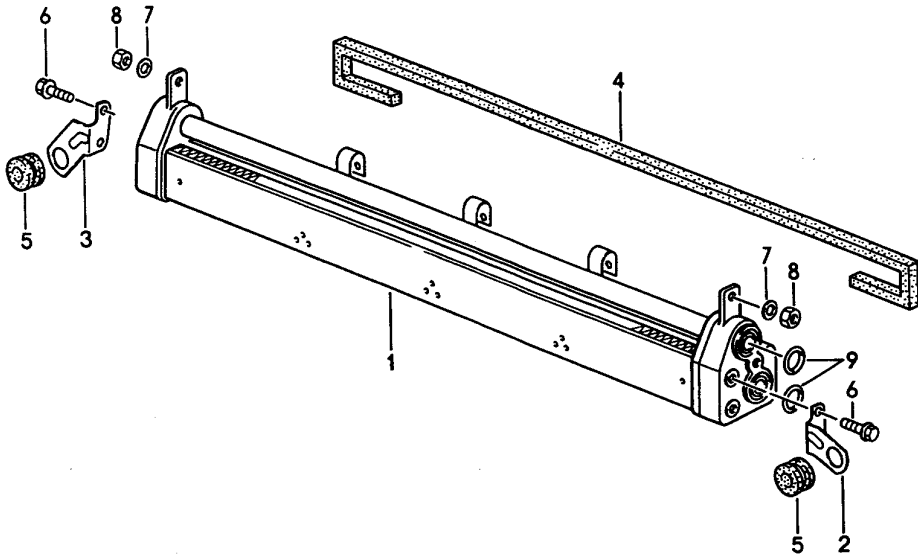
Model: 928 92

Model life 1992>>1995

Pos	Part Number	Description	Remark	Qty	Model
31	900 124 020 01	M 22 X 1,5 Screw plug		2	
32	928 107 182 00	M 22 X 1,5 Piston		1	
33	928 107 183 01	Compression spring		1	
34	900 123 060 30	Sealing ring A 24 X 29		1	
35	928 107 181 01	Screw plug		1	
36	928 107 179 02	Piston		1	
37	928 107 176 02	Compression spring		1	
38	900 123 140 30	Sealing ring A 18 X 22		1	
39	928 107 180 01	Screw plug		1	
40	900 123 118 30	Sealing ring A 22 X 27		2	
41	900 915 003 02	Screw socket		2	
42	928 107 171 01	Compression spring		1	
43	928 107 172 02	Regulator insert		1	
44	928 107 173 00	Compression spring		1	
45	900 123 143 70	Sealing ring C 48 X 55		1	
46	928 107 174 07	Screw plug		1	
47	928 606 203 03	Pressure transmitter		1	
47	928 606 203 05	Pressure transmitter with Warning contact		1	
48	928 107 169 01	Gasket without asbestos		1	
49	928 107 209 00	Lid		1	
50	N 010 217 9	Hexagon-head bolt M 6 X 20		2	
51	999 701 846 40	O-ring		1	
52	999 512 346 02	Hose clamp		2	
52	999 512 676 00	Hose clamp		2	
53	928 107 445 02	Hose		1	
54	N 023 570 2	Hose clamp		2	
55	928 107 603 00	Hose		1	
56	900 075 344 02	Hexagon-head bolt M 6 X 50 Z1		2	
56	900 075 344 01	Hexagon-head bolt M 6 X 50 Z1		2	
57	999 701 320 40	O-ring 6 X 2		1	

Model: 928 92

Model life 1992>>1995



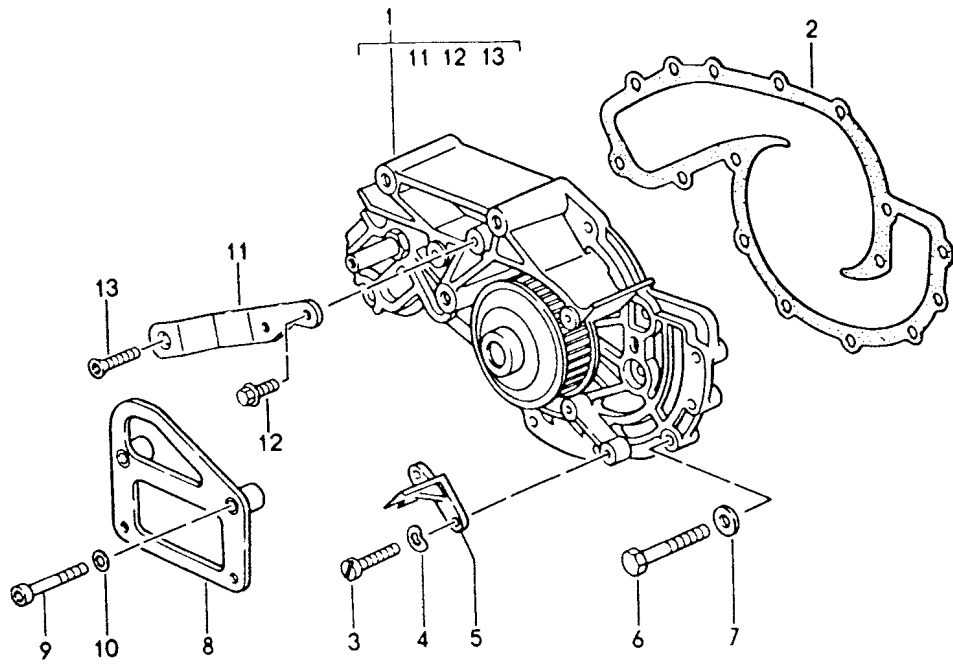
Model: 928 92

Model life 1992>>1995

Pos	Part Number	Description	Remark	Qty	Model
		Engine oil cooling			M28.49/50
1	928 107 212 00	Engine oil cooler		1	
1	928 107 212 01	Engine oil cooler		1	
2	928 107 213 00	Support		1	
3	928 107 214 00	Support		1	
4	928 504 671 02	Gasket		1	
5	999 702 079 50	Grommet		2	
5	999 702 079 5A	Grommet		2	
6	900 067 269 02	Combination screw M 6 X 16		4	
6	900 067 269 01	Combination screw M 6 X 16		4	
7	900 151 008 02	Washer A 8,4		2	
8	900 076 025 02	Hexagon nut M 8		2	
8	900 076 064 02	Hexagon nut M 8		2	
9	900 331 022 40	O-ring		2	

Model: 928 92

Model life 1992>>1995



Model: 928 92

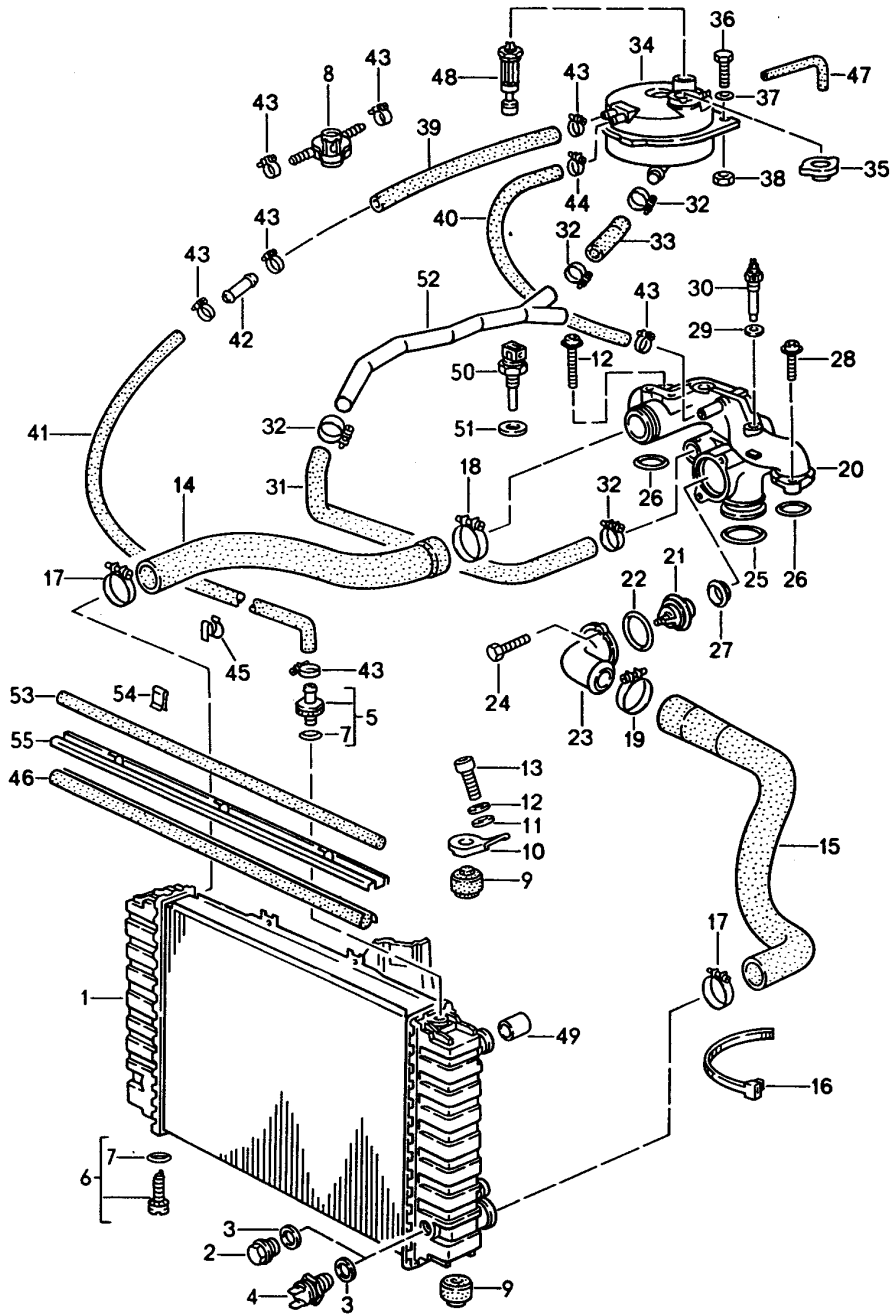
Model life 1992>>1995

Pos	Part Number	Description	Remark	Qty	Model
1	928 106 015 20	Water pump		1	M28.49/50
(1)	928 106 015 X	Water pump		1	
		We take back: 928.106.015.20			
(1)	928 106 915 X	Water pump		1	
		We take back: 928.106.015.20			
		Comprising:			
-	928 106 134 05	Gasket		1	
-	928 106 134 06	Gasket		1	
-	900 014 066 02	Pan-head screw		2	
-	900 976 010 01	Pan-head screw		2	
-	N 011 523 7	Washer		2	
-	928 105 176 01	Pointer for t.d.c.		1	
-	900 075 015 02	Hexagon-head bolt		5	
-	900 075 341 02	Combination screw		8	
-	900 075 341 01	Combination screw		8	
-	N 011 524 7	Washer		15	
-	N 011 524 27	Washer		15	
-	928 106 015 X	Water pump		1	

2	928 106 134 05	Gasket		1	
		without asbestos			
2	928 106 134 06	Gasket		1	
		without asbestos			
3	900 014 066 02	Pan-head screw		2	
		M 5 X 18			
3	900 976 010 01	Pan-head screw		2	
		M 5 X 18			
4	900 025 003 02	Washer		2	
		A 5,3			
5	928 105 176 01	Pointer for t.d.c.		1	
6	N 010 217 9	Hexagon-head bolt		5	
		M 6 X 20			
6	900 075 341 02	Combination screw		8	
		M 6 X 25			
6	900 075 341 01	Combination screw		8	
		M 6 X 25			
7	N 011 524 7	Washer		X	
		A 6,4			
7	N 011 524 27	Washer		X	
		A 6,4			
8	928 101 412 03	Shackle for transportation		1	
9	900 067 081 02	Pan-head screw		2	
		M 8 X 35			
9	900 067 102 02	Pan-head screw		2	
		M 8 X 35			
10	N 011 525 13	Washer		1	
		A 8,4			
11	928 105 564 00	Support		1	
12	900 075 355 02	Combination screw		1	
		M 6 X 16 Z1			
12	900 075 355 01	Hexagon-head bolt		1	
		M 6 X 16 Z1			
13	900 249 008 02	Countersunk-head screw		1	
		M 6 X 12			

Model: 928 92

Model life 1992>>1995



Model: 928 92 Model life 1992>>1995

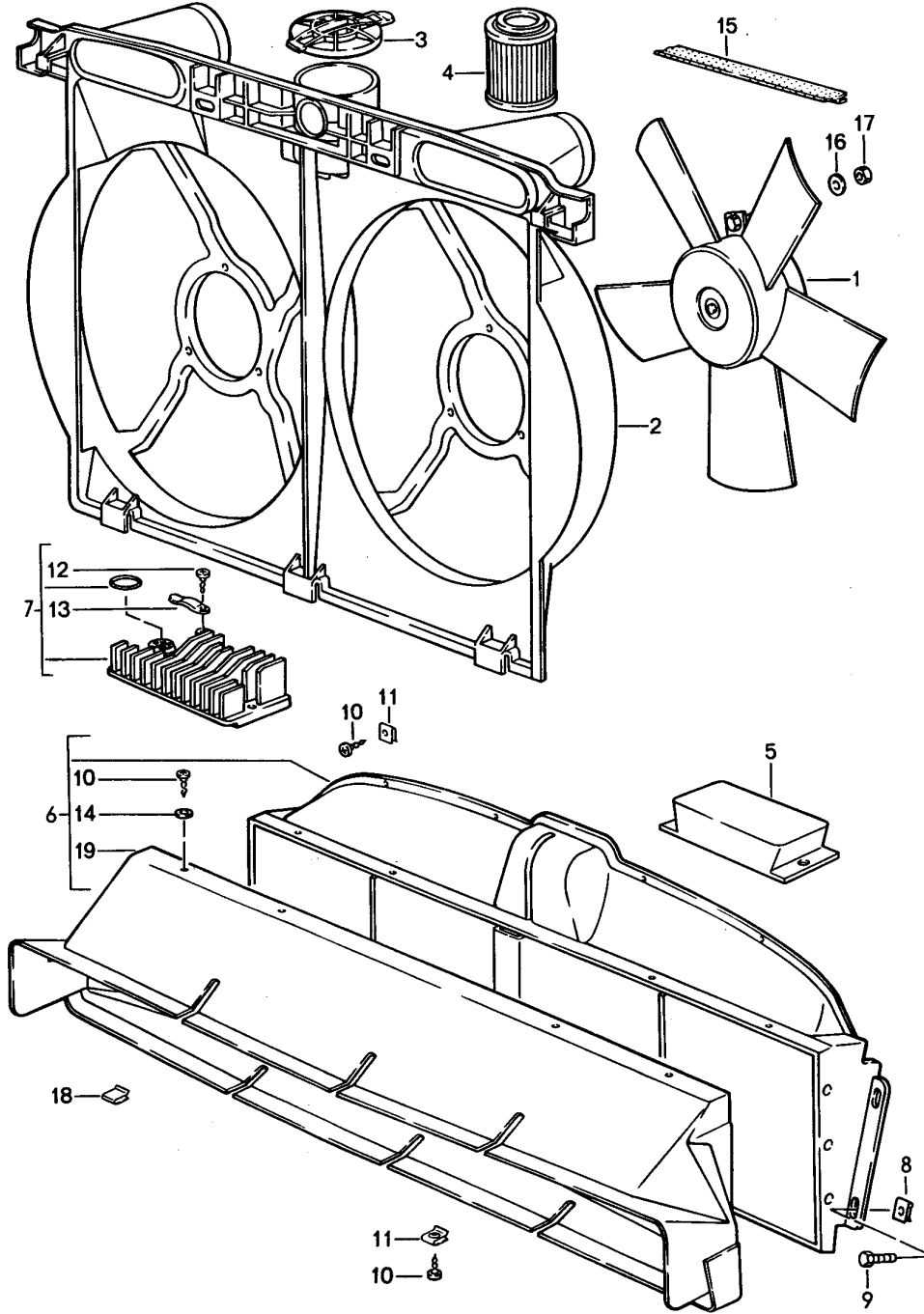
Pos	Part Number	Description	Remark	Qty	Model
1	928 106 042 03	Water cooling 1 Radiator	M 249	1	M28.49/50 M28.50
(1)	928 106 023 20	Transmission oil cooler Radiator	M 481	1	M28.49
2	N 016 163 2	Screw plug CM 22 X 1,5		1	
2	900 124 020 01	Screw plug CM 22 X 1,5		1	
3	900 123 149 70	Sealing ring A 22 X 29		1	
4	928 606 149 00	Temperature switch		1	
5	928 106 443 02	Breather adapter		1	
6	928 106 444 01	Drain plug		1	
7	999 701 651 40	O-ring 7,65 X 1,78		X	
8	928 641 513 00	Pressure switch		1	
9	928 106 177 01	Rubber mounting		2	
9A	928 106 179 00	Rubber mounting		2	
10	928 106 178 01	Support		2	
11	900 151 008 02	Washer A 8,4		2	
12	900 067 248 02	Pan-head screw M 8 X 70 Z1		1	
13	900 119 052 02	Pan-head screw M 8 X 16		2	
14	928 106 238 08	Hose		1	
15	928 106 239 09	Hose		1	
16	999 513 010 40	Tie-wrap		1	
17	999 512 404 00	Hose clamp 50 - 70 W2		2	
18	999 512 331 02	Hose clamp S 61/15		1	
19	999 512 334 02	Hose clamp S 59/15		1	
19	PCG 512 334 02	Hose clamp S 59/15		1	
20	928 106 065 03	Regulator housing		1	
21	928 106 129 17	Thermostat		1	
22	999 701 632 40	O-ring		1	
23	928 106 173 02	Lid Regulator housing		1	
24	900 075 341 02	Combination screw M 6 X 25 Z1		2	
24	900 075 341 01	Combination screw M 6 X 25 Z1		2	
25	999 701 627 40	O-ring 53 X 7		1	
26	928 106 227 00	Gasket		2	
27	928 106 163 00	Gasket		1	
28	900 067 276 02	Pan-head screw M 8 X 35 Z1		3	
28	900 067 276 01	Combination screw M 8 X 35		3	
29	900 123 007 30	Sealing ring A 14 X 18		1	
30	928 606 201 03	Temperature sensor		1	
31	928 106 321 03	Line	/LL	1	
31	928 106 321 05	Line	/LL	1	
(31)	927 106 321 05	Line	/RL	1	
32	999 512 374 02	Hose clamp SGT 20 - 32/9		3	
33	928 106 323 01	Line		1	
34	928 106 256 03	Expansion tank	/LL	1	

Model: 928 92 Model life 1992>>1995

Pos	Part Number	Description	Remark	Qty	Model
(34)	927 106 256 01	Expansion tank	/RL	1	
35	928 106 257 03	Catch		1	
36	900 187 015 02	Hexagon-head tapping screw 6,3 X 16		2	
37	N 011 612 3	Washer R 6,6		2	
37	N 011 612 C	Washer R 6,6		2	
38	999 591 571 02	Speed nut B 6,3		2	
-	999 181 709 50	Hose 8 X 14		*	
39		70 MM		1	
40	928 106 275 03	Moulded hose	/LL	1	
(40)	927 106 275 03	Moulded hose	/RL	1	
41	928 106 277 02	Hose	/LL	1	
(41)	927 106 277 02	Hose	/RL	1	
42	999 230 106 02	Nipple		1	
43	N 023 570 2	Hose clamp S 17/9		X	
44		Hose clamp		X	
45	999 651 165 02	Cable clamp		3	
46	928 106 271 02	Sealing strip		1	
47	928 106 425 00	Overpressure hose 350 MM		1	
48	928 641 503 01	Tank gauge switch for cooling water		1	
49	928 106 142 00	Water drain tube for Radiator		1	
50	928 606 126 00	Temperature sensor		1	
51	900 123 006 30	Sealing ring		1	
52		See group 8/13/10			
-					
53	999 911 379 40	Gasket 17 X 12 X 615		1	M28.49
(53)	999 911 357 40	Gasket 17 X 12 X 615	AUT.	1	M28.50
54	999 591 440 02	Clamp 0,75 - 1,0		3	
55	928 106 131 00	Profile strip		1	

Model: 928 92

Model life 1992>>1995



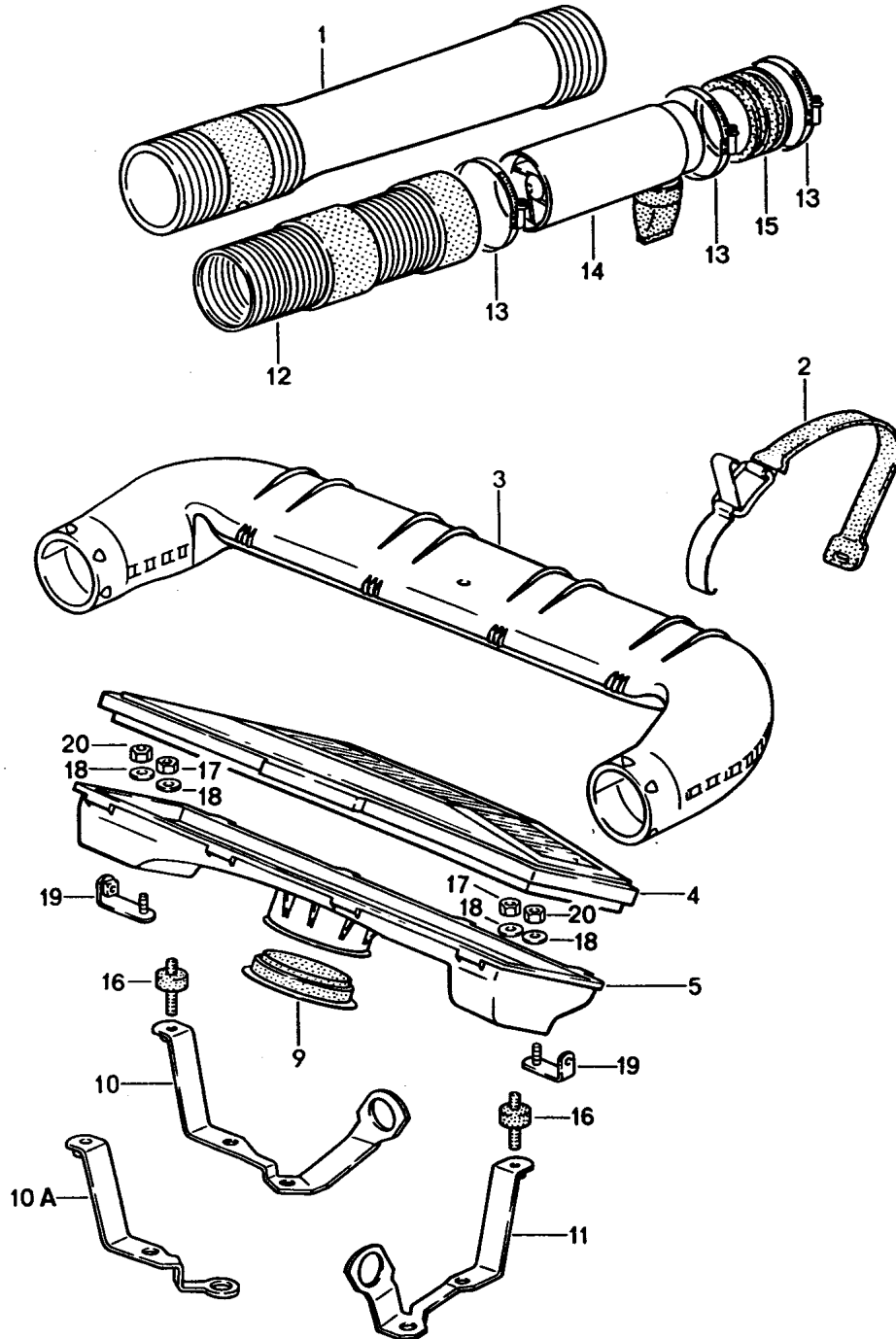
Model: 928 92

Model life 1992>>1995

Pos	Part Number	Description	Remark	Qty	Model
		Water cooling 2			M28.49/50
1	928 624 145 00	Blower		2	
2	928 106 259 02	Air guide		1	
3	928 106 143 00	Lid		1	
4		See group 1/08/00 1/08/05			
5	928 618 418 00	Control unit		1	
6	928 575 351 02	Air guide		1	
7	928 618 421 00	Output final stage		1	
8	999 507 330 02	Cable holder		X	
8	999 507 312 12	Nut lock		X	
9	N 044 734 1	Pan-head screw		X	
9	900 067 137 01	Pan-head screw M 5 X 15		X	
10	N 013 957 5	Oval-head sheetmetal screw		X	
11	N 900 488 01	Speed nut		X	
12	N 014 133 8	Oval-head screw M 5 X 12		1	
13	928 616 982 00	Retainer spring		1	
14	N 011 521 3	Washer M 4		X	
15	928 106 271 02	Sealing strip M 4		1	
16	N 011 666 7	Washer B 6,4		6	
17	900 910 012 02	Lock nut M 6		6	
17	900 910 047 09	Lock nut M 6		6	
18	999 591 981 02	Retaining clip		2	
19	928 575 521 01	Air guide		1	

Model: 928 92

Model life 1992>>1995



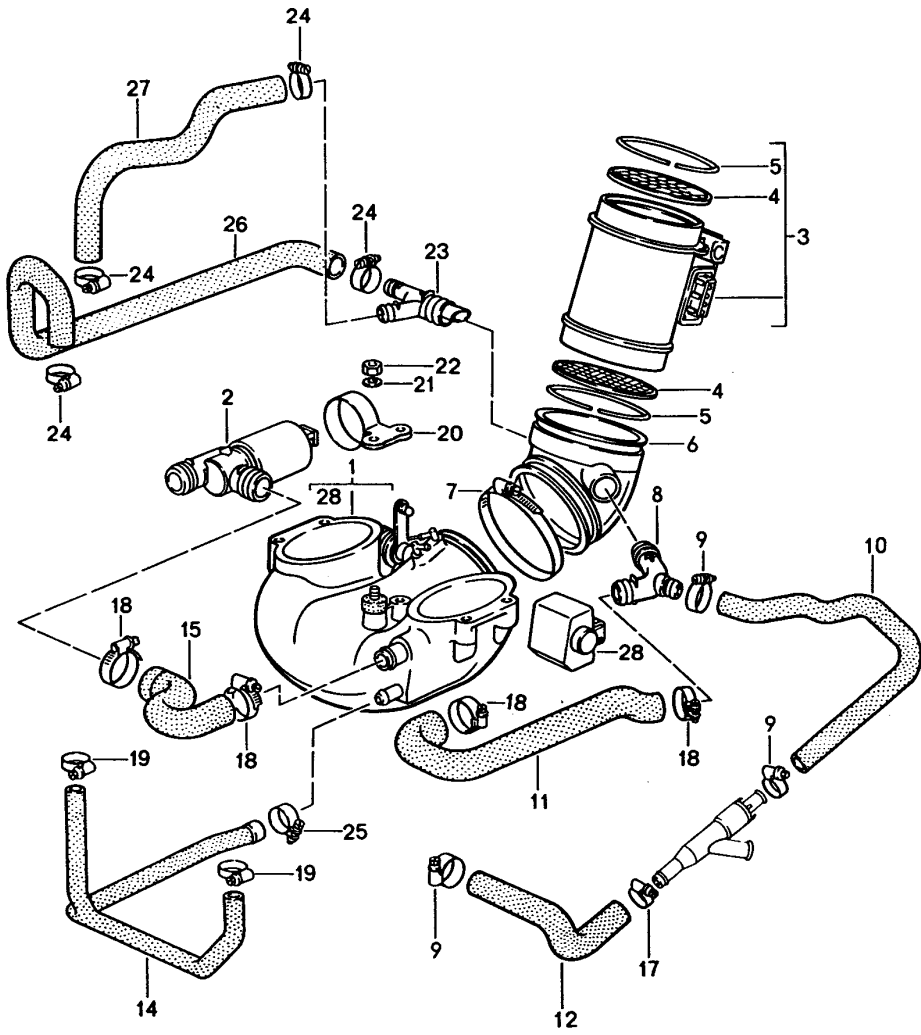
Model: 928 92

Model life 1992>>1995

Pos	Part Number	Description	Remark	Qty	Model
		Air cleaner Lh-jetronic			M28.49/50
1	928 110 272 13	Suction hose		2	
2	928 110 363 06	Restraining strap		4	
3	928 110 230 06	Air cleaner Upper part		1	
4	928 110 185 03	Air cleaner cartridge		1	
5	928 110 229 05	Air cleaner Lower part		1	
9	928 110 132 00	Sealing ring		1	
9	928 110 132 01	Sealing ring		1	
10A	928 110 146 01	Support		1	
(11)	928 110 526 00	Support		1	
12	928 110 272 05	Suction hose		2	M317
13	999 512 350 02	Hose clamp		6	M317
14	928 110 274 01	Sand separator		2	M317
15	928 110 347 00	Rubber sleeve		2	M317
16	931 110 191 00	Bonded rubber buffer		2	
17	900 910 010 02	Lock nut		2	
18	N 011 666 7	Washer		4	
19	928 111 011 00	Support		2	
20	900 910 010 02	Lock nut		2	

Model: 928 92

Model life 1992>>1995



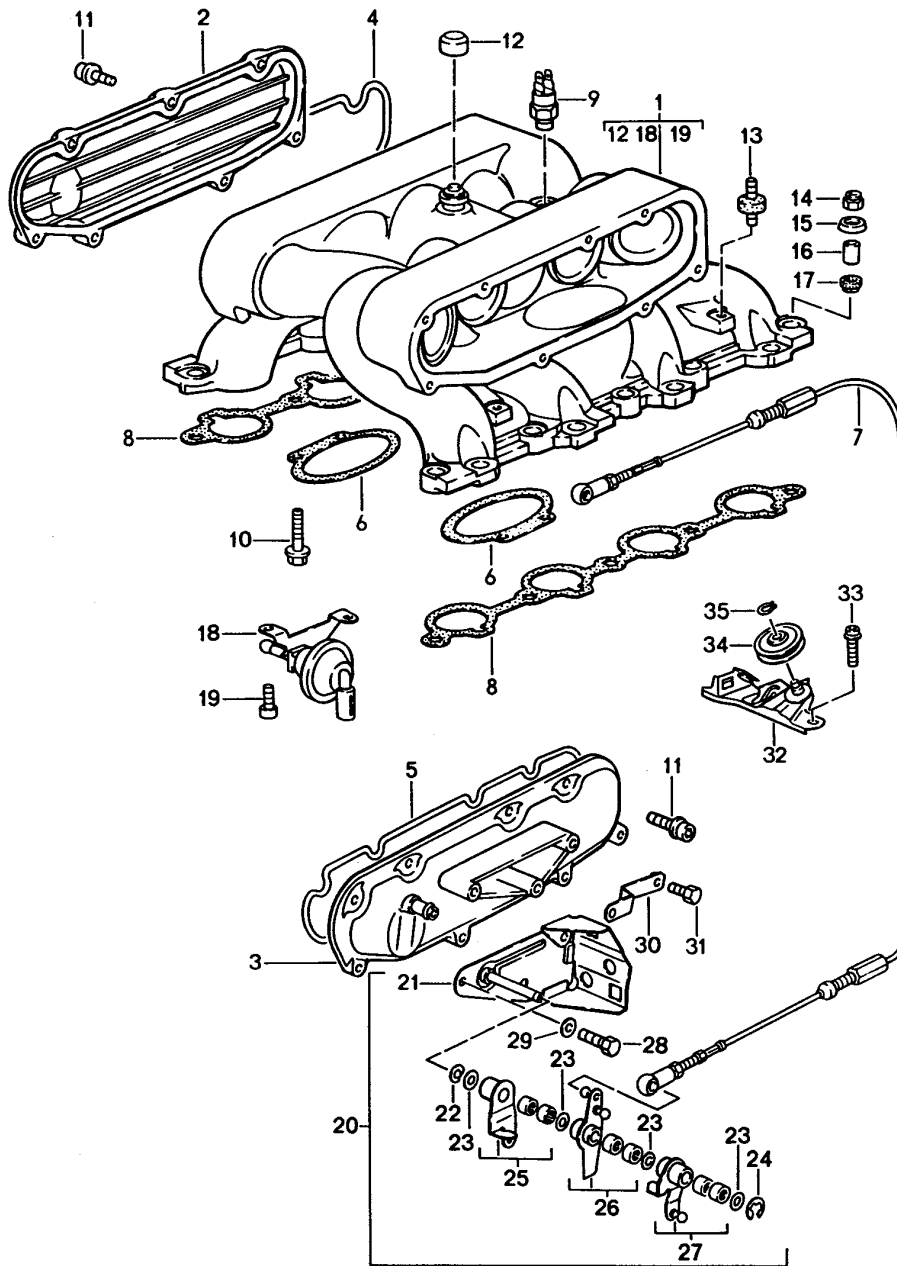
Model: 928 92

Model life 1992>>1995

Pos	Part Number	Description	Remark	Qty	Model
		Lh-jetronic 1			M28.49/50
1	928 110 093 03	Throttle body	-93	1	
1	928 110 093 06	Throttle body	94-	1	
2	928 606 161 01	Idle-speed adjuster		1	
2	928 606 161 02	Idle-speed adjuster		1	
3	928 606 141 00	Mass air flow meter		1	
4	928 110 901 00	Strainer		2	
5	928 110 902 00	Circlip		2	
6	928 110 222 01	Air-guide cowl		1	
7	999 512 350 02	Hose clamp		2	
8	928 110 689 01	Connecting piece		1	
9	999 512 554 00	Hose clamp		3	
10	928 110 224 00	Hose		1	
11	928 110 174 09	Hose		1	
12	928 110 220 00	Hose		1	
12	928 110 220 01	Hose		1	
14	928 107 603 00	Hose		1	
15	928 110 633 00	Hose		1	
16	999 512 381 02	Clamp		1	
17	999 512 457 00	Clamp		1	
18	999 512 374 02	Hose clamp		4	
18A	999 512 038 02	Hose clamp		1	
18A	PCG 512 038 02	Hose clamp		1	
19	N 023 570 2	Hose clamp		1	
20	928 110 543 01	Support		1	
21	N 011 524 7	Washer		2	
21	N 011 524 27	Washer		2	
22	900 076 010 02	Nut		2	
22	900 076 010 0B	Nut		2	
23	928 110 690 01	Connecting piece		1	
24	999 512 346 02	Hose clamp		4	
24	999 512 676 00	Hose clamp		4	
25	999 512 554 00	Hose clamp		1	
26	928 107 313 02	Hose	92	1	
(26)	928 107 316 00	Hose	93-	1	
27	928 110 432 01	Hose		1	
28	928 606 157 00	Throttle-valve switch	-93	1	
28	928 606 157 01	Throttle-valve switch	94-	1	
29	928 107 318 00	Breather hose	93-	1	
30	999 651 267 40	Hose holder		2	

Model: 928 92

Model life 1992>>1995

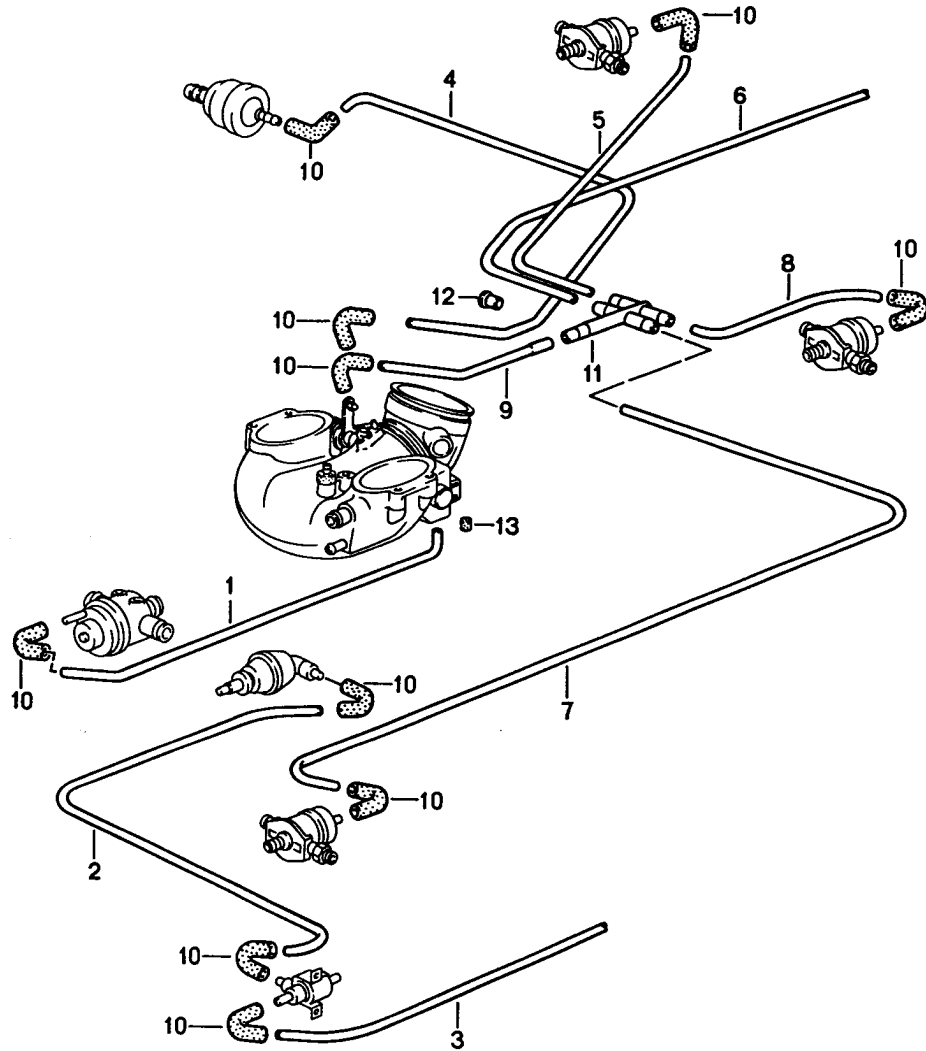


Model: 928 92 Model life 1992>>1995

Pos	Part Number	Description	Remark	Qty	Model
		Lh-jetronic 2			M28.49/50
1	928 110 228 02	Intake distributor		1	
2	928 110 711 00	Lid		1	
3	928 110 232 00	Lid		1	
4	928 110 713 01	Gasket		1	
5	928 110 714 01	Gasket		1	
6	928 110 637 02	Gasket		2	
7	928 110 626 01	Bowden control		1	
8	928 110 580 02	Gasket		2	
9	928 606 217 00	Temperature switch		1	
10	900 074 321 0A	Hexagon-head bolt		4	
		M 8 X 40			
11	900 067 270 0A	Pan-head screw		16	
		M 6 X 25			
12	928 110 430 01	Cap		1	
13	931 110 191 00	Bonded rubber buffer		4	
14	900 910 022 02	Lock nut		10	
15	928 110 693 00	Thrust washer		10	
16	928 110 698 01	Spacer sleeve		10	
17	928 110 694 01	Thrust ring		10	
18	928 110 160 00	Vacuum unit		1	
18	928 110 160 01	Vacuum unit		1	
19	900 067 269 0A	Pan-head screw		2	
		M 6 X 16			
20	928 110 627 02	Bracket		1	
21	928 110 677 02	Bracket		1	
22	928 110 741 01	Spring washer		1	
23	999 234 024 00	Thrust washer		4	
24	900 116 005 02	Lock washer		1	
25	928 110 696 00	Reverse lever		1	
26	928 110 695 00	Actuating lever		1	
27	928 110 697 00	Reverse lever without Needle sleeve		1	
-	PCG 110 697 00	Needle sleeve for Lever POSITION 25, 26, 27		X	
28	900 075 128 02	Screw		3	
		M 8 X 20			
29	900 031 025 0A	Washer		3	
		8,4			
30	928 110 670 00	Support		1	
31	999 072 005 09	Hexagon nut		1	
31	999 072 005 01	Hexagon nut		1	
32	928 110 640 02	Bracket		1	
33	900 067 271 09	Combination screw		2	
		M 8 X 20 Z 1			
34	928 110 642 01	Deflection roller		1	
35	N 012 408 2	Circlip		1	
		8 X 0,8			

Model: 928 92

Model life 1992>>1995



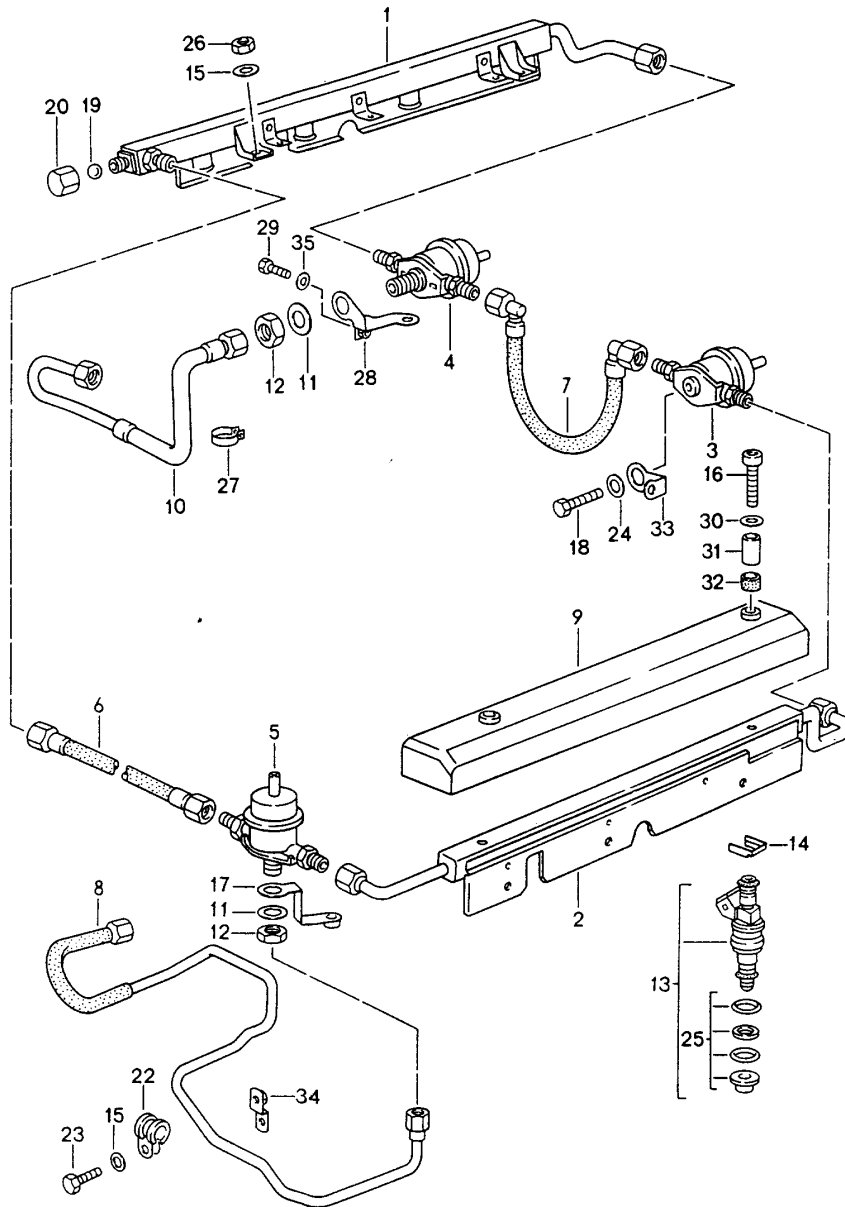
Model: 928 92

Model life 1992>>1995

Pos	Part Number	Description	Remark	Qty	Model
-	N 020 139 1	Lh-jetronic 3 Hose 4 X 1 500 MM 300 MM 800 MM 720 MM 220 MM 450 MM 605 MM 220 MM		*	M28.49/50
9	928 110 014 01	Pipeline		1	
10	928 574 717 02	Moulded hose		X	
11	928 110 441 03	Distributing piece		1	M28.49
(11)	928 110 441 02	Distributing piece	AUT.	1	M28.50
12	900 312 012 02	Stopper		1	
12	900 312 042 01	Stopper		1	
13	930 110 292 00	Stopper		X	

Model: 928 92

Model life 1992>>1995



Model: 928 92

Model life 1992>>1995

Pos	Part Number	Description	Remark	Qty	Model
		Lh-jetronic 4			M28.49/50
1	928 110 080 17	Distributor injection tube	/R	1	
2	928 110 079 17	Distributor injection tube	/L	1	
3	930 110 602 01	Pressure damper		1	
4	928 110 198 04	Pressure regulator		1	
5	928 110 202 01	Diaphragm damper		1	
6	928 110 269 01	Fuel hose		1	
7	928 110 271 02	Fuel hose		1	
8	928 110 367 15	Fuel line		1	
9	928 110 017 00	Feed line			
	928 110 017 00	Cover	/L	1	
(9)	928 110 018 00	Cover	/R	1	
10	928 110 359 08	Fuel line		1	
		Return line			
11	900 025 020 02	Washer		2	
		A 17			
12	900 034 013 02	Hexagon nut		2	
		M 16 X 1,5			
12	900 034 013 01	Hexagon nut		2	
		M 16 X 1,5			
13	928 606 119 02	Injector valve		8	
14	930 110 388 00	Retaining clip		8	
14	930 110 388 01	Retaining clip		8	
15	N 011 524 7	Washer		5	
		A 6,4			
15	N 011 524 27	Washer		5	
		A 6,4			
16	900 067 117 0A	Pan-head screw		4	
		M 6 X 16			
17	928 110 525 04	Support		1	
18	N 010 237 6	Hexagon-head bolt		1	
		M 8 X 12			
18	N 010 237 14	Hexagon-head bolt		1	
		M 8 X 12			
19	900 108 022 00	Ball		1	
		9 MM			
20	928 110 475 01	Cap nut		1	
		M 12 X 1,5			
20	928 110 475 03	Cap nut		1	
		M 12 X 1,5			
20	928 110 475 04	Cap nut		1	
		M 12 X 1,5			
21	999 512 160 02	Hose clamp		2	
		S 13/9			
21	PCG 512 160 02	Hose clamp		2	
		S 13/9			
22	999 511 116 02	Clamp		1	
22	999 511 116 03	Clamp		1	
23	999 072 005 09	Hexagon nut		1	
		M 6 X 12			
23	999 072 005 01	Hexagon nut		1	
		M 6 X 12			
24	944 110 312 00	Washer		1	
25	928 110 904 00	Gasket set		8	
		for			
		Injector valve			
26	900 076 010 02	Nut		4	
		M 6			
26	900 076 010 0B	Nut		4	
		M 6			
27	999 511 191 02	Pipe clamp		1	
		8 / 12			

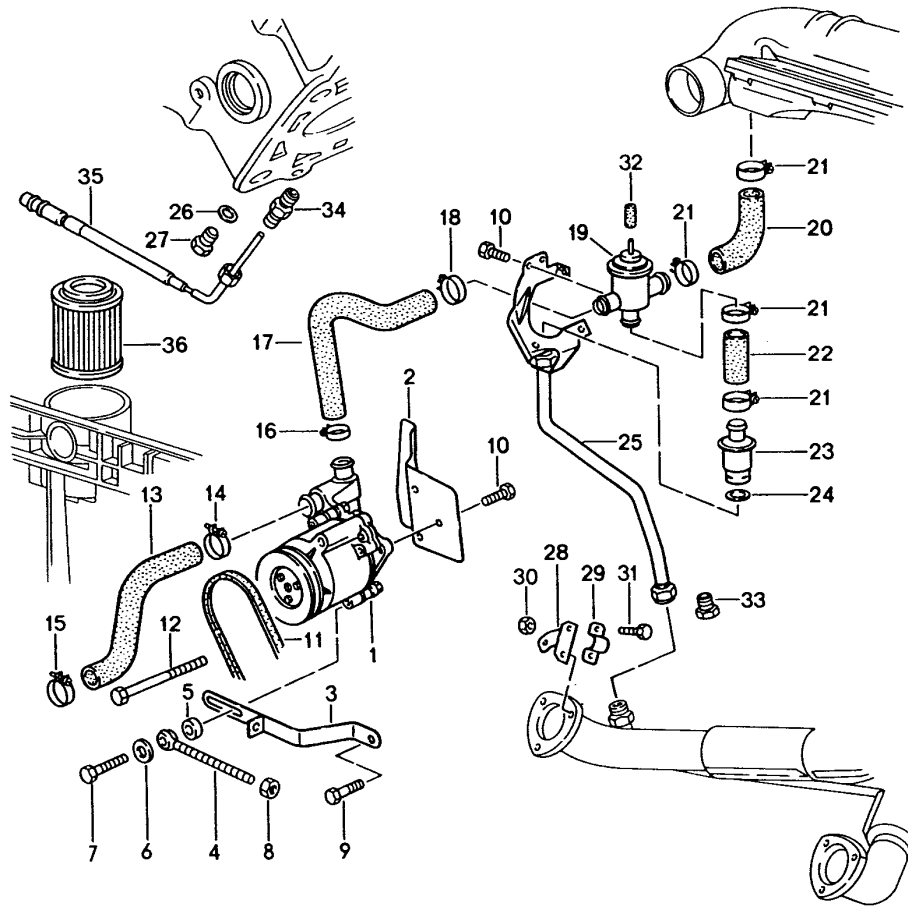
Model: 928 92

Model life 1992>>1995

Pos	Part Number	Description	Remark	Qty	Model
28	928 110 145 04	Support		1	
29	900 075 361 02	Hexagon-head bolt M 5 X 12		1	
29	900 075 361 01	Hexagon-head bolt M 5 X 12		1	
30	900 151 006 0A	Washer B 6,4		4	
31	928 110 765 00	Guide sleeve		4	
32	999 702 153 40	Rubber sleeve		4	
33	928 110 525 08	Support		1	
34	928 110 278 01	Support		1	
35	N 011 556 2	Washer A 5,3		1	

Model: 928 92

Model life 1992>>1995



Model: 928 92

Model life 1992>>1995

Pos	Part Number	Description	Remark	Qty	Model
		Air injection for cars with Catalytic converter			M28.49/50
1	928 113 017 00	Air pump		1	
2	928 113 125 05	Cover plate		1	
3	928 113 113 10	Strut		1	
4	999 460 002 02	Eye screw		1	
5	999 025 075 02	Washer 8,5 X 19 X 6		1	
6	900 025 007 02	Washer A 8,4		2	
6	900 025 007 03	Washer A 8,4		2	
7	N 010 340 6	Hexagon-head bolt M 8 X 40		1	
8	900 076 025 02	Hexagon nut M 8		1	
8	900 076 064 02	Hexagon nut M 8		1	
9	900 075 079 02	Hexagon-head bolt M 8 X 22		1	
10	900 075 357 02	Combination screw M 6 X 12		5	
10	900 075 456 01	Combination screw M 6 X 12		5	
11	999 192 306 50	Narrow v-belt 12,5 X 925		1	
12	900 074 049 02	Screw M 8 X 110		1	
13	928 113 155 02	Moulded hose		1	
14	999 512 044 02	Hose clamp		1	
15	999 512 358 02	Hose clamp		1	
16	999 512 038 02	Hose clamp		1	
16	PCG 512 038 02	Hose clamp		1	
17	928 113 139 10	Moulded hose		1	
18	999 512 552 00	Hose clamp		1	
18	999 512 552 01	Hose clamp		1	
19	930 113 147 01	Diverter valve		1	
20	928 113 159 03	Moulded hose		1	
21	PCG 512 237 02	Hose clamp		4	
22	928 113 140 07	Moulded hose		1	
23	911 113 115 01	Check valve		1	
24	900 123 060 30	Sealing ring A 24 X 29		1	
25	928 113 146 04	Pipeline		1	
26	900 123 043 30	Sealing ring A 12 X 15,5		8	
27	900 124 008 02	Screw plug M 12 X 1,5		8	
28	928 113 215 02	Support		1	
29	999 512 329 02	Clip		1	
30	N 011 005 14	Hexagon nut M 5		2	
30	900 076 091 01	Hexagon nut M 5		2	
31	N 010 205 6	Hexagon-head bolt M 5 X 10		2	
31	900 075 105 02	Screw M 5 X 10		2	
32	911 110 297 00	Stopper		1	M900
33	928 113 216 00	Screw plug		1	M900
34	928 606 255 00	Adapter		2	
35	928 606 155 02	Temperature sensor		2	

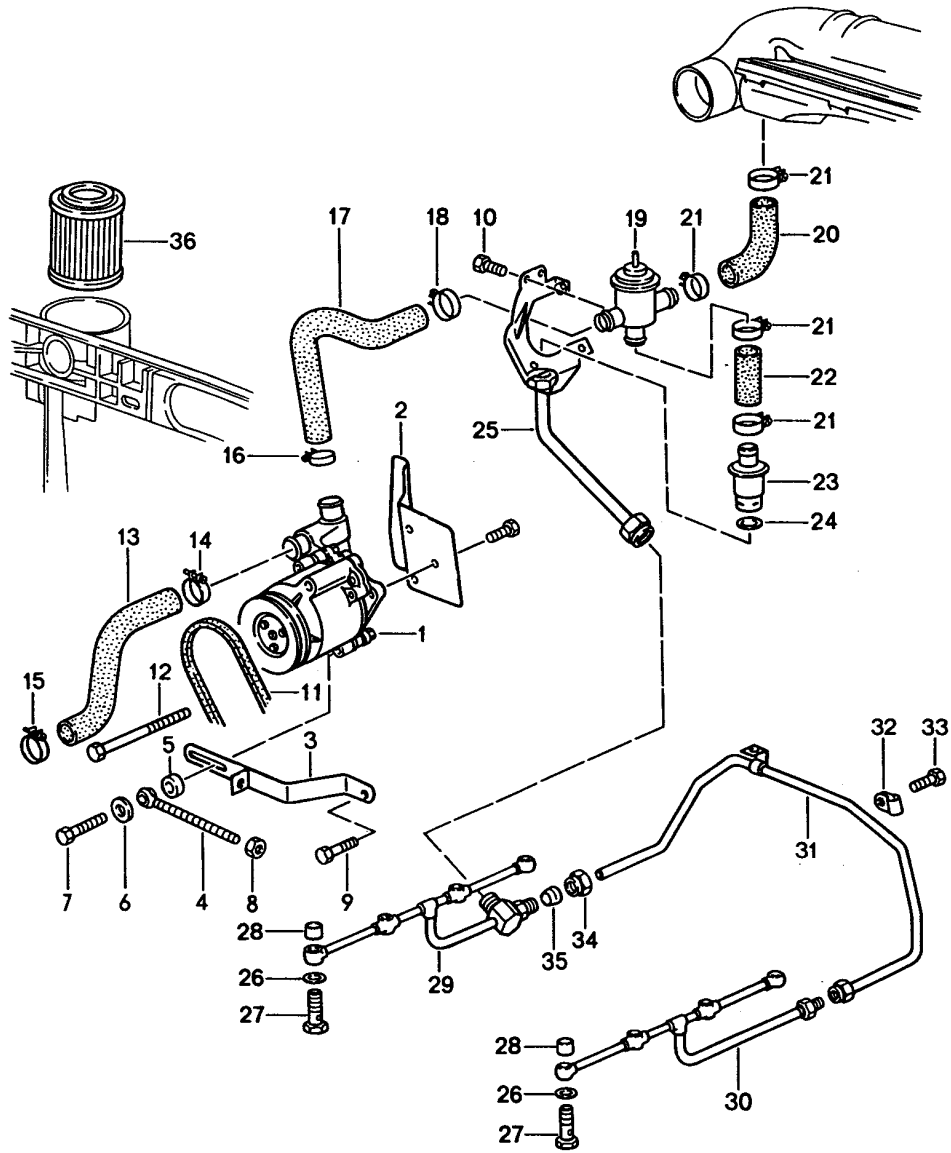
Model: 928 92

Model life 1992>>1995

Pos	Part Number	Description	Remark	Qty	Model
36	928 113 445 00	Cylinder 3 And Cylinder 7 Filter cartridge		1	

Model: 928 92

Model life 1992>>1995



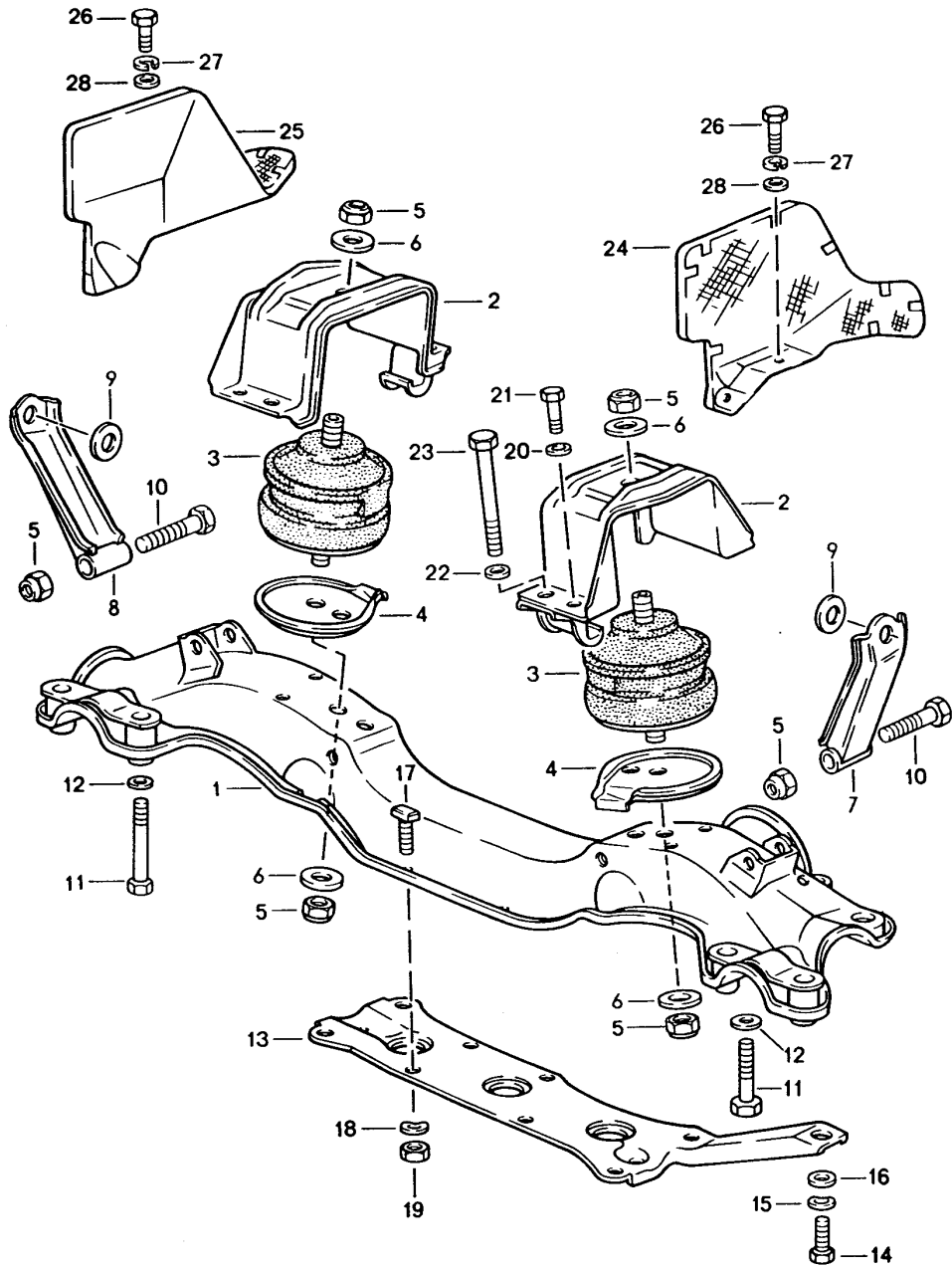
Model: 928 92

Model life 1992>>1995

Pos	Part Number	Description	Remark	Qty	Model
		Air injection for cars without Catalytic converter			M28.49/50
1	928 113 017 00	Air pump		1	
2	928 113 125 05	Cover plate		1	
3	928 113 113 10	Strut		1	
4	999 460 002 02	Eye screw		1	
5	999 025 075 02	Washer 8,5 X 19 X 6		1	
6	900 025 007 02	Washer A 8,4		2	
6	900 025 007 03	Washer A 8,4		2	
7	N 010 340 6	Hexagon-head bolt M 8 X 40		1	
8	900 076 025 02	Hexagon nut M 8		1	
8	900 076 064 02	Hexagon nut M 8		1	
9	900 075 079 02	Hexagon-head bolt M 8 X 22		1	
10	900 075 357 02	Combination screw M 6 X 12		5	
10	900 075 456 01	Combination screw M 6 X 12		5	
11	999 192 306 50	Narrow v-belt 12,5 X 925		1	
12	900 074 049 02	Screw M 8 X 110		1	
13	928 113 155 02	Moulded hose		1	
14	999 512 044 02	Hose clamp		1	
15	999 512 358 02	Hose clamp		1	
16	999 512 038 02	Hose clamp		1	
16	PCG 512 038 02	Hose clamp		1	
17	928 113 139 10	Moulded hose		1	
18	999 512 552 00	Hose clamp		1	
18	999 512 552 01	Hose clamp		1	
19	930 113 147 01	Diverter valve		1	
20	928 113 159 03	Moulded hose		1	
21	PCG 512 237 02	Hose clamp		4	
22	928 113 140 07	Moulded hose		1	
23	911 113 115 01	Check valve		1	
24	900 123 060 30	Sealing ring A 24 X 29		1	
25	928 113 146 05	Pipeline		1	
26	900 123 043 30	Sealing ring A 12 X 15,5		X	
27	999 134 039 02	Banjo bolt		X	
28	999 209 003 30	Sleeve 12,2 X 18		X	
29	928 113 123 01	Distributor line Cylinders 1 - 4		1	
30	928 113 123 02	Distributor line Cylinders 5 - 8		1	
31	928 113 135 05	Connecting line		1	
32	999 511 171 02	Pipe clamp		1	
33	900 075 358 02	Hexagon-head bolt M 8 X 20		1	
33	900 075 085 02	Hexagon-head bolt M 8 X 20		1	
34	900 104 020 02	Union nut		1	
35	N 020 823 1	Cutting ring		1	
36	928 113 445 00	Filter cartridge		1	

Model: 928 92

Model life 1992>>1995



Model: 928 92

Model life 1992>>1995

Pos	Part Number	Description	Remark	Qty	Model
		Engine suspension			M28.49/50
1	928 375 011 06	Engine carrier	/LL	1	
(1)	927 375 011 06	Engine carrier	/RL	1	
2	928 375 069 01	Engine bracket		2	
3	928 375 039 00	Hydraulic mount		2	
4	928 375 371 00	Stop plate		2	
5	900 910 046 02	Lock nut		4	
		M 12 X 1,5			
5	999 084 439 09	Lock nut		4	
		M 12 X 1,5			
5	999 084 445 09	Lock nut		4	
		M 12 X 1,5			
5	999 084 445 01	Lock nut		4	
		M 12 X 1,5			
6	999 025 091 02	Washer		4	
7	928 375 063 00	Bracket	/L	1	
8	928 375 064 00	Bracket	/R	1	
9	928 375 211 00	Washer		2	
10	N 010 156 3	Hexagon-head bolt		2	
		M 12 X 1,5 X 70			
11	N 010 455 3	Hexagon-head bolt		2	
		M 10 X 55			
12	928 375 212 00	Washer		2	
13	928 375 019 00	Reinforcement plate	/LL	1	
(13)	927 375 021 02	Reinforcement plate	/RL	1	
14	900 075 043 02	Hexagon-head bolt	/LL	1	
		M 10 X 30			
14		Hexagon-head bolt	/RL	2	
		M 10 X 30			
15	900 025 008 09	Washer	/LL	1	
		B 10			
15	900 025 008 04	Washer	/LL	1	
		B 10			
15	900 025 008 09	Washer	/RL	2	
		B 10			
15	900 025 008 04	Washer	/RL	2	
		B 10			
16	900 223 011 01	Washer	/LL	1	
		B 10,5			
16	900 223 011 02	Washer	/LL	1	
		B 10,5			
16	900 223 011 01	Washer	/RL	2	
		B 10,5			
16	900 223 011 02	Washer	/RL	2	
		B 10,5			
17	928 375 125 00	T-headed screw		4	
18	N 012 241 8	Spring washer		4	
		B 8			
19	900 910 022 02	Lock nut		4	
		M 8			
20	900 025 007 02	Washer		4	
		A 8,4			
20	900 025 007 03	Washer		4	
		A 8,4			
21	N 010 335 5	Hexagon-head bolt		4	
		M 8 X 35			
21	900 075 032 03	Hexagon-head bolt		4	
		M 8 X 35			
22	052 103 377	Washer		4	
23	N 010 482 3	Hexagon-head bolt		4	
		M 10 X 105			
24	928 375 067 01	Heat shield	/L	1	
25	928 375 068 01	Heat shield	/R	1	

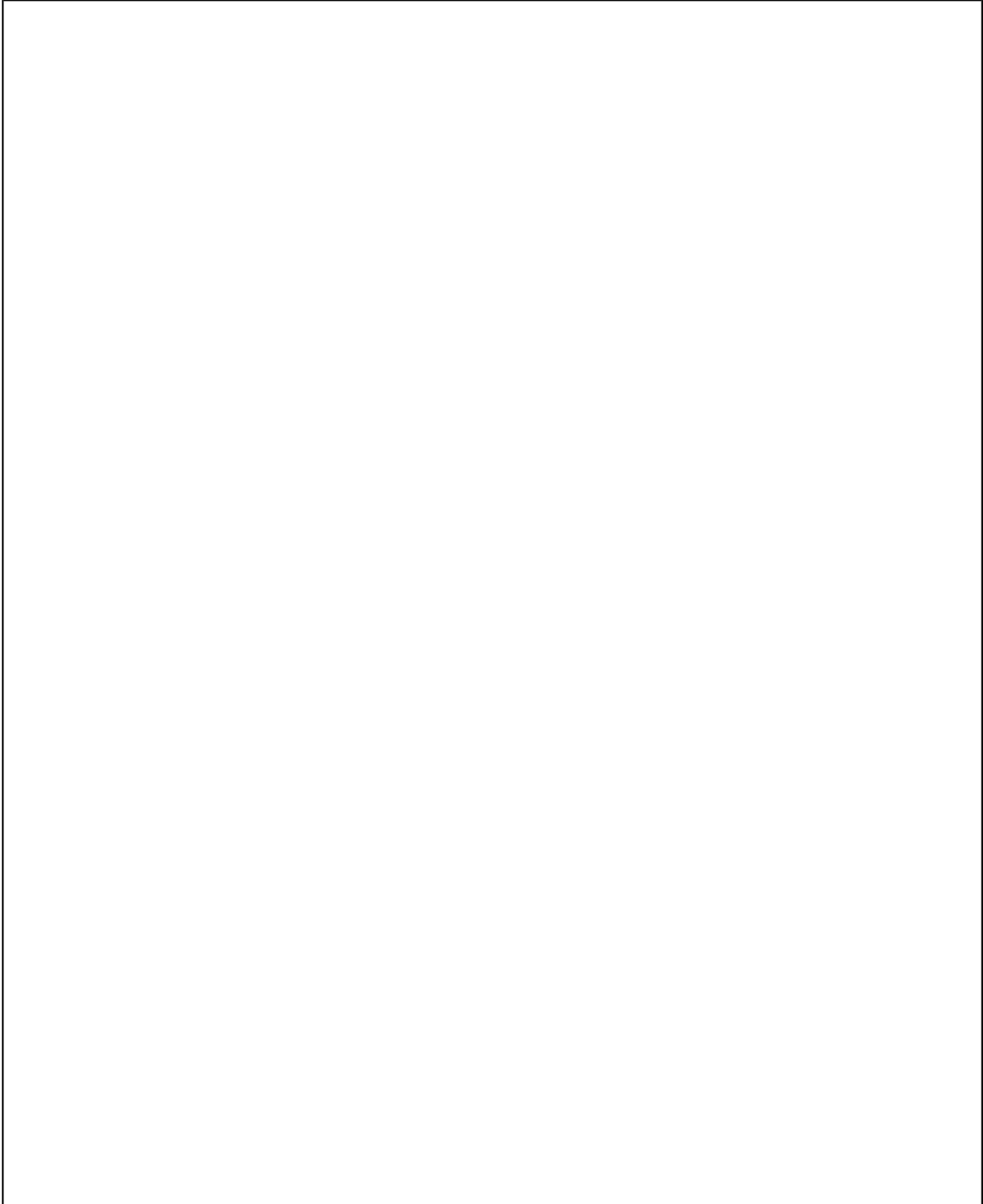
Model: 928 92

Model life 1992>>1995

Pos	Part Number	Description	Remark	Qty	Model
26	900 075 057 02	Hexagon-head bolt M 6 X 16		4	
26	900 075 057 03	Hexagon-head bolt M 6 X 16		4	
27	N 012 006 4	Lock ring B 6		4	
28	900 223 003 02	Washer 6,4		4	

Model: 928 92

Model life 1992>>1995



Model: 928 92 Model life 1992>>1995

Pos	Part Number	Description	Remark	Qty	Model
		Repair kits			M28.49/50
		Gasket set			
		Maintenance set			
>>	928 100 901 04	Gasket set		1	
		Engine			
		Comprising:			
-	900 123 118 30	Sealing ring		1	
		A 22 X 27			
-	999 113 275 40	Shaft sealing ring		1	
		A 20 X 30 X 7			
-	900 123 007 30	Sealing ring		1	
		A 14 X 18			
-	900 123 149 70	Sealing ring		1	
		A 22 X 29			
-	900 123 115 30	Sealing ring		1	
		A 8 X 11,5			
-	900 123 055 30	Sealing ring		1	
		A 12 X 16			
-	900 123 060 30	Sealing ring		2	
		A 24 X 29			
-	900 123 143 70	Sealing ring		1	
		A 48 X 55			
-	928 101 207 00	Oil sump gasket		1	
-	928 104 367 05	Cylinder head gasket		1	
		Cylinders 1 - 4			
-	928 104 368 05	Cylinder head gasket		1	
		Cylinders 5 - 8			
-	928 106 134 05	Gasket		1	
-	928 106 134 06	Gasket		1	
-	928 106 227 00	Gasket		2	
-	928 107 136 04	Sealing ring		1	
-	928 107 307 00	Gasket		1	
		D 3			
-	999 701 846 40	O-ring		1	
-	944 111 205 00	Sealing ring		8	
-	928 606 213 03	Gasket		1	
-	928 110 132 00	Sealing ring		1	
-	928 110 132 01	Sealing ring		1	
-	999 113 264 40	Radial sealing ring		1	
		90 X 110 X 12			
-	999 113 461 40	Radial sealing ring		1	
		90 X 110 X 12			
-	999 113 426 40	Radial sealing ring		1	
		90 X 110 X 12			
-	999 113 426 41	Radial sealing ring		1	
		90 X 110 X 12			
-	928 603 135 03	Sealing ring		1	
-	999 113 263 40	Shaft sealing ring		1	
		60 X 85 X 10			
-	999 113 282 40	Shaft sealing ring		2	
-	999 701 633 40	O-ring		1	
		98 X 3			
-	928 107 169 01	Gasket		1	
-	999 701 627 40	O-ring		1	
		53 X 7			
-	999 701 632 40	O-ring		1	
		65 X 5			
-	N 043 811 1	Sealing ring		2	
		C 38 X 44			
-	928 105 215 00	Lid		6	
-	928 106 167 01	Gasket		2	
-	900 123 050 30	Sealing ring		6	
-	928 104 447 09	Gasket		2	

Model: 928 92 Model life 1992>>1995

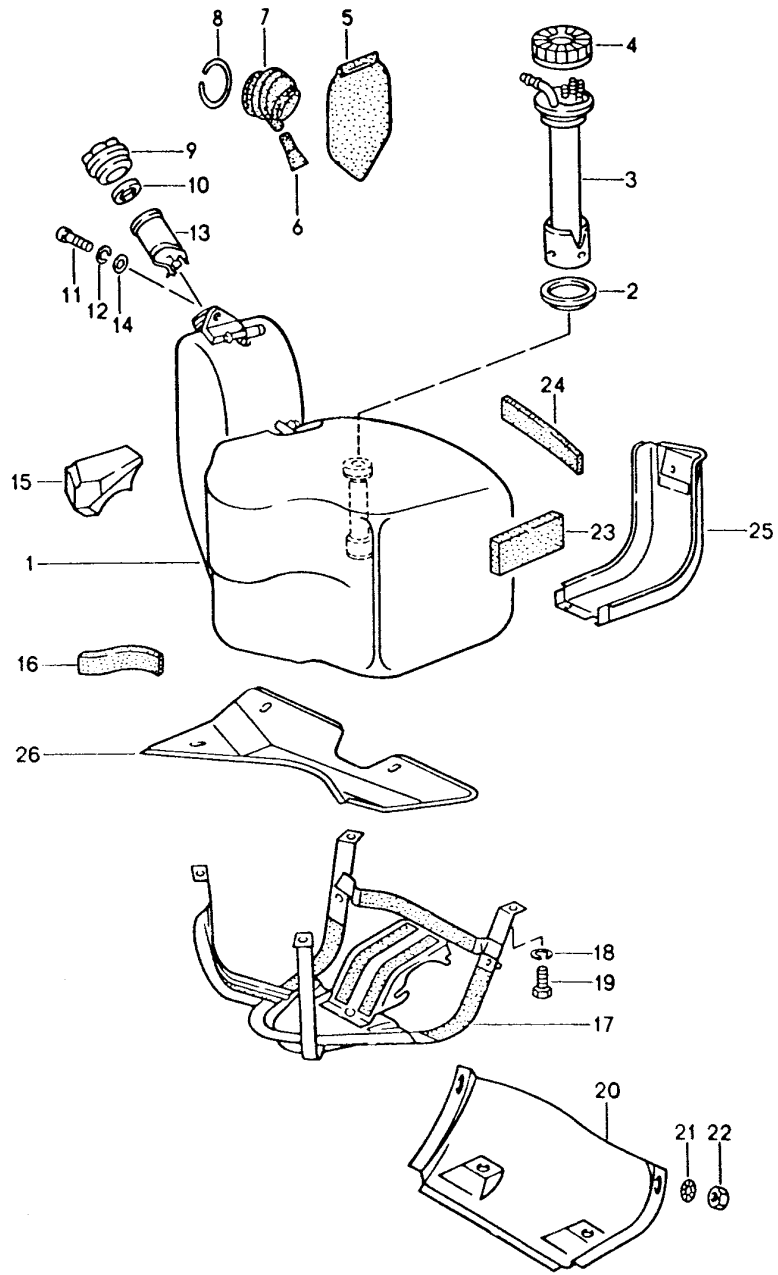
Pos	Part Number	Description	Remark	Qty	Model
-	928 104 443 08	Sealing ring		8	
-	900 174 044 40	Round seal		1	
-	928 105 262 00	Pin		5	
-	928 110 713 01	Gasket		1	
-	928 110 714 01	Gasket		1	
-	928 110 637 04	Gasket		2	
-	928 110 580 02	Gasket		2	
-	928 110 694 01	Thrust ring		10	
-	900 123 144 30	Sealing ring		12	
-	928 105 611 05	Gasket		1	
-	000 043 204 45	Sleeve		2	
>>	928 104 903 02	Gasket set Cylinder head Comprising:		1	M28.49/50
-	928 104 367 05	Cylinder head gasket		1	
-	928 104 368 05	Cylinder head gasket		1	
-	928 104 601 07	Valve stem seal		32	
-	928 105 215 00	Lid		2	
-	928 105 205 00	Support		2	
-	900 123 050 30	Sealing ring		8	
-	999 113 282 40	Shaft sealing ring		2	
-	944 111 205 00	Sealing ring		8	
-	928 110 580 02	Gasket		2	
-	900 123 144 30	Sealing ring		12	
-	928 104 443 08	Sealing ring		8	
-	928 104 447 09	Gasket		2	
-	928 106 227 00	Gasket		2	
-	000 043 204 45	Sleeve		5	
>>	928 104 903 03	Gasket set Cylinder head for Recond. cylinder heads Comprising:		1	
-	928 104 367 11	Cylinder head gasket		1	
-	928 104 368 11	Cylinder head gasket		1	
-	928 105 215 00	Lid		2	
-	928 105 205 00	Support		2	
-	900 123 050 30	Sealing ring		8	
-	999 113 282 40	Shaft sealing ring		2	
-	944 111 205 00	Sealing ring		8	
-	928 110 580 02	Gasket		2	
-	900 123 144 30	Sealing ring		12	
-	928 104 443 08	Sealing ring		8	
-	928 104 447 09	Gasket		2	
-	928 106 227 00	Gasket		2	
-	000 043 204 45	Sleeve		5	
>>	928 101 901 07	Set of crankshaft bearings 1 set Comprising:		1	M28.49/50
-	928 101 115 02	Main bearing shell		3	
	928 101 115 02 002	Yellow Upper half 2,4,5			
-	928 101 115 03	Main bearing shell		3	
	928 101 115 03 002	Yellow Lower half 2,4,5			
-	928 101 115 15	Main bearing shell Yellow Standard Set Comprising: 928.101.115.02 928.101.115.03		3	

Model: 928 92 Model life 1992>>1995

Pos	Part Number	Description	Remark	Qty	Model
-	928 101 115 16	Main bearing shell Yellow Standard Set Comprising: 928.101.115.02 928.101.115.03		3	
-	928 101 142 03	Thrust bearing		2	
-	928 101 142 03 002	Yellow			
-	928 101 117 08	Main bearing bush i		1	
>>	928 101 901 57	Set of crankshaft bearings 1 set Undersize 0.25 mm Comprising:		1	M28.49/50
-	928 101 115 50	Main bearing shell		3	
-	928 101 115 51	Main bearing shell		3	
-	928 101 142 54	Thrust bearing		2	
-	928 101 117 58	Main bearing bush i		1	
>>	928 101 901 67	Set of crankshaft bearings 1 set Undersize 0.50 mm Comprising:		1	M28.49/50
-	928 101 115 60	Main bearing shell Top half		3	
-	928 101 115 61	Main bearing shell		3	
-	928 101 142 64	Thrust bearing		2	
-	928 101 117 68	Main bearing bush i		1	
>>	928 100 931 09	Maintenance set for Periodic maintenance Comprising:		1	M28.49/50
-	928 107 201 05	Oil filter		1	
-	928 107 201 07	Oil filter Red	-(IND)	1	
-	900 123 011 30	Sealing ring		1	
-	928 110 185 03	Air cleaner cartridge for cars with M 150 Use also:		1	
-	999 170 189 90	Spark plug WR 7 DTC		8	
-	999 170 189 9A	Spark plug WR 7 DC+		8	
>>	928 100 931 10	Maintenance set for Periodic maintenance Comprising:		1	M28.49/50
-	999 170 189 90	Spark plug		8	
-	999 170 189 9A	Spark plug		8	
-	928 107 201 05	Oil filter		1	
-	928 107 201 07	Oil filter Red	-(IND)	1	
-	900 123 011 30	Sealing ring		1	
-	928 110 185 03	Air cleaner cartridge		1	
-	928 113 445 00	Filter cartridge		1	
>>	928 103 906 18	Set of piston rings 100,00 MM		X	M28.49/50
>>	928 103 906 19	Set of piston rings 100,50 MM		X	M28.49/50
>>	000 043 202 61	Retrofit kit FUER AU	(D)	1	M28.49/50

Model: 928 92

Model life 1992>>1995



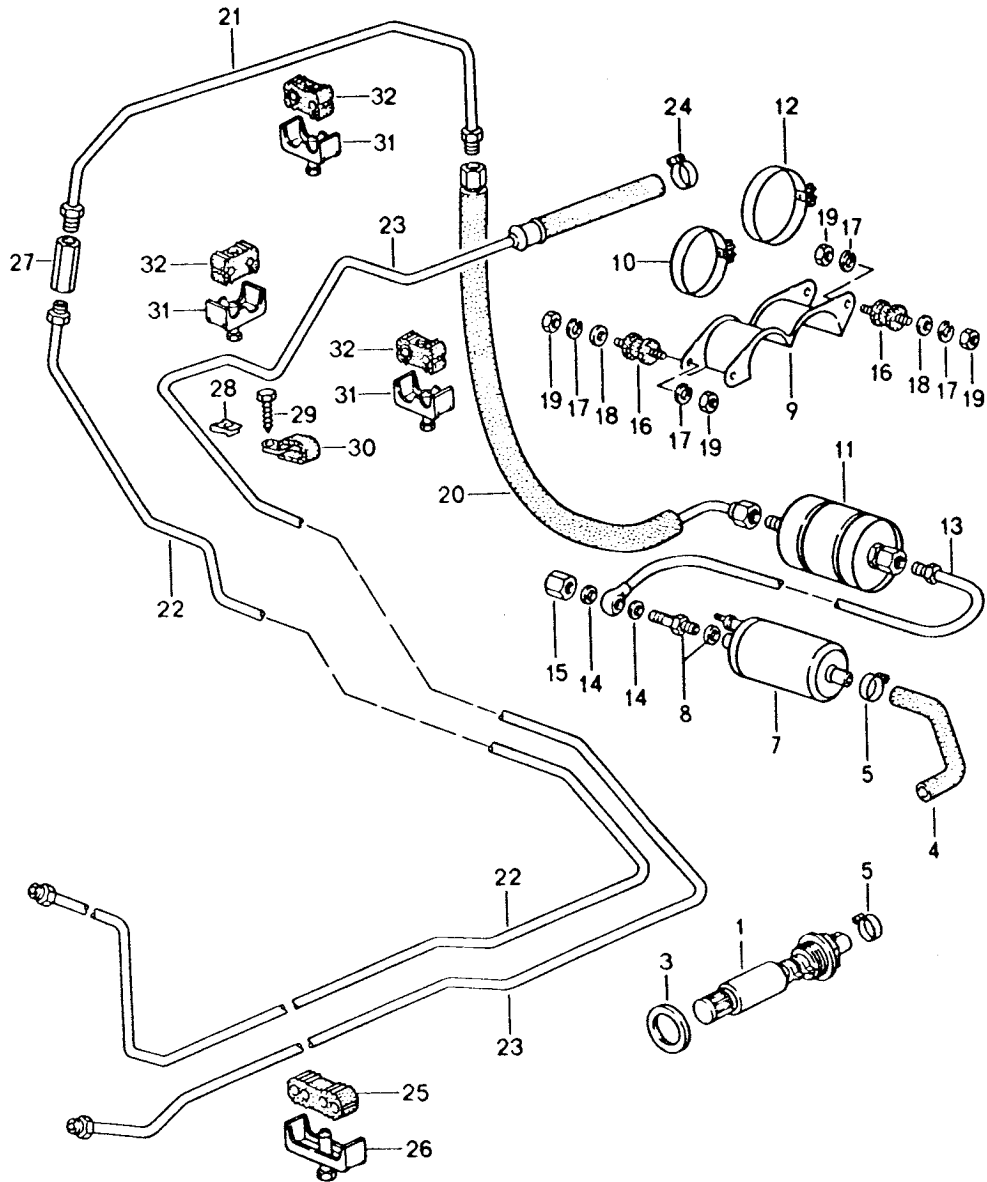
Model: 928 92

Model life 1992>>1995

Pos	Part Number	Description	Remark	Qty	Model
1	928 201 003 08	Fuel tank Fuel tank Use also: POS.13 for (USA)(CDN) M 298/ 299		1	
2	928 201 327 02	Gasket		1	
3	928 641 030 02	Tank gauge		1	
4	113 201 375 113 201 375 01C	Fuel tank Union nut Black		1	
5	928 201 057 02	Protective flap		1	
6	928 201 255 02	Drain bush		1	
7	928 201 333 02	Grommet		1	
8	900 906 046 00	Outer ring		1	
9	928 201 901 03	Fuel tank cap with stipulated lock number State lock number		1	
(9)	928 201 903 02	Fuel tank cap W/o stipulated lock number		1	
10	928 201 275 03	Sealing ring		1	
11	N 014 707 2	Pan-head screw M 8 X 15		1	
11	900 067 131 03	Pan-head screw M 8 X 15		1	
12	900 142 002 01	Lock ring A 8		1	
13	928 201 027 03	Insert		1	
14	900 025 007 02	Washer A 8,4		1	
14	900 025 007 03	Washer A 8,4		1	
15	928 201 107 02	Desk pad		1	
-	999 911 227 40	Base strap 210 MM		*	
16				1	
17	928 201 313 06	Tank covering		1	
18	900 027 015 02	Lock ring B 8		X	
18	900 027 015 03	Lock ring B 8		X	
19	N 010 246 4	Hexagon-head bolt M 8 X 45		X	
20	928 201 145 03	Lid		1	
21	N 042 121 3	Shake-proof washer A 6,4		2	
22	900 076 010 02	Nut M 6		4	
22	900 076 010 0B	Nut M 6		4	
23	928 201 345 02	Spacer		1	
24	999 911 227 40	Base strap 290 MM		*	
25	928 201 373 03	Cover		1	
26	928 201 059 03	Cover		1	

Model: 928 92

Model life 1992>>1995

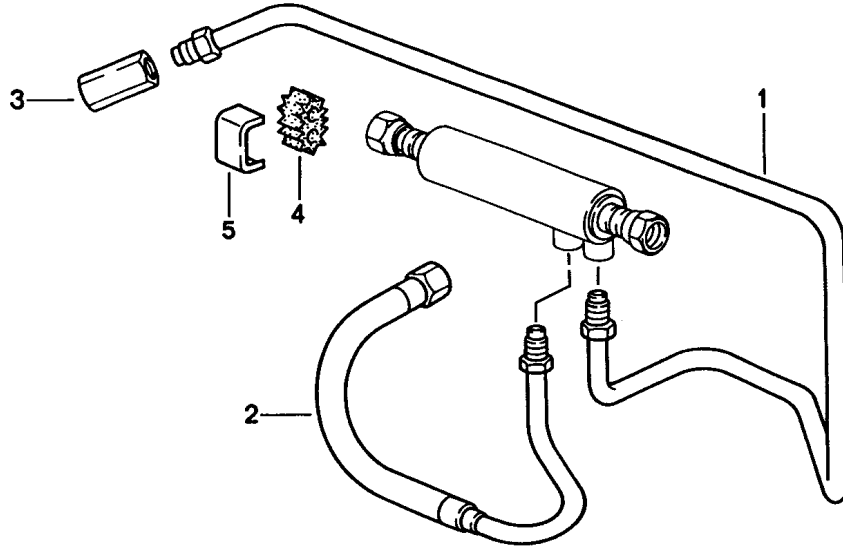


Model: 928 92 Model life 1992>>1995

Pos	Part Number	Description	Remark	Qty	Model
		Fuel system			
1	928 608 013 00	In-tank fuel pump		1	
1	928 608 013 01	In-tank fuel pump		1	
3	928 201 187 02	Sealing ring		1	
4	928 356 550 04	Fuel hose		1	
5	999 512 346 00	Hose clamp A 20/9		2	
7	928 608 104 03	Fuel pump		1	
8	893 906 093	Check valve		1	
9	928 356 151 01	Support		1	
10	999 512 394 00	Hose clamp		1	
11	928 110 253 04	Fuel filter		1	(AG) (SA)
11	928 110 253 06	Fuel filter		1	
12	999 512 276 02	Clamp		1	
12	999 512 276 0B	Clamp		1	
13	928 356 063 10	Fuel line		1	
13	928 356 063 11	Fuel line		1	
14	900 123 005 20	Sealing ring A 12 X 16		2	
15	928 110 475 01	Cap nut		1	
15	928 110 475 03	Cap nut		1	
15	928 110 475 04	Cap nut		1	
16	944 610 115 00	Bonded rubber mounting		6	
17	N 012 006 4	Lock ring B 6		12	
18	N 011 666 7	Washer B 6,4		9	
19	900 076 010 02	Nut M 6		12	
19	900 076 010 0B	Nut M 6		12	
20	928 356 053 01	Fuel line		1	
20		Fuel line		1	
21	928 356 057 00	Fuel line		1	
22	928 356 029 10	Fuel line To engine compartment		1	
22	928 356 029 12	Fuel line To engine compartment		1	
23	928 356 031 05	Fuel line		1	
23	928 356 031 06	Fuel line Return line to tank		1	
24	N 023 569 2	Hose clamp AR 16/9		1	
24	PCG 023 569 2	Hose clamp AR 16/9		1	
25	928 356 551 01	Rubber mounting		6	
26	928 356 553 00	Supporting bow		5	
27	477 209 169	Connecting piece		1	
28	999 591 487 02	Speed nut		1	
29	900 187 115 02	Combination screw		1	
29	900 187 115 01	Combination screw		1	
30	999 511 085 02	Clamp		1	
31	928 356 555 00	Clamp		X	
32	928 356 525 01	Rubber mounting		X	

Model: 928 92

Model life 1992>>1995



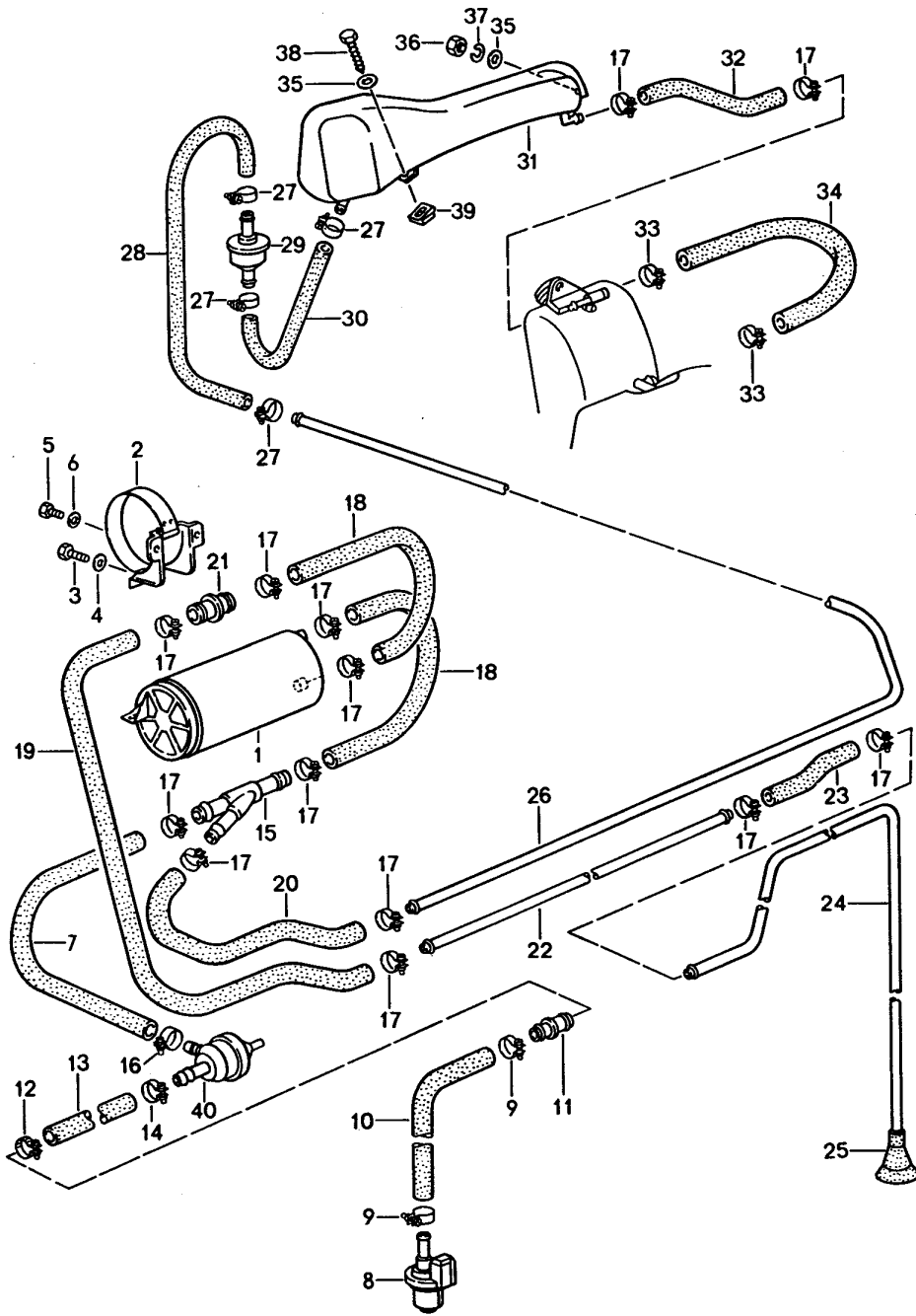
Model: 928 92

Model life 1992>>1995

Pos	Part Number	Description	Remark	Qty	Model
1	928 356 185 03	Fuel cooler		1	
2	928 356 081 04	Return line		1	
2	928 356 081 06	Fuel supply line MUTTERGEWINDE BEIDSEITIG		1	
3	477 209 169	Fuel supply line MUTTERGEWINDE BEIDSEITIG		1	
4	928 356 525 00	Connecting piece		2	
5	928 356 527 00	Rubber mounting		2	
		Supporting bow			

Model: 928 92

Model life 1992>>1995



Model: 928 92

Model life 1992>>1995

Pos	Part Number	Description	Remark	Qty	Model
1	993 201 221 01	Tank ventilation Carbon canister		1	
1	993 201 221 03	Carbon canister		1	
2	928 201 015 02	Bracket		1	
3	900 075 014 02	Hexagon-head bolt M 6 X 18		1	
3	900 075 014 03	Hexagon-head bolt M 6 X 18		1	
4	803 817 121	Washer B 6,4		1	
5	900 075 260 02	Hexagon-head bolt M 6 X 16		1	
6	N 011 524 7	Washer B 6,4		1	
6	N 011 524 27	Washer B 6,4		1	
-	999 181 168 50	Hose 12 X 18,5 250 MM		*	
7					
8	944 605 240 01	Bleeder valve		1	
9	999 512 055 02	Hose clamp		2	
9	PCG 512 055 02	Hose clamp		2	
9	PCG 512 160 02	Hose clamp A 9/13		1	
10	999 181 419 50	Hose		1	
11	999 137 058 40	Reducing socket		1	
12	N 023 577 2	Hose clamp		1	
12	PCG 023 577 2	Hose clamp A9 x 14		1	
13	928 110 652 01	Moulded hose		1	
14	999 512 554 00	Hose clamp		2	
15	928 201 219 02	Connecting piece		1	
16	900 272 003 02	Hose clamp		2	
16	999 512 554 00	Hose clamp		2	
17	N 023 569 2	Hose clamp		X	
17	PCG 023 569 2	Hose clamp		X	
18	477 201 747 C	Hose		2	
19	900 180 031 50	Hose		1	
-	999 181 716 50	Hose 9,5 X 15,5 530 MM		*	
20				1	
21	930 110 267 00	Hose connection		1	
22	928 201 353 06	Purge-air line Front		1	
-	999 181 716 50	Hose 9,5 X 15,5 170 MM		*	
23				1	
24	928 201 355 06	Purge-air line Rear		1	
25	928 201 195 02	End piece		1	
26	928 201 341 08	Vent line		1	
27	999 512 554 00	Hose clamp		4	
28	928 201 368 00	Hose		1	
29	928 201 083 02	Shut-off valve		1	
30	928 201 368 01	Hose		1	
31	928 201 013 07	Expansion tank		1	
-	999 181 716 50	Hose 9,5 X 15,5 250 MM		*	
32				1	
33	N 023 565 3	Hose clamp		2	
34	928 201 194 03	Hose		1	
34	928 201 194 04	Hose		1	
34	928 201 194 05	Hose		1	

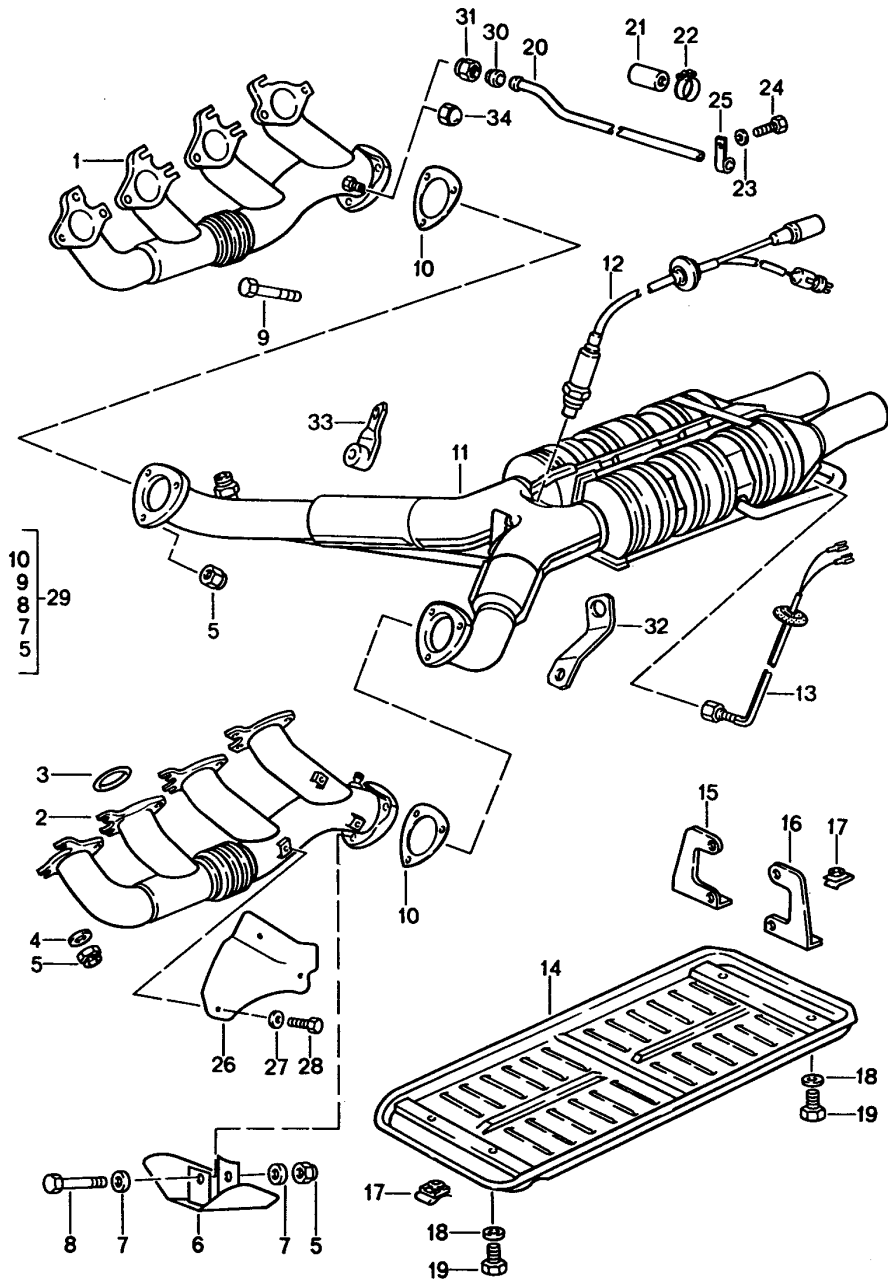
Model: 928 92

Model life 1992>>1995

Pos	Part Number	Description	Remark	Qty	Model
35	N 011 524 7	Washer A 6,4		2	
35	N 011 524 27	Washer A 6,4		2	
36	900 076 010 02	Nut		1	
36	900 076 010 0B	Nut		1	
37	N 012 006 4	Lock ring		1	
38	N 013 892 4	Tapping screw		1	
39	999 507 003 02	Speed nut		1	
39	999 507 003 01	Speed nut		1	
40	928 110 429 08	Vacuum valve		1	

Model: 928 92

Model life 1992>>1995



Model: 928 92

Model life 1992>>1995

Pos	Part Number	Description	Remark	Qty	Model
		Exhaust system			
		Catalytic converter			
1	928 111 145 07	Exhaust manifold		1	
(1)	927 111 145 02	Cylinders 1 - 4 Exhaust manifold	/RL	1	
		Cylinders 1 - 4			
2	928 111 146 07	Exhaust manifold		1	
(2)	927 111 146 00	Cylinders 5 - 8 Exhaust manifold	/RL	1	
		Cylinders 5 - 8			
3	944 111 205 00	Sealing ring		8	
4	928 111 181 00	Washer		16	
5	999 084 052 02	Lock nut		22	
		M 8			
6	928 111 067 01	Protective plate		1	M28.49/50
7	999 025 078 02	Washer		2	M28.49/50
		8,4 X 17 X 1,5			
8	900 074 283 02	Screw		1	M28.49/50
		M 8 X 45			
9	900 074 287 02	Hexagon-head bolt		5	M28.49/50
		M 8 X 35			
9		Hexagon-head bolt		6	M28.50
		M 8 X 35			
10	928 111 127 02	Gasket		2	
		without asbestos			
11	928 113 214 03	Catalytic converter	(J)	1	M28.50
11	928 113 219 04	Catalytic converter		1	
12	928 606 128 01	Oxygen sensor		1	
		Heated			
13	928 606 145 00	Temperature sensor	(J)	2	M28.50
14	928 113 161 03	Catalytic converter cover	(J)	1	M28.50
15	928 113 148 00	Retaining bracket	/R (J)	1	M28.50
16	928 113 163 00	Retaining bracket	/L (J)	1	M28.50
17	999 507 003 02	Speed nut	(J)	4	M28.50
17	999 507 003 01	Speed nut	(J)	4	M28.50
18	N 011 524 7	Washer	(J)	4	M28.50
		A 6,4			
18	N 011 524 27	Washer	(J)	4	M28.50
		A 6,4			
19	900 187 015 02	Hexagon-head tapping screw	(J)	4	M28.50
		B 6,3 X 13			
21	035 133 335 B	Cap		2	
22	999 512 160 02	Hose clamp		2	
		S 13/9			
22	PCG 512 160 02	Hose clamp		2	
		S 13/9			
23	N 011 524 7	Washer		2	
		A 6,4			
23	N 011 524 27	Washer		2	
		A 6,4			
24	999 072 005 09	Hexagon nut		2	
		M 6 X 12			
24	999 072 005 01	Hexagon nut		2	
		M 6 X 12			
25	928 111 158 00	Retaining bar		2	
(25)	928 111 158 01	Pipe clamp		2	
26	928 111 103 01	Protective plate		1	
27	900 025 045 02	Washer		3	
		6,4			
28	900 075 312 02	Hexagon-head bolt		3	
		M 6 X 12			
29	928 111 901 00	Set of fastening parts		1	
30	900 102 009 00	Cutting ring		2	

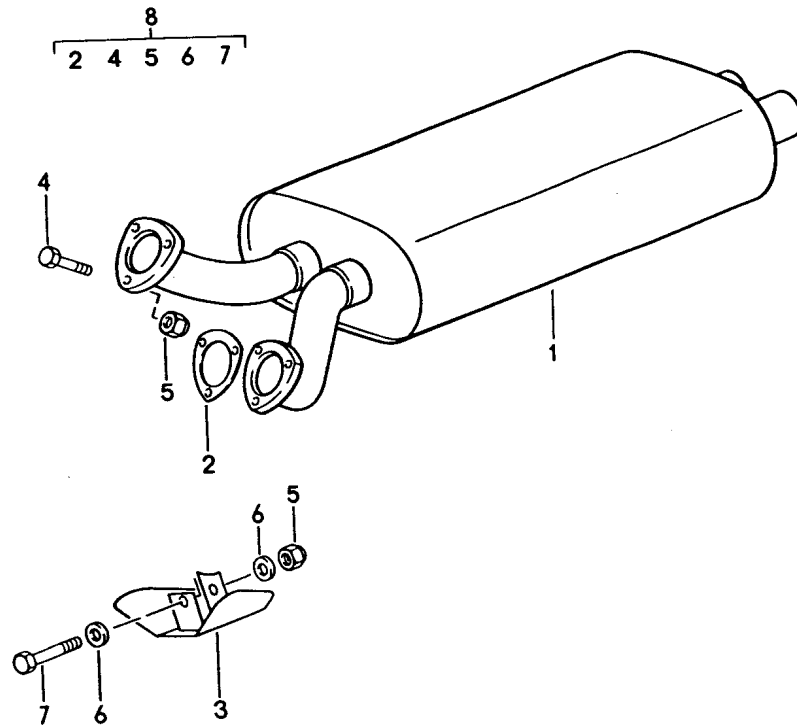
Model: 928 92

Model life 1992>>1995

Pos	Part Number	Description	Remark	Qty	Model
31	N 021 022 2	Union nut		2	
32	928 111 162 00	Bracket	/R	1	
33	928 111 161 01	Bracket	/L	1	
		Use also:			
33A	928 111 163 00	Spacer sleeve		1	
34	930 113 153 00	Cap		2	
		Use also:			
		for			
		Exhaust manifold			

Model: 928 92

Model life 1992>>1995



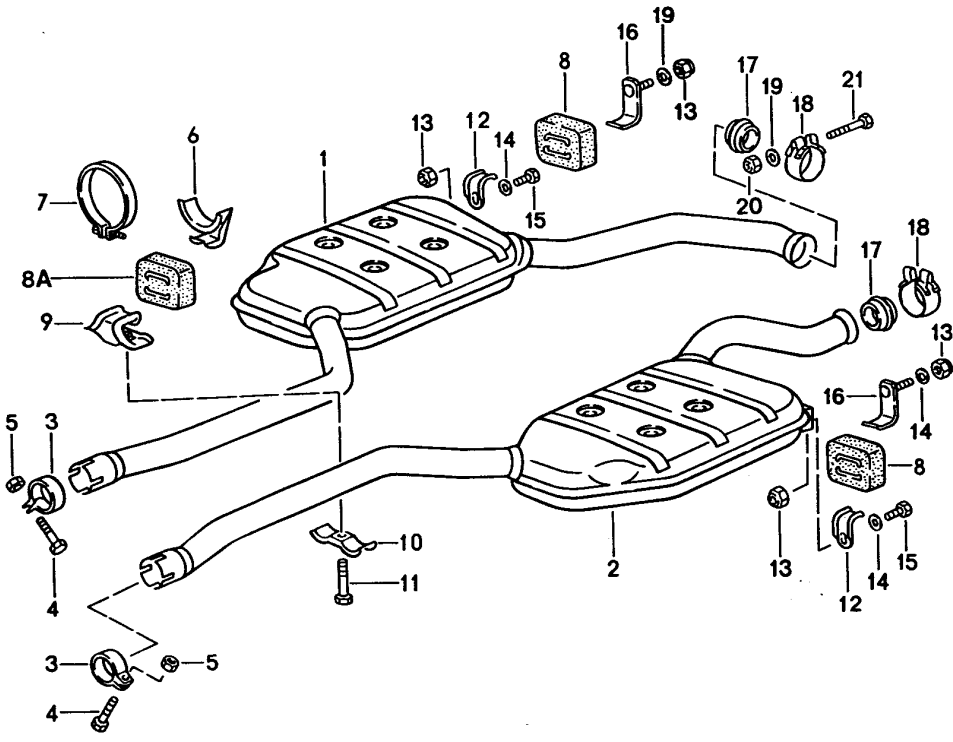
Model: 928 92

Model life 1992>>1995

Pos	Part Number	Description	Remark	Qty	Model
		Exhaust system			
		Front muffler			
1	928 111 096 03	Front muffler		1	
2	928 111 127 02	Gasket		2	
		without asbestos			
3	928 111 067 01	Protective plate		1	
4	900 074 287 02	Hexagon-head bolt		5	M28.49/50
		M 8 X 35			
4		Hexagon-head bolt	AUT.	6	M28.50
		M 8 X 35			
5	999 084 052 02	Lock nut		6	
		M 8			
6	999 025 078 02	Washer		2	
		8,4 X 17 X 1,5			
7	900 074 283 02	Screw		1	M28.49
		M 8 X 45			
8	928 111 901 00	Set of fastening parts		1	

Model: 928 92

Model life 1992>>1995



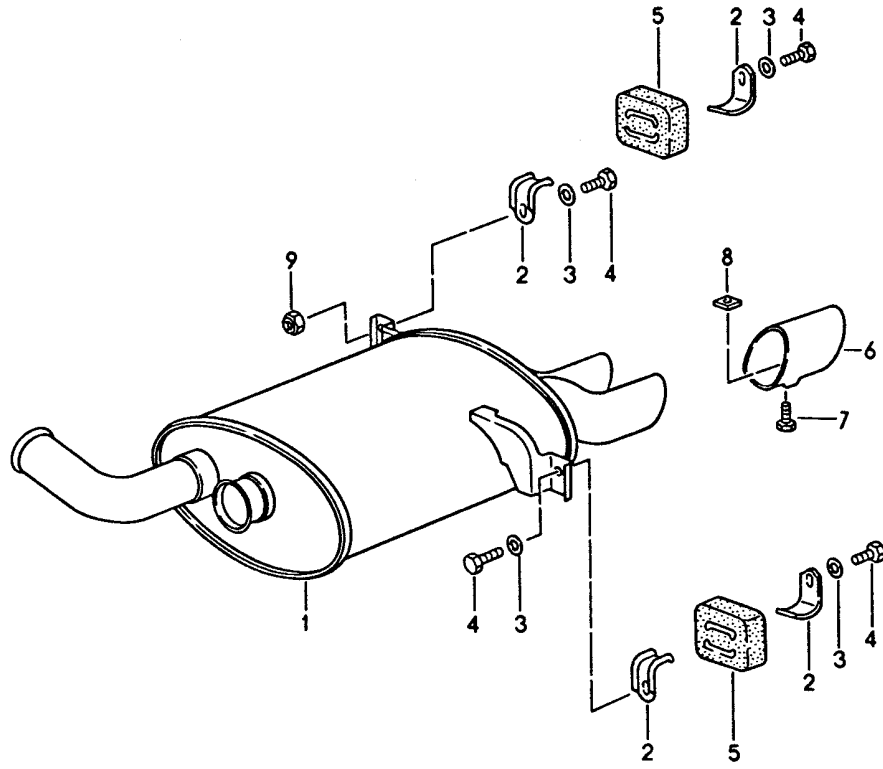
Model: 928 92

Model life 1992>>1995

Pos	Part Number	Description	Remark	Qty	Model
		Exhaust system			
		Intermediate silencer			
1	928 111 094 04	Intermediate silencer	/R	1	
2	928 111 093 04	Intermediate silencer	/L	1	
3	928 111 424 00	Pipe clamp		2	
4	900 155 036 02	Hexagon-head bolt M 10 X 50		2	
5	999 084 047 02	Lock nut M 10		2	
6	928 111 278 00	Hook		1	
7	999 512 325 02	Clamp		1	
8	928 111 259 02	Rubber mounting		4	
		Information available			
8A		Rubber mounting		1	
		Information available			
9	928 111 287 00	Support		1	
10	928 111 288 00	Support		1	
11	900 155 036 02	Hexagon-head bolt M 10 X 50		1	
12	928 111 264 01	Hook		6	
13	900 910 022 02	Lock nut		4	
14	900 025 007 02	Washer		4	
14	900 025 007 03	Washer		4	
15	900 075 366 02	Combination screw M 8 X 16		2	
16	928 111 260 00	Hook		2	
17	928 111 246 05	Sealing ring		2	
17	928 111 246 06	Sealing ring		2	
18	928 111 427 00	Pipe clamp		2	
19	999 025 078 02	Washer		2	
20	999 084 052 02	Lock nut		2	
21	900 074 304 02	Hexagon-head bolt M 8 X 60		2	

Model: 928 92

Model life 1992>>1995



Model: 928 92

Model life 1992>>1995

Pos	Part Number	Description	Remark	Qty	Model
		Exhaust system			
		Main exhaust muffler			
1	928 111 097 04	Main exhaust muffler		1	
1		Main exhaust muffler		1	CH
2	928 111 264 01	Hook		4	
3	900 025 007 02	Washer		4	
3	900 025 007 03	Washer		4	
4	900 075 087 02	Hexagon-head bolt		4	
4	900 075 087 03	Hexagon-head bolt		4	
5	928 111 259 02	Rubber mounting		2	
		Information available			
6	928 111 271 03	Cover		2	
7	900 075 001 03	Hexagon-head bolt		2	
		M 5 X 8			
8	900 198 001 02	Square nut		2	
		M 5			
9	900 910 022 02	Lock nut		X	

Model: 928 92

Model life 1992>>1995



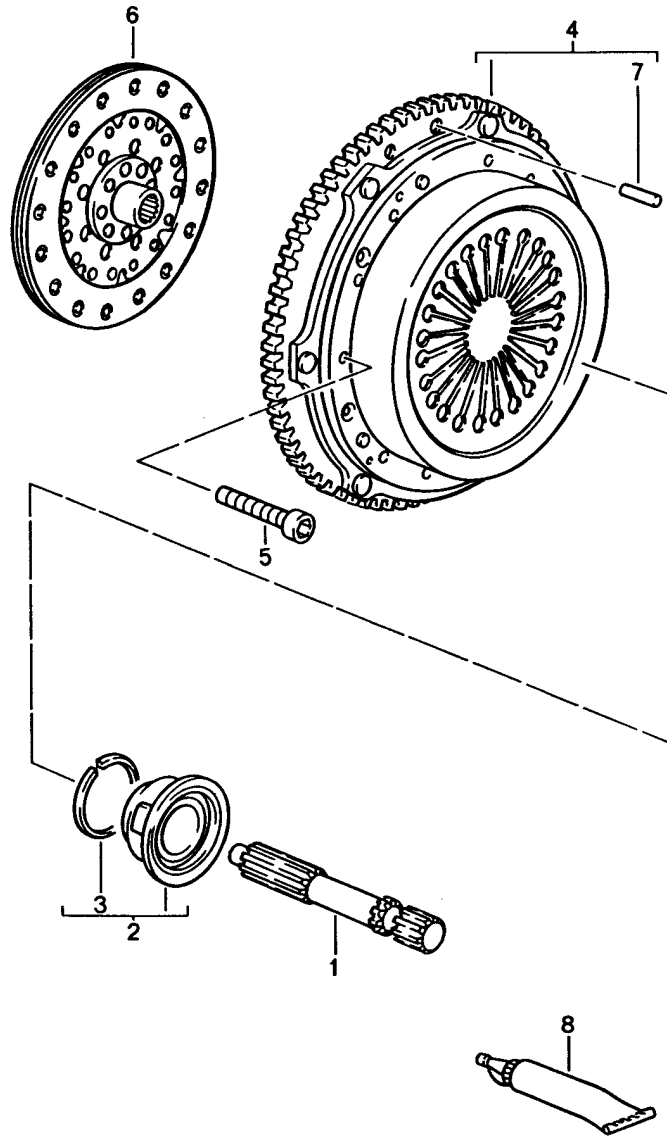
Model: 928 92

Model life 1992>>1995

Pos	Part Number	Description	Remark	Qty	Model
>>	928 113 911 00	Repair kits Conversion set for subsequent installation Catalytic converter See technical information GR.2 NR. 3/3A/3B/87 Comprising:		1	M28.49/50
-	000 043 078 00	Installation instructions		1	
-	928 113 219 01	Catalytic converter		1	
-	928 111 424 00	Pipe clamp		2	
-	900 155 036 02	Hexagon-head bolt		2	
-	999 084 047 02	Lock nut		2	
-	928 606 128 01	Oxygen sensor		1	
-	928 607 433 00	Coding plug		1	
-	928 607 434 00	Coding plug		1	
-	900 124 008 02	Screw plug		8	
-	900 123 043 30	Sealing ring		8	
-	928 113 146 04	Pipeline		1	
-	900 123 060 30	Sealing ring		1	
-	928 113 215 02	Support		1	
-	999 512 329 02	Clip		1	
-	N 010 205 6	Hexagon-head bolt		2	
-	900 075 105 02	Screw		2	
-	N 011 005 14	Hexagon nut		2	
-	900 076 091 01	Hexagon nut		2	
-	928 006 117 03	Sticker		1	
-	911 701 241 00	Sticker		1	
-	944 701 201 03	Sticker		1	
-	928 201 027 03	Insert		1	
-	900 312 012 02	Stopper		1	
-	900 312 042 01	Stopper		1	
-	928 111 127 02	Gasket		2	
-	900 074 287 02	Hexagon-head bolt		6	
-	900 074 283 02	Screw		1	
-	999 025 078 02	Washer		2	
-	999 084 052 02	Lock nut		6	
-	928 504 091 00	Heat protection plate		1	
-	960 307 917 00	Hose protecting sleeve		2	
-	928 307 190 00	Connection piece		1	
>>	928 111 901 00	Set of fastening parts for Front muffler Catalytic converter Comprising:		1	
-	928 111 127 02	Gasket		2	
-	900 074 287 02	Hexagon-head bolt		6	
-	900 074 283 02	Screw		1	
-	999 025 078 02	Washer		2	
-	999 084 052 02	Lock nut		6	

Model: 928 92

Model life 1992>>1995



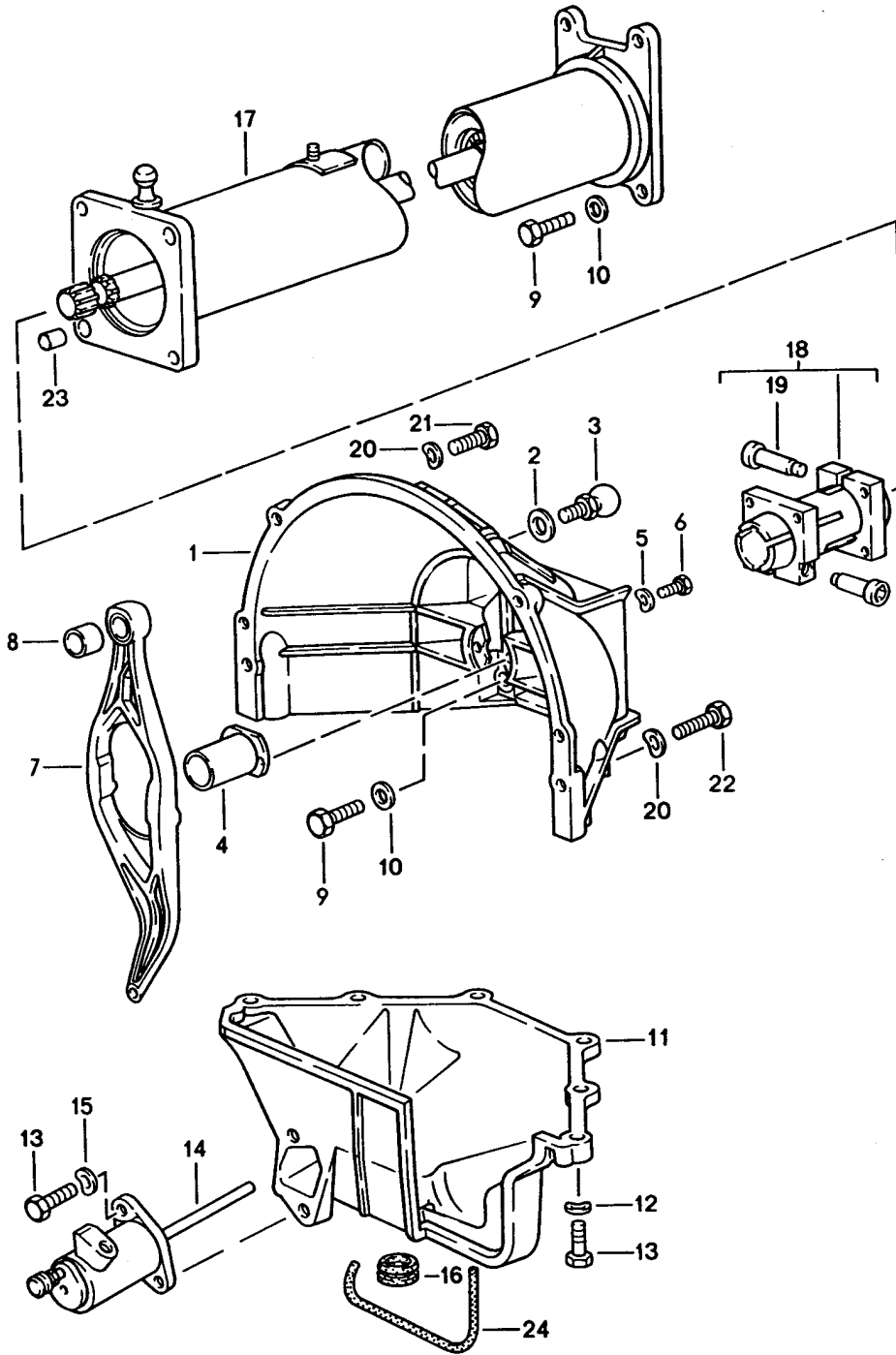
Model: 928 92

Model life 1992>>1995

Pos	Part Number	Description	Remark	Qty	Model
		Manual transmission Clutch			G28.57
1	928 421 235 16	Central shaft		1	
1	928 421 235 17	Central shaft		1	
2	928 116 085 08	Clutch release bearing		1	
3	999 152 068 01	Circlip		1	
4	928 116 004 16	Pressure plate		1	
5	900 067 284 02	Pan-head screw M 8 X 53		9	
5	900 067 430 01	Pan-head screw M 8 X 53		9	
6	928 116 013 23	Drive plate		1	
6	928 116 013 28	Drive plate		1	
8	000 043 024 00	Extreme-pressure grease		X	

Model: 928 92

Model life 1992>>1995



Model: 928 92

Model life 1992>>1995

Pos	Part Number	Description	Remark	Qty	Model
		Manual transmission			
		Central tube			G28.57
1	928 116 402 01	Clutch housing		1	
2	900 025 007 02	Washer A 8,4		1	
2	900 025 007 03	Washer A 8,4		1	
3	928 116 075 01	Ball pin 8 MM \$		1	
3	928 116 075 02	Ball pin 8 MM \$		1	
4	928 116 087 16	Guide tube		1	
5	N 011 524 7	Washer A 6,4		2	
5	N 011 524 27	Washer A 6,4		2	
6	900 075 057 02	Hexagon-head bolt M 6 X 16		2	
6	900 075 057 03	Hexagon-head bolt M 6 X 16		2	
7	928 116 832 08	Clutch release lever	-93	1	
8	928 116 145 03	Ball socket		1	
9	N 010 445 2	Hexagon-head bolt M 10 X 45		8	
9	900 074 372 01	Hexagon-head bolt M 10 X 45		8	
10	900 025 008 09	Washer A 10,5		8	
10	900 025 008 04	Washer A 10,5		8	
11	928 116 412 03	Lid		1	
11		Clutch housing			
11		Lid		1	
12	N 012 241 8	Clutch housing Spring washer B 8		6	
13	900 075 099 02	Hexagon-head bolt M 8 X 30		8	
13	900 075 099 03	Hexagon-head bolt M 8 X 30		8	
14	928 116 237 22	Clutch operating cylinder		1	
14	928 116 237 VX	Clutch operating cylinder		1	
-	928 116 901 00	Repair kit		1	
15	900 027 015 02	Clutch operating cylinder Lock ring B 8		2	
15	900 027 015 03	Lock ring B 8		2	
16	928 116 425 00	Cap		3	
17	928 421 012 26	Central tube Ready for installation		1	
18	922 421 051 02	Clamping sleeve		1	
18	922 421 051 03	Clamping sleeve		1	
19	931 421 240 00	Clamping screw		2	
20	N 011 531 14	Washer B 12		2	
21	N 010 142 2	Hexagon-head bolt M 12 X 1,5 X 50		2	
22	N 010 156 3	Hexagon-head bolt M 12 X 1,5 X 70		1	
(22)	900 082 020 09	Hexagon-head bolt		1	
(22)	900 082 020 03	Hexagon-head bolt		1	
23	900 197 042 01	Roll pin		2	

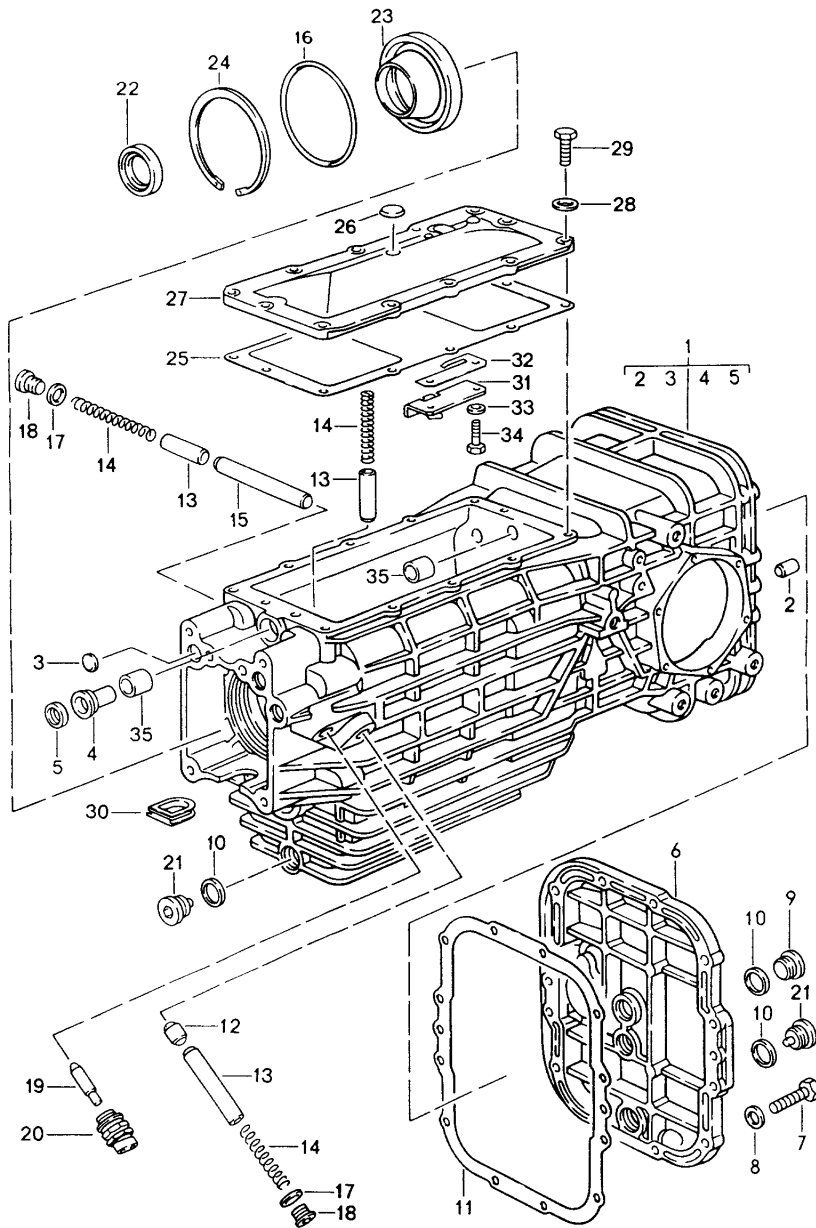
Model: 928 92

Model life 1992>>1995

Pos	Part Number	Description	Remark	Qty	Model
24	928 116 427 02	10 X 12 Sealing strip		1	

Model: 928 92

Model life 1992>>1995



Model: 928 92

Model life 1992>>1995

Pos	Part Number	Description	Remark	Qty	Model
		Manual transmission Replacement transmission Transmission case			G28.57
-	928 300 030 57	Replacement transmission Complete Porsche Limited-slip differential		1	
1	928 301 012 04	Transmission case		1	
2	900 012 086 00	Straight pin 6 X 18		2	
3	900 040 013 02	Cover plate		3	
4	928 301 502 03	Guide bush		1	
5	928 303 120 01	Shaft sealing ring		1	
6	928 301 306 04	Housing cover Rear		1	
7	900 075 099 02	Hexagon-head bolt M 8 X 30		12	
7	900 075 099 03	Hexagon-head bolt M 8 X 30		12	
8	900 025 007 02	Washer A 8,4		12	
8	900 025 007 03	Washer A 8,4		12	
9	900 219 001 30	Screw plug		1	
10	900 123 118 30	Sealing ring A 22 X 27		3	
11	928 301 395 03	Gasket		1	
12	928 303 231 24	Detent		1	
13	928 303 234 00	Arresting bush		3	
14	928 303 235 24	Compression spring		3	
15	928 303 232 00	Detent		1	
16	999 701 904 40	O-ring		1	
17	900 123 043 30	Sealing ring		2	
18	900 219 006 02	Screw plug		2	
18	900 219 006 01	Screw plug		2	
19	928 606 241 02	Cam follower		1	
20	914 613 541 02	Back-up light switch		1	
21	999 063 008 02	Screw plug		2	
22	928 302 167 03	Shaft sealing ring		1	
22	928 302 167 05	Shaft sealing ring		1	
23	928 302 175 12	Housing		1	
24	N 101 003 1	Circlip		1	
25	928 301 393 07	Gasket		1	
26	900 036 042 02	Lid		1	
27	928 301 303 11	Lid		1	
28	N 011 524 7	Washer A 6,4		12	
28	N 011 524 27	Washer A 6,4		12	
29	900 075 016 02	Hexagon-head bolt M 6 X 22		12	
29	900 075 016 03	Hexagon-head bolt M 6 X 22		12	
30	928 301 171 00	Cap		1	
31	928 303 025 05	Reversing gear lock		1	
31	928 303 025 06	Reversing gear lock		1	
32	928 303 287 01	Leaf spring		1	
33	N 012 226 5	Spring washer B 6		2	
34	900 075 057 02	Hexagon-head bolt M 6 X 16		2	
34	900 075 057 03	Hexagon-head bolt M 6 X 16		2	

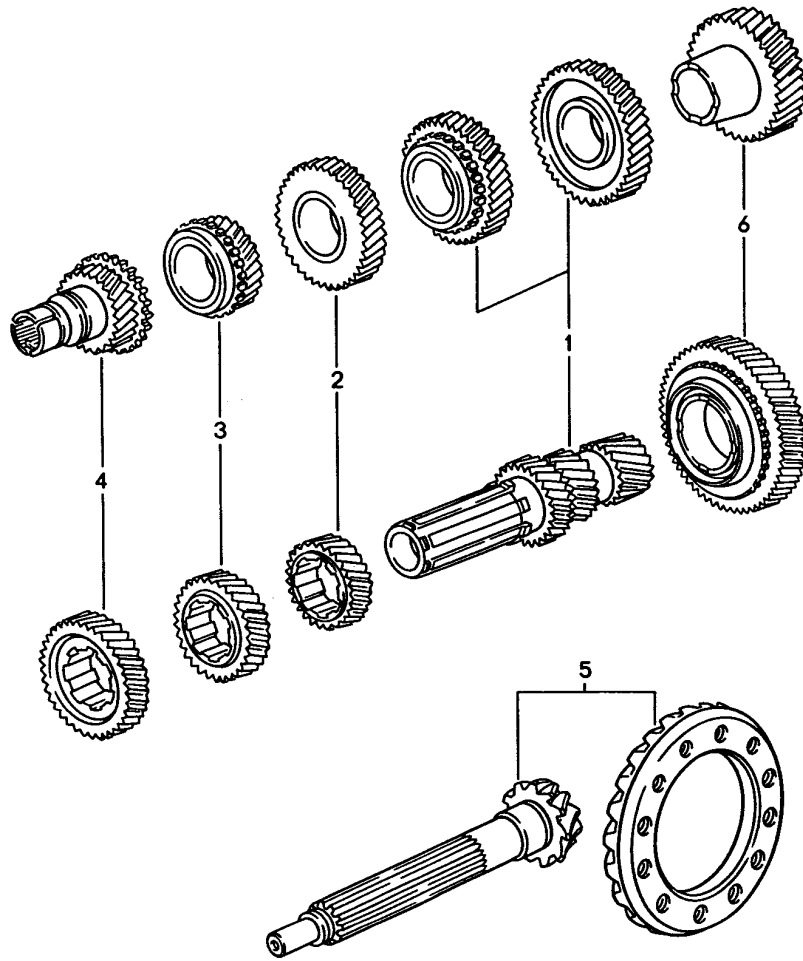
Model: 928 92

Model life 1992>>1995

Pos	Part Number	Description	Remark	Qty	Model
35	999 203 003 00	Bearing sleeve		2	

Model: 928 92

Model life 1992>>1995

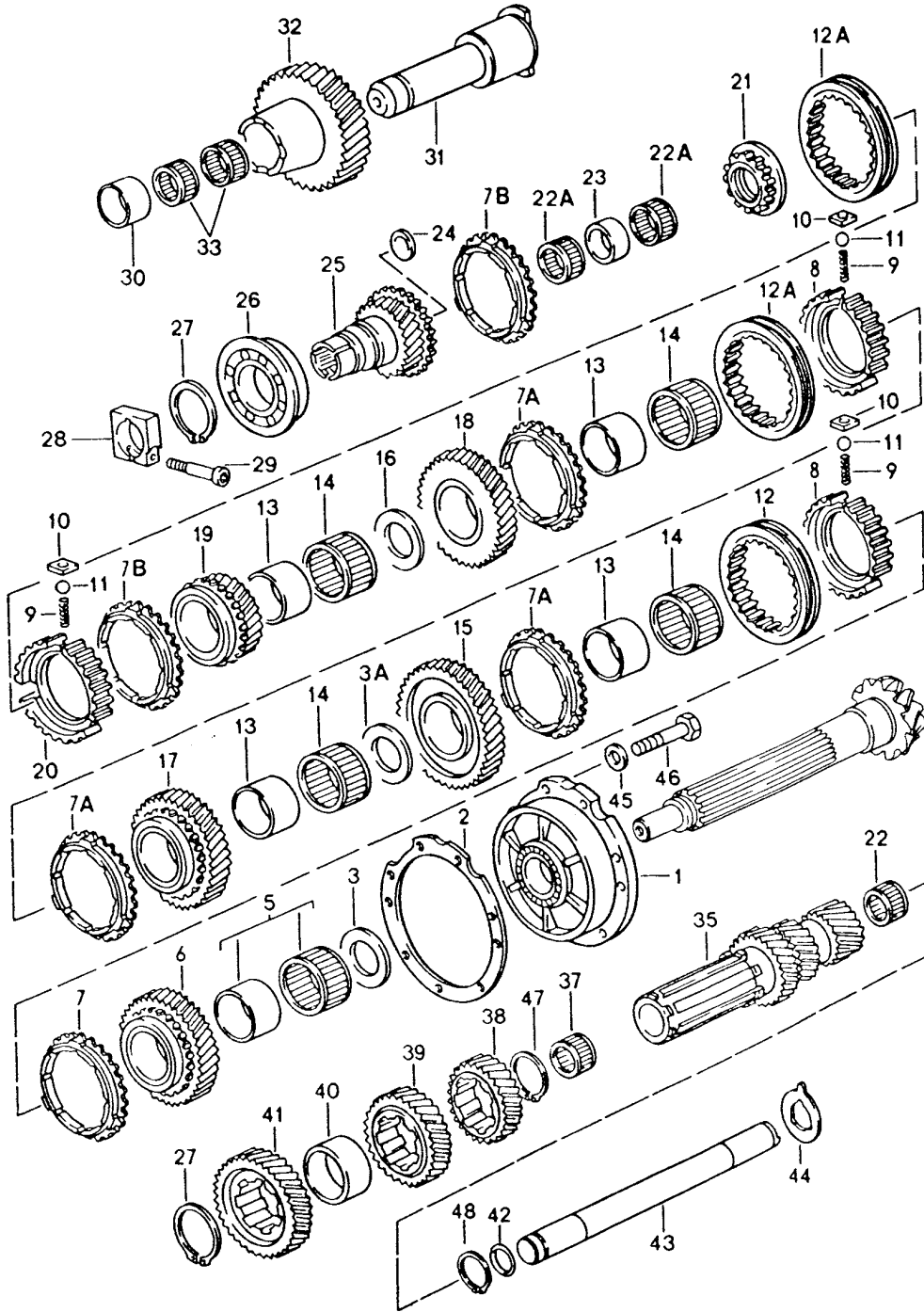


Model: 928 92 Model life 1992>>1995

Pos	Part Number	Description	Remark	Qty	Model
1	928 302 901 18	Manual transmission Gear wheel sets Gear set 1st / 2nd gear Z = 17:44 Z = 22:38 Use also: 999.152.087.01 928.302.278.00		1	G28.57
2	928 302 903 18	Gear wheel pair 3rd gear Z = 26:32		1	
3	928 302 904 19	Gear wheel pair 4th speed Z = 29:27		1	
4	928 302 905 34	Gear set 5th gear Z = 24:35		1	
5	928 302 911 68	Ring gear and pinion shaft Z = 11:30		1	
6	928 302 907 03	Gear set Reverse gear		1	

Model: 928 92

Model life 1992>>1995



Model: 928 92 Model life 1992>>1995

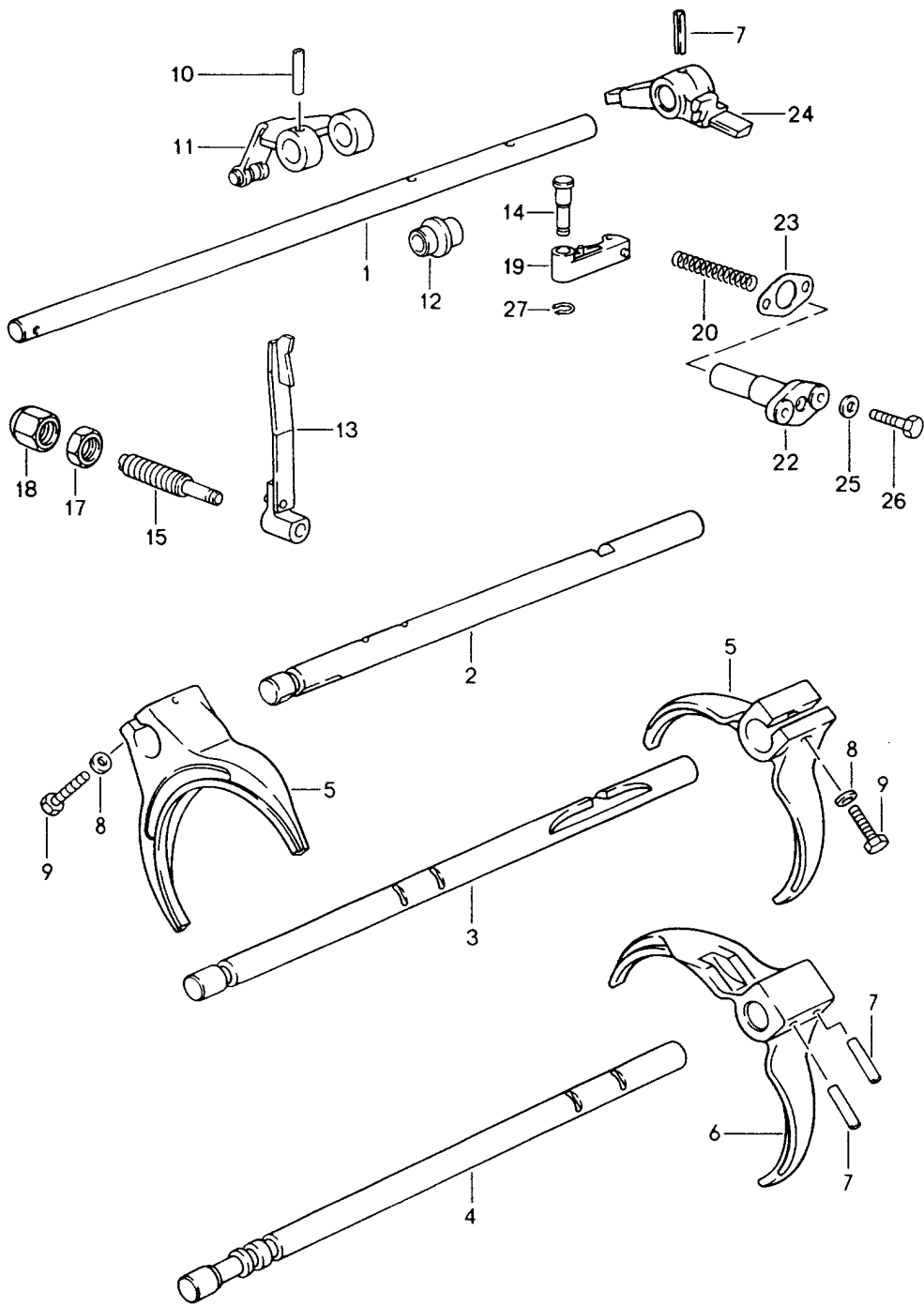
Pos	Part Number	Description	Remark	Qty	Model
		Manual transmission Gears and shafts			G28.57
1	928 302 063 34	Bearing sleeve		1	
2	928 302 298 10	Adjusting shim 0,10 MM		X	
(2)	928 302 298 11	Adjusting shim 0,15 MM		X	
(2)	928 302 298 12	Adjusting shim 0,20 MM		X	
(2)	928 302 298 13	Adjusting shim 0,50 MM		X	
3	928 302 267 10	Shim 2,20 MM		1	
(3)	928 302 267 11	Shim 2,30 MM		X	
(3)	928 302 267 12	Shim 2,40 MM		X	
(3)	928 302 267 13	Shim 2,50 MM		X	
(3)	928 302 267 14	Shim 2,60 MM		X	
(3)	928 302 267 15	Shim 2,70 MM		X	
(3)	928 302 267 16	Shim 2,80 MM		X	
(3)	928 302 267 17	Shim 2,90 MM		X	
(3)	928 302 267 18	Shim 3,00 MM		X	
(3)	928 302 267 19	Shim 3,10 MM		X	
(3)	928 302 267 21	Shim 3,20 MM		X	
(3)	928 302 267 22	Shim 3,30 MM		X	
3A	928 302 267 13	Shim 2,50 MM		1	
5	999 201 223 01	Needle cage		1	
6		Loose gear wheel Reverse gear			
7	928 304 211 02	Synchroniser ring		1	
7A	928 304 211 12	Synchroniser ring		3	
7B	928 304 211 05	Synchroniser ring		2	
8	928 304 221 04	Guide sleeve 1st gear 2nd gear 3rd gear Reverse gear		2	
9	928 304 261 01	Compression spring		9	
10	928 304 251 00	Stone		9	
11	N 025 653 2	Ball		9	
12	928 304 231 02	Shift sleeve 1st gear Reverse gear		1	
12A	928 304 231 00	Shift sleeve 2nd gear 3rd gear 4th speed 5th gear		2	
13	928 302 271 01	Inner ring		4	
14	999 201 260 00	Needle cage		4	
15		Loose gear wheel 1st gear			

Model: 928 92 Model life 1992>>1995

Pos	Part Number	Description	Remark	Qty	Model
16	928 302 267 20	Thrust washer		1	
17		Loose gear wheel 2nd gear			
18		Loose gear wheel 3rd gear			
19		Loose gear wheel 4th speed			
20	928 304 021 11	Guide sleeve		1	
20A		Guide sleeve 4th speed 5th gear		1	
21	928 302 266 09	Lock nut		1	
22	999 201 400 00	Needle cage		1	
22A	999 201 402 00	Needle cage		2	
23	928 302 165 01	Thrust ring		1	
24	900 040 013 02	Cover plate		1	
25		Drive shaft			
26	999 052 138 00	Deep-groove ball bearing		1	
27	900 041 047 01	Circlip 55 X 2		2	
28	922 421 239 02	Clamping piece		1	
29	931 421 240 00	Clamping screw		1	
30	928 302 234 00	Spacer sleeve		1	
31	928 302 229 11	Reverse idler shaft		1	
32		Reverse idler gear			
33	999 201 227 00	Needle cage		2	
33	999 201 227 01	Needle cage		2	
34	928 302 281 03	Thrust washer		1	
35		Countershaft axle		1	
37	999 201 290 01	Needle-roller bearing		1	
38		Fixed gear wheel			
39		Fixed gear wheel			
40	928 302 279 03	Spacer sleeve		1	
41		Fixed gear wheel			
42	928 302 283 01	Round seal		1	
43	928 302 036 02	Countershaft axle		1	
44	928 302 281 03	Thrust washer		1	
45	999 523 102 02	Washer		7	
45	999 523 102 0B	Washer		7	
46	N 010 244 6	Hexagon-head bolt M 8 X 30		7	
47	999 042 031 01	Circlip 35 X 1,5		1	
48	N 012 314 1	Circlip		1	

Model: 928 92

Model life 1992>>1995



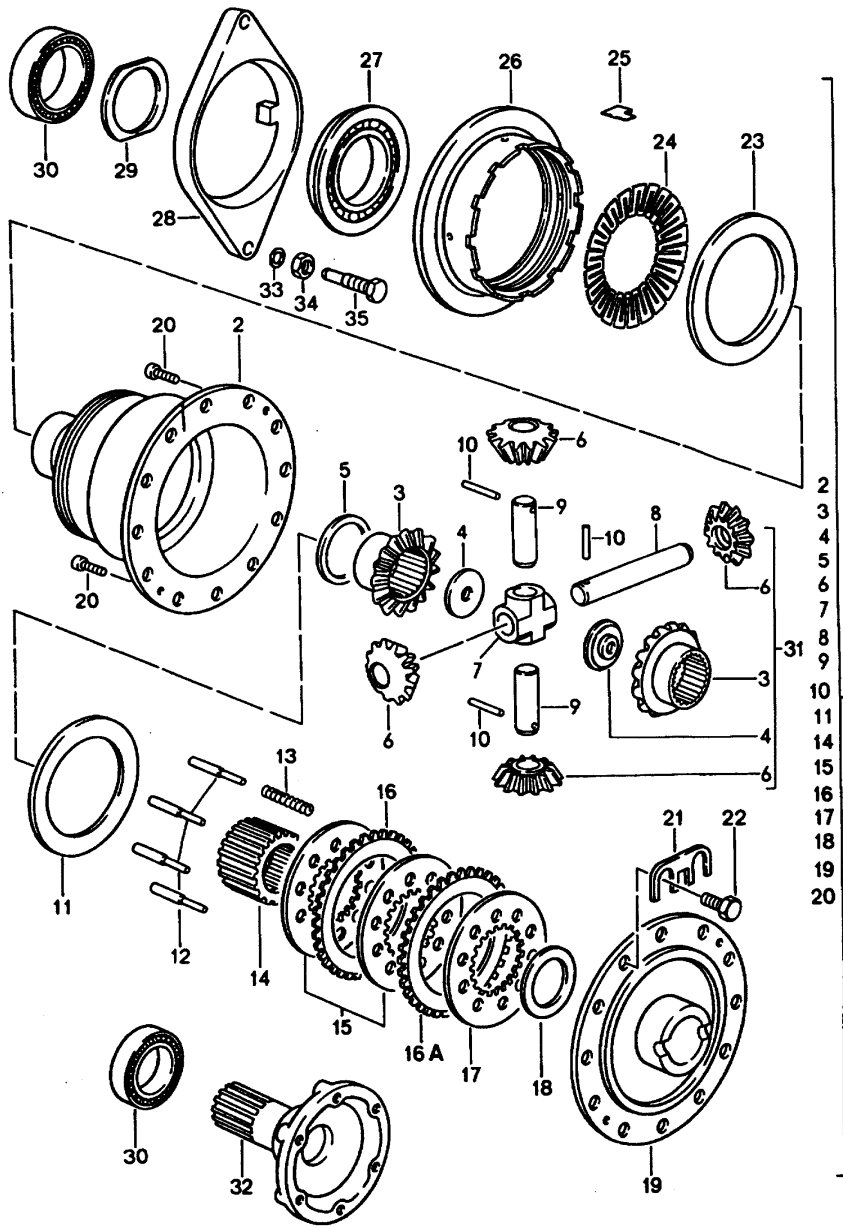
Model: 928 92

Model life 1992>>1995

Pos	Part Number	Description	Remark	Qty	Model
		Manual transmission			G28.57
		Shift rods			
		shift forks			
1	928 303 107 30	Inner shift rod		1	
2	928 303 102 34	Gear shift rod		1	
		4th speed			
		5th gear			
3	928 303 101 28	Gear shift rod		1	
		2nd gear			
		3rd gear			
4	928 303 105 27	Gear shift rod		1	
		1st gear			
		Reverse gear			
5	928 303 113 27	Shift fork		2	
		2nd gear			
		3rd gear			
		4th speed			
		5th gear			
6	928 303 115 41	Shift fork		1	
		1st gear			
		Reverse gear			
7	N 013 317 1	Roll pin		3	
8	N 011 525 13	Washer		2	
		A 8,4			
9	N 010 359 4	Hexagon-head bolt		2	
		M 8 X 40			
10	900 309 013 00	Roll pin		1	
11	928 303 032 06	Preselector lever		1	
12	928 303 301 04	Trip cam		1	
13	928 303 034 09	Spring		1	
14	928 303 306 01	Bolt		1	
15	928 303 331 04	Threaded bolt		1	
		M 14 X 1			
16	N 012 410 1	Circlip		1	
		10 X 1			
17	999 076 032 02	Hexagon nut		1	
		M 14 X 1			
18	999 070 012 02	Cap nut		1	
		M 14 X 1			
19	928 303 031 00	Roller lever		1	
20	928 303 309 01	Compression spring		1	
22	928 303 311 02	Guide sleeve		1	
23	928 303 313 00	Gasket		1	
24	928 303 117 08	Shift finger		1	
25	N 011 524 7	Washer		2	
		A 6,4			
25	N 011 524 27	Washer		2	
		A 6,4			
26	900 075 016 02	Hexagon-head bolt		2	
		M 6 X 22			
26	900 075 016 03	Hexagon-head bolt		2	
		M 6 X 22			
-	N 012 439 2	Lock washer		1	

Model: 928 92

Model life 1992>>1995



Model: 928 92

Model life 1992>>1995

Pos	Part Number	Description	Remark	Qty	Model
		Manual transmission Porsche			G28.57
1	928 332 075 03	Limited-slip differential		1	
2	928 332 701 15	Limited-slip differential Housing		1	
3		Shaft bevel gear		2	
4	943 332 279 02	Nut		2	
5	928 332 719 00	Thrust washer 1,8 MM		X	
5	928 332 719 01	Thrust washer 1,9 MM		X	
5	928 332 719 02	Thrust washer 2,0 MM		X	
5	928 332 719 03	Thrust washer 2,1 MM		X	
5	928 332 719 04	Thrust washer 2,2 MM		X	
6		Bevel pinion		4	
7	928 332 745 00	4 way connector		1	
8	928 332 741 00	Differential bolt		1	
9	928 332 743 00	Differential bolt		2	
10	900 309 035 00	Roll pin 5 X 40		3	
11	928 332 711 00	Thrust ring		1	
12	928 332 715 08	Pressure pin		4	
13	928 332 716 02	Coil pressure spring		4	
14	928 332 748 03	Disc carrier		1	
15	928 332 728 00	Inner disc		5	
16	928 332 726 05	Disc with external splines 1,5 MM		8	
16A	928 332 726 03	Disc with external splines 1,1 MM		1	
16A	928 332 726 04	Disc with external splines 1,3 MM		X	
16A	928 332 726 13	Disc with external splines 1,3 MM		X	
16A	928 332 726 06	Disc with external splines 1,7 MM		X	
16A	928 332 726 07	Disc with external splines 1,9 MM		X	
16A	928 332 726 08	Disc with external splines 2,1 MM		X	
16A	928 332 726 09	Disc with external splines 2,3 MM		X	
16A	928 332 726 10	Disc with external splines 2,5 MM		X	
16A	928 332 726 12	Disc with external splines 2,5 MM		X	
16A	928 332 726 11	Disc with external splines 2,7 MM		X	
17	928 332 724 00	Inner disc		5	
18	928 332 720 50	Thrust washer 1,8 MM		X	
18	928 332 720 51	Thrust washer 1,9 MM		X	
18	928 332 720 52	Thrust washer 2,0 MM		X	
18	928 332 720 53	Thrust washer 2,1 MM		X	
18	928 332 720 54	Thrust washer 2,2 MM		X	
18	928 332 720 55	Thrust washer 2,3 MM		X	

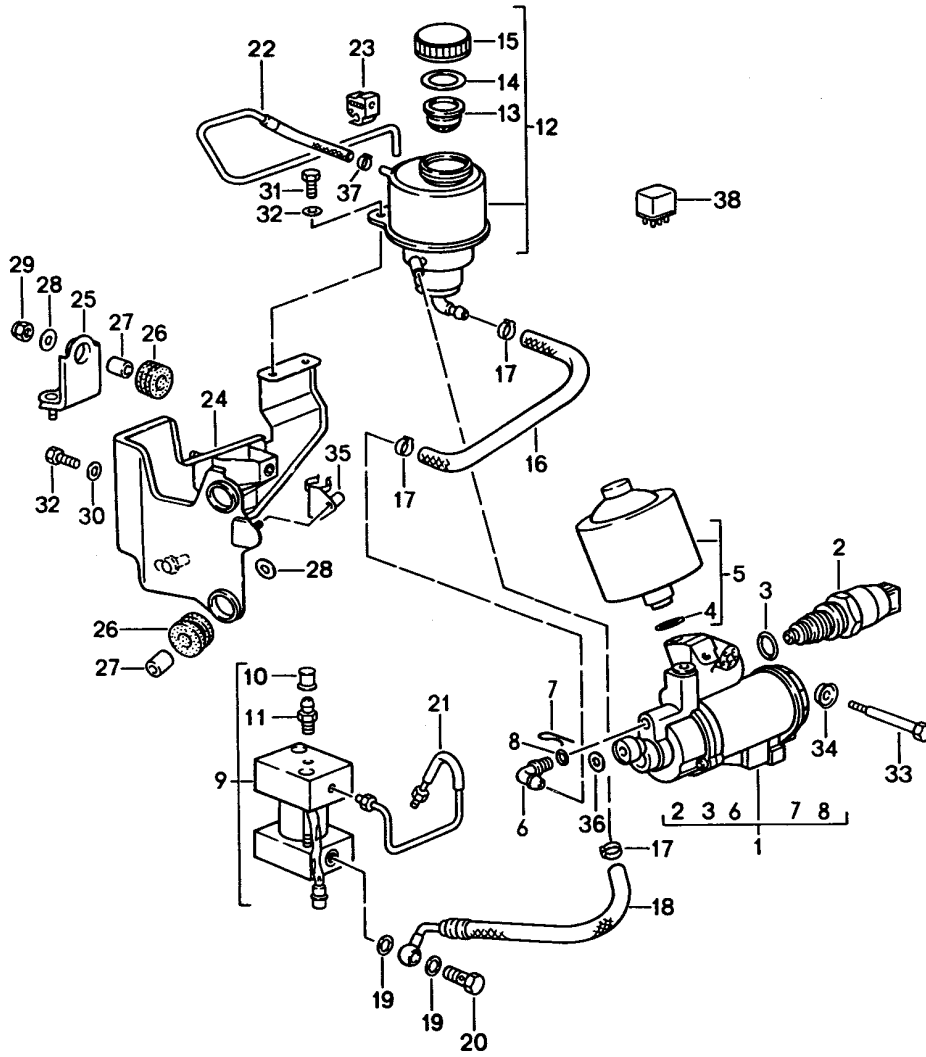
Model: 928 92

Model life 1992>>1995

Pos	Part Number	Description	Remark	Qty	Model
18	928 332 720 56	Thrust washer 2,4 MM		X	
19	928 332 706 10	Housing cover		1	
20	900 249 008 02	Countersunk-head screw M 6 X 12		2	
21	928 332 285 00	Tab washer		6	
22	928 332 276 03	Hexagon-head bolt		12	
23	928 332 713 02	Thrust ring		1	
24	928 332 756 06	Leverage washer		1	
25	950 332 753 02	Tab washer		1	
26	928 332 750 04	Adjusting nut	92	1	
26		Adjusting nut	93-	1	
27	928 332 761 04	Engaging mount		1	
28	928 332 771 02	Engaging lever		1	
29	928 332 718 00	Washer		1	
30	999 059 027 00	Taper roller bearing		2	
30	999 059 027 02	Taper roller bearing		2	
31	928 332 907 00	Differential pinions 1 set		1	
32	928 332 206 20	Joint flange		2	
33	900 123 043 30	Sealing ring A 12 X 15,5		1	
34	N 011 020 8	Hexagon nut		1	
34	900 034 036 01	Hexagon nut		1	
35	928 332 271 05	Hexagon-head bolt		1	

Model: 928 92

Model life 1992>>1995



Model: 928 92

Model life 1992>>1995

Pos	Part Number	Description	Remark	Qty	Model
		Manual transmission			G28.57
		Lock control 1			
1	928 315 906 00	Pump		1	
2	964 606 904 00	Pressure switch		1	
3	999 707 094 40	O-ring		1	
		17,3 X 2,4			
4	999 707 123 40	O-ring		1	
		11,3 X 2,4			
5	928 315 905 00	Pressure accumulator		1	
6	999 230 366 40	Elbow		1	
7	999 021 003 00	Lock		1	
8	999 707 075 40	O-ring		1	
9	928 315 163 00	Valve support		1	
10	930 351 919 00	Ventilation valve		1	
11	930 351 927 00	Dust boot		1	
11	930 351 927 01	Dust boot		1	
(12)	928 315 013 01	Expansion tank		1	
13	211 611 381 B	Strainer		1	
14	901 355 908 00	Gasket		1	
(15)	928 315 025 00	Lid		1	
16	928 315 801 00	Feed line		1	
17	999 512 532 00	Terminal		3	
18	928 315 098 01	Hose line		1	
		Return line			
19	900 123 033 20	Sealing ring		2	
20	900 175 002 02	Screw		1	
21	928 315 091 02	Connecting line		1	
(22)	928 315 097 02	Vent line		1	
23	999 591 930 40	Support		1	
24	928 315 043 02	Support		1	
25	928 315 047 02	Bracket		1	
26	964 356 635 00	Rubber mounting		3	
27	928 355 633 00	Bush		3	
27	928 355 633 03	Bush		3	
28	N 011 550 1	Washer		X	
		B 6,5			
29	900 910 010 09	Lock nut		X	
		M 6			
30	N 011 666 7	Washer		4	
		B 6,4			
31	900 075 057 02	Hexagon-head bolt		2	
		M 6 X 16			
31	900 075 057 03	Hexagon-head bolt		2	
		M 6 X 16			
32	999 072 005 09	Hexagon nut		2	
		M 6 X 12			
32	999 072 005 01	Hexagon nut		2	
		M 6 X 12			
33	999 074 043 02	Hexagon-head bolt		1	
		M 6 X 65			
34	999 025 202 02	Washer		1	
35	911 612 450 00	Support		1	
36	900 025 007 02	Washer		1	
		A 8,4			
36	900 025 007 03	Washer		1	
		A 8,4			
37	999 512 555 00	Terminal		1	
		9,8 - 12,3			
38	964 615 135 00	Relay		1	
		for			
		Pump			
38	964 615 135 01	Relay		1	
		for			

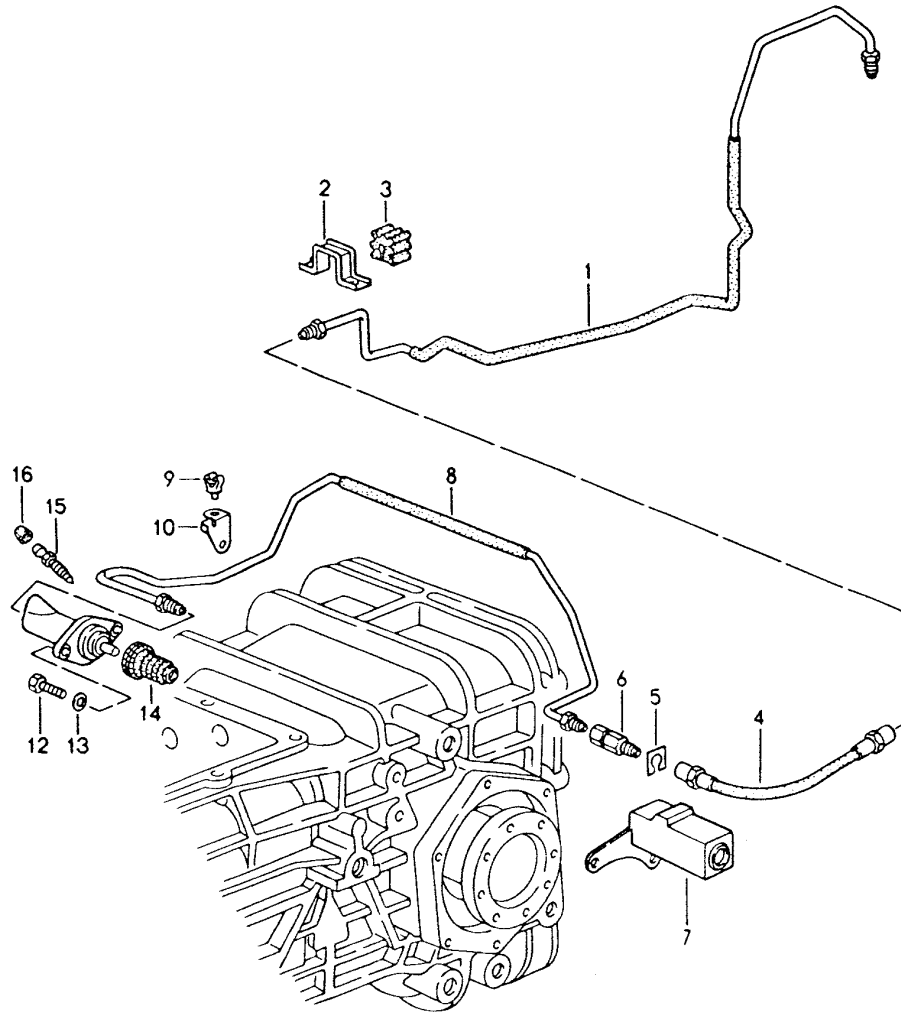
Model: 928 92

Model life 1992>>1995

Pos	Part Number	Description	Remark	Qty	Model
-	993 606 153 00	Pump Lateral accelerat. sensor		1	
-	993 606 153 01	Lateral accelerat. sensor		1	

Model: 928 92

Model life 1992>>1995



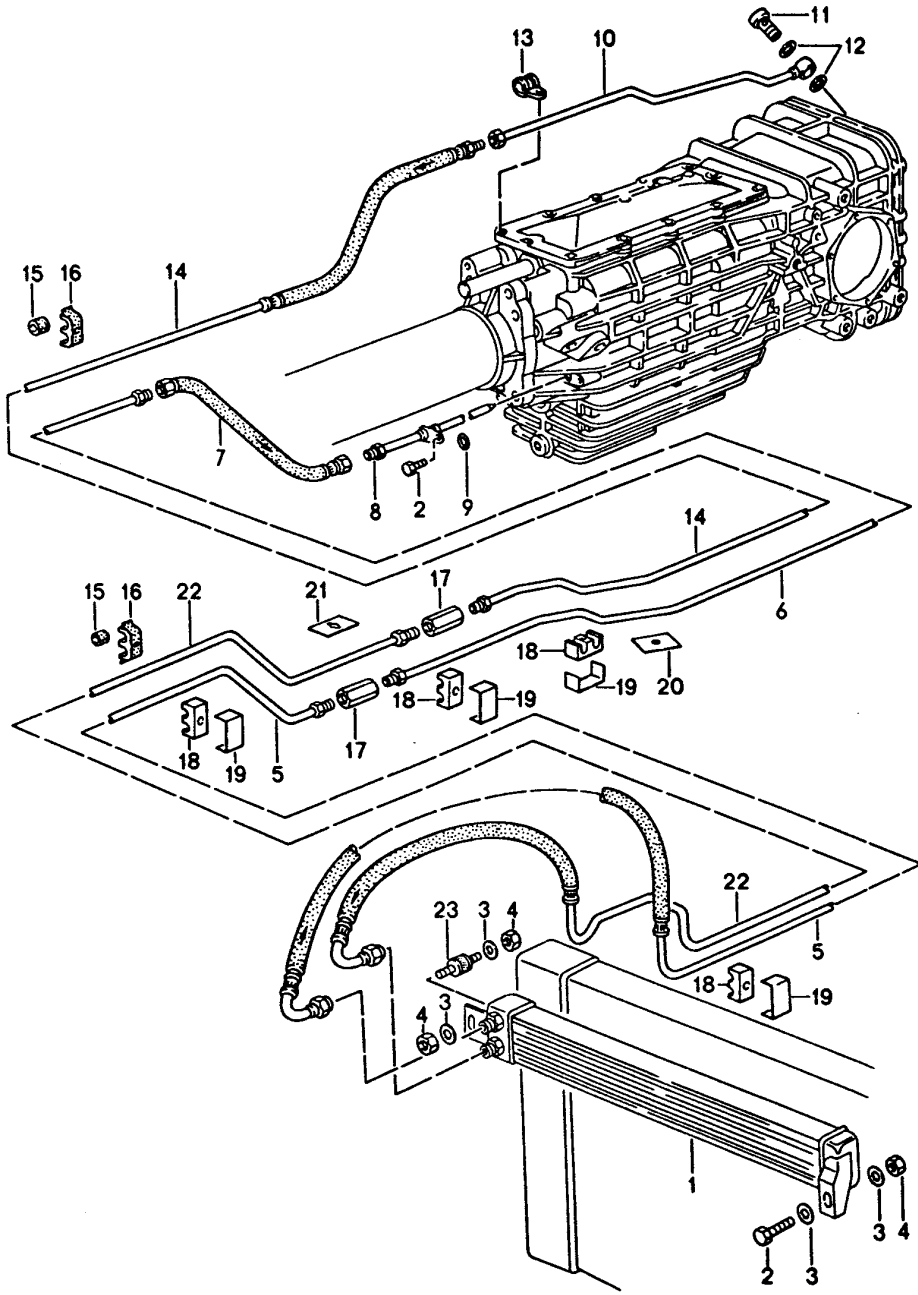
Model: 928 92

Model life 1992>>1995

Pos	Part Number	Description	Remark	Qty	Model
		Manual transmission			G28.57
		Lock control 2			
1	928 315 095 02	Line		1	
2	928 315 807 00	Support		1	
3	928 315 805 00	Rubber mounting		1	
4	944 355 081 01	Brake hose		1	
4		Brake hose		1	
5	999 166 071 01	Support		1	
6	928 315 211 03	Pressure valve		1	
7	928 315 187 06	Support		1	
8	928 315 085 04	Connecting line		1	
9	999 651 190 40	Cable clip		1	
10	928 315 189 02	Support		1	
11	928 332 775 09	Slave cylinder		1	
12	N 010 233 6	Hexagon-head bolt		2	
		M 8 X 28			
12	900 075 136 03	Hexagon-head bolt		2	
		M 8 X 28			
13	900 025 007 02	Washer		2	
		A 8,4			
13	900 025 007 03	Washer		2	
		A 8,4			
14	928 332 051 02	Bellows		1	
14	928 332 051 04	Bellows		1	
15	211 611 477 A	Ventilation valve		1	
16	211 611 483	Dust boot		1	

Model: 928 92

Model life 1992>>1995



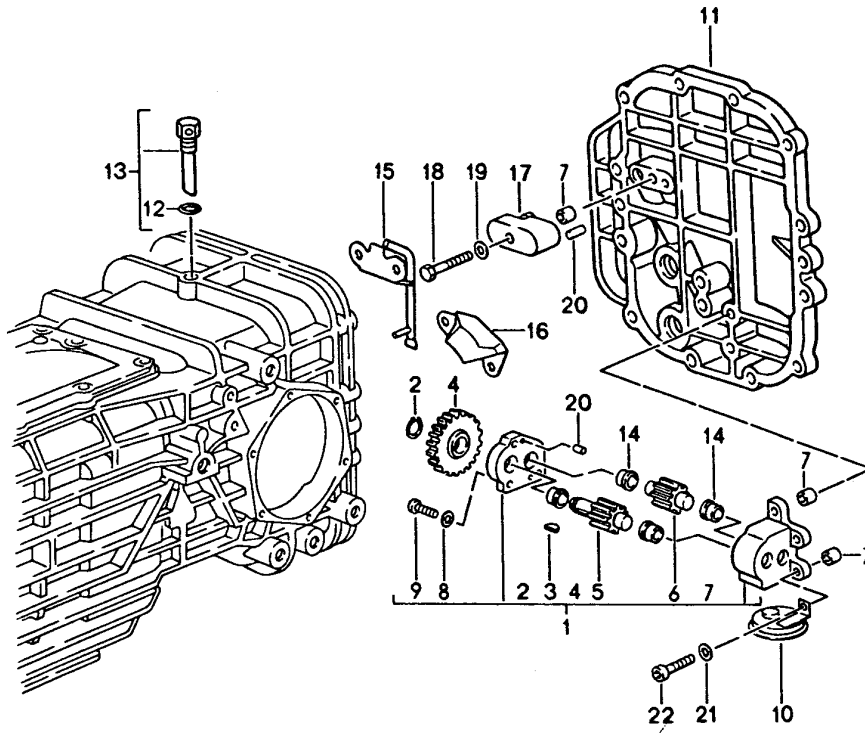
Model: 928 92

Model life 1992>>1995

Pos	Part Number	Description	Remark	Qty	Model
		Manual transmission			G28.57
		Oil cooling			
		Lines			
1	928 307 027 06	Transmission oil cooler		1	
2	900 075 057 02	Hexagon-head bolt		2	
		M 6 X 16			
2	900 075 057 03	Hexagon-head bolt		2	
		M 6 X 16			
3	N 011 524 7	Washer		4	
		A 6,4			
3	N 011 524 27	Washer		4	
		A 6,4			
4	900 076 010 02	Nut		2	
4	900 076 010 0B	Nut		2	
5	928 307 041 00	Oil pipe		1	
		Return line			
6	928 307 080 02	Oil pipe		1	
		Return line			
7	928 307 043 00	Oil pipe		1	
		Return line			
8	928 307 045 00	Oil splash tube		1	
9	999 707 078 40	O-ring		1	
		12 X 1,5			
10	928 307 037 01	Oil pipe		1	
		Supply			
11	928 307 161 00	Banjo bolt		1	
12	900 123 131 30	Sealing ring		2	
		A 16 X 20			
13	999 511 116 02	Clamp		1	
		10 X 15			
13	999 511 116 03	Clamp		1	
		10 X 15			
14	928 307 039 01	Oil pipe		1	
		Supply			
15	960 307 213 00	Protective tube		4	
16	960 307 211 00	Support		2	
17	477 209 169	Connecting piece		2	
18	928 356 525 01	Rubber mounting		5	
19	928 356 555 00	Clamp		5	
20	960 307 209 00	Plate		1	
21	960 307 209 01	Spacer		3	
22	928 307 040 00	Oil pipe		1	
		Supply			
23	999 703 229 00	Bonded rubber buffer		1	
23	999 703 465 00	Bonded rubber buffer		1	

Model: 928 92

Model life 1992>>1995



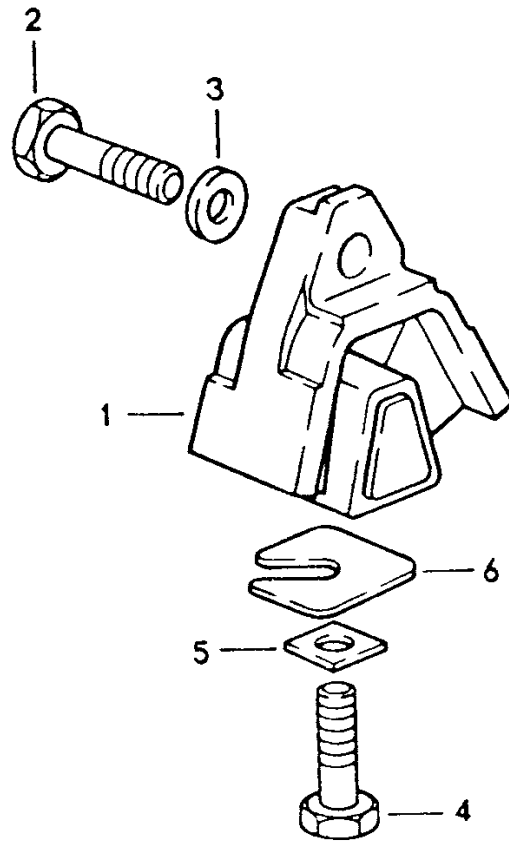
Model: 928 92

Model life 1992>>1995

Pos	Part Number	Description	Remark	Qty	Model
		Manual transmission			G28.57
		Oil cooling			
1	928 307 031 01	Oil pump		1	
2	900 041 005 01	Oil pump		1	
		Circlip			
		12 X 1			
3	900 117 069 00	Woodruff key		1	
		4 X 4 X 8			
4	928 307 245 02	Drive wheel		2	
5	930 307 240 00	Oil pump gear		1	
		TREIBEND			
6	930 307 241 00	Oil pump gear		1	
		GETRIEBEN			
6	930 307 241 02	Oil pump gear		1	
		GETRIEBEN			
7	999 095 050 02	Shim		2	
		M 6 X 9			
8	900 031 011 02	Washer		3	
		6,4			
9	999 509 007 02	Pan-head screw		3	
		M 6 X 20			
10	928 307 026 02	Strainer		1	
11		See group			
		3/02/00			
12	900 331 010 40	O-ring		1	
		10,6 X 1,8			
13	928 301 071 02	Bleeder		1	
14	930 307 243 00	Bearing sleeve		4	
14	930 307 243 01	Bearing sleeve		4	
15	928 302 134 00	Oil splash tube		1	
16	928 302 131 00	Funnel		1	
17	928 307 060 01	Support		1	
		with			
		Relief valve			
18	N 010 339 3	Hexagon-head bolt		1	
		M 6 X 40			
19	900 031 011 02	Washer		1	
		6,4			
20	900 012 071 00	Straight pin		3	
		4 M 6 X 8			
21	900 031 011 02	Washer		3	
		6,4			
22	N 010 219 2	Hexagon-head bolt		3	
		M 6 X 28			
22	900 075 135 01	Hexagon-head bolt		3	
		M 6 X 28			

Model: 928 92

Model life 1992>>1995



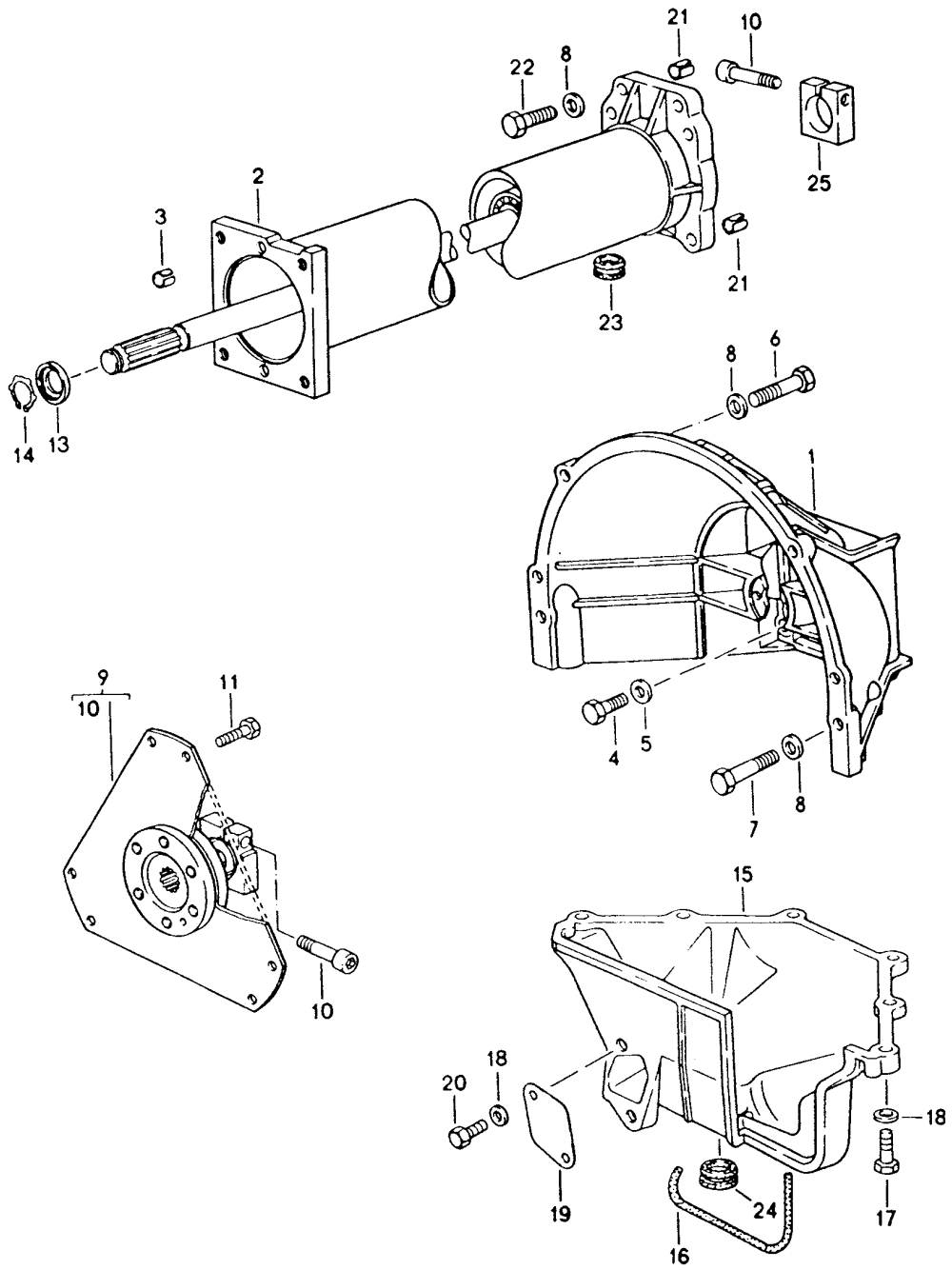
Model: 928 92

Model life 1992>>1995

Pos	Part Number	Description	Remark	Qty	Model
		Manual transmission			G28.57
		Transmission suspension			
1	928 375 045 16	Transmission mounting		2	
2	N 010 142 2	Hexagon-head bolt		2	
		M 12 X 1,5 X 50			
3	901 333 143 01	Washer		2	
4	N 040 108 1	Hexagon-head bolt		2	
		M 12 X 1,5 X 40			
5	999 025 086 02	Square washer		2	
		12,1 X 24			
6	928 331 520 01	Washer		X	
		1 MM			
(6)	928 331 520 02	Washer		X	
		2 MM			
(6)	928 331 520 03	Washer		X	
		3 MM			
(6)	928 331 520 04	Washer		X	
		4 MM			

Model: 928 92

Model life 1992>>1995



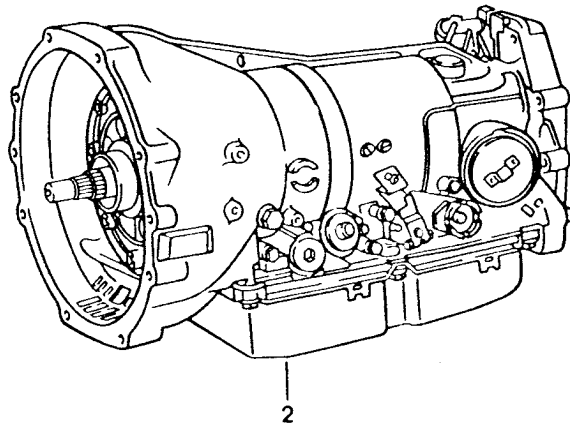
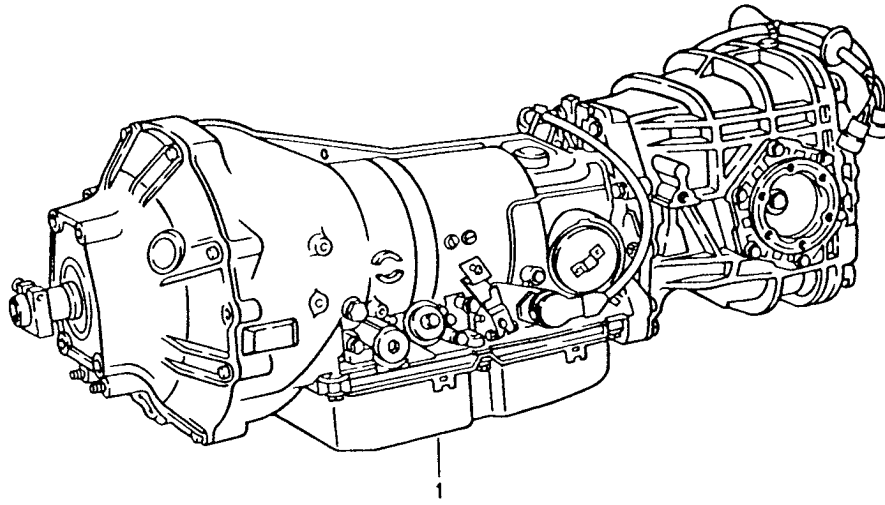
Model: 928 92

Model life 1992>>1995

Pos	Part Number	Description	Remark	Qty	Model
		Automatic transmission			A28.18
1	928 116 402 01	Central tube		1	
2	960 421 012 07	Clutch housing		1	
		Central tube			
		with			
		Bearing			
		And			
		Shaft			
2	960 421 012 BX	Central tube		1	
		Ready for installation			
		We take back:			
		960.421.012.07			
3	900 197 042 01	Roll pin		2	
		10 X 12			
4	N 010 445 2	Hexagon-head bolt		4	
		BM 10 X 45			
4	900 074 372 01	Hexagon-head bolt		4	
		BM 10 X 45			
5	900 025 008 09	Washer		4	
		A 10,5			
5	900 025 008 04	Washer		4	
		A 10,5			
6	N 010 142 2	Hexagon-head bolt		2	
		M 12 X 1,5 X 50			
7	N 010 165 3	Hexagon-head bolt		2	
		M 12 X 1,5 X 65			
7	900 082 109 01	Hexagon-head bolt		2	
		M 12 X 1,5 X 65			
8	N 011 531 14	Washer		8	
		A 13			
9	922 116 041 03	Drive plate		1	
10	931 421 240 00	Clamping screw		2	
11	003 323 699 A	Hexagon-head bolt		1	
11	003 323 699 B	Hexagon-head bolt		1	
13	922 421 257 00	Bush		1	
14	900 273 003 01	Circlip		1	
		22 X 1,2			
(15)	928 116 412 03	Lid		1	
		Clutch housing			
16	928 116 427 02	Sealing strip		1	
		D= 10 X 340			
17	900 075 099 02	Hexagon-head bolt		6	
		M 8 X 30			
17	900 075 099 03	Hexagon-head bolt		6	
		M 8 X 30			
18	900 025 007 02	Washer		8	
		A 8,4			
18	900 025 007 03	Washer		8	
		A 8,4			
19	922 116 121 00	Cover plate		1	
20	N 010 237 6	Hexagon-head bolt		2	
		M 8 X 12			
20	N 010 237 14	Hexagon-head bolt		2	
		M 8 X 12			
21	900 197 044 01	Tensioning sleeve		2	
		16 X 16			
22	N 010 142 6	Hexagon-head bolt		4	
		M 12 X 1,5 X 50			
23	477 521 177	Cap		1	
24	928 116 425 00	Cap		1	
25	922 421 255 00	Clamping piece		1	

Model: 928 92

Model life 1992>>1995



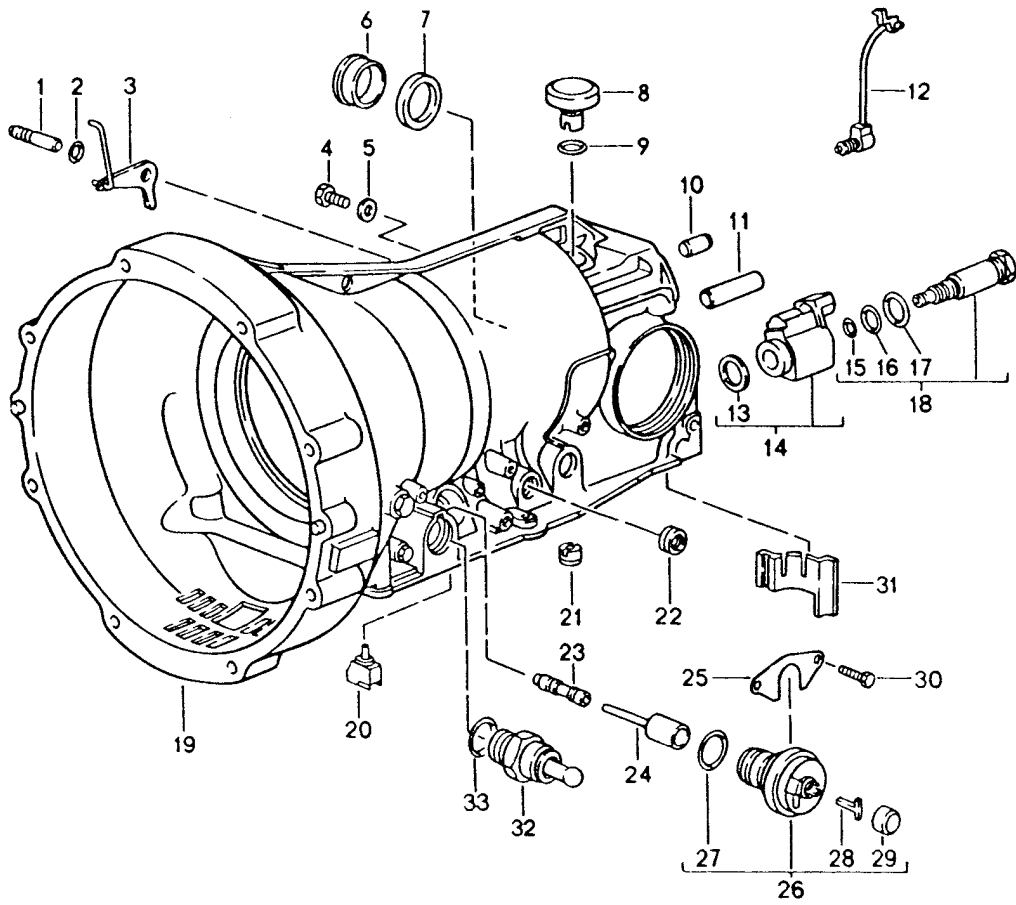
Model: 928 92

Model life 1992>>1995

Pos	Part Number	Description	Remark	Qty	Model
1	960 300 030 18	Automatic transmission Replacement transmission Automatic transmission with Porsche Limited-slip differential		1	A28.18
2	722 270 340 1	Short transmission without converter and Differential		1	

Model: 928 92

Model life 1992>>1995

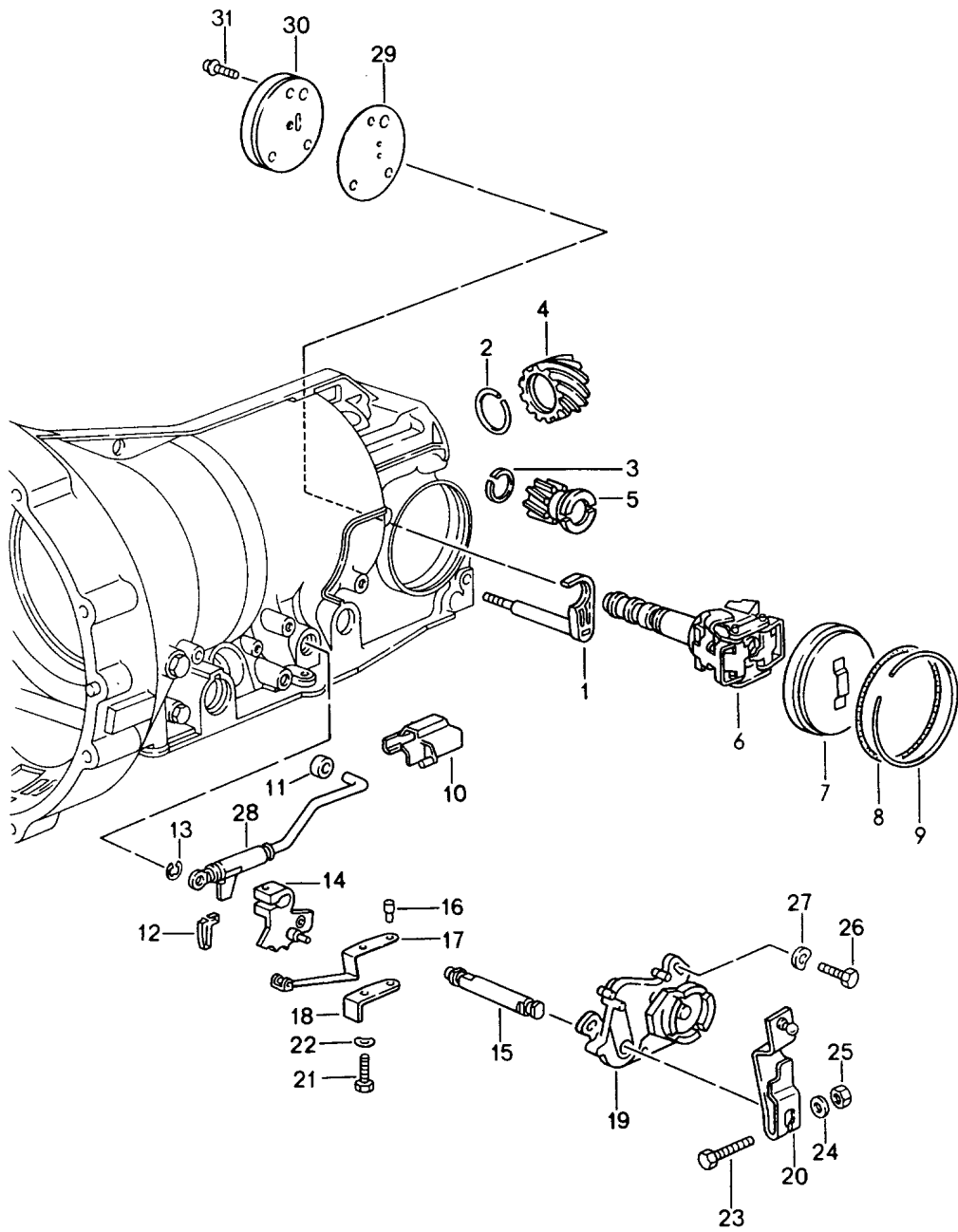


Model: 928 92 Model life 1992>>1995

Pos	Part Number	Description	Remark	Qty	Model
		Automatic transmission			A28.18
		Transmission case			
		Accessories			
1	126 278 027 4	Shaft		1	
2	005 997 744 8	Sealing ring		1	
3	126 270 045 9	Lever		1	
4	115 997 063 0	Screw plug		3	
5	900 123 105 30	Sealing ring		3	
6	126 277 085 0	Bush		1	
7	006 997 734 7	Sealing ring		1	
8	126 270 018 2	Bleeder		1	
9	005 997 784 8	Sealing ring		1	
10	900 012 163 00	Straight pin		1	
(10)	N 013 220 2	Straight pin		2	
11	126 991 000 1	Bolt		1	
12	722 270 008 4	Oil splash tube		1	
13	115 304 016 0	Sealing ring		1	
14	000 304 279 0	Solenoid switch		1	
		-BINDER-			
		Only together with			
		000 304 229 0			
(14)		Solenoid switch		1	
		-ELEKTROTEILE-			
		Only together with			
		000 304 289 0			
15	001 997 354 8	Sealing ring		1	
16	008 997 304 8	Sealing ring		1	
17	008 997 314 8	Sealing ring		1	
18	000 304 289 0	Solenoid switch		1	
		-BINDER-			
		Only together with			
		000 304 239 0			
(18)		Solenoid switch		1	
		-ELEKTROTEILE-			
		Only together with			
		000 304 279 0			
(19)	722 270 141 1	Transmission case		1	
20	126 270 105 0	Temperature restrictor		1	
		Red			
21	126 270 058 9	Valve		1	
22	006 997 014 7	Sealing ring		1	
23	126 277 213 2	Piston		1	
24	126 277 207 5	Pin		1	
24	126 277 937 5	Pin		1	
25	126 277 054 0	Support		1	
26	126 270 927 9	Pressure control valve		1	
27	014 997 114 8	Sealing ring		1	
27		Sealing ring		1	
28	126 277 044 0	Support		1	
29	126 277 008 1	Cover		1	
30	900 075 355 02	Combination screw		2	
30	900 075 355 01	Hexagon-head bolt		2	
31	126 277 008 4	Shim		1	
32	002 545 451 4	Overload protection switch		1	
33	016 997 354 8	Sealing ring		1	
-	140 277 004 2	Funnel		1	

Model: 928 92

Model life 1992>>1995



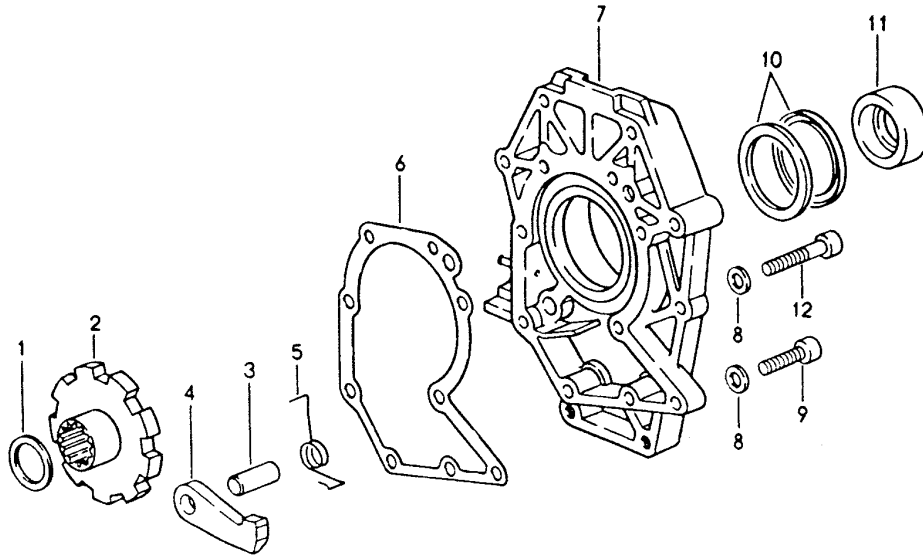
Model: 928 92

Model life 1992>>1995

Pos	Part Number	Description	Remark	Qty	Model
		Automatic transmission			A28.18
		Transmission case			
		Installation parts			
1	126 270 005 9	Lever		1	
2	722 994 023 5	Circlip		1	
3	999 152 053 01	Circlip		1	
4	722 274 031 5	Gear wheel		1	
5	126 274 041 5	Gear wheel		1	
6	126 270 097 4	Centrifugal governor		1	
6		Centrifugal governor		1	
7	126 270 000 8	Lid		1	
8	016 997 394 8	Sealing ring		1	
9	126 994 023 5	Circlip		1	
10	126 277 607 7	Guide piece		1	
11	126 278 001 7	Roller		1	
12	126 271 039 4	Shim		1	
13	900 116 003 02	Lock washer		1	
13	900 116 003 09	Lock washer		1	
14	126 270 045 7	Shift segment		1	
15	126 278 021 0	Shaft		1	
16	126 991 031 0	Bolt		1	
17	126 270 027 8	Leaf spring		1	
18	126 278 034 0	Support		1	
19	000 545 660 6	Switch		1	
20	928 426 063 01	Lever		1	
21	900 075 369 07	Screw		1	
22	N 012 226 5	Spring washer		1	
23	900 074 015 02	Hexagon-head bolt		1	
23	900 074 015 03	Hexagon-head bolt		1	
24	N 011 524 7	Washer		1	
24	N 011 524 27	Washer		1	
25	900 076 010 02	Nut		1	
25	900 076 010 0B	Nut		1	
26	900 075 162 02	Hexagon-head bolt		2	
26	N 010 287 1	Hexagon-head bolt		2	
26	900 075 057 02	Hexagon-head bolt		2	
27	N 012 226 5	Spring washer		2	
28	126 270 036 5	Linkage		1	
29	140 277 008 0	Gasket		1	
30	140 277 090 3	Lid		1	
30		Lid		1	

Model: 928 92

Model life 1992>>1995

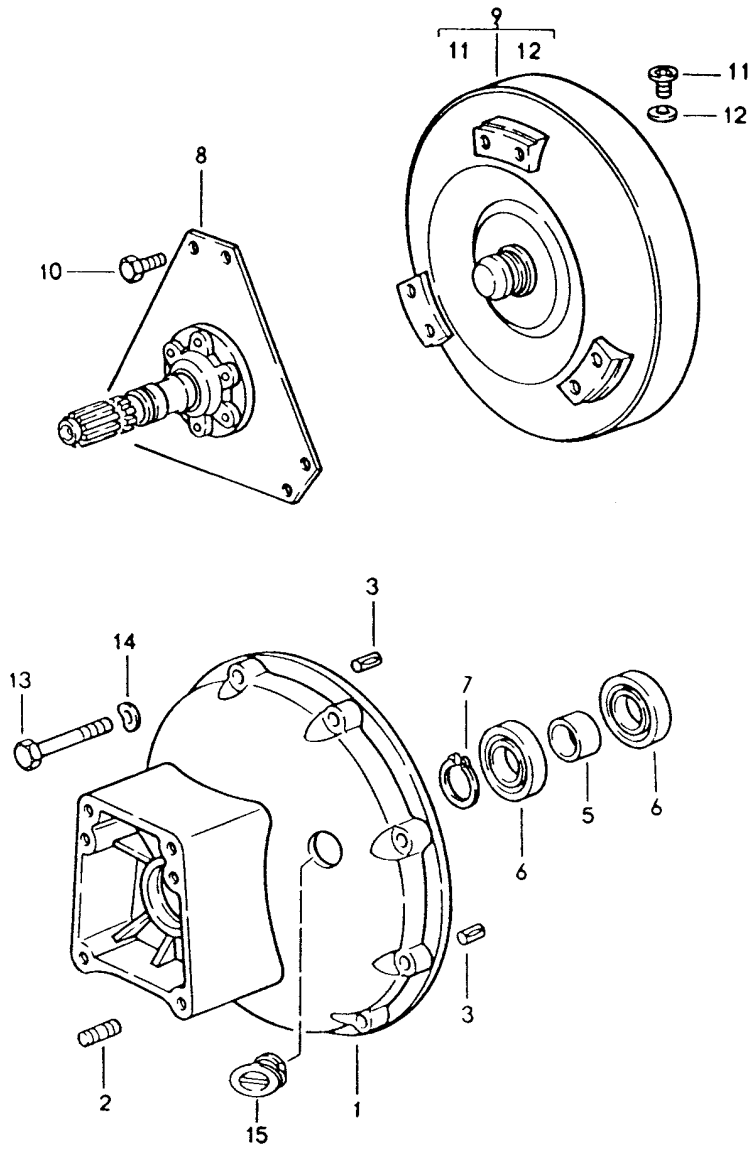


Model: 928 92 Model life 1992>>1995

Pos	Part Number	Description	Remark	Qty	Model
		Automatic transmission			A28.18
		Intermediate plate			
		Parking lock			
1	126 272 075 2	Spacer		X	
		0,5 MM			
2	126 272 011 7	Gear wheel		1	
3	126 991 000 1	Bolt		1	
4	123 278 002 1	Pawl		1	
5	126 993 062 0	Spring		1	
6	722 271 038 0	Gasket		1	
		without asbestos			
7	960 321 031 03	Intermediate plate		1	
8	722 990 034 0	Washer		9	
8	900 031 005 03	Washer		9	
9	900 067 025 02	Screw		4	
10	999 113 307 40	Sealing ring		2	
11	960 302 403 03	Intermediate ring		1	
		Use also:			
11A	999 201 438 00	Shim		1	
12	900 067 222 02	Pan-head screw		5	

Model: 928 92

Model life 1992>>1995



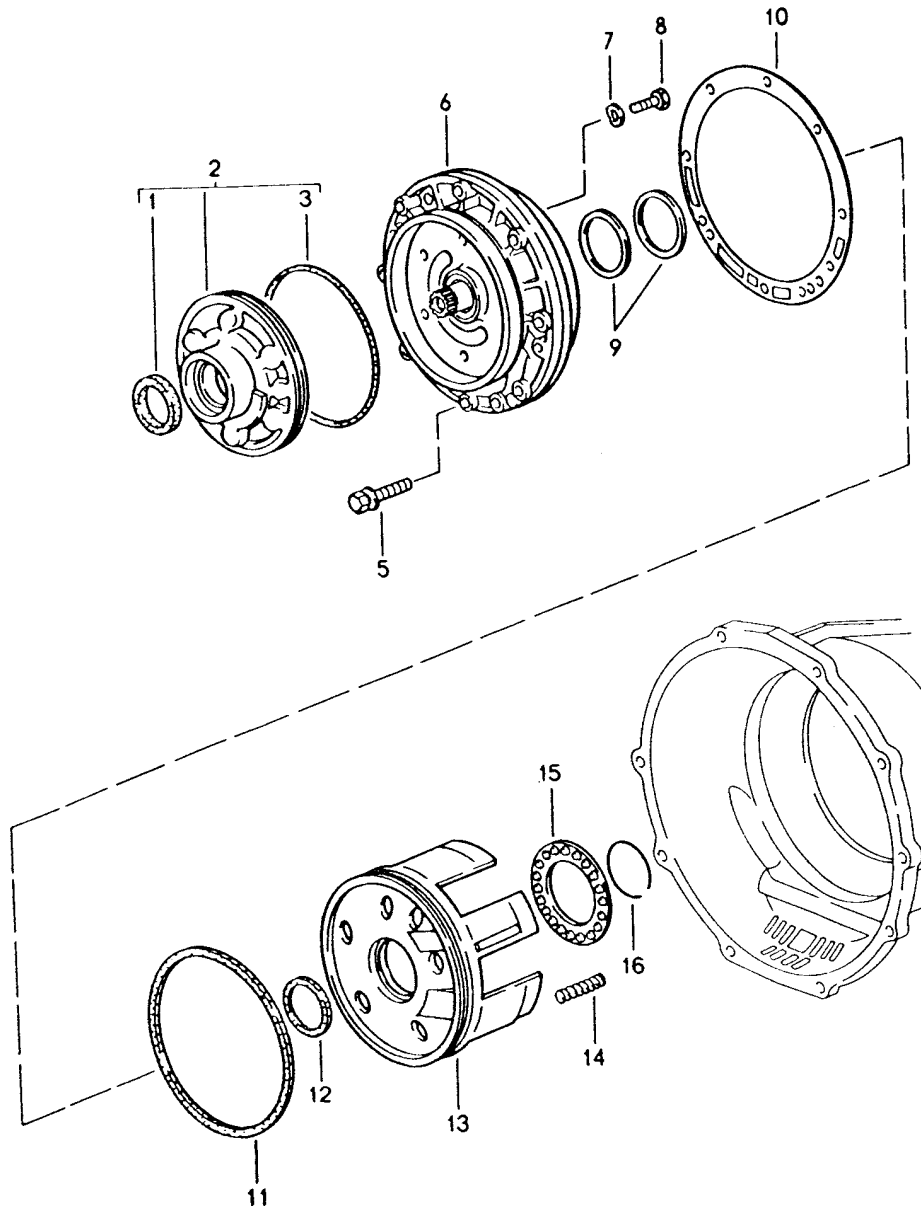
Model: 928 92

Model life 1992>>1995

Pos	Part Number	Description	Remark	Qty	Model
		Automatic transmission Converter Converter housing Converter housing Front		1	A28.18
1	960 321 101 03	Front		1	
2	999 062 004 02	Stud BM 8 X 12		2	
3	900 185 011 02	Grooved pin		2	
4	N 012 292 1	Circlip 68 X 2,5		2	
5	922 421 260 00	Spacer sleeve		1	
6	900 052 122 00	Deep-groove ball bearing		2	
7	N 012 380 1	Circlip 40 X 1,75		1	
8	960 116 042 02	Drive plate		1	
9	722 250 060 2	Torque converter A >> 3 547 142		1	
9	722 250 090 2	Torque converter A 3 547 143 >> A 3 540 623 >> 3 540 632		1	
10	003 323 699 A	Hexagon-head bolt		6	
10	003 323 699 B	Hexagon-head bolt		6	
11	900 219 010 02	Screw plug		1	
12	900 123 033 20	Sealing ring		1	
13	N 014 715 3	Pan-head screw M 8 X 45		8	
13	900 067 103 01	Pan-head screw M 8 X 45		8	
14	900 025 007 02	Washer A 8,4		8	
14	900 025 007 03	Washer A 8,4		8	
15	960 321 115 01	Stopper		3	

Model: 928 92

Model life 1992>>1995



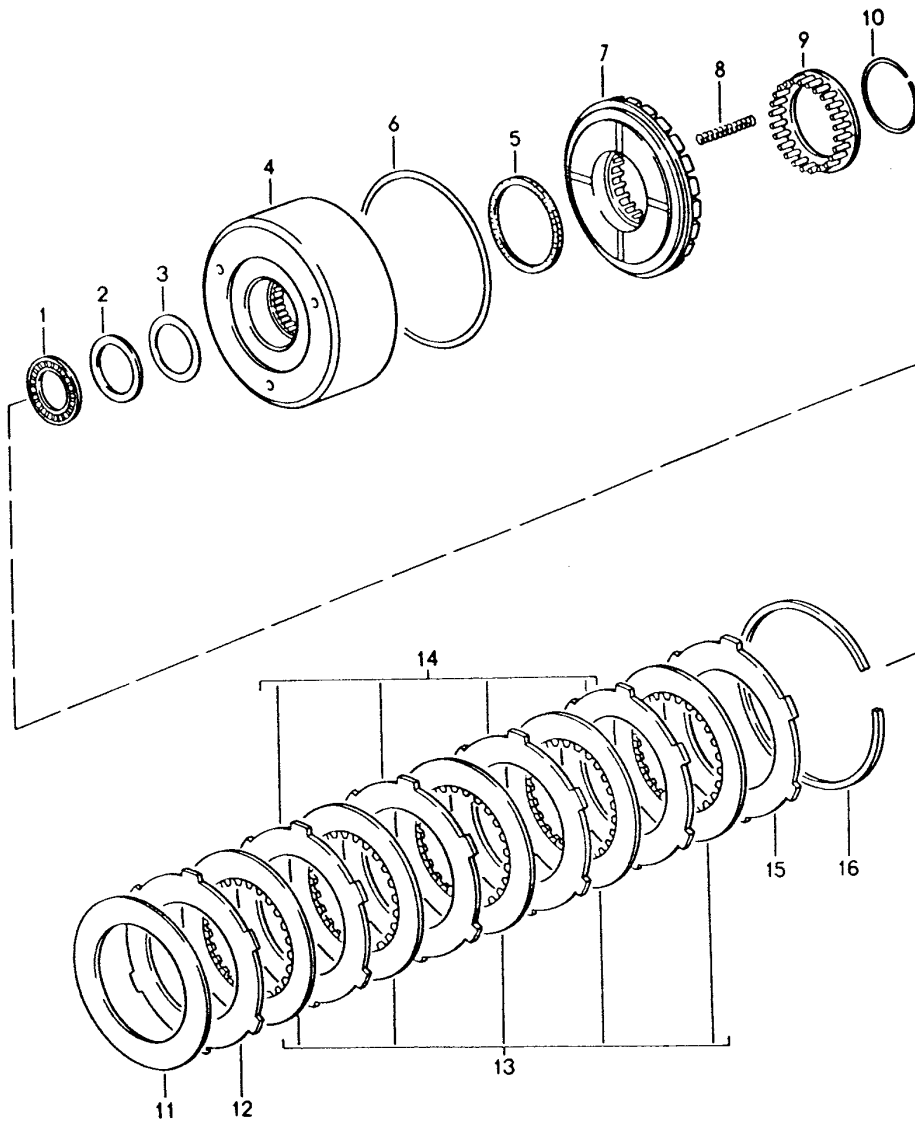
Model: 928 92

Model life 1992>>1995

Pos	Part Number	Description	Remark	Qty	Model
		Automatic transmission			A28.18
		Primary pump			
1	018 997 044 7	Sealing ring		1	
2	140 270 009 7	Primary pump		1	
3	016 997 144 8	Sealing ring		1	
5	960 307 915 00	Combination screw M 8 X 40		9	
6	722 270 170 5	Lid A >> 3 547 142		1	
6	126 270 710 5	Lid A 3 547 143 >> A 3 540 623 >> 3 540 632		1	
7	N 012 241 8	Spring washer B 8		6	
8	N 040 222 2	Hexagon-head bolt M 8 X 32		6	
9	126 272 095 5	Sealing ring		2	
10	126 271 128 0	Gasket		1	
10		Gasket without asbestos		1	
11	126 272 019 2	Boot		1	
12	126 272 009 2	Boot		1	
13	126 272 223 1	Piston		1	
14	126 993 270 2	Spring		20	
15	126 272 036 4	Concave washer		1	
16	126 994 043 5	Circlip		1	

Model: 928 92

Model life 1992>>1995

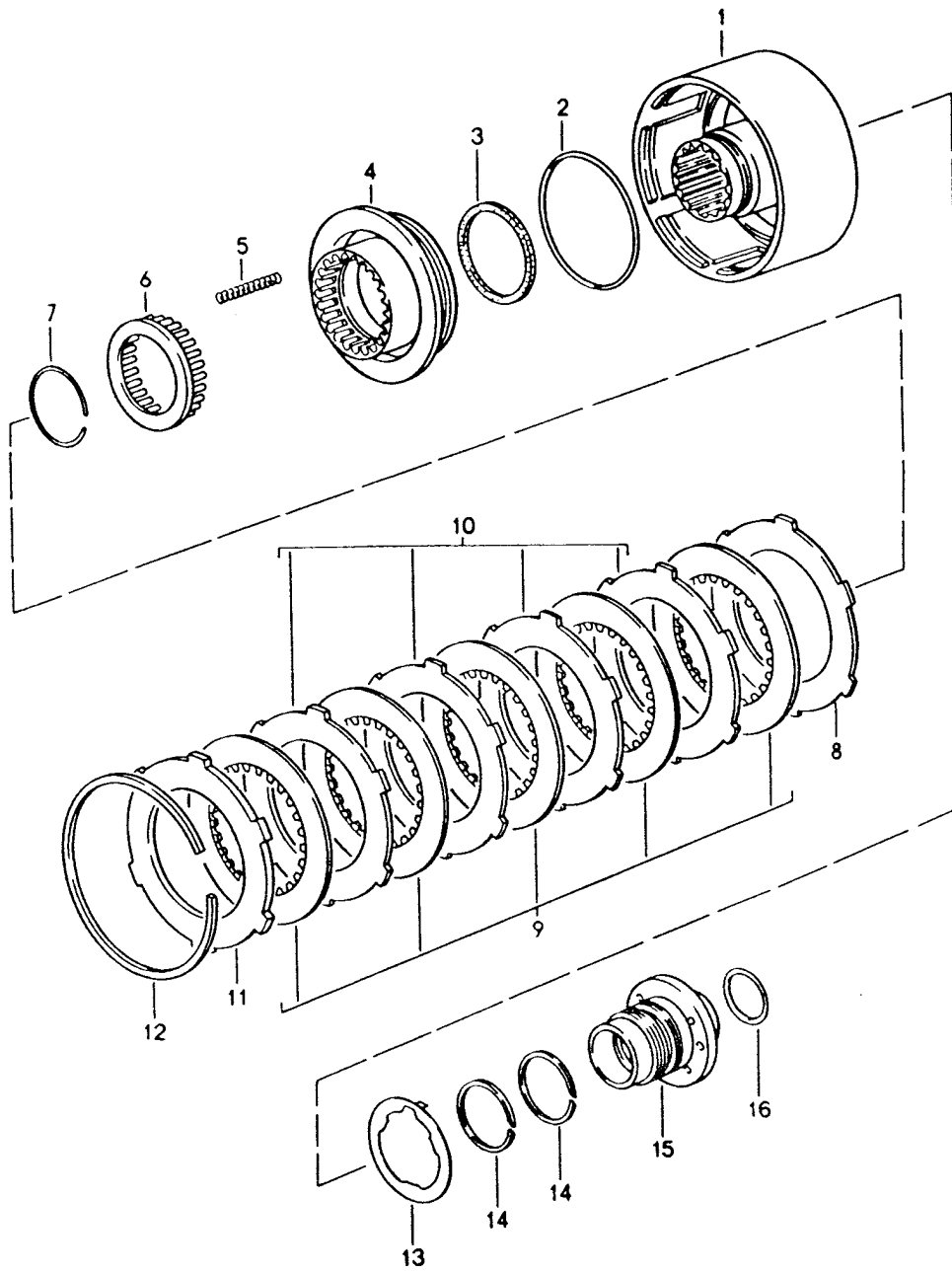


Model: 928 92 Model life 1992>>1995

Pos	Part Number	Description	Remark	Qty	Model
		Automatic transmission			A28.18
		Clutch			
		K 1			
1	010 981 431 0	Needle-roller bearing		1	
2	000 272 256 2	Thrust washer		1	
3	126 272 055 2	Spacer		X	
		0,1 MM			
(3)	126 272 065 2	Spacer		X	
		0,2 MM			
(3)	126 272 075 2	Spacer		X	
		0,5 MM			
(4)	126 270 274 9	Disc carrier		1	
		K 1			
5	126 272 039 2	Boot		1	
		Inner			
(6)	100 272 019 2	Boot		1	
		Outer			
(7)	126 272 203 1	Piston		1	
		K 1			
8	126 993 890 4	Spring		27	
9	126 272 086 4	Concave washer		1	
10	126 994 063 5	Circlip		1	
11	126 993 172 6	Cup spring		1	
12	126 272 492 6	Disc with external splines		1	
		2,0 MM		1	
13	126 272 062 5	Inner disc		1	
		2,14 MM			
14	126 272 502 6	Disc with external splines		X	
		3,5 MM			
(14)	126 272 512 6	Disc with external splines		X	
		4,0 MM			
15	126 272 322 6	Disc with external splines		1	
		4,5 MM			
16	126 994 053 4	Circlip		2	
		2,0 MM			
(16)	126 994 063 4	Circlip		X	
		2,5 MM			
(16)	126 994 073 4	Circlip		X	
		3,0 MM			
-	126 270 135 0	Guide ring		1	
		K 1			
-	014 997 844 8	Sealing ring		1	
		K 1			

Model: 928 92

Model life 1992>>1995

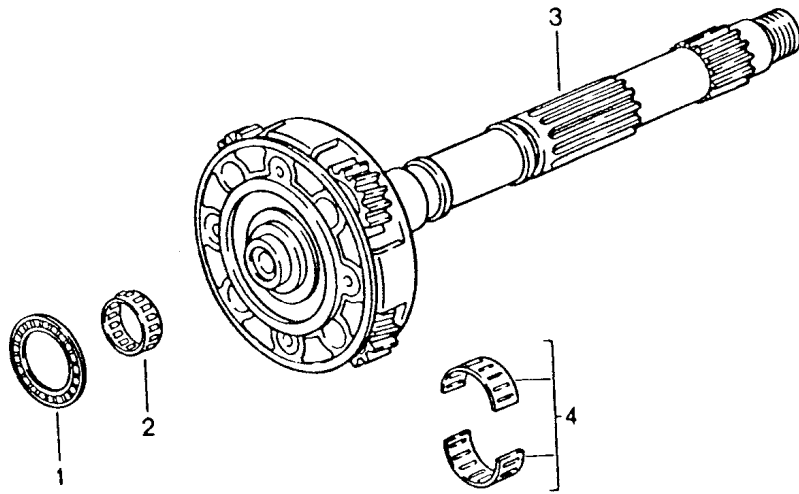


Model: 928 92 Model life 1992>>1995

Pos	Part Number	Description	Remark	Qty	Model
		Automatic transmission			A28.18
		Clutch			
		K 2			
1	140 270 152 8	Disc carrier		1	
		Order also:			
		126 270 206 2		1	
		124 270 018 9		1	
2	126 272 025 5	Sealing ring		1	
3	126 272 039 2	Boot		1	
4	126 272 123 1	Piston		1	
5	126 993 070 3	Spring		21	
6	126 272 026 4	Concave washer		1	
7	126 994 063 5	Circlip		1	
8	126 272 472 6	Disc with external splines 2,0 MM		1	
9	126 272 072 5	Inner disc 2,14 MM		5	
10	126 272 362 6	Disc with external splines 3,0 MM		X	
(10)	126 272 482 6	Disc with external splines 3,5 MM		X	
(11)	126 272 342 6	Disc with external splines 4,5 MM		X	
12	126 272 027 3	Circlip 2,0 MM		X	
(12)	126 994 033 4	Circlip 2,5 MM		X	
(12)	126 994 043 4	Circlip 3,0 MM		X	
13	126 272 226 2	Thrust washer		1	
14	126 272 095 5	Sealing ring		2	
15	722 272 014 5	Flange		1	
16	006 997 754 8	Sealing ring		1	

Model: 928 92

Model life 1992>>1995



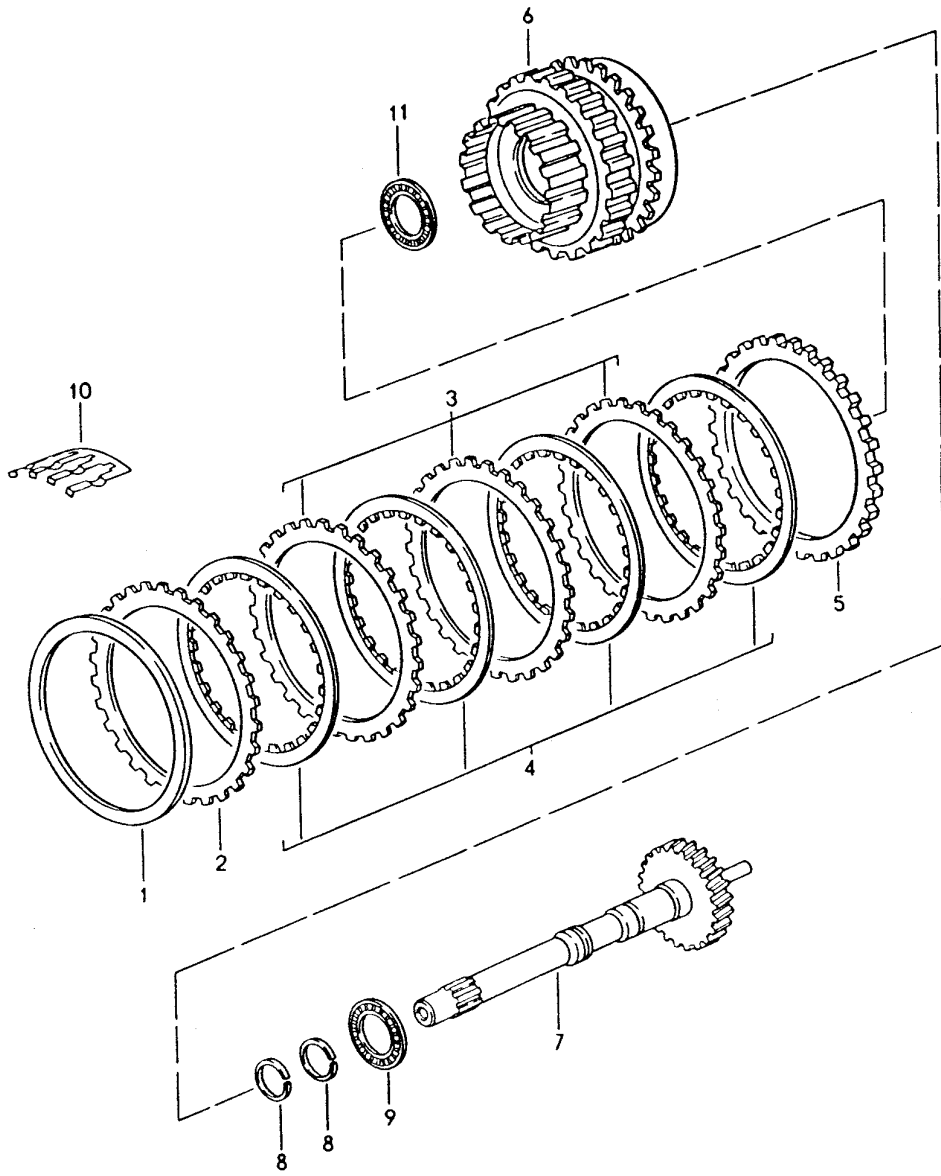
Model: 928 92

Model life 1992>>1995

Pos	Part Number	Description	Remark	Qty	Model
		Automatic transmission			A28.18
		Planet-gear carrier			
1	007 981 571 0	Needle-roller bearing		1	
2	008 981 001 0	Needle-roller bearing		1	
3	722 270 144 3	Planet-gear carrier		1	
4	011 981 821 0	Needle-roller bearing		1	

Model: 928 92

Model life 1992>>1995



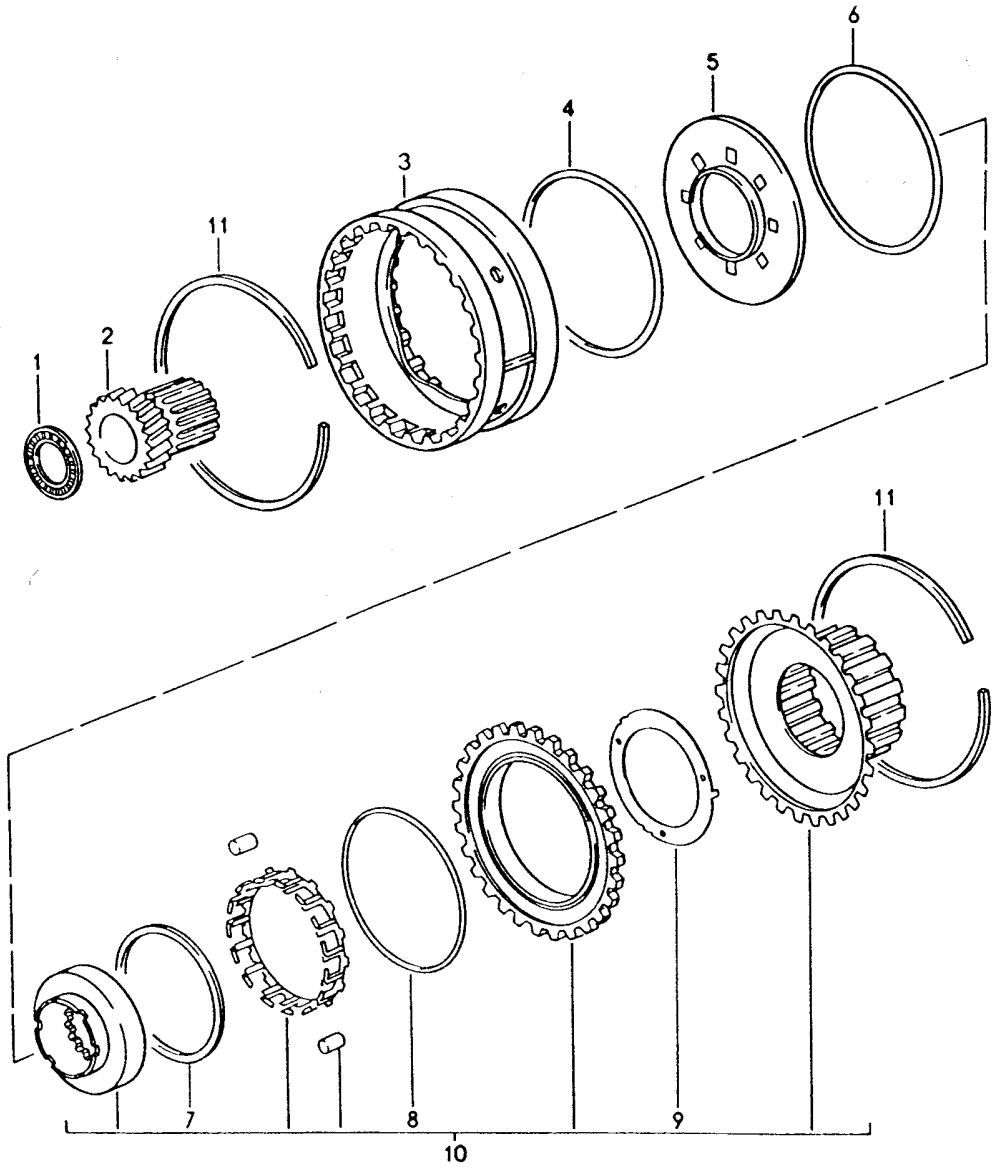
Model: 928 92

Model life 1992>>1995

Pos	Part Number	Description	Remark	Qty	Model
		Automatic transmission			A28.18
		Drive shaft			
		Gear set			
1	126 272 095 2	Spacer 2,5 MM		X	
(1)	126 272 105 2	Spacer 3,0 MM		X	
(1)	126 272 115 2	Spacer 3,5 MM		X	
(2)	126 272 682 6	Disc with external splines 2,8 MM		1	
(2)	126 272 642 6	Disc with external splines 3,3 MM		1	
(2)	126 272 652 6	Disc with external splines 3,8 MM		1	
3	126 272 672 6	Disc with external splines 2,3 MM		X	
3		Disc with external splines 2,3 MM		X	
3	126 272 682 6	Disc with external splines 2,8 MM		X	
4	126 272 092 5	Inner disc 2,1 MM		4	
5	126 272 692 6	Disc with external splines 7,7 MM		1	
6	126 270 364 3	Planet-gear carrier		1	
7	722 270 012 5	Drive shaft A >> 3 547 142		1	
7	126 270 222 5	Drive shaft A 3 547 143 >> A 3 540 623 >> 3 540 632		1	
8	126 272 005 5	Sealing ring		2	
9	010 981 421 0	Needle-roller bearing		1	
10	126 993 041 5	Spring		1	
(10)	126 993 182 6	Cup spring		1	
		Reverse gear			
11	010 981 431 0	Needle-roller bearing		1	

Model: 928 92

Model life 1992>>1995



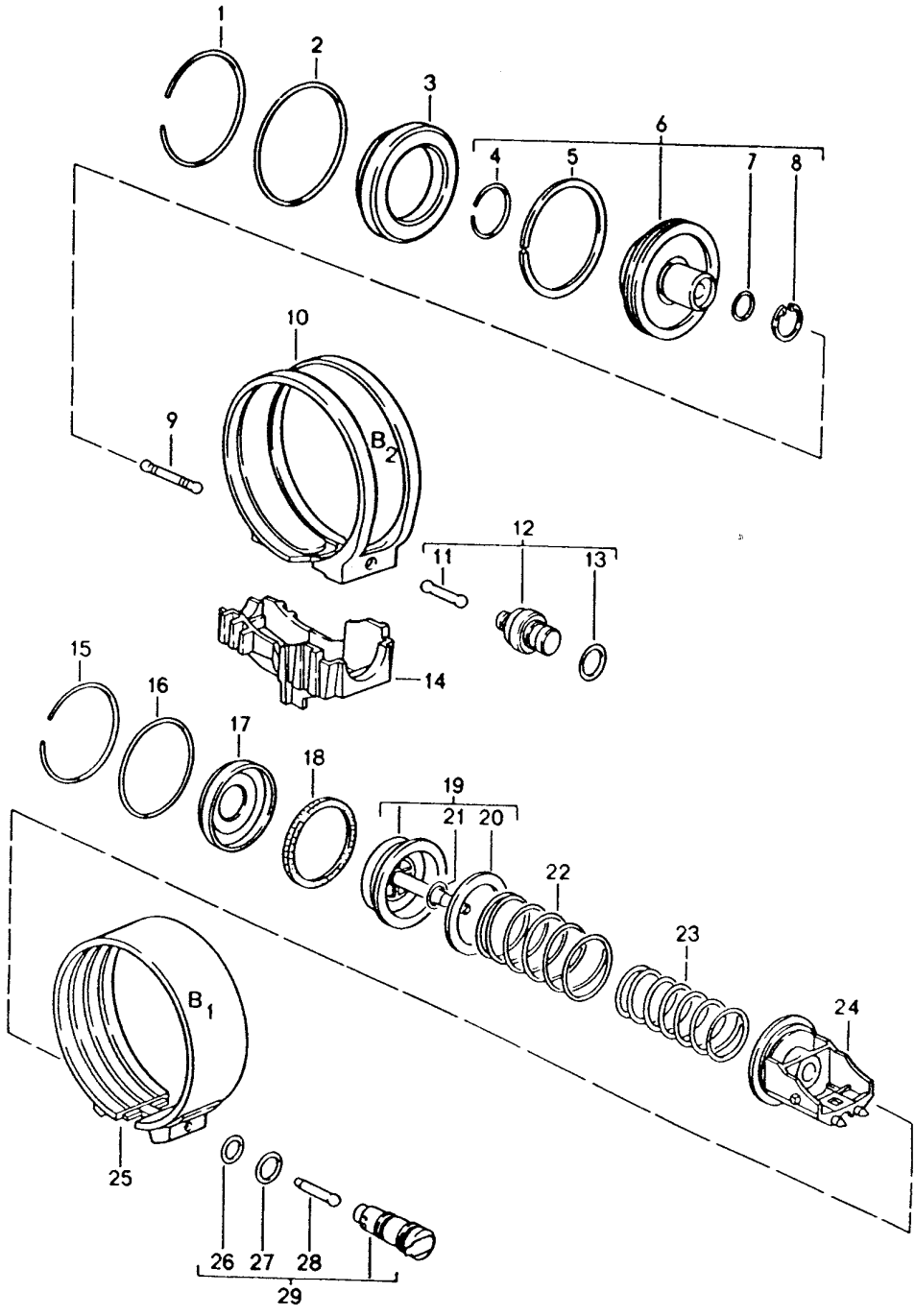
Model: 928 92

Model life 1992>>1995

Pos	Part Number	Description	Remark	Qty	Model
		Automatic transmission			A28.18
		Free wheel lock			
1	007 981 571 0	Needle-roller bearing		1	
2	126 272 000 7	Sun gear		1	
3	126 272 100 8	Driver		1	
4	126 272 175 2	Shim		X	
		0,1 MM			
(4)	126 272 185 2	Shim		X	
		0,2 MM			
(4)	126 272 195 2	Shim		X	
		0,5 MM			
5	126 270 007 6	Washer		1	
6	007 997 334 8	Sealing ring		1	
7	126 272 176 2	Thrust washer		1	
8	000 997 614 8	Sealing ring		1	
9	126 272 306 2	Thrust washer		1	
10	126 270 503 1	Free wheel lock		1	
		with			
		Disc carrier			
		Inner			
11	126 272 017 3	Circlip		2	

Model: 928 92

Model life 1992>>1995

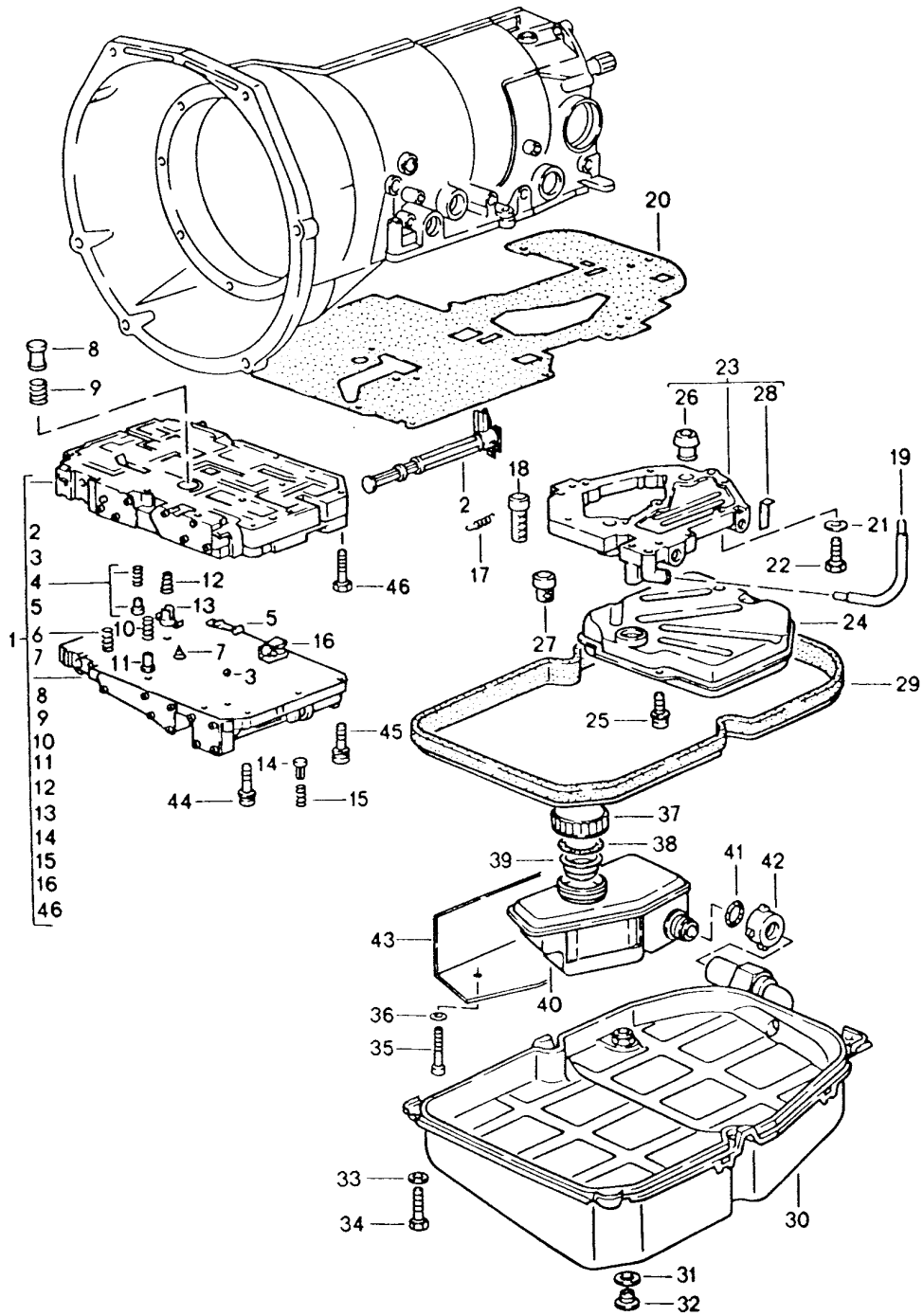


Model: 928 92 Model life 1992>>1995

Pos	Part Number	Description	Remark	Qty	Model
		Automatic transmission			A28.18
		Brake bands			
1	126 994 013 5	Circlip		1	
2	005 997 704 8	Sealing ring		1	
3	126 277 090 3	Lid		1	
4	900 906 037 00	Circlip		1	
		A 42			
5	126 277 245 5	Sealing ring		1	
6	107 270 043 2	Piston		1	
		Brake band			
7	126 277 095 5	Sealing ring		1	
8	900 042 005 01	Circlip		1	
		25 X 1,2			
9	126 277 717 5	Pin		X	
		47,2 MM			
(9)	126 277 727 5	Pin		X	
		48,0 MM			
(9)	126 277 737 5	Pin		X	
		48,8 MM			
(9)	126 277 747 5	Pin		X	
		49,6 MM			
10	126 270 206 2	Brake band		1	
		without asbestos			
11	126 277 517 5	Pin		1	
(12)	124 270 018 9	Valve		1	
13	005 997 814 8	Sealing ring		1	
(14)	140 277 004 0	Support		1	
15	126 994 083 5	Circlip		1	
16	005 997 864 8	Sealing ring		1	
17	126 277 020 3	Lid		1	
18	115 272 109 2	Boot		1	
19	126 270 973 2	Piston		1	
20	900 234 109 02	Shim		X	
		8 X 14 X 0,5			
(20)	900 234 003 02	Shim		X	
		8 X 14 X 1,0			
(20)	900 234 003 01	Shim		X	
		8 X 14 X 1,0			
21	000 997 024 8	Sealing ring		1	
22	126 993 010 1	Spring		1	
		95,3 MM			
23	126 993 570 1	Spring		1	
		111,6 MM			
24	126 277 574 0	Support		1	
25	126 270 186 2	Brake band		1	
26	005 997 804 8	Sealing ring		1	
27	010 997 084 5	Sealing ring		1	
28	126 277 097 5	Pin		1	
29	126 270 308 9	Valve		1	

Model: 928 92

Model life 1992>>1995



Model: 928 92

Model life 1992>>1995

Pos	Part Number	Description	Remark	Qty	Model
		Automatic transmission			A28.18
1	722 270 380 7	Shift-valve body		1	
1	722 270 430 7	Shift-valve body A >> 3 547 142		1	
2	126 270 057 0	Regulating valve		1	
3	116 991 002 9	Ball		18	
4	126 270 047 0	Slide		1	
5	126 270 258 9	Valve		1	
6	722 993 080 1	Spring		1	
7	115 993 150 5	Spring		1	
8	126 277 193 6	Valve		1	
9	126 993 200 2	Spring		1	
10	115 993 280 4	Spring		1	
11	126 270 198 9	Valve		1	
12	126 993 690 3	Spring		1	
13	126 277 223 6	Valve		1	
14	126 277 263 6	Valve		1	
15	126 993 730 3	Spring		1	
16	126 270 288 9	Valve		1	
(16)	126 270 218 9	Valve		1	
17	722 993 001 0	Spring		1	
18	126 270 029 8	Filter		1	
19	126 277 004 7	Oil tube		1	
20	126 277 108 0	Gasket		1	
20		Gasket without asbestos		1	
21	N 012 226 5	Spring washer B 6		9	
22	N 010 220 3	Hexagon-head bolt		9	
23	722 270 030 5	Lid		1	
24	126 277 029 5	Oil filter		1	
25	960 307 911 00	Combination screw M 5 X 12		3	
26	126 270 058 9	Valve		1	
27	126 270 019 8	Strainer		2	
28	126 277 007 3	Lock 24 MM		1	
29	126 271 108 0	Oil sump gasket		1	
30	722 270 111 2	Oil pan		1	
31	900 123 062 30	Gasket		1	
32	960 307 912 00	Screw plug		1	
33	N 011 525 13	Washer A 8,4		6	
34	N 010 244 11	Hexagon-head bolt M 8 X 30		6	
34	N 010 244 25	Hexagon-head bolt M 8 X 30		6	
35	900 067 008 02	Pan-head screw M 6 X 40		2	
35	900 067 008 03	Pan-head screw M 6 X 40		2	
36	N 011 666 7	Washer B 6,4		2	
37	960 307 481 00	Threaded cover		1	
38	477 321 483 A	Gasket		1	
39	477 321 479 A	Strainer		1	
40	960 307 075 00	Filling container		1	
41	477 321 487	O-ring		X	
42	477 321 485	Union nut		1	
43	960 307 421 00	Heat shield		1	

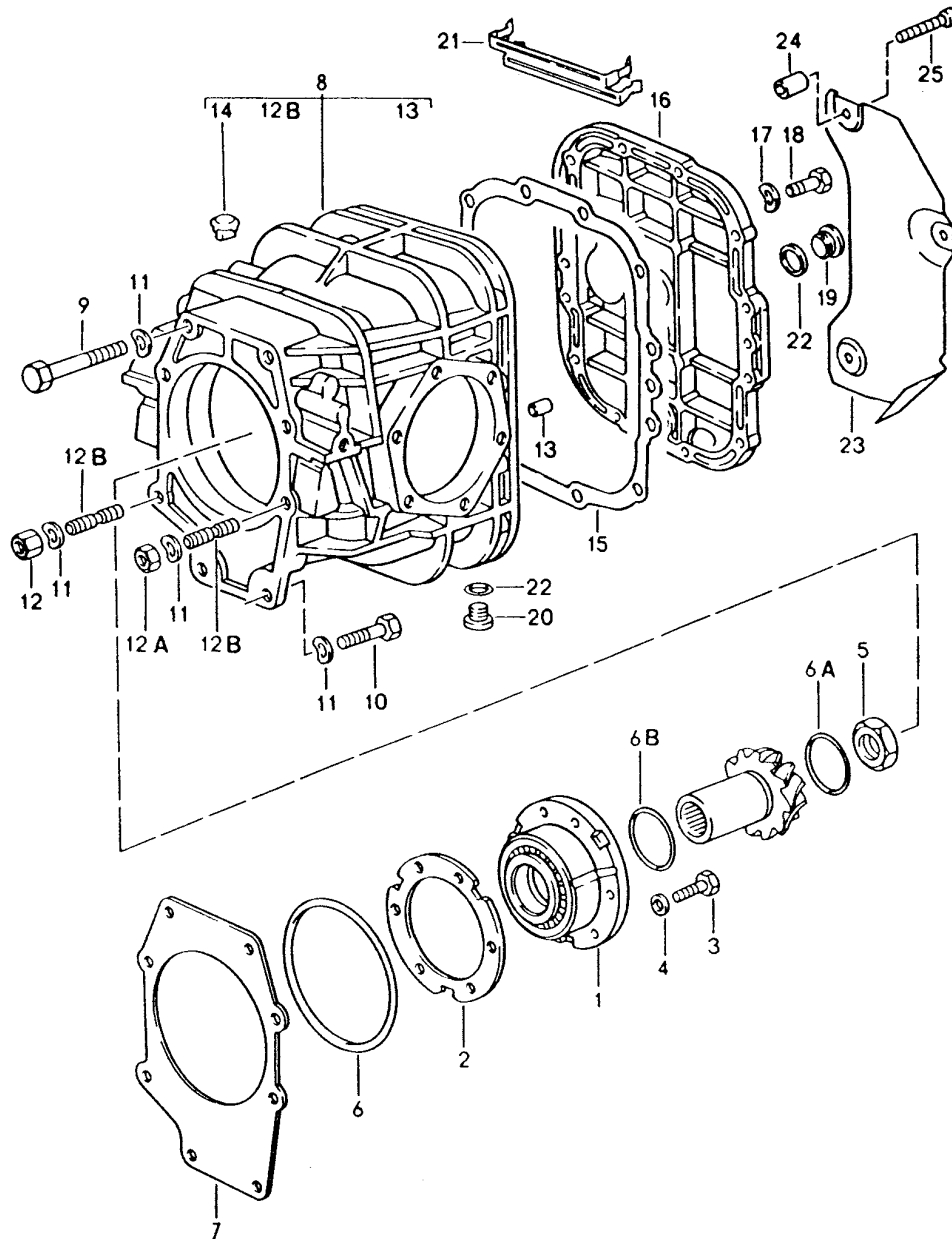
Model: 928 92

Model life 1992>>1995

Pos	Part Number	Description	Remark	Qty	Model
44	960 307 913 00	Combination screw M 6 X 55		12	
45	960 307 914 00	Combination screw M 6 X 50		3	
46	900 014 006 02	Pan-head screw M 5 X 30		2	

Model: 928 92

Model life 1992>>1995



Model: 928 92

Model life 1992>>1995

Pos	Part Number	Description	Remark	Qty	Model
		Automatic transmission Differential			A28.18
1	960 302 063 09	Bearing sleeve		1	
2	960 302 299 05	Adjusting shim 0,15 MM		X	
2	960 302 299 06	Adjusting shim 0,20 MM		X	
2	960 302 299 07	Adjusting shim 0,25 MM		X	
2	960 302 299 08	Adjusting shim 0,40 MM		X	
2	960 302 299 09	Adjusting shim 0,50 MM		X	
3	N 014 726 7	Pan-head screw M 8 X 30		6	
4	N 015 371 1	Shake-proof washer		6	
5	922 302 282 00	Collar nut		1	
6	999 701 743 40	O-ring 144,5 X 3		1	
6A	960 302 305 00	Round seal		1	
6B	960 302 303 00	Round seal		1	
7	960 302 297 05	Adjusting shim 0,15 MM		X	
7	960 302 297 06	Adjusting shim 0,20 MM		X	
7	960 302 297 07	Adjusting shim 0,25 MM		X	
7	960 302 297 08	Adjusting shim 0,40 MM		X	
7	960 302 297 09	Adjusting shim 0,50 MM		X	
(8)	960 321 041 03	Rear axle housing		1	
9	900 074 063 02	Hexagon-head bolt M 10 X 55		4	
9	900 074 380 01	Hexagon-head bolt M 10 X 55		4	
10	900 075 041 09	Hexagon-head bolt M 10 X 25		2	
10	900 075 481 01	Hexagon-head bolt M 10 X 25		2	
11	900 031 005 02	Washer A 10,5		8	
11	900 031 005 03	Washer A 10,5		8	
12	999 076 027 02	Nut		1	
12A	N 011 010 6	Hexagon nut M 10		1	
12A	N 101 552 10	Hexagon nut M 10		1	
12B	999 062 118 02	Stud BM 10 X 28		1	
12B	999 062 182 02	Stud BM 10 X 25		1	
13	900 012 086 00	Straight pin		2	
14	928 301 311 01	Bleeder		1	
15	928 301 395 03	Gasket		1	
16	928 301 306 07	Housing cover		1	
17	900 025 007 02	Washer		12	
17	900 025 007 03	Washer		12	
18	900 075 099 02	Hexagon-head bolt M 8 X 30		12	
18	900 075 099 03	Hexagon-head bolt M 8 X 30		12	

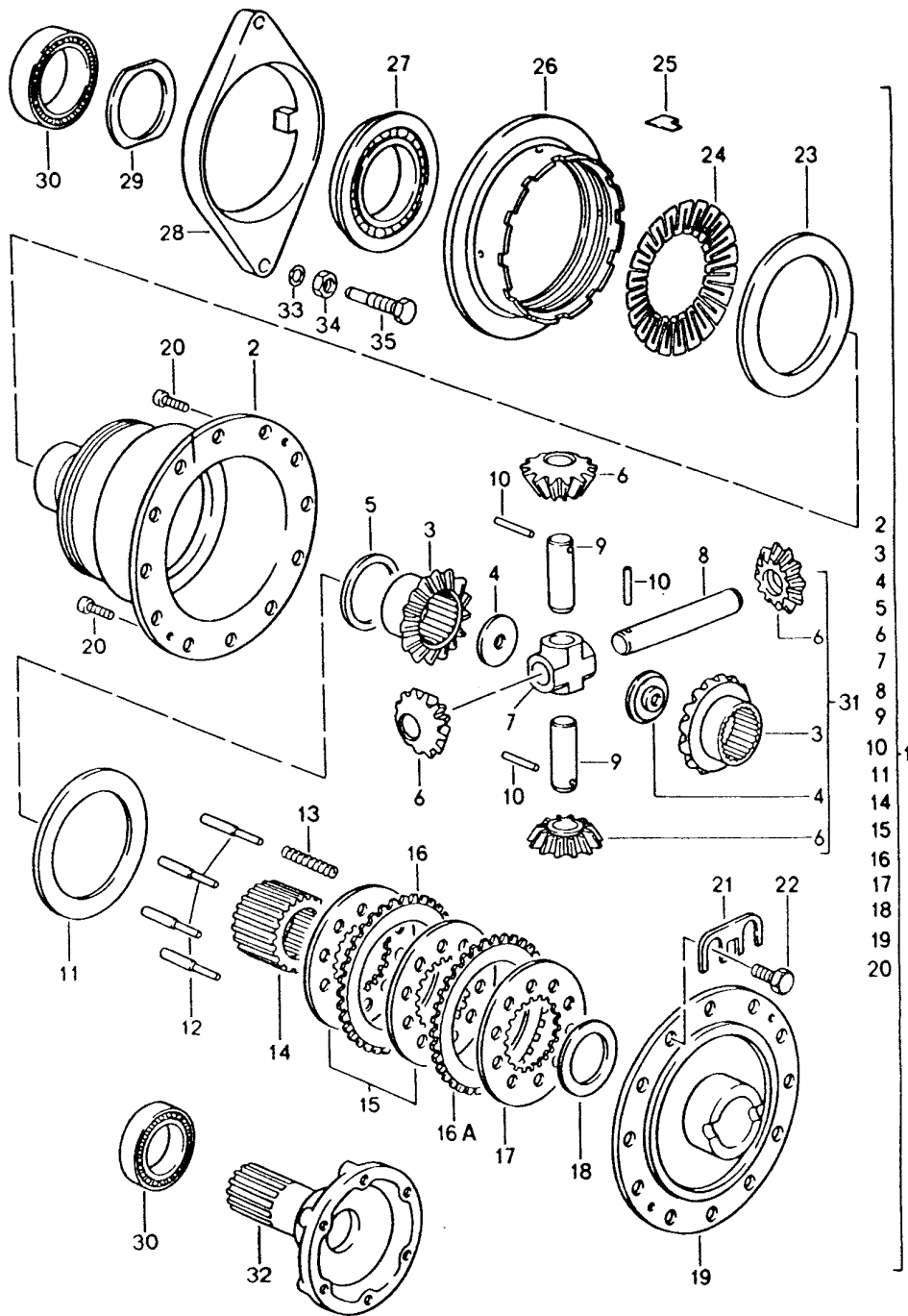
Model: 928 92

Model life 1992>>1995

Pos	Part Number	Description	Remark	Qty	Model
19	900 219 001 30	Screw plug		1	
20	999 063 008 02	Screw plug		1	
21	960 301 149 01	Heat shield		1	
22	900 123 118 30	Sealing ring		2	
23	960 321 305 00	Heat protection plate		1	
24	960 321 307 00	Spacer		3	
25	999 073 022 02	Hexagon-head bolt		3	
26	960 302 911 21	Ring gear and pinion shaft 33 : 13		1	

Model: 928 92

Model life 1992>>1995



Model: 928 92

Model life 1992>>1995

Pos	Part Number	Description	Remark	Qty	Model
		Automatic transmission Porsche			A28.18
1	928 332 075 03	Limited-slip differential		1	
2	928 332 701 15	Housing		1	
3		Shaft bevel gear		2	
4	943 332 279 02	Nut		2	
5	928 332 719 00	Thrust washer 1,8 MM		X	
5	928 332 719 01	Thrust washer 1,9 MM		X	
5	928 332 719 02	Thrust washer 2,0 MM		X	
5	928 332 719 03	Thrust washer 2,1 MM		X	
5	928 332 719 04	Thrust washer 2,2 MM		X	
6		Bevel pinion		4	
7	928 332 745 00	4 way connector		1	
8	928 332 741 00	Differential bolt		1	
9	928 332 743 00	Differential bolt		2	
10	900 309 035 00	Roll pin 5 X 40		3	
11	928 332 711 00	Thrust ring		1	
12	928 332 715 08	Pressure pin		4	
13	928 332 716 02	Coil pressure spring		4	
14	928 332 748 03	Disc carrier		1	
15	928 332 728 00	Inner disc		5	
16	928 332 726 05	Disc with external splines 1,5 MM		8	
16	928 332 726 03	Disc with external splines 1,1 MM		X	
16	928 332 726 04	Disc with external splines 1,3 MM		X	
16	928 332 726 13	Disc with external splines 1,3 MM		X	
16	928 332 726 06	Disc with external splines 1,7 MM		X	
16	928 332 726 07	Disc with external splines 1,9 MM		X	
16	928 332 726 08	Disc with external splines 2,1 MM		X	
16	928 332 726 09	Disc with external splines 2,3 MM		X	
16	928 332 726 10	Disc with external splines 2,5 MM		X	
16	928 332 726 12	Disc with external splines 2,5 MM		X	
16	928 332 726 11	Disc with external splines 2,7 MM		X	
17	928 332 724 00	Inner disc		5	
18	928 332 720 50	Thrust washer 1,8 MM		X	
18	928 332 720 51	Thrust washer 1,9 MM		X	
18	928 332 720 52	Thrust washer 2,0 MM		X	
18	928 332 720 53	Thrust washer 2,1 MM		X	
18	928 332 720 54	Thrust washer 2,2 MM		X	
18	928 332 720 55	Thrust washer 2,3 MM		X	

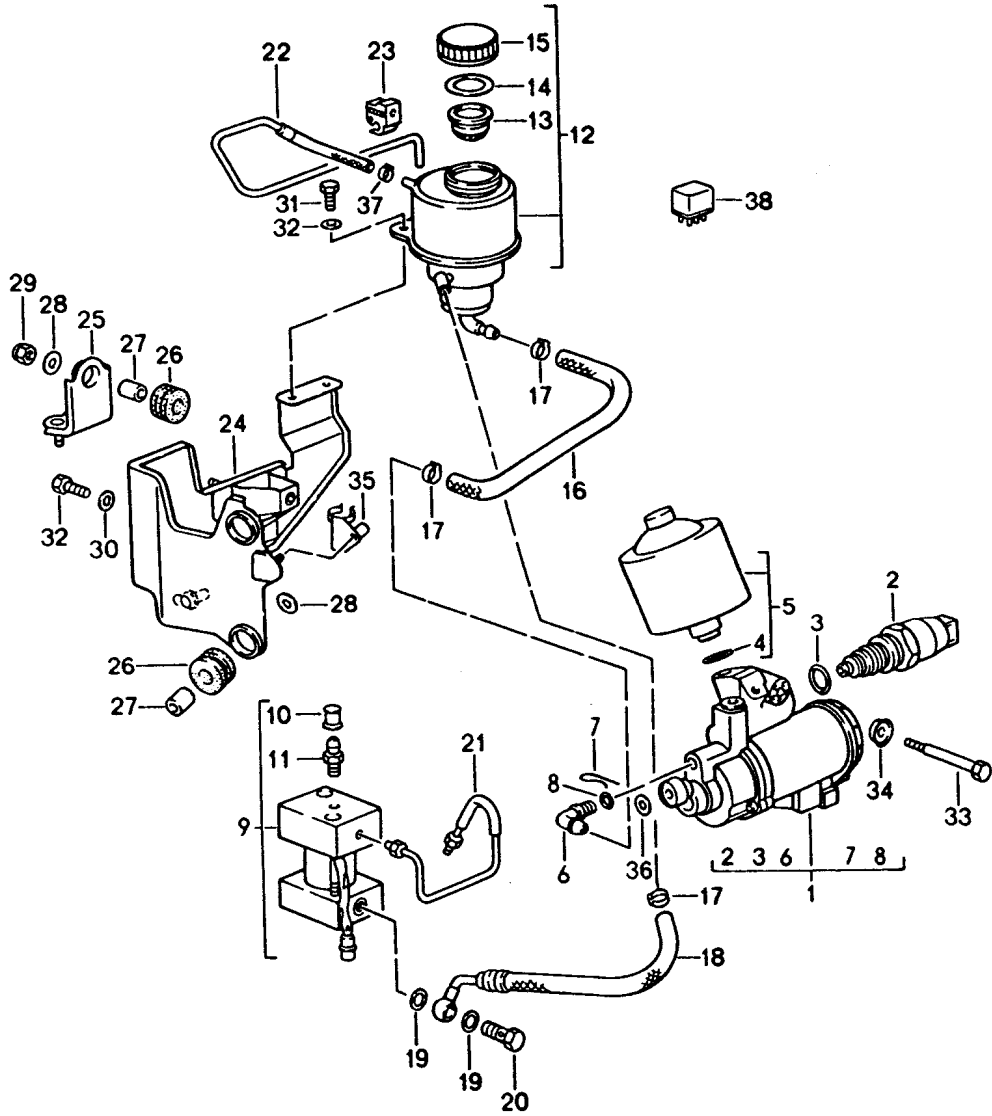
Model: 928 92

Model life 1992>>1995

Pos	Part Number	Description	Remark	Qty	Model
18	928 332 720 56	Thrust washer 2,4 MM		X	
19	928 332 706 10	Housing cover		1	
20	900 249 008 02	Countersunk-head screw M 6 X 12		2	
21	928 332 285 00	Tab washer		6	
22	928 332 276 03	Hexagon-head bolt		12	
23	928 332 713 02	Thrust ring		1	
24	928 332 756 06	Leverage washer		1	
25	950 332 753 02	Tab washer		1	
26	928 332 750 01	Adjusting nut		1	
27	928 332 761 04	Engaging mount		1	
28	928 332 771 02	Engaging lever		1	
29	928 332 718 00	Washer		1	
30	999 059 027 00	Taper roller bearing		2	
30	999 059 027 02	Taper roller bearing		2	
31	928 332 907 00	Differential pinions 1 set		1	
32	928 332 206 20	Joint flange		2	
33	900 123 043 30	Sealing ring A 12 X 15,5		1	
34	N 011 020 8	Hexagon nut		1	
34	900 034 036 01	Hexagon nut		1	
35	928 332 271 05	Hexagon-head bolt		1	

Model: 928 92

Model life 1992>>1995



Model: 928 92

Model life 1992>>1995

Pos	Part Number	Description	Remark	Qty	Model
		Automatic transmission			A28.18
		Lock control 1			
1	928 315 906 00	Pump		1	
2	964 606 904 00	Pressure switch		1	
3	999 707 094 40	O-ring		1	
		17,3 X 2,4			
4	999 707 123 40	O-ring		1	
		11,3 X 2,4			
5	928 315 905 00	Pressure accumulator		1	
6	999 230 366 40	Elbow		1	
7	999 021 003 00	Lock		1	
8	999 707 075 40	O-ring		1	
9	928 315 163 00	Valve support		1	
10	930 351 919 00	Ventilation valve		1	
11	930 351 927 00	Dust boot		1	
11	930 351 927 01	Dust boot		1	
12	928 315 013 01	Expansion tank		1	
13	211 611 381 B	Strainer		1	
14	901 355 908 00	Gasket		1	
15	911 355 905 02	Lid		1	
16	928 315 801 00	Feed line		1	
17	999 512 532 00	Terminal		3	
18	928 315 098 01	Hose line		1	
		Return line			
19	900 123 033 20	Sealing ring		2	
20	900 175 002 02	Screw		1	
21	928 315 091 02	Connecting line		1	
22	928 315 097 01	Vent line		1	
23	999 591 930 40	Support		1	
24	928 315 043 02	Support		1	
25	928 315 047 02	Bracket		1	
26	964 356 635 00	Rubber mounting		3	
27	928 355 633 00	Bush		3	
27	928 355 633 03	Bush		3	
28	N 011 550 1	Washer		X	
		B 6,5			
29	900 910 010 09	Lock nut		X	
		M 6			
30	N 011 666 7	Washer		4	
		B 6,4			
31	900 075 057 02	Hexagon-head bolt		2	
		M 6 X 16			
31	900 075 057 03	Hexagon-head bolt		2	
		M 6 X 16			
32	999 072 005 09	Hexagon nut		2	
		M 6 X 12			
32	999 072 005 01	Hexagon nut		2	
		M 6 X 12			
33	999 074 043 02	Hexagon-head bolt		1	
		M 6 X 65			
34	999 025 202 02	Washer		1	
35	911 612 450 00	Support		1	
36	900 025 007 02	Washer		1	
		A 8,4			
36	900 025 007 03	Washer		1	
		A 8,4			
37	999 512 527 00	Clamp		1	
38	964 615 135 00	Relay		1	
		for			
		Pump			
38	964 615 135 01	Relay		1	
		for			
		Pump			

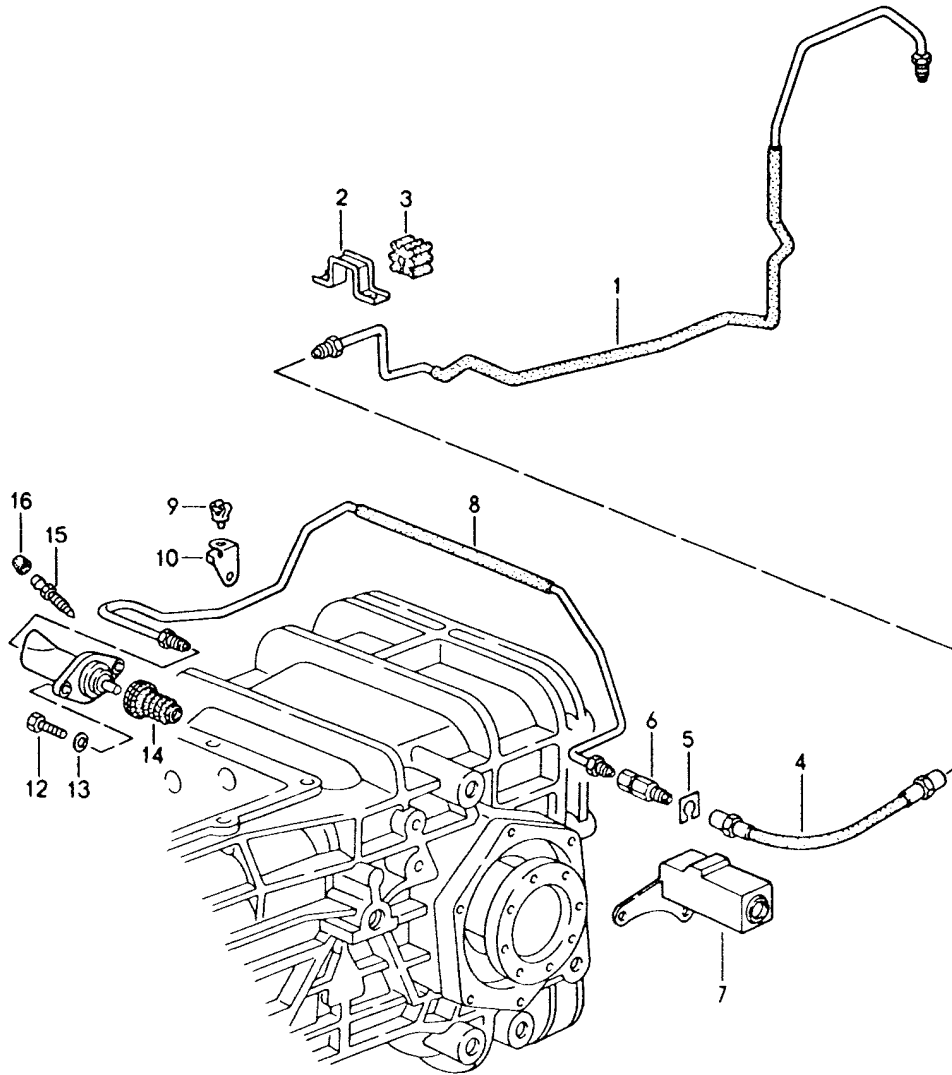
Model: 928 92

Model life 1992>>1995

Pos	Part Number	Description	Remark	Qty	Model
-	993 606 153 00	Lateral accelerat. sensor		1	
-	993 606 153 01	Lateral accelerat. sensor		1	
-	993 606 153 00	Lateral accelerat. sensor		1	
-	993 606 153 01	Lateral accelerat. sensor		1	

Model: 928 92

Model life 1992>>1995



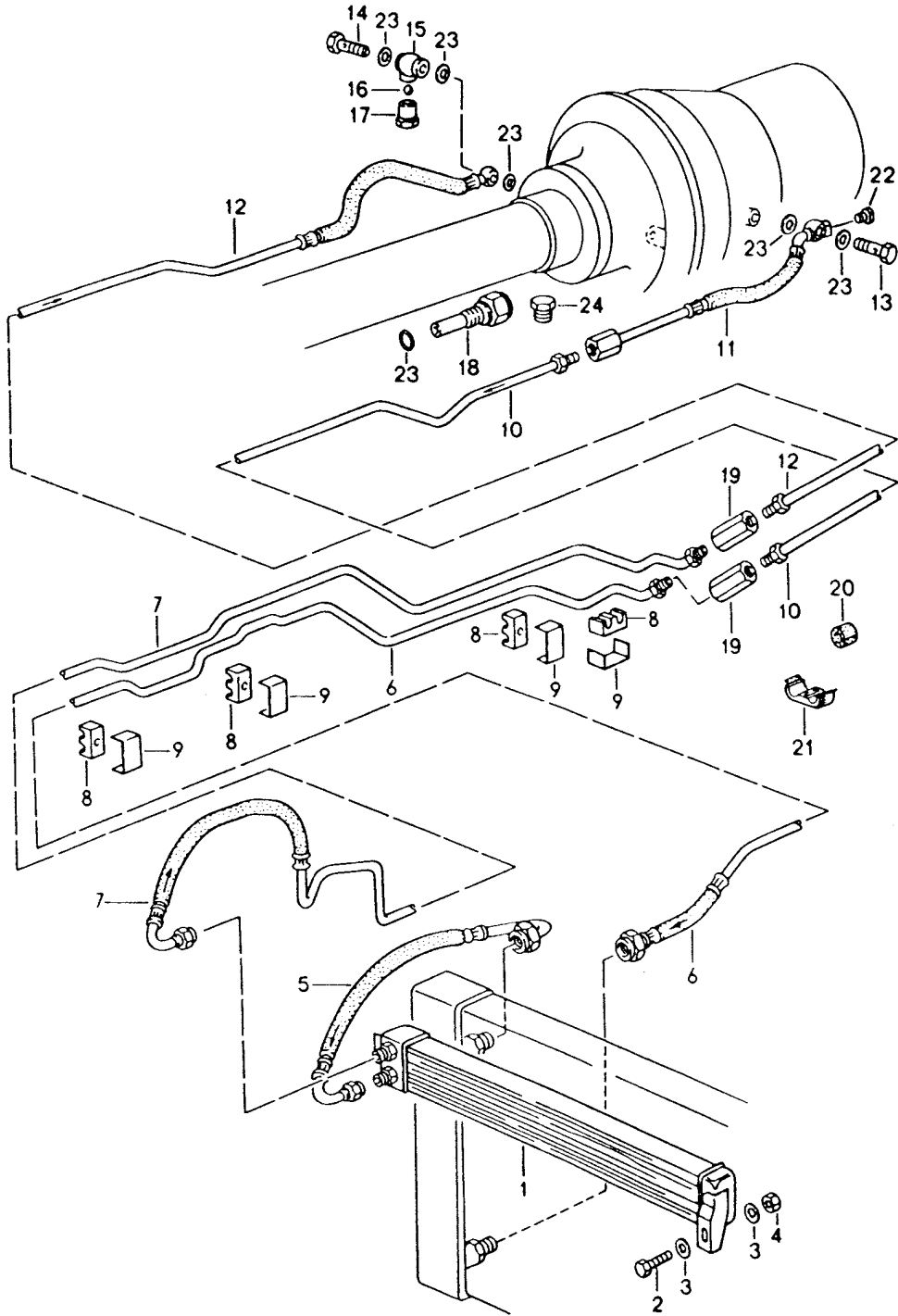
Model: 928 92

Model life 1992>>1995

Pos	Part Number	Description	Remark	Qty	Model
		Automatic transmission			A28.18
		Lock control 2			
1	928 315 095 02	Line		1	
2	928 315 807 00	Support		1	
3	928 315 805 00	Rubber mounting		1	
4	944 355 081 01	Brake hose		1	
4		Brake hose		1	
5	999 166 071 01	Support		1	
6	928 315 211 03	Pressure valve		1	
7	928 315 187 06	Support		1	
8	928 315 085 04	Connecting line		1	
9	999 651 190 40	Cable clip		1	
10	928 315 189 02	Support		1	
11	928 332 775 09	Slave cylinder		1	
12	N 010 233 6	Hexagon-head bolt		2	
		M 8 X 28			
12	900 075 136 03	Hexagon-head bolt		2	
		M 8 X 28			
13	900 025 007 02	Washer		2	
		A 8,4			
13	900 025 007 03	Washer		2	
		A 8,4			
14	928 332 051 02	Bellows		1	
14	928 332 051 04	Bellows		1	
15	211 611 477 A	Ventilation valve		1	
16	211 611 483	Dust boot		1	

Model: 928 92

Model life 1992>>1995

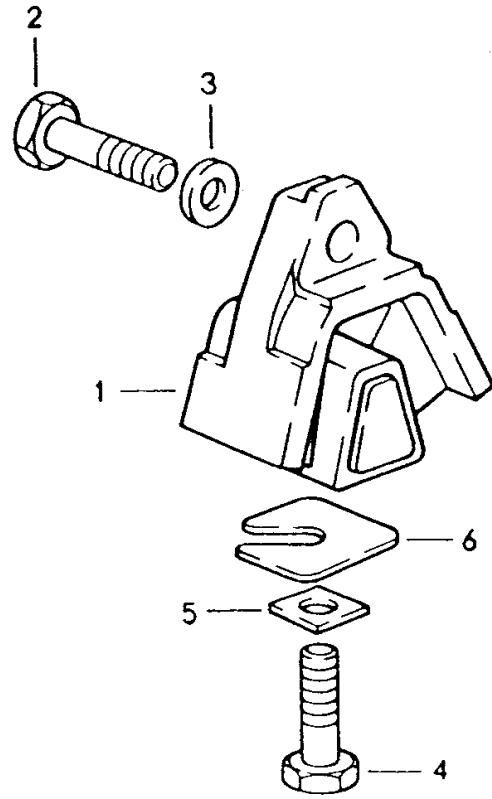


Model: 928 92 Model life 1992>>1995

Pos	Part Number	Description	Remark	Qty	Model
		Automatic transmission			A28.18
		Atf cooler			
		Atf lines			
1	928 307 027 06	Transmission oil cooler		1	
2	900 075 057 02	Hexagon-head bolt		2	
		M 6 X 16			
2	900 075 057 03	Hexagon-head bolt		2	
		M 6 X 16			
3	N 011 524 7	Washer		4	
		A 6,4			
3	N 011 524 27	Washer		4	
		A 6,4			
4	900 076 010 02	Nut		2	
4	900 076 010 0B	Nut		2	
5	928 307 072 01	Oil pipe		1	
5	928 307 072 02	Oil pipe		1	
6	928 307 071 02	Oil pipe		1	
		Supply			
7	928 307 073 02	Oil pipe		1	
		Return line			
8	928 356 525 01	Rubber mounting		5	
9	928 356 555 00	Clamp		5	
10	928 307 080 01	Oil pipe		1	
		Supply			
11	928 307 069 01	Oil pipe		1	
		Supply			
12	928 307 074 01	Oil pipe		1	
		Return line			
13	999 134 030 02	Banjo bolt		1	
		M 14 X 1,5			
14	960 307 161 01	Banjo bolt		1	
15	960 307 057 01	Nipple		1	
16	N 025 657 1	Ball		1	
17	960 307 163 00	Screw plug		1	
18	928 606 152 00	Temperature switch		1	M208
19	477 209 169	Connecting piece		2	
20	960 307 213 00	Protective tube		2	
21	960 307 211 00	Support		4	
22	900 219 002 02	Screw plug		1	
23	900 123 007 30	Sealing ring		X	
		A 14 X 18			
24	900 219 002 02	Screw plug		1	
		M 14 X 1,5			
-	960 307 209 00	Plate		X	

Model: 928 92

Model life 1992>>1995



Model: 928 92

Model life 1992>>1995

Pos	Part Number	Description	Remark	Qty	Model
		Automatic transmission			A28.18
		Transmission suspension			
1	928 375 045 16	Transmission mounting		2	
2	N 010 142 2	Hexagon-head bolt		2	
		M 12 X 1,5 X 50			
3	901 333 143 01	Washer		4	
3	999 025 091 02	Washer		2	
4	N 040 108 1	Hexagon-head bolt		2	
		M 12 X 1,5 X 40			
5	928 375 331 00	Square washer		2	
6	928 331 520 01	Washer		X	
		1 MM			
6	928 331 520 02	Washer		X	
		2 MM			
6	928 331 520 03	Washer		X	
		3 MM			
6	928 331 520 04	Washer		X	
		4 MM			

Model: 928 92

Model life 1992>>1995



Model: 928 92 Model life 1992>>1995

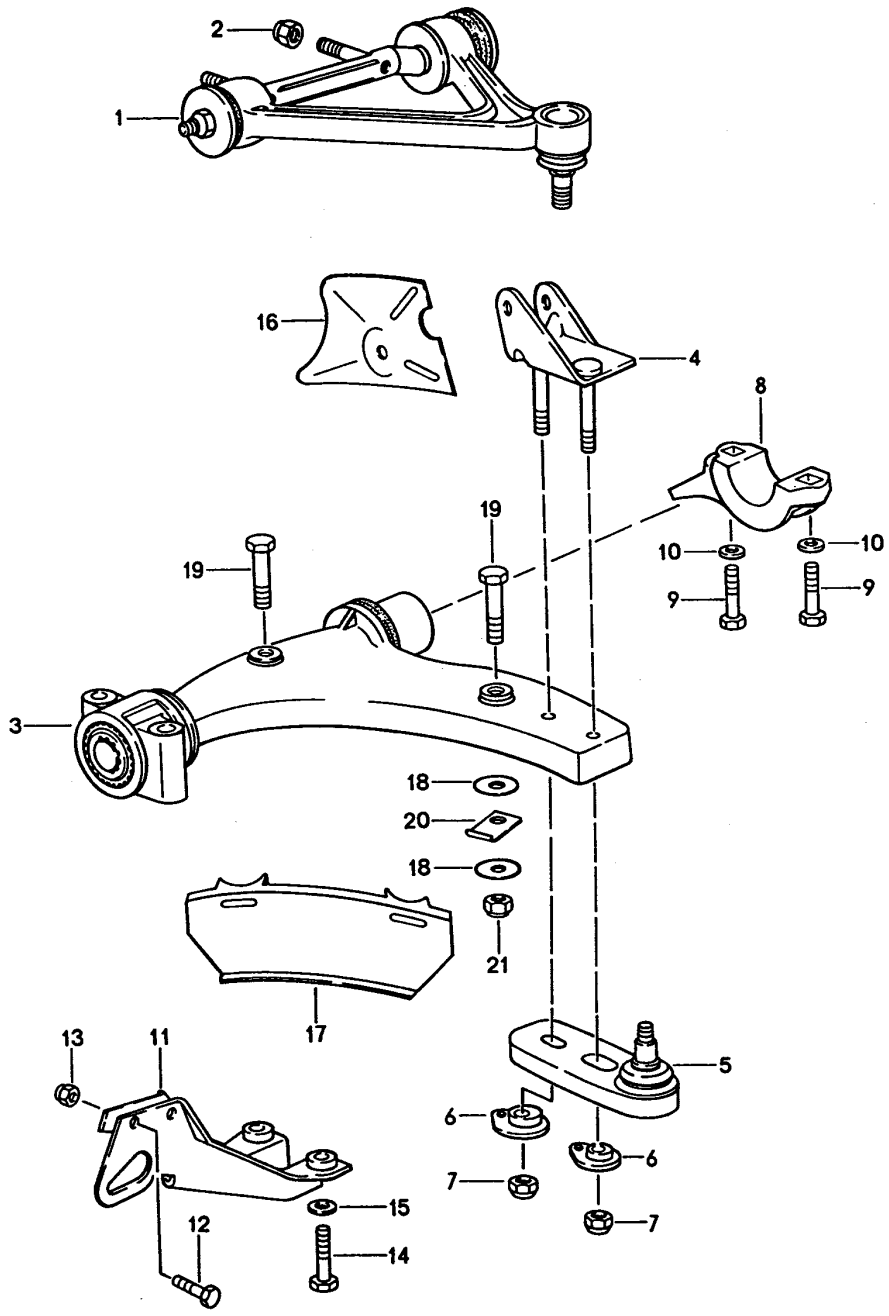
Pos	Part Number	Description	Remark	Qty	Model
		Gasket set			A28.18
>>	928 300 901 01	Gasket set Manual transmission Comprising:		1	G28.57 G28.57
-	928 301 111 00	O-ring		1	
-	928 301 111 01	O-ring		1	
-	928 301 393 06	Gasket		1	
-	928 301 393 07	Gasket		1	
-	928 301 395 03	Gasket		1	
-	928 302 167 03	Shaft sealing ring		1	
-	928 302 167 05	Shaft sealing ring		1	
-	928 302 283 00	Round seal		1	
-	928 302 283 01	Round seal		1	
-	928 303 120 01	Shaft sealing ring		1	
-	928 332 215 02	Shaft sealing ring		2	
-	928 332 217 02	O-ring		2	
-	928 303 313 00	Gasket		1	
-	999 701 904 40	O-ring		1	
-	928 332 051 02	Bellows		1	
-	928 332 051 04	Bellows		1	
-	126 270 530 0	Gasket set Automatic transmission without Differential without asbestos Comprising:		1	A28.18
-	018 997 044 7	Sealing ring		1	
-	016 997 144 8	Sealing ring		1	
-	126 272 005 5	Sealing ring		2	
-	126 272 025 5	Sealing ring		1	
-	126 272 039 2	Boot		2	
-	126 272 019 2	Boot		1	
-	126 272 009 2	Boot		1	
-	126 272 095 5	Sealing ring		2	
-	126 271 128 0	Gasket		1	
-	006 997 014 7	Sealing ring		1	
-	006 997 734 7	Sealing ring		1	
-	006 997 754 8	Sealing ring		1	
-	126 272 095 5	Sealing ring		2	
-	005 997 774 8	Sealing ring		1	
-	005 997 814 8	Sealing ring		1	
-	126 277 095 5	Sealing ring		1	
-	126 277 075 5	Sealing ring		1	
-	005 997 704 8	Sealing ring		1	
-	005 997 804 8	Sealing ring		1	
-	010 997 084 5	Sealing ring		1	
-	005 997 864 8	Sealing ring		1	
-	900 123 105 30	Sealing ring		3	
-	126 277 085 5	Sealing ring		1	
-	005 997 844 8	Sealing ring		1	
-	005 997 854 8	Sealing ring		1	
-	922 321 301 07	Sealing ring		1	
-	010 997 084 5	Sealing ring		1	
-	722 271 038 0	Gasket		1	
-	014 997 114 8	Sealing ring		1	
-	008 997 314 8	Sealing ring		1	
-	008 997 304 8	Sealing ring		1	
-	001 997 354 8	Sealing ring		1	
-	115 304 016 0	Sealing ring		1	
-	016 997 394 8	Sealing ring		1	
-	126 271 108 0	Oil sump gasket		1	
-	005 997 784 8	Sealing ring		1	

Model: 928 92 Model life 1992>>1995

Pos	Part Number	Description	Remark	Qty	Model
>>	960 302 901 00	Gasket set Differential Comprising:		1	A28.18
-	999 701 743 40	O-ring		1	
-	928 301 395 03	Gasket		1	
-	928 332 215 02	Shaft sealing ring		2	
-	928 332 217 02	O-ring		2	
-	928 332 051 02	Bellows		1	
-	928 332 051 04	Bellows		1	
>>	960 307 901 01	Oil filter set Comprising:		1	A28.18
-	126 277 029 5	Oil filter		1	
-	126 271 108 0	Oil sump gasket		1	
-	N 013 806 2	Sealing ring		1	
-	900 123 033 20	Sealing ring		1	

Model: 928 92

Model life 1992>>1995

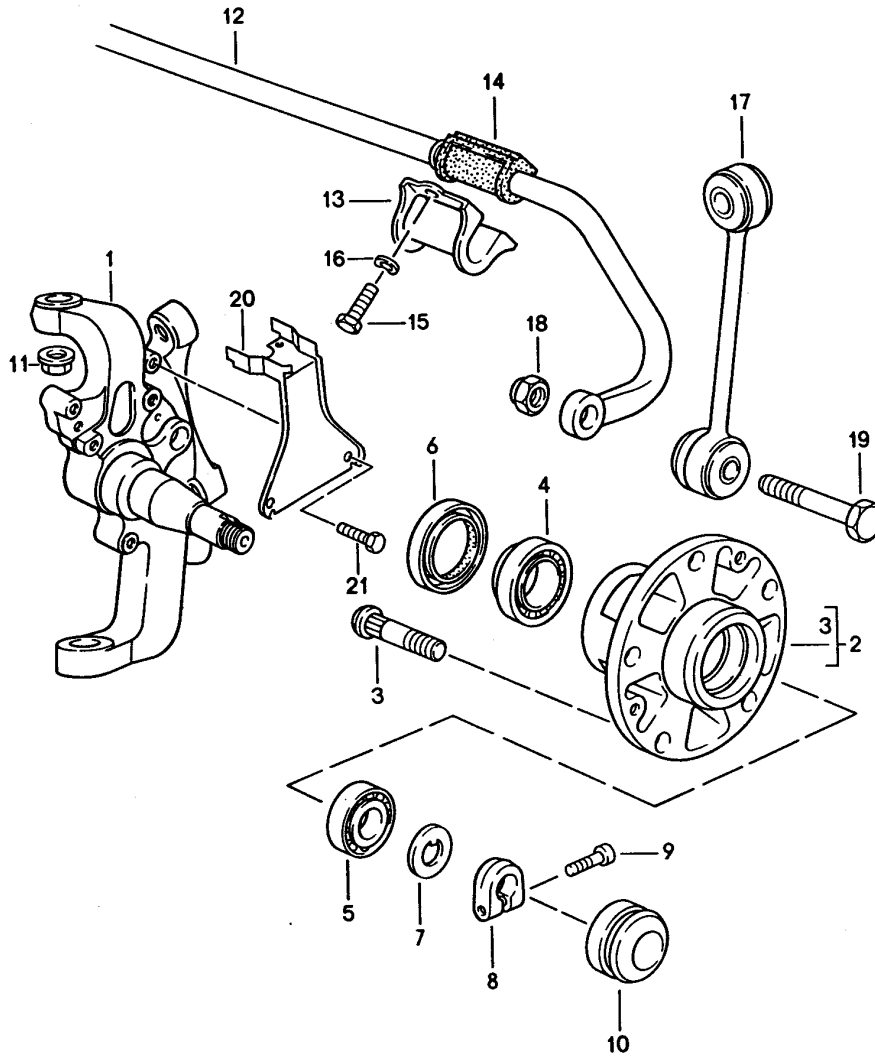


Model: 928 92 Model life 1992>>1995

Pos	Part Number	Description	Remark	Qty	Model
1	928 341 027 37	Wishbone	/L	1	
(1)	928 341 028 37	Wishbone Upper	/R	1	
2	N 900 385 01	Lock nut		4	
3	928 341 017 04	Wishbone Lower		2	
3	928 341 017 05	Wishbone Lower		2	
4	928 341 091 06	Clip	/L	1	
(4)	928 341 092 06	Clip	/R	1	
5	928 341 049 08	Articulated carrier		2	
5	928 341 049 09	Articulated carrier		2	
6	928 341 466 01	Eccentric		4	
7	900 910 115 02	Lock nut		4	
8	928 341 167 00	Supporting bow		2	
9	900 082 048 08	Hexagon-head bolt M 12 X 1,5 X 80		4	
9	900 082 048 03	Hexagon-head bolt M 12 X 1,5 X 80		4	
10	928 341 165 00	Washer		4	
10	928 341 165 01	Washer		4	
11	928 341 064 02	Protective bracket		2	
12	900 075 041 09	Hexagon-head bolt M 10 X 25		4	
12	900 075 481 01	Hexagon-head bolt M 10 X 25		4	
13	N 021 130 3	Lock nut		4	
13	N 021 130 D	Lock nut		4	
14	900 082 039 02	Hexagon-head bolt M 12 X 1,5 X 100		4	
14	900 082 137 01	Hexagon-head bolt M 12 X 1,5 X 100		4	
15	901 333 143 02	Washer		4	
16	928 341 383 05	Baffle plate	/L	1	
(16)	928 341 384 05	Baffle plate	/R	1	
17	928 341 389 03	Spoiler	/L	2	
(17)	928 341 390 03	Spoiler	/R	1	
18	928 341 391 00	Retaining washer		4	
19	N 010 367 4	Hexagon-head bolt M 6 X 60		4	
19	900 074 021 03	Hexagon-head bolt M 6 X 60		4	
20	928 341 395 01	Fastening clip		4	
21	900 910 012 02	Lock nut M 6		4	
21	900 910 047 09	Lock nut M 6		4	

Model: 928 92

Model life 1992>>1995



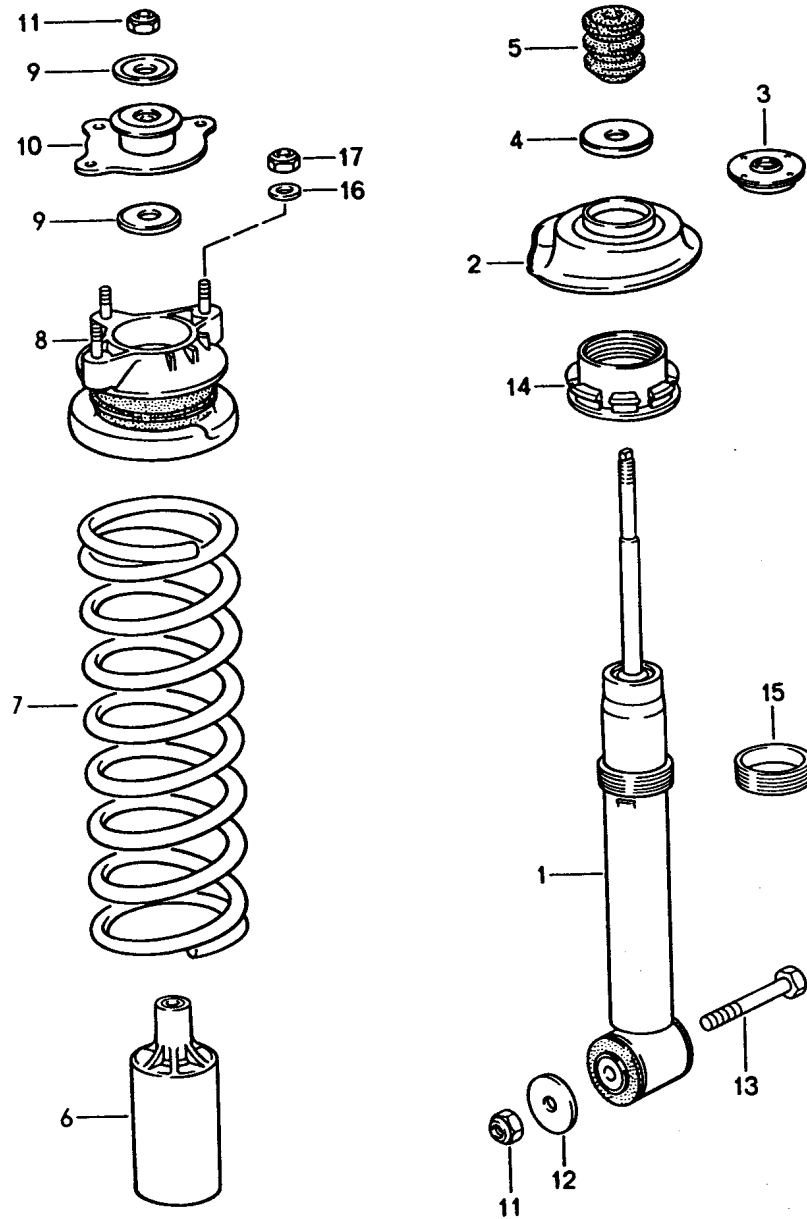
Model: 928 92

Model life 1992>>1995

Pos	Part Number	Description	Remark	Qty	Model
-	PCG 043 110 00	Steering knuckle Lubricants Grease Bearing 200 GR.		1	
1	928 341 057 17	Steering knuckle	/L	1	
(1)	928 341 058 17	Steering knuckle	/R	1	
2	928 341 066 04	Front wheel hub		2	
3	928 341 671 02	Wheel bolt		10	
(3)		Wheel bolt Oversize		X	
4	999 059 090 00	Taper roller bearing		2	
5	999 059 089 01	Taper roller bearing		2	
6	477 405 641	Radial sealing ring		2	
7	911 341 663 00	Thrust washer		2	
8	911 341 673 00	Clamping nut		2	
9	999 119 001 01	Pan-head screw M 7 X 18		2	
9	999 119 001 0B	Pan-head screw M 7 X 18		2	
10	928 341 684 00	Cap		2	
11	900 380 010 09	Lock nut M 12 X 1,5		4	
12	928 343 073 06	Stabiliser		1	
13	928 343 777 00	Bearing clamp		2	
14	928 343 793 04	Stabiliser mounting 28MM		2	
15	900 075 043 02	Hexagon-head bolt M 10 X 30	/RL	4	
(15)	N 010 275 3	Hexagon-head bolt M 10 X 35	/LL	1	
(15)	900 075 460 01	Hexagon-head bolt M 10 X 35	/LL	1	
(15)	900 075 043 02	Hexagon-head bolt M 10 X 30	/LL	3	
16	900 027 016 02	Lock ring B 10		4	
16	900 027 016 03	Lock ring B 10		4	
17	928 343 069 01	Stabiliser mounting		2	
17	928 343 069 91	Stabiliser mounting		2	
18	N 022 141 1	Captive nut M 12 X 1,5		2	
18	900 360 002 01	Lock nut M 12 X 1,5		2	
18	900 360 002 0B	Lock nut M 12 X 1,5		2	
19	N 010 154 3	Hexagon-head bolt M 12 X 1,5 X 55		2	
(20)	928 341 087 01	Support	-93	2	
21	N 010 227 2	Hexagon-head bolt M 7 X 12	-93	4	

Model: 928 92

Model life 1992>>1995

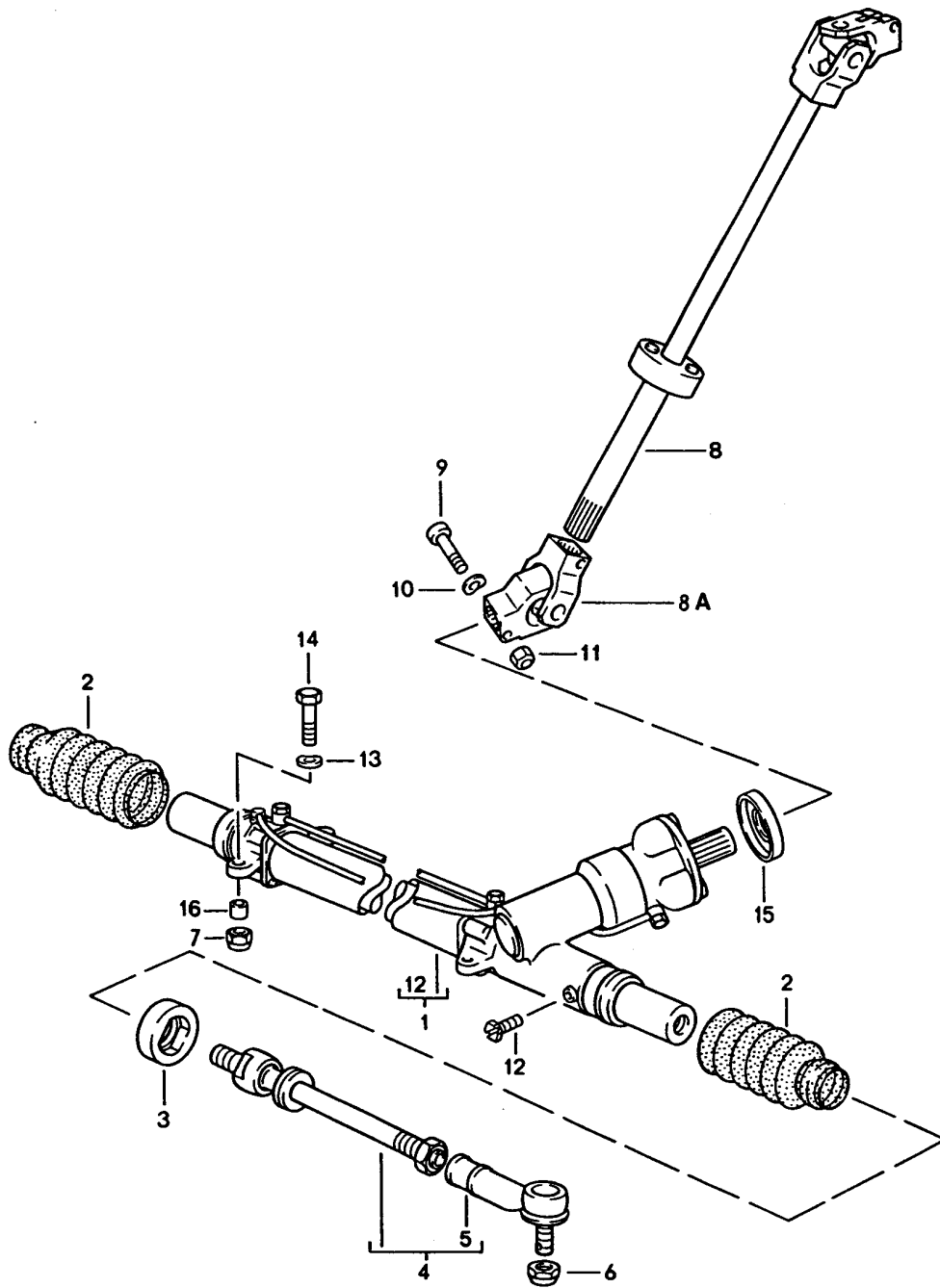


Model: 928 92 Model life 1992>>1995

Pos	Part Number	Description	Remark	Qty	Model
1	928 343 055 07	suspension Vibration damper - boge - Modification parts Sports suspension Only by sets Front axle 928.343.055.09 Only together with Rear axle 928.333.051.17	VR/VL	2	M474
(1)	928 343 055 09	Vibration damper - boge -	HR/HL	2	M474
2	928 343 525 03	Concave washer		2	
3	928 333 551 00	Supporting cover		2	
4	911 333 511 00	Washer		2	
5	928 343 527 02	Additional spring		2	
6	928 343 507 03	Boot		2	
7	928 343 511 09	Front wheel spring 1 set		1	
	928 343 511 09 404	Identification Brown			
7	928 343 511 09 928 343 511 09 403	Front wheel spring Identification Brown 1 set		1	
8	928 343 047 07	Concave washer		2	
8	928 343 047 08	Concave washer		2	
9	928 343 523 00	Washer		4	
10	928 343 051 01	Mounting for absorber		2	
11	N 022 141 1	Captive nut NM 12 X 1,5		4	
11	900 360 002 01	Lock nut NM 12 X 1,5		4	
11	900 360 002 0B	Lock nut NM 12 X 1,5		4	
12	999 025 074 02	Washer		2	
12	999 025 074 01	Washer		2	
13	900 082 044 02	Hexagon-head bolt M 12 X 1,5 X 125		2	
13	900 082 118 01	Hexagon-head bolt M 12 X 1,5 X 125		2	
14	928 343 535 02	Nut		2	
15	928 343 537 00	Threaded ring		2	
16	900 025 008 09	Washer A 10,5		6	
16	900 025 008 04	Washer A 10,5		6	
17	900 910 031 09	Lock nut NM 10		6	
17	900 910 031 01	Lock nut NM 10		6	

Model: 928 92

Model life 1992>>1995

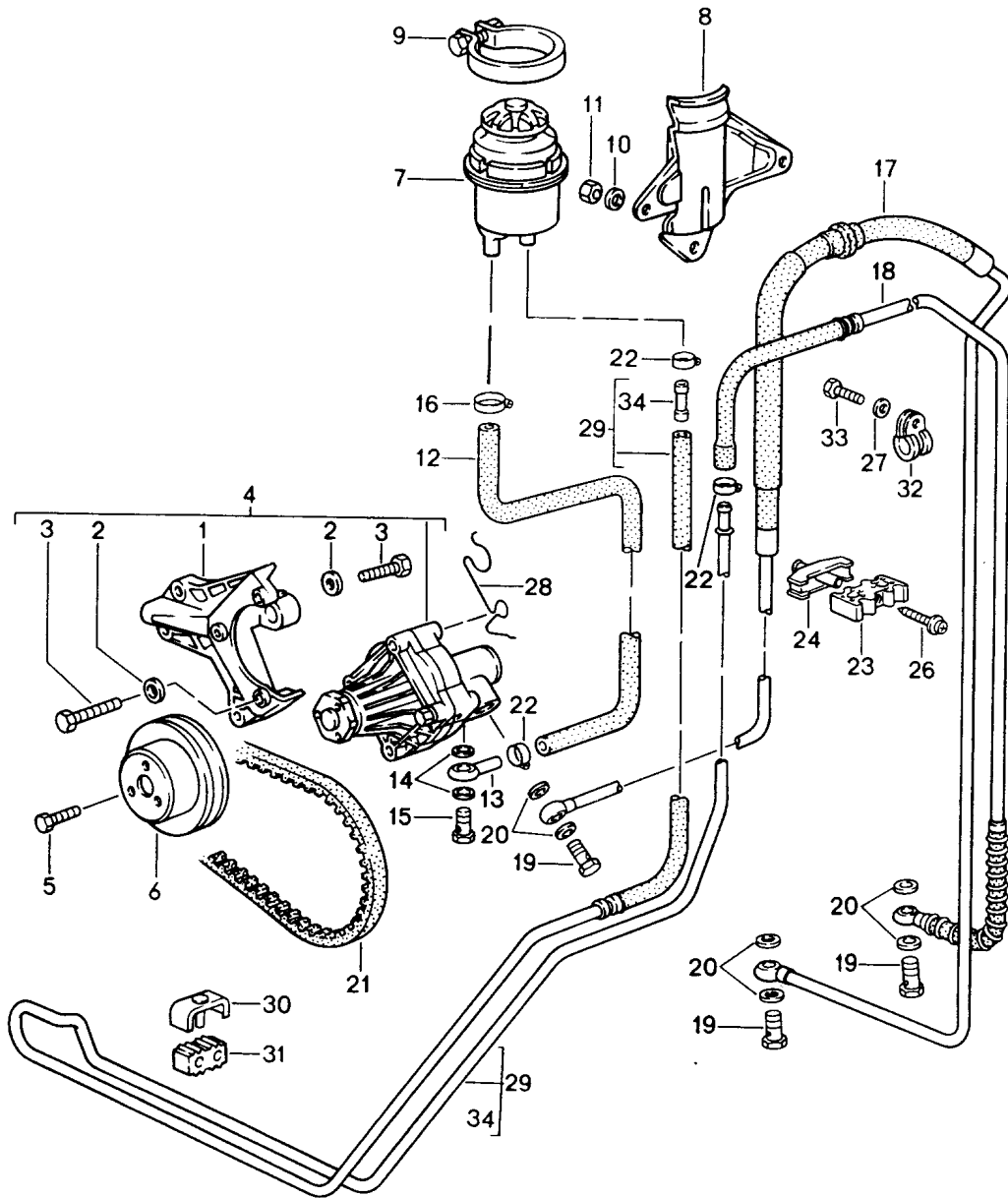


Model: 928 92 Model life 1992>>1995

Pos	Part Number	Description	Remark	Qty	Model
		Steering gear			
		Tie rod			
1	928 347 010 27	Steering gear	/LL	1	
1	928 347 010 DX	Steering gear	/LL	1	
1	928 347 010 CX	Steering gear	/LL	1	
1	928 347 010 27	Steering gear	/LL	1	
1	928 347 010 DX	Steering gear	/LL	1	
1	928 347 010 CX	Steering gear	/LL	1	
1	927 347 010 26	Steering gear	/RL	1	
2	928 347 191 03	Bellows		2	
3	928 347 329 04	Stop		2	
4	928 347 031 07	Tie rod		2	
4	928 347 031 09	Tie rod		2	
5	928 347 322 02	Ball joint		2	
6	900 910 046 02	Lock nut		2	
6	999 084 439 09	Lock nut		2	
6	999 084 445 09	Lock nut		2	
6	999 084 445 01	Lock nut		2	
7	N 021 130 3	Lock nut		4	
7	N 021 130 D	Lock nut		4	
8	928 347 093 01	Intermed. steering shaft	/LL -93	1	
(8)	927 347 093 01	Intermed. steering shaft	/RL -93	1	
(8)	928 347 093 01	Intermed. steering shaft	/LL 94-	1	
(8)	927 347 093 01	Intermed. steering shaft	/RL 94-	1	
8A	928 347 021 04	Universal joint	-93	1	
(8A)		Universal joint	94-	1	
9	N 010 359 4	Hexagon-head bolt		3	
10	N 012 241 8	Spring washer		3	
		B 8			
11	900 910 022 02	Lock nut		3	
12	999 063 002 40	Screw plug		1	
		AM 12 X 1,5			
13	900 028 005 02	Spring washer		4	
		-A 10-			
14	N 010 445 2	Hexagon-head bolt	/LL	4	
		M 10 X 45			
14	900 074 372 01	Hexagon-head bolt	/LL	4	
		M 10 X 45			
(14)	N 010 445 2	Hexagon-head bolt	/RL	3	
		M 10 X 45			
(14)	900 074 372 01	Hexagon-head bolt	/RL	3	
		M 10 X 45			
(14)	N 010 450 5	Hexagon-head bolt	/RL	1	
		M 10 X 50			
(14)	900 074 373 02	Hexagon-head bolt	/RL	1	
		M 10 X 50			
15	928 347 923 00	Protection cap		1	
16	928 347 779 03	Bush		4	

Model: 928 92

Model life 1992>>1995



Model: 928 92 Model life 1992>>1995

Pos	Part Number	Description	Remark	Qty	Model
		Power steering Lines			
1	928 347 121 02	Support		1	
2	900 025 007 02	Washer A 8,4		5	
2	900 025 007 03	Washer A 8,4		5	
3	N 010 353 3	Hexagon-head bolt M 8 X 42		4	
4	928 347 089 01	Vane type pump		1	
4	928 347 089 AX	Vane type pump		1	
4	928 347 089 BX	Vane type pump		1	
5	999 072 005 09	Hexagon nut M 6 X 12		3	
5	999 072 005 01	Hexagon nut M 6 X 12		3	
6	928 347 441 10	Pulley		1	
7	928 347 015 03	Oil tank	-92	1	
(7)	928 347 015 05	Container	93	1	
(7)		Container	94-	1	
-	928 347 925 00	Lid for Oil tank		1	
-	928 347 927 00	Gasket for Lid		1	
8	928 347 333 00	Support		1	
9	999 512 350 02	Hose clamp SGL 80-100-9		1	
10	900 151 008 02	Washer B 8,4		3	
11	900 084 004 03	Hexagon nut NM 8		3	
11	900 084 004 02	Hexagon nut NM 8		3	
12	928 347 445 05	Moulded hose		1	
12	928 347 445 06	Moulded hose		1	
		Information available			
13	999 230 158 02	Nipple with elastic ring		1	
14	N 100 184 01	Sealing ring A 16 X 20		2	
15	900 134 014 02	Banjo bolt A 10		1	
16	999 512 346 00	Hose clamp		1	
17	928 347 447 07	Pressure line	/LL	1	
(17)	927 347 447 04	Pressure line	/RL	1	
18	928 347 449 09	Return line	/LL	1	
18		Return line	/LL	1	
(18)	927 347 449 05	Return line	/RL	1	
19	900 134 007 02	Banjo bolt		2	
19	900 134 007 01	Banjo bolt		2	
19	PCG 134 007 01	Banjo bolt		2	
20	900 123 042 20	Sealing ring 14 X 18		4	
21	999 192 286 50	V-belt 12,5 X 1000		1	
22	999 512 554 00	Hose clamp A 8 X 9		3	
24	928 347 560 00	Pipe clamp		1	
23	928 347 529 00	Shim		1	
26	900 143 155 02	Oval-head screw B 4,8 X 32 Z1		1	
27	N 011 524 7	Washer		1	

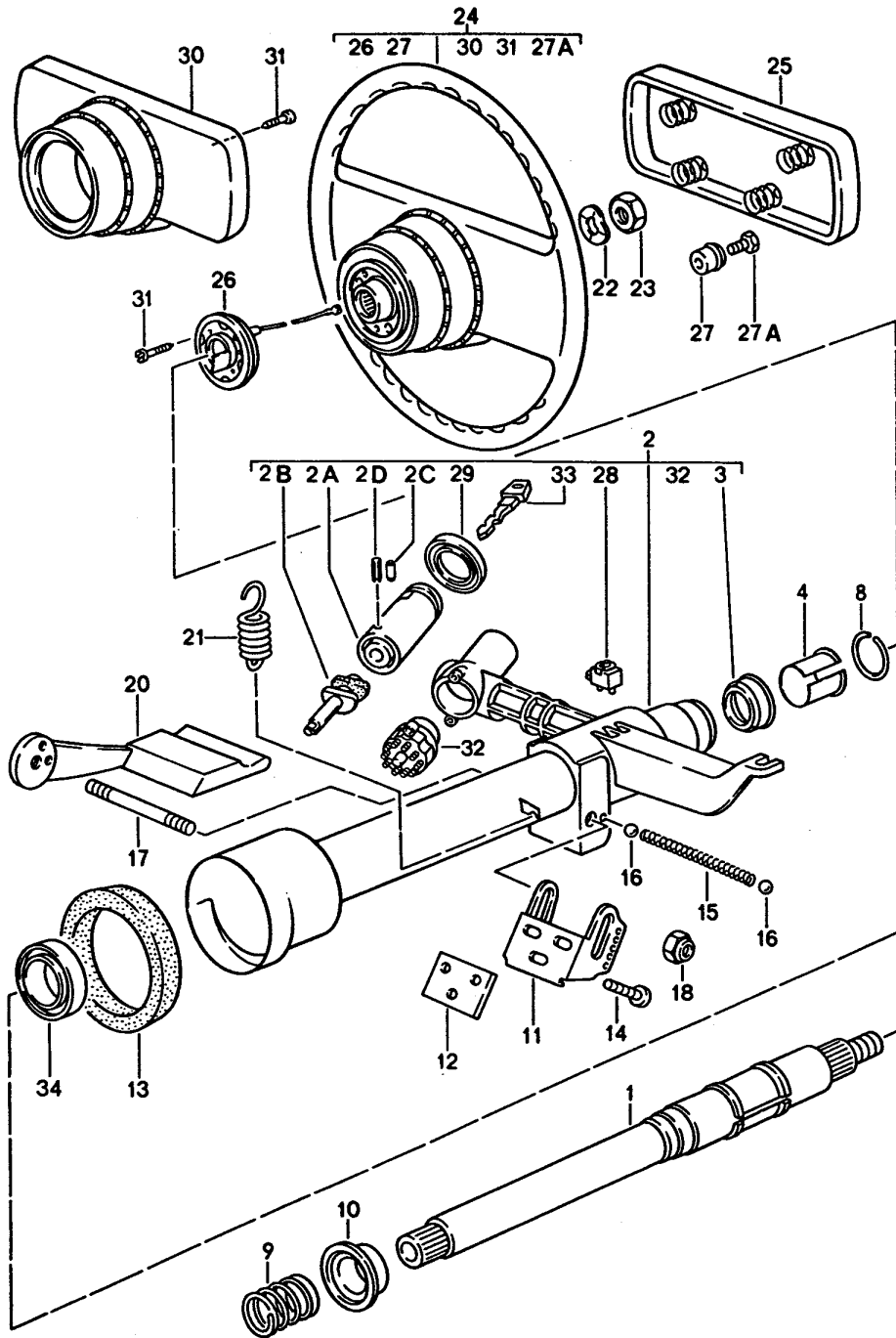
Model: 928 92

Model life 1992>>1995

Pos	Part Number	Description	Remark	Qty	Model
27	N 011 524 27	A 6,4 Washer		1	
28	928 347 429 01	A 6,4 Support		1	
29	928 347 350 00	Radiator coil		1	
29		Radiator coil		1	
30	928 347 555 00	Clamp		2	
31	928 347 527 00	Rubber mounting		2	
32	N 020 601 1	Pipe clamp		2	
32	N 020 601 A	Pipe clamp		2	
33	N 010 210 7	Hexagon-head bolt M 6 X 10		2	
34	928 347 550 00	Restrictor		2	

Model: 928 92

Model life 1992>>1995



Model: 928 92 Model life 1992>>1995

Pos	Part Number	Description	Remark	Qty	Model
		Steering parts			M564
1	928 347 061 06	Steering wheel		1	
2	928 347 903 12	Steering shaft		1	
		Steering lock	92	1	
		with			
		Steering outer tube			
		with 1 key			
		W/o stipulated lock number			
(2)	928 347 903 11	Steering lock	92	1	
		with			
		Steering outer tube			
		with 1 key			
		State lock number			
2A	928 347 915 01	Lock cylinder		1	
		for			
		Steering lock			
		with 1 key			
		W/o stipulated lock number			
(2)	928 347 903 12	Steering lock		1	
		with			
		Steering outer tube			
		with 1 key			
		W/o stipulated lock number			
(2)	928 347 903 11	Steering lock		1	
		with			
		Steering outer tube			
		with 1 key			
		State lock number			
(2)	928 347 903 18	Lock cylinder		1	M249
		for			
		Steering lock			
		with 1 key			
		W/o stipulated lock number			
(2)	928 347 903 17	Steering lock		1	M249
		with			
		Steering outer tube			
		with 1 key			
		State lock number			
2A	928 347 915 01	Lock cylinder		1	
		for			
		Steering lock			
		with 1 key			
		W/o stipulated lock number			
(2A)	928 347 917 01	Lock cylinder		1	
		for			
		Steering lock			
		with 1 key			
		with stipulated lock number			
2B	928 347 919 00	Control cams	92	1	
2B	928 347 755 02	Control cams	92	1	
		Use also:			
-	928 347 962 00	Intermediate piece		1	
-	900 015 030 02	Intermediate piece		2	
(2B)	928 347 755 02	Control cams	93-	1	
2C	900 091 001 00	Dowel pin		1	
		3 X 8			
2D	900 095 007 00	Roll pin		1	
		3 X 12			
3	928 347 791 00	Steering shaft bearing		1	
4	928 347 739 02	Support ring		1	
8	113 415 531	Circlip		1	
9	928 347 213 07	Compression spring		1	
-	N 100 545 01	Shim		X	

Model: 928 92 Model life 1992>>1995

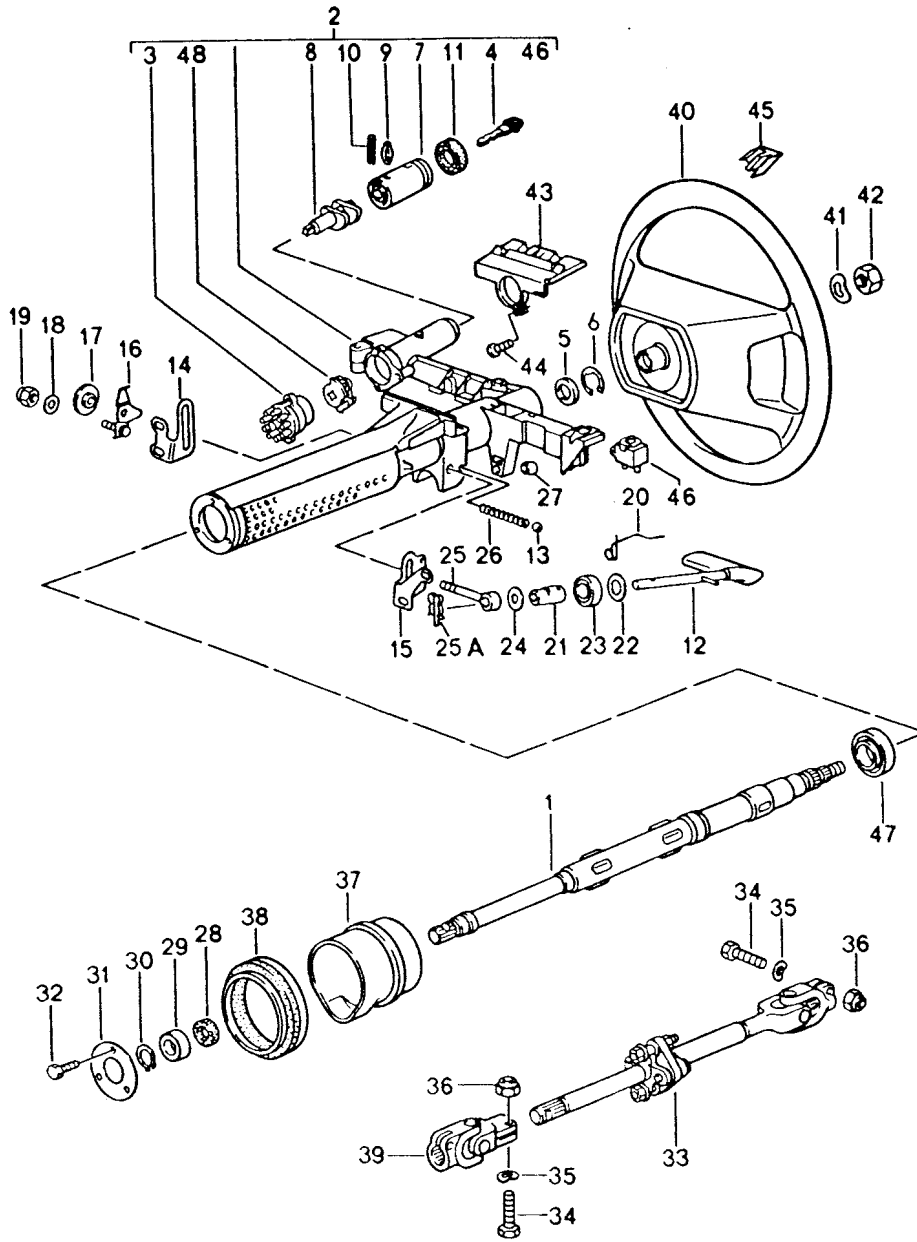
Pos	Part Number	Description	Remark	Qty	Model
-	N 027 416 1	0,3 MM Shim		X	
-	N 100 511 01	0,5 MM Shim		X	
-	N 100 512 01	1,0 MM Shim		X	
		1,5 MM			
10	928 347 241 01	Steering shaft bearing		1	
11	928 347 369 04	Bracket	-93	1	
(11)	928 347 369 05	Bracket	94-	1	
12	928 347 370 01	Desk pad		X	
(12)	928 347 370 02	Desk pad		X	
(12)	928 347 370 03	Desk pad		X	
13	928 347 659 02	Sealing ring		1	
14	N 014 782 1	Pan-head screw M 6 X 25		3	
15	928 347 375 01	Compression spring		1	
16	900 108 020 00	Ball 6 MM		2	
17	928 347 259 02	Threaded bolt		1	
18	900 910 022 02	Lock nut		2	
20	928 347 033 02	Control lever		1	
	928 347 033 02 70A	Black			
21	928 347 377 03	Tension spring		1	
22	N 012 239 1	Spring washer B 18		1	
23	900 078 007 02	Hexagon nut M 18 X 1,5		1	
24	928 347 084 05	Sports steering wheel		1	
	928 347 084 05 1AJ	Black	-93		
	928 347 084 05 7WH	Classic grey	-93		
	928 347 084 05 9WW	Cobalt blue	-93		
	928 347 084 05 4XW	Magenta	-93		
	928 347 084 05 M47	Matador red	-93		
	928 347 084 05 D17	Carrara grey	-93		
	928 347 084 05 J27	Sherwood green	-93		
	928 347 084 05 8YR	Black	94-		
	928 347 084 05 6XL	Classic grey	94-		
	928 347 084 05 H24	Midnight blue	94-		
	928 347 084 05 T15	Chestnut brown	94-		
	928 347 084 05 K03	Cedar green	94-		
	928 347 084 05 8SE	Flamenco red	94-		
(24)	928 347 084 06	Sports steering wheel		1	M018
	928 347 084 06 1AJ	Black	-93		
	928 347 084 06 7WH	Classic grey	-93		
	928 347 084 06 9WW	Cobalt blue	-93		
	928 347 084 06 4XW	Magenta	-93		
	928 347 084 06 M47	Matador red	-93		
	928 347 084 06 D17	Carrara grey	-93		
	928 347 084 06 J27	Sherwood green	-93		
	928 347 084 06 8YR	Black	94-		
	928 347 084 06 6XL	Classic grey	94-		
	928 347 084 06 H24	Midnight blue	94-		
	928 347 084 06 T15	Chestnut brown	94-		
	928 347 084 06 K03	Cedar green	94-		
	928 347 084 06 8SE	Flamenco red	94-		
	928 347 084 06 8WH	Slate grey			
25	911 347 859 07	Padded cap		1	
	911 347 859 07 7YA	Black	-93		
	911 347 859 07 6XL	Classic grey	-93		
	911 347 859 07 9WW	Cobalt blue	-93		
	911 347 859 07 4XW	Magenta	-93		
	911 347 859 07 M47	Matador red	-93		

Model: 928 92 Model life 1992>>1995

Pos	Part Number	Description	Remark	Qty	Model
	911 347 859 07 D17	Carrara grey	-93		
	911 347 859 07 J27	Sherwood green	-93		
	911 347 859 07 8YR	Black	94-		
	911 347 859 07 6XL	Classic grey	94-		
	911 347 859 07 H24	Midnight blue	94-		
	911 347 859 07 T15	Chestnut brown	94-		
	911 347 859 07 K03	Cedar green	94-		
	911 347 859 07 8SE	Flamenco red	94-		
26	928 347 099 00	Slip ring		1	
27	321 419 779 A	Insulating bush		4	
27A	900 075 230 10	Hexagon-head bolt M 4 X 16		4	
28	911 613 125 00	Buzzer contact		1	
29	928 347 913 00	Rubber boot		1	
30	928 347 857 02	Lining		1	
	928 347 857 02 1DB	Black			
	928 347 857 02 7LD	Burgundy	-93		
	928 347 857 02 8MF	Mahogany	-93		
	928 347 857 02 5KF	Marine blue	-93		
	928 347 857 02 5XL	Classic grey			
	928 347 857 02 6ZH	Cobalt blue	-93		
	928 347 857 02 5XW	Magenta	-93		
	928 347 857 02 4HP	Midnight blue	94-		
	928 347 857 02 6PX	Chestnut brown	94-		
31	113 415 869	Oval-head screw M 3,5 X 10		6	
32	964 613 012 00	Ignition starter switch		1	
33		Key See group 8/04/05 8/04/20			
34	999 052 151 00	Deep-groove ball bearing 19 X 32 X 7		1	

Model: 928 92

Model life 1992>>1995



Model: 928 92 Model life 1992>>1995

Pos	Part Number	Description	Remark	Qty	Model
		Airbag Steering parts Steering wheel			
		Height adjustment for Steering wheel Right-hand drive See group 4/03/05	/LL /RL 93- /RL 93-		M562 M561 M561
1	928 347 019 02	Steering shaft		1	
2	928 347 903 14	Steering lock with Steering outer tube with 1 key W/o stipulated lock number	92	1	
(2)	928 347 903 13	Steering lock with Steering outer tube with 1 key State lock number	92	1	
(2)	928 347 903 14	Steering lock with Steering outer tube with 1 key W/o stipulated lock number	93	1	
(2)	928 347 903 13	Steering lock with Steering outer tube with 1 key State lock number	93	1	
(2)	928 347 903 16	Steering lock with Steering outer tube with 1 key W/o stipulated lock number	94-	1	M249
(2)	928 347 903 15	Steering lock with Steering outer tube with 1 key State lock number	94-	1	M249
(2)	928 347 903 14	Steering lock with Steering outer tube with 1 key W/o stipulated lock number	94-	1	M481
(2)	928 347 903 13	Steering lock with Steering outer tube with 1 key State lock number	94-	1	M481
3	964 613 012 00	Ignition starter switch		1	
4		See group 8/04/05			
5	999 234 004 00	Shim		1	
6	999 042 017 01	Snap ring		1	
7	928 347 915 01	Lock cylinder for Steering lock with 1 key W/o stipulated lock number		1	
7	928 347 917 01	Lock cylinder		1	

Model: 928 92 Model life 1992>>1995

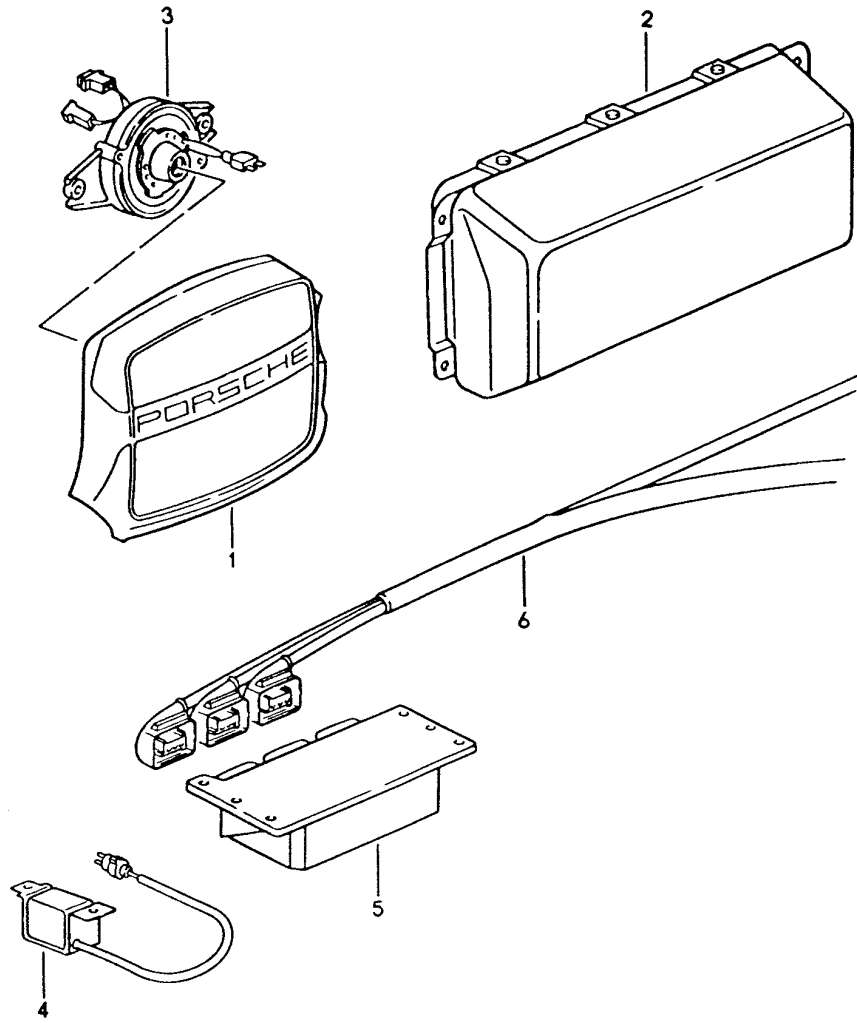
Pos	Part Number	Description	Remark	Qty	Model
		for Steering lock with 1 key with stipulated lock number			
8	928 347 919 00	Control cams	92	1	
8	928 347 755 02	Control cams	92	1	
		Use also:			
-	928 347 962 00	Intermediate piece		1	
-	900 015 030 02	Intermediate piece		2	
(8)	928 347 755 02	Control cams	93-	1	
8		Control cams F >>92PS8 19999		1	
		Use also:			
-	928 347 962 00	Intermediate piece		1	
-	900 015 030 02	Intermediate piece		2	
9	900 091 001 00	Dowel pin 3 X 8		1	
10	900 095 007 00	Roll pin 3 X 12		1	
11	928 347 913 00	Rubber boot		1	
12	928 347 033 06	Control lever		1	
		928 347 033 06 70A Black			
13	900 108 020 00	Ball		1	
14	928 347 366 00	Bracket Right	/LL	1	
15	928 347 365 00	Bracket Left	/LL	1	
16	928 347 082 00	Valve lever	/LL	1	
17	928 347 086 00	Adjusting nut	/LL	1	
18	900 223 003 02	Washer 6,4	/LL	1	
19	900 910 010 09	Lock nut M 6	/LL	1	
20	928 347 376 01	Spring	/LL	1	
21	928 347 341 01	Eccentric	/LL	1	
22	999 025 208 40	Washer 15,1 X 26 X 1,2	/LL	1	
23	999 201 340 00	Needle-roller bearing 15 X 28 X 13	/LL	1	
24	N 012 230 1	Spring washer B 10	/LL	X	
25	928 347 055 00	Tensioning device	/LL	1	
25A	999 021 005 01	Cotter pin	/LL	1	
26	928 347 375 01	Compression spring		1	
27	999 924 002 40	Bush		1	
28	999 235 002 90	Sealing ring 24 X 33 X 8		1	
29	999 052 155 00	Deep-groove ball bearing 20 X 37 X 9		1	
30	999 041 021 01	Circlip 20 X 1,2		1	
31	928 347 719 01	Flange		1	
32	999 072 005 09	Hexagon nut M 6 X 12		3	
32	999 072 005 01	Hexagon nut M 6 X 12		3	
33	928 347 093 01	Intermed. steering shaft	/LL -93	1	
(33)	927 347 093 01	Intermed. steering shaft	/RL -93	1	
(33)	928 347 093 01	Intermed. steering shaft	/LL 94-	1	
(33)	927 347 093 01	Intermed. steering shaft	/RL 94-	1	
34	N 010 359 4	Hexagon-head bolt M 8 X 38		1	
35	N 012 241 8	Spring washer		1	

Model: 928 92 Model life 1992>>1995

Pos	Part Number	Description	Remark	Qty	Model
36	900 910 022 02	B 8 Lock nut		1	
37	928 347 709 11	M 8 Funnel		1	
38	928 347 659 02	Sealing ring		1	
39	928 347 021 04	Universal joint	-93	1	
39		Universal joint	94-	1	
40	944 347 804 51	Sports steering wheel	93	1	
	944 347 804 51 1AJ	Black			
	944 347 804 51 7WH	Classic grey			
	944 347 804 51 9WW	Cobalt blue			
	944 347 804 51 4XW	Magenta			
	944 347 804 51 2JZ	Maritime blue			
40	944 347 804 52	Sports steering wheel	94-	1	
	944 347 804 52 8YR	Black			
	944 347 804 52 6XL	Classic grey			
	944 347 804 52 H24	Midnight blue			
	944 347 804 52 T15	Chestnut brown			
41	N 012 238 1	Spring washer		1	
		B 16			
42	900 078 006 01	Hexagon nut		1	
		M 16			
43	928 347 059 03	Guide runner		1	
44	N 014 128 13	Oval-head screw		1	
		M 5 X 8			
45	944 347 836 00	Horn button	/R	1	
	944 347 836 00 01C	Black			
	944 347 836 00 7WH	Classic grey	-93		
	944 347 836 00 9WW	Cobalt blue	-93		
	944 347 836 00 4XW	Magenta	-93		
	944 347 836 00 4XC	Classic grey	94-		
	944 347 836 00 2GS	Midnight blue	94-		
	944 347 836 00 4PV	Chestnut brown	94-		
(45)	944 347 835 00	Horn button	/L	1	
	944 347 835 00 01C	Black			
	944 347 835 00 7WH	Classic grey	-93		
	944 347 835 00 9WW	Cobalt blue	-93		
	944 347 835 00 4XW	Magenta	-93		
	944 347 835 00 4XC	Classic grey	94-		
	944 347 835 00 2GS	Midnight blue	94-		
	944 347 835 00 4PV	Chestnut brown	94-		
-	944 612 355 00	Wiper contact		1	
-	944 347 831 00	Switch housing	/L	1	
	944 347 831 00 01C	Satin black			
	944 347 831 00 6ZF	Cobalt blue	-93		
	944 347 831 00 4XC	Classic grey	-93		
	944 347 831 00 6WX	Magenta	-93		
	944 347 831 00 4XC	Classic grey	94-		
	944 347 831 00 2GS	Midnight blue	94-		
	944 347 831 00 4PV	Chestnut brown	94-		
-	944 347 832 00	Switch housing	/R	1	
	944 347 832 00 01C	Satin black			
	944 347 832 00 6ZF	Cobalt blue	-93		
	944 347 832 00 4XC	Classic grey	-93		
	944 347 832 00 6WX	Magenta	-93		
	944 347 832 00 4XC	Classic grey	94-		
	944 347 832 00 2GS	Midnight blue	94-		
	944 347 832 00 4PV	Chestnut brown	94-		
47	999 052 160 00	Deep-groove ball bearing		1	
		30 X 42 X 7			
47	999 052 102 00	Deep-groove ball bearing		1	
		30 X 42 X 7			
48	928 347 133 00	Locking segment	94-	1	M249

Model: 928 92

Model life 1992>>1995

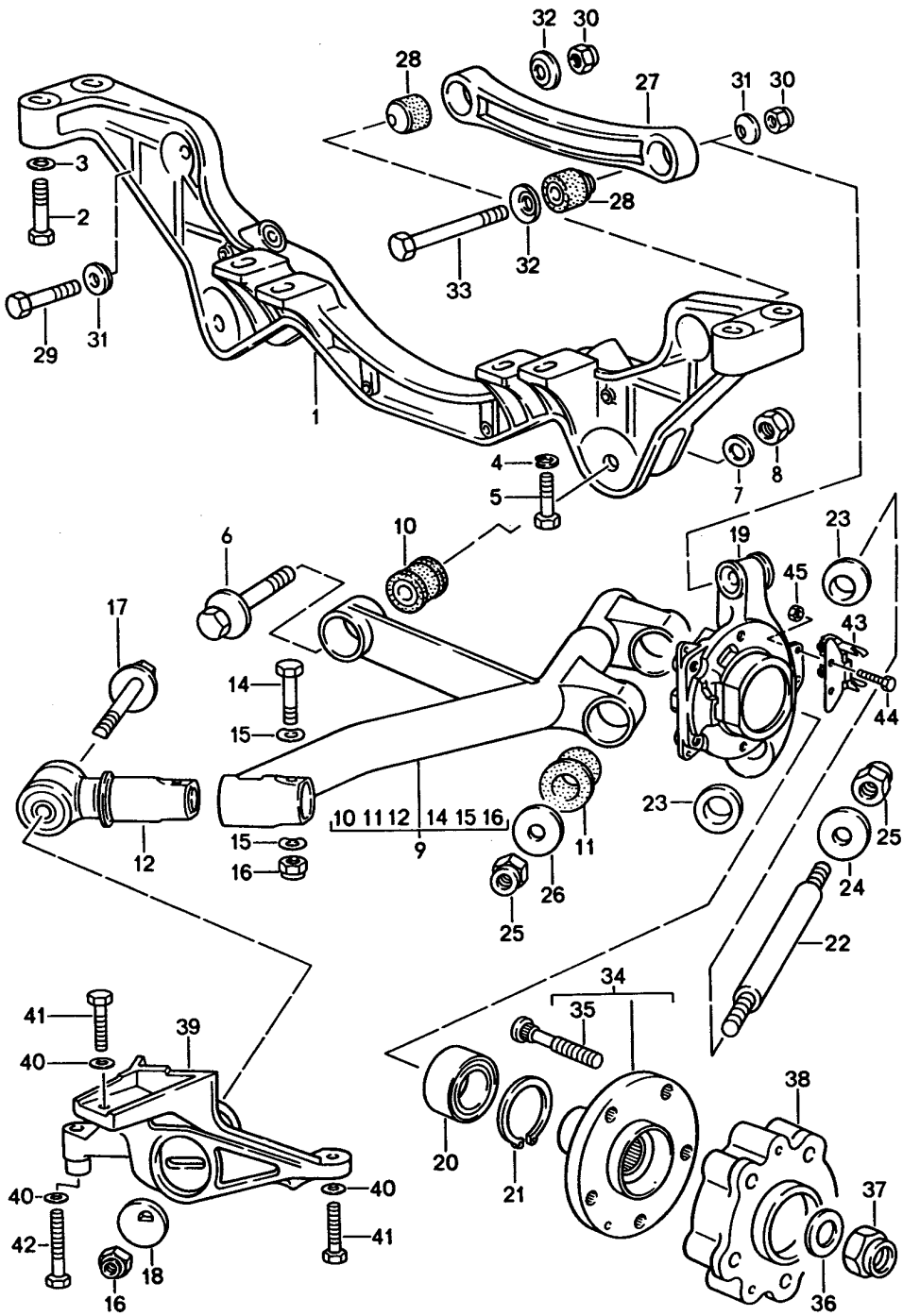


Model: 928 92 Model life 1992>>1995

Pos	Part Number	Description	Remark	Qty	Model
		Airbag Airbag unit Switch unit	/LL /RL 93-		M562 M561
1	944 347 989 06	Airbag unit Driver's side Set		1	
	944 347 989 06 1AJ	Black	-93		
	944 347 989 06 7WH	Classic grey	-93		
	944 347 989 06 9WW	Cobalt blue	-93		
	944 347 989 06 4XW	Magenta	-93		
	944 347 989 06 8YR	Black	94-		
	944 347 989 06 6XL	Classic grey	94-		
	944 347 989 06 H24	Midnight blue	94-		
	944 347 989 06 T15	Chestnut brown	94-		
2	928 803 071 01	Airbag unit Passenger's side		1	
3	928 652 211 01	Support for contact		1	
4	928 613 220 02	Front sensor		2	
5	944 618 217 02	Control unit	/LL	1	
5	945 618 217 00	Control unit	/RL 93-	1	
6	928 612 084 01	Wiring harness		1	
-	928 618 401 00	Shear bolt		2	
-	944 618 401 00	Nut		4	
-	964 612 901 00	Securing clip Blue		1	
-	999 073 030 02	Pan-head screw M 6 X 19		2	
-	N 013 968 7	Tapping screw B 4,8 X 13		2	
-	900 143 097 01	Tapping screw B 4,8 X 13		2	
-	N 011 524 7	Washer A 6,4		4	
-	N 011 524 27	Washer A 6,4		4	

Model: 928 92

Model life 1992>>1995



Model: 928 92 Model life 1992>>1995

Pos	Part Number	Description	Remark	Qty	Model
1	928 331 131 17	Rear axle			
(1)	928 331 131 18	Rear axle cross member		1	M249
2	N 010 473 6	Rear axle cross member		1	M481
		Hexagon-head bolt		4	
		M 10 X 75			
3	900 223 011 01	Washer		4	
		B 10,5			
3	900 223 011 02	Washer		4	
		B 10,5			
4	999 025 086 02	Square washer		2	
		12,1 X 24			
4A	999 025 085 02	Washer		X	
		12,5 X 30 X 1			
5	N 010 141 4	Hexagon-head bolt		2	
		M 12 X 1,5 X 45			
6	928 331 075 04	Eccentric screw		2	
7	928 331 581 00	Washer		2	
8	900 910 094 02	Lock nut		2	
9	928 331 043 06	Control arm	/L	1	
(9)	928 331 044 06	Control arm	/R	1	
10	928 331 588 10	Rubber mounting		2	
11	928 331 588 13	Rubber mounting		4	
11	928 331 588 15	Rubber mounting		4	
12	928 331 085 00	Rocker bar		2	
14	900 082 140 01	Hexagon-head bolt		2	
		M 12 X 1,5 X 75			
15	900 028 014 02	Washer		4	
15	900 028 014 03	Washer		4	
16	N 022 141 4	Lock nut		4	
17	928 331 659 05	Eccentric screw		2	
18	928 331 523 12	Eccentric washer		2	
19	928 331 219 09	Wheel carrier	/L	1	
19	928 331 220 09	Wheel carrier	/R	1	
20	999 053 050 00	Angular-contact bearing		2	
20	999 053 055 02	Angular-contact bearing		2	
21	900 042 030 02	Circlip		2	
22	928 331 641 01	Bearing pin		2	
23	928 331 655 06	Cone washer		4	
24	928 331 647 02	Washer		2	
25	900 910 094 02	Lock nut		4	
26	928 331 647 00	Washer		4	
27	928 331 101 02	Control arm		2	
28	928 331 089 02	Link bearing		4	
28	928 331 089 04	Link bearing		4	
29	N 010 470 7	Hexagon-head bolt		2	
		M 10 X 70			
29	N 010 470 1	Hexagon-head bolt		2	
		M 10 X 70			
30	900 910 031 09	Lock nut		4	
30	900 910 031 01	Lock nut		4	
32	928 331 575 01	Cone washer		4	
31	928 331 649 02	Cone washer		2	
33	N 010 482 3	Hexagon-head bolt		2	
		M 10 X 105			
34	928 331 065 09	Hub		2	
35	911 331 671 03	Wheel bolt		10	
36	928 331 591 02	Washer		2	
37	900 910 093 02	Lock nut		2	
38	928 331 611 01	Spacer ring		2	
38	928 331 611 02	Spacer ring		2	
39	928 331 111 00	Link bearing	/L	1	
(39)	928 331 112 00	Link bearing	/R	1	
40	900 223 011 01	Washer		10	

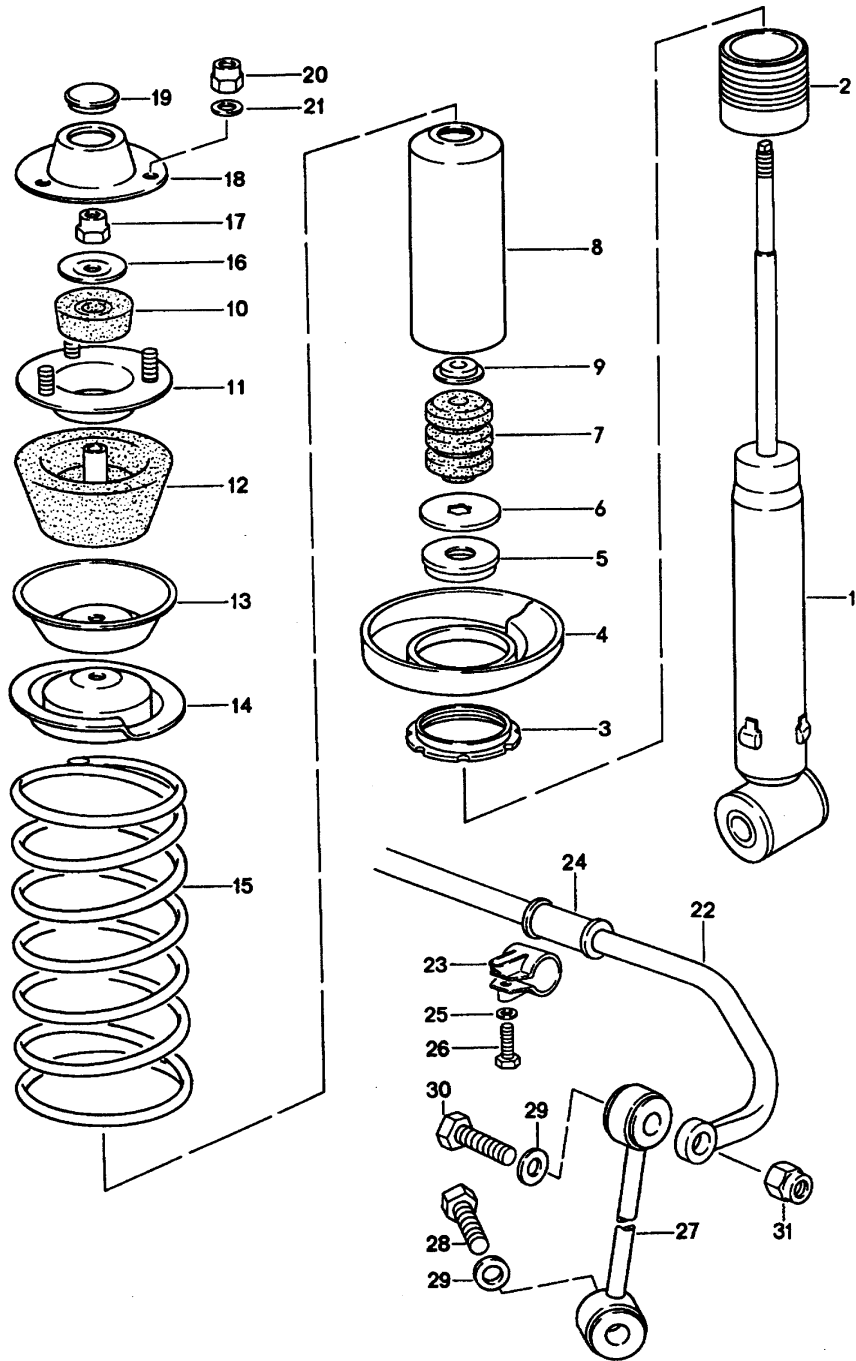
Model: 928 92

Model life 1992>>1995

Pos	Part Number	Description	Remark	Qty	Model
40	900 223 011 02	Washer		10	
41	N 010 450 5	Hexagon-head bolt M 10 X 50		4	
41	900 074 373 02	Hexagon-head bolt M 10 X 50		4	
42	N 010 473 6	Hexagon-head bolt M 10 X 75		6	
43	928 331 083 02	Support	-93	2	
44	N 010 217 9	Hexagon-head bolt M 6 X 20	-93	4	
45	900 910 010 09	Lock nut	-93	4	

Model: 928 92

Model life 1992>>1995



Model: 928 92

Model life 1992>>1995

Pos	Part Number	Description	Remark	Qty	Model
1	928 333 051 16	suspension Stabiliser Vibration damper		2	
(1)	928 333 051 17	- boge - Vibration damper		2	M474
		- boge -			
2	928 333 511 05	Threaded sleeve		2	
3	928 333 513 02	Adjusting nut		2	
4	928 333 521 07	Concave washer		2	
5	928 333 551 00	Supporting cover		2	
6	911 333 511 00	Washer		2	
7	928 333 518 10	Additional spring		2	
8	928 333 502 01	Protective tube		2	
9	928 333 517 01	Retaining ring		2	
10	928 333 465 01	Damping rubber		2	
11	928 333 064 00	Fastening plate		2	
12	928 333 043 00	Supporting rubber		2	
12	928 333 043 01	Supporting rubber		2	
13	928 333 436 02	Supporting plate		2	
14	928 333 522 08	Concave washer		2	
15	928 333 531 14	Rear wheel spring		2	
		Identification Blue			
	928 333 531 14 301	1 colour line			
	928 333 531 14 302	2 colour lines			
	928 333 531 14 303	3 colour lines			
(15)	928 333 531 14	Rear wheel spring		2	
		Identification Blue			
(15)	928 333 531 14 304	Blue			
	928 333 531 16	Rear wheel spring		1	
		1 set			
	928 333 531 16 304	Identification Blue			
16	928 333 525 01	Washer		2	
17	900 910 046 02	Lock nut		2	
17	999 084 439 09	Lock nut		2	
17	999 084 445 09	Lock nut		2	
17	999 084 445 01	Lock nut		2	
18	928 333 151 01	Lid		2	
18	928 333 151 02	Lid		2	
19	999 703 131 40	Lid		2	
20	900 910 031 09	Lock nut		6	
20	900 910 031 01	Lock nut		6	
21	900 025 008 09	Washer		6	
		A 10,5			
21	900 025 008 04	Washer		6	
		A 10,5			
22	928 333 701 34	Stabiliser		1	
		22 MM			
23	928 333 085 00	Clip		2	
24	928 333 754 26	Bearing		2	
		22 MM			
25	477 407 425	Washer		2	
26	N 010 472 4	Hexagon-head bolt		2	
		M 10 X 85			
26	900 074 375 01	Hexagon-head bolt		2	
		M 10 X 85			
27	928 333 059 01	Stabiliser mounting	/L	1	
27	928 333 059 02	Stabiliser mounting	/L	1	
27	928 333 060 01	Stabiliser mounting	/R	1	
27	928 333 060 02	Stabiliser mounting	/R	1	
28	N 010 445 2	Hexagon-head bolt		2	
		M 10 X 45			

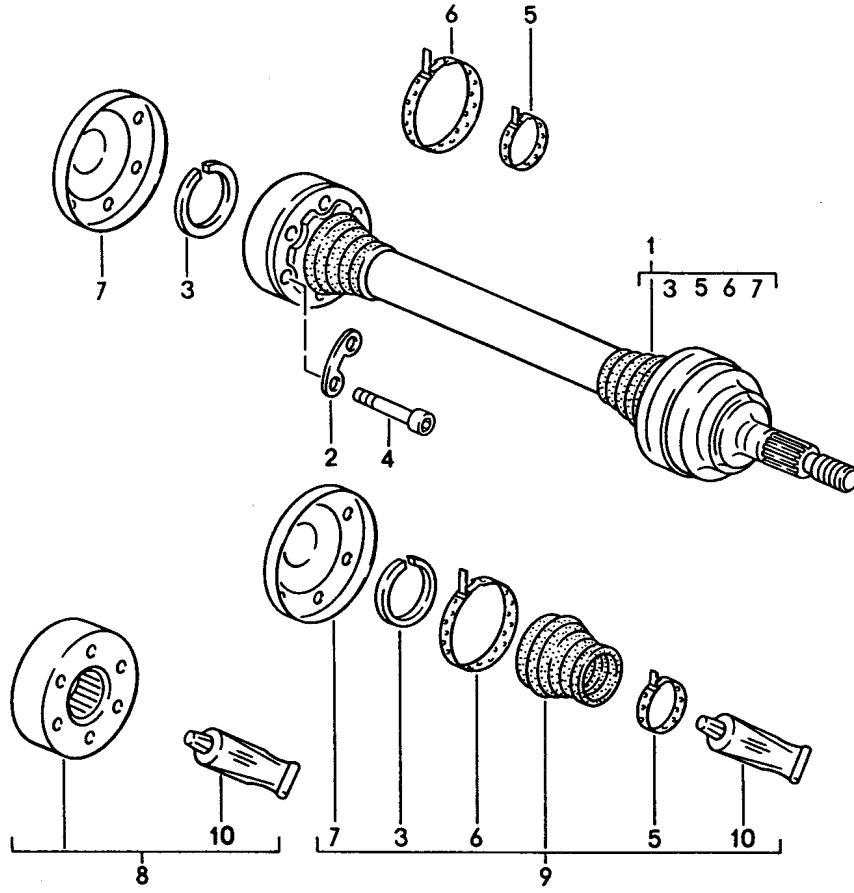
Model: 928 92

Model life 1992>>1995

Pos	Part Number	Description	Remark	Qty	Model
28	900 074 372 01	Hexagon-head bolt M 10 X 45		2	
29	928 333 761 00	Washer		4	
30	900 074 063 02	Hexagon-head bolt M 10 X 55		2	
30	900 074 380 01	Hexagon-head bolt M 10 X 55		2	
31	900 910 031 09	Lock nut		2	
31	900 910 031 01	Lock nut		2	

Model: 928 92

Model life 1992>>1995



Model: 928 92

Model life 1992>>1995

Pos	Part Number	Description	Remark	Qty	Model
		Drive shaft			
1	928 332 033 44	Drive shaft		2	
1	928 332 033 49	Drive shaft		2	
1	928 332 033 50	Drive shaft		2	
2	911 332 191 00	Plate		6	
3	999 152 084 01	Circlip		2	
4	900 067 123 01	Pan-head screw M 10 X 50		12	
5	928 332 257 01	Clip		4	
6	911 332 257 00	Clip		4	
7	997 332 267 00	Lid		2	
8	928 332 923 01	Repair kit		X	
9	928 332 924 02	Repair kit		X	
9	000 043 301 08	Repair kit		X	
10	000 043 005 00	Grease Optimoly 1 90-gramme tube		X	

Model: 928 92

Model life 1992>>1995



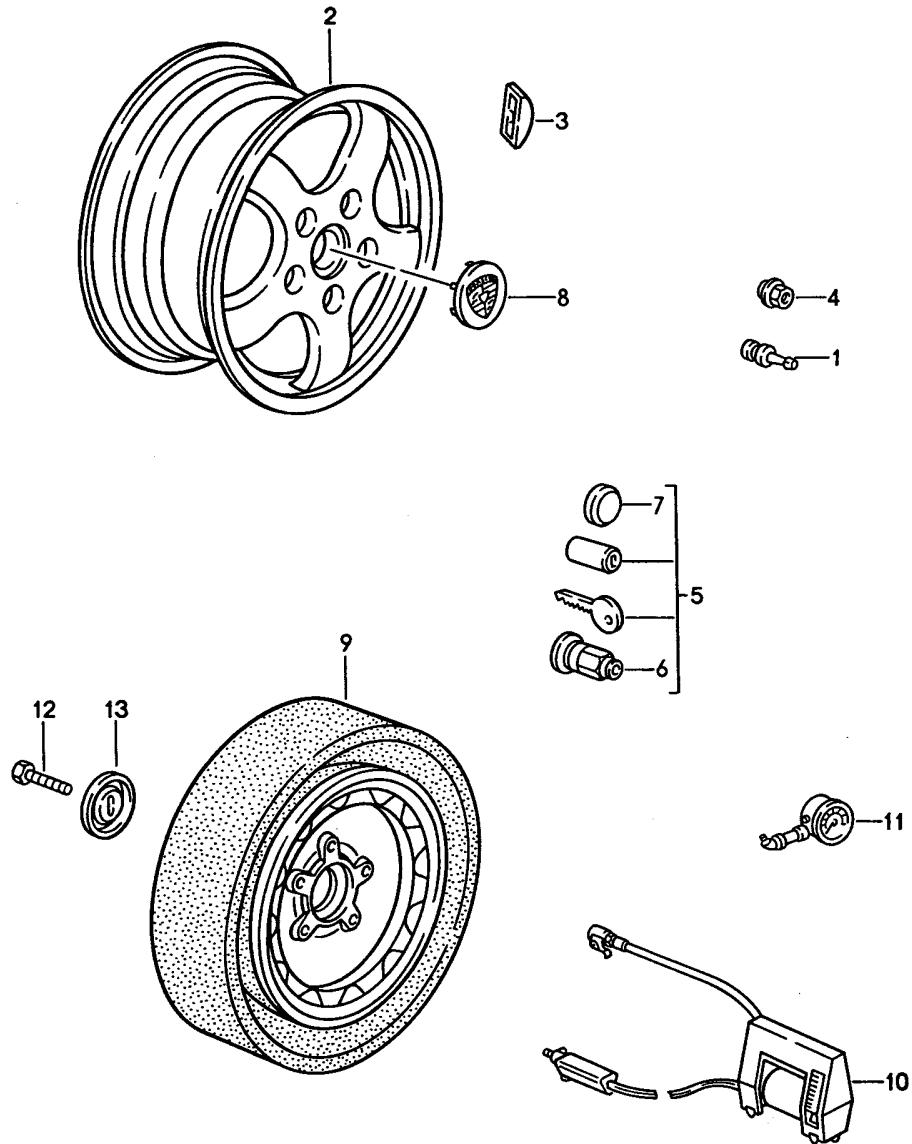
Model: 928 92

Model life 1992>>1995

Pos	Part Number	Description	Remark	Qty	Model
>>	928 332 924 02	Repair kit Repair kit for Drive shaft 928.332.033.44 Comprising: Dust bellows Grease for drive shaft Clip Circlip Lid		X 1 1 2 1 1	
>>	000 043 301 08	Repair kit for Drive shaft 928.332.033.44 Comprising: Dust bellows Grease for drive shaft Clip Circlip Lid		X 1 1 2 1 1	
>>	928 332 923 01	Repair kit for Drive shaft 928.332.033.44 Comprising: Joint Grease for drive shaft		X 1 1	

Model: 928 92

Model life 1992>>1995



Model: 928 92 Model life 1992>>1995

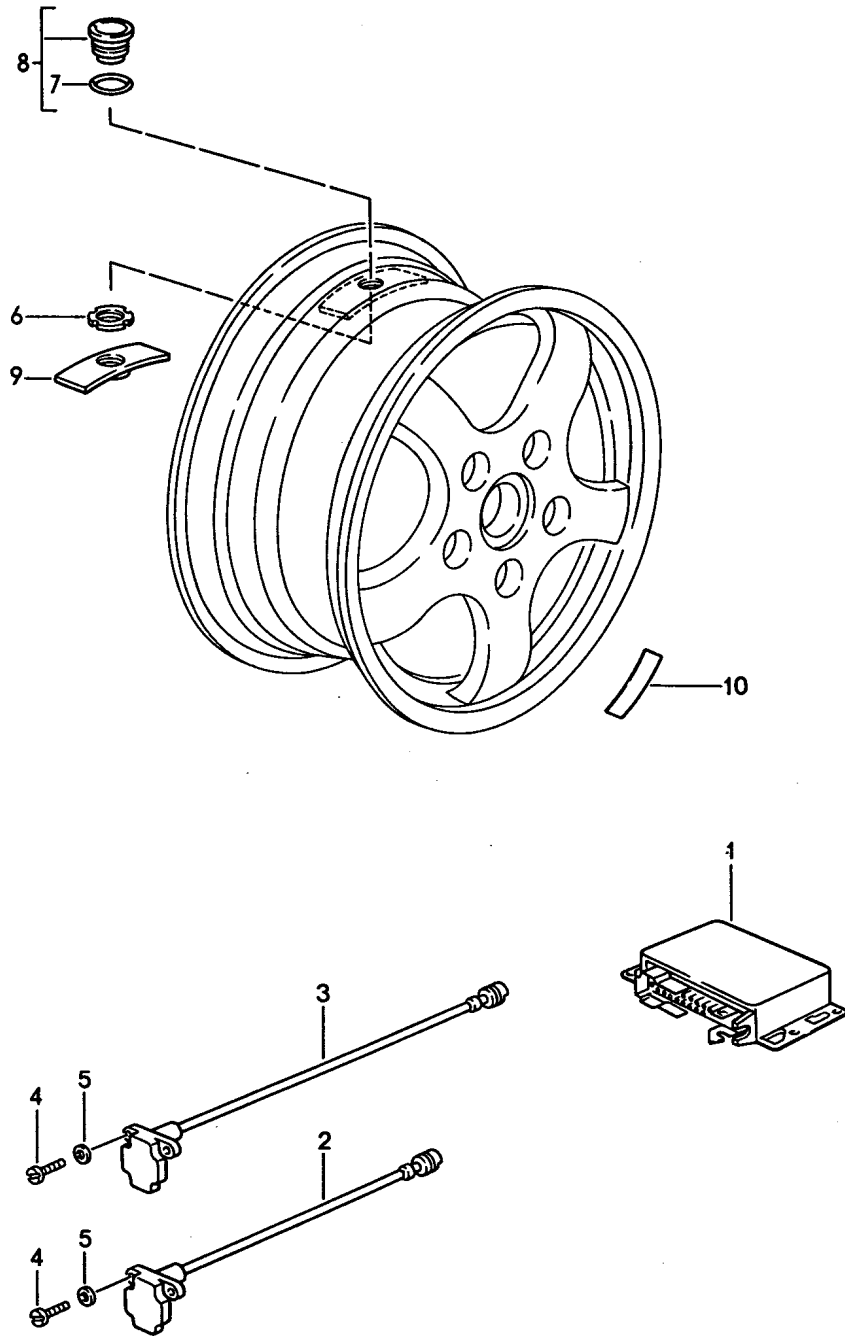
Pos	Part Number	Description	Remark	Qty	Model
		Wheels			
1	900 265 001 50	Rubber valve		4	
1	900 265 001 51	Rubber valve		4	
2	965 362 164 05	Alloy wheel 7,5JX17 ET65 Cast Silver	/V -93	2	
2		Alloy wheel 7,5JX17 ET65 Cast Silver	/V -93	2	
2	965 362 168 00	for winter use Alloy wheel 9JX17 ET55 Cast Silver	/H -93	2	
2	965 362 166 00	Alloy wheel 8JX17 ET52 Cast Silver	/H -93	2	
(2)	993 362 124 05 993 362 124 05 61M	for winter use Alloy wheel Silver metallic 7,5JX17 ET65 Cast	/V 94-	2	
(2)	993 362 124 05 993 362 124 05 61M	Alloy wheel Silver metallic 7,5JX17 ET65 Cast	/V 94-	2	
(2)	993 362 128 00 993 362 128 00 61M	for winter use Alloy wheel Silver metallic 9JX17 ET55 Cast	/H 94-	2	
(2)	993 362 126 00 993 362 126 00 61M	Alloy wheel Silver 8JX17 ET52 for winter use	/H 94-	2	
3	901 361 410 50	Balance stick-on weight 5 G		X	
3	901 361 410 00	Balance stick-on weight 10 G		X	
3	901 361 411 50	Balance stick-on weight 15 G		X	
3	901 361 411 00	Balance stick-on weight 20 G		X	
3	901 361 412 50	Balance stick-on weight 25 G		X	
3	901 361 412 00	Balance stick-on weight 30 G		X	
3	901 361 413 50	Balance stick-on weight 35 G		X	
3	901 361 413 00	Balance stick-on weight 40 G		X	
3	901 361 414 50	Balance stick-on weight 45 G		X	
3	901 361 414 00	Balance stick-on weight 50 G		X	
3	901 361 415 50	Balance stick-on weight 55 G		X	
3	901 361 415 00	Balance stick-on weight 60 G		X	
3	901 361 416 50	Balance stick-on weight		X	

Model: 928 92 Model life 1992>>1995

Pos	Part Number	Description	Remark	Qty	Model
3	901 361 416 00	65 G Balance stick-on weight		X	
3	901 361 417 50	70 G Balance stick-on weight		X	
3	901 361 417 00	75 G Balance stick-on weight		X	
4	999 182 003 36	80 G Wheel nut	-93	X	
5	993 361 057 00	Wheel nut Lockable 1 set		X	
6		Comprising: Wheel nut	-93	X	
7	965 361 167 00	Cap	-93	X	
(5)	993 361 057 00	Wheel nut Anti-theft protection 1 set	94-	1	
(8)	993 361 303 00	Hub cap		4	
	993 361 303 00 61M	Silver metallic			
9	965 362 030 00	Emergency wheel 5 1/2 J X 16		1	
(9)		Emergency wheel 5 1/2 J X 16 with collapsible tire		1	
-	996 361 521 00	Boot for Impeller		1	
10	964 652 053 00	Compressor		1	
10	993 652 053 00	Compressor		1	
10	996 652 053 00	Compressor		1	
10	997 652 051 00	Compressor		1	
10	997 652 055 00	Compressor		1	
11	911 722 202 00	Tyre pressure gauge Porsche Classic mit Lederhülle		1	
-	999 914 001 40	Plastic gloves		1	
-	911 361 522 00	Cover foil		1	
12	N 040 281 1	Hexagon-head bolt M 10 X 45		1	
12	900 075 516 01	Hexagon-head bolt M 10 X 45		1	
13	477 813 157	Mounting plate		1	

Model: 928 92

Model life 1992>>1995



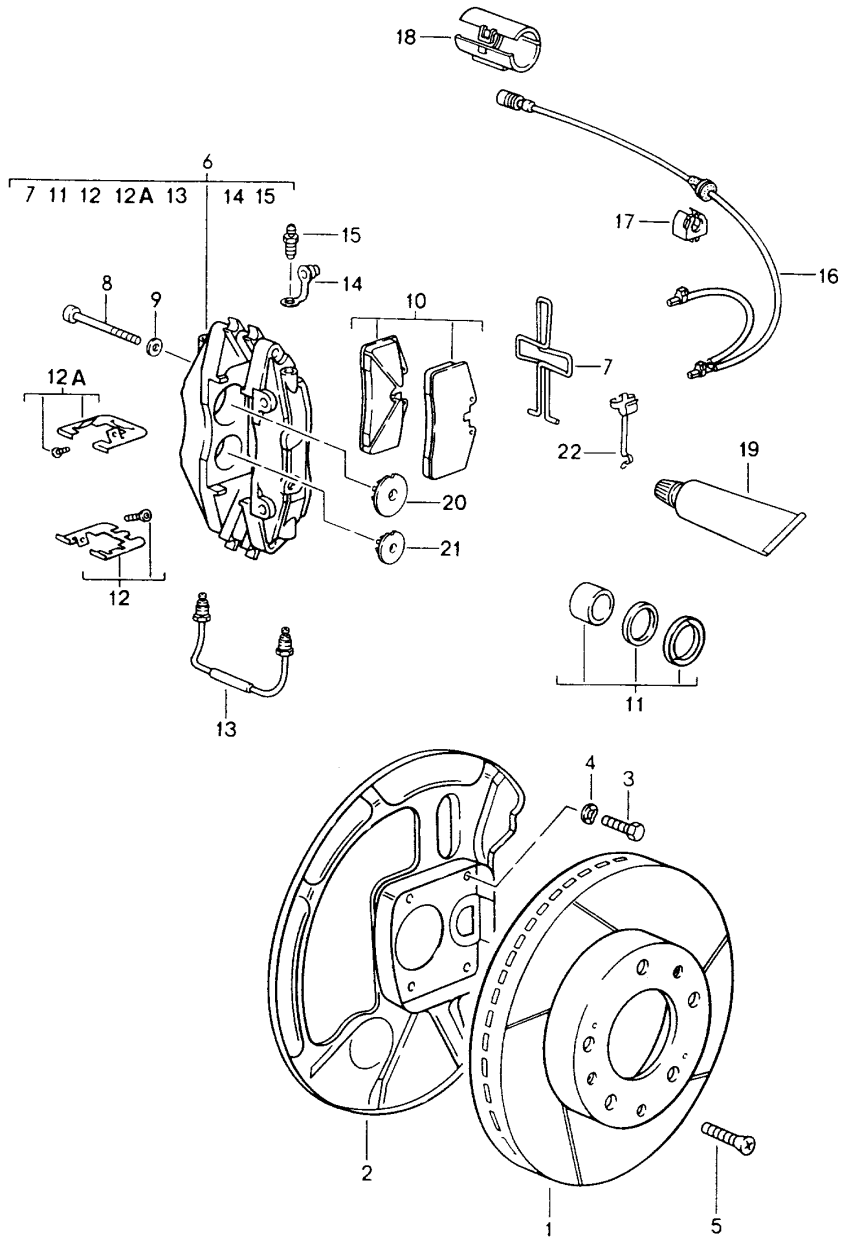
Model: 928 92

Model life 1992>>1995

Pos	Part Number	Description	Remark	Qty	Model
		Tyre pressure monitoring	-93		M482
1	928 618 150 01	Control unit		1	
2	928 606 413 00	Pressure transmitter	/V	2	
3	928 606 414 00	Pressure transmitter	/H	2	
4	N 044 734 1	Pan-head screw M 5 X 15		8	
4	900 067 137 01	Pan-head screw M 5 X 15		87	
5	N 012 225 3	Spring washer B 5		8	
6	928 361 203 01	Nut		8	
7	999 707 035 40	O-ring 30 X 1,5		8	
8	928 361 022 00	Pressure switch 2,5 BAR		X	
8	928 361 023 00	Pressure switch 3,0 BAR		4	
9	928 361 201 02	Protection cap		8	
10	928 701 287 10	Indication sticker for Tyre Assembly		X	

Model: 928 92

Model life 1992>>1995

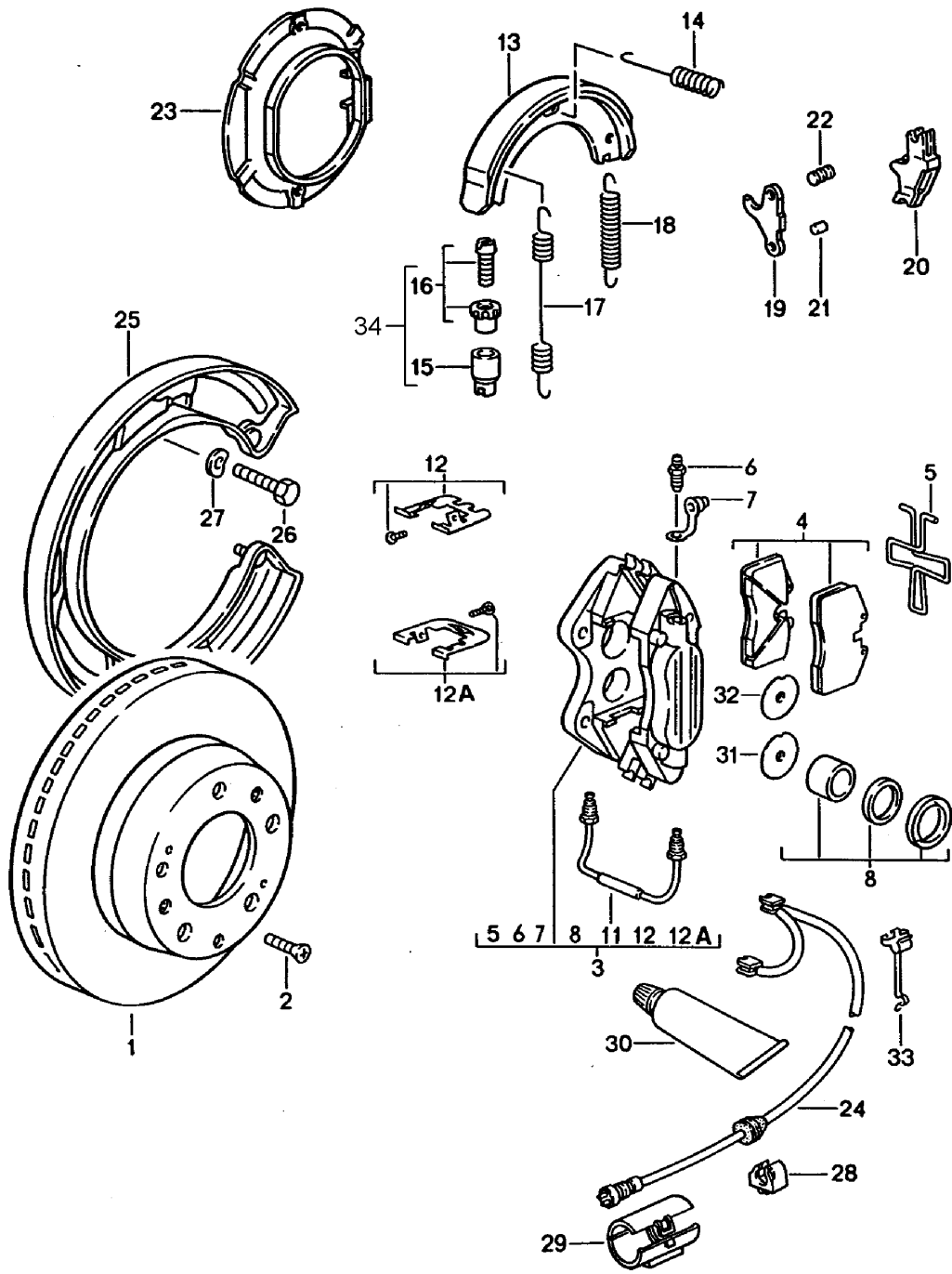


Model: 928 92 Model life 1992>>1995

Pos	Part Number	Description	Remark	Qty	Model
		Disc brake Front See technical information GR.4 NR. 1/89			
1	928 351 045 01	Brake disc	/L	1	
(1)	928 351 046 01	Brake disc	/R	1	
2	928 351 083 04	Protective plate	/L	1	
(2)	928 351 084 04	Protective plate	/R	1	
3	N 010 227 2	Hexagon-head bolt M 7 X 12		8	
4	900 028 019 08	Spring washer B 7		8	
5	N 033 167 1	Countersunk-head screw M 6 X 12		4	
5	900 269 047 01	Countersunk-head screw M 6 X 12		4	
6	928 351 423 03	Fixed calliper without pad	/L -94	1	
6		Fixed calliper without pad	/L 95-	1	
6	928 351 424 03	Fixed calliper without pad	/R -94	1	
6		Fixed calliper without pad	/R 95-	1	
7	928 351 950 01	Expanding spring		2	
8	900 067 268 02	Pan-head screw M 12 X 1,5 X 80		4	
9	N 011 564 2	Washer		4	
9	N 011 564 4	Washer		4	
10	928 351 949 03	Brake pad without asbestos Use also: Mounting parts		1	
11	951 351 919 10	Gasket set \$36 MM		X	
(11)	928 351 919 10	Gasket set \$44 MM		X	
12	993 351 959 02	Repair kit		X	
12A	993 351 959 03	Repair kit		X	
13	928 351 971 01	Connecting line		2	
14	930 351 927 00	Dust boot		4	
14	930 351 927 01	Dust boot		4	
15	930 351 919 00	Ventilation valve		4	
16	928 612 366 00	Warning contact		2	
17	928 612 409 00	Clip		6	
18	928 612 531 01	Push-on connector	/L	1	
(18)	928 612 531 00	Push-on connector	/R	1	
19	000 043 117 00	Brake cylinder paste 1 50-g tube		X	
19	000 043 305 11	Brake cylinder paste 1 50-g tube		X	
20	965 351 096 00	Damping plate \$44 MM		4	
21	964 351 096 01	Damping plate \$36 MM		4	
22	928 612 361 00	Cable holder		2	

Model: 928 92

Model life 1992>>1995



Model: 928 92 Model life 1992>>1995

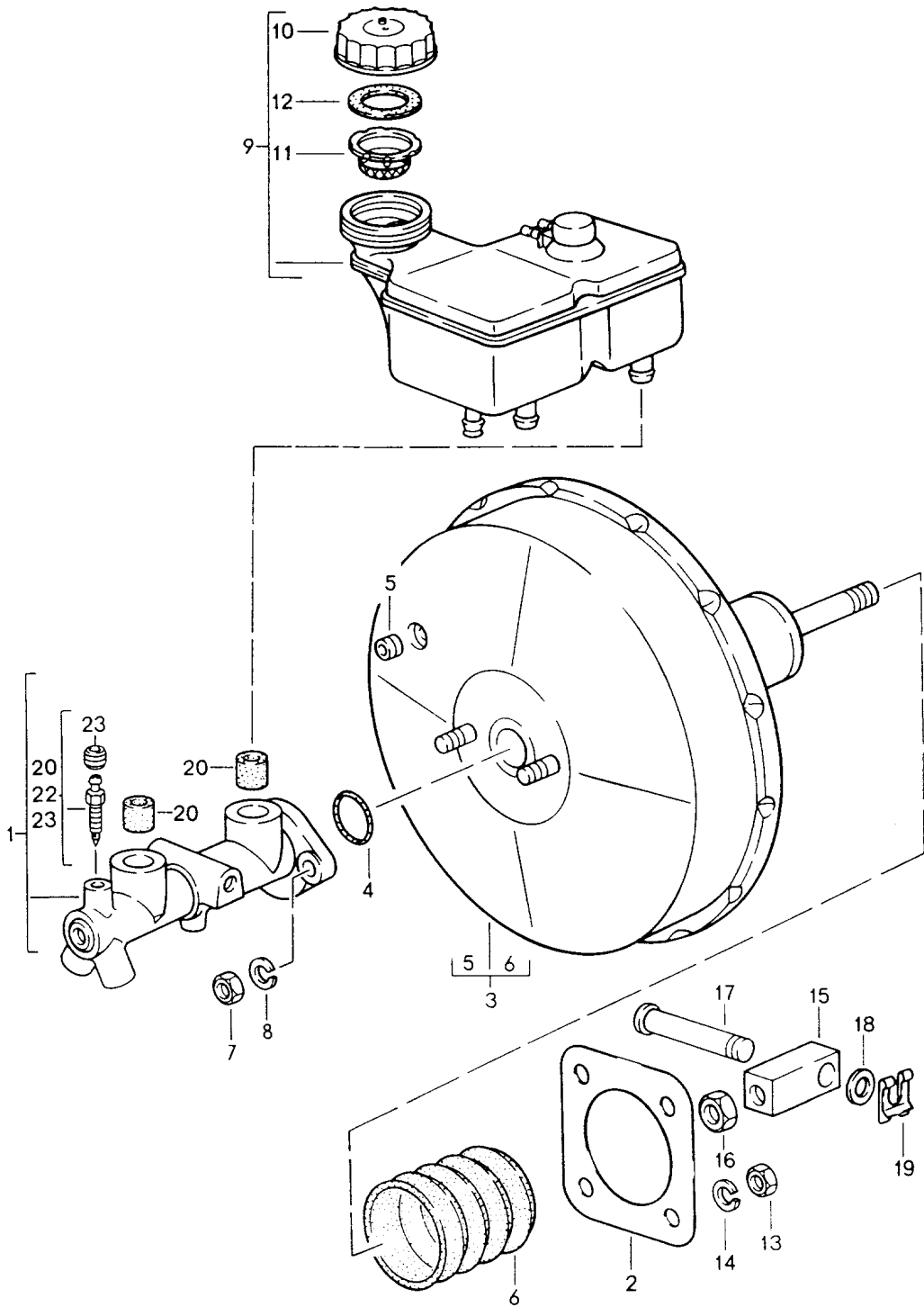
Pos	Part Number	Description	Remark	Qty	Model
		Disc brake Rear			
1	951 352 041 01	Brake disc		2	
1	951 352 041 03	Brake disc		2	
2	N 033 191 1	Countersunk-head screw M 6 X 20		4	
2	900 269 002 01	Countersunk-head screw M 6 X 20		4	
3	928 352 421 03	Fixed calliper	/L -94	1	
(3)		Fixed calliper	/L 95-	1	
(3)	928 352 422 03	Fixed calliper	/R -94	1	
(3)		Fixed calliper	/R 95-	1	
-	900 082 077 02	Hexagon-head bolt M 12 X 1,5 X 37		4	
-	900 082 145 01	Hexagon-head bolt M 12 X 1,5 X 37		4	
-	900 028 014 02	Washer B 12		4	
-	900 028 014 03	Washer B 12		4	
(4)	965 352 939 04	Brake pad repair set without asbestos Use also: Mounting parts		1	
5	951 352 950 00	Expanding spring		2	
6	930 351 919 00	Ventilation valve		2	
7	930 351 927 00	Dust boot		2	
7	930 351 927 01	Dust boot		2	
8	951 352 919 10	Gasket set 28 MM		X	
(8)	951 352 919 11	Gasket set 30 MM		X	
11	951 352 971 00	Connecting line		2	
12	993 352 959 00	Repair kit		X	
12A	993 352 959 01	Repair kit		X	
13	996 352 993 00	Repair kit		1	
(13)	997 352 993 02	Brake shoe 1 set Only together with Compression spring 996.352.741.00 Adjusting screw 993.352.071.00		1	
14	928 352 957 02	Compression spring		4	
(14)	996 352 741 00	Compression spring Only together with Repair kit 997.352.993.02		4	
15	911 352 944 00	Support bush		2	
16	911 352 098 00	Adjusting screw		2	
16	911 352 098 01	Adjusting screw		2	
17	901 352 954 10	Return spring		2	
18	901 352 932 10	Return spring		2	
19	993 352 073 00	Push-button lock		2	
20		Push-button lock		2	
21	993 352 737 00	Bolt		2	
22	928 352 447 00	Articulated bolt		2	
23	928 352 081 01	Brake mounting plate		2	
(24)	928 612 363 01	Warning contact		2	
-	928 612 529 01	Cable clip		4	
-	928 612 409 00	Clip		6	
-	928 612 531 00	Push-on connector	/L	1	
-	928 612 532 00	Push-on connector	/R	1	

Model: 928 92 Model life 1992>>1995

Pos	Part Number	Description	Remark	Qty	Model
25	928 352 813 05	Protective plate	/L	1	
(25)	928 352 814 05	Protective plate	/R	1	
26	N 010 217 9	Hexagon-head bolt M 6 X 20		4	
27	N 012 226 5	Spring washer B 6		6	
28	928 612 409 00	Clip		6	
29	928 612 531 01	Push-on connector	/L	2	
(29)	928 612 531 00	Push-on connector	/R	2	
30	000 043 117 00	Brake cylinder paste 1 50-g tube		X	
30	000 043 305 11	Brake cylinder paste 1 50-g tube		X	
31	964 352 096 00	Damping plate 30 MM		4	
31	996 352 086 00	Damping plate 30 MM		4	
32	964 352 096 01	Damping plate 28 MM		4	
33	928 612 361 00	Cable holder		2	
34	993 352 071 00	Adjusting screw Only together with Repair kit 997.352.993.02		2	
34	298 609 723	Adjusting screw Only together with Repair kit 997.352.993.02		2	

Model: 928 92

Model life 1992>>1995



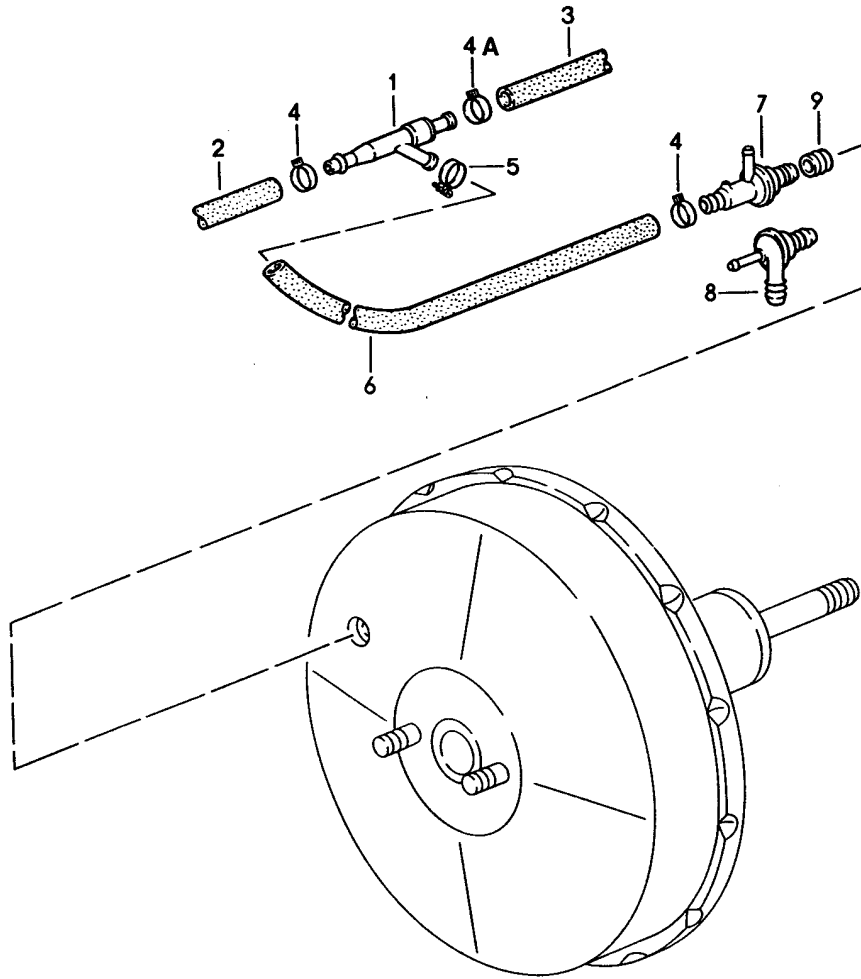
Model: 928 92

Model life 1992>>1995

Pos	Part Number	Description	Remark	Qty	Model
		Brake master cylinder			
		Brake booster			
1	928 355 011 24	Brake master cylinder	/LL	1	
(1)	927 355 011 24	Brake master cylinder	/RL	1	
2	477 611 951	Gasket		1	
3	928 355 023 09	Vacuum booster		1	
(4)	944 355 819 00	Gasket		1	
5	911 355 921 00	Rubber seal		1	
5	955 355 921 00	Rubber seal		1	
6	477 611 115	Bellows		1	
7	999 084 425 02	Lock nut		2	
		M 8			
8	N 011 525 13	Washer		2	
		A 8,4			
9	928 355 650 06	Container		1	
		Complete			
(9)		Container		1	
-	928 355 654 03	Support		1	
		for			
		Container			
10	477 611 361	Lid		1	
11	211 611 381 B	Strainer		1	
12	901 355 908 00	Gasket		1	
13	900 910 022 09	Lock nut		4	
		M 8			
13	900 910 022 03	Lock nut		4	
		M 8			
14	900 025 007 02	Washer		4	
		A 8,4			
14	900 025 007 03	Washer		4	
		A 8,4			
15	928 355 563 01	Intermediate piece		1	
16	900 034 003 02	Hexagon nut		1	
		M 10			
17	928 355 511 00	Bolt		1	
18	900 025 009 02	Washer		1	
		A 13			
19	N 012 653 1	Lock washer		1	
		B 9			
20	911 355 922 00	Sealing plug		2	
22	928 351 945 03	Ventilation valve		1	
23	901 351 927 10	Dust boot		1	

Model: 928 92

Model life 1992>>1995



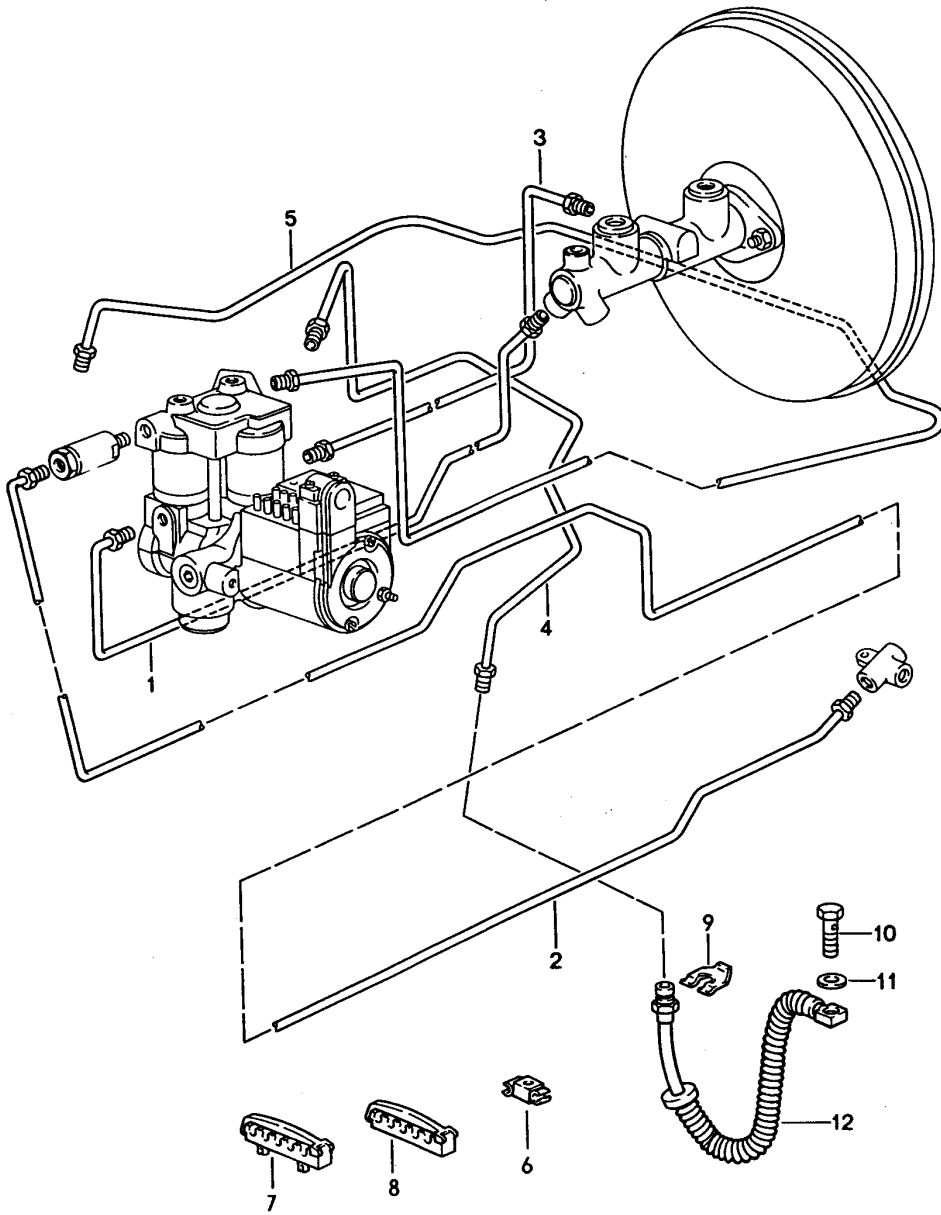
Model: 928 92

Model life 1992>>1995

Pos	Part Number	Description	Remark	Qty	Model
1	035 133 753 A	Venturi tube		1	
1	035 133 753 B	Venturi tube		1	
2		Vacuum hose See group 1/07/00			
3		Vacuum hose See group 1/07/00			
4	999 512 457 00	Clamp		2	
4A	999 512 554 00	Hose clamp		1	
5	999 512 381 02	Clamp		1	
(5)	999 512 456 00	Clamp		1	
6	928 110 663 00	Vacuum hose	/LL	1	
(6)	927 110 145 01	Vacuum hose	/RL	1	
7	928 355 660 03	Check valve	/LL	1	
8	477 611 933 A	Check valve	/RL	1	
9	911 355 921 00	Rubber seal		1	
9	955 355 921 00	Rubber seal		1	

Model: 928 92

Model life 1992>>1995



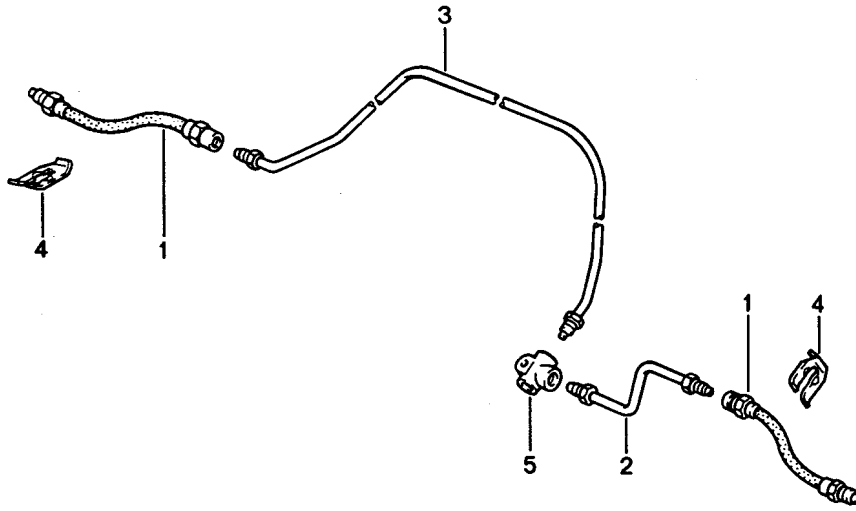
Model: 928 92

Model life 1992>>1995

Pos	Part Number	Description	Remark	Qty	Model
		Brake lines Front			
1	928 355 131 00	Brake line	/LL	1	
(1)	927 355 131 00	Brake line	/RL	1	
2	928 355 137 02	Brake line		1	
3	928 355 141 00	Brake line	/LL	1	
(3)	927 355 141 00	Brake line	/RL	1	
4	928 355 147 01	Brake line		1	
5	928 355 148 02	Brake line	/LL	1	
(5)	927 355 148 01	Brake line	/RL	1	
6	477 611 767 B	Cable clip		17	
7	928 355 637 00	Support		2	
8	928 355 637 01	Support		1	
9	113 611 715 A	Brake hose bracket		1	
10	999 134 027 02	Banjo bolt M 10 X 1		1	
10	999 134 027 0B	Banjo bolt M 10 X 1		1	
11	N 013 806 2	Sealing ring A 10 X 14		2	
12	928 355 081 02	Brake hose	92	2	
(12)		Brake hose	93-	2	

Model: 928 92

Model life 1992>>1995



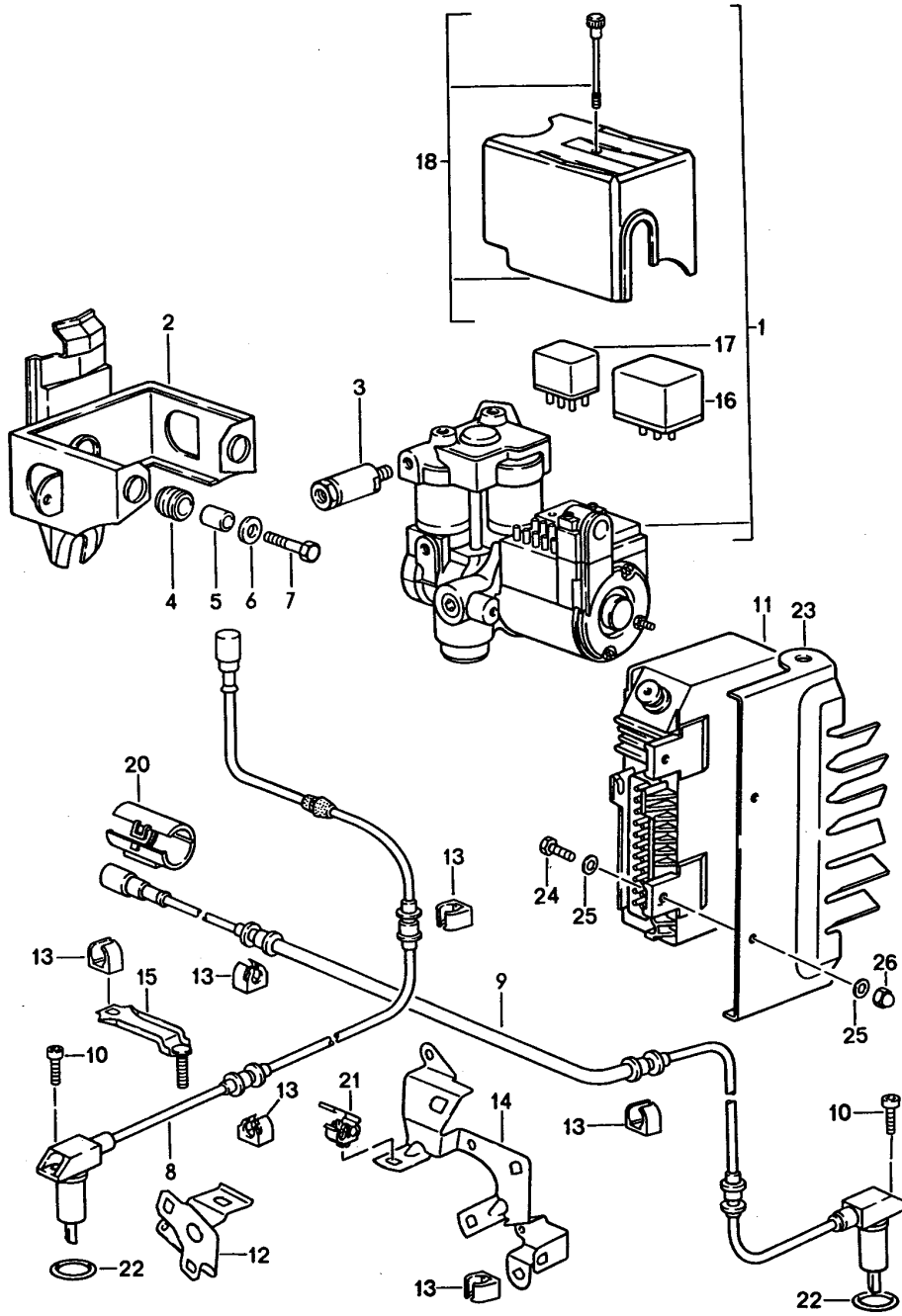
Model: 928 92

Model life 1992>>1995

Pos	Part Number	Description	Remark	Qty	Model
1	928 355 080 02	Brake lines Rear			
(1)		Brake hose Rear	92	2	
		Brake hose Rear	93-	2	
2	928 355 057 04	Brake line Rear	/L	1	
3	928 355 059 01	Brake line Rear	/R	1	
4	113 611 715 A	Brake hose bracket		4	
5	914 355 667 00	Distributor		4	

Model: 928 92

Model life 1992>>1995



Model: 928 92 Model life 1992>>1995

Pos	Part Number	Description	Remark	Qty	Model
		Hydraulic unit			
		Speed sensor			
		Control unit			
		Anti-lock brake system			
1	928 355 955 00	Hydraulic unit		1	
2	928 355 041 04	Support		1	
3	951 355 305 01	Brake pressure regulator		1	
3		Brake pressure regulator		1	
4	928 355 635 00	Rubber mounting		3	
5	928 355 633 00	Bush		3	
5	928 355 633 03	Bush		3	
6	N 011 666 7	Washer		3	
		B 6,4			
7	N 010 219 2	Hexagon-head bolt		3	
		M 6 X 28			
7	900 075 135 01	Hexagon-head bolt		3	
		M 6 X 28			
8	928 606 404 02	Speed sensor	/V	2	
9	928 606 402 01	Speed sensor	/H	2	
10	N 014 740 2	Pan-head screw	/V	2	
		M 6 X 16			
10	N 014 740 11	Pan-head screw	/V	2	
		M 6 X 16			
(10)	N 014 743 2	Pan-head screw	/H	2	
		M 6 X 30			
(10)	900 067 012 03	Pan-head screw	/H	2	
		M 6 X 30			
11	928 618 120 01	Control unit		1	
11	928 618 120 AX	Control unit		1	
12	928 341 239 00	Support	/L	1	
(12)	928 341 240 00	Support	/R	1	
13	928 612 409 00	Clip		X	
14	928 331 239 00	Support	/L	1	
(14)	928 331 240 00	Support	/R	1	
15	928 331 099 01	Support		2	
16	928 618 930 01	Relay		1	
17	928 618 931 02	Relay		1	
18	928 355 960 01	Cap		1	
20	928 612 531 01	Push-on connector	/L	1	
(20)	928 612 531 00	Push-on connector	/R	1	
21	928 612 529 01	Cable clip		4	
22	900 174 032 40	O-ring		4	
		18 X 2,5			
23	928 618 433 00	Cooling plate	/LL	1	
(23)	927 618 433 01	Cooling plate	/RL	1	
24	900 075 057 02	Hexagon-head bolt		2	
		M 6 X 16			
24	900 075 057 03	Hexagon-head bolt		2	
		M 6 X 16			
25	N 011 524 7	Washer		4	
		A 6,4			
25	N 011 524 27	Washer		4	
		A 6,4			
26	N 011 121 1	Cap nut		2	
		M 6			

Model: 928 92

Model life 1992>>1995



Model: 928 92 Model life 1992>>1995

Pos	Part Number	Description	Remark	Qty	Model
>>	928 351 949 03	Repair kits Brake pad without asbestos TEXTAR T4045 Comprising: Brake pad Use also: Mounting parts	/V	X	
>>	951 351 919 10	Gasket set Comprising: Piston Boot Inner Boot Outer \$36 MM	/V	X	
>>	928 351 919 10	Gasket set Comprising: Piston Boot Inner Boot Outer \$44 MM	/V	X	
>>	993 351 959 02	Repair kit Comprising: Spring plate Screw Lower	/V	X	
>>	993 351 959 03	Repair kit Comprising: Spring plate Screw Upper	/V	X	
>>	965 352 939 04	Brake pad repair set TEXTAR T428 Comprising: Brake pad Use also: Mounting parts	/H	X	
>>	951 352 919 10	Gasket set Comprising: Piston Boot Inner Boot Outer 28 MM	/H	X	
>>	951 352 919 11	Gasket set Comprising: Piston Boot Inner Boot Outer 30 MM	/H	X	
>>	993 352 959 00	Repair kit Comprising: Spring plate Upper Screw	/H	X	
>>	993 352 959 01	Repair kit Comprising:	/H	X	

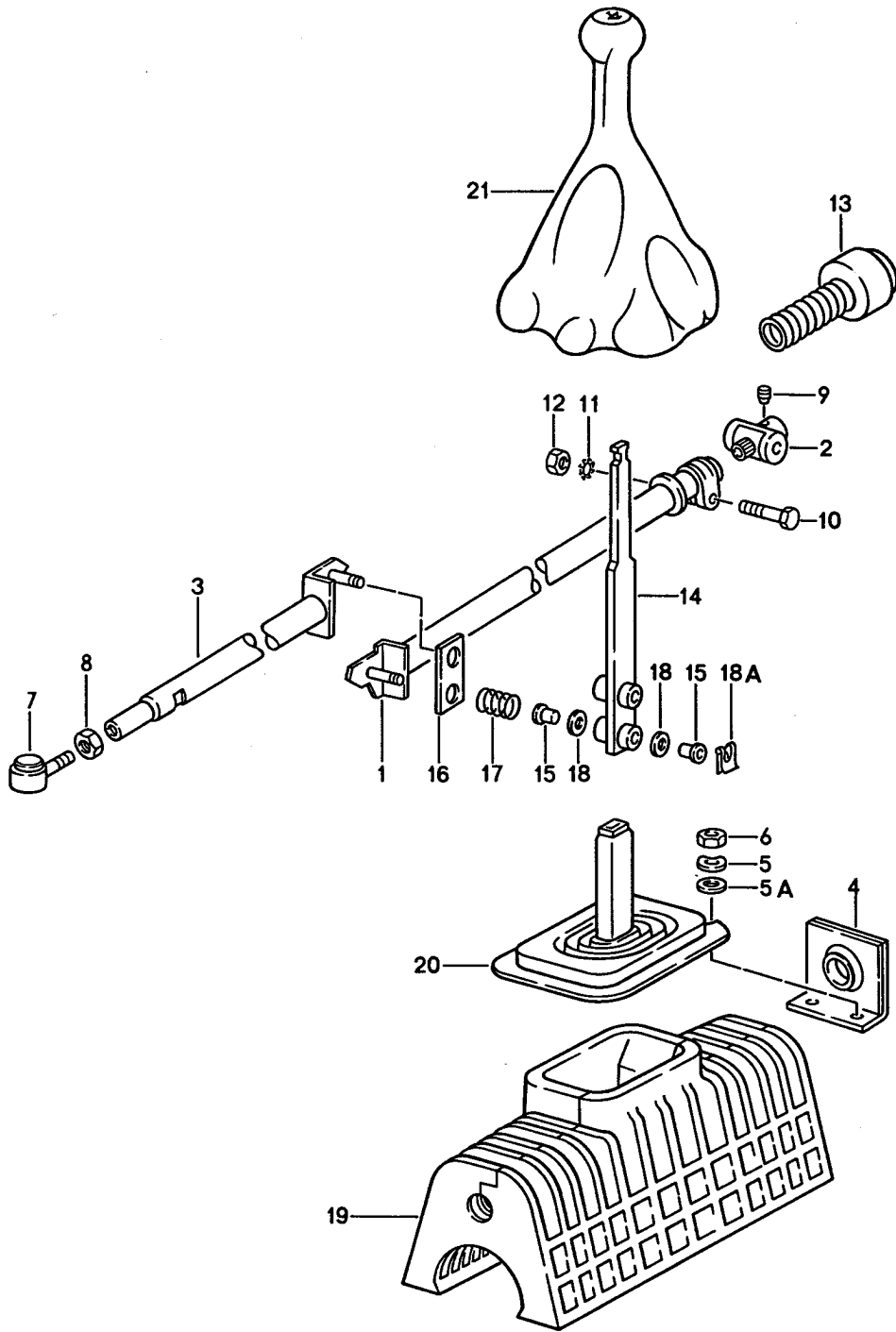
Model: 928 92

Model life 1992>>1995

Pos	Part Number	Description	Remark	Qty	Model
		Spring plate Lower Screw			

Model: 928 92

Model life 1992>>1995

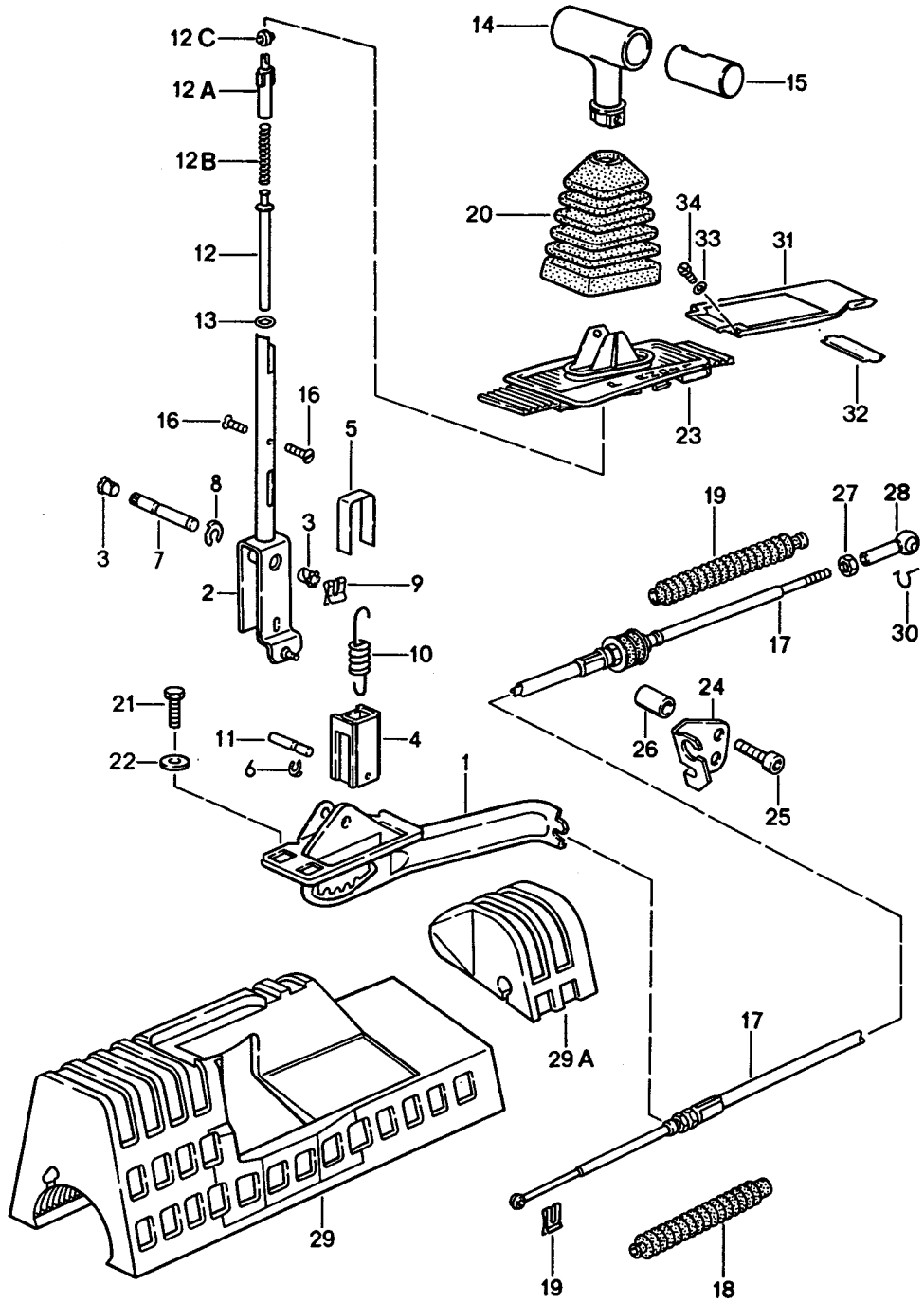


Model: 928 92 Model life 1992>>1995

Pos	Part Number	Description	Remark	Qty	Model
		Shift mechanism for cars with Manual transmission			
1	928 424 028 19	Gear shift rod		1	
2	928 424 029 00	Bearing body		1	
3	928 424 009 10	Guide tube		1	
4	928 424 017 05	Bearing bracket		1	
5	999 523 104 02	Lock washer 6 PN		2	
6	900 076 010 02	Nut M 6		2	
6	900 076 010 0B	Nut M 6		2	
7	928 424 005 01	Angular joint	-94	1	
7		Angular joint	95-	1	
8	900 034 003 02	Hexagon nut M 10		1	
9	928 424 229 00	Conical screw		1	
10	N 040 222 2	Hexagon-head bolt M 8 X 32		1	
11	999 523 102 02	Washer		1	
11	999 523 102 0B	Washer		1	
12	900 076 025 02	Hexagon nut M 8		1	
12	900 076 064 02	Hexagon nut M 8		1	
13	928 424 209 01	Bellows		1	
14	928 424 067 51	Gearshift lever		1	
15	999 924 002 40	Bush		4	
16	928 424 149 02	Friction strap		1	
17	928 424 147 03	Compression spring		2	
18	900 234 510 02	Support washer S 10 X 16		2	
19	928 424 182 03	Sound absorber		1	
20	928 424 181 04	Sleeve		1	
21	928 424 073 04	Head shift rod with Leather bellows		1	
	928 424 073 04 8YR	Black			
	928 424 073 04 6XL	Classic grey			
	928 424 073 04 9YL	Cobalt blue	-93		
	928 424 073 04 6YL	Magenta	-93		
	928 424 073 04 M05	Matador red	-93		
	928 424 073 04 D35	Carrara grey	-93		
	928 424 073 04 J25	Sherwood green	-93		
	928 424 073 04 H24	Midnight blue	94-		
	928 424 073 04 T15	Chestnut brown	94-		
	928 424 073 04 K03	Cedar green	94-		
	928 424 073 04 8SE	Flamenco red	94-		

Model: 928 92

Model life 1992>>1995



Model: 928 92 Model life 1992>>1995

Pos	Part Number	Description	Remark	Qty	Model
		Shift mechanism for cars with Automatic transmission	-93		
1	928 426 031 00	Support		1	
2	928 426 261 01	Selector lever		1	
3	999 924 001 40	Bearing sleeve		2	
4	922 424 172 00	Locking piece		1	
5	922 424 171 01	Clip		1	
6	999 166 040 02	Kl-lock		1	
7	928 426 166 00	Bearing pin		1	
9	999 166 005 02	Sl-lock		1	
10	928 426 168 01	Tension spring		1	
11	922 424 167 01	Straight pin		1	
12	928 426 293 01	Push rod		1	
12A	928 426 271 01	Guide		1	
12B	999 521 037 01	Compression spring		1	
12C	321 713 137	Roller		1	
13	999 701 608 40	Round seal 5 X 2 B		2	
14	928 426 075 01	Selector knob	/LL	1	
	928 426 075 01 1AJ	Black	-93		
	928 426 075 01 6XL	Classic grey			
	928 426 075 01 9YL	Cobalt blue	-93		
	928 426 075 01 6YL	Magenta	-93		
	928 426 075 01 M05	Matador red	-93		
	928 426 075 01 D35	Carrara grey	-93		
	928 426 075 01 J25	Sherwood green	-93		
	928 426 075 01 8YR	Black	94-		
	928 426 075 01 H24	Midnight blue	94-		
	928 426 075 01 T15	Chestnut brown	94-		
	928 426 075 01 K03	Cedar green	94-		
	928 426 075 01 8SE	Flamenco red	94-		
(14)	927 426 075 01	Selector knob	/RL	1	
	927 426 075 01 1AJ	Black	-93		
	927 426 075 01 6XL	Classic grey			
	927 426 075 01 9YL	Cobalt blue	-93		
	927 426 075 01 6YL	Magenta	-93		
	927 426 075 01 M05	Matador red	-93		
	927 426 075 01 D35	Carrara grey	-93		
	927 426 075 01 J25	Sherwood green	-93		
15	928 426 275 01	Key		1	
16	N 014 121 6	Oval-head screw M 4 X 6		2	
17	928 426 033 04	Cable		1	
17	928 426 033 07	Cable		1	
18	922 424 103 00	Bellows		2	
19	N 012 644 1	Lock		1	
20	928 426 139 00	Bellows		1	
21	900 075 057 02	Hexagon-head bolt M 6 X 16		3	
21	900 075 057 03	Hexagon-head bolt M 6 X 16		3	
22	N 011 550 1	Washer B 6,5		3	
23	927 552 091 20	Frame	/RL	1	
(23)	928 552 091 20	Frame		1	
24	928 426 111 04	Retaining bracket		1	
25	N 014 715 3	Pan-head screw		2	
25	900 067 103 01	Pan-head screw		2	
26	928 426 113 00	Spacer sleeve		2	
27	N 011 005 14	Hexagon nut M 5		1	

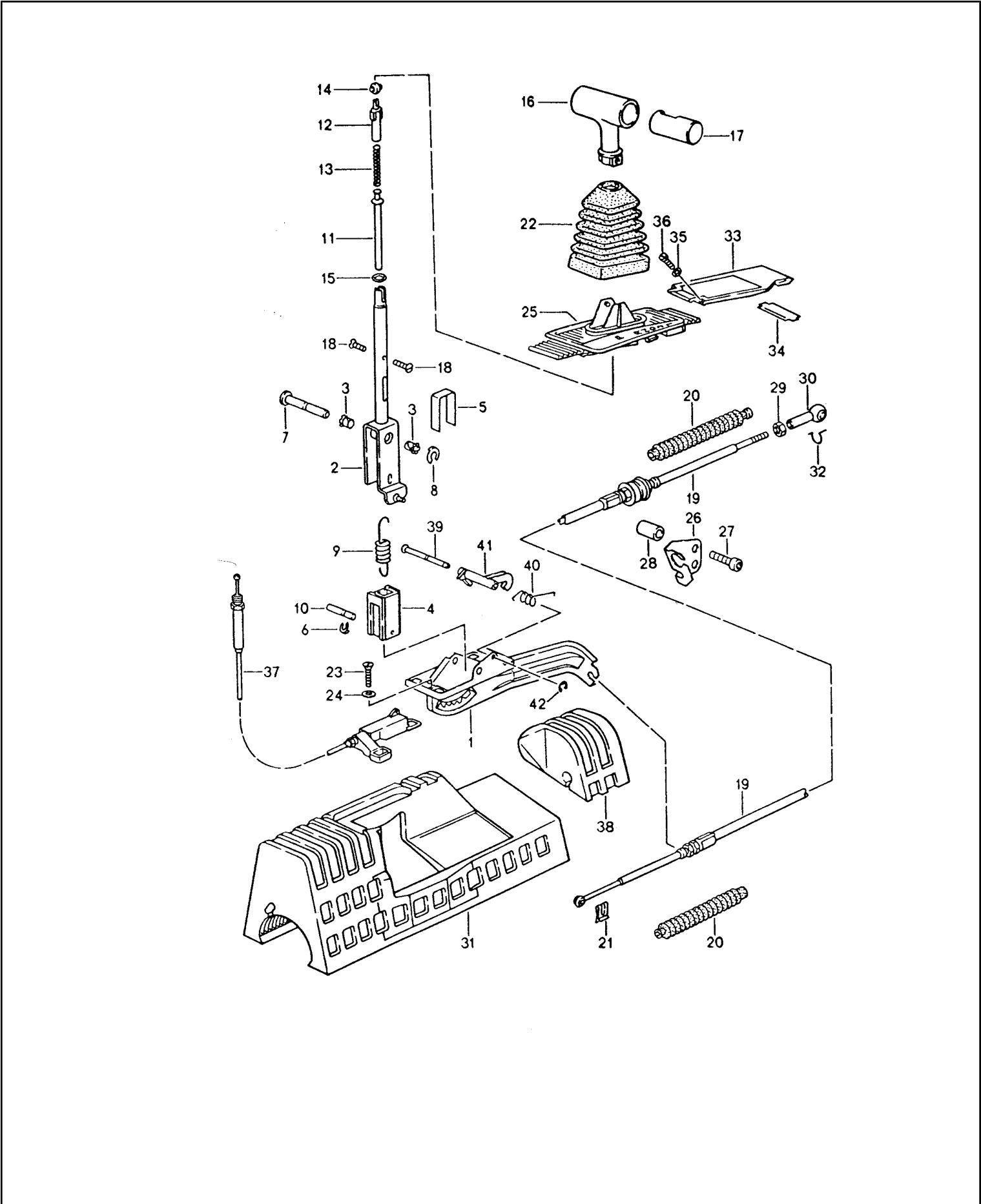
Model: 928 92

Model life 1992>>1995

Pos	Part Number	Description	Remark	Qty	Model
27	900 076 091 01	Hexagon nut M 5		1	
28	911 423 147 00	Ball socket		1	
29	928 426 187 00	Sound absorber Lower part		1	
29A	928 426 188 00	Sound absorber Upper part		1	
30	900 169 014 02	Securing clip		1	
30	900 169 014 01	Securing clip		1	
31	928 552 181 02	Mounting Shift gate		1	
32	928 552 317 02	Separator for mounting Mounting Shift gate		1	
33	900 114 015 01	Shake-proof washer A 3,7		2	
34	900 146 032 02	Oval-head screw AM 3,5 X 10		2	

Model: 928 92

Model life 1992>>1995



Model: 928 92 Model life 1992>>1995

Pos	Part Number	Description	Remark	Qty	Model
		Shift mechanism for cars with Automatic transmission			
			94-		
1	928 426 031 03	Support		1	
2	928 426 261 03	Selector lever		1	
3	999 924 001 40	Bearing sleeve		2	
4	928 426 291 00	Locking piece		1	
5	922 424 171 01	Clip		1	
6	999 166 040 02	Kl-lock		1	
7	928 426 166 01	Bearing pin		1	
8	900 116 009 01	Kl-lock		1	
9	928 426 168 01	Tension spring		1	
10	922 424 167 01	Straight pin		1	
11	928 426 293 01	Push rod		1	
12	928 426 271 01	Guide		1	
13	999 521 037 01	Compression spring		1	
14	321 713 137	Roller		1	
15	999 701 608 40	Round seal		2	
16	928 426 075 01	Selector knob	/LL	1	
	928 426 075 01 6XL	Classic grey			
	928 426 075 01 8YR	Black			
	928 426 075 01 H24	Midnight blue	94-		
	928 426 075 01 T15	Chestnut brown	94-		
	928 426 075 01 K03	Cedar green	94-		
	928 426 075 01 8SE	Flamenco red	94-		
16	927 426 075 01	Selector knob	/RL	1	
	927 426 075 01 6XL	Classic grey			
	927 426 075 01 8YR	Black	94-		
	927 426 075 01 H24	Midnight blue	94-		
	927 426 075 01 T15	Chestnut brown	94-		
	927 426 075 01 K03	Cedar green	94-		
	927 426 075 01 8SE	Flamenco red	94-		
17	928 426 275 01	Key		1	
18	N 014 121 6	Oval-head screw M 4 X 6		2	
19	928 426 033 04	Cable		1	
19	928 426 033 07	Cable		1	
20	922 424 103 00	Bellows		1	
21	N 012 644 1	Sl-lock		1	
22	928 426 139 00	Bellows		1	
23	900 249 017 02	Countersunk-head screw M 6 X 25		2	
24	928 426 178 00	Washer		2	
25	928 552 091 20	Frame	/LL	1	
(25)	927 552 091 20	Frame	/RL	1	
26	928 426 111 04	Retaining bracket		1	
27	N 014 715 3	Pan-head screw		2	
27	900 067 103 01	Pan-head screw		2	
28	928 426 113 00	Spacer sleeve		2	
29	N 011 005 14	Hexagon nut M 5		1	
29	900 076 091 01	Hexagon nut M 5		1	
30	911 423 147 00	Ball socket		1	
31	928 426 187 00	Sound absorber		1	
32	900 169 014 02	Securing clip		1	
32	900 169 014 01	Securing clip		1	
33	928 552 181 02	Mounting Shift gate		1	
34	928 552 317 02	Separator for mounting Mounting Shift gate		1	

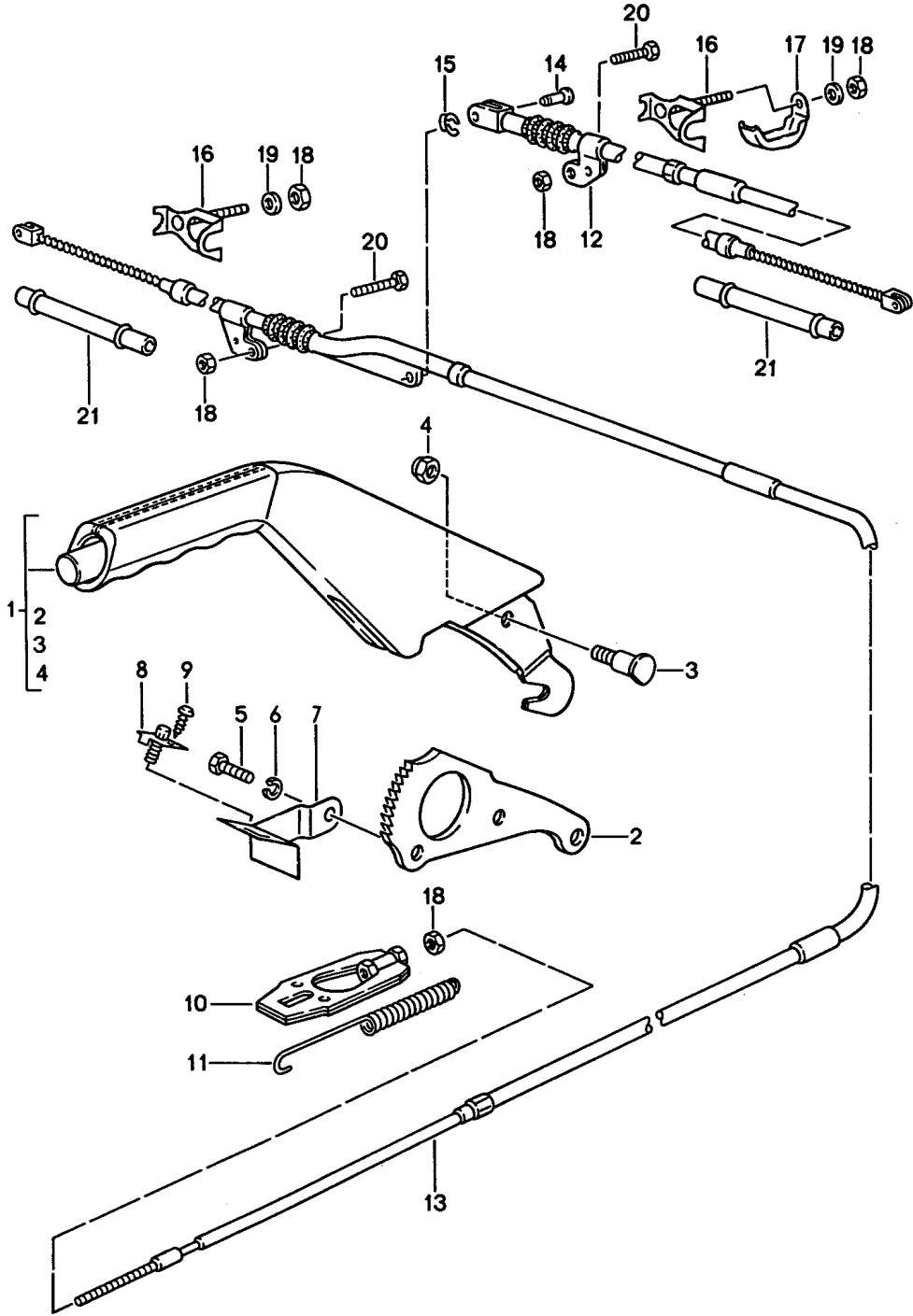
Model: 928 92

Model life 1992>>1995

Pos	Part Number	Description	Remark	Qty	Model
35	900 114 015 01	Shake-proof washer A 3,7		2	
36	900 146 032 02	Oval-head screw AM 3,5 X 10		2	
37	928 426 013 00	Cable	/LL	1	
(37)	927 426 013 00	Cable	/RL	1	
38	928 426 188 00	Sound absorber Upper part		1	
39	928 426 176 00	Bolt		1	
40	928 426 521 03	Torsion spring		1	
(40)		Torsion spring		1	
41	928 426 371 00	Detent		1	
42	900 116 002 01	Lock washer		1	

Model: 928 92

Model life 1992>>1995

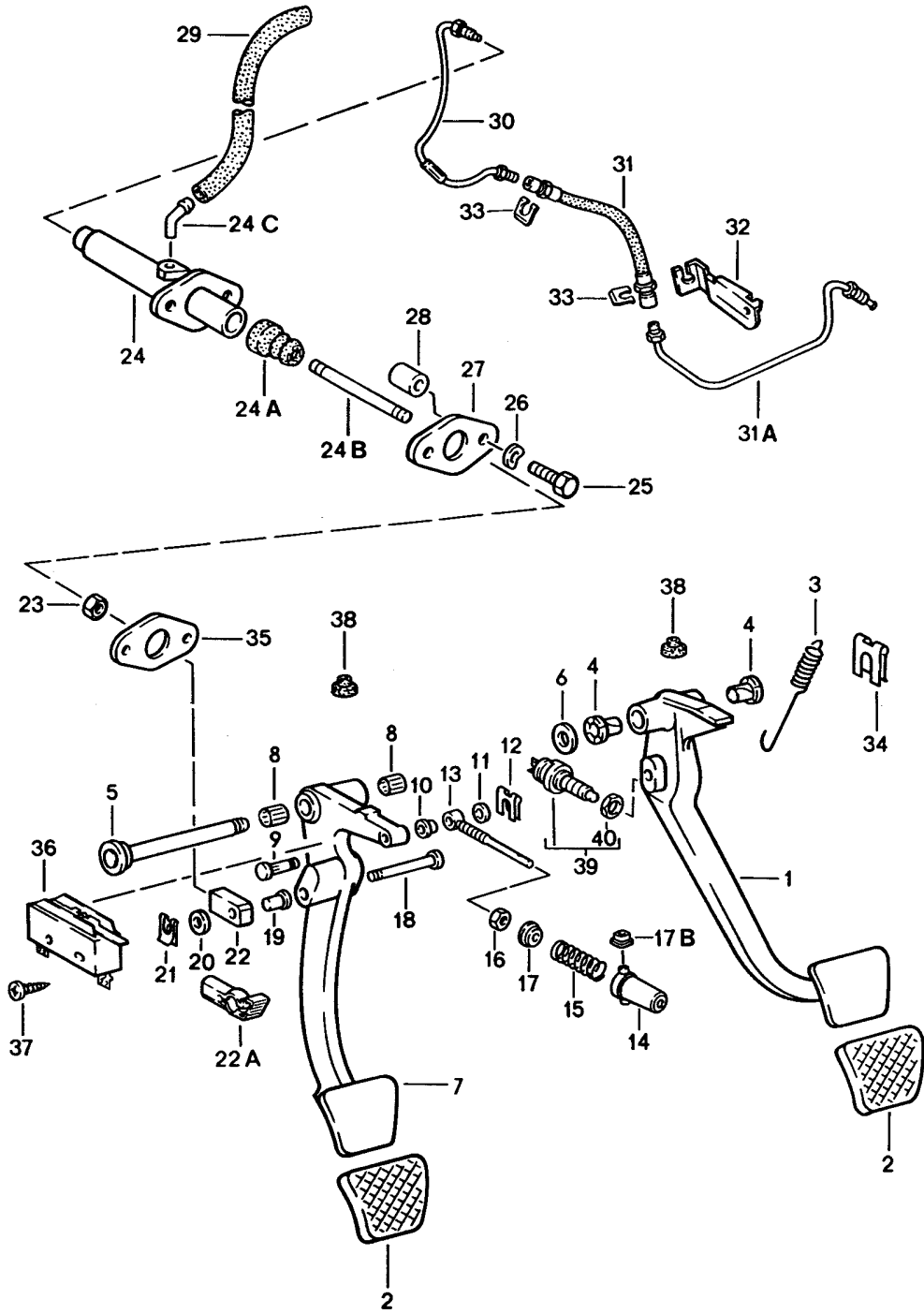


Model: 928 92 Model life 1992>>1995

Pos	Part Number	Description	Remark	Qty	Model
1	928 424 051 00	Actuator Handbrake Parking-brake lever		1	
	928 424 051 00 1AJ	Black	-93		
	928 424 051 00 6XL	Classic grey			
	928 424 051 00 9YL	Cobalt blue	-93		
	928 424 051 00 6YL	Magenta	-93		
	928 424 051 00 M05	Matador red	-93		
	928 424 051 00 D35	Carrara grey	-93		
	928 424 051 00 J25	Sherwood green	-93		
	928 424 051 00 8YR	Black	94-		
	928 424 051 00 H24	Midnight blue	94-		
	928 424 051 00 T15	Chestnut brown	94-		
	928 424 051 00 K03	Cedar green	94-		
	928 424 051 00 8SE	Flamenco red	94-		
2	928 424 541 15	Locking segment		1	
3	928 424 527 00	Bearing pin		1	
4	900 084 004 03	Hexagon nut		1	
4	900 084 004 02	Hexagon nut		1	
5	N 010 239 11	Hexagon-head bolt M 8 X 18		2	
5	N 010 239 30	Hexagon-head bolt M 8 X 18		2	
6	900 027 015 02	Lock ring B 8		2	
6	900 027 015 03	Lock ring B 8		2	
7	928 424 535 01	Support	/LL	1	
(7)	927 424 535 01	Support	/RL	1	
8	113 947 561 G	Contact switch		1	
9	N 013 957 5	Oval-head sheetmetal screw B 3,5 X 9,5		1	
10	928 424 033 00	Turnbuckle		1	
11	477 711 975	Return spring		1	
12	928 424 551 16	Parking-brake cable	/L	1	
12	928 424 551 17	Parking-brake cable	/L	1	
13	928 424 552 16	Parking-brake cable	/R	1	
13	928 424 552 17	Parking-brake cable	/R	1	
14	999 166 048 02	Bolt A 6 X 17 X 14		1	
15	N 012 645 2	Lock washer		1	
16	928 424 045 00	Support		1	
17	928 424 423 01	Support		1	
18	900 910 010 02	Lock nut		5	
19	N 011 524 7	Washer A 6,4		2	
19	N 011 524 27	Washer A 6,4		2	
20	900 074 111 02	Hexagon-head bolt M 6 X 50		2	
21	928 424 405 01	Guide tube		2	

Model: 928 92

Model life 1992>>1995



Model: 928 92

Model life 1992>>1995

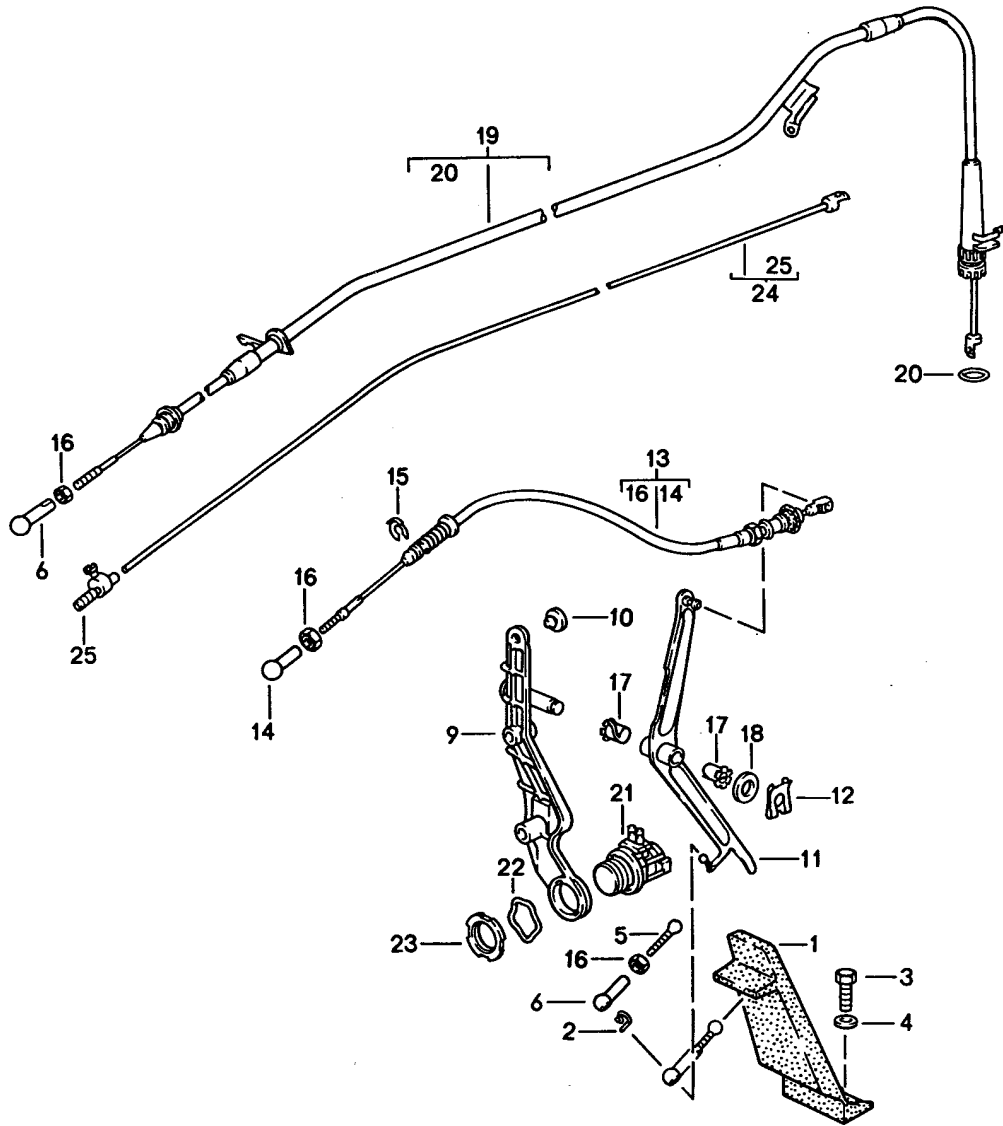
Pos	Part Number	Description	Remark	Qty	Model
		Pedals			
1	928 423 501 05	Brake pedal	/LL	1	M481
(1)	927 423 501 07	Brake pedal	/RL	1	M481
(1)	928 423 515 01	Brake pedal	/LL	1	M249
(1)	927 423 501 08	Brake pedal	/RL	1	M249
2	928 423 210 03	Rubber pad		2	
(2)	928 423 211 00	Pedal cap		1	M249
3	928 423 531 03	Return spring		1	
4	928 423 542 00	Bearing sleeve		2	
5	928 423 037 02	Bearing shaft		1	
-	928 423 523 00	Spacer sleeve		1	M249
6	N 011 565 3	Washer		2	
7	927 423 311 06	Clutch pedal	/RL	1	
7	928 423 311 10	Clutch pedal	/LL	1	
8	900 317 001 00	Needle-roller bearing		2	
9	928 423 355 00	Bolt		1	
10	999 924 001 40	Bearing sleeve		1	
11	900 089 006 02	Washer A 8,4		1	
11	900 089 006 01	Washer A 8,4		1	
12	N 900 470 01	Lock washer		1	
13	928 423 349 04	Guiding rod		1	
14	928 423 579 01	Guide sleeve		1	
15	928 423 357 06	Clutch power spring		1	
16	900 076 025 02	Hexagon nut M 8		1	
16	900 076 064 02	Hexagon nut M 8		1	
17	928 423 353 01	Concave washer		1	
17B	928 423 581 00	Bush		2	
18	928 423 513 00	Bolt	/LL	1	
19	999 924 002 40	Bush	/LL	1	
20	900 025 008 09	Washer A 10,5	/LL	1	
20	900 025 008 04	Washer A 10,5	/LL	1	
21	999 166 034 02	Sl-lock	/LL	1	
22	928 423 517 00	Clevis	/LL	1	
22A	999 168 017 40	Ball socket	/RL	1	
23	900 076 025 02	Hexagon nut M 8		1	
23	900 076 064 02	Hexagon nut M 8		1	
24	928 423 173 06	Clutch master cylinder	/LL	1	
(24)	927 423 173 02	Clutch master cylinder	/RL	1	
24A	928 423 908 00	Bellows		1	
24B	928 423 187 00	Piston rod	/LL	1	
(24B)	927 423 187 01	Piston rod	/RL	1	
24C	477 721 177	Angled pipe		1	
25	N 010 340 4	Hexagon-head bolt M 8 X 40		2	
26	N 012 241 8	Spring washer B 8		2	
27	928 423 521 00	Cover plate		1	
28	928 423 519 00	Spacer tube		2	
-	999 181 021 50	Hose		*	
29		375 MM		1	
30	928 423 197 04	Clutch tube	/LL	1	
(30)	927 423 185 04	Clutch tube	/RL	1	
(31)	928 423 077 07	Clutch hose	/LL	1	
(31)	927 423 077 08	Clutch hose	/RL	1	
31A	928 423 199 06	Clutch tube	/LL	1	

Model: 928 92 Model life 1992>>1995

Pos	Part Number	Description	Remark	Qty	Model
32	928 423 189 02	Bump stop	/LL	1	
-	N 011 010 6	Hexagon nut M 10		1	
-	N 101 552 10	Hexagon nut M 10		1	
(32)	927 423 189 03	Support	/RL	1	
33	928 423 183 01	Hose holder	/LL	2	
33		Hose holder	/RL	1	
34	N 012 654 1	Lock washer		1	
35	928 423 191 00	Gasket		1	
36	928 613 413 01	Microswitch		1	
37	900 143 013 02	Oval-head sheetmetal screw B 2,9 X 16		2	
38	999 703 183 40	Buffer		2	
39	477 945 515	Brake light switch		1	
40	481 945 529	Nut M 12 X 1		1	
		Vertical pedal adjustment 15 MM for Brake pedal And Clutch pedal			
-	928 423 207 00	Pedal spacer plate		2	M481
-	928 423 213 00	Pedal spacer plate		1	M249
-	900 067 057 02	Pan-head screw M 8 X 20		2	
-	900 067 057 03	Pan-head screw M 8 X 20		2	
-	900 115 013 01	Spring washer See technical information GR. X NR. 15 Vertical pedal adjustment 30 MM for Brake pedal And Clutch pedal		2	
-	928 423 207 00	Pedal spacer plate		4	M481
-	928 423 213 00	Pedal spacer plate		2	M249
-	900 067 081 02	Pan-head screw M 8 X 35		2	
-	900 067 102 02	Pan-head screw M 8 X 35		2	
-	900 115 013 01	Spring washer See technical information GR. X NR. 15		2	

Model: 928 92

Model life 1992>>1995



Model: 928 92 Model life 1992>>1995

Pos	Part Number	Description	Remark	Qty	Model
		Accelerator control			
		Left-hand drive			
1	911 423 111 02	Accelerator pedal		1	
1	911 423 111 03	Accelerator pedal		1	
2	900 169 014 02	Securing clip		1	
2	900 169 014 01	Securing clip		1	
3	999 072 005 09	Hexagon nut		2	
		M 6 X 12			
3	999 072 005 01	Hexagon nut		2	
		M 6 X 12			
4	N 011 666 7	Washer		2	
		B 6,4			
5	928 423 119 00	Push rod		1	
6	911 423 147 00	Ball socket		1	
9	928 423 021 03	Bearing bracket		1	
-	900 076 010 02	Nut		2	
		M 6			
-	900 076 010 0B	Nut		2	
		M 6			
-	N 012 226 5	Spring washer		2	
		B 6			
(10)	999 703 183 40	Buffer		1	
11	928 423 250 05	Reverse lever		1	
12	999 166 034 02	Sl-lock		1	
13	928 423 023 08	Accelerator cable		1	
14	911 423 147 00	Ball socket		1	
15	999 166 046 02	Lock		2	
16	N 011 005 14	Hexagon nut		3	
		BM 5			
16	900 076 091 01	Hexagon nut		3	
		BM 5			
17	999 924 002 40	Bush		2	
18	900 234 041 01	Shim		1	
		10 X 16 X 1,3			
19	928 423 041 06	Cable		1	M249
		for			
		Control pressure			
20	999 701 960 40	Sealing ring		1	
21	928 606 111 00	Kickdown switch		1	M249
22	928 613 419 00	Spring washer		1	M249
23	928 613 421 00	Grooved nut		1	M249
		M 28 X 1,5			
24	928 423 901 02	Cable		1	M249
25	477 723 601	Nipple		1	M249
		Vertical pedal adjustment			
		15 MM			
-	928 423 133 04	Bump stop		1	
-	928 423 119 01	Push rod	/LL	1	
-	927 423 119 01	Push rod	/RL	1	
-	911 423 147 00	Ball socket		1	
-	N 011 005 14	Hexagon nut		1	
		M 5			
		See technical information			
		GR. X NR. 15			
-	900 076 091 01	Hexagon nut		1	
		M 5			
		See technical information			
		GR. X NR. 15			
		Vertical pedal adjustment			
		30 MM			
-	928 423 133 05	Bump stop		1	
-	928 423 119 02	Push rod	/LL	1	
-	927 423 119 01	Push rod	/RL	1	

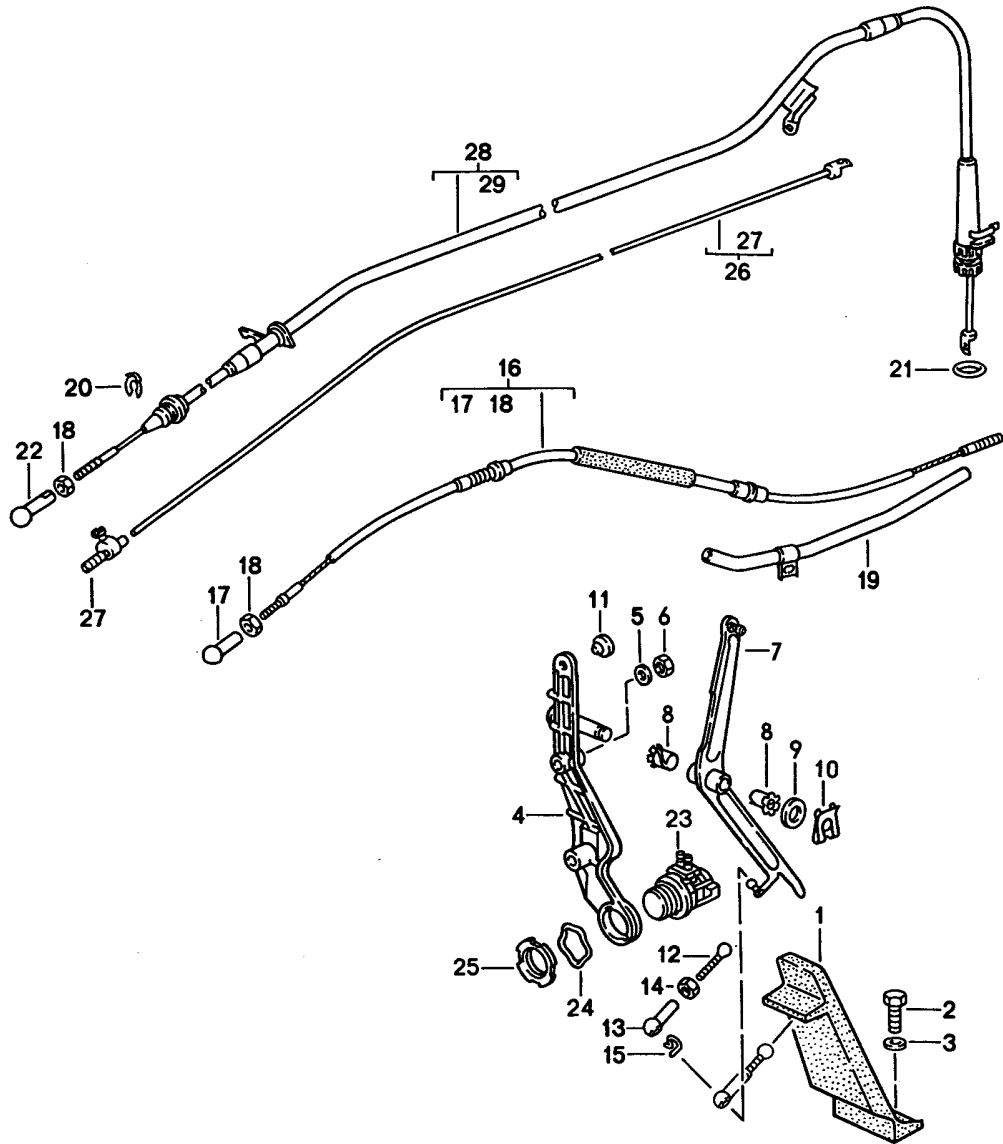
Model: 928 92

Model life 1992>>1995

Pos	Part Number	Description	Remark	Qty	Model
-	911 423 147 00	Ball socket		1	
-	N 011 005 14	Hexagon nut M 5 See technical information GR. X NR. 15		1	
-	900 076 091 01	Hexagon nut M 5 See technical information GR. X NR. 15		1	

Model: 928 92

Model life 1992>>1995



Model: 928 92 Model life 1992>>1995

Pos	Part Number	Description	Remark	Qty	Model
		Accelerator control Right-hand drive			
1	911 423 111 02	Accelerator pedal		1	
1	911 423 111 03	Accelerator pedal		1	
2	999 072 005 09	Hexagon nut M 6 X 12		2	
2	999 072 005 01	Hexagon nut M 6 X 12		2	
3	N 011 666 7	Washer B 6,4		2	
4	927 423 129 03	Bearing bracket		1	
5	900 076 025 02	Hexagon nut M 8		2	
5	900 076 064 02	Hexagon nut M 8		2	
6	N 012 241 8	Spring washer B 8		2	
7	927 423 250 02	Reverse lever		1	
8	999 924 002 40	Bush		2	
9	900 234 041 01	Shim 10 X 16 X 1,3		1	
10	999 166 034 02	Sl-lock		2	
11	999 703 183 40	Buffer		2	
12	927 423 119 00	Push rod		1	
13	911 423 147 00	Ball socket		3	
14	N 011 005 14	Hexagon nut M 5		1	
14	900 076 091 01	Hexagon nut M 5		1	
15	900 169 014 02	Securing clip		1	
15	900 169 014 01	Securing clip		1	
16	927 423 023 05	Accelerator cable		1	
17	N 015 521 3	Ball socket		2	
18	N 011 005 14	Hexagon nut M 5		2	
18	900 076 091 01	Hexagon nut M 5		2	
19	927 423 025 03	Guide tube		1	
20	999 166 046 02	Lock		1	M249
21	999 701 960 40	Sealing ring		1	
22	911 423 147 00	Ball socket		1	
23	928 606 111 00	Kickdown switch		1	M249
24	928 613 419 00	Spring washer		1	M249
25	928 613 421 00	Grooved nut		1	M249
26	928 423 901 01	Cable		1	M249
27	477 723 601	Nipple Vertical pedal adjustment 15 MM		1	M249
-	928 423 133 04	Bump stop		1	
-	927 423 119 01	Push rod		1	
-	911 423 147 00	Ball socket		1	
-	N 011 005 14	Hexagon nut M 5		1	
-	900 076 091 01	Hexagon nut M 5 Vertical pedal adjustment 30 MM		1	
-	928 423 133 05	Bump stop		1	
-	927 423 119 01	Push rod		1	
-	911 423 147 00	Ball socket		1	
-	N 011 005 14	Hexagon nut M 5		1	
-	900 076 091 01	Hexagon nut		1	

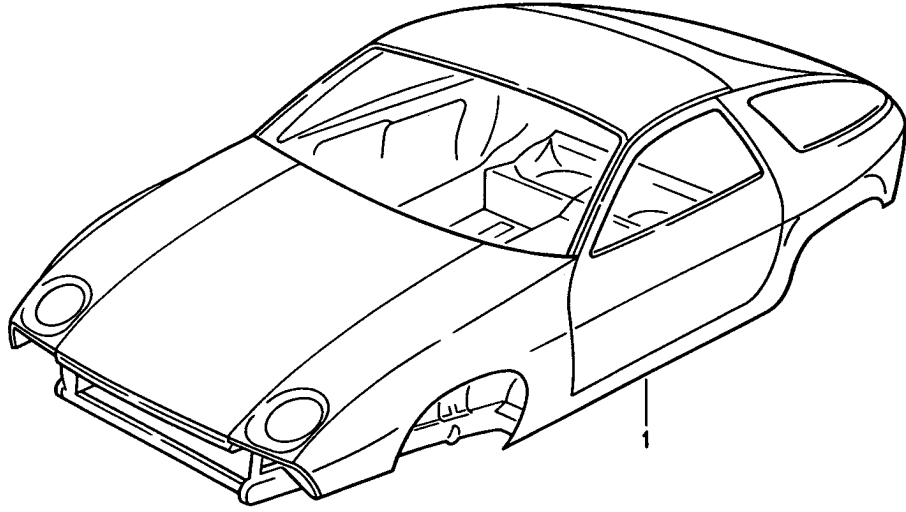
Model: 928 92

Model life 1992>>1995

Pos	Part Number	Description	Remark	Qty	Model
		M 5			

Model: 928 92

Model life 1992>>1995

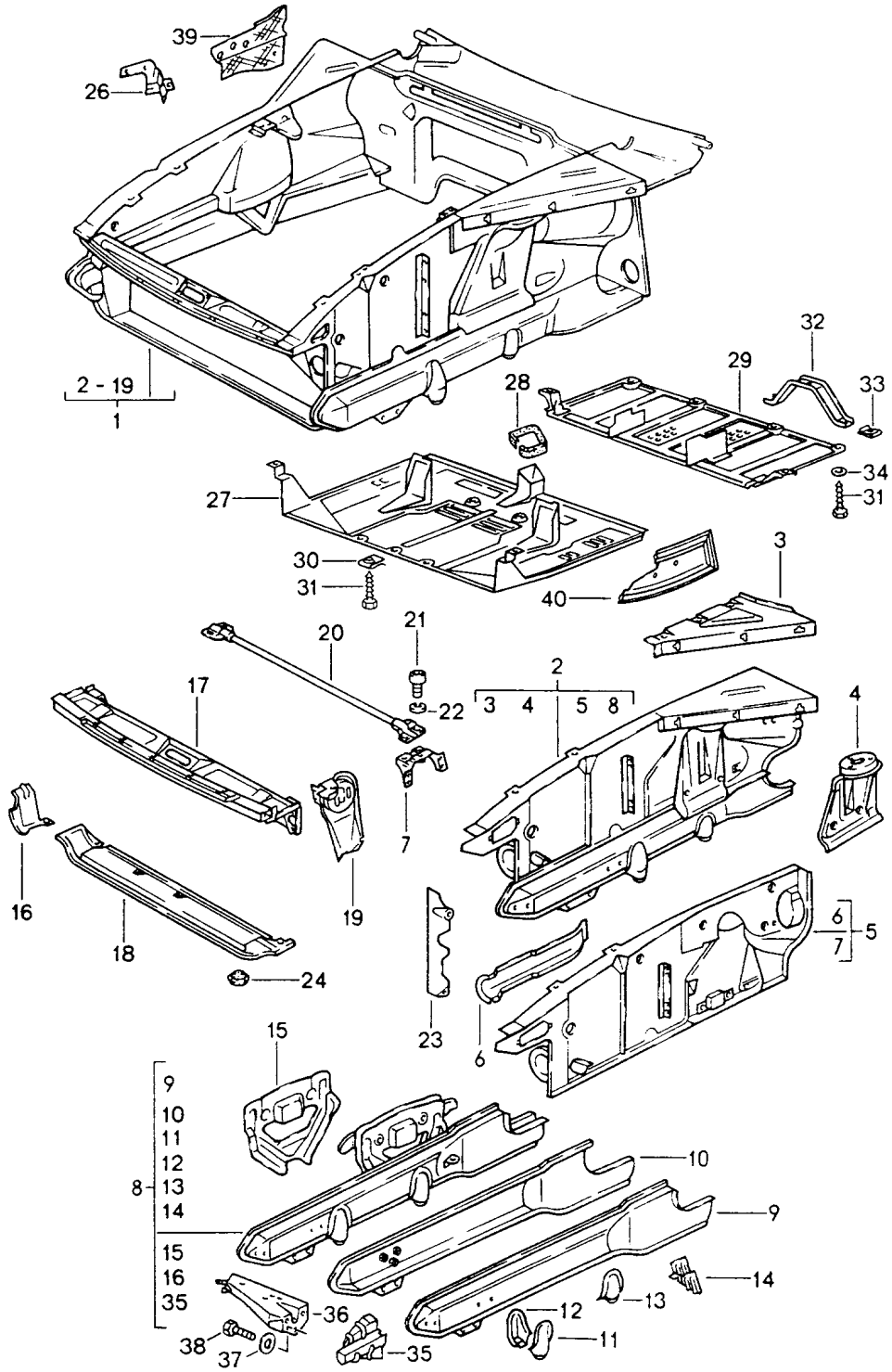


Model: 928 92 Model life 1992>>1995

Pos	Part Number	Description	Remark	Qty	Model
		Body in white Prime coated Sealed Sprayed with filler with Underbody protection BodysHELLS can only only available from current Model year available			
1	928 500 901 08	Body in white	/LL	1	
(1)	928 500 901 09	Body in white	/LL	1	AUT.
(1)	928 500 901 11	Body in white	/RL	1	
(1)	928 500 901 13	Body in white	/RL	1	AUT.
(1)	928 500 901 66	Body in white	/LL	1	M650
(1)	928 500 901 67	Body in white	/LL	1	AUT. M650
(1)	928 500 901 69	Body in white	/RL	1	M650
(1)	928 500 901 71	Body in white	/RL	1	AUT. M650

Model: 928 92

Model life 1992>>1995



Model: 928 92

Model life 1992>>1995

Pos	Part Number	Description	Remark	Qty	Model
(1)	928 501 011 19	Body front section	/LL	1	M481/562
	928 501 011 19 GRV	Prime coated			
(1)	928 501 011 21	Body front section	/LL	1	M249/562
	928 501 011 21 GRV	Prime coated			
(1)	927 501 011 12	Body front section	/RL	1	M481/561
	927 501 011 12 GRV	Prime coated			
(1)	927 501 011 13	Body front section	/RL	1	M249/561
	927 501 011 13 GRV	Prime coated			
2	928 501 013 07	Wheel housing	/LL /L	1	
	928 501 013 07 GRV	Prime coated			
(2)	928 501 014 07	Wheel housing	/LL /R	1	
	928 501 014 07 GRV	Prime coated			
(2)	927 501 013 07	Wheel housing	/RL /L	1	
	927 501 013 07 GRV	Prime coated			
(2)	927 501 014 07	Wheel housing	/RL /R	1	
	927 501 014 07 GRV	Prime coated			
3	928 501 081 02	Side member	/L	1	
	928 501 081 02 GRV	Prime coated			
(3)	928 501 082 02	Side member	/R	1	
	928 501 082 02 GRV	Prime coated			
4	928 501 083 03	Reinforcement	/L	1	
	928 501 083 03 GRV	Prime coated			
		Mounting			
		Suspension strut mounting			
(4)	928 501 084 03	Reinforcement	/R	1	
	928 501 084 03 GRV	Prime coated			
		Mounting			
		Suspension strut mounting			
(5)	928 501 035 05	Wheel housing	/LL /L 92	1	
	928 501 035 05 GRV	Prime coated			
(5)	927 501 035 05	Wheel housing	/RL /L 92	1	
	927 501 035 05 GRV	Prime coated			
(5)	928 501 036 05	Wheel housing	/LL /R 92	1	
	928 501 036 05 GRV	Prime coated			
(5)	927 501 036 05	Wheel housing	/RL /R 92	1	
	927 501 036 05 GRV	Prime coated			
(5)	928 501 035 08	Wheel housing	/LL /L 93-	1	
	928 501 035 08 GRV	Prime coated			
(5)	928 501 036 08	Wheel housing	/LL /R 93-	1	
	928 501 036 08 GRV	Prime coated			
(5)	927 501 035 08	Wheel housing	/RL /L 93-	1	
	927 501 035 08 GRV	Prime coated			
(5)	927 501 036 08	Wheel housing	/RL /R 93-	1	
	927 501 036 08 GRV	Prime coated			
6	928 501 121 03	Bracket	/L	1	
	928 501 121 03 GRV	Prime coated			
		Impact absorber			
(6)	928 501 122 03	Bracket	/R	1	
	928 501 122 03 GRV	Prime coated			
		Impact absorber			
7	928 501 551 03	Bearing bracket	/L	1	
	928 501 551 03 GRV	Prime coated			
		Transverse strut			
(7)	928 501 582 03	Bearing bracket	/R	1	
	928 501 582 03 GRV	Prime coated			
		Transverse strut			
(8)	928 501 015 07	Bracket	/L	1	
	928 501 015 07 GRV	Prime coated			
(8)	928 501 016 07	Bracket	/R	1	
	928 501 016 07 GRV	Prime coated			
9	928 501 105 03	Bracket	/L	1	
	928 501 105 03 GRV	Prime coated			

Model: 928 92

Model life 1992>>1995

Pos	Part Number	Description	Remark	Qty	Model
(9)	928 501 106 03	Outer Bracket	/R	1	
	928 501 106 03 GRV	Prime coated Outer			
10	928 501 103 02	Bracket	/L	1	
	928 501 103 02 GRV	Prime coated Inner			
(10)	928 501 104 03	Bracket	/R	1	
	928 501 104 03 GRV	Prime coated Inner			
11	928 501 139 02	Bracket	/L	1	
(11)	928 501 140 02	Bracket	/R	1	
12	928 501 135 02	Bracket	/L	1	
(12)	928 501 136 02	Bracket	/R	1	
13	928 501 195 02	Bracket	/L	1	
(13)	928 501 196 02	Bracket	/R	1	
14	928 501 307 02	Bracket for Stabiliser	/L	1	
14	928 501 307 02 GRV	Prime coated for Stabiliser			
(14)	928 501 308 02	Bracket	/R	1	
	928 501 308 02 GRV	Prime coated for Stabiliser			
15	928 501 047 02	Bracket	/L	1	
	928 501 047 02 GRV	Prime coated			
(15)	928 501 048 02	Bracket	/R	1	
	928 501 048 02 GRV	Prime coated			
(16)	928 501 039 00	Connecting cap	/L	1	
	928 501 039 00 GRV	Prime coated			
16	928 501 040 00	Connecting cap	/R	1	
	928 501 040 00 GRV	Prime coated			
17	928 501 033 03	Terminal piece	/V	1	
	928 501 033 03 GRV	Prime coated			
18	928 501 031 05	Cross member		1	
	928 501 031 05 GRV	Prime coated			
19	928 501 127 03	Bracket		1	
	928 501 127 03 GRV	Prime coated for engine			
20	928 504 061 02	Pop-up headlight Transverse strut		1	
21	900 119 053 02	Pan-head screw M 10 X 16		4	
22	900 025 008 02	Washer A 10,5		4	
22	N 011 527 4	Washer A 10,5		4	
22	900 025 008 09	Washer A 10,5		4	
22	900 025 008 04	Washer A 10,5		4	
23	928 501 811 02	Lining for Radiator	/L	1	
(23)	928 501 812 03	Lining for Radiator	/R	1	
24	803 803 583 A	Stopper		9	
24	999 703 196 40	Lid		9	
25	928 504 357 02	Water drain valve		1	

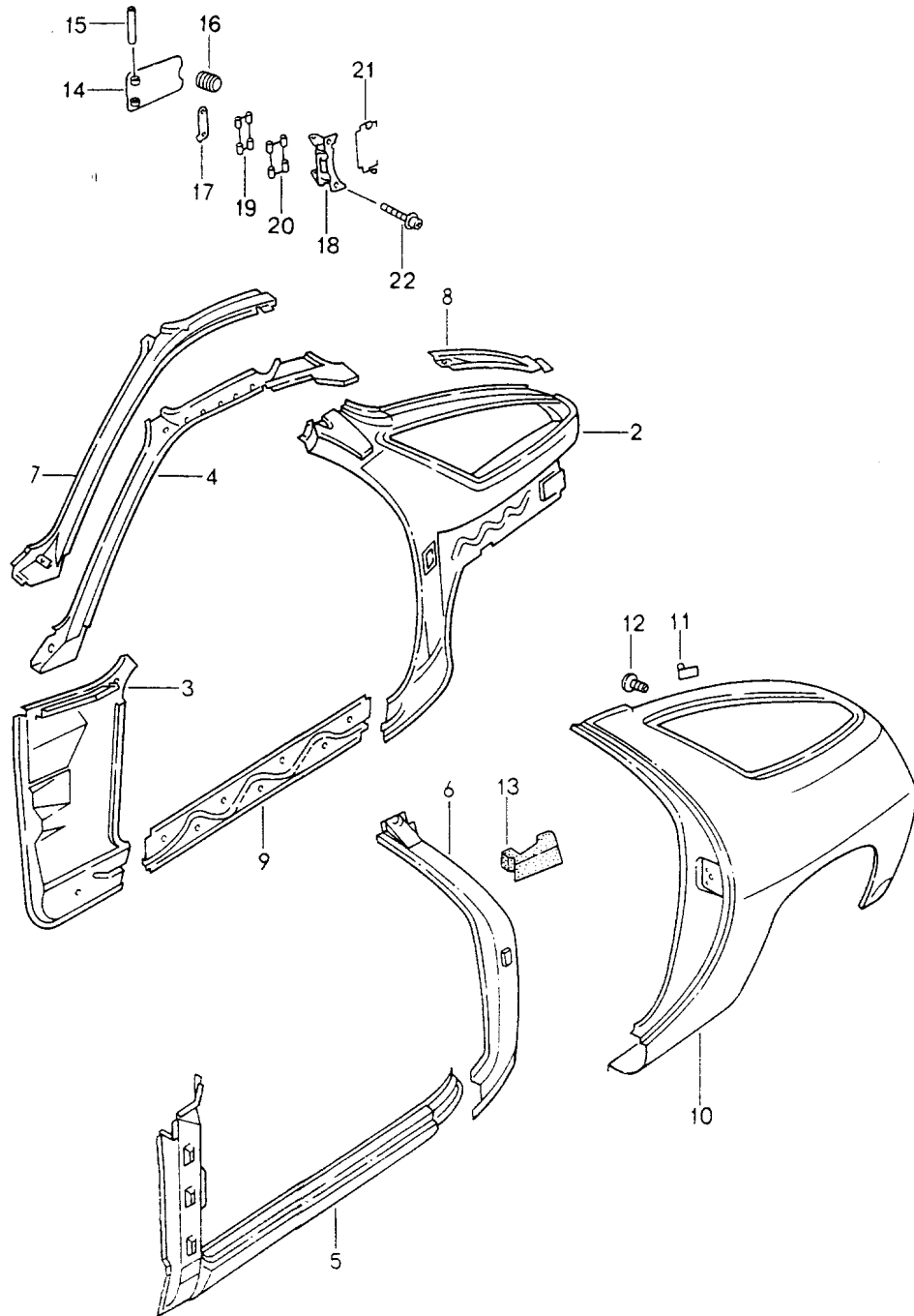
Model: 928 92

Model life 1992>>1995

Pos	Part Number	Description	Remark	Qty	Model
26	928 501 313 03	Retaining bracket for expansion tank	/LL	1	
(26)	927 501 313 02	Retaining bracket for expansion tank	/RL	1	
27	928 504 021 02	Protective plate	/V	1	
28	928 504 215 00	Edge protection		1	
29	928 504 029 02	Protective plate	/H	1	
(29)	928 504 029 02 GRV	Protective plate	/H	1	
30	999 591 348 02	Speed nut B 4,8		9	
30	999 591 348 01	Speed nut B 4,8		9	
31	900 187 018 02	Hexagon-head tapping screw B 4,8 X 16		9	
32	928 504 137 02	Fastening angle		2	
32	928 504 137 02 GRV	Fastening angle Prime coated		2	
33	999 591 699 02	Speed nut B 4,8		4	
33	999 591 699 01	Speed nut B 4,8		4	
34	N 011 665 3	Washer B 5,3		4	
34	N 011 665 16	Washer B 5,3		4	
35	928 501 078 00	Reinforcement		1	
	928 501 078 00 GRV	Prime coated Towing lug			
36	928 501 596 01	Support		1	
	928 501 596 01 GRV	Prime coated for Fanfare			
37	N 011 666 7	Washer B 6,4		3	
38	900 075 291 02	Hexagon-head bolt M 6 X 16		3	
39	928 504 353 02	Protective grille	/LL	1	
(39)	927 504 353 02	Protective grille for	/RL	1	
40	928 504 451 02	High volume horn Air baffle plate		2	

Model: 928 92

Model life 1992>>1995



Model: 928 92 Model life 1992>>1995

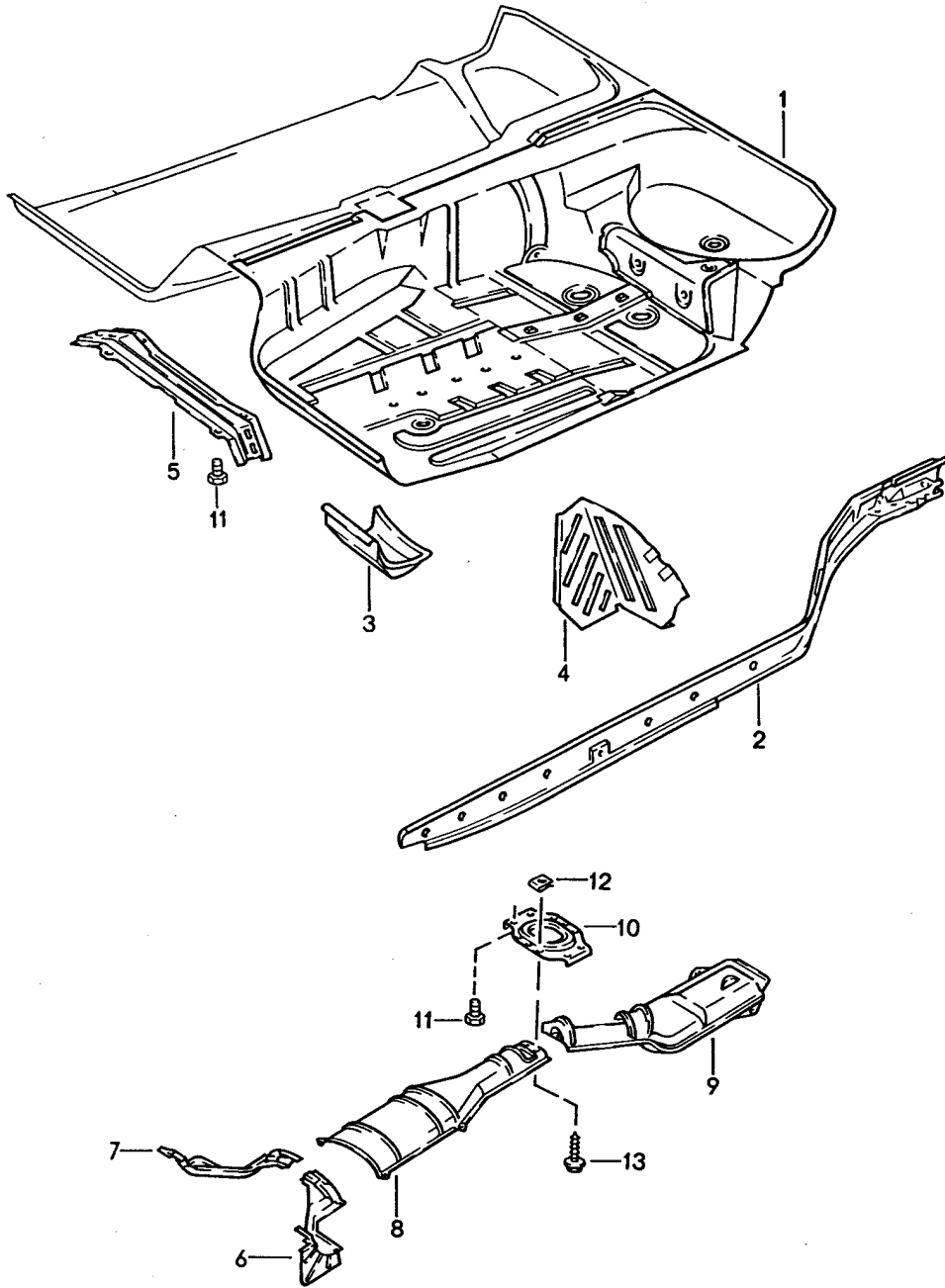
Pos	Part Number	Description	Remark	Qty	Model
1	928 502 011 15 928 502 011 15 GRV	Frame Side section Side section Prime coated Left	/LL	1	
(1)	928 502 011 70 928 502 011 70 GRV	Side section Prime coated Left	/LL	1	M650
(1)	927 502 011 07 927 502 011 07 GRV	Side section Prime coated Left	/RL	1	
(1)	927 502 011 16 927 502 011 16 GRV	Side section Prime coated Left	/RL (AUS)	1	
(1)	927 502 011 65 927 502 011 65 GRV	Side section Prime coated Left	/RL	1	M650
(1)	927 502 011 17 927 502 011 17 GRV	Side section Prime coated Left	/RL (AUS)	1	M650
(1)	928 502 012 14 928 502 012 14 GRV	Side section Prime coated Right	/LL	1	
(1)	928 502 012 15 928 502 012 15 GRV	Side section Prime coated Right	/LL	1	M650
(1)	927 502 012 10 927 502 012 10 GRV	Side section Prime coated Right	/RL	1	
(1)	927 502 012 16 927 502 012 16 GRV	Side section Prime coated Right	/RL (AUS)	1	
(1)	927 502 012 11 927 502 012 11 GRV	Side section Prime coated Right	/RL	1	M650
(1)	927 502 012 17 927 502 012 17 GRV	Side section Prime coated Right	/RL (AUS)	1	M650
2	928 502 043 06 928 502 043 06 GRV	Side section Prime coated Inner rear	/LL /L	1	
(2)	927 502 043 03 927 502 043 03 GRV	Side section Prime coated Inner rear	/RL /L (AUS)	1	
(2)	928 502 044 06 928 502 044 06 GRV	Side section Prime coated Inner rear	/LL /R	1	
(2)	927 502 044 02 927 502 044 02 GRV	Side section Prime coated Inner rear	/RL /R (AUS)	1	
3	928 502 013 11 928 502 013 11 GRV	Side section Prime coated Inner front	/LL /L	1	
(3)	928 502 014 12 928 502 014 12 GRV	Side section Prime coated Inner front	/LL /R	1	
(3)	927 502 014 12 927 502 014 12 GRV	Side section Prime coated Inner front	/RL /R	1	
(3)	927 502 013 12 927 502 013 12 GRV	Side section Prime coated Inner front	/RL /L	1	
4	928 502 301 02	Roof frame	/L	1	

Model: 928 92 Model life 1992>>1995

Pos	Part Number	Description	Remark	Qty	Model
	928 502 301 02 GRV	Prime coated Lateral			
(4)	928 502 302 02	Roof frame	/R	1	
	928 502 302 02 GRV	Prime coated Lateral			
5	928 502 015 03	Door sill	/L	1	
	928 502 015 03 GRV	Prime coated			
(5)	928 502 016 03	Door sill	/R	1	
	928 502 016 03 GRV	Prime coated			
6	928 502 051 02	Lock pillar	/L	1	
	928 502 051 02 GRV	Prime coated			
(6)	928 502 052 02	Lock pillar	/R 92	1	
	928 502 052 02 GRV	Prime coated			
(6)	928 502 052 03	Lock pillar	/R 93-	1	
	928 502 052 03 GRV	Prime coated			
7	928 502 331 02	Roof frame	/L	1	
	928 502 331 02 GRV	Prime coated Lateral upper			
(7)	928 502 332 02	Roof frame	/R	1	
	928 502 332 02 GRV	Prime coated Lateral upper			
8	928 502 033 02	Interior frame	/L	1	
	928 502 033 02 GRV	Prime coated			
(8)	928 502 034 02	Interior frame	/R	1	
	928 502 034 02 GRV	Prime coated			
9	928 502 111 02	Separator		2	
	928 502 111 02 GRV	Prime coated			
10	928 503 061 20	Side section	/L	1	
	928 503 061 20 GRV	Prime coated			
(10)	928 503 062 20	Side section	/R	1	
	928 503 062 20 GRV	Prime coated			
11	928 503 621 02	Pneumatic spring mount		2	
	928 503 621 02 GRV	Prime coated			
12	999 015 005 07	Half-round screw		4	
13	928 504 281 03	Seal	/L	1	
(13)	928 504 282 02	Seal	/R	1	
		Lock pillar			
14	928 504 301 03	Fuel filler flap		1	
15	928 504 713 00	Pin		2	
		Fuel filler flap 54 MM			
(15)	928 504 713 01	Pin		2	
		Fuel filler flap 60 MM			
16	999 703 135 40	Rubber buffer		1	
17	928 504 335 03	Desk pad		X	
18	928 504 325 03	Hinge half		1	
18		Hinge half		1	
	928 504 325 03 GRV	Prime coated			
19	928 504 677 00	Hinge half Upper		1	
19		Hinge half		1	
	928 504 677 00 GRV	Prime coated Upper			
20	928 504 679 00	Hinge half Lower		1	
20		Hinge half		1	
	928 504 679 00 GRV	Prime coated Lower			
21	928 504 345 05	Compression spring		1	
22	900 146 133 00	Fuel filler flap Combination screw M 6X12		2	

Model: 928 92

Model life 1992>>1995

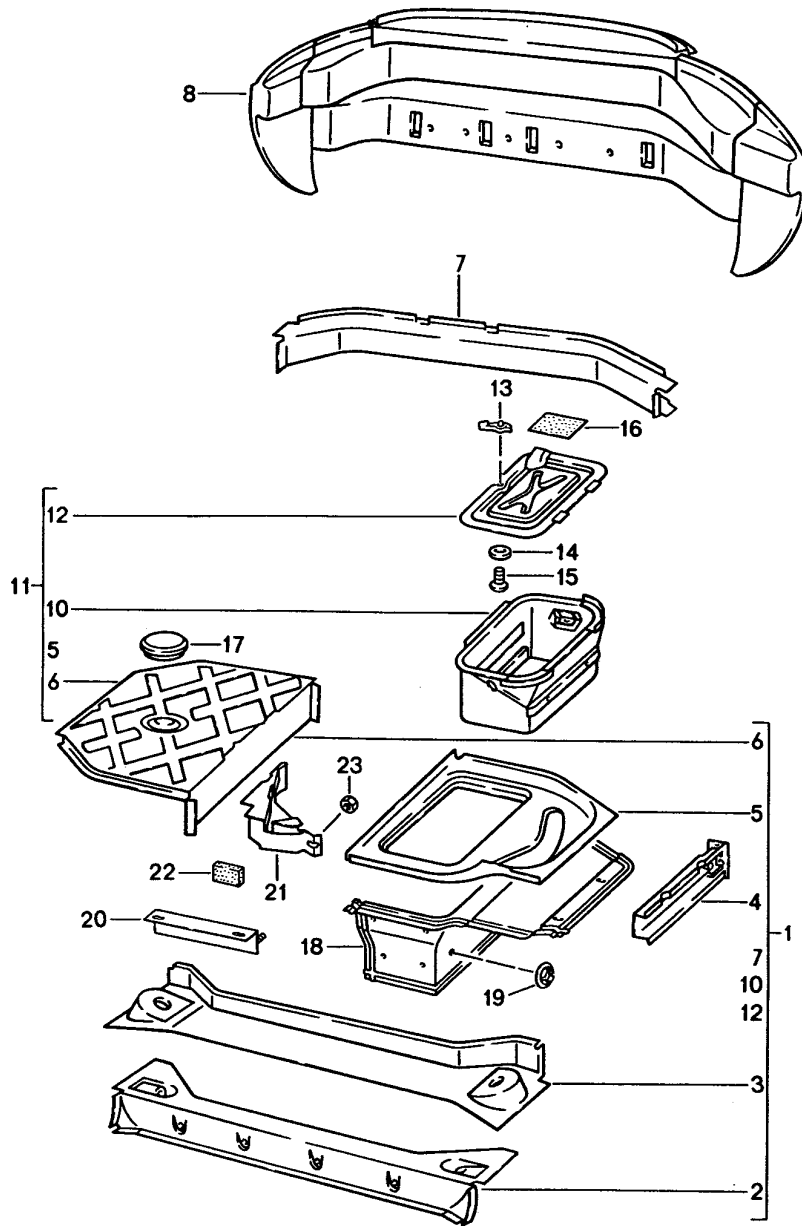


Model: 928 92 Model life 1992>>1995

Pos	Part Number	Description	Remark	Qty	Model
		Floor section			
		Frame			
		Centre			
1	928 501 053 08	Floor section	/LL /L	1	
	928 501 053 08 GRV	Prime coated			
(1)	928 501 054 09	Floor section	/LL /R	1	
	928 501 054 09 GRV	Prime coated			
(1)	927 501 053 07	Floor section	/RL /L	1	
	927 501 053 07 GRV	Prime coated			
(1)	927 501 054 08	Floor section	/RL /R	1	
	927 501 054 08 GRV	Prime coated			
2	928 501 021 04	Side member	/LL /L	1	
	928 501 021 04 GRV	Prime coated			
(2)	928 501 022 05	Side member	/LL /R	1	
	928 501 022 05 GRV	Prime coated			
(2)	927 501 021 05	Side member	/RL /L	1	
(2)	927 501 022 04	Bracket	/RL /R	1	
	927 501 022 04 GRV	Prime coated			
3	928 501 093 03	Gusset plate	/L	1	
	928 501 093 03 GRV	Prime coated			
(3)	928 501 094 03	Gusset plate	/R	1	
	928 501 094 03 GRV	Prime coated			
4	928 504 071 02	Foot support	/LL /L	1	
	928 504 071 02 GRV	Prime coated			
(4)	927 551 071 02	Foot support	/RL /R	1	
5	928 501 901 05	Cross member		1	
6	928 504 921 05	Heat protection plate		1	
7	928 504 924 05	Heat protection plate		1	
8	928 504 091 00	Heat protection plate		1	
(8)	928 504 091 01	Heat protection plate	(J)	1	
9	928 504 931 04	Heat protection plate	/L	1	
(9)	928 504 932 04	Heat protection plate	/R	1	
10	928 501 495 02	Bridge		1	
11	999 075 032 02	Seat belt		4	
		Hexagon-head bolt			
		M 8 X 20			
12	999 591 487 02	Speed nut		16	
		B 5,5			
13	900 187 115 02	Combination screw		16	
		B 5,5 X 16			
13	900 187 115 01	Combination screw		16	
		B 5,5 X 16			

Model: 928 92

Model life 1992>>1995

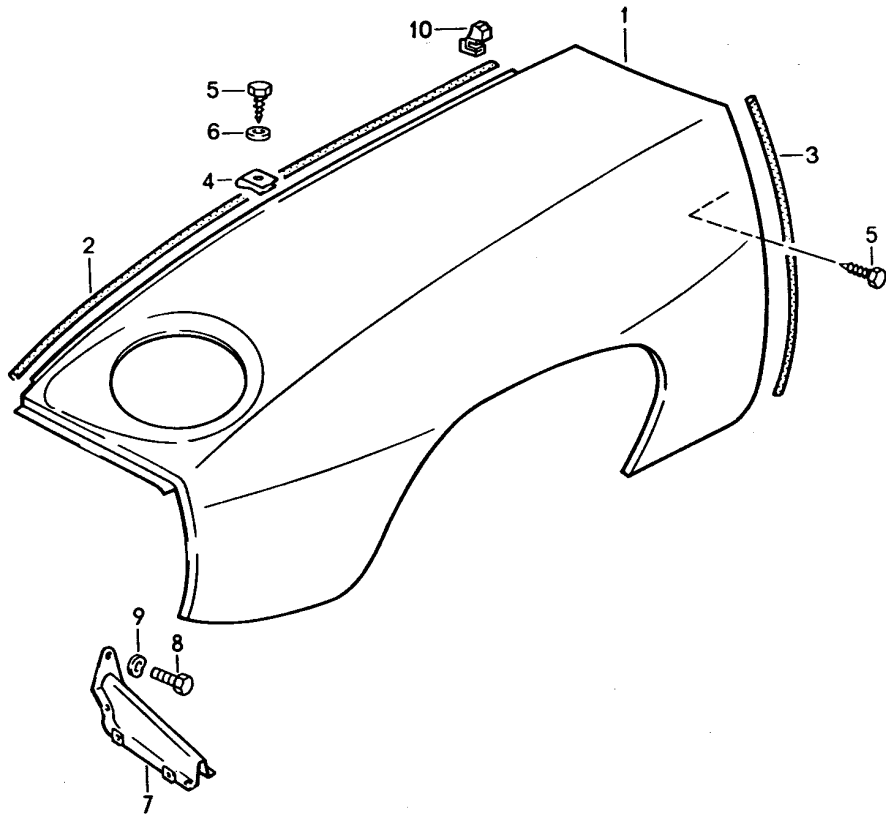


Model: 928 92 Model life 1992>>1995

Pos	Part Number	Description	Remark	Qty	Model
1	928 501 071 06	Frame			
		Rear			
		Rear end			
		Rear end	92	1	
	928 501 071 06 GRV	Prime coated			
(1)	928 501 071 07	Rear end	93-	1	
	928 501 071 07 GRV	Prime coated			
2	928 501 515 03	Cross member		1	
	928 501 515 03 GRV	Prime coated			
3	928 501 715 03	Cross member		1	
	928 501 715 03 GRV	Prime coated			
4	928 501 207 04	Extension	/L	1	
	928 501 207 04 GRV	Prime coated			
		Bracket			
(4)	928 501 208 04	Extension	/R	1	
	928 501 208 04 GRV	Prime coated			
		Bracket			
5	928 501 701 04	Floor section	/L	1	
	928 501 701 04 GRV	Prime coated			
6	928 501 702 03	Floor section	/R	1	
	928 501 702 03 GRV	Prime coated			
7	928 501 079 04	Cross member		1	
	928 501 079 04 GRV	Prime coated			
8	928 502 081 06	Terminal piece	/LL	1	
	928 502 081 06 GRV	Prime coated			
		Order also:			
		999.190.327.30			
8	927 502 081 06	Terminal piece	/RL	1	
	927 502 081 06 GRV	Prime coated			
		Order also:			
		999.190.327.30			
10	928 501 805 04	Battery box		1	
	928 501 805 04 GRV	Prime coated			
11	928 501 075 06	Floor section		1	
	928 501 075 06 GRV	Prime coated			
12	928 504 011 04	Lid		1	
13	928 504 103 02	Latch		1	
14	N 011 665 3	Washer		1	
		B 5,3			
14	N 011 665 16	Washer		1	
		B 5,3			
15	N 013 973 4	Oval-head sheetmetal screw		1	
		B 5,5 X 13			
16	911 201 259 00	Desk pad		4	
		for			
		Emergency wheel			
17	928 504 207 02	Lid		1	
18	928 504 053 00	Heat protection plate		1	
(18)	928 504 501 01	Heat protection plate		1	M221
(18)	928 504 501 01 GRV	Heat protection plate		1	M221
	928 504 501 01 GRV	Prime coated			
19	999 591 736 02	Speed nut		10	
20	928 504 407 00	Fastening angle		1	
-	999 591 865 02	Nut		2	
-	999 591 736 02	Speed nut		8	
-	900 151 027 02	Washer		2	
-	900 151 027 03	Washer		2	
-	N 021 196 1	Lock nut		2	
-	N 021 196 3	Hexagon nut		2	
21	928 612 541 00	Cover		1	
22	928 612 494 00	Foam part		1	
23	999 591 839 40	Plastic nut		1	

Model: 928 92

Model life 1992>>1995



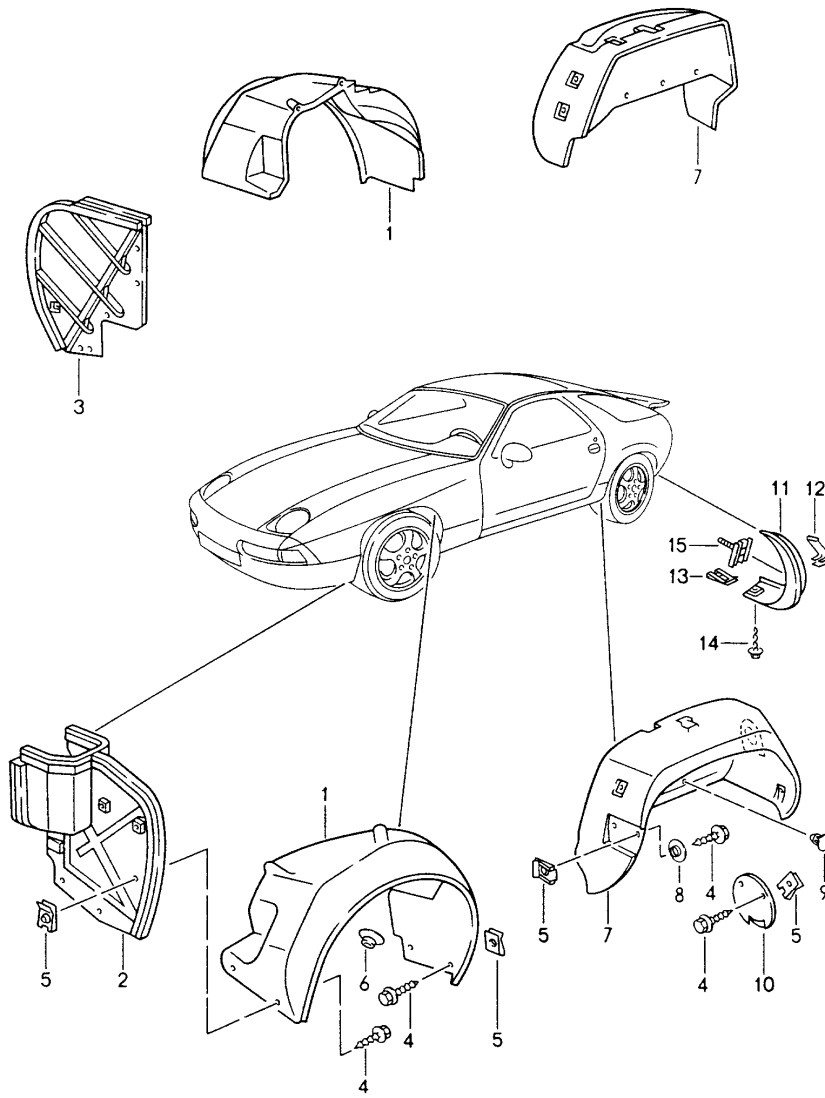
Model: 928 92

Model life 1992>>1995

Pos	Part Number	Description	Remark	Qty	Model
1	928 503 011 10	Wing		1	
	928 503 011 10 GRV	Wing	/L	1	
	928 503 011 10 GRV	Prime coated			
(1)	928 503 012 10	Wing	/R	1	
	928 503 012 10 GRV	Prime coated			
2	000 043 129 00	Sealing strap		2	
3		Sealing strap		*	
4	999 507 003 02	Speed nut		26	
4	999 507 003 01	Speed nut		26	
5	999 450 007 02	Combination screw		24	
6	999 704 157 40	Washer		24	
		5,5 X 18 X 1,5			
7	928 503 031 04	Wing strut		2	
	928 503 031 04 GRV	Prime coated			
8	999 072 005 09	Hexagon nut		10	
		M 6 X 12			
8	999 072 005 01	Hexagon nut		10	
		M 6 X 12			
9	N 012 226 5	Spring washer		10	
10	928 511 579 03	Seal		2	

Model: 928 92

Model life 1992>>1995



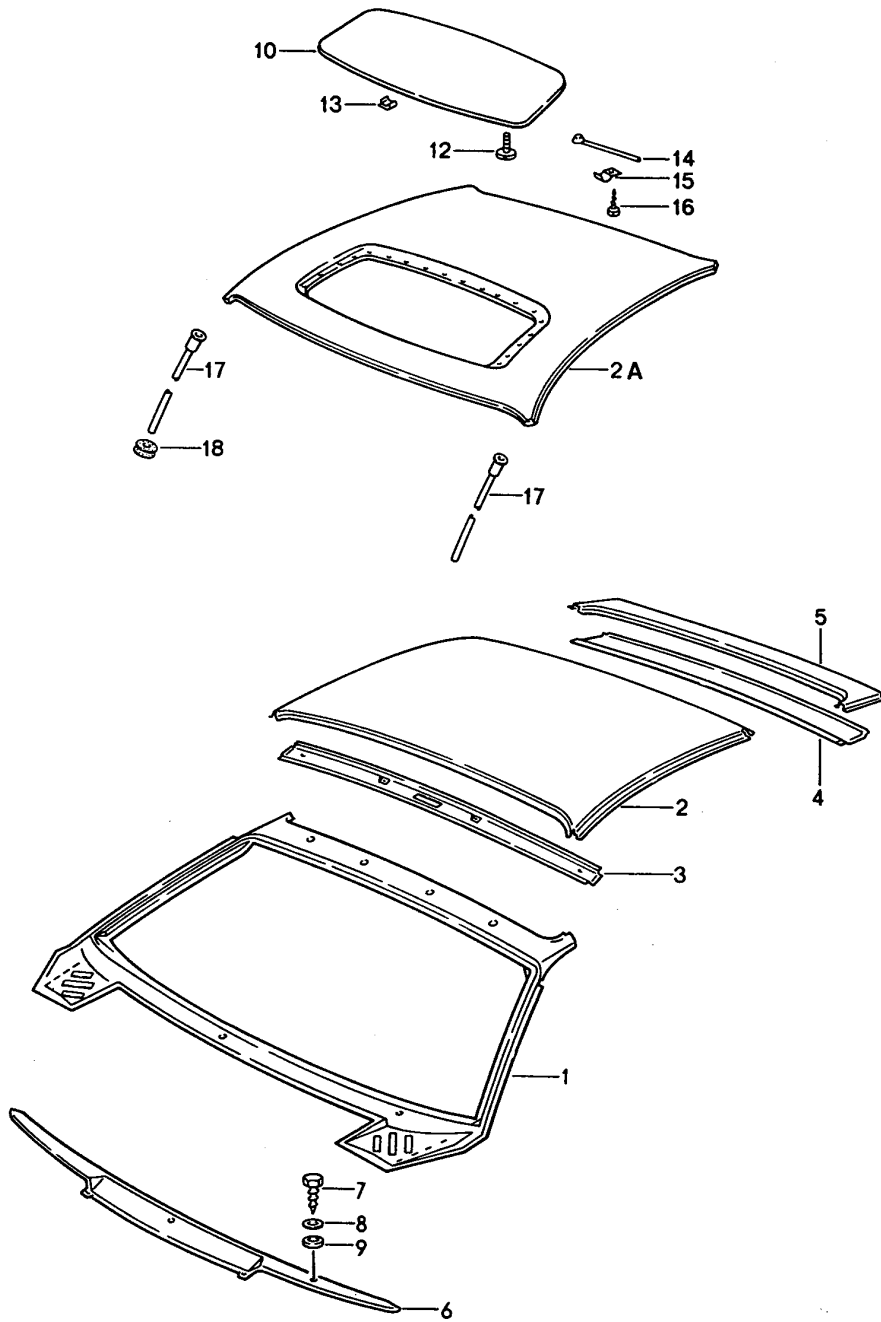
Model: 928 92

Model life 1992>>1995

Pos	Part Number	Description	Remark	Qty	Model
		Wheel-housing liner Wheel cover Front And Rear			
1	928 504 381 05	Wheel-housing liner	/V /L	1	
(1)	928 504 382 05	Wheel-housing liner	/V /R	1	
2	928 504 125 11	Wheel cover	/V /L	1	
3	928 504 126 12	Wheel cover	/V /R	1	
4	900 187 115 02	Combination screw B 5,5 X 16		34	
4	900 187 115 01	Combination screw B 5,5 X 16		34	
5	999 591 487 02	Speed nut B 5,5		30	
6	999 049 022 40	Plastic nut		X	
7	928 504 303 04	Wheel-housing liner	/H /L	1	
(7)	928 504 304 04	Wheel-housing liner	/H /R	1	
8	999 025 225 02	Washer		13	
9	928 504 375 02	Lid		1	
11	928 504 475 00	Wheel cover	/H /L (CH) (J)	1	
(11)	928 504 476 00	Wheel cover	/H /R (CH) (J)	1	
12	999 507 410 07	Clamping spring	(CH) (J)	2	
13	999 591 699 02	Speed nut ST 4,8	(CH) (J)	4	
13	999 591 699 01	Speed nut ST 4,8	(CH) (J)	4	
14	900 143 159 07	Combination screw ST 4,8 X 19	(CH) (J)	4	
15	999 591 990 00	Support for Push button	(CH) (J)	4	

Model: 928 92

Model life 1992>>1995

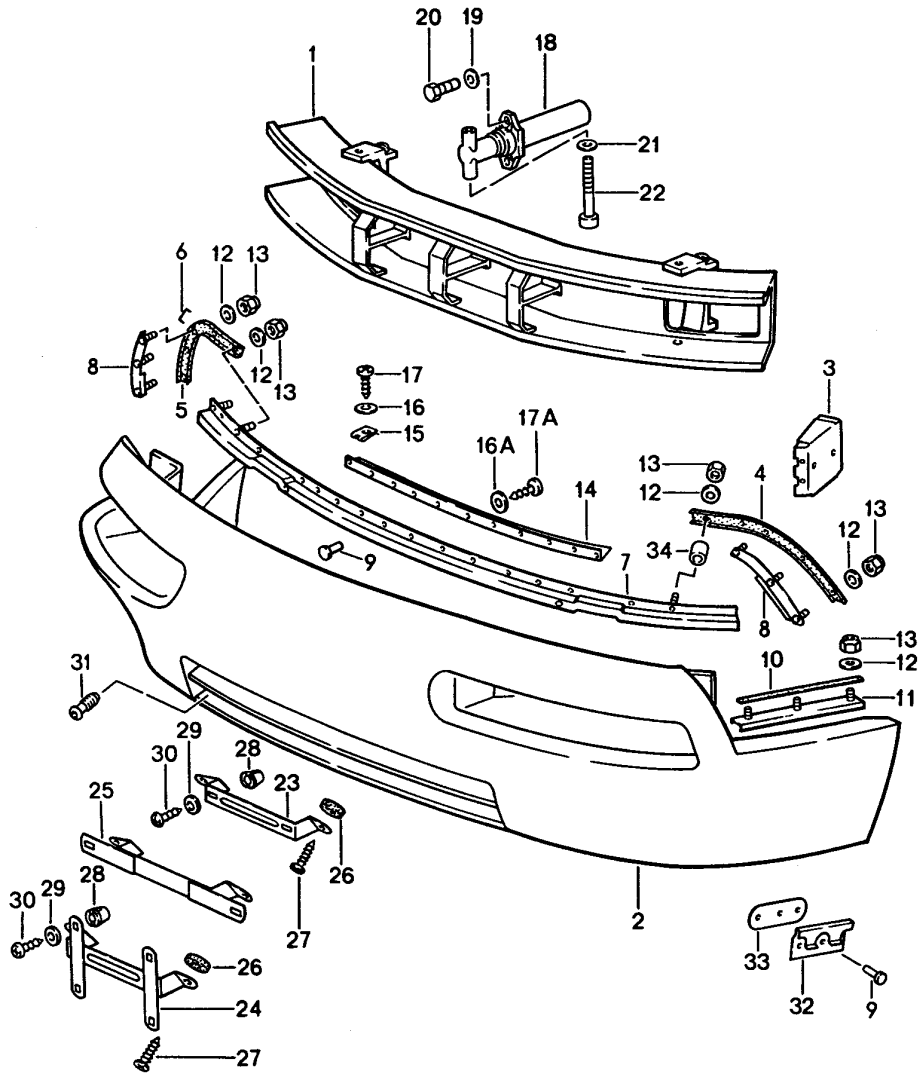


Model: 928 92 Model life 1992>>1995

Pos	Part Number	Description	Remark	Qty	Model
1	928 503 041 08	Roof Cowl			
	928 503 041 08 GRV	Cowl Prime coated	/LL	1	
(1)	927 503 041 04	Cowl	/RL	1	
	927 503 041 04 GRV	Prime coated			
2	928 503 501 03	Outer roof panel		1	
	928 503 501 03 GRV	Prime coated Exterior panelling			
2A	928 503 027 61	Outer roof panel		1	M650
	928 503 027 61 GRV	Prime coated Exterior panelling			
3	928 502 383 02	Roof frame	/V	1	
4	928 502 393 02	Roof frame	/H	1	
		Lower			
5	928 502 395 02	Roof frame	/H	1	
		Upper			
6	928 559 117 02	Cowl panel	/LL	1	
	928 559 117 02 GRV	Prime coated Outer part			
(6)	927 559 117 02	Cowl panel	/RL	1	
	927 559 117 02 GRV	Prime coated			
-	928 559 251 02	Gasket Cowl panel 1600 MM		1	
7	900 187 010 02	Hexagon-head tapping screw BZ 6,3 X 19		2	
7	900 187 010 03	Hexagon-head tapping screw BZ 6,3 X 19		2	
8	900 151 003 02	Washer A 6,4		2	
8	900 151 006 03	Washer A 6,4		2	
9	999 704 157 40	Washer		2	
10	928 564 033 41	Lid		1	
10	928 564 033 41 GRV	Lid Prime coated		1	
12	900 072 003 02	Adjusting screw M 5 X 12		2	
13	999 591 898 02	Clamp		18	
13	PCG 591 898 02	Clamp		18	
14	928 564 081 02	Wire spring		1	
15	928 564 379 02	Clamping piece		1	
16	N 013 970 5	Oval-head sheetmetal screw B 4,8 X 9,5		1	
16	N 106 568 02	Oval-head sheetmetal screw B 4,8 X 9,5		1	
17	928 564 413 02	Water drain hose		2	
18	021 119 569 A	Rubber sleeve		2	

Model: 928 92

Model life 1992>>1995



Model: 928 92 Model life 1992>>1995

Pos	Part Number	Description	Remark	Qty	Model
		Bumper			
		Front			
1	928 505 010 20	Bracket		1	
(1)	928 505 010 21	Bracket		1	M215
2	928 505 113 20	Lining		1	
3	928 505 047 21	Support		2	M215
4	928 505 051 01	Piping		1	
	928 505 051 01 70B	Black			
(4)	928 505 143 03	Piping	/L	1	
	928 505 143 03 01C	Satin black			
5	928 505 052 00	Piping	/R	1	
	928 505 052 00 70B	Black			
(5)	928 505 052 01	Piping	/R	1	
	928 505 052 01 70B	Black			
(5)	928 505 143 03	Piping	/R	1	
	928 505 143 03 01C	Satin black			
-	928 505 191 00	Cap		2	
7	928 505 031 20	Retaining strip		2	
		Upper			
8	928 505 033 20	Retaining strip	/L	1	
(8)	928 505 034 20	Retaining strip	/R	1	
9	999 190 104 30	Blind rivet		20	
(9)	999 190 114 30	Blind rivet		20	
10	000 043 101 00	Sealing cord		1	
11	928 505 049 00	Attachment strip		2	
12	N 011 665 3	Washer		12	
		B 5,3			
12	N 011 665 16	Washer		12	
		B 5,3			
13	N 021 196 1	Lock nut		16	
		M 5			
13	N 021 196 3	Hexagon nut		16	
		M 5			
14	928 505 114 20	Rail		1	
15	999 591 485 02	Speed nut		5	
		B 4,8			
16	900 025 003 02	Washer		5	
		A 5,3			
16A	900 025 044 07	Washer		6	
		A 4,3			
17	900 143 147 07	Tapping screw		5	
		B 4,8 X 16			
(17)		Tapping screw		11	
		B 4,8X16			
17A	900 143 113 07	Oval-head screw		6	
		B 4,2 X 13			
17A	900 143 113 0G	Oval-head screw		6	
		B 4,2 X 13			
18	993 505 019 00	Impact pipe		2	
(18)	928 505 015 22	Impact absorber		2	M058/215
19	900 025 007 02	Washer		4	
		8,4			
19	900 025 007 03	Washer		4	
		8,4			
20	900 075 339 08	Hexagon-head bolt		4	
		M 8 X 30			
20	900 075 339 01	Hexagon-head bolt		4	
		M 8 X 30			
(20)	999 062 009 02	Stud		4	
		M 8 X 28			
(20)	900 060 105 01	Stud		4	
		M 8 X 28			
21	900 025 009 02	Washer		2	

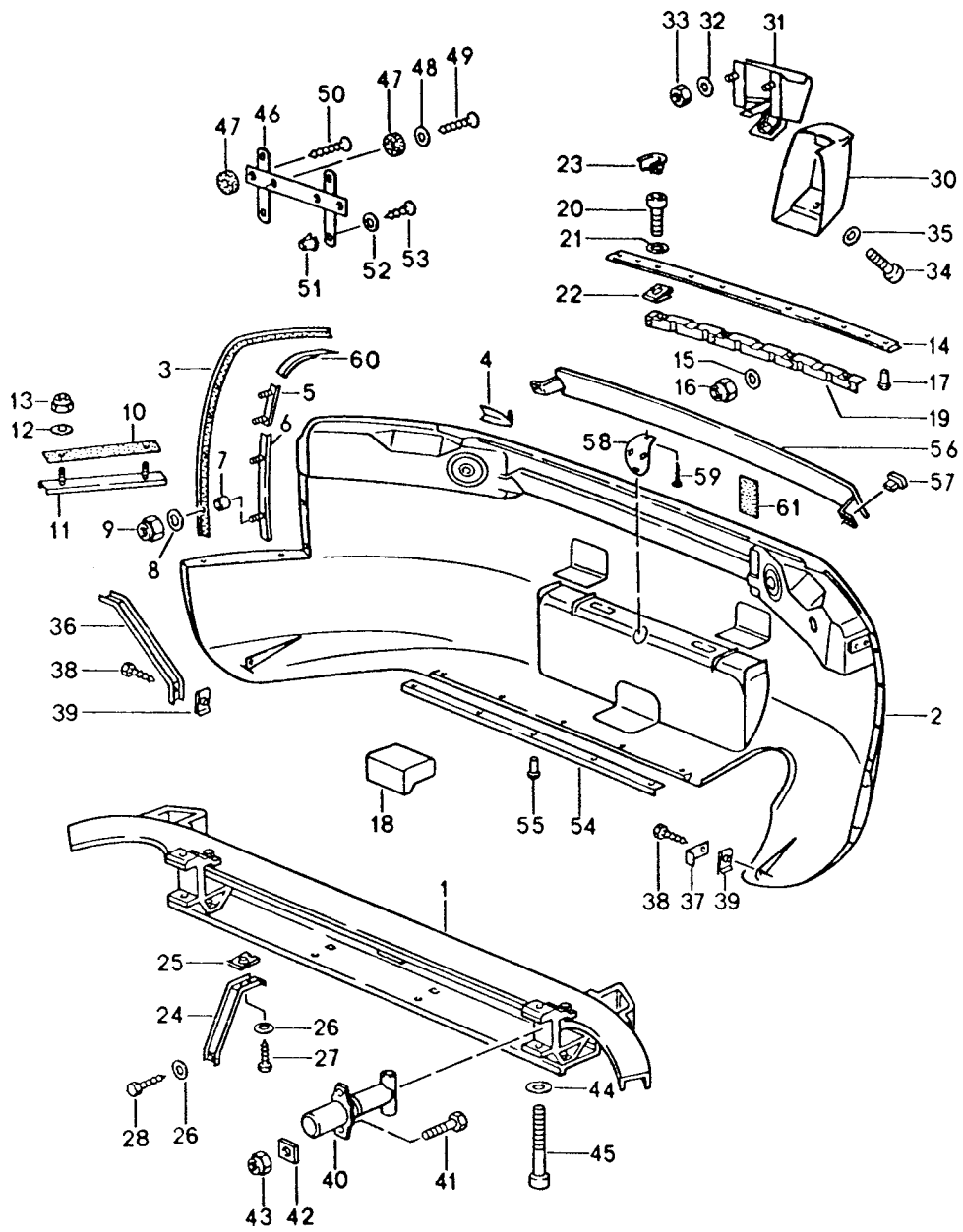
Model: 928 92

Model life 1992>>1995

Pos	Part Number	Description	Remark	Qty	Model
22	900 067 084 02	A 13 Pan-head screw M 12 X 110		2	
22	900 067 084 03	Pan-head screw M 12 X 110		2	
23	928 701 121 04	Support for Number plate		1	
25	928 701 050 05	Support for Number plate		1	
26	914 571 903 10	Sealing ring		2	
27	N 014 000 2	Tapping screw B 4,8 X 19		2	
28	999 591 498 40	Special nut		2	
29	N 011 522 8	Washer		2	
30	900 143 134 00	Tapping screw		2	
31	928 722 107 01	Cap Towing lug		1	
32	999 591 861 02	Clamp for Front spoiler		6	
33	999 591 862 02	Desk pad		6	
34	928 505 511 04	Sleeve		2	

Model: 928 92

Model life 1992>>1995



Model: 928 92

Model life 1992>>1995

Pos	Part Number	Description	Remark	Qty	Model
		Bumper			
		Rear			
1	928 505 020 20	Bracket		1	
(1)	928 505 020 21	Bracket		1	M215
2	928 505 123 22	Lining		1	
	928 505 123 22 G2X	Prime coated			
(2)	928 505 123 23	Lining		1	M215
	928 505 123 23 G2X	Prime coated			
3	928 505 145 03	Piping		2	
	928 505 145 03 01C	Black			
		Order also:			
4	928 505 141 00	Cap		1	
	928 505 141 00 01C	Black			
(4)	928 505 142 00	Cap		1	
	928 505 142 00 01C	Black			
5	928 505 035 20	Retaining strip	/L	1	
		Upper			
(5)	928 505 036 20	Retaining strip	/R	1	
		Upper			
6	928 505 037 20	Retaining strip	/L	1	
		Lower			
(6)	928 505 038 20	Retaining strip	/R	1	
		Lower			
7	928 505 511 03	Sleeve		2	
8	900 151 027 02	Washer		8	
		B 5,3			
8	900 151 027 03	Washer		8	
		B 5,3			
9	N 021 196 1	Lock nut		8	
		M 5			
9	N 021 196 3	Hexagon nut		8	
		M 5			
10	000 043 101 00	Sealing cord		2	
11	928 505 043 00	Attachment strip		2	
12	900 151 027 02	Washer		4	
		B 5,3			
12	900 151 027 03	Washer		4	
		B 5,3			
13	N 021 196 1	Lock nut		4	
		M 5			
13	N 021 196 3	Hexagon nut		4	
		M 5			
14	928 505 447 00	Reinforcement strip	/H	1	
15	900 151 027 02	Washer		4	
		B 5,3			
15	900 151 027 03	Washer		4	
		B 5,3			
16	N 021 196 1	Lock nut		4	
		M 5			
16	N 021 196 3	Hexagon nut		4	
		M 5			
17	999 190 114 30	Blind rivet		7	
18	928 505 245 20	Buffer		2	
19	928 505 273 02	Retaining strip		1	
20	900 067 256 07	Pan-head screw		4	
		M 5 X 20			
21	900 151 027 07	Washer		4	
		B 5,3			
22	999 507 330 02	Cable holder		4	
		M 5			
22	999 507 312 12	Nut lock		4	
		M 5			
23	928 505 389 00	Cap		4	

Model: 928 92 Model life 1992>>1995

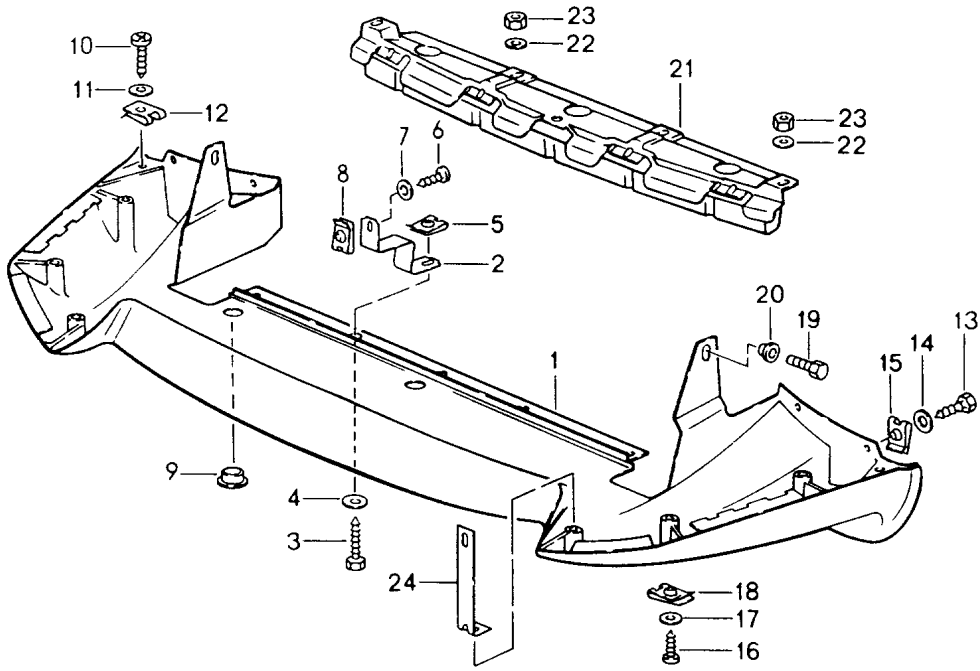
Pos	Part Number	Description	Remark	Qty	Model
23	928 505 389 00 01C	Cap Black		4	
24	928 505 279 02	Rear support		2	
25	N 902 689 01	Speed nut B 4,2		2	
25	999 591 742 01 999 591 742 01 01	Speed nut B 4,2		2	
26	900 025 002 02	Washer A 4,3		4	
26	900 025 002 03	Washer A 4,3		4	
27	N 043 884 1	Oval-head sheetmetal screw B 4,2 X 13		2	
28	N 043 890 1	Tapping screw B 4,2 X 9,5		2	
29	999 703 066 50	Stopper		2	
30	928 505 005 20 928 505 005 20 01C	Buffer Black	/L	1	M215
(30)	928 505 006 20 928 505 006 20 01C	Buffer Black	/R	1	M215
31	928 505 065 20	Mounting piece		2	M215
32	900 025 007 02	Washer A 8,4		4	M215
32	900 025 007 03	Washer A 8,4		4	M215
33	900 076 025 02	Hexagon nut M 8		4	M215
33	900 076 064 02	Hexagon nut M 8		4	M215
34	900 067 185 07	Pan-head screw M 6 X 12		2	M215
35	900 031 028 07	Washer 6,4		2	M215
36	928 505 522 02	Bracket	/R	1	
37	928 505 523 00	Retaining bracket	/L	1	
38	900 187 115 02	Combination screw B 5,5 X 16		2	
38	900 187 115 01	Combination screw B 5,5 X 16		2	
39	999 591 487 02	Speed nut B 5,5		2	
40	928 505 018 20	Impact pipe		2	
(40)	928 505 016 22	Impact absorber		2	M058/215
41	900 075 222 02	Combination screw		4	
42	928 505 321 02	Desk pad		2	
43	N 022 146 1	Lock nut M 8		2	
44	900 025 009 02	Washer A 13		2	
45	900 067 084 02	Pan-head screw M 12 X 110		2	
45	900 067 084 03	Pan-head screw M 12 X 110		2	
(46)	928 701 050 03	Support for Number plate	(CH)	1	
47	914 571 903 10	Sealing ring		2	
48	900 025 003 02	Washer A 5,3		2	
49	N 013 971 3	Oval-head sheetmetal screw B 4,8 X 22		2	
51	999 591 498 40	Special nut		4	
52	N 011 522 8	Washer		4	

Model: 928 92 Model life 1992>>1995

Pos	Part Number	Description	Remark	Qty	Model
53	900 143 134 00	A 4,3 Tapping screw BZ 4,2 X 9,5		4	
54	928 505 269 02	Reinforcement strip		1	
55	999 190 114 30	Blind rivet		14	
56	928 505 317 00	Covering Bumper		1	
57	999 703 394 40	Rubber buffer for Covering		2	
58	928 505 657 00 928 505 657 00 G2X	Cap Prime coated for Towing lug		1 1	
59	900 145 041 07	Tapping screw B 3,5 X 16		1	
60	928 505 463 02	Desk pad		1	
(60)	928 505 464 02	Desk pad for Piping		1	
61	999 902 021 40	Velcro fastener for Lining		3	

Model: 928 92

Model life 1992>>1995



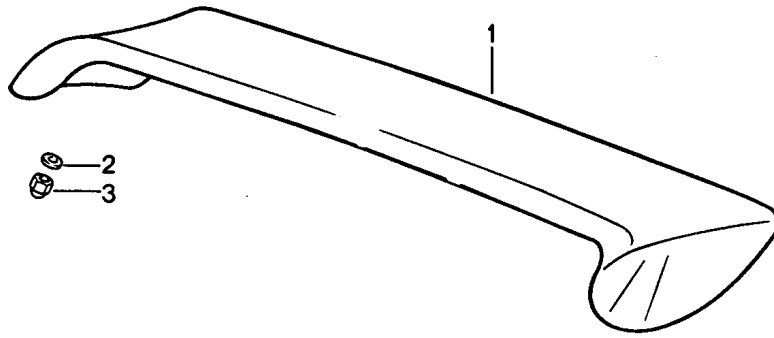
Model: 928 92

Model life 1992>>1995

Pos	Part Number	Description	Remark	Qty	Model
		Spoiler Front			
1	928 505 071 21	Front spoiler		1	
	928 505 071 21 70B	Black			
2	928 505 289 02	Support		3	
3	900 187 121 02	Tapping screw B 4,8 X 22		3	
10	900 143 148 07	Tapping screw B 4,8 X 19		2	
11	N 011 665 3	Washer B 5,3		2	
11	N 011 665 16	Washer B 5,3		2	
13	900 187 004 02	Hexagon-head tapping screw 4,8 X 19		4	
14	N 011 665 3	Washer B 5,3		4	
14	N 011 665 16	Washer B 5,3		4	
15	999 591 699 02	Speed nut B 4,8		4	
15	999 591 699 01	Speed nut B 4,8		4	
16	900 143 147 07	Tapping screw B 4,8 X 16		6	
17	900 025 003 02	Washer A 5,3		6	
18	999 591 699 02	Speed nut B 4,8		6	
18	999 591 699 01	Speed nut B 4,8		6	
19	N 010 215 13	Hexagon-head bolt M 6 X 15		2	
20	900 151 027 02	Washer B 5,3		2	
20	900 151 027 03	Washer B 5,3		2	
21	928 505 059 03	Bracket Front spoiler		1	
21	928 505 059 05	Bracket		1	
	928 505 059 05 GRV	Prime coated Front spoiler			
22	N 011 666 6	Washer B 6,4		4	
23	900 910 118 00	Lock nut M 6		4	
24	928 505 333 00	Support		2	

Model: 928 92

Model life 1992>>1995



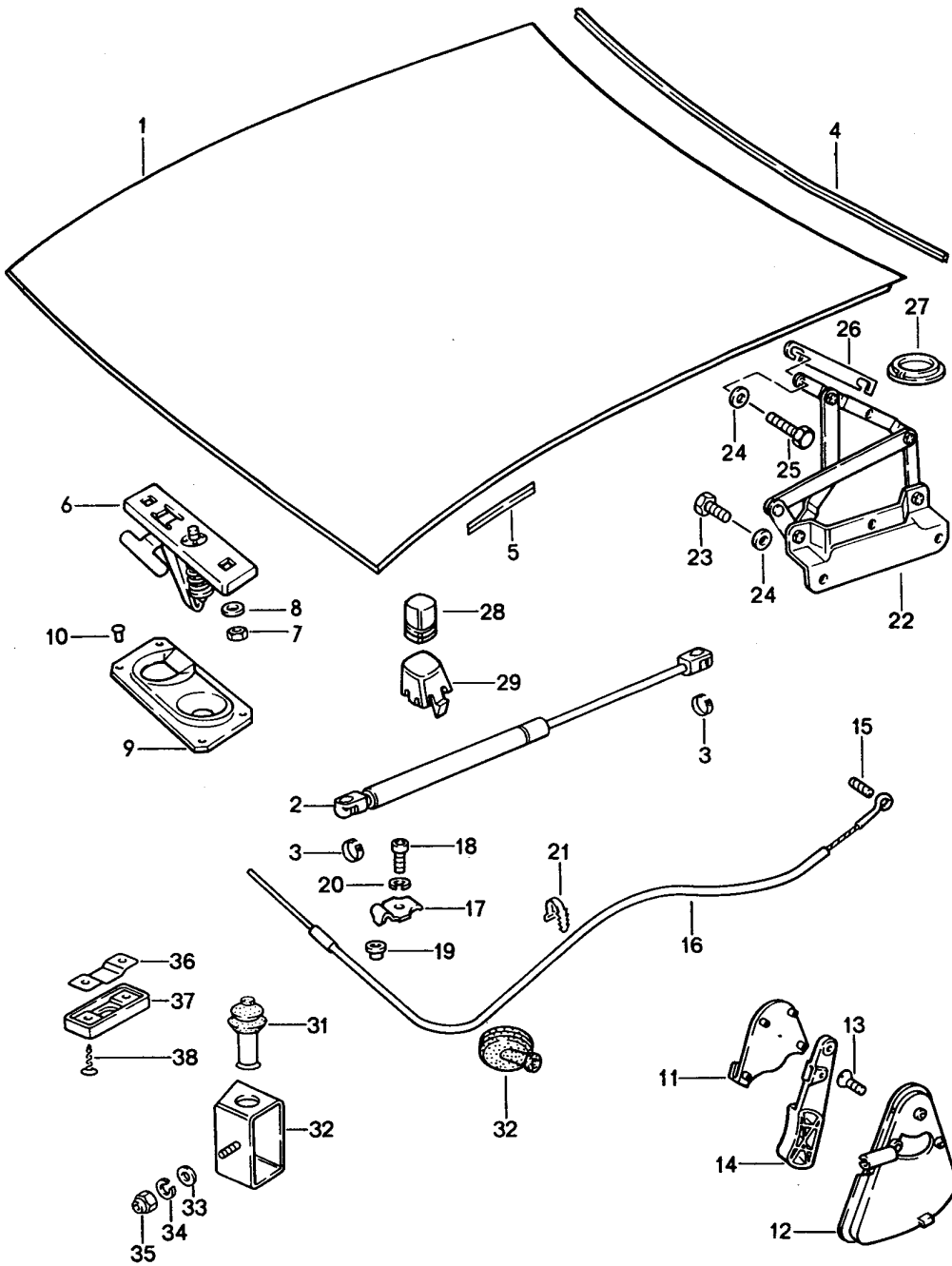
Model: 928 92

Model life 1992>>1995

Pos	Part Number	Description	Remark	Qty	Model
1	928 512 078 03 928 512 078 03 70C	Spoiler Rear Rear spoiler Black		1	
2	900 151 037 07	Washer A 6,4		4	
3	900 085 014 07	Cap nut M 6		4	

Model: 928 92

Model life 1992>>1995



Model: 928 92

Model life 1992>>1995

Pos	Part Number	Description	Remark	Qty	Model
		Bonnet			
		Installation parts			
1	928 511 005 04	Bonnet		1	
	928 511 005 04 GRV	Prime coated			
2	928 511 139 03	Gas-pressure spring		2	
3	900 169 016 02	Securing clip		4	
4	928 511 141 03	Gasket		1	
5	928 504 551 03	Gasket		2	
		Lateral			
6	928 511 029 03	Lid lock		1	
		Upper part			
6	944 511 029 00	Lock upper part		1	
		Upper part			
7	900 076 010 02	Nut		2	
		M 6			
7	900 076 010 0B	Nut		2	
		M 6			
8	N 015 404 1	Washer		2	
		6,4			
8	900 223 030 02	Washer		2	
		6,4			
8	900 223 003 02	Washer		2	
		6,4			
9	928 511 027 02	Lid lock		1	
		Lower part			
10	999 190 128 30	Blind rivet		4	
		4,8 X 7,4			
11	928 511 143 02	Cover		1	
	928 511 143 02 70B	Black			
12	928 511 173 02	Bearing shell		1	
13	900 249 001 02	Countersunk-head screw		2	
		M 6 X 15			
13	900 249 031 01	Countersunk-head screw		2	
		M 6 X 15			
14	928 511 175 02	Pull handle		1	
15	900 197 018 00	Roll pin		1	
		4 X 12			
16	928 504 037 00	Wire pull	/LL	1	
(16)	927 504 037 00	Wire pull	/RL	1	
17	928 511 541 02	Clamping piece		1	
18	900 067 008 02	Pan-head screw		1	
		M 6 X 12			
18	900 067 008 03	Pan-head screw		1	
		M 6 X 12			
19	928 511 543 02	Sleeve		1	
20	N 012 007 2	Lock ring		1	
		A 6			
20	900 027 004 03	Lock ring		1	
		A 6			
21	999 513 007 40	Tie-wrap		1	
22	928 511 041 04	Lid hinge	/L	1	
(22)	928 511 042 04	Lid hinge	/R	1	
23	N 010 237 6	Hexagon-head bolt		6	
		M 8 X 12			
23	N 010 237 14	Hexagon-head bolt		6	
		M 8 X 12			
24	900 025 007 02	Washer		10	
		8,4			
24	900 025 007 03	Washer		10	
		8,4			
25	900 075 309 08	Hexagon-head bolt		4	
		M 8 X 20			
26	928 511 419 02	Compensating plate		X	

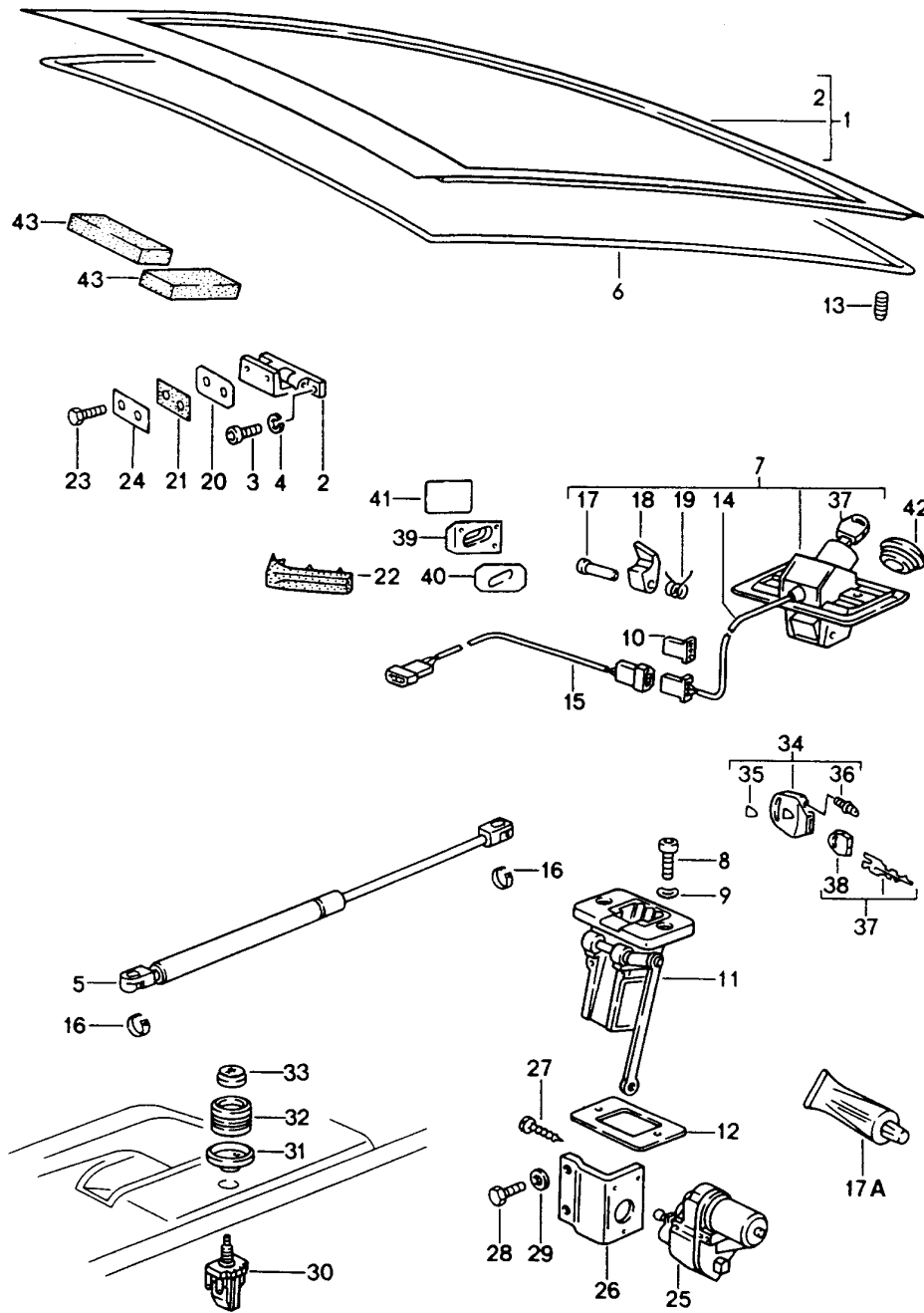
Model: 928 92

Model life 1992>>1995

Pos	Part Number	Description	Remark	Qty	Model
27	928 511 321 03	Cap		2	
28	999 703 132 40	Rubber buffer		2	
29	928 511 203 02	Support		2	
30	111 957 861	Rubber sleeve		1	
31	928 613 173 00	Contact switch		1	
32	928 637 021 00	Switch housing		1	
33	900 151 027 02	Washer A5,3		1	
33	900 151 027 03	Washer A5,3		1	
34	N 012 005 3	Lock ring B 5		1	
35	N 011 005 14	Hexagon nut M 5		1	
35	900 076 091 01	Hexagon nut M 5		1	
36	928 637 121 00	Protection cap		1	
37	928 637 123 00	Pressure plate		1	
38	N 014 098 6	Rais. counters. h. tap. s.		2	

Model: 928 92

Model life 1992>>1995



Model: 928 92 Model life 1992>>1995

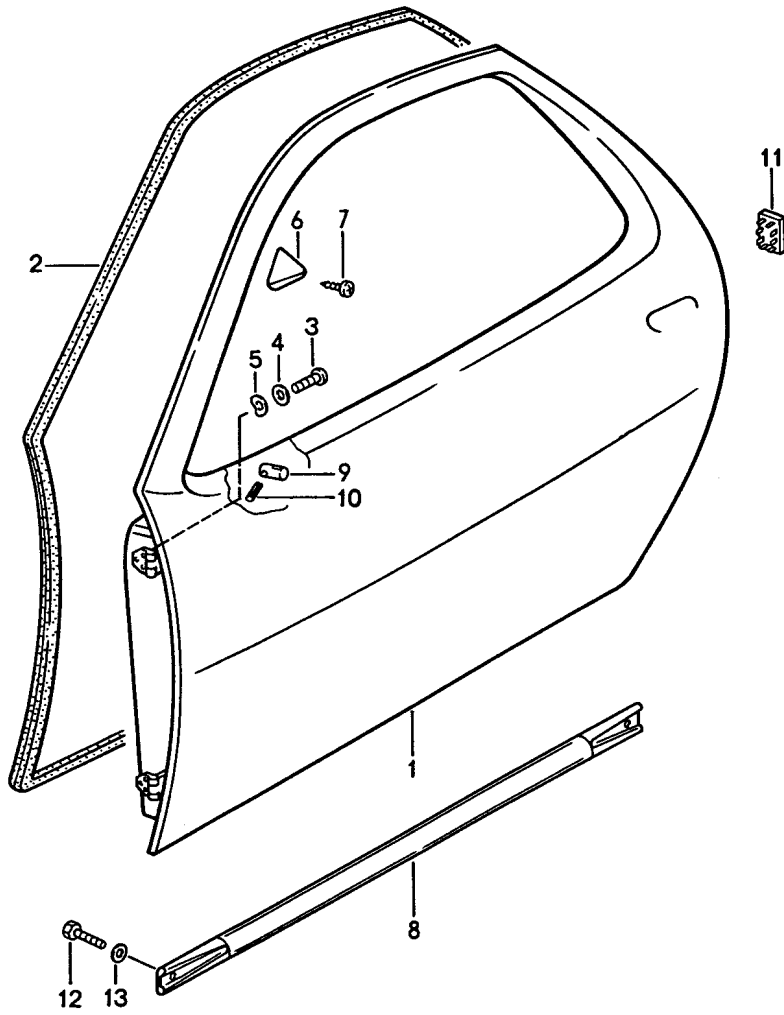
Pos	Part Number	Description	Remark	Qty	Model
		Rear lid			
		Installation parts			
1	928 512 005 05	Rear lid		1	
	928 512 005 05 GRV	Prime coated			
2	928 512 041 04	Hinge		2	
3	999 509 012 02	Pan-head screw		8	
		M 6 X 20			
4	N 012 026 3	Lock ring		8	
		A 6			
5	928 512 331 05	Gas-pressure spring		2	
6	928 512 129 04	Gasket		1	
		Use also:			
-	000 043 204 38	Sealing compound		1	
7	928 512 903 03	Lid lock		1	
		Upper part			
		W/o stipulated lock number			
		with 1 key			
(7)	928 512 901 03	Lid lock		1	
		Upper part			
		with stipulated lock number			
		with 1 key			
		State lock number			
7A	000 043 204 21	Grease		X	
		for lock cylinder			
7A	G 052 778 A2	Grease		X	
		for lock cylinder			
8	N 014 770 3	Pan-head screw		4	
		M 8 X 15			
9	999 523 102 02	Washer		4	
9	999 523 102 0B	Washer		4	
10	171 971 999 B	Terminal sleeve housing		3	
11	928 512 055 20	Lid lock		1	
		Lower part			
-	999 591 570 40	Clip		1	
		for			
		Connecting rod			
		Lid lock			
		Lower part			
12	928 512 179 02	Desk pad		X	
(12)	928 512 181 02	Desk pad		X	
13	999 703 140 40	Rubber buffer		2	
14	928 512 070 02	Contact switch		1	
15	928 612 187 00	Wiring harness	/LL	1	
(15)	928 612 183 00	Wiring harness	/RL	1	
16	900 169 016 02	Securing clip		4	
17	928 512 165 02	Clinch pin		1	
18	928 512 161 03	Latch		1	
19	928 512 163 02	Spring		1	
20	928 512 409 02	Desk pad		X	
21	928 512 413 07	Gasket		2	
22	928 512 261 02	Water deflector	/L	1	
(22)	928 512 262 02	Water deflector	/R	1	
23	999 217 017 02	Hexagon-head bolt		4	
		M 8 X 18			
24	928 512 417 03	Plate		2	
25	928 624 407 02	Electric motor		1	
25	928 624 407 BX	Electric motor		1	
26	928 624 049 00	Support		1	
27	N 013 954 2	Hexagon-head bolt		3	
		B 2,9 X 13			
27	900 143 051 01	Oval-head sheetmetal screw		3	
		B 2,9 X 13			
28	999 072 005 09	Hexagon nut		2	

Model: 928 92 Model life 1992>>1995

Pos	Part Number	Description	Remark	Qty	Model
28	999 072 005 01	M 6 X 12 Hexagon nut		2	
29	N 011 524 7	M 6 X 12 Washer		2	
29	N 011 524 27	A 6,4 Washer		2	
30	928 613 114 00	A 6,4 Switch		1	
31	928 613 431 00	Rear lid release Rosette		1	
32	928 613 433 00	928 613 431 00 70B Black Knob		1	
33	928 613 437 00	928 613 433 00 70B Black Cap with symbol		1	
34	944 538 041 00	928 613 437 00 70B Black Key lamp		2	
34	944 538 041 01	Key lamp		2	
35	944 538 443 00	Crest		2	
36	928 537 630 02	Bulb		2	
37	928 538 032 02	Key		3	
38	944 538 431 00	State lock number with stipulated lock number Key cap		3	
39	928 512 057 02	Guide wedge		2	
40	928 512 263 02	Plate		2	
41	928 512 531 02	Adhesive film		1	
42	928 512 169 03	Gasket		1	
43	928 612 494 00	928 512 169 03 01C Black Lock cylinder		2	
44	999 591 570 40	Foam part Clip		1	

Model: 928 92

Model life 1992>>1995



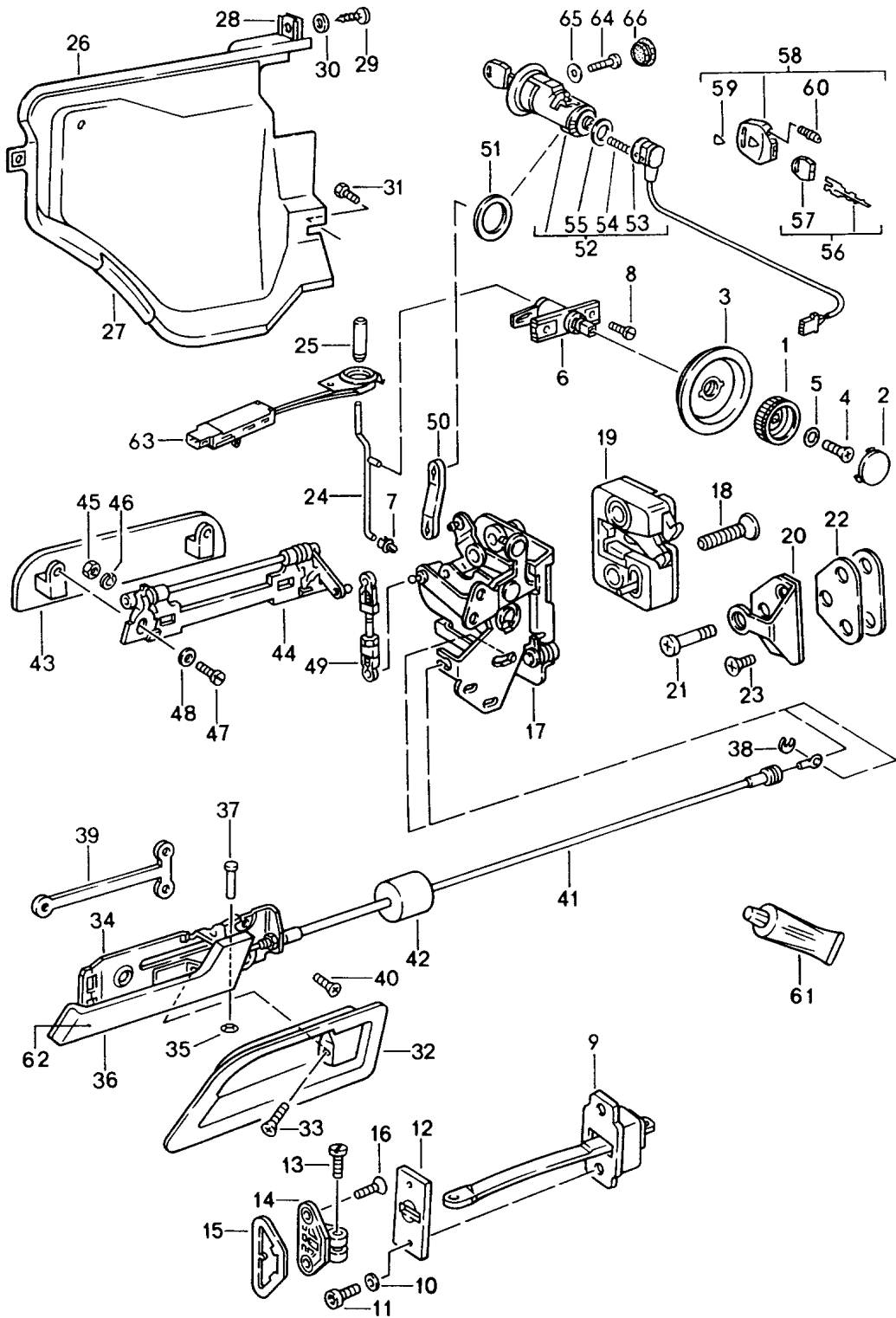
Model: 928 92

Model life 1992>>1995

Pos	Part Number	Description	Remark	Qty	Model
1	928 531 005 10	Door in white		1	
	928 531 005 10 GRV	Door in white Prime coated Prepared for mirror	/L	1	
(1)	927 531 006 10	Door in white		1	
	927 531 006 10 GRV	Door in white Prime coated Prepared for mirror	/R	1	
2	928 537 345 05	Door seal	/L -95	1	
(2)	928 537 346 05	Door seal	/R -95	1	
3	N 014 770 3	Pan-head screw M 8 X 16		12	
4	900 025 007 02	Washer A 8,4		12	
4	900 025 007 03	Washer A 8,4		12	
5	999 523 102 02	Washer 8		12	
5	999 523 102 0B	Washer 8		12	
6	928 537 341 02	Thrust wedge	/L	1	
(6)	928 537 342 02	Thrust wedge	/R	1	
7	900 144 008 02	Counters. head tapp. screw B 3,5 X 9,5		2	
8	928 531 601 03	Reinforcement		2	
8		Reinforcement		2	
	928 531 601 03 GRV	Reinforcement Prime coated		2	
9	928 531 235 03	Threaded piece		1	
10	N 013 295 1	Tensioning sleeve 3 X 12		1	
11	928 537 723 02	Dummy plug		2	
12	900 075 085 02	Hexagon-head bolt M 8 X 20		4	
13	N 012 009 3	Lock ring A 8		4	

Model: 928 92

Model life 1992>>1995



Model: 928 92

Model life 1992>>1995

Pos	Part Number	Description	Remark	Qty	Model
		Installation parts for Door			
1	928 537 581 03	Rotary knob		2	
2	911 531 703 00	Cap		2	
3	928 537 585 02	Covering		2	
4	999 218 010 02	Oval-head screw M 5 X 12		2	
5	N 011 665 3	Washer B 5,3		2	
5	N 011 665 16	Washer B 5,3		2	
6	928 537 096 02	Bearing		2	
7	993 531 563 00	Linkage clip		2	
8	N 013 968 7	Tapping screw B 4,8 X 13		4	
8	900 143 097 01	Tapping screw B 4,8 X 13		4	
9	928 537 033 04	Door support		2	
10	N 011 524 7	Washer A 6,4		4	
10	N 011 524 27	Washer A 6,4		4	
11	928 537 451 02	Pan-head screw		4	
12	928 537 371 02	Desk pad		2	
13	928 537 419 03	Pan-head screw		2	
14	928 537 417 02	Bearing bracket	/L	1	
14	928 537 417 03	Bearing bracket	/L	1	
(14)	928 537 418 02	Bearing bracket	/R	1	
15	928 537 425 02	Desk pad	/L	1	
(15)	928 537 426 02	Desk pad	/R	1	
16	928 537 459 02	Oval-head screw M 6 X 25		4	
17	928 537 053 09	Door lock Inner part	/LL /L	1	
(17)	928 537 054 10	Door lock Inner part	/LL /R	1	
(17)	927 537 053 10	Door lock Inner part	/RL /L	1	
(17)	927 537 054 09	Door lock Inner part	/RL /R	1	
18	928 537 721 02	Oval-head screw		4	
19	928 537 153 03	Door lock Outer part	/L	1	
(19)	928 537 154 03	Door lock Outer part	/R	1	
20	928 537 133 04	Door lock striker		2	
21	928 537 131 03	Lock pin		2	
22	928 537 135 04	Desk pad		2	
23	900 249 022 02	Countersunk-head screw M 8 X 20		4	
24	928 537 160 05	Locking rod		2	
25	928 637 138 00	Locking knob		2	
	928 637 138 00 01C	Satin black			
26	928 537 333 04	Covering for lock	/L	1	
(26)	928 537 334 04	Covering for lock	/R	1	
27	999 911 037 50	Tread 70 MM		*	
				2	
28	999 507 348 02	Speed nut B 4,8		4	
28	999 507 348 01	Speed nut B 4,8		4	
29	900 143 118 02	Tapping screw		4	

Model: 928 92 Model life 1992>>1995

Pos	Part Number	Description	Remark	Qty	Model
30	900 151 028 02	B 4,8 Washer		4	
30	900 151 028 01	B 4,3 Washer		4	
31	N 010 239 11	B 4,3 Hexagon-head bolt M 8 X 18		2	
31	N 010 239 30	Hexagon-head bolt M 8 X 18		2	
(32)	928 537 545 02	Finger plate	/L	1	
32	928 537 546 02	Finger plate	/R	1	
33	900 269 006 07	Countersunk-head screw M 4 X 8		2	
(34)	928 537 049 02	Bearing plate	/L	1	
34	928 537 050 02	Bearing plate	/R	1	
35	999 591 242 01	Speed nut		2	
36	928 537 169 00	Interior handle	/L	1	
	928 537 169 00 70B	Satin black			
(36)	928 537 170 00	Interior handle	/R	1	
	928 537 170 00 70B	Satin black			
37	928 537 557 02	Bolt		2	
38	900 116 002 01	Lock washer		2	
39	928 537 157 02	Nut lock		2	
40	900 269 015 02	Countersunk-head screw M 5 X 10		6	
41	928 537 055 02	Bowden cable		2	
42	911 613 636 00	Damping piece		2	
43	928 537 661 02	Grab plate		2	
44	928 537 063 04	Bearing	/L	1	
(44)	928 537 064 04	Bearing	/R	1	
45	900 076 010 02	Nut M 6		4	
45	900 076 010 0B	Nut M 6		4	
46	N 012 006 4	Lock ring B 6		4	
47	N 014 761 2	Pan-head screw M 6 X 12		4	
47	900 119 129 01	Pan-head screw M 6 X 12		4	
48	N 012 226 5	Spring washer A 6		4	
49	928 537 140 03	Connecting rod		1	
50	928 537 111 04	Operating rod		2	
51	928 537 531 03	Desk pad		2	
52	928 537 906 02	Door lock cylinder with Microswitch	/R	1	
		with stipulated lock number with 1 key State lock number			
(52)	928 537 905 02	Door lock cylinder with Microswitch	/L	1	
		with stipulated lock number with 1 key State lock number			
(52)	928 537 908 02	Door lock cylinder with Microswitch	/R	1	
		with 1 key W/o stipulated lock number			
(52)	928 537 907 02	Door lock cylinder	/L	1	

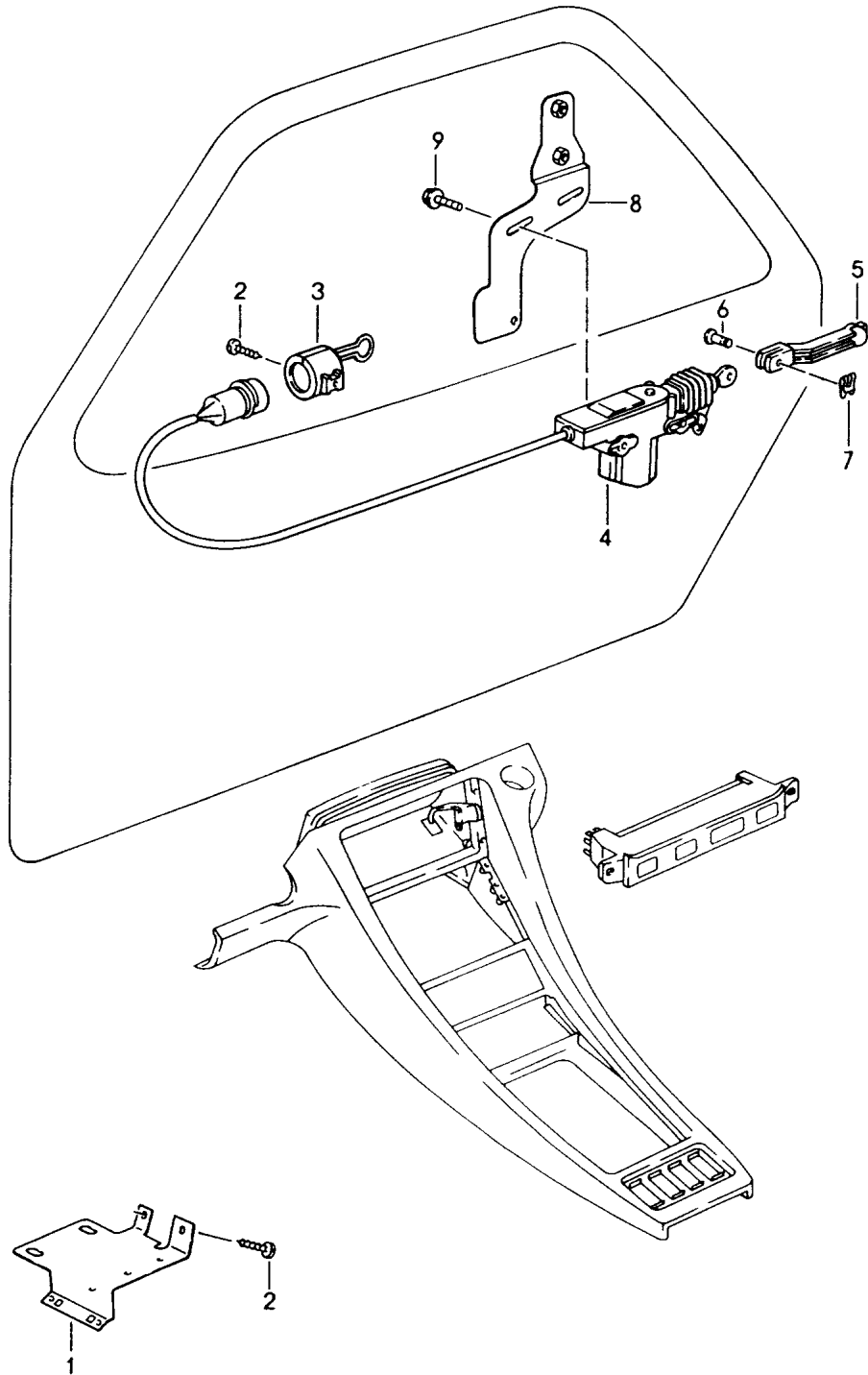
Model: 928 92

Model life 1992>>1995

Pos	Part Number	Description	Remark	Qty	Model
		with Microswitch with 1 key W/o stipulated lock number			
53	928 537 713 02	Contact switch	/L	1	
(53)	928 537 714 02	Contact switch	/R	1	
54	928 537 493 02	Compression spring		2	
55	928 537 495 03	Gasket		2	
56	928 538 032 02	Key State lock number with stipulated lock number		2	
57	944 538 431 00	Key cap		2	
58	944 538 041 00	Key lamp		2	
58	944 538 041 01	Key lamp		2	
59	944 538 443 00	Crest		2	
60	928 537 630 02	Bulb		2	
61	000 043 204 21	Grease for lock cylinder		X	
61	G 052 778 A2	Grease for lock cylinder		X	
62	928 537 747 00	Luminous point		2	
63	928 637 237 00	Pulse sender		2	
64	999 218 003 02	Pan-head screw M 6X8		2	
65	N 011 524 7	Washer		2	
65	N 011 524 27	Washer		2	
66	999 703 224 40	Cap		2	

Model: 928 92

Model life 1992>>1995



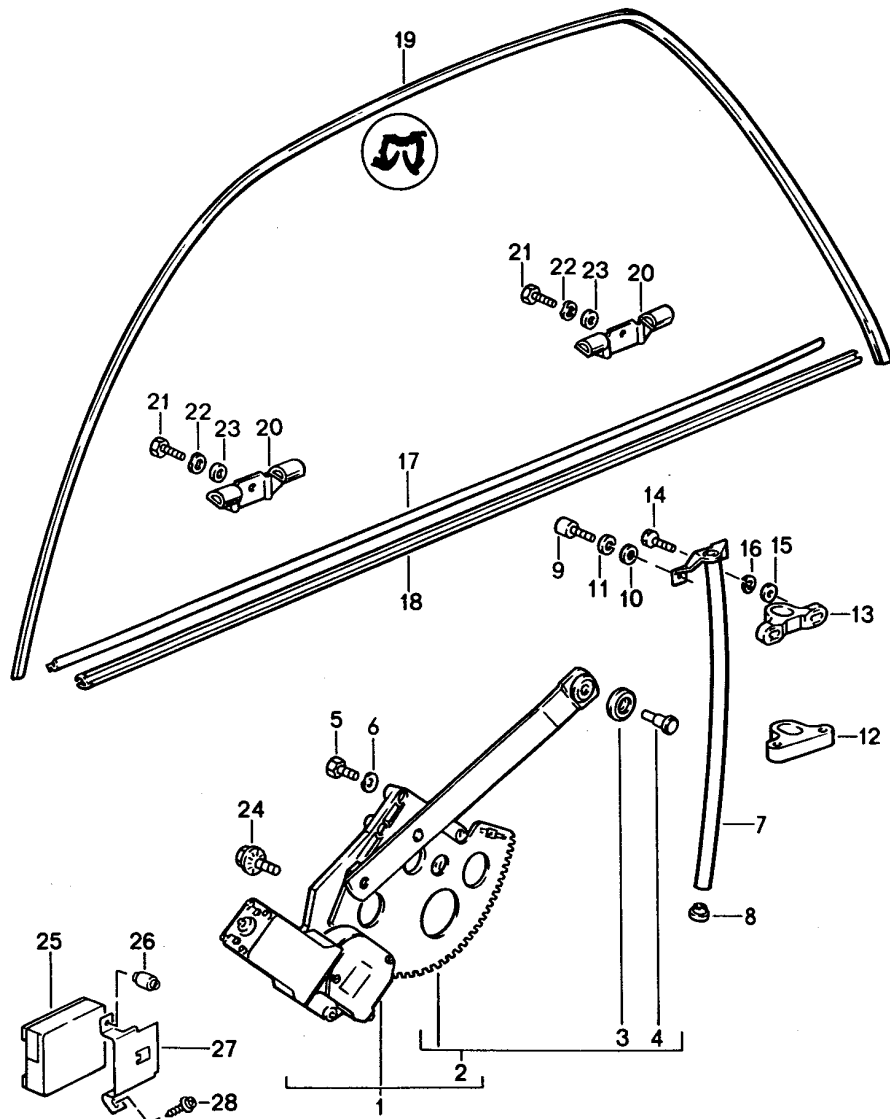
Model: 928 92

Model life 1992>>1995

Pos	Part Number	Description	Remark	Qty	Model
		Central locking system			
1	928 618 416 01	Mounting plate		1	
2	900 143 104 02	Oval-head sheetmetal screw BZ 3,5 X 9,5		3	
3	944 612 450 01	Support		2	
4	928 624 211 00	Transmission element		2	
5	928 537 571 00	Operating rod		2	
6	N 100 438 01	Bolt		2	
7	928 624 211 00	Transmission element		2	
8	928 537 113 03	Support	/L	1	
(8)	928 537 114 03	Support	/R	1	
9	999 919 035 02	Hexagon-head bolt		4	
10	N 012 644 1	Lock		2	

Model: 928 92

Model life 1992>>1995



Model: 928 92 Model life 1992>>1995

Pos	Part Number	Description	Remark	Qty	Model
		Power windows			
		And			
		Accessories			
-	928 624 013 03	Engine and transmission	/L	1	
-	928 624 014 03	Engine and transmission	/R	1	
1	928 537 075 06	Engine and transmission	/L	1	
		with			
		Power windows			
(1)	928 537 076 06	Engine and transmission	/R	1	
		with			
		Power windows			
2	928 537 909 04	Power windows	/L	1	
(2)	928 537 910 04	Power windows	/R	1	
3	928 537 918 00	Roller		2	
4	928 537 917 00	Bolt		2	
5	N 010 210 13	Hexagon-head bolt		8	
		M 6 X 10			
6	N 012 226 5	Spring washer		8	
		A 6			
7	928 537 263 02	Guide tube	/L	1	
(7)	928 537 264 02	Guide tube	/R	1	
8	928 537 285 02	Insert		2	
9	900 067 008 02	Pan-head screw		4	
		M 6 X 12			
9	900 067 008 03	Pan-head screw		4	
		M 6 X 12			
10	900 151 007 02	Washer		4	
		B 7,4			
10	900 151 007 03	Washer		4	
		B 7,4			
11	N 012 006 4	Lock ring		4	
		B 6			
12	928 537 259 02	Slide	/L	2	
		Lower			
(12)	928 537 260 02	Slide	/R	2	
		Lower			
13	928 537 289 02	Slide	/L	2	
		Upper			
(13)	928 537 290 02	Slide	/R	2	
		Upper			
14	900 075 016 02	Hexagon-head bolt		4	
		M 6 X 22			
14	900 075 016 03	Hexagon-head bolt		4	
		M 6 X 22			
15	N 011 524 7	Washer		4	
		B 6,4			
15	N 011 524 27	Washer		4	
		B 6,4			
16	N 012 006 4	Lock ring		4	
		B 6			
17	928 537 319 03	Sealing for door slot	/L	1	
(17)	928 537 320 03	Sealing for door slot	/R	1	
18	928 537 321 03	Sealing for door slot	/L	1	
		Outer			
(18)	928 537 322 03	Sealing for door slot	/R	1	
		Outer			
(18)	928 537 322 04	Sealing for door slot	/R	1	
		Outer			
19	928 537 323 03	Window guide	/L	1	
(19)	928 537 324 03	Window guide	/R	1	
-	999 920 004 02	U-clamp		10	
20	928 537 085 03	Fleet angle		4	
21	N 014 761 2	Pan-head screw		4	

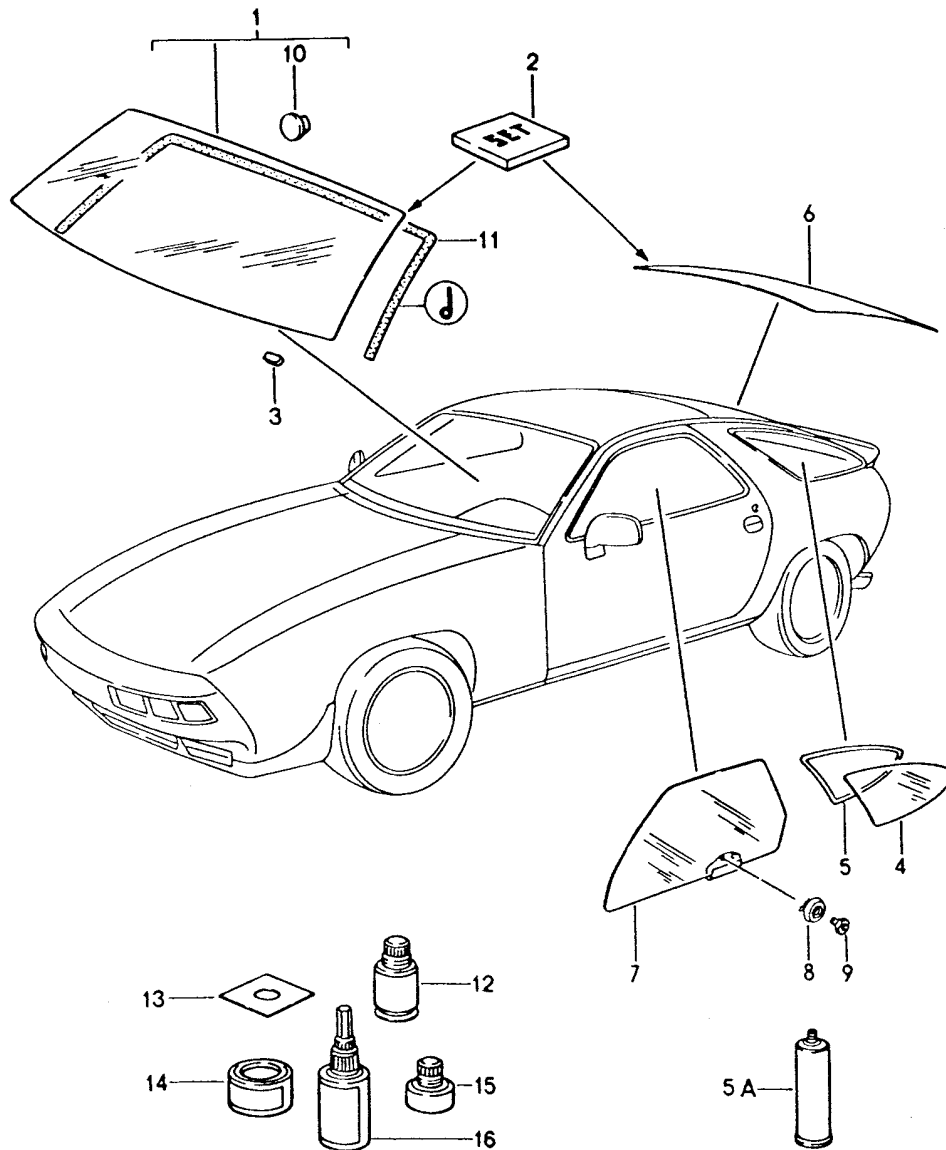
Model: 928 92

Model life 1992>>1995

Pos	Part Number	Description	Remark	Qty	Model
21	900 119 129 01	M 6 X 12 Pan-head screw		4	
22	N 012 226 5	M 6 X 12 Spring washer		4	
23	999 025 108 02	B 6 Washer 6,4		4	
24	999 093 004 02	Hexagon-head bolt		6	
25	928 618 040 00	Control unit		1	
26	999 049 008 40	Plastic nut		1	
27	928 618 241 00	Support		1	
28	900 143 143 02	Tapping screw B 4,2 X 16		1	
28	900 143 143 0C	Tapping screw B 4,2 X 16		1	

Model: 928 92

Model life 1992>>1995



Model: 928 92 Model life 1992>>1995

Pos	Part Number	Description	Remark	Qty	Model
1	928 541 011 06	window glazing Windscreen Clear		1	
1	928 541 012 01	Windscreen Clear		1	
1	928 541 011 12	Windscreen Clear		1	
(1)	928 541 011 05	Windscreen Green Tinted		1	
(1)	928 541 011 11	Windscreen Green Tinted		1	
(1)	928 541 011 07	Windscreen Green Green top tint		1	
(1)	928 541 013 01	Windscreen Green Green top tint		1	
(1)	928 541 011 13	Windscreen Green Green top tint		1	
2	000 043 300 94	Adhesive set Windscreen		1	M562
2	477 898 011 A	Sealing set Windscreen		1	
3	928 541 121 04	Spacer		2	
4	928 543 105 08	Side window Tinted Green	/L	1	
(4)	928 543 106 08	Side window Tinted Green	/R	1	
5	928 543 037 04	Sealing frame	/L	1	
(5)	928 543 038 04	Sealing frame	/R	1	
(5A)	000 043 204 82	Adhesive		1	
6	928 545 018 02	Rear window Tinted Green		1	
(6)	928 545 018 04	Rear window Tinted Green		1	M602
7	928 537 101 02	Door window glass Green Tinted	/L	1	
(7)	928 537 102 02	Door window glass Green Tinted	/R	1	
8	928 537 281 04	Fastening plug		4	
9	928 537 277 02	Threaded piece		4	
10	477 845 043	Retainer plate		1	
11	928 555 509 02	Interior mirror Piping		1	
	928 555 509 02 01C	Black Windscreen			
11	928 555 509 03	Piping		1	
	928 555 509 03 01C	Black Windscreen Mounting parts for Interior mirror See technical information GR.6 NR.2/91			

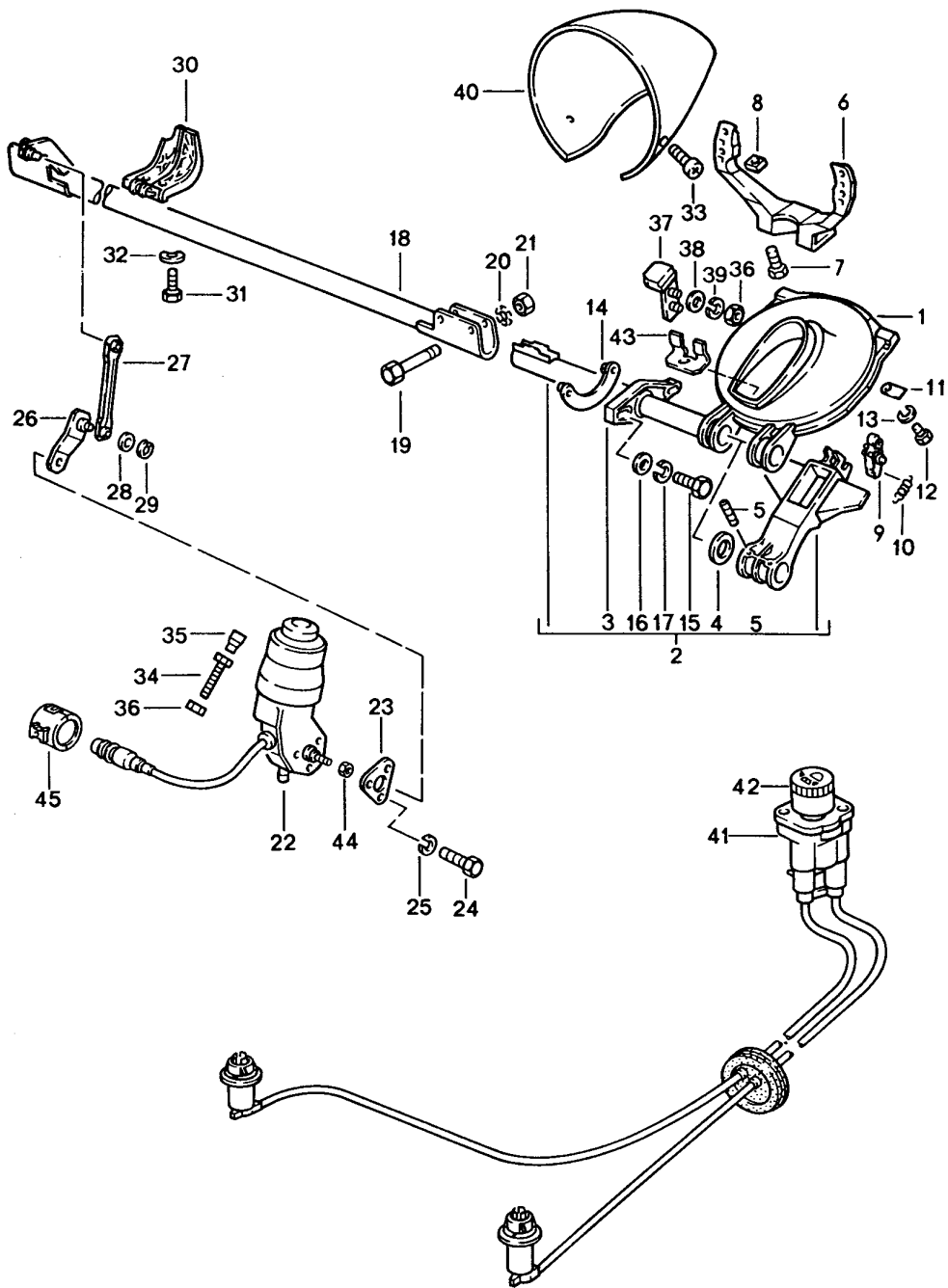
Model: 928 92

Model life 1992>>1995

Pos	Part Number	Description	Remark	Qty	Model
12	000 043 157 00	Cleaning agent		X	
13	000 043 177 00	Cover foil		1	
14	000 043 300 87	Primer		X	
		PRIMER			
14	000 043 301 07	Primer		X	
		PRIMER			
15	000 043 202 65	Loctite		X	
		AKTIVATOR NF 736			
16	000 043 051 00	Loctite		X	

Model: 928 92

Model life 1992>>1995



Model: 928 92

Model life 1992>>1995

Pos	Part Number	Description	Remark	Qty	Model
1	928 750 243 05	Pop-up headlight Swivel frame		2	
2	928 750 097 05	Driving arm	/L	1	
(2)	928 750 098 05	Driving arm	/R	1	
3	928 750 211 04	Bearing for Headlamp Shaft		2	
3	928 750 211 06	Bearing for Headlamp Shaft		2	
4	928 750 253 02	Washer		1	
5	900 095 085 02	Spiral clamping pin		4	
6	928 750 285 04	Supporting arm		4	
7	900 067 011 02	Pan-head screw M 6 X 20		2	
7	900 067 011 03	Pan-head screw M 6 X 20		4	
-	999 025 108 02	Washer 6,5		4	
8	900 076 010 02	Nut M 6		4	
8	900 076 010 0B	Nut M 6		4	
9	928 750 079 02	Locking segment		2	
10	928 750 291 02	Tension spring		2	
11	928 750 325 02	Tab		4	
12	999 015 004 02	Screw AM 5 X 10		4	
13	900 025 003 02	Washer A 5,3		4	
14	928 750 071 02	Counterplate		2	
15	900 074 015 02	Hexagon-head bolt M 6 X 30		4	
15	900 074 015 03	Hexagon-head bolt M 6 X 30		4	
16	N 011 666 7	Washer B 6,4		4	
17	N 012 006 4	Lock ring B 6		4	
18	928 750 041 05	Shaft Centre		1	
19	900 075 343 02	Hexagon-head bolt M 6 X 45		1	
20	999 025 093 09	Washer 6,4		4	
21	900 910 012 02	Lock nut M 6		4	
21	900 910 047 09	Lock nut M 6		4	
22	928 624 023 00	Engine		1	
23	928 750 207 02	Plate		1	
24	999 072 005 09	Hexagon nut M 6 X 12		3	
24	999 072 005 01	Hexagon nut M 6 X 12		3	
25	N 012 006 4	Lock ring B 6		3	
26	928 750 065 03	Lever		1	
27	928 750 067 02	Push rod		1	
28	900 031 001 02	Washer 8,4		2	

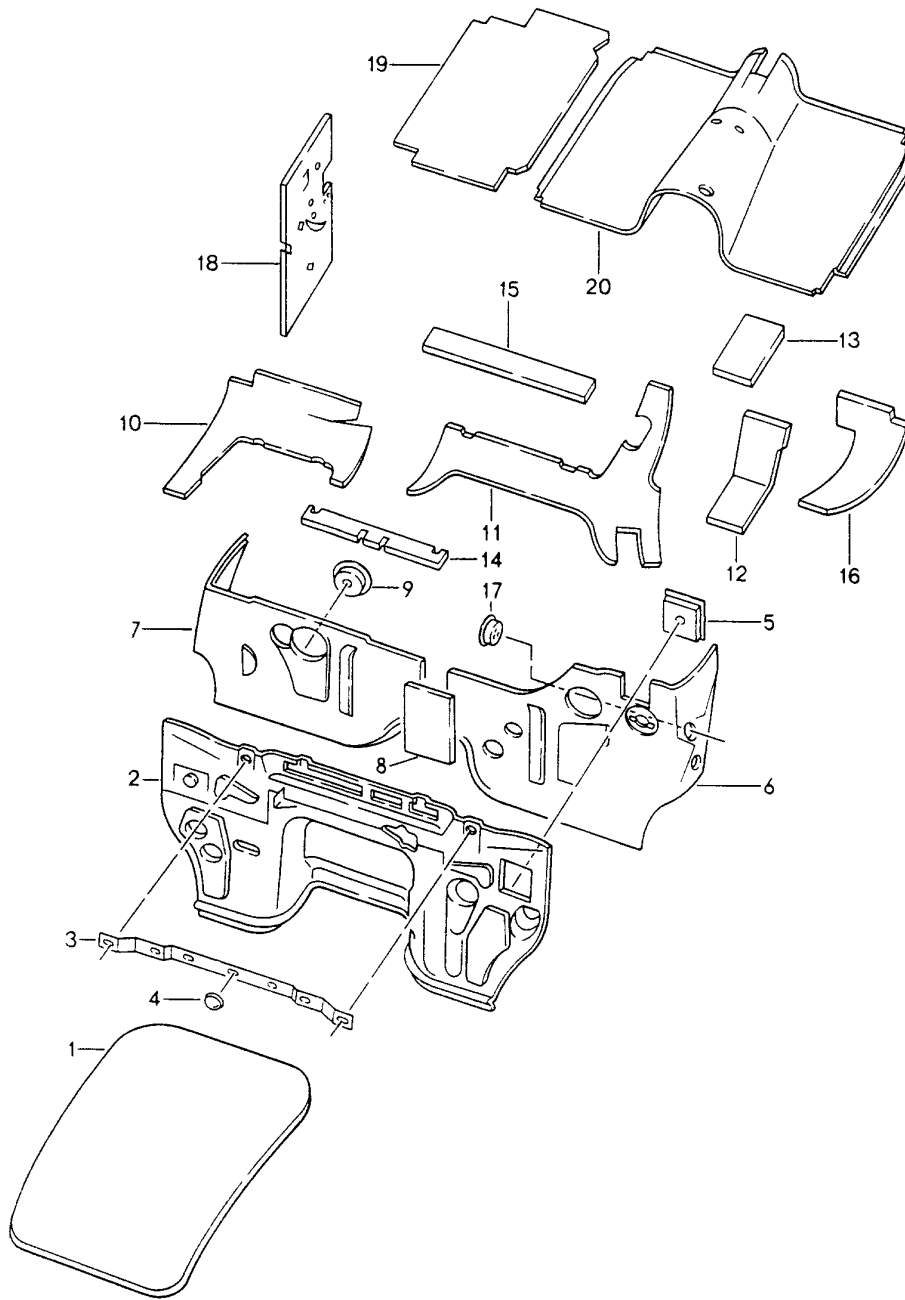
Model: 928 92

Model life 1992>>1995

Pos	Part Number	Description	Remark	Qty	Model
28	900 031 105 01	Washer 8,4		2	
29	900 116 009 01	Kl-lock 6		2	
30	928 750 183 03	Guide		1	
31	999 218 016 02	Combination screw M 6 X 16		2	
31	999 218 016 01	Combination screw M 6 X 16		2	
32	N 012 226 5	Spring washer B6		2	
33	900 143 113 07	Oval-head screw B 4,2 X 13		2	
33	900 143 113 0G	Oval-head screw B 4,2 X 13		2	
34	N 010 221 3	Hexagon-head bolt M 6 X 35		2	
35	914 504 319 00	Grommet		2	
36	900 076 010 02	Nut M 6		2	
36	900 076 010 0B	Nut M 6		2	
37	928 750 031 02	Stop bracket		2	
38	900 151 003 02	Washer A 6,4		4	
38	900 151 006 03	Washer A 6,4		4	
39	N 012 006 4	Lock ring B 6		4	
40	928 750 083 02	Housing		2	
41	928 613 146 00	Potentiometer without Lines		1	
42	928 613 148 00	Rotary knob		1	
	928 613 148 00 01C	Black			
-	928 631 223 03	Rosette		1	
-	900 034 013 02	Hexagon nut		1	
-	900 034 013 01	Hexagon nut		1	
43	928 750 255 05	Bracket		2	
44	999 084 055 02	Lock nut M 8		1	
45	944 612 450 01	Support		1	

Model: 928 92

Model life 1992>>1995

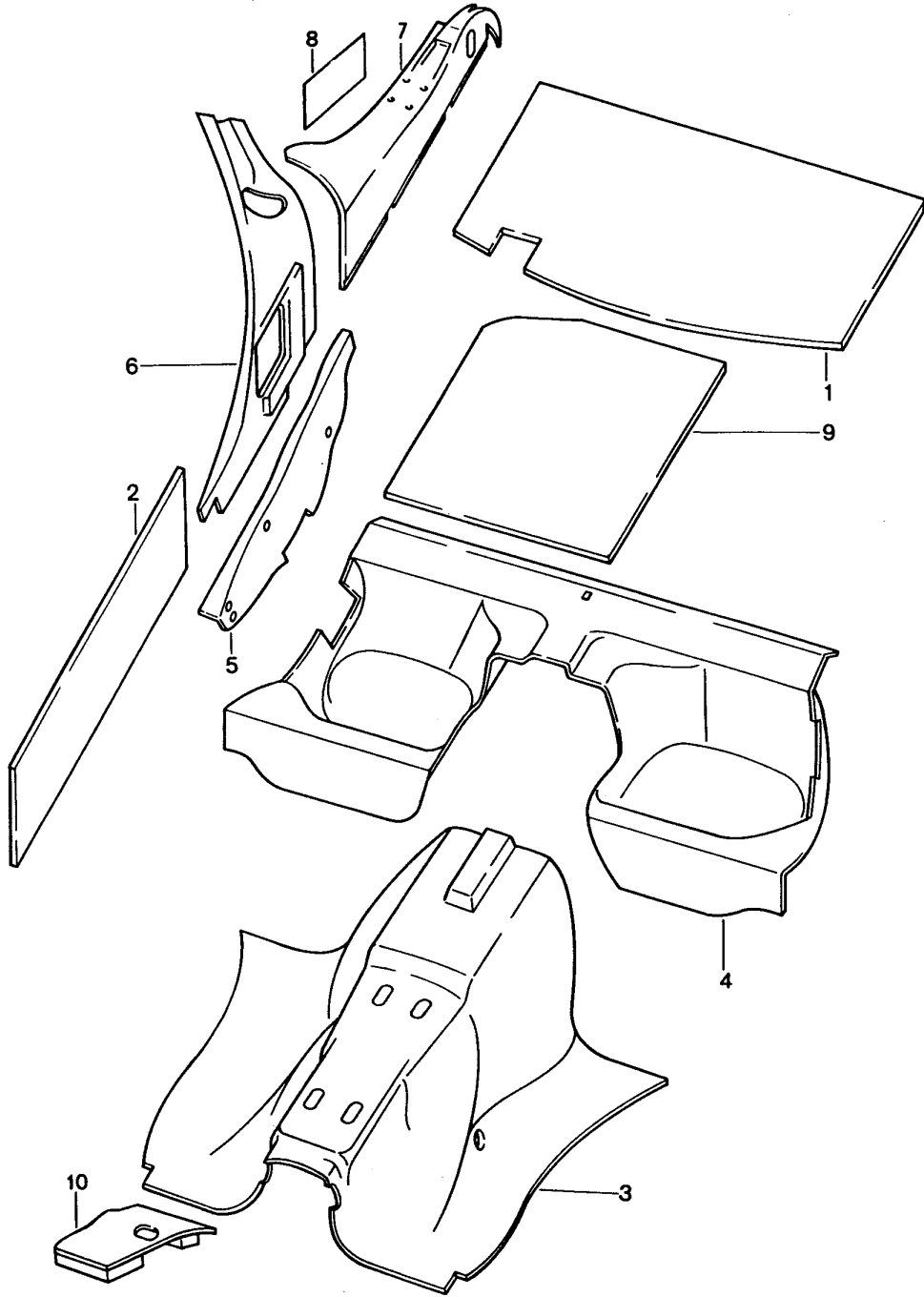


Model: 928 92 Model life 1992>>1995

Pos	Part Number	Description	Remark	Qty	Model
1	928 556 285 02	Body Sound proofing 1 Insulation	/H	1	
2	928 556 089 06	Bonnet Insulation	/LL 92	1	
(2)		Insulation	/LL 93-	1	
(2)	927 556 089 05	Insulation	/RL 92	1	
(2)		Insulation	/RL 93-	1	
		Engine compartment			
3	928 556 623 02	Retaining strip		1	
4	999 591 590 02	Clamping washer		1	
5	928 556 057 03	Insert Firewall		1	
6	928 556 061 05	Sound absorber	/LL /L	1	
(6)	927 556 061 04	Sound absorber	/RL /L	1	
		Firewall			
7	928 556 062 06	Sound absorber	/LL /R 92	1	
(7)		Sound absorber	/LL /R 93-	1	
(7)	927 556 062 04	Sound absorber	/RL /R 92	1	
(7)	927 556 062 05	Sound absorber	/RL /R 93-	1	
		Firewall			
8	928 556 065 03	Insulation Firewall		1	
		Intermediate piece			
9	928 556 063 05	Insert Firewall		1	
10	928 556 155 04	Insulation	/LL /R	1	
(10)	927 556 155 03	Insulation	/RL /L 92	1	
(10)	927 556 155 04	Sound absorber	/RL /L 93-	1	
		Cross panel			
11	928 556 159 06	Insulation	/LL	1	
(11)	927 556 159 04	Insulation	/RL	1	
		Cross panel			
		Centre			
12	928 556 169 04	Insert	/LL	1	
(12)	927 556 169 03	Insert	/RL	1	
		Steering shaft			
13	928 556 171 04	Insert Brake booster		1	
14	928 556 267 02	Insulation Cross panel		1	
15	928 556 387 03	Insulation Heater		1	
16	928 556 173 05	Insulation	/LL /L 92	1	
(16)	928 556 173 06	Sound absorber	/LL /L 93-	1	
(16)	927 556 173 03	Insulation	/RL /R 92	1	
(16)	927 556 173 04	Sound absorber	/RL /R 93-	1	
		Cross panel			
17	928 556 075 05	Insert	/RL	1	
(17)	928 556 075 06	Insert	/LL	1	
(17)	928 556 075 05	Insert	(J)	1	
		Headlight levelling system			
18	928 556 353 05	Sound absorber	/LL /L	1	
(18)	927 556 354 04	Insulation	/RL /R	1	
		Side section			
(19)	928 556 253 00	Insulation	/LL /L	1	
(19)	927 556 291 03	Sound absorber	/RL /L	1	
(19)	928 556 253 00	Insulation	/LL /R	1	
(19)	927 556 292 05	Insulation	/RL /R	1	
		Floor			
20	928 556 031 04	Insulation Tunnel Front		1	

Model: 928 92

Model life 1992>>1995

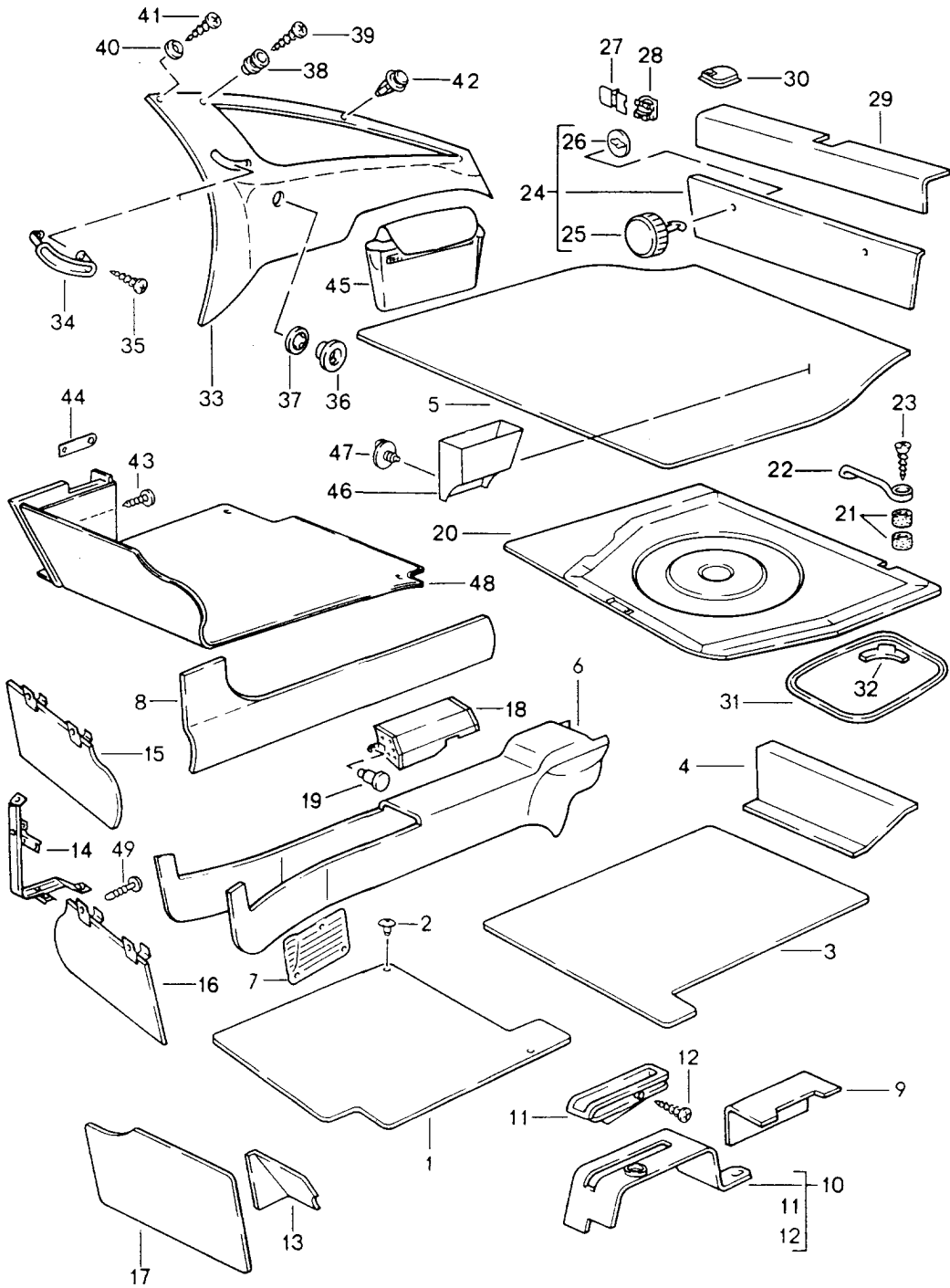


Model: 928 92 Model life 1992>>1995

Pos	Part Number	Description	Remark	Qty	Model
1	928 556 233 02	Body Sound proofing 2 Insulation Roof		1	
2	928 556 235 02	Insulation	-94	2	
(2)	993 556 521 00	Insulation Door	95-	2	
3	928 556 033 06	Insulation Tunnel		1	
4	928 556 055 05	Sound absorber Seat well		1	
5	928 556 205 04	Insulation	/L	1	
(5)	927 556 206 04	Insulation Bracket	/R	1	
6	928 556 261 05	Insulation	/V /L	1	
(6)	928 556 262 05	Insulation Rear bulkhead	/V /R	1	
7	928 556 251 05	Insulation	/H /L	1	
(7)	928 556 252 05	Insulation Rear bulkhead	/H /R	1	
9	928 556 239 02	Insulation Boot floor plate		1	
10	928 556 495 02	Insulation		1	/495 M195

Model: 928 92

Model life 1992>>1995



Model: 928 92 Model life 1992>>1995

Pos	Part Number	Description	Remark	Qty	Model
1	928 551 011 08	Linings Carpet	/LL /L	1	
	928 551 011 08 5FV	Black			
	928 551 011 08 8UT	Cashmere beige			
	928 551 011 08 4XR	Classic grey			
	928 551 011 08 4ZN	Cobalt blue	-93		
	928 551 011 08 8WZ	Magenta	-93		
	928 551 011 08 6YR	Light grey	-93		
	928 551 011 08 M33	Matador red	-93		
	928 551 011 08 D13	Carrara grey	-93		
	928 551 011 08 J23	Sherwood green/	-93		
	928 551 011 08 4KV	Marine blue	-93		
	928 551 011 08 3GE	Midnight blue	94-		
	928 551 011 08 6SC	Chestnut brown	94-		
	928 551 011 08 D50	Florentine grey	94-		
	928 551 011 08 1HQ	Provence blue	94-		
	928 551 011 08 2JP	Cedar green	94-		
	928 551 011 08 3TE	Flamenco red	94-		
(1)	927 551 009 07	Carpet	/RL /L	1	
	927 551 009 07 5FV	Black			
	927 551 009 07 8UT	Cashmere beige			
	927 551 009 07 4XR	Classic grey			
	927 551 009 07 4ZN	Cobalt blue	-93		
	927 551 009 07 8WZ	Magenta	-93		
	927 551 009 07 6YR	Light grey	-93		
	927 551 009 07 M33	Matador red	-93		
	927 551 009 07 D13	Carrara grey	-93		
	927 551 009 07 J23	Sherwood green	-93		
	927 551 009 07 4KV	Marine blue	-93		
	927 551 009 07 3GE	Midnight blue	94-		
	927 551 009 07 6SC	Chestnut brown	94-		
	927 551 009 07 D50	Florentine grey	94-		
	927 551 009 07 1HQ	Provence blue	94-		
	927 551 009 07 2JP	Cedar green	94-		
	927 551 009 07 3TE	Flamenco red	94-		
2	N 900 685 01	Push button		4	
3	928 551 013 08	Carpet	/LL /L	1	
	928 551 013 08 5FV	Black			
	928 551 013 08 8UT	Cashmere beige			
	928 551 013 08 4XR	Classic grey			
	928 551 013 08 4ZN	Cobalt blue	-93		
	928 551 013 08 8WZ	Magenta	-93		
	928 551 013 08 6YR	Light grey	-93		
	928 551 013 08 M33	Matador red	-93		
	928 551 013 08 D13	Carrara grey	-93		
	928 551 013 08 J23	Sherwood green/	-93		
	928 551 013 08 4KV	Marine blue	-93		
	928 551 013 08 3GE	Midnight blue	94-		
	928 551 013 08 6SC	Chestnut brown	94-		
	928 551 013 08 D50	Florentine grey	94-		
	928 551 013 08 1HQ	Provence blue	94-		
	928 551 013 08 2JP	Cedar green	94-		
	928 551 013 08 3TE	Flamenco red	94-		
(3)	928 551 014 08	Carpet	/LL /R	1	
	928 551 014 08 5FV	Black			
	928 551 014 08 8UT	Cashmere beige			
	928 551 014 08 4XR	Classic grey			
	928 551 014 08 4ZN	Cobalt blue	-93		
	928 551 014 08 8WZ	Magenta	-93		
	928 551 014 08 6YR	Light grey	-93		
	928 551 014 08 M33	Matador red	-93		
	928 551 014 08 D13	Carrara grey	-93		
	928 551 014 08 J23	Sherwood green/	-93		

Model: 928 92 Model life 1992>>1995

Pos	Part Number	Description	Remark	Qty	Model
	928 551 014 08 4KV	Marine blue	-93		
	928 551 014 08 3GE	Midnight blue	94-		
	928 551 014 08 6SC	Chestnut brown	94-		
	928 551 014 08 D50	Florentine grey	94-		
	928 551 014 08 1HQ	Provence blue	94-		
	928 551 014 08 2JP	Cedar green	94-		
	928 551 014 08 3TE	Flamenco red	94-		
(3)	927 551 013 03	Carpet	/RL /L	1	
	927 551 013 03 5FV	Black			
	927 551 013 03 8UT	Cashmere beige			
	927 551 013 03 4XR	Classic grey			
	927 551 013 03 4ZN	Cobalt blue	-93		
	927 551 013 03 8WZ	Magenta	-93		
	927 551 013 03 6YR	Light grey	-93		
	927 551 013 03 M33	Matador red	-93		
	927 551 013 03 D13	Carrara grey	-93		
	927 551 013 03 J23	Sherwood green/	-93		
	927 551 013 03 4KV	Marine blue	-93		
	927 551 013 03 3GE	Midnight blue	94-		
	927 551 013 03 6SC	Chestnut brown	94-		
	927 551 013 03 D50	Florentine grey	94-		
	927 551 013 03 1HQ	Provence blue	94-		
	927 551 013 03 2JP	Cedar green	94-		
	927 551 013 03 3TE	Flamenco red	94-		
(3)	927 551 014 03	Carpet	/RL /R	1	
	927 551 014 03 5FV	Black			
	927 551 014 03 8UT	Cashmere beige			
	927 551 014 03 4XR	Classic grey			
	927 551 014 03 4ZN	Cobalt blue	-93		
	927 551 014 03 8WZ	Magenta	-93		
	927 551 014 03 6YR	Light grey	-93		
	927 551 014 03 M33	Matador red	-93		
	927 551 014 03 D13	Carrara grey	-93		
	927 551 014 03 J23	Sherwood green/	-93		
	927 551 014 03 4KV	Marine blue	-93		
	927 551 014 03 3GE	Midnight blue	94-		
	927 551 014 03 6SC	Chestnut brown	94-		
	927 551 014 03 D50	Florentine grey	94-		
	927 551 014 03 1HQ	Provence blue	94-		
	927 551 014 03 2JP	Cedar green	94-		
	927 551 014 03 3TE	Flamenco red	94-		
4	928 551 057 03	Lining	/L	1	
		Heel plate			
	928 551 057 03 5FV	Black			
	928 551 057 03 8UT	Cashmere beige			
	928 551 057 03 4XR	Classic grey			
	928 551 057 03 4ZN	Cobalt blue	-93		
	928 551 057 03 8WZ	Magenta	-93		
	928 551 057 03 6YR	Light grey	-93		
	928 551 057 03 M33	Matador red	-93		
	928 551 057 03 D13	Carrara grey	-93		
	928 551 057 03 J23	Sherwood green	-93		
	928 551 057 03 4KV	Marine blue	-93		
	928 551 057 03 3GE	Midnight blue	94-		
	928 551 057 03 6SC	Chestnut brown	94-		
	928 551 057 03 D50	Florentine grey	94-		
	928 551 057 03 1HQ	Provence blue	94-		
	928 551 057 03 2JP	Cedar green	94-		
	928 551 057 03 3TE	Flamenco red	94-		
(4)	928 551 058 03	Lining	/R	1	
		Heel plate			
	928 551 058 03 5FV	Black			
	928 551 058 03 8UT	Cashmere beige			

Model: 928 92 Model life 1992>>1995

Pos	Part Number	Description	Remark	Qty	Model
	928 551 058 03 4XR	Classic grey			
	928 551 058 03 4ZN	Cobalt blue	-93		
	928 551 058 03 8WZ	Magenta	-93		
	928 551 058 03 6YR	Light grey	-93		
	928 551 058 03 M33	Matador red	-93		
	928 551 058 03 D13	Carrara grey	-93		
	928 551 058 03 J23	Sherwood green	-93		
	928 551 058 03 4KV	Marine blue	-93		
	928 551 058 03 3GE	Midnight blue	94-		
	928 551 058 03 6SC	Chestnut brown	94-		
	928 551 058 03 D50	Florentine grey	94-		
	928 551 058 03 1HQ	Provence blue	94-		
	928 551 058 03 2JP	Cedar green	94-		
	928 551 058 03 3TE	Flamenco red	94-		
5	928 551 061 10	Boot floor carpet		1	
	928 551 061 10 5FV	Black			
	928 551 061 10 8UT	Cashmere beige			
	928 551 061 10 4XR	Classic grey			
	928 551 061 10 4ZN	Cobalt blue	-93		
	928 551 061 10 8WZ	Magenta	-93		
	928 551 061 10 6YR	Light grey	-93		
	928 551 061 10 M33	Matador red	-93		
	928 551 061 10 D13	Carrara grey	-93		
	928 551 061 10 J23	Sherwood green/	-93		
	928 551 061 10 4KV	Marine blue	-93		
	928 551 061 10 3GE	Midnight blue	94-		
	928 551 061 10 6SC	Chestnut brown	94-		
	928 551 061 10 D50	Florentine grey	94-		
	928 551 061 10 1HQ	Provence blue	94-		
	928 551 061 10 2JP	Cedar green	94-		
	928 551 061 10 3TE	Flamenco red	94-		
(5)	928 551 061 17	Boot floor carpet		1	M692
	928 551 061 17 5FV	Black			
	928 551 061 17 8UT	Cashmere beige			
	928 551 061 17 4XR	Classic grey			
	928 551 061 17 4ZN	Cobalt blue	-93		
	928 551 061 17 8WZ	Magenta	-93		
	928 551 061 17 6YR	Light grey	-93		
	928 551 061 17 M33	Matador red	-93		
	928 551 061 17 D13	Carrara grey	-93		
	928 551 061 17 J23	Sherwood green	-93		
	928 551 061 17 4KV	Marine blue	-93		
	928 551 061 17 3GE	Midnight blue	94-		
	928 551 061 17 6SC	Chestnut brown	94-		
	928 551 061 17 D50	Florentine grey	94-		
	928 551 061 17 1HQ	Provence blue	94-		
	928 551 061 17 2JP	Cedar green	94-		
	928 551 061 17 3TE	Flamenco red	94-		
6	928 551 113 06	Lining Tunnel for cars with with		1	
		It is necessary to rework			
	928 551 113 06 5FV	Black			
	928 551 113 06 8UT	Cashmere beige			
	928 551 113 06 4XR	Classic grey			
	928 551 113 06 4ZN	Cobalt blue	-93		
	928 551 113 06 8WZ	Magenta	-93		
	928 551 113 06 6YR	Light grey	-93		
	928 551 113 06 M33	Matador red	-93		
	928 551 113 06 D13	Carrara grey	-93		
	928 551 113 06 J23	Sherwood green	-93		
					/496 M195

Model: 928 92 Model life 1992>>1995

Pos	Part Number	Description	Remark	Qty	Model
	928 551 113 06 4KV	Marine blue	-93		
	928 551 113 06 3GE	Midnight blue	94-		
	928 551 113 06 6SC	Chestnut brown	94-		
	928 551 113 06 D50	Florentine grey	94-		
	928 551 113 06 1HQ	Provence blue	94-		
	928 551 113 06 2JP	Cedar green	94-		
	928 551 113 06 3TE	Flamenco red	94-		
7	928 551 137 02	Scuff plate	/LL	1	
8	928 551 031 08	Lining	/LL /L	1	
		Side member			
	928 551 031 08 5FV	Black			
	928 551 031 08 8UT	Cashmere beige			
	928 551 031 08 4XR	Classic grey			
	928 551 031 08 4ZN	Cobalt blue	-93		
	928 551 031 08 8WZ	Magenta	-93		
	928 551 031 08 6YR	Light grey	-93		
	928 551 031 08 M33	Matador red	-93		
	928 551 031 08 D13	Carrara grey	-93		
	928 551 031 08 J23	Sherwood green	-93		
	928 551 031 08 4KV	Marine blue	-93		
	928 551 031 08 3GE	Midnight blue	94-		
	928 551 031 08 6SC	Chestnut brown	94-		
	928 551 031 08 D50	Florentine grey	94-		
	928 551 031 08 1HQ	Provence blue	94-		
	928 551 031 08 2JP	Cedar green	94-		
	928 551 031 08 3TE	Flamenco red	94-		
(8)	928 551 032 08	Lining	/LL /R	1	
		Side member			
	928 551 032 08 5FV	Black			
	928 551 032 08 8UT	Cashmere beige			
	928 551 032 08 4XR	Classic grey			
	928 551 032 08 4ZN	Cobalt blue	-93		
	928 551 032 08 8WZ	Magenta	-93		
	928 551 032 08 6YR	Light grey	-93		
	928 551 032 08 M33	Matador red	-93		
	928 551 032 08 D13	Carrara grey	-93		
	928 551 032 08 J23	Sherwood green	-93		
	928 551 032 08 4KV	Marine blue	-93		
	928 551 032 08 3GE	Midnight blue	94-		
	928 551 032 08 6SC	Chestnut brown	94-		
	928 551 032 08 D50	Florentine grey	94-		
	928 551 032 08 1HQ	Provence blue	94-		
	928 551 032 08 2JP	Cedar green	94-		
	928 551 032 08 3TE	Flamenco red	94-		
8	927 551 031 05	Lining	/RL /L	1	
		Side member			
	927 551 031 05 5FV	Black			
	927 551 031 05 8UT	Cashmere beige			
	927 551 031 05 4XR	Classic grey			
	927 551 031 05 4ZN	Cobalt blue	-93		
	927 551 031 05 8WZ	Magenta	-93		
	927 551 031 05 6YR	Light grey	-93		
	927 551 031 05 M33	Matador red	-93		
	927 551 031 05 D13	Carrara grey	-93		
	927 551 031 05 J23	Sherwood green	-93		
	927 551 031 05 4KV	Marine blue	-93		
	927 551 031 05 3GE	Midnight blue	94-		
	927 551 031 05 6SC	Chestnut brown	94-		
	927 551 031 05 D50	Florentine grey	94-		
	927 551 031 05 1HQ	Provence blue	94-		
	927 551 031 05 2JP	Cedar green	94-		
	927 551 031 05 3TE	Flamenco red	94-		
(8)	927 551 032 03	Lining	/RL /R	1	

Model: 928 92 Model life 1992>>1995

Pos	Part Number	Description	Remark	Qty	Model
		Side member			
	927 551 032 03 5FV	Black			
	927 551 032 03 8UT	Cashmere beige			
	927 551 032 03 4XR	Classic grey			
	927 551 032 03 4ZN	Cobalt blue	-93		
	927 551 032 03 8WZ	Magenta	-93		
	927 551 032 03 6YR	Light grey	-93		
	927 551 032 03 M33	Matador red	-93		
	927 551 032 03 D13	Carrara grey	-93		
	927 551 032 03 J23	Sherwood green	-93		
	927 551 032 03 4KV	Marine blue	-93		
	927 551 032 03 3GE	Midnight blue	94-		
	927 551 032 03 6SC	Chestnut brown	94-		
	927 551 032 03 D50	Florentine grey	94-		
	927 551 032 03 1HQ	Provence blue	94-		
	927 551 032 03 2JP	Cedar green	94-		
	927 551 032 03 3TE	Flamenco red	94-		
9	928 551 091 02	Lining	/LL	1	
		Parking-brake cable			
	928 551 091 02 5FV	Black			
	928 551 091 02 8UT	Cashmere beige			
	928 551 091 02 4XR	Classic grey			
	928 551 091 02 4ZN	Cobalt blue	-93		
	928 551 091 02 8WZ	Magenta	-93		
	928 551 091 02 6YR	Light grey	-93		
	928 551 091 02 M33	Matador red	-93		
	928 551 091 02 D13	Carrara grey	-93		
	928 551 091 02 J23	Sherwood green	-93		
	928 551 091 02 4KV	Marine blue	-93		
	928 551 091 02 A43	Greenwich grey	-93		
	928 551 091 02 3GE	Midnight blue	94-		
	928 551 091 02 6SC	Chestnut brown	94-		
	928 551 091 02 D50	Florentine grey	94-		
	928 551 091 02 1HQ	Provence blue	94-		
	928 551 091 02 2JP	Cedar green	94-		
	928 551 091 02 3TE	Flamenco red	94-		
(9)	927 551 091 02	Lining	/RL	1	
		Parking-brake cable			
	927 551 091 02 5FV	Black			
	927 551 091 02 8UT	Cashmere beige			
	927 551 091 02 4XR	Classic grey			
	927 551 091 02 4ZN	Cobalt blue	-93		
	927 551 091 02 8WZ	Magenta	-93		
	927 551 091 02 6YR	Light grey	-93		
	927 551 091 02 M33	Matador red	-93		
	927 551 091 02 D13	Carrara grey	-93		
	927 551 091 02 J23	Sherwood green	-93		
	927 551 091 02 4KV	Marine blue	-93		
	927 551 091 02 A43	Greenwich grey	-93		
	927 551 091 02 3GE	Midnight blue	94-		
	927 551 091 02 6SC	Chestnut brown	94-		
	927 551 091 02 D50	Florentine grey	94-		
	927 551 091 02 1HQ	Provence blue	94-		
	927 551 091 02 2JP	Cedar green	94-		
	927 551 091 02 3TE	Flamenco red	94-		
10	928 551 089 10	Lining	/LL	1	
		Handbrake			
	928 551 089 10 5FV	Black			
	928 551 089 10 8UT	Cashmere beige			
	928 551 089 10 4XR	Classic grey			
	928 551 089 10 4ZN	Cobalt blue	-93		
	928 551 089 10 8WZ	Magenta	-93		
	928 551 089 10 6YR	Light grey	-93		

Model: 928 92 Model life 1992>>1995

Pos	Part Number	Description	Remark	Qty	Model
	928 551 089 10 M33	Matador red	-93		
	928 551 089 10 D13	Carrara grey	-93		
	928 551 089 10 J23	Sherwood green	-93		
	928 551 089 10 4KV	Marine blue	-93		
	928 551 089 10 A43	Greenwich grey	-93		
	928 551 089 10 3GE	Midnight blue	94-		
	928 551 089 10 6SC	Chestnut brown	94-		
	928 551 089 10 D50	Florentine grey	94-		
	928 551 089 10 1HQ	Provence blue	94-		
	928 551 089 10 2JP	Cedar green	94-		
	928 551 089 10 3TE	Flamenco red	94-		
(10)	928 551 089 11	Lining Handbrake	/LL (J)	1	
	928 551 089 11 5FV	Black			
	928 551 089 11 8UT	Cashmere beige			
	928 551 089 11 4XR	Classic grey			
	928 551 089 11 4ZN	Cobalt blue	-93		
	928 551 089 11 8WZ	Magenta	-93		
	928 551 089 11 6YR	Light grey	-93		
	928 551 089 11 M33	Matador red	-93		
	928 551 089 11 D13	Carrara grey	-93		
	928 551 089 11 J23	Sherwood green	-93		
	928 551 089 11 4KV	Marine blue	-93		
	928 551 089 11 A43	Greenwich grey	-93		
	928 551 089 11 3GE	Midnight blue	94-		
	928 551 089 11 6SC	Chestnut brown	94-		
	928 551 089 11 D50	Florentine grey	94-		
	928 551 089 11 1HQ	Provence blue	94-		
	928 551 089 11 2JP	Cedar green	94-		
	928 551 089 11 3TE	Flamenco red	94-		
(10)	927 551 089 06	Lining Handbrake	/RL	1	
	927 551 089 06 5FV	Black			
	927 551 089 06 8UT	Cashmere beige			
	927 551 089 06 4XR	Classic grey			
	927 551 089 06 4ZN	Cobalt blue	-93		
	927 551 089 06 8WZ	Magenta	-93		
	927 551 089 06 6YR	Light grey	-93		
	927 551 089 06 M33	Matador red	-93		
	927 551 089 06 D13	Carrara grey	-93		
	927 551 089 06 J23	Sherwood green	-93		
	927 551 089 06 4KV	Marine blue	-93		
	927 551 089 06 A43	Greenwich grey	-93		
	927 551 089 06 3GE	Midnight blue	94-		
	927 551 089 06 6SC	Chestnut brown	94-		
	927 551 089 06 D50	Florentine grey	94-		
	927 551 089 06 1HQ	Provence blue	94-		
	927 551 089 06 2JP	Cedar green	94-		
	927 551 089 06 3TE	Flamenco red	94-		
11	928 551 325 03	Rosette		1	
	928 551 325 03 70B	Black			
12	900 143 001 02	Tapping screw B 2,9 X 6,5		2	
13	928 551 035 03	Lining Foot support	/LL	1	
	928 551 035 03 5FV	Black			
	928 551 035 03 8UT	Cashmere beige			
	928 551 035 03 4XR	Classic grey			
	928 551 035 03 4ZN	Cobalt blue	-93		
	928 551 035 03 8WZ	Magenta	-93		
	928 551 035 03 6YR	Light grey	-93		
	928 551 035 03 M33	Matador red	-93		
	928 551 035 03 D13	Carrara grey	-93		

Model: 928 92 Model life 1992>>1995

Pos	Part Number	Description	Remark	Qty	Model
	928 551 035 03 J23	Sherwood green	-93		
	928 551 035 03 4KV	Marine blue	-93		
	928 551 035 03 3GE	Midnight blue	94-		
	928 551 035 03 6SC	Chestnut brown	94-		
	928 551 035 03 D50	Florentine grey	94-		
	928 551 035 03 1HQ	Provence blue	94-		
	928 551 035 03 2JP	Cedar green	94-		
	928 551 035 03 3TE	Flamenco red	94-		
(13)	927 551 036 02	Lining	/RL	1	
		Foot support			
	927 551 036 02 5FV	Black			
	927 551 036 02 8UT	Cashmere beige			
	927 551 036 02 4XR	Classic grey			
	927 551 036 02 4ZN	Cobalt blue	-93		
	927 551 036 02 8WZ	Magenta	-93		
	927 551 036 02 6YR	Light grey	-93		
	927 551 036 02 M33	Matador red	-93		
	927 551 036 02 D13	Carrara grey	-93		
	927 551 036 02 J23	Sherwood green	-93		
	927 551 036 02 4KV	Marine blue	-93		
	927 551 036 02 3GE	Midnight blue	94-		
	927 551 036 02 6SC	Chestnut brown	94-		
	927 551 036 02 D50	Florentine grey	94-		
	927 551 036 02 1HQ	Provence blue	94-		
	927 551 036 02 2JP	Cedar green	94-		
	927 551 036 02 3TE	Flamenco red	94-		
14	927 551 073 04	Clip	/RL	2	
15	927 551 062 06	Foot support	/RL	1	
16	928 551 062 06	Foot support	/LL	1	
17	928 551 049 02	Lining	/LL	1	
		Firewall			
	928 551 049 02 5FV	Black			
	928 551 049 02 8UT	Cashmere beige			
	928 551 049 02 4XR	Classic grey			
	928 551 049 02 4ZN	Cobalt blue	-93		
	928 551 049 02 8WZ	Magenta	-93		
	928 551 049 02 6YR	Light grey	-93		
	928 551 049 02 M33	Matador red	-93		
	928 551 049 02 D13	Carrara grey	-93		
	928 551 049 02 J23	Sherwood green	-93		
	928 551 049 02 4KV	Marine blue	-93		
	928 551 049 02 3GE	Midnight blue	94-		
	928 551 049 02 6SC	Chestnut brown	94-		
	928 551 049 02 D50	Florentine grey	94-		
	928 551 049 02 1HQ	Provence blue	94-		
	928 551 049 02 2JP	Cedar green	94-		
	928 551 049 02 3TE	Flamenco red	94-		
(17)	927 551 050 02	Lining	/RL	1	
		Firewall			
	927 551 050 02 5FV	Black			
	927 551 050 02 8UT	Cashmere beige			
	927 551 050 02 4XR	Classic grey			
	927 551 050 02 4ZN	Cobalt blue	-93		
	927 551 050 02 8WZ	Magenta	-93		
	927 551 050 02 6YR	Light grey	-93		
	927 551 050 02 M33	Matador red	-93		
	927 551 050 02 D13	Carrara grey	-93		
	927 551 050 02 J23	Sherwood green	-93		
	927 551 050 02 4KV	Marine blue	-93		
	927 551 050 02 3GE	Midnight blue	94-		
	927 551 050 02 6SC	Chestnut brown	94-		
	927 551 050 02 D50	Florentine grey	94-		
	927 551 050 02 1HQ	Provence blue	94-		

Model: 928 92 Model life 1992>>1995

Pos	Part Number	Description	Remark	Qty	Model	
18	927 551 050 02 2JP	Cedar green	94-	1		
	927 551 050 02 3TE	Flamenco red	94-			
	928 551 506 00	Cover	/LL			
	928 551 506 00 5FV	Black				
	928 551 506 00 4XR	Classic grey				
	928 551 506 00 8UT	Cashmere beige				
	928 551 506 00 4ZN	Cobalt blue	-93			
	928 551 506 00 8WZ	Magenta	-93			
	928 551 506 00 6YR	Light grey	-93			
	928 551 506 00 M33	Matador red	-93			
	928 551 506 00 D13	Carrara grey	-93			
	928 551 506 00 J23	Sherwood green	-93			
	928 551 506 00 4KV	Marine blue	-93			
	928 551 506 00 3GE	Midnight blue	94-			
	928 551 506 00 6SC	Chestnut brown	94-			
	928 551 506 00 D50	Florentine grey	94-			
	928 551 506 00 1HQ	Provence blue	94-			
	(18)	927 551 505 00 2JP	Cedar green			94-
927 551 505 00 3TE		Flamenco red	94-			
927 551 505 07		Cover	/RL			
927 551 505 07 5FV		Black				
927 551 505 07 4XR		Classic grey				
927 551 505 07 8UT		Cashmere beige				
927 551 505 07 4ZN		Cobalt blue	-93			
927 551 505 07 8WZ		Magenta	-93			
927 551 505 07 6YR		Light grey	-93			
927 551 505 07 M33		Matador red	-93			
927 551 505 07 D13		Carrara grey	-93			
927 551 505 07 J23		Sherwood green	-93			
927 551 505 07 4KV		Marine blue	-93			
927 551 505 07 3GE		Midnight blue	94-			
927 551 505 07 6SC		Chestnut brown	94-			
927 551 505 07 D50		Florentine grey	94-			
927 551 505 07 1HQ		Provence blue	94-			
19		927 551 505 07 2JP	Cedar green	94-	2	
	927 551 505 07 3TE	Flamenco red	94-			
(20)	999 058 001 00	Knurled screw M 6 X 10		1		
	928 556 045 04	Spare wheel covering				
21	928 555 615 02	Spacer sleeve		8		
22	477 885 761	Retaining bar		4		
23	900 269 050 07	Countersunk-head screw		8		
		M 5 X 25				
24	928 551 081 08	Plate for tools		1		
		Rear				
		928 551 081 08 5FV	Black			
		928 551 081 08 8UT	Cashmere beige			
		928 551 081 08 4XR	Classic grey			
		928 551 081 08 4ZN	Cobalt blue			-93
		928 551 081 08 8WZ	Magenta			-93
		928 551 081 08 6YR	Light grey			-93
		928 551 081 08 M33	Matador red			-93
		928 551 081 08 D13	Carrara grey			-93
		928 551 081 08 J23	Sherwood green			-93
		928 551 081 08 4KV	Marine blue			-93
		928 551 081 08 3GE	Midnight blue			94-
		928 551 081 08 6SC	Chestnut brown			94-
		928 551 081 08 D50	Florentine grey			94-
		928 551 081 08 1HQ	Provence blue			94-
		928 551 081 08 2JP	Cedar green			94-
		928 551 081 08 3TE	Flamenco red			94-
		928 551 081 08	Plate for tools			
		928 551 081 08	Rear			

Model: 928 92 Model life 1992>>1995

Pos	Part Number	Description	Remark	Qty	Model
	928 551 081 08 5FV	Black			
	928 551 081 08 8UT	Cashmere beige			
	928 551 081 08 4XR	Classic grey			
	928 551 081 08 4ZN	Cobalt blue	-93		
	928 551 081 08 8WZ	Magenta	-93		
	928 551 081 08 6YR	Light grey	-93		
	928 551 081 08 M33	Matador red	-93		
	928 551 081 08 D13	Carrara grey	-93		
	928 551 081 08 J23	Sherwood green	-93		
	928 551 081 08 4KV	Marine blue	-93		
	928 551 081 08 3GE	Midnight blue	94-		
	928 551 081 08 6SC	Chestnut brown	94-		
	928 551 081 08 D50	Florentine grey	94-		
	928 551 081 08 1HQ	Provence blue	94-		
	928 551 081 08 2JP	Cedar green	94-		
	928 551 081 08 3TE	Flamenco red	94-		
25	928 551 221 02	Knob		2	
26	999 591 483 40	Lock washer		2	
27	928 551 199 02	Cap		2	
28	928 551 203 02	Locking cam		2	
29	928 551 653 02	Lining		1	
		Terminal piece			
	928 551 653 02 5FV	Black			
	928 551 653 02 8UT	Cashmere beige			
	928 551 653 02 4XR	Classic grey			
	928 551 653 02 4ZN	Cobalt blue	-93		
	928 551 653 02 8WZ	Magenta	-93		
	928 551 653 02 6YR	Light grey	-93		
	928 551 653 02 M33	Matador red	-93		
	928 551 653 02 D13	Carrara grey	-93		
	928 551 653 02 J23	Sherwood green	-93		
	928 551 653 02 4KV	Marine blue	-93		
	928 551 653 02 3GE	Midnight blue	94-		
	928 551 653 02 6SC	Chestnut brown	94-		
	928 551 653 02 D50	Florentine grey	94-		
	928 551 653 02 1HQ	Provence blue	94-		
	928 551 653 02 2JP	Cedar green	94-		
	928 551 653 02 3TE	Flamenco red	94-		
30	928 551 185 02	Rubber stop	/L	1	
	928 551 185 02 70B	Satin black			
(30)	928 551 186 02	Rubber stop	/R	1	
	928 551 186 02 70B	Satin black			
31	928 504 105 02	Gasket		1	
		Lid			
32	928 504 107 02	Sealing rubber		1	
		Battery cover			
33	928 555 921 02	Side trim panel	/L	1	
		with loudspeaker opening			
		Leatherette			
	928 555 921 02 70A	Black			
	928 555 921 02 2WJ	Classic grey			
	928 555 921 02 9ZH	Cobalt blue	-93		
	928 555 921 02 4WY	Magenta	-93		
	928 555 921 02 1KX	Marine blue	-93		
	928 555 921 02 6HP	Midnight blue	94-		
	928 555 921 02 7PD	Chestnut brown	94-		
(33)	928 555 922 02	Side trim panel	/R	1	
		with loudspeaker opening			
		Leatherette			
	928 555 922 02 70A	Black			
	928 555 922 02 2WJ	Classic grey			
	928 555 922 02 9ZH	Cobalt blue	-93		
	928 555 922 02 4WY	Magenta	-93		

Model: 928 92 Model life 1992>>1995

Pos	Part Number	Description	Remark	Qty	Model
(33)	928 555 922 02 1KX	Marine blue	-93	1	
	928 555 922 02 6HP	Midnight blue	94-		
	928 555 922 02 7PD	Chestnut brown	94-		
	928 555 921 03	Side trim panel with loudspeaker opening Leather	/L		
	928 555 921 03 8YR	Black			
	928 555 921 03 6XL	Classic grey			
	928 555 921 03 9YL	Cobalt blue	-93		
	928 555 921 03 6YL	Magenta	-93		
	928 555 921 03 M05	Matador red	-93		
	928 555 921 03 D35	Carrara grey	-93		
	928 555 921 03 J25	Sherwood green	-93		
	928 555 921 03 H05	Marine blue	-93		
	928 555 921 03 H24	Midnight blue	94-		
(33)	928 555 921 03 T15	Chestnut brown	94-	1	
	928 555 921 03 K03	Cedar green	94-		
	928 555 921 03 8SE	Flamenco red	94-		
	928 555 922 03	Side trim panel with loudspeaker opening Leather	/R		
	928 555 922 03 8YR	Black			
	928 555 922 03 6XL	Classic grey			
	928 555 922 03 9YL	Cobalt blue	-93		
	928 555 922 03 6YL	Magenta	-93		
	928 555 922 03 M05	Matador red	-93		
	928 555 922 03 D35	Carrara grey	-93		
	928 555 922 03 J25	Sherwood green	-93		
	928 555 922 03 H05	Marine blue	-93		
	928 555 922 03 H24	Midnight blue	94-		
34	928 555 922 03 T15	Chestnut brown	94-	1	
	928 555 922 03 K03	Cedar green	94-		
(34)	928 555 275 04	Rosette	/L	1	
	928 555 276 04 70B	Satin black	/R		
35	900 143 007 02	Oval-head sheetmetal screw B 4,2 X 13		4	
35	900 073 507 01	Oval-head sheetmetal screw B 4,2 X 13		4	
36		See group			
37		8/09/15 POS.9			
37		See group			
38	928 555 469 03	8/09/15 POS.10 Knob Coat hook		2	
39	900 145 091 07	Tapping screw B 4,8 X 32		2	
40	999 591 102 07	Protection washer		5	
41	900 145 062 07	Tapping screw B 3,5 X 25		5	
42	823 867 299	Clip		6	
-	928 555 631 02	Luggage net		1	
43	900 143 116 07	Oval-head sheetmetal screw 3,5 X 22		1	
43	900 143 116 0H	Oval-head sheetmetal screw 3,5 X 22		1	
44	928 551 087 03	Fastening clip Cover		1	
45	928 555 673 00	Control units Lining CD changer		1	

Model: 928 92 Model life 1992>>1995

Pos	Part Number	Description	Remark	Qty	Model
	928 555 673 00 5FV	Black			
	928 555 673 00 4XR	Classic grey			
	928 555 673 00 4ZN	Cobalt blue	-93		
	928 555 673 00 8WZ	Magenta	-93		
	928 555 673 00 6YR	Light grey	-93		
	928 555 673 00 8UT	Cashmere beige			
	928 555 673 00 M33	Matador red	-93		
	928 555 673 00 D13	Carrara grey	-93		
	928 555 673 00 J23	Sherwood green	-93		
	928 555 673 00 4KV	Marine blue	-93		
	928 555 673 00 3GE	Midnight blue	94-		
	928 555 673 00 6SC	Chestnut brown	94-		
	928 555 673 00 D50	Florentine grey	94-		
	928 555 673 00 1HQ	Provence blue	94-		
	928 555 673 00 2JP	Cedar green	94-		
	928 555 673 00 3TE	Flamenco red	94-		
46	928 551 342 00	Cover		1	
		Control units			
	928 551 342 00 5FV	Black			
	928 551 342 00 8UT	Cashmere beige			
	928 551 342 00 4XR	Classic grey			
	928 551 342 00 4ZN	Cobalt blue	-93		
	928 551 342 00 8WZ	Magenta	-93		
	928 551 342 00 6YR	Light grey	-93		
	928 551 342 00 M33	Matador red	-93		
	928 551 342 00 D13	Carrara grey	-93		
	928 551 342 00 J23	Sherwood green	-93		
	928 551 342 00 4KV	Marine blue	-93		
	928 551 342 00 3GE	Midnight blue	94-		
	928 551 342 00 6SC	Chestnut brown	94-		
	928 551 342 00 D50	Florentine grey	94-		
	928 551 342 00 1HQ	Provence blue	94-		
	928 551 342 00 2JP	Cedar green	94-		
	928 551 342 00 3TE	Flamenco red	94-		
47	999 591 957 40	Fastening screw M 10 X 15		1	
48	928 551 010 08	Carpet		1	/LL/R
	928 551 010 08 5FV	Black			
	928 551 010 08 8UT	Cashmere beige			
	928 551 010 08 4XR	Classic grey			
	928 551 010 08 4ZN	Cobalt blue	-93		
	928 551 010 08 8WZ	Magenta	-93		
	928 551 010 08 6YR	Light grey	-93		
	928 551 010 08 M33	Matador red	-93		
	928 551 010 08 D13	Carrara grey	-93		
	928 551 010 08 J23	Sherwood green/	-93		
	928 551 010 08 4KV	Marine blue	-93		
	928 551 010 08 3GE	Midnight blue	94-		
	928 551 010 08 6SC	Chestnut brown	94-		
	928 551 010 08 D50	Florentine grey	94-		
	928 551 010 08 1HQ	Provence blue	94-		
	928 551 010 08 2JP	Cedar green	94-		
	928 551 010 08 3TE	Flamenco red	94-		
(48)	927 551 012 06	Carpet		1	/RL/R
	927 551 012 06 5FV	Black			
	927 551 012 06 8UT	Cashmere beige			
	927 551 012 06 4XR	Classic grey			
	927 551 012 06 4ZN	Cobalt blue	-93		
	927 551 012 06 8WZ	Magenta	-93		
	927 551 012 06 6YR	Light grey	-93		
	927 551 012 06 M33	Matador red	-93		
	927 551 012 06 D13	Carrara grey	-93		
	927 551 012 06 J23	Sherwood green/	-93		

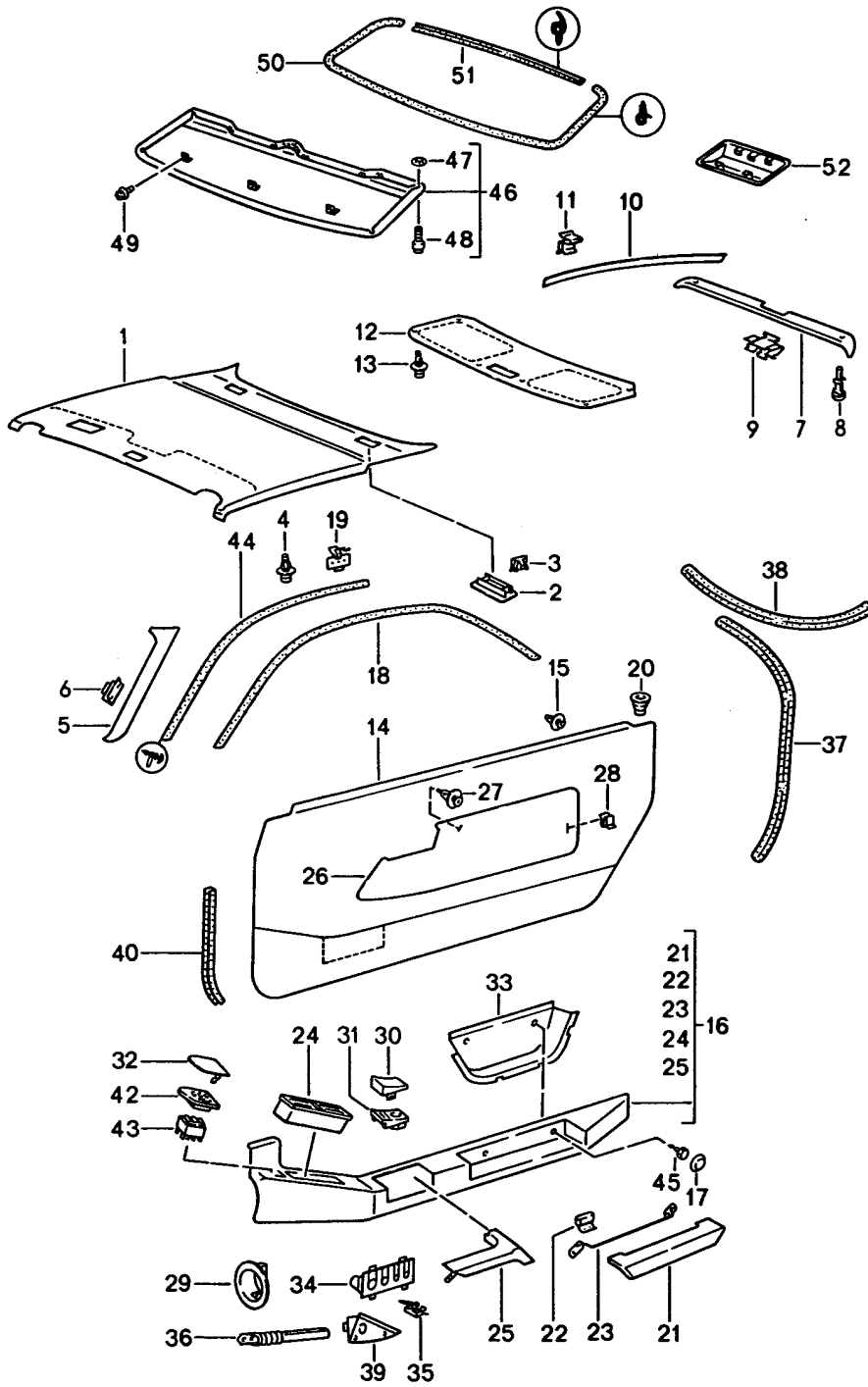
Model: 928 92

Model life 1992>>1995

Pos	Part Number	Description	Remark	Qty	Model
49	927 551 012 06 4KV	Marine blue	-93	2	
	927 551 012 06 3GE	Midnight blue	94-		
	927 551 012 06 6SC	Chestnut brown	94-		
	927 551 012 06 D50	Florentine grey	94-		
	927 551 012 06 1HQ	Provence blue	94-		
	927 551 012 06 2JP	Cedar green	94-		
	927 551 012 06 3TE	Flamenco red	94-		
	999 703 369 40	Stopper	/LL		
		6,9 - 7,1			

Model: 928 92

Model life 1992>>1995



Model: 928 92 Model life 1992>>1995

Pos	Part Number	Description	Remark	Qty	Model
1	928 555 071 08	Door trim panel Rooflining Rooflining Leatherette		1	
	928 555 071 08 70A	Black			
	928 555 071 08 6WG	Classic grey			
	928 555 071 08 6YU	Cobalt blue	-93		
	928 555 071 08 6WW	Magenta	-93		
	928 555 071 08 3KA	Marine blue	-93		
	928 555 071 08 4GS	Midnight blue	94-		
	928 555 071 08 5PB	Chestnut brown	94-		
(1)	928 555 071 54	Rooflining Leather		1	
	928 555 071 54 8YR	Black			
	928 555 071 54 6XL	Classic grey			
	928 555 071 54 9YL	Cobalt blue	-93		
	928 555 071 54 6YL	Magenta	-93		
	928 555 071 54 M05	Matador red	-93		
	928 555 071 54 D35	Carrara grey	-93		
	928 555 071 54 J25	Sherwood green	-93		
	928 555 071 54 H05	Marine blue	-93		
	928 555 071 54 H24	Midnight blue	94-		
	928 555 071 54 T15	Chestnut brown	94-		
	928 555 071 54 K03	Cedar green	94-		
	928 555 071 54 8SE	Flamenco red	94-		
(1)	928 555 071 62	Rooflining Leatherette		1	M650
	928 555 071 62 70A	Black			
	928 555 071 62 8WL	Classic grey			
	928 555 071 62 6YJ	Cobalt blue	-93		
	928 555 071 62 6WZ	Magenta	-93		
	928 555 071 62 3KA	Marine blue	-93		
	928 555 071 62 8HQ	Midnight blue	94-		
	928 555 071 62 8PE	Chestnut brown	94-		
(1)	928 555 071 63	Rooflining Leather		1	M650
	928 555 071 63 8YR	Black			
	928 555 071 63 6XL	Classic grey			
	928 555 071 63 9YL	Cobalt blue	-93		
	928 555 071 63 6YL	Magenta	-93		
	928 555 071 63 M05	Matador red	-93		
	928 555 071 63 D35	Carrara grey	-93		
	928 555 071 63 J25	Sherwood green	-93		
	928 555 071 63 H05	Marine blue	-93		
	928 555 071 63 H24	Midnight blue	94-		
	928 555 071 63 T15	Chestnut brown	94-		
	928 555 071 63 K03	Cedar green	94-		
	928 555 071 63 8SE	Flamenco red	94-		
(2)	928 555 254 50	Cap		2	
	928 555 254 50 8YR	Black			
	928 555 254 50 6XL	Classic grey			
	928 555 254 50 9YL	Cobalt blue	-93		
	928 555 254 50 6YL	Magenta	-93		
	928 555 254 50 M05	Matador red	-93		
	928 555 254 50 D35	Carrara grey	-93		
	928 555 254 50 J25	Sherwood green	-93		
	928 555 254 50 H05	Marine blue	-93		
	928 555 254 50 H24	Midnight blue	94-		
	928 555 254 50 T15	Chestnut brown	94-		
	928 555 254 50 K03	Cedar green	94-		
	928 555 254 50 8SE	Flamenco red	94-		
3	928 555 365 03	Spring clamp		4	
4	823 867 299	Clip		15	

Model: 928 92 Model life 1992>>1995

Pos	Part Number	Description	Remark	Qty	Model
-	999 591 559 40	Clip		10	M650
5	928 555 073 02	Lining	/L	1	
		Windscreen frame			
		Leatherette			
	928 555 073 02 70A	Black			
	928 555 073 02 9WH	Classic grey			
	928 555 073 02 7YG	Cobalt blue	-93		
	928 555 073 02 9YF	Magenta	-93		
	928 555 073 02 1KX	Marine blue	-93		
	928 555 073 02 3HP	Midnight blue	94-		
	928 555 073 02 6PN	Chestnut brown	94-		
(5)	928 555 074 02	Lining	/R	1	
		Windscreen frame			
		Leatherette			
	928 555 074 02 70A	Black			
	928 555 074 02 9WH	Classic grey			
	928 555 074 02 7YG	Cobalt blue	-93		
	928 555 074 02 9YF	Magenta	-93		
	928 555 074 02 1KX	Marine blue	-93		
	928 555 074 02 3HP	Midnight blue	94-		
	928 555 074 02 6PN	Chestnut brown	94-		
(5)	928 555 251 51	Lining	/L	1	
		Windscreen frame			
		Leather			
	928 555 251 51 8YR	Black			
	928 555 251 51 6XL	Classic grey			
	928 555 251 51 9YL	Cobalt blue	-93		
	928 555 251 51 6YL	Magenta	-93		
	928 555 251 51 M05	Matador red	-93		
	928 555 251 51 D35	Carrara grey	-93		
	928 555 251 51 J25	Sherwood green	-93		
	928 555 251 51 H05	Marine blue	-93		
	928 555 251 51 H24	Midnight blue	94-		
	928 555 251 51 T15	Chestnut brown	94-		
	928 555 251 51 K03	Cedar green	94-		
	928 555 251 51 8SE	Flamenco red	94-		
(5)	928 555 252 51	Lining	/R	1	
		Windscreen frame			
		Leather			
	928 555 252 51 8YR	Black			
	928 555 252 51 6XL	Classic grey			
	928 555 252 51 9YL	Cobalt blue	-93		
	928 555 252 51 6YL	Magenta	-93		
	928 555 252 51 M05	Matador red	-93		
	928 555 252 51 D35	Carrara grey	-93		
	928 555 252 51 J25	Sherwood green	-93		
	928 555 252 51 H05	Marine blue	-93		
	928 555 252 51 H24	Midnight blue	94-		
	928 555 252 51 T15	Chestnut brown	94-		
	928 555 252 51 K03	Cedar green	94-		
	928 555 252 51 8SE	Flamenco red	94-		
6	999 591 749 02	Clamp		4	
7	928 555 047 05	Lining	/H	1	
		Lid			
		Lower			
		Leatherette			
	928 555 047 05 5CT	Black			
	928 555 047 05 8WL	Classic grey			
	928 555 047 05 6YJ	Cobalt blue	-93		
	928 555 047 05 6WZ	Magenta	-93		
	928 555 047 05 3KA	Marine blue	-93		
	928 555 047 05 8HQ	Midnight blue	94-		
	928 555 047 05 8PE	Chestnut brown	94-		

Model: 928 92 Model life 1992>>1995

Pos	Part Number	Description	Remark	Qty	Model
(7)	928 555 047 53	Lining Lid Lower Leather	/H	1	
	928 555 047 53 8YR	Black			
	928 555 047 53 6XL	Classic grey			
	928 555 047 53 9YL	Cobalt blue	-93		
	928 555 047 53 6YL	Magenta	-93		
	928 555 047 53 M05	Matador red	-93		
	928 555 047 53 D35	Carrara grey	-93		
	928 555 047 53 J25	Sherwood green	-93		
	928 555 047 53 H05	Marine blue	-93		
	928 555 047 53 H24	Midnight blue	94-		
	928 555 047 53 T15	Chestnut brown	94-		
	928 555 047 53 K03	Cedar green	94-		
	928 555 047 53 8SE	Flamenco red	94-		
8	999 591 564 40	Expansion rivet		8	
9	928 555 438 02	Clamp		5	
10	928 555 037 02	Lining Lid Lateral Leatherette	/L	1	
	928 555 037 02 5CT	Black			
	928 555 037 02 8WL	Classic grey			
	928 555 037 02 6YJ	Cobalt blue	-93		
	928 555 037 02 6WZ	Magenta	-93		
	928 555 037 02 3KA	Marine blue	-93		
	928 555 037 02 8HQ	Midnight blue	94-		
	928 555 037 02 8PE	Chestnut brown	94-		
(10)	928 555 038 02	Lining Lid Lateral Leatherette	/R	1	
	928 555 038 02 5CT	Black			
	928 555 038 02 8WL	Classic grey			
	928 555 038 02 6YJ	Cobalt blue	-93		
	928 555 038 02 6WZ	Magenta	-93		
	928 555 038 02 3KA	Marine blue	-93		
	928 555 038 02 8HQ	Midnight blue	94-		
	928 555 038 02 8PE	Chestnut brown	94-		
(10)	928 555 037 50	Lining Lid Lateral Leather	/L	1	
	928 555 037 50 8YR	Black			
	928 555 037 50 6XL	Classic grey			
	928 555 037 50 9YL	Cobalt blue	-93		
	928 555 037 50 6YL	Magenta	-93		
	928 555 037 50 M05	Matador red	-93		
	928 555 037 50 D35	Carrara grey	-93		
	928 555 037 50 J25	Sherwood green	-93		
	928 555 037 50 H05	Marine blue	-93		
	928 555 037 50 H24	Midnight blue	94-		
	928 555 037 50 T15	Chestnut brown	94-		
	928 555 037 50 K03	Cedar green	94-		
	928 555 037 50 8SE	Flamenco red	94-		
(10)	928 555 038 50	Lining Lid Lateral Leather	/R	1	
	928 555 038 50 8YR	Black			
	928 555 038 50 6XL	Classic grey			
	928 555 038 50 9YL	Cobalt blue	-93		

Model: 928 92 Model life 1992>>1995

Pos	Part Number	Description	Remark	Qty	Model
	928 555 038 50 6YL	Magenta	-93		
	928 555 038 50 M05	Matador red	-93		
	928 555 038 50 D35	Carrara grey	-93		
	928 555 038 50 J25	Sherwood green	-93		
	928 555 038 50 H05	Marine blue	-93		
	928 555 038 50 H24	Midnight blue	94-		
	928 555 038 50 T15	Chestnut brown	94-		
	928 555 038 50 K03	Cedar green	94-		
	928 555 038 50 8SE	Flamenco red	94-		
11	928 555 437 02	Clamp		12	
12	928 555 527 02	Lining	/H	1	
		Lid			
		Upper			
		Leatherette			
	928 555 527 02 5CT	Black			
	928 555 527 02 8WL	Classic grey			
	928 555 527 02 6YJ	Cobalt blue	-93		
	928 555 527 02 6WZ	Magenta	-93		
	928 555 527 02 3KA	Marine blue	-93		
	928 555 527 02 8HQ	Midnight blue	94-		
	928 555 527 02 8PE	Chestnut brown	94-		
(12)	928 555 527 50	Lining	/H	1	
		Lid			
		Upper			
		Leather			
	928 555 527 50 8YR	Black			
	928 555 527 50 6XL	Classic grey			
	928 555 527 50 9YL	Cobalt blue	-93		
	928 555 527 50 6YL	Magenta	-93		
	928 555 527 50 M05	Matador red	-93		
	928 555 527 50 D35	Carrara grey	-93		
	928 555 527 50 J25	Sherwood green	-93		
	928 555 527 50 H05	Marine blue	-93		
	928 555 527 50 H24	Midnight blue	94-		
	928 555 527 50 T15	Chestnut brown	94-		
	928 555 527 50 K03	Cedar green	94-		
	928 555 527 50 8SE	Flamenco red	94-		
13	999 591 559 40	Clip		8	
14	928 555 225 03	Door trim panel	/L	1	
		Leatherette/carpet			
	928 555 225 03 SM3	Black/black			
	928 555 225 03 APU	Classic grey/classic grey			
	928 555 225 03 ARU	Cobalt blue/cobalt blue	-93		
	928 555 225 03 ASU	Magenta/Magenta	-93		
	928 555 225 03 AQQ	Black/light grey	-93		
	928 555 225 03 APW	Classic grey/light grey	-93		
	928 555 225 03 ARW	Cobalt blue/light grey	-93		
	928 555 225 03 ASW	Magenta/light grey	-93		
	928 555 225 03 SL2	Black/cashmere beige			
	928 555 225 03 SM5	Marine blue/marine blue	-93		
	928 555 225 03 DBS	Midnight bl./midnight blue	94-		
	928 555 225 03 DCL	Chestnut brown/ Chestnut brown	94- 94-		
	928 555 225 03 DDL	Black/florentine grey	94-		
	928 555 225 03 DBU	Midnight bl./florent. grey	94-		
(14)	928 555 226 03	Door trim panel	/R	1	
		Leatherette/carpet			
	928 555 226 03 SM3	Black/black			
	928 555 226 03 APU	Classic grey/classic grey			
	928 555 226 03 ARU	Cobalt blue/cobalt blue	-93		
	928 555 226 03 ASU	Magenta/Magenta	-93		
	928 555 226 03 AQQ	Black/light grey	-93		
	928 555 226 03 APW	Classic grey/light grey	-93		

Model: 928 92 Model life 1992>>1995

Pos	Part Number	Description	Remark	Qty	Model
	928 555 226 03 ARW	Cobalt blue/light grey	-93		
	928 555 226 03 ASW	Magenta/light grey	-93		
	928 555 226 03 SL2	Black/cashmere beige			
	928 555 226 03 SM5	Marine blue/marine blue	-93		
	928 555 226 03 DBS	Midnight bl./midnight blue	94-		
	928 555 226 03 DCL	Chestnut brown/ Chestnut brown	94- 94-		
	928 555 226 03 DDL	Black/florentine grey	94-		
	928 555 226 03 DBU	Midnight bl./florent. grey	94-		
(14)	928 555 225 53	Door trim panel Leather/carpet	/L	1	
	928 555 225 53 ATZ	Black/black			
	928 555 225 53 APV	Classic grey/classic grey			
	928 555 225 53 ARV	Cobalt blue/cobalt blue	-93		
	928 555 225 53 ASV	Magenta/Magenta	-93		
	928 555 225 53 AQR	Black/light grey	-93		
	928 555 225 53 APX	Classic grey/light grey	-93		
	928 555 225 53 ARX	Cobalt blue/light grey	-93		
	928 555 225 53 ASX	Magenta/light grey	-93		
	928 555 225 53 AQS	Black/cashmere beige			
	928 555 225 53 AVA	Matador red/matador red	-93		
	928 555 225 53 AVB	Carrara grey/carrara grey	-93		
	928 555 225 53 AVC	Sherwood gr./sherw. green	-93		
	928 555 225 53 CFQ	Marine blue/marine blue	-93		
	928 555 225 53 DBT	Midnight bl./midnight blue	94-		
	928 555 225 53 DCM	Chestnut brown/ Chestnut brown	94- 94-		
	928 555 225 53 DDM	Black/florentine grey	94-		
	928 555 225 53 DBV	Midnight bl./florent. grey	94-		
	928 555 225 53 DFN	Provence blue/provence bl.	94-		
	928 555 225 53 DFL	Cedar green/cedar green	94-		
	928 555 225 53 DFM	Flamenco red/flamenco red	94-		
(14)	928 555 226 53	Door trim panel Leather/carpet	/R	1	
	928 555 226 53 ATZ	Black/black			
	928 555 226 53 APV	Classic grey/classic grey			
	928 555 226 53 ARV	Cobalt blue/cobalt blue	-93		
	928 555 226 53 ASV	Magenta/Magenta	-93		
	928 555 226 53 AQR	Black/light grey	-93		
	928 555 226 53 APX	Classic grey/light grey	-93		
	928 555 226 53 ARX	Cobalt blue/light grey	-93		
	928 555 226 53 ASX	Magenta/light grey	-93		
	928 555 226 53 AQS	Black/cashmere beige			
	928 555 226 53 AVA	Matador red/matador red	-93		
	928 555 226 53 AVB	Carrara grey/carrara grey	-93		
	928 555 226 53 AVC	Sherwood gr./sherw. green	-93		
	928 555 226 53 CFQ	Marine blue/marine blue	-93		
	928 555 226 53 DBT	Midnight bl./midnight blue	94-		
	928 555 226 53 DCM	Chestnut brown/ Chestnut brown	94- 94-		
	928 555 226 53 DDM	Black/florentine grey	94-		
	928 555 226 53 DBV	Midnight bl./florent. grey	94-		
	928 555 226 53 DFN	Provence blue/provence bl.	94-		
	928 555 226 53 DFL	Cedar green/cedar green	94-		
	928 555 226 53 DFM	Flamenco red/flamenco red	94-		
15	823 867 299	Clip		4	
16	928 555 101 03	Armrest Leatherette	/L	1	
	928 555 101 03 WR4	Black			
	928 555 101 03 9WH	Classic grey			
	928 555 101 03 7YG	Cobalt blue	-93		
	928 555 101 03 9YF	Magenta	-93		
	928 555 101 03 WR6	Marine blue	-93		

Model: 928 92 Model life 1992>>1995

Pos	Part Number	Description	Remark	Qty	Model
(16)	928 555 101 03 3HP	Midnight blue	94-	1	
	928 555 101 03 6PN	Chestnut brown	94-		
	928 555 102 03	Armrest	/R		
		Leatherette			
	928 555 102 03 WR4	Black			
	928 555 102 03 9WH	Classic grey			
	928 555 102 03 7YG	Cobalt blue	-93		
	928 555 102 03 9YF	Magenta	-93		
	928 555 102 03 WR6	Marine blue	-93		
	928 555 102 03 3HP	Midnight blue	94-		
(16)	928 555 102 03 6PN	Chestnut brown	94-	1	
	928 555 101 52	Armrest	/L		
		Leather			
	928 555 101 52 8YR	Black			
	928 555 101 52 6XL	Classic grey			
	928 555 101 52 9YL	Cobalt blue	-93		
	928 555 101 52 6YL	Magenta	-93		
	928 555 101 52 M05	Matador red	-93		
	928 555 101 52 D35	Carrara grey	-93		
	928 555 101 52 J25	Sherwood green	-93		
(16)	928 555 101 52 H05	Marine blue	-93	1	
	928 555 101 52 H24	Midnight blue	94-		
	928 555 101 52 T15	Chestnut brown	94-		
	928 555 101 52 K03	Cedar green	94-		
	928 555 101 52 8SE	Flamenco red	94-		
	928 555 102 52	Armrest	/R		
		Leather			
	928 555 102 52 8YR	Black			
	928 555 102 52 6XL	Classic grey			
	928 555 102 52 9YL	Cobalt blue	-93		
17	928 555 102 52 6YL	Magenta	-93	4	
	928 555 102 52 M05	Matador red	-93		
	928 555 102 52 D35	Carrara grey	-93		
	928 555 102 52 J25	Sherwood green	-93		
	928 555 102 52 H05	Marine blue	-93		
	928 555 102 52 H24	Midnight blue	94-		
	928 555 102 52 T15	Chestnut brown	94-		
	928 555 102 52 K03	Cedar green	94-		
	928 555 102 52 8SE	Flamenco red	94-		
	928 555 383 02	Cap			
18	928 555 70B	Black		1	
	928 555 025 02	Lining	/L		
		Door frame			
		Leatherette			
	928 555 025 02 70A	Black	-94		
	928 555 025 02 05T	Black	95-		
	928 555 025 02 6WG	Classic grey			
	928 555 025 02 6YU	Cobalt blue	-93		
	928 555 025 02 6WW	Magenta	-93		
	928 555 025 02 3KA	Marine blue	-93		
(18)	928 555 025 02 4GS	Midnight blue	94	1	
	928 555 025 02 6HP	Midnight blue	94-		
	928 555 025 02 5PB	Chestnut brown	94		
	928 555 025 02 7PD	Chestnut brown	94-		
	928 555 026 02	Lining	/R		
		Door frame			
		Leatherette			
	928 555 026 02 70A	Black	-94		
	928 555 026 02 05T	Black	95-		
	928 555 026 02 6WG	Classic grey			
928 555 026 02 6YU	Cobalt blue	-93			
928 555 026 02 6WW	Magenta	-93			
928 555 026 02 3KA	Marine blue	-93			

Model: 928 92 Model life 1992>>1995

Pos	Part Number	Description	Remark	Qty	Model
	928 555 026 02 4GS	Midnight blue	94		
	928 555 026 02 6HP	Midnight blue	94-		
	928 555 026 02 5PB	Chestnut brown	94		
	928 555 026 02 7PD	Chestnut brown	94-		
(18)	928 555 025 50	Lining	/L	1	
		Door frame			
		Leather			
	928 555 025 50 8YR	Black			
	928 555 025 50 6XL	Classic grey			
	928 555 025 50 9YL	Cobalt blue	-93		
	928 555 025 50 6YL	Magenta	-93		
	928 555 025 50 M05	Matador red	-93		
	928 555 025 50 D35	Carrara grey	-93		
	928 555 025 50 J25	Sherwood green	-93		
	928 555 025 50 H05	Marine blue	-93		
	928 555 025 50 H24	Midnight blue	94-		
	928 555 025 50 T15	Chestnut brown	94-		
	928 555 025 50 K03	Cedar green	94-		
(18)	928 555 025 50 8SE	Flamenco red	94-		
	928 555 026 50	Lining	/R	1	
		Door frame			
		Leather			
	928 555 026 50 8YR	Black			
	928 555 026 50 6XL	Classic grey			
	928 555 026 50 9YL	Cobalt blue	-93		
	928 555 026 50 6YL	Magenta	-93		
	928 555 026 50 M05	Matador red	-93		
	928 555 026 50 D35	Carrara grey	-93		
	928 555 026 50 J25	Sherwood green	-93		
	928 555 026 50 H05	Marine blue	-93		
	928 555 026 50 H24	Midnight blue	94-		
	928 555 026 50 T15	Chestnut brown	94-		
	928 555 026 50 K03	Cedar green	94-		
	928 555 026 50 8SE	Flamenco red	94-		
19	999 591 760 02	Clamp		14	
20	928 555 569 02	Guide bush		2	
21	928 555 043 03	Lid		2	
		Armrest			
		Leatherette			
	928 555 043 03 05T	Black			
	928 555 043 03 9WH	Classic grey			
	928 555 043 03 7YG	Cobalt blue	-93		
	928 555 043 03 9YF	Magenta	-93		
	928 555 043 03 1KX	Marine blue	-93		
	928 555 043 03 3HP	Midnight blue	94-		
	928 555 043 03 6PN	Chestnut brown	94-		
(21)	928 555 233 50	Lid		2	
		Armrest			
		Leather			
	928 555 233 50 8YR	Black			
	928 555 233 50 6XL	Classic grey			
	928 555 233 50 9YL	Cobalt blue	-93		
	928 555 233 50 6YL	Magenta	-93		
	928 555 233 50 M05	Matador red	-93		
	928 555 233 50 D35	Carrara grey	-93		
	928 555 233 50 J25	Sherwood green	-93		
	928 555 233 50 H05	Marine blue	-93		
	928 555 233 50 H24	Midnight blue	94-		
	928 555 233 50 T15	Chestnut brown	94-		
	928 555 233 50 K03	Cedar green	94-		
	928 555 233 50 8SE	Flamenco red	94-		
22	928 555 607 02	Key		2	
22		Key		2	

Model: 928 92 Model life 1992>>1995

Pos	Part Number	Description	Remark	Qty	Model
	928 555 607 02 70B	Black			
23	928 555 553 02	Steering linkage	/L	1	
(23)	928 555 554 02	Steering linkage	/R	1	
24	928 574 087 03	Side vent	/L	1	
(24)	928 574 088 03	Side vent	/R	1	
25	928 555 053 04	Handle	/L	1	
		Leatherette			
	928 555 053 04 05T	Black			
	928 555 053 04 9WH	Classic grey			
	928 555 053 04 7YG	Cobalt blue	-93		
	928 555 053 04 9YF	Magenta	-93		
	928 555 053 04 1KX	Marine blue	-93		
	928 555 053 04 3HP	Midnight blue	94-		
	928 555 053 04 6PN	Chestnut brown	94-		
(25)	928 555 054 04	Handle	/R	1	
		Leatherette			
	928 555 054 04 05T	Black			
	928 555 054 04 9WH	Classic grey			
	928 555 054 04 7YG	Cobalt blue	-93		
	928 555 054 04 9YF	Magenta	-93		
	928 555 054 04 1KX	Marine blue	-93		
	928 555 054 04 3HP	Midnight blue	94-		
	928 555 054 04 6PN	Chestnut brown	94-		
25	928 555 267 52	Handle	/L	1	
		Leather			
	928 555 267 52 8YR	Black			
	928 555 267 52 6XL	Classic grey			
	928 555 267 52 9YL	Cobalt blue	-93		
	928 555 267 52 6YL	Magenta	-93		
	928 555 267 52 M05	Matador red	-93		
	928 555 267 52 D35	Carrara grey	-93		
	928 555 267 52 J25	Sherwood green	-93		
	928 555 267 52 H05	Marine blue	-93		
	928 555 267 52 H24	Midnight blue	94-		
	928 555 267 52 T15	Chestnut brown	94-		
	928 555 267 52 K03	Cedar green	94-		
	928 555 267 52 8SE	Flamenco red	94-		
(25)	928 555 268 52	Handle	/R	1	
		Leather			
	928 555 268 52 8YR	Black			
	928 555 268 52 6XL	Classic grey			
	928 555 268 52 9YL	Cobalt blue	-93		
	928 555 268 52 6YL	Magenta	-93		
	928 555 268 52 M05	Matador red	-93		
	928 555 268 52 D35	Carrara grey	-93		
	928 555 268 52 J25	Sherwood green	-93		
	928 555 268 52 H05	Marine blue	-93		
	928 555 268 52 H24	Midnight blue	94-		
	928 555 268 52 T15	Chestnut brown	94-		
	928 555 268 52 K03	Cedar green	94-		
	928 555 268 52 8SE	Flamenco red	94-		
26	928 555 051 51	Cover	/L	1	
		Leather			
	928 555 051 51 8YR	Black			
	928 555 051 51 6XL	Classic grey			
	928 555 051 51 9YL	Cobalt blue	-93		
	928 555 051 51 6YL	Magenta	-93		
	928 555 051 51 M05	Matador red	-93		
	928 555 051 51 D35	Carrara grey	-93		
	928 555 051 51 J25	Sherwood green/	-93		
	928 555 051 51 H05	Marine blue	-93		
	928 555 051 51 H24	Midnight blue	94-		
	928 555 051 51 T15	Chestnut brown	94-		

Model: 928 92 Model life 1992>>1995

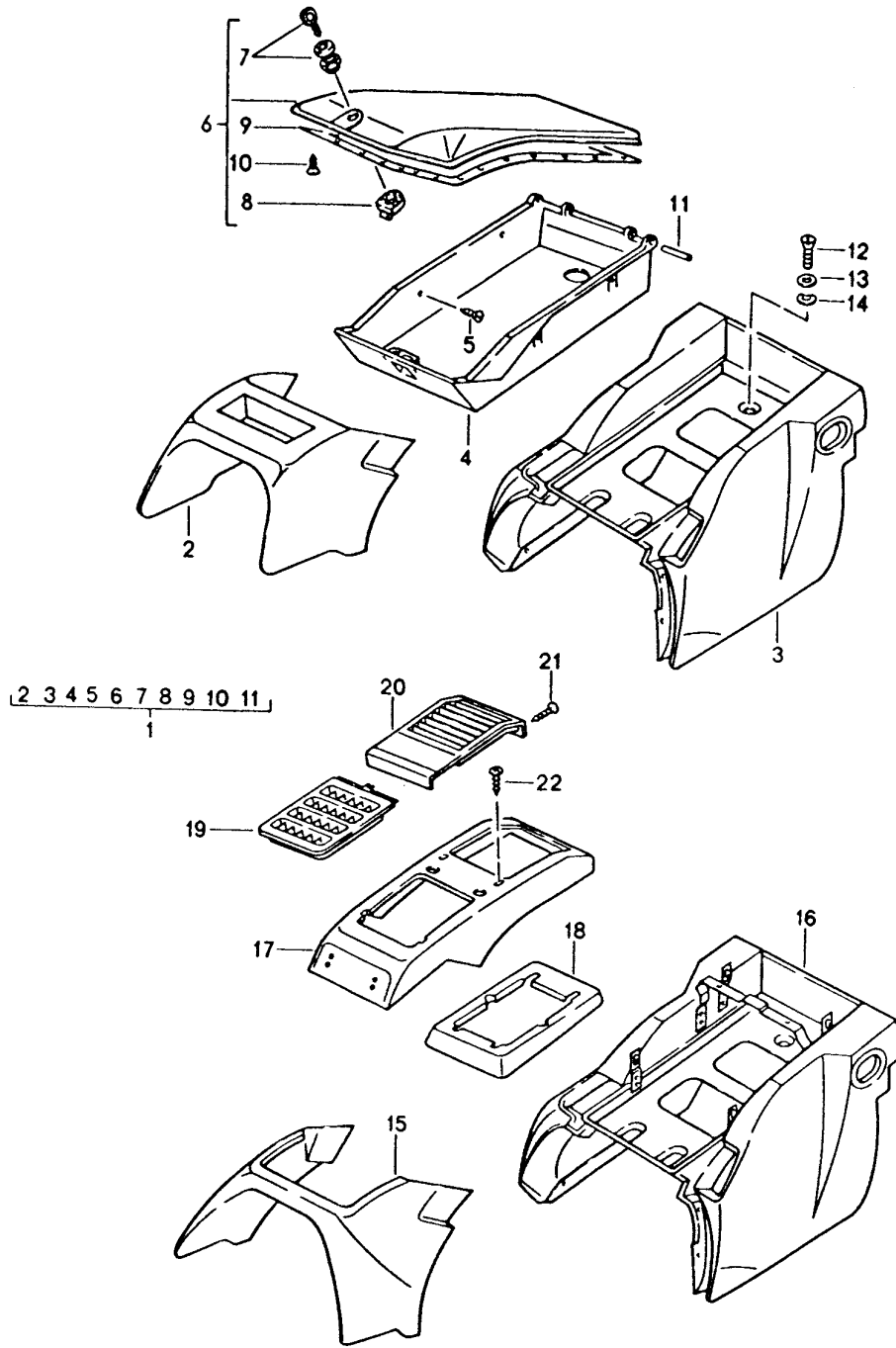
Pos	Part Number	Description	Remark	Qty	Model
(26)	928 555 051 51 K03	Cedar green	94-	1	
	928 555 051 51 8SE	Flamenco red	94-		
	928 555 052 51	Cover	/R		
		Leather			
	928 555 052 51 8YR	Black			
	928 555 052 51 6XL	Classic grey			
	928 555 052 51 9YL	Cobalt blue	-93		
	928 555 052 51 6YL	Magenta	-93		
	928 555 052 51 M05	Matador red	-93		
	928 555 052 51 D35	Carrara grey	-93		
	928 555 052 51 J25	Sherwood green/	-93		
	928 555 052 51 H05	Marine blue	-93		
	928 555 052 51 H24	Midnight blue	94-		
	928 555 052 51 T15	Chestnut brown	94-		
928 555 052 51 K03	Cedar green	94-			
928 555 052 51 8SE	Flamenco red	94-			
27	433 867 299 A	Clip		4	
28	928 555 327 02	Clamp		4	
29	928 555 317 02	Rosette		2	
29		Rosette		2	
	928 555 317 02 70B	Black			
30	928 555 363 02	Cover	/LL	1	
(30)	927 555 363 02	Cover	/RL	1	
		Side vent			
31	928 555 461 03	Mounting piece	/LL	1	
		Door mirror switch			
	928 555 461 03 70B	Black			
(31)	927 555 462 03	Mounting piece	/RL	1	
		Door mirror switch			
	927 555 462 03 70B	Black			
32	928 555 361 02	Cover	/L	1	
		Memory switch			
	928 555 361 02 70B	Satin black			
(32)	928 555 362 02	Cover	/R	1	
		Memory switch			
	928 555 362 02 70B	Satin black			
33	928 555 087 03	Package box	/L	1	
	928 555 087 03 71B	Black			
(33)	928 555 088 03	Package box	/R	1	
		Black			
	928 555 088 03 71B	Black			
-	928 555 479 03	Sealing film	/L	1	
-	928 555 480 03	Sealing film	/R	1	
		Door			
		Inner			
36	928 555 551 02	Cable guide		2	
37	928 555 579 02	Edge protection	/L	1	
(37)	928 555 580 02	Edge protection	/R	1	
		Lining	/L	1	
38	928 555 425 02	Side window			
	928 555 425 02 05T	Black			
(38)	928 555 426 02	Lining	/R	1	
		Side window			
	928 555 426 02 05T	Black			
39	928 555 263 02	Cover	/L	1	
(39)	928 555 264 02	Cover	/R	1	
		Cable guide			
40	928 551 315 03	Piping		2	
42	928 613 245 00	Mounting piece	/L	1	M537
	928 613 245 00 01C	Black			
(42)	928 613 246 00	Mounting piece	/R	1	M538
		Black			
	928 613 246 00 01C	Black			
43	928 613 235 00	Memory switch	/L	1	M537
	928 613 235 00 01C	Satin black			

Model: 928 92 Model life 1992>>1995

Pos	Part Number	Description	Remark	Qty	Model
(43)	928 613 235 00	Memory switch	/R	1	M538
	928 613 235 00 01C	Satin black			
44	999 911 314 40	Piping		2	
45	900 187 032 02	Tapping screw		4	
46	928 564 069 40	Roofliner frame		1	M650
		Leatherette			
	928 564 069 40 70A	Black			
	928 564 069 40 6WG	Classic grey			
	928 564 069 40 6YU	Cobalt blue	-93		
	928 564 069 40 6WW	Magenta	-93		
	928 564 069 40 3KA	Marine blue	-93		
	928 564 069 40 4GS	Midnight blue	94-		
	928 564 069 40 5PB	Chestnut brown	94-		
(46)	928 564 069 50	Roofliner frame		1	M650
		Leather			
	928 564 069 50 8YR	Black			
	928 564 069 50 6XL	Classic grey			
	928 564 069 50 9YL	Cobalt blue	-93		
	928 564 069 50 6YL	Magenta	-93		
	928 564 069 50 M05	Matador red	-93		
	928 564 069 50 D35	Carrara grey	-93		
	928 564 069 50 J25	Sherwood green	-93		
	928 564 069 50 H05	Marine blue	-93		
	928 564 069 50 H24	Midnight blue	94-		
	928 564 069 50 T15	Chestnut brown	94-		
	928 564 069 50 K03	Cedar green	94-		
	928 564 069 50 8SE	Flamenco red	94-		
47	999 591 377 02	Speed nut		3	
48	928 564 399 40	Sliding piece		3	
49	900 146 114 07	Combination screw		3	
		M 3,5 X 8			
50	928 564 259 02	Gasket		1	
51	928 564 261 02	Gasket		1	
52	928 555 301 60	Cover		1	
		Sunroof			
		Leatherette			
	928 555 301 60 70A	Black			
	928 555 301 60 6WG	Classic grey			
	928 555 301 60 6YU	Cobalt blue	-93		
	928 555 301 60 6WW	Magenta	-93		
	928 555 301 60 3KA	Marine blue	-93		
	928 555 301 60 4GS	Midnight blue	94-		
	928 555 301 60 5PB	Chestnut brown	94-		
(52)	928 555 301 61	Cover		1	
		Sunroof			
		Leather			
	928 555 301 61 8YR	Black			
	928 555 301 61 6XL	Classic grey			
	928 555 301 61 9YL	Cobalt blue	-93		
	928 555 301 61 6YL	Magenta	-93		
	928 555 301 61 M05	Matador red	-93		
	928 555 301 61 D35	Carrara grey	-93		
	928 555 301 61 J25	Sherwood green	-93		
	928 555 301 61 H05	Marine blue	-93		
	928 555 301 61 H24	Midnight blue	94-		
	928 555 301 61 T15	Chestnut brown	94-		
	928 555 301 61 K03	Cedar green	94-		
	928 555 301 61 8SE	Flamenco red	94-		

Model: 928 92

Model life 1992>>1995



Model: 928 92 Model life 1992>>1995

Pos	Part Number	Description	Remark	Qty	Model
1	928 522 065 62	Package box Rear		1	
	928 522 065 62 8YR	Package box Leather Black			
	928 522 065 62 6XL	Classic grey			
	928 522 065 62 9YL	Cobalt blue	-93		
	928 522 065 62 6YL	Magenta	-93		
	928 522 065 62 8ZL	Light grey	-93		
	928 522 065 62 4YU	Cashmere beige			
	928 522 065 62 M05	Matador red	-93		
	928 522 065 62 D35	Carrara grey	-93		
	928 522 065 62 J25	Sherwood green	-93		
	928 522 065 62 H24	Midnight blue	94-		
	928 522 065 62 T15	Chestnut brown	94-		
	928 522 065 62 3QN	Marble grey	94-		
	928 522 065 62 G43	Provence blue	94-		
	928 522 065 62 K03	Cedar green	94-		
	928 522 065 62 8SE	Flamenco red	94-		
(1)	928 522 065 10	Package box Leatherette		1	
	928 522 065 10 05T	Black			
	928 522 065 10 2WJ	Classic grey			
	928 522 065 10 9ZH	Cobalt blue	-93		
	928 522 065 10 4WY	Magenta	-93		
	928 522 065 10 1ZU	Light grey	-93		
	928 522 065 10 7RT	Cashmere beige			
	928 522 065 10 6HP	Midnight blue	94-		
	928 522 065 10 7PD	Chestnut brown	94-		
	928 522 065 10 8CF	Marble grey	94-		
2	928 522 063 57	Package box Front part		1	
		Leather			
	928 522 063 57 8YR	Black			
	928 522 063 57 6XL	Classic grey			
	928 522 063 57 9YL	Cobalt blue	-93		
	928 522 063 57 6YL	Magenta	-93		
	928 522 063 57 8ZL	Light grey	-93		
	928 522 063 57 4YU	Cashmere beige			
	928 522 063 57 M05	Matador red	-93		
	928 522 063 57 D35	Carrara grey	-93		
	928 522 063 57 J25	Sherwood green	-93		
	928 522 063 57 H24	Midnight blue	94-		
	928 522 063 57 T15	Chestnut brown	94-		
	928 522 063 57 3QN	Marble grey	94-		
	928 522 063 57 G43	Provence blue	94-		
	928 522 063 57 K03	Cedar green	94-		
	928 522 063 57 8SE	Flamenco red	94-		
(2)	928 522 063 07	Package box Front part		1	
		Leatherette			
	928 522 063 07 7RT	Cashmere beige			
	928 522 063 07 05T	Black			
	928 522 063 07 2WJ	Classic grey			
	928 522 063 07 9ZH	Cobalt blue	-93		
	928 522 063 07 4WY	Magenta	-93		
	928 522 063 07 1ZU	Light grey	-93		
	928 522 063 07 6HP	Midnight blue	94-		
	928 522 063 07 7PD	Chestnut brown	94-		
	928 522 063 07 8CF	Marble grey	94-		
3	928 522 067 59	Package box Leather		1	
	928 522 067 59 8YR	Black			

Model: 928 92 Model life 1992>>1995

Pos	Part Number	Description	Remark	Qty	Model
	928 522 067 59 6XL	Classic grey			
	928 522 067 59 9YL	Cobalt blue	-93		
	928 522 067 59 6YL	Magenta	-93		
	928 522 067 59 8ZL	Light grey	-93		
	928 522 067 59 4YU	Cashmere beige			
	928 522 067 59 M05	Matador red	-93		
	928 522 067 59 D35	Carrara grey	-93		
	928 522 067 59 J25	Sherwood green	-93		
	928 522 067 59 H24	Midnight blue	94-		
	928 522 067 59 T15	Chestnut brown	94-		
	928 522 067 59 3QN	Marble grey	94-		
	928 522 067 59 G43	Provence blue	94-		
	928 522 067 59 K03	Cedar green	94-		
	928 522 067 59 8SE	Flamenco red	94-		
(3)	928 522 067 07	Package box Leatherette		1	
	928 522 067 07 05T	Black			
	928 522 067 07 7RT	Cashmere beige			
	928 522 067 07 2WJ	Classic grey			
	928 522 067 07 9ZH	Cobalt blue	-93		
	928 522 067 07 4WY	Magenta	-93		
	928 522 067 07 1ZU	Light grey	-93		
	928 522 067 07 6HP	Midnight blue	94-		
	928 522 067 07 7PD	Chestnut brown	94-		
	928 522 067 07 8CF	Marble grey	94-		
4	928 522 279 02	Insert Package box		1	
5	900 144 017 07	Tapping screw B 2,9 X 13		6	
6	928 522 061 51	Lid Leather		1	
	928 522 061 51 8YR	Black			
	928 522 061 51 6XL	Classic grey			
	928 522 061 51 9YL	Cobalt blue	-93		
	928 522 061 51 6YL	Magenta	-93		
	928 522 061 51 8ZL	Light grey	-93		
	928 522 061 51 4YU	Cashmere beige			
	928 522 061 51 M05	Matador red	-93		
	928 522 061 51 D35	Carrara grey	-93		
	928 522 061 51 J25	Sherwood green	-93		
	928 522 061 51 H24	Midnight blue	94-		
	928 522 061 51 T15	Chestnut brown	94-		
	928 522 061 51 3QN	Marble grey	94-		
	928 522 061 51 G43	Provence blue	94-		
	928 522 061 51 K03	Cedar green	94-		
	928 522 061 51 8SE	Flamenco red	94-		
(6)	928 522 061 02	Lid Leatherette		1	
	928 522 061 02 05T	Black			
	928 522 061 02 7RT	Cashmere beige			
	928 522 061 02 2WJ	Classic grey			
	928 522 061 02 9ZH	Cobalt blue	-93		
	928 522 061 02 4WY	Magenta	-93		
	928 522 061 02 1ZU	Light grey	-93		
	928 522 061 02 6HP	Midnight blue	94-		
	928 522 061 02 7PD	Chestnut brown	94-		
	928 522 061 02 8CF	Marble grey	94-		
7	928 522 015 02	Push-button lock with 1 key		1	
8	928 522 069 02	Catch		1	
9	928 522 269 02	Cover strip Lid		1	
10	900 143 066 07	Screw		3	

Model: 928 92 Model life 1992>>1995

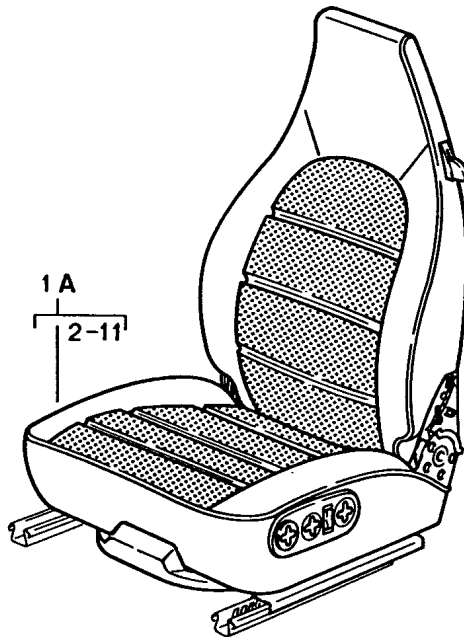
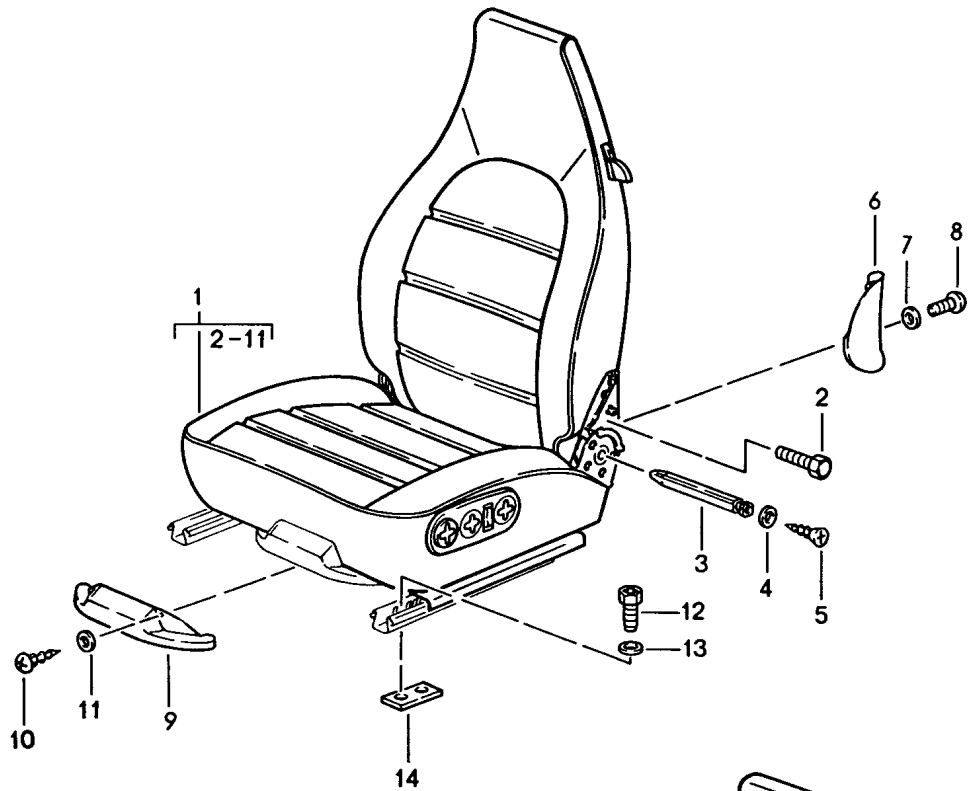
Pos	Part Number	Description	Remark	Qty	Model
(10)	999 141 010 07	3,75 X 7 Countersunk-head screw		14	
11	900 309 010 00	7 X 7 Roll pin		2	
12	N 014 139 11	3 X 32 Oval-head screw		4	
12	N 014 139 1B	M 6 X 12 Oval-head screw		4	
13	900 089 005 02	M 6 X 12 Washer		4	
14	N 012 226 5	6 Spring washer		4	
15	928 522 063 08	A 6 Package box		1	M570
		Auxiliary air conditioner			
		Leatherette			
	928 522 063 08 05T	Black			
	928 522 063 08 7RT	Cashmere beige			
	928 522 063 08 2WJ	Classic grey			
	928 522 063 08 9ZH	Cobalt blue	-93		
	928 522 063 08 4WY	Magenta	-93		
	928 522 063 08 1ZU	Light grey	-93		
	928 522 063 08 6HP	Midnight blue	94-		
	928 522 063 08 7PD	Chestnut brown	94-		
	928 522 063 08 8CF	Marble grey	94-		
(15)	928 522 063 58	Front part		1	M570
		Auxiliary air conditioner			
		Leather			
	928 522 063 58 8YR	Black			
	928 522 063 58 6XL	Classic grey			
	928 522 063 58 9YL	Cobalt blue	-93		
	928 522 063 58 6YL	Magenta	-93		
	928 522 063 58 8ZL	Light grey	-93		
	928 522 063 58 4YU	Cashmere beige			
	928 522 063 58 M05	Matador red	-93		
	928 522 063 58 D35	Carrara grey	-93		
	928 522 063 58 J25	Sherwood green	-93		
	928 522 063 58 H24	Midnight blue	94-		
	928 522 063 58 T15	Chestnut brown	94-		
	928 522 063 58 3QN	Marble grey	94-		
	928 522 063 58 G43	Provence blue	94-		
	928 522 063 58 K03	Cedar green	94-		
	928 522 063 58 8SE	Flamenco red	94-		
16	928 522 067 08	Package box		1	M570
		Leatherette			
	928 522 067 08 05T	Black			
	928 522 067 08 7RT	Cashmere beige			
	928 522 067 08 2WJ	Classic grey			
	928 522 067 08 9ZH	Cobalt blue	-93		
	928 522 067 08 4WY	Magenta	-93		
	928 522 067 08 1ZU	Light grey	-93		
	928 522 067 08 6HP	Midnight blue	94-		
	928 522 067 08 7PD	Chestnut brown	94-		
	928 522 067 08 8CF	Marble grey	94-		
(16)	928 522 067 60	Package box		1	M570
		Leather			
	928 522 067 60 8YR	Black			
	928 522 067 60 6XL	Classic grey			
	928 522 067 60 9YL	Cobalt blue	-93		
	928 522 067 60 6YL	Magenta	-93		
	928 522 067 60 8ZL	Light grey	-93		
	928 522 067 60 4YU	Cashmere beige			
	928 522 067 60 M05	Matador red	-93		

Model: 928 92 Model life 1992>>1995

Pos	Part Number	Description	Remark	Qty	Model
	928 522 067 60 D35	Carrara grey	-93		
	928 522 067 60 J25	Sherwood green	-93		
	928 522 067 60 H24	Midnight blue	94-		
	928 522 067 60 T15	Chestnut brown	94-		
	928 522 067 60 3QN	Marble grey	94-		
	928 522 067 60 G43	Provence blue	94-		
	928 522 067 60 K03	Cedar green	94-		
	928 522 067 60 8SE	Flamenco red	94-		
17	928 570 031 00	Cover		1	M570
		Auxiliary air conditioner			
		Leatherette			
	928 570 031 00 5CT	Black			
	928 570 031 00 7RT	Cashmere beige			
	928 570 031 00 2WJ	Classic grey			
	928 570 031 00 9ZH	Cobalt blue	-93		
	928 570 031 00 4WY	Magenta	-93		
	928 570 031 00 1ZU	Light grey	-93		
	928 570 031 00 8HQ	Midnight blue	94-		
	928 570 031 00 8PE	Chestnut brown	94-		
	928 570 031 00 8CF	Marble grey	94-		
(17)	928 570 031 51	Cover		1	M570
		Auxiliary air conditioner			
		Leather			
	928 570 031 51 8YR	Black			
	928 570 031 51 6XL	Classic grey			
	928 570 031 51 9YL	Cobalt blue	-93		
	928 570 031 51 6YL	Magenta	-93		
	928 570 031 51 8ZL	Light grey	-93		
	928 570 031 51 4YU	Cashmere beige			
	928 570 031 51 M05	Matador red	-93		
	928 570 031 51 D35	Carrara grey	-93		
	928 570 031 51 J25	Sherwood green	-93		
	928 570 031 51 H24	Midnight blue	94-		
	928 570 031 51 T15	Chestnut brown	94-		
	928 570 031 51 3QN	Marble grey	94-		
	928 570 031 51 G43	Provence blue	94-		
	928 570 031 51 K03	Cedar green	94-		
	928 570 031 51 8SE	Flamenco red	94-		
18	928 570 293 01	Gasket		1	M570
19	928 570 033 00	Nozzle		1	M570
20	928 570 053 00	Grille		1	M570
	928 570 053 00 1DB	Black			
21	900 145 097 07	Tapping screw		2	M570
		B 3,5 X 16			
22	999 591 716 02	Tapping nut		4	M570
		3,0			

Model: 928 92

Model life 1992>>1995



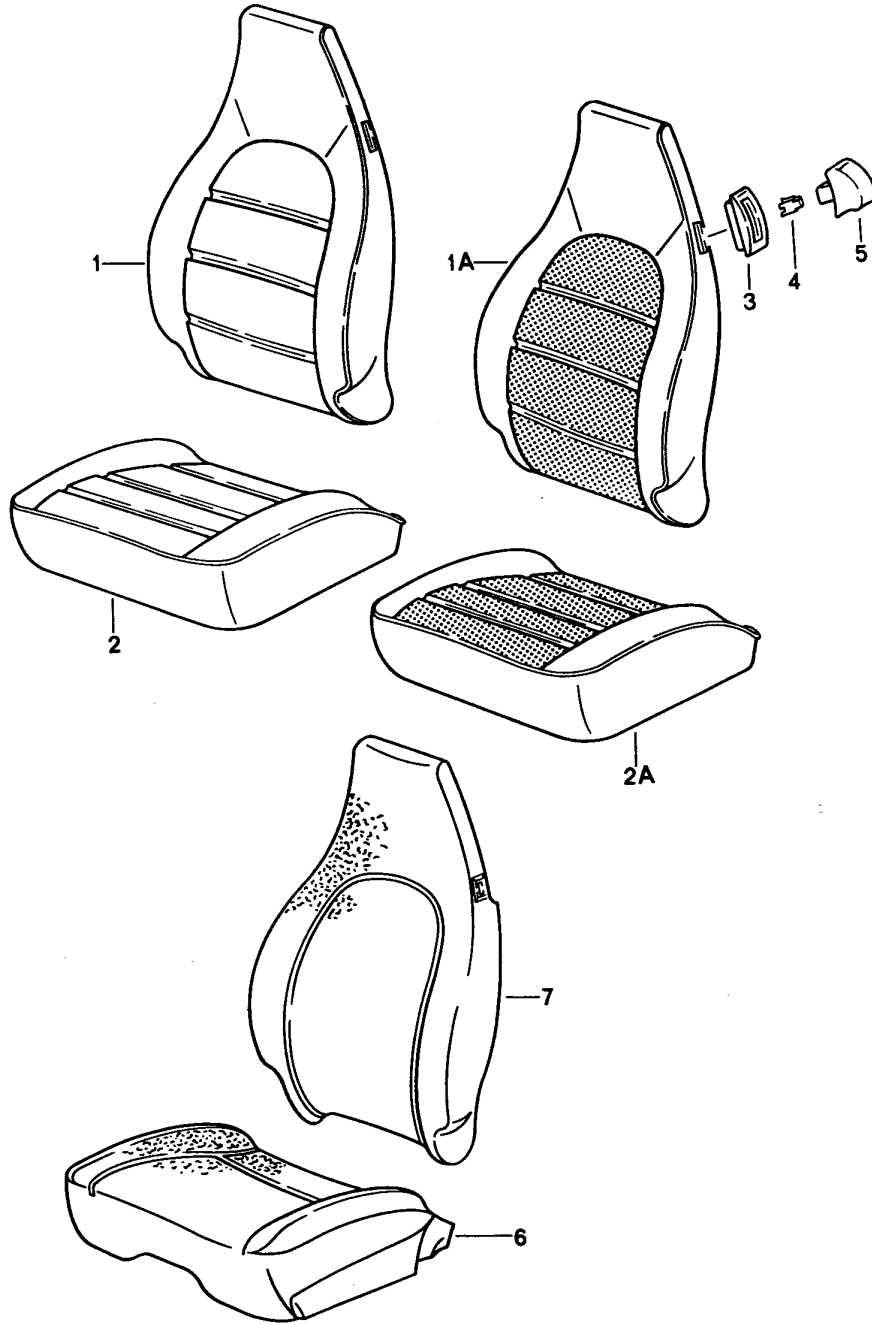
Model: 928 92

Model life 1992>>1995

Pos	Part Number	Description	Remark	Qty	Model
-	PCG 043 204 90 PCG 043 204 90 2CZ	Seat Complete Group 8/08/00 - 8/08/50 See group 8/08/00 - 8/08/95 Catalogue STZ.18 Cloth PORSCHE logo Black Pieces 2000 MM X 1500 MM		1	
-	TPC 000 000 00 TPC 000 000 00 6WC	Cloth by the running meter PORSCHE logo Classic grey Running meter		1	

Model: 928 92

Model life 1992>>1995



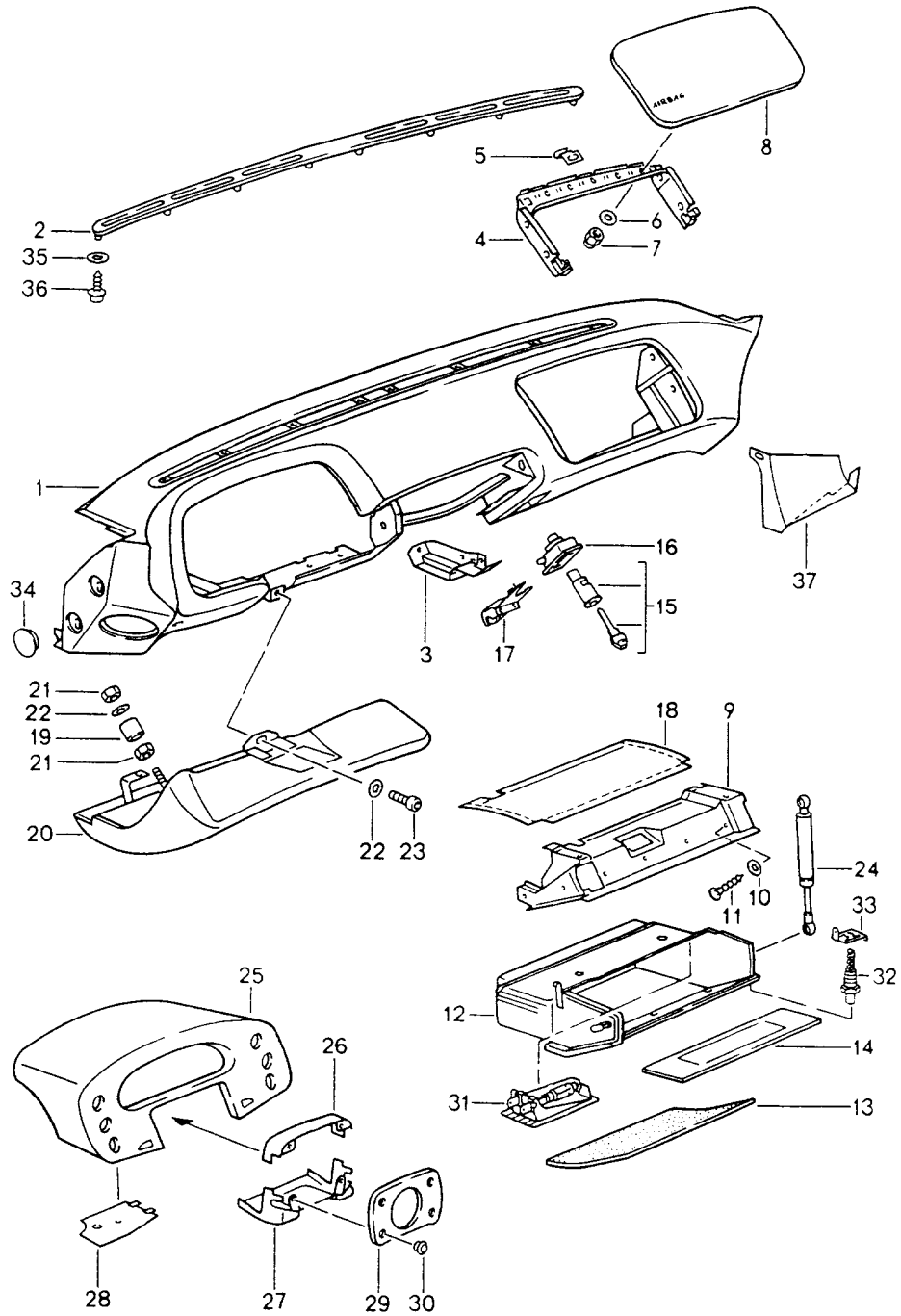
Model: 928 92

Model life 1992>>1995

Pos	Part Number	Description	Remark	Qty	Model
-	PCG 043 204 90 PCG 043 204 90 2CZ	Cloth Pieces Cloth PORSCHE logo Black Pieces 2000 MM X 1500 MM		1	
-	TPC 000 000 00 TPC 000 000 00 6WC	Cloth by the running meter PORSCHE logo Classic grey Running meter		1	

Model: 928 92

Model life 1992>>1995



Model: 928 92 Model life 1992>>1995

Pos	Part Number	Description	Remark	Qty	Model
1	928 552 023 07	Dashbord trim for cars with Airbag Passenger's side Dashboard Leatherette		1	
	928 552 023 07 05T	Black			
	928 552 023 07 9WH	Classic grey			
	928 552 023 07 7YG	Cobalt blue	-93		
	928 552 023 07 9YF	Magenta	-93		
	928 552 023 07 3HP	Midnight blue	94-		
	928 552 023 07 6PN	Chestnut brown	94-		
(1)	928 552 021 53	Dashbord Leather		1	
	928 552 021 53 8YR	Black			
	928 552 021 53 6XL	Classic grey			
	928 552 021 53 9YL	Cobalt blue	-93		
	928 552 021 53 6YL	Magenta	-93		
	928 552 021 53 M05	Matador red	-93		
	928 552 021 53 D35	Carrara grey	-93		
	928 552 021 53 J25	Sherwood green	-93		
	928 552 021 53 H24	Midnight blue	94-		
	928 552 021 53 T15	Chestnut brown	94-		
	928 552 021 53 K03	Cedar green	94-		
	928 552 021 53 8SE	Flamenco red	94-		
2	928 552 309 51	Defroster trim		1	
	928 552 309 51 5XJ	Black			
	928 552 309 51 5XL	Classic grey			
	928 552 309 51 6ZH	Cobalt blue	-93		
	928 552 309 51 5XW	Magenta	-93		
	928 552 309 51 3GP	Midnight blue	94-		
	928 552 309 51 1QB	Chestnut brown	94-		
3	928 552 483 00	Retaining bracket		1	
4	928 552 113 00	Frame		1	
5	928 552 582 02	Hook		2	
6	900 151 027 02	Washer A 5,3		7	
6	900 151 027 03	Washer A 5,3		7	
7	900 096 014 02	Cap nut		4	
8	928 552 105 00	Lid Airbag Leatherette		1	
	928 552 105 00 05T	Black			
	928 552 105 00 9WH	Classic grey			
	928 552 105 00 7YG	Cobalt blue	-93		
	928 552 105 00 9YF	Magenta	-93		
	928 552 105 00 3HP	Midnight blue	94-		
	928 552 105 00 6PN	Chestnut brown	94-		
(8)	928 552 015 00	Lid Airbag Leather		1	
	928 552 015 00 8YR	Black			
	928 552 015 00 6XL	Classic grey			
	928 552 015 00 9YL	Cobalt blue	-93		
	928 552 015 00 6YL	Magenta	-93		
	928 552 015 00 M05	Matador red	-93		
	928 552 015 00 D35	Carrara grey	-93		
	928 552 015 00 J25	Sherwood green	-93		
	928 552 015 00 H24	Midnight blue	94-		
	928 552 015 00 T15	Chestnut brown	94-		
	928 552 015 00 K03	Cedar green	94-		
	928 552 015 00 8SE	Flamenco red	94-		

Model: 928 92 Model life 1992>>1995

Pos	Part Number	Description	Remark	Qty	Model
9	928 552 419 00	Glove compartment		1	
	928 552 419 00 71B	Black			
		Upper part			
10	N 011 665 10	Washer		7	
11	900 143 019 07	Oval-head sheetmetal screw		7	
		B 4,8 X 22			
(12)	928 552 051 07	Glove compartment		1	
	928 552 051 07 71B	Black			
		Leatherette			
	928 552 051 07 05T	Black			
	928 552 051 07 9WH	Classic grey			
	928 552 051 07 7YG	Cobalt blue	-93		
	928 552 051 07 9YF	Magenta	-93		
	928 552 051 07 1KX	Marine blue	-93		
	928 552 051 07 3HP	Midnight blue	94-		
	928 552 051 07 6PN	Chestnut brown	94-		
13	928 552 267 03	Carpet		1	
		Lower			
		Carpet			
	928 552 267 03 8UT	Cashmere beige			
	928 552 267 03 5FV	Black			
	928 552 267 03 4XR	Classic grey			
	928 552 267 03 4ZN	Cobalt blue	-93		
	928 552 267 03 4KV	Marine blue	-93		
	928 552 267 03 8WZ	Magenta	-93		
	928 552 267 03 6YR	Light grey	-93		
	928 552 267 03 M33	Matador red	-93		
	928 552 267 03 D13	Carrara grey	-93		
	928 552 267 03 J23	Sherwood green	-93		
	928 552 267 03 3GE	Midnight blue	94-		
	928 552 267 03 6SC	Chestnut brown	94-		
	928 552 267 03 D50	Florentine grey	94-		
	928 552 267 03 1HQ	Provence blue	94-		
	928 552 267 03 2JP	Cedar green	94-		
	928 552 267 03 3TE	Flamenco red	94-		
(13)	928 552 053 05	Cover		1	
		Lower			
		Carpet			
	928 552 053 05 8UT	Cashmere beige			
	928 552 053 05 5FV	Black			
	928 552 053 05 4XR	Classic grey			
	928 552 053 05 4ZN	Cobalt blue	-93		
	928 552 053 05 4KV	Marine blue	-93		
	928 552 053 05 8WZ	Magenta	-93		
	928 552 053 05 6YR	Light grey	-93		
	928 552 053 05 M33	Matador red	-93		
	928 552 053 05 D13	Carrara grey	-93		
	928 552 053 05 J23	Sherwood green	-93		
	928 552 053 05 3GE	Midnight blue	94-		
	928 552 053 05 6SC	Chestnut brown	94-		
	928 552 053 05 D50	Florentine grey	94-		
	928 552 053 05 1HQ	Provence blue	94-		
	928 552 053 05 2JP	Cedar green	94-		
	928 552 053 05 3TE	Flamenco red	94-		
14	928 552 689 00	Rubber pad		1	
15	928 537 901 00	Lock cylinder		1	
		for			
		Glove compartment lock			
		State lock number			
16	928 538 051 00	Finger plate		1	
	928 538 051 00 01C	Satin black			
17	928 538 061 01	Catch		1	
(17)		Catch		1	M981

Model: 928 92 Model life 1992>>1995

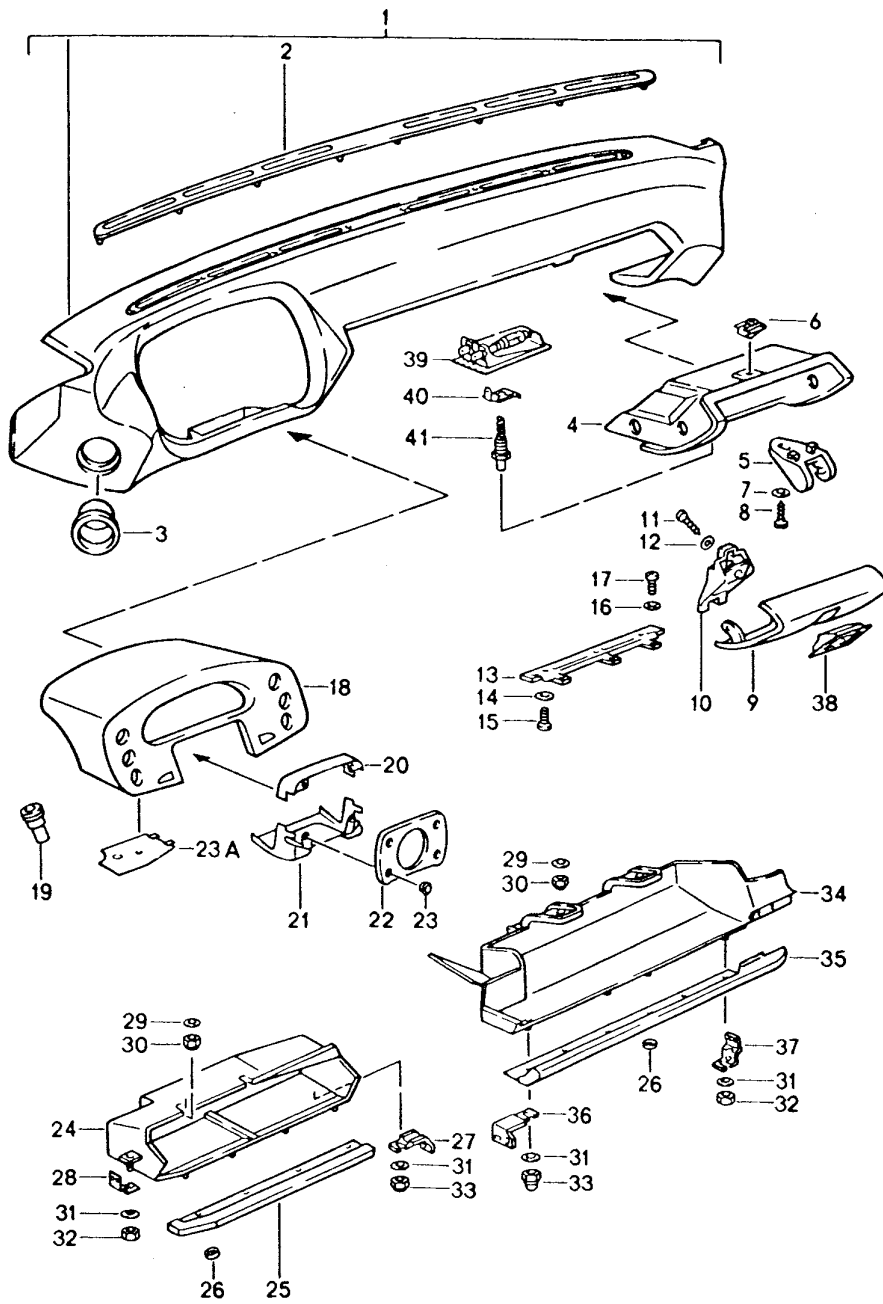
Pos	Part Number	Description	Remark	Qty	Model
18	928 552 099 01	Cover		1	
	928 552 099 01 5VE	Black			
		Glove compartment			
19	999 924 061 02	Bush		1	
(19)	999 924 082 02	Bush		1	M981
20	928 552 131 00	Knee protection trim		1	
		Leatherette			
	928 552 131 00 05T	Black			
	928 552 131 00 7YG	Cobalt blue	-93		
	928 552 131 00 9YF	Magenta	-93		
	928 552 131 00 9WH	Classic grey			
	928 552 131 00 3HP	Midnight blue	94-		
	928 552 131 00 6PN	Chestnut brown	94-		
(20)	928 552 131 50	Knee protection trim		1	M981
		Leather			
	928 552 131 50 8YR	Black			
	928 552 131 50 6XL	Classic grey			
	928 552 131 50 9YL	Cobalt blue	-93		
	928 552 131 50 6YL	Magenta	-93		
	928 552 131 50 M05	Matador red	-93		
	928 552 131 50 D35	Carrara grey	-93		
	928 552 131 50 J25	Sherwood green	-93		
	928 552 131 50 H24	Midnight blue	94-		
	928 552 131 50 T15	Chestnut brown	94-		
	928 552 131 50 K03	Cedar green	94-		
	928 552 131 50 8SE	Flamenco red	94-		
21	900 076 010 02	Nut		1	
21	900 076 010 0B	Nut		1	
22	900 031 011 02	Washer		1	
23	N 014 701 7	Pan-head screw		1	
24	928 552 752 00	Damper		1	
25	928 552 031 04	Instrument box		1	
	928 552 031 04 05T	Black			
	928 552 031 04 9WH	Classic grey			
	928 552 031 04 7YG	Cobalt blue	-93		
	928 552 031 04 9YF	Magenta	-93		
	928 552 031 04 3HP	Midnight blue	94-		
	928 552 031 04 6PN	Chestnut brown	94-		
26	928 552 569 02	Cover		1	
	928 552 569 02 01C	Black			
	928 552 569 02 4XC	Classic grey			
	928 552 569 02 6ZF	Cobalt blue	-93		
	928 552 569 02 6WX	Magenta	-93		
	928 552 569 02 2GS	Midnight blue	94-		
	928 552 569 02 4PV	Chestnut brown	94-		
27	928 552 579 02	Cover		1	
	928 552 579 02 01C	Black			
	928 552 579 02 4XC	Classic grey			
	928 552 579 02 6ZF	Cobalt blue	-93		
	928 552 579 02 6WX	Magenta	-93		
	928 552 579 02 2GS	Midnight blue	94-		
	928 552 579 02 4PV	Chestnut brown	94-		
28	928 552 521 00	Cover		1	
		Instrument box			
		Lower			
	928 552 521 00 01C	Satin black			
	928 552 521 00 4XC	Classic grey			
	928 552 521 00 6ZF	Cobalt blue	-93		
	928 552 521 00 6WX	Magenta	-93		
	928 552 521 00 2GS	Midnight blue	94-		
	928 552 521 00 4PV	Chestnut brown	94-		
(28)	928 552 522 00	Cover		1	
		Instrument box			

Model: 928 92 Model life 1992>>1995

Pos	Part Number	Description	Remark	Qty	Model
		Lower			
	928 552 522 00 01C	Satin black			
	928 552 522 00 4XC	Classic grey			
	928 552 522 00 6ZF	Cobalt blue	-93		
	928 552 522 00 6WX	Magenta	-93		
	928 552 522 00 2GS	Midnight blue	94-		
	928 552 522 00 4PV	Chestnut brown	94-		
29	928 552 567 03	Cover		1	
		Steering column switch			
	928 552 567 03 01C	Black			
	928 552 567 03 4XC	Classic grey			
	928 552 567 03 6ZF	Cobalt blue	-93		
	928 552 567 03 6WX	Magenta	-93		
	928 552 567 03 2GS	Midnight blue	94-		
	928 552 567 03 4PV	Chestnut brown	94-		
30	928 552 767 00	Cap		4	
	928 552 767 00 01C	Black			
	928 552 767 00 4XC	Classic grey			
	928 552 767 00 6ZF	Cobalt blue	-93		
	928 552 767 00 6WX	Magenta	-93		
	928 552 767 00 9JJ	Marine blue	-93		
	928 552 767 00 2GS	Midnight blue	94-		
	928 552 767 00 4PV	Chestnut brown	94-		
31	928 632 111 01	Light		1	
32	964 613 601 00	Door contact switch		1	
33	999 507 245 02	Speed nut		1	
34	999 703 381 40	Stopper		4	
	999 703 381 40 01C	Satin black			
		25-27 X 33 X 5			
35	900 336 001 02	Washer		8	
		4			
36	999 919 100 02	Screw		8	
		4,0 X 10			
37	928 552 360 00	Terminal piece	/R	1	
		Carpet			
	928 552 360 00 5FV	Black			
	928 552 360 00 4XR	Classic grey			
	928 552 360 00 4ZN	Cobalt blue	-93		
	928 552 360 00 8WZ	Magenta	-93		
	928 552 360 00 6YR	Light grey	-93		
	928 552 360 00 8UT	Cashmere beige			
	928 552 360 00 M33	Matador red	-93		
	928 552 360 00 D13	Carrara grey	-93		
	928 552 360 00 J23	Sherwood green	-93		
	928 552 360 00 4KV	Marine blue	-93		
	928 552 360 00 3GE	Midnight blue	94-		
	928 552 360 00 6SC	Chestnut brown	94-		
	928 552 360 00 D50	Florentine grey	94-		
	928 552 360 00 1HQ	Provence blue	94-		
	928 552 360 00 2JP	Cedar green	94-		
	928 552 360 00 3TE	Flamenco red	94-		

Model: 928 92

Model life 1992>>1995



Model: 928 92 Model life 1992>>1995

Pos	Part Number	Description	Remark	Qty	Model
		Dashbord trim for cars without Airbag Passenger's side			M564
1	928 552 023 06	Dashbord trim Leatherette	/LL	1	
	928 552 023 06 05T	Black			
	928 552 023 06 9WH	Classic grey			
	928 552 023 06 7YG	Cobalt blue	-93		
	928 552 023 06 9YF	Magenta	-93		
	928 552 023 06 3HP	Midnight blue	94-		
	928 552 023 06 6PN	Chestnut brown	94-		
(1)	927 552 023 06	Dashbord trim Leatherette	/RL	1	
	927 552 023 06 05T	Black			
	927 552 023 06 9WH	Classic grey			
	927 552 023 06 7YG	Cobalt blue	-93		
	927 552 023 06 9YF	Magenta	-93		
	927 552 023 06 3HP	Midnight blue	94-		
	927 552 023 06 6PN	Chestnut brown	94-		
1	928 552 021 54	Dashbord trim Leather	/LL	1	
	928 552 021 54 8YR	Black			
	928 552 021 54 6XL	Classic grey			
	928 552 021 54 9YL	Cobalt blue	-93		
	928 552 021 54 6YL	Magenta	-93		
	928 552 021 54 M05	Matador red	-93		
	928 552 021 54 D35	Carrara grey	-93		
	928 552 021 54 J25	Sherwood green	-93		
	928 552 021 54 H24	Midnight blue	94-		
	928 552 021 54 T15	Chestnut brown	94-		
	928 552 021 54 K03	Cedar green	94-		
	928 552 021 54 8SE	Flamenco red	94-		
(1)	927 552 021 54	Dashbord trim Leather	/RL	1	
	927 552 021 54 8YR	Black			
	927 552 021 54 6XL	Classic grey			
	927 552 021 54 9YL	Cobalt blue	-93		
	927 552 021 54 6YL	Magenta	-93		
	927 552 021 54 M05	Matador red	-93		
	927 552 021 54 D35	Carrara grey	-93		
	927 552 021 54 J25	Sherwood green	-93		
	927 552 021 54 H24	Midnight blue	94-		
	927 552 021 54 T15	Chestnut brown	94-		
	927 552 021 54 K03	Cedar green	94-		
	927 552 021 54 8SE	Flamenco red	94-		
2	928 552 309 51	Defroster trim		1	
	928 552 309 51 5XJ	Black			
	928 552 309 51 5XL	Classic grey			
	928 552 309 51 6ZH	Cobalt blue	-93		
	928 552 309 51 5XW	Magenta	-93		
	928 552 309 51 3GP	Midnight blue	94-		
	928 552 309 51 1QB	Chestnut brown	94-		
-	900 336 001 02	Washer 4		8	
-	999 919 100 02	Screw 4,0 X 10		8	
3	928 552 057 03	Cover Air guide		1	
	928 552 057 03 70B	Black			
4	928 552 051 05	Glove compartment	/LL	1	
	928 552 051 05 71B	Black			
(4)	927 552 051 05	Glove compartment	/RL	1	

Model: 928 92 Model life 1992>>1995

Pos	Part Number	Description	Remark	Qty	Model
5	927 552 051 05 71B	Black			
	928 552 253 03	Closing element		1	
	928 552 253 03 70B	Black			
6	999 507 029 02	Speed nut		2	
7	900 151 002 07	Washer		2	
8	900 143 019 07	Oval-head sheetmetal screw B 4,8 X 22		2	
	928 552 053 04	Glove compartment cover Leatherette	/LL	1	
(9)	928 552 053 04 CA1	Black			
	928 552 053 04 9WH	Classic grey			
	928 552 053 04 7YG	Cobalt blue	-93		
	928 552 053 04 9YF	Magenta	-93		
	928 552 053 04 TS4	Marine blue	-93		
	928 552 053 04 3HP	Midnight blue	94-		
	928 552 053 04 6PN	Chestnut brown	94-		
	927 552 053 04	Glove compartment cover Leatherette	/RL	1	
	927 552 053 04 CA1	Black			
	927 552 053 04 9WH	Classic grey			
927 552 053 04 7YG	Cobalt blue	-93			
927 552 053 04 9YF	Magenta	-93			
927 552 053 04 TS4	Marine blue	-93			
927 552 053 04 3HP	Midnight blue	94-			
927 552 053 04 6PN	Chestnut brown	94-			
9	928 552 059 54	Glove compartment cover Leather	/LL	1	
	928 552 059 54 8YR	Black			
	928 552 059 54 6XL	Classic grey			
	928 552 059 54 9YL	Cobalt blue	-93		
	928 552 059 54 6YL	Magenta	-93		
	928 552 059 54 M05	Matador red	-93		
	928 552 059 54 D35	Carrara grey	-93		
	928 552 059 54 J25	Sherwood green	-93		
	928 552 059 54 H24	Midnight blue	94-		
	928 552 059 54 T15	Chestnut brown	94-		
	928 552 059 54 K03	Cedar green	94-		
	928 552 059 54 8SE	Flamenco red	94-		
	927 552 059 54	Glove compartment cover Leather	/RL	1	
	927 552 059 54 8YR	Black			
	927 552 059 54 6XL	Classic grey			
927 552 059 54 9YL	Cobalt blue	-93			
927 552 059 54 6YL	Magenta	-93			
927 552 059 54 M05	Matador red	-93			
927 552 059 54 D35	Carrara grey	-93			
927 552 059 54 J25	Sherwood green	-93			
927 552 059 54 H24	Midnight blue	94-			
927 552 059 54 T15	Chestnut brown	94-			
927 552 059 54 K03	Cedar green	94-			
927 552 059 54 8SE	Flamenco red	94-			
10	928 552 903 02	Catch with lock cylinder with stipulated lock number State lock number		1	
	900 143 113 07	Oval-head screw B 4,2 X 13		2	
	900 143 113 0G	Oval-head screw B 4,2 X 13		2	
	N 011 523 11	Washer A 5,0		2	
13	928 552 055 03	Hinge Glove compartment		1	

Model: 928 92 Model life 1992>>1995

Pos	Part Number	Description	Remark	Qty	Model
14	900 151 002 07	Washer A 5,3		3	
15	N 014 133 8	Oval-head screw M 5 X 12		3	
16	N 011 523 11	Washer A 5,3		3	
17	N 014 128 13	Oval-head screw M 5 X 8		3	
18	928 552 031 04	Instrument box		1	
	928 552 031 04 05T	Black			
	928 552 031 04 1KX	Marine blue	-93		
	928 552 031 04 9WH	Classic grey	-93		
	928 552 031 04 7YG	Cobalt blue	-93		
	928 552 031 04 9YF	Magenta	-93		
	928 552 031 04 3HP	Midnight blue	94-		
	928 552 031 04 6PN	Chestnut brown	94-		
19	928 552 049 02	Spacer sleeve		4	
19	928 552 150 02	Spacer sleeve		4	
-	928 552 160 02	Rubber ring		4	
20	928 552 569 02	Cover		1	
	928 552 569 02 01C	Black			
	928 552 569 02 4XC	Classic grey			
	928 552 569 02 6ZF	Cobalt blue	-93		
	928 552 569 02 6WX	Magenta	-93		
	928 552 569 02 2GS	Midnight blue	94-		
	928 552 569 02 4PV	Chestnut brown	94-		
21	928 552 579 02	Cover		1	
	928 552 579 02 01C	Black			
	928 552 579 02 4XC	Classic grey			
	928 552 579 02 6ZF	Cobalt blue	-93		
	928 552 579 02 6WX	Magenta	-93		
	928 552 579 02 2GS	Midnight blue	94-		
	928 552 579 02 4PV	Chestnut brown	94-		
22	928 552 567 02	Cover		1	
	928 552 567 02 01C	Satin black			
	928 552 567 02 4XC	Classic grey			
	928 552 567 02 6ZF	Cobalt blue	-93		
	928 552 567 02 6WX	Magenta	-93		
	928 552 567 02 2GS	Midnight blue	94-		
	928 552 567 02 4PV	Chestnut brown	94-		
23	928 552 767 00	Cap		4	
	928 552 767 00 01C	Black			
	928 552 767 00 4XC	Classic grey			
	928 552 767 00 6ZF	Cobalt blue	-93		
	928 552 767 00 6WX	Magenta	-93		
	928 552 767 00 9JJ	Marine blue	-93		
	928 552 767 00 2GS	Midnight blue	94-		
	928 552 767 00 4PV	Chestnut brown	94-		
(23A)	928 552 521 00	Cover	/L	1	
	928 552 521 00 01C	Satin black			
	928 552 521 00 4XC	Classic grey			
	928 552 521 00 6ZF	Cobalt blue	-93		
	928 552 521 00 6WX	Magenta	-93		
	928 552 521 00 2GS	Midnight blue	94-		
	928 552 521 00 4PV	Chestnut brown	94-		
(23A)	928 552 522 00	Cover	/R	1	
	928 552 522 00 01C	Satin black			
	928 552 522 00 4XC	Classic grey			
	928 552 522 00 6ZF	Cobalt blue	-93		
	928 552 522 00 6WX	Magenta	-93		
	928 552 522 00 2GS	Midnight blue	94-		
	928 552 522 00 4PV	Chestnut brown	94-		
24	928 552 117 02	Shelf	/LL	1	

Model: 928 92 Model life 1992>>1995

Pos	Part Number	Description	Remark	Qty	Model
	928 552 117 02 71B	Black			
(24)	927 552 118 02	Shelf	/RL	1	M249
(24)	927 552 118 03	Shelf	/RL	1	
		Driver's side			
25	928 552 127 02	Edge protection	/LL	1	
		Shelf			
		Leatherette			
	928 552 127 02 05T	Black			
	928 552 127 02 9WH	Classic grey			
	928 552 127 02 7YG	Cobalt blue	-93		
	928 552 127 02 9YF	Magenta	-93		
	928 552 127 02 3HP	Midnight blue	94-		
	928 552 127 02 6PN	Chestnut brown	94-		
(25)	927 552 128 02	Edge protection	/RL	1	
		Shelf			
		Leatherette			
	927 552 128 02 05T	Black			
	927 552 128 02 9WH	Classic grey			
	927 552 128 02 7YG	Cobalt blue	-93		
	927 552 128 02 9YF	Magenta	-93		
	927 552 128 02 3HP	Midnight blue	94-		
	927 552 128 02 6PN	Chestnut brown	94-		
25	928 552 127 50	Edge protection	/LL	1	
		Shelf			
		Leather			
	928 552 127 50 8YR	Black			
	928 552 127 50 6XL	Classic grey			
	928 552 127 50 9YL	Cobalt blue	-93		
	928 552 127 50 6YL	Magenta	-93		
	928 552 127 50 M05	Matador red	-93		
	928 552 127 50 D35	Carrara grey	-93		
	928 552 127 50 J25	Sherwood green	-93		
	928 552 127 50 H24	Midnight blue	94-		
	928 552 127 50 T15	Chestnut brown	94-		
	928 552 127 50 K03	Cedar green	94-		
	928 552 127 50 8SE	Flamenco red	94-		
(25)	927 552 128 50	Edge protection	/RL	1	
		Shelf			
		Leather			
	927 552 128 50 8YR	Black			
	927 552 128 50 6XL	Classic grey			
	927 552 128 50 9YL	Cobalt blue	-93		
	927 552 128 50 6YL	Magenta	-93		
	927 552 128 50 M05	Matador red	-93		
	927 552 128 50 D35	Carrara grey	-93		
	927 552 128 50 J25	Sherwood green	-93		
	927 552 128 50 H24	Midnight blue	94-		
	927 552 128 50 T15	Chestnut brown	94-		
	927 552 128 50 K03	Cedar green	94-		
	927 552 128 50 8SE	Flamenco red	94-		
26	999 507 251 02	Mecano-speed-fix		7	
		\$ 5 MM			
27	927 552 381 02	Bracket	/R	1	
28	928 552 395 02	Bracket	/L	1	
29	N 011 524 7	Washer		2	
		A 6,4			
29	N 011 524 27	Washer		2	
		A 6,4			
30	900 085 003 02	Cap nut		2	
		M 6			
31	900 151 027 02	Washer		2	
		A 5,3			
31	900 151 027 03	Washer		2	

Model: 928 92 Model life 1992>>1995

Pos	Part Number	Description	Remark	Qty	Model
32	N 011 005 14	A 5,3 Hexagon nut		1	
32	900 076 091 01	M 5 Hexagon nut		1	
33	N 011 141 2	M 5 Cap nut		1	
34	928 552 077 02	M 5 Shelf	/LL	1	
(34)	928 552 077 02 71B	Black		1	
	927 552 077 02	Shelf	/RL	1	
	927 552 077 02 71B	Black		1	
35	928 552 079 02	Edge protection	/LL	1	
		Shelf			
		Leatherette			
	928 552 079 02 05T	Black			
	928 552 079 02 9WH	Classic grey			
	928 552 079 02 7YG	Cobalt blue	-93		
	928 552 079 02 9YF	Magenta	-93		
	928 552 079 02 3HP	Midnight blue	94-		
	928 552 079 02 6PN	Chestnut brown	94-		
(35)	927 552 079 02	Edge protection	/RL	1	
		Shelf			
		Leatherette			
	927 552 079 02 05T	Black			
	927 552 079 02 9WH	Classic grey			
	927 552 079 02 7YG	Cobalt blue	-93		
	927 552 079 02 9YF	Magenta	-93		
	927 552 079 02 3HP	Midnight blue	94-		
	927 552 079 02 6PN	Chestnut brown	94-		
(35)	928 552 097 50	Edge protection	/LL	1	
		Shelf			
		Leather			
	928 552 097 50 8YR	Black			
	928 552 097 50 6XL	Classic grey			
	928 552 097 50 9YL	Cobalt blue	-93		
	928 552 097 50 6YL	Magenta	-93		
	928 552 097 50 M05	Matador red	-93		
	928 552 097 50 D35	Carrara grey	-93		
	928 552 097 50 J25	Sherwood green	-93		
	928 552 097 50 H24	Midnight blue	94-		
	928 552 097 50 T15	Chestnut brown	94-		
	928 552 097 50 K03	Cedar green	94-		
	928 552 097 50 8SE	Flamenco red	94-		
(35)	927 552 097 50	Edge protection	/RL	1	
		Shelf			
		Leather			
	927 552 097 50 8YR	Black			
	927 552 097 50 6XL	Classic grey			
	927 552 097 50 9YL	Cobalt blue	-93		
	927 552 097 50 6YL	Magenta	-93		
	927 552 097 50 M05	Matador red	-93		
	927 552 097 50 D35	Carrara grey	-93		
	927 552 097 50 J25	Sherwood green	-93		
	927 552 097 50 H24	Midnight blue	94-		
	927 552 097 50 T15	Chestnut brown	94-		
	927 552 097 50 K03	Cedar green	94-		
	927 552 097 50 8SE	Flamenco red	94-		
36	928 552 382 02	Bracket	/L	1	
37	928 552 395 02	Bracket	/R	1	
38	928 552 315 50	Rosette		1	
	928 552 315 50 70B	Black		1	
39	928 632 111 01	Light		1	
40	964 613 601 00	Door contact switch		1	

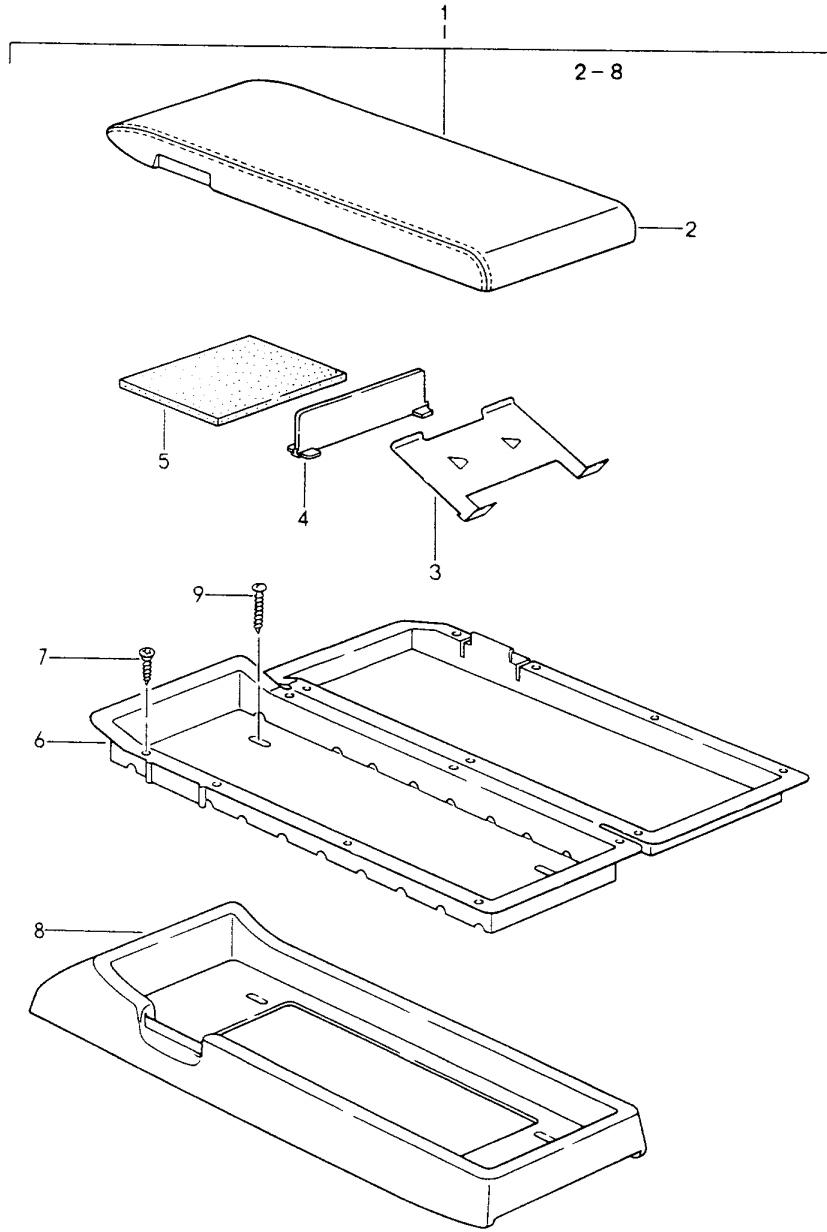
Model: 928 92

Model life 1992>>1995

Pos	Part Number	Description	Remark	Qty	Model
41	999 507 245 02	Speed nut		1	

Model: 928 92

Model life 1992>>1995



Model: 928 92 Model life 1992>>1995

Pos	Part Number	Description	Remark	Qty	Model
1	928 555 701 54	Cassette box Cassette box Leather	/LL	1	
	928 555 701 54 8YR	Black			
	928 555 701 54 6XL	Classic grey			
	928 555 701 54 9YL	Cobalt blue	-93		
	928 555 701 54 6YL	Magenta	-93		
	928 555 701 54 8ZL	Light grey	-93		
	928 555 701 54 4YU	Cashmere beige			
	928 555 701 54 M05	Matador red	-93		
	928 555 701 54 D35	Carrara grey	-93		
	928 555 701 54 J25	Sherwood green	-93		
	928 555 701 54 H05	Marine blue	-93		
	928 555 701 54 H24	Midnight blue	94-		
	928 555 701 54 T15	Chestnut brown	94-		
	928 555 701 54 3QN	Marble grey	94-		
	928 555 701 54 G43	Provence blue	94-		
	928 555 701 54 K03	Cedar green	94-		
	928 555 701 54 8SE	Flamenco red	94-		
(1)	927 555 701 54	Cassette box Leather	/RL	1	
	927 555 701 54 8YR	Black			
	927 555 701 54 6XL	Classic grey			
	927 555 701 54 9YL	Cobalt blue	-93		
	927 555 701 54 6YL	Magenta	-93		
	927 555 701 54 8ZL	Light grey	-93		
	927 555 701 54 4YU	Cashmere beige			
	927 555 701 54 M05	Matador red	-93		
	927 555 701 54 D35	Carrara grey	-93		
	927 555 701 54 J25	Sherwood green	-93		
	927 555 701 54 H05	Marine blue	-93		
	927 555 701 54 H24	Midnight blue	94-		
	927 555 701 54 T15	Chestnut brown	94-		
	927 555 701 54 3QN	Marble grey	94-		
	927 555 701 54 G43	Provence blue	94-		
	927 555 701 54 K03	Cedar green	94-		
	927 555 701 54 8SE	Flamenco red	94-		
1	928 555 701 55	Cassette box	/LL	1	/687 M690
		Leather			
	928 555 701 55 8YR	Black			
	928 555 701 55 6XL	Classic grey			
	928 555 701 55 9YL	Cobalt blue	-93		
	928 555 701 55 6YL	Magenta	-93		
	928 555 701 55 8ZL	Light grey	-93		
	928 555 701 55 4YU	Cashmere beige			
	928 555 701 55 M05	Matador red	-93		
	928 555 701 55 D35	Carrara grey	-93		
	928 555 701 55 J25	Sherwood green	-93		
	928 555 701 55 H05	Marine blue	-93		
	928 555 701 55 H24	Midnight blue	94-		
	928 555 701 55 T15	Chestnut brown	94-		
	928 555 701 55 3QN	Marble grey	94-		
	928 555 701 55 G43	Provence blue	94-		
	928 555 701 55 K03	Cedar green	94-		
	928 555 701 55 8SE	Flamenco red	94-		
(1)	927 555 701 55	Cassette box	/RL	1	/687 M690
		Leather			
	927 555 701 55 8YR	Black			
	927 555 701 55 6XL	Classic grey			
	927 555 701 55 9YL	Cobalt blue	-93		
	927 555 701 55 6YL	Magenta	-93		

Model: 928 92 Model life 1992>>1995

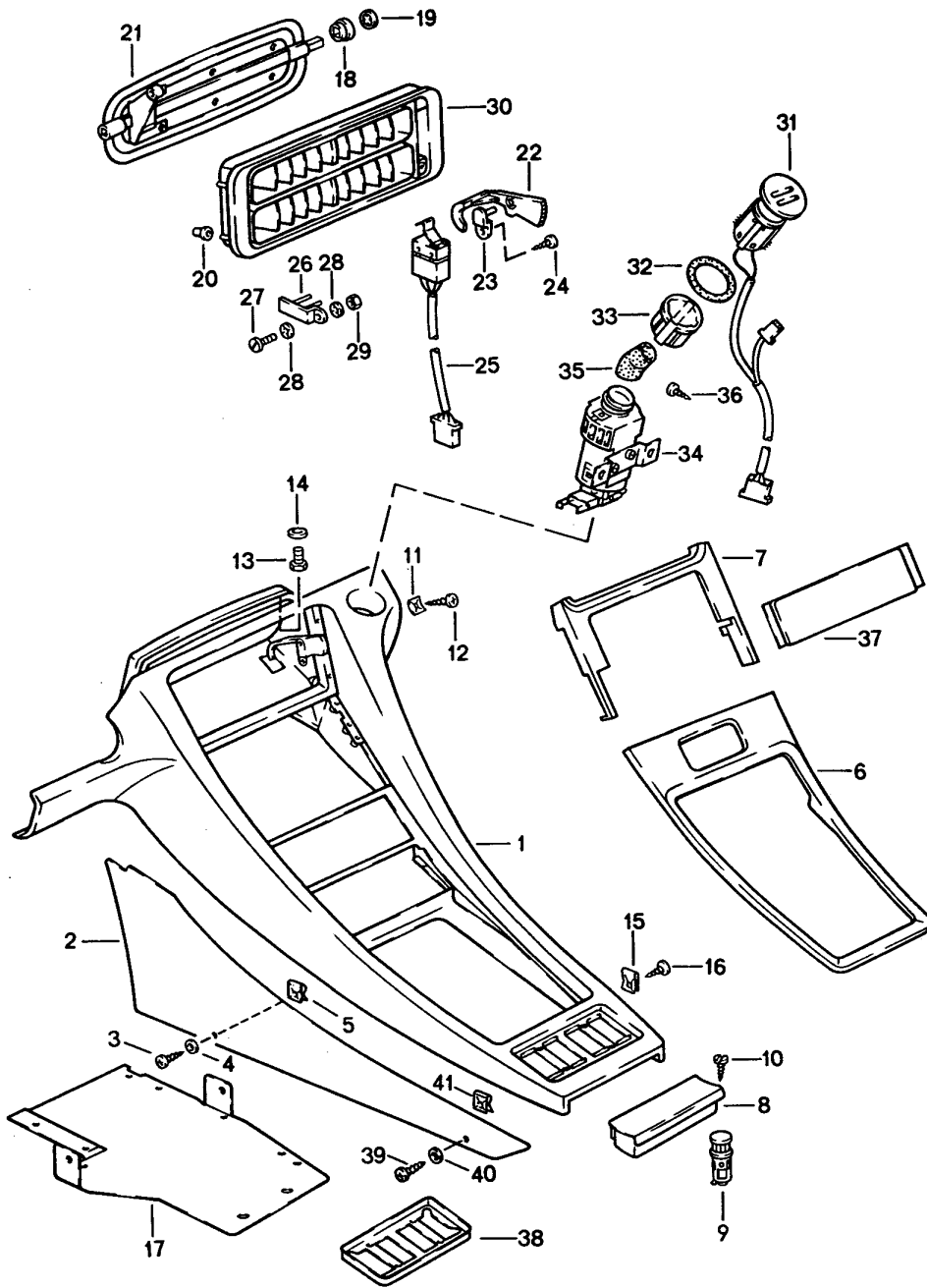
Pos	Part Number	Description	Remark	Qty	Model
	927 555 701 55 8ZL	Light grey	-93		
	927 555 701 55 4YU	Cashmere beige			
	927 555 701 55 M05	Matador red	-93		
	927 555 701 55 D35	Carrara grey	-93		
	927 555 701 55 J25	Sherwood green	-93		
	927 555 701 55 H05	Marine blue	-93		
	927 555 701 55 H24	Midnight blue	94-		
	927 555 701 55 T15	Chestnut brown	94-		
	927 555 701 55 3QN	Marble grey	94-		
	927 555 701 55 G43	Provence blue	94-		
	927 555 701 55 K03	Cedar green	94-		
	927 555 701 55 8SE	Flamenco red	94-		
2	928 555 705 51	Lid	/LL	1	
		Leather			
	928 555 705 51 8YR	Black			
	928 555 705 51 6XL	Classic grey			
	928 555 705 51 9YL	Cobalt blue	-93		
	928 555 705 51 6YL	Magenta	-93		
	928 555 705 51 8ZL	Light grey	-93		
	928 555 705 51 4YU	Cashmere beige			
	928 555 705 51 M05	Matador red	-93		
	928 555 705 51 D35	Carrara grey	-93		
	928 555 705 51 J25	Sherwood green	-93		
	928 555 705 51 H05	Marine blue	-93		
	928 555 705 51 H24	Midnight blue	94-		
	928 555 705 51 T15	Chestnut brown	94-		
	928 555 705 51 3QN	Marble grey	94-		
	928 555 705 51 G43	Provence blue	94-		
	928 555 705 51 K03	Cedar green	94-		
	928 555 705 51 8SE	Flamenco red	94-		
(2)	927 555 705 51	Lid	/RL	1	
		Leather			
	927 555 705 51 8YR	Black			
	927 555 705 51 6XL	Classic grey			
	927 555 705 51 9YL	Cobalt blue	-93		
	927 555 705 51 6YL	Magenta	-93		
	927 555 705 51 8ZL	Light grey	-93		
	927 555 705 51 4YU	Cashmere beige			
	927 555 705 51 M05	Matador red	-93		
	927 555 705 51 D35	Carrara grey	-93		
	927 555 705 51 J25	Sherwood green	-93		
	927 555 705 51 H05	Marine blue	-93		
	927 555 705 51 H24	Midnight blue	94-		
	927 555 705 51 T15	Chestnut brown	94-		
	927 555 705 51 3QN	Marble grey	94-		
	927 555 705 51 G43	Provence blue	94-		
	927 555 705 51 K03	Cedar green	94-		
	927 555 705 51 8SE	Flamenco red	94-		
3	928 555 731 02	Cassette rack		8	
	928 555 731 02 01C	Satin black			
4	928 555 741 02	Partition panel		1	
5	928 555 735 03	Cover		1	
		82 X 108			
6	928 555 729 03	Container insert	/LL	1	
	928 555 729 03 01C	Satin black			
(6)	927 555 729 03	Container insert	/RL	1	
	927 555 729 03 01C	Satin black			
7	900 143 065 07	Tapping screw		14	
		B 2,9 X 9,5			
7	900 073 003 01	Tapping screw		14	
		B 2,9 X 9,5			
8	928 555 703 51	Lower part	/LL	1	
		Leather			

Model: 928 92 Model life 1992>>1995

Pos	Part Number	Description	Remark	Qty	Model
	928 555 703 51 8YR	Black			
	928 555 703 51 6XL	Classic grey			
	928 555 703 51 9YL	Cobalt blue	-93		
	928 555 703 51 6YL	Magenta	-93		
	928 555 703 51 8ZL	Light grey	-93		
	928 555 703 51 4YU	Cashmere beige			
	928 555 703 51 M05	Matador red	-93		
	928 555 703 51 D35	Carrara grey	-93		
	928 555 703 51 J25	Sherwood green	-93		
	928 555 703 51 H05	Marine blue	-93		
	928 555 703 51 H24	Midnight blue	94-		
	928 555 703 51 T15	Chestnut brown	94-		
	928 555 703 51 3QN	Marble grey	94-		
	928 555 703 51 G43	Provence blue	94-		
	928 555 703 51 K03	Cedar green	94-		
	928 555 703 51 8SE	Flamenco red	94-		
(8)	927 555 703 51	Lower part Leather	/RL	1	
	927 555 703 51 8YR	Black			
	927 555 703 51 6XL	Classic grey			
	927 555 703 51 9YL	Cobalt blue	-93		
	927 555 703 51 6YL	Magenta	-93		
	927 555 703 51 8ZL	Light grey	-93		
	927 555 703 51 4YU	Cashmere beige			
	927 555 703 51 M05	Matador red	-93		
	927 555 703 51 D35	Carrara grey	-93		
	927 555 703 51 J25	Sherwood green	-93		
	927 555 703 51 H05	Marine blue	-93		
	927 555 703 51 H24	Midnight blue	94-		
	927 555 703 51 T15	Chestnut brown	94-		
	927 555 703 51 3QN	Marble grey	94-		
	927 555 703 51 G43	Provence blue	94-		
	927 555 703 51 K03	Cedar green	94-		
	927 555 703 51 8SE	Flamenco red	94-		
9	999 450 001 07	Round head screw B 4,2 X 25		4	

Model: 928 92

Model life 1992>>1995



Model: 928 92 Model life 1992>>1995

Pos	Part Number	Description	Remark	Qty	Model
1	928 552 043 10	Centre console Centre console Airbag Leatherette	/LL	1	
	928 552 043 10 CA4	Black			
	928 552 043 10 9WH	Classic grey			
	928 552 043 10 7YG	Cobalt blue	-93		
	928 552 043 10 9YF	Magenta	-93		
	928 552 043 10 3HP	Midnight blue	94-		
	928 552 043 10 6PN	Chestnut brown	94-		
(1)	928 552 043 08	Centre console Leatherette	/LL	1	M564
	928 552 043 08 CA4	Black			
	928 552 043 08 9WH	Classic grey			
	928 552 043 08 7YG	Cobalt blue	-93		
	928 552 043 08 9YF	Magenta	-93		
	928 552 043 08 3HP	Midnight blue	94-		
	928 552 043 08 6PN	Chestnut brown	94-		
(1)	927 552 043 08	Centre console Leatherette	/RL	1	
	927 552 043 08 CA4	Black			
	927 552 043 08 9WH	Classic grey			
	927 552 043 08 7YG	Cobalt blue	-93		
	927 552 043 08 9YF	Magenta	-93		
	927 552 043 08 3HP	Midnight blue	94-		
	927 552 043 08 6PN	Chestnut brown	94-		
1	928 552 045 56	Centre console Airbag Airbag Leather		1	
	928 552 045 56 8YR	Black			
	928 552 045 56 6XL	Classic grey			
	928 552 045 56 9YL	Cobalt blue	-93		
	928 552 045 56 6YL	Magenta	-93		
	928 552 045 56 M05	Matador red	-93		
	928 552 045 56 D35	Carrara grey	-93		
	928 552 045 56 J25	Sherwood green	-93		
	928 552 045 56 4YU	Cashmere beige			
	928 552 045 56 H24	Midnight blue	94-		
	928 552 045 56 T15	Chestnut brown	94-		
	928 552 045 56 3QN	Marble grey	94-		
	928 552 045 56 G43	Provence blue	94-		
	928 552 045 56 K03	Cedar green	94-		
	928 552 045 56 8SE	Flamenco red	94-		
(1)	928 552 045 55	Centre console Airbag Leather	/LL	1	M564
	928 552 045 55 8YR	Black			
	928 552 045 55 6XL	Classic grey			
	928 552 045 55 9YL	Cobalt blue	-93		
	928 552 045 55 6YL	Magenta	-93		
	928 552 045 55 M05	Matador red	-93		
	928 552 045 55 D35	Carrara grey	-93		
	928 552 045 55 J25	Sherwood green	-93		
	928 552 045 55 4YU	Cashmere beige			
	928 552 045 55 H24	Midnight blue	94-		
	928 552 045 55 T15	Chestnut brown	94-		
	928 552 045 55 3QN	Marble grey	94-		
	928 552 045 55 G43	Provence blue	94-		
	928 552 045 55 K03	Cedar green	94-		
	928 552 045 55 8SE	Flamenco red	94-		
(1)	927 552 045 55	Centre console Airbag	/RL	1	M564

Model: 928 92 Model life 1992>>1995

Pos	Part Number	Description	Remark	Qty	Model
		Leather			
	927 552 045 55 8YR	Black			
	927 552 045 55 6XL	Classic grey			
	927 552 045 55 9YL	Cobalt blue	-93		
	927 552 045 55 6YL	Magenta	-93		
	927 552 045 55 M05	Matador red	-93		
	927 552 045 55 D35	Carrara grey	-93		
	927 552 045 55 J25	Sherwood green	-93		
	927 552 045 55 4YU	Cashmere beige			
	927 552 045 55 H24	Midnight blue	94-		
	927 552 045 55 T15	Chestnut brown	94-		
	927 552 045 55 3QN	Marble grey	94-		
	927 552 045 55 G43	Provence blue	94-		
	927 552 045 55 K03	Cedar green	94-		
	927 552 045 55 8SE	Flamenco red	94-		
2	927 552 073 02	Side section	/L	1	M564
		Carpet			
		Centre console			
	927 552 073 02 5FV	Black			
	927 552 073 02 4KV	Marine blue	-93		
	927 552 073 02 8UT	Cashmere beige			
	927 552 073 02 4XR	Classic grey			
	927 552 073 02 4ZN	Cobalt blue	-93		
	927 552 073 02 8WZ	Magenta	-93		
	927 552 073 02 6YR	Light grey	-93		
	927 552 073 02 M33	Matador red	-93		
	927 552 073 02 D13	Carrara grey	-93		
	927 552 073 02 J23	Sherwood green	-93		
	927 552 073 02 3GE	Midnight blue	94-		
	927 552 073 02 6SC	Chestnut brown	94-		
	927 552 073 02 D50	Florentine grey	94-		
	927 552 073 02 1HQ	Provence blue	94-		
	927 552 073 02 2JP	Cedar green	94-		
	927 552 073 02 3TE	Flamenco red	94-		
2	927 552 073 03	Lining	/L	1	M562
		Carpet			
		Centre console			
	927 552 073 03 5FV	Black			
	927 552 073 03 4KV	Marine blue	-93		
	927 552 073 03 8UT	Cashmere beige			
	927 552 073 03 4XR	Classic grey			
	927 552 073 03 4ZN	Cobalt blue	-93		
	927 552 073 03 8WZ	Magenta	-93		
	927 552 073 03 6YR	Light grey	-93		
	927 552 073 03 M33	Matador red	-93		
	927 552 073 03 D13	Carrara grey	-93		
	927 552 073 03 J23	Sherwood green	-93		
	927 552 073 03 3GE	Midnight blue	94-		
	927 552 073 03 6SC	Chestnut brown	94-		
	927 552 073 03 D50	Florentine grey	94-		
	927 552 073 03 1HQ	Provence blue	94-		
	927 552 073 03 2JP	Cedar green	94-		
	927 552 073 03 3TE	Flamenco red	94-		
2	927 552 073 04	Side section	/L	1	M561
		Carpet			
		Centre console			
	927 552 073 04 5FV	Black			
	927 552 073 04 4KV	Marine blue	-93		
	927 552 073 04 8UT	Cashmere beige			
	927 552 073 04 4XR	Classic grey			
	927 552 073 04 4ZN	Cobalt blue	-93		
	927 552 073 04 8WZ	Magenta	-93		
	927 552 073 04 6YR	Light grey	-93		

Model: 928 92 Model life 1992>>1995

Pos	Part Number	Description	Remark	Qty	Model
	927 552 073 04 M33	Matador red	-93		
	927 552 073 04 D13	Carrara grey	-93		
	927 552 073 04 J23	Sherwood green	-93		
	927 552 073 04 3GE	Midnight blue	94-		
	927 552 073 04 6SC	Chestnut brown	94-		
	927 552 073 04 D50	Florentine grey	94-		
	927 552 073 04 1HQ	Provence blue	94-		
	927 552 073 04 2JP	Cedar green	94-		
	927 552 073 04 3TE	Flamenco red	94-		
(2)	928 552 074 02	Side section Carpet Centre console	/R	1	M564
	928 552 074 02 5FV	Black			
	928 552 074 02 4KV	Marine blue	-93		
	928 552 074 02 8UT	Cashmere beige			
	928 552 074 02 4XR	Classic grey			
	928 552 074 02 4ZN	Cobalt blue	-93		
	928 552 074 02 8WZ	Magenta	-93		
	928 552 074 02 6YR	Light grey	-93		
	928 552 074 02 M33	Matador red	-93		
	928 552 074 02 D13	Carrara grey	-93		
	928 552 074 02 J23	Sherwood green	-93		
	928 552 074 02 3GE	Midnight blue	94-		
	928 552 074 02 6SC	Chestnut brown	94-		
	928 552 074 02 D50	Florentine grey	94-		
	928 552 074 02 1HQ	Provence blue	94-		
	928 552 074 02 2JP	Cedar green	94-		
	928 552 074 02 3TE	Flamenco red	94-		
(2)	928 552 074 03	Side section Carpet Centre console	/R	1	M562
	928 552 074 03 5FV	Black			
	928 552 074 03 4KV	Marine blue	-93		
	928 552 074 03 8UT	Cashmere beige			
	928 552 074 03 4XR	Classic grey			
	928 552 074 03 4ZN	Cobalt blue	-93		
	928 552 074 03 8WZ	Magenta	-93		
	928 552 074 03 6YR	Light grey	-93		
	928 552 074 03 M33	Matador red	-93		
	928 552 074 03 D13	Carrara grey	-93		
	928 552 074 03 J23	Sherwood green	-93		
	928 552 074 03 3GE	Midnight blue	94-		
	928 552 074 03 6SC	Chestnut brown	94-		
	928 552 074 03 D50	Florentine grey	94-		
	928 552 074 03 1HQ	Provence blue	94-		
	928 552 074 03 2JP	Cedar green	94-		
	928 552 074 03 3TE	Flamenco red	94-		
(2)	928 552 074 04	Side section Carpet Centre console	/R	1	M561
	928 552 074 04 5FV	Black			
	928 552 074 04 4KV	Marine blue	-93		
	928 552 074 04 8UT	Cashmere beige			
	928 552 074 04 4XR	Classic grey			
	928 552 074 04 4ZN	Cobalt blue	-93		
	928 552 074 04 8WZ	Magenta	-93		
	928 552 074 04 6YR	Light grey	-93		
	928 552 074 04 M33	Matador red	-93		
	928 552 074 04 D13	Carrara grey	-93		
	928 552 074 04 J23	Sherwood green	-93		
	928 552 074 04 3GE	Midnight blue	94-		
	928 552 074 04 6SC	Chestnut brown	94-		
	928 552 074 04 D50	Florentine grey	94-		

Model: 928 92 Model life 1992>>1995

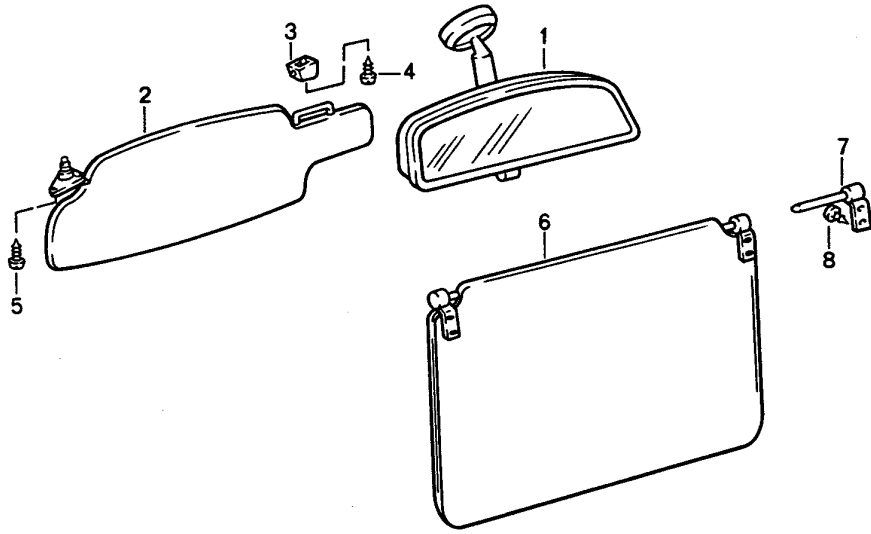
Pos	Part Number	Description	Remark	Qty	Model
	928 552 074 04 1HQ	Provence blue	94-		
	928 552 074 04 2JP	Cedar green	94-		
	928 552 074 04 3TE	Flamenco red	94-		
3	N 014 098 6	Rais. counters. h. tap. s. 4,8 X 16		4	
4	999 591 437 07	Washer 4,8		4	
5	999 507 002 02	Speed nut		2	
5	999 507 002 0B	Speed nut		2	
6	928 552 047 07	Cover Lower for Centre console Leather		1	
(6)	928 552 047 09	Cover Lower for Centre console Leather		1	M570
(6)	928 552 047 08	Cover Lower for Centre console Leatherette		1	
(6)	928 552 047 10	Cover Lower for Centre console Leatherette		1	M570
7	928 552 362 00	Cover		1	
	928 552 362 00 70B	Satin black Upper for Centre console Leatherette			
(7)	928 552 362 50	Cover Upper for Centre console Leather		1	
8	928 552 060 02	Ashtray		1	
	928 552 060 02 70B	Satin black			
9	928 652 103 00	Cigarette lighter		1	
10	900 144 017 07	Tapping screw		2	
11	999 507 030 02	Speed nut 4,8		3	
12	900 187 018 02	Hexagon-head tapping screw 4,8 X 16		1	
13	900 075 145 02	Hexagon-head bolt M 5 X 16		2	
14	900 025 003 02	Washer A 5,3		2	
15	999 507 002 02	Speed nut		2	
15	999 507 002 0B	Speed nut		2	
16	900 143 046 07	Tapping screw B 4,8 X 16		6	
17	928 552 389 02	Mounting plate for Cruise control regulator And Receiving part		1	
18	928 574 291 02	Bearing sleeve		2	
19	999 591 459 02	Mecano-speed-fix		2	

Model: 928 92 Model life 1992>>1995

Pos	Part Number	Description	Remark	Qty	Model
20	999 702 111 50	Grommet		4	
(21)	928 574 125 02	Flap		1	
-	928 574 434 02	Shaft		1	
22	928 574 649 02	Actuating lever		1	
	928 574 649 02 70B	Satin black			
23	928 574 645 02	Fastening part		1	
24	900 143 031 02	Oval-head sheetmetal screw B 4,2 X 9,5		1	
25	928 613 049 01	Micro-changeover switch		1	
26	928 573 747 04	Support		1	
27	900 119 024 02	Pan-head screw M 4 X 12		1	
28	N 042 122 2	Shake-proof washer		2	
29	N 011 004 6	Hexagon nut M 4		1	
29	N 011 004 G	Nut M 4		1	
30	928 574 040 03	Covering frame for Interior equipment Leatherette		1	
30	928 574 040 50	Covering frame for Interior equipment Leather		1	
31	928 624 041 00	Interior sensor		1	
32	928 573 344 02	Sealing ring		1	
33	928 573 527 02	Connecting piece		1	
34	928 624 113 01	Interior sensor Blower		1	
35	928 624 312 01	Hose	/LL	1	
(35)	928 624 312 00	Hose	/RL	1	
36	N 013 968 7	Tapping screw B 4,8 X 13		2	
36	900 143 097 01	Tapping screw B 4,8 X 13		2	
37	928 552 270 05	Cover		1	
	928 552 270 05 70B	Black Radio Cover			
38	928 552 313 50	Frame		1	
	928 552 313 50 70B	Black for tip switch for Interior equipment Leather			
39	N 014 098 6	Rais. counters. h. tap. s. 4,8 X 16		2	
39	900 067 012 03	Pan-head screw 4,8 X 16		2	
40	999 591 437 07	Washer 4,8		2	
41	999 507 002 02	Speed nut		2	
41	999 507 002 0B	Speed nut		2	

Model: 928 92

Model life 1992>>1995



Model: 928 92 Model life 1992>>1995

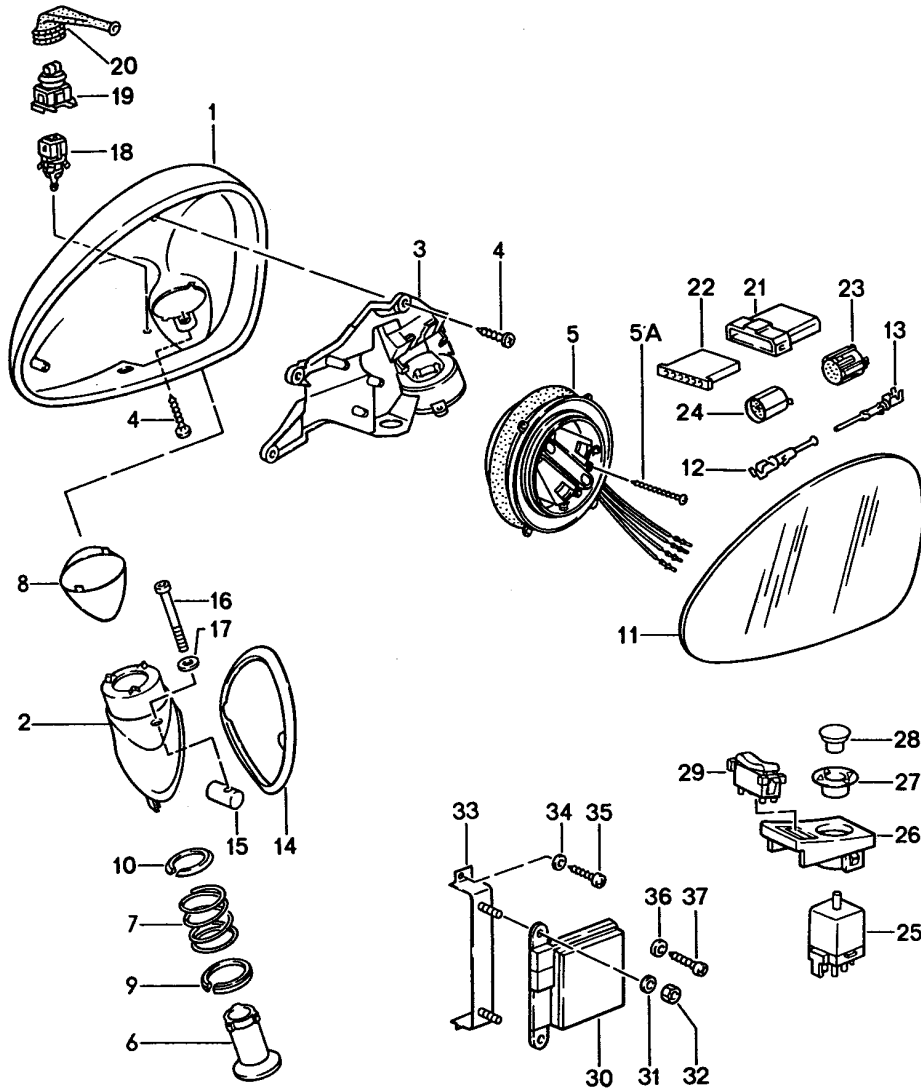
Pos	Part Number	Description	Remark	Qty	Model
1	477 857 511 A	Sun visor Interior mirror		1	
	477 857 511 A 01C	Satin black			
1	477 857 511 B	Interior mirror		1	
	477 857 511 B 01C	Satin black			
2	928 731 031 11	Sun visor with mirror Leatherette	/L	1	
	928 731 031 11 CA9	Black			
	928 731 031 11 6WJ	Classic grey			
	928 731 031 11 7YU	Cobalt blue	-93		
	928 731 031 11 8YA	Magenta	-93		
(2)	928 731 032 11	Sun visor with mirror Leatherette	/R	1	
	928 731 032 11 CA9	Black			
	928 731 032 11 6WJ	Classic grey			
	928 731 032 11 7YU	Cobalt blue	-93		
	928 731 032 11 8YA	Magenta	-93		
2	928 731 031 12	Sun visor with mirror Leatherette	/L (AUS) (S)	1	
	928 731 031 12 CA9	Black			
	928 731 031 12 6WJ	Classic grey			
	928 731 031 12 7YU	Cobalt blue	-93		
	928 731 031 12 8YA	Magenta	-93		
	928 731 031 12 5GS	Midnight blue	94-		
(2)	928 731 032 12	Sun visor with mirror Leatherette	/R (AUS) (S)	1	
	928 731 032 12 CA9	Black			
	928 731 032 12 6WJ	Classic grey			
	928 731 032 12 7YU	Cobalt blue	-93		
	928 731 032 12 8YA	Magenta	-93		
	928 731 032 12 5GS	Midnight blue	94-		
	928 731 032 12 8QP	KASTANIEN	94-		
2	928 731 053 50	Sun visor with mirror Leather	/L	1	
	928 731 053 50 8YR	Black			
	928 731 053 50 6XL	Classic grey			
	928 731 053 50 9YL	Cobalt blue	-93		
	928 731 053 50 6YL	Magenta	-93		
	928 731 053 50 M05	Matador red	-93		
	928 731 053 50 D35	Carrara grey	-93		
	928 731 053 50 J25	Sherwood green	-93		
(2)	928 731 054 50	Sun visor with mirror Leather	/R	1	
	928 731 054 50 8YR	Black			
	928 731 054 50 6XL	Classic grey			
	928 731 054 50 9YL	Cobalt blue	-93		
	928 731 054 50 6YL	Magenta	-93		
	928 731 054 50 M05	Matador red	-93		
	928 731 054 50 D35	Carrara grey	-93		
	928 731 054 50 J25	Sherwood green	-93		
2	928 731 053 51	Sun visor with mirror Leather	/L (AUS) (S)	1	
	928 731 053 51 8YR	Black			
	928 731 053 51 6XL	Classic grey			
	928 731 053 51 9YL	Cobalt blue	-93		

Model: 928 92 Model life 1992>>1995

Pos	Part Number	Description	Remark	Qty	Model
	928 731 053 51 6YL	Magenta	-93		
	928 731 053 51 M05	Matador red	-93		
	928 731 053 51 D35	Carrara grey	-93		
	928 731 053 51 J25	Sherwood green	-93		
(2)	928 731 054 51	Sun visor with mirror Leather	/R (AUS) (S)	1	
	928 731 054 51 8YR	Black			
	928 731 054 51 6XL	Classic grey			
	928 731 054 51 9YL	Cobalt blue	-93		
	928 731 054 51 6YL	Magenta	-93		
	928 731 054 51 M05	Matador red	-93		
	928 731 054 51 D35	Carrara grey	-93		
	928 731 054 51 J25	Sherwood green	-93		
3	911 731 331 00	Support		2	
3		Support		2	M650
	911 731 331 00 70B	Satin black			
4	900 143 034 07	Oval-head sheetmetal screw 3,9 X 19		2	
5	900 145 016 07	Tapping screw 4,2 X 19		6	
6	928 731 035 04	Sun visor Leatherette		2	
	928 731 035 04 70A	Black			
	928 731 035 04 6WJ	Classic grey			
	928 731 035 04 7YU	Cobalt blue	-93		
	928 731 035 04 8YA	Magenta	-93		
	928 731 035 04 5GS	Midnight blue	94-		
	928 731 035 04 8PQ	Chestnut brown	94-		
(6)	928 731 035 52	Sun visor Leather		2	
	928 731 035 52 8YR	Black			
	928 731 035 52 6XL	Classic grey			
	928 731 035 52 9YL	Cobalt blue	-93		
	928 731 035 52 6YL	Magenta	-93		
	928 731 035 52 M05	Matador red	-93		
	928 731 035 52 D35	Carrara grey	-93		
	928 731 035 52 J25	Sherwood green	-93		
	928 731 035 52 H24	Midnight blue	94-		
	928 731 035 52 T15	Chestnut brown	94-		
	928 731 035 52 K03	Cedar green	94-		
	928 731 035 52 8SE	Flamenco red	94-		
7	928 731 043 02	Bearing bracket	/L	2	
	928 731 043 02 70B	Satin black			
(7)	928 731 044 02	Bearing bracket	/R	2	
	928 731 044 02 70B	Satin black			
8	900 145 016 07	Tapping screw 4,2 X 19		4	

Model: 928 92

Model life 1992>>1995



Model: 928 92

Model life 1992>>1995

Pos	Part Number	Description	Remark	Qty	Model
1	965 731 243 00	Door mirror			
	965 731 243 00 G2M	Mirror housing	/L	1	
(1)	965 731 244 00	Prime coated			
	965 731 244 00 G2M	Mirror housing	/R	1	
	965 731 244 00 G2M	Prime coated			
2	928 731 241 00	Mirror base	/LL /L	1	
	928 731 241 00 G2M	Prime coated			
(2)	928 731 242 00	Mirror base	/LL /R	1	
	928 731 242 00 G2M	Prime coated			
(2)	927 731 241 00	Mirror base	/RL /L	1	
	927 731 241 00 G2M	Prime coated			
(2)	927 731 242 00	Mirror base	/RL /R	1	
	927 731 242 00 G2M	Prime coated			
3	965 731 245 01	Reinforcement plate	/L	1	
(3)	965 731 246 01	Reinforcement plate	/R	1	
4	999 919 109 02	Countersunk-head screw		4	
		3,0 X 12			
5	928 624 901 00	Adjusting motor		2	M537/538
5	928 624 901 01	Adjusting motor		2	M537/538
5A	900 278 013 02	Oval-head screw		6	
		M 3 X 30			
5A	900 278 008 01	Oval-head screw		6	
		M 3 X 30			
6	965 731 257 00	Bolt		2	
7	965 731 259 00	Compression spring		2	
8	965 731 143 00	Gasket	/L	1	
(8)	965 731 144 00	Gasket	/R	1	
9	965 731 345 00	Centring washer		2	
		Lower			
10	965 731 347 00	Centring washer		2	
		Upper			
11	965 731 035 00	Mirror glass	/L	1	
		Plane			
(11)	965 731 036 00	Mirror glass	/R	1	
		Plane			
(11)	965 731 037 00	Mirror glass	/L	1	
		Convex			
(11)	965 731 038 00	Mirror glass	/R	1	
		Convex			
12	999 652 710 10	Cylindrical socket		15	
13	999 652 711 10	Bush		15	
14	928 731 247 00	Desk pad	/L	1	
(14)	928 731 248 00	Desk pad	/R	1	
		Mirror base			
15	928 531 235 03	Threaded piece		2	
16	999 218 073 02	Pan-head screw		2	
		Micro-self-locking			
		M 5 X 45			
17	999 025 233 40	Washer		2	
		5,1 X 8,5 X 2			
18	928 641 142 00	Temperature sensor		1	
19	443 906 232	Connector housing		1	
20	911 612 817 00	Protection cap		1	
21	964 612 516 00	Pin connector socket		1	
		6-pole			
22	964 612 616 00	Plug socket		1	
		6-pole			
23	928 612 515 01	Plug socket		1	
		15-pole			
24	928 612 615 00	Pin connector socket		1	
		15-pole			
-	N 017 564 1	Round connector		6	
		\$ 0,5-1,0			

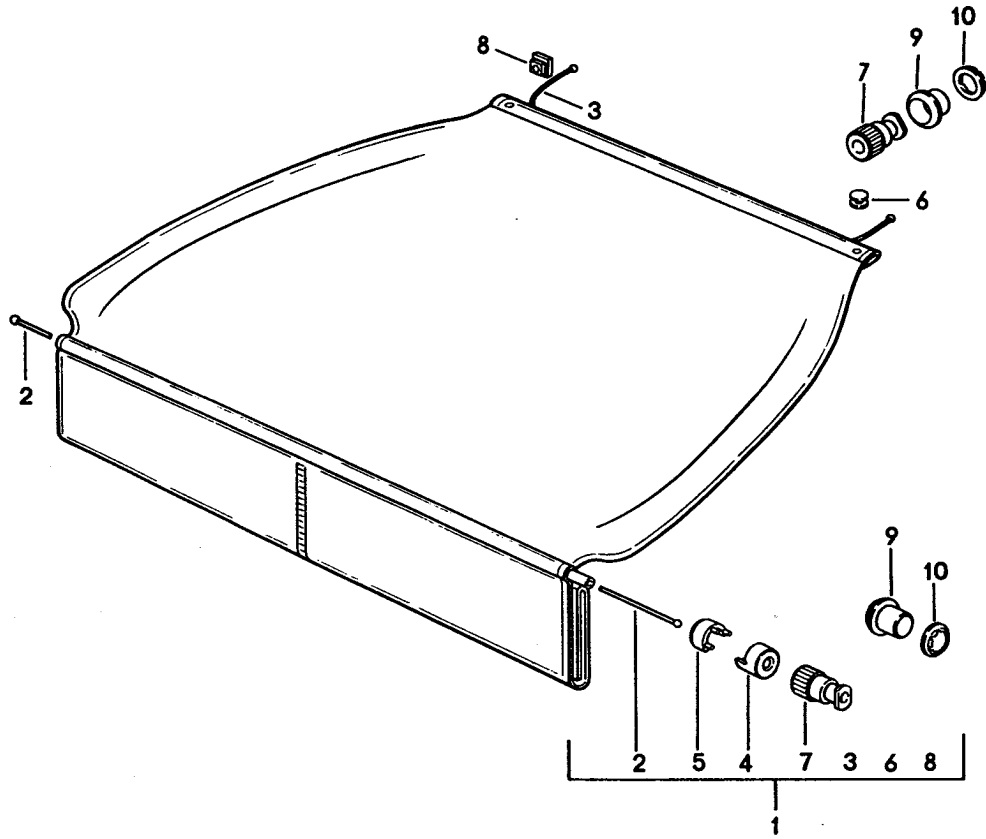
Model: 928 92

Model life 1992>>1995

Pos	Part Number	Description	Remark	Qty	Model
-	N 017 562 4	Cylindrical socket \$ 0,5-1,0		6	
25	928 613 241 00	Switch		1	
26	928 555 461 03	Mounting piece	/LL	1	
	928 555 461 03 70B	Black			
(26)	927 555 462 03	Mounting piece	/RL	1	
	927 555 462 03 70B	Black			
27	928 555 463 02	Threaded bush		1	
28	928 613 082 00	Knob		1	
	928 613 082 00 01C	Satin black			
29	928 613 240 00	Switch		1	
	928 613 240 00 01C	Satin black			
30	928 618 136 02	Control unit		1	
31	N 011 525 13	Washer A 8,4	/LL	2	M537
32	900 076 025 02	Hexagon nut M 8	/LL	2	M537
32	900 076 064 02	Hexagon nut M 8	/LL	2	M537
33	928 618 431 00	Retaining bracket	/LL	1	M537
34	N 011 524 7	Washer A 6,4	/LL	2	M537
34	N 011 524 27	Washer A 6,4	/LL	2	M537
35	N 014 138 7	Oval-head screw M 6 X 10	/LL	2	M537
36	N 011 666 7	Washer B 6,4	/RL	2	M538
37	N 014 142 3	Oval-head screw M 6 X 20	/RL	2	M538

Model: 928 92

Model life 1992>>1995

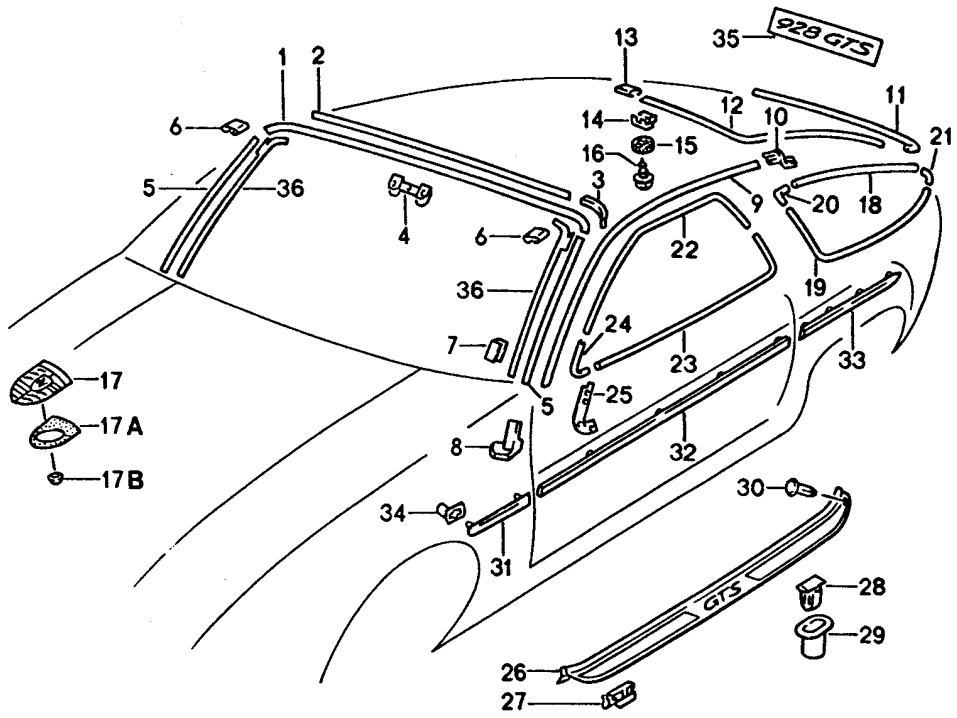


Model: 928 92 Model life 1992>>1995

Pos	Part Number	Description	Remark	Qty	Model
1	928 555 179 02	Luggage compartment cover		1	
	928 555 179 02 70G	Luggage compartment cover Black			
	928 555 179 02 5WG	Classic grey			
	928 555 179 02 7ZF	Cobalt blue	-93		
	928 555 179 02 7YM	Magenta	-93		
	928 555 179 02 5GQ	Midnight blue	94-		
	928 555 179 02 1QL	Chestnut brown	94-		
(1)	928 555 179 04	Luggage compartment cover		1	M692
	928 555 179 04 70G	Black			
	928 555 179 04 5WG	Classic grey			
	928 555 179 04 7ZF	Cobalt blue	-93		
	928 555 179 04 7YM	Magenta	-93		
	928 555 179 04 5KG	Marine blue	-93		
	928 555 179 04 5GQ	Midnight blue	94-		
	928 555 179 04 1QL	Chestnut brown	94-		
-	999 701 639 40	Round rubber cord		*	
2		1150 MM		1	
3		740 MM		2	
4	928 555 795 02	End piece of pipe		2	
5	928 555 785 02	Clamp for fabric		2	
6	900 190 005 03	Tubular rivet B 4 X 9 X 6		2	
7	928 555 775 02	Belt end piece		4	
	928 555 775 02 70B	Satin black			
8	928 555 791 02	Rosette		2	
	928 555 791 02 70B	Satin black			
9	928 555 777 02	End piece of rope	92	4	
(9)	928 555 777 03	End piece of rope	93-	4	
	928 555 777 03 70B	Satin black			
10	999 591 484 02	Clamping washer		4	

Model: 928 92

Model life 1992>>1995



Model: 928 92 Model life 1992>>1995

Pos	Part Number	Description	Remark	Qty	Model
		Moulding			
		Exterior equipment			
1	928 559 103 04	Cover strip		1	
	928 559 103 04 70K	Black			
2	928 559 295 02	Adhesive tape		1	
3	928 559 245 03	Sealing strap		2	
4	928 559 285 02	Clamp		9	
5	928 559 105 07	Water drain strip	/L	1	
	928 559 105 07 70K	Black			
(5)	928 559 106 07	Water drain strip	/R	1	
	928 559 106 07 70K	Black			
6	928 559 213 05	Sleeve	/L	1	
	928 559 213 05 70K	Black			
(6)	928 559 214 05	Sleeve	/R	1	
	928 559 214 05 70K	Black			
7	928 559 107 02	Clamp		8	
8	928 559 111 05	End piece	/L	1	
	928 559 111 05 70B	Black			
(8)	928 559 112 05	End piece	/R	1	
	928 559 112 05 70B	Black			
9	928 559 119 04	Roof edge strip	/L	1	
9		Roof edge strip	/L	1	
	928 559 119 04 004				
(9)	928 559 120 04	Roof edge strip	/R	1	
(9)		Roof edge strip	/R	1	
	928 559 120 04 004				
10	928 559 121 03	Roof edge strip	/L	1	
(10)	928 559 122 03	Roof edge strip	/R	1	
		End piece			
11	928 559 151 05	Cover strip		1	
		Lower			
	928 559 151 05 70K	Black			
12	928 559 153 06	Cover strip	/L	1	
		Lateral			
	928 559 153 06 70K	Black			
(12)	928 559 154 06	Cover strip	/R	1	
		Lateral			
	928 559 154 06 70K	Black			
13	928 559 155 03	Sleeve		3	
	928 559 155 03 70K	Black			
14	928 559 133 04	Retaining clip		19	
16	N 014 098 6	Rais. counters. h. tap. s. B 4,8 X 16		2	
17	901 559 210 20	Lid emblem		1	
17	901 559 210 26	Lid emblem		1	
17A	901 559 215 20	Desk pad		1	
17A	7L5 853 611 B	Desk pad		1	
17B	999 591 423 03	Tapping nut		2	
18	928 543 419 10	Moulding section	/L	1	
	928 543 419 10 70K	Black			
		Upper			
(18)	928 543 420 10	Moulding section	/R	1	
	928 543 420 10 70K	Black			
		Upper			
19	928 543 417 10	Moulding section	/L	1	
	928 543 417 10 70K	Black			
		Lower			
(19)	928 543 418 10	Moulding section	/R	1	
	928 543 418 10 70K	Black			
		Lower			
20	928 543 413 04	Corner piece		2	
	928 543 413 04 70K	Black			
		Upper			

Model: 928 92 Model life 1992>>1995

Pos	Part Number	Description	Remark	Qty	Model
21	928 543 415 05	Corner piece		2	
	928 543 415 05 70K	Black			
		Lower			
22	928 537 311 04	Moulding	/L	1	
	928 537 311 04 70K	Black			
		Upper			
(22)	928 537 312 04	Moulding	/R	1	
	928 537 312 04 70K	Black			
		Upper			
23	928 537 313 04	Moulding	/L	1	
	928 537 313 04 70K	Black			
		Lower			
(23)	928 537 314 04	Moulding	/R	1	
	928 537 314 04 70K	Black			
		Lower			
24	928 537 301 05	Moulding connection	/L	1	
	928 537 301 05 70K	Black			
(24)	928 537 302 05	Moulding connection	/R	1	
	928 537 302 05 70K	Black			
25	928 537 369 03	Desk pad	/L	1	
(25)	928 537 370 03	Desk pad	/R	1	
-	900 143 114 07	Oval-head sheetmetal screw B 3,5 X 9,5		2	
26	928 551 047 04	Sill cover	/L	1	
	928 551 047 04 70B	Black			
(26)	928 551 048 04	Sill cover	/R	1	
	928 551 048 04 70B	Black			
27	928 551 123 02	Clamp		7	
28	999 591 451 40	Fastening clamp		5	
29	999 702 116 40	Grommet		12	
		Oval			
(29)	999 702 115 40	Grommet		2	
		Round			
30	999 591 519 40	Expansion rivet		2	
31	928 559 037 03	Protective moulding	/L	1	
	928 559 037 03 G2X	Prime coated			
		Wing			
(31)	928 559 038 03	Protective moulding	/R	1	
	928 559 038 03 G2X	Prime coated			
		Wing			
-	928 559 175 03	Adhesive tape		2	
		Wing			
32	928 559 033 03	Protective moulding	/L	1	
	928 559 033 03 G2X	Prime coated			
		Door			
(32)	928 559 034 03	Protective moulding	/R	1	
	928 559 034 03 G2X	Prime coated			
		Door			
-	928 559 965 00	Adhesive tape		2	
		Door			
33	928 559 041 05	Protective moulding	/L	1	
	928 559 041 05 G2X	Prime coated			
		Side section			
(33)	928 559 042 05	Protective moulding	/R	1	
	928 559 042 05 G2X	Prime coated			
		Side section			
-	928 559 181 04	Adhesive tape		2	
		Side section			
34	928 559 281 02	Bush		10	
35	928 559 221 06	Logo		1	
	928 559 221 06 70C	Black			
36	928 559 519 00	Sealing rubber	/L	1	
	928 559 519 00 70C	Black			

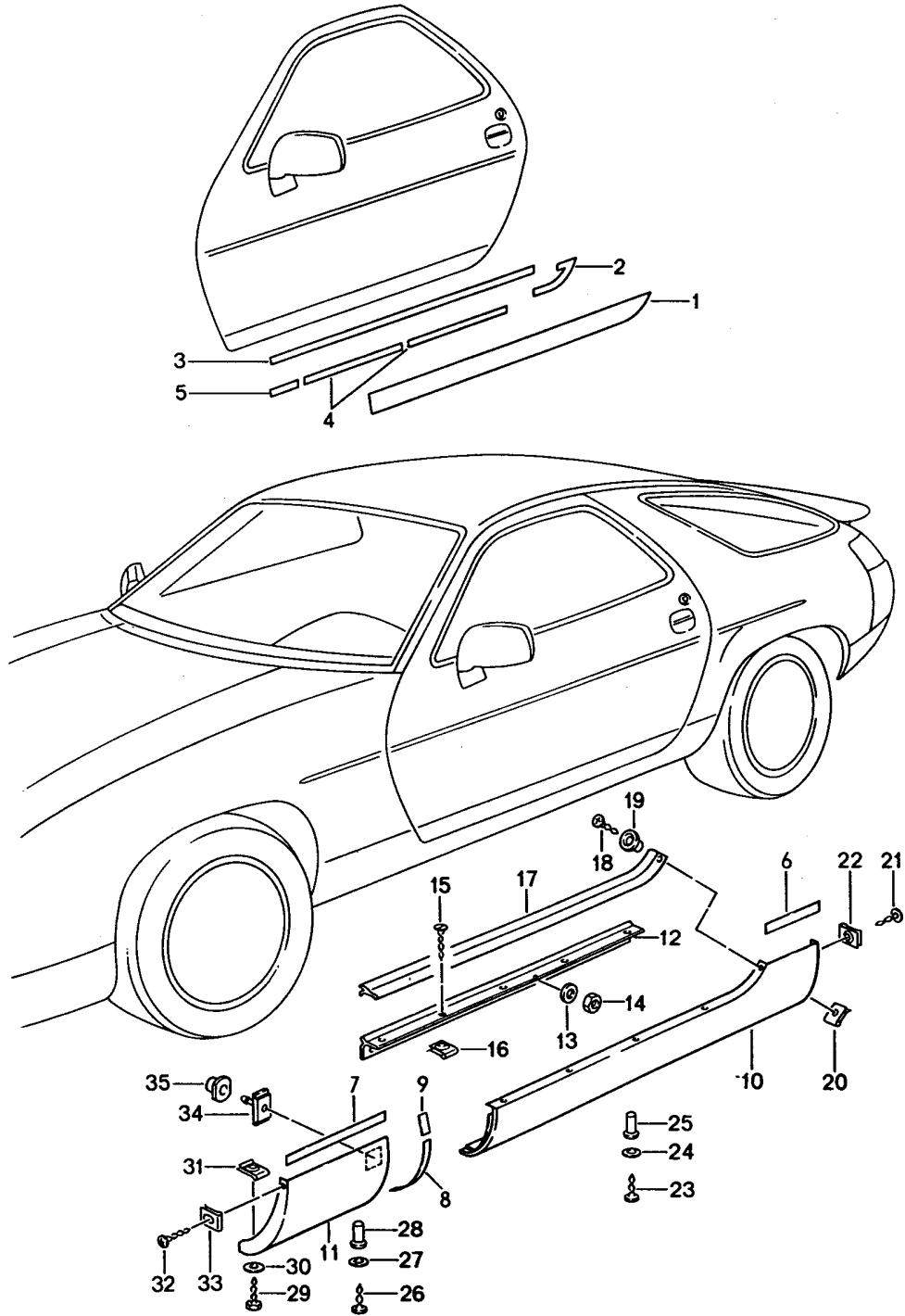
Model: 928 92

Model life 1992>>1995

Pos	Part Number	Description	Remark	Qty	Model
(36)	928 559 520 00 928 559 520 00 70C	Water drain strip Windscreen Sealing rubber Black Water drain strip Windscreen	/R	1	

Model: 928 92

Model life 1992>>1995



Model: 928 92 Model life 1992>>1995

Pos	Part Number	Description	Remark	Qty	Model
1	928 559 197 02	Sill cover	/L	1	
		Sill cover			
		Door			
	928 559 197 02 G2X	Prime coated			
(1)	928 559 198 02	Sill cover	/R	1	
		Door			
	928 559 198 02 G2X	Prime coated			
2	928 559 397 03	Adhesive tape	/L	1	
(2)	928 559 398 03	Adhesive tape	/R	1	
		Corner panel			
-	000 043 113 00	Adhesive tape		X	
		Roller			
		with			
		5 M			
3		1120 MM		X	
4		470 MM		X	
5		62 MM		X	
6		185 MM		X	
7		368 MM		X	
8		165 MM		X	
9		78 MM		X	
10	928 559 085 02	Sill cover	/L	1	
		Prime coated			
(10)	928 559 086 02	Sill cover	/R	1	
		Prime coated			
11	928 559 083 02	Sill cover	/L	1	
		Prime coated			
11	928 559 084 02	Sill cover	/R	1	
		Prime coated			
12	928 504 483 05	Door sill rail	/L	1	
(12)	928 504 484 05	Door sill rail	/R	1	
13	N 011 524 7	Washer		10	
		A 6,4			
13	N 011 524 27	Washer		10	
		A 6,4			
14	900 910 096 02	Lock nut		10	
		M 6			
15	900 144 034 07	Tapping screw		10	
		B 4,2 X 16			
15	900 144 034 0G	Tapping screw		10	
		B 4,2 X 16			
16	999 591 797 02	Speed nut		10	
		B 4,2			
17	928 559 289 05	Cover strip	/L	1	
		Black			
(17)	928 559 290 05	Cover strip	/R	1	
		Black			
18	900 144 035 07	Tapping screw		2	
		B 4,2 X 19			
19	928 559 314 00	Spacer sleeve		2	
20	999 591 873 02	Speed nut		2	
		B 4,2			
23	900 143 085 07	Tapping screw		12	
		B 4,2 X 16			
24	N 011 665 3	Washer		12	
		B 5,3			
24	N 011 665 16	Washer		12	
		B 5,3			
25	999 591 717 40	Expander nut		12	
		B 4,2			
26	900 143 147 07	Tapping screw		2	
		B 4,8 X 16			
27	N 011 665 3	Washer		2	

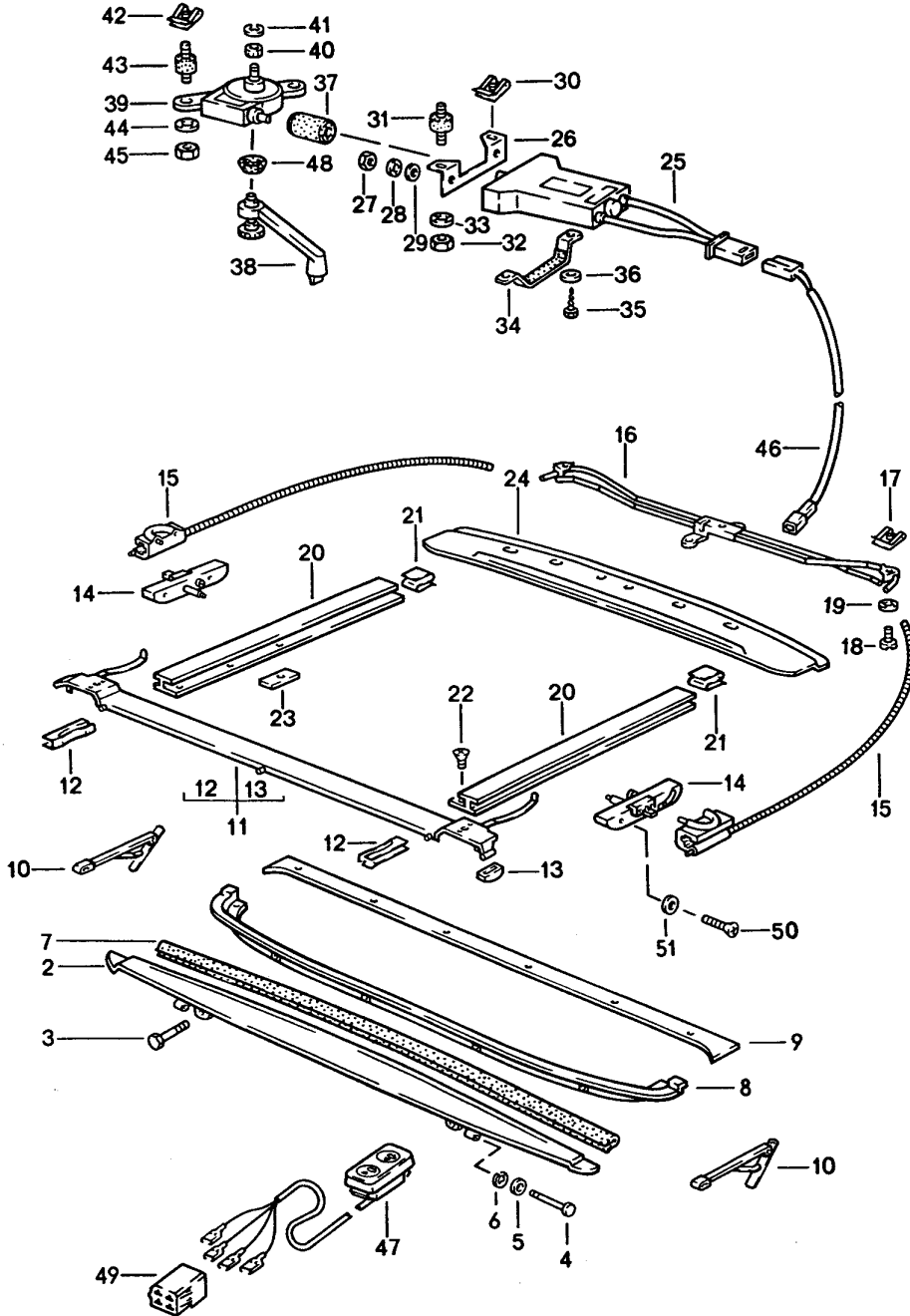
Model: 928 92

Model life 1992>>1995

Pos	Part Number	Description	Remark	Qty	Model
27	N 011 665 16	B 5,3 Washer		2	
28	999 591 779 40	B 5,3 Expander nut		2	
29	900 187 010 02	B 4,8 Hexagon-head tapping screw		2	
29	900 187 010 03	BZ 6,3 X 19 Hexagon-head tapping screw		2	
30	900 151 008 02	BZ 6,3 X 19 Washer		2	
31	999 507 003 02	B 8,4 Speed nut		2	
31	999 507 003 01	B 6,3 Speed nut		2	
34	928 559 281 02	B 6,3 Bush		2	
35	928 559 273 00	Support		2	

Model: 928 92

Model life 1992>>1995



Model: 928 92

Model life 1992>>1995

Pos	Part Number	Description	Remark	Qty	Model
		Sunroof			
		Installation parts			
		And			
		Electric drive			
2	928 564 023 03	Wind deflector plate		1	
	928 564 023 03 70K	Black			
3	999 217 078 07	Hexagon-head bolt		2	
		M 4 X 6			
4	999 088 009 07	Bolt		2	
5	900 089 015 07	Washer		2	
6	900 116 001 07	Lock washer		2	
7	928 564 358 02	Edge protection		1	
8	928 564 341 03	Cover		1	
9	928 564 105 03	Cover strip		1	
10	928 564 057 02	Hinge	/L	1	
(10)	928 564 058 02	Hinge	/R	1	
11	928 564 061 40	Guide	/V	1	
12	928 564 267 02	Slide		2	
13	928 564 268 03	Guide shoe		2	
14	928 564 045 42	Gate guide	/L	1	
(14)	928 564 046 42	Gate guide	/R	1	
15	928 564 083 43	Guide	/L	1	
(15)	928 564 084 43	Guide	/R	1	
16	928 564 209 40	Guide tube		1	
17	999 507 248 02	Speed nut		2	
		M 5			
18	N 014 133 8	Oval-head screw		3	
		M 5 X 12			
19	N 012 005 3	Lock ring		2	
		B 5			
20	928 564 015 42	Guide rail	/L	1	
(20)	928 564 016 42	Guide rail	/R	1	
21	999 591 448 02	Fixing clip		2	
22	900 269 052 07	Countersunk-head screw		6	
		M 4 X 10			
23	928 502 617 60	Threaded plate		2	
		M 4			
24	928 564 167 41	Water drain plate		1	
25	911 624 016 03	Motor		1	
26	928 624 105 02	Engine bracket		1	
27	N 011 005 14	Hexagon nut		2	
		M 5			
27	900 076 091 01	Hexagon nut		2	
		M 5			
28	N 012 005 3	Lock ring		2	
		B 5			
29	900 025 003 02	Washer		2	
		A 5,3			
30	999 507 248 02	Speed nut		1	
		M 5			
31	999 703 308 00	Bonded rubber mounting		2	
31	999 703 308 0A	Bonded rubber mounting		2	
32	N 011 005 14	Hexagon nut		2	
		M 5			
32	900 076 091 01	Hexagon nut		2	
		M 5			
33	N 012 005 3	Lock ring		2	
		B 5			
34	928 624 011 02	Motor mount		1	
35	N 013 883 3	Tapping screw		1	
		B 4,8 X 9,5			
36	900 025 003 02	Washer		1	
		A 5,3			

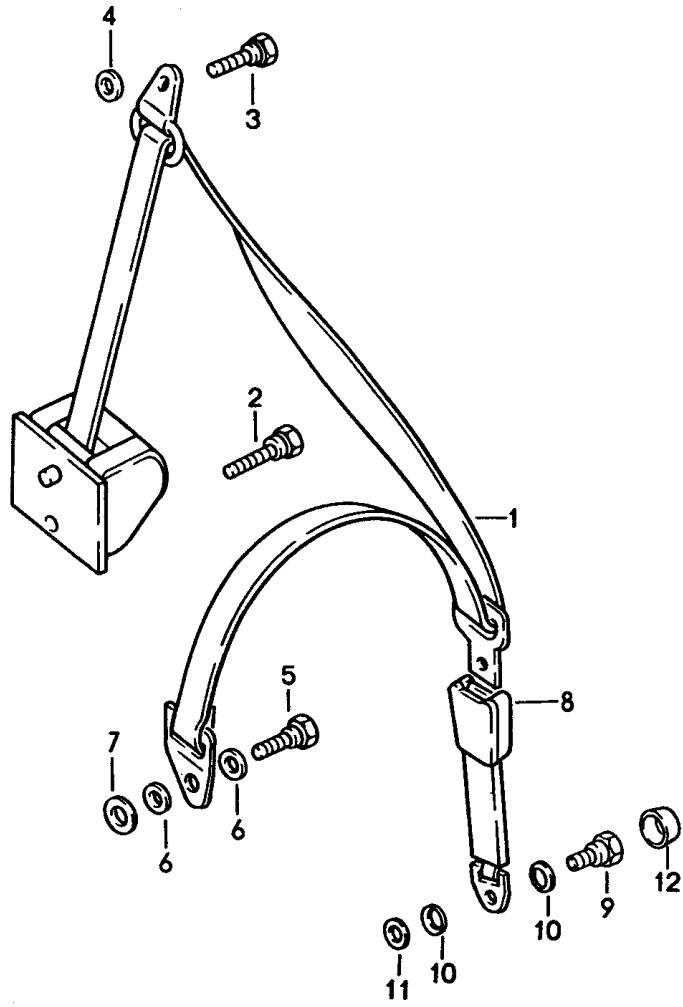
Model: 928 92

Model life 1992>>1995

Pos	Part Number	Description	Remark	Qty	Model
37	911 624 103 00	Clutch		1	
37	911 624 103 01	Clutch		1	
38	901 564 085 05	Crank		1	
39	928 564 025 02	Transmission		1	
40	928 564 125 02	Drive pinion		1	
41	900 116 003 02	Lock washer		1	
41	900 116 003 09	Lock washer		1	
42	999 507 248 02	Speed nut		2	
43	999 703 306 00	Bonded rubber mounting		2	
44	N 012 005 3	Lock ring B 5		2	
45	N 011 005 14	Hexagon nut M 5		2	
45	900 076 091 01	Hexagon nut M 5		2	
46	928 612 006 01	Wiring harness		1	
47	928 613 120 02	Tip switch		1	M650
	928 613 120 02 01C	Black			
48	901 564 663 05	Cap		1	
49	928 612 413 03	Connector housing		1	
50	999 217 008 02	Hexagon-head bolt M 5 X 10		4	
51	900 025 003 02	Washer A 5,3		4	

Model: 928 92

Model life 1992>>1995

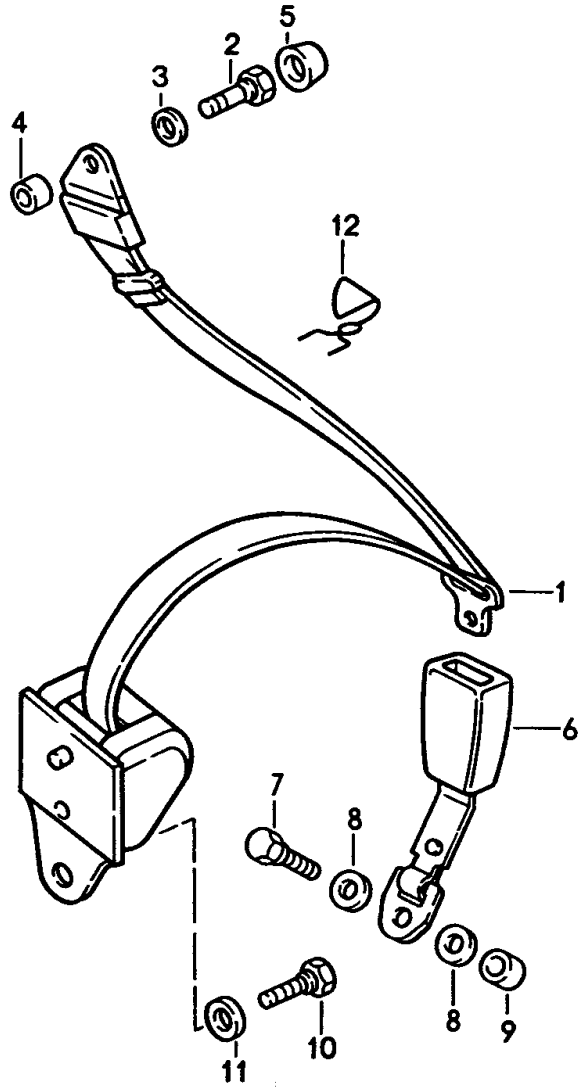


Model: 928 92 Model life 1992>>1995

Pos	Part Number	Description	Remark	Qty	Model
		Seat belt Front			
1	928 803 033 00	Seat belt	92	2	
	928 803 033 00 70B	Black			
1	928 803 033 02	Seat belt	93-	2	
	928 803 033 02 70B	Black			
2	928 803 121 02	Fastening screw		2	
3	111 857 793 C	Hexagon-head bolt for Relay lever		2	
4	928 803 212 02	Spacer		2	
5	111 857 793 C	Hexagon-head bolt		2	
6	211 857 771	Washer		4	
7	928 803 212 02	Spacer		2	
8	964 803 183 01	Seat-belt buckle		1	
	964 803 183 01 70B	Black Driver's side			
(8)	964 803 183 00	Seat-belt buckle		1	
	964 803 183 00 70B	Black Passenger's side			
(8)	964 803 183 05	Seat-belt buckle		1	
	964 803 183 05 70B	Black Driver's side for Sports seat			
(8)	964 803 183 04	Seat-belt buckle		1	
	964 803 183 04 70B	Black Passenger's side for Sports seat			
9	959 803 701 00	Hexagon-head bolt		2	
9	959 803 701 01	Hexagon-head bolt		2	
10	999 028 014 02	Spring washer		2	
11	N 011 655 2	Washer		2	
12	811 857 845	Cap		2	
	811 857 845 70B	Black			

Model: 928 92

Model life 1992>>1995



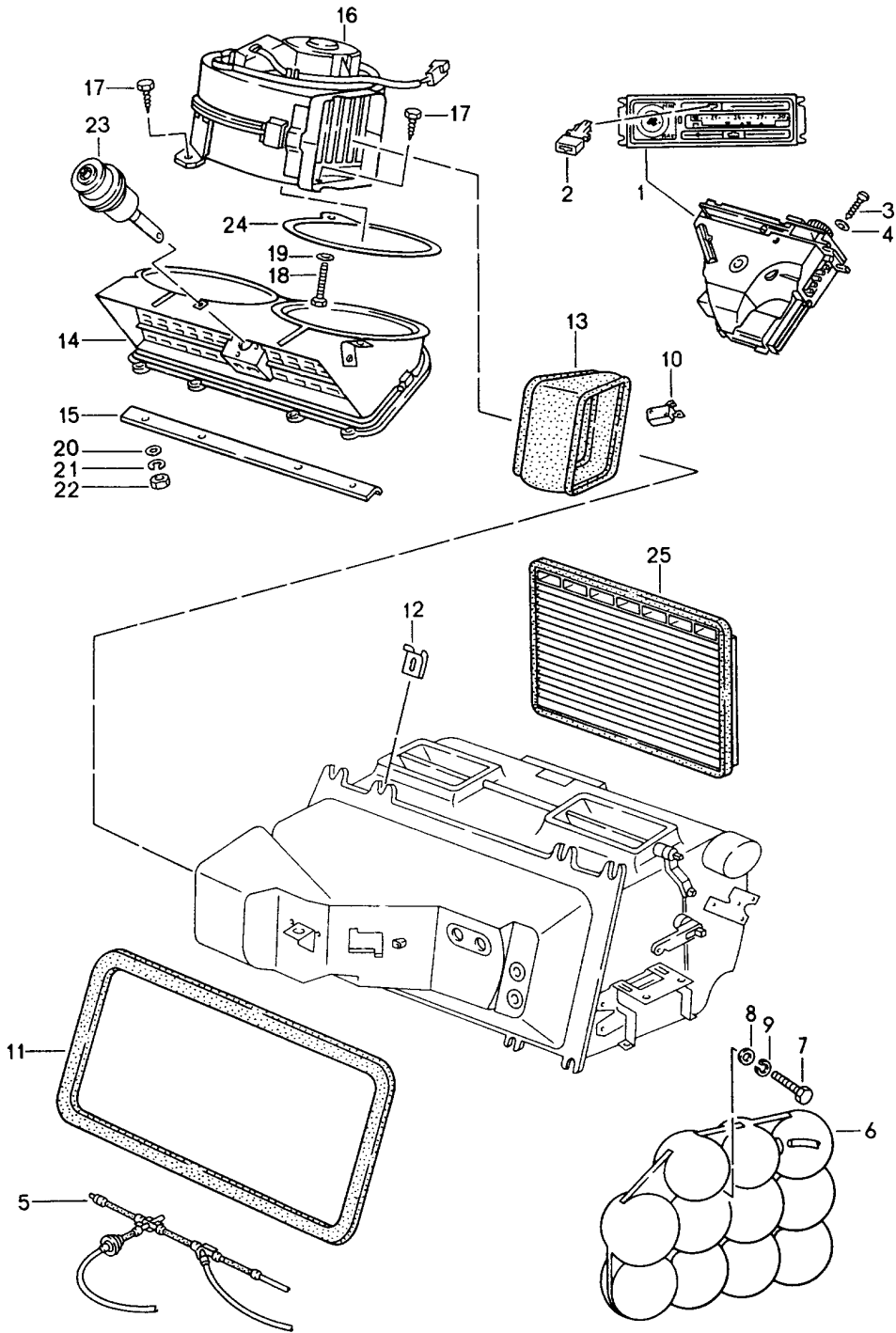
Model: 928 92

Model life 1992>>1995

Pos	Part Number	Description	Remark	Qty	Model
		Seat belt Rear			
1	928 803 021 00	Seat belt	/L	1	
	928 803 021 00 70B	Black Automatic			
(1)	928 803 022 00	Seat belt	/R	1	
	928 803 022 00 70B	Black Automatic			
2	111 857 793 C	Hexagon-head bolt		2	
3	211 857 771	Washer		2	
4	901 803 116 40	Spacer sleeve		2	
5	811 857 845	Cap		2	
	811 857 845 70B	Black			
6	928 803 091 02	Lock		2	
	928 803 091 02 70B	Black			
7	111 857 793 E	Hexagon-head bolt		2	
8	211 857 771	Washer		4	
9	928 803 259 02	Spacer sleeve		2	
10	111 857 799 A	Hexagon-head bolt		2	
10	3B0 857 799	Hexagon-head bolt		2	
11	111 857 707 A	Spacer		2	
11	WHT 001 373	Spacer		2	
12	928 803 243 05	Eye	(AUS)	2	

Model: 928 92

Model life 1992>>1995



Model: 928 92

Model life 1992>>1995

Pos	Part Number	Description	Remark	Qty	Model
		Automatic air conditioner			
		Control switch			
		Lines			
		Air guide			
1	928 573 060 10	Control switch		1	
2	928 574 093 03	Control button		2	
	928 574 093 03 70B	Black			
		Blower switch			
		And			
		Rotary knob			
		See group			
		9/03/00 POS. 10+12			
3	999 919 008 07	Oval-head screw		1	
		4,0 X 13			
3	PCG 919 008 07	Oval-head screw		1	
		Set			
		4,0 X 13			
		Pieces		10	
4	N 011 522 14	Washer		4	
		A 4,3			
5	928 574 710 09	Vacuum line	/LL	1	
(5)	927 574 710 08	Vacuum line	/RL	1	
6	171 820 601	Vacuum tank		1	
7	N 010 221 3	Hexagon-head bolt		1	
		M 6 X 35			
8	N 011 524 7	Washer		1	
		A 6,4			
8	N 011 524 27	Washer		1	
		A 6,4			
9	N 012 006 4	Lock ring		1	
		B 6,4			
10	928 613 049 01	Micro-changeover switch		1	
11	928 574 387 02	Gasket		1	
12	928 574 581 02	Clip		2	
13	928 574 389 04	Rubber connecting piece		1	
14	928 573 031 05	Suction housing	/LL 92	1	
(14)	927 573 031 03	Suction housing	/RL 92	1	
(14)	928 573 031 05	Suction housing	/LL 93-	1	
(14)	927 573 031 05	Suction housing	/RL 93-	1	
15	928 556 303 02	Reinforcement bracket		1	
16	928 574 033 05	Blower	/LL	1	
(16)	927 574 033 04	Blower	/RL	1	
17	900 187 104 02	Tapping screw		2	
		B 4,8 X 13			
18	900 187 033 02	Tapping screw		1	
		B 4,8 X 50			
19	900 151 002 07	Washer		1	
		A 5,3			
20	N 011 524 7	Washer		4	
		A 6,4			
20	N 011 524 27	Washer		4	
		A 6,4			
21	N 012 006 4	Lock ring		4	
		B 6			
22	900 076 010 02	Nut		4	
		M 6			
22	900 076 010 0B	Nut		4	
		M 6			
23	928 573 077 04	Vacuum unit		1	
		Suction housing			
-	999 915 270 40	Gasket		*	
		6 X 15			
24	928 574 133 02	Gasket		1	

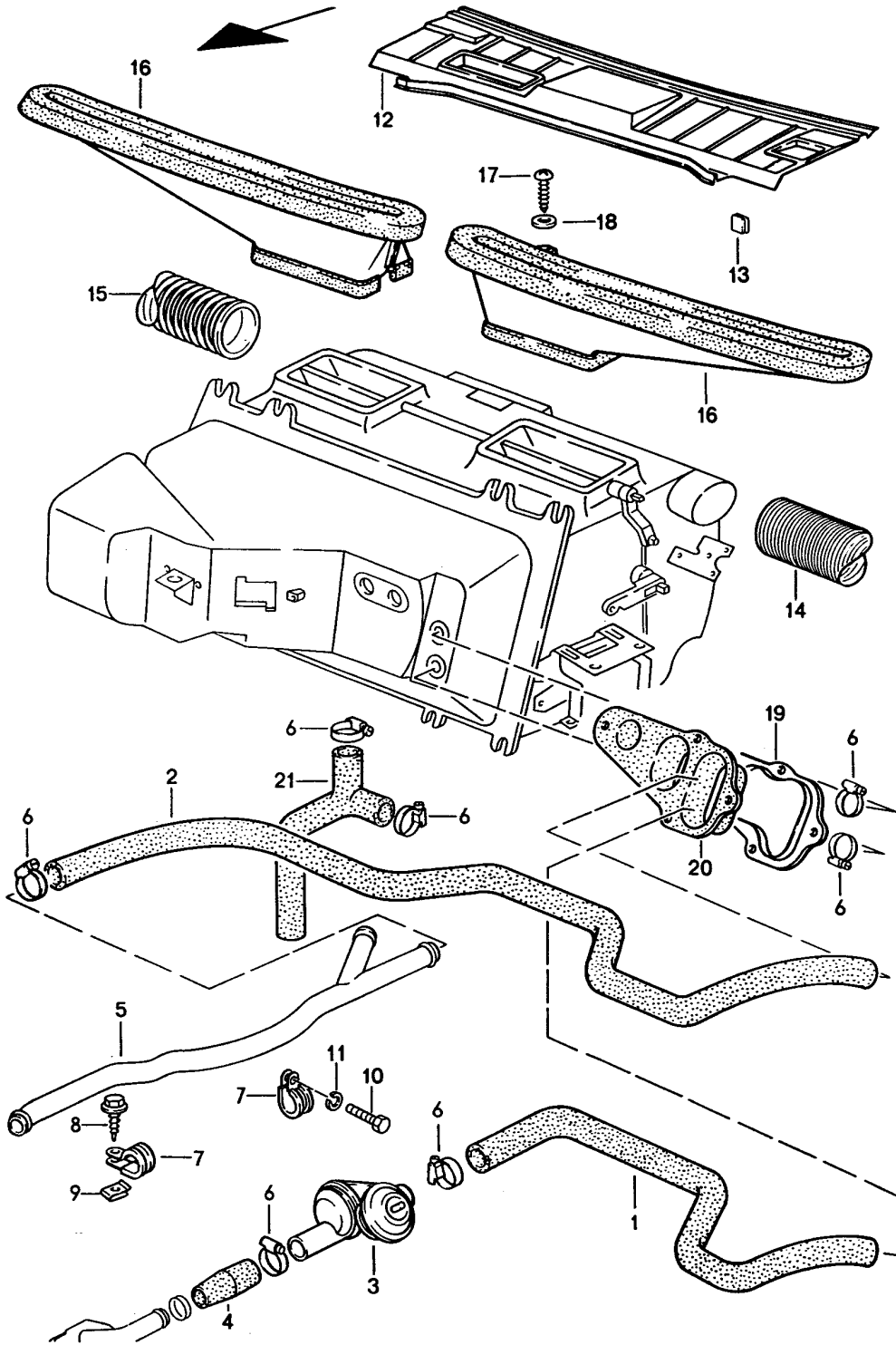
Model: 928 92

Model life 1992>>1995

Pos	Part Number	Description	Remark	Qty	Model
25	928 572 479 00	Particle filter		1	

Model: 928 92

Model life 1992>>1995



Model: 928 92

Model life 1992>>1995

Pos	Part Number	Description	Remark	Qty	Model
		Automatic air conditioner			
		Hoses			
1	928 574 587 03	Heating nozzles			
		Heater hose	/LL	1	
		Intake			
(1)	927 574 587 03	Heater hose	/RL	1	
		Intake			
2	928 574 589 04	Heater hose	/LL	1	
		Return line			
(2)	927 574 589 03	Heater hose	/RL	1	
		Return line			
3	928 574 573 03	Disc valve		1	
3	928 574 573 04	Disc valve		1	
		Use also:			
-	986 307 507 00	Cap		1	
4	928 574 567 03	Connecting hose		1	
5	928 574 106 03	Heater pipeline	/LL	1	
(5)	927 574 106 04	Heater pipeline	/RL	1	
6	999 512 346 00	Hose clamp		6	
7	999 511 066 02	Clamp		2	
8	900 187 108 02	Tapping screw		1	
		BZ 6,3 X 16			
8	900 187 108 01	Tapping screw		1	
		BZ 6,3 X 16			
9	999 507 003 02	Speed nut		1	
		B 6,3 X 16			
9	999 507 003 01	Speed nut		1	
		B 6,3 X 16			
10	900 075 014 02	Hexagon-head bolt		1	
		M 6 X 18			
10	900 075 014 03	Hexagon-head bolt		1	
		M 6 X 18			
11	N 012 006 4	Lock ring		1	
		B 6			
12	928 574 157 00	Cowl panel covering	/LL 92	1	
(12)		Cowl panel covering	/LL 93-	1	
(12)		Cowl panel covering		1	
(12)	927 574 553 06	Cowl panel covering	/RL 92	1	
(12)	927 574 157 00	Cowl panel covering	/RL 93-	1	
		It is necessary to rework for			
(12)		Intensive windscreen washer			
		Cowl panel covering	/RL	1	
		It is necessary to rework for			
		Intensive windscreen washer			
13	999 920 005 02	U-clamp		4	
13	999 920 005 01	U-clamp		4	
14	928 574 626 02	Flexible pipe without Airbag	/LL /L	1	M573
(14)	928 574 626 03	Flexible pipe with Airbag	/LL /L	1	M573
(14)	927 572 626 00	Air hose with Airbag	/RL	1	M561/573
(14)	928 572 625 00	Flexible pipe	/LL /L	1	M573
(15)	928 572 228 00	Air guide without Airbag	/LL /R	1	M573
(15)		Air guide	/RL /R	1	M573
(15)	927 572 228 00	Air guide	/RL /R	1	M573

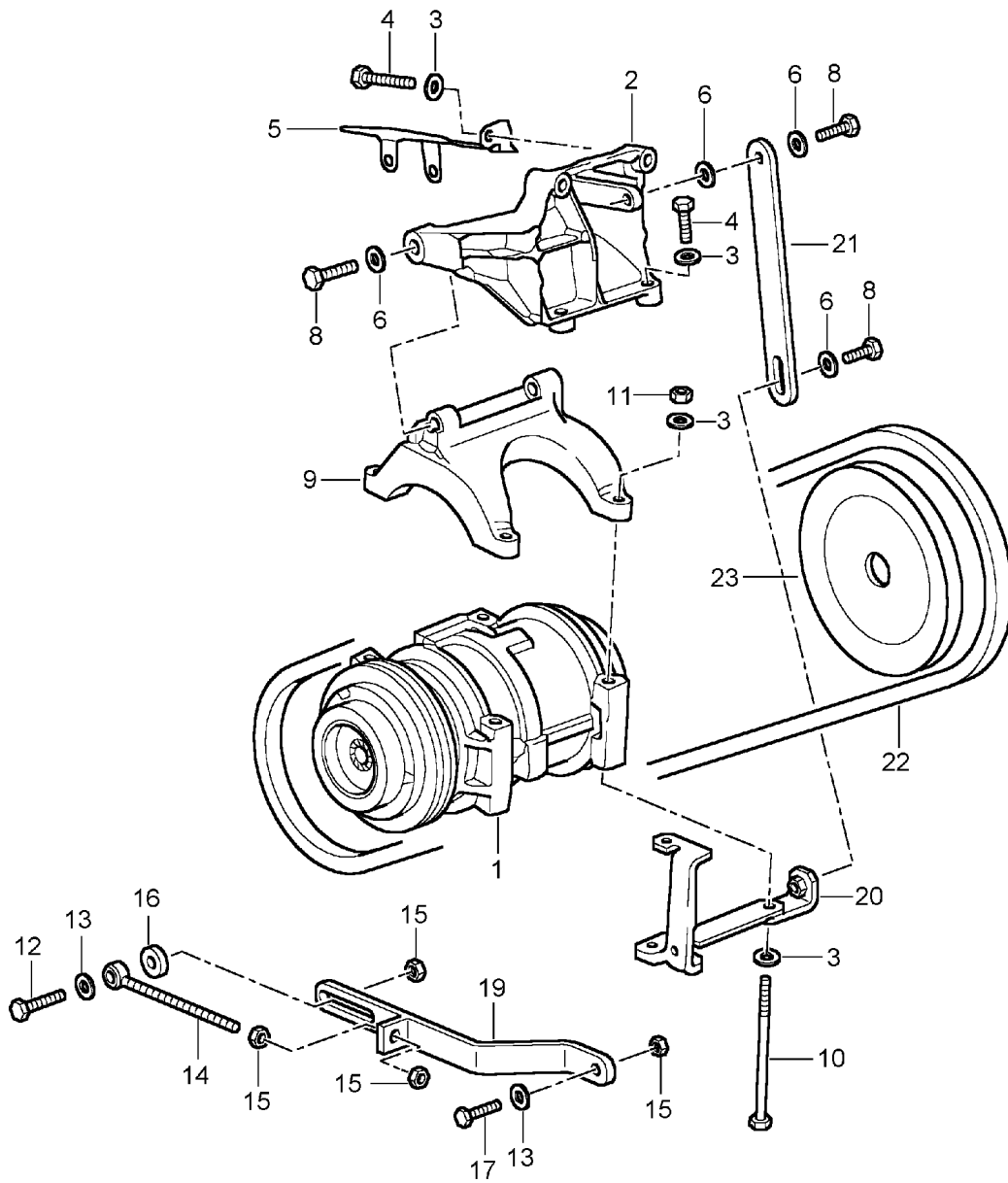
Model: 928 92

Model life 1992>>1995

Pos	Part Number	Description	Remark	Qty	Model
(15)	928 572 228 00	with Airbag Air guide	/RL /R	1	M573
(15)	927 572 228 00	without Airbag Air guide	/RL /R	1	M561/573
16	928 574 631 03	with Airbag Defroster vent		1	
(16)	928 574 632 03	Defroster vent		1	
-	928 574 652 05	Gasket Lower		2	
17	900 143 031 02	Oval-head sheetmetal screw B 4,2 X 9,5		4	
18	900 025 002 02	Washer A 4,3		4	
18	900 025 002 03	Washer A 4,3		4	
19	928 573 065 03	Lid	/LL	1	
(19)	927 573 065 03	Lid	/RL	1	
20	928 573 551 03	Plate	/LL	1	
(20)	927 573 551 03	Plate	/RL	1	
21	928 574 583 04	Water drain hose		1	

Model: 928 92

Model life 1992>>1995



Model: 928 92

Model life 1992>>1995

Pos	Part Number	Description	Remark	Qty	Model
		Assembly Compressor Air conditioner			
1	928 126 113 00	Compressor	92	1	
(1)	928 126 113 01	Compressor	93-	1	
(1)	928 126 904 01	Suction + press. connect. von ZSB 92812611301		1	
-	928 126 901 01	Repair kit Clutch for 928.126.113.01		1	
2	928 126 017 04	Compressor console		1	
3	900 025 007 02	Washer A 8,4		4	
3	900 025 007 03	Washer A 8,4		4	
4	N 010 340 6	Hexagon-head bolt M 8 X 40		4	
5	928 126 116 03	Heat shield		1	
6	900 025 008 09	Washer A 10,5		2	
6	900 025 008 04	Washer A 10,5		2	
7	900 083 059 02	Hexagon-head bolt M 10 X 45		1	
8	900 083 057 02	Hexagon-head bolt M 10 X 33		2	
(8)	900 083 048 02	Hexagon-head bolt M 10 X 1,25 X 40		1	
9	928 126 035 00	Support		1	
10	N 101 111 01	Hexagon-head bolt M 8 X 95		1	
(10)	900 074 195 02	Hexagon-head bolt M 8 X 105		2	
(10)	900 074 195 0B	Hexagon-head bolt M 8 X 105		2	
(10)	900 074 334 02	Combination screw M 8 X 100		1	
11	900 076 025 02	Hexagon nut M 8		4	
11	900 076 064 02	Hexagon nut M 8		4	
12	900 074 321 02	Hexagon-head bolt M 8 X 40 Z1		2	
13	900 025 007 02	Washer A 8,4		4	
13	900 025 007 03	Washer A 8,4		4	
14	999 460 002 02	Eye screw		2	
15	900 076 025 02	Hexagon nut M 8		4	
15	900 076 064 02	Hexagon nut M 8		4	
16	999 025 075 02	Washer 8,5 X 20 X 6		2	
17	N 010 233 6	Hexagon-head bolt M 8 X 28		2	
17	900 075 136 03	Hexagon-head bolt M 8 X 28		2	
19	928 126 123 04	Strut for Compressor		1	
20	928 126 139 02	Bracket		1	

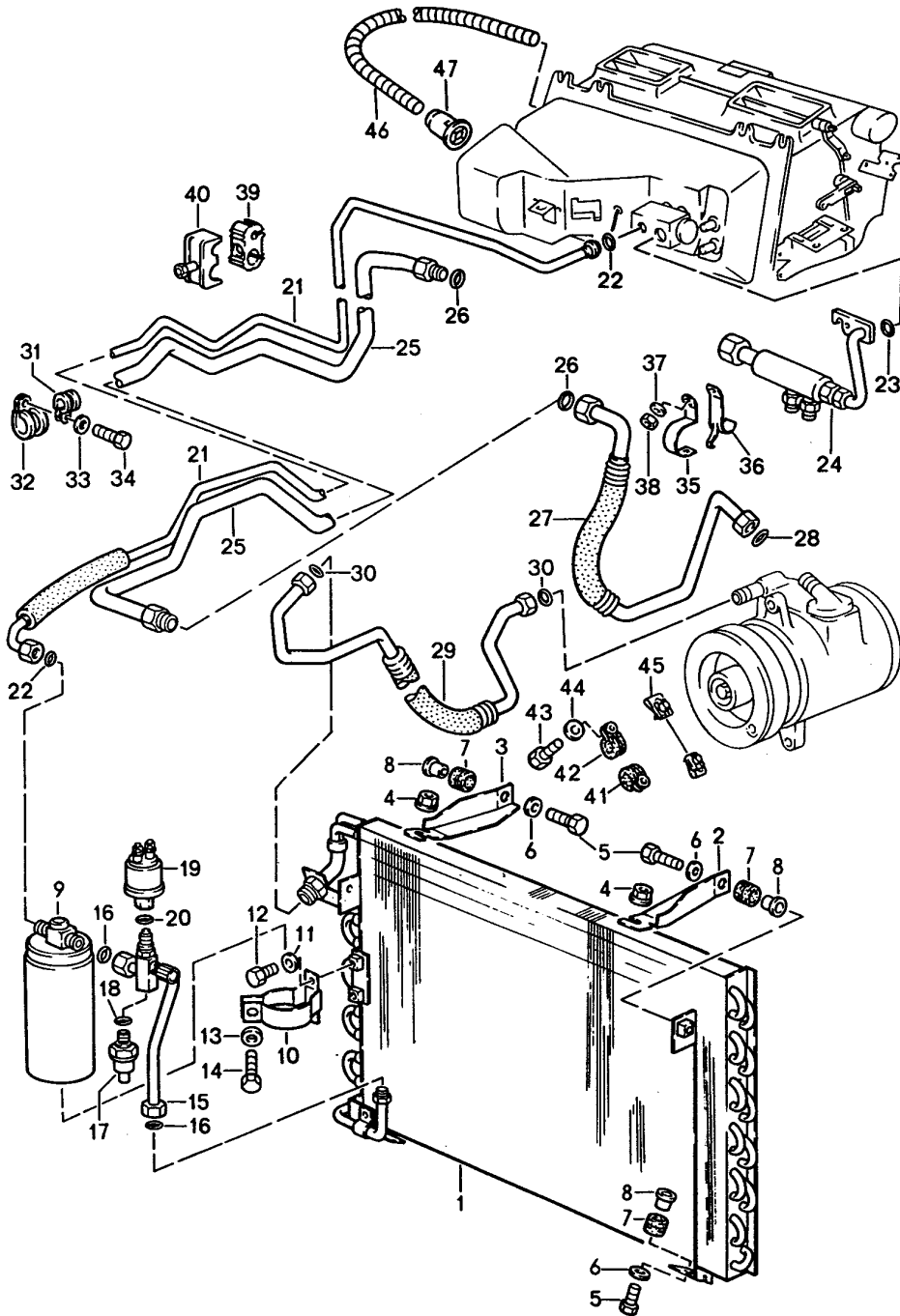
Model: 928 92

Model life 1992>>1995

Pos	Part Number	Description	Remark	Qty	Model
21	928 126 123 05	for Strut Strut for Compressor		1	
22	999 192 335 50	Narrow v-belt 12,5 X 1080		1	
23	928 102 118 04	V-belt pulley		1	

Model: 928 92

Model life 1992>>1995



Model: 928 92 Model life 1992>>1995

Pos	Part Number	Description	Remark	Qty	Model
		Automatic air conditioner Lines And Auxiliary units	-92		
1	928 573 021 00	Condenser		1	
2	928 573 101 03	Retaining bracket	/L	1	
3	928 573 102 03	Retaining bracket	/R	1	
4	999 084 613 02	Lock nut M 6		2	
5	N 010 217 9	Hexagon-head bolt M 6 X 20		4	
6	900 151 003 02	Washer A 6,4		4	
6	900 151 006 03	Washer A 6,4		4	
7	999 702 046 50	Grommet		4	
8	928 573 347 03	Spacer tube		4	
9	944 573 943 00	Desiccator	-92	1	
9		Desiccator	-92	1	
10	944 573 081 00	Support		1	
11	900 025 003 02	Washer A 5,3		2	
12	N 010 207 6	Hexagon-head bolt M 5 X 12		2	
12	N 010 207 17	Hexagon-head bolt M 5 X 12		2	
13	900 025 003 02	Washer A 5,3		1	
14	900 075 145 02	Hexagon-head bolt M 5 X 15		1	
15	928 573 095 04	Connecting tube		1	
16	999 707 247 40	O-ring		2	
17	959 613 137 00	Low pressure switch		1	
18	900 174 011 40	O-ring		1	
19	928 606 150 00	Pressure transmitter		1	
19	928 606 150 01	Pressure transmitter		1	
20	999 707 261 40	O-ring		1	
21	928 573 093 08	Pressure line NW 8	/LL	1	
(21)	927 573 093 09	Pressure line NW 8	/RL	1	
22	999 707 247 40	O-ring		2	
23	999 707 251 40	O-ring		1	
24	928 573 063 05	Fuel cooler	/LL	1	
(24)	927 573 063 01	Fuel cooler	/RL	1	
25	928 573 091 10	Intake pipe NW 16		1	
26	999 707 252 40	O-ring		2	
27	928 573 098 06	Hose line Compressor NW 13		1	
28	999 707 251 40	O-ring		1	
29	928 573 097 09	Refrigerant line NW 10		1	
29	928 573 097 11	Refrigerant line NW 10		1	
30	999 707 250 40	O-ring		2	
30	999 707 434 41	O-ring		2	
31	999 511 116 02	Clamp		1	
31	999 511 116 03	Clamp		1	
32	999 511 066 02	Clamp		1	
33	N 012 006 4	Lock ring B 6		1	

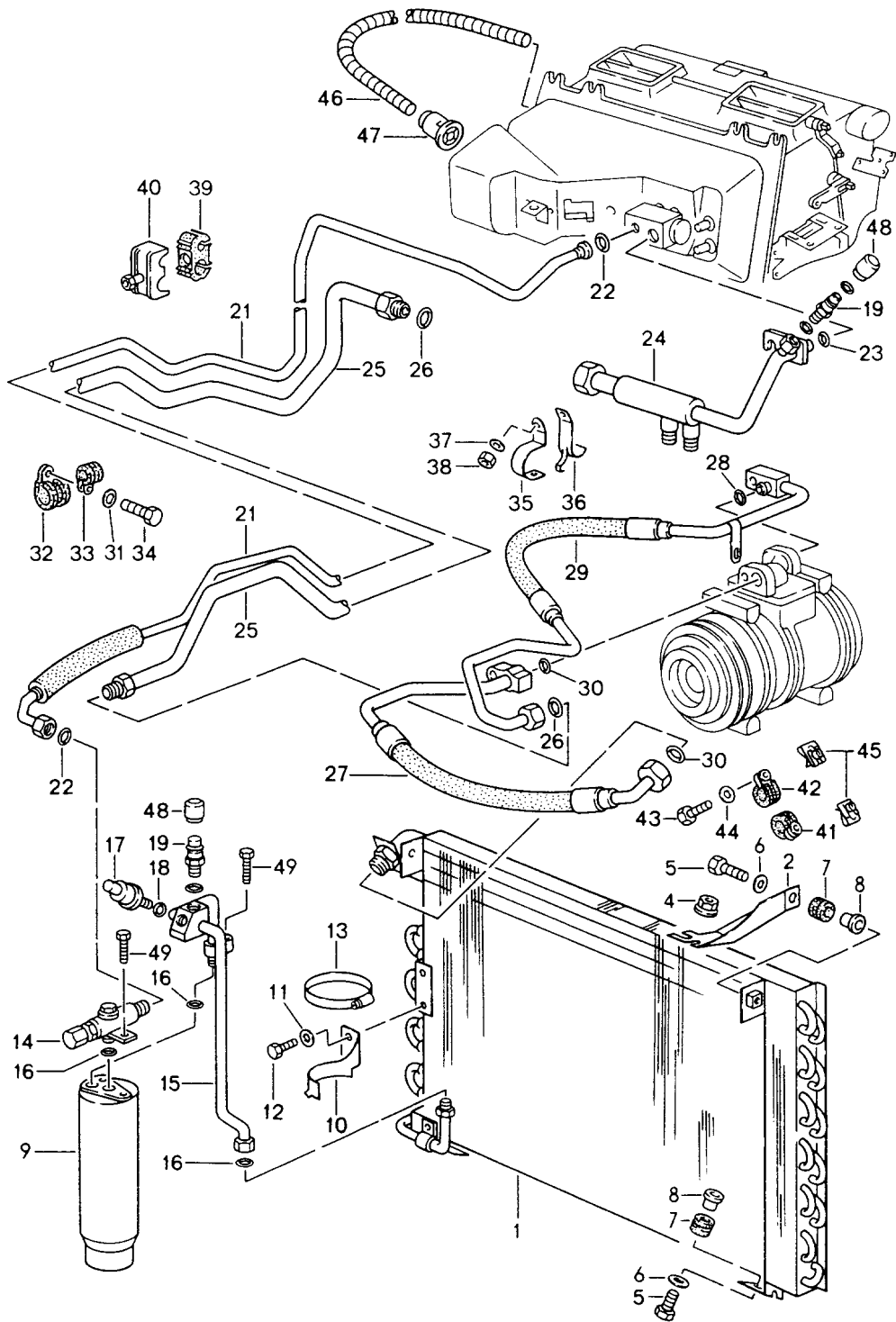
Model: 928 92

Model life 1992>>1995

Pos	Part Number	Description	Remark	Qty	Model
34	900 075 014 02	Hexagon-head bolt M 6 X 18		1	
34	900 075 014 03	Hexagon-head bolt M 6 X 18		1	
35	928 573 809 02	Support Fuel cooler	/V	1	
36	928 573 807 02	Support Fuel cooler	/H	1	
37	N 011 524 7	Washer A 6,4		1	
37	N 011 524 27	Washer A 6,4		1	
38	900 076 010 02	Nut M 6		1	
38	900 076 010 0B	Nut M 6		1	
39	999 703 353 40	Damping piece		1	
40	999 591 863 40	Clamp		1	
41	N 020 601 1	Pipe clamp		1	
41	N 020 601 A	Pipe clamp		1	
42	999 511 118 02	Pipe clamp		1	
42	999 511 118 01	Pipe clamp		1	
43	900 075 057 02	Hexagon-head bolt M 6 X 16		2	
43	900 075 057 03	Hexagon-head bolt M 6 X 16		2	
44	N 011 524 7	Washer A 6,4		2	
44	N 011 524 27	Washer A 6,4		2	
45	999 507 326 02	Captive nut M 6		2	
46	928 573 223 00	Hose		1	
47	928 573 355 02	Intake socket		1	

Model: 928 92

Model life 1992>>1995



Model: 928 92 Model life 1992>>1995

Pos	Part Number	Description	Remark	Qty	Model
		Automatic air conditioner Lines And Auxiliary units	93-		
1	928 573 021 01	Condenser		1	
2	928 573 101 04	Retaining bracket	/L	1	
3	928 573 102 04	Retaining bracket	/R	1	
4	999 084 613 02	Lock nut M 6		2	
5	999 217 025 02	Hexagon-head bolt M 6 X 20		4	
6	900 151 003 02	Washer A 6,4		4	
6	900 151 006 03	Washer A 6,4		4	
7	999 702 046 50	Grommet		4	
8	928 573 347 03	Spacer tube		4	
9	944 573 143 01	Desiccator		1	
10	964 573 451 01	Support		1	
11	900 025 003 02	Washer A 5,3		2	
12	N 010 207 6	Hexagon-head bolt M 5 X 12		2	
12	N 010 207 17	Hexagon-head bolt M 5 X 12		2	
13	999 512 390 00	Hose clamp 60-80/13		1	
14	993 573 243 00	Distributing piece for Desiccator		1	
15	928 573 095 05	Refrigerant hose		1	
16	999 707 247 40	O-ring		2	
17	964 613 137 01	Pressure switch		1	
18	900 174 011 40	O-ring		1	
19	928 573 466 00	Valve		1	
(19)	928 573 465 00	Valve for Fuel cooler		1	
20	999 707 259 40	O-ring		1	
21	928 573 093 08	Pressure line NW 8	/LL	1	
(21)	927 573 093 09	Pressure line NW 8	/RL	1	
22	999 707 247 40	O-ring		2	
23	999 707 251 40	O-ring		1	
24	928 573 063 05	Fuel cooler	/LL	1	
(24)	927 573 063 02	Fuel cooler	/RL	1	
25	928 573 091 10	Intake pipe NW 16		1	
26	999 707 252 40	O-ring		2	
27	928 573 098 08	Intake pipe Compressor NW 13	-94	1	
27		Intake pipe Compressor NW 13	95-	1	
28	999 707 251 40	O-ring		1	
29	928 573 097 09	Refrigerant line NW 10		1	
29	928 573 097 11	Refrigerant line NW 10		1	
30	999 707 250 40	O-ring		2	
30	999 707 434 41	O-ring		2	

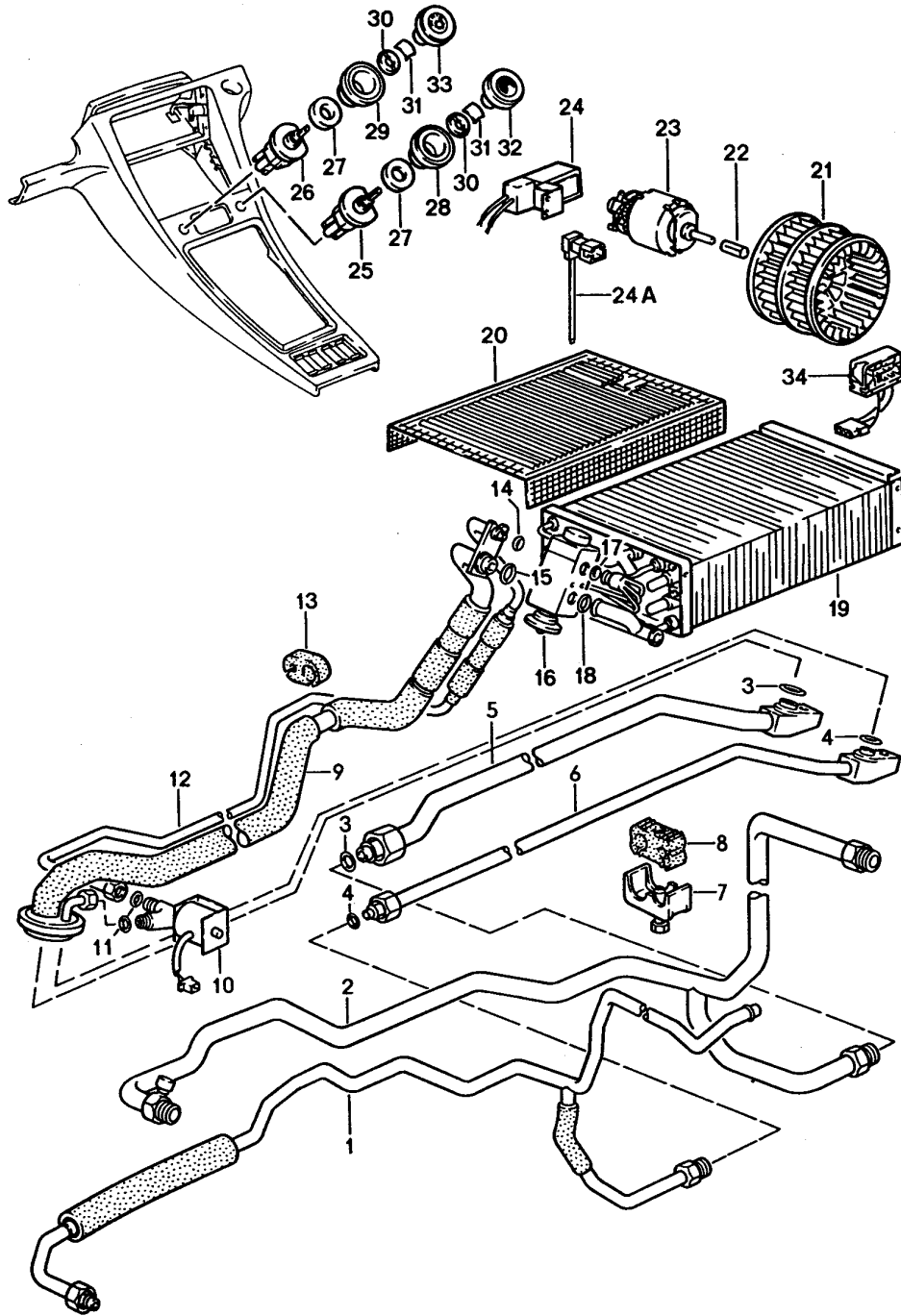
Model: 928 92

Model life 1992>>1995

Pos	Part Number	Description	Remark	Qty	Model
31	999 511 116 02	Clamp		1	
31	999 511 116 03	Clamp		1	
32	999 511 076 02	Clamp		1	
33	N 012 006 4	Lock ring B 6		1	
34	900 075 014 02	Hexagon-head bolt M 6 X 18		1	
34	900 075 014 03	Hexagon-head bolt M 6 X 18		1	
35	928 573 809 02	Support Fuel cooler	/V	1	
36	928 573 807 02	Support Fuel cooler	/H	1	
37	N 011 524 7	Washer A 6,4		1	
37	N 011 524 27	Washer A 6,4		1	
38	900 076 010 02	Nut M 6		1	
38	900 076 010 0B	Nut M 6		1	
39	999 703 353 40	Damping piece		1	
40	999 591 863 40	Clamp		1	
41	N 020 601 1	Pipe clamp		1	
41	N 020 601 A	Pipe clamp		1	
42	999 511 118 02	Pipe clamp		1	
42	999 511 118 01	Pipe clamp		1	
43	900 075 057 02	Hexagon-head bolt M 6 X 16		2	
43	900 075 057 03	Hexagon-head bolt M 6 X 16		2	
44	N 011 524 7	Washer A 6,4		2	
44	N 011 524 27	Washer A 6,4		2	
45	999 507 326 02	Captive nut M 6		2	
46	928 573 223 00	Hose		1	
47	928 573 355 02	Intake socket		1	
48	944 573 663 02	Cap for Valve		1	
(48)	944 573 663 01	Cap for Valve Fuel cooler		1	

Model: 928 92

Model life 1992>>1995



Model: 928 92 Model life 1992>>1995

Pos	Part Number	Description	Remark	Qty	Model
		Auxiliary air conditioner Lines			M570
1	928 570 093 04	Pressure line NW 8	/LL 92	1	
(1)		Pressure line NW 8	/LL 93-	1	
(1)	927 570 093 03	Pressure line NW 8	/RL 92	1	
(1)	927 570 093 04	Pressure line NW 8	/RL 93-	1	
2	928 570 091 03	Intake pipe NW 16	92	1	
(2)	928 570 091 04	Intake pipe NW 16	93-	1	
3	999 707 251 40	O-ring	92	2	
(3)	999 707 250 40	O-ring	93-	2	
(3)	999 707 434 41	O-ring	93-	2	
4	999 707 247 40	O-ring	92	2	
(4)		O-ring	93-	2	
5	928 570 101 02	Refrigerant line NW 13	92	1	
(5)	928 570 101 03	Intake pipe NW 13	93-	1	
6	928 570 103 02	Refrigerant line NW 8	92	1	
(6)	928 570 103 03	Pressure line NW 8	93-	1	
7	999 591 863 40	Clamp		1	
8	999 591 864 40	Rubber mounting		1	
9	928 570 105 03	Refrigerant line	92	1	
(9)		Refrigerant line	93-	1	
10	928 615 201 01	Solenoid valve		1	
11	999 707 284 40	O-ring		2	
12	928 570 109 02	Refrigerant line	92	1	
(12)	928 570 109 03	Refrigerant line	93-	1	
13	928 570 455 00	Rubber mounting		1	
14	999 707 247 40	O-ring	92	1	
(14)		O-ring	93-	1	
15	999 707 251 40	O-ring	92	1	
(15)	999 707 250 40	O-ring	93-	1	
(15)	999 707 434 41	O-ring	93-	1	
16	928 573 123 05	Expansion valve	92	1	
(16)		Expansion valve	93-	1	
-	000 043 300 11	Pan-head screw M5X35		2	
17	999 707 250 40	O-ring	92	1	
17	999 707 434 41	O-ring	92-	1	
(17)	999 707 251 40	O-ring	93-	1	
18		O-ring	92	1	
(18)	999 707 250 40	O-ring	93-	1	
(18)	999 707 434 41	O-ring	93-	1	
19	928 570 211 00	Evaporator	92	1	
(19)	928 570 211 01	Evaporator	93-	1	
20	928 570 291 00	Protective grille		1	
21	928 570 212 00	Impeller		1	
22	928 570 295 00	Bush		1	
23	928 624 117 00	Blower motor		1	
24	928 618 041 01	Control unit		1	
-	928 612 222 01	Wiring harness Control unit		1	
24A		Connection point Wiring harness		1	
-	928 612 221 01	Wiring harness		1	

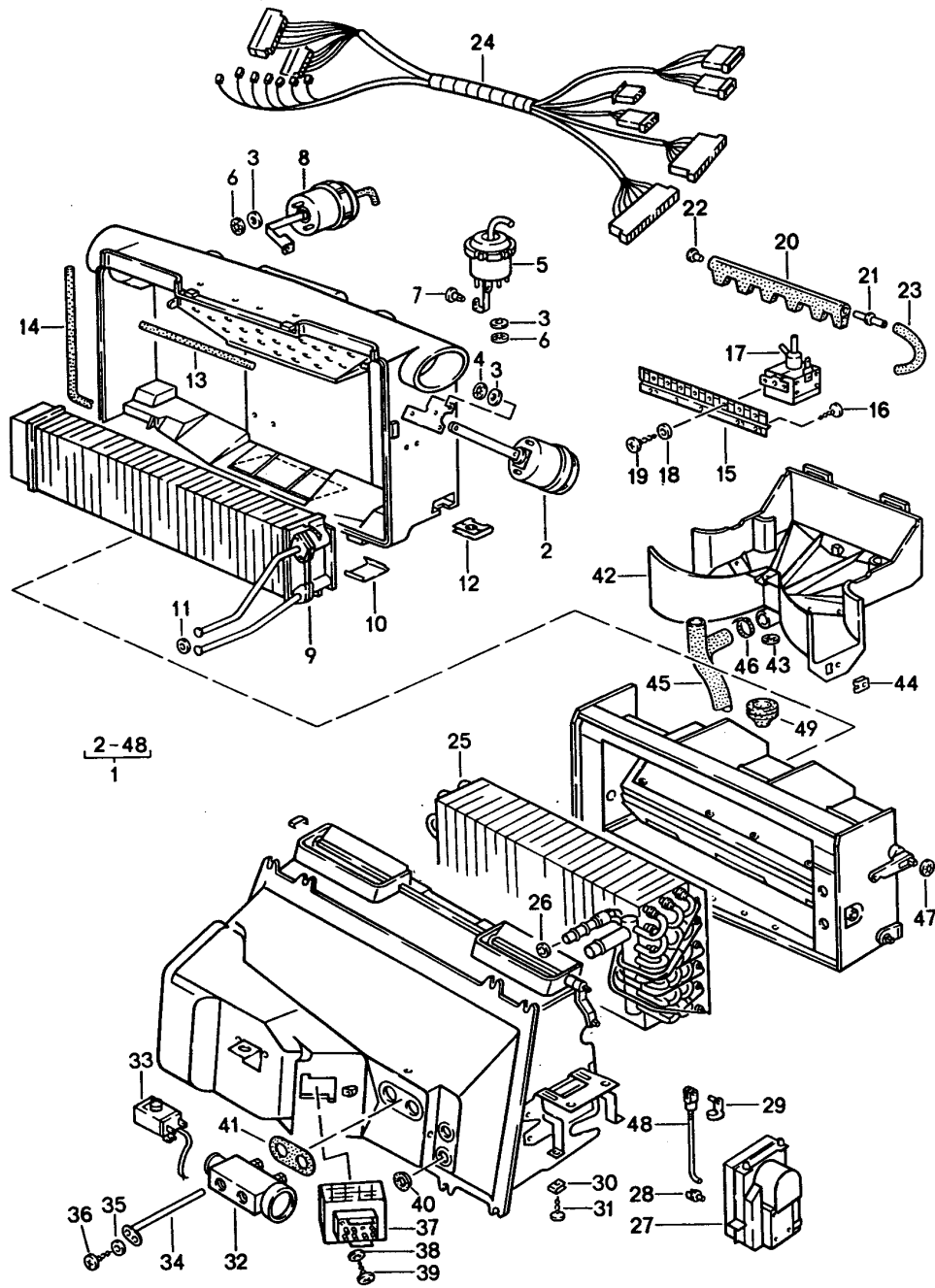
Model: 928 92

Model life 1992>>1995

Pos	Part Number	Description	Remark	Qty	Model
		Connection point			
		Centre console			
25	928 613 153 00	Potentiometer		1	
26	911 613 243 00	Blower switch		1	
27	928 613 171 00	Spacer		2	
28	928 613 178 00	Rosette	/R	1	
		Interior equipment			
		Leatherette			
(28)	928 613 178 01	Rosette	/R	1	
		Interior equipment			
		Leather			
29	928 613 177 00	Rosette	/L	1	
		Interior equipment			
		Leatherette			
(29)	928 613 177 01	Rosette	/L	1	
		Interior equipment			
		Leather			
30	911 613 119 02	Rosette		2	
31	928 613 219 00	Spring clip		2	
32	928 613 154 01	Knob	/R	1	
33	928 613 155 01	Knob	/L	1	
-	928 570 425 01	Water drain hose		1	
34	928 618 137 00	Series resistor		1	

Model: 928 92

Model life 1992>>1995



Model: 928 92 Model life 1992>>1995

Pos	Part Number	Description	Remark	Qty	Model
		Air conditioner			
		Air conditioner			
1	928 573 036 08	Air conditioner	/LL 92	1	
(1)	928 573 036 10	Air conditioner	/LL 93	1	
(1)	928 573 036 12	Air conditioner	/LL 94-	1	
(1)	927 573 036 08	Air conditioner	/RL 92	1	
(1)	927 573 036 09	Air conditioner	/RL 93	1	
(1)	927 573 036 10	Air conditioner	/RL 94-	1	
(1)	928 573 036 09	Air conditioner	/LL 92	1	
2	928 574 077 02	Vacuum unit		1	
		Defroster vent			
3	928 574 465 02	Rubber washer		9	
4	999 507 243 02	Kronen-fix		6	
5	928 574 079 06	Vacuum unit		1	
		Footwell			
6	999 507 247 02	Mecano-speed-fix		6	
7	928 574 735 02	Bolt		1	
8	928 573 309 03	Vacuum unit		1	
		Centre nozzle			
9	928 574 047 02	Heat exchanger	/LL	1	
(9)	927 574 047 02	Heat exchanger	/RL	1	
10	928 574 423 02	Clamp		8	
11	999 701 615 40	O-ring		2	
12	999 591 368 02	Speed nut		2	
		4,2			
-	999 911 214 50	Sealing cord		*	
13		152 MM		1	
14		800 MM		1	
15	928 573 693 04	Support		1	
16	999 919 010 02	Oval-head sheetmetal screw		3	
		B 4,2 X 9,5			
17	928 573 691 02	Solenoid valve	/LL	5	
(17)	928 573 692 02	Change-over valve	/RL	5	
18	900 025 001 02	Washer		5	
		A 3,2			
19	N 013 932 1	Oval-head sheetmetal screw		5	
		B 2,9 X 6,5			
20	928 573 695 03	Connection		1	
21	928 574 689 02	Connecting piece		4	
22	928 574 721 02	Stopper		2	
23	928 574 717 02	Moulded hose		4	
24	928 612 921 04	Wiring harness		1	
25	928 573 013 04	Evaporator	/LL 92	1	
(25)	928 573 013 05	Evaporator	/LL 93-	1	
(25)	927 573 013 04	Evaporator	/RL 92	1	
(25)	927 573 013 05	Evaporator	/RL 93-	1	
26	999 707 251 40	O-ring	92	1	
(26)	999 707 250 40	O-ring	93-	1	
(26)	999 707 434 41	O-ring	93-	1	
(26)	999 707 250 40	O-ring	92	1	
(26)	999 707 434 41	O-ring	92-	1	
(26)	999 707 251 40	O-ring	93-	1	
27	928 624 129 00	Control mechanism		1	
28	993 531 563 00	Linkage clip		1	
29	999 166 050 02	Bolt		1	
30	999 507 037 02	Speed nut		2	
		4,2			
31	900 143 121 07	Tapping screw		2	
		B 4,2 X 16			
31	900 143 121 0H	Tapping screw		2	
		B 4,2 X 16			
32	928 573 123 05	Expansion valve	92	1	
(32)		Expansion valve	93-	1	

Model: 928 92

Model life 1992>>1995

Pos	Part Number	Description	Remark	Qty	Model
-	000 043 300 11	Pan-head screw M 5X35		2	
33	928 613 133 00	Temperature switch		1	
34	928 573 581 02	Capillary tube		1	
35	900 028 006 01	Washer A 3		1	
36	N 013 953 2	Oval-head sheetmetal screw B 2,9 X 9,5		1	
37	928 616 101 00	Series resistor	-93	1	
37	928 616 101 01	Series resistor	94-	1	
38	N 012 224 3	Spring washer A 4		2	
39	900 146 025 02	Half-round screw M 4 X 18		2	
40	928 574 383 02	Grommet		2	
41	928 573 383 03	Grommet		1	
42	928 574 027 03	Housing		1	
43	999 507 244 02	Kronen-fix		1	
44	999 507 020 02	Speed nut 4,2		1	
44	999 507 020 01	Speed nut 4,2		1	
45	928 574 583 04	Water drain hose		1	
-	928 423 523 00	Spacer sleeve		1	
46	999 513 001 40	Tie-wrap		1	
47	999 591 425 03	Mecano-speed-fix		1	
-	928 573 299 02	Plastic foam strip 9,5 X 211		2	
48	928 573 313 02	Gear shift rod		1	
49	928 573 531 02	Grommet		1	

Model: 928 92

Model life 1992>>1995



Model: 928 92

Model life 1992>>1995

Pos	Part Number	Description	Remark	Qty	Model
-	944 573 943 00	Conversion set Air conditioner Refrigerant R134a -- TI 1/95 -- Desiccator with Desiccator Insert	91-92 91-92	1	928 S4 928 GT 928 GTS
-	999 707 247 40	O-ring 7,5 x 2 mm		2	
-	928 573 965 03	Valve Eckventil 90 Grad		1	
-	928 573 965 01	Valve TI 1/95		1	
-	928 573 965 02	Valve Eckventil 90 Grad		1	
-	928 573 965 00	Valve TI 1/95		1	
-	000 043 200 04	Oil		X	
-		Oil		X	
-		Refrigerant R 134a		X	
-	964 701 141 02	Sticker		2	

Model: 928 92

Model life 1992>>1995



Model: 928 92 Model life 1992>>1995

Pos	Part Number	Description	Remark	Qty	Model
>>	928 537 902 00	Repair kits Set of locks Comprising: Lock cylinder for Steering lock Door lock cylinder Lid lock Upper part Fuel tank cap with lock cylinder Glove compartment lock with lock cylinder Key	92	1 1 2 1 1 1 1 3	
>>	928 537 902 01	Set of locks Comprising: Lock cylinder for Steering lock Door lock cylinder Lid lock Upper part Fuel tank cap with lock cylinder Glove compartment lock with lock cylinder Key	92	1 1 2 1 1 1 3	M562
>>	927 537 902 00	Set of locks Comprising: Lock cylinder for Steering lock Door lock cylinder Lid lock Upper part Fuel tank cap with lock cylinder Key	93-	1 3	
>>	928 537 902 03	Set of locks Comprising: Lock cylinder for Steering lock Door lock cylinder Lid lock Upper part Fuel tank cap with lock cylinder Key	/LL 93-	1 3	M249
>>		Set of locks Comprising: Lock cylinder for Steering lock Door lock cylinder Lid lock Upper part Fuel tank cap with lock cylinder Key	/LL 93-	1 3	M481
>>	928 559 075 02	Stone guard film 1 set	/L	1	
>>	928 559 076 02	Stone guard film	/R	1	

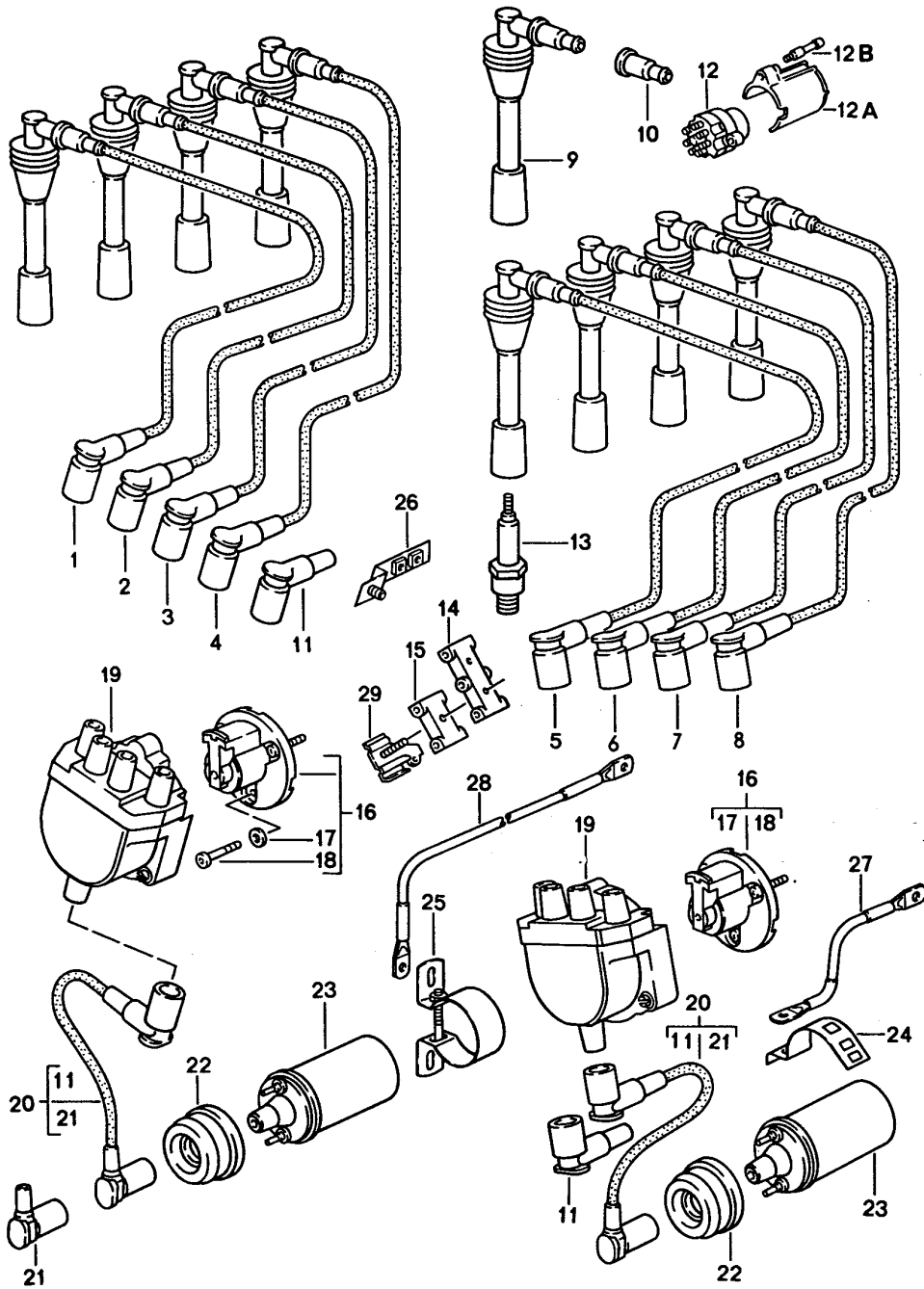
Model: 928 92

Model life 1992>>1995

Pos	Part Number	Description	Remark	Qty	Model
		1 set			

Model: 928 92

Model life 1992>>1995



Model: 928 92 Model life 1992>>1995

Pos	Part Number	Description	Remark	Qty	Model
1	928 602 060 19	Engine electrics Ignition lead Cylinder 1		1	
2	928 602 060 20	Ignition lead Cylinder 2		1	
3	928 602 060 21	Ignition lead Cylinder 3		1	
4	928 602 060 22	Ignition lead Cylinder 4		1	
5	928 602 060 23	Ignition lead Cylinder 5		1	
6	928 602 060 24	Ignition lead Cylinder 6		1	
7	928 602 060 25	Ignition lead Cylinder 7		1	
8	928 602 060 26	Ignition lead Cylinder 8		1	
9	928 602 311 00	Spark plug connector		8	
10	999 659 001 40	Water protection cap		8	
11	928 602 557 00	Distributor plug Not for Cylinder 1		7	
(11)	944 602 557 00	Distributor plug Cylinder 1		2	
12	964 613 012 00	Ignition starter switch		1	
12A	928 612 088 02	Cap		1	
12B	928 612 883 00	Bolt Spark plug Use also: 547 09222 for Spark plug		1	
-	547 09 222	Nut for Spark plug		X	
13	999 170 189 90	Spark plug WR 7DTC		8	M28.49/50
13	999 170 189 9A	Spark plug WR 7DC+		8	M28.49/50
14	928 602 323 00	Cable holder Single parts Complete in pairs Order		5	
15	928 602 322 00	Cable holder Single parts Complete in pairs Order		9	
16	928 602 213 00	Rotor		2	
17	N 012 005 3	Lock ring		6	
18	928 602 223 00	Screw		6	
19	928 602 211 01	Distributor cap		2	
20	928 602 040 01	Ignition lead	/L	1	
(20)	928 602 040 00	Ignition lead	/R	1	
21	928 602 557 00	Distributor plug		2	
22	927 602 801 00	Protection cap		2	
23	928 602 116 00	Ignition coil		2	
24	928 602 511 00	Clamping bow		1	
25	944 602 117 00	Clamp		1	
26	928 602 067 00	Support		1	
27	928 612 819 00	Ground cable	/L	1	
28	928 612 814 00	Ground cable	/R	1	

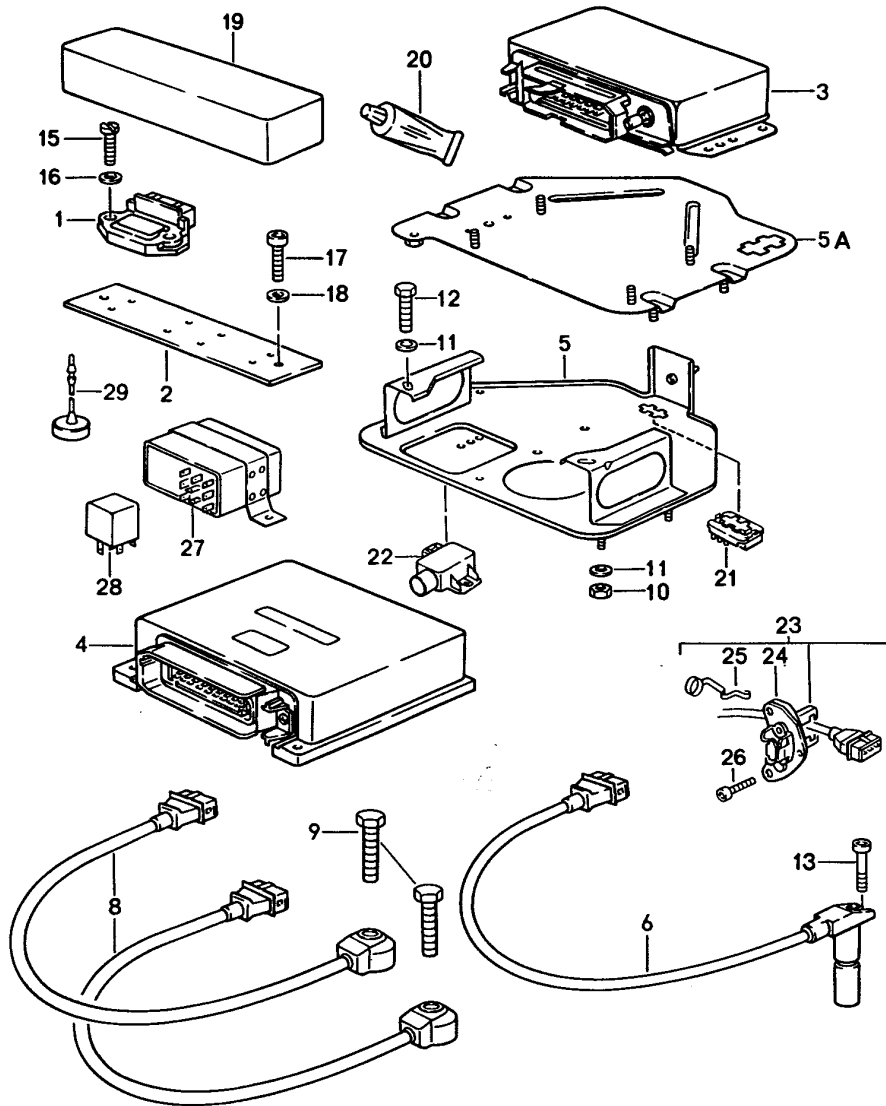
Model: 928 92

Model life 1992>>1995

Pos	Part Number	Description	Remark	Qty	Model
29	928 602 041 00	Support	/L	2	
(29)	928 602 042 00	Support	/R	2	

Model: 928 92

Model life 1992>>1995



Model: 928 92

Model life 1992>>1995

Pos	Part Number	Description	Remark	Qty	Model
		Engine electrics			
		Lh-jetronic			
1	928 602 706 01	Ignition switch unit		2	
2	928 602 716 00	Heat dissipator		1	
3	928 618 124 30	Ignition control unit		1	
3	928 618 124 GX	Control unit		1	
-	911 612 422 00	Adapter plug for cars without Catalytic converter		1	
4	928 618 123 30	Control unit Lh-jetronic		1	
5	928 618 010 02	Bracket	/RL	1	
(5)	928 618 231 01	Bracket	/LL	1	
5A	928 618 130 01	Bracket	/LL	1	
-	928 618 411 00	Grommet		1	
6	944 606 115 00	Pulse sender		1	
8	928 606 144 00	Knock sensor		2	
9	999 217 082 02	Hexagon-head bolt M 8 X 30		2	
9	900 075 518 01	Hexagon-head bolt M 8 X 30		2	
10	N 011 005 14	Hexagon nut M 5		5	
10	900 076 091 01	Hexagon nut M 5		5	
11	900 025 003 02	Washer A 5,3		4	
12	N 010 205 6	Hexagon-head bolt M 5 X 10		4	
12	900 075 105 02	Screw M 5 X 10		4	
13	999 218 005 02	Pan-head screw M 6 X 16		1	
13	999 218 005 01	Pan-head screw M 6 X 16		1	
15	900 075 260 02	Hexagon-head bolt M 6 X 15		4	
16	N 011 524 7	Washer A 6,4		4	
16	N 011 524 27	Washer A 6,4		4	
17	900 075 260 02	Hexagon-head bolt M 6 X 15		2	
18	N 011 524 7	Washer A 6,4		2	
18	N 011 524 27	Washer A 6,4		2	
19	928 602 707 00	Cover		1	
20	999 915 031 00	Sealing compound CURIL K 2 1 100-gramme tube		X	
21	928 607 431 00	Coding plug		1	M481
21	928 607 432 00	Coding plug		1	M249
21	928 607 438 00	Coding plug		1	/298
21	928 607 439 00	Coding plug		1	M481 /299 M249
22	928 606 303 00	Potentiometer for cars without Catalytic converter		1	
23	944 606 170 02	Hall sender		1	
24	928 606 180 01	Cylinders 1 - 4 Cap		1	

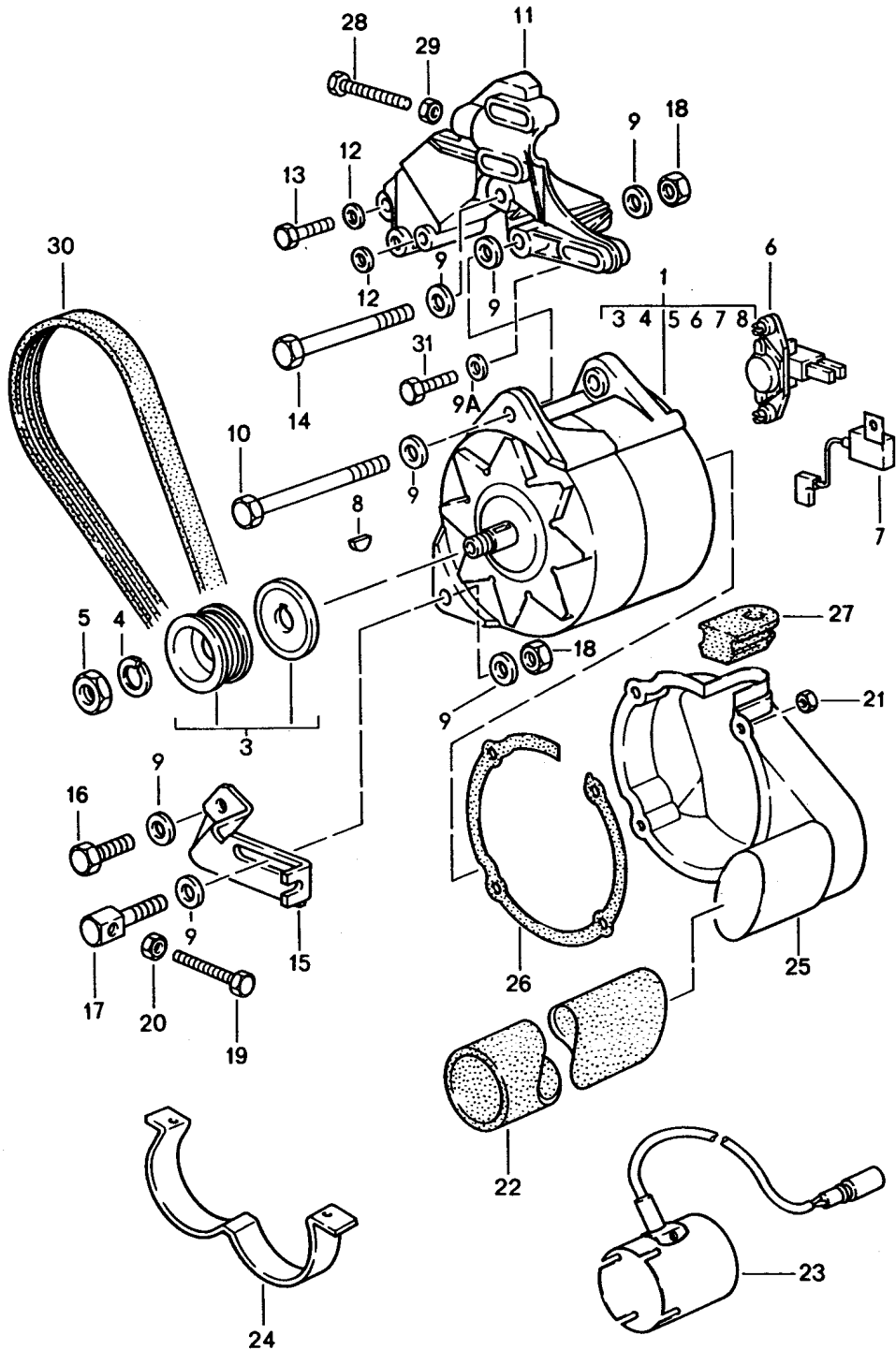
Model: 928 92

Model life 1992>>1995

Pos	Part Number	Description	Remark	Qty	Model
25	928 606 282 00	Tensioning spring		1	
26	900 067 255 02	Pan-head screw M 5 X 12		2	
27	928 618 175 00	Relay Ignition circuit monitor.		1	M298/299
27		Relay Ignition circuit monitor.	(J)	1	
28	928 615 175 00	Plug bridge for cars without Catalytic converter		1	
28	928 615 175 01	Plug bridge for cars without Catalytic converter		1	
29	928 612 273 00	Cap for Plug socket Mounting parts Sensor		1	
-	477 971 851	Cable clip		1	
-	N 020 904 4	Tie-wrap		1	

Model: 928 92

Model life 1992>>1995



Model: 928 92

Model life 1992>>1995

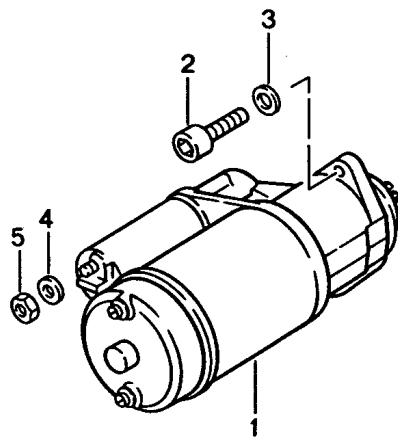
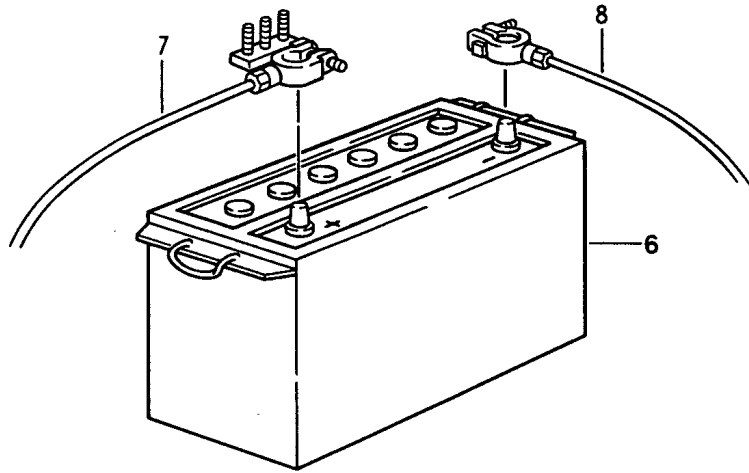
Pos	Part Number	Description	Remark	Qty	Model
1	928 603 011 05	Generator		1	
1	928 603 011 EX	Generator		1	
3	928 603 021 01	Pulley 1992/1993 without Spacer	-93	1	
3		Pulley	94-	1	
4	N 012 016 1	Lock ring		1	
5	900 034 013 02	Hexagon nut M 16 X 1,5		1	
5	900 034 013 01	Hexagon nut M 16 X 1,5		1	
6	928 603 142 00	Regulator		1	
7	944 603 143 00	Condenser		1	
8	928 603 903 00	Woodruff key		1	
9	900 025 008 09	Washer A 10,5		7	
9	900 025 008 04	Washer A 10,5		7	
9A	928 101 302 00	Washer A 8,4		3	
10	900 074 197 02	Hexagon-head bolt M 10 X 130		1	
11	928 101 123 02	Support		1	
12	900 025 007 02	Washer A 8,4		2	
12	900 025 007 03	Washer A 8,4		2	
13	N 010 335 5	Hexagon-head bolt M 8 X 35		1	
13	900 075 032 03	Hexagon-head bolt M 8 X 35		1	
14	900 074 197 02	Hexagon-head bolt M 10 X 130		1	
15	928 101 127 00	Support		1	
16	900 075 041 09	Hexagon-head bolt M 10 X 25		1	
16	900 075 481 01	Hexagon-head bolt M 10 X 25		1	
17	928 101 129 00	Threaded bolt		1	
18	900 910 031 09	Lock nut VM 10		2	
18	900 910 031 01	Lock nut VM 10		2	
19	N 010 248 1	Hexagon-head bolt M 8 X 60		1	
20	900 076 025 02	Hexagon nut M 8		1	
20	900 076 064 02	Hexagon nut M 8		1	
21	N 011 005 14	Hexagon nut M 5		4	
21	900 076 091 01	Hexagon nut M 5		4	
-	900 025 003 02	Washer A 5,3		4	
22	928 603 143 01	Flexible pipe 320 MM		1	
(22)	928 603 143 04	Flexible pipe 900 MM		1	
23	928 659 021 01	Outer sensor for		1	

Model: 928 92 Model life 1992>>1995

Pos	Part Number	Description	Remark	Qty	Model
		Automatic air conditioner			
24	928 603 139 00	Retaining bar		1	
25	928 603 133 07	Ventilation cowl		1	
26	928 603 135 03	Sealing ring		1	
27	928 612 865 03	Hose piece		1	
28	N 010 361 4	Hexagon-head bolt M 8 X 65		1	
28	N 010 361 13	Hexagon-head bolt M 8 X 65		1	
29	900 076 025 02	Hexagon nut M 8		1	
29	900 076 064 02	Hexagon nut M 8		1	
30	999 192 266 50	Poly-rib belt K 6 - 858 - LW		1	M481
(30)	999 192 347 50	Poly-rib belt K 6 - 872 - LW		1	M249
31	N 010 353 3	Hexagon-head bolt M 8 X 42		3	

Model: 928 92

Model life 1992>>1995

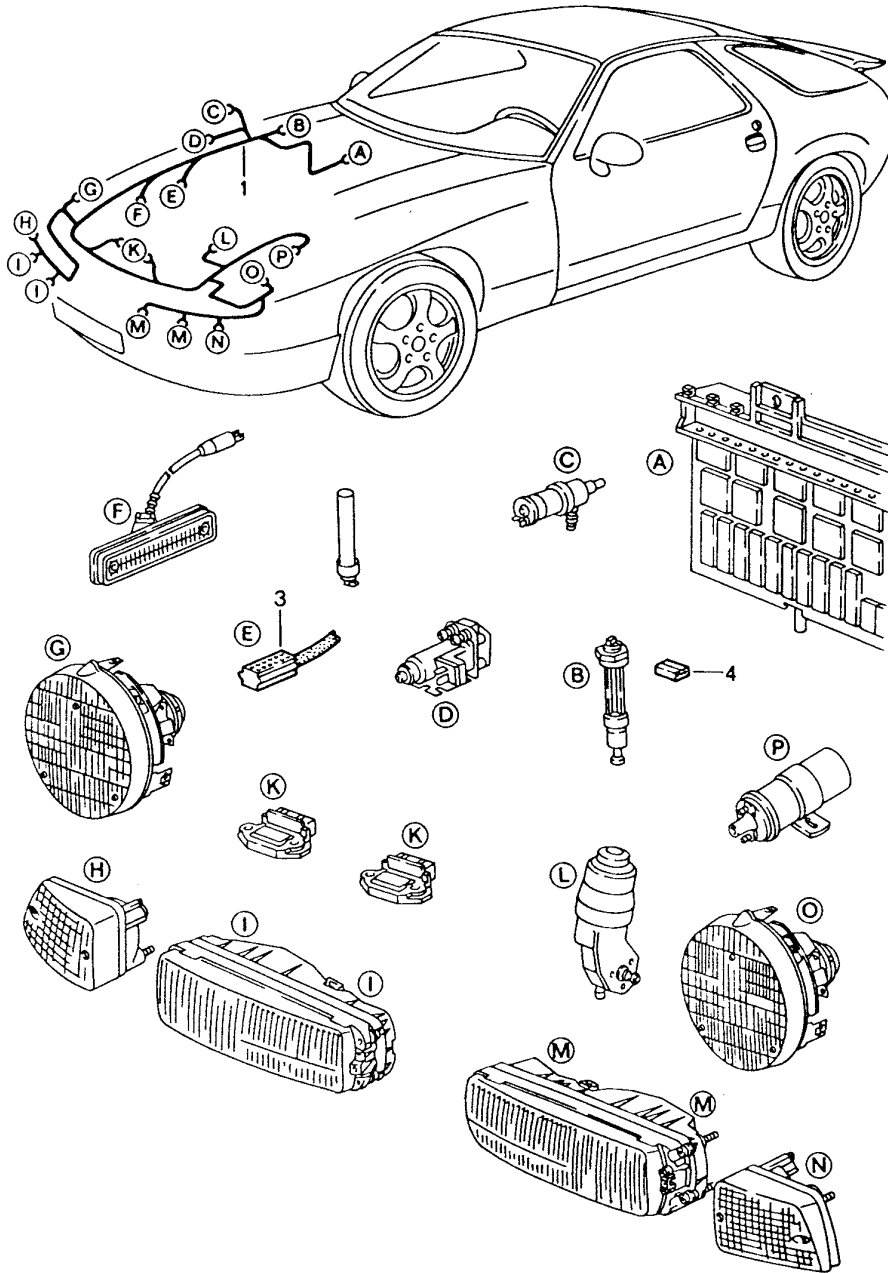


Model: 928 92 Model life 1992>>1995

Pos	Part Number	Description	Remark	Qty	Model
1	928 604 103 04	Starter Battery		1	
(1)	928 604 103 DX	Starter 1,5 KW		1	
(1)	928 604 103 EX	Starter 1,5 KW		1	
2	900 067 124 02	Pan-head screw M 10 X 35		2	
3	N 011 524 7	Washer A 10,5		2	
3	N 011 524 27	Washer A 10,5		2	
4	900 025 007 02	Washer A 8,4		1	
4	900 025 007 03	Washer A 8,4		1	
5	900 076 025 02	Hexagon nut M 8		1	
5	900 076 064 02	Hexagon nut M 8		1	
6	928 611 175 03	Battery 12V - 75AH		1	
7		See group 9/02/12		.	
8		See group 9/02/12		.	
-	928 611 851 01	Pole covering Battery Mounting parts Battery		1	
-	928 611 209 02	Clamp		1	
-	928 611 209 02 GRV	Prime coated			
-	900 067 147 02	Pan-head screw M 8 X 25		1	
-	900 067 147 01	Pan-head screw M 8 X 25		1	
-	N 011 525 13	Washer		1	

Model: 928 92

Model life 1992>>1995



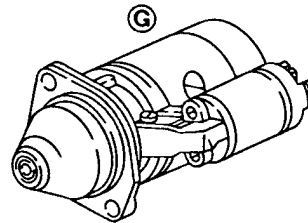
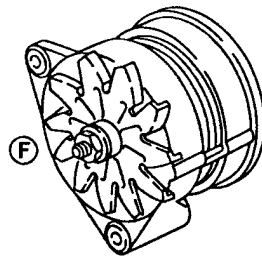
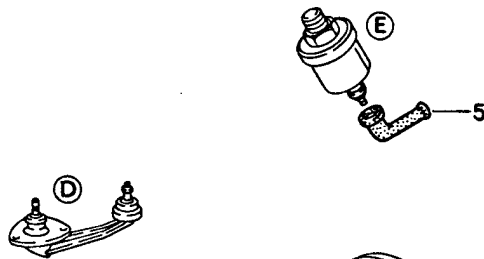
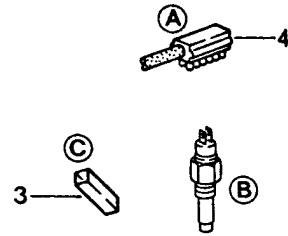
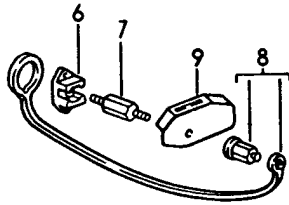
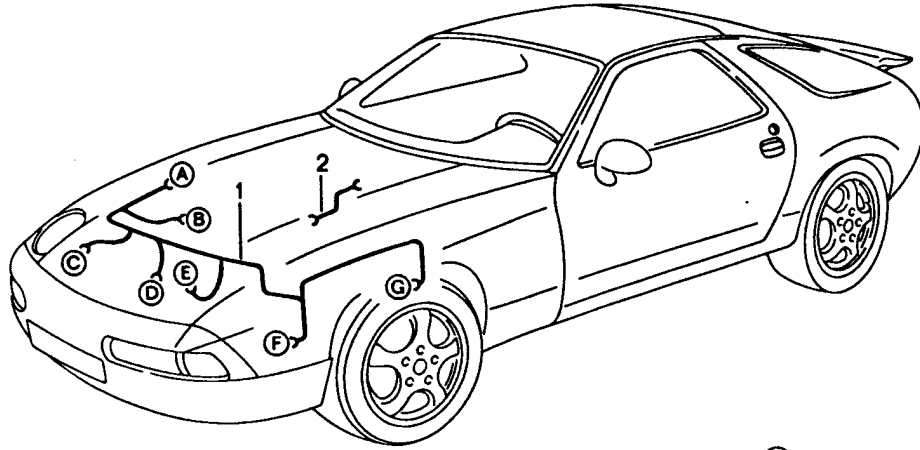
Model: 928 92

Model life 1992>>1995

Pos	Part Number	Description	Remark	Qty	Model
		Wiring harness Front			
1	928 612 001 34	Wiring harness	/LL 92	1	
(1)	928 612 001 36	Wiring harness	93-	1	
(1)	927 612 001 12	Wiring harness	/RL 92	1	
(1)	927 612 001 38	Wiring harness	93-	1	
3	911 612 115 02	Connector housing		1	
4	810 971 989	Connector housing		1	
		Mounting parts			
-	999 511 138 02	Pipe clamp		1	
-	928 503 113 02	Hexagon-head bolt M 6 X 25		1	
-	999 513 023 40	Tie-wrap 120 MM		13	
-	999 513 007 40	Tie-wrap 88 MM		8	
-	999 513 023 40	Tie-wrap 160 MM		2	

Model: 928 92

Model life 1992>>1995



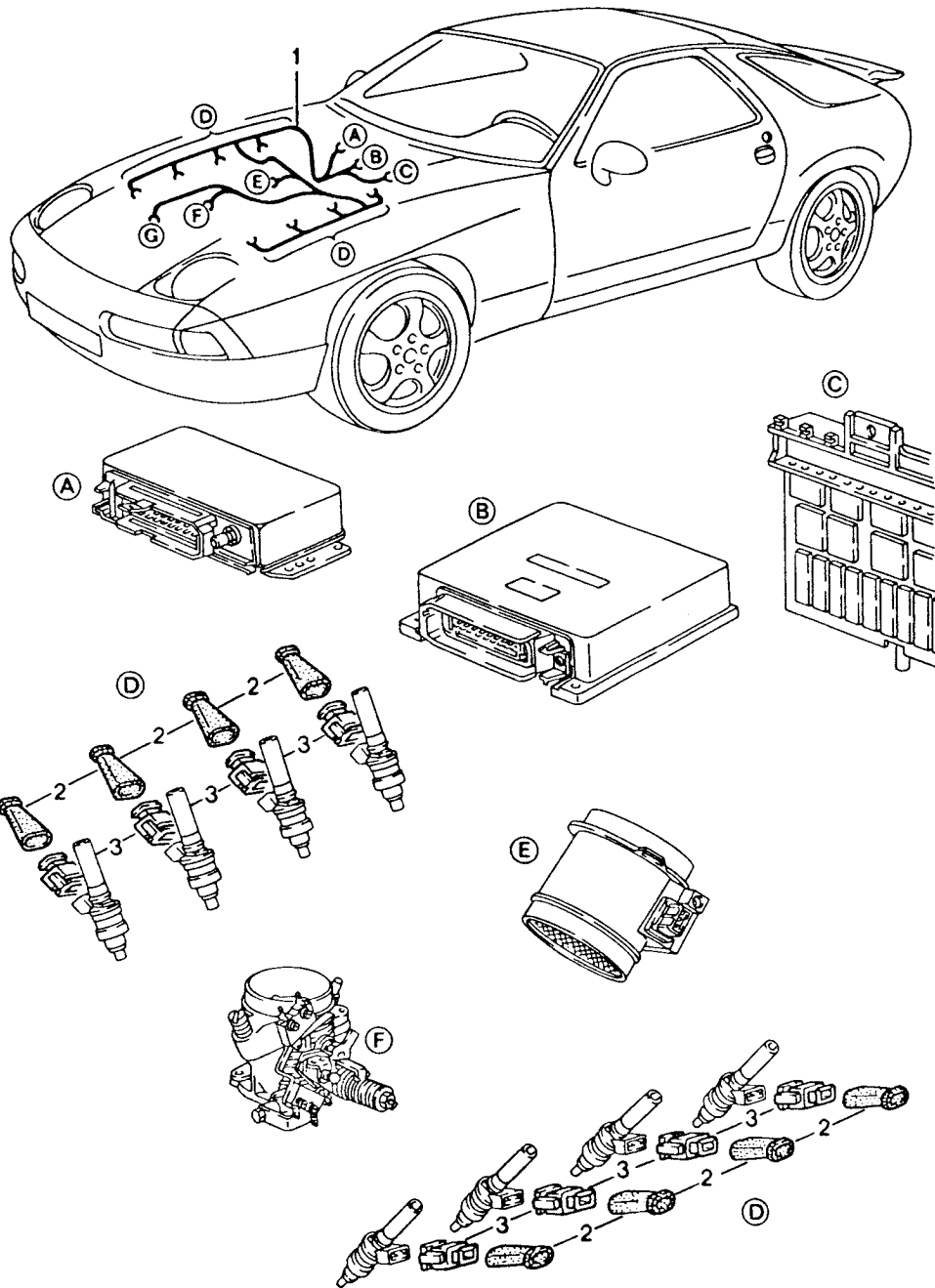
Model: 928 92

Model life 1992>>1995

Pos	Part Number	Description	Remark	Qty	Model
		Wiring harness			
		Engine			
1	928 607 002 17	Wiring harness		1	
2	928 612 011 00	Ground cable		1	
3	111 971 977	Flat connector socket		1	
4	911 612 113 05	Connector housing		1	
5	928 612 497 00	Protection cap		2	
6	928 612 867 00	Cable connection		1	
7	928 612 868 01	Hexagon-head bolt		1	
8	928 612 073 00	Protection cap		1	
8	928 612 073 01	Protection cap		1	
9	928 612 871 02	Cover		1	

Model: 928 92

Model life 1992>>1995

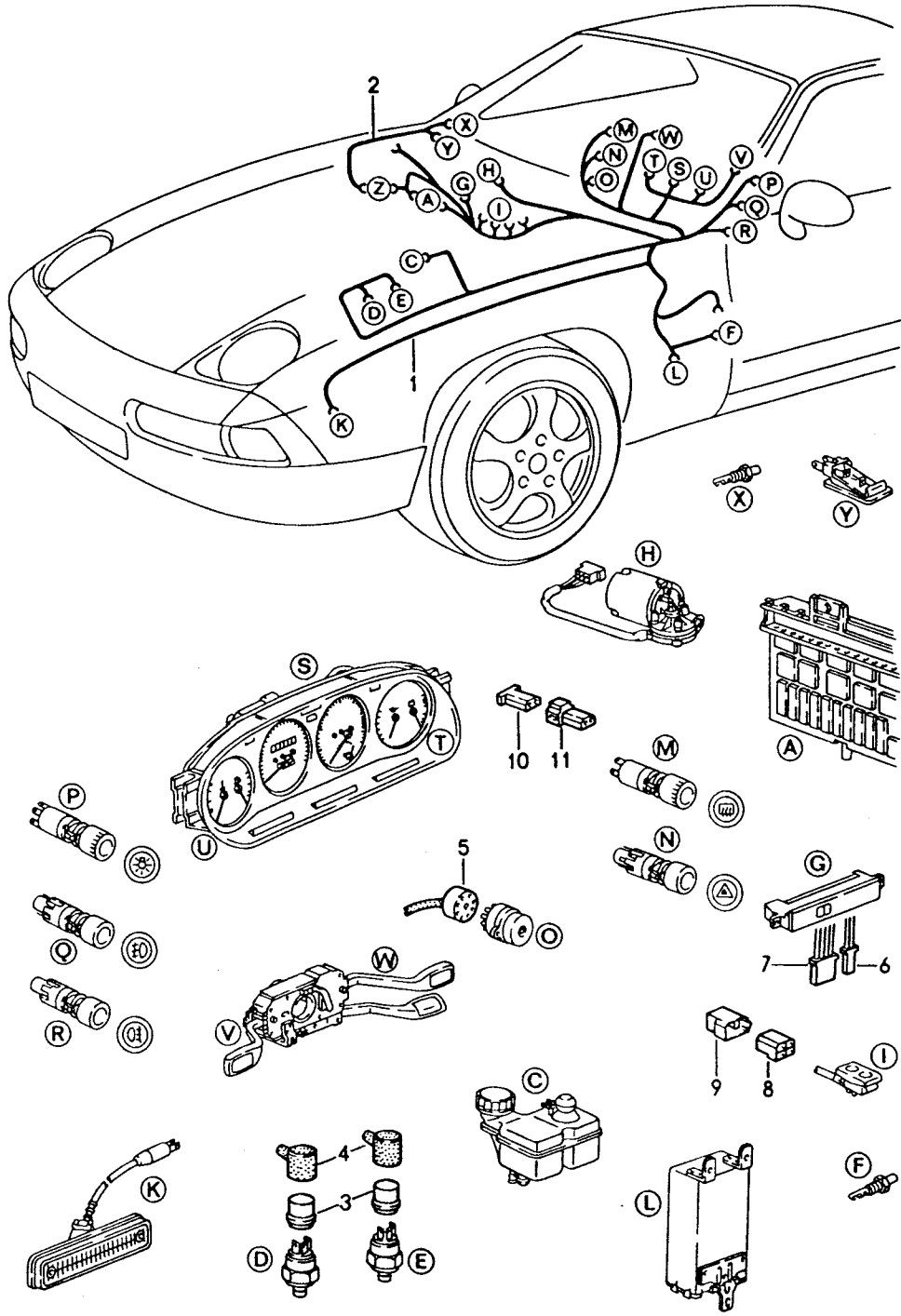


Model: 928 92 Model life 1992>>1995

Pos	Part Number	Description	Remark	Qty	Model
		Wiring harness Lh-jetronic			
1	928 607 015 11	Wiring harness	/LL -93	1	
(1)	928 607 015 12	Wiring harness	/LL 94-	1	
1	927 607 015 05	Wiring harness	/RL -93	1	
(1)	927 607 015 06	Wiring harness	/RL 94-	1	
2	944 612 128 00	Protection cap		10	
2	944 612 128 02	Protection cap		10	
3	928 612 825 00	Connector housing		8	
		Mounting parts			
-	N 020 904 4	Tie-wrap		X	
-	N 020 626 2	Clip		2	
		B 15 X 16			
-	999 651 159 02	Cable clamp		1	
-	999 511 177 02	Clamp	/RL	1	
		B 20 X 15			
-	999 511 177 01	Clamp	/RL	1	
		B 20 X 15			
-	999 511 076 02	Clamp		1	
		B 20 X 18			

Model: 928 92

Model life 1992>>1995

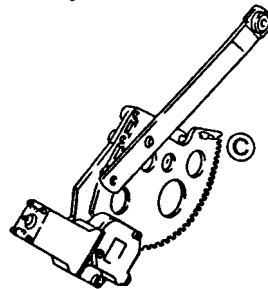
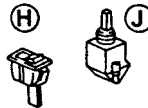
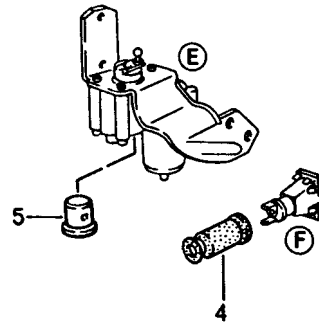
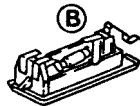
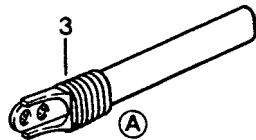
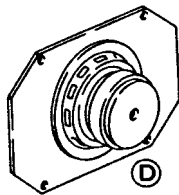
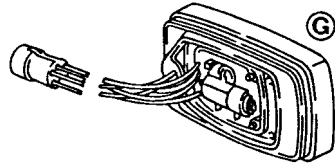
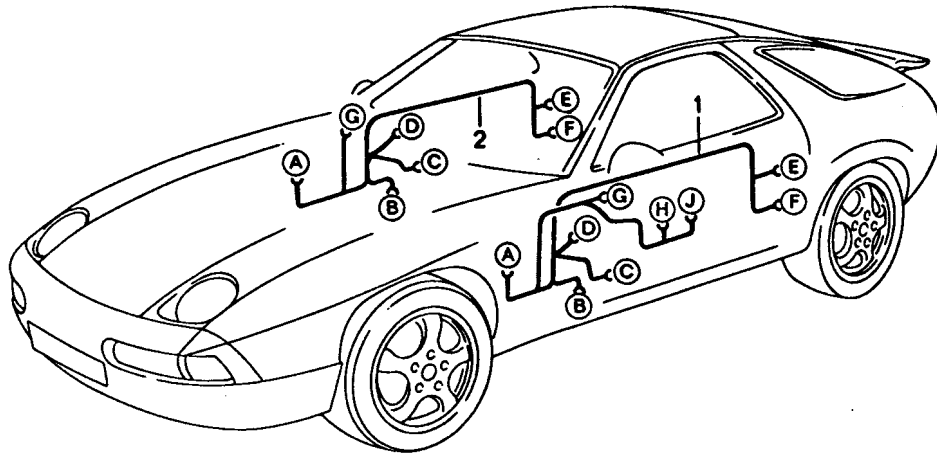


Model: 928 92 Model life 1992>>1995

Pos	Part Number	Description	Remark	Qty	Model
		Wiring harness Dashboard			
1	928 612 003 67	Wiring harness	/LL -93	1	
1	928 612 003 69	Wiring harness	/LL 94-	1	
(1)	928 612 003 66	Wiring harness	/LL -93	1	M537
(1)	928 612 003 68	Wiring harness	/LL 94-	1	M537
(1)	927 612 003 47	Wiring harness	/RL 92	1	
(1)	927 612 003 55	Wiring harness	/RL 93	1	
(1)	927 612 003 57	Wiring harness	/RL 94-	1	
(1)	927 612 003 46	Wiring harness	/RL 92	1	M538
(1)	927 612 003 54	Wiring harness	/RL 93	1	M538
(1)	927 612 003 56	Wiring harness	/RL 94-	1	M538
-	928 612 043 07	Wiring harness for Instrument box	/LL	1	
-	927 612 043 03	Wiring harness for Instrument box	/RL	1	
2	928 612 038 02	Wiring harness Glove compartment light		1	
3	113 945 525	Terminal sleeve housing		2	
4	211 945 521 C	Protection cap		2	
5	911 612 889 00	Connector housing		1	
6	171 971 998 A	Connector housing		1	
7	171 971 998 C	Connector housing		1	
8	928 612 414 04	Connector housing		X	
9	928 612 413 00	Connector housing Blue		X	
(9)	928 612 413 03	Connector housing Yellow		X	
10	171 971 999 A	Terminal sleeve housing		1	
11	171 971 998 A	Connector housing		1	
-	928 612 202 06	Wiring harness Switch unit - EX - Mounting parts	(J)	1	
-	999 513 002 40	Tie-wrap 286 MM		1	
-	N 020 910 4	Tie-wrap 286 MM		1	
-	999 513 003 40	Tie-wrap 286 MM		1	
-	999 513 023 40	Tie-wrap 293 MM		1	
-	999 513 007 40	Tie-wrap 80 MM		8	
-	999 651 152 02	Cable clamp		1	
-	999 651 152 01	Cable clamp		1	
-	999 591 380 02	Cable clamp		5	
-	477 971 939	Cable terminal		5	
-	PCG 971 939	Cable terminal		5	
-	928 612 091 00	Bridge for Central electrical system		1	
12A	928 612 088 02	Cap		1	
12B	928 612 883 00	Bolt		1	

Model: 928 92

Model life 1992>>1995



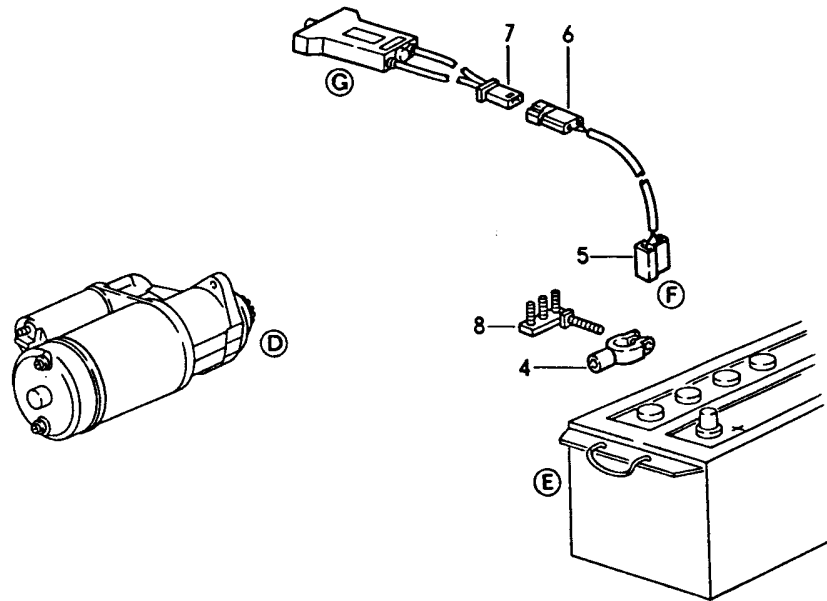
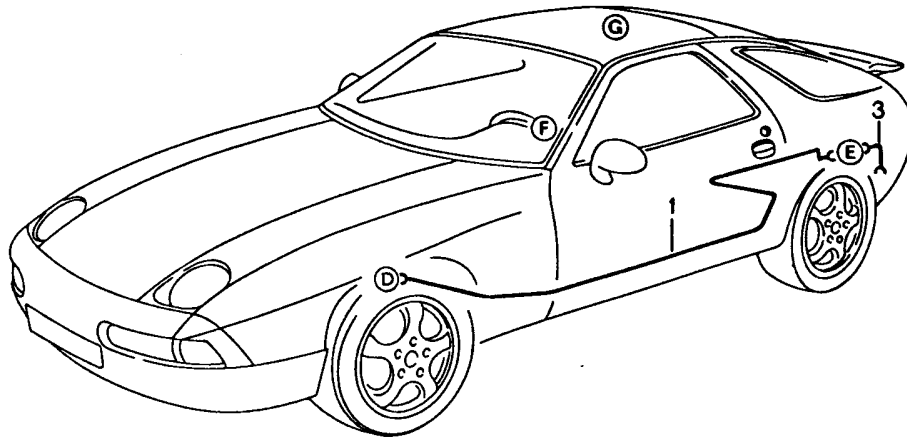
Model: 928 92

Model life 1992>>1995

Pos	Part Number	Description	Remark	Qty	Model
		Wiring harness Door			
1	928 612 167 25	Wiring harness	/LL	1	
(1)	928 612 167 26	Wiring harness	/RL	1	
(1)	928 612 167 23	Wiring harness	/LL	1	M537
(1)	928 612 167 24	Wiring harness	/RL	1	M538
2	928 612 167 26	Wiring harness	/LL	1	
(2)	928 612 167 25	Wiring harness	/RL	1	
(2)	928 612 167 24	Wiring harness	/LL	1	M537
(2)	928 612 167 23	Wiring harness	/RL	1	M538
3	928 555 551 02	Cable guide		2	
4	999 659 002 50	Rubber cap		2	
5	928 612 131 00	Connector housing		2	
		Mounting parts			
-	477 971 851	Cable clip		4	
-	928 537 411 02	Clip Grey		4	

Model: 928 92

Model life 1992>>1995



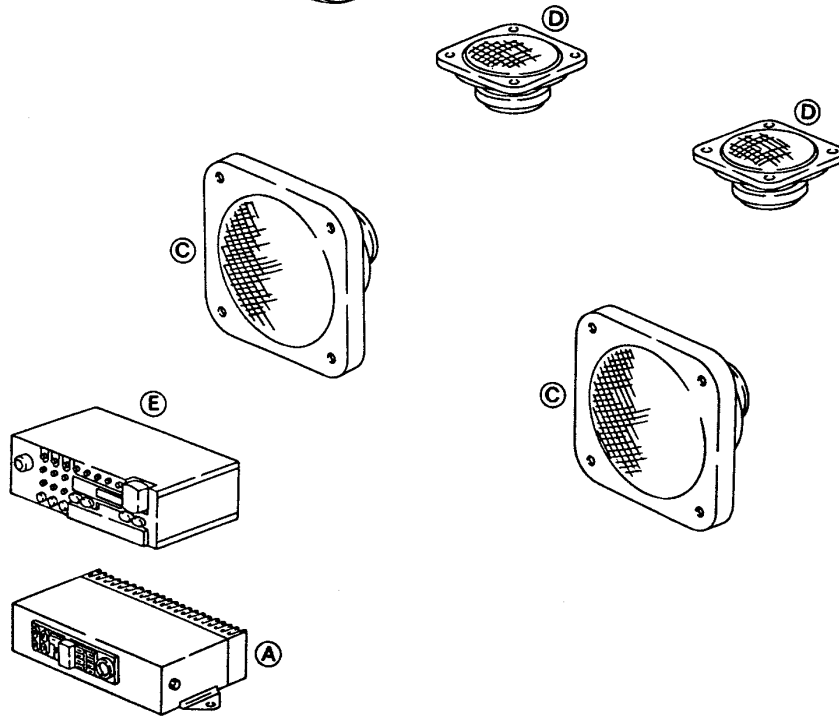
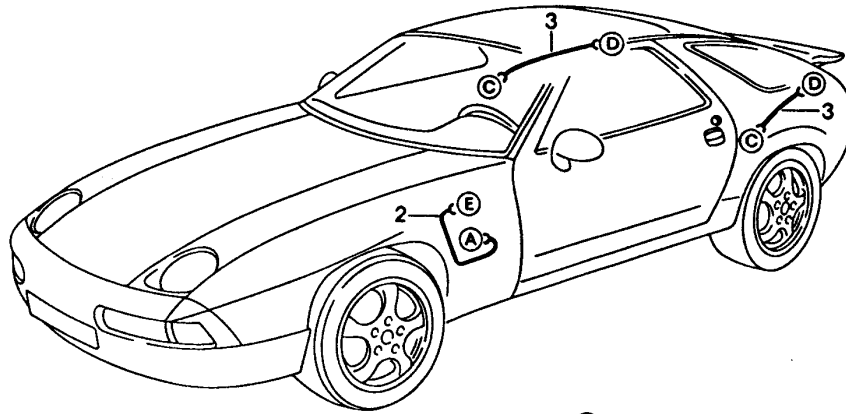
Model: 928 92

Model life 1992>>1995

Pos	Part Number	Description	Remark	Qty	Model
1	928 612 007 04	Wiring harness Passenger compartment		1	
3	928 612 009 13	Wiring harness Starter battery Ground cable Battery Body		1	
4	928 611 898 02	Terminal clamp		1	
5	999 652 167 40	Terminal sleeve housing		1	
6	171 971 998 A	Connector housing		1	
7	171 971 999 A	Terminal sleeve housing		1	
8	928 611 085 00	Distributing piece Mounting parts Battery-starter cable		1	
-	999 513 003 40	Tie-wrap		1	
-	999 511 156 00	Clamp 13/15 W 5		13	
-	999 591 839 40	Plastic nut T 5		13	
-	999 702 124 50	Grommet Mounting parts Ground cable		1	
-	900 075 398 02	Hexagon-head bolt M 8 X 16 SB		1	
-	N 012 241 8	Spring washer B 8		1	
-	900 151 008 02	Washer A 8,4		1	
-	999 702 128 50	Dummy grommet 8 X 10 X 15		1	

Model: 928 92

Model life 1992>>1995

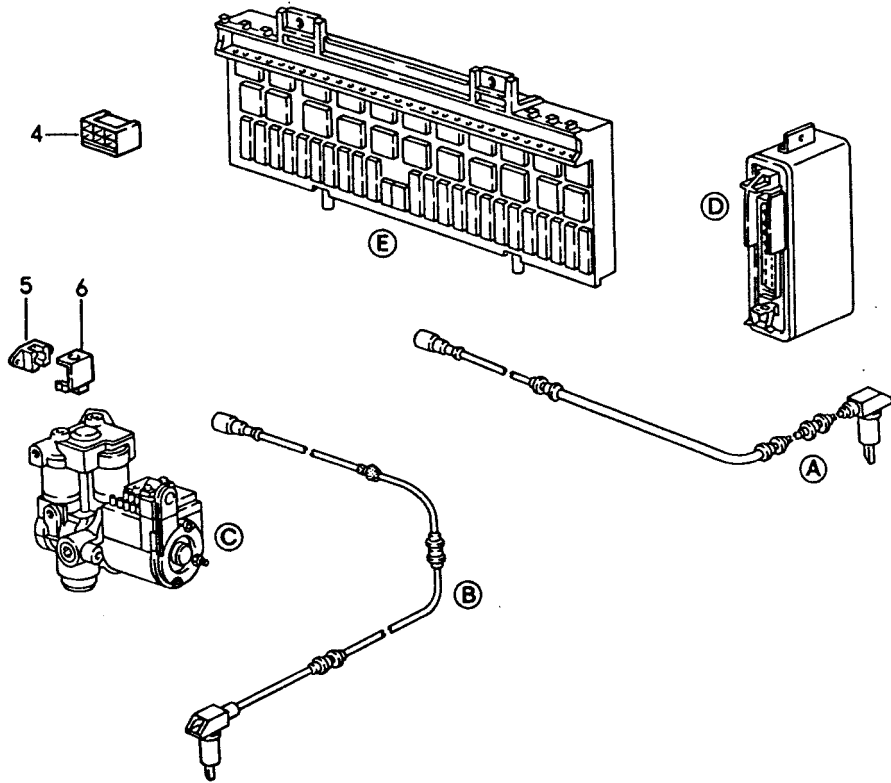
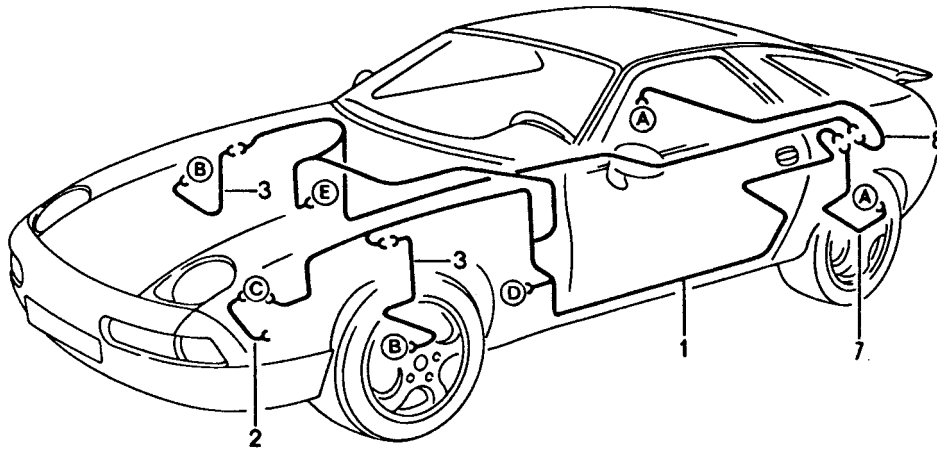


Model: 928 92 **Model life 1992>>1995**

Pos	Part Number	Description	Remark	Qty	Model
		Wiring harness			
		Loudspeaker			
2	928 645 172 00	Wiring harness		1	
3	928 612 069 02	Wiring harness		2	
-	928 612 261 00	Plug bridge		2	

Model: 928 92

Model life 1992>>1995

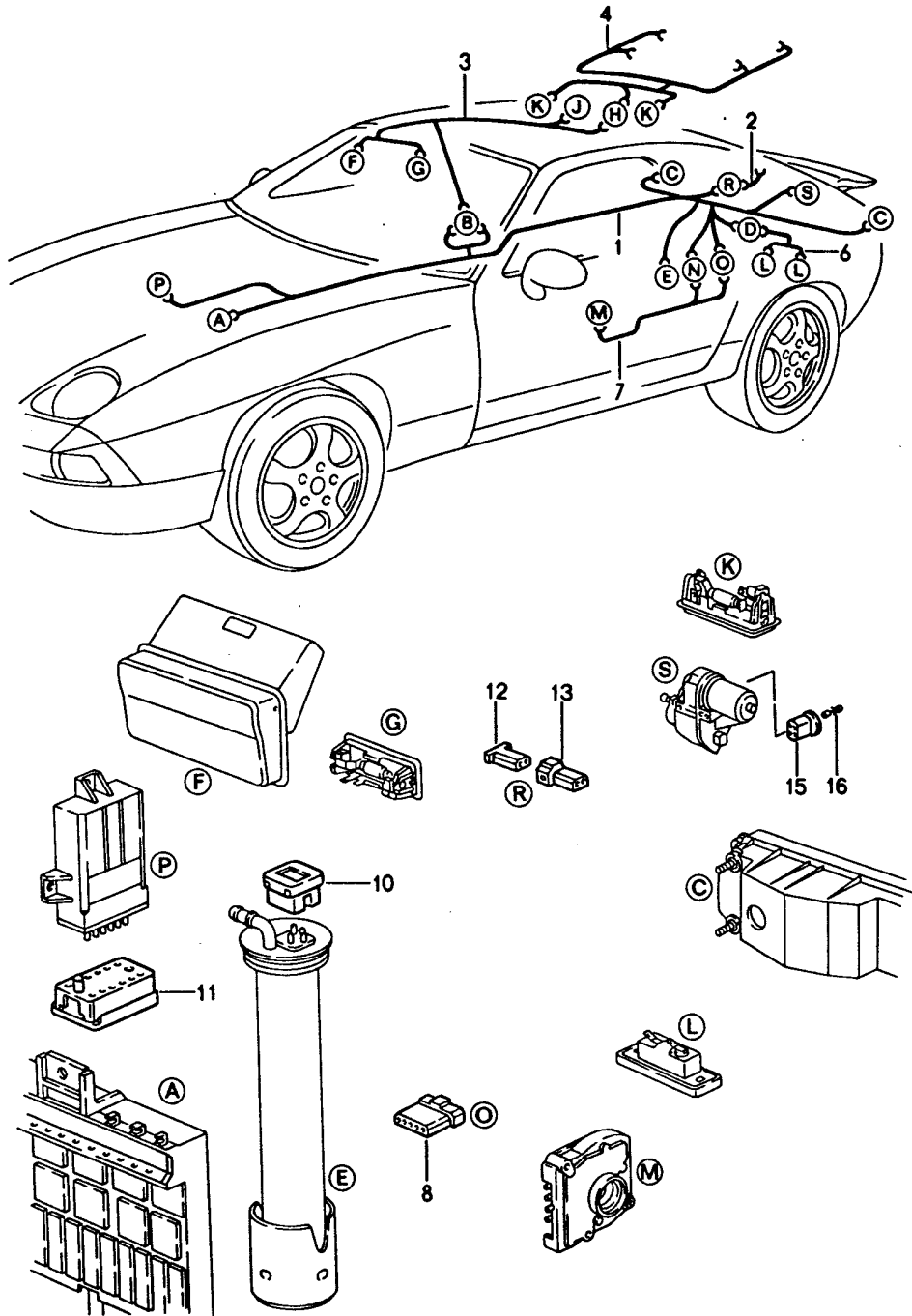


Model: 928 92 Model life 1992>>1995

Pos	Part Number	Description	Remark	Qty	Model
		Wiring harness Anti-lock brake system			
1	928 612 121 21	Wiring harness	/LL 92	1	
(1)	928 612 121 22	Wiring harness	/LL 93	1	
(1)	928 612 121 23	Wiring harness	/LL 94-	1	
(1)	927 612 121 20	Wiring harness	/RL 92	1	
(1)	927 612 121 21	Wiring harness	/RL 93	1	
(1)	927 612 121 22	Wiring harness	/RL 94-	1	
2	928 612 189 01	Ground strap		1	
3	928 612 404 00	Wiring harness	92	2	
(3)	928 612 917 00	Wiring harness	/L 93	1	
(3)	928 612 914 00	Wiring harness	/R 93	1	
(3)	928 612 917 01	Wiring harness	/L 94-	1	
(3)	928 612 914 01	Wiring harness	/R 94-	1	
4	161 971 975 A	Flat connector socket		1	
5	928 612 867 00	Cable connection		1	
6	928 612 874 00	Cap		1	
7	928 612 420 00	Wiring harness	92	1	
(7)	928 612 420 02	Wiring harness	93	1	
(7)	928 612 420 03	Wiring harness	94-	1	
8	928 612 430 00	Wiring harness	92	1	
(8)	928 612 430 02	Wiring harness	93	1	
(8)	928 612 430 03	Wiring harness	94-	1	

Model: 928 92

Model life 1992>>1995

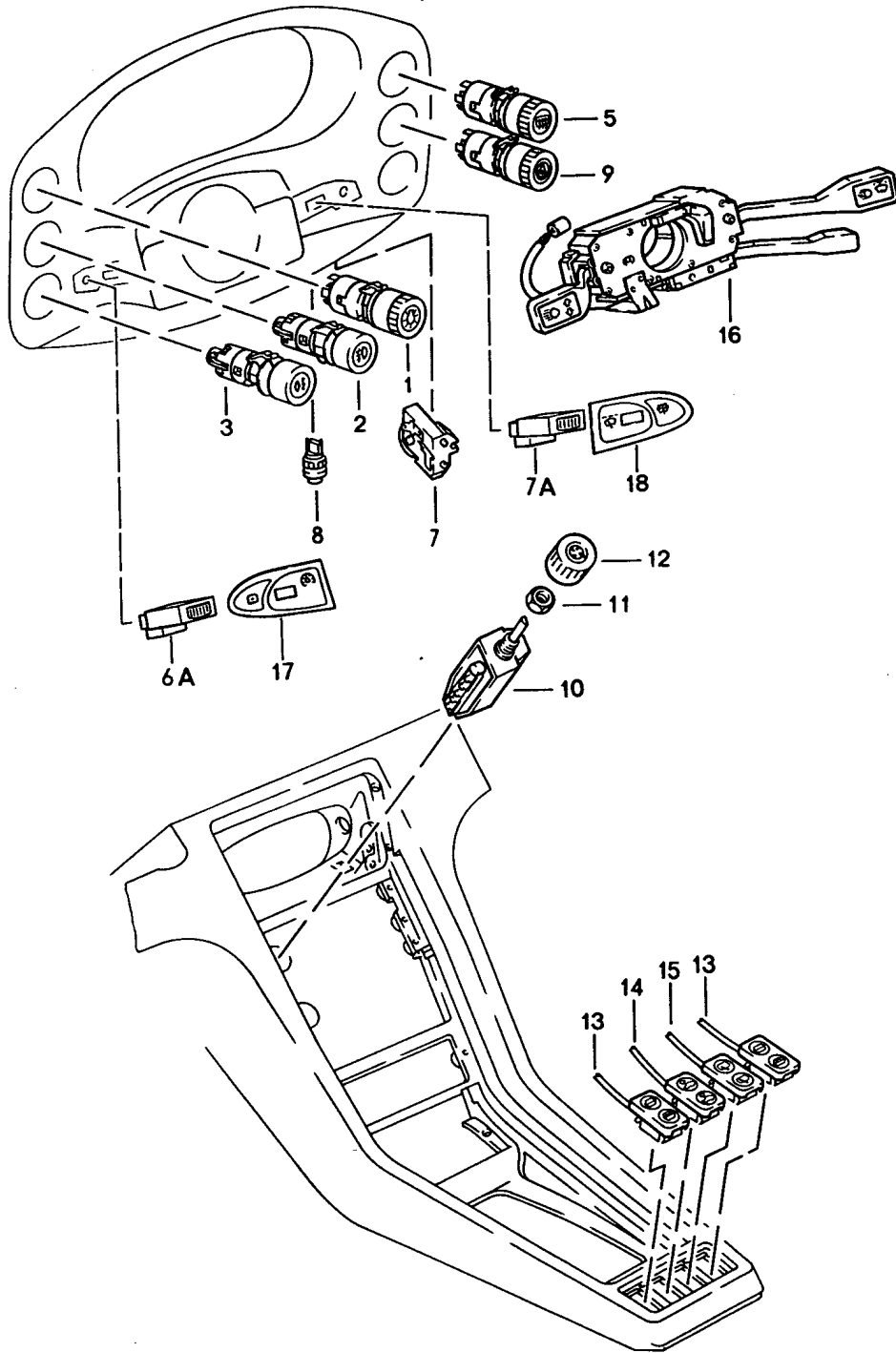


Model: 928 92 Model life 1992>>1995

Pos	Part Number	Description	Remark	Qty	Model
		Wiring harness Rear end			
1	928 612 004 57	Wiring harness	/LL	1	M481
(1)	928 612 004 58	Wiring harness	/LL	1	M249
(1)	927 612 004 32	Wiring harness	/RL	1	M481
(1)	927 612 004 33	Wiring harness	/RL	1	M249
-	N 100 641 01	Safety fuse T 1,0 B		1	
-	928 612 479 00	Rear lid release Fuse holder Rear lid release		1	
2	928 612 037 01	Wiring harness		1	
3	928 612 008 09	Wiring harness		1	
4	928 612 005 03	Wiring harness		1	
(4)	928 612 005 04	Wiring harness		1	M602
7	928 612 012 08	Wiring harness		1	M249
(7)	928 612 016 04	Wiring harness		1	
8	171 971 998 E	Connector housing 6-pole		1	
9	171 971 998 C	Connector housing 4-pole		1	
10	901 612 891 01	Connector housing Triple		1	
11	944 612 215 00	Connector housing 14-pole without Contact bush 99965235122		1	
12	171 971 999 A	Terminal sleeve housing 2-pole		1	
13	171 971 998 A	Connector housing 2-pole		1	
14	803 971 979	Plug socket		2	
15	928 612 131 00	Connector housing		1	
16	999 652 269 12	Contact spring		4	
		Mounting parts Transmission			
-	999 651 160 02	Cable holder		2	
-	928 612 493 00	Cable holder		1	M249
-	999 651 168 40	Cable holder		1	M249
-	999 513 021 40	Wheel housing Tie-wrap		1	
-	477 971 939	Rear lid Cable terminal		5	
-	PCG 971 939	Cable terminal		5	
-	999 591 380 02	Cable clamp		5	

Model: 928 92

Model life 1992>>1995



Model: 928 92 Model life 1992>>1995

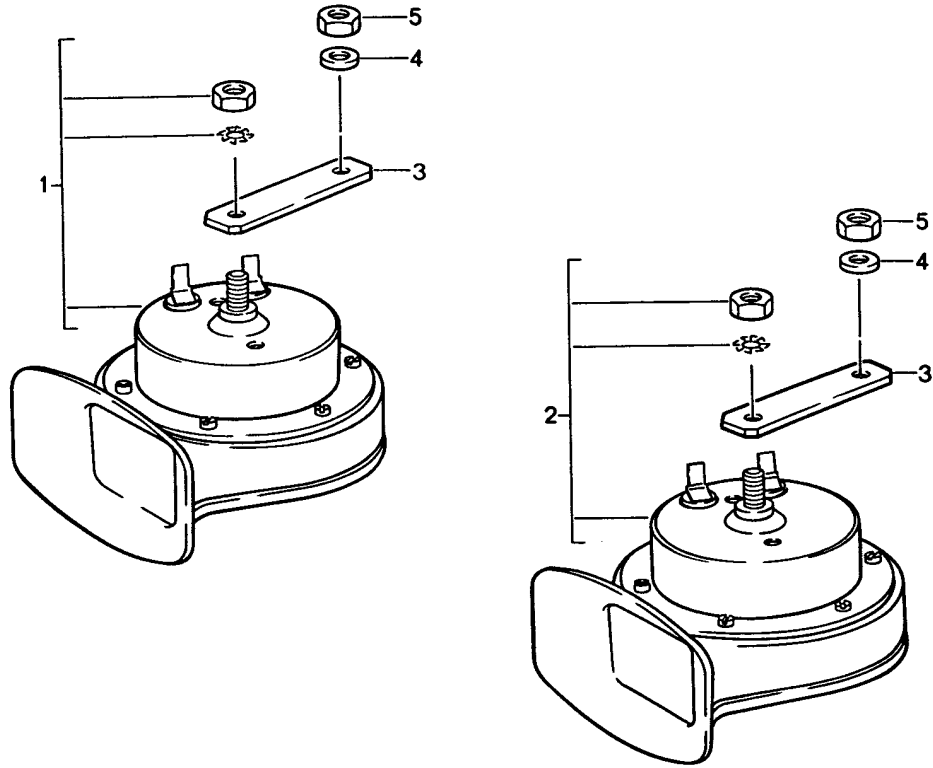
Pos	Part Number	Description	Remark	Qty	Model
1	928 613 103 00	Switch Manually Combined switch for light		1	
2	928 613 111 00	Switch for Fog headlamp		1	
3	928 613 109 00	Switch for rear fog light for fog lamp		1	
5	928 613 107 01	Combined switch for Rear window heating		1	
6A	928 613 031 00	Potentiometer		1	
	928 613 031 00 70B	Black			
7A	928 613 015 00	Potentiometer		1	
	928 613 015 00 70B	Black			
		Interval relay			
9	928 613 105 01	Hazard warning light sw.		1	
10	928 613 127 00	Blower switch		1	
11	999 034 007 02	Hexagon flat nut M 12 X 1		1	
12	928 613 731 01	Rotary knob Blower switch		1	
-	999 591 434 02	Spring Blower switch		1	
13	928 613 123 07	Tip switch		2	
	928 613 123 07 01C	Black for window opener			
14	928 613 120 02	Tip switch		1	M650
	928 613 120 02 01C	Black			
15	928 613 129 04	Tip switch		1	
	928 613 129 04 70B	Black for Rear window wiper			
(15)	928 613 123 04	Display specimen		1	
	928 613 123 04 70B	Black Switch Door mirror See group 8/09/10			
(16)	964 613 331 00	Steering column switch	-93	1	
	964 613 331 00 01C	Black with Headlight washer system with Cruise control			
(16)	964 613 331 01	Steering column switch	94-	1	
	964 613 331 01 01C	Black with Headlight washer system with Cruise control			
(16)	964 613 333 00	Steering column switch	(F) -93	1	
	964 613 333 00 01C	Black with Headlight washer system with Cruise control			
(16)	964 613 333 01	Steering column switch	94-	1	
	964 613 333 01 01C	Black with Headlight washer system with			

Model: 928 92 Model life 1992>>1995

Pos	Part Number	Description	Remark	Qty	Model
(16)	964 613 332 00 964 613 332 00 01C	Cruise control Steering column switch Black with Headlight washer system with Cruise control Lettering English	-93	1	
(16)	964 613 332 01 964 613 332 01 01C	Steering column switch Black with Headlight washer system with Cruise control Lettering English	94-	1	
-	964 652 104 00	Contact plate		1	
17	928 613 341 00 928 613 341 00 70B	Switch Black		1	
18	928 613 344 00 928 613 344 00 70B	Cover Black		1	
-	999 651 165 02	Cable clamp		1	

Model: 928 92

Model life 1992>>1995



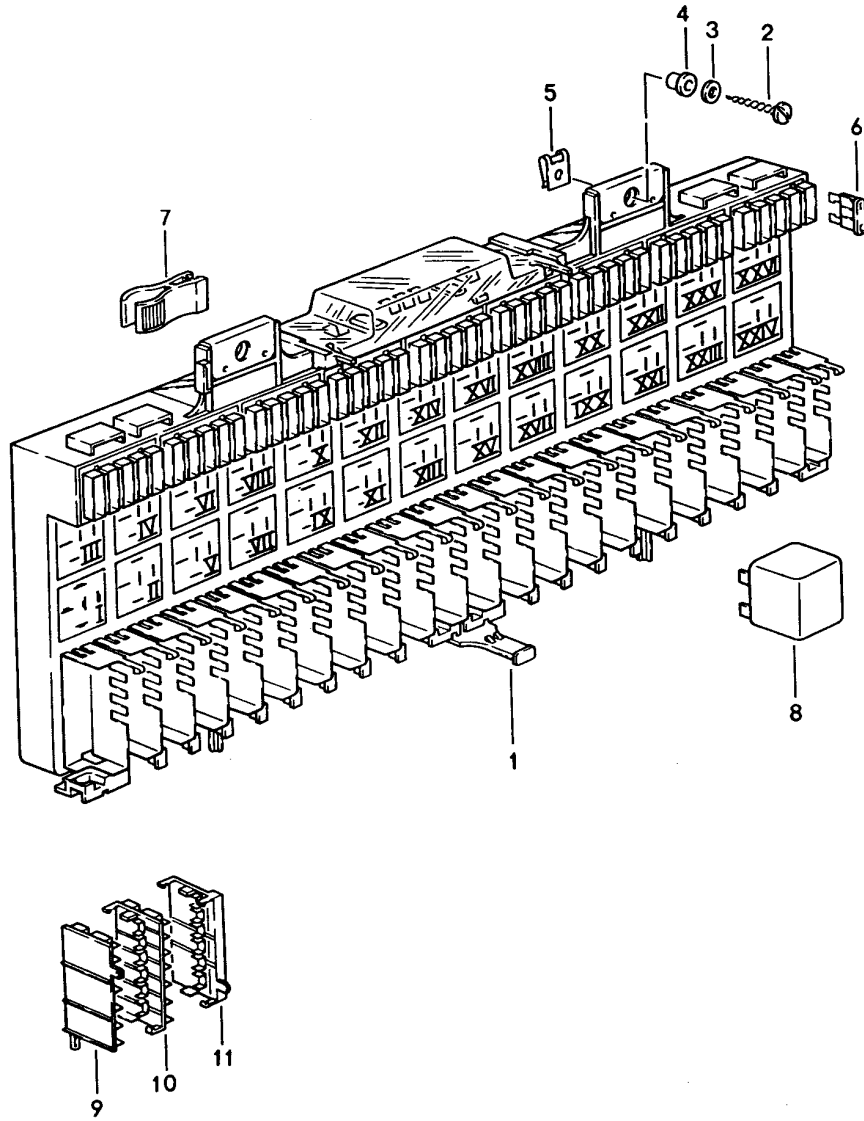
Model: 928 92

Model life 1992>>1995

Pos	Part Number	Description	Remark	Qty	Model
1	928 635 221 00	Fanfare High volume horn		1	
1	928 635 221 01	Fanfare High-pitched		1	
2	928 635 222 00	Fanfare Low-pitched		1	
3	928 635 112 00	Support		2	
4	900 025 007 02	Washer A 8		2	
4	900 025 007 03	Washer A 8		2	
5	900 910 003 02	Lock nut VM 8		2	
5	900 910 003 04	Lock nut M 8		2	
-	964 637 117 00	Horn for Alarm system		1	

Model: 928 92

Model life 1992>>1995



Model: 928 92 Model life 1992>>1995

Pos	Part Number	Description	Remark	Qty	Model
		Central electrical system			
		Relay			
1	928 610 105 24	Lock		1	
2	N 013 935 2	Mounting plate		2	
		Tapping screw			
		BZ 6,3 X 25			
3	N 902 076 01	Washer		2	
		6,4 X 17 X 1,6			
4	928 628 287 00	Grommet		2	
5	999 507 034 02	Speed nut		2	
		B 6,3			
6	999 607 001 00	Lock		X	
		1 AMP.			
(6)	999 607 004 00	Lock		X	
		5 AMP.			
(6)	999 607 005 00	Lock		X	
		7,5 AMP.			
(6)	999 607 083 00	Lock		X	
		7,5 AMP.			
(6)	N 017 131 11	Lock		X	
		10 AMP.			
(6)	999 607 007 00	Lock		X	
		15 AMP.			
(6)	999 607 085 00	Lock		X	
		15 AMP.			
(6)	N 017 131 13	Lock		X	
		20 AMP.			
(6)	999 607 009 00	Lock		X	
		25 AMP.			
(6)	999 607 087 00	Lock		X	
		25 AMP.			
(6)	999 607 010 00	Lock		X	
		30 AMP.			
(6)	999 607 088 00	Lock		X	
		30 AMP.			
7	443 941 802	Tool		1	
8		Relay			
(8)	928 615 115 00	Slow-action relay		1	
		Rear window heating			
		Relay socket/code:	I-II		
(8)	141 951 253 B	Relay		1	
		Fog headlamp			
		Relay socket/code:	IV		
(8)		Relay		1	
		Starter			
		Relay socket/code:	V		
(8)	928 618 111 00	Relay		1	
		Headlight washer system			
		Relay socket/code:	VII		
(8)	928 615 117 02	Relay	(J)	1	
		Fog headlamp			
		Relay socket/code:	VIII		
(8)	928 615 125 00	Bridge		1	
		Fog headlamp			
		Relay socket/code:	VIII		
(8)	141 951 253 B	Relay		1	
		X-contact			
		Relay socket/code:	X		
(8)	993 615 101 00	Switch unit		1	
		Relay socket/code:	XI		
(8)	993 615 101 01	Switch unit		1	
		Relay socket/code:	XI		
(8)	141 951 253 B	Relay		1	

Model: 928 92 Model life 1992>>1995

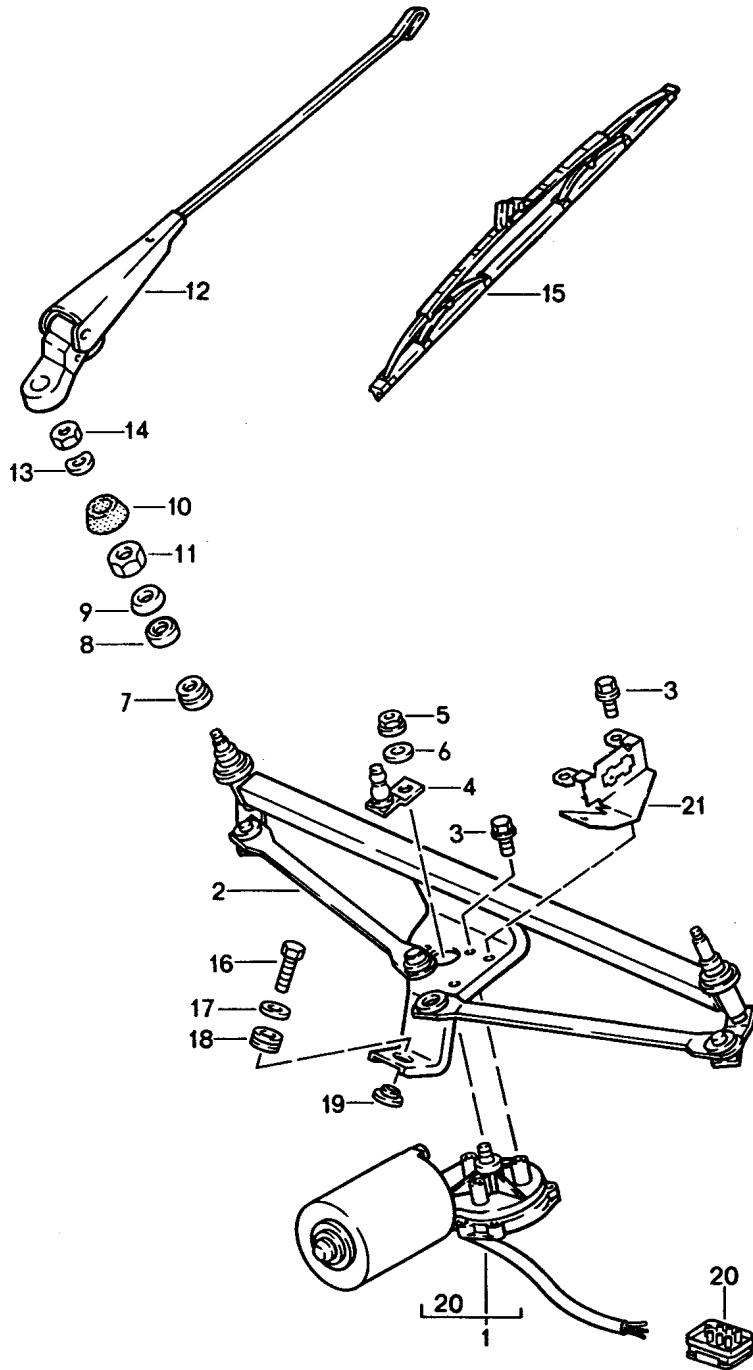
Pos	Part Number	Description	Remark	Qty	Model
(8)	111 953 227 D	Blower Relay socket/code: Flasher relay	XII	1	
(8)	191 953 227 A	Relay socket/code: Flasher relay	XIII	1	
(8)	1H0 953 227	Relay socket/code: Flasher relay	XIII	1	
(8)	928 615 131 00	Relay socket/code: Flasher relay Trailer coupling	XIII	1	M208
(8)	141 951 253 B	Relay socket/code: Relay Defroster	XIII	1	
(8)	928 615 124 01	Relay socket/code: Relay Anti-lock brake system	XIV	1	
(8)	928 615 124 03	Relay socket/code: Relay Anti-lock brake system	XV	1	
(8)	141 951 253 B	Relay socket/code: Relay Fanfare	XV	1	
(8)	928 618 108 00	Relay socket/code: Relay Kickdown	XVI -93	1	M249
(8)	928 618 108 01	Relay socket/code: Relay Kickdown	XVII 94-	1	M249
(8)	928 615 125 00	Relay socket/code: Bridge	XVII	1	M481
(8)	928 615 114 00	Relay socket/code: Relay Back-up light	XVIII	1	M249
(8)	928 615 114 01	Relay socket/code: Relay Back-up light	XVIII	1	M249
(8)	964 618 221 00	Relay socket/code: Control unit Frequency converter Speedometer	XVIII	1	
(8)	928 618 223 00	Relay socket/code: Interference-suppr. choke	XIX	1	
(8)	928 615 203 00	Relay socket/code: Relay Ignition control unit	XXI	1	
(8)	928 618 107 04	Relay socket/code: Double relay for Headlamp	XXII	1	XXIII XXIV
(8)	141 951 253 B	Relay socket/code: Relay Lh-jetronic	XXV	1	
(8)		Relay socket/code: Relay Fuel pump Relay socket/code: Relay for Front seat Electrically adjustable See group 8/08/20 Relay	XXVI	1	

Model: 928 92 Model life 1992>>1995

Pos	Part Number	Description	Remark	Qty	Model
-	928 618 102 03	Centre console Warning time relay Seat belt Warning time relay		1	
-	928 618 104 00	Relay Rear window wiper		1	
-	911 617 119 00	Switch unit	(J)	2	
-	928 637 160 00	Emission control Relay		1	M525
-		Alarm system Relay		1	
9	928 612 331 00	Alarm system Connector Initial housing		8	
(9)		Red Initial housing		14	
10	928 612 332 00	Black Module housing		22	
11	928 612 335 25	Coding element		1	
(11)		-A- Coding element		1	
(11)		-B- Coding element		1	
(11)		-C- Coding element		1	
(11)		-D- Coding element		1	
(11)		-E- Coding element		1	
(11)		-F- Coding element		1	
(11)		-G- Coding element		1	
(11)		-H- Coding element		1	
(11)		-J- Coding element		1	
(11)		-K- Coding element		1	
(11)		-L- Coding element		1	
(11)		-M- Coding element		1	
(11)		-N- Coding element		1	
(11)		-O- Coding element		1	
(11)		-P- Coding element		1	
(11)		-Q- Coding element		1	
(11)		-R- Coding element		1	
(11)		-S- Coding element		1	
(11)		-T- Coding element		1	
(11)		-U- Coding element		1	
(11)		-V- Coding element		1	
(11)		-W- Coding element		1	

Model: 928 92

Model life 1992>>1995



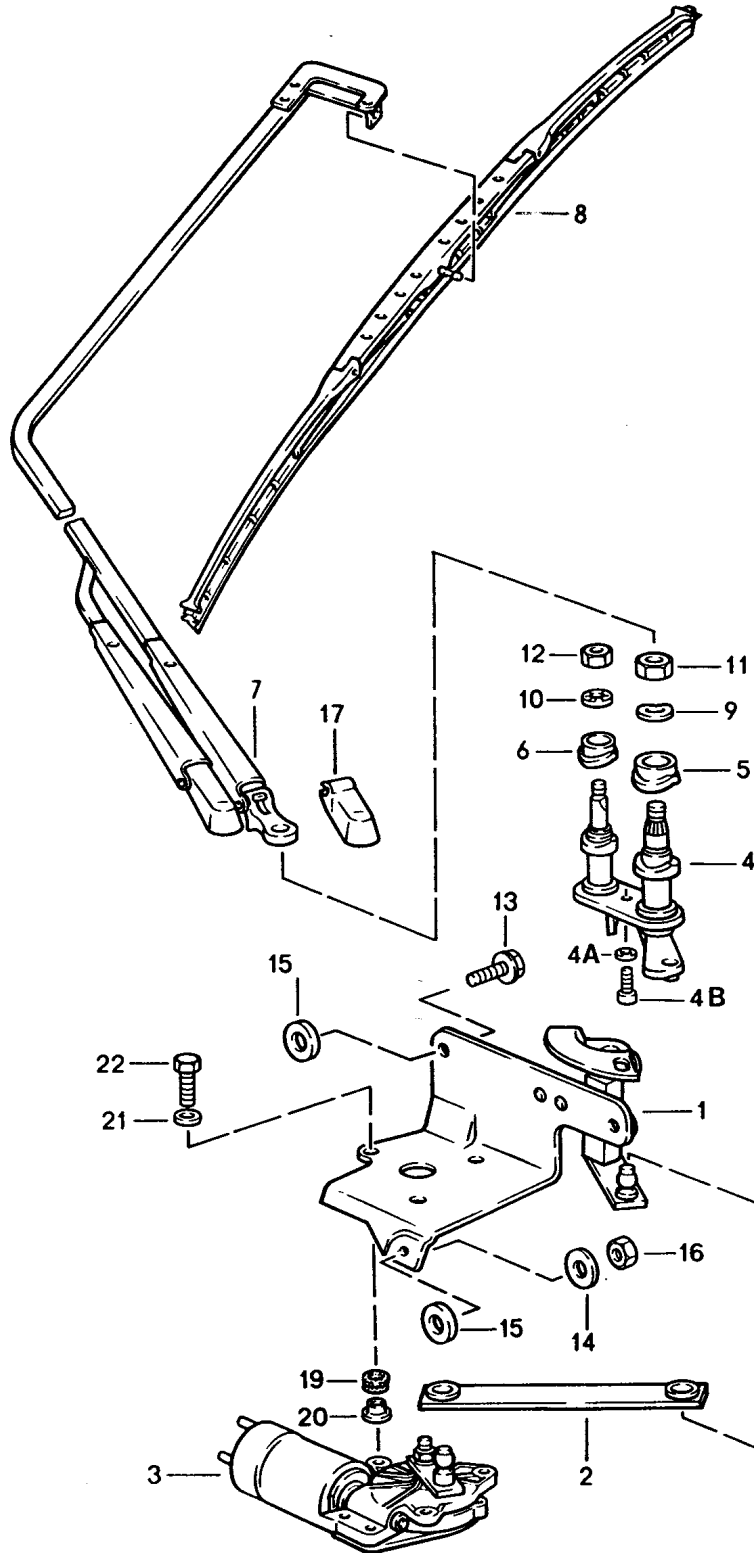
Model: 928 92

Model life 1992>>1995

Pos	Part Number	Description	Remark	Qty	Model
		Windscreen wiper system			
1	944 628 303 01	Wiper motor	/LL	1	
1	927 628 303 03	Wiper motor	/RL	1	
2	928 628 221 03	Crank drive	/LL	1	
2	927 628 221 03	Crank drive	/RL	1	
4	928 628 243 04	Lever		1	
5	900 076 025 02	Hexagon nut		1	
5	900 076 064 02	Hexagon nut		1	
6	N 012 229 3	Spring washer		1	
7	944 628 129 00	Rubber bush		2	
-	PCG 628 129 00	Bush		4	
		Satz bestehend aus			
		2 x 94462812800			
		2 x 94462812900			
8	944 628 128 00	Bush		2	
8	PCG 628 129 00	Bush		2	
9	944 628 125 00	Washer		2	
10	928 628 716 02	Grommet	/R	1	
(10)	928 628 717 01	Grommet	/L	1	
11	999 034 013 02	Hexagon nut		2	
12	928 628 213 10	Wiper arm	/LL	2	
(12)	927 628 213 06	Wiper arm	/RL	2	
-	928 628 623 01	Cap		2	
13	803 955 437	Spring washer		2	
14	900 076 025 02	Hexagon nut		2	
14	900 076 064 02	Hexagon nut		2	
15	928 628 901 02	Wiper blade		2	
16	N 010 217 9	Hexagon-head bolt		1	
		M 6 X 20			
17	N 902 707 01	Washer		1	
		6,1 X 18 X 1,5			
18	944 628 126 00	Grommet		1	
19	944 628 127 00	Bush		1	
-	999 507 246 02	Speed nut		1	
		M 6			
-	999 507 246 01	Speed nut		1	
		M 6			
20	911 612 867 02	Connector		1	

Model: 928 92

Model life 1992>>1995

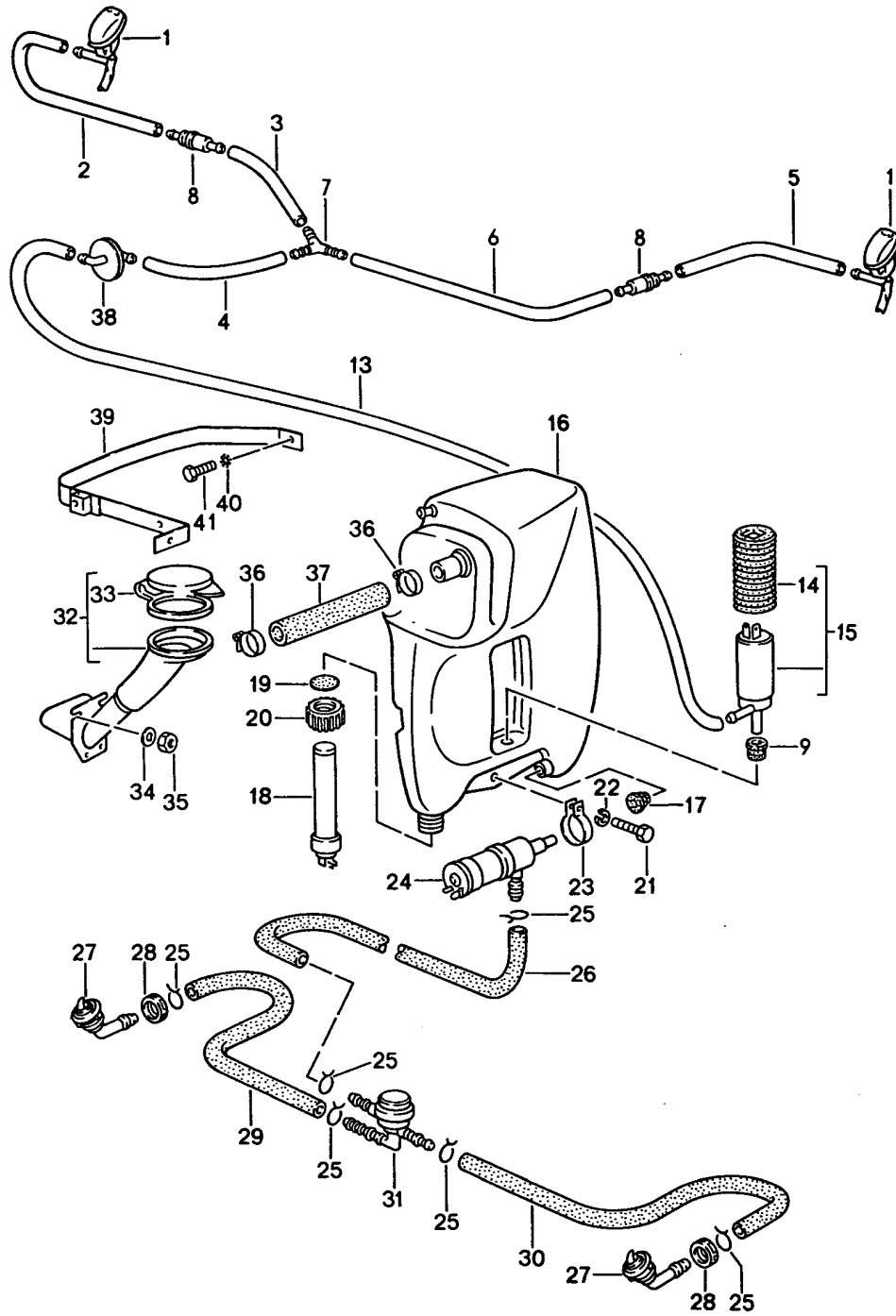


Model: 928 92 Model life 1992>>1995

Pos	Part Number	Description	Remark	Qty	Model
1	928 628 071 03	Rear window wiper Engine bracket with Bearing		1	
2	928 628 202 02	Joint rod		1	
3	928 628 403 02	Wiper motor		1	
4	928 628 309 03	Wiper bearing		1	
4A	N 012 007 02	Lock ring A 6		1	
4B	900 075 057 02	Hexagon-head bolt		1	
4B	900 075 057 03	Hexagon-head bolt		1	
5	928 628 325 01	Bush		1	
6	928 628 326 01	Bush		1	
7	928 628 610 05	Wiper arm		1	
8	928 628 218 01	Wiper blade		1	
8	928 628 218 02	Wiper blade		1	
9	803 955 437	Spring washer B 8		1	
10	N 011 524 7	Washer 6,4		1	
10	N 011 524 27	Washer 6,4		1	
11	900 076 025 02	Hexagon nut M 8		1	
11	900 076 064 02	Hexagon nut M 8		1	
12	900 076 010 02	Nut M 6		1	
12	900 076 010 0B	Nut M 6		1	
13	900 075 338 02	Hexagon-head bolt M 6 X 25		2	
14	N 011 524 7	Washer 6,4 X 14		3	
14	N 011 524 27	Washer 6,4 X 14		3	
15	N 011 666 7	Washer 6,4		X	
16	900 910 010 09	Lock nut VM 6		1	
17	928 628 621 00	Cap Guiding rod		1	
(17)	928 628 622 00	Cap Wiper arm Relay for Rear window wiper See group 9/03/10		1	
19	928 628 287 00	Grommet		3	
20	928 628 289 00	Bush		3	
21	N 011 524 7	Washer 6,4		3	
21	N 011 524 27	Washer 6,4		3	
22	900 075 014 02	Hexagon-head bolt M 6 X 18		3	
22	900 075 014 03	Hexagon-head bolt M 6 X 18		3	

Model: 928 92

Model life 1992>>1995



Model: 928 92 Model life 1992>>1995

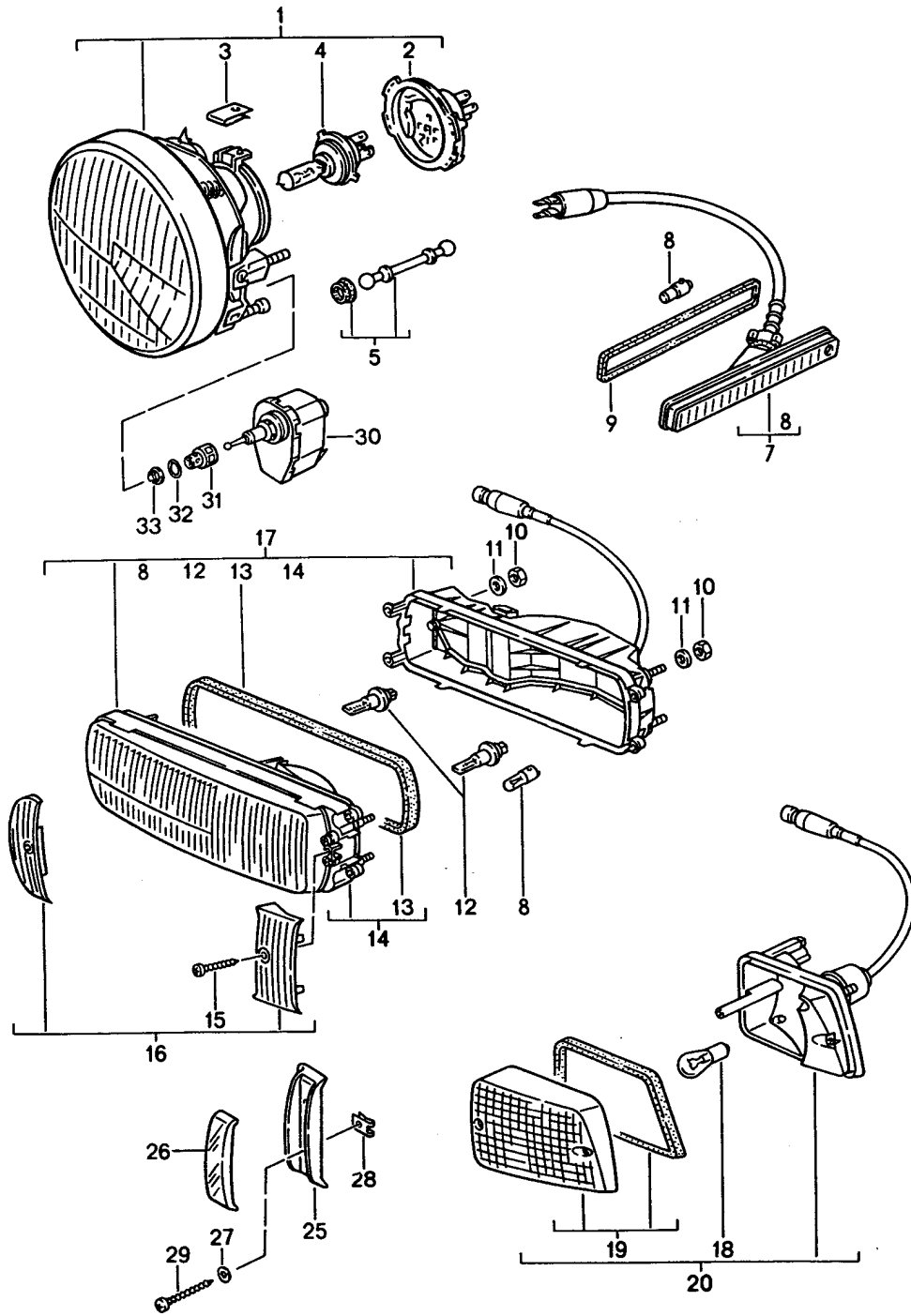
Pos	Part Number	Description	Remark	Qty	Model
		Windscreen washer system			
		Headlight washer system			
1	928 628 077 00	Nozzle	/L -93	1	
	928 628 077 00 70B	Black			
(1)	944 628 077 00	Nozzle	/R -93	1	
	944 628 077 00 01C	Black			
(1)	993 628 077 01	Nozzle	94-	2	
	993 628 077 01 01C	Black			
-	999 181 722 40	Hose		*	
		4,6 X 1,8			
2		190 MM		1	
3		60 MM		1	
4		270 MM	-93	1	
4		60 MM	94-	1	
5		330 MM	-93	1	
5		190 MM	94-	1	
6		230 MM	-93	1	
6		360 MM	94-		
7	999 137 054 40	Y-piece	-93	1	
7	914 628 433 00	Valve	94-	1	
8	914 628 215 00	Valve	-93	2	
8		Valve	94-	1	
9	431 955 465 B	Sealing ring		1	
-	999 181 722 40	Hose		*	
		4,6 X 1,8			
13		1000 MM		1	
14	928 612 504 01	Rubber sleeve		1	
15	928 628 172 01	Pump	92	1	
(15)	993 624 372 00	Pump	93-	1	
-	928 612 501 00	Adapter	93-	1	
16	928 528 075 01	Container		1	
(16)		Container		1	
17	928 628 193 00	Gasket		1	
18	928 641 501 01	Tank gauge switch		1	
19	928 628 737 00	Sealing ring		1	
20	928 628 735 00	Cap		1	
21	900 075 014 02	Hexagon-head bolt		1	
		M 6 X 18			
21	900 075 014 03	Hexagon-head bolt		1	
		M 6 X 18			
22	N 011 524 7	Washer		1	
		6,4			
22	N 011 524 27	Washer		1	
		6,4			
23	928 628 185 01	Restraining strap		1	
24	191 955 681	Pump		1	
25	999 512 489 00	Hose clamp		6	
-	999 181 806 40	Hose		*	
26		2300 MM		1	
27	928 528 071 02	Jet carrier	92	2	
	928 528 071 02 03C	Black			
(27)	911 628 071 01	Jet carrier	93-	2	
	911 628 071 01 01C	Black			
-	944 628 803 00	Rubber washer	92	4	
-	951 628 173 00	Desk pad	93-	4	
28	900 281 002 40	Hexagon nut	92	2	
-	999 181 806 40	Hose		*	
29		400 MM		1	
30		900 MM		1	
31	281 955 187	Valve		1	
32	928 528 179 01	Filler neck	/LL	1	
(32)	927 528 085 02	Filler neck	/RL	1	
33	928 528 181 02	Lid		1	

Model: 928 92 Model life 1992>>1995

Pos	Part Number	Description	Remark	Qty	Model
34	900 025 002 02	Washer A 4,3	/LL	2	
34	900 025 002 03	Washer A 4,3	/LL	2	
35	N 043 890 1	Tapping screw B 4,2 X 9,5	/LL	2	
34	900 151 003 02	Washer 6,4	/RL	2	
34	900 151 006 03	Washer 6,4	/RL	2	
35	900 076 010 02	Nut M 6	/RL	2	
35	900 076 010 0B	Nut M 6	/RL	2	
36	999 512 272 02	Hose clamp		2	
37	999 181 286 50	Hose 270 MM		*	
37	PCG 181 286 50	Hose 270 MM		*	
38	928 628 073 00	Hose elbow	-93	1	
(38)		Hose elbow	94-	1	
39	928 628 087 01	Restraining strap		1	
40	900 115 004 01	Serrated lock washer 8,4		2	
41	900 075 085 02	Hexagon-head bolt M 8 X 20		2	
42	928 628 931 00	Silicone remover 1000 ML		1	
42	000 044 000 93	Silicone remover 1000 ML		1	

Model: 928 92

Model life 1992>>1995



Model: 928 92

Model life 1992>>1995

Pos	Part Number	Description	Remark	Qty	Model
1	928 631 101 03	Headlamp Direction indicator light Front	/LL	2	
(1)	928 631 102 01	Headlamp H-4	/RL	2	M492
(1)	928 631 101 04	Headlamp H-4	(F) -93	2	
(1)	928 631 101 03	Headlamp H-4	(F) 94-	2	
2	928 631 923 00	Protective cap		2	
3	999 591 751 02	Speed nut B 3,9		6	
4	999 631 202 90	Bulb H-4		2	
(4)	999 631 202 91	Halogen bulb H-4	(F) -93	2	
(4)	999 631 202 90	Bulb H-4	(F) 94-	2	
7	928 631 410 01	Direction indicator light		2	
7	928 631 410 02	Direction indicator light		2	
7	928 631 410 03	Direction indicator light		2	
8	900 631 103 90	Bulb 12 V-4 W		4	
9	928 631 448 00	Gasket		2	
10	N 011 005 14	Hexagon nut M 5		6	
10	900 076 091 01	Hexagon nut M 5		6	
11	N 011 665 3	Washer B 5,3		6	
11	N 011 665 16	Washer B 5,3		6	
(11)	944 503 255 00	Spacer		6	
12	900 631 126 90	Halogen bulb H-3		4	
(12)		Halogen bulb H-3		2	M193
(12)	999 631 129 90	Bulb H-3 12V 35W		2	M193
13	951 631 167 00	Gasket		2	
14	928 631 951 00	Lamp insert	/L	1	
(14)	928 631 952 00	Lamp insert	/R	1	
(14)	928 631 951 01	Lamp insert	/L (F) -93	1	
(14)	928 631 952 01	Lamp insert	/R (F) -93	1	
(14)	928 631 951 00	Lamp insert	/L (F) 94-	1	
(14)	928 631 952 00	Lamp insert	/R (F) 94-	1	
15	900 143 004 00	Cross-recess screw		4	
16	928 631 961 00	Trim cover		2	
(16)	928 631 963 00	Trim cover	(F) -93	2	
(16)	928 631 961 00	Trim cover	(F) 94-	2	
17	928 631 405 00	Additional headlamp	/L	1	
(17)	928 631 406 00	Additional headlamp	/R	1	
(17)	928 631 407 00	Additional headlamp	/L (F) -93	1	
(17)	928 631 408 00	Additional headlamp	/R (F) -93	1	
(17)	928 631 405 00	Additional headlamp	/L (F) 94-	1	
(17)	928 631 406 00	Additional headlamp	/R (F) 94-	1	
18	900 631 127 90	Bulb 12 V-21 W		2	
19	928 631 929 01	Lens	/L	1	
(19)	928 631 930 01	Lens	/R	1	
20	928 631 421 21	Direction indicator light	/L	1	

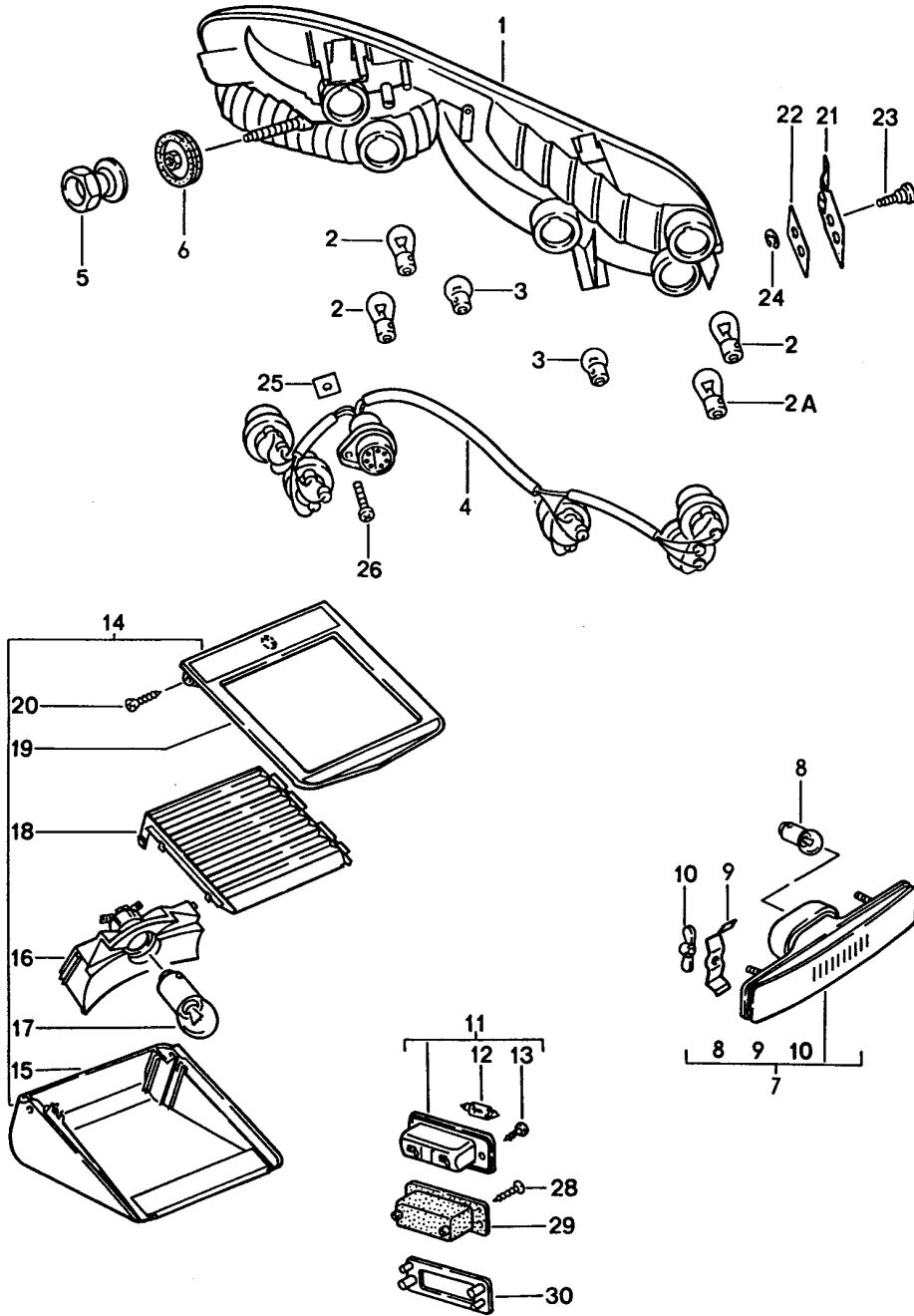
Model: 928 92

Model life 1992>>1995

Pos	Part Number	Description	Remark	Qty	Model
(20)	928 631 421 20	Direction indicator light	/R	1	
(25)	928 505 045 20	Cap		2	(SA)
26	928 505 153 21	Cap		2	(SA)
	928 505 153 21 70B	Black			
27	951 505 157 00	Spacer		4	(SA)
28	999 591 349 02	Speed nut		4	(SA)
29	900 143 084 07	Oval-head sheetmetal screw		4	(SA)
30	928 624 163 00	Adjusting motor		2	
31	928 631 106 00	Adapter		2	
32	928 624 165 00	Sealing ring		2	
33	928 631 215 00	Circlip		2	

Model: 928 92

Model life 1992>>1995



Model: 928 92

Model life 1992>>1995

Pos	Part Number	Description	Remark	Qty	Model
1	928 631 483 00	Rear light		1	
(1)	928 631 484 00	Rear light with rear foglamp	/L	1	
2	900 631 127 90	Bulb 12 V - 21 W	/R	3	
2A	999 631 024 90	Bulb 12 V - 21/4 W		1	
3	900 631 104 90	Bulb 12 V - 5 W		3	
4	928 631 465 00	Wiring harness with rear foglamp		2	
5	928 631 468 00	Hexagon nut		2	
6	928 631 467 00	Washer		2	
-	999 703 066 50	Stopper		2	
11	964 631 620 01	License plate light		2	
12	964 631 620 01 01C	Black		2	
12	900 631 105 90	Bulb 12 V - 5 W		2	
13	999 919 084 07	Oval-head screw B 4,2 X 22		4	
14	928 631 070 00	Additional brake light		1	
15	928 631 460 00	Housing for light		1	
16	928 631 471 00	Reflector		1	
17	900 631 127 90	Bulb		1	
18	928 631 472 00	Lens		1	
19	928 631 061 00	Frame for light		1	
20	900 145 099 07	Rais. counters. h. tap. s. B 4,9 X 13		2	
21	928 631 457 01	Support		2	
22	928 631 459 01	Plate		2	
23	999 014 013 02	Pan-head screw		4	
24	N 012 432 1	Lock washer		4	
25	928 631 919 01	Cover plate		2	
26	999 919 164 09	Oval-head screw M 5 X 10		2	
28	999 919 067 02	Countersunk-head screw KA 3 X 10		4	
29	964 612 620 00	Cap		2	
30	928 631 603 00	Mounting plate		2	

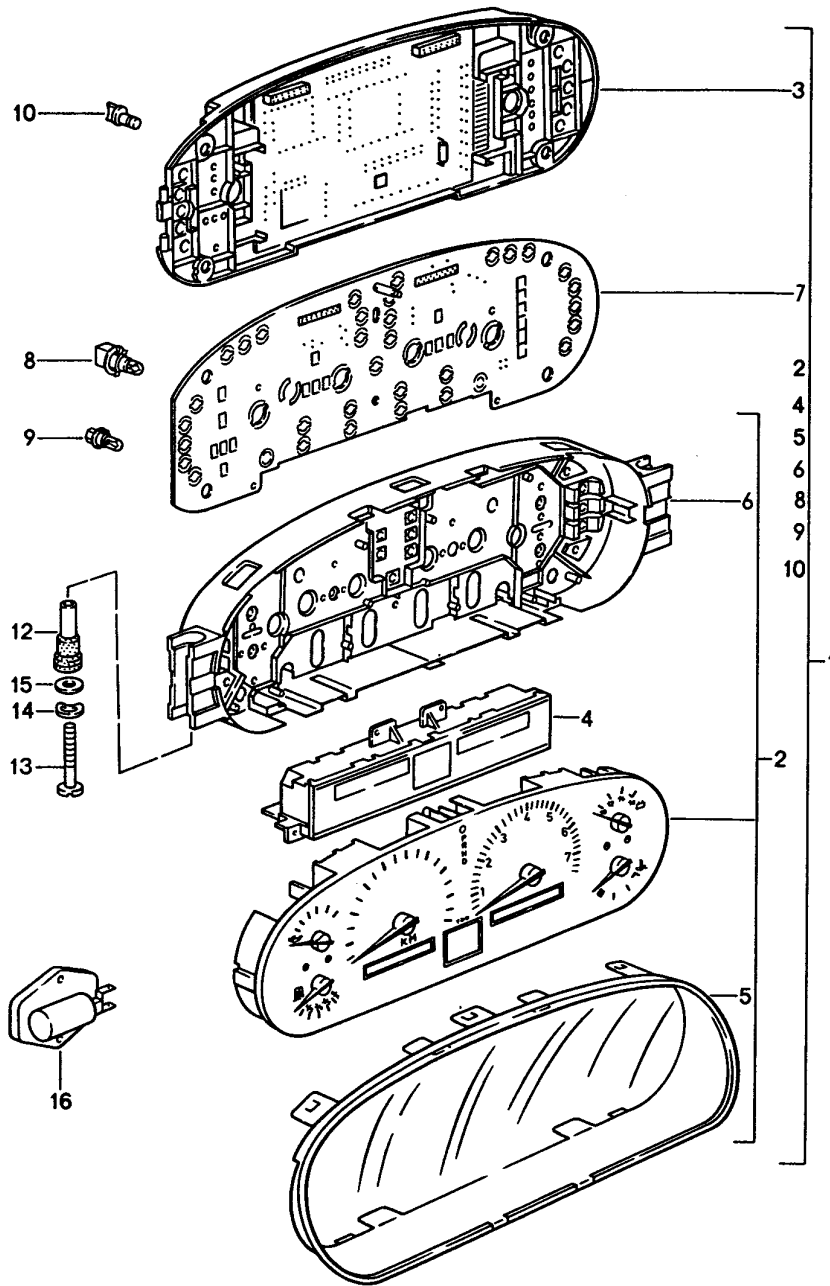
Model: 928 92

Model life 1992>>1995

Pos	Part Number	Description	Remark	Qty	Model
1	911 632 102 00	Interior lights		3	
	911 632 102 00 70A	Light			
		Black			
		Front		1	
		Rear		1	
		Rear lid		1	
2	900 631 106 90	Linolite lamp		3	
		12 V - 10 W			
3	928 632 101 00	Glove compartment light		1	
4	999 631 018 90	Bulb		1	
		12 V - 3 W			
7A	928 632 111 01	Light		1	
7B	928 632 113 00	Cap		1	
7C	928 632 112 00	Cap		1	
9	900 143 164 02	Combination screw		1	
		BZ 4,2 X 13 Z1			
-	999 507 050 40	Expander nut		1	
10	928 613 147 00	Door contact switch		2	
11	321 971 905	Rubber sleeve		2	
12	900 031 001 60	Washer		2	
		8,4			
13	964 613 601 00	Door contact switch		2	
14	928 613 119 00	Door contact switch		1	
-	900 631 102 90	Light		1	
		12 V - 2 W			
		Ashtray light			
16	928 631 131 00	Door guard light		2	
17	900 631 120 90	Bulb		2	
		12 V - 2 W			
18	928 632 109 01	Footwell light		2	
18	823 947 105 B	Footwell light		2	
19	900 631 106 90	Linolite lamp		2	
		12 V - 10 W			

Model: 928 92

Model life 1992>>1995



Model: 928 92

Model life 1992>>1995

Pos	Part Number	Description	Remark	Qty	Model
1	928 641 158 04	Instrument cluster		1	M481
2	928 641 990 11	Instrument cluster	(F)	1	
		Assembly			
		- display -			
3	928 641 991 30	Assembly		1	
		- electronics -			
4	928 641 992 00	Module		1	
1	928 641 159 03	Instrument cluster	(F)	1	M249
2	928 641 990 06	Assembly		1	
		- display -			
3	928 641 991 30	Assembly		1	
		- electronics -			
4	928 641 992 00	Module		1	
1	928 641 150 04	Instrument cluster		1	M481
			(A) (CH) (S)		
			(D) (I) (N)		
			(SF)		
			(B) (L) (NL)		
2	928 641 990 10	Assembly		1	
		- display -			
3	928 641 991 27	Assembly		1	
		- electronics -			
4	928 641 992 00	Module		1	
1	928 641 151 03	Instrument cluster		1	M249
			(A) (CH) (S)		
			(D) (I) (N)		
			(SF)		
			(B) (L) (NL)		
2	928 641 990 05	Assembly		1	
		- display -			
3	928 641 991 27	Assembly		1	
		- electronics -			
4	928 641 992 00	Module		1	
1	928 641 156 04	Instrument cluster	(GB)	1	M481
2	928 641 990 13	Assembly		1	
		- display -			
3	928 641 991 29	Assembly		1	
		- electronics -			
4	928 641 992 00	Module		1	
1	928 641 157 03	Instrument cluster	(GB)	1	M249
2	928 641 990 08	Assembly		1	
		- display -			
3	928 641 991 29	Assembly		1	
		- electronics -			
4	928 641 992 00	Module		1	
1	928 641 162 04	Instrument cluster	(J)	1	M481
2	928 641 990 12	Assembly		1	
		- display -			
3	928 641 991 31	Assembly		1	
		- electronics -			
4	928 641 992 00	Module		1	
1	928 641 163 03	Instrument cluster	(J)	1	M249
2	928 641 990 07	Assembly		1	
		- display -			
3	928 641 991 31	Assembly		1	
		- electronics -			
4	928 641 992 00	Module		1	
1	928 641 164 04	Instrument cluster	(I)	1	M481
2	928 641 990 15	Assembly		1	
		- display -			
3	928 641 991 32	Assembly		1	
		- electronics -			
4	928 641 992 00	Module		1	

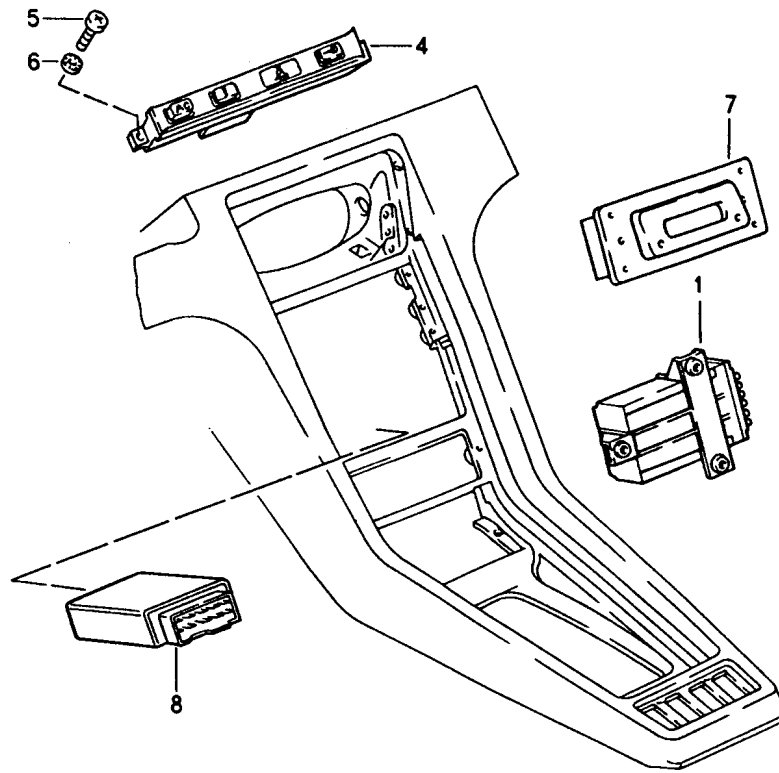
Model: 928 92

Model life 1992>>1995

Pos	Part Number	Description	Remark	Qty	Model
1	928 641 165 03	Instrument cluster	(I)	1	M249
2	928 641 990 16	Assembly		1	
3	928 641 991 32	Assembly - display -		1	
4	928 641 992 00	Module Valid for Other countries		1	
1	928 641 154 04	Instrument cluster		1	M481
2	928 641 990 12	Assembly		1	
3	928 641 991 28	Assembly - display -		1	
4	928 641 992 00	Module Valid for Other countries		1	
1	928 641 155 03	Instrument cluster		1	M249
2	928 641 990 07	Assembly		1	
3	928 641 991 28	Assembly - display -		1	
4	928 641 992 00	Module Valid for Other countries		1	
5	928 641 987 01	Housing		1	
6	928 641 968 02	Housing		1	
7	928 641 973 03	Printed circuit board		1	
8	928 641 982 01	Glass-base bulb 12V 2W		4	
9	928 641 982 02	Glass-base bulb 12V 1,5W Red		4	
9	999 631 027 90	Glass-base bulb 12V 1,5W Clear		10	
9	928 641 982 04	Glass-base bulb 12V 1,2W		16	
10	928 641 984 01	Knob		4	
12	928 552 049 02	Spacer sleeve		4	
13	N 019 908 1	Pan-head screw M 6 X 100		2	
14	N 011 524 7	Washer A 6,4		2	
14	N 011 524 27	Washer A 6,4		2	
15	N 012 226 5	Spring washer B 6		2	
16	928 616 110 00	Series resistor		1	

Model: 928 92

Model life 1992>>1995



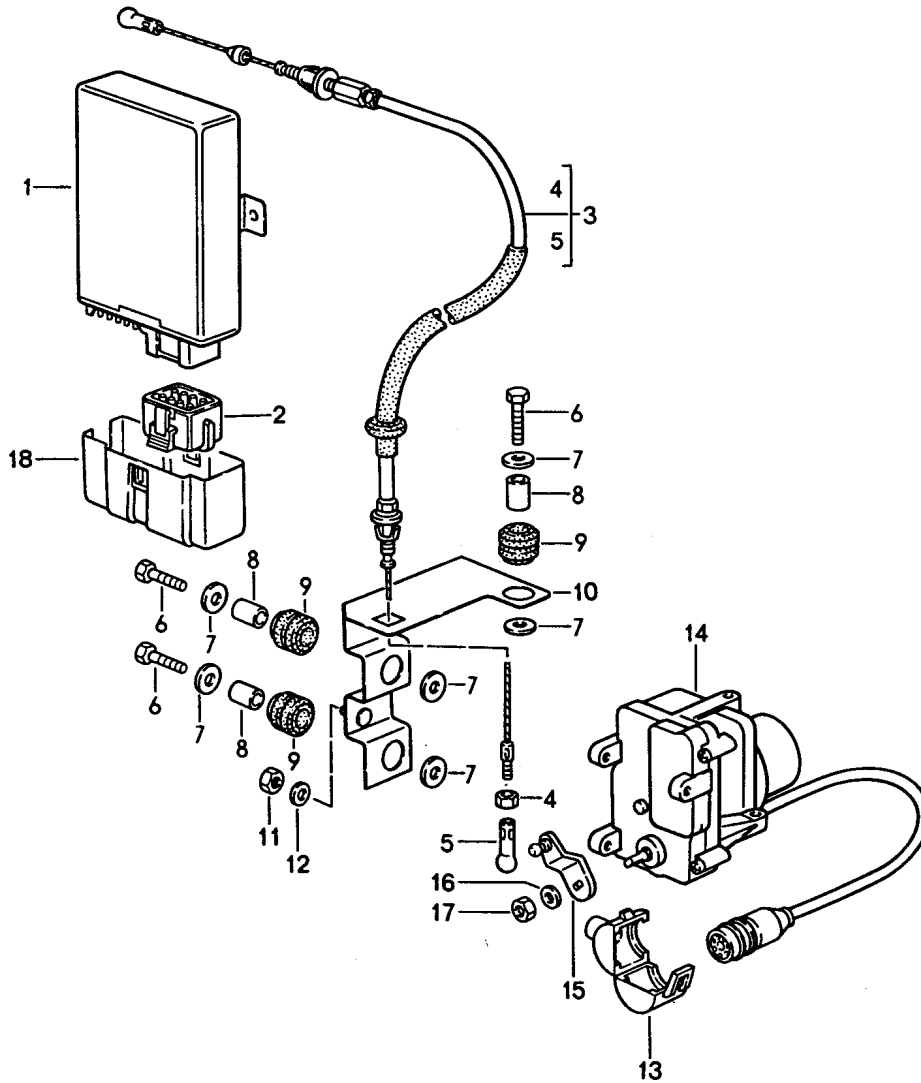
Model: 928 92

Model life 1992>>1995

Pos	Part Number	Description	Remark	Qty	Model
1	928 641 603 09	Central indicator		1	
(1)	928 641 603 11	Alarm control unit		1	M602
(1)	928 641 603 11	Bulb controlling device	(AUS)	1	
4	928 641 609 22	Bulb controlling device		1	
	928 641 609 22 70B	Keypad		1	
5	999 919 008 07	Black		1	
5	PCG 919 008 07	Oval-head screw		1	
		4,0 X 13			
		Oval-head screw		1	
		Set			
		4,0 X 13			
		Pieces		10	
6	N 011 522 14	Washer		2	
		- 4,3 -			
7	928 641 701 05	Clock		1	
	928 641 701 05 70B	Black			
		Analogue display			
8	928 618 260 01	Control unit		1	
8	928 618 260 03	Control unit		1	
-	928 618 261 00	Support		1	
		for			
		Alarm control unit			
		Mounting parts			
		Indicator			
-	900 151 027 02	Washer		2	
		B 5,3			
-	900 151 027 03	Washer		2	
		B 5,3			
-	N 011 005 14	Hexagon nut		2	
		M 5			
-	900 076 091 01	Hexagon nut		2	
		M 5			

Model: 928 92

Model life 1992>>1995



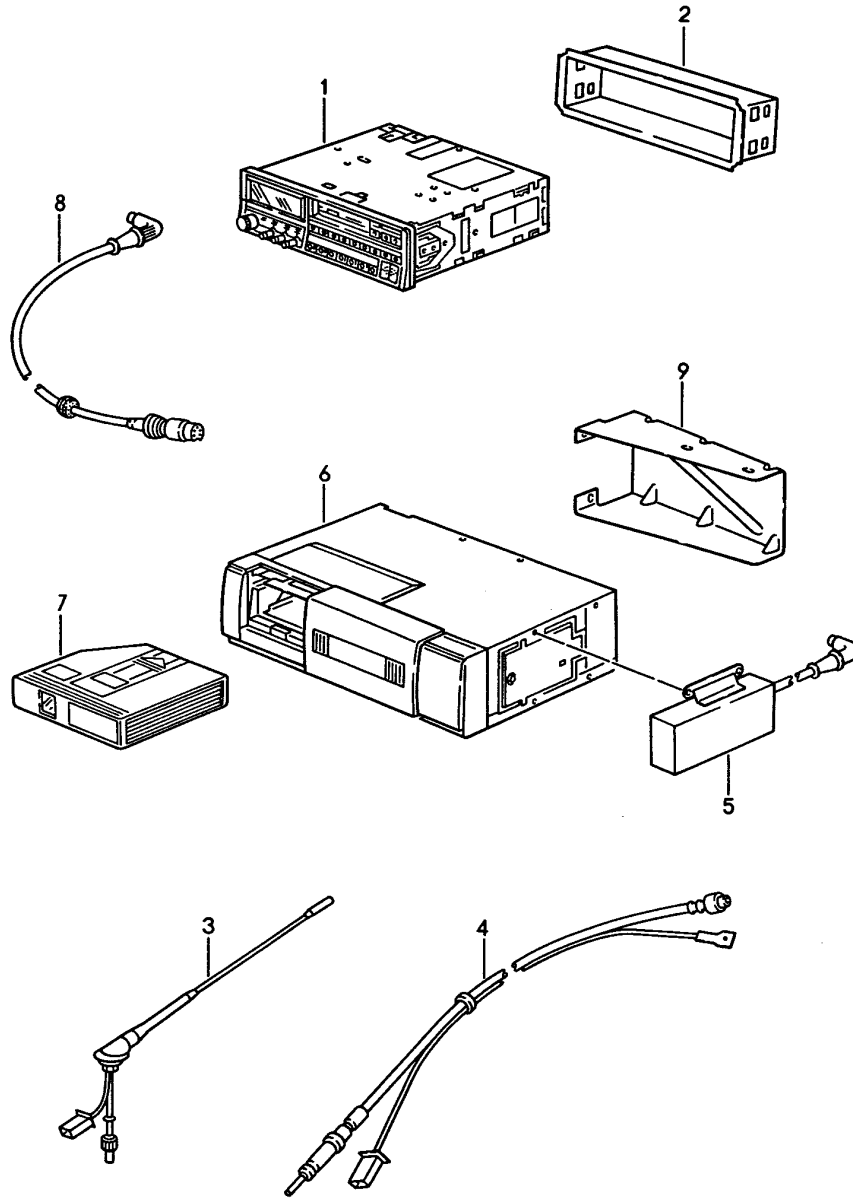
Model: 928 92

Model life 1992>>1995

Pos	Part Number	Description	Remark	Qty	Model
1	911 617 227 00	Cruise control Control unit		1	
1	911 617 227 X	Control unit		1	
-	928 618 235 00	Retainer plate	/RL -93	1	
-	928 618 245 00	Retainer plate	/RL 94-	1	
-	999 591 348 02	Speed nut B 4,8	/RL	2	
-	999 591 348 01	Speed nut B 4,8	/RL	2	
-	900 241 012 02	Knurled nut M 6	/RL	2	
2	911 617 427 00	Coding plug		1	
3	928 110 606 00	Bowden cable		1	
4	N 011 005 14	Hexagon nut		1	
4	900 076 091 01	Hexagon nut		1	
5	911 423 147 00	Ball socket		1	
6	900 075 017 02	Hexagon-head bolt M 6 X 25		3	
6	900 075 017 03	Hexagon-head bolt M 6 X 25		3	
7	N 011 666 7	Washer B 6,4		6	
8	999 531 014 02	Bush		3	
9	999 702 133 40	Rubber mounting		3	
10	928 617 065 00	Support		1	
11	900 076 010 02	Nut M 6		2	
11	900 076 010 0B	Nut M 6		2	
12	N 011 524 7	Washer A 6,4		2	
12	N 011 524 27	Washer A 6,4		2	
13	944 612 450 00	Fixing clip		1	
14	944 617 121 00	Drive link		1	
15	944 423 047 00	Rubber mounting		1	
16	N 012 229 3	Spring washer A 8		1	
17	N 011 018 4	Hexagon nut M 8 X 1		1	
18	911 617 133 02	Cap		1	

Model: 928 92

Model life 1992>>1995



Model: 928 92 Model life 1992>>1995

Pos	Part Number	Description	Remark	Qty	Model
1	911 645 071 01	Radio Installation parts	-93	1	M326
(1)	964 645 103 00	Radio BERLIN IQR 88	-93	1	M327
-	928 645 903 00	SYMPHONY RDS Cover		1	
-	928 645 904 00	Cover Left		1	
1	964 645 107 00	Radio LONDON RDM 42	-93	1	M693
(1)	993 645 107 00	Radio LONDON RDM 42	94-	1	M693
(1)	993 645 101 00	Radio BREMEN RCM 43		1	
(1)	993 645 103 00	Radio BREMEN RCM 43		1	M692
(1)	993 645 109 00	Radio DUESSELDORF RCR 84	95-	1	M336
(1)	993 645 110 00	Radio MUENCHEN RD 104	95-	1	M687
(1)	993 645 106 00	Radio PORSCHE CR 10	95-	1	M324
-	993 645 411 01	Adapter	95-	1	M324
-	993 645 451 00	Adapter Only together with CD changer	95-	1	M324/692
-	964 645 015 00	Radio PORSCHE CR-2 with		1	
-	928 645 018 00	Installation set Installation set CD player CD 10		1	
(2)	911 645 173 03	Retaining frame		1	, 334 M327 M336/687
(2)	928 645 072 01	Radio Alarm contact Retaining frame CD player		1	M331/332 M691
3	928 645 201 00	Antenna with Booster		1	
-	928 645 902 00	Antenna rod		1	
4	944 645 202 00	Extension cable for		1	
5	964 645 112 00	Antenna Adapter for		1	M327
6	964 645 111 00	CD changer		1	
7	964 645 113 00	CD changer Magazine for		1	
8	928 645 450 00	CD changer Connecting line		1	
(8)	928 645 410 00	Radio CD changer Connecting line Radio Booster		1	

Model: 928 92

Model life 1992>>1995

Pos	Part Number	Description	Remark	Qty	Model
9	928 645 221 01	Support	-94	1	
9		Support	95-	1	

Model: 928 92

Model life 1992>>1995



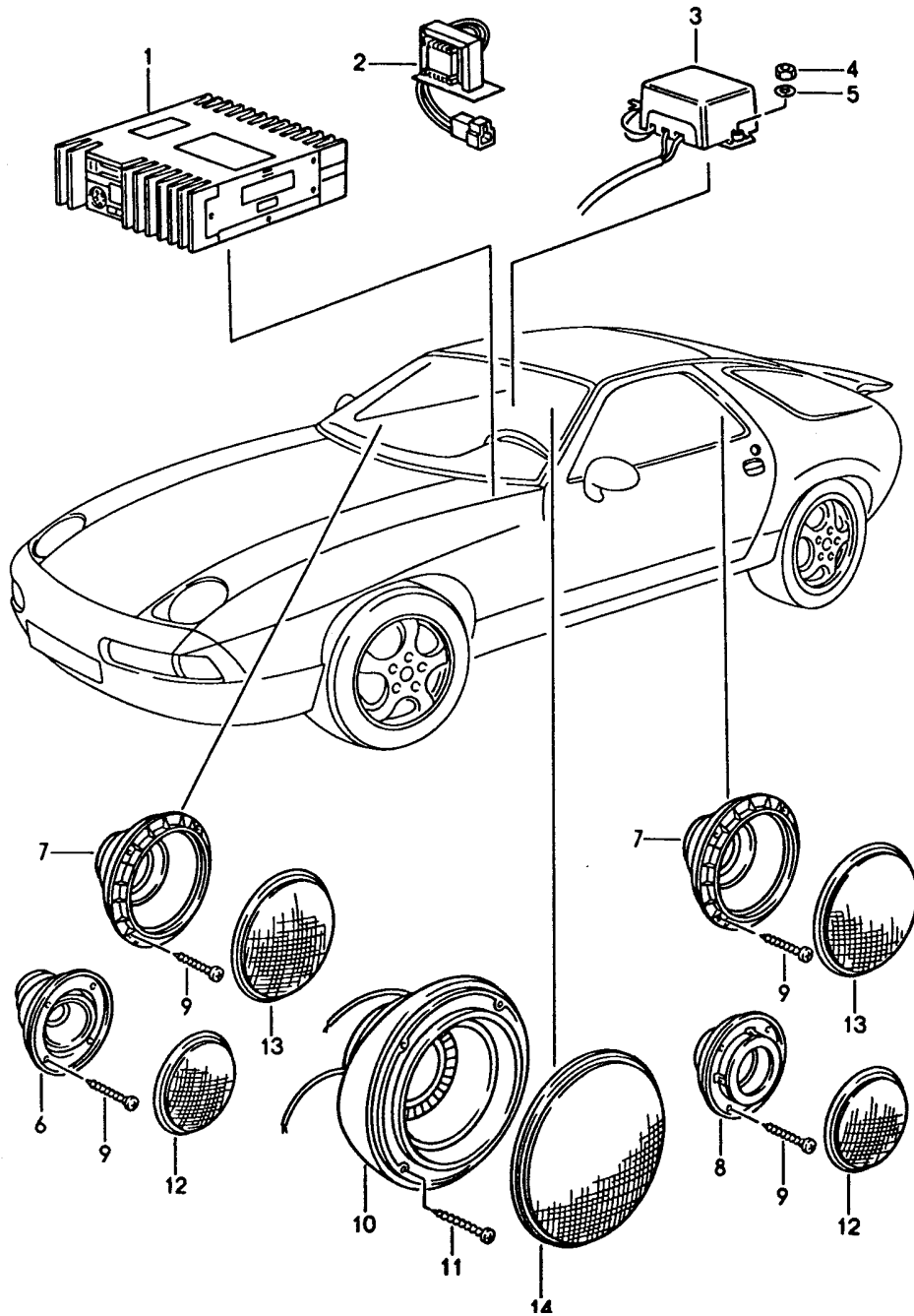
Model: 928 92

Model life 1992>>1995

Pos	Part Number	Description	Remark	Qty	Model
-	911 645 190 00	Radio Navigation system Installation parts		1	
-	911 645 191 00	Radio Navigation system with PORSCHE logo		1	
-	911 645 192 00	Radio Navigation system with TMC with PORSCHE logo		1	
-	911 645 195 00	Cover for Radio Navigation system with PORSCHE logo		1	
-	911 645 197 00	Cover for Radio Navigation system without PORSCHE logo		1	
-	911 645 196 00	Adapter		1	
-	911 642 105 00	Adapter		1	
-	911 642 105 00	Antenna		1	
-	911 642 100 00	Antenna		1	
-	911 642 100 00	Software Update 1-2011		1	
-	911 642 100 01	Software Update 1-2013		1	
-	911 642 100 02	Software Update 1-2014		1	
-	911 642 107 00	Microphone		1	
-	911 645 199 00	Handheld transmitter		1	
-	911 645 190 01	Navigation system Knob Control part Navigation system		2	

Model: 928 92

Model life 1992>>1995

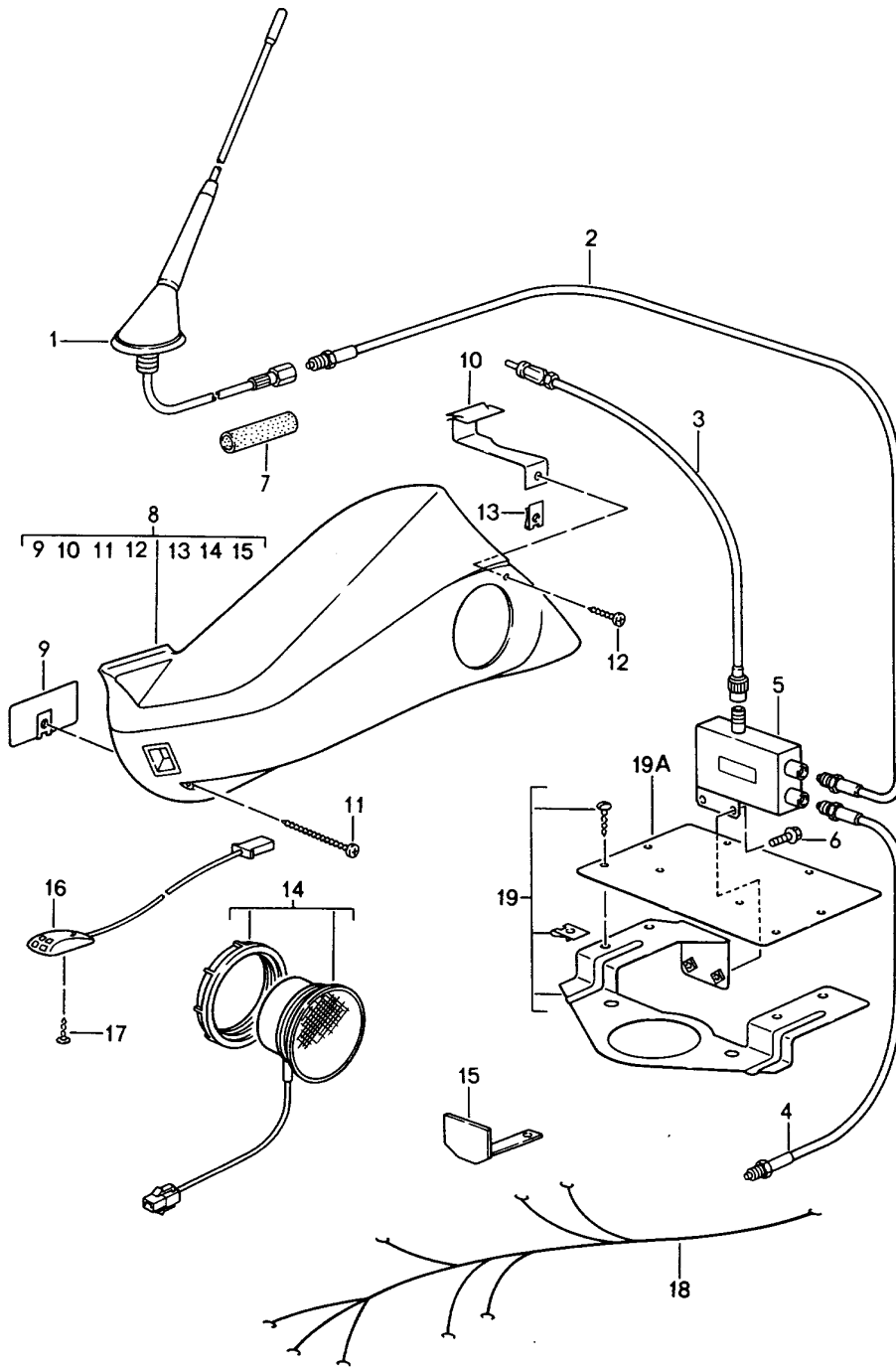


Model: 928 92 Model life 1992>>1995

Pos	Part Number	Description	Remark	Qty	Model
		Sound system with			
1	928 645 435 01	Booster		1	
2	999 619 142 00	Interference-suppr. choke		1	
3	928 645 441 00	Diplexer		2	
4	N 011 004 6	Hexagon nut M 4		4	
4	N 011 004 G	Nut M 4		4	
5	900 025 002 02	Washer A 4,3		4	
5	900 025 002 03	Washer A 4,3		4	
6	928 645 211 00	Tweeter		2	
7	928 645 212 00	Mid-range loudspeaker		4	
8	928 645 214 00	Tweeter		2	
9	900 143 047 07	Tapping screw B 4,2 X 19		32	
9	900 073 007 01	Tapping screw B 4,2 X 19		32	
10	928 645 215 00	Bass loudspeaker	/L	1	
(10)	928 645 216 00	Bass loudspeaker	/R	1	
11	900 143 077 02	Tapping screw B 4,2 X 32		8	
12	928 555 689 00	Grille		4	
	928 555 689 00 01C	Black for Tweeter			
13	928 555 691 00	Grille		4	
	928 555 691 00 01C	Black for Mid-range loudspeaker			
14	928 555 693 00	Grille		2	
	928 555 693 00 01C	Black for Woofer			

Model: 928 92

Model life 1992>>1995



Model: 928 92

Model life 1992>>1995

Pos	Part Number	Description	Remark	Qty	Model
		Preparation for telephone			M611/614
1	964 646 314 00	Antenna		1	
2	996 612 086 00	Extension cable		1	
3	928 646 064 00	Cable		1	
		Antenna two-way splitter			
		Radio			
4	944 646 065 00	Cable		1	
		Antenna two-way splitter			
		Telephone			
5	993 646 313 00	Antenna two-way splitter		1	
6	999 075 067 09	Combination screw		2	
		M4 X 8			
7	928 612 636 01	Protective tube		1	
8	928 646 201 00	Bracket		1	
	928 646 201 00 5FV	Black			
	928 646 201 00 4XR	Classic grey			
	928 646 201 00 3GE	Midnight blue			
	928 646 201 00 6SC	Chestnut brown			
	928 646 201 00 2JP	Cedar green			
	928 646 201 00 3TE	Flamenco red			
	928 646 201 00 DDM	Florentine grey/black			
	928 646 201 00 DBV	Florentine gr./midn. blue			
	928 646 201 00 AQS	Cashmere beige/black			
	928 646 201 00 DFR	Provence blue/black			
	928 646 201 00 DFS	Provence blue/midnig. blue			
	928 646 201 00 DBY	Cedar green/black			
	928 646 201 00 DBZ	Flamenco red/black			
9	928 646 243 00	Washer		1	
10	928 646 245 00	Retaining bracket		1	
11	900 143 090 07	Tapping screw		1	
		4,2 X 60			
12	900 143 091 07	Tapping screw		1	
		3,9 X 22			
13	999 591 901 02	Speed nut		1	
		3,9			
14	993 646 241 00	Loudspeaker		1	
15	993 646 247 01	Stop		1	
		for			
		Seat			
16	964 646 307 00	Microphone		1	M614
16	993 646 307 00	Microphone		1	M611
17	999 919 039 02	Counters. head tapp. screw		2	
		3,5 X 8			
18	928 646 050 00	Wiring harness		1	
-	928 646 510 00	Screw		2	M611
		for			
		Mount			
		Connector housing			
19	964 646 026 00	Bracket		1	
19A	993 646 203 00	Bracket		1	M611