

**Model: 9PA 03****Model life 2003>>2006**

## ORDER-INFO

THIS PARTS CATALOGUE CONTAINS ALL ORDER INFORMATION OF  
TYPE CAYENNE FROM MODEL YEAR 2003

IT IS AVAILABLE IN TWO EDITIONS IN THE FOLLOWING LANGUAGES:

EDITION

USA, CANADA - \*

EDITION

ALL OTHER COUNTRIES - GERMAN

\* - ENGLISH

- FRENCH

- ITALIAN

- SPANISH

UPDATING IS BEING PERFORMED BY CHANGING OF UPDATE.

THE EDITION CAN BE RECOGNIZED BY THE CURRENT NO.  
IN THE BOTTOM LINE OF SUBJECT UPDATE.

THE PREVIOUS UPDATE SHOULD NO LONGER BE USED.

ALL ILLUSTRATIONS ARE SUBJECT TO CHANGE WITHOUT OBLIGATION.

THE SEATS FOR EACH MODEL ARE AVAILABLE IN THE PARTS CATALOGUE  
"SEATS (STZ 19)".

Model: 9PA 03

Model life 2003>>2006

EXPLANAT.- VIN

EXPLANATION OF THE ABRIDGED VERSION OF THE VEHICLE IDENT. NUMBERS (VIN)  
 =====  
 USED IN THE CATALOGUE  
 =====

DIGIT:                            1 2 3 4 5 6 7 8 9 10 11 12 13 14 15 16 17

EXAMPLE:                        W P 1 Z Z Z 9 P Z 3 L A 0 0 1 2 5

                                      ===            =       =       =       =====

  !            !       !       !                    !

VEHICLE TYPE 1ST+2ND DIGIT-----+    !       !       !                    !

  !       !       !                    !

MODEL YEAR-----+    !       !                    !

  !       !                    !

MANUFACTURING LOCATION-----+    !                    !

  !                    !

VEHICLE TYPE 3RD DIGIT-----+    !

  !

SERIAL NUMBER-----+    !

Model: 9PA 03

Model life 2003>>2006

SUMMARY TYPES

VEHICLE TYPE	MY	VIN	ENGINE TYPE	
CAYENNE	03	3 9P3LA 00061>10000	M02.2Y	184 KW
CAYENNE S	03	3 9P3LA 40061>50000	M48.00	250 KW
CAYENNE TURBO	03	3 9P3LA 80061>90000	M48.50	331 KW
CAYENNE	04	4 9P4LA 00061>10000	M02.2Y	184 KW
CAYENNE (USA,CDN,MEX,BR)	04	4 9P4LA 20061>30000	M02.2Y	184 KW
CAYENNE S	04	4 9P4LA 40061>60000	M48.00	250 KW
CAYENNE S (USA,CDN,MEX,BR)	04	4 9P4LA 60061>80000	M48.00	250 KW
CAYENNE TURBO	04	4 9P4LA 80061>90000	M48.50	331 KW
CAYENNE TURBO (USA,CDN,MEX,BR)	04	4 9P4LA 90061>99999	M48.50	331 KW
CAYENNE	05	5 9P5LA 00061>10000	M02.2Y	184 KW
CAYENNE (USA,CDN,MEX,BR)	05	5 9P5LA 20061>30000	M02.2Y	184 KW
CAYENNE S	05	5 9P5LA 40061>60000	M48.00	250 KW
CAYENNE S (USA,CDN,MEX,BR)	05	5 9P5LA 60061>80000	M48.00	250 KW
CAYENNE TURBO	05	5 9P5LA 80061>90000	M48.50	331 KW
CAYENNE TURBO (USA,CDN,MEX,BR)	05	5 9P5LA 90061>99999	M48.50	331 KW
CAYENNE	06	6 9P6LA00061>10000	M02.2Y	184 KW
CAYENNE (USA,CDN,MEX,BR,CN)	06	6 9P6LA20061>40000	M02.2Y	184 KW
CAYENNE S	06	6 9P6LA40061>60000	M48.00	250 KW
CAYENNE S (USA,CDN,MEX,BR,CN)	06	6 9P6LA60061>80000	M48.00	250 KW
CAYENNE TURBO	06	6 9P6LA80061>90000	M48.50	331 KW
CAYENNE T. (USA,CDN,MEX,BR,CN)	06	6 9P6LA90061>99999	M48.50	331 KW

Model: 9PA 03

Model life 2003>>2006

EXPL. ENGINE-NO.

EXPLANATION OF THE MOTOR-NUMBERS USED IN THE CATALOGUE

=====

DIGIT:	1 2 3	4 5 6 7 8
EXAMPLE:	8 2 3	0 0 1 3 6
	= = =	=====
	! ! !	!
ENGINE TYPE (8 = 8-CYL.-ENGINE)-----+	! !	!
	! !	!
ENGINE VERSION-----+	!	!
	!	!
MODEL YEAR-----+		!
		!
SERIAL NUMBER-----+		!

Model: 9PA 03

Model life 2003&gt;&gt;2006

## SUMMARY ENGINES

VEHICLE TYPE	ENGINE		ENGINE NO.	TECHNICAL DATA
	TYPE	MY		
CAYENNE S	M48.00	03 3	813 00501>60000	8ZYL/4,5L /250 KW
CAYENNE TURBO	M48.50	03 3	823 00501>60000	8ZYL/4,5L /331 KW
CAYENNE	M02.2Y	04 4	BFD 00501>60000	6ZYL/3,2L /184 KW
CAYENNE S	M48.00	04 4	814 00501>60000	8ZYL/4,5L /250 KW
CAYENNE TURBO	M48.50	04 4	824 00501>60000	8ZYL/4,5L /331 KW
CAYENNE	M02.2Y	05 5	BFD 00501>60000	6ZYL/3,2L /184 KW
CAYENNE S	M48.00	05 5	815 00501>60000	8ZYL/4,5L /250 KW
CAYENNE TURBO	M48.50	05 5	825 00501>60000	8ZYL/4,5L /331 KW
CAYENNE	BFD M02.2Y	06 6	616 00501>60000	6ZYL/3,2L /184 KW
CAYENNE S	M48.00	06 6	816 00501>60000	8ZYL/4,5L /250 KW
CAYENNE TURBO	M48.50	06 6	826 00501>60000	8ZYL/4,5L /331 KW

Model: 9PA 03

Model life 2003>>2006

EXPL. TRANSM. NO.

EXPLANATION OF THE TRANSMISSION-NUMBERS USED IN THE CATALOGUE

=====

DIGIT:	1	2	3	4	5	6	7	8	9	10	11
EXAMPLE:	G	4	8	0	0	1	0	0	5	4	3
	=	=====				=	=====				
	!		!			!			!		!
	!		!			!			!		!
TRANSMISSION TYPE-----+			!			!			!		!
			!			!			!		!
TRANSMISSION VERSION-----+						!			!		!
						!			!		!
INDEX OF VARIANTS-----+									!		!
									!		!
SERIAL NUMBER-----+											!

Model: 9PA 03

Model life 2003&gt;&gt;2006

## SUMM. TRANSMISS.

VEHICLE TYPE	TYPE	MY	TRANSMISSION NO.	TECHNICAL DATA
CAYENNE	G48.20	03 3	G4820 0 002001>999999	6-GANG
CAYENNE	A48.20	03 3	A4820 0 002001>999999	6-GANG
CAYENNE S	G48.00	03 3	G4800 0 002001>999999	6-GANG
CAYENNE S	A48.00	03 3	A4800 0 002001>999999	6-GANG
CAYENNE TURBO	A48.50	03 3	A4850 0 002001>999999	6-GANG
CAYENNE	G48.20	04 4	G4820 0 002001>999999	6-GANG
CAYENNE	A48.20	04 4	A4820 0 002001>999999	6-GANG
CAYENNE S	G48.00	04 4	G4800 0 002001>999999	6-GANG
CAYENNE S	A48.00	04 4	A4800 0 002001>999999	6-GANG
CAYENNE TURBO	A48.50	04 4	A4850 0 002001>999999	6-GANG
CAYENNE	G48.20	05 5	G4820 0 002001>999999	6-GANG
CAYENNE	A48.20	05 5	A4820 0 002001>999999	6-GANG
CAYENNE S	G48.00	05 5	G4800 0 002001>999999	6-GANG
CAYENNE S	A48.00	05 5	A4800 0 002001>999999	6-GANG
CAYENNE TURBO	A48.50	05 5	A4850 0 002001>999999	6-GANG
CAYENNE	G48.20	06 6	G4820 0 002001>999999	6-GANG
CAYENNE	A48.20	06 6	A4820 0 002001>999999	6-GANG
CAYENNE S	G48.00	06 6	G4800 0 002001>999999	6-GANG
CAYENNE S	A48.00	06 6	A4800 0 002001>999999	6-GANG
CAYENNE TURBO	A48.50	06 6	A4850 0 002001>999999	6-GANG

Model: 9PA 03

Model life 2003>>2006

LEGENDS/NOTICES

LEGENDS AND NOTICES

=====

IN COLUMN -S- STATUS

-----

- N NEW ADDITION
- P PART ALREADY IN PROGRAMME, BUT NEW AT THIS APPLICATION
- W DELETED AT THIS APPLICATION, BUT CONTINUED TO BE CARRIED
- A STOCK TO BE USED UP
- U DELETED WITHOUT REPLACEMENT
- \* PART ALSO OR ONLY AVAILABLE IN REPAIR KIT
- > ALSO AVAILABLE IN EXCHANGE

IN COLUMN - ILL. -

-----

- 1 IDENTIFICATION NO. IN ILLUSTRATION
- (1) PART ONLY SIMILAR AS ILLUSTRATED
- PART IS NOT ILLUSTRATED

FIG.-NUMBERS FOR WHICH THERE IS SHOWN NO TEXT ARE NOT VALID FOR THIS EDITION OF CATALOGUE

IN COLUMN -PART NUMBER/CODE-

-----

000 000 000 00 PART NUMBER EQUALS ORDERING NO., IF A CODE IS SHOWN, IT WILL HAVE TO BE PART OF ORDERING NUMBER

01C COLOUR CODE

IN COLUMN -TEXT

-----

INSTALLATION WITH ENGINE OR CHASSIS NUMBER-RANGE

EXAMPLE:

M 66W 00389>>

FROM ENGINE NO.



Model: 9PA 03

Model life 2003>>2006

F >>99WS6 00889 UP TO CHASSIS NO.

Model: 9PA 03

Model life 2003>>2006

LEGENDS/NOTICES

IN COLUMN - A -  
-----

IDENTIFICATION LETTER FOR PERIOD OF INSTALLATION  
THAT IS REPEATED SEVERAL TIMES IN THE CATALOG GROUP.

EXPLANATION PLEASE FIND IN TEXT COLUMN OF THE CATALOG GROUP

IN COLUMN - QU - = NO. OF PIECES  
-----

1 NUMBER PER APPLICATION

X NUMBER AS NEEDED

\* AVAILABLE ONLY IN RUNNING LENGTHS 1 = 1 METRE

IN COLUMN - MODEL/SYMBOL -  
-----

M650 OPTIONAL EQUIPMENT - SEE M-NO. LIST

-98 LIMITATION OF MODEL YEAR FOR INSTANCE: VALID UP TO  
END OF MODEL YEAR 1997

/LL LHD

/RL RHD

/V FRONT I  
I

/H REAR I

/L LEFT I I----> APPLIES TO  
DIRECTION OF TRAVEL

/R RIGHT I

-----+

WW THE PART CAN BE USED INSTEAD OF THE  
PRECEDING ONE.

Model: 9PA 03

Model life 2003&gt;&gt;2006

COUNTRY-EQIPM.

## EQUIPMENT BY COUNTRY REGULATIONS

=====

(A)	AUSTRIA
(AG)	ARABIAN GULF STATES
(AUS)	AUSTRALIA
(B)	BELGIUM
(BR)	BRAZIL
(CDN)	CANADA
(CH)	SWITZERLAND
(CN)	PEOPLE'S REPUBLIC OF CHINA
(D)	FEDERAL REPUBLIC OF GERMANY
(DK)	DENMARK
(E)	SPAIN
(F)	FRANCE
(GB)	GREAT BRITAIN
(GR)	GREECE
(HK)	HONGKONG
(I)	ITALY
(J)	JAPAN
(L)	LUXEMBURG
(N)	NORWAY
(NL)	NETHERLANDS
(NZ)	NEW ZEALAND
(MEX)	MEXICO
(P)	PORTUGAL
(ROK)	KOREA
(RC)	TAIWAN
(THA)	THAILAND
(S)	SWEDEN
(SA)	SAUDI ARABIA
(SF)	FINLAND

**Model: 9PA 03****Model life 2003>>2006**

(USA) UNITED STATES OF AMERICA

(ZA) SOUTH AFRICA

Model: 9PA 03

Model life 2003&gt;&gt;2006

NR	Description
IB0E	Component set for Canada
IB0L	Component set for Japan
ICJ1	Cayenne wheel 7.5x17, wheel offset 53
ICJ2	Cayenne S wheel 8x18, wheel offset 57
ICJ3	19-inch (9 X 19) Cayenne Design wheel
ICJ6	18-inch (8 x 18) Cayenne Turbo wheel
ICP5	Cayenne Sport Techno wheel 9"/10" x 20" Titanium metallic
ICP7	19-inch (9 x 19) Cayenne Design wheel painted in body colour
ICS5	20-inch (9X20) Cayenne Sport Design wheel
ICS6	Cayenne Sport Techno wheel 9x20, wheel offset 60
ICT1	Cayenne Sport Techno wheel 9x20, wheel offset 60, wheel spokes painted in exterior colour
ICW3	Cayenne Design wheel 19 " in titanium metallic
ICY3	Cayenne Sport Techno wheel 9-inch/10-inch x 20-inch
ICY4	Cayenne Sport Techno wheel 9"/10" x 20" in vehicle colour
ID5V	8-cylinder petrol engine 4.8 l/280 KW V8 FSI
ID5X	6-cyl. spark-ignition engine, 3.6 l/206 kW FSI
ID5Z	8-cylinder petrol engine 4.8 l/368 KW V8 biturbo
ID50	6-cylinder diesel engine, 3.0 l/176 kW TDI
ID9J	6-cylinder petrol engine, 3.2 l/177 kW (24 valves)
ID9K	8-cylinder petrol engine, 4.5 l/250 kW (V 8)
ID9L	8-cylinder petrol engine, 4.5 l/330 kW (V 8) biturbo
IE0A	No campaign version, basic equipment
IE16	Special model 'Cayenne S Titanium'
IE8A	Turbo S
IE81	Enhanced performance engine
IGY0	Without electric closing aid for tailgate
IGY1	Power closing mechanism for tailgate
IG0L	6-speed manual transmission for all-wheel drive vehicle
IG0R	Tiptronic s
IJ0L	340 A (70 Ah) battery
IJ0Z	520 A (110 Ah) battery
IJ1U	450 A (95 Ah) battery
IJ2C	480 A (85 Ah) and 520 A (110 Ah) batteries
IK4H	Closed body
IL0L	Left-hand drive version
IL0R	Right-hand drive version
IN1X	Part-leather seat covers, grained
IN2Z	Two-tone seat covers in partial leather, embossed for Cayenne S special model
IN5U	Part-leather seat covers, smooth leather
IN7D	Soft ruffled leather seats in smooth leather
IN7F	Soft ruffled leather seats in embossed leather

Model: 9PA 03

Model life 2003&gt;&gt;2006

NR	Description
IQA0	Without child seat
IQH1	Voice control system
IQJ0	without Chrome package
IQJ2	Aluminium package
IQJ4	Aluminium package, Black
IQJ5	Aluminium package, Titanium-Metallic
IQL3	Tinted glass, green at rear
IQL5	Dark tinted rear privacy glass
IQL6	Heat-insulating glass at rear, metallized
IQR1	With compass
IQV0	Without TV and digital radio reception
IQV1	With TV reception
IQV4	XM satellite radio receiver
IQV8	HD radio reception and SAT radio XM (SDARS)
IQ1D	Sports seats with expanded memory function in smooth leather
IQ2J	Comfort seats, front
IT31	Components for basic engine, unit M 022Y
IT90	Units for engine PR No. D9L
IT91	Units for engine PR No. D9K
IU5A	Instrument insert, km/h indication, RoW
IU5B	Instrument insert, mph indication, GB
IU5C	Instrument insert, mph indication, USA
IU5D	Instrument insert, km/h indication, Canada
IU5E	Instrument insert, km/h indication, Japan
IU5F	Instrument insert, display km/h, AGCC
IU5G	Instrument insert, km/h indication, Australia
IVC1	Garage door opener, 433 MHz
IVC2	Garage door opener, 315 MHz
IVR0	Without anti-ram protection measures
IVR1	Side protection, running board
IVR3	Front-end and side protection
IVR4	Front impact protection measures
I0AB	Anti-roll bar, front
I0AG	Anti-roll bar, front, disengageable
I0AW	Front and rear anti-roll bars with active Body control -PDCC-
I0BB	Anti-roll bar, rear
I0BJ	Anti-roll bar, rear, disengageable
I0GD	Emissions compliance EU 2, (CN)
I0GG	Emissions compliance EU 4
I0GM	Emissions compliance LEV
I0GU	Emissions compliance EU 2
I0JA	Weight class 1, front axle - 1170-1210 kg
I0JB	Weight class 2, front axle - 1211-1226 kg
I0JC	Weight class 3, front axle - 1227-1251 kg
I0JD	Weight class 4, front axle - 1252-1276 kg

Model: 9PA 03

Model life 2003&gt;&gt;2006

NR	Description
I0JE	Weight class 5, front axle - 1277-1292 kg
I0JF	Weight class 6, front axle - 1293-1328 kg
I0JG	Weight class 7, front axle - 1329-1428 kg
I0NA	Deletion of model designation
I0NB	Logo set in basic version
I0P0	Standard tailpipe
I0P3	Sports tailpipe in precision-cast aluminium, 4-pipe look
I0YA	Weight class 1, rear axle - 1039-1074 kg
I0YB	Weight class 2, rear axle - 1075-1128 kg
I0YC	Weight class 3, rear axle - 1129-1159 kg
I0YD	Weight class 4, rear axle - 1160-1215 kg
I0YE	Weight class 5, rear axle - 1216-1244 kg
I0YF	Weight class 6, rear axle - 1245-1299 kg
I0YG	Weight class 7, rear axle - 1300-1331 kg
I0Y1	Standard climatic zone
I0Y2	Tropical climatic zone
I0Y3	Cold climatic zone
I1BA	Suspension/dampers, standard
I1BK	Air suspension with levelling system and height adjustment (PASM)
I1BS	4-corner air suspension
I1D0	Without towball
I1D2	Detachable trailer coupling
I1D6	Trailer coupling without tow ball
I1D7	Preparation for detachable trailer coupling
I1D8	Preparation for detachable trailer coupling "usa"
I1D9	Electric folding trailer coupling
I1G1	18-inch collapsible spare wheel
I1G3	High-pressure alloy spare wheel with tyre
I1G4	19" collapsible spare wheel
I1G6	Spare wheel, space saving - 17-inch, radial tyre, compressor, in vehicle
I1G8	Tire Fit, tyre repair set
I1KF	Rear brake discs, disc diameter 18 inches, Black brake callipers, (NAR)
I1KU	Rear disc brakes - disc diameter 18 inches, brake calliper painted red
I1KW	Rear disc brakes - disc diameter 17 inches, brake calliper painted black
I1KY	Rear disc brakes - disc diameter 17 inches, brake calliper painted silver
I1KZ	Rear disc brakes - disc diameter 17 inches, brake calliper painted red
I1LH	Rear disc brake - disc diameter 19 inches,

Model: 9PA 03

Model life 2003&gt;&gt;2006

NR	Description
I1LK	brake calliper painted red Front disc brake - disc diameter 17 inches, brake calliper painted black
I1LL	Front disc brake - disc diameter 18 inches, brake calliper painted silver
I1LM	Front disc brake - disc diameter 18 inches, brake calliper painted red
I1L0	Normal air cleaner
I1L2	Equipment for countries with dust-laden air
I1NE	Wheel centres STANDARD
I1NP	Wheel centres with full-colour Porsche Crest (concave)
I1N1	Power steering
I1N3	Speed-dependent power-assisted steering (servotronic)
I1XJ	3-spoke multi-function steering wheel in dark Burr maple wood with radio control element
I1XK	3-spoke multi-function steering wheel in Light Olive wood with radio control element
I1Y1	Differential lock, rear, centre differential lock
I2C4	Steering column, reach + height adjustable with memory
I2C5	Steering column, reach + height adjustable, mechanical
I2D0	Without Aerokit
I2D1	Aerokit, with sill cover
I2D2	Aerokit, without sill cover
I2D3	Sill cover
I2FV	3-spoke multi-function steering wheel in light Olive wood , matt, with radio control element
I2G1	Insert for fuelling with unleaded petrol
I2G3	Without fuel tank adapter for unleaded petrol
I2G4	Insert for fuelling with unleaded petrol (CARB Diagnosis)
I2G6	Without fuel tank adapter; ethanol fuel
I2JB	Bumper, standard
I2JC	Comfort bumper, stainless-steel attachment, front apron bottom section
I2PH	Leather steering wheel for airbag system - 3 spokes, heated
I2PM	Leather steering wheel for airbag system - 3-spoke steering wheel
I2V5	Fresh-air intake with active carbon filter
I2X2	Tiptronic controls on steering wheel
I3B1	Child seat anchors, USA/Canada requirement
I3B4	Child seat anchors for ISOFIX child seat system, RoW
I3CX	Net partition
I3D1	Centre console STANDARD (PVC)



Model: 9PA 03

Model life 2003&gt;&gt;2006

NR	Description
I3D3	Centre console MEDIUM, grained leather
I3D8	Centre console Leather, smooth
I3FA	Without roof insert
I3FE	Electric glass slide/tilt sunroof
I3FU	Porsche large roof system
I3GE	Raised loadspace floor
I3J4	Head restraints for front seats
I3J7	Headrests for front seats, with embossed crest
I3LD	Door & side trim panel - standard - PAG
I3LE	Door & side trim panel - MEDIUM - PAG
I3LH	Door trim and side wall - all leather -- pillars/ rooflining in Alcantara - PAG
I3L3	Manual height adjustment for both 8-way adjustable front seats
I3L4	Driver memory package
I3L5	Electrical adjustment for both 12-way adjustable front seats
I3ME	Tufted velour carpeting with protective pad
I3MT	Pearl velour carpeting with protective pad
I3NW	Rear seats, split backrest can be folded down
I3PB	Front seat adjustment, left electrical, right manual
I3PN	12-way electrical adjustment for both front seats + memory
I3QT	3-point automatic seat belts at front with seat-belt pre-tensioners + height adjustment
I3S1	Unpainted roof rails
I3S2	Black roof rails without drip mouldings
I3S4	Preparation for roof rack, black
I3S5	Black roof rails with drip mouldings
I3S7	Roof rails
I3S8	Roof Transport System
I3W4	Acoustic package, standard
I3W7	Extra audio package
I3X0	Without through-loading facility
I3X1	Load-through facility with ski bag
I3Y3	Manual sun blind, rear side window
I3Y4	Roller blind for rear side windows
I4AV	Door trim and side wall - smooth-leather insert
I4A0	Without seat heating
I4A3	Heated seats, front
I4A4	Heated seats, front/rear
I4E2	Interior tailgate release, electrical
I4E7	Power closing for rear lid
I4F2	Porsche entry + drive
I4F6	Porsche entry + drive (usa/can)
I4GF	Windscreen of tinted glass

Model: 9PA 03

Model life 2003&gt;&gt;2006

NR	Description
I4GY	Windscreen of heat-insulating glass
I4K0	Central-locking system with key remote and interior operation
I4K3	Central locking with remote control, inner release and safe lock system
I4LB	3-spoke multi-function steering wheel in leather with radio control element
I4LC	3-spoke multi-function steering wheel in leather with radio and telephone control element
I4L2	Safety interior mirror, manual dimming function
I4L6	Safety interior mirror, automatic dimming function
I4N1	Padded dashboard
I4N8	Dashboard in genuine leather
I4QF	3-point automatic belts at front with electrical height adjustment and memory
I4UB	Airbag with kneebar
I4UD	Airbag, can not be deactivated on passenger's side
I4UE	Airbags for driver and front-seat passenger; front-seat passenger side can be deactivated
I4UQ	Advanced airbag
I5D1	Carrier frequency 433.92 MHz
I5D2	Carrier frequency 315 MHz
I5D3	Carrier frequency 315 MHz with reduced transmission power for Japan
I5D9	Carrier frequency 433.92 MHz with changed transmission duration
I5MA	Decorative inlays - paint, painted plastic
I5MG	Burr maple wood package, dark high gloss
I5RK	Door mirror, right, flat
I5RQ	Door mirror, right, convex
I5RR	Door mirror, right, convex (US)
I5RT	Door mirror, right, convex (AGCC)
I5RV	Door mirror, right, aspherical
I5SG	Door mirror, left, flat
I5SJ	Door mirror, left, convex
I5SL	Door mirror, left, aspherical
I5TE	Aluminium "sport" package
I5TF	"Olive" wood package, light high gloss
I5TK	Decorative inlays, grained olive wood
I5W0	Roof rail, Titanium-Metallic
I5W2	Preparation for roof rack, bright, silver
I5W3	Roof rack black, guide rails bright
I6A0	Without fire extinguisher
I6A4	Preparation for fire extinguisher
I6A5	Fire extinguisher
I6A7	With fire extinguisher
I6EA	Without additional body covers,

Model: 9PA 03

Model life 2003&gt;&gt;2006

NR	Description
	side stone guards
I6EB	Additional body covers, stone guards and partial cover
I6EP	Additional body covers, stone guards, type 1
I6EQ	Additional body covers, stone guards, type 2
I6ES	Additional body covers, stone guards, type 3
I6ET	Additional body covers, stone guards, type 4
I6E3	Centre armrest, front - PVC foam film
I6E6	Centre armrest, front - smooth leather
I6E7	Centre armrest, front - grained leather
I6FB	Door-mirror housing painted in exterior colour
I6GA	Without component set
I6GE	Component set - wheel arch extensions, extra wide for Australia
I6GF	Component set - wider wheel arch covers
I6GG	Component set for wider wheel arch trim (USA/CAN)
I6GH	Component set for wider wheel arch trim in exterior colour (USA) - 2010, 2011 - worldwide
I6GJ	Component set for wider wheel arch trim in exterior colour (RoW) - 2010, 2011 - worldwide
I6GK	Component set for wider wheel arch trim in exterior colour (AUS)
I6NA	One-piece rooflining in Alcantara, USA
I6NF	One-piece rooflining in Alcantara, Canada
I6NJ	Standard rooflining, fabric
I6NL	Standard rooflining in fabric, Canada
I6NN	Alcantara rooflining
I6NQ	Standard rooflining in fabric, USA
I6N0	*
I6N1	Mudguards, rear
I6P1	Number-plate holder, rear (ECE)
I6P2	Number-plate holder, rear (USA)
I6P4	Rear number plate bracket (Japan)
I6Q2	Gear selector knob + grip in leather, gear lever in leather/aluminium
I6Q8	Gear lever, wood, dark
I6W1	Number-plate holder, front, large (ECE)
I6W2	Number-plate holder, front, small (RoW)
I6W3	Number-plate holder, front (NAR)
I6XP	Door mirrors, electrically retractable, electrically adjustable, separately heated
I6XQ	Exterior mirror with memory function, electr. retractable/adjustable, separately heated
I6XT	Door mirrors, automatically dimmable, electrically retractable/adjustable, separately heated + memory

Model: 9PA 03

Model life 2003&gt;&gt;2006

NR	Description
I6XW	Door mirrors, automatically dimmable, electrically retractable/adjustable, separately heated
I7AK	Alarm system, interior surveillance system, anti-towing protection
I7AL	Alarm system, interior surveillance system, backup horn, anti-towing protection
I7A1	Preparation for CD autochanger
I7A2	CD autochanger (6-disc)
I7B6	Six 12-V sockets
I7B7	Five 12-V sockets
I7B8	Seven 12-V sockets
I7F6	Gear lever, wood, light, matt
I7F7	Gear lever, wood, light, high gloss
I7GA	LEV 2 emissions concept
I7GG	EU 4 emissions concept with particle filter
I7K3	Tire Pressure Monitoring, 433 MHz
I7K4	Tyre pressure monitoring system 315 MHz
I7K5	315-MHz Tire Pressure Monitoring with reduced transmission power
I7M0	Door entry guards of plastic from MY 04
I7M1	Door entry guards of stainless steel from MY 04
I7QT	Navigation "Europe package"
I7QV	Navigation south africa
I7QZ	Navigation middle east
I7Q0	Without navigation unit
I7Q2	PCM navigation module
I7Q7	PCM incl. navigation & compass display in instrument cluster
I7RA	Navigation, Australia
I7RB	Navigation, Hong Kong
I7RC	Navigation, Singapore
I7RD	Navigation Taiwan
I7RV	Navigation Russia
I7T0	Compass display in instrument cluster
I7T1	Offroad navigation, with course calculator showing latitude and longitude
I7T3	Offroad navigation, with course calculator showing latitude and longitude + COMPASS
I7VE	Auxiliary heater with integrated timer.
I7VL	Auxiliary heater with integrated timer and remote control
I7X0	Without ParkAssist
I7X1	Ultrasound ParkAssist and reversing camera
I7X2	ParkAssist, front/rear
I7X3	Reversing camera
I7X8	Ultrasound parking aid and reversing camera
I8BB	Halogen main headlights, right-hand traffic

Model: 9PA 03

Model life 2003&gt;&gt;2006

NR	Description
I8BC	Main headlights with gas-discharge lamps + direction indicators, XENON, right-hand traffic
I8BF	Halogen main headlight, left-hand traffic
I8BR	Halogen main headlights, U.S. version with direction indicator and running lights, right-hand traffic
I8BZ	Main headlights with gas-discharge lamps + direction indicators, XENON, left-hand traffic
I8DQ	Basic radio/PCM terminal, USA, double-DIN colour display
I8DU	Porsche CDR 23 radio WW
I8DV	Basic radio/PCM terminal, RoW, double-DIN colour display
I8FE	Preparation for second battery
I8F2	Side direction indicator lights
I8F5	Side marker lights and direction indicators
I8GH	190-A generator
I8GR	150-A generator
I8JD	Main headlights with gas-discharge lamps U.S. version, XENON RHD
I8K0	Without special low beam mode
I8K1	Daytime driving light setting, Scandinavia
I8K3	Daytime driving lights, auxiliary driving lights, RoW, with COMING/LEAVING HOME function
I8K4	Daytime driving light setting, Canada
I8K5	Auxiliary driving lights, USA (NAR)
I8K8	Auxiliary driving lights (RoW)
I8K9	Daytime driving lights, auxiliary driving lights, Canada (NAR), with COMING/LEAVING HOME function
I8L6	Diversity antenna
I8N3	Wipers - variable interval setting with rain sensor
I8Q0	Without headlight beam adjustment
I8Q1	Headlight levelling, manual
I8Q3	Headlight levelling - dynamic
I8RV	10 loudspeakers, passive
I8TF	Rear fog light, left and right
I8T1	Cruise control
I8T3	Automatic distance control + cruise control ACC from MY 04
I8WB	Fog lights
I8X0	Without headlight washer system
I8X1	Headlight cleaning system
I8YZ	Without radio but with preparation for 10 loudspeakers
I8ZM	Antenna in rear spoiler
I9AB	Air conditioning system with mechanical control
I9AD	Climatronic, free of CFCs
I9AH	4-zone air conditioning system

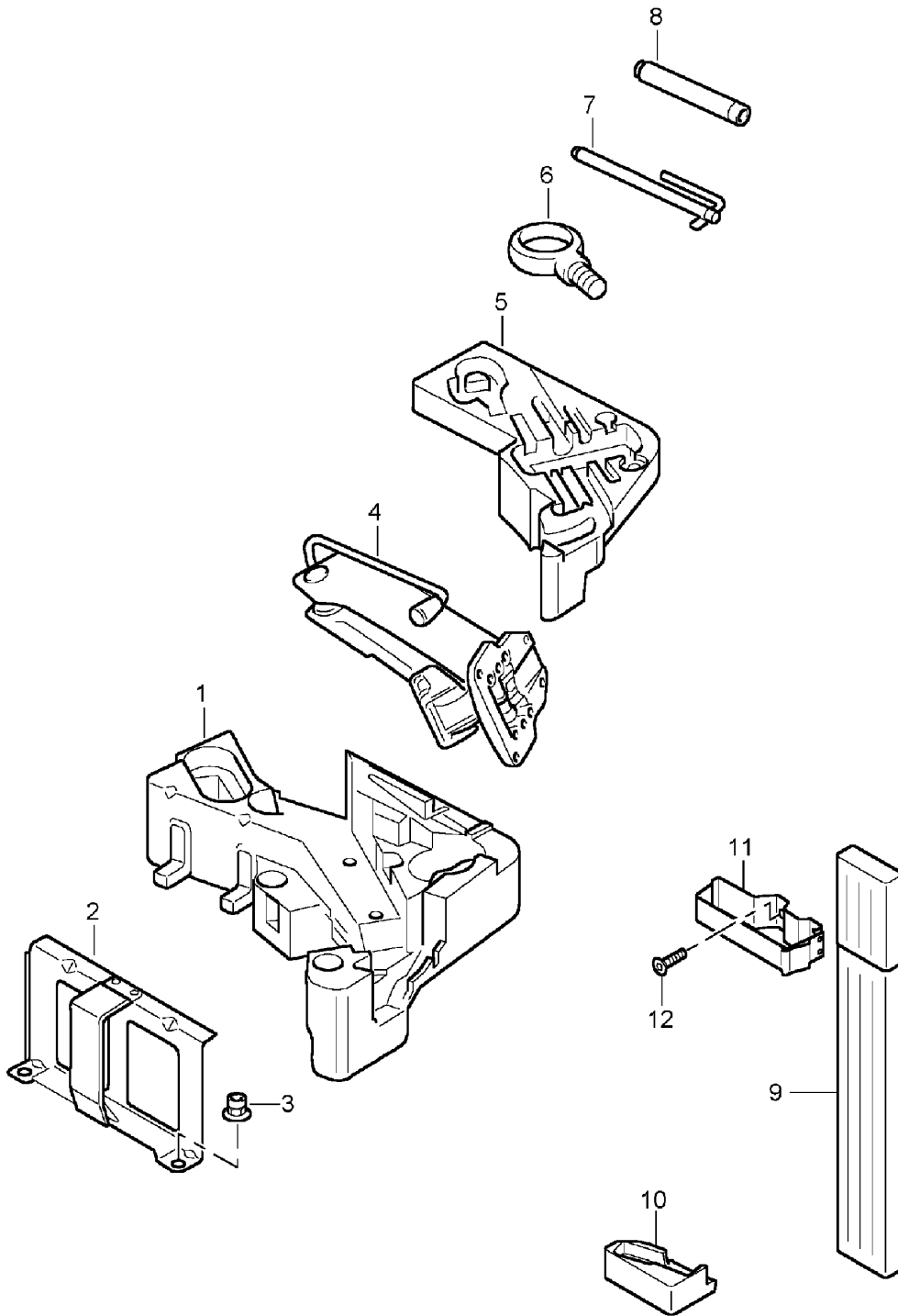
Model: 9PA 03

Model life 2003&gt;&gt;2006

NR	Description
I9C8	Without specific driving light circuit, USA
I9JA	Non-smoker package
I9JB	Smoker version; ashtrays at front and rear
I9L1	Engine bay lighting
I9MA	Interior lighting in basic equipment package
I9MB	Comfort interior lighting, dimmable, with light strips on door panels
I9M0	Without auxiliary/parking heater
I9Q1	Multi-function display, on-board computer
I9TF	Courtesy entry and exit lights
I9TH	Safety lights on front and rear doors
I9T1	Heated washer nozzles, front
I9VL	Bose Surround Sound System
I9W0	Without preparation for installation of car phone
I9W1	Telephone module without passive handset
I9ZF	Telephone preparation for VDA mobile phone with hands-free facility
I9ZH	Installation of car phone with emergency-call system - PCM telematics
I9ZP	Telephone module with passive handset
I9ZT	Telephone preparation USA, JAPAN

Model: 9PA 03

Model life 2003>>2006



Model: 9PA 03

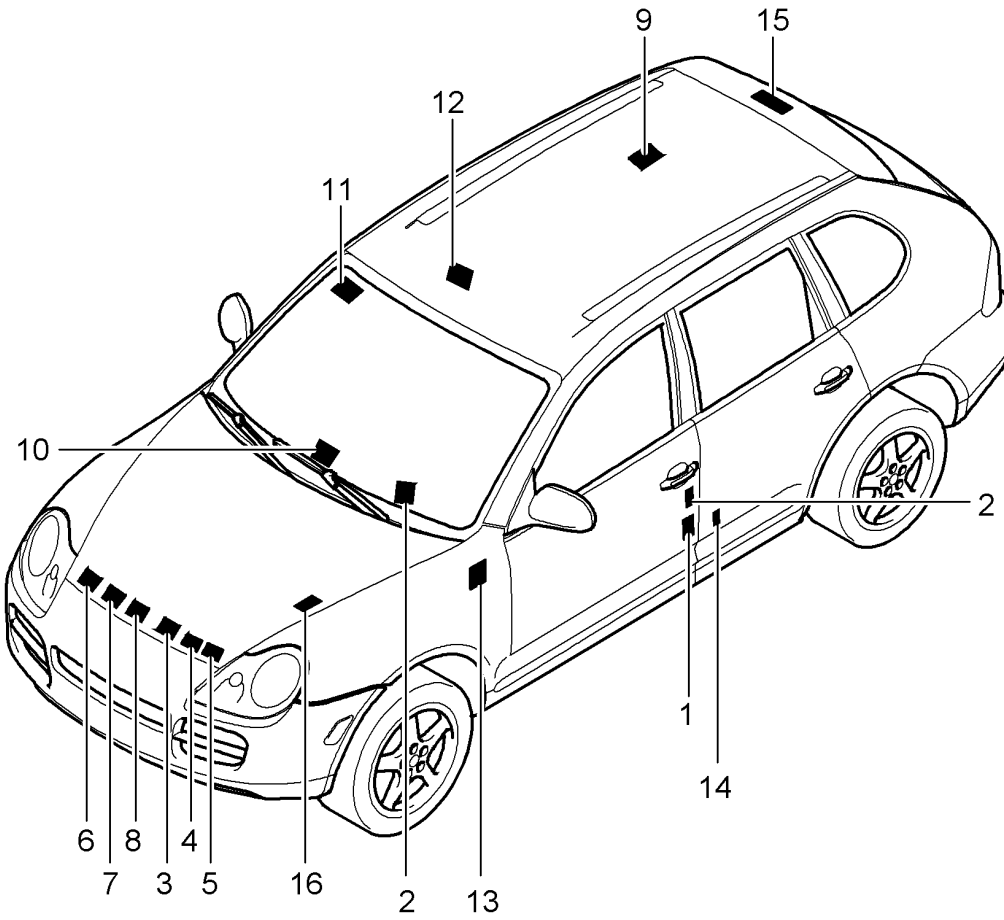
Model life 2003>>2006

Pos	Part Number	Description	Remark	Qty	Model
1	955 721 101 00	Tool Jack Mounting		1	
2	955 721 111 00	Jack Support		1	
3	N 102 058 02	Hexagon nut M 6		2	
(4)	955 721 211 01	Jack		1	
5	955 721 102 00	Mounting Tool		1	
6	955 721 151 00	Towing lug		1	
-	955 721 153 00	Extractor for Hub cap		1	
7	955 721 135 01	Socket wrench Release Headlamp Rear light		1	
8	999 571 074 30	Threaded bolt for Wheels		1	
-	955 721 135 02	Rim wrench		1	
-	955 721 135 03	Double-end spanner 10 X 13		1	
-	955 721 135 04	Screwdriver		1	
9	000 722 722 05	Warning triangle		1	
9	000 722 722 06	Warning triangle		1	
10	955 721 723 00	Mounting Warning triangle		1	
11	955 721 724 00	Support Warning triangle		1	
12	N 908 183 01	Pan-head screw M 6 X 9		2	
-	993 722 041 00	First-aid kit		1	
-	955 721 725 00	Base wedge		2	



Model: 9PA 03

Model life 2003>>2006



Model: 9PA 03 Model life 2003>>2006

Pos	Part Number	Description	Remark	Qty	Model
1	955 701 287 02	Stickers Stickers Tyre pressure Sticker		1	ID9J
(1)	955 701 287 12	Tyre pressure Sticker		1	ID9K/D9L
(1)	955 701 288 00	Tyre pressure Sticker	(AUS)	1	ID9J
(1)	955 701 288 10	Tyre pressure Sticker	(AUS)	1	ID9K ID9L
(1)	955 701 290 00	Tyre pressure Indication sticker	/LL	1	IL0L
(1)	955 701 291 00	Tyre pressure monitoring Indication sticker	/RL	1	IL0R
2	955 701 387 00	Tyre pressure monitoring Sticker		1	
(2)	955 701 387 10	Top speed 240 KM/H Sticker		1	
(2)	955 701 387 20	Top speed 190 KM/H Sticker		1	
(2)	955 701 387 30	Top speed 210 KM/H Sticker	-04	1	
(2)	955 701 387 40	Top speed 150 MPH Sticker	-04	1	
(2)	955 701 387 50	Top speed 120 MPH Sticker	-04	1	
(3)	955 006 107 00	Top speed 130 MPH Stickers Engine specifications Sticker	(AUS) 03	1	IT91
(3)	955 006 107 01	Sticker	(AUS) 04	1	IT91
(3)	955 006 107 05	Sticker	(AUS) 05	1	IT91
(3)	955 006 107 10	Sticker	(AUS) 03	1	IT90
(3)	955 006 107 11	Sticker	(AUS) 04	1	IT90
(3)	955 006 107 15	Sticker	(AUS) 05	1	IT90
(3)	955 006 107 20	Sticker	(AUS) 04	1	IT31
(3)	955 006 107 25	Sticker	(AUS) 05	1	IT31
(3)	955 006 108 00	Sticker		1	(THA) IT90 IT91 IT90/T91
4	955 006 150 00	Exhaust gas Sticker Assembly V-belt		1	
6	955 701 141 00	Sticker Air conditioner		1	
7	955 701 150 00	Warning sign Oil level High voltage Motor fan		1	
8	997 006 544 00	Sticker Engine oil		1	
9	955 006 117 10	- MOBILOEL - Sticker Type of fuel		1	I0GG
(9)	955 006 117 30	98/95 ROZ Sticker		1	I0GU

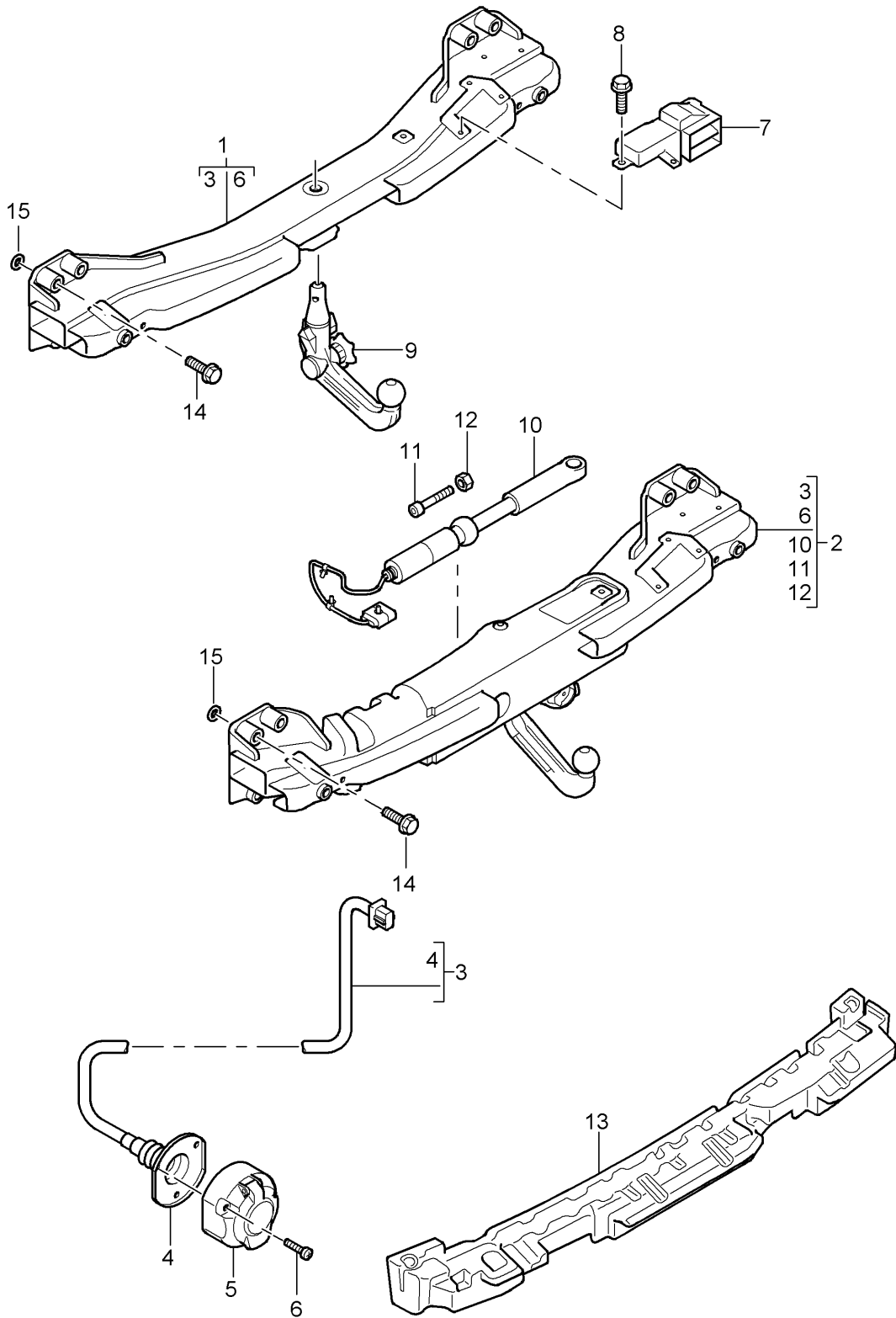
Model: 9PA 03

Model life 2003>>2006

Pos	Part Number	Description	Remark	Qty	Model
(9)	955 701 119 00	Type of fuel 95/98 ROZ Sticker Auxiliary heater Stickers Airbag		1	I7VE/7VL
11	955 701 430 00	Warning sign German French		1	
(11)	955 701 430 10	Warning sign English French		1	
(11)	955 701 430 20	Warning sign Spanish Italian		1	
(11)	955 701 430 30	Warning sign French Dutch		1	
(11)	955 701 430 40	Warning sign Swedish English		1	
(11)	955 701 430 50	Warning sign Danish English		1	
(11)	955 701 430 60	Warning sign Finnish English		1	
(11)	955 701 430 70	Warning sign Portuguese English		1	
(11)	955 701 430 80	Warning sign Greek		1	
(11)	955 701 430 90	Warning sign Norwegian English		1	
(11)	955 701 431 00	Warning sign English Chinese		1	
(11)	955 701 431 10	Warning sign Russian		1	
(11)	955 701 431 20	Warning sign English Japanese		1	
(11)	955 701 431 30	Warning sign Arabic English		1	
12	3B0 010 219 B	Sticker Child car seat		1	
13	955 701 433 00	Warning sign Driver's side	(J)	1	
(13)	955 701 432 00	Warning sign Passenger's side	(J)	1	
15	955 701 289 00	Sticker Emergency wheel	(AUS)	1	
(15)	955 701 292 00	Sticker Emergency wheel		1	(SA)
(15)	955 701 294 00	Sticker Emergency wheel		1	
16	955 701 160 00	Sticker Window cleaner		1	

Model: 9PA 03

Model life 2003>>2006



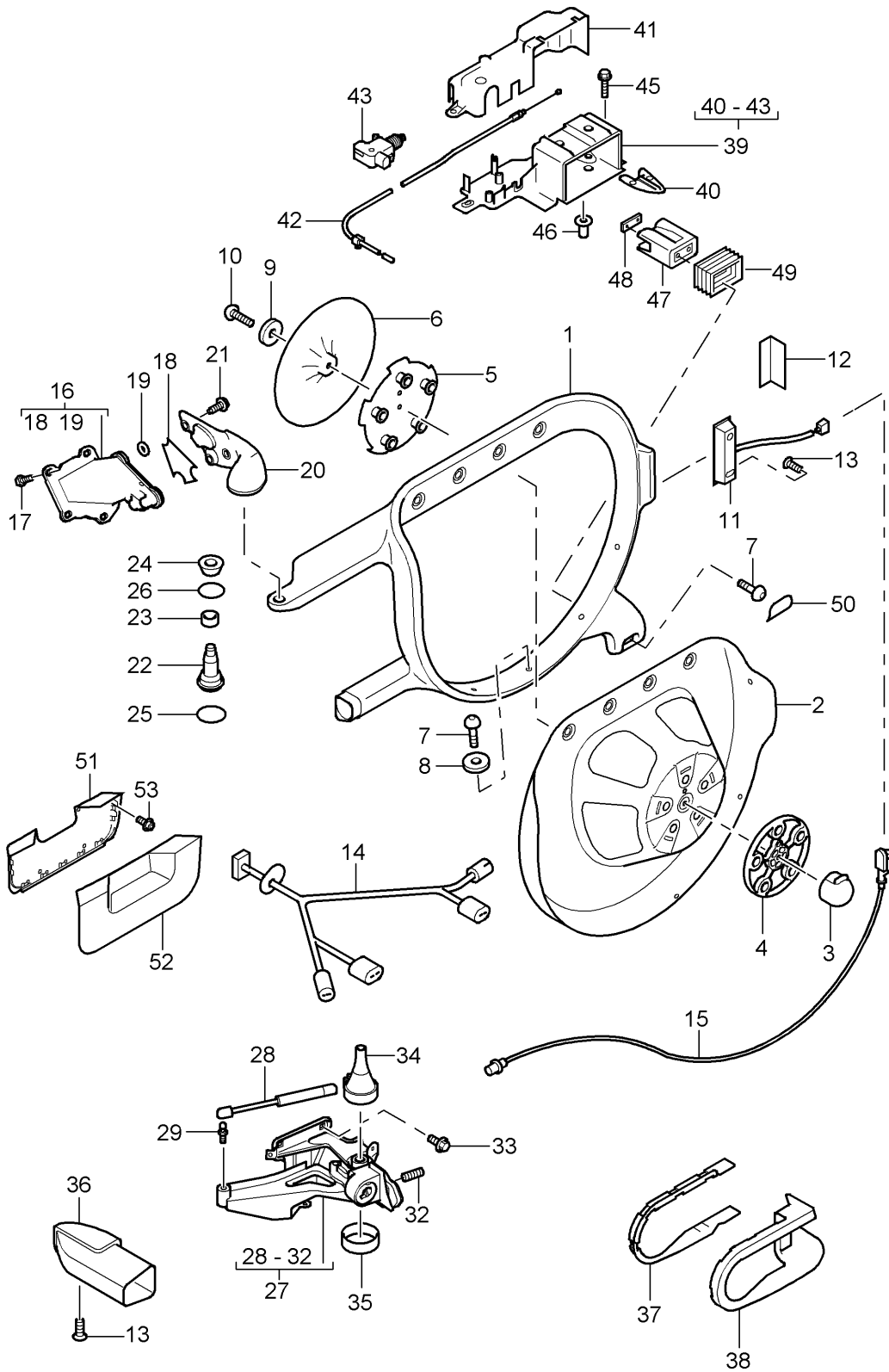
Model: 9PA 03

Model life 2003&gt;&gt;2006

Pos	Part Number	Description	Remark	Qty	Model
1	955 722 003 01	Trailer coupling		1	I1D2
(1)	955 722 006 00	Trailer coupling with Wiring harness	(AUS)	1	I1D6
-	955 722 030 10	Cover Trailer coupling Red		1	I1D2
2	955 722 005 01	Trailer coupling with Wiring harness		1	I1D9
3	955 612 505 01	Wiring harness		1	I1D2
(3)	955 612 507 01	Wiring harness		1	I1D9
(3)	955 612 508 00	Wiring harness	(AUS)	1	I1D6
4	955 612 520 01	Grommet		1	
5	955 612 533 01	Plug socket		1	I1D2/1D9
(5)	999 650 893 40	Plug socket	(AUS)	1	I1D6
6	N 014 156 5	Screw M 5 X 30		3	
7	-	Locking device Support Spare wheel See group 0/02/05			I1G3
8		Hexagon-head bolt See group 0/02/05			I1G3
9	955 722 023 01	Ball head		1	I1D2
9	958 722 023 00	Ball head		1	I1D2
10	955 624 010 00	Electric motor		1	I1D9
11	999 218 069 02	Trailer coupling Pan-head screw M 5 X 40		3	
12	900 910 007 02	Lock nut M 5		3	
13	955 722 025 10	Foam part		1	I1D2/1D6
(13)	955 722 026 10	Foam part		1	I1D9
14	N 909 892 01	Hexagon-head bolt M 14 X 1,5 X 100	-05	8	
14	N 910 292 02	Hexagon-head bolt BM 12 x 1,5 x 100	06-	8	
15	955 722 033 00	Gasket	-05	8	

Model: 9PA 03

Model life 2003>>2006



Model: 9PA 03 Model life 2003>>2006

Pos	Part Number	Description	Remark	Qty	Model
1	955 722 010 00	Bracket Spare wheel Outer Retaining frame Spare wheel Outer		1	
2	955 722 010 00 4W9 955 722 012 00	Satin aluminium Spring support Spare wheel		1	
3	955 722 012 00 03C 955 722 013 00	Rally black Centring aid Spare wheel		1	
4	955 722 075 00	Spacer		1	
5	955 722 014 00	Threaded plate		1	
6	955 722 015 00	Cap Wheel bolts		1	
7	955 722 015 00 01C N 910 489 01	Satin black Oval-head screw M 8 X 28		12	
8	955 722 401 00	Spacer 4,3 MM		3	
(8)	955 722 402 00	Spacer 5,1 MM		2	
(8)	955 722 403 00	Spacer		1	
9	N 910 651 01	Washer 8,4 X 28 X 2,5		1	
10	N 103 156 03	Hexagon-head bolt AM 8 X 40		1	
11	955 613 271 01	Tip switch		1	
12	955 722 017 00	Protection cap Tip switch		1	
13	955 722 017 00 4W9 N 104 272 01	Satin aluminium Countersunk-head screw M 5 X 12		3	
14	955 612 812 00	Wiring harness		1	
14	955 612 812 01	Wiring harness		1	
15	955 612 813 00	Wiring harness		1	
16	955 722 020 01	Mounting Upper Inner		1	
16	955 722 020 02	Mounting Upper Inner		1	
17	N 105 361 01	Hexagon-head bolt M 8 X 16 for Mounting 955 722 020 01		4	
17	N 101 277 07	Hexagon-head bolt M 8 X 26		4	
18	955 722 404 00	Spacer		1	
19	955 722 405 00	Sealing ring		3	
20	955 722 121 00	Mounting Upper		1	
21	955 722 121 00 4W9 N 910 460 01	Satin aluminium Oval-head screw M 8 X 35		3	
22	955 722 406 00	Bolt		1	
23	955 722 407 00	Articulated support		1	
24	955 722 408 00	Spacer		1	
25	955 722 409 00	Circlip		1	
26	955 722 410 00	Circlip		1	
27	955 722 201 02	Bearing		1	

Model: 9PA 03 Model life 2003>>2006

Pos	Part Number	Description	Remark	Qty	Model
27	955 722 201 03	Lower Bearing Lower See technical information Service Group 5 Document 5789 (1/05)		1	
28	955 722 411 00	Gas-pressure spring		1	
29	955 722 413 00	Ball pin		2	
32	N 106 086 01	Threaded pin		2	
32	N 106 086 02	Threaded pin		2	
33	N 106 266 01	M 16 X 25 Hexagon-head bolt M 8 X 30		4	
34	955 722 255 00	Cap Upper		1	
35	955 722 256 00	Cap Lower		1	
36	955 722 203 00	Cover Bearing Lower		1	
37	955 722 203 00 4W9 955 722 204 00	Satin aluminium Frame Bearing Lower		1	
38	955 722 205 00	Cover Bearing Lower		1	
39	955 722 205 00 4W9 955 722 031 01	Satin aluminium Locking device Support		1	
39	955 722 031 02	Spare wheel Locking device Support		1	
39	955 722 031 03	Spare wheel Locking device Support		1	
40	955 722 032 11	Spare wheel Rubber stop Upper		1	
(40)	955 722 032 01	Rubber stop Lower		1	
41	955 722 035 01	Cover Locking device		1	
42	955 722 525 00	Emergency operation		1	
43	955 624 521 00	Electric motor		1	
43	955 624 521 01	Electric motor		1	
-	955 624 523 00	Connecting piece		1	
-	955 624 525 00	End piece		1	
45	N 014 156 5	Screw M 6 X 25		4	
46	N 908 179 02	Blind rivet nut M 6		4	
47	955 722 251 00	Retaining bar		1	
48	955 722 252 00	Counterplate Retaining bar		1	
49	955 722 253 00	Bellows		1	
50	955 722 253 00 01C 955 722 254 00	Satin black Cap		1	
51	955 722 254 00 4W9 955 722 261 00 955 722 261 00 01C	Satin aluminium Spring support Satin black		1	



Model: 9PA 03

Model life 2003&gt;&gt;2006

Pos	Part Number	Description	Remark	Qty	Model
52	955 722 262 00	Cover		1	
	955 722 262 00 B41	Satin black			
53	N 101 319 03	Hexagon-head bolt M 6 X 14		4	

Model: 9PA 03

Model life 2003&gt;&gt;2006

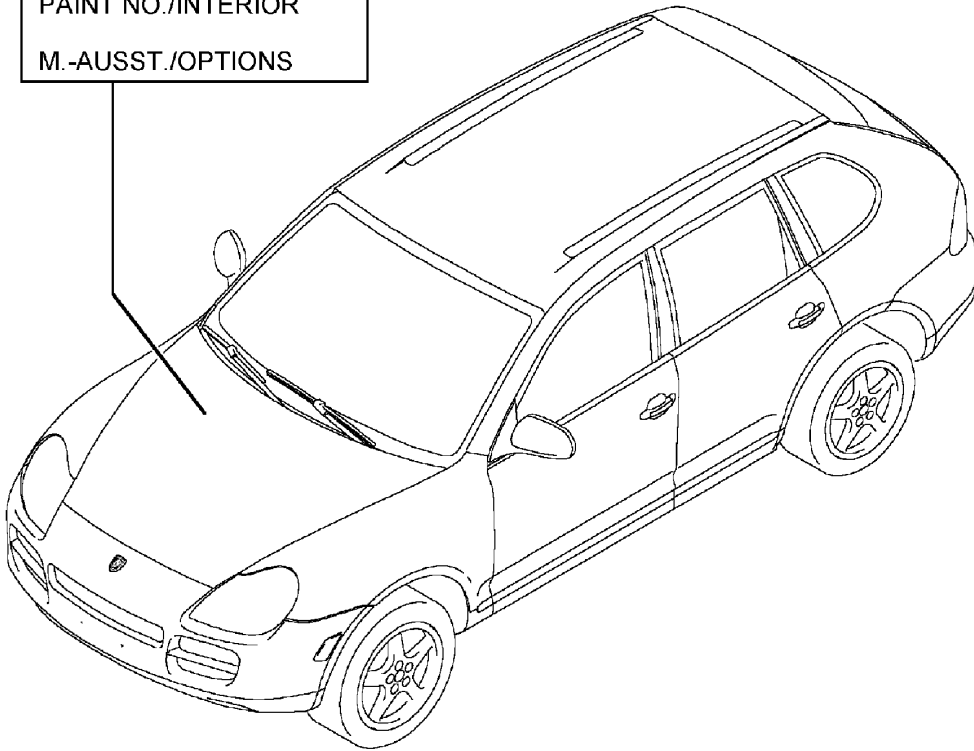
FAHRZG.-IDENT-NR.  
VEHICLE.-IDENT-NO.

TYP/TYPE

MOTORKB./GETR.KB.  
ENG.CODE/TRANS.CODE

LACKNR./INNENAUSST.  
PAINT NO./INTERIOR

M.-AUSST./OPTIONS



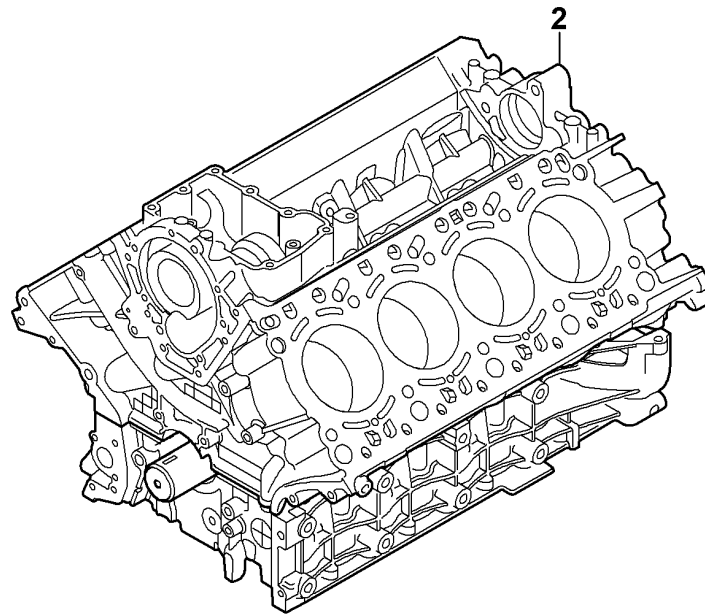
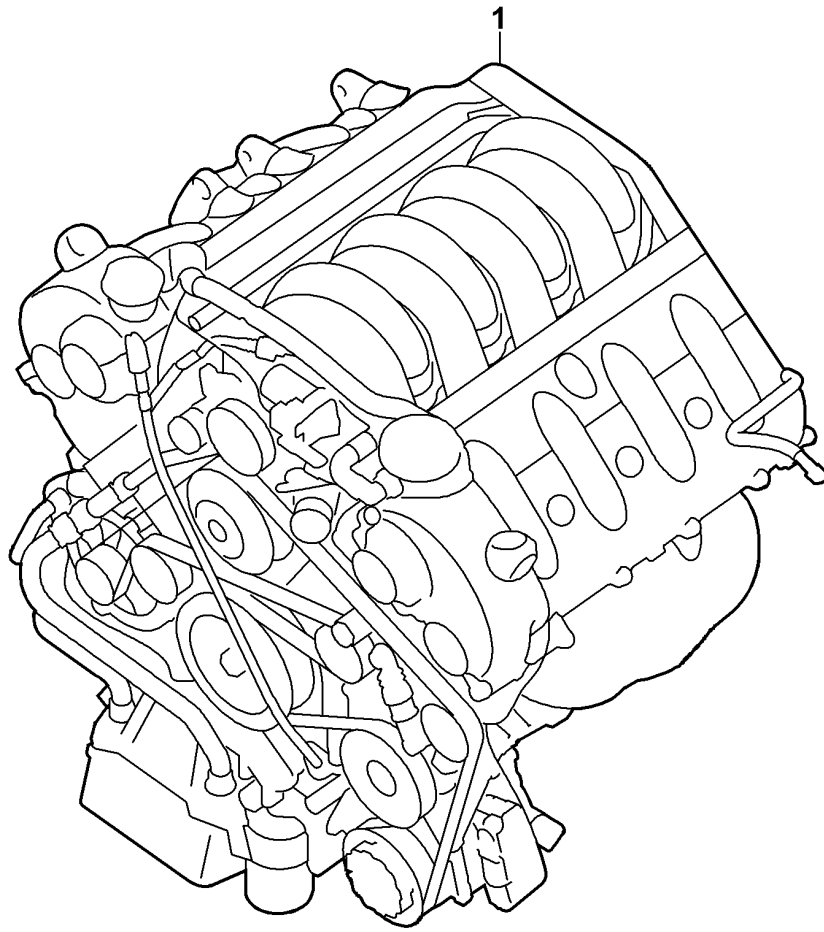
Model: 9PA 03

Model life 2003>>2006

Pos	Part Number	Description	Remark	Qty	Model
		Paint touch-up applicator Lacquers			
-	911 095 932 20	Paint touch-up applicator		X	
	911 095 932 20 041	Black			A 1
	911 095 932 20 A5G	Marine blue			D 3
	911 095 932 20 R9A	Ivory white			R 6
-	911 095 933 20	Paint touch-up applicator Set Comprising: Paint touch-up applicator Primer Paint touch-up applicator Clear lacquer		X	
	911 095 933 20 M5W	Lapis blue metallic			J 2
	911 095 933 20 M6W	Lagoon green metallic			G 4
	911 095 933 20 M3W	Carmon red metallic			E 4
	911 095 933 20 M1W	Jarama beige metallic			D 5
	911 095 933 20 M1X	Prosecco metallic			M 9
	911 095 933 20 A7W	Crystal silver metallic			8 E
	911 095 933 20 C9Z	Basalt black metallic			Z 4
	911 095 933 20 D7Z	Titanium metallic			A 7
	911 095 933 20 4W9	Satin aluminium			
	911 095 933 20 M6X	Dark olive-metallic	05-		7 G
	911 095 933 20 D5Q	Marine blue metallic	06-		P 6
	911 095 933 20 P3G	Pure Red	06-		
	911 095 933 20 B5S	Iceland Silver Metallic	06-		
-	000 043 205 27	Paint Set Door sill		1	
	000 043 205 27 Y7D	Slate grey Comprising: Primer 400 ML Hardener 50 ML			

Model: 9PA 03

Model life 2003>>2006



Model: 9PA 03

Model life 2003>>2006

Pos	Part Number	Description	Remark	Qty	Model
		Replacement engine partiel motor			M48.00/50 M48.00/50
		Replacement engine without			
		Drive plate			
		Tiptronic without			
		Flywheel			
		Manual transmission without			
		Compressor			
1	948 100 948 00	Replacement engine		1	M48.00
1	948 100 948 01	Replacement engine		1	M48.00
1	948 100 948 02	Replacement engine		1	M48.00
1	948 100 948 03	Replacement engine		1	M48.00
1	948 100 948 05	Replacement engine		1	M48.00
(1)	948 100 950 00	Replacement engine		1	M48.50
(1)	948 100 950 01	Replacement engine		1	M48.50
(1)	948 100 950 02	Replacement engine		1	M48.50
(1)	948 100 950 40	Replacement engine		1	M48.50
(1)	948 100 950 41	Replacement engine		1	M48.50
(1)	948 100 950 43	Replacement engine for cars with Country equipment China	(CN)	1	M48.50
		See technical information Service Group 2 Document 2870 (9/08)			
2	948 100 901 00	partiel motor Comprising: Crankcase Piston with Connecting rod Crankshaft		1	M48.00
		Use also: 948.107.010.11		1	
(2)	948 100 901 X	Oil pump partiel motor Comprising: Crankcase Piston with Connecting rod Crankshaft		1	M48.00
		Use also: 948.107.010.11		1	
(2)	948 100 901 50	Oil pump partiel motor Comprising: Crankcase Piston with Connecting rod Crankshaft		1	M48.50
		Use also: 948.107.010.11		1	
(2)	948 100 901 5X	Oil pump partiel motor Comprising: Crankcase		1	M48.50

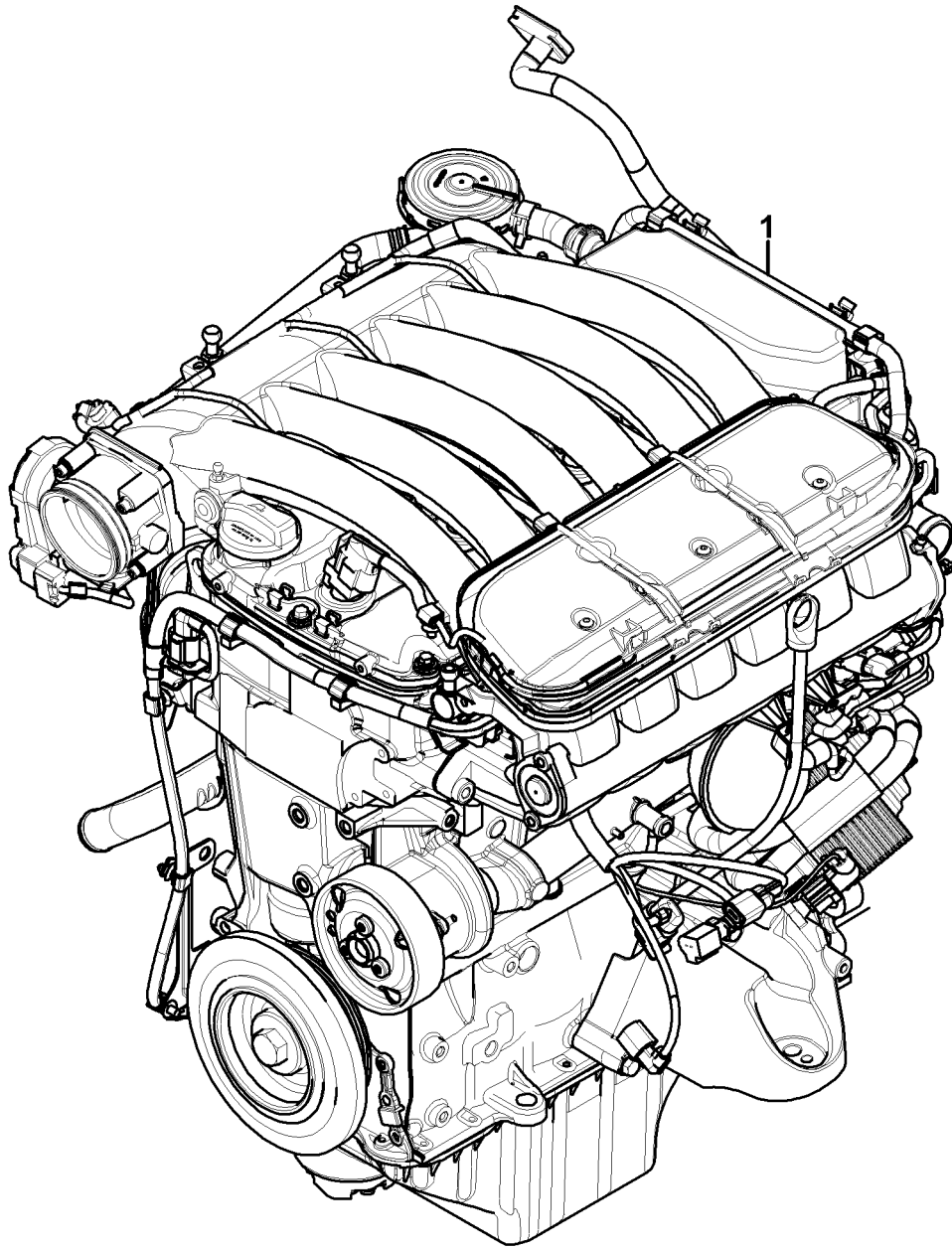
Model: 9PA 03

Model life 2003>>2006

Pos	Part Number	Description	Remark	Qty	Model
		Piston with Connecting rod Crankshaft Use also: 948.107.010.11 Oil pump		1	

Model: 9PA 03

Model life 2003>>2006



Model: 9PA 03

Model life 2003&gt;&gt;2006

Pos	Part Number	Description	Remark	Qty	Model
1	955 100 011 00	Replacement engine Replacement engine Together with Tiptronic Not Ready for installation	04-	1	M02.2Y IG0R
(1)	955 100 011 01	Replacement engine Together with Tiptronic Not Ready for installation		1	IG0R/8GR
(1)	955 100 012 01	Replacement engine Together with Tiptronic Not Ready for installation		1	IG0R/8GH
(1)	955 100 011 05	Replacement engine Together with Tiptronic Not Ready for installation for vehicles up to Model year 2005 with Generator Delphi Use also: Plug socket 955.603.193.00	(CN)	1	IG0R/0GD
(1)	955 100 011 06	Replacement engine Together with Tiptronic Not Ready for installation	(CN)	1	IG0R/0GD/8GR
(1)	955 100 012 06	Replacement engine Together with Tiptronic Not Ready for installation for vehicles up to Model year 2005 with Generator Delphi Use also: Plug socket 955.603.193.00	(CN)	1	IG0R/0GD/8GH
(1)	955 100 011 20	Replacement engine Together with Manual transmission Not Ready for installation		1	IG0L
(1)	955 100 011 21	Replacement engine Together with Manual transmission Not Ready for installation		1	IG0L/8GR
(1)	955 100 012 21	Replacement engine Together with Manual transmission Not		1	IG0L/8GH



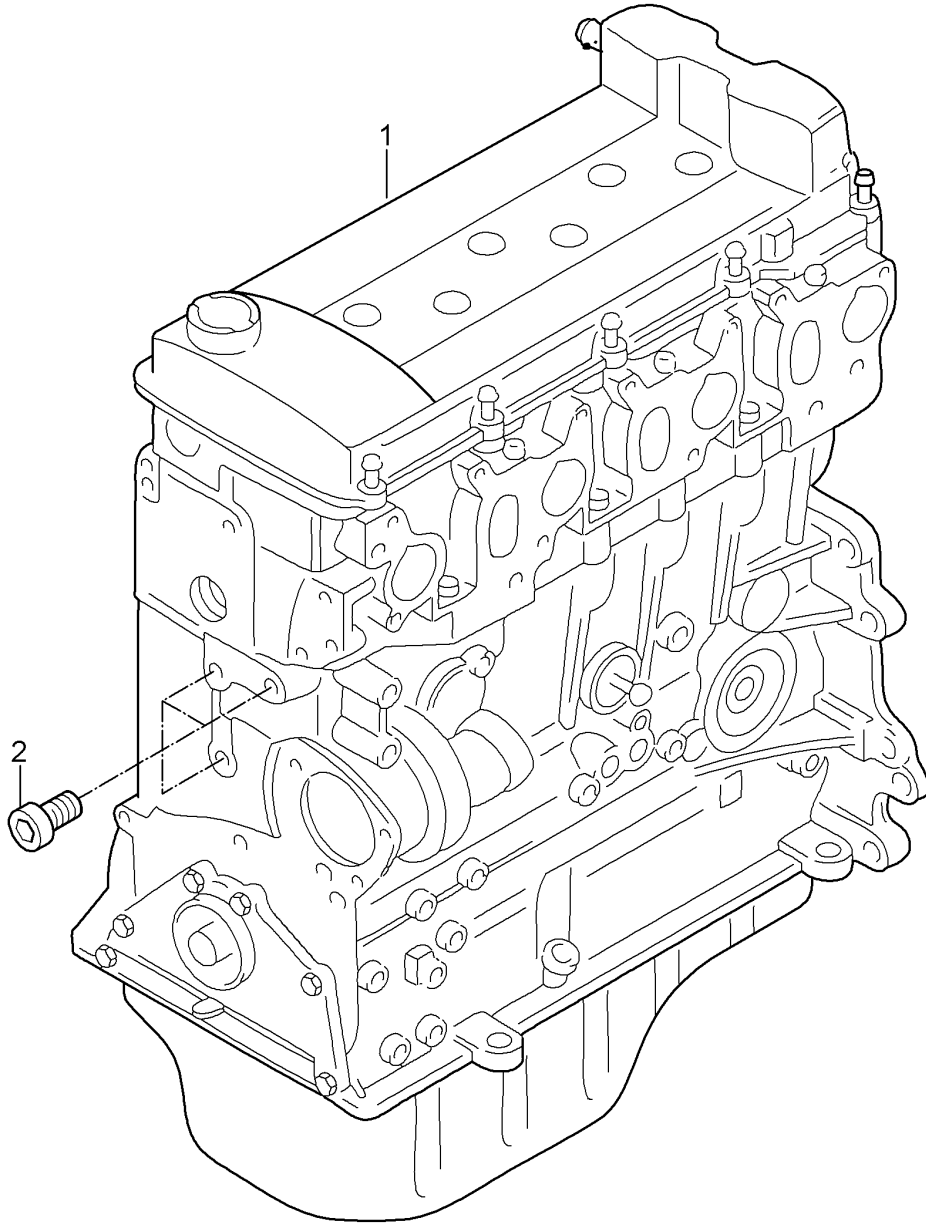
Model: 9PA 03

Model life 2003>>2006

Pos	Part Number	Description	Remark	Qty	Model
(1)	955 100 011 25	Ready for installation for vehicles up to Model year 2005 with Generator Delphi Use also: Plug socket 955.603.193.00 Replacement engine Together with Manual transmission Not	(CN)	1	IG0L/0GD
(1)	955 100 011 26	Ready for installation Replacement engine Together with Manual transmission Not	(CN)	1	IG0L/0GD/8GR
(1)	955 100 012 26	Ready for installation Replacement engine Together with Manual transmission Not Ready for installation for vehicles up to Model year 2005 with Generator Delphi Use also: Plug socket 955.603.193.00	(CN)	1	IG0L/0GD/8GH

Model: 9PA 03

Model life 2003>>2006



Model: 9PA 03 Model life 2003>>2006

Pos	Part Number	Description	Remark	Qty	Model
		Short engine Comprising: Valve cover Cylinder head Crankcase Crank drive Oil pan	04-		M02.2Y
1	955 100 034 00	Short engine Together with Manual transmission Not Ready for installation		1	IG0L
(1)	955 100 035 00	Short engine Together with Manual transmission Not Ready for installation Use also: Vibration damper 955.102.243.01 Hexagon-head bolt N .010.087.6 When required order also: Pan-head screw N .105.271.02		1  1  3	IG0L
(1)	955 100 034 00	Short engine Together with Manual transmission Not Ready for installation Spark plug Replace Use also: Spark plug 955.170.219.00	(CN)	1	IG0L/0GD
(1)	955 100 035 00	Short engine Together with Manual transmission Not Ready for installation Spark plug Replace Use also: Spark plug 955.170.219.00 Vibration damper 955.102.243.01 Hexagon-head bolt N .010.087.6 When required order also: Pan-head screw N .105.271.02	(CN)	6 1  1  3	IG0L/0GD
(1)	955 100 034 01	Short engine Together with Tiptronic Not Ready for installation		1	IG0R
(1)	955 100 036 00	Short engine Together with Tiptronic Not Ready for installation Use also:		1	IG0R

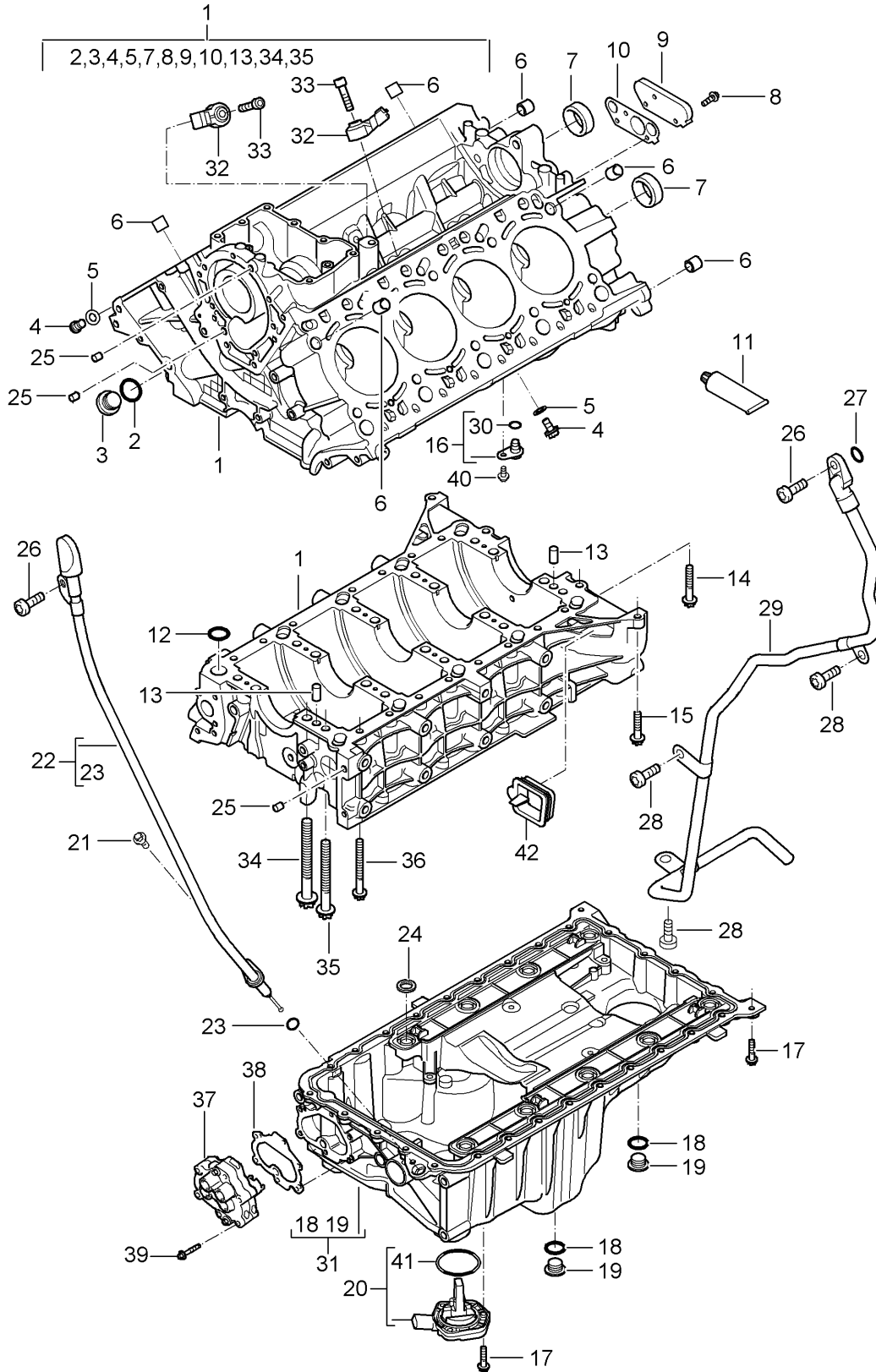
Model: 9PA 03

Model life 2003>>2006

Pos	Part Number	Description	Remark	Qty	Model
(1)	955 100 034 01	Vibration damper 955.102.243.01 Hexagon-head bolt N .010.087.6 When required order also: Pan-head screw N .105.271.02	(CN)	1 1 3	IGOR/OGD
(1)	955 100 036 00	Short engine Together with Tiptronic Not Ready for installation Spark plug Replace Use also: Spark plug 955.170.219.00	(CN)	6 1	IGOR/OGD
2	N 105 271 02	Short engine Together with Tiptronic Not Ready for installation Spark plug Replace Use also: Spark plug 955.170.219.00 Vibration damper 955.102.243.01 Hexagon-head bolt N .010.087.6 When required order also: Pan-head screw N .105.271.02 Pan-head screw M 10 X 10 When required order also:		6 1 1 3 3	

Model: 9PA 03

Model life 2003>>2006



Model: 9PA 03

Model life 2003>>2006

Pos	Part Number	Description	Remark	Qty	Model
1	948 101 001 00	Crankcase Single parts Crankcase without Piston Use also: Piston 014.301.153.B 900.385.009.09 948.101.102.00 948.101.017.04 999.707.481.40 996.106.103.50		1 8 6 4 4 4 1 3	M48.00/50      M48.00 M48.50
(1)	948 101 901 00	Crankcase without Piston Use also: Piston 014.301.153.B 900.385.009.09 948.101.102.01 948.101.017.04 999.707.481.40 996.106.103.50		1 8 6 4 4 4 1 3	M48.00 M48.50
2	900 123 118 30	Sealing ring		1	
3	900 219 001 30	Screw plug M 22 X 1,5		1	
(3)	999 063 024 30	Screw plug M 22 X 1,5		1	
4	900 385 041 09	Torx screw BM 6 X 12		2	
(4)	900 385 041 01	Torx screw BM 6 X 12		2	
5	900 123 102 30	Sealing ring A 6,5 X 9,5		2	
6	014 301 153 B	Dowel sleeve 13 X 16 X 13,5		6	
7	948 101 216 00	Lid		2	
8	900 385 019 09	Torx screw BM 6 X 20		3	
9	948 101 195 04	Lid		1	
10	948 101 197 02	Gasket		1	
11	000 043 204 58	Sealing compound 1 tube 30 gr.		1	
12	999 707 481 40	O-ring 24 X 3		1	
13	999 012 051 00	Straight pin BM 10 X 18		2	
14	900 385 021 09	Torx screw BM 8 X 50		2	
(14)	900 385 071 09	Torx screw BM 8 X 50		2	
(14)	900 385 071 01	Torx screw BM 8 X 50		2	
15	900 385 006 09	Torx screw BM 8 X 35		2	
(15)	900 385 006 01	Torx screw BM 8 X 35		2	
(15)	900 385 042 01	Torx screw BM 8 X 35		2	
16	948 101 102 00	Stopper M >> 816 14410		4	M48.00

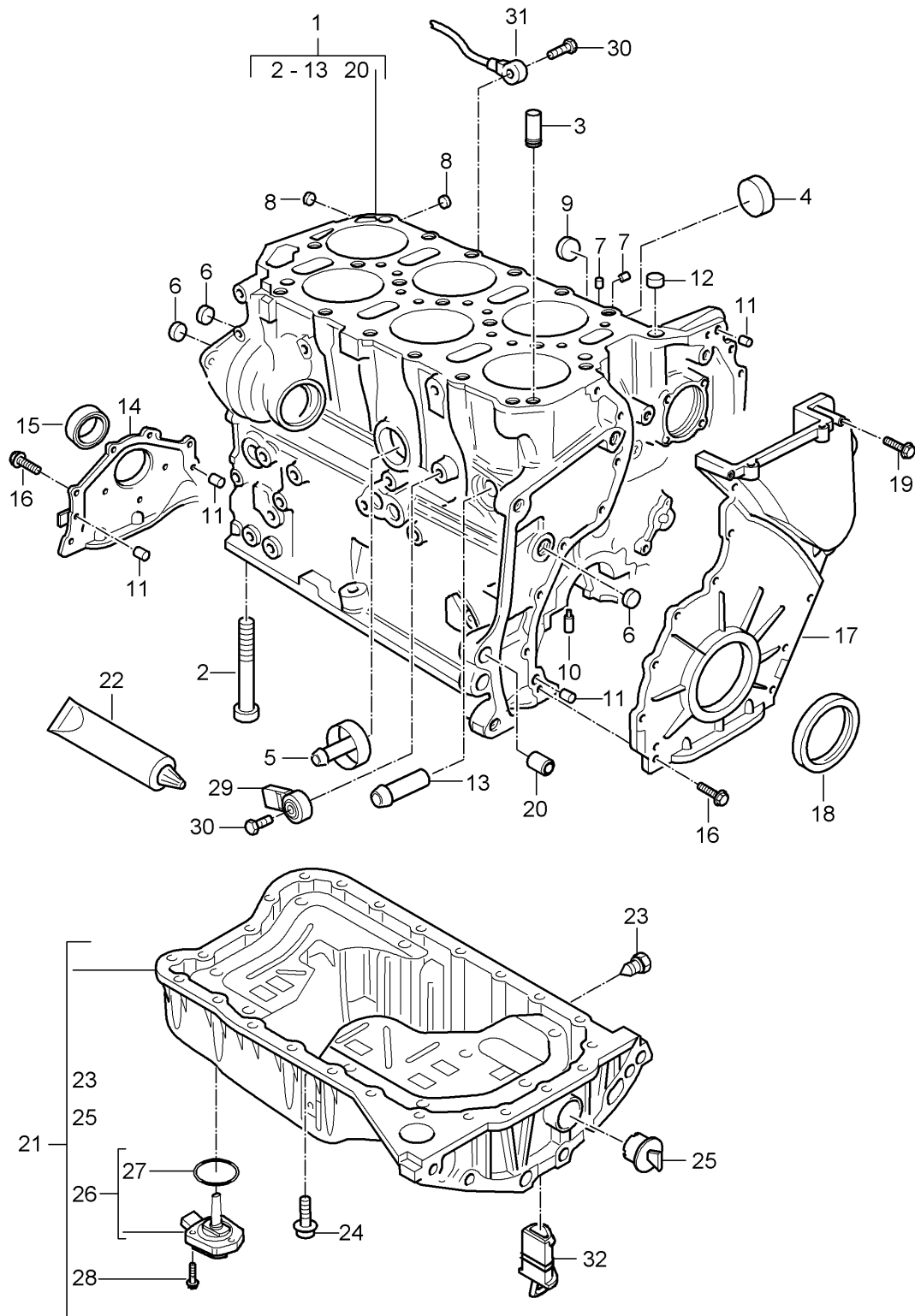
Model: 9PA 03

Model life 2003>>2006

Pos	Part Number	Description	Remark	Qty	Model
(16)	948 101 102 01	Stopper M 816 14411 >>		4	M48.00
(16)	948 101 017 04	Spray nozzle		4	M48.50
(16)	948 101 017 05	Spray nozzle		4	M48.50
17	900 385 072 09	Torx screw BM 6 X 25		27	
(17)	900 385 072 01	Torx screw BM 6 X 25		27	
18	900 123 106 30	Sealing ring A 18 X 24		2	
19	900 219 020 31	Screw plug M 18 X 1,5		2	
20	948 606 140 00	Oil-level sender		1	
21	900 385 058 09	Torx screw BM 6 X 20		1	
22	948 107 006 06	Oil level dipstick with Guide tube		1	
23	999 707 360 40	O-ring		1	
24	948 107 740 00	Sealing ring		9	
25	996 106 103 50	Dowel sleeve 8,2 X 7		3	
26	999 073 103 01	Round head screw M 6 X 16		2	
27	999 707 396 40	O-ring		1	
28	999 073 189 09	Torx screw M 6 X 12		3	
29	948 105 217 02	Vent line		1	
30	999 707 509 40	O-ring 8,55 X 2 for Stopper And Spray nozzle		4	
(31)	948 107 040 07	Oil pan		1	M48.00
31	948 107 040 57	Oil pan		1	M48.50
32	996 606 125 00	Knock sensor		2	
33	900 067 102 09	Pan-head screw M 8 X 35		2	
34	948 101 189 01	Screw M 12 X 1,5 X 132		10	
(34)	948 101 189 02	Screw M 12 X 1,5 X 132		10	
35	948 101 191 00	Screw M 10 X 1,5 X 117		10	
(35)	948 101 191 02	Screw M 10 X 1,5 X 117		10	
36	900 385 029 09	Torx screw M 8 X 70		16	
(36)	900 385 029 01	Torx screw M 8 X 70		16	
37	948 107 074 55	Oil pump		1	M48.50
(37)	948 107 074 56	Oil pump		1	M48.50
38	948 107 144 03	Gasket		1	M48.50
39	900 385 025 09	Torx screw BM 6 X 40		6	M48.50
40	900 385 009 09	Torx screw BM 6 X 16		4	
41	948 606 240 00	Gasket Oil-level sender		1	
42	955 301 729 00	Stopper		1	

Model: 9PA 03

Model life 2003>>2006





Model: 9PA 03

Model life 2003&gt;&gt;2006

Pos	Part Number	Description	Remark	Qty	Model
1		Crankcase Single parts Oil pan Crankcase Not available To Use Short engine	04-	1	M02.2Y
2	N 903 658 01	Pan-head screw AM 10 X 78		14	
3	955 101 175 00	Check valve		1	
4	059 103 113	Lid 36,6 MM		1	
(4)	955 101 215 00	Lid 36,6 MM		1	
5	955 101 111 00	Adapter		1	
6	N 011 903 4	Lid A 16 MM		3	
7	955 101 115 00	Stopper B 7,3 X 9,3		2	
(7)	955 101 115 01	Stopper B 7,3 X 9,3		2	
8	N 011 910 2	Lid 10 MM		2	
(8)	N 011 910 3	Lid 10 MM		2	
9	N 011 914 3	Lid A 24 MM		1	
10	955 101 157 00	Spray nozzle Engine oil		6	
(10)	958 101 017 00	Spray nozzle Engine oil		6	
11	N 910 170 01	Straight pin 8 X 18		4	
12	N 905 026 01	Tensioning sleeve 14 X 12		2	
13	955 101 382 00	Connecting piece		1	
(13)	955 101 382 01	Connecting piece		1	
14	955 101 153 00	Joint flange Front M >> BFD 20318		1	
(14)	955 101 151 01	Joint flange Front M BFD 20319 >>		1	
(14)	955 101 151 02	Joint flange Front M BFD 20319 >>		1	
15	955 101 085 00	Shaft sealing ring 48 X 10 M >> BFD 20318		1	
16	N 100 829 06	Combination screw M 6 X 16		20	
(16)	N 100 829 11	Combination screw M 6 X 16		20	
17	955 101 173 00	Control box cover Lower M >> BFD 16255		1	IG0L
(17)	955 101 173 01	Control box cover Lower M BFD 16256 >>		1	IG0L
(17)	955 101 173 10	Control box cover Lower M >> BFD 14233		1	IG0R

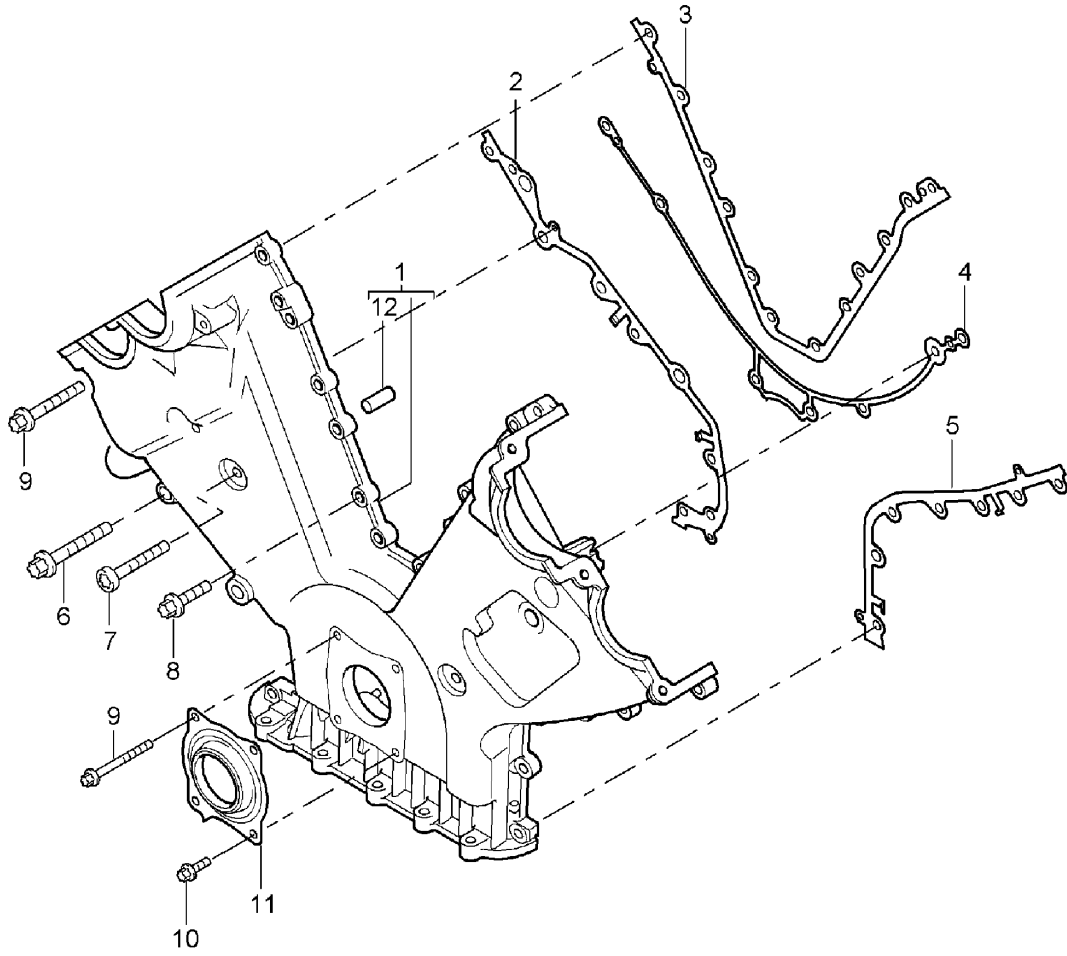
Model: 9PA 03

Model life 2003&gt;&gt;2006

Pos	Part Number	Description	Remark	Qty	Model
(17)	955 101 173 11	Control box cover Lower		1	IGOR
18	955 101 051 00	M BFD 14234 >> Shaft sealing ring		1	
19	N 101 160 02	85 X 105 X 11 Combination screw		2	
(19)	N 101 160 03	M 6 X 58 Combination screw		2	
20	955 101 139 00	M 6 X 58 Dowel sleeve		2	
(20)	955 101 139 01	16 X 13,5 Dowel sleeve		2	
21	955 101 601 00	16 X 13,5 Oil pan		1	
(21)	955 101 601 01	Oil pan		1	
22	000 043 300 34	Sealing compound		X	
		1 tube 80 ml. for Oil pan			
(22)	000 043 300 39	Sealing compound		X	
		1 tube 50 ml. for Oil pan			
(22)		Sealing compound		X	
		1 tube 50 ml. for Joint flange Front And Control box cover Lower			
23	N 908 132 01	Drain plug		1	
		with Captive washer M 14 X 1,5 X 22			
(23)	N 911 014 01	Drain plug		1	
		with Captive washer M 14 X 1,5 X 22			
24	N 102 278 03	Combination screw		26	
		M 6 X 20			
(24)	N 106 211 01	Combination screw		26	
		M 6 X 20			
25	955 101 498 00	Stopper		1	
		30,2 MM			
(25)	955 101 498 01	Stopper		1	
		30,2 MM			
26	948 606 140 00	Oil-level sender		1	
27	948 606 240 00	Gasket		1	
28	N 104 720 03	Pan-head screw		3	
		M 6 X 28			
29	955 606 125 00	Knock sensor		1	
30	N 010 272 1	Hexagon-head bolt		2	
		M 8 X 26			
(30)	N 010 272 5	Hexagon-head bolt		2	
		M 8 X 26			
31	955 606 125 10	Knock sensor		1	
32	955 101 731 00	Cap		3	IGOL
		Seal Engine and transmission			

Model: 9PA 03

Model life 2003>>2006



Model: 9PA 03

Model life 2003>>2006

Pos	Part Number	Description	Remark	Qty	Model
		Control box cover Joint flange See technical information Group 1 NR.6 / 03			M48.00/50
1	948 101 021 04	Lid		1	
		Control box			
(1)	948 101 021 07	Control box cover		1	
2	948 101 130 04	Gasket		1	
(2)	948 101 130 07	Gasket		1	
3	948 101 125 04	Gasket		1	
4	948 101 127 04	Gasket		1	
5	948 101 129 04	Gasket		1	
6	900 385 021 09	Torx screw BM 8 X 50		2	
(6)	900 385 071 09	Torx screw BM 8 X 50		2	
(6)	900 385 071 01	Torx screw BM 8 X 50		2	
7	999 073 107 09	Torx screw M 6 X 50		4	
8	900 385 072 09	Torx screw BM 6 X 25		29	
(8)	900 385 072 01	Torx screw BM 6 X 25		29	
9	900 385 070 09	Torx screw BM 6 X 50		3	
(9)	900 385 070 01	Torx screw BM 6 X 50		3	
10	900 385 041 09	Torx screw BM 6 X 12		2	
11	948 101 210 03	Joint flange		1	
(11)	948 101 910 03	Joint flange with Assembly sleeve		1	
(11)	948 101 910 04	Joint flange with Assembly sleeve		1	
(11)	948 101 910 20	Joint flange with Assembly sleeve		1	
12	900 012 204 00	Straight pin 6 X 16		8	
-	000 043 204 35	Sealing compound 1 tube 50 ML. for Control box cover		X	



Model: 9PA 03 Model life 2003>>2006

Pos	Part Number	Description	Remark	Qty	Model
		Belt tensioner			M48.00/50
		Belt drive			
1	948 102 401 00	Support		1	
(1)	948 102 401 01	Support		1	
(1)	948 102 401 02	Support		1	
2	948 102 402 00	Tensioning roller with Cap		1	
(2)	9A1 102 212 00	Tensioning roller with Cap		1	
3	948 102 259 01	Tensioner		1	
4	999 073 246 09	Torx screw M 8 X 33		2	
5	900 387 001 09	Pan-head screw M 8 X 100		1	
(5)	900 387 001 01	Pan-head screw M 8 X 100		1	
6	948 102 119 00	Deflection roller with Fastening screw And Cap		1	
(6)	948 102 119 01	Deflection roller with Fastening screw And Cap		1	
(6)	948 102 119 02	Deflection roller with Fastening screw And Cap		1	
7	948 102 120 00	Deflection roller with Fastening screw And Cap		1	
(7)	948 102 120 01	Deflection roller with Fastening screw And Cap		1	
(7)	948 102 120 02	Deflection roller with Fastening screw And Cap		1	
8	948 106 090 01	Pulley		1	
9	999 073 104 09	Water pump Oval-head screw M 8 X 16		6	
(9)	999 073 104 01	Torx screw M 8 X 16		6	
10		Pulley Power-steering pump See group 4/03/03		1	
11	948 102 202 00	Screw		1	
12	948 102 241 03	Vibration damper Crankshaft		1	M48.00
(12)	948 102 241 51	Vibration damper Crankshaft		1	M48.50

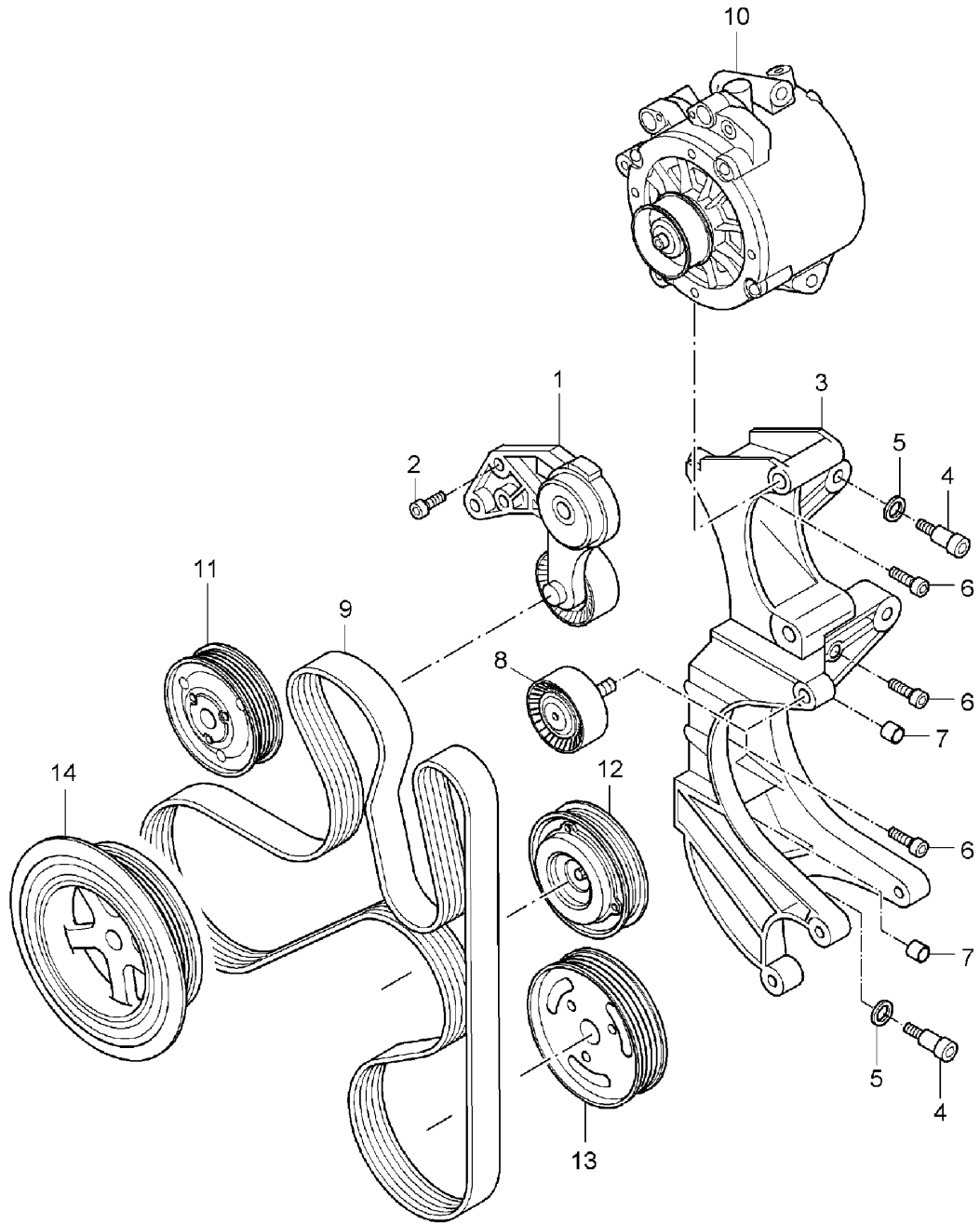
Model: 9PA 03

Model life 2003>>2006

Pos	Part Number	Description	Remark	Qty	Model
13		Pulley Generator See group 9/02/05		1	
14		Compressor See group 8/13/15		1	
15	999 192 380 50	V-belt 7 DPK 2950		1	
16	948 106 409 00	Lid		1	
(16)	948 106 419 00	Lid		1	
17	948 102 359 02	Belt tensioner Complete		1	
(17)	948 102 359 03	Belt tensioner Complete		1	
18	948 102 859 00	Protection cap Belt tensioner		1	
19	948 102 839 00	Protection cap Tensioning roller Deflection roller		3	
20	948 102 901 00	Torx screw M 10 X 28		1	

Model: 9PA 03

Model life 2003>>2006





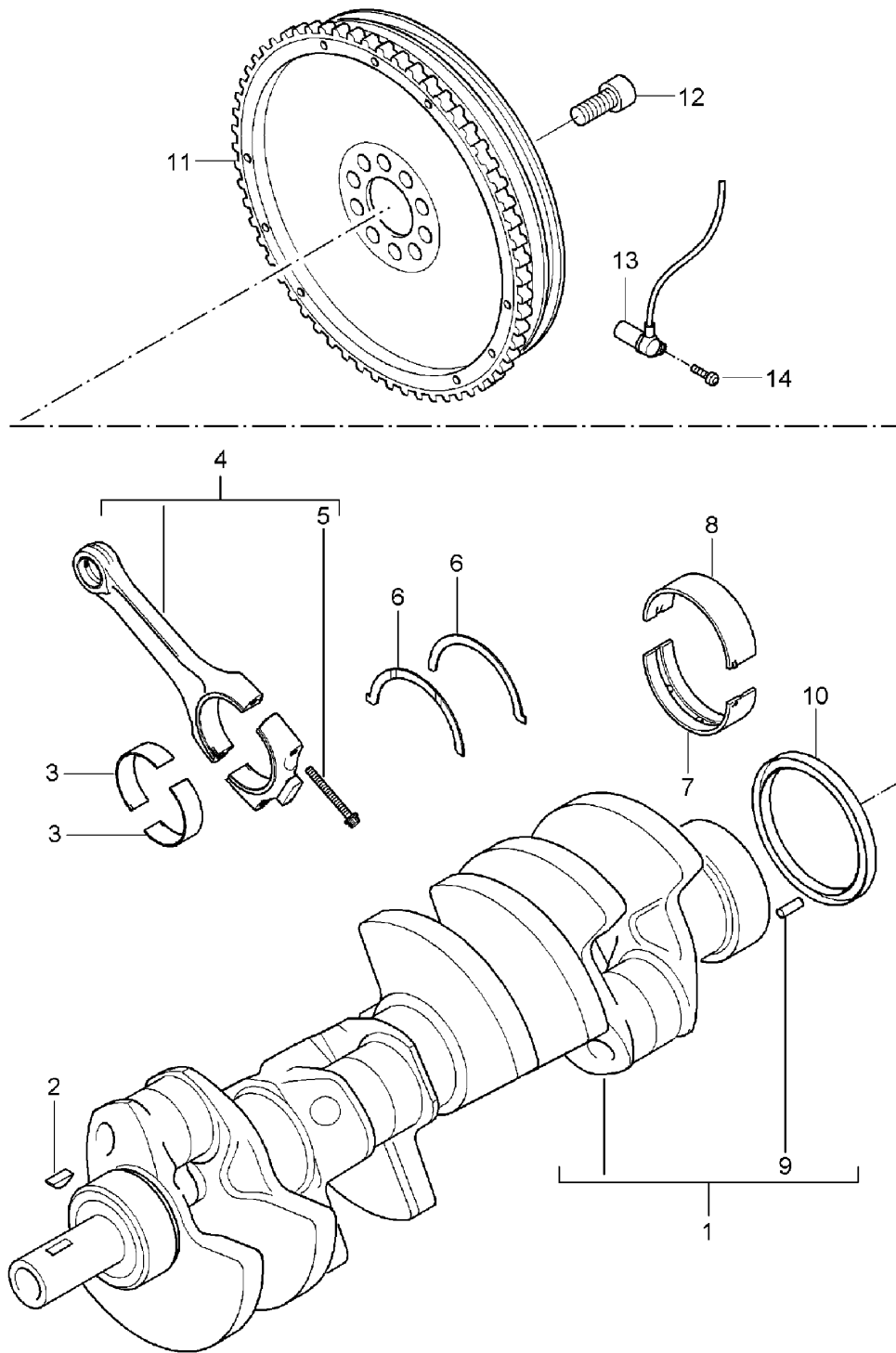
Model: 9PA 03

Model life 2003>>2006

Pos	Part Number	Description	Remark	Qty	Model
		Belt tensioner	04-		M02.2Y
		Belt drive			
1	955 102 299 00	Belt tensioner		1	
2	N 903 559 02	Combination screw		3	
		M 8 X 30			
(2)	N 910 766 01	Pan-head screw		3	
		M 8 X 30			
3	955 147 151 00	Bracket		1	
4	N 904 263 02	Fit bolt		2	
		M 8 X 28			
(4)	N 911 519 01	Fit bolt		2	
		M 8 X 28			
5	N 012 209 3	Washer		2	
		9 X 16 X 2			
6	N 103 075 01	Combination screw		3	
		AM 8 X 40			
(6)	N 106 730 01	Pan-head screw		3	
		M 8 X 40			
7	955 147 501 00	Dowel sleeve		2	
		11,15 X 6,5			
(7)	955 147 501 01	Dowel sleeve		2	
		11,15 X 6,5			
(7)	958 147 501 00	Dowel sleeve		2	
		11,15 X 6,5			
8	955 102 276 00	Deflection roller		1	
		with			
		Fastening screw			
9	955 102 933 00	Poly-rib belt		1	
		7DPK 24,92 X 2074 MM			
10		Generator		1	
		See group			
		9/02/05			
11		Pulley		1	
		Water pump			
		See group			
		1/05/02			
12		Compressor		1	
		Air conditioner			
		See group			
		8/13/15			
13		Pulley		1	
		Power-steering pump			
		See group			
		4/03/03			
14		Vibration damper		1	
		Crankshaft			
		See group			
		1/02/02			

Model: 9PA 03

Model life 2003>>2006



Model: 9PA 03

Model life 2003&gt;&gt;2006

Pos	Part Number	Description	Remark	Qty	Model
		Crankshaft			M48.00/50
		Connecting rod			
1	948 102 011 03	Crankshaft		1	
(1)	948 102 011 04	Crankshaft		1	
(1)	948 102 011 05	Crankshaft		1	
2	N 012 713 1	Woodruff key 5,0 X 6,5		1	
3	948 103 210 00	Connecting-rod bearing Identification Red		16	
(3)	948 103 210 01	Connecting-rod bearing Identification Yellow		16	
(3)	948 103 210 02	Connecting-rod bearing Identification Blue		16	
4	948 103 975 00	Connecting rod Set		1	
		Comprising:			
		Connecting rod		8	
(4)	948 103 010 02	Connecting rod Complete		8	
5	996 103 115 51	Connecting rod bolt		16	
6	948 101 215 03	Thrust washer		2	
7	948 101 208 00	Main bearing shell Lower Identification Red		5	
(7)	948 101 208 01	Main bearing shell Lower Identification Yellow		5	
(7)	948 101 208 02	Main bearing shell Lower Identification Blue		5	
8	948 101 213 03	Main bearing shell Upper Identification Red		5	
(8)	948 101 213 04	Main bearing shell Upper Identification Yellow		5	
(8)	948 101 213 05	Main bearing shell Upper Identification Blue		5	
9	900 302 016 00	Straight pin 6,0 X 16		1	
(9)	900 302 049 00	Straight pin 6,0 X 20		1	
10	948 101 212 02	Shaft sealing ring		1	
(10)	997 101 212 01	Shaft sealing ring		1	
11	955 114 012 00	Double-mass flywheel		1	M48.00
12	N 906 651 01	Pan-head screw  M 10 X 1 X 29		10	IG0L M48.00 IG0L
13	955 606 381 00	Inductive transmitter		1	
14	N 014 701 8	Pan-head screw M 6 X 12		1	

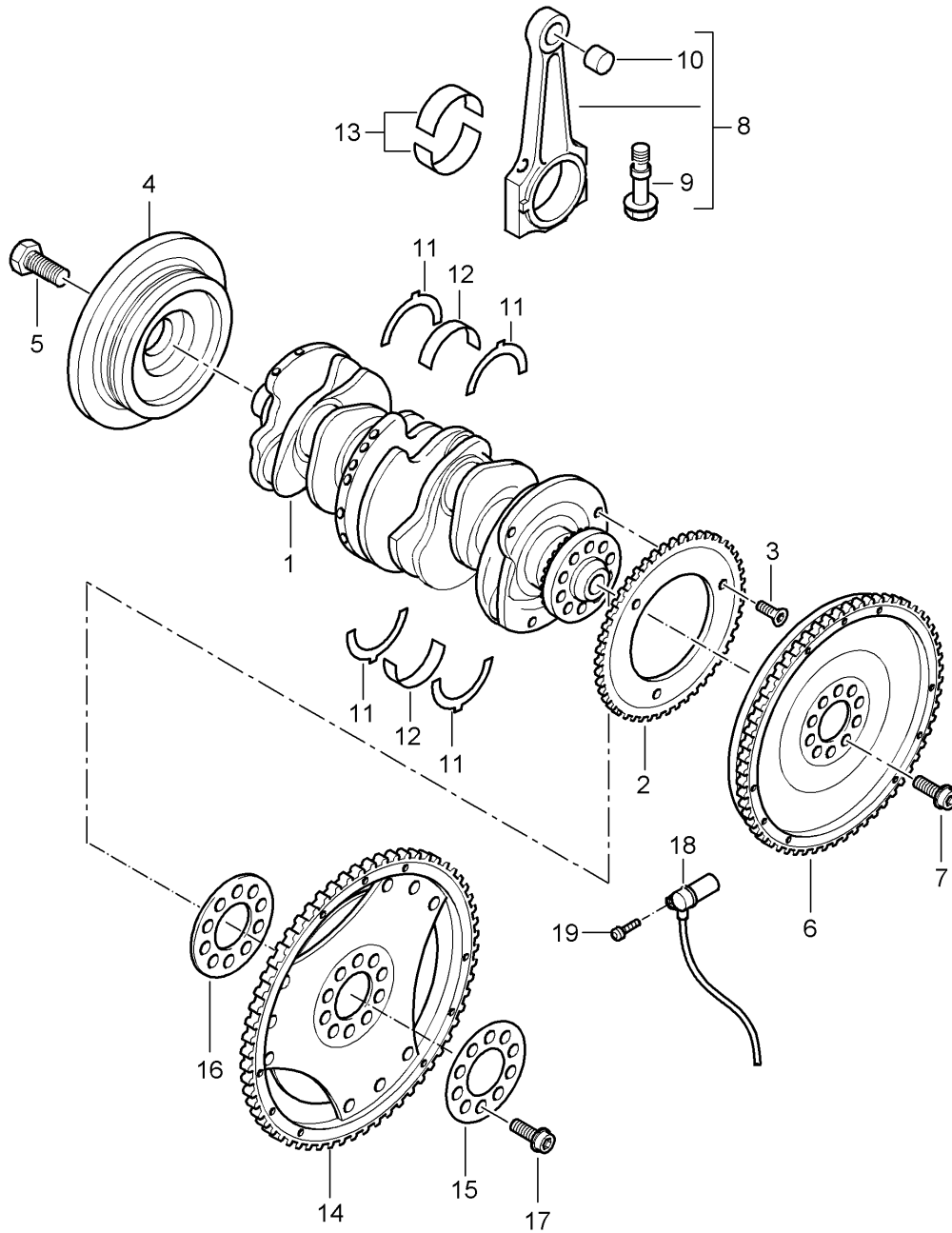
Model: 9PA 03

Model life 2003&gt;&gt;2006

Pos	Part Number	Description	Remark	Qty	Model
(14)	N 014 701 11	Pan-head screw M 6 X 12		1	

Model: 9PA 03

Model life 2003>>2006



Model: 9PA 03

Model life 2003>>2006

Pos	Part Number	Description	Remark	Qty	Model
		Crankshaft	04-		M02.2Y
		Connecting rod			
1	955 102 101 00	Crankshaft		1	
(1)	955 102 101 01	Crankshaft		1	
(1)	955 102 101 02	Crankshaft		1	
		Use also:			
		Vibration damper			
		955.102.243.01		1	
		Hexagon-head bolt			
		N .010.087.6		1	
2	955 102 189 00	Drive plate		1	
		Inductive transmitter			
3	955 102 229 00	Countersunk-head screw		3	
		M 6 X 13			
4	955 102 243 00	Vibration damper		1	
		Only together with			
		Crankshaft			
		955.102.101.01			
		022.105.101.A			
		Information available			
(4)	955 102 243 01	Vibration damper		1	
		Only together with			
		Crankshaft			
		955.102.101.02			
		022.105.101.D			
		Information available			
5	N 010 087 5	Hexagon-head bolt		1	
		M 18 X 1,5 X 40			
(5)	N 010 087 6	Hexagon-head bolt		1	
		M 18 X 1,5 X 40			
6	955 102 266 00	Flywheel		1	IG0L
7	N 906 651 01	Pan-head screw		10	IG0L
		M 10 X 1 X 29			
8	955 102 401 00	Connecting rod		1	
		1 set			
		Comprising:			
		Connecting rod		6	
(8)	955 102 401 01	Connecting rod		1	
		1 set			
		Comprising:			
		Connecting rod		6	
9	955 102 425 00	Connecting rod bolt		12	
(9)	955 102 425 01	Connecting rod bolt		12	
10	955 102 431 00	Connecting rod bush		6	
11	955 102 635 00	Thrust washer		2	
(11)	955 102 635 01	Thrust washer		2	
12	955 102 561 00	Bearing shell		7	
		Crankshaft			
		Upper			
		Yellow			
		See workshop manual			
		Group 1			
		KD-NR. 134819			
(12)	955 102 591 00	Bearing shell		7	
		Crankshaft			
		Lower			
		Yellow			
		See workshop manual			
		Group 1			
		KD-NR. 134819			
(12)	955 102 591 06	Bearing shell		7	
		Crankshaft			
		Lower			

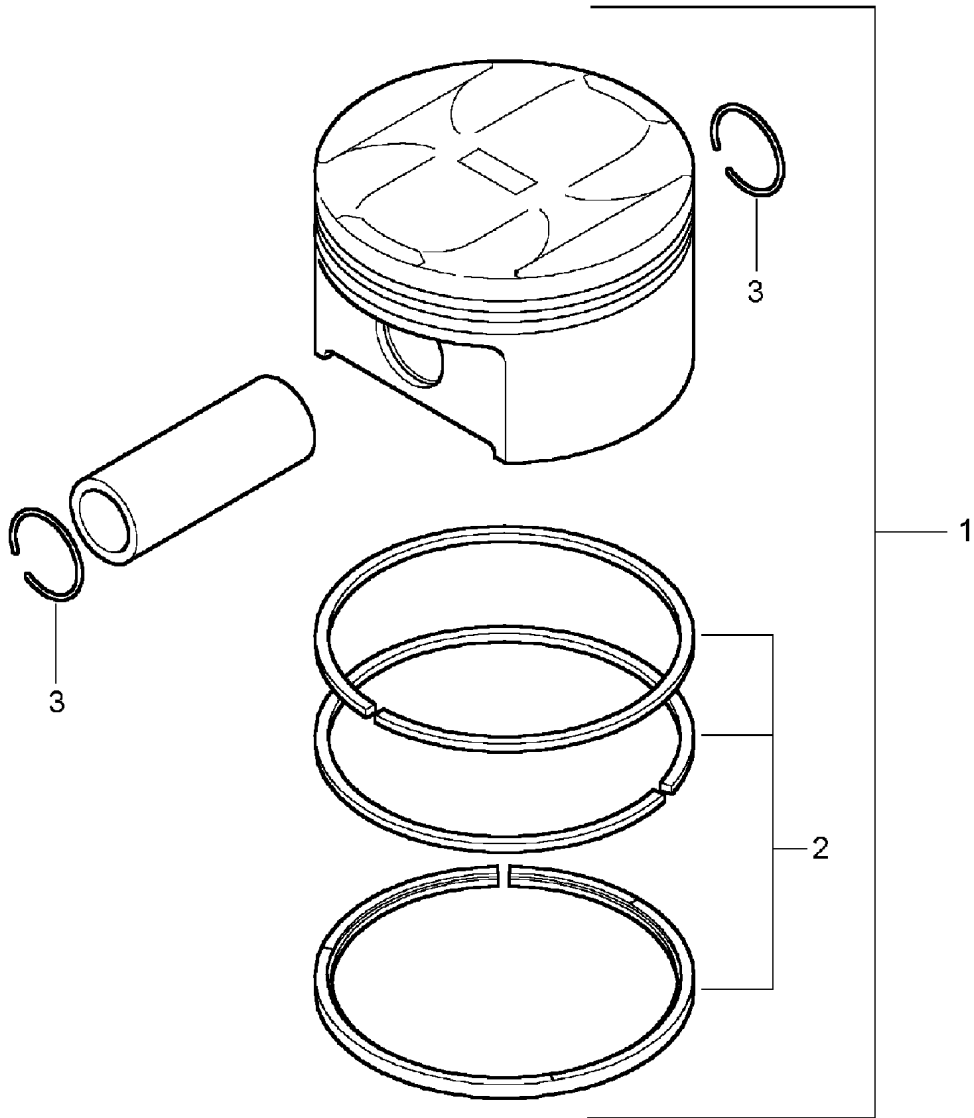
Model: 9PA 03

Model life 2003&gt;&gt;2006

Pos	Part Number	Description	Remark	Qty	Model
		Identification Yellow See workshop manual Group 1 KD-NR. 134819			
13	955 102 701 00	Conrod bearing shell Lower Yellow		6	
(13)	955 102 701 10	Conrod bearing shell Upper Red		6	
(13)	955 102 701 11	Conrod bearing shell Upper Red		6	
14	955 102 327 00	Drive plate		1	IGOR
15	955 102 301 00	Washer		1	IGOR
16	955 102 303 00	Shim 0,4 MM		X	IGOR
(16)	955 102 303 10	Shim 0,8 MM		X	IGOR
(16)	955 102 303 20	Shim 1,2 MM		X	IGOR
(16)	955 102 303 30	Shim 1,6 MM		X	IGOR
(16)	955 102 303 40	Shim 2 MM		X	IGOR
(16)	955 102 303 50	Shim 2,4 MM		X	IGOR
17	N 905 398 01	Pan-head screw M 10 X 1 X 19		10	IGOR
18	955 606 433 00	Speed sensor		1	
(18)	955 606 147 00	Pulse sender		1	
19	N 101 148 02	Pan-head screw M 6 X 15		1	
(19)	N 103 352 06	Round head screw M 6 X 12		1	

Model: 9PA 03

Model life 2003>>2006



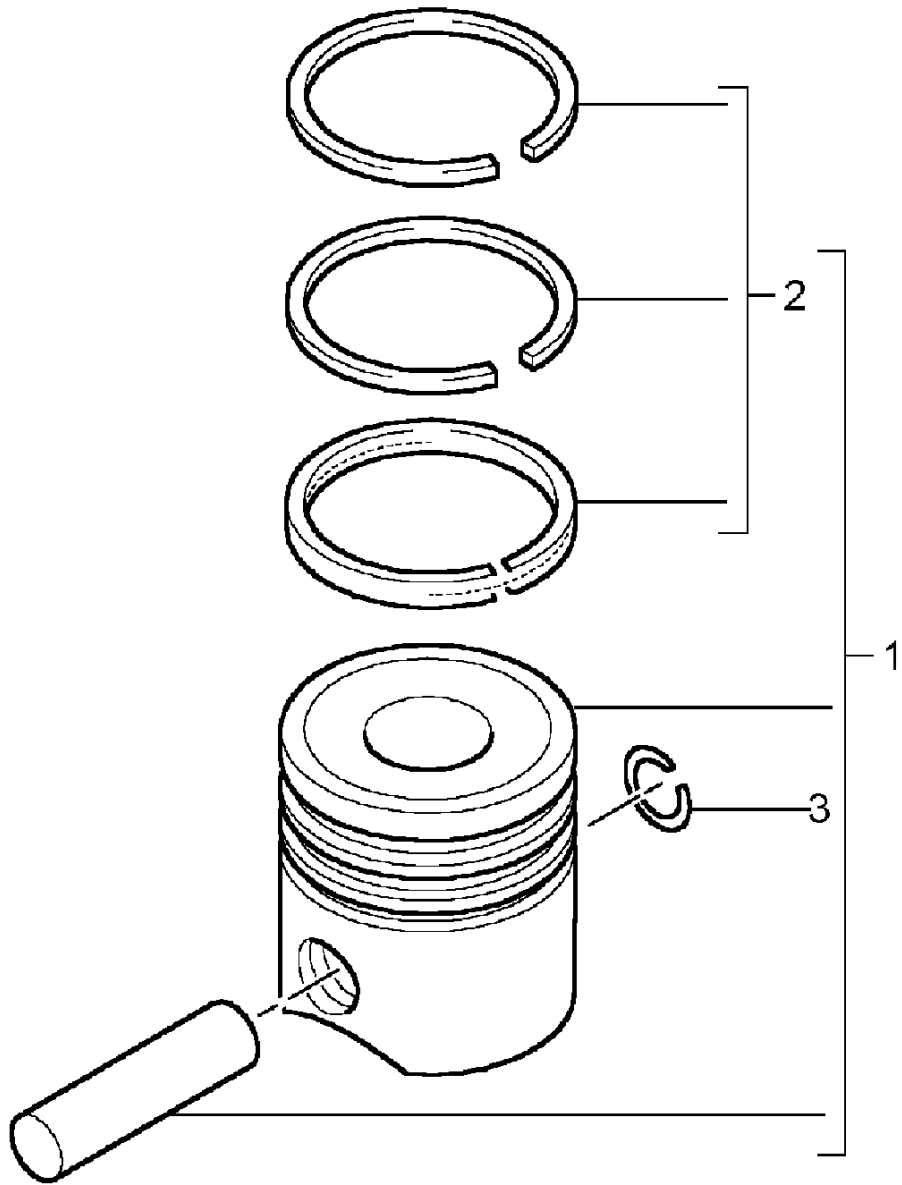


Model: 9PA 03 Model life 2003>>2006

Pos	Part Number	Description	Remark	Qty	Model
1	948 103 031 34	Piston Piston rings Piston Tolerance range X Number plate - 539 - 544 G Valid for Model year 2005 See technical information Group 1 NR.5 / 04		8	M48.00/50 M48.00
(1)	948 103 031 33	Piston Tolerance range X Number plate + 545 - 550 G Valid for Model year 2005 See technical information Group 1 NR.5 / 04		8	M48.00
(1)	948 103 031 64	Piston Tolerance range X Number plate - 539 - 544 G		8	M48.50
(1)	948 103 031 69	Piston Tolerance range X Number plate - 539,1 - 544,1 G		8	M48.50
(1)	948 103 031 63	Piston Tolerance range X Number plate + 545 - 550 G		8	M48.50
(1)	948 103 031 68	Piston Tolerance range X Number plate + 545,1 - 550,1 G		8	M48.50
2	996 103 033 51	Set of piston rings Valid for Model year 2005 See technical information Group 1 NR.5 / 04		8	M48.00
(2)	948 103 931 01	Set of piston rings		8	M48.50
3	948 103 341 00	Circlip		16	

Model: 9PA 03

Model life 2003>>2006



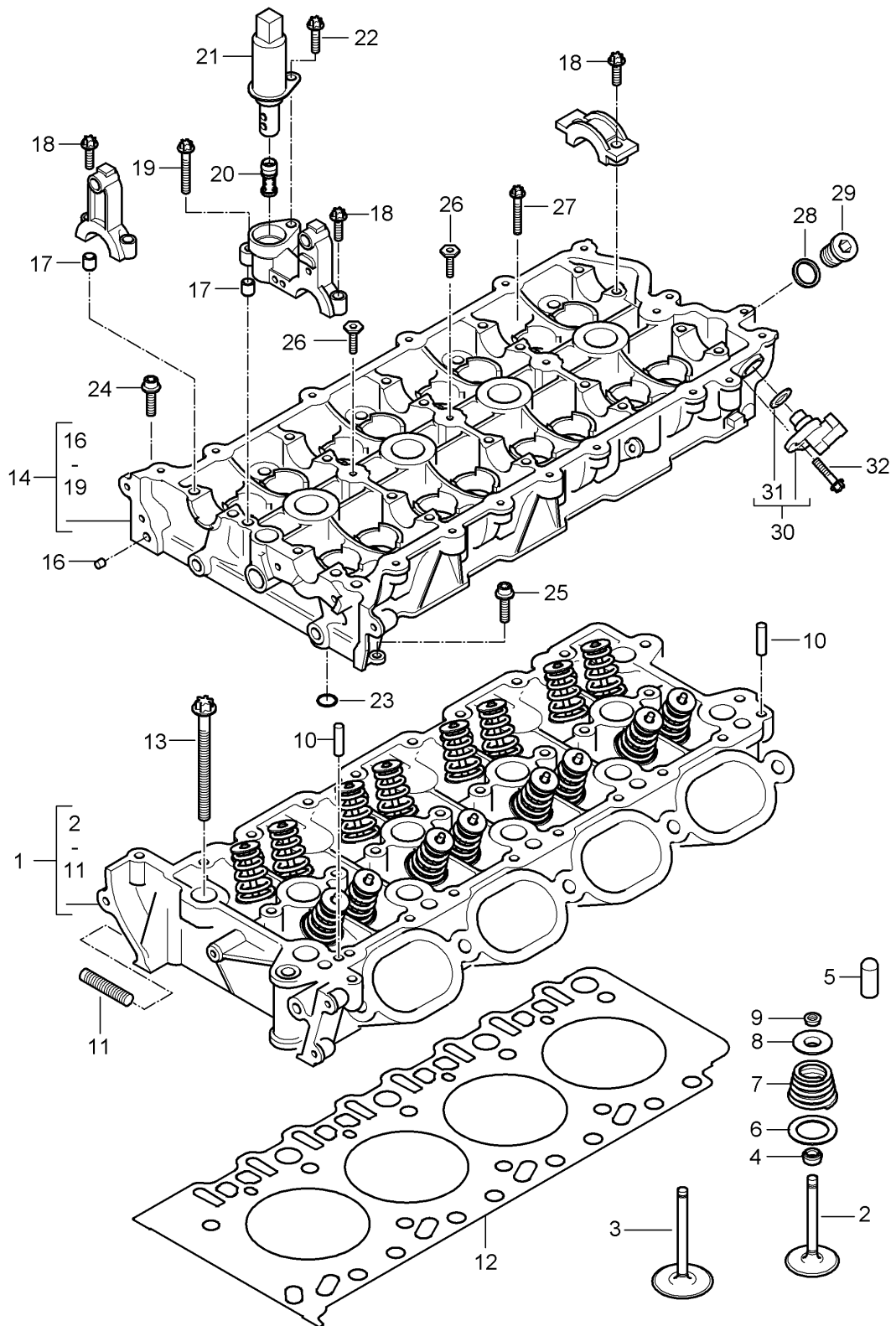
Model: 9PA 03

Model life 2003&gt;&gt;2006

Pos	Part Number	Description	Remark	Qty	Model
1	955 103 031 00	Piston Piston rings Piston Complete	04-	6	M02.2Y
(1)	955 103 031 01	Piston Complete		6	
2	955 103 925 00	Set of piston rings		6	
(2)	955 103 925 01	Set of piston rings		6	
3	N 012 273 1	Circlip C 20 X 1,5		12	

Model: 9PA 03

Model life 2003>>2006



Model: 9PA 03

Model life 2003>>2006

Pos	Part Number	Description	Remark	Qty	Model
		Cylinder head Camshaft housing			M48.00/50
1	948 104 013 01	Cylinder head with Spark plug Cylinders 1 - 4		1	M48.00
(1)	948 104 013 03	Cylinder head with Spark plug Cylinders 1 - 4		1	M48.00
1	948 104 913 01	Cylinder head with Spark plug Cylinders 1 - 4		1	M48.00
(1)	948 104 013 50	Cylinder head with Spark plug Cylinders 1 - 4 M >> 826 02720 for cars with Country equipment China See technical information Service Group 2 Document 2870 (9/08)	(CN)	1	M48.50
(1)	948 104 013 52	Cylinder head with Spark plug Cylinders 1 - 4 M 826 02721 >>		1	M48.50
(1)	948 104 013 53	Cylinder head with Spark plug Cylinders 1 - 4 M 826 02721 >> for cars with Country equipment China See technical information Service Group 2 Document 2870 (9/08)	(CN)	1	M48.50
(1)	948 104 913 50	Cylinder head with Spark plug Cylinders 1 - 4		1	M48.50
(1)	948 104 014 01	Cylinder head with Spark plug Cylinders 5 - 8		1	M48.00
(1)	948 104 014 03	Cylinder head with Spark plug Cylinders 5 - 8		1	M48.00
(1)	948 104 914 01	Cylinder head with Spark plug Cylinders 5 - 8		1	M48.00
(1)	948 104 014 50	Cylinder head with		1	M48.50

Model: 9PA 03

Model life 2003&gt;&gt;2006

Pos	Part Number	Description	Remark	Qty	Model
		Spark plug Cylinders 5 - 8 M >> 826 02720 for cars with Country equipment China See technical information Service Group 2 Document 2870 (9/08)	(CN)		
(1)	948 104 014 52	Cylinder head with Spark plug Cylinders 5 - 8 M 826 02721 >>		1	M48.50
(1)	948 104 014 53	Cylinder head with Spark plug Cylinders 5 - 8 M 826 02721 >> for cars with Country equipment China See technical information Service Group 2 Document 2870 (9/08)	(CN)	1	M48.50
(1)	948 104 914 50	Cylinder head with Spark plug Cylinders 5 - 8		1	M48.50
2	948 105 312 00	Exhaust valve		16	M48.00
(2)	948 105 312 52	Exhaust valve		16	M48.50
(2)	948 105 312 53	Exhaust valve		16	M48.50
3	948 105 311 01	Intake valve		16	
(3)	948 105 311 02	Intake valve		16	
4	996 105 115 52	Valve stem seal		32	
5	000 043 204 46	Sleeve for Repair		X	
6	996 105 117 51	Valve stem seal Concave washer Lower		32	M48.00
(6)		Concave washer Lower Intake		16	M48.50
(6)	996 105 117 73	Concave washer Lower Exhaust		16	M48.50
7	996 105 119 53	Valve spring		32	M48.00
7		Valve spring Intake		16	M48.50
(7)	948 105 093 51	Set of valve springs Exhaust		16	M48.50
8	996 105 121 54	Concave washer Upper		32	M48.00
8		Concave washer Upper Intake		16	M48.50
(8)	996 105 121 73	Concave washer Upper		16	M48.50

Model: 9PA 03

Model life 2003&gt;&gt;2006

Pos	Part Number	Description	Remark	Qty	Model
9	996 105 123 52	Exhaust Valve collet		64	
10	999 012 052 00	Straight pin 6,0 X 14		4	
11	900 191 002 02	Threaded bolt M 8 X 40		24	
12	948 104 171 04	Cylinder head gasket Cylinders 1 - 4		1	
(12)	948 104 171 05	Cylinder head gasket Cylinders 1 - 4		1	
(12)	948 104 171 06	Cylinder head gasket Cylinders 1 - 4		1	
(12)	948 104 172 04	Cylinder head gasket Cylinders 5 - 8		1	
(12)	948 104 172 05	Cylinder head gasket Cylinders 5 - 8		1	
13	948 104 181 01	Screw M 12 X 1,5 X 140		20	
14	948 105 021 05	Camshaft housing Cylinders 1 - 4		1	
(14)	948 105 021 06	Camshaft housing Cylinders 1 - 4	-04	1	
(14)	948 105 021 07	Camshaft housing Cylinders 1 - 4	05-	1	
(14)	948 105 021 08	Camshaft housing Cylinders 1 - 4		1	
(14)	948 105 022 05	Camshaft housing Cylinders 5 - 8		1	
(14)	948 105 022 06	Camshaft housing Cylinders 5 - 8	-04	1	
(14)	948 105 022 07	Camshaft housing Cylinders 5 - 8	05-	1	
16	999 095 049 00	Dowel sleeve 7 X 8 Camshaft housing Cylinders 1 - 4		1	
17	944 104 361 00	Dowel sleeve 6,5 X 8,5		8	
18	900 385 017 09	Torx screw BM 6 X 35	-04	42	
(18)		Torx screw BM 6 X 35	05-	38	
19	900 385 276 09	Torx screw BM 6 X 60	05-	4	
20	996 105 703 01	Oil strainer	05-	2	
(20)	997 105 701 00	Oil strainer		2	
21	948 105 303 05	Actuator Camshaft	-04	2	
(21)	948 105 303 07	Actuator Camshaft	-04	2	
(21)	948 105 303 06	Actuator Camshaft	05-	2	
(21)	948 105 303 08	Actuator Camshaft	05-	2	
-	996 105 903 05	O-ring 18,72 X 2,62 for Actuator		2	
22	900 385 009 09	Torx screw BM 6 X 16	-04	2	
23	999 707 386 40	O-ring 12,37 X 2,62-N		2	
24	999 219 043 09	Pan-head screw		2	

Model: 9PA 03

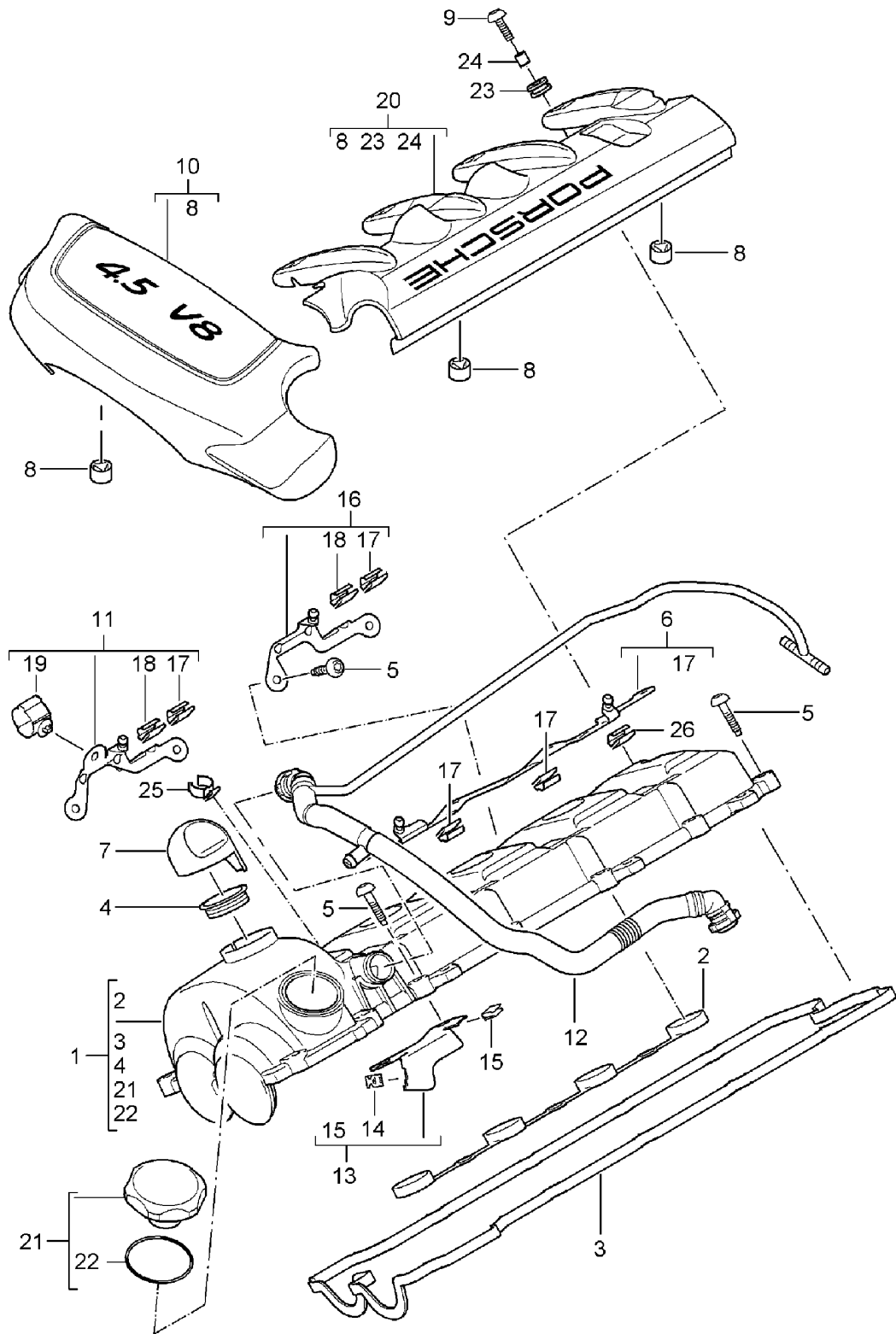
Model life 2003>>2006

Pos	Part Number	Description	Remark	Qty	Model
25	999 219 042 09	M 8 X 30 Pan-head screw		2	
26	948 105 209 00	M 8 X 20 Hexagon-head bolt		2	
27	900 385 018 09	Camshaft housing Cylinders 1 - 4 Torx screw		52	
(27)	900 385 018 01	BM 8 X 45 Torx screw		52	
28	900 123 007 30	BM 8 X 45 Sealing ring		4	M48.00
(28)		14 X 18 Sealing ring		2	M48.50
29	900 219 018 30	14 X 18 Screw plug		4	M48.00
(29)		M 14 X 1,5 Screw plug		2	M48.50
30	996 606 106 02	M 14 X 1,5 Hall sender		2	
31	999 707 404 40	O-ring		2	
32	900 385 009 09	17,05 X 1,78-N Torx screw		2	
-	000 043 204 58	BM 6 X 16 Sealing compound		X	
		1 tube 30 gr. for Camshaft housing Cylinder head			



Model: 9PA 03

Model life 2003>>2006



Model: 9PA 03

Model life 2003>>2006

Pos	Part Number	Description	Remark	Qty	Model
		Valve cover Engine cover See technical information Group 1 NR.7 / 03			M48.00/50
1	948 105 131 06	Valve cover Cylinders 1 - 4 M >> 815 05518 M >> 825 02710		1	
(1)	948 105 131 07	Valve cover Cylinders 1 - 4 M 815 05519 >> M 825 02711 >>		1	
(1)	948 105 132 06	Valve cover Cylinders 5 - 8 M >> 815 05518 M >> 825 02710		1	
(1)	948 105 132 07	Valve cover Cylinders 5 - 8 M 815 05519 >> M 825 02711 >>		1	
2	948 105 933 00	Gasket		2	
3	948 105 931 03	Gasket Cylinders 1 - 4		1	
(3)	948 105 932 05	Gasket Cylinders 5 - 8		1	
4	948 105 934 00	Gasket		2	
5	999 073 341 0A	Round head screw M 6 X 30		35	
6	948 105 201 02	Support Cylinders 1 - 4		1	
(6)	948 105 201 03	Support Cylinders 1 - 4		1	
7	948 607 140 00	Cap		2	
8	955 110 236 00	Ball socket		8	
9	955 105 255 00	Torx screw M 5 X 16		8	
10	955 110 213 00	Cover		1	M48.00
(10)	955 110 213 01	Cover		1	M48.00
(10)	955 110 213 10	Cover		1	M48.50
(10)	955 110 213 11	Cover		1	M48.50
11	948 105 202 00	Support Cylinders 5 - 8		1	
(11)	948 105 202 01	Support Cylinders 5 - 8		1	
12	948 107 215 52	Vent line Bleeding Crankcase		1	M48.50
(12)	948 107 215 02	Vent line Bleeding Crankcase		1	M48.00
(12)	948 107 215 03	Vent line Bleeding Crankcase		1	M48.00
13	948 606 111 01	Support Line Oxygen sensor		1	
14	999 507 808 09	Cable holder 6,0		1	
15	999 651 152 02	Cable clamp 3,5 - 4,0		1	
16	948 105 203 00	Support Cylinders 5 - 8		1	

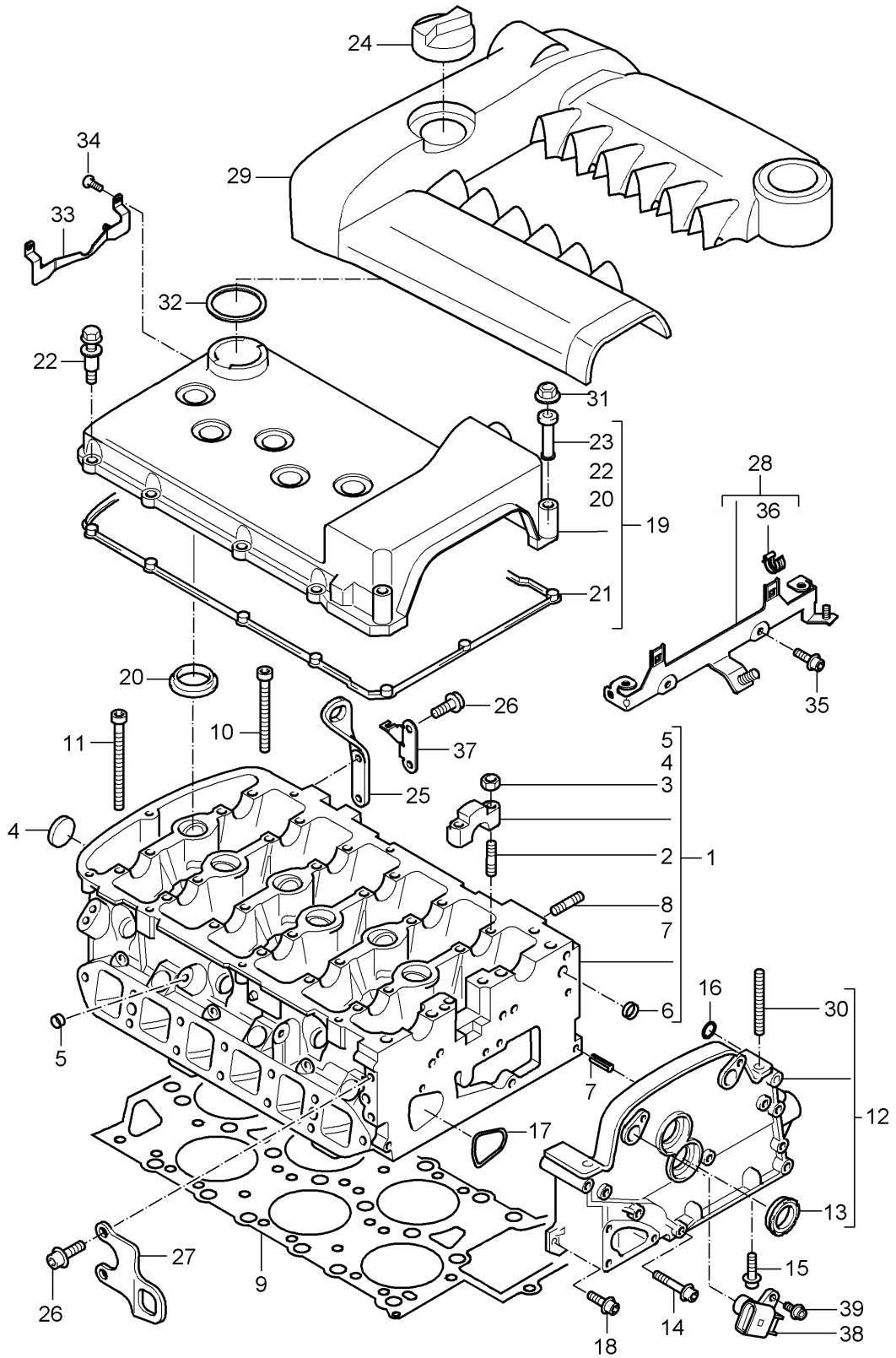
Model: 9PA 03

Model life 2003>>2006

Pos	Part Number	Description	Remark	Qty	Model
(16)	948 105 203 01	Support Cylinders 5 - 8		1	
17	999 651 159 02	Cable clamp 13 - 15		4	
18	999 591 360 02	Cable holder		2	
19	999 507 370 40	Hose holder 23,0 - A		1	
20	955 105 141 00	Cover Cylinders 1 - 4		1	
(20)	955 105 142 00	Cover Cylinders 5 - 8		1	
21	948 107 035 01	Lid Oil inlet		1	
22	996 107 336 00	Gasket Lid		1	
23	955 110 638 00	Grommet		8	
24	955 110 825 00	Sleeve		8	
25	999 507 798 09	Cable clamp 5,1		1	M48.00
26	999 652 326 02	Cable clamp 3,5 - 4,0		4	M48.00
(26)	999 652 326 03	Cable clamp 3,5 - 4,0		4	M48.00
(26)	999 652 326 02	Cable clamp 3,5 - 4,0		2	M48.50
(26)	999 652 326 03	Cable clamp 3,5 - 4,0		2	M48.50

Model: 9PA 03

Model life 2003>>2006



Model: 9PA 03

Model life 2003&gt;&gt;2006

Pos	Part Number	Description	Remark	Qty	Model
		Cylinder head Cylinder head cover Engine cover	04-		M02.2Y
1	955 104 901 00	Cylinder head without Valves		1	
2	955 104 397 00	Stud M 7 X 45		28	
3	N 902 790 01	Hexagon nut M 7		28	
(3)	N 902 790 06	Hexagon nut M 7		28	
4	N 908 982 02	Lid B 30		1	
5	N 011 910 2	Lid 10 MM		2	
(5)	N 011 910 4	Lid 10 MM		2	
6	N 102 186 01	Lid 15 MM		1	
7	N 903 327 01	Roll pin 9 X 11,8		4	
8	N 044 411 05	Stud M 8 X 30		14	
9	955 104 383 00	Cylinder head gasket		1	
10	955 104 384 00	Pan-head screw M 10 X 1,5 X 111		13	
11	955 104 384 10	Pan-head screw M 10 X 1,5 X 141		7	
12	955 104 122 00	Control box cover Upper		1	
(12)	955 104 122 01	Control box cover Upper		1	
-	000 043 300 32	Sealing compound 1 tube 83 ml. for Cylinder head gasket		X	
-	000 043 300 39	Control box cover Sealing compound 1 tube 50 ml. for Control box cover Upper		X	
13	955 104 091 00	Gasket		2	
14	N 101 023 02	Pan-head screw M 6 X 70		6	
15	N 903 559 02	Combination screw M 8 X 30		2	
(15)	N 903 559 03	Combination screw M 8 X 30		2	
16	N 900 411 02	Round seal 8 X 3		1	
17	955 104 119 00	Sealing ring		1	
18	N 102 278 03	Combination screw M 6 X 20		1	
(18)	N 106 211 01	Combination screw M 6 X 20		1	
19	955 104 429 00	Cylinder head cover		1	
20	955 104 484 00	Gasket		6	
(20)	955 104 484 01	Gasket		6	
21	955 104 483 00	Gasket		1	

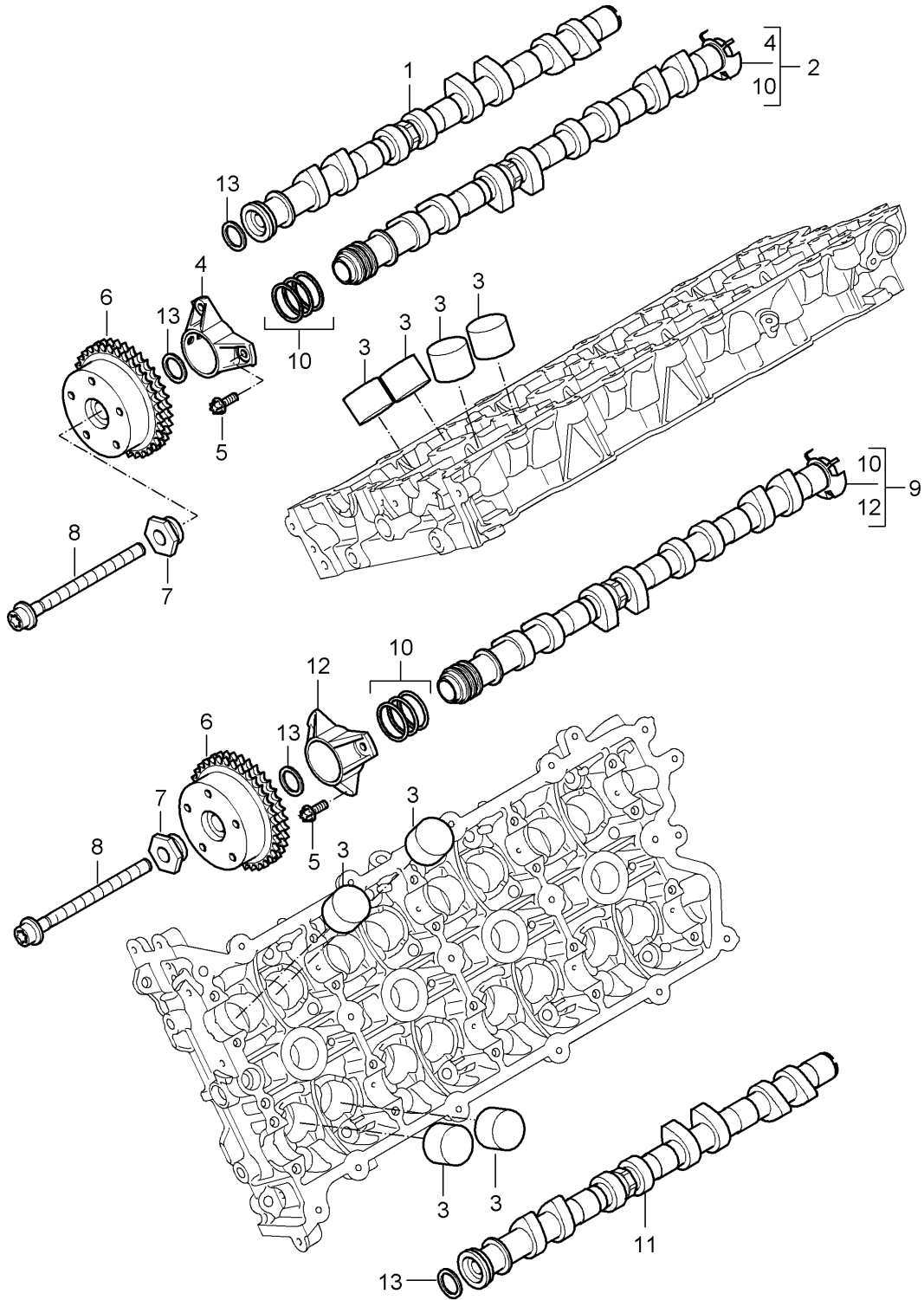
Model: 9PA 03

Model life 2003&gt;&gt;2006

Pos	Part Number	Description	Remark	Qty	Model
22	955 104 831 00	Hexagon-head bolt with		9	
(22)	955 104 831 01	Guide sleeve Hexagon-head bolt with		9	
23	955 104 831 10	Guide sleeve		2	
(23)	955 104 831 11	Guide sleeve		2	
-	N 910 083 01	Cable clamp 8 X 11,9 X 0,5		2	
24	955 104 485 00	Lid		1	
25	955 104 390 00	Tab		1	
26	N 090 378 2	Combination screw M 8 X 25		4	
(26)	N 910 842 01	Screw M 8 X 25		4	
27	955 104 392 00	Shackle for transportation		1	
28	955 104 501 00	Support		1	
29	955 104 925 00	Engine cover		1	
30	N 102 771 01	Stud M 6 X 62		2	
31	N 015 082 13	Hexagon nut M 6		2	
32	955 104 287 00	Sealing ring		1	
(32)	955 104 287 01	Sealing ring		1	
33	955 607 209 00	Support		1	
34	N 103 352 02	Oval-head screw M 6 X 12		2	
35	N 102 480 01	Pan-head screw M 6 X 14		2	
(35)	N 102 480 03	Pan-head screw M 6 X 14		2	
36	N 910 091 01	Cable clamp 7,9 - 8,1		2	
37	955 607 210 00	Support		1	
38	955 606 106 00	Hall sender		2	
39	N 101 154 03	Pan-head screw M 6 X 18		2	
(39)	N 911 322 01	Oval-head screw M 6 X 16		2	
(39)	N 104 514 05	Round head screw M 6 X 16		2	

Model: 9PA 03

Model life 2003>>2006



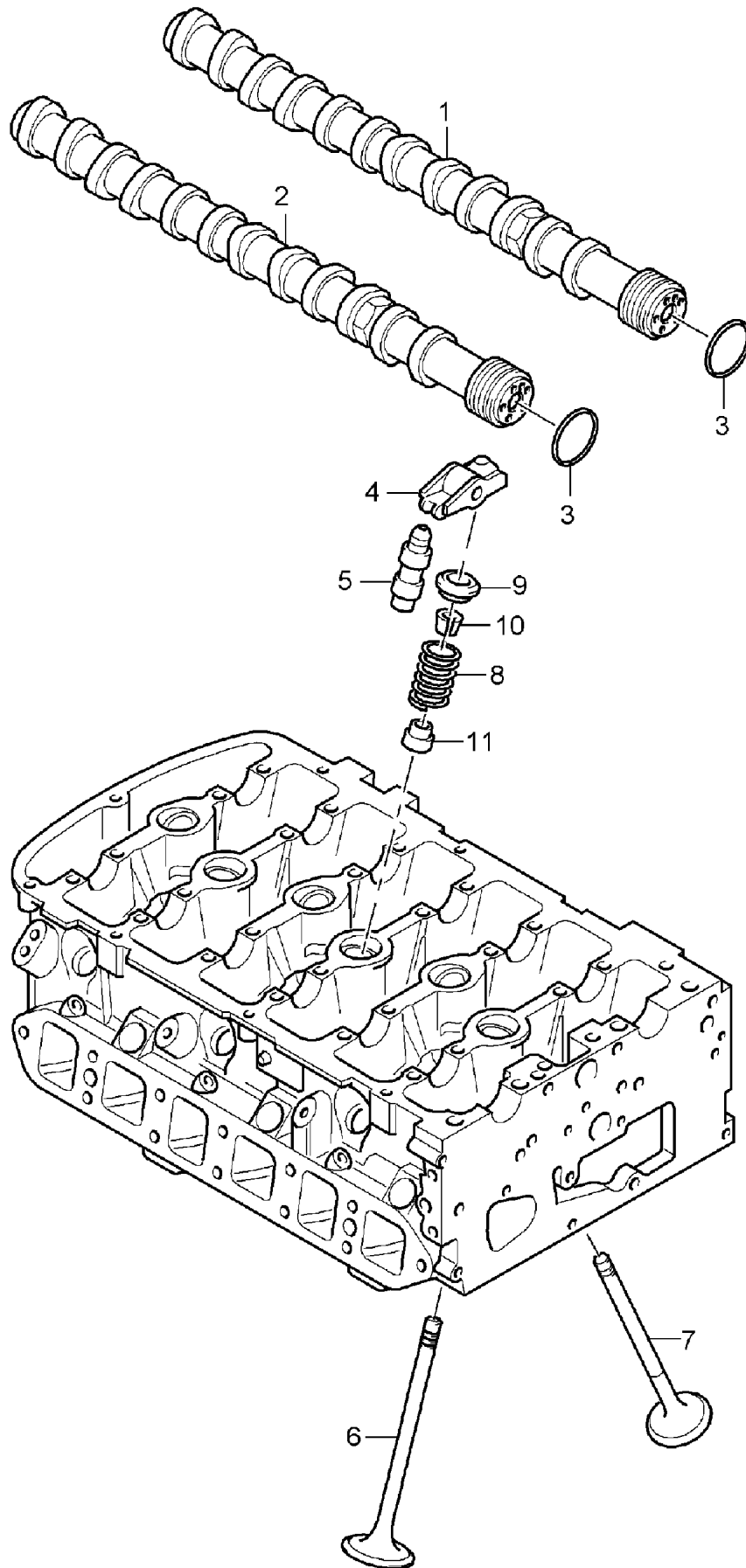
Model: 9PA 03 Model life 2003>>2006

Pos	Part Number	Description	Remark	Qty	Model
1	948 105 212 04	Camshaft Camshaft Exhaust Cylinders 1 - 4		1	M48.00/50 M48.00
(1)	948 105 212 54	Camshaft Exhaust Cylinders 1 - 4		1	M48.50
2	948 105 011 07	Camshaft Intake Cylinders 1 - 4		1	M48.00
(2)	948 105 011 08	Camshaft Intake Cylinders 1 - 4		1	M48.00
(2)	948 105 011 57	Camshaft Intake Cylinders 1 - 4		1	M48.50
(2)	948 105 011 58	Camshaft Intake Cylinders 1 - 4		1	M48.50
3	996 105 041 72	Hydraulic valve tappet		32	
4	948 105 215 02	Bearing flange Cylinders 1 - 4		1	
5	900 385 009 09	Torx screw BM 6 X 16		6	
6	948 105 051 04	Camshaft adjuster		2	
7	948 105 218 01	Sleeve		2	
(7)	9A1 105 245 00	Sleeve		2	
8	948 104 181 01	Screw M 12 X 1,5 X 140		2	
9	948 105 013 07	Camshaft Intake Cylinders 5 - 8		1	M48.00
(9)	948 105 013 08	Camshaft Intake Cylinders 5 - 8		1	M48.00
(9)	948 105 013 57	Camshaft Intake Cylinders 5 - 8		1	M48.50
(9)	948 105 013 58	Camshaft Intake Cylinders 5 - 8		1	M48.50
10	996 105 280 70	Ring		6	
(10)	996 105 979 70	Ring		6	
11	948 105 214 04	Camshaft Exhaust Cylinders 5 - 8		1	M48.00
(11)	948 105 214 54	Camshaft Exhaust Cylinders 5 - 8		1	M48.50
12	948 105 216 02	Bearing flange Cylinders 5 - 8		1	
13	996 105 203 00	Washer		4	



Model: 9PA 03

Model life 2003>>2006



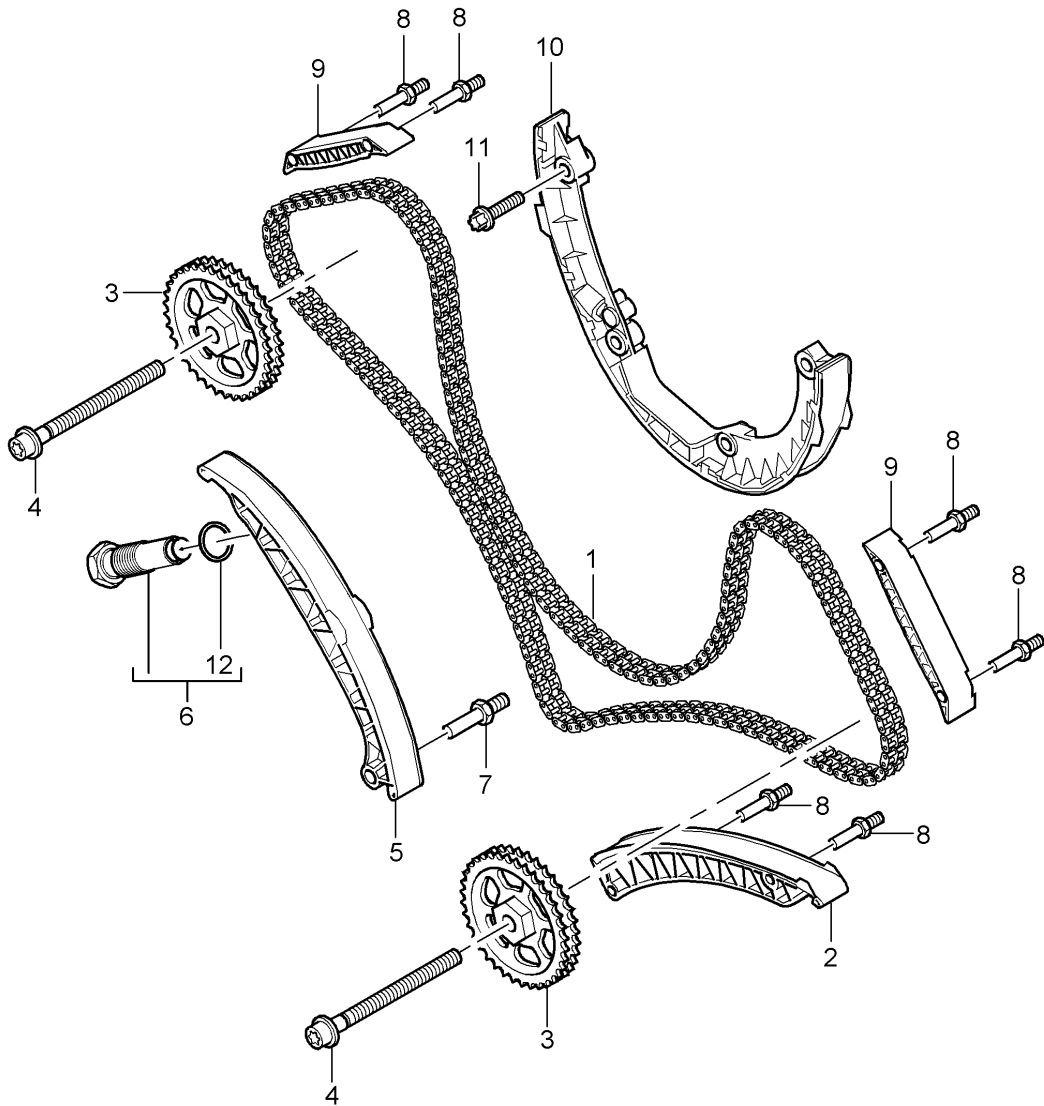
Model: 9PA 03

Model life 2003>>2006

Pos	Part Number	Description	Remark	Qty	Model
1	955 105 101 00	Camshaft	04-	1	M02.2Y
2	955 105 102 00	Camshaft Exhaust		1	
3	955 105 345 00	Camshaft Intake		6	
(3)	955 105 345 01	Sealing ring 40 X 1,5		6	
4	955 105 417 00	Sealing ring 40 X 1,5		24	
(4)	955 105 417 10	Valve lever		24	
5	955 105 423 00	Valve lever		24	
(5)	955 105 423 01	Differential housing Hydraulic		24	
6	955 105 601 00	Differential housing Hydraulic		6	
(6)	955 105 601 10	Intake valve Short		6	
7	955 105 611 00	Intake valve Long		6	
(7)	955 105 611 10	Exhaust valve Short		6	
8	955 105 623 00	Exhaust valve Long		24	
9	955 105 641 00	Valve spring		24	
10	955 105 651 00	Concave washer		48	
(10)	955 105 651 10	Valve collet		48	
11	996 105 115 52	Valve collet		24	
-	000 043 204 46	Valve stem seal		1	
		Sleeve for Repair Valve stem seal			

Model: 9PA 03

Model life 2003>>2006



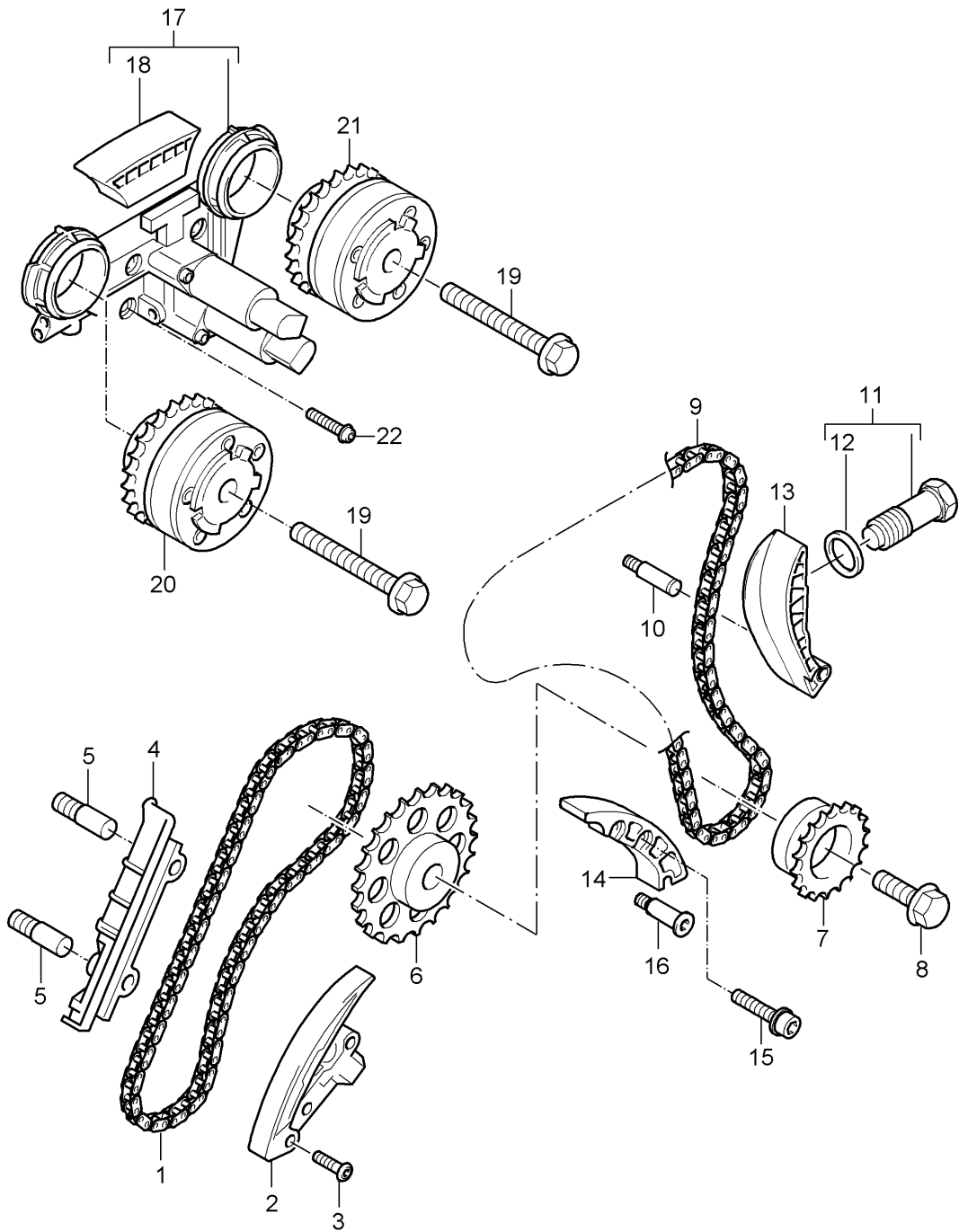
Model: 9PA 03

Model life 2003>>2006

Pos	Part Number	Description	Remark	Qty	Model
		Valve control			M48.00/50
1	948 105 169 02	Chain		1	
2	948 105 068 02	Guide rail		1	
3	948 105 181 01	Sprocket		2	
		Camshaft			
		Exhaust			
4	948 104 181 01	Screw		2	
		M 12 X 1,5 X 140			
5	948 105 065 02	Tensioner blade		1	
6	948 105 180 02	Chain adjuster		1	
7	999 015 022 01	Threaded bolt		1	
		M 10 X 25			
8	999 015 021 01	Threaded bolt		6	
		M 8 X 25			
9	948 105 166 02	Guide rail		2	
10	948 105 023 02	Guide rail		1	
11	900 385 042 09	Torx screw		4	
		BM 8 X 35			
(11)	900 385 042 01	Torx screw		4	
		BM 8 X 35			
12	900 123 141 30	Sealing ring		1	
		A 25 X 30			

Model: 9PA 03

Model life 2003>>2006



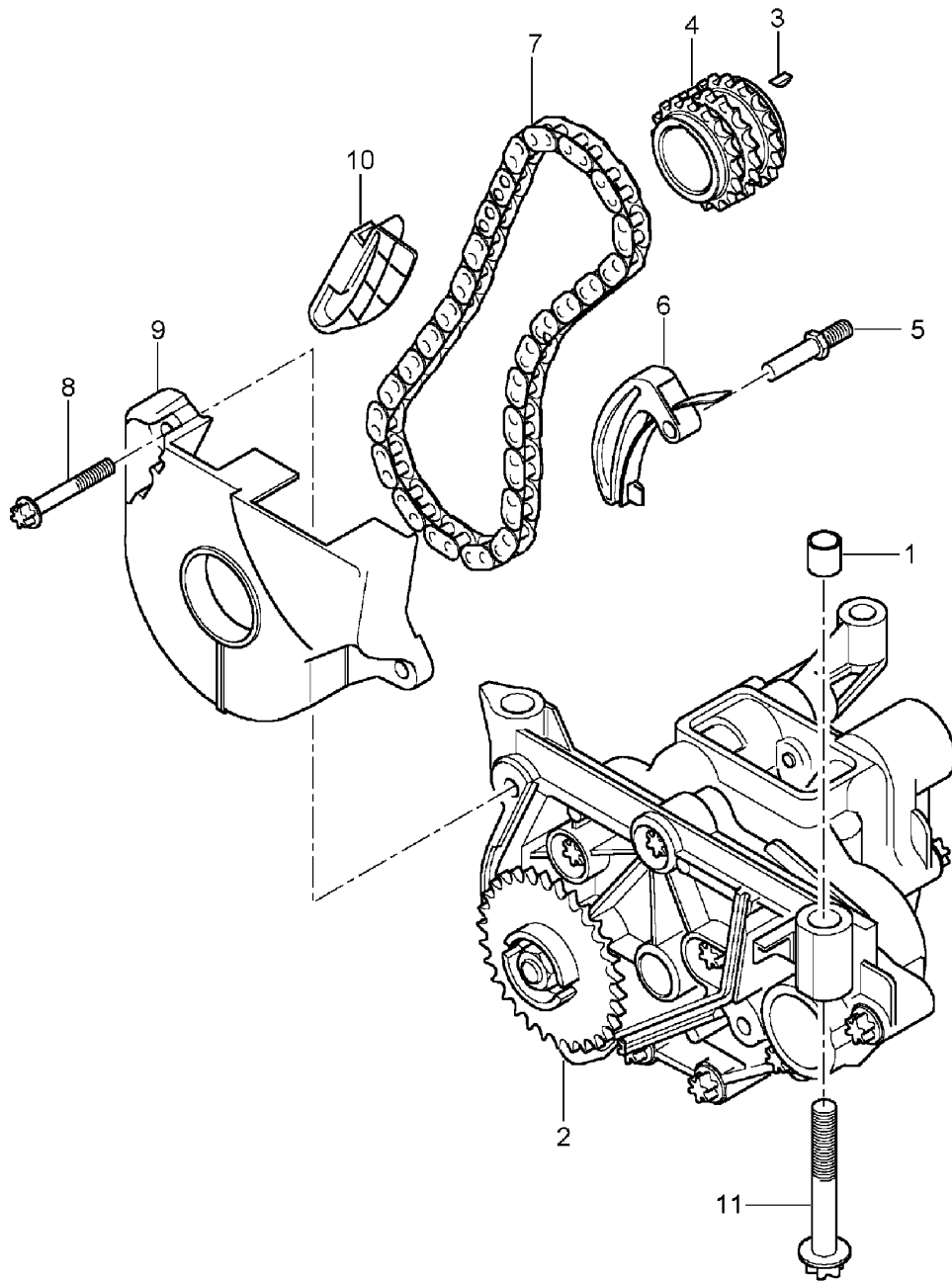
Model: 9PA 03

Model life 2003&gt;&gt;2006

Pos	Part Number	Description	Remark	Qty	Model
1	955 105 465 00	Valve control Timing chain	04-	1	M02.2Y
(1)	955 105 465 01	Timing chain		1	
2	955 105 467 00	Chain adjuster		1	
3	N 909 238 01	Oval-head screw M 6 X 24		2	
4	955 105 469 00	Guide rail		1	
5	955 105 471 00	Bolt		2	
6	955 105 569 00	Sprocket		1	
7	955 105 570 00	Sprocket		1	
(7)	955 105 570 01	Sprocket		1	
8	N 102 038 03	Hexagon-head bolt M 12 X 1,5 X 40		1	
9	955 105 503 00	Timing chain		1	
(9)	955 105 503 01	Timing chain		1	
(9)	955 105 169 00	Timing chain		1	
10	955 105 511 00	Bolt		1	
11	955 105 507 00	Chain adjuster		1	
(11)	955 105 507 01	Chain adjuster		1	
(11)	955 105 507 02	Chain adjuster		1	
12	N 013 827 1	Sealing ring A 22 X 27		1	
13	955 105 509 00	Tensioner blade		1	
14	955 105 513 00	Guide rail		1	
15	N 902 006 01	Pan-head screw M 8 X 45		2	
(15)	N 106 139 01	Combination screw M 8 X 45		2	
16	955 105 515 00	Bolt		1	
17	955 105 210 00	Timing chain housing with Actuator		1	
(17)	955 105 210 01	Timing chain housing with Actuator		1	
(17)	955 105 210 02	Timing chain housing with Actuator		1	
(17)	955 105 210 03	Timing chain housing with Actuator		1	
18	955 105 514 00	Guide rail		1	
19	N 104 883 02	Hexagon-head bolt M 12 X 1,5 X 85		2	
20	955 105 087 00	Camshaft adjuster Intake		1	
(20)	955 105 087 01	Camshaft adjuster Intake		1	
(20)	955 105 087 02	Camshaft adjuster Intake		1	
21	955 105 088 00	Camshaft adjuster Exhaust		1	
(21)	955 105 088 01	Camshaft adjuster Exhaust		1	
(21)	955 105 088 02	Camshaft adjuster Exhaust		1	
22	N 909 658 01	Pan-head screw M 6 X 30		4	
(22)	N 909 658 02	Pan-head screw M 6 X 30		4	

Model: 9PA 03

Model life 2003>>2006



Model: 9PA 03

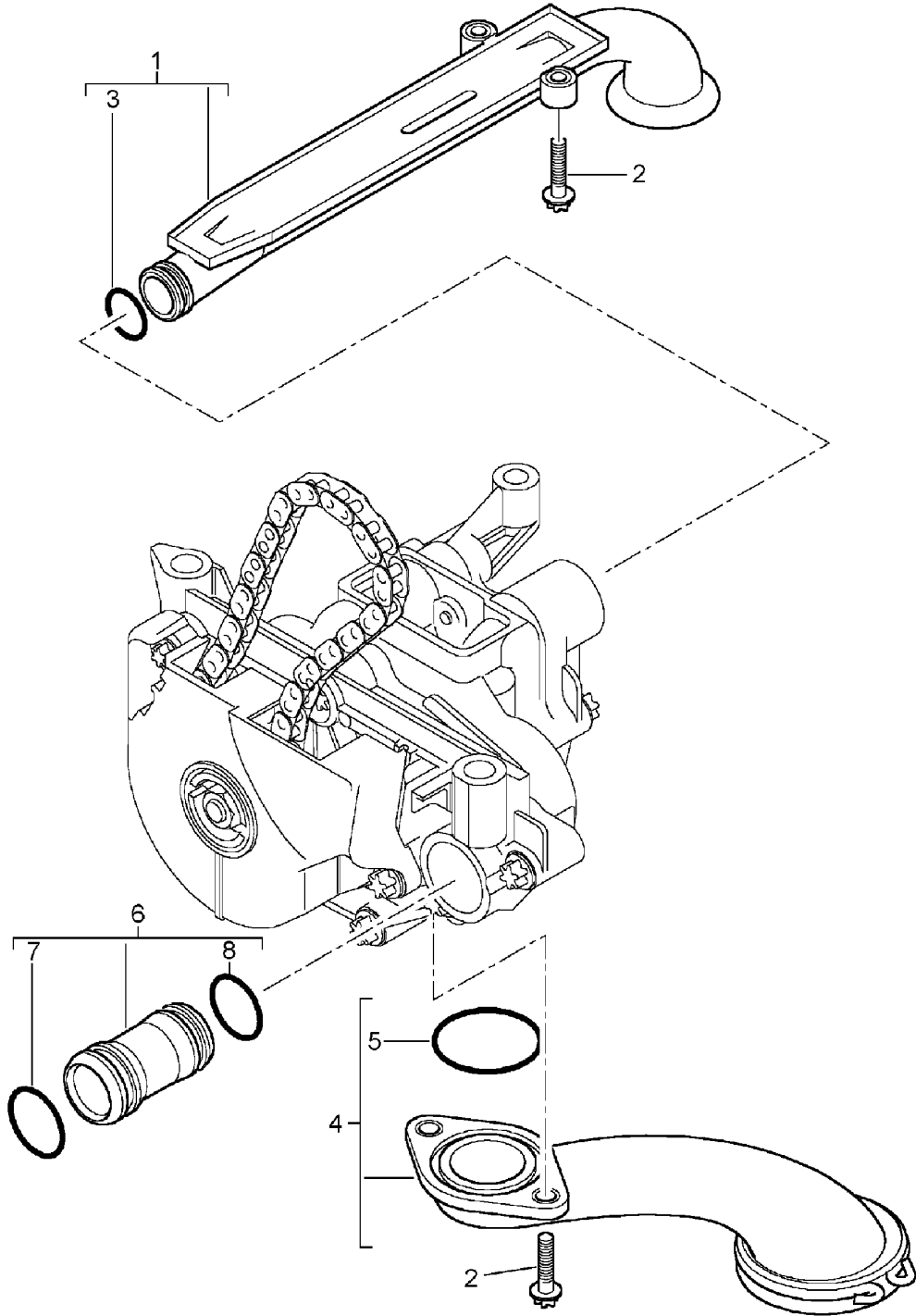
Model life 2003&gt;&gt;2006

Pos	Part Number	Description	Remark	Qty	Model
		Oil pump Driving mechanism			M48.00/50
1	999 095 064 00	Dowel sleeve 12 X 13		2	
2	948 107 010 11	Oil pump		1	
3	N 012 713 1	Woodruff key 5 X 6,5		1	
4	948 102 231 02	Sprocket		1	
5	999 015 021 01	Threaded bolt M 8 X 25		1	
6	948 107 025 01	Tensioner blade		1	
7	948 107 252 00	Chain		1	
8	999 067 381 02	Torx screw M 5 X 20		2	
9	948 107 253 06	Cover		1	
10	948 107 251 01	Guide rail		1	
11	900 385 021 09	Torx screw BM 8 X 50		3	
(11)	900 385 071 09	Torx screw BM 8 X 50		3	
(11)	900 385 071 01	Torx screw BM 8 X 50		3	



Model: 9PA 03

Model life 2003>>2006



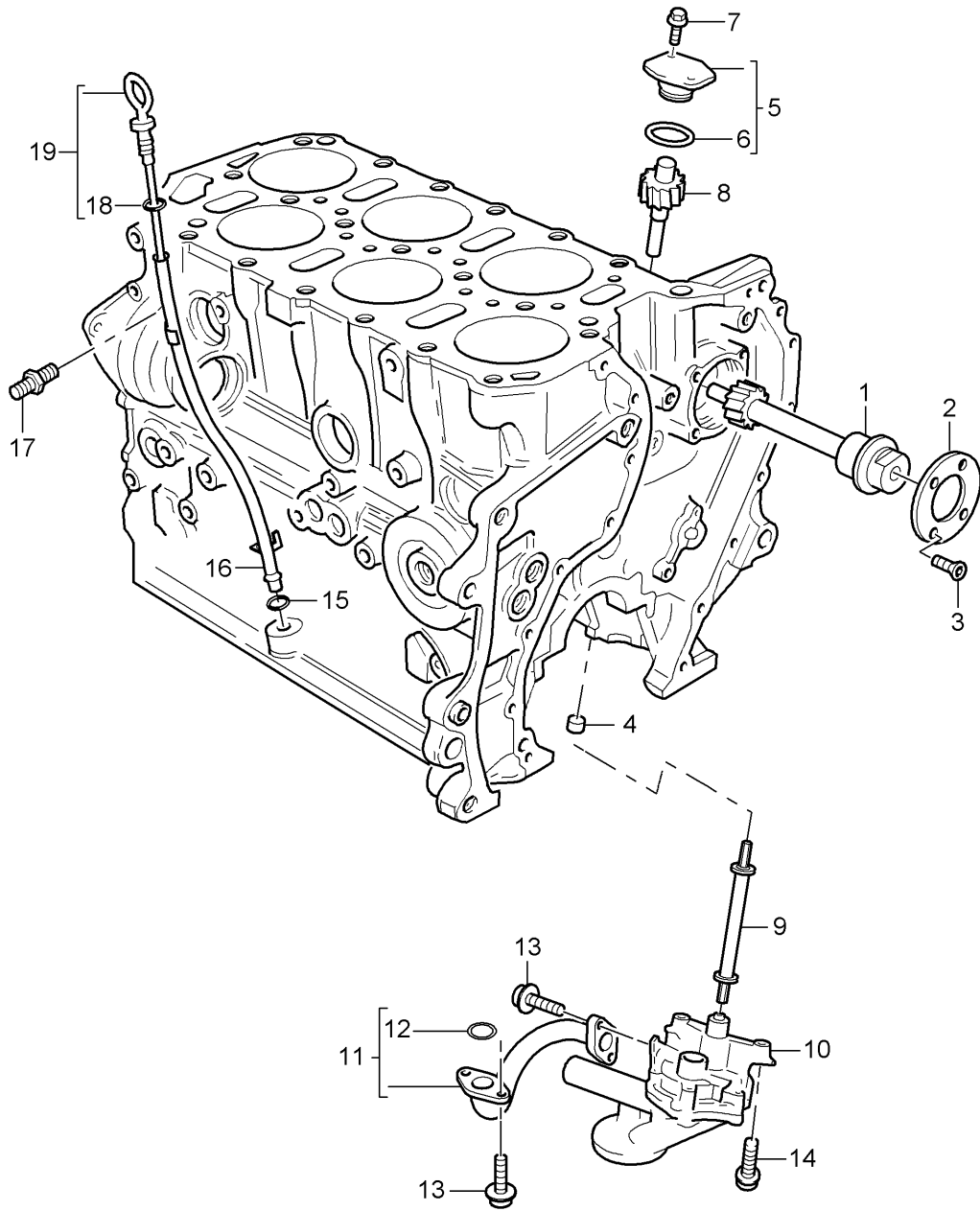
Model: 9PA 03

Model life 2003>>2006

Pos	Part Number	Description	Remark	Qty	Model
		Oil pump			M48.00/50
		Suction tube			
1	948 107 032 06	Intake manifold		1	
		Oil supply			
2	900 385 072 09	Torx screw		4	
		BM 6 X 25			
(2)	900 385 072 01	Torx screw		4	
		BM 6 X 25			
3	999 707 513 40	O-ring		1	
		23,60 X 3,55			
4	948 107 028 07	Suction tube		1	
(4)	948 107 028 08	Suction tube		1	
(4)	948 107 028 09	Suction tube		1	
5	999 707 530 40	O-ring		1	
		34,52 X 3,53			
6	948 107 050 04	Joining socket		1	
7	999 707 497 40	O-ring		1	
		25,00 X 3,00			
8	999 707 496 40	O-ring		1	
		23,00 X 3,00			

Model: 9PA 03

Model life 2003>>2006

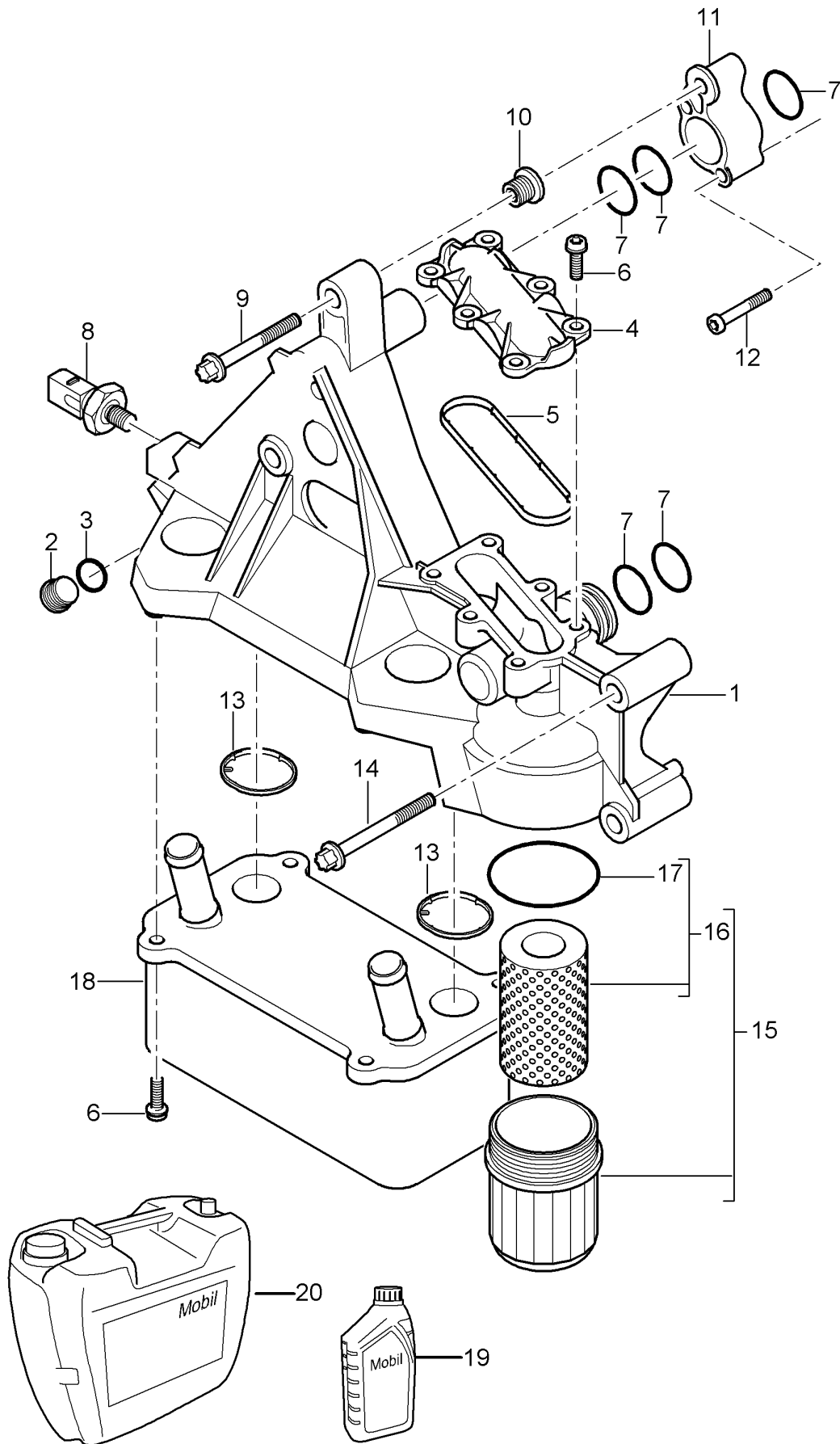


Model: 9PA 03 Model life 2003>>2006

Pos	Part Number	Description	Remark	Qty	Model
		Oil pump	04-		M02.2Y
		Oil level dipstick			
1	955 107 017 00	Intermediate shaft		1	
2	955 107 033 00	Guide ring		1	
		M >> BFD 14233			IGOR
		M >> BFD 16255			IGOL
3	N 033 166 3	Countersunk-head screw		4	
		M 6 X 10			
		M >> BFD 14233			IGOR
		M >> BFD 16255			IGOL
4	955 107 112 00	Bush		1	
5	955 107 185 00	Lid		1	
6	N 905 315 01	Round seal		1	
		36,2 X 2,62			
7	N 100 829 06	Combination screw		2	
		M 6 X 16			
8	955 107 116 00	Drive shaft		1	
		with			
		Wheel			
9	955 107 279 00	Driver		1	
10	955 107 105 00	Oil pump		1	
11	955 107 203 00	Suction tube		1	
12	955 107 444 00	Sealing ring		1	
13	N 102 278 01	Hexagon socket head bolt		4	
		M 6 X 20			
14	N 903 559 02	Combination screw	-05	2	
		M 8 X 30			
(14)	N 903 559 03	Combination screw	06-	2	
		M 8 X 30			
15	N 900 672 02	Round seal		1	
		9,5 X 2,5			
16	955 107 629 00	Guide tube		1	
		Oil level dipstick			
17	...	Double socket		1	
		See illustrations			
		1/07/02			
18	955 107 625 00	Sealing ring	04	1	
		5 X 1,9			
(18)	N 908 138 02	O-ring	05-	1	
		5 X 1,9			
19	955 107 607 00	Oil level dipstick		1	
		660 MM			

Model: 9PA 03

Model life 2003>>2006



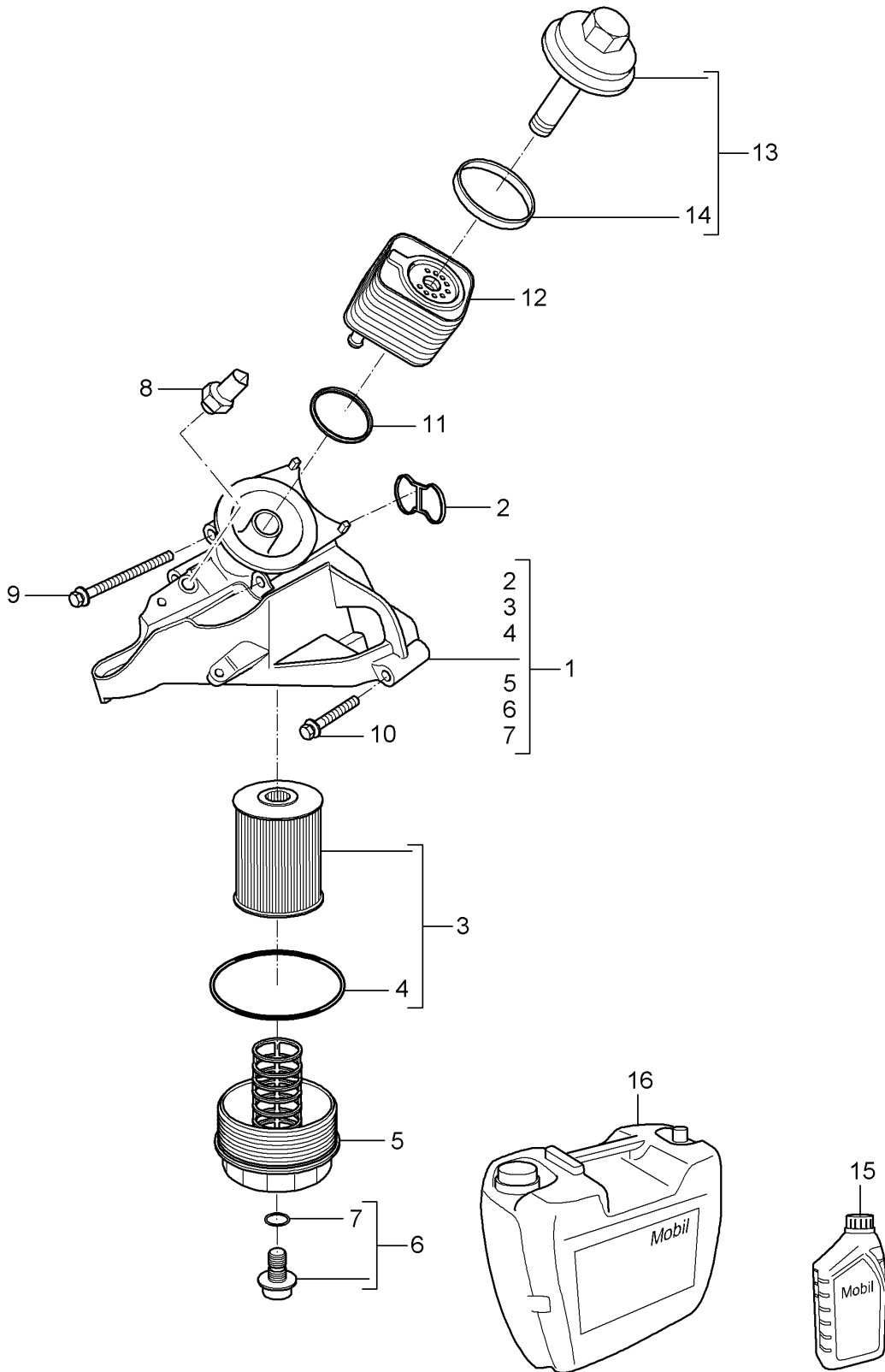
Model: 9PA 03

Model life 2003>>2006

Pos	Part Number	Description	Remark	Qty	Model
		Oil filter Bracket Heat exchanger			M48.00/50
1	948 107 270 05	Bracket		1	
2	900 219 008 02	Screw plug M 26 X 1,5		1	
3	900 123 084 20	Sealing ring A 26 X 31		1	
4	948 107 202 03	Lid		1	
5	948 107 201 01	Gasket		1	
6	999 141 034 02	Oval-head screw M 6 X 20		10	
7	999 707 498 40	O-ring 27 X 3		5	
8	948 606 203 00	Oil pressure switch		1	
(8)	948 606 203 01	Oil pressure switch		1	
9	900 385 021 09	Torx screw BM 8 X 50		1	
(9)	900 385 071 09	Torx screw BM 8 X 50		1	
(9)	900 385 071 01	Torx screw BM 8 X 50		1	
10	948 107 220 00	Support bush		1	
11	948 107 052 03	Connection piece with O-ring		1	
12	999 073 244 09	Oval-head screw M 6 X 40		2	
13	948 107 175 00	Gasket		2	
14	900 385 029 09	Torx screw M 8 X 70		2	
15	996 107 020 54	Oil filter		1	
(15)	996 107 020 55	Oil filter		1	
16	996 107 225 52	Filter element with Sealing ring		1	
(16)	996 107 225 53	Filter element with Sealing ring		1	
17	996 107 313 51	Sealing ring		1	
18	948 107 276 02	Heat exchanger		1	
(18)	948 107 276 03	Heat exchanger		1	
19	000 043 301 19	Engine oil EXXON MOBIL 1 0W-40 1 LITER Container Information available		X	
20	000 043 301 21	Engine oil EXXON MOBIL 1 0W-40 20 LITER Container Information available		X	

Model: 9PA 03

Model life 2003>>2006



Model: 9PA 03

Model life 2003>>2006

Pos	Part Number	Description	Remark	Qty	Model
		Oil filter Bracket	04-		M02.2Y
1	955 107 403 00	Oil cooler Bracket with		1	
(1)	955 107 403 01	Oil filter Bracket with		1	
(1)	955 107 403 02	Oil filter Bracket with		1	
2	955 107 111 00	Oil filter Gasket		1	
3	955 107 561 00	Filter element with		1	
4	955 107 313 00	Sealing ring		1	
5	955 107 433 00	Sealing ring Housing		1	
(5)	955 107 433 01	Filter element Housing		1	
6	955 107 434 00	Filter element Screw plug with		1	
(6)	WHT 000 897 A	Sealing ring Screw plug with		1	
7	N 904 054 02	Sealing ring O-ring		1	
8	955 606 091 00	11 X 2,5 Oil pressure switch		1	
(8)	955 606 091 01	Oil pressure switch		1	
(8)	955 606 091 02	Oil pressure switch		1	
9	N 100 362 02	Combination screw		3	
(9)	N 100 362 03	M 8 X 105 Combination screw		3	
10	N 902 120 02	M 8 X 105 Combination screw		2	
(10)	N 902 120 04	M 8 X 65 Combination screw		2	
11	955 107 070 00	M 8 X 65 Sealing ring		1	
(11)	955 107 070 01	Sealing ring		1	
12	955 107 021 00	Oil cooler		1	
(12)	955 107 021 01	Oil cooler		1	
(12)	955 107 021 02	Oil cooler		1	
(12)	955 107 021 03	Oil cooler		1	
13	955 107 061 00	Lid with		1	
(13)	955 107 061 01	Gasket Lid with		1	
14	955 107 172 00	Gasket		1	
15	000 043 301 16	Engine oil EXXON MOBIL 1 ESP FORMULA 5W-30 1 LITER	-(CN)	X	
(15)	000 043 301 19	Container Information available Engine oil EXXON MOBIL 1 0W-40 1 LITER	(CN)	X	



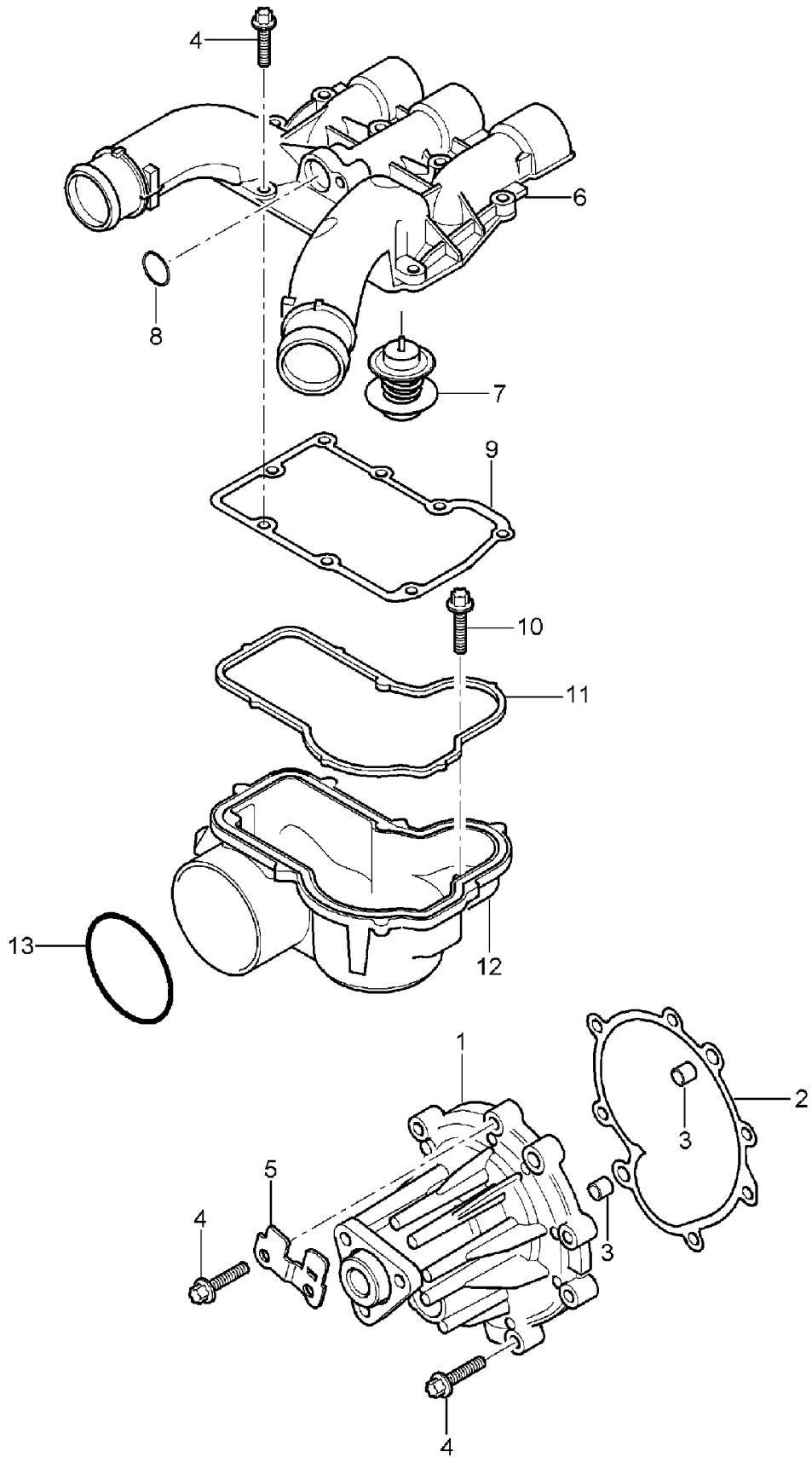
Model: 9PA 03

Model life 2003>>2006

Pos	Part Number	Description	Remark	Qty	Model
16	000 043 301 17	Container Information available Engine oil EXXON MOBIL 1 ESP FORMULA 5W-30 20 LITER Container	-(CN)	X	
(16)	000 043 301 21	Container Information available Engine oil EXXON MOBIL 1 0W-40 20 LITER Container Information available	(CN)	X	

Model: 9PA 03

Model life 2003>>2006



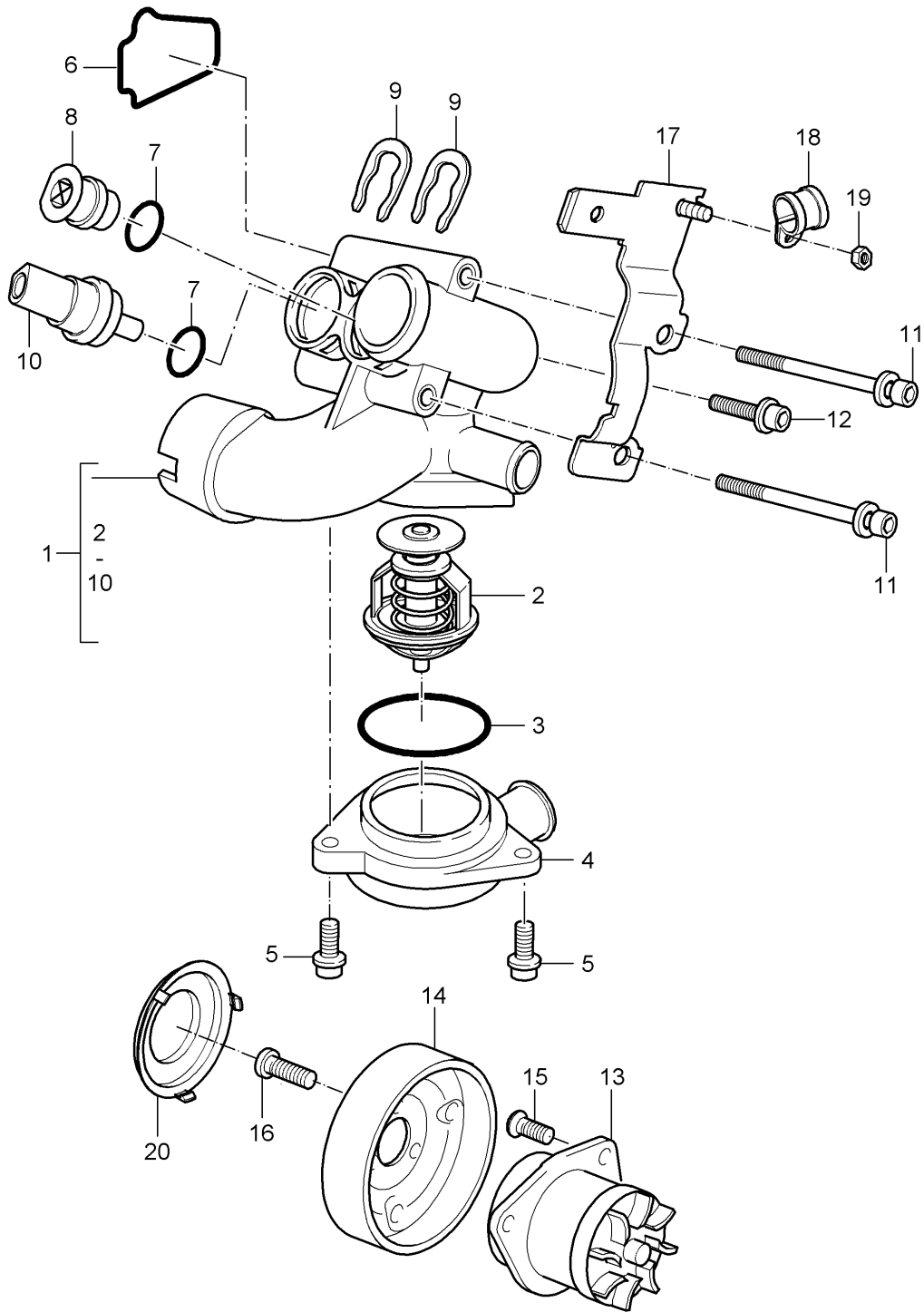
Model: 9PA 03

Model life 2003>>2006

Pos	Part Number	Description	Remark	Qty	Model
		Water pump			M48.00/50
		Thermostat housing			
1	948 106 011 03	Water pump		1	
(1)	948 106 011 04	Water pump		1	
2	948 106 115 03	Gasket		1	
		Information available			
3		Dowel sleeve		2	
		See illustrations			
		1/01/05			
4	900 385 072 09	Torx screw		16	
		BM 6 X 25			
(4)	900 385 072 01	Torx screw		16	
		BM 6 X 25			
5	948 607 130 00	Support		1	
6	948 106 130 04	Thermostat housing		1	
(6)	948 106 130 05	Thermostat housing		1	
7	996 106 125 70	Thermostat insert		1	
(7)	996 106 125 72	Thermostat insert		1	
8	999 707 516 40	O-ring		1	
		20 X 2,65			
8	999 707 477 40	O-ring		1	
		19 X 3			
9	948 106 123 03	Gasket		1	
10	900 385 009 09	Torx screw		2	
		BM 6 X 16			
11	948 106 401 01	Sealing ring		1	
12	948 106 140 02	Insert		1	
		Thermostat housing			
13	999 707 502 40	O-ring		1	
		50 X 3			

Model: 9PA 03

Model life 2003>>2006

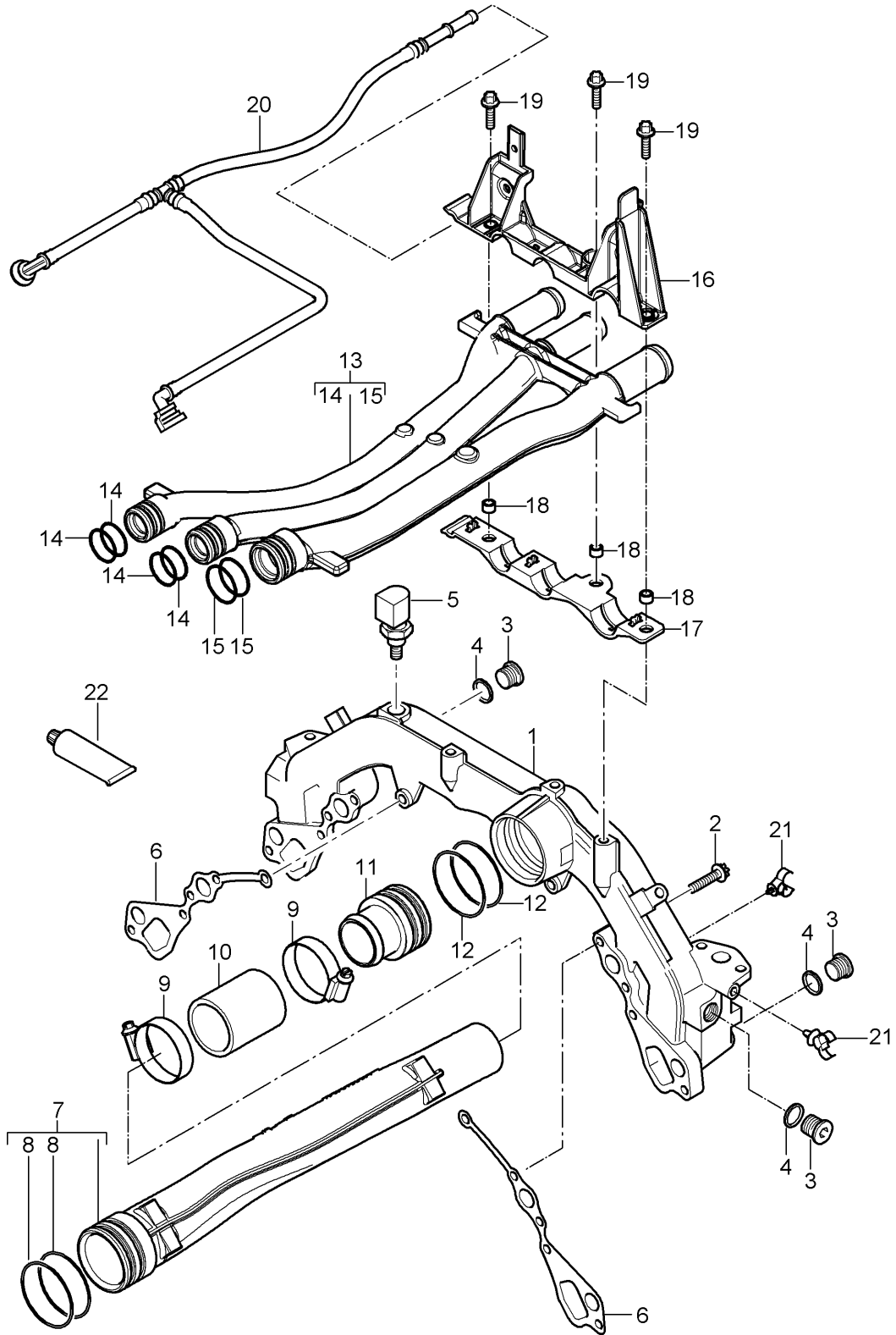


Model: 9PA 03 Model life 2003>>2006

Pos	Part Number	Description	Remark	Qty	Model
		Water pump	04-		M02.2Y
1	955 106 111 00	Thermostat housing Thermostat housing Complete		1	
2	955 106 113 00	Thermostat insert		1	
3	955 106 119 00	Gasket 60 X 3,55		1	
4	955 106 121 00	Connection piece		1	
5	N 907 716 01	Combination screw M 6 X 20		3	
(5)	N 905 330 05	Hexagon-head bolt M 6 X 20		3	
6	955 106 115 00	Gasket Thermostat housing		1	
7	N 903 168 01	Round seal 19,6 X 3,65		2	
8	955 106 140 00	Stopper		1	
9	955 106 143 00	Retainer spring		2	
10	955 106 125 00	Temperature sensor		1	
(10)	955 106 125 01	Temperature sensor		1	
11	N 104 583 01	Combination screw M 6 X 120 X 80		2	
(11)	N 104 583 02	Combination screw M 6 X 120 X 80		2	
12	N 904 121 02	Combination screw M 6 X 25		1	
(12)	N 904 121 03	Combination screw M 6 X 25		1	
13	955 106 011 00	Water pump with		1	
14	955 106 031 00	Gasket Pulley		1	
(14)	955 106 031 01	Pulley		1	
15	N 105 268 01	Oval-head screw M 6 X 18		3	
(15)	N 105 268 02	Oval-head screw M 6 X 18	06-	3	
16	N 905 442 02	Pan-head screw M 8 X 11	-05	3	
(16)	N 905 442 03	Pan-head screw M 8 X 11	06-	3	
17	955 106 501 00	Support		1	
18	N 102 599 01	Clamp 14 X 15		1	
19	N 011 006 32	Hexagon nut M 6		1	
20	955 106 419 00	Cover Pulley		1	

Model: 9PA 03

Model life 2003>>2006



Model: 9PA 03

Model life 2003>>2006

Pos	Part Number	Description	Remark	Qty	Model
		Water cooling 1 See technical information Service Group 1 1961 45/07			M48.00/50
1	948 106 151 04	Distributor tube Coolant M >> 815 16499 M >> 825 07467		1	
(1)	948 106 151 05	Distributor tube Coolant M 815 16500 >> M 825 07468 >>		1	
2	900 385 072 09	Torx screw BM 6 X 25		10	
(2)	900 385 072 01	Torx screw BM 6 X 25		10	
3	900 219 004 02	Screw plug M 16 X 1,5		3	M48.00
(3)		Screw plug M 16 X 1,5		2	M48.50
4	900 123 131 30	Sealing ring A 16 X 20		3	M48.00
(4)		Sealing ring A 16 X 20		2	M48.50
5	996 606 410 00	Temperature sensor		1	
6	948 106 153 05	Gasket		2	
7	948 106 049 05	Cooling water tube Lower		1	
(7)	948 106 049 06	Cooling water tube Lower		1	
(7)	948 106 049 07	Cooling water tube Lower		1	
8	999 707 370 41	O-ring 47 X 4		2	
9	999 512 389 01	Hose clamp 35 - 50		2	
10	948 106 240 00	Water hose		1	
11	948 106 230 00	Adapter		1	
12	999 707 370 41	O-ring 47 X 4		2	
13	948 106 059 03	Cooling water tube Heating		1	
(13)	948 106 059 04	Cooling water tube Heating		1	
(13)	948 106 059 05	Cooling water tube Heating		1	
(13)	948 106 059 06	Cooling water tube Heating		1	
14	999 707 517 41	O-ring 22 X 3		4	
15	999 707 518 41	O-ring 28 X 3		2	
16	948 106 259 00	Mounting Upper part		1	
17	948 106 269 00	Mounting Lower part		1	
18	948 106 279 00	Bush		3	
19	900 385 009 09	Torx screw BM 6 X 16		3	
20	948 106 016 02	Breather pipe		1	
(20)	948 106 016 03	Breather pipe		1	
21	999 507 075 40	Cable holder		2	

Model: 9PA 03

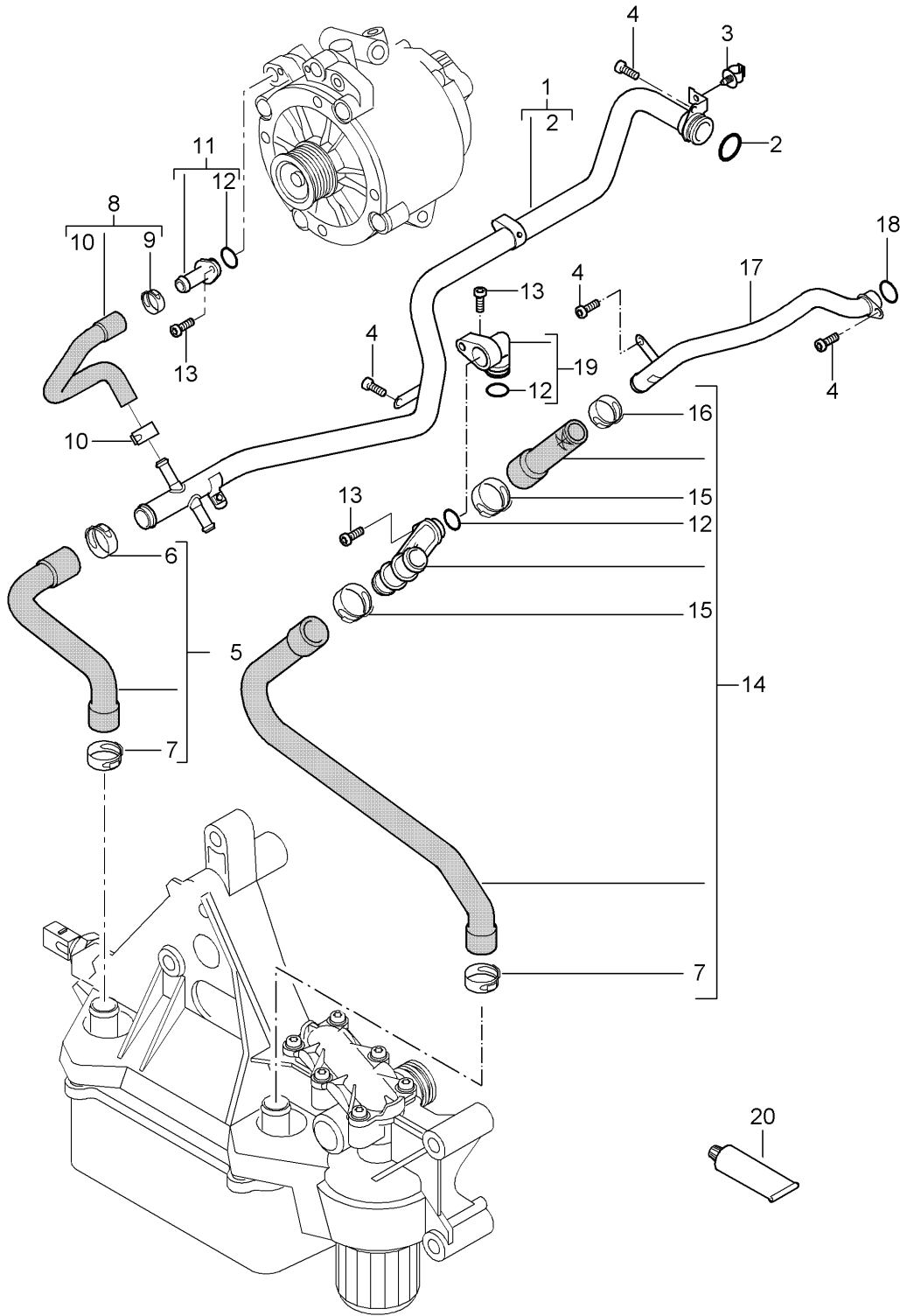
Model life 2003&gt;&gt;2006

Pos	Part Number	Description	Remark	Qty	Model
22	000 043 204 68	3,0 - 12,0 Grease 1 50-g tube		1	



Model: 9PA 03

Model life 2003>>2006



Model: 9PA 03 Model life 2003>>2006

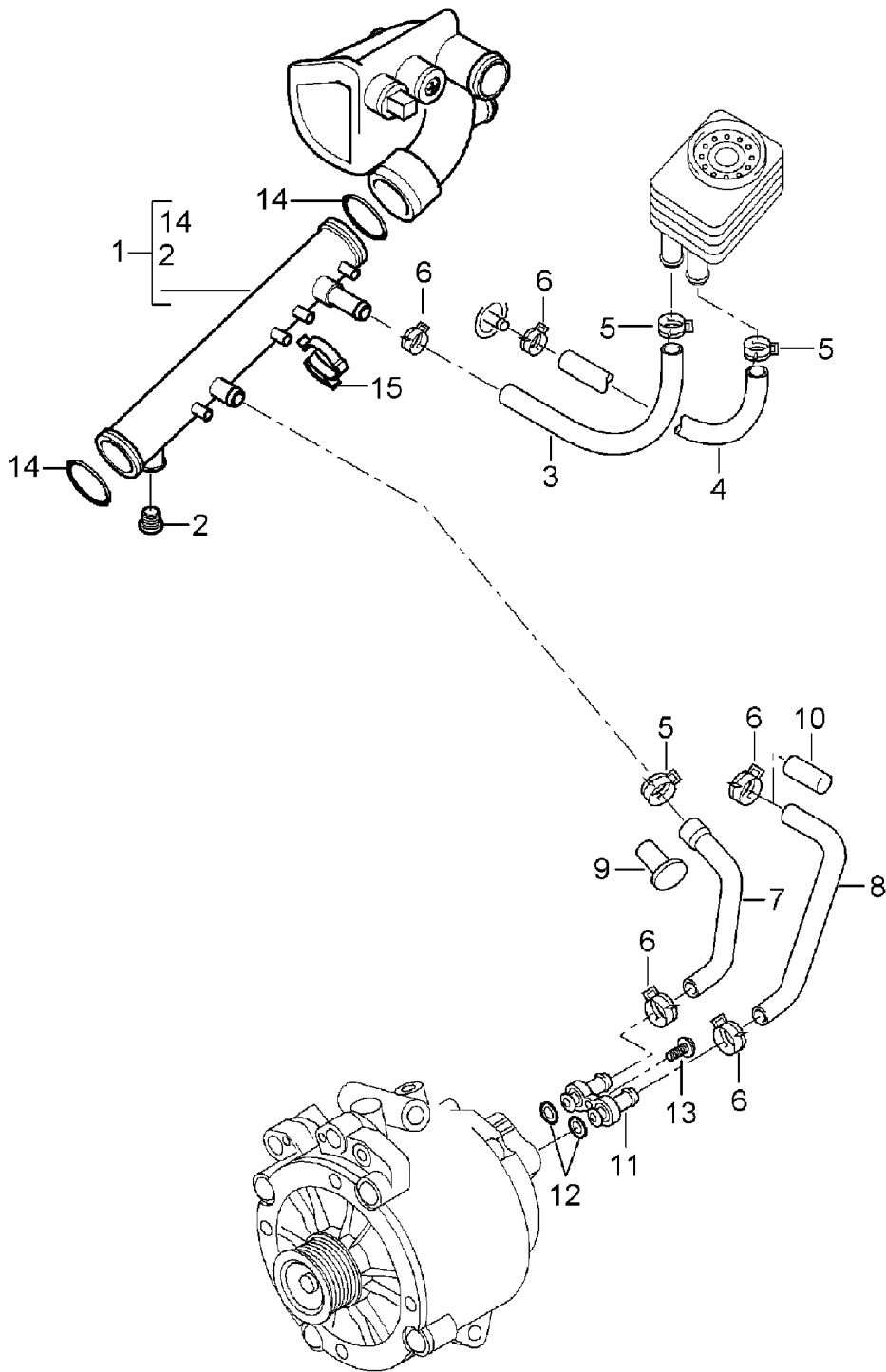
Pos	Part Number	Description	Remark	Qty	Model
1	948 106 021 54	Water cooling 2 Cooling water tube Supply		1	M48.00/50 M48.50
(1)	948 106 021 05	Cooling water tube Supply		1	M48.00
2	999 707 537 40	O-ring 21,2 X 3,55		1	
3	999 507 603 40	Cable holder 7,5		1	
4	999 073 189 09	Torx screw M 6 X 12		4	
5	948 106 357 03	Water hose Supply		1	
6	999 512 658 09	Hose clamp 27 X 12		1	
7	999 512 656 09	Hose clamp 25 X 12		2	
8	948 106 355 05	Water hose Supply		1	
9	999 512 652 09	Hose clamp 19 X 12		1	
10	999 512 686 09	Hose clamp 17 X 12		1	
11	948 106 362 01	Connection piece Supply M >> 816 09866 M >> 826 04063		1	
(11)	948 106 462 00	Connection piece Supply M 816 09867 >> M 826 04064 >>		1	
12	999 707 514 40	O-ring 12,37 X 2,62 M >> 816 09866 M >> 826 04063		2	
(12)		O-ring 12,37 X 2,62 M 816 09867 >> M 826 04064 >>		3	
13	999 073 103 01	Round head screw M 6 X 16 M >> 816 09866 M >> 826 04063		2	
(13)		Round head screw M 6 x 16 M 816 09867 >> M 826 04064 >>		3	
14	948 106 358 03	Water hose Return line		1	
14	948 106 050 01	Water hose Complete Return line		1	
15	999 512 660 09	Hose clamp 29 X 12		2	
16	999 512 683 09	Hose clamp 23 X 12		1	
17	948 106 321 03	Cooling water tube Return line		1	
18		O-ring See illustrations 1/05/00		1	
19	948 106 561 00	Connection piece Return line		1	

Model: 9PA 03 Model life 2003>>2006

Pos	Part Number	Description	Remark	Qty	Model
20	000 043 204 68	Generator M 816 09867 >> M 826 04064 >> Grease SYNTHESO GLEP 1 1 50-g tube		1	

Model: 9PA 03

Model life 2003>>2006



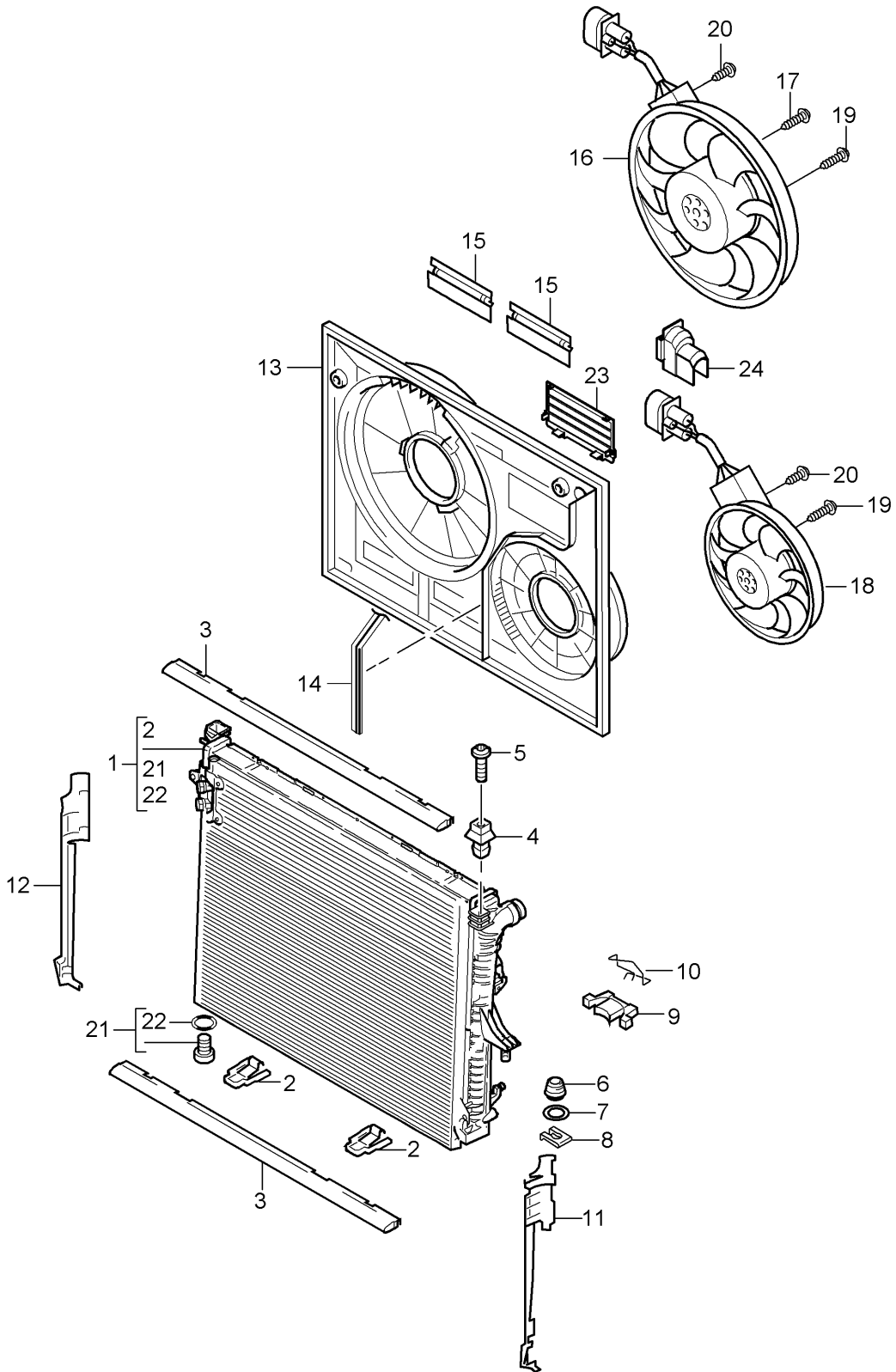
Model: 9PA 03

Model life 2003>>2006

Pos	Part Number	Description	Remark	Qty	Model
		Water cooling 2	04-		M02.2Y
1	955 106 050 00	Water tube		1	
2	955 106 022 00	Screw plug with O-ring		1	
3	955 106 158 00	Water hose		1	
4	955 106 196 00	Water hose Crankcase		1	
(4)	955 106 196 01	Water hose Crankcase		1	
5	N 906 869 01	Hose clamp B 23 X 12		3	
6	N 909 264 01	Hose clamp B 19 X 12	-05	5	
6		Hose clamp B 19 X 12	06-	3	
(6)	N 907 702 01	Hose clamp B 17 X 12 Mount Adapter	06-	2	I8GH
7	955 106 058 10	Water hose Return line	-05	1	I8GH
(7)	955 106 356 06	Water hose Return line	06-	1	I8GH
8	955 106 059 00	Water hose Supply Crankcase	-05	1	I8GH
(8)	955 106 355 05	Water hose Supply Crankcase	06-	1	I8GH
9	955 106 324 00	Cap		1	I8GR
10	955 106 099 00	Stopper Crankcase		1	I8GR
11	955 106 133 00	Adapter Double	-05	1	I8GH
(11)	955 106 362 02	Adapter Simple	06-	2	I8GH
(11)	955 106 361 00	Retaining bracket for Adapter	06-	1	I8GH
(11)	955 106 361 10	Retaining bracket for Adapter	06-	1	I8GH
12	955 106 666 00	Round seal 10 X 4	-05	2	I8GH
(12)	N 907 834 02	O-ring 13,1 X 1,6	06-	2	I8GH
13	N 014 761 2	Pan-head screw M 6 X 12	-05	1	I8GH
(13)	900 119 129 01	Pan-head screw M 6 X 12	-05	1	I8GH
(13)	N 101 174 01	Pan-head screw M 6 X 30	06-	1	I8GH
(13)	N 101 174 05	Pan-head screw M 6 X 30	06-	1	I8GH
14	N 101 392 01	O-ring 34,5 X 3,55		2	
15	955 106 523 10	Cable holder		2	

Model: 9PA 03

Model life 2003>>2006



Model: 9PA 03 Model life 2003>>2006

Pos	Part Number	Description	Remark	Qty	Model
1	955 106 142 00	Water cooling 3 Radiator Radiator		1	
(1)	955 106 142 01	Radiator		1	
2	955 106 079 00	Support		2	
3	955 106 379 00	Piping		2	
4	955 106 191 00	Buffer		2	
5	N 910 252 01	Screw 6.0 X 30		2	
6	955 106 175 00	Rubber mounting		2	
7	N 904 485 01	Washer 16.2 X 34.2 X 3.0		2	
8	955 106 174 00	Clamp		2	
9	955 106 176 00	Support Rubber mounting		2	
10	955 106 173 00	Clamp Support		2	
11	955 106 346 00	Seal	/L	1	
(11)	955 106 346 01	Seal	/L	1	
12	955 106 347 00	Seal	/R	1	
(12)	955 106 347 01	Seal	/R	1	
13	955 106 258 00	Cooling air duct		1	IT90
(13)		Cooling air duct F >>9P6LA 44107		1	IT91
(13)	955 106 258 10	Cooling air duct F 9P6LA 44108>>		1	IT91/0Y1/0Y3
(13)	955 106 258 00	Cooling air duct F 9P6LA 44108>>		1	IT91/0Y2
13		Cooling air duct F >>9P5LA 02919		1	IT31
(13)	955 106 258 10	Cooling air duct F 9P5LA 02920>>		1	IT31
14	955 106 271 00	Piping Cooling air duct		1	
15	955 106 259 00	Flap Lower		2	
16	955 624 135 00	Fan - EC -		1	IT90
(16)		Fan - EC -		1	IT91
(16)	955 624 136 00	F >>9P6LA 44107 Fan - DC -		1	IT91/0Y1/0Y3
(16)	955 624 135 00	F 9P6LA 44108>> Fan - EC -		1	IT91/0Y2
(16)	955 624 145 00	F 9P6LA 44108>> Fan - DC -		1	IT31
(16)	955 624 135 00	Fan - EC -		1	IT31
(16)	955 624 136 00	F >>9P5LA 02919 Fan - DC -		1	IT31
17	955 106 953 00	F 9P5LA 02920>> Screw M 5 X 12		3	IT90
(17)		Screw M 5 X 12		3	IT91
(17)		F >>9P6LA 44107 Screw M 5 X 12		3	IT91/0Y2

Model: 9PA 03

Model life 2003>>2006

Pos	Part Number	Description	Remark	Qty	Model
(17)		F 9P6LA 44108>> Screw M 5 X 12		3	IT31
18	955 624 146 00	F >>9P5LA 02919 Blower - DC-		1	
(18)	955 624 134 00	Fan - DC -		1	
19	955 106 953 10	Screw M 5 X 16		3	IT90
(19)		Screw M 5 X 16		3	IT91
(19)		F >>9P6LA 44107 Screw M 5 X 16		6	IT91/0Y1/0Y3
(19)		F 9P6LA 44108>> Screw M 5 X 16		3	IT91/0Y2
19		F 9P6LA 44108>> Screw M 5 X 16		3	IT31
(19)		F >>9P5LA 02919 Screw M 5 X 16		6	IT31
20	955 106 953 20	F 9P5LA 02920>> Screw 4 X 25		4	IT90
(20)		Screw 4 X 25		4	IT91
(20)		F >>9P6LA 44107 Screw 4 X 25		8	IT91/0Y1/0Y3
(20)		F 9P6LA 44108>> Screw 4 X 25		4	IT91/0Y2
20		F 9P6LA 44108>> Screw 4 X 25		4	IT31
(20)		F >>9P5LA 02919 Screw 4 X 25		8	IT31
21	928 106 444 01	F 9P5LA 02920>> Drain plug for Radiator	-05	1	
22	999 701 651 40	O-ring 7,65 X 1,78	-05	1	
23	955 106 259 10	Flap Upper		1	
24	955 504 750 00	Cover Connector Electric fan		1	IT90
(24)		Cover Connector Electric fan		1	IT91
(24)		F >>9P6LA 44107 Cover Connector Electric fan		2	IT91/0Y1/0Y3
(24)		F 9P6LA 44108>> Cover Connector Electric fan		1	IT91/0Y2



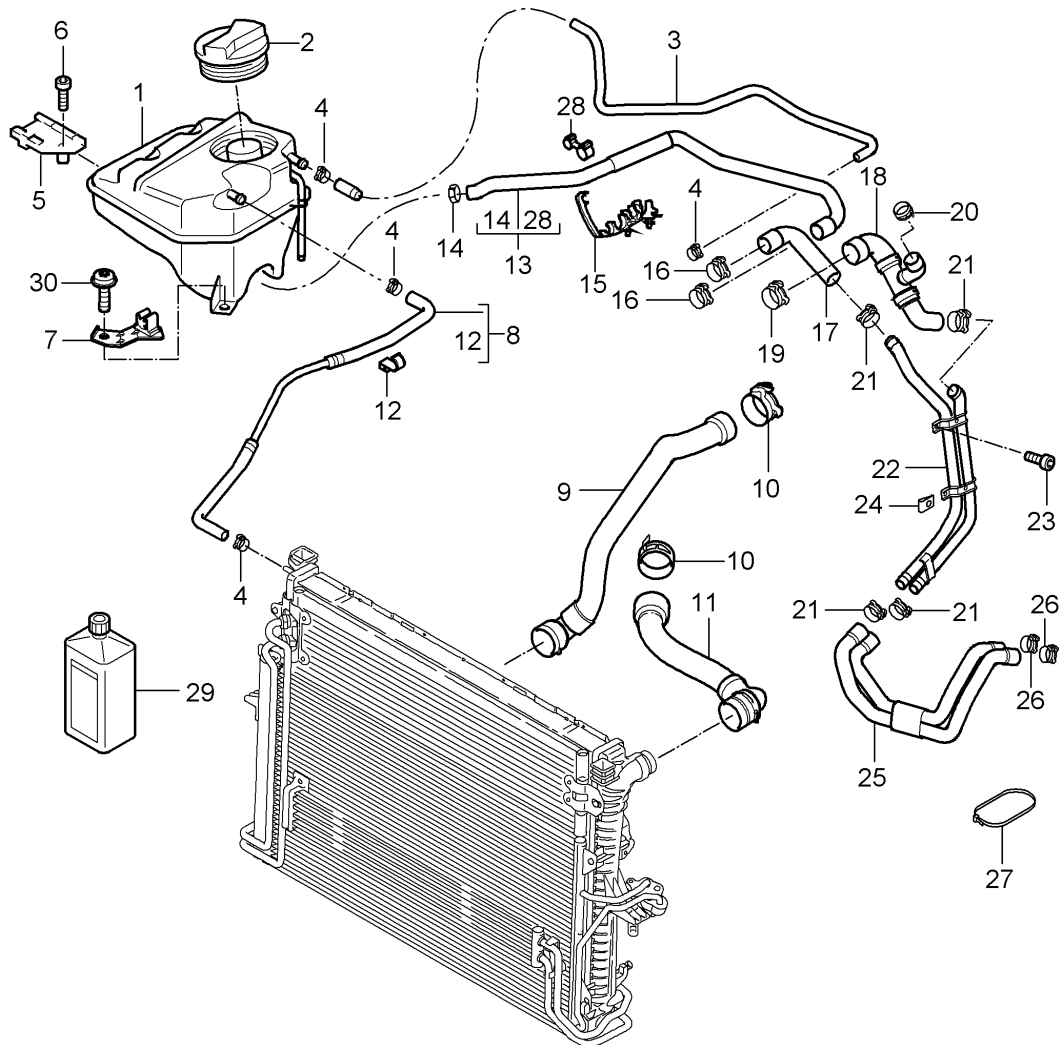
Model: 9PA 03

Model life 2003&gt;&gt;2006

Pos	Part Number	Description	Remark	Qty	Model
(24)		F 9P6LA 44108>> Cover Connector Electric fan		2	IT31

Model: 9PA 03

Model life 2003>>2006



Model: 9PA 03

Model life 2003>>2006

Pos	Part Number	Description	Remark	Qty	Model
		Water cooling 4			IT90/T91
		Water reservoir			
1	955 106 147 21	Water reservoir		1	
(1)	955 106 147 22	Water reservoir		1	
(1)	955 106 147 23	Water reservoir		1	
2	955 106 447 20	Lid		1	
3	955 106 477 00	Water hose		1	
4	N 906 867 01	Hose clamp B 14 X 12		4	
5	955 106 405 01	Support		1	
6	N 101 244 06	Combination screw M 6 X 20		1	
7	955 355 625 00	Support		1	IT90
		Vacuum line			
-	N 909 435 01	Hose holder 12 MM		1	IT90
8	955 106 277 00	Water hose		1	
9	955 106 239 10	Water hose		1	IT90
		Supply			
(9)		Water hose		1	IT91
		Supply			
		F >>9P6LA 44107			
(9)		Water hose		1	IT91/0Y2
		Supply			
		F 9P6LA 44108>>			
(9)	955 106 239 50	Water hose		1	IT91/0Y1/0Y3
		Supply			
		F 9P6LA 44108>>			
10	955 512 404 00	Clip		2	
		B 51 X 12			
11	955 106 238 00	Water hose		1	
		Return line			
12	955 106 525 00	Hose holder		1	
13	955 106 049 00	Water hose		1	
14	N 900 719 03	Hose clamp		1	
(14)	955 106 410 00	Hose clamp		1	
15	955 106 179 00	Support		1	
		Water hose			
16	955 512 405 00	Clip		2	
17	955 106 322 00	Water hose		1	
18	955 106 323 50	Water hose		1	IT90
(18)	955 106 323 00	Water hose		1	IT91
19	955 512 406 00	Clip		1	
20	955 512 407 00	Clip		1	
21	N 906 870 01	Hose clamp B 27 x 12		4	
22	955 106 065 00	Cooling water tube		1	
(22)	955 106 065 10	Cooling water tube		1	
23	N 014 761 02	Pan-head screw M 6 X 12		2	
(23)	N 014 761 2	Pan-head screw M 6 X 12		2	
(23)	900 119 129 01	Pan-head screw M 6 X 12		2	
24	955 971 847 00	Cable clamp		1	
25	955 106 073 00	Water hose		1	
26	N 906 870 01	Hose clamp B 27 X 12		2	
27	955 106 409 00	Tie-wrap		1	
28	N 102 464 01	Hose holder A 03-14 X C 05-22		1	
29	000 043 203 78	Antifreeze 1 LITER		X	

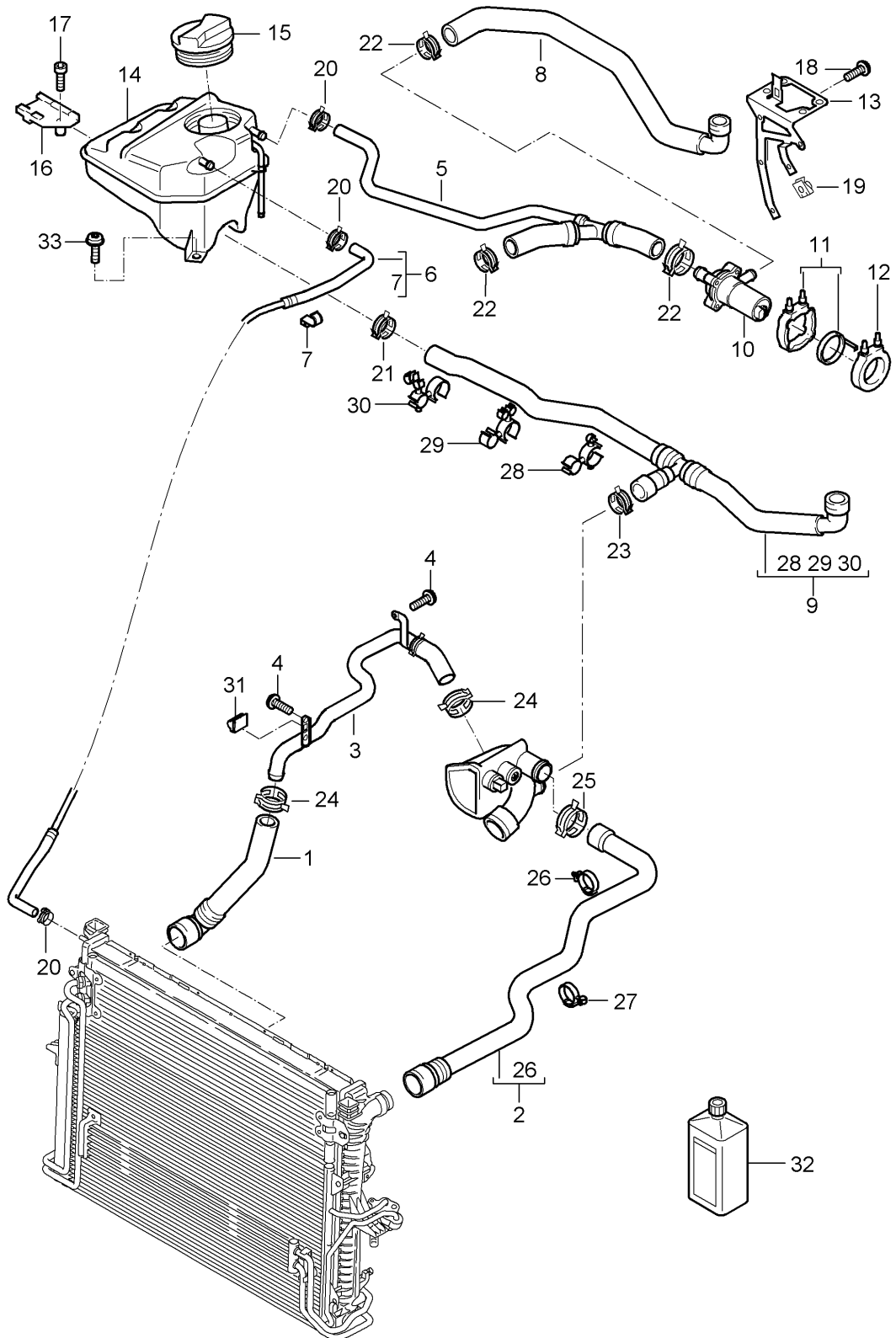
Model: 9PA 03

Model life 2003>>2006

Pos	Part Number	Description	Remark	Qty	Model
(29)	000 043 203 79	Container Antifreeze 25 LITER		X	
(29)	000 043 300 31	Container Antifreeze 20 LITER		X	
(29)	000 043 301 03	Container Antifreeze 1 LITER		X	
(29)	000 043 301 04	Container Antifreeze 20 LITER		X	
(29)	000 043 301 47	Container Antifreeze 1 LTR.		X	
(29)	000 043 301 48	Container Antifreeze 20 LTR.		X	
(29)	000 043 204 39	Container Cleaning agent 20 LITER		X	
		Container See technical information Service Group 1 KD-NR.1901 8/08			
30	N 908 913 02	Combination screw M 6 X 20		1	

Model: 9PA 03

Model life 2003>>2006



Model: 9PA 03

Model life 2003&gt;&gt;2006

Pos	Part Number	Description	Remark	Qty	Model
		Water cooling 4 Water reservoir without Auxiliary heater	04-		ID9J
1	955 106 051 00	Water hose		1	
2	955 106 239 00	Water hose		1	
3	955 106 070 01	Cooling water tube with Water hose		1	
4	N 103 470 01	Torx screw M 6 X 16		2	
(4)	N 103 470 03	Torx screw M 6 X 16		2	
5	955 106 058 00	Water hose		1	
(5)	955 106 058 01	Water hose		1	
(5)	955 106 058 02	Water hose		1	
6	955 106 277 00	Water hose		1	
7	955 106 525 00	Hose holder		1	
8	955 106 096 00	Water hose		1	
(8)	955 106 096 01	Water hose		1	
(8)	955 106 096 02	Water hose		1	
9	955 106 109 00	Water hose		1	
10	955 106 561 00	Water pump Appendix		1	
10	955 106 561 01	Water pump Appendix		1	
11	955 106 209 00	Rubber mounting with Locking lug		1	
12	955 106 209 10	Rubber mounting		1	
13	955 106 470 00	Support Appendix Water pump		1	
14	955 106 147 21	Water reservoir		1	
(14)	955 106 147 22	Water reservoir		1	
(14)	955 106 147 23	Water reservoir		1	
15	955 106 447 20	Lid		1	
16	955 106 405 01	Support		1	
17	N 101 244 06	Combination screw M 6 X 20		1	
18	N 014 761 4	Pan-head screw M 6 X 12		3	
(18)	N 103 470 01	Torx screw M 6 X 16		2	
(18)	N 103 470 03	Torx screw M 6 X 16		2	
19	N 901 686 02	Speed nut M 6 X 16 X 24		2	
(19)	N 901 686 04	Speed nut M 6 X 16 X 24		2	
20	N 906 867 01	Hose clamp B 14 X 12		3	
21	N 906 869 01	Hose clamp B 23 X 12		1	
22	N 906 870 01	Hose clamp B 27 X 12		3	
23	N 906 871 01	Hose clamp B 32 X 12		1	
24	N 906 872 01	Hose clamp B 40 X 12		2	
25	N 909 265 01	Hose clamp B 47 X 12		1	
26	N 105 390 01	Hose holder		1	

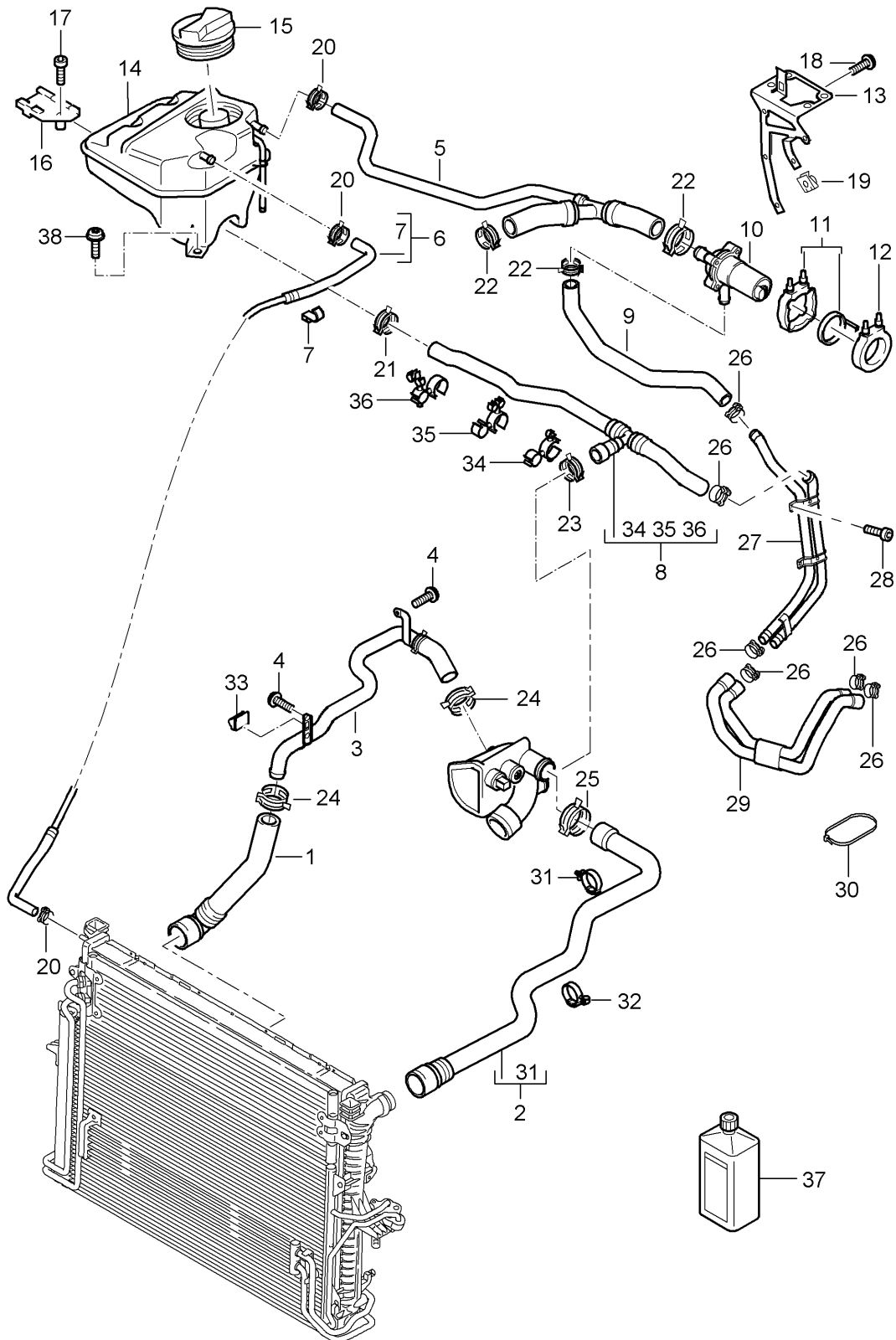
Model: 9PA 03

Model life 2003>>2006

Pos	Part Number	Description	Remark	Qty	Model
		A 06-6,5 X C 19-38			
27	955 106 520 00	Hose holder		1	
28	955 106 522 30	Hose holder		1	
29	955 106 522 00	Hose holder		1	
30	955 106 522 20	Hose holder		1	
31	955 606 525 00	Cable terminal 4,0 - 7,0		1	
32	000 043 203 78	Antifreeze 1 LITER Container		X	
(32)	000 043 300 31	Antifreeze 20 LITER Container		X	
(32)	000 043 301 03	Antifreeze 1 LITER Container		X	
(32)	000 043 301 04	Antifreeze 20 LITER Container		X	
(32)	000 043 301 47	Antifreeze 1 LTR. Container		X	
(32)	000 043 301 48	Antifreeze 20 LTR. Container		X	
(32)	000 043 204 39	Cleaning agent 20 LITER Container See technical information Service Group 1 KD-NR.1901 8/08		X	
33	N 908 913 02	Combination screw M 6 X 20		1	

Model: 9PA 03

Model life 2003>>2006





Model: 9PA 03

Model life 2003>>2006

Pos	Part Number	Description	Remark	Qty	Model
		Water cooling 4	04-		ID9J
		Water reservoir			
		with			
		Auxiliary heater			I7VE/7VL
1	955 106 051 00	Water hose		1	
2	955 106 239 00	Water hose		1	
3	955 106 070 01	Cooling water tube		1	
		with			
		Water hose			
4	N 103 470 01	Torx screw		2	
		M 6 X 16			
5	955 106 058 00	Water hose		1	
(5)	955 106 058 01	Water hose		1	
(5)	955 106 058 02	Water hose		1	
6	955 106 277 00	Water hose		1	
7	955 106 525 00	Hose holder		1	
8	955 106 073 10	Water hose		1	
(8)	955 106 073 11	Water hose		1	
9	955 106 073 20	Water hose	-05	1	
(9)	955 106 073 21	Water hose	06-	1	
10	955 106 561 00	Water pump		1	
		Appendix			
10	955 106 561 01	Water pump		1	
		Appendix			
11	955 106 209 00	Rubber mounting		1	
		with			
		Locking lug			
12	955 106 209 10	Rubber mounting		1	
13	955 106 470 00	Support		1	
		Appendix			
		Water pump			
14	955 106 147 21	Water reservoir		1	
(14)	955 106 147 22	Water reservoir		1	
15	955 106 447 20	Lid		1	
16	955 106 405 01	Support		1	
17	N 101 244 06	Combination screw		1	
		M 6 X 20			
18	N 014 761 4	Pan-head screw		3	
		M 6 X 12			
(18)	N 103 470 01	Torx screw		2	
		M 6 X 16			
19	N 901 686 02	Speed nut		2	
		M 6 X 16 X 24			
(19)	N 901 686 04	Speed nut		2	
		M 6 X 16 X 24			
20	N 906 867 01	Hose clamp		3	
		B 14 X 12			
21	N 906 869 01	Hose clamp		1	
		B 23 X 12			
22	N 906 870 01	Hose clamp		3	
		B 27 X 12			
23	N 906 871 01	Hose clamp		1	
		B 32 X 12			
24	N 906 872 01	Hose clamp		2	
		B 40 X 12			
25	N 909 265 01	Hose clamp		1	
		B 47 X 12			
26	N 906 870 01	Hose clamp		6	
		B 27 X 12			
27	955 106 066 00	Cooling water tube		1	
28	N 014 761 2	Pan-head screw		2	
		M 6 X 12			
29	955 106 073 00	Water hose		1	

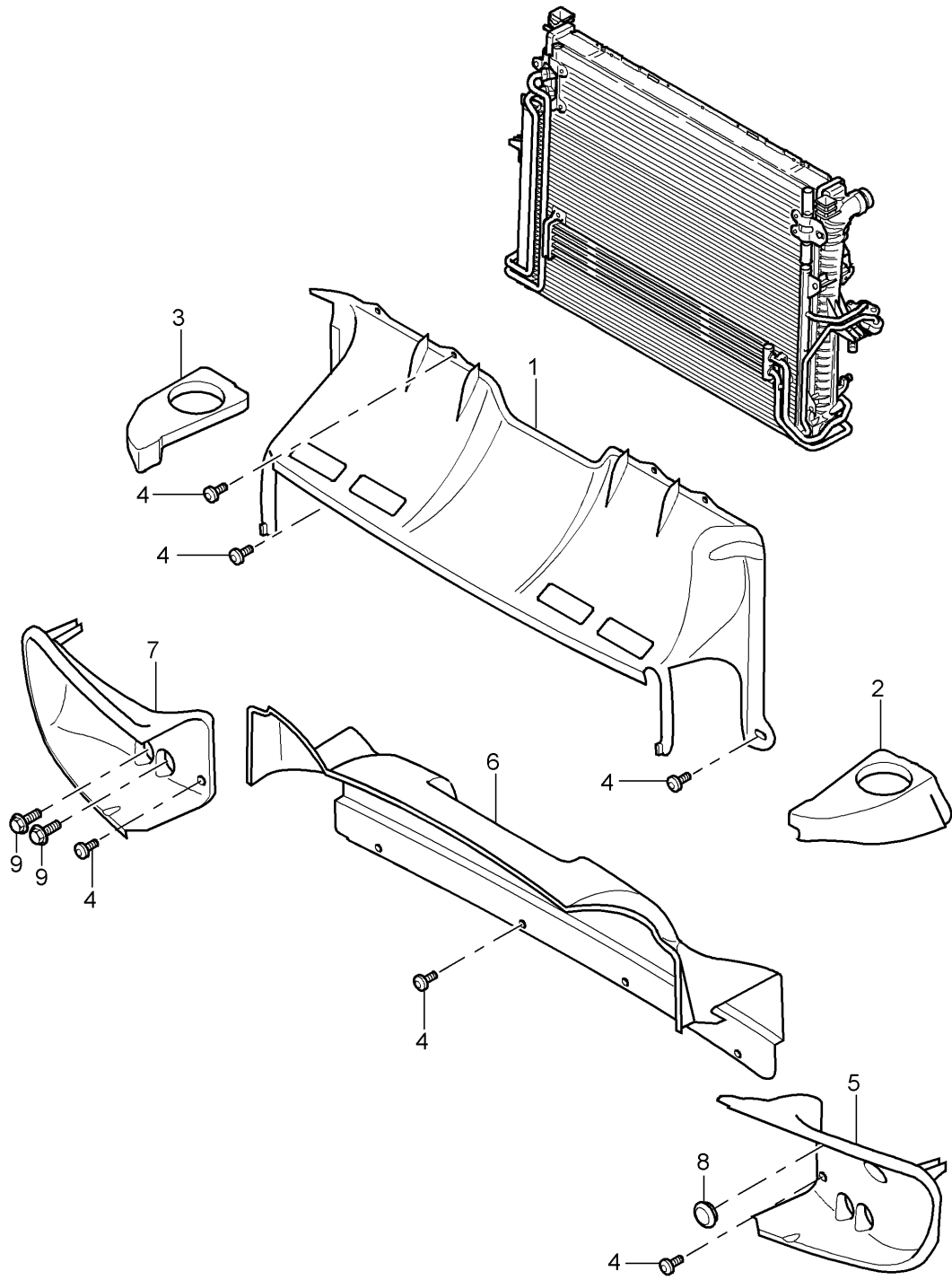
Model: 9PA 03

Model life 2003>>2006

Pos	Part Number	Description	Remark	Qty	Model
30	955 106 409 00	Tie-wrap		1	
31	N 105 390 01	Hose holder A 06-6,5 X C 19-38		1	
32	955 106 520 00	Hose holder		1	
33	955 606 525 00	Cable terminal 4,0 - 7,0		1	
34	955 106 522 30	Hose holder		1	
35	955 106 522 00	Hose holder		1	
36	955 106 522 20	Hose holder		1	
37		Antifreeze See illustrations 1/05/26		X	
(37)		Cleaning agent See illustrations 1/05/26		X	
38	N 908 913 02	Combination screw M 6 X 20		1	

Model: 9PA 03

Model life 2003>>2006



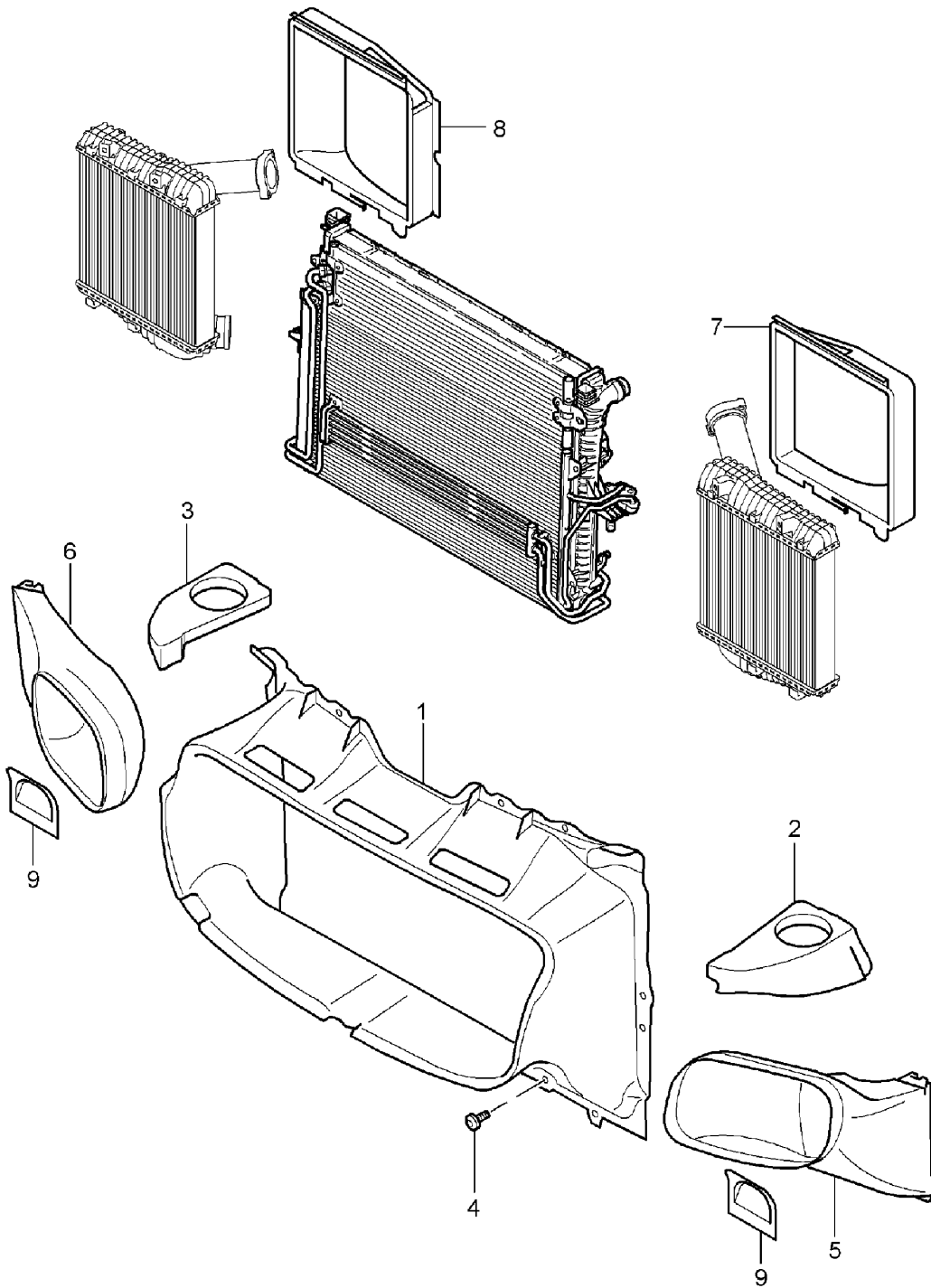
Model: 9PA 03

Model life 2003>>2006

Pos	Part Number	Description	Remark	Qty	Model
1	955 575 285 00	Cooling air duct Air duct Upper		1	ID9J/D9K
2	955 575 146 00	Gasket Left		1	
3	955 575 147 00	Gasket Right		1	ID9K
(3)	955 575 147 20	Gasket Right		1	ID9J
4	N 910 343 01	Oval-head screw 6 X 20		18	
5	955 575 333 00	Air duct Left		1	
(5)	955 575 333 02	Air duct Left		1	
6	955 575 293 00	Air duct Lower		1	
7	955 575 334 00	Air duct Right		1	
(7)	955 575 334 02	Air duct Right		1	
8	955 575 418 00	Cap		2	
9	N 105 956 01	Combination screw M 10 X 35		4	

Model: 9PA 03

Model life 2003>>2006

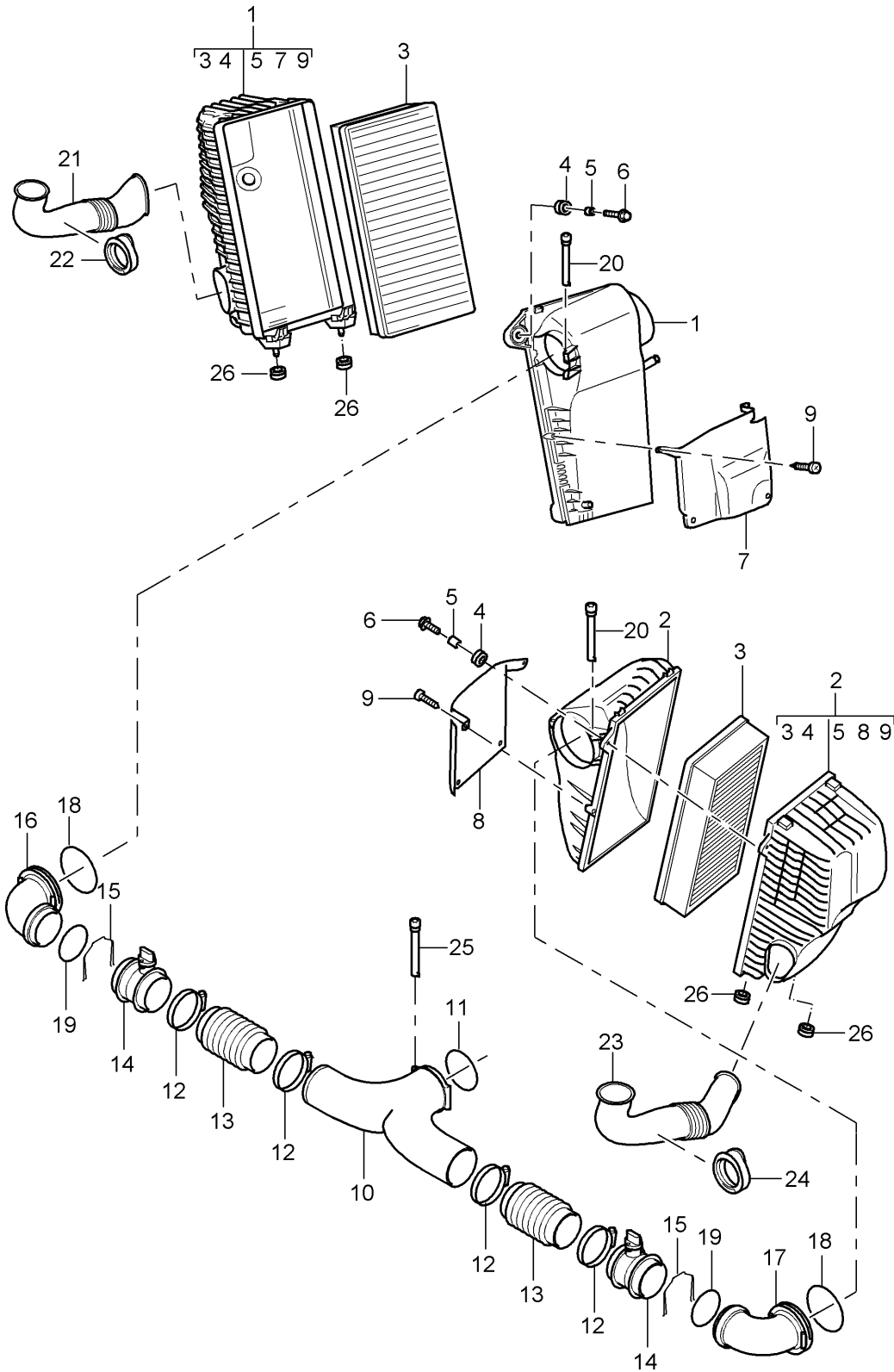


Model: 9PA 03 Model life 2003>>2006

Pos	Part Number	Description	Remark	Qty	Model
1	955 575 283 50	Cooling air duct Air duct Front		1	ID9L
2	955 128 146 00	Gasket Left		1	
3	955 129 146 00	Gasket Right		1	
4	N 910 343 01	Oval-head screw 6 X 20		10	
5	955 575 335 50	Air duct Left		1	
(5)	955 575 335 51	Air duct Left		1	
(5)	955 575 335 40	Air duct Left	05-	1	IE81
(5)	955 575 331 40	Air duct Left with Lid POS.9	05-	1	IE81
(5)	955 575 335 40	Air duct Left	06-	1	IE8A
(5)	955 575 331 40	Air duct Left with Lid Pos.9	06-	1	IE8A
6	955 575 336 50	Air duct Right		1	
(6)	955 575 336 51	Air duct Right		1	
(6)	955 575 336 40	Air duct Right	05-	1	IE81
(6)	955 575 332 40	Air duct Right with Lid POS.9	05-	1	IE81
(6)	955 575 336 40	Air duct Right	06-	1	IE8A
(6)	955 575 332 40	Air duct Right with Lid Pos.9	06-	1	IE8A
7	955 575 339 00	Air duct Left		1	
(7)	955 575 339 40	Air duct Left	05-	1	IE81
(7)		Air duct Left	06-	1	IE8A
8	955 575 340 00	Air duct Right		1	
(8)	955 575 340 40	Air duct Right	05-	1	IE81
(8)		Air duct Right	06-	1	IE8A
9	955 575 395 00	Lid		2	

Model: 9PA 03

Model life 2003>>2006



Model: 9PA 03

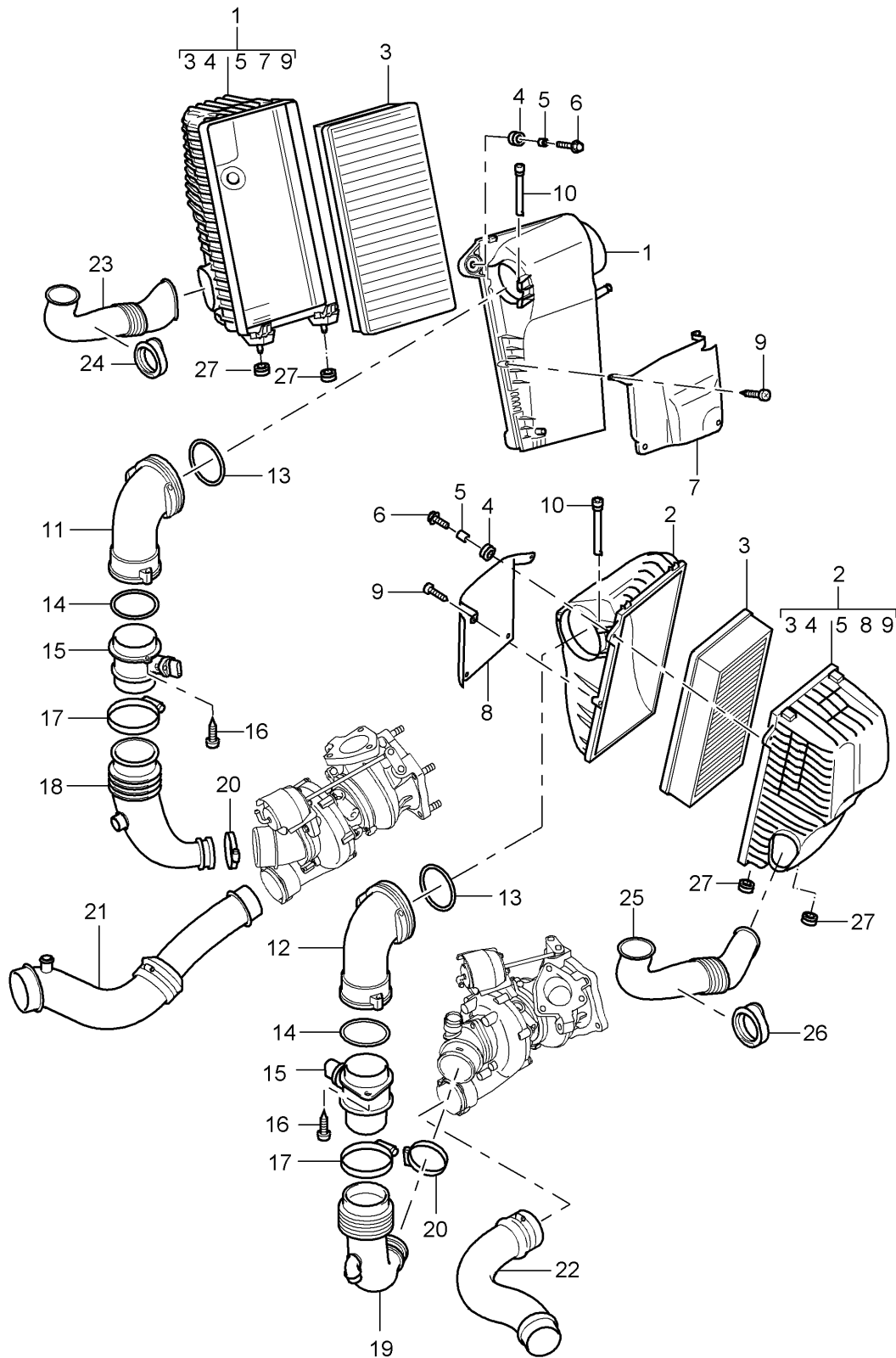
Model life 2003&gt;&gt;2006

Pos	Part Number	Description	Remark	Qty	Model
		Air cleaner system			IT91
1	955 110 022 10	Air cleaner	/R	1	I1L0
(1)	955 110 022 00	Air cleaner	/R	1	I1L2
2	955 110 021 10	Air cleaner	/L	1	I1L0
(2)	955 110 021 00	Air cleaner	/L	1	I1L2
3	955 110 131 00	Air cleaner cartridge		2	I1L0
(3)	955 110 131 10	Air cleaner cartridge		2	I1L2
4	955 110 669 00	Grommet		2	
5	955 110 734 00	Spacer sleeve		2	
6	N 101 579 02	Hexagon-head bolt M 6 X 25		2	
7	955 110 208 00	Heat shield	/R	1	
8	955 110 207 00	Heat shield	/L	1	
9	N 909 855 01	Oval-head screw KA 50 X 12		8	
10	955 110 046 00	Intake distributor		1	
11	N 910 171 01	Round seal 87 X 4		1	
12	N 024 523 2	Hose clamp A-50-70 X 13 X 0,5		4	
13	955 110 191 00	Bellows		2	
14	955 606 123 31	Mass air flow meter		2	
15	955 110 691 00	Spring clamp		2	
16	955 110 534 00	Intake manifold	/R	1	
17	955 110 533 00	Intake manifold	/L	1	
18	N 909 643 01	Round seal 91 X 6		2	
19	955 110 646 00	Round seal 69 X 6		2	
20	955 110 269 00	Bolt Locking device		4	
21	955 110 104 00	Intake manifold	/R	1	
22	955 110 348 00	Support ring	/R	1	
23	955 110 103 10	Intake manifold	/L	1	
24	955 110 347 10	Support ring	/L	1	
25	955 110 670 00	Bolt Locking device		2	
26	955 110 669 00	Grommet		4	



Model: 9PA 03

Model life 2003>>2006



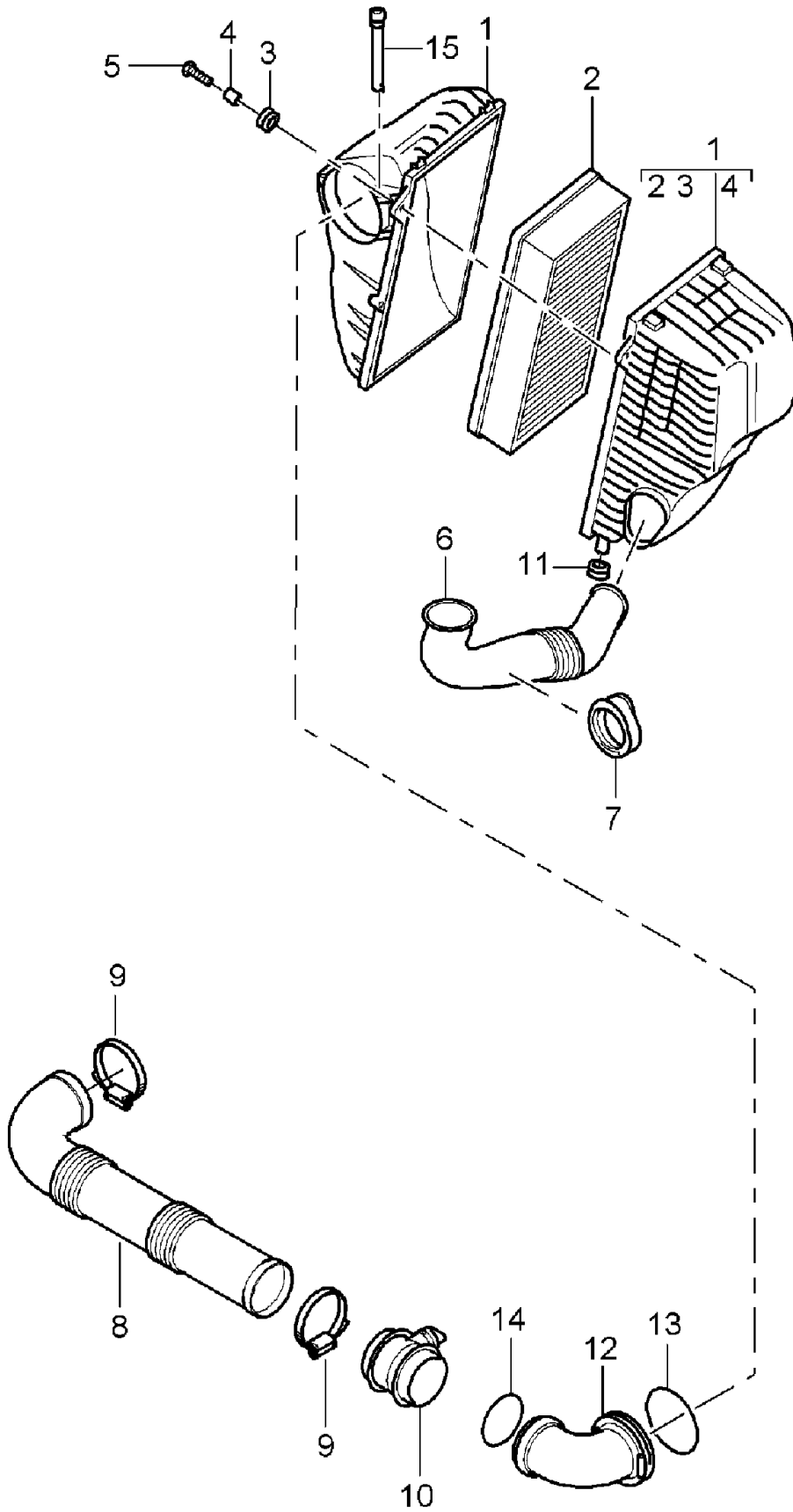
Model: 9PA 03

Model life 2003>>2006

Pos	Part Number	Description	Remark	Qty	Model
		Air cleaner system			IT90
1	955 110 022 55	Air cleaner	/R	1	I1L0
(1)	955 110 022 50	Air cleaner	/R	1	I1L2
2	955 110 021 55	Air cleaner	/L	1	I1L0
(2)	955 110 021 50	Air cleaner	/L	1	I1L2
3	955 110 131 00	Air cleaner cartridge		2	I1L0
(3)	955 110 131 10	Air cleaner cartridge		2	I1L2
4	955 110 669 00	Grommet		2	
5	955 110 734 00	Spacer sleeve		2	
6	N 101 579 02	Hexagon-head bolt M 6 X 25		2	
7	955 110 208 00	Heat shield	/R	1	
8	955 110 207 00	Heat shield	/L	1	
9	N 909 855 01	Oval-head screw KA 50 X 12		8	
10	955 110 269 00	Bolt Locking device		4	
11	955 110 102 00	Intake manifold	/R	1	
12	955 110 101 00	Intake manifold	/L	1	
13	N 909 643 01	Round seal 91 X 6		2	
14	955 110 646 10	Round seal 79 X 6		2	
15	955 606 123 00	Mass air flow meter		2	
16	N 104 197 01	Oval-head screw 6 X 22		4	
(16)	N 104 197 02	Oval-head screw 6 X 22		4	
17	N 024 526 4	Hose clamp A-70-90 X 13 X 0.5		2	
18	955 110 222 00	Suction hose	/R	1	
19	955 110 221 00	Suction hose	/L	1	
20	N 024 523 2	Hose clamp A-50-70 X 13 X 0.5		2	
21	...	See illustrations 1/07/20		1	
22		See illustrations 1/07/20		1	
23	955 110 104 00	Intake manifold	/R	1	
24	955 110 348 00	Support ring	/R	1	
25	955 110 103 10	Intake manifold	/L	1	
26	955 110 347 10	Support ring	/L	1	
27	955 110 669 00	Grommet		4	

Model: 9PA 03

Model life 2003>>2006



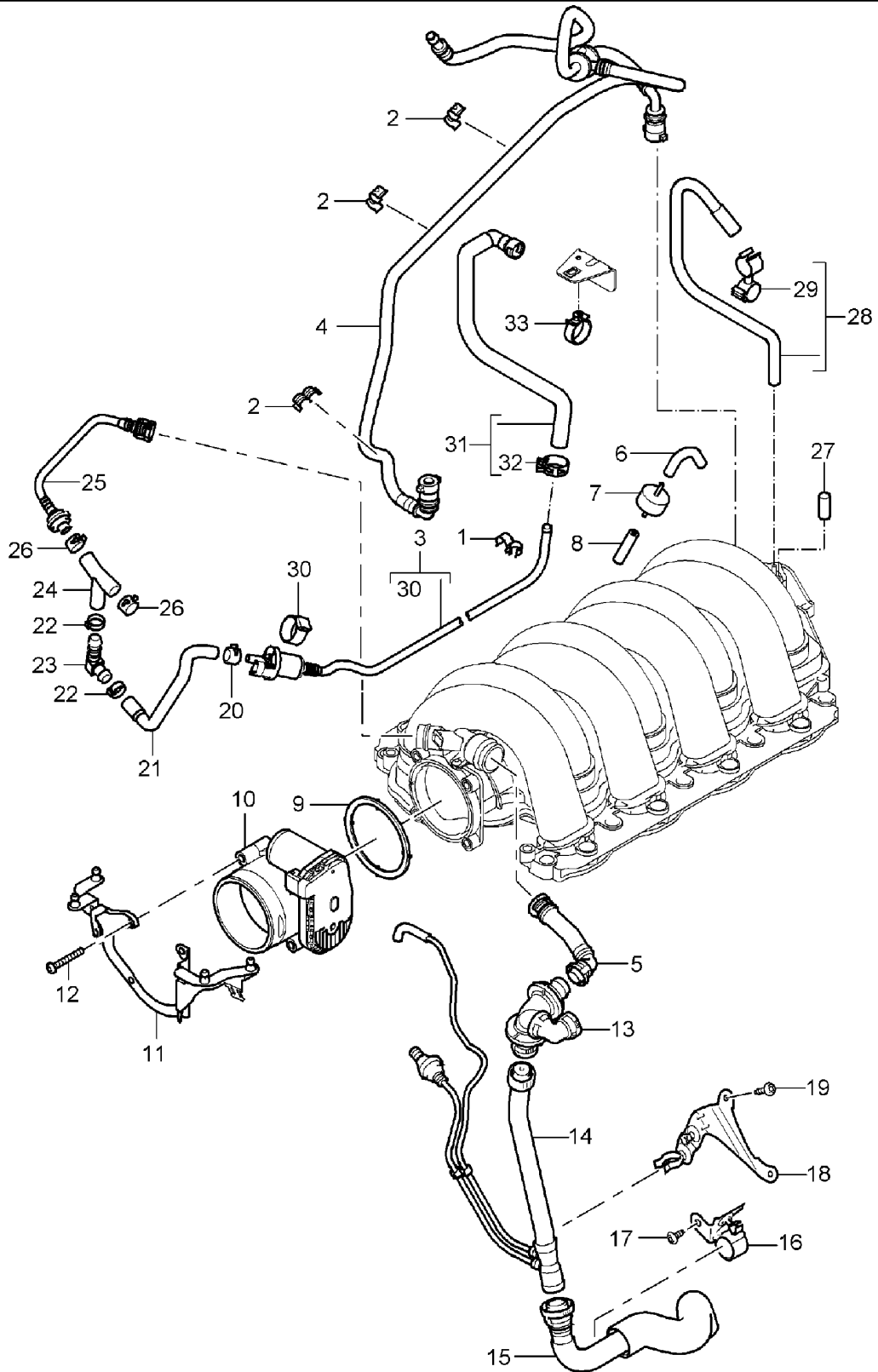
Model: 9PA 03

Model life 2003>>2006

Pos	Part Number	Description	Remark	Qty	Model
		Air cleaner system Simple			ID9J
1	955 110 021 30	Air cleaner		1	I1L0
(1)	955 110 021 20	Air cleaner		1	I1L2
2	955 110 131 00	Air cleaner cartridge		1	I1L0
(2)	955 110 131 10	Air cleaner cartridge		1	I1L2
3	955 110 669 00	Grommet		1	
4	955 110 734 00	Spacer sleeve		1	
5	N 101 579 02	Hexagon-head bolt M 6 X 25		1	
6	955 110 103 10	Intake manifold		1	
7	955 110 347 10	Support ring		1	
8	955 110 684 00	Connecting piece		1	
9	N 024 518 4	Hose clamp A-70-90 X 9 X 0,5		2	
10	955 606 123 35	Mass air flow meter		1	
11	955 110 669 00	Grommet		2	
12	955 110 533 10	Intake manifold		1	
13	N 909 643 01	Round seal 91 X 6		1	
14	N 909 219 01	Round seal 85 X 6		1	
15	955 110 269 00	Bolt Locking device		2	

Model: 9PA 03

Model life 2003>>2006



Model: 9PA 03 Model life 2003>>2006

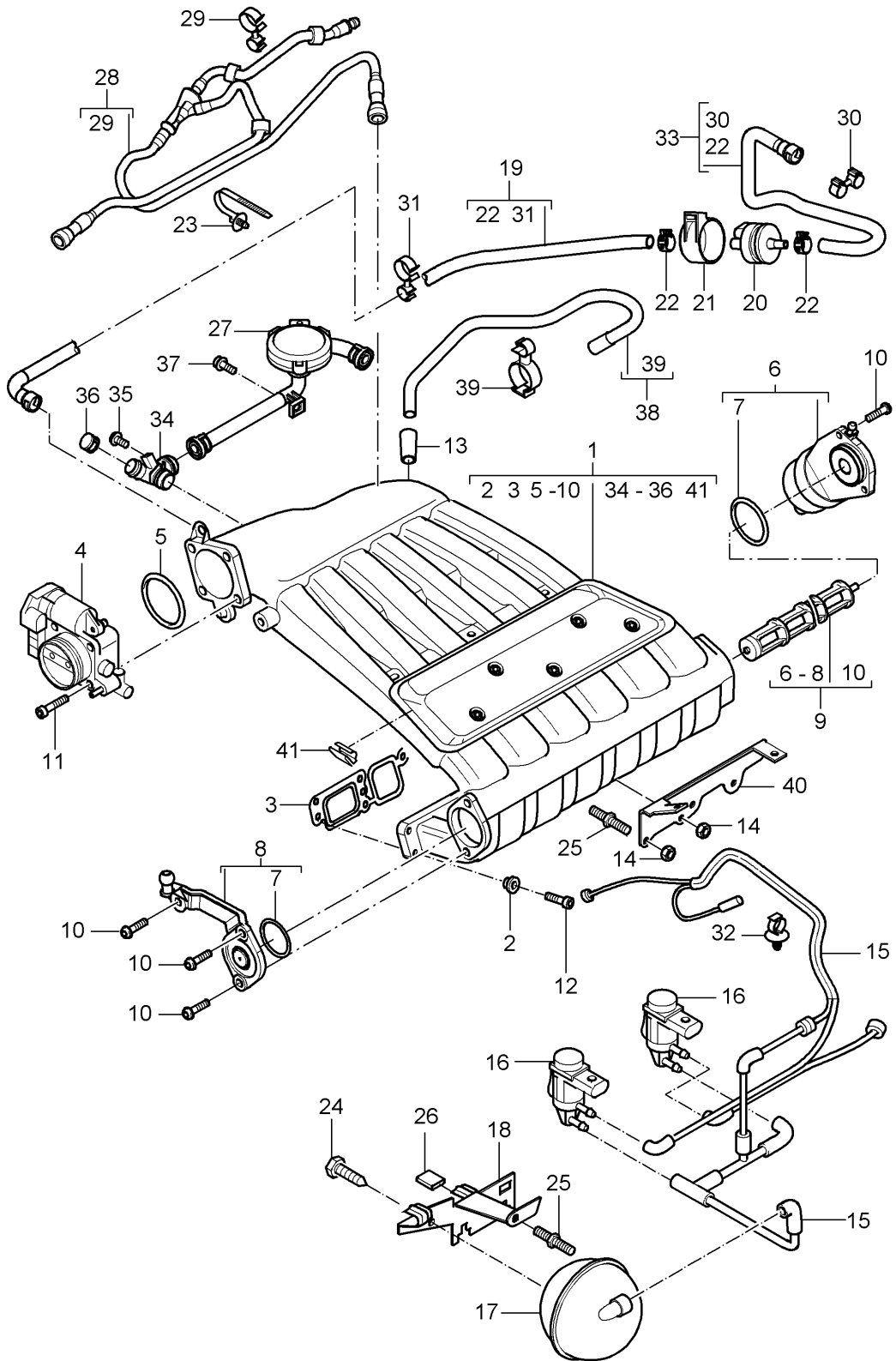
Pos	Part Number	Description	Remark	Qty	Model
1	999 507 807 40	Throttle body Venturi tube Tank ventilation Vent line Crankcase Hose holder 10,5/20,0 Line		1	M48.00/50
(1)	999 507 498 40	Tank ventilation Fuel collection pipe Hose holder 13,0/18,0 Line		1	
(1)	999 507 936 40	Venturi tube Fuel collection pipe Hose holder 10,5/13,0 Line		1	M48.00
2	999 507 805 09	Venturi tube Line Tank ventilation Cable holder 10,0/13,0		1	M48.00
(2)		Cable holder 10,0/13,0		2	M48.50
3	948 110 202 01	Vent line Tank ventilation		1	
4	948 110 070 01	Venturi tube		1	
4	948 110 070 03	Venturi tube		1	
5	948 107 214 51	Vent line Crankcase		1	M48.50
(5)	948 107 217 02	Vent line Crankcase		1	M48.00
6	948 110 717 00	Connecting hose		1	
7	964 110 950 01	Check valve		1	
(7)	964 110 950 02	Check valve		1	
8	948 110 747 00	Connecting hose		1	
9	948 110 143 01	Gasket		1	
10	948 605 115 03	Throttle body		1	
11	948 110 211 01	Support		1	
12	999 073 099 09	Oval-head screw M 6 X 45		4	
13	948 107 219 50	Check valve		1	M48.50
14	948 107 217 53	Vent line Information available		1	M48.50 M48.50
15	948 107 216 51	Vent line Turbocharger Cylinders 5 - 8		1	M48.50
16	948 107 018 50	Support		1	M48.50
17	999 073 246 09	Torx screw M 8 X 33		1	M48.50
18	948 107 017 52	Support		1	M48.50
(18)	948 107 017 53	Support		1	M48.50
-	999 507 455 40	Hose holder 24		1	M48.50
-	999 507 370 40	Hose holder 23,0 - A		1	M48.50
-	999 507 611 40	Hose holder 6,0 - 6,5		1	M48.50
19	999 073 341 0A	Round head screw M 6 X 30		2	M48.50
(19)	999 073 341 01	Round head screw		2	M48.50

Model: 9PA 03 Model life 2003>>2006

Pos	Part Number	Description	Remark	Qty	Model
20	999 512 651 09	M 6 X 30 Hose clamp 15 X 12		1	
21	948 110 247 01	Connecting hose Tank ventilation		1	
22	999 512 489 00	Hose clamp 15,7 - 18,5		1	M48.00
(22)		Hose clamp 15,7 - 18,5		2	M48.50
23	999 137 092 40	Angled pipe		1	M48.50
(23)	999 137 094 40	Angled pipe		1	M48.50
24	948 110 147 51	T-piece Tank ventilation		1	M48.50
25	948 110 148 00	Line Tank ventilation		1	M48.00
(25)	948 110 148 51	Line Tank ventilation		1	M48.50
26	999 512 684 09	Clamp 18 X 12		2	M48.50
27	948 110 727 00	Cap		X	
30	948 110 201 01	Support ring		1	
31	955 201 366 00	Line Carbon canister F >>9P3LA 40502 F >>9P3LA 80162		1	
(31)	955 201 366 01	Line Carbon canister F 9P3LA 40503>> F 9P3LA 80163>>	-04	1	
(31)	955 201 366 02	Line Carbon canister		1	
(31)	955 201 366 03	Line Carbon canister		1	
32	955 201 479 00	Hose clamp 16		1	
33	955 201 501 00	Line bracket		1	

Model: 9PA 03

Model life 2003>>2006





Model: 9PA 03 Model life 2003>>2006

Pos	Part Number	Description	Remark	Qty	Model
		Intake manifold	04-		M02.2Y
		Throttle body			
1	955 110 201 00	Intake distributor		1	
(1)	955 110 009 00	Intake manifold		1	
2	955 110 588 00	Sleeve		9	
(2)	955 110 588 01	Sleeve		9	
3	955 110 327 00	Gasket		1	
4	955 605 062 00	Throttle body		1	
(4)	997 605 115 00	Throttle body		1	
(4)	997 605 115 01	Throttle body		1	
5	955 110 237 10	Gasket		1	
(5)	996 110 319 00	Gasket		1	
(5)	997 110 319 00	Gasket		1	
6	955 110 759 00	Shift mechanism		1	
7	955 110 763 00	Repair kit		2	
7	N 905 315 01	Round seal 36,2 X 2,62		2	
8	955 110 760 00	Lid		1	
9	955 110 935 00	Repair kit		1	
		Shift mechanism			
		Comprising:			
		Shift mechanism		1	
		Shift rod		1	
		Lid		1	
10	N 104 734 01	Oval-head screw M 6 X 20		5	
11	N 903 382 02	Pan-head screw AM 6 X 45		4	
(11)	N 903 382 04	Pan-head screw AM 6 X 45		4	
12	N 908 716 01	Pan-head screw AM 7 X 40		9	
(12)	N 908 716 02	Pan-head screw AM 7 X 40		9	
13	034 133 335 D	Cap		1	
14	N 011 006 32	Hexagon nut M6		2	
15	955 110 778 00	Vacuum hose Complete		1	
(15)	955 110 778 01	Vacuum line		1	
(15)	955 110 778 02	Vacuum line		1	
16	955 605 283 00	Change-over valve		2	
(16)	955 605 283 01	Change-over valve		2	
17	955 110 808 00	Vacuum tank		1	
18	955 110 259 00	Support		1	
19	955 110 366 00	Connecting hose		1	
(19)	955 110 366 01	Connecting hose		1	
(19)	955 110 366 02	Connecting hose		1	
20	955 605 517 00	Valve		1	
(20)	955 605 517 01	Valve		1	
21	955 110 459 00	Support ring		1	
22	N 906 867 01	Hose clamp B 14 X 12		2	
23	955 110 701 00	Tie-wrap		1	
24	N 013 884 10	Hexagon-head bolt ST 4,8 X 13		1	

Model: 9PA 03

Model life 2003&gt;&gt;2006

Pos	Part Number	Description	Remark	Qty	Model
(24)	N 013 884 13	Hexagon-head tapping screw ST 4,8 X 13		1	
25	N 908 575 02	Double socket M 6 X 14 / M 6 X 8		2	
26	955 110 913 00	Grommet		2	
27	955 110 765 00	Valve Crankcase Bleeding		1	
28	955 110 750 00	Venturi tube		1	
29	N 106 113 01	Hose holder		1	
30	N 105 282 01	Hose holder		1	
31	N 106 072 01	Hose holder		1	
32	N 906 815 01	Hose holder		2	
33	955 110 366 10	Connecting hose		1	
(33)	955 110 366 11	Connecting hose		1	
(33)	955 110 366 12	Connecting hose		1	
34	948 605 137 03	T-socket Heated		1	
35	N 104 734 01	Oval-head screw PT 6 X 20		1	
36	999 230 770 40	Dummy plug		1	
37	N 904 121 02	Combination screw M 6 X 25		1	
(37)	N 904 121 03	Combination screw M 6 X 25		1	
40	955 110 502 00	Support		1	
41	955 607 520 00	Cable terminal		1	



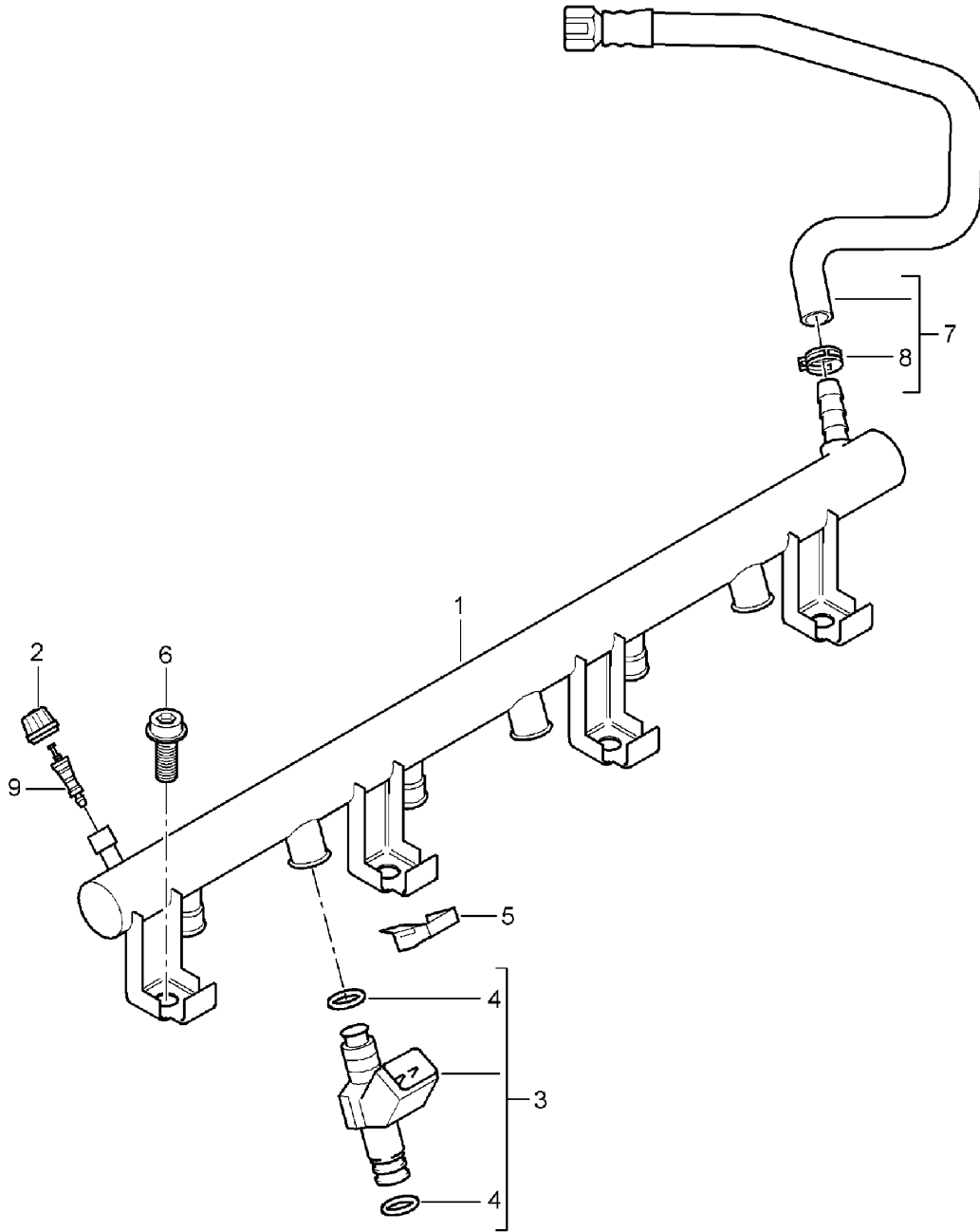
Model: 9PA 03

Model life 2003>>2006

Pos	Part Number	Description	Remark	Qty	Model
		Fuel collection pipe			M48.00/50
1	948 110 113 01	Fuel collection pipe		1	
(1)	948 110 113 02	Fuel collection pipe		1	
(1)	948 110 113 03	Fuel collection pipe		1	
2	999 073 236 0A	Oval-head screw M 6 X 10		4	
3	948 110 217 00	Valve insert		2	
4	948 110 218 00	Cap		2	
5	948 605 130 00	Injector valve		8	M48.00
(5)	948 605 130 01	Injector valve		8	M48.00
(5)	948 605 130 02	Injector valve		8	M48.00
(5)	948 605 131 01	Injector valve		8	M48.50
(5)	948 605 131 02	Injector valve		8	M48.50
6	999 707 574 40	O-ring 7,52 X 3,51		16	
7	948 110 413 00	Retaining clip		8	
8	955 110 295 10	Fuel line		1	
(8)	955 110 295 11	Fuel line		1	
9	N 104 226 01	Hose holder A 03-14 X C 01-16		1	
10	N 906 867 01	Hose clamp B 14 X 12		1	
11	955 110 401 01	Cover plate		1	

Model: 9PA 03

Model life 2003>>2006



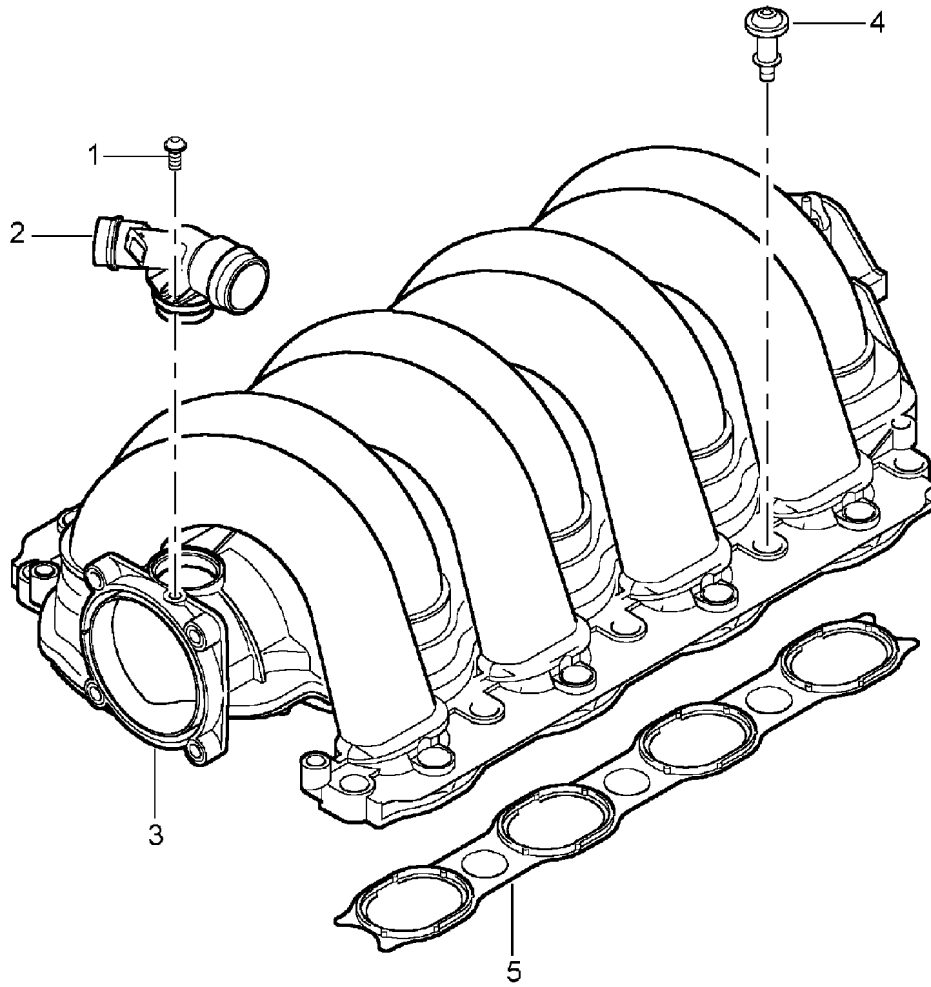
Model: 9PA 03

Model life 2003>>2006

Pos	Part Number	Description	Remark	Qty	Model
		Fuel collection pipe	04-		M02.2Y
1	955 110 317 00	Fuel collection pipe		1	
2	955 110 335 00	Cap Silver		6	
3	955 605 031 00	Injector valve		6	
(3)	955 605 031 10	Injector valve	CHINA	6	
4	944 110 901 01	O-ring 7,52 X 3,53		6	
(4)	955 110 902 00	Round seal 9,3 X 2,62		6	
5	955 110 047 00	Safety clip		6	
6	N 100 841 02	Pan-head screw M 6 X 16		4	
(6)	N 100 841 06	Pan-head screw M 6 X 16		4	
7	955 201 295 00	Fuel line		1	
(7)	955 110 295 01	Fuel line		1	
8	N 906 867 01	Hose clamp B 14 X 12		1	
9	955 110 434 00	Valve		1	

Model: 9PA 03

Model life 2003>>2006



Model: 9PA 03

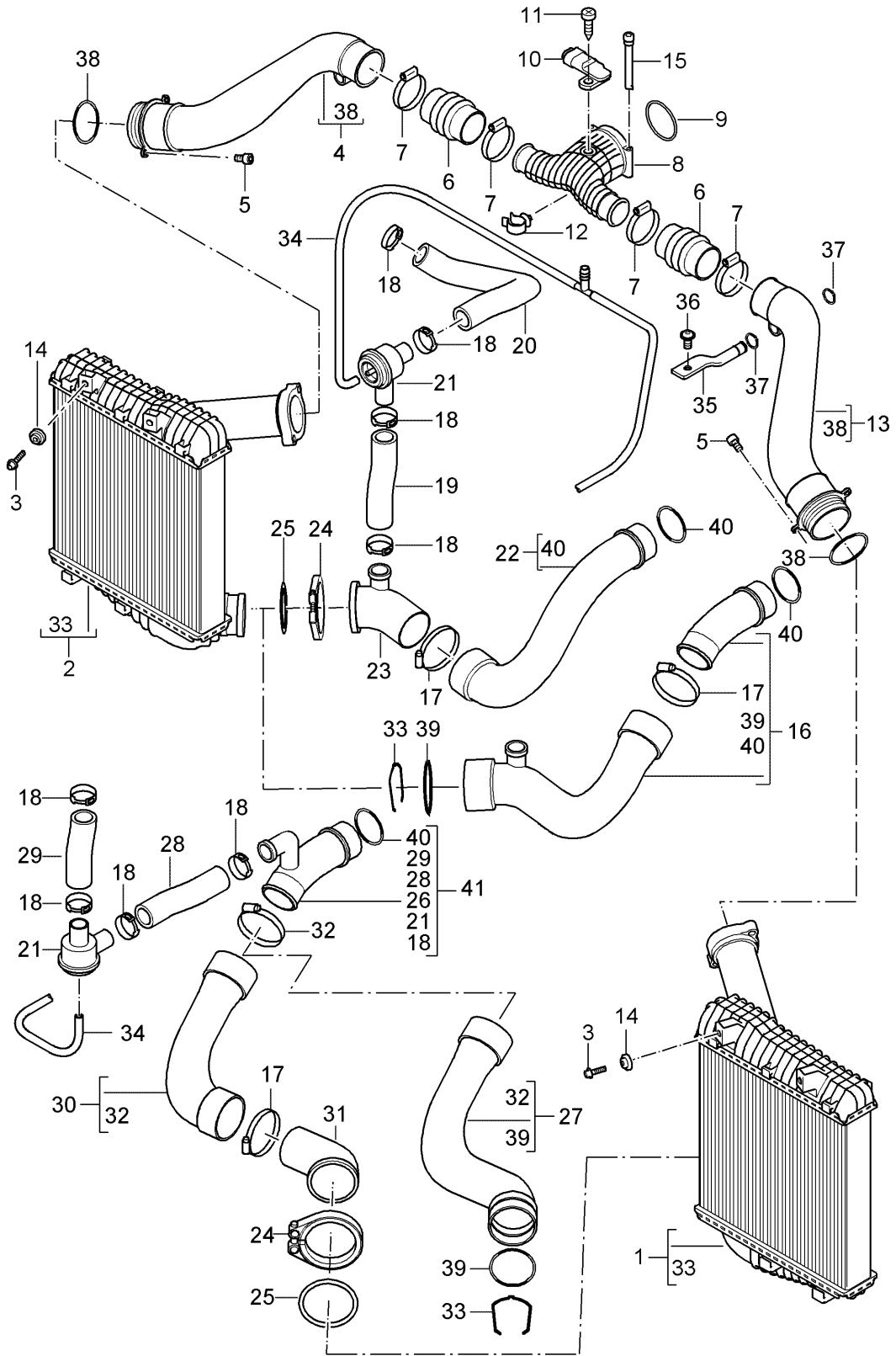
Model life 2003&gt;&gt;2006

Pos	Part Number	Description	Remark	Qty	Model
1	999 919 164 09	Intake distributor Oval-head screw M 5 X 12		1	M48.00/50
2	948 605 137 03	T-socket		1	
3	948 110 011 02	Intake distributor		1	
4	948 110 141 00	Fastening part		10	
5	948 110 145 01	Intake distributor Gasket Intake distributor		2	



Model: 9PA 03

Model life 2003>>2006



Model: 9PA 03 Model life 2003>>2006

Pos	Part Number	Description	Remark	Qty	Model
		Supercharging 1			ID9L
1	955 110 803 00	Charge air cooler	/L	1	IE0A
(1)	955 110 803 01	Charge air cooler	/L	1	IE0A
(1)	955 110 803 41	Charge air cooler	/L 05-	1	IE81
(1)		Charge air cooler	/L 06-	1	IE8A
2	955 110 804 00	Charge air cooler	/R	1	IE0A
(2)	955 110 804 01	Charge air cooler	/R	1	IE0A
(2)	955 110 804 02	Charge air cooler	/R	1	IE0A
(2)	955 110 804 41	Charge air cooler	/R 05-	1	IE81
(2)		Charge air cooler	/R 06-	1	IE8A
3	N 910 538 01	Hexagon-head bolt M 6 X 20		6	
4	955 110 624 00	Pressure pipe	/R	1	
(4)	955 110 624 01	Pressure pipe	/R	1	
5	N 103 231 01	Pan-head screw M 6 X 20		4	
(5)	N 103 231 03	Pan-head screw M 6 X 20		4	
6	955 110 107 00	Bellows		2	
7	N 105 188 01	Hose clamp 40-60 X 12		4	
8	955 110 046 50	Pressure pipe		1	
9	N 910 171 01	Round seal 87.0 X 4.0		1	
10	955 606 180 00	Sensor		1	
(10)	996 606 180 00	Boost pressure Sensor		1	
11	N 909 899 01	Boost pressure Oval-head screw KA 6.0 X 18.0		1	
12	955 110 636 00	Support		1	
13	955 110 623 00	Pressure pipe	/L	1	
(13)	955 110 623 01	Pressure pipe	/L	1	
14	955 110 268 00	Spacer sleeve		6	
(14)	955 110 268 01	Spacer sleeve		6	
15	955 110 670 00	Bolt		2	
16	955 110 645 00	Locking device Pressure hose	/R	1	IE0A
(16)	955 110 834 00	Pressure pipe	/R	1	IE0A
17	N 024 505 6	Hose clamp A 50-70 X 9,0		2	
18	955 110 917 00	Hose clamp B 34 X 12		8	
19	955 110 742 00	Hose		1	
20	955 110 742 10	Hose		1	
21	955 110 710 00	Shut-off valve		2	
(21)	955 110 710 01	Shut-off valve		2	
22	955 110 838 00	Pressure hose	/R 05-	1	IE81
(22)		Pressure hose	/R 06-	1	IE8A
23	955 110 368 00	Pressure pipe	/R 05-	1	IE81
(23)		Pressure pipe	/R 06-	1	IE8A
24	955 110 807 00	Hose clamp with Screw	05-	2	IE81

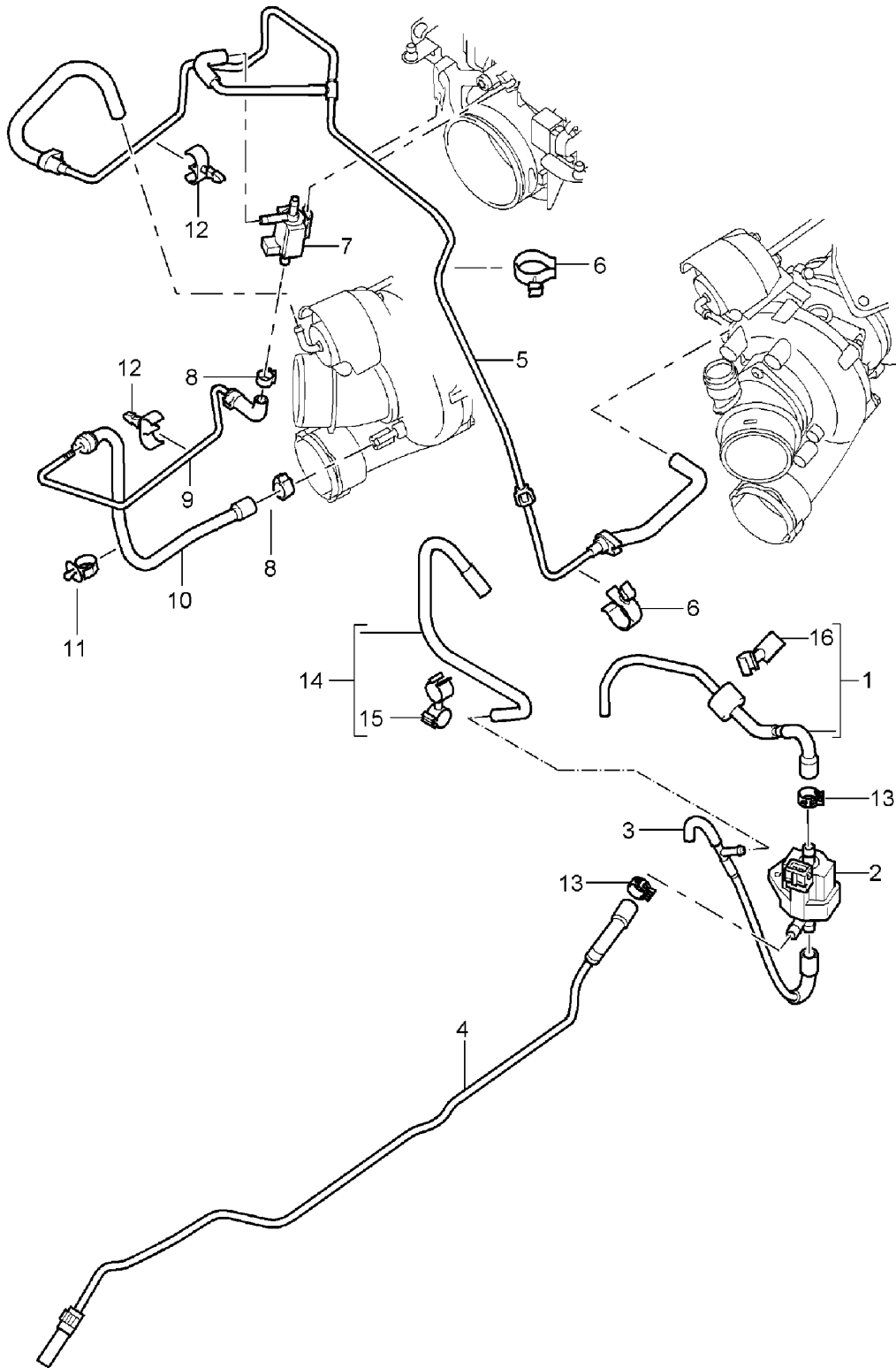
Model: 9PA 03

Model life 2003&gt;&gt;2006

Pos	Part Number	Description	Remark	Qty	Model
(24)		Hose clamp with Screw	06-	2	IE8A
25	N 106 203 01	O-ring 56 X 3,55	05-	2	IE81
(25)		O-ring 56 X 3,55	06-	2	IE8A
26	955 110 727 00	Pressure pipe	/L	1	
27	955 110 644 00	Pressure hose	/L	1	IE0A
28	955 110 743 00	Hose		1	
29	955 110 743 10	Hose		1	
30	955 110 837 00	Pressure hose	/L 05-	1	IE81
(30)		Pressure hose	/L 06-	1	IE8A
31	955 110 367 00	Pressure pipe	/L 05-	1	IE81
(31)		Pressure pipe	/L 06-	1	IE8A
32	955 110 142 00	Hose clamp 50 - 70 X 9		1	
33	955 106 802 00	Retainer spring Not for Charge air cooler 955.110.804.02		2	IE0A
(33)	955 110 513 10	Retainer spring Only for Charge air cooler 955.110.804.02		1	IE0A
34	955 110 693 00	Air hose		1	
35	955 110 383 00	Support for Pressure pipe		2	
36	N 906 462 01	Oval-head screw M 6 X 12		2	
37	900 041 004 01	Circlip 10 X 1		4	
38	WHT 001 018	O-ring 57 X 4		2	
39	955 110 721 00	Round seal 58,05 X 3,55		2	IE0A
40	955 110 720 00	Round seal 43,95 X 3,5		3	
41	955 110 673 50	Pressure pipe Complete		1	

Model: 9PA 03

Model life 2003>>2006



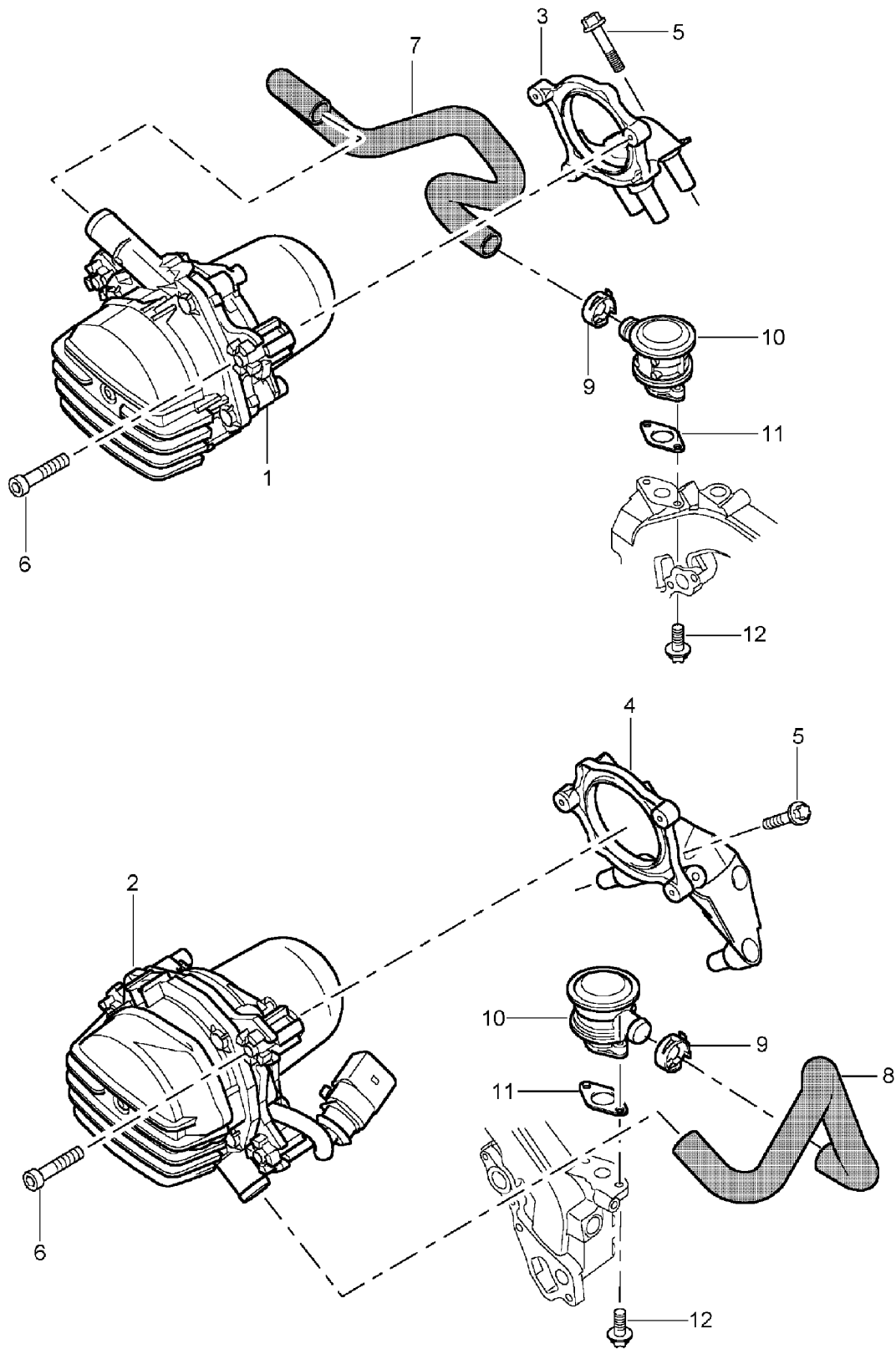
Model: 9PA 03

Model life 2003>>2006

Pos	Part Number	Description	Remark	Qty	Model
		Supercharging 2 Control line Pressure line Pressure line Information available		1	M48.50
1	948 110 314 53			1	
2	948 605 125 00	Change-over valve		1	
(2)	948 605 125 01	Change-over valve		1	
(2)	996 605 165 00	Change-over valve		1	
-	948 605 167 01	Rubber holder for Change-over valve		1	
3	948 110 348 51	Vacuum line		1	
(3)	948 110 348 52	Vacuum line		1	
4	948 110 384 52	Control line		1	
5	948 110 656 54	Control line		1	
6	999 507 800 40	Hose holder 6,5 / 24,5		2	
7	996 605 155 00	Cycle valve		1	
8	999 512 688 00	Hose clamp 10,5 - 11,5		2	
9	948 110 230 51	Pressure line		1	
10	900 926 016 40	Hose 5 X 270		1	
11	999 507 813 40	Cable holder 11,5 - 12,7		1	
12	999 507 799 40	Cable holder 6,0		2	
13	999 512 689 00	Hose clamp 12,5 - 14,0		2	
16	999 507 806 40	Hose holder A 01-10,5 X C 01-9,0		1	

Model: 9PA 03

Model life 2003>>2006



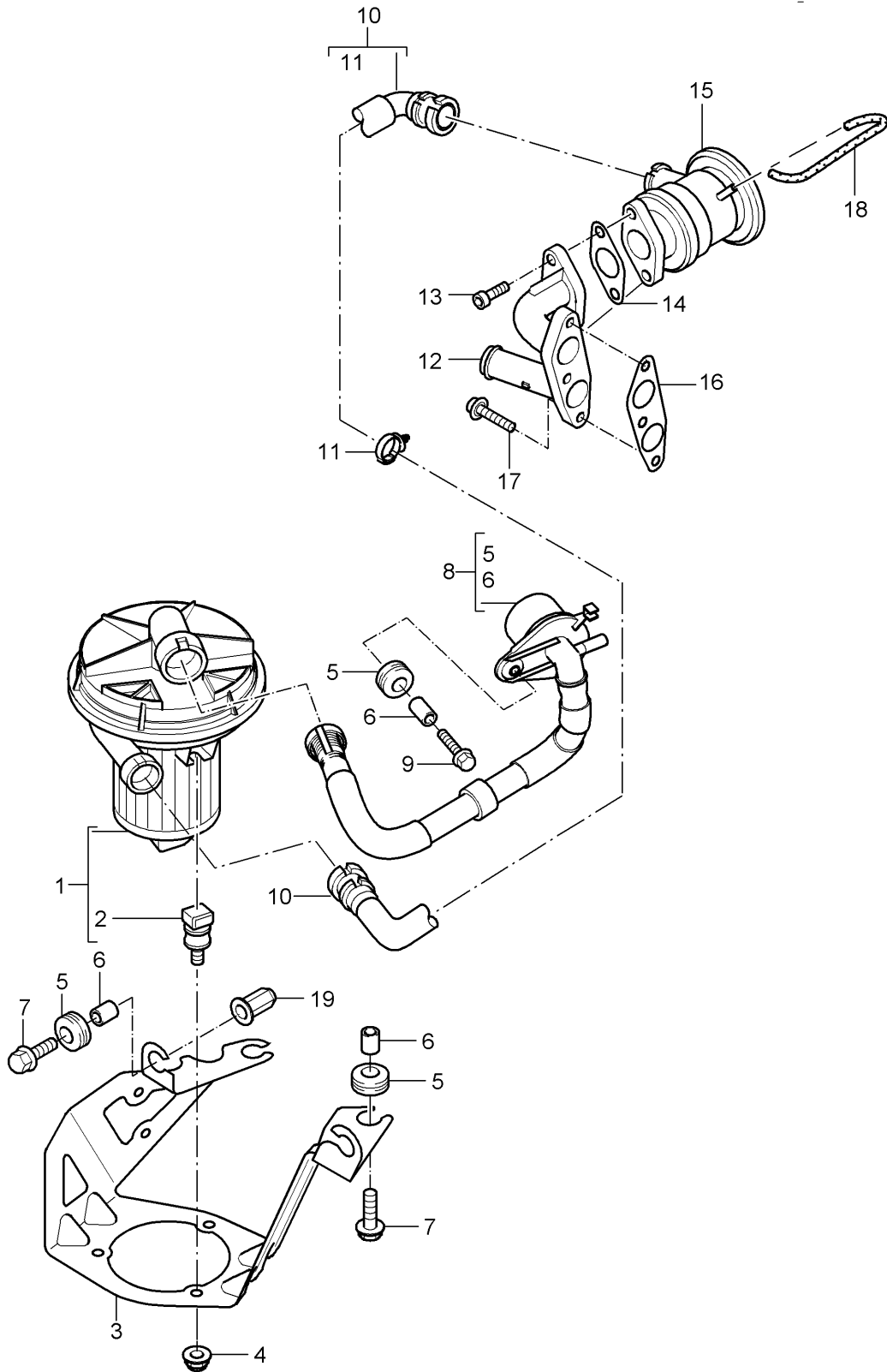
Model: 9PA 03

Model life 2003>>2006

Pos	Part Number	Description	Remark	Qty	Model
		Air injection Secondary pump			M48.00/50
1	955 605 104 20	Air pump Cylinders 1 - 4		1	
(1)	955 605 104 21	Secondary pump Cylinders 1 - 4		1	
2	955 605 105 10	Air pump Cylinders 5 - 8		1	
(2)	955 605 105 11	Secondary pump Cylinders 5 - 8		1	
3	955 113 106 00	Bracket Cylinders 1 - 4		1	
4	955 113 107 00	Bracket Cylinders 5 - 8		1	
5	900 385 010 09	Torx screw BM 6 X 50		6	
6	955 113 325 00	Oval-head screw M 6 X 50		6	
7	955 113 238 10	Hose		1	
8	955 113 239 10	Hose		1	
9	N 906 870 01	Hose clamp		2	
10	948 113 203 01	Valve		2	M48.00
(10)	948 113 203 51	Valve		2	M48.50
11	993 113 258 51	Gasket		2	
12	900 385 019 09	Torx screw BM 6 X 20		4	

Model: 9PA 03

Model life 2003>>2006



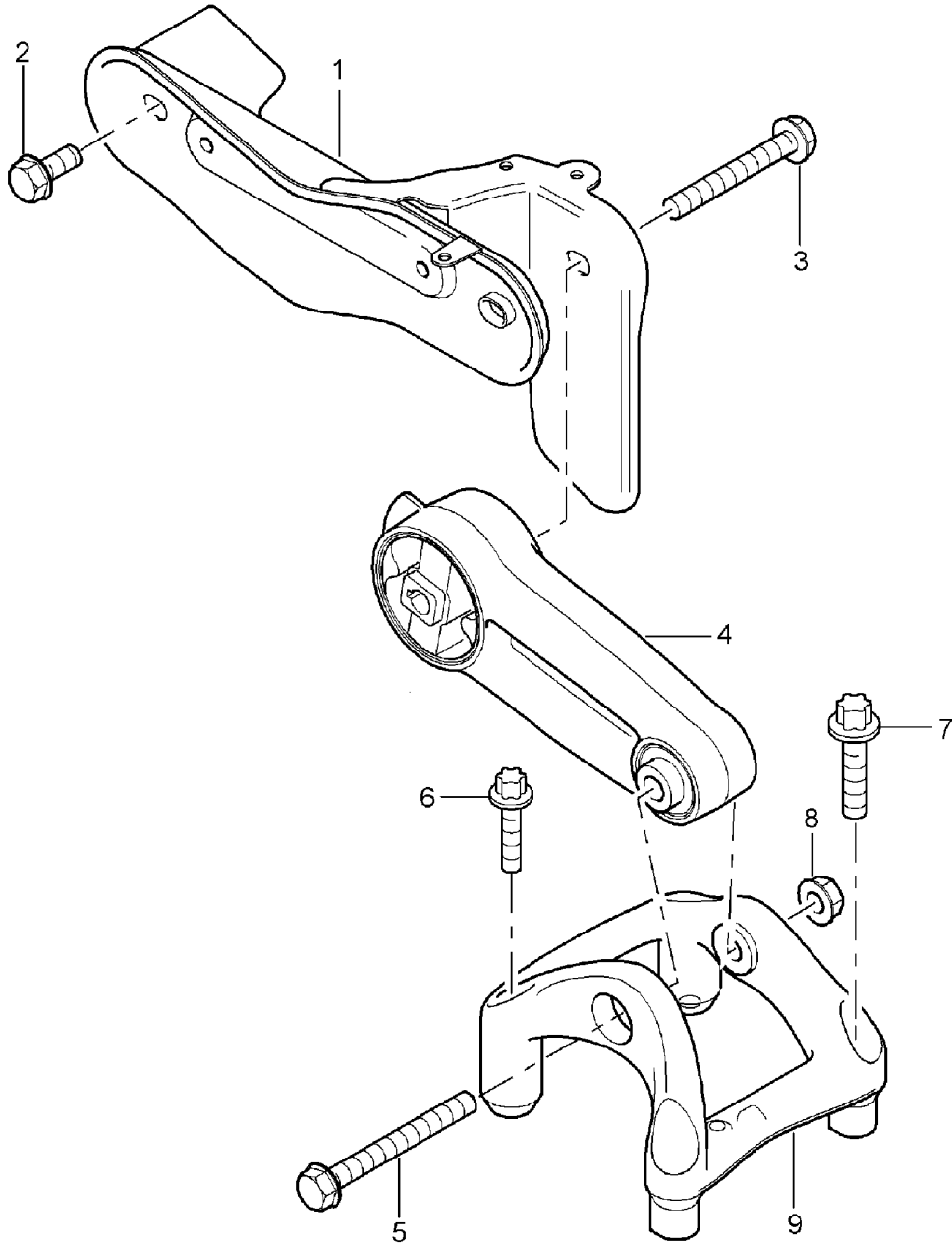


Model: 9PA 03 Model life 2003>>2006

Pos	Part Number	Description	Remark	Qty	Model
		Air injection	04-		M02.2Y
		Secondary pump			
1	955 605 601 00	Secondary pump		1	
2	955 113 567 00	Rubber stop		3	
3	955 113 287 00	Support		1	
		Secondary pump			
4	N 015 082 13	Hexagon nut		3	
		M 6			
5	955 110 669 00	Grommet		5	
6	955 110 734 00	Spacer sleeve		5	
7	N 105 284 01	Hexagon-head bolt	-05	4	
		M 6 X 30			
(7)	N 105 284 02	Hexagon-head bolt	06-	4	
		M 6 X 30			
8	955 113 343 00	Air cleaner		1	I1BK
		with			
		Suction hose			
(8)	955 113 343 10	Air cleaner		1	I1BA
		with			
		Suction hose			
9	N 101 579 02	Hexagon-head bolt		1	
		M 6 X 25			
10	955 113 626 00	Connecting hose		1	
11	N 908 602 01	Hose holder		1	
		B 21			
12	955 113 119 00	Adapter		1	
13	N 014 702 10	Pan-head screw	-05	2	
		M 6 X 15			
(13)	N 101 244 08	Torx screw	06-	2	
		M 6 X 20			
14	955 113 120 00	Gasket	-05	1	
(14)	955 113 120 01	Gasket	06-	1	
15	955 113 101 00	Shut-off valve		1	
(15)	955 113 101 20	Shut-off valve	-05	1	
(15)	955 113 101 21	Shut-off valve	06-	1	
16	955 113 120 10	Gasket		1	
17	N 905 006 01	Pan-head screw	-05	3	
		M 6 X 22			
(17)	N 910 717 01	Round head screw	06-	3	
		M 6 X 25			
18	...	Vacuum hose		1	
		See illustrations			
		1/07/02			
19	N 902 631 04	Blind rivet nut		2	
		M 6			

Model: 9PA 03

Model life 2003>>2006

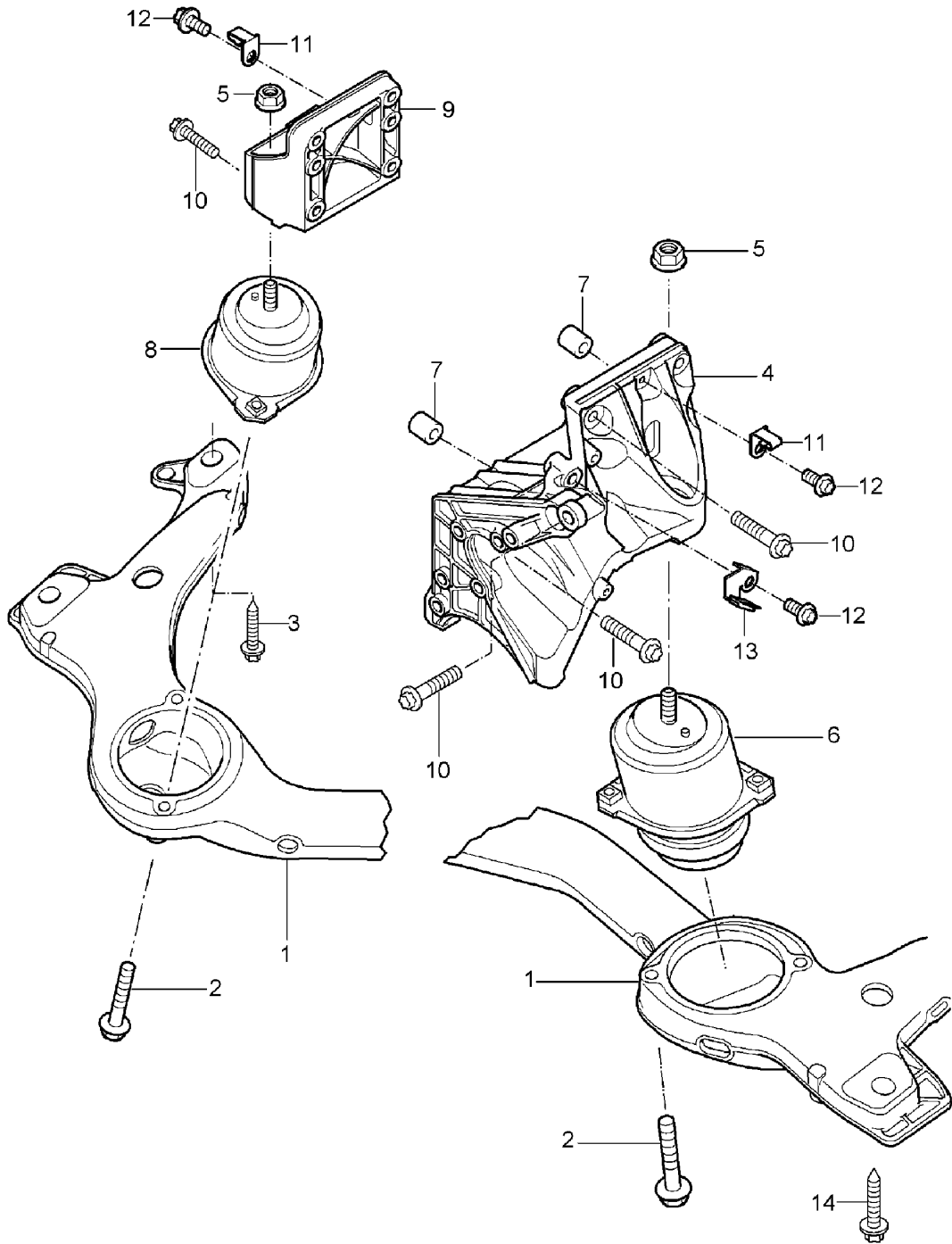


Model: 9PA 03 Model life 2003>>2006

Pos	Part Number	Description	Remark	Qty	Model
		Engine suspension Upper			M48.00/50
1	955 375 112 10	Bracket		1	
2	N 908 932 01	Hexagon-head bolt M 10 X 20		1	
3	N 102 902 04	Hexagon-head bolt AM 10 X 70		1	
(3)	N 102 902 06	Hexagon-head bolt AM 10 X 70		1	
4	955 375 101 10	Bracket		1	
(4)	955 375 101 11	Bracket		1	
(4)	955 375 101 12	Bracket		1	
(4)	955 375 101 13	Bracket		1	
5	N 102 961 03	Hexagon-head bolt AM 10 X 90		1	
(5)	N 102 961 05	Hexagon-head bolt AM 10 X 90		1	
6	900 385 045 09	Torx screw BM 6 X 40		2	
7	900 385 018 09	Torx screw BM 8 X 45		2	
8	N 102 861 02	Hexagon nut M 10		1	
(8)	N 102 861 10	Hexagon nut M 10		1	
9	948 115 203 52	Bracket		1	
(9)	948 115 203 53	Bracket		1	

Model: 9PA 03

Model life 2003>>2006



Model: 9PA 03

Model life 2003>>2006

Pos	Part Number	Description	Remark	Qty	Model
		Engine suspension Lower			M48.00/50
1	948 375 309 01	Engine carrier		1	
(1)	948 375 309 02	Engine carrier		1	
(1)	948 375 309 03	Engine carrier		1	
(1)	948 375 309 04	Engine carrier		1	
(1)	958 375 309 30	Engine carrier		1	
2	900 378 004 09	Hexagon-head bolt BM 10 X 65		4	
(2)	900 378 004 01	Hexagon-head bolt BM 10 X 65		4	
3	N 910 144 01	Combination screw AM 14 X 1,5 X 100		2	
(3)	N 910 144 02	Combination screw AM 14 X 1,5 X 100		2	
4	948 102 213 05	Bracket		1	
5	999 084 445 09	Lock nut M 12 X 1,5		2	
6	948 375 049 01	Engine mounting	/L	1	
7	999 095 066 00	Dowel sleeve		2	
8	948 375 050 01	Engine mounting	/R	1	
9	948 115 201 03	Bracket		1	
10	900 385 011 09	Torx screw BM 10 X 45		16	
11	948 606 113 01	Support Line Oxygen sensor		2	M48.00
-	999 651 392 07	Cable holder 9,5 - 10,5		2	M48.00
12	900 385 041 09	Torx screw BM 6 X 12		3	M48.00
(12)		Torx screw BM 6 X 12		1	M48.50
13	948 606 112 01	Support Line Oxygen sensor		1	
-	999 507 808 09	Cable holder 6,0		1	
14		Hexagon-head bolt See illustrations 4/01/00 Pos.2		2	



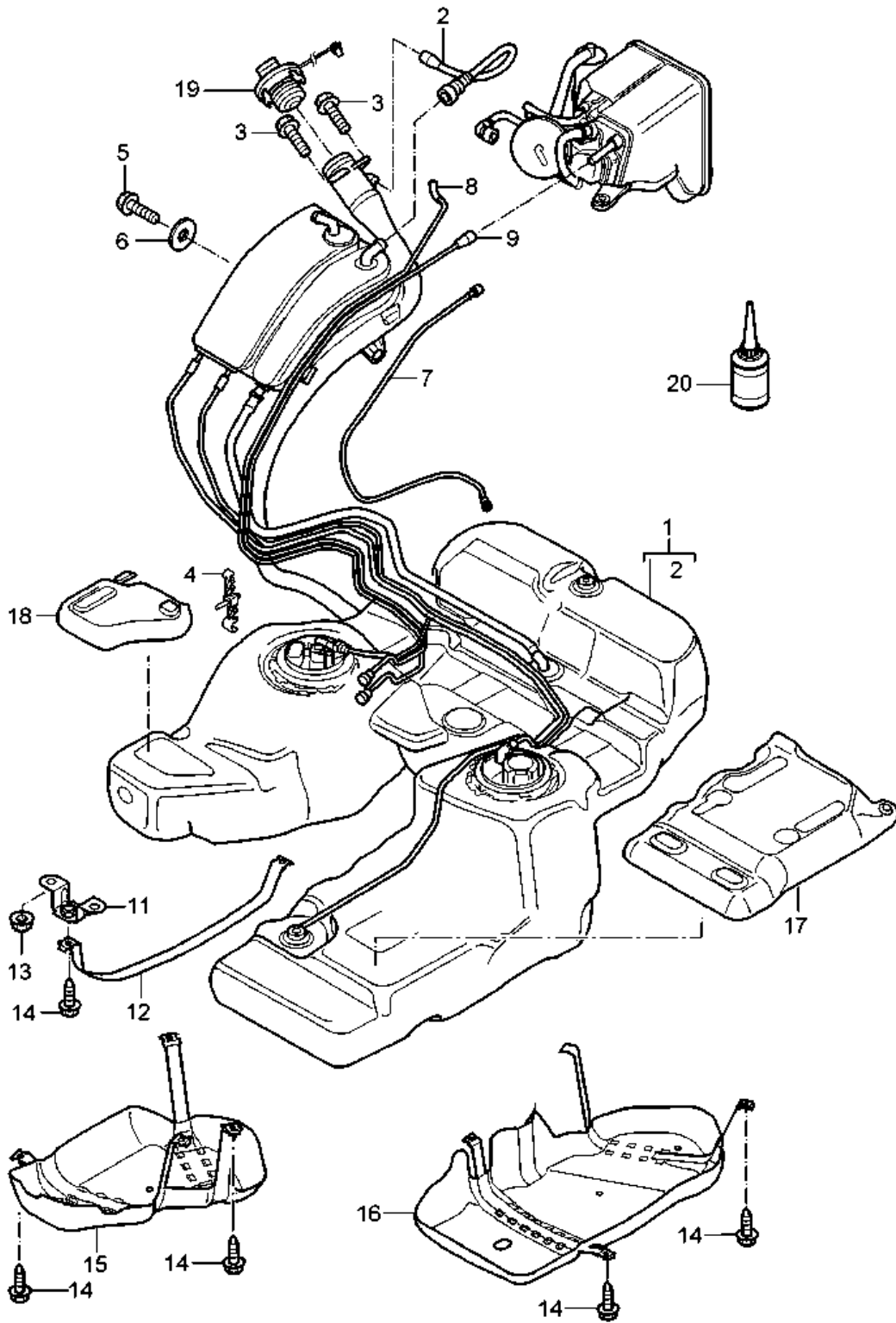
Model: 9PA 03

Model life 2003>>2006

Pos	Part Number	Description	Remark	Qty	Model
		Engine suspension Lower	04-		M02.2Y
1	955 375 309 01	Engine carrier		1	
2	955 375 049 00	Hydraulic mount		2	
3	N 105 167 01	Hexagon-head bolt AM 10 X 55		4	
(3)	N 105 167 02	Hexagon-head bolt AM 10 X 55		4	
4	955 115 201 00	Engine bracket		1	
5	955 607 208 00	Support		1	
6	N 909 784 01	Hexagon-head bolt M 10 X 35		4	
(6)	N 909 784 04	Hexagon-head bolt M 10 X 35		4	
7		See illustrations 1/04/11		1	
8	N 104 029 01	Hexagon nut M 12 X 1,5		2	
(8)	N 104 029 04	Hexagon nut M 12 X 1,5		2	
9	N 910 144 01	Combination screw AM 14 X 1,5 X 100		2	
(9)	N 910 144 02	Combination screw AM 14 X 1,5 X 100		2	
10		See illustrations 4/01/00 POS.2		2	

Model: 9PA 03

Model life 2003>>2006





Model: 9PA 03

Model life 2003>>2006

Pos	Part Number	Description	Remark	Qty	Model
		Fuel tank with Accessories			
1	955 201 075 00	Fuel tank		1	I2G1
(1)	955 201 075 01	Fuel tank		1	I2G1
(1)	955 201 075 02	Fuel tank		1	I2G1
(1)	955 201 075 03	Fuel tank		1	I2G1
(1)	955 201 075 04	Fuel tank		1	I2G1
(1)	955 201 075 20	Fuel tank		1	I2G3
(1)		Fuel tank	(BR)	1	I2G6
(1)	955 201 075 22	Fuel tank		1	I2G3
(1)		Fuel tank	(BR)	1	I2G6
(1)	955 201 075 25	Fuel tank		1	I2G3
(1)		Fuel tank	(BR)	1	I2G6
(1)	955 201 075 26	Fuel tank		1	I2G3
(1)		Fuel tank	(BR)	1	I2G6
(1)	955 201 075 27	Fuel tank		1	I2G3
(1)		Fuel tank	(BR)	1	I2G6
2	955 201 266 00	Breather pipe		1	I2G1/2G3
(2)		Breather pipe	(BR)	1	I2G6
3	N 100 092 02	Combination screw M 6 X 20		3	
4	955 201 897 00	Fixing clip		1	
5	N 101 711 02	Hexagon-head bolt M 6 X 16	-05	1	
(5)	N 910 345 01	Combination screw M 6 x 20	06-	1	
6	N 902 259 01	Washer 6,2 X 24 X 2	-05	1	
7	955 201 255 04	Breather pipe		1	
9	955 201 851 00	Purge-air line		1	
11	955 201 751 00	Support		2	
12	955 201 107 00	Restraining strap Centre		1	
13	N 908 243 01	Nut M 8		4	
14	N 019 530 8	Hexagon-head bolt M 8 X 25		10	
15	955 201 331 00	Cover with Restraining strap		1	I6EP/6EQ
(15)	955 201 331 10	Cover with Restraining strap	04-	1	I6EB/6ES/6ET
16	955 201 332 00	Cover with Restraining strap		1	I6EP/6EQ
16	955 201 332 01	Cover with Restraining strap		1	I6EP/6EQ
(16)	955 201 332 10	Cover with Restraining strap	04-	1	I6EB/6ES/6ET
17	955 201 333 00	Cover Upper left		1	
18	955 201 334 00	Cover Upper right		1	
19	955 201 241 00	Lid with		1	

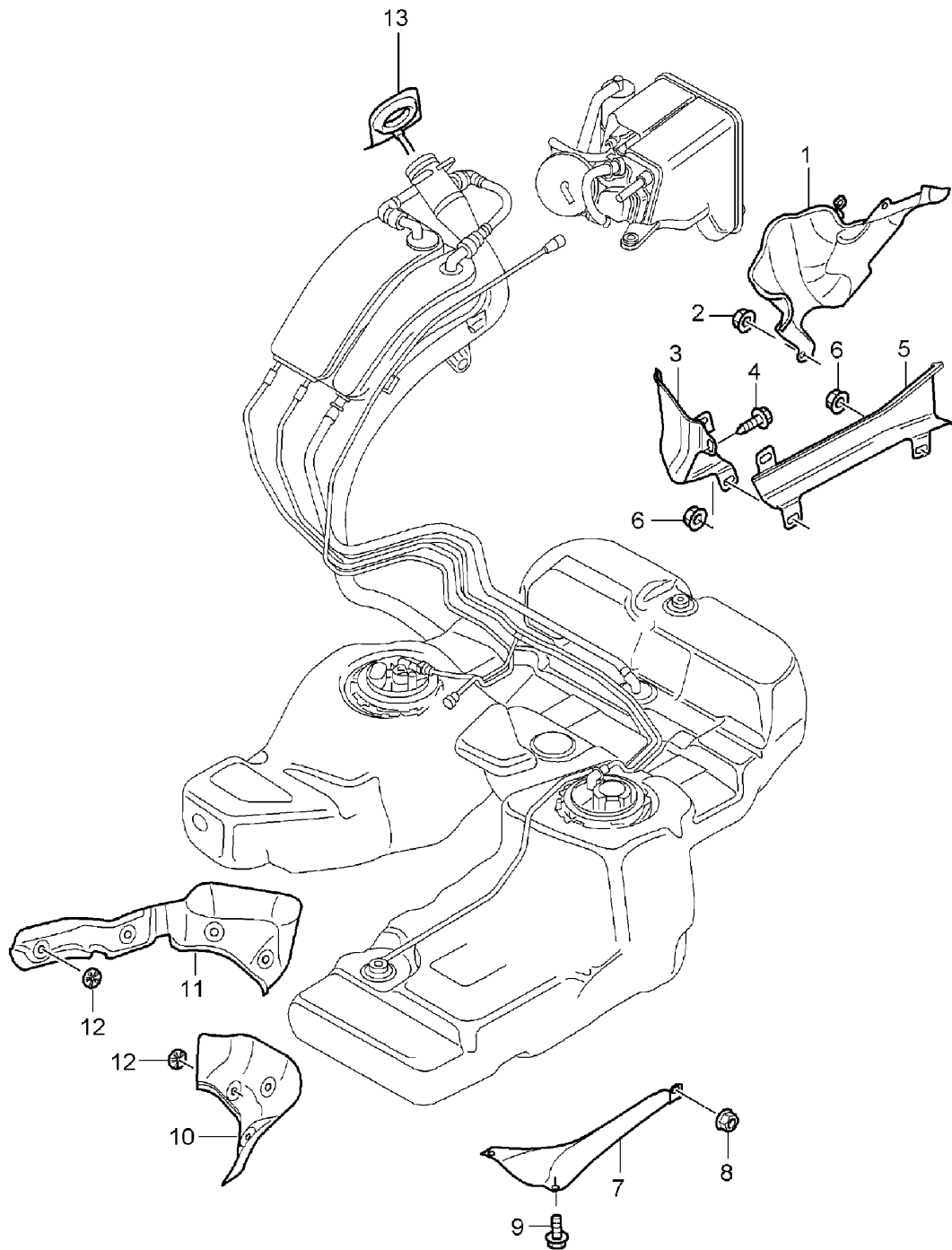
Model: 9PA 03

Model life 2003>>2006

Pos	Part Number	Description	Remark	Qty	Model
(19)	955 201 241 10	Retaining strap Lid with		1	I2G1/2G3
(19)		Retaining strap Lid with	(BR)	1	I2G6
(19)	955 201 241 11	Retaining strap Lid with		1	I2G1/2G3
(19)	955 201 241 12	Retaining strap Lid with		1	I2G1/2G3
(19)	955 201 241 13	Retaining strap Lid with		1	I2G1/2G3
(19)	955 201 241 11	Retaining strap Lid with	(BR)	1	I2G6
(19)	955 201 241 12	Retaining strap Lid with	(BR)	1	I2G6
(19)	955 201 241 13	Retaining strap Lid with	(BR)	1	I2G6
20	000 043 206 89	Retaining strap Additive Fuel 100 ML Container	CHINA	X	

Model: 9PA 03

Model life 2003>>2006



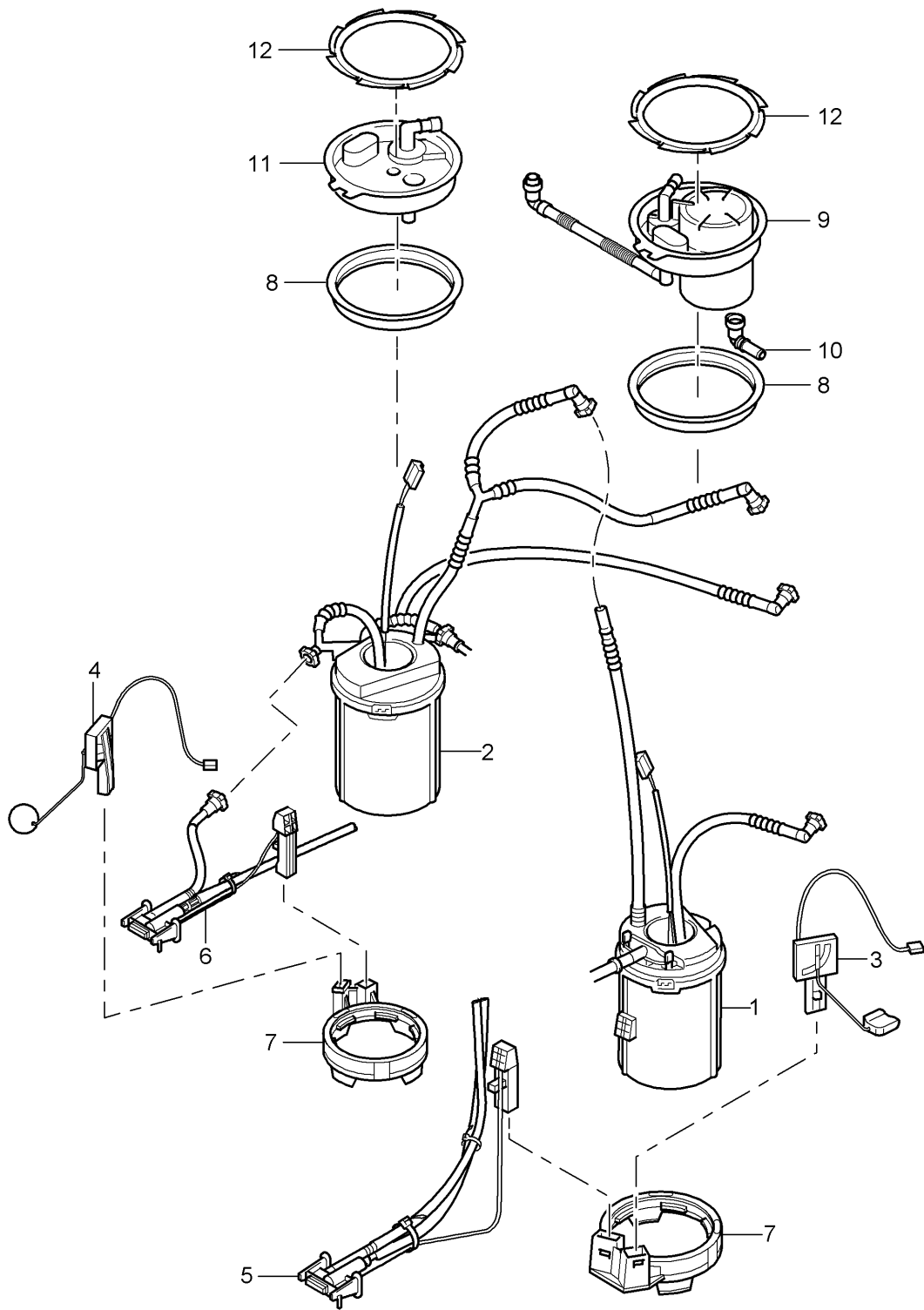
Model: 9PA 03

Model life 2003&gt;&gt;2006

Pos	Part Number	Description	Remark	Qty	Model
		Fuel tank with Accessories			
1	955 201 206 00	Protective plate		1	
(1)	955 201 206 02	Protective plate		1	
2	N 904 560 02	Hexagon nut M 6		3	
3	955 201 205 00	Protective plate		1	
4	N 100 092 02	Combination screw M 6 X 20		1	
5	955 201 207 00	Protective plate		1	
6	N 908 786 01	Nut M 6		3	
7	955 201 208 00	Protective plate Cardan shaft		1	
(7)	955 201 208 01	Protective plate Cardan shaft		1	
(7)	955 201 208 02	Protective plate Cardan shaft		1	
8	N 902 891 02	Hexagon nut M 8		1	
9	N 100 091 05	Combination screw M 6 X 12		2	
(9)	N 100 091 10	Combination screw M 6 X 12		2	
10	955 201 209 00	Heat shield Left		1	
11	955 201 210 00	Heat shield Right		1	
12	N 903 350 02	Clamping washer		7	
13	955 201 251 00	Filler neck		1	

Model: 9PA 03

Model life 2003>>2006



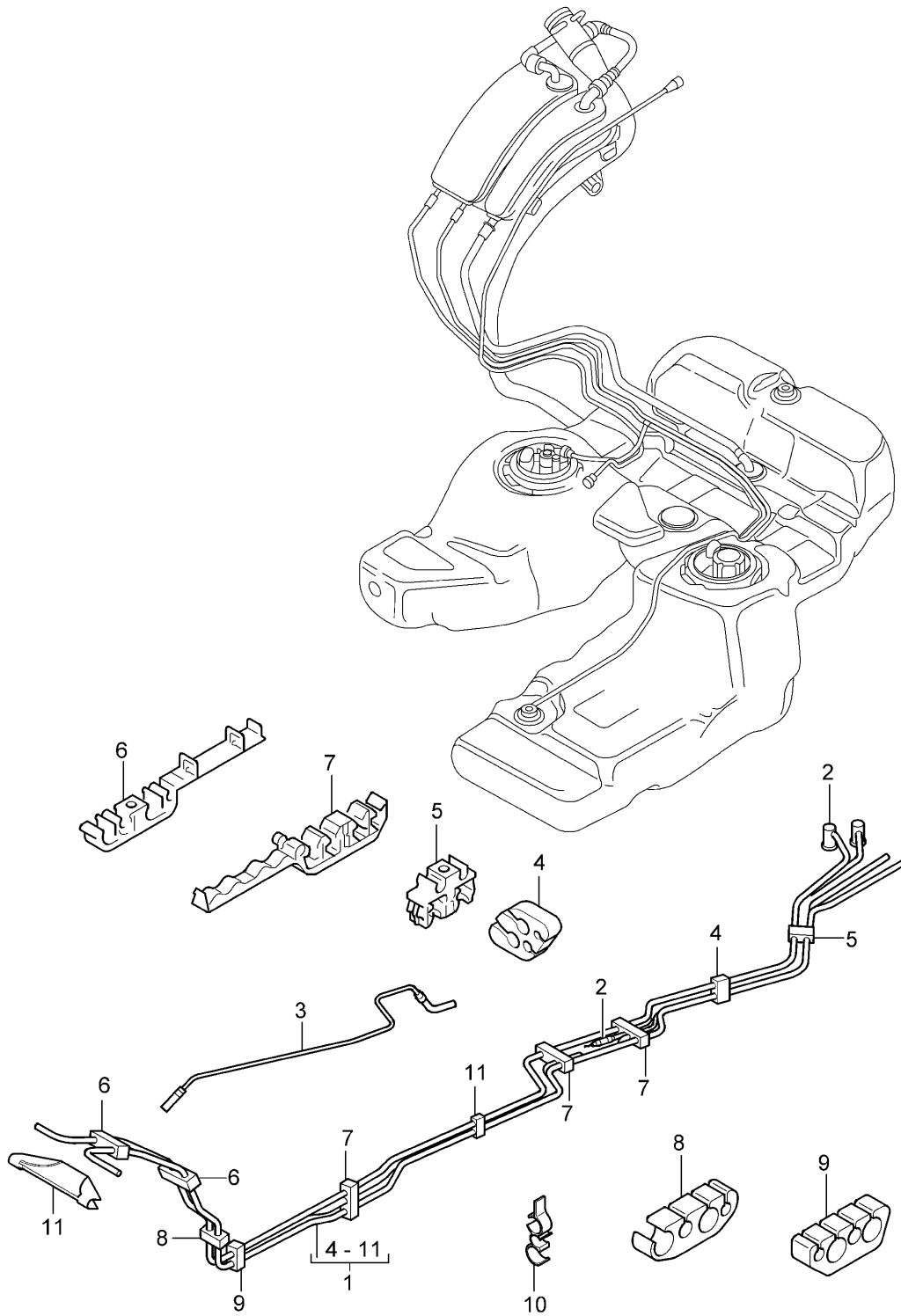
Model: 9PA 03

Model life 2003>>2006

Pos	Part Number	Description	Remark	Qty	Model
1	955 620 103 01	Fuel tank Fuel pump Venturi tube Fuel pump	/L	1	
(1)	955 620 103 02	Fuel pump	/L	1	
(1)	955 620 103 03	Fuel pump	/L	1	
(1)	955 620 931 01	Fuel pump	/L	1	
		Use also: Angled pipe 955.620.911.00		1	
(1)	955 620 103 30	Fuel pump	/L (BR)	1	I2G6
(1)	955 620 131 20	Fuel pump	/L (BR)	1	I2G6
		Use also: Angled pipe 955.620.911.00		1	
2	955 620 103 21	Fuel pump	/R	1	
(2)	955 620 103 22	Fuel pump	/R	1	
(2)	955 620 103 23	Fuel pump	/R	1	
(2)	955 620 932 01	Fuel pump	/R	1	
(2)	955 620 103 40	Fuel pump	/R (BR)	1	I2G6
(2)	955 620 132 30	Fuel pump	/R (BR)	1	I2G6
3	955 620 805 00	Sender Fuel-level indicator	/L	1	
4	955 620 806 00	Sender Fuel-level indicator	/R	1	
(4)	955 620 806 01	Sender Fuel-level indicator	/R	1	
5	955 620 113 00	Venturi tube	/L	1	
6	955 620 112 10	Venturi tube	/R	1	
7	955 201 877 00	Catch Fuel pump Not available		2	
8	955 201 133 00	Fuel tank Use Sealing ring		2	
(8)	955 201 133 01	Sealing ring		2	
9	955 620 841 00	Flange with Filter	/L	1	
(9)	955 620 421 00	Flange with Filter Use also: Angled pipe 955.620.911.00	/L	1	
10	955 620 911 00	Information available Angled pipe See technical information Service Group 2 KD-NR.2066		1	
11	955 620 841 10	13/10 Flange with Pressure regulator	/R	1	
(11)	955 620 841 30	Flange with Pressure regulator	/R	1	I7VE/7VL
12	955 201 623 00	Union nut		2	
(12)	955 201 623 01	Union nut		2	

Model: 9PA 03

Model life 2003>>2006



Model: 9PA 03

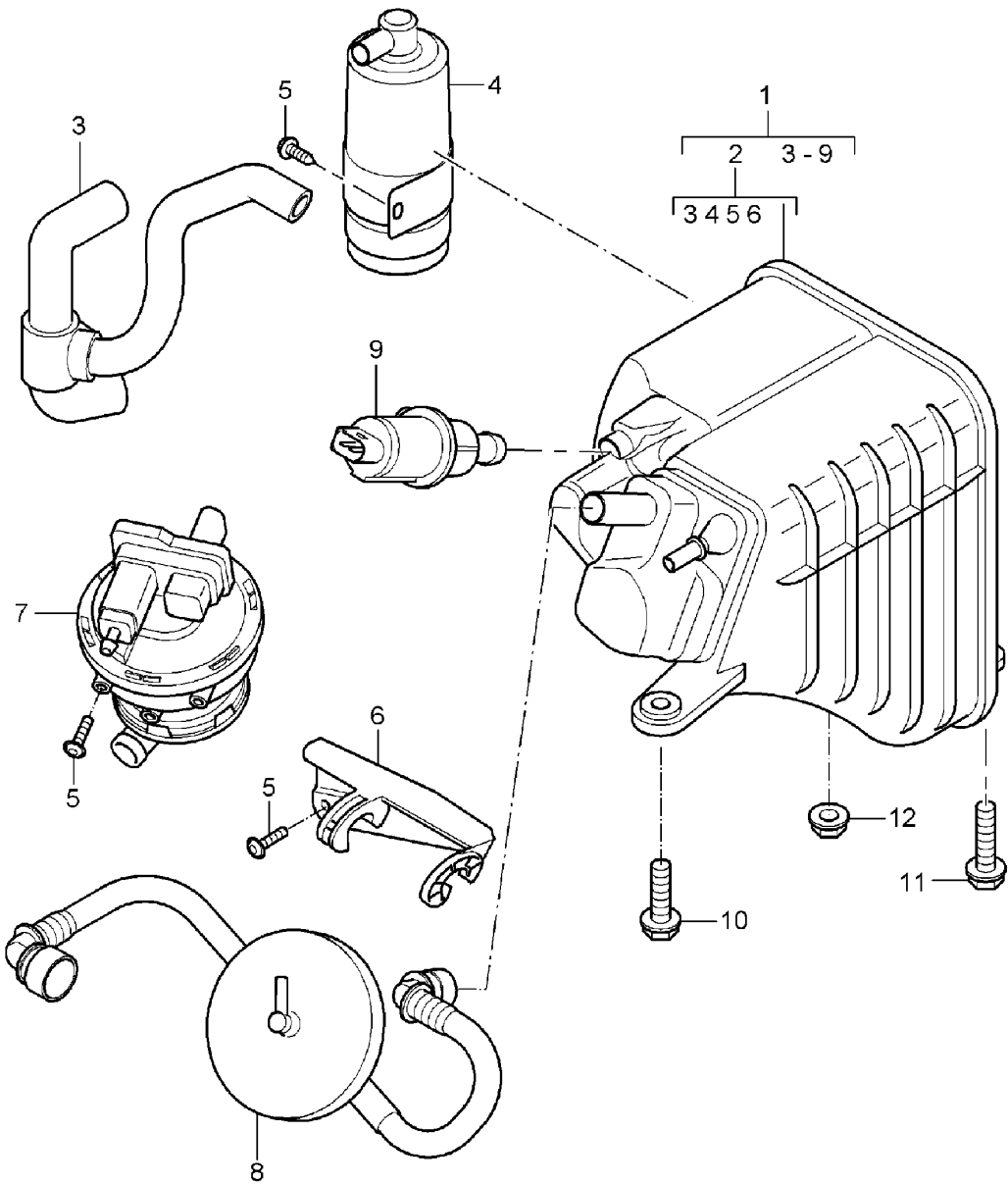
Model life 2003&gt;&gt;2006

Pos	Part Number	Description	Remark	Qty	Model
1	955 201 080 00	Fuel system Fuel line Underbody Fuel line 1 set		1	I2G1/2G3
(1)		Fuel line 1 set	(BR)	1	I2G6
(1)	955 201 080 04	Fuel line 1 set		1	I2G1/2G3
(1)		Fuel line 1 set	(BR)	1	I2G6
(1)	955 201 080 05	Fuel line 1 set		1	I2G1/2G3
(1)	955 201 080 06	Fuel line 1 set		1	I2G1/2G3
(1)	955 201 080 05	Fuel line 1 set	(BR)	1	I2G6
(1)	955 201 080 06	Fuel line 1 set	(BR)	1	I2G6
2	955 201 355 00	Fuel line Auxiliary heater F >>9P6LA 45757 F >>9P6LA 81912		1	I7VE/7VL
(2)	955 201 355 01	Fuel line Auxiliary heater F 9P6LA 45758>> F 9P6LA 81913>>		1	I7VE/7VL
-	955 572 757 00	Hose Fuel line Auxiliary heater F 9P6LA 45758>> F 9P6LA 81913>>		1	I7VE/7VL
-	N 102 035 01	Hose clamp 11,3 x 5 x 0,5 Mount Fuel line Fuel pump F 9P6LA 45758>> F 9P6LA 81913>>		2	I7VE/7VL
3		Fuel line Auxiliary heater See group 8/13/50		1	I7VE/7VL
4	955 201 561 00	Line bracket		1	
5	955 201 401 00	Retaining clip		1	
6	955 201 402 00	Retaining clip		2	
(6)	955 201 402 01	Line bracket		2	
7	955 201 449 00	Retaining clip		3	
(7)	955 201 449 01	Line bracket		3	
(7)	955 201 449 02	Line bracket		3	
8	955 201 531 00	Support		1	
9	955 201 532 00	Support		1	
10	955 201 562 00	Line bracket		1	
11	955 201 450 00	Fastening clamp		1	



Model: 9PA 03

Model life 2003>>2006



Model: 9PA 03 Model life 2003>>2006

Pos	Part Number	Description	Remark	Qty	Model
		Carbon canister F >>9P6LA 09389 F >>9P6LA 50496 F >>9P6LA 84756 F >>9P6LA 27628 F >>9P6LA 68731 F >>9P6LA 93045			
1	955 201 081 10	Carbon canister Ready for installation		1	I2G1/2G3
(1)		Carbon canister Ready for installation	(BR)	1	I2G6
(1)	955 201 081 11	Carbon canister Ready for installation		1	I2G1/2G3
(1)		Carbon canister Ready for installation	(BR)	1	I2G6
(1)	955 201 081 12	Carbon canister Ready for installation		1	I2G1/2G3
(1)		-EXPERT- Carbon canister Ready for installation	(BR)	1	I2G6
(1)	955 201 081 13	-EXPERT- Carbon canister Ready for installation		1	I2G1/2G3
(1)		-DAYCO- Carbon canister Ready for installation	(BR)	1	I2G6
(1)	955 201 081 14	-DAYCO- Carbon canister Ready for installation		1	I2G1/2G3
		It is necessary to rework Pressure valve Use also: Pressure valve 955.605.213.01 Support 955.201.265.00 Oval-head sheetmetal screw N .106.336.03		1 1 2	
(1)		Carbon canister Ready for installation -DAYCO- It is necessary to rework Pressure valve Use also: Pressure valve 955.605.213.01 Support 955.201.265.00 Oval-head sheetmetal screw N .106.336.03	(BR)	1	I2G6
(2)	955 201 221 00	Carbon canister		1	I2G1/2G3
(2)		Carbon canister	(BR)	1	I2G6
(2)	955 201 221 01	Carbon canister		1	I2G1/2G3
(2)		Carbon canister	(BR)	1	I2G6
(3)	955 201 255 10	Breather hose Only for 955.201.081.12	-05	1	I2G1/2G3

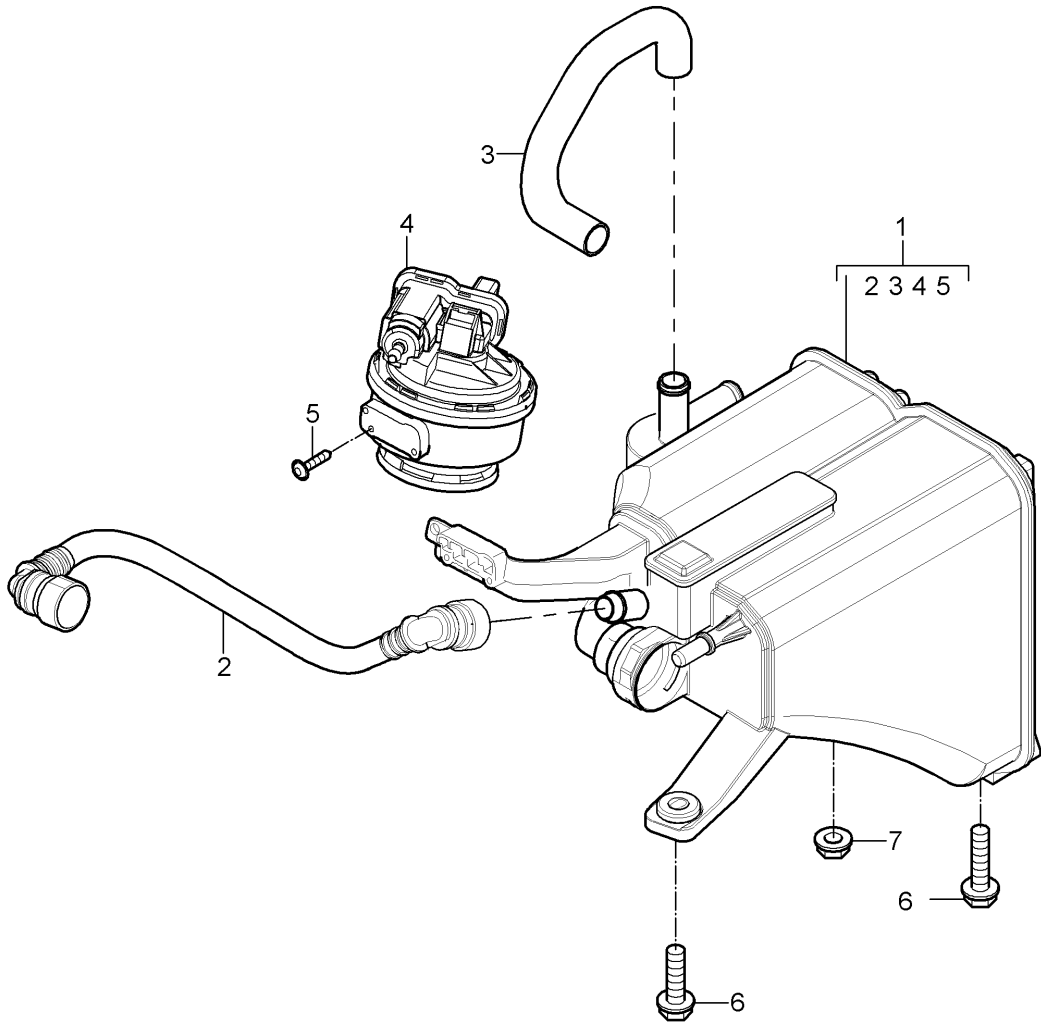
Model: 9PA 03

Model life 2003&gt;&gt;2006

Pos	Part Number	Description	Remark	Qty	Model
(3)		Breather hose Only for 955.201.081.12	(BR) -05	1	I2G6
(3)	955 201 255 11	Breather hose Only for 955.201.081.12	06-	1	I2G1/2G3
(3)		Breather hose Only for 955.201.081.12	(BR) 06-	1	I2G6
(3)	955 201 255 12	Breather hose Only for 955.201.081.13		1	I2G1/2G3
(3)		Breather hose Only for 955.201.081.13	(BR)	1	I2G6
(4)	955 201 253 10	Air cleaner Only for 955.201.081.12		1	I2G1/2G3
(4)		Air cleaner Only for 955.201.081.12	(BR)	1	I2G6
5	N 013 968 5	Oval-head sheetmetal screw ST 4,8 X 13		4	
(5)	N 106 336 03	Oval-head sheetmetal screw ST 4,8 X 13		4	
6	955 201 265 00	Support		1	
8	955 605 213 00	Pressure valve		1	
(8)	955 605 213 01	Pressure valve		1	
10	N 101 579 02	Hexagon-head bolt M 6 X 25 F >>9P4LA 43968 F >>9P4LA 69927		2	
11	N 105 284 01	Hexagon-head bolt M 6 X 30 F >>9P4LA 43968 F >>9P4LA 69927		1	
(11)		Hexagon-head bolt M 6 X 30 F 9P4LA 43969>> F 9P4LA 69928>>	-05	2	
(11)	N 105 284 02	Hexagon-head bolt M 6 X 30	06-	2	
12	N 904 560 02	Hexagon nut M 6 F 9P4LA 43969>> F 9P4LA 69928>>		1	

Model: 9PA 03

Model life 2003>>2006



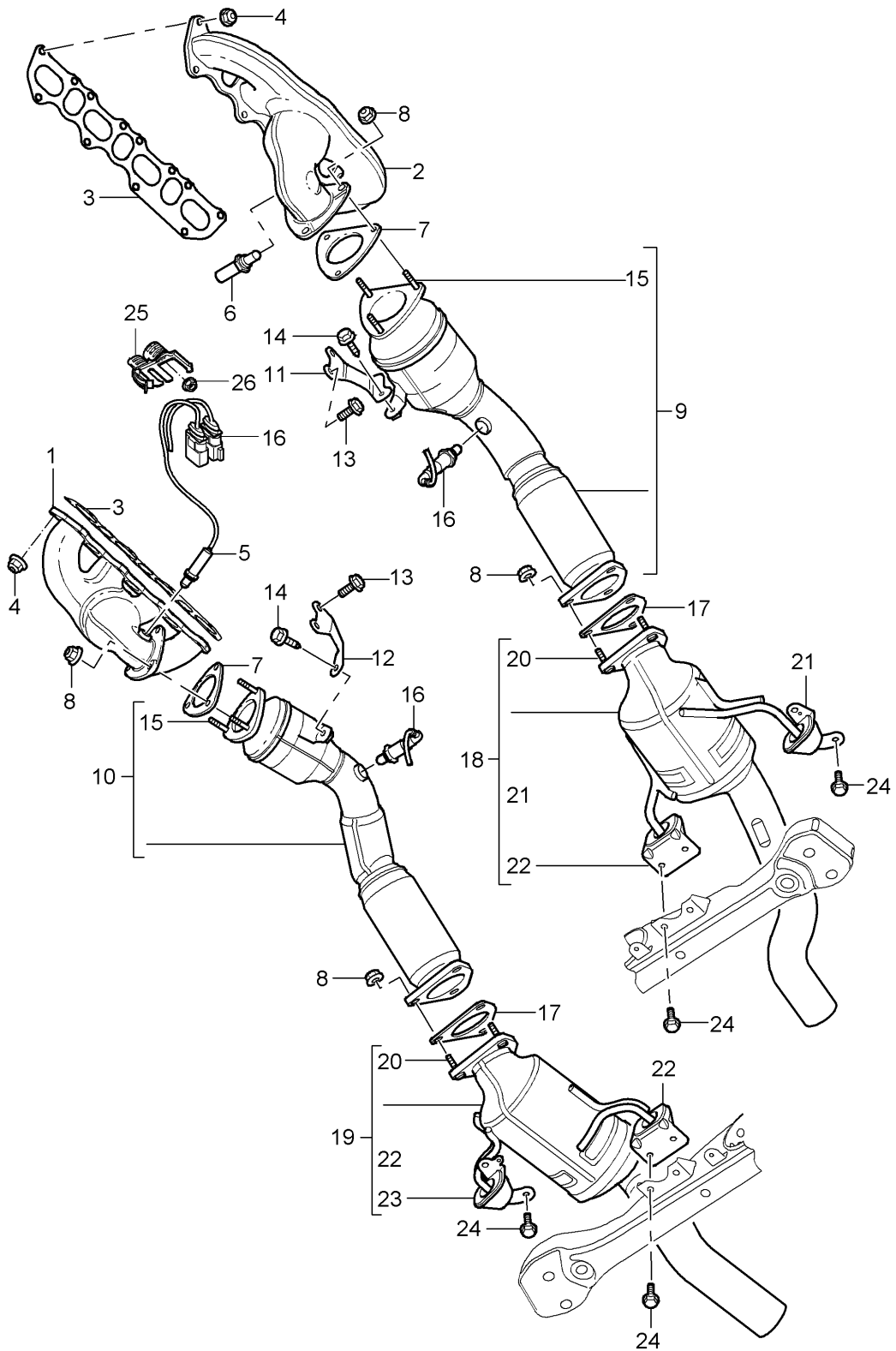
Model: 9PA 03

Model life 2003>>2006

Pos	Part Number	Description	Remark	Qty	Model
		Carbon canister F 9P6LA 09390>> F 9P6LA 50497>> F 9P6LA 84757>> F 9P6LA 27629>> F 9P6LA 68732>> F 9P6LA 93046>>			
1	955 201 081 14	Carbon canister Ready for installation		1	I2G1/2G3
1		Carbon canister Ready for installation	(BR)	1	I2G6
2	955 201 254 00	Pressure line		1	
3	955 201 255 12	Breather hose		1	I2G1/2G3
3		Breather hose	(BR)	1	I2G6
6	N 105 284 02	Hexagon-head bolt M 6 X 30		2	
7	N 904 560 02	Hexagon nut M 6		1	

Model: 9PA 03

Model life 2003>>2006



Model: 9PA 03

Model life 2003&gt;&gt;2006

Pos	Part Number	Description	Remark	Qty	Model
		Exhaust system			IT91
		Exhaust manifold			
		Catalytic converter			
1	948 111 119 02	Exhaust manifold Cylinders 1 - 4		1	
2	948 111 120 02	Exhaust manifold Cylinders 5 - 8		1	
3	948 111 171 01	Gasket		2	
		Exhaust manifold			
4	999 084 647 05	Lock nut		24	
		M 8			
(4)	999 084 642 02	Hexagon nut		24	
		M 8			
5	948 606 128 02	Oxygen sensor	/R	1	
		in front of			
		Catalytic converter			
6	948 606 129 02	Oxygen sensor	/L	1	
		in front of			
		Catalytic converter			
7	955 111 113 00	Gasket		2	
8	N 908 946 02	Hexagon nut		12	
		M8			
9	955 113 021 00	Exhaust pipe	/L	1	
		Front			
(9)	955 113 021 01	Exhaust pipe	/L	1	
		Front			
(9)	955 113 021 AX	Exhaust pipe	/L	1	
		Front			
10	955 113 022 00	Exhaust pipe	/R	1	
		Front			
(10)	955 113 022 01	Exhaust pipe	/R	1	
		Front			
(10)	955 113 022 AX	Exhaust pipe	/R	1	
		Front			
11	955 111 161 10	Support	/L	1	
12	955 111 162 00	Support	/R	1	
13	N 908 476 01	Hexagon-head bolt		4	
		M 10 X 25			
(13)	N 908 476 02	Hexagon-head bolt		4	
		M 10 X 25			
14	N 019 530 4	Hexagon-head bolt		2	
		M 8 X 25			
(14)	N 019 530 7	Hexagon-head bolt		2	
		M 8 X 25			
15	N 104 445 01	Stud		6	
		M 8 X 25			
16	955 606 136 01	Oxygen sensor		2	
		After			
		Catalytic converter			
-	000 043 207 07	Grease		1	
		for oxygen sensor			
17	955 111 113 30	Gasket		2	
18	955 113 023 00	Catalytic converter	/L	1	IOGG
18		Catalytic converter	/L (MEX)	1	IOGG
(18)	955 113 023 01	Catalytic converter	/L	1	IOGG
(18)	955 113 023 AX	Catalytic converter	/L	1	IOGG
(18)	955 113 023 01	Catalytic converter	/L (MEX)	1	IOGG
(18)	955 113 023 AX	Catalytic converter	/L (MEX)	1	IOGG
(18)	955 113 023 20	Catalytic converter	/L	1	IOGM/0GU
(18)	955 113 023 CX	Catalytic converter	/L	1	IOGM/0GU
19	955 113 024 00	Catalytic converter	/R	1	IOGG
19		Catalytic converter	/R (MEX)	1	IOGG
(19)	955 113 024 01	Catalytic converter	/R	1	IOGG

Model: 9PA 03

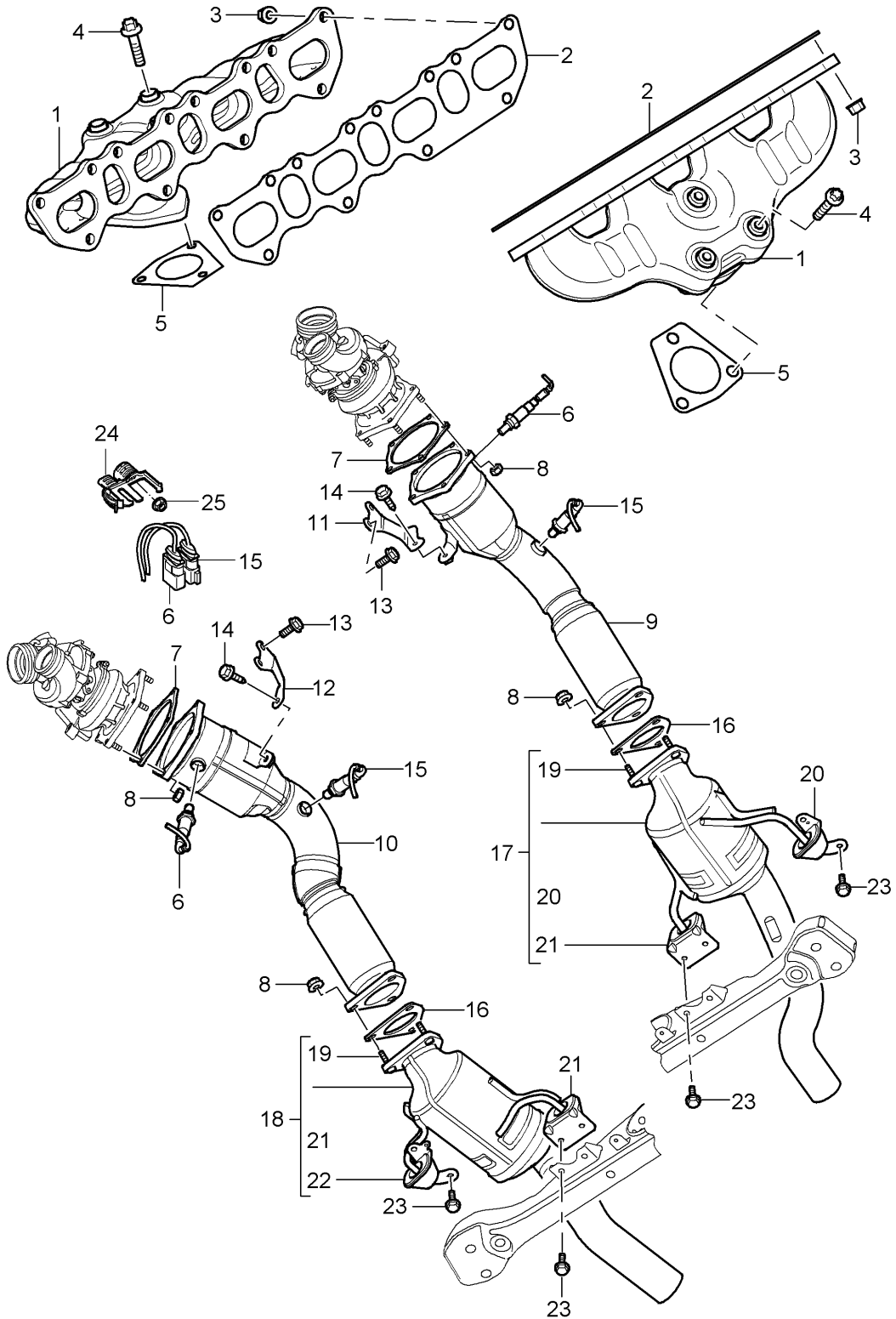
Model life 2003>>2006

Pos	Part Number	Description	Remark	Qty	Model
(19)	955 113 024 AX	Catalytic converter	/R	1	I0GG
(19)	955 113 024 01	Catalytic converter	/R (MEX)	1	I0GG
(19)	955 113 024 AX	Catalytic converter	/R (MEX)	1	I0GG
(19)	955 113 024 20	Catalytic converter	/R	1	I0GM/0GU
(19)	955 113 024 CX	Catalytic converter	/R	1	I0GM/0GU
20	955 111 115 00	Screw		6	
21	955 111 227 10	Support	/L	1	
22	955 111 227 20	Support		2	
23	955 111 228 00	Support	/R	1	
24	N 908 797 02	Hexagon-head bolt M 8 X 25		8	
25	955 606 114 00	Support Connector Oxygen sensor Plenum panel		2	
26	N 100 151 01	Plastic nut A 5		2	



Model: 9PA 03

Model life 2003>>2006



Model: 9PA 03 Model life 2003>>2006

Pos	Part Number	Description	Remark	Qty	Model
		Exhaust system			IT90
		Exhaust manifold			
1	948 111 119 53	Catalytic converter		2	
2	948 111 171 01	Exhaust manifold		2	
		Gasket			
3	999 084 647 05	Exhaust manifold		24	
		Lock nut			
		M 8			
(3)	999 084 642 02	Hexagon nut		24	
		M 8			
4	999 073 271 01	Torx screw		6	
		BM 8 X 75			
5	948 123 203 52	Gasket		2	
6	955 606 126 01	Turbocharger		2	
		Oxygen sensor			
		in front of			
		Catalytic converter			
7	955 111 113 20	Gasket		2	
8	N 908 946 02	Hexagon nut		16	
		M 8			
9	955 113 021 10	Exhaust pipe	/L	1	
		Front			
(9)	955 113 021 11	Exhaust pipe	/L	1	
		Front			
(9)	955 113 021 BX	Exhaust pipe	/L	1	
		Front			
10	955 113 022 10	Exhaust pipe	/R	1	
		Front			
(10)	955 113 022 11	Exhaust pipe	/R	1	
		Front			
(10)	955 113 022 BX	Exhaust pipe	/R	1	
		Front			
11	955 111 161 10	Support	/L	1	
12	955 111 162 00	Support	/R	1	
13	N 908 476 01	Hexagon-head bolt		4	
		M 10 X 25			
(13)	N 908 476 02	Hexagon-head bolt		4	
		M 10 X 25			
14	N 019 530 4	Hexagon-head bolt		2	
		M 8 X 25			
(14)	N 019 530 7	Hexagon-head bolt		2	
		M 8 X 25			
15	955 606 136 01	Oxygen sensor		2	
		After			
		Catalytic converter			
-	000 043 207 07	Grease		1	
		for oxygen sensor			
16	955 111 113 10	Gasket		2	
17	955 113 023 10	Catalytic converter	/L	1	
(17)	955 113 023 11	Catalytic converter	/L	1	
(17)	955 113 023 BX	Catalytic converter	/L	1	
18	955 113 024 10	Catalytic converter	/R	1	
(18)	955 113 024 11	Catalytic converter	/R	1	
(18)	955 113 024 BX	Catalytic converter	/R	1	
19	955 111 115 00	Screw		6	
20	955 111 227 10	Support	/L	1	
21	955 111 227 20	Support		2	
22	955 111 228 00	Support	/R	1	
23	N 908 797 02	Hexagon-head bolt		8	
		M 8 X 25			
24	955 606 114 00	Support		2	
		Connector			
		Oxygen sensor			

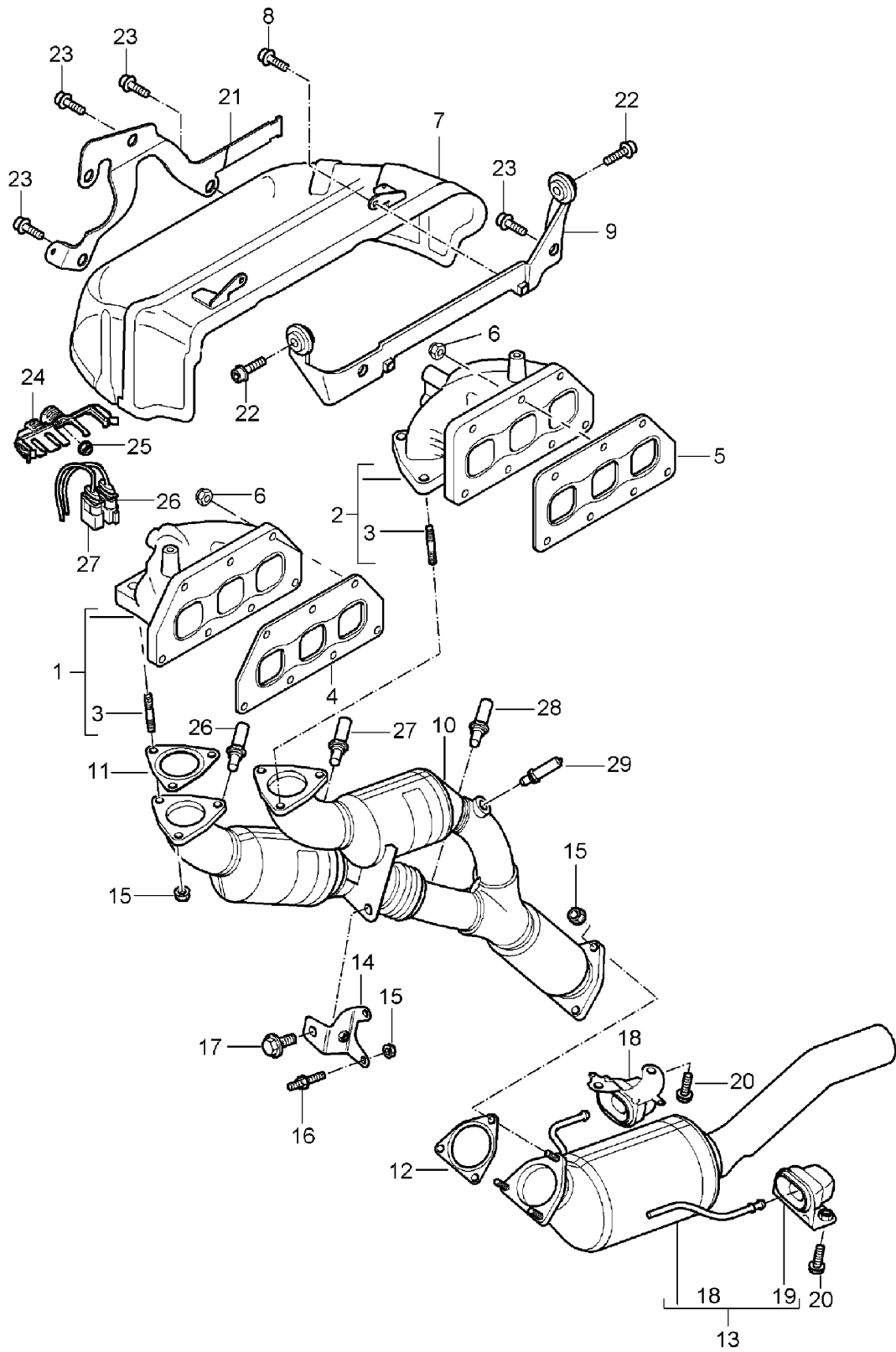
Model: 9PA 03

Model life 2003&gt;&gt;2006

Pos	Part Number	Description	Remark	Qty	Model
25	N 100 151 01	Plenum panel Plastic nut A 5		2	

Model: 9PA 03

Model life 2003>>2006



Model: 9PA 03

Model life 2003&gt;&gt;2006

Pos	Part Number	Description	Remark	Qty	Model
		Exhaust system	04-		IT31
		Exhaust manifold			
		Catalytic converter			
1	955 111 017 00	Exhaust manifold		1	
		Cyl. 1 - 3			
2	955 111 018 00	Exhaust manifold		1	
		Cyl. 4 - 6			
3	N 044 514 4	Stud		6	
		M 8 X 25			
4	955 111 039 00	Gasket		1	
		Cyl. 1 - 3			
5	955 111 050 00	Gasket		1	
		Cyl. 4 - 6			
6	N 908 946 01	Hexagon nut		14	
		M 8			
7	955 111 035 00	Heat shield		1	
8	N 101 148 02	Pan-head screw	-05	2	
		M 6 X 15			
(8)	N 104 514 05	Round head screw	06-	2	
		M 6 X 16			
9	955 110 228 00	Support		1	
10	955 113 300 00	Catalytic converter		1	
		Front			
(10)	955 113 300 AX	Catalytic converter		1	
		Front			
11	955 111 125 10	Gasket		2	
12	955 111 113 10	Gasket		1	
13	955 113 400 00	Catalytic converter		1	
(13)	955 113 024 11	Catalytic converter		1	
14	955 111 047 00	Support panel		1	
15	N 902 002 01	Hexagon nut		11	
		AM 8			
(15)	N 908 946 02	Hexagon nut		11	
		M 8			
16		Stud		2	
		See illustrations			
		3/20/05			
17	N 010 238 20	Hexagon-head bolt		1	
		M 8 X 15			
(17)	N 019 530 4	Hexagon-head bolt		1	
		M 8 X 25			
(17)	N 019 530 7	Hexagon-head bolt		1	
		M 8 X 25			
18	955 111 228 00	Support		1	
19	955 111 227 20	Support		1	
20	N 908 797 02	Hexagon-head bolt		4	
		M 8 X 25			
21	955 111 049 00	Support		1	
-	955 606 739 00	Clip		1	
		Line			
		Oxygen sensor			
22	N 090 378 2	Combination screw	-05	2	
		M 8 X 25			
(22)	N 910 842 01	Screw	06-	2	
		M 8 X 25			
23	N 103 036 04	Pan-head screw		5	
		M 8 X 16			
(23)	N 103 036 05	Pan-head screw		5	
		M 8 X 16			
(23)	N 106 649 01	Screw		5	
		M 8 X 16			
24	955 606 114 10	Support		1	
		Connector			

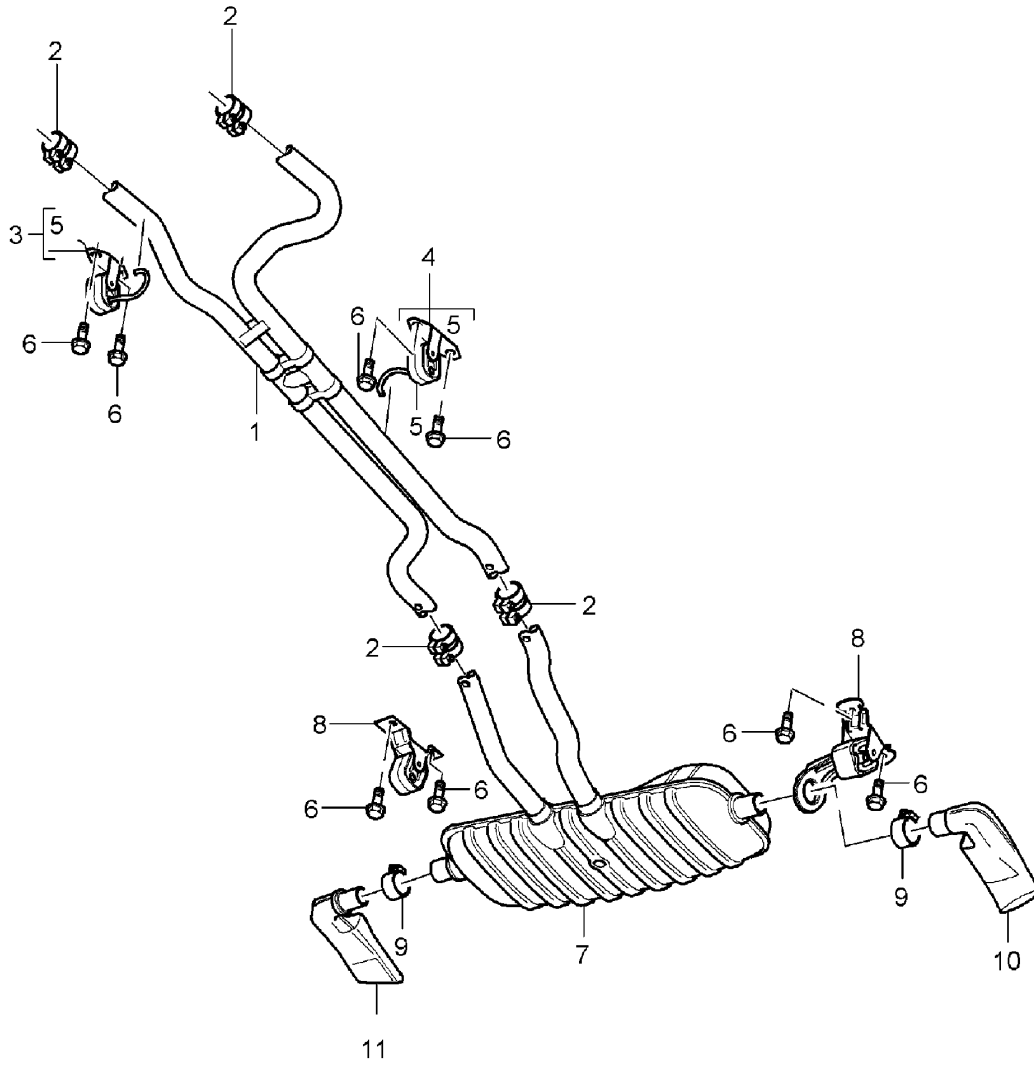
Model: 9PA 03

Model life 2003>>2006

Pos	Part Number	Description	Remark	Qty	Model
25	N 100 151 01	Oxygen sensor Plastic nut A 5		1	
26	955 606 128 10	Oxygen sensor in front of Catalytic converter Cyl. 1 - 3	/R	1	
(26)	955 606 128 11	Oxygen sensor in front of Catalytic converter Cyl. 1 - 3	/R	1	
27	955 606 128 20	Oxygen sensor in front of Catalytic converter Cyl. 4 - 6	/L	1	
(27)	955 606 128 21	Oxygen sensor in front of Catalytic converter Cyl. 4 - 6	/L	1	
28	955 606 136 10	Oxygen sensor After Catalytic converter Cyl. 1 - 3	/R	1	
29	955 606 136 20	Oxygen sensor After Catalytic converter Cyl. 4 - 6	/L	1	
-	000 043 207 07	Grease for oxygen sensor		1	

Model: 9PA 03

Model life 2003>>2006



Model: 9PA 03

Model life 2003>>2006

Pos	Part Number	Description	Remark	Qty	Model
		Exhaust system			IT90/T91
		Front muffler			
		Rear muffler			
		Tail pipe			
1	955 111 096 10	Front muffler		1	IT91
(1)	955 111 096 11	Front muffler		1	IT91
(1)	955 111 096 12	Front muffler		1	IT91
(1)	955 111 096 40	Front muffler		1	IT91
(1)	955 111 096 20	Front muffler		1	IT90
(1)	955 111 096 21	Front muffler		1	IT90
(1)	955 111 096 22	Front muffler		1	IT90
(1)	955 111 096 50	Front muffler		1	IT90
2	955 111 220 10	Clamping sleeve		4	IT91
(2)	955 111 220 12	Clamping sleeve		4	IT91
(2)	955 111 220 00	Clamping sleeve		4	IT90
(2)	955 111 220 20	Clamping sleeve		4	IT90
(2)	955 111 220 21	Clamping sleeve		4	IT90
3	955 111 227 30	Support with Rubber		1	
4	955 111 227 40	Support with Rubber		1	
5	955 111 259 00	Rubber mounting for Bracket		2	
6	N 908 797 02	Hexagon-head bolt M 8 X 25		8	
7	955 111 121 10	Rear muffler		1	IT91
(7)		Rear muffler	(MEX)	1	IT91
(7)	955 111 121 11	Rear muffler		1	IT91
(7)		Rear muffler	(MEX)	1	IT91
(7)	955 111 121 12	Rear muffler		1	IT91
(7)		Rear muffler	(MEX)	1	IT91
(7)	955 111 121 20	Rear muffler		1	IT90
(7)	955 111 121 21	Rear muffler		1	IT90
(7)	955 111 121 22	Rear muffler		1	IT90
8	955 111 227 50	Support with Rubber		2	
9	955 111 108 22	Clip		2	
10	955 111 251 10	Tail pipe	/L	1	IT91/0P0
(10)	955 111 251 11	Tail pipe	/L	1	IT91/0P0
(10)	955 111 981 00	Tail pipe	/L 04-	1	IG0R/T91/0P3
(10)	955 111 981 10	Tail pipe	/L 05-	1	IG0L/T91/0P3
(10)	955 111 251 20	Tail pipe	/L	1	IT90/0P0
(10)	955 111 251 21	Tail pipe	/L	1	IT90/0P0
(10)	955 111 981 00	Tail pipe	/L 04-	1	IT90/0P3
11	955 111 252 10	Tail pipe	/R	1	IT91/0P0
(11)	955 111 252 11	Tail pipe	/R	1	IT91/0P0



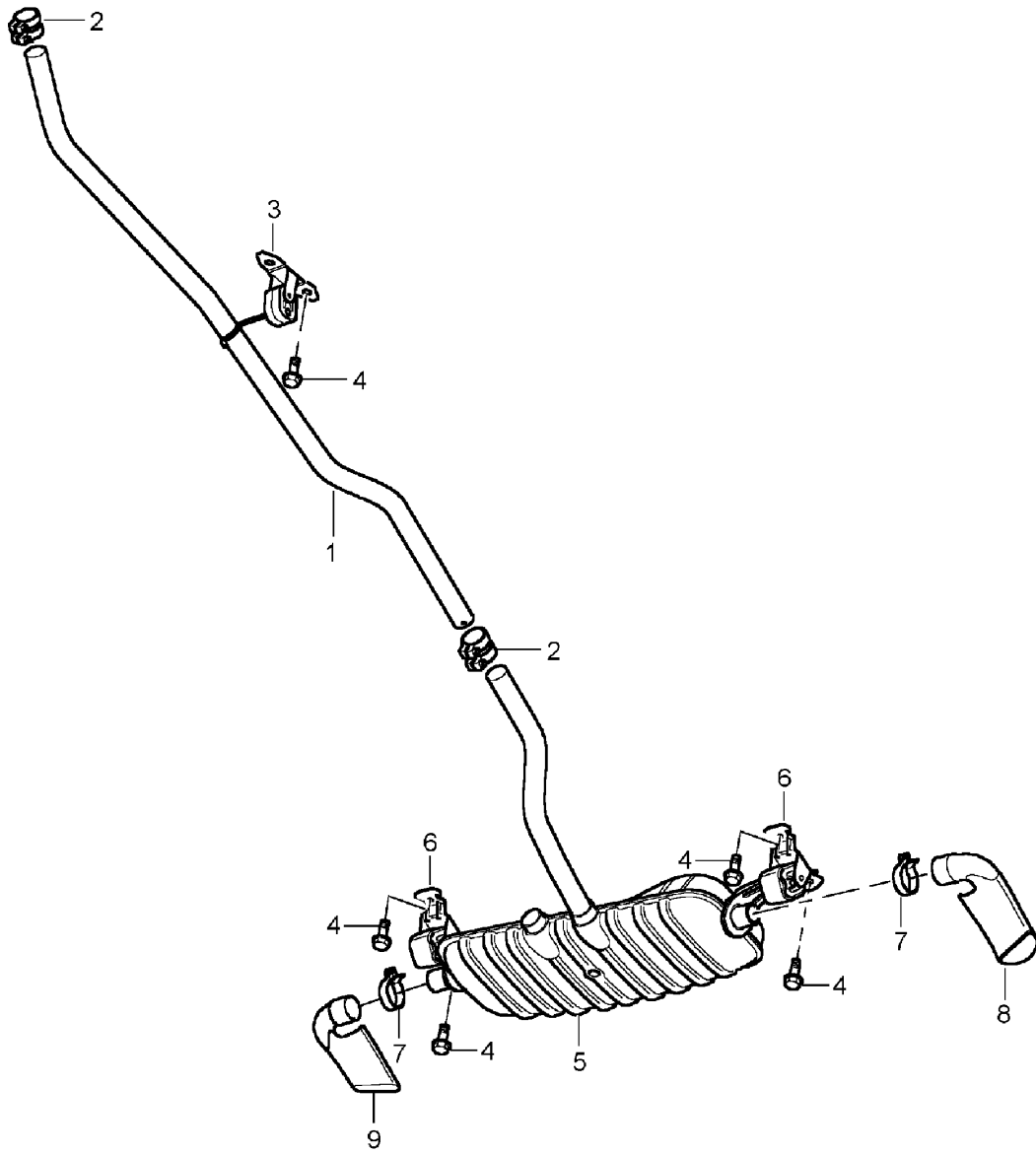
Model: 9PA 03

Model life 2003&gt;&gt;2006

Pos	Part Number	Description	Remark	Qty	Model
(11)	955 111 982 00	Tail pipe	/R 04-	1	IG0R/T91/0P3
(11)	955 111 982 10	Tail pipe	/R 05-	1	IG0L/T91/0P3
(11)	955 111 252 20	Tail pipe	/R	1	IT90/0P0
(11)	955 111 252 21	Tail pipe	/R	1	IT90/0P0
(11)	955 111 982 00	Tail pipe	/R 04-	1	IT90/0P3

Model: 9PA 03

Model life 2003>>2006

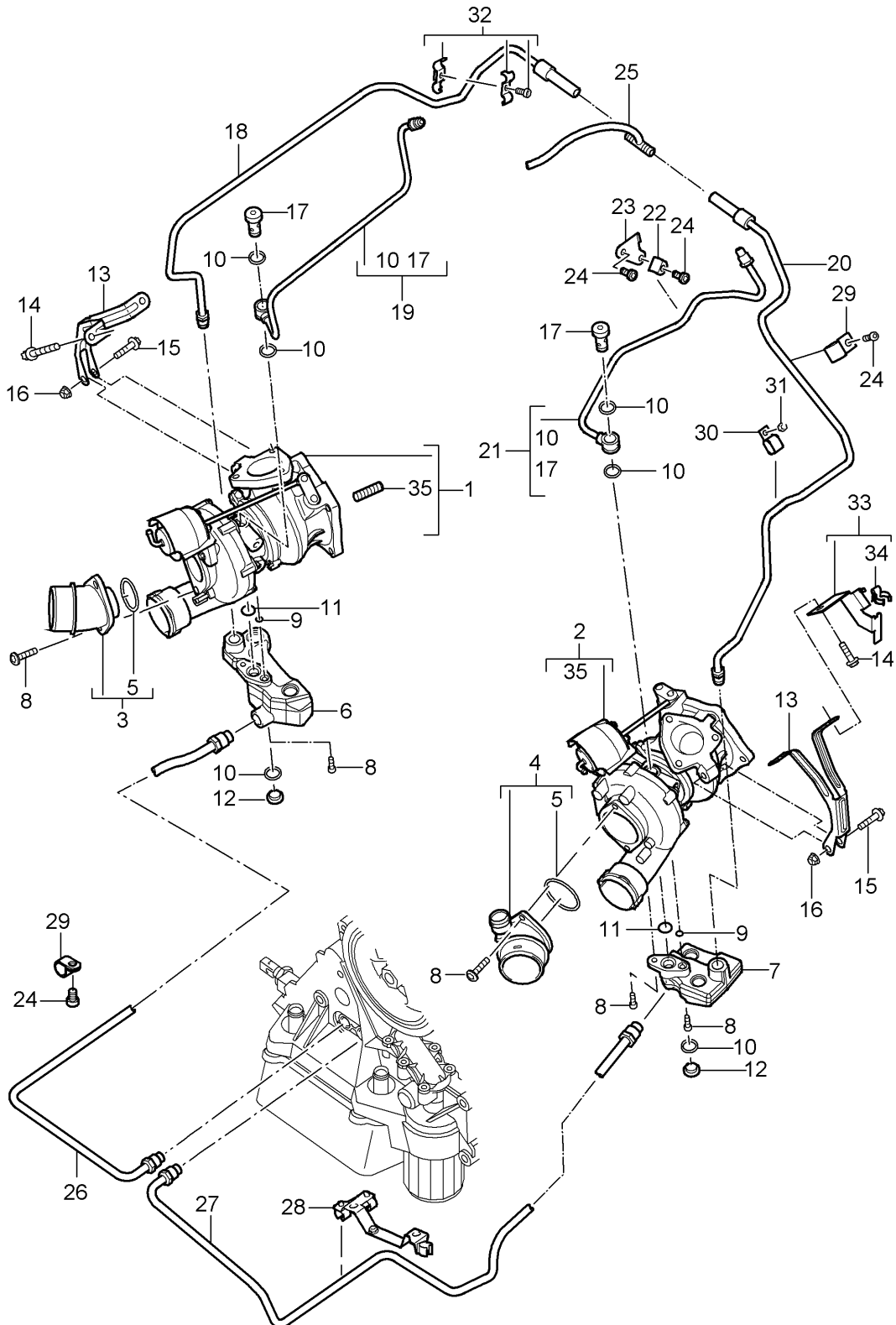


Model: 9PA 03 Model life 2003>>2006

Pos	Part Number	Description	Remark	Qty	Model
		Exhaust system	04-		ID9J
		Front muffler			
		Rear muffler			
		Tail pipe			
1	955 111 096 00	Front muffler		1	
(1)	955 111 096 01	Front muffler		1	
(1)	955 111 096 02	Front muffler		1	
2	955 111 220 20	Clamping sleeve		2	
(2)	955 111 220 21	Clamping sleeve		2	
3	955 111 227 40	Support		1	
		with			
		Rubber			
4	N 908 797 02	Hexagon-head bolt		6	
		M 8 X 25			
5	955 111 121 30	Rear muffler		1	
(5)	955 111 121 31	Rear muffler		1	
(5)	955 111 121 32	Rear muffler		1	
6	955 111 227 50	Support		2	
		with			
		Rubber			
7	955 111 108 22	Clip		2	
8	955 111 251 10	Tail pipe	/L	1	I0P0
(8)	955 111 251 11	Tail pipe	/L	1	I0P0
(8)	955 111 981 10	Tail pipe	/L 05-	1	I0P3
(8)		Tail pipe	/L (MEX) 05-	1	I0P3
9	955 111 252 10	Tail pipe	/R	1	I0P0
(9)	955 111 252 11	Tail pipe	/R	1	I0P0
(9)	955 111 982 10	Tail pipe	/R 05-	1	I0P3
(9)		Tail pipe	/R (MEX) 05-	1	I0P3

Model: 9PA 03

Model life 2003>>2006



Model: 9PA 03

Model life 2003&gt;&gt;2006

Pos	Part Number	Description	Remark	Qty	Model
		Turbocharger Oil pipe for Turbocharger			M48.50
1	948 123 015 56	Turbocharger		1	
2	948 123 016 56	Cylinders 1 - 4		1	
3	948 123 315 50	Turbocharger		1	
4	948 123 316 50	Cylinders 5 - 8		1	
5	999 707 544 40	Connection piece Cylinders 1 - 4		1	
6	999 707 544 40	Connection piece Cylinders 5 - 8		1	
7	948 107 320 54	O-ring 55,0 X 2,0		2	
8	948 107 321 54	Oil collection container Cylinders 1 - 4		1	
9	948 107 321 54	Oil collection container Cylinders 5 - 8		1	
10	999 073 103 01	Round head screw M 6 X 16		8	
11	999 707 392 40	O-ring 7,0 X 2,0		2	
12	900 123 131 30	Sealing ring A 16 X 20		6	
13	999 707 387 40	O-ring 15 X 2,5		2	
14	900 219 004 30	Screw plug M 16 X 1,5		2	
15	948 123 111 51	Bracket		2	
16	900 385 001 09	Turbocharger Torx screw BM 8 X 20		4	
(14)	900 385 001 01	Torx screw BM 8 X 20		4	
17	900 385 035 09	Torx screw BM 8 X 40		2	
18	999 084 647 05	Lock nut M 8		2	
(16)	999 084 642 02	Hexagon nut M 8		2	
19	948 107 011 51	Check valve		2	
(17)	948 107 011 52	Check valve		2	
20	948 107 080 53	Vent line Cylinders 1 - 4		1	
21	948 107 076 54	Pressure line Cylinders 1 - 4		1	
(19)	948 107 076 55	Pressure line Cylinders 1 - 4		1	
22	948 107 081 53	Vent line Cylinders 5 - 8		1	
23	948 107 077 53	Pressure line Cylinders 5 - 8		1	
(21)	948 107 077 54	Pressure line Cylinders 5 - 8		1	
24	999 511 741 00	Clamp 8 X 15		1	
25	948 107 209 50	Support		1	
26	999 073 189 09	Torx screw M 6 X 12		4	
27		See group 1/03/01		1	
28	948 107 078 53	Oil pipe Cylinders 1 - 4		1	

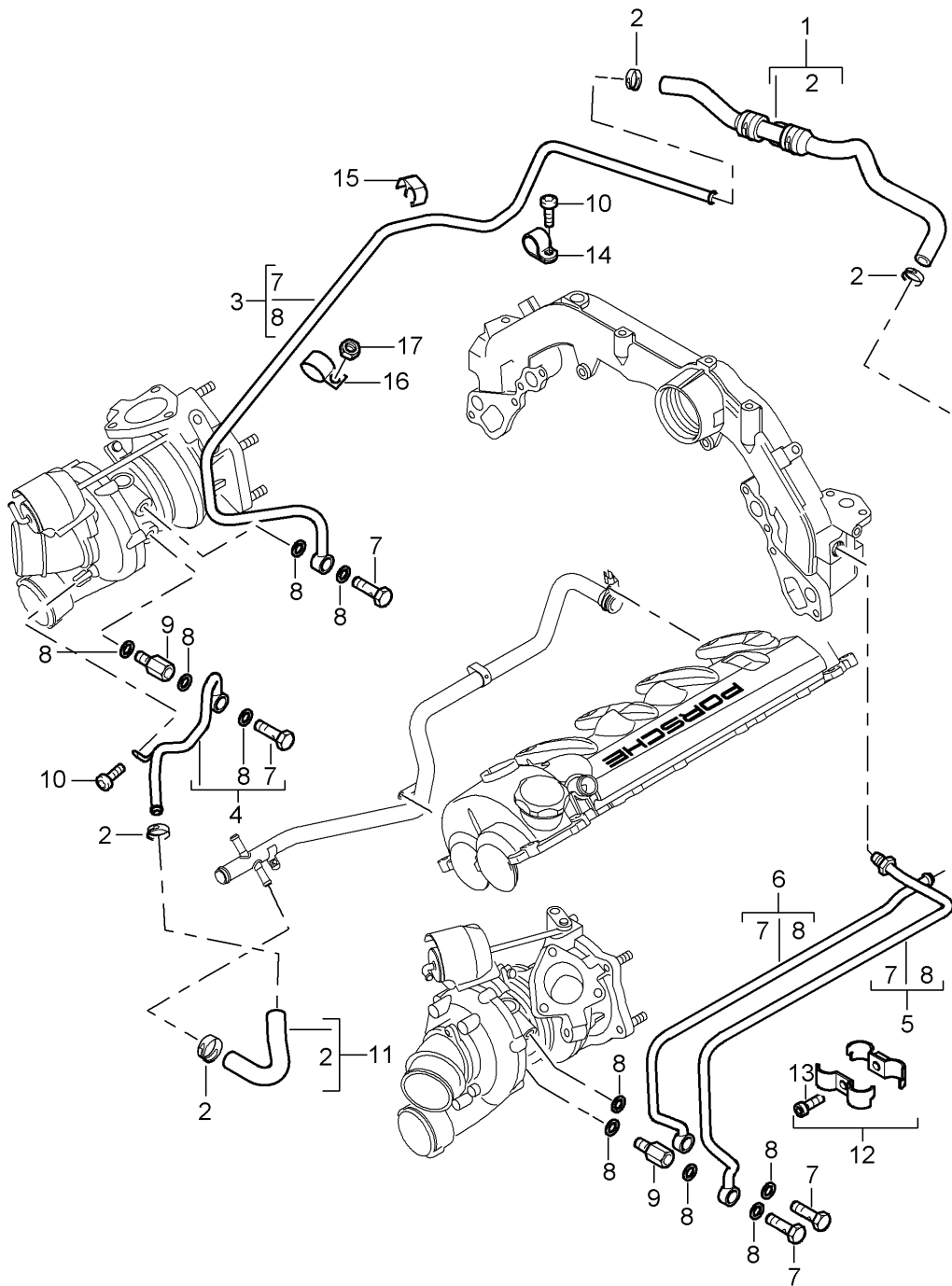
Model: 9PA 03

Model life 2003>>2006

Pos	Part Number	Description	Remark	Qty	Model
27	948 107 079 54	Oil pipe Cylinders 5 - 8		1	
(27)	948 107 079 55	Oil pipe Cylinders 5 - 8		1	
28	948 347 137 02	Support		1	
29	999 511 116 03	Clamp 10 X 15		2	
30	999 511 253 00	Clamp 10 - 10 X 15		1	
31	900 377 010 09	Hexagon nut M 6		1	
32	948 106 018 50	Clamp		1	
-	900 067 008 02	Pan-head screw M 6 X 12		1	
33	948 606 115 01	Support Line Oxygen sensor	/L	1	
(33)	948 606 116 02	Support Line Oxygen sensor	/R	1	
34	999 651 392 07	Cable holder 9,5 - 10,5		2	
35	948 123 204 50	Stud		10	
-	000 043 206 95	Grease 1 tube 10 Gr. MICROGLEIT LP 475		X	

Model: 9PA 03

Model life 2003>>2006



Model: 9PA 03

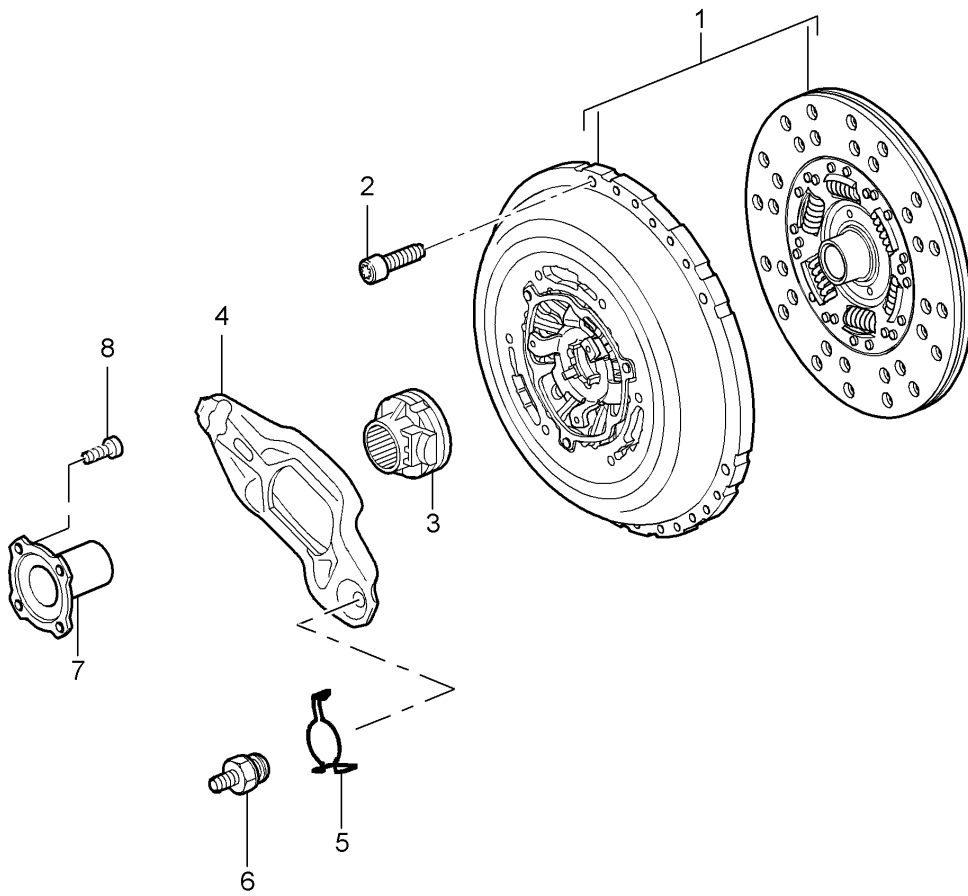
Model life 2003>>2006

Pos	Part Number	Description	Remark	Qty	Model
		Turbocharger			M48.50
		Water cooling			
1	948 106 035 51	Water hose		1	
2	999 512 686 09	Hose clamp 17 X 12		4	
3	948 106 225 53	Cooling water tube Return line Cylinders 1 - 4		1	
4	948 106 017 51	Cooling water tube Supply Cylinders 1 - 4		1	
(4)	948 106 017 52	Cooling water tube Supply Cylinders 1 - 4		1	
5	948 106 227 53	Cooling water tube Supply Cylinders 5 - 8		1	
6	948 106 229 54	Cooling water tube Return line Cylinders 5 - 8		1	
7	999 134 047 02	Banjo bolt 8		4	
8	900 123 005 30	Sealing ring A 12 X 16		10	
9	999 136 051 02	Connection piece		2	
10	999 073 189 09	Torx screw M 6 X 12		2	
11	948 106 373 52	Water hose		1	
12	948 106 018 50	Clamp		1	
13	900 067 008 02	Pan-head screw M 6 X 12		1	
14	999 511 116 03	Clamp 10 X 15		1	
15	999 507 487 40	Cable holder 10,0 / 10,0		1	
16	999 511 253 00	Clamp 10 - 10 X 15		1	
17	900 377 010 09	Hexagon nut M 6		1	



Model: 9PA 03

Model life 2003>>2006



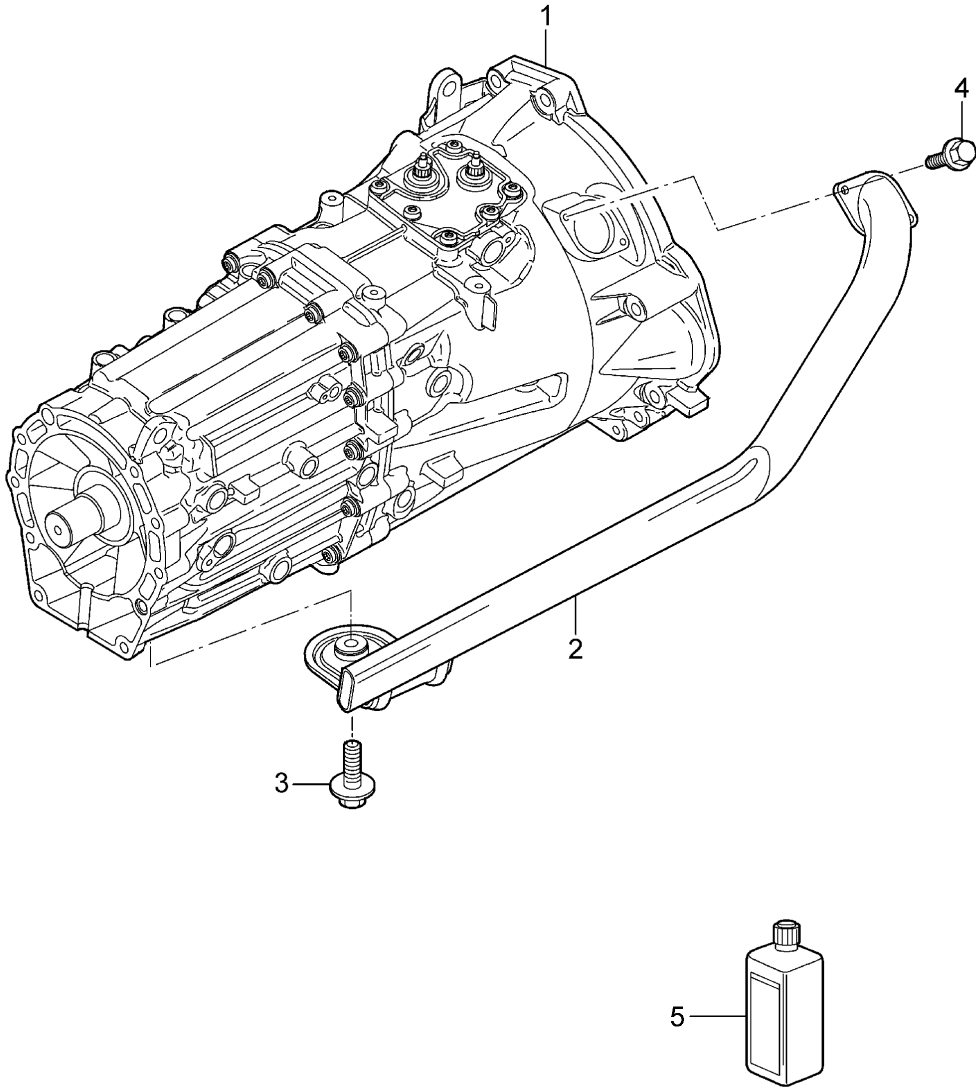
Model: 9PA 03

Model life 2003&gt;&gt;2006

Pos	Part Number	Description	Remark	Qty	Model
1	955 116 015 00	Clutch Repair kit Comprising: Drive plate Pressure plate	04-	1	IGOL M48.00
(1)	955 116 915 00	Repair kit Comprising: Drive plate Pressure plate		1	M02.2Y
2	N 903 086 05	Pan-head screw M 8 X 14 See workshop manual Group 3 Document 305019		6	
(2)	999 073 458 01	Screw M 8 X 16 See workshop manual Group 3 Document 305019		6	
3	955 116 080 00	Clutch release bearing		1	
4	955 116 719 00	Clutch release lever		1	
5	012 141 741	Retaining spring		1	
6	955 116 716 00	Ball pin		1	
7	955 301 181 00	Guide tube		1	
8	N 910 905 01	Torx screw M 6 X 12		4	

Model: 9PA 03

Model life 2003>>2006



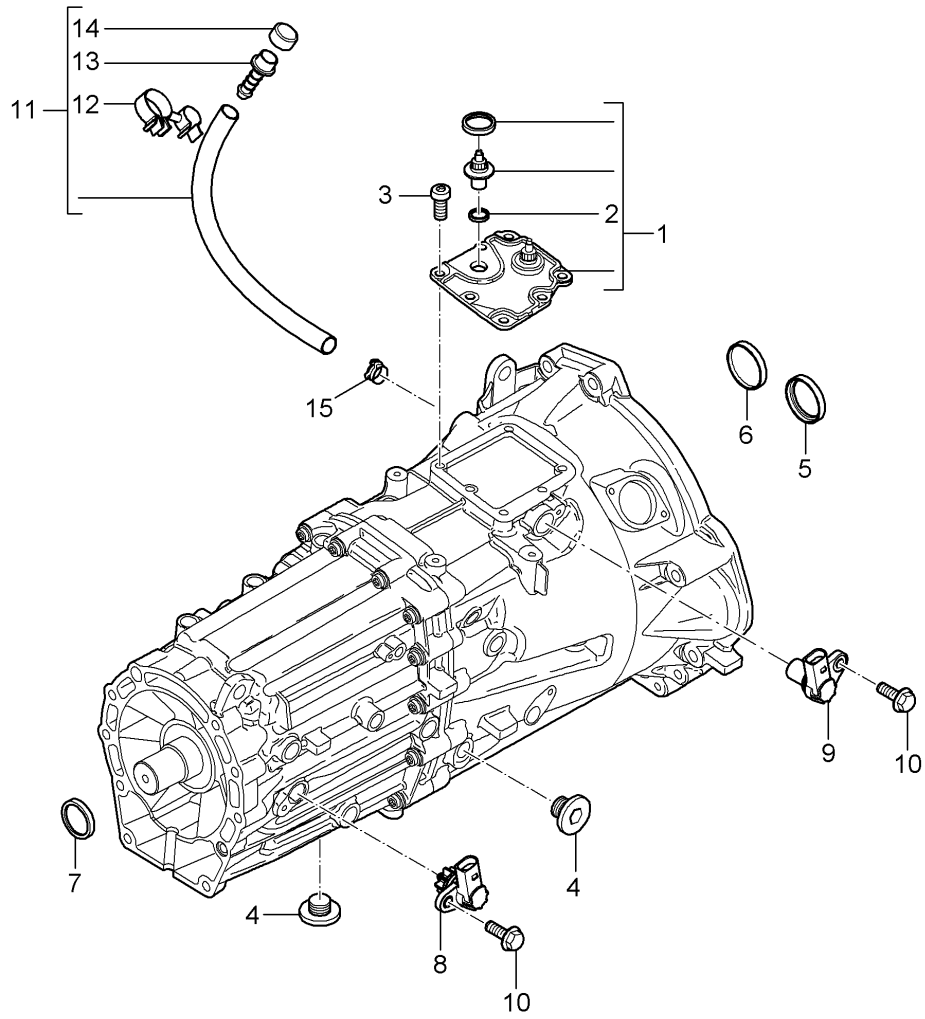
Model: 9PA 03

Model life 2003&gt;&gt;2006

Pos	Part Number	Description	Remark	Qty	Model
1	955 300 010 21	Replacement transmission Ready for installation	04-	1	IG0L
(1)	955 300 010 20	Replacement transmission Classification letter FFY		1	ID9K
2	955 116 047 00	Replacement transmission Classification letter GRE		1	ID9J
3	N 105 653 01	Air duct		1	ID9K
4	N 100 515 02	Combination screw M 10 X 45		1	ID9K
5	000 043 300 38	Combination screw M 6 X 15		2	ID9K
		Transmission oil Container 1 LITER		X	

Model: 9PA 03

Model life 2003>>2006



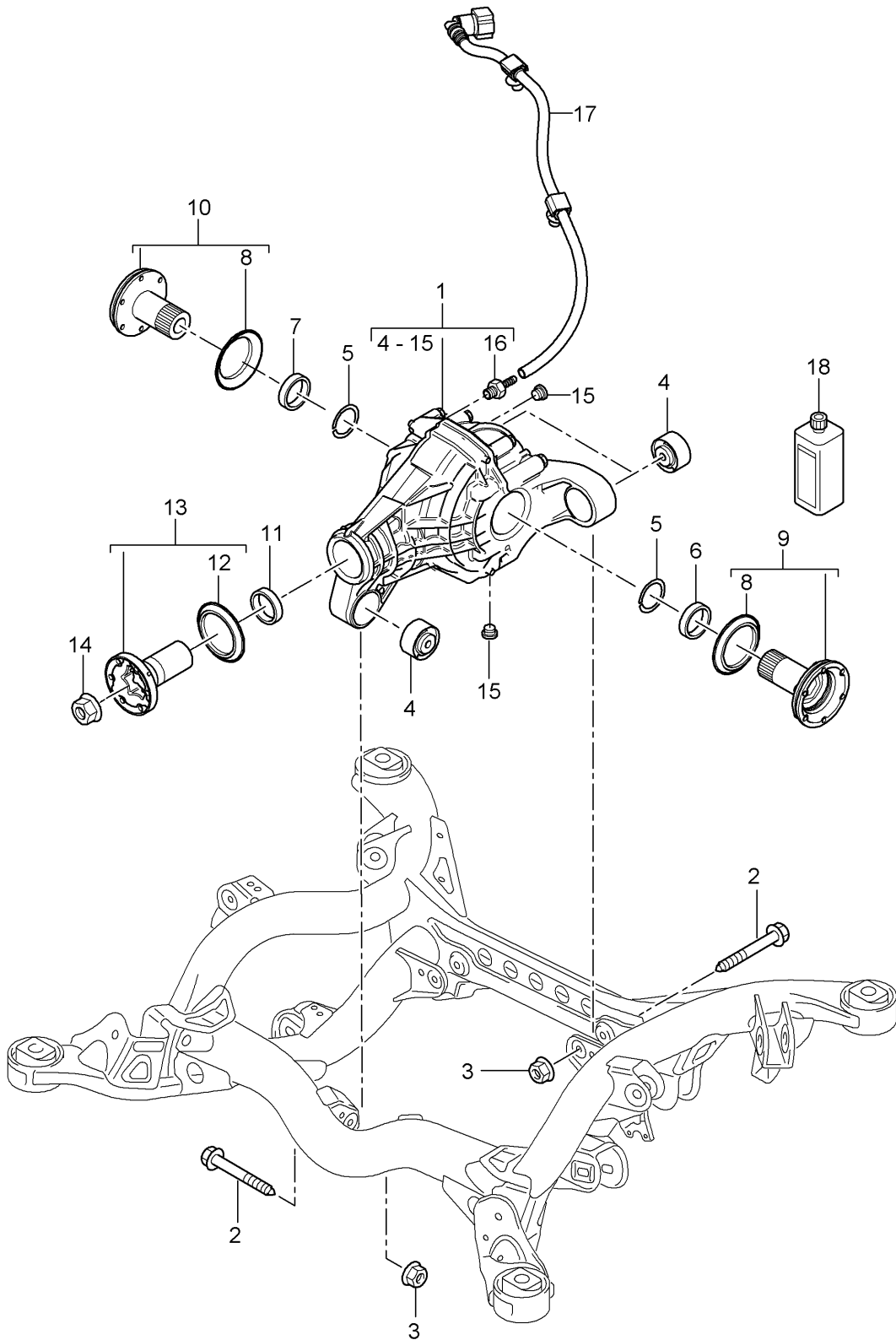
Model: 9PA 03

Model life 2003>>2006

Pos	Part Number	Description	Remark	Qty	Model
		Replacement transmission Manual transmission Single parts	04-		IG0L
1	955 301 230 10	Switching module		1	
2	955 301 227 00	Shaft sealing ring 15 X 21 X 7		1	
3	N 910 903 01	Pan-head screw M 8 X 28		7	
-	000 043 010 00	Loctite 574 50 ML. Surface sealing		X	
4	WHT 000 514	Switching module Screw plug M 18 X 1,5		2	
5	955 301 109 00	Radial shaft seal 39,9 X 70 X 9 for Drive shaft		1	
6	955 301 125 00	Lid		1	
7	955 301 189 00	Radial shaft seal 41 X 72 X 9 for Output shaft		1	
8	955 606 420 00	Back-up light switch		1	
9	955 606 827 00	Switch Idle speed		1	
10	N 901 678 01	Hexagon-head bolt M7 X 1,25 X 19		2	
(10)	N 901 678 05	Hexagon-head bolt M 7 X 1,25 X 19		2	
11	955 301 047 00	Bleeder 1360 MM It is necessary to rework 230 MM 260 MM Use also: Support N .103.283.01		1	ID9J ID9K
12	N 103 283 01	Support A01-13 X C05-25		1	
13	955 301 090 00	Connection piece		1	
14	014 301 485	Cap		1	
15	N 906 867 01	Hose clamp B 14 X 12		1	

Model: 9PA 03

Model life 2003>>2006



Model: 9PA 03

Model life 2003&gt;&gt;2006

Pos	Part Number	Description	Remark	Qty	Model
1	955 332 010 00	Rear axle differential Ready for installation		1	ID9K/G0R
1	955 332 010 01	Rear axle differential Ready for installation I = 4,1		1	ID9K/G0R
1	955 332 010 02	Rear axle differential Ready for installation i = 4,1 F >>9P5LA 50525 F >>9P5LA 80000		1	ID9K/G0R
1	955 332 010 20	Rear axle differential Ready for installation I = 4,56	04-	1	ID9J/G0R
1	955 332 010 30	Rear axle differential Ready for installation I = 4,1	04-	1	ID9J/G0L
1	955 332 010 50	Rear axle differential Ready for installation I = 3,7		1	ID9L
1		Rear axle differential Ready for installation I = 3,7		1	ID9K/G0L
(1)	955 332 010 51	Rear axle differential Ready for installation I = 3,7		1	ID9L
(1)		Rear axle differential Ready for installation I = 3,7		1	ID9K/G0L
2	N 102 112 01	Hexagon-head bolt AM 12 X 1,5 X 90		3	
(2)	N 102 112 02	Hexagon-head bolt AM 12 X 1,5 X 90		3	
3	N 104 029 01	Hexagon nut M 12 X 1,5		3	
3	N 104 029 04	Hexagon nut M 12 X 1,5		3	
4	955 332 337 00	Rubber mounting		3	
5	955 332 125 00	Circlip		2	
6	955 332 596 10	Shaft sealing ring 72 X 50 X 9		1	
7	955 332 596 00	Shaft sealing ring 82 X 50 X 9		1	
8	955 332 375 00	Protective ring		2	
9	955 332 283 00	Output flange Long F >>9P5LA 50525 F >>9P5LA 80000		1	ID9K/G0R
(9)	955 332 284 00	Output flange Short F 9P5LA 50526>> F 9P6LA 60061>>		1	ID9K/G0R
(9)		Output flange Short		1	ID9J/G0R
(9)		Output flange Short		1	ID9J/G0L
(9)	955 332 283 00	Output flange Long		1	ID9L
(9)		Output flange		1	ID9K/G0L



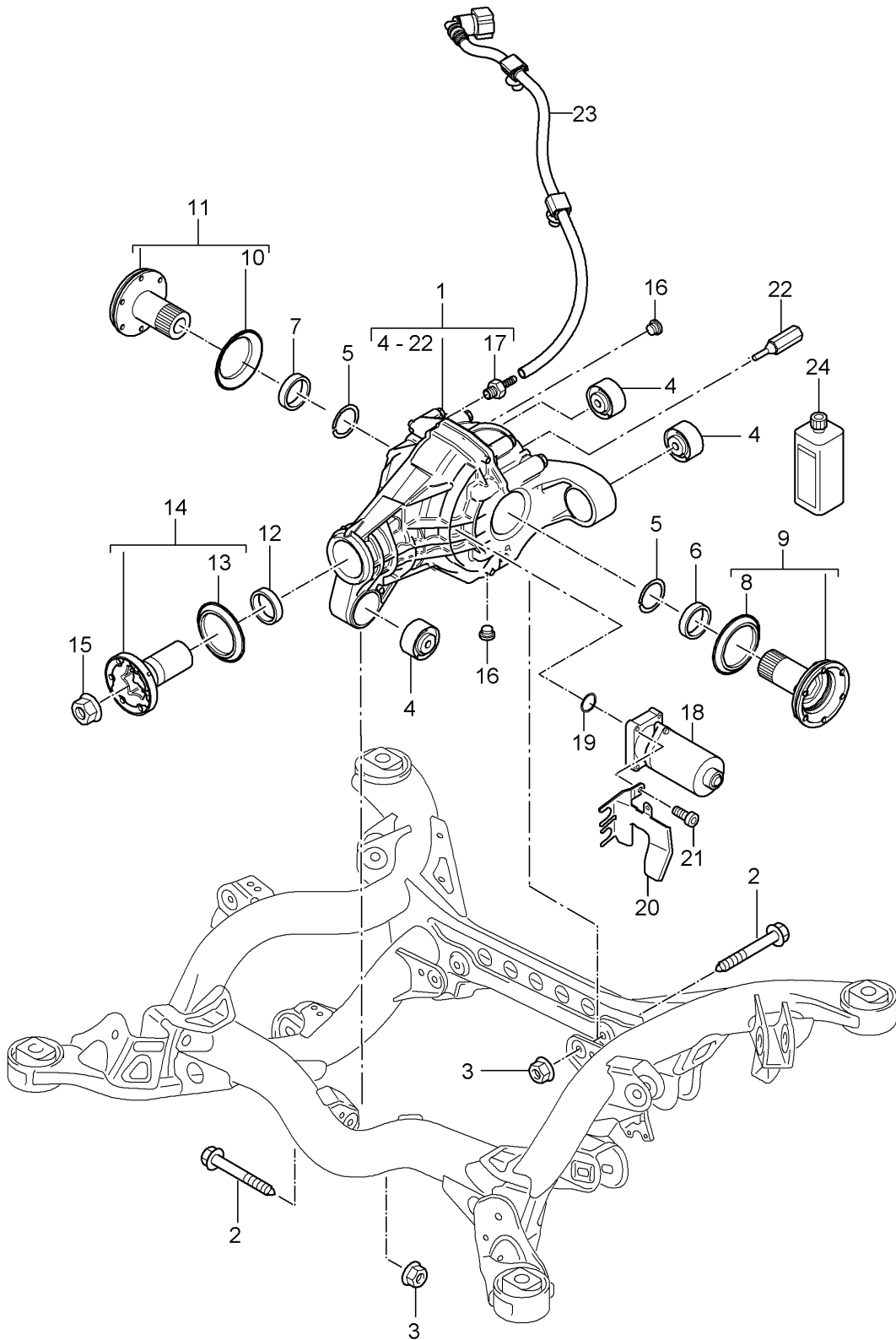
Model: 9PA 03

Model life 2003>>2006

Pos	Part Number	Description	Remark	Qty	Model
10		Long Output flange		1	ID9K/G0R
(10)	955 332 284 00	Long F >>9P5LA 50525 F >>9P5LA 80000 Output flange		1	ID9K/G0R
(10)		Short F 9P5LA 50526>> F 9P6LA 60061>> Output flange		1	ID9J/G0R
(10)		Short Output flange		1	ID9J/G0L
(10)	955 332 283 00	Short Output flange		1	ID9L
(10)		Long Output flange		1	ID9K/G0L
11	955 332 596 20	Long Shaft sealing ring 80 X 55 X 8		1	
12	955 332 375 20	Protective ring		1	
13	955 332 127 00	Drive flange		1	
14	955 332 427 00	Collar nut		1	
15	955 332 057 00	Screw plug		2	
16	955 332 065 20	Breather adapter		1	
17	955 201 255 05	Breather pipe		1	
18	000 043 205 30	Transmission oil 75 W 90 Container 1 LITER		X	

Model: 9PA 03

Model life 2003>>2006



Model: 9PA 03

Model life 2003&gt;&gt;2006

Pos	Part Number	Description	Remark	Qty	Model
1	955 332 020 50	Rear axle differential Ready for installation with Limited-slip differential Electric I = 3,7		1	I1Y1 ID9K/G0L
1		Rear axle differential Ready for installation with Limited-slip differential Electric I = 3,7		1	ID9L
1	955 332 020 51	Rear axle differential Ready for installation with Limited-slip differential Electric I = 3,7		1	ID9K/G0L
1		Rear axle differential Ready for installation with Limited-slip differential Electric I = 3,7		1	ID9L
1	955 332 020 00	Rear axle differential Ready for installation Limited-slip differential Electric I = 4,1		1	ID9K/G0R
1	955 332 020 01	Rear axle differential Ready for installation Limited-slip differential Electric I = 4,1		1	ID9K/G0R
1	955 332 020 20	Rear axle differential Ready for installation with Limited-slip differential Electric I = 4,1		1	ID9J/G0L
1	955 332 020 21	Rear axle differential Ready for installation with Limited-slip differential Electric I = 4,1	04-	1	ID9J/G0L
1	955 332 020 30	Rear axle differential Ready for installation with Limited-slip differential Electric I = 4,56	04-	1	ID9J/G0R
2	N 102 112 01	Hexagon-head bolt M 12 X 1,5 X 90		3	
(2)	N 102 112 02	Hexagon-head bolt M 12 X 1,5 X 90		3	
3	N 104 029 01	Hexagon nut M 12 X 1,5		3	

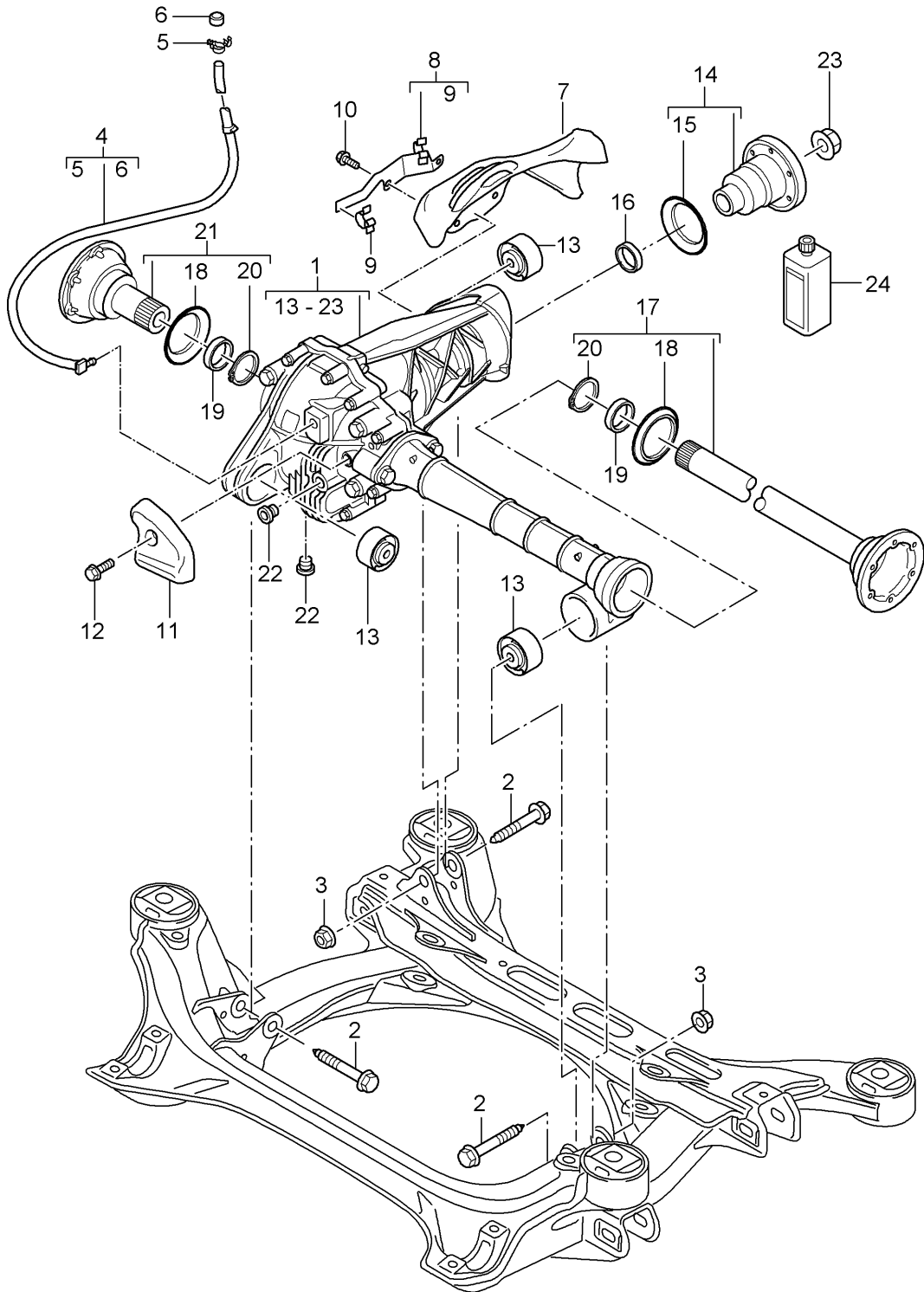
Model: 9PA 03

Model life 2003>>2006

Pos	Part Number	Description	Remark	Qty	Model
(3)	N 104 029 04	Hexagon nut M 12 X 1,5		3	
4	955 332 337 00	Rubber mounting		3	
5	955 332 125 00	Circlip		2	
6	955 332 596 30	Shaft sealing ring 100 X 80 X 10		1	
7	955 332 596 00	Shaft sealing ring 82 X 50 X 9		1	
8	955 332 375 10	Protective ring		1	
9	955 332 284 30	Output flange		1	
10	955 332 375 00	Protective ring		1	
11	955 332 283 30	Output flange		1	
12	955 332 596 20	Shaft sealing ring 80 X 55 X 8		1	
13	955 332 375 20	Protective ring		1	
14	955 332 127 00	Drive flange		1	
15	955 332 427 00	Collar nut M 22 X 1,5		1	
16	955 332 057 00	Screw plug M 16 X 1,5		2	
17	955 332 065 20	Breather adapter		1	
18	955 624 904 00	Electric motor for Limited-slip differential		1	
(18)	955 624 904 01	Electric motor for Limited-slip differential Use also:		1	
19	955 332 649 00	O-ring 955.332.649.00		1	
20	955 332 037 00	O-ring 25 X 2		1	
21	955 332 147 00	Retaining bracket		1	
22	955 332 169 00	Pan-head screw M 6 X 30		2	
23	955 201 255 05	Damper with O-ring		1	
24	000 043 300 37	Breather pipe		1	
		Transmission oil 75 W 90 Container 1 LITER		X	

Model: 9PA 03

Model life 2003>>2006



Model: 9PA 03

Model life 2003&gt;&gt;2006

Pos	Part Number	Description	Remark	Qty	Model
1	955 349 010 00	Front-axle final drive Ready for installation		1	ID9K/G0R
1		Front-axle final drive Ready for installation I = 4,1		1	ID9J/G0L
(1)	955 349 010 02	Front-axle final drive Ready for installation I = 4,1		1	ID9K/G0R
(1)		Front-axle final drive Ready for installation I = 4,1		1	ID9J/G0L
(1)	955 349 010 50	Front-axle final drive Ready for installation I = 3,7		1	ID9K/G0L
(1)		Front-axle final drive Ready for installation I = 3,7		1	ID9L
(1)	955 349 010 01	Front-axle final drive Ready for installation I = 3,7		1	ID9K/G0L
(1)		Front-axle final drive Ready for installation I = 3,7		1	ID9L
(1)	955 349 010 20	Front-axle final drive Ready for installation I = 4,56		1	ID9J/G0R
(1)	955 349 010 22	Front-axle final drive Ready for installation I = 4,56		1	ID9J/G0R
2	N 102 112 01	Hexagon-head bolt M 12 X 1,5 X 90		3	
(2)	N 102 112 02	Hexagon-head bolt M 12 X 1,5 X 90		3	
3	N 104 029 01	Hexagon nut M 12 X 1,5		2	
(3)	N 104 029 04	Hexagon nut M 12 X 1,5		2	
4	955 349 047 00	Vent line		1	ID9K/D9L
(4)	955 349 047 04	Vent line		1	ID9K/D9L
(4)	955 349 047 05	Vent line		1	ID9J
5	N 105 679 01	Support		1	ID9K/D9L
(5)	N 104 312 01	Hose holder		1	ID9J
6	014 301 485	Cap		1	
7	955 349 445 00	Heat shield		1	
8	955 349 447 00	Support		1	ID9K/D9L
(8)	955 349 447 01	Support		1	ID9K/D9L
9	955 349 543 00	Fixing clip		2	ID9K/D9L
(9)	955 349 543 03	Fixing clip		2	ID9K/D9L
10	N 910 335 01	Combination screw M 6 X 22		3	
11	955 349 346 00	Heat shield		1	ID9K/D9L
12	N 014 701 9	Pan-head screw M 6 X 12		1	ID9K/D9L
(12)	N 014 701 11	Pan-head screw M 6 X 12		1	ID9K/D9L
13	955 349 337 00	Rubber mounting		3	
14	955 349 127 00	Drive flange		1	
15	955 332 375 20	Protective ring		1	
16	955 349 189 00	Shaft sealing ring 80 X 50		1	

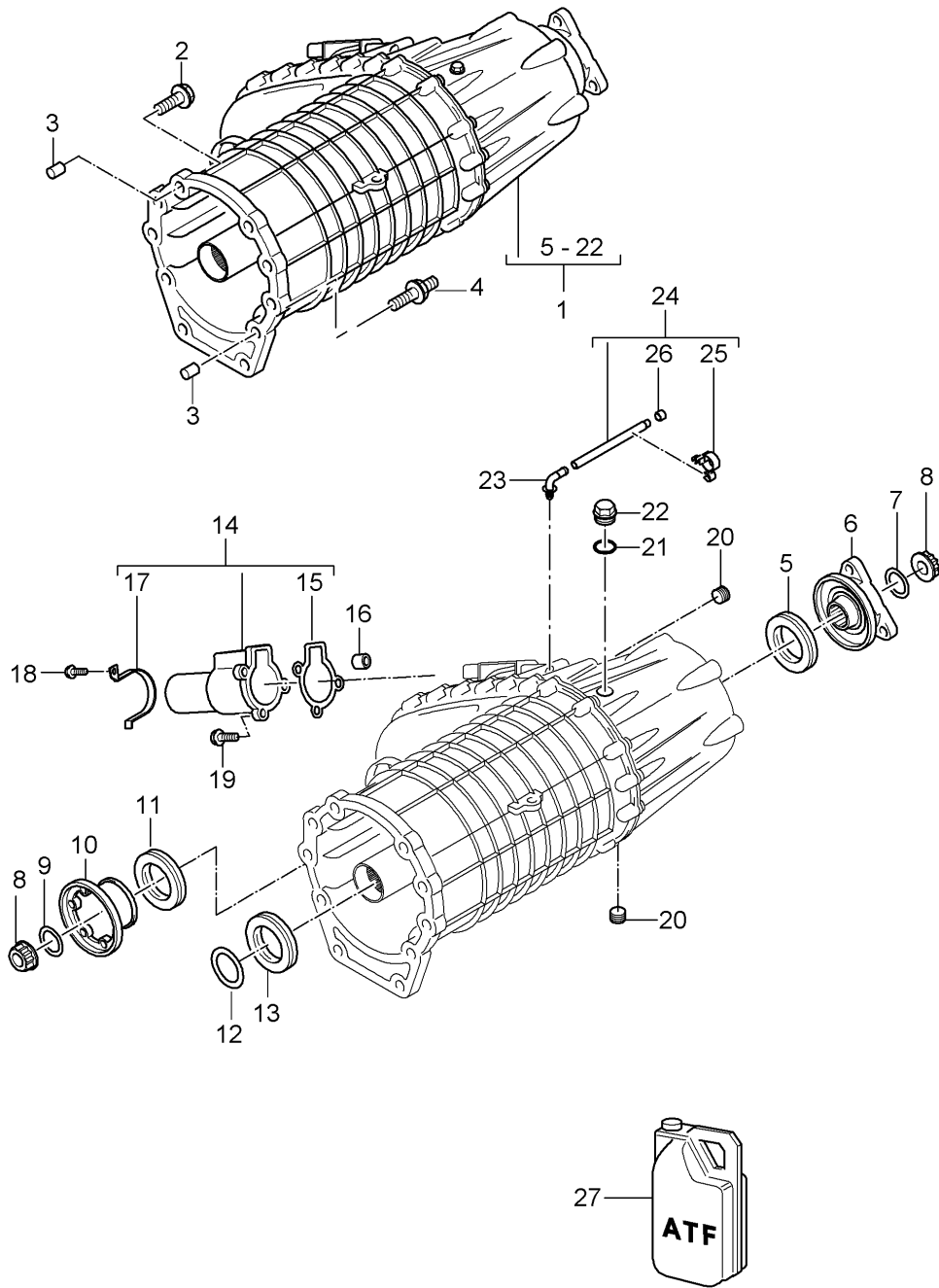
Model: 9PA 03

Model life 2003&gt;&gt;2006

Pos	Part Number	Description	Remark	Qty	Model
17	955 349 271 00	Output flange		1	
(17)	955 349 271 20	Output flange		1	
18	955 332 375 30	Protective ring		2	
19	955 349 189 10	Shaft sealing ring		2	
20	955 349 413 00	Circlip		2	
21	955 349 272 00	Output flange		1	
(21)	955 349 272 20	Output flange		1	
22	955 332 057 00	Screw plug M 16 X 1,5		2	
23	955 332 427 00	Collar nut M 22 X 1,5		1	
24	000 043 205 30	Transmission oil 75 W 90 1 LITER Container		X	

Model: 9PA 03

Model life 2003>>2006





Model: 9PA 03

Model life 2003&gt;&gt;2006

Pos	Part Number	Description	Remark	Qty	Model
1	955 341 040 01	Transfer box Ready for installation		1	ID9K
(1)	955 341 040 02	Transfer box Ready for installation Halslaenge 56,3 mm		1	ID9K
(1)	955 341 040 04	Transfer box Ready for installation		1	ID9K
(1)	955 341 040 51	Transfer box Ready for installation Halslaenge 41,3 mm		1	ID9L
(1)	955 341 040 52	Transfer box Ready for installation Halslaenge 41,3 mm		1	ID9L
(1)	955 341 040 54	Transfer box Ready for installation Classification letter JWK		1	ID9L
(1)	955 341 040 10	Transfer box Ready for installation Halslaenge 158,2 mm		1	ID9J/G0R
(1)	955 341 040 11	Transfer box Ready for installation Halslaenge 158,2 mm		1	ID9J/G0R
(1)	955 341 040 13	Transfer box Ready for installation Classification letter JWM		1	ID9J/G0R
(1)	955 341 040 20	Transfer box Ready for installation Halslaenge 139,9 mm		1	ID9J/G0L
(1)	955 341 040 21	Transfer box Ready for installation Halslaenge 139,9 mm		1	ID9J/G0L
(1)	955 341 040 23	Transfer box Ready for installation Classification letter JWL		1	ID9J/G0L
2	N 103 145 01	Hexagon-head bolt AM 10 X 50		9	
3	955 341 139 00	Dowel sleeve		2	
4	N 908 620 01	Double hollow screw AM 10 X 50-M 8 X 16		1	
5	955 321 199 00	Radial shaft seal 90 X 52 X 15		1	
6	955 341 271 10	Output flange		1	
7	955 341 323 00	Round seal 29,74 X 3,53		1	
8	955 341 204 00	Hexagon nut Workshop manual Attention		2	

Model: 9PA 03

Model life 2003&gt;&gt;2006

Pos	Part Number	Description	Remark	Qty	Model
(8)	955 341 204 01	Nut Workshop manual Attention		2	
9	955 301 323 00	Round seal 37,69 X 3,53		1	
10	955 341 271 00	Output flange		1	
11	955 321 199 20	Radial shaft seal 80 X 60 X 15		1	
(11)	955 321 199 21	Radial shaft seal 80 X 60 X 15		1	
12	955 341 323 10	Round seal 41,3 X 3,1		1	
13	955 321 199 10	Radial shaft seal 71 X 50 X 10		1	
14	955 624 601 00	Electric motor		1	
(14)	955 624 601 01	Electric motor See technical information Service Group 3 KD-NR. 3978 19/10		1	
15	955 341 131 00	Gasket Electric motor To Use for 955.624.601.00		1	
(15)	955 341 131 01	Gasket Electric motor To Use for 955.624.601.01		1	
16	955 341 992 00	Dowel sleeve		3	
17	955 341 447 00	Support Only for Electric motor 955.624.601.00		1	
18	N 905 330 02	Hexagon-head bolt M 6 X 20		2	
19	N 014 726 3	Pan-head screw M 8 X 30		3	
20	955 301 115 00	Screw plug 17,5 X 12		2	
21	N 013 816 5	Sealing ring A 18 X 24		1	
22	N 029 704 2	Screw plug M 18 X 1,5 X 12		1	
23	955 301 474 01	Breather pipe		1	
24	955 301 047 00	Bleeder 1360 MM It is necessary to rework 1270 MM Deleted Support Use also: N .105.679.01		1	
25	N 105 679 01	Support A1 - 13 X C5 - 25		1	
26	014 301 485	Cap		1	
-	N 013 813 1	Sealing ring A 12 X 17		1	

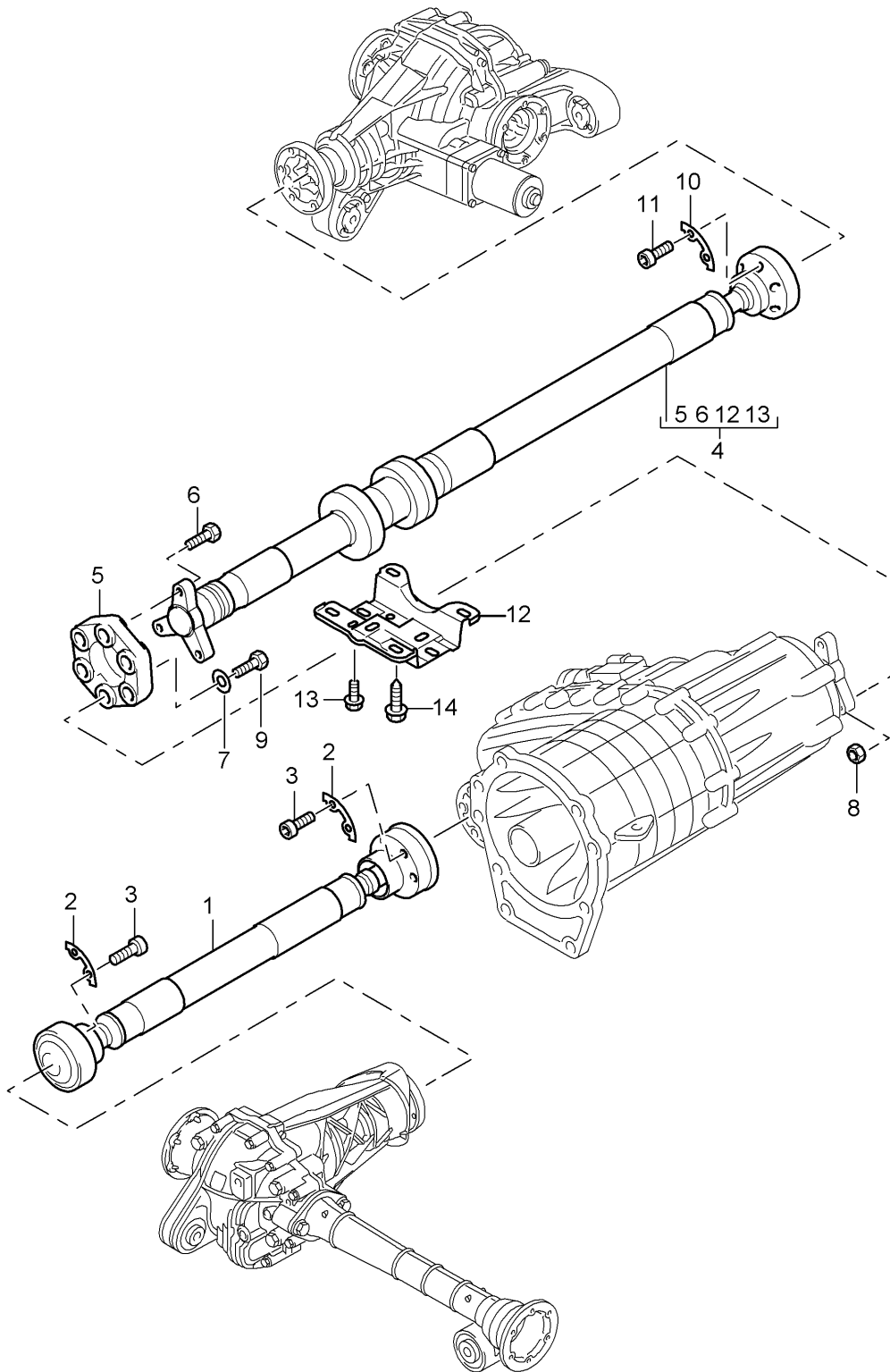
Model: 9PA 03

Model life 2003>>2006

Pos	Part Number	Description	Remark	Qty	Model
-	N 029 703 2	Replacement for Temperature sensor Screw plug M 12 X 1,5 X 12		1	
27	000 043 300 36	Replacement for Temperature sensor Transmission oil ATF 1 LITER Container Not available Transmission oil Complete Replace To Use 000.043.301.36 See workshop manual Group 3 Document 3990		X	

Model: 9PA 03

Model life 2003>>2006



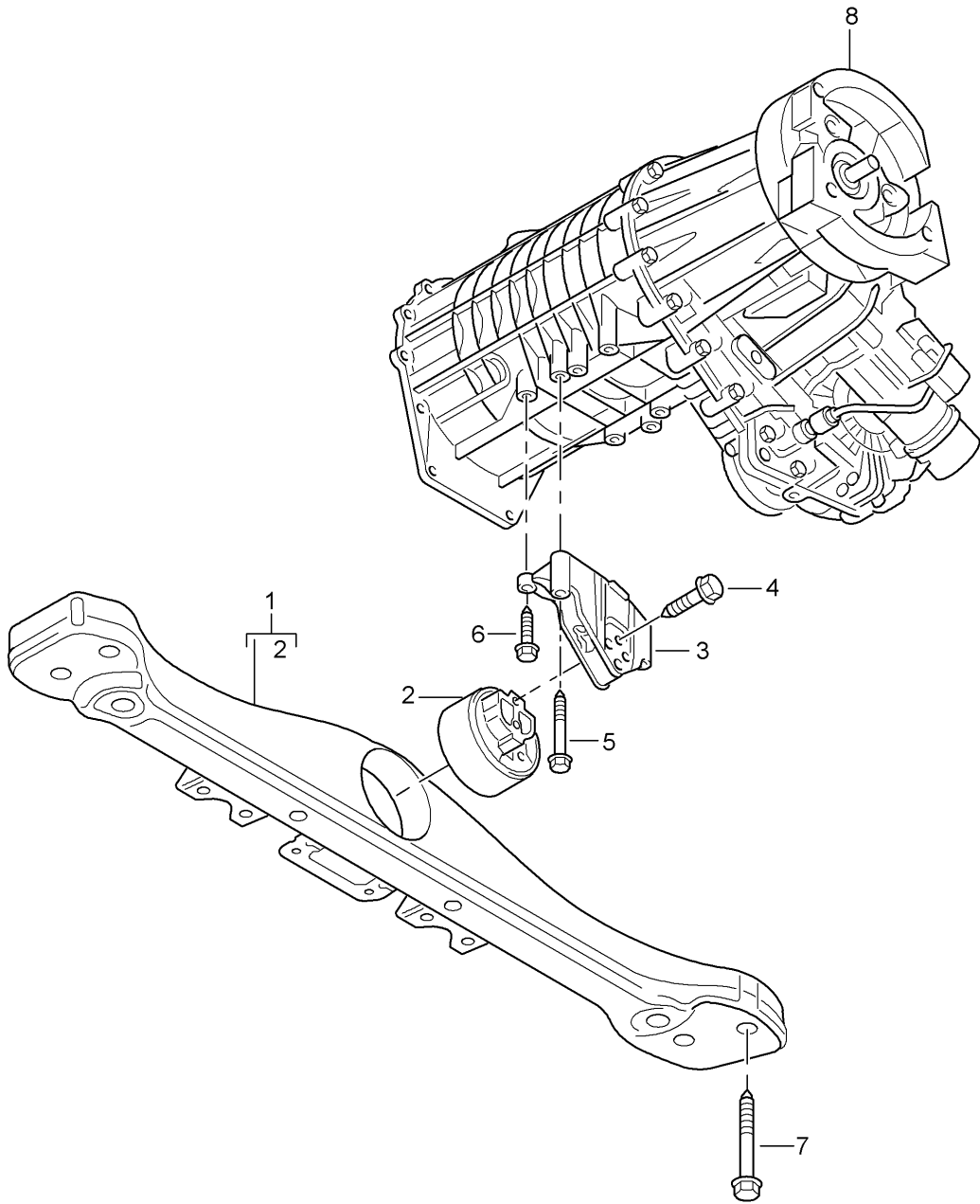
Model: 9PA 03

Model life 2003>>2006

Pos	Part Number	Description	Remark	Qty	Model
1	955 421 020 00	Cardan shaft		1	
(1)	955 421 020 02	Cardan shaft		1	
(1)	955 421 020 03	Cardan shaft		1	
2	955 349 191 20	Plate		6	
(2)	955 349 191 21	Plate		6	
3	N 909 417 01	Pan-head screw M 10 X 45		12	
(3)	N 909 417 03	Pan-head screw M 10 X 45		12	
4	955 421 020 10	Cardan shaft		1	
(4)	955 421 020 11	Cardan shaft		1	
(4)	955 421 020 12	Cardan shaft		1	
(4)	955 421 020 13	Cardan shaft		1	ID9J/D9K/D9L
(4)	955 421 020 20	Cardan shaft		1	
(4)	955 421 020 21	Cardan shaft		1	
(4)	955 421 020 23	Cardan shaft		1	IE8A/E81
5	955 421 010 00	Articulated piece Not available To Use Cardan shaft		1	
6	N 101 713 02	Hexagon-head bolt M 12 X 1,5 X 70 Not available To Use Cardan shaft		3	
(6)	N 101 713 03	Hexagon-head bolt M 12 X 1,5 X 70 Not available To Use Cardan shaft		3	
7	N 011 531 12	Washer A 13		3	
(7)	N 011 531 19	Washer A 13		3	
8	N 100 289 08	Hexagon nut M 12 X 1,5	-05	3	
(8)	N 100 289 10	Hexagon nut M 12 X 1,5	06-	3	
9	N 105 262 01	Hexagon-head bolt M 12 X 1,5 X 65		3	
(9)	N 105 262 02	Hexagon-head bolt M 12 X 1,5 X 65		3	
10	955 349 191 20	Plate		3	
(10)	955 349 191 21	Plate		3	
11	N 909 417 01	Pan-head screw M 10 X 45		6	
(11)	N 909 417 03	Pan-head screw M 10 X 45		6	
12	955 349 340 00	Support		1	
13	N 104 032 01	Hexagon-head bolt M 8 X 16		2	
(13)	N 104 032 03	Hexagon-head bolt M 8 X 16		2	
14	N 102 859 04	Hexagon-head bolt M 10 X 25		6	
(14)	N 106 978 01	Hexagon-head bolt M 10 X 30		6	

Model: 9PA 03

Model life 2003>>2006



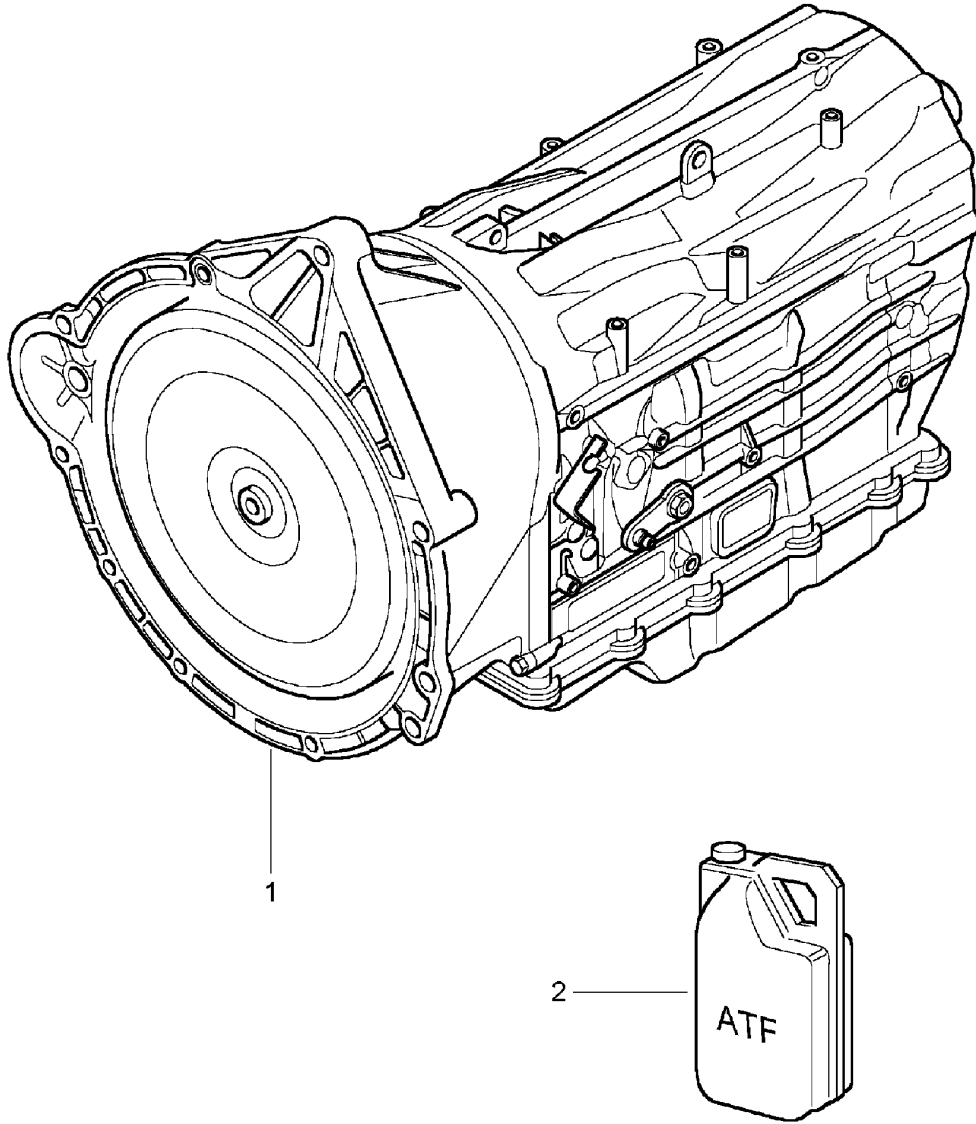
Model: 9PA 03

Model life 2003>>2006

Pos	Part Number	Description	Remark	Qty	Model
		Transfer box			
		Transmission suspension			
1	955 341 225 00	Transmission carrier		1	ID9K/D9L
(1)	955 341 225 10	Transmission carrier		1	ID9J
2	955 375 057 30	Transmission mounting		1	ID9K/D9L
(2)	955 375 057 20	Transmission mounting		1	ID9J
3	955 341 649 01	Transmission bracket		1	ID9K/D9L
(3)	955 341 649 03	Transmission bracket		1	ID9K/D9L
(3)	955 341 649 00	Transmission bracket		1	ID9J
(3)	955 341 649 02	Transmission bracket		1	ID9J
4	N 105 167 01	Hexagon-head bolt AM 10 X 55		2	
(4)	N 105 167 02	Hexagon-head bolt AM 10 X 55		2	
5	N 100 155 06	Hexagon-head bolt BM 8 X 70		2	
6	N 019 503 5	Hexagon-head bolt M 8 X 35		2	
(6)	N 019 503 8	Hexagon-head bolt M 8 X 35		2	
7	N 909 913 01	Hexagon-head bolt AM 10 X 80		4	
(7)	N 909 913 02	Hexagon-head bolt AM 10 X 80		4	
8	---	See illustrations 3/05/15			

Model: 9PA 03

Model life 2003>>2006





Model: 9PA 03

Model life 2003&gt;&gt;2006

Pos	Part Number	Description	Remark	Qty	Model
1	955 300 011 21	Tiptronic Replacement transmission Classification letter EKS		1	IG0R ID9K
1	955 300 011 23	Replacement transmission Classification letter GLF		1	ID9K
1	955 300 011 25	F >>9P4LA 48466 Replacement transmission Classification letter HAS		1	ID9K
1	955 300 011 27	F 9P4LA 48467>>9P6LA 43715 for vehicles up to F >>9P4LA 48466 Use also: Control unit 955.618.022.10		1	ID9K
1	955 300 011 22	Replacement transmission Classification letter JAA		1	ID9L
1	955 300 011 24	F 9P6LA 43716>> for vehicles up to F >>9P6LA 43715 Use also: Control unit 955.618.022.20		1	ID9L
1	955 300 011 26	Replacement transmission Classification letter EXT		1	ID9L
1	955 300 011 26	GLG F >>9P4LA 83830 Replacement transmission Classification letter HAT		1	ID9L
1	955 300 011 51	F 9P4LA 83831>>9P6LA 81706 for vehicles up to F >>9P4LA 83830 Use also: Control unit 955.618.021.10		1	ID9L
1	955 300 011 20	Replacement transmission Classification letter JAB		1	ID9J
1	955 300 011 00	F 9P6LA 81707>> for vehicles up to F >>9P6LA 81706 Use also: Control unit 955.618.021.20		1	ID9J
1	955 300 011 01	Replacement transmission Classification letter EXP		1	ID9J
1	955 300 011 01	GLK F >>9P4LA 01743 Replacement transmission Classification letter HAP		1	ID9J
		F 9P4LA 01744>>9P6LA 03709			

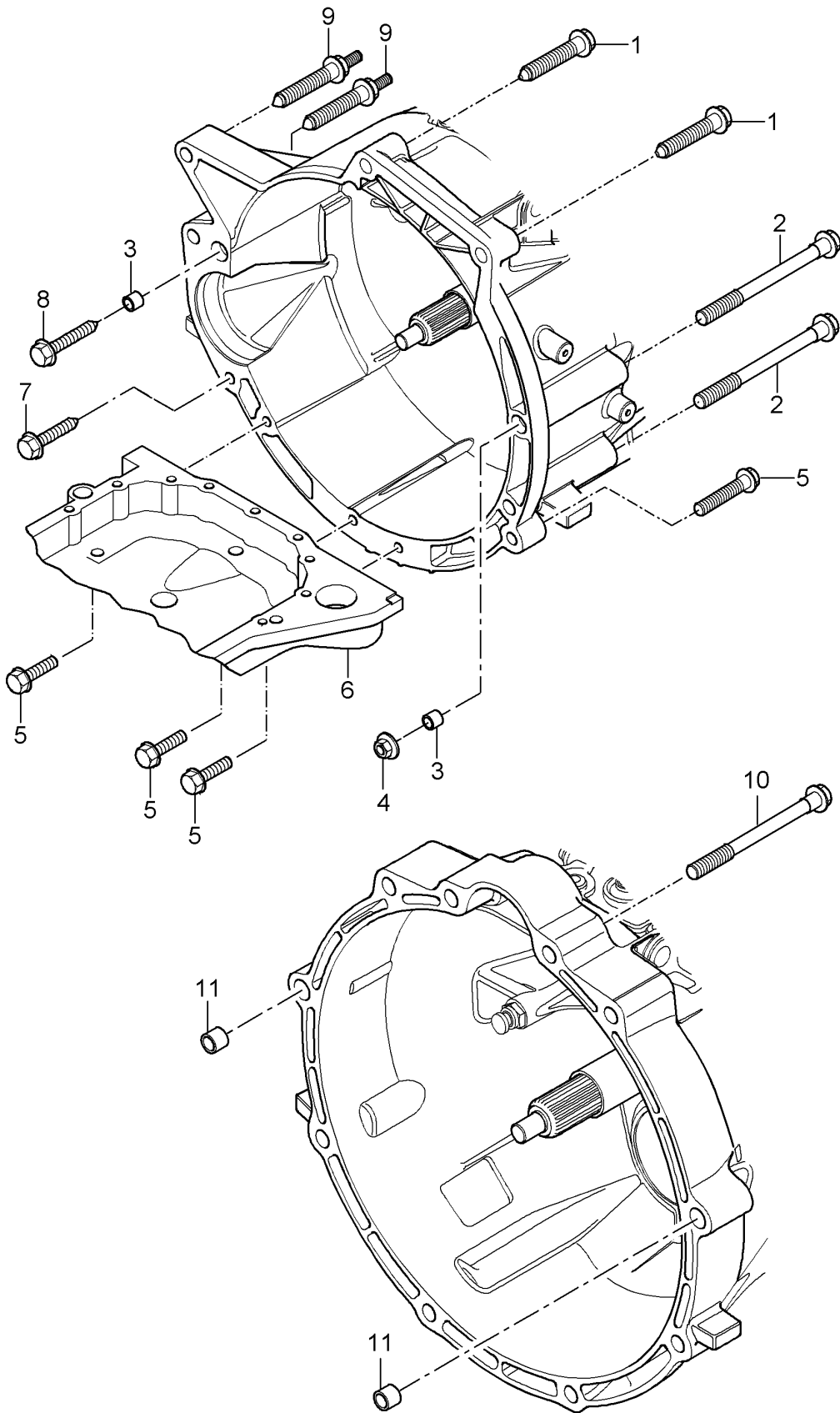
Model: 9PA 03

Model life 2003>>2006

Pos	Part Number	Description	Remark	Qty	Model
1	955 300 011 02	for vehicles up to F >>9P4LA 01743 Use also: Control unit 955.618.020.10 Replacement transmission Classification letter HZZ F 9P6LA 03710>> for vehicles up to F >>9P6LA 03709 Use also: Control unit 955.618.020.20		1	ID9J
2	000 043 205 28	Transmission oil ATF 1 LTR. Container		X	
(2)	958 300 901 00	Transmission oil ATF 1 LTR. Container		X	
(2)	000 043 205 29	Transmission oil ATF 20 LTR. Container		X	

Model: 9PA 03

Model life 2003>>2006



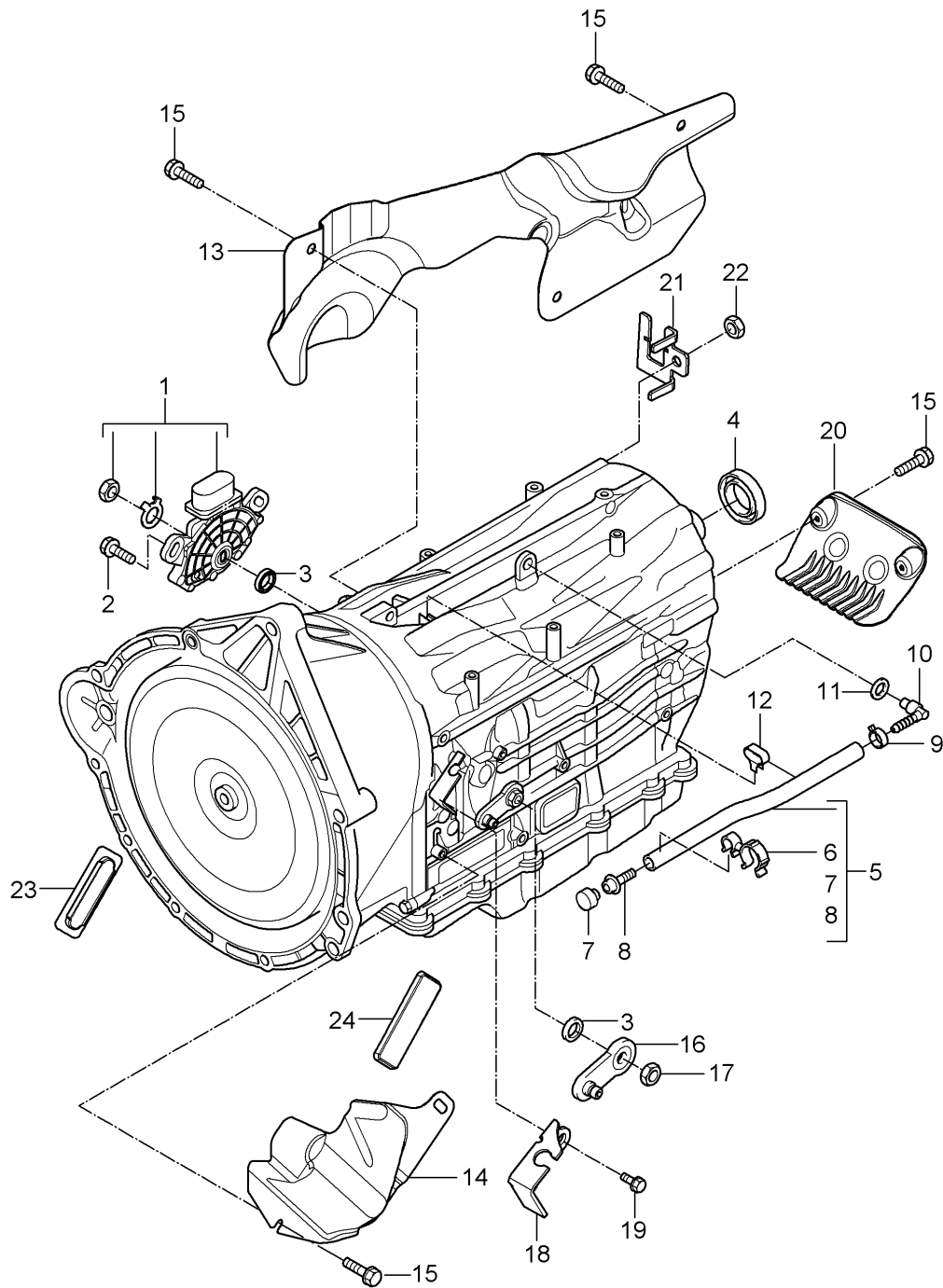
Model: 9PA 03

Model life 2003>>2006

Pos	Part Number	Description	Remark	Qty	Model
		Threaded joint Engine Transmission for Cayenne			ID9J
1	N 102 171 02	Hexagon-head bolt BM 12 X 60 X 48		3	
(1)	N 102 171 03	Hexagon-head bolt BM 12 X 60 X 48		3	
2	N 105 923 01	Hexagon-head bolt BM 12 X 140 X 49		2	
(2)	N 105 923 02	Hexagon-head bolt BM 12 X 140 X 49		2	
3		See illustrations 1/01/06 Pos.20		2	
4	N 104 748 01	Collar nut M 12 X 1,5		1	
(4)	N 104 748 03	Collar nut M 12 X 1,5		1	
5	N 103 145 01	Hexagon-head bolt AM 10 X 50		4	
6		See illustrations 1/01/06 Pos.21		1	
7		See illustrations 9/02/05 Pos.2		1	
8	N 104 091 02	Hexagon-head bolt AM 12 X 70		1	
(8)	N 104 091 04	Hexagon-head bolt AM 12 X 70		1	
9	N 907 682 02	Stud AM 12 X 60 / M 8 X 16 for Cayenne S And Cayenne turbo		2	ID9K
10	N 910 181 02	Hexagon-head bolt AM 12 X 1,5 X 70		10	ID9L
11		See illustrations 1/01/05 Pos.6		2	

Model: 9PA 03

Model life 2003>>2006

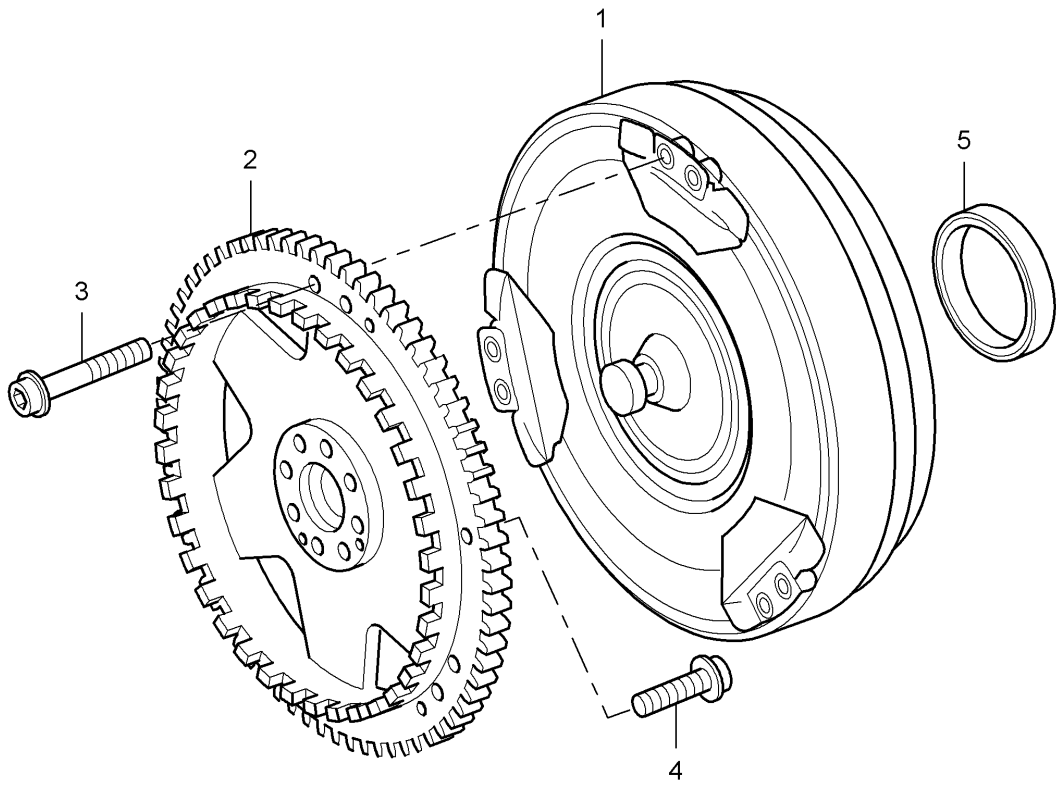


Model: 9PA 03 Model life 2003>>2006

Pos	Part Number	Description	Remark	Qty	Model
		Tiptronic Selector switch Accessories			IG0R
1	955 325 612 00	Selector switch		1	
2	WHT 000 325	Hexagon-head bolt M 6 X 20		2	
3	955 321 199 30	Radial shaft seal 11 X 22 X 7		2	
4	955 321 189 00	Radial shaft seal 41 X 72 X 11		1	
5	955 301 047 00	Bleeder 1360 MM It is necessary to rework 445 MM 540 MM Use also: Support		1	ID9J ID9K/D9L
6	N 103 283 01	Support N .105.679.01		1	ID9K/D9L
(6)	N 105 679 01	Support A01-13 X C05-25		1	ID9J
7	014 301 485	Support A01-13 X C05-22		1	ID9K/D9L
8	014 301 485	Cap		1	
9	955 301 090 00	Connection piece		1	
10	955 317 063 00	Clip		1	
11	955 301 381 00	Connection piece		1	
12	955 301 577 00	O-ring 8,2 x 1,9		1	
(12)	955 301 565 01	Clip G >> 05 01 03		1	
13	955 301 565 01	Clip G 06 01 03>>		1	
13	955 301 328 00	Heat shield Right	/R	1	
(13)	955 301 328 01	Heat shield Right	/R	1	
14	955 301 327 00	Heat shield Left	/L	1	ID9K/D9L
(14)	955 301 327 01	Heat shield Left	/L	1	ID9K/D9L
15	N 100 829 11	Combination screw M 6 X 16		8	
16	955 301 266 20	Selector lever		1	
17	N 902 891 05	Hexagon nut M 8		1	
18	955 301 165 20	Support		1	
19	900 378 017 01	Hexagon-head bolt M 8 X 20		2	
20	955 301 307 00	Heat shield		1	ID9K/D9L
21	955 301 502 00	Support for Wiring harness		1	
22	N 011 006 32	Hexagon nut M 6		1	
23	955 301 210 00	Lid Right	/R	1	ID9K/D9L
24		Lid Left	/L	1	ID9K/D9L

Model: 9PA 03

Model life 2003>>2006



Model: 9PA 03

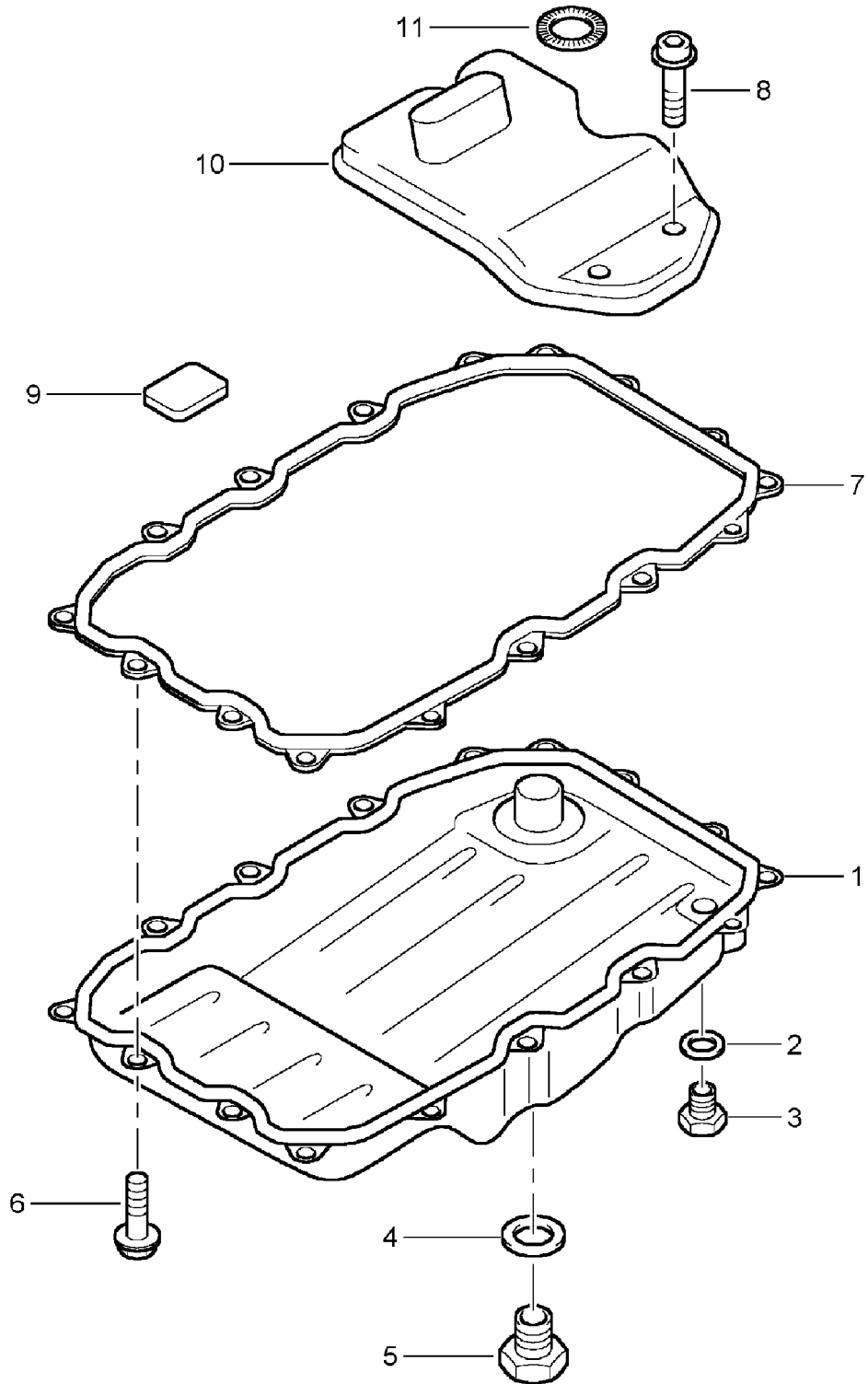
Model life 2003>>2006

Pos	Part Number	Description	Remark	Qty	Model
		Tiptronic Torque converter Drive plate			IG0R
1	955 316 001 01	Torque converter		1	ID9K
1	955 316 001 02	Torque converter		1	ID9K
1	955 316 001 51	Torque converter		1	ID9L
		F >>9P6LA 81706			
1	955 316 001 53	Torque converter		1	ID9L
		F 9P6LA 81707>>			
1	955 316 001 20	Torque converter	04-	1	ID9J
2	955 116 075 00	Drive plate		1	ID9K
(2)	955 116 075 50	Drive plate M >> 816 13853 M >> 826 05214		1	ID9K/D9L
(2)	955 116 075 51	Drive plate M 816 13854 >> M 826 05215 >>		1	ID9K/D9L
(2)	...	Drive plate See illustrations 1/02/02		1	ID9J
3	N 910 425 01	Pan-head screw M 10 X 1 X 23		6	ID9K/D9L
(3)	N 906 916 01	Pan-head screw M 10 X 1 X 17	04-	6	ID9J
4	N 909 869 01	Pan-head screw M 10 X 1 X 22		10	ID9K/D9L
(4)	...	Pan-head screw M 10 X 1 X 19 See illustrations 1/02/02		10	ID9J
5	955 321 243 00	Radial shaft seal 43,8 X 62,1 X 7,7 for Bush Version		1	
(5)	955 321 243 01	Radial shaft seal 43,65 X 62,1 X 7,7 for Needle-roller bearing Version		1	
(5)	955 321 243 02	Radial shaft seal 43,65 x 62,1 x 7,7 for Needle-roller bearing Use also: 955.301.729.00		1	



Model: 9PA 03

Model life 2003>>2006



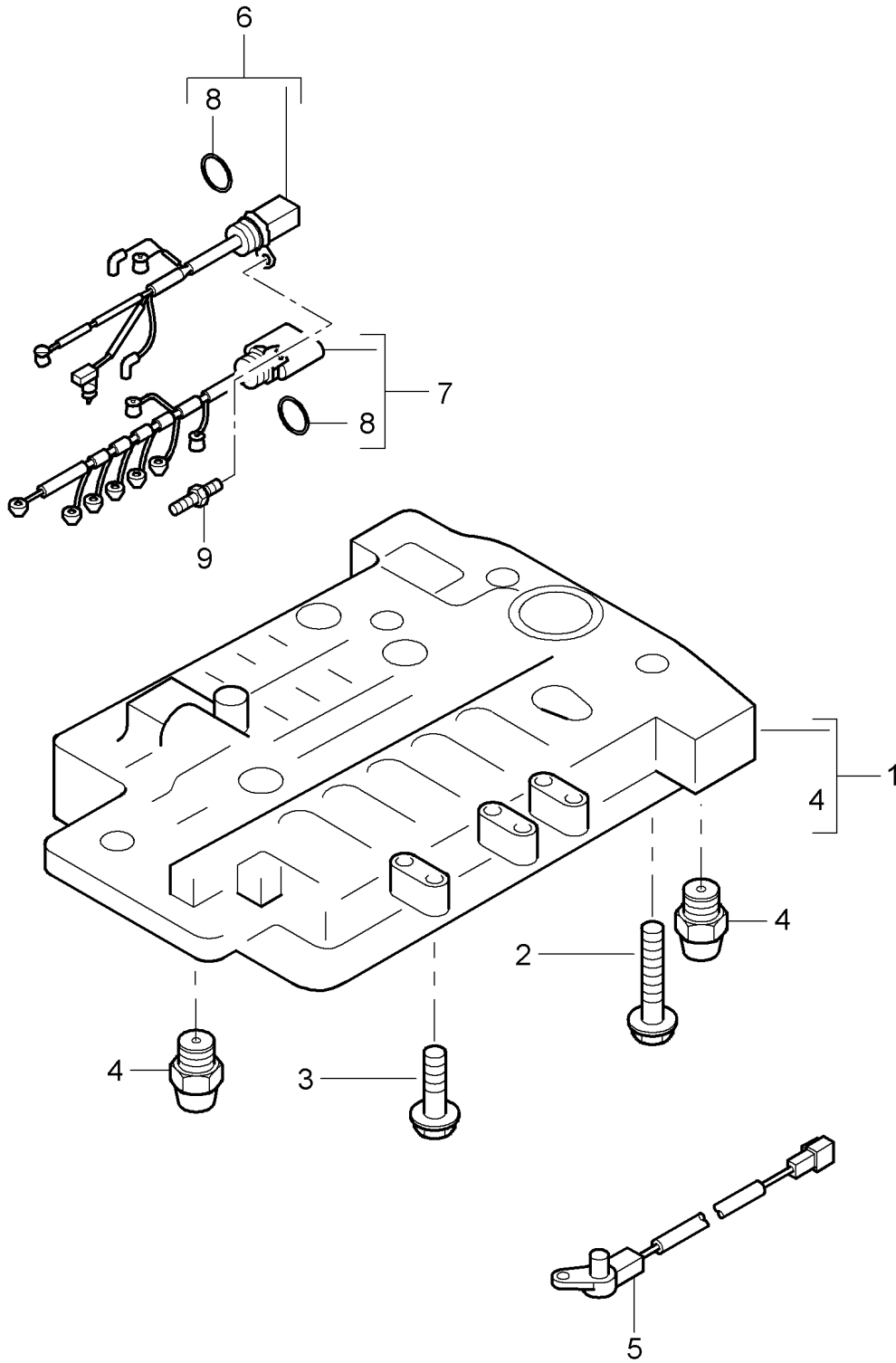
Model: 9PA 03

Model life 2003&gt;&gt;2006

Pos	Part Number	Description	Remark	Qty	Model
		Tiptronic Oil filter Oil pan Oil pan			IGOR
1	955 321 025 00		-04	1	
(1)	955 321 025 01	Oil pan	05-	1	
2	955 321 181 00	Sealing ring		1	
3	955 321 377 00	Drain plug M 10 X 1		1	
4	955 321 379 00	Sealing ring		1	
5	955 321 376 00	Screw plug M 24 X 1,5		1	
6	955 321 373 00	Hexagon-head bolt M 6 X 25		16	
7	955 397 016 00	Oil sump gasket		1	
8	WHT 000 322	Hexagon-head bolt M 6 X 12		3	
9	955 321 368 00	Magnet for Oil pan		1	
10	955 307 403 00	Oil filter		1	
11	955 325 443 00	Gasket		1	

Model: 9PA 03

Model life 2003>>2006



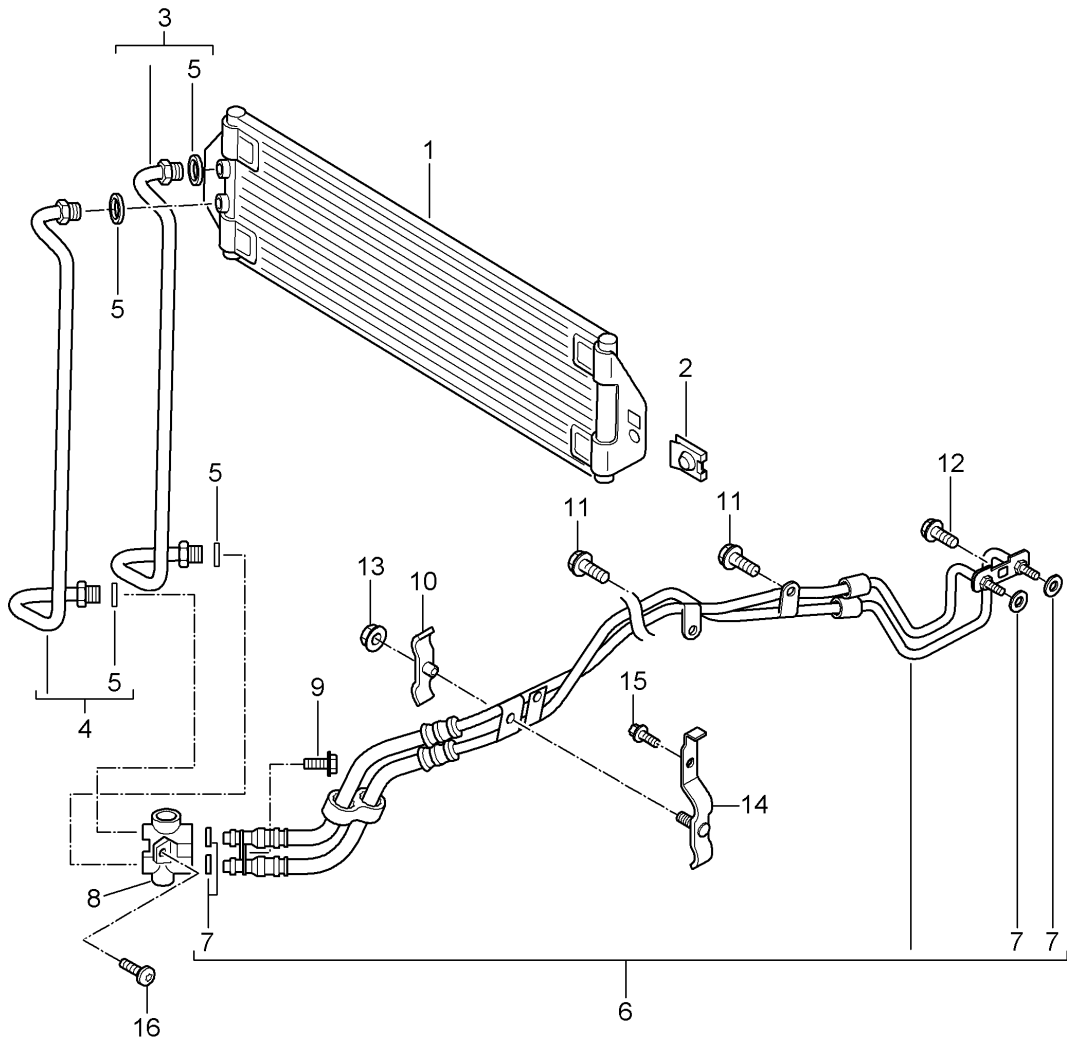
Model: 9PA 03

Model life 2003&gt;&gt;2006

Pos	Part Number	Description	Remark	Qty	Model
		Tiptronic			IG0R
1	955 325 039 00	Switch unit		1	ID9L
(1)	955 325 039 50	Switch unit F >>9P6LA 81706		1	ID9L
(1)	955 325 039 10	Switch unit F 9P6LA 81707>>		1	ID9J/D9K
(1)	955 325 039 11	Switch unit F >>9P6LA 03709 F >>9P6LA 43715		1	ID9J/D9K
2	WHT 000 321	Hexagon-head bolt F 9P6LA 03710>> M 6 X 40		3	
3	WHT 000 324	Hexagon-head bolt F 9P6LA 43716>> M 6 X 28		11	
4	955 606 081 00	Oil pressure switch F >>9P6LA 03709 F >>9P6LA 43715 F >>9P6LA 81706		2	
5	955 606 321 00	Inductive transmitter for Output speed	-05	1	
(5)	955 606 321 01	Inductive transmitter for Output speed	06-	1	
6	955 325 363 00	Wiring harness 8-pole	-05	1	
(6)	955 325 363 01	Wiring harness 8-pole F >>9P6LA 03709 F >>9P6LA 43715 F >>9P6LA 81706	06-	1	
(6)	955 325 363 02	Wiring harness 6-pole F 9P6LA 03710>> F 9P6LA 43716>> F 9P6LA 81707>>		1	
7	955 325 363 10	Wiring harness 14-pole	-05	1	
(7)	955 325 363 11	Wiring harness 14-pole F >>9P6LA 03709 F >>9P6LA 43715 F >>9P6LA 81706	06-	1	
(7)	955 325 363 12	Wiring harness 14-pole F 9P6LA 03710>> F 9P6LA 43716>> F 9P6LA 81707>>		1	
8	955 325 364 00	Sealing ring 21,8 X 2,4		2	
9	WHT 000 320	Hexagon-head bolt M 6 X 18 / M 6 X 10		1	

Model: 9PA 03

Model life 2003>>2006



Model: 9PA 03 Model life 2003>>2006

Pos	Part Number	Description	Remark	Qty	Model
		Tiptronic Atf cooler Atf lines Atf cooler Only together with Oil pipe 955.307.172.01 955.307.171.01 See technical information Service Group 3 KD-NR.3860 76 / 09		1	IGOR
(1)	955 307 017 03	Atf cooler Only together with Oil pipe 955.307.172.04 955.307.171.04 See technical information Service Group 3 KD-NR.3860 76 / 09		1	
2	N 012 648 3	Lock washer 8		2	
3	955 307 172 00	Oil pipe Return line		1	
(3)	955 307 172 01	Oil pipe Return line Only together with Atf cooler 955.307.017.00 See technical information Service Group 3 KD-NR.3860 76 / 09		1	
(3)	955 307 172 04	Oil pipe Return line with Combination screw Only together with Atf cooler 955.307.017.03 See technical information Service Group 3 KD-NR.3860 76 / 09		1	
4	955 307 171 00	Oil pipe Supply		1	
(4)	955 307 171 01	Oil pipe Supply Only together with Atf cooler 955.307.017.00 See technical information Service Group 3 KD-NR.3860 76 / 09		1	
(4)	955 307 171 04	Oil pipe Supply		1	

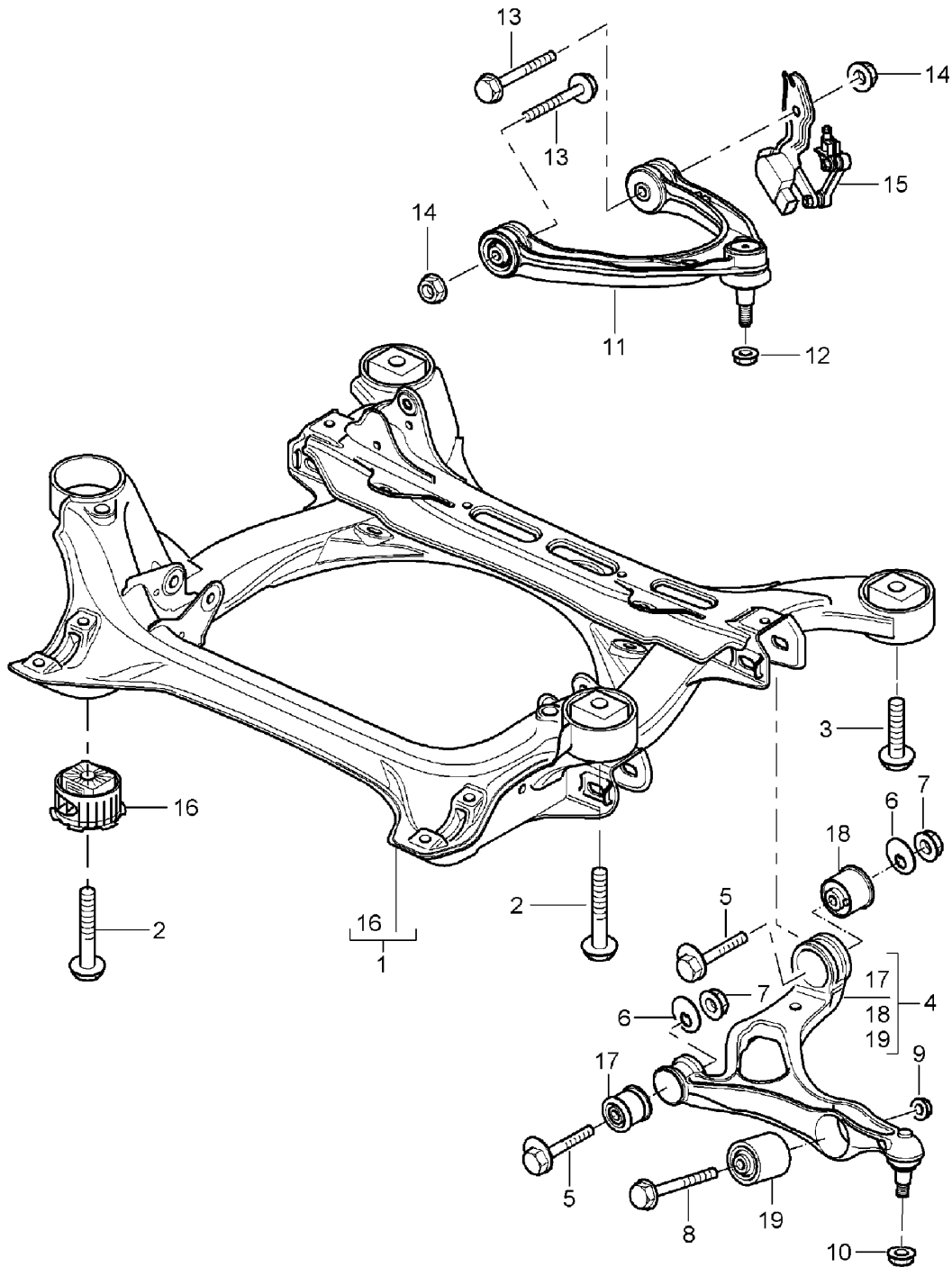
Model: 9PA 03

Model life 2003&gt;&gt;2006

Pos	Part Number	Description	Remark	Qty	Model
		with Combination screw Only together with Atf cooler 955.307.017.03 See technical information Service Group 3 KD-NR.3860 76 / 09			
5	948 307 292 00	Round seal 11.1 X 1,78		4	
(5)	955 307 292 00	O-ring 11,1 X 1,78		4	
6	955 307 073 00	Oil pipe Complete		1	ID9L
(6)	955 307 073 10	Oil pipe Complete		1	ID9K
(6)	955 307 073 20	Oil pipe Complete		1	ID9J
7	N 906 660 01	O-ring 11,5 X 3		4	
8	955 307 027 01	Thermostat		1	
9	N 908 424 01	Combination screw M 6 X 22		1	
10	955 307 211 00	Support		1	ID9K/D9L
11	N 090 242 3	Combination screw M 6 X 18		2	ID9J
(11)		Combination screw M 6 X 18		1	ID9K/D9L
12	N 090 329 2	Combination screw M 8 X 26		1	
13	N 904 465 01	Hexagon nut M 6		1	ID9K/D9L
14	948 307 147 01	Support		1	ID9K/D9L
15	900 385 041 09	Torx screw M 6 X 12		1	ID9K/D9L
16	N 104 514 04	Lens-head screw M 6 X 16		1	

Model: 9PA 03

Model life 2003>>2006





Model: 9PA 03

Model life 2003>>2006

Pos	Part Number	Description	Remark	Qty	Model
1	955 341 030 12	Suspension subframe Wishbone Headlight levelling system Self-levelling sensor		1 2	I1BA/8Q3 I1BK
(1)	955 341 030 12	Suspension subframe		1	
(1)	955 341 030 13	Suspension subframe		1	
(1)	955 341 030 14	Suspension subframe		1	
(1)	955 341 030 15	Suspension subframe		1	
(1)	955 341 030 16	Suspension subframe		1	
(1)	955 341 030 17	Suspension subframe		1	
(1)	955 341 030 18	Suspension subframe		1	
(1)	955 341 030 19	Suspension subframe		1	
(1)	955 341 030 20	Use also: N .909.987.02 N .910.093.02 Suspension subframe		2 2 1	
(1)	955 341 030 20	Use also: N .909.987.02 N .910.093.02		2 2	
2	N 909 987 01	Hexagon-head bolt M 14 X 1,5 X 150		2	
(2)	N 909 987 02	Hexagon-head bolt M 14 X 1,5 X 150		2	
3	N 909 988 01	Hexagon-head bolt M 14 X 1,5 X 115		2	
(3)	N 909 988 02	Hexagon-head bolt M 14 X 1,5 X 115		2	
(3)	N 910 093 02	Hexagon-head bolt M 14 X 1,5 X 120		2	
4	955 341 017 30	Wishbone Lower	/L	1	
(4)	955 341 017 32	Wishbone Lower	/L	1	
(4)	955 341 017 33	Wishbone Lower	/L	1	
(4)	955 341 017 50	Wishbone Lower	/L 05-	1	IE81
(4)		Wishbone Lower	/L 06-	1	IE8A
(4)	955 341 018 30	Wishbone Lower	/R	1	
(4)	955 341 018 32	Wishbone Lower	/R	1	
(4)	955 341 018 33	Wishbone Lower	/R	1	
(4)	955 341 018 50	Wishbone Lower	/R 05-	1	IE81
(4)		Wishbone Lower	/R 06-	1	IE8A
5	955 331 217 00	Eccentric screw M 14 X 1,5 X 105		4	
(5)	WHT 001 833	Eccentric screw M 14 X 1,5 X 102		4	
6	955 331 219 00	Eccentric washer		4	
(6)	WHT 001 796 A	Eccentric washer		4	
7	N 102 686 02	Hexagon nut		4	

Model: 9PA 03

Model life 2003&gt;&gt;2006

Pos	Part Number	Description	Remark	Qty	Model
(7)	WHT 001 938	M 14 X 1,5 Lock nut		4	
8	N 105 326 01	M 14 X 1,5 Hexagon-head bolt		2	
(8)	N 105 326 02	M 14 X 1,5 X 102 Hexagon-head bolt		2	
9	N 103 353 02	M 14 X 1,5 X 102 Hexagon nut		2	
(9)	N 103 353 04	M 14 X 1,5 Hexagon nut		2	
10	N 909 771 01	M 14 X 1,5 Hexagon nut		2	
11	955 341 027 00	M 14 X 1,5 Wishbone Upper		2	
(11)	955 341 027 01	Wishbone Upper		2	
(11)	955 341 027 02	Wishbone Upper		2	
12	N 909 413 01	Hexagon nut M 12 X 1,5		2	
13	N 102 902 04	Hexagon-head bolt AM 10 X 70		4	
(13)	N 102 902 06	Hexagon-head bolt AM 10 X 70		4	
14	N 102 861 02	Hexagon nut M 10		4	
(14)	N 102 861 10	Hexagon nut M 10		4	
15	955 341 075 10	Self-levelling sensor with Linkage	/L	1	I1BA/8Q3
(15)	955 341 075 11	Self-levelling sensor with Linkage	/L	1	I1BA/8Q3
-	955 341 371 01	Support Sensor	/L	1	I1BA/8Q3
-	955 631 121 00	Headlight levelling system Sensor	/L	1	I1BA/8Q3
-	N 104 343 01	Headlight levelling system Pan-head screw		2	I1BA/8Q3
-	955 341 375 01	M 5 X 10 Strut	/L	1	I1BA/8Q3
-	N 023 002 12	Completed Hexagon nut M 6		2	I1BA/8Q3
15	955 341 075 00	Self-levelling sensor with Linkage	/L	1	I1BK
(15)	955 341 075 20	F >>9P4LA 01525 F >>9P4LA 48415 F >>9P4LA 83739 Self-levelling sensor with Linkage	/L	1	I1BK
(15)	955 341 075 21	F 9P4LA 01526>> F 9P4LA 48416>> F 9P4LA 83740>> Self-levelling sensor with Linkage	/L	1	I1BK
(15)	955 341 076 00	Self-levelling sensor with	/R	1	I1BK

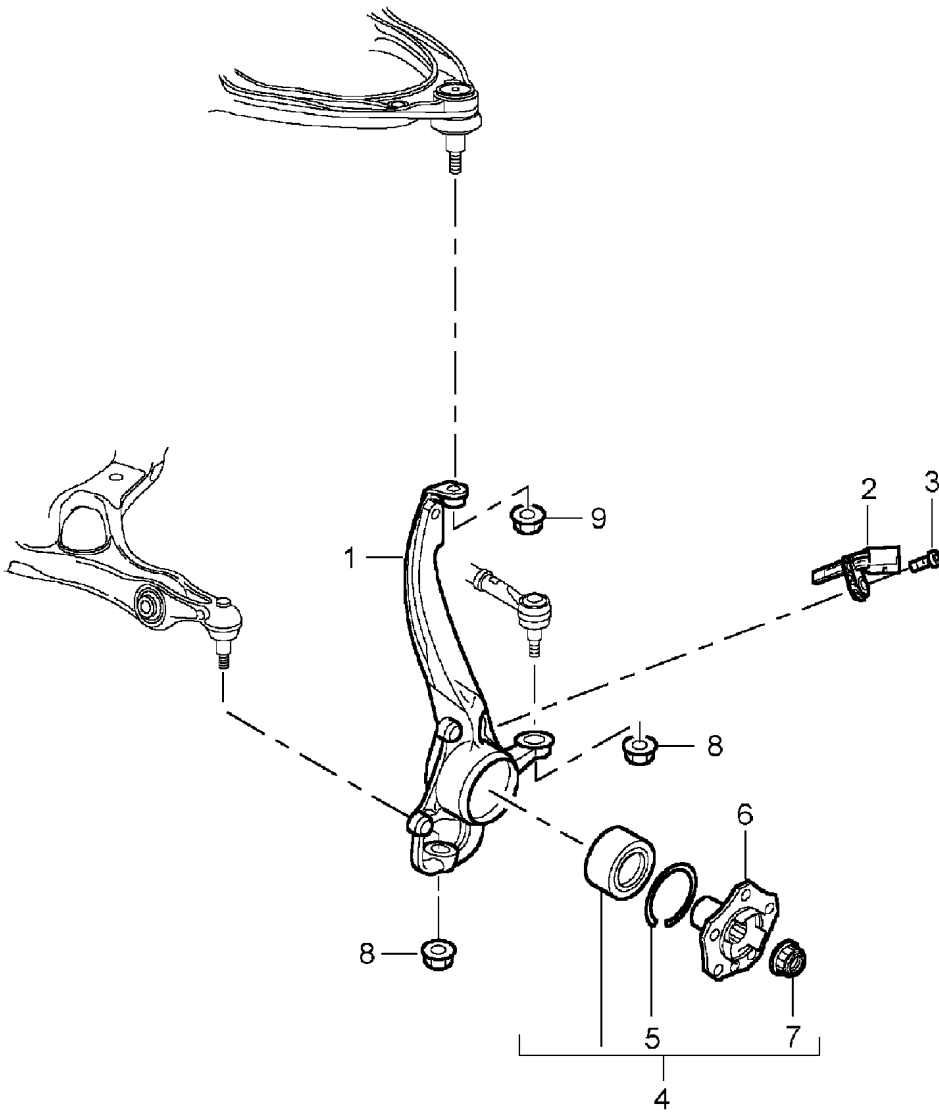
Model: 9PA 03

Model life 2003>>2006

Pos	Part Number	Description	Remark	Qty	Model
(15)	955 341 076 20	Linkage F >>9P4LA 01525 F >>9P4LA 48415 F >>9P4LA 83739 Self-levelling sensor with Linkage	/R	1	I1BK
(15)	955 341 076 21	F 9P4LA 01526>> F 9P4LA 48416>> F 9P4LA 83740>> Self-levelling sensor with Linkage	/R	1	I1BK
16	955 341 133 00	Bonded rubber mounting		4	
(16)	955 341 133 01	Bonded rubber mounting Use also: N .909.987.02 N .910.093.02		4	
17	955 341 588 10	Link bearing		2	
18	955 341 242 03	Hydraulic mount		2	
(18)	955 341 242 04	Hydraulic mount		2	
(18)	955 341 242 50	Bonded rubber mounting	05-	2	IE81
(18)		Bonded rubber mounting	06-	2	IE8A
19	955 343 243 01	Suspension strut mounting		2	

Model: 9PA 03

Model life 2003>>2006



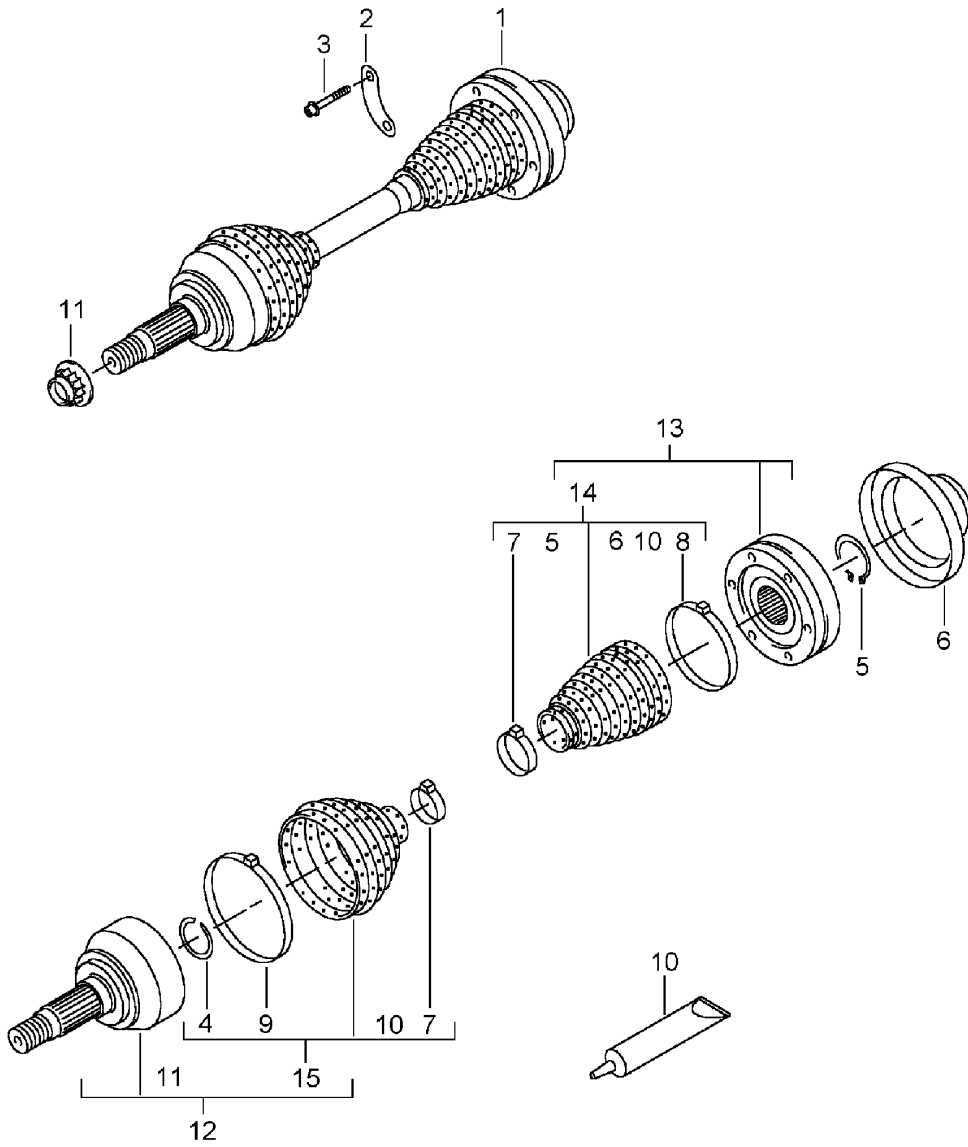
Model: 9PA 03

Model life 2003&gt;&gt;2006

Pos	Part Number	Description	Remark	Qty	Model
		Pivot bearing			
		Wheel hub			
1	955 341 155 10	Pivot bearing	/L	1	
(1)	955 341 156 10	Pivot bearing	/R	1	
2	955 606 405 10	Speed sensor	/L	1	
(2)	955 606 405 11	Speed sensor	/L	1	
(2)	955 606 405 12	Speed sensor	/L	1	
(2)	955 606 406 10	Speed sensor	/R	1	
(2)	955 606 406 11	Speed sensor	/R	1	
3	N 014 740 4	Pan-head screw M 6 X 16		2	
(3)	N 014 740 11	Pan-head screw M 6 X 16		2	
4	955 341 901 00	Repair kit Angular-contact bearing Use also: N .105.234.01 for Mount Drive shaft		2	
5	N 105 320 01	Circlip		2	
6	955 341 605 10	Wheel hub		2	
(6)	955 341 605 11	Wheel hub		2	
7	955 341 640 00	Lock nut		2	
8	N 909 771 01	Hexagon nut M 14 X 1,5		4	
9	N 909 413 01	Hexagon nut M 12 X 1,5		2	
-	000 043 204 21	Grease Spraying can 25 ML		1	
-	G 052 778 A2	Grease Spraying can 25 ML		1	

Model: 9PA 03

Model life 2003>>2006



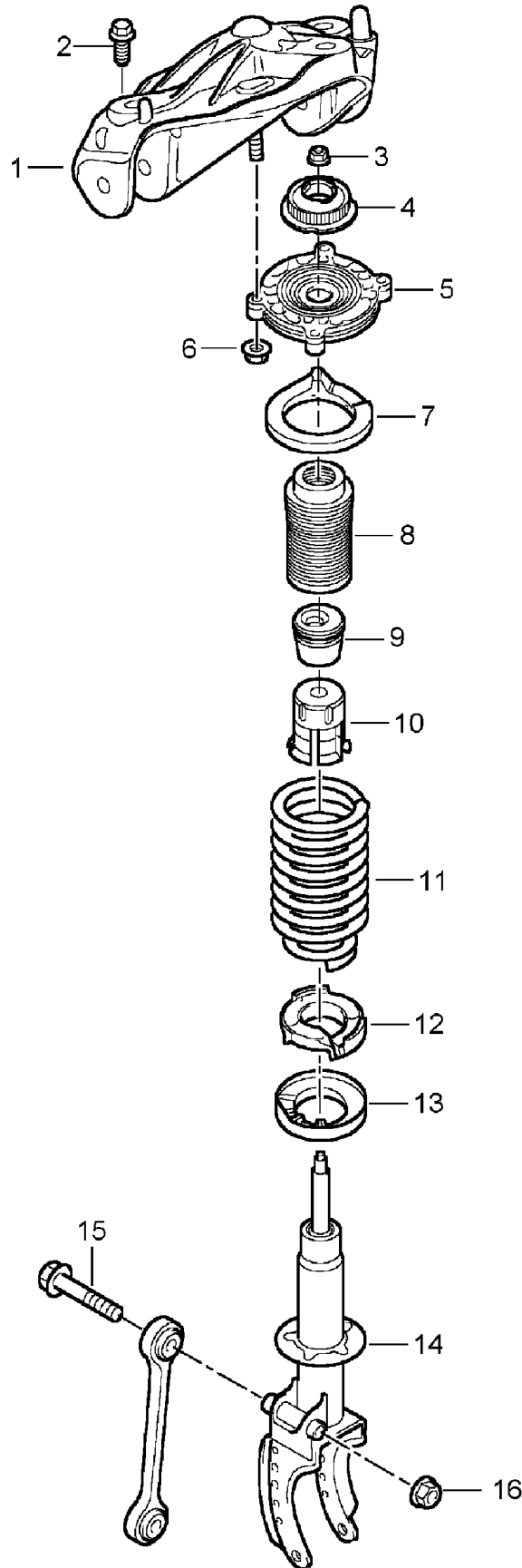
Model: 9PA 03

Model life 2003>>2006

Pos	Part Number	Description	Remark	Qty	Model
		Drive shaft see Quick Information: 14/08			
1	955 349 038 10	Drive shaft		2	
(1)	955 349 038 11	Drive shaft		2	
(1)	955 349 038 12	Drive shaft		2	
2	955 349 191 10	Plate		6	
(2)	955 349 191 11	Plate		6	
3	N 105 234 01	Pan-head screw AM 10 X 52		12	
4	N 909 908 01	Circlip 27,5 X 2		2	
5	N 012 374 1	Circlip 28 X 1,5		2	
6		Lid		X	
7	N 909 341 01	Hose clamp 35 X 10 X 0,8		4	
(7)	N 908 240 01	Hose clamp 34,5 X 10 X 0,8		4	
8	N 106 015 01	Clamp 74,5 X 10 X 1		2	
9	N 909 343 01	Hose clamp 105 X 10 X 1		2	
(9)	N 910 235 01	Hose clamp 104,5 X 10 X 1		2	
10	955 349 110 00	Grease Drive shaft 1 tube 120 GR.		X	
11	955 341 640 00	Lock nut M 24 X 1,5		2	
12	955 349 901 00	Repair kit Joint flange		2	
(12)	955 349 901 01	Repair kit Joint flange		2	
(12)	955 349 901 02	Repair kit Joint flange		2	
13	955 349 902 00	Repair kit Joint		2	
(13)	955 349 902 01	Repair kit Joint		2	
14	955 349 903 00	Repair kit Dust bellows		2	
(14)	955 349 903 01	Repair kit Dust bellows		2	
15	955 349 904 00	Repair kit Dust bellows		2	
-	000 043 020 00	Optimoly 1 100-gramme tube		X	
-	000 043 205 36	Sealing compound Drive shaft 1 100-gramme tube		X	

Model: 9PA 03

Model life 2003>>2006





Model: 9PA 03 Model life 2003>>2006

Pos	Part Number	Description	Remark	Qty	Model
		suspension Shock absorber strut Bearing bracket Bearing bracket		2	I1BA
1	955 343 015 20				
(1)	955 343 015 21	Bearing bracket		2	
2	N 910 400 01	Combination screw AM 10 X 37		6	
(2)	N 910 400 02	Combination screw AM 10 X 37		6	
3	N 909 664 01	Hexagon nut M 12 X 1,5 F >>9P6LA 04007 F >>9P6LA 44107		2	
(3)	N 909 664 02	Hexagon nut M 12 X 1,5 F 9P6LA 04008>> F 9P6LA 44108>>		2	
4	955 343 018 00	Supporting mount		2	
5	955 343 071 10	Concave support		2	
6	N 104 355 02	Hexagon nut M 8		8	
(6)	N 104 355 06	Hexagon nut M 8		8	
7	955 343 528 00	Concave washer Upper		2	
8	955 343 505 00	Boot		2	
9	955 343 301 00	Rubber stop		2	
10	955 343 503 10	Cap		2	
11	955 343 533 03	Coil spring 1 set	04-	1	ID9J/0JA/0JB
	955 343 533 03 504	Identification Yellow			
11	955 343 533 04	Coil spring 1 set	04-	1	ID9J/0JC/0JD
	955 343 533 04 504	Identification Yellow Yellow			
11	955 343 533 05	Coil spring 1 set		1	ID9K/0JC/0JD
	955 343 533 05 504	Identification Gold-coloured			
11	955 343 533 06	Coil spring 1 set		1	ID9K/0JE/0JF
	955 343 533 06 504	Identification Gold-coloured Gold-coloured			
12	955 343 527 00	Concave washer Lower		2	
13	955 343 525 00	Compensating plate Lower Black		2	
(13)	955 343 525 10	Compensating plate Lower Blue		2	
(13)	955 343 525 20	Compensating plate Lower Beige		2	
14	955 343 043 00	Shock absorber -SACHS- F >>9P6LA 04007	/L 04-	1	ID9J
(14)	955 343 044 00	Shock absorber	/R 04-	1	ID9J

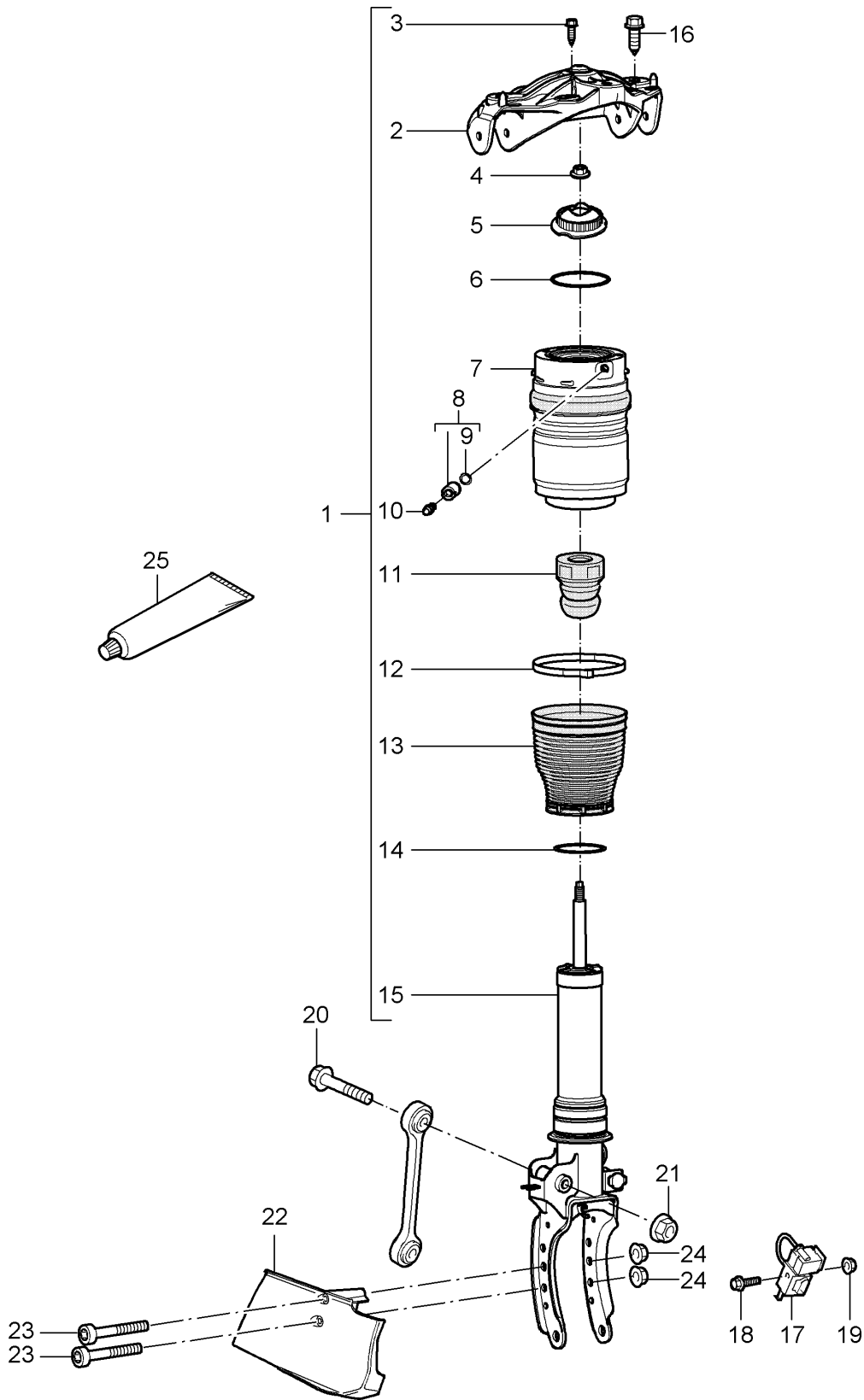
Model: 9PA 03

Model life 2003&gt;&gt;2006

Pos	Part Number	Description	Remark	Qty	Model
(14)	955 343 043 11	-SACHS- F >>9P6LA 04007 Shock absorber	/L	1	ID9K
(14)	955 343 044 11	-SACHS- F >>9P6LA 44107 Shock absorber	/R	1	ID9K
(14)	955 343 043 12	-SACHS- F >>9P6LA 44107 Shock absorber	/L	1	
(14)	955 343 044 12	-SACHS- F 9P6LA 04008>> F 9P6LA 44108>> Shock absorber	/R	1	
15	N 105 760 01	-SACHS- F 9P6LA 04008>> F 9P6LA 44108>> Hexagon-head bolt M 12 X 1,5 X 125		2	
(15)	N 105 760 02	Hexagon-head bolt M 12 X 1,5 X 125		2	
16	N 104 029 01	Hexagon nut M 12 X 1,5		2	
(16)	N 104 029 04	Hexagon nut M 12 X 1,5		2	

Model: 9PA 03

Model life 2003>>2006



Model: 9PA 03

Model life 2003>>2006

Pos	Part Number	Description	Remark	Qty	Model
1	955 343 033 20	suspension Spring strut Spring strut Complete See workshop manual Group 4 43-01IN00	/L	1	I1BK ID9J
(1)	955 343 033 21	F >>9P4LA 01525 Spring strut Complete See workshop manual Group 4 43-01IN00	/L	1	ID9J
(1)	955 343 033 22	F 9P4LA 01526>>9P6LA 04148 Spring strut Complete See workshop manual Group 4 43-01IN00	/L	1	ID9J
(1)	955 343 033 42	F 9P6LA 04149>> Spring strut Complete See workshop manual Group 4 43-01IN00	/L	1	ID9K/D9L
(1)	955 343 033 43	Spring strut Complete See workshop manual Group 4 43-01IN00	/L	1	ID9K/D9L
(1)	955 343 033 44	F >>9P4LA 48415 F >>9P4LA 83739 Spring strut Complete See workshop manual Group 4 43-01IN00	/L	1	ID9K/D9L
(1)	955 343 033 45	F 9P4LA 48416>>9P6LA 44325 F 9P4LA 83740>>9P6LA 81935 Spring strut Complete See workshop manual Group 4 43-01IN00	/L	1	ID9K/D9L
(1)	955 343 033 50	F 9P6LA 44326>> F 9P6LA 81936>> Spring strut Complete See workshop manual Group 4 43-01IN00	/L	1	IE81
(1)	955 343 033 51	F >>9P6LA 81932 Spring strut Complete See workshop manual Group 4 43-01IN00	/L	1	IE81
(1)		F 9P6LA 81933>> Spring strut Complete See workshop manual Group 4 43-01IN00	/L	1	IE8A

Model: 9PA 03

Model life 2003&gt;&gt;2006

Pos	Part Number	Description	Remark	Qty	Model
(1)	955 343 034 20	Spring strut Complete See workshop manual Group 4 43-01IN00 F >>9P4LA 01525 F >>9P4LA 21526	/R	1	ID9J
(1)	955 343 034 21	Spring strut Complete See workshop manual Group 4 43-01IN00 F 9P4LA 01526>>9P6LA 04148	/R	1	ID9J
(1)	955 343 034 22	Spring strut Complete See workshop manual Group 4 43-01IN00 F 9P6LA 04149>>	/R	1	ID9J
(1)	955 343 034 42	Spring strut Complete See workshop manual Group 4 43-01IN00	/R	1	ID9K/D9L
(1)	955 343 034 43	Spring strut Complete See workshop manual Group 4 43-01IN00 F >>9P4LA 48415 F >>9P4LA 83739	/R	1	ID9K/D9L
(1)	955 343 034 44	Spring strut Complete See workshop manual Group 4 43-01IN00 F 9P4LA 48416>>9P6LA 44325 F 9P4LA 83740>>9P6LA 81935	/R	1	ID9K/D9L
(1)	955 343 034 45	Spring strut Complete See workshop manual Group 4 43-01IN00 F 9P6LA 44326>> F 9P6LA 81936>>	/R	1	ID9K/D9L
(1)	955 343 034 50	Spring strut Complete See workshop manual Group 4 43-01IN00 F >>9P6LA 81932	/R	1	IE81
(1)	955 343 034 51	Spring strut Complete See workshop manual Group 4 43-01IN00 F 9P6LA 81933>>	/R	1	IE81
(1)	955 343 034 51	Spring strut Complete See workshop manual Group 4 43-01IN00	/R	1	IE8A
2	955 343 015 30	Bearing bracket		2	

Model: 9PA 03 Model life 2003>>2006

Pos	Part Number	Description	Remark	Qty	Model
(2)	955 343 015 31	Bearing bracket		2	
3	N 101 277 06	Hexagon-head bolt M 8 x 26 F >>9P6LA 04148 F >>9P6LA 44325 F >>9P6LA 81932		8	
(3)	N 101 277 07	Hexagon-head bolt M 8 X 26 F 9P6LA 04149>> F 9P6LA 44326>> F 9P6LA 81933>>		8	
4	N 909 664 01	Hexagon nut M 12 x 1,5 F >>9P6LA 04148 F >>9P6LA 44325 F >>9P6LA 81932		2	
(4)	N 909 664 02	Hexagon nut M 12 X 1,5 F 9P6LA 04149>> F 9P6LA 44326>> F 9P6LA 81933>>		2	
5	955 343 018 10	Supporting mount		2	
6	N 910 956 01	Sealing ring 96 x 4		2	
7	955 358 403 10	Air spring	/L	1	ID9J
(7)	955 358 403 21	Air spring	/L	1	ID9J
(7)	955 358 404 10	Air spring	/R	1	ID9J
(7)	955 358 404 21	Air spring	/R	1	ID9J
(7)	955 358 403 00	Air spring	/L	1	ID9K/D9L
(7)	955 358 403 31	Air spring	/L	1	ID9K/D9L
(7)	955 358 404 00	Air spring	/R	1	ID9K/D9L
(7)	955 358 404 31	Air spring	/R	1	ID9K/D9L
8	955 358 720 00	Pressure holding valve with Sealing ring See workshop manual Group 4 43-36		2	
(8)	955 358 720 02	Pressure holding valve with Sealing ring See workshop manual Group 4 43-36		2	
-	N 904 142 01	Screw plug M 10 X 1 See workshop manual Group 4 43-36		X	
-	000 043 300 57	Cleaning agent See workshop manual Group 4 43-36		X	
-	000 043 300 58	Preservative See workshop manual Group 4 43-36		X	
9	955 358 722 00	Sealing ring 8 x 1,5		2	

Model: 9PA 03

Model life 2003&gt;&gt;2006

Pos	Part Number	Description	Remark	Qty	Model
10	955 358 541 00	Push-on connector Air tube		2	
11	955 343 301 10	Rubber stop		2	
12	955 358 725 00	Clamp		2	
13	955 343 505 10	Bellows		2	
14	N 904 324 02	Sealing ring 70 x 4		2	
15	955 343 043 20	Shock absorber -SACHS- F >>9P6LA 04148 F >>9P6LA 44325 F >>9P6LA 81935	/L	1	ID9J/D9K/D9L
(15)	955 343 043 21	Shock absorber -SACHS- F 9P6LA 04149>> F 9P6LA 44326>> F 9P6LA 81936>>	/L	1	ID9J/D9K/D9L
(15)	955 343 044 20	Shock absorber -SACHS- F >>9P6LA 04148 F >>9P6LA 44325 F >>9P6LA 81935	/R	1	ID9J/D9K/D9L
(15)	955 343 044 21	Shock absorber -SACHS- F 9P6LA 04149>> F 9P6LA 44326>> F 9P6LA 81936>>	/R	1	ID9J/D9K/D9L
(15)	955 343 043 30	Shock absorber -SACHS- F >>9P6LA 81932	/L	1	IE81
(15)	955 343 043 31	Shock absorber -SACHS- F 9P6LA 81933>>	/L	1	IE81
(15)		Shock absorber -SACHS-	/L	1	IE8A
(15)	955 343 044 30	Shock absorber -SACHS- F >>9P6LA 81932	/R	1	IE81
(15)	955 343 044 31	Shock absorber -SACHS- F 9P6LA 81933>>	/R	1	IE81
(15)		Shock absorber -SACHS-	/R	1	IE8A
16	N 910 400 01	Combination screw AM 10 X 37		6	
(16)	N 910 400 02	Combination screw AM 10 X 37		6	
17	955 606 076 00	Acceleration sensor F >>9P4LA 01525 F >>9P4LA 48415 F >>9P4LA 83739	/L	1	
(17)	955 606 075 00	Acceleration sensor F >>9P4LA 01525 F >>9P4LA 48415 F >>9P4LA 83739	/R	1	
18	N 103 389 03	Hexagon-head bolt M 6 X 15 F >>9P4LA 01525 F >>9P4LA 48415 F >>9P4LA 83739		2	
19	N 023 002 12	Hexagon nut M 6 F >>9P4LA 01525		2	

Model: 9PA 03

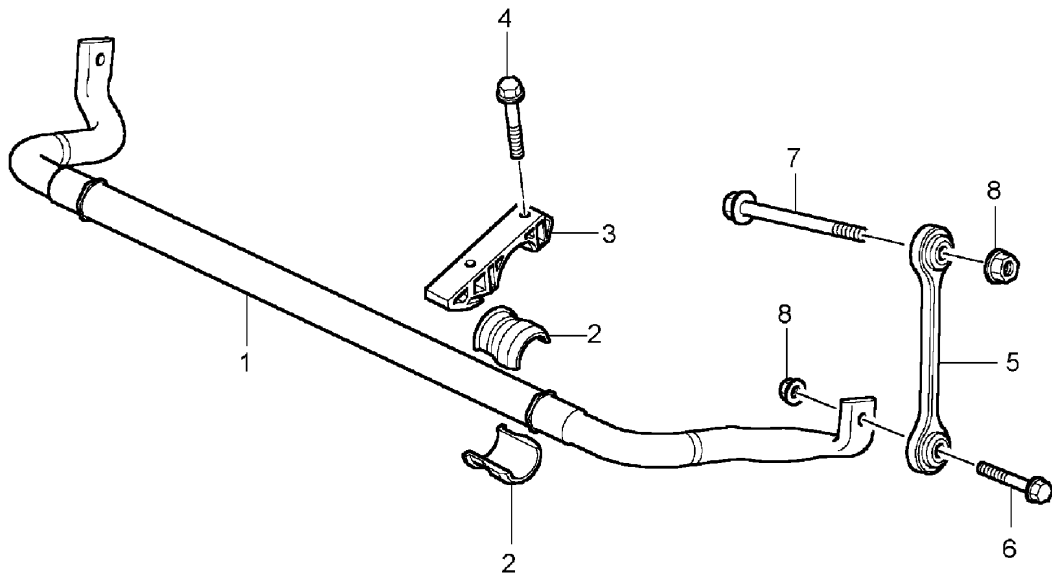
Model life 2003>>2006

Pos	Part Number	Description	Remark	Qty	Model
20	N 105 760 01	F >>9P4LA 48415 F >>9P4LA 83739 Hexagon-head bolt M 12 X 1,5 X 125		2	
(20)	N 105 760 02	Hexagon-head bolt M 12 X 1,5 X 125		2	
21	N 104 029 01	Hexagon nut M 12 X 1,5		2	
(21)	N 104 029 04	Hexagon nut M 12 X 1,5		2	
22	955 351 117 00	Air duct	/L	1	IE8A/E81/1LH
(22)	955 351 118 00	Air duct	/R	1	IE8A/E81/1LH
23	N 105 475 01	Torx screw BM 6 X 80 X 37		4	IE8A/E81/1LH
(23)	N 105 475 02	Torx screw BM 6 X 80 X 37		4	IE8A/E81/1LH
24	N 102 058 02	Hexagon nut M 6		4	IE8A/E81/1LH
25	000 043 204 68	Grease Syntheso Glep 1 1 50-g tube		1	



Model: 9PA 03

Model life 2003>>2006



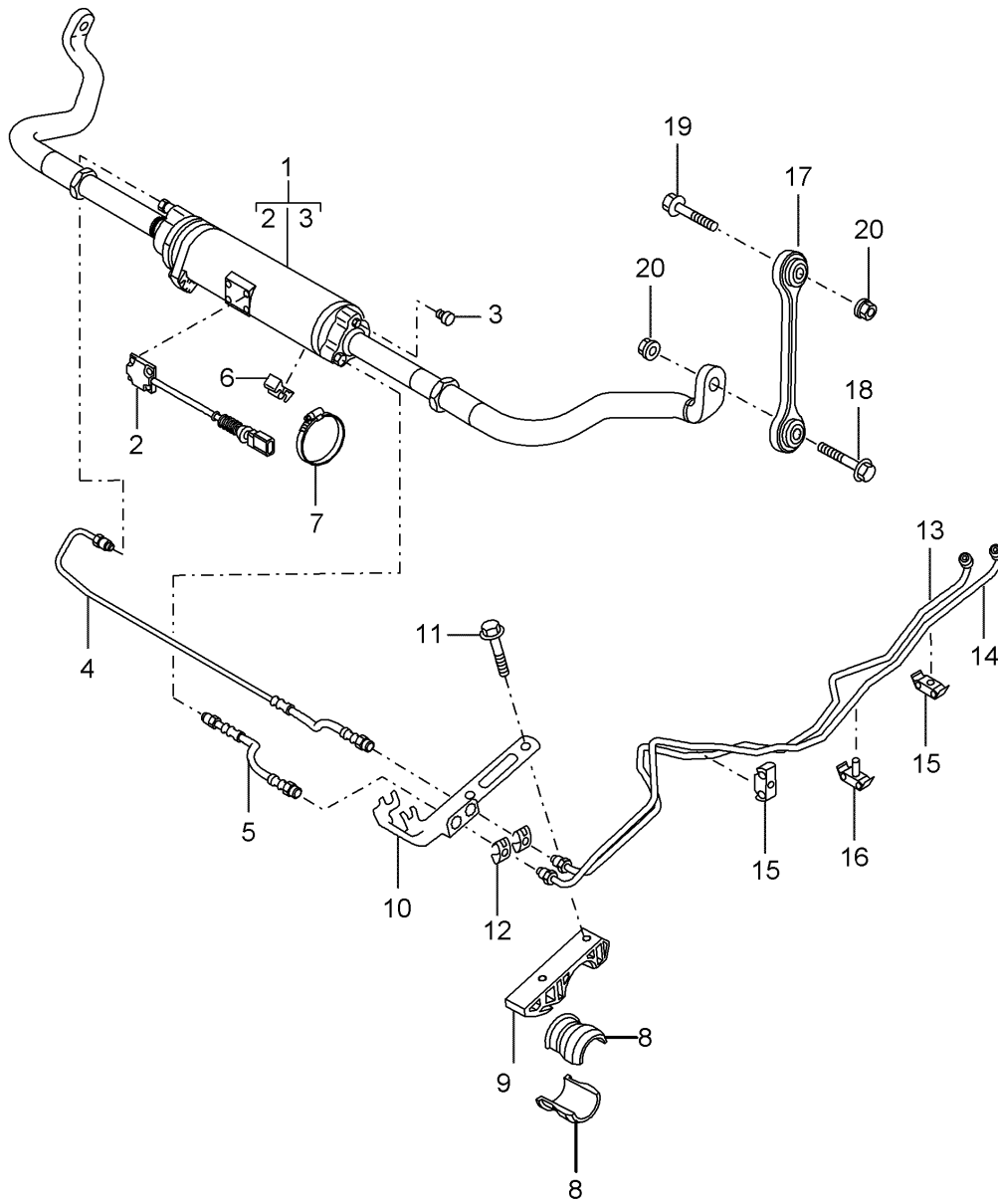
Model: 9PA 03

Model life 2003&gt;&gt;2006

Pos	Part Number	Description	Remark	Qty	Model
1	955 343 701 50	Stabiliser Stabiliser 37,00 MM Identification Yellow	-(CN) -(RUS)	1	I0AB ID9K/D9L I1BK
(1)	955 343 701 51	Stabiliser 37,00 MM Identification Yellow	(CN) (RUS)	1	ID9K/D9L I1BK
(1)	955 343 701 60	with Stabiliser mounting Stabiliser 38,00 MM Identification Orange	04-	1	ID9J
(1)	955 343 701 70	Stabiliser 38,00 MM Identification Green	-(CN) -(RUS)	1	ID9K/1BA
(1)	955 343 701 71	Stabiliser 38,00 MM Identification Green with Stabiliser mounting	(CN) (RUS)	1	ID9K/1BA
2	955 343 792 50	Stabiliser mounting 35,90 MM Identification Yellow	-(CN) -(RUS)	4	ID9K/D9L I1BK
(2)	955 343 792 61	Stabiliser mounting  36,80 MM Identification Orange Green	-(CN) -(RUS) 04-	4	ID9J
(2)		Stabiliser mounting 36,80 MM Identification Orange Green	-(CN) -(RUS)	4	ID9K/1BA
3	955 343 777 10	Clip		2	
(3)	955 343 777 11	Clip		2	
4	N 104 253 01	Hexagon-head bolt M 10 X 62 X 45		4	
(4)	N 104 253 02	Hexagon-head bolt M 10 X 62 X 45		4	
5	955 343 069 00	Stabiliser mounting		2	
6	N 105 668 01	Hexagon-head bolt M 12 X 1,5 X 60		2	
(6)	N 105 668 03	Hexagon-head bolt M 12 X 1,5 X 60		2	
7	N 105 760 01	Hexagon-head bolt M 12 X 1,5 X 125		2	
(7)	N 105 760 02	Hexagon-head bolt M 12 X 1,5 X 125		2	
8	N 104 029 01	Hexagon nut M 12 X 1,5		4	
(8)	N 104 029 04	Hexagon nut M 12 X 1,5		4	

Model: 9PA 03

Model life 2003>>2006



Model: 9PA 03 Model life 2003>>2006

Pos	Part Number	Description	Remark	Qty	Model
		Stabiliser Disengageable	04-		I0AG
1	955 343 702 00	Stabiliser 34,60 MM Identification Yellow Use also: 955.343.110.01 955.343.111.00		1	ID9K/D9L/1BK
(1)	955 343 702 10	Stabiliser 34,60 MM Identification Orange Use also: 955.343.110.01 955.343.111.00		1	ID9J
(1)	955 343 702 20	Stabiliser 35,60 MM Identification Green Use also: 955.343.110.01 955.343.111.00		1	ID9K/1BA
2	955 606 415 00	Sensor		1	
(2)	955 606 901 00	Repair kit Sensor		1	
3	955 343 901 00	Ventilation valve with Dust boot		2	
4	955 343 110 00	Hydraulic line		1	
(4)	955 343 110 01	Hydraulic line		1	
5	955 343 111 00	Hydraulic line		1	
6	955 343 421 00	Line bracket		2	
7	N 024 503 3	Hose clamp A 60-80 X 13 X 0,6		2	
8	955 343 792 20	Stabiliser mounting 33,50 MM Identification White		4	ID9K/D9L I1BK
(8)		Stabiliser mounting 33,50 MM Identification White		4	ID9J
(8)	955 343 792 30	Stabiliser mounting 34,50 MM Identification Blue		4	ID9K/1BA
9	955 343 777 11	Clip		2	
10	955 343 780 00	Support		1	
11	N 104 253 01	Hexagon-head bolt M 10 X 62 X 45		4	
(11)	N 104 253 02	Hexagon-head bolt M 10 X 62 X 45		4	
12	955 355 322 00	Retainer spring		2	
13	955 343 120 00	Hydraulic line Suspension subframe	04	1	
(13)	955 343 120 01	Hydraulic line Suspension subframe	05-	1	

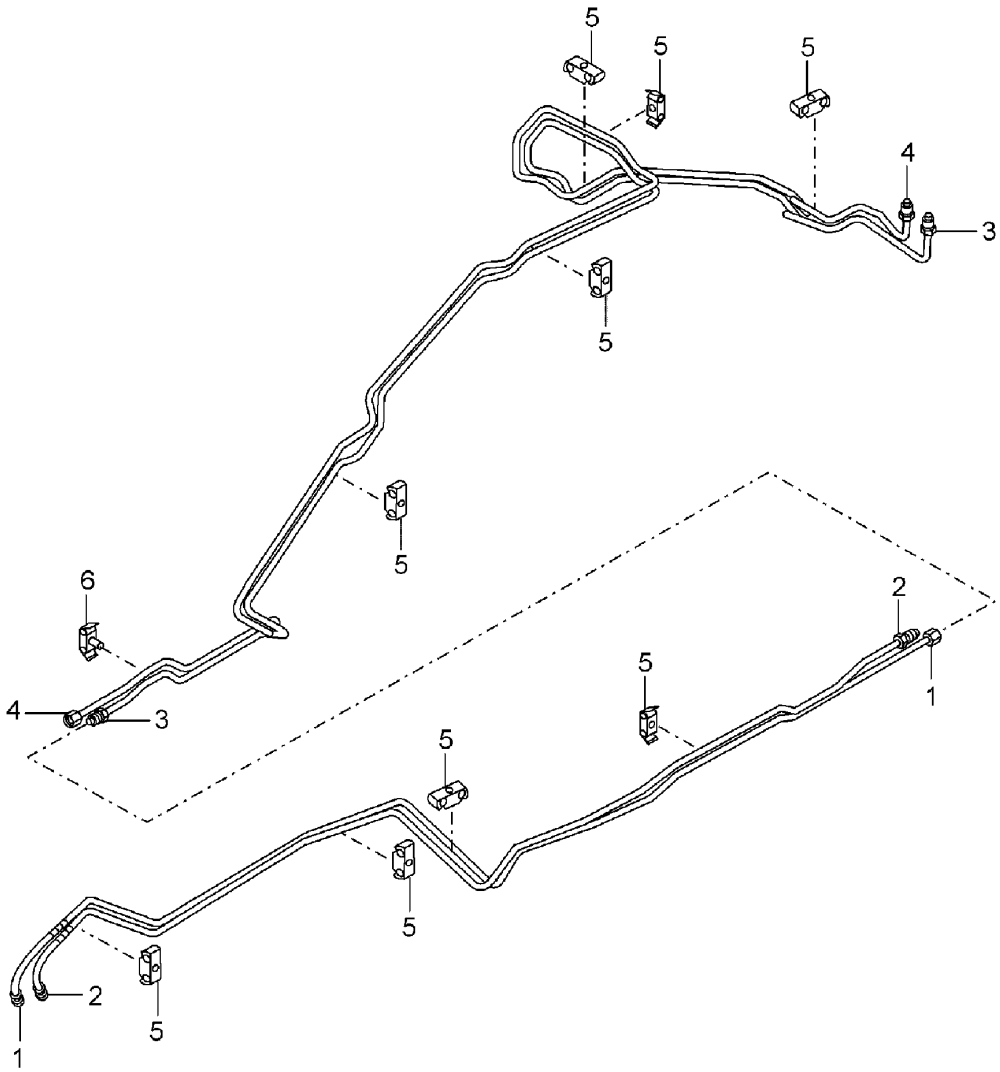
Model: 9PA 03

Model life 2003&gt;&gt;2006

Pos	Part Number	Description	Remark	Qty	Model
14	955 343 121 00	Hydraulic line Suspension subframe	04	1	
(14)	955 343 121 01	Hydraulic line Suspension subframe	05-	1	
15	955 355 546 00	Support		2	
(15)	955 355 546 01	Support		2	
16	955 355 543 00	Support		1	
17	955 343 069 00	Stabiliser mounting		2	
18	N 105 668 01	Hexagon-head bolt M 12 X 1,5 X 60		2	
19	N 105 760 01	Hexagon-head bolt M 12 X 1,5 X 125		2	
(19)	N 105 760 02	Hexagon-head bolt M 12 X 1,5 X 125		2	
20	N 104 029 01	Hexagon nut M 12 X 1,5		4	
(20)	N 104 029 04	Hexagon nut M 12 X 1,5		4	

Model: 9PA 03

Model life 2003>>2006



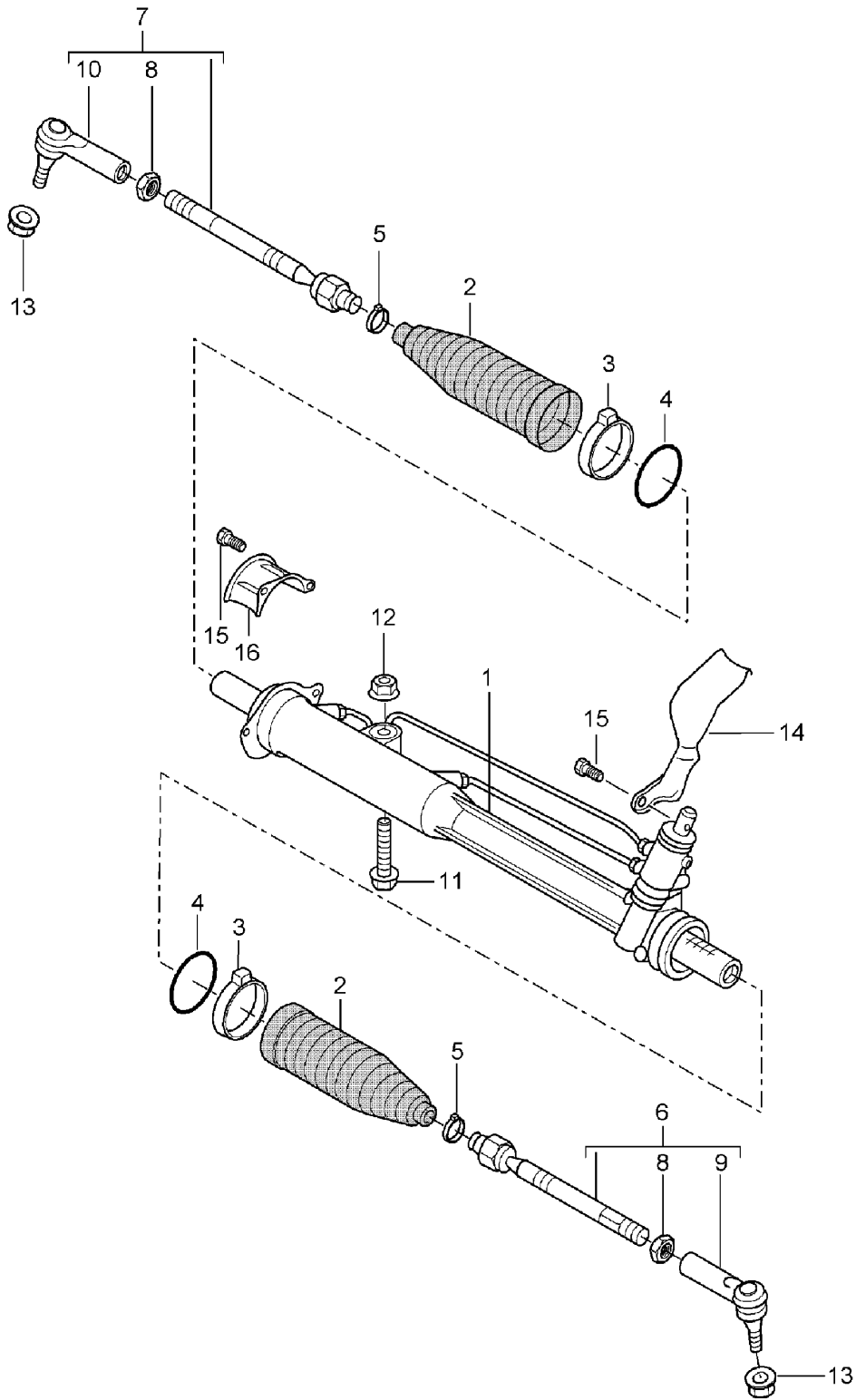
Model: 9PA 03

Model life 2003>>2006

Pos	Part Number	Description	Remark	Qty	Model
		Hydraulic line Underbody Stabiliser Disengageable	04-		IOAG
1	955 343 130 00	Hydraulic line Suspension subframe Connection point	04	1	
(1)	955 343 130 01	Underbody Hydraulic line Suspension subframe Connection point	05-	1	
2	955 343 131 00	Underbody Hydraulic line Suspension subframe Connection point	04	1	
(2)	955 343 131 01	Underbody Hydraulic line Suspension subframe Connection point	05-	1	
3	955 343 140 00	Underbody Hydraulic line Connection point	04	1	
(3)	955 343 140 01	Underbody Connection point Rear axle Hydraulic line Connection point	05-	1	
4	955 343 141 00	Underbody Connection point Rear axle Hydraulic line Connection point		1	
(4)	955 343 141 01	Underbody Connection point Rear axle Hydraulic line Connection point		1	
5	955 355 543 00	Rear axle Support		9	
6	955 355 546 00	Support		1	
(6)	955 355 546 01	Support		1	

Model: 9PA 03

Model life 2003>>2006





Model: 9PA 03 Model life 2003>>2006

Pos	Part Number	Description	Remark	Qty	Model
1	955 347 011 04	Power steering Steering gear Steering parts Steering gear	/LL	1	IL0L/1N1
(1)	955 347 011 06	Power steering Steering gear	/LL	1	IL0L/1N1
(1)	955 347 011 08	Power steering Steering gear	/LL	1	IL0L/1N1
(1)	955 347 011 10	Power steering Steering gear	/LL	1	IL0L/1N1
(1)	955 347 011 12	Power steering Steering gear	/LL	1	IL0L/1N1
(1)	955 347 011 05	Power steering Steering gear	/LL	1	IL0L/1N3
(1)	955 347 011 07	Servotronic Steering gear	/LL	1	IL0L/1N3
(1)	955 347 011 09	Servotronic Steering gear	/LL	1	IL0L/1N3
(1)	955 347 011 11	Servotronic Steering gear	/LL	1	IL0L/1N3
(1)	955 347 011 13	Servotronic Steering gear	/LL -05	1	IL0L/1N3
(1)	955 347 011 15	Servotronic Steering gear	/LL 06-	1	IL0L/1N3
(1)	955 347 012 04	Steering gear	/RL	1	IL0R/1N1
(1)	955 347 012 06	Power steering Steering gear	/RL 04	1	IL0R/1N1
(1)	955 347 012 08	Power steering F >>9P4L0 03131 F >>9P4L0 02974 F >>9P4L0 03303 See technical information Group 4 NR. 8/04 Steering gear	/RL 04	1	IL0R/1N1
(1)	955 347 012 10	Power steering F 9P4L0 03132>> F 9P4L0 02975>> F 9P4L0 03304>> See technical information Group 4 NR. 8/04 Steering gear	/RL	1	IL0R/1N1
(1)	955 347 012 12	Power steering Steering gear	/RL	1	IL0R/1N1
(1)	955 347 012 14	Power steering Steering gear	/RL	1	IL0R/1N1
(1)	955 347 012 05	Power steering Steering gear	/RL 03	1	IL0R/1N3
(1)	955 347 012 07	Servotronic Steering gear	/RL 04	1	IL0R/1N3
(1)	955 347 012 09	Servotronic F >>9P4L0 03139 F >>9P4L0 02970 F >>9P4L0 03297 See technical information Group 4 NR. 8/04 Steering gear	/RL 04	1	IL0R/1N3

Model: 9PA 03

Model life 2003&gt;&gt;2006

Pos	Part Number	Description	Remark	Qty	Model
		F 9P4L0 03140>> F 9P4L0 02971>> F 9P4L0 03298>> See technical information Group 4 NR. 8/04			
(1)	955 347 012 11	Steering gear Servotronic	/RL	1	IL0R/1N3
(1)	955 347 012 13	Steering gear Servotronic	/RL	1	IL0R/1N3
(1)	955 347 012 15	Steering gear Servotronic	/RL	1	IL0R/1N3
(1)	955 347 012 17	Steering gear Servotronic	/RL	1	IL0R/1N3
2	955 347 191 10	Bellows		2	
3	N 105 517 01	Hose clamp		2	
4	N 901 809 02	O-ring		2	
5	955 347 645 00	Clip		2	
6	955 347 031 20	Tie rod with Ball joint	/L	1	
(6)	955 347 031 21	Tie rod with Ball joint	/L	1	
(6)	955 347 031 22	Tie rod with Ball joint	/L	1	
(6)	955 347 031 50	Tie rod with Ball joint	/L 05-	1	IE81
(6)		Tie rod with Ball joint	/L 06-	1	IE8A
7	955 347 032 20	Tie rod with Ball joint	/R	1	
(7)	955 347 032 21	Tie rod with Ball joint	/R	1	
(7)	955 347 032 22	Tie rod with Ball joint	/R	1	
(7)	955 347 032 50	Tie rod with Ball joint	/R 05-	1	IE81
(7)		Tie rod with Ball joint	/R 06-	1	IE8A
8	N 011 164 15	Hexagon nut M 16 X 1,5		2	
(8)	N 011 164 18	Hexagon nut M 16 X 1,5		2	
(8)	955 347 341 00	Hexagon nut M 16 X 1,5	05-	2	IE81
(8)		Hexagon nut M 16 X 1,5	06-	2	IE8A
9	955 347 131 20	Ball joint	/L	1	
(9)	955 347 131 21	Ball joint	/L	1	
(9)	955 347 131 22	Ball joint	/L	1	
10	955 347 132 20	Ball joint	/R	1	

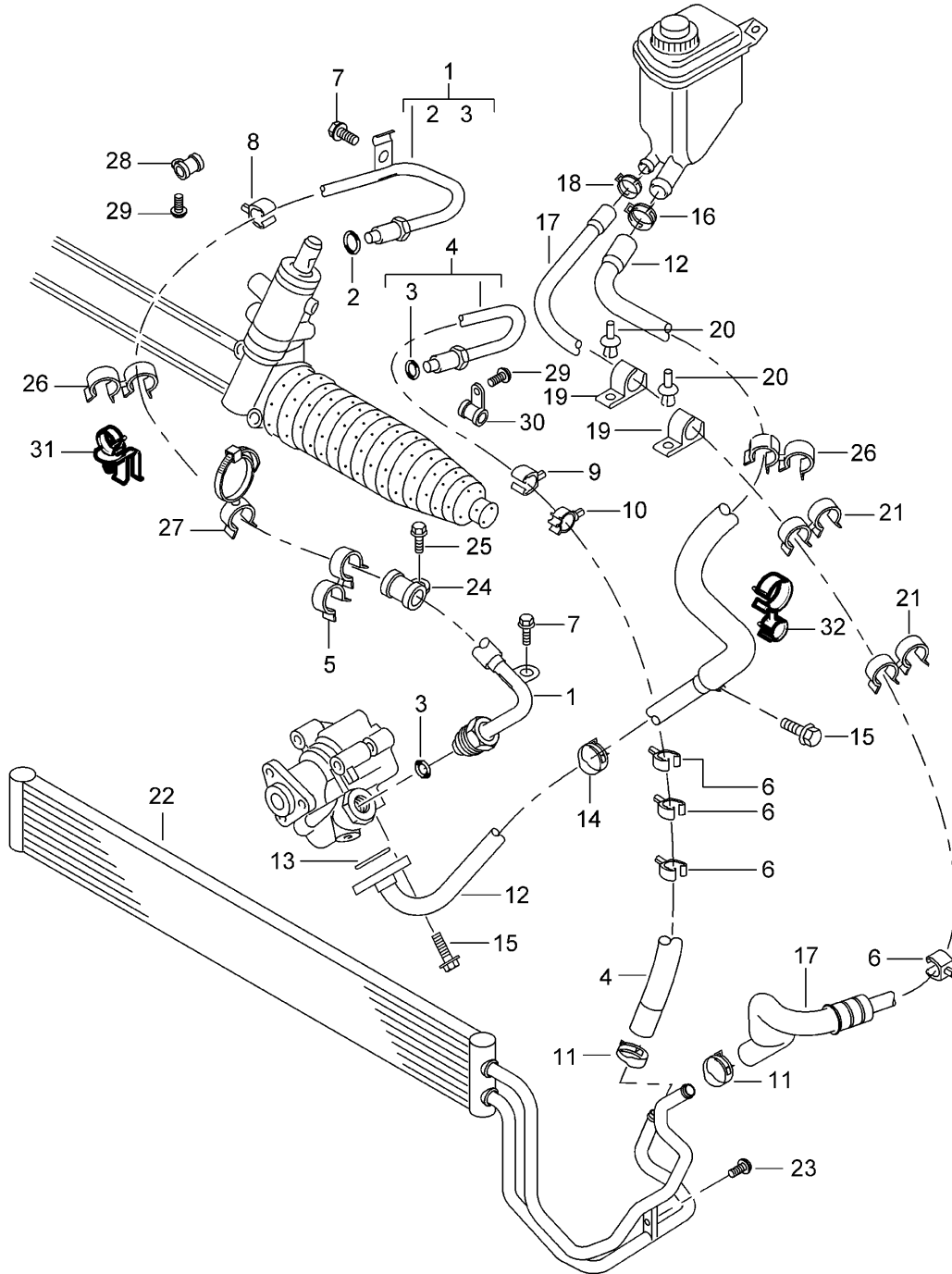
Model: 9PA 03

Model life 2003>>2006

Pos	Part Number	Description	Remark	Qty	Model
(10)	955 347 132 21	Ball joint	/R	1	
(10)	955 347 132 22	Ball joint	/R	1	
11	N 104 280 01	Hexagon-head bolt M 12 X 1,5 X 80		2	
(11)	N 104 280 02	Hexagon-head bolt M 12 X 1,5 X 80		2	
12	N 104 029 01	Hexagon nut M 12 X 1,5		2	
(12)	N 104 029 04	Hexagon nut M 12 X 1,5		2	
13	N 909 771 01	Hexagon nut M 14 X 1,5		2	
14	955 347 201 00	Heat protection	/LL	1	ID9K/D9L/L0L
(14)	955 347 201 01	Heat protection	/LL	1	ID9K/D9L/L0L
(14)	955 347 202 10	Heat protection	/RL	1	IL0R
15	N 101 711 02	Hexagon-head bolt M 6 X 16		4	
16	955 347 203 00	Heat protection Bellows		1	

Model: 9PA 03

Model life 2003>>2006



Model: 9PA 03

Model life 2003&gt;&gt;2006

Pos	Part Number	Description	Remark	Qty	Model
1	955 347 451 00	Power steering Lines Oil cooler Pressure line	/LL	1	ID9K/D9L/L0L
(1)	955 347 451 01	Pressure line	/LL	1	ID9K/D9L/L0L
(1)	955 347 451 11	Pressure line	/LL	1	ID9J/L0L
(1)	955 347 451 12	Pressure line	/LL	1	ID9J/L0L
(1)	955 347 452 00	Pressure line F >>9P4L0 02970 F >>9P4L0 03297 See technical information Group 4 NR. 8/04	/RL	1	ID9K/D9L/L0R
(1)	955 347 452 01	Pressure line F 9P4L0 02971>> F 9P4L0 03298>> See technical information Group 4 NR. 8/04	/RL	1	ID9K/D9L/L0R
(1)	955 347 452 02	Pressure line	/RL 05-	1	ID9K/D9L/L0R
(1)	955 347 452 10	Pressure line F >>9P4L0 03131 See technical information Group 4 NR. 8/04	/RL	1	ID9J/L0R
(1)	955 347 452 11	Pressure line F 9P4L0 03132>> See technical information Group 4 NR. 8/04	/RL	1	ID9J/L0R
(1)	955 347 452 12	Pressure line	/RL 05-	1	ID9J/L0R
2	955 347 542 00	O-ring 9,25 X 1,78		1	
3	955 347 543 00	O-ring 7,65 X 1,63		2	
4	955 347 449 00	Return line	/LL	1	IL0L
(4)	955 347 450 00	Return line F >>9P4L0 03131 F >>9P4L0 02970 F >>9P4L0 03297 See technical information Group 4 NR. 8/04	/RL	1	IL0R
(4)	955 347 450 01	Return line F 9P4L0 03132>> F 9P4L0 02971>> F 9P4L0 03298>> See technical information Group 4 NR. 8/04	/RL	1	IL0R
5	N 104 711 01	Hose holder A01-18 X C02-18 Pressure line Refrigerant line	/LL 04-05	1	ID9J/L0L
(5)		Hose holder A01-18 X C02-18 Pressure line Refrigerant line	/LL 06-	1	ID9J/L0L/9AB I9AD
6	N 909 435 01	Hose holder 12 MM		4	

Model: 9PA 03

Model life 2003>>2006

Pos	Part Number	Description	Remark	Qty	Model
7	N 101 563 02	Hexagon-head bolt M 6 X 12	/LL	2	ID9K/D9L/L0L
(7)	N 101 563 07	Hexagon-head bolt M 6 X 12	/LL	2	ID9K/D9L/L0L
(7)	N 101 563 02	Hexagon-head bolt M 6 X 12	/LL	1	ID9J/L0L
(7)	N 101 563 07	Hexagon-head bolt M 6 X 12	/LL	1	ID9J/L0L
(7)	N 101 563 02	Hexagon-head bolt M 6 X 12	/RL	1	ID9K/D9L/L0R
(7)	N 101 563 07	Hexagon-head bolt M 6 X 12	/RL	1	ID9K/D9L/L0R
8	N 909 435 01	Hose holder 12 MM F >>9P4L0 03131 F >>9P4L0 02970 F >>9P4L0 03297 See technical information Group 4 NR. 8/04	/RL	1	IL0R
9	999 651 199 40	Cable holder 8,00 - 10,00 F >>9P4L0 03131 F >>9P4L0 02970 F >>9P4L0 03297 See technical information Group 4 NR. 8/04	/RL	1	IL0R
10	955 347 571 00	Clip C 15,8 - 18,3 F >>9P4L0 03131 F >>9P4L0 02970 F >>9P4L0 03297 See technical information Group 4 NR. 8/04	/RL	1	IL0R
(10)	N 106 368 01	Hose holder A 14-17 X C 12-6,5 F 9P4L0 03132>> F 9P4L0 02971>> F 9P4L0 03298>> See technical information Group 4 NR. 8/04	/RL	1	IL0R
11	N 909 264 01	Hose clamp B 19 X 12		2	
12	955 347 442 00	Intake pipe		1	ID9K/D9L
(12)	955 347 442 01	Intake pipe		1	ID9K/D9L
(12)	955 347 443 02	Suction hose	04-05	1	ID9J
(12)	955 347 443 03	Information available Suction hose	06-	1	ID9J
13	N 909 816 01	O-ring 15,8 X 2,4		1	ID9K/D9L
14	N 906 869 01	Hose clamp B 23 X 12	04-	1	ID9J
15	N 101 563 02	Hexagon-head bolt M 6 X 12		3	ID9K/D9L
(15)	N 101 563 07	Hexagon-head bolt M 6 X 12		3	ID9K/D9L
16	N 906 870 01	Hose clamp		1	

Model: 9PA 03 Model life 2003>>2006

Pos	Part Number	Description	Remark	Qty	Model
17	955 347 439 00	B 27 X 12 Return line		1	
18	955 347 569 00	Hose clamp 21 X 12		1	
19	955 347 578 00	Line bracket		2	
20	N 038 501 2	Expansion rivet A 6,00 X 12,00		2	
21	955 347 575 00	Line bracket Return line Refrigerant line		2	
22	955 347 069 00	Oil cooler Power steering		1	
(22)	955 347 069 01	Oil cooler Power steering		1	
(22)	955 347 069 02	Oil cooler Power steering		1	
(22)	955 347 069 03	Oil cooler Power steering		1	
23	N 104 514 04	Lens-head screw M 6 X 16		1	
24	N 020 651 5	Clamp 10 X 15		1	ID9K/D9L
25	N 101 563 02	Hexagon-head bolt M 6 X 12		1	ID9K/D9L
(25)	N 101 563 07	Hexagon-head bolt M 6 X 12		1	ID9K/D9L
26	N 104 421 01	Hose holder A01-18 X C01-22	04-05	1	ID9J
(26)		Suction hose Hose holder A01-18 X C01-22	/LL 06-	1	ID9J/L0L
(26)		Suction hose Pressure line Hose holder	/LL 04-05	1	ID9J/L0L/9AB I9AH
(26)		A01-18 X C01-22 Pressure line Refrigerant line Hose holder	/LL 06-	1	ID9J/L0L/9AB I9AD
27	N 106 367 01	A01-18 X C01-22 Pressure line Refrigerant line Hose holder	/RL	1	IL0R
28	N 020 601 4	A 05-8X259 X C01-16 F 9P4L0 03132>> F 9P4L0 02971>> F 9P4L0 03298>> See technical information Group 4 NR. 8/04 Clamp 12 X 15 F 9P4L0 03132>> F 9P4L0 02971>> F 9P4L0 03298>> See technical information Group 4 NR. 8/04	/RL	1	IL0R
29	N 904 407 02	Hexagon-head bolt M 6 X 15 F 9P4L0 03132>> F 9P4L0 02971>>	/RL	2	IL0R

Model: 9PA 03

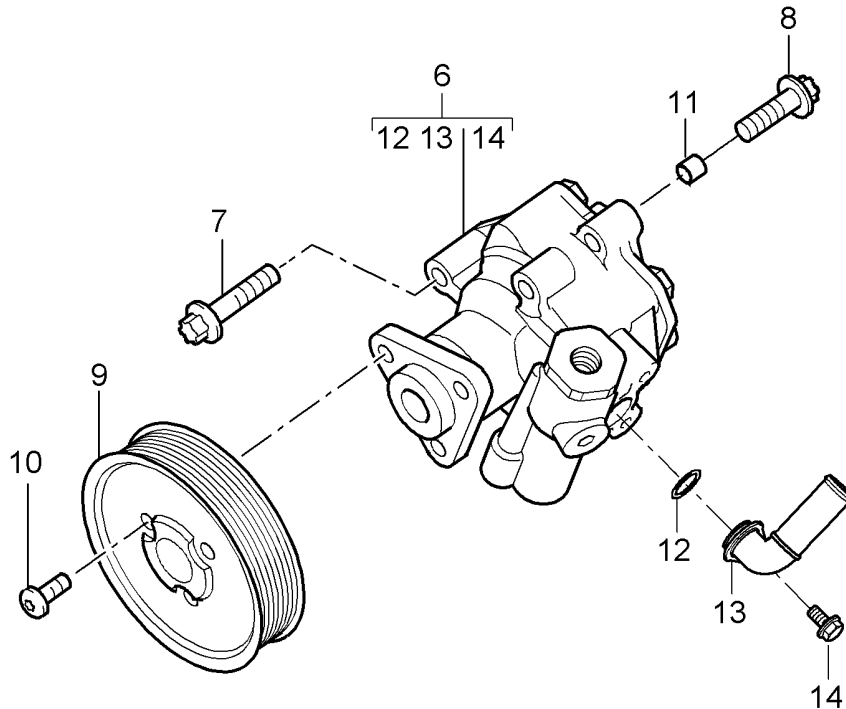
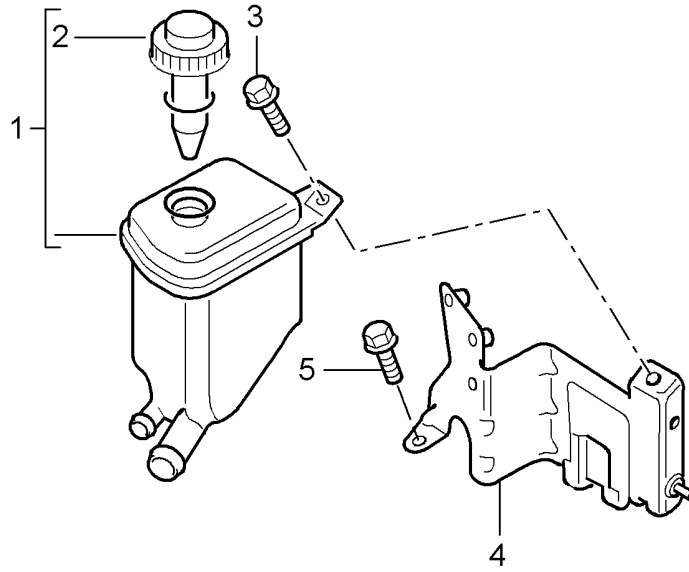
Model life 2003>>2006

Pos	Part Number	Description	Remark	Qty	Model
-	N 015 082 13	F 9P4L0 03298>> See technical information Group 4 NR. 8/04 Hexagon nut M 6 F >>9P4L0 03131 F >>9P4L0 02970 F >>9P4L0 03297 See technical information Group 4 NR. 8/04	/RL	2	IL0R
30	N 020 651 5	Clamp 10 X 15 F 9P4L0 03132>> F 9P4L0 02971>> F 9P4L0 03298>> See technical information Group 4 NR. 8/04	/RL	1	IL0R
31	955 347 576 00	Line bracket Pressure line Front-axle final drive	/LL	1	ID9K/D9L/L0L
32	N 102 752 01	Line bracket A01-19 X C01-9,5 Suction hose Refrigerant line	06-	1	ID9J/9AB/9AD
(32)	N 106 816 01	Line bracket A12-16 X C01-22 Suction hose Refrigerant line	06-	1	ID9J/9AH
(32)	N 106 842 01	Line bracket A12-16 X C01-22 X E04-10 Suction hose Refrigerant line	/RL 06-	1	ID9J/L0R



Model: 9PA 03

Model life 2003>>2006

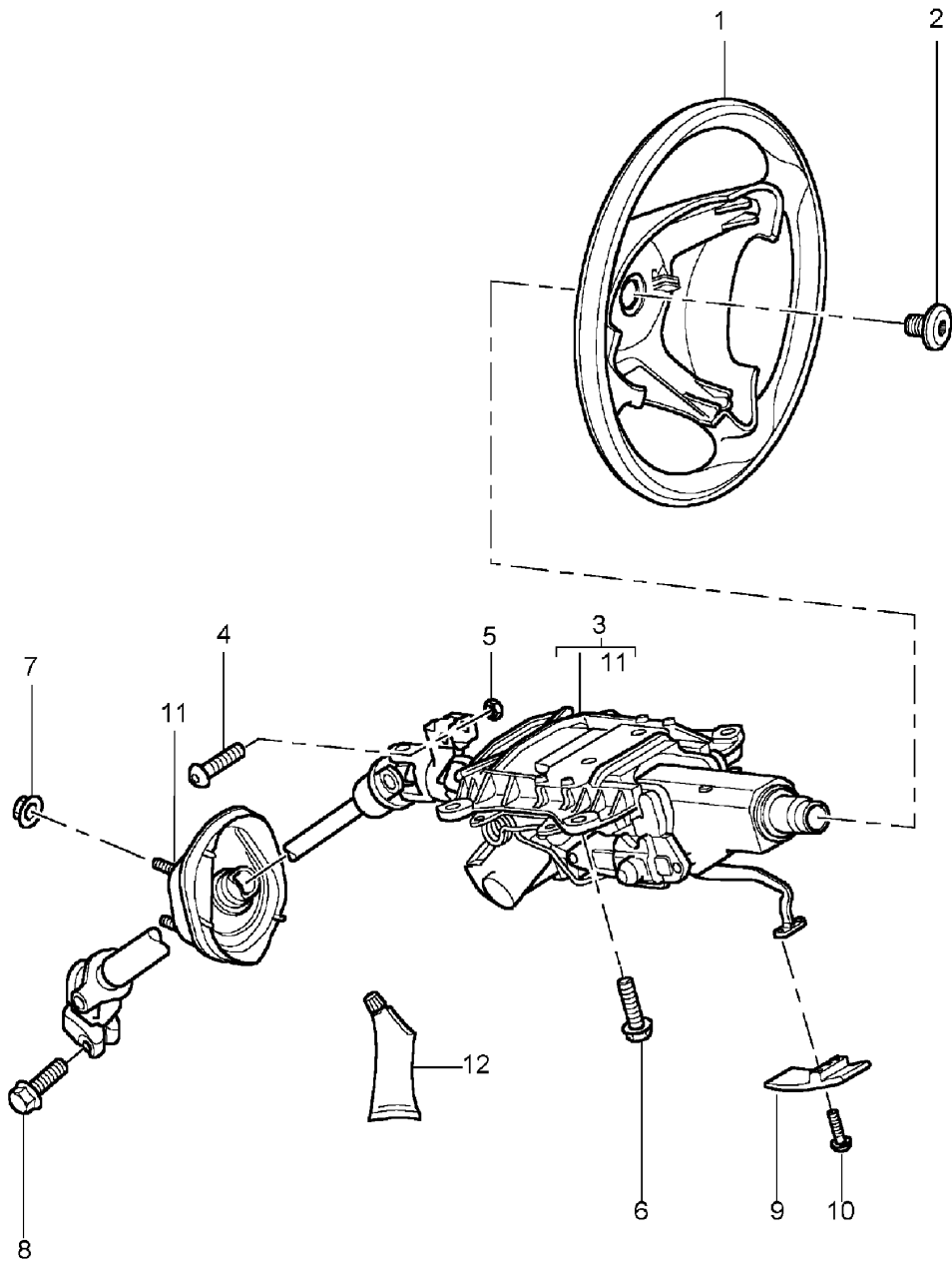


Model: 9PA 03 Model life 2003>>2006

Pos	Part Number	Description	Remark	Qty	Model
		Power steering Power-steering pump Oil tank See technical information Group 4 NR. 5/03			
1	955 314 015 00	Oil tank		1	
(1)	955 314 015 10	Oil tank		1	
(1)	955 314 015 20	Oil tank		1	
2	955 314 145 00	Threaded cover		1	
3	N 101 563 06	Hexagon-head bolt M 6 X 12		1	
4	955 314 210 11	Support		1	
5	N 101 563 02	Hexagon-head bolt M 6 X 12		3	
(5)	N 101 563 07	Hexagon-head bolt M 6 X 12		3	
6	955 314 050 01	Power-steering pump		1	ID9J
(6)	955 314 050 02	Power-steering pump		1	ID9J
(6)	955 314 050 03	Power-steering pump	-05	1	ID9J
(6)	955 314 050 04	Power-steering pump	06-	1	ID9J
(6)	948 314 050 04	Power-steering pump		1	M48.00/50
7	900 385 006 09	Torx screw M 8 X 35		3	M48.00/50
(7)	N 019 531 3	Hexagon-head bolt AM 8 X 40		2	ID9J
(7)	N 106 730 01	Pan-head screw M 8 X 40		2	ID9J
8	900 385 006 09	Torx screw M 8 X 35		1	M48.00/50
(8)	N 019 531 3	Hexagon-head bolt AM 8 X 40		1	ID9J
(8)	N 106 730 01	Pan-head screw M 8 X 40		1	ID9J
9	948 147 019 01	Pulley		1	M48.00/50
(9)	955 147 219 00	Pulley	04-	1	ID9J
10	999 073 104 09	Oval-head screw M 8 X 16		3	M48.00/50
(10)	N 903 086 05	Pan-head screw M 8 X 14	04-	3	ID9J
(10)	N 910 522 01	Pan-head screw M 8 X 12	04-	3	ID9J
11	999 209 055 09	Spacer sleeve 8,6 X 4,2 X 18		1	M48.00/50
12	N 909 816 01	O-ring 15,8 x 2,4		1	ID9J
13	955 314 157 10	Intake connection	-05	1	ID9J
(13)	955 314 157 00	Intake connection	06-	1	ID9J
14	N 101 563 07	Hexagon-head bolt M 6 x 12		1	ID9J
-	000 043 203 33	Pentosin CHF 11S 1 LITER		X	
-	000 043 206 56	Pentosin CHF 202 1 LITER		X	

Model: 9PA 03

Model life 2003>>2006



Model: 9PA 03

Model life 2003&gt;&gt;2006

Pos	Part Number	Description	Remark	Qty	Model
1	955 347 804 00	Steering wheels Steering column Steering shaft Steering wheel Leather		1	I2PM
	955 347 804 00 5Z3	Black			
	955 347 804 00 6P1	Stone grey			
	955 347 804 00 6Q2	Havanna			
	955 347 804 00 6R3	Palmgreen			
(1)	955 347 804 01	Steering wheel Leather		1	I2PM
	955 347 804 01 5Z3	Black			
	955 347 804 01 6P1	Stone grey			
	955 347 804 01 6Q2	Havanna			
	955 347 804 01 6R3	Palmgreen			
	955 347 804 01 4P8	Sand Beige			
(1)	955 347 804 10	Steering wheel Leather Heated		1	I2PH
	955 347 804 10 5Z3	Black			
	955 347 804 10 6P1	Stone grey			
	955 347 804 10 6Q2	Havanna			
	955 347 804 10 6R3	Palmgreen			
(1)	955 347 804 11	Steering wheel Leather Heated		1	I2PH
	955 347 804 11 5Z3	Black			
	955 347 804 11 6P1	Stone grey			
	955 347 804 11 6Q2	Havanna			
	955 347 804 11 6R3	Palmgreen			
	955 347 804 11 4P8	Sand Beige			
(1)	955 347 804 70	Steering wheel Leather Heated	06-	1	IE8A/2PH
	955 347 804 70 5Z3	Black			
	955 347 804 70 6P1	Stone grey			
	955 347 804 70 6Q2	Havanna			
	955 347 804 70 6R3	Palmgreen			
	955 347 804 70 4P8	Sand Beige			
(1)	955 347 804 20	Steering wheel Leather Multi-function		1	I2PM/4LB/4LC
	955 347 804 20 5Z3	Black			
	955 347 804 20 6P1	Stone grey			
	955 347 804 20 6Q2	Havanna			
	955 347 804 20 6R3	Palmgreen			
(1)	955 347 804 21	Steering wheel Leather Multi-function		1	I2PM/4LB/4LC
	955 347 804 21 5Z3	Black			
	955 347 804 21 6P1	Stone grey			
	955 347 804 21 6Q2	Havanna			
	955 347 804 21 6R3	Palmgreen			
	955 347 804 21 4P8	Sand Beige			
(1)	955 347 804 30	Steering wheel Leather Heated Multi-function		1	I2PH/4LB/4LC
	955 347 804 30 5Z3	Black			
	955 347 804 30 6P1	Stone grey			
	955 347 804 30 6Q2	Havanna			
	955 347 804 30 6R3	Palmgreen			
(1)	955 347 804 31	Steering wheel		1	I2PH/4LB/4LC

Model: 9PA 03

Model life 2003>>2006

Pos	Part Number	Description	Remark	Qty	Model
		Leather Heated Multi-function			
	955 347 804 31 5Z3	Black			
	955 347 804 31 6P1	Stone grey			
	955 347 804 31 6Q2	Havanna			
	955 347 804 31 6R3	Palmgreen			
	955 347 804 31 4P8	Sand Beige			
(1)	955 347 804 80	Steering wheel	06-	1	IE8A/2PH/4LB I4LC
		Leather Heated Multi-function			
	955 347 804 80 5Z3	Black			
	955 347 804 80 6P1	Stone grey			
	955 347 804 80 6Q2	Havanna			
	955 347 804 80 6R3	Palmgreen			
	955 347 804 80 4P8	Sand Beige			
(1)	955 347 804 40	Steering wheel	-05	1	I1XJ/4LB/4LC
		Rootwood Dark Multi-function			
	955 347 804 40 PBA	Black			
	955 347 804 40 PBB	Stone grey			
	955 347 804 40 PBC	Palmgreen			
	955 347 804 40 PBD	Havanna			
(1)	955 347 804 41	Steering wheel	06-	1	I1XJ/4LB/4LC
		Rootwood Dark Multi-function			
	955 347 804 41 PBA	Black			
	955 347 804 41 PBB	Stone grey			
	955 347 804 41 PBC	Palmgreen			
	955 347 804 41 PBD	Havanna			
	955 347 804 41 TXB	Sand Beige			
(1)	955 347 804 50	Steering wheel	-05	1	I1XK/4LB/4LC
		Olive grain Light Multi-function			
	955 347 804 50 PBE	Black			
	955 347 804 50 PBF	Stone grey			
	955 347 804 50 PBG	Palmgreen			
	955 347 804 50 PBH	Havanna			
(1)	955 347 804 51	Steering wheel	06-	1	I1XK/4LB/4LC
		Olive grain Light Multi-function			
	955 347 804 51 PBE	Black			
	955 347 804 51 PBF	Stone grey			
	955 347 804 51 PBG	Palmgreen			
	955 347 804 51 PBH	Havanna			
	955 347 804 51 TXA	Sand Beige			
(1)	955 347 804 60	Steering wheel		1	I2FV/4LB/4LC
		Olive grain Light Matte Multi-function			
	955 347 804 60 RRY	Black			
	955 347 804 60 RRZ	Stone grey			
	955 347 804 60 RSZ	Palmgreen			
	955 347 804 60 RTZ	Havanna			
(1)	955 347 804 61	Steering wheel		1	I2FV/4LB/4LC
		Olive grain			

Model: 9PA 03

Model life 2003&gt;&gt;2006

Pos	Part Number	Description	Remark	Qty	Model
		Light Matte Multi-function			
	955 347 804 61 RRY	Black			
	955 347 804 61 RRZ	Stone grey			
	955 347 804 61 RSZ	Palmgreen			
	955 347 804 61 RTZ	Havanna			
	955 347 804 61 TXC	Sand Beige			
2	N 910 207 01	Screw M 18 X 1,5 X 26		1	
3	955 347 007 02	Steering column Complete with Steering shaft	/LL	1	IL0L/2C5
(3)	955 347 007 03	Steering column Complete with Steering shaft	/LL	1	IL0L/2C5
(3)	955 347 007 04	Steering column Complete with Steering shaft	/LL	1	IL0L/2C5
(3)	955 347 007 05	Steering column Complete with Steering shaft	/LL	1	IL0L/2C5
(3)	955 347 007 06	Steering column Complete with Steering shaft	/LL	1	IL0L/2C5
(3)	955 347 007 07	Steering column Complete with Steering shaft	/LL	1	IL0L/2C5
(3)	955 347 007 08	Steering column Complete with Steering shaft	/LL	1	IL0L/2C5
(3)	955 347 007 11	Steering column Complete with Steering shaft	/LL	1	IL0L/2C4
(3)	955 347 007 12	Steering column Complete with Steering shaft	/LL	1	IL0L/2C4
(3)	955 347 007 13	Steering column Complete with Steering shaft	/LL	1	IL0L/2C4
(3)	955 347 007 14	Steering column Complete with Steering shaft	/LL	1	IL0L/2C4
(3)	955 347 007 16	Steering column Complete with Steering shaft	/LL	1	IL0L/2C4
(3)	955 347 007 17	Steering column Complete with Steering shaft	/LL	1	IL0L/2C4
(3)	955 347 008 02	Steering column Complete with Steering shaft	/RL	1	IL0R/2C5

Model: 9PA 03

Model life 2003&gt;&gt;2006

Pos	Part Number	Description	Remark	Qty	Model
(3)	955 347 008 03	Complete with Steering shaft Steering column	/RL	1	IL0R/2C5
(3)	955 347 008 04	Complete with Steering shaft Steering column	/RL	1	IL0R/2C5
(3)	955 347 008 05	Complete with Steering shaft Steering column	/RL	1	IL0R/2C5
(3)	955 347 008 06	Complete with Steering shaft Steering column	/RL	1	IL0R/2C5
(3)	955 347 008 07	Complete with Steering shaft Steering column	/RL	1	IL0R/2C5
(3)	955 347 008 08	Complete with Steering shaft Steering column	/RL	1	IL0R/2C5
(3)	955 347 008 11	Complete with Steering shaft Steering column	/RL	1	IL0R/2C4
(3)	955 347 008 12	Complete with Steering shaft Steering column	/RL	1	IL0R/2C4
(3)	955 347 008 13	Complete with Steering shaft Steering column	/RL	1	IL0R/2C4
(3)	955 347 008 14	Complete with Steering shaft Steering column	/RL	1	IL0R/2C4
(3)	955 347 008 16	Complete with Steering shaft Steering column	/RL	1	IL0R/2C4
(3)	955 347 008 17	Complete with Steering shaft Steering column	/RL	1	IL0R/2C4
4	N 909 890 01	Steering shaft Oval-head screw M 8 X 10 X 45		1	
(4)	N 909 890 02	Fit bolt M 8 X 10 X 45		1	
5	N 023 003 8	Hexagon nut M 8		1	
(5)	N 023 003 13	Hexagon nut M 8		1	
6	N 906 823 01	Hexagon-head bolt M 8 X 28		4	
(6)	N 906 823 02	Hexagon-head bolt M 8 X 28		4	

Model: 9PA 03

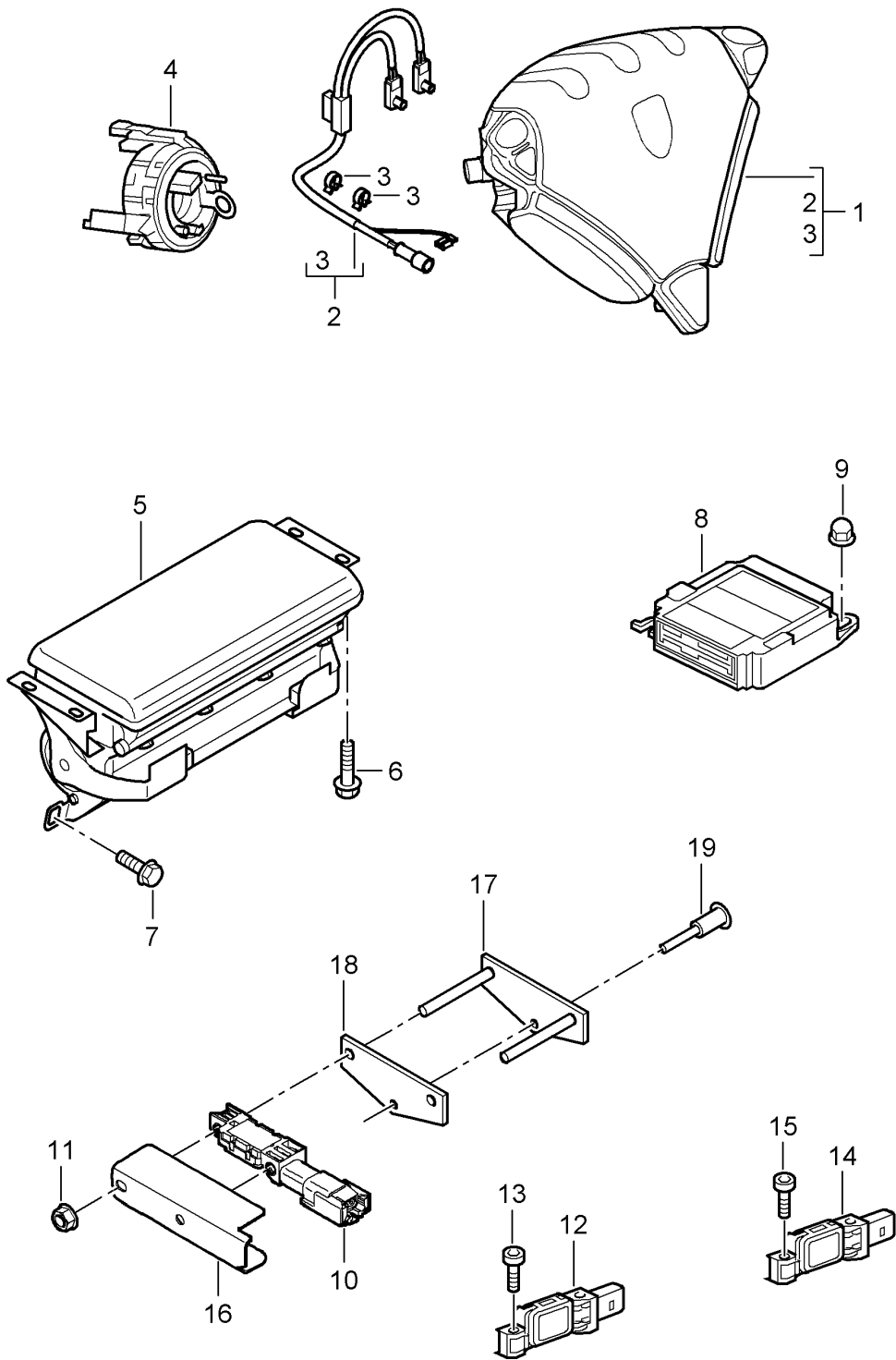
Model life 2003>>2006

Pos	Part Number	Description	Remark	Qty	Model
7	N 908 877 01	Hexagon nut M 6		3	
(7)	N 908 877 02	Hexagon nut M 6		3	
8	N 909 784 01	Hexagon-head bolt M 10 X 35		1	
(8)	WHT 002 446	Torx screw M 10 X 35		1	
9	955 347 234 20	Handle		1	I2C5
10	N 104 066 01	Oval-head screw M 5 X 8	-05	2	I2C5
(10)	N 104 066 02	Oval-head screw M 5 X 8	06-	2	I2C5
11	955 347 037 02	Sealing sleeve		1	
(11)	955 347 037 03	Sealing sleeve		1	
12	999 917 557 00	Grease 30 ML		X	
(12)	000 043 205 44	Grease 1 tube 10 GR.		X	



Model: 9PA 03

Model life 2003>>2006



Model: 9PA 03

Model life 2003>>2006

Pos	Part Number	Description	Remark	Qty	Model
1	955 803 074 00	Airbag Airbag unit		1	IG0L/2PM/4N1
		Plastic material			
	955 803 074 00 2Y7	Black			
	955 803 074 00 2Z1	Stone grey			
	955 803 074 00 3U9	Havanna			
	955 803 074 00 3X8	Palmgreen			
(1)	955 803 074 01	Airbag unit		1	IG0L/2PM/4N1
		Plastic material			
	955 803 074 01 2Y7	Black			
	955 803 074 01 2Z1	Stone grey			
	955 803 074 01 3U9	Havanna			
	955 803 074 01 3X8	Palmgreen			
(1)	955 803 074 02	Airbag unit		1	IG0L/2PM/4N1
		Plastic material			
	955 803 074 02 2Y7	Black			
	955 803 074 02 2Z1	Stone grey			
	955 803 074 02 3U9	Havanna			
	955 803 074 02 3X8	Palmgreen			
(1)	955 803 074 10	Airbag unit		1	IG0R/2PM/4N1
		Plastic material			
	955 803 074 10 2Y7	Black			
	955 803 074 10 2Z1	Stone grey			
	955 803 074 10 3U9	Havanna			
	955 803 074 10 3X8	Palmgreen			
(1)	955 803 074 11	Airbag unit		1	IG0R/2PM/4N1
		Plastic material			
	955 803 074 11 2Y7	Black			
	955 803 074 11 2Z1	Stone grey			
	955 803 074 11 3U9	Havanna			
	955 803 074 11 3X8	Palmgreen			
(1)	955 803 074 12	Airbag unit		1	IG0R/2PM/4N1
		Plastic material			
	955 803 074 12 2Y7	Black			
	955 803 074 12 2Z1	Stone grey			
	955 803 074 12 3U9	Havanna			
	955 803 074 12 3X8	Palmgreen			
(1)	955 803 074 20	Airbag unit		1	IG0L/2PH/4N1
		Plastic material			
	955 803 074 20 2Y7	Black			
	955 803 074 20 2Z1	Stone grey			
	955 803 074 20 3U9	Havanna			
	955 803 074 20 3X8	Palmgreen			
(1)	955 803 074 21	Airbag unit		1	IG0L/2PH/4N1
		Plastic material			
	955 803 074 21 2Y7	Black			
	955 803 074 21 2Z1	Stone grey			
	955 803 074 21 3U9	Havanna			
	955 803 074 21 3X8	Palmgreen			
(1)	955 803 074 22	Airbag unit		1	IG0L/2PH/4N1
		Plastic material			
	955 803 074 22 2Y7	Black			
	955 803 074 22 2Z1	Stone grey			
	955 803 074 22 3U9	Havanna			
	955 803 074 22 3X8	Palmgreen			
(1)	955 803 074 30	Airbag unit		1	IG0R/2PH/4N1
		Plastic material			
	955 803 074 30 2Y7	Black			
	955 803 074 30 2Z1	Stone grey			
	955 803 074 30 3U9	Havanna			
	955 803 074 30 3X8	Palmgreen			
(1)	955 803 074 31	Airbag unit		1	IG0R/2PH/4N1
		Plastic material			

Model: 9PA 03 Model life 2003>>2006

Pos	Part Number	Description	Remark	Qty	Model
(1)	955 803 074 31 2Y7	Black		1	IG0R/2PH/4N1
	955 803 074 31 2Z1	Stone grey			
	955 803 074 31 3U9	Havanna			
	955 803 074 31 3X8	Palmgreen			
	955 803 074 32	Airbag unit Plastic material			
(1)	955 803 074 32 2Y7	Black		1	IG0L/2PM/4N8
	955 803 074 32 2Z1	Stone grey			
	955 803 074 32 3U9	Havanna			
	955 803 074 32 3X8	Palmgreen			
	955 803 075 00	Airbag unit Leather			
(1)	955 803 075 00 5Z3	Black		1	IG0L/2PM/4N8
	955 803 075 00 6P1	Stone grey			
	955 803 075 00 6Q2	Havanna			
	955 803 075 00 6R3	Palmgreen			
	955 803 075 01	Airbag unit Leather			
(1)	955 803 075 01 5Z3	Black		1	IG0R/2PM/4N8
	955 803 075 01 6P1	Stone grey			
	955 803 075 01 6Q2	Havanna			
	955 803 075 01 6R3	Palmgreen			
	955 803 075 10	Airbag unit Leather			
(1)	955 803 075 10 5Z3	Black		1	IG0R/2PM/4N8
	955 803 075 10 6P1	Stone grey			
	955 803 075 10 6Q2	Havanna			
	955 803 075 10 6R3	Palmgreen			
	955 803 075 11	Airbag unit Leather			
(1)	955 803 075 11 5Z3	Black		1	IG0L/2PH/4N8
	955 803 075 11 6P1	Stone grey			
	955 803 075 11 6Q2	Havanna			
	955 803 075 11 6R3	Palmgreen			
	955 803 075 20	Airbag unit Leather			
(1)	955 803 075 20 5Z3	Black		1	IG0L/2PH/4N8
	955 803 075 20 6P1	Stone grey			
	955 803 075 20 6Q2	Havanna			
	955 803 075 20 6R3	Palmgreen			
	955 803 075 21	Airbag unit Leather			
(1)	955 803 075 21 5Z3	Black		1	IG0R/2PH/4N8
	955 803 075 21 6P1	Stone grey			
	955 803 075 21 6Q2	Havanna			
	955 803 075 21 6R3	Palmgreen			
	955 803 075 30	Airbag unit Leather			
(1)	955 803 075 30 5Z3	Black		1	IG0R/2PH/4N8
	955 803 075 30 6P1	Stone grey			
	955 803 075 30 6Q2	Havanna			
	955 803 075 30 6R3	Palmgreen			
	955 803 075 31	Airbag unit Leather			
(1)	955 803 075 31 5Z3	Black		1	IG0L/2PM/4N8
	955 803 075 31 6P1	Stone grey			
	955 803 075 31 6Q2	Havanna			
	955 803 075 31 6R3	Palmgreen			
	955 803 075 02	Airbag unit Leather			
(1)	955 803 075 02 5Z3	Black		1	IG0L/2PM/4N8
	955 803 075 02 6P1	Stone grey			
	955 803 075 02 6Q2	Havanna			

Model: 9PA 03

Model life 2003>>2006

Pos	Part Number	Description	Remark	Qty	Model
(1)	955 803 075 02 6R3	Palmgreen		1	IG0R/2PM/4N8
	955 803 075 02 4P8	Sand Beige			
	955 803 075 12	Airbag unit			
		Leather			
	955 803 075 12 5Z3	Black			
	955 803 075 12 6P1	Stone grey			
	955 803 075 12 6Q2	Havanna			
(1)	955 803 075 12 6R3	Palmgreen		1	IG0L/2PH/4N8
	955 803 075 12 4P8	Sand Beige			
	955 803 075 22	Airbag unit			
		Leather			
	955 803 075 22 5Z3	Black			
	955 803 075 22 6P1	Stone grey			
	955 803 075 22 6Q2	Havanna			
(1)	955 803 075 22 6R3	Palmgreen		1	IG0R/2PH/4N8
	955 803 075 22 4P8	Sand Beige			
	955 803 075 32	Airbag unit			
		Leather			
	955 803 075 32 5Z3	Black			
	955 803 075 32 6P1	Stone grey			
	955 803 075 32 6Q2	Havanna			
(1)	955 803 075 32 6R3	Palmgreen		1	I1XJ/1XK/2PM IG0L/2FV/4N1 I4LB
	955 803 075 32 4P8	Sand Beige			
	955 803 076 00	Airbag unit			
		Plastic material			
		Multi-function			
		Radio			
		Black			
(1)	955 803 076 00 2Y7	Black		1	I1XJ/1XK/2PM IG0L/2FV/4N1 I4LB
	955 803 076 00 2Z1	Stone grey			
	955 803 076 00 3U9	Havanna			
	955 803 076 00 3X8	Palmgreen			
	955 803 076 01	Airbag unit			
		Plastic material			
		Multi-function			
(1)	955 803 076 01 2Y7	Black		1	I1XJ/1XK/2PM IG0L/2FV/4N1 I4LB
	955 803 076 01 2Z1	Stone grey			
	955 803 076 01 3U9	Havanna			
	955 803 076 01 3X8	Palmgreen			
	955 803 076 02	Airbag unit			
		Plastic material			
		Multi-function			
(1)	955 803 076 02 2Y7	Black		1	I1XJ/1XK/2PM IG0L/2FV/4N1 I4LB
	955 803 076 02 2Z1	Stone grey			
	955 803 076 02 3U9	Havanna			
	955 803 076 02 3X8	Palmgreen			
	955 803 076 03	Airbag unit			
		Plastic material			
		Multi-function			
(1)	955 803 076 03 2Y7	Black		1	I1XJ/1XK/2PM IG0L/2FV/4N1 I4LB
	955 803 076 03 2Z1	Stone grey			
	955 803 076 03 3U9	Havanna			
	955 803 076 03 3X8	Palmgreen			
		Plastic material			
		Multi-function			
		Radio			

Model: 9PA 03 Model life 2003>>2006

Pos	Part Number	Description	Remark	Qty	Model
(1)	955 803 076 10	Airbag unit  Plastic material Multi-function Radio		1	I1XJ/1XK/2PM IG0R/2FV/4N1 I4LB
	955 803 076 10 2Y7	Black			
	955 803 076 10 2Z1	Stone grey			
	955 803 076 10 3U9	Havanna			
	955 803 076 10 3X8	Palmgreen			
(1)	955 803 076 11	Airbag unit  Plastic material Multi-function Radio		1	I1XJ/1XK/2PM IG0R/2FV/4N1 I4LB
	955 803 076 11 2Y7	Black			
	955 803 076 11 2Z1	Stone grey			
	955 803 076 11 3U9	Havanna			
	955 803 076 11 3X8	Palmgreen			
(1)	955 803 076 12	Airbag unit  Plastic material Multi-function Radio		1	I1XJ/1XK/2PM IG0R/2FV/4N1 I4LB
	955 803 076 12 2Y7	Black			
	955 803 076 12 2Z1	Stone grey			
	955 803 076 12 3U9	Havanna			
	955 803 076 12 3X8	Palmgreen			
(1)	955 803 076 13	Airbag unit  Plastic material Multi-function Radio		1	I1XJ/1XK/2PM IG0R/2FV/4N1 I4LB
	955 803 076 13 2Y7	Black			
	955 803 076 13 2Z1	Stone grey			
	955 803 076 13 3U9	Havanna			
	955 803 076 13 3X8	Palmgreen			
(1)	955 803 076 20	Airbag unit  Plastic material Multi-function Radio		1	IG0L/2PH/4N1 I4LB
	955 803 076 20 2Y7	Black			
	955 803 076 20 2Z1	Stone grey			
	955 803 076 20 3U9	Havanna			
	955 803 076 20 3X8	Palmgreen			
(1)	955 803 076 21	Airbag unit  Plastic material Multi-function Radio		1	IG0L/2PH/4N1 I4LB
	955 803 076 21 2Y7	Black			
	955 803 076 21 2Z1	Stone grey			
	955 803 076 21 3U9	Havanna			
	955 803 076 21 3X8	Palmgreen			
(1)	955 803 076 22	Airbag unit  Plastic material Multi-function Radio		1	IG0L/2PH/4N1 I4LB

Model: 9PA 03

Model life 2003>>2006

Pos	Part Number	Description	Remark	Qty	Model
(1)	955 803 076 22 2Y7	Black		1	IG0L/2PH/4N1 I4LB
	955 803 076 22 2Z1	Stone grey			
	955 803 076 22 3U9	Havanna			
	955 803 076 22 3X8	Palmgreen			
	955 803 076 23	Airbag unit			
(1)		Plastic material Multi-function Radio		1	IG0R/2PH/4N1 I4LB
	955 803 076 23 2Y7	Black			
	955 803 076 23 2Z1	Stone grey			
	955 803 076 23 3U9	Havanna			
	955 803 076 23 3X8	Palmgreen			
(1)	955 803 076 30	Airbag unit		1	IG0R/2PH/4N1 I4LB
		Plastic material Multi-function Radio			
	955 803 076 30 2Y7	Black			
	955 803 076 30 2Z1	Stone grey			
	955 803 076 30 3U9	Havanna			
(1)	955 803 076 30 3X8	Palmgreen		1	IG0R/2PH/4N1 I4LB
	955 803 076 31	Airbag unit			
		Plastic material Multi-function Radio			
	955 803 076 31 2Y7	Black			
	955 803 076 31 2Z1	Stone grey			
(1)	955 803 076 31 3U9	Havanna		1	IG0R/2PH/4N1 I4LB
	955 803 076 31 3X8	Palmgreen			
	955 803 076 32	Airbag unit			
		Plastic material Multi-function Radio			
	955 803 076 32 2Y7	Black			
(1)	955 803 076 32 2Z1	Stone grey		1	IG0R/2PH/4N1 I4LB
	955 803 076 32 3U9	Havanna			
	955 803 076 32 3X8	Palmgreen			
	955 803 076 33	Airbag unit			
		Plastic material Multi-function Radio			
(1)	955 803 076 33 2Y7	Black		1	I1XJ/1XK/2PM IG0L/2FV/4N1 I4LC
	955 803 076 33 2Z1	Stone grey			
	955 803 076 33 3U9	Havanna			
	955 803 076 33 3X8	Palmgreen			
	955 803 077 01	Airbag unit			
(1)		Plastic material Multi-function Radio Telephone		1	I1XJ/1XK/2PM IG0L/2FV/4N1 I4LC
	955 803 077 01 2Y7	Black			
	955 803 077 01 2Z1	Stone grey			
	955 803 077 01 3U9	Havanna			
	955 803 077 01 3X8	Palmgreen			
(1)	955 803 077 02	Airbag unit		1	I1XJ/1XK/2PM IG0L/2FV/4N1 I4LC

Model: 9PA 03 Model life 2003>>2006

Pos	Part Number	Description	Remark	Qty	Model
(1)	955 803 077 02 2Y7	Plastic material Multi-function Radio Telephone Black		1	I1XJ/1XK/2PM IG0L/2FV/4N1 I4LC
	955 803 077 02 2Z1	Stone grey			
	955 803 077 02 3U9	Havanna			
	955 803 077 02 3X8	Palmgreen			
	955 803 077 03	Airbag unit			
(1)	955 803 077 03 2Y7	Plastic material Multi-function Radio Telephone Black		1	I1XJ/1XK/2PM IG0L/2FV/4N1 I4LC
	955 803 077 03 2Z1	Stone grey			
	955 803 077 03 3U9	Havanna			
	955 803 077 03 3X8	Palmgreen			
	955 803 077 04	Airbag unit			
(1)	955 803 077 04 2Y7	Plastic material Multi-function Radio Telephone Black		1	I1XJ/1XK/2PM IG0R/2FV/4N1 I4LC
	955 803 077 04 2Z1	Stone grey			
	955 803 077 04 3U9	Havanna			
	955 803 077 04 3X8	Palmgreen			
	955 803 077 11	Airbag unit			
(1)	955 803 077 11 2Y7	Plastic material Multi-function Radio Telephone Black		1	I1XJ/1XK/2PM IG0R/2FV/4N1 I4LC
	955 803 077 11 2Z1	Stone grey			
	955 803 077 11 3U9	Havanna			
	955 803 077 11 3X8	Palmgreen			
	955 803 077 12	Airbag unit			
(1)	955 803 077 12 2Y7	Plastic material Multi-function Radio Telephone Black		1	I1XJ/1XK/2PM IG0R/2FV/4N1 I4LC
	955 803 077 12 2Z1	Stone grey			
	955 803 077 12 3U9	Havanna			
	955 803 077 12 3X8	Palmgreen			
	955 803 077 13	Airbag unit			
(1)	955 803 077 13 2Y7	Plastic material Multi-function Radio Telephone Black		1	I1XJ/1XK/2PM IG0R/2FV/4N1 I4LC
	955 803 077 13 2Z1	Stone grey			
	955 803 077 13 3U9	Havanna			
	955 803 077 13 3X8	Palmgreen			

Model: 9PA 03 Model life 2003>>2006

Pos	Part Number	Description	Remark	Qty	Model
(1)	955 803 077 14	Airbag unit  Plastic material Multi-function Radio Telephone		1	I1XJ/1XK/2PM IG0R/2FV/4N1 I4LC
	955 803 077 14 2Y7	Black			
	955 803 077 14 2Z1	Stone grey			
	955 803 077 14 3U9	Havanna			
	955 803 077 14 3X8	Palmgreen			
(1)	955 803 077 21	Airbag unit  Plastic material Multi-function Radio Telephone		1	IG0L/2PH/4N1 I4LC
	955 803 077 21 2Y7	Black			
	955 803 077 21 2Z1	Stone grey			
	955 803 077 21 3U9	Havanna			
	955 803 077 21 3X8	Palmgreen			
(1)	955 803 077 22	Airbag unit  Plastic material Multi-function Radio Telephone		1	IG0L/2PH/4N1 I4LC
	955 803 077 22 2Y7	Black			
	955 803 077 22 2Z1	Stone grey			
	955 803 077 22 3U9	Havanna			
	955 803 077 22 3X8	Palmgreen			
(1)	955 803 077 23	Airbag unit  Plastic material Multi-function Radio Telephone		1	IG0L/2PH/4N1 I4LC
	955 803 077 23 2Y7	Black			
	955 803 077 23 2Z1	Stone grey			
	955 803 077 23 3U9	Havanna			
	955 803 077 23 3X8	Palmgreen			
(1)	955 803 077 24	Airbag unit  Plastic material Multi-function Radio Telephone		1	IG0L/2PH/4N1 I4LC
	955 803 077 24 2Y7	Black			
	955 803 077 24 2Z1	Stone grey			
	955 803 077 24 3U9	Havanna			
	955 803 077 24 3X8	Palmgreen			
(1)	955 803 077 31	Airbag unit  Plastic material Multi-function Radio Telephone		1	IG0R/2PH/4N1 I4LC
	955 803 077 31 2Y7	Black			
	955 803 077 31 2Z1	Stone grey			
	955 803 077 31 3U9	Havanna			
	955 803 077 31 3X8	Palmgreen			
(1)	955 803 077 32	Airbag unit  Plastic material Multi-function Radio Telephone		1	IG0R/2PH/4N1 I4LC
	955 803 077 32 2Y7	Black			
	955 803 077 32 2Z1	Stone grey			
	955 803 077 32 3U9	Havanna			
	955 803 077 32 3X8	Palmgreen			



Model: 9PA 03 Model life 2003>>2006

Pos	Part Number	Description	Remark	Qty	Model
(1)	955 803 077 32 2Y7 955 803 077 32 2Z1 955 803 077 32 3U9 955 803 077 32 3X8 955 803 077 33	Plastic material Multi-function Radio Telephone Black Stone grey Havanna Palmgreen Airbag unit		1	IG0R/2PH/4N1 I4LC
(1)	955 803 077 33 2Y7 955 803 077 33 2Z1 955 803 077 33 3U9 955 803 077 33 3X8 955 803 077 34	Plastic material Multi-function Radio Telephone Black Stone grey Havanna Palmgreen Airbag unit		1	IG0R/2PH/4N1 I4LC
(1)	955 803 077 34 2Y7 955 803 077 34 2Z1 955 803 077 34 3U9 955 803 077 34 3X8 955 803 078 00	Plastic material Multi-function Radio Telephone Black Stone grey Havanna Palmgreen Airbag unit		1	I1XJ/1XK/2PM IG0L/2FV/4N8 I4LB
(1)	955 803 078 00 5Z3 955 803 078 00 6P1 955 803 078 00 6Q2 955 803 078 00 6R3 955 803 078 01	Leather Multi-function Radio Black Stone grey Havanna Palmgreen Airbag unit		1	I1XJ/1XK/2PM IG0L/2FV/4N8 I4LB
(1)	955 803 078 01 5Z3 955 803 078 01 6P1 955 803 078 01 6Q2 955 803 078 01 6R3 955 803 078 10	Leather Multi-function Radio Black Stone grey Havanna Palmgreen Airbag unit		1	I1XJ/1XK/2PM IG0R/2FV/4N8 I4LB
(1)	955 803 078 10 5Z3 955 803 078 10 6P1 955 803 078 10 6Q2 955 803 078 10 6R3 955 803 078 11	Leather Multi-function Radio Black Stone grey Havanna Palmgreen Airbag unit		1	I1XJ/1XK/2PM IG0R/2FV/4N8 I4LB
(1)	955 803 078 11	Leather Multi-function			

Model: 9PA 03 Model life 2003>>2006

Pos	Part Number	Description	Remark	Qty	Model
(1)	955 803 078 11 5Z3	Radio		1	IG0L/2PH/4N8 I4LB
	955 803 078 11 6P1	Black			
	955 803 078 11 6Q2	Stone grey			
	955 803 078 11 6R3	Havanna			
	955 803 078 20	Palmgreen			
(1)	955 803 078 20 5Z3	Airbag unit		1	IG0L/2PH/4N8 I4LB
	955 803 078 20 6P1	Leather			
	955 803 078 20 6Q2	Multi-function			
	955 803 078 20 6R3	Radio			
	955 803 078 21	Black			
(1)	955 803 078 21 5Z3	Stone grey		1	IG0R/2PH/4N8 I4LB
	955 803 078 21 6P1	Havanna			
	955 803 078 21 6Q2	Palmgreen			
	955 803 078 21 6R3	Airbag unit			
	955 803 078 30	Leather			
(1)	955 803 078 30 5Z3	Multi-function		1	IG0R/2PH/4N8 I4LB
	955 803 078 30 6P1	Radio			
	955 803 078 30 6Q2	Black			
	955 803 078 30 6R3	Stone grey			
	955 803 078 31	Havanna			
(1)	955 803 078 31 5Z3	Palmgreen		1	IG0R/2PH/4N8 I4LB
	955 803 078 31 6P1	Airbag unit			
	955 803 078 31 6Q2	Leather			
	955 803 078 31 6R3	Multi-function			
	955 803 078 02	Radio			
(1)	955 803 078 02 5Z3	Black		1	I1XJ/1XK/2PM IG0L/2FV/4N8 I4LB
	955 803 078 02 6P1	Stone grey			
	955 803 078 02 6Q2	Havanna			
	955 803 078 02 6R3	Palmgreen			
	955 803 078 02 4P8	Sand Beige			
(1)	955 803 078 03 5Z3	Airbag unit		1	I1XJ/1XK/2PM IG0L/2FV/4N8 I4LB
	955 803 078 03 6P1	Leather			
	955 803 078 03 6Q2	Multi-function			
	955 803 078 03 6R3	Radio			
	955 803 078 03 4P8	Black			
(1)	955 803 078 03 5Z3	Stone grey		1	I1XJ/1XK/2PM IG0L/2FV/4N8 I4LB
	955 803 078 03 6P1	Havanna			
	955 803 078 03 6Q2	Palmgreen			
	955 803 078 03 6R3	Sand Beige			
	955 803 078 03 4P8	Airbag unit			

Model: 9PA 03 Model life 2003>>2006

Pos	Part Number	Description	Remark	Qty	Model
(1)	955 803 078 12	Airbag unit  Leather Multi-function Radio		1	I1XJ/1XK/2PM IG0R/2FV/4N8 I4LB
	955 803 078 12 5Z3	Black			
	955 803 078 12 6P1	Stone grey			
	955 803 078 12 6Q2	Havanna			
	955 803 078 12 6R3	Palmgreen			
	955 803 078 12 4P8	Sand Beige			
(1)	955 803 078 13	Airbag unit  Leather Multi-function Radio		1	I1XJ/1XK/2PM IG0R/2FV/4N8 I4LB
	955 803 078 13 5Z3	Black			
	955 803 078 13 6P1	Stone grey			
	955 803 078 13 6Q2	Havanna			
	955 803 078 13 6R3	Palmgreen			
	955 803 078 13 4P8	Sand Beige			
(1)	955 803 078 22	Airbag unit  Leather Multi-function Radio		1	IG0L/2PH/4N8 I4LB
	955 803 078 22 5Z3	Black			
	955 803 078 22 6P1	Stone grey			
	955 803 078 22 6Q2	Havanna			
	955 803 078 22 6R3	Palmgreen			
	955 803 078 22 4P8	Sand Beige			
(1)	955 803 078 23	Airbag unit  Leather Multi-function Radio		1	IG0L/2PH/4N8 I4LB
	955 803 078 23 5Z3	Black			
	955 803 078 23 6P1	Stone grey			
	955 803 078 23 6Q2	Havanna			
	955 803 078 23 6R3	Palmgreen			
	955 803 078 23 4P8	Sand Beige			
(1)	955 803 078 32	Airbag unit  Leather Multi-function Radio		1	IG0R/2PH/4N8 I4LB
	955 803 078 32 5Z3	Black			
	955 803 078 32 6P1	Stone grey			
	955 803 078 32 6Q2	Havanna			
	955 803 078 32 6R3	Palmgreen			
	955 803 078 32 4P8	Sand Beige			
(1)	955 803 078 33	Airbag unit  Leather Multi-function Radio		1	IG0R/2PH/4N8 I4LB
	955 803 078 33 5Z3	Black			
	955 803 078 33 6P1	Stone grey			
	955 803 078 33 6Q2	Havanna			
	955 803 078 33 6R3	Palmgreen			
	955 803 078 33 4P8	Sand Beige			
(1)	955 803 079 01	Airbag unit		1	I1XJ/1XK/2PM

Model: 9PA 03 Model life 2003>>2006

Pos	Part Number	Description	Remark	Qty	Model
		Leather Multi-function Radio Telephone			IG0L/2FV/4N8 I4LC
	955 803 079 01 5Z3	Black			
	955 803 079 01 6P1	Stone grey			
	955 803 079 01 6Q2	Havanna			
	955 803 079 01 6R3	Palmgreen			
(1)	955 803 079 02	Airbag unit		1	I1XJ/1XK/2PM IG0L/2FV/4N8 I4LC
		Leather Multi-function Radio Telephone			
	955 803 079 02 5Z3	Black			
	955 803 079 02 6P1	Stone grey			
	955 803 079 02 6Q2	Havanna			
	955 803 079 02 6R3	Palmgreen			
(1)	955 803 079 11	Airbag unit	-04	1	I1XJ/1XK/2PM IG0R/2FV/4N8 I4LC
		Leather Multi-function Radio Telephone			
	955 803 079 11 5Z3	Black			
	955 803 079 11 6P1	Stone grey			
	955 803 079 11 6Q2	Havanna			
	955 803 079 11 6R3	Palmgreen			
(1)	955 803 079 12	Airbag unit		1	I1XJ/1XK/2PM IG0R/2FV/4N8 I4LC
		Leather Multi-function Radio Telephone			
	955 803 079 12 5Z3	Black			
	955 803 079 12 6P1	Stone grey			
	955 803 079 12 6Q2	Havanna			
	955 803 079 12 6R3	Palmgreen			
(1)	955 803 079 21	Airbag unit		1	IG0L/2PH/4N8 I4LC
		Leather Multi-function Radio Telephone			
	955 803 079 21 5Z3	Black			
	955 803 079 21 6P1	Stone grey			
	955 803 079 21 6Q2	Havanna			
	955 803 079 21 6R3	Palmgreen			
(1)	955 803 079 22	Airbag unit		1	IG0L/2PH/4N8 I4LC
		Leather Multi-function Radio Telephone			
	955 803 079 22 5Z3	Black			
	955 803 079 22 6P1	Stone grey			
	955 803 079 22 6Q2	Havanna			
	955 803 079 22 6R3	Palmgreen			

Model: 9PA 03 Model life 2003>>2006

Pos	Part Number	Description	Remark	Qty	Model
(1)	955 803 079 31	Airbag unit Leather Multi-function Radio Telephone		1	IG0R/2PH/4N8 I4LC
	955 803 079 31 5Z3	Black			
	955 803 079 31 6P1	Stone grey			
	955 803 079 31 6Q2	Havanna			
	955 803 079 31 6R3	Palmgreen			
(1)	955 803 079 32	Airbag unit Leather Multi-function Radio Telephone		1	IG0R/2PH/4N8 I4LC
	955 803 079 32 5Z3	Black			
	955 803 079 32 6P1	Stone grey			
	955 803 079 32 6Q2	Havanna			
	955 803 079 32 6R3	Palmgreen			
(1)	955 803 079 03	Airbag unit Leather Multi-function Radio Telephone		1	I1XJ/1XK/2PM IG0L/2FV/4N8 I4LC
	955 803 079 03 5Z3	Black			
	955 803 079 03 6P1	Stone grey			
	955 803 079 03 6Q2	Havanna			
	955 803 079 03 6R3	Palmgreen			
	955 803 079 03 4P8	Sand Beige			
(1)	955 803 079 04	Airbag unit Leather Multi-function Radio Telephone		1	I1XJ/1XK/2PM IG0L/2FV/4N8 I4LC
	955 803 079 04 5Z3	Black			
	955 803 079 04 6P1	Stone grey			
	955 803 079 04 6Q2	Havanna			
	955 803 079 04 6R3	Palmgreen			
	955 803 079 04 4P8	Sand Beige			
(1)	955 803 079 13	Airbag unit Leather Multi-function Radio Telephone		1	I1XJ/1XK/2PM IG0R/2FV/4N8 I4LC
	955 803 079 13 5Z3	Black			
	955 803 079 13 6P1	Stone grey			
	955 803 079 13 6Q2	Havanna			
	955 803 079 13 6R3	Palmgreen			
	955 803 079 13 4P8	Sand Beige			
(1)	955 803 079 14	Airbag unit Leather Multi-function Radio Telephone		1	I1XJ/1XK/2PM IG0R/2FV/4N8 I4LC

Model: 9PA 03 Model life 2003>>2006

Pos	Part Number	Description	Remark	Qty	Model			
(1)	955 803 079 14 5Z3	Black		1	IG0L/2PH/4N8 I4LC			
	955 803 079 14 6P1	Stone grey						
	955 803 079 14 6Q2	Havanna						
	955 803 079 14 6R3	Palmgreen						
	955 803 079 14 4P8	Sand Beige						
	955 803 079 23	Airbag unit						
		Leather						
		Multi-function						
		Radio						
		Telephone						
(1)	955 803 079 23 5Z3	Black		1	IG0L/2PH/4N8 I4LC			
	955 803 079 23 6P1	Stone grey						
	955 803 079 23 6Q2	Havanna						
	955 803 079 23 6R3	Palmgreen						
	955 803 079 23 4P8	Sand Beige						
	955 803 079 24	Airbag unit						
		Leather						
		Multi-function						
		Radio						
		Telephone						
(1)	955 803 079 24 5Z3	Black		1	IG0R/2PH/4N8 I4LC			
	955 803 079 24 6P1	Stone grey						
	955 803 079 24 6Q2	Havanna						
	955 803 079 24 6R3	Palmgreen						
	955 803 079 24 4P8	Sand Beige						
	955 803 079 33	Airbag unit						
		Leather						
		Multi-function						
		Radio						
		Telephone						
(1)	955 803 079 33 5Z3	Black		1	IG0R/2PH/4N8 I4LC			
	955 803 079 33 6P1	Stone grey						
	955 803 079 33 6Q2	Havanna						
	955 803 079 33 6R3	Palmgreen						
	955 803 079 33 4P8	Sand Beige						
	955 803 079 34	Airbag unit						
		Leather						
		Multi-function						
		Radio						
		Telephone						
2	955 803 079 34 5Z3	Black		1	IG0L/2PM			
	955 803 079 34 6P1	Stone grey						
	955 803 079 34 6Q2	Havanna						
	955 803 079 34 6R3	Palmgreen						
	955 803 079 34 4P8	Sand Beige						
	955 612 672 00	Wiring harness						
	(2)	955 612 670 00	Wiring harness				1	IG0R/2PM
	(2)		Wiring harness				1	I1XJ/1XK/2PM I2FV/4LB/4LC IG0L/G0R IG0L/2PH
	(2)	955 612 673 00	Wiring harness				1	IG0R/2PH
	(2)	955 612 671 00	Wiring harness				1	I2PH/4LB/4LC IG0L/G0R
(2)		Wiring harness		1	I2PH/4LB/4LC IG0L/G0R			
3	955 803 521 00	Clip		2				

Model: 9PA 03

Model life 2003&gt;&gt;2006

Pos	Part Number	Description	Remark	Qty	Model
4	955 652 211 00	Wiring harness Spring		1	IG0L/2PM
(4)	955 652 211 01	with Steering-angle sensor Spring		1	IG0L/2PM
(4)	955 652 211 10	with Steering-angle sensor Spring		1	IG0R/2PM
(4)	955 652 211 11	with Steering-angle sensor Spring		1	IG0R/2PM
(4)	955 652 211 20	with Steering-angle sensor Spring		1	I2PH
(4)	955 652 211 21	with Steering-angle sensor Spring		1	I2PH
(4)	955 652 211 10	with Steering-angle sensor Spring		1	I1XJ/1XK/2PM I2FV/4LB/4LC
(4)	955 652 211 11	with Steering-angle sensor Spring		1	I1XJ/1XK/2PM I2FV/4LB/4LC
(4)	955 652 211 20	with Steering-angle sensor Spring		1	I2PH/4LB/4LC
(4)	955 652 211 21	with Steering-angle sensor Spring		1	I2PH/4LB/4LC
5	955 803 071 01	Airbag unit Passenger's side		1	
(5)	955 803 071 02	Airbag unit Passenger's side		1	
6	N 101 586 03	Hexagon-head bolt M 6 X 20		4	
7	N 901 671 01	Combination screw M 6 X 15		2	
(7)	N 901 671 04	Combination screw M 6 X 15		2	
8	955 618 219 00	Control unit Airbag		1	
(8)	955 618 219 01	Control unit Airbag		1	
(8)	955 618 219 02	Control unit Airbag		1	I4UD/4UE
9	955 618 419 20	Cap nut M 6		3	
(9)	955 618 419 21	Cap nut M 6		3	
10	955 618 220 10	Front sensor Airbag		2	
(10)	955 618 220 11	Front sensor Airbag		2	
(10)	955 618 220 12	Front sensor Airbag		2	
11	N 015 082 10	Hexagon nut		4	

Model: 9PA 03

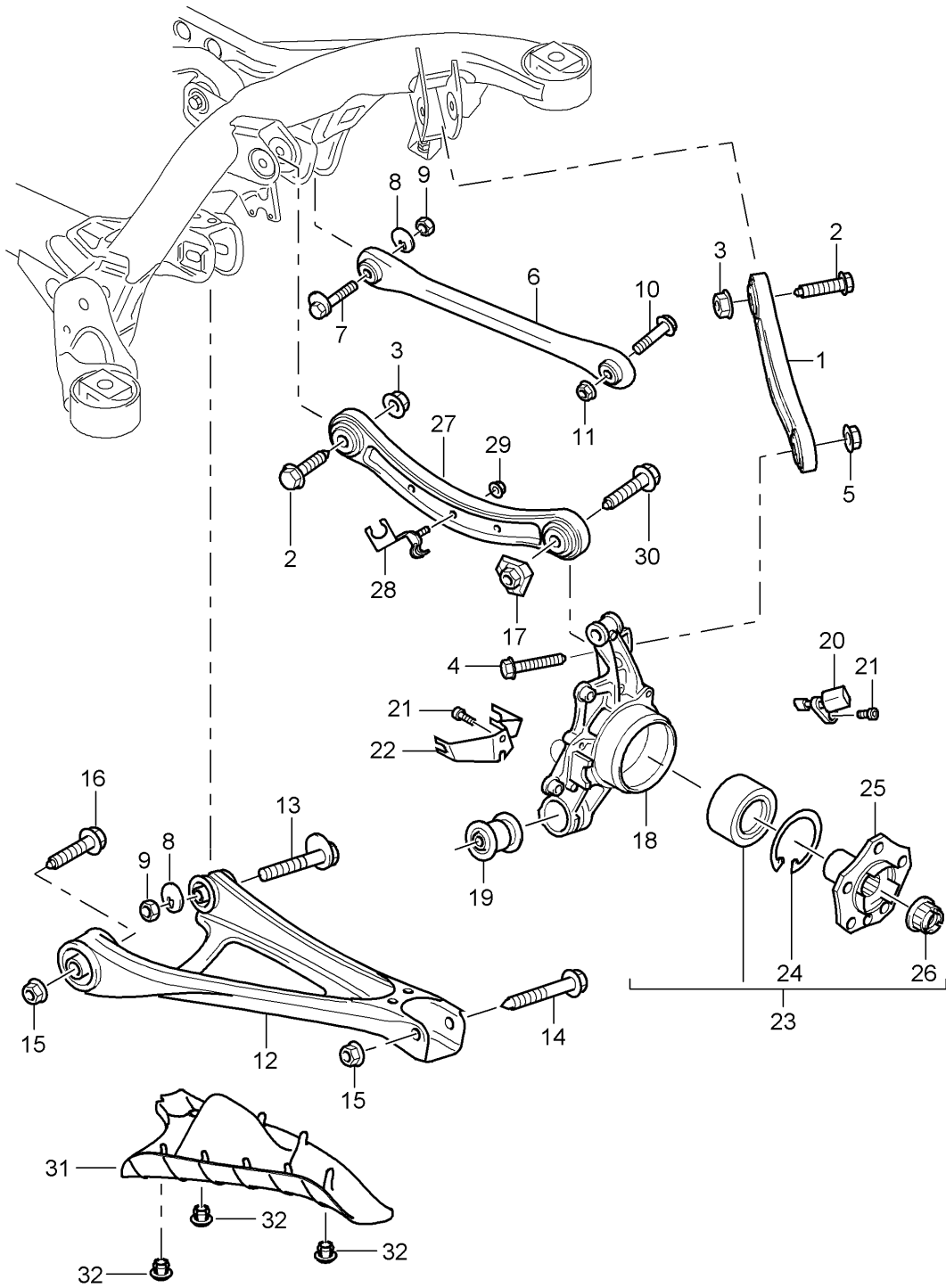
Model life 2003>>2006

Pos	Part Number	Description	Remark	Qty	Model
12	955 618 221 00	M 6 Sensor Side airbag B-pillar		2	
(12)	955 618 221 01	Sensor Side airbag B-pillar		2	
13	N 906 381 01	Torx screw M 6 X 12		4	
(13)	N 906 381 04	Torx screw M 6 X 12		4	
14	955 618 222 30	Sensor Side airbag C-pillar		2	
(14)	955 618 222 31	Sensor Side airbag C-pillar		2	
15	N 105 181 01	Torx screw M 6 X 40		4	
(15)	N 105 181 02	Torx screw M 6 X 40		4	
17	955 618 542 10	Support		2	
18	955 618 543 00	Support		2	
19	N 016 199 2	Blind rivet 3,2 X 10		2	
-	...	Side airbag See group 8/17/20		X	
-		Head airbag See group 8/07/30		X	



Model: 9PA 03

Model life 2003>>2006



Model: 9PA 03

Model life 2003>>2006

Pos	Part Number	Description	Remark	Qty	Model
1	955 331 049 00	Rear axle Wheel carrier Wishbone Track rod Wheel hub Stone guard Wishbone	/L	1	
(1)	955 331 050 00	Upper Rear Wishbone Upper Rear	/R	1	
2	N 105 524 01	Hexagon-head bolt M 12 X 1,5 X 70		4	
(2)	N 105 524 02	Hexagon-head bolt M 12 X 1,5 X 70		4	
3	N 104 029 01	Hexagon nut M 12 X 1,5		4	
(3)	N 104 029 04	Hexagon nut M 12 X 1,5		4	
4	N 105 869 01	Hexagon-head bolt M 16 X 1,5 X 110		2	
(4)	N 105 869 02	Hexagon-head bolt M 16 X 1,5 X 110		2	
(4)	WHT 005 459	Hexagon-head bolt M 16 X 1,5 X 110		2	
5	N 910 204 01	Combined nut M 16 X 1,5		2	
(5)	N 910 204 02	Combined nut M 16 X 1,5		2	
6	955 331 045 30	Track rod		2	
(6)	955 331 045 31	Track rod		2	
(6)	955 331 045 32	Track rod		2	
7	955 331 216 00	Eccentric screw M 14 X 1,5 X 82		2	
(7)	WHT 001 834	Eccentric screw M 14 X 1,5 X 82		2	
8	955 331 219 00	Eccentric washer		4	
(8)	WHT 001 796 A	Eccentric washer		4	
9	N 102 686 02	Hexagon nut M 14 X 1,5		4	
(9)	WHT 001 938	Lock nut M 14 X 1,5		4	
10	N 910 205 01	Combination screw M 16 X 1,5 X 125		2	
(10)	N 910 205 02	Combination screw M 16 X 1,5 X 125		2	
11	N 105 868 01	Hexagon nut M 16 X 1,5		2	
(11)	N 105 868 02	Hexagon nut M 16 X 1,5		2	
12	955 331 017 11	Wishbone Lower	/L	1	
(12)	955 331 018 11	Wishbone Lower	/R	1	
13	955 331 217 00	Eccentric screw M 14 X 1,5 X 105		2	
(13)	WHT 001 833	Eccentric screw M 14 X 1,5 X 102		2	
14	N 105 230 01	Hexagon-head bolt		2	

Model: 9PA 03

Model life 2003&gt;&gt;2006

Pos	Part Number	Description	Remark	Qty	Model
(14)	N 105 230 02	M 14 X 1,5 X 100 Hexagon-head bolt		2	
15	N 103 353 02	M 14 X 1,5 X 100 Hexagon nut		4	
(15)	N 103 353 04	M 14 X 1,5 Hexagon nut		4	
16	N 105 526 01	M 14 X 1,5 Hexagon-head bolt		2	
(16)	N 105 326 02	M 14 X 1,5 X 110 Hexagon-head bolt		2	
17	955 331 445 00	M 14 X 1,5 X 102 Combined nut		2	
(17)	WHT 001 872	M 14 X 1,5 Combined nut		2	
18	955 331 611 20	M 14 X 1,5 Wheel carrier	/L	1	
(18)	955 331 612 20	Wheel carrier	/R	1	
19	955 341 588 10	Link bearing		2	
20	955 606 405 10	Speed sensor	/L	1	
(20)	955 606 405 11	Speed sensor	/L	1	
(20)	955 606 405 12	Speed sensor	/L	1	
(20)	955 606 406 10	Speed sensor	/R	1	
(20)	955 606 406 11	Speed sensor	/R	1	
21	N 014 740 4	Pan-head screw M 6 X 16		4	
(21)	N 014 740 11	Pan-head screw M 6 X 16		4	
22	955 331 321 00	Support	/L	1	
(22)	955 331 321 10	Support	/L	1	
(22)	955 331 322 00	Support	/R	1	
(22)	955 331 322 30	Support	/R	1	
23	955 341 901 00	Repair kit Angular-contact bearing Use also: N .105.234.01 for Mount Drive shaft		2	
24	N 105 320 01	Circlip 95 X 3		2	
25	955 341 605 10	Wheel hub		2	
(25)	955 341 605 11	Wheel hub		2	
26	955 341 640 00	Lock nut M 24		2	
27	955 331 047 10	Wishbone Upper Front		2	
28	955 331 322 20	Support for Line Speed sensor		2	
(28)	955 331 322 40	Support for Line Speed sensor		2	
29	N 023 002 8	Hexagon nut M 6		2	
30	N 105 526 01	Hexagon-head bolt		2	

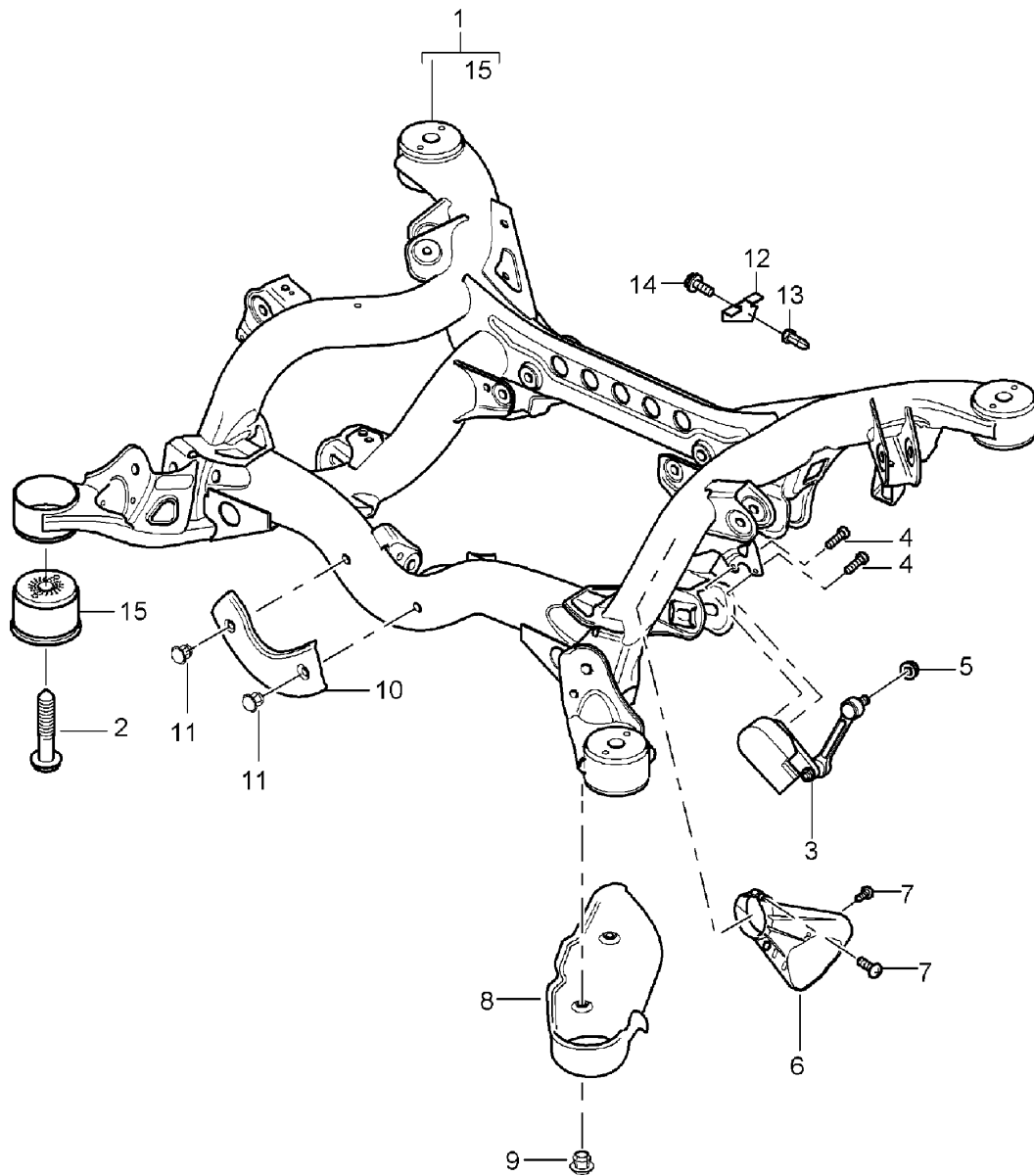
Model: 9PA 03

Model life 2003>>2006

Pos	Part Number	Description	Remark	Qty	Model
(30)	N 105 526 02	M 14 X 1,5 X 110 Hexagon-head bolt		2	
(30)	N 105 326 02	M 14 X 1,5 X 110 Hexagon-head bolt	05-	2	IE8A/E81/1KU
31	955 331 315 01	BM 14 X 1,5 X 102 Stone guard	/L 04-	1	I6EB/6ES/6ET
(31)	955 331 316 01	Stone guard	/R 04-	1	I6EB/6ES/6ET
(31)	955 331 316 02	Stone guard	/R 04-	1	I6EB/6ES/6ET
32	N 106 085 01	Expansion rivet	04-	6	I6EB/6ES/6ET
-	000 043 204 21	Grease Spraying can 25 ML		1	
-	G 052 778 A2	Grease Spraying can 25 ML		1	

Model: 9PA 03

Model life 2003>>2006



Model: 9PA 03

Model life 2003>>2006

Pos	Part Number	Description	Remark	Qty	Model
1	955 331 030 40	Rear axle Suspension subframe Self-levelling sensor Stone guard Suspension subframe		1	
(1)	955 331 030 41	Suspension subframe		1	
(1)	955 331 030 42	Suspension subframe		1	
(1)	955 331 030 43	Suspension subframe		1	
(1)	955 331 030 44	Suspension subframe		1	
(1)	955 331 030 45	Suspension subframe		1	
(1)	955 331 031 00	Suspension subframe		1	
(1)	955 331 031 20	Suspension subframe		1	
2	N 909 763 01	Hexagon-head bolt M 14 X 1,5 X 135		4	
(2)	N 909 987 02	Hexagon-head bolt M 14 X 1,5 X 150		4	
(2)	N 909 763 02	Hexagon-head bolt M 14 X 1,5 X 135 Only for Repair Threaded bush Use See workshop manual Group 5 Document 518941		4	
3	955 331 077 10	Self-levelling sensor with Linkage	/L	1	I1BA/8Q3
(3)	955 331 077 11	Self-levelling sensor with Linkage	/L	1	I1BA/8Q3
-	955 631 121 00	Sensor	/L	1	I1BA/8Q3
-	955 331 375 01	Headlight levelling system Strut	/L	1	I1BA/8Q3
-	N 023 002 12	Headlight levelling system Hexagon nut M 6		1	I1BA/8Q3
(3)	955 331 077 00	Self-levelling sensor with Linkage F >>9P4LA 01525 F >>9P4LA 48415 F >>9P4LA 83739		2	I1BK
(3)	955 331 077 20	Self-levelling sensor with Linkage F 9P4LA 01526>> F 9P4LA 48416>> F 9P4LA 83740>>	-05	2	I1BK
(3)	955 331 077 21	Self-levelling sensor with Linkage	06-	2	I1BK
4	N 104 343 01	Pan-head screw		2	I1BA/8Q3

Model: 9PA 03 Model life 2003>>2006

Pos	Part Number	Description	Remark	Qty	Model
(4)		M 5 X 10 Pan-head screw		4	I1BK
5	N 023 002 8	M 5 X 10 Hexagon nut	-05	1	I1BA/8Q3
(5)	N 023 002 12	M 6 Hexagon nut	06-	1	I1BA/8Q3
(5)	N 023 002 8	M 6 Hexagon nut	-05	2	I1BK
(5)	N 023 002 12	M 6 Hexagon nut	06-	2	I1BK
6	955 331 325 01	Stone guard F >>9P6LA 03817 F >>9P6LA 43850	/L	1	I1BA/8Q3
(6)		Stone guard F >>9P6LA 03817 F >>9P6LA 43850 F >>9P6LA 81761	/L	1	I1BK
(6)		Stone guard F 9P6LA 03818>> F 9P6LA 43851>> F 9P6LA 81762>>	/L	1	I6EB/6ES
(6)		Stone guard	/L	1	I1Y1
(6)	955 331 326 01	Stone guard F >>9P6LA 03817 F >>9P6LA 43850 F >>9P6LA 81761	/R	1	I1BK
(6)		Stone guard F 9P6LA 03818>> F 9P6LA 43851>> F 9P6LA 81762>>	/R	1	I6EB/6ES
7	N 106 115 01	Oval-head screw 4 X 25 F >>9P6LA 03817 F >>9P6LA 43850		2	I1BA/8Q3
(7)		Oval-head screw 4 X 25 F >>9P6LA 03817 F >>9P6LA 43850 F >>9P6LA 81761		4	I1BK
(7)		Oval-head screw 4 X 25 F 9P6LA 03818>> F 9P6LA 43851>> F 9P6LA 81762>>		4	I6EB/6ES
(7)		Oval-head screw 4 X 25		2	I1Y1
8	955 331 313 01	Stone guard	/L 04-	1	I6EB/6ES/6ET
(8)	955 331 314 01	Stone guard	/R 04-	1	I6EB/6ES/6ET
9	N 106 084 01	Expansion rivet	04-	4	I6EB/6ES/6ET
10	955 331 317 01	Stone guard	04-	1	I6EB/6ES/6ET
11	N 106 085 01	Expansion rivet	04-	2	I6EB/6ES/6ET
12	955 610 235 01	Support Wiring harness Sensor	04-	1	I0BJ
(12)	955 610 235 02	Support Wiring harness Sensor	04-	1	I0BJ
13	N 909 278 01	Blind rivet nut M 6	04-	1	I0BJ
14	N 904 407 02	Hexagon-head bolt M 6 X 15	-05	1	
(14)	N 103 389 03	Hexagon-head bolt	06-	1	

Model: 9PA 03

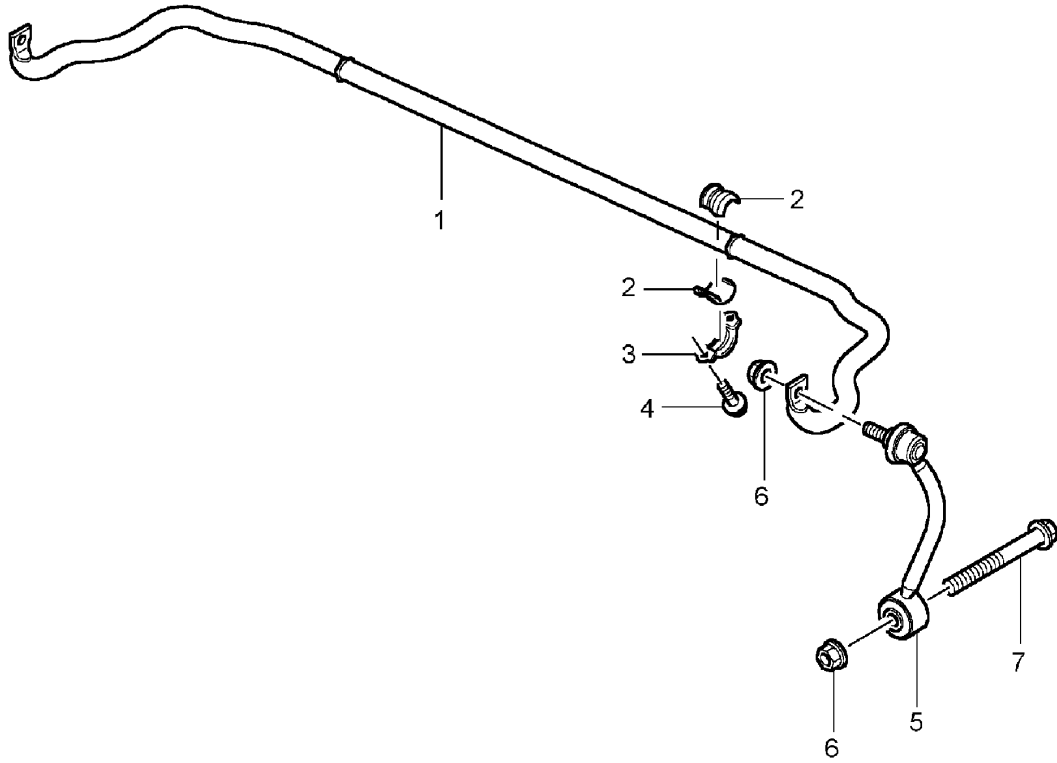
Model life 2003>>2006

Pos	Part Number	Description	Remark	Qty	Model
15	955 331 134 00	M 6 X 16 Hydraulic mount		4	
(15)	955 331 135 00	Hydraulic mount		4	
(15)	955 331 135 01	Hydraulic mount		4	



Model: 9PA 03

Model life 2003>>2006



Model: 9PA 03

Model life 2003>>2006

Pos	Part Number	Description	Remark	Qty	Model
1	955 333 701 00	Stabiliser Stabiliser 25,00 MM Identification Green		1	I0BB ID9K/1BA
(1)	958 333 701 00	Stabiliser 25,00 MM Identification Green		1	ID9K/1BA
(1)	955 333 701 00	Stabiliser 25,00 MM Identification Green	04-	1	ID9J/1BK
(1)	958 333 701 00	Stabiliser 25,00 MM Identification Green	04-	1	ID9J/1BK
(1)	955 333 701 20	Stabiliser 24,60 MM Identification Lilac	04-	1	ID9J/1BA
(1)	955 333 701 30	Stabiliser 25,60 MM Identification Yellow		1	ID9K/D9L/1BK
2	955 333 792 40	Stabiliser mounting 24,10 MM Identification Green		4	ID9K/1BA
2		Stabiliser mounting 24,10 MM Identification Green	04-	4	ID9J/1BK
(2)	955 333 792 50	Stabiliser mounting 23,70 MM Identification Lilac	04-	4	ID9J/1BA
(2)	955 333 792 30	Stabiliser mounting 24,70 MM Identification Yellow		4	ID9K/D9L/1BK
3	955 333 777 00	Clip F >>9P6LA 08079 F >>9P6LA 49270 F >>9P6LA 83929		2	
(3)	955 333 777 01	Clip F 9P6LA 08080>> F 9P6LA 49271>> F 9P6LA 83930>>		2	
4	N 106 978 01	Hexagon-head bolt M 10 X 30		4	
5	955 333 069 10	Stabiliser mounting	/L	1	
(5)	955 333 069 21	Stabiliser mounting	/L	1	
(5)	955 333 070 10	Stabiliser mounting	/R	1	
(5)	955 333 070 21	Stabiliser mounting	/R	1	
6	N 104 029 01	Hexagon nut M 12 X 1,5		4	
(6)	N 104 029 04	Hexagon nut M 12 X 1,5		4	
7	N 105 924 01	Hexagon-head bolt M 12 X 1,5 X 120		2	

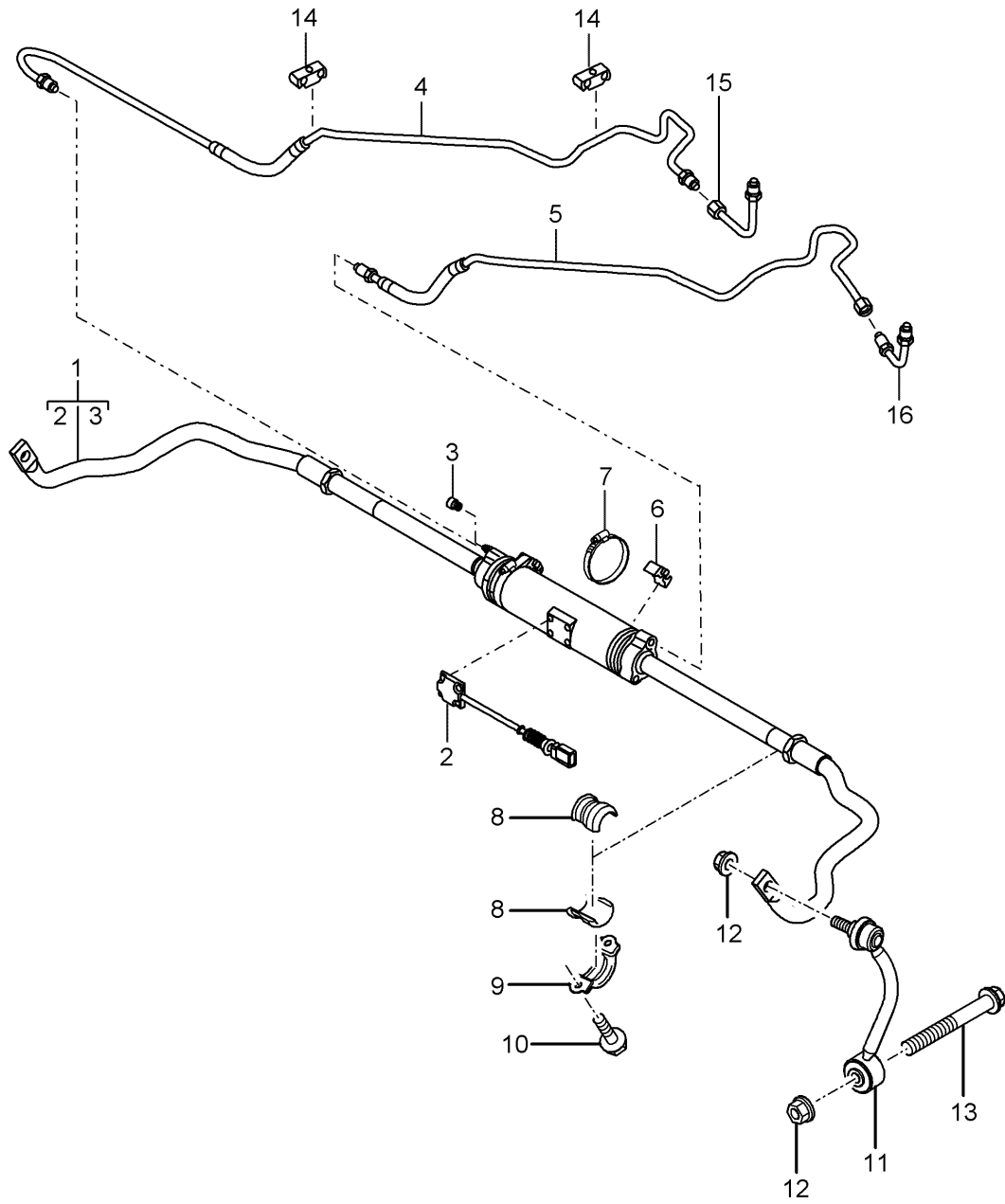
Model: 9PA 03

Model life 2003&gt;&gt;2006

Pos	Part Number	Description	Remark	Qty	Model
(7)	N 105 924 02	Hexagon-head bolt M 12 X 1,5 X 120		2	

Model: 9PA 03

Model life 2003>>2006



Model: 9PA 03

Model life 2003>>2006

Pos	Part Number	Description	Remark	Qty	Model
		Stabiliser Disengageable	04-		I0BJ
1	955 333 702 00	Stabiliser 24,60 MM Identification Lilac		1	ID9J/1BA
(1)	955 333 702 10	Stabiliser 25,60 MM Identification Green		1	ID9J/1BK
(1)		Stabiliser 25,60 MM Identification Green		1	ID9K/1BA
(1)	955 333 702 20	Stabiliser 25,60 MM Identification Yellow		1	ID9K/D9L/1BK
2	955 606 415 10	Sensor		1	
(2)	955 606 901 10	Repair kit Sensor		1	
-	955 355 543 00	Support for Line Sensor		1	
3	955 343 901 00	Ventilation valve with Dust boot		2	
4	955 333 110 00	Hydraulic line		1	
(4)	955 333 110 01	Hydraulic line		1	
(4)	955 333 110 02	Hydraulic line		1	
5	955 333 111 00	Hydraulic line		1	
5	955 333 111 01	Hydraulic line		1	
6	955 343 421 00	Line bracket		2	
7	N 024 503 3	Hose clamp A 60-80 X 13 X 0,6		2	
8	955 333 792 50	Stabiliser mounting 23,70 MM Identification Lilac		4	ID9J/1BA
(8)	955 333 792 30	Stabiliser mounting 24,70 MM Identification Yellow		4	ID9J/1BK
(8)		Stabiliser mounting 24,70 MM Identification Yellow		4	ID9K/1BA
(8)		Stabiliser mounting 24,70 MM Identification Yellow		4	ID9K/D9L/1BK
9	955 333 777 00	Clip F >>9P6LA 08079 F >>9P6LA 49270 F >>9P6LA 83929		2	
(9)	955 333 777 01	Clip F 9P6LA 08080>> F 9P6LA 49271>>		2	

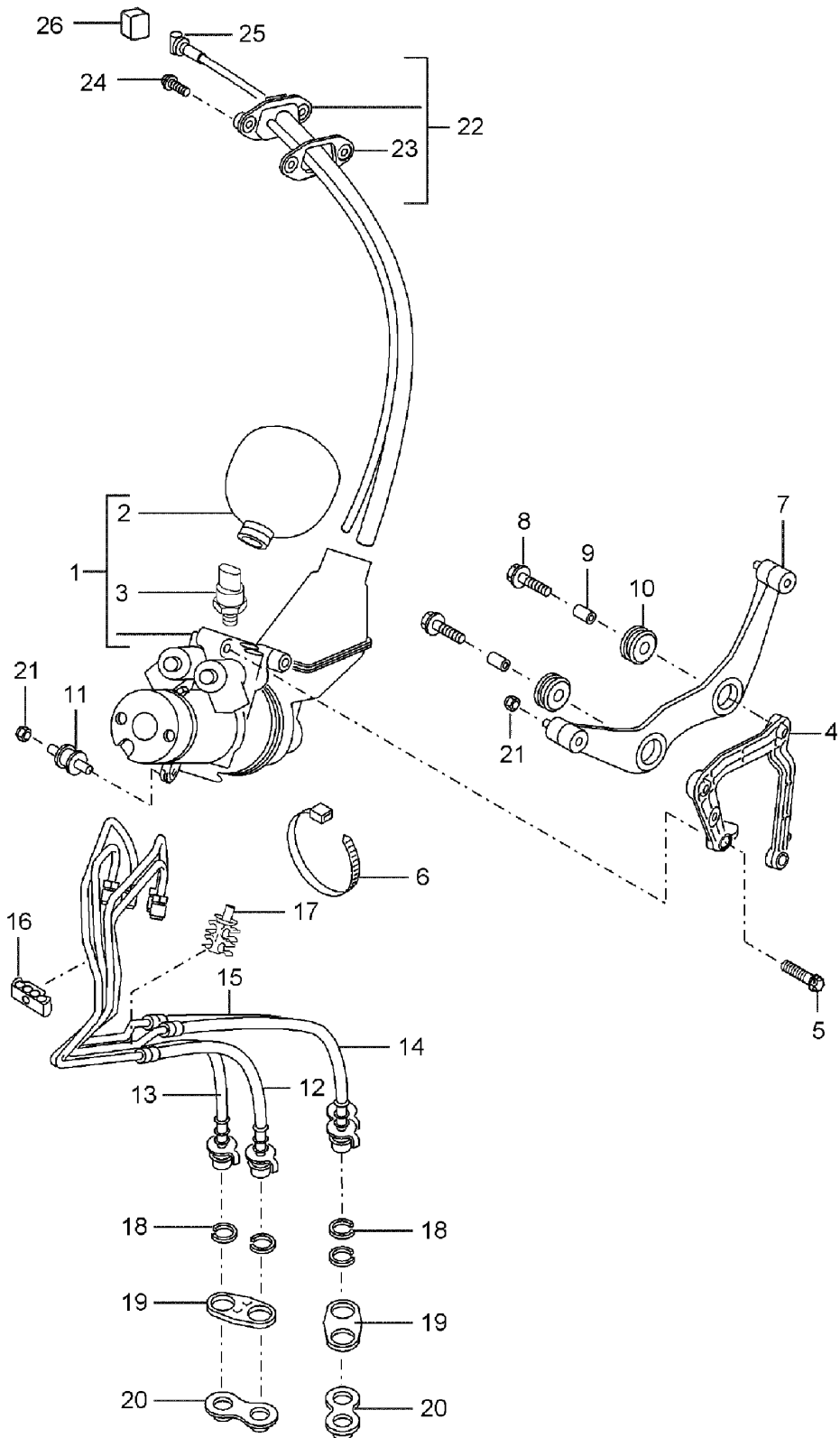
Model: 9PA 03

Model life 2003>>2006

Pos	Part Number	Description	Remark	Qty	Model
10	N 106 978 01	F 9P6LA 83930>> Hexagon-head bolt M 10 X 30		4	
11	955 333 069 10	Stabiliser mounting	/L	1	
(11)	955 333 069 21	Stabiliser mounting	/L	1	
(11)	955 333 070 10	Stabiliser mounting	/R	1	
(11)	955 333 070 21	Stabiliser mounting	/R	1	
12	N 104 029 01	Hexagon nut M 12 X 1,5		4	
(12)	N 104 029 04	Hexagon nut M 12 X 1,5		4	
13	N 105 924 01	Hexagon-head bolt M 12 X 1,5 X 120		2	
(13)	N 105 924 02	Hexagon-head bolt M 12 X 1,5 X 120		2	
14	955 355 543 00	Support		2	
15	955 333 120 00	Hydraulic line Connection point Rear axle		1	
15	955 333 120 01	Hydraulic line Connection point Rear axle		1	
16	955 333 121 00	Hydraulic line Connection point Rear axle		1	
16	955 333 121 01	Hydraulic line Connection point Rear axle		1	

Model: 9PA 03

Model life 2003>>2006



Model: 9PA 03

Model life 2003&gt;&gt;2006

Pos	Part Number	Description	Remark	Qty	Model
		Control mechanism Hydraulic line Stabiliser Disengageable	04-		IOAG/0BJ
1	955 343 080 00	Control mechanism Complete		1	
(1)	955 343 080 01	Control mechanism Complete		1	
(1)	955 343 008 00	Control mechanism Complete		1	
2	955 343 105 00	Pressure accumulator		1	
3	955 606 222 00	Pressure sensor		1	
4	955 343 465 00	Support Pump		1	
5	N 102 856 01	Hexagon-head bolt M 6 X 25		2	
6	999 513 010 40	Tie-wrap 9 X 250 MM		1	
7	955 343 461 00	Support Control mechanism		1	
8	N 909 287 01	Combination screw M 6 X 30		2	
9	955 343 633 00	Bearing sleeve 6,2 X 15		2	
10	964 356 635 00	Rubber mounting		2	
11	955 343 638 00	Bonded rubber buffer		1	
12	955 343 107 00	Hydraulic line Front axle Control mechanism		1	
12	955 343 107 01	Hydraulic line Front axle Control mechanism		1	
13	955 343 108 00	Hydraulic line Front axle Control mechanism		1	
13	955 343 108 01	Hydraulic line Front axle Control mechanism		1	
14	955 333 107 00	Hydraulic line Rear axle Control mechanism		1	
14	955 333 107 01	Hydraulic line Rear axle Control mechanism		1	
15	955 333 108 00	Hydraulic line Rear axle Control mechanism		1	
15	955 333 108 01	Hydraulic line Rear axle Control mechanism		1	
16	955 343 476 00	Line bracket		1	
17	955 343 477 00	Line bracket		1	
18	955 343 480 00	Lock ring		4	
19	955 343 481 00	Cable connection		2	
20	955 343 482 00	Grommet		2	
21	N 015 082 13	Hexagon nut M 6		3	
22	955 343 485 00	Filler neck		1	
23	955 343 490 00	Gasket		1	
24	955 343 495 00	Round head screw M 5 X 20		2	
25	955 343 501 00	Oil level dipstick		1	
26	955 343 492 00	Filter		1	



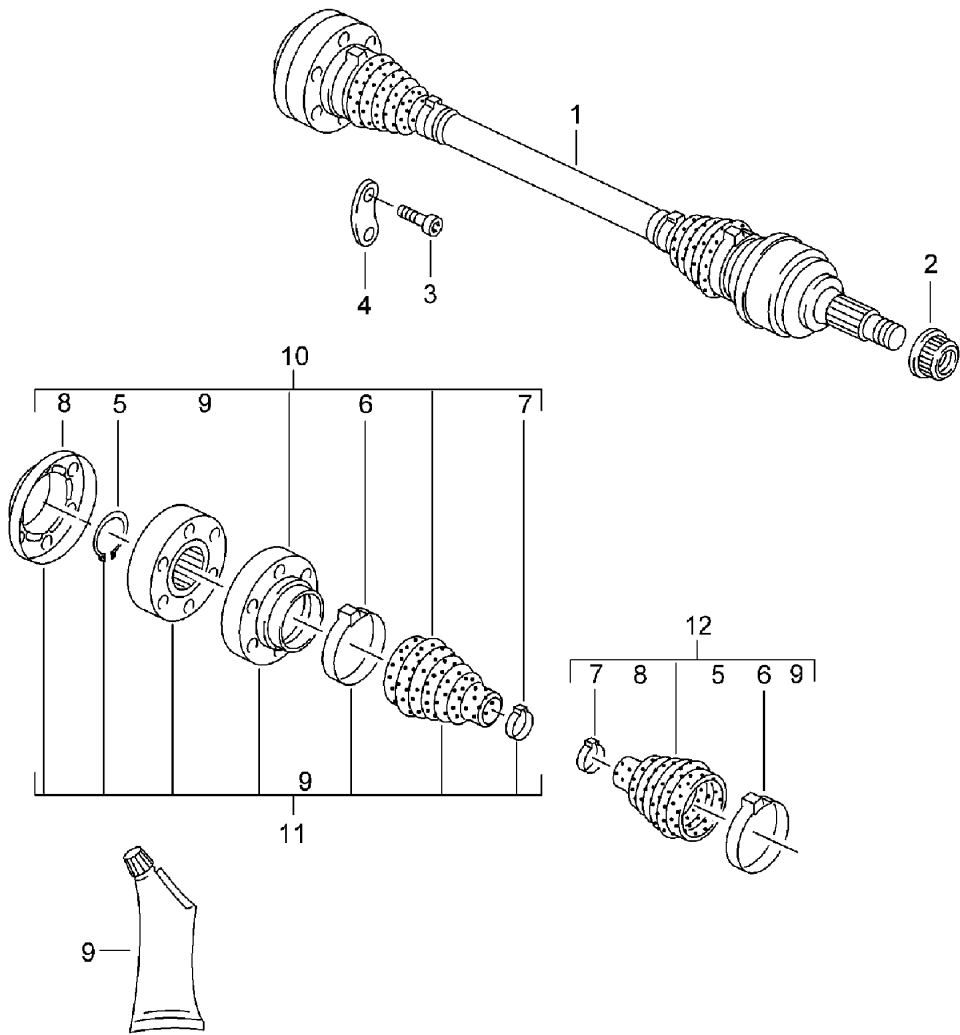
Model: 9PA 03

Model life 2003>>2006

Pos	Part Number	Description	Remark	Qty	Model
-	000 043 203 33	Pentosin CHF 11S 1 LITER	-05	X	
-	000 043 206 56	Pentosin CHF 202 1 LITER	06-	X	

Model: 9PA 03

Model life 2003>>2006



Model: 9PA 03 Model life 2003>>2006

Pos	Part Number	Description	Remark	Qty	Model
1	955 332 024 00	Drive shaft	04-	2	IT31
(1)	955 332 024 01	Drive shaft	04-	2	IT31
(1)	955 332 024 10	Drive shaft	04-	2	IT31/1Y1
(1)	955 332 024 11	Drive shaft		2	IT31/1Y1
(1)	955 332 024 10	Drive shaft		2	IT91
		F >>9P5LA 50525			
(1)	955 332 024 00	Drive shaft		2	IG0R/T91
(1)	955 332 024 01	Drive shaft		2	IG0R/T91
		F 9P5LA 50526>>			
(1)	955 332 024 10	Drive shaft		2	IG0L/T91
(1)	955 332 024 11	Drive shaft		2	IG0L/T91
(1)	955 332 024 10	Drive shaft		2	IT91/1Y1
(1)	955 332 024 11	Drive shaft		2	IT91/1Y1
(1)	955 332 024 10	Drive shaft		2	IT90
(1)	955 332 024 11	Drive shaft		2	IT90
2	955 341 640 00	Lock nut		2	
		M 24 X 1,5			
3	N 105 234 01	Pan-head screw		12	
		AM 10 X 52			
4	955 332 191 30	Plate	04-	6	IT31
(4)	955 332 191 31	Plate	04-	6	IT31
(4)	955 332 191 20	Plate	04-	6	IT31/1Y1
(4)	955 332 191 21	Plate	04-	6	IT31/1Y1
(4)	955 332 191 20	Plate		6	IT91
		F >>9P5LA 50525			
(4)	955 332 191 30	Plate		6	IG0R/T91
		F 9P5LA 50526>>			
(4)	955 332 191 31	Plate		6	IG0R/T91
(4)	955 332 191 20	Plate		6	IG0L/T91
(4)	955 332 191 21	Plate		6	IG0L/T91
(4)	955 332 191 20	Plate		6	IT91/1Y1
(4)	955 332 191 21	Plate		6	IT91/1Y1
(4)	955 332 191 20	Plate		6	IT90
(4)	955 332 191 21	Plate		6	IT90
5	N 012 374 1	Circlip	04-	2	IT31
		28 X 1,5			
(5)	N 012 375 1	Circlip	04-	2	IT31/1Y1
		30 X 1,5			
(5)		Circlip		2	IT91
		30 X 1,5			
		F >>9P5LA 50525			
(5)	N 012 374 1	Circlip		2	IG0R/T91
		28 X 1,5			
		F 9P5LA 50526>>			
(5)	N 012 375 1	Circlip		2	IG0L/T91
		30 X 1,5			
(5)		Circlip		2	IT91/1Y1
		30 X 1,5			
(5)		Circlip		2	IT90
		30 X 1,5			
6	N 909 906 01	Clamp	04-	4	IT31
		69 X 10 X 1			
(6)	N 909 473 01	Clamp	04-	4	IT31/1Y1
		75 X 10 X 1			
(6)		Clamp		4	IT91
		75 X 10 X 1			
		F >>9P5LA 50525			
(6)	N 909 906 01	Clamp		4	IG0R/T91

Model: 9PA 03

Model life 2003>>2006

Pos	Part Number	Description	Remark	Qty	Model
(6)	N 909 473 01	69 X 10 X 1 F 9P5LA 50526>> Clamp		4	IG0L/T91
(6)		75 X 10 X 1 Clamp		4	IT91/1Y1
(6)		75 X 10 X 1 Clamp		4	IT90
7	N 908 240 01	75 X 10 X 1 Hose clamp	04-	4	IT31
(7)	N 909 342 01	34,5 X 10 X 0,8 Clamp	04-	4	IT31/1Y1
(7)		37,5 X 10 X 0,8 Clamp		4	IT91
(7)	N 908 240 01	37,5 X 10 X 0,8 F >>9P5LA 50525 Hose clamp		4	IG0R/T91
(7)	N 909 342 01	34,5 X 10 X 0,8 F 9P5LA 50526>> Clamp		4	IG0L/T91
(7)		37,5 X 10 X 0,8 Clamp		4	IT91/1Y1
(7)		37,5 X 10 X 0,8 Clamp		4	IT90
8		37,5 X 10 X 0,8 Lid		X	
9	955 349 110 00	Grease 1 tube 120 GR.		X	
10	955 332 901 00	Repair kit Dust bellows	04-	2	IT31
(10)	955 332 901 10	Repair kit Dust bellows	04-	2	IT31/1Y1
(10)		Repair kit Dust bellows		2	IT91
(10)	955 332 901 00	F >>9P5LA 50525 Repair kit Dust bellows		2	IG0R/T91
(10)	955 332 901 10	F 9P5LA 50526>> Repair kit Dust bellows		2	IG0L/T91
(10)		Repair kit Dust bellows		2	IT91/1Y1
(10)		Repair kit Dust bellows		2	IT90
11	955 332 902 00	Repair kit Joint	04-	2	IT31
(11)	955 332 902 10	Repair kit Joint	04-	2	IT31/1Y1
(11)		Repair kit Joint		2	IT91
(11)	955 332 902 00	F >>9P5LA 50525 Repair kit Joint		2	IG0R/T91
(11)	955 332 902 10	F 9P5LA 50526>> Repair kit Joint		2	IG0L/T91
(11)		Repair kit Joint		2	IT91/1Y1
(11)		Repair kit Joint		2	IT90
12	955 332 903 00	Repair kit Dust bellows	04-	2	IT31
(12)	955 332 901 00	Repair kit	04-	2	IT31

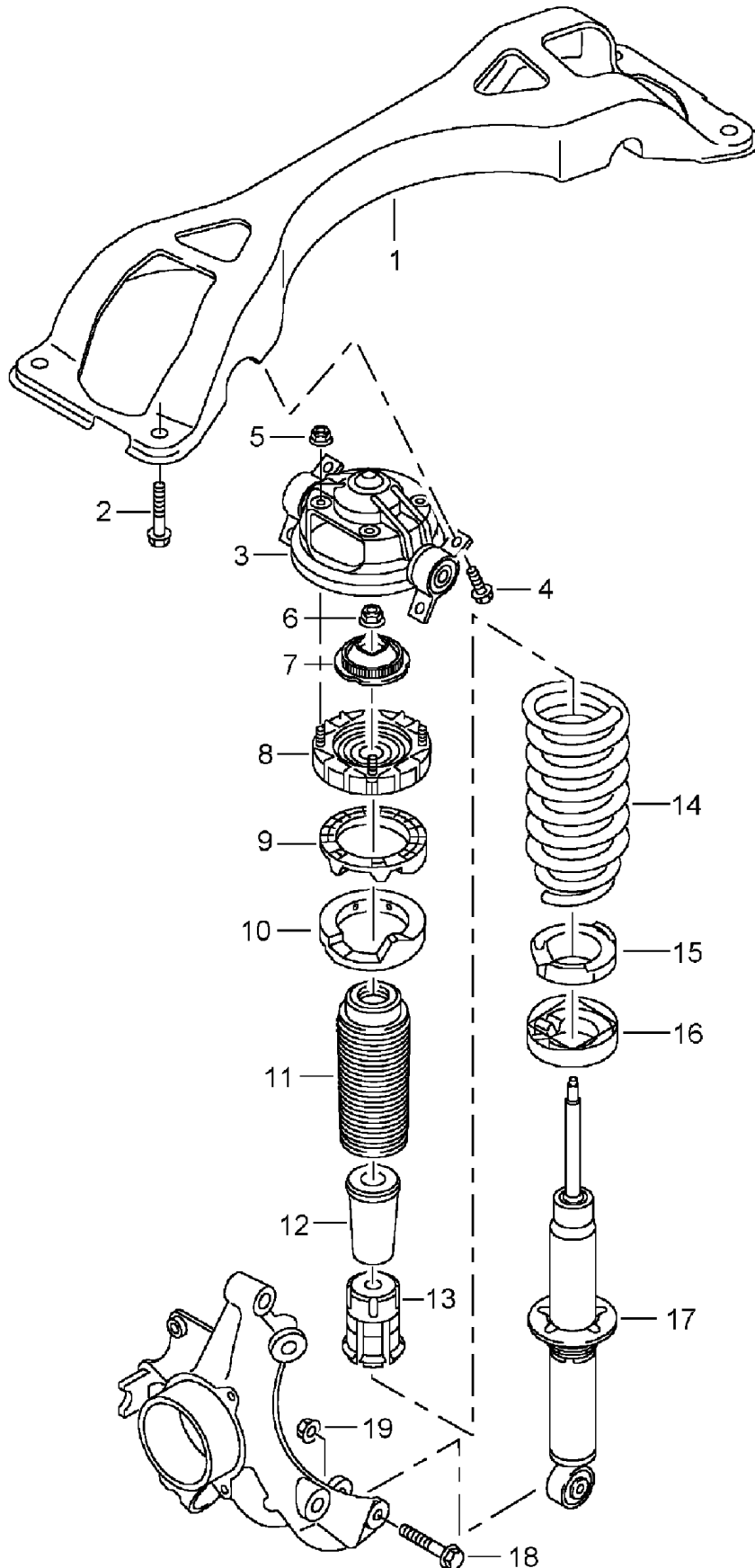
Model: 9PA 03

Model life 2003>>2006

Pos	Part Number	Description	Remark	Qty	Model
(12)	955 332 903 10	Dust bellows Repair kit	04-	2	IT31/1Y1
(12)	955 332 901 10	Dust bellows Repair kit	04-	2	IT31/1Y1
(12)	955 332 903 10	Dust bellows Repair kit		2	IT91
(12)	955 332 901 10	Dust bellows Repair kit		2	IT91
(12)	955 332 903 00	Dust bellows Repair kit F >>9P5LA 50525		2	IG0R/T91
(12)	955 332 901 00	Dust bellows Repair kit		2	IG0R/T91
(12)	955 332 903 10	Dust bellows Repair kit F 9P5LA 50526>>		2	IG0L/T91
(12)	955 332 901 10	Dust bellows Repair kit		2	IG0L/T91
(12)	955 332 903 10	Dust bellows Repair kit		2	IT91/1Y1
(12)	955 332 901 10	Dust bellows Repair kit		2	IT91/1Y1
(12)	955 332 903 10	Dust bellows Repair kit		2	IT90
(12)	955 332 901 10	Dust bellows Repair kit		2	IT90
-	000 043 020 00	Dust bellows Optimoly 1 100-gramme tube		X	
-	000 043 205 36	Sealing compound Drive shaft 1 100-gramme tube		X	

Model: 9PA 03

Model life 2003>>2006



Model: 9PA 03 Model life 2003>>2006

Pos	Part Number	Description	Remark	Qty	Model
		suspension			I1BA
		Cross member			
		Shock absorber strut			
1	955 333 321 20	Cross member		1	
2	N 105 056 01	Hexagon-head bolt		4	
		M 12 X 1,5 X 80			
3	955 333 015 20	Bearing bracket		2	
(3)	955 333 015 30	Bearing bracket		2	
4	N 908 476 01	Hexagon-head bolt		8	
		M 10 X 25			
(4)	N 908 476 02	Hexagon-head bolt		8	
		M 10 X 25			
5	N 104 355 02	Hexagon nut		8	
		M 8			
(5)	N 104 355 06	Hexagon nut		8	
		M 8			
6	N 909 664 01	Hexagon nut		2	
		M 12 X 1,5			
		F >>9P6LA 04007			
		F >>9P6LA 44107			
(6)	N 909 664 02	Hexagon nut		2	
		M 12 X 1,5			
		F 9P6LA 04008>>			
		F 9P6LA 44108>>			
7	955 343 018 00	Supporting mount		2	
8	955 333 071 00	Concave support		2	
9	955 333 524 00	Base		2	
		Upper			
10	955 343 528 00	Concave washer		2	
		Upper			
11	955 343 505 00	Boot		2	
12	955 333 105 20	Rubber stop		2	
13	955 343 503 10	Cap		2	
14	955 333 531 03	Coil spring	04-	1	ID9J/0YA/0YB
		1 set			
	955 333 531 03 504	Identification			
		Grey			
14	955 333 531 04	Coil spring	04-	1	ID9J/0YC/0YD
		1 set			
	955 333 531 04 504	Identification			
		Grey			
		Grey			
14	955 333 531 05	Coil spring	04-	1	ID9J/0YE/0YF
		1 set			
	955 333 531 05 504	Identification			
		Grey			
		Grey			
		Grey			
14	955 333 531 06	Coil spring		1	ID9K/0YB/0YC
		1 set			
	955 333 531 06 504	Identification			
		White			
14	955 333 531 07	Coil spring		1	ID9K/0YD/0YE
		1 set			
	955 333 531 07 504	Identification			
		White			
		White			
14	955 333 531 08	Coil spring		1	ID9K/0YF/0YG
		1 set			
	955 333 531 08 504	Identification			
		White			
		White			

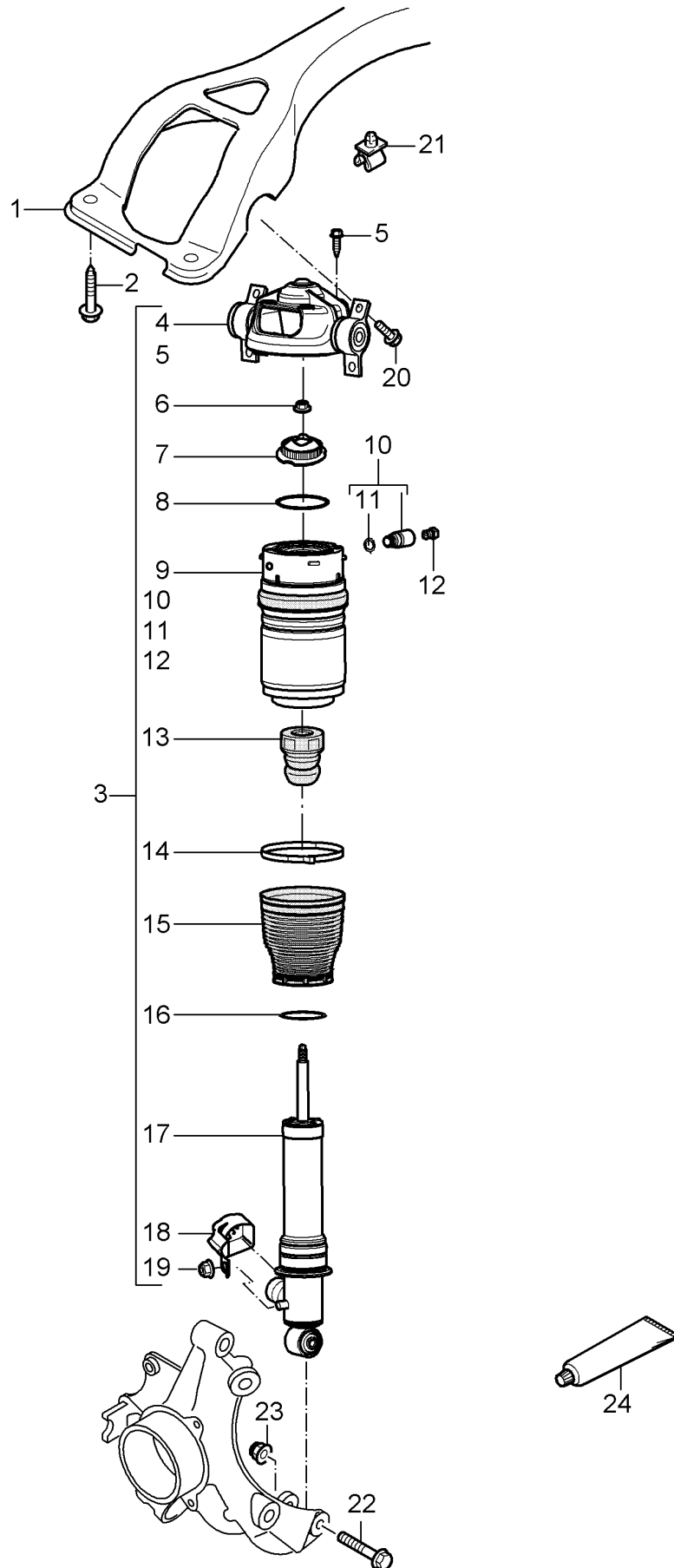
Model: 9PA 03 Model life 2003>>2006

Pos	Part Number	Description	Remark	Qty	Model
15	955 343 527 00	White Concave washer Lower		2	
16	955 343 525 00	Compensating plate Lower Black		2	
(16)	955 343 525 10	Compensating plate Lower Blue		2	
(16)	955 343 525 20	Compensating plate Lower Beige		2	
17	955 333 051 00	Shock absorber -SACHS- F >>9P6LA 04007	04-	2	ID9J
(17)	955 333 051 01	Shock absorber -SACHS- F 9P6LA 04008>>		2	ID9J
17	955 333 051 11	Shock absorber -SACHS- F >>9P6LA 44107		2	ID9K
(17)	955 333 051 12	Shock absorber -SACHS- F 9P6LA 44108>>		2	ID9K
18	N 105 924 01	Hexagon-head bolt M 12 X 1,5 X 120		2	
(18)	N 105 924 02	Hexagon-head bolt M 12 X 1,5 X 120		2	
19	N 104 029 01	Hexagon nut M 12 X 1,5		2	
(19)	N 104 029 04	Hexagon nut M 12 X 1,5		2	



Model: 9PA 03

Model life 2003>>2006



Model: 9PA 03

Model life 2003&gt;&gt;2006

Pos	Part Number	Description	Remark	Qty	Model
		suspension			I1BK
		Cross member			
		Spring strut			
1	955 333 321 20	Cross member		1	
2	N 105 056 01	Hexagon-head bolt		4	
		M 12 X 1,5 X 80			
3	955 333 033 20	Spring strut	/L	1	ID9J
		Complete			
		See workshop manual			
		Group 4			
		43-01IN00			
(3)	955 333 033 21	Spring strut	/L	1	ID9J
		Complete			
		See workshop manual			
		Group 4			
		43-01IN00			
(3)	955 333 034 20	Spring strut	/R	1	ID9J
		Complete			
		See workshop manual			
		Group 4			
		43-01IN00			
(3)	955 333 034 21	Spring strut	/R	1	ID9J
		Complete			
		See workshop manual			
		Group 4			
		43-01IN00			
(3)	955 333 033 42	Spring strut	/L	1	ID9K/D9L
		Complete			
		See workshop manual			
		Group 4			
		43-01IN00			
(3)	955 333 033 43	Spring strut	/L	1	ID9K/D9L
		Complete			
		See workshop manual			
		Group 4			
		43-01IN00			
(3)	955 333 034 42	Spring strut	/R	1	ID9K/D9L
		Complete			
		See workshop manual			
		Group 4			
		43-01IN00			
(3)	955 333 034 43	Spring strut	/R	1	ID9K/D9L
		Complete			
		See workshop manual			
		Group 4			
		43-01IN00			
4	955 333 015 30	Bearing bracket		2	
5	N 101 277 06	Hexagon-head bolt		8	
		M 8 x 26			
		F >>9P6LA 04148			
		F >>9P6LA 44325			
		F >>9P6LA 81932			
(5)	N 101 277 07	Hexagon-head bolt		8	
		M 8 x 26			
		F 9P6LA 04149>>			
		F 9P6LA 44326>>			
		F 9P6LA 81933>>			
6	N 909 664 01	Hexagon nut		2	
		M 12 x 1,5			
		F >>9P6LA 04148			
		F >>9P6LA 44325			
		F >>9P6LA 81932			
(6)	N 909 664 02	Hexagon nut		2	

Model: 9PA 03

Model life 2003>>2006

Pos	Part Number	Description	Remark	Qty	Model
		M 12 x 1,5			
		F 9P6LA 04149>>			
		F 9P6LA 44326>>			
		F 9P6LA 81933>>			
7	955 343 018 10	Supporting mount		2	
8	N 910 956 01	Sealing ring 96 x 4		2	
9	955 358 503 10	Air spring		2	ID9J
(9)	955 358 503 21	Air spring		2	ID9J
(9)	955 358 503 00	Air spring		2	ID9K/D9L
(9)	955 358 503 31	Air spring		2	ID9K/D9L
10	955 358 730 00	Pressure holding valve with Sealing ring		2	
(10)	955 358 730 02	Pressure holding valve with Sealing ring		2	
11	955 358 722 00	Sealing ring 8 x 1,5		2	
12	955 358 541 00	Push-on connector Lines		2	
13	955 333 105 30	Rubber stop		2	
14	955 358 725 00	Clamp		2	
15	955 343 505 10	Bellows		2	
16	N 904 324 02	Sealing ring 70 x 4		2	
17	955 333 051 20	Shock absorber F >>9P6LA 04148 F >>9P6LA 44325 F >>9P6LA 81932	/L	1	
(17)	955 333 051 21	Shock absorber F 9P6LA 04149>> F 9P6LA 44326>> F 9P6LA 81933>>	/L	1	
(17)	955 333 052 20	Shock absorber F >>9P6LA 04148 F >>9P6LA 44325 F >>9P6LA 81932	/R	1	
(17)	955 333 052 21	Shock absorber F 9P6LA 04149>> F 9P6LA 44326>> F 9P6LA 81933>>	/R	1	
18	955 333 421 01	Protection cap	/L	1	
(18)	955 333 422 01	Protection cap	/R	1	
19	N 023 002 8	Hexagon nut M 6	-05	2	
(19)	N 023 002 12	Hexagon nut M 6	06-	2	
20	N 908 476 01	Hexagon-head bolt M 10 X 25		8	
(20)	N 908 476 02	Hexagon-head bolt M 10 X 25		8	
21	955 511 645 00	Clip		4	
22	N 105 924 01	Hexagon-head bolt M 12 X 1,5 X 120		2	
(22)	N 105 924 02	Hexagon-head bolt M 12 X 1,5 X 120		2	
23	N 104 029 01	Hexagon nut M 12 X 1,5		2	
(23)	N 104 029 04	Hexagon nut M 12 X 1,5		2	
24	000 043 204 68	Grease Syntheso Glep 1		1	

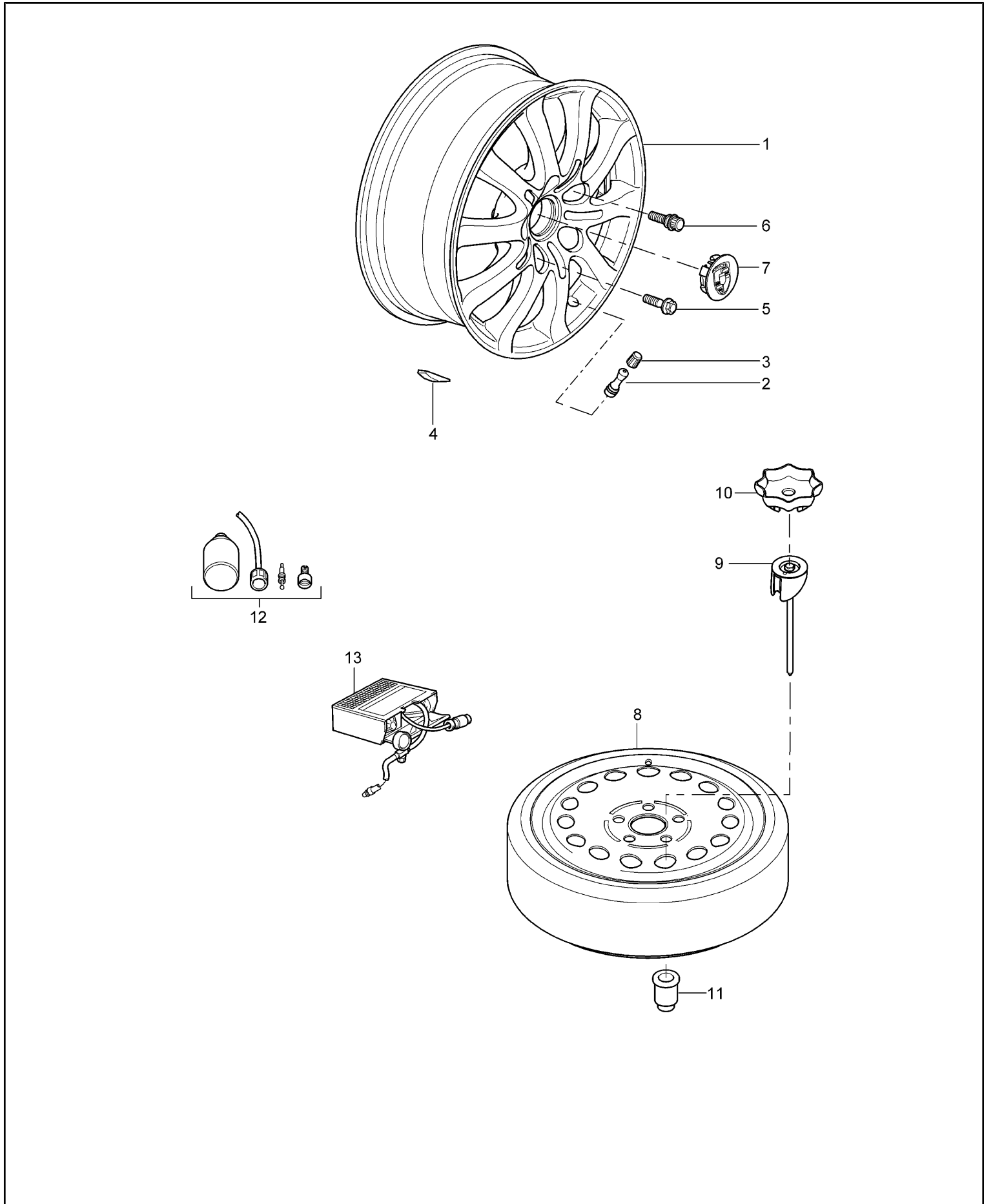
Model: 9PA 03

Model life 2003>>2006

Pos	Part Number	Description	Remark	Qty	Model
		1 50-g tube			

Model: 9PA 03

Model life 2003>>2006



Model: 9PA 03 Model life 2003>>2006

Pos	Part Number	Description	Remark	Qty	Model
1	955 362 126 00	Wheels Disc wheel 7,5 J X 17 ET 53 for cars without Tyre pressure monitoring	04-	4	ICJ1
	955 362 126 00 9A1	Silver			
1	955 362 126 00	Disc wheel 7,5 J X 17 ET 53 for cars without Tyre pressure monitoring	04-	5	ICJ1/1G3
	955 362 126 00 9A1	Silver			
1	955 362 126 01	Disc wheel 7,5 J X 17 ET 53	04-	4	ICJ1
	955 362 126 01 9A1	Silver			
1	955 362 126 01	Disc wheel 7,5 J X 17 ET 53	04-	5	ICJ1/1G3
	955 362 126 01 9A1	Silver			
(1)	955 362 138 20	Disc wheel 9 J x 19 ET 60 - SPEEDLINE -		4	ICJ3/D9J
	955 362 138 20 9A1	Silver F >>9P6LA 09765 Information available			
(1)	955 362 138 20	Disc wheel 9 J x 19 ET 60 - SPEEDLINE -		5	ICJ3/D9J/1G3
	955 362 138 20 9A1	Silver F >>9P6LA 09765 Information available			
(1)	955 362 138 30	Disc wheel 9 J X 19 ET 60 - BBS -		4	ICJ3/D9J
	955 362 138 30 9A1	Silver F 9P6LA 09766>> Information available			
(1)	955 362 138 30	Disc wheel 9 J X 19 ET 60 - BBS -		5	ICJ3/D9J/1G3
	955 362 138 30 9A1	Silver F 9P6LA 09766>> Information available			
(1)	955 362 140 80	Disc wheel 9 J X 20 ET 60 - SPEEDLINE -	05-	4	ICS5/D9J
	955 362 140 80 9A1	Silver F >>9P6LA 09765 Information available			
(1)	955 362 140 80	Disc wheel 9 J X 20 ET 60 - SPEEDLINE -	05-	5	ICS5/D9J/1G3
	955 362 140 80 9A1	Silver F >>9P6LA 09765 Information available			

Model: 9PA 03 Model life 2003>>2006

Pos	Part Number	Description	Remark	Qty	Model
(1)	955 362 140 70	Disc wheel 9 J X 20 ET 60 - BBS -		4	ICS5/D9J
	955 362 140 70 9A1	Silver F 9P6LA 09766>> Information available			
(1)	955 362 140 70	Disc wheel 9 J X 20 ET 60 - BBS -		5	ICS5/D9J/1G3
	955 362 140 70 9A1	Silver F 9P6LA 09766>> Information available			
(1)	955 362 136 10	Disc wheel 8 J X 18 ET 57		4	ICJ2
	955 362 136 10 9A1	Silver			
(1)	955 362 136 10	Disc wheel 8 J X 18 ET 57		5	ICJ2/1G3
	955 362 136 10 9A1	Silver			
(1)	955 362 136 30	Disc wheel 8 J X 18 ET 57		4	ICJ6
	955 362 136 30 9A1	Silver			
(1)	955 362 136 30	Disc wheel 8 J X 18 ET 57		5	ICJ6/1G3
	955 362 136 30 9A1	Silver			
(1)	955 362 138 20	Disc wheel 9 J X 19 ET 60		4	ICJ3/D9K/D9L
	955 362 138 20 9A1	Silver Information available			
(1)	955 362 138 20	Disc wheel 9 J X 19 ET 60		5	ICJ3/D9K/D9L 11G3
	955 362 138 20 9A1	Silver Information available			
(1)	955 362 138 20	Disc wheel 9 J X 19 ET 60 It is necessary to rework Paint		4	ICP7
	955 362 138 20 9A1	Silver Information available			
(1)	955 362 138 20	Disc wheel 9 J X 19 ET 60 It is necessary to rework Paint		5	ICP7/1G3
	955 362 138 20 9A1	Silver Information available			
(1)	955 362 140 50	Disc wheel 9 J X 20 ET 60	-04	4	ICS5
	955 362 140 50 9A1	Silver See technical information Group 4 NR.9/04			

Model: 9PA 03

Model life 2003&gt;&gt;2006

Pos	Part Number	Description	Remark	Qty	Model
(1)	955 362 140 50	Disc wheel 9 J X 20 ET 60	-04	5	ICS5/1G3
	955 362 140 50 9A1	Silver See technical information Group 4 NR.9/04			
(1)	955 362 140 80	Disc wheel 9 J X 20 ET 60	05-	4	ICS5/D9K/D9L
	955 362 140 80 9A1	Silver See technical information Group 4 NR.9/04 Information available			
(1)	955 362 140 80	Disc wheel 9 J X 20 ET 60	05-	5	ICS5/D9K/D9L 11G3
	955 362 140 80 9A1	Silver See technical information Group 4 NR.9/04 Information available			
(1)	955 362 140 60	Disc wheel 9 J X 20 ET 60	04	4	ICS6
	955 362 140 60 9A1	Silver See technical information Group 4 NR.9/04			
(1)	955 362 140 60	Disc wheel 9 J X 20 ET 60	04	5	ICS6/1G3
	955 362 140 60 9A1	Silver See technical information Group 4 NR.9/04			
(1)	955 362 140 60	Disc wheel 9 J X 20 ET 60 It is necessary to rework Paint	04	4	ICT1
	955 362 140 60 9A1	Silver See technical information Group 4 NR.9/04			
(1)	955 362 140 60	Disc wheel 9 J X 20 ET 60 It is necessary to rework Paint	04	5	ICT1/1G3
	955 362 140 60 9A1	Silver See technical information Group 4 NR.9/04			
(1)	955 362 140 90	Disc wheel 9 J X 20 ET 60	05-	4	ICS6
	955 362 140 90 9A1	Silver See technical information Group 4 NR.9/04			



Model: 9PA 03 Model life 2003>>2006

Pos	Part Number	Description	Remark	Qty	Model
(1)	955 362 140 90	Disc wheel 9 J X 20 ET 60	05-	5	ICS6/1G3
	955 362 140 90 9A1	Silver See technical information Group 4 NR.9/04			
(1)	955 362 140 90	Disc wheel 9 J X 20 ET 60	05-	4	ICT1
	955 362 140 90 9A1	It is necessary to rework Paint Silver See technical information Group 4 NR.9/04			
(1)	955 362 140 90	Disc wheel 9 J X 20 ET 60	05-	5	ICT1/1G3
	955 362 140 90 9A1	It is necessary to rework Paint Silver See technical information Group 4 NR.9/04			
(1)	955 362 140 90	Disc wheel 9 J X 20 ET 60	/V 05-	2	ICY3
	955 362 140 90 9A1	Silver			
(1)	955 362 140 90	Disc wheel 9 J X 20 ET 60	/V 05-	2	ICY4
	955 362 140 90 9A1	It is necessary to rework Paint Silver			
(1)	955 362 142 00	Disc wheel 10 J X 20 ET 55	/H 05-	2	ICY3
	955 362 142 00 9A1	Silver			
(1)	955 362 142 00	Disc wheel 10 J X 20 ET 55	/H 05-	2	ICY4
	955 362 142 00 9A1	It is necessary to rework Paint Silver			
2	955 361 071 00	Rubber valve		4	
2	900 265 001 50	Rubber valve		4	
2	900 265 001 51	Rubber valve		4	
(2)	955 361 071 00	Rubber valve		5	I1G3
(2)	900 265 001 50	Rubber valve		5	I1G3
(2)	900 265 001 51	Rubber valve		5	I1G3
(2)		Valve		4	I7K3/7K4
		Tyre pressure monitoring See group 6/01/05			
3	955 361 163 00	Cap		4	
(3)		Cap		5	I1G3
4	955 361 410 50	Balance stick-on weight 5 G.		X	
(4)	1K0 601 178 C	Balance stick-on weight 5 G.		X	
(4)	997 361 405 00	Balance stick-on weight 5 G.		X	

Model: 9PA 03

Model life 2003&gt;&gt;2006

Pos	Part Number	Description	Remark	Qty	Model
4	955 361 410 00	Balance stick-on weight 10 G.		X	
(4)	1K0 601 179 C	Balance stick-on weight 10 G.		X	
(4)	997 361 410 00	Balance stick-on weight 10 G.		X	
4	955 361 411 50	Balance stick-on weight 15 G.		X	
(4)	1K0 601 181 C	Balance stick-on weight 15 G.		X	
(4)	997 361 415 00	Balance stick-on weight 15 G.		X	
4	955 361 411 00	Balance stick-on weight 20 G.		X	
(4)	1K0 601 182 C	Balance stick-on weight 20 G.		X	
(4)	997 361 420 00	Balance stick-on weight 20 G.		X	
4	955 361 412 50	Balance stick-on weight 25 G.		X	
(4)	1K0 601 183 C	Balance stick-on weight 25 G.		X	
(4)	997 361 425 00	Balance stick-on weight 25 G.		X	
4	955 361 412 00	Balance stick-on weight 30 G.		X	
(4)	1K0 601 184 C	Balance stick-on weight 30 G.		X	
(4)	997 361 430 00	Balance stick-on weight 30 G.		X	
4	955 361 413 50	Balance stick-on weight 35 G.		X	
(4)	1K0 601 185 C	Balance stick-on weight 35 G.		X	
(4)	997 361 435 00	Balance stick-on weight 35 G.		X	
4	955 361 413 00	Balance stick-on weight 40 G.		X	
(4)	1K0 601 186 C	Balance stick-on weight 40 G.		X	
(4)	997 361 440 00	Balance stick-on weight 40 G.		X	
4	955 361 414 50	Balance stick-on weight 45 G.		X	
(4)	1K0 601 187 C	Balance stick-on weight 45 G.		X	
(4)	997 361 445 00	Balance stick-on weight 45 G.		X	
4	955 361 414 00	Balance stick-on weight 50 G.		X	
(4)	1K0 601 188 C	Balance stick-on weight 50 G.		X	
(4)	997 361 450 00	Balance stick-on weight 50 G.		X	
4	955 361 415 50	Balance stick-on weight 55 G.		X	
(4)	1K0 601 189 C	Balance stick-on weight 55 G.		X	
(4)	997 361 455 00	Balance stick-on weight 55 G.		X	
4	955 361 415 00	Balance stick-on weight 60 G.		X	
(4)	1K0 601 190 C	Balance stick-on weight		X	

Model: 9PA 03

Model life 2003>>2006

Pos	Part Number	Description	Remark	Qty	Model
(4)	997 361 460 00	60 G. Balance stick-on weight		X	
5	955 361 203 00	60 G. Wheel bolt		16	
5		Wheel bolt		20	I1G3
(5)	955 361 203 01	Wheel bolt		16	
(5)		Wheel bolt		20	I1G3
(5)	WHT 001 693	Wheel bolt		16	
(5)		Wheel bolt		20	I1G3
6	955 361 057 00	Wheel bolt Anti-theft protection 1 set Comprising: Wheel bolt Adapter		4 1 1	
(6)	955 361 057 02	Wheel bolt Anti-theft protection 1 set Comprising: Wheel bolt Adapter		4 1 1	
(6)	955 361 057 10	Wheel bolt Anti-theft protection 1 set Comprising: Wheel bolt Adapter		4 1 1	
(6)	955 361 057 01	Wheel bolt Anti-theft protection 1 set Comprising: Wheel bolt Adapter		4 1 1	I1G3
(6)	955 361 957 01	Wheel bolt Anti-theft protection 1 set Comprising: Wheel bolt Adapter		5 1 1	
		Note coding			
	955 361 957 01 050	Coding		1	
	955 361 957 01 051	Coding		1	
	955 361 957 01 052	Coding			
	955 361 957 01 053	Coding			
	955 361 957 01 054	Coding			
	955 361 957 01 055	Coding			
	955 361 957 01 056	Coding			
	955 361 957 01 057	Coding			
	955 361 957 01 058	Coding			
	955 361 957 01 059	Coding			
	955 361 957 01 060	Coding			
	955 361 957 01 061	Coding			
	955 361 957 01 062	Coding			
	955 361 957 01 063	Coding			
	955 361 957 01 064	Coding			
	955 361 957 01 065	Coding			
	955 361 957 01 066	Coding			
	955 361 957 01 067	Coding			
	955 361 957 01 068	Coding			
	955 361 957 01 069	Coding			
(6)	955 361 957 10	Wheel bolt Anti-theft protection 1 set		1	

Model: 9PA 03 Model life 2003>>2006

Pos	Part Number	Description	Remark	Qty	Model
		Comprising: Wheel bolt		1	
		Adapter		1	
		Note coding			
	955 361 957 10 050	Coding			
	955 361 957 10 051	Coding			
	955 361 957 10 052	Coding			
	955 361 957 10 053	Coding			
	955 361 957 10 054	Coding			
	955 361 957 10 055	Coding			
	955 361 957 10 056	Coding			
	955 361 957 10 057	Coding			
	955 361 957 10 058	Coding			
	955 361 957 10 059	Coding			
	955 361 957 10 060	Coding			
	955 361 957 10 061	Coding			
	955 361 957 10 062	Coding			
	955 361 957 10 063	Coding			
	955 361 957 10 064	Coding			
	955 361 957 10 065	Coding			
	955 361 957 10 066	Coding			
	955 361 957 10 067	Coding			
	955 361 957 10 068	Coding			
	955 361 957 10 069	Coding			
7	955 361 303 00	Hub cap Round Concave		4	ICJ1/CS6
	955 361 303 00 9A1	Silver			
(7)	955 361 303 00	Hub cap Round Concave		4	ICT1/CY3
	955 361 303 00 9A1	Silver			
(7)	955 361 303 00	Hub cap Round Concave		5	ICJ1/CS6/1G3
	955 361 303 00 9A1	Silver			
(7)	955 361 303 01	Hub cap Round Convex		4	ICJ2
	955 361 303 01 9A1	Silver			
(7)	955 361 303 01	Hub cap Round Convex		5	ICJ2/1G3
	955 361 303 01 9A1	Silver			
(7)	955 361 303 02	Hub cap Star shaped		4	ICJ3/CS5
	955 361 303 02 9A1	Silver			
(7)	955 361 303 02	Hub cap Star shaped		4	ICP7
	955 361 303 02 9A1	Silver			
(7)	955 361 303 02	Hub cap Star shaped		5	ICJ3/CS5/1G3
	955 361 303 02 9A1	Silver			
(7)	955 361 303 03	Hub cap Star shaped Aluminium		4	ICJ6
	955 361 303 03 9A1	Silver			
(7)	955 361 303 03	Hub cap Star shaped Aluminium		5	ICJ6/1G3
	955 361 303 03 9A1	Silver			
(7)	955 361 303 05	Hub cap Round		4	ICJ1/CS6

Model: 9PA 03

Model life 2003&gt;&gt;2006

Pos	Part Number	Description	Remark	Qty	Model
(7)	955 361 303 05 9A1 955 361 303 05	Concave Crest Coloured Silver Hub cap Round Concave Crest Coloured Silver		4	ICT1/CY3/CY4
(7)	955 361 303 05 9A1 955 361 303 05	Hub cap Round Concave Crest Coloured Silver		5	ICJ1/CS6/1G3
(7)	955 361 303 05 9A1 955 361 303 06	Hub cap Round Convex Crest Coloured Silver		4	ICJ2
(7)	955 361 303 06 9A1 955 361 303 06	Hub cap Round Convex Crest Coloured Silver		5	ICJ2/1G3
(7)	955 361 303 06 9A1 955 361 303 07	Hub cap Star shaped Crest Coloured Silver		4	ICJ3/CS5
(7)	955 361 303 07 9A1 955 361 303 07	Hub cap Star shaped Crest Coloured Silver		4	ICP7
(7)	955 361 303 07 9A1 955 361 303 07	Hub cap Star shaped Crest Coloured Silver		5	ICJ3/CS5/1G3
(7)	955 361 303 07 9A1 955 361 303 08	Hub cap Star shaped Aluminium Crest Coloured Silver		4	ICJ6
(7)	955 361 303 08 9A1 955 361 303 08	Hub cap Star shaped Aluminium Crest Coloured Silver		5	ICJ6/1G3
8	955 361 303 08 9A1 955 362 050 00	Emergency wheel with collapsible tire 6,5 J X 17 ET 40	04-	1	I1G6/1LK
(8)	955 362 050 01	Emergency wheel with collapsible tire 6,5 J X 17 ET 40	04-	1	I1G6/1LK

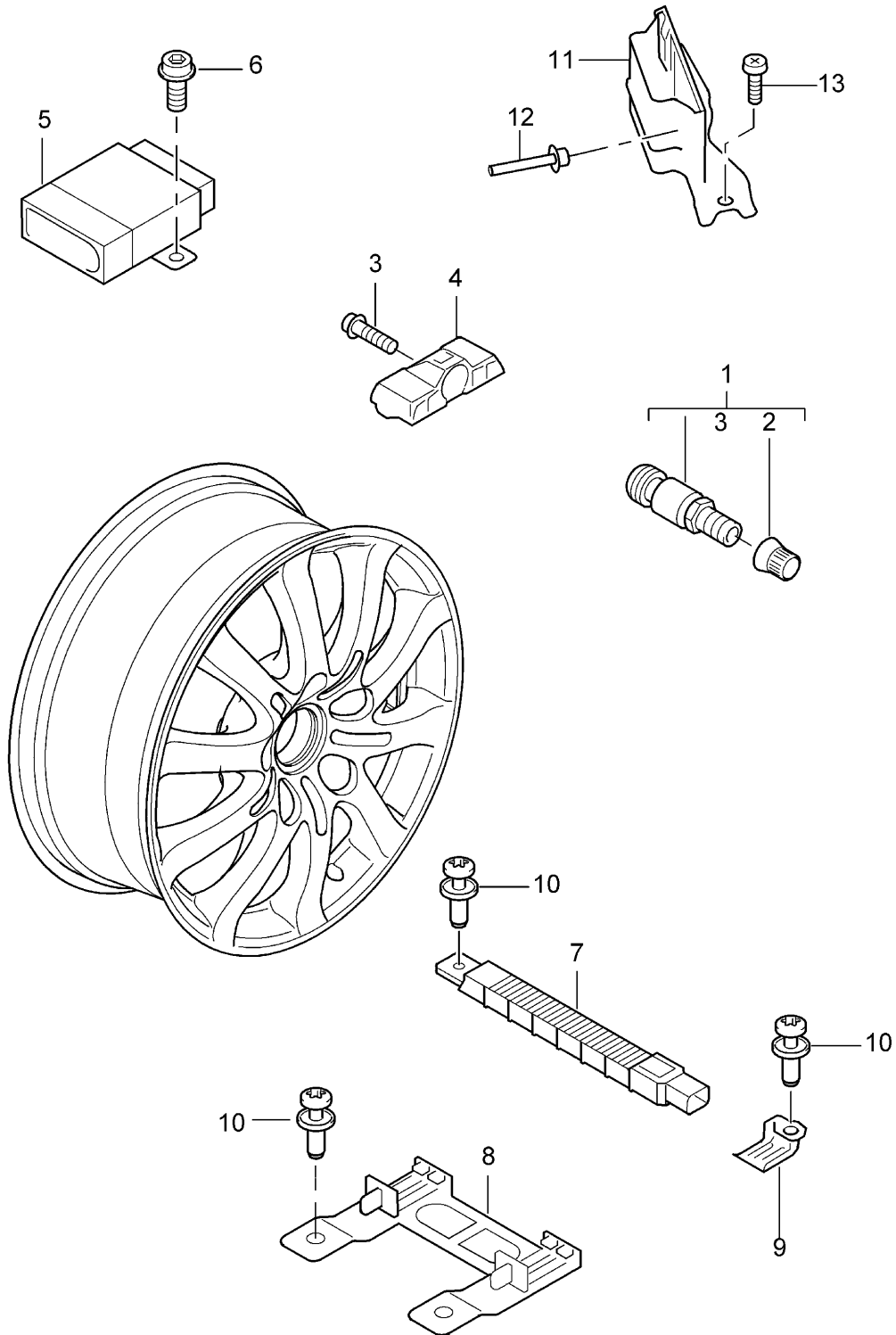
Model: 9PA 03

Model life 2003&gt;&gt;2006

Pos	Part Number	Description	Remark	Qty	Model
8	955 362 050 10	Emergency wheel with collapsible tire 6,5 J X 18 ET 53		1	I1G1
(8)	955 362 050 11	Emergency wheel with collapsible tire 6,5 J X 18 ET 53		1	I1G1
9	955 362 533 10	Fastening part		1	I1G1/1G6
(9)	955 362 533 11	Fastening part		1	I1G1/1G6
10	955 362 645 10	Handle		1	I1G1/1G6
11	N 904 085 02	Blind rivet nut AM 8		1	I1G1/1G6
(11)	N 904 085 04	Blind rivet nut AM 8		1	I1G1/1G6
12	955 722 631 00	Compressed air bottle with Sealing compound		1	I1G8
13	955 652 053 00	Compressor		1	I1BA/1G1/1G6 I1G8
-	955 721 247 00	Adapter for Compressor 955.652.053.00		1	I1BA/1G1/1G6 I1G8/7K3/7K4
(13)	955 652 053 01	Compressor		1	I1BA/1G1/1G6 I1G8
(13)	955 652 053 02	Compressor		1	I1BA/1G1/1G6 I1G8

Model: 9PA 03

Model life 2003>>2006



Model: 9PA 03

Model life 2003>>2006

Pos	Part Number	Description	Remark	Qty	Model
		Tyre pressure monitoring			I7K3/7K4
1	955 361 053 00	Valve Aluminium		4	
2	N 908 729 01	Cap		4	
3	4D0 601 365	Fastening screw		4	
4	955 361 661 00	Sensor Use also: 955.361.053.00		4	I7K3
(4)	955 361 661 01	Sensor Use also: 955.361.053.00		X 4	I7K3
(4)	955 361 661 10	Sensor Use also: 955.361.053.00		X 4	I7K4
(4)	955 361 661 11	Sensor Use also: 955.361.053.00		X 4	I7K4
5	955 618 160 02	Control unit Tyre pressure monitoring See technical information Group 4 NR. 12/03		1	I7K3
(5)	955 618 160 03	Control unit Tyre pressure monitoring See technical information Group 4 NR. 12/03		1	I7K3
(5)	955 618 160 04	Control unit Tyre pressure monitoring See technical information Group 4 NR. 12/03		1	I7K3
(5)	955 618 160 05	Control unit Tyre pressure monitoring F >>9P6LA 08079 F >>9P6LA 49270 F >>9P6LA 83929		1	I7K3
(5)	955 618 160 06	Control unit Tyre pressure monitoring F 9P6LA 08080>> F 9P6LA 49271>> F 9P6LA 83930>>		1	I7K3
(5)	955 618 160 10	Control unit Tyre pressure monitoring See technical information Group 4 NR. 12/03		1	I7K4
(5)	955 618 160 11	Control unit Tyre pressure monitoring See technical information Group 4 NR. 12/03		1	I7K4
(5)	955 618 160 12	Control unit Tyre pressure monitoring F >>9P6LA 08079 F >>9P6LA 49270 F >>9P6LA 83929		1	I7K4
(5)	955 618 160 13	Control unit Tyre pressure monitoring F 9P6LA 08080>> F 9P6LA 49271>> F 9P6LA 83930>>		1	I7K4



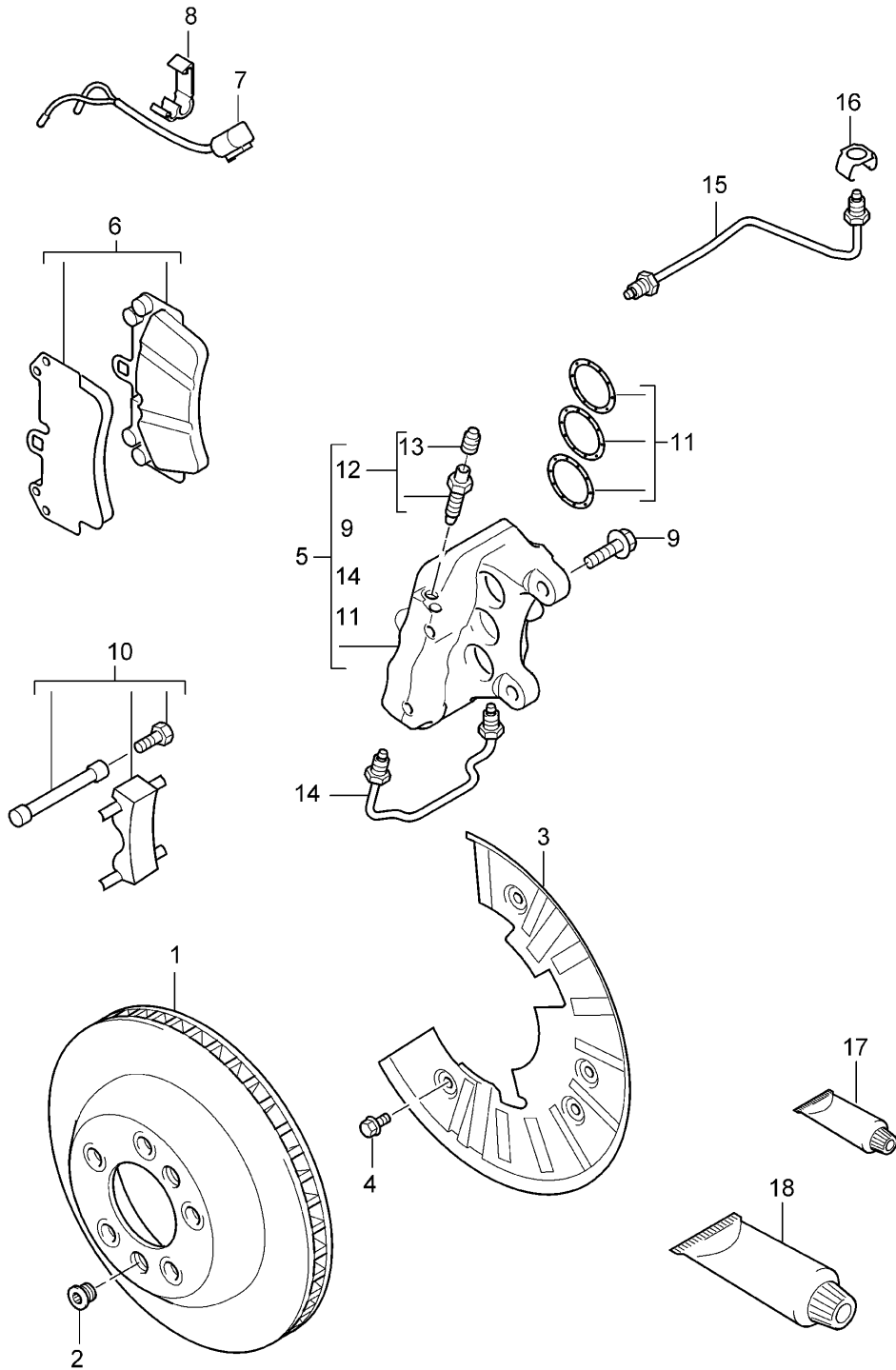
Model: 9PA 03

Model life 2003>>2006

Pos	Part Number	Description	Remark	Qty	Model
6	N 102 480 01	Pan-head screw M 6 X 14		2	
(6)	N 102 480 03	Pan-head screw M 6 X 14		2	
7	955 647 111 00	Antenna		4	I7K3
(7)	955 647 111 10	Antenna		4	I7K4
8	955 647 161 00	Support Antenna Front		2	
9	955 647 171 10	Support Antenna Rear		2	
10	999 591 941 40	Expansion rivet		8	
11	955 618 165 00	Support Control unit Tyre pressure monitoring	/RL	1	IL0R
12	999 591 941 40	Expansion rivet Mount Control unit	/RL	1	IL0R
13	955 423 157 10	Tyre pressure monitoring Screw DG 6 X 18	/RL	1	IL0R

Model: 9PA 03

Model life 2003>>2006



Model: 9PA 03

Model life 2003>>2006

Pos	Part Number	Description	Remark	Qty	Model
1	955 351 401 40	Disc brake Front axle Brake disc Use also: Hexagon-head bolt N .906.854.03	/L	1	I1LK
(1)	955 351 401 41	Brake disc Use also: Hexagon-head bolt N .906.854.03	/L	1	I1LK
(1)	955 351 402 40	Brake disc Use also: Hexagon-head bolt N .906.854.03	/R	1	I1LK
(1)	955 351 402 41	Brake disc Use also: Hexagon-head bolt N .906.854.03	/R	1	I1LK
(1)	955 351 401 50	Brake disc Use also: Hexagon-head bolt N .906.854.03	/L	1	I1LL/1LM
(1)	955 351 401 51	Brake disc Use also: Hexagon-head bolt N .906.854.03	/L	1	I1LL/1LM
(1)	955 351 402 50	Brake disc Use also: Hexagon-head bolt N .906.854.03	/R	1	I1LL/1LM
(1)	955 351 402 51	Brake disc Use also: Hexagon-head bolt N .906.854.03	/R	1	I1LL/1LM
(1)	955 351 401 60	Brake disc Use also: Hexagon-head bolt N .906.854.03	/L	1	IE81/1LH
(1)	955 351 401 61	Brake disc Use also: Hexagon-head bolt N .906.854.03	/L	1	IE81/1LH
(1)		Brake disc Use also: Hexagon-head bolt N .906.854.03	/L 06-	1	IE8A/1LH
(1)	955 351 402 60	Brake disc Use also: Hexagon-head bolt N .906.854.03	/R	1	IE81/1LH
(1)	955 351 402 61	Brake disc Use also: Hexagon-head bolt N .906.854.03	/R	1	IE81/1LH
(1)		Brake disc Use also: Hexagon-head bolt N .906.854.03	/R 06-	1	IE8A/1LH
2	N 910 282 01	Torx screw		2	
(2)	N 910 282 02	Fit bolt M 12 X 1,5 X 19,3		2	
3	955 351 801 20	Cover plate		2	-I1LH

Model: 9PA 03

Model life 2003&gt;&gt;2006

Pos	Part Number	Description	Remark	Qty	Model
(3)	955 351 801 51	Cover plate	05-	2	IE81/1LH
(3)		Cover plate	06-	2	IE8A/1LH
4	N 010 237 12	Hexagon-head bolt M 8 X 12		6	
(4)	N 010 237 14	Hexagon-head bolt M 8 X 12		6	
5	955 351 421 30	Fixed calliper without pad Black Lacquered Use also: Hexagon-head bolt N .906.854.03 F >>9P4LA 00508	/L	1	I1LK
(5)	955 351 421 31	Fixed calliper without pad Black Anodised Use also: Hexagon-head bolt N .906.854.03 F 9P4LA 00509>>	/L	1	I1LK
(5)	955 351 421 32	Fixed calliper without pad Black Anodised Use also: Hexagon-head bolt N .906.854.03 F 9P4LA 00509>>	/L	1	I1LK
(5)	955 351 421 33	Fixed calliper without pad Black Anodised Use also: Hexagon-head bolt N .906.854.03	/L	1	I1LK
(5)	955 351 422 30	Fixed calliper without pad Black Lacquered Use also: Hexagon-head bolt N .906.854.03 F >>9P4LA 00508	/R	1	I1LK
(5)	955 351 422 31	Fixed calliper without pad Black Anodised Use also: Hexagon-head bolt N .906.854.03 F 9P4LA 00509>>	/R	1	I1LK
(5)	955 351 422 32	Fixed calliper without pad Black Anodised Use also: Hexagon-head bolt N .906.854.03 F 9P4LA 00509>>	/R	1	I1LK
(5)	955 351 422 33	Fixed calliper	/R	1	I1LK

Model: 9PA 03

Model life 2003>>2006

Pos	Part Number	Description	Remark	Qty	Model
(5)	955 351 421 50	without pad Black Anodised Use also: Hexagon-head bolt N .906.854.03 Fixed calliper	/L	2 1	I1LL
(5)	955 351 421 51	without pad Silver Lacquered Use also: Hexagon-head bolt N .906.854.03 Fixed calliper	/L	2 1	I1LL
(5)	955 351 421 52	without pad Silver Anodised Use also: Hexagon-head bolt N .906.854.03 Fixed calliper	/L	2 1	I1LL
(5)	955 351 421 53	without pad Silver Lacquered Use also: Hexagon-head bolt N .906.854.03 Fixed calliper	/L	2 1	I1LL
(5)	955 351 422 50	without pad Silver Lacquered Use also: Hexagon-head bolt N .906.854.03 Fixed calliper	/R -05	2 1	I1LL
(5)	955 351 422 51	without pad Silver Anodised Use also: Hexagon-head bolt N .906.854.03 Fixed calliper	/R	2 1	I1LL
(5)	955 351 422 52	without pad Silver Lacquered Use also: Hexagon-head bolt N .906.854.03 Fixed calliper	/R	2 1	I1LL
(5)	955 351 422 53	without pad Silver Lacquered Use also: Hexagon-head bolt N .906.854.03 Fixed calliper	/R 06-	2 1	I1LL
(5)	955 351 421 20	without pad Silver Lacquered Use also: Hexagon-head bolt N .906.854.03 Fixed calliper	/L	2 1	I1LM

Model: 9PA 03

Model life 2003>>2006

Pos	Part Number	Description	Remark	Qty	Model
(5)	955 351 421 21	without pad Red Lacquered Use also: Hexagon-head bolt N .906.854.03 Fixed calliper	/L	2 1	I1LM
(5)	955 351 422 20	without pad Red Lacquered Use also: Hexagon-head bolt N .906.854.03 Fixed calliper	/R	2 1	I1LM
(5)	955 351 422 21	without pad Red Lacquered Use also: Hexagon-head bolt N .906.854.03 Fixed calliper	/R	2 1	I1LM
(5)	955 351 421 61	without pad Red Lacquered Use also: Hexagon-head bolt N .906.854.03 Fixed calliper	/L 05-	2 1	IE81/1LH
(5)	955 351 421 61	without pad Red Lacquered Use also: Hexagon-head bolt N .906.854.03 Fixed calliper	/L 06-	2 1	IE8A/1LH
(5)	955 351 422 61	without pad Red Lacquered Use also: Hexagon-head bolt N .906.854.03 Fixed calliper	/R 05-	2 1	IE81/1LH
(5)	955 351 422 61	without pad Red Lacquered Use also: Hexagon-head bolt N .906.854.03 Fixed calliper	/R 06-	2 1	IE8A/1LH
6	955 351 939 02	Brake pad repair set Comprising: Brake pad	04	2 1 4	I1LK
(6)	955 351 939 03	Use also: Mounting parts Brake pad repair set Comprising: Brake pad		1 4	I1LK

Model: 9PA 03

Model life 2003&gt;&gt;2006

Pos	Part Number	Description	Remark	Qty	Model
(6)	955 351 939 04	Use also: Mounting parts Brake pad repair set Comprising: Brake pad		1 4	I1LK
(6)	955 351 939 05	Use also: Mounting parts Brake pad repair set Comprising: Brake pad		1 4	I1LK
6	955 351 939 10	Use also: Mounting parts Brake pad repair set Comprising: Brake pad		1 4	I1LL/1LM
6	955 351 939 12	Use also: Mounting parts Brake pad repair set Comprising: Brake pad		1 4	I1LL/1LM
(6)	955 351 939 13	Use also: Mounting parts Brake pad repair set Comprising: Brake pad		1 4	I1LL/1LM
(6)	955 351 939 14	Use also: Mounting parts Brake pad repair set Comprising: Brake pad		1 4	I1LL/1LM
(6)	955 351 939 50	Use also: Mounting parts Brake pad repair set Comprising: Brake pad	05-	1 4	IE8A/E81/1LH
7	955 612 365 00	Warning contact		2	-I1LH
7	955 612 365 01	Warning contact		2	-I1LH
(7)	955 612 365 50	Warning contact	05-	2	IE81/1LH
(7)	955 612 365 51	Warning contact	05-	2	IE81/1LH
(7)	955 612 365 50	Warning contact	06-	2	IE8A/1LH
(7)	955 612 365 51	Warning contact	06-	2	IE8A/1LH
8	944 612 627 00	Line bracket for Warning contact	05-	2	IE81/1LH
(8)		Line bracket for Warning contact	06-	2	IE8A/1LH
9	N 906 854 02	Hexagon-head bolt M 16 X 1,5 X 48		4	
(9)	N 906 854 03	Hexagon-head bolt M 16 X 1,5 X 48		4	
10	955 351 959 00	Repair kit Mounting parts Tension strut		1 2	-I1LH

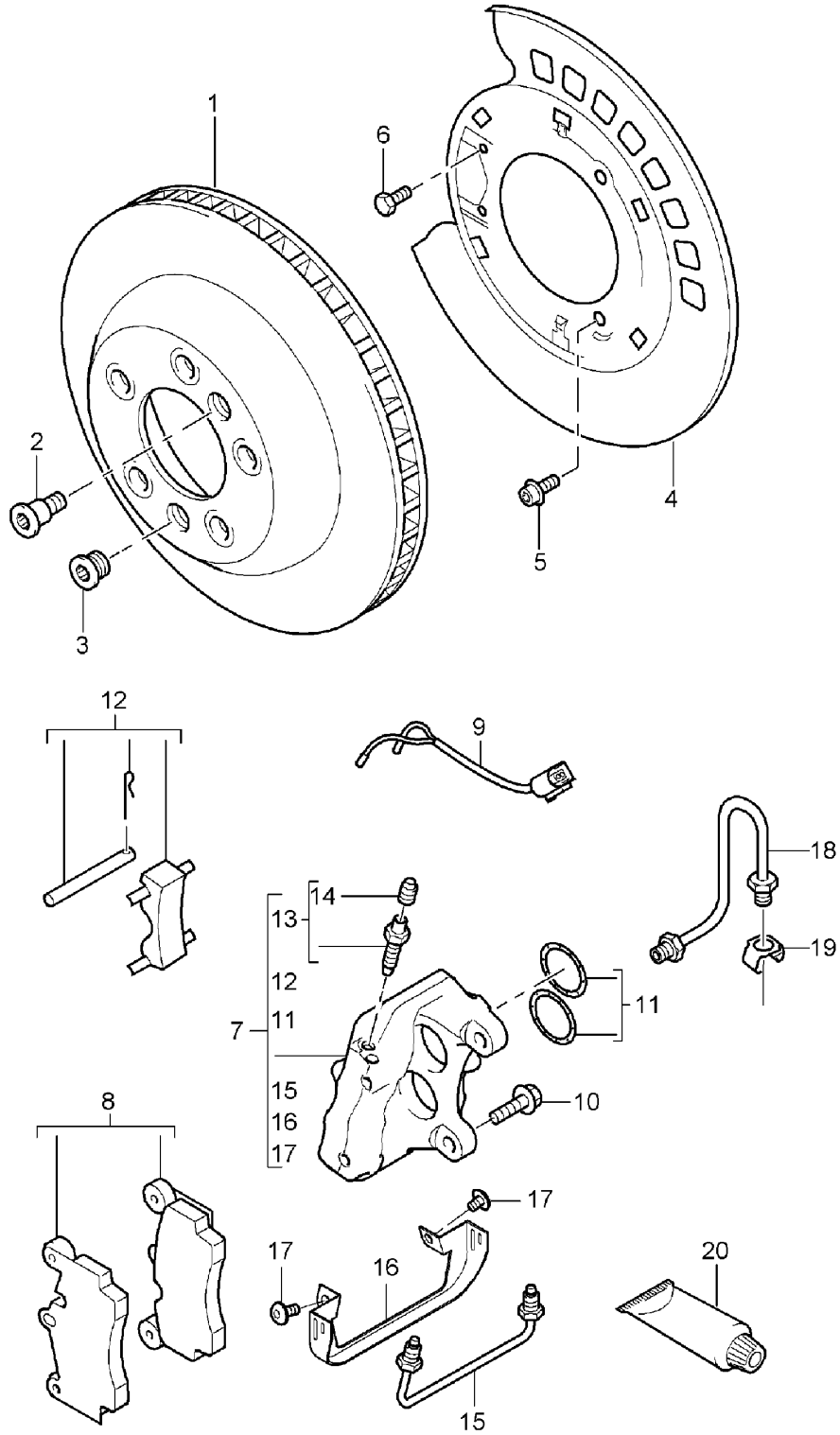
Model: 9PA 03 Model life 2003>>2006

Pos	Part Number	Description	Remark	Qty	Model
(10)	955 351 959 50	Spring Locking screw Repair kit Mounting parts Tension strut Spring	05-	2 2 1	IE81/1LH
(10)		Locking screw Repair kit Mounting parts Tension strut Spring	06-	2 1	IE8A/1LH
11	955 351 915 01	Locking screw Repair kit Protection caps 34/36/38 MM for	04-	2 2	I1LK
11	955 351 915 02	Fixed calliper Repair kit Protection caps 34/36/38 MM for	04-	1 2	I1LK
11	955 351 915 10	Fixed calliper Repair kit Protection caps 30/34/38 MM for		1 2	I1LL/1LM
11	955 351 915 11	Fixed calliper Repair kit Protection caps 30/34/38 MM for		1 2	I1LL/1LM
(11)	955 351 915 50	Fixed calliper Repair kit Protection caps 32/36/38 MM for	05-	1 2	IE81/1LH
(11)		Fixed calliper Repair kit Protection caps 32/36/38 MM for	06-	1 2	IE8A/1LH
12	930 351 919 00	Fixed calliper Ventilation valve with		1 4	
13	930 351 927 00	Dust boot		4	
13	930 351 927 01	Dust boot		4	
14	955 351 961 00	Connecting line	04-	2	I1LK
(14)	955 351 961 10	Connecting line		2	I1LL/1LM
(14)	955 351 961 50	Connecting line	05-	2	IE81/1LH
(14)		Connecting line	06-	2	IE8A/1LH
15		Brake line See illustrations 6/04/10		1	
16		Retainer spring See illustrations 6/04/10		1	
17	000 043 117 00	Brake cylinder paste 1 50-g tube		X	
18	000 043 020 00	Optimoly 1 100-gramme tube		X	



Model: 9PA 03

Model life 2003>>2006



Model: 9PA 03

Model life 2003>>2006

Pos	Part Number	Description	Remark	Qty	Model
1	955 352 401 30	Disc brake Rear axle Brake disc Use also: Pan-head screw N .105.556.02		2	I1KW/1KY/1KZ
(1)	955 352 401 31	Brake disc Use also: Pan-head screw N .105.556.02		4	
				2	I1KW/1KY/1KZ
(1)	955 352 401 50	Brake disc Use also: Pan-head screw N .105.556.02		4	
				2	IE81/1KU
(1)	955 352 401 51	Brake disc Use also: Pan-head screw N .105.556.02		4	
				2	IE81/1KU
(1)		Brake disc Use also: Pan-head screw N .105.556.02	06-	4	
				2	IE8A/1KU
2	N 910 282 01	Torx screw M 12 X 1,5 X 19,3		4	
				2	
(2)	N 910 282 02	Fit bolt M 12 X 1,5 X 19,3		2	
3	N 910 380 01	Screw plug M 12 X 1,5 X 5,0		2	
(3)	N 910 380 02	Screw plug M 12 X 1,5 X 5,0		2	
4	955 352 801 20	Brake mounting plate	/L	1	I1KW/1KY/1KZ
(4)	955 352 802 20	Brake mounting plate	/R	1	I1KW/1KY/1KZ
(4)	955 352 801 50	Brake mounting plate	/L 05-	1	IE81/1KU
(4)		Brake mounting plate	/L 06-	1	IE8A/1KU
(4)	955 352 802 50	Brake mounting plate	/R 05-	1	IE81/1KU
(4)		Brake mounting plate	/R 06-	1	IE8A/1KU
5	N 014 739 10	Pan-head screw M 8 X 16		4	
(5)	N 105 724 03	Pan-head screw M 8 X 16		4	
6	N 909 768 01	Hexagon-head bolt M 6 X 12		4	
(6)	N 909 768 02	Hexagon-head bolt M 6 X 12		4	
7	955 352 421 30	Fixed calliper without pad Black Lacquered Use also: Pan-head screw N .105.556.02	/L 04-	1	I1KW
(7)	955 352 421 31	Fixed calliper without pad Black Anodised Use also: Pan-head screw N .105.556.02	/L	2	
				1	I1KW
				2	

Model: 9PA 03 Model life 2003>>2006

Pos	Part Number	Description	Remark	Qty	Model
(7)	955 352 421 32	Fixed calliper without pad Black Anodised Use also: Pan-head screw N .105.556.02	/L	1	I1KW
(7)	955 352 422 30	Fixed calliper without pad Black Lacquered Use also: Pan-head screw N .105.556.02	/R 04-	2 1	I1KW
(7)	955 352 422 31	Fixed calliper without pad Black Anodised Use also: Pan-head screw N .105.556.02	/R	2 1	I1KW
(7)	955 352 422 32	Fixed calliper without pad Black Anodised Use also: Pan-head screw N .105.556.02	/R	2 1	I1KW
(7)	955 352 421 40	Fixed calliper without pad Silver Lacquered Use also: Pan-head screw N .105.556.02	/L	2 1	I1KY
(7)	955 352 421 42	Fixed calliper without pad Silver Lacquered Use also: Pan-head screw N .105.556.02	/L	2 1	I1KY
(7)	955 352 422 40	Fixed calliper without pad Silver Lacquered Use also: Pan-head screw N .105.556.02	/R	2 1	I1KY
(7)	955 352 421 50	Fixed calliper without pad Red Lacquered Use also: Pan-head screw N .105.556.02	/L	2 1	I1KZ
(7)	955 352 422 50	Fixed calliper without pad Red Lacquered Use also: Pan-head screw N .105.556.02	/R	2 1	I1KZ

Model: 9PA 03 Model life 2003>>2006

Pos	Part Number	Description	Remark	Qty	Model
(7)	955 352 421 61	Fixed calliper without pad Red Lacquered Use also: Pan-head screw N .105.556.02	/L 05-	1	IE81/1KU
(7)		Fixed calliper without pad Red Lacquered Use also: Pan-head screw N .105.556.02	/L 06-	2 1	IE8A/1KU
(7)	955 352 422 61	Fixed calliper without pad Red Lacquered Use also: Pan-head screw N .105.556.02	/R 05-	1	IE81/1KU
(7)		Fixed calliper without pad Red Lacquered Use also: Pan-head screw N .105.556.02	/R 06-	2 1	IE8A/1KU
8	955 352 939 00	Brake pad repair set Comprising: Brake pad Use also: Mounting parts		2 1 4	I1KW/1KY/1KZ
(8)	955 352 939 01	Brake pad repair set Comprising: Brake pad Use also: Mounting parts		1 4	I1KW/1KY/1KZ
(8)	955 352 939 02	Brake pad repair set Comprising: Brake pad Use also: Mounting parts		1 4	I1KW/1KY/1KZ
(8)	955 352 939 03	Brake pad repair set Comprising: Brake pad Use also: Mounting parts		1 4	I1KW/1KY/1KZ
(8)	955 352 939 50	Brake pad repair set Comprising: Brake pad Use also: Mounting parts	05-	1 4	IE81/1KU
(8)		Brake pad repair set Comprising: Brake pad Use also: Mounting parts	06-	1 4	IE8A/1KU
9	955 612 365 30	Warning contact		2	
10	N 105 556 01	Pan-head screw M 14 X 1,5 X 40		4	

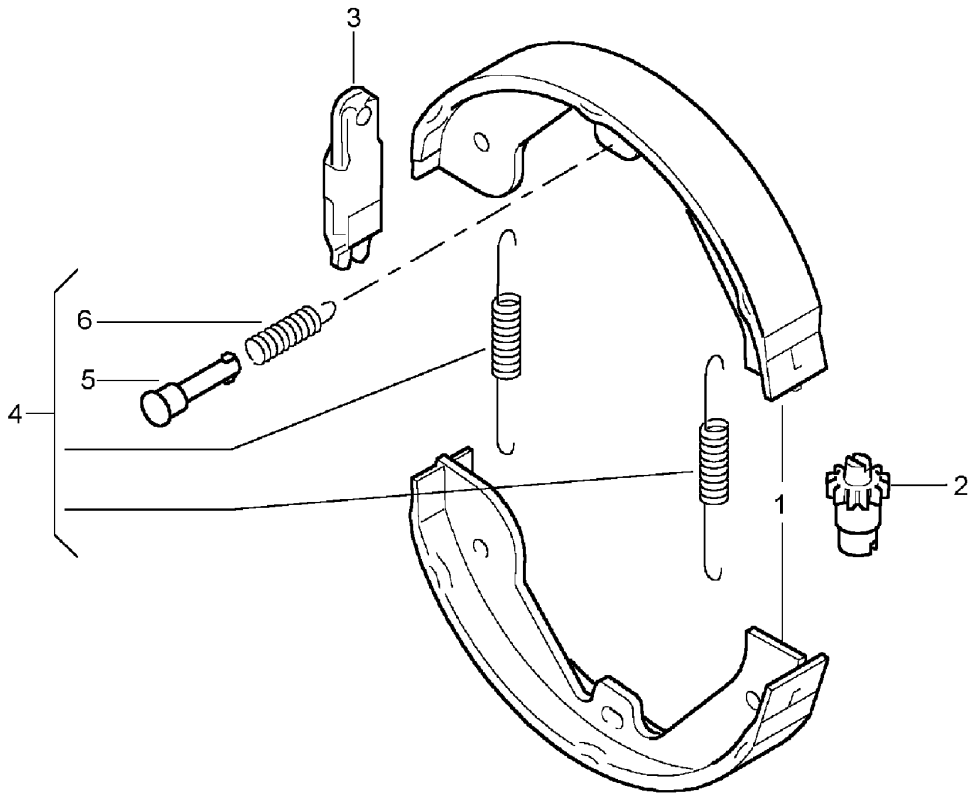
Model: 9PA 03

Model life 2003>>2006

Pos	Part Number	Description	Remark	Qty	Model
(10)	N 105 556 02	Pan-head screw M 14 X 1,5 X 40		4	
11	955 352 915 00	Repair kit Protection caps 28/30 MM for Fixed calliper		2	I1KW/1KY/1KZ
(11)	955 352 915 50	Repair kit Protection caps 28/32 MM for Fixed calliper	05-	1 2	IE81/1KU
(11)		Repair kit Protection caps 28/32 MM for Fixed calliper	06-	1 2	IE8A/1KU
12	955 352 960 00	Repair kit Mounting parts Retaining pin Spring		1 1 2 2	
13	930 351 919 00	Retaining spring Ventilation valve with Dust boot		2 2 4	
14	930 351 927 00	Dust boot		4	
14	930 351 927 01	Dust boot		4	
15	955 352 961 20	Connecting line		2	I1KW/1KY/1KZ
(15)	955 352 961 50	Connecting line	/L 05-	1	IE81/1KU
(15)		Connecting line	/L 06-	1	IE8A/1KU
(15)	955 352 962 50	Connecting line	/R 05-	1	IE81/1KU
(15)		Connecting line	/R 06-	1	IE8A/1KU
16	955 352 963 00	Protective plate Connecting line		2	
17	N 104 056 04	Oval-head screw M 6 X 14		4	
18	... ..	Brake line See illustrations 6/04/15		1	
19		Retainer spring See illustrations 6/04/15		1	
20	000 043 117 00	Brake cylinder paste 1 50-g tube		X	
(20)	000 043 020 00	Optimoly 1 100-gramme tube		X	

Model: 9PA 03

Model life 2003>>2006



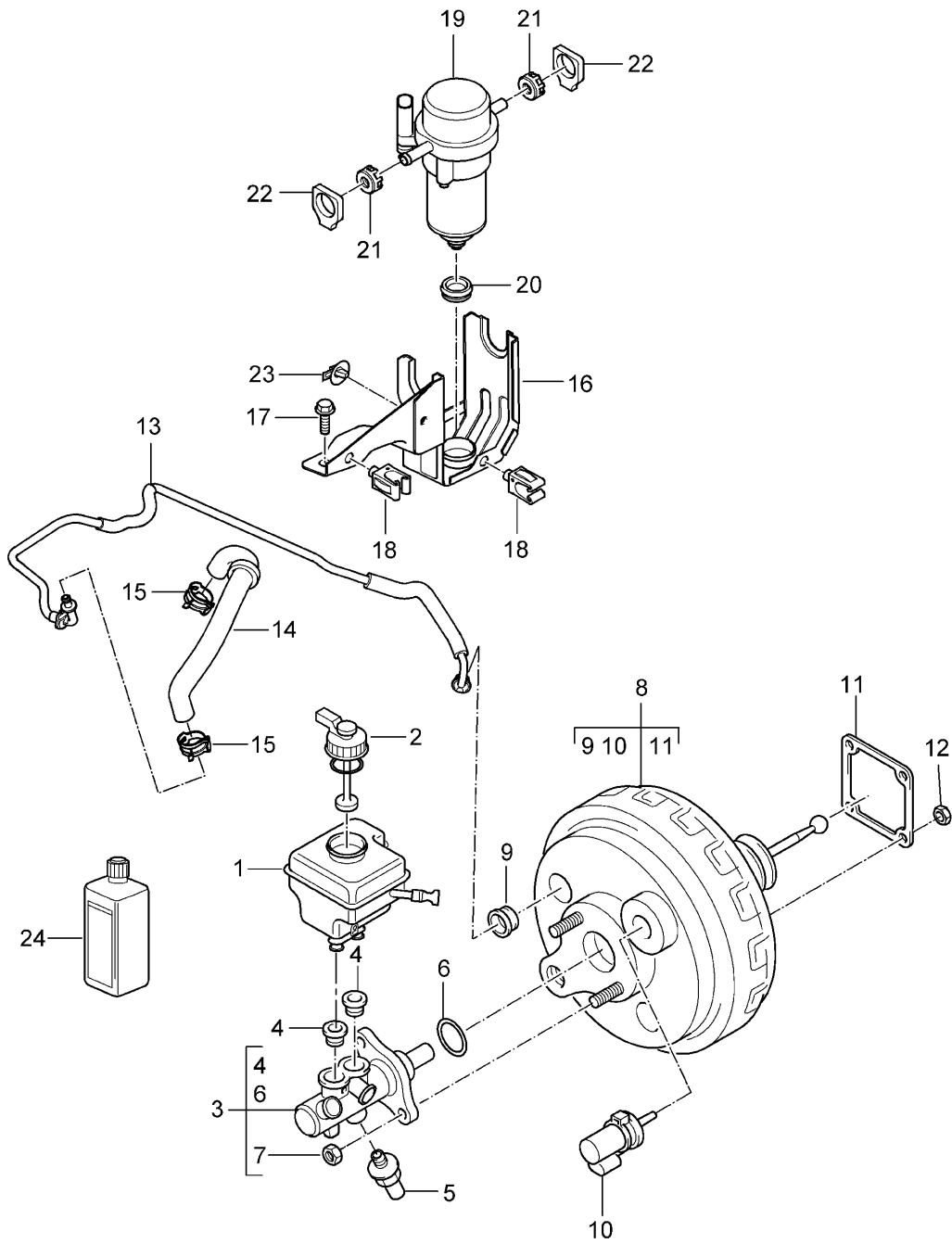
Model: 9PA 03

Model life 2003>>2006

Pos	Part Number	Description	Remark	Qty	Model
1	955 352 925 00	Foot-operat. parking brake Brake shoe Repair kit Comprising: Brake shoe Use also: Mounting parts		1  4	
2	955 352 098 00	Adjusting nut Complete		2	
3	955 352 073 00	Expanding-lock Complete		2	
4	955 352 945 00	Repair kit Mount Brake shoe Comprising: Tension spring Long Tension spring Short Roll pin Compression spring		2  1 1 1 2 2	
(4)	955 352 945 01	Repair kit Mount Brake shoe Comprising: Tension spring Long Tension spring Short Roll pin Compression spring		2  1 1 1 2 2	
5	955 352 959 01	Roll pin		4	
6	955 352 957 00	Compression spring		4	

Model: 9PA 03

Model life 2003>>2006





Model: 9PA 03 Model life 2003>>2006

Pos	Part Number	Description	Remark	Qty	Model
		Brake master cylinder			
		Brake booster			
		Vacuum line			
		Vacuum pump			
1	955 355 113 00	Brake fluid reservoir		1	
2	955 355 351 00	Lid		1	
3	955 355 015 00	Brake master cylinder	/LL	1	IL0L
(3)	955 355 015 20	Brake master cylinder	/LL	1	IL0L
		Use also:			
		Pressure sensor		1	
		955.355.305.00			
(3)	955 355 016 00	Brake master cylinder	/RL	1	IL0R
(3)	955 355 016 20	Brake master cylinder	/RL	1	IL0R
		Use also:			
		Pressure sensor		1	
		955.355.305.00			
4	993 355 922 01	Rubber seal		2	
5	955 355 305 00	Pressure sensor		1	
6	955 355 912 00	Sealing ring		1	
7	N 900 744 04	Lock nut		2	
		M 8			
8	955 355 923 00	Brake booster	/LL	1	IL0L
(8)	955 355 923 01	Brake booster	/LL	1	IL0L
(8)	955 355 924 00	Brake booster	/RL	1	IL0R
(8)	955 355 924 01	Brake booster	/RL	1	IL0R
9	955 355 921 00	Sealing plug		1	
10	955 355 902 00	Distance sensor		1	
		Set			
11	955 355 901 00	Gasket		1	
(11)	955 355 901 01	Gasket		1	
12	N 023 003 14	Hexagon nut		4	
		M 8			
13	955 355 577 01	Vacuum line	/LL	1	ID9J/D9K/L0L
(13)	955 355 577 02	Vacuum line	/LL	1	ID9J/D9K/L0L
		F >>9P6LA 03817			
		F >>9P6LA 43855			
(13)	955 355 577 03	Vacuum line	/LL	1	ID9J/D9K/L0L
		F 9P6LA 03818>>			
		F 9P6LA 43856>>			
(13)	955 355 577 50	Vacuum line	/LL	1	ID9L/L0L
		with			
		Pressure sensor			
(13)	955 355 577 51	Vacuum line	/LL	1	ID9L/L0L
		with			
		Pressure sensor			
		F >>9P6LA 81768			
(13)	955 355 577 52	Vacuum line	/LL	1	ID9L/L0L
		with			
		Pressure sensor			
		F 9P6LA 81769>>			
(13)	955 355 578 03	Vacuum line	/RL	1	ID9J/D9K/L0R
(13)	955 355 578 04	Vacuum line	/RL	1	ID9J/D9K/L0R
		F >>9P6LA 03847			
		F >>9P6LA 43856			
(13)	955 355 578 05	Vacuum line	/RL	1	ID9J/D9K/L0R
		F 9P6LA 03848>>			
		F 9P6LA 43857>>			
(13)	955 355 578 52	Vacuum line	/RL	1	ID9L/L0R

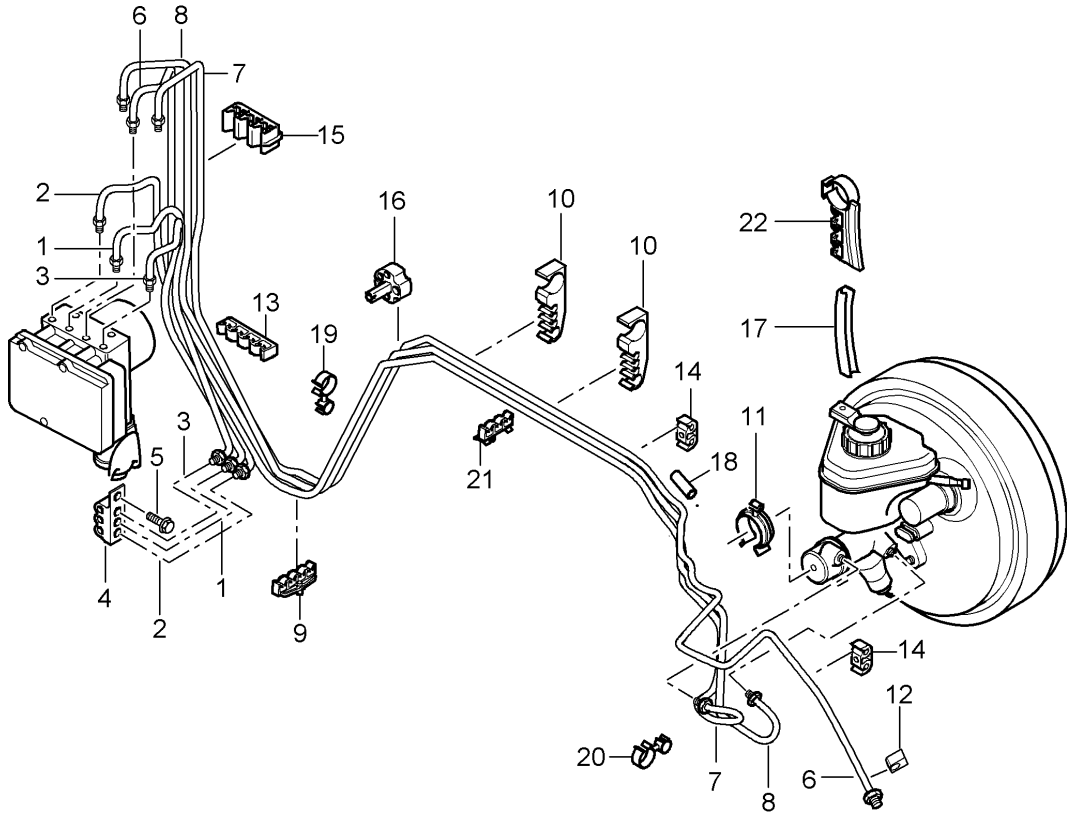
Model: 9PA 03

Model life 2003>>2006

Pos	Part Number	Description	Remark	Qty	Model
(13)	955 355 578 53	with Pressure sensor Vacuum line	/RL	1	ID9L/L0R
(14)	955 355 579 21	with Pressure sensor Vacuum hose		1	ID9J
14	955 355 579 01	with Hose clamp Vacuum hose		1	ID9K
(14)	955 355 579 50	Vacuum line		1	ID9L
(14)	955 355 579 51	Vacuum line		1	ID9L
15	955 355 719 00	Hose clamp 20 X 12		2	ID9J/D9K
(15)		Hose clamp 20 X 12		1	ID9L
(15)	955 347 569 00	Mount Venturi tube Hose clamp 21 X 12		1	ID9L
-	955 355 625 00	Mount Vacuum pump Support Vacuum line		1	ID9L
-	N 909 435 01	Mount Water reservoir See group 1/05/25 Hose holder		1	ID9L
16	955 355 140 10	See group 1/05/25 Support Vacuum pump		1	ID9L
17	N 101 563 02	Hexagon-head bolt M 6 X 12		2	ID9L
(17)	N 101 563 07	Hexagon-head bolt M 6 X 12		2	ID9L
18	N 909 435 01	Hose holder		2	ID9L
19	955 355 617 00	Vacuum pump		1	ID9L
(19)	955 355 617 01	Vacuum pump		1	ID9L
(19)	955 355 617 02	Vacuum pump		1	ID9L
20	955 355 735 10	Buffer		1	ID9L
21	955 355 735 20	Buffer		2	ID9L
22	955 355 537 00	Fixing clip		2	ID9L
23	N 907 136 01	Clip		1	ID9L
-	000 043 203 66	Brake fluid SUPER DOT 4 1 LTR. Container		X	

Model: 9PA 03

Model life 2003>>2006



Model: 9PA 03

Model life 2003>>2006

Pos	Part Number	Description	Remark	Qty	Model
1	955 355 316 10	Brake lines Body front section Pressure line F >>9P3LA 42023 F >>9P3LA 81273	/LL	1	IL0L
1	955 355 316 12	Pressure line F >>9P3LA 42023 F >>9P3LA 81273	/LL	1	IL0L
(1)	955 355 316 11	Pressure line F 9P3LA 42024>> F 9P3LA 81274>> Information available		1	
(1)	955 355 316 13	Pressure line F 9P3LA 42024>> F 9P3LA 81274>>		1	
2	955 355 315 10	Pressure line F >>9P3LA 42023 F >>9P3LA 81273 Information available	/LL	1	IL0L
2	955 355 315 12	Pressure line F >>9P3LA 42023 F >>9P3LA 81273	/LL	1	IL0L
(2)	955 355 315 11	Pressure line F 9P3LA 42024>> F 9P3LA 81274>> Information available		1	
3	955 355 327 10	Pressure line F >>9P3LA 42023 F >>9P3LA 81273 Information available	/LL	1	IL0L
(3)	955 355 327 11	Pressure line F 9P3LA 42024>> F 9P3LA 81274>> Information available		1	
4	955 355 650 20	Intermediate piece		1	
(4)	955 355 650 21	Intermediate piece		1	
5	N 902 803 04	Hexagon-head bolt M 6 X 20		1	
(5)	N 101 586 05	Hexagon-head bolt M 6 X 20		1	
6	955 355 325 41	Pressure line F >>9P6LA 03817 F >>9P6LA 43855 F >>9P6LA 81768	/LL	1	IL0L
(6)	955 355 325 42	Pressure line F 9P6LA 03818>> F 9P6LA 43856>> F 9P6LA 81769>>	/LL	1	IL0L
(6)	955 355 326 30	Pressure line F >>9P6LA 03847 F >>9P6LA 43856 F >>9P6LA 81617	/RL	1	IL0R
(6)	955 355 326 31	Pressure line F 9P6LA 03848>> F 9P6LA 43857>> F 9P6LA 81618>>	/RL	1	IL0R
7	955 355 309 21	Pressure line F >>9P6LA 03817 F >>9P6LA 43855 F >>9P6LA 81768	/LL	1	IL0L
(7)	955 355 309 22	Pressure line F 9P6LA 03818>>9P6LA 09708	/LL	1	IL0L

Model: 9PA 03

Model life 2003>>2006

Pos	Part Number	Description	Remark	Qty	Model
(7)	955 355 309 23	F 9P6LA 43856>>9P6LA 50891 F 9P6LA 81769>>9P6LA 84983 Pressure line	/LL	1	IL0L
(7)	955 355 309 25	F 9P6LA 09709>> F 9P6LA 50892>> F 9P6LA 84984>> Pressure line	/LL	1	IL0L
(7)	955 355 310 31	Pressure line	/RL	1	IL0R
(7)	955 355 310 32	Pressure line	/RL	1	IL0R
8	955 355 313 21	Pressure line F >>9P6LA 03817 F >>9P6LA 43855 F >>9P6LA 81768	/LL	1	IL0L
(8)	955 355 313 22	Pressure line F 9P6LA 03818>>9P6LA 09708 F 9P6LA 43856>>9P6LA 50891 F 9P6LA 81769>>9P6LA 84983	/LL	1	IL0L
(8)	955 355 313 23	Pressure line F 9P6LA 09709>> F 9P6LA 50892>> F 9P6LA 84984>>	/LL	1	IL0L
(8)	955 355 314 31	Pressure line	/RL	1	IL0R
9	955 355 544 00	Line bracket F >>9P6LA 03817 F >>9P6LA 43855 F >>9P6LA 81768	/LL	1	IL0L
(9)	955 355 544 10	Line bracket F 9P6LA 03818>>9P6LA 09708 F 9P6LA 43856>>9P6LA 50891 F 9P6LA 81769>>9P6LA 84983	/LL	1	IL0L
(9)	955 355 540 40	Line bracket F 9P6LA 09709>> F 9P6LA 50892>> F 9P6LA 84984>>	/LL	1	IL0L
(9)	955 355 544 10	Line bracket F 9P6LA 03848>>9P6LA 09716 F 9P6LA 43858>>9P6LA 50892 F 9P6LA 81618>>9P6LA 84985	/RL	1	IL0R/1BK
(9)	955 355 540 40	Line bracket F 9P6LA 09717>> F 9P6LA 50893>> F 9P6LA 84986>>	/RL	1	IL0R/1BK
10	955 355 541 10	Support		2	
11	N 105 993 01	Support		1	
12	955 355 544 40	Line bracket F >>9P6LA 03817 F >>9P6LA 43855 F >>9P6LA 81768	/LL	1	IL0L
(12)	999 651 331 40	Cable holder F 9P6LA 03818>> F 9P6LA 43856>> F 9P6LA 81769>>	/LL	1	IL0L
13	955 355 540 00	Support		1	
14	955 355 543 00	Support	/RL	2	IL0R
15	955 355 542 10	Support	/RL	1	IL0R
16	955 355 550 00	Connection piece	/RL	1	IL0R
17	955 355 580 00	Edge protection	/LL	1	IL0L

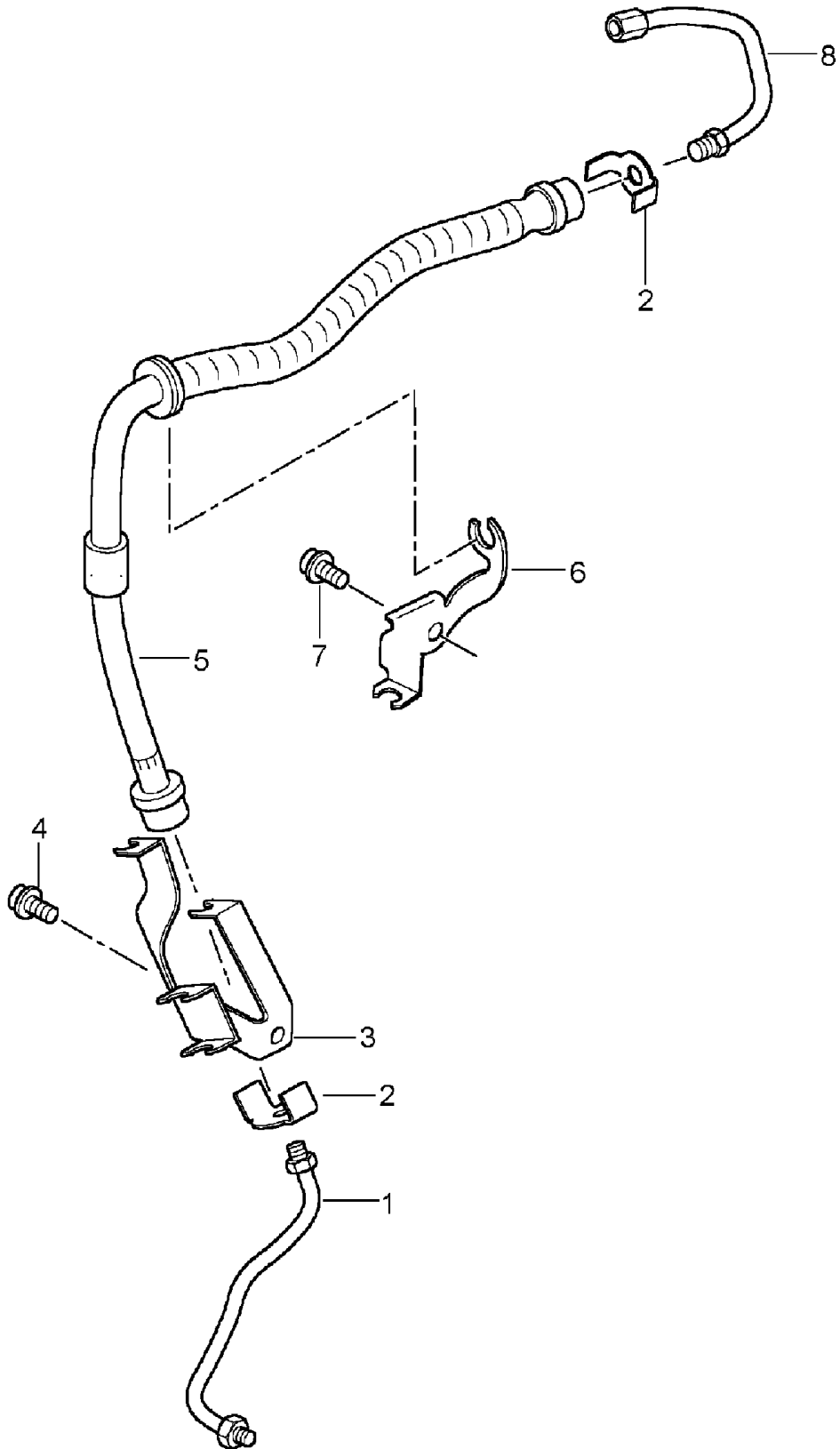
Model: 9PA 03

Model life 2003>>2006

Pos	Part Number	Description	Remark	Qty	Model
(17)	955 355 590 00	Brake booster F >>9P6LA 03817 F >>9P6LA 43855 F >>9P6LA 81768 Edge protection	/RL	1	IL0R
18	955 355 551 00	Brake booster Protective rubber Pressure line	/LL	1	ID9L/L0L
19	955 355 532 00	Line bracket Pressure line Vacuum line F 9P6LA 03818>> F 9P6LA 43856>> F 9P6LA 81769>>	/LL	1	IL0L
20		Line bracket Pressure line Vacuum line F 9P6LA 03848>> F 9P6LA 43857>>	/RL	1	ID9J/D9K/L0R
21	955 355 542 30	Line bracket F 9P6LA 03818>> F 9P6LA 43856>> F 9P6LA 81769>>	/LL	1	IL0L
22	955 355 540 30	Line bracket F 9P6LA 03818>> F 9P6LA 43856>> F 9P6LA 81769>>	/LL	1	IL0L

Model: 9PA 03

Model life 2003>>2006



Model: 9PA 03

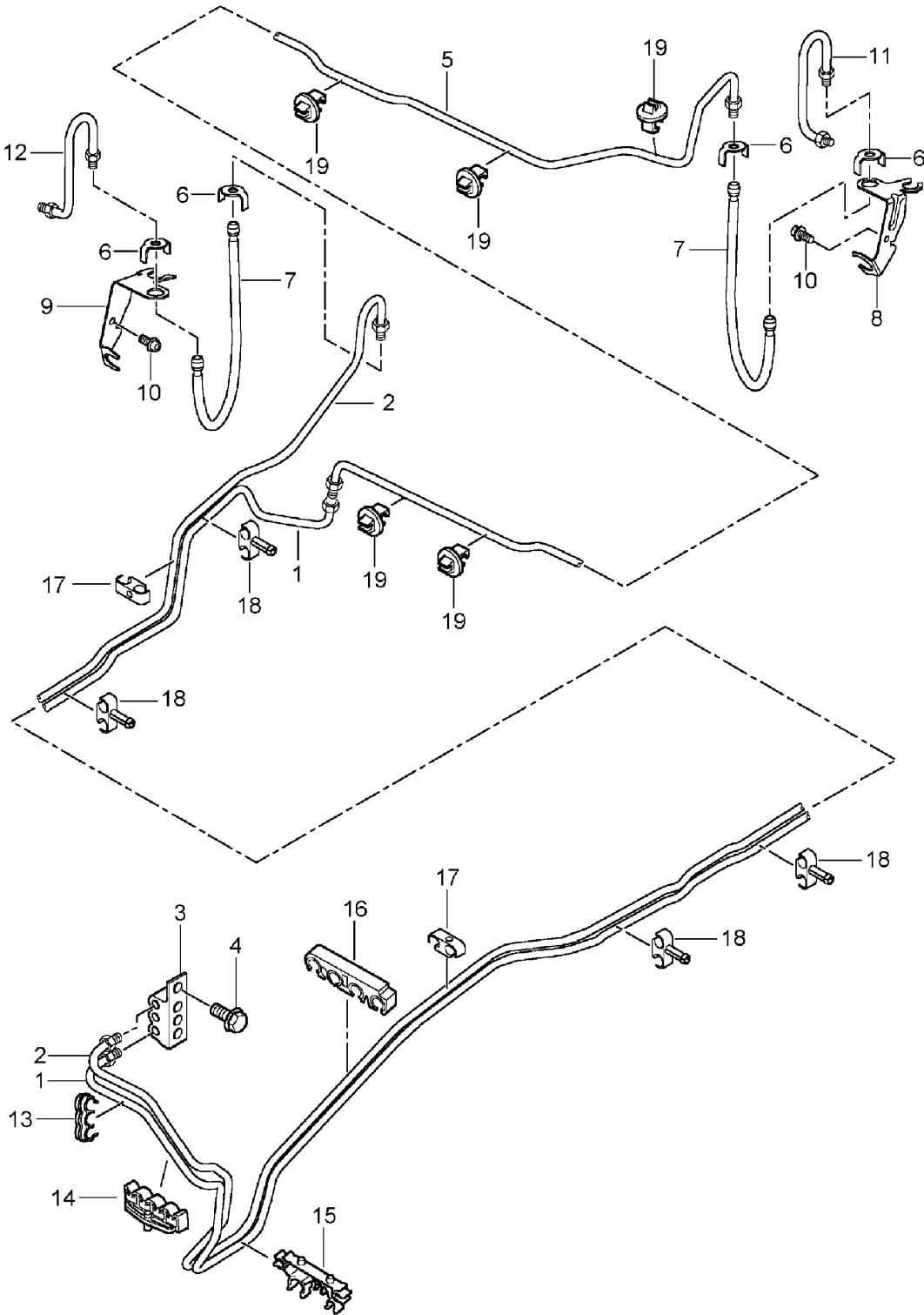
Model life 2003>>2006

Pos	Part Number	Description	Remark	Qty	Model
		Brake lines			
		Front axle			
1	955 355 581 00	Brake line	/L	1	
(1)	955 355 581 01	Brake line	/L	1	
(1)	955 355 581 50	Brake line	/L 05-	1	IE81/1LH
(1)		Brake line	/L 06-	1	IE8A/1LH
(1)	955 355 582 00	Brake line	/R	1	
(1)	955 355 582 01	Brake line	/R	1	
(1)	955 355 582 50	Brake line	/R 05-	1	IE81/1LH
(1)		Brake line	/R 06-	1	IE8A/1LH
2	955 355 321 00	Retainer spring		4	
(2)	997 355 331 01	Retainer spring		4	
3	955 355 501 00	Support	/L	1	
(3)	955 355 501 10	Support	/L	1	
(3)	955 355 502 00	Support	/R	1	
(3)	955 355 502 10	Support	/R	1	
4	N 903 086 05	Pan-head screw		2	
		M 8 X 14			
(4)	N 903 086 07	Pan-head screw		2	
		M 8 X 14			
5	955 355 139 10	Brake hose		2	
(5)	955 355 139 13	Brake hose		2	
6	955 355 503 10	Support	/L	1	
(6)	955 355 504 10	Support	/R	1	
7	N 103 352 01	Oval-head screw		2	
		M 6 X 12			
8	955 355 175 20	Brake line	/L	1	
		F >>9P3LA 43526			
		F >>9P3LA 81846			
8	955 355 175 23	Brake line	/L	1	
		F >>9P3LA 43526			
		F >>9P3LA 81846			
(8)	955 355 175 21	Brake line	/L	1	
		F 9P3LA 43527>>			
		F 9P3LA 81847>>			
(8)	955 355 175 22	Brake line	/L	1	
(8)	955 355 176 11	Brake line	/R	1	
(8)	955 355 176 12	Brake line	/R	1	



Model: 9PA 03

Model life 2003>>2006

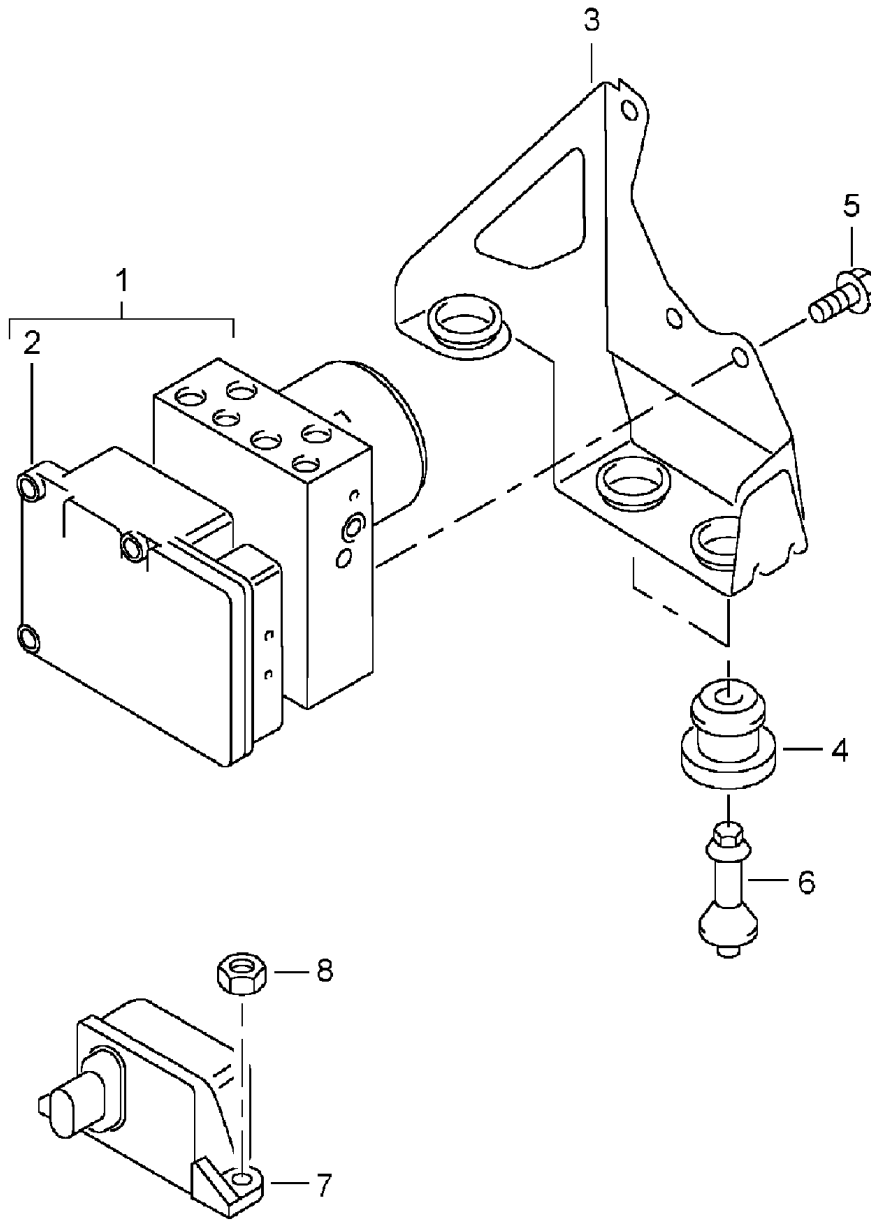


Model: 9PA 03 Model life 2003>>2006

Pos	Part Number	Description	Remark	Qty	Model
		Brake lines			
		Underbody			
		Rear axle			
1	955 355 177 12	Brake line	/L	1	
2	955 355 178 11	Brake line	/R	1	
3	955 355 650 20	Intermediate piece		1	
(3)	955 355 650 21	Intermediate piece		1	
4	N 902 803 04	Hexagon-head bolt M 6 X 20		1	
(4)	N 101 586 05	Hexagon-head bolt M 6 X 20		1	
5	955 355 189 11	Brake line	/L	1	
(5)	955 355 189 12	Brake line	/L	1	
(5)	955 355 189 13	Brake line	/L	1	
6	955 355 321 00	Retainer spring		4	
(6)	997 355 331 01	Retainer spring		4	
7	955 355 060 00	Brake hose		2	
(7)	955 355 060 01	Brake hose		2	
(7)	958 355 060 00	Brake hose		2	
8	955 355 505 10	Support	/L	1	
9	955 355 506 10	Support	/R	1	
10	N 101 563 02	Hexagon-head bolt M 6 X 12		2	
(10)	N 101 563 07	Hexagon-head bolt M 6 X 12		2	
11	955 355 583 00	Brake line	/L	1	
(11)	955 355 583 01	Brake line	/L	1	
12	955 355 584 00	Brake line	/R	1	
(12)	955 355 584 01	Brake line	/R	1	
13	955 355 548 00	Support		1	
(13)	955 355 548 01	Line bracket		1	
14	955 355 544 00	Line bracket		1	
(14)	955 355 540 40	F >>9P6LA 09708 F >>9P6LA 50891 F >>9P6LA 84983 Line bracket F 9P6LA 09709>> F 9P6LA 50892>> F 9P6LA 84984>>		1	
15	955 355 545 00	Support		1	
16	955 355 543 20	Support		1	
17	955 355 543 00	Support		2	
18	955 355 546 00	Support		4	
(18)	955 355 546 01	Support		4	
19	955 355 547 20	Line bracket		5	

Model: 9PA 03

Model life 2003>>2006



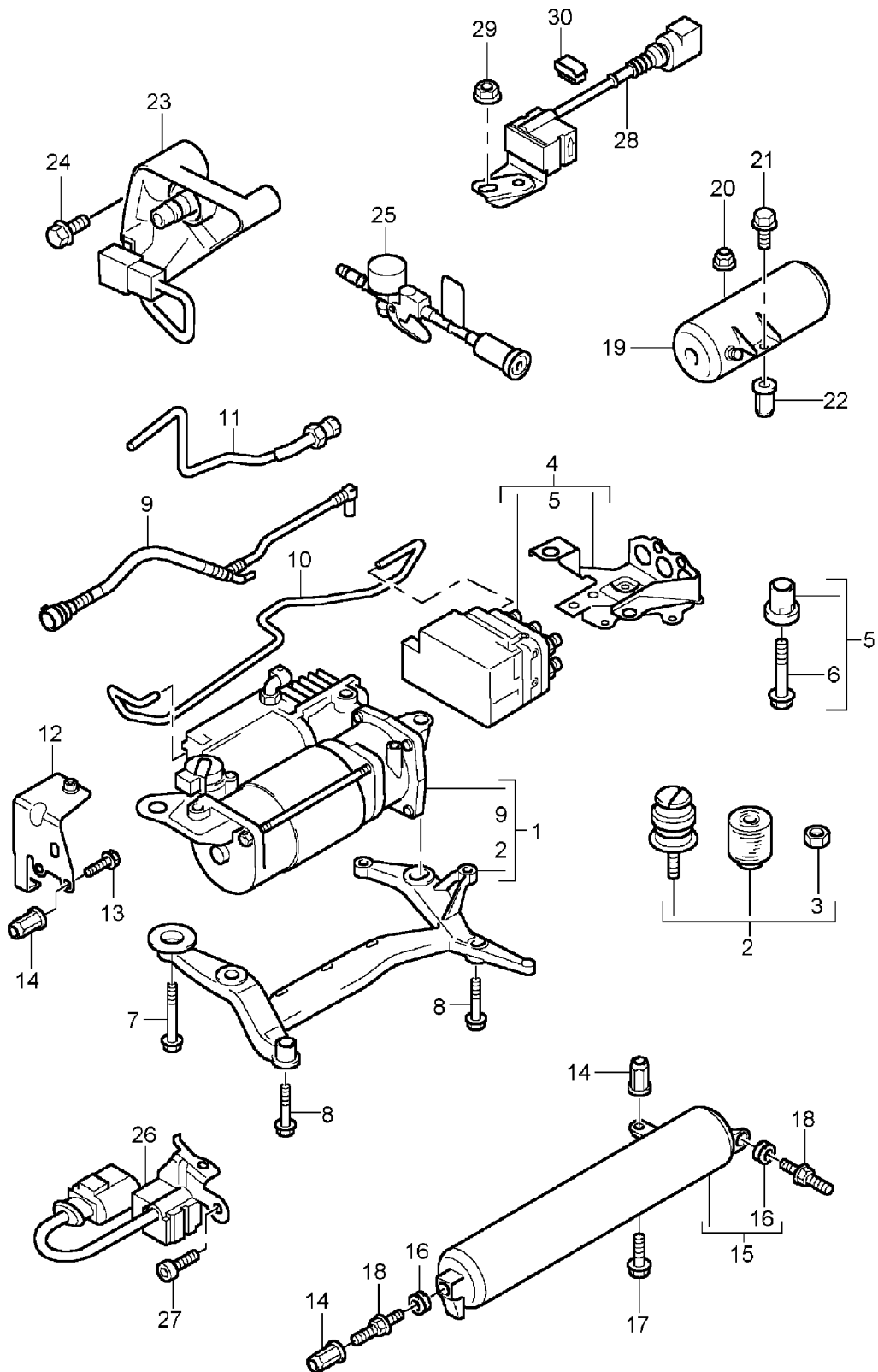
Model: 9PA 03

Model life 2003>>2006

Pos	Part Number	Description	Remark	Qty	Model
1	955 355 955 00	Hydraulic unit Anti-lock brake system Control Hydraulic unit F >>9P3LA 42316 F >>9P3LA 81440 Information available		1	
(1)	955 355 955 01	Hydraulic unit F 9P3LA 42317>> F 9P3LA 81441>> F >>9P4LA 41343 F >>9P4LA 80584 Information available		1	
(1)	955 355 955 02	Hydraulic unit F 9P4LA 41344>> F 9P4LA 80585>> F >>9P4LA 00602 F >>9P4LA 47211 F >>9P4LA 83022 Information available		1	
(1)	955 355 955 03	Hydraulic unit See technical information Group 4 NR.3/04 F 9P4LA 00603>> F 9P4LA 47212>> F 9P4LA 83023>> F >>9P4LA 06272 F >>9P4LA 50422 F >>9P4LA 85140		1	
(1)	955 355 955 04	Hydraulic unit F 9P4LA 06273>> F 9P4LA 50423>> F 9P4LA 85141>>	-04	1	
(1)	955 355 955 05	Hydraulic unit	05-	1	IGOR
(1)	955 355 955 06	Hydraulic unit	05-	1	
2	955 618 115 00	Control unit with Fastening screw Only for Hydraulic unit 955.355.955.00		1	
3	955 355 133 00	Support		1	
4	955 355 635 00	Rubber buffer		3	
(4)	955 355 635 01	Rubber buffer		3	
5	N 903 053 02	Hexagon-head bolt M 6 X 10		3	
6	955 355 535 10	Support		3	
7	955 606 145 01	Sensor		1	
(7)	955 606 145 02	Sensor		1	
8	N 015 082 13	Hexagon nut M 6		2	

Model: 9PA 03

Model life 2003>>2006



Model: 9PA 03 Model life 2003>>2006

Pos	Part Number	Description	Remark	Qty	Model
		Level adjustment Compressor Pressure accumulator Acceleration sensor			I1BK
1	955 358 901 00	Compressor with Bracket		1	
(1)	955 358 901 01	Compressor with Bracket		1	
2	955 358 902 00	Set of fastening parts for Compressor		1	
(2)	955 358 902 01	Set of fastening parts for Compressor		1	
3	N 023 002 8	Hexagon nut AM 6	-05	2	
(3)	N 023 002 12	Hexagon nut M 6	06-	2	
4	955 358 903 00	Control mechanism with Support		1	
-	955 358 541 00	Push-on connector Control mechanism Line		6	
5	955 358 904 00	Set of fastening parts for Control mechanism		1	
6	N 103 292 01	Hexagon-head bolt M 6 X 40		3	
(6)	N 106 554 01	Hexagon-head bolt M 6 X 40		3	
7	N 103 183 01	Hexagon-head bolt BM 8 X 70 X 41		1	
(7)	N 103 183 02	Hexagon-head bolt M 8 X 70 X 41		1	
8	N 105 728 01	Hexagon-head bolt AM 8 X 50		2	
(8)	N 105 728 02	Hexagon-head bolt AM 8 X 50		2	
9	955 358 064 00	Intake pipe Compressor		1	
-	999 512 457 00	Clamp 21 X 7 X 0,6 Mount Intake pipe		1	
-	955 358 551 00	Support Mount Intake pipe		2	
10	955 358 050 00	Pressure line Compressor Control mechanism		1	
11	955 358 055 00	Pressure line Compressor Air tube Air connection		1	
-	955 358 725 01	When required order also: Angled pipe Compressor Air tube Air connection		1	

Model: 9PA 03

Model life 2003&gt;&gt;2006

Pos	Part Number	Description	Remark	Qty	Model
12	955 358 210 00	Support		1	
(12)	955 358 210 01	Support		1	
13	N 909 210 01	Hexagon-head bolt M 8 X 22	-05	3	
(13)	N 909 210 02	Hexagon-head bolt M 8 X 22	06-	3	
14	N 904 085 02	Blind rivet nut AM 8		5	
(14)	N 904 085 04	Blind rivet nut M 8		5	
15	955 358 043 00	Pressure accumulator Front		1	
-	955 358 540 00	Push-on connector Pressure accumulator Line		1	
16	955 358 320 00	Rubber mounting		2	
17	N 104 032 01	Hexagon-head bolt M 8 X 16		1	
(17)	N 104 032 03	Hexagon-head bolt M 8 X 16		1	
18	955 358 240 00	Screw M 8		2	
(18)	WHT 001 832	Screw M 8		2	
19	955 358 044 00	Pressure accumulator Rear		1	
(19)	955 358 044 01	Pressure accumulator Rear		1	
-	955 358 540 00	Push-on connector Pressure accumulator Line		1	
20	N 023 002 8	Hexagon nut AM 6	-05	1	
(20)	N 023 002 12	Hexagon nut M 6	06-	1	
21	N 904 407 02	Hexagon-head bolt M 6 X 15	-05	1	
(21)	N 103 389 03	Hexagon-head bolt M 6 X 16	06-	1	
22	N 902 521 04	Blind rivet nut AM 6		1	
(22)	N 106 185 01	Blind rivet nut M 6		1	
23	955 358 275 00	Air connection		1	
24	N 904 407 02	Hexagon-head bolt M 6 X 15	-05	1	
(24)	N 103 389 03	Hexagon-head bolt M 6 X 16	06-	1	
25	955 358 710 00	Hose with Bag		1	
(25)	955 358 710 01	Hose with Bag		1	
(25)	955 358 710 02	Hose with Bag		1	
-	955 551 220 00	Velcro strip Mount Hose		1	
26	955 606 077 00	Acceleration sensor Body	/L	1	

Model: 9PA 03

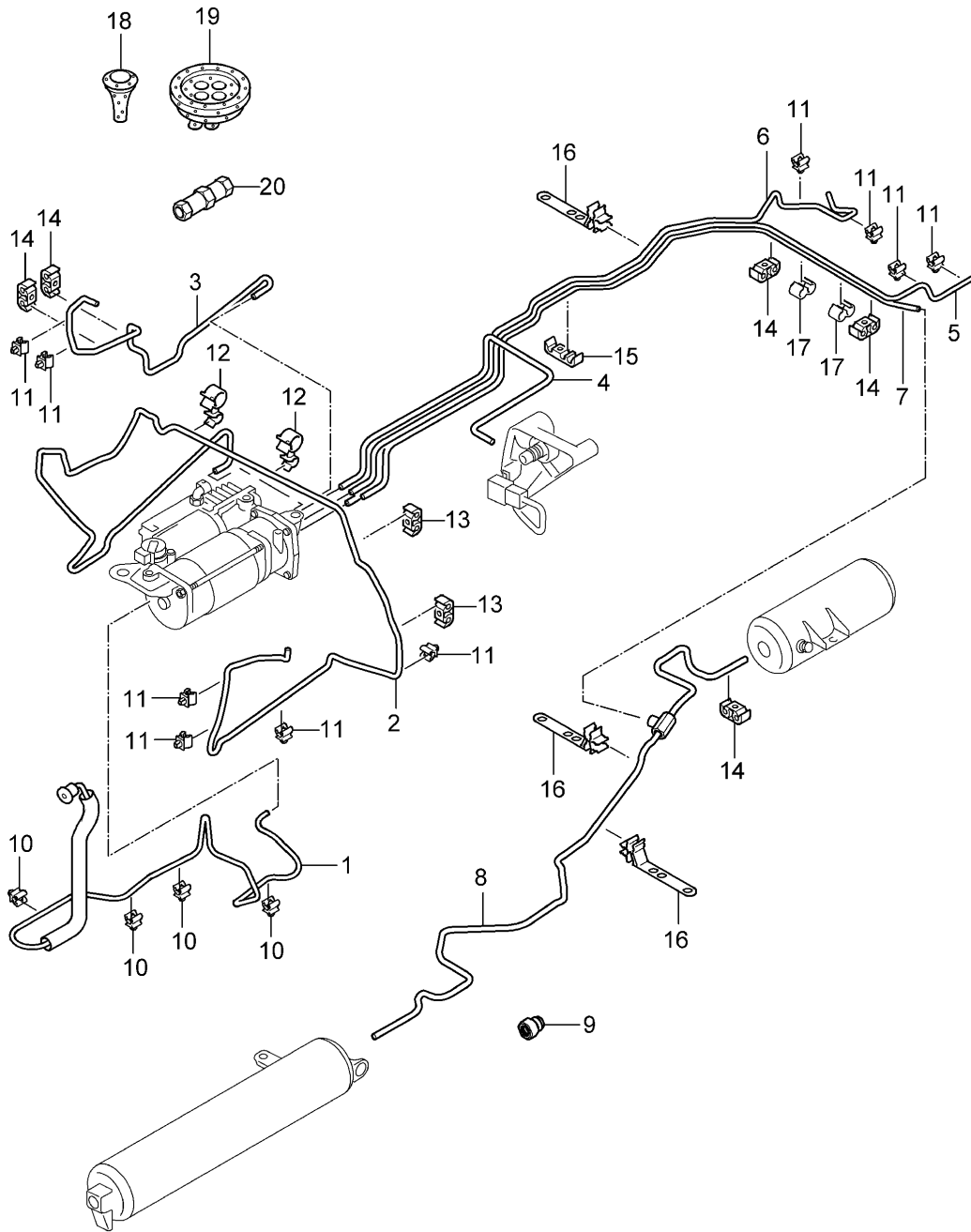
Model life 2003>>2006

Pos	Part Number	Description	Remark	Qty	Model
(26)	955 606 077 01	Front Acceleration sensor Body	/L	1	
(26)	955 606 077 02	Front Acceleration sensor Body	/L	1	
(26)	955 606 078 00	Front Acceleration sensor Body	/R	1	
(26)	955 606 078 01	Front Acceleration sensor Body	/R	1	
(26)	955 606 078 02	Front Acceleration sensor Body	/R	1	
27	N 014 701 9	Pan-head screw M 6 X 12		2	
(27)	N 014 701 11	Pan-head screw M 6 x 12		2	
28	955 606 079 00	Acceleration sensor Body Rear		1	
(28)	955 606 079 01	Centre Acceleration sensor Body Rear		1	
29	N 015 082 6	Hexagon nut M 6		1	
(29)	N 015 082 10	Hexagon nut M 6		1	
30	955 606 302 00	Clip for Cable Acceleration sensor		1	



Model: 9PA 03

Model life 2003>>2006



Model: 9PA 03

Model life 2003>>2006

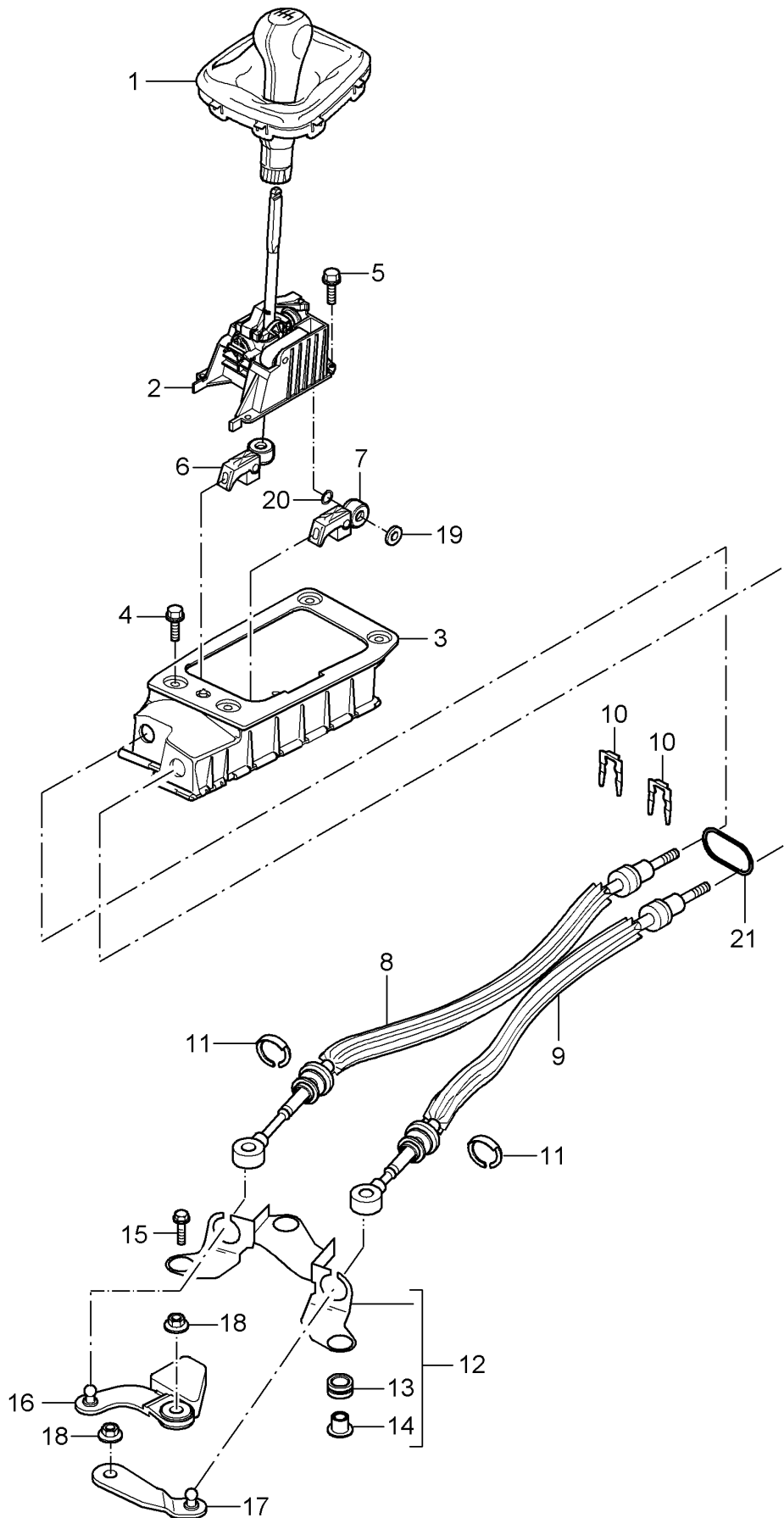
Pos	Part Number	Description	Remark	Qty	Model
1	955 358 045 00	Level adjustment Lines Intake pipe Air cleaner Compressor	04-	1	I1BK ID9J
(1)	955 358 045 20	Intake pipe Air cleaner Compressor		1	ID9K/D9L
2	955 358 051 00	Air tube Violet Front Left F >>9P6LA 03817 F >>9P6LA 43855 F >>9P6LA 81768	/LL /L	1	IL0L
(2)	955 358 051 01	Air tube Violet Front Left F 9P6LA 03818>> F 9P6LA 43856>> F 9P6LA 81769>> Information available	/LL /L	1	IL0L
(2)	955 358 052 00	Air tube Violet Front Left Information available	/RL /L	1	IL0R
(2)	955 358 052 01	Air tube Violet Front Left Information available	/RL /L	1	IL0R
3	955 358 054 00	Air tube Green Front Right	/R	1	
4	955 358 056 00	Air tube Brown Air connection		1	
5	955 358 061 00	Air tube Red Rear Left	/L	1	
6	955 358 062 00	Air tube Yellow Rear Right	/R	1	
7	955 358 066 00	Air tube Blue Compressor		1	
8	955 358 067 00	Air tube Blue Pressure accumulator		1	
9	955 358 541 00	Push-on connector Air tube Pressure accumulator		1	
10	N 909 435 01	Hose holder 12 MM		4	
11	955 511 645 00	Clip		10	
12	N 105 901 01	Hose holder A01-6 X C28-6 F >>9P6LA 03817 F >>9P6LA 43855	/LL	2	IL0L

Model: 9PA 03 Model life 2003>>2006

Pos	Part Number	Description	Remark	Qty	Model
13	955 355 543 00	F >>9P6LA 81768 Support	/LL	1	IL0L
(13)		Support	/RL	2	IL0R
14		Support		5	
		F >>9P6LA 03817			
		F >>9P6LA 43855			
(14)		F >>9P6LA 81768 Support		4	
		F 9P6LA 03818>>			
		F 9P6LA 43856>>			
(14)	955 610 232 00	F 9P6LA 81769>> Support		1	
		Mount			
		Air tube			
		Green			
		Cable			
		Self-levelling sensor			
		F 9P6LA 03818>>			
		F 9P6LA 43856>>			
		F 9P6LA 81769>>			
15	955 355 543 10	Support		1	
16	955 358 546 00	Support		3	
17	955 358 547 00	Support		2	
18	955 358 548 00	Grommet		X	
19	955 358 549 00	Grommet		X	
20	955 358 910 00	Push-on connector		X	
		Repair kit			
		Air tube			

Model: 9PA 03

Model life 2003>>2006



Model: 9PA 03

Model life 2003&gt;&gt;2006

Pos	Part Number	Description	Remark	Qty	Model
		Transmission control Manual transmission	04-		IG0L
1	955 424 075 00	Gearshift knob		1	
	955 424 075 00 PCN	Black			
	955 424 075 00 PCP	Silver mat chrome			
	955 424 075 00 PCQ	Stone grey			
	955 424 075 00 PCR	Silver mat chrome			
	955 424 075 00 PCQ	Havanna			
	955 424 075 00 PCR	Silver mat chrome			
	955 424 075 00 PCR	Palmgreen			
	955 424 075 00 RLU	Silver mat chrome			
	955 424 075 00 RLU	Sand Beige			
2	955 424 010 00	Gearshift bracket		1	
3	955 424 031 00	Mounting piece		1	
		Gearshift bracket			
4	N 019 530 4	Hexagon-head bolt		4	
		M 8 X 25			
(4)	N 019 530 7	Hexagon-head bolt		4	
		M 8 X 25			
5	955 424 335 00	Locking screw		4	
		M 6 X 30			
6	955 424 145 00	Fastening part		1	
		for Cable			
		Adjustable			
7	955 424 147 00	Fastening part		1	
		for Cable			
		Adjustable			
8	955 424 041 01	Cable		1	ID9K
(8)	955 424 041 02	Cable		1	ID9K
(8)	955 424 041 11	Cable		1	ID9J
(8)	955 424 041 12	Cable		1	ID9J
9	955 424 042 01	Cable		1	ID9K
(9)	955 424 042 02	Cable		1	ID9K
(9)	955 424 042 11	Cable		1	ID9J
(9)	955 424 042 12	Cable		1	ID9J
10	955 424 241 00	Securing clip		2	
11	955 424 411 00	Securing clip		2	
12	955 424 160 01	Support		1	
13	955 424 711 00	Rubber mounting		3	
		for Support			
14	955 424 710 00	Bush		3	
		for Support			
(14)	955 424 710 01	Bush		3	
		for Support			
15	N 101 069 03	Combination screw		3	
		M 8 X 32			
(15)	N 101 069 05	Combination screw		3	
		M 8 X 32			
16	955 424 150 01	Gearshift lever		1	
17	955 424 155 01	Selector lever		1	
18	N 907 611 01	Lock nut		2	
		M 8			
(18)	N 907 611 02	Lock nut		2	

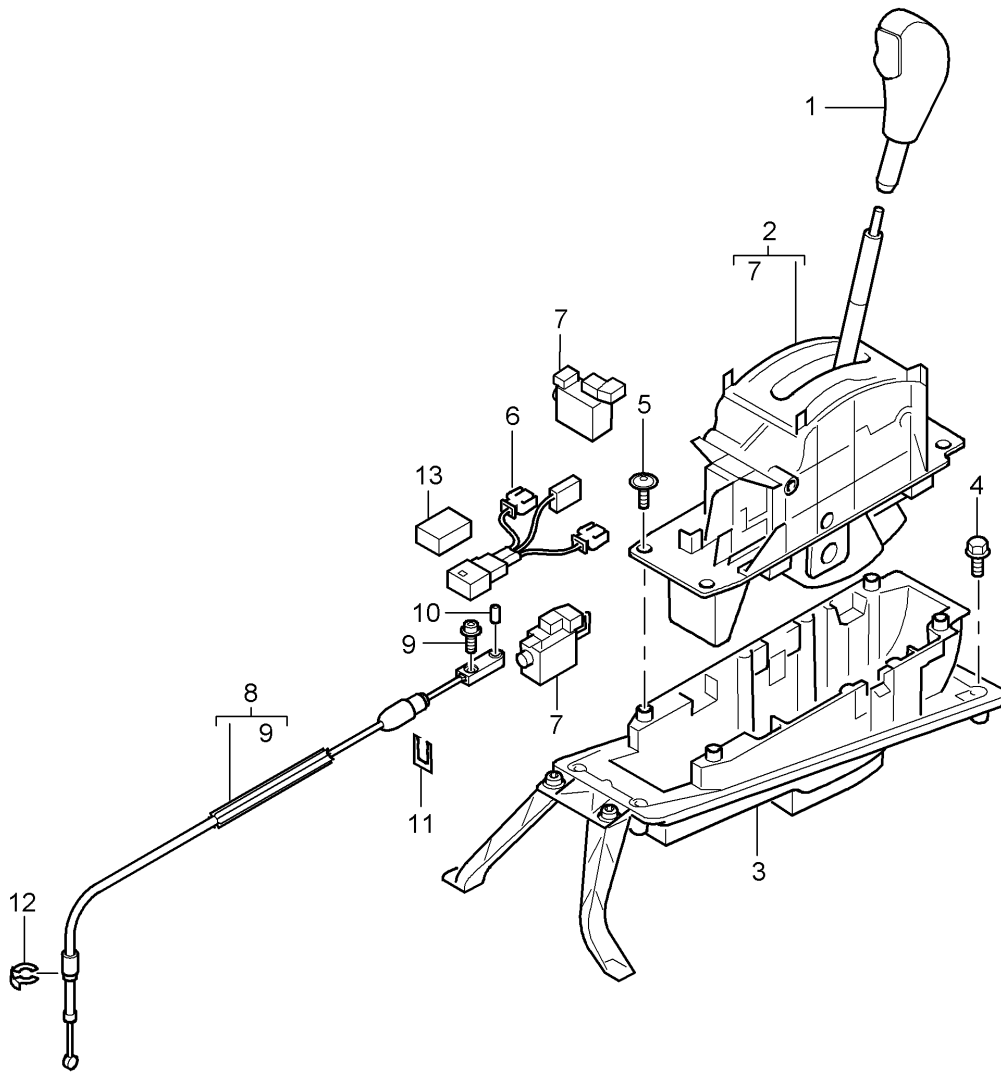
Model: 9PA 03

Model life 2003&gt;&gt;2006

Pos	Part Number	Description	Remark	Qty	Model
19	WHT 002 082	M 8 Spacer 12,5 X 28		1	ID9J
20	WHT 001 825	O-ring 19 X 1,5		1	ID9J
21	WHT 001 826	O-ring 25 X 3		1	ID9J

Model: 9PA 03

Model life 2003>>2006



Model: 9PA 03 Model life 2003>>2006

Pos	Part Number	Description	Remark	Qty	Model
		Selector lever			IG0R
1	955 426 069 00	Tiptronic		1	I6Q2
		Gearshift knob			
		Leather			
	955 426 069 00 PCS	Black			
		Satin aluminium			
	955 426 069 00 PCT	Stone grey			
		Satin aluminium			
	955 426 069 00 PCU	Havanna			
		Satin aluminium			
	955 426 069 00 PCV	Palmgreen			
		Satin aluminium			
	955 426 069 00 RL	Sand Beige	04-		
		Satin aluminium	04-		
(1)	955 426 069 10	Selector knob	05-	1	I6Q8
	955 426 069 10 4X2	Rootwood			
		Dark			
(1)	955 426 069 20	Selector knob	05-	1	I7F6
	955 426 069 20 9Z4	Olive grain			
		Light			
		Matte			
(1)	955 426 069 30	Selector knob	05-	1	I7F7
	955 426 069 30 4V8	Olive grain			
		Light			
		High gloss			
2	955 426 011 00	Selector lever	-04	1	
		with			
		Housing			
-	955 612 460 00	Plug socket	-04	1	
		with			
		Cap			
		for			
		Repair			
		Wiring harness			
-	955 612 460 01	Plug socket	-04	1	
		with			
		Cap			
		for			
		Repair			
		Wiring harness			
(2)	955 426 011 01	Selector lever	05-	1	
		with			
		Housing			
3	955 426 031 00	Mounting piece		1	
4	N 019 530 4	Hexagon-head bolt		4	
		M 8 X 25			
(4)	N 019 530 7	Hexagon-head bolt		4	
		M 8 X 25			
5	999 919 204 09	Oval-head screw		4	
		7 X 22			
6	955 613 043 00	Microswitch		1	
7	955 624 170 00	Electromagnet		2	
(7)	955 624 170 01	Electromagnet		2	
8	955 426 033 00	Cable		1	ID9J
(8)	955 426 033 01	Cable		1	ID9J
(8)	955 426 033 10	Cable		1	IT90/T91
(8)	955 426 033 11	Cable		1	IT90/T91
9	955 426 370 00	Screw		1	
		M 6 X 12			
10	955 426 149 00	Bolt		1	
11	955 426 335 00	Securing clip		1	
12	N 012 322 3	Securing clip		1	



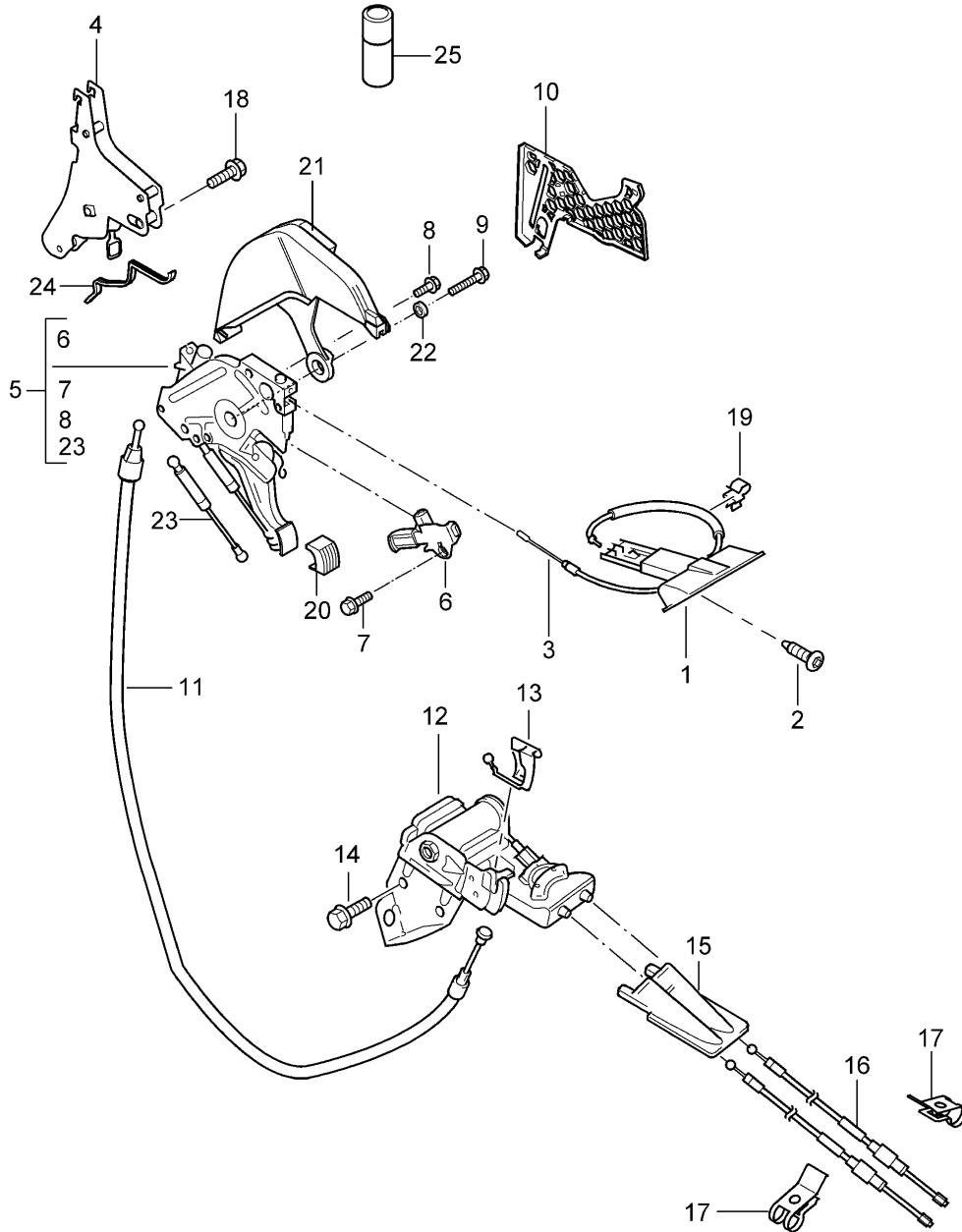
Model: 9PA 03

Model life 2003&gt;&gt;2006

Pos	Part Number	Description	Remark	Qty	Model
(12)	N 012 322 5	Securing clip		1	
13	955 426 240 00	Protective tube Connector Microswitch		1	

Model: 9PA 03

Model life 2003>>2006



Model: 9PA 03 Model life 2003>>2006

Pos	Part Number	Description	Remark	Qty	Model
1	955 424 153 00	Foot-operat. parking brake Actuator Release		1	
	955 424 153 00 A03	Black			
	955 424 153 00 7BA	Steel grey			
	955 424 153 00 5Y2	Palmgreen			
	955 424 153 00 5Z1	Sand Beige			
(1)	955 424 153 01	Release		1	
	955 424 153 01 A03	Black			
	955 424 153 01 7BA	Steel grey			
	955 424 153 01 5Y2	Palmgreen			
	955 424 153 01 5Z1	Sand Beige			
2	N 906 986 01	Tapping screw ST 4,2 X 16		1	
-	N 906 988 01	Speed nut ST 4,2 X 16 X 12		1	
3	955 424 140 00	Cable Release	/LL	1	IL0L
(3)	955 424 140 01	Cable Release	/LL	1	IL0L
(3)	955 424 140 02	Cable Release	/LL	1	IL0L
(3)	955 424 140 11	Cable Release	/RL	1	IL0R
4	955 423 462 00	Support	/RL	1	IL0R
5	955 423 052 03	Foot-operat. parking brake		1	IG0R
(5)	955 423 052 04	Foot-operat. parking brake		1	IG0R
(5)	955 423 052 05	Foot-operat. parking brake		1	IG0R
(5)	955 423 052 06	Foot-operat. parking brake		1	IG0R
(5)	955 423 052 10	Foot-operat. parking brake		1	IG0L
(5)	955 423 052 11	Foot-operat. parking brake		1	IG0L
(5)	955 423 052 12	Foot-operat. parking brake		1	IG0L
(5)	955 423 052 13	Foot-operat. parking brake		1	IG0L
(5)	955 423 052 14	Foot-operat. parking brake		1	IG0L
6	955 613 112 00	Contact switch		1	IG0R
(6)	955 613 112 10	Contact switch		1	IG0L
(6)	955 613 112 11	Contact switch		1	IG0L
(6)	955 613 112 12	Contact switch		1	IG0L
7	N 102 156 01	Combination screw M 5 X 8		1	IG0R
(7)	N 102 156 03	Combination screw M 5 X 8		1	IG0R
(7)	N 010 264 9	Hexagon-head bolt M 5 X 20		1	IG0L
8	N 104 032 01	Hexagon-head bolt M 8 X 16		1	
(8)	N 104 032 03	Hexagon-head bolt M 8 X 16		1	
9	N 103 156 01	Hexagon-head bolt AM 8 X 40		1	
(9)	N 103 156 05	Hexagon-head bolt AM 8 X 40		1	
10	955 423 524 00	Cover Lateral	/LL	1	IL0L
(10)	955 423 524 01	Foot-operat. parking brake Cover Lateral Foot-operat. parking brake	/LL	1	IL0L

Model: 9PA 03

Model life 2003&gt;&gt;2006

Pos	Part Number	Description	Remark	Qty	Model
11	955 423 141 00	Cable Foot-operat. parking brake Front	/LL	1	IL0L
(11)	955 423 141 01	Cable Foot-operat. parking brake Front	/LL	1	IL0L
(11)	955 423 141 10	Cable Foot-operat. parking brake Front	/RL	1	IL0R
(11)	955 423 141 11	Cable Foot-operat. parking brake Front	/RL	1	IL0R
12	955 424 161 00	Bracket Complete Foot-operat. parking brake	/LL	1	IL0L
(12)	955 424 162 00	Bracket Complete Foot-operat. parking brake	/RL	1	IL0R
13	955 424 165 00	Securing clip		1	
14	N 906 663 01	Hexagon-head bolt M 8 X 20		4	
(14)	N 104 032 03	Hexagon-head bolt M 8 X 16		4	
15	955 424 721 10	Guide Cable		1	
16	955 424 141 10	Cable Foot-operat. parking brake Rear		2	
17	955 424 521 00	Fixing clip Cable Rear		2	
(17)	955 424 521 01	Fixing clip Cable Rear		2	
18	N 104 544 02	Hexagon-head bolt AM 8 X 55	/RL	1	IL0R
(18)	N 104 544 04	Hexagon-head bolt AM 8 X 55	/RL	1	IL0R
19	955 424 520 00	Fixing clip Cable Release	-04	1	
20	955 423 214 00	Pedal cap		1	
21	955 423 409 00	Cover Upper Foot-operat. parking brake	/LL	1	IL0L
(21)	955 423 410 00	Cover Upper Foot-operat. parking brake	/RL	1	IL0R
22	955 423 605 00	Spacer	/LL	1	IL0L
23	955 423 389 00	Shock absorber Foot-operat. parking brake		1	
24	955 355 580 00	Edge protection for Support Foot-operat. parking brake	/RL	1	IL0R
25	000 043 204 21	Grease Spraying can 25 ML for Cable Foot-operat. parking brake Rear		X	
25	G 052 778 A2	Grease		X	

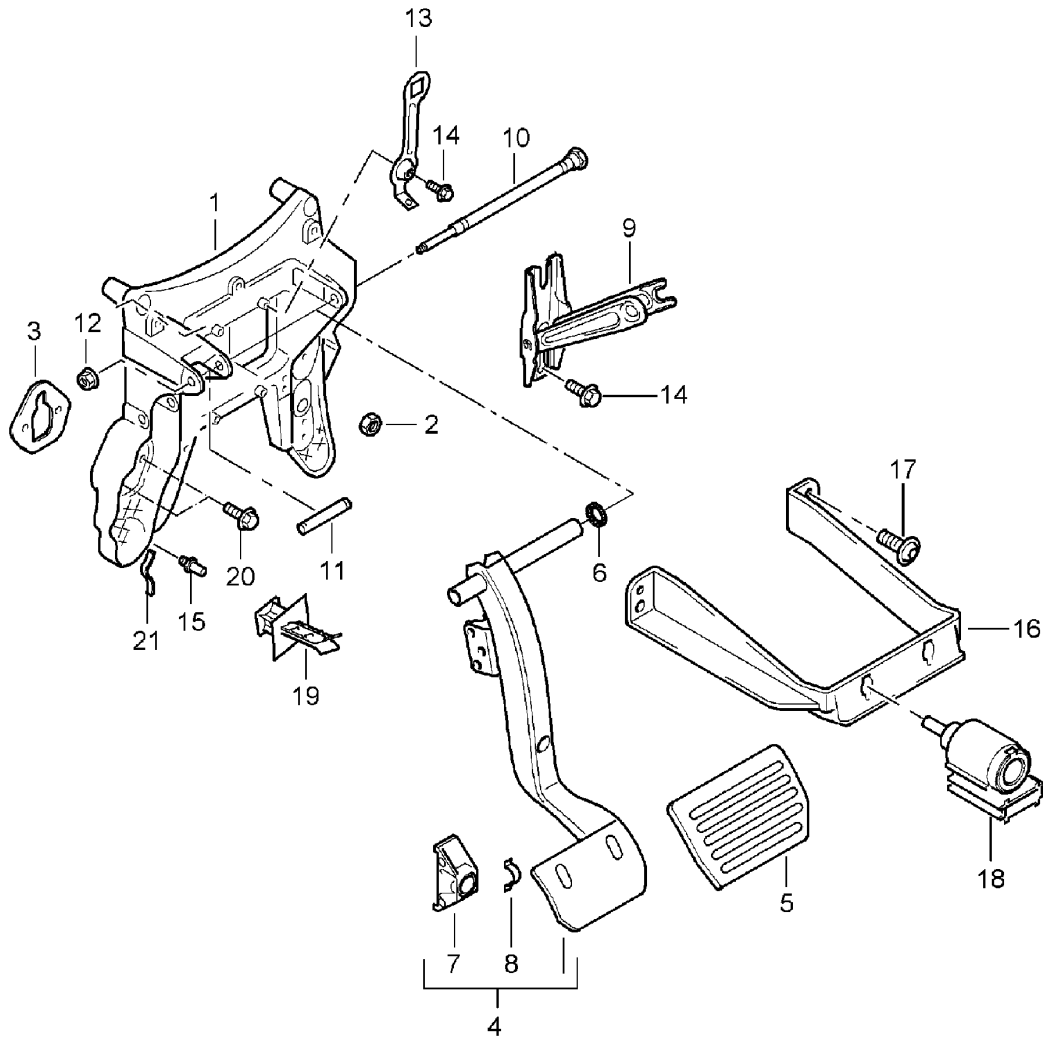
Model: 9PA 03

Model life 2003&gt;&gt;2006

Pos	Part Number	Description	Remark	Qty	Model
		Spraying can 25 ML for Cable Foot-operat. parking brake Rear			

Model: 9PA 03

Model life 2003>>2006



Model: 9PA 03

Model life 2003>>2006

Pos	Part Number	Description	Remark	Qty	Model
		Pedals			
		Tiptronic			
1	955 423 065 00	Bearing bracket	/LL	1	IGOR IL0L
(1)	955 423 066 10	Bearing bracket	/RL	1	IL0R
2		See illustrations 6/04/00 Pos.12		4	
3	955 423 368 00	Gasket		1	
(3)	955 423 368 01	Gasket		1	
4	955 423 093 00	Brake pedal	/LL	1	IL0L
(4)	955 423 093 01	Brake pedal	/LL	1	IL0L
(4)	955 423 093 02	Brake pedal	/LL	1	IL0L
		Use also: WHT.002.278		1	
		Bearing pin			
(4)	955 423 094 10	Brake pedal	/RL	1	IL0R
(4)	955 423 094 11	Brake pedal	/RL	1	IL0R
(4)	955 423 094 12	Brake pedal	/RL	1	IL0R
		Use also: WHT.002.278		1	
		Bearing pin			
5	955 423 212 00	Pedal cap	04-	1	ID9J
(5)	955 423 212 10	Pedal cap		1	ID9K/D9L
6	955 423 371 00	Cup spring	05-	1	
7	955 423 330 00	Mounting		1	
8	955 423 341 00	Bearing shell		1	
9	955 423 165 10	Bracket	/LL	1	IL0L
		Upper			
(9)	955 423 166 20	Bracket	/RL	1	IL0R
		Upper			
10	955 423 281 00	Bearing pin		1	
(10)	WHT 002 278	Bearing pin		1	
11	955 423 381 00	Spacer tube		1	
12	N 023 003 4	Hexagon nut		1	
		M 8			
(12)	N 023 003 14	Hexagon nut		1	
		M 8			
13	955 423 175 00	Support	/LL	1	IL0L
(13)	955 423 176 10	Support	/RL	1	IL0R
14	955 423 158 00	Fastening screw		3	
15	955 423 159 00	Stud	/LL	1	IL0L
16	955 613 545 00	Clip	-04	1	
-	000 043 206 11	Plastic foam strip 8 X 8 X 100 See technical information Group 9 NR.8/04	-04	1	
(16)	955 613 545 01	Clip	/RL 05	1	IL0R
(16)	955 613 545 02	Clip	06-	1	
17	955 423 157 10	Screw	-04	2	
17		Screw	/RL 05	2	IL0R
17		Screw	06-	2	
18	955 613 110 31	Switch		1	
(18)	955 613 110 33	Switch		1	
(18)	955 613 110 32	Switch	-04	1	
19	955 573 318 00	Fastening angle	/LL	1	IL0L
20	N 102 856 01	Hexagon-head bolt		2	
		M 6 X 25			
21	955 423 594 00	Edge protection	/RL	1	IL0R

Model: 9PA 03

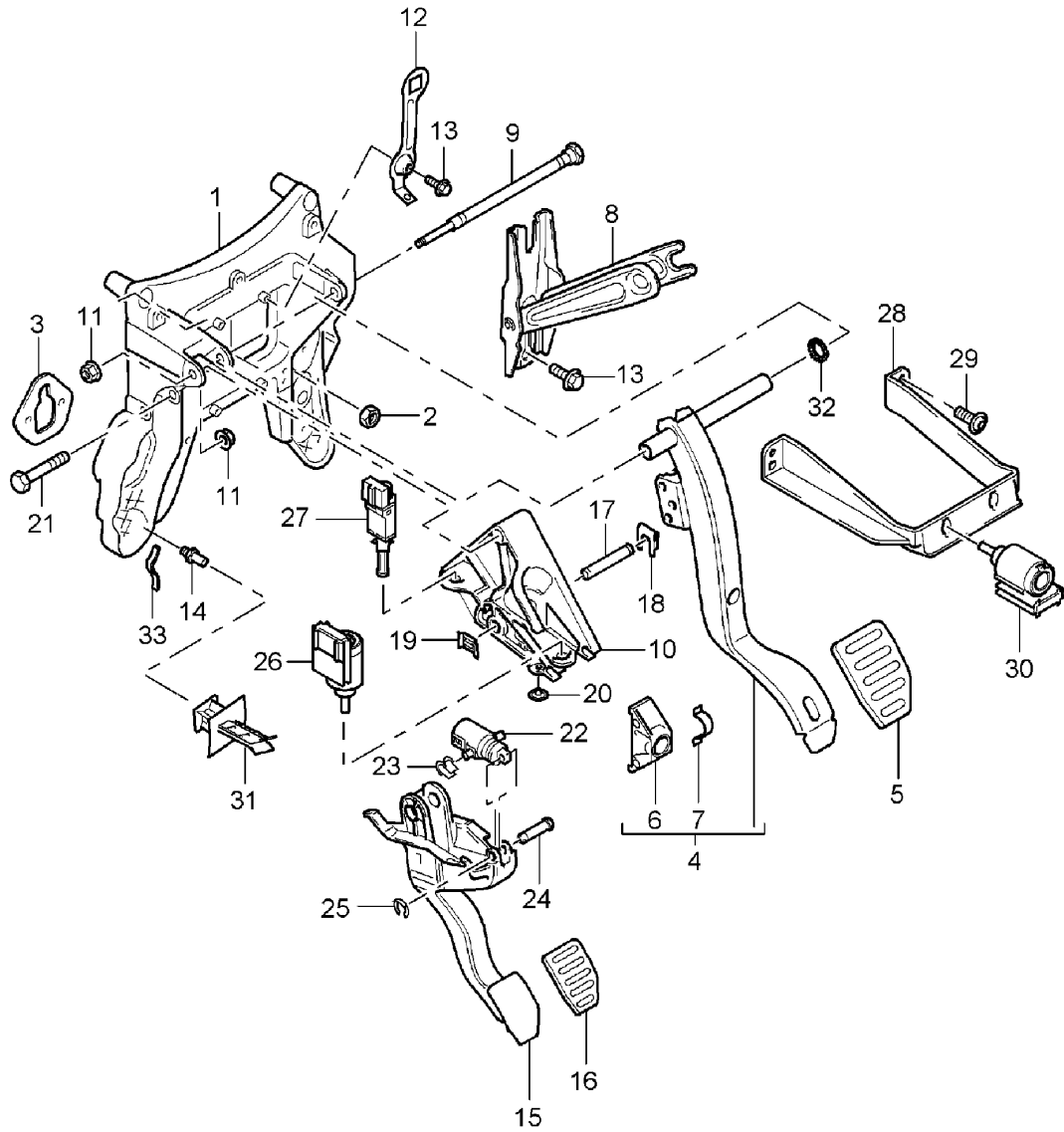
Model life 2003>>2006

Pos	Part Number	Description	Remark	Qty	Model
		Bearing bracket			



Model: 9PA 03

Model life 2003>>2006



Model: 9PA 03

Model life 2003>>2006

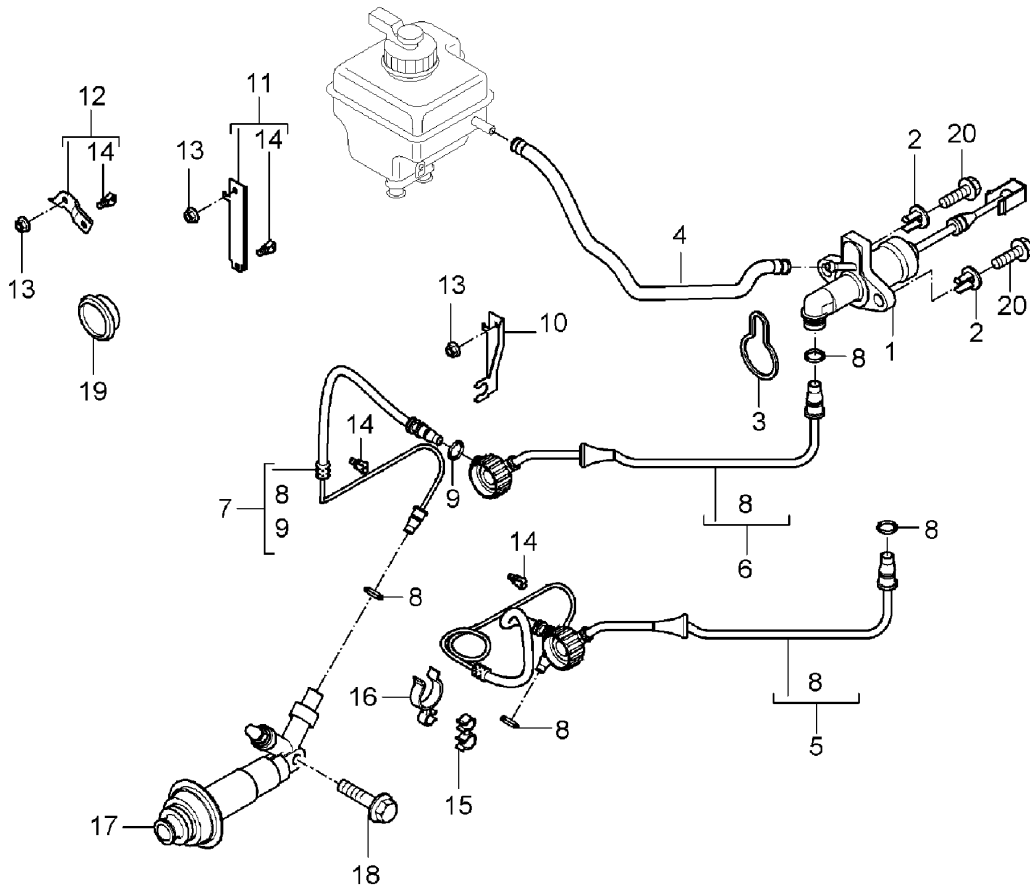
Pos	Part Number	Description	Remark	Qty	Model
		Pedals			
		Manual transmission	04-		IG0L
1	955 423 063 00	Bearing bracket	/LL	1	IL0L
(1)	955 423 064 10	Bearing bracket	/RL	1	IL0R
2		See illustrations 6/04/00 Pos.12		4	
3	955 423 368 01	Gasket		1	
4	955 423 091 00	Brake pedal	/LL	1	IL0L
(4)	955 423 091 01	Brake pedal	/LL	1	IL0L
(4)	955 423 091 02	Brake pedal	/LL	1	IL0L
		Use also: WHT.002.278		1	
		Bearing pin			
(4)	955 423 092 10	Brake pedal	/RL	1	IL0R
(4)	955 423 092 11	Brake pedal	/RL	1	IL0R
(4)	955 423 092 12	Brake pedal	/RL	1	IL0R
		Use also: WHT.002.278		1	
		Bearing pin			
5	955 423 211 00	Pedal cap		1	ID9J
(5)	955 423 211 10	Pedal cap		1	ID9K
6	955 423 330 00	Mounting		1	
7	955 423 341 00	Bearing shell		1	
8	955 423 165 10	Bracket	/LL	1	IL0L
		Upper			
(8)	955 423 166 20	Bracket	/RL	1	IL0R
		Upper			
9	955 423 281 00	Bearing pin		1	
(9)	WHT 002 278	Bearing pin		1	
10	955 423 030 00	Bearing bracket		1	
		Clutch pedal			
11	N 023 003 4	Hexagon nut		2	
		M 8			
(11)	N 023 003 14	Hexagon nut		2	
		M 8			
12	955 423 175 00	Support	/LL	1	IL0L
(12)	955 423 176 10	Support	/RL	1	IL0R
13	955 423 158 00	Fastening screw		3	
14	955 423 159 00	Stud	/LL	1	IL0L
15	955 423 139 00	Clutch pedal	/LL	1	IL0L
(15)	955 423 140 10	Clutch pedal	/RL	1	IL0R
16	955 423 213 00	Pedal cap		1	ID9J
(16)	955 423 213 10	Pedal cap		1	ID9K
17	955 423 313 00	Bolt		1	
(17)	WHT 002 280	Bearing pin		1	
18	N 902 362 01	Lock		1	
19	955 423 577 00	Lock		1	
20	955 423 720 00	Rubber stop		2	
21	N 010 370 16	Hexagon-head bolt		1	
		M 8 X 70			
22	955 423 081 01	Clutch power spring		1	ID9J
(22)	955 423 081 02	Clutch power spring		1	ID9J
(22)	955 423 081 11	Clutch power spring		1	ID9K
(22)	955 423 081 12	Clutch power spring		1	ID9K
23	955 423 581 00	Bearing shell		2	
(24)	WHT 002 279	Bearing pin		1	
25	999 166 022 02	Kl-lock		1	
26	955 613 111 01	Switch	-05	1	
(26)	955 613 111 02	Switch	06-	1	
27	955 613 113 01	Switch		1	
28	955 613 545 00	Clip	04	1	

Model: 9PA 03 Model life 2003>>2006

Pos	Part Number	Description	Remark	Qty	Model
-	000 043 206 11	Plastic foam strip 8 X 8 X 100 See technical information Group 9 NR.8/04	04	1	
(28)	955 613 545 01	Clip	/RL 05	1	IL0R
(28)	955 613 545 02	Clip	06-	1	
29	955 423 157 10	Screw	04	2	
29		Screw	/RL 05	2	IL0R
29		Screw	06-	2	
30	955 613 110 31	Switch		1	
(30)	955 613 110 33	Switch		1	
(30)	955 613 110 32	Switch	04	1	
31	955 573 318 00	Fastening angle	/LL	1	IL0L
32	955 423 371 00	Cup spring	05-	1	
33	955 423 594 00	Edge protection Bearing bracket	/RL	1	IL0R

Model: 9PA 03

Model life 2003>>2006

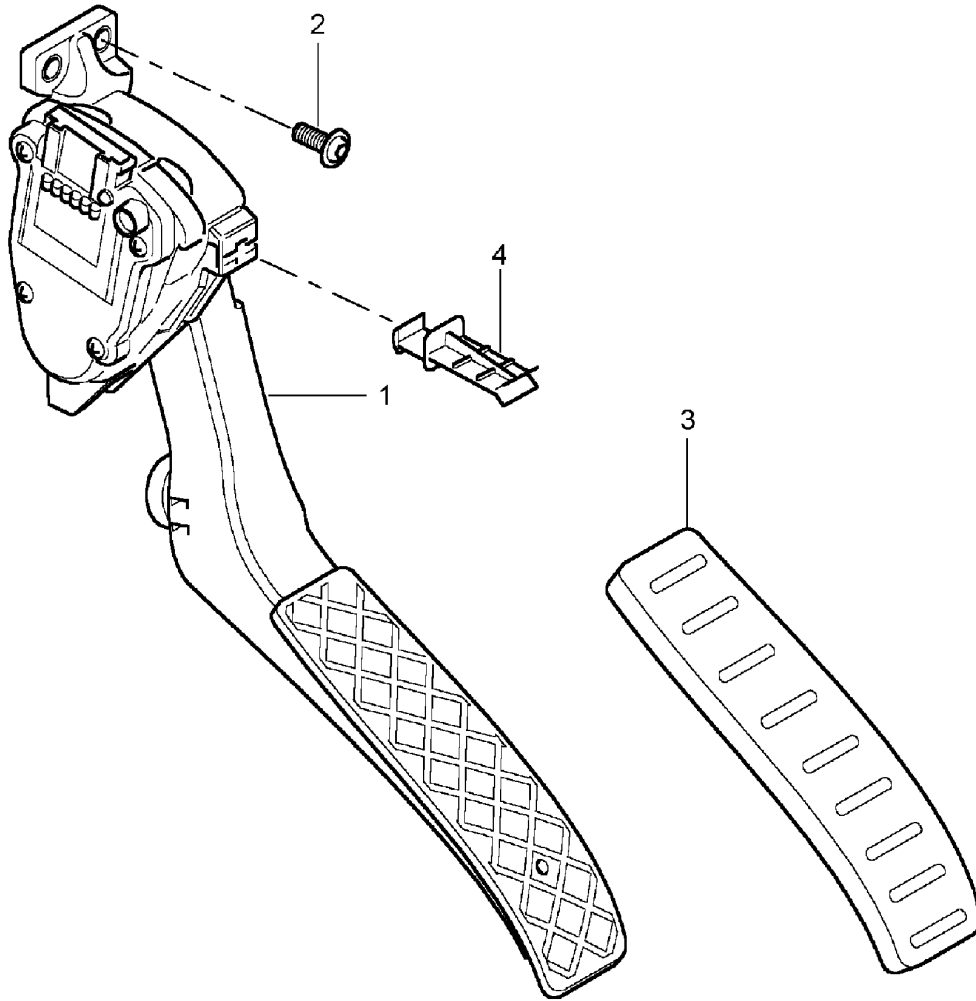


Model: 9PA 03 Model life 2003>>2006

Pos	Part Number	Description	Remark	Qty	Model
		clutch actuation	04-		IG0L
		Clutch master cylinder			
		Clutch pipeline			
1	955 423 171 00	Clutch master cylinder		1	
(1)	955 423 171 01	Clutch master cylinder		1	
2	955 423 670 00	Fixing clip		2	
3	955 423 312 01	Gasket		1	
4	955 423 137 00	Line	/LL	1	IL0L
(4)	955 423 138 00	Line	/RL	1	IL0R
5	955 423 107 00	Clutch pipeline	/LL	1	ID9J/L0L
(5)	955 423 107 01	Clutch pipeline	/LL	1	ID9J/L0L
(5)	955 423 108 00	Clutch pipeline	/RL	1	ID9J/L0R
(5)	955 423 108 01	Clutch pipeline	/RL	1	ID9J/L0R
(5)	955 423 108 02	Clutch pipeline	/RL	1	ID9J/L0R
6	955 423 107 10	Clutch pipeline	/LL	1	ID9K/L0L
(6)	955 423 108 10	Clutch pipeline	/RL	1	ID9K/L0R
(6)	955 423 108 11	Clutch pipeline	/RL	1	ID9K/L0R
7	955 423 109 10	Clutch pipeline	/LL	1	ID9K/L0L
(7)	955 423 110 10	Clutch pipeline	/RL	1	ID9K/L0R
8	955 423 224 00	Sealing ring		X	
		Clutch pipeline			
9	955 423 225 00	Sealing ring		X	
		Clutch pipeline			
10	955 423 351 00	Support	/LL	1	IL0L
		Clutch pipeline			
11	955 423 361 00	Support	/RL	1	IL0R
		Clutch pipeline			
12	955 423 362 00	Support	/RL	1	IL0R
		Clutch pipeline			
13		See illustrations		X	
		8/13/20			
		Pos.13			
14	N 910 523 01	Line bracket		3	
		6			
15	N 102 627 01	Line bracket	/RL	1	ID9J/L0R/9AB I9AD
		A01-11 X C01-14			
16	955 423 775 00	Line bracket	/RL	1	ID9J/L0R/9AH
(16)		Line bracket	/RL	1	ID9J/L0R/7VE I7VL
17	955 116 237 01	Clutch operating cylinder		1	
18	N 101 560 05	Hexagon-head bolt		1	
		M 8 X 25			
(18)	N 101 560 09	Hexagon-head bolt		1	
		M 8 X 25			
19	N 101 245 01	Lid		1	IG0L
(19)		Lid		2	IG0R
20	N 102 856 01	Hexagon-head bolt		2	
		M 6 X 25			

Model: 9PA 03

Model life 2003>>2006



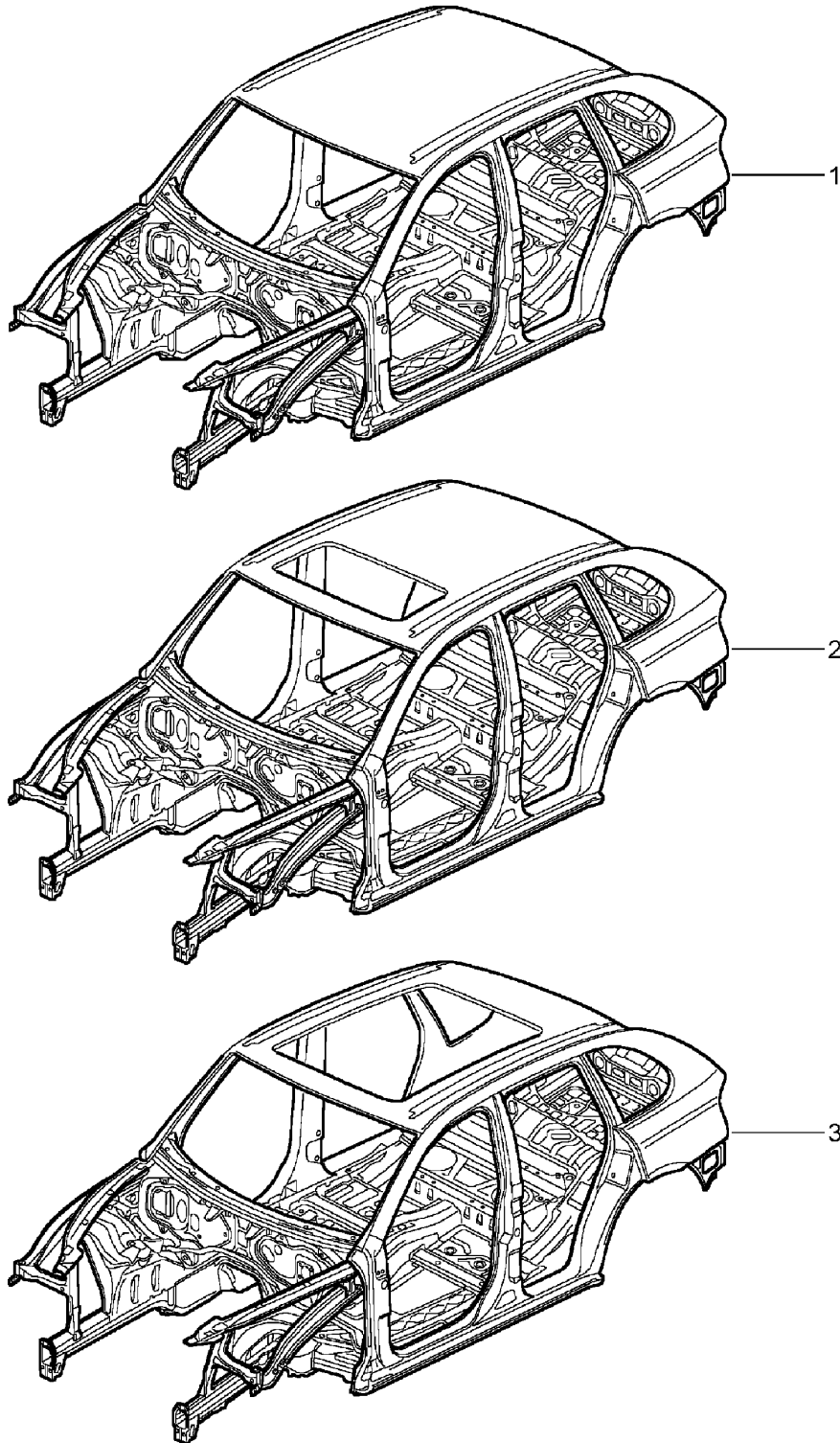
Model: 9PA 03

Model life 2003>>2006

Pos	Part Number	Description	Remark	Qty	Model
1	955 423 021 00	Pedals Accelerator control Accelerator control	/LL 04-	1	IG0L/L0L
(1)	955 423 021 40	Accelerator control	/LL 04-	1	IG0L/L0L
(1)	955 423 022 10	Accelerator control	/RL 04-	1	IG0L/L0R
(1)	955 423 022 50	Accelerator control	/RL 04-	1	IG0L/L0R
1	955 423 023 00	Accelerator control	/LL	1	IG0R/L0L
1	955 423 023 40	Accelerator control	/LL	1	IG0R/L0L
(1)	955 423 024 10	Accelerator control	/RL	1	IG0R/L0R
(1)	955 423 024 50	Accelerator control	/RL	1	IG0R/L0R
2	955 423 157 10	Screw DG 6 X 18		3	
3	955 423 210 00	Pedal cap	04-	1	ID9J
(3)	955 423 210 10	Pedal cap		1	ID9K/D9L
4	955 573 317 00	Fastening angle		1	

Model: 9PA 03

Model life 2003>>2006





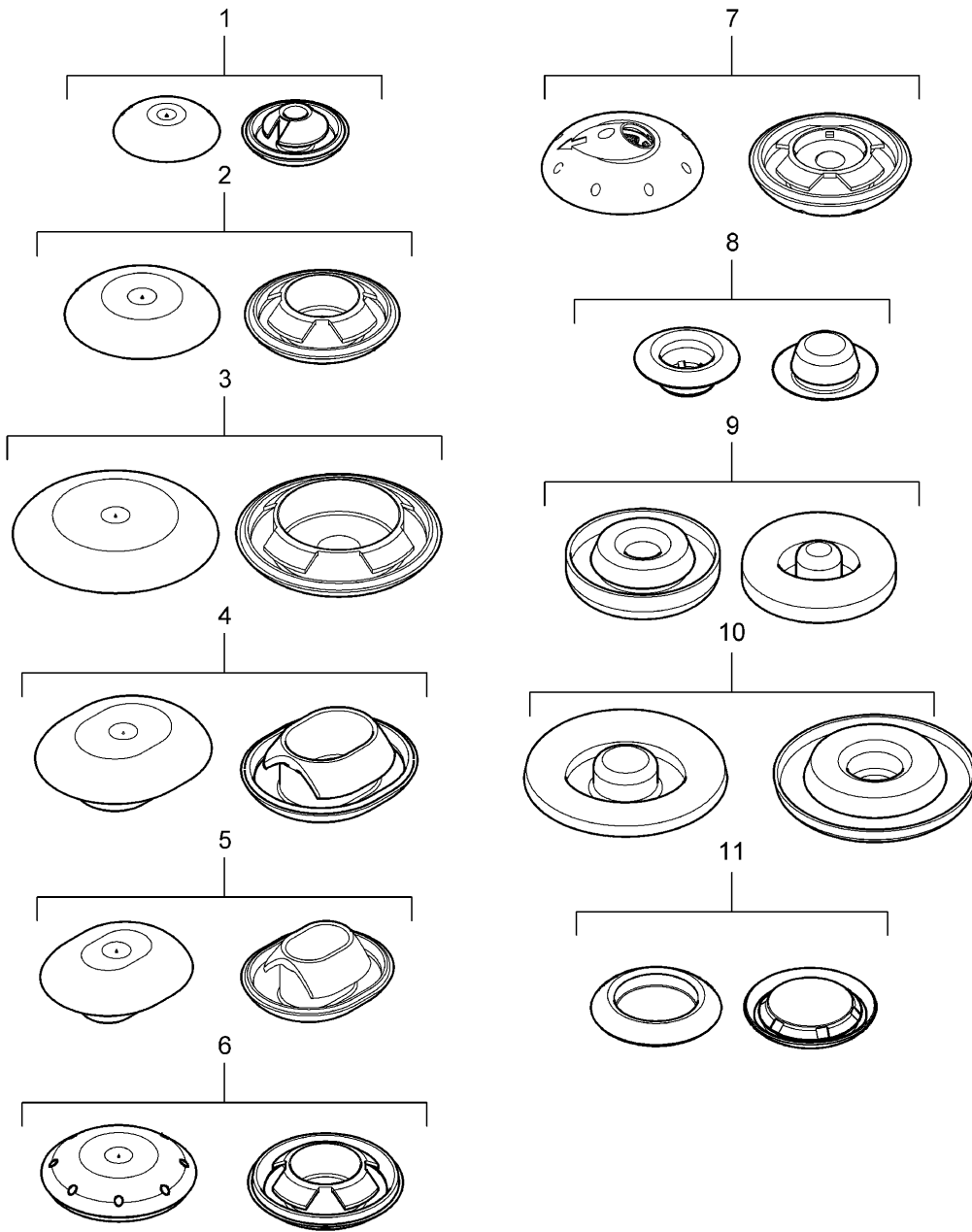
Model: 9PA 03

Model life 2003>>2006

Pos	Part Number	Description	Remark	Qty	Model
		Body in white Prime coated Sealed with Underbody protection without Doors/lids/wings Bodyshells can only only available from current Model year available The data required for your order Can be found on the Vehicle data carrier Please indicate this data in your order			
A	-	Vehicle data carrier			
B		Vehicle Ident. No.			
C		Order type			
D		Country equipment			
E		Optional extras			
F		Additional applications			
1	955 500 900 00	Body in white		1	
	955 500 900 00 GRV	Prime coated			
2	955 500 900 01	Body in white		1	I3FE
	955 500 900 01 GRV	Prime coated			
3	955 500 900 02	Body in white		1	I3FU
	955 500 900 02 GRV	Prime coated			

Model: 9PA 03

Model life 2003>>2006



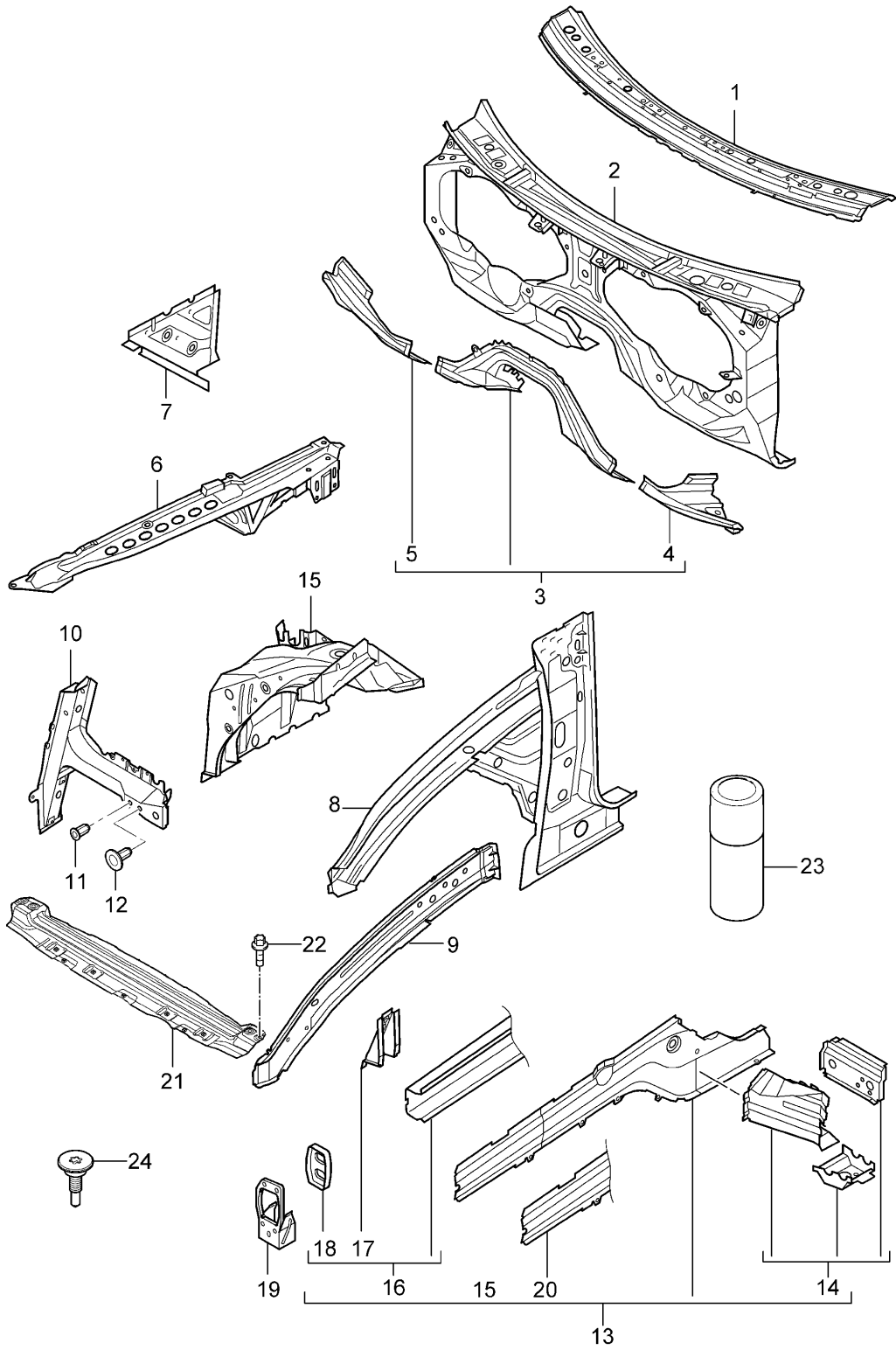
Model: 9PA 03

Model life 2003>>2006

Pos	Part Number	Description	Remark	Qty	Model
		Stopper See workshop manual			
1	955 504 281 00	Stopper 10 mm		1	
2	955 504 182 00	Stopper 20 mm		1	
3	955 504 183 00	Stopper 30 mm		1	
4	955 504 184 00	Stopper 20 x 25		1	
5	955 504 185 00	Stopper 15 x 20		1	
6	955 504 187 00	Stopper 20 mm		1	
7	955 512 188 00	Water drain valve 20 mm		1	
8	999 703 462 40	Lid 10 mm		1	
9	N 102 267 01	Lid 20 mm		1	
(9)	958 504 183 00	Stopper 20 mm		1	
10	N 102 265 01	Lid 30 mm		1	
(10)	958 504 185 00	Stopper 40 mm		1	
11	955 511 196 00	Stopper 15 MM		1	

Model: 9PA 03

Model life 2003>>2006



Model: 9PA 03 Model life 2003>>2006

Pos	Part Number	Description	Remark	Qty	Model
		Body front section			
		Single parts			
1	955 502 713 01	Cowl		1	
	955 502 713 01 GRV	Prime coated			
2	955 502 147 00	Firewall		1	
	955 502 147 00 GRV	Prime coated			
-	000 043 206 82	Sealing compound		X	
		See technical manual			
3	955 502 469 00	Cross member		1	
	955 502 469 00 GRV	Prime coated			
4	955 502 273 00	Cross member	/L	1	
	955 502 273 00 GRV	Prime coated			
5	955 502 274 00	Cross member	/R	1	
	955 502 274 00 GRV	Prime coated			
6	955 501 091 00	Bracket	/L	1	
	955 501 091 00 GRV	Prime coated			
(6)	955 501 092 00	Bracket	/R	1	
	955 501 092 00 GRV	Prime coated			
7	955 501 361 00	Closing element	/L	1	
	955 501 361 00 GRV	Prime coated			
(7)	955 501 362 00	Closing element	/R	1	
	955 501 362 00 GRV	Prime coated			
8	955 501 191 01	A-pillar	/L -04	1	
	955 501 191 01 GRV	Prime coated			
8	955 501 191 02	A-pillar	/L 05-	1	
	955 501 191 02 GRV	Prime coated			
(8)	955 501 192 01	A-pillar	/R -04	1	
	955 501 192 01 GRV	Prime coated			
(8)	955 501 192 02	A-pillar	/R 05-	1	
	955 501 192 02 GRV	Prime coated			
9	955 501 111 00	Side member	/L	1	
	955 501 111 00 GRV	Prime coated			
9	955 501 111 01	Side member	/L	1	
	955 501 111 01 GRV	Prime coated			
9	955 501 111 02	Side member	/L	1	
	955 501 111 02 GRV	Prime coated			
9	955 501 111 03	Side member	/L	1	
	955 501 111 03 GRV	Prime coated			
		Use also:			
		6N0807199		X	
(9)	955 501 112 00	Side member	/R	1	
	955 501 112 00 GRV	Prime coated			
(9)	955 501 112 01	Side member	/R	1	
	955 501 112 01 GRV	Prime coated			
(9)	955 501 112 02	Side member	/R	1	
	955 501 112 02 GRV	Prime coated			
(9)	955 501 112 03	Side member	/R	1	
	955 501 112 03 GRV	Prime coated			
		Use also:			
		6N0807199		X	
10	955 501 457 01	Support	/L	1	
	955 501 457 01 GRV	Prime coated			
10	955 501 457 02	Support	/L	1	
	955 501 457 02 GRV	Prime coated			
(10)	955 501 458 01	Support	/R	1	
	955 501 458 01 GRV	Prime coated			
(10)	955 501 458 02	Support	/R	1	
	955 501 458 02 GRV	Prime coated			
		Use also:			
11	N 902 631 04	Blind rivet nut		1	ID9J
12	N 909 350 01	Blind rivet nut		1	ID9J
		M6			
13	955 501 991 01	Side member	/L	1	

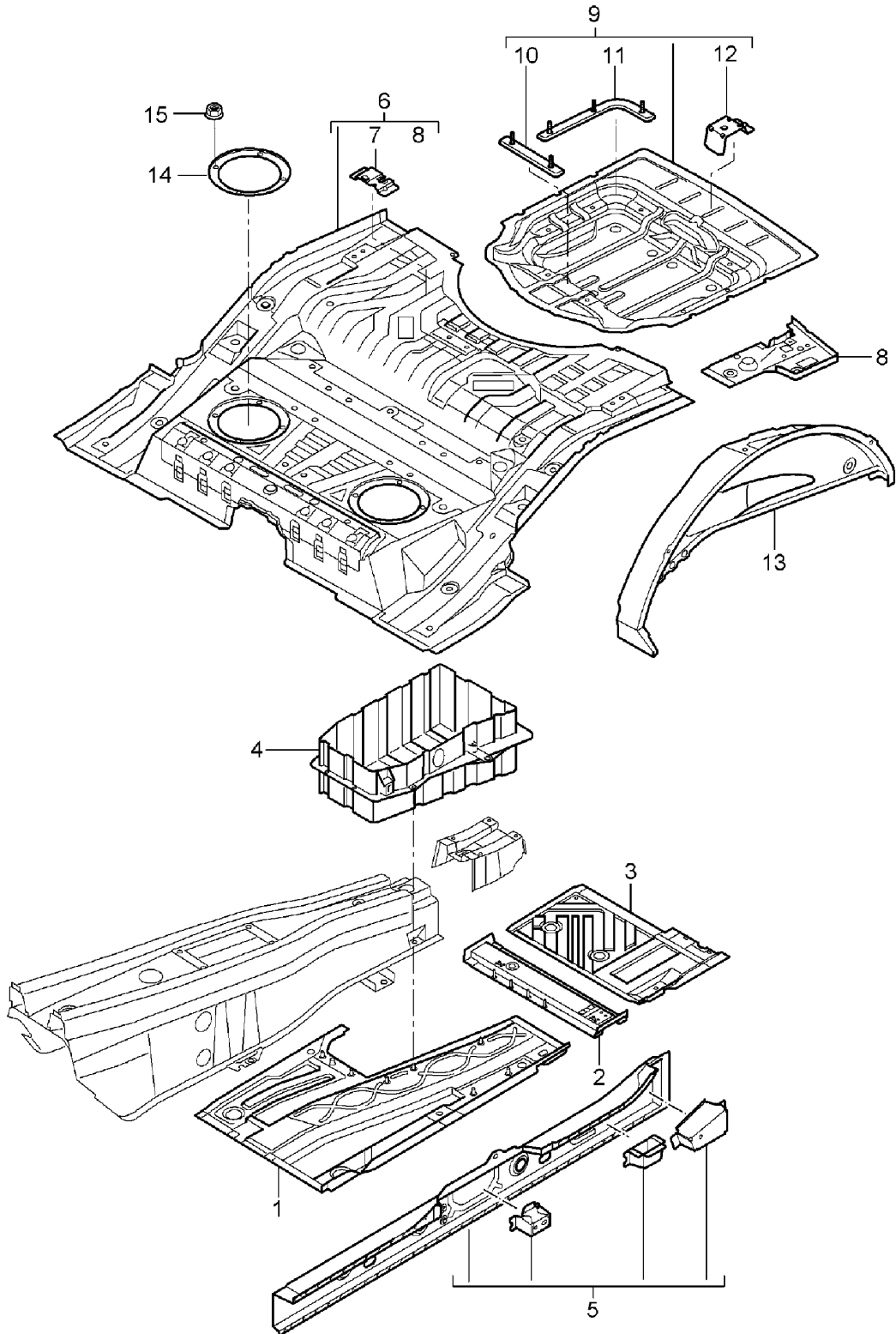
Model: 9PA 03

Model life 2003&gt;&gt;2006

Pos	Part Number	Description	Remark	Qty	Model
(13)	955 501 991 01 GRV	Prime coated			
	955 501 992 00	Side member	/R	1	
	955 501 992 00 GRV	Prime coated			
(13)	955 501 992 01	Side member	/R	1	
	955 501 992 01 GRV	Prime coated			
14	955 501 975 00	Gusset plate	/L	1	
	955 501 975 00 GRV	Prime coated			
(14)	955 501 976 00	Gusset plate	/R	1	
	955 501 976 00 GRV	Prime coated			
15	955 501 941 01	Mounting	/L	1	
	955 501 941 01 GRV	Prime coated			
		Use also:			
15	955 501 941 02	Mounting	/L	1	
	955 501 941 02 GRV	Prime coated			
15	955 501 941 03	Mounting	/L	1	
	955 501 941 03 GRV	Prime coated			
15	955 501 941 04	Mounting	/L	1	
	955 501 941 04 GRV	Prime coated			
(15)	955 501 942 01	Mounting	/R	1	
	955 501 942 01 GRV	Prime coated			
		Use also:			
(15)	955 501 942 02	Mounting	/R	1	
	955 501 942 02 GRV	Prime coated			
(15)	955 501 942 03	Mounting	/R	1	
	955 501 942 03 GRV	Prime coated			
(15)	955 501 942 04	Mounting	/R	1	
	955 501 942 04 GRV	Prime coated			
16	955 501 905 00	Side member	/L	1	
	955 501 905 00 GRV	Prime coated			
		Inner			
(16)	955 501 906 00	Side member	/R	1	
	955 501 906 00 GRV	Prime coated			
		Inner			
17	955 501 669 00	Bracket	/L	1	
	955 501 669 00 GRV	Prime coated			
(17)	955 501 670 00	Bracket	/R	1	
	955 501 670 00 GRV	Prime coated			
18	955 501 409 00	Separator	/L	1	
	955 501 409 00 GRV	Prime coated			
(18)	955 501 410 00	Separator	/R	1	
	955 501 410 00 GRV	Prime coated			
19	955 501 377 00	Mounting	/L	1	
	955 501 377 00 GRV	Prime coated			
(19)	955 501 378 00	Mounting	/R	1	
	955 501 378 00 GRV	Prime coated			
20	955 501 907 00	Side member	/L	1	
	955 501 907 00 GRV	Prime coated			
(20)	955 501 908 00	Side member	/R	1	
	955 501 908 00 GRV	Prime coated			
21	955 505 549 00	Cross member		1	
	955 505 549 00 GRV	Prime coated			
22	N 104 032 03	Hexagon-head bolt		4	
		M 8 X 16			
23	000 043 204 85	Cavity preservation		X	
		400 ML			
24	6N0 807 199	Screw		X	
		M6X27			

Model: 9PA 03

Model life 2003>>2006



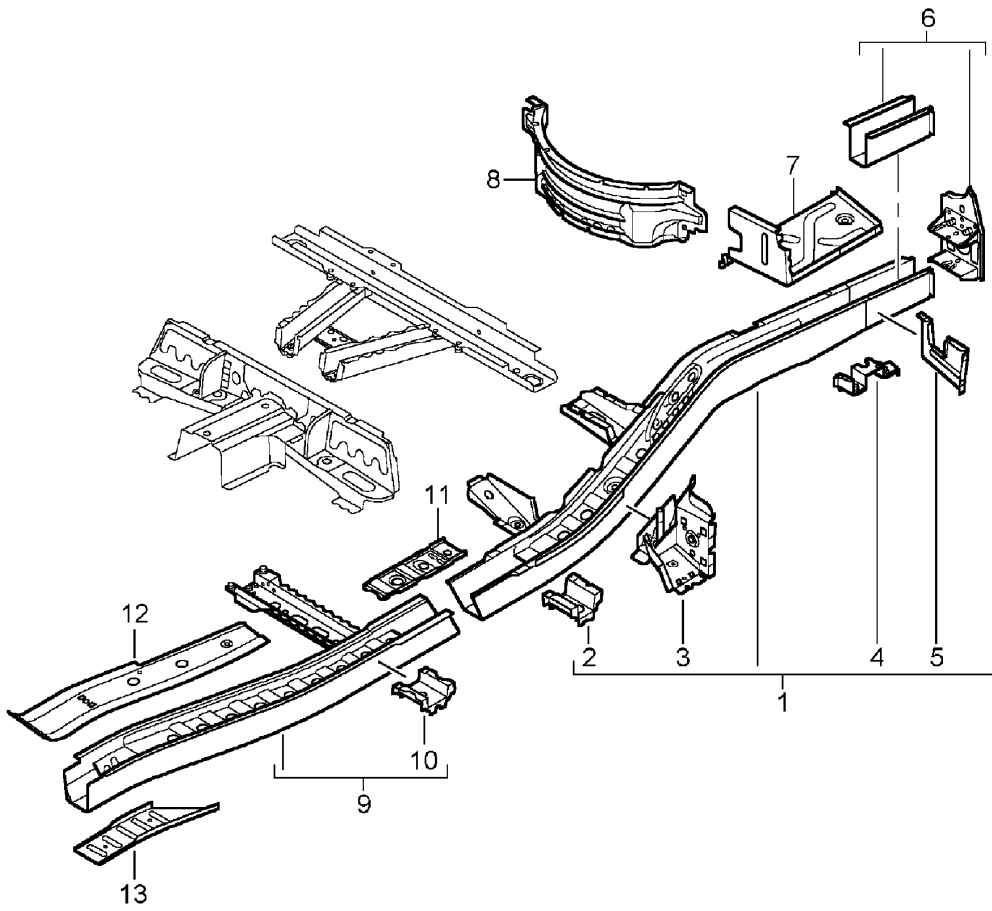
Model: 9PA 03 Model life 2003>>2006

Pos	Part Number	Description	Remark	Qty	Model
1	955 502 015 00	Floor Floorpan	/L	1	
	955 502 015 00 GRV	Prime coated			
(1)	955 502 016 00	Floorpan	/R	1	
	955 502 016 00 GRV	Prime coated			
2	955 502 301 00	Seat support	/L	1	
	955 502 301 00 GRV	Prime coated			
(2)	955 502 302 00	Seat support	/R	1	
	955 502 302 00 GRV	Prime coated			
3	955 502 205 00	Floorpan	/L	1	
	955 502 205 00 GRV	Prime coated			
(3)	955 502 206 00	Floorpan	/R	1	
	955 502 206 00 GRV	Prime coated			
4	-	Battery box See group 9/02/05		1	
5	955 502 251 00	Door sill	/L	1	
	955 502 251 00 GRV	Prime coated			
(5)	955 502 252 00	Door sill	/R	1	
	955 502 252 00 GRV	Prime coated			
-	955 504 187 00	Stopper 20 MM		X	
6	955 501 011 00	Floorpan		1	
	955 501 011 00 GRV	Prime coated			
7	955 502 755 00	Support	/L	1	
	955 502 755 00 GRV	Prime coated			
(7)	955 502 756 00	Support	/R	1	
	955 502 756 00 GRV	Prime coated			
8	955 501 569 00	Floor section	/L	1	
	955 501 569 00 GRV	Prime coated			
(8)	955 501 570 00	Floor section	/R	1	
	955 501 570 00 GRV	Prime coated			
9	955 501 261 00	Spare-wheel well		1	
	955 501 261 00 GRV	Prime coated			
10	955 502 373 00	Support		1	
	955 502 373 00 GRV	Prime coated			
11	955 502 367 00	Support	/L	1	
	955 502 367 00 GRV	Prime coated			
(11)	955 502 368 00	Support	/R	1	
	955 502 368 00 GRV	Prime coated			
12	955 502 717 00	Support		1	
	955 502 717 00 GRV	Prime coated			
13	955 502 425 00	Wheel housing	/L	1	
	955 502 425 00 GRV	Prime coated			
(13)	955 502 426 00	Wheel housing	/R	1	
	955 502 426 00 GRV	Prime coated			
-	000 043 204 85	Cavity preservation 400 ML		X	
14	955 501 959 00	Lid Sender Fuel tank		2	
15	N 904 560 02	Hexagon nut M 6		8	



Model: 9PA 03

Model life 2003>>2006



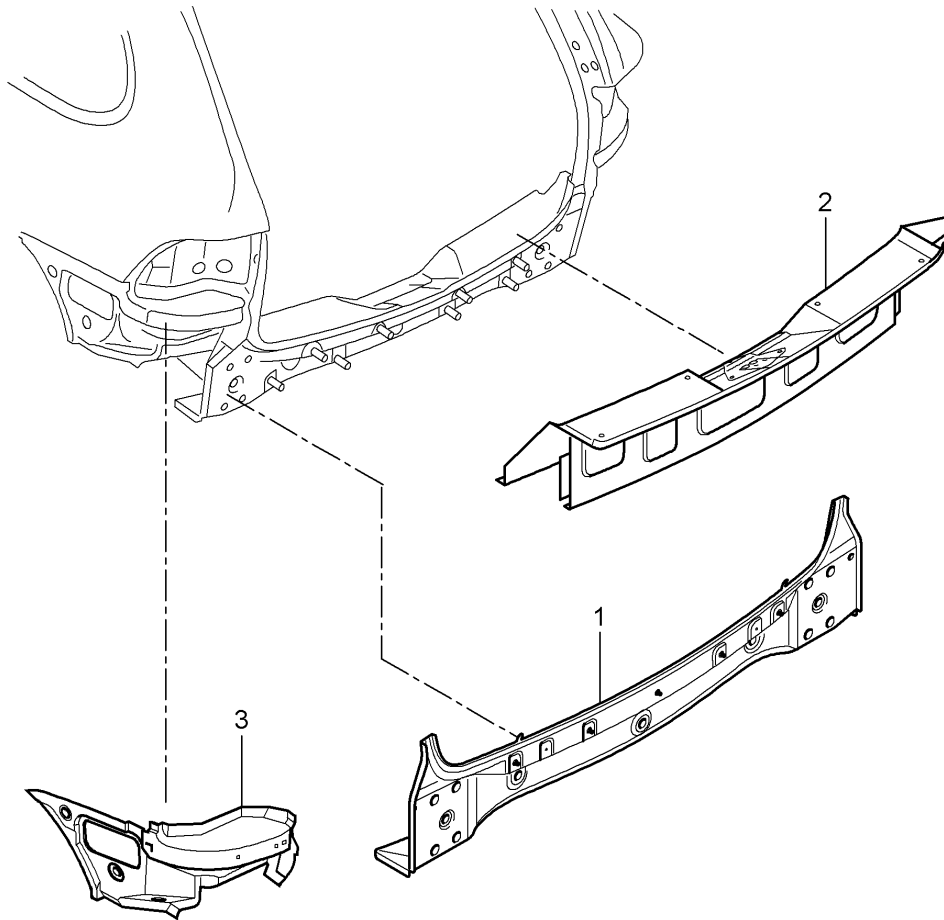
Model: 9PA 03

Model life 2003>>2006

Pos	Part Number	Description	Remark	Qty	Model
1	955 501 401 01	Frame			
		Side member	/L	1	
	955 501 401 01 GRV	Prime coated			
(1)	955 501 402 01	Side member	/R	1	
	955 501 402 01 GRV	Prime coated			
2	955 501 227 00	Mounting	/L	1	
	955 501 227 00 GRV	Prime coated			
(2)	955 501 228 00	Mounting	/R	1	
	955 501 228 00 GRV	Prime coated			
3	955 501 717 00	Closing element	/L	1	
	955 501 717 00 GRV	Prime coated			
(3)	955 501 718 00	Closing element	/R	1	
	955 501 718 00 GRV	Prime coated			
4	955 501 381 00	Support	/L	1	
	955 501 381 00 GRV	Prime coated			
(4)	955 501 382 00	Support	/R	1	
	955 501 382 00 GRV	Prime coated			
5	955 501 537 00	Closing element	/L	1	
	955 501 537 00 GRV	Prime coated			
(5)	955 501 538 00	Closing element	/R	1	
	955 501 538 00 GRV	Prime coated			
6	955 501 933 00	Side member	/L	1	
	955 501 933 00 GRV	Prime coated			
(6)	955 501 934 00	Side member	/R	1	
	955 501 934 00 GRV	Prime coated			
7	955 501 089 00	Floor section	/L	1	
	955 501 089 00 GRV	Prime coated			
(7)	955 501 090 00	Floor section	/R	1	
	955 501 090 00 GRV	Prime coated			
8	955 501 533 00	Cross member		1	
	955 501 533 00 GRV	Prime coated			
9	955 501 019 00	Side member	/L	1	
	955 501 019 00 GRV	Prime coated			
(9)	955 501 020 00	Side member	/R	1	
	955 501 020 00 GRV	Prime coated			
10	955 501 757 00	Extension		2	
	955 501 757 00 GRV	Prime coated			
11	955 502 699 00	Reinforcement		2	
	955 502 699 00 GRV	Prime coated			
12	955 502 075 00	Reinforcement	/L	1	
	955 502 075 00 GRV	Prime coated			
(12)	955 502 076 00	Reinforcement	/R	1	
	955 502 076 00 GRV	Prime coated			
13	955 502 871 00	Reinforcement	/L	1	
	955 502 871 00 GRV	Prime coated			
(13)	955 502 872 00	Reinforcement	/R	1	
	955 502 872 00 GRV	Prime coated			
-	000 043 204 85	Cavity preservation 400 ML		X	

Model: 9PA 03

Model life 2003>>2006



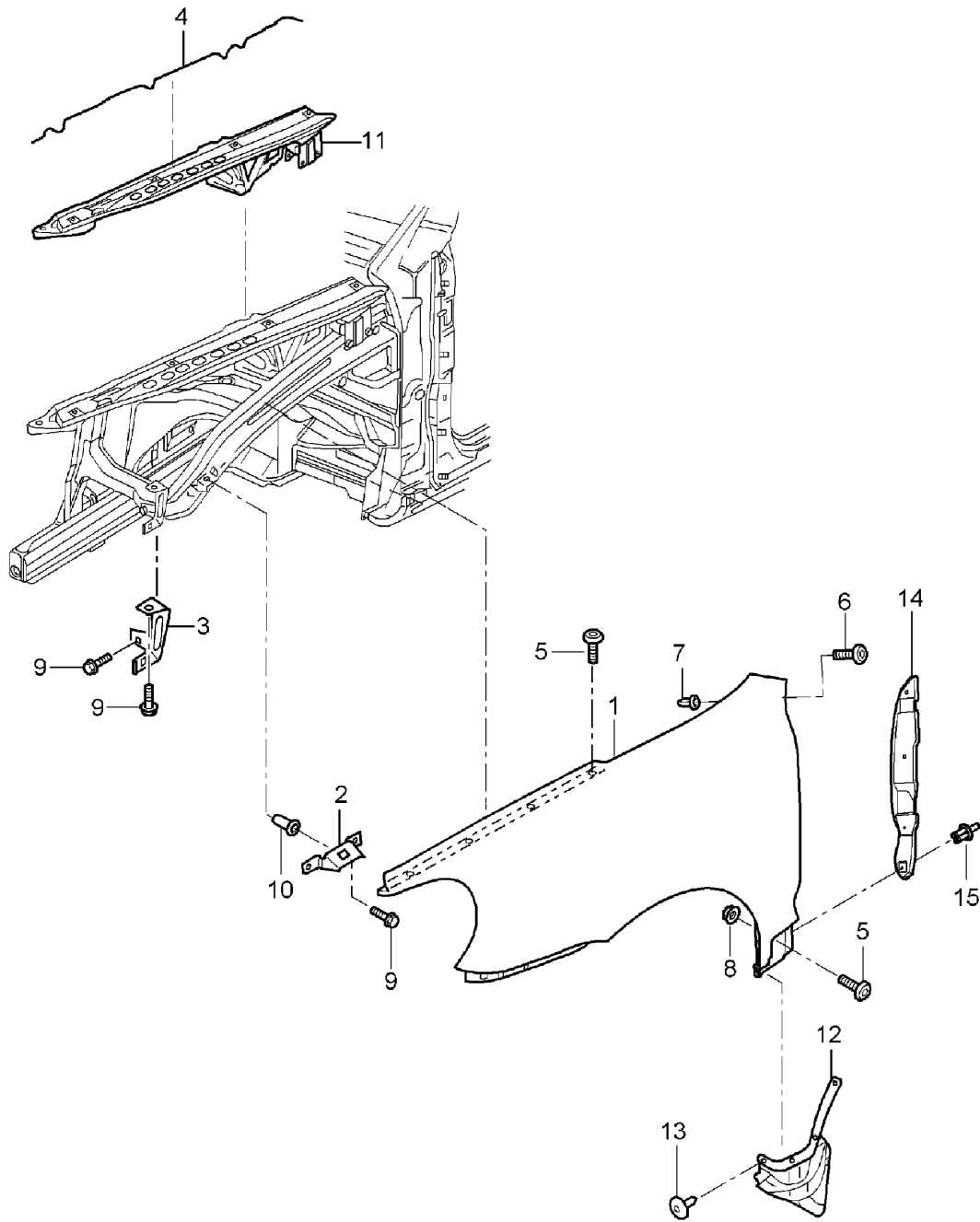
Model: 9PA 03

Model life 2003>>2006

Pos	Part Number	Description	Remark	Qty	Model
1	955 501 303 00	Rear end Terminal piece	-05	1	
	955 501 303 00 GRV	Prime coated			
2	955 501 311 00	Lock carrier		1	
	955 501 311 00 GRV	Prime coated			
2	955 501 311 01	Lock carrier		1	
	955 501 311 01 GRV	Prime coated			
3	955 502 745 00	Support	/L	1	
	955 502 745 00 GRV	Prime coated			
(3)	955 502 746 00	Support	/R	1	
	955 502 746 00 GRV	Prime coated			
-	000 043 204 85	Cavity preservation 400 ML		X	
-	955 504 187 00	Stopper 20 MM		X	
-	955 512 188 00	Water drain valve 20 MM		X	
-	955 504 182 00	Stopper 20 MM		X	

Model: 9PA 03

Model life 2003>>2006



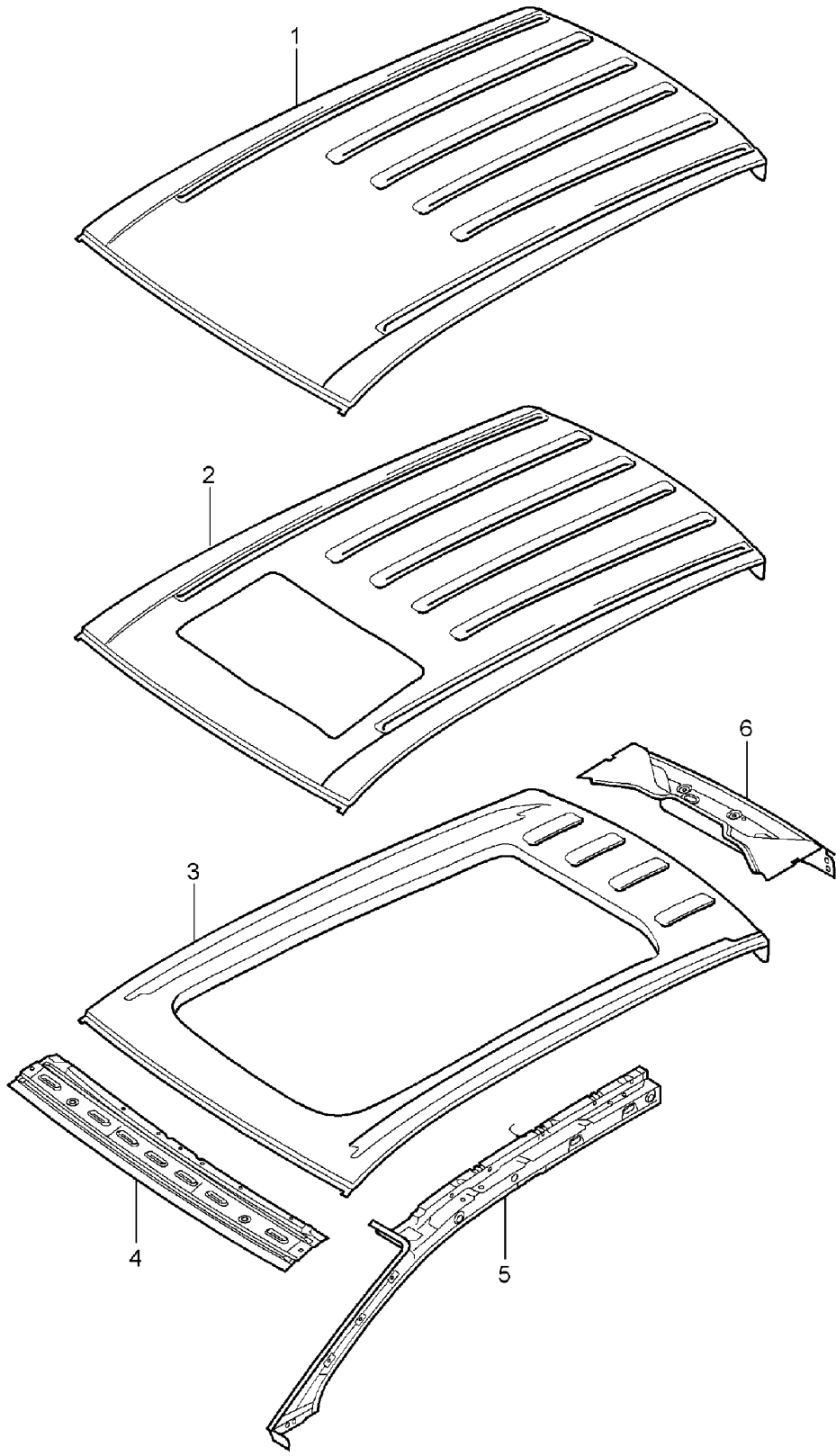
Model: 9PA 03

Model life 2003&gt;&gt;2006

Pos	Part Number	Description	Remark	Qty	Model
1	955 503 031 01	Wing		1	
	955 503 031 01 GRV	Wing	/L	1	
(1)	955 503 032 01	Prime coated		1	
	955 503 032 01 GRV	Wing	/R	1	
2	955 503 161 00	Prime coated		2	
	955 503 161 00 GRV	Support		2	
3	955 501 609 00	Support	/L	1	
	955 501 609 00 GRV	Support		1	
(3)	955 501 610 00	Prime coated	/R	1	
	955 501 610 00 GRV	Support		1	
4	955 503 159 00	Seal		1	
		808 MM			
5	N 910 432 01	Lens-head screw		16	
		M 6 X 14			
6	N 906 381 01	Torx screw		X	
		M 6 X 12			
7	N 908 051 01	Blind rivet nut		X	
		M 6			
8	N 908 877 01	Hexagon nut		X	
		M 6			
9	N 901 671 01	Combination screw		X	
		M 6 X 15			
10	N 909 350 01	Blind rivet nut		X	
11	-	Wing strut			
		See group			
		8/01/10			
12	955 504 819 00	Mud flap	/L	1	I6N1
	955 504 819 00 01C	Satin black			
(12)	955 504 820 00	Mud flap	/R	1	I6N1
	955 504 820 00 01C	Satin black			
13	N 906 487 02	Tapping screw		8	
		ST 4,8 X 16			
14	955 504 777 00	Cover	/L	1	
	955 504 777 00 01C	Satin black			
(14)	955 504 778 00	Cover	/R	1	
	955 504 778 00 01C	Satin black			
15	N 038 501 2	Expansion rivet		8	
		A 6 X 12			

Model: 9PA 03

Model life 2003>>2006



Model: 9PA 03

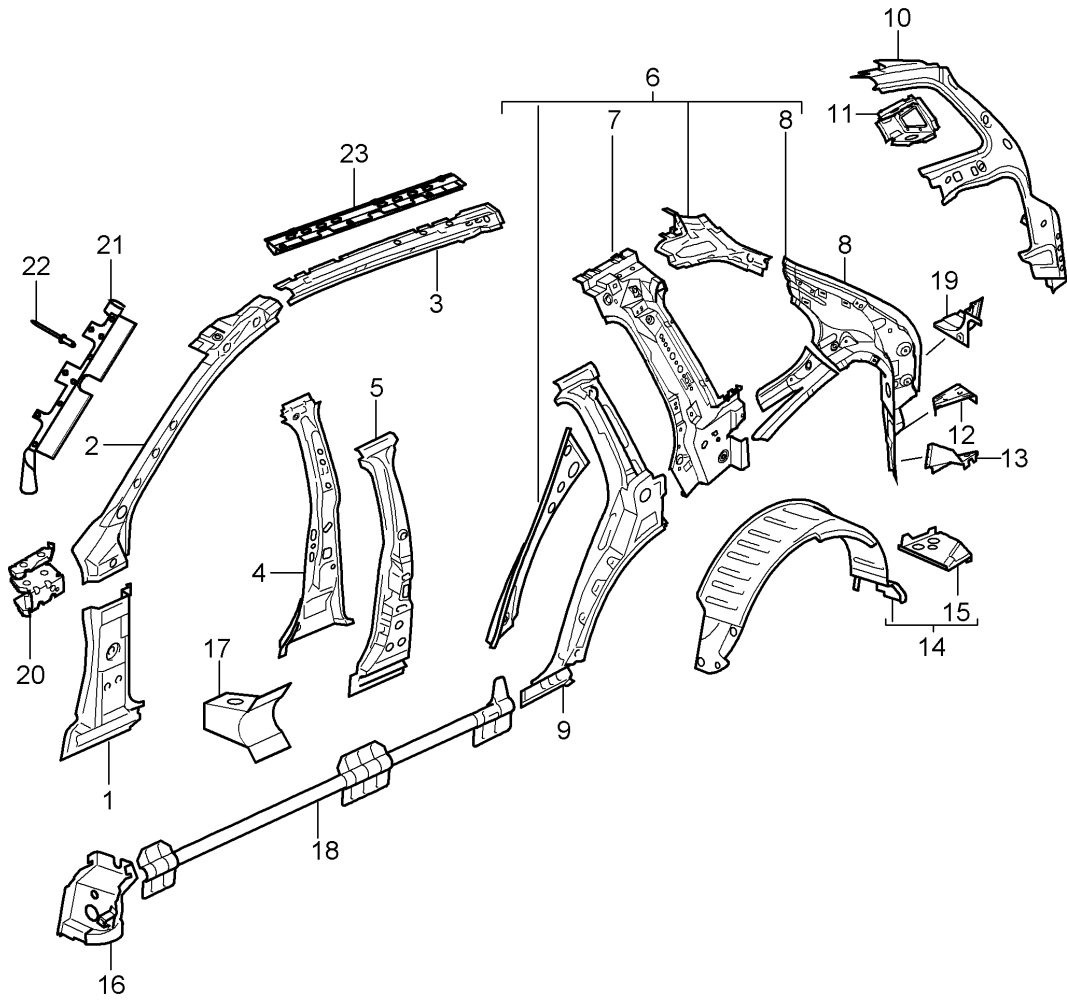
Model life 2003>>2006

Pos	Part Number	Description	Remark	Qty	Model
1	955 503 101 00	Roof Cowl		1	
	955 503 101 00 GRV	Roof Prime coated			
2	955 503 101 01	Roof		1	
	955 503 101 01 GRV	Roof Prime coated for sliding roof			
3	955 503 101 02	Roof		1	I3FU
	955 503 101 02 GRV	Roof Prime coated			
-	000 043 300 98	Use also: Connection piece See workshop manual Group 51		3	
-	000 043 300 95	Adhesive set Roof TEROKAL 5045		X	
-	D 180 003 01	Adhesive set Roof TEROKAL 5055		X	
-	000 043 205 37	Mixing tube Supplement set		X	
4	955 502 122 00	Cross member		1	
	955 502 122 00 GRV	Cross member Prime coated			
5	955 502 287 01	Cross member	/L	1	
	955 502 287 01 GRV	Cross member Prime coated			
(5)	955 502 288 01	Cross member	/R	1	
	955 502 288 01 GRV	Cross member Prime coated			
6	955 502 161 01	Roof frame		1	
	955 502 161 01 GRV	Roof frame Prime coated			
-	000 043 204 85	Cavity preservation 400 ML		X	



Model: 9PA 03

Model life 2003>>2006



Model: 9PA 03 Model life 2003>>2006

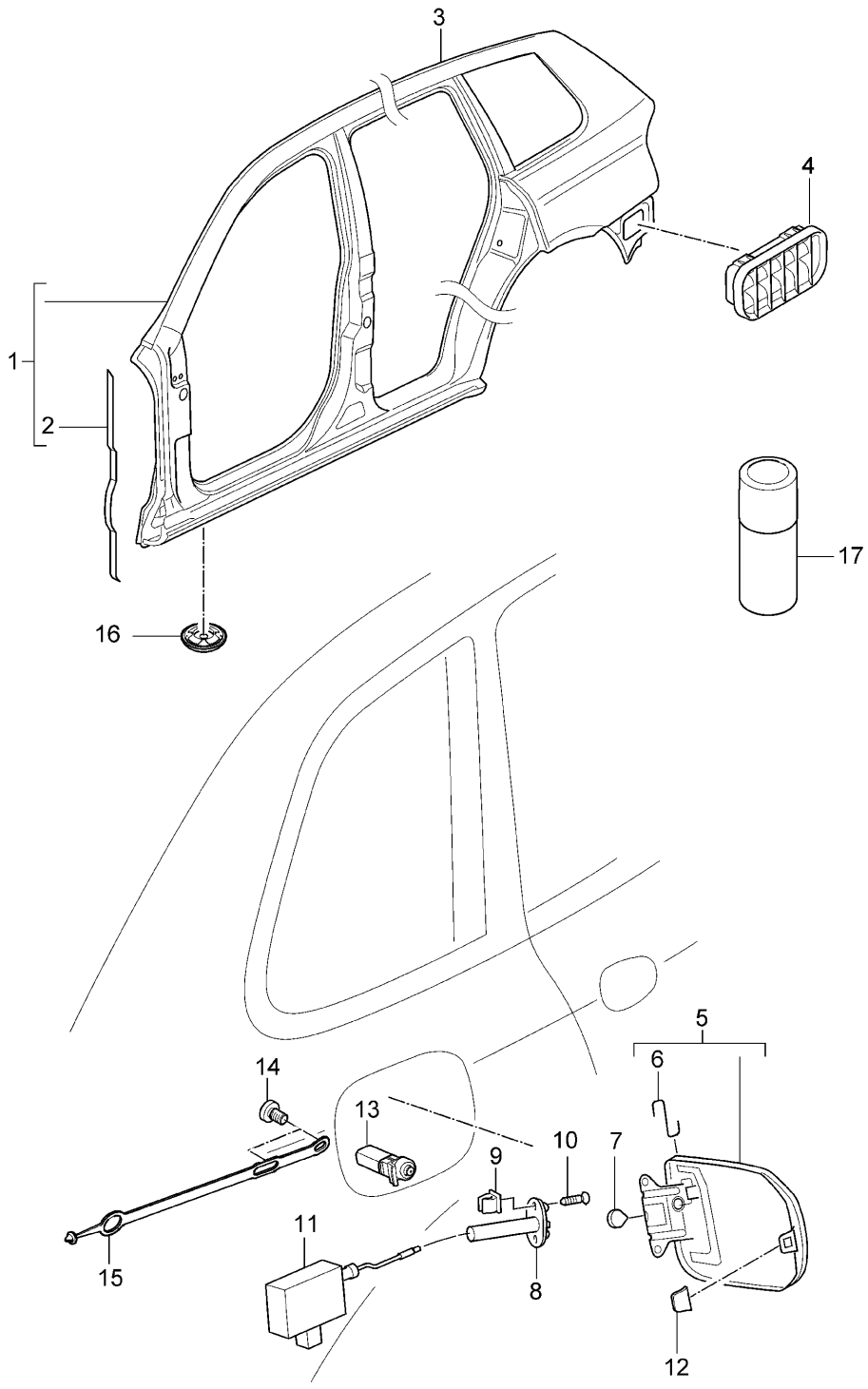
Pos	Part Number	Description	Remark	Qty	Model
		Side section			
		Inner			
1	955 502 203 00	Reinforcement	/L	1	
	955 502 203 00 GRV	Prime coated			
(1)	955 502 204 00	Reinforcement	/R	1	
	955 502 204 00 GRV	Prime coated			
2	955 502 193 00	Reinforcement	/L	1	
	955 502 193 00 GRV	Prime coated			
(2)	955 502 194 00	Reinforcement	/R	1	
	955 502 194 00 GRV	Prime coated			
3	955 502 249 00	Reinforcement	/L	1	
	955 502 249 00 GRV	Prime coated			
(3)	955 502 250 00	Reinforcement	/R	1	
	955 502 250 00 GRV	Prime coated			
4	955 502 443 00	B-pillar	/L	1	
	955 502 443 00 GRV	Prime coated			
		Inner			
(4)	955 502 444 01	B-pillar	/R	1	
	955 502 444 01 GRV	Prime coated			
		Inner			
5	955 502 607 00	B-pillar	/L	1	
	955 502 607 00 GRV	Prime coated			
		Outer			
(5)	955 502 608 00	B-pillar	/R	1	
	955 502 608 00 GRV	Prime coated			
		Outer			
6	955 502 403 02	Side section	/L	1	
	955 502 403 02 GRV	Prime coated			
(6)	955 502 404 01	Side section	/R	1	
	955 502 404 01 GRV	Prime coated			
7	955 502 545 00	C-pillar	/L	1	
	955 502 545 00 GRV	Prime coated			
		Inner			
(7)	955 502 546 00	C-pillar	/R	1	
	955 502 546 00 GRV	Prime coated			
		Inner			
8	955 502 289 00	D-pillar	/L	1	
	955 502 289 00 GRV	Prime coated			
		Inner			
(8)	955 502 290 01	D-pillar	/R	1	
	955 502 290 01 GRV	Prime coated			
		Inner			
9	955 502 263 00	C-pillar	/L	1	
	955 502 263 00 GRV	Prime coated			
		Outer			
(9)	955 502 264 00	C-pillar	/R	1	
	955 502 264 00 GRV	Prime coated			
		Outer			
10	955 502 299 00	D-pillar	/L	1	
	955 502 299 00 GRV	Prime coated			
		Outer			
(10)	955 502 300 00	D-pillar	/R	1	
	955 502 300 00 GRV	Prime coated			
		Outer			
11	955 502 549 01	Reinforcement		1	
	955 502 549 01 GRV	Prime coated			
12	955 502 259 00	Corner piece	/L	1	
		D-pillar			
	955 502 259 00 GRV	Prime coated			
(12)	955 502 260 00	Corner piece	/R	1	
		D-pillar			
	955 502 260 00 GRV	Prime coated			
13	955 502 677 00	Corner piece	/L	1	

Model: 9PA 03 Model life 2003>>2006

Pos	Part Number	Description	Remark	Qty	Model
(13)	955 502 677 00 GRV	Prime coated			
	955 502 678 00	Corner piece	/R	1	
	955 502 678 00 GRV	Prime coated			
14	955 502 409 00	Wheel housing	/L	1	
	955 502 409 00 GRV	Prime coated			
(14)	955 502 410 00	Wheel housing	/R	1	
	955 502 410 00 GRV	Prime coated			
15	955 502 307 00	Corner piece	/L	1	
	955 502 307 00 GRV	Prime coated			
15	955 502 307 01	Corner piece	/L	1	
	955 502 307 01 GRV	Prime coated			
(15)	955 502 308 00	Corner piece	/R	1	
	955 502 308 00 GRV	Prime coated			
16	955 502 221 00	Closing element	/L	1	
	955 502 221 00 GRV	Prime coated			
(16)	955 502 222 00	Closing element	/R	1	
	955 502 222 00 GRV	Prime coated			
17	955 502 693 00	Support		2	
	955 502 693 00 GRV	Prime coated			
18	955 502 839 00	Reinforcement	/L	1	
	955 502 839 00 GRV	Prime coated			
(18)	955 502 840 00	Reinforcement	/R	1	
	955 502 840 00 GRV	Prime coated			
19	955 502 505 00	Gusset plate	/L	1	
	955 502 505 00 GRV	Prime coated			
(19)	955 502 506 00	Gusset plate	/R	1	
	955 502 506 00 GRV	Prime coated			
-	000 043 204 85	Cavity preservation 400 ML		X	
20	955 502 623 00	Hinge reinforcement	/L	1	
	955 502 623 00 GRV	Prime coated A-pillar			
(20)	955 502 624 00	Hinge reinforcement	/R	1	
	955 502 624 00 GRV	Prime coated A-pillar			
21	955 503 561 00	Deformation element	/L	1	
	955 503 561 00 GRV	Prime coated A-pillar			
(21)	955 503 562 00	Deformation element	/R	1	
	955 503 562 00 GRV	Prime coated A-pillar			

Model: 9PA 03

Model life 2003>>2006



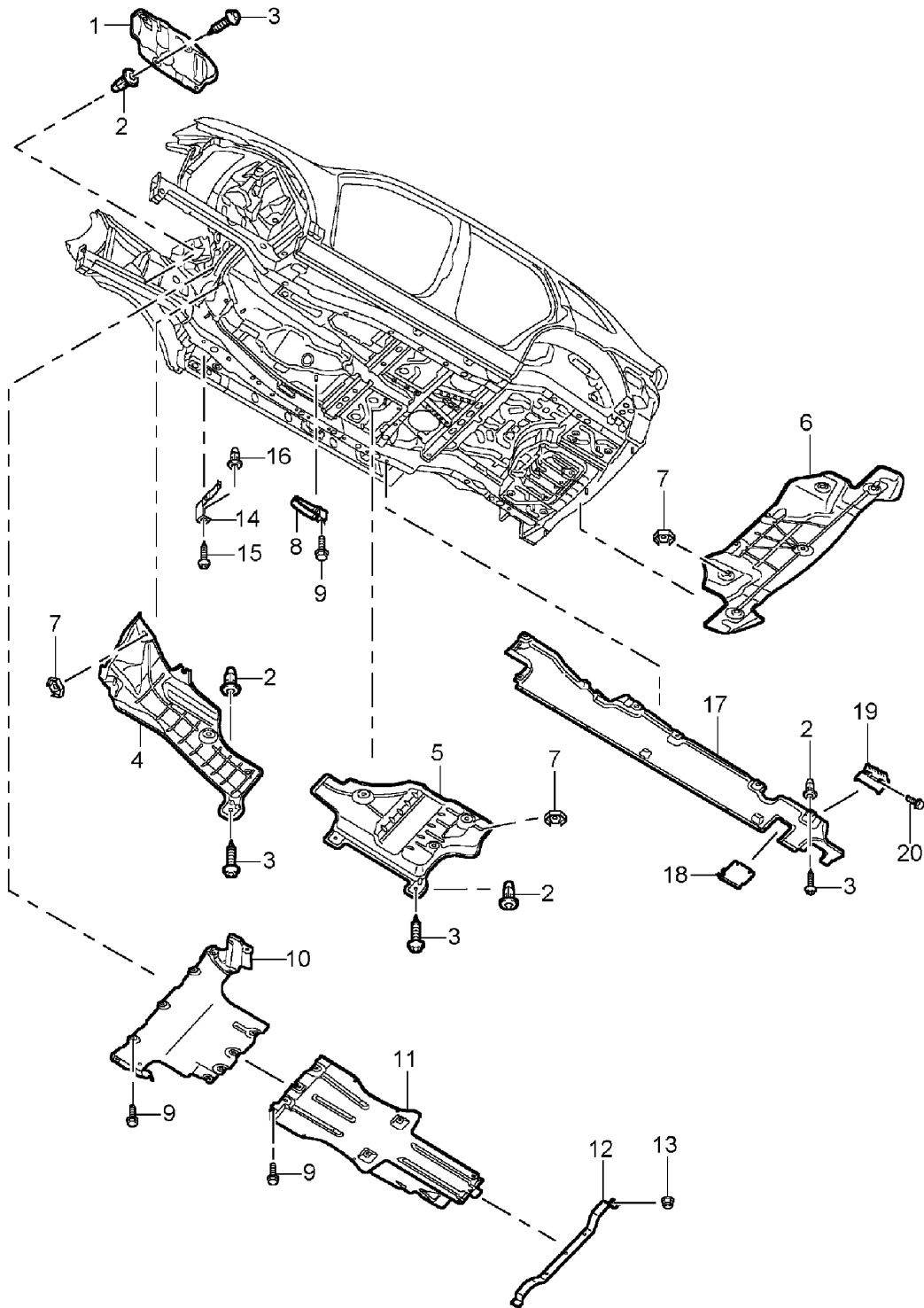
Model: 9PA 03

Model life 2003>>2006

Pos	Part Number	Description	Remark	Qty	Model
		Side section Outer			
1	955 503 935 00	Side section	/L	1	
	955 503 935 00 GRV	Prime coated			
(1)	955 503 936 00	Side section	/R	1	
	955 503 936 00 GRV	Prime coated			
2	955 502 573 00	Rail	/L	1	
	955 502 573 00 GRV	Prime coated			
2	955 502 573 01	Rail	/L	1	
	955 502 573 01 GRV	Prime coated			
(2)	955 502 574 00	Rail	/R	1	
	955 502 574 00 GRV	Prime coated			
(2)	955 502 574 01	Rail	/R	1	
	955 502 574 01 GRV	Prime coated			
3	955 503 943 00	Side section	/L	1	I0AG
	955 503 943 00 GRV	Prime coated			
3	955 503 943 01	Side section	/L	1	-I0AG
	955 503 943 01 GRV	Prime coated			
(3)	955 503 944 00	Side section	/R	1	
	955 503 944 00 GRV	Prime coated			
4	955 504 181 01	Frame		2	
5	955 504 133 01	Fuel filler flap		1	
	955 504 133 01 GRV	Prime coated			
6	955 504 131 00	Spring		1	
7	N 903 598 01	Buffer		1	
8	955 504 899 00	Guide sleeve	-05	1	
8	955 504 899 02	Guide sleeve	06-	1	
9	999 591 762 40	Special nut		2	
10	900 145 041 07	Tapping screw ST 3,5 X 16		2	
11	955 624 773 00	Actuator		1	
11	955 624 773 01	Actuator	-05	1	
11	955 624 773 02	Actuator	06-	1	
12	955 504 910 00	Guide for Fuel filler flap Opener	06-	1	
13	955 504 986 00	Opener		1	
14	N 101 703 01	Round head screw M6 X 10		2	
15	955 504 165 00	Emergency operation Fuel filler flap		1	
16	955 512 188 00	Water drain valve Door sill Front		X	
17	000 043 204 85	Cavity preservation 400 ML		X	

Model: 9PA 03

Model life 2003>>2006

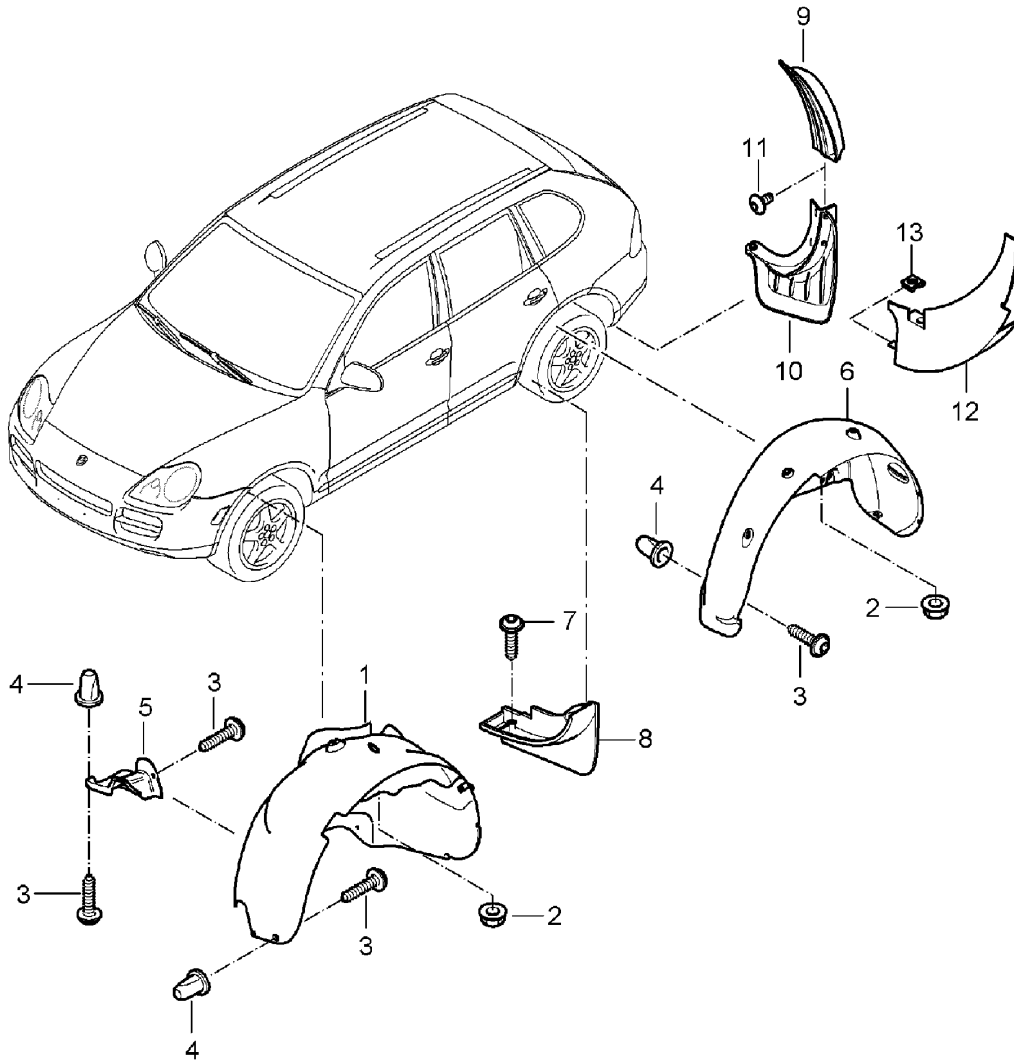


Model: 9PA 03 Model life 2003>>2006

Pos	Part Number	Description	Remark	Qty	Model
		Lining			
		Underbody			
1	955 504 615 00	Heat protection	/L	1	
(1)	955 504 616 00	Heat protection	/R	1	
2	N 910 190 01	Expander nut		X	
		D-7 X 20			
3	N 911 182 01	Combination screw		X	
		M6 X 20			
4	955 504 661 00	Heat protection	/L	1	
(4)	955 504 662 00	Heat protection	/R	1	
5	955 504 681 00	Heat protection		1	
6	955 504 711 00	Heat protection		1	
7	N 906 431 01	Speed nut		X	
8	955 504 263 00	Clip		2	
		Heat shield			
		Rear			
9	N 910 345 01	Combination screw		X	
		M6 X 20			
10	955 504 285 00	Cover		1	I6EA/6EQ
		Underbody protection			
		Front			I6ET
(10)	955 107 981 00	Cover		1	I6EP/6ES
		Underbody protection			
		Front			I6GE/6GF
11	955 504 231 00	Underbody protection		1	IG0R
11	955 504 231 01	Underbody protection		1	IG0R
(11)	955 504 231 02	Underbody protection		1	IG0L
		Rear			
12	955 504 955 00	Bracket		1	IG0R
12	955 504 955 01	Bracket		1	IG0L
		Rear			
13	N 908 877 01	Hexagon nut		2	
		M6			
14	955 504 241 00	Support	/L	1	
(14)	955 504 242 00	Support	/R	1	
15	N 909 210 01	Hexagon-head bolt		1	
16	N 904 085 02	Blind rivet nut		1	
		M8/0,5-3,0			
17	955 504 211 00	Lining	/L -05	1	
17	955 504 211 01	Lining	/L 06-	1	
		Underbody			
(17)	955 504 212 00	Lining	/R -05	1	
(17)	955 504 212 01	Lining	/R 06-	1	
		Underbody			
18	955 504 271 00	Cover	/L	1	
		Jacking point			
(18)	955 504 272 00	Cover	/R	1	
		Jacking point			
19	955 504 123 00	Mounting plate	-05	2	
19	955 504 123 01	Mounting plate	06-	2	
		Jacking point			
20	N 904 121 02	Combination screw		4	
		M6 X 25			
		Mounting plate			
		Jack			

Model: 9PA 03

Model life 2003>>2006





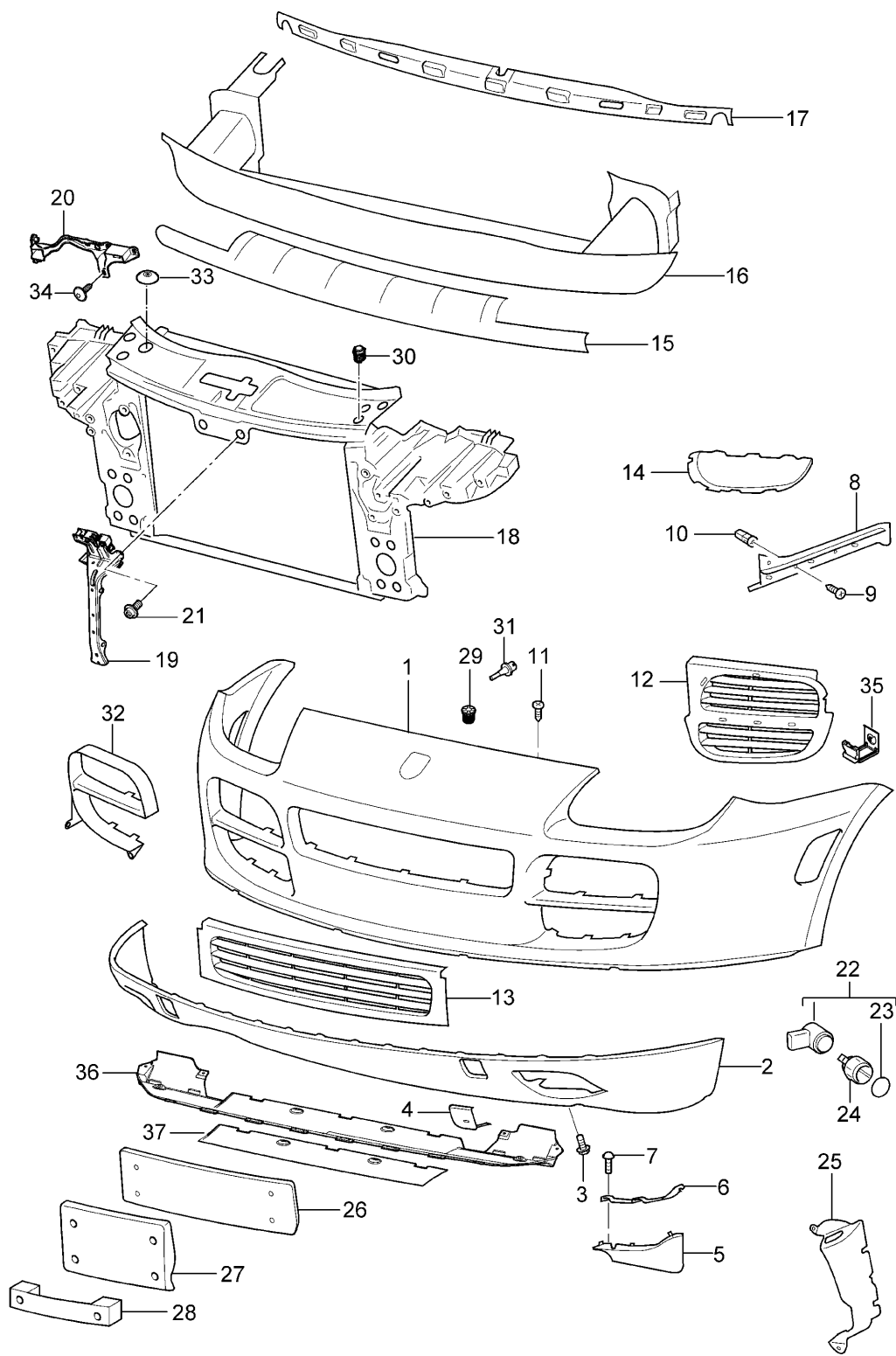
Model: 9PA 03

Model life 2003&gt;&gt;2006

Pos	Part Number	Description	Remark	Qty	Model
		Lining			
1	955 504 961 00	Wheel housing			
		Wheel-housing liner	/L	1	ID9J/D9K
(1)	955 504 962 00	Wheel-housing liner	/R	1	ID9J/D9K
(1)	955 504 961 01	Wheel-housing liner	/L	1	ID9L
(1)	955 504 962 01	Wheel-housing liner	/R	1	ID9L
-	955 505 735 00	Fastening clamp		X	
		Wheel-housing liner			
		Spoiler			
2	N 903 521 01	Plastic nut		X	
		B 5			
3	N 906 487 01	Tapping screw		X	
		ST4,8 X 16			
4	N 103 180 01	Expander nut		X	
		4,8 X 15,5			
5	955 504 967 00	Lid	/L	1	ID9J/D9K
(5)	955 504 968 00	Lid	/R	1	ID9J/D9K
(5)	955 504 967 01	Lid	/L	1	ID9L
(5)	955 504 968 01	Lid	/R	1	ID9L
6	955 504 971 00	Wheel-housing liner	/L	1	I6N0
6	955 504 971 02	Wheel-housing liner	/L	1	I6N0
(6)	955 504 972 00	Wheel-housing liner	/R	1	I6N0
(6)	955 504 972 02	Wheel-housing liner	/R	1	I6N0
(6)	955 504 971 01	Wheel-housing liner	/L	1	I6N1
(6)	955 504 971 03	Wheel-housing liner	/L	1	I6N1
(6)	955 504 972 01	Wheel-housing liner	/R	1	I6N1
(6)	955 504 972 03	Wheel-housing liner	/R	1	I6N1
		Rear			
7	N 909 855 01	Oval-head screw		2	
		M5 X 12			
8	955 505 547 00	Spoiler	/L	1	
(8)	955 505 548 00	Spoiler	/R	1	
		Wheel-housing liner			
		Rear			
9	955 504 307 00	Wheel cover	/L	1	
	955 504 307 00 01C	Satin black			
(9)	955 504 308 00	Wheel cover	/R	1	
	955 504 308 00 01C	Satin black			
10	955 504 821 00	Mud flap	/L	1	
	955 504 821 00 01C	Satin black			
(10)	955 504 822 00	Mud flap	/R	1	
	955 504 822 00 01C	Satin black			
11	N 909 159 01	Screw		6	
		M 5 X 14			
12	955 505 829 00	Cover	/L	1	I2D1/2D2
(12)	955 505 830 00	Cover	/R	1	I2D1/2D2
		Wheel-housing liner			
13	N 012 056 1	Clamping washer		1	I2D1/2D2

Model: 9PA 03

Model life 2003>>2006



Model: 9PA 03

Model life 2003&gt;&gt;2006

Pos	Part Number	Description	Remark	Qty	Model
1	955 505 311 00	Lining Front Lining		1	-I7X1/-I7X2 -I8X1/ID9J ID9K
(1)	955 505 311 00 G2X 955 505 311 01	Prime coated Lining		1	-I7X1/-I7X2 ID9J/D9K/8X1
(1)	955 505 311 01 G2X 955 505 311 02	Prime coated Lining		1	-I8X1/ID9J ID9K/7X1/7X2
(1)	955 505 311 02 G2X 955 505 311 03	Prime coated Lining		1	ID9J/D9K/7X1 I7X2/8X1
(1)	955 505 311 03 G2X 955 505 311 06	Prime coated Lining		1	-I7X1/-I7X2 -I8X1/ID9J ID9K/VR3
(1)	955 505 311 06 G2X 955 505 311 07	Prime coated Lining		1	-I7X1/-I7X2 ID9J/D9K/VR3 I8X1
(1)	955 505 311 07 G2X 955 505 311 08	Prime coated Lining		1	-I8X1/ID9J ID9K/VR3/7X1 I7X2
(1)	955 505 311 08 G2X 955 505 311 09	Prime coated Lining		1	ID9J/D9K/VR3 I7X1/7X2/8X1
(1)	955 505 311 09 G2X 955 505 311 04	Prime coated Lining		1	ID9L
(2)	955 505 061 00	Front spoiler		1	ID9J/D9K
(2)	955 505 061 04	Front spoiler	05-	1	ID9J/D9K/VR0
(2)	955 505 061 04 G2X	Prime coated			
(2)	955 505 061 05	Front spoiler	05-	1	ID9J/D9K/VR3
(2)	955 505 061 05 G2X	Prime coated			
(2)	955 505 061 01	Front spoiler		1	ID9L
(2)	955 505 061 01 G2X	Prime coated			
(2)	955 505 061 02	Front spoiler	05-	1	ID9J/D9K/2D1 I2D2
(2)	955 505 061 02 G2X 955 505 061 03	Prime coated Front spoiler	05-	1	ID9L/2D1/2D2 I5TE
3	955 505 061 03 G2X N 908 082 01	Prime coated Oval-head screw 6 X 18,5		4	
4	955 505 155 00	Cap	/L	1	ID9J/D9K
(4)	955 505 903 00	Cap	/L	1	ID9J/D9K/2JC
(4)	955 505 156 00	Cap	/R	1	ID9J/D9K
(4)	955 505 902 00	Cap	/R	1	ID9J/D9K/2JC
(4)	955 505 155 01	Cap	/L	1	ID9L
(4)	955 505 155 01 G2X	Prime coated			
(4)	955 505 156 01	Cap	/R	1	ID9L
(4)	955 505 156 01 G2X	Prime coated			
(4)	955 505 903 10	Cap	/L	1	ID9L/2JC
(4)	955 505 902 10	Cap	/R	1	ID9L/2JC
(4)	955 505 155 05	Cap	/L 05-	1	I2D1/2D2
(4)	955 505 155 05 G2X	Prime coated			
(4)	955 505 156 05	Cap	/R 05-	1	I2D1/2D2
(4)	955 505 156 05 G2X	Prime coated			
5	955 505 513 00	Spoiler	/L	1	
(5)	955 505 514 00	Spoiler	/R	1	

Model: 9PA 03 Model life 2003>>2006

Pos	Part Number	Description	Remark	Qty	Model
6	955 505 819 00	Reinforcement strip	/L	1	
	955 505 819 00 GRV	Prime coated			
(6)	955 505 820 00	Reinforcement strip	/R	1	
	955 505 820 00 GRV	Prime coated			
7	N 907 676 01	Screw		6	
8	955 505 049 00	Guide rail	/L	1	
(8)	955 505 050 00	Guide rail	/R	1	
9	N 906 487 02	Tapping screw ST 4,8 X 16,0		12	
10	955 505 966 00	Expander nut		12	
11	N 908 082 01	Oval-head screw 6,0 X 18,5		6	
12	955 505 681 00	Grille	/L	1	ID9J/D9K
(12)	955 505 682 00	Grille	/R	1	ID9J/D9K
(12)	955 505 681 01	Grille	/L	1	ID9L
(12)	955 505 682 01	Grille	/R	1	ID9L
13	955 505 683 00	Grille		1	ID9J/D9K
(13)	955 505 683 01	Grille		1	ID9L
		Upper			
(13)	955 505 684 00	Grille		1	ID9L
		Lower			
14	955 505 143 00	Cover	/L	1	ID9J
(14)	955 505 144 00	Cover	/R	1	ID9J
15	955 505 915 00	Cover		1	ID9J/D9K
(15)	955 505 915 01	Cover		1	ID9L
16	955 505 109 00	Bumper reinforcement		1	
17	955 505 550 00	Plastic foam strip		1	
17	955 505 550 61	Plastic foam strip		1	
18	955 505 594 00	Bracket		1	
19	955 505 799 00	Bracket		1	
(20)	955 505 733 00	Support	/L	1	
20	955 505 734 00	Support	/R	1	
21	N 105 918 01	Torx screw M6 X 12		3	
22	955 606 275 02	Sensor		X	
23	955 606 659 00	Ring		X	
24	955 505 371 00	Housing	/L	1	ID9J/D9K/7X2
		Inner			
	955 505 371 00 G2X	Prime coated			
(24)	955 505 372 00	Housing	/R	1	ID9J/D9K/7X2
		Inner			
	955 505 372 00 G2X	Prime coated			
(24)	955 505 475 00	Housing	/L	1	ID9J/D9K/7X2
		Centre			
	955 505 475 00 G2X	Prime coated			
(24)	955 505 476 00	Housing	/R	1	ID9J/D9K/7X2
		Centre			
	955 505 476 00 G2X	Prime coated			
(24)	955 505 465 00	Housing	/L	1	ID9J/D9K/7X2
		Outer			
	955 505 465 00 G2X	Prime coated			
(24)	955 505 466 00	Housing	/R	1	ID9J/D9K/7X2
		Outer			
	955 505 466 00 G2X	Prime coated			
(24)	955 505 371 01	Housing	/L	1	ID9L/7X2
		Inner			
	955 505 371 01 G2X	Prime coated			
(24)	955 505 372 01	Housing	/R	1	ID9L/7X2
		Inner			
	955 505 372 01 G2X	Prime coated			
(24)	955 505 475 01	Housing	/L	1	ID9L/7X2
		Centre			
	955 505 475 01 G2X	Prime coated			

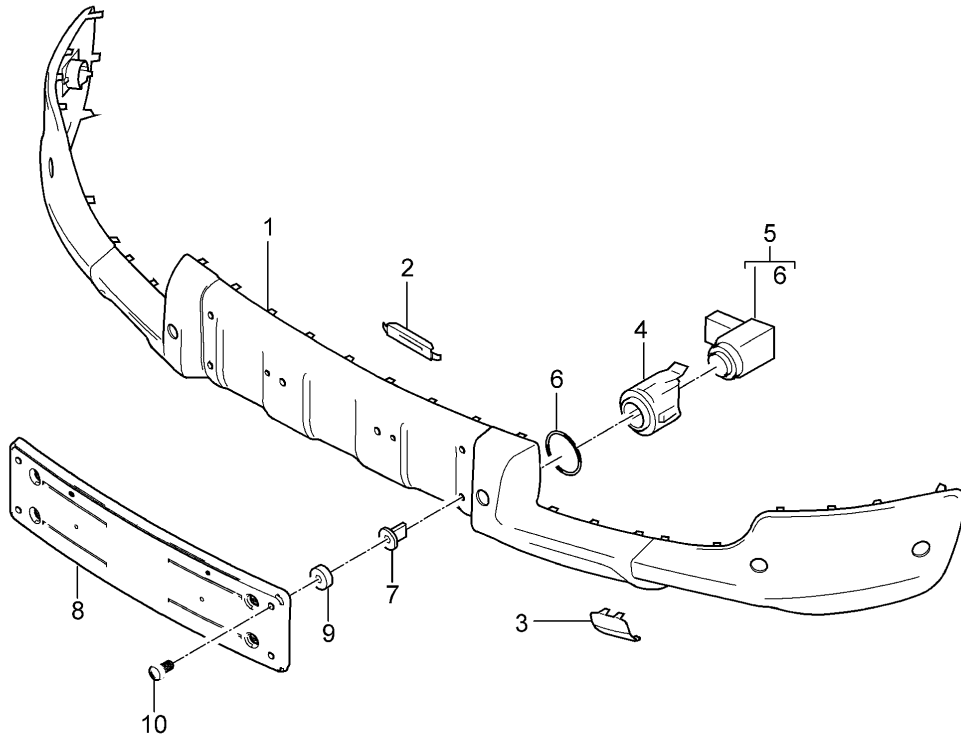
Model: 9PA 03

Model life 2003&gt;&gt;2006

Pos	Part Number	Description	Remark	Qty	Model
(24)	955 505 476 01	Housing Centre	/R	1	ID9L/7X2
	955 505 476 01 G2X	Prime coated			
(24)	955 505 465 01	Housing Outer	/L	1	ID9L/7X2
	955 505 465 01 G2X	Prime coated			
(24)	955 505 466 01	Housing Outer	/R	1	ID9L/7X2
	955 505 466 01 G2X	Prime coated			
25	955 505 665 00	Cover	/L	1	ID9J/D9K/8X1
(25)	955 505 666 00	Cover	/R	1	ID9J/D9K/8X1
26	955 701 105 00	Bracket		1	ID9J/D9K/6W1
	955 701 105 00 G2X	Prime coated			
(26)	955 701 105 01	Bracket		1	ID9L/6W1
	955 701 105 01 G2X	Prime coated			
27	955 701 105 02	Bracket		1	ID9J/D9K/6W2
	955 701 105 02 G2X	Prime coated			
(27)	955 701 105 03	Bracket		1	ID9L/6W2
	955 701 105 03 G2X	Prime coated			
28	955 701 105 04	Bracket		1	ID9J/D9K/6W3
	955 701 105 04 G2X	Prime coated			
(28)	955 701 105 05	Bracket		1	ID9L/6W3
	955 701 105 05 G2X	Prime coated			
29	955 505 887 00	Stopper		2	
30	955 511 500 00	Rubber buffer		1	
31	955 641 379 00	Temperature sensor		1	
(32)	955 505 307 00	Intermediate piece	/L	1	ID9L
32	955 505 308 00	Intermediate piece	/R	1	ID9L
33	955 505 992 00	Stopper		1	
34	N 907 809 01	Round head screw M6 X 16 for Support		1 1 1 1	
35	955 505 735 00	Fastening clamp Wheel-housing liner Spoiler		X	
36	955 505 900 00	Front end cover Stainless steel		1	ID9J/D9K/2JC
(36)	955 505 900 01	Front end cover Stainless steel		1	ID9J/D9K/2JC IVR3
(36)	955 505 900 10	Front end cover Stainless steel		1	ID9L/2JC
37	955 505 901 00	Connecting piece Front end cover		1	ID9J/D9K/2JC
(37)	955 505 901 10	Connecting piece Front end cover		1	ID9L/2JC

Model: 9PA 03

Model life 2003>>2006



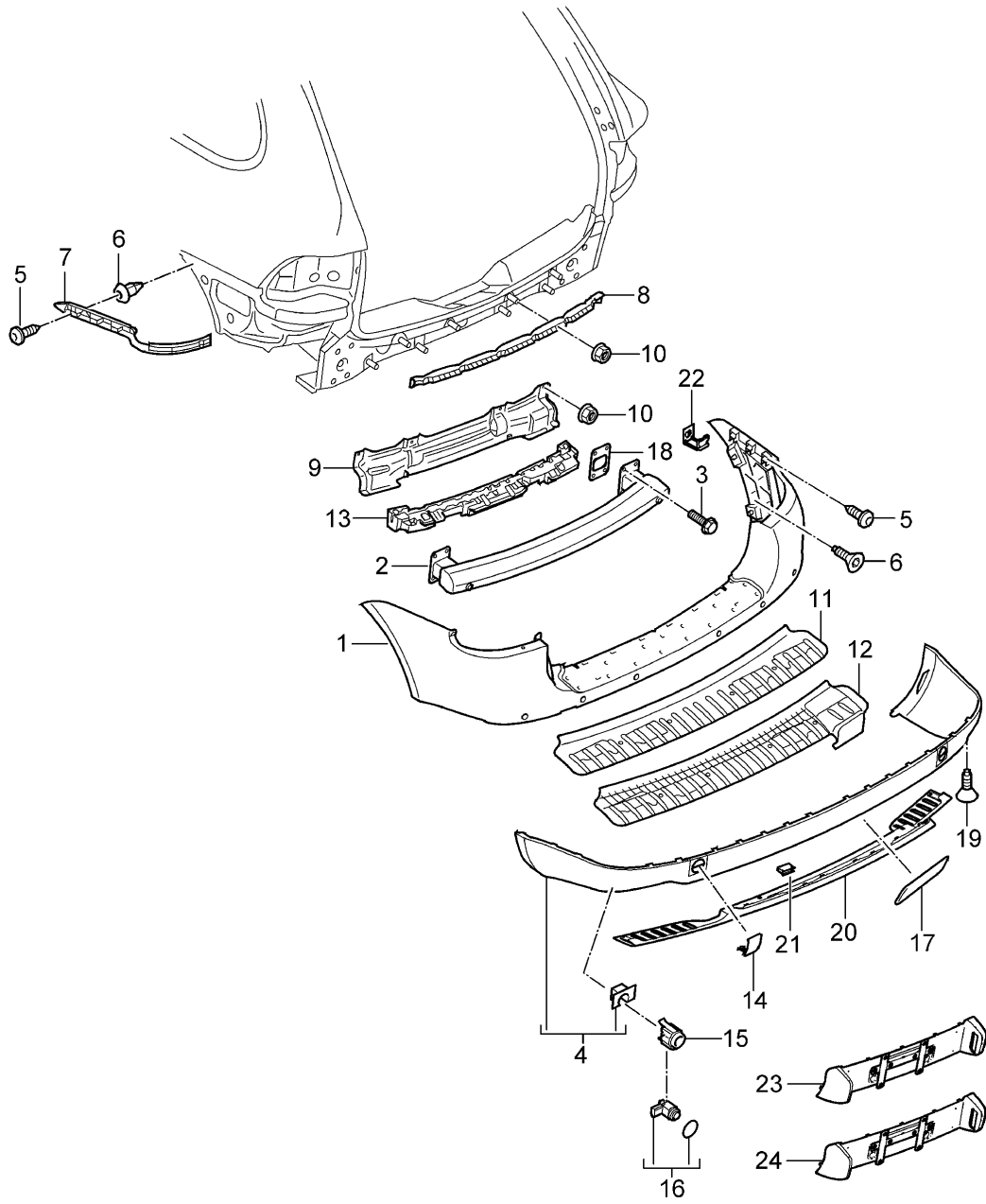
Model: 9PA 03

Model life 2003>>2006

Pos	Part Number	Description	Remark	Qty	Model
		Impact protection Front			ID9J/D9K
1	955 505 860 00	Impact protection		1	-I7X2/I2JB I6W1
	955 505 860 00 B41	Satin black			
(1)	955 505 861 00	Impact protection		1	I2JB/6W1/7X2
	955 505 861 00 B41	Satin black			
(1)	955 505 862 00	Impact protection		1	-I7X2/I2JB
	955 505 862 00 B41	Satin black			
(1)	955 505 863 00	Impact protection		1	I2JB/7X2
	955 505 863 00 B41	Satin black			
(1)	955 505 866 00	Impact protection		1	-I7X2/I2JC I6W1
	955 505 866 00 B41	Satin black			
(1)	955 505 867 00	Impact protection		1	I2JC/6W1/7X2
	955 505 867 00 B41	Satin black			
(1)	955 505 868 00	Impact protection		1	-I7X2/I2JC
	955 505 868 00 B41	Satin black			
(1)	955 505 869 00	Impact protection		1	I2JC/7X2
	955 505 869 00 B41	Satin black			
2	955 505 897 00	U-clamp		56	
3	955 505 155 02	Cap	/L	1	
	955 505 155 02 B41	Satin black			
3	955 505 155 03	Cap	/L	1	
	955 505 155 03 B41	Satin black			
(3)	955 505 156 02	Cap	/R	1	
	955 505 156 02 B41	Satin black			
(3)	955 505 156 03	Cap	/R	1	
	955 505 156 03 B41	Satin black			
4	955 505 465 00	Housing	/L	1	I7X2
	955 505 465 00 G2X	Prime coated Outer			
(4)	955 505 466 00	Housing	/R	1	I7X2
	955 505 466 00 G2X	Prime coated Outer			
(4)	955 505 465 01	Housing	/L	1	I7X2
	955 505 465 01 G2X	Prime coated Inner			
(4)	955 505 466 01	Housing	/R	1	I7X2
	955 505 466 01 G2X	Prime coated Inner			
(4)	955 505 475 01	Housing	/L	1	I7X2
	955 505 475 01 G2X	Prime coated Centre			
(4)	955 505 476 01	Housing	/R	1	I7X2
	955 505 476 01 G2X	Prime coated Centre			
5	955 606 275 02	Sensor ParkAssist		1	I7X2
6	955 606 659 00	Ring ParkAssist		1	I7X2
7	N 902 184 01	Blind rivet nut M6		4	
8	955 701 105 00	Bracket		1	I6W1
	955 701 105 00 G2X	Prime coated			
(8)	955 701 105 04	Bracket		1	I6W2
	955 701 105 04 G2X	Prime coated			
9	955 701 105 10	Intermediate piece Support		2	
10	N 907 982 01	Number plate Screw M6 X 20		4	

Model: 9PA 03

Model life 2003>>2006





Model: 9PA 03 Model life 2003>>2006

Pos	Part Number	Description	Remark	Qty	Model
1	955 505 411 00	Lining Rear Lining		1	-I7X1/-I7X2 I1G1/1G6/1G8
(1)	955 505 411 00 G2X	Prime coated			
(1)	955 505 411 01	Lining		1	-I7X1/-I7X2 I1G3
(1)	955 505 411 01 G2X	Prime coated			
(1)	955 505 411 02	Lining		1	I1G1/1G6/1G8 I7X1/7X2
(1)	955 505 411 02 G2X	Prime coated			
(1)	955 505 411 03	Lining		1	I1G3/7X1/7X2
(2)	955 505 411 03 G2X	Prime coated			
(2)	955 505 313 11	Bumper reinforcement		1	I1D0/1D7/1D8 I1G1/1G4/1G8 I6P1
(2)	955 505 313 07	Basic Bumper reinforcement		1	I1D0/1D7/1D8 I1G3
(2)	955 505 313 12	Spare wheel Outer Bumper reinforcement		1	I1D0/1D7/1D8 I1G3
(2)	955 505 313 15	Spare wheel Outer Bumper reinforcement		1	I1D0/1D8/1G1 I1G6/1G8/6P1 I6P4
(2)	955 505 313 16	Bumper reinforcement		1	I1D0/1D8/1G1 I1G6/1G8/6P2
(2)	955 505 313 17	Bumper reinforcement		1	I1D0/1D8/1G3 I6P1/6P4
3	N 910 250 01	Combination screw		8	
3	WHT 000 401	Combination screw M 14 x 45	-05	8	
3	N 911 038 02	Hexagon-head bolt m 12 x 50	06-	8	
4	955 505 521 00	Spoiler Black	-04	1	ID9J/D9K
(4)	955 505 521 01	Spoiler Black	-04	1	ID9J/D9K/1G3
(4)	955 505 521 04	Spoiler Black		1	I0P3
(4)	955 505 521 05	Spoiler Black		1	I0P3/1G3
(4)	955 505 521 00	Spoiler	05-	1	ID9J/D9K
(4)	955 505 521 00 G2X	Prime coated			
(4)	955 505 521 01	Spoiler	05-	1	ID9J/D9K/1G3
(4)	955 505 521 01 G2X	Prime coated			
(4)	955 505 521 02	Spoiler		1	ID9L
(4)	955 505 521 02 G2X	Prime coated			
(4)	955 505 521 02	Spoiler		1	IE8A
(4)	955 505 521 02 G2X	Prime coated			
(4)	955 505 521 03	Spoiler		1	ID9L/1G3
(4)	955 505 521 03 G2X	Prime coated			
(4)	955 505 521 03	Spoiler		1	IE8A/1G3
(4)	955 505 521 03 G2X	Prime coated			
(4)	955 505 521 06	Spoiler	05-	1	I1G1/1G6/1G8 I2D1/2D2
	955 505 521 06 G2X	Prime coated			

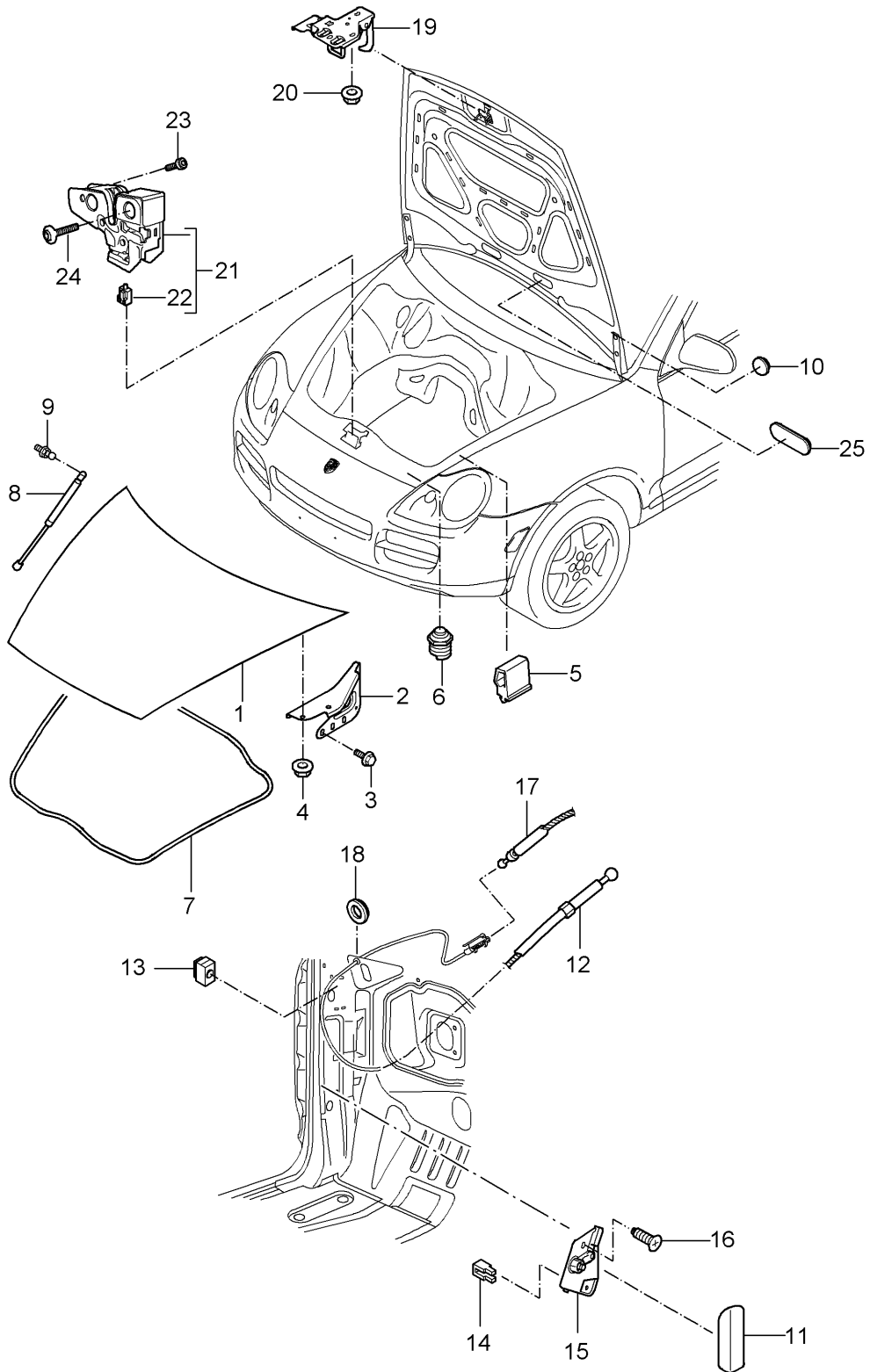
Model: 9PA 03

Model life 2003>>2006

Pos	Part Number	Description	Remark	Qty	Model
5	N 906 487 02	Tapping screw 4,8 X 18		18	
6	N 105 168 01	Expander nut		18	
7	955 505 393 00	Retaining strip	/L	1	
(7)	955 505 394 00	Retaining strip	/R	1	
8	955 505 863 00	Impact protection		1	
9	955 505 587 01	Cover		1	
10	N 902 158 04	Hexagon nut M 6		8	
11	955 505 787 00	Cover		1	I1G1/1G6/1G8
12	955 505 787 01	Cover		1	I1G3
-	955 505 897 00	U-clamp		14	
13	955 505 252 50	Foam part		1	
14	955 505 449 00	Cap	/L	1	ID9J/D9K
(14)	955 505 450 00	Cap	/R	1	ID9J/D9K
(14)	955 505 449 02	Cap	/L	1	I0P3
(14)	955 505 450 02	Cap	/R	1	I0P3
(14)	955 505 449 03	Cap	/L	1	I2D1/2D2
(14)	955 505 450 03	Cap	/R	1	I2D1/2D2
(14)	955 505 449 01	Cap	/L	1	ID9L
	955 505 449 01 G2X	Prime coated			
(14)	955 505 450 01	Cap	/R	1	ID9L
	955 505 450 01 G2X	Prime coated			
15	955 505 266 00	Mounting		6	
16	955 606 275 02	Sensor		6	
17	955 505 087 00	Lid	-04	1	ID9J/D9K
(17)	955 505 087 01	Lid	05-	1	ID9L
	955 505 087 01 G2X	Prime coated			
18	955 505 470 00	Gasket		2	
19	N 908 259 01	Hexagon socket head bolt		4	
20	955 505 526 00	Clip	05-	1	I2D1/2D2
21	N 902 455 02	Clamp		X	
22	955 505 735 00	Fastening clamp Spoiler Wheel-housing liner		X	
23	955 701 847 00	Bracket  Number plate		1	ID9J/D9K/1G3 I6P1
23	955 701 847 05	Bracket		1	ID9J/D9K/1G3 I6P1
(23)	955 701 847 01	Number plate Bracket		1	ID9L/1G3/6P1
(23)	955 701 847 04	Number plate Bracket Number plate		1	ID9L/1G3/6P1

Model: 9PA 03

Model life 2003>>2006



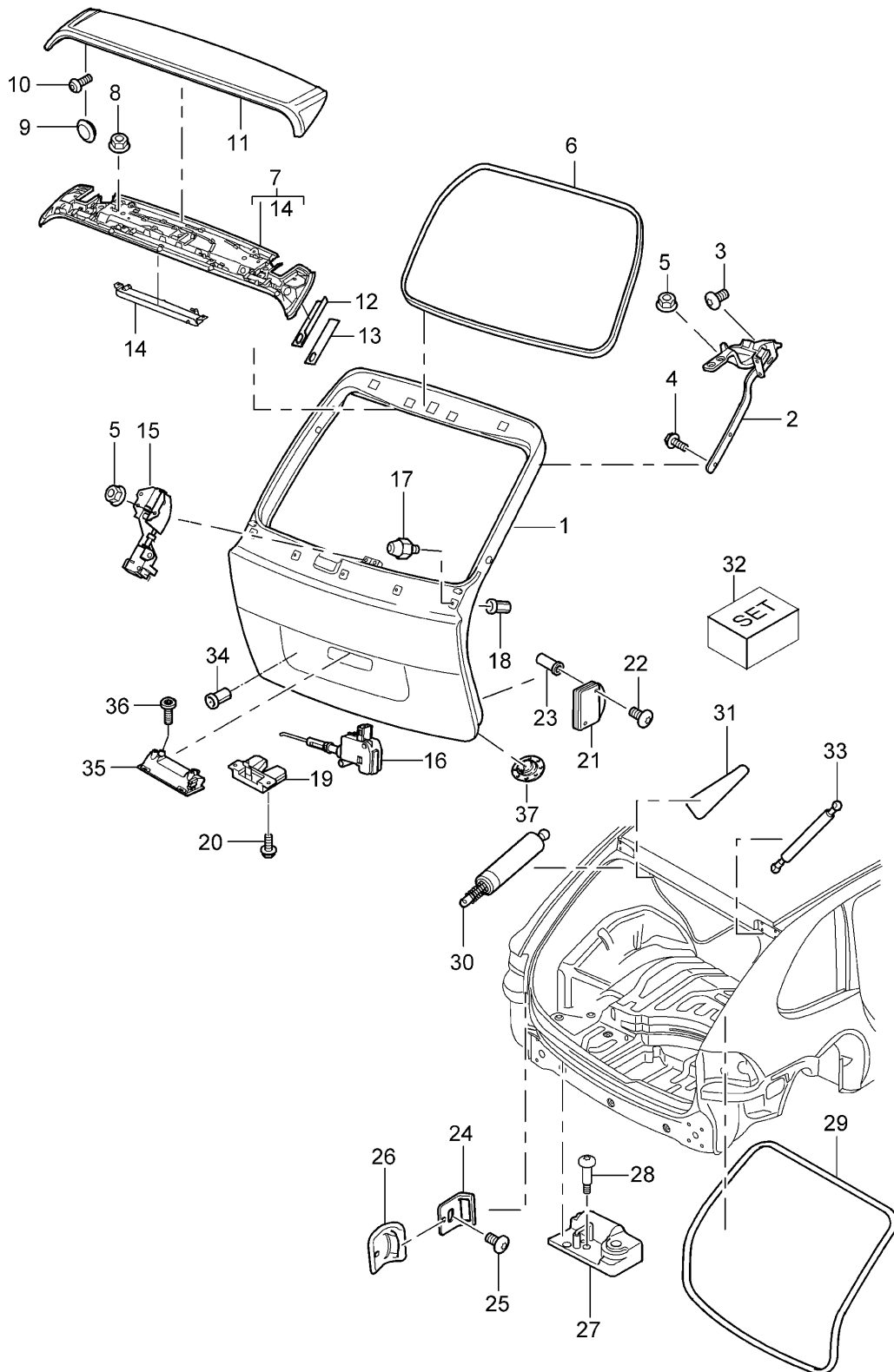
Model: 9PA 03

Model life 2003>>2006

Pos	Part Number	Description	Remark	Qty	Model
1	955 511 011 00	Lid Front		1	ID9J/D9K
(1)	955 511 011 00 GRV	Lid Prime coated		1	ID9L
	955 511 011 01	Lid		1	
	955 511 011 01 GRV	Prime coated		1	
2	955 511 301 00	Hinge	/L	1	
(2)	955 511 302 00	Hinge	/R	1	
3	N 908 079 01	Combination screw M8 X 20		4	
4	N 905 115 02	Combined nut M 8		4	
5	955 511 493 00	Guide piece		2	
6	955 511 500 00	Rubber buffer		2	
7	955 511 707 00	Gasket		1	
8	955 511 359 00	Damper		1	
9	955 511 439 00	Ball pin M8		1	
10	N 909 087 01	Stopper A12,5 X 3		2	
11	955 511 533 00	Actuating lever	/LL	1	IL0L
	955 511 533 00 01C	Satin black			
	955 511 533 00 6C6	Sand Beige			
	955 511 533 00 6H8	Palmgreen			
	955 511 533 00 7A8	Steel grey			
(11)	955 511 533 01	Actuating lever	/RL	1	IL0R
	955 511 533 01 01C	Satin black			
	955 511 533 01 6C6	Sand Beige			
	955 511 533 01 6H8	Palmgreen			
	955 511 533 01 7A8	Steel grey			
12	955 511 535 00	Bowden cable		1	
13	955 511 645 00	Clip for Bowden cable		2	
14	N 909 274 01	Expander nut 4,8 X 10 for Bearing bracket		2	
15	955 511 633 00	Bearing bracket	/LL	1	IL0L
(15)	955 511 633 01	Bearing bracket	/LL	1	IL0L
(15)	955 511 633 02	Bearing bracket	/RL	1	IL0R
16	N 905 488 01	Rais. counters. h. tap. s. ST 4,8 X 19		2	
17	955 511 531 00	Bowden cable	/LL	1	IL0L
(17)	955 511 530 00	Bowden cable Emergency operation	/LL	1	IL0L
(17)	955 511 531 01	Bowden cable	/RL	1	IL0R
(17)	955 511 530 10	Bowden cable Emergency operation	/RL	1	IL0R
18	955 511 196 00	Front Stopper		3	
19	955 511 480 00	Hook		1	
20	N 901 326 03	Hexagon nut M6		3	
21	955 511 509 01	Lid lock		1	
22	955 624 236 00	Microswitch		1	
23	N 103 470 02	Combination screw M 6 X 16		1	
24	N 104 422 01	Combination screw M 6 X 40		2	
25	955 511 440 00	Lid		2	

Model: 9PA 03

Model life 2003>>2006



Model: 9PA 03 Model life 2003>>2006

Pos	Part Number	Description	Remark	Qty	Model
1	955 512 011 10	Rear lid		1	I6P1
	955 512 011 10 GRV	Prime coated			
(1)	955 512 011 11	Rear lid		1	I6P2
	955 512 011 11 GRV	Prime coated			
2	955 512 301 00	Hinge	/L	1	
(2)	955 512 302 00	Hinge	/R	1	
3	N 908 962 01	Lens-head screw M 8 X 20		8	
4	N 909 891 01	Pan-head screw M 8 X 16		4	
5	N 902 158 02	Hexagon nut M 6		X	
6	955 512 521 00	Gasket		1	
7	955 512 933 00	Rear window			
7	955 512 933 01	Rear spoiler		1	
7	955 512 933 02	Rear spoiler		1	
		Lower part			
8	N 905 083 02	Combined nut M 6		4	
9	955 512 975 00	Cap		3	
	955 512 975 00 01C	Satin black			
10	N 907 809 03	Round head screw M 6 X 16		3	
11	955 512 939 00	Rear spoiler		1	-I2D1/-I2D2
	955 512 939 00 G2X	Prime coated			
		Upper part			
11	955 512 939 02	Rear spoiler		1	-I2D1/-I2D2
	955 512 939 02 G2X	Prime coated			
		Upper part			
(11)	955 512 939 01	Rear spoiler		1	I2D1/2D2
	955 512 939 01 G2X	Prime coated			
		Upper part			
(11)	955 512 939 03	Rear spoiler		1	I2D1/2D2
	955 512 939 03 G2X	Prime coated			
		Upper part			
(12)	955 512 965 02	Gasket	/L	1	-I2D1/-I2D2
		Rear spoiler			
(12)	955 512 965 01	Gasket	/L	1	I2D1/2D2
		Rear spoiler			
12	955 512 966 02	Gasket	/R	1	-I2D1/-I2D2
		Rear spoiler			
12	955 512 966 01	Gasket	/R	1	I2D1/2D2
		Rear spoiler			
13	000 043 206 08	Set		1	-I2D1/-I2D2
		Protective film for Rear spoiler			
13	955 512 472 00	Set		1	-I2D1/-I2D2
		Protective film for Rear spoiler			
(13)	000 043 206 09	Set		1	I2D1/2D2
		Protective film for Rear spoiler			
14	-	Brake light		1	
		See group 9/05/05			
15	955 512 506 01	Lock for Rear window		1	

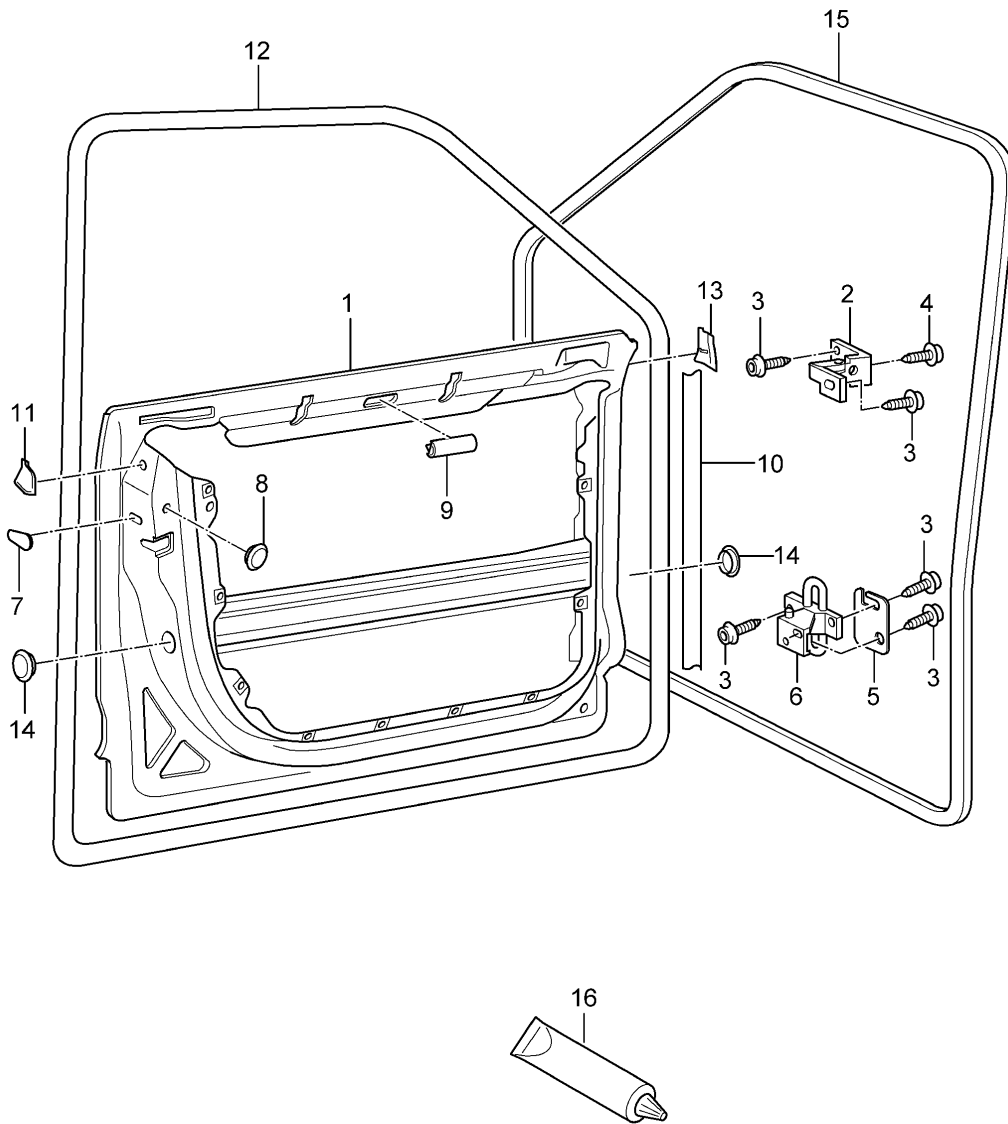
Model: 9PA 03

Model life 2003>>2006

Pos	Part Number	Description	Remark	Qty	Model
16	955 512 761 00	Actuator Lock		1	
17	955 512 471 00	Rear lid Buffer for Rear window		2	
18	N 908 051 01	Blind rivet nut for Buffer		X	
19	955 512 505 00	Lock upper part		1	
19	955 512 505 01	Lock upper part		1	
19	955 512 505 02	Lock upper part for Rear lid		1	
20	N 906 405 01	Pan-head screw M 8 X 22		2	
21	955 512 679 00	Guide wedge		2	
22	N 910 505 01	Screw M 6 X 28		4	
23	N 909 182 01	Blind rivet nut M 6		4	
24	955 512 683 00	Guide		2	
24	955 512 683 01	Guide		2	
25	N 906 381 03	Round head screw M 6 X 12		2	
26	955 512 681 00	Rubber stop		2	
26	955 512 681 01	Rubber stop		2	
27	955 512 511 00	Lock lower part		1	IGY1
27	955 512 511 02	Lock lower part		1	IGY1
(27)	955 512 512 00	Lock lower part		1	IGY0
(27)	955 512 512 01	Lock lower part		1	IGY0
28	N 907 448 04	Hexagon-head bolt M 8 X 20		2	IGY0
(28)	N 908 047 02	Countersunk-head screw M 8 X 22		2	IGY1
29	955 512 705 00	Gasket for Rear lid		1	
30	955 512 550 06	Gas-pressure spring for Rear lid		2	
31	955 512 583 00	Trim cover	/L	1	
(31)	955 512 584 00	Trim cover	/R	1	
32	000 043 204 38	Sealing material		X	
33	955 512 528 00	Gas-pressure spring for Rear window		2	
34	N 907 667 01	Blind rivet nut M 6 X 17 for Number plate		X	
34	N 907 667 02	Blind rivet nut M 6 X 17 for Number plate		X	
35	955 613 271 01	Tip switch Rear lid		1	
36	N 104 840 02	Round head screw M5 X 7,0		2	
37	955 512 188 00	Water drain valve		2	

Model: 9PA 03

Model life 2003>>2006





Model: 9PA 03 Model life 2003>>2006

Pos	Part Number	Description	Remark	Qty	Model
		Bare door shell Front Gaskets			
(1)	955 531 011 05	Bare door shell	/L	1	
	955 531 011 05 GRV	Prime coated			
(1)	955 531 011 06	Bare door shell	/L	1	
	955 531 011 06 GRV	Prime coated			
1	955 531 012 06	Bare door shell	/R	1	
	955 531 012 06 GRV	Prime coated			
1	955 531 012 07	Bare door shell	/R	1	
	955 531 012 07 GRV	Prime coated			
(2)	955 531 401 00	Hinge Upper	/L -05	1	
(2)	955 531 401 02	Hinge Upper	/L	1	
2	955 531 402 00	Hinge Upper	/R -05	1	
2	955 531 402 02	Hinge Upper	/R	1	
3	N 908 232 01	Pan-head screw M 8 X 28		12	
4	N 907 870 01	Pan-head screw M 8 X 22		2	
5	955 531 483 00	Washer Hinge Lower Repair work See technical manual	/L /R	X	
(6)	955 531 411 00	Hinge Lower	/L	1	
(6)	955 531 411 01	Hinge Lower	/L	1	
6	955 531 412 00	Hinge Lower	/R	1	
6	955 531 412 01	Hinge Lower	/R	1	
7	955 531 111 00	Stopper 16/12		2	
8	955 531 112 00	Stopper 16		2	
9	955 531 311 00	Rubber stop		2	
(10)	955 537 717 00	Door seal Front	/L	1	
(10)	955 537 717 01	Door seal Front	/L	1	
10	955 537 718 00	Door seal Front	/R	1	
10	955 537 718 01	Door seal Front	/R	1	
(11)	955 531 915 00	Cover	/L	1	
	955 531 915 00 B41	Satin black			
(11)	955 531 915 01	Cover	/L	1	
	955 531 915 01 B41	Satin black			
11	955 531 916 00	Cover	/R	1	
	955 531 916 00 B41	Satin black			
11	955 531 916 01	Cover	/R	1	
	955 531 916 01 B41	Satin black			
12	955 537 911 00	Door seal Outer		2	
12	955 537 911 01	Door seal Outer		2	
(13)	955 531 865 00	Cover	/L	1	
	955 531 865 00 01C	Black			

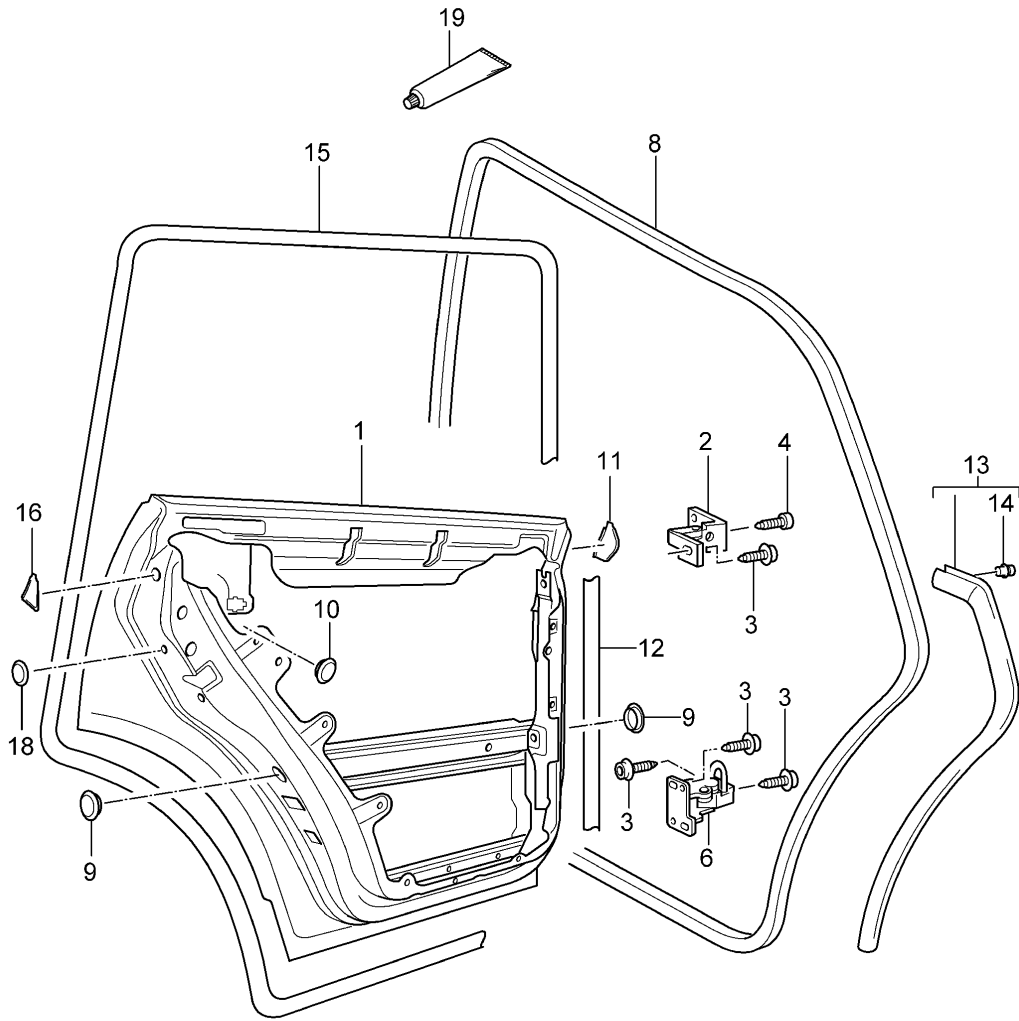
Model: 9PA 03

Model life 2003>>2006

Pos	Part Number	Description	Remark	Qty	Model
(13)	955 531 865 02	Cover	/L	1	
	955 531 865 02 01C	Black			
13	955 531 866 00	Cover	/R	1	
	955 531 866 00 01C	Black			
13	955 531 866 02	Cover	/R	1	
	955 531 866 02 01C	Black			
14	955 531 935 00	Cap 30		4	
15	955 537 365 00	Door seal Inner		2	
15	955 537 365 01	Door seal Inner		2	
16	000 043 206 35	Grease Door arrester 10 GR.		X	
16	000 043 300 13	Grease Door arrester 80 GR.		1	

Model: 9PA 03

Model life 2003>>2006



Model: 9PA 03 Model life 2003>>2006

Pos	Part Number	Description	Remark	Qty	Model
		Door in white			
		Rear			
		Gaskets			
(1)	955 533 011 03	Bare door shell	/L	1	
	955 533 011 03 GRV	Prime coated			
(1)	955 533 011 04	Bare door shell	/L	1	
	955 533 011 04 GRV	Prime coated			
(1)	955 533 011 06	Bare door shell	/L	1	
	955 533 011 06 GRV	Prime coated			
1	955 533 012 03	Bare door shell	/R	1	
	955 533 012 03 GRV	Prime coated			
1	955 533 012 04	Bare door shell	/R	1	
	955 533 012 04 GRV	Prime coated			
1	955 533 012 06	Bare door shell	/R	1	
	955 533 012 06 GRV	Prime coated			
(2)	955 533 401 00	Hinge	/L	1	
		Upper			
(2)	955 533 401 01	Hinge	/L	1	
		Upper			
2	955 533 402 00	Hinge	/R	1	
		Upper			
2	955 533 402 01	Hinge	/R	1	
		Upper			
3	N 908 232 01	Pan-head screw		10	
		M 8 X 28			
4	N 907 870 01	Pan-head screw		4	
		M 8 X 22			
5	N 904 030 03	Cap		2	
		13 X 14			
(6)	955 533 411 00	Hinge	/L	1	
		Lower			
(6)	955 533 411 01	Hinge	/L	1	
		Lower			
6	955 533 412 00	Hinge	/R	1	
		Lower			
6	955 533 412 01	Hinge	/R	1	
		Lower			
8	955 539 367 00	Door seal		2	
8	955 539 367 01	Door seal		2	
		Outer			
8	955 539 367 02	Door seal		2	
		Outer			
9	955 531 935 00	Cap		4	
		30			
10	955 531 112 00	Stopper		2	
		16			
(11)	955 531 349 00	Cover	/L	1	
11	955 531 350 00	Cover	/R	1	
(12)	955 533 717 00	Door seal	/L	1	
		Front			
12	955 533 718 00	Door seal	/R	1	
		Front			
(13)	955 533 761 00	Door seal	/L	1	
(13)	955 533 761 01	Door seal	/L	1	
		Outer			
		Rear			
13	955 533 762 00	Door seal	/R	1	
13	955 533 762 01	Door seal	/R	1	
		Outer			
		Rear			
14	955 533 723 00	Clip		2	
15	955 533 911 00	Door seal		2	
15	955 533 911 01	Door seal		2	

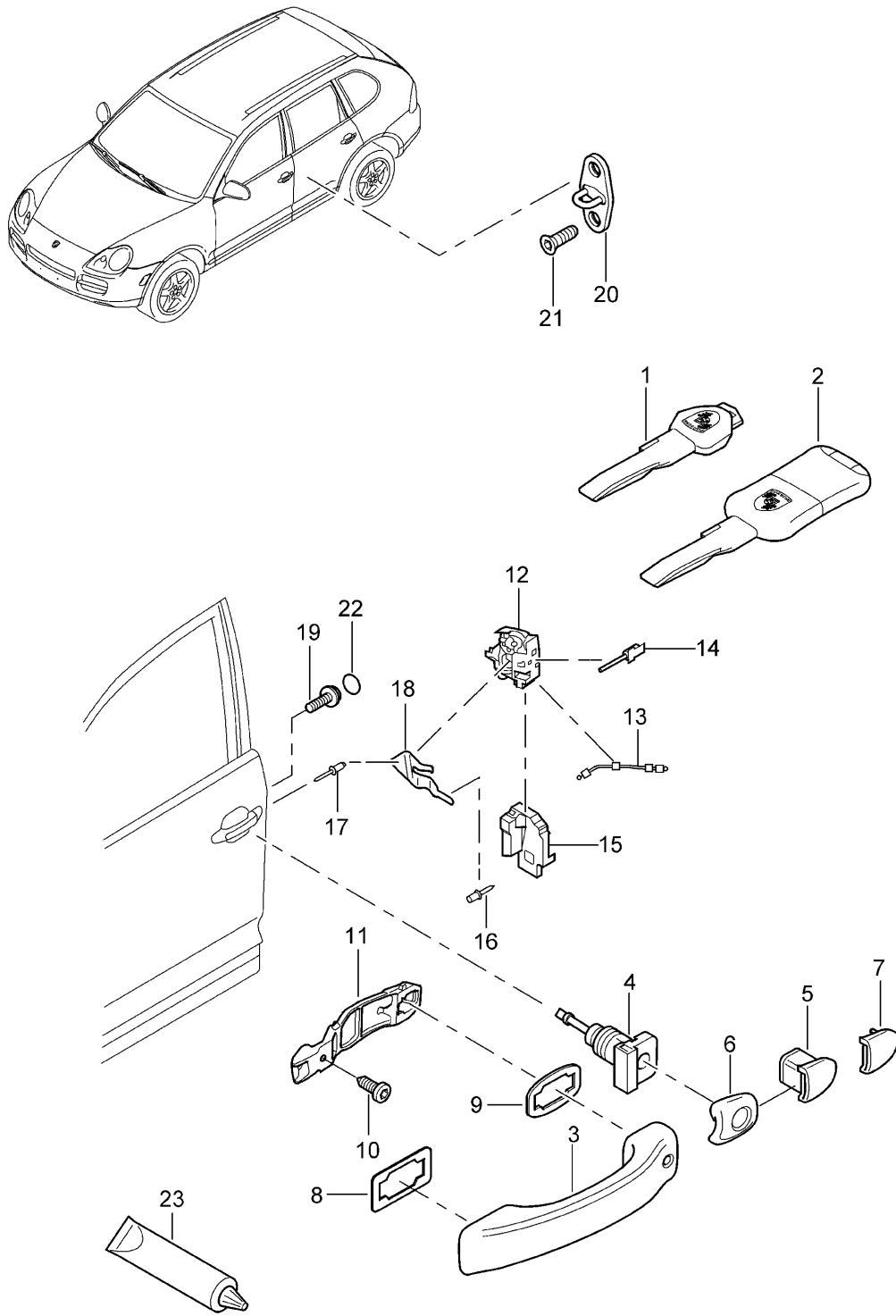
Model: 9PA 03

Model life 2003>>2006

Pos	Part Number	Description	Remark	Qty	Model
(16)	955 533 915 00	Outer Cover	/L	1	
	955 533 915 00 B41	Satin black			
16	955 533 916 00	Cover	/R	1	
	955 533 916 00 B41	Satin black			
18	955 531 111 10	Cap 16		2	
19	000 043 206 35	Grease Door arrester 10 GR.		X	
19	000 043 300 13	Grease Door arrester 80 GR.		1	

Model: 9PA 03

Model life 2003>>2006



Model: 9PA 03 Model life 2003>>2006

Pos	Part Number	Description	Remark	Qty	Model
1	955 538 916 00	Door handle Door lock Front Emergency key State lock number Information available		1	
2	--- --- --- --	Handheld transmitter See group 9/01/04		1	
3	955 531 030 00 955 531 030 00 G2X	Door handle Prime coated Satin aluminium		X	I4F2/4F6
(3)	955 531 030 01 955 531 030 01 G2X	Door handle Prime coated Black	05-	X	IQJ4/4F2/4F6
(3)	955 531 032 00 955 531 032 00 G2X	Door handle Prime coated Satin aluminium		X	I4K0/4K3
(3)	955 531 032 01 955 531 032 01 G2X	Door handle Prime coated Black	05-	X	IQJ4/4K0/4K3
4	955 531 034 01	Lock cylinder Driver's door Vehicle Ident. No. Indicate	/LL	1	IL0L
(4)	955 531 035 01	Lock cylinder Driver's door Vehicle Ident. No. Indicate	/RL	1	IL0R
5	955 531 036 00	Housing Satin aluminium		1	
(5)	955 531 036 01	Housing Black	05-	1	
6	955 531 037 00 955 531 037 00 4W9 955 531 037 00 VV1	Cap Satin aluminium Black Housing Driver's door	05- 05- 05-	1	
7	955 531 038 00 955 531 038 00 4W9 955 531 038 00 VV1	Cap Satin aluminium Black Housing Passenger's door	05- 05- 05-	1	
8	955 531 039 00	Desk pad Door handle Front		1	
9	955 531 040 00	Desk pad Door handle Rear		1	
10	N 908 976 02	Oval-head screw for Supporting bow		1	
11	955 531 041 00	Supporting bow	/RL /L	1	IL0R
(11)	955 531 042 00	Supporting bow	/LL /R	1	IL0L
(11)	955 531 043 00	Supporting bow	/LL /L	1	IL0L
(11)	955 531 044 00	Supporting bow	/RL /R	1	IL0R
12	955 531 015 00	Door lock	/LL /L	1	IL0L/4K3
(12)	955 531 016 00	Door lock	/LL /R	1	IL0L/4K3
(12)	955 531 015 01	Door lock	/LL /L	1	IL0L/4K0
(12)	955 531 016 01	Door lock	/LL /R	1	IL0L/4K0
(12)	955 531 015 02	Door lock	/LL /L	1	IL0L/4F2
(12)	955 531 016 02	Door lock	/LL /R	1	IL0L/4F2
(12)	955 531 015 03	Door lock		1	I4F6

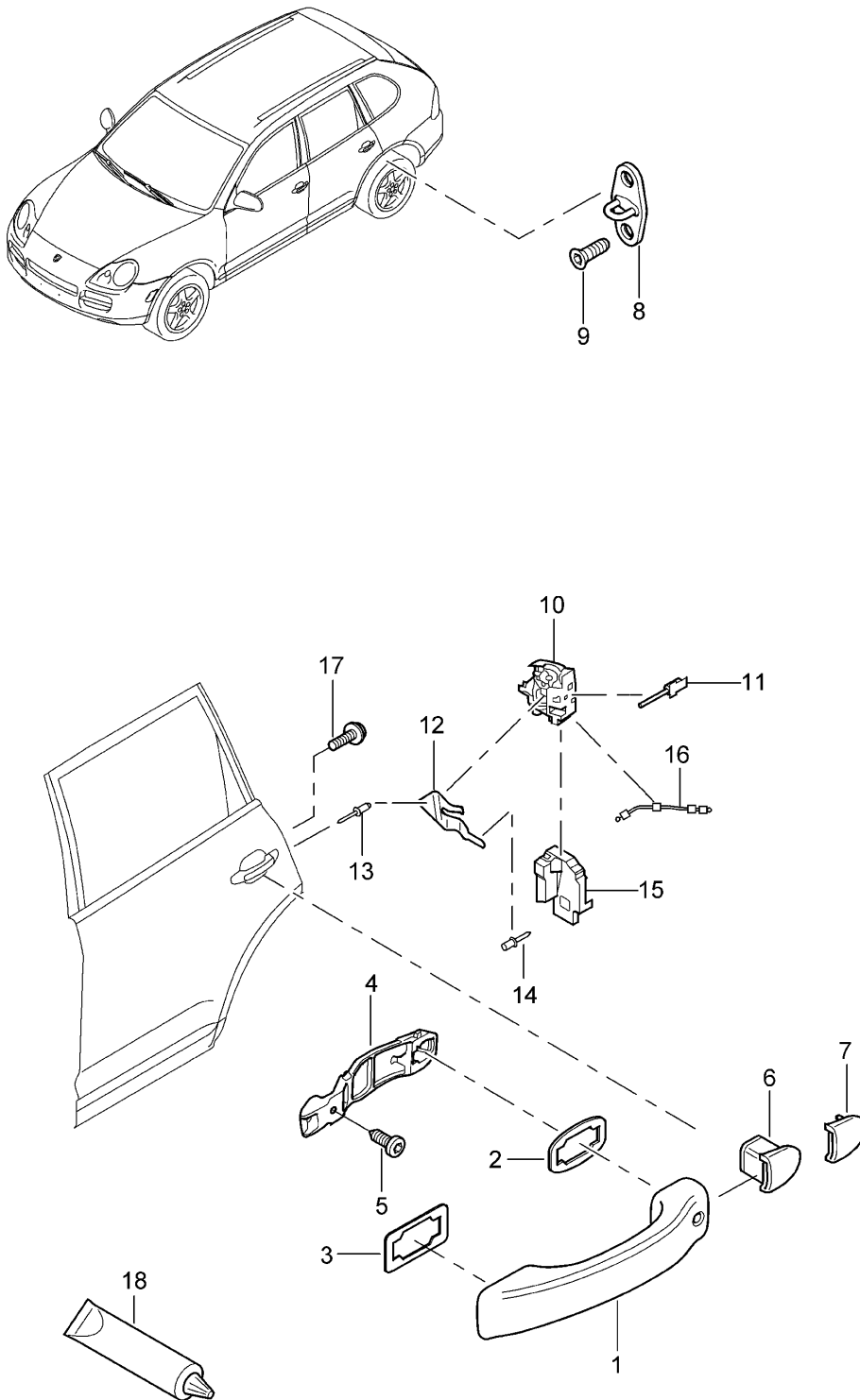
Model: 9PA 03 Model life 2003>>2006

Pos	Part Number	Description	Remark	Qty	Model
(12)	955 531 016 03	Door lock	/LL /R	1	IL0L/4F6
(12)	955 531 015 04	Door lock	/RL /L	1	IL0R/4K3
(12)	955 531 016 04	Door lock	/RL /R	1	IL0R/4K3
(12)	955 531 015 05	Door lock	/RL /L	1	IL0R/4F2
(12)	955 531 016 05	Door lock	/RL /R	1	IL0R/4F2
13	955 531 024 00	Bowden cable Door opener Inner To		1	
14	955 531 069 00	Door lock Traction Door handle Outer To	/L	1	
(14)	955 531 070 00	Door lock Traction Door handle Outer To	/R	1	
15	955 531 089 00	Door lock Cover	/L	1	
(15)	955 531 090 00	Door lock Cover	/R	1	
16	N 908 258 01	Blind rivet A4 X 13		1	
17	N 907 657 01	Blind rivet A4,8 X 15		1	
18	955 533 867 00	Retaining bracket	/L	1	
(18)	955 533 868 00	Retaining bracket for	/R	1	
19	N 908 005 01	Door lock Oval-head screw for		2	
20	3B0 837 033 P	Door lock Closing element		1	
21	N 908 047 02	Countersunk-head screw M8 X 22		2	
22	955 531 935 00	Cap		2	
23	000 043 206 17	Grease 10 GRAMM 1 tube Door handle Lock cylinder		X	



Model: 9PA 03

Model life 2003>>2006



Model: 9PA 03

Model life 2003>>2006

Pos	Part Number	Description	Remark	Qty	Model
1	955 532 010 00 955 532 010 00 G2X	Door handle Door lock Rear Door handle Prime coated Satin aluminium		X	I4F2/4F6
(1)	955 532 010 01 955 532 010 01 G2X	Door handle Prime coated Black	05-	X	IQJ4/4F2/4F6
(1)	955 531 032 00 955 531 032 00 G2X	Door handle Prime coated Satin aluminium		X	I4K0/4K3
(1)	955 531 032 01 955 531 032 01 G2X	Door handle Prime coated Black	05-	X	IQJ4/4K0/4K3
2	955 531 040 00	Desk pad Rear		1	
3	955 531 039 00	Desk pad Front		1	
4	955 532 885 00	Supporting bow	/L	1	
(4)	955 532 886 00	Supporting bow	/R	1	
5	N 908 976 02	Oval-head screw for Supporting bow		1	
6	955 531 036 00	Housing Satin aluminium		1	
(6)	955 531 036 01	Housing Black	05-	1	
7	955 531 038 00 955 531 038 00 4W9 955 531 038 00 VV1	Cap Satin aluminium Black	05-	1	
8	3B0 837 033 P	Closing element		1	
9	N 908 047 02	Countersunk-head screw M8 X 22		2	
10	955 532 015 00	Door lock	/L	1	I4K3
(10)	955 532 016 00	Door lock	/R	1	I4K3
(10)	955 532 015 01	Door lock	/L	1	I4K0
(10)	955 532 016 01	Door lock	/R	1	I4K0
(10)	955 532 015 02	Door lock	/L	1	I4F2
(10)	955 532 016 02	Door lock	/R	1	I4F2
(10)	955 532 015 03	Door lock	/L	1	I4F6
(10)	955 532 016 03	Door lock	/R	1	I4F6
11	955 533 059 00	Traction Door handle Outer To	/L	1	
(11)	955 533 060 00	Door lock Traction Door handle Outer To	/R	1	
12	955 533 867 00	Door lock Retaining bracket	/L	1	
(12)	955 533 868 00	Retaining bracket	/R	1	
13	N 907 657 01	Blind rivet A4 X 15		1	
14	N 908 258 01	Blind rivet A4 X 13		1	
15	955 533 089 01	Covering for lock	/L	1	
(15)	955 533 090 01	Covering for lock	/R	1	
16	955 533 085 00	Bowden cable Door opener Inner		1	

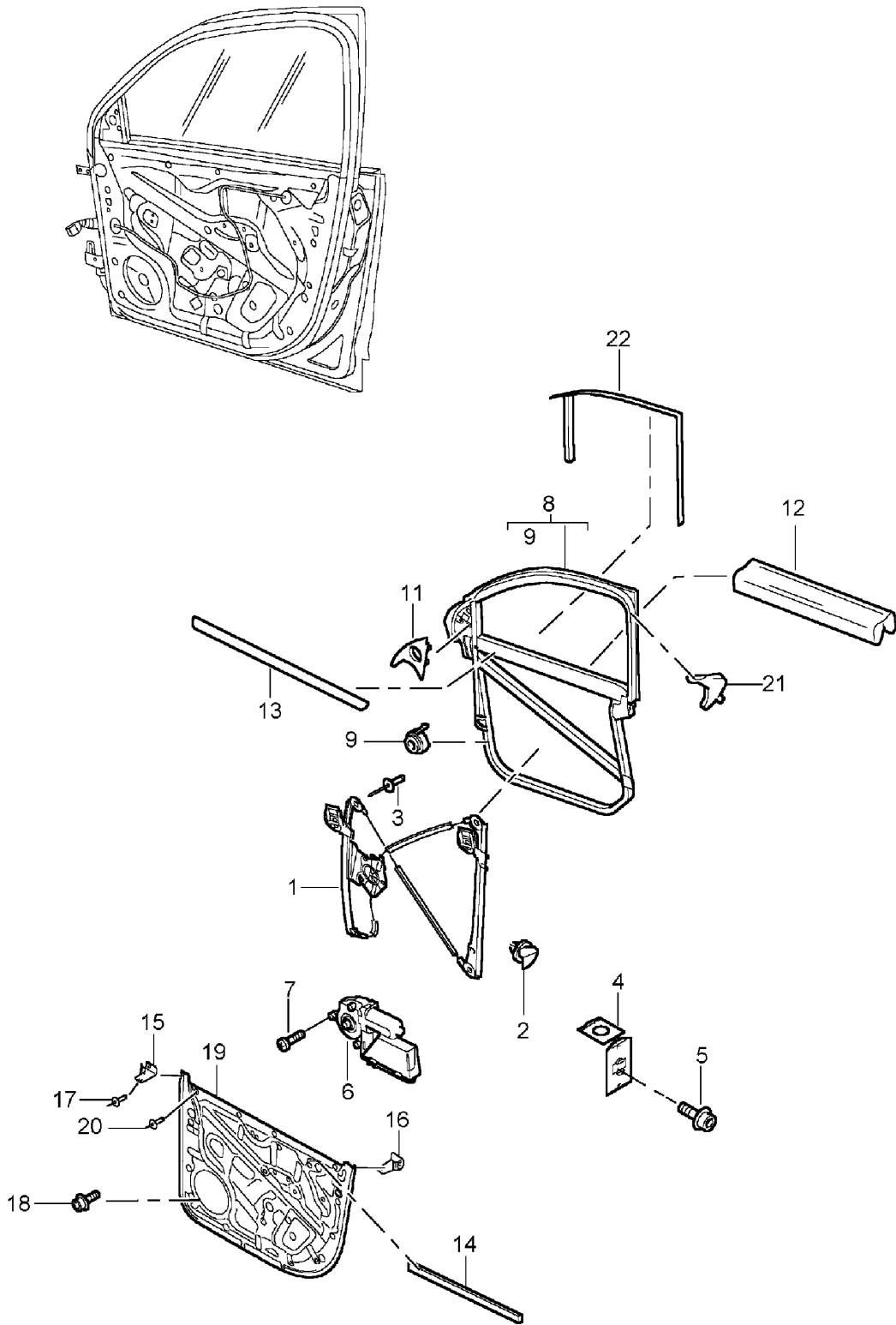
Model: 9PA 03

Model life 2003>>2006

Pos	Part Number	Description	Remark	Qty	Model
17	N 908 005 01	To Door lock Oval-head screw		2	
18	000 043 206 17	Door lock Grease 10 GRAMM 1 tube Door handle Lock cylinder		X	

Model: 9PA 03

Model life 2003>>2006



Model: 9PA 03

Model life 2003&gt;&gt;2006

Pos	Part Number	Description	Remark	Qty	Model
		Power windows Front			
1	955 542 461 01	Power windows	/L	1	
(1)	955 542 462 01	Power windows	/R	1	
2	955 542 200 00	Clip		2	
3	N 907 764 02	Blind rivet A4 X 20		4	
4	955 542 421 00	Support for Power windows		2	-IQL3/-IQL5
4	955 542 421 01	Support for Power windows		2	IQL3/QL5
5	955 533 692 00	Screw Plastic material M6 X 14		2	
6	955 624 701 02	Control unit Power windows	/LL /L	1	IL0L
(6)	955 624 702 02	Control unit Power windows	/LL /R	1	IL0L
(6)	955 624 702 03	Control unit Power windows	/RL /L	1	IL0R
(6)	955 624 701 03	Control unit Power windows	/RL /R	1	IL0R
7	955 533 691 00	Oval-head sheetmetal screw Plastic material for window opener Engine		3	
8	955 531 353 00	Door frame	/L	1	
(8)	955 531 354 00	Door frame	/R	1	
9	955 531 346 00	Compensating socket		3	
11	-	Trim cover See group 8/07/10		1	
12	955 531 477 00	Sealing for door slot Outer	/L	1	
(12)	955 531 478 00	Sealing for door slot Outer	/R	1	
13	955 531 471 00	Sealing for door slot Inner	/L	1	
(13)	955 531 472 00	Sealing for door slot Inner	/R	1	
14	955 531 735 00	Plastic foam strip		1	
15	955 531 901 00	Cover	/L	1	
(15)	955 531 902 00	Cover	/R	1	
16	955 533 801 00	Cover	/L	1	
(16)	955 533 802 00	Cover	/R	1	
17	N 909 311 02	Blind rivet A3,2 X 8		2	
18	955 531 643 00	Pan-head screw M8 X 42,5		4	
18	WHT 001 886	Pan-head screw M8 X 42,5		4	
19	955 531 729 00	Bracket	/L	1	I4K3
(19)	955 531 730 00	Bracket	/R	1	I4K3
(19)	955 531 729 01	Bracket	/L	1	I4F2/4F6
(19)	955 531 730 01	Bracket	/R	1	I4F2/4F6
20	N 910 177 01	Blind rivet A4,8 X 7		4	
-	N 910 113 01	Screw for Bracket		X	
21	955 531 457 00	Cover	/L -03	1	

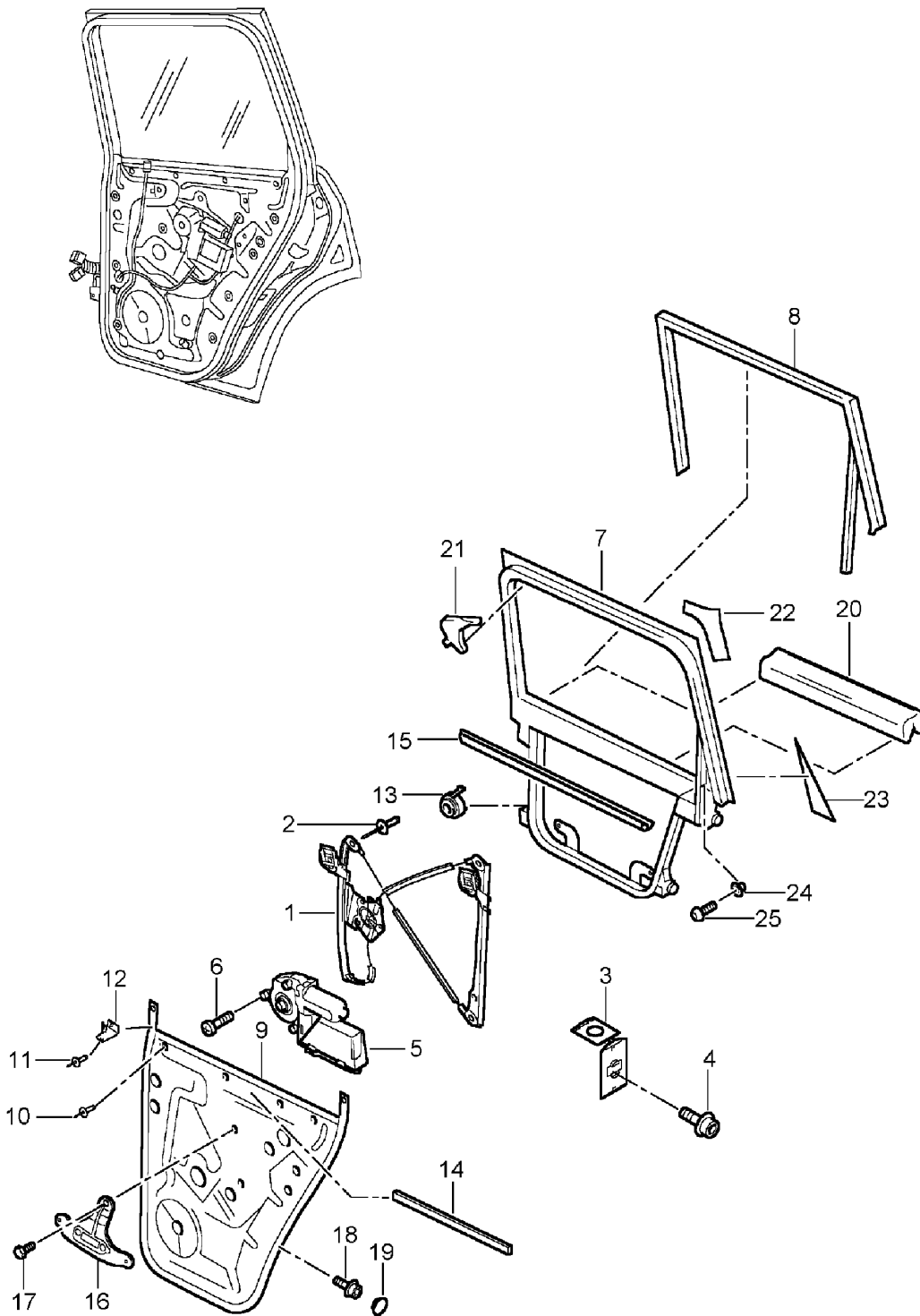
Model: 9PA 03

Model life 2003>>2006

Pos	Part Number	Description	Remark	Qty	Model
21	955 531 457 01	Cover Window guide	/L 04-	1	
(21)	955 531 458 00	Cover	/R -03	1	
(21)	955 531 458 01	Cover Window guide	/R 04-	1	
22	955 531 431 02	Window guide	/L	1	IQL3/QL5
(22)	955 531 432 02	Window guide	/R	1	IQL3/QL5
(22)	955 531 431 01	Window guide	/L	1	IQL6
(22)	955 531 432 01	Window guide	/R	1	IQL6

Model: 9PA 03

Model life 2003>>2006



Model: 9PA 03

Model life 2003&gt;&gt;2006

Pos	Part Number	Description	Remark	Qty	Model
		Power windows Rear			
1	955 533 461 00	Power windows	/L	1	
1	955 533 461 01	Power windows	/L	1	
(1)	955 533 462 00	Power windows	/R	1	
2	N 907 764 02	Blind rivet A4,8 X 20		4	
3	955 542 421 00	Support for window opener		1	-IQL3/-IQL5
3	955 542 421 01	Support for window opener		1	IQL3/QL5
4	955 533 692 00	Screw Plastic material M6 X 14		2	
5	955 624 703 00	Control unit	/L	1	
(5)	955 624 704 00	Control unit	/R	1	
6	955 533 691 00	Oval-head sheetmetal screw Plastic material		3	
7	955 533 353 00	Door frame	/L	1	
(7)	955 533 354 00	Door frame	/R	1	
(7)	955 533 353 01	Door frame	/L	1	I3Y3
(7)	955 533 354 01	Door frame	/R	1	I3Y3
8	955 533 431 00	Window guide	/L	1	
(8)	955 533 432 00	Window guide	/R	1	
(8)	955 533 431 01	Window guide	/L	1	IQL6
(8)	955 533 432 01	Window guide	/R	1	IQL6
(9)	955 533 729 00	Bracket	/L	1	
(9)	955 533 730 00	Bracket	/R	1	
10	N 910 177 01	Blind rivet A4,8 X 7		2	
11	N 909 311 02	Blind rivet A3,2 X 8		2	
12	955 533 801 00	Cover	/L	1	
(12)	955 533 802 00	Cover	/R	1	
13	955 531 346 00	Compensating socket for Bracket		3	
14	955 531 735 00	Plastic foam strip		1	
15	955 533 471 00	Sealing rubber	/L	1	
(15)	955 533 472 00	Sealing rubber Inner	/R	1	
16	955 533 361 00	Bracket		1	
17	N 902 452 04	Hexagon-head bolt M6 X 10		3	
18	955 531 643 00	Pan-head screw M8 X 42,5		4	
18	WHT 001 886	Pan-head screw M8 X 42,5		4	
19	955 531 935 00	Cap		2	
20	955 533 477 00	Sealing for door slot	/L	1	
(20)	955 533 478 00	Sealing for door slot Door channel Outer	/R	1	
21	955 533 151 00	Cover	/L	1	
	955 533 151 00 B41	Satin black B-pillar			
(21)	955 533 152 00	Cover	/R	1	
	955 533 152 00 B41	Satin black B-pillar			
22	955 533 527 00	Cover	/L	1	
	955 533 527 00 B41	Satin black C-pillar			
(22)	955 533 528 00	Cover	/R	1	

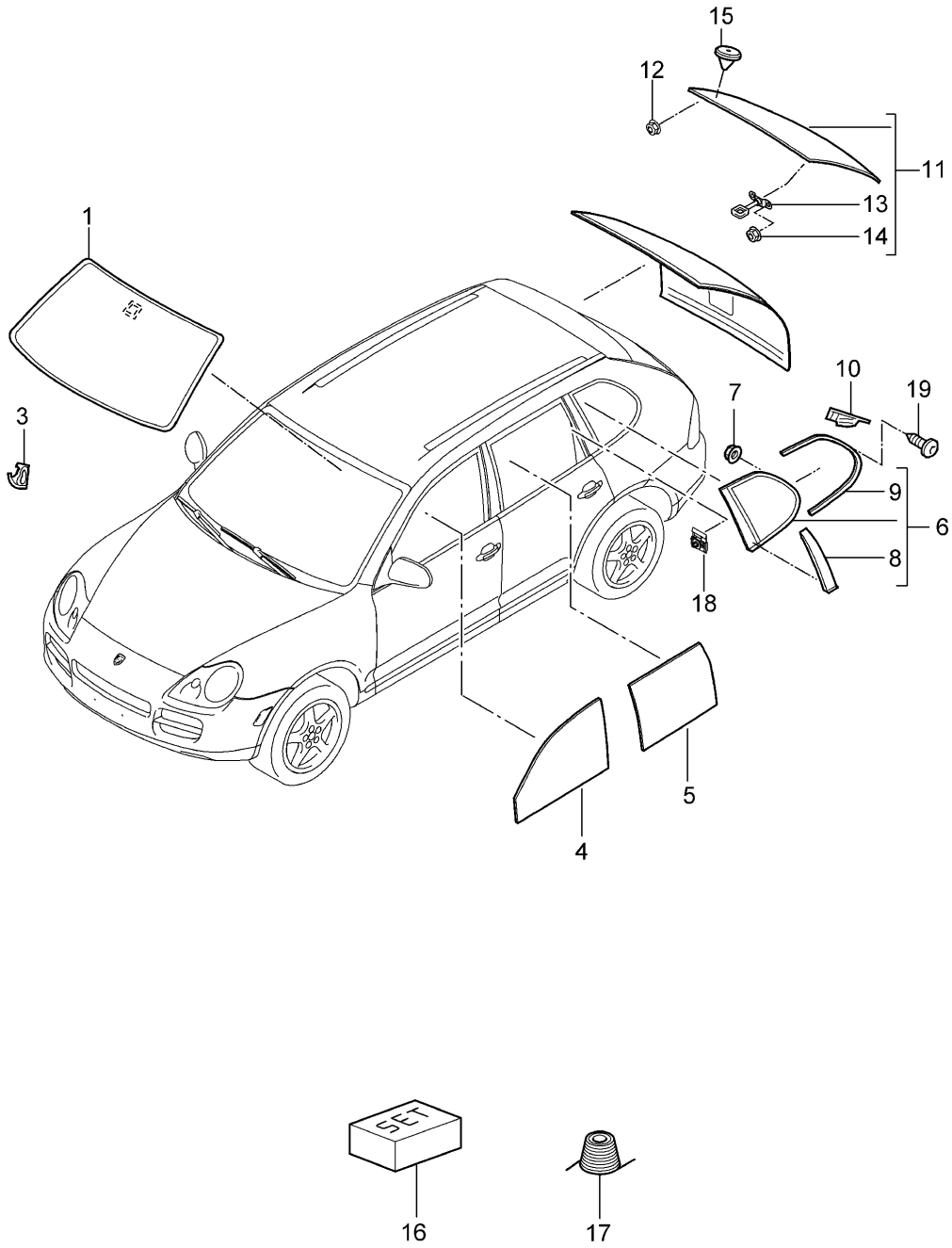


Model: 9PA 03 Model life 2003>>2006

Pos	Part Number	Description	Remark	Qty	Model
	955 533 528 00 B41	Satin black C-pillar			
23	955 533 267 03	Cover Outer	/L	1	IQJ2/QJ5
	955 533 267 03 4W9	Gloss black			
23	955 533 267 03	Cover Outer	/L	1	IQJ4
	955 533 267 03 XX2	Black mat			
(23)	955 533 268 02	Cover Outer	/R	1	IQJ2/QJ5
(23)	955 533 268 03	Cover Outer	/R	1	IQJ4
	955 533 268 03 XX2	Black mat			
24	955 533 837 00	Grommet for Mount Cover		1	
25	N 910 017 01	Screw M5 X 14		1	
-	955 533 209 00	Foam part for Cover	-05	2	
-	955 533 739 00	Foam part	/L	1	
-	955 533 740 00	Foam part	/R	1	

Model: 9PA 03

Model life 2003>>2006



Model: 9PA 03 Model life 2003>>2006

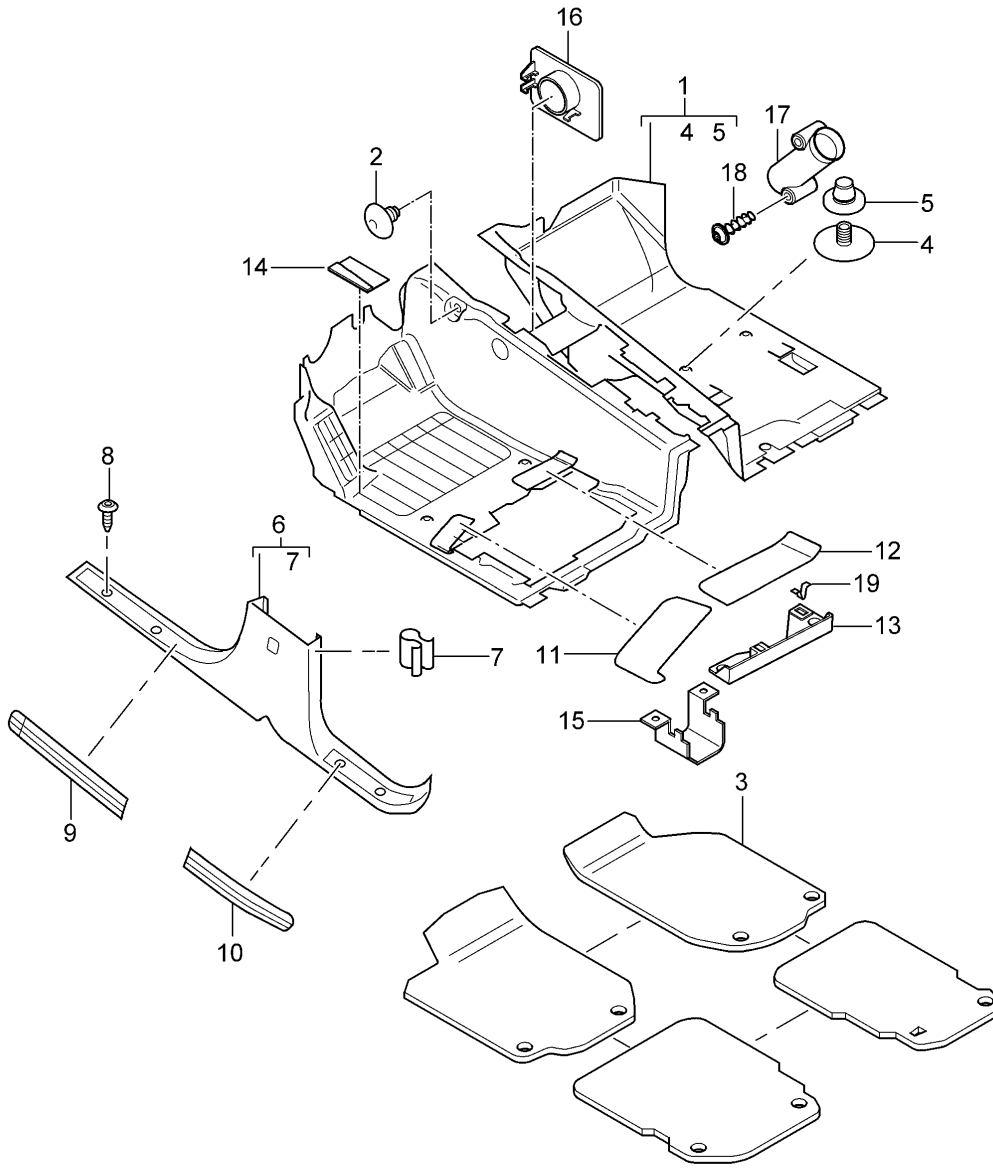
Pos	Part Number	Description	Remark	Qty	Model
1	955 541 111 03	window glazing Windscreen		1	I4GF
(1)	955 541 111 04	Windscreen		1	I4GY
3	955 541 530 00	Spacer for Windscreen		2	
4	955 542 511 04	Door window glass	/L	1	IQL3/QL5
(4)	955 542 512 04	Door window glass	/R	1	IQL3/QL5
(4)	955 542 511 03	Door window glass	/L	1	IQL6
(4)	955 542 512 03	Door window glass	/R	1	IQL6
5	955 542 611 03	Door window glass Rear	/L	1	IQL3
(5)	955 542 612 03	Door window glass Rear	/R	1	IQL3
(5)	955 542 611 04	Door window glass Rear	/L	1	IQL5
(5)	955 542 612 04	Door window glass Rear	/R	1	IQL5
(5)	955 542 611 05	Door window glass Rear	/L	1	IQL6
(5)	955 542 612 05	Door window glass Rear	/R	1	IQL6
6	955 543 111 07	Side window	/L /H	1	IQJ2/QL3/QV0
(6)	955 543 111 19	Side window	/L /H	1	IQJ2/QL3/QV0
(6)	955 543 112 07	Side window	/R /H	1	IQJ2/QL3/QV0
(6)	955 543 112 19	Side window	/R /H	1	IQJ2/QL3/QV0
(6)	955 543 111 09	Side window	/L /H	1	IQJ2/QL3/QV1
(6)	955 543 111 21	Side window	/L /H	1	IQJ2/QL3/QV1
(6)	955 543 112 09	Side window	/R /H	1	IQJ2/QL3/QV1
(6)	955 543 112 21	Side window	/R /H	1	IQJ2/QL3/QV1
(6)	955 543 111 10	Side window	/L /H	1	IQJ4/QL3/QV1
(6)	955 543 111 22	Side window	/L /H	1	IQJ4/QL3/QV1
(6)	955 543 112 10	Side window	/R /H	1	IQJ4/QL3/QV1
(6)	955 543 112 22	Side window	/R /H	1	IQJ4/QL3/QV1
(6)	955 543 111 11	Side window	/L /H	1	IQJ4/QL3/QV0
(6)	955 543 111 23	Side window	/L /H	1	IQJ4/QL3/QV0
(6)	955 543 112 11	Side window	/R /H	1	IQJ4/QL3/QV0
(6)	955 543 112 23	Side window	/R /H	1	IQJ4/QL3/QV0
(6)	955 543 111 08	Side window	/L /H	1	IQJ2/QL5/QV0
(6)	955 543 111 20	Side window	/L /H	1	IQJ2/QL5/QV0
(6)	955 543 112 08	Side window	/R /H	1	IQJ2/QL5/QV0
(6)	955 543 112 20	Side window	/R /H	1	IQJ2/QL5/QV0
(6)	955 543 111 12	Side window	/L /H	1	IQJ4/QL5/QV0
(6)	955 543 111 24	Side window	/L /H	1	IQJ4/QL5/QV0
(6)	955 543 112 12	Side window	/R /H	1	IQJ4/QL5/QV0
(6)	955 543 112 24	Side window	/R /H	1	IQJ4/QL5/QV0
(6)	955 543 111 13	Side window	/L /H	1	IQJ2/QL5/QV1
(6)	955 543 111 25	Side window	/L /H	1	IQJ2/QL5/QV1
(6)	955 543 112 13	Side window	/R /H	1	IQJ2/QL5/QV1
(6)	955 543 112 25	Side window	/R /H	1	IQJ2/QL5/QV1
(6)	955 543 111 14	Side window	/L /H	1	IQJ4/QL5/QV1
(6)	955 543 111 26	Side window	/L /H	1	IQJ4/QL5/QV1
(6)	955 543 112 14	Side window	/R /H	1	IQJ4/QL5/QV1
(6)	955 543 112 26	Side window	/R /H	1	IQJ4/QL5/QV1
(6)	955 543 111 06	Side window	/L /H	1	IQJ2/QL6/QV0
(6)	955 543 111 18	Side window	/L /H	1	IQJ2/QL6/QV0
(6)	955 543 112 06	Side window	/R /H	1	IQJ2/QL6/QV0
(6)	955 543 112 18	Side window	/R /H	1	IQJ2/QL6/QV0
(6)	955 543 111 15	Side window	/L /H	1	IQJ4/QL6/QV0
(6)	955 543 111 27	Side window	/L /H	1	IQJ4/QL6/QV0
(6)	955 543 112 15	Side window	/R /H	1	IQJ4/QL6/QV0
(6)	955 543 112 27	Side window	/R /H	1	IQJ4/QL6/QV0
(6)	955 543 111 16	Side window	/L /H	1	IQJ2/QL6/QV1

Model: 9PA 03 Model life 2003>>2006

Pos	Part Number	Description	Remark	Qty	Model
(6)	955 543 111 28	Side window	/L /H	1	IQJ2/QL6/QV1
(6)	955 543 112 16	Side window	/R /H	1	IQJ2/QL6/QV1
(6)	955 543 112 28	Side window	/R /H	1	IQJ2/QL6/QV1
(6)	955 543 111 17	Side window	/L /H	1	IQJ4/QL6/QV1
(6)	955 543 111 29	Side window	/L /H	1	IQJ4/QL6/QV1
(6)	955 543 112 17	Side window	/R /H	1	IQJ4/QL6/QV1
(6)	955 543 112 29	Side window	/R /H	1	IQJ4/QL6/QV1
(6)	955 543 111 30	Side window	/L /H	1	IQJ5/QL3/QV8
(6)	955 543 112 30	Side window	/R /H	1	IQJ5/QL3/QV8
(6)	955 543 111 31	Side window	/L /H	1	IQJ5/QL5/QV8
(6)	955 543 112 31	Side window	/R /H	1	IQJ5/QL5/QV8
(6)	955 543 111 32	Side window	/L /H	1	IQJ5/QL6/QV8
(6)	955 543 112 32	Side window	/R /H	1	IQJ5/QL6/QV8
7	N 908 802 01	Hexagon nut		14	
8	955 543 381 00	Cover	/L	1	
		C-pillar			
	955 543 381 00 4W9	Satin aluminium			
	955 543 381 00 XX2	Black mat	05-		
	955 543 381 00 D7Z	Titanium metallic			
(8)	955 543 382 00	Cover	/R	1	
		C-pillar			
	955 543 382 00 4W9	Satin aluminium			
	955 543 382 00 XX2	Black mat	05-		
	955 543 382 00 D7Z	Titanium metallic			
9	955 559 195 00	Moulding	/L	1	
	955 559 195 00 4W9	Satin aluminium			
	955 559 195 00 XX2	Black mat	05-		
	955 559 195 00 D7Z	Titanium metallic			
(9)	955 559 196 00	Moulding	/R	1	
	955 559 196 00 4W9	Satin aluminium			
	955 559 196 00 XX2	Black mat	05-		
	955 559 196 00 D7Z	Titanium metallic			
10	955 543 519 00	Clip	/L	1	
(10)	955 543 520 00	Clip	/R	1	
11	955 545 011 00	Rear window		1	IQL3/8ZM
(11)	955 545 011 01	Rear window		1	IQL5/8ZM
(11)	955 545 011 02	Rear window		1	IQL6/8ZM
(11)	955 545 011 03	Rear window		1	IQL3/8L6
(11)	955 545 011 04	Rear window		1	IQL5/8L6
(11)	955 545 011 05	Rear window		1	IQL6/8L6
12	N 903 484 03	Hexagon nut		4	
		M 8			
		Hinge			
		Rear window			
13	955 545 532 00	Lock lower part		1	
14	N 902 158 02	Hexagon nut		2	
		Lock lower part			
15	955 545 540 00	Grommet		2	
16	000 043 300 94	Adhesive set		1	
		TEROSTAT 8593			
17	000 043 300 96	Wire		X	
(17)	000 043 303 32	Wire		X	
18	955 543 573 00	Clip		X	
		Lining			
		C-pillar			
19	900 143 065 07	Tapping screw		7	
		2,9 X 9,5			
19	900 073 003 01	Tapping screw		7	
		2,9 X 9,5			
-	000 043 205 37	Mixing tube		X	
		Set			
		Supplement set			

Model: 9PA 03

Model life 2003>>2006



Model: 9PA 03 Model life 2003>>2006

Pos	Part Number	Description	Remark	Qty	Model
1	955 551 021 05	Carpet Front Accessories Carpet	/LL	1	IL0L/3ME/9AB I9AD
		Front Tufting velour			
	955 551 021 05 7H1	Black			
	955 551 021 05 7J2	Steel grey			
	955 551 021 05 7K3	Sand Beige			
	955 551 021 05 7L4	Palmgreen			
(1)	955 551 023 05	Carpet	/LL	1	IL0L/3ME/9AH
		Front Tufting velour			
	955 551 023 05 7H1	Black			
	955 551 023 05 7J2	Steel grey			
	955 551 023 05 7K3	Sand Beige			
	955 551 023 05 7L4	Palmgreen			
(1)	955 551 025 05	Carpet	/RL	1	IL0R/3ME/9AB I9AD
		Front Tufting velour			
	955 551 025 05 7H1	Black			
	955 551 025 05 7J2	Steel grey			
	955 551 025 05 7K3	Sand Beige			
	955 551 025 05 7L4	Palmgreen			
(1)	955 551 027 05	Carpet	/RL	1	IL0R/3ME/9AH
		Front Tufting velour			
	955 551 027 05 7H1	Black			
	955 551 027 05 7J2	Steel grey			
	955 551 027 05 7K3	Sand Beige			
	955 551 027 05 7L4	Palmgreen			
1	955 551 029 02	Carpet	/LL -04	1	IL0L/3MT/9AB I9AD
		Front Perlon velour			
	955 551 029 02 8B2	Black			
	955 551 029 02 8C3	Steel grey			
	955 551 029 02 8D4	Sand Beige			
	955 551 029 02 8E5	Palmgreen			
1	955 551 029 05	Carpet	/LL 05-	1	IL0L/3MT/9AB I9AD
		Front Perlon velour			
	955 551 029 05 8B2	Black			
	955 551 029 05 8C3	Steel grey			
	955 551 029 05 8D4	Sand Beige			
	955 551 029 05 8E5	Palmgreen			
1	955 551 031 05	Carpet	/LL	1	IL0L/3MT/9AH
		Front Perlon velour			
	955 551 031 05 8B2	Black			
	955 551 031 05 8C3	Steel grey			
	955 551 031 05 8D4	Sand Beige			
	955 551 031 05 8E5	Palmgreen			
(1)	955 551 030 05	Carpet	/RL	1	IL0R/3MT/9AB I9AD
		Front Perlon velour			
	955 551 030 05 8B2	Black			
	955 551 030 05 8C3	Steel grey			
	955 551 030 05 8D4	Sand Beige			

Model: 9PA 03 Model life 2003>>2006

Pos	Part Number	Description	Remark	Qty	Model
(1)	955 551 030 05 8E5 955 551 032 05	Palmgreen Carpet Front Perlon velour	/RL	1	IL0R/3MT/9AH
	955 551 032 05 8B2	Black			
	955 551 032 05 8C3	Steel grey			
	955 551 032 05 8D4	Sand Beige			
	955 551 032 05 8E5	Palmgreen			
2	N 906 246 01	Push button		2	
3		Floor mats Set See group 8/07/00 Tequipment catalogue		1	
4	955 551 227 00	Support Carpet	-03	4	
	955 551 227 00 B41	Satin black			
4	955 551 227 01	Support Carpet	04-06	4	
	955 551 227 01 B41	Satin black			
5	955 551 229 00	Cap	-03	4	
	955 551 229 00 01C	Satin black			
	955 551 229 00 6C6	Sand Beige			
	955 551 229 00 6H8	Palmgreen			
	955 551 229 00 7A8	Steel grey			
5	955 551 229 01	Cap	04-06	4	
	955 551 229 01 01C	Satin black			
	955 551 229 01 6C6	Sand Beige			
	955 551 229 01 6H8	Palmgreen			
	955 551 229 01 7A8	Steel grey			
6	955 551 379 01	Scuff plate Inner	/L	1	
	955 551 379 01 01C	Satin black			
	955 551 379 01 7A8	Steel grey			
	955 551 379 01 6C6	Sand Beige			
	955 551 379 01 6H8	Palmgreen			
(6)	955 551 380 01	Scuff plate Inner	/R	1	
	955 551 380 01 01C	Satin black			
	955 551 380 01 7A8	Steel grey			
	955 551 380 01 6C6	Sand Beige			
	955 551 380 01 6H8	Palmgreen			
7	955 551 276 00	Clip		7	
8	N 104 472 01	Lens-head screw Mount Scuff plate		4	
9	955 551 655 00	Cover Scuff plate Front	/L	1	I7M0
	955 551 655 00 01C	Satin black			
	955 551 655 00 6C6	Sand Beige			
	955 551 655 00 6H8	Palmgreen			
	955 551 655 00 7A8	Steel grey			
(9)	955 551 656 00	Cover Scuff plate Front	/R	1	I7M0
	955 551 656 00 01C	Satin black			
	955 551 656 00 6C6	Sand Beige			
	955 551 656 00 6H8	Palmgreen			
	955 551 656 00 7A8	Steel grey			
9	955 551 657 01	Cover Scuff plate Front	/L	1	I7M1

Model: 9PA 03 Model life 2003>>2006

Pos	Part Number	Description	Remark	Qty	Model
(9)	955 551 657 01 4P7 955 551 658 01	Stainless steel Cover Scuff plate Front	/R	1	I7M1
(9)	955 551 658 01 4P7 955 551 663 01	Stainless steel Cover Scuff plate Front	/L 06-	1	IE8A/7M1
(9)	955 551 663 01 4P7 955 551 664 01	Stainless steel Cover Scuff plate Front	/R 06-	1	IE8A/7M1
10	955 551 664 01 4P7 955 551 659 00	Stainless steel Cover Scuff plate Rear	/L	1	I7M0
	955 551 659 00 01C	Satin black			
	955 551 659 00 6C6	Sand Beige			
	955 551 659 00 6H8	Palmgreen			
	955 551 659 00 7A8	Steel grey			
(10)	955 551 660 00	Cover Scuff plate Rear	/R	1	I7M0
	955 551 660 00 01C	Satin black			
	955 551 660 00 6C6	Sand Beige			
	955 551 660 00 6H8	Palmgreen			
	955 551 660 00 7A8	Steel grey			
10	955 551 661 01	Cover Scuff plate Rear	/L	1	I7M1
(10)	955 551 661 01 4P7 955 551 662 01	Stainless steel Cover Scuff plate Rear	/R	1	I7M1
11	955 551 662 01 4P7 955 551 357 00	Stainless steel Cover Carpet Front		1	
	955 551 357 00 01C	Satin black			
	955 551 357 00 6C6	Sand Beige			
	955 551 357 00 6H8	Palmgreen			
	955 551 357 00 7A8	Steel grey			
12	955 551 298 00	Cover Carpet Front		1	
	955 551 298 00 01C	Satin black			
	955 551 298 00 6C6	Sand Beige			
	955 551 298 00 6H8	Palmgreen			
	955 551 298 00 7A8	Steel grey			
13	955 551 456 00	Rail for Cover		1	
14	955 551 040 00	Appendix Carpet Tufting velour	/RL /L	1	IL0R
	955 551 040 00 7H1	Black			
	955 551 040 00 7J2	Steel grey			
	955 551 040 00 7L4	Palmgreen			
	955 551 040 00 7K3	Sand Beige			
(14)	955 551 041 00	Appendix Carpet Pearl velour	/RL	1	IL0R
	955 551 041 00 8B2	Black			



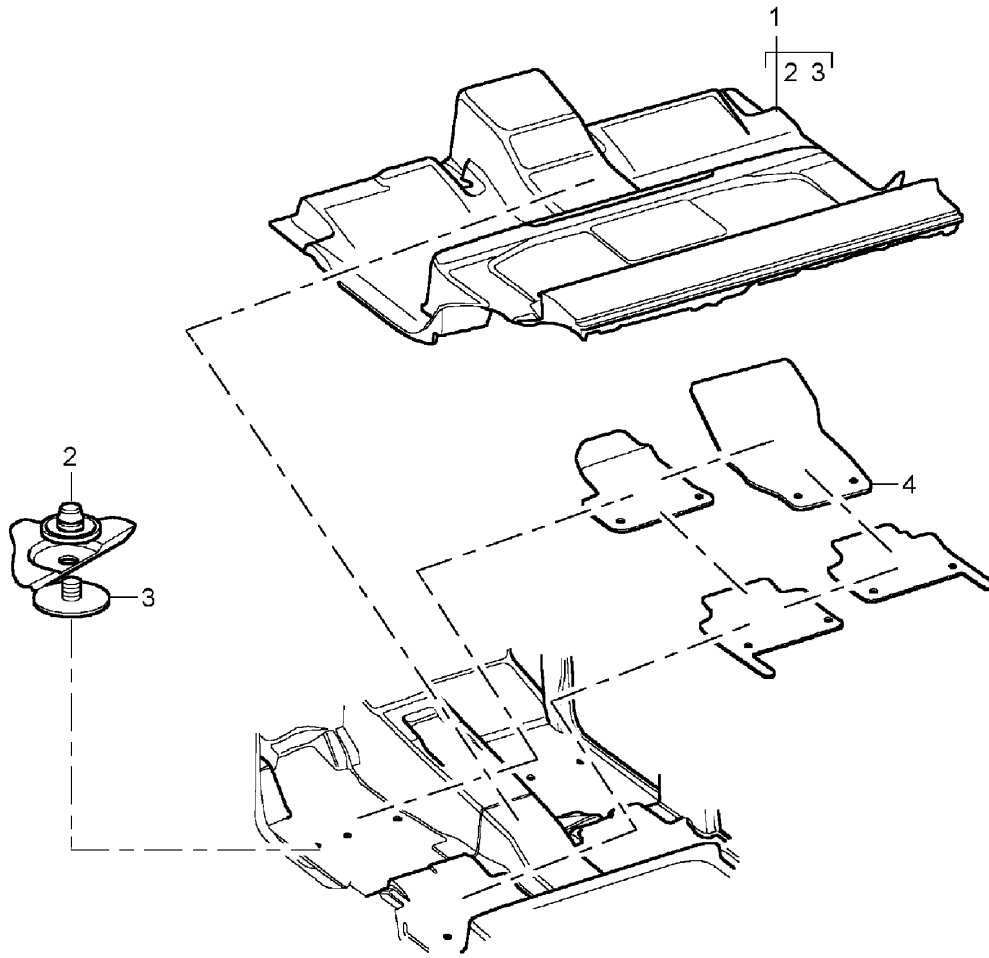
Model: 9PA 03

Model life 2003>>2006

Pos	Part Number	Description	Remark	Qty	Model
15	955 551 041 00 8C3	Steel grey			
	955 551 041 00 8E5	Palmgreen			
	955 551 041 00 8D4	Sand Beige			
	955 551 499 00	Fastening part Cover Carpet		1	
16	955 551 285 00	Frame for Adjusting screw Retaining frame	/L	1	
(16)	955 551 286 00	Frame for Adjusting screw Retaining frame	/R	1	
17	955 551 852 00	Support Warning light		1	IB0L
18	999 919 254 01	Oval-head screw 4,0 X 36,5		2	IB0L
19	955 555 279 00	Fixing clip Cover Carpet		2	

Model: 9PA 03

Model life 2003>>2006



Model: 9PA 03 Model life 2003>>2006

Pos	Part Number	Description	Remark	Qty	Model
1	955 551 175 00	Carpet Rear Accessories Carpet Rear Tufting velour		1	I3ME/9AB/9AD
	955 551 175 00 7H1	Black			
	955 551 175 00 7J2	Steel grey			
	955 551 175 00 7K3	Sand Beige			
	955 551 175 00 7L4	Palmgreen			
(1)	955 551 176 00	Carpet Rear Tufting velour		1	I3ME/9AH
	955 551 176 00 7H1	Black			
	955 551 176 00 7J2	Steel grey			
	955 551 176 00 7K3	Sand Beige			
	955 551 176 00 7L4	Palmgreen			
(1)	955 551 171 02	Carpet	-04	1	I3MT/3W4/3W7 I9AB/9AD
		Carpet Rear Pearl velour			
	955 551 171 02 8B2	Black			
	955 551 171 02 8C3	Steel grey			
	955 551 171 02 8D4	Sand Beige			
	955 551 171 02 8E5	Palmgreen			
(1)	955 551 171 03	Carpet	05-	1	I3MT/9AB/9AD
		Carpet Rear Pearl velour			
	955 551 171 03 8B2	Black			
	955 551 171 03 8C3	Steel grey			
	955 551 171 03 8D4	Sand Beige			
	955 551 171 03 8E5	Palmgreen			
(1)	955 551 173 03	Carpet	-04	1	I3W4/3W7/9AH
		Carpet Rear Pearl velour			
	955 551 173 03 8B2	Black			
	955 551 173 03 8C3	Steel grey			
	955 551 173 03 8D4	Sand Beige			
	955 551 173 03 8E5	Palmgreen			
(1)	955 551 173 04	Carpet	05-	1	I3MT/9AH
		Carpet Rear Pearl velour			
	955 551 173 04 8B2	Black			
	955 551 173 04 8C3	Steel grey			
	955 551 173 04 8D4	Sand Beige			
	955 551 173 04 8E5	Palmgreen			
2	955 551 229 00	Cap	-03	4	
	955 551 229 00 01C	Satin black			
	955 551 229 00 6C6	Sand Beige			
	955 551 229 00 6H8	Palmgreen			
	955 551 229 00 7A8	Steel grey			
2	955 551 229 01	Cap	04-06	4	
	955 551 229 01 01C	Satin black			
	955 551 229 01 6C6	Sand Beige			
	955 551 229 01 6H8	Palmgreen			
	955 551 229 01 7A8	Steel grey			
3	955 551 227 00	Support	-03	4	
		Carpet			
	955 551 227 00 B41	Satin black			

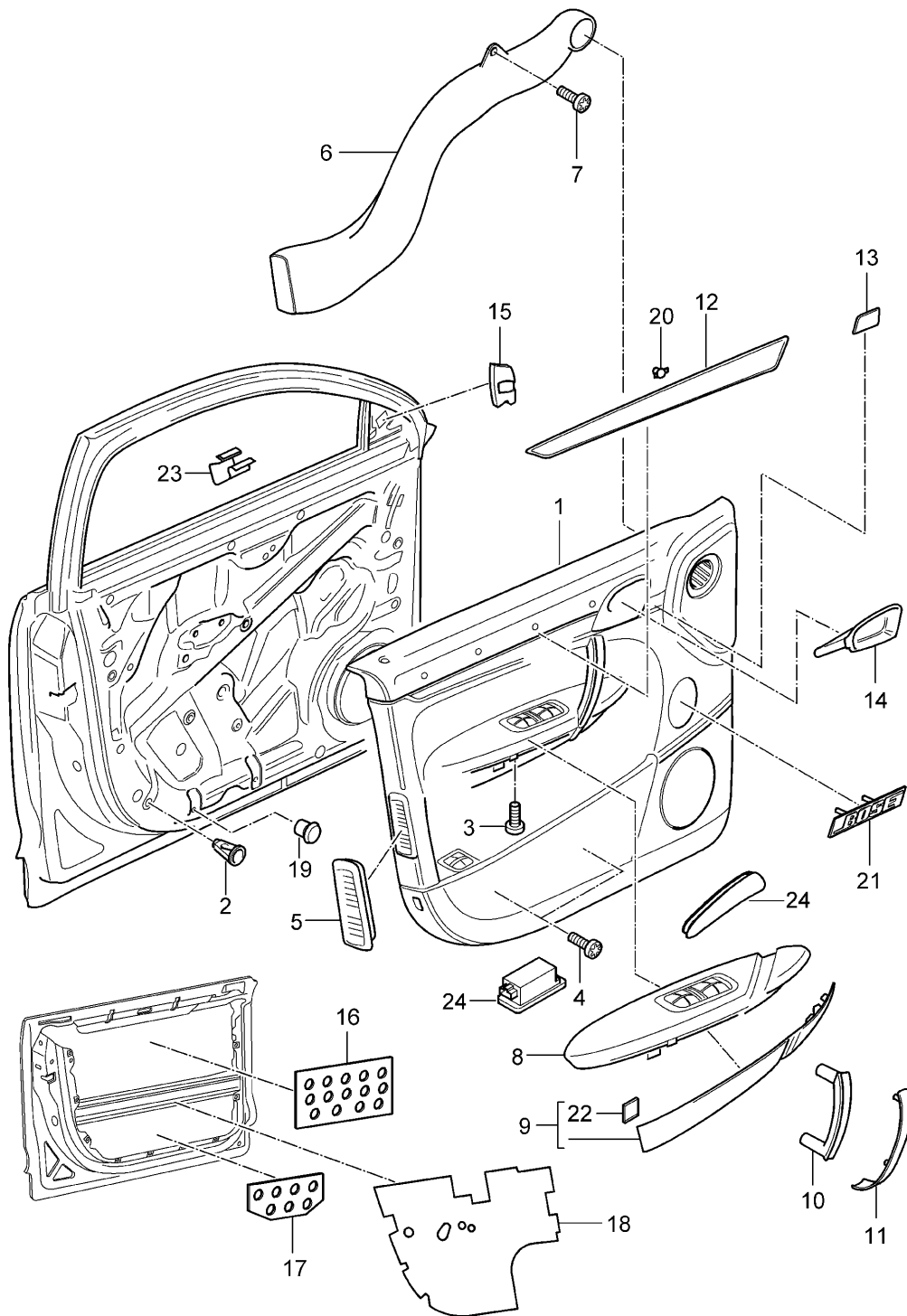
Model: 9PA 03

Model life 2003>>2006

Pos	Part Number	Description	Remark	Qty	Model
(3)	955 551 227 01	Support Carpet	04-06	4	
4	955 551 227 01 B41	Satin black Floor mats Set See group 8/07/00 Tequipment catalogue		1	

Model: 9PA 03

Model life 2003>>2006



Model: 9PA 03 Model life 2003>>2006

Pos	Part Number	Description	Remark	Qty	Model
1	955 555 123 03	Door trim panel with Insulation Front		1	IL0L/3LD/9AB I9AD
	955 555 123 03 PBJ	Black			
	955 555 123 03 PBK	Stone grey/steel grey			
	955 555 123 03 PBL	Havanna/sand beige			
	955 555 123 03 PBM	Palmgreen/palmgreen			
1	955 555 123 04	Door trim panel	/LL /L 06-	1	IL0L/3LD/9AB I9AD
	955 555 123 04 PBJ	Black			
	955 555 123 04 PBK	Stone grey/steel grey			
	955 555 123 04 PBL	Havanna/sand beige			
	955 555 123 04 PBM	Palmgreen/palmgreen			
(1)	955 555 124 03	Door trim panel	/LL /R	1	IL0L/3LD/9AB I9AD
	955 555 124 03 PBJ	Black			
	955 555 124 03 PBK	Stone grey/steel grey			
	955 555 124 03 PBL	Havanna/sand beige			
	955 555 124 03 PBM	Palmgreen/palmgreen			
1	955 555 125 03	Door trim panel	/LL /L -05	1	IL0L/3LD/9AH
	955 555 125 03 PBJ	Black/black			
	955 555 125 03 PBK	Stone grey/steel grey			
	955 555 125 03 PBL	Havanna/sand beige			
	955 555 125 03 PBM	Palmgreen/palmgreen			
1	955 555 125 04	Door trim panel	/LL /L 06-	1	IL0L/3LD/9AH
	955 555 125 04 PBJ	Black/black			
	955 555 125 04 PBK	Stone grey/steel grey			
	955 555 125 04 PBL	Havanna/sand beige			
	955 555 125 04 PBM	Palmgreen/palmgreen			
(1)	955 555 126 03	Door trim panel	/LL /R	1	IL0L/3LD/9AH
	955 555 126 03 PBJ	Black/black			
	955 555 126 03 PBK	Stone grey/steel grey			
	955 555 126 03 PBL	Havanna/sand beige			
	955 555 126 03 PBM	Palmgreen/palmgreen			
1	955 555 127 03	Door trim panel	/RL /L	1	IL0R/3LD/9AB I9AD
	955 555 127 03 PBJ	Black/black			
	955 555 127 03 PBK	Stone grey/steel grey			
	955 555 127 03 PBL	Havanna/sand beige			
	955 555 127 03 PBM	Palmgreen/palmgreen			
(1)	955 555 128 03	Door trim panel	/RL /R -05	1	IL0R/3LD/9AB I9AD
	955 555 128 03 PBJ	Black/black			
	955 555 128 03 PBK	Stone grey/steel grey			
	955 555 128 03 PBL	Havanna/sand beige			
	955 555 128 03 PBM	Palmgreen/palmgreen			
(1)	955 555 128 04	Door trim panel	/RL /R 06-	1	IL0R/3LD/9AB I9AD
	955 555 128 04 PBJ	Black/black			
	955 555 128 04 PBK	Stone grey/steel grey			
	955 555 128 04 PBL	Havanna/sand beige			
	955 555 128 04 PBM	Palmgreen/palmgreen			
1	955 555 129 03	Door trim panel	/RL /L	1	IL0R/3LD/9AH
	955 555 129 03 PBJ	Black/black			
	955 555 129 03 PBK	Stone grey/steel grey			
	955 555 129 03 PBL	Havanna/sand beige			
	955 555 129 03 PBM	Palmgreen/palmgreen			
(1)	955 555 130 03	Door trim panel	/RL /R -05	1	IL0R/3LD/9AH
	955 555 130 03 PBJ	Black/black			
	955 555 130 03 PBK	Stone grey/steel grey			

Model: 9PA 03

Model life 2003>>2006

Pos	Part Number	Description	Remark	Qty	Model
(1)	955 555 130 03 PBL	Havanna/sand beige		1	IL0R/3LD/9AH
	955 555 130 03 PBM	Palmgreen/palmgreen			
	955 555 130 04	Door trim panel	/RL /R 06-		
	955 555 130 04 PBJ	Black/black			
	955 555 130 04 PBK	Stone grey/steel grey			
1	955 555 130 04 PBL	Havanna/sand beige		1	IL0L/3LE/9AB I9AD
	955 555 130 04 PBM	Palmgreen/palmgreen			
	955 555 131 02	Door trim panel	/LL /L -05		
	955 555 131 02 PBN	Black/black			
	955 555 131 02 PBP	Stone grey/steel grey			
(1)	955 555 131 02 PBQ	Havanna/sand beige		1	IL0L/3LE/9AB I9AD
	955 555 131 02 PBR	Palmgreen/palmgreen			
	955 555 132 02	Door trim panel	/LL /R -05		
	955 555 132 02 PBN	Black/black			
	955 555 132 02 PBP	Stone grey/steel grey			
1	955 555 132 02 PBQ	Havanna/sand beige		1	IL0L/3LE/9AH
	955 555 132 02 PBR	Palmgreen/palmgreen			
	955 555 133 02	Door trim panel	/LL /L -05		
	955 555 133 02 PBN	Black/black			
	955 555 133 02 PBP	Stone grey/steel grey			
(1)	955 555 133 02 PBQ	Havanna/sand beige		1	IL0L/3LE/9AH
	955 555 133 02 PBR	Palmgreen/palmgreen			
	955 555 134 02	Door trim panel	/LL /R -05		
	955 555 134 02 PBN	Black/black			
	955 555 134 02 PBP	Stone grey/steel grey			
1	955 555 134 02 PBQ	Havanna/sand beige		1	IL0R/3LE/9AB I9AD
	955 555 134 02 PBR	Palmgreen/palmgreen			
	955 555 135 02	Door trim panel	/RL /L -05		
	955 555 135 02 PBN	Black/black			
	955 555 135 02 PBP	Stone grey/steel grey			
(1)	955 555 135 02 PBQ	Havanna/sand beige		1	IL0R/3LE/9AB I9AD
	955 555 135 02 PBR	Palmgreen/palmgreen			
	955 555 136 02	Door trim panel	/RL /R -05		
	955 555 136 02 PBN	Black/black			
	955 555 136 02 PBP	Stone grey/steel grey			
1	955 555 136 02 PBQ	Havanna/sand beige		1	IL0R/3LE/9AH
	955 555 136 02 PBR	Palmgreen/palmgreen			
	955 555 137 02	Door trim panel	/RL /L -05		
	955 555 137 02 PBN	Black/black			
	955 555 137 02 PBP	Stone grey/steel grey			
(1)	955 555 137 02 PBQ	Havanna/sand beige		1	IL0R/3LE/9AH
	955 555 137 02 PBR	Palmgreen/palmgreen			
	955 555 138 02	Door trim panel	/RL /R -05		
	955 555 138 02 PBN	Black/black			
	955 555 138 02 PBP	Stone grey/steel grey			
1	955 555 138 02 PBQ	Havanna/sand beige		1	IL0L/3LH/9AB I9AD
	955 555 138 02 PBR	Palmgreen/palmgreen			
	955 555 111 03	Door trim panel	/LL /L -05		
	955 555 111 03 PBS	Black/black			
	955 555 111 03 PBT	Stone grey/steel grey			
1	955 555 111 03 PBU	Havanna/sand beige		1	IL0L/3LH/9AB I9AD
	955 555 111 03 PBV	Palmgreen/palmgreen			
	955 555 111 03 RKR	Sand beige/sand beige	04-		
	955 555 111 04	Door trim panel	/LL /L 06-		
	955 555 111 04 PBS	Black/black			
1	955 555 111 04 PBT	Stone grey/steel grey		1	IL0L/3LH/9AB I9AD
	955 555 111 04 PBU	Havanna/sand beige			

Model: 9PA 03 Model life 2003>>2006

Pos	Part Number	Description	Remark	Qty	Model
(1)	955 555 111 04 PBV	Palmgreen/palmgreen	04- /LL /R	1	IL0L/3LH/9AB I9AD
	955 555 111 04 RKR	Sand beige/sand beige			
	955 555 112 03	Door trim panel			
1	955 555 112 03 PBS	Black/black	04- /LL /L -05	1	IL0L/3LH/9AH
	955 555 112 03 PBT	Stone grey/steel grey			
	955 555 112 03 PBU	Havanna/sand beige			
	955 555 112 03 PBV	Palmgreen/palmgreen			
	955 555 112 03 RKR	Sand beige/sand beige			
	955 555 115 03	Door trim panel			
	955 555 115 03 PBS	Black/black			
1	955 555 115 03 PBT	Stone grey/steel grey	04- /LL /L 06-	1	IL0L/3LH/9AH
	955 555 115 03 PBU	Havanna/sand beige			
	955 555 115 03 PBV	Palmgreen/palmgreen			
	955 555 115 03 RKR	Sand beige/sand beige			
	955 555 115 04	Door trim panel			
	955 555 115 04 PBS	Black/black			
	955 555 115 04 PBT	Stone grey/steel grey			
(1)	955 555 115 04 PBU	Havanna/sand beige	04- /LL /R	1	IL0L/3LH/9AH
	955 555 115 04 PBV	Palmgreen/palmgreen			
	955 555 115 04 RKR	Sand beige/sand beige			
	955 555 116 03	Door trim panel			
	955 555 116 03 PBS	Black/black			
	955 555 116 03 PBT	Stone grey/steel grey			
	955 555 116 03 PBU	Havanna/sand beige			
1	955 555 116 03 PBV	Palmgreen/palmgreen	04- /RL /L	1	IL0R/3LH/9AB I9AD
	955 555 116 03 RKR	Sand beige/sand beige			
	955 555 117 03	Door trim panel			
	955 555 117 03 PBS	Black/black			
	955 555 117 03 PBT	Stone grey/steel grey			
	955 555 117 03 PBU	Havanna/sand beige			
	955 555 117 03 PBV	Palmgreen/palmgreen			
(1)	955 555 117 03 RKR	Sand beige/sand beige	04- /RL /R -05	1	IL0R/3LH/9AB I9AD
	955 555 118 03	Door trim panel			
	955 555 118 03 PBS	Black/black			
	955 555 118 03 PBT	Stone grey/steel grey			
	955 555 118 03 PBU	Havanna/sand beige			
	955 555 118 03 PBV	Palmgreen/palmgreen			
	955 555 118 03 RKR	Sand beige/sand beige			
(1)	955 555 118 04	Door trim panel	04- /RL /R 06-	1	IL0R/3LH/9AB I9AD
	955 555 118 04 PBS	Black/black			
	955 555 118 04 PBT	Stone grey/steel grey			
	955 555 118 04 PBU	Havanna/sand beige			
	955 555 118 04 PBV	Palmgreen/palmgreen			
	955 555 118 04 RKR	Sand beige/sand beige			
	955 555 119 03	Door trim panel			
1	955 555 119 03 PBS	Black/black	04- /RL /L	1	IL0R/3LH/9AH
	955 555 119 03 PBT	Stone grey/steel grey			
	955 555 119 03 PBU	Havanna/sand beige			
	955 555 119 03 PBV	Palmgreen/palmgreen			
	955 555 119 03 RKR	Sand beige/sand beige			
	955 555 120 03	Door trim panel			
	955 555 120 03 PBS	Black/black			
(1)	955 555 120 03 PBT	Stone grey/steel grey	04- /RL /R -05	1	IL0R/3LH/9AH
	955 555 120 03 PBU	Havanna/sand beige			
	955 555 120 03 PBV	Palmgreen/palmgreen			
	955 555 120 03 RKR	Sand beige/sand beige			
	955 555 120 04	Door trim panel			
	955 555 120 04 PBS	Black/black			
	955 555 120 04 PBT	Stone grey/steel grey			



Model: 9PA 03 Model life 2003>>2006

Pos	Part Number	Description	Remark	Qty	Model
2	955 555 120 04 PBU	Havanna/sand beige			
	955 555 120 04 PBV	Palmgreen/palmgreen			
	955 555 120 04 RKR	Sand beige/sand beige	04-		
	955 555 243 00	Fixing clip		6	
3	N 103 346 01	Door trim panel			
		Screw	-05	4	
		M 6 X 20 Mount			
3	N 103 346 04	Door trim panel			
		Screw	06-	4	
		M 6 X 20 Mount			
4	N 907 397 04	Door trim panel			
		Screw		2	
		5 X 22 Mount			
5	955 555 885 01	Door trim panel			
		Lower	/L	1	I9AB/9AD
(5)	955 555 885 01 B41	Ventilation grille			
		Lateral			
-	955 555 886 01	Ventilation grille	/R	1	I9AB/9AD
		Lateral			
-	955 555 886 01 B41	Satin black			
		955 555 271 00	Sealing ring		1
-	955 555 271 01	3,5 X 80 for			
		Ventilation grille			
6	955 555 463 00	Sealing ring		1	I9AB/9AD
		4,5 X 80 for			
(6)	955 555 464 00	Ventilation grille			
		Air duct	/L	1	I9AB/9AD
7	N 903 474 04	Air duct	/R	1	I9AB/9AD
		Combination screw		X	
8	955 555 229 00	4,0 X 12 Mount			
		Air duct			
		Armrest	/LL /L	1	ILOL/3LD
		Black			
(8)	955 555 230 00	955 555 229 00 A08			
		955 555 229 00 T25			
		955 555 229 00 4Q2			
		955 555 229 00 6E1			
8	955 555 231 00	Armrest	/LL /R	1	ILOL/3LD
		Black			
		955 555 230 00 A08			
		955 555 230 00 T25			
(8)	955 555 230 00	955 555 230 00 4Q2			
		955 555 230 00 6E1			
		Steel grey			
		Armrest	/LL /L -04	1	ILOL/3LE
(8)	955 555 230 00	Black			
		955 555 229 00 A08			
		955 555 229 00 T25			
		955 555 229 00 4Q2			
8	955 555 231 00	Steel grey	/LL /R -04	1	ILOL/3LE
		Armrest			
		Black			
		955 555 230 00 A08			
8	955 555 231 00	955 555 230 00 T25			
		955 555 230 00 4Q2			
		Steel grey			
		Armrest	/RL /L	1	ILOL/3LD
8	955 555 231 00	Black			
		955 555 231 00 A08			
		955 555 231 00 T25			
		955 555 231 00 4Q2			
8	955 555 231 00	Steel grey			
		Armrest			
		Black			
		955 555 231 00 A08			
8	955 555 231 00	955 555 231 00 T25			
		955 555 231 00 4Q2			
		Steel grey			
		Armrest			

Model: 9PA 03 Model life 2003>>2006

Pos	Part Number	Description	Remark	Qty	Model
(8)	955 555 232 00	Armrest	/RL /R	1	IL0R/3LD
	955 555 232 00 A08	Black			
	955 555 232 00 T25	Sand Beige			
	955 555 232 00 4Q2	Palmgreen			
	955 555 232 00 6E1	Steel grey			
8	955 555 231 00	Armrest	/RL /L -04	1	IL0R/3LE
	955 555 231 00 A08	Black			
	955 555 231 00 T25	Sand Beige			
	955 555 231 00 4Q2	Palmgreen			
	955 555 231 00 6E1	Steel grey			
8	955 555 232 00	Armrest	/RL /R -04	1	IL0R/3LE
	955 555 232 00 A08	Black			
	955 555 232 00 T25	Sand Beige			
	955 555 232 00 4Q2	Palmgreen			
	955 555 232 00 6E1	Steel grey			
8	955 555 233 00	Armrest	/LL /L	1	IL0L/3LH
		Leather			
	955 555 233 00 4P1	Palmgreen			
	955 555 233 00 6B7	Steel grey			
	955 555 233 00 8G1	Sand Beige			
	955 555 233 00 8YR	Black			
(8)	955 555 234 00	Armrest	/LL /R	1	IL0L/3LH
		Leather			
	955 555 234 00 4P1	Palmgreen			
	955 555 234 00 6B7	Steel grey			
	955 555 234 00 8G1	Sand Beige			
	955 555 234 00 8YR	Black			
8	955 555 235 00	Armrest	/RL /L	1	IL0R/3LH
		Leather			
	955 555 235 00 4P1	Palmgreen			
	955 555 235 00 6B7	Steel grey			
	955 555 235 00 8G1	Sand Beige			
	955 555 235 00 8YR	Black			
(8)	955 555 236 00	Armrest	/RL /R	1	IL0R/3LH
		Leather			
	955 555 236 00 4P1	Palmgreen			
	955 555 236 00 6B7	Steel grey			
	955 555 236 00 8G1	Sand Beige			
	955 555 236 00 8YR	Black			
-	N 906 487 02	Tapping screw 4,8 X 16 for Mount Armrest		11	
9	955 555 227 00	Trim cover Armrest	/L -05	1	I3LD/3LE
	955 555 227 00 5Q2	Black			
	955 555 227 00 5R3	Steel grey			
	955 555 227 00 5S4	Sand Beige			
	955 555 227 00 5Y5	Palmgreen			
(9)	955 555 228 00	Trim cover Armrest	/R -05	1	I3LD/3LE
	955 555 228 00 5Q2	Black			
	955 555 228 00 5R3	Steel grey			
	955 555 228 00 5S4	Sand Beige			
	955 555 228 00 5Y5	Palmgreen			
9	955 555 225 01	Trim cover Armrest	/L -05	1	I3LH
	955 555 225 01 4P1	Palmgreen			
	955 555 225 01 6B7	Steel grey			
	955 555 225 01 8G1	Sand Beige			
	955 555 225 01 8YR	Black			
(9)	955 555 226 01	Trim cover	/R -05	1	I3LH

Model: 9PA 03 Model life 2003>>2006

Pos	Part Number	Description	Remark	Qty	Model
		Armrest			
	955 555 226 01 4P1	Palmgreen			
	955 555 226 01 6B7	Steel grey			
	955 555 226 01 8G1	Sand Beige			
	955 555 226 01 8YR	Black			
9	955 555 227 00	Trim cover	/L 06-	1	I3LD/3LH
		Armrest			
	955 555 227 00 5Q2	Black			
	955 555 227 00 5R3	Steel grey			
	955 555 227 00 5S4	Sand Beige			
	955 555 227 00 5Y5	Palmgreen			
9	955 555 228 00	Trim cover	/L 06-	1	I3LD/3LH
		Armrest			
	955 555 228 00 5Q2	Black			
	955 555 228 00 5R3	Steel grey			
	955 555 228 00 5S4	Sand Beige			
	955 555 228 00 5Y5	Palmgreen			
10	955 555 259 00	Handle	/L	1	I3LH
		Leather			
	955 555 259 00 4P1	Palmgreen			
	955 555 259 00 6B7	Steel grey			
	955 555 259 00 8G1	Sand Beige			
	955 555 259 00 8YR	Black			
(10)	955 555 260 00	Handle	/R	1	I3LH
		Leather			
	955 555 260 00 4P1	Palmgreen			
	955 555 260 00 6B7	Steel grey			
	955 555 260 00 8G1	Sand Beige			
	955 555 260 00 8YR	Black			
10	955 555 261 00	Handle	/L	1	I3LD
	955 555 261 00 A08	Black			
	955 555 261 00 T25	Sand Beige			
	955 555 261 00 4Q2	Palmgreen			
	955 555 261 00 6E1	Steel grey			
(10)	955 555 262 00	Handle	/R	1	I3LD
	955 555 262 00 A08	Black			
	955 555 262 00 T25	Sand Beige			
	955 555 262 00 4Q2	Palmgreen			
	955 555 262 00 6E1	Steel grey			
10	955 555 261 00	Handle	/L -05	1	I3LE
	955 555 261 00 A08	Black			
	955 555 261 00 T25	Sand Beige			
	955 555 261 00 4Q2	Palmgreen			
	955 555 261 00 6E1	Steel grey			
(10)	955 555 262 00	Handle	/R -05	1	I3LE
	955 555 262 00 A08	Black			
	955 555 262 00 T25	Sand Beige			
	955 555 262 00 4Q2	Palmgreen			
	955 555 262 00 6E1	Steel grey			
11	955 555 537 00	Trim cover	/L	1	
		Handle			
	955 555 537 00 A08	Black			
	955 555 537 00 T25	Sand Beige			
	955 555 537 00 4Q2	Palmgreen			
	955 555 537 00 6E1	Steel grey			
(11)	955 555 538 00	Trim cover	/R	1	
		Handle			
	955 555 538 00 A08	Black			
	955 555 538 00 T25	Sand Beige			
	955 555 538 00 4Q2	Palmgreen			
	955 555 538 00 6E1	Steel grey			
11	955 555 537 00	Trim cover	/L -05	1	I3LE
		Handle			

Model: 9PA 03 Model life 2003>>2006

Pos	Part Number	Description	Remark	Qty	Model
	955 555 537 00 A08	Black			
	955 555 537 00 T25	Sand Beige			
	955 555 537 00 4Q2	Palmgreen			
	955 555 537 00 6E1	Steel grey			
(11)	955 555 538 00	Trim cover Handle	/R -05	1	I3LE
	955 555 538 00 A08	Black			
	955 555 538 00 T25	Sand Beige			
	955 555 538 00 4Q2	Palmgreen			
	955 555 538 00 6E1	Steel grey			
11	955 555 539 00	Trim cover Handle Leather	/L	1	I3LH
	955 555 539 00 4P1	Palmgreen			
	955 555 539 00 6B7	Steel grey			
	955 555 539 00 8G1	Sand Beige			
	955 555 539 00 8YR	Black			
(11)	955 555 540 00	Trim cover Handle Leather	/R	1	I3LH
	955 555 540 00 4P1	Palmgreen			
	955 555 540 00 6B7	Steel grey			
	955 555 540 00 8G1	Sand Beige			
	955 555 540 00 8YR	Black			
12	955 555 087 00	Moulding Long Plastic material Lacquered	/L	1	I5MA
	955 555 087 00 5X2	Silver mat chrome			
(12)	955 555 088 00	Moulding Long Plastic material Lacquered	/R	1	I5MA
	955 555 088 00 5X2	Silver mat chrome			
12	955 555 089 00	Moulding Long	/L	1	I5TE
	955 555 089 00 62W	Satin aluminium Matte			
(12)	955 555 090 00	Moulding Long	/R	1	I5TE
	955 555 090 00 62W	Satin aluminium Matte			
12	955 555 091 00	Moulding Long	/L	1	I5MG
	955 555 091 00 4X2	Rootwood			
(12)	955 555 092 00	Moulding Long	/R	1	I5MG
	955 555 092 00 4X2	Rootwood			
12	955 555 093 00	Moulding Long	/L	1	I5TF
	955 555 093 00 4V8	High-gloss olive ash burl			
(12)	955 555 094 00	Moulding Long	/R	1	I5TF
	955 555 094 00 4V8	High-gloss olive ash burl			
12	955 555 063 00	Moulding Long	/L 04-	1	I5TK
	955 555 063 00 9Z4	Super-matt olive ash burl			
12	955 555 064 00	Moulding Long	/R 04-	1	I5TK
	955 555 064 00 9Z4	Super-matt olive ash burl			
13	955 555 095 00	Moulding Short Plastic material	/L	1	I5MA

Model: 9PA 03

Model life 2003&gt;&gt;2006

Pos	Part Number	Description	Remark	Qty	Model
		Lacquered			
(13)	955 555 095 00 5X2	Silver mat chrome			
	955 555 096 00	Moulding	/R	1	I5MA
		Short			
		Plastic material			
		Lacquered			
	955 555 096 00 5X2	Silver mat chrome			
13	955 555 097 00	Moulding	/L	1	I5TE
		Short			
	955 555 097 00 62W	Satin aluminium			
		Matte			
(13)	955 555 098 00	Moulding	/R	1	I5TE
		Short			
	955 555 098 00 62W	Satin aluminium			
		Matte			
13	955 555 099 00	Moulding	/L	1	I5MG
		Short			
	955 555 099 00 4X2	Rootwood			
(13)	955 555 100 00	Moulding	/R	1	I5MG
		Short			
	955 555 100 00 4X2	Rootwood			
13	955 555 101 00	Moulding	/L	1	I5TF
		Short			
		Wood			
		Light			
	955 555 101 00 4V8	High-gloss olive ash burl			
(13)	955 555 102 00	Moulding	/R	1	I5TF
		Short			
		Wood			
		Light			
	955 555 102 00 4V8	High-gloss olive ash burl			
13	955 555 203 00	Moulding	/L 04-	1	I5TK
		Short			
	955 555 203 00 9Z4	Super-matt olive ash burl			
(13)	955 555 204 00	Moulding	/R 04-	1	I5TK
		Short			
	955 555 204 00 9Z4	Super-matt olive ash burl			
14	955 555 113 00	Inner door release	/L	1	
		Complete			
	955 555 113 00 A03	Black			
	955 555 113 00 5V7	Stone grey			
	955 555 113 00 5Y2	Palmgreen			
	955 555 113 00 5Y9	Havanna			
	955 555 113 00 5Z1	Sand Beige	04-		
(14)	955 555 114 00	Inner door release	/R	1	
		Complete			
	955 555 114 00 A03	Black			
	955 555 114 00 5V7	Stone grey			
	955 555 114 00 5Y2	Palmgreen			
	955 555 114 00 5Y9	Havanna			
	955 555 114 00 5Z1	Sand Beige	04-		
(15)	955 555 103 03	Cover	/LL /L	1	ILOL
		Mirror changeover switch			
	955 555 103 03 6N3	Black mat			
(15)	955 555 104 03	Cover	/LL /R	1	ILOL
		Mirror changeover switch			
	955 555 104 03 6N3	Black mat			
(15)	955 555 105 03	Cover	/RL /L	1	ILOL
		Mirror changeover switch			
	955 555 105 03 6N3	Black mat			
(15)	955 555 106 03	Cover	/RL /R	1	ILOL
		Mirror changeover switch			
	955 555 106 03 6N3	Black mat			

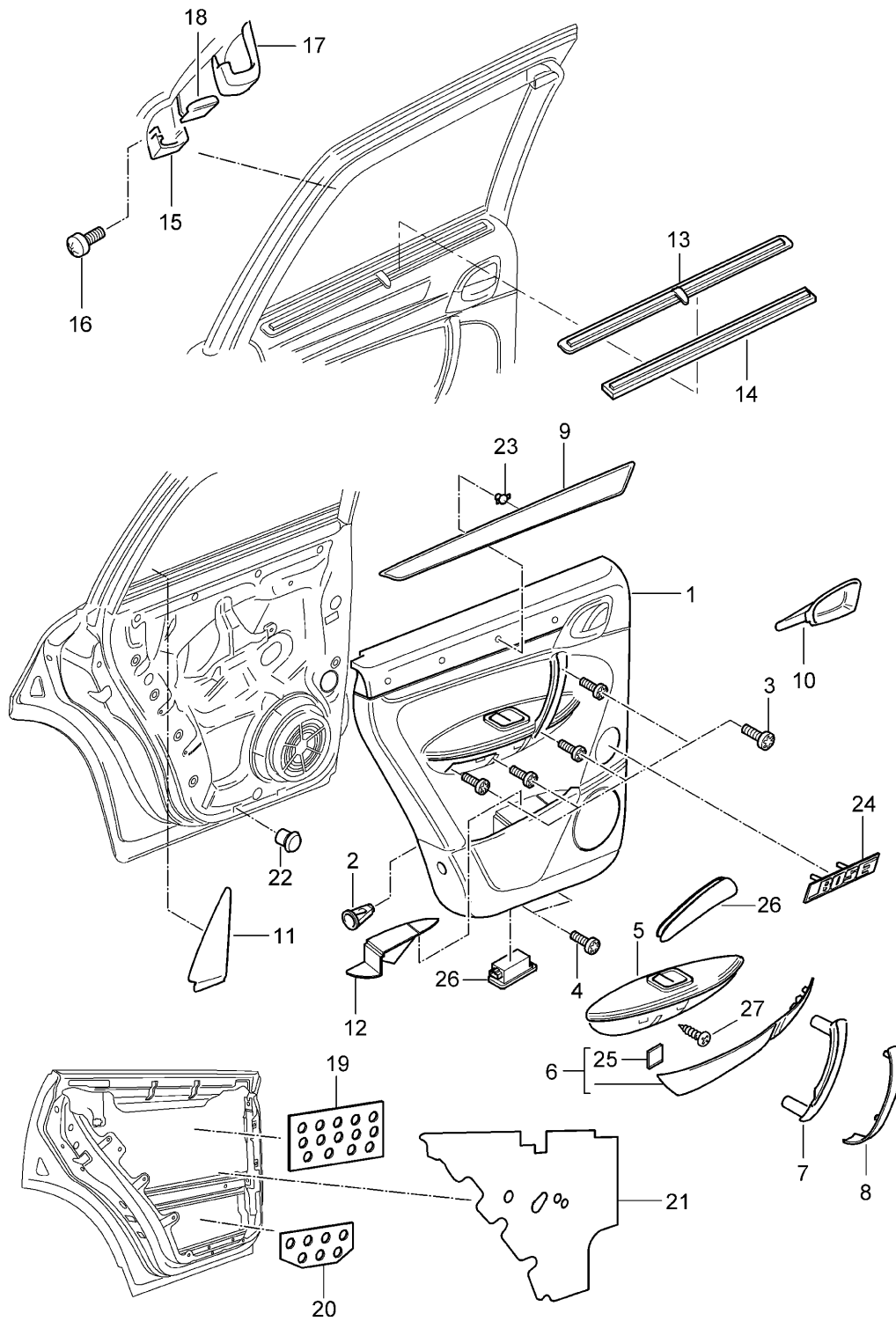
Model: 9PA 03

Model life 2003>>2006

Pos	Part Number	Description	Remark	Qty	Model
-	955 533 837 00	Grommet Mount Cover Mirror changeover switch		1	
16	955 556 821 00	Insulation Door Upper		2	
17	955 556 823 00	Insulation Lower		2	
18	955 556 879 01	Insulation	/L	1	
(18)	955 556 880 01	Insulation	/R	1	
19	N 105 168 01	Expander nut Door trim panel		2	
20	955 555 033 00	Fixing clip Moulding		5	
21	955 645 511 00	Logo Bose		1	I9VL
22	N 907 468 01	U-clamp		7	
23	955 555 059 00	Clamp	05-	6	I3LD
24		Light Door See group 9/03/04		X	I9MB

Model: 9PA 03

Model life 2003>>2006



Model: 9PA 03 Model life 2003>>2006

Pos	Part Number	Description	Remark	Qty	Model
1	955 555 141 03	Door trim panel with Insulation Rear	/L	1	I3LD/9JA
	955 555 141 03 PBJ	Leatherette Black			
	955 555 141 03 PBK	Stone grey/steel grey			
	955 555 141 03 PBL	Havanna/sand beige			
	955 555 141 03 PBM	Palmgreen/palmgreen			
(1)	955 555 142 03	Door trim panel	/R	1	I3LD/9JA
	955 555 142 03 PBJ	Leatherette Black			
	955 555 142 03 PBK	Stone grey/steel grey			
	955 555 142 03 PBL	Havanna/sand beige			
	955 555 142 03 PBM	Palmgreen/palmgreen			
1	955 555 143 03	Door trim panel	/L	1	I3LD/3Y3/3Y4 I9JA
	955 555 143 03 PBJ	Leatherette Black			
	955 555 143 03 PBK	Stone grey/steel grey			
	955 555 143 03 PBL	Havanna/sand beige			
	955 555 143 03 PBM	Palmgreen/palmgreen			
(1)	955 555 144 03	Door trim panel	/R	1	I3LD/3Y3/3Y4 I9JA
	955 555 144 03 PBJ	Leatherette Black			
	955 555 144 03 PBK	Stone grey/steel grey			
	955 555 144 03 PBL	Havanna/sand beige			
	955 555 144 03 PBM	Palmgreen/palmgreen			
1	955 555 145 03	Door trim panel	/L	1	I3LD/9JB
	955 555 145 03 PBJ	Leatherette Black			
	955 555 145 03 PBK	Stone grey/steel grey			
	955 555 145 03 PBL	Havanna/sand beige			
	955 555 145 03 PBM	Palmgreen/palmgreen			
(1)	955 555 146 03	Door trim panel	/R	1	I3LD/9JB
	955 555 146 03 PBJ	Leatherette Black			
	955 555 146 03 PBK	Stone grey/steel grey			
	955 555 146 03 PBL	Havanna/sand beige			
	955 555 146 03 PBM	Palmgreen/palmgreen			
1	955 555 147 03	Door trim panel	/L	1	I3LD/3Y3/3Y4 I9JB
	955 555 147 03 PBJ	Leatherette Black			
	955 555 147 03 PBK	Stone grey/steel grey			
	955 555 147 03 PBL	Havanna/sand beige			
	955 555 147 03 PBM	Palmgreen/palmgreen			
(1)	955 555 148 03	Door trim panel	/R	1	I3LD/3Y3/3Y4 I9JB
	955 555 148 03 PBJ	Leatherette Black			
	955 555 148 03 PBK	Stone grey/steel grey			
	955 555 148 03 PBL	Havanna/sand beige			
	955 555 148 03 PBM	Palmgreen/palmgreen			
1	955 555 151 02	Door trim panel	/L -04	1	I3LE/9JA
	955 555 151 02 PBN	Partial leather Black/black			
	955 555 151 02 PBP	Stone grey/steel grey			
	955 555 151 02 PBQ	Havanna/sand beige			
	955 555 151 02 PBR	Palmgreen/palmgreen			
(1)	955 555 152 02	Door trim panel	/R -04	1	I3LE/9JA



Model: 9PA 03 Model life 2003>>2006

Pos	Part Number	Description	Remark	Qty	Model
1	955 555 152 02 PBN	Partial leather Black/black			
	955 555 152 02 PBP	Stone grey/steel grey			
	955 555 152 02 PBQ	Havanna/sand beige			
	955 555 152 02 PBR	Palmgreen/palmgreen			
	955 555 153 02	Door trim panel	/L -04	1	I3LE/3Y3/3Y4 I9JA
(1)	955 555 153 02 PBN	Partial leather Black/black			
	955 555 153 02 PBP	Stone grey/steel grey			
	955 555 153 02 PBQ	Havanna/sand beige			
	955 555 153 02 PBR	Palmgreen/palmgreen			
	955 555 154 02	Door trim panel	/R -04	1	I3LE/3Y3/3Y4 I9JA
1	955 555 154 02 PBN	Partial leather Black/black			
	955 555 154 02 PBP	Stone grey/steel grey			
	955 555 154 02 PBQ	Havanna/sand beige			
	955 555 154 02 PBR	Palmgreen/palmgreen			
	955 555 155 02	Door trim panel	/L -04	1	I3LE/9JB
(1)	955 555 155 02 PBN	Partial leather Black/black			
	955 555 155 02 PBP	Stone grey/steel grey			
	955 555 155 02 PBQ	Havanna/sand beige			
	955 555 155 02 PBR	Palmgreen/palmgreen			
	955 555 156 02	Door trim panel	/R -04	1	I3LE/9JB
1	955 555 156 02 PBN	Partial leather Black/black			
	955 555 156 02 PBP	Stone grey/steel grey			
	955 555 156 02 PBQ	Havanna/sand beige			
	955 555 156 02 PBR	Palmgreen/palmgreen			
	955 555 159 02	Door trim panel	/L -04	1	I3LE/3Y3/3Y4 I9JB
(1)	955 555 159 02 PBN	Partial leather Black/black			
	955 555 159 02 PBP	Stone grey/steel grey			
	955 555 159 02 PBQ	Havanna/sand beige			
	955 555 159 02 PBR	Palmgreen/palmgreen			
	955 555 160 02	Door trim panel	/R -04	1	I3LE/3Y3/3Y4 I9JB
1	955 555 160 02 PBN	Partial leather Black/black			
	955 555 160 02 PBP	Stone grey/steel grey			
	955 555 160 02 PBQ	Havanna/sand beige			
	955 555 160 02 PBR	Palmgreen/palmgreen			
	955 555 163 03	Door trim panel	/L	1	I3LH/9JA
(1)	955 555 163 03 PBS	Leather Black/black			
	955 555 163 03 PBT	Stone grey/steel grey			
	955 555 163 03 PBU	Havanna/sand beige			
	955 555 163 03 PBV	Palmgreen/palmgreen			
	955 555 163 03 RKR	Sand beige/sand beige	04- /R	1	I3LH/9JA
1	955 555 164 03	Door trim panel			
	955 555 164 03 PBS	Leather Black/black			
	955 555 164 03 PBT	Stone grey/steel grey			
	955 555 164 03 PBU	Havanna/sand beige			
	955 555 164 03 PBV	Palmgreen/palmgreen			
1	955 555 164 03 RKR	Sand beige/sand beige	04- /L	1	I3LH/3Y3/3Y4 I9JA
	955 555 167 03	Door trim panel			
	955 555 167 03 PBS	Leather Black/black			

Model: 9PA 03

Model life 2003>>2006

Pos	Part Number	Description	Remark	Qty	Model
(1)	955 555 167 03 PBT	Stone grey/steel grey			
	955 555 167 03 PBU	Havanna/sand beige			
	955 555 167 03 PBV	Palmgreen/palmgreen			
	955 555 167 03 RKR	Sand beige/sand beige	04-		
	955 555 168 03	Door trim panel	/R	1	I3LH/3Y3/3Y4 I9JA
		Leather			
	955 555 168 03 PBS	Black/black			
	955 555 168 03 PBT	Stone grey/steel grey			
	955 555 168 03 PBU	Havanna/sand beige			
	955 555 168 03 PBV	Palmgreen/palmgreen			
	955 555 168 03 RKR	Sand beige/sand beige	04-		
1	955 555 169 03	Door trim panel	/L	1	I3LH/9JB
		Leather			
	955 555 169 03 PBS	Black/black			
	955 555 169 03 PBT	Stone grey/steel grey			
	955 555 169 03 PBU	Havanna/sand beige			
	955 555 169 03 PBV	Palmgreen/palmgreen			
	955 555 169 03 RKR	Sand beige/sand beige	04-		
(1)	955 555 170 03	Door trim panel	/R	1	I3LH/9JB
		Leather			
	955 555 170 03 PBS	Black/black			
	955 555 170 03 PBT	Stone grey/steel grey			
	955 555 170 03 PBU	Havanna/sand beige			
	955 555 170 03 PBV	Palmgreen/palmgreen			
	955 555 170 03 RKR	Sand beige/sand beige	04-		
1	955 555 171 03	Door trim panel	/L	1	I3LH/3Y3/3Y4 I9JB
		Leather			
	955 555 171 03 PBS	Black/black			
	955 555 171 03 PBT	Stone grey/steel grey			
	955 555 171 03 PBU	Havanna/sand beige			
	955 555 171 03 PBV	Palmgreen/palmgreen			
	955 555 171 03 RKR	Sand beige/sand beige	04-		
(1)	955 555 172 03	Door trim panel	/R	1	I3LH/3Y3/3Y4 I9JB
		Leather			
	955 555 172 03 PBS	Black/black			
	955 555 172 03 PBT	Stone grey/steel grey			
	955 555 172 03 PBU	Havanna/sand beige			
	955 555 172 03 PBV	Palmgreen/palmgreen			
	955 555 172 03 RKR	Sand beige/sand beige	04-		
2	955 555 243 00	Fixing clip		7	
		Door trim panel			
3	N 103 346 01	Screw	-05	4	
		M 6 X 20			
		Mount			
		Door trim panel			
3	N 103 346 04	Screw	06	4	
		M 6 X 20			
		Mount			
		Door trim panel			
4	N 907 397 04	Screw		2	
		M 5 X 22			
		Mount			
		Door trim panel			
		Lower			
5	955 555 173 00	Armrest	/L	1	I3LD
	955 555 173 00 A08	Black			
	955 555 173 00 T25	Sand Beige			
	955 555 173 00 4Q2	Palmgreen			
	955 555 173 00 6E1	Steel grey			
(5)	955 555 174 00	Armrest	/R	1	I3LD

Model: 9PA 03 Model life 2003>>2006

Pos	Part Number	Description	Remark	Qty	Model
	955 555 174 00 A08	Black			
	955 555 174 00 T25	Sand Beige			
	955 555 174 00 4Q2	Palmgreen			
	955 555 174 00 6E1	Steel grey			
5	955 555 173 00	Armrest	/L -05	1	I3LE
	955 555 173 00 A08	Black			
	955 555 173 00 T25	Sand Beige			
	955 555 173 00 4Q2	Palmgreen			
	955 555 173 00 6E1	Steel grey			
(5)	955 555 174 00	Armrest	/R -05	1	I3LE
	955 555 174 00 A08	Black			
	955 555 174 00 T25	Sand Beige			
	955 555 174 00 4Q2	Palmgreen			
	955 555 174 00 6E1	Steel grey			
5	955 555 175 00	Armrest	/L	1	I3LH
		Leather			
	955 555 175 00 4P1	Palmgreen			
	955 555 175 00 6B7	Steel grey			
	955 555 175 00 8G1	Sand Beige			
	955 555 175 00 8YR	Black			
(5)	955 555 176 00	Armrest	/R	1	I3LH
		Leather			
	955 555 176 00 4P1	Palmgreen			
	955 555 176 00 6B7	Steel grey			
	955 555 176 00 8G1	Sand Beige			
	955 555 176 00 8YR	Black			
6	955 555 177 00	Trim cover	/L -05	1	I3LD/3LE
		Armrest			
	955 555 177 00 5Q2	Black			
	955 555 177 00 5R3	Steel grey			
	955 555 177 00 5S4	Sand Beige			
	955 555 177 00 5Y5	Palmgreen			
(6)	955 555 178 00	Trim cover	/R -05	1	I3LD/3LE
		Armrest			
	955 555 178 00 5Q2	Black			
	955 555 178 00 5R3	Steel grey			
	955 555 178 00 5S4	Sand Beige			
	955 555 178 00 5Y5	Palmgreen			
6	955 555 179 01	Trim cover	/L -05	1	I3LH
		Armrest			
	955 555 179 01 4P1	Palmgreen			
	955 555 179 01 6B7	Steel grey			
	955 555 179 01 8G1	Sand Beige			
	955 555 179 01 8YR	Black			
(6)	955 555 180 01	Trim cover	/R -05	1	I3LH
		Armrest			
	955 555 180 01 4P1	Palmgreen			
	955 555 180 01 6B7	Steel grey			
	955 555 180 01 8G1	Sand Beige			
	955 555 180 01 8YR	Black			
6	955 555 177 00	Trim cover	/L 06-	1	I3LD/3LH
		Armrest			
	955 555 177 00 5Q2	Black			
	955 555 177 00 5R3	Steel grey			
	955 555 177 00 5S4	Sand Beige			
	955 555 177 00 5Y5	Palmgreen			
(6)	955 555 178 00	Trim cover	/R 06-	1	I3LD/3LH
		Armrest			
	955 555 178 00 5Q2	Black			
	955 555 178 00 5R3	Steel grey			
	955 555 178 00 5S4	Sand Beige			
	955 555 178 00 5Y5	Palmgreen			
7	955 555 259 00	Handle	/L	1	I3LH

Model: 9PA 03 Model life 2003>>2006

Pos	Part Number	Description	Remark	Qty	Model
		Leather			
	955 555 259 00 4P1	Palmgreen			
	955 555 259 00 6B7	Steel grey			
	955 555 259 00 8G1	Sand Beige			
	955 555 259 00 8YR	Black			
(7)	955 555 260 00	Handle	/R	1	I3LH
		Leather			
	955 555 260 00 4P1	Palmgreen			
	955 555 260 00 6B7	Steel grey			
	955 555 260 00 8G1	Sand Beige			
	955 555 260 00 8YR	Black			
7	955 555 261 00	Handle	/L	1	I3LD
	955 555 261 00 A08	Black			
	955 555 261 00 T25	Sand Beige			
	955 555 261 00 4Q2	Palmgreen			
	955 555 261 00 6E1	Steel grey			
(7)	955 555 262 00	Handle	/R	1	I3LD
	955 555 262 00 A08	Black			
	955 555 262 00 T25	Sand Beige			
	955 555 262 00 4Q2	Palmgreen			
	955 555 262 00 6E1	Steel grey			
7	955 555 261 00	Handle	/L -05	1	I3LE
	955 555 261 00 A08	Black			
	955 555 261 00 T25	Sand Beige			
	955 555 261 00 4Q2	Palmgreen			
	955 555 261 00 6E1	Steel grey			
(7)	955 555 262 00	Handle	/R -05	1	I3LE
	955 555 262 00 A08	Black			
	955 555 262 00 T25	Sand Beige			
	955 555 262 00 4Q2	Palmgreen			
	955 555 262 00 6E1	Steel grey			
8	955 555 537 00	Trim cover	/L	1	I3LD
		Handle			
	955 555 537 00 A08	Black			
	955 555 537 00 T25	Sand Beige			
	955 555 537 00 4Q2	Palmgreen			
	955 555 537 00 6E1	Steel grey			
(8)	955 555 538 00	Trim cover	/R	1	I3LD
		Handle			
	955 555 538 00 A08	Black			
	955 555 538 00 T25	Sand Beige			
	955 555 538 00 4Q2	Palmgreen			
	955 555 538 00 6E1	Steel grey			
8	955 555 537 00	Trim cover	/L -05	1	I3LE
		Handle			
	955 555 537 00 A08	Black			
	955 555 537 00 T25	Sand Beige			
	955 555 537 00 4Q2	Palmgreen			
	955 555 537 00 6E1	Steel grey			
(8)	955 555 538 00	Trim cover	/R -05	1	I3LE
		Handle			
	955 555 538 00 A08	Black			
	955 555 538 00 T25	Sand Beige			
	955 555 538 00 4Q2	Palmgreen			
	955 555 538 00 6E1	Steel grey			
8	955 555 539 00	Trim cover	/L	1	I3LH
		Handle			
		Leather			
	955 555 539 00 4P1	Palmgreen			
	955 555 539 00 6B7	Steel grey			
	955 555 539 00 8G1	Sand Beige			
	955 555 539 00 8YR	Black			
(8)	955 555 540 00	Trim cover	/R	1	I3LH

Model: 9PA 03 Model life 2003>>2006

Pos	Part Number	Description	Remark	Qty	Model
		Handle			
		Leather			
	955 555 540 00 4P1	Palmgreen			
	955 555 540 00 6B7	Steel grey			
	955 555 540 00 8G1	Sand Beige			
	955 555 540 00 8YR	Black			
9	955 555 087 00	Moulding	/L	1	I5MA
		Plastic material			
		Lacquered			
	955 555 087 00 5X2	Silver mat chrome			
(9)	955 555 088 00	Moulding	/R	1	I5MA
		Plastic material			
		Lacquered			
	955 555 088 00 5X2	Silver mat chrome			
9	955 555 089 00	Moulding	/L	1	I5TE
	955 555 089 00 62W	Satin aluminium			
		Matte			
(9)	955 555 090 00	Moulding	/R	1	I5TE
	955 555 090 00 62W	Satin aluminium			
		Matte			
9	955 555 091 00	Moulding	/L	1	I5MG
	955 555 091 00 4X2	Rootwood			
(9)	955 555 092 00	Moulding	/R	1	I5MG
	955 555 092 00 4X2	Rootwood			
9	955 555 093 00	Moulding	/L	1	I5TF
	955 555 093 00 4V8	High-gloss olive ash burl			
(9)	955 555 094 00	Moulding	/R	1	I5TF
	955 555 094 00 4V8	High-gloss olive ash burl			
9	955 555 063 00	Moulding	/L 04-	1	I5TK
	955 555 063 00 9Z4	Super-matt olive ash burl			
(9)	955 555 064 00	Moulding	/R 04-	1	I5TK
	955 555 064 00 9Z4	Super-matt olive ash burl			
10	955 555 113 00	Inner door release	/L	1	
		Complete			
	955 555 113 00 A03	Black			
	955 555 113 00 5V7	Stone grey			
	955 555 113 00 5Y2	Palmgreen			
	955 555 113 00 5Y9	Havanna			
	955 555 113 00 5Z1	Sand Beige	04-		
(10)	955 555 114 00	Inner door release	/R	1	
		Complete			
	955 555 114 00 A03	Black			
	955 555 114 00 5V7	Stone grey			
	955 555 114 00 5Y2	Palmgreen			
	955 555 114 00 5Y9	Havanna			
	955 555 114 00 5Z1	Sand Beige	04-		
11	955 555 883 03	Cover	/L	1	
(11)	955 555 884 03	Cover	/R	1	
12	955 555 851 00	Ashtray	/L	1	I9JB
	955 555 851 00 A03	Black			
	955 555 851 00 7BA	Steel grey			
	955 555 851 00 5Y2	Palmgreen			
	955 555 851 00 5Z1	Sand Beige			
(12)	955 555 852 00	Ashtray	/R	1	I9JB
	955 555 852 00 A03	Black			
	955 555 852 00 7BA	Steel grey			
	955 555 852 00 5Y2	Palmgreen			
	955 555 852 00 5Z1	Sand Beige			
13	955 731 317 02	Shade	/L	1	I3Y3/3Y4
		Door window glass			
	955 731 317 02 3W4	Black			
(13)	955 731 318 02	Shade	/R	1	I3Y3/3Y4
		Door window glass			

Model: 9PA 03 Model life 2003>>2006

Pos	Part Number	Description	Remark	Qty	Model
14	955 731 318 02 3W4 955 731 319 00	Black Cover Shade Lacquered	/L	1	I3Y3/3Y4
	955 731 319 00 A03 955 731 319 00 5V7 955 731 319 00 5Y2 955 731 319 00 5Y9	Black Stone grey Palmgreen Havanna			
(14)	955 731 319 00 5Z1 955 731 320 00	Sand Beige Cover Shade Lacquered	04- /R	1	I3Y3/3Y4
	955 731 320 00 A03 955 731 320 00 5V7 955 731 320 00 5Y2 955 731 320 00 5Y9	Black Stone grey Palmgreen Havanna			
15	955 731 320 00 5Z1 955 731 321 00	Sand Beige Support Shade Front	04- /L	1	I3Y3/3Y4
(15)	955 731 321 00 B41 955 731 322 00	Satin black Support Shade Front	/R	1	I3Y3/3Y4
(15)	955 731 322 00 B41 955 731 323 00	Satin black Support Shade Rear	/L	1	I3Y3/3Y4
(15)	955 731 323 00 B41 955 731 324 00	Satin black Support Shade Rear	/R	1	I3Y3/3Y4
16	955 731 324 00 B41 N 104 472 01	Satin black Lens-head screw ST 4,8 X 13		4	
17	955 731 325 01	Cap Support Front	/L	1	I3Y3/3Y4
(17)	955 731 325 01 B41 955 731 326 01	Satin black Cap Support Front	/R	1	I3Y3/3Y4
(17)	955 731 326 01 B41 955 731 327 01	Satin black Cap Support Rear	/L	1	I3Y3/3Y4
(17)	955 731 327 01 B41 955 731 328 01	Satin black Cap Support Rear	/R	1	I3Y3/3Y4
18	955 731 328 01 B41 955 731 330 00	Satin black Plate Shade		2	I3Y3/3Y4
19	955 731 330 00 B41 955 556 821 00	Satin black Insulation Upper		2	
20	955 556 823 00	Insulation Lower		2	
21	955 556 881 01	Insulation Door	/L	1	
(21)	955 556 882 01	Insulation Door	/R	1	
22	N 105 168 01	Expander nut		2	

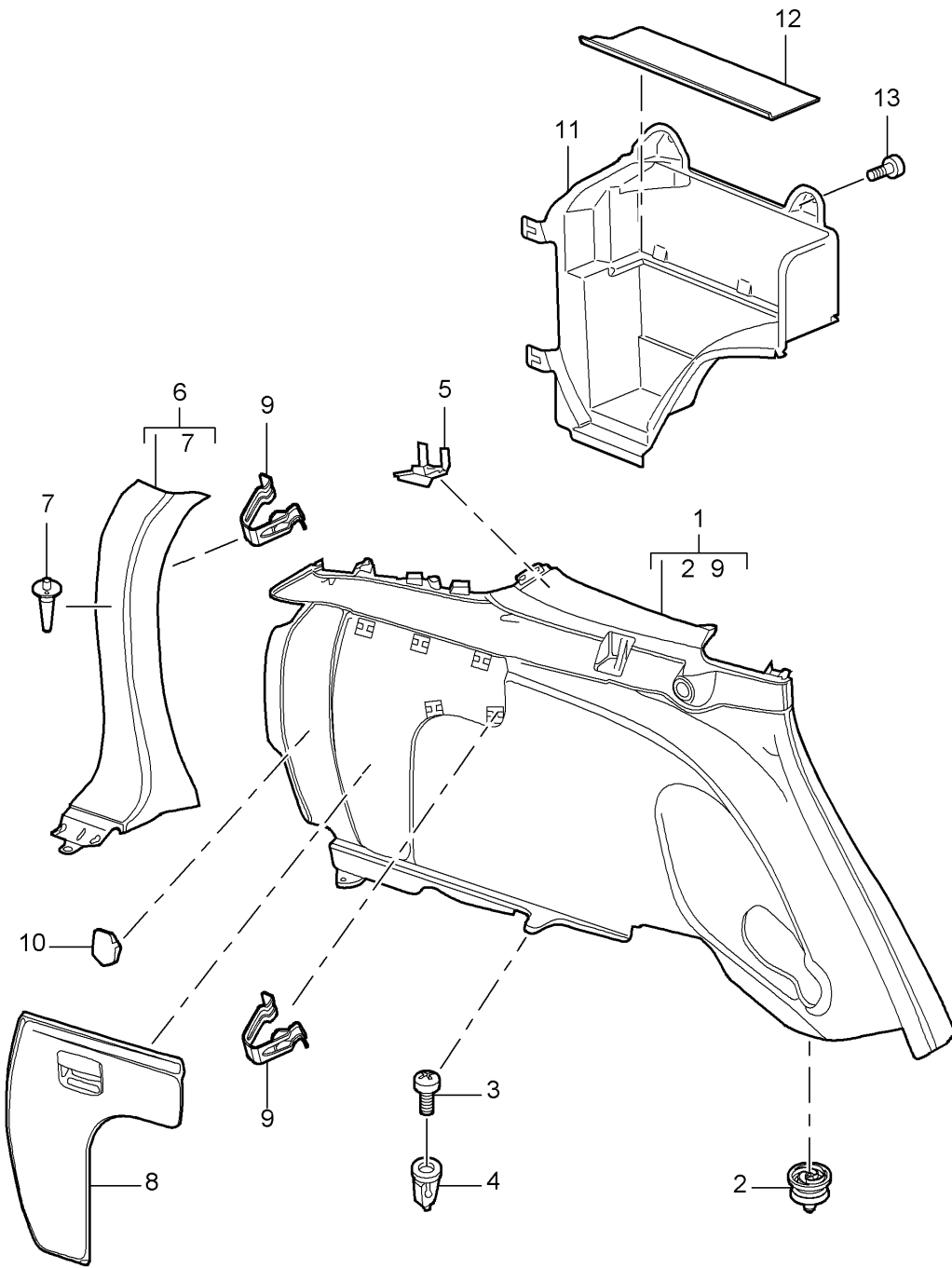
Model: 9PA 03

Model life 2003&gt;&gt;2006

Pos	Part Number	Description	Remark	Qty	Model
23	955 555 033 00	Door trim panel Fixing clip		4	
24	955 645 511 00	Moulding Logo		1	I9VL
25	N 907 468 01	Bose U-clamp		7	
26		Light Door		X	I9MB
		See group 9/03/04			
27	N 906 487 02	Tapping screw 4,8 X 16 for Mount Armrest		7	

Model: 9PA 03

Model life 2003>>2006





Model: 9PA 03 Model life 2003>>2006

Pos	Part Number	Description	Remark	Qty	Model
1	955 555 037 02	Side trim panel Rear Accessories Side trim panel Rear Tufting velour	/L	1	I3LD/9AB/9AD
	955 555 037 02 PCE	Black/black			
	955 555 037 02 PCF	Stone grey/steel grey			
	955 555 037 02 PCG	Havanna/sand beige			
	955 555 037 02 PCH	Palmgreen/palmgreen			
	955 555 037 02 WSG	Grey/black	06-		
	955 555 037 02 WSH	Black/sand beige	06-		
1	955 555 038 02	Side trim panel Rear Tufting velour	/R	1	I1D0/1D2/1D6 I1D7/1D8/3LD
	955 555 038 02 PCE	Black/black			
	955 555 038 02 PCF	Stone grey/steel grey			
	955 555 038 02 PCG	Havanna/sand beige			
	955 555 038 02 PCH	Palmgreen/palmgreen			
	955 555 038 02 WSG	Grey/black	06-		
	955 555 038 02 WSH	Black/sand beige	06-		
(1)	955 555 041 01	Side trim panel Rear Tufting velour	/L	1	I3LD/9AH
	955 555 041 01 PCE	Black/black			
	955 555 041 01 PCF	Stone grey/steel grey			
	955 555 041 01 PCG	Havanna/sand beige			
	955 555 041 01 PCH	Palmgreen/palmgreen			
	955 555 041 01 WSG	Grey/black	06-		
	955 555 041 01 WSH	Black/sand beige	06-		
(1)	955 555 040 02	Side trim panel Rear Tufting velour	/R	1	I1D9/3LD
	955 555 040 02 PCE	Black/black			
	955 555 040 02 PCF	Stone grey/steel grey			
	955 555 040 02 PCG	Havanna/sand beige			
	955 555 040 02 PCH	Palmgreen/palmgreen			
	955 555 040 02 WSG	Grey/black	06-		
	955 555 040 02 WSH	Black/sand beige	06-		
1	955 555 039 02	Side trim panel Rear Pearl velour	/L	1	I3LH/9AB/9AD
	955 555 039 02 PCJ	Black/black			
	955 555 039 02 PCK	Stone grey/steel grey			
	955 555 039 02 PCL	Havanna/sand beige			
	955 555 039 02 PCM	Palmgreen/palmgreen			
	955 555 039 02 RKS	Sand beige/sand beige	04-		
(1)	955 555 042 02	Side trim panel Rear Pearl velour	/R	1	I1D0/1D2/1D6 I1D7/1D8/3LH
	955 555 042 02 PCJ	Black/black			
	955 555 042 02 PCK	Stone grey/steel grey			
	955 555 042 02 PCL	Havanna/sand beige			
	955 555 042 02 PCM	Palmgreen/palmgreen			
	955 555 042 02 RKS	Sand beige/sand beige	04-		
1	955 555 039 02	Side trim panel Rear Pearl velour	/L -04	1	I3LE/9AB/9AD
	955 555 039 02 PCJ	Black/black			
	955 555 039 02 PCK	Stone grey/steel grey			
	955 555 039 02 PCL	Havanna/sand beige			

Model: 9PA 03 Model life 2003>>2006

Pos	Part Number	Description	Remark	Qty	Model
1	955 555 039 02 PCM	Palmgreen/palmgreen	04 /R -04	1	I1D0/1D2/3LE I1D7/1D8
	955 555 039 02 RKS	Sand beige/sand beige			
	955 555 042 02	Side trim panel			
		Rear			
		Pearl velour			
	955 555 042 02 PCJ	Black/black			
	955 555 042 02 PCK	Stone grey/steel grey			
	955 555 042 02 PCL	Havanna/sand beige			
	955 555 042 02 PCM	Palmgreen/palmgreen			
	955 555 042 02 RKS	Sand beige/sand beige			
1	955 555 043 01	Side trim panel	04 /L	1	I3LH/9AH
		Rear			
		Pearl velour			
	955 555 043 01 PCJ	Black/black			
	955 555 043 01 PCK	Stone grey/steel grey			
	955 555 043 01 PCL	Havanna/sand beige			
	955 555 043 01 PCM	Palmgreen/palmgreen			
	955 555 043 01 RKS	Sand beige/sand beige			
	(1) 955 555 044 02	Side trim panel			
		Rear			
	Pearl velour				
955 555 044 02 PCJ	Black/black				
955 555 044 02 PCK	Stone grey/steel grey				
955 555 044 02 PCL	Havanna/sand beige				
955 555 044 02 PCM	Palmgreen/palmgreen				
955 555 044 02 RKS	Sand beige/sand beige				
1	955 555 043 01	Side trim panel	04- /L -04	1	I3LE/9AH
		Rear			
		Pearl velour			
	955 555 043 01 PCJ	Black/black			
	955 555 043 01 PCK	Stone grey/steel grey			
	955 555 043 01 PCL	Havanna/sand beige			
	955 555 043 01 PCM	Palmgreen/palmgreen			
	955 555 043 01 RKS	Sand beige/sand beige			
	(1) 955 555 044 02	Side trim panel			
		Rear			
	Pearl velour				
955 555 044 02 PCJ	Black/black				
955 555 044 02 PCK	Stone grey/steel grey				
955 555 044 02 PCL	Havanna/sand beige				
955 555 044 02 PCM	Palmgreen/palmgreen				
955 555 044 02 RKS	Sand beige/sand beige				
1	955 555 043 01	Side trim panel	04 /R -04	1	I1D9/3LE
		Rear			
		Pearl velour			
	955 555 043 01 PCJ	Black/black			
	955 555 043 01 PCK	Stone grey/steel grey			
	955 555 043 01 PCL	Havanna/sand beige			
	955 555 043 01 PCM	Palmgreen/palmgreen			
	955 555 043 01 RKS	Sand beige/sand beige			
	(1) 955 555 044 02	Side trim panel			
		Rear			
	Pearl velour				
955 555 044 02 PCJ	Black/black				
955 555 044 02 PCK	Stone grey/steel grey				
955 555 044 02 PCL	Havanna/sand beige				
955 555 044 02 PCM	Palmgreen/palmgreen				
955 555 044 02 RKS	Sand beige/sand beige				
2	955 555 245 00	Clip for Mount	04	X	
		Side trim panel			
3	N 908 195 01	Lens-head screw ST 4,8 X 13 Mount		4	
4	N 105 168 01	Side trim panel		4	
		Expander nut F 5X 14,4 Mount			
(4)	N 909 274 01	Side trim panel		4	
		Side member Expander nut CST 4,8 X 10 Mount			
5	955 555 387 00	Side trim panel C-pillar Clamp for		2	

Model: 9PA 03 Model life 2003>>2006

Pos	Part Number	Description	Remark	Qty	Model					
6	955 555 447 02	Mount	/L	1						
		Side trim panel								
		Border strip								
		Side trim panel								
		Rear								
		955 555 447 02 01C				Satin black				
		955 555 447 02 6C6				Sand Beige				
		955 555 447 02 6H8				Palmgreen				
		955 555 447 02 7A8				Steel grey				
		(6)				955 555 448 02	Border strip	/R	1	
Side trim panel										
Rear										
955 555 448 02 01C	Satin black									
955 555 448 02 6C6	Sand Beige									
955 555 448 02 6H8	Palmgreen									
955 555 448 02 7A8	Steel grey									
7	955 555 276 00		Clip		3					
			Mount for							
			Border strip							
8	955 555 461 00	Rear	/L	1	I3LD/9AB/9AD					
		Lid								
		Side trim panel								
		Tufting velour								
		955 555 461 00 7H1				Black				
		955 555 461 00 7J2				Steel grey				
		955 555 461 00 7K3				Sand Beige				
		955 555 461 00 7L4				Palmgreen				
		(8)				955 555 462 01	Lid	/R	1	I3LD
							Side trim panel			
Tufting velour										
955 555 462 01 7H1	Black									
955 555 462 01 7J2	Steel grey									
955 555 462 01 7K3	Sand Beige									
955 555 462 01 7L4	Palmgreen									
8	955 555 471 00		Lid	/L	1		I3LH/9AB/9AD			
			Side trim panel							
			Pearl velour							
		955 555 471 00 8B2	Black							
		955 555 471 00 8C3	Steel grey							
		955 555 471 00 8D4	Sand Beige							
		955 555 471 00 8E5	Palmgreen							
		(8)	955 555 472 01			Lid		/R	1	I3LH
						Side trim panel				
						Pearl velour				
955 555 472 01 8B2	Black									
955 555 472 01 8C3	Steel grey									
955 555 472 01 8D4	Sand Beige									
955 555 472 01 8E5	Palmgreen									
8	955 555 471 00			Lid	/L -04	1	I3LE/9AB/9AD			
				Side trim panel						
				Pearl velour						
		955 555 471 00 8B2	Black							
		955 555 471 00 8C3	Steel grey							
		955 555 471 00 8D4	Sand Beige							
		955 555 471 00 8E5	Palmgreen							
		(8)	955 555 472 01	Lid				/R -04	1	I3LE
				Side trim panel						
				Pearl velour						
955 555 472 01 8B2	Black									
955 555 472 01 8C3	Steel grey									
955 555 472 01 8D4	Sand Beige									
955 555 472 01 8E5	Palmgreen									

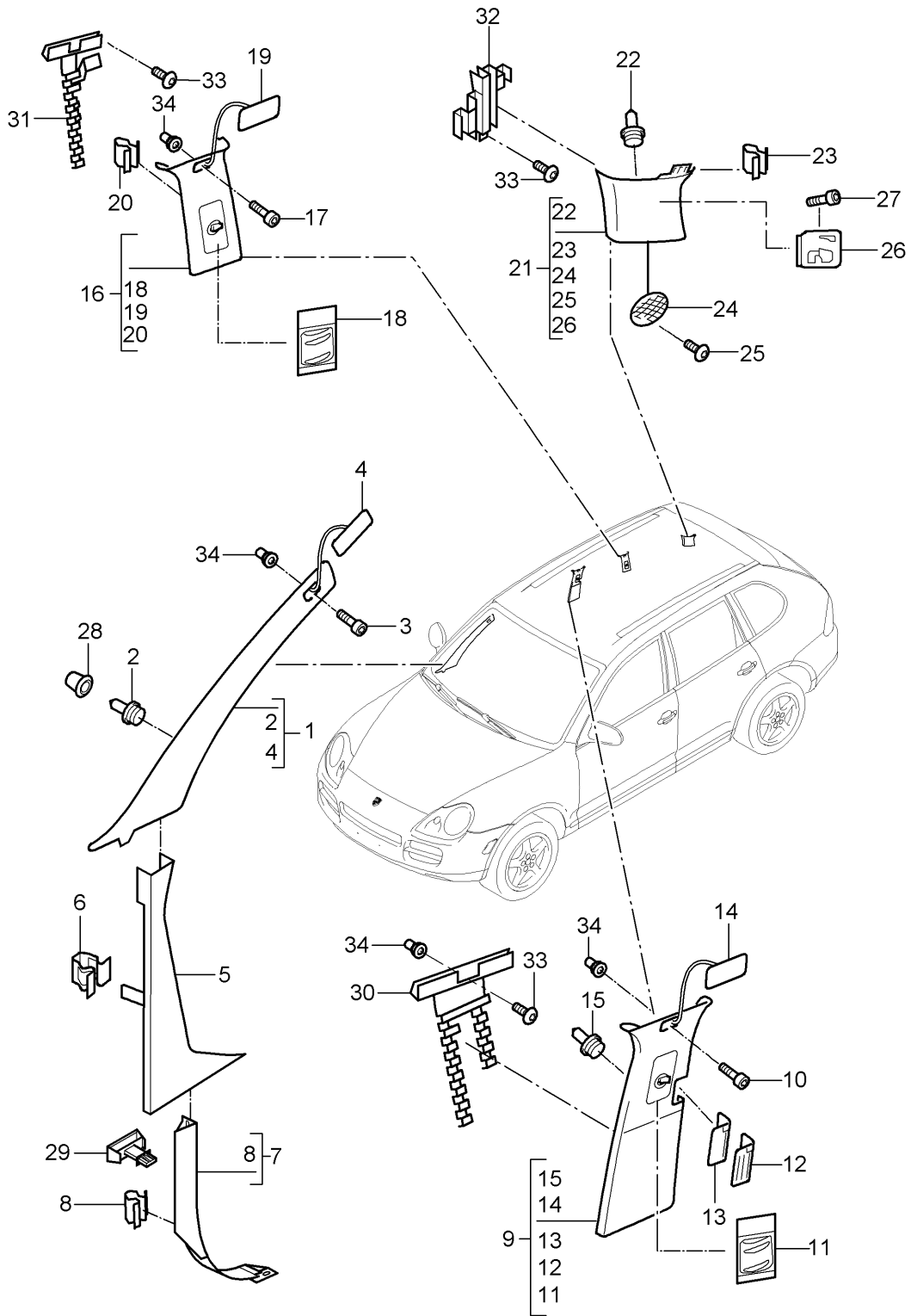
Model: 9PA 03

Model life 2003>>2006

Pos	Part Number	Description	Remark	Qty	Model
9	955 555 388 00	Clamp Side trim panel Mount Lid		5	I9AB/9AD
(9)	955 555 389 00	Clamp Side trim panel Mount Lid		5	I9AH
10	--- --- --- --	Plug socket Side trim panel See group 9/03/05		1	
11	955 555 705 00	Package box Side trim panel	/L 05-	1	I9AB/9AD
12	955 555 652 00	Insert Package box	05-	1	I9AB/9AD
13	N 906 841 01	Oval-head screw M 6 X 20	05	2	
13	N 906 841 02	Oval-head screw M 6 X 20	06-	2	
(13)	N 902 521 01	Blind rivet nut M 6/0,5 - 3,0 for Mount Package box	05	2	
(13)	N 106 185 01	Blind rivet nut M 6/0,5 - 3,0 for Mount Package box	06-	2	

Model: 9PA 03

Model life 2003>>2006



Model: 9PA 03

Model life 2003>>2006

Pos	Part Number	Description	Remark	Qty	Model
1	955 555 181 02	Linings A-pillar Until D-pillar Lining A-pillar Upper Cloth	/L -04	1	I6NJ/6NL/6NQ
	955 555 181 02 6K1	Sand Beige			
	955 555 181 02 6L2	Steel grey			
	955 555 181 02 6M3	Palmgreen			
1	955 555 181 03	Lining A-pillar Upper Cloth	/L 05-	1	I6NJ/6NL/6NQ
	955 555 181 03 6K1	Sand Beige			
	955 555 181 03 6L2	Steel grey			
	955 555 181 03 6M3	Palmgreen			
(1)	955 555 182 02	Lining A-pillar Upper Cloth	/R -04	1	I6NJ/6NL/6NQ
	955 555 182 02 6K1	Sand Beige			
	955 555 182 02 6L2	Steel grey			
	955 555 182 02 6M3	Palmgreen			
(1)	955 555 182 03	Lining A-pillar Upper Cloth	/R 05-	1	I6NJ/6NL/6NQ
	955 555 182 03 6K1	Sand Beige			
	955 555 182 03 6L2	Steel grey			
	955 555 182 03 6M3	Palmgreen			
1	955 555 183 03	Lining A-pillar Upper Alcantara	/L -05	1	I6NA/6NF/6NN
	955 555 183 03 5E5	Steel grey			
	955 555 183 03 5E6	Black			
	955 555 183 03 5G6	Sand Beige			
	955 555 183 03 5L6	Palmgreen			
1	955 555 183 04	Lining A-pillar Upper Alcantara	/L 06-	1	I6NA/6NF/6NN
	955 555 183 04 5E5	Steel grey			
	955 555 183 04 5E6	Black			
	955 555 183 04 5G6	Sand Beige			
	955 555 183 04 5L6	Palmgreen			
(1)	955 555 184 03	Lining A-pillar Upper Alcantara	/R -05	1	I6NA/6NF/6NN
	955 555 184 03 5E5	Steel grey			
	955 555 184 03 5E6	Black			
	955 555 184 03 5G6	Sand Beige			
	955 555 184 03 5L6	Palmgreen			
(1)	955 555 184 04	Lining A-pillar Upper Alcantara	/R 06-	1	I6NA/6NF/6NN
	955 555 184 04 5E5	Steel grey			
	955 555 184 04 5E6	Black			
	955 555 184 04 5G6	Sand Beige			

Model: 9PA 03

Model life 2003>>2006

Pos	Part Number	Description	Remark	Qty	Model
2	955 555 184 04 5L6 955 555 333 00	Palmgreen Clip Mount Lining A-pillar Upper		2	
3	N 104 829 01	Screw M 5 X 25 Mount A-pillar Upper	-05	2	
3	N 106 768 01	Screw M 5 X 25 Mount A-pillar Upper	06-	2	
4	955 555 437 00	Sticker Airbag		2	
	955 555 437 00 01C	Satin black			
	955 555 437 00 6C6	Sand Beige			
	955 555 437 00 6H8	Palmgreen			
	955 555 437 00 7A8	Steel grey			
5	955 555 239 00	Lining A-pillar Centre	/L	1	
	955 555 239 00 01C	Satin black			
	955 555 239 00 6C6	Sand Beige			
	955 555 239 00 6H8	Palmgreen			
	955 555 239 00 7A8	Steel grey			
(5)	955 555 240 00	Lining A-pillar Centre	/R	1	
	955 555 240 00 01C	Satin black			
	955 555 240 00 6C6	Sand Beige			
	955 555 240 00 6H8	Palmgreen			
	955 555 240 00 7A8	Steel grey			
6	955 552 208 00	Clamp Mount A-pillar Centre		2	
7	955 555 485 00	Lining A-pillar Lower	/LL /L	1	IL0L
	955 555 485 00 01C	Satin black			
	955 555 485 00 6C6	Sand Beige			
	955 555 485 00 6H8	Palmgreen			
	955 555 485 00 7A8	Steel grey			
(7)	955 555 486 00	Lining A-pillar Lower	/LL /R	1	IL0L
	955 555 486 00 01C	Satin black			
	955 555 486 00 6C6	Sand Beige			
	955 555 486 00 6H8	Palmgreen			
	955 555 486 00 7A8	Steel grey			
(7)	955 555 487 00	Lining A-pillar Lower	/RL /L	1	IL0R
	955 555 487 00 01C	Satin black			
	955 555 487 00 7A8	Steel grey			
	955 555 487 00 6C6	Sand Beige			
	955 555 487 00 6H8	Palmgreen			
(7)	955 555 488 00	Lining A-pillar	/RL /R	1	IL0R

Model: 9PA 03

Model life 2003>>2006

Pos	Part Number	Description	Remark	Qty	Model
		Lower			
	955 555 488 00 01C	Satin black			
	955 555 488 00 7A8	Steel grey			
	955 555 488 00 6C6	Sand Beige			
	955 555 488 00 6H8	Palmgreen			
8	955 555 279 00	Fixing clip		2	
9	955 555 185 03	Lining	/L -05	1	I3QT/9AB/9AD
		B-pillar			
		Cloth			
	955 555 185 03 QGA	Satin black/steel grey			
	955 555 185 03 QGB	Steel grey/steel grey			
	955 555 185 03 QGC	Sand beige/sand beige			
	955 555 185 03 QGD	Palmgreen/palmgreen			
9	955 555 186 03	Lining	/R -05	1	I3QT/9AB/9AD
		B-pillar			
		Cloth			
	955 555 186 03 QGA	Satin black/steel grey			
	955 555 186 03 QGB	Steel grey/steel grey			
	955 555 186 03 QGC	Sand beige/sand beige			
	955 555 186 03 QGD	Palmgreen/palmgreen			
(9)	955 555 185 04	Lining	/L 06-	1	I3QT/9AB/9AD
		B-pillar			
		Cloth			
	955 555 185 04 QGA	Satin black/steel grey			
	955 555 185 04 QGB	Steel grey/steel grey			
	955 555 185 04 QGC	Sand beige/sand beige			
	955 555 185 04 QGD	Palmgreen/palmgreen			
(9)	955 555 186 04	Lining	/R 06-	1	I3QT/9AB/9AD
		B-pillar			
		Cloth			
	955 555 186 04 QGA	Satin black/steel grey			
	955 555 186 04 QGB	Steel grey/steel grey			
	955 555 186 04 QGC	Sand beige/sand beige			
	955 555 186 04 QGD	Palmgreen/palmgreen			
9	955 555 187 03	Lining	/L	1	I3QT/9AH
		B-pillar			
		Cloth			
	955 555 187 03 QGA	Satin black/steel grey			
	955 555 187 03 QGB	Steel grey/steel grey			
	955 555 187 03 QGC	Sand beige/sand beige			
	955 555 187 03 QGD	Palmgreen/palmgreen			
(9)	955 555 188 03	Lining	/R	1	I3QT/9AH
		B-pillar			
		Cloth			
	955 555 188 03 QGA	Satin black/steel grey			
	955 555 188 03 QGB	Steel grey/steel grey			
	955 555 188 03 QGC	Sand beige/sand beige			
	955 555 188 03 QGD	Palmgreen/palmgreen			
9	955 555 189 02	Lining	/L -04	1	I4QF/9AB/9AD
		B-pillar			
		Cloth			
	955 555 189 02 QGA	Satin black/steel grey			
	955 555 189 02 QGB	Steel grey/steel grey			
	955 555 189 02 QGC	Sand beige/sand beige			
	955 555 189 02 QGD	Palmgreen/palmgreen			
9	955 555 189 03	Lining	/L 05	1	I4QF/9AB/9AD
		B-pillar			
		Cloth			
	955 555 189 03 QGA	Satin black/steel grey			
	955 555 189 03 QGB	Steel grey/steel grey			
	955 555 189 03 QGC	Sand beige/sand beige			
	955 555 189 03 QGD	Palmgreen/palmgreen			
(9)	955 555 190 03	Lining	-05	1	I4QF/9AB/9AD



Model: 9PA 03

Model life 2003>>2006

Pos	Part Number	Description	Remark	Qty	Model
		B-pillar Cloth			
	955 555 190 03 QGA	Satin black/steel grey			
	955 555 190 03 QGB	Steel grey/steel grey			
	955 555 190 03 QGC	Sand beige/sand beige			
	955 555 190 03 QGD	Palmgreen/palmgreen			
(9)	955 555 189 04	Lining B-pillar Cloth	/L 06-	1	I4QF/9AB/9AD
	955 555 189 04 QGA	Satin black/steel grey			
	955 555 189 04 QGB	Steel grey/steel grey			
	955 555 189 04 QGC	Sand beige/sand beige			
	955 555 189 04 QGD	Palmgreen/palmgreen			
(9)	955 555 190 04	Lining B-pillar Cloth	/R 06-	1	I4QF/9AB/9AD
	955 555 190 04 QGA	Satin black/steel grey			
	955 555 190 04 QGB	Steel grey/steel grey			
	955 555 190 04 QGC	Sand beige/sand beige			
	955 555 190 04 QGD	Palmgreen/palmgreen			
9	955 555 191 03	Lining B-pillar Cloth	/L	1	I4QF/9AH
	955 555 191 03 QGA	Satin black/steel grey			
	955 555 191 03 QGB	Steel grey/steel grey			
	955 555 191 03 QGC	Sand beige/sand beige			
	955 555 191 03 QGD	Palmgreen/palmgreen			
(9)	955 555 192 03	Lining B-pillar Cloth	/R	1	I4QF/9AH
	955 555 192 03 QGA	Satin black/steel grey			
	955 555 192 03 QGB	Steel grey/steel grey			
	955 555 192 03 QGC	Sand beige/sand beige			
	955 555 192 03 QGD	Palmgreen/palmgreen			
9	955 555 193 03	Lining B-pillar Alcantara	/L -05	1	I3QT/9AB/9AD
	955 555 193 03 QGE	Satin black/black			
	955 555 193 03 QGF	Steel grey/steel grey			
	955 555 193 03 QGG	Sand beige/sand beige			
	955 555 193 03 QGH	Palmgreen/palmgreen			
9	955 555 193 04	Lining B-pillar Alcantara	/L 06-	1	I3QT/9AB/9AD
	955 555 193 04 QGE	Satin black/black			
	955 555 193 04 QGF	Steel grey/steel grey			
	955 555 193 04 QGG	Sand beige/sand beige			
	955 555 193 04 QGH	Palmgreen/palmgreen			
(9)	955 555 194 03	Lining B-pillar Alcantara	/R -05	1	I3QT/9AB/9AD
	955 555 194 03 QGE	Satin black/black			
	955 555 194 03 QGF	Steel grey/steel grey			
	955 555 194 03 QGG	Sand beige/sand beige			
	955 555 194 03 QGH	Palmgreen/palmgreen			
(9)	955 555 194 04	Lining B-pillar Alcantara	/R 06-	1	I3QT/9AB/9AD
	955 555 194 04 QGE	Satin black/black			
	955 555 194 04 QGF	Steel grey/steel grey			
	955 555 194 04 QGG	Sand beige/sand beige			
	955 555 194 04 QGH	Palmgreen/palmgreen			
9	955 555 195 03	Lining	/L	1	I3QT/9AH

Model: 9PA 03

Model life 2003>>2006

Pos	Part Number	Description	Remark	Qty	Model
		B-pillar Alcantara			
	955 555 195 03 QGE	Satin black/black			
	955 555 195 03 QGF	Steel grey/steel grey			
	955 555 195 03 QGG	Sand beige/sand beige			
	955 555 195 03 QGH	Palmgreen/palmgreen			
(9)	955 555 196 03	Lining B-pillar Alcantara	/R	1	I3QT/9AH
	955 555 196 03 QGE	Satin black/black			
	955 555 196 03 QGF	Steel grey/steel grey			
	955 555 196 03 QGG	Sand beige/sand beige			
	955 555 196 03 QGH	Palmgreen/palmgreen			
9	955 555 197 03	Lining B-pillar Alcantara	/L -05	1	I4QF/9AB/9AD
	955 555 197 03 QGE	Satin black/black			
	955 555 197 03 QGF	Steel grey/steel grey			
	955 555 197 03 QGG	Sand beige/sand beige			
	955 555 197 03 QGH	Palmgreen/palmgreen			
9	955 555 197 04	Lining B-pillar Alcantara	/L 06-	1	I4QF/9AB/9AD
	955 555 197 04 QGE	Satin black/black			
	955 555 197 04 QGF	Steel grey/steel grey			
	955 555 197 04 QGG	Sand beige/sand beige			
	955 555 197 04 QGH	Palmgreen/palmgreen			
(9)	955 555 198 03	Lining B-pillar Alcantara	/R -05	1	I4QF/9AB/9AD
	955 555 198 03 QGE	Satin black/black			
	955 555 198 03 QGF	Steel grey/steel grey			
	955 555 198 03 QGG	Sand beige/sand beige			
	955 555 198 03 QGH	Palmgreen/palmgreen			
(9)	955 555 198 04	Lining B-pillar Alcantara	/R 06-	1	I4QF/9AB/9AD
	955 555 198 04 QGE	Satin black/black			
	955 555 198 04 QGF	Steel grey/steel grey			
	955 555 198 04 QGG	Sand beige/sand beige			
	955 555 198 04 QGH	Palmgreen/palmgreen			
9	955 555 199 03	Lining B-pillar Alcantara	/L	1	I4QF/9AH
	955 555 199 03 QGE	Satin black/black			
	955 555 199 03 QGF	Steel grey/steel grey			
	955 555 199 03 QGG	Sand beige/sand beige			
	955 555 199 03 QGH	Palmgreen/palmgreen			
(9)	955 555 200 03	Lining B-pillar Alcantara	/R	1	I4QF/9AH
	955 555 200 03 QGE	Satin black/black			
	955 555 200 03 QGF	Steel grey/steel grey			
	955 555 200 03 QGG	Sand beige/sand beige			
	955 555 200 03 QGH	Palmgreen/palmgreen			
10	N 104 829 01	Screw M 5 X 25 Mount	-05	2	
10	N 106 768 01	B-pillar Screw M 5 X 25 Mount B-pillar	06-	2	

Model: 9PA 03

Model life 2003>>2006

Pos	Part Number	Description	Remark	Qty	Model
11	955 555 311 01	Slide Lining B-pillar Upper	/L -04	1	I3QT
	955 555 311 01 01C	Satin black			
	955 555 311 01 6C6	Sand Beige			
	955 555 311 01 6H8	Palmgreen			
	955 555 311 01 7A8	Steel grey			
11	955 555 311 02	Slide Lining B-pillar Upper	/L 05-	1	I3QT
	955 555 311 02 01C	Satin black			
	955 555 311 02 6C6	Sand Beige			
	955 555 311 02 6H8	Palmgreen			
	955 555 311 02 7A8	Steel grey			
(11)	955 555 312 01	Slide Lining B-pillar Upper	/R -04	1	I3QT
	955 555 312 01 01C	Satin black			
	955 555 312 01 6C6	Sand Beige			
	955 555 312 01 6H8	Palmgreen			
	955 555 312 01 7A8	Steel grey			
(11)	955 555 312 02	Slide Lining B-pillar Upper	/R 05-	1	I3QT
	955 555 312 02 01C	Satin black			
	955 555 312 02 6C6	Sand Beige			
	955 555 312 02 6H8	Palmgreen			
	955 555 312 02 7A8	Steel grey			
11	955 555 313 01	Slide Lining B-pillar Upper	/L -04	1	I4QF
	955 555 313 01 01C	Satin black			
	955 555 313 01 6C6	Sand Beige			
	955 555 313 01 6H8	Palmgreen			
	955 555 313 01 7A8	Steel grey			
11	955 555 313 02	Slide Lining B-pillar Upper	/L 05-	1	I4QF
	955 555 313 02 01C	Satin black			
	955 555 313 02 6C6	Sand Beige			
	955 555 313 02 6H8	Palmgreen			
	955 555 313 02 7A8	Steel grey			
(11)	955 555 314 01	Slide Lining B-pillar Upper	/R -04	1	I4QF
	955 555 314 01 01C	Satin black			
	955 555 314 01 6C6	Sand Beige			
	955 555 314 01 6H8	Palmgreen			
	955 555 314 01 7A8	Steel grey			
(11)	955 555 314 02	Slide Lining B-pillar Upper	/R 05-	1	I4QF
	955 555 314 02 01C	Satin black			
	955 555 314 02 6C6	Sand Beige			
	955 555 314 02 6H8	Palmgreen			

Model: 9PA 03 Model life 2003>>2006

Pos	Part Number	Description	Remark	Qty	Model
12	955 555 314 02 7A8	Steel grey			
	955 555 209 00	Side vent	/L -05	1	
		Lining			
		B-pillar			
		Upper			
	955 555 209 00 5Y2	Palmgreen			
	955 555 209 00 5Z1	Sand Beige			
	955 555 209 00 6N3	Black mat			
	955 555 209 00 7BA	Steel grey			
12	955 555 209 00	Side vent	/L 06-	1	I9AH
		Lining			
		B-pillar			
		Upper			
	955 555 209 00 5Y2	Palmgreen			
	955 555 209 00 5Z1	Sand Beige			
	955 555 209 00 6N3	Black mat			
	955 555 209 00 7BA	Steel grey			
(12)	955 555 215 00	Side vent	/L 06-	1	I9AB/9AD
		Lining			
		B-pillar			
		Upper			
	955 555 215 00 5Y2	Palmgreen			
	955 555 215 00 5Z1	Sand Beige			
	955 555 215 00 6N3	Black mat			
	955 555 215 00 7BA	Steel grey			
(12)	955 555 210 00	Side vent	/R -05	1	
		Lining			
		B-pillar			
		Upper			
	955 555 210 00 5Y2	Palmgreen			
	955 555 210 00 5Z1	Sand Beige			
	955 555 210 00 6N3	Black mat			
	955 555 210 00 7BA	Steel grey			
(12)	955 555 210 00	Side vent	/R 06-	1	I9AH
		Lining			
		B-pillar			
		Upper			
	955 555 210 00 5Y2	Palmgreen			
	955 555 210 00 5Z1	Sand Beige			
	955 555 210 00 6N3	Black mat			
	955 555 210 00 7BA	Steel grey			
(12)	955 555 216 00	Side vent	/R 06-	1	I9AB/9AD
		Lining			
		B-pillar			
		Upper			
	955 555 216 00 5Y2	Palmgreen			
	955 555 216 00 5Z1	Sand Beige			
	955 555 216 00 6N3	Black mat			
	955 555 216 00 7BA	Steel grey			
13	955 555 297 00	Gasket	/L	1	I9AB/9AD
		Air inlet			
		Lining			
		B-pillar			
	955 555 297 00 01C	Satin black			
	955 555 297 00 6C6	Sand Beige			
	955 555 297 00 6H8	Palmgreen			
	955 555 297 00 7A8	Steel grey			
(13)	955 555 298 00	Gasket	/R	1	I9AB/9AD
		Air inlet			
		Lining			
		B-pillar			
	955 555 298 00 01C	Satin black			
	955 555 298 00 6C6	Sand Beige			

Model: 9PA 03 Model life 2003>>2006

Pos	Part Number	Description	Remark	Qty	Model
14	955 555 298 00 6H8	Palmgreen		2	
	955 555 298 00 7A8	Steel grey			
	955 555 437 00	Sticker			
		Airbag			
	955 555 437 00 01C	Satin black			
	955 555 437 00 6C6	Sand Beige			
15	955 555 437 00 6H8	Palmgreen		8	
	955 555 437 00 7A8	Steel grey			
	955 555 276 00	Clip			
16		Mount		1	
		Lining			
		B-pillar			
	955 555 221 03	Lining	/L		
		C-pillar			
		Upper			
		Cloth			
	955 555 221 03 6K1	Sand Beige			
	955 555 221 03 6L2	Steel grey			
	955 555 221 03 6M3	Palmgreen			
(16)	955 555 221 03 K90	Black		1	
	955 555 222 03	Lining	/R		
		C-pillar			
		Upper			
		Cloth			
	955 555 222 03 6K1	Sand Beige			
	955 555 222 03 6L2	Steel grey			
	955 555 222 03 6M3	Palmgreen			
	955 555 222 03 K90	Black			
	16	955 555 223 03	Lining		
(16)		C-pillar		1	
		Upper			
		Alcantara			
	955 555 223 03 5E5	Steel grey			
	955 555 223 03 5E6	Black			
	955 555 223 03 5G6	Sand Beige			
	955 555 223 03 5L6	Palmgreen			
	955 555 224 03	Lining	/R		
		C-pillar			
		Upper			
17	955 555 224 03 5E5	Steel grey		2	
	955 555 224 03 5E6	Black			
	955 555 224 03 5G6	Sand Beige			
	955 555 224 03 5L6	Palmgreen			
	N 104 829 01	Screw	-05		
17		M 5 X 25		2	
		Mount			
		C-pillar			
		Upper			
	N 106 768 01	Screw	06-		
18		M 5 X 25		1	
		Mount			
		C-pillar			
		Upper			
	955 555 315 01	Slide	/L -04		
18		Lining		1	
		C-pillar			
		Upper			
	955 555 315 01 01C	Satin black			
	955 555 315 01 6C6	Sand Beige			
955 555 315 01 6H8	Palmgreen				
955 555 315 01 7A8	Steel grey				
18	955 555 315 02	Slide	/L 05-	1	

Model: 9PA 03 Model life 2003>>2006

Pos	Part Number	Description	Remark	Qty	Model
		Lining C-pillar Upper			
	955 555 315 02 01C	Satin black			
	955 555 315 02 6C6	Sand Beige			
	955 555 315 02 6H8	Palmgreen			
	955 555 315 02 7A8	Steel grey			
(18)	955 555 316 01	Slide	/R -04	1	
		Lining C-pillar Upper			
	955 555 316 01 01C	Satin black			
	955 555 316 01 6C6	Sand Beige			
	955 555 316 01 6H8	Palmgreen			
	955 555 316 01 7A8	Steel grey			
(18)	955 555 316 02	Slide	/R 05-	1	
		Lining C-pillar Upper			
	955 555 316 02 01C	Satin black			
	955 555 316 02 6C6	Sand Beige			
	955 555 316 02 6H8	Palmgreen			
	955 555 316 02 7A8	Steel grey			
19	955 555 437 00	Sticker		2	
		Airbag			
	955 555 437 00 01C	Satin black			
	955 555 437 00 6C6	Sand Beige			
	955 555 437 00 6H8	Palmgreen			
	955 555 437 00 7A8	Steel grey			
20	955 555 277 00	Clip		2	
		Mount			
		Lining C-pillar Upper			
21	955 555 251 02	Lining	/L -05	1	I8RV
		D-pillar Alcantara			
	955 555 251 02 5E5	Steel grey			
	955 555 251 02 5E6	Black			
	955 555 251 02 5G6	Sand Beige			
	955 555 251 02 5L6	Palmgreen			
21	955 555 251 03	Lining	/L 06-	1	I8RV
		D-pillar Alcantara			
	955 555 251 03 5E5	Steel grey			
	955 555 251 03 5E6	Black			
	955 555 251 03 5G6	Sand Beige			
	955 555 251 03 5L6	Palmgreen			
(21)	955 555 252 02	Lining	/R -05	1	I8RV
		D-pillar Alcantara			
	955 555 252 02 5E5	Steel grey			
	955 555 252 02 5E6	Black			
	955 555 252 02 5G6	Sand Beige			
	955 555 252 02 5L6	Palmgreen			
(21)	955 555 252 03	Lining	/R 06-	1	I8RV
		D-pillar Alcantara			
	955 555 252 03 5E5	Steel grey			
	955 555 252 03 5E6	Black			
	955 555 252 03 5G6	Sand Beige			
	955 555 252 03 5L6	Palmgreen			
21	955 555 253 02	Lining	/L -05	1	I9VL

Model: 9PA 03 Model life 2003>>2006

Pos	Part Number	Description	Remark	Qty	Model	
21		D-pillar Alcantara				
	955 555 253 02 5E5	Steel grey				
	955 555 253 02 5E6	Black				
	955 555 253 02 5G6	Sand Beige				
	955 555 253 02 5L6	Palmgreen				
	955 555 253 03	Lining	/L 06-	1	I9VL	
		D-pillar Alcantara				
	955 555 253 03 5E5	Steel grey				
	955 555 253 03 5E6	Black				
	955 555 253 03 5G6	Sand Beige				
(21)	955 555 253 03 5L6	Palmgreen				
	955 555 254 02	Lining	/R -05	1	I9VL	
		D-pillar Alcantara				
	955 555 254 02 5E5	Steel grey				
	955 555 254 02 5E6	Black				
	955 555 254 02 5G6	Sand Beige				
	955 555 254 02 5L6	Palmgreen				
	955 555 254 03	Lining	/R 06-	1	I9VL	
		D-pillar Alcantara				
	955 555 254 03 5E5	Steel grey				
21	955 555 254 03 5E6	Black				
	955 555 254 03 5G6	Sand Beige				
	955 555 254 03 5L6	Palmgreen				
	955 555 255 03	Lining	/L	1	I8RV	
		D-pillar Cloth				
	955 555 255 03 6K1	Sand Beige				
	955 555 255 03 6L2	Steel grey				
	955 555 255 03 6M3	Palmgreen				
	955 555 255 03 K90	Black				
	955 555 256 03	Lining	/R	1	I8RV	
21		D-pillar Cloth				
	955 555 256 03 6K1	Sand Beige				
	955 555 256 03 6L2	Steel grey				
	955 555 256 03 6M3	Palmgreen				
	955 555 256 03 K90	Black				
	955 555 257 03	Lining	/L	1	I9VL	
		D-pillar Cloth				
	955 555 257 03 6K1	Sand Beige				
	955 555 257 03 6L2	Steel grey				
	955 555 257 03 6M3	Palmgreen				
(21)	955 555 257 03 K90	Black				
	955 555 258 03	Lining	/R	1	I9VL	
		D-pillar Cloth				
	955 555 258 03 6K1	Sand Beige				
	955 555 258 03 6L2	Steel grey				
	955 555 258 03 6M3	Palmgreen				
	955 555 258 03 K90	Black				
	22	955 555 276 00	Clip Mount		7	
	23		Lining D-pillar			
		955 555 277 00	Clip Mount		4	
		Lining D-pillar				

Model: 9PA 03 Model life 2003&gt;&gt;2006

Pos	Part Number	Description	Remark	Qty	Model
24	955 555 149 00	Loudspeaker grille Lining D-pillar	/L	1	I9VL
	955 555 149 00 7BA	Steel grey			
	955 555 149 00 5Y2	Palmgreen			
	955 555 149 00 5Z1	Sand Beige			
	955 555 149 00 6N3	Black mat			
(24)	955 555 150 00	Loudspeaker grille Lining D-pillar	/R	1	I9VL
	955 555 150 00 7BA	Steel grey			
	955 555 150 00 5Y2	Palmgreen			
	955 555 150 00 5Z1	Sand Beige			
	955 555 150 00 6N3	Black mat			
25	N 106 021 01	Oval-head screw 4,0 X 10 Mount		4	I9VL
		Loudspeaker grille			
26	955 555 687 01	Eye D-pillar for Luggage net	/L	1	
	955 555 687 01 01C	Satin black			
	955 555 687 01 6C6	Sand Beige			
	955 555 687 01 6H8	Palmgreen			
	955 555 687 01 7A8	Steel grey			
(26)	955 555 688 01	Eye D-pillar for Luggage net	/R	1	
	955 555 688 01 01C	Satin black			
	955 555 688 01 6C6	Sand Beige			
	955 555 688 01 6H8	Palmgreen			
	955 555 688 01 7A8	Steel grey			
27	N 908 429 03	Screw M 6 X 12 Mount		2	
		Eye for Luggage net			
28	955 555 334 00	Bush Lining		4	
29	955 551 787 01	A-pillar Retaining clip A-pillar Lower		2	
30	955 555 771 00	Deformation element B-pillar	/L	1	I3FA/3FE
(30)	955 555 772 00	Deformation element B-pillar	/R	1	I3FA/3FE
(30)	955 555 773 00	Deformation element B-pillar	/L 05-	1	I3FU
(30)	955 555 774 00	Deformation element B-pillar	/R 05-	1	I3FU
31	955 555 775 00	Deformation element C-pillar	/L	1	I3FA/3FE
(31)	955 555 776 00	Deformation element C-pillar	/R	1	I3FA/3FE
(31)	955 555 777 00	Deformation element C-pillar	/L 05-	1	I3FU
(31)	955 555 778 00	Deformation element C-pillar	/R 05-	1	I3FU
32	955 555 779 00	Deformation element	/L	1	



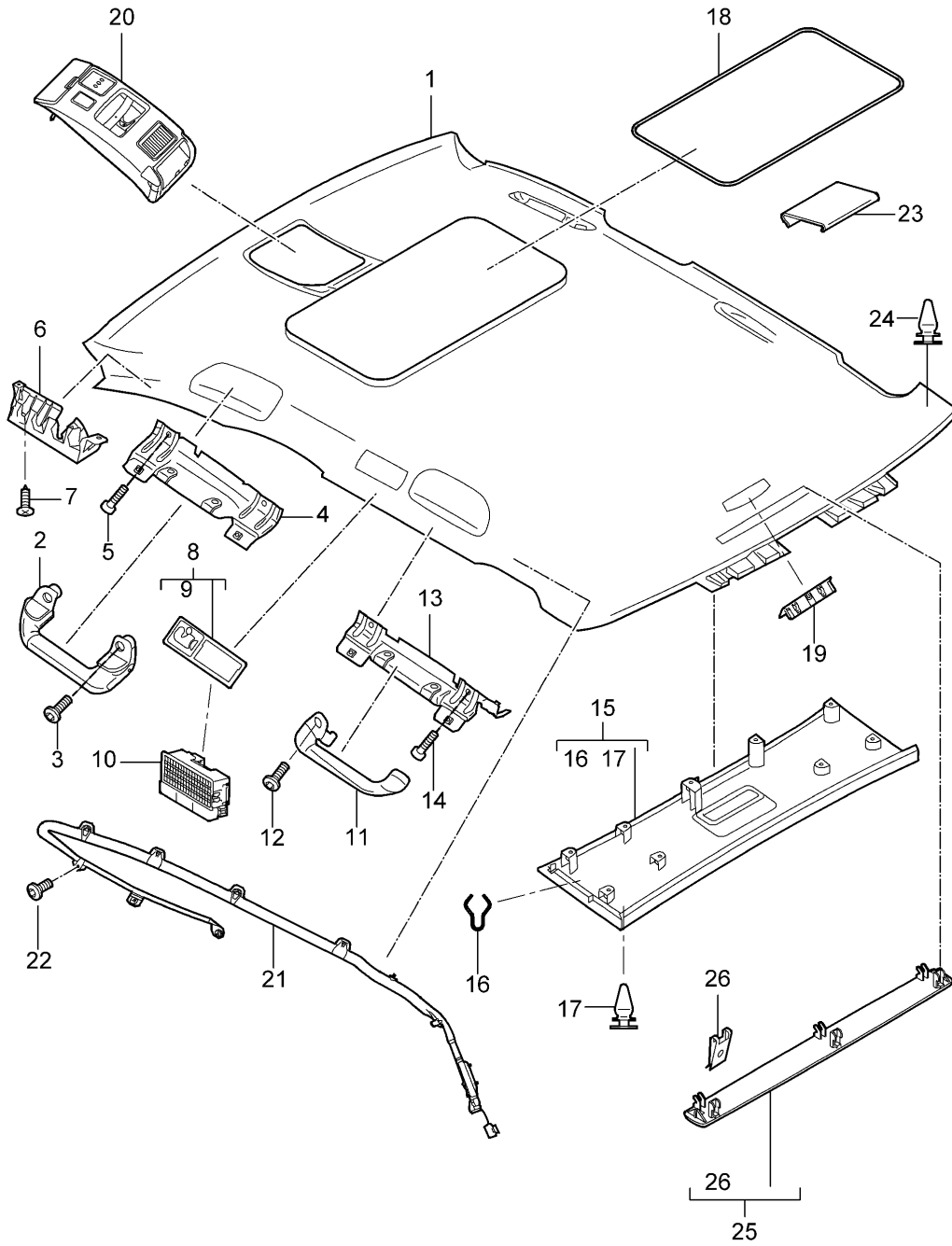
Model: 9PA 03

Model life 2003&gt;&gt;2006

Pos	Part Number	Description	Remark	Qty	Model
(32)	955 555 780 00	D-pillar Deformation element	/R	1	
33	N 908 195 01	D-pillar Lens-head screw		X	
		ST 4,8 X 13			
34	N 911 215 01	Blind rivet nut M5	05-	X	

Model: 9PA 03

Model life 2003>>2006



Model: 9PA 03

Model life 2003&gt;&gt;2006

Pos	Part Number	Description	Remark	Qty	Model
(1)	955 555 011 00	Rooflining Accessories Rooflining		1	I3FA/6NJ/7X0 I7X3
		Cloth			
	955 555 011 00 6K1	Sand Beige			
	955 555 011 00 6L2	Steel grey			
	955 555 011 00 6M3	Palmgreen			
	955 555 011 00 K90	Black			
(1)	955 555 012 00	Rooflining		1	I3FA/6NJ/7X1 I7X2
		Cloth			
	955 555 012 00 6K1	Sand Beige			
	955 555 012 00 6L2	Steel grey			
	955 555 012 00 6M3	Palmgreen			
	955 555 012 00 K90	Black			
(1)	955 555 013 00	Rooflining		1	I3FE/7X0/7X3
		Cloth			
	955 555 013 00 6K1	Sand Beige			
	955 555 013 00 6L2	Steel grey			
	955 555 013 00 6M3	Palmgreen			
	955 555 013 00 K90	Black			
(1)	955 555 014 00	Rooflining		1	I3FE/7X1/7X2
		Cloth			
	955 555 014 00 6K1	Sand Beige			
	955 555 014 00 6L2	Steel grey			
	955 555 014 00 6M3	Palmgreen			
	955 555 014 00 K90	Black			
(1)	955 555 015 00	Rooflining	05-	1	I3FU/6NJ/7X0 I7X3
		Cloth			
	955 555 015 00 6K1	Sand Beige			
	955 555 015 00 6L2	Steel grey			
	955 555 015 00 6M3	Palmgreen			
	955 555 015 00 K90	Black			
(1)	955 555 016 00	Rooflining	05-	1	I3FU/6NJ/7X1 I7X2
		Cloth			
	955 555 016 00 6K1	Sand Beige			
	955 555 016 00 6L2	Steel grey			
	955 555 016 00 6M3	Palmgreen			
	955 555 016 00 K90	Black			
(1)	955 555 017 00	Rooflining		1	I3FA/6NN/7X0 I7X3
		Alcantara			
	955 555 017 00 5E5	Steel grey			
	955 555 017 00 5E6	Black			
	955 555 017 00 5G6	Sand Beige			
	955 555 017 00 5L6	Palmgreen			
(1)	955 555 018 00	Rooflining		1	I3FA/6NN/7X1 I7X2
		Alcantara			
	955 555 018 00 5E5	Steel grey			
	955 555 018 00 5E6	Black			
	955 555 018 00 5G6	Sand Beige			
	955 555 018 00 5L6	Palmgreen			
(1)	955 555 019 00	Rooflining		1	I3FE/7X0/7X3
		Alcantara			
	955 555 019 00 5E5	Steel grey			
	955 555 019 00 5E6	Black			
	955 555 019 00 5G6	Sand Beige			
	955 555 019 00 5L6	Palmgreen			
(1)	955 555 020 00	Rooflining		1	I3FE/7X1/7X2

Model: 9PA 03 Model life 2003>>2006

Pos	Part Number	Description	Remark	Qty	Model
(1)	955 555 020 00 5E5	Alcantara Steel grey	05-	1	I3FU/6NN/7X0 I7X3
	955 555 020 00 5E6	Black			
	955 555 020 00 5G6	Sand Beige			
	955 555 020 00 5L6	Palmgreen			
	955 555 021 00	Rooflining			
(1)	955 555 021 00 5E5	Alcantara Steel grey	05-	1	I3FU/6NN/7X1 I7X2
	955 555 021 00 5E6	Black			
	955 555 021 00 5G6	Sand Beige			
	955 555 021 00 5L6	Palmgreen			
	955 555 022 00	Rooflining			
2	955 555 022 00 5E5	Alcantara Steel grey	/L	1	
	955 555 022 00 5E6	Black			
	955 555 022 00 5G6	Sand Beige			
	955 555 022 00 5L6	Palmgreen			
	955 555 607 00	Grab handle Front			
(2)	955 555 607 00 01C	Satin black	/R	1	
	955 555 607 00 6C6	Sand Beige			
	955 555 607 00 6H8	Palmgreen			
	955 555 607 00 7A8	Steel grey			
	955 555 608 00	Grab handle Front			
3	955 555 608 00 01C	Satin black		4	
	955 555 608 00 6C6	Sand Beige			
	955 555 608 00 6H8	Palmgreen			
	955 555 608 00 7A8	Steel grey			
	N 105 963 02	Screw M 5 X 25			
4	955 555 421 00	Support Front	/L	1	I3FA/3FE
(4)	955 555 422 00	Support Front	/R	1	I3FA/3FE
(4)	955 555 423 00	Support Front	/L 05-	1	I3FU
(4)	955 555 424 00	Support Front	/R 05-	1	I3FU
5	N 104 514 04	Lens-head screw M 6 X 16		8	
6	955 555 695 00	Deformation element Front	/L	1	I3FE/3FU
(6)	955 555 696 00	Deformation element Front	/R	1	I3FE/3FU
6	955 555 697 00	Deformation element Front	/L	1	I3FA
(6)	955 555 698 00	Deformation element Front	/R	1	I3FA
7	N 102 473 02	Tapping screw ST 4,8 X 16		4	
(8)	955 555 677 00	Eye	/L	1	I3FA/3FE
	955 555 677 00 01C	Satin black	/R	1	I3FA/3FE
	955 555 677 00 6C6	Sand Beige			
	955 555 677 00 6H8	Palmgreen			
	955 555 677 00 7A8	Steel grey			
	955 555 678 00	Eye			
	955 555 678 00 01C	Satin black			
	955 555 678 00 6C6	Sand Beige			
955 555 678 00 6H8	Palmgreen				
955 555 678 00 7A8	Steel grey				

Model: 9PA 03 Model life 2003>>2006

Pos	Part Number	Description	Remark	Qty	Model
(8)	955 555 781 00	Eye	/L 05-	1	I3FU
	955 555 781 00 01C	Satin black			
	955 555 781 00 6C6	Sand Beige			
	955 555 781 00 6H8	Palmgreen			
	955 555 781 00 7A8	Steel grey			
(8)	955 555 782 00	Eye	/R 05-	1	I3FU
	955 555 782 00 01C	Satin black			
	955 555 782 00 6C6	Sand Beige			
	955 555 782 00 6H8	Palmgreen			
	955 555 782 00 7A8	Steel grey			
9	955 555 784 00	Expansion rivet Mount		1	
10	---	Eye Reading light Rear See group 9/03/04		1	
11	955 555 605 00	Grab handle Rear	/L	1	
	955 555 605 00 01C	Satin black			
	955 555 605 00 6C6	Sand Beige			
	955 555 605 00 6H8	Palmgreen			
	955 555 605 00 7A8	Steel grey			
(11)	955 555 606 00	Grab handle Rear	/R	1	
	955 555 606 00 01C	Satin black			
	955 555 606 00 6C6	Sand Beige			
	955 555 606 00 6H8	Palmgreen			
	955 555 606 00 7A8	Steel grey			
12	N 105 963 02	Screw M 5 X 25		4	
13	955 555 425 00	Support Rear	/L	1	I3FA/3FE
(13)	955 555 426 00	Support Rear	/R	1	I3FA/3FE
(13)	955 555 427 00	Support Rear	/L 05-	1	I3FU
(13)	955 555 428 00	Support Rear	/R 05-	1	I3FU
14	N 104 514 04	Lens-head screw M 6 X 16		8	
15	955 555 617 02	Border strip Rear Cloth		1	I6NJ/6NL/6NQ
	955 555 617 02 6K1	Sand Beige			
	955 555 617 02 6L2	Steel grey			
	955 555 617 02 6M3	Palmgreen			
(15)	955 555 618 02	Border strip Rear Alcantara		1	I6NA/6NF/6NN
	955 555 618 02 5E5	Steel grey			
	955 555 618 02 5E6	Black			
	955 555 618 02 5G6	Sand Beige			
	955 555 618 02 5L6	Palmgreen			
(15)	955 555 618 03	Border strip Rear Alcantara		1	I6NA/6NF/6NN
	955 555 618 03 5E5	Steel grey			
	955 555 618 03 5E6	Black			
	955 555 618 03 5G6	Sand Beige			
	955 555 618 03 5L6	Palmgreen			
16	955 555 277 00	Clip		2	
17	955 551 276 00	Clip		9	

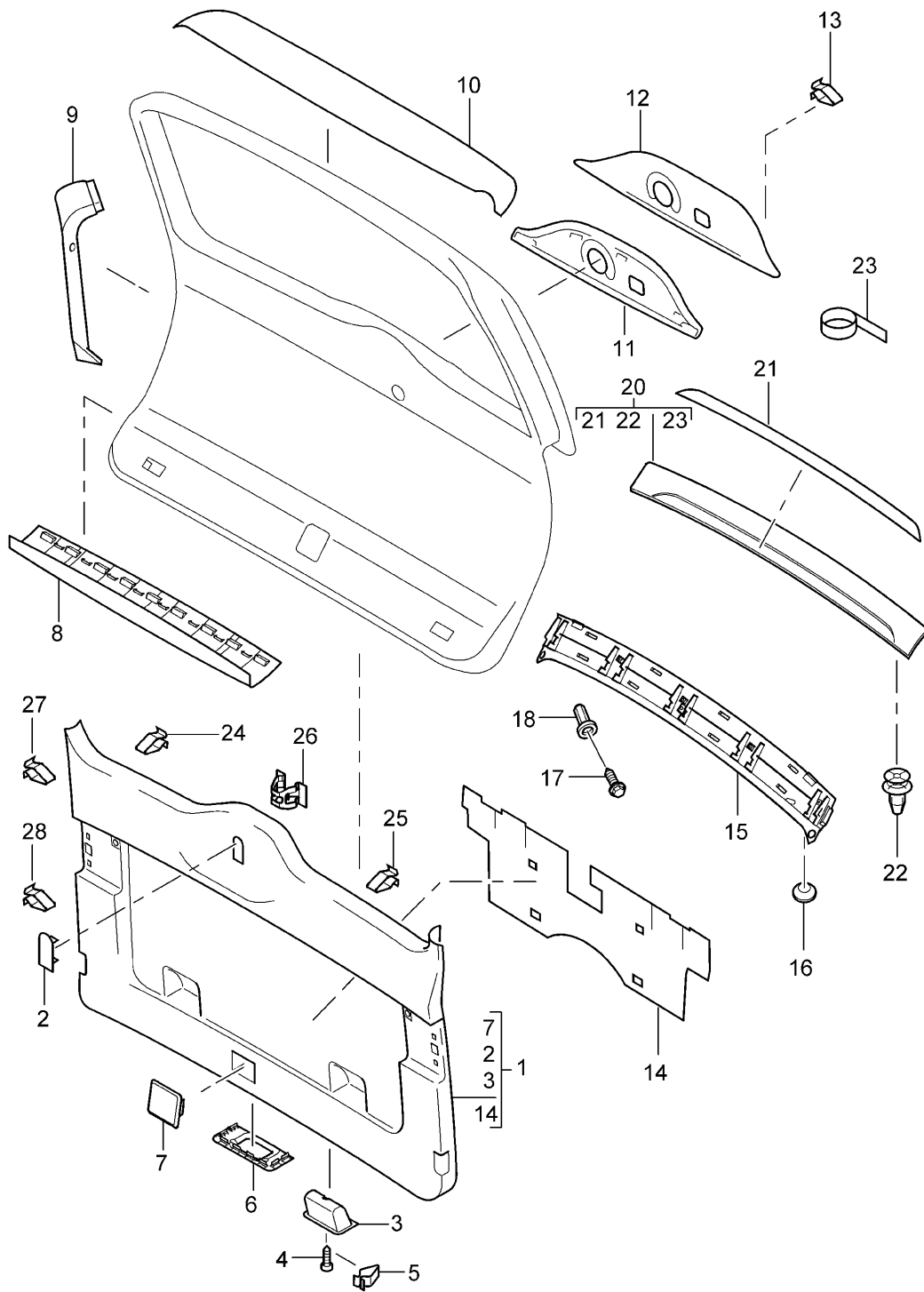
Model: 9PA 03

Model life 2003>>2006

Pos	Part Number	Description	Remark	Qty	Model
18	955 555 561 00	Covering frame		1	I3FE
	955 555 561 00 01C	Satin black			
(18)	955 555 563 01	Covering frame	05-	2	I3FU
	955 555 563 01 A03	Black			
19	--- --- --- --	ParkAssist Rear		1	
		See group 9/06/00			
20		Bracket Roof		1	
		See group 9/03/06			
21	955 803 069 02	Airbag unit	/L	1	
21	955 803 070 02	Airbag unit	/R	1	
22	N 908 074 03	Oval-head screw M 5 X 18 for Mount Airbag unit		X	
(23)	955 555 525 01	Clamp		15	I3FE
23	955 555 615 00	Clamp	04-	2	I3FU
24	955 555 663 00	Covering frame Clip Mount Rooflining		2	
25	955 555 071 00	Cover	05-	1	I3FU
		Control part			
	955 555 071 00 01C	Satin black			
	955 555 071 00 6C6	Sand Beige			
	955 555 071 00 6H8	Palmgreen			
	955 555 071 00 7A8	Steel grey			
26	955 555 283 01	Clamp	05-	1	I3FU
		for Mount Cover Control part			
27	955 555 633 00	Clamp	05-	23	I3FU
		Mount Rooflining			

Model: 9PA 03

Model life 2003>>2006



Model: 9PA 03 Model life 2003>>2006

Pos	Part Number	Description	Remark	Qty	Model
1	955 555 602 01	Linings Rear lid Lining Rear lid Tufting velour		1	I3LD
	955 555 602 01 PCE	Black/black			
	955 555 602 01 PCF	Stone grey/steel grey			
	955 555 602 01 PCG	Havanna/sand beige			
	955 555 602 01 PCH	Palmgreen/palmgreen			
(1)	955 555 603 01	Lining Rear lid Pearl velour		1	I3LH
	955 555 603 01 PCJ	Black/black			
	955 555 603 01 PCK	Stone grey/steel grey			
	955 555 603 01 PCL	Havanna/sand beige			
	955 555 603 01 PCM	Palmgreen/palmgreen			
	955 555 603 01 RKS	Sand beige/sand beige	04-		
(1)	955 555 603 01	Lining Rear lid Pearl velour	-04	1	I3LE
	955 555 603 01 PCJ	Black/black			
	955 555 603 01 PCK	Stone grey/steel grey			
	955 555 603 01 PCL	Havanna/sand beige			
	955 555 603 01 PCM	Palmgreen/palmgreen			
	955 555 603 01 RKS	Sand beige/sand beige	04-		
2	955 555 140 00	Cap Emergency operation		1	
	955 555 140 00 A03	Black			
	955 555 140 00 5V7	Stone grey			
	955 555 140 00 5Y2	Palmgreen			
	955 555 140 00 5Y9	Havanna			
	955 555 140 00 5Z1	Sand Beige	04-		
3	955 555 593 00	Finger plate		1	
	955 555 593 00 01C	Satin black			
4	N 104 571 01	Combination screw ST 4,2 X 13,0 Mount		3	
		Finger plate			
5	N 905 410 01	Expander nut CST 4,2 X 7,3 Mount		3	
		Finger plate			
6	955 555 520 00	Covering for lock Rear lid lock		1	
	955 555 520 00 01C	Satin black			
7	955 555 747 00	Lid Emergency operation		1	
	955 555 747 00 01C	Satin black			
	955 555 747 00 6C6	Sand Beige			
	955 555 747 00 6H8	Palmgreen			
	955 555 747 00 7A8	Steel grey			
8	955 555 685 01	Lining Rear lid Upper Inner		1	
	955 555 685 01 A03	Black			
	955 555 685 01 7BA	Steel grey			
	955 555 685 01 5Y2	Palmgreen			
	955 555 685 01 5Z1	Sand Beige			
9	955 555 671 00	Lining Rear lid Lateral Inner	/L -05	1	



Model: 9PA 03 Model life 2003>>2006

Pos	Part Number	Description	Remark	Qty	Model
9	955 555 671 00 A03	Black	/L 06-	1	
	955 555 671 00 7BA	Steel grey			
	955 555 671 00 5Y2	Palmgreen			
	955 555 671 00 5Z1	Sand Beige			
	955 555 671 01	Lining Rear lid Lateral Inner			
(9)	955 555 671 01 A03	Black	/R -05	1	
	955 555 671 01 7BA	Steel grey			
	955 555 671 01 5Y2	Palmgreen			
	955 555 671 01 5Z1	Sand Beige			
	955 555 672 00	Lining Rear lid Lateral Inner			
(9)	955 555 672 00 A03	Black	/R 06-	1	
	955 555 672 00 7BA	Steel grey			
	955 555 672 00 5Y2	Palmgreen			
	955 555 672 00 5Z1	Sand Beige			
	955 555 672 01	Lining Rear lid Lateral Inner			
10	955 555 672 01 A03	Black		1	
	955 555 672 01 7BA	Steel grey			
	955 555 672 01 5Y2	Palmgreen			
	955 555 672 01 5Z1	Sand Beige			
	955 555 609 02	Lining Rear lid Upper Outer			
11	955 555 609 02 01C	Satin black		1	
	955 555 827 00	Cover Wiper motor			
12	955 555 827 00 A03	Black	04-	1	
	955 555 827 00 5V7	Stone grey			
	955 555 827 00 5Y2	Palmgreen			
	955 555 827 00 5Y9	Havanna			
	955 555 827 00 5Z1	Sand Beige			
13	955 555 829 00	Trim cover Rear window wiper	04-	2	
	955 555 829 00 A03	Black			
	955 555 829 00 5V7	Stone grey			
	955 555 829 00 5Y2	Palmgreen			
	955 555 829 00 5Y9	Havanna			
14	955 555 829 00 5Z1	Sand Beige		1	
	955 555 646 00	Fixing clip Cover Wiper motor			
15	955 556 591 00	Insulation Rear lid		1	
(15)	955 555 843 03	Support Moulding		1	I7X0/7X2
	955 555 843 03 01C	Satin black			
16	955 555 844 00	Support Moulding	05-	1	I7X1/7X3
	955 555 844 00 01C	Satin black			
17	955 559 363 01	Cap for Rear window		2	
	955 559 363 01 9B9	Satin black			
	N 908 479 03	Hexagon-head bolt		5	

Model: 9PA 03 Model life 2003>>2006

Pos	Part Number	Description	Remark	Qty	Model
18	N 908 051 01	M 6 X 15 Blind rivet nut for Support		5	
20	955 555 355 02	Moulding Rear lid Moulding		1	IQJ2/1G1/1G6 I1G8/7X0/7X2
20	955 555 355 02 G2X 955 555 357 00	Complete Prime coated Moulding	05-	1	IQJ4/1G1/1G6 I1G8/7X0/7X2
(20)	955 555 357 00 G2X 955 555 356 02	Complete Prime coated Moulding		1	IQJ2/1G3 I7X0/7X2
(20)	955 555 356 02 G2X 955 555 358 00	Complete Prime coated Moulding	05-	1	IQJ4/1G3 I7X0/7X2
(20)	955 555 358 00 G2X 955 555 359 00	Complete Prime coated Moulding	05-	1	IQJ2/7X1/7X3
(20)	955 555 359 00 G2X 955 555 360 00	Complete Prime coated Moulding	05-	1	IQJ4/7X1/7X3
21	955 555 360 00 G2X 955 555 909 01	Complete Prime coated Moulding	-04	1	
21	955 555 909 02	Upper part Moulding	05-	1	IQJ2/7X0/7X2
21	955 555 909 02 6X8 955 555 909 02	Upper part Chrome Moulding	05-	1	IQJ2/7X1/7X3
21	955 555 909 02 6X8 955 555 910 00	Upper part Chrome Moulding	05-	1	IQJ4/7X0/7X2
21	955 555 910 00 VV1 955 555 910 00	Upper part Black mat Moulding	05-	1	IQJ4/7X1/7X3
22	955 555 910 00 VV1 955 555 794 00	Upper part Black mat Clip Mount		5	
23	955 555 045 00	Reinforcement strip Adhesive tape		2	
24	955 555 278 00	Double sided Clip Mount		8	
25	955 555 279 00	Rear lid Fixing clip Mount		3	
26	955 555 208 00	Rear lid Clamp Mount		4	
27	955 555 276 00	Rear lid Clip for Mount		2	
28	955 555 208 00	Lining Rear lid Lateral Clamp		2	

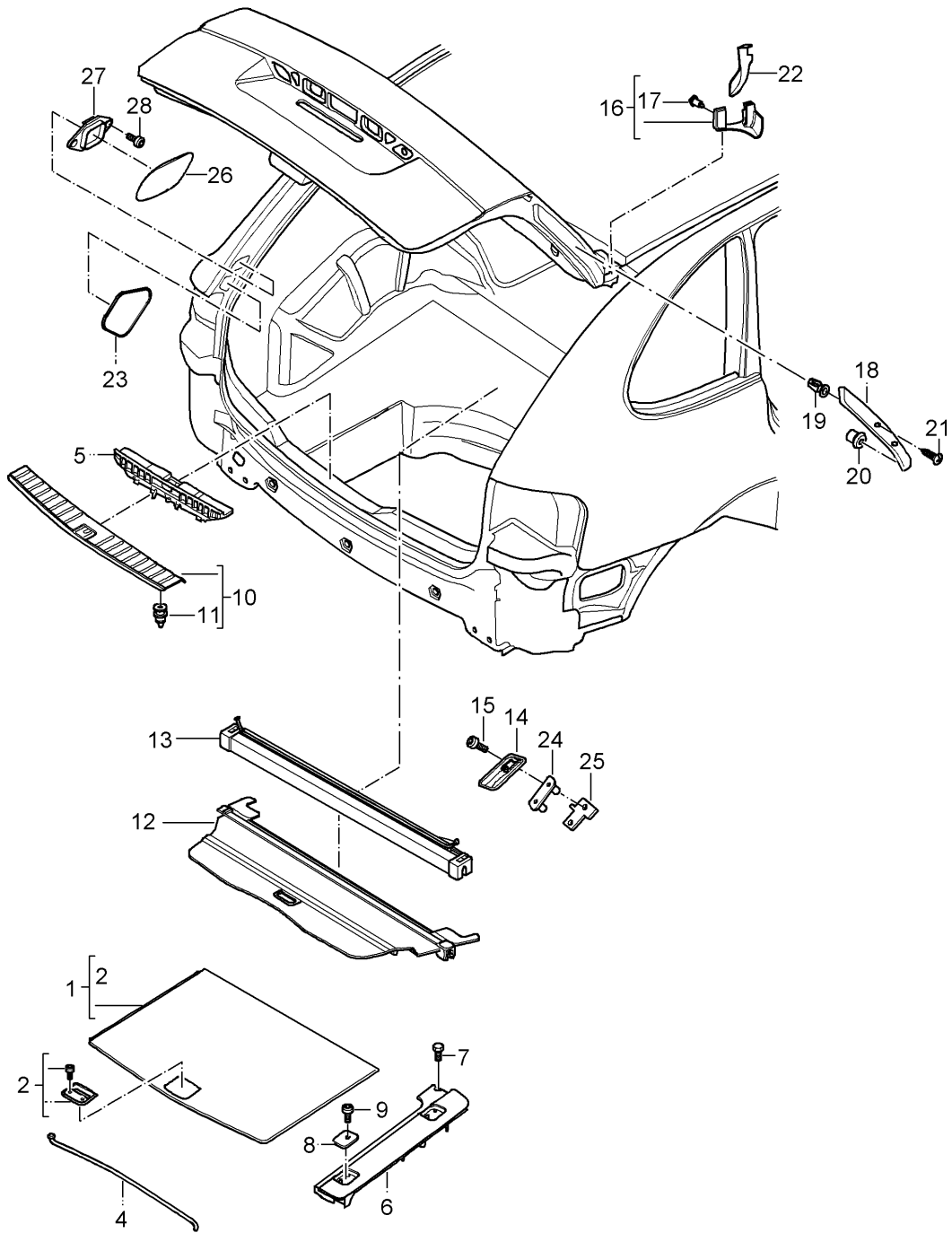
Model: 9PA 03

Model life 2003>>2006

Pos	Part Number	Description	Remark	Qty	Model
		for Mount Lining Rear lid Lateral			

Model: 9PA 03

Model life 2003>>2006



Model: 9PA 03

Model life 2003>>2006

Pos	Part Number	Description	Remark	Qty	Model
1	955 551 146 01	Linings Luggage compartment Accessories Spare wheel covering		1	I3GE/3ME/9AB I9AD
	955 551 146 01 7H1	Tufting velour Black			
	955 551 146 01 7J2	Steel grey			
	955 551 146 01 7K3	Sand Beige			
	955 551 146 01 7L4	Palmgreen			
(1)	955 551 148 01	Spare wheel covering Tufting velour		1	I3GE/3ME/9AH
	955 551 148 01 7H1	Black			
	955 551 148 01 7J2	Steel grey			
	955 551 148 01 7K3	Sand Beige			
	955 551 148 01 7L4	Palmgreen			
(1)	955 551 147 01	Spare wheel covering		1	I3GE/3MT/9AB I9AD
	955 551 147 01 8B2	Pearl velour Black			
	955 551 147 01 8C3	Steel grey			
	955 551 147 01 8D4	Sand Beige			
	955 551 147 01 8E5	Palmgreen			
(1)	955 551 149 01	Spare wheel covering Pearl velour		1	I3GE/3MT/9AH
	955 551 149 01 8B2	Black			
	955 551 149 01 8C3	Steel grey			
	955 551 149 01 8D4	Sand Beige			
	955 551 149 01 8E5	Palmgreen			
2	955 551 115 00	Handle Spare wheel covering Complete		1	
	955 551 115 00 01C	Satin black			
	955 551 115 00 6C6	Sand Beige			
	955 551 115 00 6H8	Palmgreen			
	955 551 115 00 7A8	Steel grey			
4	955 551 195 00	Hood stay for Spare wheel covering		1	
5	955 551 225 01	Support for Locking device		1	I3GE
6	955 551 527 00	Spare wheel covering Base Luggage compartment Tufting velour	/L	1	I3GE/9AB/9AD
	955 551 527 00 7H1	Black			
	955 551 527 00 7J2	Steel grey			
	955 551 527 00 7K3	Sand Beige			
	955 551 527 00 7L4	Palmgreen			
(6)	955 551 531 00	Base Luggage compartment Tufting velour	/L	1	I3GE/9AH
	955 551 531 00 7H1	Black			
	955 551 531 00 7J2	Steel grey			
	955 551 531 00 7K3	Sand Beige			
	955 551 531 00 7L4	Palmgreen			
(6)	955 551 528 00	Base Luggage compartment Tufting velour	/R	1	I3GE
	955 551 528 00 7H1	Black			
	955 551 528 00 7J2	Steel grey			
	955 551 528 00 7K3	Sand Beige			

Model: 9PA 03 Model life 2003>>2006

Pos	Part Number	Description	Remark	Qty	Model
(6)	955 551 528 00 7L4	Palmgreen			
	955 551 529 00	Base	/L	1	I3GE/9AB/9AD
		Luggage compartment			
		Pearl velour			
	955 551 529 00 8B2	Black			
	955 551 529 00 8C3	Steel grey			
	955 551 529 00 8D4	Sand Beige			
	955 551 529 00 8E5	Palmgreen			
(6)	955 551 533 00	Base	/L	1	I3GE/9AH
		Luggage compartment			
		Pearl velour			
	955 551 533 00 8B2	Black			
	955 551 533 00 8C3	Steel grey			
	955 551 533 00 8D4	Sand Beige			
	955 551 533 00 8E5	Palmgreen			
(6)	955 551 530 00	Base	/R	1	I3GE
		Luggage compartment			
		Pearl velour			
	955 551 530 00 8B2	Black			
	955 551 530 00 8C3	Steel grey			
	955 551 530 00 8D4	Sand Beige			
	955 551 530 00 8E5	Palmgreen			
7	N 100 515 02	Combination screw	-05	2	
		M 6 X 15			
		Mount			
		Base			
		Luggage compartment			
7	N 090 232 4	Combination screw	06-	2	
		m 6 X 10			
		Mount			
		Base			
		Luggage compartment			
8	955 551 203 00	Eye		4	
		Luggage compartment			
	955 551 203 00 2ZZ	Chrome			
9	N 105 559 01	Countersunk-head screw	-05	8	
		M 6 X 40			
		Mount			
		Eye			
		Luggage compartment			
9	N 105 559 02	Countersunk-head screw	06-	8	
		M 6 X 40			
		Mount			
		Eye			
		Luggage compartment			
10	955 551 459 02	Cover		1	
		Lock carrier			
	955 551 459 02 6M7	Stainless steel			
11	955 551 689 02	Fixing clip		4	
		for			
		Cover			
		Lock carrier			
12	955 551 773 04	Luggage compartment cover		1	
	955 551 773 04 6R5	Havanna			
	955 551 773 04 6S4	Stone grey			
	955 551 773 04 6S6	Palmgreen			
	955 551 773 04 9ET	Black			
	955 551 773 04 4R9	Sand Beige	04-		
13	955 551 691 02	Net		1	
		Luggage compartment			
	955 551 691 02 3W4	Black			
14	955 551 895 01	Cover	-05	2	
		Mounting piece			

Model: 9PA 03

Model life 2003&gt;&gt;2006

Pos	Part Number	Description	Remark	Qty	Model
15	N 106 068 01	Net Countersunk-head screw M 6 X 25 for Mount		X	
16	955 551 627 00	Cover Lining Hinge	/L	1	
(16)	955 551 627 00 01C 955 551 628 00	Cover Satin black Lining Hinge	/R	1	
17	955 551 628 00 01C 955 551 207 00	Cover Satin black Fixing clip Lining Hinge		2	
18	955 551 207 00 01C 955 551 711 01	Cover Satin black Lining Hinge	/L	1	
(18)	955 551 711 01 01C 955 551 712 01	Cable cover Satin black Lining Hinge	/R	1	
19	955 551 712 01 01C N 105 168 01	Cable cover Satin black Expander nut F 5 X 14,4 Mount		4	
20	955 551 741 00	Cable cover Outer Clamping piece for Cable cover Outer		2	
21	N 104 472 01	Lens-head screw ST 4,8 X13 Mount Cable cover Outer		4	
22	955 551 713 00	Lining Hinge Cable cover Inner	/L	1	
(22)	955 551 713 00 01C 955 551 714 00	Satin black Lining Hinge Cable cover Inner	/R	1	
23	955 551 714 00 01C 955 551 353 01	Satin black Cover Sealing channel		1	I1G1/1G6/1G8
(23)	955 551 353 01 01C 955 551 335 01	Satin black Adhesive plate		3	I1G1/1G6/1G8
24	955 551 812 00	Mounting piece Net		X	
25	955 551 283 00	Clamping spring Mount Mounting piece		X	
26	955 551 425 00 955 551 425 00 01C	Cover Filler piece Satin black		1	I0AB

Model: 9PA 03

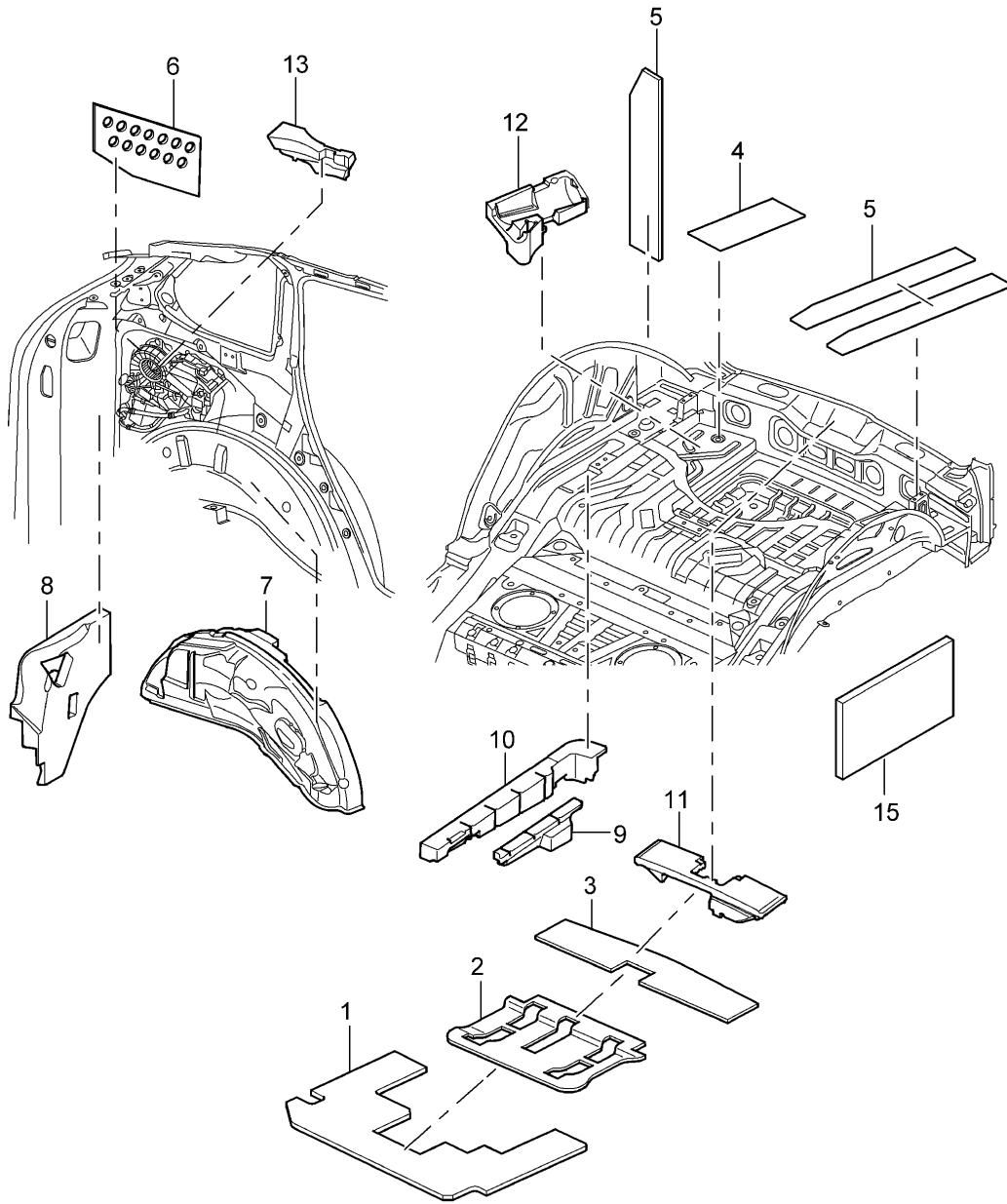
Model life 2003&gt;&gt;2006

Pos	Part Number	Description	Remark	Qty	Model
27	955 551 443 00	Connecting piece		1	I0AB
28	955 343 495 00	Round head screw M 5 X 20		2	



Model: 9PA 03

Model life 2003>>2006



Model: 9PA 03 Model life 2003>>2006

Pos	Part Number	Description	Remark	Qty	Model
1	955 556 631 00	Sound absorber Luggage compartment Sound absorber Luggage compartment Floor	-05	1	
2	955 556 632 00	Sound absorber Spare-wheel well Lower	-05	1	
3	955 556 633 00	Sound absorber Spare-wheel well Rear	-05	1	
4	955 556 634 00	Sound absorber Spare-wheel well Lateral	-05	2	
5	955 556 641 00	Sound absorber Wheel housing Upper	-05	3	
6	955 556 671 00	Sound absorber Side section	/L -05	1	
(6)	955 556 672 00	Sound absorber Side section	/R -05	1	
7	955 556 607 03	Insulation Wheel housing	/L -05	1	I3W4/9AH
(7)	955 556 609 03	Insulation Wheel housing	/L -05	1	I3W7/9AH
(7)	955 556 607 03	Insulation Wheel housing	/L 06-	1	I9AH
(7)	955 556 611 02	Insulation Wheel housing	/L -05	1	I3W4/9AB/9AD
(7)	955 556 613 02	Insulation Wheel housing	/L -05	1	I3W7/9AB/9AD
(7)	955 556 611 02	Insulation Wheel housing	/L 06-	1	I9AB/9AD
(7)	955 556 608 01	Insulation Wheel housing	/R -06	1	I3W4
(7)	955 556 610 01	Insulation Wheel housing	/R -06	1	I3W7
8	955 556 619 00	Insulation Wheel housing Upper	/L -04	1	I0BB/9AB/9AD
(8)	955 556 621 00	Insulation Wheel housing Upper	/L -04	1	I0BB/9AH
(8)	955 556 620 00	Insulation Wheel housing Upper	/R -04	1	
9	955 556 743 00	Insulation Luggage compartment Floor	/L	1	
(9)	955 556 744 00	Insulation Luggage compartment Floor Inner	/R	1	
10	955 556 801 00	Insulation Luggage compartment Floor Outer	/L	1	
(10)	955 556 802 00	Insulation Luggage compartment Floor Outer	/R	1	
11	955 556 809 00	Insulation		1	

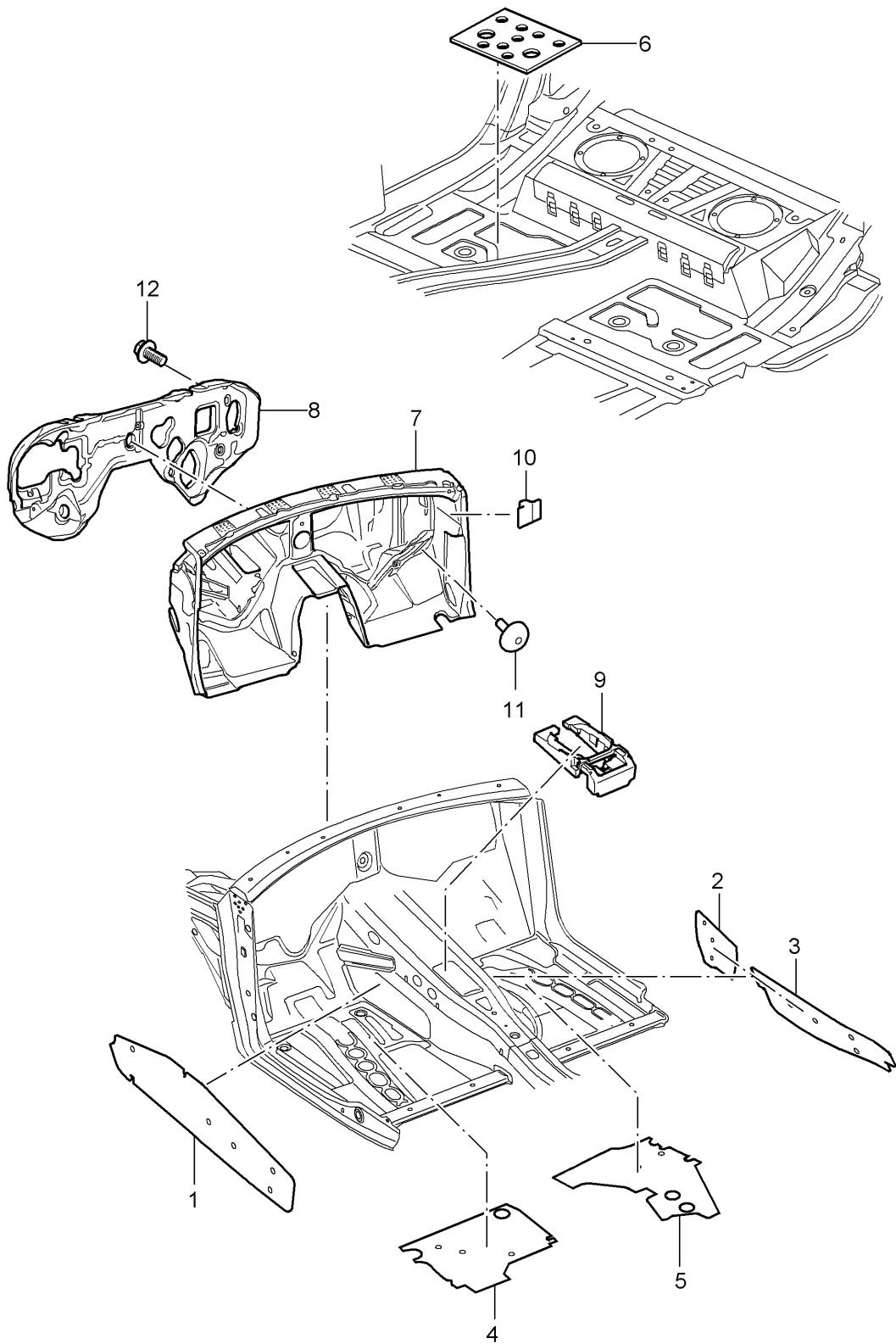
Model: 9PA 03

Model life 2003>>2006

Pos	Part Number	Description	Remark	Qty	Model
12	955 556 895 01	Cross member Insulation Spare-wheel well	/L	1	
13	955 556 233 00	Insulation for Heat exchanger	/L	1	I9AH
15	955 556 811 00	Insulation Stabiliser Lateral	/L	1	I0AG
(15)	955 556 812 00	Insulation Stabiliser Lateral	/R	1	I0AG

Model: 9PA 03

Model life 2003>>2006

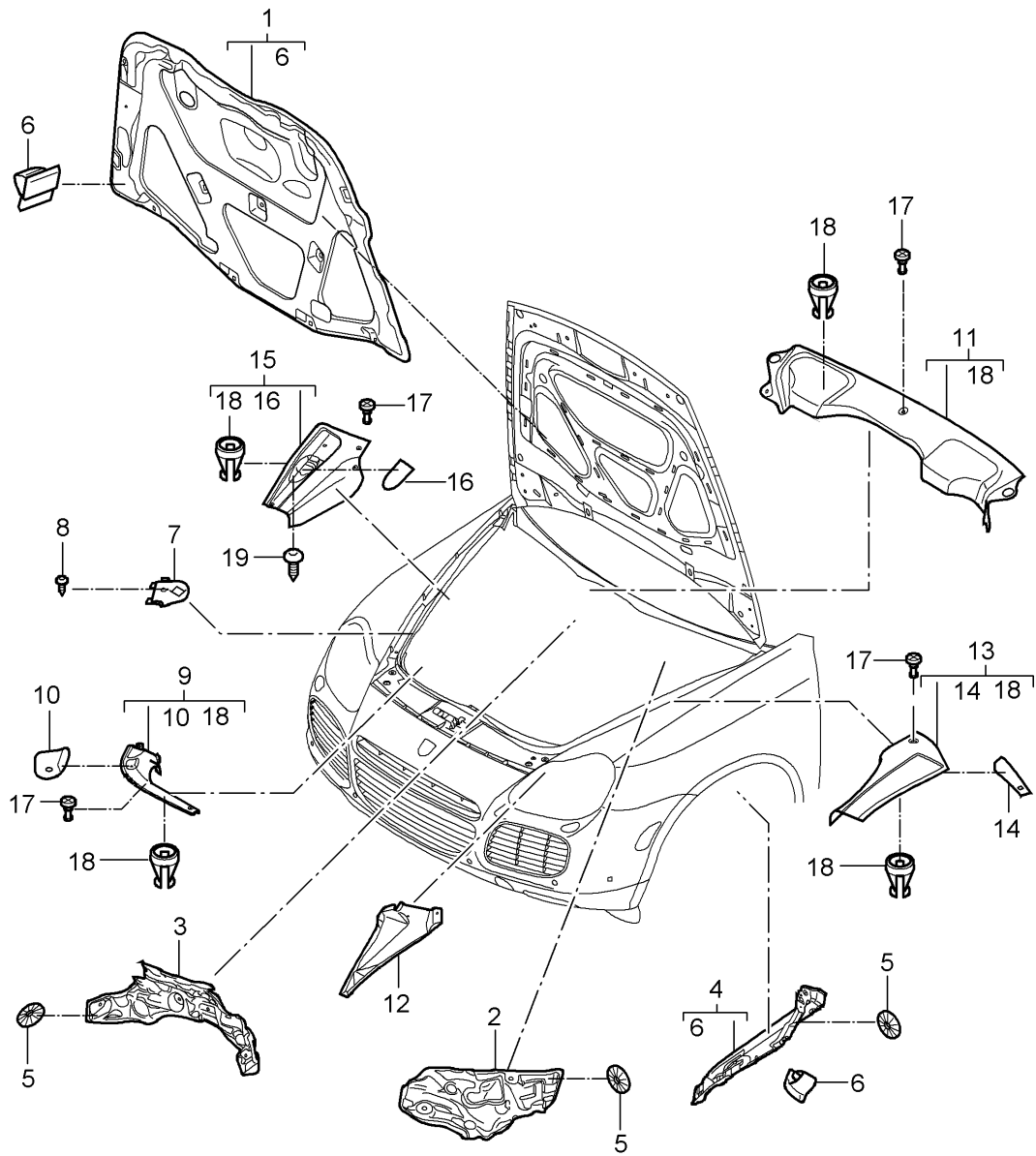


Model: 9PA 03 Model life 2003>>2006

Pos	Part Number	Description	Remark	Qty	Model
1	955 556 815 00	Sound absorber Passenger compartment Tunnel	/L	1	
2	955 556 816 00	Sound absorber Tunnel Front	/R	1	
3	955 556 818 00	Sound absorber Tunnel Rear	/R	1	
4	955 556 851 01	Sound absorber Floor Front	/L -05	1	
5	955 556 852 00	Sound absorber Floor Front	/R -05	1	
6	955 556 855 00	Sound absorber Floor Rear	-05	2	
(7)	955 556 623 02	Insulation Firewall	/LL	1	IL0L
(7)	955 556 624 02	Insulation Firewall	/RL	1	IL0R
(8)	955 556 595 01	Insulation with Assembly Plate	/LL	1	IL0L
(8)	955 556 596 01	Insulation with Assembly Plate	/RL	1	IL0R
9	955 556 531 00	Insulation Shift gate		1	IG0L
(9)	955 556 532 00	Insulation Shift gate		1	IG0R
10	955 556 761 00	Support Insulation		X	
11	955 556 761 00 01C 955 556 760 00	Satin black Clip Mount Insulation Firewall		X	
12	955 556 760 00 01C N 905 483 05	Satin black Hexagon-head bolt M 8 x 20 for Mount Insulation Assembly Plate		X	

Model: 9PA 03

Model life 2003>>2006



Model: 9PA 03

Model life 2003&gt;&gt;2006

Pos	Part Number	Description	Remark	Qty	Model
1	955 556 711 00	Sound absorber Lining Engine compartment Insulation	-04	1	
2	955 556 715 00	Bonnet Insulation	/L	1	
(2)	955 556 716 00	Plenum panel Engine compartment Insulation	/R	1	
3	955 556 720 01	Plenum panel Engine compartment Insulation		1	
4	955 556 725 01	Plenum panel Engine compartment Insulation	/L -04	1	I3W4
4	955 556 725 02	Tunnel Engine compartment Insulation	/L 05-	1	
4	955 556 725 03	Tunnel Engine compartment Insulation	/L	1	
(4)	955 556 726 00	Tunnel Engine compartment Insulation	/R	1	
5	N 903 350 04	Engine compartment Clamping washer 5 X 30 Mount Insulation		X	
6	955 556 761 00	Engine compartment Support	-04	X	
7	955 556 761 00 01C	Insulation Satin black			
7	955 504 115 00	Support Cover	/L	1	
(7)	955 504 116 00	Support Cover	/R	1	
8	N 909 855 01	Oval-head screw 5 X 12 Mount Support Cover		1	
9	955 504 283 00	Engine compartment Cover	/L	1	ID9J/D9K
	955 504 283 00 01C	Front Satin black			
9	955 504 285 00	Cover Front	/L	1	ID9L
	955 504 285 00 01C	Satin black			
(9)	955 504 284 00	Cover Front	/R	1	ID9K
	955 504 284 00 01C	Satin black			
(9)	955 504 286 00	Cover Front	/R	1	ID9J/D9L
	955 504 286 00 01C	Satin black			
10	955 504 311 00	Lid Lateral Adjustment	/L	1	ID9J/D9K
(10)	955 504 312 00	Headlamp Lid Lateral	/R	1	ID9K

Model: 9PA 03 Model life 2003>>2006

Pos	Part Number	Description	Remark	Qty	Model
(10)	955 504 313 00	Adjustment Headlamp Lid Lateral Adjustment Headlamp	/L	1	ID9L
(10)	955 504 314 00	Lid Lateral Adjustment Headlamp	/R	1	ID9J/D9L
11	955 504 503 00	Cover Rear Centre		1	ID9J
(11)	955 504 503 00 01C	Satin black			
	955 504 504 00	Cover Rear Centre		1	ID9K/D9L
	955 504 504 00 01C	Satin black			
12	955 504 331 00	Cover Front Lateral	/L	1	
	955 504 331 00 01C	Satin black			
(12)	955 504 332 00	Cover Front Lateral	/R	1	
	955 504 332 00 01C	Satin black			
13	955 504 441 01	Cover Rear	/L	1	ID9K/D9L
	955 504 441 01 01C	Satin black			
(13)	955 504 445 00	Cover Rear	/L	1	ID9J
	955 504 445 00 01C	Satin black			
14	955 504 099 01	Cover Rear for Oil tank Power steering	/L	1	
	955 504 099 01 01C	Satin black			
15	955 504 442 01	Cover Rear	/R	1	ID9J
	955 504 442 01 01C	Satin black			
(15)	955 504 444 01	Cover Rear	/R	1	ID9K/D9L
	955 504 444 01 01C	Satin black			
16	955 504 100 00	Cover Rear for Filling container Coolant	/R	1	
	955 504 100 00 01C	Satin black			
17	955 572 710 00	Fastening plug Mount Cover		X	
18	N 908 475 01	Spring clamp 12 X 10,4 Mount Cover		X	
19	N 906 986 02	Tapping screw 4,2 X 16 Mount Cover	-05	1	
19	N 906 986 06	Tapping screw 4,2 X 16	06-	1	



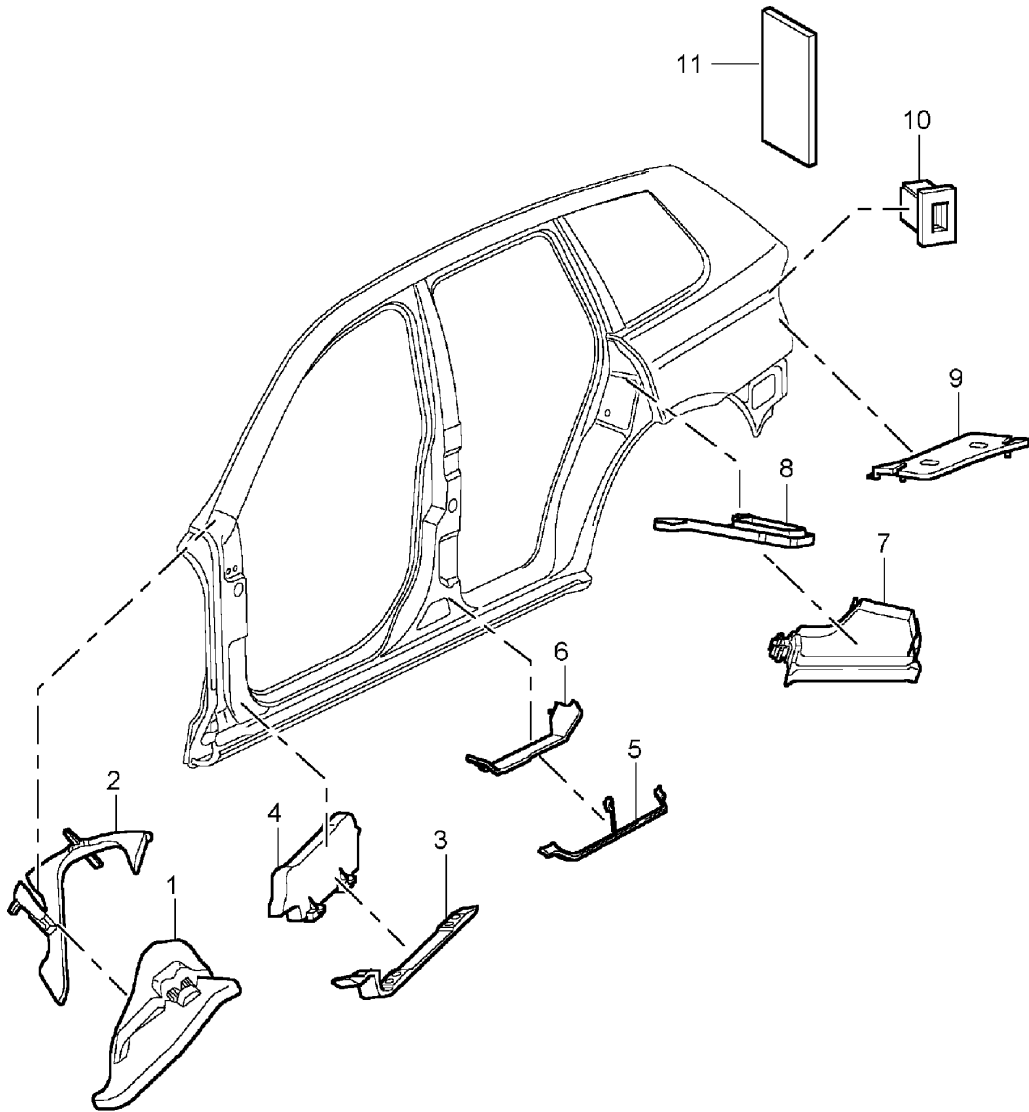
Model: 9PA 03

Model life 2003>>2006

Pos	Part Number	Description	Remark	Qty	Model
		Mount Cover			

Model: 9PA 03

Model life 2003>>2006



Model: 9PA 03 Model life 2003>>2006

Pos	Part Number	Description	Remark	Qty	Model
1	955 556 425 01	Sound absorber A-pillar Until D-pillar Sound absorber A-pillar Upper Inner	/L	1	
(1)	955 556 426 01	Sound absorber A-pillar Upper Inner	/R	1	
2	955 556 427 00	Sound absorber A-pillar Upper Outer	/L	1	
(2)	955 556 428 00	Sound absorber A-pillar Upper Outer	/R	1	
3	955 556 429 01	Sound absorber A-pillar Lower Outer		2	
4	955 556 431 00	Sound absorber A-pillar Lower Inner	/L -05	1	
4	955 556 431 01	Sound absorber A-pillar Lower Inner	/L 06-	1	
(4)	955 556 432 00	Sound absorber A-pillar Lower Inner	/R -05	1	
(4)	955 556 432 01	Sound absorber A-pillar Lower Inner	/R 06-	1	
5	955 556 433 01	Sound absorber B-pillar Lower Outer	/L	1	
(5)	955 556 434 01	Sound absorber B-pillar Lower Outer	/R	1	
6	955 556 435 01	Sound absorber B-pillar Lower Inner	/L	1	
(6)	955 556 436 01	Sound absorber B-pillar Lower Inner	/R	1	
7	955 556 441 00	Sound absorber C-pillar Lower Inner	/L	1	
(7)	955 556 442 00	Sound absorber C-pillar Lower	/R	1	

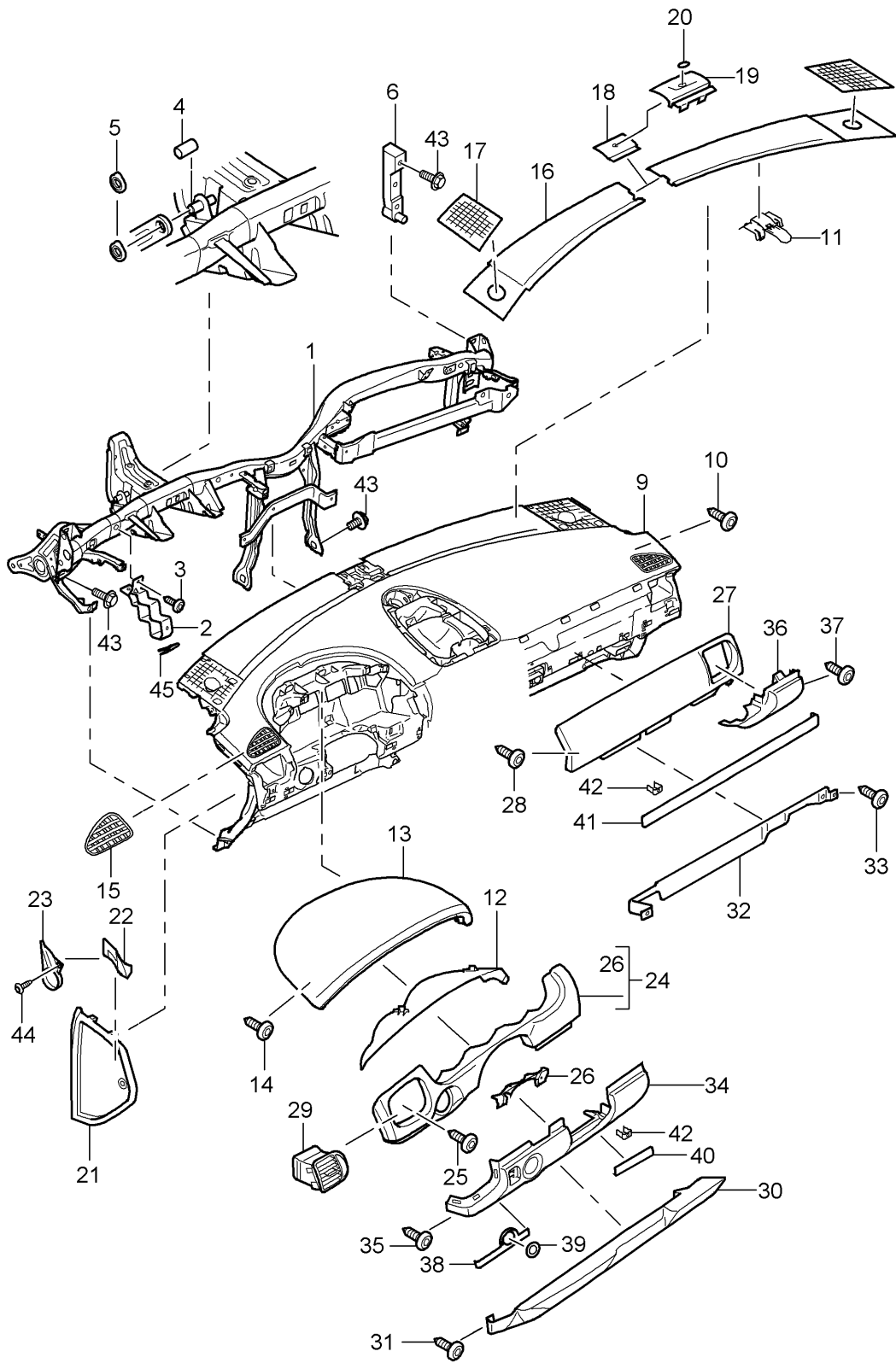
Model: 9PA 03

Model life 2003>>2006

Pos	Part Number	Description	Remark	Qty	Model
(8)	955 556 444 00	Inner Sound absorber C-pillar Lower	/R	1	
9	955 556 449 00	Outer Sound absorber D-pillar Lower	/L	1	
(9)	955 556 450 00	Sound absorber D-pillar Lower	/R	1	
10	955 556 807 00	Insulation D-pillar		2	
11	955 556 693 00	Insulation D-pillar Stabiliser		1	I0AG

Model: 9PA 03

Model life 2003>>2006



Model: 9PA 03 Model life 2003>>2006

Pos	Part Number	Description	Remark	Qty	Model
1	955 552 061 03	Dashboard trim Accessories Retaining frame for Dashboard	/LL	1	IL0L
(1)	955 552 062 01	Retaining frame for Dashboard	/RL -04	1	IL0R
(1)	955 552 062 04	Retaining frame for Dashboard	/RL 05-	1	IL0R
4	955 552 049 00	Bearing sleeve for Retaining frame		1	
5	N 905 770 01	Clamping washer 12 X 25,5 Retaining frame		1	
6	955 552 051 01	Mounting for Retaining frame	/L	1	
(6)	955 552 051 01 GRV	Coated		1	
	955 552 052 01	Mounting for Retaining frame	/R	1	
	955 552 052 01 GRV	Coated		1	
9	955 552 109 04	Dashboard trim Leatherette	/LL	1	IL0L/4N1
	955 552 109 04 6B9	Black			
	955 552 109 04 6D5	Stone grey			
	955 552 109 04 6E7	Havanna			
	955 552 109 04 6H9	Palmgreen			
(9)	955 552 110 04	Dashboard trim Leatherette	/RL	1	IL0R/4N1
	955 552 110 04 6B9	Black			
	955 552 110 04 6D5	Stone grey			
	955 552 110 04 6E7	Havanna			
	955 552 110 04 6H9	Palmgreen			
9	955 552 101 04	Dashboard trim Leather	/LL	1	IL0L/4N8
	955 552 101 04 A11	Black			
	955 552 101 04 4P2	Palmgreen			
	955 552 101 04 5X6	Stone grey			
	955 552 101 04 7A3	Havanna			
	955 552 101 04 8G2	Sand Beige	04-		
(9)	955 552 102 04	Dashboard trim Leather	/RL	1	IL0R/4N8
	955 552 102 04 A11	Black			
	955 552 102 04 4P2	Palmgreen			
	955 552 102 04 5X6	Stone grey			
	955 552 102 04 7A3	Havanna			
	955 552 102 04 8G2	Sand Beige	04-		
10	N 906 986 01	Tapping screw ST 4,2 X 16 Mount		9	
11	955 552 054 00	Dashboard trim Clamp Cowl for Mount		4	
12	955 552 065 00	Dashboard trim Dashboard trim Upper Lacquered	/LL	1	IL0L

Model: 9PA 03 Model life 2003>>2006

Pos	Part Number	Description	Remark	Qty	Model
(12)	955 552 065 00 6N3	Black mat			
	955 552 066 00	Dashboard trim	/RL	1	IL0R
		Upper			
		Lacquered			
	955 552 066 00 6N3	Black mat			
13	955 552 293 01	Instrument box	/LL	1	IL0L/4N1
		Leatherette			
	955 552 293 01 6B9	Black			
	955 552 293 01 6D5	Stone grey			
	955 552 293 01 6E7	Havanna			
	955 552 293 01 6H9	Palmgreen			
(13)	955 552 294 01	Instrument box	/RL	1	IL0R/4N1
		Leatherette			
	955 552 294 01 6B9	Black			
	955 552 294 01 6D5	Stone grey			
	955 552 294 01 6E7	Havanna			
	955 552 294 01 6H9	Palmgreen			
13	955 552 295 01	Instrument box	/LL	1	IL0L/4N8
		Leather			
	955 552 295 01 A11	Black			
	955 552 295 01 5X6	Stone grey			
	955 552 295 01 7A3	Havanna			
	955 552 295 01 4P2	Palmgreen			
	955 552 295 01 8G2	Sand Beige	04-		
(13)	955 552 296 01	Instrument box	/RL	1	IL0R/4N8
		Leather			
	955 552 296 01 A11	Black			
	955 552 296 01 5X6	Stone grey			
	955 552 296 01 7A3	Havanna			
	955 552 296 01 4P2	Palmgreen			
	955 552 296 01 8G2	Sand Beige	04-		
14	N 906 986 01	Tapping screw		4	
		ST 4,2 X 16			
		Mounting			
		Instrument box			
15	955 552 219 00	Air vent	/L	1	
		Dashboard trim			
		Lateral upper			
		Lacquered			
	955 552 219 00 A03	Black			
	955 552 219 00 5V7	Stone grey			
	955 552 219 00 5Y2	Palmgreen			
	955 552 219 00 5Y9	Havanna			
	955 552 219 00 5Z1	Sand Beige	04-		
(15)	955 552 220 00	Air vent	/R	1	
		Dashboard trim			
		Lateral upper			
		Lacquered			
	955 552 220 00 A03	Black			
	955 552 220 00 5V7	Stone grey			
	955 552 220 00 5Y2	Palmgreen			
	955 552 220 00 5Y9	Havanna			
	955 552 220 00 5Z1	Sand Beige	04-		
16	955 552 185 01	Defroster trim	/L	1	
		Front			
		Lacquered			
	955 552 185 01 A03	Black			
	955 552 185 01 5V7	Stone grey			
	955 552 185 01 5Y2	Palmgreen			
	955 552 185 01 5Y9	Havanna			
	955 552 185 01 5Z1	Sand Beige	04-		
(16)	955 552 186 01	Defroster trim	/R	1	
		Front			

Model: 9PA 03

Model life 2003>>2006

Pos	Part Number	Description	Remark	Qty	Model
17	955 552 186 01 A03	Lacquered Black			
	955 552 186 01 5V7	Stone grey			
	955 552 186 01 5Y2	Palmgreen			
	955 552 186 01 5Y9	Havanna			
	955 552 186 01 5Z1	Sand Beige	04-		
(17)	955 552 793 00	Loudspeaker grille Lacquered	/L	1	
	955 552 793 00 A03	Black			
	955 552 793 00 5V7	Stone grey			
	955 552 793 00 5Y2	Palmgreen			
	955 552 793 00 5Y9	Havanna			
18	955 552 793 00 5Z1	Sand Beige	04-		
	955 552 794 00	Loudspeaker grille Lacquered	/R	1	
	955 552 794 00 A03	Black			
	955 552 794 00 5V7	Stone grey			
	955 552 794 00 5Y2	Palmgreen			
(18)	955 552 794 00 5Y9	Havanna			
	955 552 794 00 5Z1	Sand Beige	04-		
	955 552 073 00	Cover Centre Defroster trim Lacquered		1	I7X0/7X3/9AB
	955 552 073 00 A03	Black			
	955 552 073 00 5V7	Stone grey			
19	955 552 073 00 5Y9	Havanna			
	955 552 073 00 5Y2	Palmgreen			
	955 552 073 00 5Z1	Sand Beige	04-		
	955 552 074 01	Cover Centre Defroster trim Lacquered		1	I7X0/7X3/9AD I9AH
	955 552 074 01 A03	Black			
20	955 552 074 01 5V7	Stone grey			
	955 552 074 01 5Y9	Havanna			
	955 552 074 01 5Y2	Palmgreen			
	955 552 074 01 5Z1	Sand Beige	04-		
	955 552 655 01	Housing ParkAssist Lacquered		1	I7X2
21	955 552 655 01 A03	Black			
	955 552 655 01 5V7	Stone grey			
	955 552 655 01 5Y2	Palmgreen			
	955 552 655 01 5Y9	Havanna			
	955 552 655 01 5Z1	Sand Beige			
21	955 552 187 00	Cover		1	I7X2/9AB
	955 552 187 00 01C	Satin black			
	955 552 175 00	Closing element	/LL /L -04	1	I10L/4UE/9AB I9AD
	955 552 175 00 A03	Lateral Black			
	955 552 175 00 5Y2	Palmgreen			
21	955 552 175 00 5Z1	Sand Beige			
	955 552 175 00 7BA	Steel grey			
	955 552 175 00	Closing element	/L -04	1	I4UB/4UQ/9AB I9AD
	955 552 175 00 A03	Lateral Black			
	955 552 175 00 5Y2	Palmgreen			
21	955 552 175 00 5Z1	Sand Beige			
	955 552 175 00 7BA	Steel grey			



Model: 9PA 03 Model life 2003>>2006

Pos	Part Number	Description	Remark	Qty	Model
21	955 552 175 02	Closing element	/LL /L 05-	1	IL0L/4UE/9AB I9AD
		Lateral			
	955 552 175 02 A03	Black			
	955 552 175 02 5Y2	Palmgreen			
	955 552 175 02 5Z1	Sand Beige			
	955 552 175 02 7BA	Steel grey			
21	955 552 175 02	Closing element	/L 05-	1	I4UB/4UD/9AB I9AD
		Lateral			
	955 552 175 02 A03	Black			
	955 552 175 02 5Y2	Palmgreen			
	955 552 175 02 5Z1	Sand Beige			
	955 552 175 02 7BA	Steel grey			
(21)	955 552 176 00	Closing element	/RL /R -04	1	IL0R/4UE/9AB I9AD
		Lateral			
	955 552 176 00 A03	Black			
	955 552 176 00 5Y2	Palmgreen			
	955 552 176 00 5Z1	Sand Beige			
	955 552 176 00 7BA	Steel grey			
(21)	955 552 176 00	Closing element	/R -04	1	I4UB/4UD I4UQ/9AB/9AD
		Lateral			
	955 552 176 00 A03	Black			
	955 552 176 00 5Y2	Palmgreen			
	955 552 176 00 5Z1	Sand Beige			
	955 552 176 00 7BA	Steel grey			
(21)	955 552 176 02	Closing element	/RL /R 05-	1	IL0R/4UE/9AB I9AD
		Lateral			
	955 552 176 02 A03	Black			
	955 552 176 02 5Y2	Palmgreen			
	955 552 176 02 5Z1	Sand Beige			
	955 552 176 02 7BA	Steel grey			
(21)	955 552 176 02	Closing element	/R 05-	1	I4UB/4UD I9AB/9AD
		Lateral			
	955 552 176 02 A03	Black			
	955 552 176 02 5Y2	Palmgreen			
	955 552 176 02 5Z1	Sand Beige			
	955 552 176 02 7BA	Steel grey			
(21)	955 552 179 00	Closing element	/RL /L -04	1	IL0R/4UE/9AB I9AD
		Lateral			
	955 552 179 00 A03	Black			
	955 552 179 00 5Y2	Palmgreen			
	955 552 179 00 5Z1	Sand Beige			
	955 552 179 00 7BA	Steel grey			
(21)	955 552 179 01	Closing element	/RL /L 05-	1	IL0R/4UE/9AB I9AD
		Lateral			
	955 552 179 01 A03	Black			
	955 552 179 01 5Y2	Palmgreen			
	955 552 179 01 5Z1	Sand Beige			
	955 552 179 01 7BA	Steel grey			
(21)	955 552 180 00	Closing element	/LL /R -04	1	IL0L/4UE/9AB I9AD
		Lateral			
	955 552 180 00 A03	Black			
	955 552 180 00 7BA	Steel grey			
	955 552 180 00 5Z1	Sand Beige			
	955 552 180 00 5Y2	Palmgreen			

Model: 9PA 03 Model life 2003>>2006

Pos	Part Number	Description	Remark	Qty	Model
(21)	955 552 180 01	Closing element	/LL /R 05-	1	ILOL/4UE/9AB I9AD
		Lateral			
	955 552 180 01 A03	Black			
	955 552 180 01 7BA	Steel grey			
	955 552 180 01 5Z1	Sand Beige			
	955 552 180 01 5Y2	Palmgreen			
(21)	955 552 180 02	Closing element	/LL /R 06-	1	ILOL/4UE/9AB I9AD
		Lateral			
	955 552 180 02 A03	Black			
	955 552 180 02 7BA	Steel grey			
	955 552 180 02 5Z1	Sand Beige			
	955 552 180 02 5Y2	Palmgreen			
(21)	955 552 175 01	Closing element	/LL /L -04	1	ILOL/4UE/9AH
		Lateral			
	955 552 175 01 A03	Black			
	955 552 175 01 5Y2	Palmgreen			
	955 552 175 01 5Z1	Sand Beige			
	955 552 175 01 7BA	Steel grey			
(21)	955 552 175 01	Closing element	/L -04	1	I4UB/4UD I4UQ/9AH
		Lateral			
	955 552 175 01 A03	Black			
	955 552 175 01 5Y2	Palmgreen			
	955 552 175 01 5Z1	Sand Beige			
	955 552 175 01 7BA	Steel grey			
(21)	955 552 175 03	Closing element	/LL /L 05-	1	ILOL/4UE/9AH
		Lateral			
	955 552 175 03 A03	Black			
	955 552 175 03 5Y2	Palmgreen			
	955 552 175 03 5Z1	Sand Beige			
	955 552 175 03 7BA	Steel grey			
(21)	955 552 175 03	Closing element	/L 05-	1	I4UB/4UD/9AH
		Lateral			
	955 552 175 03 A03	Black			
	955 552 175 03 5Y2	Palmgreen			
	955 552 175 03 5Z1	Sand Beige			
	955 552 175 03 7BA	Steel grey			
(21)	955 552 176 01	Closing element	/LL /R -04	1	ILOL/4UE/9AH
		Lateral			
	955 552 176 01 A03	Black			
	955 552 176 01 5Y2	Palmgreen			
	955 552 176 01 5Z1	Sand Beige			
	955 552 176 01 7BA	Steel grey			
(21)	955 552 176 01	Closing element	/R -04	1	I4UB/4UD I4UQ/9AH
		Lateral			
	955 552 176 01 A03	Black			
	955 552 176 01 5Y2	Palmgreen			
	955 552 176 01 5Z1	Sand Beige			
	955 552 176 01 7BA	Steel grey			
(21)	955 552 176 03	Closing element	/LL /R 05-	1	ILOL/4UE/9AH
		Lateral			
	955 552 176 03 A03	Black			
	955 552 176 03 5Y2	Palmgreen			
	955 552 176 03 5Z1	Sand Beige			
	955 552 176 03 7BA	Steel grey			
(21)	955 552 176 03	Closing element	/R 05-	1	I4UB/4UD/9AH
		Lateral			
	955 552 176 03 A03	Black			
	955 552 176 03 5Y2	Palmgreen			
	955 552 176 03 5Z1	Sand Beige			

Model: 9PA 03 Model life 2003>>2006

Pos	Part Number	Description	Remark	Qty	Model
(21)	955 552 176 03 7BA	Steel grey			
	955 552 181 00	Closing element Lateral	/RL /L -04	1	IL0R/4UE/9AH
	955 552 181 00 A03	Black			
	955 552 181 00 5Y2	Palmgreen			
	955 552 181 00 5Z1	Sand Beige			
(21)	955 552 181 00 7BA	Steel grey			
	955 552 181 01	Closing element Lateral	/RL /L 05-	1	IL0R/4UE/9AH
	955 552 181 01 A03	Black			
	955 552 181 01 5Y2	Palmgreen			
	955 552 181 01 5Z1	Sand Beige			
	955 552 181 01 7BA	Steel grey			
(21)	955 552 182 00	Closing element Lateral	/LL /R -04	1	IL0L/4UE/9AH
	955 552 182 00 A03	Black			
	955 552 182 00 5Y2	Palmgreen			
	955 552 182 00 5Z1	Sand Beige			
	955 552 182 00 7BA	Steel grey			
(21)	955 552 182 01	Closing element Lateral	/LL /R 05	1	IL0L/4UE/9AH
	955 552 182 01 A03	Black			
	955 552 182 01 5Y2	Palmgreen			
	955 552 182 01 5Z1	Sand Beige			
	955 552 182 01 7BA	Steel grey			
(21)	955 552 182 02	Closing element Lateral	/LL /R 06-	1	IL0L/4UE/9AH
	955 552 182 02 A03	Black			
	955 552 182 02 5Y2	Palmgreen			
	955 552 182 02 5Z1	Sand Beige			
	955 552 182 02 7BA	Steel grey			
22	955 552 013 00	Cover Dashboard trim Lateral	/L	1	I9AH
(22)	955 552 014 00	Cover Dashboard trim Lateral	/R	1	I9AH
23	955 552 015 00	Air duct Dashboard trim Lateral	/L	1	I9AB/9AD
(23)	955 552 016 00	Air duct Dashboard trim Lateral	/R	1	I9AB/9AD
24	955 552 565 00	Cover Driver's side	/LL	1	IL0L/4N1
	955 552 565 00 6B9	Black			
	955 552 565 00 6D5	Stone grey			
	955 552 565 00 6E7	Havanna			
	955 552 565 00 6H9	Palmgreen			
(24)	955 552 566 00	Cover Driver's side	/RL	1	IL0R/4N1
	955 552 566 00 6B9	Black			
	955 552 566 00 6D5	Stone grey			
	955 552 566 00 6E7	Havanna			
	955 552 566 00 6H9	Palmgreen			
24	955 552 567 00	Cover Driver's side Leather	/LL	1	IL0L/4N8
	955 552 567 00 A11	Black			
	955 552 567 00 4P2	Palmgreen			
	955 552 567 00 5X6	Stone grey			
	955 552 567 00 7A3	Havanna			
	955 552 567 00 8G2	Sand Beige	04-		

Model: 9PA 03 Model life 2003>>2006

Pos	Part Number	Description	Remark	Qty	Model
(24)	955 552 568 00	Cover Driver's side Leather	/RL	1	IL0R/4N8
	955 552 568 00 A11	Black			
	955 552 568 00 4P2	Palmgreen			
	955 552 568 00 5X6	Stone grey			
	955 552 568 00 7A3	Havanna			
	955 552 568 00 8G2	Sand Beige	04-		
25	N 906 986 01	Tapping screw ST 4,2 X 16 Mount Cover		3	
26	955 552 569 00	Driver's side Trim cover Dashboard trim Lacquered		1	
	955 552 569 00 A03	Black			
	955 552 569 00 5V7	Stone grey			
	955 552 569 00 5Y2	Palmgreen			
	955 552 569 00 5Y9	Havanna			
	955 552 569 00 5Z1	Sand Beige	04-		
27	955 552 561 00	Cover Passenger's side	/LL	1	IL0L/4N1
	955 552 561 00 6B9	Black			
	955 552 561 00 6D5	Stone grey			
	955 552 561 00 6E7	Havanna			
	955 552 561 00 6H9	Palmgreen			
(27)	955 552 562 00	Cover Passenger's side	/RL	1	IL0R/4N1
	955 552 562 00 6B9	Black			
	955 552 562 00 6D5	Stone grey			
	955 552 562 00 6E7	Havanna			
	955 552 562 00 6H9	Palmgreen			
27	955 552 563 00	Cover Passenger's side Leather	/LL	1	IL0L/4N8
	955 552 563 00 A11	Black			
	955 552 563 00 4P2	Palmgreen			
	955 552 563 00 5X6	Stone grey			
	955 552 563 00 7A3	Havanna			
	955 552 563 00 8G2	Sand Beige	04-		
(27)	955 552 564 00	Cover Passenger's side Leather	/RL	1	IL0R/4N8
	955 552 564 00 A11	Black			
	955 552 564 00 4P2	Palmgreen			
	955 552 564 00 5X6	Stone grey			
	955 552 564 00 7A3	Havanna			
	955 552 564 00 8G2	Sand Beige	04-		
28	N 906 986 01	Tapping screw ST 4,2 X 16 Mount Cover		6	
		Passenger's side			
29	955 552 225 02	Side vent Lacquered	/L	1	
	955 552 225 02 A03	Black			
	955 552 225 02 5V7	Stone grey			
	955 552 225 02 5Y9	Havanna			
	955 552 225 02 5Y2	Palmgreen			
	955 552 225 02 5Z1	Sand Beige	04-		
(29)	955 552 228 02	Side vent Lacquered	/R	1	

Model: 9PA 03 Model life 2003>>2006

Pos	Part Number	Description	Remark	Qty	Model
	955 552 228 02 A03	Black			
	955 552 228 02 5V7	Stone grey			
	955 552 228 02 5Y9	Havanna			
	955 552 228 02 5Y2	Palmgreen			
	955 552 228 02 5Z1	Sand Beige	04-		
32	955 552 048 01	Reinforcement for Knee protection trim Passenger's side Lower	/LL	1	IL0L
34	955 552 503 01	Lining Driver's side Lower Leatherette	/LL	1	IL0L/4N1
	955 552 503 01 5Q2	Black			
	955 552 503 01 5R3	Steel grey			
	955 552 503 01 5S4	Sand Beige			
	955 552 503 01 5Y5	Palmgreen			
(34)	955 552 504 01	Lining Driver's side Lower Leatherette	/RL	1	IL0R/4N1
	955 552 504 01 5Q2	Black			
	955 552 504 01 5R3	Steel grey			
	955 552 504 01 5S4	Sand Beige			
	955 552 504 01 5Y5	Palmgreen			
34	955 552 505 01	Lining Driver's side Lower Leather	/LL	1	IL0L/4N8
	955 552 505 01 4P1	Palmgreen			
	955 552 505 01 6B7	Steel grey			
	955 552 505 01 8G1	Sand Beige			
	955 552 505 01 8YR	Black			
(34)	955 552 506 01	Lining Driver's side Lower Leather	/RL	1	IL0R/4N8
	955 552 506 01 4P1	Palmgreen			
	955 552 506 01 6B7	Steel grey			
	955 552 506 01 8G1	Sand Beige			
	955 552 506 01 8YR	Black			
35	N 906 986 01	Tapping screw ST 4,2 X 16 Mount Lining Driver's side Lower		7	
36	955 552 511 01	Lining Passenger's side Lower Leatherette	/LL	1	IL0L/4N1
	955 552 511 01 5Q2	Black			
	955 552 511 01 5R3	Steel grey			
	955 552 511 01 5S4	Sand Beige			
	955 552 511 01 5Y5	Palmgreen			
(36)	955 552 512 01	Lining Passenger's side Lower Leatherette	/RL	1	IL0R/4N1
	955 552 512 01 5Q2	Black			
	955 552 512 01 5R3	Steel grey			
	955 552 512 01 5S4	Sand Beige			

Model: 9PA 03 Model life 2003>>2006

Pos	Part Number	Description	Remark	Qty	Model
36	955 552 512 01 5Y5	Palmgreen		1	IL0L/4N8
	955 552 513 01	Lining Passenger's side Lower Leather	/LL		
	955 552 513 01 4P1	Palmgreen			
	955 552 513 01 6B7	Steel grey			
	955 552 513 01 8G1	Sand Beige			
	955 552 513 01 8YR	Black			
	(36) 955 552 514 01	Lining Passenger's side Lower Leather	/RL		
37	955 552 514 01 4P1	Palmgreen		3	
	955 552 514 01 6B7	Steel grey			
	955 552 514 01 8G1	Sand Beige			
	955 552 514 01 8YR	Black			
	N 906 986 01	Tapping screw ST 4,2 X 16 Mount Lining Passenger's side Lower			
38	955 552 667 00	Cover Ignition starter lock Silver mat chrome	/LL	1	IL0L/5MA
	955 552 667 00 QHA	Black			
	955 552 667 00 QHB	Stone grey			
	955 552 667 00 QHC	Havanna			
	955 552 667 00 QHD	Palmgreen			
	955 552 667 00 RKT	Sand Beige	04-		
	(38) 955 552 668 00	Cover Ignition starter lock Silver mat chrome	/RL		
38	955 552 668 00 QHA	Black		1	IL0L/5TE
	955 552 668 00 QHB	Stone grey			
	955 552 668 00 QHC	Havanna			
	955 552 668 00 QHD	Palmgreen			
	955 552 668 00 RKT	Sand Beige	04-		
	955 552 669 00	Cover Ignition starter lock Satin aluminium	/LL		
	955 552 669 00 TLP	Black			
(38)	955 552 669 00 TLQ	Stone grey		1	IL0L/5TE
	955 552 669 00 TLR	Havanna			
	955 552 669 00 TLS	Palmgreen			
	955 552 669 00 TLT	Sand Beige	04-		
	955 552 670 00	Cover Ignition starter lock Satin aluminium	/RL		
	955 552 670 00 TLP	Black			
	955 552 670 00 TLQ	Stone grey			
38	955 552 670 00 TLR	Havanna		1	IL0L/5TF
	955 552 670 00 TLS	Palmgreen			
	955 552 670 00 TLT	Sand Beige	04-		
	955 552 671 00	Cover Ignition starter lock Olive grain	/LL		
	955 552 671 00 QHN	Black			
	955 552 671 00 QHP	Stone grey			
	955 552 671 00 QHQ	Havanna			
955 552 671 00 QHR	Palmgreen				
955 552 671 00 RKV	Sand Beige	04-			

Model: 9PA 03 Model life 2003>>2006

Pos	Part Number	Description	Remark	Qty	Model
(38)	955 552 672 00	Cover Ignition starter lock Olive grain	/RL	1	IL0R/5TF
	955 552 672 00 QHN	Black			
	955 552 672 00 QHP	Stone grey			
	955 552 672 00 QHQ	Havanna			
	955 552 672 00 QHR	Palmgreen			
	955 552 672 00 RKV	Sand Beige	04-		
38	955 552 673 00	Cover Ignition starter lock Rootwood	/LL	1	IL0L/5MG
	955 552 673 00 QHJ	Black			
	955 552 673 00 QHK	Stone grey			
	955 552 673 00 QHL	Havanna			
	955 552 673 00 QHM	Palmgreen			
	955 552 673 00 RKW	Sand Beige	04-		
(38)	955 552 674 00	Cover Ignition starter lock Rootwood	/RL	1	IL0R/5MG
	955 552 674 00 QHJ	Black			
	955 552 674 00 QHK	Stone grey			
	955 552 674 00 QHL	Havanna			
	955 552 674 00 QHM	Palmgreen			
	955 552 674 00 RKW	Sand Beige	04-		
38	955 552 675 00	Cover Ignition starter lock Ash wood	/LL 04-	1	IL0L/5TK
	955 552 675 00 RWE	Black			
	955 552 675 00 RWF	Stone grey			
	955 552 675 00 RWG	Havanna			
	955 552 675 00 RWH	Palmgreen			
	955 552 675 00 RWM	Sand Beige			
(38)	955 552 676 00	Cover Ignition starter lock Ash wood	/RL 04-	1	IL0R/5TK
	955 552 676 00 RWE	Black			
	955 552 676 00 RWF	Stone grey			
	955 552 676 00 RWG	Havanna			
	955 552 676 00 RWH	Palmgreen			
	955 552 676 00 RWM	Sand Beige			
39	955 552 677 00	Rosette Ignition starter lock		1	
	955 552 677 00 01C	Satin black			
40	955 552 427 00	Moulding Driver's side Plastic material	/LL	1	IL0L/5MA
	955 552 427 00 5X2	Silver mat chrome			
(40)	955 552 428 00	Moulding Driver's side Plastic material	/RL	1	IL0R/5MA
	955 552 428 00 5X2	Silver mat chrome			
40	955 552 429 00	Moulding Driver's side	/LL	1	IL0L/5TE
	955 552 429 00 62W	Satin aluminium			
(40)	955 552 430 00	Moulding Driver's side	/RL	1	IL0R/5TE
	955 552 430 00 62W	Satin aluminium			
40	955 552 431 00	Moulding Driver's side Wood	/LL	1	IL0L/5TF
	955 552 431 00 4V8	High-gloss olive ash burl			
(40)	955 552 432 00	Moulding Driver's side	/RL	1	IL0R/5TF

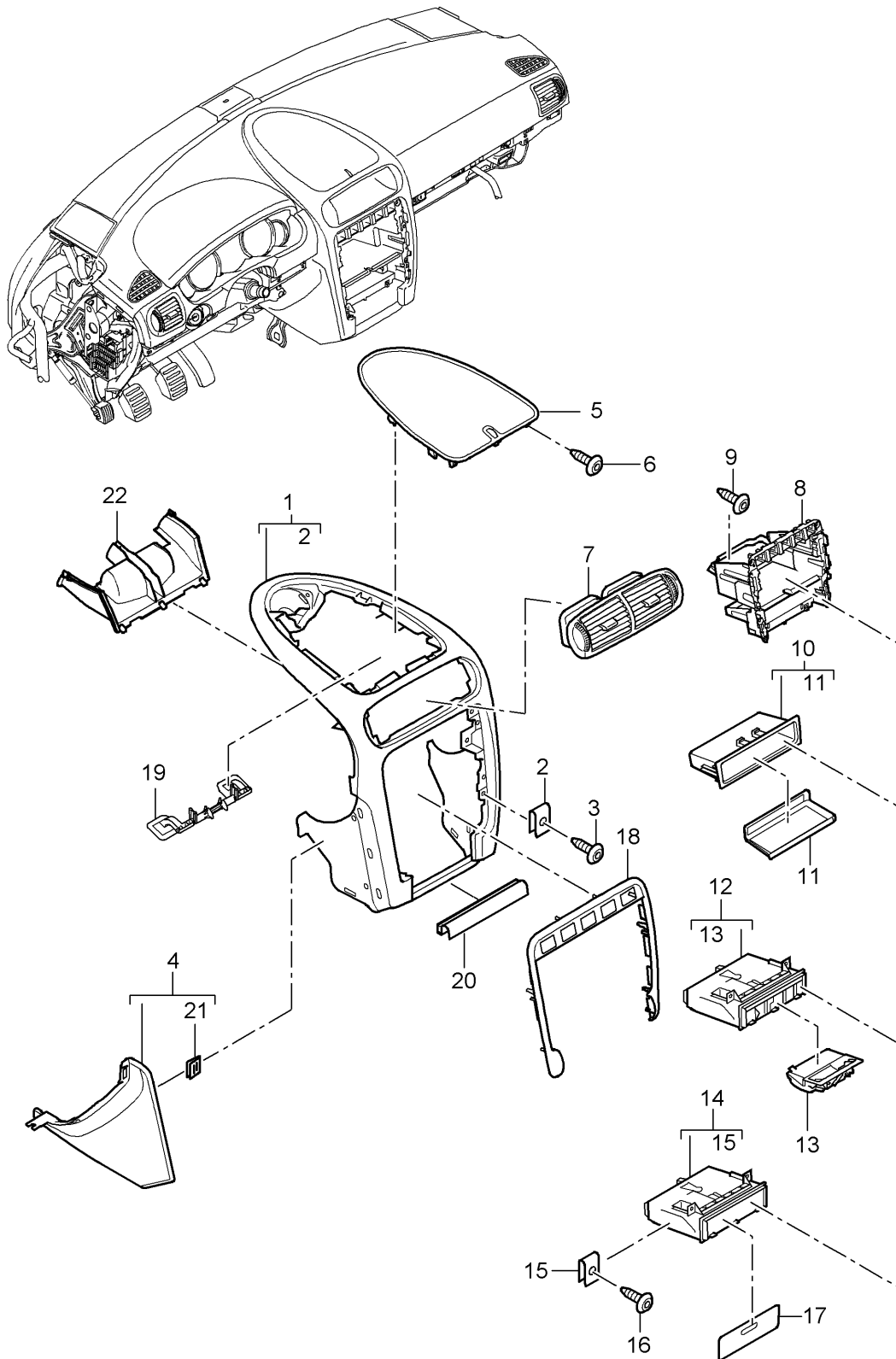
Model: 9PA 03 Model life 2003>>2006

Pos	Part Number	Description	Remark	Qty	Model
40	955 552 432 00 4V8	Wood High-gloss olive ash burl			
	955 552 433 00	Moulding Driver's side	/LL	1	IL0L/5MG
(40)	955 552 433 00 4X2	Rootwood			
	955 552 434 00	Moulding Driver's side	/RL	1	IL0R/5MG
40	955 552 434 00 4X2	Rootwood			
	955 552 425 00	Moulding Driver's side	/LL 04-	1	IL0L/5TK
(40)	955 552 425 00 9Z4	Super-matt olive ash burl			
	955 552 426 00	Moulding Driver's side	/RL 04-	1	IL0R/5TK
41	955 552 426 00 9Z4	Super-matt olive ash burl			
	955 552 435 00	Moulding Passenger's side	/LL	1	IL0L/5MA
(41)	955 552 435 00 5X2	Plastic material Silver mat chrome			
	955 552 436 00	Moulding Passenger's side	/RL	1	IL0R/5MA
41	955 552 436 00 5X2	Plastic material Silver mat chrome			
	955 552 443 00	Moulding Passenger's side	/LL	1	IL0L/5TE
(41)	955 552 443 00 62W	Satin aluminium			
	955 552 444 00	Moulding Passenger's side	/RL	1	IL0R/5TE
41	955 552 444 00 62W	Satin aluminium			
	955 552 445 00	Moulding Passenger's side	/LL	1	IL0L/5TF
(41)	955 552 445 00 4V8	Wood High-gloss olive ash burl			
	955 552 446 00	Moulding Passenger's side	/RL	1	IL0R/5TF
41	955 552 446 00 4V8	Wood High-gloss olive ash burl			
	955 552 447 00	Moulding Passenger's side	/LL	1	IL0L/5MG
(41)	955 552 447 00 4X2	Rootwood			
	955 552 448 00	Moulding Passenger's side	/RL	1	IL0R/5MG
41	955 552 448 00 4X2	Rootwood			
	955 552 451 00	Moulding Passenger's side	/LL 04-	1	IL0L/5TK
(41)	955 552 451 00 9Z4	Super-matt olive ash burl			
	955 552 452 00	Moulding Passenger's side	/RL 04-	1	IL0R/5TK
42	955 552 452 00 9Z4	Super-matt olive ash burl			
	955 552 107 00	Fixing clip for Moulding Driver's side		X	
43	N 909 192 02	Passenger's side Hexagon-head bolt M 8 X 20 Mount		X	
44	N 102 473 02	Retaining frame Tapping screw 4,2 X 16 Mount Air duct Lateral		2	I9AB/9AD



Model: 9PA 03

Model life 2003>>2006



Model: 9PA 03

Model life 2003>>2006

Pos	Part Number	Description	Remark	Qty	Model
1	955 552 086 01	Dashboard trim Centre part Accessories Centre part Dashboard trim		1	I4N1
	955 552 086 01 6B9	Black			
	955 552 086 01 6D5	Stone grey			
	955 552 086 01 6E7	Havanna			
	955 552 086 01 6H9	Palmgreen			
(1)	955 552 087 01	Centre part Dashboard trim Leather		1	I4N8
	955 552 087 01 A11	Black			
	955 552 087 01 5X6	Stone grey			
	955 552 087 01 7A3	Havanna			
	955 552 087 01 4P2	Palmgreen			
	955 552 087 01 8G2	Sand Beige	04-		
2	N 906 988 01	Speed nut ST 4,2 X 16 X 12 Mount		10	
3	N 906 986 01	Centre part Tapping screw ST 4,2 X 16 Mount		2	
4	955 552 113 00	Centre part Cover Leatherette	/L	1	I4N1
	955 552 113 00 5Q2	Black			
	955 552 113 00 5R3	Steel grey			
	955 552 113 00 5S4	Sand Beige			
	955 552 113 00 5Y5	Palmgreen			
(4)	955 552 114 00	Centre part Cover Leatherette	/R	1	I4N1
	955 552 114 00 5Q2	Black			
	955 552 114 00 5R3	Steel grey			
	955 552 114 00 5S4	Sand Beige			
	955 552 114 00 5Y5	Palmgreen			
4	955 552 115 00	Centre part Cover Leather	/L	1	I4N8
	955 552 115 00 8YR	Black			
	955 552 115 00 6B7	Steel grey			
	955 552 115 00 8G1	Sand Beige			
	955 552 115 00 4P1	Palmgreen			
(4)	955 552 116 00	Centre part Cover Leather	/R	1	I4N8
	955 552 116 00 8YR	Black			
	955 552 116 00 6B7	Steel grey			
	955 552 116 00 8G1	Sand Beige			
	955 552 116 00 4P1	Palmgreen			
5	955 552 189 00	Centre part Upper Lacquered		1	
	955 552 189 00 5V7	Stone grey			
	955 552 189 00 5Y2	Palmgreen			
	955 552 189 00 5Y9	Havanna			
	955 552 189 00 A03	Black			
	955 552 189 00 5Z1	Sand Beige	04-		
6	N 906 986 01	Tapping screw		2	

Model: 9PA 03

Model life 2003>>2006

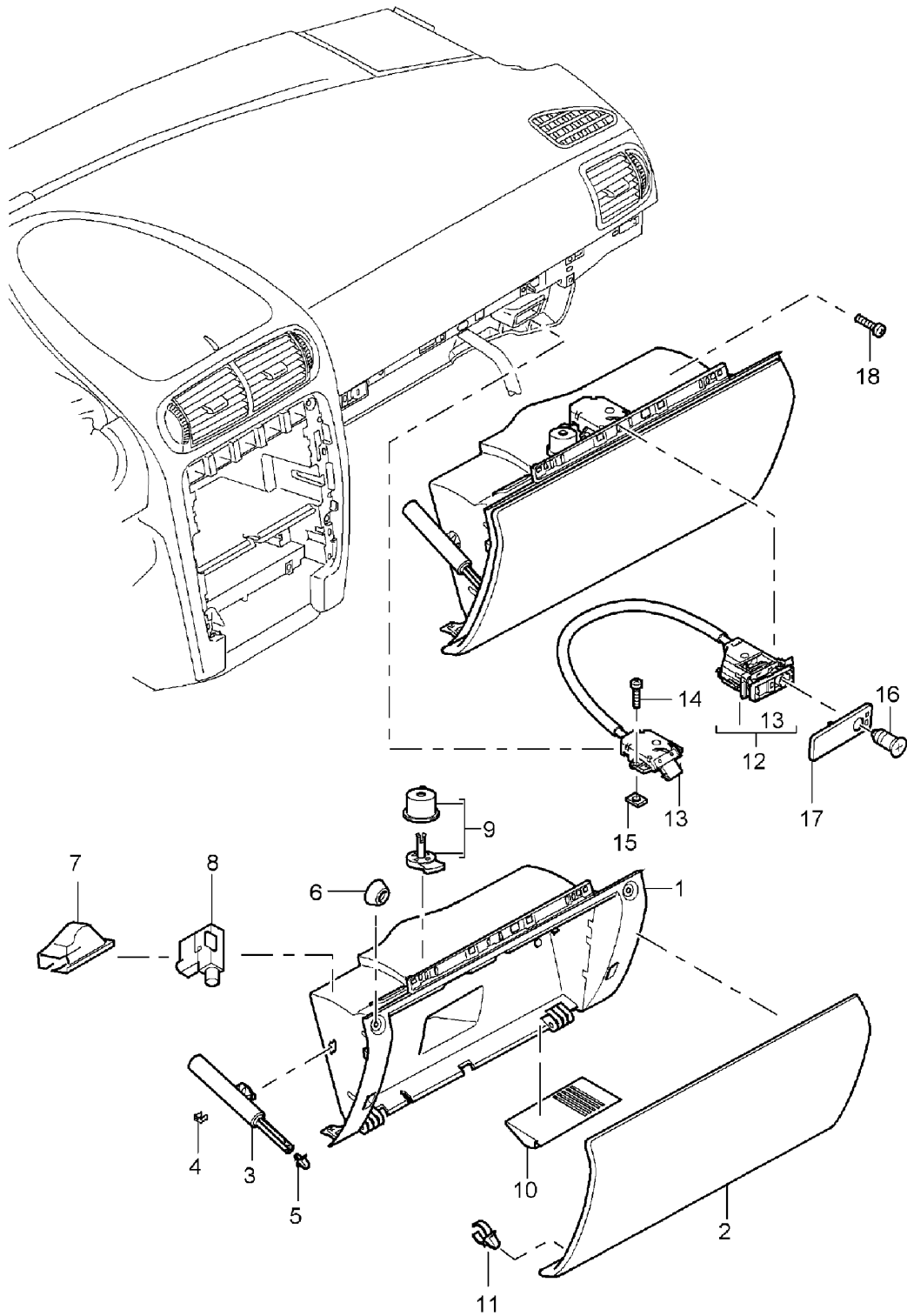
Pos	Part Number	Description	Remark	Qty	Model
7	955 552 263 01	ST 4,2 X 16 Mount Cover Centre part Centre nozzle Lacquered	-05	1	
	955 552 263 01 A03	Black			
	955 552 263 01 5V7	Stone grey			
	955 552 263 01 5Y9	Havanna			
	955 552 263 01 5Y2	Palmgreen			
	955 552 263 01 5Z1	Sand Beige	04-		
7	955 552 263 02	Centre nozzle Lacquered	06-	1	
	955 552 263 02 A03	Black			
	955 552 263 02 5V7	Stone grey			
	955 552 263 02 5Y9	Havanna			
	955 552 263 02 5Y2	Palmgreen			
	955 552 263 02 5Z1	Sand Beige	04-		
8	955 552 093 03	Package box Dashboard trim		1	
9	N 906 986 01	Centre part Tapping screw ST 4,2 X16 Mount		8	
10	955 552 243 01	Package box Centre part		1	I7Q0/8DU
11	955 552 243 01 A03	Black			
11	955 552 244 00	Mat for Storage box		1	I7Q0/8DU
12	955 552 245 01	Ashtray Dashboard trim Centre part	-05	1	I9JB
12	955 552 245 02	Ashtray Dashboard trim Centre part	06-	1	I9JB
13	955 552 246 00	Insert Ashtray Dashboard trim		1	I9JB
14	955 552 247 00	Centre part Shelf Dashboard trim Centre part Lacquered		1	I9JA
15	955 552 247 00 A03	Black			
15	N 906 988 01	Speed nut ST 4,2 X 16 X 12 Mount Ashtray Shelf		2	
16	N 906 986 01	Tapping screw ST 4,2 X 16 Mount Ashtray Shelf		2	
17	955 552 248 00	Cover Ashtray Shelf Lacquered		1	I4N1
	955 552 248 00 A03	Black			
	955 552 248 00 5V7	Stone grey			

Model: 9PA 03 Model life 2003>>2006

Pos	Part Number	Description	Remark	Qty	Model
(17)	955 552 248 00 5Y2	Palmgreen		1	I4N8
	955 552 248 00 5Y9	Havanna			
	955 552 249 00	Cover			
		Ashtray			
		Shelf			
		Lacquered			
	955 552 249 00 A03	Black			
955 552 249 00 5V7	Stone grey	04-	1	I4A0/5MA	
955 552 249 00 5Y2	Palmgreen				
955 552 249 00 5Y9	Havanna				
955 552 249 00 5Z1	Sand Beige				
955 552 380 00	Cover				
	Centre part				
	Lacquered				
955 552 380 00 A03	Black	1	I4A0/5MG I5TE/5TF/5TK		
955 552 381 00	Cover				
	Centre part				
955 552 381 00 62W	Satin aluminium				
955 552 382 00	Cover				
	Centre part				
	Lacquered				
955 552 382 00 A03	Black	1	I4A3/4A4/5MA		
955 552 383 01	Cover				
	Centre part				
955 552 383 01 62W	Satin aluminium				
955 552 222 00	Flap				
	Movable				
	Centre part				
955 552 517 00	Upper	1	I9AB/9AD		
	Cover strip				
	Centre part				
955 552 137 00	Clamp				
	for				
	Cover				
	Centre part				
955 552 235 00	Cover	1	I9AH		
	Air duct				
	Centre part				
955 552 236 00	Cover				
	Air duct				
	Centre part				

Model: 9PA 03

Model life 2003>>2006



Model: 9PA 03

Model life 2003&gt;&gt;2006

Pos	Part Number	Description	Remark	Qty	Model
(1)	955 552 118 01	Glove compartment Frame Tray Glove compartment		1	
	955 552 118 01 A03	Black			
2	955 552 120 00	Glove compartment cover with Flap Leatherette		1	I4N1
	955 552 120 00 5Q2	Black			
	955 552 120 00 5R3	Steel grey			
	955 552 120 00 5S4	Sand Beige			
	955 552 120 00 5Y5	Palmgreen			
(2)	955 552 121 00	Glove compartment cover with Flap Leather		1	I4N8
	955 552 121 00 4P1	Palmgreen			
	955 552 121 00 6B7	Steel grey			
	955 552 121 00 8G1	Sand Beige			
	955 552 121 00 8YR	Black			
3	955 552 122 00	Damper		2	
4	955 552 107 00	Glove compartment Fixing clip Damper		2	
5	955 552 123 00	Stop Damper		2	
6	955 552 124 00	Buffer		2	
7	--- --- --- --	Glove compartment Glove compartment light See group 9/03/04		1	
8		Contact switch for Glove compartment light See group 9/03/04		1	
9	955 570 701 00	Air vent Glove compartment Lower		1	
10	955 552 125 00	Mat	-04	1	
11	955 552 126 00	Glove compartment Support Fountain pen		1	
12	955 552 127 01	Glove compartment cover Housing		1	
13	955 552 128 00	Glove compartment lock Catch		1	
14	N 906 986 01	Glove compartment Tapping screw ST 4,2 X 16 Mount Catch		2	
15	N 906 988 01	Speed nut Mount 4,2 X 16 X12 Catch		2	
16	996 552 915 00	Lock cylinder Glove compartment Vehicle Ident. No. Indicate		1	
17	955 552 449 00	Cover Glove compartment lock		1	I5MA

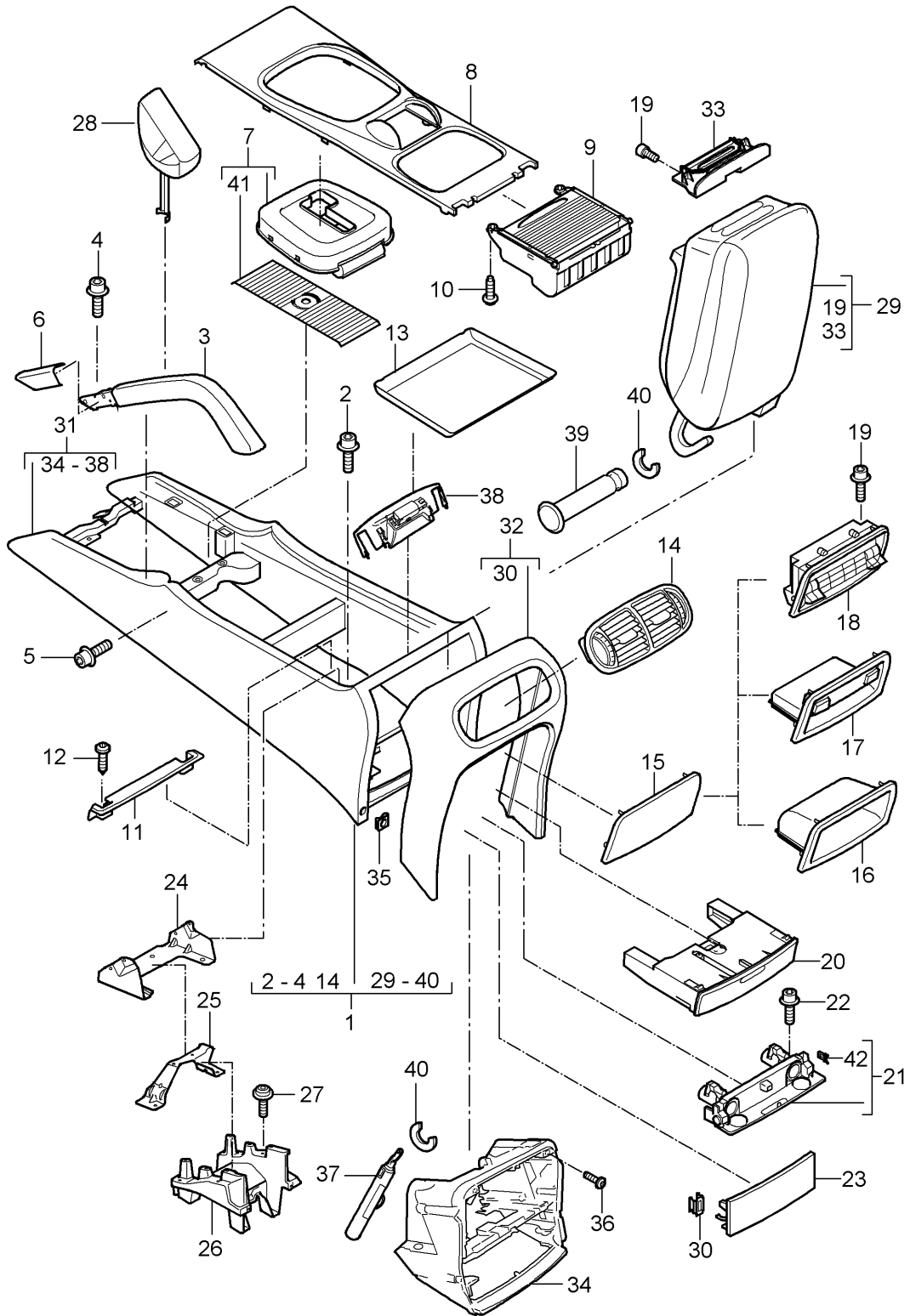
Model: 9PA 03

Model life 2003>>2006

Pos	Part Number	Description	Remark	Qty	Model
(17)	955 552 449 00 5X2 955 552 450 00	Plastic material Lacquered Silver mat chrome Cover		1	I5MG/5TE I5TF/5TK
18	955 552 450 00 4W9 N 906 986 01	Glove compartment lock Satin aluminium Tapping screw ST 4,2 X 16 Mount Glove compartment		7	

Model: 9PA 03

Model life 2003>>2006





Model: 9PA 03 Model life 2003>>2006

Pos	Part Number	Description	Remark	Qty	Model
1	955 552 201 05	Centre console Centre console		1	I3D1/6E3 I9AH/9W0 I9W1/9ZF/9ZT
		Front Leatherette			
	955 552 201 05 5Q2	Black			
	955 552 201 05 5R3	Steel grey			
	955 552 201 05 5S4	Sand Beige			
	955 552 201 05 5Y5	Palmgreen			
(1)	955 552 205 04	Centre console		1	I3D1/6E3 I9AB/9AD I9W0/9W1 I9ZF/9ZT
		Front Leatherette			
	955 552 205 04 5Q2	Black			
	955 552 205 04 5R3	Steel grey			
	955 552 205 04 5S4	Sand Beige			
	955 552 205 04 5Y5	Palmgreen			
(1)	955 552 204 06	Centre console		1	I3D1/6E3 I9AH/9ZP
		Front Leatherette			
	955 552 204 06 5Q2	Black			
	955 552 204 06 5R3	Steel grey			
	955 552 204 06 5S4	Sand Beige			
	955 552 204 06 5Y5	Palmgreen			
(1)	955 552 202 05	Centre console		1	I3D1/6E3 I9AB/9AD/9ZP
		Front Leatherette			
	955 552 202 05 5Q2	Black			
	955 552 202 05 5R3	Steel grey			
	955 552 202 05 5S4	Sand Beige			
	955 552 202 05 5Y5	Palmgreen			
(1)	955 552 206 03	Centre console	-06	1	I3D3/6E7 I9AB/9AD I9W0/9W1 I9ZF/9ZT
		Front Partial leather			
	955 552 206 03 5Q2	Black			
	955 552 206 03 5R3	Steel grey			
	955 552 206 03 5S4	Sand Beige			
	955 552 206 03 5Y5	Palmgreen			
(1)	955 552 206 04	Centre console	06	1	I3D3/6E7/9AB I9AD/9W0/9W1 I9ZF/9ZT
		Front Partial leather			
	955 552 206 04 5Q2	Black			
	955 552 206 04 5R3	Steel grey			
	955 552 206 04 5S4	Sand Beige			
	955 552 206 04 5Y5	Palmgreen			
(1)	955 552 207 05	Centre console		1	I3D3/6E7 I9AH/9W0 I9W1/9ZF/9ZT
		Front Partial leather			
	955 552 207 05 5Q2	Black			
	955 552 207 05 5R3	Steel grey			
	955 552 207 05 5S4	Sand Beige			

Model: 9PA 03 Model life 2003>>2006

Pos	Part Number	Description	Remark	Qty	Model
(1)	955 552 207 05 5Y5 955 552 209 05	Palmgreen Centre console  Front Partial leather		1	I3D3/6E7 I9AB/9AD/9ZP
	955 552 209 05 5Q2 955 552 209 05 5R3 955 552 209 05 5S4 955 552 209 05 5Y5	Black Steel grey Sand Beige Palmgreen			
(1)	955 552 210 06	Centre console  Front Partial leather		1	I3D3/6E7 I9AH/9ZP
	955 552 210 06 5Q2 955 552 210 06 5R3 955 552 210 06 5S4 955 552 210 06 5Y5	Black Steel grey Sand Beige Palmgreen			
(1)	955 552 211 04	Centre console  Front Leather		1	I3D8/6E6/9AB I9AD/9W0/9W1 I9ZF/9ZT
	955 552 211 04 4P1 955 552 211 04 6B7 955 552 211 04 8G1 955 552 211 04 8YR	Palmgreen Steel grey Sand Beige Black			
(1)	955 552 212 05	Centre console  Front Leather		1	I3D8/6E6 I9AH/9W0 I9W1/9ZF/9ZT
	955 552 212 05 4P1 955 552 212 05 6B7 955 552 212 05 8G1 955 552 212 05 8YR	Palmgreen Steel grey Sand Beige Black			
(1)	955 552 213 05	Centre console  Front Leather		1	I3D8/6E6 I9AB/9AD/9ZP
	955 552 213 05 4P1 955 552 213 05 6B7 955 552 213 05 8G1 955 552 213 05 8YR	Palmgreen Steel grey Sand Beige Black			
(1)	955 552 214 06	Centre console  Front Leather		1	I3D8/6E6 I9AH/9ZP
	955 552 214 06 4P1 955 552 214 06 6B7 955 552 214 06 8G1 955 552 214 06 8YR	Palmgreen Steel grey Sand Beige Black			
2	N 103 472 01	Combination screw Mount Centre console Front	-05	18	
2	N 103 472 04	Combination screw	06-	18	
3	955 552 645 00	Grab handle Centre console Leather	/L -05	1	I3D8
	955 552 645 00 4P1 955 552 645 00 6B7 955 552 645 00 8G1 955 552 645 00 8YR	Palmgreen Steel grey Sand Beige Black			

Model: 9PA 03 Model life 2003>>2006

Pos	Part Number	Description	Remark	Qty	Model
(3)	955 552 646 00	Grab handle Centre console Leather	/R -05	1	I3D8
	955 552 646 00 4P1	Palmgreen			
	955 552 646 00 6B7	Steel grey			
	955 552 646 00 8G1	Sand Beige			
	955 552 646 00 8YR	Black			
(3)	955 552 645 01	Grab handle Centre console Leather	/L 06-	1	I3D8
	955 552 645 01 4P1	Palmgreen			
	955 552 645 01 6B7	Steel grey			
	955 552 645 01 8G1	Sand Beige			
	955 552 645 01 8YR	Black			
(3)	955 552 646 01	Grab handle Centre console Leather	/R 06-	1	I3D8
	955 552 646 01 4P1	Palmgreen			
	955 552 646 01 6B7	Steel grey			
	955 552 646 01 8G1	Sand Beige			
	955 552 646 01 8YR	Black			
3	955 552 647 00	Grab handle Centre console Leatherette	/L -05	1	I3D1/3D3
	955 552 647 00 A08	Black			
	955 552 647 00 T25	Sand Beige			
	955 552 647 00 4Q2	Palmgreen			
	955 552 647 00 6E1	Steel grey			
(3)	955 552 648 00	Grab handle Centre console Leatherette	/R -05	1	I3D1/3D3
	955 552 648 00 A08	Black			
	955 552 648 00 T25	Sand Beige			
	955 552 648 00 4Q2	Palmgreen			
	955 552 648 00 6E1	Steel grey			
(3)	955 552 647 01	Grab handle Centre console Leatherette	/L 06-	1	I3D1/3D3
	955 552 647 01 A08	Black			
	955 552 647 01 T25	Sand Beige			
	955 552 647 01 4Q2	Palmgreen			
	955 552 647 01 6E1	Steel grey			
(3)	955 552 648 01	Grab handle Centre console Leatherette	/R 06-	1	I3D1/3D3
	955 552 648 01 A08	Black			
	955 552 648 01 T25	Sand Beige			
	955 552 648 01 4Q2	Palmgreen			
	955 552 648 01 6E1	Steel grey			
4	N 103 472 04	Combination screw M 6 X 25 Mount Grab handle Front		2	
5	N 101 112 03	Pan-head screw M 8 X 85 Mount Grab handle Rear		2	
6	955 552 633 00	Cap Grab handle Centre console Lacquered	/L -05	1	

Model: 9PA 03

Model life 2003>>2006

Pos	Part Number	Description	Remark	Qty	Model
(6)	955 552 633 00 A03	Black	/R -05	1	
	955 552 633 00 7BA	Steel grey			
	955 552 633 00 5Y2	Palmgreen			
	955 552 633 00 5Z1	Sand Beige			
	955 552 634 00	Cap Grab handle Centre console Lacquered			
6	955 552 634 00 A03	Black	/L 06-	1	
	955 552 634 00 7BA	Steel grey			
	955 552 634 00 5Y2	Palmgreen			
	955 552 634 00 5Z1	Sand Beige			
	955 552 633 01	Cap Grab handle Centre console Lacquered			
(6)	955 552 633 01 A03	Black	/R 06-	1	
	955 552 633 01 7BA	Steel grey			
	955 552 633 01 5Y2	Palmgreen			
	955 552 633 01 5Z1	Sand Beige			
	955 552 634 01	Cap Grab handle Centre console Lacquered			
7	955 552 634 01 A03	Black	/LL	1	IG0R/L0L
	955 552 634 01 7BA	Steel grey			
	955 552 634 01 5Y2	Palmgreen			
	955 552 634 01 5Z1	Sand Beige			
	955 552 261 01	Shift gate			
(7)	955 552 261 01 62W	Satin aluminium	/RL	1	IG0R/L0R
	955 552 262 01	Shift gate			
8	955 552 262 01 62W	Satin aluminium		1	ID9J/5MA
	955 552 279 03	Trim cover Lacquered			
(8)	955 552 279 03 A03	Black		1	ID9K/D9L/5MA I5TE
	955 552 279 03 7BA	Steel grey			
	955 552 279 03 5Y2	Palmgreen			
	955 552 279 03 5Z1	Sand Beige			
	955 552 280 03	Trim cover Lacquered			
(8)	955 552 280 03 A03	Black		1	I5TF
	955 552 280 03 7BA	Steel grey			
	955 552 280 03 5Y2	Palmgreen			
	955 552 280 03 5Z1	Sand Beige			
	955 552 292 02	Trim cover Centre console			
(8)	955 552 292 02 4V8	High-gloss olive ash burl		1	I5MG
	955 552 297 02	Trim cover Centre console			
(8)	955 552 297 02 4X2	Rootwood	04-	1	I5TK
	955 552 301 02	Trim cover Centre console			
9	955 552 301 02 9Z4	Super-matt olive ash burl		1	I5MA/5TE
	955 552 283 02	Support Beverages Lacquered			
(9)	955 552 283 02 A03	Black		1	I5TF
	955 552 283 02 7BA	Steel grey			
	955 552 283 02 5Y2	Palmgreen			
	955 552 283 02 5Z1	Sand Beige			
	955 552 284 02	Support Beverages			

Model: 9PA 03 Model life 2003>>2006

Pos	Part Number	Description	Remark	Qty	Model
(9)	955 552 284 02 4V8 955 552 285 02	High-gloss olive ash burl Support Beverages		1	I5MG
(9)	955 552 285 02 4X2 955 552 290 02	Rootwood Support Beverages	04-	1	I5TK
10	955 552 290 02 9Z4 N 106 514 01	Super-matt olive ash burl Combination screw M 4 X 10 Mount Beverages		2	
11	955 552 083 00	Support Cover Closing element Lacquered		1	
12	955 552 083 00 A03 000 043 205 85	Black Hexagon socket head bolt M 4 X 10 Mount Cover Closing element		2	
13	955 552 328 00	Mat		1	
14	955 552 203 02 955 552 203 02 A03 955 552 203 02 7BA 955 552 203 02 5Y2 955 552 203 02 5Z1	Centre nozzle Lacquered Black Steel grey Palmgreen Sand Beige		1 1	
15	955 552 338 00 955 552 338 00 A03 955 552 338 00 7BA 955 552 338 00 5Y2 955 552 338 00 5Z1	Trim cover Centre console Rear Lacquered Black Steel grey Palmgreen Sand Beige		1	ID9J/4A0/4A3 I5MA/9AB/9AD
16	955 552 438 01 955 552 438 01 A03 955 552 340 01 955 552 340 01 62W 955 552 340 01 955 552 340 01 62W 955 552 340 01 955 552 340 01 62W 955 552 340 01	Tray Centre console Rear Lacquered Black Tray Centre console Satin aluminium Tray Centre console Satin aluminium Tray Centre console Satin aluminium Tray Centre console Satin aluminium Tray		1 1 1 1 1 1 1 1	ID9K/4A0 I4A3/5MA I9AB/9AD I4A0/4A3 I5MG/9AB/9AD I4A0/4A3 I5TE/9AB/9AD I4A0/4A3 I5TF/9AB/9AD I4A0/4A3 I5TK/9AB/9AD
17	955 552 340 01 62W 955 552 148 00 955 552 148 00 A03	Centre console Satin aluminium Cover Seat heater Lacquered Black		1	I4A4/5MA I9AB/9AD

Model: 9PA 03 Model life 2003>>2006

Pos	Part Number	Description	Remark	Qty	Model
(17)	955 552 149 00	Cover		1	I4A4/5MG I9AB/9AD
	955 552 149 00 62W	Satin aluminium			
(17)	955 552 149 00	Cover		1	I4A4/5TE I9AB/9AD
	955 552 149 00 62W	Satin aluminium			
(17)	955 552 149 00	Cover		1	I4A4/5TF I9AB/9AD
	955 552 149 00 62W	Satin aluminium			
(17)	955 552 149 00	Cover		1	I4A4/5TK I9AB/9AD
	955 552 149 00 62W	Seat heater Satin aluminium			
18	955 552 153 00	Cover		1	I5MA/9AH
	955 552 153 00 A03	Centre console Lacquered Black			
(18)	955 552 154 00	Cover		1	I5MG/9AH
	955 552 154 00 62W	Control part Air conditioner Satin aluminium			
(18)	955 552 154 00	Cover		1	I5TE/9AH
	955 552 154 00 62W	Control part Air conditioner Satin aluminium			
(18)	955 552 154 00	Cover		1	I5TF/9AH
	955 552 154 00 62W	Control part Air conditioner Satin aluminium			
(18)	955 552 154 00	Cover	04-	1	I5TK/9AH
	955 552 154 00 62W	Control part Air conditioner Satin aluminium			
19	N 104 561 01	Pan-head screw M 4 X 10		2	
(20)	955 552 286 03	Support		1	I5MA/5TE
	955 552 286 03 A03	Beverages Rear Lacquered Black			
	955 552 286 03 7BA	Steel grey			
	955 552 286 03 5Y2	Palmgreen			
	955 552 286 03 5Z1	Sand Beige			
(20)	955 552 287 03	Support		1	I5MG
	955 552 287 03 4X2	Beverages Rear Rootwood			
(20)	955 552 288 03	Support		1	I5TF
	955 552 288 03 4V8	Beverages Rear High-gloss olive ash burl			
(20)	955 552 298 02	Support	04-	1	I5TK
	955 552 298 02 9Z4	Beverages Super-matt olive ash burl			
21	955 552 160 01	Cover		1	I5MA/5TE I7B8/9JB
	955 552 160 01 A03	Connector housing 2 Hole Lacquered Black			
	955 552 160 01 7BA	Steel grey			
	955 552 160 01 5Y2	Palmgreen			

Model: 9PA 03 Model life 2003>>2006

Pos	Part Number	Description	Remark	Qty	Model
21	955 552 160 01 5Z1 955 552 160 01	Sand Beige Cover  Connector housing 2 Hole Lacquered		1	I5MA/5TE I7B6/9JA
(21)	955 552 160 01 A03 955 552 160 01 7BA 955 552 160 01 5Y2 955 552 160 01 5Z1 955 552 161 01	Black Steel grey Palmgreen Sand Beige Cover  Connector housing 1 Hole Lacquered		1	I5MA/5TE I7B6/9JB
(21)	955 552 161 01 A03 955 552 161 01 7BA 955 552 161 01 5Y2 955 552 161 01 5Z1 955 552 161 01	Black Steel grey Palmgreen Sand Beige Cover  Connector housing 1 Hole Lacquered		1	I5MA/5TE I7B7/9JA
(21)	955 552 161 01 A03 955 552 161 01 7BA 955 552 161 01 5Y2 955 552 161 01 5Z1 955 552 162 00	Black Steel grey Palmgreen Sand Beige Cover Connector housing 2 Hole		1	I5TF/7B8/9JB
(21)	955 552 162 00 4V8 955 552 162 00	High-gloss olive ash burl Cover Connector housing 2 Hole		1	I5TF/7B6/9JA
(21)	955 552 162 00 4V8 955 552 163 00	High-gloss olive ash burl Cover Connector housing 1 Hole		1	I5TF/7B6/9JB
(21)	955 552 163 00 4V8 955 552 163 00	High-gloss olive ash burl Cover Connector housing 1 Hole		1	I5TF/7B7/9JA
(21)	955 552 163 00 4V8 955 552 164 00	High-gloss olive ash burl Cover Connector housing 2 Hole		1	I5MG/7B8/9JB
(21)	955 552 164 00 4X2 955 552 164 00	Rootwood Cover Connector housing 2 Hole		1	I5MG/7B6/9JA
(21)	955 552 164 00 4X2 955 552 165 00	Rootwood Cover Connector housing		1	I5MG/7B6/9JB

Model: 9PA 03 Model life 2003>>2006

Pos	Part Number	Description	Remark	Qty	Model
(21)	955 552 165 00 4X2 955 552 165 00	1 Hole Rootwood Cover Connector housing		1	I5MG/7B7/9JA
(21)	955 552 165 00 4X2 955 552 169 00	1 Hole Rootwood Cover Connector housing	04-	1	I5TK/7B8/9JB
(21)	955 552 169 00 9Z4 955 552 169 00	2 Hole Super-matt olive ash burl Cover Connector housing	04-	1	I5TK/7B6/9JA
(21)	955 552 169 00 9Z4 955 552 170 00	2 Hole Super-matt olive ash burl Cover Connector housing	04-	1	I5TK/7B6/9JB
(21)	955 552 170 00 9Z4 955 552 170 00	1 Hole Super-matt olive ash burl Cover Connector housing	04-	1	I5TK/7B7/9JA
22	955 552 170 00 9Z4 N 904 552 04	1 Hole Super-matt olive ash burl Pan-head screw M 4 X 10 Mount Cover Connector housing	-05	2	
22	N 904 552 05	Pan-head screw M 4 X 10 Mount Cover Connector housing	06-	2	
23	955 552 166 00	Cover Lacquered		1	I5MA/5TE I9AB/9AD
(23)	955 552 166 00 A03 955 552 166 00 7BA 955 552 166 00 5Y2 955 552 166 00 5Z1 955 552 167 00	Black Steel grey Palmgreen Sand Beige Cover		1	I5MG/9AB/9AD
(23)	955 552 167 00 4X2 955 552 168 00	Rootwood Cover		1	I5TF/9AB/9AD
(23)	955 552 168 00 4V8 955 552 171 00	High-gloss olive ash burl Cover	04-	1	I5TK/9AB/9AD
24	955 552 171 00 9Z4 955 552 849 00	Super-matt olive ash burl Support Front		1	
25	955 552 253 00	Support Centre		1	
26	955 552 345 00	Support Rear		1	
27	N 103 472 04	Combination screw M 6 X 25		X	
28	955 552 715 01	Support Mobile phone Complete	/LL 04-	1	IL0L/9ZF/9ZT
(28)	955 552 716 01	Support	/RL 04-	1	IL0R/9ZF/9ZT



Model: 9PA 03 Model life 2003>>2006

Pos	Part Number	Description	Remark	Qty	Model
29	955 552 307 01	Mobile phone Complete Armrest		1	I6E3/9W0 I9W1/9ZF/9ZT
		Centre console Leatherette			
	955 552 307 01 5Q2	Black			
	955 552 307 01 5R3	Steel grey			
	955 552 307 01 5S4	Sand Beige			
	955 552 307 01 5Y5	Palmgreen			
(29)	955 552 308 01	Armrest		1	I6E3/9ZP
		Centre console Leatherette			
	955 552 308 01 5Q2	Black			
	955 552 308 01 5R3	Steel grey			
	955 552 308 01 5S4	Sand Beige			
	955 552 308 01 5Y5	Palmgreen			
29	955 552 309 01	Armrest		1	I6E6/9W0/9W1 I9ZF/9ZT
		Centre console Plain leather			
	955 552 309 01 4P1	Palmgreen			
	955 552 309 01 6B7	Steel grey			
	955 552 309 01 8G1	Sand Beige			
	955 552 309 01 8YR	Black			
(29)	955 552 310 01	Armrest		1	I6E6/9ZP
		Centre console Plain leather			
	955 552 310 01 4P1	Palmgreen			
	955 552 310 01 6B7	Steel grey			
	955 552 310 01 8G1	Sand Beige			
	955 552 310 01 8YR	Black			
29	955 552 311 01	Armrest		1	I6E7/9W0/9W1 I9ZF/9ZT
		Centre console Leather Embossed			
	955 552 311 01 A08	Black			
	955 552 311 01 T25	Sand Beige			
	955 552 311 01 4Q2	Palmgreen			
	955 552 311 01 6E1	Steel grey			
(29)	955 552 312 00	Armrest		1	I6E7/9ZP
		Centre console Leather Embossed			
	955 552 312 00 A08	Black			
	955 552 312 00 T25	Sand Beige			
	955 552 312 00 4Q2	Palmgreen			
	955 552 312 00 6E1	Steel grey			
(29)	955 552 312 01	Armrest	06-	1	I6E7/9ZP
		Centre console Leather Embossed			
	955 552 312 01 A08	Black			
	955 552 312 01 T25	Sand Beige			
	955 552 312 01 4Q2	Palmgreen			
	955 552 312 01 6E1	Steel grey			
30	955 552 107 00	Fixing clip		X	
		Centre console			
31	955 552 321 01	Centre console		1	I3D1/3D3/9AB I9AD
	955 552 321 01 5Q2	Black			
	955 552 321 01 5R3	Steel grey			

Model: 9PA 03 Model life 2003>>2006

Pos	Part Number	Description	Remark	Qty	Model
(31)	955 552 321 01 5S4	Sand Beige		1	I3D1/3D3/9AH
	955 552 321 01 5Y5	Palmgreen			
	955 552 322 01	Centre console			
	955 552 322 01 5Q2	Black			
	955 552 322 01 5R3	Steel grey			
(31)	955 552 322 01 5S4	Sand Beige		1	I3D8/9AB/9AD
	955 552 322 01 5Y5	Palmgreen			
	955 552 323 01	Centre console			
		Leather			
	955 552 323 01 4P1	Palmgreen			
(31)	955 552 323 01 6B7	Steel grey		1	I3D8/9AH
	955 552 323 01 8G1	Sand Beige			
	955 552 323 01 8YR	Black			
	955 552 324 01	Centre console			
		Leather			
32	955 552 324 01 4P1	Palmgreen		1	I3D1/3D3/9AB I9AD
	955 552 324 01 6B7	Steel grey			
	955 552 324 01 8G1	Sand Beige			
	955 552 324 01 8YR	Black			
	955 552 497 00	Cap			
(32)		Centre console		1	I3D1/3D3/9AH
	955 552 497 00 5Q2	Black			
	955 552 497 00 5R3	Steel grey			
	955 552 497 00 5S4	Sand Beige			
	955 552 497 00 5Y5	Palmgreen			
(32)	955 552 498 00	Cap		1	I3D8/9AB/9AD
		Centre console			
	955 552 498 00 5Q2	Black			
	955 552 498 00 5R3	Steel grey			
	955 552 498 00 5S4	Sand Beige			
(32)	955 552 498 00 5Y5	Palmgreen		1	I3D8/9AH
	955 552 499 00	Cap			
		Centre console			
		Leather			
	955 552 499 00 4P1	Palmgreen			
33	955 552 499 00 6B7	Steel grey		1	I3D8/9AH
	955 552 499 00 8G1	Sand Beige			
	955 552 499 00 8YR	Black			
	955 552 500 00	Cap			
		Centre console			
34		Leather		1	I9AB/9AD
	955 552 500 00 4P1	Palmgreen			
	955 552 500 00 6B7	Steel grey			
	955 552 500 00 8G1	Sand Beige			
	955 552 500 00 8YR	Black			
(34)	955 552 698 00	Release		1	I9AH
		Armrest			
	955 552 698 00 A03	Black			
	955 552 698 00 7BA	Steel grey			
	955 552 698 00 5Y2	Palmgreen			
35	955 552 698 00 5Z1	Sand Beige		1	I9AH
	955 552 089 00	Bracket			
36		Cap		1	I9AH
	955 552 090 00	Bracket			
37		Cap		X	
	N 906 988 01	Speed nut			
38		ST 4,2 X 16 X 12		X	
	N 906 986 01	Tapping screw			
39		ST 4,2 X 16		2	
	955 552 861 00	Damper			
40		Centre console		1	
	955 552 591 00	Cover			

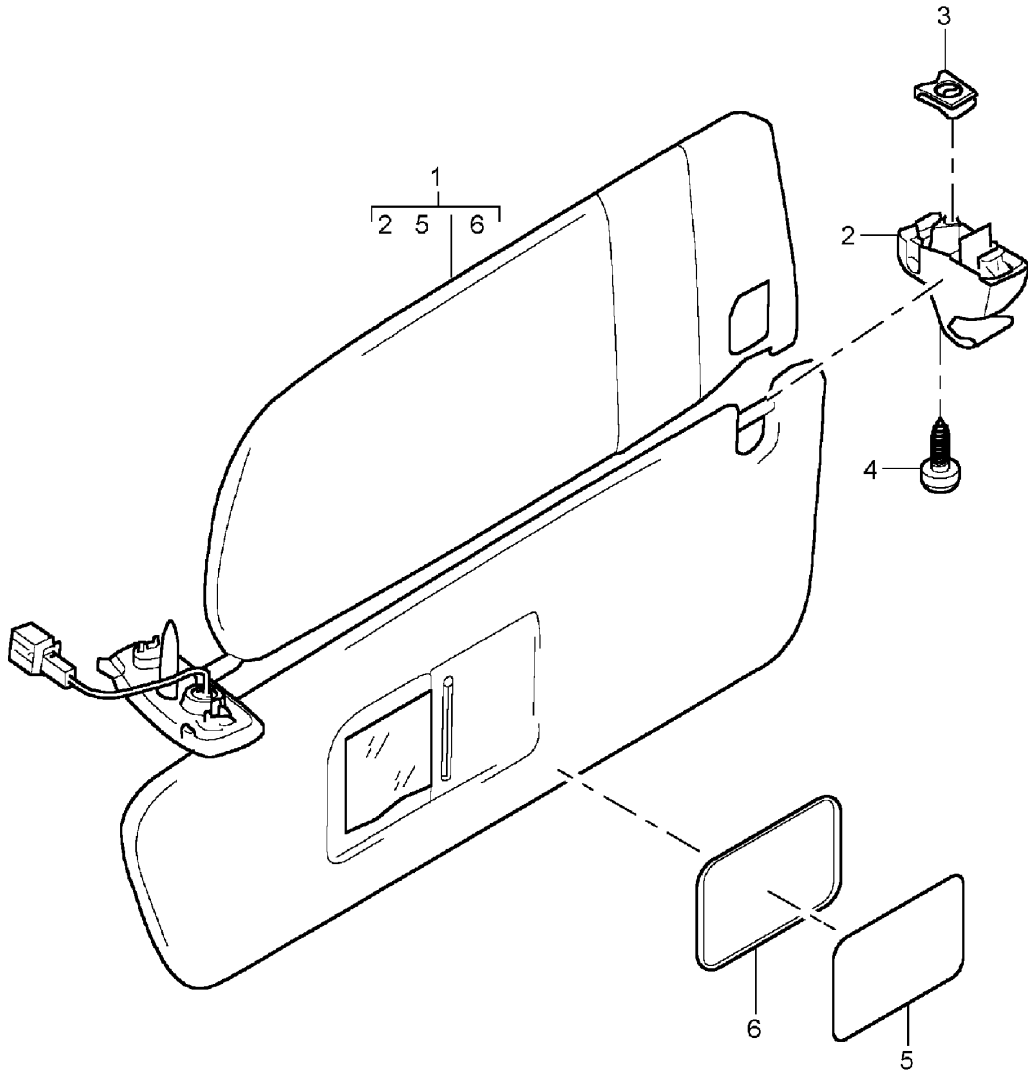
Model: 9PA 03

Model life 2003>>2006

Pos	Part Number	Description	Remark	Qty	Model
39	N 911 382 01	for Illumination Centre console Hinge bolt		2	
40	N 012 325 7	Centre console Lock washer		2	
41	955 552 265 00	Shade Cover		1	IGOR
42	955 553 901 00	Shift gate Damper Insert Cover Connector housing		1	

Model: 9PA 03

Model life 2003>>2006



Model: 9PA 03

Model life 2003>>2006

Pos	Part Number	Description	Remark	Qty	Model
1	955 731 135 02	Sun visors Sun visor Cloth	/L -05	1	I3FA/3FE/6NJ
	955 731 135 02 6K1	Sand Beige			
	955 731 135 02 6L2	Steel grey			
	955 731 135 02 6M3	Palmgreen			
(1)	955 731 136 01	Sun visor Cloth	/R -04	1	I3FA/3FE/6NJ
	955 731 136 01 6K1	Sand Beige			
	955 731 136 01 6L2	Steel grey			
	955 731 136 01 6M3	Palmgreen			
(1)	955 731 136 02	Sun visor Cloth	/R 05	1	I3FA/3FE/6NJ
	955 731 136 02 6K1	Sand Beige			
	955 731 136 02 6L2	Steel grey			
	955 731 136 02 6M3	Palmgreen			
1	955 731 135 03	Sun visor Leatherette	/L 05-	1	I3FA/3FE/6NJ
	955 731 135 03 7E3	Sand Beige			
	955 731 135 03 7V4	Steel grey			
	955 731 135 03 7W5	Palmgreen			
1	955 731 136 03	Sun visor Leatherette	/R 05-	1	I3FA/3FE/6NJ
	955 731 136 03 7E3	Sand Beige			
	955 731 136 03 7V4	Steel grey			
	955 731 136 03 7W5	Palmgreen			
1	955 731 141 01	Sun visor Cloth	/L 05	1	I3FU/6NJ
	955 731 141 01 6K1	Sand Beige			
	955 731 141 01 6L2	Steel grey			
	955 731 141 01 6M3	Palmgreen			
(1)	955 731 142 01	Sun visor Cloth	/R 05	1	I3FU/6NJ
	955 731 142 01 6K1	Sand Beige			
	955 731 142 01 6L2	Steel grey			
	955 731 142 01 6M3	Palmgreen			
(1)	955 731 141 02	Sun visor Leatherette	/L 05-	1	I3FU/6NJ
	955 731 141 02 7E3	Sand Beige			
	955 731 141 02 7V4	Steel grey			
	955 731 141 02 7W5	Palmgreen			
(1)	955 731 142 02	Sun visor Leatherette	/R 05-	1	I3FU/6NJ
	955 731 142 02 7E3	Sand Beige			
	955 731 142 02 7V4	Steel grey			
	955 731 142 02 7W5	Palmgreen			
(1)	955 731 147 03	Sun visor Alcantara	/L	1	I3FA/3FE/6NN
	955 731 147 03 5E5	Steel grey			
	955 731 147 03 5E6	Black			
	955 731 147 03 5G6	Sand Beige			
	955 731 147 03 5L6	Palmgreen			
(1)	955 731 148 03	Sun visor Alcantara	/R	1	I3FA/3FE/6NN
	955 731 148 03 5E5	Steel grey			
	955 731 148 03 5E6	Black			
	955 731 148 03 5G6	Sand Beige			
	955 731 148 03 5L6	Palmgreen			
1	955 731 153 01	Sun visor Alcantara	/L	1	I3FU/6NN
	955 731 153 01 5E5	Steel grey			
	955 731 153 01 5E6	Black			
	955 731 153 01 5G6	Sand Beige			

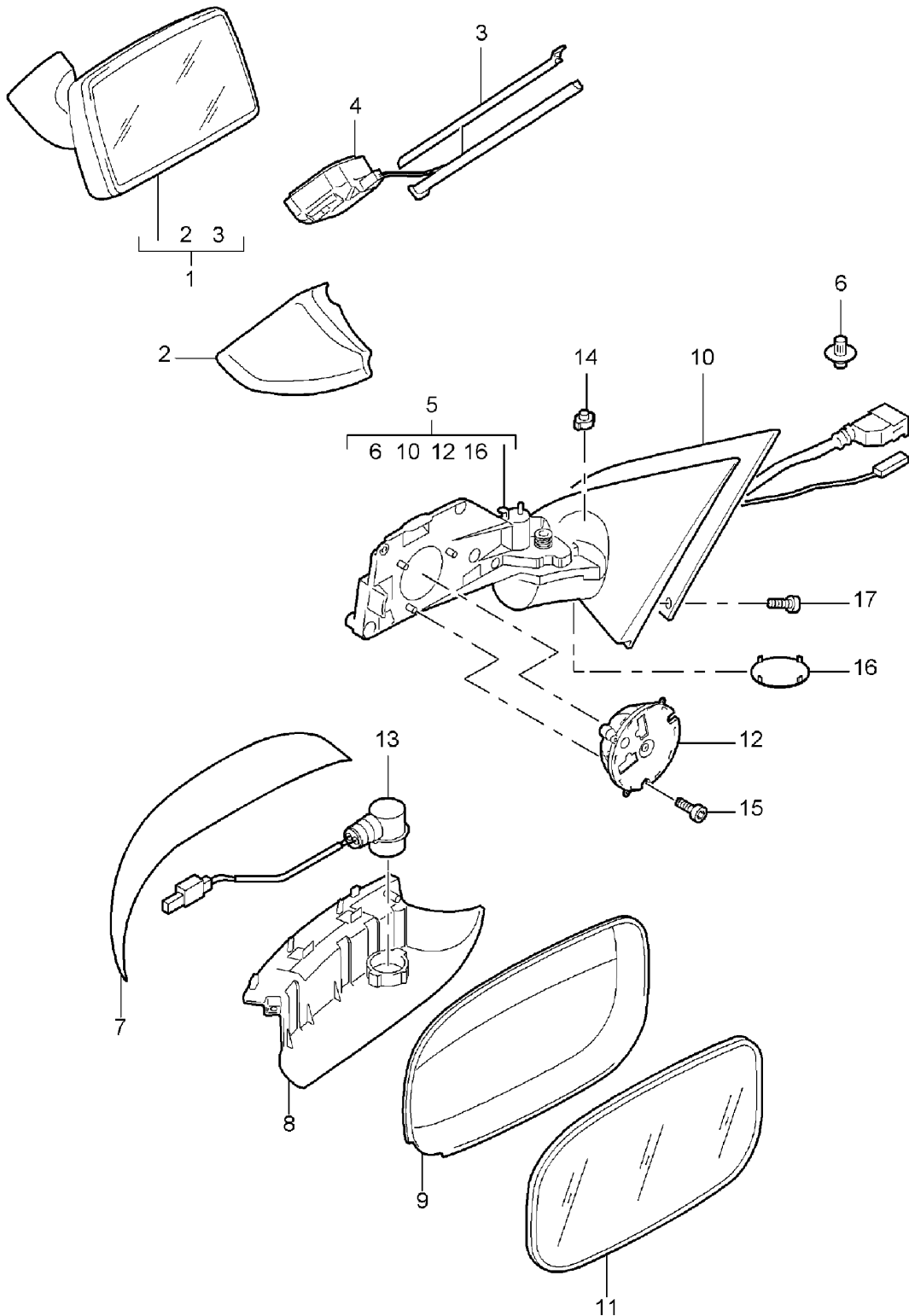
Model: 9PA 03

Model life 2003>>2006

Pos	Part Number	Description	Remark	Qty	Model
(1)	955 731 153 01 5L6 955 731 154 01	Palmgreen Sun visor Alcantara	/R	1	I3FU/6NN
	955 731 154 01 5E5 955 731 154 01 5E6 955 731 154 01 5G6 955 731 154 01 5L6	Steel grey Black Sand Beige Palmgreen			
2	955 731 827 00	Mounting Sun visor	/L	1	I3FA/3FE
	955 731 827 00 01C 955 731 827 00 6C6 955 731 827 00 6H8 955 731 827 00 7A8	Satin black Sand Beige Palmgreen Steel grey			
(2)	955 731 828 00	Mounting Sun visor	/R	1	I3FA/3FE
	955 731 828 00 01C 955 731 828 00 6C6 955 731 828 00 6H8 955 731 828 00 7A8	Satin black Sand Beige Palmgreen Steel grey			
(2)	955 731 829 00	Mounting Sun visor	/L 05-	1	I3FU
	955 731 829 00 01C 955 731 829 00 6C6 955 731 829 00 6H8 955 731 829 00 7A8	Satin black Sand Beige Palmgreen Steel grey			
(2)	955 731 830 00	Mounting Sun visor	/R 05-	1	I3FU
	955 731 830 00 01C 955 731 830 00 6C6 955 731 830 00 6H8 955 731 830 00 7A8	Satin black Sand Beige Palmgreen Steel grey			
3	N 907 798 01	Speed nut for Mounting Sun visor		X	
4	N 105 665 01	Tapping screw ST 4,8 X 25 for Mount Mounting Sun visor		6	
5	955 731 567 01	Vanity mirror		1	
6	955 731 643 01	Frame Vanity mirror		1	

Model: 9PA 03

Model life 2003>>2006



Model: 9PA 03 Model life 2003>>2006

Pos	Part Number	Description	Remark	Qty	Model
1	955 731 512 00	Rear-view mirror Door mirror Accessories Interior mirror Manually Dimmable	/LL -05	1	IL0L/4L2
	955 731 512 00 01C	Satin black			
(1)	955 731 513 00	Interior mirror Manually Dimmable	/RL -05	1	IL0R/4L2
	955 731 513 00 01C	Satin black			
1	955 731 512 01	Interior mirror Manually Dimmable	06-	1	I4L2
	955 731 512 01 01C	Satin black			
1	955 731 514 01	Interior mirror Automatic Dimmable		1	I4L6
	955 731 514 01 01C	Satin black			
2	955 731 517 00	Cap	/L	1	
	955 731 517 00 01C	Satin black			
(2)	955 731 518 00	Cap	/R	1	
	955 731 518 00 01C	Satin black			
3	955 731 519 00	Cover Rear-view mirror Upper part		1	
	955 731 519 00 01C	Satin black			
3	955 731 520 00	Cover Rear-view mirror Lower part		1	
	955 731 520 00 01C	Satin black			
4	--- --- --- --	Rain sensor Rear-view mirror See group 9/04/00		1	
5	955 731 221 00	Mirror base Door mirror	/LL /L -05	1	IL0L/6XP/9TH
	955 731 221 00 01C	Satin black			
5	955 731 221 01	Mirror base Door mirror	/LL /L 06-	1	IL0L/6XP/9TH
	955 731 221 01 01C	Satin black			
(5)	955 731 222 00	Mirror base Door mirror	/LL /R -05	1	IL0L/6XP/9TH
	955 731 222 00 01C	Satin black			
(5)	955 731 222 01	Mirror base Door mirror	/LL /R 06-	1	IL0L/6XP/9TH
	955 731 222 01 01C	Satin black			
5	955 731 223 00	Mirror base Door mirror	/LL /L -05	1	IL0L/6XP/9TF
	955 731 223 00 01C	Satin black			
5	955 731 223 01	Mirror base Door mirror	/LL /L 06-	1	IL0L/6XP/9TF
	955 731 223 01 01C	Satin black			
(5)	955 731 224 00	Mirror base Door mirror	/LL /R -05	1	IL0L/6XP/9TF
	955 731 224 00 01C	Satin black			
(5)	955 731 224 01	Mirror base Door mirror	/LL /R 06-	1	IL0L/6XP/9TF
	955 731 224 01 01C	Satin black			
5	955 731 225 00	Mirror base Door mirror	/LL /L -05	1	IL0L/6XQ



Model: 9PA 03 Model life 2003>>2006

Pos	Part Number	Description	Remark	Qty	Model
5	955 731 225 00 01C 955 731 225 01	Satin black Mirror base Door mirror	/LL /L 06-	1	IL0L/6XQ
(5)	955 731 225 01 01C 955 731 226 00	Satin black Mirror base Door mirror	/LL /R -05	1	IL0L/6XQ
(5)	955 731 226 00 01C 955 731 226 01	Satin black Mirror base Door mirror	/LL /R 06-	1	IL0L/6XQ
5	955 731 226 01 01C 955 731 227 00	Satin black Mirror base Door mirror	/LL /L -05	1	IL0L/6XW
5	955 731 227 00 01C 955 731 227 01	Satin black Mirror base Door mirror	/LL /L 06-	1	IL0L/6XW
(5)	955 731 227 01 01C 955 731 228 00	Satin black Mirror base Door mirror	/LL /R -05	1	IL0L/6XW
(5)	955 731 228 00 01C 955 731 228 01	Satin black Mirror base Door mirror	/LL /R 06-	1	IL0L/6XW
5	955 731 228 01 01C 955 731 229 00	Satin black Mirror base Door mirror	/LL /L -05	1	IL0L/6XT
5	955 731 229 00 01C 955 731 229 01	Satin black Mirror base Door mirror	/LL /L 06-	1	IL0L/6XT
(5)	955 731 229 01 01C 955 731 230 00	Satin black Mirror base Door mirror	/LL /R -05	1	IL0L/6XT
(5)	955 731 230 00 01C 955 731 230 01	Satin black Mirror base Door mirror	/LL /R 06-	1	IL0L/6XT
(5)	955 731 230 01 01C 955 731 231 00	Satin black Mirror base Door mirror	/RL /L -05	1	IL0R/6XP/9TH
(5)	955 731 231 00 01C 955 731 231 01	Satin black Mirror base Door mirror	/RL /L 06-	1	IL0R/6XP/9TH
(5)	955 731 231 01 01C 955 731 232 00	Satin black Mirror base Door mirror	/RL /R -05	1	IL0R/6XP/9TH
(5)	955 731 232 00 01C 955 731 232 01	Satin black Mirror base Door mirror	/RL /R 06-	1	IL0R/6XP/9TH
(5)	955 731 232 01 01C 955 731 233 00	Satin black Mirror base Door mirror	/RL /L -05	1	IL0R/6XP/9TF
(5)	955 731 233 00 01C 955 731 233 01	Satin black Mirror base Door mirror	/RL /L 06-	1	IL0R/6XP/9TF
(5)	955 731 233 01 01C 955 731 234 00	Satin black Mirror base Door mirror	/RL /R -05	1	IL0R/6XP/9TF
(5)	955 731 234 00 01C 955 731 234 01	Satin black Mirror base Door mirror	/RL /R 06-	1	IL0R/6XP/9TF
(5)	955 731 234 01 01C 955 731 235 00	Satin black Mirror base Door mirror	/RL /L -05	1	IL0R/6XQ
(5)	955 731 235 00 01C 955 731 235 01	Satin black Mirror base Door mirror	/RL /L 06-	1	IL0R/6XQ

Model: 9PA 03 Model life 2003>>2006

Pos	Part Number	Description	Remark	Qty	Model
(5)	955 731 235 01 01C 955 731 236 00	Satin black Mirror base Door mirror	/RL /R -05	1	IL0R/6XQ
(5)	955 731 236 00 01C 955 731 236 01	Satin black Mirror base Door mirror	/RL /R 06-	1	IL0R/6XQ
(5)	955 731 236 01 01C 955 731 237 00	Satin black Mirror base Door mirror	/RL /L -05	1	IL0R/6XW
(5)	955 731 237 00 01C 955 731 237 01	Satin black Mirror base Door mirror	/RL /L 06-	1	IL0R/6XW
(5)	955 731 237 01 01C 955 731 238 00	Satin black Mirror base Door mirror	/RL /R -05	1	IL0R/6XW
(5)	955 731 238 00 01C 955 731 238 01	Satin black Mirror base Door mirror	/RL /R 06-	1	IL0R/6XW
(5)	955 731 238 01 01C 955 731 239 00	Satin black Mirror base Door mirror	/RL /L -05	1	IL0R/6XT
(5)	955 731 239 00 01C 955 731 239 01	Satin black Mirror base Door mirror	/RL /L 06-	1	IL0R/6XT
(5)	955 731 239 01 01C 955 731 240 00	Satin black Mirror base Door mirror	/RL /R -05	1	IL0R/6XT
(5)	955 731 240 00 01C 955 731 240 01	Satin black Mirror base Door mirror	/RL /R 06-	1	IL0R/6XT
6	955 731 240 01 01C 955 731 843 00	Satin black Cable holder Wiring harness		2	
7	955 731 619 01	Mirror base Mirror housing Door mirror Top half	/L	1	
(7)	955 731 619 01 GRU 955 731 620 01	Prime coated Mirror housing Door mirror Top half	/R	1	
8	955 731 620 01 GRU 955 731 621 01	Prime coated Mirror housing Door mirror Bottom half	/L	1	I9TH
(8)	955 731 621 01 GRU 955 731 622 01	Prime coated Mirror housing Door mirror Bottom half	/R	1	I9TH
(8)	955 731 622 01 GRU 955 731 623 01	Prime coated Mirror housing Door mirror Bottom half	/L	1	I9TF
(8)	955 731 623 01 GRU 955 731 624 01	Prime coated Mirror housing Door mirror Bottom half	/R	1	I9TF
9	955 731 624 01 GRU 955 731 523 00	Prime coated Cover Door mirror Mirror housing	/L	1	
(9)	955 731 523 00 GRU 955 731 524 00	Prime coated Cover	/R	1	

Model: 9PA 03 Model life 2003>>2006

Pos	Part Number	Description	Remark	Qty	Model
10	955 731 524 00 GRU	Door mirror Mirror housing Prime coated			
	955 731 833 01	Insulation	/L	1	
(10)	955 731 834 01	Door mirror Mirror base Insulation	/R	1	
11	955 731 037 00	Door mirror Mirror base Mirror glass Plane	/L -05	1	I5SG/6XP/6XQ
11	955 731 037 01	Mirror glass Plane	/L 06-	1	I5SG/6XP/6XQ
11	955 731 043 00	Mirror glass Plane	/L -05	1	I5SG/6XT/6XW
11	955 731 043 01	Mirror glass Plane	/L 06-	1	I5SG/6XT/6XW
(11)	955 731 039 00	Mirror glass	/L -05	1	I5SL/6XP/6XQ
(11)	955 731 039 01	Mirror glass	/L 06-	1	I5SL/6XP/6XQ
(11)	955 731 045 00	Mirror glass	/L -05	1	I5SL/6XT/6XW
(11)	955 731 045 01	Mirror glass Aspherical	/L 06-	1	I5SL/6XT/6XW
(11)	955 731 041 00	Mirror glass	/L -05	1	I5SJ/6XP/6XQ
(11)	955 731 041 01	Mirror glass	/L 06-	1	I5SJ/6XP/6XQ
(11)	955 731 047 00	Mirror glass	/L -05	1	I5SJ/6XT/6XW
(11)	955 731 047 01	Mirror glass Convex	/L 06-	1	I5SJ/6XT/6XW
(11)	955 731 050 00	Mirror glass Plane	/R -05	1	I5RK/6XP/6XQ
(11)	955 731 050 01	Mirror glass Plane	/R 06-	1	I5RK/6XP/6XQ
(11)	955 731 054 00	Mirror glass Plane	/R -05	1	I5RK/6XT/6XW
(11)	955 731 054 01	Mirror glass Plane	/R 06-	1	I5RK/6XT/6XW
(11)	955 731 052 00	Mirror glass	/R -05	1	I5RV/6XP/6XQ
(11)	955 731 052 01	Mirror glass	/R 06-	1	I5RV/6XP/6XQ
(11)	955 731 056 00	Mirror glass	/R -05	1	I5RV/6XT/6XW
(11)	955 731 056 01	Mirror glass Aspherical	/R 06-	1	I5RV/6XT/6XW
(11)	955 731 038 00	Mirror glass	/R -05	1	I5RQ/6XP/6XQ
(11)	955 731 038 01	Mirror glass	/R 06-	1	I5RQ/6XP/6XQ
(11)	955 731 046 00	Mirror glass	/R -05	1	I5RQ/6XT/6XW
(11)	955 731 046 01	Mirror glass Convex	/R 06-	1	I5RQ/6XT/6XW
(11)	955 731 042 00	Mirror glass	/R -05	1	(SA) I5RT I6XP/6XQ
(11)	955 731 042 01	Convex Mirror glass	/R 06-	1	(SA) I5RT I6XP/6XQ
(11)	955 731 044 00	Convex Mirror glass	/R -05	1	(SA) I5RT I6XT/6XW
(11)	955 731 044 01	Convex Mirror glass	/R 06-	1	(SA) I5RT I6XT/6XW
12	955 624 047 01	Convex Adjusting motor		2	I6XP/6XW
(12)	955 624 048 01	Adjusting motor		2	I6XQ/6XT

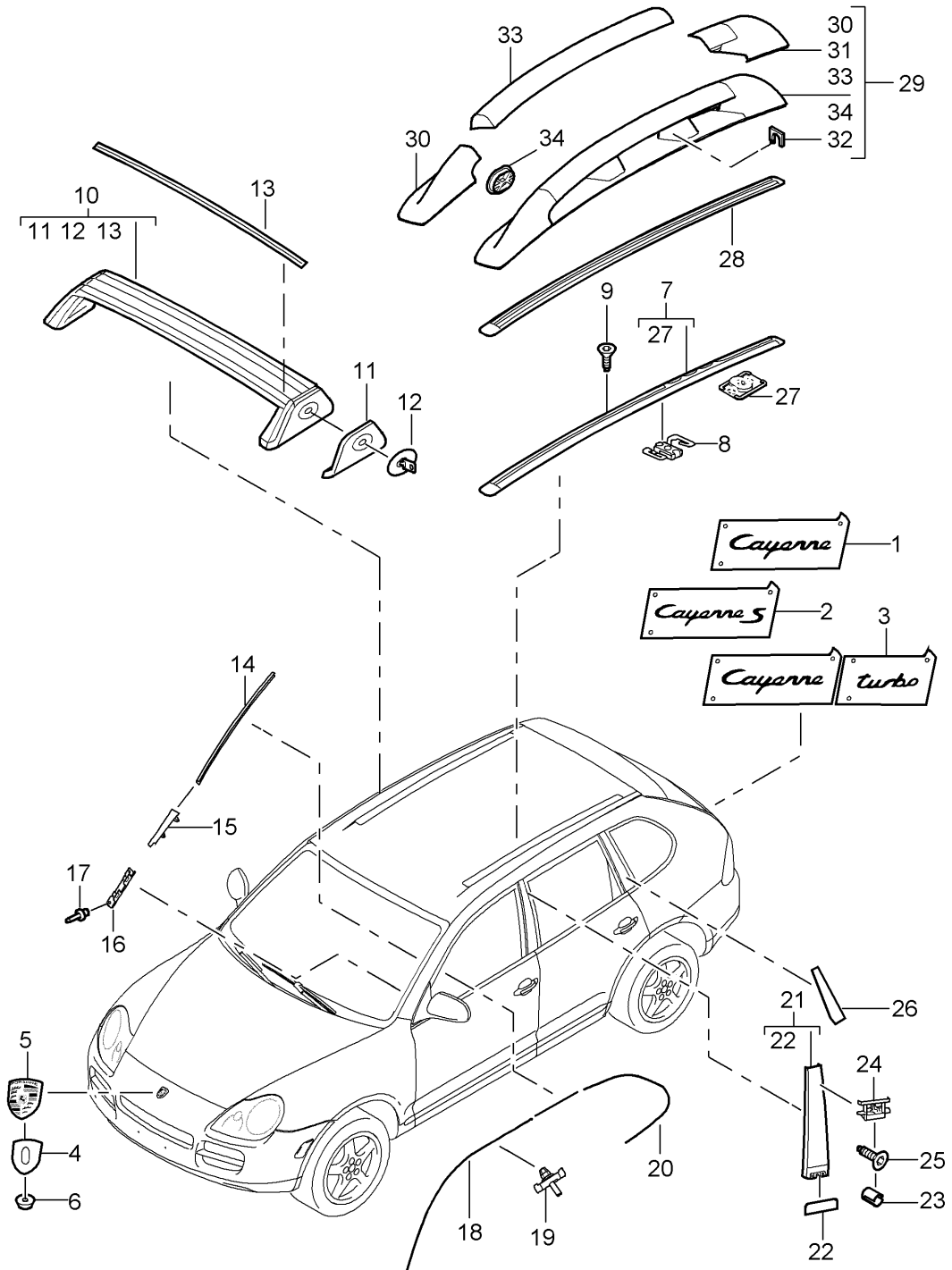
Model: 9PA 03

Model life 2003>>2006

Pos	Part Number	Description	Remark	Qty	Model
13	--- --- --- ---	Light Door mirror See group 9/03/04		1	
14	955 731 215 00	Clip Mirror base		2	
15	N 106 755 01	Oval-head screw M 3 X 16		7	
16	955 731 085 00	Cap Mirror base		1	
17	955 731 085 00 01C N 908 163 01	Satin black Oval-head screw M 6 X 18 for Mount Mirror base		3	

Model: 9PA 03

Model life 2003>>2006



Model: 9PA 03

Model life 2003>>2006

Pos	Part Number	Description	Remark	Qty	Model
1	955 559 237 00	Insignias Decorative fittings Upper Outer Logo Cayenne		1	ID9J/0NB
2	955 559 237 00 03C 955 559 037 01	Rally black Logo Cayenne S		1	
3	955 559 037 01 4W9 955 559 038 01	Satin aluminium Logo Cayenne turbo		1	ID9L/0NB
(3)	955 559 038 01 4W9 955 559 039 00	Satin aluminium Logo Cayenne Turbo S	06	1	ID9L/E8A/0NB
4	7L5 853 611 B	Desk pad Lid emblem		1	
5	996 559 211 01	Lid emblem Information available		1	
6	999 591 423 03	Tapping nut		2	
7	955 559 151 01	Guide rail	/L -04	1	I3FA/3FE/3S4
7		Guide rail	/L -04	1	ID9J/D9K I3FA/3FE/3S8
7		Guide rail	/L 05-	1	ID9L/QJ4 I3FA/3FE
7		Guide rail	/L 05-	1	ID9J/D9K I3FA/3FE
(7)	955 559 152 01	Guide rail	/R -04	1	I3FA/3FE/3S4
(7)		Guide rail	/R -04	1	ID9J/D9K I3FA/3FE/3S8
(7)		Guide rail	/R 05-	1	ID9L/QJ4 I3FA/3FE
(7)		Guide rail	/R 05-	1	ID9J/D9K I3FA/3FE
7	955 559 153 01	Guide rail	/L -04	1	I3FA/3FE/5W2
7		Guide rail	/L -04	1	ID9L/3FA I3FE/3S8
7		Guide rail	/L 05-	1	ID9L/QJ2 I3FA/3FE
(7)	955 559 154 01	Guide rail	/R -04	1	I3FA/3FE/5W2
(7)		Guide rail	/R -04	1	ID9L/3FA I3FE/3S8
(7)		Guide rail	/R 05-	1	ID9L/QJ2 I3FA/3FE
7	955 559 155 02	Guide rail	/L 05	1	ID9L/QJ4/3FU
7		Guide rail	/L 05	1	ID9J/D9K/3FU
7	955 559 155 03	Guide rail	/L 06-	1	ID9L/QJ4/3FU
7		Guide rail	/L 06-	1	ID9J/D9K/3FU
(7)	955 559 156 02	Guide rail	/R 05	1	ID9L/QJ4/3FU
(7)		Guide rail	/R 05	1	ID9J/D9K/3FU
(7)	955 559 156 03	Guide rail	/R 06-	1	ID9L/QJ4/3FU
(7)		Guide rail	/R 06-	1	ID9J/D9K/3FU
7	955 559 157 02	Guide rail	/L 05	1	ID9L/QJ2/3FU
7	955 559 157 03	Guide rail	/L 06-	1	ID9L/QJ2/3FU
(7)	955 559 158 02	Guide rail	/R 05	1	ID9L/QJ2/3FU
8	955 559 091 00	Nut Mount Guide rail		8	
9	955 559 137 00	Screw plug Mount Guide rail	-04	10	I3S4
9		Screw plug Mount	-04	10	ID9J/D9K/3S8

Model: 9PA 03 Model life 2003>>2006

Pos	Part Number	Description	Remark	Qty	Model
9		Guide rail Screw plug Mount	05-	10	ID9J/D9K/3FE
9		Guide rail Screw plug Mount	05-	10	ID9L/QJ4/3FE
(9)	955 559 138 00	Guide rail Screw plug Mount	-04	10	I5W2
(9)		Guide rail Screw plug Mount	-04	10	ID9L/3S8
(9)		Guide rail Screw plug Mount	05-	10	ID9L/QJ2/3FE
(9)	955 559 139 00	Guide rail Screw plug Mount	05-	12	ID9L/QJ4/3FU
(9)		Guide rail Screw plug Mount	05-	12	ID9J/D9K/3FU
(9)	955 559 140 00	Guide rail Screw plug Mount	05-	10	ID9L/QJ2/3FU
(9)		Guide rail Screw plug Mount	05-	10	ID9L/QJ2/3FA I3FE
10		Mount Guide rail Roof rack Front and rear See group 8/01/02 Tequipment catalogue		2	I3S8
11	955 801 225 00	Cap Outer Silver	/L -05	2	I3S8
11	955 801 225 01	Cap Outer Silver	/L 06-	2	I3S8
(11)	955 801 226 00	Cap Outer Silver	/R	2	I3S8
12	955 538 050 00	Set of locks Roof rack Front and rear		2	I3S8
13	955 801 385 00	Protective rubber Roof rack Front and rear		2	I3S8
14	955 559 327 00	Water drain strip	/L	1	
(14)	955 559 327 00 03C	Rally black			
(14)	955 559 328 00	Water drain strip	/R	1	
(14)	955 559 328 00 03C	Rally black			
15	955 559 587 00	Support Water drain strip	/L	1	
(15)	955 559 587 00 03C	Rally black			
(15)	955 559 588 00	Support Water drain strip	/R	1	
(15)	955 559 588 00 03C	Rally black			
16	955 559 707 00	Retaining clip for Water drain strip		8	
17	N 907 878 02	Rivet		16	

Model: 9PA 03 Model life 2003>>2006

Pos	Part Number	Description	Remark	Qty	Model
18	955 559 485 00	AK 3,2 X 6,5 Mount for Retaining clip Water drain strip Roof edge strip Front	/L	1	IQJ2
(18)	955 559 485 00 4W9	Satin aluminium			
	955 559 486 00	Roof edge strip Front	/R	1	IQJ2
18	955 559 486 00 4W9	Satin aluminium			
	955 559 485 00	Roof edge strip Front	/L 05-	1	IQJ4
(18)	955 559 485 00 XX2	Black mat			
	955 559 486 00	Roof edge strip Front	/R 05-	1	IQJ4
19	955 559 486 00 XX2	Black mat			
	955 559 585 00	Clip Mount Roof edge strip Front		28	
20	--- --- --- --	Moulding Side window glass Rear See group 8/05/00		1	
21	955 559 317 01	Cover B-pillar	/L	1	IQJ2
(21)	955 559 317 01 4W9	Satin aluminium			
	955 559 318 01	Cover B-pillar	/R	1	IQJ2
21	955 559 318 01 4W9	Satin aluminium			
	955 559 319 00	Cover B-pillar	/L 05-	1	IQJ4
(21)	955 559 319 00 XX2	Black mat			
	955 559 320 00	Cover B-pillar	/R 05-	1	IQJ4
22	955 559 320 00 XX2	Black mat			
	955 559 455 00	Cap Cover B-pillar	/L	1	
(22)	955 559 455 00 B41	Satin black			
	955 559 456 00	Cap Cover B-pillar	/R	1	
23	955 559 456 00 B41	Satin black			
	N 904 325 02	Expander nut DST 4,2 X 1,7 for Mount Cover B-pillar		8	
24	955 559 337 00	Support Cover B-pillar	/L	1	
(24)	955 559 337 00 B41	Satin black			
	955 559 338 00	Support Cover B-pillar	/R	1	
25	955 559 338 00 B41	Satin black			
	N 909 868 01	Tapping screw ST 4,2 X 13 for	-05	8	



Model: 9PA 03 Model life 2003>>2006

Pos	Part Number	Description	Remark	Qty	Model
25	N 909 868 02	Mount Cover B-pillar Tapping screw ST 4,2 X 13 for Mount Cover B-pillar	06-	8	
26	--- --- --- --	Cover C-pillar See group 8/05/00		1	
27	955 559 089 00	Desk pad Guide rail		6	
28	955 559 465 00	Protective strip Roof	04	4	I3S1
28		Protective strip Roof	05-	4	
	955 559 465 00 4W9	Satin aluminium			
	955 559 465 00 XX2	Black mat			
29	955 559 021 01	Roof rail Complete	/L -05	1	
	955 559 021 01 4W9	Satin aluminium			
	955 559 021 01 XX2	Black mat			
29	955 559 021 02	Roof rail Complete	/L 06-	1	
	955 559 021 02 4W9	Satin aluminium			
	955 559 021 02 XX2	Black mat			
(29)	955 559 022 01	Roof rail Complete	/R -05	1	
	955 559 022 01 4W9	Satin aluminium			
	955 559 022 01 XX2	Black mat			
(29)	955 559 022 02	Roof rail Complete	/R 06-	1	
	955 559 022 02 4W9	Satin aluminium			
	955 559 022 02 XX2	Black mat			
30	955 559 377 00	Bracket Left	04-	1	
31	955 559 378 00	Bracket Right	04-	1	
32	955 559 381 01	Threaded pin M 10 for Fixing device Bracket	04-	3	
33	955 559 025 01	Roof rail Centre part	/L -05	1	
	955 559 025 01 4W9	Satin aluminium			
	955 559 025 01 XX2	Black mat	05-		
33	955 559 025 02	Roof rail Centre part	/L 06-	1	
	955 559 025 02 4W9	Satin aluminium			
	955 559 025 02 XX2	Black mat	05-		
(33)	955 559 026 01	Roof rail Centre part	/R -05	1	
	955 559 026 01 4W9	Satin aluminium			
	955 559 026 01 XX2	Black mat	05-		
(33)	955 559 026 02	Roof rail Centre part	/R 06-	1	
	955 559 026 02 4W9	Satin aluminium			
	955 559 026 02 XX2	Black mat	05-		
34	955 559 339 00	Stopper		1	

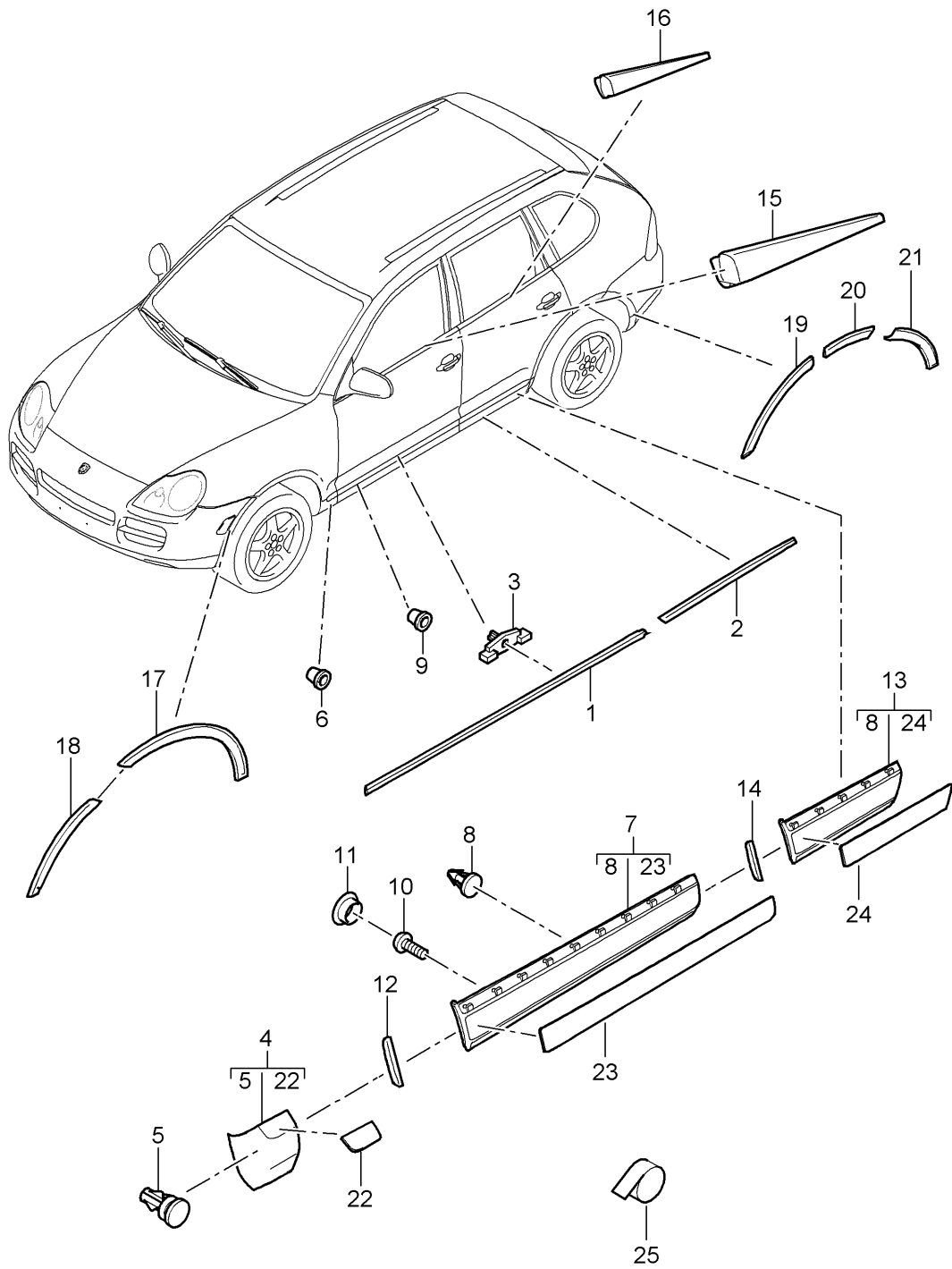
Model: 9PA 03

Model life 2003>>2006

Pos	Part Number	Description	Remark	Qty	Model
		Front			
	955 559 339 00 4W9	Satin aluminium			
	955 559 339 00 XX2	Black mat	05-		
(34)	955 559 341 00	Stopper Centre		1	
	955 559 341 00 4W9	Satin aluminium			
	955 559 341 00 XX2	Black mat	05-		
(34)	955 559 340 00	Stopper Rear	04	1	
(34)		Stopper Rear		1	
	955 559 340 00 4W9	Satin aluminium	05-		
	955 559 340 00 XX2	Black mat	05-		

Model: 9PA 03

Model life 2003>>2006



Model: 9PA 03

Model life 2003>>2006

Pos	Part Number	Description	Remark	Qty	Model
		Decorative fittings			
		Lower			
		Outer			
1	955 559 303 01	Door sill rail	/L	1	
		Front			
	955 559 303 01 01C	Satin black			
(1)	955 559 304 00	Door sill rail	/R	1	
		Front			
	955 559 304 00 01C	Satin black			
2	955 559 305 00	Door sill rail	/L	1	
		Rear			
	955 559 305 00 01C	Satin black			
(2)	955 559 306 00	Door sill rail	/R	1	
		Rear			
	955 559 306 00 01C	Satin black			
3	955 559 547 00	Clip		16	
		Mount			
		Door sill rail			
		Front and rear			
4	955 559 659 03	Cover	/L	1	ID9J/D9K/QJ0 IQJ2 IVR1/VR3/VR4
		Wing			
	955 559 659 03 B41	Satin black			
(4)	955 559 660 03	Cover	/R	1	ID9J/D9K/QJ0 IQJ2 IVR1/VR3/VR4
		Wing			
	955 559 660 03 B41	Satin black			
4	955 559 641 01	Cover	/L	1	ID9J/D9K/D9L IQJ0 IQJ2/VR0
		Wing			
	955 559 641 01 G2X	Prime coated			
(4)	955 559 642 01	Cover	/R	1	ID9J/D9K/D9L IQJ0 IQJ2/VR0
		Wing			
	955 559 642 01 G2X	Prime coated			
4	955 559 643 00	Cover	/L -04	1	ID9L/QJ0/QJ2 IVR1 IVR3/VR4
		Wing			
	955 559 643 00 7E9	Black/grey			
4	955 559 643 01	Cover	/L 05-	1	ID9L/QJ2/VR1 IVR3/VR4
		Wing			
	955 559 643 01 7E9	Black/grey			
(4)	955 559 644 00	Cover	/R -04	1	ID9L/QJ0/QJ2 IVR1 IVR3/VR4
		Wing			
	955 559 644 00 7E9	Black/grey			
(4)	955 559 644 01	Cover	/R 05-	1	ID9L/QJ2/VR1 IVR3/VR4
		Wing			
	955 559 644 01 7E9	Black/grey			
4	955 559 645 00	Cover	/L 05	1	ID9J/D9K/QJ4 IVR1/VR3/VR4
		Wing			
	955 559 645 00 B41	Satin black			
4	955 559 645 01	Cover	/L 06-	1	ID9J/D9K/QJ4 IVR1/VR3/VR4

Model: 9PA 03 Model life 2003>>2006

Pos	Part Number	Description	Remark	Qty	Model
(4)	955 559 645 01 B41 955 559 646 00	Wing Satin black Cover	/R 05	1	ID9J/D9K/QJ4 IVR1/VR3/VR4
(4)	955 559 646 00 B41 955 559 646 01	Wing Satin black Cover	/R 06-	1	ID9J/D9K/QJ4 IVR1/VR3/VR4
4	955 559 646 01 B41 955 559 647 01	Wing Satin black Cover	/L 05-	1	ID9J/D9K/D9L IQJ4/VR0
(4)	955 559 647 01 G2X 955 559 648 01	Wing Prime coated Cover	/R 05-	1	ID9J/D9K/D9L IQJ4/VR0
4	955 559 648 01 G2X 955 559 649 00	Wing Prime coated Cover	/L 05	1	ID9L/QJ4/VR1 IVR3/VR4
4	955 559 649 00 7E9 955 559 649 01	Wing Black/grey Cover	/L 06-	1	ID9L/QJ4/VR1 IVR3/VR4
(4)	955 559 649 01 7E9 955 559 650 00	Wing Black/grey Cover	/R 05	1	ID9L/QJ4/VR1 IVR3/VR4
(4)	955 559 650 00 7E9 955 559 650 01	Wing Black/grey Cover	/R 06-	1	ID9L/QJ4/VR1 IVR3/VR4
(4)	955 559 650 01 7E9 955 559 651 00	Wing Black/grey Cover	/L 06-	1	ID9K/QJ5/VR0
(4)	955 559 651 00 G2X 955 559 652 00	Wing Prime coated Cover	/R 06-	1	ID9K/QJ5/VR0
5	955 559 652 00 G2X 955 559 719 00	Wing Prime coated Clip		X	
6	955 559 586 00	Grommet		8	
7	955 559 663 03	Mount Cover Wing Strip	/L   -03	1	ID9J/D9K/QJ0 IQJ2 IVR1/VR3
(7)	955 559 663 03 B41 955 559 664 03	Door Front Satin black Strip	/R -03	1	ID9J/D9K/QJ0 IQJ2 IVR1/VR3
7	955 559 664 03 B41 955 559 665 01	Door Front Satin black Strip	/L	1	ID9J/D9K/D9L IQJ0 IQJ2/VR0
	955 559 665 01 G2X	Door Front Prime coated			

Model: 9PA 03

Model life 2003>>2006

Pos	Part Number	Description	Remark	Qty	Model
(7)	955 559 666 01	Strip	/R	1	ID9J/D9K/D9L IQJ0 IQJ2/VR0
7	955 559 666 01 G2X 955 559 669 01	Door Front Prime coated Strip	/L	1	ID9L/QJ0/QJ2 IVR1 IVR3/VR4
(7)	955 559 669 01 7E9 955 559 670 01	Door Front Lacquered Black/grey Strip	/R	1	ID9L/QJ0/QJ2 IVR1 IVR3/VR4
7	955 559 670 01 7E9 955 559 671 01	Door Front Lacquered Black/grey Strip	/L 05-	1	ID9J/D9K/VR1 IVR3/VR4
(7)	955 559 671 01 B41 955 559 672 01	Door Front Satin black Strip	/R 05-	1	ID9J/D9K/QJ4 IVR1/VR3/VR4
7	955 559 672 01 B41 955 559 673 01	Door Front Satin black Strip	/L 05-	1	ID9J/D9K/D9L IQJ4/VR0
(7)	955 559 673 01 G2X 955 559 674 01	Door Front Prime coated Strip	/R 05-	1	ID9J/D9K/D9L IQJ4/VR0
7	955 559 674 01 G2X 955 559 675 00	Door Front Prime coated Strip	/L 05	1	ID9L/QJ4/VR1 IVR3/VR4
7	955 559 675 00 7E9 955 559 675 01	Door Front Lacquered Black-grey Strip	/L 06-	1	ID9L/QJ4/VR1 IVR3/VR4
(7)	955 559 675 01 7E9 955 559 676 00	Door Front Lacquered Black-grey Strip	/R 05	1	ID9L/QJ4/VR1 IVR3/VR4
(7)	955 559 676 00 7E9 955 559 676 01	Door Front Lacquered Black-grey Strip	/R 06-	1	ID9L/QJ4/VR1 IVR3/VR4
		Door Front Lacquered			

Model: 9PA 03 Model life 2003>>2006

Pos	Part Number	Description	Remark	Qty	Model
(7)	955 559 676 01 7E9 955 559 677 00	Black-grey Strip Door Front	/L 06	1	ID9K/QJ5/VR0
(7)	955 559 677 00 G2X 955 559 678 00	Prime coated Strip Door Front	06	1	ID9K/QJ5/VR0
8	955 559 678 00 G2X 955 559 069 00	Prime coated Clip		X	
9	955 559 586 00	Grommet Mount Strip Door seal Front and rear		24	
10	N 906 448 01	Screw M 5 X 9,0 Mount Strip Door seal Front and rear	-05	4	
10	N 906 448 05	Screw M 5 X 9,0 Mount Strip Door seal Front and rear	06-	4	
11	955 559 108 00	Stopper for Strip Door seal Front and rear		4	
12	955 559 189 00	Cover Front	/L	1	
(12)	955 559 189 00 B41 955 559 190 00	Satin black Cover Front	/R	1	
13	955 559 190 00 B41 955 559 667 03	Satin black Strip	/L	1	ID9J/D9K/QJ0 IQJ2 IVR1/VR3/VR4
(13)	955 559 667 03 B41 955 559 668 03	Satin black Strip	/R	1	ID9J/D9K/QJ0 IQJ2 IVR1/VR3/VR4
13	955 559 668 03 B41 955 559 681 01	Satin black Strip	/L	1	ID9J/D9K/D9L IQJ0 IQJ2/VR0
(13)	955 559 681 01 G2X 955 559 682 01	Prime coated Strip	/R	1	ID9J/D9K/D9L IQJ0 IQJ2/VR0
13	955 559 682 01 G2X 955 559 683 01	Prime coated Strip	/L 05-	1	ID9L/QJ2/VR1

Model: 9PA 03 Model life 2003>>2006

Pos	Part Number	Description	Remark	Qty	Model
		Door Rear Lacquered			IVR3/VR4
(13)	955 559 683 01 7E9 955 559 684 01	Black/grey Strip	/R 05-	1	ID9L/QJ2/VR1 IVR3/VR4
13	955 559 684 01 7E9 955 559 685 01	Door Rear Lacquered Black/grey Strip	/L 05-	1	ID9J/D9K/QJ4 IVR1/VR3/VR4
(13)	955 559 685 01 B41 955 559 686 01	Door Rear Satin black Strip	/R 05-	1	ID9J/D9K/QJ4 IVR1/VR3/VR4
13	955 559 686 01 B41 955 559 687 01	Door Rear Satin black Strip	/L 05-	1	ID9J/D9K/D9L IQJ4/VR0
(13)	955 559 687 01 G2X 955 559 688 01	Door Rear Prime coated Strip	/R 05-	1	ID9J/D9K/D9L IQJ4/VR0
13	955 559 688 01 G2X 955 559 689 00	Door Rear Prime coated Strip	/L 05	1	ID9L/QJ4/VR1 IVR3/VR4
13	955 559 689 00 7E9 955 559 689 01	Door Rear Lacquered Black/grey Strip	/L 06-	1	ID9L/QJ4/VR1 IVR3/VR4
(13)	955 559 689 01 7E9 955 559 690 00	Door Rear Lacquered Black/grey Strip	/R 05	1	ID9L/QJ4/VR1 IVR3/VR4
(13)	955 559 690 00 7E9 955 559 690 01	Door Rear Lacquered Black/grey Strip	/R 06-	1	ID9L/QJ4/VR1 IVR3/VR4
(13)	955 559 690 01 7E9 955 559 679 00	Door Rear Lacquered Black/grey Strip	/L 06-	1	ID9K/QJ5/VR0
(13)	955 559 679 00 G2X 955 559 680 00	Door Rear Prime coated Strip	/R 06-	1	ID9K/QJ5/VR0
	955 559 680 00 G2X	Door Rear Prime coated			



Model: 9PA 03 Model life 2003>>2006

Pos	Part Number	Description	Remark	Qty	Model
14	955 559 191 00	Cover Rear	/L	1	
(14)	955 559 191 00 B41 955 559 192 00	Satin black Cover Rear	/R	1	
15	955 559 192 00 B41 955 559 475 01	Satin black Cover Side window Front	/L	1	IQJ2
(15)	955 559 475 01 4W9 955 559 476 01	Satin aluminium Cover Side window Front	/R	1	IQJ2
15	955 559 476 01 4W9 955 559 479 00	Satin aluminium Cover Side window Front	/L 05-	1	IQJ4
15	955 559 479 00 XX2 955 559 480 00	Black mat Cover Side window Front	/R 05-	1	IQJ4
15	955 559 480 00 XX2 955 559 479 10	Black mat Cover Side window Front	/L 06-	1	IQJ5
(15)	955 559 479 10 D7Z 955 559 480 10	Titanium metallic Cover Side window Front	/R 06-	1	IQJ5
16	955 559 480 10 D7Z 955 559 477 01	Titanium metallic Cover Side window Rear	/L	1	IQJ2
(16)	955 559 477 01 4W9 955 559 478 01	Satin aluminium Cover Side window Rear	/R	1	IQJ2
16	955 559 478 01 4W9 955 559 481 00	Satin aluminium Cover Side window Rear	/L 05-	1	IQJ4
(16)	955 559 481 00 XX2 955 559 482 00	Black mat Cover Side window Rear	/R 05-	1	IQJ4
16	955 559 482 00 XX2 955 559 481 10	Black mat Cover Side window Rear	/L 06-	1	IQJ5
(16)	955 559 481 10 D7Z 955 559 482 10	Titanium metallic Cover Side window Rear	/R 06-	1	IQJ5
17	955 559 482 10 D7Z 955 559 717 00	Titanium metallic Wheel cover Wing Front	/L	1	
(17)	955 559 717 00 7E9 955 559 717 00 GRU 955 559 718 00	Black Prime coated Wheel cover Wing Front	/R	1	I6GE/6GF I6GH/6GJ
	955 559 718 00 7E9	Black			I6GE/6GF

Model: 9PA 03 Model life 2003>>2006

Pos	Part Number	Description	Remark	Qty	Model
17	955 559 718 00 GRU 955 559 717 00	Prime coated Wheel cover Wing Front	/L (J)	1	I6GH/6GJ I6GJ
(17)	955 559 717 00 GRU 955 559 718 00	Prime coated Wheel cover Wing Front	/R (J)	1	I6GJ
18	955 559 718 00 GRU 955 559 727 00	Prime coated Wheel cover Bumper Front	/L	1	
(18)	955 559 727 00 7E9 955 559 727 00 GRU 955 559 728 00	Black Prime coated Wheel cover Bumper Front	/R	1	I6GF/6GG I6GH/6GJ I6GE/6GF
(18)	955 559 728 00 7E9 955 559 728 03	Black Wheel cover Bumper Front	/R	1	I6GE/6GF
18	955 559 728 03 7E9 955 559 727 00	Black Wheel cover Bumper Front	/L (J)	1	
(18)	955 559 727 00 GRU 955 559 728 00	Prime coated Wheel cover Bumper Front	/R (J)	1	I6GH/6GJ I6GF
19	955 559 728 00 GRU 955 559 737 00	Prime coated Wheel cover Door Rear	/L	1	
(19)	955 559 737 00 7E9 955 559 737 00 GRU 955 559 738 00	Black Prime coated Wheel cover Door Rear	/R	1	I6GE/6GF/6GG I6GH/6GJ/6GK I6GE/6GF
(19)	955 559 738 00 7E9 955 559 738 02	Black Wheel cover Door Rear	/R	1	I6GE/6GF
19	955 559 738 02 7E9 955 559 737 00	Black Wheel cover Door Rear	/L (J)	1	I6GJ
19	955 559 737 00 GRU 955 559 738 00	Prime coated Wheel cover Door Rear	/R (J)	1	I6GF
20	955 559 738 00 GRU 955 559 721 00	Prime coated Wheel cover Side section Rear	/L	1	
(20)	955 559 721 00 7E9 955 559 721 00 GRU 955 559 722 00	Black Prime coated Wheel cover Side section Rear	/R	1	I6GE/6GF/6GG I6GH/6GJ/6GK
20	955 559 722 00 7E9 955 559 722 00 GRU 955 559 721 00	Black Prime coated Wheel cover Side section	/L (J)	1	I6GE/6GF I6GH/6GJ I6GJ

Model: 9PA 03 Model life 2003>>2006

Pos	Part Number	Description	Remark	Qty	Model
20	955 559 721 00 GRU 955 559 722 00	Rear Prime coated Wheel cover Side section Rear	/R (J)	1	I6GJ
21	955 559 722 00 GRU 955 559 747 00	Prime coated Wheel cover Bumper Rear	/L	1	I6GE/6GF
(21)	955 559 747 00 7E9 955 559 747 02	Black Wheel cover Bumper Rear	/L	1	I6GE/6GF
(21)	955 559 747 02 7E9 955 559 748 00	Black Wheel cover Bumper Rear	/R	1	I6GE/6GF/6GG I6GH/6GJ/6GK
21	955 559 748 00 7E9 955 559 748 00 GRU 955 559 747 00	Black Prime coated Wheel cover Bumper Rear	/L (J)	1	I6GF
(21)	955 559 747 00 GRU 955 559 748 00	Prime coated Wheel cover Bumper Rear	/R (J)	1	I6GJ
(21)	955 559 748 00 GRU 955 559 749 01	Prime coated Wheel cover Bumper Rear	/L	1	I6GE
(21)	955 559 749 01 7E9 955 559 750 01	Black Wheel cover Bumper Rear	/R	1	I6GE
(21)	955 559 750 01 7E9 955 559 751 02	Black Wheel cover Bumper Rear	/L	1	I2D0/6GA
(21)	955 559 751 02 7E9 955 559 751 02 G2X 955 559 752 02	Black Prime coated Wheel cover Bumper Rear	/R	1	I2D0/6GA
22	955 559 752 02 7E9 955 559 752 02 G2X 955 559 457 02	Black Prime coated Moulding Cover Wing	/L	1	IQJ0/QJ2
(22)	955 559 457 02 4W9 955 559 458 02	Satin aluminium Moulding Cover Wing	/R	1	IQJ0/QJ2
22	955 559 458 02 4W9 955 559 459 01	Satin aluminium Moulding Cover Wing	/L 05-	1	IQJ4
(22)	955 559 459 01 XX2 955 559 460 01	Black mat Moulding Cover Wing	/R 05-	1	IQJ4

Model: 9PA 03 Model life 2003>>2006

Pos	Part Number	Description	Remark	Qty	Model
22	955 559 460 01 XX2 955 559 461 00	Black mat Moulding Cover Wing	/L 06-	1	IQJ5
(22)	955 559 461 00 D7Z 955 559 462 00	Titanium metallic Moulding Cover Wing	/R 06-	1	IQJ5
23	955 559 462 00 D7Z 955 559 283 01	Titanium metallic Moulding Door Front	/L -04	1	IQJ2
23	955 559 283 01 4W9 955 559 283 02	Satin aluminium Moulding Door Front	/L 05-	1	IQJ2
(23)	955 559 283 02 4W9 955 559 284 01	Satin aluminium Moulding Door Front	/R -04	1	IQJ2
(23)	955 559 284 01 4W9 955 559 284 02	Satin aluminium Moulding Door Front	/R 05-	1	IQJ2
23	955 559 284 02 4W9 955 559 287 01	Satin aluminium Moulding Door Front	/L 05-	1	IQJ4
(23)	955 559 287 01 XX2 955 559 288 01	Black mat Moulding Door Front	/R 05-	1	IQJ4
(23)	955 559 288 01 XX2 955 559 287 10	Black mat Moulding Door Front	/L 06-	1	IQJ5
(23)	955 559 287 10 D7Z 955 559 288 10	Titanium metallic Moulding Door Front	/R 06-	1	IQJ5
24	955 559 288 10 D7Z 955 559 285 02	Titanium metallic Moulding Door Rear	/L	1	IQJ0/QJ2
(24)	955 559 285 02 4W9 955 559 286 02	Satin aluminium Moulding Door Rear	/R	1	IQJ0/QJ2
24	955 559 286 02 4W9 955 559 289 01	Satin aluminium Moulding Door Rear	/L 05-	1	IQJ4
(24)	955 559 289 01 XX2 955 559 290 01	Black mat Moulding Door Rear	/R 05-	1	IQJ4
(24)	955 559 290 01 XX2 955 559 291 00	Black mat Moulding Door Rear	/L 06-	1	IQJ5
(24)	955 559 291 00 D7Z 955 559 292 00	Titanium metallic Moulding Door	/R 06-	1	IQJ5

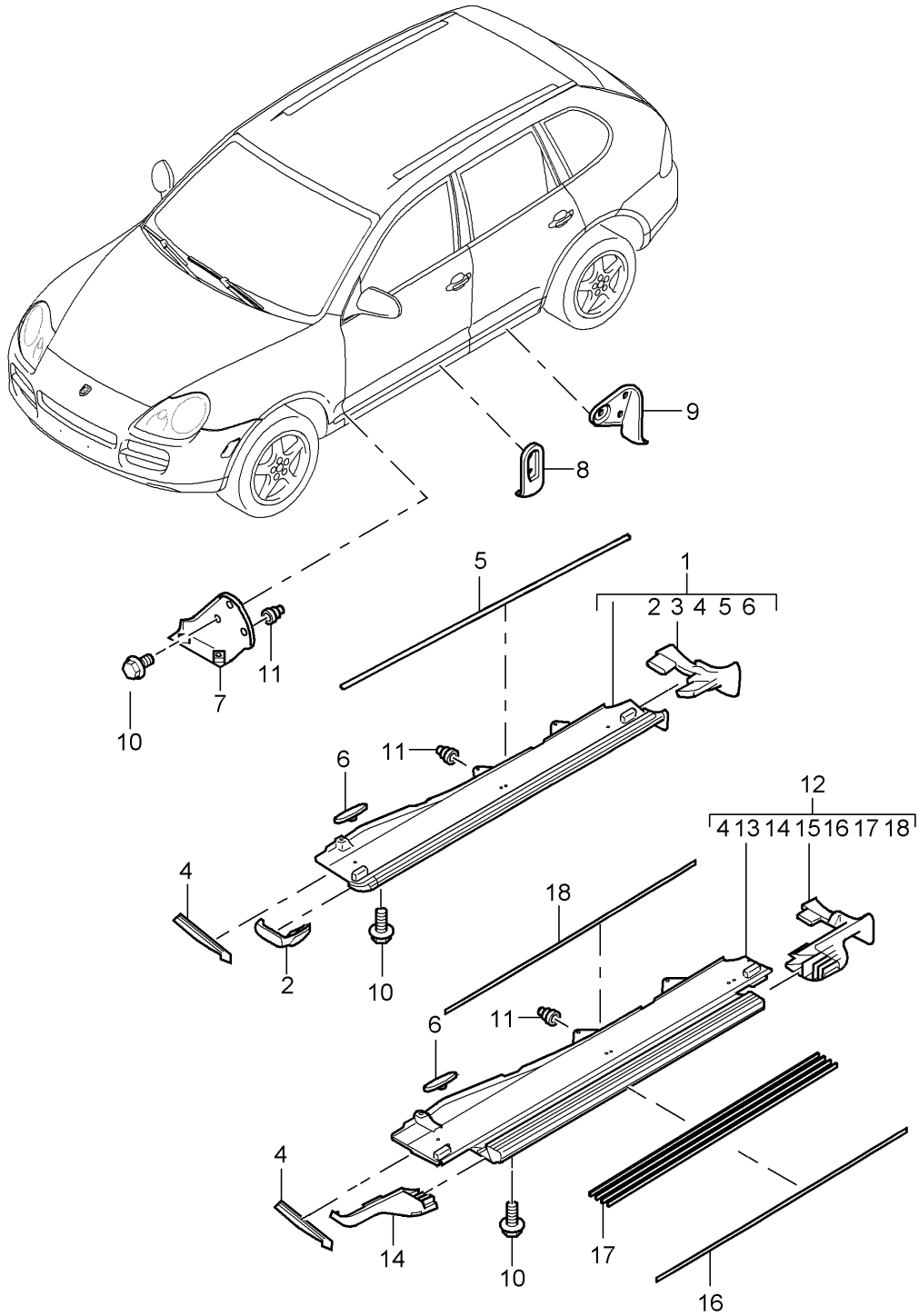
Model: 9PA 03

Model life 2003>>2006

Pos	Part Number	Description	Remark	Qty	Model
25	955 559 292 00 D7Z 000 043 206 04	Rear Titanium metallic Adhesive tape Mount Moulding		1	

Model: 9PA 03

Model life 2003>>2006



Model: 9PA 03 Model life 2003>>2006

Pos	Part Number	Description	Remark	Qty	Model
1	955 559 553 00	Linings Accessories Door sill Door sill rail	/L -04	1	I2D0/2D2 I6EP/6ES
	955 559 553 00 4W9	Complete Satin aluminium			
1	955 559 553 01	Door sill rail	/L 05-	1	I2D0/2D2 I6EP/6ES
	955 559 553 01 4W9	Complete Satin aluminium			
(1)	955 559 554 00	Rockrails	/R -04	1	I2D0/2D2 I6EP/6ES
	955 559 554 00 4W9	Complete Satin aluminium			
(1)	955 559 554 01	Rockrails	/R 05-	1	I2D0/2D2 I6EP/6ES
	955 559 554 01 4W9	Complete Satin aluminium			
2	955 559 691 00	Cover	/L	1	I2D0/2D2 I6EP/6ES
	955 559 691 00 01C	Door sill Front Satin black			
(2)	955 559 692 00	Cover	/R	1	I2D0/2D2 I6EP/6ES
	955 559 692 00 01C	Door sill Front Satin black			
3	955 559 697 00	Cover	/L	1	I2D0/2D2 I6EP/6ES
	955 559 697 00 01C	Rear Satin black			
(3)	955 559 698 00	Cover	/R	1	I2D0/2D2 I6EP/6ES
	955 559 698 00 01C	Door sill Rear Satin black			
4	955 559 711 00	End piece	/L	1	
	955 559 711 00 01C	Front Satin black			
(4)	955 559 712 00	End piece	/R	1	
	955 559 712 00 01C	Front Satin black			
5	955 559 860 00	Gasket		1	I2D0/2D2 I6EP/6ES
	955 559 860 00 01C	Door sill Satin black			
6	955 559 817 00	Spacer		11	
7	955 559 487 00	Support	/L	1	
	955 559 488 00	Front Support	/R	1	
8	955 559 467 00	Front Support		2	
9	955 559 489 00	Centre Support	/L	1	
(9)	955 559 490 00	Rear Support	/R	1	
10	N 909 210 01	Hexagon-head bolt M 8 X 22	-05	9	
10	N 909 210 02	Hexagon-head bolt M 8 X 22	06-	X	

Model: 9PA 03

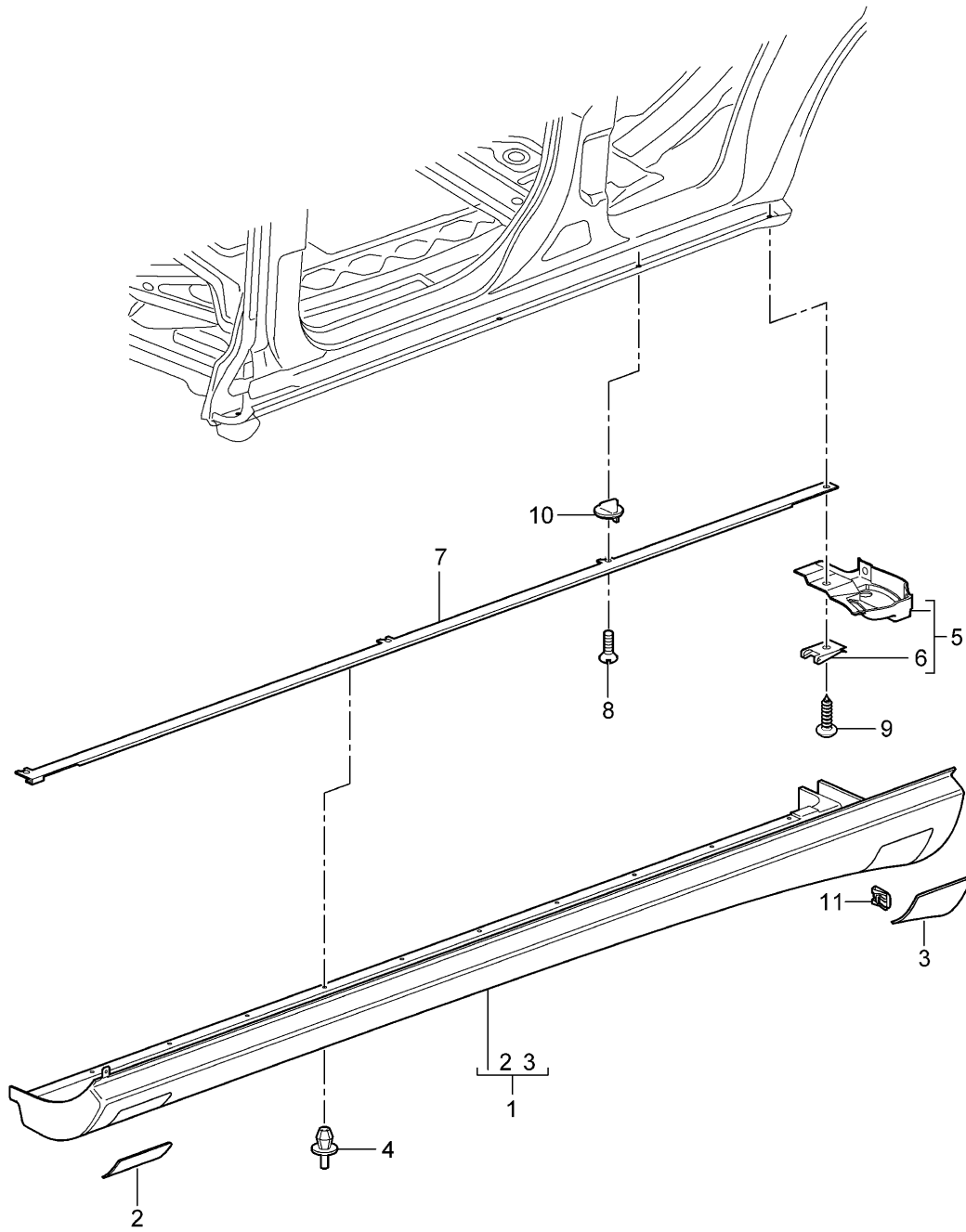
Model life 2003>>2006

Pos	Part Number	Description	Remark	Qty	Model
11	N 904 085 02	Blind rivet nut M 8	-05	X	
11	N 904 085 04	Blind rivet nut M 8	06-	X	
12	955 559 847 00	Impact protection	/L -04	1	IVR1/VR3
	955 559 847 00 4W9	Satin aluminium			
12	955 559 847 01	Running board	/L 05-	1	IVR1/VR3
	955 559 847 01 4W9	Satin aluminium			
(12)	955 559 848 00	Impact protection	/R -04	1	IVR1/VR3
	955 559 848 00 4W9	Satin aluminium			
(12)	955 559 848 01	Running board	/R 05-	1	IVR1/VR3
	955 559 848 01 4W9	Satin aluminium			
13	955 559 619 01	Running board	/L	1	IVR1/VR3
	955 559 619 01 4W9	Satin aluminium			
(13)	955 559 620 01	Running board	/R	1	IVR1/VR3
	955 559 620 01 4W9	Satin aluminium			
14	955 559 693 00	Cover	/L	1	IVR1/VR3
		Impact protection Front			
	955 559 693 00 01C	Satin black			
(14)	955 559 694 00	Cover	/R	1	IVR1/VR3
		Impact protection Front			
	955 559 694 00 01C	Satin black			
15	955 559 703 00	Cover	/L	1	IVR1/VR3
		Door sill Rear			
	955 559 703 00 01C	Satin black			
(15)	955 559 704 00	Cover	/R	1	IVR1/VR3
		Door sill Rear			
	955 559 704 00 01C	Satin black			
16	955 559 589 00	Protective strip		1	IVR1/VR3
		Impact protection Black			
17	955 559 859 00	Profile strip		4	IVR1/VR3
		Impact protection Black			
18	955 559 862 00	Gasket		1	IVR1/VR3
		Impact protection Black			



Model: 9PA 03

Model life 2003>>2006



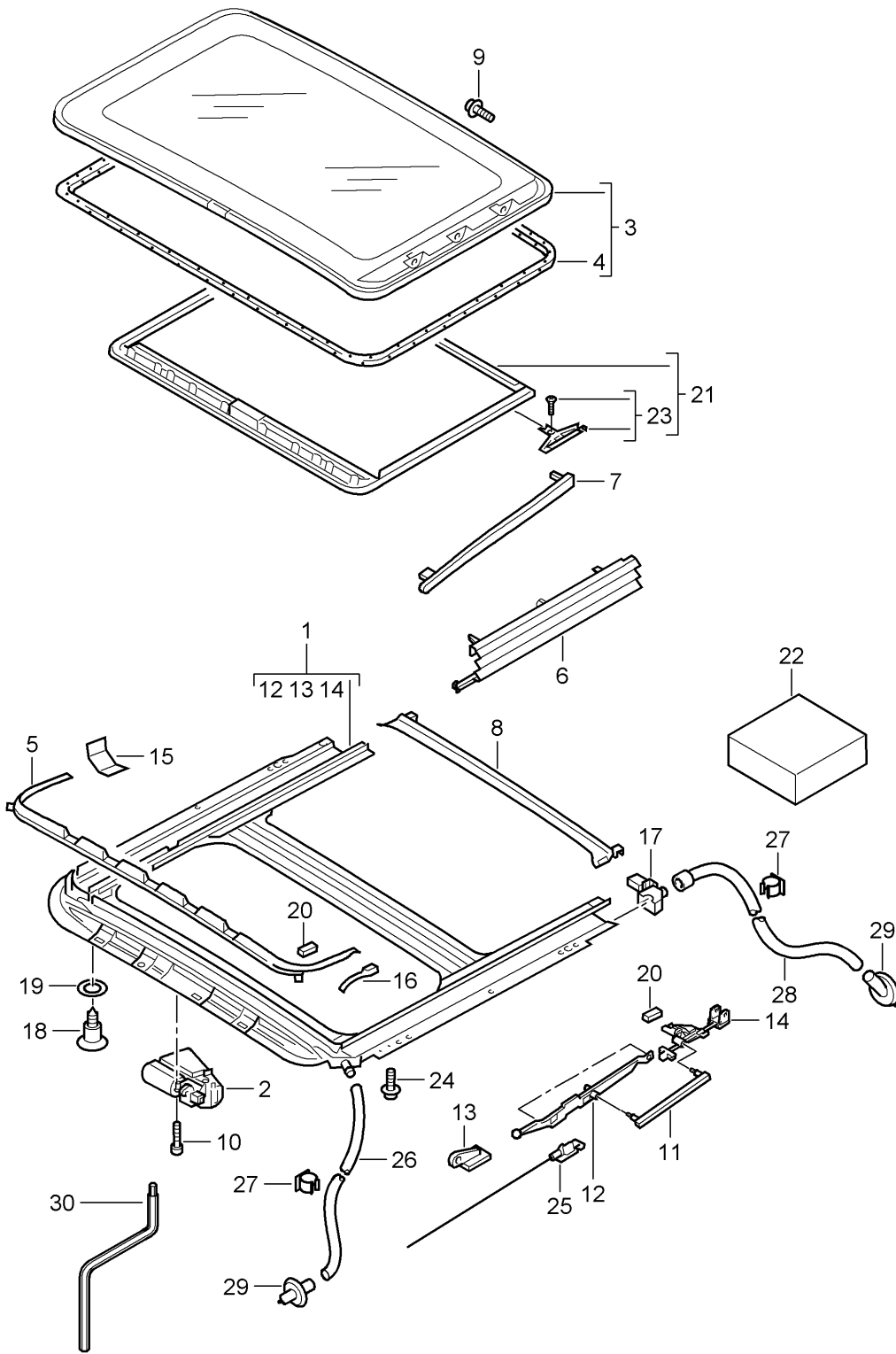
Model: 9PA 03

Model life 2003>>2006

Pos	Part Number	Description	Remark	Qty	Model
		Linings	05-		
		Accessories			
		Door sill			
1	955 559 887 00	Sill cover	/L	1	I2D1/2D3
		Complete			
	955 559 887 00 G2X	Prime coated			
(1)	955 559 888 00	Sill cover	/R	1	I2D1/2D3
		Complete			
	955 559 888 00 G2X	Prime coated			
2	955 559 827 00	Flap	/L	1	I2D1/2D3
		Jack			
		Front			
	955 559 827 00 G2X	Prime coated			
(2)	955 559 828 00	Flap	/R	1	I2D1/2D3
		Jack			
		Front			
	955 559 828 00 G2X	Prime coated			
(2)	955 559 828 01	Flap	/R	1	I2D1/2D3
		Jack			
		Front			
	955 559 828 01 G2X	Prime coated			
3	955 559 837 00	Flap	/L	1	I2D1/2D3
		Jack			
		Rear			
	955 559 837 00 G2X	Prime coated			
(3)	955 559 838 00	Flap	/R	1	I2D1/2D3
		Jack			
		Rear			
	955 559 838 00 G2X	Prime coated			
4	N 909 275 01	Expansion rivet		10	I2D1/2D3
		8,0 X 3,5			
5	955 559 603 00	Support	/L	1	I2D1/2D3
		Sill cover			
5	955 559 604 00	Support	/R	1	I2D1/2D3
		Sill cover			
6	N 908 343 01	Speed nut		2	
		4,8			
7	955 559 883 00	Retaining strip	/L	1	I2D1/2D3
		Sill cover			
(7)	955 559 884 00	Retaining strip	/R	1	I2D1/2D3
		Sill cover			
8	N 104 485 01	Countersunk-head screw	05	3	I2D1/2D3
		M 6 X 16			
8	N 104 485 04	Countersunk-head screw	06-	3	I2D1/2D3
		M 6 X 16			
9	N 910 447 01	Tapping screw		2	I2D1/2D3
		4,8 X 13			
10	955 559 821 00	Fixing clip		3	I2D1/2D3
		Sill cover			
11	3D0 857 340	Retaining clip		4	
		Cover			
		Jacking point			

Model: 9PA 03

Model life 2003>>2006



Model: 9PA 03 Model life 2003>>2006

Pos	Part Number	Description	Remark	Qty	Model
1	955 564 025 00	Sunroof Frame Complete		1	
2	955 564 001 00	Driving mechanism		1	
(2)	955 564 001 10	Driving mechanism		1	
3	955 564 002 10	Glass roof		1	
(3)	955 564 002 20	Glass roof		1	
4	955 564 003 00	Gasket		1	
(4)	955 564 003 01	Gasket		1	
5	955 564 004 00	Air deflector		1	
6	955 564 005 00	Bellows	/L	1	
(6)	955 564 006 00	Bellows	/R	1	
7	955 564 007 00	Filler piece		2	
8	955 564 008 00	Water drain strip		1	
9	955 564 009 00	Pan-head screw Glass roof		6	
10	955 564 010 00	Fastening screw Driving mechanism		1	
11	955 564 011 00	Connection piece		1	
12	955 564 012 00	Gate guide	/R	1	
(12)	955 564 013 00	Gate guide	/L	1	
13	955 564 014 00	Guide	/R	1	
(13)	955 564 015 00	Guide	/L	1	
14	955 564 016 00	Locking segment	/R	1	
(14)	955 564 017 00	Locking segment	/L	1	
15	955 564 018 00	Parts kit Air deflector		1	
16	955 564 019 00	Leaf spring		1	
17	955 564 020 00	Parts kit Corner piece		1	
18	955 564 021 00	Clamping screw		4	
19	955 564 022 00	Washer		1	
20	955 564 023 01	Damper		1	
21	955 564 024 00	Roofliner frame Cloth		1	
	955 564 024 00 6L2	Steel grey			
	955 564 024 00 6K1	Sand Beige			
	955 564 024 00 6M3	Palmgreen			
21	955 564 024 00	Roofliner frame Alcantara		1	
	955 564 024 00 5E6	Black			
	955 564 024 00 5E5	Steel grey			
	955 564 024 00 5G6	Sand Beige			
	955 564 024 00 5L6	Palmgreen			
22	955 564 026 00	Sealing cord Front		1	
23	955 564 027 00	Slide Front		1	
24	N 907 498 03	Screw Lateral M6		6	
25	955 564 029 00	Guide with Cable Front		2	
(26)	955 564 031 00	Water drain hose Front	/L	1	
26	955 562 201 02	Water drain hose Front	/L	1	
(26)	955 564 030 00	Water drain hose Front	/R	1	
(26)	955 562 202 02	Water drain hose Front	/R	1	

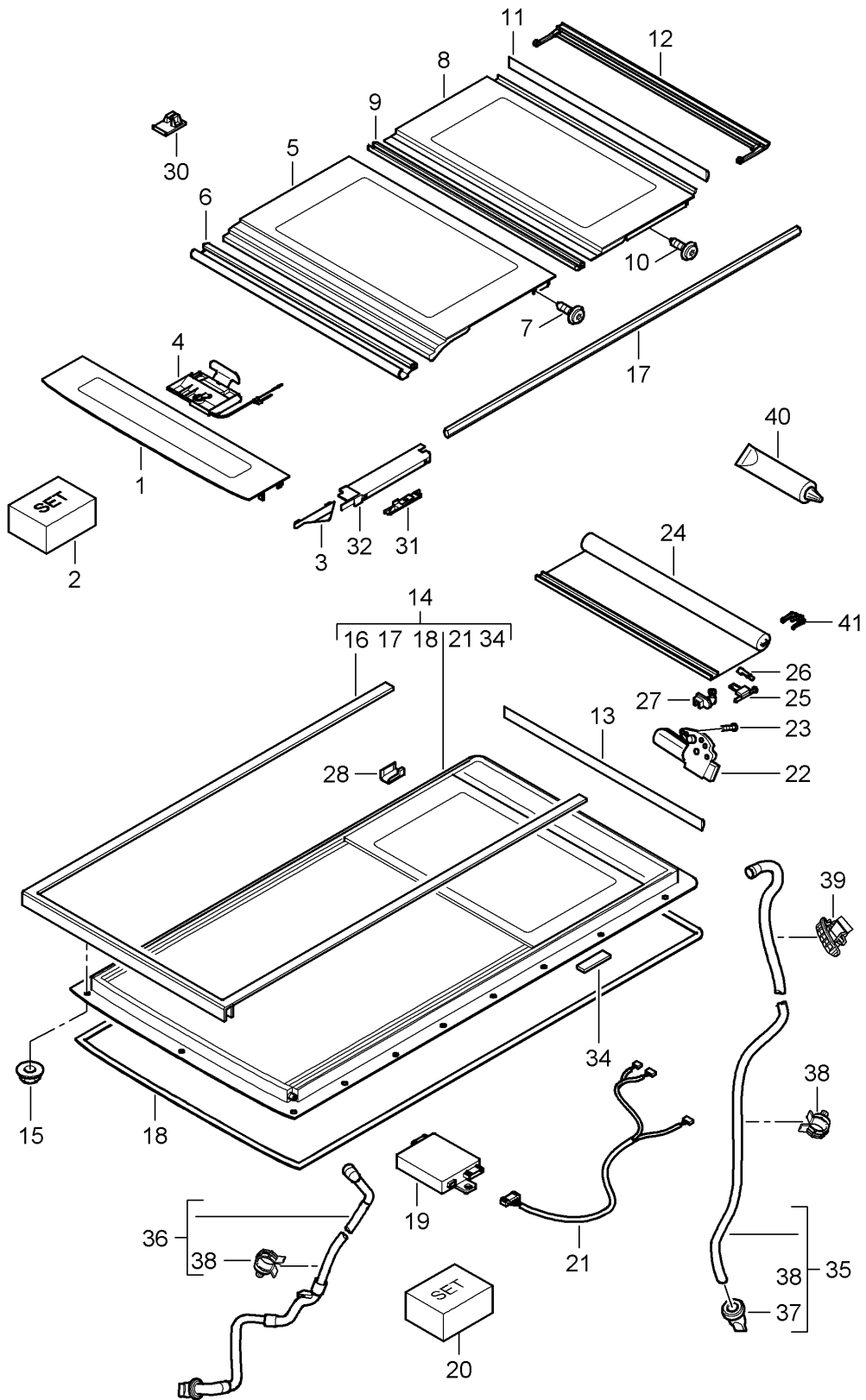
Model: 9PA 03

Model life 2003>>2006

Pos	Part Number	Description	Remark	Qty	Model
27	955 628 260 00	Hose holder Rear		X	
28	955 564 032 00	Water drain hose Rear	/L	1	
(28)	955 564 038 00	Water drain hose Rear	/R	1	
29	955 564 035 00	Water drain sleeve		2	
30	955 564 036 00	Tool Emergency operation		1	

Model: 9PA 03

Model life 2003>>2006



Model: 9PA 03

Model life 2003>>2006

Pos	Part Number	Description	Remark	Qty	Model
		Glass roof			I3FU
1	955 562 004 00	Air deflector		1	
2	955 562 916 00	Set of fastening parts		1	
-	955 562 900 00	Air deflector Gate guide Air deflector See workshop manual		1	
3	955 562 906 00	Group 6 60-3555 Cover	/L /R	1	
4	955 562 907 00	Air deflector Cassette	/L /R	1	
5	955 564 002 00	Glass roof		1	
6	955 562 913 00	Front Gasket		1	
7	955 562 721 00	Screw		6	
8	955 562 056 00	M5 X 12,5 Lid Centre		1	
9	955 562 914 00	Gasket		1	
10	955 562 722 00	Screw		6	
11	955 562 915 00	Gasket		1	
12	955 562 519 00	Water drain tube		1	
13	955 562 439 00	Gasket		1	
14	955 562 450 00	Frame with Lid Fixed Use also: Sealing compound 000.043.206.76		1	
15	N 908 786 01	Nut M6		X	
16	955 562 423 00	Gasket Outer		1	
17	955 562 440 00	Gasket Inner		1	
18	955 562 459 00	Gasket All the way round Use also: Sealing compound 000.043.206.76		1	
-	000 043 206 76	Sealing compound		1	
19	955 618 485 01	Control unit		1	
20	955 562 912 00	Set of fastening parts Control unit		1	
21	955 612 025 00	Wiring harness		1	
22	955 624 713 00	Driving mechanism		3	
23	955 562 912 00	Set of fastening parts M5 X 30		6	
24	955 562 716 00	Shade		1	
	955 562 716 00 3X6	Sand Beige			
	955 562 716 00 3V5	Steel grey			
	955 562 716 00 3Y7	Palmgreen			
	955 562 716 00 3W4	Black			
-	955 562 115 00	Stop Shade	/L /R	1	
25	955 562 908 00	Sliding piece Shade	/L /R	1	
26	955 562 919 00	Pressure piece	/L	1	
(26)	955 562 918 00	Pressure piece	/R	1	
27	955 562 909 00	Corner piece	/L /R	1	
28	955 562 413 00	Locking segment		4	

Model: 9PA 03

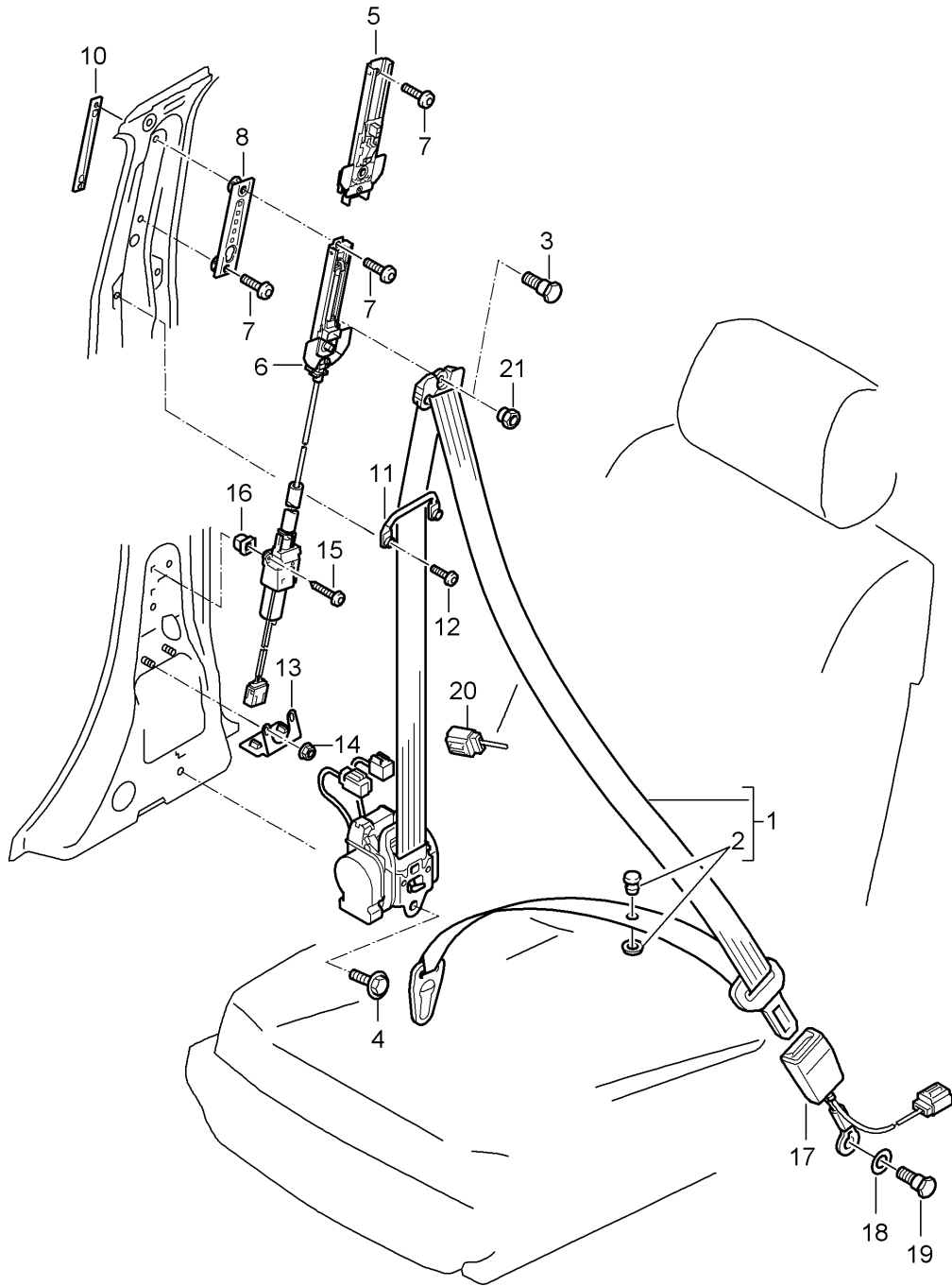
Model life 2003>>2006

Pos	Part Number	Description	Remark	Qty	Model
30	955 562 903 00	Driving mechanism Gate guide	/L /R	1	
31	955 562 904 00	Hinge Air deflector	/L /R	1	
32	955 562 910 00	Cover Hinge	/L /R	1	
34	955 562 917 00	Set Sealing strip		1	
-	000 043 300 49	Activator 113 ML		1	
35	955 562 029 00	Water drain hose	/L	1	
(35)	955 562 030 00	Water drain hose Rear	/R	1	
36	955 562 201 03	Water drain hose Front	/L	1	
(36)	955 562 202 03	Water drain hose Front	/R	1	
37	955 564 035 00	Water drain sleeve		2	
38	955 628 260 00	Hose holder		X	
39	N 904 761 01	Tie-wrap		X	
40	000 043 207 56	Grease 50 ml Polylub GLY 151		1	
41	955 562 115 00	Stop Shade	/L /R	1	



Model: 9PA 03

Model life 2003>>2006



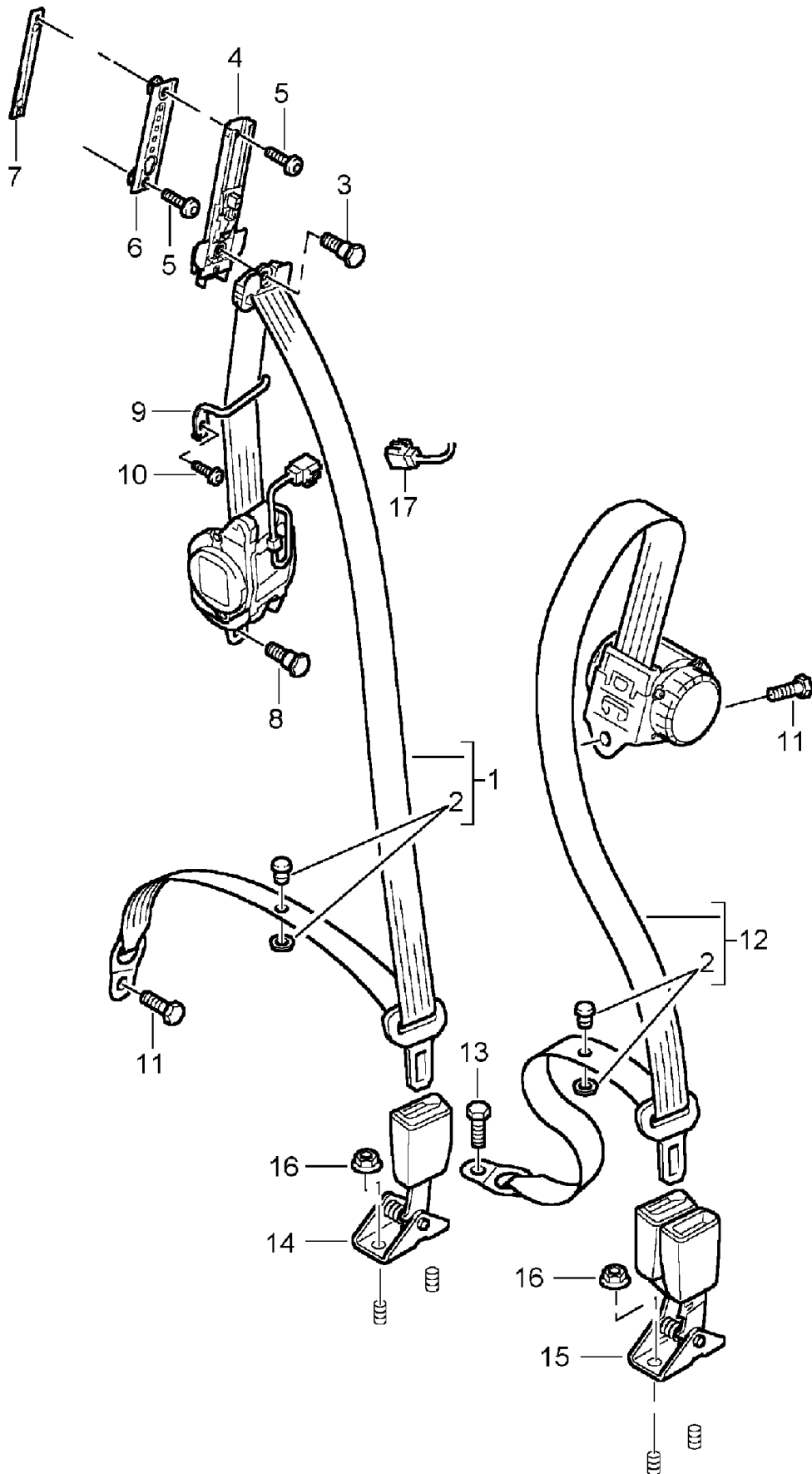
Model: 9PA 03

Model life 2003>>2006

Pos	Part Number	Description	Remark	Qty	Model
		Seat belt Front			
1	955 803 001 01	Seat belt	/LL /L -05	1	IL0L
	955 803 001 01 HCP	Black			
1	955 803 001 02	Seat belt	/LL /L 06-	1	IL0L
	955 803 001 02 HCP	Black			
(1)	955 803 002 01	Seat belt	/LL /R -05	1	IL0L
	955 803 002 01 HCP	Black			
(1)	955 803 002 02	Seat belt	/LL /R 06-	1	IL0L
	955 803 002 02 HCP	Black			
(1)	955 803 001 11	Seat belt	/RL /L -05	1	IL0R
	955 803 001 11 HCP	Black			
(1)	955 803 001 12	Seat belt	/RL /L 06-	1	IL0R
	955 803 001 12 HCP	Black			
(1)	955 803 002 11	Seat belt	/RL /R -05	1	IL0R
	955 803 002 11 HCP	Black			
(1)	955 803 002 12	Seat belt	/RL /R 06	1	IL0R
	955 803 002 12 HCP	Black			
2	955 803 056 01	Knob		1	
	955 803 056 01 HCP	Black			
3	N 989 242 01	Hexagon-head bolt		2	
4	3B0 857 799	Screw		2	
5	955 803 003 00	Mounting		2	
6	955 803 008 01	Elect. vertical adjustment		2	I4QF
6	955 803 008 02	Elect. vertical adjustment		2	I4QF
7	N 014 717 6	Pan-head screw		2	
8	955 803 058 02	Bracket		2	-I4QF
(8)	955 803 009 02	Bracket		2	I4QF
10	955 803 059 01	Fastening angle		2	
11	955 803 012 00	Guide		2	
12	N 102 913 02	Pan-head screw		2	
13	955 803 013 00	Retaining bracket		2	
(13)	955 803 014 00	Retaining bracket		2	
14	N 015 082 5	Hexagon nut		2	
15	900 143 047 07	Tapping screw		2	
15	900 073 007 01	Tapping screw		2	
16	955 803 115 00	Nut		2	
17	955 803 017 00	Seat-belt buckle	/L	1	
	955 803 017 00 HCP	Black			
(17)	955 803 016 00	Seat-belt buckle	/R	1	
	955 803 016 00 HCP	Black			
18	N 905 013 01	Spring washer		2	
19	N 989 235 01	Hexagon-head bolt		2	-IB0E
19	N 989 235 02	Hexagon-head bolt		2	-IB0E
20	955 612 904 10	Cable		2	
21	N 910 106 01	Nut		2	I4QF

Model: 9PA 03

Model life 2003>>2006



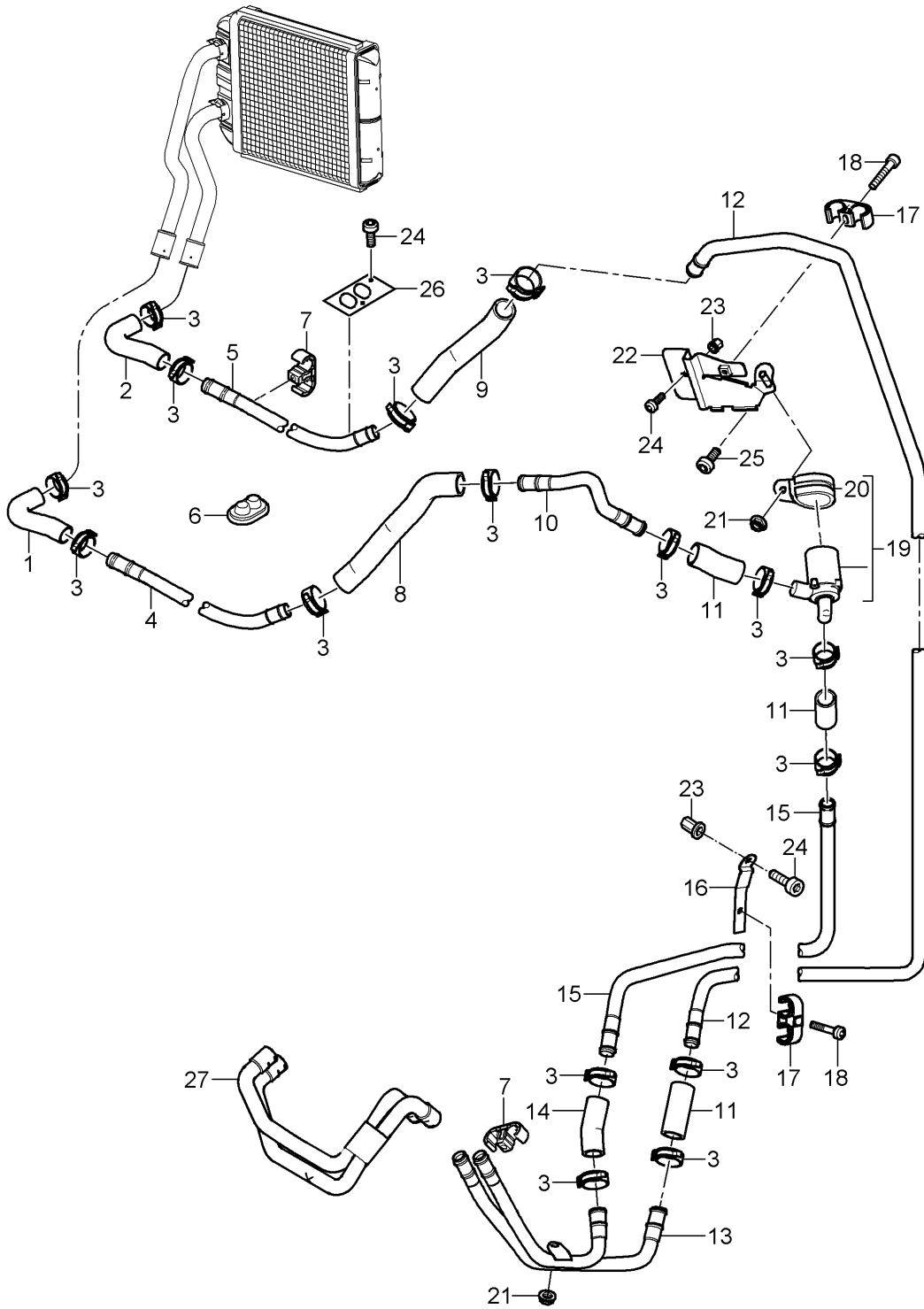
Model: 9PA 03

Model life 2003>>2006

Pos	Part Number	Description	Remark	Qty	Model
		Seat belt Rear			
1	955 803 050 00	Seat belt	/R -05	1	
	955 803 050 00 HCP	Black			
1	955 803 050 01	Seat belt	/R -05	1	
	955 803 050 01 HCP	Black			
1	955 803 050 10	Seat belt	/R 06-	1	
	955 803 050 10 HCP	Black			
(1)	955 803 051 00	Seat belt	/L -05	1	
	955 803 051 00 HCP	Black			
(1)	955 803 051 01	Seat belt	/L -05	1	
	955 803 051 01 HCP	Black			
(1)	955 803 051 10	Seat belt	/L 06-	1	
	955 803 051 10 HCP	Black			
2	955 803 056 01	Knob		X	
	955 803 056 01 HCP	Black			
3	N 989 242 01	Hexagon-head bolt		2	
4	955 803 003 00	Mounting		2	
5	N 014 717 6	Pan-head screw		4	
6	955 803 058 00	Bracket		2	
7	955 803 059 01	Fastening angle		2	
8	3B0 857 799	Screw		2	
9	955 803 061 00	Reverse lever	/L	1	
9	955 803 060 00	Reverse lever	/R	1	
10	N 102 913 02	Pan-head screw		2	
11	N 989 077 01	Hexagon-head bolt		3	
12	955 803 053 01	Seat belt	-05	1	
	955 803 053 01 HCP	Black			
12	955 803 053 04	Seat belt	-05	1	
	955 803 053 04 HCP	Black			
12	955 803 053 02	Seat belt	06-	1	
	955 803 053 02 HCP	Black			
13	N 904 411 02	Pan-head screw		1	
14	955 803 055 00	Seat-belt buckle	/R	1	
	955 803 055 00 HCP	Black			
15	955 803 054 00	Seat-belt buckle		1	
	955 803 054 00 HCP	Black			
16	N 989 234 01	Hexagon nut		4	
17	955 612 904 10	Cable for Seat-belt tensioner		3	

Model: 9PA 03

Model life 2003>>2006



Model: 9PA 03 Model life 2003>>2006

Pos	Part Number	Description	Remark	Qty	Model
		Heating Feed line Return line Valid up to: F >>9P6LA 01562 F >>9P6LA 41356 F >>9P6LA 80630			ID9J/D9K/D9L
(1)	955 572 982 00	Heater hose	/LL	1	ID9J/L0L
1	955 572 581 00	Heater hose	/LL	1	ID9K/D9L/L0L
(1)	955 572 581 01	Heater hose	/RL	1	ID9J/D9K/D9L IL0R
(2)	955 572 981 00	Heat exchanger Heater hose	/LL	1	ID9J/L0L
2	955 572 983 00	Heater hose	/LL	1	ID9K/D9L/L0L
(2)	955 572 581 00	Heater hose	/RL	1	ID9J/D9K/D9L IL0R
3	N 906 870 01	Heat exchanger Hose clamp B 27 X 12		16	
(4)	955 572 680 00	Hot air duct	/LL	1	ID9J/L0L
4	955 572 680 01	Hot air duct	/RL	1	ID9J/L0R
(4)	955 572 682 00	Hot air duct	/LL	1	ID9K/D9L/L0L
(4)	955 572 682 01	Hot air duct	/RL	1	ID9K/D9L/L0R
(5)	955 572 681 00	Heat exchanger Hot air duct	/LL	1	ID9J/L0L
5	955 572 681 01	Hot air duct	/RL	1	ID9J/L0R
(5)	955 572 683 00	Hot air duct	/LL	1	ID9K/D9L/L0L
(5)	955 572 683 01	Hot air duct	/RL	1	ID9K/D9L/L0R
6	955 572 781 01	Heat exchanger Grommet		1	ID9J
(6)	955 572 781 00	Grommet		1	ID9K/D9L
7	955 572 055 00	Clip	/RL	X	ID9J/L0R
(7)	955 572 145 00	Clip	/RL	X	ID9K/D9L/L0R
8	955 572 785 01	Hot air duct		1	ID9K/D9L
9	955 572 786 02	Heater hose		1	ID9K/D9L
10	955 572 685 00	Hot air duct		1	ID9K/D9L
10	955 572 401 00	Water tube		1	ID9K/D9L
11	955 572 784 00	Heater hose		1	ID9K/D9L
12	955 572 403 00	Water tube		1	ID9K/D9L
(12)	955 572 684 01	Hot air duct		1	ID9K/D9L
13	955 572 698 00	Heating tube		1	ID9K/D9L
14	955 572 589 00	Heater hose		1	ID9K/D9L
15	955 572 686 01	Hot air duct		1	ID9K/D9L
16	955 572 823 01	Support Hot air duct		1	ID9K/D9L
17	955 572 055 01	Clip		X	
18	N 106 209 01	Pan-head screw M6 X 30		X	
19	955 572 150 02	Water pump with Clamp		1	ID9K/D9L
20	N 909 423 01	Clip 48 X 15		1	ID9K/D9L
21	900 377 010 01	Hexagon nut M 6		X	ID9K/D9L
22	955 572 406 01	Support Water pump		1	ID9K/D9L
23	N 908 051 02	Blind rivet nut M6		X	
24	N 104 514 04	Lens-head screw M6 X 16		X	
25	N 014 773 3	Pan-head screw		1	

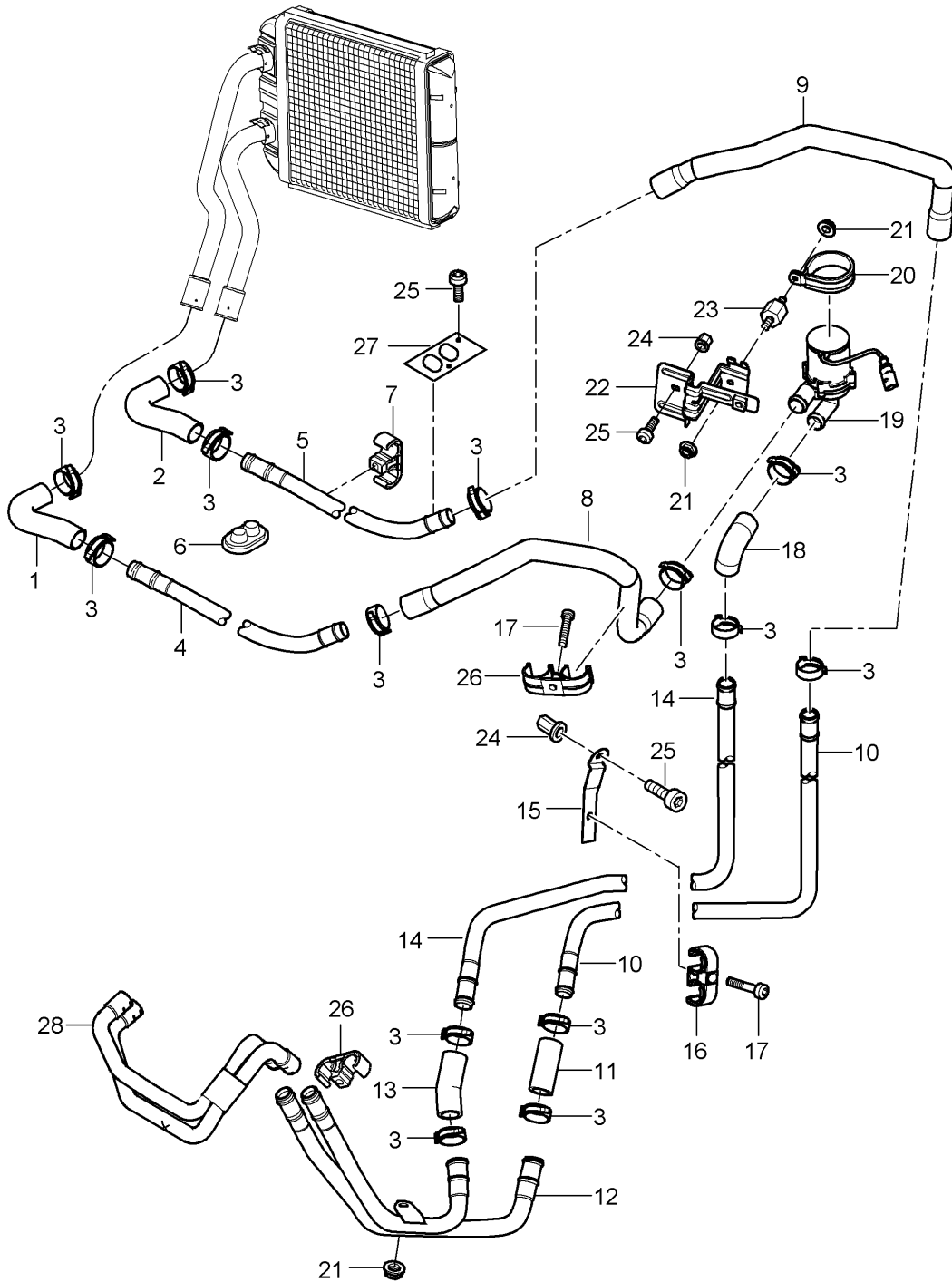
Model: 9PA 03

Model life 2003>>2006

Pos	Part Number	Description	Remark	Qty	Model
26	955 572 758 00	M6 x 20 Sealing strip Hot air duct Wheel housing		1	
27	--- --- --- ---	Water hose Engine See illustrations 1/05/25 - 27		1	

Model: 9PA 03

Model life 2003>>2006





Model: 9PA 03

Model life 2003>>2006

Pos	Part Number	Description	Remark	Qty	Model
		Heating Feed line Return line Valid from: F 9P6LA 01563>> F 9P6LA 41357>> F 9P6LA 80631>>			ID9J/D9K/D9L
(1)	955 572 982 00	Heater hose	/LL	1	ID9J/L0L
1	955 572 581 00	Heater hose	/LL	1	ID9K/D9L/L0L
(1)	955 572 581 01	Heater hose	/RL	1	ID9J/D9K/D9L IL0R
		Heat exchanger			
(2)	955 572 981 00	Heater hose	/LL	1	ID9J/L0L
(2)	955 572 983 00	Heater hose	/LL	1	ID9K/D9L/L0L
2	955 572 581 00	Heater hose	/RL	1	ID9J/D9K/D9L IL0R
		Heat exchanger			
3	N 906 870 01	Hose clamp B 27 X 12		16	
(4)	955 572 680 00	Hot air duct	/LL	1	ID9J/L0L
4	955 572 680 01	Hot air duct	/RL	1	ID9J/L0R
(4)	955 572 682 00	Hot air duct	/LL	1	ID9K/D9L/L0L
(4)	955 572 682 01	Hot air duct	/RL	1	ID9K/D9L/L0R
		Heat exchanger			
(5)	955 572 681 00	Hot air duct	/LL	1	ID9J/L0L
5	955 572 681 01	Hot air duct	/RL	1	ID9J/L0R
(5)	955 572 683 00	Hot air duct	/LL	1	ID9K/D9L/L0L
(5)	955 572 683 01	Hot air duct	/RL	1	ID9K/D9L/L0R
		Heat exchanger			
6	955 572 781 01	Grommet		1	ID9J
(6)	955 572 781 00	Grommet		1	ID9K/D9L
7	955 572 055 03	Clip	/RL	X	ID9J/L0R
(7)	955 572 145 00	Clip	/RL	X	ID9K/D9L/L0R
		Hot air duct			
8	955 572 784 05	Heater hose		1	ID9K/D9L
9	955 572 994 00	Heater hose		1	ID9K/D9L
10	955 572 926 00	Hot air duct		1	ID9K/D9L
11	955 572 784 00	Heater hose		1	ID9K/D9L
12	955 572 698 00	Heating tube		1	ID9K/D9L
13	955 572 589 00	Heater hose		1	ID9K/D9L
14	955 572 925 00	Hot air duct		1	ID9K/D9L
15	955 572 823 01	Support		1	
		Heating tube			
16	955 572 055 01	Clip		X	
17	N 106 209 01	Pan-head screw M6 X 30		X	
18	955 572 791 05	Heater hose		1	ID9K/D9L
		Water pump			
19	955 572 150 06	Water pump		1	ID9K/D9L
20	N 909 423 01	Clip		1	ID9K/D9L
		48 X 15			
21	900 377 010 09	Hexagon nut M 6		1	ID9K/D9L
22	955 572 545 01	Support		1	
		Water pump			
23	955 572 567 00	Rubber buffer		1	
24	N 908 051 02	Blind rivet nut M6		X	
25	N 104 514 04	Lens-head screw M6 X 16		X	
26	955 572 055 03	Clip		X	
27	955 572 758 00	Sealing strip Hot air duct		1	

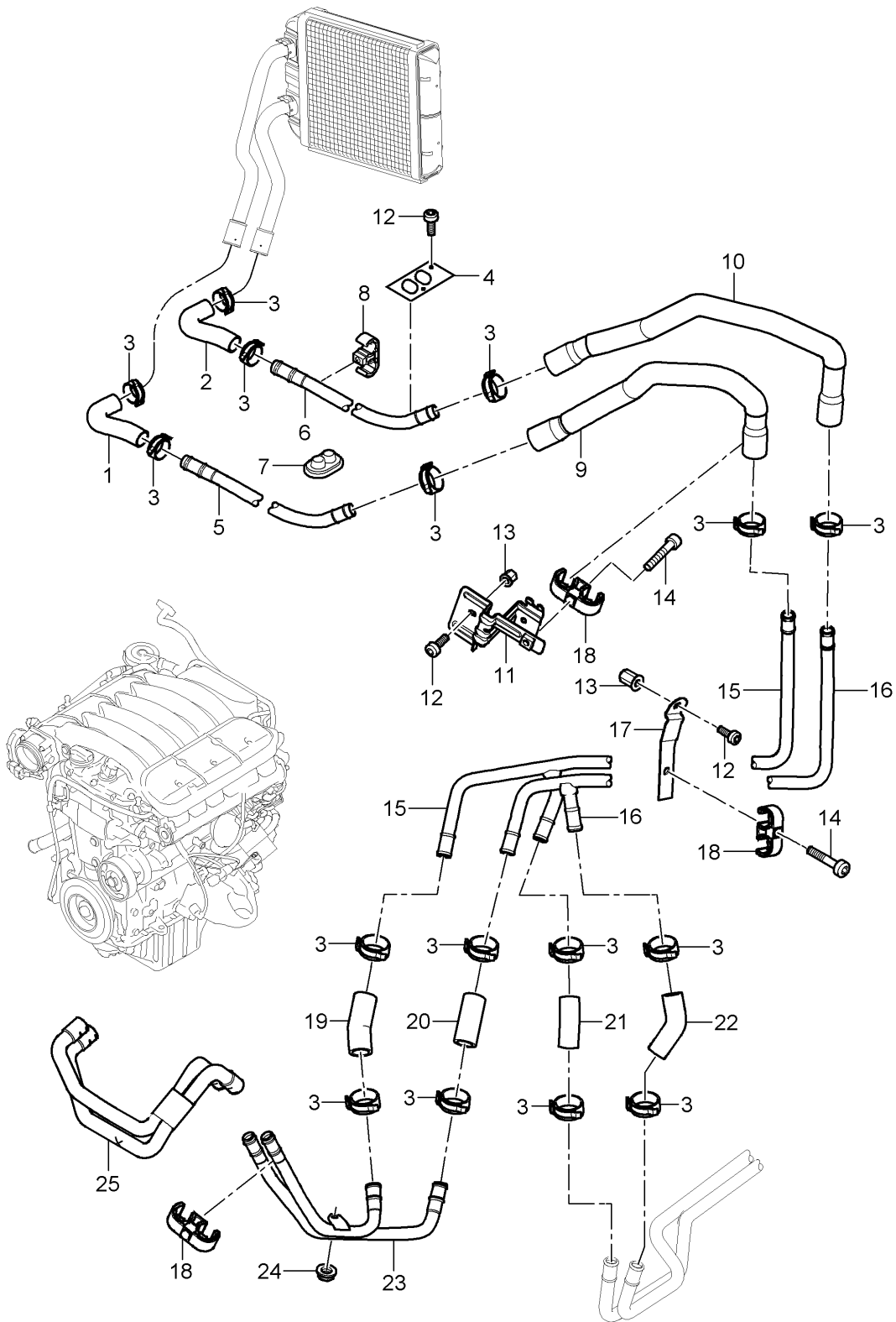
Model: 9PA 03

Model life 2003>>2006

Pos	Part Number	Description	Remark	Qty	Model
28	-----	Wheel housing Water hose Engine See illustrations 1/05/25 - 27		1	

Model: 9PA 03

Model life 2003>>2006



Model: 9PA 03

Model life 2003>>2006

Pos	Part Number	Description	Remark	Qty	Model
		Heating with Auxiliary air conditioner Feed line Return line			ID9J/9AH
1	955 572 983 00	Heater hose	/LL	1	IL0L
(1)	955 572 581 00	Heater hose	/RL	1	IL0R
		Heat exchanger			
2		Heater hose	/LL	1	IL0L
(2)	955 572 581 01	Heater hose	/RL	1	IL0R
		Heat exchanger			
3	N 906 870 01	Hose clamp B 27 X 12		X	
4	955 572 758 00	Sealing strip		1	
5	955 572 682 00	Hot air duct	/LL	1	IL0L
(5)	955 572 682 01	Hot air duct	/RL	1	IL0R
6	955 572 683 00	Hot air duct	/LL	1	IL0L
(6)	955 572 683 01	Hot air duct	/RL	1	IL0R
7	955 572 781 01	Grommet		1	
8	955 572 055 01	Clip		2	
(9)	955 572 785 01	Heater hose		1	
		Valid up to: F >>9P6LA 01562			
9	955 572 374 00	Heater hose		1	
		Valid from: F 9P6LA 01563>>			
(10)	955 572 786 02	Heater hose		1	
		Valid up to: F >>9P6LA 01562			
10	955 572 994 00	Heater hose		1	
		Valid from: F 9P6LA 01563>>			
(11)	955 572 406 01	Support		1	
		Valid up to: F >>9P6LA 01562			
11	955 572 545 00	Support		1	
		Valid from: F 9P6LA 01563>>			
12	N 104 514 04	Lens-head screw M6 X 16		X	
13	N 908 051 02	Blind rivet nut M6		X	
14	N 106 209 01	Pan-head screw M6 X 30		X	
15	955 572 402 00	Water tube		1	
		Valid up to: F >>9P6LA 01562			
15	955 572 925 05	Hot air duct		1	
		Valid from: F 9P6LA 01563>>			
(16)	955 572 688 00	Hot air duct		1	
(16)	955 572 404 00	Water tube		1	
		Valid up to: F >>9P6LA 01562			
16	955 572 926 02	Hot air duct		1	
		Valid from: F 9P6LA 01563>>			
17	955 572 823 01	Support		1	
		Hot air duct			
18	955 572 055 01	Clip		1	
19	955 572 589 00	Heater hose		1	
20	955 572 784 00	Heater hose		1	
21	955 572 583 00	Heater hose		1	

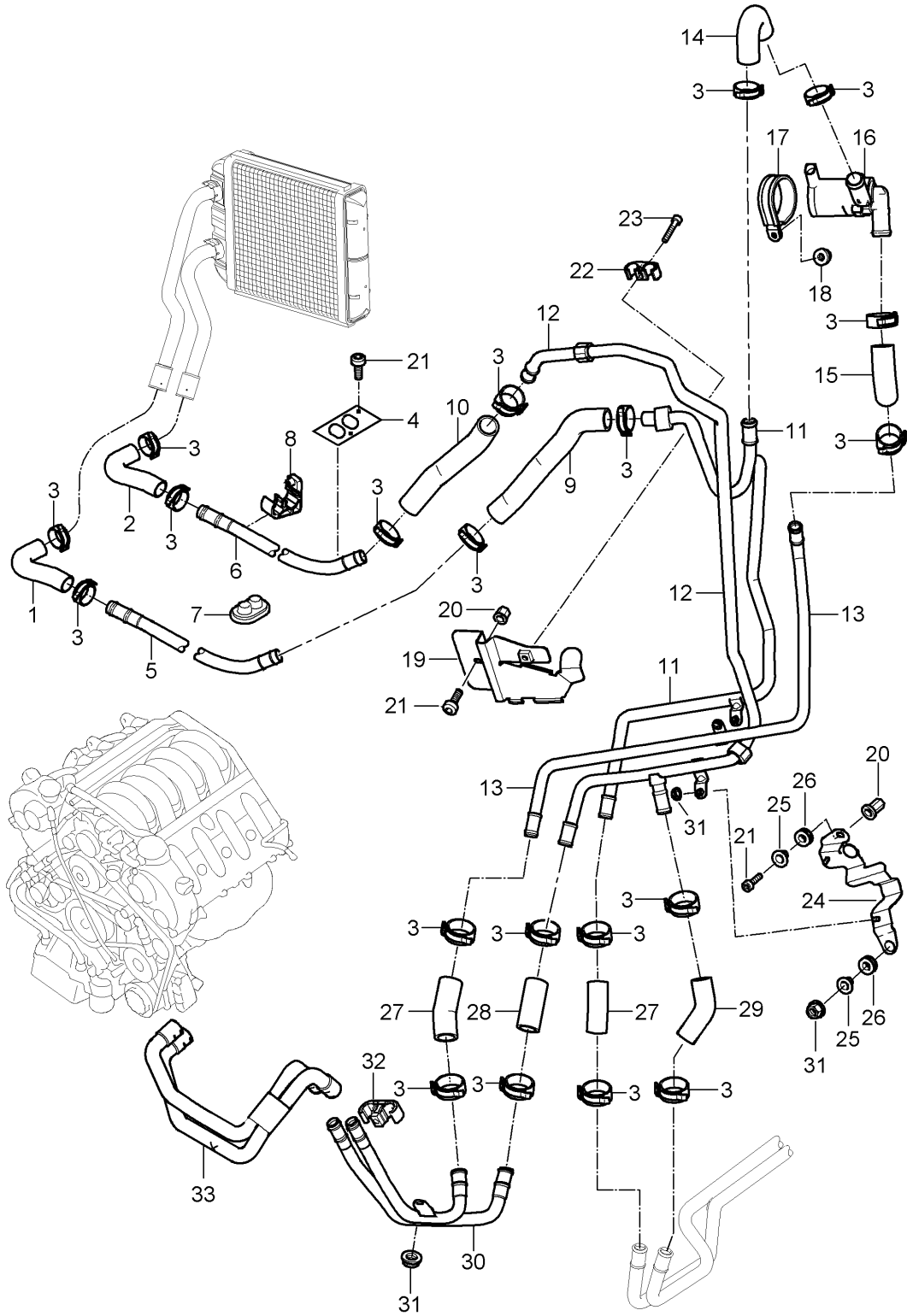
Model: 9PA 03

Model life 2003>>2006

Pos	Part Number	Description	Remark	Qty	Model
22	955 572 584 00	Heater hose		1	
23	955 572 698 00	Heating tube Engine		1	
24	900 377 010 01	Hexagon nut		X	
25	--- --- --- --	Water hose Engine See illustrations 1/05/27		1	

Model: 9PA 03

Model life 2003>>2006



Model: 9PA 03

Model life 2003>>2006

Pos	Part Number	Description	Remark	Qty	Model
		Heating with Auxiliary air conditioner Feed line Return line Valid up to: F >>9P6LA 41356 F >>9P6LA 80630			ID9K/D9L/9AH
1	955 572 581 00	Heater hose	/LL	1	IL0L
(1)	955 572 581 01	Heater hose	/RL	1	IL0R
		Heat exchanger			
2	955 572 983 00	Heater hose	/LL	1	IL0L
(2)	955 572 581 00	Heater hose	/RL	1	IL0R
		Heat exchanger			
3	N 906 870 01	Hose clamp B 27 X 12		X	
4	955 572 758 00	Sealing strip		1	
5	955 572 682 00	Hot air duct	/LL	1	IL0L
(5)	955 572 682 01	Hot air duct	/RL	1	IL0R
6	955 572 683 00	Hot air duct	/LL	1	IL0L
(6)	955 572 683 01	Hot air duct	/RL	1	IL0R
7	955 572 781 00	Grommet		1	
8	955 572 145 00	Clip	/RL	1	IL0R
9	955 572 785 01	Heater hose		1	
10	955 572 786 02	Heater hose		1	
11	955 572 400 00	Water tube		1	
12	955 572 405 00	Water tube		1	
		Valid up to: F >>9P5LA 43487 F >>9P5LA 81701			
(12)	955 572 926 01	Hot air duct Valid from: F 9P5LA 43488>> F 9P5LA 81702>>		1	
13	955 572 689 00	Hot air duct		1	
(13)	955 572 689 01	Hot air duct		1	
14	955 572 588 01	Heater hose		1	
15	955 572 584 00	Heater hose		1	
16	955 572 150 03	Water pump		1	
17	N 909 423 01	Clip		1	
18	900 377 010 01	Hexagon nut M6 Valid up to: F >>9P5LA 43487 F >>9P5LA 81701		X	
(18)	N 014 773 3	Pan-head screw M6 X 20 Valid from: F 9P5LA 43488>> F 9P5LA 81702>>		X	
19	955 572 406 01	Support		1	
		Water pump			
20	N 902 631 04	Blind rivet nut M6		X	
21	N 104 514 04	Lens-head screw M6 X 16		X	
22	955 572 055 01	Clip		X	
23	N 106 209 01	Pan-head screw M6 X 30		X	
24	955 572 950 00	Support		1	
		Hot air duct			
25	955 572 121 00	Bush		2	
26	955 572 095 00	Rubber sleeve		2	

Model: 9PA 03

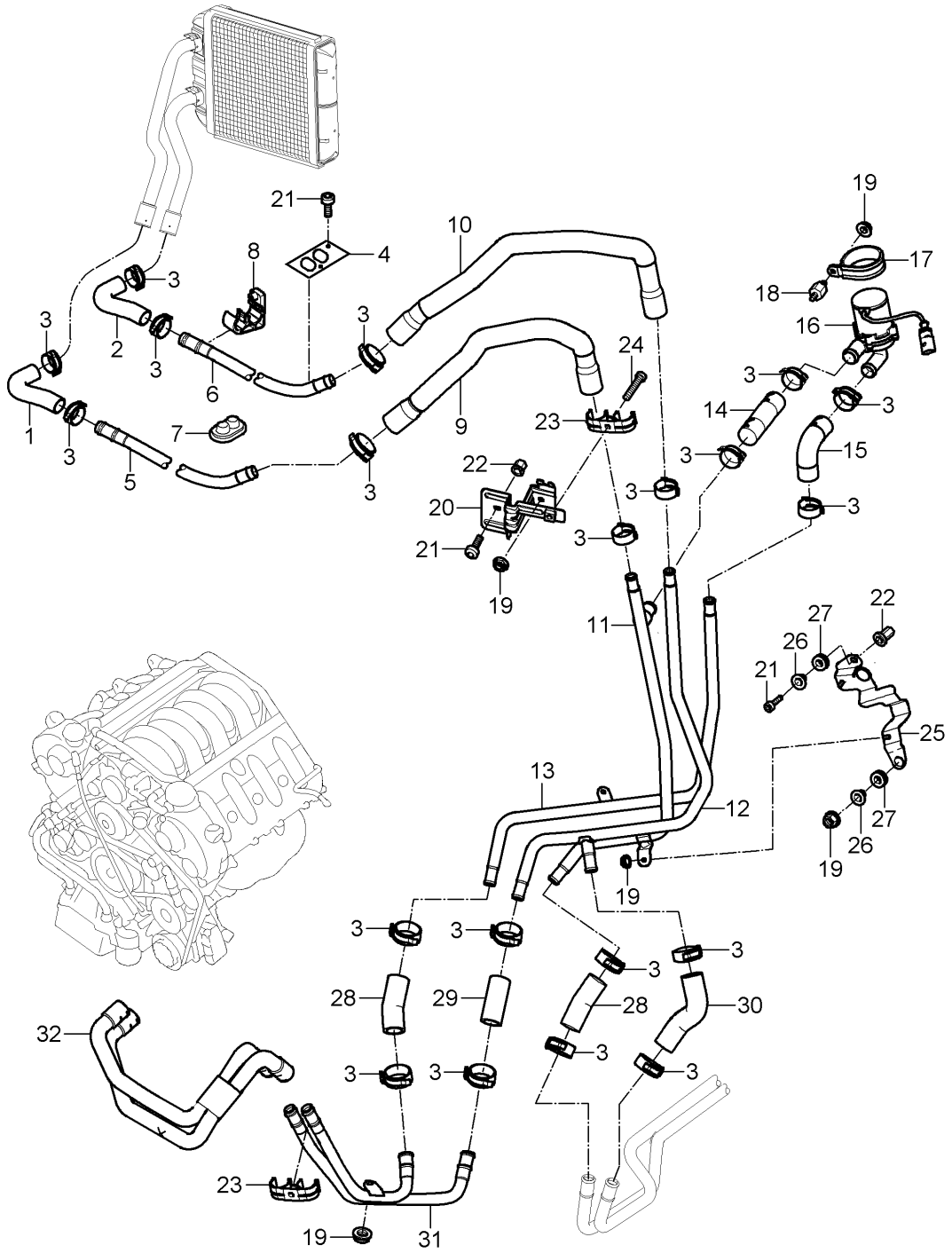
Model life 2003>>2006

Pos	Part Number	Description	Remark	Qty	Model
27	955 572 589 00	Heater hose		2	
28	955 572 784 00	Heater hose		1	
29	955 572 793 00	Heater hose		1	
30	955 572 698 00	Heating tube		1	
31	900 377 010 01	Hexagon nut M6		X	
32	955 572 055 00	Clip Heating tube		X	
33	--- --- --- --	Water hose Engine See illustrations 1/05/25		1	



Model: 9PA 03

Model life 2003>>2006



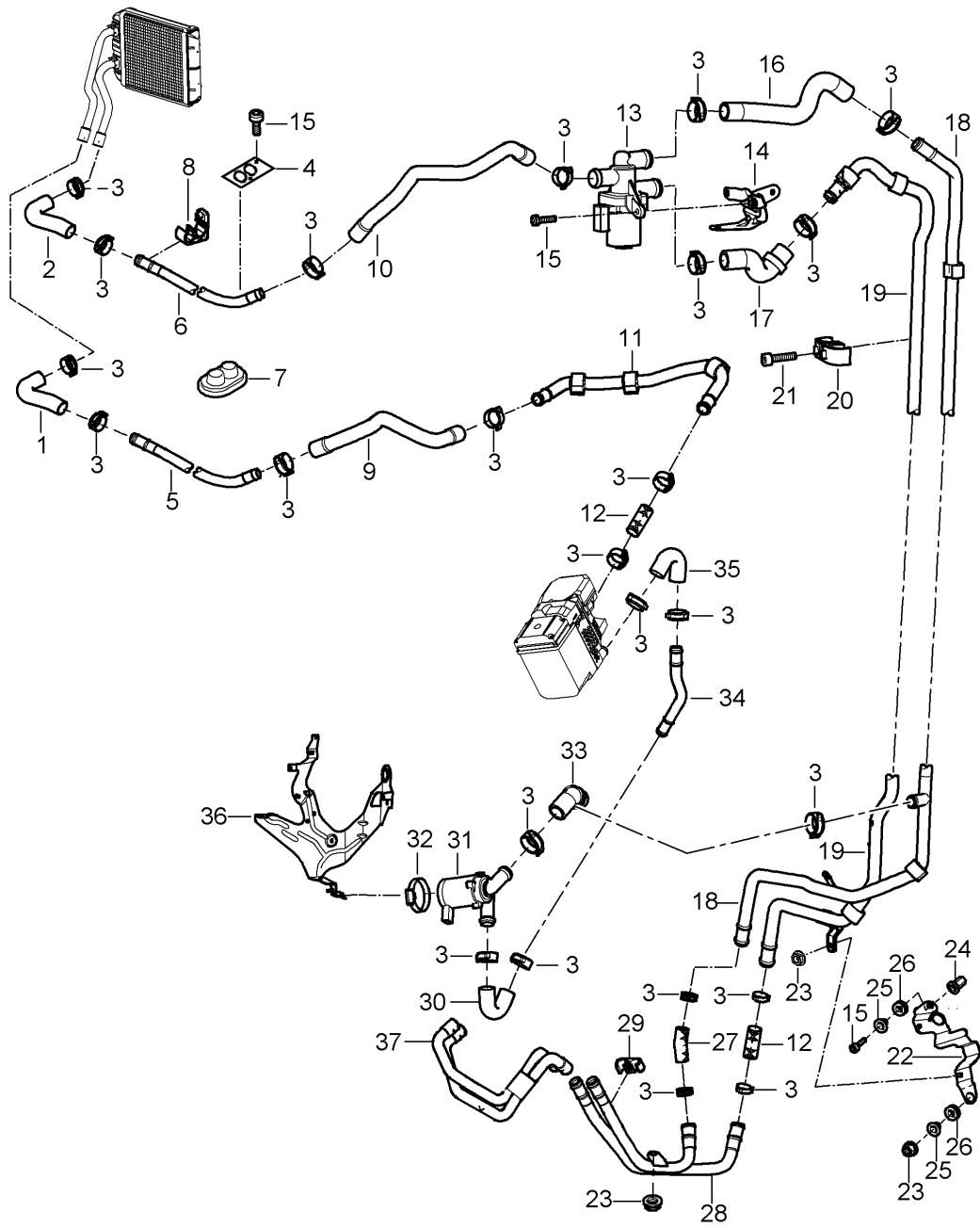
Model: 9PA 03

Model life 2003>>2006

Pos	Part Number	Description	Remark	Qty	Model
		Heating with Auxiliary air conditioner Feed line Return line Valid from: F 9P6LA 41357>> F 9P6LA 80631>>			ID9K/D9L/9AH
1	955 572 581 00	Heater hose	/LL	1	IL0L
(1)	955 572 581 01	Heater hose	/RL	1	IL0R
		Heat exchanger			
2	955 572 983 00	Heater hose	/LL	1	IL0L
(2)	955 572 581 00	Heater hose	/RL	1	IL0R
		Heat exchanger			
3	N 906 870 01	Hose clamp B 27 X 12		X	
4	955 572 758 00	Sealing strip		1	
5	955 572 682 00	Hot air duct	/LL	1	IL0L
(5)	955 572 682 01	Hot air duct Supply	/RL	1	IL0R
6	955 572 683 00	Hot air duct	/LL	1	IL0L
(6)	955 572 683 01	Hot air duct Return line	/RL	1	IL0R
7	955 572 781 00	Grommet		1	
8	955 572 145 00	Clip	/RL	1	IL0R
9	955 572 374 00	Heater hose		1	
10	955 572 994 00	Heater hose		1	
11	955 572 858 00	Hot air duct		1	
12	955 572 926 05	Hot air duct		1	
13	955 572 925 07	Hot air duct		1	
14	955 572 373 00	Heater hose		1	
15	955 572 791 05	Heater hose		1	
16	958 572 150 09	Water pump		1	
17	N 909 423 01	Clip		1	
18	955 572 567 00	Rubber buffer		1	
19	900 377 010 01	Hexagon nut M6		X	
20	955 572 545 00	Support Water pump		1	
21	N 104 514 04	Lens-head screw M6 X 16		X	
22	N 902 631 04	Blind rivet nut M6		X	
23	955 572 055 03	Clip		X	
24	N 106 209 01	Pan-head screw M6 X 30		X	
25	955 572 950 00	Support Hot air duct		1	
26	955 572 121 00	Bush		2	
27	955 572 095 00	Rubber sleeve		2	
28	955 572 589 00	Heater hose		2	
29	955 572 784 00	Heater hose		1	
30	955 572 793 00	Heater hose		1	
31	955 572 698 00	Heating tube		1	
32	--- --- --- --	Water hose Engine See illustrations 1/05/25		1	

Model: 9PA 03

Model life 2003>>2006



Model: 9PA 03

Model life 2003>>2006

Pos	Part Number	Description	Remark	Qty	Model
		Heating with Auxiliary heater Feed line Return line Valid up to: F >>9P6LA 01562 F >>9P6LA 41356 F >>9P6LA 80630			I7VE/7VL
1	955 572 982 00	Heater hose	/LL	1	ID9J/L0L
(1)	955 572 581 00	Heater hose	/LL	1	ID9K/D9L/L0L
(1)	955 572 581 01	Heater hose	/RL	1	ID9J/D9K/D9L IL0R
		Heat exchanger			
2	955 572 981 00	Heater hose	/LL	1	ID9J/L0L
(2)	955 572 983 00	Heater hose	/LL	1	ID9K/D9L/L0L
(2)	955 572 581 00	Heater hose	/RL	1	ID9J/D9K/D9L IL0R
		Heat exchanger			
3	N 906 870 01	Hose clamp B 27 X 12		X	
4	955 572 758 00	Sealing strip		1	
5	955 572 682 00	Hot air duct	/LL	1	IL0L
(5)	955 572 682 01	Hot air duct	/RL	1	IL0R
6	955 572 683 00	Hot air duct	/LL	1	IL0L
(6)	955 572 683 01	Hot air duct	/RL	1	IL0R
7	955 572 781 00	Grommet		1	
(8)	955 572 055 00	Clip	/RL	1	ID9J/L0R
8	955 572 145 00	Clip	/RL	1	ID9K/D9L/L0R
9	955 572 790 00	Heater hose		1	
10	955 572 791 01	Heater hose		1	
11	955 572 888 00	Hot air duct		1	
12	955 572 784 00	Heater hose		2	
13	955 572 151 01	Valve		1	
14	955 572 826 00	Support Valve		1	
15	N 104 514 04	Lens-head screw M6 X 16		X	
16	955 572 992 00	Heater hose		1	
17	955 572 792 00	Heater hose		1	
18	955 572 693 00	Hot air duct		1	
19	955 572 692 01	Hot air duct		1	
20	955 572 055 01	Clip		X	
21	N 106 209 01	Pan-head screw M6 X 30		X	
22	955 572 823 02	Support Hot air duct		1	
23	900 377 010 09	Hexagon nut M6		X	
24	N 902 631 01	Blind rivet nut M6		X	
25	955 572 121 00	Bush		2	
26	955 572 095 00	Rubber sleeve		2	
27	955 572 589 00	Heater hose		1	
28	955 572 698 00	Heating tube		1	
29	955 572 055 00	Clip		X	
30	955 572 587 01	Heater hose		1	
31	955 572 150 03	Water pump		1	
32	N 904 252 01	Clamp		1	
33	955 572 585 01	Heater hose		1	
34	955 572 857 01	Hot air duct		1	
35	955 572 588 01	Heater hose		1	
36	--- --- --- --	Support		1	

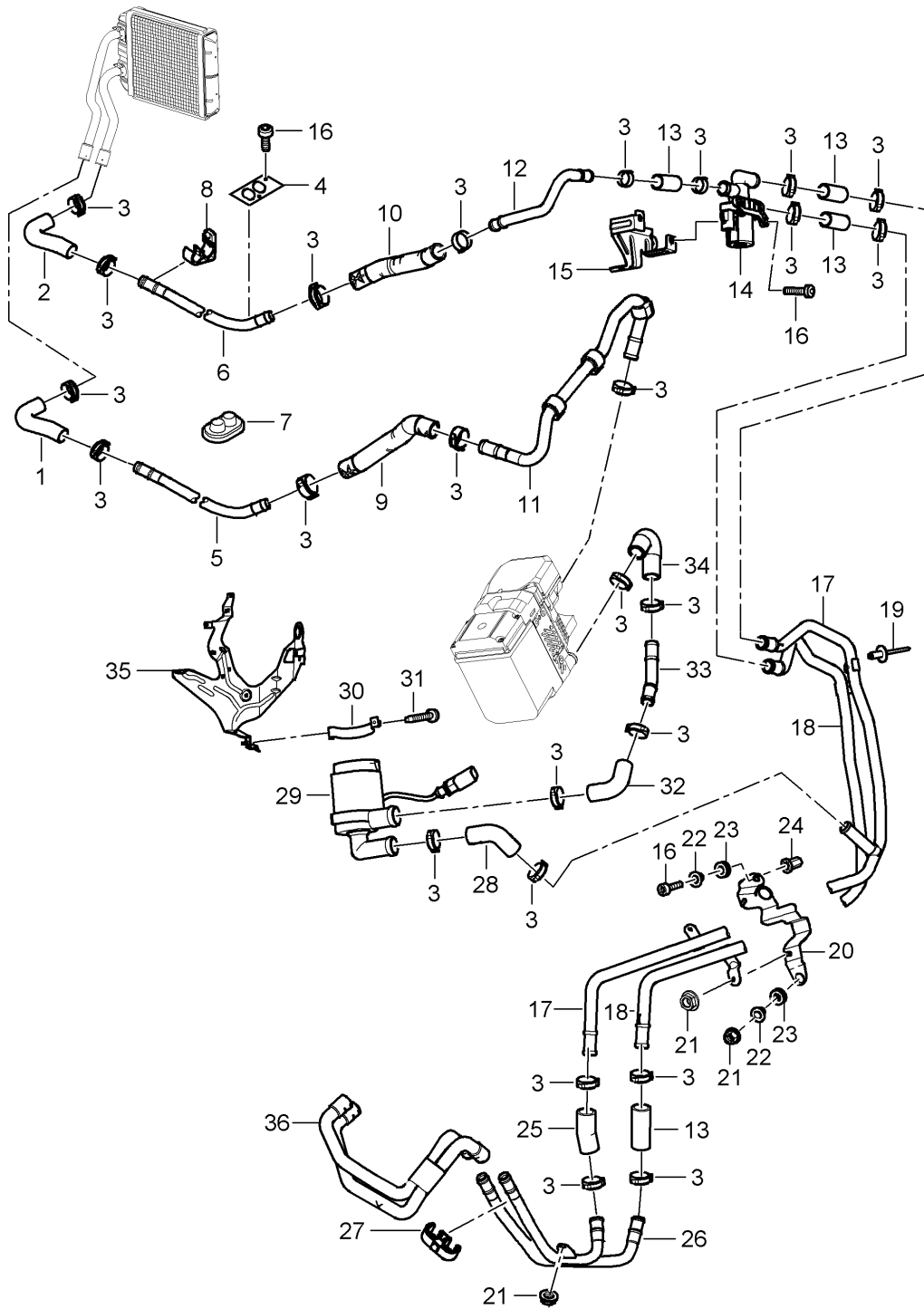
Model: 9PA 03

Model life 2003&gt;&gt;2006

Pos	Part Number	Description	Remark	Qty	Model
37		See illustrations 8/13/85 Water hose Engine See illustrations 1/05/25 - 27		1	

Model: 9PA 03

Model life 2003>>2006



Model: 9PA 03

Model life 2003>>2006

Pos	Part Number	Description	Remark	Qty	Model
		Heating with Auxiliary heater Feed line Return line Valid from: F 9P6LA 01563>> F 9P6LA 41357>> F 9P6LA 80631>>			ID9J/D9K/D9L
1	955 572 982 00	Heater hose	/LL	1	ID9J/L0L
(1)	955 572 581 00	Heater hose	/LL	1	ID9K/D9L/L0L
(1)	955 572 581 01	Heater hose	/RL	1	ID9J/D9K/D9L IL0R
		Heat exchanger			
2	955 572 981 00	Heater hose	/LL	1	ID9J/L0L
(2)	955 572 983 00	Heater hose	/LL	1	ID9K/D9L/L0L
(2)	955 572 581 00	Heater hose	/RL	1	ID9J/D9K/D9L IL0R
		Heat exchanger			
3	N 906 870 01	Hose clamp B 27 X 12		X	
4	955 572 758 00	Sealing strip		1	
5	955 572 682 00	Hot air duct	/LL	1	IL0L
(5)	955 572 682 01	Hot air duct	/RL	1	IL0R
6	955 572 683 00	Hot air duct	/LL	1	IL0L
(6)	955 572 683 01	Hot air duct	/RL	1	IL0R
7	955 572 781 01	Grommet		1	ID9J
(7)	955 572 781 00	Grommet		1	ID9K/D9L
(8)	955 572 055 03	Clip		1	ID9J
8	955 572 145 00	Clip		1	ID9K/D9L
9	955 572 785 01	Heater hose		1	
10	955 572 786 02	Heater hose		1	
11	955 572 690 01	Hot air duct		1	
12	955 572 690 02	Hot air duct		1	
13	955 572 784 00	Heater hose		4	
14	955 572 824 03	Valve		1	
15	955 572 826 01	Support Valve		1	
16	N 104 514 04	Lens-head screw M6 X 16		X	
17	955 572 925 06	Hot air duct		1	
18	955 572 926 03	Hot air duct		1	
19	N 902 876 01	Blind rivet A 4,8 X 10		2	
20	955 572 950 01	Support Hot air duct		1	
21	N 015 082 9	Hexagon nut M6		X	
22	955 572 121 00	Bush		2	
23	955 572 095 00	Rubber sleeve		2	
24	N 902 631 01	Blind rivet nut M6		X	
25	955 572 589 00	Heater hose		1	
26	955 572 698 00	Heating tube		1	
27	955 572 055 03	Clip		X	
28	955 572 585 03	Heater hose		1	
29	958 572 150 09	Water pump		1	
30	955 572 703 00	Clip		1	
31	N 909 117 01	Screw		1	
32	955 572 791 05	Heater hose		1	
33	955 572 857 00	Hot air duct		1	
34	955 572 588 02	Heater hose		1	
35	--- --- --- --	Support		1	

Model: 9PA 03

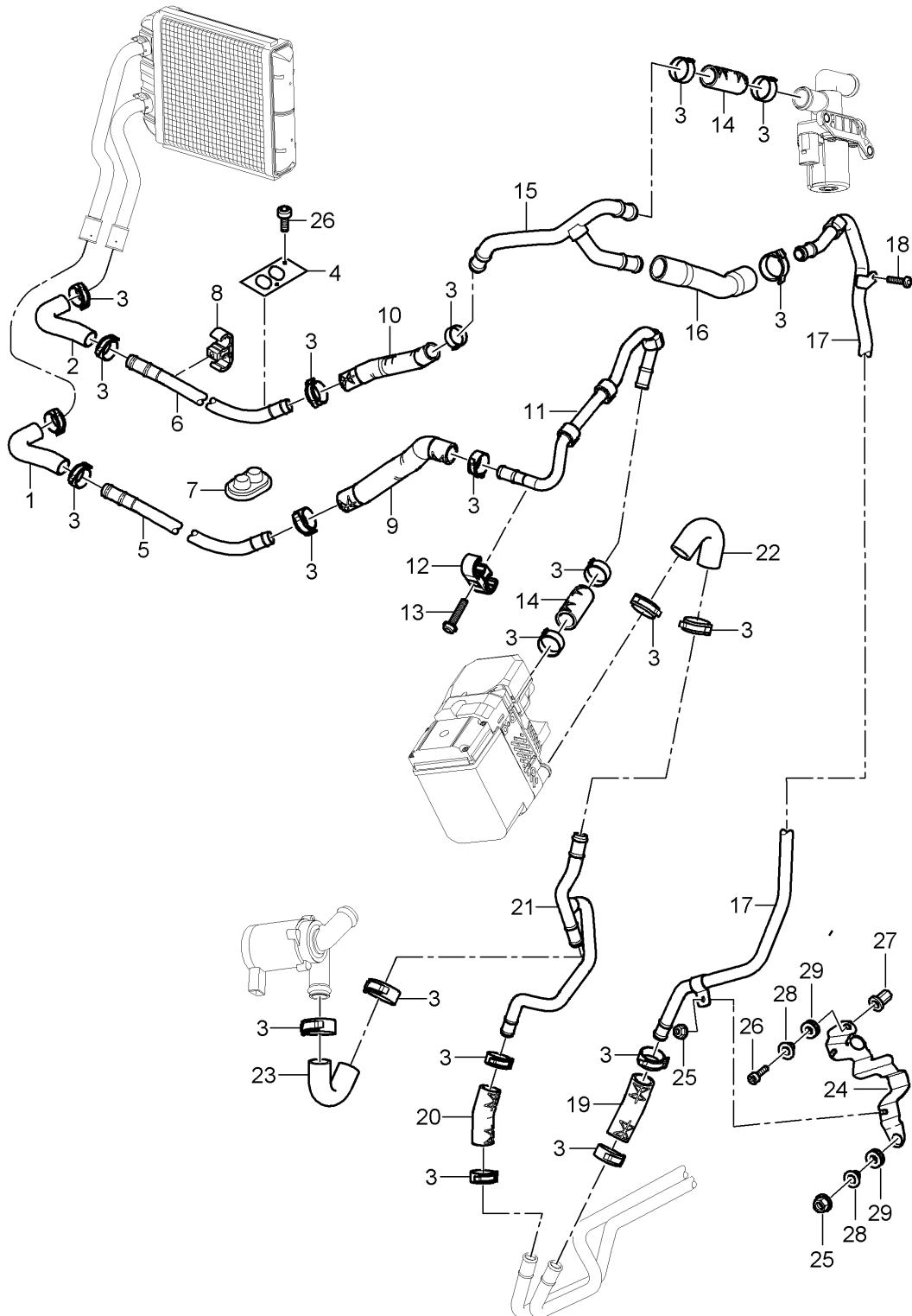
Model life 2003&gt;&gt;2006

Pos	Part Number	Description	Remark	Qty	Model
36		See illustrations 8/13/85 Water hose Engine See illustrations 1/05/25 - 27		1	



Model: 9PA 03

Model life 2003>>2006



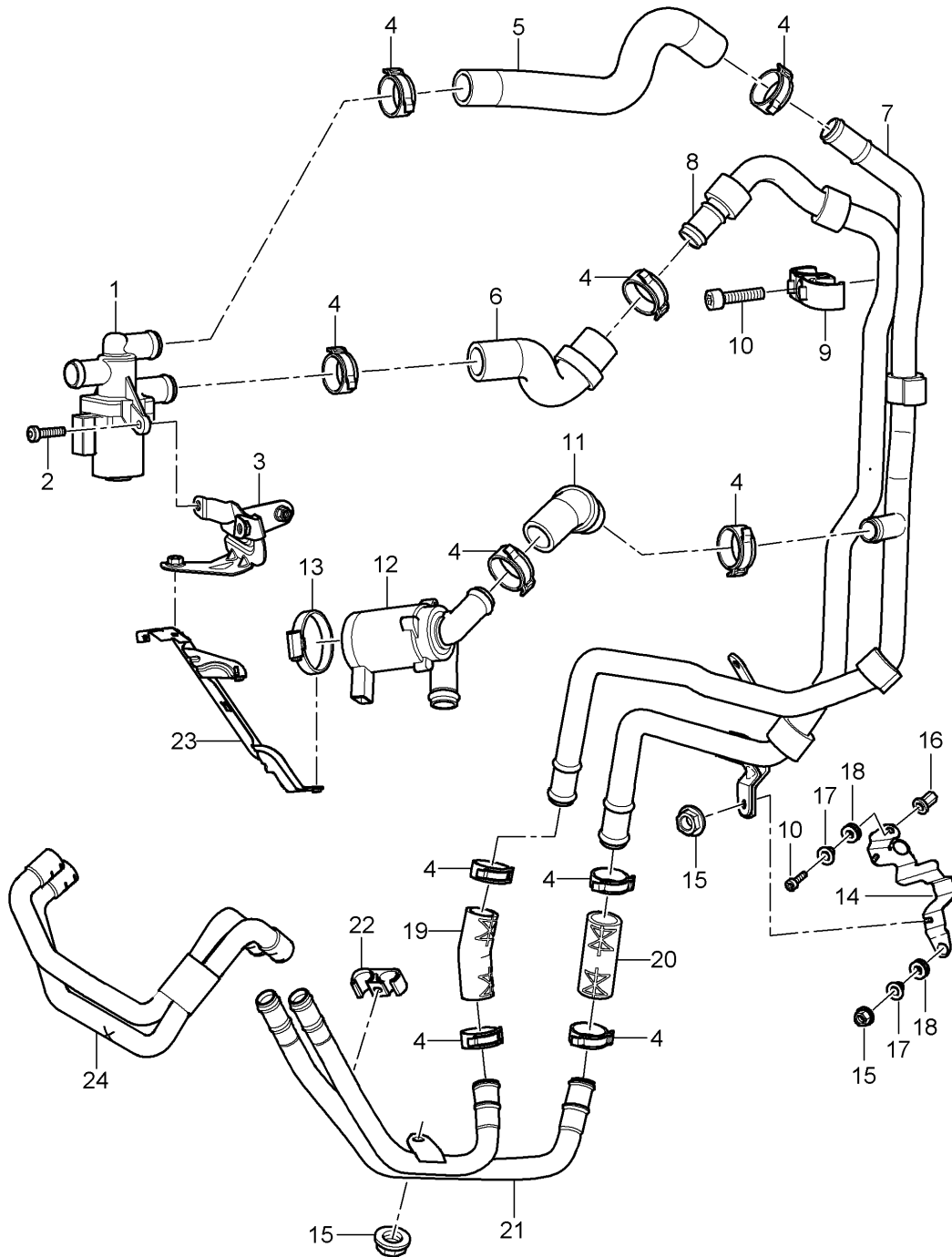
Model: 9PA 03

Model life 2003>>2006

Pos	Part Number	Description	Remark	Qty	Model
		Heating with Auxiliary air conditioner And Auxiliary heater Feed line Return line Heat exchanger Until Hot air duct Rear Valid up to: F >>9P6LA 01562 F >>9P6LA 41356 F >>9P6LA 80630			I7VE/7VL/9AH
(1)	955 572 982 00	Heater hose	/LL	1	ID9J/L0L
1	955 572 581 00	Heater hose	/LL	1	ID9K/D9L/L0L
(1)	955 572 581 01	Heater hose	/RL	1	ID9J/D9K/D9L IL0R
(2)	955 572 981 00	Heat exchanger Heater hose	/LL	1	ID9J/L0L
2	955 572 983 00	Heater hose	/LL	1	ID9K/D9L/L0L
(2)	955 572 581 00	Heater hose	/RL	1	ID9J/D9K/D9L IL0R
3	N 906 870 01	Heat exchanger Hose clamp B 27 X 12		X	
4	955 572 758 00	Sealing strip		1	
5	955 572 682 00	Hot air duct	/LL	1	IL0L
(5)	955 572 682 01	Hot air duct	/RL	1	IL0R
6	955 572 683 00	Hot air duct	/LL	1	IL0L
(6)	955 572 683 01	Hot air duct	/RL	1	IL0R
7	955 572 781 01	Grommet		1	ID9J
(7)	955 572 781 00	Grommet		1	ID9K/D9L
8	955 572 055 00	Clip	/RL	1	ID9J/L0R
(8)	955 572 145 00	Clip	/RL	1	ID9K/D9L/L0R
9	955 572 785 01	Heater hose		1	
10	955 572 786 01	Heater hose		1	
11	955 572 690 00	Hot air duct		1	
(11)	955 572 690 03	Hot air duct		1	
12	955 572 055 01	Clip		X	
13	N 106 209 01	Pan-head screw M6 X 30		X	
14	955 572 784 00	Heater hose		2	
15	955 572 694 00	Hot air duct		1	
16	955 572 794 00	Heater hose		1	
17	955 572 696 00	Hot air duct		1	
18	N 909 117 01	Screw M4 X 16		X	
19	955 572 371 00	Heater hose		1	
20	955 572 589 00	Heater hose		1	
21	955 572 695 00	Hot air duct		1	
22	955 572 588 01	Heater hose		1	
23	955 572 587 01	Heater hose		1	
24	955 572 823 02	Support		1	
25	900 377 010 01	Hexagon nut M6		X	
26	N 104 514 04	Lens-head screw		2	
27	N 902 631 01	Blind rivet nut M6		X	
28	955 572 121 00	Bush		2	
29	955 572 095 00	Rubber sleeve		2	

Model: 9PA 03

Model life 2003>>2006



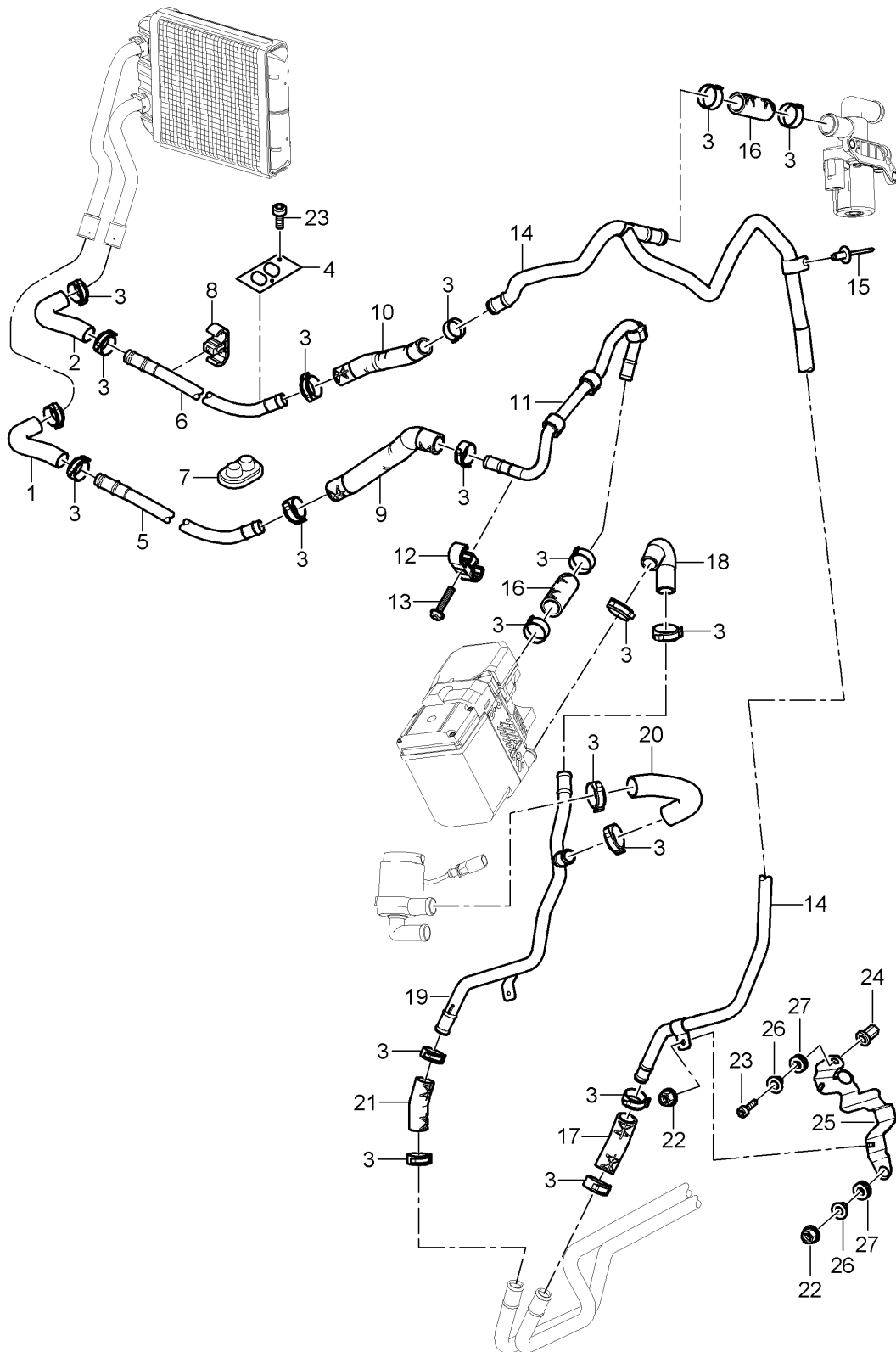
Model: 9PA 03

Model life 2003>>2006

Pos	Part Number	Description	Remark	Qty	Model
		Heating with Auxiliary air conditioner And Auxiliary heater Feed line Return line Valve Until Engine Valid up to: F >>9P6LA 01562 F >>9P6LA 41356 F >>9P6LA 80630			I7VE/7VL/9AH
1	955 572 151 01	Valve		1	
2	N 104 514 04	Lens-head screw M6 X 16		X	
3	955 572 826 00	Support		1	
4	N 906 870 01	Hose clamp B 27 X 12		X	
5	955 572 992 00	Heater hose		1	
6	955 572 792 00	Heater hose		1	
7	955 572 693 00	Hot air duct		1	
8	955 572 692 01	Hot air duct		1	
9	955 572 055 01	Clip		X	
10	N 106 209 01	Pan-head screw		X	
11	955 572 585 01	Heater hose		1	
12	955 572 150 02	Water pump		1	
13	N 904 252 01	Clamp		1	
14	955 572 823 02	Support		1	
15	900 377 010 01	Hexagon nut M6		X	
16	N 908 051 02	Blind rivet nut M6		X	
17	955 572 121 00	Bush		2	
18	955 572 095 00	Rubber sleeve		2	
19	955 572 589 00	Heater hose		1	
20	955 572 784 00	Heater hose		1	
21	955 572 698 00	Heating tube		1	
22	955 572 055 00	Clip		X	
23	--- --- --- --	Support See illustrations 8/13/85		X	
24		Water hose Engine See illustrations 1/05/25 - 27		1	

Model: 9PA 03

Model life 2003>>2006



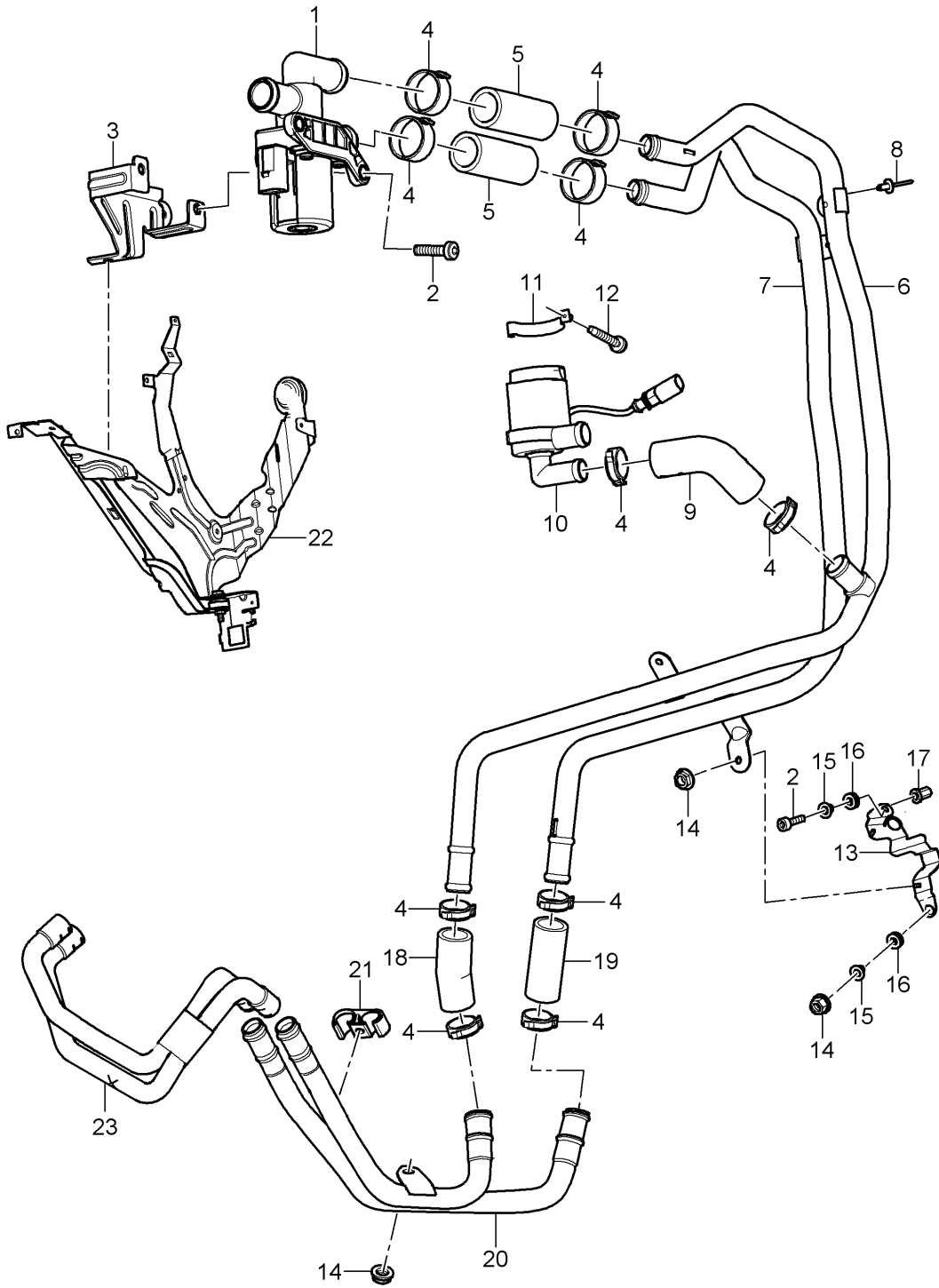
Model: 9PA 03

Model life 2003&gt;&gt;2006

Pos	Part Number	Description	Remark	Qty	Model
		Heating with Auxiliary air conditioner And Auxiliary heater Feed line Return line Heat exchanger Until Hot air duct Rear Valid from: F 9P6LA 01563>> F 9P6LA 41357>> F 9P6LA 80631>>			I7VE/7VL/9AH
(1)	955 572 982 00	Heater hose	/LL	1	ID9J/L0L
1	955 572 581 00	Heater hose	/LL	1	ID9K/D9L/L0L
(1)	955 572 581 01	Heater hose	/RL	1	ID9J/D9K/D9L IL0R
(2)	955 572 981 00	Heat exchanger Heater hose	/LL	1	ID9J/L0L
2	955 572 983 00	Heater hose	/LL	1	ID9K/D9L/L0L
(2)	955 572 581 00	Heater hose	/RL	1	ID9J/D9K/D9L IL0R
3	N 906 870 01	Heat exchanger Hose clamp B 27 X 12		X	
4	955 572 758 00	Sealing strip		1	
5	955 572 682 00	Hot air duct	/LL	1	IL0L
(5)	955 572 682 01	Hot air duct	/RL	1	IL0R
6	955 572 683 00	Hot air duct	/LL	1	IL0L
(6)	955 572 683 01	Hot air duct	/RL	1	IL0R
7	955 572 781 01	Grommet		1	ID9J
(7)	955 572 781 00	Grommet		1	ID9K/D9L
8	955 572 055 03	Clip	/RL	1	ID9J/L0R
(8)	955 572 145 00	Clip	/RL	1	ID9K/D9L/L0R
9	955 572 785 01	Heater hose		1	
10	955 572 786 01	Heater hose		1	
11	955 572 690 01	Hot air duct		1	
12	955 572 055 01	Clip		X	
13	N 106 209 01	Pan-head screw M6 X 30		X	
14	955 572 927 01	Hot air duct		1	
15	N 902 876 01	Blind rivet A4,8 X 10		2	
16	955 572 784 00	Heater hose		2	
17	955 572 371 00	Heater hose		1	
18	955 572 588 02	Heater hose		1	
19	955 572 912 00	Hot air duct		1	
20	955 572 587 02	Heater hose		1	
21	955 572 589 00	Heater hose		1	
22	900 377 010 01	Hexagon nut M6		X	
23	N 104 514 04	Lens-head screw M6 X 16		X	
24	N 902 631 01	Blind rivet nut M6		X	
25	955 572 950 01	Support		X	
26	955 572 121 00	Bush		2	
27	955 572 095 00	Rubber sleeve		1	

Model: 9PA 03

Model life 2003>>2006



Model: 9PA 03

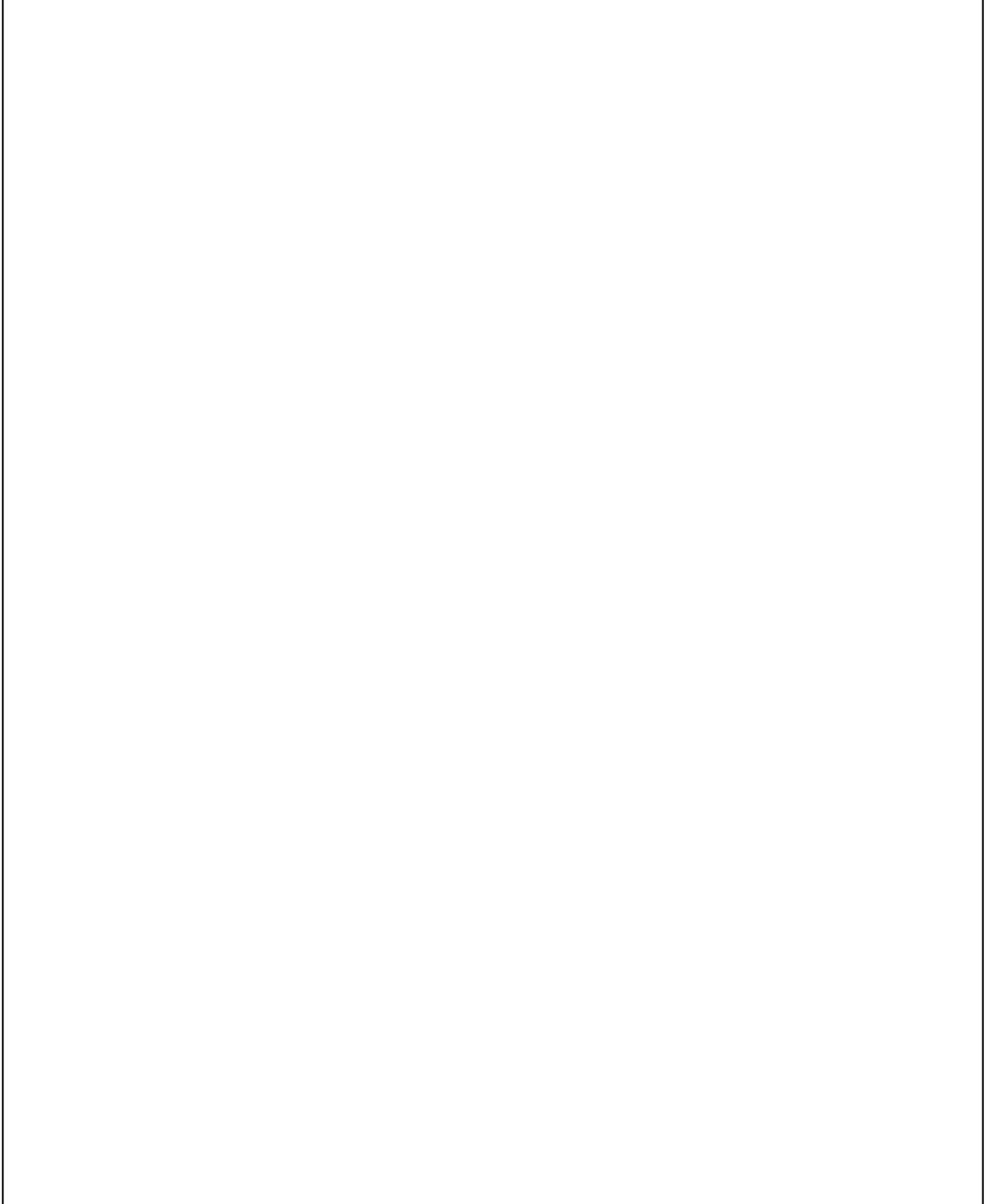
Model life 2003>>2006

Pos	Part Number	Description	Remark	Qty	Model
		Heating with Auxiliary air conditioner And Auxiliary heater Feed line Return line Valve Until Engine Valid from: F 9P6LA 01563>> F 9P6LA 41357>> F 9P6LA 80631>>			I7VE/7VL/9AH
1	955 572 824 03	Valve		1	
2	N 104 514 04	Lens-head screw M6 X 16		X	
3	955 572 826 01	Support		1	
4	N 906 870 01	Hose clamp B 27 X 12		X	
5	955 572 784 00	Heater hose		2	
6	955 572 925 06	Hot air duct		1	
7	955 572 926 03	Hot air duct		1	
8	N 902 876 01	Blind rivet A 4,8 X 10		2	
9	955 572 585 03	Heater hose		1	
10	958 572 150 09	Water pump		1	
11	955 572 703 00	Clip		1	
12	N 909 117 01	Screw M4 X 16		1	
13	955 572 950 01	Support		1	
14	N 015 082 9	Hexagon nut M6		X	
15	955 572 121 00	Bush		2	
16	955 572 095 00	Rubber sleeve		2	
17	N 902 631 04	Blind rivet nut M6		X	
18	955 572 589 00	Heater hose		1	
19	955 572 784 00	Heater hose		1	
20	955 572 698 00	Heating tube		1	
21	955 572 055 03	Clip		X	
22	--- --- --- ---	Support See illustrations 8/13/85		X	
23		Water hose Engine See illustrations 1/05/25 - 27		1	



Model: 9PA 03

Model life 2003>>2006



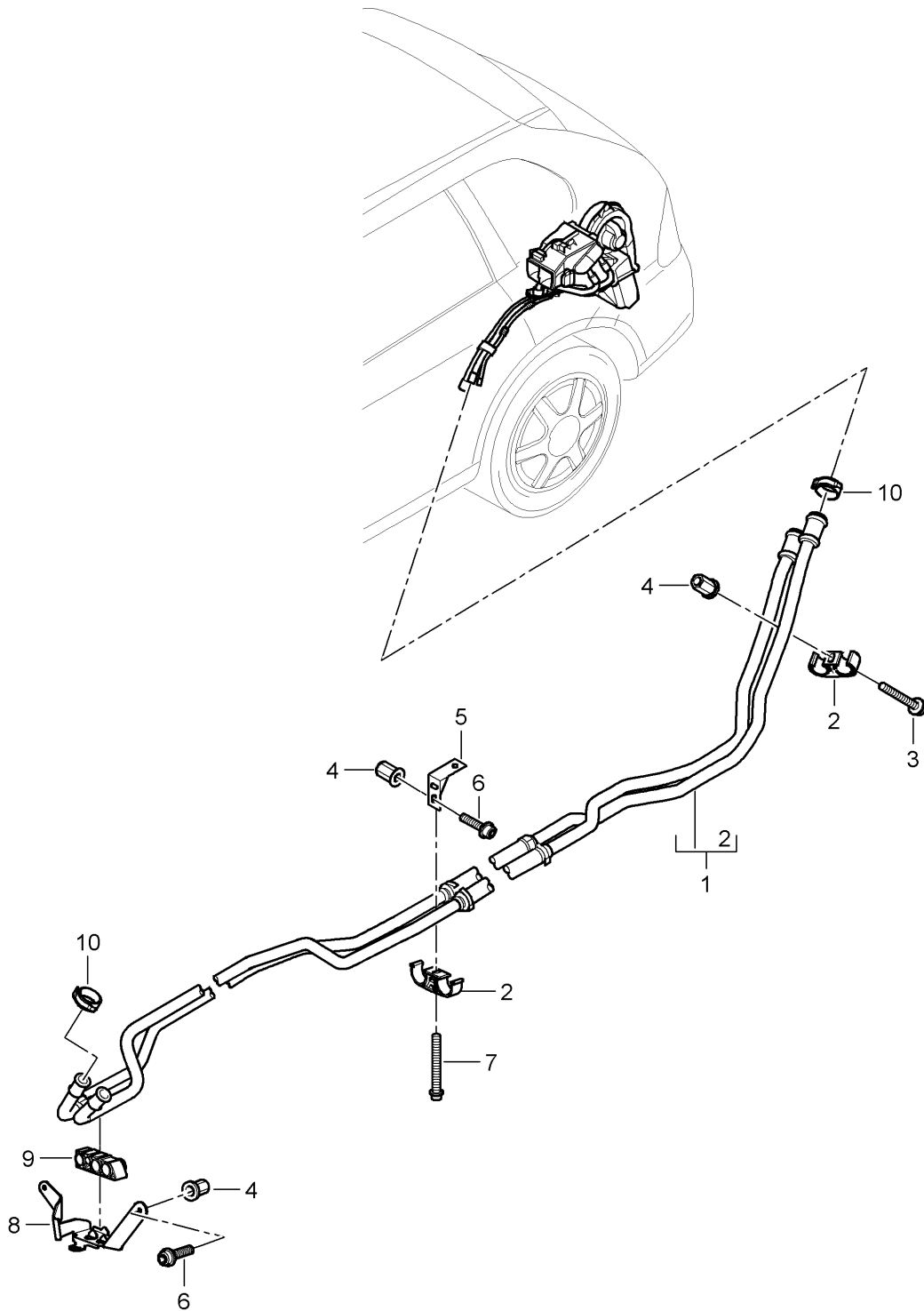
Model: 9PA 03

Model life 2003>>2006

Pos	Part Number	Description	Remark	Qty	Model
		Hot air duct Rear See illustrations 8/13/25 Refrigerant circuit Rear See illustrations 8/13/65			

Model: 9PA 03

Model life 2003>>2006



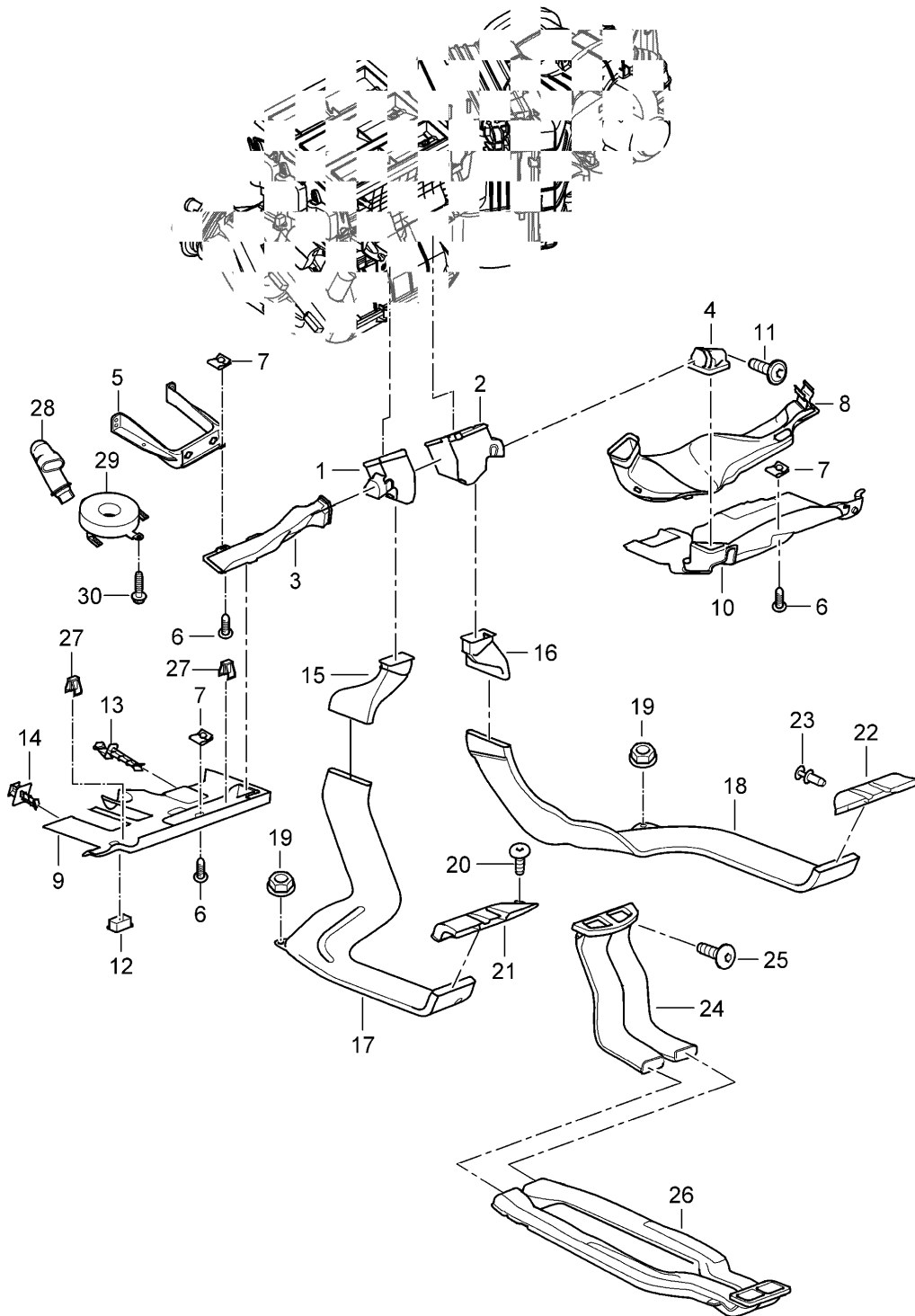
Model: 9PA 03

Model life 2003>>2006

Pos	Part Number	Description	Remark	Qty	Model
		Hot air duct			I9AH
		Auxiliary air conditioner			
		Rear			
1	955 572 108 00	Water tube		1	
2	955 572 787 00	Clip		2	
3	N 105 084 02	Hexagon socket head bolt		1	
		M6 X 35			
4	N 902 631 01	Blind rivet nut		X	
		M6			
5	955 572 495 00	Support		2	
6	N 104 514 04	Lens-head screw		X	
		M6 X 16			
7	N 104 677 02	Hexagon socket head bolt		2	
		M6 X 70			
8	955 573 605 00	Support		1	
9	955 572 757 05	Spacer		1	
10	N 906 870 01	Hose clamp		X	

Model: 9PA 03

Model life 2003>>2006



Model: 9PA 03

Model life 2003>>2006

Pos	Part Number	Description	Remark	Qty	Model
(1)	955 573 303 00	Air distributor Housing	/LL /L	1	IL0L/9AB
(1)	955 573 381 00	Housing	/LL /L	1	IL0L/9AD
(1)	955 573 301 00	Housing	/LL /L	1	IL0L/9AH
		Valid up to: F >>9P6LA 05839 F >>9P6LA 46254 F >>9P6LA 82497			
1	955 573 383 00	Housing	/LL /L	1	IL0L/9AB
(1)	955 573 385 00	Housing	/LL /L	1	IL0L/9AD
(1)	955 573 387 00	Housing	/LL /L	1	IL0L/9AH
		Valid from: F 9P6LA 05840>> F 9P6LA 46255>> F 9P6LA 82498>>			
(1)	955 573 303 00	Housing	/RL /L	1	IL0R/9AB
(1)	955 573 381 00	Housing	/RL /L	1	IL0R/9AD
(1)	955 573 301 00	Housing	/RL /L	1	IL0R/9AH
(2)	955 573 304 00	Housing	/LL /R	1	IL0L/9AB
(2)	955 573 382 00	Housing	/LL /R	1	IL0L/9AD
(2)	955 573 302 00	Housing	/LL /R	1	IL0L/9AH
		Valid up to: F >>9P6LA 05839 F >>9P6LA 46254 F >>9P6LA 82497			
2	955 573 384 00	Housing	/LL /R	1	IL0L/9AB
(2)	955 573 386 00	Housing	/LL /R	1	IL0L/9AD
(2)	955 573 388 00	Housing	/LL /R	1	IL0L/9AH
		Valid from: F 9P6LA 05840>> F 9P6LA 46255>> F 9P6LA 82498>>			
(2)	955 573 304 00	Housing	/RL /R	1	IL0R/9AB
(2)	955 573 382 00	Housing	/RL /R	1	IL0R/9AD
(2)	955 573 302 00	Housing	/RL /R	1	IL0R/9AH
(3)	955 573 305 00	Intermediate piece	/LL /L	1	IL0L
		Valid up to: F >>9P6LA 05839 F >>9P6LA 46254 F >>9P6LA 82497			
3	955 573 305 02	Intermediate piece	/LL /L	1	IL0L
		Valid from: F 9P6LA 05840>> F 9P6LA 46255>> F 9P6LA 82498>>			
(3)	955 573 305 01	Intermediate piece	/RL /L	1	IL0R
(4)	955 573 306 00	Intermediate piece	/LL /R	1	IL0L
		Valid up to: F >>9P6LA 05839 F >>9P6LA 46254 F >>9P6LA 82497			
4	955 573 306 02	Intermediate piece	/LL /R	1	IL0L
		Valid from: F 9P6LA 05840>> F 9P6LA 46255>> F 9P6LA 82498>>			
(4)	955 573 306 01	Intermediate piece	/RL /R	1	IL0R
5	955 613 545 02	Clip		1	
6	N 906 986 01	Intermediate piece Tapping screw ST 4,2 X 16		X	
7	N 906 988 01	Speed nut ST 4,2 X 16		X	

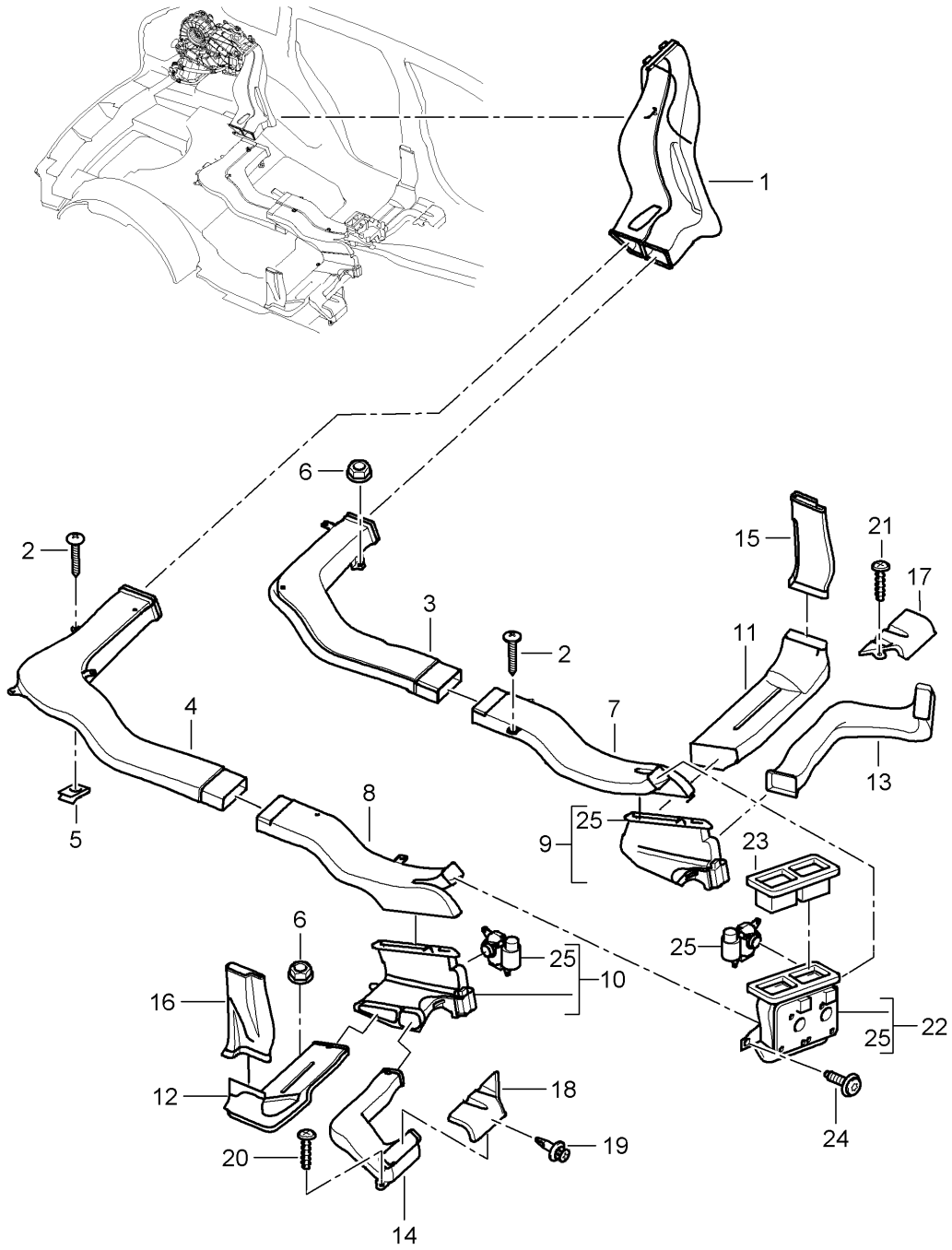
Model: 9PA 03

Model life 2003>>2006

Pos	Part Number	Description	Remark	Qty	Model
8	955 573 306 11	Air duct	/LL /R	1	IL0L
(9)	955 573 308 12	Footwell outlet vent	/LL /L	1	IL0L
9	955 573 308 09	Footwell outlet vent	/LL /L	1	IL0L
(9)	955 573 308 10	Footwell outlet vent	/RL /L	1	IL0R
(10)	955 573 308 02	Footwell outlet vent	/LL /R	1	IL0L
10	955 573 308 03	Footwell outlet vent	/LL /R	1	IL0L
(10)	955 573 308 01	Footwell outlet vent	/RL /R	1	IL0R
11	N 908 494 01	Tapping screw 3,5 X 13		X	
11	N 908 494 02	Tapping screw 3,5 X 13		X	
12	955 612 161 00	Cover Mounting Diagnostic connector		1	
	955 612 161 00 01C	Satin black			
13	955 573 317 00	Fastening angle		2	
14	955 573 318 00	Fastening angle		2	
15	955 573 309 00	Intermediate piece	/L	1	
16	955 573 409 00	Intermediate piece	/R	1	
17	955 573 311 00	Air duct	/L	1	
18	955 573 310 00	Air duct	/R	1	
19	N 907 579 01	Nut		X	
20	N 906 487 02	Tapping screw		X	
21	955 573 313 01	Footwell outlet vent	/L	1	
22	955 573 314 02	Footwell outlet vent	/R	1	
22	955 573 314 03	Footwell outlet vent	/R	1	
23	N 905 584 01	Expansion rivet	/R	1	
24	955 573 315 00	Air duct		1	
25	N 104 648 02	Oval-head screw		X	
26	955 573 316 00	Air duct Black		1	
27	955 552 137 00	Clamp		2	
28	955 573 816 00	Hose Cold air	/LL	1	IL0L
28	955 573 816 01	Hose Cold air	/RL	1	IL0R
29	955 573 701 00	Air exhaust Nozzle	/LL	1	IL0L
29	955 573 701 01	Air exhaust Nozzle	/RL	1	IL0R
30	N 104 241 02	Hexagon-head bolt M4 X 16		X	

Model: 9PA 03

Model life 2003>>2006





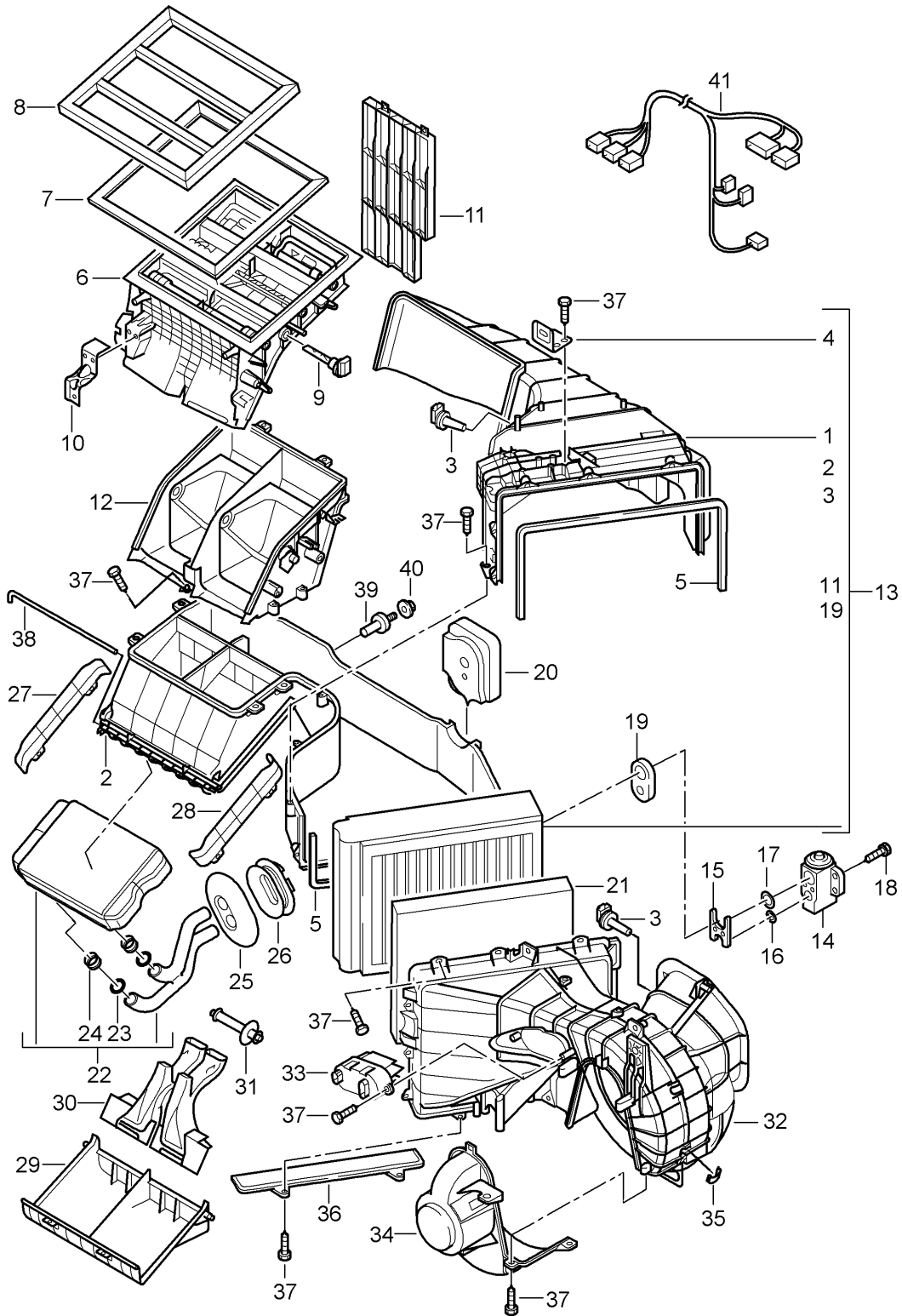
Model: 9PA 03

Model life 2003&gt;&gt;2006

Pos	Part Number	Description	Remark	Qty	Model
		Air distributor Auxiliary air conditioner			I9AH
1	955 573 333 00	Air duct		1	
2	N 013 958 1	Air conditioner Tapping screw		X	
3	955 573 329 00	Air duct	/L	1	
4	955 573 330 00	Air duct	/R	1	
5	N 900 488 01	Speed nut ST 3,5		X	
6	N 907 579 01	Nut T5 22 X 11		X	
7	955 573 327 00	Air duct	/L	1	
8	955 573 328 00	Air duct	/R	1	
9	955 573 325 00	Air distributor with	/L	1	
10	955 573 326 00	Electric motor Air distributor with	/R	1	
11	955 573 321 00	Electric motor Air duct	/L	1	
12	955 573 322 00	Air duct	/R	1	
13	955 573 323 00	Air duct	/L	1	
14	955 573 324 00	Air duct	/R	1	
15	955 573 319 00	Air duct	/L	1	
16	955 573 320 00	Air duct	/R	1	
17	955 573 313 01	Footwell outlet vent	/L	1	
18	955 573 314 02	Footwell outlet vent	/R	1	
18	955 573 314 03	Footwell outlet vent	/R	1	
19	N 905 584 01	Expansion rivet B 8,0 X 14,0		1	
20	N 104 648 02	Oval-head screw 4,0 X 12		X	
21	N 906 487 02	Tapping screw 4,8 X 16		X	
22	955 573 332 03	Distributor housing with		1	
23	955 573 331 00	Electric motor Adapter		1	
24	N 907 357 01	Distributor housing Screw		X	
25	955 624 920 00	Distributor housing Electric motor		X	

Model: 9PA 03

Model life 2003>>2006



Model: 9PA 03

Model life 2003>>2006

Pos	Part Number	Description	Remark	Qty	Model
		Air conditioner			
		Front			
		Single parts			
1	955 572 300 00	Housing	/LL	1	IL0L
(1)	955 572 301 00	Housing	/RL	1	IL0R
2	955 572 302 00	Housing	/LL	1	IL0L
(2)	955 572 303 00	Housing	/RL	1	IL0R
3	955 572 304 00	Temperature sensor HELLA	HELLA	1	I9AD/9AH
(3)	955 572 304 10	Temperature sensor After Evaporator VALEO	VALEO	1	I9AB/9AD/9AH
4	955 572 305 00	Support		1	
5	955 572 306 00	Sealing cord		1	
6	955 572 307 01	Air distributor	/LL	1	IL0L/9AB
(6)	955 572 307 02	Air distributor	/RL	1	IL0R/9AB
(6)	955 572 308 00	Air distributor	/LL	1	IL0L/9AD
(6)	955 572 308 02	Air distributor	/RL	1	IL0R/9AD
(6)	955 572 309 00	Air distributor	/LL	1	IL0L/9AH
(6)	955 572 309 02	Air distributor	/RL	1	IL0R/9AH
7	955 572 310 00	Gasket		1	
		Valid up to: F >>9P6LA 01562 F >>9P6LA 41356 F >>9P6LA 80630			
(7)	955 572 310 10	Gasket		1	
		Valid from: F 9P6LA 01563>> F 9P6LA 41357>> F 9P6LA 80631>>			
8	955 572 310 01	Gasket		1	
9	955 572 311 00	Temperature sensor		2	I9AD/9AH
10	955 572 312 00	Support		1	
11	955 572 313 00	Air duct	/LL	1	IL0L
(11)	955 572 314 00	Air duct	/RL	1	IL0R
12	955 572 315 00	Distributor housing		1	I9AB
(12)	955 572 316 00	Distributor housing		1	I9AD/9AH
13	955 572 300 01	Housing	/LL	1	IL0L
(13)	955 572 301 01	Housing	/RL	1	IL0R
14	955 572 319 01	Expansion valve		1	
		Valid up to: F >>9P6LA 05839 F >>9P6LA 46254 F >>9P6LA 82497			
(14)	955 572 319 02	Expansion valve		1	
		Valid from: F 9P6LA 05840>> F 9P6LA 46255>> F 9P6LA 82498>>			
15	955 572 064 00	Support		1	
16	955 572 324 00	Round seal		1	
		10,8 X 1,82			
(16)	955 573 749 04	O-ring		X	
		10.8 X 1,82			
17	955 572 325 10	Sealing ring		1	
		16,7 X 1,82			
18	N 019 909 1	Pan-head screw		X	
		M5 X 35			
19	955 572 347 00	Gasket		1	
20	955 572 321 00	Gasket	/LL	1	IL0L
(20)	955 572 322 00	Gasket	/RL	1	IL0R
21	955 572 219 10	Particle filter		1	

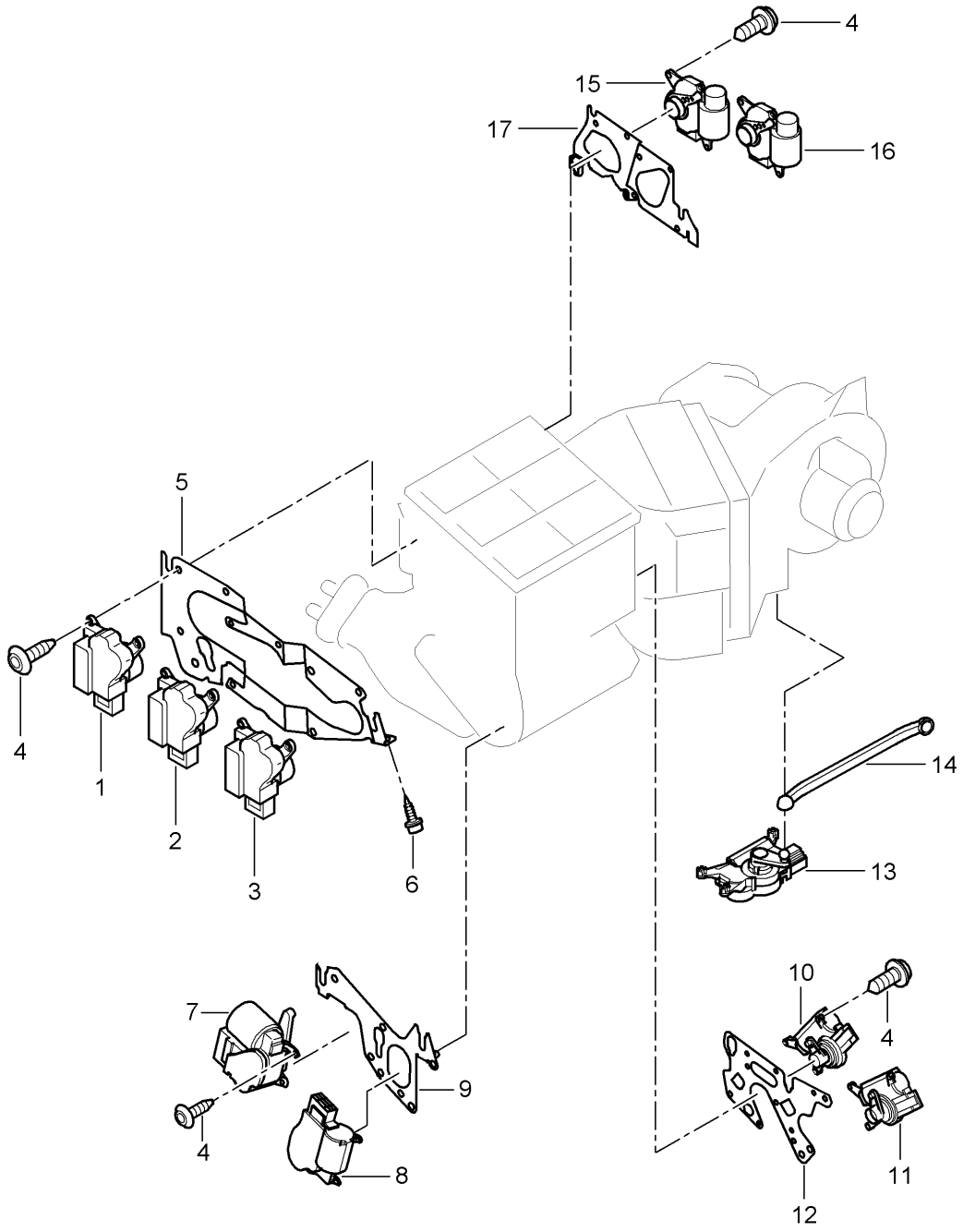
Model: 9PA 03

Model life 2003>>2006

Pos	Part Number	Description	Remark	Qty	Model
22	955 572 326 00	Heat exchanger	/LL	1	IL0L
(22)	955 572 327 00	Heat exchanger	/RL	1	IL0R
23	N 909 732 01	Round seal		2	
24	955 572 328 00	Clamping spring		2	
25	955 572 349 00	Gasket		1	
26	955 572 350 00	Grommet		1	
27	955 572 329 00	Cover	/LL	1	IL0L
(27)	955 572 330 00	Cover	/RL	1	IL0R
28	955 572 331 00	Cover		1	
		Plenum panel			
		Lateral			
29	955 572 332 01	Lid		1	
30	955 572 320 00	Air duct		1	
31	955 572 333 01	Water drain sleeve		1	
32	955 572 336 00	Housing	/LL	1	IL0L/9AB
(32)	955 572 337 00	Housing	/RL	1	IL0R/9AB
(32)	955 572 338 00	Housing	/LL	1	IL0L/9AD/9AH
(32)	955 572 339 00	Housing	/RL	1	IL0R/9AD/9AH
33	955 572 341 01	Regulator		1	
34	955 572 342 01	Blower	/LL	1	IL0L
(34)	955 572 343 00	Blower	/RL	1	IL0R
35	955 572 344 00	Clamp		12	
36	955 572 345 00	Lid		1	
37	N 104 241 02	Hexagon-head bolt M4 X 16		X	
38	955 572 346 00	Guiding rod		1	
39	955 572 348 00	Rubber mounting		1	
40	N 902 173 03	Hexagon nut		2	
41	955 612 350 00	Wiring harness	/LL	1	IL0L/9AD
(41)	955 612 351 00	Wiring harness	/RL	1	IL0R/9AD
(41)	955 612 352 00	Wiring harness	/LL	1	IL0L/9AH
(41)	955 612 353 00	Wiring harness	/RL	1	IL0R/9AH

Model: 9PA 03

Model life 2003>>2006



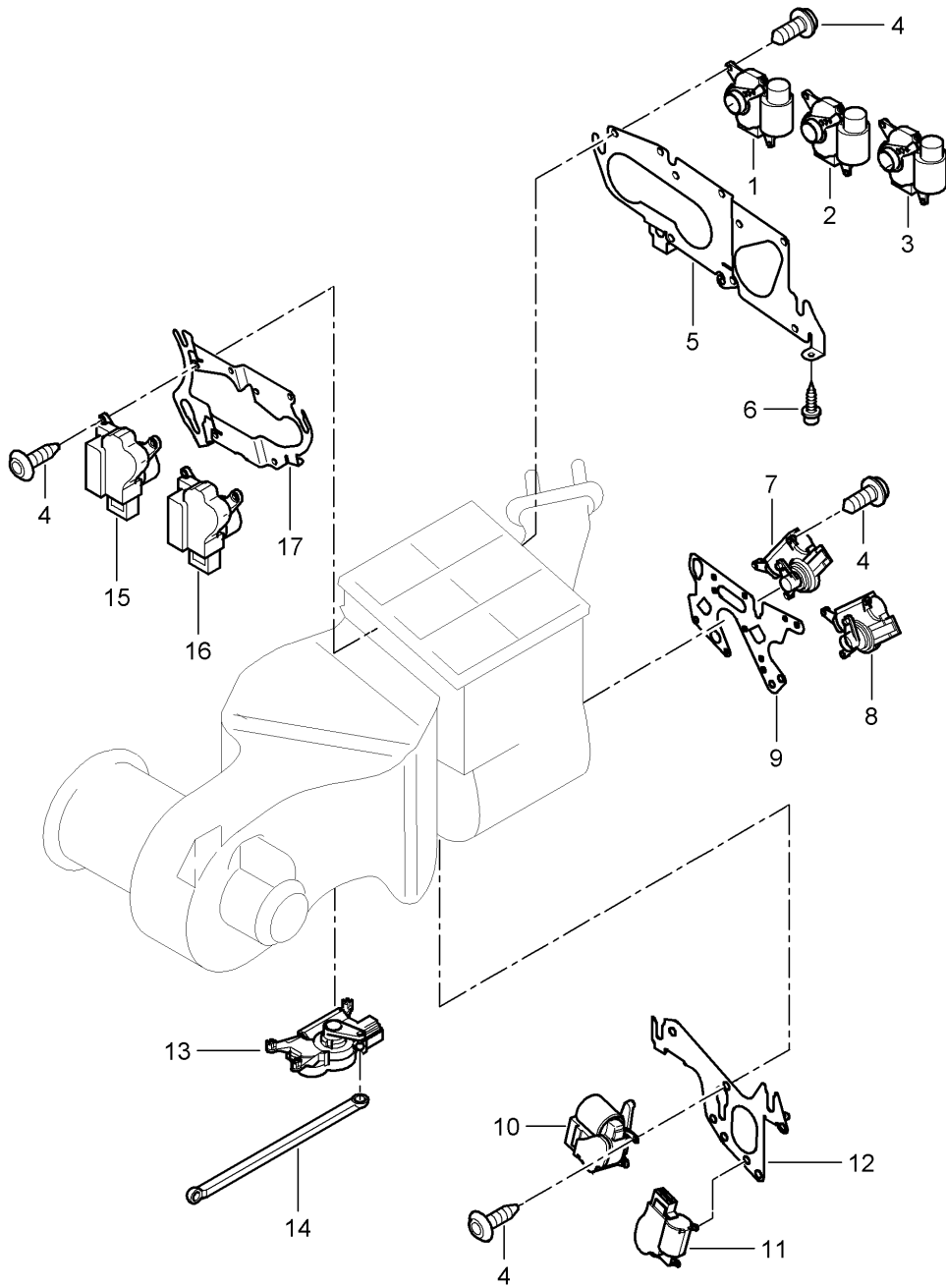
Model: 9PA 03

Model life 2003&gt;&gt;2006

Pos	Part Number	Description	Remark	Qty	Model
		Electric motor Air conditioner Left-hand drive Front			IL0L
1	955 624 901 01	Electric motor		1	
2	955 624 905 01	Defroster flap Electric motor		1	
		Air exhaust Lateral Left			
3	955 624 902 01	Electric motor Air exhaust Centre Left		1	I9AD/9AH
4	N 106 216 01	Round head screw M4 X 12		X	
5	955 624 123 00	Retainer plate		1	
6	N 104 241 02	Hexagon-head bolt M4 X 16		X	
7	955 624 907 01	Electric motor Temperature mixing flap Left		1	I9AD/9AH
8	955 624 906 01	Electric motor Footwell flap Left		1	I9AD/9AH
9	955 624 123 02	Retainer plate		1	I9AD/9AH
10	955 624 908 01	Electric motor Temperature mixing flap Right		1	I9AD/9AH
11	955 624 909 01	Electric motor Footwell flap Right		1	I9AH
12	955 624 123 04	Retainer plate		1	
13	955 624 910 01	Electric motor		1	I9AB
(13)	955 624 915 01	Electric motor Fresh-air intake system		1	I9AD/9AH
14	955 572 901 00	Connecting rod		1	
15	955 624 913 01	Electric motor Air exhaust Lateral Right		1	I9AH
16	955 624 912 01	Electric motor Air exhaust Centre Right		1	I9AH
17	955 624 123 05	Retainer plate		1	I9AH

Model: 9PA 03

Model life 2003>>2006



Model: 9PA 03

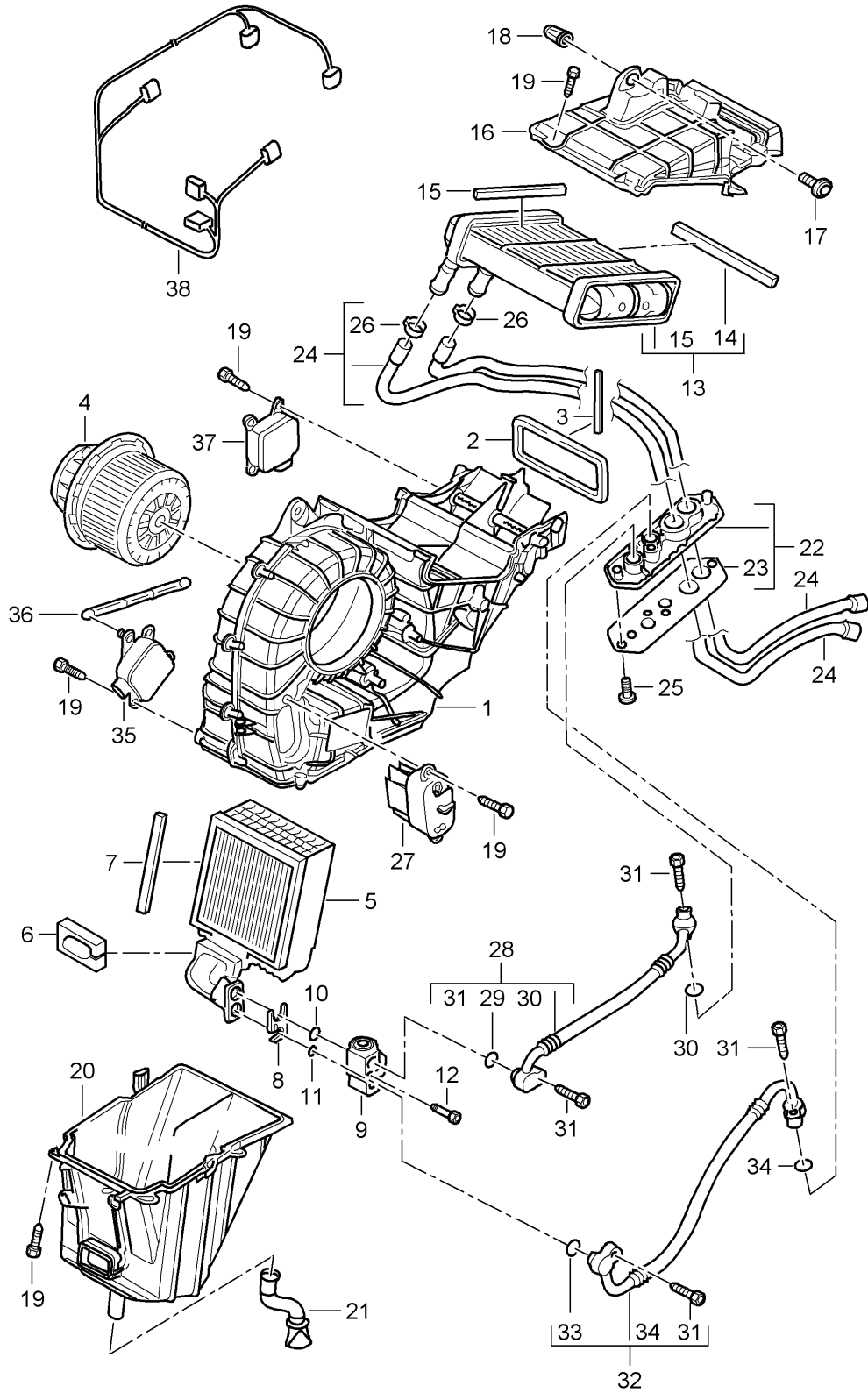
Model life 2003>>2006

Pos	Part Number	Description	Remark	Qty	Model
		Electric motor Air conditioner Front			IL0R
1	955 624 911 01	Right-hand drive Electric motor Defroster flap Right		1	
2	955 624 913 01	Electric motor Air exhaust Lateral Right		1	I9AH
3	955 624 912 01	Electric motor Air exhaust Centre Right		1	I9AH
4	N 106 216 01	Round head screw M4 X 12		X	
5	955 624 123 01	Retainer plate		1	
6	N 104 241 02	Hexagon-head bolt M4 X 16		X	
7	955 624 908 01	Electric motor Temperature mixing flap Right		1 1	I9AD/9AH
8	955 624 909 01	Electric motor Footwell flap Right		1	I9AH
9	955 624 123 04	Retainer plate		1	I9AD/9AH
10	955 624 907 01	Electric motor Temperature mixing flap Left		1	I9AD/9AH
11	955 624 906 01	Electric motor Footwell flap Left		1	I9AD/9AH
12	955 624 123 02	Retainer plate		1	I9AD/9AH
13	955 624 914 01	Electric motor		1	I9AB
(13)	955 624 903 01	Electric motor Fresh-air intake system		1	I9AD/9AH
14	955 572 901 00	Connecting rod		1	
15	955 624 905 01	Electric motor Air exhaust Lateral Left		1	
16	955 624 902 01	Electric motor Air exhaust Centre Left		1	I9AD/9AH
17	955 624 123 03	Retainer plate		1	



Model: 9PA 03

Model life 2003>>2006



Model: 9PA 03

Model life 2003>>2006

Pos	Part Number	Description	Remark	Qty	Model
		Air conditioner Rear Single parts			I9AH
1	955 572 060 00	Housing		1	
2	955 572 092 00	Gasket		1	
		Air exhaust			
3	955 572 093 00	Gasket		1	
		Centre web			
4	955 572 061 00	Blower		1	
5	955 572 062 01	Evaporator		1	
6	955 572 063 00	Gasket		1	
7	955 572 066 00	Gasket		1	
8	955 572 064 00	Support		1	
		Expansion valve			
9	955 572 319 10	Expansion valve		1	
9	955 572 319 11	Expansion valve		1	
10	955 572 325 10	Sealing ring		1	
		Exhaust			
11	955 572 324 00	Round seal		3	
		Intake			
12	N 019 909 1	Pan-head screw		2	
		M5 X 0,8 X 35			
13	955 572 070 01	Heat exchanger		1	
14	955 572 071 00	Gasket		1	
15	955 572 072 00	Gasket		1	
16	955 572 073 00	Lid		1	
17	N 906 841 04	Oval-head screw		X	
		M6 X 20			
18	N 106 185 01	Blind rivet nut		X	
		M6			
19	N 104 241 02	Hexagon-head bolt		X	
		4 X 16			
20	955 572 074 00	Housing		1	
		Evaporator			
21	955 572 091 00	Water drain sleeve		1	
22	955 572 076 00	Plate		1	
23	955 572 190 00	Gasket		1	
		Plate			
24	955 572 078 01	Water hose		1	
		Supply			
		Return line			
25	N 102 070 02	Torx screw		X	
		M6 X 15			
26	N 105 587 01	Hose clamp		2	
		27 X 12			
27	955 572 341 01	Regulator		1	
28	955 572 080 01	Refrigerant hose		1	
29	955 572 082 00	Round seal		X	
		14,3 X 2,4			
30	955 573 103 00	O-ring		X	
		13,7 X 2,5			
31	N 104 144 02	Pan-head screw		X	
		M8 X 28			
32	955 572 081 00	Refrigerant hose		1	
33	955 572 324 00	Round seal		X	
		10,8 X 1,82			
34	955 572 110 00	O-ring		X	
		9,5 X 2,5			
(35)	955 572 083 01	Electric motor	/L	1	
35	955 572 084 01	Electric motor	/R	1	
		Temperature valve			
36	955 572 069 00	Guiding rod		1	
(37)	955 572 085 01	Electric motor	/L	1	

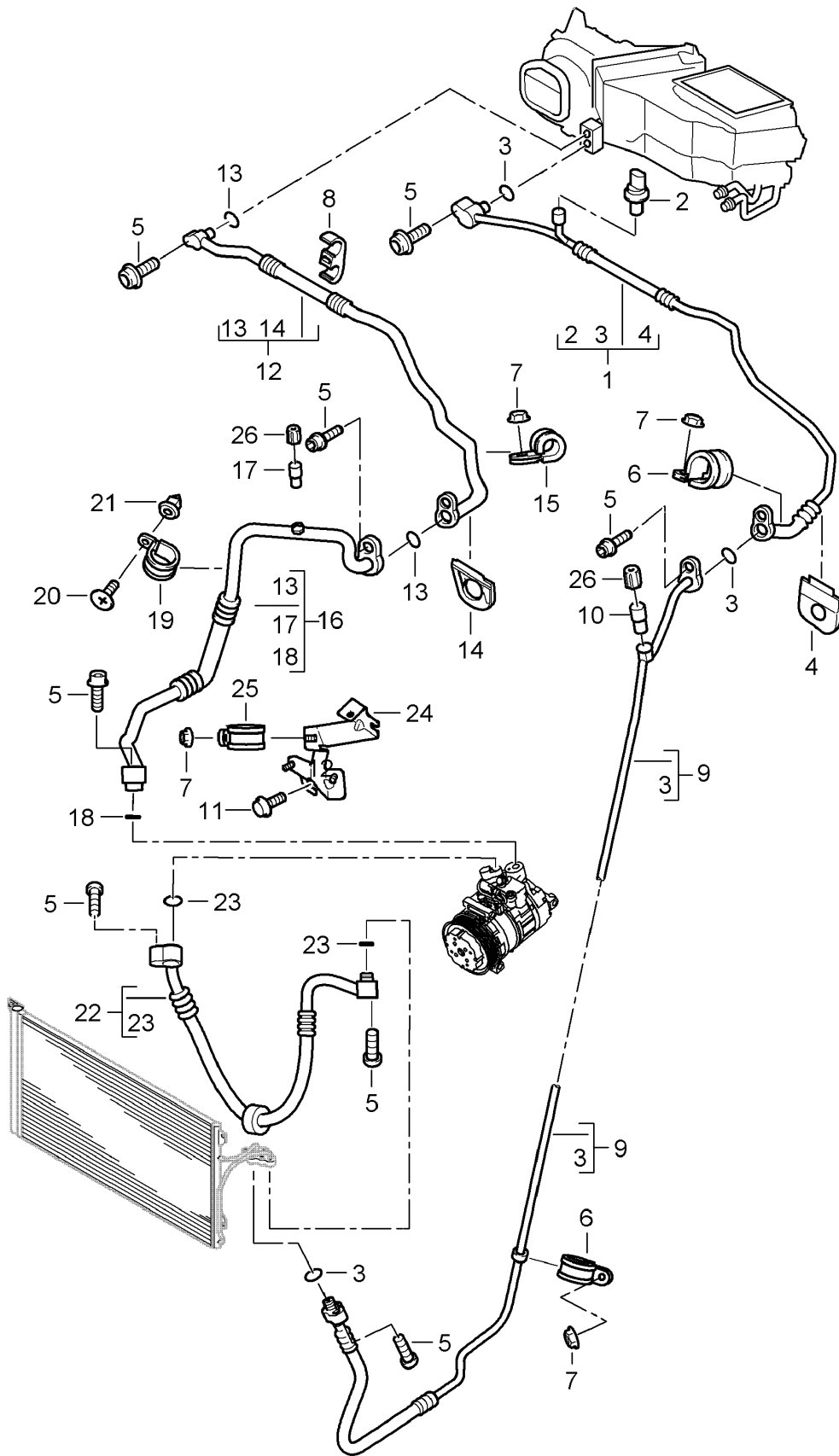
Model: 9PA 03

Model life 2003&gt;&gt;2006

Pos	Part Number	Description	Remark	Qty	Model
37	955 572 085 03	Electric motor Air distributor	/R	1	
38	955 612 354 00	Wiring harness		1	

Model: 9PA 03

Model life 2003>>2006



Model: 9PA 03

Model life 2003>>2006

Pos	Part Number	Description	Remark	Qty	Model
		Refrigerant circuit Front			ID9J/9AB/9AD
(1)	955 573 080 01	Pressure line	/LL	1	IL0L
(1)	955 573 084 01	Pressure line	/RL	1	IL0R
		Connection point Expansion valve Plenum panel Valid up to: F >>9P6LA 05839			
1	955 573 080 02	Pressure line	/LL	1	IL0L
(1)	955 573 084 02	Pressure line	/RL	1	IL0R
		Connection point Expansion valve Plenum panel Valid from: F 9P6LA 05840>>			
2	955 613 137 00	Pressure switch		1	
3	955 573 749 04	O-ring 10.8 X 1,82 Valid up to: F >>9P6LA 05839		X	
(3)	955 573 749 00	Round seal 9,5 X 2,5 Valid from: F 9P6LA 05840>>		X	
4	955 573 668 01	Grommet		1	
5	N 104 144 02	Pressure line Pan-head screw M8 X 28		X	
6	N 020 651 1	Clamp 10 X 15		X	
7	N 015 082 5	Hexagon nut M6		X	
7	N 015 082 13	Hexagon nut M6		X	
8	955 573 759 00	Support	/LL	1	IL0L
9	955 573 082 10	Pressure line		1	
10	955 573 100 00	Valve		1	
11	N 104 514 04	Lens-head screw M6 X 16		1	
(12)	955 573 095 01	Intake pipe	/LL	1	IL0L
(12)	955 573 094 01	Intake pipe	/RL	1	IL0R
		Connection point Expansion valve Plenum panel Valid up to: F >>9P6LA 05839			
12	955 573 095 02	Intake pipe	/LL	1	IL0L
(12)	955 573 094 02	Intake pipe	/RL	1	IL0R
		Connection point Expansion valve Plenum panel Valid from: F 9P6LA 05840>>			
13	955 573 749 05	O-ring 14,3 X 2,4 Valid up to: F >>9P6LA 05839		X	
(13)	955 573 749 02	Round seal 13,7 X 2,5 Valid from: F 9P6LA 05840>> F 9P6LA 25011>>		X	

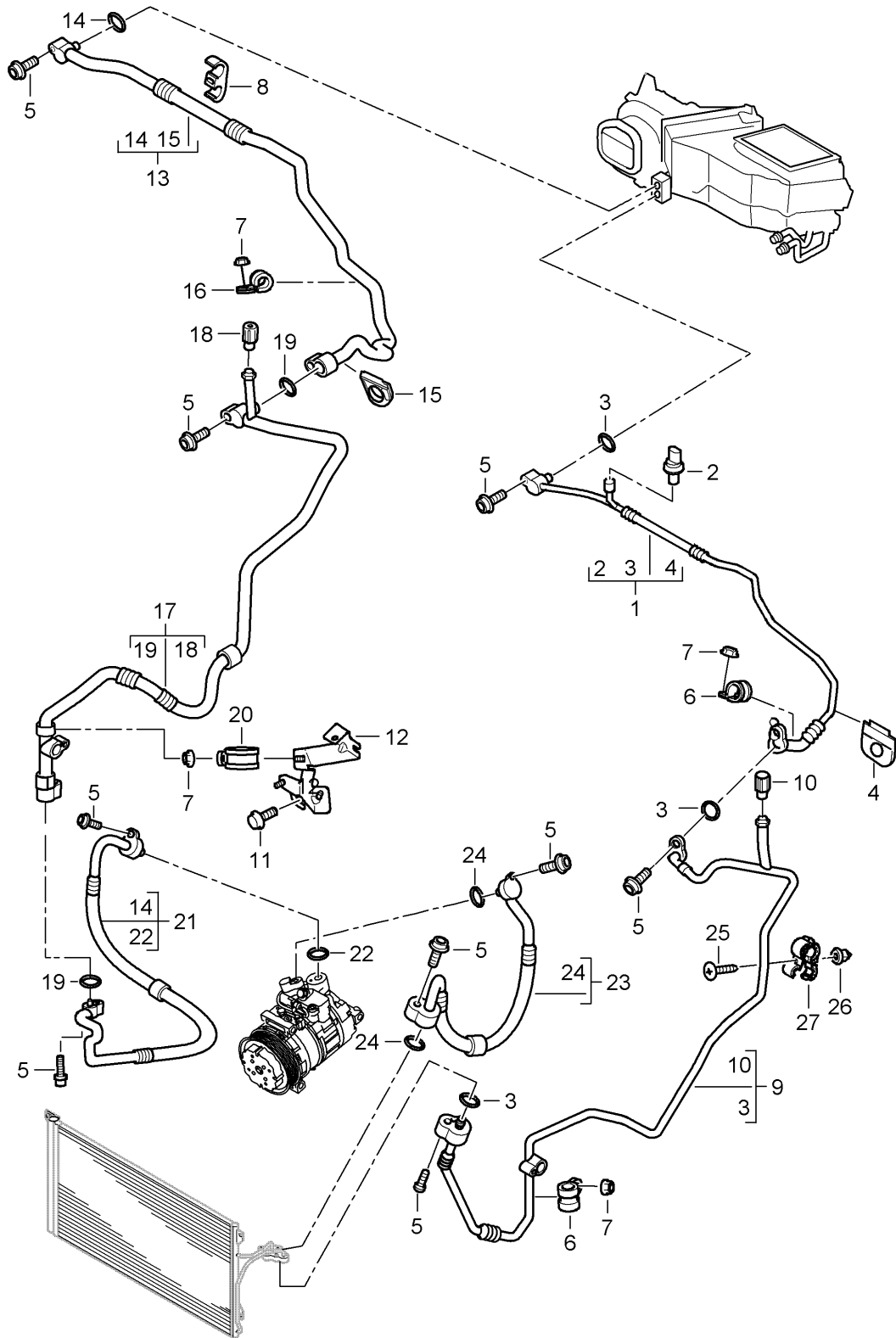
Model: 9PA 03

Model life 2003&gt;&gt;2006

Pos	Part Number	Description	Remark	Qty	Model
14	955 572 780 00	Grommet Intake pipe		1	
15	N 020 640 1	Clamp 18 X 15		X	
16	955 573 093 12	Intake pipe Compressor		1	
17	955 573 101 00	Valve		1	
18	955 573 109 00	O-ring 23,8 X 2,4		X	
19	N 020 647 3	Clamp 24 X 15		1	
20	N 908 974 01	Screw 5 X 16		1	
21	N 105 168 01	Expander nut 5 X 14,4		1	
22	955 573 083 11	Pressure line		1	
23	955 572 094 00	O-ring 11,0 X 2,5		X	
23	955 573 749 01	Round seal 11,0 X 2,5		X	
24	955 573 106 00	Support		1	
25	N 020 647 3	Clamp 24 X 15		1	
26	3C0 820 231	Cover Valve		1	

Model: 9PA 03

Model life 2003>>2006



Model: 9PA 03

Model life 2003>>2006

Pos	Part Number	Description	Remark	Qty	Model
		Refrigerant circuit Front with Auxiliary air conditioner			ID9J/9AH
(1)	955 573 080 01	Pressure line	/LL	1	IL0L
(1)	955 573 084 01	Pressure line Connection point Expansion valve Plenum panel Valid up to: F >>9P6LA 05839	/RL	1	IL0R
1	955 573 080 02	Pressure line	/LL	1	IL0L
(1)	955 573 084 02	Pressure line Connection point Expansion valve Plenum panel Valid from: F 9P6LA 05840>>	/RL	1	IL0R
2	955 613 137 00	Pressure switch		1	
3	955 573 749 04	O-ring 10,8 X 1,82 Valid up to: F >>9P6LA 05839		X	
(3)	955 573 749 00	Round seal 9,5 X 2,5 Valid from: F 9P6LA 05840>>		X	
4	955 573 668 01	Grommet Pressure line		1	
5	N 104 144 02	Pan-head screw M8 X 28		X	
6	N 020 651 7	Clamp 10 X 15		X	
7	N 015 082 5	Hexagon nut M6		X	
7	N 015 082 13	Hexagon nut M6		X	
8	955 573 759 00	Support	/LL	1	IL0L
9	955 572 102 00	Pressure line		1	
10	955 573 100 00	Valve with Cap		1	
11	N 104 514 04	Lens-head screw M6 X 16		1	
12	955 573 106 00	Support		1	
(13)	955 573 095 01	Intake pipe	/LL	1	IL0L
(13)	955 573 094 00	Intake pipe	/RL	1	IL0R
(13)	955 573 094 01	Intake pipe Connection point Expansion valve Plenum panel Valid up to: F >>9P6LA 05839	/RL	1	IL0R
13	955 573 095 02	Intake pipe	/LL	1	IL0L
(13)	955 573 094 02	Intake pipe Connection point Expansion valve Plenum panel Valid from: F 9P6LA 05840>>	/RL	1	IL0R
14	955 573 749 05	O-ring 14,3 X 2,4 Valid up to:		X	



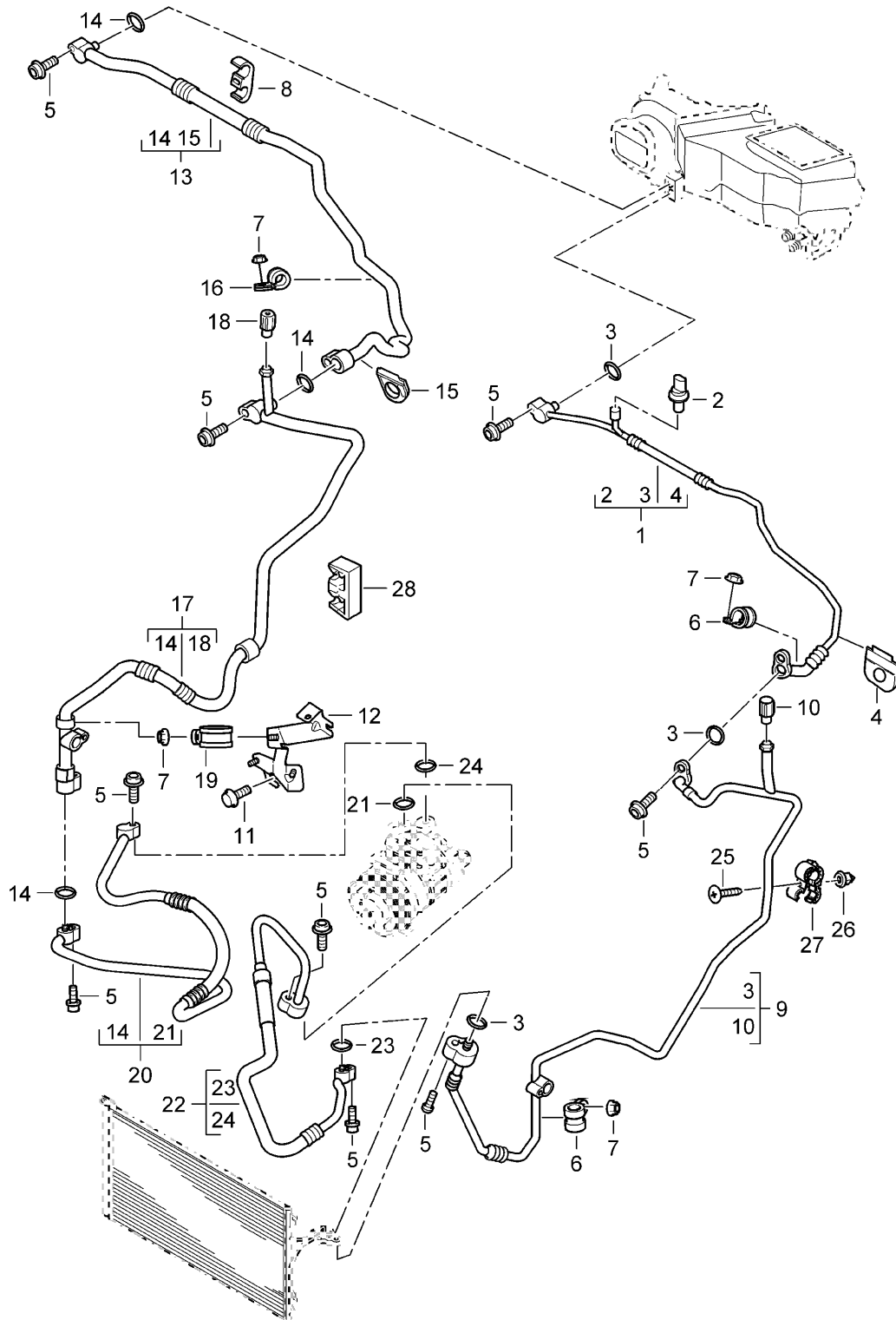
Model: 9PA 03

Model life 2003>>2006

Pos	Part Number	Description	Remark	Qty	Model
(14)	955 573 749 02	F >>9P6LA 05839 Round seal 13,7 X 2,5 Valid from: F 9P6LA 05840>>		X	
15	955 572 780 00	Grommet Intake pipe		1	
16	N 020 640 1	Clamp 18 X 15		X	
(17)	955 572 103 00	Intake pipe	-05	1	
17	955 573 017 04	Intake pipe	06-	1	
18	955 573 101 00	Valve with Cap		1	
19	955 573 103 00	O-ring 13,7 X 2,5	-05	X	
(19)	955 573 749 02	Round seal 13,7 X 2,5	06-	X	
20	N 020 647 3	Clamp 24 X 15		1	
(21)	955 572 101 00	Intake pipe	-05	1	
21	955 573 093 02	Intake pipe	06-	1	
21	955 573 093 04	Intake pipe	06-	1	
22	955 573 109 00	Compressor O-ring 23,8 X 2,4		X	
23	955 573 083 11	Pressure line		1	
23	955 573 083 12	Pressure line Compressor Condenser		1	
24	955 572 094 00	O-ring 11,0 X 2,5		X	
24	955 573 749 01	Round seal 11,0 X 2,5		1	
25	N 908 974 01	Screw 5 X 16		1	
26	N 105 168 01	Expander nut 5 X 14,4		1	
27	955 573 104 00	Dual clip 24 X 15		1	

Model: 9PA 03

Model life 2003>>2006



Model: 9PA 03 Model life 2003>>2006

Pos	Part Number	Description	Remark	Qty	Model
		Refrigerant circuit			ID9K/D9L
		Front			I9AB/9AD/9AH
1	955 573 080 01	Pressure line	/LL	1	IL0L
(1)	955 573 084 01	Pressure line	/RL	1	IL0R
		Connection point			
		Expansion valve			
		Valid up to:			
		F >>9P6LA 46254			
		F >>9P6LA 82497			
(1)	955 573 080 02	Pressure line	/LL	1	IL0L
(1)	955 573 084 02	Pressure line	/RL	1	IL0R
		Connection point			
		Expansion valve			
		Valid from:			
		F 9P6LA 46255>>			
		F 9P6LA 82498>>			
2	955 613 137 00	Pressure switch		1	
3	955 573 749 04	O-ring		X	
		10,8 X 1,82			
		Valid up to:			
		F >>9P6LA 46254			
		F >>9P6LA 82497			
(3)	955 573 749 00	Round seal		X	
		9,5 X 2,5			
		Valid from:			
		F 9P6LA 46255>>			
		F 9P6LA 82498>>			
4	955 573 668 01	Grommet		1	
		Pressure line			
5	N 104 144 02	Pan-head screw		X	
		M8 X 28			
6	N 020 651 7	Clamp		X	
		10 X 15			
7	N 015 082 2	Hexagon nut		X	
		M6			
8	955 573 759 00	Support	/LL	1	IL0L
(9)	955 573 081 01	Pressure line		1	I9AB/9AD
9	955 573 750 06	Pressure line		1	I9AH
		Condenser			
10	955 573 100 00	Valve		1	
		with			
		Cap			
11	N 104 514 04	Lens-head screw		X	
		M6 X 16			
12	955 573 106 00	Support		1	
13	955 573 095 01	Intake pipe	/LL	1	IL0L
(13)	955 573 094 00	Intake pipe	/RL	1	IL0R
(13)	955 573 095 02	Intake pipe	/LL	1	IL0L
(13)	955 573 094 02	Intake pipe	/RL	1	IL0R
		Connection point			
		Expansion valve			
		Valid from:			
		F 9P6LA 46255>>			
		F 9P6LA 82498>>			
14	955 573 749 05	O-ring		X	
		14,3 X 2,4			
		Valid up to:			
		F >>9P6LA 46254			
		F >>9P6LA 82497			
(14)	955 573 749 02	Round seal		X	
		13,7 X 2,5			
		Valid up to:			
		F 9P6LA 46255>>			

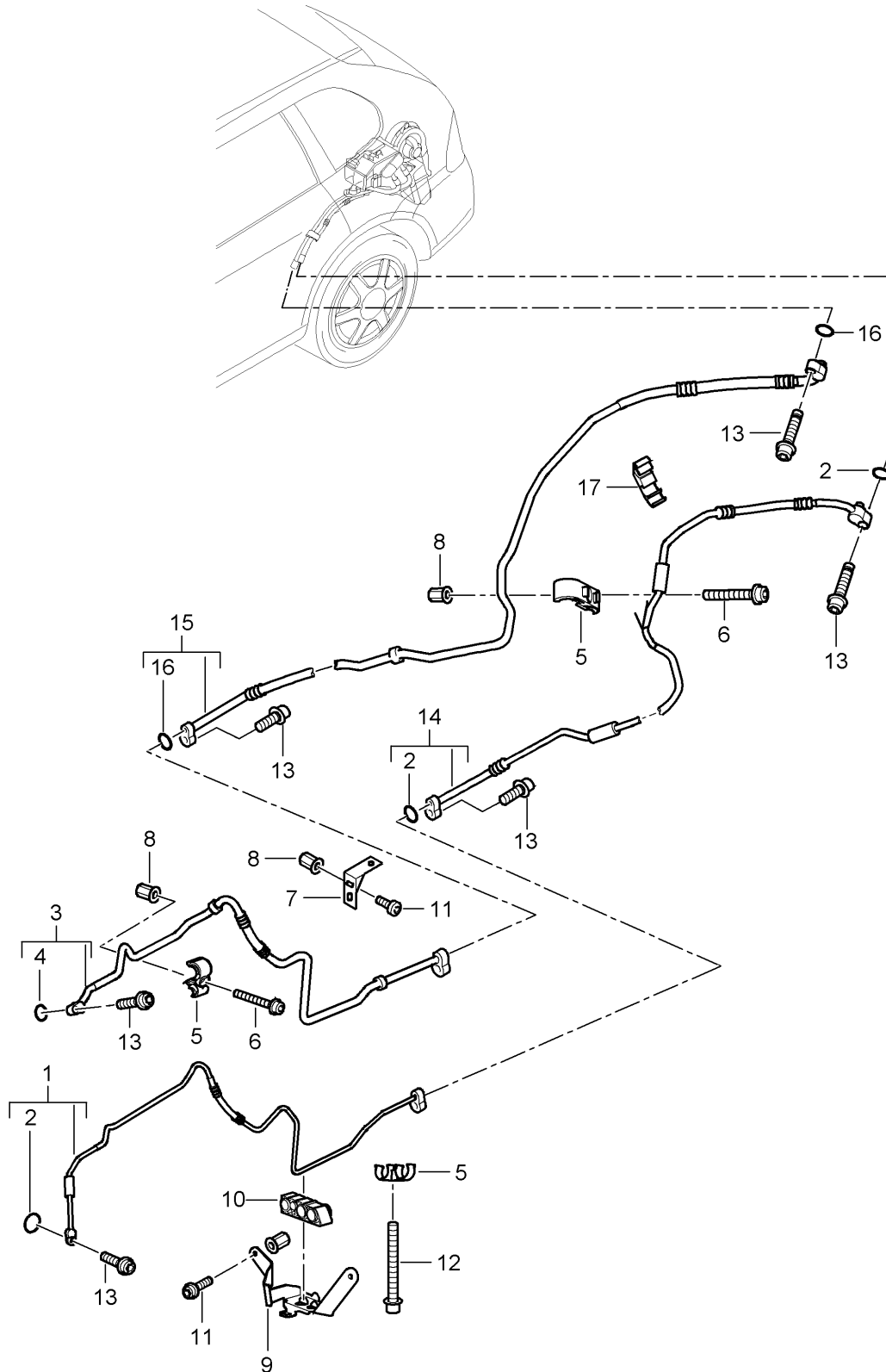
Model: 9PA 03

Model life 2003&gt;&gt;2006

Pos	Part Number	Description	Remark	Qty	Model
15	955 572 780 00	F 9P6LA 82498>> Grommet		1	
16	N 020 640 5	Intake pipe Clamp D1 - 18 X 15		X	
(17)	955 573 092 02	Intake pipe		1	I9AB/9AD
(17)	955 572 103 00	Intake pipe		1	I9AH
18	955 573 101 00	Valve with Cap		1	
19	N 020 647 3	Clamp D1 - 24 X 15		X	
20	955 573 093 03	Intake pipe Compressor		1	
21	955 573 749 04	O-ring 10,8 X 1,8		X	
22	955 573 083 01	Pressure line		1	
23	955 572 094 00	O-ring 11,0 X 2,5		X	
(23)	955 573 749 01	Round seal 11,0 X 2,5		X	
24	955 573 109 00	O-ring 23,8 X 2,4		X	
25	N 043 939 1	Oval-head sheetmetal screw ST 4,8 X 35		X	
26	955 573 105 00	Expander nut ST 4,8		1	
27	955 573 104 00	Dual clip Side member		X	
28	955 573 245 00	Fastening clamp		1	I9AH

Model: 9PA 03

Model life 2003>>2006



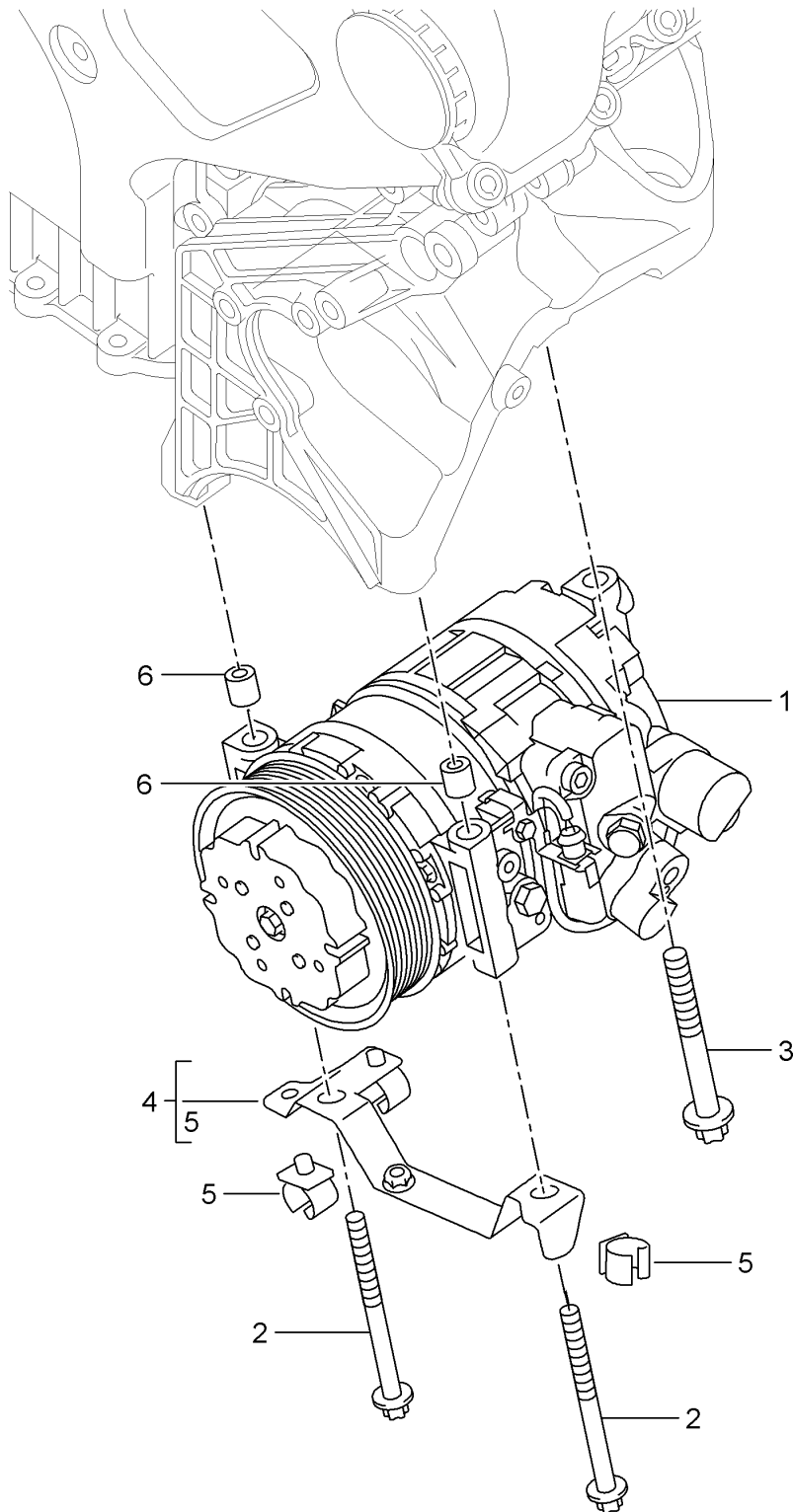
Model: 9PA 03

Model life 2003&gt;&gt;2006

Pos	Part Number	Description	Remark	Qty	Model
		Refrigerant circuit Auxiliary air conditioner Rear			I9AH
1	955 572 104 00	Pressure line		1	
2	955 573 749 00	Round seal 9,5 X 2,5		X	
3	955 572 105 00	Intake pipe		1	
4	955 572 094 00	O-ring 11,0 X 2,5		X	
4	955 573 749 01	Round seal 11 X 2,5		X	
5	955 572 180 00	Dual clip		X	
6	N 105 084 02	Hexagon socket head bolt M6 X 35		4	
7	955 572 495 00	Support		2	
8	N 908 051 02	Blind rivet nut M6		X	
9	955 573 605 00	Support		1	
10	955 572 757 05	Spacer		1	
11	N 104 514 04	Lens-head screw M6 X 16		2	
12	N 104 677 02	Hexagon socket head bolt M6 X 70		2	
13	N 104 144 02	Pan-head screw M8 X 28		2	
14	955 572 106 00	Pressure line		1	
15	955 572 107 00	Intake pipe		1	
16	955 573 749 02	Round seal 13,7 X 2,5		X	
17	955 573 763 00	Spacer		1	

Model: 9PA 03

Model life 2003>>2006



Model: 9PA 03

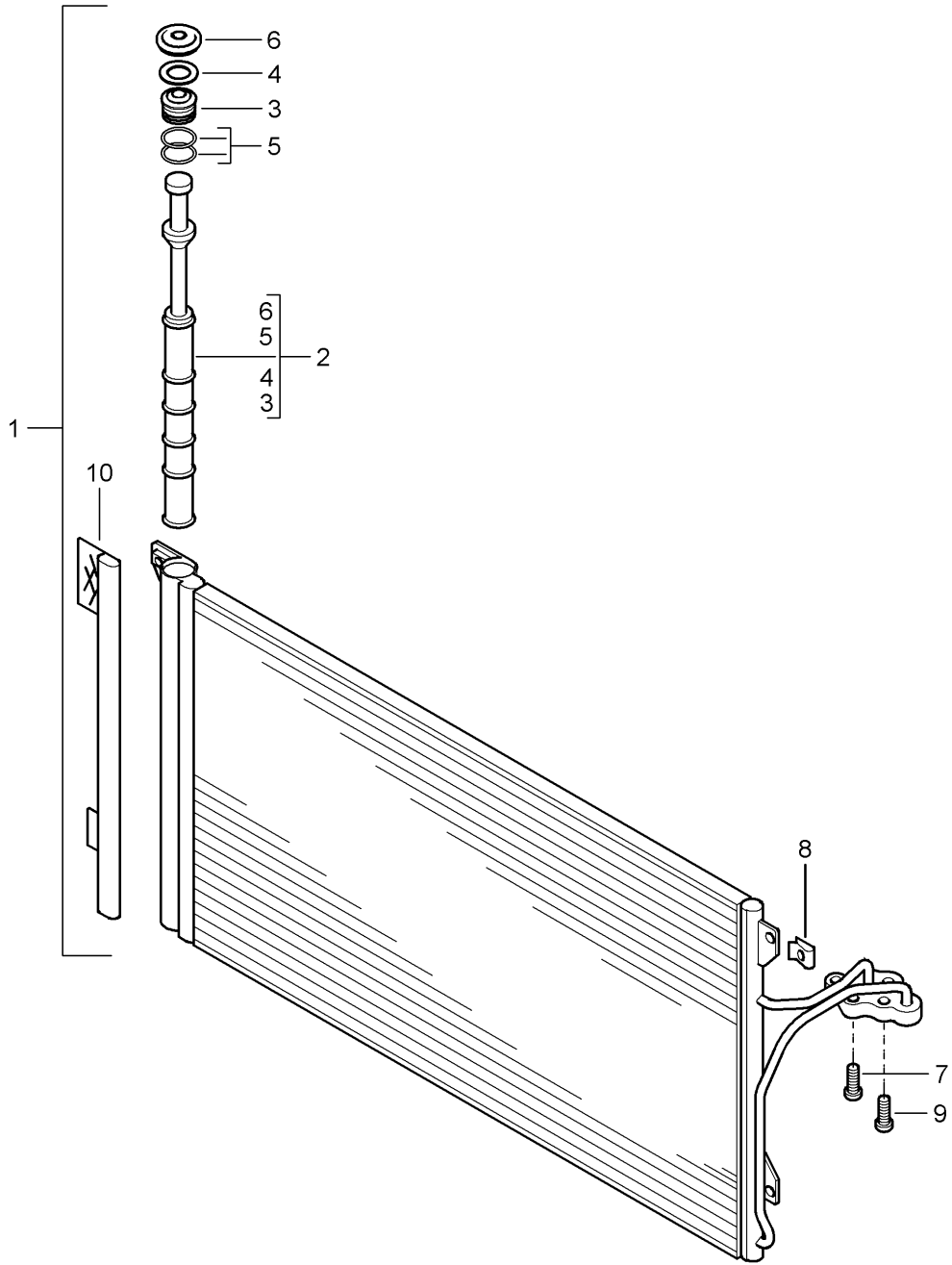
Model life 2003&gt;&gt;2006

Pos	Part Number	Description	Remark	Qty	Model
1	955 126 011 00	Compressor	-04	1	ID9J
(1)	955 126 011 01	Compressor	05	1	ID9J
(1)	955 126 011 02	Compressor	06	1	ID9J
(1)	955 126 011 03	Compressor	06	1	ID9J
(1)	948 126 011 01	Compressor		1	ID9K/D9L
2	N 906 602 01	Torx screw		2	ID9J
(2)	900 385 014 09	Torx screw M 8 X 95		2	ID9K/D9L
(3)	N 106 727 01	Hexagon-head bolt		1	ID9J
3	900 385 031 09	Torx screw M 10 X 90		1	ID9K/D9L
4	955 126 012 00	Support	/LL	1	ID9J/L0L
(4)	955 126 012 10	Support	/RL	1	ID9J/L0R
(4)	948 347 137 02	Support		1	ID9K/D9L
5	999 651 199 40	Cable holder		3	
6	955 147 501 00	Dowel sleeve		2	
6	955 147 501 01	Dowel sleeve 11,15 X 6,5		2	



Model: 9PA 03

Model life 2003>>2006



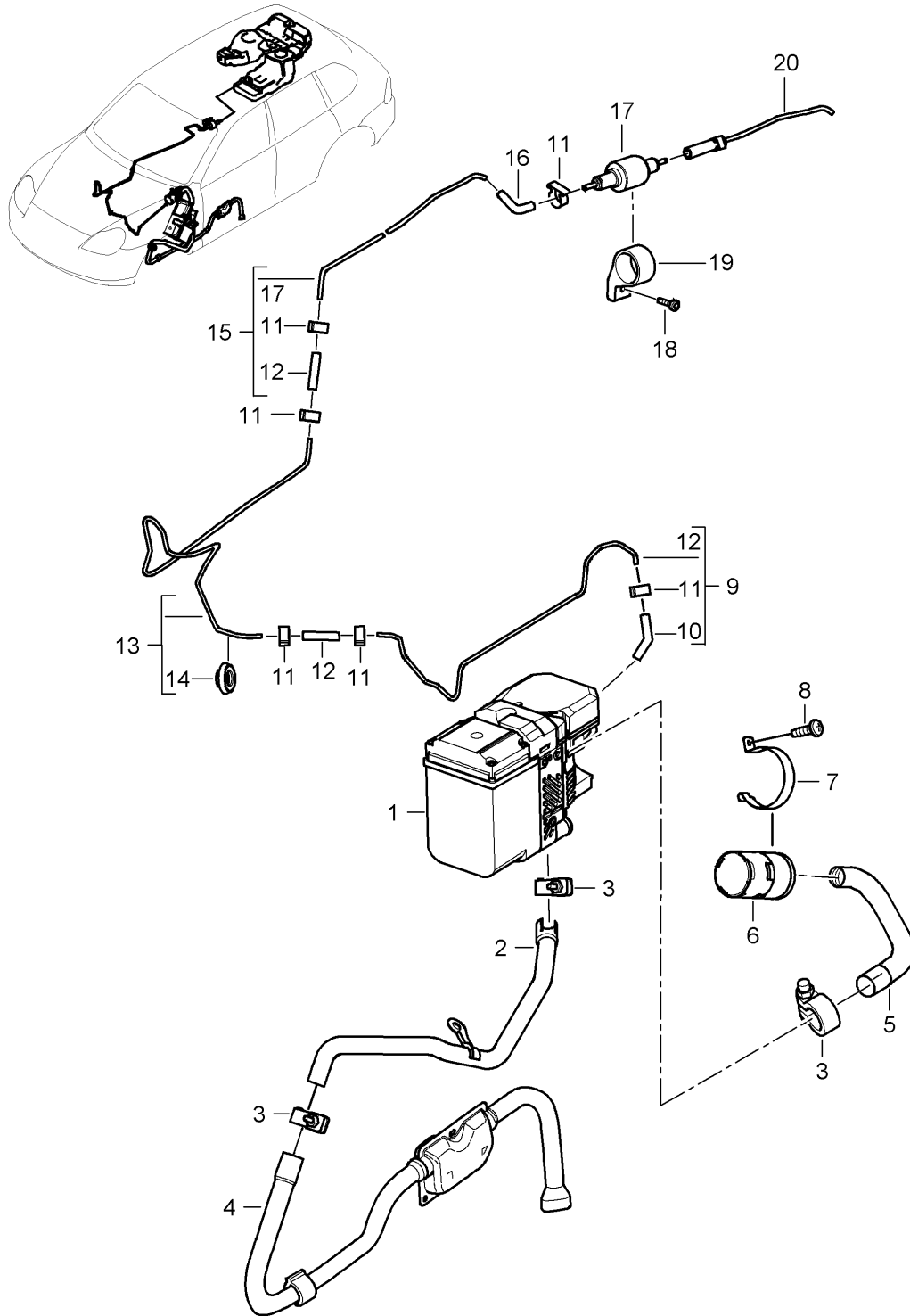
Model: 9PA 03

Model life 2003>>2006

Pos	Part Number	Description	Remark	Qty	Model
		Condenser for Air conditioner			
1	955 573 111 04	Condenser		1	
2	955 573 143 01	Desiccator		1	
3	955 573 115 00	Cap		1	
4	N 909 939 01	Circlip		1	
5	N 909 870 01	O-ring		1	
6	955 573 116 00	Cover		1	
7	N 104 514 02	Torx screw		2	
8	999 166 034 02	Sl-lock		2	
9	N 104 144 01	Pan-head screw		X	
(10)	955 573 117 00	Sealing strip	/L	1	
10	955 573 118 00	Sealing strip	/R	1	

Model: 9PA 03

Model life 2003>>2006



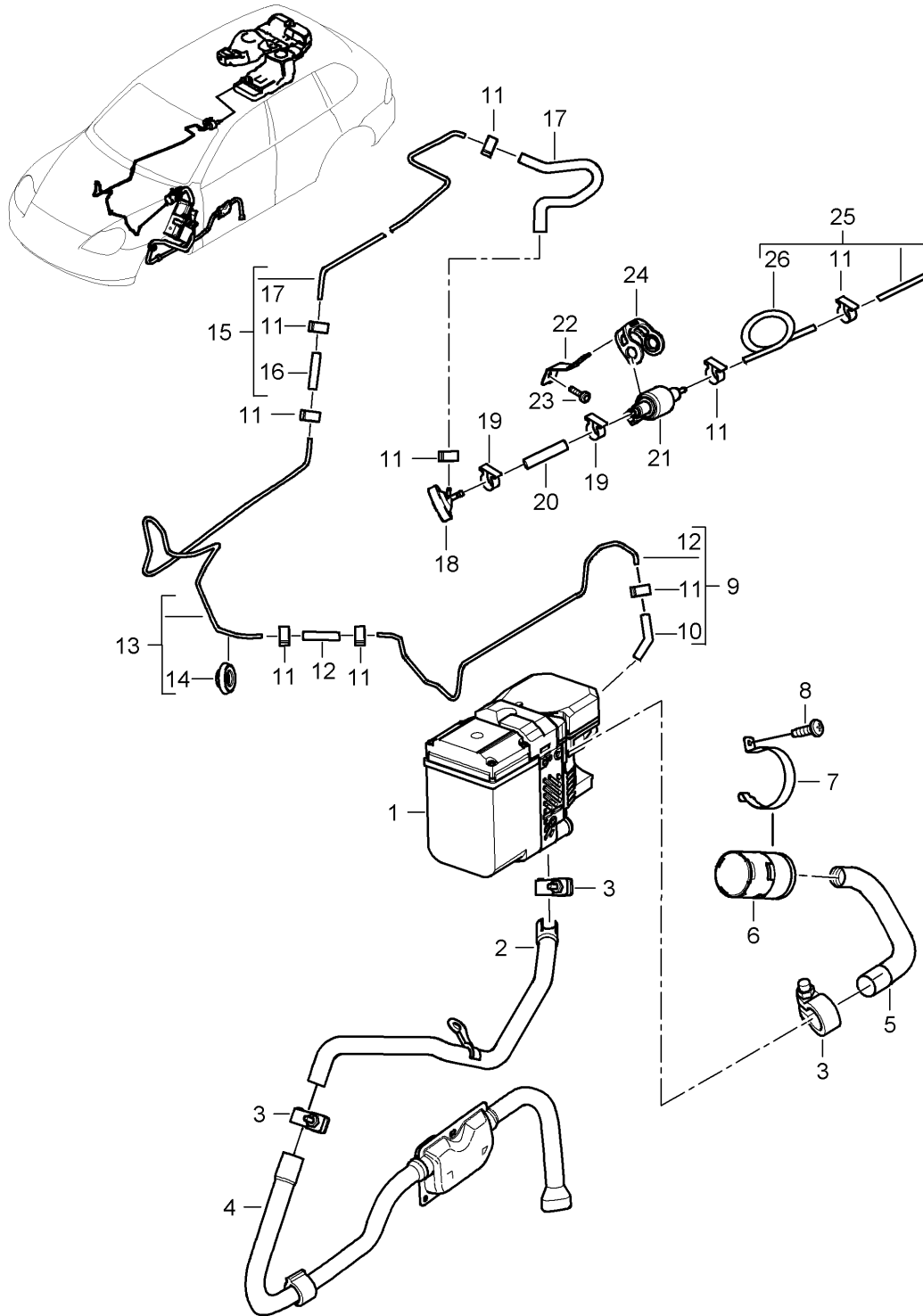
Model: 9PA 03

Model life 2003>>2006

Pos	Part Number	Description	Remark	Qty	Model
		Auxiliary heater Valid up to: F >>9P6LA 01562 F >>9P6LA 41356 F >>9P6LA 80630 Support See group 8/13/85			I7VE/7VL
1	955 572 801 04	Auxiliary heater		1	
2	955 572 806 01	Exhaust pipe		1	
3	N 106 182 01	Clip 22 X 15		X	
4	955 572 807 02	Exhaust silencer		1	
5	955 572 811 01	Intake manifold		1	
6	955 572 812 00	Muffler		1	
7	955 572 597 00	Clip Muffler		1	
8	N 909 117 01	Screw M 4 X 16		1	
9	955 572 490 00	Fuel line Heater		1	
10	955 572 514 00	Wheel housing Moulded hose		1	
11	N 101 981 01	Hose clamp		X	
12	955 572 517 00	Fuel hose		X	
13	955 572 492 00	Fuel line Tunnel		1	
14	311 949 149 B	Grommet		1	
15	955 201 355 11	Fuel line Pump		1	
16	955 572 819 00	Moulded hose 11,3 X 5 X 0,5		1	
17	955 572 820 01	Fuel pump		1	
18	N 104 562 01	Pan-head screw M6 X 25		1	
19	955 572 821 00	Rubber holder Fuel pump		1	
19	955 572 821 01	Rubber holder Fuel pump		1	
20	955 201 355 00	Fuel line Pump Fuel tank		1	

Model: 9PA 03

Model life 2003>>2006



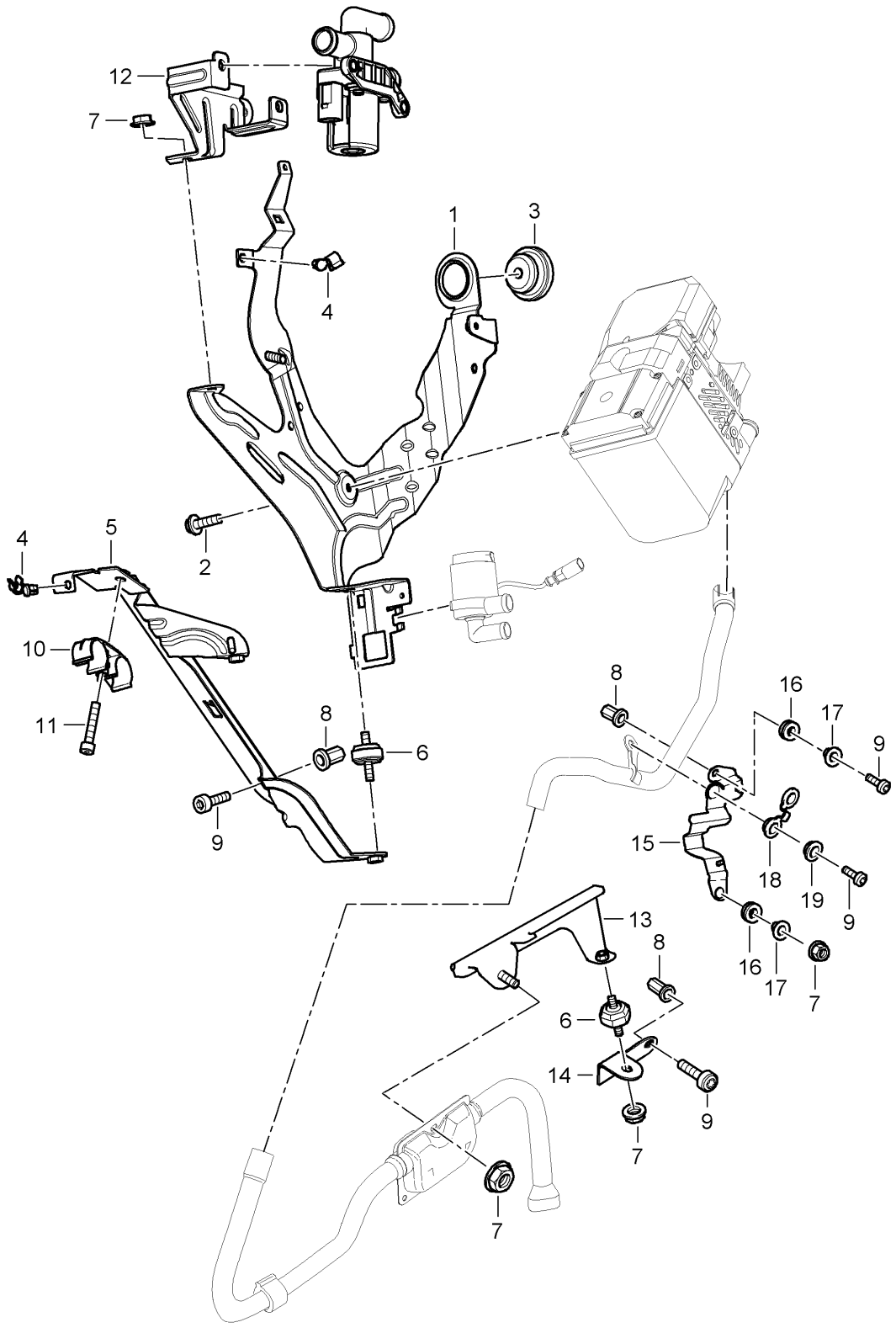
Model: 9PA 03

Model life 2003>>2006

Pos	Part Number	Description	Remark	Qty	Model
		Auxiliary heater Valid from: F 9P6LA 01563>> F 9P6LA 41357>> F 9P6LA 80631>> Support See group 8/13/85			I7VE/7VL
1	955 572 801 04	Auxiliary heater		1	
2	955 572 806 02	Exhaust pipe		1	
3	N 106 182 01	Clip 22 X 15		X	
4	955 572 807 02	Exhaust silencer		1	
5	955 572 811 02	Intake manifold		1	
6	955 572 812 00	Muffler		1	
7	955 572 597 00	Clip Muffler		1	
8	N 909 117 01	Screw M 4 X 16		1	
9	955 572 490 00	Fuel line Heater		1	
10	955 572 514 00	Wheel housing Moulded hose		1	
11	N 101 981 01	Hose clamp		X	
12	955 572 517 00	Fuel hose		X	
13	955 572 492 00	Fuel line Tunnel		1	
14	311 949 149 B	Grommet		1	
15	955 201 355 12	Fuel line Pump		1	
16	955 572 815 00	Fuel hose		1	
17	955 572 513 00	Hose Damper		1	
18	955 572 618 00	Damper		1	
19	N 102 035 01	Hose clamp 11,3 X 5 X 0,5		1	
20	955 572 238 00	Hose		1	
21	955 572 820 01	Fuel pump		1	
22	955 572 829 00	Support Fuel pump		1	
23	N 106 507 01	Pan-head screw M6 X 12		1	
24	955 572 947 00	Rubber holder Fuel pump		1	
25	955 201 355 01	Fuel line Pump		1	
26	955 572 757 00	Fuel tank Hose		1	

Model: 9PA 03

Model life 2003>>2006



Model: 9PA 03

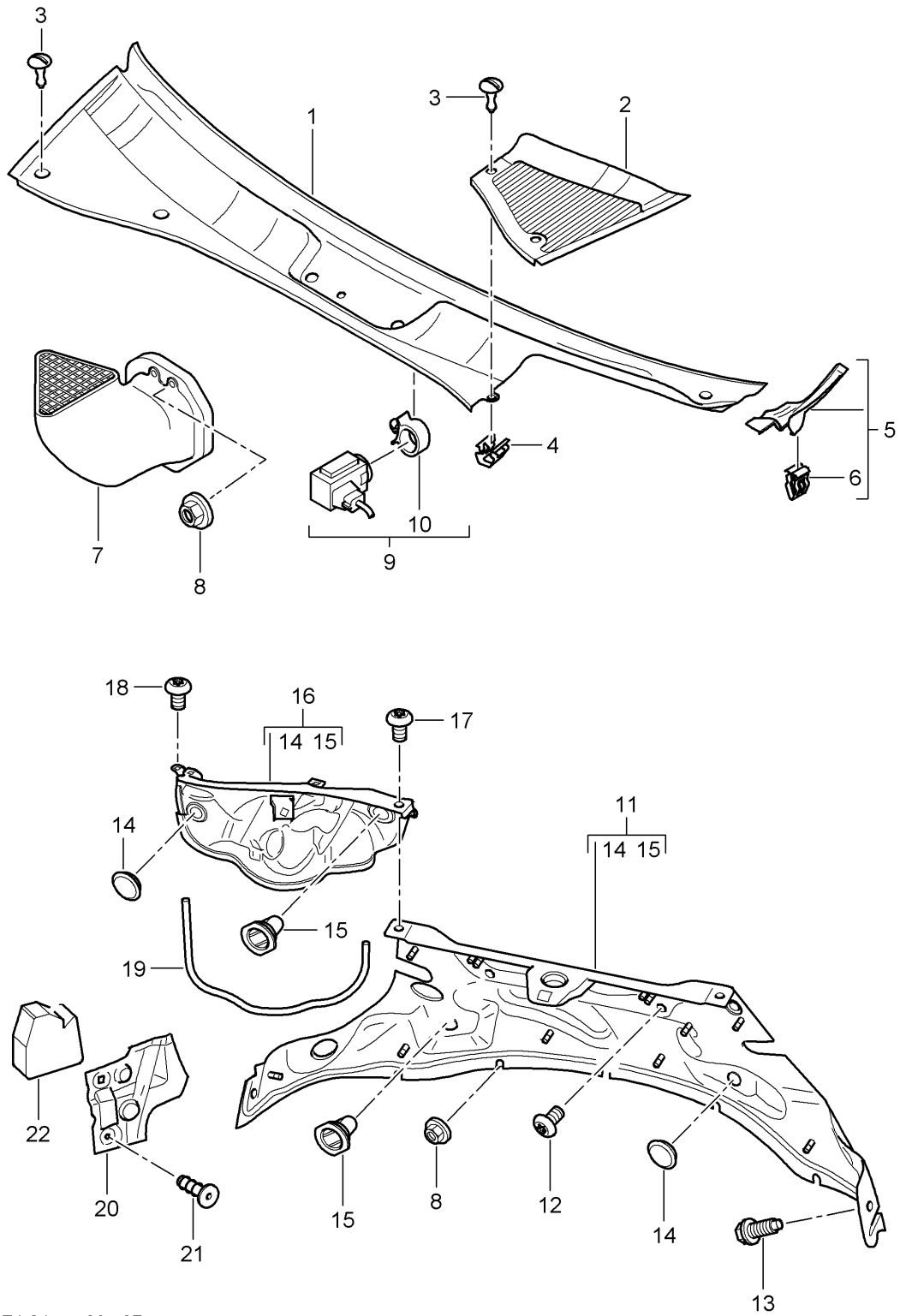
Model life 2003>>2006

Pos	Part Number	Description	Remark	Qty	Model
(1)	955 572 803 00	Support Auxiliary heater Support Heater Valid up to: F >>9P6LA 01562 F >>9P6LA 41356 F >>9P6LA 80630		1	I7VE/7VL
1	955 572 803 01	Support		1	
2	955 572 802 00	Hexagon-head bolt M6 X 18		3	
3	955 572 261 00	Rubber mounting		1	
4	955 572 788 00	Clip		2	
5	955 572 805 01	Support		1	
6	955 572 810 00	Bonded rubber mounting		1	
7	N 015 082 9	Hexagon nut M 6		9	
8	N 902 631 04	Blind rivet nut M6		2	
9	N 104 514 04	Lens-head screw M6 X 16		2	
10	955 572 055 01	Clip		X	
11	N 106 209 01	Pan-head screw M6 X 30		1	
(12)	955 572 826 00	Support Valve Valid up to: F >>9P6LA 01562 F >>9P6LA 41356 F >>9P6LA 80630		1	
12	955 572 826 01	Support Valve Valid from: F 9P6LA 01563>> F 9P6LA 41357>> F 9P6LA 80631>>		1	
13	955 572 808 00	Support		1	
14	955 572 809 00	Support Exhaust system		1	
15	955 572 823 00	Support		1	
16	955 572 095 00	Rubber sleeve		X	
17	955 572 121 00	Bush		X	
18	955 572 828 00	Bearing Exhaust pipe		1	
19	955 572 827 01	Bush		X	



Model: 9PA 03

Model life 2003>>2006



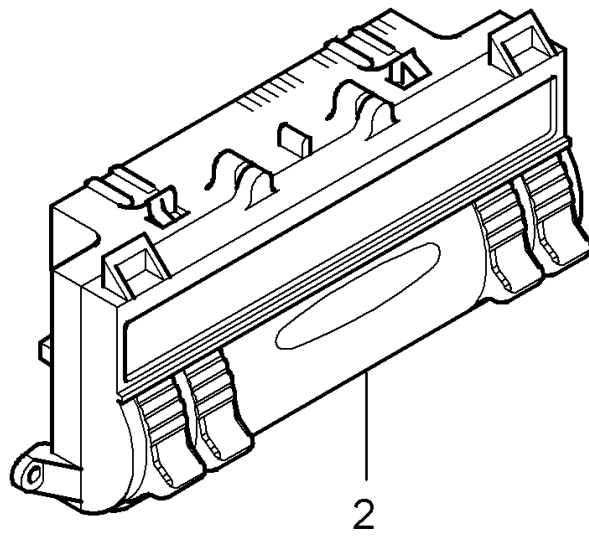
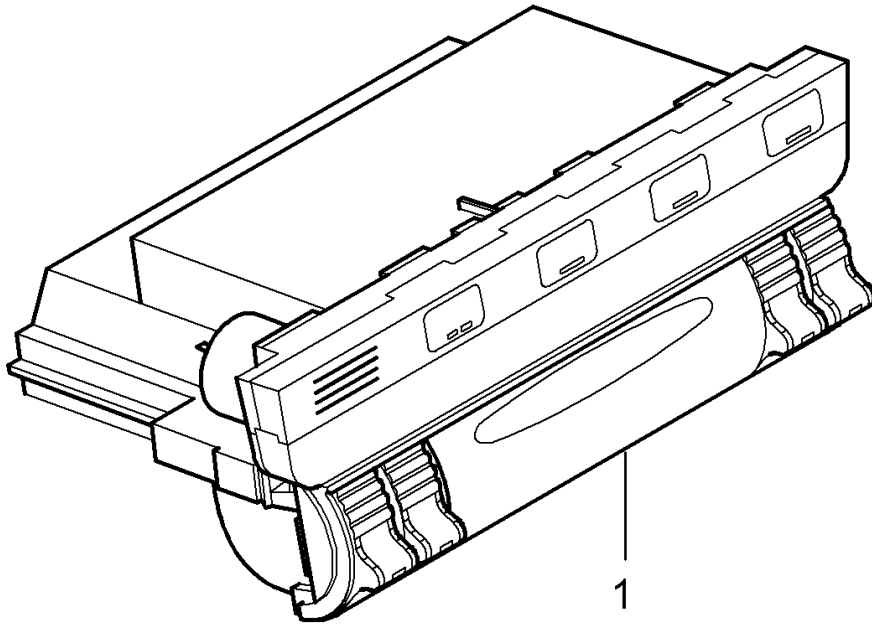
Model: 9PA 03

Model life 2003>>2006

Pos	Part Number	Description	Remark	Qty	Model
		Cover Plenum panel Fresh-air intake system			
1	955 572 563 03	Cover	/LL	1	IL0L
	955 572 563 03 01C	Satin black			
1	955 572 563 04	Cover	/LL	1	IL0L
	955 572 563 04 9B9	Black			
(1)	955 572 564 04	Cover	/RL	1	IL0R
	955 572 564 04 01C	01C			
(1)	955 572 564 05	Cover	/RL	1	IL0R
	955 572 564 05 9B9	Black			
2	955 572 561 03	Cover	/LL /L	1	IL0L
	955 572 561 03 01C	Satin black			
(2)	955 572 729 01	Flap	/RL /L	1	IL0R
	955 572 729 01 01C	Satin black			
(2)	955 572 566 03	Cover	/RL /R	1	IL0R
	955 572 566 03 01C	Satin black			
3	955 572 710 00	Fastening plug		4	
4	955 572 711 00	Clamp		X	
5	955 572 569 01	Cover	/L	1	
(5)	955 572 568 01	Cover	/R	1	
6	955 572 712 00	Clamp		X	
7	955 572 029 00	Housing	/LL	1	IL0L
(7)	955 572 030 00	Housing	/RL	1	IL0R
		Fresh-air intake system			
8	N 015 082 10	Hexagon nut M 6		X	
9	955 618 550 02	Sensor		1	I9AD/9AH
10	955 618 556 00	Clip Sensor		1	
11	955 572 570 01	Plenum panel		1	
12	955 628 035 00	Screw M6 X 10		2	
13	N 101 563 02	Hexagon-head bolt M6 X 12		2	
14	N 020 024 01	Stopper		X	
15	955 572 598 00	Stopper		X	
(16)	955 572 572 01	Plenum panel	/L	1	
16	955 572 571 01	Plenum panel	/R	1	
17	N 906 381 02	Screw M6 X 12		X	
18	N 105 918 01	Torx screw M6 X 12		X	
(19)	955 572 574 00	Gasket	/L	1	
19	955 572 573 00	Gasket	/R	1	
(20)	955 572 575 00	Cover	/L	1	
20	955 572 576 00	Cover	/R	1	
		Lateral			
21	N 905 841 01	Stopper		X	
22	955 572 531 00	Gasket		2	

Model: 9PA 03

Model life 2003>>2006



Model: 9PA 03 Model life 2003>>2006

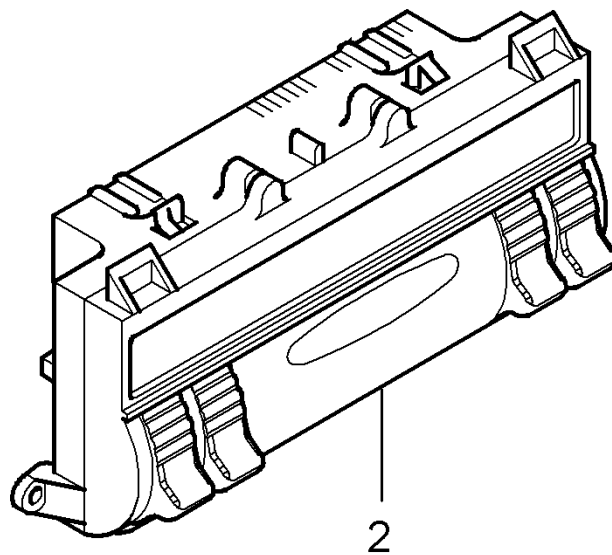
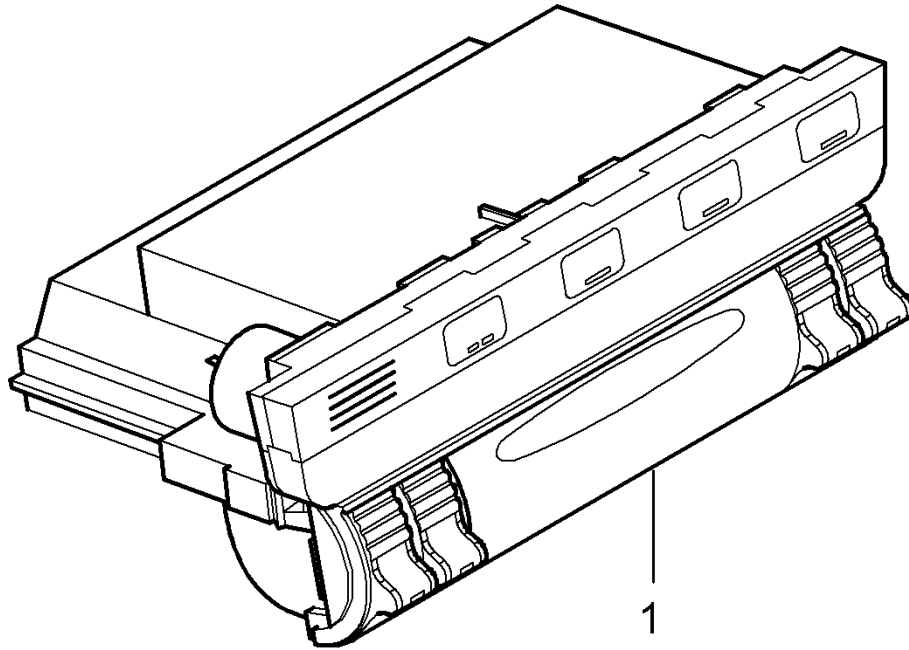
Pos	Part Number	Description	Remark	Qty	Model
		Control part C A Y E N N E Model year 2003 - 2004 Workshop manual 877819 Attention			
1	955 653 101 03	Control part	-04	1	ID9J/5MA/9AB
1	955 653 101 05	Control part	05-	1	ID9J/5MA/9AB
1	955 653 115 03	Control part	03	1	ID9J/5MG/9AB I5TE/5TF/5TK
1	955 653 115 04	Control part	04	1	ID9J/5MG/9AB I5TE/5TF/5TK
1	955 653 115 06	Control part	05-	1	ID9J/5MG/9AB I5TE/5TF/5TK
1	955 653 115 20	Control part		1	ID9J/9AB/9M0 I5TE/5TF/5TK
(1)	955 653 102 03	Control part	03	1	ID9J/7VE/9AB I5MA/7VL
(1)	955 653 102 04	Control part	04	1	ID9J/7VE/9AB I5MA/7VL
(1)	955 653 102 06	Control part	05-	1	ID9J/7VE/9AB I5MA/7VL
(1)	955 653 116 02	Control part	03	1	ID9J/7VE/9AB I5MG/5TE/7VL I5TF/5TK
(1)	955 653 116 03	Control part	04	1	ID9J/7VE/9AB I5MG/5TE/7VL I5TF/5TK
(1)	955 653 116 05	Control part	05-	1	ID9J/7VE/9AB I5MG/5TE/7VL I5TF/5TK
(1)	955 653 103 04	Control part	03	1	ID9J/5MA/9AD
(1)	955 653 103 05	Control part	04	1	ID9J/5MA/9AD
(1)	955 653 103 08	Control part	05-	1	ID9J/5MA/9AD
(1)	955 653 103 03	Control part	03	1	ID9J/5MG/9AD I5TE/5TF/5TK
(1)	955 653 103 06	Control part	04	1	ID9J/5MG/9AD I5TE/5TF/5TK
(1)	955 653 103 10	Control part	05-	1	ID9J/5MG/9AD I5TE/5TF/5TK
(1)	955 653 104 03	Control part	03	1	ID9J/7VE/9AD I5MA/7VL
(1)	955 653 104 04	Control part	04	1	ID9J/7VE/9AD I5MA/7VL
(1)	955 653 104 08	Control part	05-	1	ID9J/7VE/9AD I5MA/7VL
(1)	955 653 104 05	Control part	03	1	ID9J/7VE/9AD I5MG/5TE/7VL I5TF/5TK
(1)	955 653 104 06	Control part	04	1	ID9J/7VE/9AD I5MG/5TE/7VL I5TF/5TK
(1)	955 653 104 10	Control part	05-	1	ID9J/7VE/9AD I5MG/5TE/7VL I5TF/5TK
(1)	955 653 105 02	Control part	03	1	ID9J/5MA/9AH
(1)	955 653 105 03	Control part	04	1	ID9J/5MA/9AH
(1)	955 653 105 05	Control part	05-	1	ID9J/5MA/9AH
(1)	955 653 113 02	Control part	03	1	ID9J/5MG/9AH I5TE/5TF/5TK
(1)	955 653 113 03	Control part	-04	1	ID9J/5MG/9AH I5TE/5TF/5TK

Model: 9PA 03 Model life 2003>>2006

Pos	Part Number	Description	Remark	Qty	Model
(1)	955 653 113 05	Control part	05-	1	ID9J/5MG/9AH I5TE/5TF/5TK
(1)	955 653 106 02	Control part	03	1	ID9J/7VE/9AH I5MA/7VL
(1)	955 653 106 03	Control part	04	1	ID9J/7VE/9AH I5MA/7VL
(1)	955 653 106 05	Control part	05-	1	ID9J/7VE/9AH I5MA/7VL
(1)	955 653 114 02	Control part	03	1	ID9J/7VE/9AH I5MG/5TE/7VL I5TF/5TK
(1)	955 653 114 03	Control part	04	1	ID9J/7VE/9AH I5MG/5TE/7VL I5TF/5TK
(1)	955 653 114 05	Control part	05-	1	ID9J/7VE/9AH I5MG/5TE/7VL I5TF/5TK
2	955 653 201 02	Control part	-05	1	ID9J/5MA
2	955 653 201 03	Control part	06	1	ID9J/5MA
(2)	955 653 202 02	Control part	-05	1	ID9J/4A4/5MA
(2)	955 653 202 03	Control part	06	1	ID9J/4A4/5MA
(2)	955 653 203 02	Control part	-05	1	ID9J/5MG/5TE I5TF/5TK
(2)	955 653 203 03	Control part		1	ID9J/5MG/5TE I5TF/5TK
(2)	955 653 204 01	Control part	-05	1	ID9J/4A4/5MG I5TE/5TF/5TK
(2)	955 653 204 02	Control part	06	1	ID9J/4A4/5MG I5TE/5TF/5TK

Model: 9PA 03

Model life 2003>>2006



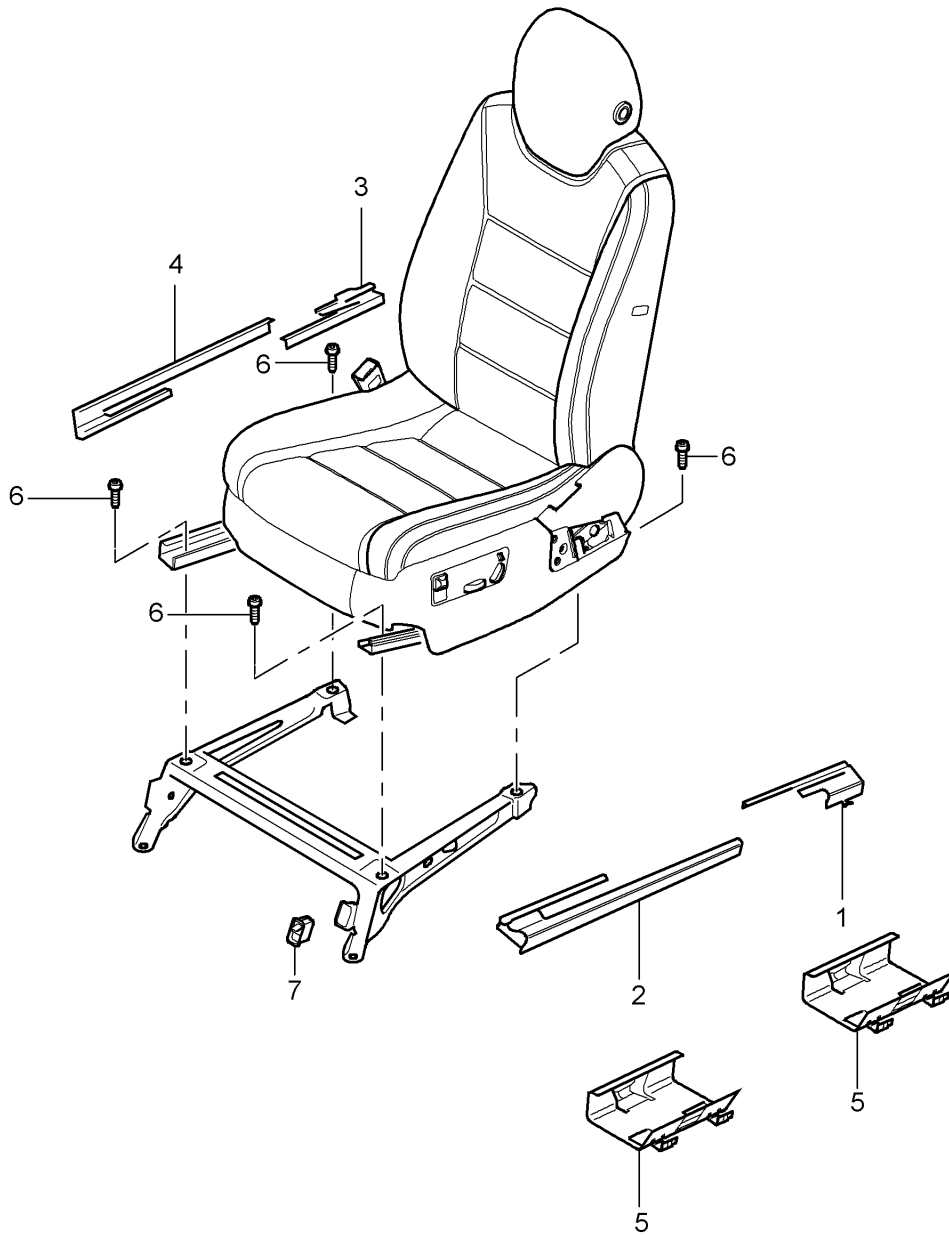
Model: 9PA 03

Model life 2003>>2006

Pos	Part Number	Description	Remark	Qty	Model
		Control part C A Y E N N E S / T U R B O / S			
1	955 653 103 03	Control part	03	1	ID9K/D9L/9AD
1	955 653 103 06	Control part	04	1	ID9K/D9L/9AD
1	955 653 103 10	Control part	05-	1	ID9K/D9L/9AD
(1)	955 653 104 05	Control part	03	1	ID9K/D9L/9AD I7VE/7VL
(1)	955 653 104 06	Control part	04	1	ID9K/D9L/9AD I7VE/7VL
(1)	955 653 104 10	Control part	05-	1	ID9K/D9L/9AD I7VE/7VL
(1)	955 653 113 02	Control part	03	1	ID9K/D9L/9AH
(1)	955 653 113 03	Control part	-04	1	ID9K/D9L/9AH
(1)	955 653 113 05	Control part	05-	1	ID9K/D9L/9AH
(1)	955 653 114 02	Control part	03	1	ID9K/D9L/9AH I7VE/7VL
(1)	955 653 114 03	Control part	04	1	ID9K/D9L/9AH I7VE/7VL
(1)	955 653 114 05	Control part	05-	1	ID9K/D9L/9AH I7VE/7VL
		T U R B O S			
(1)	955 653 120 00	Control part		1	ID9L/E8A/9AD
(1)	955 653 120 01	Control part		1	ID9L/E8A/9AD
(1)	955 653 121 00	Control part		1	ID9L/7VE/9AD IE8A/7VL
(1)	955 653 121 01	Control part		1	ID9L/7VE/9AD IE8A/7VL
(1)	955 653 122 00	Control part		1	ID9L/E8A/9AH
(1)	955 653 122 01	Control part		1	ID9L/E8A/9AH
(1)	955 653 123 00	Control part		1	ID9L/7VE/9AH IE8A/7VL
(1)	955 653 123 01	Control part		1	ID9L/7VE/9AH IE8A/7VL
(2)	955 653 203 02	Control part	-05	1	ID9K/D9L
(2)	955 653 203 03	Control part		1	ID9K/D9L
(2)	955 653 204 01	Control part	-05	1	ID9K/D9L/4A4
(2)	955 653 204 02	Control part	06	1	ID9K/D9L/4A4
(2)	955 653 205 02	Control part		1	ID9L/E8A/4A4

Model: 9PA 03

Model life 2003>>2006





Model: 9PA 03 Model life 2003>>2006

Pos	Part Number	Description	Remark	Qty	Model
(1)	955 521 337 01	Front seat Front seat Complete Not available Cover	/L /R	1	I3L4/3L5/3PB I3PN
2	955 521 337 01 01C 955 521 337 01 6C6 955 521 337 01 6H8 955 521 337 01 7A8 955 521 332 03	Seat rail Front seat Satin black Sand Beige Palmgreen Steel grey Cover	/L -06	1	I3L4/3L5/3PN
(2)	955 521 332 03 01C 955 521 332 03 6C6 955 521 332 03 6H8 955 521 332 03 7A8 955 521 332 04	Seat rail Driver's side Satin black Sand Beige Palmgreen Steel grey Cover	/L	1	I3L4/3L5/3PN
(2)	955 521 332 04 9B9 955 521 332 04 6C6 955 521 332 04 6H8 955 521 332 04 7A8 955 521 342 04	Seat rail Driver's side Satin black Sand Beige Palmgreen Steel grey Cover	/L	1	I3L4/3L5 I3PN/4UQ
(2)	955 521 342 04 01C 955 521 342 04 6C6 955 521 342 04 6H8 955 521 342 04 7A8 955 521 343 00	Seat rail Passenger's side Satin black Sand Beige Palmgreen Steel grey Cover	/L	1	I3L4/3L5 I3PN/4UB/4UD I4UE
3	955 521 343 00 6C6 955 521 343 00 9B9 955 521 343 00 7A8 955 521 338 01	Passenger's side Sand Beige Satin black Steel grey Cover	/L /R	1	I3L4/3L5/3PN I4UB/4UD/4UE
(3)	955 521 338 01 01C 955 521 338 01 6C6 955 521 338 01 6H8 955 521 338 01 7A8 955 521 358 00	Seat rail Front seat Satin black Sand Beige Palmgreen Steel grey Cover	06-	1	I3L4/3L5 I3PN/4UQ
4	955 521 358 00 01C 955 521 358 00 6C6 955 521 358 00 6H8 955 521 358 00 7A8 955 521 351 02	Seat rail Front seat Satin black Sand Beige Palmgreen Steel grey Cap	/R -06	1	I3L4/3L5/3PN
(4)	955 521 351 02 01C 955 521 351 02 6C6 955 521 351 02 6H8 955 521 351 02 7A8 955 521 351 03	Seat rail Driver's side Satin black Sand Beige Palmgreen Steel grey Cap	/R	1	I3L4/3L5/3PN
		Seat rail			

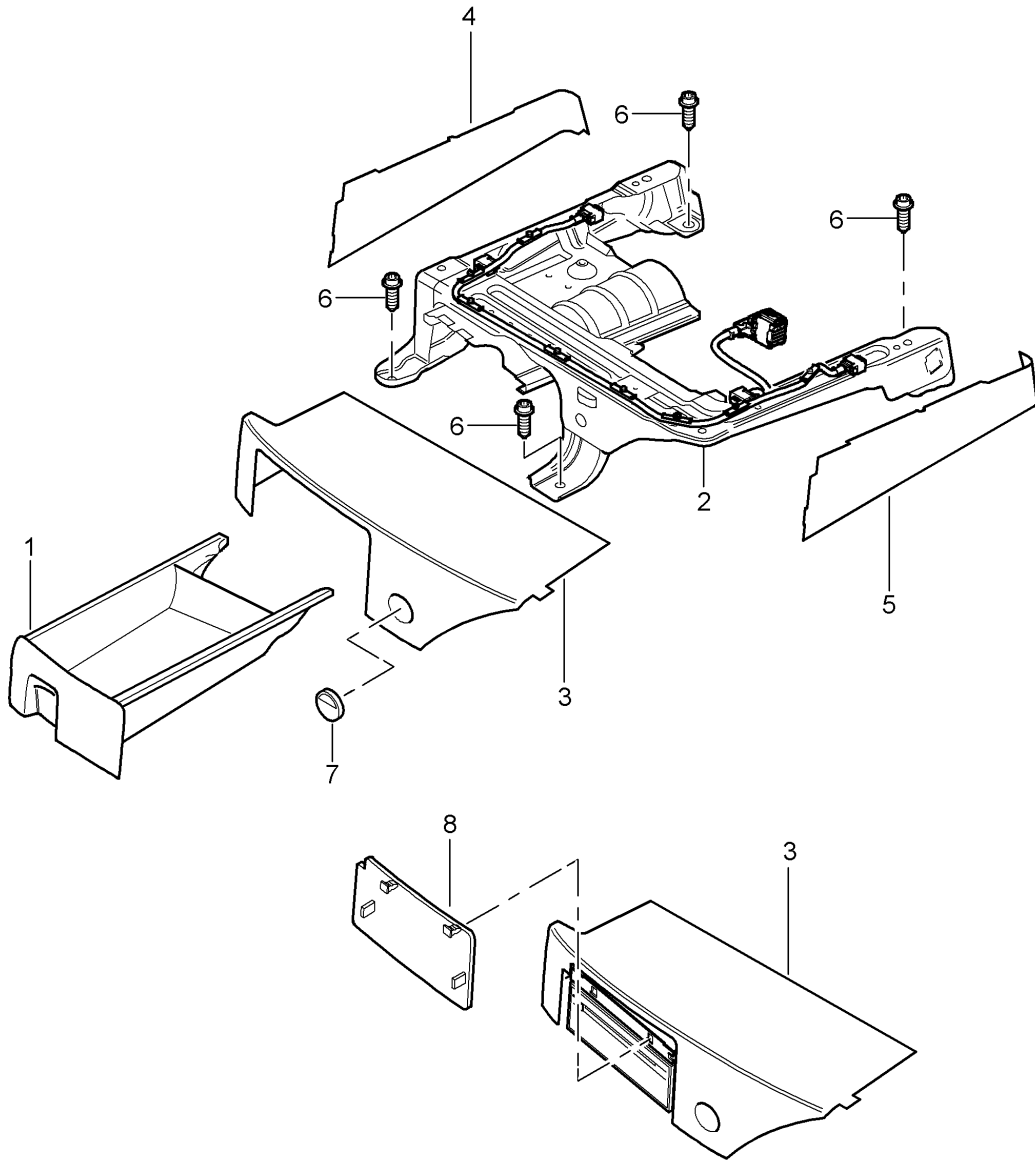
Model: 9PA 03

Model life 2003>>2006

Pos	Part Number	Description	Remark	Qty	Model
		Driver's side			
	955 521 351 03 9B9	Satin black			
	955 521 351 03 6C6	Sand Beige			
	955 521 351 03 6H8	Palmgreen			
	955 521 351 03 7A8	Steel grey			
(4)	955 521 355 03	Cover	/R -06	1	I3L4/3L5 I3PN/4UQ
		Seat rail			
		Passenger's side			
	955 521 355 03 01C	Satin black			
	955 521 355 03 6C6	Sand Beige			
	955 521 355 03 6H8	Palmgreen			
	955 521 355 03 7A8	Steel grey			
(4)	955 521 355 04	Cover	/R	1	I3L4/3L5 I3PN/4UQ
		Seat rail			
		Passenger's side			
	955 521 355 04 01C	Satin black			
	955 521 355 04 6C6	Sand Beige			
	955 521 355 04 6H8	Palmgreen			
	955 521 355 04 7A8	Steel grey			
5	955 521 353 00	Clamp		4	I3L4/3L5/3PN
		Seat rail			
6	N 909 650 01	Screw		4	
		M 10 X 30			
		Seat rail			
7	955 521 370 00	Fixing clip		2	

Model: 9PA 03

Model life 2003>>2006



Model: 9PA 03

Model life 2003>>2006

Pos	Part Number	Description	Remark	Qty	Model
1	955 521 400 02	Frame Lining Drawer  Passenger's side without Fire extinguisher		1	I4UB/6A0/8DU I8YZ
	955 521 400 02 01C	Satin black			
	955 521 400 02 9B9	Satin black			
	955 521 400 02 6C6	Sand Beige			
	955 521 400 02 6H8	Palmgreen			
	955 521 400 02 7A8	Steel grey			
1	955 521 400 02	Drawer  Passenger's side without Fire extinguisher		1	I4UD/6A0/8DU I8YZ
	955 521 400 02 01C	Satin black			
	955 521 400 02 9B9	Satin black			
	955 521 400 02 6C6	Sand Beige			
	955 521 400 02 6H8	Palmgreen			
	955 521 400 02 7A8	Steel grey			
1	955 521 400 02	Drawer  Passenger's side without Fire extinguisher		1	I4UE/6A0/8DU I8YZ
	955 521 400 02 01C	Satin black			
	955 521 400 02 9B9	Satin black			
	955 521 400 02 6C6	Sand Beige			
	955 521 400 02 6H8	Palmgreen			
	955 521 400 02 7A8	Steel grey			
(1)	955 521 401 02	Drawer  Passenger's side		1	I4UB/6A4/6A5
	955 521 401 02 01C	Satin black			
	955 521 401 02 6C6	Sand Beige			
	955 521 401 02 6H8	Palmgreen			
	955 521 401 02 7A8	Steel grey			
(1)	955 521 401 02	Drawer  Passenger's side		1	I4UD/6A4/6A5
	955 521 401 02 01C	Satin black			
	955 521 401 02 6C6	Sand Beige			
	955 521 401 02 6H8	Palmgreen			
	955 521 401 02 7A8	Steel grey			
(1)	955 521 401 02	Drawer  Passenger's side		1	I4UE/6A4/6A5
	955 521 401 02 01C	Satin black			
	955 521 401 02 6C6	Sand Beige			
	955 521 401 02 6H8	Palmgreen			
	955 521 401 02 7A8	Steel grey			
(1)	955 521 402 01	Drawer  Passenger's side	/R 06-	1	I4UQ/6A5
	955 521 402 01 01C	Satin black			
	955 521 402 01 6C6	Sand Beige			
	955 521 402 01 6H8	Palmgreen			
	955 521 402 01 7A8	Steel grey			
(1)	955 521 404 01	Drawer  Passenger's side	/R 06-	1	I4UQ/6A0/8DU
	955 521 404 01 01C	Satin black			
	955 521 404 01 6C6	Sand Beige			
	955 521 404 01 6H8	Palmgreen			
	955 521 404 01 7A8	Steel grey			
2	955 521 410 02	Frame	/R	1	I4UB

Model: 9PA 03

Model life 2003>>2006

Pos	Part Number	Description	Remark	Qty	Model
2		Seat Passenger's side Frame	/R	1	I4UD
2		Seat Passenger's side Frame	/R	1	I4UE
(2)	955 521 411 01	Seat Passenger's side Frame	/L	1	
3	955 521 416 01	Seat Driver's side Lining Frame Passenger's side Tufting velour	/R	1	I3L4/3L5/3PN I3ME/6A4/6A5
	955 521 416 01 7H1	Black			
	955 521 416 01 7K3	Sand Beige			
	955 521 416 01 7L4	Palmgreen			
	955 521 416 01 7J2	Steel grey			
(3)	955 521 418 00	Lining Frame Passenger's side Tufting velour	/R 06-	1	I3L4/3L5/3PN I3ME/4UQ
	955 521 418 00 7H1	Black			
	955 521 418 00 7K3	Sand Beige			
	955 521 418 00 7L4	Palmgreen			
	955 521 418 00 7J2	Steel grey			
(3)	955 521 417 02	Lining Frame Driver's side	/L	1	I3L4/3L5 I3MT/3PN
	955 521 417 02 8B2	Black			
	955 521 417 02 8D4	Sand Beige			
	955 521 417 02 8E5	Palmgreen			
	955 521 417 02 8C3	Steel grey			
(3)	955 521 419 01	Lining Frame Driver's side Tufting velour	/L	1	I3L4/3L5 I3ME/3PN
	955 521 419 01 7H1	Black			
	955 521 419 01 7J2	Steel grey			
	955 521 419 01 7K3	Sand Beige			
	955 521 419 01 7L4	Palmgreen			
(3)	955 521 420 01	Lining Frame Passenger's side Pearl velour	/R	1	I3L4/3L5/3PN I3MT/6A4/6A5
	955 521 420 01 8B2	Black			
	955 521 420 01 8C3	Steel grey			
	955 521 420 01 8D4	Sand Beige			
	955 521 420 01 8E5	Palmgreen			
(3)	955 521 422 00	Lining Frame Passenger's side Pearl velour	/R 06-	1	I3L4/3L5/3PN I3MT/4UQ
	955 521 422 00 8B2	Black			
	955 521 422 00 8C3	Steel grey			
	955 521 422 00 8D4	Sand Beige			
	955 521 422 00 8E5	Palmgreen			
4	955 521 432 01	Lining Frame Passenger's side Pearl velour		1	I3L4/3L5/3PN I3MT/4UB/4UD I4UE
	955 521 432 01 8B2	Black			

Model: 9PA 03 Model life 2003>>2006

Pos	Part Number	Description	Remark	Qty	Model
(4)	955 521 432 01 8C3	Steel grey	06-	1	I3L4/3L5/3PN I3MT/4UQ
	955 521 432 01 8D4	Sand Beige			
	955 521 432 01 8E5	Palmgreen			
	955 521 436 00	Lining Frame Passenger's side Pearl velour			
(4)	955 521 436 00 8B2	Black	/R/LL/RL	1	I10L/L0R/3L4 I3L5/3PN I3ME/4UB/4UD I4UE
	955 521 436 00 8C3	Steel grey			
	955 521 436 00 8D4	Sand Beige			
	955 521 436 00 8E5	Palmgreen			
(4)	955 521 434 01	Lining Frame Passenger's side Tufting velour	/R 06-	1	I3L4/3L5/3PN I3ME/4UQ
	955 521 434 01 7H1	Black			
	955 521 434 01 7J2	Steel grey			
	955 521 434 01 7K3	Sand Beige			
5	955 521 434 01 7L4	Palmgreen	/L/LL/RL	1	I10L/L0R/3L4 I3L5 I3MT/3PN
	955 521 438 00	Lining Frame Passenger's side Tufting velour			
	955 521 438 00 7H1	Black			
	955 521 438 00 7J2	Steel grey			
(5)	955 521 438 00 7K3	Sand Beige	/L/LL/RL	1	I10L/L0R/3L4 I3L5 I3ME/3PN
	955 521 438 00 7L4	Palmgreen			
	955 521 443 01	Lining Frame Driver's side			
	955 521 443 01 8B2	Black			
6	955 521 443 01 8C3	Steel grey	/L/LL/RL	1	I10L/L0R/3L4 I3L5 I3ME/3PN
	955 521 443 01 8D4	Sand Beige			
	955 521 443 01 8E5	Palmgreen			
	955 521 445 01	Lining Frame Driver's side			
6	955 521 445 01 7H1	Black		4	
	955 521 445 01 7J2	Steel grey			
	955 521 445 01 7K3	Sand Beige			
	955 521 445 01 7L4	Palmgreen			
7	N 910 192 01	Screw M 10 X 25 Mount Frame		1	
	955 521 480 00	Cap Lining Seat			
	955 521 480 00 01C	Satin black			
	955 521 480 00 6C6	Sand Beige			
8	955 521 480 00 6H8	Palmgreen		1	I8DQ/8DV
	955 521 480 00 7A8	Steel grey			
	955 521 550 00	Cover DVD device			
	955 521 550 00 01C	Satin black			
(8)	955 521 550 00 6C6	Sand Beige		1	I4UQ/8DQ/8DV
	955 521 550 00 6H8	Palmgreen			
	955 521 550 00 7A8	Steel grey			
	955 521 551 01	Cover DVD device			

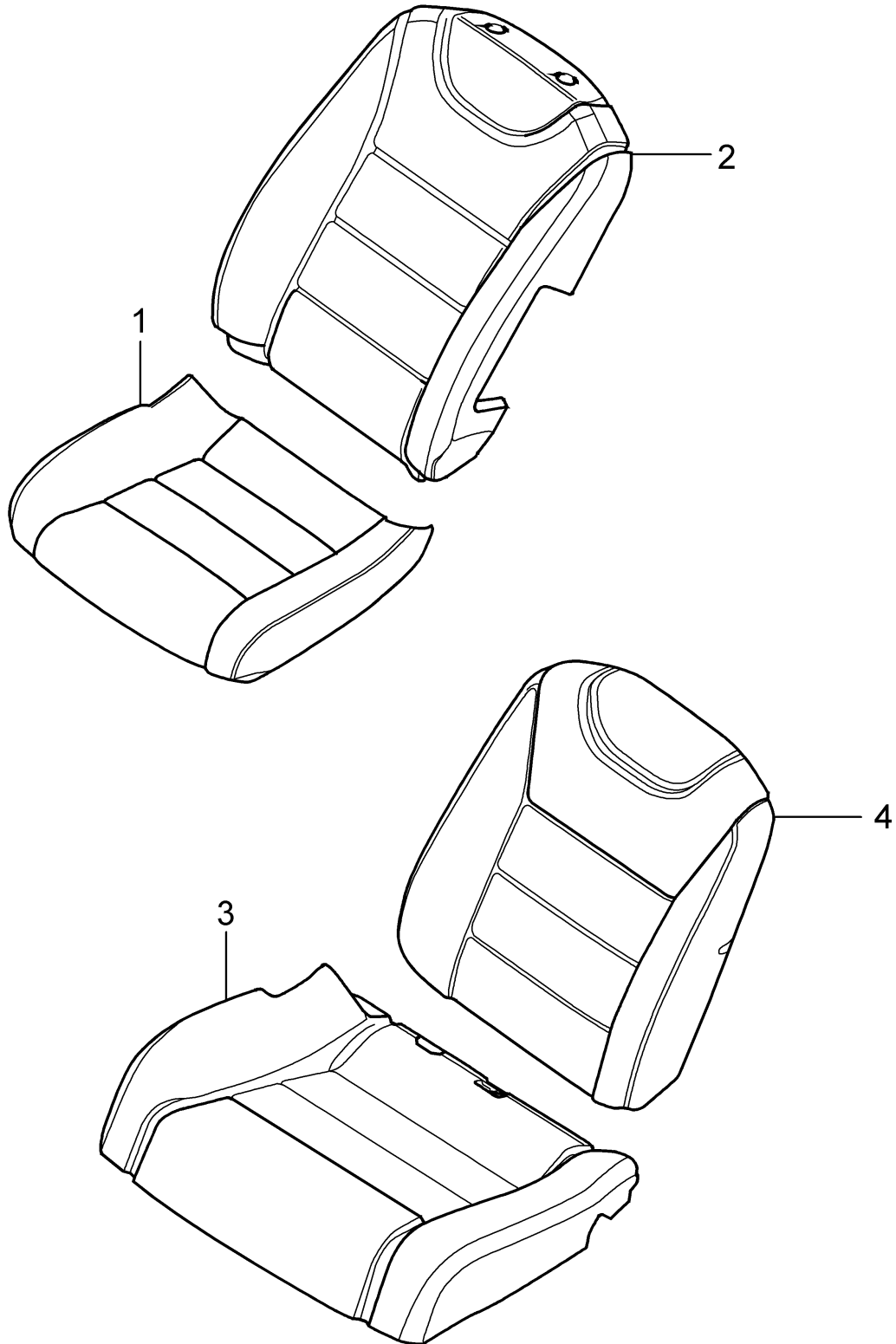
Model: 9PA 03

Model life 2003>>2006

Pos	Part Number	Description	Remark	Qty	Model
	955 521 551 01 01C	Satin black			
	955 521 551 01 6C6	Sand Beige			
	955 521 551 01 6H8	Palmgreen			
	955 521 551 01 7A8	Steel grey			

Model: 9PA 03

Model life 2003>>2006





Model: 9PA 03 Model life 2003>>2006

Pos	Part Number	Description	Remark	Qty	Model
1	955 521 141 01	Cover Front seat Foam part	/L -04	1	IN1X/Q2J/4A0
		Cover Comfort seat Seat surface Leather Embossed without heating			
	955 521 141 01 PBW	Sand Beige			
	955 521 141 01 PBX	Steel grey			
	955 521 141 01 PBZ	Palmgreen			
(1)	955 521 142 01	Cover Comfort seat Seat surface Leather Embossed without heating	/R -04	1	IN1X/Q2J/4A0
		Cover Comfort seat Seat surface Leather Embossed without heating			
	955 521 142 01 PBW	Sand Beige			
	955 521 142 01 PBX	Steel grey			
	955 521 142 01 PBZ	Palmgreen			
(1)	955 521 141 05	Cover Comfort seat Seat surface without heating	/L 05-	1	IN1X/Q2J/4A0
		Cover Comfort seat Seat surface without heating			
	955 521 141 05 PBW	Sand Beige			
	955 521 141 05 PBX	Steel grey			
	955 521 141 05 PBZ	Palmgreen			
(1)	955 521 142 05	Cover Comfort seat Seat surface without heating	/R 05-	1	IN1X/Q2J/4A0
		Cover Comfort seat Seat surface without heating			
	955 521 142 05 PBW	Sand Beige			
	955 521 142 05 PBX	Steel grey			
	955 521 142 05 PBZ	Palmgreen			
(1)	955 521 153 01	Cover Comfort seat Seat surface Draped leather without heating	/L -04	1	IN7F/Q2J/4A0
		Cover Comfort seat Seat surface Draped leather without heating			
	955 521 153 01 PBW	Sand Beige			
	955 521 153 01 PBX	Steel grey			
	955 521 153 01 PBZ	Palmgreen			
(1)	955 521 144 01	Cover Comfort seat Seat surface Draped leather without heating	/R -04	1	IN7F/Q2J/4A0
		Cover Comfort seat Seat surface Draped leather without heating			
	955 521 144 01 PBW	Sand Beige			
	955 521 144 01 PBX	Steel grey			
	955 521 144 01 PBZ	Palmgreen			
(1)	955 521 153 05	Cover Comfort seat Seat surface without heating	/L 05-	1	IN7F/Q2J/4A0
		Cover Comfort seat Seat surface without heating			
	955 521 153 05 PBW	Sand Beige			
	955 521 153 05 PBX	Steel grey			

Model: 9PA 03 Model life 2003>>2006

Pos	Part Number	Description	Remark	Qty	Model
(1)	955 521 153 05 PBZ	Black	/R 05-	1	IN7F/Q2J/4A0
	955 521 153 05 PBZ	Palmgreen			
	955 521 144 05	Cover			
		Comfort seat Seat surface without heating			
(1)	955 521 144 05 PBW	Sand Beige	/L -04	1	IN5U/Q1D
	955 521 144 05 PBX	Steel grey			
	955 521 144 05 PBZ	Black			
	955 521 144 05 PBZ	Palmgreen			
(1)	955 521 161 01	Cover	/R -04	1	IN5U/Q1D
		Sports seat Seat surface Plain leather			
	955 521 161 01 PCA	Sand Beige			
	955 521 161 01 PCB	Steel grey			
(1)	955 521 161 01 PCC	Black	/R 05-	1	IN5U/Q1D
	955 521 161 01 PCD	Palmgreen			
	955 521 146 01	Cover			
		Sports seat Seat surface Plain leather			
(1)	955 521 146 01 PCA	Sand Beige	/L 05-	1	IN5U/4A3 IQ1D/4A4
	955 521 146 01 PCB	Steel grey			
	955 521 146 01 PCC	Black			
	955 521 146 01 PCD	Palmgreen			
(1)	955 521 161 05	Cover	/R 05-	1	IN5U/4A3 IQ1D/4A4
		Sports seat Seat surface with heating			
	955 521 161 05 PCA	Sand Beige			
	955 521 161 05 PCB	Steel grey			
(1)	955 521 161 05 PCC	Black	/R 05-	1	IN5U/4A3 IQ1D/4A4
	955 521 161 05 PCD	Palmgreen			
	955 521 146 05	Cover			
		Sports seat Seat surface with heating			
(1)	955 521 146 05 PCA	Sand Beige	/L 05-	1	IN5U/Q1D/4A0
	955 521 146 05 PCB	Steel grey			
	955 521 146 05 PCC	Black			
	955 521 146 05 PCD	Palmgreen			
(1)	955 521 149 00	Cover	/L 05-	1	IN5U/Q1D/4A0
		Seat surface without heating			
	955 521 149 00 PCA	Sand Beige			
	955 521 149 00 PCB	Steel grey			
(1)	955 521 149 00 PCC	Black	/R 05-	1	IN5U/Q1D/4A0
	955 521 149 00 PCD	Palmgreen			
	955 521 148 00	Cover			
		Seat surface without heating			
(1)	955 521 148 00 PCA	Sand Beige	/L -04	1	IN5U/Q2J/4A0
	955 521 148 00 PCB	Steel grey			
	955 521 148 00 PCC	Black			
	955 521 148 00 PCD	Palmgreen			
(1)	955 521 151 01	Cover	/L -04	1	IN5U/Q2J/4A0
		Comfort seat Seat surface Plain leather without heating			
	955 521 151 01 PCA	Sand Beige			
	955 521 151 01 PCB	Steel grey			

Model: 9PA 03

Model life 2003>>2006

Pos	Part Number	Description	Remark	Qty	Model
(1)	955 521 151 01 PCC	Black	/R -04	1	IN5U/Q2J/4A0
	955 521 151 01 PCD	Palmgreen			
	955 521 152 01	Cover			
		Comfort seat Seat surface Plain leather without heating			
(1)	955 521 152 01 PCA	Sand Beige	/L 05-	1	IN5U/Q2J/4A0
	955 521 152 01 PCB	Steel grey			
	955 521 152 01 PCC	Black			
	955 521 152 01 PCD	Palmgreen			
(1)	955 521 151 05	Cover	/R 05-	1	IN5U/Q2J/4A0
		Comfort seat Seat surface without heating			
	955 521 151 05 PCA	Sand Beige			
	955 521 151 05 PCB	Steel grey			
(1)	955 521 151 05 PCC	Black	/R 05-	1	IN5U/Q2J/4A0
	955 521 151 05 PCD	Palmgreen			
	955 521 152 05	Cover			
		Comfort seat Seat surface without heating			
(1)	955 521 152 05 PCA	Sand Beige	/L -04	1	IN7D/Q2J I4A3/4A4
	955 521 152 05 PCB	Steel grey			
	955 521 152 05 PCC	Black			
	955 521 152 05 PCD	Palmgreen			
(1)	955 521 155 01	Cover	/R -04	1	IN7D/Q2J I4A3/4A4
		Comfort seat Seat surface with heating			
	955 521 155 01 PCA	Sand Beige			
	955 521 155 01 PCB	Steel grey			
(1)	955 521 155 01 PCC	Black	/R -04	1	IN7D/Q2J I4A3/4A4
	955 521 155 01 PCD	Palmgreen			
	955 521 154 01	Cover			
		Comfort seat Seat surface with heating			
(1)	955 521 154 01 PCA	Sand Beige	/L 05-	1	IN7D/Q2J I4A3/4A4
	955 521 154 01 PCB	Steel grey			
	955 521 154 01 PCC	Black			
	955 521 154 01 PCD	Palmgreen			
(1)	955 521 155 05	Cover	/L 05-	1	IN7D/Q2J I4A3/4A4
		Comfort seat Seat surface with heating			
	955 521 155 05 PCA	Sand Beige			
	955 521 155 05 PCB	Steel grey			
(1)	955 521 155 05 PCC	Black	/R 05-	1	IN7D/Q2J I4A3/4A4
	955 521 155 05 PCD	Palmgreen			
	955 521 154 05	Cover			
		Comfort seat Seat surface with heating			
(1)	955 521 154 05 PCA	Sand Beige	/L -04	1	IN7D/Q2J/4A0
	955 521 154 05 PCB	Steel grey			
	955 521 154 05 PCC	Black			
	955 521 154 05 PCD	Palmgreen			
(1)	955 521 163 01	Cover	/L -04	1	IN7D/Q2J/4A0
		Comfort seat Seat surface without heating			

Model: 9PA 03 Model life 2003>>2006

Pos	Part Number	Description	Remark	Qty	Model
(1)	955 521 163 01 PCA	Sand Beige	/R -04	1	IN7D/Q2J/4A0
	955 521 163 01 PCB	Steel grey			
	955 521 163 01 PCC	Black			
	955 521 163 01 PCD	Palmgreen			
	955 521 162 01	Cover Comfort seat Seat surface without heating			
(1)	955 521 162 01 PCA	Sand Beige	/L 05-	1	IN7D/Q2J/4A0
	955 521 162 01 PCB	Steel grey			
	955 521 162 01 PCC	Black			
	955 521 162 01 PCD	Palmgreen			
	955 521 163 05	Cover Comfort seat Seat surface without heating			
(1)	955 521 163 05 PCA	Sand Beige	/R 05-	1	IN7D/Q2J/4A0
	955 521 163 05 PCB	Steel grey			
	955 521 163 05 PCC	Black			
	955 521 163 05 PCD	Palmgreen			
	955 521 162 05	Cover Comfort seat Seat surface without heating			
(1)	955 521 162 05 PCA	Sand Beige	/L -04	1	IN1X/Q2J I4A3/4A4
	955 521 162 05 PCB	Steel grey			
	955 521 162 05 PCC	Black			
	955 521 162 05 PCD	Palmgreen			
	955 521 165 01	Cover Comfort seat Seat surface with heating			
(1)	955 521 165 01 PBW	Sand Beige	/R -04	1	IN1X/Q2J I4A3/4A4
	955 521 165 01 PBX	Steel grey			
	955 521 165 01 PBY	Black			
	955 521 165 01 PBZ	Palmgreen			
	955 521 164 01	Cover Comfort seat Seat surface with heating			
(1)	955 521 164 01 PBW	Sand Beige	/L 05-	1	IN1X/4A3/4A4 IQ2J
	955 521 164 01 PBX	Steel grey			
	955 521 164 01 PBY	Black			
	955 521 164 01 PBZ	Palmgreen			
	955 521 165 05	Cover Comfort seat Seat surface with heating			
(1)	955 521 165 05 PBW	Sand Beige	/R 05-	1	IN1X/4A3/4A4 IQ2J
	955 521 165 05 PBX	Steel grey			
	955 521 165 05 PBY	Black			
	955 521 165 05 PBZ	Palmgreen			
	955 521 164 05	Cover Comfort seat Seat surface with heating			
(1)	955 521 164 05 PBW	Sand Beige	/L -04	1	IN7F/Q2J I4A3/4A4
	955 521 164 05 PBX	Steel grey			
	955 521 164 05 PBY	Black			
	955 521 164 05 PBZ	Palmgreen			
	955 521 167 01	Cover Comfort seat Seat surface			

Model: 9PA 03 Model life 2003>>2006

Pos	Part Number	Description	Remark	Qty	Model
		with heating			
	955 521 167 01 PBW	Sand Beige			
	955 521 167 01 PBX	Steel grey			
	955 521 167 01 PBY	Black			
	955 521 167 01 PBZ	Palmgreen			
(1)	955 521 166 01	Cover	/R -04	1	IN7F/Q2J I4A3/4A4
		Comfort seat			
		Seat surface			
		with heating			
	955 521 166 01 PBW	Sand Beige			
	955 521 166 01 PBX	Steel grey			
	955 521 166 01 PBY	Black			
	955 521 166 01 PBZ	Palmgreen			
(1)	955 521 167 05	Cover	/L 05-	1	IN7F/Q2J I4A3/4A4
		Comfort seat			
		Seat surface			
		with heating			
	955 521 167 05 PBW	Sand Beige			
	955 521 167 05 PBX	Steel grey			
	955 521 167 05 PBY	Black			
	955 521 167 05 PBZ	Palmgreen			
(1)	955 521 166 05	Cover	/R 05-	1	IN7F/Q2J I4A3/4A4
		Comfort seat			
		Seat surface			
		with heating			
	955 521 166 05 PBW	Sand Beige			
	955 521 166 05 PBX	Steel grey			
	955 521 166 05 PBY	Black			
	955 521 166 05 PBZ	Palmgreen			
(1)	955 521 169 01	Cover	/L -04	1	IN5U/Q2J I4A3/4A4
		Comfort seat			
		Seat surface			
		with heating			
	955 521 169 01 PCA	Sand Beige			
	955 521 169 01 PCB	Steel grey			
	955 521 169 01 PCC	Black			
	955 521 169 01 PCD	Palmgreen			
(1)	955 521 168 01	Cover	/R -04	1	IN5U/Q2J I4A3/4A4
		Comfort seat			
		Seat surface			
		with heating			
	955 521 168 01 PCA	Sand Beige			
	955 521 168 01 PCB	Steel grey			
	955 521 168 01 PCC	Black			
	955 521 168 01 PCD	Palmgreen			
(1)	955 521 168 05	Cover	/R 05-	1	IN5U/Q2J I4A3/4A4
		Comfort seat			
		Seat surface			
		with heating			
	955 521 168 05 PCA	Sand Beige			
	955 521 168 05 PCB	Steel grey			
	955 521 168 05 PCC	Black			
	955 521 168 05 PCD	Palmgreen			
(1)	955 521 169 05	Cover	/L 05-	1	IN5U/Q2J I4A3/4A4
		Comfort seat			
		Seat surface			
		with heating			
	955 521 169 05 PCA	Sand Beige			
	955 521 169 05 PCB	Steel grey			
	955 521 169 05 PCC	Black			
	955 521 169 05 PCD	Palmgreen			
2	955 521 171 00	Cover	/L -04	1	IN7F/Q2J/4A0
		Comfort seat			

Model: 9PA 03 Model life 2003>>2006

Pos	Part Number	Description	Remark	Qty	Model
		Draped leather Backrest without heating			
	955 521 171 00 PBW	Sand Beige			
	955 521 171 00 PBX	Steel grey			
	955 521 171 00 PBY	Black			
	955 521 171 00 PBZ	Palmgreen			
(2)	955 521 170 00	Cover Comfort seat Draped leather Backrest without heating	/R -04	1	IN7F/Q2J/4A0
	955 521 170 00 PBW	Sand Beige			
	955 521 170 00 PBX	Steel grey			
	955 521 170 00 PBY	Black			
	955 521 170 00 PBZ	Palmgreen			
(2)	955 521 171 05	Cover Backrest without heating	/L 05	1	IN7F/Q2J/4A0
	955 521 171 05 PBW	Sand Beige			
	955 521 171 05 PBX	Steel grey			
	955 521 171 05 PBY	Black			
	955 521 171 05 PBZ	Palmgreen			
(2)	955 521 170 05	Cover Backrest without heating	/R 05	1	IN7F/Q2J/4A0
	955 521 170 05 PBW	Sand Beige			
	955 521 170 05 PBX	Steel grey			
	955 521 170 05 PBY	Black			
	955 521 170 05 PBZ	Palmgreen			
(2)	955 521 171 06	Cover Backrest without heating	/L 06-	1	IN7F/Q2J/4A0
	955 521 171 06 PBW	Sand Beige			
	955 521 171 06 PBX	Steel grey			
	955 521 171 06 PBY	Black			
	955 521 171 06 PBZ	Palmgreen			
(2)	955 521 170 06	Cover Backrest without heating	/R 06-	1	IN7F/Q2J/4A0
	955 521 170 06 PBW	Sand Beige			
	955 521 170 06 PBX	Steel grey			
	955 521 170 06 PBY	Black			
	955 521 170 06 PBZ	Palmgreen			
(2)	955 521 173 01	Cover Sports seat Backrest Plain leather	/L -04	1	IN5U/Q1D
	955 521 173 01 PCA	Sand Beige			
	955 521 173 01 PCB	Steel grey			
	955 521 173 01 PCC	Black			
	955 521 173 01 PCD	Palmgreen			
(2)	955 521 172 01	Cover Sports seat Backrest Plain leather	/R -04	1	IN5U/Q1D
	955 521 172 01 PCA	Sand Beige			
	955 521 172 01 PCB	Steel grey			
	955 521 172 01 PCC	Black			
	955 521 172 01 PCD	Palmgreen			
(2)	955 521 173 05	Cover Backrest Sports seat	/L 05	1	IN5U/Q1D I4A3/4A4

Model: 9PA 03 Model life 2003>>2006

Pos	Part Number	Description	Remark	Qty	Model
(2)	955 521 173 05 PCA	Sand Beige	/R 05	1	IN5U/Q1D I4A3/4A4
	955 521 173 05 PCB	Steel grey			
	955 521 173 05 PCC	Black			
	955 521 173 05 PCD	Palmgreen			
	955 521 172 05	Cover			
(2)		Backrest	/L 06-	1	IN5U/Q1D I4A3/4A4
		Sports seat			
	955 521 172 05 PCA	Sand Beige			
	955 521 172 05 PCB	Steel grey			
	955 521 172 05 PCC	Black			
(2)	955 521 172 05 PCD	Palmgreen	/R 06-	1	IN5U/Q1D I4A3/4A4
	955 521 173 06	Cover			
		Backrest			
		Sports seat with heating			
	955 521 173 06 PCA	Sand Beige			
(2)	955 521 173 06 PCB	Steel grey	/R 06-	1	IN5U/Q1D I4A3/4A4
	955 521 173 06 PCC	Black			
	955 521 173 06 PCD	Palmgreen			
	955 521 172 06	Cover			
		Backrest			
(2)		Sports seat with heating	05	1	IN5U/Q1D/4A0
	955 521 172 06 PCA	Sand Beige			
	955 521 172 06 PCB	Steel grey			
	955 521 172 06 PCC	Black			
	955 521 172 06 PCD	Palmgreen			
(2)	955 521 191 00	Cover	05	1	IN5U/Q1D/4A0
		Backrest			
		without heating			
	955 521 191 00 PCA	Sand Beige			
	955 521 191 00 PCB	Steel grey			
(2)	955 521 191 00 PCC	Black	05	1	IN5U/Q1D/4A0
	955 521 191 00 PCD	Palmgreen			
	955 521 192 00	Cover			
		Backrest			
		without heating			
(2)	955 521 192 00 PCA	Sand Beige	/L 06-	1	IN5U/Q1D/4A0
	955 521 192 00 PCB	Steel grey			
	955 521 192 00 PCC	Black			
	955 521 192 00 PCD	Palmgreen			
	955 521 191 06	Cover			
(2)		Backrest	/R 06-	1	1Q1D IN5U/4A0
		without heating			
		Sports seat			
	955 521 191 06 PCA	Sand Beige			
	955 521 191 06 PCB	Steel grey			
(2)	955 521 191 06 PCC	Black	/L -04	1	IN1X/Q2J/4A0
	955 521 191 06 PCD	Palmgreen			
	955 521 192 06	Cover			
		Backrest			
		without heating			
(2)		Sports seat	/L -04	1	IN1X/Q2J/4A0
	955 521 192 06 PCA	Sand Beige			
	955 521 192 06 PCB	Steel grey			
	955 521 192 06 PCC	Black			
	955 521 192 06 PCD	Palmgreen			
(2)	955 521 175 00	Cover	/L -04	1	IN1X/Q2J/4A0
		Backrest			
(2)		Comfort seat	/L -04	1	IN1X/Q2J/4A0
		without heating			
(2)	955 521 175 00 PBW	Sand Beige			

Model: 9PA 03 Model life 2003>>2006

Pos	Part Number	Description	Remark	Qty	Model
(2)	955 521 175 00 PBX	Steel grey			
	955 521 175 00 PBY	Black			
	955 521 175 00 PBZ	Palmgreen			
	955 521 181 00	Cover	/R -04	1	IN1X/Q2J/4A0
		Backrest Comfort seat without heating			
(2)	955 521 181 00 PBW	Sand Beige			
	955 521 181 00 PBX	Steel grey			
	955 521 181 00 PBY	Black			
	955 521 181 00 PBZ	Palmgreen			
	955 521 175 05	Cover	/L 05	1	IN1X/Q2J/4A0
(2)		Backrest without heating			
	955 521 175 05 PBW	Sand Beige			
	955 521 175 05 PBX	Steel grey			
	955 521 175 05 PBY	Black			
	955 521 175 05 PBZ	Palmgreen			
(2)	955 521 181 05	Cover	/R 05	1	IN1X/Q2J/4A0
		Backrest without heating			
	955 521 181 05 PBW	Sand Beige			
	955 521 181 05 PBX	Steel grey			
	955 521 181 05 PBY	Black			
(2)	955 521 181 05 PBZ	Palmgreen			
	955 521 175 06	Cover	06-	1	IN1X/Q2J/4A0
		Backrest without heating			
	955 521 175 06 PBW	Sand Beige			
	955 521 175 06 PBX	Steel grey			
(2)	955 521 175 06 PBY	Black			
	955 521 175 06 PBZ	Palmgreen			
	955 521 181 06	Cover	06-	1	IN1X/Q2J/4A0
		Backrest without heating			
	955 521 181 06 PBW	Sand Beige			
(2)	955 521 181 06 PBX	Steel grey			
	955 521 181 06 PBY	Black			
	955 521 181 06 PBZ	Palmgreen			
	955 521 176 00	Cover	/L -04	1	IN5U/Q2J/4A0
		Backrest Comfort seat without heating			
(2)	955 521 176 00 PCA	Sand Beige			
	955 521 176 00 PCB	Steel grey			
	955 521 176 00 PCC	Black			
	955 521 176 00 PCD	Palmgreen			
	955 521 182 00	Cover	/R -04	1	IN5U/Q2J/4A0
(2)		Backrest Comfort seat without heating			
	955 521 182 00 PCA	Sand Beige			
	955 521 182 00 PCB	Steel grey			
	955 521 182 00 PCC	Black			
	955 521 182 00 PCD	Palmgreen			
(2)	955 521 176 05	Cover	/L 05	1	IN5U/Q2J/4A0
		Backrest without heating			
	955 521 176 05 PCA	Sand Beige			
	955 521 176 05 PCB	Steel grey			
	955 521 176 05 PCC	Black			
(2)	955 521 176 05 PCD	Palmgreen			
	955 521 182 05	Cover	/R 05	1	IN5U/Q2J/4A0



Model: 9PA 03 Model life 2003>>2006

Pos	Part Number	Description	Remark	Qty	Model
		Backrest without heating			
	955 521 182 05 PCA	Sand Beige			
	955 521 182 05 PCB	Steel grey			
	955 521 182 05 PCC	Black			
	955 521 182 05 PCD	Palmgreen			
(2)	955 521 176 06	Cover	06-	1	IN5U/Q2J/4A0
		Backrest without heating			
	955 521 176 06 PCA	Sand Beige			
	955 521 176 06 PCB	Steel grey			
	955 521 176 06 PCC	Black			
	955 521 176 06 PCD	Palmgreen			
(2)	955 521 182 06	Cover	06-	1	IN5U/Q2J/4A0
		Backrest without heating			
	955 521 182 06 PCA	Sand Beige			
	955 521 182 06 PCB	Steel grey			
	955 521 182 06 PCC	Black			
	955 521 182 06 PCD	Palmgreen			
(2)	955 521 177 00	Cover	/L -04	1	IN7D/Q2J/4A0
		Backrest Comfort seat without heating			
	955 521 177 00 PCA	Sand Beige			
	955 521 177 00 PCB	Steel grey			
	955 521 177 00 PCC	Black			
	955 521 177 00 PCD	Palmgreen			
(2)	955 521 174 00	Cover	/R -04	1	IN7D/Q2J/4A0
		Backrest Comfort seat without heating			
	955 521 174 00 PCA	Sand Beige			
	955 521 174 00 PCB	Steel grey			
	955 521 174 00 PCC	Black			
	955 521 174 00 PCD	Palmgreen			
(2)	955 521 177 05	Cover	/L 05	1	IN7D/Q2J/4A0
		Backrest without heating			
	955 521 177 05 PCA	Sand Beige			
	955 521 177 05 PCB	Steel grey			
	955 521 177 05 PCC	Black			
	955 521 177 05 PCD	Palmgreen			
(2)	955 521 174 05	Cover	/R 05	1	IN7D/Q2J/4A0
		Backrest without heating			
	955 521 174 05 PCA	Sand Beige			
	955 521 174 05 PCB	Steel grey			
	955 521 174 05 PCC	Black			
	955 521 174 05 PCD	Palmgreen			
(2)	955 521 177 06	Cover	/L 06-	1	IN7D/Q2J/4A0
		Backrest without heating			
	955 521 177 06 PCA	Sand Beige			
	955 521 177 06 PCB	Steel grey			
	955 521 177 06 PCC	Black			
	955 521 177 06 PCD	Palmgreen			
(2)	955 521 174 06	Cover	/R 06-	1	IN7D/Q2J/4A0
		Backrest without heating			
	955 521 174 06 PCA	Sand Beige			
	955 521 174 06 PCB	Steel grey			
	955 521 174 06 PCC	Black			

Model: 9PA 03 Model life 2003>>2006

Pos	Part Number	Description	Remark	Qty	Model
(2)	955 521 174 06 PCD 955 521 178 01	Palmgreen Cover Backrest Comfort seat	/L -04	1	IN5U/Q2J I4A3/4A4
	955 521 178 01 PCA 955 521 178 01 PCB 955 521 178 01 PCC	Sand Beige Steel grey Black			
(2)	955 521 178 01 PCD 955 521 186 01	Palmgreen Cover Backrest Comfort seat	/R -04	1	IN5U/Q2J I4A3/4A4
	955 521 186 01 PCA 955 521 186 01 PCB 955 521 186 01 PCC	Sand Beige Steel grey Black			
(2)	955 521 186 01 PCD 955 521 178 06	Palmgreen Cover Backrest with heating	/L 05	1	IN5U/Q2J I4A3/4A4
	955 521 178 06 PCA 955 521 178 06 PCB 955 521 178 06 PCC	Sand Beige Steel grey Black			
(2)	955 521 178 06 PCD 955 521 186 06	Palmgreen Cover Backrest with heating	/R 05	1	IN5U/Q2J I4A3/4A4
	955 521 186 06 PCA 955 521 186 06 PCB 955 521 186 06 PCC	Sand Beige Steel grey Black			
(2)	955 521 186 06 PCD 955 521 178 07	Palmgreen Cover Backrest with heating	/L 06-	1	IN5U/Q2J I4A3/4A4
	955 521 178 07 PCA 955 521 178 07 PCB 955 521 178 07 PCC	Sand Beige Steel grey Black			
(2)	955 521 178 07 PCD 955 521 186 07	Palmgreen Cover Backrest with heating	/R 06-	1	IN5U/Q2J I4A3/4A4
	955 521 186 07 PCA 955 521 186 07 PCB 955 521 186 07 PCC	Sand Beige Steel grey Black			
(2)	955 521 186 07 PCD 955 521 179 01	Palmgreen Cover Comfort seat Backrest	/L -04	1	IN1X/Q2J I4A3/4A4
	955 521 179 01 PBW 955 521 179 01 PBX 955 521 179 01 PBY	Sand Beige Steel grey Black			
(2)	955 521 179 01 PBZ 955 521 183 01	Palmgreen Cover Comfort seat Backrest	/R -04	1	IN1X/Q2J I4A3/4A4
	955 521 183 01 PBW 955 521 183 01 PBX 955 521 183 01 PBY	Sand Beige Steel grey Black			
(2)	955 521 183 01 PBZ 955 521 179 06	Palmgreen Cover Backrest Comfort seat with heating	/L 05	1	IN1X/Q2J I4A3/4A4
	955 521 179 06 PBW 955 521 179 06 PBX	Sand Beige Steel grey			

Model: 9PA 03 Model life 2003>>2006

Pos	Part Number	Description	Remark	Qty	Model
(2)	955 521 179 06 PBW	Black	/R 05	1	IN1X/Q2J I4A3/4A4
	955 521 179 06 PBZ	Palmgreen			
	955 521 183 06	Cover			
		Backrest			
		Comfort seat with heating			
(2)	955 521 183 06 PBW	Sand Beige	/L 06-	1	IN1X/4A3/4A4
	955 521 183 06 PBX	Steel grey			
	955 521 183 06 PBW	Black			
	955 521 183 06 PBZ	Palmgreen			
	955 521 179 07	Cover			
(2)	955 521 179 07 PBW	Sand Beige	/R 06-	1	IN1X/4A3/4A4
	955 521 179 07 PBX	Steel grey			
	955 521 179 07 PBW	Black			
	955 521 179 07 PBZ	Palmgreen			
	955 521 183 07	Cover			
(2)	955 521 183 07 PBW	Sand Beige	/L -04	1	IN7F/Q2J I4A3/4A4
	955 521 183 07 PBX	Steel grey			
	955 521 183 07 PBW	Black			
	955 521 183 07 PBZ	Palmgreen			
	955 521 180 01	Cover			
(2)	955 521 180 01 PBW	Sand Beige	/R -04	1	IN7F/Q2J I4A3/4A4
	955 521 180 01 PBX	Steel grey			
	955 521 180 01 PBW	Black			
	955 521 180 01 PBZ	Palmgreen			
	955 521 184 01	Cover			
(2)	955 521 184 01 PBW	Sand Beige	/L 05	1	IN7F/Q2J I4A3/4A4
	955 521 184 01 PBX	Steel grey			
	955 521 184 01 PBW	Black			
	955 521 184 01 PBZ	Palmgreen			
	955 521 180 06	Cover			
(2)	955 521 180 06 PBW	Sand Beige	/R 05	1	IN7F/Q2J I4A3/4A4
	955 521 180 06 PBX	Steel grey			
	955 521 180 06 PBW	Black			
	955 521 180 06 PBZ	Palmgreen			
	955 521 184 06	Cover			
(2)	955 521 184 06 PBW	Sand Beige	/L 06-	1	IN7F/Q2J I4A3/4A4
	955 521 184 06 PBX	Steel grey			
	955 521 184 06 PBW	Black			
	955 521 184 06 PBZ	Palmgreen			
	955 521 180 07	Cover			
(2)	955 521 180 07 PBW	Sand Beige	/R 06-	1	IN7F/Q2J I4A3/4A4
	955 521 180 07 PBX	Steel grey			
	955 521 180 07 PBW	Black			
	955 521 180 07 PBZ	Palmgreen			
	955 521 184 07	Cover			
	Backrest				

Model: 9PA 03 Model life 2003>>2006

Pos	Part Number	Description	Remark	Qty	Model
		with heating			
	955 521 184 07 PBW	Sand Beige			
	955 521 184 07 PBX	Steel grey			
	955 521 184 07 PBY	Black			
	955 521 184 07 PBZ	Palmgreen			
(2)	955 521 187 01	Cover	/L -04	1	IN7D/Q2J
		Backrest			
		Comfort seat			
	955 521 187 01 PCA	Sand Beige			
	955 521 187 01 PCB	Steel grey			
	955 521 187 01 PCC	Black			
	955 521 187 01 PCD	Palmgreen			
(2)	955 521 185 01	Cover	/R -04	1	IN7D/Q2J
		Backrest			
		Comfort seat			
	955 521 185 01 PCA	Sand Beige			
	955 521 185 01 PCB	Steel grey			
	955 521 185 01 PCC	Black			
	955 521 185 01 PCD	Palmgreen			
(2)	955 521 187 06	Cover	/L 05	1	IN7D/Q2J I4A3/4A4
		Backrest			
		Comfort seat			
		with heating			
	955 521 187 06 PCA	Sand Beige			
	955 521 187 06 PCB	Steel grey			
	955 521 187 06 PCC	Black			
	955 521 187 06 PCD	Palmgreen			
(2)	955 521 185 06	Cover	/R 05	1	IN7D/Q2J I4A3/4A4
		Backrest			
		Comfort seat			
		with heating			
	955 521 185 06 PCA	Sand Beige			
	955 521 185 06 PCB	Steel grey			
	955 521 185 06 PCC	Black			
	955 521 185 06 PCD	Palmgreen			
(2)	955 521 187 07	Cover	/L 06-	1	IN7D/Q2J I4A3/4A4
		Backrest			
		with heating			
	955 521 187 07 PCA	Sand Beige			
	955 521 187 07 PCB	Steel grey			
	955 521 187 07 PCC	Black			
	955 521 187 07 PCD	Palmgreen			
(2)	955 521 185 07	Cover	/R 06-	1	IN7D/Q2J I4A3/4A4
		Backrest			
		with heating			
	955 521 185 07 PCA	Sand Beige			
	955 521 185 07 PCB	Steel grey			
	955 521 185 07 PCC	Black			
	955 521 185 07 PCD	Palmgreen			
3	955 521 523 01	Foam part	/L	1	IQ1D
(3)	955 521 524 01	Foam part	/R	1	IQ1D
		Seat cushion			
		Sports seat			
(3)	955 521 527 01	Foam part	/L	1	IQ2J
(3)	955 521 528 01	Foam part	/R	1	IQ2J
		Seat cushion			
4	955 521 575 02	Foam part	/L	1	IQ1D
(4)	955 521 576 02	Foam part	/R	1	IQ1D
		Backrest			
		Sports seat			
(4)	955 521 579 00	Foam part	/L	1	IQ2J
		Backrest			
(4)	955 521 579 01	Foam part	/L	1	IQ2J

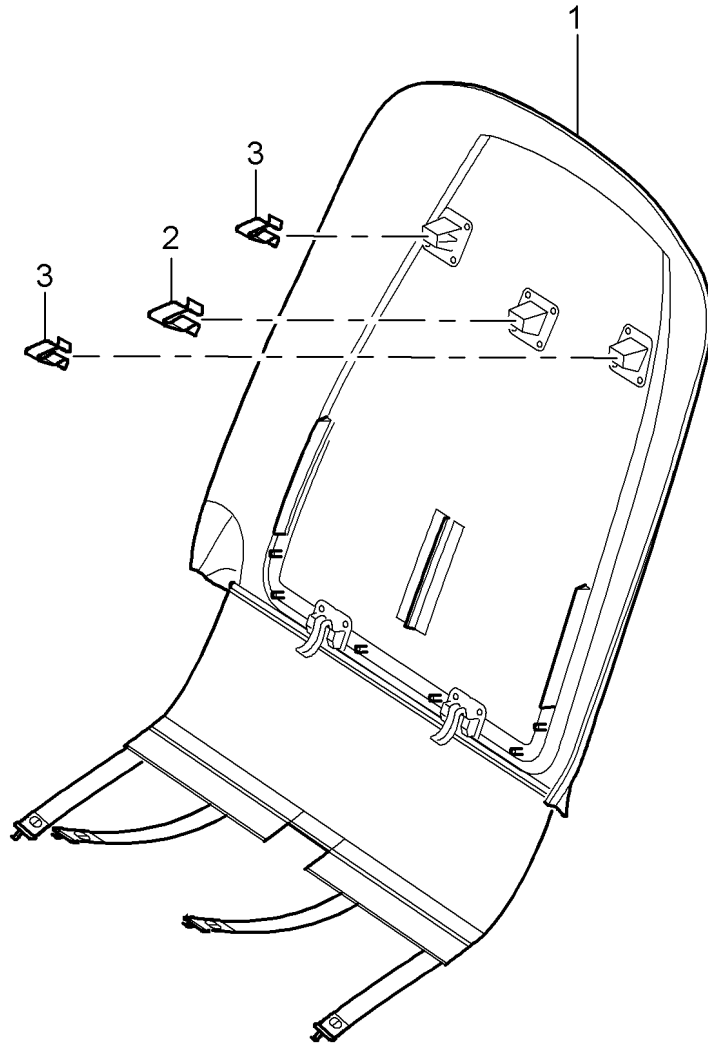
Model: 9PA 03

Model life 2003&gt;&gt;2006

Pos	Part Number	Description	Remark	Qty	Model
(4)	955 521 580 00	Backrest Foam part	/R	1	IQ2J
(4)	955 521 580 01	Backrest Foam part Backrest	/R	1	IQ2J

Model: 9PA 03

Model life 2003>>2006



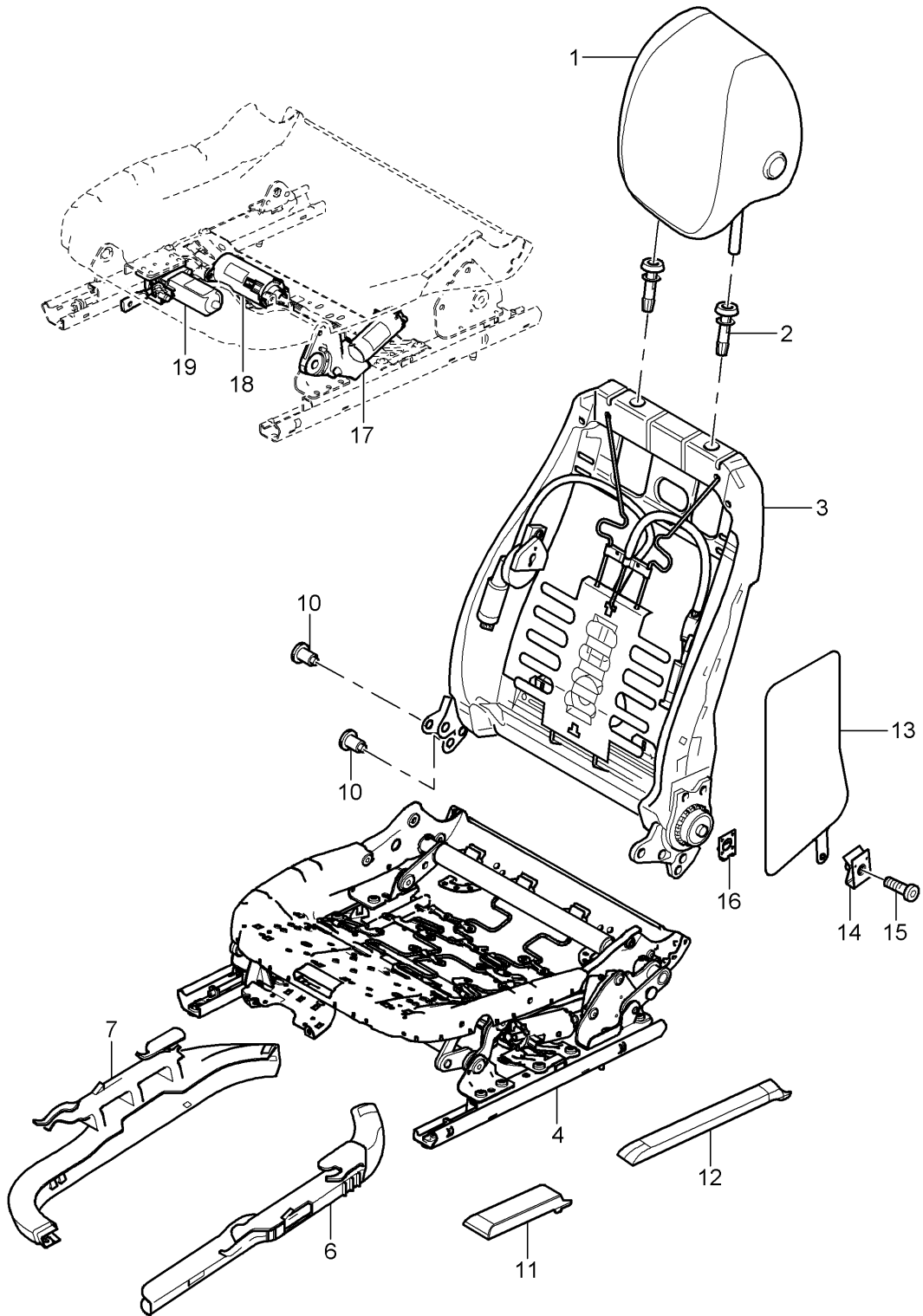
Model: 9PA 03

Model life 2003>>2006

Pos	Part Number	Description	Remark	Qty	Model
1	955 521 081 01	Cover Backrest shell Cover	/L /R -04	1	IQ2J
	955 521 081 01 5Q2	Black			
	955 521 081 01 5R3	Steel grey			
	955 521 081 01 5S4	Sand Beige			
	955 521 081 01 5Y5	Palmgreen			
(1)	955 521 081 02	Cover Backrest shell	/L /R 05-	1	IQ2J
	955 521 081 02 5Q2	Black			
	955 521 081 02 5R3	Steel grey			
	955 521 081 02 5S4	Sand Beige			
	955 521 081 02 5Y5	Palmgreen			
(1)	955 521 087 01	Cover Backrest shell	/L /R -04	1	IQ1D
	955 521 087 01 5Q2	Black			
	955 521 087 01 5R3	Steel grey			
	955 521 087 01 5S4	Sand Beige			
	955 521 087 01 5Y5	Palmgreen			
(1)	955 521 087 02	Cover Backrest shell	/L /R 05-	1	IQ1D
	955 521 087 02 5Q2	Black			
	955 521 087 02 5R3	Steel grey			
	955 521 087 02 5S4	Sand Beige			
	955 521 087 02 5Y5	Palmgreen			
2	000 043 207 17	Clamp Centre		1	
3	000 043 207 18	Backrest shell Clamp Outer Backrest shell		2	

Model: 9PA 03

Model life 2003>>2006





Model: 9PA 03 Model life 2003>>2006

Pos	Part Number	Description	Remark	Qty	Model
1	955 521 815 00	Backrest frame Seat frame Head rest Leather/ 955 521 815 00 A08 Black 955 521 815 00 T25 Sand Beige 955 521 815 00 4Q2 Palmgreen 955 521 815 00 6E1 Steel grey	/L -04	1	IN1X/N7F
(1)	955 521 816 00	Head rest Leather/ 955 521 816 00 A08 Black 955 521 816 00 T25 Sand Beige 955 521 816 00 4Q2 Palmgreen 955 521 816 00 6E1 Steel grey	/R -04	1	IN1X/N7F
(1)	955 521 815 06	Head rest 955 521 815 06 SXG Black/black 955 521 815 06 SXH Steel grey/steel grey 955 521 815 06 SXJ Sand beige/sand beige 955 521 815 06 SXX Palmgreen/palmgreen	/L 05-	1	IN1X/N7F/3J4
(1)	955 521 816 06	Head rest 955 521 816 06 SXG Black/black 955 521 816 06 SXH Steel grey/steel grey 955 521 816 06 SXJ Sand beige/sand beige 955 521 816 06 SXX Palmgreen/palmgreen	/R 05-	1	IN1X/N7F/3J4
(1)	955 521 819 00	Head rest Porsche crest 955 521 819 00 SXG Black/black 955 521 819 00 SXH Steel grey/steel grey 955 521 819 00 SXJ Sand beige/sand beige 955 521 819 00 SXX Palmgreen/palmgreen	/L 06-	1	IN1X/N7F/3J7
(1)	955 521 820 00	Head rest Porsche crest 955 521 820 00 SXG Black/black 955 521 820 00 SXH Steel grey/steel grey 955 521 820 00 SXJ Sand beige/sand beige 955 521 820 00 SXX Palmgreen/palmgreen	/R 06-	1	IN1X/N7F/3J7
(1)	955 521 817 00	Head rest Leather 955 521 817 00 4P1 Palmgreen 955 521 817 00 6B7 Steel grey 955 521 817 00 8G1 Sand Beige 955 521 817 00 8YR Black	/L -04	1	IN5U/N7D
(1)	955 521 818 00	Head rest Leather 955 521 818 00 4P1 Palmgreen 955 521 818 00 6B7 Steel grey 955 521 818 00 8G1 Sand Beige 955 521 818 00 8YR Black	/R -04	1	IN5U/N7D
(1)	955 521 817 06	Head rest 955 521 817 06 SXL Black/black 955 521 817 06 SXM Steel grey/steel grey 955 521 817 06 SXN Sand beige/sand beige 955 521 817 06 SXP Palmgreen/palmgreen	/L 05-	1	IN5U/N7D/3J4
(1)	955 521 818 06	Head rest 955 521 818 06 SXL Black/black 955 521 818 06 SXM Steel grey/steel grey 955 521 818 06 SXN Sand beige/sand beige 955 521 818 06 SXP Palmgreen/palmgreen	/R 05-	1	IN5U/N7D/3J4
(1)	955 521 821 00	Head rest Porsche crest 955 521 821 00 SXL Black/black 955 521 821 00 SXM Steel grey/steel grey 955 521 821 00 SXN Sand beige/sand beige	/L 06-	1	IN5U/N7D/3J7

Model: 9PA 03

Model life 2003>>2006

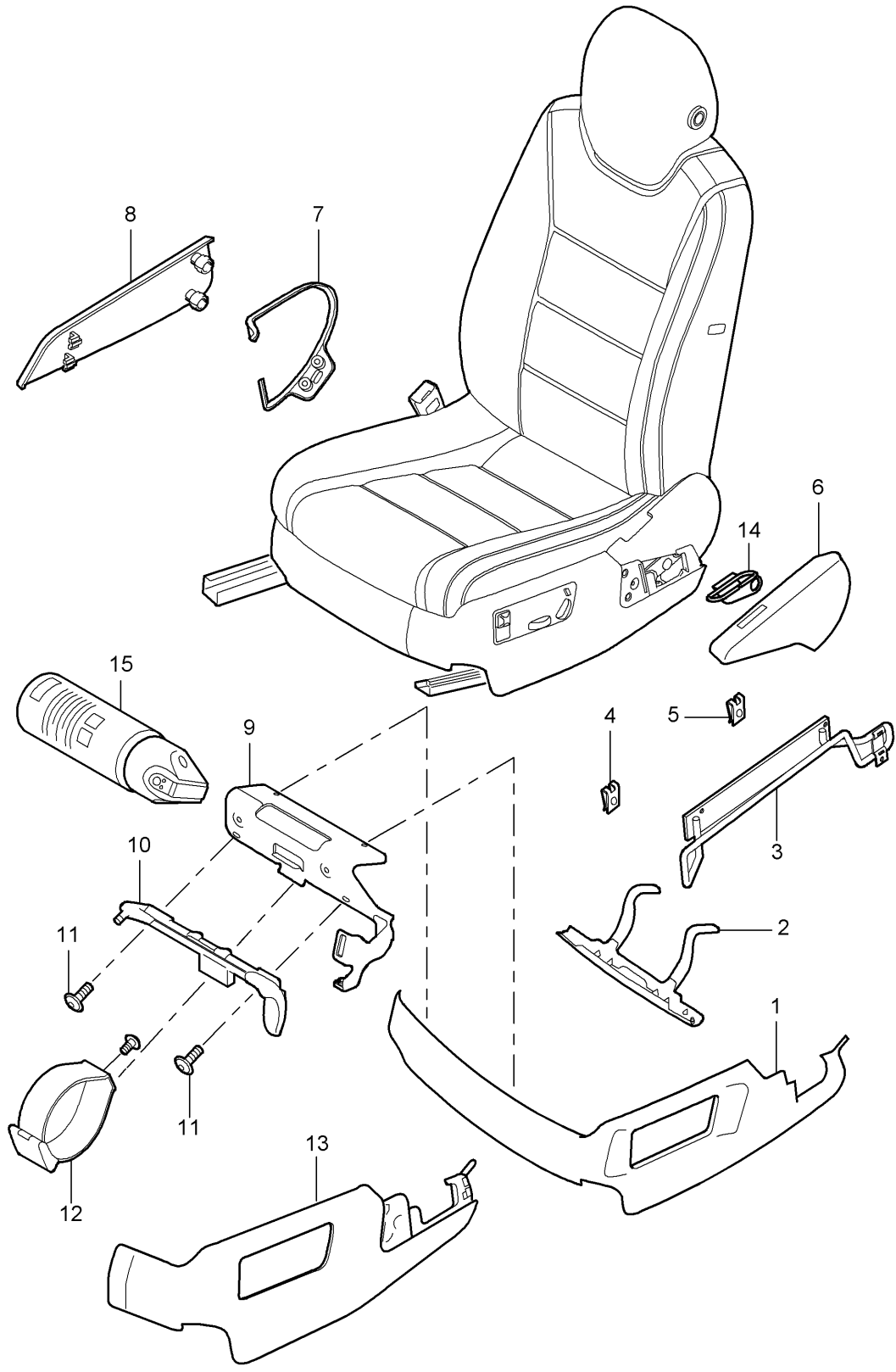
Pos	Part Number	Description	Remark	Qty	Model
(1)	955 521 821 00 SXP	Palmgreen/palmgreen			
	955 521 822 00	Head rest	/R 06-	1	IN5U/N7D/3J7
		Porsche crest			
	955 521 822 00 SXL	Black/black			
	955 521 822 00 SXM	Steel grey/steel grey			
	955 521 822 00 SXN	Sand beige/sand beige			
	955 521 822 00 SXP	Palmgreen/palmgreen			
2	955 521 825 01	Guide sleeve		1	
		Head rest			
	955 521 825 01 9B9	Satin black			
	955 521 825 01 6C6	Sand Beige			
	955 521 825 01 6H8	Palmgreen			
	955 521 825 01 7A8	Steel grey			
(2)	955 521 826 01	Guide sleeve		1	
		Key			
		Head rest			
	955 521 826 01 9B9	Satin black			
	955 521 826 01 6C6	Sand Beige			
	955 521 826 01 6H8	Palmgreen			
	955 521 826 01 7A8	Steel grey			
3	955 521 835 01	Backrest frame	/L	1	I3L5
		Electric			
(3)		Backrest frame	/L	1	IL0R/3L4
		Electric			
(3)	955 521 836 01	Backrest frame	/R	1	I3L5
		Electric			
(3)		Backrest frame	/R	1	IL0L/3L4
		Electric			
(3)	955 521 841 02	Backrest frame	/L	1	I3PN
		Electric			
(3)		Backrest frame	/L	1	IL0L/3L4
		Electric			
(3)	955 521 842 01	Backrest frame	/R	1	I3PN
		Electric			
(3)		Backrest frame	/R	1	IL0R/3L4
		Electric			
4	955 521 851 06	Seat frame	/L	1	I3PN
4		Seat frame	/L	1	IL0L/3L4
		Electric			
(4)	955 521 852 06	Memory switch			
		Seat frame	/R	1	IL0R/3L4
		Electric			
		Memory switch			
(4)	955 521 853 06	Seat frame	/L	1	I3L5
(4)		Seat frame	/L	1	IL0R/3L4
		Electric			
(4)	955 521 854 06	Seat frame	/R	1	I3L5/4UB
		Electric			I4UD/4UE/4UQ
(4)		Seat frame	/R	1	IL0L/3L4/4UB
		Electric			I4UD/4UE/4UQ
		Memory switch			
6	955 521 911 00	Cable guide	/L	1	
7	955 521 913 01	Cable guide	/R	1	
10	N 910 146 01	Fit bolt		4	
		Mount			
		Backrest			
		M 12X1.25			
11	955 521 887 03	Cover	/L	1	I3L4/3L5/3PN
		Spiral			
		Seat adjuster			
	955 521 887 03 01C	Satin black			
	955 521 887 03 6C6	Sand Beige			
	955 521 887 03 6H8	Palmgreen			

Model: 9PA 03 Model life 2003>>2006

Pos	Part Number	Description	Remark	Qty	Model
(11)	955 521 887 03 7A8 955 521 888 03	Steel grey Cover Spiral Seat adjuster	/R	1	I3L4/3L5/3PN
	955 521 888 03 01C 955 521 888 03 6C6 955 521 888 03 6H8	Satin black Sand Beige Palmgreen			
12	955 521 888 03 7A8 955 521 889 01	Steel grey Cover Spiral Seat adjuster Long	/L /R	1	I3L4/3L5/3PN
	955 521 889 01 01C 955 521 889 01 6C6 955 521 889 01 6H8	Satin black Sand Beige Palmgreen			
13	955 521 889 01 7A8 955 521 901 03	Steel grey Side airbag	/L	1	
13	955 521 901 04	Side airbag	/L	1	
(13)	955 521 902 04	Side airbag	/R	1	I4UB/4UD/4UE I4UQ
(13)	955 521 903 00	Side airbag	/R	1	
14	N 903 682 01	Speed nut Mount Airbag		1	
15	N 102 913 01	Pan-head screw Mount Airbag		1	
16	955 521 860 00	Clip Securing clip Backrest		2	
17	955 624 322 00	Electric motor Seat adjuster Height adjustment	/R	1	
(17)	955 624 321 00	Electric motor Seat adjuster Height adjustment	/L	1	
18	955 624 325 00	Electric motor Seat adjuster Lengthways	/L	1	
(18)	955 624 326 00	Electric motor Seat adjuster Lengthways	/R	1	
(19)	955 624 329 00	Electric motor	/L -03	1	
(19)	955 624 330 00	Electric motor Seat adjuster Tilt angle	/R -03	1	
(19)	955 624 323 00	Electric motor	04-	1	
(19)	955 624 324 00	Electric motor Seat adjuster Tilt angle	/R 04-	1	

Model: 9PA 03

Model life 2003>>2006



Model: 9PA 03 Model life 2003>>2006

Pos	Part Number	Description	Remark	Qty	Model
		Seat adjuster		1	
		Cover			
		Accessories			
1	955 521 317 00	Cover	/L -04	1	I3L4/3L5/3PN
		Driver's side			
	955 521 317 00 01C	Satin black			
	955 521 317 00 6C6	Sand Beige			
	955 521 317 00 6H8	Palmgreen			
	955 521 317 00 7A8	Steel grey			
(1)	955 521 317 02	Cover	/L 05-	1	I3L4/3L5/3PN I6A0/6A4/6A5
		Driver's side			
	955 521 317 02 01C	Satin black			
	955 521 317 02 6C6	Sand Beige			
	955 521 317 02 6H8	Palmgreen			
	955 521 317 02 7A8	Steel grey			
(1)	955 521 318 02	Cover	/R	1	I3L4/3L5/3PN
		Passenger's side			
	955 521 318 02 01C	Satin black			
	955 521 318 02 6C6	Sand Beige			
	955 521 318 02 6H8	Palmgreen			
	955 521 318 02 7A8	Steel grey			
2	955 521 225 00	Support		2	
		Cover			
-	N 906 432 01	Blind rivet		4	
		Support			
-	N 902 876 01	Blind rivet		4	
		Support			
3	955 521 327 01	Support	/L	1	I3L4/3L5/3PN
		Cover			
(3)	955 521 328 01	Support	/R	1	I3L4/3L5/3PN
		Cover			
		Lateral			
4	N 903 682 01	Speed nut		1	
		M 5			
5	N 910 558 01	Speed nut		3	
		M 5			
6	955 521 383 00	Cover	/L	1	I3L4/3L5/3PN
		Backrest			
	955 521 383 00 01C	Satin black			
	955 521 383 00 6C6	Sand Beige			
	955 521 383 00 6H8	Palmgreen			
	955 521 383 00 7A8	Steel grey			
(6)	955 521 387 00	Cover	/R	1	
		Backrest			
		Tunnel			
	955 521 387 00 01C	Satin black			
	955 521 387 00 6C6	Sand Beige			
	955 521 387 00 6H8	Palmgreen			
	955 521 387 00 7A8	Steel grey			
7	955 521 380 00	Cover	/L	1	
		Backrest			
		Tunnel			
	955 521 380 00 01C	Satin black			
	955 521 380 00 6C6	Sand Beige			
	955 521 380 00 6H8	Palmgreen			
	955 521 380 00 7A8	Steel grey			
(7)	955 521 386 00	Cover	/R	1	I3L4/3L5/3PN
		Backrest			
	955 521 386 00 01C	Satin black			
	955 521 386 00 6C6	Sand Beige			
	955 521 386 00 6H8	Palmgreen			
	955 521 386 00 7A8	Steel grey			

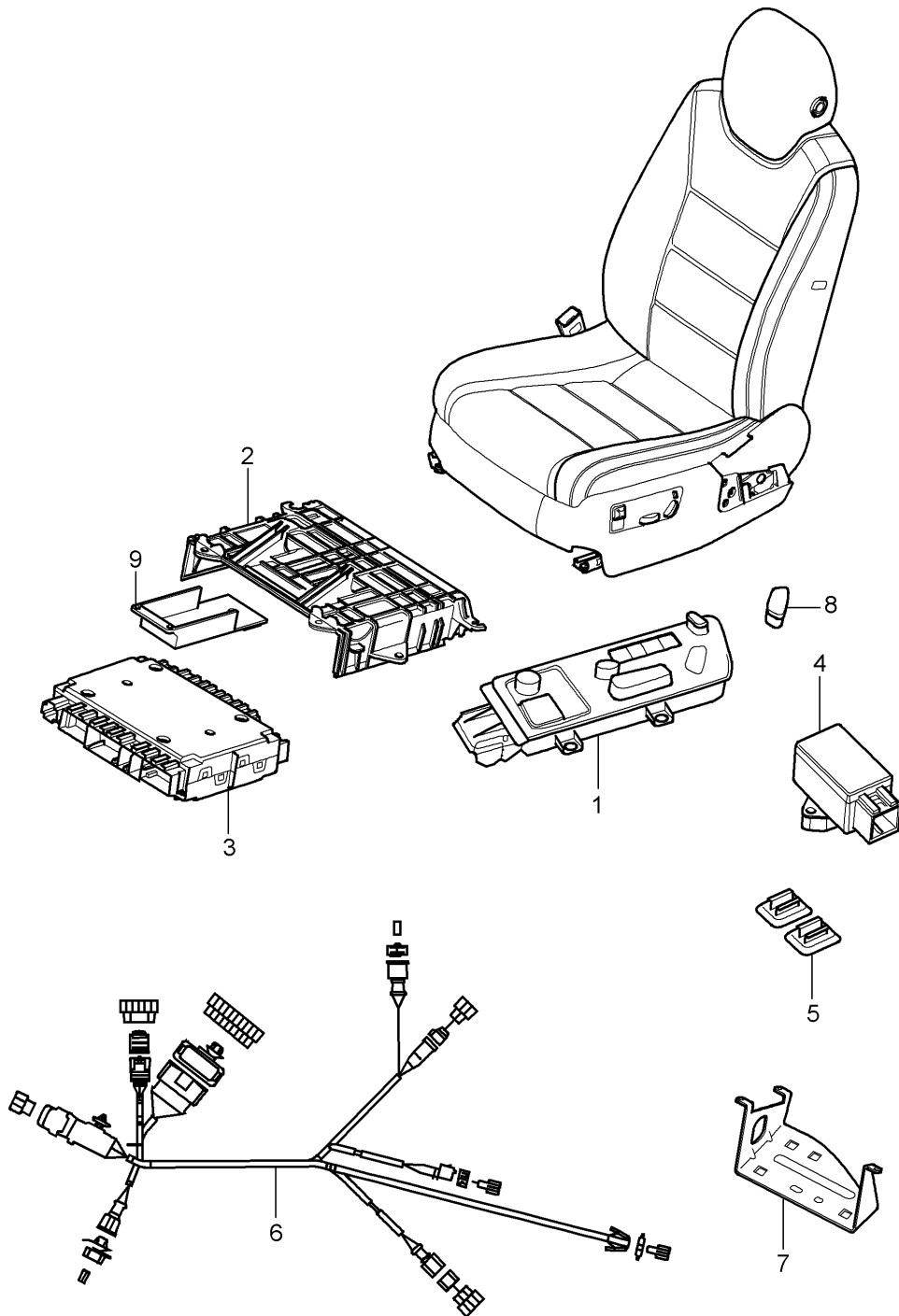
Model: 9PA 03

Model life 2003>>2006

Pos	Part Number	Description	Remark	Qty	Model
(8)	955 521 347 00	Cap Belt	/L	1	I3L4/3L5/3PN
	955 521 347 00 01C	Satin black			
	955 521 347 00 6C6	Sand Beige			
	955 521 347 00 6H8	Palmgreen			
	955 521 347 00 7A8	Steel grey			
8	955 521 348 00	Cap Belt	/R	1	I3L4/3L5/3PN
	955 521 348 00 01C	Satin black			
	955 521 348 00 6C6	Sand Beige			
	955 521 348 00 6H8	Palmgreen			
	955 521 348 00 7A8	Steel grey			
9	955 521 390 01	Support Cover Front	05-	1	I6A7
10	955 521 392 00	Mounting Fire extinguisher	05-	1	I6A7
11	N 907 809 01	Round head screw M6 X 16 Mount Support	05-	2	
12	955 521 394 03	Fire extinguisher Restraining strap	05-	1	I6A7
13	955 521 319 01	Fire extinguisher Cover	/L 05-	1	I3L4/3L5 I3PN/6A7
	955 521 319 01 01C	Driver's side Satin black			
	955 521 319 01 6C6	Sand Beige			
	955 521 319 01 6H8	Palmgreen			
	955 521 319 01 7A8	Steel grey			
14	955 521 311 00	Belt hook Guide	/L	1	I3L4/3L5
(14)	955 521 312 00	Belt Belt hook Guide	/R	1	I3L4/3L5/3PN
15	955 860 277 00	Belt Fire extinguisher Information available Information available		1	

Model: 9PA 03

Model life 2003>>2006



Model: 9PA 03

Model life 2003>>2006

Pos	Part Number	Description	Remark	Qty	Model
1	955 613 713 00	Switch Seat adjuster Wiring harnesses	/L	1	I3L5
1	955 613 713 00 01C	Switch Seat adjuster Satin black	/RL /L	1	IL0R/3L4
(1)	955 613 713 00 01C	Switch Seat adjuster Satin black	/LL /L	1	IL0L/3L4
(1)	955 613 717 00 01C	Switch Seat adjuster Satin black	/R	1	I3L5
(1)	955 613 714 00 01C	Switch Seat adjuster Satin black	/LL /R	1	IL0L/3L4
(1)	955 613 714 00 01C	Switch Seat adjuster Satin black	/RL /R	1	IL0R/3L4
(1)	955 613 718 00 01C	Switch Seat adjuster Satin black	/L	1	I3PN
(1)	955 613 715 00 01C	Switch Seat adjuster Memory switch Satin black	/R	1	I3PN
2	955 613 716 00 01C	Switch Seat adjuster Memory switch Satin black		1	I3L4/3PN
(2)	955 521 730 00	Support Control unit Seating position control	06-	1	I4UQ
3	955 521 683 00	Support Control unit Seat occupancy detection		1	I3L4/3PN
4	955 618 740 00	Control unit Seating position control		1	I4A3/4A4
5	955 618 742 01	Control unit Heating		1	IG0L/L0R
(6)	955 618 735 00	Adapter plug Control unit Heating	/RL	1	IG0L/L0R
(6)	955 612 754 03	Wiring harness	/LL	1	IL0L/3L4/3PN I4A0
(6)	955 612 754 06	Seat without heating Left Wiring harness	/LL	1	IL0L/3L4/3PN I4A0
(6)	955 612 755 03	Seat without heating Left Wiring harness	/LL	1	IL0L/3L4/3PN I4A3/4A4
(6)	955 612 755 06	Seat with heating Left SIEHE TI Group 6 11/04 DE 6963 Wiring harness	/LL	1	IL0L/3L4/3PN I4A3/4A4
		Seat			



Model: 9PA 03 Model life 2003>>2006

Pos	Part Number	Description	Remark	Qty	Model
(6)	955 612 756 00	with heating Left Wiring harness Seat Backrest Right	/LL -06	1	IL0L/3PN
(6)	955 612 757 03	Wiring harness Seat without heating Right	/LL	1	IL0L/3PN/4A0
(6)	955 612 757 06	Wiring harness Seat without heating Right	/LL	1	IL0L/3PN/4A0
(6)	955 612 758 02	Wiring harness Seat with heating Right	/LL -06	1	IL0L/3PN/4A3 I4A4
(6)	955 612 761 01	Wiring harness Seat with heating	-05	1	IL0R/3L4/4A3 I4A4
(6)	955 612 761 02	Wiring harness Seat with heating Left	-06	1	I3L4/3L5 IL0R/4A3/4A4
(6)	955 612 763 02	Wiring harness Seat without heating Left	-06	1	I3L4/3L5/4A0
(6)	955 612 764 01	Wiring harness Seat with heating		1	I3L4/3L5/4A3 I4A4
(6)	955 612 764 02	Wiring harness Seat with heating Right	/LL -06	1	IL0L/3L4/3L5 I4A3/4A4
(6)	955 612 766 01	Wiring harness Seat without heating Right	-05	1	IL0L/3L4/3L5 I4A0
(6)	955 612 766 02	Wiring harness Seat without heating Right	-06	1	IL0L/3L4/3L5 I4A0
(6)	955 612 771 01	Wiring harness Seat without heating Left	-06	1	IL0R/3PN/4A0
(6)	955 612 773 01	Wiring harness Seat with heating Left	/RL -06	1	IL0R/3PN/4A3 I4A4
(6)	955 612 772 01	Wiring harness Seat with heating	-06	1	IL0R/3L4/3PN I4A3/4A4

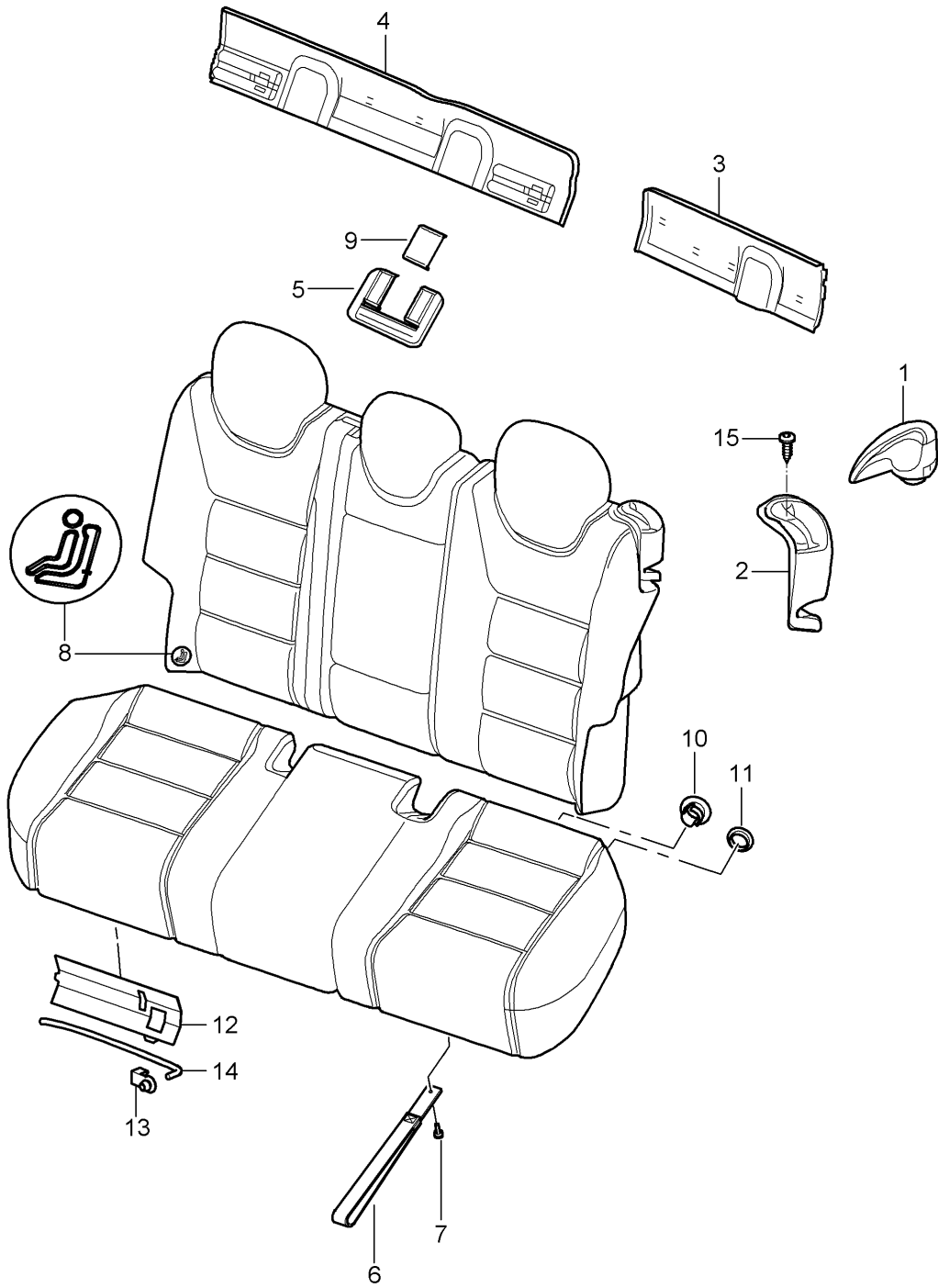
Model: 9PA 03

Model life 2003>>2006

Pos	Part Number	Description	Remark	Qty	Model
(6)	955 612 774 01	Right Wiring harness	/RL -06	1	IL0R/3L4/3PN I4A0
(6)	955 612 768 00	Seat without heating Right Wiring harness	-06	1	IL0R/3L4/3L5
(6)	955 612 779 00	Seat Backrest Right Wiring harness	06-	1	IL0L/4UQ
(6)	955 612 762 00	Seat occupancy detection Wiring harness	/R	1	
(6)	955 612 765 00	Side airbag Adapter plug Wiring harness	/L	1	
(6)	955 612 767 00	Side airbag Adapter plug Wiring harness		1	IL0L
7	955 521 665 04	Retaining bracket Push-on connector Electric	/L	1	I3L4/3L5/3PN
(7)	955 521 665 05	Retaining bracket Push-on connector Electric	/L	1	I3L4/3L5/3PN
(7)	955 521 668 04	Retaining bracket Push-on connector Electric	/R	1	I3L4/3L5/3PN
(7)	955 521 668 05	Retaining bracket Push-on connector Electric	/R	1	I3L4/3L5/3PN
8	955 613 713 10	Knob Adjustment Lumbar		1	
9	955 613 713 10 01C 955 521 731 00	Satin black Cover Control unit Seat occupancy detection		1	I4UQ

Model: 9PA 03

Model life 2003>>2006



Model: 9PA 03 Model life 2003>>2006

Pos	Part Number	Description	Remark	Qty	Model	
1	955 522 651 00	Back seat backrest	/L	1		
		Cover				
		Actuating lever				
		Backrest				
		955 522 651 00 01C				Satin black
(1)	955 522 652 00	955 522 651 00 6C6	/R	1		
		955 522 651 00 6H8				Sand Beige
		955 522 651 00 7A8				Palmgreen
		Steel grey				
		Actuating lever				
2	955 522 673 00	Backrest	/L	1		
		955 522 652 00 01C				Satin black
		955 522 652 00 6C6				Sand Beige
		955 522 652 00 6H8				Palmgreen
		955 522 652 00 7A8				Steel grey
(2)	955 522 672 00	Cover	/R	1		
		Actuating lever				
		955 522 673 00 01C				Satin black
		955 522 673 00 6C6				Sand Beige
		955 522 673 00 6H8				Palmgreen
3	955 522 681 00	955 522 673 00 7A8		1		
		Steel grey				
		Cover				
		Upper part				
		Backrest				
4	955 522 680 00	Short		1		
		955 522 681 00 01C				Satin black
		955 522 681 00 6C6				Sand Beige
		955 522 681 00 6H8				Palmgreen
		955 522 681 00 7A8				Steel grey
5	955 522 661 00	Cover		1		
		Upper part				
		Backrest				
		Long				
		955 522 680 00 01C				Satin black
6	955 522 690 02	955 522 680 00 6C6		2		
		955 522 680 00 6H8				Sand Beige
		955 522 680 00 7A8				Palmgreen
		Steel grey				
		Cover				
7	N 902 876 01	Frame		2		
		Seat belt				
		Backrest				
		955 522 661 00 01C				Satin black
		955 522 661 00 6C6				Sand Beige
8	955 522 694 01	955 522 661 00 6H8		4		
		955 522 661 00 7A8				Palmgreen
		Steel grey				
		955 522 690 02				Traction noose
		955 522 690 02 A08				Black
	955 522 694 01 71N	955 522 690 02 T25				
		955 522 690 02 4Q2				Sand Beige
		955 522 690 02 6E1				Palmgreen
		Steel grey				
		Blind rivet				
		4,8 X 10				
		Mount				
		Traction noose				
		Button				
		Upper part				
		Anthracite				

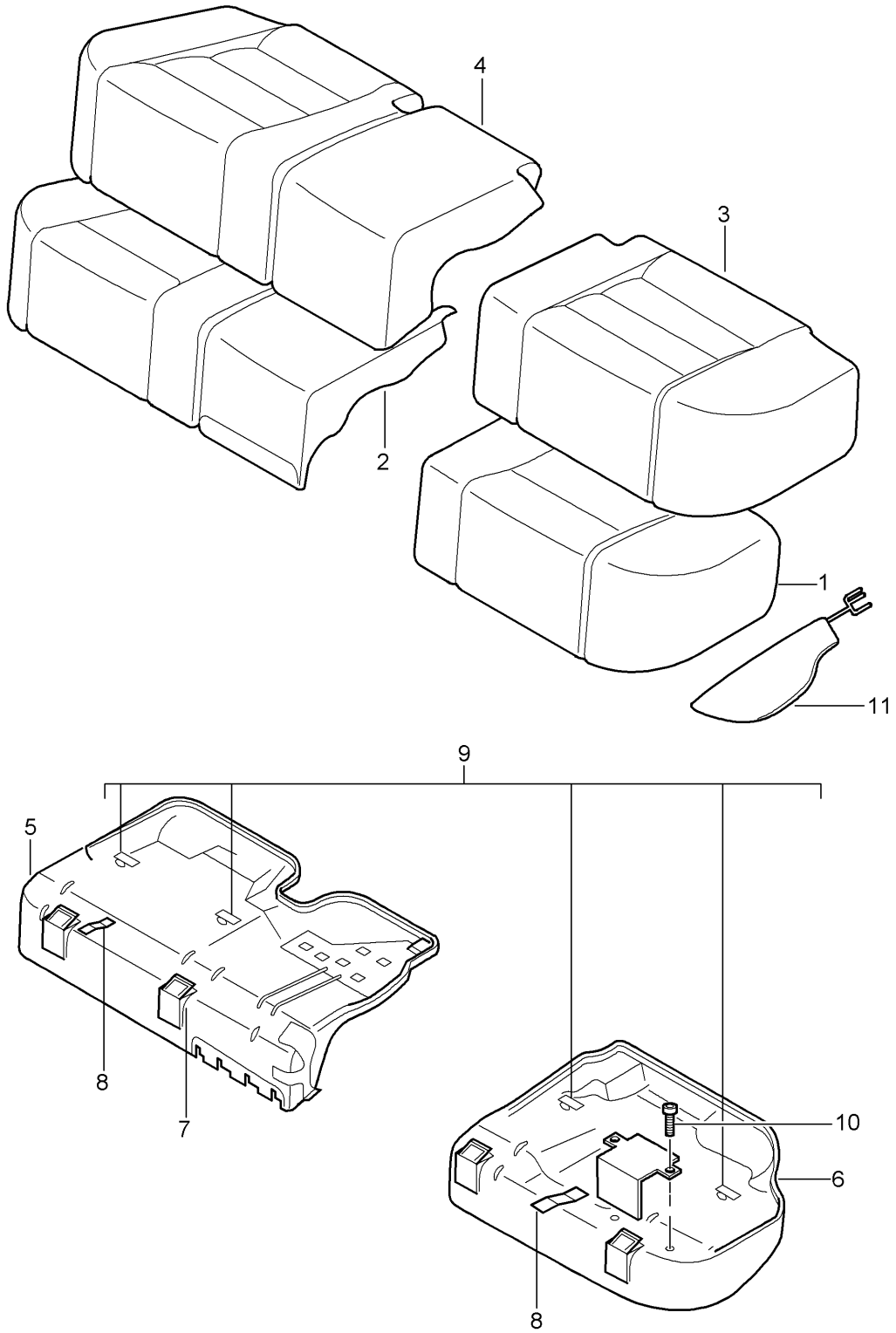
Model: 9PA 03

Model life 2003>>2006

Pos	Part Number	Description	Remark	Qty	Model
(8)	955 522 695 00	Button Lower part		4	
	955 522 695 00 71N	Anthracite			
(8)	958 521 761 11	Repair kit Knob Child car seat Identification		4	
	958 521 761 11 95R	Grey			
9	955 522 660 00	Cover Catch Seat belt		1	
	955 522 660 00 01C	Satin black			
	955 522 660 00 6C6	Sand Beige			
	955 522 660 00 6H8	Palmgreen			
	955 522 660 00 7A8	Steel grey			
10	955 522 697 01	Flat connector Upper part Mounting Head rest		1	IQAO
	955 522 697 01 B41	Black			
11	955 522 698 01	Circlip Lower part Mounting Head rest Black		1	IQAO
11	955 522 698 00	Circlip Lower part Mounting Head rest Black		1	IQAO
12	955 522 670 00	Trim cover	/L	1	
(12)	955 522 670 02	Trim cover Release	/R	1	
13	955 522 670 06	Fixing clip Release		1	
14	955 522 670 04	Pull-type release Seat cushion		1	
15	N 106 166 01	Screw Mount Cover Actuating lever		1	

Model: 9PA 03

Model life 2003>>2006



Model: 9PA 03 Model life 2003>>2006

Pos	Part Number	Description	Remark	Qty	Model
1	955 522 055 01	Cover Seat surface Foam part Foam part	/L	1	IQ1D
(1)	955 522 161 01	Seat cushion Foam part Seat cushion	/L	1	IQ2J
2	955 522 040 01	Foam part Seat cushion	/R	1	IQ1D/9AB/9AD
(2)	955 522 042 01	Foam part Seat cushion		1	IQ1D/9AH
(2)	955 522 160 01	Foam part Seat cushion		1	IQ2J/9AB/9AD
(2)	955 522 162 01	Foam part Seat cushion		1	IQ2J/9AH
3	955 522 301 01	Cover Seat cushion Leather Embossed	-04	1	IN1X/Q2J/4A4
	955 522 301 01 PBW	Sand Beige			
	955 522 301 01 PBX	Steel grey			
	955 522 301 01 PBY	Black			
	955 522 301 01 PBZ	Palmgreen			
(3)	955 522 301 05	Cover for cushion with heating	/L 05	1	IN1X/Q2J/4A4
	955 522 301 05 PBW	Sand Beige			
	955 522 301 05 PBX	Steel grey			
	955 522 301 05 PBY	Black			
	955 522 301 05 PBZ	Palmgreen			
(3)	955 522 301 07	Cover for cushion with heating	/L 06-	1	IN1X/Q2J/4A4
	955 522 301 07 PBW	Sand Beige			
	955 522 301 07 PBX	Steel grey			
	955 522 301 07 PBY	Black			
	955 522 301 07 PBZ	Palmgreen			
(3)	955 522 303 00	Cover Seat cushion Draped leather Embossed	-04	1	IN7F/Q2J I4A3/4A4
	955 522 303 00 PBW	Sand Beige			
	955 522 303 00 PBX	Steel grey			
	955 522 303 00 PBY	Black			
	955 522 303 00 PBZ	Palmgreen			
(3)	955 522 303 05	Cover for cushion without heating	/L 05	1	IN7F/Q2J I4A0/4A3
	955 522 303 05 PBW	Sand Beige			
	955 522 303 05 PBX	Steel grey			
	955 522 303 05 PBY	Black			
	955 522 303 05 PBZ	Palmgreen			
(3)	955 522 303 07	Cover for cushion without heating	/L 06-	1	IN7F/Q2J I4A0/4A3
	955 522 303 07 PBW	Sand Beige			
	955 522 303 07 PBX	Steel grey			
	955 522 303 07 PBY	Black			
	955 522 303 07 PBZ	Palmgreen			
(3)	955 522 305 01	Cover Seat cushion Draped leather Embossed	-04	1	IN7F/Q2J/4A4
	955 522 305 01 PBW	Sand Beige			
	955 522 305 01 PBX	Steel grey			
	955 522 305 01 PBY	Black			
	955 522 305 01 PBZ	Palmgreen			

Model: 9PA 03

Model life 2003&gt;&gt;2006

Pos	Part Number	Description	Remark	Qty	Model
(3)	955 522 305 05	Cover for cushion with heating	/L 05	1	IN7F/Q2J/4A4
	955 522 305 05 PBW	Sand Beige			
	955 522 305 05 PBX	Steel grey			
	955 522 305 05 PBZ	Black			
	955 522 305 05 PBZ	Palmgreen			
(3)	955 522 305 07	Cover for cushion with heating	/L 06-	1	IN7F/Q2J/4A4
	955 522 305 07 PBW	Sand Beige			
	955 522 305 07 PBX	Steel grey			
	955 522 305 07 PBZ	Black			
	955 522 305 07 PBZ	Palmgreen			
(3)	955 522 307 01	Cover Seat cushion Plain leather	-04	1	IN5U/Q1D/4A4
	955 522 307 01 PCA	Sand Beige			
	955 522 307 01 PCB	Steel grey			
	955 522 307 01 PCC	Black			
	955 522 307 01 PCD	Palmgreen			
(3)	955 522 307 05	Cover for cushion with heating Sports seat	/L 05	1	IN5U/Q1D/4A4
	955 522 307 05 PCA	Sand Beige			
	955 522 307 05 PCB	Steel grey			
	955 522 307 05 PCC	Black			
	955 522 307 05 PCD	Palmgreen			
(3)	955 522 307 07	Cover for cushion Sports seat with heating	/L 06-	1	IN5U/Q1D/4A4
	955 522 307 07 PCA	Sand Beige			
	955 522 307 07 PCB	Steel grey			
	955 522 307 07 PCC	Black			
	955 522 307 07 PCD	Palmgreen			
(3)	955 522 309 01	Cover Seat cushion Plain leather	-04	1	IN5U/Q2J/4A4
	955 522 309 01 PCA	Sand Beige			
	955 522 309 01 PCB	Steel grey			
	955 522 309 01 PCC	Black			
	955 522 309 01 PCD	Palmgreen			
(3)	955 522 309 05	Cover for cushion with heating	/L 05	1	IN5U/Q2J/4A4
	955 522 309 05 PCA	Sand Beige			
	955 522 309 05 PCB	Steel grey			
	955 522 309 05 PCC	Black			
	955 522 309 05 PCD	Palmgreen			
(3)	955 522 309 07	Cover for cushion with heating	/L 06-	1	IN5U/Q2J/4A4
	955 522 309 07 PCA	Sand Beige			
	955 522 309 07 PCB	Steel grey			
	955 522 309 07 PCC	Black			
	955 522 309 07 PCD	Palmgreen			
(3)	955 522 311 00	Cover Seat cushion Draped leather	-04	1	IN7D/Q2J I4A0/4A3
	955 522 311 00 PCA	Sand Beige			
	955 522 311 00 PCB	Steel grey			
	955 522 311 00 PCC	Black			
	955 522 311 00 PCD	Palmgreen			
(3)	955 522 311 05	Cover for cushion without heating	/L 05	1	IN7D/Q2J I4A0/4A3
	955 522 311 05 PCA	Sand Beige			
	955 522 311 05 PCB	Steel grey			



Model: 9PA 03

Model life 2003&gt;&gt;2006

Pos	Part Number	Description	Remark	Qty	Model
(3)	955 522 311 05 PCC	Black			
	955 522 311 05 PCD	Palmgreen			
	955 522 311 07	Cover for cushion without heating	/L 06-	1	IN7D/Q2J I4A0/4A3
	955 522 311 07 PCA	Sand Beige			
	955 522 311 07 PCB	Steel grey			
(3)	955 522 311 07 PCC	Black			
	955 522 311 07 PCD	Palmgreen			
	955 522 313 01	Cover Seat cushion Draped leather	-04	1	IN7D/Q2J/4A4
	955 522 313 01 PCA	Sand Beige			
	955 522 313 01 PCB	Steel grey			
(3)	955 522 313 01 PCC	Black			
	955 522 313 01 PCD	Palmgreen			
	955 522 313 05	Cover for cushion with heating	/L 05	1	IN7D/Q2J/4A4
	955 522 313 05 PCA	Sand Beige			
	955 522 313 05 PCB	Steel grey			
(3)	955 522 313 05 PCC	Black			
	955 522 313 05 PCD	Palmgreen			
	955 522 313 07	Cover for cushion with heating	/L 06-	1	IN7D/Q2J/4A4
	955 522 313 07 PCA	Sand Beige			
	955 522 313 07 PCB	Steel grey			
(3)	955 522 313 07 PCC	Black			
	955 522 313 07 PCD	Palmgreen			
	955 522 315 00	Cover Seat cushion Plain leather	/L -04	1	IN5U/Q2J I4A0/4A3
	955 522 315 00 PCA	Sand Beige			
	955 522 315 00 PCB	Steel grey			
(3)	955 522 315 00 PCC	Black			
	955 522 315 00 PCD	Palmgreen			
	955 522 315 05	Cover for cushion without heating	/L 05	1	IN5U/Q2J I4A0/4A3
	955 522 315 05 PCA	Sand Beige			
	955 522 315 05 PCB	Steel grey			
(3)	955 522 315 05 PCC	Black			
	955 522 315 05 PCD	Palmgreen			
	955 522 315 07	Cover for cushion without heating	/L 06-	1	IN5U/Q2J I4A0/4A3
	955 522 315 07 PCA	Sand Beige			
	955 522 315 07 PCB	Steel grey			
(3)	955 522 315 07 PCC	Black			
	955 522 315 07 PCD	Palmgreen			
	955 522 317 00	Cover Seat cushion Leather Embossed	-04	1	IN1X/Q2J I4A0/4A3
	955 522 317 00 PBW	Sand Beige			
	955 522 317 00 PBX	Steel grey			
(3)	955 522 317 00 PBY	Black			
	955 522 317 00 PBZ	Palmgreen			
	955 522 317 05	Cover for cushion without heating	/L 05	1	IN1X/Q2J I4A0/4A3
	955 522 317 05 PBW	Sand Beige			
	955 522 317 05 PBX	Steel grey			
(3)	955 522 317 05 PBY	Black			
	955 522 317 05 PBZ	Palmgreen			
	955 522 317 07	Cover for cushion without heating	/L 06-	1	IN1X/Q2J I4A0/4A3
	955 522 317 07 PBW	Sand Beige			

Model: 9PA 03 Model life 2003>>2006

Pos	Part Number	Description	Remark	Qty	Model
(3)	955 522 317 07 PBX	Steel grey	-04	1	IN5U/Q1D I4A0/4A3
	955 522 317 07 PBY	Black			
	955 522 317 07 PBZ	Palmgreen			
	955 522 319 00	Cover Seat cushion Plain leather			
	955 522 319 00 PCA	Sand Beige			
(3)	955 522 319 00 PCB	Steel grey	/L 05	1	IN5U/Q1D I4A0/4A3
	955 522 319 00 PCC	Black			
	955 522 319 00 PCD	Palmgreen			
	955 522 319 05	Cover for cushion Sports seat without heating			
	955 522 319 05 PCA	Sand Beige			
(3)	955 522 319 05 PCB	Steel grey	/L 06-	1	IN5U/Q1D I4A0/4A3
	955 522 319 05 PCC	Black			
	955 522 319 05 PCD	Palmgreen			
	955 522 319 07	Cover for cushion Sports seat without heating			
	955 522 319 07 PCA	Sand Beige			
4	955 522 319 07 PCB	Steel grey	-04	1	IN1X/Q2J/4A4 I9AB/9AD
	955 522 319 07 PCC	Black			
	955 522 319 07 PCD	Palmgreen			
	955 522 300 01	Cover Seat cushion Leather Embossed			
	955 522 300 01 PBW	Sand Beige			
(4)	955 522 300 01 PBX	Steel grey	/R 05	1	IN1X/Q2J/4A4 I9AB/9AD
	955 522 300 01 PBY	Black			
	955 522 300 01 PBZ	Palmgreen			
	955 522 300 05	Cover for cushion with heating			
	955 522 300 05 PBW	Sand Beige			
(4)	955 522 300 05 PBX	Steel grey	/R 06-	1	INIX IQ2J/4A4 I9AB/9AD
	955 522 300 05 PBY	Black			
	955 522 300 05 PBZ	Palmgreen			
	955 522 300 06	Cover for cushion with heating			
	955 522 300 06 PBW	Sand beige/sand beige			
(4)	955 522 300 06 PBX	Steel grey/steel grey	-04	1	IN1X/Q2J/9AH I4A0/4A3
	955 522 300 06 PBY	Black-black			
	955 522 300 06 PBZ	Palmgreen			
	955 522 302 00	Cover Seat cushion Leather Embossed			
	955 522 302 00 PBW	Sand Beige			
(4)	955 522 302 00 PBX	Steel grey	/R 05	1	IN1X/Q2J/4A0 I4A3/9AH
	955 522 302 00 PBY	Black			
	955 522 302 00 PBZ	Palmgreen			
	955 522 302 05	Cover for cushion without heating			
	955 522 302 05 PBW	Sand Beige			
(4)	955 522 302 05 PBX	Steel grey	/R 06-	1	/NIX IQ2J/4A0 I4A3/9AH
	955 522 302 05 PBY	Black			
	955 522 302 05 PBZ	Palmgreen			
	955 522 302 06	Cover for cushion without heating			
	955 522 302 06 PBW	Sand Beige			

Model: 9PA 03 Model life 2003>>2006

Pos	Part Number	Description	Remark	Qty	Model
(4)	955 522 302 06 PBX	Steel grey	-04	1	IN1X/4A4 IQ2J/9AH
	955 522 302 06 PBY	Black			
	955 522 302 06 PBZ	Palmgreen			
	955 522 304 01	Cover Seat cushion Leather Embossed			
(4)	955 522 304 01 PBW	Sand Beige	/R 05	1	IN1X/Q2J I4A4/9AH
	955 522 304 01 PBX	Steel grey			
	955 522 304 01 PBY	Black			
	955 522 304 01 PBZ	Palmgreen			
(4)	955 522 304 05	Cover for cushion with heating	/R 06-	1	IN1X/Q2J I4A4/9AH
	955 522 304 05 PBW	Sand Beige			
	955 522 304 05 PBX	Steel grey			
	955 522 304 05 PBY	Black			
(4)	955 522 304 05 PBZ	Palmgreen	/R 06-	1	IN1X/Q2J I4A4/9AH
	955 522 304 06	Cover for cushion with heating			
	955 522 304 06 PBW	Sand Beige			
	955 522 304 06 PBX	Steel grey			
(4)	955 522 304 06 PBY	Black	-04	1	IQ2J/4A0/4A3 IN7F/9AB/9AD
	955 522 304 06 PBZ	Palmgreen			
	955 522 306 00	Cover Seat cushion Draped leather Embossed			
	955 522 306 00 PBW	Sand Beige			
(4)	955 522 306 00 PBX	Steel grey	/R 05	1	IN7F/Q2J/4A0 I4A3/9AB/9AD
	955 522 306 00 PBY	Black			
	955 522 306 00 PBZ	Palmgreen			
	955 522 306 05	Cover for cushion without heating			
(4)	955 522 306 05 PBW	Sand Beige	/R 06-	1	IN7F/Q2J/4A0 I4A3/9AB/9AD
	955 522 306 05 PBX	Steel grey			
	955 522 306 05 PBY	Black			
	955 522 306 05 PBZ	Palmgreen			
(4)	955 522 306 06	Cover for cushion without heating	-04	1	IN7F/Q2J/4A4 I9AB/9AD
	955 522 306 06 PBW	Sand Beige			
	955 522 306 06 PBX	Steel grey			
	955 522 306 06 PBY	Black			
(4)	955 522 306 06 PBZ	Palmgreen	/R 05	1	IN7F/Q2J/4A0 I9AB/9AD
	955 522 308 01	Cover Seat cushion Draped leather Embossed			
	955 522 308 01 PBW	Sand Beige			
	955 522 308 01 PBX	Steel grey			
(4)	955 522 308 01 PBY	Black	/R 06-	1	IN7F/Q2J/4A4 I9AB/9AD
	955 522 308 01 PBZ	Palmgreen			
	955 522 308 05	Cover for cushion with heating			
	955 522 308 05 PBW	Sand Beige			
(4)	955 522 308 05 PBX	Steel grey	/R 05	1	IN7F/Q2J/4A4 I9AB/9AD
	955 522 308 05 PBY	Black			
	955 522 308 05 PBZ	Palmgreen			
	955 522 308 06	Cover for cushion with heating			
(4)	955 522 308 06 PBW	Sand Beige	/R 06-	1	IN7F/Q2J/4A4 I9AB/9AD
	955 522 308 06 PBX	Steel grey			
	955 522 308 06 PBY	Black			
	955 522 308 06 PBZ	Palmgreen			

Model: 9PA 03 Model life 2003>>2006

Pos	Part Number	Description	Remark	Qty	Model
(4)	955 522 310 00	Cover Seat cushion Draped leather Embossed	-04	1	IN7F/Q2J/9AH I4A0/4A3
	955 522 310 00 PBW	Sand Beige			
	955 522 310 00 PBX	Steel grey			
	955 522 310 00 PBY	Black			
	955 522 310 00 PBZ	Palmgreen			
(4)	955 522 310 05	Cover for cushion without heating	/R 05	1	IN7F/Q2J/9AH I4A0/4A3
	955 522 310 05 PBW	Sand Beige			
	955 522 310 05 PBX	Steel grey			
	955 522 310 05 PBY	Black			
	955 522 310 05 PBZ	Palmgreen			
(4)	955 522 310 06	Cover for cushion without heating	/R 06-	1	IN7F/Q2J/4A0 I4A3/9AH
	955 522 310 06 PBW	Sand Beige			
	955 522 310 06 PBX	Steel grey			
	955 522 310 06 PBY	Black			
	955 522 310 06 PBZ	Palmgreen			
(4)	955 522 312 01	Cover Seat cushion Draped leather Embossed	-04	1	IN7F/Q2J I4A4/9AH
	955 522 312 01 PBW	Sand Beige			
	955 522 312 01 PBX	Steel grey			
	955 522 312 01 PBY	Black			
	955 522 312 01 PBZ	Palmgreen			
(4)	955 522 312 05	Cover for cushion with heating	/R 05	1	IN7F/Q2J I4A4/9AH
	955 522 312 05 PBW	Sand Beige			
	955 522 312 05 PBX	Steel grey			
	955 522 312 05 PBY	Black			
	955 522 312 05 PBZ	Palmgreen			
(4)	955 522 312 06	Cover for cushion with heating	/R 06-	1	IN7F/Q2J I4A4/9AH
	955 522 312 06 PBW	Sand Beige			
	955 522 312 06 PBX	Steel grey			
	955 522 312 06 PBY	Black			
	955 522 312 06 PBZ	Palmgreen			
(4)	955 522 314 01	Cover Seat cushion Plain leather	-04	1	IN5U/Q1D/4A4 I9AB/9AD
	955 522 314 01 PCA	Sand Beige			
	955 522 314 01 PCB	Steel grey			
	955 522 314 01 PCC	Black			
	955 522 314 01 PCD	Palmgreen			
(4)	955 522 314 05	Cover for cushion with heating Sports seat	/R 05	1	IN5U/Q1D/4A4 I9AB/9AD
	955 522 314 05 PCA	Sand Beige			
	955 522 314 05 PCB	Steel grey			
	955 522 314 05 PCC	Black			
	955 522 314 05 PCD	Palmgreen			
(4)	955 522 314 06	Cover for cushion with heating Sports seat	/R 06-	1	IN5U/Q1D/4A4 I9AB/9AD
	955 522 314 06 PCA	Sand Beige			
	955 522 314 06 PCB	Steel grey			
	955 522 314 06 PCC	Black			
	955 522 314 06 PCD	Palmgreen			
(4)	955 522 316 01	Cover Seat cushion	-04	1	IN5U/Q1D I4A4/9AH

Model: 9PA 03 Model life 2003>>2006

Pos	Part Number	Description	Remark	Qty	Model
	955 522 316 01 PCA	Plain leather			
	955 522 316 01 PCB	Sand Beige			
	955 522 316 01 PCC	Steel grey			
	955 522 316 01 PCD	Black			
(4)	955 522 316 05	Palmgreen			
		Cover for cushion	/R 05	1	IN5U/Q1D
		with heating			I4A4/9AH
		Sports seat			
	955 522 316 05 PCA	Sand Beige			
	955 522 316 05 PCB	Steel grey			
	955 522 316 05 PCC	Black			
	955 522 316 05 PCD	Palmgreen			
(4)	955 522 316 06	Cover for cushion	/R 06-	1	IN5U/Q1D
		with heating			I4A4/9AH
		Sports seat			
	955 522 316 06 PCA	Sand Beige			
	955 522 316 06 PCB	Steel grey			
	955 522 316 06 PCC	Black			
	955 522 316 06 PCD	Palmgreen			
(4)	955 522 336 05	Cover for cushion	/R 05	1	IN5U/Q1D/4A0
		Sports seat			I4A3/9AH
		without heating			
	955 522 336 05 PCA	Sand Beige			
	955 522 336 05 PCB	Steel grey			
	955 522 336 05 PCC	Black			
	955 522 336 05 PCD	Palmgreen			
(4)	955 522 336 06	Cover for cushion	/R 06-	1	IN5U/Q1D/4A0
		Sports seat			I4A3/9AH
		without heating			
	955 522 336 06 PCA	Sand Beige			
	955 522 336 06 PCB	Steel grey			
	955 522 336 06 PCC	Black			
	955 522 336 06 PCD	Palmgreen			
(4)	955 522 338 05	Cover for cushion	/R 05	1	IN5U/Q1D/4A0
		Sports seat			I4A3/9AB/9AD
		without heating			
	955 522 338 05 PCA	Sand Beige			
	955 522 338 05 PCB	Steel grey			
	955 522 338 05 PCC	Black			
	955 522 338 05 PCD	Palmgreen			
(4)	955 522 338 06	Cover for cushion	/R 06-	1	IN5U/Q1D/4A0
		Sports seat			I4A3/9AB/9AD
		without heating			
	955 522 338 06 PCA	Sand Beige			
	955 522 338 06 PCB	Steel grey			
	955 522 338 06 PCC	Black			
	955 522 338 06 PCD	Palmgreen			
(4)	955 522 318 01	Cover	-04	1	IN5U/Q2J/4A4
		Seat cushion			I9AB/9AD
		Plain leather			
	955 522 318 01 PCA	Sand Beige			
	955 522 318 01 PCB	Steel grey			
	955 522 318 01 PCC	Black			
	955 522 318 01 PCD	Palmgreen			
(4)	955 522 318 05	Cover for cushion	05	1	IN5U/Q2J/4A4
		with heating			I9AB/9AD
	955 522 318 05 PCA	Sand Beige			
	955 522 318 05 PCB	Steel grey			
	955 522 318 05 PCC	Black			
	955 522 318 05 PCD	Palmgreen			
(4)	955 522 318 06	Cover for cushion	/R 06-	1	IN5U/Q2J/4A4
		with heating			I9AB/9AD
	955 522 318 06 PCA	Sand Beige			

Model: 9PA 03 Model life 2003>>2006

Pos	Part Number	Description	Remark	Qty	Model
(4)	955 522 318 06 PCB	Steel grey	-04	1	IN5U/Q2J/9AH I4A0/4A3
	955 522 318 06 PCC	Black			
	955 522 318 06 PCD	Palmgreen			
	955 522 320 00	Cover Seat cushion Plain leather			
(4)	955 522 320 00 PCA	Sand Beige	/R 05	1	IN5U/Q2J/4A0 I4A3/9AH
	955 522 320 00 PCB	Steel grey			
	955 522 320 00 PCC	Black			
	955 522 320 00 PCD	Palmgreen			
(4)	955 522 320 05	Cover for cushion without heating	/R 06-	1	IN5U/Q2J/4A0 I4A3/9AH
	955 522 320 05 PCA	Sand Beige			
	955 522 320 05 PCB	Steel grey			
	955 522 320 05 PCC	Black			
(4)	955 522 320 05 PCD	Palmgreen	/R 06-	1	IN5U/Q2J/4A0 I4A3/9AH
	955 522 320 06	Cover for cushion without heating			
	955 522 320 06 PCA	Sand Beige			
	955 522 320 06 PCB	Steel grey			
(4)	955 522 320 06 PCC	Black	-04	1	IN5U/Q2J I4A4/9AH
	955 522 320 06 PCD	Palmgreen			
	955 522 322 01	Cover Seat cushion Plain leather			
	955 522 322 01 PCA	Sand Beige			
(4)	955 522 322 01 PCB	Steel grey	/R 05	1	IN5U/Q2J I4A4/9AH
	955 522 322 01 PCC	Black			
	955 522 322 01 PCD	Palmgreen			
	955 522 322 05	Cover for cushion with heating			
(4)	955 522 322 05 PCA	Sand Beige	/R 06-	1	IN5U/Q2J I4A4/9AH
	955 522 322 05 PCB	Steel grey			
	955 522 322 05 PCC	Black			
	955 522 322 05 PCD	Palmgreen			
(4)	955 522 322 06	Cover for cushion with heating	-04	1	IN7D/4A0/4A3 IQ2J/9AB/9AD
	955 522 322 06 PCA	Sand Beige			
	955 522 322 06 PCB	Steel grey			
	955 522 322 06 PCC	Black			
(4)	955 522 322 06 PCD	Palmgreen	/R 05	1	IN7D/Q2J/4A0 I4A3/9AB/9AD
	955 522 324 00	Cover Seat cushion Draped leather			
	955 522 324 00 PCA	Sand Beige			
	955 522 324 00 PCB	Steel grey			
(4)	955 522 324 00 PCC	Black	/R 06-	1	IN7D/Q2J/4A0 I4A3/9AB/9AD
	955 522 324 00 PCD	Palmgreen			
	955 522 324 05	Cover for cushion without heating			
	955 522 324 05 PCA	Sand Beige			
(4)	955 522 324 05 PCB	Steel grey	/R 06-	1	IN7D/Q2J/4A0 I4A3/9AB/9AD
	955 522 324 05 PCC	Black			
	955 522 324 05 PCD	Palmgreen			
	955 522 324 06	Cover for cushion without heating			
(4)	955 522 324 06 PCA	Sand Beige	-04	1	IN7D/Q2J/4A4 I9AB/9AD
	955 522 324 06 PCB	Steel grey			
	955 522 324 06 PCC	Black			
	955 522 324 06 PCD	Palmgreen			
(4)	955 522 326 01	Cover Seat cushion Draped leather			

Model: 9PA 03 Model life 2003>>2006

Pos	Part Number	Description	Remark	Qty	Model
	955 522 326 01 PCA	Sand Beige			
	955 522 326 01 PCB	Steel grey			
	955 522 326 01 PCC	Black			
	955 522 326 01 PCD	Palmgreen			
(4)	955 522 326 05	Cover for cushion with heating	/R 05	1	IN7D/Q2J/4A4 I9AB/9AD
	955 522 326 05 PCA	Sand Beige			
	955 522 326 05 PCB	Steel grey			
	955 522 326 05 PCC	Black			
	955 522 326 05 PCD	Palmgreen			
(4)	955 522 326 06	Cover for cushion with heating	/R 06-	1	IN7D/Q2J/4A4 I9AB/9AD
	955 522 326 06 PCA	Sand Beige			
	955 522 326 06 PCB	Steel grey			
	955 522 326 06 PCC	Black			
	955 522 326 06 PCD	Palmgreen			
(4)	955 522 328 00	Cover Seat cushion Draped leather	-04	1	IN7D/Q2J/9AH I4A0/4A3
	955 522 328 00 PCA	Sand Beige			
	955 522 328 00 PCB	Steel grey			
	955 522 328 00 PCC	Black			
	955 522 328 00 PCD	Palmgreen			
(4)	955 522 328 05	Cover for cushion without heating	/R 05	1	IN7D/Q2J/4A0 I4A3/9AH
	955 522 328 05 PCA	Sand Beige			
	955 522 328 05 PCB	Steel grey			
	955 522 328 05 PCC	Black			
	955 522 328 05 PCD	Palmgreen			
(4)	955 522 328 06	Cover for cushion without heating	/R 06-	1	IN7D/Q2J/4A0 I4A3/9AH
	955 522 328 06 PCA	Sand Beige			
	955 522 328 06 PCB	Steel grey			
	955 522 328 06 PCC	Black			
	955 522 328 06 PCD	Palmgreen			
(4)	955 522 330 01	Cover Seat cushion Draped leather	-04	1	IN7D/Q2J I4A4/9AH
	955 522 330 01 PCA	Sand Beige			
	955 522 330 01 PCB	Steel grey			
	955 522 330 01 PCC	Black			
	955 522 330 01 PCD	Palmgreen			
(4)	955 522 330 05	Cover for cushion with heating	/R 05	1	IN7D/Q2J I4A4/9AH
	955 522 330 05 PCA	Sand Beige			
	955 522 330 05 PCB	Steel grey			
	955 522 330 05 PCC	Black			
	955 522 330 05 PCD	Palmgreen			
(4)	955 522 330 06	Cover for cushion with heating	/R 06-	1	IN7D/Q2J I4A4/9AH
	955 522 330 06 PCA	Sand Beige			
	955 522 330 06 PCB	Steel grey			
	955 522 330 06 PCC	Black			
	955 522 330 06 PCD	Palmgreen			
(4)	955 522 332 00	Cover Seat cushion Plain leather	-04	1	IN5U/4A0/4A3 IQ2J/9AB/9AD
	955 522 332 00 PCA	Sand Beige			
	955 522 332 00 PCB	Steel grey			
	955 522 332 00 PCC	Black			
	955 522 332 00 PCD	Palmgreen			
(4)	955 522 332 05	Cover for cushion without heating	/R 05	1	IN5U/Q2J/4A0 I4A3/9AB/9AD

Model: 9PA 03 Model life 2003>>2006

Pos	Part Number	Description	Remark	Qty	Model
	955 522 332 05 PCA	Sand Beige			
	955 522 332 05 PCB	Steel grey			
	955 522 332 05 PCC	Black			
	955 522 332 05 PCD	Palmgreen			
(4)	955 522 332 06	Cover for cushion without heating	/R 06-	1	IN5U/Q2J/4A0 I4A3/9AB/9AD
	955 522 332 06 PCA	Sand Beige			
	955 522 332 06 PCB	Steel grey			
	955 522 332 06 PCC	Black			
	955 522 332 06 PCD	Palmgreen			
(4)	955 522 334 00	Cover Seat cushion Leather Embossed	-04	1	IQ2J/4A0/4A3 I9AB/9AD
	955 522 334 00 PBW	Sand Beige			
	955 522 334 00 PBX	Steel grey			
	955 522 334 00 PBZ	Black			
	955 522 334 00 PBZ	Palmgreen			
(4)	955 522 334 05	Cover for cushion without heating	/R 05	1	IN1X/Q2J/4A0 I4A3/9AB/9AD
	955 522 334 05 PBW	Sand Beige			
	955 522 334 05 PBX	Steel grey			
	955 522 334 05 PBZ	Black			
	955 522 334 05 PBZ	Palmgreen			
(4)	955 522 334 06	Cover for cushion without heating	/R 06-	1	IN1X/Q2J/4A0 I4A3/9AB/9AD
	955 522 334 06 PBW	Sand Beige			
	955 522 334 06 PBX	Steel grey			
	955 522 334 06 PBZ	Black			
	955 522 334 06 PBZ	Black			
5	955 522 380 00	Seat frame Rear	/R -03	1	I9AH
(5)	955 522 380 03	Seat frame Rear	/R	1	IQA0/9AH
(5)	955 522 382 00	Seat frame Rear	/R -03	1	I9AB/9AD
(5)	955 522 382 03	Seat frame Rear	-06	1	IQA0/9AB/9AD
6	955 522 385 02	Seat frame Rear	/L	1	IQA0
7	955 522 397 00	Protection cap Hinge		1	
8	955 522 398 00	Seat frame Cover Mounting piece Backrest		2	
9	955 522 399 00	Cap Hook	-03	4	
(9)	955 522 399 01	Cap Hook	04-	4	
10	N 910 260 01	Screw		8	
(10)	N 910 260 02	Screw Mount Seat frame Body in white		8	
11	955 653 421 00	Heating element Seat side bolster	/L	1	IQ2J/4A4
(11)	955 653 421 01	Heating element Seat side bolster	/L	1	IQ2J/4A4
11	955 653 043 01	Heating element Seat side bolster Rear	/L	1	IQ1D/4A4
(11)	955 653 422 00	Heating element	/R	1	IQ2J/4A4



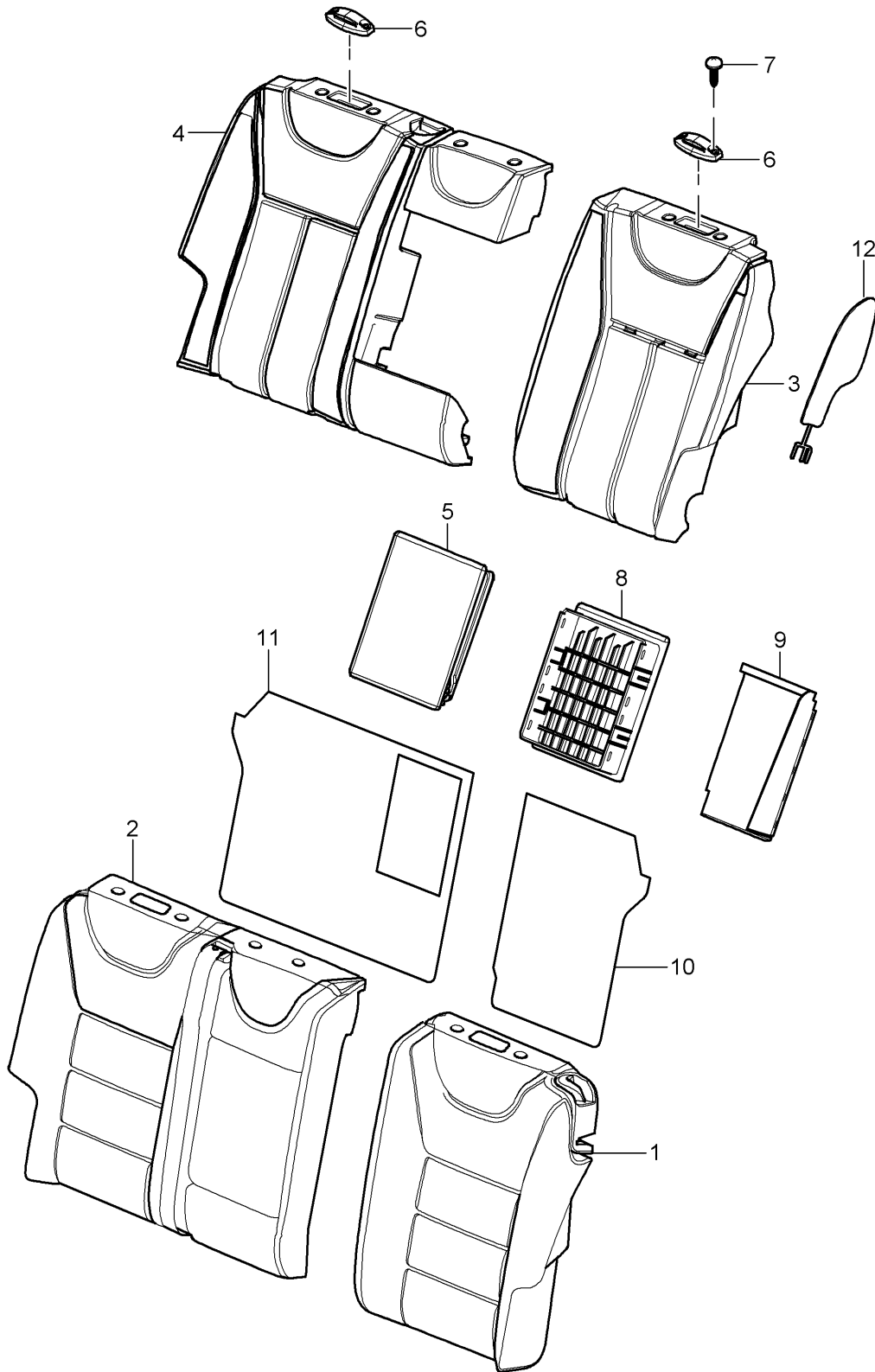
Model: 9PA 03

Model life 2003&gt;&gt;2006

Pos	Part Number	Description	Remark	Qty	Model
(11)	955 653 422 01	Seat side bolster Heating element	/R	1	IQ2J/4A4
(11)	955 653 044 01	Seat side bolster Heating element Seat side bolster Rear	/R	1	IQ1D/4A4

Model: 9PA 03

Model life 2003>>2006



Model: 9PA 03 Model life 2003>>2006

Pos	Part Number	Description	Remark	Qty	Model
1	955 522 011 01	Cover Back seat backrest Foam part	-04	1	IN1X/Q2J I4A0/4A3
	955 522 011 01 PBW	Sand Beige			
	955 522 011 01 PBX	Steel grey			
	955 522 011 01 PBY	Black			
	955 522 011 01 PBZ	Palmgreen			
(1)	955 522 011 05	Backrest cover without heating	/L 05-	1	IN1X/Q2J I4A0/4A3
	955 522 011 05 PBW	Sand Beige			
	955 522 011 05 PBX	Steel grey			
	955 522 011 05 PBY	Black			
	955 522 011 05 PBZ	Palmgreen			
(1)	955 522 013 01	Cover Back seat backrest Plain leather	-04	1	IN5U/Q2J I4A0/4A3
	955 522 013 01 PCA	Sand Beige			
	955 522 013 01 PCB	Steel grey			
	955 522 013 01 PCC	Black			
	955 522 013 01 PCD	Palmgreen			
(1)	955 522 013 05	Backrest cover without heating	/L 05-	1	IN5U/Q2J I4A0/4A3
	955 522 013 05 PCA	Sand Beige			
	955 522 013 05 PCB	Steel grey			
	955 522 013 05 PCC	Black			
	955 522 013 05 PCD	Palmgreen			
(1)	955 522 015 01	Cover Back seat backrest Leather	-04	1	IN1X/Q2J/4A4
	955 522 015 01 PBW	Sand Beige			
	955 522 015 01 PBX	Steel grey			
	955 522 015 01 PBY	Black			
	955 522 015 01 PBZ	Palmgreen			
(1)	955 522 015 05	Backrest cover with heating	/L 05-	1	IN1X/Q2J/4A4
	955 522 015 05 PBW	Sand Beige			
	955 522 015 05 PBX	Steel grey			
	955 522 015 05 PBY	Black			
	955 522 015 05 PBZ	Palmgreen			
(1)	955 522 017 01	Cover Back seat backrest Draped leather	-04	1	IN7F/Q2J I4A0/4A3
	955 522 017 01 PBW	Sand Beige			
	955 522 017 01 PBX	Steel grey			
	955 522 017 01 PBY	Black			
	955 522 017 01 PBZ	Palmgreen			
(1)	955 522 017 05	Backrest cover without heating	/L 05-	1	IN7F/Q2J I4A0/4A3
	955 522 017 05 PBW	Sand Beige			
	955 522 017 05 PBX	Steel grey			
	955 522 017 05 PBY	Black			
	955 522 017 05 PBZ	Palmgreen			
(1)	955 522 019 01	Cover Back seat backrest Draped leather	-04	1	IN7F/Q2J/4A4
	955 522 019 01 PBW	Sand Beige			
	955 522 019 01 PBX	Steel grey			
	955 522 019 01 PBY	Black			
	955 522 019 01 PBZ	Palmgreen			
(1)	955 522 019 05	Backrest cover	/L 05-	1	IN7F/Q2J/4A4

Model: 9PA 03

Model life 2003>>2006

Pos	Part Number	Description	Remark	Qty	Model
		with heating			
	955 522 019 05 PBW	Sand Beige			
	955 522 019 05 PBX	Steel grey			
	955 522 019 05 PBY	Black			
	955 522 019 05 PBZ	Palmgreen			
(1)	955 522 021 01	Cover	-04	1	IN5U/Q1D/4A4
		Back seat backrest			
		Plain leather			
	955 522 021 01 PCA	Sand Beige			
	955 522 021 01 PCB	Steel grey			
	955 522 021 01 PCC	Black			
	955 522 021 01 PCD	Palmgreen			
(1)	955 522 021 05	Backrest cover	/L 05-	1	IN5U/Q1D/4A4
		Sports seat			
		with heating			
	955 522 021 05 PCA	Sand Beige			
	955 522 021 05 PCB	Steel grey			
	955 522 021 05 PCC	Black			
	955 522 021 05 PCD	Palmgreen			
(1)	955 522 023 01	Cover	-04	1	IN5U/Q2J/4A4
		Back seat backrest			
		Plain leather			
	955 522 023 01 PCA	Sand Beige			
	955 522 023 01 PCB	Steel grey			
	955 522 023 01 PCC	Black			
	955 522 023 01 PCD	Palmgreen			
(1)	955 522 023 05	Backrest cover	/L 05-	1	IN5U/Q2J/4A4
		with heating			
	955 522 023 05 PCA	Sand Beige			
	955 522 023 05 PCB	Steel grey			
	955 522 023 05 PCC	Black			
	955 522 023 05 PCD	Palmgreen			
(1)	955 522 025 01	Cover	-04	1	IN7D/Q2J I4A0/4A3
		Back seat backrest			
		Draped leather			
	955 522 025 01 PCA	Sand Beige			
	955 522 025 01 PCB	Steel grey			
	955 522 025 01 PCC	Black			
	955 522 025 01 PCD	Palmgreen			
(1)	955 522 025 05	Backrest cover	/L 05-	1	IN7D/Q2J I4A0/4A3
		without heating			
	955 522 025 05 PCA	Sand Beige			
	955 522 025 05 PCB	Steel grey			
	955 522 025 05 PCC	Black			
	955 522 025 05 PCD	Palmgreen			
(1)	955 522 027 01	Cover	-04	1	IN7D/Q2J/4A4
		Back seat backrest			
		Draped leather			
	955 522 027 01 PCA	Sand Beige			
	955 522 027 01 PCB	Steel grey			
	955 522 027 01 PCC	Black			
	955 522 027 01 PCD	Palmgreen			
(1)	955 522 027 05	Backrest cover	/L 05-	1	IN7D/Q2J/4A4
		with heating			
	955 522 027 05 PCA	Sand Beige			
	955 522 027 05 PCB	Steel grey			
	955 522 027 05 PCC	Black			
	955 522 027 05 PCD	Palmgreen			
(1)	955 522 029 05	Backrest cover	/L 05-	1	IN5U/Q1D I4A0/4A3
		Sports seat			
		without heating			
	955 522 029 05 PCA	Sand Beige			
	955 522 029 05 PCB	Steel grey			

Model: 9PA 03 Model life 2003>>2006

Pos	Part Number	Description	Remark	Qty	Model
2	955 522 029 05 PCC	Black	-04	1	IN1X/Q2J/4A4
	955 522 029 05 PCD	Palmgreen			
	955 522 016 01	Cover			
		Back seat backrest			
		Embossed			
(2)	955 522 016 01 PBW	Sand Beige	/R 05-	1	IN1X/Q2J/4A4
	955 522 016 01 PBX	Steel grey			
	955 522 016 01 PBY	Black			
	955 522 016 01 PBZ	Palmgreen			
	955 522 016 05	Backrest cover with heating			
(2)	955 522 016 05 PBW	Sand Beige	-04	1	IN7F/Q2J I4A0/4A3
	955 522 016 05 PBX	Steel grey			
	955 522 016 05 PBY	Black			
	955 522 016 05 PBZ	Palmgreen			
	955 522 018 01	Cover			
(2)	955 522 018 01 PBW	Sand Beige	/R 05-	1	IN7F/Q2J I4A0/4A3
	955 522 018 01 PBX	Steel grey			
	955 522 018 01 PBY	Black			
	955 522 018 01 PBZ	Palmgreen			
	955 522 018 05	Backrest cover without heating			
(2)	955 522 018 05 PBW	Sand Beige	-04	1	IN7F/Q2J/4A4
	955 522 018 05 PBX	Steel grey			
	955 522 018 05 PBY	Black			
	955 522 018 05 PBZ	Palmgreen			
	955 522 020 01	Cover			
(2)	955 522 020 01 PBW	Sand Beige	/R 05-	1	IN7F/Q2J/4A4
	955 522 020 01 PBX	Steel grey			
	955 522 020 01 PBY	Black			
	955 522 020 01 PBZ	Palmgreen			
	955 522 020 05	Backrest cover with heating			
(2)	955 522 020 05 PBW	Sand Beige	-04	1	IN5U/Q1D/4A4
	955 522 020 05 PBX	Steel grey			
	955 522 020 05 PBY	Black			
	955 522 020 05 PBZ	Palmgreen			
	955 522 022 01	Cover			
(2)	955 522 022 01 PCA	Sand Beige	/R 05-	1	IN5U/Q1D/4A4
	955 522 022 01 PCB	Steel grey			
	955 522 022 01 PCC	Black			
	955 522 022 01 PCD	Palmgreen			
	955 522 022 05	Backrest cover Sports seat with heating			
(2)	955 522 022 05 PCA	Sand Beige	-04	1	IN5U/Q2J/4A4
	955 522 022 05 PCB	Steel grey			
	955 522 022 05 PCC	Black			
	955 522 022 05 PCD	Palmgreen			
	955 522 024 01	Cover			
(2)	955 522 024 01 PCA	Sand Beige	/R 05-	1	IN5U/Q2J/4A4
	955 522 024 01 PCB	Steel grey			
	955 522 024 01 PCC	Black			
	955 522 024 01 PCD	Palmgreen			
	955 522 024 05	Backrest cover			

Model: 9PA 03

Model life 2003>>2006

Pos	Part Number	Description	Remark	Qty	Model
		with heating			
	955 522 024 05 PCA	Sand Beige			
	955 522 024 05 PCB	Steel grey			
	955 522 024 05 PCC	Black			
	955 522 024 05 PCD	Palmgreen			
(2)	955 522 026 01	Cover	-04	1	IN7D/Q2J I4A0/4A3
		Back seat backrest			
		Draped leather			
	955 522 026 01 PCA	Sand Beige			
	955 522 026 01 PCB	Steel grey			
	955 522 026 01 PCC	Black			
	955 522 026 01 PCD	Palmgreen			
(2)	955 522 026 05	Backrest cover	/R 05-	1	IN7D/Q2J I4A0/4A3
		without heating			
	955 522 026 05 PCA	Sand Beige			
	955 522 026 05 PCB	Steel grey			
	955 522 026 05 PCC	Black			
	955 522 026 05 PCD	Palmgreen			
(2)	955 522 028 01	Cover	-04	1	IN7D/Q2J/4A4
		Back seat backrest			
		Draped leather			
	955 522 028 01 PCA	Sand Beige			
	955 522 028 01 PCB	Steel grey			
	955 522 028 01 PCC	Black			
	955 522 028 01 PCD	Palmgreen			
(2)	955 522 028 05	Backrest cover	/R 05-	1	IN7D/Q2J/4A4
		with heating			
	955 522 028 05 PCA	Sand Beige			
	955 522 028 05 PCB	Steel grey			
	955 522 028 05 PCC	Black			
	955 522 028 05 PCD	Palmgreen			
(2)	955 522 012 01	Cover	-04	1	IN1X/Q2J I4A0/4A3
		Back seat backrest			
		Embossed			
	955 522 012 01 PBW	Sand Beige			
	955 522 012 01 PBX	Steel grey			
	955 522 012 01 PBZ	Black			
	955 522 012 01 PBZ	Palmgreen			
(2)	955 522 012 05	Backrest cover	/R 05-	1	IN1X/Q2J I4A0/4A3
		without heating			
	955 522 012 05 PBW	Sand Beige			
	955 522 012 05 PBX	Steel grey			
	955 522 012 05 PBZ	Black			
	955 522 012 05 PBZ	Palmgreen			
(2)	955 522 014 01	Cover	-04	1	IN5U/Q2J I4A0/4A3
		Back seat backrest			
		Plain leather			
	955 522 014 01 PCA	Sand Beige			
	955 522 014 01 PCB	Steel grey			
	955 522 014 01 PCC	Black			
	955 522 014 01 PCD	Palmgreen			
(2)	955 522 014 05	Backrest cover	/R 05-	1	IN5U/Q2J I4A0/4A3
		without heating			
	955 522 014 05 PCA	Sand Beige			
	955 522 014 05 PCB	Steel grey			
	955 522 014 05 PCC	Black			
	955 522 014 05 PCD	Palmgreen			
(2)	955 522 030 00	Cover	-04	1	IN5U/Q1D I4A0/4A3
		Back seat backrest			
	955 522 030 00 PCA	Sand Beige			
	955 522 030 00 PCB	Steel grey			
	955 522 030 00 PCC	Black			
	955 522 030 00 PCD	Palmgreen			

Model: 9PA 03 Model life 2003>>2006

Pos	Part Number	Description	Remark	Qty	Model
(2)	955 522 030 05	Backrest cover Sports seat without heating	/R 05-	1	IN5U/Q1D I4A0/4A3
	955 522 030 05 PCA	Sand Beige			
	955 522 030 05 PCB	Steel grey			
	955 522 030 05 PCC	Black			
	955 522 030 05 PCD	Palmgreen			
3	955 522 075 01	Foam part Backrest	/L -06	1	IQ2J
(3)	955 522 077 02	Foam part Backrest		1	IQ1D
(4)	955 522 078 02	Foam part Backrest		1	IQ1D
(4)	955 522 076 02	Foam part Backrest	-06	1	IQ2J
5	955 522 090 01	Armrest Centre Back seat backrest		1	IN1X/N7F
	955 522 090 01 A08	Black			
	955 522 090 01 T25	Sand Beige			
	955 522 090 01 4Q2	Palmgreen			
	955 522 090 01 6E1	Steel grey			
(5)	955 522 091 01	Armrest Centre Back seat backrest		1	IN5U/N7D
	955 522 091 01 4P1	Palmgreen			
	955 522 091 01 6B7	Steel grey			
	955 522 091 01 8G1	Sand Beige			
	955 522 091 01 8YR	Black			
6	955 522 080 01	Support Back seat backrest		1	
	955 522 080 01 B41	Satin black			
	955 522 080 01 6C6	Sand Beige			
	955 522 080 01 6H8	Palmgreen			
	955 522 080 01 7A8	Steel grey			
7	N 013 947 7	Lens-head screw ST 6,3 X 19 Mount Support		1	
8	955 522 088 00	Lid without Ski bag		1	I3X0
9	955 522 089 00	Cover without Ski bag		1	I3X0
	955 522 089 00 01C	Satin black			
	955 522 089 00 6C6	Sand Beige			
	955 522 089 00 6H8	Palmgreen			
	955 522 089 00 7A8	Steel grey			
10	955 522 041 00	Back wall lining Tufting velour without Ski bag	/L	1	I3ME/3X0
	955 522 041 00 7H1	Black			
	955 522 041 00 7J2	Steel grey			
	955 522 041 00 7K3	Sand Beige			
	955 522 041 00 7L4	Palmgreen			
(10)	955 522 043 00	Back wall lining Pearl velour	/L	1	I3MT
	955 522 043 00 8B2	Black			
	955 522 043 00 8C3	Steel grey			
	955 522 043 00 8D4	Sand Beige			
	955 522 043 00 8E5	Palmgreen			

Model: 9PA 03

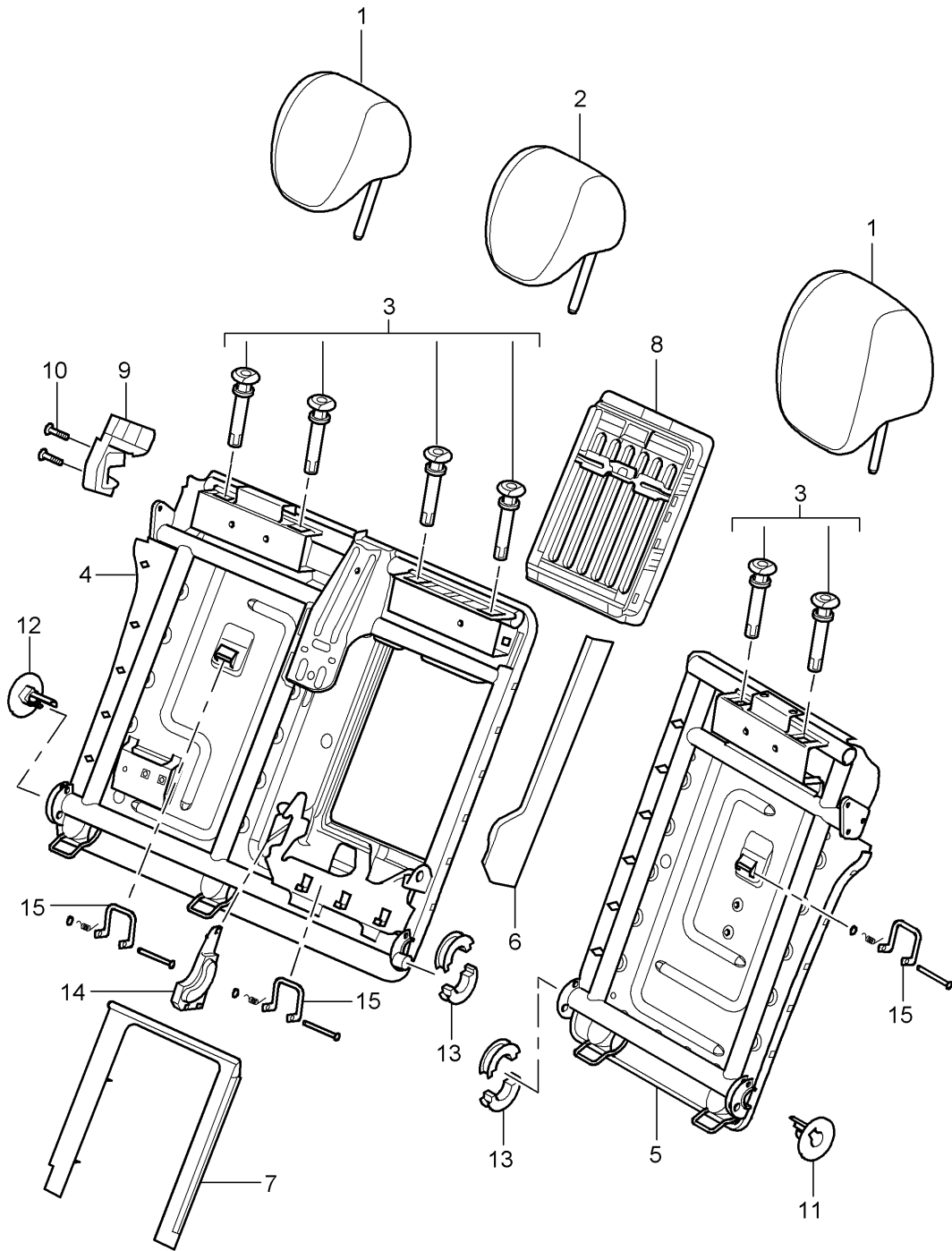
Model life 2003>>2006

Pos	Part Number	Description	Remark	Qty	Model
11	955 522 038 00	Back wall lining Tufting velour with Ski bag	/R	1	I3ME/3X1
	955 522 038 00 7H1	Black			
	955 522 038 00 7J2	Steel grey			
	955 522 038 00 7K3	Sand Beige			
	955 522 038 00 7L4	Palmgreen			
(11)	955 522 044 01	Back wall lining Pearl velour with Ski bag	/R	1	I3MT/3X1
	955 522 044 01 8B2	Black			
	955 522 044 01 8C3	Steel grey			
	955 522 044 01 8D4	Sand Beige			
	955 522 044 01 8E5	Palmgreen			
(11)	955 522 046 01	Back wall lining Tufting velour without Ski bag	/R	1	I3ME/3X0
	955 522 046 01 7H1	Black			
	955 522 046 01 7J2	Steel grey			
	955 522 046 01 7K3	Sand Beige			
	955 522 046 01 7L4	Palmgreen			
(11)	955 522 048 01	Back wall lining Pearl velour without Ski bag	/R	1	I3MT/3X0
	955 522 048 01 8B2	Black			
	955 522 048 01 8C3	Steel grey			
	955 522 048 01 8D4	Sand Beige			
	955 522 048 01 8E5	Palmgreen			
12	955 653 041 00	Heating element Backrest side bolster Rear	/L	1	IQ2J/4A4
(12)	955 653 041 03	Heating element Backrest side bolster Rear	/L	1	IQ2J/4A4
(12)	955 653 041 01	Heating element Backrest side bolster Rear	/L	1	IQ1D/4A4
(12)	955 653 042 00	Heating element Backrest side bolster Rear	/R	1	IQ2J/4A4
(12)	955 653 042 03	Heating element Backrest side bolster Rear	/R	1	IQ2J/4A4
(12)	955 653 042 01	Heating element Backrest side bolster Rear	/R	1	IQ1D/4A4



Model: 9PA 03

Model life 2003>>2006



Model: 9PA 03

Model life 2003&gt;&gt;2006

Pos	Part Number	Description	Remark	Qty	Model
		Head rest Accessories Backrest frame Ski bag			
1	955 522 811 01	Head rest	/L -04	1	IN1X/N7F
	955 522 811 01 A08	Black			
	955 522 811 01 T25	Sand Beige			
	955 522 811 01 4Q2	Palmgreen			
	955 522 811 01 6E1	Steel grey			
(1)	955 522 811 06	Head rest	/L 05-	1	IN1X/N7F
	955 522 811 06 SXG	Black			
	955 522 811 06 SXH	Steel grey			
	955 522 811 06 SXJ	Sand Beige			
	955 522 811 06 SXX	Palmgreen			
(1)	955 522 813 01	Head rest	/L -04	1	IN5U/N7D
	955 522 813 01 4P1	Palmgreen			
	955 522 813 01 6B7	Steel grey			
	955 522 813 01 8G1	Sand Beige			
	955 522 813 01 8YR	Black			
(1)	955 522 813 06	Head rest	/L 05-	1	IN5U/N7D
	955 522 813 06 SXL	Black			
	955 522 813 06 SXM	Steel grey			
	955 522 813 06 SXN	Sand Beige			
	955 522 813 06 SXP	Palmgreen			
(1)	955 522 814 01	Head rest	/R -04	1	IN5U/N7D
	955 522 814 01 8YR	Black			
	955 522 814 01 8G1	Sand Beige			
	955 522 814 01 4P1	Palmgreen			
	955 522 814 01 6B7	Steel grey			
(1)	955 522 814 06	Head rest	/R 05-	1	IN5U/N7D
	955 522 814 06 SXL	Black			
	955 522 814 06 SXM	Steel grey			
	955 522 814 06 SXN	Sand Beige			
	955 522 814 06 SXP	Palmgreen			
(1)	955 522 812 01	Head rest	/R -04	1	IN1X/N7F
	955 522 812 01 4Q2	Palmgreen			
	955 522 812 01 6E1	Steel grey			
	955 522 812 01 T25	Sand Beige			
	955 522 812 01 A08	Black			
(1)	955 522 812 06	Head rest	/R 05-	1	IN1X/N7F
	955 522 812 06 SXG	Black			
	955 522 812 06 SXH	Steel grey			
	955 522 812 06 SXJ	Sand Beige			
	955 522 812 06 SXX	Palmgreen			
2	955 522 818 01	Head rest Back seat backrest Centre	-04	1	IN5U/N7D
	955 522 818 01 8YR	Black			
	955 522 818 01 8G1	Sand Beige			
	955 522 818 01 4P1	Palmgreen			
	955 522 818 01 6B7	Steel grey			
(2)	955 522 818 05	Head rest Centre	05-	1	IN5U/N7D
	955 522 818 05 SXL	Black			
	955 522 818 05 SXM	Steel grey			
	955 522 818 05 SXN	Sand Beige			
	955 522 818 05 SXP	Palmgreen			
(2)	955 522 819 01	Head rest Back seat backrest Centre	-04	1	IN1X/N7F
	955 522 819 01 A08	Black			
	955 522 819 01 T25	Sand Beige			
	955 522 819 01 4Q2	Palmgreen			

Model: 9PA 03

Model life 2003&gt;&gt;2006

Pos	Part Number	Description	Remark	Qty	Model
(2)	955 522 819 01 6E1	Steel grey			
	955 522 819 05	Head rest	05-	1	IN1X/N7F
		Centre			
	955 522 819 05 SXG	Black			
	955 522 819 05 SXH	Steel grey			
	955 522 819 05 SXJ	Sand Beige			
	955 522 819 05 SXX	Palmgreen			
3	955 521 825 00	Guide sleeve		1	
		Head rest			
	955 521 825 00 01C	Satin black			
	955 521 825 00 6C6	Sand Beige			
	955 521 825 00 6H8	Palmgreen			
	955 521 825 00 7A8	Steel grey			
(3)	955 521 826 00	Guide sleeve		1	
		Key			
		Head rest			
	955 521 826 00 01C	Satin black			
	955 521 826 00 6C6	Sand Beige			
	955 521 826 00 6H8	Palmgreen			
	955 521 826 00 7A8	Steel grey			
(4)	955 522 875 00	Backrest frame	-05	1	
		Bodyshell			
(4)	955 522 875 02	Backrest frame		1	
		Bodyshell			
(5)	955 522 877 00	Backrest frame		1	
		Bodyshell			
6	955 522 943 01	Cover		1	
		Armrest			
		Back seat backrest			
	955 522 943 01 01C	Satin black			
	955 522 943 01 6C6	Sand Beige			
	955 522 943 01 6H8	Palmgreen			
	955 522 943 01 7A8	Steel grey			
7	955 522 950 01	Frame		1	I3X1
		Ski bag			
	955 522 950 01 01C	Satin black			
	955 522 950 01 6C6	Sand Beige			
	955 522 950 01 6H8	Palmgreen			
	955 522 950 01 7A8	Steel grey			
8	955 522 955 00	Ski bag	-06	1	I3MT/3X1
		Velour			
	955 522 955 00 8B2	Black			
	955 522 955 00 8C3	Steel grey			
	955 522 955 00 8D4	Sand Beige			
	955 522 955 00 8E5	Palmgreen			
(8)	955 522 956 00	Ski bag		1	I3ME/3X1
		Tufting velour			
	955 522 956 00 7H1	Black			
	955 522 956 00 7J2	Steel grey			
	955 522 956 00 7K3	Sand Beige			
	955 522 956 00 7L4	Palmgreen			
9	955 522 931 01	Release	/L	1	
		Back seat backrest			
(9)	955 522 932 01	Release	/R	1	
		Back seat backrest			
10	N 106 101 01	Countersunk-head screw		2	
		Mount			
		Release			
11	955 522 781 00	Bearing sleeve	/L	1	
		Backrest			
		Outer			
12	955 522 782 00	Bearing sleeve	/R	1	
		Backrest			

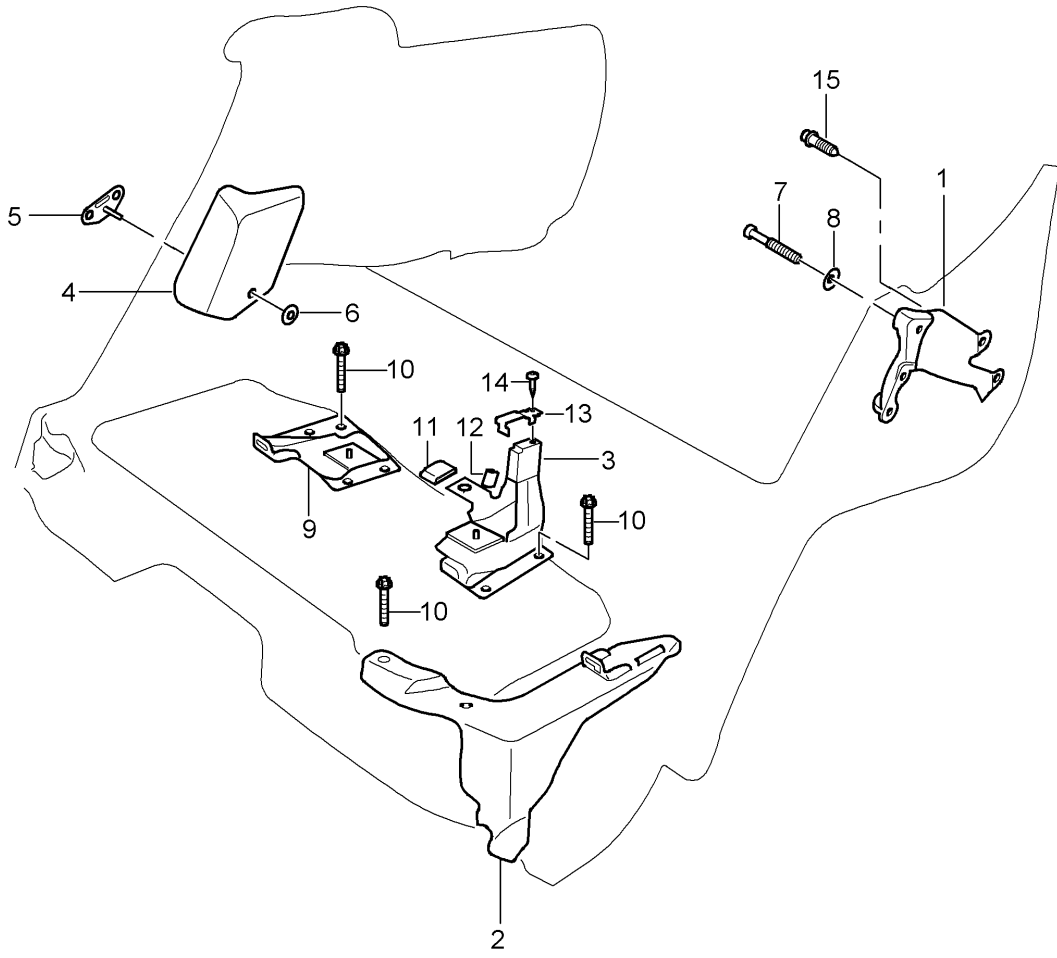
Model: 9PA 03

Model life 2003>>2006

Pos	Part Number	Description	Remark	Qty	Model
13	955 522 785 00	Outer Bearing Backrest		1	
14	955 522 787 00	Inner Cap Securing clip Armrest		1	
15	955 522 789 00	Bracket Rear wall		3	
-	955 522 791 00	Bolt Bracket		3	
-	955 522 793 00	Spring Bracket		3	
-	955 522 795 00	Washer Bracket		6	

Model: 9PA 03

Model life 2003>>2006



Model: 9PA 03 Model life 2003>>2006

Pos	Part Number	Description	Remark	Qty	Model
1	955 522 701 00	Rear wall Support Mounting parts	/L	1	
(1)	955 522 702 00	Support Back seat backrest	/R	1	
2	955 522 708 00	Bracket	/L	1	
(2)	955 522 709 02	Bracket	/R	1	
3	955 522 712 03	Support Seat		1	
4	955 522 721 01	Bearing bracket Centre Cushion Lateral Back seat backrest	/L	1	IN1X/N7F
	955 522 721 01 A08	Black			
	955 522 721 01 T25	Sand Beige			
	955 522 721 01 4Q2	Palmgreen			
	955 522 721 01 6E1	Steel grey			
(4)	955 522 722 01	Cushion Lateral Back seat backrest	/R	1	IN1X/N7F
	955 522 722 01 A08	Black			
	955 522 722 01 T25	Sand Beige			
	955 522 722 01 4Q2	Palmgreen			
	955 522 722 01 6E1	Steel grey			
(4)	955 522 723 01	Cushion Lateral Back seat backrest	/L	1	IN5U/N7D
	955 522 723 01 4P1	Palmgreen			
	955 522 723 01 6B7	Steel grey			
	955 522 723 01 8G1	Sand Beige			
	955 522 723 01 8YR	Black			
(4)	955 522 724 01	Cushion Lateral Back seat backrest	/R	1	IN5U/N7D
	955 522 724 01 4P1	Palmgreen			
	955 522 724 01 6B7	Steel grey			
	955 522 724 01 8G1	Sand Beige			
	955 522 724 01 8YR	Black			
5	955 522 735 00	Bearing	/L	1	
(5)	955 522 734 00	Backrest Bearing Backrest	/R	1	
-	N 907 870 03	Screw Mount Bearing Backrest		2	
6	955 522 741 00	Clamping washer Cushion		2	
7	955 522 750 00	Lock pin Backrest		2	
8	955 522 755 01	Locking device Trim cover Support		2	
9	955 522 760 01	Lock pin Bracket Seat-belt buckle		1	
10	N 910 260 01	Rear Screw		1	

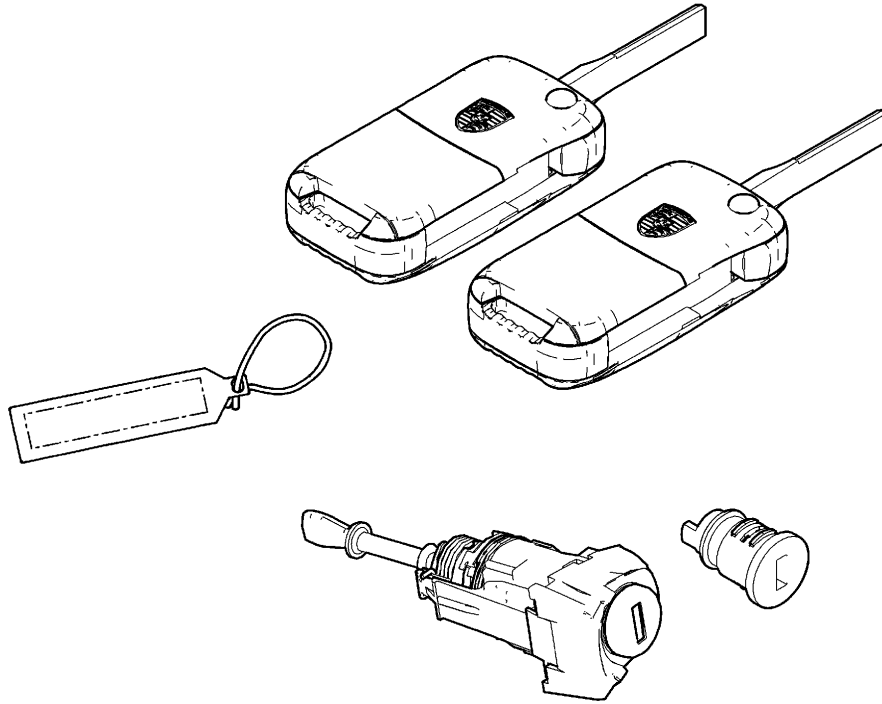
Model: 9PA 03

Model life 2003>>2006

Pos	Part Number	Description	Remark	Qty	Model
11	955 522 714 00	M10 X 20 Mount Bracket Buffer Support		1	
12	955 522 713 00	Bearing bracket Protective rubber Support		1	
13	955 522 770 01	Bearing bracket Support	-06	1	I3NW
14	N 103 122 01	Bearing bracket Screw M6 X 20 Mount Support		1	
15	N 907 870 02	Screw M8 X 22 Mount Support		X	

Model: 9PA 03

Model life 2003>>2006





Model: 9PA 03

Model life 2003&gt;&gt;2006

Pos	Part Number	Description	Remark	Qty	Model
1	955 538 002 61	Repair kits Set of locks Set of locks	/LL -05	1	IL0L/4K0/4K3 I5D1/5D9
1	955 538 002 41	Set of locks	/LL 06-	1	IL0L/4K0/4K3 I5D1
1	955 538 002 66	Set of locks	/LL -05	1	IL0L/4F2/4F6 I5D1/5D9
1	955 538 002 87	Set of locks	/LL -05	1	IL0L/4F2/4F6 I5D1/5D9
1	955 538 002 46	Set of locks	/LL 06-	1	IL0L/4F2/4F6 I5D1
1	955 538 002 76	Set of locks	/LL	1	IL0L
1	955 538 002 63	Set of locks	/RL -05	1	IL0R/4K0/4K3 I5D1/5D9
1	955 538 002 43	Set of locks	/RL 06-	1	IL0R/4K0/4K3 I5D1
1	955 538 002 68	Set of locks	/RL -05	1	IL0R/4F2/4F6 I5D1/5D9
1	955 538 002 89	Set of locks	/RL -05	1	IL0R/4F2/4F6 I5D1/5D9
1	955 538 002 58	Set of locks	/RL 06-	1	IL0R/4F2/4F6 I5D1
1	955 538 002 48	Set of locks	/RL 06-	1	IL0R/4F2/4F6 I5D1
1	955 538 002 78	Set of locks	/RL	1	IL0R
1	955 538 002 64	Set of locks	/RL -05	1	IL0R/4K0/4K3 I5D3
1	955 538 002 54	Set of locks	/RL 06-	1	IL0R/4K0/4K3 I5D3
1	955 538 002 44	Set of locks	/RL 06-	1	IL0R/4K0/4K3 I5D3
1	955 538 002 65	Set of locks	/LL -05	1	IL0L/4K0/4K3 I5D3
1	955 538 002 55	Set of locks	/LL 06-	1	IL0L/4K0/4K3 I5D3
1	955 538 002 45	Set of locks	/LL 06-	1	IL0L/4K0/4K3 I5D3
1	955 538 002 69	Set of locks	/RL -05	1	IL0R/4F2/4F6 I5D3
1	955 538 002 90	Set of locks	/RL -05	1	IL0R/4F2/4F6 I5D3
1	955 538 002 59	Set of locks	/RL 06-	1	IL0R/4F2/4F6 I5D3
1	955 538 002 49	Set of locks	/RL 06-	1	IL0R/4F2/4F6 I5D3
1	955 538 002 79	Set of locks	/RL	1	IL0R
1	955 538 002 70	Set of locks	/LL -05	1	IL0L/4F2/4F6 I5D3
1	955 538 002 60	Set of locks	/LL 06-	1	IL0L/4F2/4F6 I5D3
1	955 538 002 50	Set of locks	/LL 06-	1	IL0L/4F2/4F6 I5D3
1	955 538 002 80	Set of locks	/LL	1	IL0L
1	955 538 002 96	Set of locks	/LL	1	IL0L

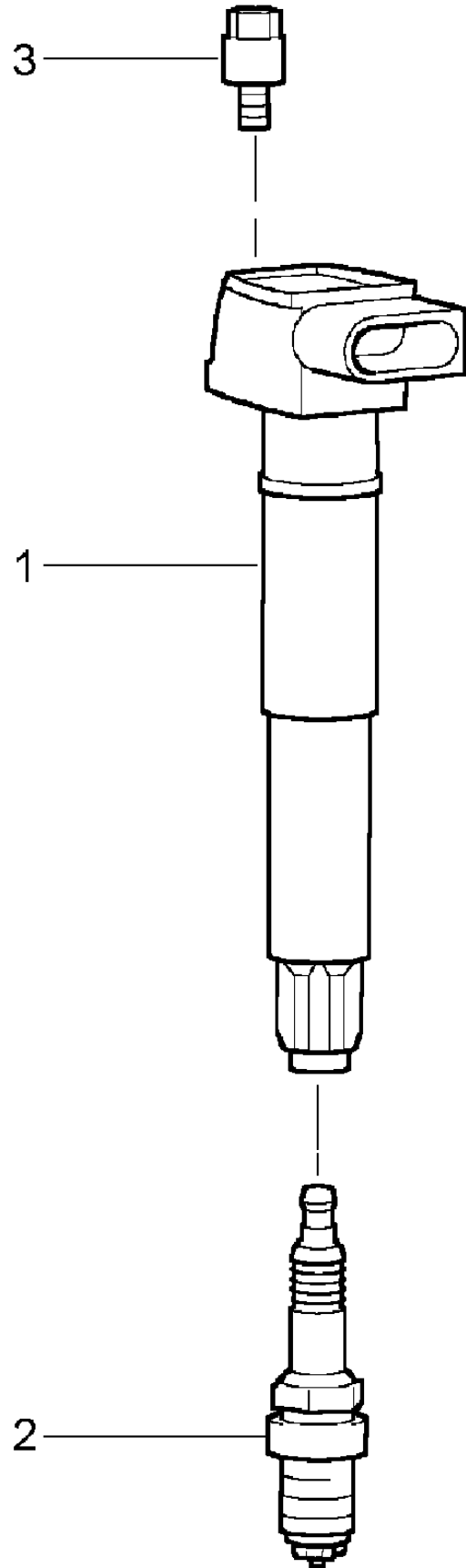
Model: 9PA 03

Model life 2003&gt;&gt;2006

Pos	Part Number	Description	Remark	Qty	Model
1	955 538 003 27	Set of locks	/LL	1	IL0L

Model: 9PA 03

Model life 2003>>2006

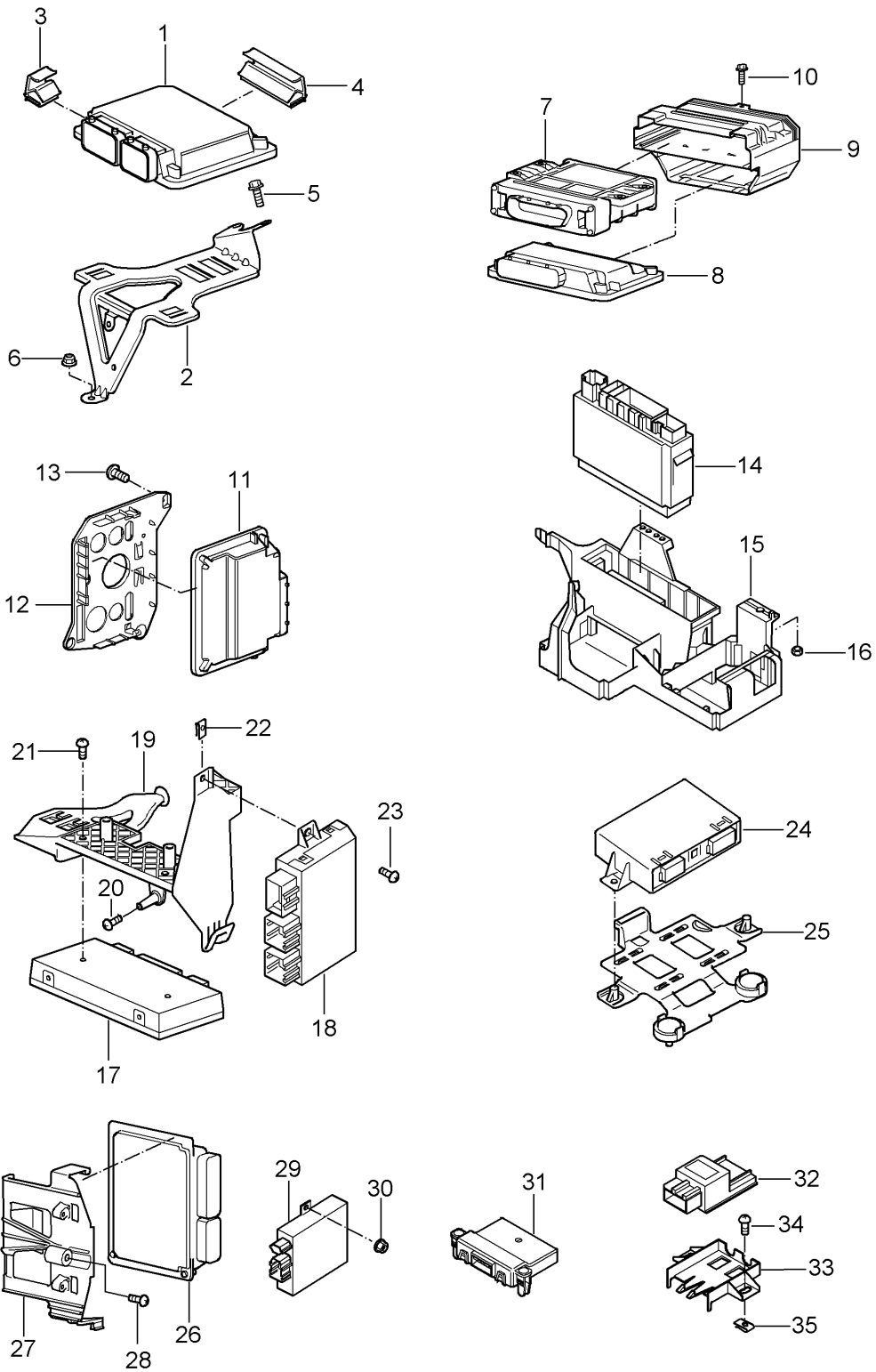


Model: 9PA 03 Model life 2003>>2006

Pos	Part Number	Description	Remark	Qty	Model
		Ignition system			
1	948 602 104 05	Ignition coil		8	M48.00/50
1	948 602 104 07	Ignition coil		8	M48.00/50
1	948 602 104 08	Ignition coil		8	M48.00/50
1	948 602 104 21	Ignition coil		8	M48.00/50
-	948 602 204 00	Grommet		X	
(1)	955 602 101 05	Ignition coil		6	ID9J
2	999 170 218 90	Spark plug FGR 6 KQE		8	M48.00
(2)	999 170 221 90	Spark plug 14 F-6		8	M48.50
(2)	999 170 223 90	Spark plug FGR 5KQE0 See technical information Service Group 2 Document 2870 (9/08)	(CN)	8	M48.50
(2)	955 170 219 90	Spark plug IZKR7B		6	ID9J
(2)	955 170 219 00	Spark plug	(CN)	6	ID9J
3	948 105 145 02	Screw M 6 X 16,5		8	M48.00/50

Model: 9PA 03

Model life 2003>>2006



Model: 9PA 03 Model life 2003>>2006

Pos	Part Number	Description	Remark	Qty	Model
1	955 618 601 00	Control units Control unit	-04	1	IT31
1	955 618 601 10	Control unit - dme -	05-	1	IT31
(1)	955 618 602 00	Control unit - dme -		1	IT90/T91
2	955 618 133 02	Support		1	
3	955 618 150 00	Clip Lateral		2	
4	955 618 151 00	Clip Rear		1	
5	N 101 563 07	Hexagon-head bolt M 6 X 12		2	
6	N 015 082 5	Hexagon nut M 6		1	
7	955 618 020 03	Control unit Automatic transmission F >>9P4LA 01743		1	IG0R/T31
(7)	955 618 020 21	Control unit F 9P4LA 01744>>		1	IG0R/T31
(7)	955 618 021 03	Control unit Automatic transmission F >>9P4LA 83830		1	IG0R/T90
(7)	955 618 021 12	Control unit Automatic transmission F 9P4LA 83831>> F >>9P6LA 81706		1	IG0R/T90
(7)	955 618 021 21	Control unit F 9P6LA 81707>>		1	IG0R/T90
(7)	955 618 022 03	Control unit Automatic transmission F >>9P4LA 48466		1	IG0R/T91
(7)	955 618 022 21	Control unit F 9P4LA 48467>>		1	IG0R/T91
8	955 618 023 05	Control unit Lock control Lengthways	-04	1	IG0R
8	955 618 023 11	Control unit Lock control Lengthways	05-	1	IG0R
(8)	955 618 023 20	Control unit Lock control Lengthways	-04	1	IG0L
(8)	955 618 023 31	Control unit Lock control Lengthways	05-	1	IG0L
9	955 618 129 01	Support		1	
10	N 101 711 05	Hexagon-head bolt M 6 X 16		1	
11	955 618 024 04	Control unit Lock control Transverse		1	I1Y1
12	955 618 130 00	Support		1	
13	N 104 734 01	Oval-head screw 6 X 20		3	
14	955 618 027 01	Control unit Vehicle electrical system		1	IJ2C
14		Control unit Vehicle electrical system	-05	1	IJ0L/J0Z/J1U
14	955 618 027 10	Control unit Vehicle electrical system	06-	1	IJ0L/J0Z/J1U
15	955 618 131 01	Support	/LL	1	IL0L

Model: 9PA 03

Model life 2003&gt;&gt;2006

Pos	Part Number	Description	Remark	Qty	Model
(15)	955 618 132 00	Support	/RL	1	IL0R
16	N 102 058 02	Hexagon nut M 6		1	
17	955 618 029 02	Control unit Rear end See technical information Gr. 5 , Nr. 1/05	-05	1	
17	955 618 029 04	Control unit Rear end		1	
18	955 618 040 02	Control unit Trailer coupling	-04	1	
18	955 618 040 10	Control unit Trailer coupling	05-	1	
18	955 618 040 12	Control unit Trailer coupling	05-	1	
18	955 618 040 10	Control unit Trailer coupling	(AUS)	1	
18	955 618 040 12	Control unit Trailer coupling	(AUS)	1	
19	955 618 137 00	Support		1	
20	N 104 648 02	Oval-head screw 4 X 12		1	
21	N 104 592 01	Pan-head screw M 5 X 12		2	
22	N 904 759 03	Speed nut M 5 X 13,6 X 11,5		1	
23	N 103 383 02	Hexagon-head bolt M 5 X 12		1	
24	955 618 041 03	Control unit ParkAssist		1	I7X1/7X2
25	955 618 135 00	Support	-05	1	I7X2
25	955 618 136 00	Support	06-	1	I7X2
26	955 618 301 01	Control unit Level adjustment F >>9P4LA 48415 F >>9P4LA 83739		1	ID9K/D9L/1BK
(26)	955 618 301 20	Control unit Level adjustment F >>9P4LA 01525		1	ID9J/1BK
(26)	955 618 301 31	Control unit Level adjustment		1	I1BK
(26)	955 618 301 41	Control unit Level adjustment		1	IE8A/E81/1BK
(26)	955 618 301 42	Control unit Level adjustment		1	IE8A/E81/1BK
27	955 618 215 00	Support		1	I1BK
28	N 104 159 03	Oval-head screw 4 X 12		2	
29	955 618 303 00	Control unit Stabiliser Disengageable		1	I0AG/0BJ
30	N 100 151 01	Plastic nut T 5/ 16 X 10		2	
31	955 610 127 01	Control unit Gateway		1	
31	955 610 127 02	Control unit Gateway		1	
32	955 618 045 00	Control unit Reversing camera		1	I7X1/7X3
33	955 618 050 00	Support		1	I7X1/7X3
34	N 908 195 01	Lens-head screw ST 4,8 X 13		2	
35	N 106 697 01	Speed nut		2	

Model: 9PA 03

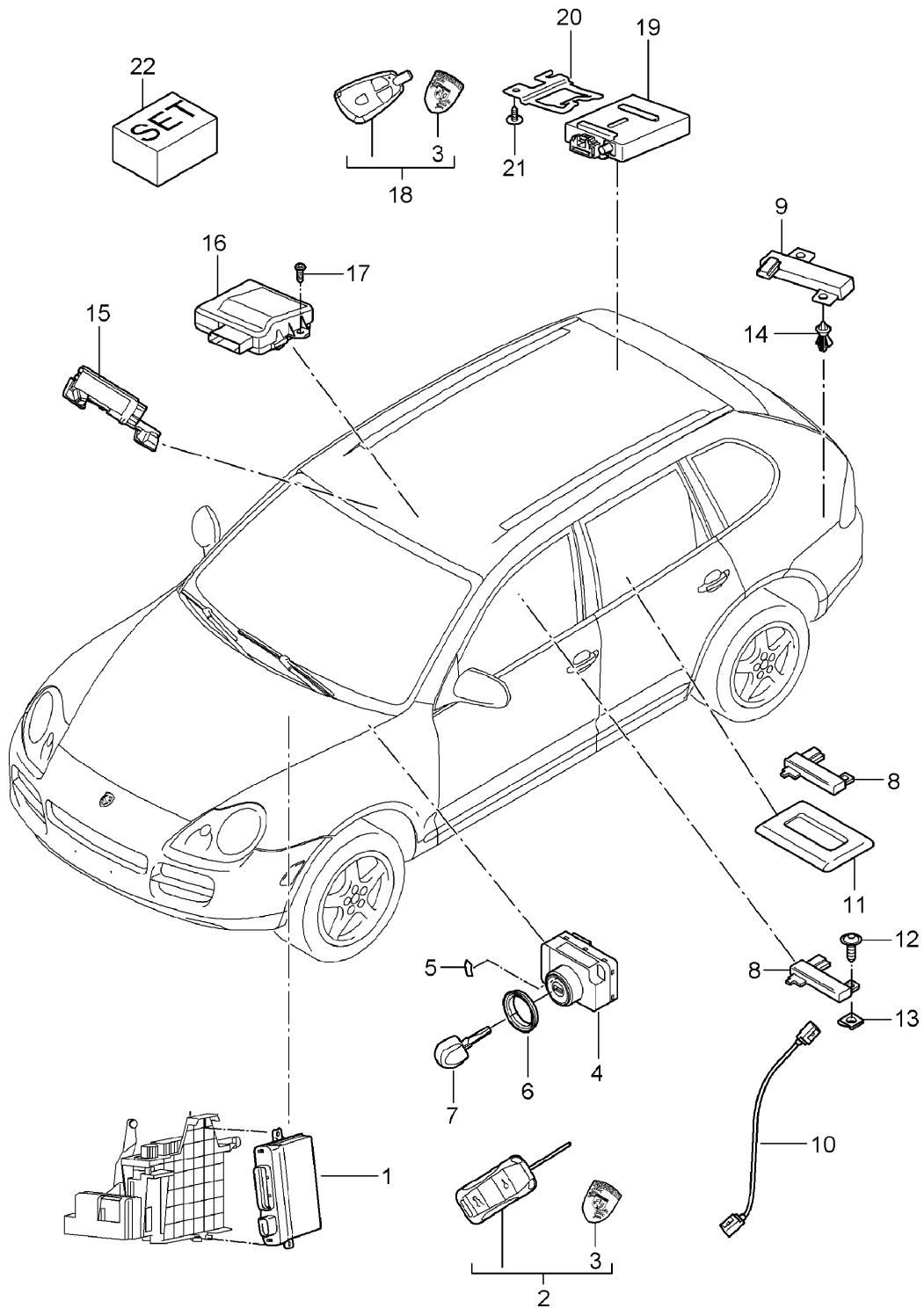
Model life 2003&gt;&gt;2006

Pos	Part Number	Description	Remark	Qty	Model
		ST 4,8 Alarm siren Control unit Tilt sensor See group 9/03/00			



Model: 9PA 03

Model life 2003>>2006



Model: 9PA 03 Model life 2003>>2006

Pos	Part Number	Description	Remark	Qty	Model
1	955 618 036 00	Control units Ignition starter switch Garage door opener Receiving part Auxiliary heater Antenna Control unit Immobiliser Central locking system Alarm system See technical information GR.9 NR.5/03		1	I5D2/5D3
(1)	955 618 036 04	Control unit Immobiliser Central locking system Alarm system		1	I5D2/5D3
(1)	955 618 036 05	Control unit Immobiliser Central locking system Alarm system		1	I5D2/5D3
(1)	955 618 035 03	Control unit Immobiliser Central locking system Alarm system See technical information GR.9 NR.5/03		1	I5D1
(1)	955 618 035 08	Control unit Immobiliser Central locking system Alarm system Support See group 9/01/03		1	I5D1
2	955 637 943 01 955 637 943 01 01C	Handheld transmitter Satin black See technical information GR.9 NR.18/04	-05	1	I4K0/5D2
2	955 637 943 02 955 637 943 02 01C	Handheld transmitter with stipulated lock number State lock number Satin black See technical information GR.9 NR.18/04	-05	1	I4K0/5D2
(2)	955 637 944 01 955 637 944 01 01C	Handheld transmitter with stipulated lock number State lock number Satin black See technical information GR.9 NR.18/04	-05	1	I4F6/5D2
(2)	955 637 944 04 955 637 944 04 01C	Handheld transmitter with stipulated lock number State lock number Satin black	-05	1	I4F6/4K0/5D2
(2)	955 637 944 05 955 637 944 05 01C	Handheld transmitter with stipulated lock number State lock number Satin black	-05	1	I4F6/4K0/5D2
(2)	955 637 944 06 955 637 944 06 01C	Handheld transmitter with stipulated lock number State lock number Satin black	-05	1	I4F6/4K0/5D2
(2)	955 637 945 02	Handheld transmitter with stipulated lock number	06-	1	I4F6/4K0/5D2

Model: 9PA 03

Model life 2003&gt;&gt;2006

Pos	Part Number	Description	Remark	Qty	Model
(2)	955 637 945 02 01C 955 637 945 04	State lock number Satin black Handheld transmitter with stipulated lock number State lock number	06-	1	I4F6/4K0/5D2
(2)	955 637 945 04 01C 955 637 945 05	Satin black Handheld transmitter with stipulated lock number State lock number	06-	1	I4F6/4K0/5D2
(2)	955 637 945 05 01C 955 637 244 04 955 637 244 04 01C	Satin black Blank key Satin black Use also: 000.043.206.19	-05	1	I4F6/4K0/5D2
(2)	955 637 244 05 955 637 244 05 01C	Blank key Satin black Use also: 000.043.206.19	-05	1	I4F6/4K0/5D2
(2)	955 637 244 06 955 637 244 06 01C	Blank key Satin black Use also: 000.043.206.19	-05	1	I4F6/4K0/5D2
(2)	955 637 245 02 955 637 245 02 01C	Blank key Satin black Use also: 000.043.206.19	06-	1	I4F6/4K0/5D2
(2)	955 637 944 14 955 637 944 14 01C	Handheld transmitter with stipulated lock number State lock number Satin black	-05	1	I4F2/4K3/5D3
(2)	955 637 945 12 955 637 945 12 01C	Handheld transmitter with stipulated lock number State lock number Satin black	06-	1	I4F2/4K3/5D3
(2)	955 637 244 14 955 637 244 14 01C	Blank key Satin black Use also: 000.043.206.19	-05	1	I4F2/4K3/5D3
(2)	955 637 245 12 955 637 245 12 01C	Blank key Satin black Use also: 000.043.206.19	06-	1	I4F2/4K3/5D3
(2)	955 637 944 24 955 637 944 24 01C	Handheld transmitter with stipulated lock number State lock number Satin black	-05	1	I4F2/4K3/5D1
(2)	955 637 945 22 955 637 945 22 01C	Handheld transmitter with stipulated lock number State lock number Satin black	06-	1	I4F2/4K3/5D1
(2)	955 637 244 24 955 637 244 24 01C	Blank key Satin black Use also: 000.043.206.19	-05	1	I4F2/4K3/5D1
(2)	955 637 245 22 955 637 245 22 01C	Blank key Satin black Use also: 000.043.206.19	06-	1	I4F2/4K3/5D1
-	999 611 108 00	Battery		1	
3	996 637 443 00	Handheld transmitter Crest Coloured for		1	

Model: 9PA 03 Model life 2003>>2006

Pos	Part Number	Description	Remark	Qty	Model
4	955 613 200 20	Handheld transmitter		1	
	955 613 200 20 01C	Ignition starter switch			
		Satin black			
6	955 613 201 00	Nut		1	
7	955 637 241 01	Control part		1	I4F2/4F6
8	955 647 101 00	Antenna		3	I4F2/4F6
		Inner			
9	955 647 102 00	Antenna		2	I4F2/4F6
		Outer			
10	955 647 210 01	Cable		1	
		Antenna			
		Control unit			
		Immobiliser			
		To			
		Support			
		Roof			
11	955 647 151 00	Support for antenna		1	I4F2/4F6/9AD
(11)	955 647 152 00	Support for antenna		1	I4F2/4F6/9AH
12	N 908 095 01	Combination screw		2	I4F2/4F6
		M 5 X 10			
13	N 904 559 02	Speed nut		2	I4F2/4F6
		M 5			
14	955 647 153 00	Clip		2	I1G3/4F2/4F6
15	955 618 210 00	Sensor		1	I7AK/7AL
		Interior monitoring			
16	955 618 039 00	Control unit		1	IVC1/9MB
		Garage door opener			
16	955 618 039 01	Control unit		1	IVC1/9MB
		Garage door opener			
17	N 909 151 01	Lens-head screw		2	
		2,2 X 8			
18	955 646 245 00	Handheld transmitter	-04	1	I7VL
		Auxiliary heater			
18	955 646 245 10	Handheld transmitter	05-	1	I7VL
		Auxiliary heater			
-	999 611 105 00	Battery		2	
		Handheld transmitter			
		Auxiliary heater			
19	955 646 247 00	Receiving part	-04	1	I7VL
		Auxiliary heater			
19	955 646 247 10	Receiving part	05-	1	I7VL
		Auxiliary heater			
20	955 646 160 00	Support		1	I7VL
21	N 102 473 02	Tapping screw		2	I7VL
		ST 4,8 X 16			
22	000 043 989 72	Control units		1	ID5V/D5X/D5Z IL0L/2C5/5D2
		Unit			
		Component protection			
		only via spec. procurement			
22	000 043 989 73	Control units		1	ID5V/D5X/D5Z IL0L/2C5/5D2
		Unit			
		Component protection			
		only via spec. procurement			
22	000 043 989 74	Control units		1	ID5V/D5X/D5Z IL0R/2C4/5D1
		Unit			
		Component protection			
		only via spec. procurement			
22	000 043 989 75	Control units		1	ID5V/D5X/D5Z IL0L/2C4/5D2
		Unit			

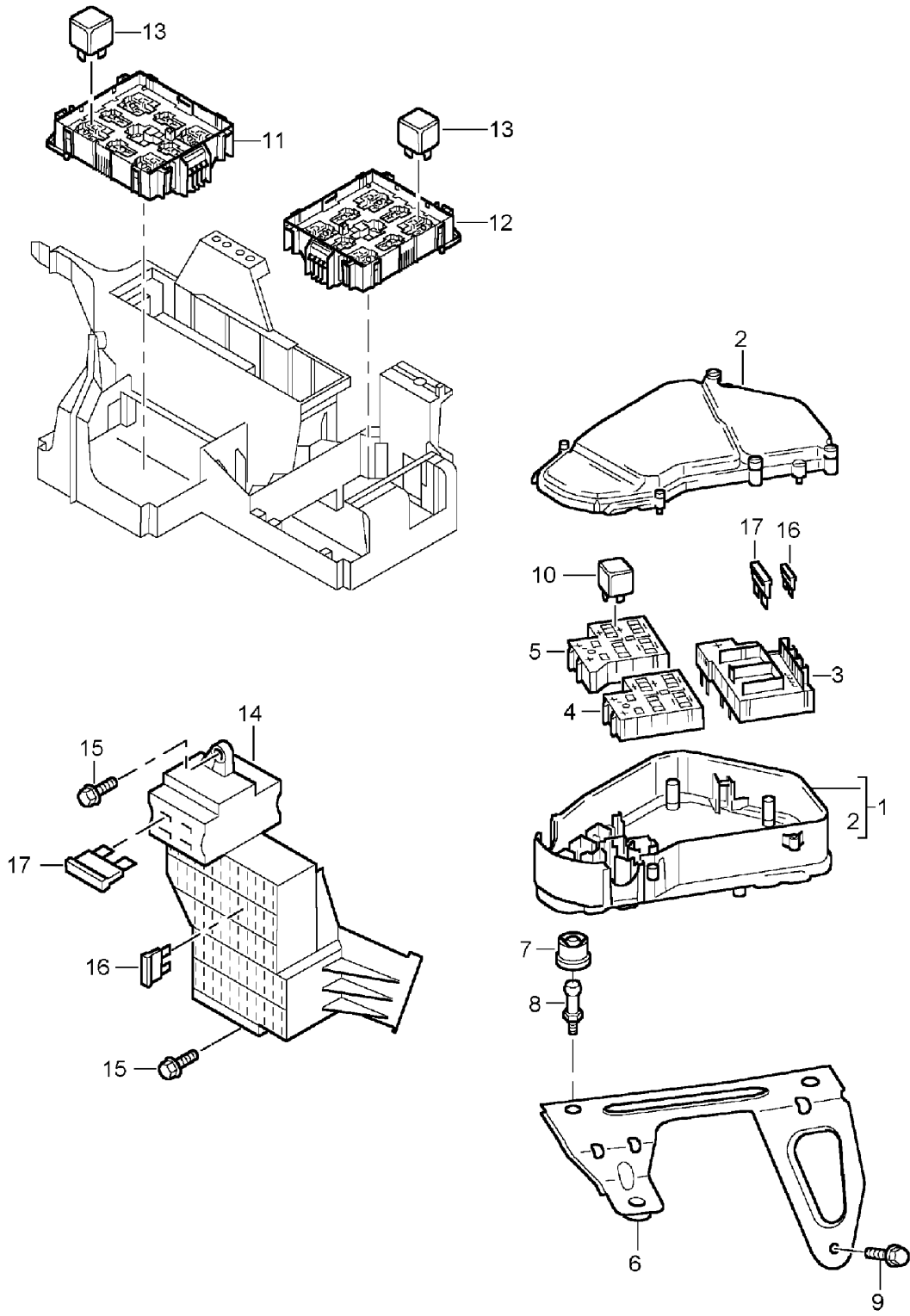
Model: 9PA 03

Model life 2003>>2006

Pos	Part Number	Description	Remark	Qty	Model
22	000 043 989 76	Component protection only via spec. procurement Control units  Unit		1	ID5V/D5X/D5Z IL0L/2C4/5D2
22	000 043 989 77	Component protection only via spec. procurement Control units  Unit		1	ID5V/D5X/D5Z IL0R/2C5/5D1
22	000 043 989 78	Component protection only via spec. procurement Control units  Unit		1	ID5V/D5X/D5Z IL0R/2C5/5D1
22	000 043 989 79	Component protection only via spec. procurement Control units  Unit		1	ID5V/D5X/D5Z IL0R/2C4/5D1
22	000 043 989 89	Component protection only via spec. procurement Control units  Unit		1	IL0L/2C5/5D2 I5D3
22	000 043 989 92	Component protection only via spec. procurement Control units  Unit		1	IL0L/2C5/5D1
22	000 043 989 95	Component protection only via spec. procurement Control units  Unit		1	ID5V/D5X/D5Z IL0L/2C4/5D1
22	000 043 989 99	Component protection only via spec. procurement Control units  Unit		1	IL0R/2C5/5D2 I5D3
22	000 043 990 00	Component protection only via spec. procurement Control units  Unit		1	IL0L/2C5/5D1
22	000 043 990 02	Component protection only via spec. procurement Control units  Unit Component protection only via spec. procurement Alarm siren Control unit Tilt sensor See group 9/03/00		1	IL0L/2C5/5D2 I5D3

Model: 9PA 03

Model life 2003>>2006



Model: 9PA 03

Model life 2003&gt;&gt;2006

Pos	Part Number	Description	Remark	Qty	Model
		Central electrical system Fusebox			
1	955 610 105 01	Central electrical system Plenum panel	/LL	1	IL0L
1	955 610 105 02	Central electrical system Plenum panel	/LL	1	IL0L
(1)	955 610 106 02	Central electrical system Plenum panel	/RL	1	IL0R
2	955 610 111 01	Lid Central electrical system		1	
-	N 909 722 01	Lens-head screw 6,0 X 25,0 for Mount POS. 2		4	
-	955 610 317 00	Assignment sticker Lid Central electrical system		1	
3	955 610 219 00	Mounting plate Fuse		1	
4	955 610 109 00	Central electrical system Relay carrier 1		1	
5	955 610 110 00	Central electrical system Relay carrier 2		1	
6	955 610 150 00	Central electrical system Support		1	
7	955 610 122 00	Rubber bush		3	
8	955 610 153 00	Screw bolt		3	
9	N 101 153 01	Pan-head screw M 6 X 12		1	
10	-	Relay		X	
(10)	141 951 253 B	Relay		1	ID9J
(10)	955 615 025 00	Relay socket/code: Relay	S1/1	1	
(10)	955 615 008 00	Relay socket/code: Relay	S1/3	1	
(10)	958 615 008 01	Secondary pump Relay socket/code: Relay	S1/4	1	
(10)	999 657 014 90	Secondary pump Relay socket/code: Relay	S1/4	1	ID9J/D9L
(10)		Water pump Relay socket/code: Relay	S1/5	1	
(10)	955 615 008 00	Fuel pump Left Relay socket/code: Relay	S1/6	1	ID9K/D9L
(10)	958 615 008 01	Secondary pump Relay socket/code: Relay	S2/3	1	ID9K/D9L
(10)	999 657 014 90	Secondary pump Relay socket/code: Relay	S2/3	1	ID9J/D9L
(10)		Fuel pump Right Relay socket/code: Relay	S2/6	1	
(10)	955 615 027 00	Fuel pump Right Relay socket/code: Relay Starter Relay socket/code:	S19 S20	1	

Model: 9PA 03 Model life 2003>>2006

Pos	Part Number	Description	Remark	Qty	Model
11	955 610 117 00	Relay carrier Left	/LL	1	IL0L
(11)		Relay carrier	/RL	1	IL0R
12		Relay carrier Right	/LL	1	IL0L
13	-	Relay		X	
(13)	955 618 047 03	Control unit Servotronic		1	I1N3
(13)	999 657 014 90	Relay socket/code: Relay Lock Rear lid	SL1	1	IGY1
(13)	955 615 010 01	Relay socket/code: Relay Compressor Level adjustment	SL2	1	I1BK
(13)	999 657 014 90	Relay socket/code: Relay Release Fuel filler flap	SL3 06-	1	
(13)		Relay socket/code: Relay Appendix Heating	SL4	1	
(13)	141 951 253 B	Relay socket/code: Relay Rear window heating	SL6	1	
(13)	999 657 014 90	Relay socket/code: Relay Plug socket	SL7 (AUS)	1	
(13)	955 615 045 01	Relay socket/code: Relay Switch-off Brake light	SL8 /LL -04	1	IL0L
(13)	955 615 009 00	Relay socket/code: Relay	SL9 /RL	1	IL0R
(13)	999 657 014 90	Relay socket/code: Relay Release Spare wheel	SL9 /LL	1	IL0L
(13)	955 615 046 00	Relay socket/code: Relay Preparation for telephone	SR2 /LL	1	IL0L/9ZF
(13)	999 657 014 90	Relay socket/code: Relay Water pump Auxiliary heater	SR3 /LL	1	ID9J/D9K/L0L
(13)	141 951 253 B	Relay socket/code: Relay Headlight washer system	SR4 /LL	1	IL0L
(13)	999 657 014 90	Relay socket/code: Relay Residual warmth	SR7 /LL	1	ID9J/D9L/L0L
(13)		Relay socket/code: Relay Water pump Auxiliary heater	SR8 /RL	1	ID9K/L0R
(13)		Relay socket/code: Relay Residual warmth	S2/1 /RL	1	ID9J/D9L/L0R
(13)		Relay socket/code: Relay	S2/1 /RL	1	IL0R/1G3
(13)		Relay socket/code:	S2/2		



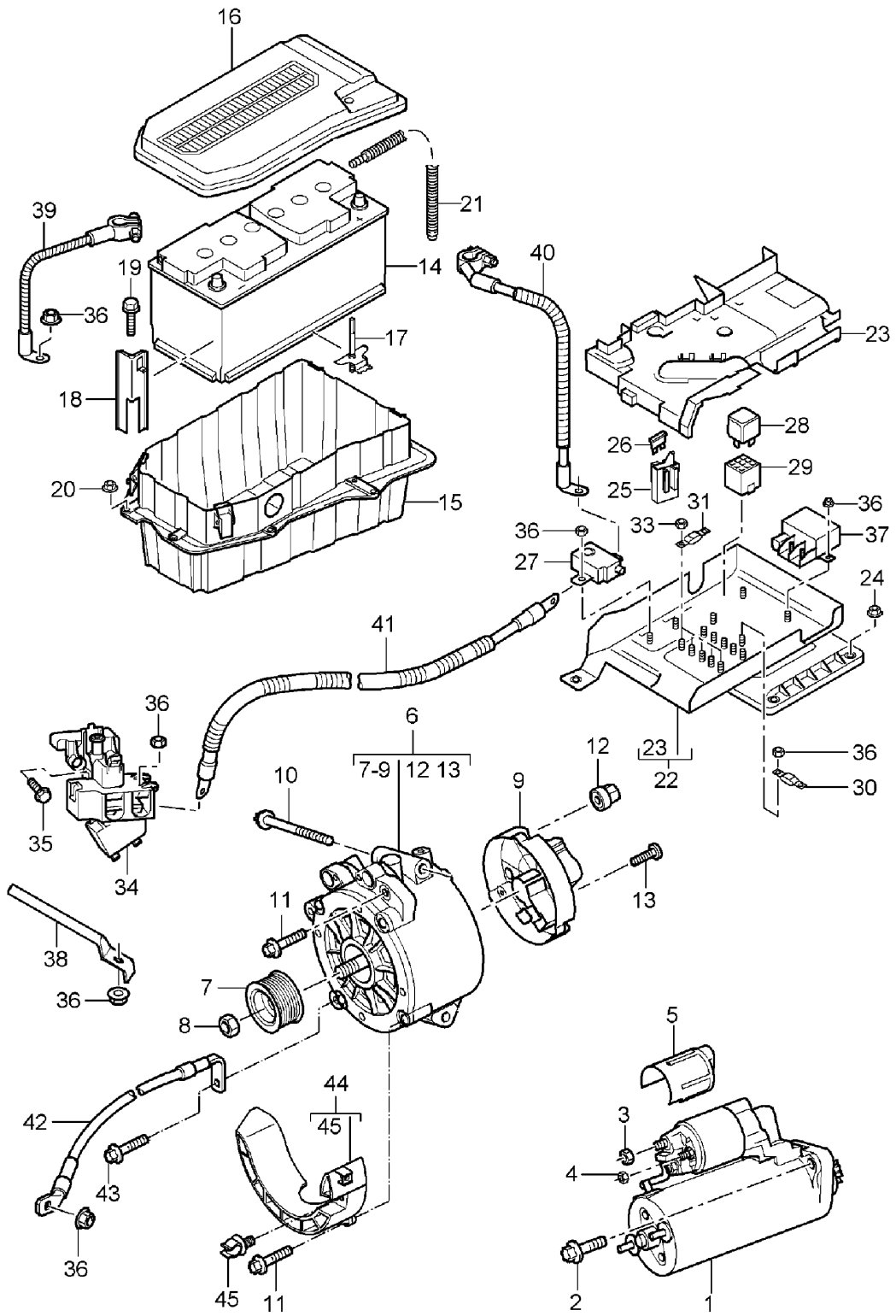
Model: 9PA 03

Model life 2003>>2006

Pos	Part Number	Description	Remark	Qty	Model
(13)	955 615 046 00	Relay Preparation for telephone	/RL	1	IL0R/9ZF
(13)	141 951 253 B	Relay socket/code: Relay Headlight washer system Relay socket/code: Support Relay carrier Left Right See group 9/01/03	S5 /RL S6	1	IL0R/8X1
14	955 610 211 00	Fusebox	/LL /L	1	IL0L
14	955 610 211 10	Fusebox	/RL /L	1	IL0R
-	955 610 319 00	Assignment sticker Fusebox	/L	1	
-	955 610 314 00	Tool for Fuse		2	
(14)	955 610 212 00	Fusebox	/R	1	
-	955 610 320 00	Assignment sticker Fusebox	/R	1	
15	955 610 154 00	Screw Upper M 5 X 50		2	
(15)	N 909 516 01	Hexagon-head bolt Lower M 5 X 20		2	
16	999 607 082 00	Fuse 5 A		X	
(16)	999 607 083 00	Fuse 7,5 A		X	
(16)	999 607 084 00	Fuse 10 A		X	
(16)	999 607 085 00	Fuse 15 A		X	
(16)	N 017 131 13	Fuse 20 A		X	
(16)	999 607 087 00	Fuse 25 A		X	
(16)	999 607 088 00	Fuse 30 A		X	
17	N 102 519 03	Fuse E30 A		X	
(17)	999 607 073 00	Fuse E40 A		X	
(17)	999 607 077 00	Fuse E60 A		X	

Model: 9PA 03

Model life 2003>>2006



Model: 9PA 03

Model life 2003&gt;&gt;2006

Pos	Part Number	Description	Remark	Qty	Model
		Battery			
		Power distributor			
		Starter			
		Generator			
1	948 604 106 00	Starter		1	IT90/T91
(1)	955 604 107 00	Starter		1	IT31
2	900 385 003 09	Hexagon-head bolt		2	ID9K/D9L
		M 10 X 40			
(2)	N 102 171 02	Hexagon-head bolt		1	ID9J
		BM 12 X 60			
3	900 377 003 03	Hexagon nut		1	
		M 8			
4	900 377 010 01	Hexagon nut		1	
		M 6			
5	955 604 115 00	Heat protection		1	ID9J
6	948 603 015 02	Generator	-04	1	IT90/T91
		See technical manual			
		GR. 2 NR. 272219			
6	948 603 015 03	Generator		1	IT90/T91
		M >> 816 09866			
		M >> 826 04063			
-	948 603 072 00	Wiring harness		1	IT90/T91
		Generator			
-	955 603 165 00	Plug socket		1	IT90/T91
		Wiring harness			
		Engine			
-	N 906 845 02	Flat receptacle		1	IT90/T91
		2,8 - 2,50			
-	955 603 167 00	Gasket		1	IT90/T91
		for			
		Plug socket			
6	948 603 015 05	Generator		1	IT90/T91
		M 816 09867 >>			
		M 826 04064 >>			
		See technical manual			
		Gr. 2 Nr. 2722			
(6)	955 603 016 01	Generator	-05	1	IT31/8GH
(6)	955 603 016 10	Generator	06-	1	IT31/8GH
		See technical manual			
		Gr. 2 Nr. 2722			
(6)	955 603 017 00	Generator		1	IT31/8GR
7	948 603 115 00	Pulley		1	IT90/T91
(7)	955 603 152 00	Pulley		1	IT31
8	900 034 013 01	Hexagon nut		1	
		M 16 X 1,5			
9	948 603 117 00	Lid		1	IT90/T91
		Generator			
		M >> 816 09866			
		M >> 826 04063			
-	948 603 119 00	Gasket		1	IT90/T91
		M >> 816 09866			
		M >> 826 04063			
(9)	955 603 022 00	Lid		1	IT31/8GH
		Generator			
10	900 385 014 09	Torx screw		2	IT90/T91
		M 8 X 95			
(10)	N 106 100 01	Hexagon-head bolt		2	IT31
		AM 8 X 90			
11	900 385 006 09	Torx screw		1	IT90/T91
		M 8 X 35			
12	999 070 016 00	Cap nut		1	IT90/T91
		M 8			
13	900 119 059 02	Pan-head screw		3	IT90/T91

Model: 9PA 03

Model life 2003&gt;&gt;2006

Pos	Part Number	Description	Remark	Qty	Model
13	900 119 088 01	M 4 X 10 Pan-head screw		3	IT90/T91
14	999 611 095 20	M 4 X 10 Battery		1	IJ1U
(14)	999 611 070 20	95 AH Battery		1	IJ0L
(14)	955 611 110 20	70 AH Battery		1	IJ0Z/J2C
(14)	958 611 110 20	110 AH Battery		1	IJ0Z/J2C
15	955 504 151 00	110 AH Battery box		1	
16	955 504 152 00	Battery box		1	
17	955 611 209 02	Cover for housing		1	
18	955 611 210 02	Clamping piece		1	
19	N 100 515 02	Reinforcement bracket		1	
20	N 015 082 5	Battery		1	
21	955 611 311 00	Combination screw		1	
(22)	955 610 308 01	M 6 X 15 Hexagon nut		X	
22	955 610 308 11	Hexagon nut		1	
23	955 610 309 00	Breather pipe		1	
23	955 610 309 10	Power distributor		1	IJ2C
23	955 610 309 10	Power distributor		1	
24	N 904 465 01	Lid		1	
25	955 610 207 00	Power distributor		1	
(25)	955 610 208 00	F >>9P6LA 03709		1	F9
(25)	955 610 209 00	F >>9P6LA 43715		1	F14
26	999 607 082 00	F >>9P6LA 81706		1	F14
(26)	999 607 084 00	Lid		X	
(26)	999 607 073 00	Power distributor		X	
27	955 611 201 00	Fuse		X	
27	955 611 205 00	5 A Fuse		X	
28	955 615 027 00	10 A Fuse		X	
29	955 610 307 00	E 40 A Fuse		X	
30	N 105 256 07	Switch unit		1	
31	N 105 255 08	F >>9P6LA 03709		1	
(31)	N 105 255 03	F >>9P6LA 43715		1	
(31)	N 105 255 01	F >>9P6LA 81706		1	
33	N 011 005 18	Switch unit		1	
		Battery main switch		1	
		F 9P6LA 03710>>		1	
		F 9P6LA 43716>>		1	
		F 9P6LA 81707>>		1	
		Relay		1	
		Relay carrier		1	
		Fuse		1	
		250 A		1	
		Fuse		2	
		150 A		2	
		Fuse		2	
		60 A		2	
		Fuse		2	
		40 A		2	
		Hexagon nut		X	

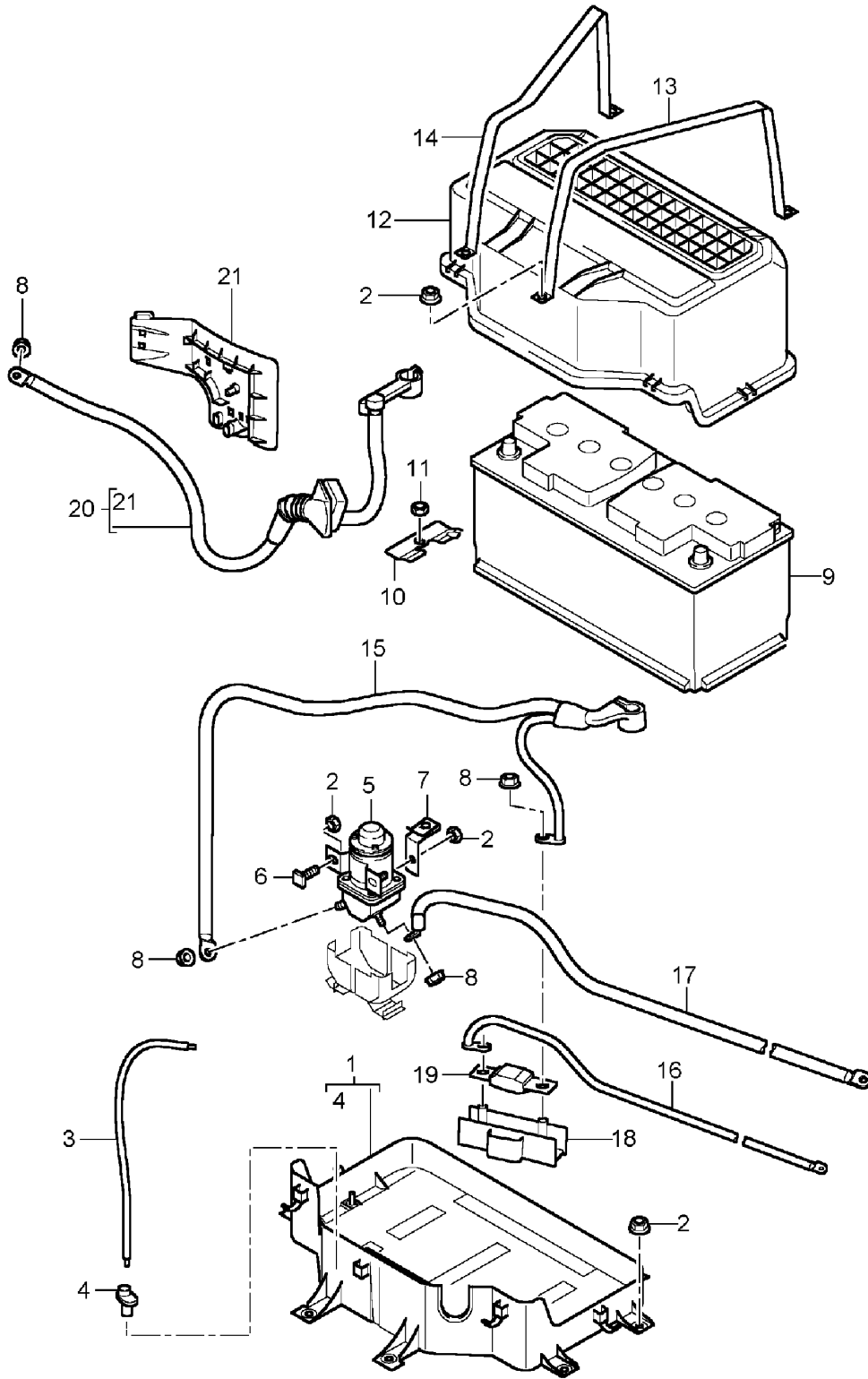
Model: 9PA 03

Model life 2003>>2006

Pos	Part Number	Description	Remark	Qty	Model
34	955 611 202 00	M 5 Connection point Cable Engine compartment		1	
-	955 611 204 00	Cap Red		1	
35	N 014 702 10	Pan-head screw M 6 X 15		2	
36	N 902 955 02	Hexagon nut M 8		X	
(36)	N 904 560 02	Hexagon nut M 6		X	
37	955 615 012 00	Relay		1	IJ2C
38	955 611 203 00	Cable shoe Ground strap		1	
39	955 611 090 00	Ground strap Battery Body		1	
40	955 612 090 00	Cable Battery Power distributor		1	IJ0L/J1U
(40)	955 612 090 10	Cable Battery Power distributor		1	IJ0Z
41	955 612 091 00	Cable Power distributor		1	
42	955 611 095 00	Connection point Engine compartment Ground strap Generator Body M >> 816 09866 M >> 826 04063		1	ID9K/D9L
42	955 611 095 10	Ground strap Generator Body M 816 09867 >> M 826 04064 >>		1	ID9K/D9L
(42)	955 611 096 00	Ground strap Engine Body		1	ID9J
43	N 101 559 06	Hexagon-head bolt M 8 X 20		1	ID9K/D9L
44	948 115 204 01	Bracket Generator		1	
45	999 507 930 40	Hose holder 23,0		1	

Model: 9PA 03

Model life 2003>>2006



Model: 9PA 03 Model life 2003>>2006

Pos	Part Number	Description	Remark	Qty	Model
1	955 504 153 00	Battery Spare-wheel well		1	
1	955 504 153 01	Battery box		1	
		Battery box for Relay 955.615.107.00			
2	N 901 063 04	It is necessary to rework Hexagon nut M 6-S		X	
3	955 611 123 00	Breather pipe		1	
4	955 504 160 00	Grommet		1	
5	955 615 107 00	Relay Connecting cable Lower		1	
(5)	955 615 108 00	Relay Connecting cable Upper		1	
6	N 903 449 01	Square screw M 6 X 30		2	
7	955 615 109 00	Retaining clip for Relay 955.615.107.00		1	
-	N 103 346 03	Round head screw M 6 X 20 for Relay 955.615.107.00		2	
-	N 903 425 03	Speed nut M 6 X 19,5 X 18 for Relay 955.615.107.00		1	
-	N 901 686 04	Speed nut M 6 X 23,4 X 16 for Relay 955.615.108.00		1	
8	N 902 955 02	Hexagon nut M 8		X	
9	955 611 092 00	Battery 92 AH		1	IJ2C
9	958 611 092 20	Battery 92 AH		1	IJ2C
9	958 611 092 21	Battery 92 AH		1	IJ2C
10	955 611 219 00	Clamping piece		1	
11	N 023 002 8	Hexagon nut		1	
12	955 504 154 00	Cover for housing		1	
13	955 504 161 00	Restraining strap	/L	1	
14	955 504 162 00	Restraining strap	/R	1	
15	955 612 193 00	Cable Battery Relay Fuse box		1	
16	955 612 191 00	Cable Fuse box Power distributor		1	
17	955 612 094 01	Cable Relay Power distributor		1	
18	955 610 214 00	Fuse box		1	

Model: 9PA 03

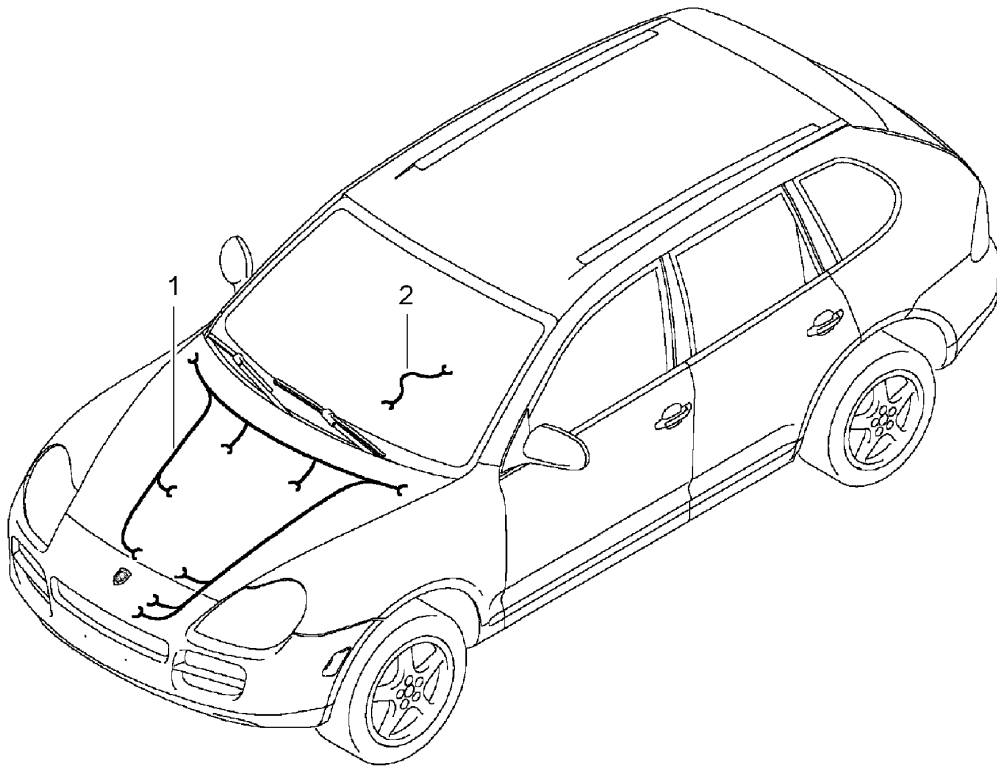
Model life 2003&gt;&gt;2006

Pos	Part Number	Description	Remark	Qty	Model
19	N 105 256 07	Fuse 250 A		1	
20	955 611 097 00	Ground strap		1	
(21)	955 612 411 00	Cable guide	/L	1	
21	955 612 412 00	Cable guide	/R	1	



Model: 9PA 03

Model life 2003>>2006



Model: 9PA 03

Model life 2003>>2006

Pos	Part Number	Description	Remark	Qty	Model
1	955 612 008 01	Wiring harnesses Engine compartment Transmission Wiring harness	/LL -04	1	ID9L/L0L
1	955 612 009 00	Engine compartment Information available Wiring harness	/LL 05	1	ID9L/L0L
1	955 612 009 01	Engine compartment Wiring harness	/LL 05-	1	ID9L/L0L
(1)	955 612 008 11	Engine compartment Wiring harness	/RL -04	1	ID9L/L0R
(1)	955 612 009 10	Engine compartment Information available Wiring harness	/RL 05-	1	ID9L/L0R
(1)	955 612 008 21	Engine compartment Wiring harness	/LL -04	1	ID9K/L0L
(1)	955 612 009 20	Engine compartment Information available Wiring harness	/LL 05	1	ID9K/L0L
(1)	955 612 009 21	Engine compartment Wiring harness	/LL 05-	1	ID9K/L0L
(1)	955 612 008 31	Engine compartment Wiring harness	/RL -04	1	ID9K/L0R
(1)	955 612 009 30	Engine compartment Information available Wiring harness	/RL 05-	1	ID9K/L0R
(1)	955 612 008 40	Engine compartment Wiring harness	/LL -04	1	ID9J/L0L
(1)	955 612 009 40	Engine compartment Wiring harness	/LL 05-	1	ID9J/L0L
(1)	955 612 008 50	Engine compartment Wiring harness	/RL -04	1	ID9J/L0R
(1)	955 612 009 50	Engine compartment Wiring harness	/RL 05-	1	ID9J/L0R
2	955 612 401 10	Automatic transmission Wiring harness		1	IG0R
2	955 612 401 11	Automatic transmission Wiring harness		1	IG0R
(2)	955 612 402 01	Use also: 955 301 328 00 955 301 502 00 Wiring harness Manual transmission		1	IG0L

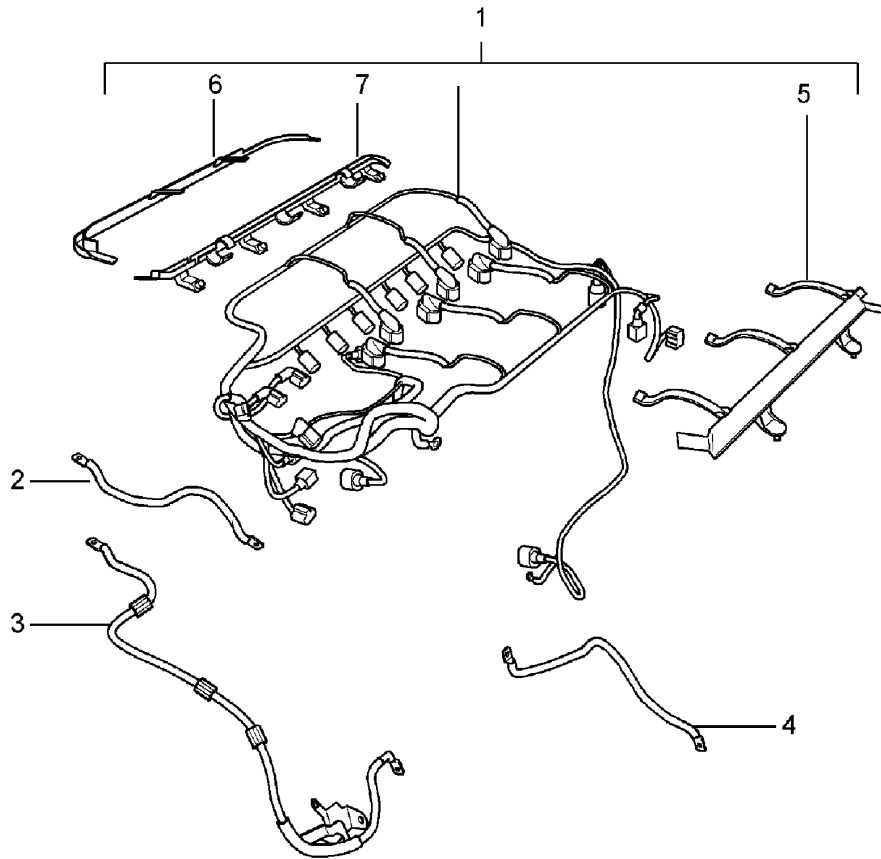
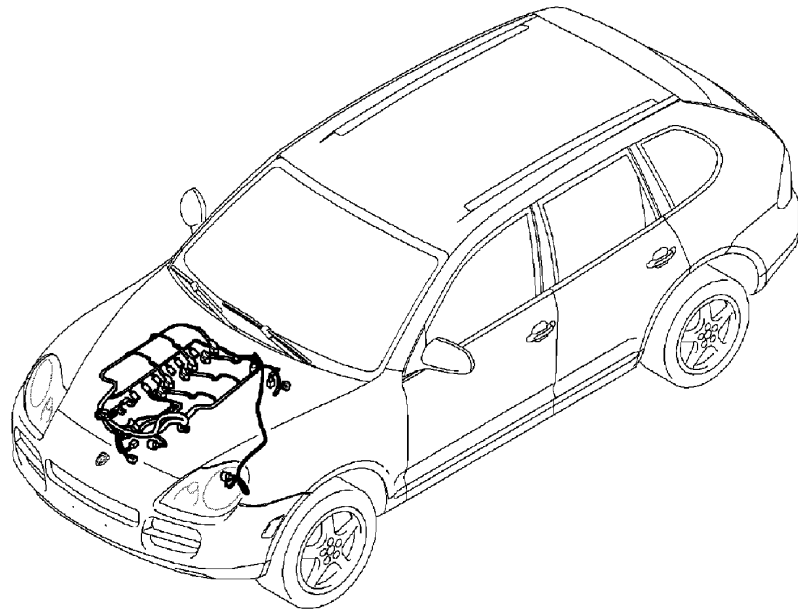


Model: 9PA 03 Model life 2003>>2006

Pos	Part Number	Description	Remark	Qty	Model
		Wiring harnesses Engine			ID9K/D9L
1	948 607 001 53	Wiring harness Engine	-04	1	ID9L
1	948 607 001 54	Wiring harness Engine	05-	1	ID9L
(1)	948 607 001 03	Wiring harness Engine	-04	1	ID9K
(1)	948 607 001 04	Wiring harness Engine	05-	1	ID9K
-	999 702 287 41	Grommet	-04	1	
-	999 650 404 40	Connector housing	-04	1	
-	999 650 265 22	Connector for Connector housing Generator	-04	2	
4	948 607 121 00	Cable guide		1	ID9K/D9L
5	948 607 125 00	Lid		1	ID9K/D9L
6	948 607 122 00	Cable guide		1	ID9K/D9L
7	948 607 123 01	Cable guide Cable Generator		1	ID9K/D9L
8	948 607 127 00	Lid		1	ID9K/D9L
9	948 607 120 00	Cable guide		1	ID9K/D9L
10	948 607 124 00	Lid		1	ID9K/D9L
11	999 507 790 40	Fastening part Cable guide		6	ID9K/D9L
12	999 507 712 40	Cable clip NW 13		X	ID9K/D9L
13	N 906 972 01	Cable clip NW 22		1	ID9K/D9L
14	955 507 712 00	Cable clip NW 22		1	ID9K/D9L
15	999 022 003 40	Cable clip NW 22 X 22 X 22		1	ID9K/D9L
16	999 507 810 40	Cable clip NW 26		1	ID9K/D9L
17	999 507 809 40	Cable clip NW 22		1	ID9K/D9L
18	999 507 075 40	Cable holder		2	ID9K/D9L
19	999 651 257 02	Cable clamp		1	ID9K/D9L
20	999 073 365 09	Torx screw M 6 X 18		1	ID9K/D9L
21	900 385 041 01	Torx screw M 6 X 12		1	ID9K/D9L
22	948 607 131 05	Heat protection		1	ID9K/D9L
22	948 607 931 00	Heat protection for Repair Generator See technical manual Gr. 2 Nr. 2722		X	ID9K/D9L
23	900 385 041 01	Torx screw BM 6 X 12	-05	1	ID9K/D9L
23	999 073 103 09	Oval-head screw M 6 X 16	06-	1	ID9K/D9L
24	948 607 130 00	Support		1	ID9K/D9L
25	900 067 008 09	Pan-head screw M 6 X 12		2	ID9K/D9L
26	955 607 714 00	Cable holder		2	

Model: 9PA 03

Model life 2003>>2006

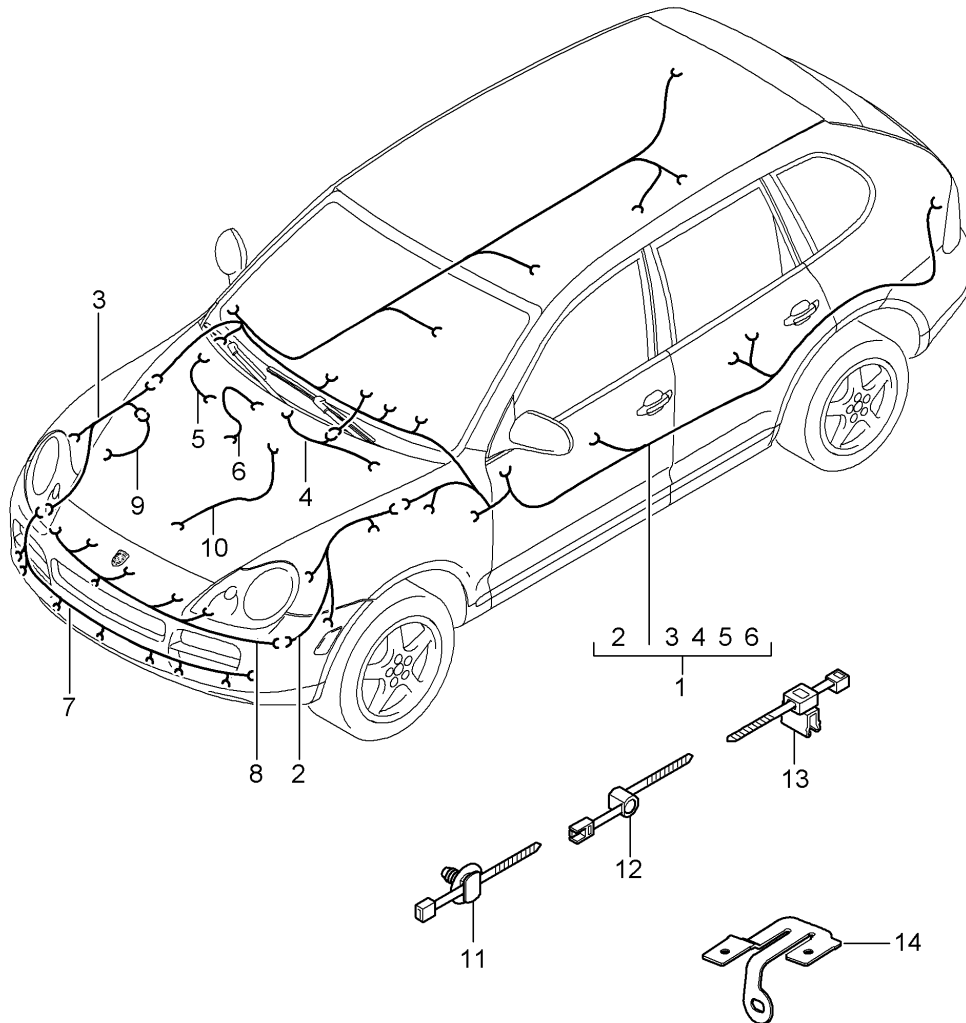


Model: 9PA 03 Model life 2003>>2006

Pos	Part Number	Description	Remark	Qty	Model
		Wiring harness Engine			ID9J
1	955 607 010 10	Wiring harness Engine		1	
1	955 607 010 11	Wiring harness Engine	-05	1	I8GR
1	955 607 010 12	Wiring harness Engine	-05	1	I8GR
1	955 607 010 20	Wiring harness Engine for cars with Generator I 8GR	-05	1	I8GH
(1)	955 607 010 21	Use also: Wiring harness Engine for cars with Generator I 8GR	-05	1	I8GH
1	955 607 010 20	Use also: Wiring harness Engine for cars with Generator I 8GR	06-	1	I8GH
1	955 607 010 21	Use also: Wiring harness Engine for cars with Generator I 8GR	06-	1	I8GH
-	955 603 193 00	Use also: Plug socket Connector Generator		1	I8GH
-	N 906 844 02	Flat receptacle 2,8 - 0,5		2	I8GH
-	955 603 194 00	Gasket		2	I8GH
2	955 612 093 00	Cable Generator	-05	1	
2	955 612 092 00	Cable Generator	06-	1	I8GR
2	955 612 095 01	Cable Generator	06-	1	I8GH
-	955 603 195 00	Plug socket Connector Generator	06-	1	I8GH
-	N 104 427 01	Flat receptacle 2,8 - 1	06-	2	I8GH
-	955 603 194 00	Gasket Plug socket	06-	2	I8GH
3	955 612 092 01	Cable Starter		1	
4	955 611 096 00	Ground strap Engine		1	
5	955 607 172 00	Cable guide	/R	1	
6	955 607 173 02	Cable guide	/L	1	
7	955 607 174 00	Cable guide Injector valve		1	

Model: 9PA 03

Model life 2003>>2006



Model: 9PA 03 Model life 2003>>2006

Pos	Part Number	Description	Remark	Qty	Model
1	955 612 901 00	Wiring harnesses Passenger compartment Bumper FRONT luggage compartment Anti-lock brake system Brake pad wear indicator Front axle Wiring harness Passenger compartment Vehicle Ident. No.		1	
2	955 612 913 00	Indicate Wiring harness Sub-part Front It is necessary to rework F >>9P4LA 01525 F >>9P4LA 48415 F >>9P4LA 83739	/L	1	I8BB/8BF/8BR
2	955 612 913 05	Wiring harness Sub-part Front It is necessary to rework F 9P4LA 01526>> F 9P4LA 48416>> F 9P4LA 83740>>	/L	1	I8BB/8BF/8BR
(2)	955 612 915 00	Wiring harness Sub-part Front It is necessary to rework F >>9P4LA 01525 F >>9P4LA 48415 F >>9P4LA 83739	/L	1	I8BC/8BZ/8JD
(2)	955 612 915 05	Wiring harness Sub-part Front It is necessary to rework F 9P4LA 01526>> F 9P4LA 48416>> F 9P4LA 83740>>	/L	1	I8BC/8BZ/8JD
3	955 612 914 00	Wiring harness Sub-part Front It is necessary to rework F >>9P4LA 01525 F >>9P4LA 48415 F >>9P4LA 83739	/R	1	I8BB/8BF/8BR
3	955 612 914 05	Wiring harness Sub-part Front It is necessary to rework F 9P4LA 01526>> F 9P4LA 48416>> F 9P4LA 83740>>	/R	1	I8BB/8BF/8BR
(3)	955 612 916 00	Wiring harness Sub-part Front It is necessary to rework F >>9P4LA 01525 F >>9P4LA 48415 F >>9P4LA 83739	/R	1	I8BC/8BZ/8JD
(3)	955 612 916 05	Wiring harness Sub-part Front	/R	1	I8BC/8BZ/8JD



Model: 9PA 03

Model life 2003&gt;&gt;2006

Pos	Part Number	Description	Remark	Qty	Model
4	955 612 912 00	It is necessary to rework F 9P4LA 01526>> F 9P4LA 48416>> F 9P4LA 83740>> Wiring harness Sub-part Brake booster		1	
5	955 612 917 00	Repair kit Ground strap Hydraulic unit		1	
6	955 612 918 00	Repair kit Wiring harness Sub-part Hydraulic unit See technical manual		1	
7	955 612 301 00	Wiring harness Bumper Front Information available		1	ID9L/7X1/7X2
(7)	955 612 302 00	Wiring harness Bumper Front		1	ID9J/D9K I7X1/7X2
(7)	955 612 303 00	Wiring harness Bumper Front		1	ID9J/D9K
8	955 612 310 00	Wiring harness FRONT luggage compartment F >>9P4LA 82898	/LL	1	ID9L/L0L
(8)	955 612 312 00	Wiring harness FRONT luggage compartment F >>9P4LA 82898	/RL	1	ID9L/L0R
(8)	955 612 310 21	Wiring harness FRONT luggage compartment F 9P4LA 82899>>		1	ID9L
(8)	955 612 311 00	Wiring harness FRONT luggage compartment F >>9P4LA 00508 F >>9P4LA 46986	/LL	1	ID9J/D9K/L0L
(8)	955 612 313 00	Wiring harness FRONT luggage compartment F >>9P4LA 00508 F >>9P4LA 46986	/RL	1	ID9J/D9K/L0R
(8)	955 612 311 21	Wiring harness FRONT luggage compartment F 9P4LA 00509>> F 9P4LA 46987>> Information available Wiring harnesses Anti-lock brake system Brake pad wear indicator Front axle		1	ID9J/D9K
9	955 612 321 00	Wiring harness	/V	2	I1BA
(9)	955 612 322 00	Wiring harness F >>9P4LA 01525 F >>9P4LA 48415 F >>9P4LA 83739	/V	2	I1BK
(9)	955 612 322 10	Wiring harness F 9P4LA 01526>> F 9P4LA 48416>> F 9P4LA 83740>>	/V	2	I1BK
-	955 612 330 00	Protection cap Self-levelling sensor		X	

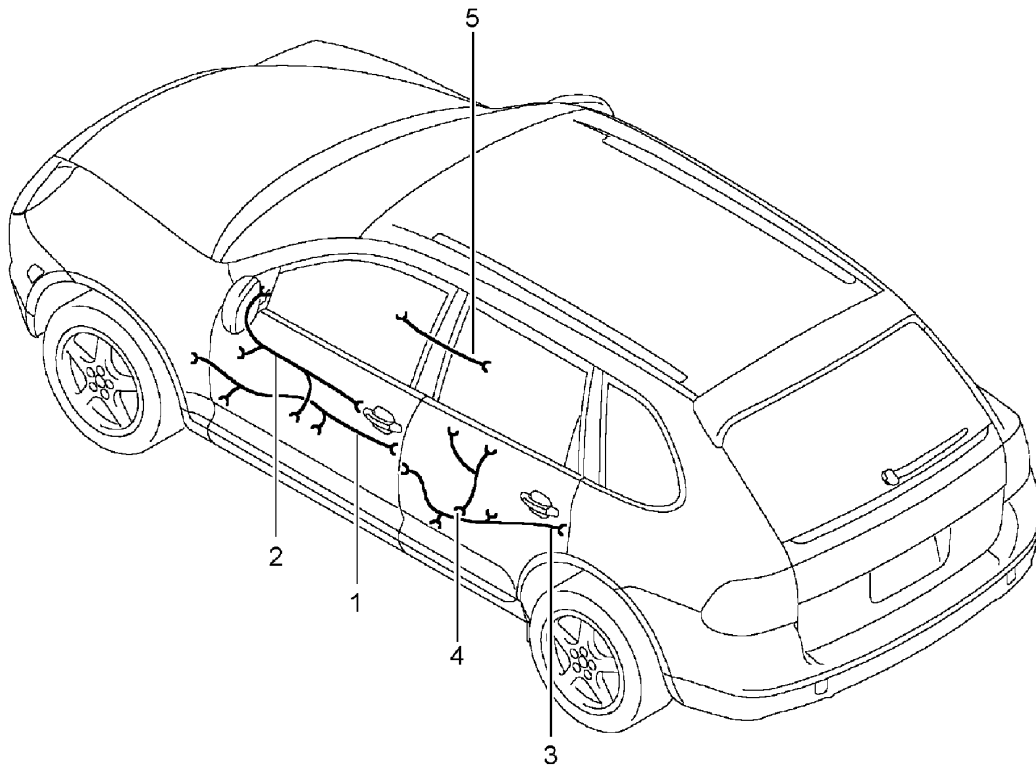
Model: 9PA 03

Model life 2003&gt;&gt;2006

Pos	Part Number	Description	Remark	Qty	Model
10	955 612 325 00	Sensor Headlight levelling system Wiring harness Engine compartment lamp Information available	-05	1	
10	955 612 325 10	Wiring harness without Engine compartment lamp	06-	1	
10	955 612 325 11	Wiring harness without Engine compartment lamp	06-	1	
11	N 906 661 01	Tie-wrap Repair work 4,6 X 200		X	
12	N 904 449 01	Tie-wrap 5 X 230		X	
13	955 612 931 00	Cable clamp 193 X 4 - 45		X	
14	955 612 932 00	Cable holder Flat		X	
(14)	955 612 933 00	Cable holder High		X	

Model: 9PA 03

Model life 2003>>2006



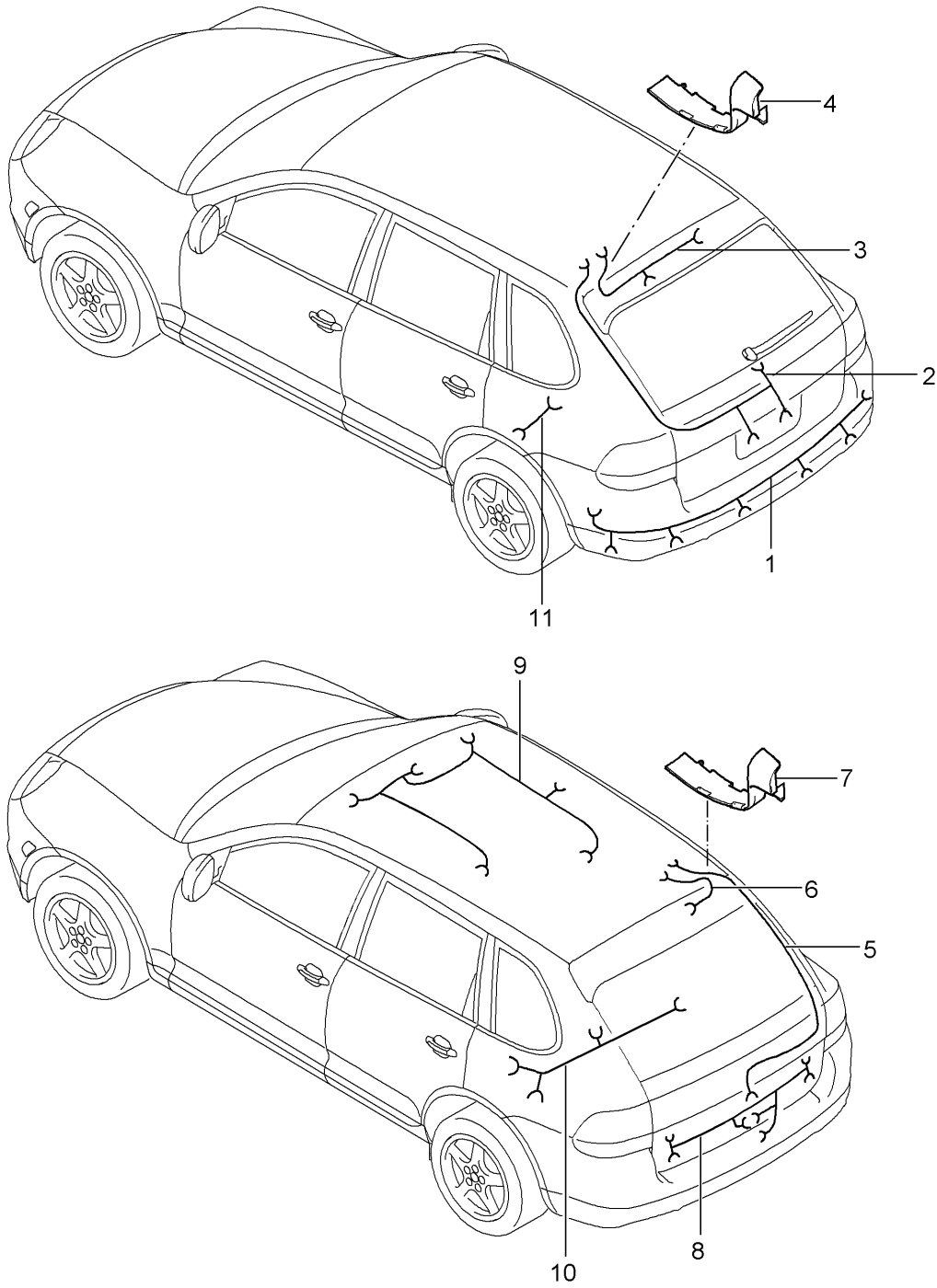
Model: 9PA 03

Model life 2003>>2006

Pos	Part Number	Description	Remark	Qty	Model
1	955 612 610 00	Wiring harnesses Doors Wiring harness Assembly frame Front		2	I4K0/4K3
(1)	955 612 611 00	Wiring harness Assembly frame Front		2	I4F2/4F6
-	955 612 545 00	Support Connection point Wiring harness Passenger compartment Door Door panel Driver's door		X	
-	955 731 843 00	Cable holder Wiring harness		X	
2	955 612 620 00	Wiring harness Door panel Driver's door	-05	1	
2	955 612 620 10	Wiring harness Door panel Driver's door	06-	1	
(2)	955 612 621 00	Wiring harness Door panel Passenger's door		1	
3	955 612 630 00	Wiring harness Assembly frame Rear		2	I4K0/4K3
(3)	955 612 631 00	Wiring harness Assembly frame Rear		2	I4F2/4F6
-	955 612 545 00	Support Connection point Wiring harness Passenger compartment Door		X	
-	955 731 843 00	Cable holder Wiring harness		X	
4	955 612 640 00	Wiring harness Door panel Rear		2	
5	955 612 645 00	Wiring harness Centre console		1	
-		Tie-wrap for Repair work See group 9/02/10			

Model: 9PA 03

Model life 2003>>2006



Model: 9PA 03 Model life 2003>>2006

Pos	Part Number	Description	Remark	Qty	Model
		Wiring harnesses Rear end Rooflining Fuel tank Anti-lock brake system Brake pad wear indicator Rear axle			
1	955 612 801 00	Wiring harness Bumper		1	I7X1/7X2
(1)	955 612 802 00	Wiring harness Bumper		1	-I7X1/-I7X2
2	955 612 803 00	Wiring harness Rear lid Left		1	
3	955 612 805 00	Wiring harness Rear window Left	-04	1	IQV0
3	955 612 805 02	Wiring harness Rear window Left	05-	1	IQV0
(3)	955 612 815 02	Wiring harness Rear window Left		1	IQV1
4	955 612 849 00	Cable guide Rear lid Left		1	
(4)	955 612 851 00	Cable guide Rear window Left		1	
5	955 612 804 00	Wiring harness Rear lid Right		1	I7X2
(5)	955 612 804 10	Wiring harness Rear lid Right		1	I7X1/7X3
6	955 612 806 00	Wiring harness Rear window Right Information available	-04	1	I5D1
(6)	955 612 807 00	Wiring harness Rear window Right Information available	-04	1	I5D2/5D3
6	955 612 806 11	Wiring harness Rear window Right	05-	1	I5D1
(6)	955 612 807 11	Wiring harness Rear window Right	05-	1	I5D2/5D3
7	955 612 850 00	Cable guide Rear lid Right		1	
(7)	955 612 852 00	Cable guide Rear window Right		1	
8	955 612 810 00	Wiring harness		1	-I3FA/-I7X2 -I7X8
8	955 612 897 00	Lining Rear lid Wiring harness Rooflining		1	I3FA/7X2/7X8
9	955 612 808 00	Wiring harness Rooflining		1	I3FE/7X1

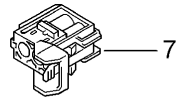
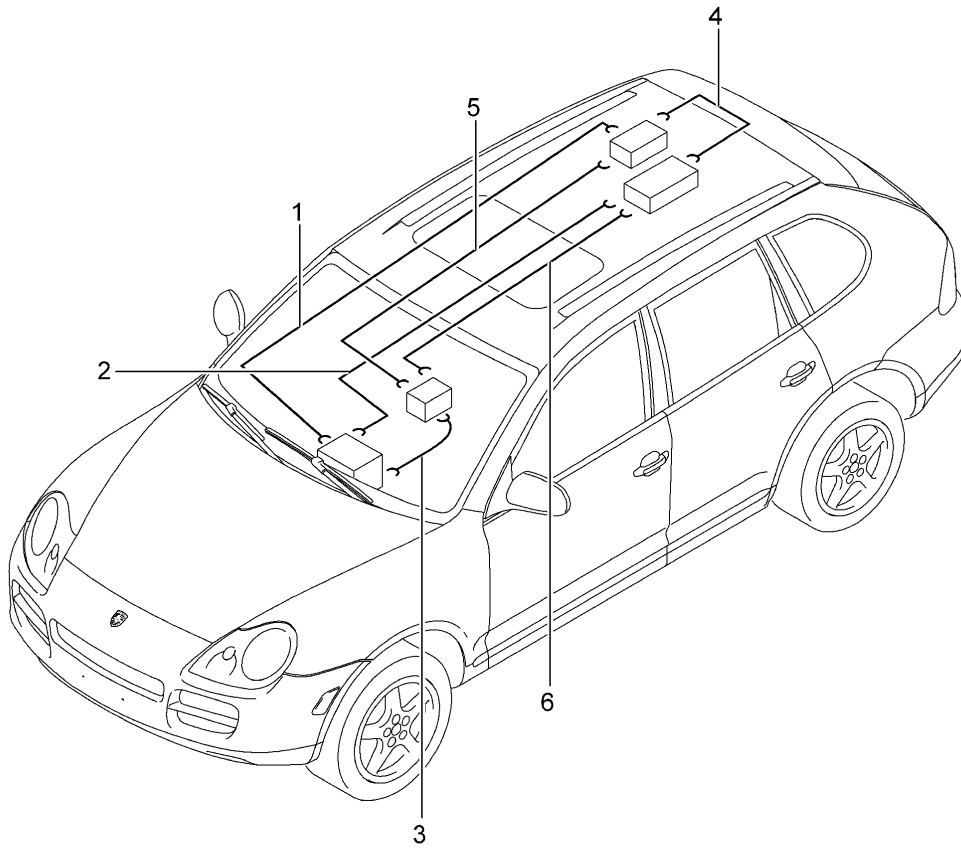
Model: 9PA 03

Model life 2003>>2006

Pos	Part Number	Description	Remark	Qty	Model
9		Wiring harness Rooflining		1	I3FE/7X2
(9)	955 612 809 00	Wiring harness Rooflining		1	I3FU/7X1
(9)		Wiring harness Rooflining		1	I3FU/7X2
(9)	955 612 025 01	Wiring harness Control unit Switch		1	I3FU
10	955 612 811 00	Wiring harness Fuel tank Wiring harnesses Anti-lock brake system Brake pad wear indicator Rear axle		1	
11	955 612 821 00	Wiring harness	/H	2	I1BA
(11)	955 612 822 00	Wiring harness Wiring harness Bracket Spare wheel Outer See group 0/02/05 Tie-wrap for Repair work See group 9/02/10	/H	2	I1BK

Model: 9PA 03

Model life 2003>>2006



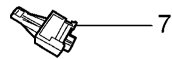
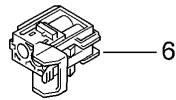
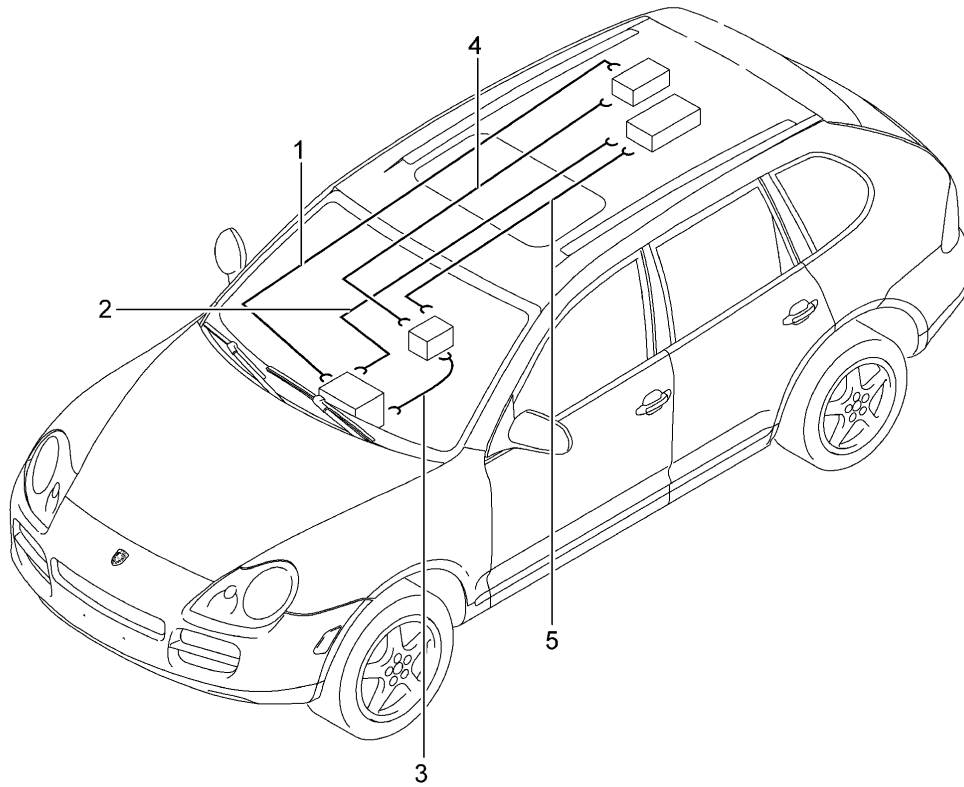


Model: 9PA 03 Model life 2003>>2006

Pos	Part Number	Description	Remark	Qty	Model
1	955 642 301 00	Optical waveguide Optical waveguide Radio Booster	-04 /LL	1	IL0L
(1)	955 642 307 00	Optical waveguide Radio Booster	/RL	1	IL0R
2	955 642 302 00	Optical waveguide Radio CD changer	/LL	1	IL0L
(2)	955 642 308 00	Optical waveguide Radio CD changer	/RL	1	IL0R
3	955 642 303 00	Optical waveguide Radio Telephone	/LL	1	IL0L
(3)	955 642 309 00	Optical waveguide Radio Telephone	/RL	1	IL0R
4	955 642 304 00	Optical waveguide Booster CD changer		1	
5	955 642 305 00	Optical waveguide Booster Telephone		1	
6	955 642 306 00	Optical waveguide CD changer Telephone		1	
7	955 642 321 00	Connector Optical waveguide		X	

Model: 9PA 03

Model life 2003>>2006



Model: 9PA 03 Model life 2003>>2006

Pos	Part Number	Description	Remark	Qty	Model
1	955 622 300 00	Optical waveguide Optical waveguide Module Radio CD changer	05-	1	I7A2/8DU
(1)	955 622 301 00	Optical waveguide Module Radio CD changer Booster		1	I8DU/9VL
2	955 622 302 00	Optical waveguide Module Control part Navigation system CD changer		1	I8DQ/8DV/8RV I9W0/9ZF/9ZT IQV0
2	955 622 306 00	Optical waveguide Module Control part Navigation system TV CD changer		1	I8DQ/8DV/8RV IQV1/9ZF/9ZT I9W0
3	955 622 303 00	Optical waveguide Module Control part Navigation system CD changer Booster		1	I8DQ/8DV/9VL I9W0/9ZF/9ZT IQV0
(3)	955 622 307 00	Optical waveguide Module Control part Navigation system CD changer Booster		1	IQV1/8DV/9W0 I9VL/9ZF/9ZT
4	955 622 304 00	Optical waveguide Module Control part Navigation system Telephone CD changer		1	I8DQ/8DV/8RV IQV0/9W1/9ZP
(4)	955 622 308 00	Optical waveguide Module Control part Navigation system Telephone TV CD changer Booster		1	I8DQ/8DV/9VL IQV1/9W1/9ZP
5	955 622 305 00	Optical waveguide Module Control part Navigation system Telephone CD changer Booster		1	I8DQ/8DV/9VL IQV0/9W1/9ZP
(5)	955 622 309 00	Optical waveguide Module Control part Navigation system Telephone TV CD changer Booster		1	IQV1/8DV/9VL I9W1/9ZP
6	999 650 039 40	Connector housing Optical waveguide		X	

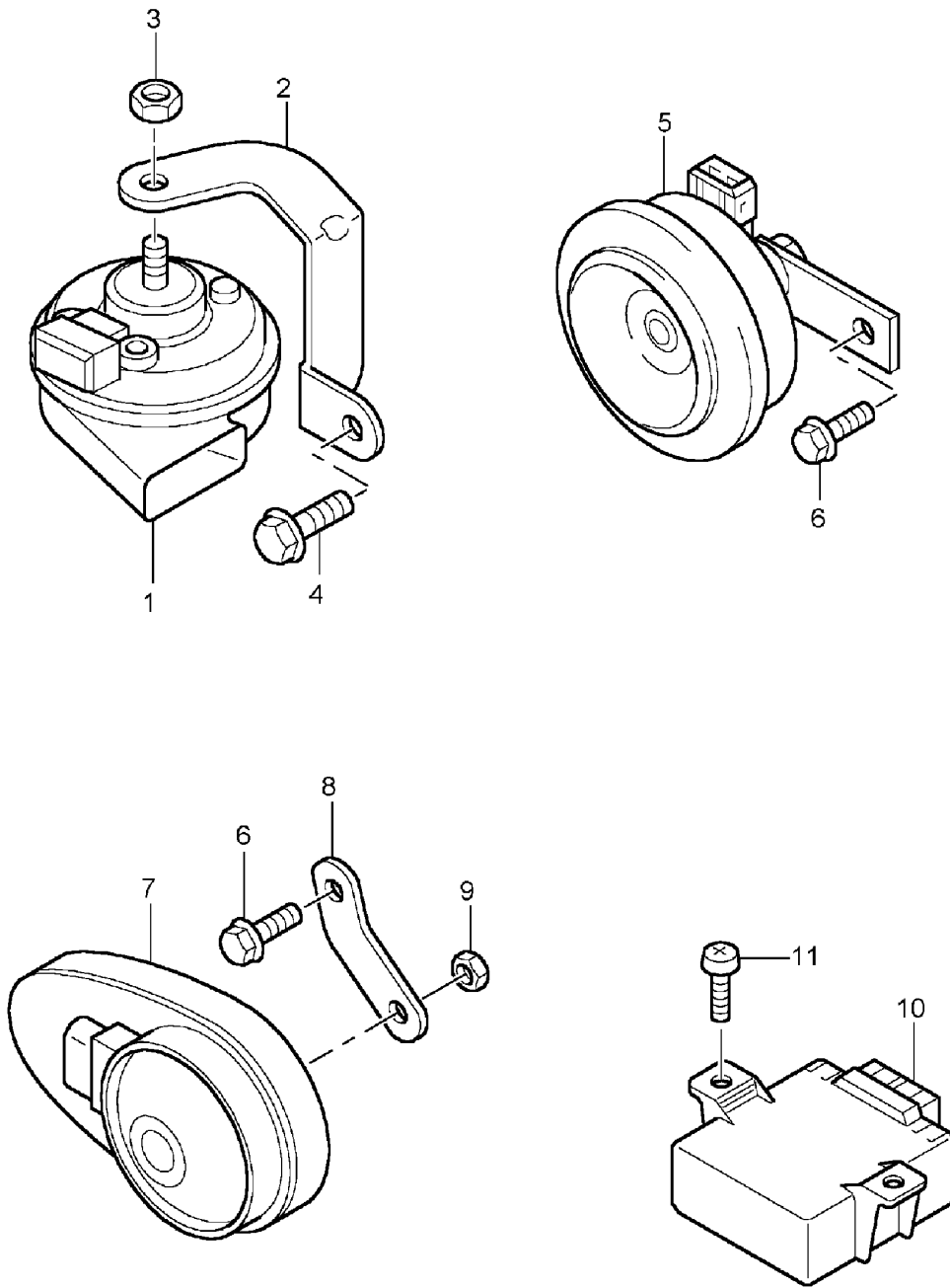
Model: 9PA 03

Model life 2003&gt;&gt;2006

Pos	Part Number	Description	Remark	Qty	Model
7	999 650 091 40	Plug bridge Optical waveguide		X	

Model: 9PA 03

Model life 2003>>2006



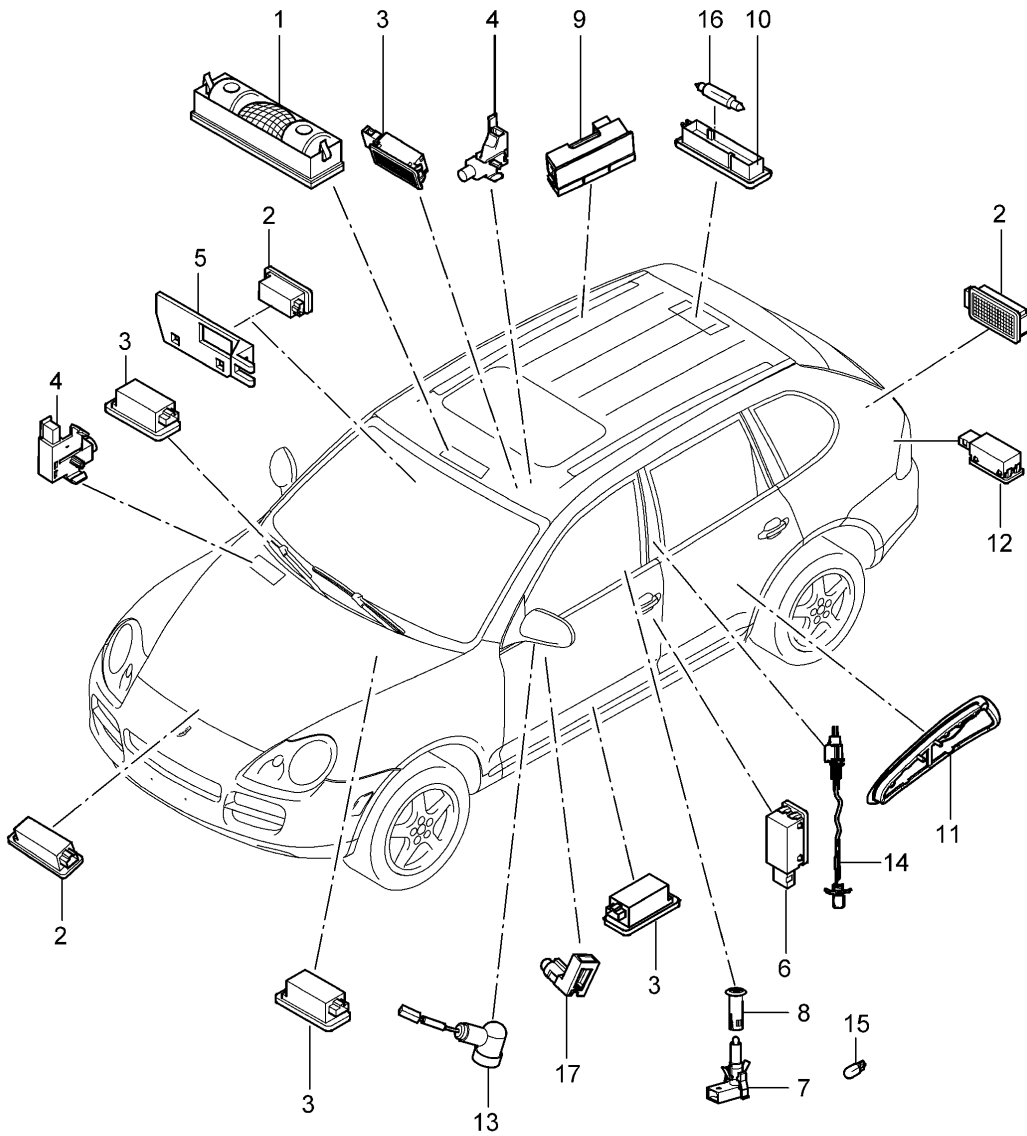
Model: 9PA 03

Model life 2003>>2006

Pos	Part Number	Description	Remark	Qty	Model
1	955 635 205 01	Fanfare Horn Alarm siren Fanfare	/L	1	
1	955 635 205 02	Low-pitched Fanfare	/L	1	
(1)	955 635 206 01	Low-pitched Fanfare	/R	1	
(1)	955 635 206 02	High-pitched Fanfare	/R	1	
2	955 635 161 00	High-pitched Support	/L	1	
2	955 635 161 01	Support	/L	1	
(2)	955 635 160 00	Support	/R	1	
3	N 011 006 24	Hexagon nut M 6		2	
3	N 011 006 36	Hexagon nut M 6		2	
4	N 019 519 4	Hexagon-head bolt M 8 X 16		2	
4	N 019 519 5	Hexagon-head bolt M 8 X 16		2	
5	955 637 117 02	Horn		1	I7AK
6	N 102 252 01	Combination screw M 8 X 12		1	
6	N 102 252 02	Combination screw M 8 X 12		1	
7	955 618 237 01	Alarm siren		1	I4F6/7AK/7AL I4K0
8	955 637 150 01	Support		1	
9	N 011 184 10	Clamping nut		1	
10	955 618 265 01	Control unit Tilt sensor		1	
11	N 104 648 02	Oval-head screw 4,0 X 12		2	

Model: 9PA 03

Model life 2003>>2006



Model: 9PA 03 Model life 2003>>2006

Pos	Part Number	Description	Remark	Qty	Model
		Interior lights			
		Engine compartment lamp			
		Luggage compartment lamp			
		Door guard light			
		Footwell light			
		Light			
		Door mirror			
1	955 632 051 00	Interior light		1	
2	955 632 201 00	Light		3	
3	955 632 202 01	Interior light		10	
4	955 613 601 00	Contact switch		2	
		Glove compartment light			
		And			
		Centre console			
5	955 632 240 00	Bracket for light		2	
		Seat			
6	955 632 203 01	Door guard light		4	
7	955 632 218 00	Indicator light		2	
		Red			
		Door			
		Alarm system			
8	955 632 242 00	Sleeve		6	
	955 632 242 00 01C	Satin black			
(9)	955 632 205 00	Reading light	/L	1	
		Rear			
	955 632 205 00 6N3	Black mat			
9	955 632 206 00	Reading light	/R	1	
		Rear			
	955 632 206 00 6N3	Black mat			
10	955 632 207 00	Luggage compartment lamp		1	
11	955 632 211 00	Light	/L	1	I9MB
		Door			
		Front			
		Use also:			
		2 X N.906.487.02			
(11)	955 632 212 00	Light	/R	1	I9MB
		Door			
		Front			
		Use also:			
		2 X N.906.487.02			
(11)	955 632 213 00	Light	/L	1	I9MB
		Door			
		Rear			
		Use also:			
		2 X N.906.487.02			
(11)	955 632 214 00	Light	/R	1	I9MB
		Door			
		Rear			
		Use also:			
		2 X N.906.487.02			
12	955 632 216 01	Door guard light		2	
		Rear lid			
13	955 632 221 00	Light	/L	1	I9TF
		Door mirror			
13	955 632 221 01	Light	/L	1	I9TF
		Door mirror			
(13)	955 632 222 00	Light	/R	1	I9TF
		Door mirror			
(13)	955 632 222 01	Light	/R	1	I9TF
		Door mirror			
14	955 632 217 00	Light		2	
		Air vent			
		B-pillar			



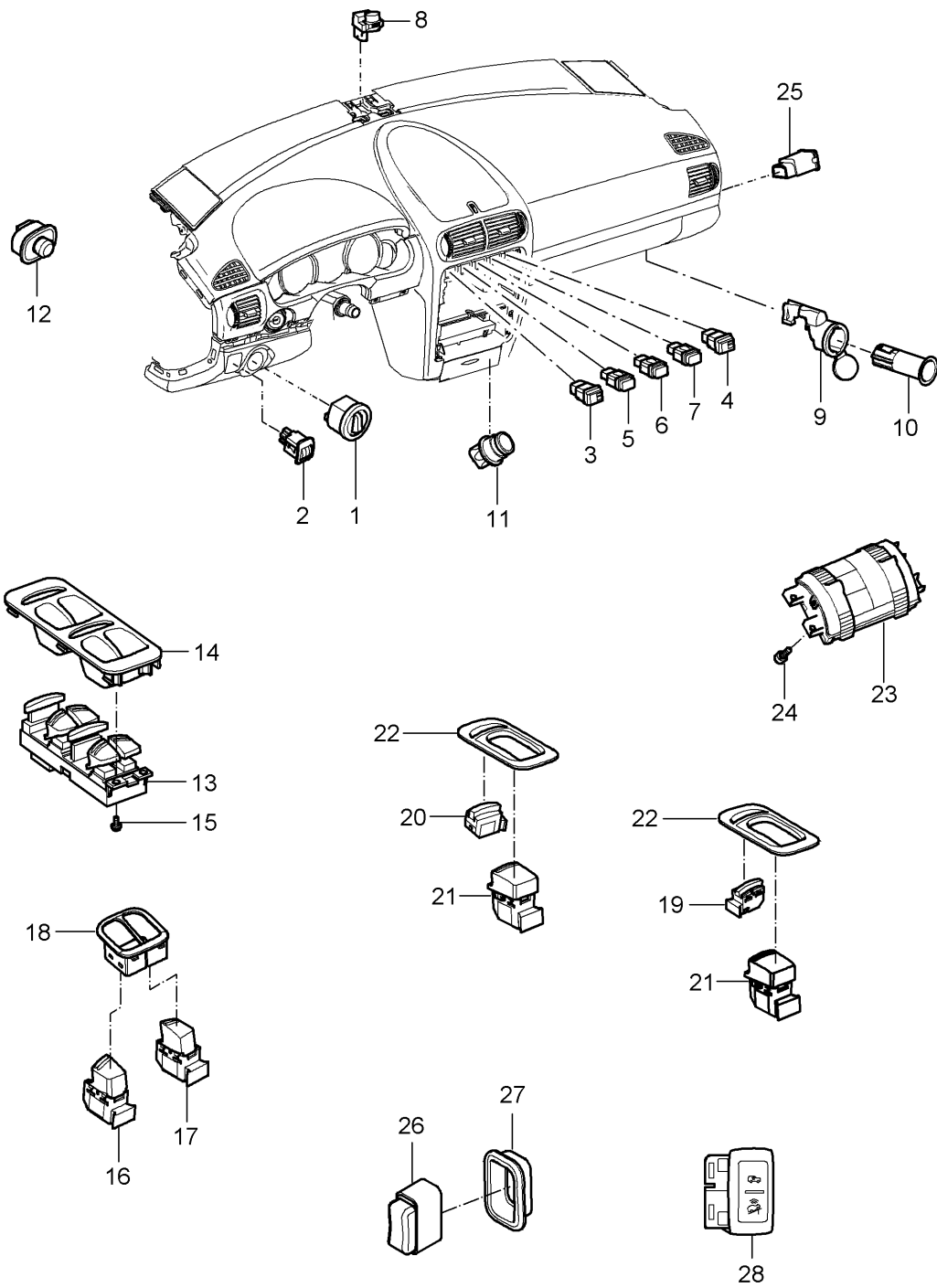
Model: 9PA 03

Model life 2003>>2006

Pos	Part Number	Description	Remark	Qty	Model
14		Light Air vent B-pillar	06-	2	I9AH
15	999 631 032 90	Bulb 5 W		X	
(15)	900 631 019 90	Glass-base bulb 3 W		X	
16	900 631 106 90	Linolite lamp 10W		1	
17	955 632 204 00	Light Yellow Finger plate Door		4	I9JB
(17)		Light Yellow		2	

Model: 9PA 03

Model life 2003>>2006



Model: 9PA 03

Model life 2003&gt;&gt;2006

Pos	Part Number	Description	Remark	Qty	Model
1	955 613 235 02	Switch Light switch		1	I8K0/8K1/8K4 I9C8
(1)	955 613 235 02 6N3	Black mat			
	955 613 235 03	Light switch		1	I8K3/8K5/8K8 I8K9
	955 613 235 03 6N3	Black mat			
2	955 613 230 00	Potentiometer		1	I8Q1
	955 613 230 00 6N3	Black mat			
(2)	955 613 231 01	Potentiometer		1	I8Q0/8Q3
	955 613 231 01 6N3	Black mat			
-	955 613 232 00	Spring clip for POS. 2		2	
3	955 613 151 00	Switch Seat heater		1	I4A3
				2	I4A4
	955 613 151 00 6N3	Black mat			
4	955 613 152 00	Switch Seat heater		1	I4A3
				2	I4A4
	955 613 152 00 6N3	Black mat			
5	955 613 153 00	Switch - PSM -		1	
	955 613 153 00 6N3	Black mat			
6	955 613 254 00	Hazard warning light sw.		1	
	955 613 254 00 6N3	Black mat			
7	955 653 252 01	Indicator light	-05	1	I4UE
7		Indicator light	06-	1	I4UE/4UQ
(7)	955 613 425 01	Cover		1	I4UB/4UD
8	955 653 251 00	Sensor		1	I9AD/9AH
9	955 652 104 00	Tensioning sleeve with Illumination And Lid		2	
(9)	955 652 105 00	Tensioning sleeve Centre console with Illumination		2	
(9)	955 652 106 01	Tensioning sleeve Luggage compartment with Lid Repair See workshop manual Kap. 905755		2	
10	955 652 107 00	Plug socket		X	
11	955 652 201 00	Cigarette lighter		2	
	955 652 201 00 01C	Satin black			
12	955 613 154 00	Switch Door mirror		1	
	955 613 154 00 6N3	Black mat			
13	955 613 156 01	Control switch Driver's side		1	
13	955 613 156 02	Control switch Driver's side		1	
14	955 613 251 01	Trim for switch Driver's side		1	
	955 613 251 01 A03	Black			
	955 613 251 01 5Y2	Palmgreen			
	955 613 251 01 5Z1	Sand Beige			
	955 613 251 01 7BA	Steel grey			
15	N 903 474 01	Screw 4 X 12		4	

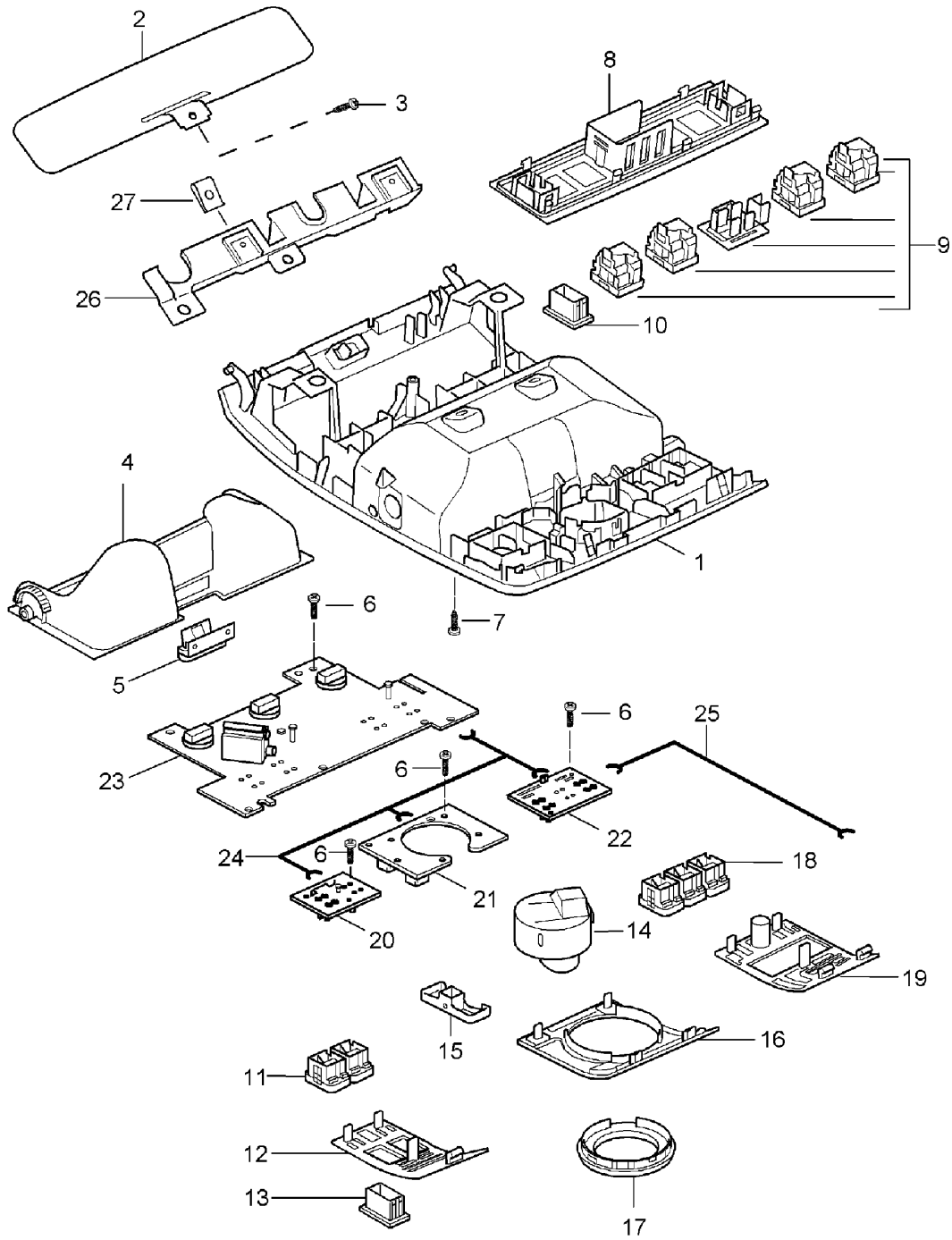
Model: 9PA 03

Model life 2003>>2006

Pos	Part Number	Description	Remark	Qty	Model
16	955 613 158 00	Switch Fuel filler flap	-05	1	
	955 613 158 00 6N3	Black mat			
17	955 613 159 00	Switch Rear lid release	-05	1	
	955 613 159 00 6N3	Black mat			
18	955 613 252 00	Trim for switch	-05	1	
	955 613 252 00 A03	Black			
	955 613 252 00 5Y2	Palmgreen			
	955 613 252 00 5Z1	Sand Beige			
	955 613 252 00 7BA	Steel grey			
19	955 613 161 00	Switch Central locking system	/L	1	
	955 613 161 00 6N3	Black mat			
20	955 613 160 00	Switch Central locking system	/R	2	
	955 613 160 00 6N3	Black mat			
21	955 613 162 02	Switch Power windows		3	
	955 613 162 02 6N3	Black mat			
22	955 613 253 00	Trim for switch		3	
	955 613 253 00 A03	Black			
	955 613 253 00 5Y2	Palmgreen			
	955 613 253 00 5Z1	Sand Beige			
	955 613 253 00 7BA	Steel grey			
23	955 613 157 00	Switch Adjustment suspension		1	I0AB/0BB/1BK
(23)	955 613 157 20	Switch Adjustment suspension		1	I0AB/0BB/1BA
(23)	955 613 157 40	Switch Adjustment suspension		1	I0AG/0BJ/1BK
24	N 104 561 01	Pan-head screw M4 X 10		4	
25	955 613 165 02	Switch Airbag		1	
	955 613 165 02 9B9	Satin black			
26	955 613 164 00	Switch Trailer coupling Electrically adjustable		1	I1D9
	955 613 164 00 6N3	Black mat			
27	955 613 166 00	Trim for switch		1	I1D9
	955 613 166 00 01C	Satin black			

Model: 9PA 03

Model life 2003>>2006



Model: 9PA 03 Model life 2003>>2006

Pos	Part Number	Description	Remark	Qty	Model
1	955 555 557 01	Bracket Roof Retaining frame		1	
	955 555 557 01 A03	Black			
	955 555 557 01 5Y2	Palmgreen			
	955 555 557 01 5Z1	Sand Beige			
	955 555 557 01 7BA	Steel grey			
2	955 731 133 01	Sun visor		1	
	955 731 133 01 A03	Black			
	955 731 133 01 5Y2	Palmgreen			
	955 731 133 01 5Z1	Sand Beige			
	955 731 133 01 7BA	Steel grey			
3	N 105 150 02	Oval-head screw 3 X 8		1	
4	955 552 317 01	Shelf		1	
	955 552 317 01 A03	Black			
5	955 552 318 01	Push-button Shelf		1	
	955 552 318 01 6N3	Black mat			
6	N 909 151 01	Lens-head screw 2,2 X 8		X	
7	N 909 868 01	Tapping screw 4,2 X 13		4	
7	N 909 868 02	Tapping screw 4,2 X 13		4	
8	955 613 325 00	Trim for switch		1	
	955 613 325 00 A03	Black			
9	955 613 300 01	Cap with symbol Set		1	
	955 613 300 01 6N3	Black mat			
10	955 613 326 00	Cover	-05	1	I9MA
	955 613 326 00 A03	Black			
11	955 613 317 00	Cap with symbol		1	I7X2/9ZF/9ZT I9W1/9ZH/9ZP
	955 613 317 00 6N3	Black mat			
12	955 613 327 01	Trim for switch		1	I7X2/9W1/9ZH I9ZF/9ZP/9ZT
	955 613 327 01 A03	Black			
(12)	955 613 328 00	Trim for switch		1	-I7X2/-I9W1 -I9ZH -I9ZF/-I9ZP -I9ZT
	955 613 328 00 A03	Black			
13	955 613 329 00	Cover		1	
	955 613 329 00 A03	Black			
14	955 613 310 00	Switch Sunroof		1	I3FE
	955 613 310 00 6N3	Black mat			
(14)	955 613 309 01	Switch		1	I3FU
	955 613 309 01 6N3	Black mat			
15	955 613 311 00	Cap with symbol Sunroof		1	I3FU
	955 613 311 00 6N3	Black mat			
16	955 613 330 00	Trim for switch		1	I3FE
	955 613 330 00 A03	Black			
(16)	955 613 331 00	Trim for switch		1	I3FU
	955 613 331 00 A03	Black			
(16)	955 613 333 00	Trim for switch		1	I3FA
	955 613 333 00 A03	Black			
17	955 613 332 01	Headlight unit		1	I3FE
	955 613 332 01 A03	Black			

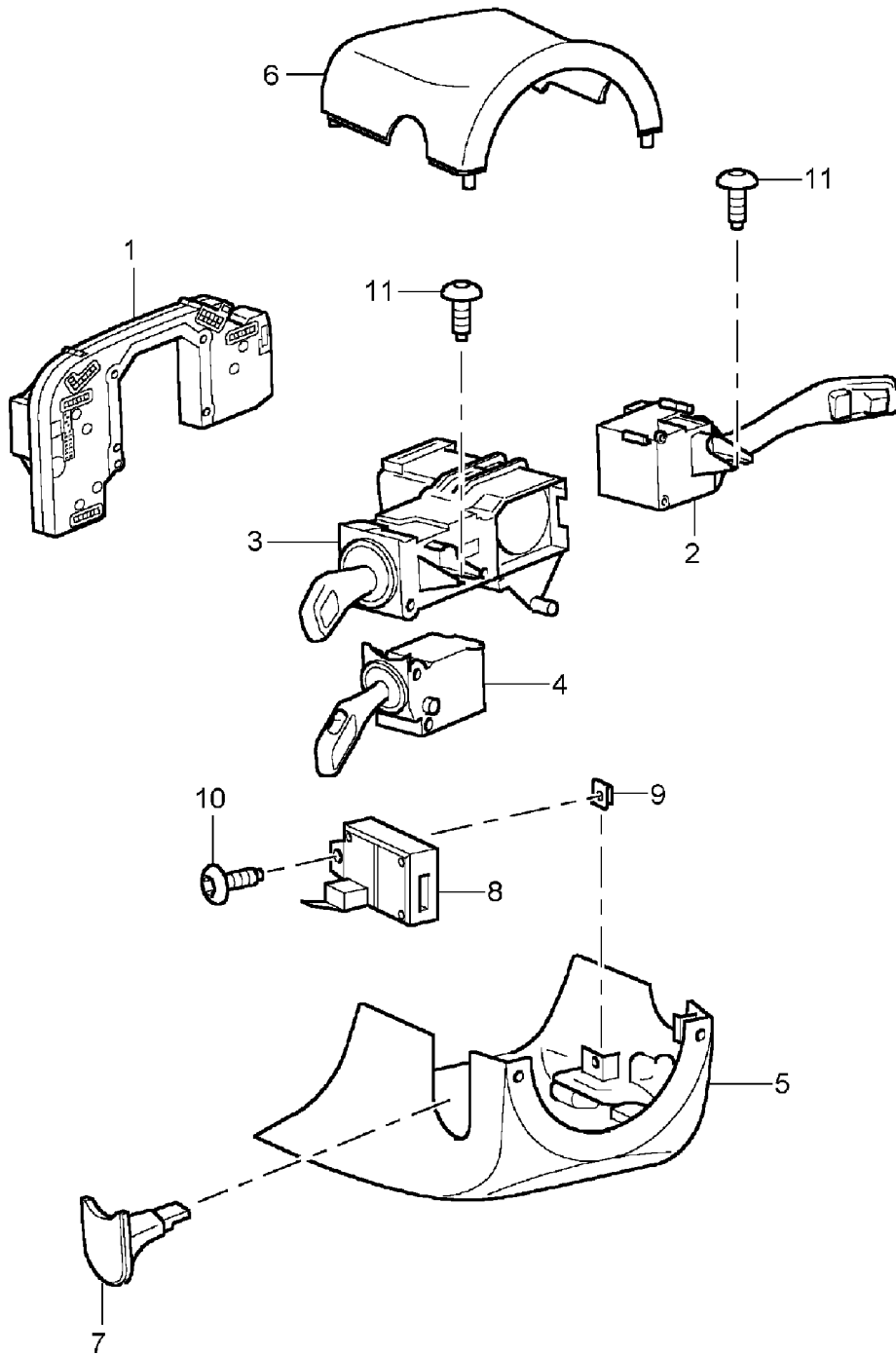
Model: 9PA 03

Model life 2003>>2006

Pos	Part Number	Description	Remark	Qty	Model
(17)	955 613 338 00	Headlight unit		1	I3FU
	955 613 338 00 A03	Black			
18	955 613 312 01	Cap with symbol		1	IVC1/VC2/9MB
	955 613 312 01 A03	Black			
19	955 613 334 00	Trim for switch		1	IVC1/VC2/9MB
	955 613 334 00 A03	Black			
(19)	955 613 335 00	Trim for switch		1	-IVC1/-IVC2 -I9MB
	955 613 335 00 A03	Black			
20	955 613 251 00	Printed circuit board		1	
21	955 613 252 00	Printed circuit board		1	I3FE
(21)	955 613 253 00	Printed circuit board		1	I3FU
22	955 613 254 00	Printed circuit board		1	IVC1/VC2/9MB
23	955 613 250 00	Printed circuit board		1	
24	955 612 501 00	Wiring harness		1	
25	955 612 502 00	Wiring harness		1	IVC1/VC2/9MB
26	955 555 558 00	Mounting piece		1	
		Bracket			
		Roof			
27	N 101 734 01	Speed nut		2	
		4,2 X 9,6			
		Sensor			
		Interior monitoring			
		See group			
		9/01/04			
		Control unit			IVC1/VC2
		See group			
		9/01/04			
		Interior light			
		See group			
		9/03/04			
		Microphone			
		See group			
		9/11/00			

Model: 9PA 03

Model life 2003>>2006





Model: 9PA 03

Model life 2003>>2006

Pos	Part Number	Description	Remark	Qty	Model
1	955 613 291 01	Steering column switch Electronic unit		1	-I2PH
(1)	955 613 292 01	Electronic unit		1	I2PH
2	955 613 244 01	Wiper switch		1	
	955 613 244 01 B41	Satin black order at the same time			
-	WKD 948 810 06	Enclosure German		1	ID9J/D9K
-	WKD 948 910 06	Enclosure German		1	ID9L
-	WKD 948 820 06	Enclosure English		1	ID9J/D9K
-	WKD 948 920 06	Enclosure English		1	ID9L
-	WKD 948 830 06	Enclosure French		1	ID9J/D9K
-	WKD 948 930 06	Enclosure French		1	ID9L
-	WKD 948 840 06	Enclosure Italian		1	ID9J/D9K
-	WKD 948 940 06	Enclosure Italian		1	ID9L
-	WKD 948 850 06	Enclosure Spanish		1	ID9J/D9K
-	WKD 948 950 06	Enclosure Spanish		1	ID9L
-	WKD 948 891 06	Enclosure Dutch		1	ID9J/D9K
-	WKD 948 991 06	Enclosure Dutch		1	ID9L
-	WKD 948 892 06	Enclosure Swedish		1	ID9J/D9K
-	WKD 948 992 06	Enclosure Swedish		1	ID9L
-	WKD 948 821 06	Enclosure Us english		1	ID9J/D9K
-	WKD 948 921 06	Enclosure Us english		1	ID9L
-	WKD 948 831 06	Enclosure Canadian		1	ID9J/D9K
-	WKD 948 931 06	Enclosure Canadian French		1	ID9L
3	955 613 245 00	Direction indicator switch		1	-IQH1
	955 613 245 00 B41	Satin black			
(3)	955 613 219 00	Direction indicator switch		1	IQH1
	955 613 219 00 B41	Satin black			
(3)	955 613 219 01	Direction indicator switch		1	IQH1
	955 613 219 01 B41	Satin black			
4	955 613 261 00	Switch Cruise control		1	I8T1
	955 613 261 00 B41	Satin black			
-	N 909 068 01	Torx screw M 2,5 X 2,6 X 43,5-D		X	
5	955 552 275 00	Switch housing Lower		1	I2C4
	955 552 275 00 A03	Black			
	955 552 275 00 5V7	Stone grey			
	955 552 275 00 5Y2	Palmgreen			
	955 552 275 00 5Y9	Havanna			
	955 552 275 00 5Z1	Sand Beige	04-		
(5)	955 552 276 01	Switch housing		1	I2C5

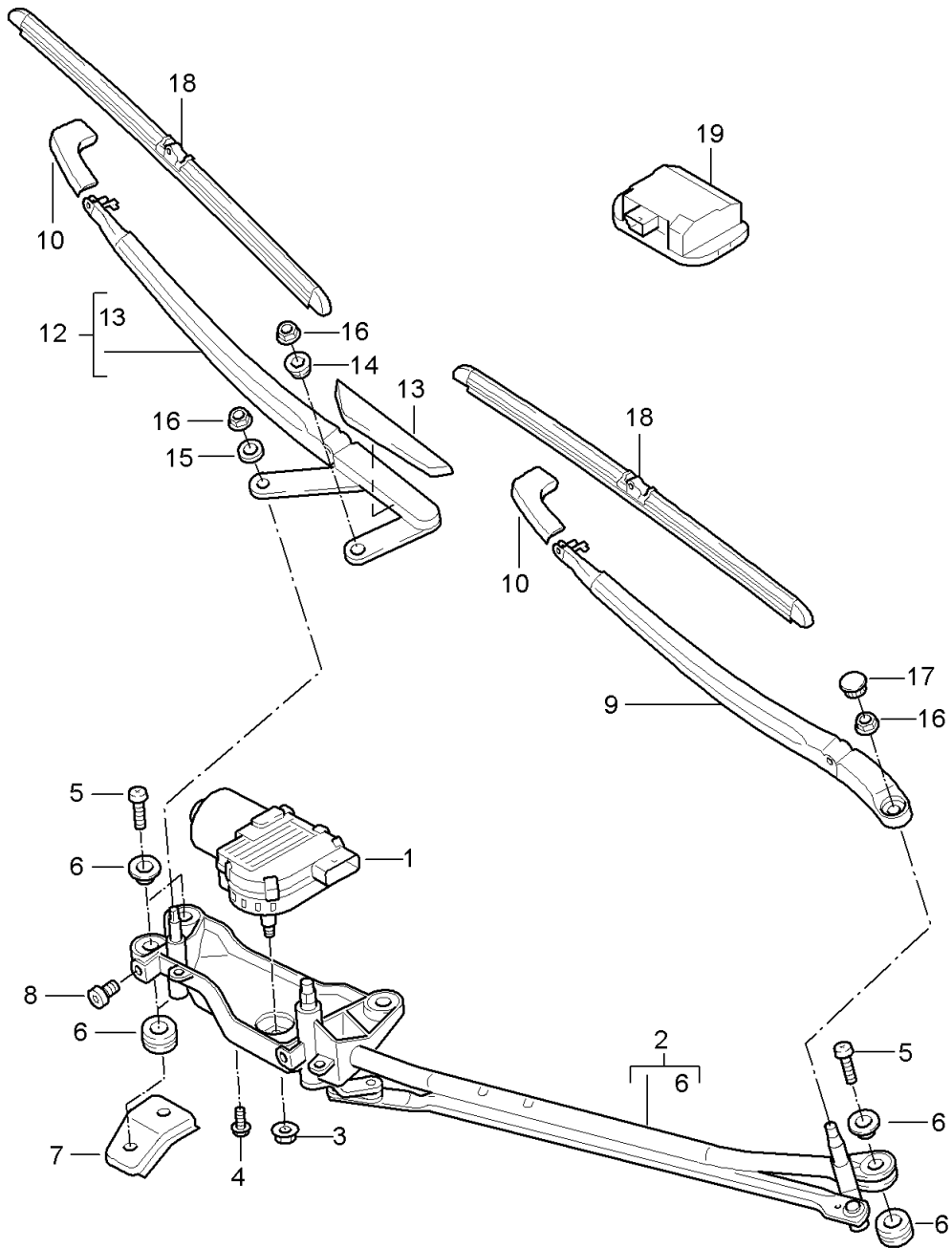
Model: 9PA 03

Model life 2003>>2006

Pos	Part Number	Description	Remark	Qty	Model
		Lower			
	955 552 276 01 A03	Black			
	955 552 276 01 5V7	Stone grey			
	955 552 276 01 5Y2	Palmgreen			
	955 552 276 01 5Y9	Havanna			
	955 552 276 01 5Z1	Sand Beige	04-		
6	955 552 277 00	Switch housing		1	
		Upper			
	955 552 277 00 A03	Black			
	955 552 277 00 5V7	Stone grey			
	955 552 277 00 5Y2	Palmgreen			
	955 552 277 00 5Y9	Havanna			
	955 552 277 00 5Z1	Sand Beige	04-		
7	955 552 278 00	Cover		1	
	955 552 278 00 A03	Black			
	955 552 278 00 5V7	Stone grey			
	955 552 278 00 5Y2	Palmgreen			
	955 552 278 00 5Y9	Havanna			
	955 552 278 00 5Z1	Sand Beige	04-		
8	955 613 222 00	Memory switch		1	I2C4
		Steering wheel			
9	N 906 988 01	Speed nut		1	
		4,2 X 16 X 12			
10	N 906 986 01	Tapping screw		1	I2C4
		4,2 X 16			
11	N 910 239 01	Oval-head screw		2	
		3,5 X 12			

Model: 9PA 03

Model life 2003>>2006



Model: 9PA 03 Model life 2003>>2006

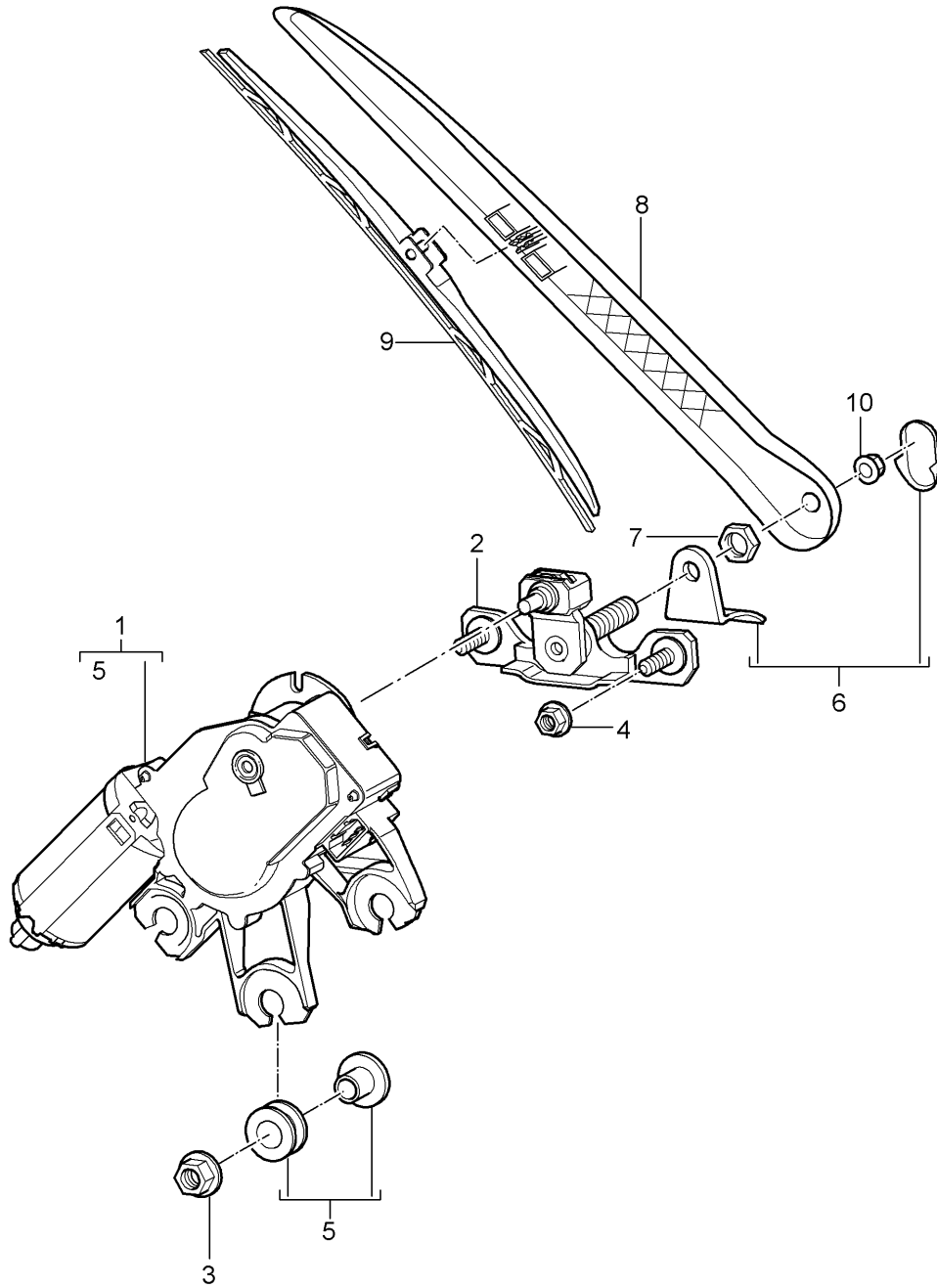
Pos	Part Number	Description	Remark	Qty	Model
1	955 624 105 01	Windscreen wiper system Rain sensor Wiper motor F >>9P5LA 04171 F >>9P5LA 44732 F >>9P5LA 82188	/LL	1	IL0L
(1)	955 624 105 06	Wiper motor F >>9P5LA 04171 F >>9P5LA 44732 F >>9P5LA 82188	/RL	1	IL0R
1	955 624 105 03	Wiper motor F 9P5LA 04172>> F 9P5LA 44733>> F 9P5LA 82189>>	/LL	1	IL0L
(1)	955 624 105 08	Wiper motor F 9P5LA 04172>> F 9P5LA 44733>> F 9P5LA 82189>>	/RL	1	IL0R
2	955 628 137 11	Crank drive	/LL	1	IL0L
2	955 628 137 12	Crank drive	/LL	1	IL0L
(2)	955 628 138 11	Crank drive	/RL	1	IL0R
(2)	955 628 138 12	Crank drive	/RL	1	IL0R
3	N 902 291 04	Hexagon nut M 8		1	
4	N 909 434 02	Oval-head screw M 6 X 16		3	
5	N 105 355 02	Pan-head screw M 6 X 30		4	
6	955 628 711 00	Repair kit Comprising:		1	
-	-	Bush 13,6 MM		2	
-	-	Bush 6,4 X 13,6 MM		1	
-	-	Bush 6,4 MM		1	
-	-	Grommet		4	
7	955 628 717 00	Bracket	/LL	1	IL0L
(7)	955 628 718 00	Bracket	/RL	1	IL0R
8	955 628 035 00	Screw M 6 X 10		2	
9	955 628 028 12	Wiper arm Driver's side	/LL	1	IL0L
(9)	955 628 027 12	Wiper arm Driver's side	/RL	1	IL0R
10	955 628 306 01	Cover	/LL	2	IL0L
(10)	955 628 307 01	Cover	/RL	2	IL0R
-	955 628 317 00	Securing clip Cover	-04	2	
12	955 628 029 13	Wiper arm Passenger's side	/LL	1	IL0L
(12)	955 628 026 13	Wiper arm Passenger's side	/RL	1	IL0R
13	955 628 308 02	Cover	/LL	1	IL0L
(13)	955 628 309 02	Cover	/RL	1	IL0R
14	955 628 313 00	Ring		1	
15	955 628 312 00	Washer		1	
16	N 102 613 05	Hexagon nut M 10		3	
17	955 628 305 01	Cap Driver's side		1	
(17)	955 628 305 02	Cap Passenger's side		2	

Model: 9PA 03 Model life 2003>>2006

Pos	Part Number	Description	Remark	Qty	Model
(18)	955 628 939 03	Wiper blade Set Driver's side Passenger's side without Cover When required order also: POS. 10	/LL	1	IL0L
(18)	955 628 941 03	Wiper blade Set Driver's side Passenger's side without Cover When required order also: POS. 10	/RL	1	IL0R
19	955 618 506 01	Rain sensor  F >>9P5LA 04171 F >>9P5LA 44732 F >>9P5LA 82188		1	I4GF/8K3/8K5 I8K8/8K9
(19)	955 618 506 11	Rain sensor F >>9P5LA 04171 F >>9P5LA 44732 F >>9P5LA 82188		1	I4GF
(19)	955 618 507 01	Rain sensor  F >>9P5LA 04171 F >>9P5LA 44732 F >>9P5LA 82188		1	I4GY/8K3/8K5 I8K8/8K9
(19)	955 618 507 11	Rain sensor F >>9P5LA 04171 F >>9P5LA 44732 F >>9P5LA 82188		1	I4GY
(19)	955 618 518 03	Rain sensor F 9P5LA 04172>> F 9P5LA 44733>> F 9P5LA 82189>>		1	I4GF/4GY/8N3

Model: 9PA 03

Model life 2003>>2006



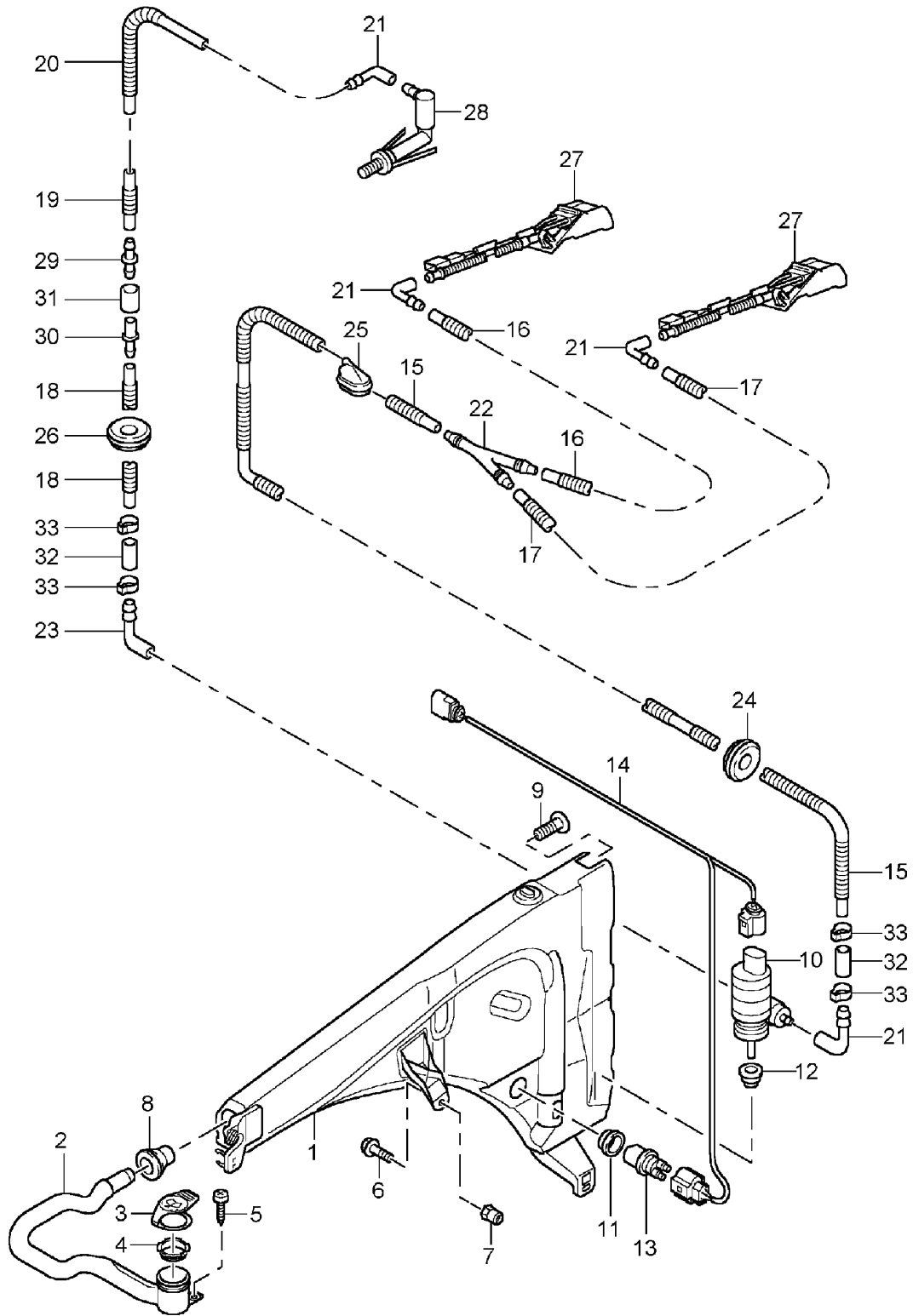
Model: 9PA 03

Model life 2003>>2006

Pos	Part Number	Description	Remark	Qty	Model
		Rear window wiper			
1	955 628 080 04	Wiper motor		1	
2	955 628 090 03	Crank drive		1	
2	955 628 090 04	Crank drive		1	
2	955 628 090 05	Crank drive		1	
3	N 907 143 01	Hexagon nut M 6		3	
4	N 902 158 02	Hexagon nut M 6		2	
5	955 628 721 00	Repair kit		1	
-	-	Comprising: Grommet		3	
-	-	Bush		3	
6	955 628 320 02	Tip switch Complete		1	IQL3/QL5
6	955 628 321 02	Tip switch Complete		1	IQL6
7	N 021 284 5	Hexagon nut M 18 X 1,5		1	
8	955 628 040 02	Wiper arm		1	
		When required order also: DECKEL 955.628.125.00			
9	955 628 050 00	Wiper blade		1	
10	N 011 008 30	Hexagon nut M 8		1	

Model: 9PA 03

Model life 2003>>2006





Model: 9PA 03

Model life 2003&gt;&gt;2006

Pos	Part Number	Description	Remark	Qty	Model
1	955 528 703 00	Windscreen washer system		1	I8X1
(1)	955 528 704 00	Water reservoir		1	I8X0
2	955 528 605 02	Water reservoir		1	
3	955 528 605 02	Filler neck		1	
3	955 528 607 01	Lid		1	
4	955 528 606 02	Strainer		1	
5	N 906 986 03	Tapping screw		1	
		4,2 X 16			
6	N 908 204 01	Hexagon-head bolt		2	
		M 6 X 16			
7	999 500 109 01	Blind rivet nut		2	
		M 6 / 0,8			
8	955 528 711 01	Gasket		1	
		Filler neck			
9	955 628 710 00	Rubber sleeve		1	
		See technical information			
		GR. 9 , NR. 2/04			
(9)	955 528 720 00	Retaining bracket		1	
	955 528 720 00 GRV	Prime coated			
		See technical information			
		GR. 9 , NR. 2/04			
10	955 628 172 01	Pump		1	
11	955 528 721 00	Gasket		1	
12	955 628 712 00	Gasket		1	
13	955 628 105 00	Tank gauge switch		1	
14	955 612 700 00	Wiring harness		1	
-	955 628 130 00	Hose		X	
		6,0 X 1,0			
		10000 MM			
15	-	1155 MM		1	
16		100 MM		1	
17		700 MM		1	
18		807 MM		1	
19		2700 MM		1	
20		1200 MM		1	
21	955 628 200 01	Angled pipe		4	
22	955 628 210 00	Distributing piece		1	
23	955 628 230 00	Angled pipe		1	
23	955 628 230 01	Angled pipe		1	
24	955 628 250 00	Grommet		1	
25	955 628 251 00	Grommet		1	
26	955 628 252 00	Grommet		1	
27	955 628 077 01	Spray nozzle		2	
28	955 628 078 01	Spray nozzle		1	
		Rear end			
		Repair kit			
		for			
		Hose			
29	955 628 222 00	Connecting piece		1	
30	955 628 223 00	Connecting piece		1	
31	955 628 224 00	Shrink-fit hose		1	
32	955 628 225 00	Hose		1	
33	N 020 902 2	Tie-wrap		2	
		See technical manual			
		Gr. 9254			
-	999 901 017 41	Window cleaner		X	
		250 ML			
		Summer			
-	999 901 017 42	Window cleaner		X	
		250 ML			
		Summer			
-	999 901 033 40	Window cleaner		X	
		1000 ML			

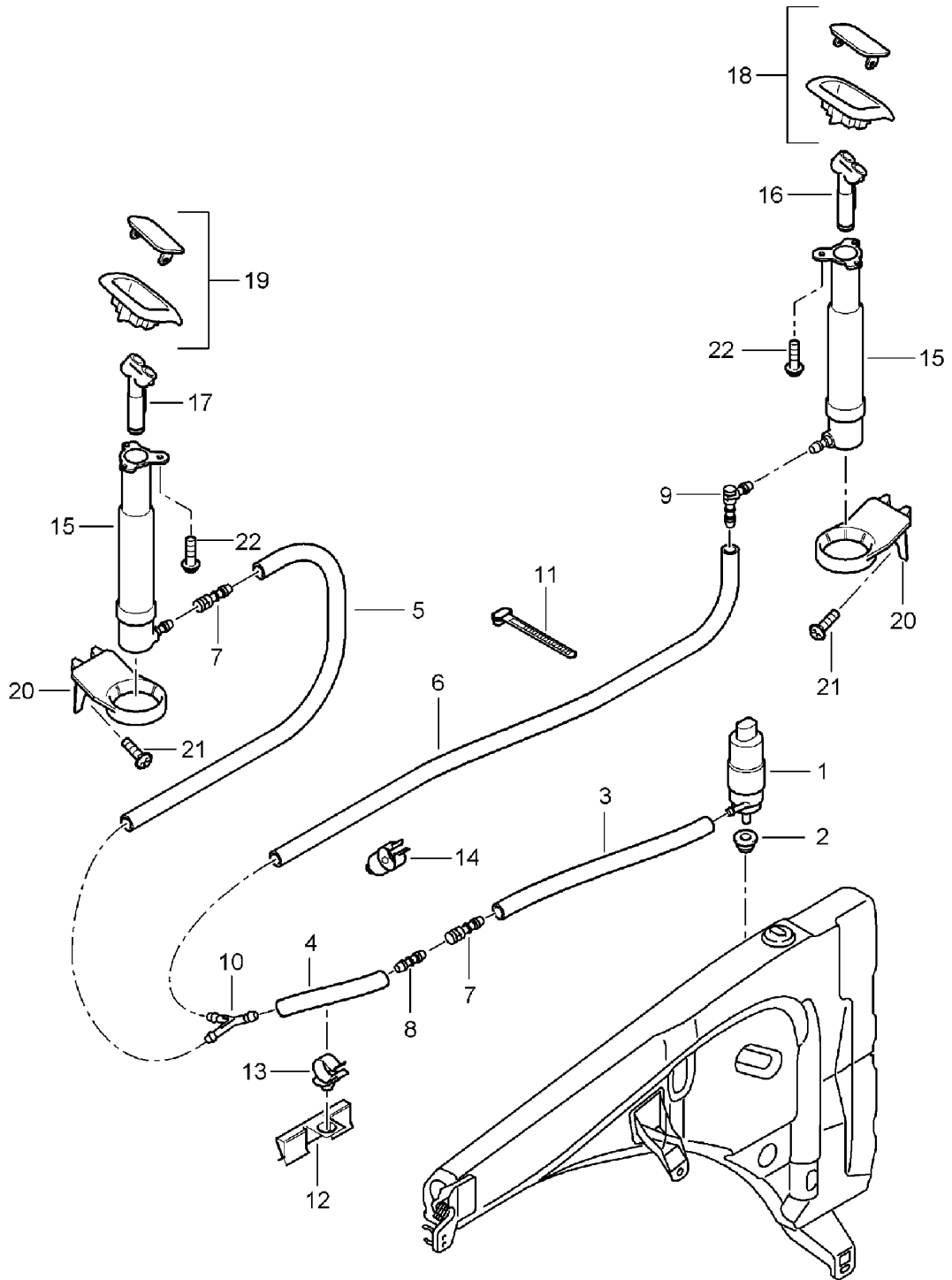
Model: 9PA 03

Model life 2003>>2006

Pos	Part Number	Description	Remark	Qty	Model
		Winter			

Model: 9PA 03

Model life 2003>>2006



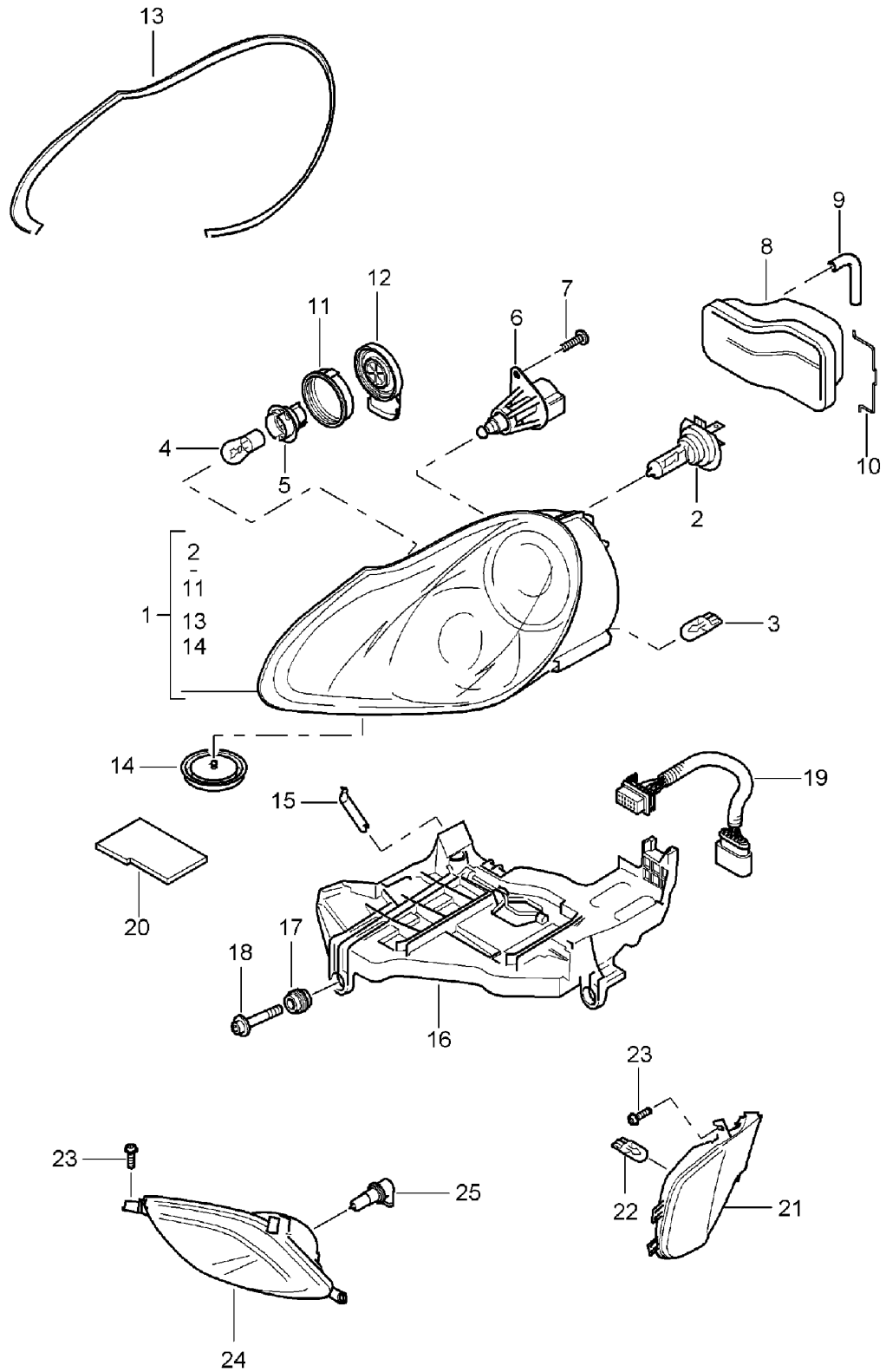
Model: 9PA 03

Model life 2003>>2006

Pos	Part Number	Description	Remark	Qty	Model
		Headlight washer system			
1	955 624 502 00	Pump		1	
2	431 955 465 A	Gasket		1	
-	955 628 181 00	Hose		1	
		10 X 3 MM			
		5000 MM			
3	-	834 MM		1	
4		195 MM		1	
5		260 MM		1	ID9J/D9K
(5)		220 MM		1	ID9L
6		2070 MM / 1915 MM		1	ID9J/D9K
(6)		2140 MM/ 1915 MM		1	ID9L
7	955 628 204 00	Connecting piece		2	
8	955 628 205 00	Connecting piece		1	
9	955 628 206 00	Connecting piece		1	
10	955 628 160 00	Distributing piece		1	
11	N 900 051 01	Tie-wrap		3	
		4,6 X 172			
12	955 628 025 00	Clamp		1	
13	955 628 260 00	Hose holder		1	
14	955 628 261 00	Hose holder		2	
15	955 628 180 00	Jet carrier		2	
16	955 628 161 00	Nozzle	/L	1	ID9J/D9K
(16)	955 628 163 00	Nozzle	/L	1	ID9L
17	955 628 162 00	Nozzle	/R	1	ID9J/D9K
(17)	955 628 164 00	Nozzle	/R	1	ID9L
18	955 628 301 00	Trim cover	/L	1	ID9J/D9K
	955 628 301 00 G2X	Prime coated Comprising: Spacer Hinge Mounting Adhesive tape			
(18)	955 628 303 00	Trim cover	/L	1	ID9L
		Set			
	955 628 303 00 G2X	Prime coated Comprising: Spacer Hinge Mounting			
19	955 628 302 00	Trim cover	/R	1	ID9J/D9K
	955 628 302 00 G2X	Prime coated Comprising: Spacer Hinge Mounting Adhesive tape			
(19)	955 628 304 00	Trim cover	/R	1	ID9L
		Set			
	955 628 304 00 G2X	Prime coated Comprising: Spacer Hinge Mounting			
20	955 628 185 00	Support		2	ID9J/D9K
(20)	955 628 187 00	Support	/L	1	ID9L
(20)	955 628 188 00	Support	/R	1	ID9L
21	N 908 082 01	Oval-head screw		2	ID9J/D9K
		6,0 X 18,5		4	ID9L
22	N 905 624 01	Oval-head screw		6	
		3,5 X 10,0			

Model: 9PA 03

Model life 2003>>2006



Model: 9PA 03

Model life 2003>>2006

Pos	Part Number	Description	Remark	Qty	Model
1	955 631 153 00	Headlamp Direction indicator light Fog headlamp Headlamp See technical information GR. 9, NR. 10/04	/L -04	1	I8BB
(1)	955 631 154 00	Headlamp See technical information GR. 9, NR. 10/04	/R -04	1	I8BB
(1)	955 631 153 10	Headlamp See technical information GR. 9, NR. 10/04	/L -04	1	I8BF
(1)	955 631 154 10	Headlamp See technical information GR. 9, NR. 10/04	/R -04	1	I8BF
(1)	955 631 153 31	Headlamp	/L	1	I8BB
(1)	955 631 154 31	Headlamp	/R	1	I8BB
(1)	955 631 153 41	Headlamp	/L	1	I8BF
(1)	955 631 154 41	Headlamp	/R	1	I8BF
2	999 631 133 91	Halogen bulb H7		4	
3	N 017 753 7	Bulb Position light W 5 W	-04	2	
(3)	N 017 753 8	Bulb Position light W 5 W XENON-BLUE LONGLIFE		2	
4	900 631 021 90	Bulb Direction indicator light Yellow 21 W		2	
5	955 631 133 00	Bulb socket		2	
5	955 631 133 01	Bulb socket		2	
6	955 624 209 00	Direction indicator light Adjusting motor Headlight levelling system		2	
7	955 631 285 00	Screw		4	
8	955 631 231 10	Protective cap See technical information GR.9 NR.10/04	/L	1	
(8)	955 631 232 10	Protective cap See technical information GR.9 NR.10/04	/R	1	
9	955 631 451 00	Breather adapter Protective cap See technical information GR.9 NR.10/04		2	
10	955 631 287 00	Retainer spring		4	
11	955 631 233 00	Protective cap Appendix High beam		2	
12	955 631 233 10	Protective cap Appendix High beam See technical information GR.9 NR.10/04		2	
13	955 631 115 00	Gasket Headlamp	/L	1	

Model: 9PA 03 Model life 2003>>2006

Pos	Part Number	Description	Remark	Qty	Model
(13)	955 631 116 00	Gasket Headlamp	/R	1	
14	955 631 235 00	Ventilation component		2	
15	955 631 081 00	Guide sleeve Adjustment Headlamp	/L	1	
(15)	955 631 082 00	Guide sleeve Adjustment Headlamp	/R	1	
16	955 631 041 02	Mounting	/L	1	
(16)	955 631 042 02	Mounting	/R	1	
(17)	955 631 062 03	Tensioner for Mounting 955.631.041.01/042.01 955.631.041.02/042.02		8	
18	955 631 052 01	Fastening screw BM6 X 50 X 20 for Mounting 955.631.041.01/042.01 955.631.041.02/042.02		8	
(18)	N 910 427 01	Oval-head screw BM6 X 40 for Mounting 955.631.041.00/042.00		8	
19	955 631 239 00	Wiring harness Headlamp		2	
20	955 631 137 00	Cover foil Set Headlamp for Right-hand drive vehicles in rh traffic countries See TPI GR. 9 / NR. 23		1	
(20)	955 631 138 00	Cover foil Set Headlamp for Left-hand drive vehicles in lh traffic countries See TPI GR. 9 / NR. 23		1	
21	955 631 033 00	Direction indicator light	/L	1	-I6GE/-I6GF
21	955 631 033 01	Direction indicator light	/L	1	-I6GE/-I6GF
(21)	955 631 033 20	Direction indicator light	/L	1	I6GE/6GF
(21)	955 631 034 00	Direction indicator light	/R	1	-I6GE/-I6GF
(21)	955 631 034 01	Direction indicator light	/R	1	-I6GE/-I6GF
(21)	955 631 034 20	Direction indicator light	/R	1	I6GE/6GF
-	958 612 273 00	Wiring harness Bulb socket Sub-part It is necessary to rework		1	
22	999 631 138 90	Bulb 5 W Yellow		2	
23	N 908 082 01	Oval-head screw 6 X 18,5		12	
24	955 631 161 01	Fog headlamp	/L	1	
24	955 631 161 02	Fog headlamp	/L	1	
(24)	955 631 162 01	Fog headlamp	/R	1	

Model: 9PA 03

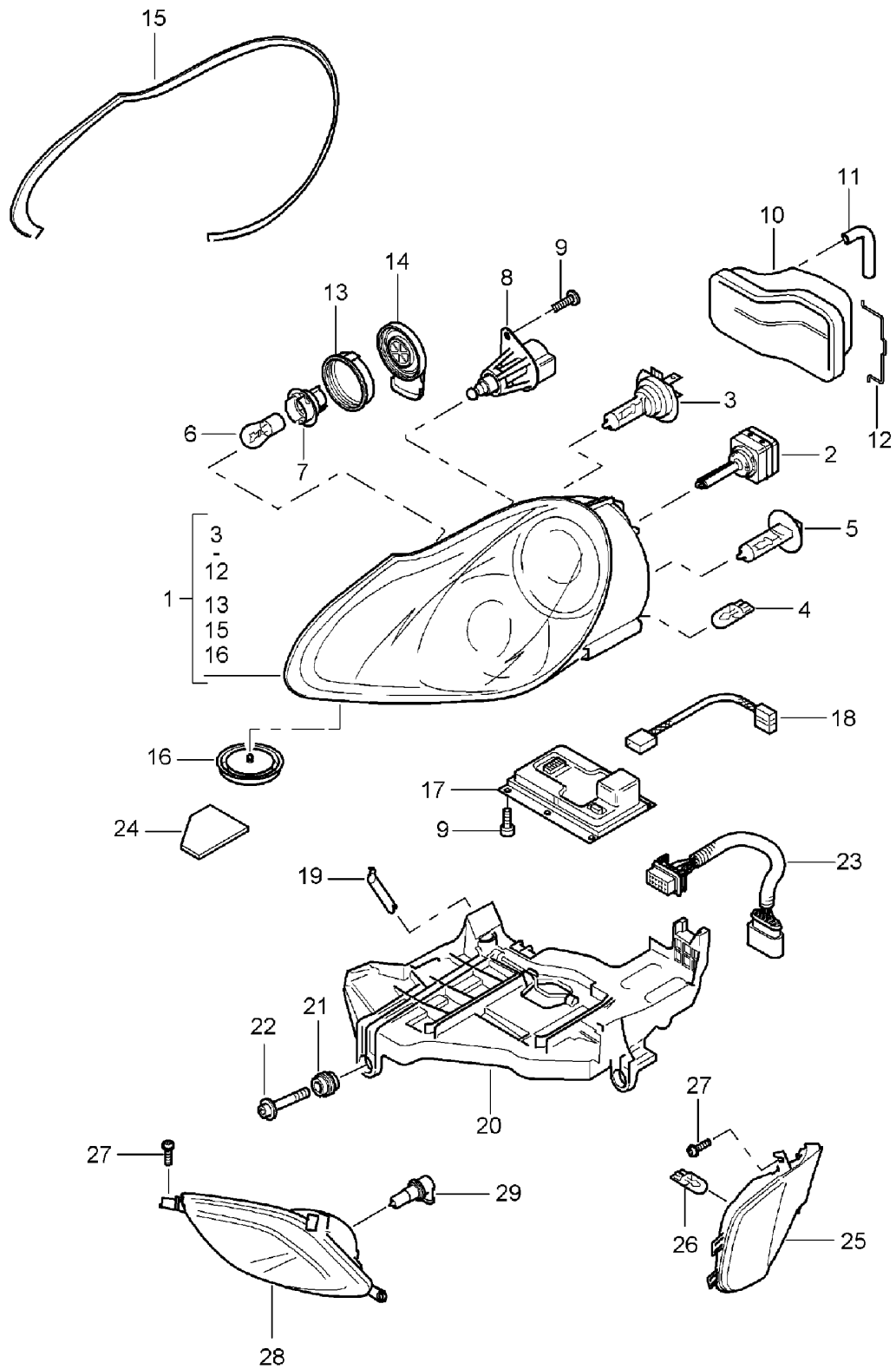
Model life 2003&gt;&gt;2006

Pos	Part Number	Description	Remark	Qty	Model
(24)	955 631 162 02	Fog headlamp	/R	1	
(24)	955 631 163 00	Fog headlamp	05-	2	I2D1/2D2
25	999 631 144 91	Halogen bulb H 11		2	



Model: 9PA 03

Model life 2003>>2006



Model: 9PA 03

Model life 2003>>2006

Pos	Part Number	Description	Remark	Qty	Model
		Headlamp Direction indicator light Fog headlamp			I8BC/8BZ/8JD
1	955 631 157 00	Headlamp See technical information GR. 9, NR. 10/04	/L -04	1	I8BC
(1)	955 631 158 00	Headlamp See technical information GR. 9, NR. 10/04	/R -04	1	I8BC
(1)	955 631 157 10	Headlamp See technical information GR. 9, NR. 10/04	/L -04	1	I8BZ
(1)	955 631 158 10	Headlamp See technical information GR. 9, NR. 10/04	/R -04	1	I8BZ
1	955 631 157 31	Headlamp	/L	1	I8BC
(1)	955 631 158 31	Headlamp	/R	1	I8BC
(1)	955 631 157 41	Headlamp	/L	1	I8BZ
(1)	955 631 158 41	Headlamp	/R	1	I8BZ
2	N 105 661 01	Bulb D1S 35W		2	
3	999 631 133 91	Halogen bulb H 7		2	
4	N 017 753 7	Bulb Position light W 5 W	-04	2	
(4)	N 017 753 8	Bulb Position light W 5 W XENON-BLUE LONGLIFE		2	
5	900 631 126 90	Halogen bulb H 3		2	
6	900 631 021 90	Bulb 21 W Direction indicator light		2	
7	955 631 133 00	Bulb socket		2	
7	955 631 133 01	Bulb socket		2	
8	955 624 209 10	Direction indicator light Adjusting motor Headlight levelling system		2	
9	955 631 285 00	Screw		X	
10	955 631 231 10	Protective cap See technical information GR. 9, NR. 10/04	/L	1	
(10)	955 631 232 10	Protective cap See technical information GR. 9, NR. 10/04	/R	1	
11	955 631 451 00	Breather adapter Protective cap 955.631.231.10 / 232.10 See technical information GR. 9, NR. 10/04		1	
12	955 631 287 00	Retainer spring		4	
13	955 631 233 00	Protective cap Appendix		2	
14	955 631 233 10	High beam Protective cap Appendix High beam	-04	2	

Model: 9PA 03 Model life 2003>>2006

Pos	Part Number	Description	Remark	Qty	Model
		See technical information GR. 9, NR. 10/04			
15	955 631 115 00	Gasket	/L	1	
(15)	955 631 116 00	Headlamp Gasket	/R	1	
16	955 631 235 00	Headlamp Ventilation component		2	
17	955 631 193 01	Ignition control unit		2	
18	955 631 239 20	Wiring harness		2	
19	955 631 081 00	Guide sleeve	/L	1	
(19)	955 631 082 00	Adjustment Headlamp Guide sleeve	/R	1	
20	955 631 041 02	Adjustment Headlamp Mounting	/L	1	
(20)	955 631 042 02	Mounting	/R	1	
(21)	955 631 062 03	Tensioner for Mounting		8	
22	955 631 052 01	955.631.041.01/042.01 955.631.041.02/042.02 Fastening screw BM6 X 50 X 20 for Mounting		8	
(22)	N 910 427 01	955.631.041.01/042.01 955.631.041.02/042.02 Oval-head screw BM6 X 40 for Mounting		8	
23	955 631 239 10	955.631.041.00/042.00 Wiring harness		2	
24	955 631 137 10	Headlamp Cover foil Set Headlamp for Right-hand drive vehicles in rh traffic countries See TPI		1	
(24)	955 631 138 10	GR. 9 / NR. 23 Cover foil Set Headlamp for Left-hand drive vehicles in lh traffic countries See TPI		1	
25	955 631 033 00	GR. 9 / NR. 23 Direction indicator light	/L	1	-I6GE/-I6GF
25	955 631 033 01	Direction indicator light	/L	1	-I6GE/-I6GF
(25)	955 631 033 20	Direction indicator light	/L	1	I6GE/6GF
(25)	955 631 034 00	Direction indicator light	/R	1	-I6GE/-I6GF
(25)	955 631 034 01	Direction indicator light	/R	1	-I6GE/-I6GF
(25)	955 631 034 20	Direction indicator light	/R	1	I6GE/6GF
-	958 612 273 00	Wiring harness Bulb socket Sub-part		1	
26	999 631 138 90	It is necessary to rework Bulb 5 W		2	

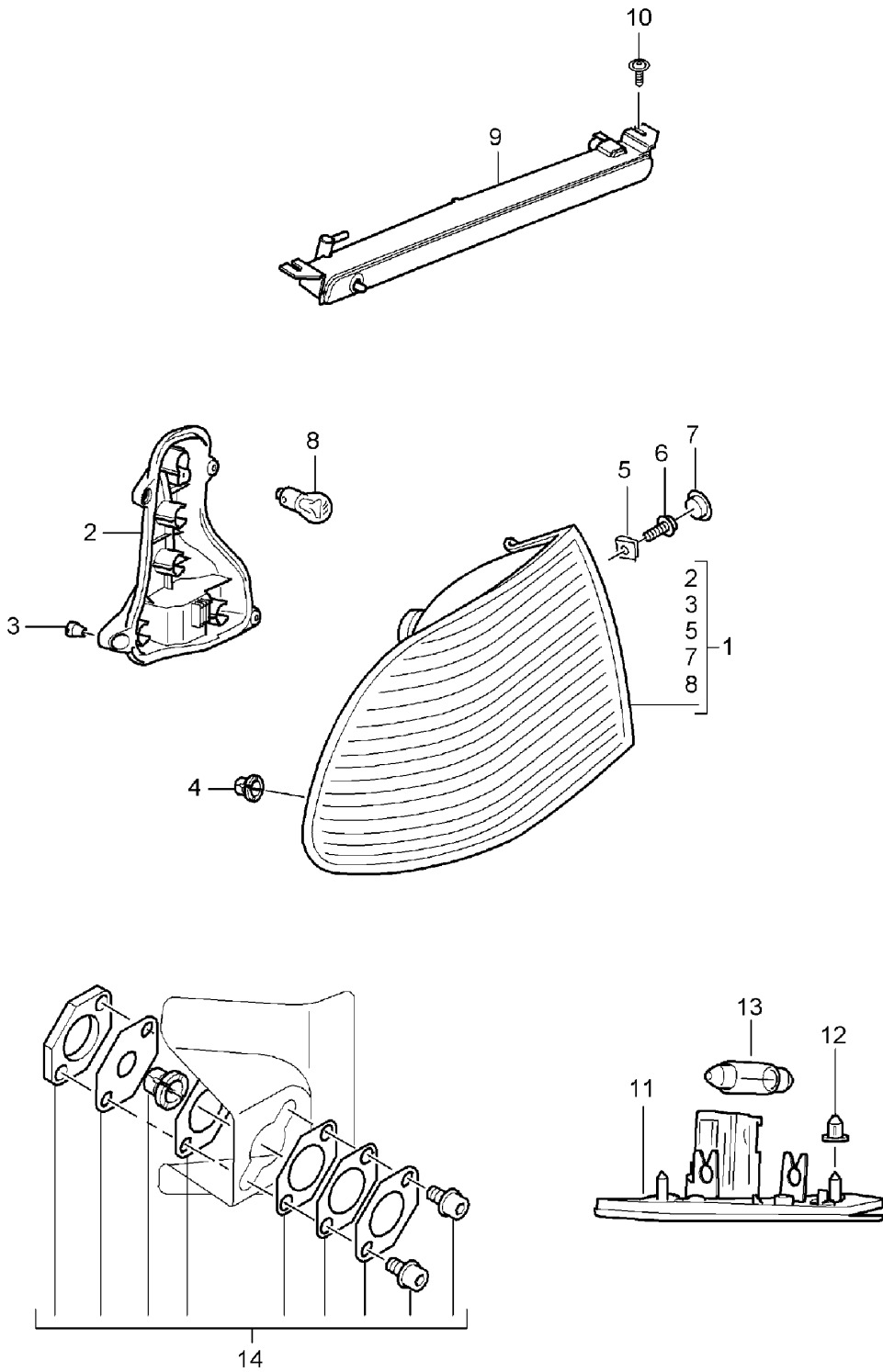
Model: 9PA 03

Model life 2003>>2006

Pos	Part Number	Description	Remark	Qty	Model
27	N 908 082 01	Yellow Oval-head screw 6 X 18,5		12	
28	955 631 161 01	Fog headlamp	/L	1	
28	955 631 161 02	Fog headlamp	/L	1	
(28)	955 631 162 01	Fog headlamp	/R	1	
(28)	955 631 163 00	Fog headlamp		2	I2D1/2D2
29	999 631 144 91	Halogen bulb H 11		2	

Model: 9PA 03

Model life 2003>>2006



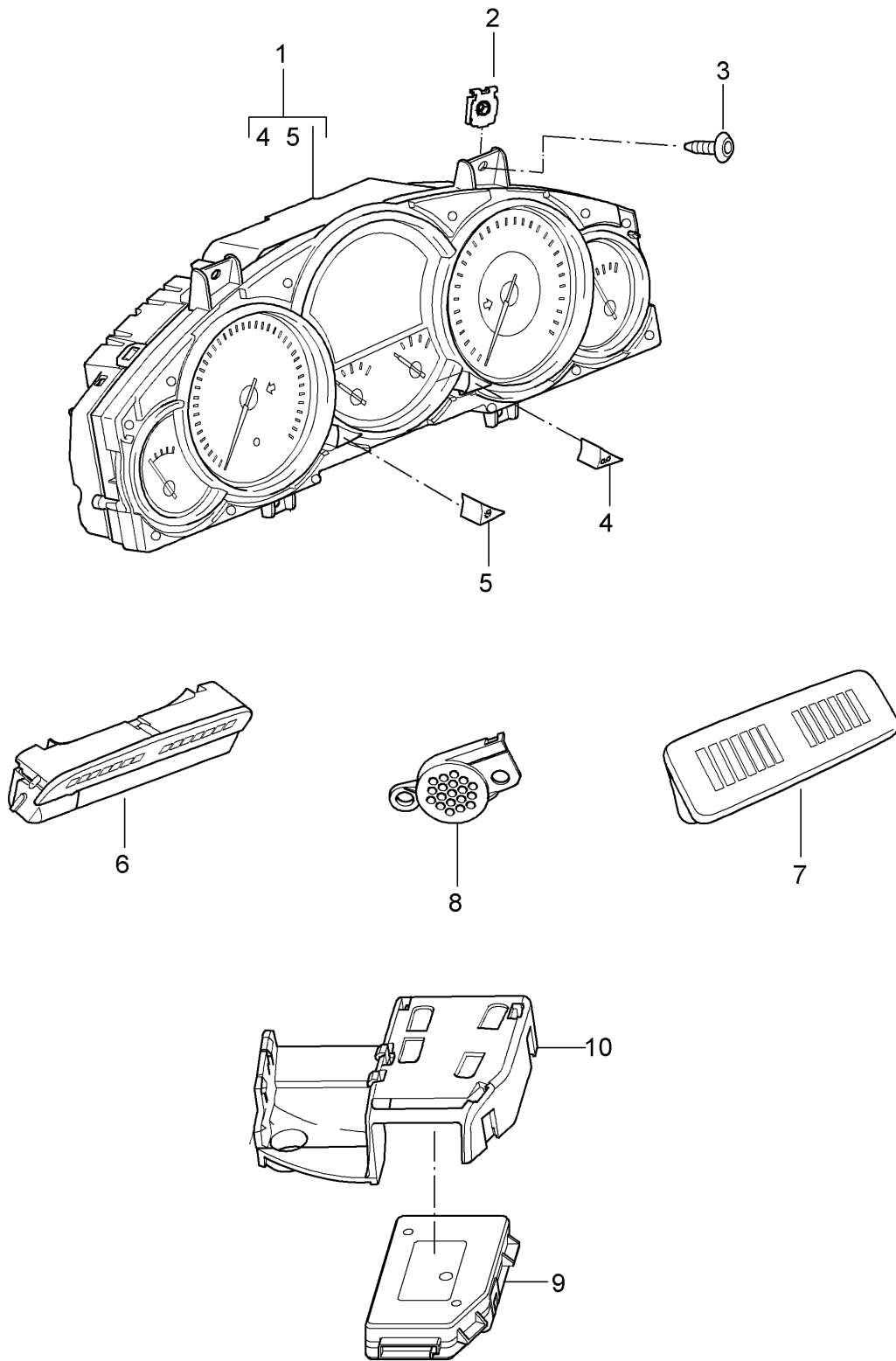
Model: 9PA 03

Model life 2003>>2006

Pos	Part Number	Description	Remark	Qty	Model
		Rear light			
		License plate light			
		Additional brake light			
		Repair kit			
		Rear light			
1	955 631 485 02	Tail light housing	/L	1	
(1)	955 631 486 02	Tail light housing	/R	1	
2	955 631 437 00	Bulb holder	/L	1	
(2)	955 631 438 00	Bulb holder	/R	1	
(2)	955 631 436 00	Wiring harness		2	
3	955 631 450 00	Fastening part		8	
		Bulb holder			
4	955 631 471 02	Clips nut		2	
5	N 901 686 04	Speed nut		4	
		M 6 X 23,4 X 16			
6	N 101 148 06	Combination screw		4	
		M 6 X 15			
7	955 631 475 00	Cap		4	
8	999 631 024 90	Bulb		2	
		P21 / 4 W			
(8)	900 631 127 90	Bulb		6	
		21 W			
(8)	900 631 128 90	Bulb		2	
		P21 / 5 W			
9	955 631 050 02	Additional brake light		1	
10	N 908 401 03	Oval-head screw		2	
		4 x 14			
11	955 631 620 03	License plate light		2	
11	955 631 620 04	License plate light		2	
(11)	997 631 620 01	License plate light		2	I1G3
(11)	997 631 620 02	License plate light		2	I1G3
12	N 908 378 02	Expander nut		4	
		3,0 X 11,1			
13	900 631 105 90	Bulb		2	
		5 W			
		Repair kit			
		Rear light			
14	955 631 215 00	Repair kit		1	
		Comprising:			
-	-	Threaded plate		1	
-	-	Nut lock		1	
-	955 631 471 02	Clips nut		1	
-	-	Spacer plate		2	
		0,5 MM			
-	-	Spacer plate		2	
		1,0 MM			
-	-	Combination screw		2	
		M 5 X 12			

Model: 9PA 03

Model life 2003>>2006



Model: 9PA 03

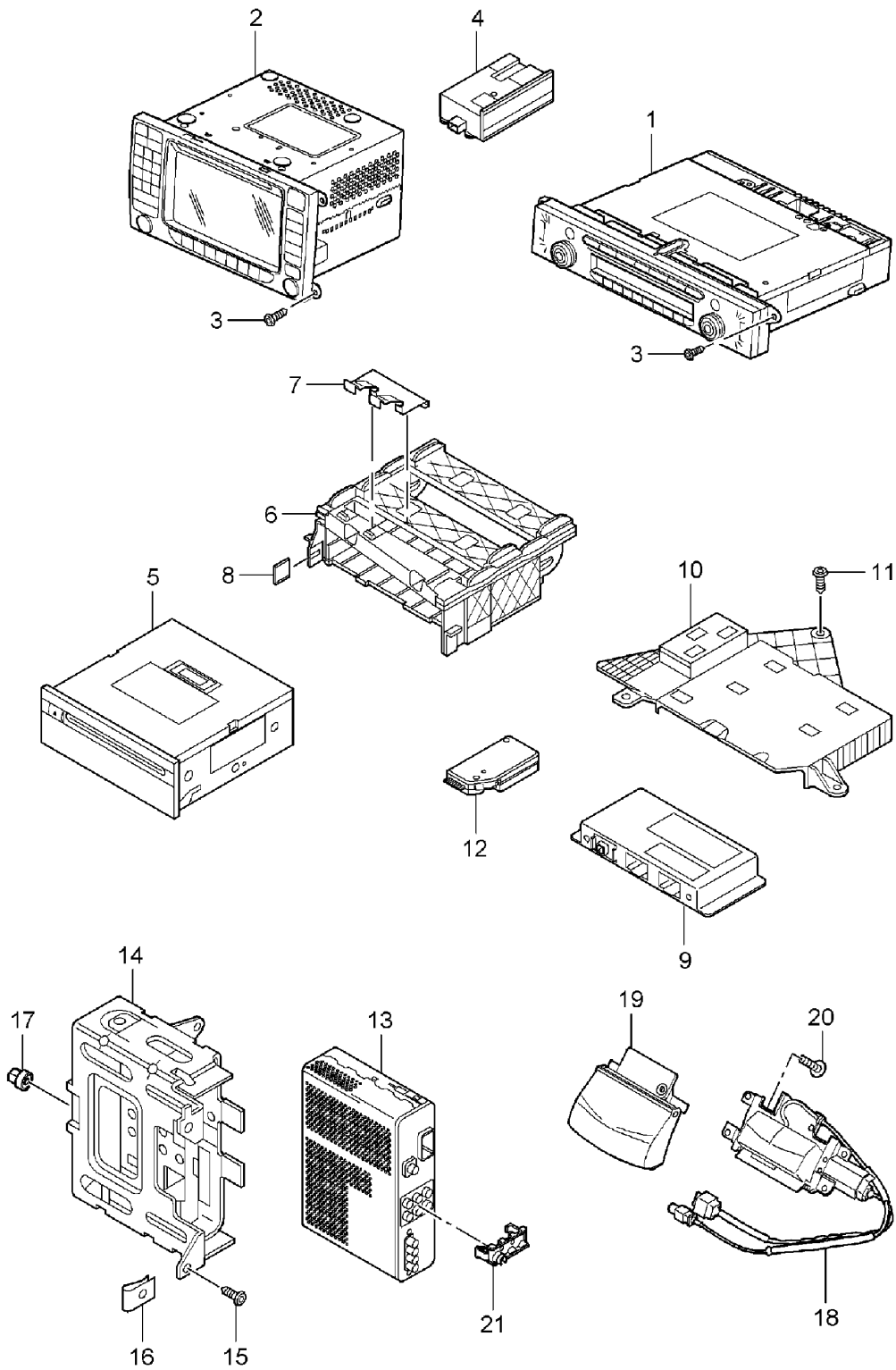
Model life 2003>>2006

Pos	Part Number	Description	Remark	Qty	Model
		Instruments Display unit ParkAssist Magnetic-field sensor Compass			
1	955 641 104 00	Instrument cluster	-04	1	ID9J
(1)	955 641 114 00	Instrument cluster	05-	1	ID9J
(1)	955 641 105 00	Instrument cluster	-04	1	ID9J/U5B
(1)	955 641 115 00	Instrument cluster	05-	1	ID9J/U5B
(1)	955 641 204 01	Instrument cluster	-04	1	ID9K
(1)	955 641 214 00	Instrument cluster	05-	1	ID9K
(1)	955 641 205 01	Instrument cluster	-04	1	ID9K/U5B
(1)	955 641 215 00	Instrument cluster	05-	1	ID9K/U5B
(1)	955 641 304 01	Instrument cluster	-04	1	ID9L
(1)	955 641 314 00	Instrument cluster	05-	1	ID9L
(1)	955 641 305 01	Instrument cluster	-04	1	ID9L/U5B
(1)	955 641 315 00	Instrument cluster	05-	1	ID9L/U5B
2	N 906 987 01	Speed nut ST 4,2		4	
3	N 906 986 01	Tapping screw ST 4,2 X 16		4	
4	955 641 070 00	Knob Actuator		1	
5	955 641 070 10	Trip meter Knob Actuator		1	
6	955 641 222 00	Clock Display unit Front		1	I7X1/7X2
7	955 641 224 00	Display unit Rear		1	I7X1/7X2
	955 641 224 00 A03	Black			
	955 641 224 00 5Y2	Palmgreen			
	955 641 224 00 5Z1	Sand Beige			
	955 641 224 00 7BA	Steel grey			
7	955 641 224 01	Display unit Rear		1	I7X1/7X2
	955 641 224 01 A03	Black			
	955 641 224 01 5Y2	Palmgreen			
	955 641 224 01 5Z1	Sand Beige			
	955 641 224 01 7BA	Steel grey			
8	955 641 230 00	Buzzer		1	I7X2
9	955 642 023 00	Warning function Magnetic-field sensor Compass	05	1	
		From Model Year	05		
10	955 642 024 00	Support		1	IQR1/8DU



Model: 9PA 03

Model life 2003>>2006



Model: 9PA 03 Model life 2003>>2006

Pos	Part Number	Description	Remark	Qty	Model
1	-	Radio Navigation system Receiving part TV Receiving part Radio Magnetic-field sensor Compass Reversing camera Radio See catalogue	05- 05- -04 05-		
2	955 642 203 02	Tequipment Control part See technical information GR. 9 , NR. 6/03		1	I8DV
2	955 642 203 05	Control part See technical information GR. 9 , NR. 6/03	-04	1	I8DV
2	955 642 203 11	Control part	05	1	I8DV
2	955 642 210 00	Control part F >>9P6LA 08079 F >>9P6LA 49270 F >>9P6LA 83929	06-	1	I8DV
2	955 642 210 01	Control part F 9P6LA 08080>> F 9P6LA 49271>> F 9P6LA 83930>>		1	I8DV
2	955 642 210 10	Control part F 9P6LA 08080>> F 9P6LA 49271>> F 9P6LA 83930>>		1	I8DV
3	N 105 842 01	Tapping screw 4,2 X 25		X	
-	955 642 951 00	Rotary knob Left Control part		1	
-	955 642 952 00	Rotary knob Right Control part		1	
-	955 642 941 00	Cover Drawer SIM card for Control part		1	
4	996 642 205 02	Module Navigation system	-04	1	
(4)	955 642 130 01	Module Voice activation		1	IQH1
-	955 642 131 01	CD-ROM Voice activation		1	IQH1
-	996 642 030 00	CD-ROM Navigation for Control part 955.642.203.02 See technical information GR. 9 , NR. 6/03		1	I7QT
-	996 642 030 01	CD-ROM Navigation for Control part 955.642.203.05 See technical information		1	I7QT

Model: 9PA 03 Model life 2003>>2006

Pos	Part Number	Description	Remark	Qty	Model
-	996 642 030 02	GR. 9 , NR. 6/03 CD-ROM Navigation for Control part 955.642.203.05		1	I7QT
-	996 642 034 01	CD-ROM Navigation See technical information GR. 9 , NR. 6/03		1	I7QV
-	996 642 035 01	CD-ROM Navigation See technical information GR. 9 , NR. 6/03		1	I7QZ
-	996 642 036 01	CD-ROM Navigation See technical information GR. 9 , NR. 6/03		1	I7RA
-	996 642 037 01	CD-ROM Navigation See technical information GR. 9 , NR. 6/03		1	I7RB/7RC/7RD
-	996 642 034 02	CD-ROM		1	I7QV
-	996 642 036 02	CD-ROM		1	I7RA
5	997 642 135 04	DVD device	05	1	I8DQ/8DV I7Q2/7T1
5	997 642 137 02	DVD device Navigation system F >>9P6LA 08079 F >>9P6LA 49270 F >>9P6LA 83929		1	I8DQ/8DV I7Q2/7T1
5	997 642 157 00	DVD device Navigation system		1	I8DQ/8DV I7Q2/7T1
-	997 642 235 03	DVD Navigation	05	1	I7QT
-	997 642 255 03	DVD Navigation F >>9P6LA 08079 F >>9P6LA 49270 F >>9P6LA 83929		1	I7QT
-	997 642 255 05	DVD Navigation F 9P6LA 08080>> F 9P6LA 49271>> F 9P6LA 83930>>		1	I7QT
-	997 642 239 03	DVD Navigation	05	1	I7QV
-	997 642 259 02	DVD Navigation F >>9P6LA 08079 F >>9P6LA 49270 F >>9P6LA 83929		1	I7QV
-	997 642 259 04	DVD Navigation F 9P6LA 08080>> F 9P6LA 49271>> F 9P6LA 83930>>		1	I7QV
-	997 642 241 03	DVD Navigation	05	1	I7QZ
-	997 642 261 02	DVD Navigation F >>9P6LA 08079 F >>9P6LA 49270		1	I7QZ

Model: 9PA 03 Model life 2003>>2006

Pos	Part Number	Description	Remark	Qty	Model
-	997 642 261 04	F >>9P6LA 83929 DVD Navigation F 9P6LA 08080>> F 9P6LA 49271>> F 9P6LA 83930>>		1	I7QZ
-	997 642 243 03	DVD Navigation	05	1	I7RA
-	997 642 263 02	DVD Navigation F >>9P6LA 08079 F >>9P6LA 49270 F >>9P6LA 83929		1	I7RA
-	997 642 263 03	DVD Navigation F 9P6LA 08080>> F 9P6LA 49271>> F 9P6LA 83930>>		1	I7RA
-	997 642 245 03	DVD Navigation	05	1	I7RB/7RC/7RD
-	997 642 265 02	DVD Navigation F >>9P6LA 08079 F >>9P6LA 49270 F >>9P6LA 83929		1	I7RB/7RC/7RD
-	997 642 265 04	DVD Navigation F 9P6LA 08080>> F 9P6LA 49271>> F 9P6LA 83930>>		1	I7RB/7RC/7RD
-	997 642 267 04	DVD Navigation F 9P6LA 08080>> F 9P6LA 49271>> F 9P6LA 83930>>		1	( ) I7RV
-	997 642 148 02	CD-ROM Logbook	06-	1	
6	955 642 226 01	Support	05	1	I8DQ/8DV I7Q2/7T1
7	955 642 228 00	Retaining bracket		1	I8DQ/8DV I7Q2/7T1
8	N 907 468 01	U-clamp		2	
12	955 642 023 00	Magnetic-field sensor Compass		1	IQR1/8DU
13	955 642 250 00	Receiving part TV	05	1	IQV1
14	955 642 255 00	Support	05	1	IQV1/8L6
14	955 642 255 10	Support	05	1	IQV1/8L6
15	N 100 292 06	Oval-head screw M 6 X 15		4	IQV1
16	N 910 234 01	Speed nut M 6 X 24,4 X 13		4	IQV1
17	N 100 151 01	Plastic nut T 5		1	IQV1
18	955 645 290 00	Reversing camera Module		1	I7X1/7X3
18	955 645 290 X	Reversing camera Module		1	I7X1/7X3
18	955 645 290 1X	Reversing camera Module		1	I7X1/7X3

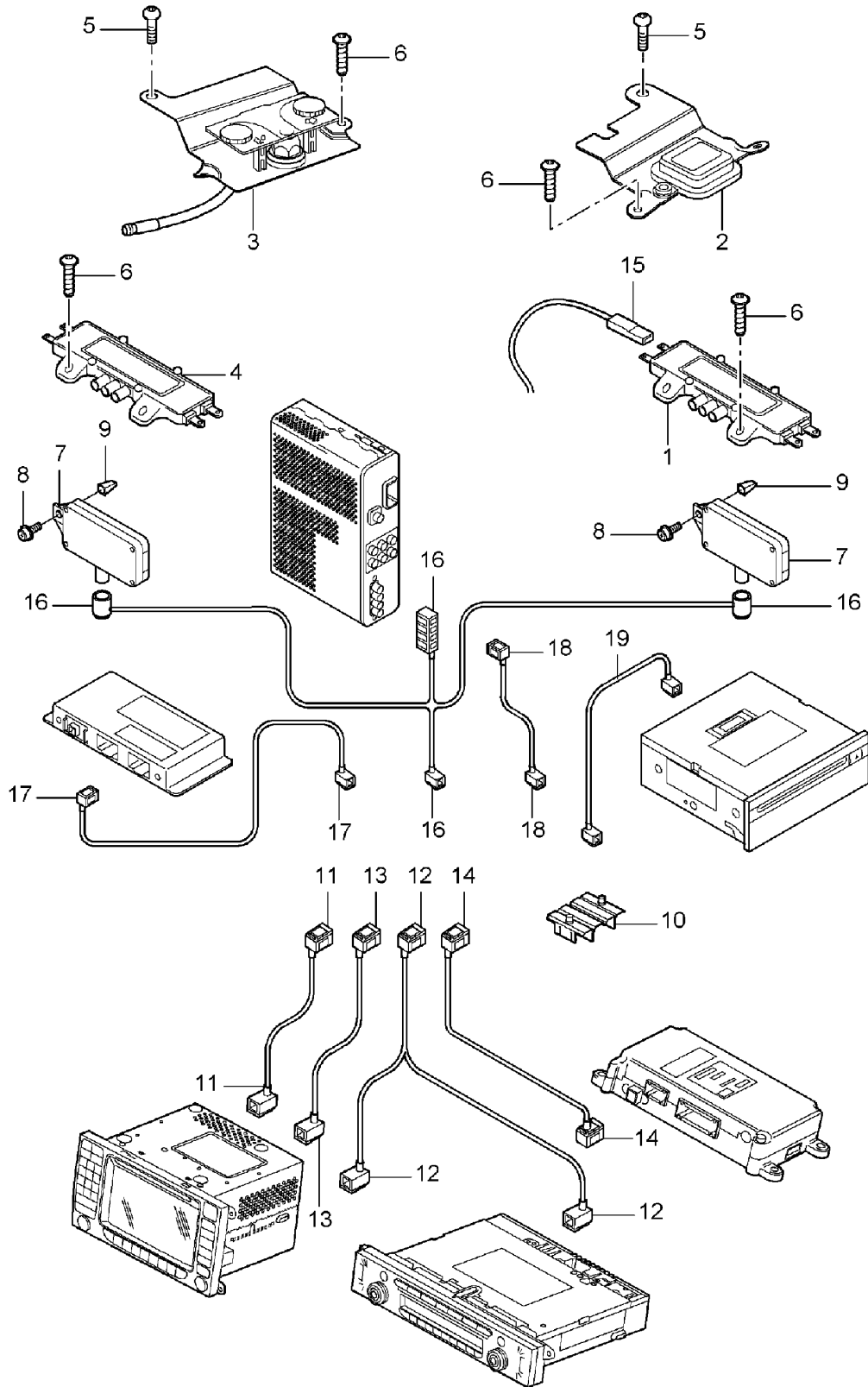
Model: 9PA 03

Model life 2003&gt;&gt;2006

Pos	Part Number	Description	Remark	Qty	Model
19	955 645 292 00	Trim cover		1	I7X1/7X3
	955 645 292 00 G2X	Prime coated			
20	955 645 294 00	Combination screw		4	
		M 4 X 12			
21	955 645 295 00	Coding plug		1	IQV1/7X1/7X3

Model: 9PA 03

Model life 2003>>2006



Model: 9PA 03

Model life 2003>>2006

Pos	Part Number	Description	Remark	Qty	Model
1	955 647 301 00	Antenna booster Antenna		1	I8ZM
(1)	955 647 302 00	Antenna booster Rear spoiler Right		1	I8L6
2	955 647 107 01	Antenna		1	IQV0/QV1/7Q2 I7T1
3	955 647 106 00	GPS Antenna		1	
3	955 647 106 01	Antenna		1	
4	955 647 104 00	Telephone Antenna booster Rear spoiler Left		1	IQV4/QV8/8L6
(4)	955 647 114 00	Antenna booster Rear spoiler Left		1	IQV1/8L6
5	N 909 446 03	Oval-head screw M 5 X 12		2	
6	N 908 401 03	Oval-head screw 4 X 14		X	
7	955 647 261 00	Antenna booster TV	/L 05	1	IQV1/8L6
7	955 647 262 00	Antenna booster TV	/R 05	1	IQV1/8L6
8	N 104 472 01	Lens-head screw ST 4,8 X 13		2	IQV1/8L6
9	955 647 269 00	Expander nut		2	IQV1/8L6
10	955 647 432 00	Support F >>9P6LA 03817 F >>9P6LA 43850 F >>9P6LA 81761		2	
10	955 647 432 10	Support F 9P6LA 03818>> F 9P6LA 43851>> F 9P6LA 81762>>		2	
11	955 647 208 00	Connecting line Connection point To Module Navigation system Connector Blue		1	I7Q2/7T1
12	955 647 203 01	Connecting line Connection point To Radio Connector Black		1	
13	955 647 204 01	Connecting line Connection point To Control part Connector Yellow		1	I7VE/7VL/8L6
(13)	955 647 215 01	Connecting line Connection point To Control part Connector		1	

Model: 9PA 03

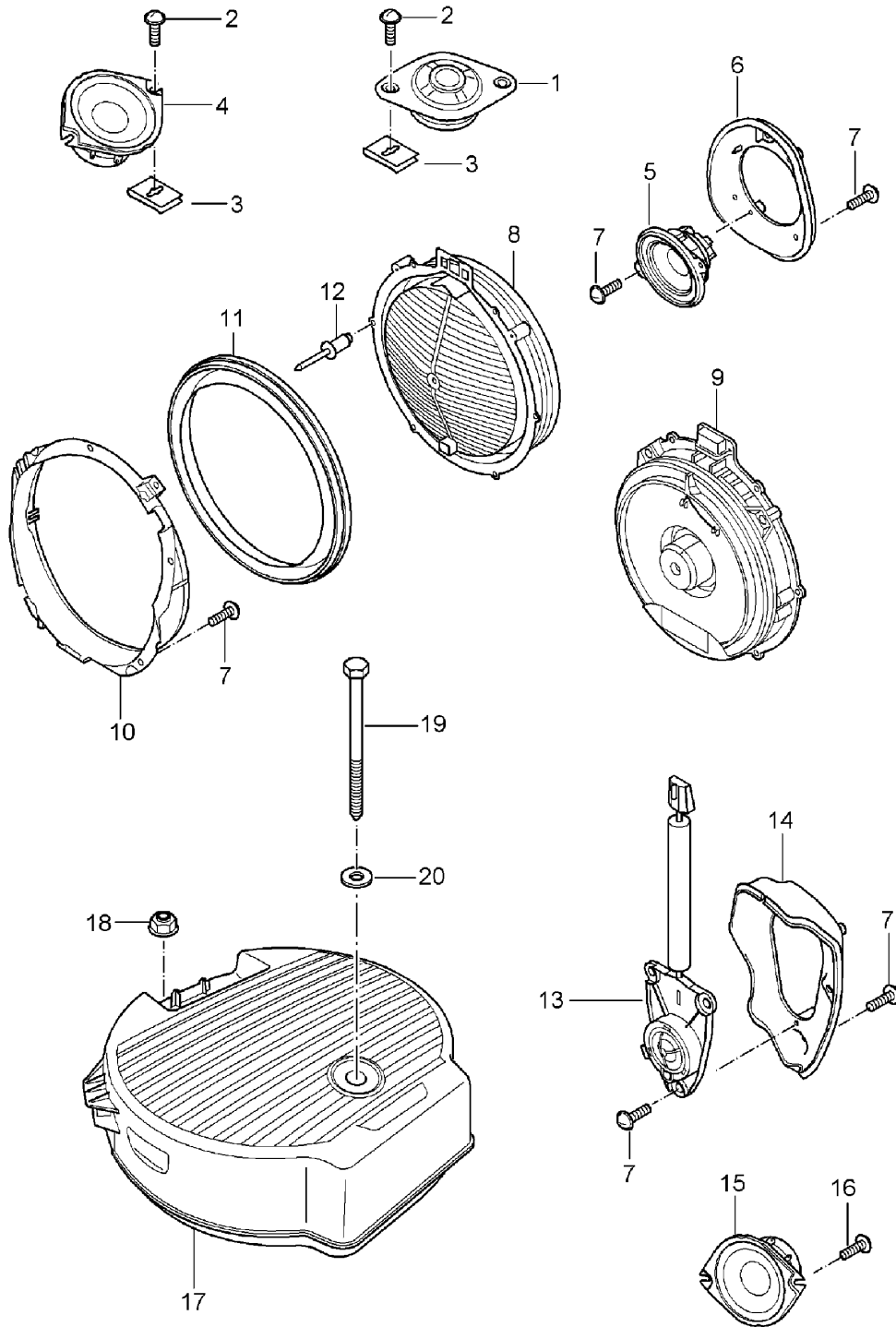
Model life 2003&gt;&gt;2006

Pos	Part Number	Description	Remark	Qty	Model
(13)	955 647 220 01	Brown Connecting line Connection point To Control part Connector Creamy white for		1	
14	955 647 209 00	Reversing camera Connecting line Connection point To Control unit Telephone Connector Violet	-05	1	I9W1/9ZH/9ZP
(14)	955 647 209 11	Connecting line Connection point To Control unit Telephone 997.646.208.13 Connector Violet	06-	1	
(14)	955 647 212 01	Connecting line Connection point To Control unit Telephone Connector Violet		1	I9ZF
15	955 647 108 00	Antenna Radio Rear spoiler Right		1	
16	955 647 213 01	Connecting line Receiving part TV To Connection point To Booster TV		1	
18	955 647 217 01	Connecting line Connection point To Receiving part TV Connector		1	
(18)	955 647 218 01	Brown Connecting line Connection point To Receiving part TV Connector		1	
19	955 647 219 01	Creamy white Connecting line Connection point To DVD device Navigation system		1	



Model: 9PA 03

Model life 2003>>2006



Model: 9PA 03

Model life 2003&gt;&gt;2006

Pos	Part Number	Description	Remark	Qty	Model
1	955 645 040 00	Loudspeaker Tweeter Dashboard	/V	2	I9VL
(1)	955 645 041 00	Tweeter Dashboard	/V	2	I8RV
2	N 104 149 01	Tapping screw		X	
2	N 104 149 02	Oval-head screw 4,2 X 16		X	
3	N 906 988 01	Speed nut 4,2 X 16		X	
4	955 645 030 00	Loudspeaker Dashboard Centre		1	I9VL
5	955 645 031 00	Mid-range loudspeaker Door Front		2	I9VL
(5)	955 645 032 00	Mid-range loudspeaker Door Front		2	I8RV
(6)	955 645 131 00	Adapter	/L	1	
6	955 645 132 00	Adapter	/R	1	
7	N 903 474 04	Combination screw 4,0 X 12		X	
8	955 645 020 01	Woofer with housing Door Front		2	I9VL
(8)	955 645 021 00	Woofer with housing Door Front and rear		4	I8RV
(8)	955 645 022 01	Woofer with housing Door Rear		2	I9VL
9	955 645 023 00	Woofer Door Front		2	I9VL
(9)	955 645 024 00	Woofer Door Rear		2	I9VL
10	955 645 221 00	Mounting Sealing ring Door Front	/L	1	
(10)	955 645 222 00	Mounting Sealing ring Door Front	/R	1	
(10)	955 645 223 00	Mounting Sealing ring Door Rear	/L	1	
(10)	955 645 224 00	Mounting Sealing ring Door Rear	/R	1	
11	955 645 120 00	Sealing ring Woofer		4	
12	N 907 657 01	Blind rivet 4,8 X 15		X	
13	955 645 042 00	Tweeter Door		2	I9VL

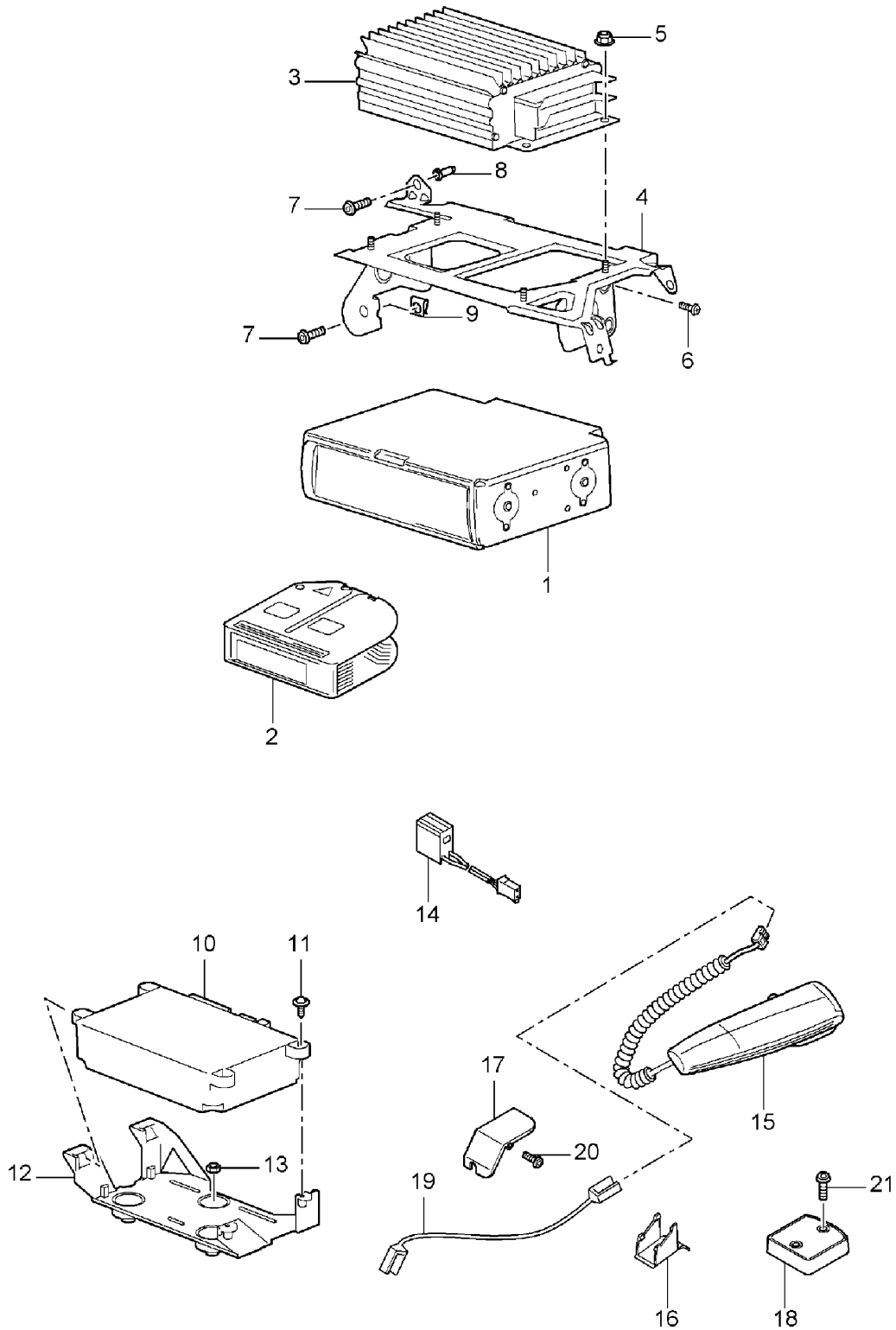
Model: 9PA 03

Model life 2003>>2006

Pos	Part Number	Description	Remark	Qty	Model
(13)	955 645 043 00	Rear Loudspeaker MID-RANGE speaker High-pitched Door		2	I8RV
(14)	955 645 133 00	Rear Adapter	/L	1	
14	955 645 134 00	Adapter	/R	1	
15	955 645 030 00	Loudspeaker D-pillar		2	I9VL
16	N 106 021 01	Oval-head screw 4 X 10		4	I9VL
17	955 645 010 10	Subwoofer Spare-wheel well		1	IJ2C/9VL
(17)	955 645 010 00	Subwoofer Spare-wheel well		1	I9VL
18	N 102 058 02	Hexagon nut M 6		4	I9VL
(18)	N 908 786 01	Nut		2	IJ2C/9VL
(18)	N 908 786 02	Nut M 6B-SB		2	IJ2C/9VL
19	955 645 012 00	Threaded bolt M 8		1	IJ2C/9VL
20	955 645 013 00	Washer		1	IJ2C/9VL

Model: 9PA 03

Model life 2003>>2006



Model: 9PA 03

Model life 2003&gt;&gt;2006

Pos	Part Number	Description	Remark	Qty	Model
1	997 645 140 03	Booster CD changer Telephone CD changer CDC 4 Adjustment Installation Attention		1	I7A2
2	996 645 113 00	Magazine for CD changer		1	
3	955 645 301 04	Booster See technical information GR. 9 , NR. 12/03 GR. 9 , NR. 6/03 Only together with Radio CDR 23		1	I8DU/9VL
3	955 645 901 04	Booster See technical information GR. 9 , NR. 12/03 GR. 9 , NR. 6/03 Only together with Radio CDR 23		1	I8DU/9VL
3	955 645 301 06	Booster		1	I8DV/9VL
3	955 645 301 07	Booster		1	I8DV/9VL
4	955 645 220 00	Support CD changer Booster		1	I7A2/9VL
5	N 101 181 05	Hexagon nut M 5		4	I9VL
6	N 906 448 05	Screw M 5 X 9		6	I7A2
7	N 100 292 06	Oval-head screw M 6 X 15		4	
8	N 909 278 01	Blind rivet nut M 6		2	
9	N 910 234 01	Speed nut M 6 X 24,4		1	
10	996 642 207 05	Control unit Telephone See technical information GR. 9 , NR. 23/04		1	I9W1/9ZP
10	997 646 207 01	Control unit Telephone MOTOROLA		1	I9W1/9ZP
10	997 646 207 02	Control unit Telephone MOTOROLA		1	
10	997 646 208 13	Control unit Telephone HARMAN - BECKER		1	
10	997 646 209 00	Control unit Telephone HARMAN - BECKER		1	
11	N 104 648 02	Oval-head screw 4,0 X 12		2	I9ZP
12	955 642 208 02	Support		1	I9W1/9ZP
13	N 100 151 01	Plastic nut T 5		3	
14	955 642 310 00	Microphone		1	-IQH1/-I9ZF
15	955 642 212 00	Receiver Telephone See technical information		1	I9ZH/9ZP

Model: 9PA 03

Model life 2003&gt;&gt;2006

Pos	Part Number	Description	Remark	Qty	Model
15	955 642 212 02	GR. 9 , NR. 19/03 Receiver Telephone		1	I9ZH/9ZP
16	955 642 213 00	Cable guide		1	I9ZH/9ZP
17	955 642 214 00	Cap		1	I9ZH/9ZP
18	955 642 215 00	Connection piece Receiver Telephone		1	I9ZH/9ZP
19	955 612 642 01	Cable		1	I9ZP
20	N 909 067 01	Oval-head screw 2,5 X 18		2	I9ZH/9ZP
21	N 105 357 02	Oval-head screw 3 X 25		2	I9ZH/9ZP