

Model: 95B**Model life 2014>>**

Model Overview Sales Type

Sales term	Description	Mounting time	Remark
95BAA1	Macan R4 TFSI	05/14	
95BAB1	Macan S	05/13	
95BAD1	Macan S TDI 190KW	05/13	
95BAF1	Macan Turbo	05/13	
95BAJ1	Macan S TDI 155KW	05/13	
95BAK1	Macan S TDI 180KW	05/14	
95BAS1	Macan GTS	05/16	
95BAT1	Macan Tiger (C33)	05/17	
95BAX1	Macan Turbo Kit	05/16	
95BAY1	Macan S Diesel	05/15-05/17	
95BAZ1	Macan S TDI 184KW	05/13	
95BBA1	Macan Sport Edition	05/17	

Model: 95B

Model life 2014>>

Model Overview EC

EC	Sales term	LTR	KW	Hp	Cyl	Mounting time	Remark
CDUD		3,00	180	245	6	05/13	
CNC		2,00	174	236	4	05/14	
CNCC		2,00	174	236	4	05/14	
CNRB		3,00	176	239	6	05/15	TDI CR
CPNB		3,00	176	239	6	05/15-05/17	
CTBA		3,00	190	258	6	05/13	
CTBB		3,00	155	211	6	05/13	
CTBC		3,00	184	250	6	05/13	
CTL		3,60	294	399	6	05/17	
CTLA		3,60	294	399	6	05/13	
CTM		3,00	250	340	6	05/17	
CTMA		3,00	250	340	6	05/13	
CYNA		2,00	174	236	4	05/14	
CYNB		2,00	185	252	4	05/15	
CYP		2,00	185	251	4	05/17	
CYPA		2,00	185	252	4	05/15	
DCN		3,00	265	360	6	05/16	
DCNA		3,00	265	360	6	05/15	
DHK		3,60	324	440	6	05/16	
DHKA		3,60	324	440	6	05/16	
DLH		2,00	185	251	4	05/17	CHINA
DLHB		2,00	185	252	4	05/17	

Model: 95B**Model life 2014>>**

Model Overview TC

TC	Sales term	Type	Mounting time	Remark
A5B00		7A	05/13	
A5B01		7A	05/13	
A5B02		7A	05/13	
A5B03		7A	05/14	
A5B04		7A	05/14	

Model: 95B

Model life 2014>>

VIN-Numbers Overview

Model	year	Date	VIN	Remark
2014		01.06.2013	95-ELB50061 >95-ELB70000	Macan S
2014		01.06.2013	A5-ELB50061 >A5-ELB70000	Macan S (USA, CDN)
2014		01.06.2013	95-ELB70061 >95-ELB90000	Macan S TDI
2014		01.06.2013	95-ELB90061 >95-ELB99999	Macan Turbo
2014		01.06.2013	A5-ELB90061 >A5-ELB99999	Macan Turbo (USA, CDN)
2015		01.06.2014	95-FLB00061 >95-FLB32000	Macan (CN)
2015		01.06.2014	95-FLB41061 >95-FLB47000	Macan S
2015		01.06.2014	95-FLB50061 >95-FLB75000	Macan S
2015		01.06.2014	A5-FLB41061 >A5-FLB47000	Macan S (USA, CDN)
2015		01.06.2014	A5-FLB50061 >A5-FLB75000	Macan S (USA, CDN)
2015		01.06.2014	95-FLB32061 >95-FLB41000	Macan S TDI
2015		01.06.2014	95-FLB75061 >95-FLB90000	Macan S TDI
2015		01.06.2014	95-FLB47061 >95-FLB50000	Macan Turbo
2015		01.06.2014	95-FLB90061 >95-FLB99999	Macan Turbo
2015		01.06.2014	A5-FLB32061 >A5-FLB41000	Macan S TDI (USA, CDN)
2015		01.06.2014	A5-FLB75061 >A5-FLB90000	Macan S TDI (USA, CDN)
2015		01.06.2014	A5-FLB47061 >A5-FLB50000	Macan Turbo (USA, CDN)
2015		01.06.2014	A5-FLB90061 >A5-FLB99999	Macan Turbo (USA, CDN)
2016		01.06.2015	95-GLB00061 >95-GLB30000	Macan
2016		01.06.2015	95-GLB00061 >95-GLB30000	Macan (CN)
2016		01.06.2015	A5-GLB00061 >A5-GLB30000	Macan (USA, CDN)
2016		01.06.2015	95-GLB40061 >95-GLB60000	Macan S
2016		01.06.2015	95-GLB40061 >95-GLB60000	Macan S (CN)
2016		01.06.2015	A5-GLB40061 >A5-GLB60000	Macan S (USA, CDN)
2016		01.06.2015	95-GLB60061 >95-GLB75000	Macan S TDI
2016		01.06.2015	95-GLB60061 >95-GLB75000	Macan S TDI (CN)
2016		01.06.2015	95-GLB90061 >95-GLB99999	Macan Turbo
2016		01.06.2015	95-GLB90061 >95-GLB99999	Macan Turbo (CN)
2016		01.06.2015	A5-GLB60061 >A5-GLB75000	Macan S TDI (USA, CDN)
2016		01.06.2015	A5-GLB90061 >A5-GLB99999	Macan Turbo (USA, CDN)
2017		01.06.2016	95-HLB00061 >95-HLB20000	Macan
2017		01.06.2016	95-HLB00061 >95-HLB50000	Macan (CN)
2017		01.06.2016	A5-HLB00061 >A5-HLB10000	Macan (USA, CDN)
2017		01.06.2016	A5-HLB80061 >A5-HLB90000	Macan (USA, CDN)
2017		01.06.2016	95-HLB60061 >95-HLB70000	Macan GTS
2017		01.06.2016	95-HLB80061 >95-HLB90000	Macan GTS (CN)
2017		01.06.2016	A5-HLB50061 >A5-HLB60000	Macan GTS (USA, CDN)
2017		01.06.2016	95-HLB20061 >95-HLB30000	Macan S
2017		01.06.2016	95-HLB50061 >95-HLB70000	Macan S (CN)
2017		01.06.2016	A5-HLB10061 >A5-HLB30000	Macan S (USA, CDN)
2017		01.06.2016	95-HLB30061 >95-HLB60000	Macan S TDI
2017		01.06.2016	95-HLB70061 >95-HLB80000	Macan S TDI (CN)
2017		01.06.2016	95-HLB70061 >95-HLB80000	Macan Turbo / Kit
2017		01.06.2016	A5-HLB30061 >A5-HLB50000	Macan S TDI (USA, CDN)
2017		01.06.2016	A5-HLB90061 >A5-HLB99999	Macan Turbo / Kit (USA, CDN)

Model: 95B **Model life 2014>>**

2017	01.06.2016	95-HLB70061	>95-HLB80000	Macan Turbo / Kit (CN)
2018	01.06.2017	95-JLB00061	>95-JLB30000	Macan
2018	01.06.2017	95-JLB00061	>95-JLB50000	Macan (CN)
2018	01.06.2017	A5-JLB00061	>A5-JLB30000	Macan (USA, CDN)
2018	01.06.2017	95-JLB70061	>95-JLB80000	Macan GTS
2018	01.06.2017	95-JLB63061	>95-JLB67000	Macan GTS (CN)
2018	01.06.2017	A5-JLB60061	>A5-JLB70000	Macan GTS (USA, CDN)
2018	01.06.2017	95-JLB30061	>95-JLB40000	Macan S
2018	01.06.2017	95-JLB50061	>95-JLB60000	Macan S (CN)
2018	01.06.2017	A5-JLB30061	>A5-JLB50000	Macan S (USA, CDN)
2018	01.06.2017	95-JLB40061	>95-JLB70000	Macan S TDI
2018	01.06.2017	95-JLB60061	>95-JLB63000	Macan S TDI (CN)
2018	01.06.2017	95-JLB80061	>95-JLB90000	Macan Turbo / Kit
2018	01.06.2017	A5-JLB70061	>A5-JLB80000	Macan Turbo / Kit (USA, CDN)
2018	01.06.2017	95-JLB67061	>95-JLB70000	Macan Turbo / Kit (CN)

Model: 95B

Model life 2014>>

Engine Numbers

Engine number	Model year	Vehicle type	Engine type
CDU 0001>999999	2014	MACAN V6 TDI	CDUD
CTB 0001>999999	2014	MACAN V6 TDI	CTBA
CTB 0001>999999	2014	MACAN V6 TDI	CTBB
CTB 0001>999999	2014	MACAN V6 TDI	CTBC
CTL 0001>999999	2014	MACAN Turbo	CTLA
CTM 0001>999999	2014	MACAN S	CTMA
CDU 0001>999999	2015	MACAN V6 TDI	CDUD
CNC 0001>999999	2015	Macan(C33)	CNC
CNC 0001>999999	2015	MACAN	CNCC
CTB 0001>999999	2015	MACAN V6 TDI	CTBA
CTB 0001>999999	2015	MACAN V6 TDI	CTBB
CTB 0001>999999	2015	MACAN V6 TDI	CTBC
CTL 0001>999999	2015	MACAN Turbo	CTLA
CTM 0001>999999	2015	MACAN S	CTMA
CYN 0001>999999	2015	MACAN C39 (KOR)	CYNA
CDU 0001>999999	2016	MACAN V6 TDI	CDUD
CNC 0001>999999	2016	Macan (C33)	CNC
CNC 0001>999999	2016	MACAN	CNCC
CNR 0001>999999	2016	MACAN V6 TDI	CNRB
CPN 0001>999999	2016	Macan V6 TDI BIN5	CPNB
CTB 0001>999999	2016	MACAN V6 TDI	CTBA
CTB 0001>999999	2016	MACAN V6 TDI	CTBB
CTB 0001>999999	2016	MACAN V6 TDI	CTBC
CTL 0001>999999	2016	MACAN Turbo	CTLA
CTM 0001>999999	2016	MACAN S	CTMA
CYN 0001>999999	2016	MACAN C39 (KOR)	CYNA
CYN 0001>999999	2016	Macan R4 TFSI (USA)	CYNB
CYP 0001>999999	2016	Macan R4 TFSI	CYPA
DCN 0001>999999	2016	MACAN BI-Turbo GTS	DCNA
CDU 0001>999999	2017	MACAN V6 TDI	CDUD
CNC 0001>999999	2017	Macan (C33)	CNC
CNC 0001>999999	2017	MACAN	CNCC
CNR 0001>999999	2017	MACAN V6 TDI	CNRB
CPN 0001>999999	2017	Macan V6 TDI BIN5	CPNB
CTB 0001>999999	2017	MACAN V6 TDI	CTBA
CTB 0001>999999	2017	MACAN V6 TDI	CTBB
CTB 0001>999999	2017	MACAN V6 TDI	CTBC
CTL 0001>999999	2017	MACAN Turbo	CTLA
CTM 0001>999999	2017	MACAN S	CTMA
CYN 0001>999999	2017	MACAN C39 (KOR)	CYNA
CYN 0001>999999	2017	Macan R4 TFSI (USA)	CYNB
CYP 0001>999999	2017	Macan R4 TFSI	CYPA
DCN 0001>999999	2017	MACAN BI-Turbo GTS C33	DCN
DCN 0001>999999	2017	MACAN BI-Turbo GTS	DCNA
DHK 0001>999999	2017	MACAN Turbo KIT C33	DHK
DHK 0001>999999	2017	MACAN Turbo KIT	DHKA
CDU 0001>999999	2018	MACAN V6 TDI	CDUD
CNC 0001>999999	2018	Macan (C33)	CNC
CNC 0001>999999	2018	MACAN	CNCC
CNR 0001>999999	2018	MACAN V6 TDI	CNRB
CTB 0001>999999	2018	MACAN V6 TDI	CTBA
CTB 0001>999999	2018	MACAN V6 TDI	CTBB
CTB 0001>999999	2018	MACAN V6 TDI	CTBC
CTL 0001>999999	2018	MACAN Turbo C33	CTL

Model: 95B**Model life 2014>>**

CTL 0001>999999	2018	MACAN Turbo	CTLA
CTM 0001>999999	2018	MACAN S C33	CTM
CTM 0001>999999	2018	MACAN S	CTMA
CYN 0001>999999	2018	MACAN C39 (KOR)	CYNA
CYN 0001>999999	2018	Macan R4 TFSI (USA)	CYNB
CYP 0001>999999	2018	Macan R4 TFSI C33	CYP
CYP 0001>999999	2018	Macan R4 TFSI	CYPA
DCN 0001>999999	2018	MACAN BI-Turbo GTS C33	DCN
DCN 0001>999999	2018	MACAN BI-Turbo GTS	DCNA
DHK 0001>999999	2018	MACAN Turbo KIT C33	DHK
DHK 0001>999999	2018	MACAN Turbo KIT	DHKA
DHK 0001>999999	2018	Macan R4 TFSI C33	DLH
DHK 0001>999999	2018	Macan R4 TFSI C33	DLHB

Model: 95B

Model life 2014>>

Transmission Numbers

Transmission Number	Model year	Vehicle type	Gearbox type
A5B00 1 002001>999999	2014	MACAN S V6 TDI	A5B00
A5B01 1 002001>999999	2014	MACAN Turbo 3,6L	A5B01
A5B02 1 002001>999999	2014	MACAN S 3,0L	A5B02
A5B00 1 002001>999999	2015	MACAN S V6 TDI	A5B00
A5B01 1 002001>999999	2015	MACAN Turbo 3,6L	A5B01
A5B02 1 002001>999999	2015	MACAN S 3,0L	A5B02
A5B03 1 002001>999999	2015	MACAN TFSI	A5B03
A5B04 1 002001>999999	2015	MACAN TDI	A5B04
A5B00 1 002001>999999	2016	MACAN S V6 TDI	A5B00
A5B01 1 002001>999999	2016	MACAN Turbo 3,6L	A5B01
A5B02 1 002001>999999	2016	MACAN S 3,0L	A5B02
A5B03 1 002001>999999	2016	MACAN TFSI	A5B03
A5B04 1 002001>999999	2016	MACAN TDI	A5B04
A5B00 1 002001>999999	2017	MACAN S V6 TDI	A5B00
A5B01 1 002001>999999	2017	MACAN Turbo 3,6L	A5B01
A5B02 1 002001>999999	2017	MACAN S 3,0L BT LP	A5B02
A5B03 1 002001>999999	2017	MACAN TFSI	A5B03
A5B04 1 002001>999999	2017	MACAN TDI	A5B04
A5B00 1 002001>999999	2018	MACAN S V6 TDI	A5B00
A5B01 1 002001>999999	2018	MACAN Turbo 3,6L	A5B01
A5B02 1 002001>999999	2018	MACAN S 3,0L BT LP	A5B02
A5B03 1 002001>999999	2018	MACAN TFSI	A5B03
A5B04 1 002001>999999	2018	MACAN TDI	A5B04

Model: 95B

Model life 2014>>

NR	Description
089	Exterior package, Black
201	105 Ah battery
444	Anti-theft lock, wheel bolts "THATCHAM"
450	Ceramic brake (PCCB)
583	Smoker package
602	LED headlights with dynamic cornering light Plus (PDLs Plus)
608	Garage door opener "Homelink" 433 MHz
619	Mobile phone preparation (BLUETOOTH) without console
642	Start/Stop function
666	PCM 3 telephone (GSM)
671	Voice control system
675	Without radio preparation (Japan navigation system)
680	BOSE sound package
890	Folding table, left
B0A	Component set without country assignment
B0D	Component set for USA
B0E	Component set for Canada
B0L	Component set for Japan
B0M	Component set for AGCC countries
B0N	Component set for Great Britain
B0R	Component set for Australia
B07	Type approval country Sweden
B09	Type approval country GB/Northern Ireland
B1C	Component set for Mexico
B1D	Component set for Brazil
B1P	Component set for China
B2A	Component set PAP LHD
B2G	Component set for Thailand
B2H	Component set for Korea
B3D	Component set for Turkey
CY3	RS Spyder Design wheel, 20"
CY4	Cayenne Sport Techno wheel 9"/10" x 20" in vehicle colour
C5F	18" Macan S wheel (8/9X18)
C6P	19" Macan Turbo wheel (8/9X19)
C6X	19" Macan Design wheel (8/9X19)
C7N	18" Macan wheel (8/9X18)
C7T	21" 911 Turbo Design wheel (9/10X21)
C9K	21" Sport Classic wheel (9/10X21)
DD7	6-cylinder diesel engine 3.0 l/190 kW TDI
DE5	4-cylinder diesel engine 2.0 l/140 kW TDI
DM0	4-cylinder TFSI engine 2.0 l/174 kW
DQ5	4-cylinder TFSI engine 2.0 l/185 kW
DU0	6-cylinder turbo engine 3.0 l/250 kW

Model: 95B

Model life 2014>>

NR	Description
DU1	6-cylinder turbo engine 3.6 l/294 kW
DU2	6-cylinder turbo engine, 3.6 l 309 kW
DU3	3.6 litre turbo engine, 6-cylinder
DU6	6-cylinder turbo engine, 3.0l, 250KW
D1V	6-cylinder diesel engine 3.0/155 kW TDI
D11	6-cylinder petrol engine 3.0/245 kW
D4A	Turbo engine, 6 cyl. 3.0 l/265 KW
D43	6-cylinder diesel engine 3.0 l/180 kW TDI
D50	6-cylinder diesel engine, 3.0 l/176 kW TDI
D51	6-Zylinder-Dieselmotor 3,0 L/184 KW TDI
ER1	Regional code "ECE" for radio
ER2	Regional code "RdW" for radio
ER3	Region code "USA" for radio
ER4	Region code "Mexico/NAR2" for radio
ER5	Region code Japan for radio
ER6	Regional code "China" for radio
ER7	Regional code "Korea" for radio
ER8	Regional code "Taiwan" for radio
ER9	Regional code "Rest of Asia" for radio
E0A	No campaign version, basic equipment
E0W	GTS version
E1Z	Exclusive edition
GY0	Without electric closing aid for tailgate
GY1	Power closing mechanism for tailgate
G1D	7-speed automatic transmission for all-wheel drive
G1G	8-speed auto. transmission for all-wheel drive
H3L	Tyres 235/60 R18, 255/55 R18
H3Q	All-season tyres 235/60 R18, 255/55 R18
H6B	Tyres 235/55 R19, 255/50 R19
H6J	All-season tyres 235/55 R19, 255/50 R19
H6K	Tyres 265/45 R20, 295/40 R20
H6N	All-season tyres 265/45 R20, 295/40 R20
H6P	Tyres 265/40 R21, 295/35 R21
IY1	Model year period from week 22 to week 45
IY2	Model year period from week 45 to week 22
I8L	Premium radio (2nd gen.)
J0B	Battery (92 Ah)Battery (92 Ah)
J0P	Battery (105 Ah)
J1N	Battery (75 Ah)
KH7	3-zone Climatronic
KK1	Refrigerant R134a
KK3	Refrigerant R1234yf
LU2	Reinforced transfer box
L0L	Left-hand drive version
L0R	Right-hand drive version
NOQ	Seat covers, full leather, smooth, for A/C seat
NZ3	ERA/GLONASS (emergency call)

Model: 95B

Model life 2014>>

NR	Description
N0Q	Seat covers in leather, smooth-finish for A/C seats
N1A	Seat covers in natural leather for A/C seats
N1B	Seat covers in full leather, two-colour with air conditioning
N1M	Two-colour seat covers in partial leather, smooth-finish
N1P	Seat covers in partial leather (natural leather, smooth-finish)
N2S	Seat covers in partial leather ALCANTARA
N4M	Seat covers, partial leather, leather/leatherette
N5U	Part-leather seat covers, smooth leather
N6D	Seat covers, Alcantara/leatherette
QE0	W/o storage comp. package / box
QE1	Tray areas package
QH0	not with voice control
QH1	Voice control
QJ2	Aluminium package
QJ4	Aluminium package, Black
QJ6	Aluminium package, Black Matt
QR0	Without compass
QR1	With compass
QR3	Analog clock on dashboard
QR4	Sport Chrono package
QR5	Sport Chrono Package Plus
QU0	Digital radio reception (DAB)
QU1	TV reception + digital radio reception (DAB) MIB
QU8	SAT radio reception, USA
QV0	Without TV and digital radio reception
QV1	With TV reception
QV3	HD radio reception (high-definition)
QV4	XM satellite radio receiver
QV5	TV reception and digital radio reception (DAB)
QV8	HD radio reception and SAT radio XM (SDARS)
Q1G	Standard seats (front), 8-way
Q1J	GTS sports seats front and rear
Q2J	Convenience seat
Q4P	Sports seat GTS 8-way
TF1	V6 TDI (generation 2) basic engine components
TH1	V6 TDI (SCR) basic engine components
TQ9	Units for V6 3.6-litre engine (DU1/2/3)
TW6	R4 TFSI 2.0-litre basic engine components
T2G	R4 TFSI 2.0-litre basic engine components
T8I	Unit for V6 3.0-litre engine (DU0/D4A)
UF0	Without electric interface
UF1	Multimedia socket for external source
UI4	AUX-IN and USB/IPOD electric interface

Model: 95B

Model life 2014>>

NR	Description
UI6	AUX + USB/IPOD electric interface + 2X charging
UP1	Sport Chrono / compass, Black
UP3	Sport Chrono / compass, White
UP4	Sport Chrono / compass, Luxor Beige
UP5	Sport Chrono / compass, Garnet Red
UX6	TPM valve, Silver
UX7	TPM valve, Black
U5A	Instrument insert, km/h indication, RoW
U5B	Instrument insert, mph indication, GB
U5C	Instrument insert, mph indication, USA
U5D	Instrument insert, km/h indication, Canada
U5E	Instrument insert, km/h indication, Japan
U5F	Instrument insert, display km/h, AGCC
U5G	Instrument insert, km/h indication, Australia
VC0	Ohne Garagentoröffner
VC1	Garage door opener, 433 MHz
VC2	Garage door opener, 315 MHz
VR0	Without impact protection measures
VR1	Side protection, running board
VR4	Front impact protection measures
VT2	Door entry guards, aluminium, illuminated
VW1	Privacy glazing
VW5	Insulating glass in rear Insulating glass in rear
V39	21" Sport Classic wheel in exterior colour
V95	21" Sport Classic wheel in Black
V96	21" Sport Classic wheel in platinum
0F5	Fuel system for diesel engine
0GG	Emissions compliance EU 4
0JA	Weight class 1, front axle - 1170-1210 kg
0JB	Weight class 2, front axle - 1211-1226 kg
0JC	Weight class 3, front axle - 1227-1251 kg
0JD	Weight class 4, front axle - 1252-1276 kg
0JE	Weight class 5, front axle - 1277-1292 kg
0JF	Weight class 6, front axle - 1293-1328 kg
0JG	Weight class 7, front axle - 1329-1428 kg
0JH	Weight class 8, front axle
0JJ	Weight class 9, front axle
0JK	Weight class 10, front axle
0JL	Weight class 11, front axle
0K0	Without alternative drive system
0K1	Hybrid propulsion system
0M2	Fuel tank, 75 l
0M5	Fuel tank, 60 litre
0M6	Fuel tank, 65 litre
0NA	Deletion of model designation
0NB	Nameplate set in basic version

Model: 95B

Model life 2014>>

NR	Description
0P0	Standard tailpipe
0P3	Exhaust tailpipe, polished
0P6	Exhaust tailpipe, Black
0P8	Sports exhaust system
0P9	Sports exhaust system, Black tailpipe
0RC	With electric steering column lock
0RZ	Without electric steering column lock
0YA	Weight class 1, rear axle - 1039-1074 kg
0YB	Weight class 2, rear axle - 1075-1128 kg
0YC	Weight class 3, rear axle - 1129-1159 kg
0YD	Weight class 4, rear axle - 1160-1215 kg
0YE	Weight class 5, rear axle - 1216-1244 kg
0YF	Weight class 6, rear axle - 1245-1299 kg
0YG	Weight class 7, rear axle - 1300-1331 kg
0YH	Weight class 8, rear axle
0YJ	Weight class 9, RA
1A2	Engine variant without reduced compression
1BA	Suspension/dampers, standard
1BH	Suspension/dampers, standard 2 PASM
1BK	Air suspension with levelling system and height adjustment (PASM)
1BW	Comfort suspension/damping (steel springs)
1D0	without tow bar
1D3	Trailer hitch, electrically retractable, ECE R55
1D6	Trailer coupling without tow ball
1D7	Preparation for detachable trailer coupling
1D8	Preparation for detachable trailer coupling "usa"
1E0	Without activated charcoal canister
1E1	Active charcoal container
1E9	without activated carbon canister with SCR
1G1	18-inch collapsible spare wheel
1G4	19" collapsible spare wheel
1G8	Tire Fit, tyre repair set
1KD	Rear disc brakes, 17-inch disc diameter, brake calliper painted Black
1KE	Rear disc brakes, 17-inch disc diameter, brake calliper painted Silver
1KY	Disc brakes, rear, 17", Red
1LA	Front disc brakes, 17-inch disc diameter, brake calliper painted Black
1LB	Front disc brakes, 18-inch disc diameter, brake calliper painted Silver
1LE	Front disc brakes, 17-inch disc diameter,

Model: 95B

Model life 2014>>

NR	Description
	brake calliper painted Black
1LF	Front disc brakes, 18-inch disc diameter, brake calliper painted Silver
1LG	Front disc brakes, 18-inch disc diameter, brake calliper painted Red
1LH	Rear disc brake - disc diameter 19 inches, brake calliper painted red
1LY	Front disc brake - 19-inch disc diameter, brake calliper painted Yellow (PCCB)
1L0	Standard air cleaner
1L1	Air cleaner for dusty regions
1NE	Wheel centres STANDARD
1NP	Wheel centres with full-colour Porsche Crest (concave)
1PC	Wheel bolts with theft protection
1T3	First aid kit, warning triangle
1T7	First aid kit, 2 warning triangles
1XA	Multi-function steering wheel, Anthracite Birch, heated
1XE	3-spoke multi-function steering wheel, wood, Anthracite Birch with radio controls
1XG	Multi-function steering wheel, American Walnut, Brown, heated
1Y0	Ohne Vorder- /Hinterachssperre
1Y1	Differential lock, rear, centre differential lock
1ZK	Front disc brakes, 18-inch disc diameter, brake calliper painted Red
2C4	Steering column, reach + height adjustable with memory
2C5	Steering column, reach + height adjustable, mechanical
2D0	Without Sport Design package
2D1	Aerokit, with sill cover
2D2	Aerokit, without sill cover
2D4	Sport Design package, exterior colour
2D5	Sport Design package, Black
2D6	Sport Design package without door sill, Black
2D7	Rear end painted in body colour
2D8	Rear end painted High-Gloss Black
2EH	Rear disc brakes - disc diameter 19 inch Brake calliper painted yellow (PCCB)
2EK	Rear disc brakes, 18-inch disc diameter, brake calliper painted Red
2FX	3-spoke multi-function steering wheel, carbon, heated
2G0	Without insert for filling with diesel
2G1	Insert for fuelling with unleaded petrol

Model: 95B

Model life 2014>>

NR	Description
2G4	Insert for fuelling with unleaded petrol (CARB Diagnosis)
2G7	Insert for unleaded fuelling in bad fuel region
2HB	Interior sound measures (shaker)
2JB	Bumper, standard
2JC	Comfort bumper, stainless-steel attachment, front apron bottom section
2JU	Bumper with on-road front end
2JX	Comfort bumper (stainless steel trim at front + rear)
2PX	Multi-function steering wheel, Alcantara, 3-spoke
2P1	Loading sill guard in plastic
2P2	Stainless steel loading edge protection
2P3	Carbon loading edge protection
2W0	Tank cap, standard
2ZF	3-sp. multi-funct steering wheel, Alcantara, heated
2ZH	3-spoke multi-function steering wheel, heated
2ZM	3-spoke multi-function steering wheel
2ZU	Multi-function steering wheel, Yachting Mahogany, heated
3B9	Isofix child seat anchor system, front and rear
3CA	with no partition
3CU	Preparation for net partition
3CX	net partition
3D1	Centre console STANDARD (PVC)
3D2	Centre console for leather package
3D3	Centre console, leather package/Alcantara
3D4	Centre console in natural leather
3D5	Centre console Alcantara
3D6	Centre console in two-colour leather
3D8	Centre console Leather, smooth
3D9	Centre console, standard, two-colour
3FA	Without roof insert
3FU	Porsche large roof system
3GA	without cargo management
3GN	Variable luggage/load compartment floor
3I0	Centre console for leather package, two-colour
3J4	Headrests for front seats
3J7	Headrests for front seats, with embossed crest
3LD	Door & side trim panel - standard - PAG
3LE	Door & side trim panel - MEDIUM - PAG
3LH	Door trim and side wall - all leather -- pillars/rooflining in Alcantara - PAG

Model: 95B

Model life 2014>>

NR	Description
3LM	Door panel/side trim panel in natural leather
3LS	Door & side trim panel - Alcantara
3LT	Door, side trim panel in two-colour natural leather
3L3	Manual height adjustment for both 8-way adjustable front seats
3L4	Driver memory package
3L5	Electrical adjustment for both 12-way adjustable front seats
3L6	Front seat adjustment, electrical with memory, right
3PB	Front seat adjustment, left electrical, right manual
3PE	Front seat adjustment, right electrical, left manual
3PH	Front seat adjustment, right electrical and memory, left manual
3PJ	Front seat adjustment, right electrical, left manual
3PN	12-way electrical adjustment for both front seats + memory
3QT	3-point automatic seat belts at front with seat-belt pre-tensioners + height adjustment
3S0	not with roof rail
3S1	Bright roof rails
3S5	Black roof rails with drip mouldings
3W4	Acoustic package, standard
3W8	Acoustic package, diesel
3X1	Load-through hatch with ski bag
3Y0	without roll-up sun screen
3Y4	Roller blind for rear side windows
3ZD	3-point automatic seat belt (rear), "NAR"
3ZU	3-point automatic seat belt (rear), "RoW"
4AH	Door/side trim panel, leather package/Alcantara
4AK	Door/side trim panel, leather package, two-colour
4AP	Door/side trim panel, standard two-colour
4A0	without seat heater
4A3	Heated seats, front
4A4	Heated seats, front/rear
4D0	without seat ventilation
4D1	Seat ventilation for A/C seat front and rear
4D3	Seat ventilation (front), a/c seat
4D4	Front and rear massage seat
4E0	Tailgate release from outside
4E7	Trunk lid power closing
4F2	Porsche entry + drive
4F6	Porsche entry + drive (usa/can)
4GC	Windscreen in heat-insulating glass,

Model: 95B

Model life 2014>>

NR	Description
	with top tint
4GF	Windscreen of tinted glass
4GK	Windscreen, insulating glass with top tint
4KC	Green heat-insulating glass in rear
4KF	Dark tinted glass in rear
4K0	Central-locking system with key remote and interior operation
4K3	Central locking with remote control, inner release and safe lock system
4L2	Safety interior mirror, manual dimming function
4L6	Safety interior mirror, automatic dimming function
4M0	Without cupholder
4M3	Rear cup holder
4N0	Dashboard for leather package, two-colour
4N1	Padded dashboard
4N2	Dashboard for leather package
4N3	Switch panel in two-tone leather w. decor. stitching
4N5	Dashboard in natural leather
4N8	Dashboard with genuine leather
4N9	Upholstered dashboard, two-colour
4QR	3-point automatic seat belt (front), "NAR"
4UD	Airbag, can not be deactivated on passenger's side
4UE	Airbags for driver and front-seat passenger; front-seat passenger side can be deactivated
4UQ	Advanced airbag
4X3	Front side airbag with head airbag
4X4	Side-airbag, front and rear with curtain airbag
41L	RS Spyder Design 20" wheel in Black
46X	21" 911 Turbo Design wheel, Black
5C1	Body measure, FSO
5C6	Rear end reinforcement
5D1	Carrier frequency 433.92 MHz
5D2	Carrier frequency 315 MHz
5D3	Carrier frequency 315 MHz with reduced transmission power for Japan
5D8	Carrier frequency 434 MHz
5KA	Rear seats, Comfort (40/20/40)
5KH	Rear seats, Sport (40/20/40)
5MA	Decorative inlays - paint, painted plastic
5MH	Carbon decorative inlays
5MP	Decorative inlays in American Walnut, Brown
5RP	Right exterior mirror, convex with camera
5RQ	Exterior mirror, right, convex
5RR	Door mirror, right, convex (US)
5RT	Door mirror, right, convex (AGCC)
5RV	Door mirror, right, aspherical

Model: 95B

Model life 2014>>

NR	Description
5SG	Door mirror, left, flat
5SJ	Door mirror, left, convex
5SL	Door mirror, left, aspherical
5SU	Left exterior mirror, convex with camera
5TE	Aluminium "sport" package
5TH	Aluminium decorative inlays, anodised Black
5TL	Decorative inlay in Piano Look
5W1	Silver roof rails plus bars
5W4	Black roof rails plus bars
5XC	Sun visors, mirror (RoW)
5XX	Sun visors, mirror (USA)
5ZD	Headrests, front and rear, with logo
5ZF	Headrests for front seats, with embossed crest
6A0	without fire extinguisher
6A7	With fire extinguisher
6DL	Sun visors, mirror (Korea)
6DQ	Sun visors, mirror (China)
6EA	Without additional body covers, side stone guards
6EC	Underbody protection, rear axle
6ET	Stone guard film, poor road package
6FB	Door-mirror housing painted in exterior colour
6FG	Door mirror housing, standard
6F0	Without imprint on armrest
6F6	Porsche Crest on front armrest
6F8	Model logo on front armrest
6G2	CD/DVD changer (external)
6H0	Door design trims, Black (grained)
6H1	Door design trims, vehicle colour
6H3	Door design trims, carbon
6H5	Door design trims in High-Gloss Black
6H6	Door design trims, black matt
6KA	Air grille, standard
6KC	Air grille, High-Gloss Black
6NA	One-piece rooflining in Alcantara, USA
6NJ	Standard rooflining, fabric
6NN	Alcantara rooflining
6NQ	Roof lining, standard, fabric, USA
6Q2	Gear selector knob + grip in leather, gear lever in leather/aluminium
6Q5	Selector lever, Alcantara
6W1	Number-plate holder, front, large (ECE)
6W2	Number-plate holder, front, small (RoW)
6W3	Number-plate holder, front (NAR)
6W4	Front number plate bracket, Japan
6W7	Number plate bracket, front, China

Model: 95B

Model life 2014>>

NR	Description
6XP	Door mirrors, electrically retractable, electrically adjustable, separately heated
6XQ	Exterior mirror with memory function, electr. retractable/adjustable, separately heated
6XT	Door mirrors, automatically dimmable, electrically retractable/adjustable, separately heated + memory
6XW	Door mirrors, automatically dimmable, electrically retractable/adjustable, separately heated
6Y2	Comfort air pressure, 270 km/h
6Y4	Comfort air pressure, 100 mph
6Y7	Comfort air pressure, 100 mph USA
7AA	Electronic immobilizer
7AB	Engine immobiliser, alarm system, alarm horn
7AC	Alarm system, interior surveillance, alarm horn
7AH	Alarm system, interior surveillance can be deactivated Backup horn
7AK	Alarm system, interior surveillance system, anti-towing protection
7AL	Alarm system, interior surveillance system, backup horn, anti-towing protection
7A0	Without CD autochanger/player
7D7	Integrated CD/DVD autochanger
7E0	Without heat accumulator
7E6	Auxiliary heater
7F4	PDK selector lever, aluminium, Exclusive design
7GB	Emission standard ULEV 2
7GH	EU4 emissions concept without EOBD
7G5	Preparation, VTS (Vehicle Tracking System), with driver card, connection to alarm system, re-start inhibitor
7G9	VTS preparation and Porsche Car Connect (pcc)
7HI	Emissions concept EU5 Russia
7I0	VTS security package (incl. PCC) and keypad
7I2	VTS security package (with PCC)
7K0	Without Tire Pressure Monitoring (TPM)
7K3	Tyre pressure monitoring (TPM) 433 MHz
7K4	Tyre pressure monitoring system 315 MHz
7L4	Start/Stop "last mode" with recuperation
7L7	StopRecuperation without Start/Stop
7L8	Start/Stop "default on" mit Rekuperation
7MG	Emissions concept EU 5
7MJ	Emissions concept EU 5J

Model: 95B

Model life 2014>>

NR	Description
7MM	EU6 plus exhaust concept
7M0	Door entry guards of plastic from MY 04
7M3	Door entry guards in carbon
7M4	Preparation for CT door entry guards, illuminated
7M8	Door entry guards in Carbon, illuminated
7M9	Door entry guards in aluminium
7Q0	not with navigation system
7Q4	Navigation system preparation, Japan
7Q7	PCM incl. navigation & compass display in instrument cluster
7RG	Navigation China
7RH	Navigation Middle East
7RJ	Navigation Australia
7RM	Navigation Hong Kong
7RS	Navigation North America
7RT	Navigation package Europe
7RV	Navigation Russia
7RX	Navigation South Africa
7TK	Decorative inlays, White Oak
7T1	Offroad navigation, with course calculator showing latitude and longitude
7T4	Navigation module China
7UG	Navigation device, High
7V0	Instrument dials in Black
7V3	Instrument dials in White
7V4	Instrument dials in Luxor Beige
7V5	Instrument dials in Silver
7V6	Instrument dials in Black/Silver
7V7	Instrument dials, Garnet Red
7V8	Instrument dials in Carmine Red
7X0	Without park distance control
7X2	ParkAssist, front/rear
7X8	Ultrasound parking aid and reversing camera
7X9	Rear view camera system
7Y0	No lane change assistant
7Y1	Lane change assist
7Y2	Lane keeping system
7Y3	Lane Change Assist and Lane Keep Assist
7Y6	Lane departure warning (LDW)
7Y7	Lane Change Assist and Lane departure warning
77J	Navigation software Argentina
77K	Navigation software Chile
8A4	Ultrasound parking aid with Real Topview
8BB	Halogen main headlights, right-hand traffic
8BC	Main headlights with gas-discharge lamps +

Model: 95B

Model life 2014>>

NR	Description
	direction indicators, XENON, right-hand traffic
8BE	Main headlight with gas-discharge lamp & direction indicator light, XENON, left-hand traffic
8BF	Halogen main headlight, left-hand traffic
8BR	Halogen main headlights, U.S. version with direction indicator and running lights, right-hand traffic
8BZ	Main headlights with gas-discharge lamps + direction indicators, XENON, left-hand traffic
8DQ	Basic radio/PCM terminal, USA, double-DIN colour display
8DV	Basic radio/PCM terminal, RoW, double-DIN colour display
8EA	Xenon USA, right-hand traffic
8EE	Xenon, ECE, left-hand traffic (Black)
8EF	Xenon, ECE, right-hand traffic (Black)
8EG	Xenon, USA, right-hand traffic (Black)
8EX	LED headlights, r-h traffic + dyn. cornering light
8EY	LED headlights, USA with dynamic cornering light
8F2	side-mounted turn signals
8F5	Side-marker lamps and turn signals
8G0	Without high-beam assistant
8G1	PDLs+ High beam assist
8G2	Dynamic high beam PDLs+
8IS	LED headlights, l-h traffic + dyn. cornering light
8JD	Main headlights with gas-discharge lamps U.S. version, XENON RHD
8JE	Main headlight with gas-discharge lamp ECE, XENON, right-hand traffic.
8JG	Main headlight with gas discharge lamp ECE, XENON, right-hand traffic with black interior lining
8N7	Windscreen washer interval Light and rain sensor
8N8	Windscreen washer interval Light sensor
8Q2	Static headlight beam adjustment
8Q3	Headlight levelling - dynamic
8RV	10 loudspeakers, passive
8SA	side tail light standard design
8SB	side tail light standard design, Black
8SI	side tail light (USA, Canada), Black
8SJ	side tail light (USA, Canada)

Model: 95B

Model life 2014>>

NR	Description
8T0	Without cruise control
8T1	Cruise control
8T3	Automatic distance control + cruise control ACC from MY 04
8T6	Cruise control with speed limiter
8WB	Front fog lamps
8WH	Street junction light and fog lights
8X0	Without headlamp washer system
8X1	Headlamp washer system
8YZ	Without radio but with preparation for 10 loudspeakers
8Y1	Standard horns
8Y2	Horns for extreme driving situations
9AB	Manually controlled air conditioning system
9AD	Climatronic, free of CFCs
9AQ	3-zone Climatronic
9G1	220 A generator
9JA	Non-smoker package
9JB	Smoker version; ashtrays at front and rear
9MA	Interior lighting in basic equipment
9MB	Comfort interior lighting, dimmable, with light strips on door panels
9MO	Without auxiliary heater or engine-indep. heating
9M0	Without auxiliary heater/parking heater
9M1	Water heater with timer
9M9	Auxiliary water heater with timer and remote control
9NY	electronic log book
9P3	Belt control, visual and acoustic for driver and passenger
9P6	Belt control, visual and acoustic (front + rear)
9P7	Belt control, visual and acoustic only for driver
9Q1	without road sign recognition
9Q6	Traffic sign recognition
9TF	Courtesy entry and exit lights
9TH	Safety lights on front and rear doors
9VJ	Top Premium sound systemTop Premium sound system
9VK	Sound package 1/sound package
9VL	Sound package 2/High-end sound system
9WM	Preparation for "Rear Seat Entertainment"
9WU	MIRRORLINK + RSE PREPARATION
9W0	Without preparation for installation of car phone
9W1	Telephone module without passive handset
9W5	BLUETOOTH mobile phone preparation

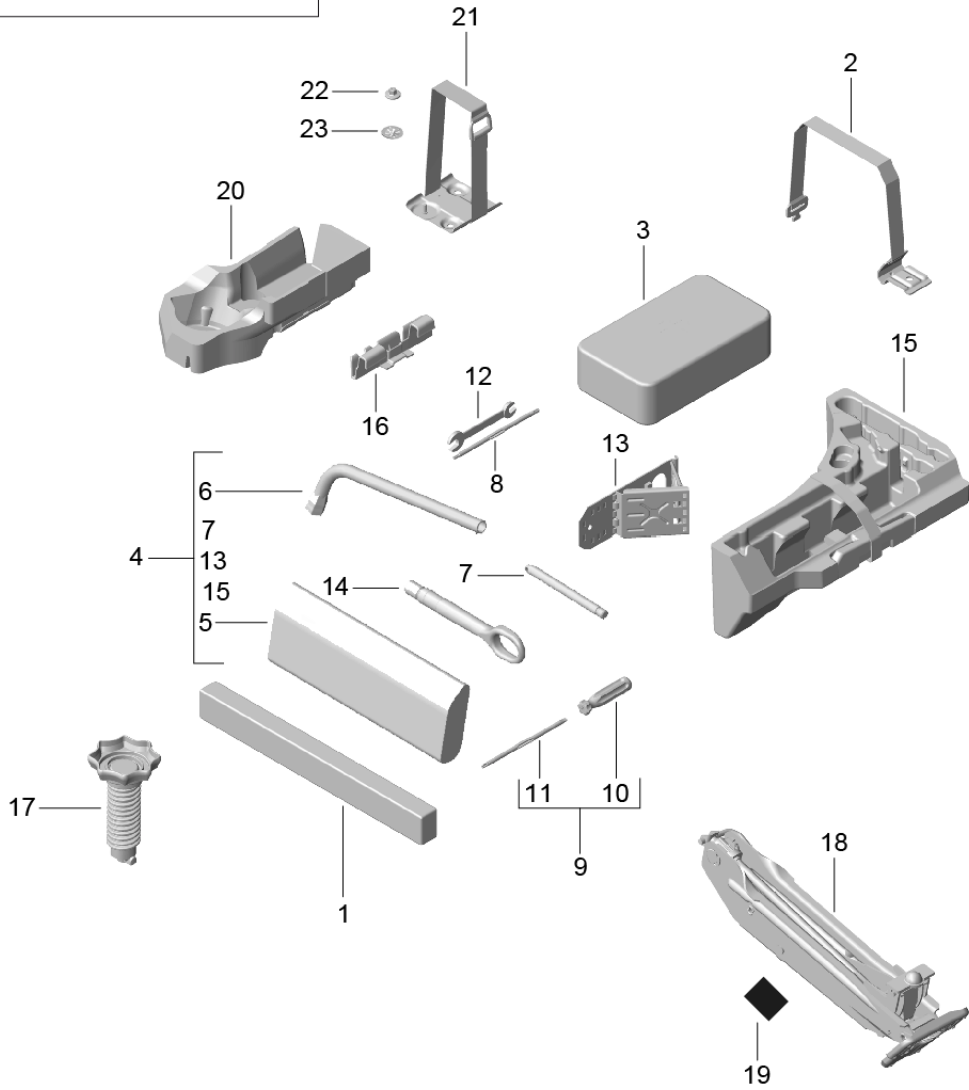
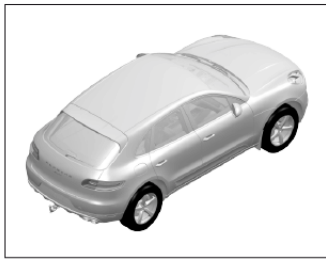
Model: 95B

Model life 2014>>

NR	Description
9ZC	Telephone module with connection box
9ZE	Mobile-phone preparation with connection box
9ZK	Telephone module
9ZP	Telephone module with passive handset
9ZX	Mobile phone preparation

Model: 95B

Model life 2014>>



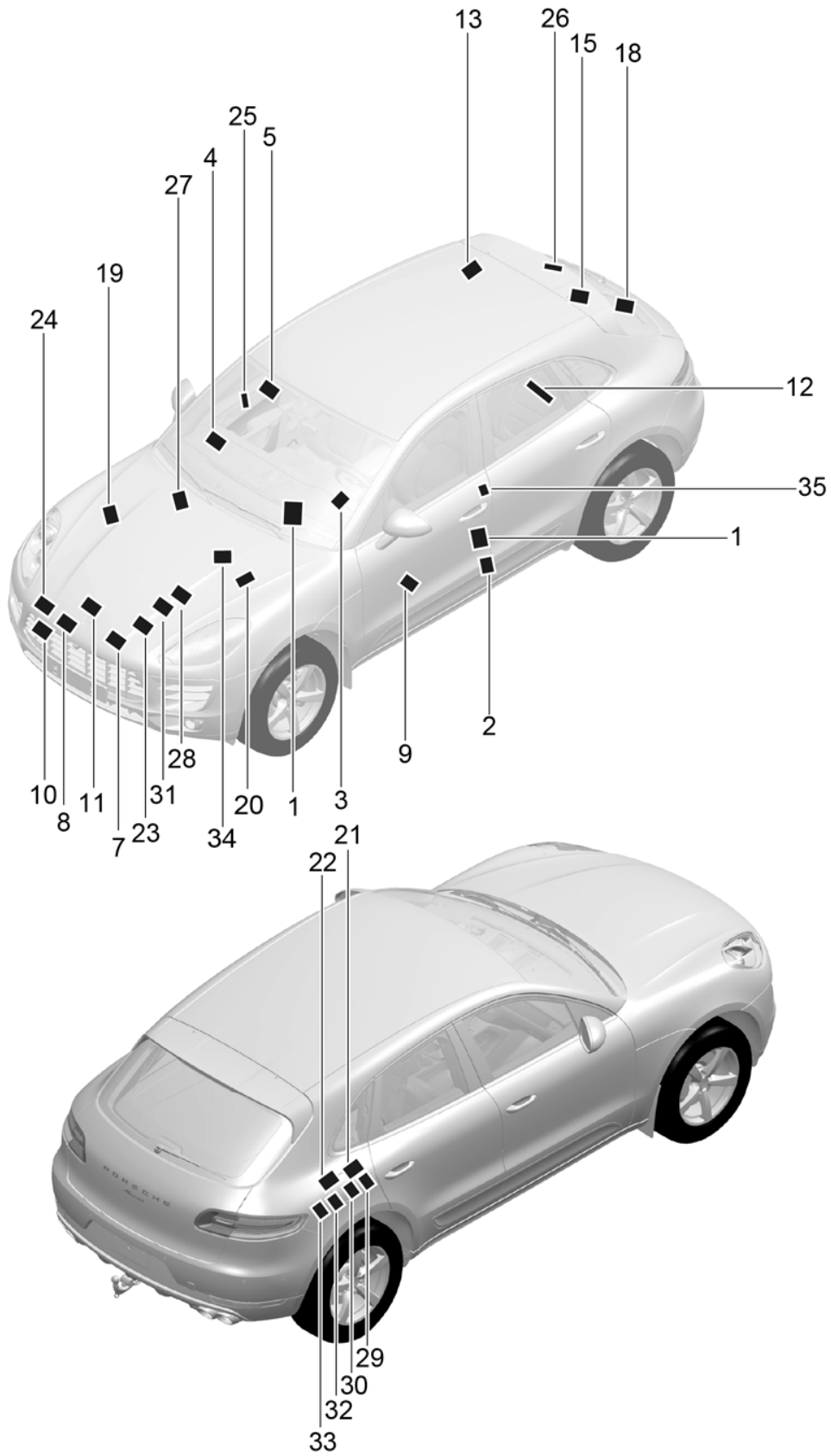
Model: 95B

Model life 2014>>

Pos	Part Number	Description	Remark	Qty	Model
		Tool jack warning triangle first aid kit			
1	8K0 860 251	warning triangle		1	PR:1T3,1T7
2	8R0 860 273	Holding strap		1	PR:1T7
3	000 722 041 00	first aid kit		1	
4	95B 012 106	tool kit bag		1	PR:1G1
5	8R0 012 115 A	tool kit bag		1	PR:1G1
6	955 721 135 02	socket wrench for wheel bolts		1	PR:1G1
7	999 571 074 30	Threaded stud for Wheels/tyres		1	PR:1G1
8	958 721 135 05	screwdriver for Torx screw		1	
9	955 721 135 04	screwdriver		1	
10	191 012 287	screwdriver handle		1	
11	4D0 012 289	Blade Insert		1	
12	955 721 135 03	Double open-ended spanner 10 X 13		1	
13	955 721 725 00	Wedge		1	
14	4H0 805 615	Tow hitch		1	
15	95B 012 109 A	Mounting for vehicle tools		1	PR:8RV,9VK
(15)	95B 012 109	Mounting for vehicle tools		1	PR:1G1,1G4
16	95B 012 129	Tool holder		1	PR:1G1
17	1K0 803 899 E	Mounting for vehicle tools bolt for spare wheel mounting Spare wheel		1	PR:1G1
18	958 721 211 00	jack		1	PR:1G1
(19)	958 701 280 00	Sticker jack		1	PR:B1P
(19)	958 701 282 00	Sticker jack		1	PR:B0M
(19)	95B 010 861 R	Sticker jack		1	PR:B0R
20	8R0 012 111 C	Toolbox Compressor		1	
21	8R0 012 635	Bracket for Compressor		1	
22	999 049 007 40	Plastic nut		2	
23	N 903 350 04	Clamping washer 5 X 30		X	
24	9A7 012 219 00	key End cap AdBlue vacuum box		1	

Model: 95B

Model life 2014>>



Model: 95B Model life 2014>>

Pos	Part Number	Description	Remark	Qty	Model
1	7PP 010 831 D	Signs/notices Sticker		1	PR:H3Q,H6J, H6N
(1)	7PP 010 831 G	Sticker		1	PR:H3Q,H6J, H6N
(1)	7PP 010 831 G	Sticker		1	PR:H3Q,H6J, H6N
(3)	95B 010 866 E	Data plate for tyre pressure		1	PR:H3L,H6B, H6K,H6P,6Y2, 6Y4
(3)	95B 010 866 F	Data plate for tyre pressure		1	PR:H3Q,H6B, H6K,H6P,6Y2, 6Y4
(3)	95B 010 000 AL	Data plate for tyre pressure		1	PR:DU3,D4A, H6K,H6N,H6P, 6Y2,6Y4
4	997 701 422 00	Sticker Airbag Warning sign		1	PR:B0E,B0D
5	955 701 435 00	Warning sign Airbag		1	PR:B0A,B0L, B0N,B1C,B1D, PR:B1P
(5)	955 701 435 10	Warning sign Airbag		1	PR:B0M
(5)	955 701 435 20	Warning sign Airbag		1	PR:B0R
(5)	955 701 435 30	Warning sign Airbag		1	PR:B0R
8	7PP 010 714 R	Warning sign For vehicles with start-stop Discontinued part		1	
9	95B 010 004 A	Warning sign Battery		1	
10	95B 010 820 D	Notice Air conditioning D >> - 09.01.2016		1	PR:-B0L
10	95B 010 820 F	Notice Air conditioning D - 11.01.2016>> - 29.05.2016		1	PR:-B0L
10	95B 010 820 F	Notice Air conditioning D - 11.01.2016>> - 29.05.2016		1	PR:-B0L
11	996 701 611 00	Sticker Battery		1	
12	7PP 010 006	sticker for spare wheel Spare wheel		1	PR:1G1
13	958 701 119 00	Sticker Auxiliary heater		1	PR:-B0L,9M1, 9M9
15	996 701 611 00	Sticker Battery	Japan	1	
18	955 701 675 15	Sticker imported	Japan	1	PR:B0L
19	955 701 675 00	Sticker Cover Reservoir		1	PR:B0L
20	955 701 675 05	Sticker brake fluid		1	PR:B0L
21	955 701 676 10	Sticker Fuel filler flap		1	PR:B0L
22	955 701 676 15	sticker for fuel filler neck		1	PR:B0L
23	955 701 673 00	Sticker Battery		1	PR:B0L

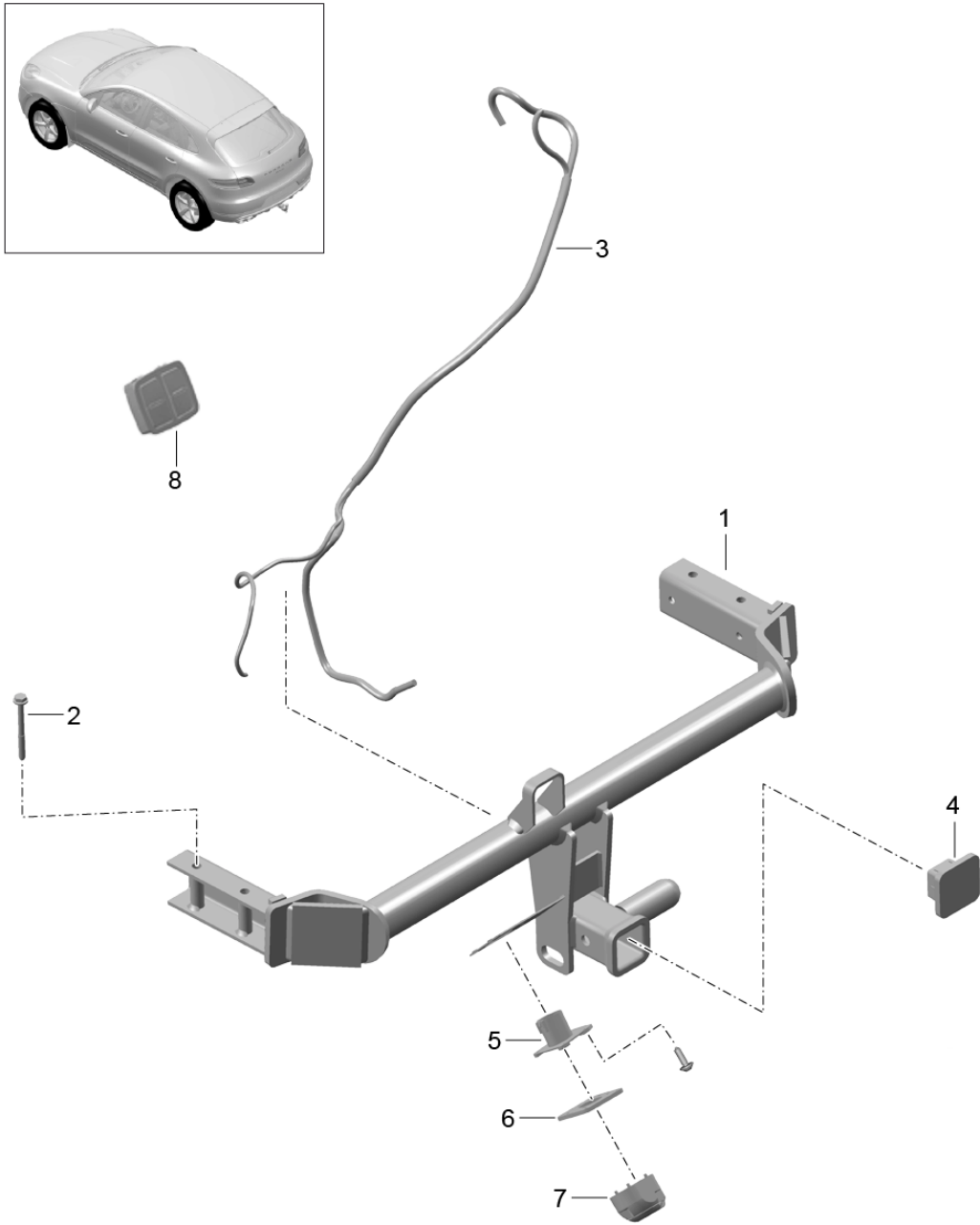
Model: 95B

Model life 2014>>

Pos	Part Number	Description	Remark	Qty	Model
24	955 006 675 00	Sticker Radiator fan		1	PR:B0L
25	970 701 523 00	Sticker	RECYCLING	1	PR:B0L
26	95B 010 820 E	Notice Air conditioning D >> - 09.01.2016		1	PR:B0L
26	95B 010 820 G	Notice Air conditioning D - 11.01.2016>>		1	PR:B0L
27	958 701 119 10	Sticker Auxiliary heater		1	PR:B0L,9M1, 9M9
28	95B 010 013 P	Sticker Poly-V-belt See technical information Repair service 89/14		1	
29	95B 010 013 N	Sticker Urea solution AdBlue		1	
30	95B 010 013 G	Sticker	Diesel	1	
(33)	95B 010 013 C	sticker for fuel filler neck Fuel filler flap		1	
34	95B 010 026 A	Sticker Air conditioning		1	PR:B1P
35	7PP 010 786 T	Sticker engine oil		1	PR:T2G,T8I, TF1,TH1,TQ9, TW6

Model: 95B

Model life 2014>>



Model: 95B

Model life 2014>>

Pos	Part Number	Description	Remark	Qty	Model
1	95B 803 881 D	Tow hitch Tow hitch		1	PR:1D3
		with:			
(1)	8R0 800 491 A	Wire set Cross member		1	
2	N 907 721 02	hexagon head bolt (combi)		4	
3	95B 971 124 C	Wire set Tow hitch		1	PR:1D3
(3)	95B 971 124 A	Wire set Tow hitch		1	PR:B0R
4	7L0 803 593	Bungs		1	PR:1D6
5	7L5 971 885	Protective cap		1	PR:1D6
6	7L5 945 205	Adapter		1	PR:B0R
7	955 612 533 01	Socket	13 pin	1	PR:B0R
(7)	95B 945 505	Socket	13 pin	1	PR:1D3,-B0R
7	955 612 533 01	Socket	7 pin	1	PR:B0R
8	95B 959 511	Switch		1	PR:1BK,1D3
	95B 959 511 DML	Matt Black/hi-gloss chrome			
(8)	95B 959 511 A	Switch		1	PR:1BA,1BH, 1D3
	95B 959 511 A DML	Matt Black/hi-gloss chrome			
(8)	95B 959 511 B	Switch		1	PR:1BK,1D0, 1D6,1D7,1D8
	95B 959 511 B DML	Matt Black/hi-gloss chrome			
9	N 910 742 01	Hexagon socket head bolt M5X16		4	PR:1D6

Model: 95B

Model life 2014>>

PROD. NUMMER PROD. NUMBER	888 0815
FIN VIN	WP1ZZZ12345678912
TYP TYPE	9PAAG1
MOTORKB./GETR.KB ENG.CODE/TRANS.CODE	M5502/C7050
VERTRIEBSFARBCODE SALESNO.	G1
AUSSTATTUNGSCODE INTERIOR CODE	AT
FARBCODE COLORCODE	6B8

7F5.010.732.1



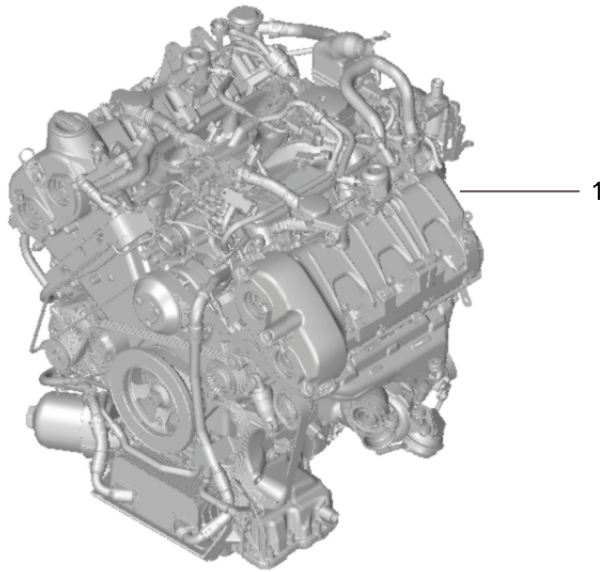
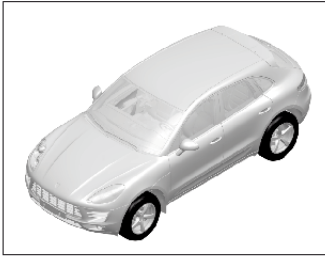
Model: 95B

Model life 2014>>

Pos	Part Number	Description	Remark	Qty	Model
-		paint touch-up applicator Paints Colour designation: see operating instructions Vehicle data plate			
-	911 095 932 20	paint touch-up applicator		X	
	911 095 932 20 041	Black			A 1
	911 095 932 20 C9A	white			0 Q
-	911 095 932 21	paint touch-up applicator		X	
	911 095 932 21 M3C	Carmine red			0 L
-	911 095 933 20	Paint pen set Paint pen set comprising: base paint clear paint		X	
	911 095 933 20 C9X	Jet Black Metallic			2T
	911 095 933 20 M7S	Achat Grey Metallic			N0
	911 095 933 20 M7U	Rhodium Silver Metallic			S2
	911 095 933 20 M5J	Sapphire Blue Metallic			N 1
	911 095 933 20 M8Y	Mahogany Metallic			Y 8
	911 095 933 20 C1Y	Palladium Metallic			4T
	911 095 933 20 M5X	Dark blue metallic			N 4
	911 095 933 20 8M5	Impulse Red Metallic			L4
	911 095 933 20 M1R	Aurum Metallic			U8
	911 095 933 20 M5F	Midnight Blue Metallic			N5
-	911 095 933 21	Paint pen set		X	
	911 095 933 21 M7R	Volcano Grey Metallic			2H
-	911 095 933 30	Paint pen set comprising: base paint clear paint		X	
	911 095 933 30 S9R	Carrara White metallic			2 Y

Model: 95B

Model life 2014>>



Model: 95B

Model life 2014>>

Pos	Part Number	Description	Remark	Qty	Model
		Replacement engine without: Clutch plate - PDK - without: Compressor Air conditioning			CTMA, CTM, CTLA, CTL, DCNA, DCN, DHKA, DHK
1	946 100 930 00	Replacement engine Not ready for installation D >> - 13.11.2016		1	CTMA, CTM+ PR:L0L
(1)	946 100 930 X	Replacement engine Not ready for installation D >> - 13.11.2016		1	CTMA, CTM+ PR:L0L
(1)	946 100 930 10	Replacement engine Not ready for installation D - 14.11.2016>>		1	CTMA, CTM+ PR:L0L
(1)	946 100 930 KX	Replacement engine Not ready for installation D - 14.11.2016>>		1	CTMA, CTM+ PR:L0L
(1)	946 100 930 01	Replacement engine Not ready for installation D >> - 13.11.2016		1	CTMA, CTM+ PR:L0R
(1)	946 100 930 AX	Replacement engine Not ready for installation D >> - 13.11.2016		1	CTMA, CTM+ PR:L0R
(1)	946 100 930 11	Replacement engine Not ready for installation D - 14.11.2016>>		1	CTMA, CTM+ PR:L0R
(1)	946 100 930 LX	Replacement engine Not ready for installation D - 14.11.2016>>		1	CTMA, CTM+ PR:L0R
(1)	946 100 935 00	Replacement engine Not ready for installation D >> - 13.11.2016		1	CTLA, CTL+ PR:L0L
(1)	946 100 935 X	Replacement engine Not ready for installation D >> - 13.11.2016		1	CTLA, CTL+ PR:L0L
(1)	946 100 935 10	Replacement engine Not ready for installation D - 14.11.2016>>		1	CTLA, CTL+ PR:L0L
(1)	946 100 935 KX	Replacement engine Not ready for installation D - 14.11.2016>>		1	CTLA, CTL+ PR:L0L
(1)	946 100 935 01	Replacement engine Not ready for installation D >> - 13.11.2016		1	CTLA, CTL+ PR:L0R
(1)	946 100 935 AX	Replacement engine Not ready for installation D >> - 13.11.2016		1	CTLA, CTL+ PR:L0R
(1)	946 100 935 11	Replacement engine Not ready for installation D - 14.11.2016>>		1	CTLA, CTL+ PR:L0R
(1)	946 100 935 LX	Replacement engine Not ready for installation D - 14.11.2016>>		1	CTLA, CTL+ PR:L0R
1	946 100 932 00	Replacement engine Not ready for installation D >> - 13.11.2016		1	DCNA, DCN+ PR:L0L
(1)	946 100 932 X	Replacement engine Not ready for installation D >> - 13.11.2016		1	DCNA, DCN+ PR:L0L
(1)	946 100 932 10	Replacement engine Not ready for installation		1	DCNA, DCN+ PR:L0L

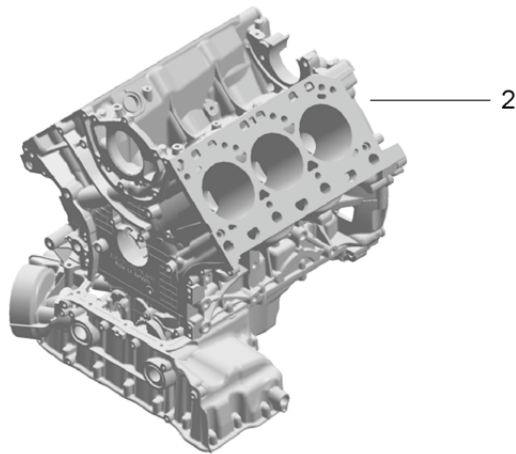
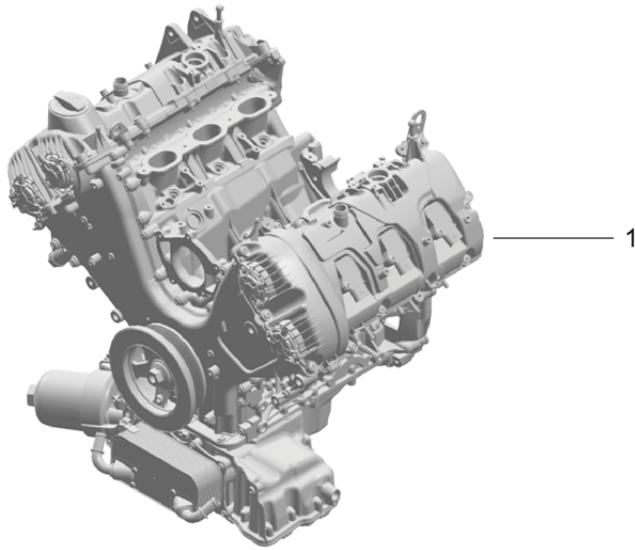
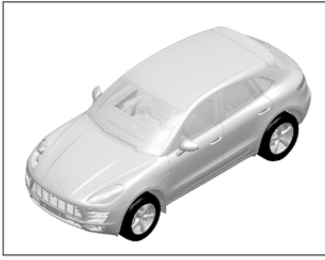
Model: 95B

Model life 2014>>

Pos	Part Number	Description	Remark	Qty	Model
(1)	946 100 932 KX	D - 14.11.2016>> Replacement engine Not ready for installation		1	DCNA,DCN+ PR:L0L
(1)	946 100 932 01	D - 14.11.2016>> Replacement engine Not ready for installation		1	DCNA,DCN+ PR:L0R
(1)	946 100 932 AX	D >> - 13.11.2016 Replacement engine Not ready for installation		1	DCNA,DCN+ PR:L0R
(1)	946 100 932 11	D >> - 13.11.2016 Replacement engine Not ready for installation		1	DCNA,DCN+ PR:L0R
(1)	946 100 932 LX	D - 14.11.2016>> Replacement engine Not ready for installation		1	DCNA,DCN+ PR:L0R
(1)	946 100 935 05	D - 14.11.2016>> Replacement engine M46.35 KW46/16 TURBO PERF. DU3		1	DHKA,DHK+ PR:L0L
(1)	946 100 935 EX	Replacement engine M46.35 KW46/16 TURBO PERF. DU3		1	DHKA,DHK+ PR:L0L
(1)	946 100 935 06	Replacement engine M46.35 KW46/16 TURBO PERF. DU3		1	DHKA,DHK+ PR:L0R
(1)	946 100 935 FX	Replacement engine M46.35 KW46/16 TURBO PERF. DU3		1	DHKA,DHK+ PR:L0R

Model: 95B

Model life 2014>>



Model: 95B Model life 2014>>

Pos	Part Number	Description	Remark	Qty	Model
1	946 100 930 60	Base engine Short block		1	CTMA, CTM, CTLA, CTL, DCNA, DCN, DHKA, DHK CTMA, CTM, DCNA, DCN
(1)	946 100 930 RX	Base engine comprising: Valve cover Cylinder head Crank drive oil sump Valve gear Reparatursatz für Rumpfmotor without: Gaskets also use:	946 111 181 75 WHT 004 966 999 707 582 41 999 707 581 41 999 701 048 40 06L 109 311	2 10 1 1 2 2	CTMA, CTM, DCNA, DCN
(1)	946 100 935 60	Base engine comprising: Valve cover Cylinder head Crank drive oil sump Valve gear Reparatursatz für Rumpfmotor without: Gaskets also use:	946 111 181 75 WHT 004 966 999 707 582 41 999 707 581 41 999 701 048 40 06L 109 311	2 10 1 1 2 2	CTLA, CTL, DHKA, DHK
(1)	946 100 935 RX	Base engine comprising: Valve cover Cylinder head Crank drive oil sump Valve gear Reparatursatz für Rumpfmotor without: Gaskets also use:	946 111 181 75 WHT 004 966 999 707 582 41 999 707 581 41 999 701 048 40 06L 109 311	2 10 1 1 2 2	CTLA, CTL, DHKA, DHK
			946 111 181 75	2	

Model: 95B

Model life 2014>>

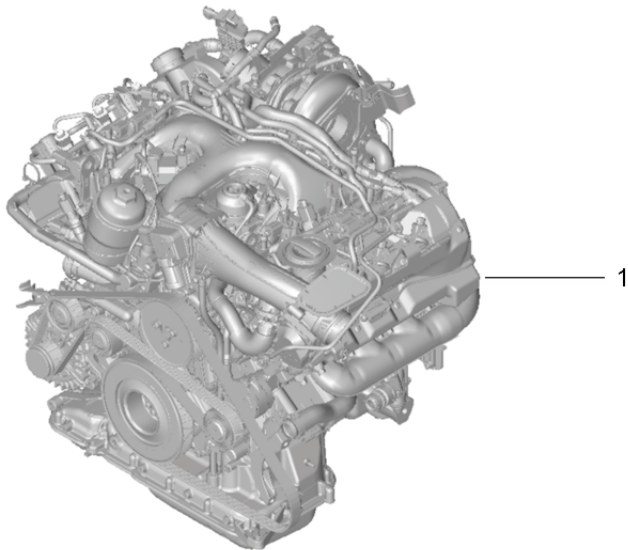
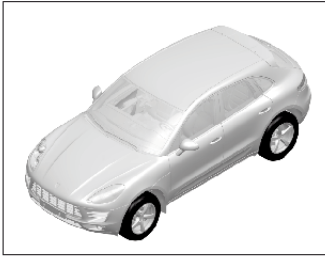
Pos	Part Number	Description	Remark	Qty	Model
-	948 106 533 00	Seal REPARATURSATZ FUER RUMPFMOTOR for Base engine	WHT 004 966 999 707 582 41 999 707 581 41 999 701 048 40 06L 109 311	10 1 1 2 2 1	
		also use:	948 106 124 02 948 106 154 01 999 707 586 40 999 701 825 40 999 707 677 40 999 707 677 41 999 701 187 42 946 110 328 31 946 110 428 61 946 110 228 60 946 110 146 60	2 2 2 2 2 2 6 6 6 6 6	
2	946 100 930 50	Short block comprising: Crankcase housing piston	with: conrod Crankshaft	1	CTMA, CTM, DCNA, DCN
		also use:	946 107 013 61 946 111 181 75 999 170 233 90 WHT 004 966	1 2 6 10	
(2)	946 100 930 TX	Short block comprising: Crankcase housing piston	with: conrod Crankshaft	1	CTMA, CTM, DCNA, DCN
		also use:	946 107 013 61 946 111 181 75 999 170 233 90 WHT 004 966	1 2 6 10	
(2)	946 100 935 50	Short block comprising: Crankcase housing piston	with: conrod Crankshaft	1	CTLA, CTL, DHKA, DHK
		also use:	946 107 013 36 946 111 181 75 999 170 233 90 WHT 004 966	1 2 6 10	
(2)	946 100 935 TX	Short block comprising: Crankcase housing piston	with: conrod Crankshaft	1	CTLA, CTL, DHKA, DHK
		also use:	946 107 013 36 946 111 181 75 999 170 233 90	1 2 6	

Model: 95B Model life 2014>>

Pos	Part Number	Description	Remark	Qty	Model
-	948 101 910 20	Sealing flange Reparatursatz für Teilmotor also use:	WHT 004 966 948 106 533 00 948 106 124 02 948 106 154 01 999 707 586 40 999 701 825 40 999 707 677 40 999 707 677 41 946 110 428 61 946 110 328 31 999 701 187 42 946 110 228 60 06L 109 311 946 110 146 60	10 1 1 2 2 2 2 2 6 6 6 6 2 6	
-	999 707 575 40	O-ring Reparatursatz für Teilmotor also use:	999 707 481 40 946 101 130 04 948 101 125 20 948 101 127 20 946 101 129 04 000 043 209 93 000 043 204 35 999 073 913 31 999 073 914 31 999 073 905 31 999 073 903 31 946 104 173 02 946 104 174 02 948 104 181 10	1 1 1 1 1 X X 2 9 25 2 1 1 16	
-	946 105 935 65	Seal Reparatursatz für Teilmotor also use:	946 105 936 65 946 105 937 65 999 073 905 31 999 073 908 31 946 105 169 75 948 105 023 12 946 105 068 00 948 105 065 10 946 105 180 76 948 105 166 12 999 015 022 01 999 015 021 01	1 6 17 7 1 1 1 1 1 2 1 2	
-	948 107 222 00	Oil filter insert Reparatursatz für Teilmotor also use:	999 915 573 43 999 073 905 31 946 107 322 75 999 707 567 40 999 707 547 40 999 707 585 40 999 707 568 40 038 103 196 B 946 107 252 75	1 17 1 1 2 1 2 1 1	

Model: 95B

Model life 2014>>



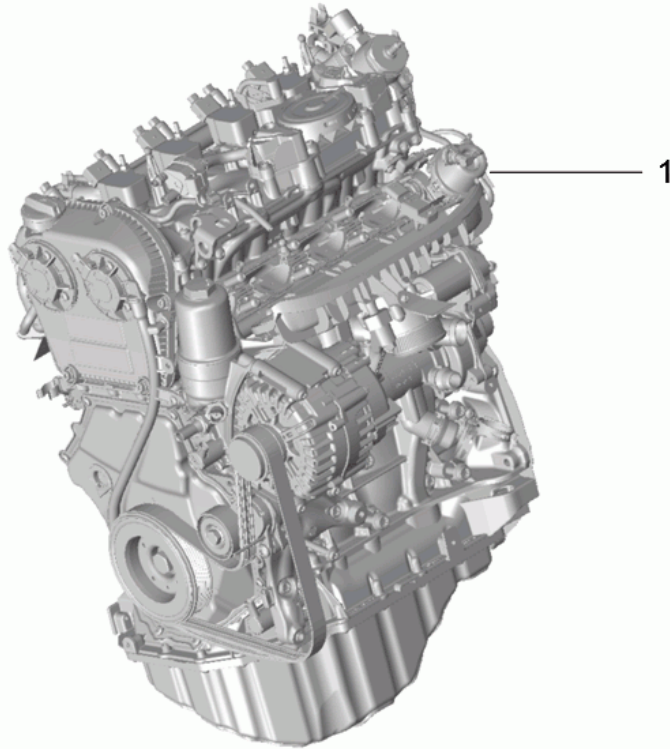
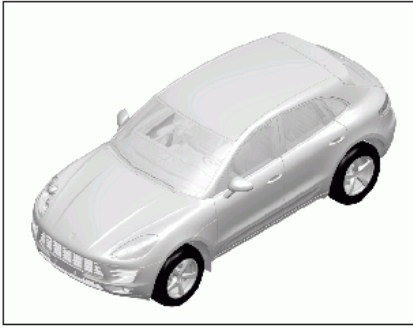
Model: 95B

Model life 2014>>

Pos	Part Number	Description	Remark	Qty	Model
		Replacement engine			CDUD, CTBA, CTBC, CTBB
		Clutch plate	with:		
		- PDK -			
1	059 100 026 CA	diesel engine		1	CDUD
(1)	059 100 026 CX	Replacement engine		1	CDUD
(1)	059 100 026 BL	Replacement engine		1	CTBA, CTBC, CTBB
(1)	059 100 026 BX	Replacement engine Discontinued part		1	CTBA, CTBC, CTBB

Model: 95B

Model life 2014>>



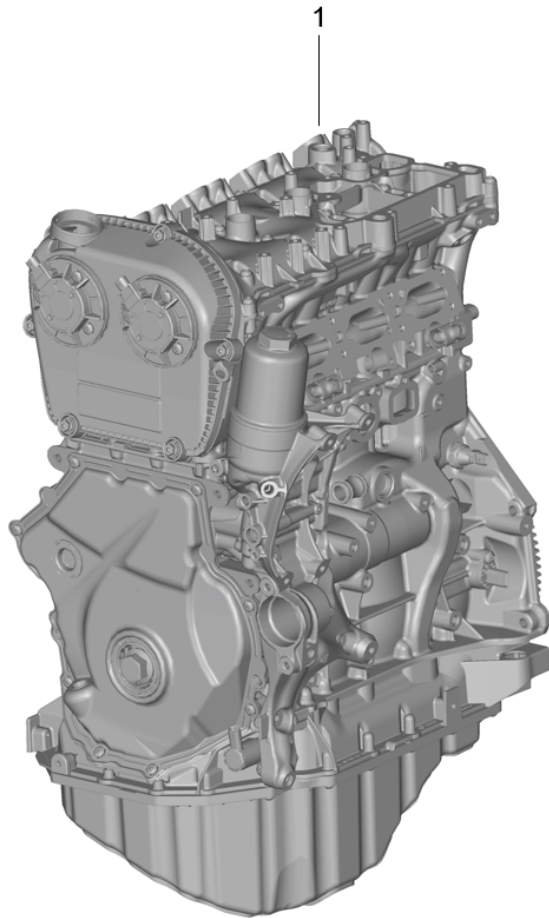
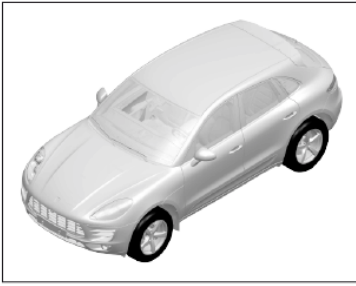
Model: 95B

Model life 2014>>

Pos	Part Number	Description	Remark	Qty	Model
		Replacement engine			CNCC, CNC,
		with:			CYNA, CYNB,
		Clutch plate			CYPA, CYP
		- PDK -			
1	06L 100 010 AC	Fuel injection engine		1	CYNA, CYNB+
		Not ready for installation			PR: 7GB
(1)	06L 100 010 AX	Replacement engine		1	CYNA, CYNB+
		Not ready for installation			PR: 7GB
(1)	06L 100 010 AF	Replacement engine		1	CNCC, CNC+
		174KWAUFBRAUCHEN			PR: 7GH, 7MM
(1)	06L 100 010 BX	Replacement engine		1	CNCC, CNC+
		174KWAUFBRAUCHEN			PR: 7GH, 7MM
(1)	9A7 100 010 00	Replacement engine		1	CYPA, CYP+
		Not ready for installation			PR: 7GH, 7MM
		185KW AB KW2/16			- "CN. "
(1)	9A7 100 010 CX	Replacement engine		1	CYPA, CYP+
		Not ready for installation			PR: 7GH, 7MM
		185KW AB KW2/16			- "CN. "
(1)	9A7 100 010 10	Replacement engine		1	CYPA, CYP+
		Not ready for installation			PR: 7MM
		185KW AB KW2/16			"CN. "
(1)	9A7 100 010 DX	Replacement engine		1	CYPA, CYP+
		Not ready for installation			PR: 7MM
		185KW AB KW2/16			"CN. "

Model: 95B

Model life 2014>>



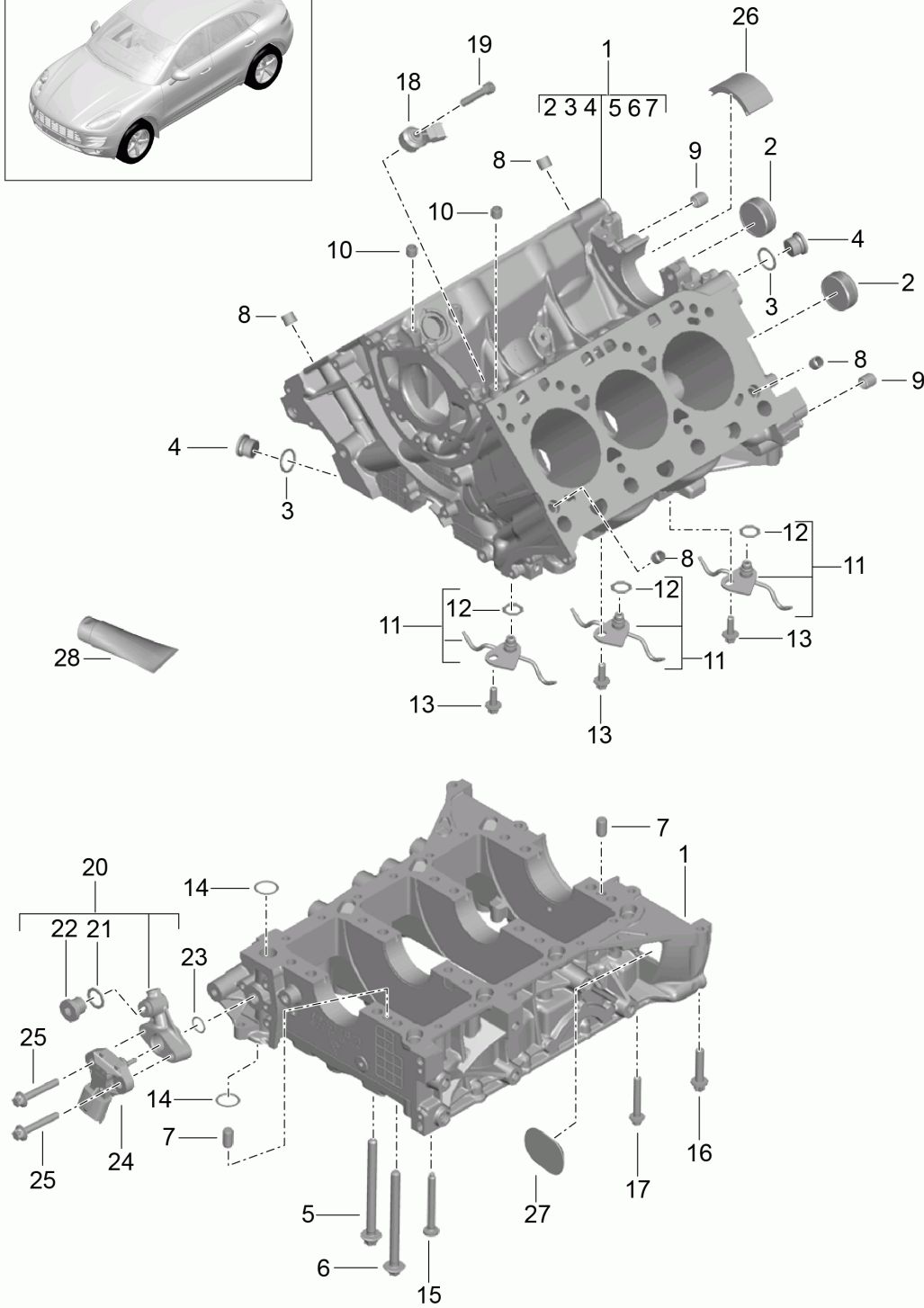
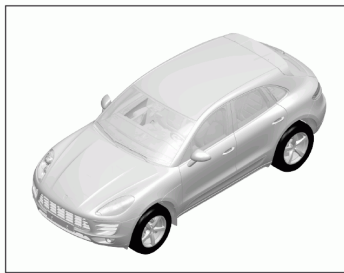
Model: 95B

Model life 2014>>

Pos	Part Number	Description	Remark	Qty	Model
		Base engine comprising: Valve cover Cylinder head Crankcase housing Crankshaft oil sump			CNCC , CNC , CYNA , CYNB , CYPA , CYP
1	9A7 100 033 00	Base engine Not ready for installation		1	CNCC , CNC+ PR : 7GH , 7MM
(1)	9A7 100 033 X	Base engine Not ready for installation		1	CNCC , CNC+ PR : 7GH , 7MM
(1)	9A7 100 033 10	Base engine Not ready for installation		1	CYPA , CYP+ PR : 7GH , 7MM
(1)	9A7 100 033 KX	06L100010AG/AK Base engine 185KW AB KW2/16 06L100010AG/AK		1	CYPA , CYP+ PR : 7GH , 7MM
(1)	9A7 100 033 05	Base engine Not ready for installation		1	CYNA , CYNB+ PR : 7GB
(1)	9A7 100 033 EX	USA/KOREA/PAP Base engine Not ready for installation USA/KOREA/PAP		1	CYNA , CYNB+ PR : 7GB

Model: 95B

Model life 2014>>



Model: 95B Model life 2014>>

Pos	Part Number	Description	Remark	Qty	Model
		Crankcase housing Individual parts			CTMA, CTM, CTLA, CTL, DCNA, DCN, DHKA, DHK
1	946 101 001 30	Crankcase housing without: piston		1	
		also use:	014 301 153 B	4	
			946 101 153 30	2	
			996 106 103 50	2	
			946 101 017 77	3	
			900 385 009 01	3	
			999 707 481 40	2	
		piston		6	
(1)	946 101 001 31	discontinued part Crankcase housing without: piston		1	
		also use:	014 301 153 B	4	
			946 101 153 30	2	
			996 106 103 50	2	
			946 101 017 77	3	
			900 385 009 01	3	
			999 707 481 40	2	
		piston		6	
2	948 101 216 00	End cap		2	
3	900 123 118 30	seal ring	A22X27	2	
4	999 063 024 30	sealing plug	M22X1,5	2	
5	948 101 190 01	Screw	M11X1,5X130	6	
(5)	948 101 190 40	Screw	M11X1,5X113,5	2	
6	948 101 191 01	Screw	M10X1,5X117	6	
(6)	948 101 191 41	Screw	M10X1,5X107,5	2	
7	999 012 051 00	Cylinder pin	M10X18	2	
8	014 301 153 B	dowel sleeve	13X16X13,5	4	
9	946 101 153 30	dowel sleeve	13X16X15	2	
		No longer use the part here			
(9)	946 101 153 31	dowel sleeve	13X16X15	2	
10	996 106 103 50	dowel sleeve	8,2X7	2	
11	946 101 017 78	Water jet		3	
12	999 707 509 40	O-ring	8,55X2	3	
13	900 385 009 01	Torx screw	BM6X16	3	
14	999 707 481 40	O-ring	24X3	2	
15	999 073 915 31	fillister hd. bolt	M8X70-PA-	12	
16	900 385 042 01	Torx screw	BM8X35	2	
17	900 385 071 01	Torx screw	BM8X50	2	
18	997 606 121 00	Knock sensor		2	
19	900 067 102 02	Socket head bolt	M8X35	2	
20	948 107 314 20	Adapter		1	
21	900 123 144 30	seal ring	A10X13,5	1	
22	900 219 023 01	sealing plug	M10X1X11	1	
23	999 707 575 40	O-ring	20X3	1	
24	948 606 213 00	Oil pressure sender		1	
25	900 385 045 01	Torx screw	BM6X40	2	
26	7PP 103 113	End cap		1	
27	955 301 729 10	Sealing cap		1	
28	999 915 573 43	sealant 1 tube 75 ML for		X	
28	000 043 305 33	discontinued part sealant 1 tube		X	

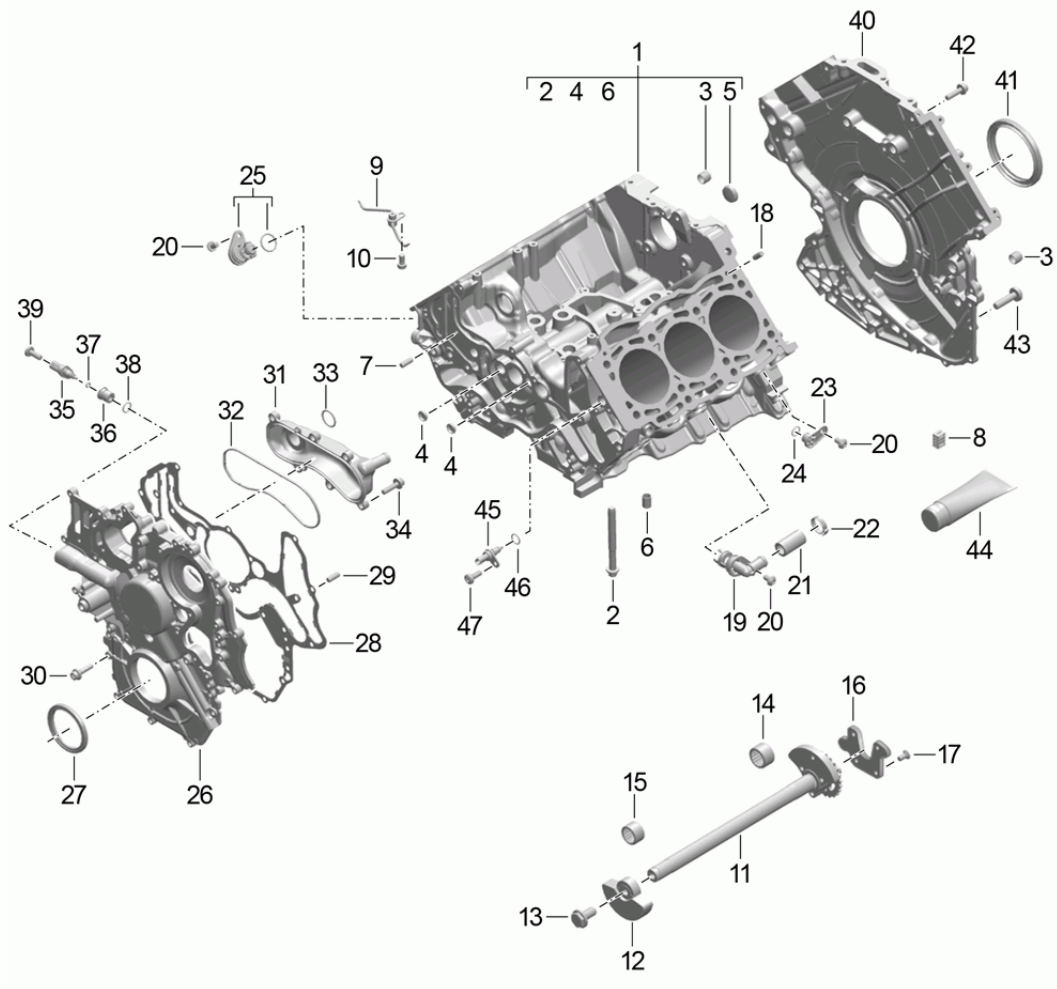
Model: 95B

Model life 2014>>

Pos	Part Number	Description	Remark	Qty	Model
		75 ML for Crankcase housing			

Model: 95B

Model life 2014>>



Model: 95B Model life 2014>>

Pos	Part Number	Description	Remark	Qty	Model
1	958 101 011 21	Crankcase housing Individual parts Crankcase housing		1	CDUD, CTBA, CTBB, CTBC
		also use:			
		piston		6	
		D >> - 15.09.2016			
(1)	958 101 011 22	Crankcase housing		1	
		also use:			
		piston		6	
		D - 16.09.2016>>			
2	WHT 003 959	Hexagon head bolt	M11X1,5X107	16	
3	955 101 139 01	dowel sleeve	16X13,5	2	
4	N 011 903 10	End cap	16	2	
5	N 011 914 10	End cap	24	4	
6	955 101 139 10	dowel sleeve		4	
7	N 106 678 01	Cylinder pin	6H8X16	2	
8	955 101 147 00	Seal	rear	2	
		Sealing flange			
9	958 101 017 30	Water jet engine oil		3	
10	N 910 547 01	Hex socket head locating bolt	M6X6X12	3	
11	958 101 025 11	balancer shaft		1	
12	955 101 332 00	Balancer weight	front	1	
13	N 908 932 02	fitted bolt, hexagon head	M10X20	1	
14	958 101 869 40	needle bearing - 25 MM		1	
15	955 101 869 10	needle bearing - 22 MM		1	
16	958 101 407 01	End cap		1	
17	N 104 560 04	Hexagon socket head bolt, self-locking	M6X12	4	
18	955 102 277 00	spring pin	6, 2X22	4	
19	958 106 155 20	End cap		1	
20	N 101 703 02	round hd. screw	M6X10	3	
21	958 110 335 10	Cap closure Connector union		1	
22	N 102 020 01	Ear crimp hose clamp	24, 1X7X0,6	1	
23	958 106 155 01	End cap		1	
24	N 907 834 02	O-ring	13, 1X1,6	1	
25	958 106 155 20	End cap		1	
26	958 101 151 12	Sealing flange	front	1	
		with:			
		Gaskets			
-	WHT 005 400	Washer	11X67X3,5	1	
27	955 101 052 00	Shaft oil seal		1	
28	958 101 161 03	Seal		1	
29	N 106 678 01	Cylinder pin	6H8X16	2	
30	N 911 804 01	Hexalobular flange screw	M6X22	22	
31	958 101 525 00	Cover		1	
32	958 101 161 11	Seal		1	
33	N 904 650 04	O-ring	23X2,6	1	
34	N 107 002 01	round hd. screw	M6X22	6	
35	958 606 623 20	Temperature sensor		1	
36	958 101 826 02	Sleeve for Temperature sensor		1	
37	WHT 002 287 C	O-ring	5, 6X2	1	
38	N 908 514 01	O-ring	14X1,78 rear	1	
		Adapter Sleeve Temperature sensor			
39	N 104 514 08	Oval hexagon socket head bolt	M6X16	1	

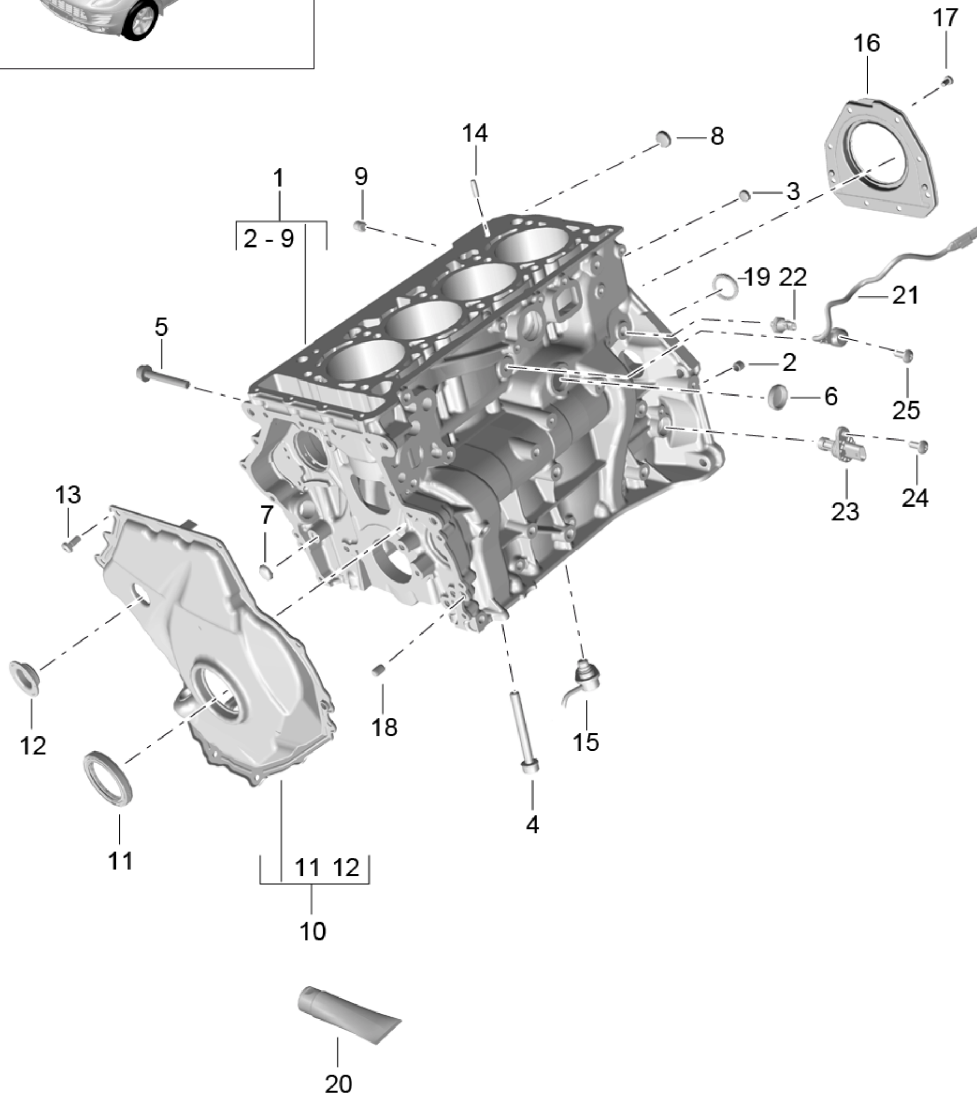
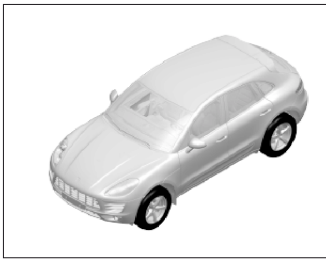
Model: 95B

Model life 2014>>

Pos	Part Number	Description	Remark	Qty	Model
40	958 101 071 50	Sealing flange	rear	1	
		also use:	955 101 147 00	2	
			000 043 300 39	X	
41	958 101 153 01	Shaft oil seal		1	
42	N 107 002 01	round hd. screw	M6X22	18	
43	N 107 453 01	Oval hexagon socket head bolt	M8X30	6	
44	000 043 300 39	sealant	50ml	X	
		1 tube			
45	958 606 623 00	Coolant temperature sender		1	
46	WHT 002 287 B	O-ring	5,6X2	1	
47	N 101 703 02	round hd. screw	M6X10	1	

Model: 95B

Model life 2014>>



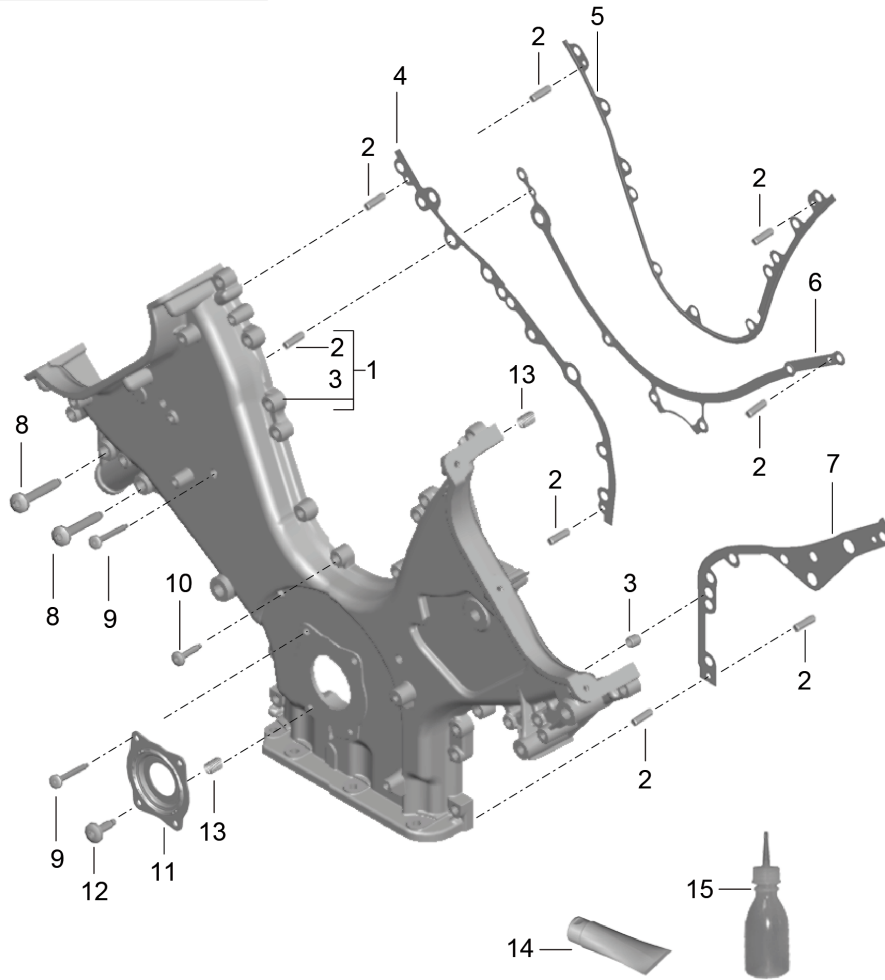
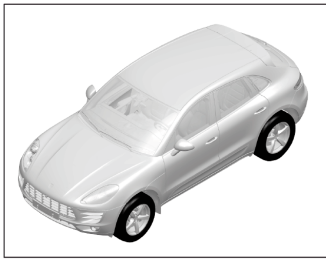
Model: 95B

Model life 2014>>

Pos	Part Number	Description	Remark	Qty	Model
		Crankcase housing Individual parts			CNCC ,CNC , CYNA ,CYPA , CYP ,CYNB
1	958 103 011 00	Crankcase housing * single parts no available *		1	
2	955 101 139 01	dowel sleeve	16X13,5	2	
3	N 011 907 8	End cap	A14	2	
4	N 911 189 02	Socket head collared bolt with inner multipoint head	M10X80	10	
5	N 911 875 01	Socket head bolt with inner multipoint head	M8X50	6	
6	N 011 919 4	End cap	A25	2	
7	N 011 910 4	End cap	A10	3	
8	N 011 901 10	End cap	A20	2	
9		End cap * single parts no available *		1	
10	958 109 210 00	cover for timing case		1	
11	958 103 085 00	Shaft oil seal	45X60X8	1	
12	958 115 418 00	Sealing cap		1	
13	N 910 967 02	Oval hexagon socket head bolt	M6X16	15	
14	958 103 139 00	Cylinder pin	M6X20	2	
15	958 103 154 00	Water jet		4	CNCC ,CNC
		with:			
		Screw M >> CNC 103 889			
(15)	958 103 154 10	Water jet		4	CYNA ,CYNB
		with:			
		Screw			
(15)	958 103 154 20	Water jet		4	CNCC ,CNC , CYPA ,CYP
		with:			
		Screw M CNC 103 890>>			
16	958 103 171 00	Sealing flange		1	
17	N 103 352 06	Hexagon socket flat head bolt	M6X12	6	
18	N 106 171 01	Cylinder pin	8X12	2	
19	958 103 085 10	Shaft oil seal	15X32X7	1	
20	958 101 901 00	sealant 18 ML		X	
21	958 905 377 00	Knock sensor		1	
		with:			
		Supply line			
22	958 919 081 00	Oil pressure switch		1	
23	958 906 433 00	impulse sender Crankshaft		1	
		No longer use the part here			
(23)	958 906 433 01	impulse sender Crankshaft		1	
24	N 107 512 01	Hexagon socket flat head bolt		1	
25	N 107 509 01	12-point head bolt	M8X30	1	

Model: 95B

Model life 2014>>

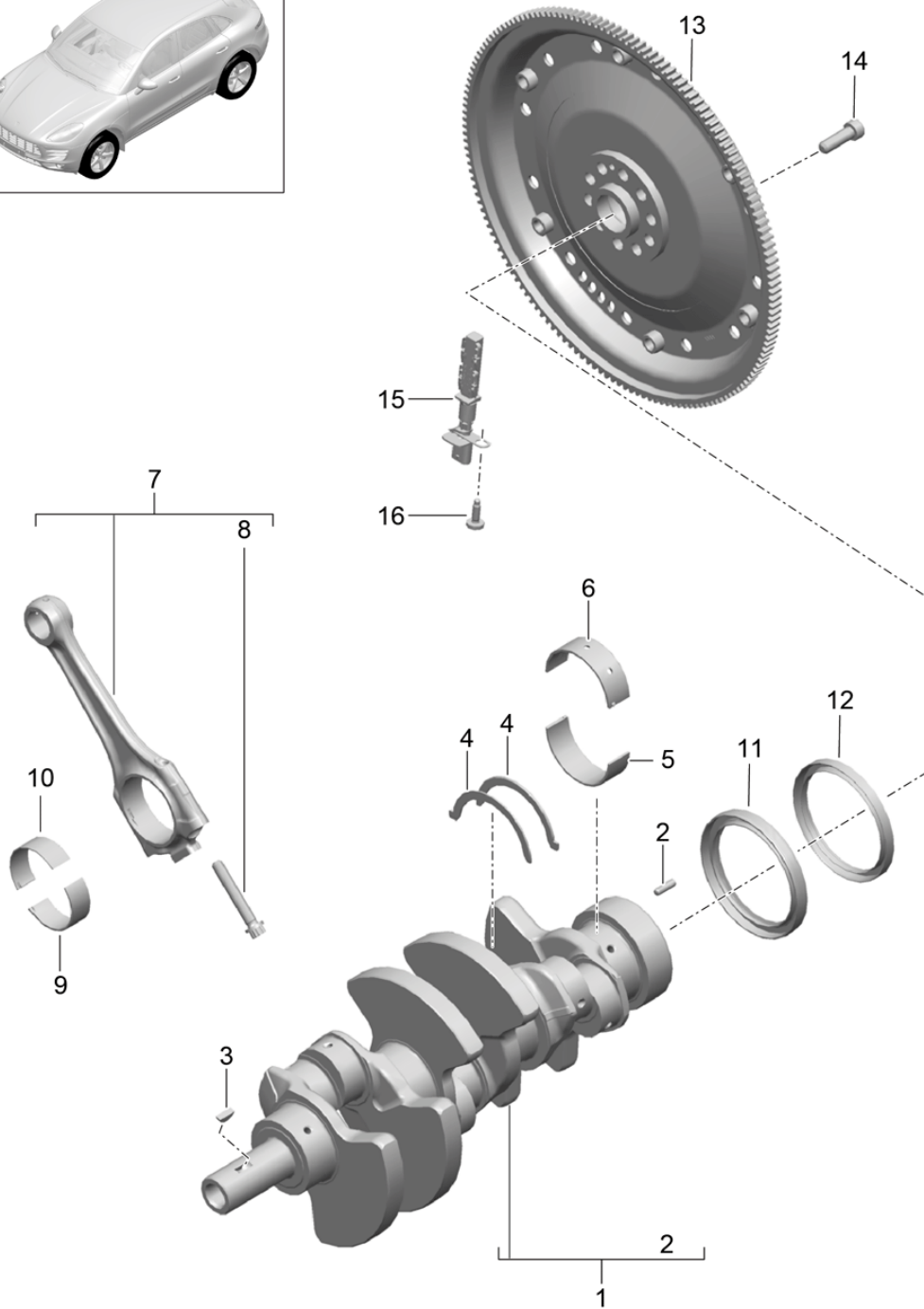
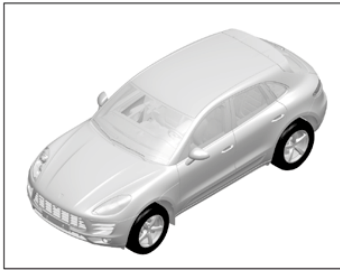


Model: 95B Model life 2014>>

Pos	Part Number	Description	Remark	Qty	Model
		cover for timing case Sealing flange			CTMA,CTM, CTLA,CTL, DCNA,DCN, DHKA,DHK
1	946 101 022 01	cover for timing case M >> CTM 012 407 M >> CTL 005 789 No longer use the part here	Magnesium	1	CTMA,CTM, CTLA,CTL
(1)	946 101 022 02	cover for timing case M CTM 012 408>> M CTL 005 790>>	Magnesium	1	CTMA,CTM, CTLA,CTL
(1)	946 101 022 02	cover for timing case	Magnesium	1	DCNA,DCN, DHKA,DHK
2	900 012 204 30	Cylinder pin	5M6X16	8	
3	944 104 361 00	dowel sleeve	8,5X8,5	1	
4	946 101 130 03	Seal M >> CTM 012 407 M >> CTL 005 789		1	CTMA,CTM, CTLA,CTL
(4)	946 101 130 04	Seal M CTM 012 408>> M CTL 005 790>>		1	CTMA,CTM, CTLA,CTL
(4)	946 101 130 04	Seal		1	DCNA,DCN, DHKA,DHK
5	948 101 125 20	Seal		1	
6	948 101 127 20	Seal		1	
7	946 101 129 03	Seal M >> CTM 012 407 M >> CTL 005 789		1	CTMA,CTM, CTLA,CTL
(7)	946 101 129 04	Seal M CTM 012 408>> M CTL 005 790>>		1	CTMA,CTM, CTLA,CTL
(7)	946 101 129 04	Seal		1	DCNA,DCN, DHKA,DHK
8	999 073 913 31	fillister hd. bolt	M8X55PA aluminium	2	
9	999 073 914 31	fillister hd. bolt	M6X55PA aluminium	9	
10	999 073 905 31	fillister hd. bolt	M6X30PA aluminium	21	
11	948 101 910 20	Sealing flange		1	
		with:			
12	999 073 903 31	Mounting sleeve fillister hd. bolt	M6X20PA aluminium	2	
13	999 504 084 01	threaded insert M 6 X 12 for		X	
14	000 043 204 35	cover for timing case sealant 1 tube 50 ML. for	Magnesium	X	
15	000 043 209 93	cover for timing case Cleaning solution Anti-corrosion agent for DECKEL FUER STEUERGEHAEUSE		1	

Model: 95B

Model life 2014>>



Model: 95B Model life 2014>>

Pos	Part Number	Description	Remark	Qty	Model
		Crankshaft conrod			CTMA,CTM, CTLA,CTL, DCNA,DCN, DHKA,DHK CTMA,CTM
1	946 102 011 60	Crankshaft M >> CTM 010 870		1	
(1)	946 102 011 61	Crankshaft M CTM 010 871>>		1	CTMA,CTM
(1)	946 102 011 61	Crankshaft		1	DCNA,DCN
(1)	946 102 011 35	Crankshaft M >> CTL 005 137		1	CTLA,CTL
(1)	946 102 011 36	Crankshaft Discontinued part		1	
(1)	946 102 011 37	Crankshaft M CTL 005 138>>		1	CTLA,CTL
(1)	946 102 011 37	Crankshaft		1	DHKA,DHK
2	900 302 049 00	Cylinder pin	6,0X20-A-	1	
3	900 118 007 00	woodruff key	5,0X6,5	1	
4	948 101 215 10	thrust washer		2	
5	948 101 241 08	crankshaft bearing shell Identification: >> >>	lower red	4	
(5)	948 101 241 09	crankshaft bearing shell Identification: >> >>	lower yellow	4	
(5)	948 101 241 10	crankshaft bearing shell Identification: >> >>	lower blue	4	
(5)	948 101 241 11	crankshaft bearing shell Identification: >> >>	lower green	4	
6	948 101 242 08	crankshaft bearing shell Identification: >> >>	upper red	4	
(6)	948 101 242 09	crankshaft bearing shell Identification: >> >>	upper yellow	4	
(6)	948 101 242 10	crankshaft bearing shell Identification: >> >>	upper blue	4	
(6)	948 101 242 11	crankshaft bearing shell Identification: >> >>	upper green	4	
7	946 103 019 30	conrod (complete)		6	CTMA,CTM
(7)	946 103 019 31	M >> CTM 010 870 conrod (complete)		6	CTMA,CTM
(7)	946 103 019 31	M CTM 010 871>> conrod (complete)		6	DCNA,DCN
(7)	946 103 019 36	conrod (complete)		6	CTLA,CTL
(7)	946 103 019 37	M >> CTL 005 137 conrod (complete)		6	CTLA,CTL
(7)	946 103 019 37	M CTL 005 138>> conrod (complete)		6	DHKA,DHK
8	997 103 115 01	bolt - connecting rod		12	
9	948 103 230 23	connecting rod bearing shell Identification: >> >>	lower red	6	CTMA,CTM
(9)	948 103 230 26	Discontinued part connecting rod bearing shell Identification: >> >>	lower red	6	CTMA,CTM, DCNA,DCN
(9)	946 103 254 00	No longer use the part here connecting rod bearing shell Identification: >> >>	lower red	6	CTLA,CTL
(9)	946 103 254 03	No longer use the part here connecting rod bearing shell Identification: >> >>	lower red	6	CTLA,CTL, DHKA,DHK

Model: 95B

Model life 2014>>

Pos	Part Number	Description	Remark	Qty	Model
(9)	948 103 230 24	No longer use the part here connecting rod bearing shell Identification: >> >> Discontinued part	lower yellow	6	CTMA,CTM
(9)	948 103 230 27	connecting rod bearing shell Identification: >> >> Discontinued part	lower yellow	6	CTMA,CTM, DCNA,DCN
(9)	946 103 254 01	connecting rod bearing shell Identification: >> >> Discontinued part	lower yellow	6	CTLA,CTL
(9)	946 103 254 04	connecting rod bearing shell Identification: >> >> Discontinued part	lower yellow	6	CTLA,CTL, DHKA,DHK
(9)	948 103 230 25	connecting rod bearing shell Identification: >> >> Discontinued part	lower blue	6	CTMA,CTM
(9)	948 103 230 28	connecting rod bearing shell Identification: >> >> Discontinued part	lower blue	6	CTMA,CTM, DCNA,DCN
(9)	946 103 254 02	No longer use the part here connecting rod bearing shell Identification: >> >> Discontinued part	lower blue	6	CTLA,CTL
(9)	946 103 254 05	No longer use the part here connecting rod bearing shell Identification: >> >> Discontinued part	lower blue	6	CTLA,CTL, DHKA,DHK
10	946 103 352 00	No longer use the part here connecting rod bearing shell Identification: >> >> Discontinued part	upper red	6	CTMA,CTM
(10)	946 103 352 03	No longer use the part here connecting rod bearing shell Identification: >> >> Discontinued part	upper red	6	CTMA,CTM, DCNA,DCN
(10)	946 103 354 00	No longer use the part here connecting rod bearing shell Identification: >> >> Discontinued part	upper red	6	CTLA,CTL
(10)	946 103 354 03	No longer use the part here connecting rod bearing shell Identification: >> >> Discontinued part	upper red	6	CTLA,CTL, DHKA,DHK
(10)	946 103 352 01	No longer use the part here connecting rod bearing shell Identification: >> >> Discontinued part	upper yellow	6	CTMA,CTM
(10)	946 103 352 04	connecting rod bearing shell Identification: >> >> Discontinued part	upper yellow	6	CTMA,CTM, DCNA,DCN
(10)	946 103 354 01	connecting rod bearing shell Identification: >> >> Discontinued part	upper yellow	6	CTLA,CTL
(10)	946 103 354 04	connecting rod bearing shell Identification: >> >> Discontinued part	upper yellow	6	CTLA,CTL, DHKA,DHK
(10)	946 103 352 02	connecting rod bearing shell Identification: >> >> Discontinued part	upper blue	6	CTMA,CTM
(10)	946 103 352 05	No longer use the part here connecting rod bearing shell Identification: >> >> Discontinued part	upper blue	6	CTMA,CTM, DCNA,DCN
(10)	946 103 354 02	No longer use the part here connecting rod bearing shell Identification: >> >> Discontinued part	upper blue	6	CTLA,CTL, DHKA,DHK
(10)	946 103 354 05	No longer use the part here connecting rod bearing shell Identification: >> >> Discontinued part	upper blue	6	CTLA,CTL, DHKA,DHK
11	997 101 212 01	No longer use the part here Shaft oil seal		1	
12	946 606 135 00	Clutch plate		1	
13	95B 105 323	Clutch plate		1	
14	N 906 651 01	Socket head bolt with inner multipoint head	M10X1X29	10	
15	946 606 131 01	Speed sensor		1	

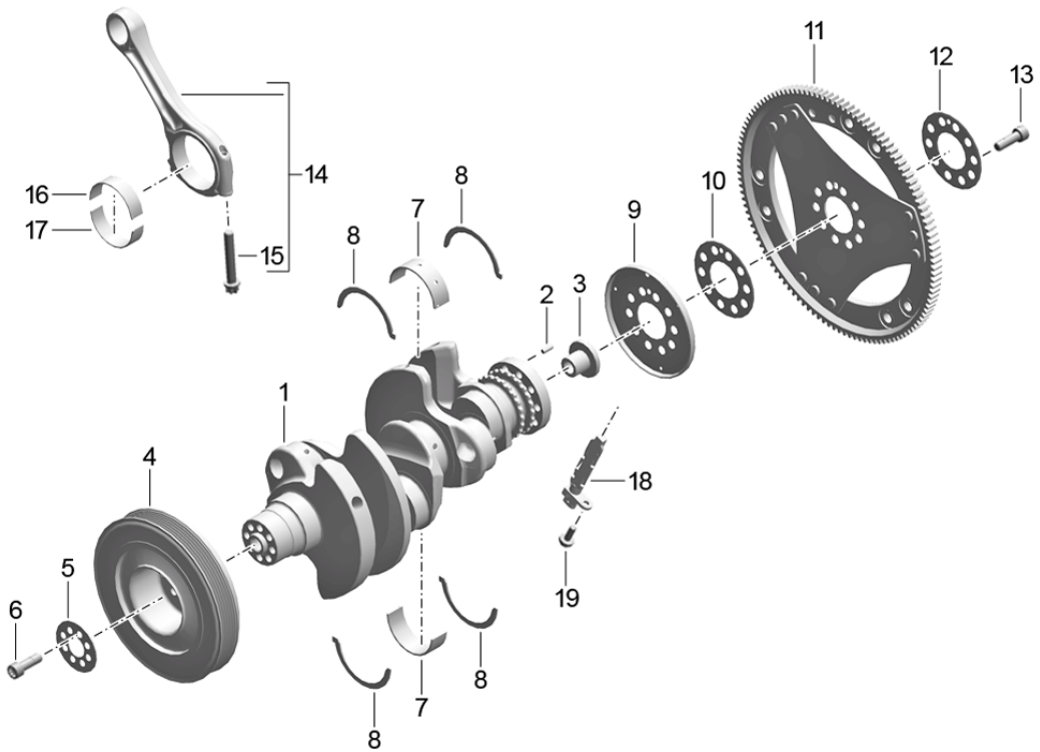
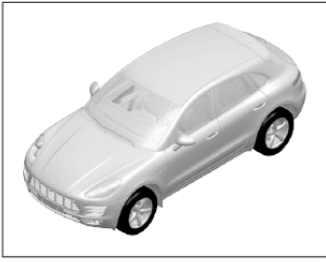
Model: 95B

Model life 2014>>

Pos	Part Number	Description	Remark	Qty	Model
16	999 073 903 31	fillister hd. bolt	M6X20PA	1	

Model: 95B

Model life 2014>>



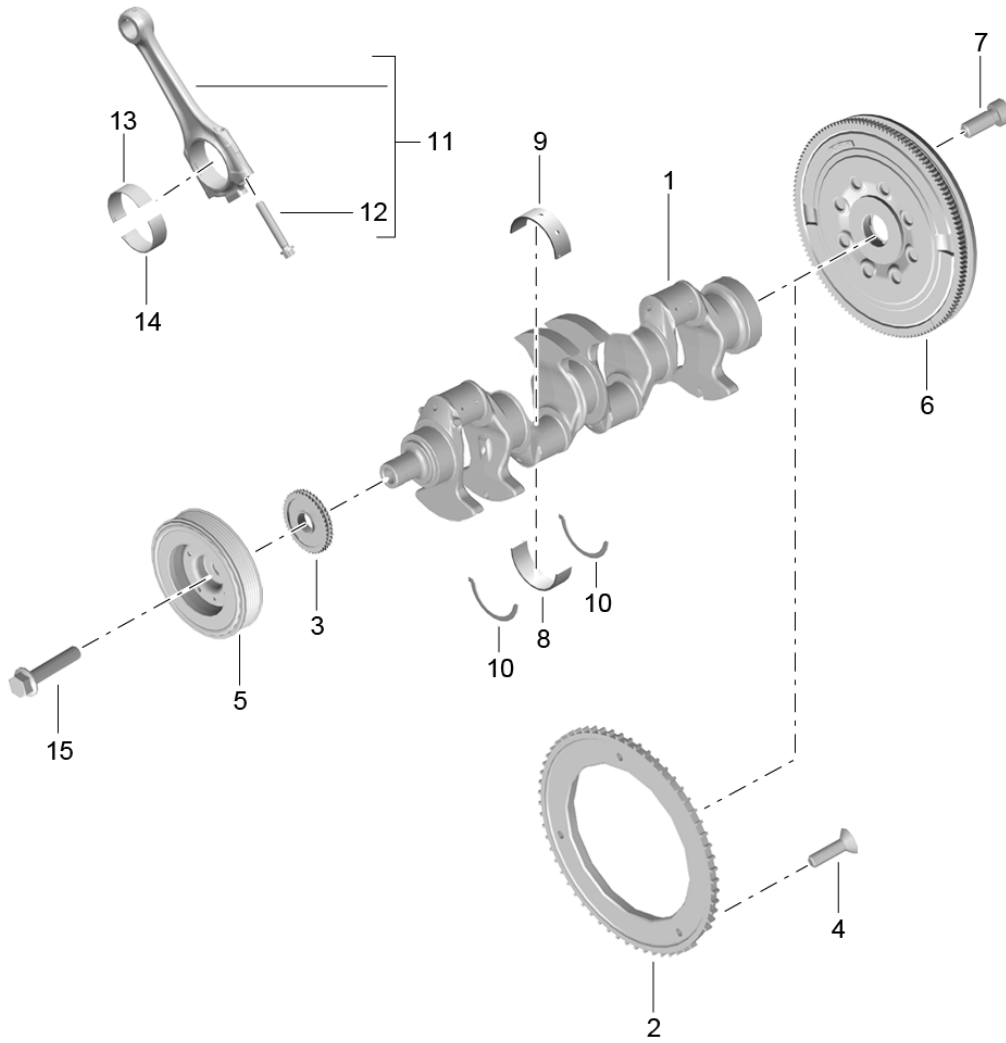
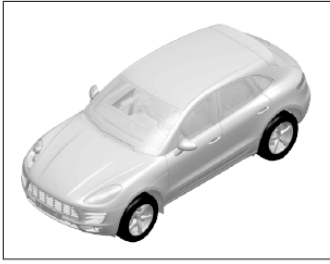
Model: 95B

Model life 2014>>

Pos	Part Number	Description	Remark	Qty	Model
1	958 102 011 30	Crankshaft conrod Crankshaft		1	CDUD, CTBA, CTBB, CTBC
		also use:	N 013 199 1	1	
			955 102 329 00	1	
2	N 013 199 1	Cylinder pin	6X14	1	
3		bush		1	
		No longer available			
4	958 102 241 02	vibration damper		1	
		No longer use the part here			
(4)	958 102 241 03	vibration damper		1	
5	WHT 003 351	compensation washer	24, 5X60, 5X1	1	
6	N 910 059 02	Hexagon socket head bolt	M8X25	8	
7	958 101 241 13	crankshaft bearing shell	lower	4	
		Identification: >> >>	blue		
(7)	958 101 241 14	crankshaft bearing shell	lower	4	
		Identification: >> >>	yellow		
(7)	958 101 241 15	crankshaft bearing shell	lower	4	
		Identification: >> >>	red		
(7)	958 101 242 13	crankshaft bearing shell	upper	4	
		Identification: >> >>	blue		
(7)	958 101 242 14	crankshaft bearing shell	upper	4	
		Identification: >> >>	yellow		
(7)	958 101 242 15	crankshaft bearing shell	upper	4	
		Identification: >> >>	red		
8	955 102 902 00	1 set of thrust washers	lower upper	1	
		comprising:			
		thrust washer		2	
		thrust washer		2	
9	958 102 189 00	Clutch plate		1	
		impulse sender			
10		compensation washer		1	
		No longer available			
11	958 102 327 12	Clutch plate		1	
12		compensation washer		1	
		No longer available			
13	N 905 398 01	Socket head bolt	M10X1X19X11	10	
		No longer use the part here			
(13)	N 909 294 01	Socket head bolt with inner multipoint head	M10X1X27	10	
		No longer use the part here			
(13)	958 007 991 00	Socket head bolt	M10X1X27	10	
14	958 103 975 20	1 set: connecting rods		1	
		comprising:			
		conrod		6	
15	955 102 425 10	bolt - connecting rod	M8X1X50	12	
16	958 103 210 30	connecting rod bearing shell	upper	6	
		Identification: >> >>	yellow		
17	958 103 210 40	connecting rod bearing shell	lower	6	
		Identification: >> >>	yellow		
18	958 606 433 11	impulse sender		1	
19	N 104 056 04	Oval hexagon socket head bolt	M6X14	1	

Model: 95B

Model life 2014>>

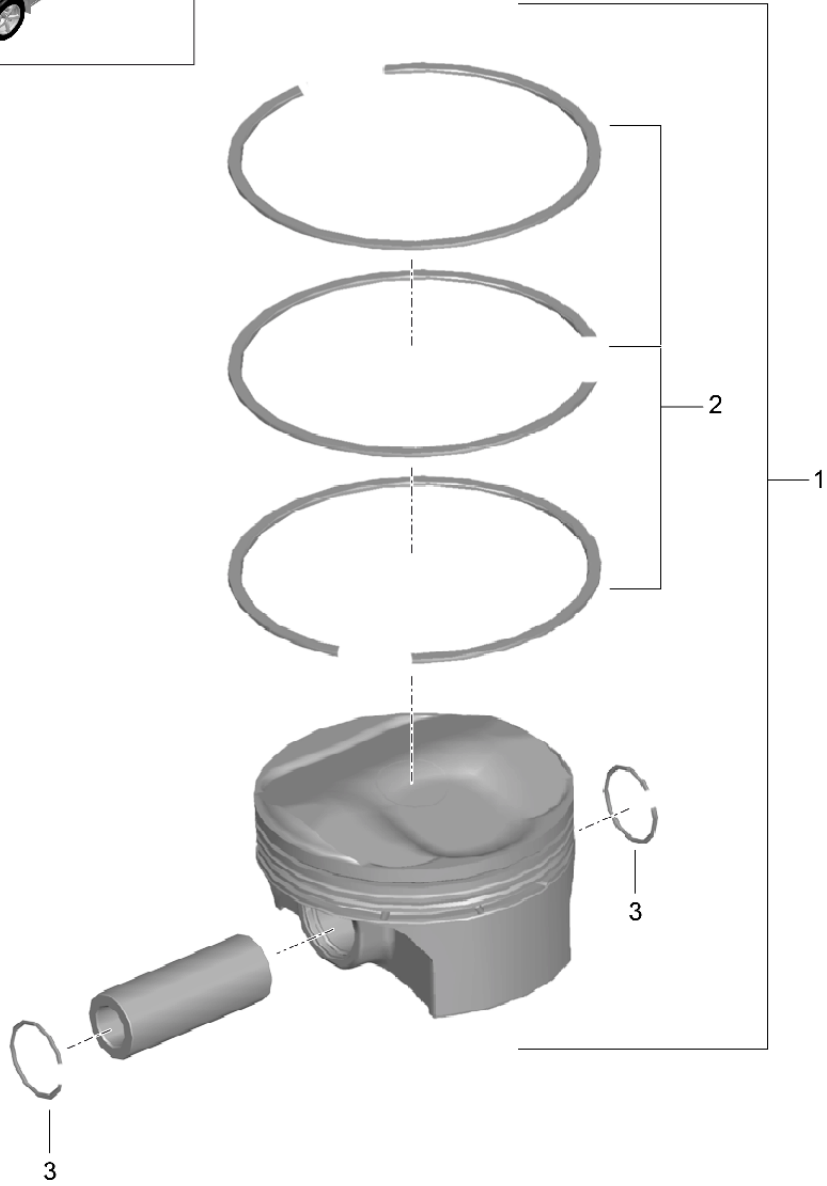
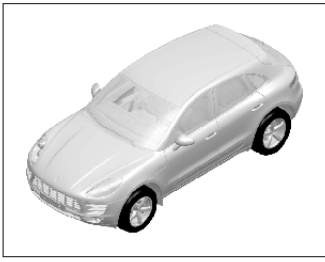


Model: 95B Model life 2014>>

Pos	Part Number	Description	Remark	Qty	Model
		Crankshaft conrod			CNCC , CNC , CYNA , CYPA , CYP , CYNB
1	958 105 101 00	Crankshaft		1	
2	958 105 189 00	impulse rotor		1	
		impulse sender			
3	958 105 209 00	Chain sprocket		1	
4	958 105 229 00	countersunk bolt	M6X16	1	
5	958 105 243 10	vibration damper		1	
6	958 105 323 00	Clutch plate		1	
7	N 906 650 01	Socket head bolt with inner multipoint head	M10X1X22,3	1	
8	958 101 243 00	crankshaft bearing shell	lower	5	
		Identification: >> >>	red		
(8)	958 101 243 01	crankshaft bearing shell	lower	5	
		Identification: >> >>	yellow		
(8)	958 101 243 02	crankshaft bearing shell	lower	5	
		Identification: >> >>	blue		
(8)	958 101 243 03	crankshaft bearing shell	lower	5	
		Identification: >> >>	white		
(8)	958 101 243 04	crankshaft bearing shell	lower	5	
		Identification: >> >>	violet		
(8)	958 101 243 05	crankshaft bearing shell	lower	5	
		Identification: >> >>	black		
9	958 101 244 00	crankshaft bearing shell	upper	5	
		Identification: >> >>	yellow		
(9)	958 101 244 01	crankshaft bearing shell	upper	5	
		Identification: >> >>	red		
(9)	958 101 244 02	crankshaft bearing shell	upper	5	
		Identification: >> >>	black		
(9)	958 101 244 03	crankshaft bearing shell	upper	5	
		Identification: >> >>	violet		
(9)	958 101 244 04	crankshaft bearing shell	upper	5	
		Identification: >> >>	white		
10	WHT 000 033 H	thrust washer	57,5X70,5X1,97	2	
11	958 198 401 00	conrod (complete)		1	
				4	
12	WHT 001 319	bolt - connecting rod	M9X50	8	
13	958 105 701 00	connecting rod bearing shell	upper	4	
		Identification: >> >>			
(13)	958 105 701 01	connecting rod bearing shell	upper	4	
		Identification: >> >>	blue		
(13)	958 105 701 02	connecting rod bearing shell	upper	4	
		Identification: >> >>	red		
14	958 105 701 10	connecting rod bearing shell	lower	4	
		Identification: >> >>	yellow		
(14)	958 105 701 11	connecting rod bearing shell	lower	4	
		Identification: >> >>	blue		
(14)	958 105 701 12	connecting rod bearing shell	lower	4	
		Identification: >> >>	red		
15	WHT 001 760	Hexagon bolt	M16X1,5X75	1	

Model: 95B

Model life 2014>>



Model: 95B Model life 2014>>

Pos	Part Number	Description	Remark	Qty	Model
		piston piston ring			CTMA,CTM, CTLA,CTL, DCNA,DCN, DHKA,DHK CTMA,CTM
1	946 103 060 07	piston complete Dimension group X Piston labelled with: - 568 - 573 G M >> CTM 010 870	cylinders 1-3	3	
(1)	946 103 060 13	piston complete Dimension group X Piston labelled with: - 568 - 573 G M CTM 010 871>> CTM 020 465	cylinders 1-3	3	CTMA,CTM
(1)	946 103 060 19	piston complete Dimension group X Piston labelled with: - 568 - 573 G M CTM 020 466>>	cylinders 1-3	3	CTMA,CTM
(1)	946 103 060 19	piston complete Dimension group X Piston labelled with: - 568 - 573 G	cylinders 1-3	3	DCNA,DCN
(1)	946 103 060 39	piston complete Dimension group X Piston labelled with: - 556 - 561 G M >> CTL 005 137	cylinders 1-3	3	CTLA,CTL
(1)	946 103 060 45	piston complete Dimension group X Piston labelled with: - 556 - 561 G M CTL 005 138>> CTL 009 250	cylinders 1-3	3	CTLA,CTL
(1)	946 103 060 51	piston complete Dimension group X Piston labelled with: - 556 - 561 G M CTL 009 251>>	cylinders 1-3	3	DHKA,DHK
(1)	946 103 060 51	piston complete Dimension group X Piston labelled with: + 573 - 578 G M >> CTM 010 870	cylinders 1-3	3	CTMA,CTM
(1)	946 103 060 14	piston complete Dimension group X Piston labelled with: + 573 - 578 G M CTM 010 871>> CTM 020 465	cylinders 1-3	3	CTMA,CTM
(1)	946 103 060 20	piston complete	cylinders 1-3	3	CTMA,CTM

Model: 95B Model life 2014>>

Pos	Part Number	Description	Remark	Qty	Model
(1)	946 103 060 20	Dimension group X Piston labelled with: + 573 - 578 G M CTM 020 466>> piston complete	cylinders 1-3	3	DCNA,DCN
(1)	946 103 060 40	Dimension group X Piston labelled with: + 573 - 578 G piston complete	cylinders 1-3	3	CTLA,CTL
(1)	946 103 060 46	Dimension group X Piston labelled with: + 561 - 566 G M >> CTL 005 137 piston complete	cylinders 1-3	3	CTLA,CTL
(1)	946 103 060 52	Dimension group X Piston labelled with: + 561 - 566 G M CTL 005 138>> CTL 009 250 piston complete	cylinders 1-3	3	CTLA,CTL
(1)	946 103 060 52	Dimension group X Piston labelled with: + 561 - 566 G M CTL 009 251>> piston complete	cylinders 1-3	3	DHKA,DHK
(1)	946 103 061 07	Dimension group X Piston labelled with: - 561 - 566 G piston complete	cylinders 4-6	3	CTMA,CTM
(1)	946 103 061 13	Dimension group X Piston labelled with: - 568 - 573 G M >> CTM 010 870 piston complete	cylinders 4-6	3	CTMA,CTM
(1)	946 103 061 19	Dimension group X Piston labelled with: - 568 - 573 G M CTM 010 871>> CTM 020 465 piston complete	cylinders 4-6	3	CTMA,CTM
(1)	946 103 061 19	Dimension group X Piston labelled with: - 568 - 573 G M CTM 020 466>> piston complete	cylinders 4-6	3	DCNA,DCN
(1)	946 103 061 39	Dimension group X Piston labelled with: - 568 - 573 G piston complete	cylinders 4-6	3	CTLA,CTL
(1)	946 103 061 45	Dimension group X Piston labelled with: - 556 - 561 G M >> CTL 005 137 piston complete	cylinders 4-6	3	CTLA,CTL

Model: 95B

Model life 2014>>

Pos	Part Number	Description	Remark	Qty	Model
(1)	946 103 061 51	Dimension group X Piston labelled with: - 556 - 561 G M CTL 005 138>> CTL 009 250 piston complete	cylinders 4-6	3	CTLA,CTL
(1)	946 103 061 51	Dimension group X Piston labelled with: - 556 - 561 G M CTL 009 251>> piston complete	cylinders 4-6	3	DHKA,DHK
(1)	946 103 061 08	Dimension group X Piston labelled with: - 556 - 561 G piston complete	cylinders 4-6	3	CTMA,CTM
(1)	946 103 061 14	Dimension group X Piston labelled with: + 573 - 578 G M >> CTM 010 870 piston complete	cylinders 4-6	3	CTMA,CTM
(1)	946 103 061 20	Dimension group X Piston labelled with: + 573 - 578 G M CTM 010 871>> CTM 020 465 piston complete	cylinders 4-6	3	CTMA,CTM
(1)	946 103 061 20	Dimension group X Piston labelled with: + 573 - 578 G M CTM 020 466>> piston complete	cylinders 4-6	3	DCNA,DCN
(1)	946 103 061 40	Dimension group X Piston labelled with: + 573 - 578 G piston complete	cylinders 4-6	3	CTLA,CTL
(1)	946 103 061 46	Dimension group X Piston labelled with: + 561 - 566 G M >> CTL 005 137 piston complete	cylinders 4-6	3	CTLA,CTL
(1)	946 103 061 52	Dimension group X Piston labelled with: + 561 - 566 G M CTL 005 138>> CTL 009 250 piston complete	cylinders 4-6	3	CTLA,CTL
(1)	946 103 061 52	Dimension group X X Piston labelled with: + 561 - 566 G	cylinders 4-6	3	DHKA,DHK

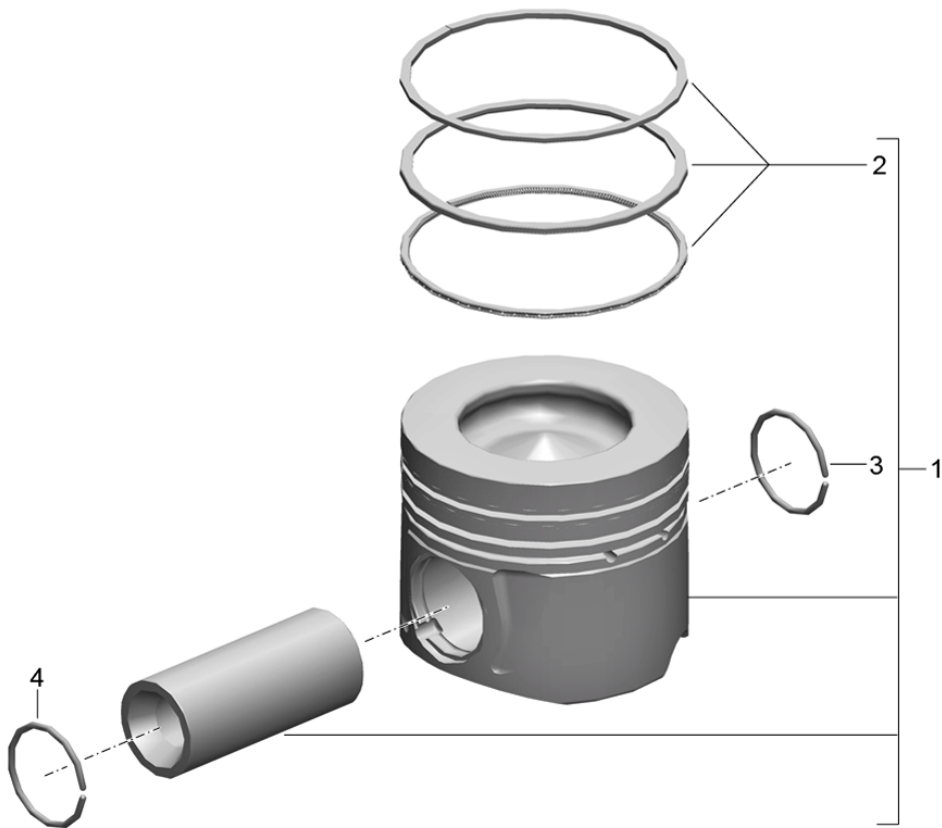
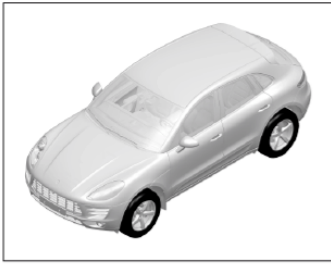
Model: 95B

Model life 2014>>

Pos	Part Number	Description	Remark	Qty	Model
2	946 103 941 00	1 set: piston rings M >> CTM 010 870 M >> CTL 005 137		6	CTMA,CTM, CTLA,CTL
(2)	948 103 941 21	1 set: piston rings No longer use the part here		6	
(2)	946 103 941 40	1 set: piston rings M CTM 010 871>> M CTL 005 138>>		6	DCNA,DCN, DHKA,DHK, CTMA,CTM, CTLA,CTL
(2)	946 103 941 40	1 set: piston rings		6	DCNA,DCN, DHKA,DHK
3	948 103 341 00	snap ring		12	

Model: 95B

Model life 2014>>



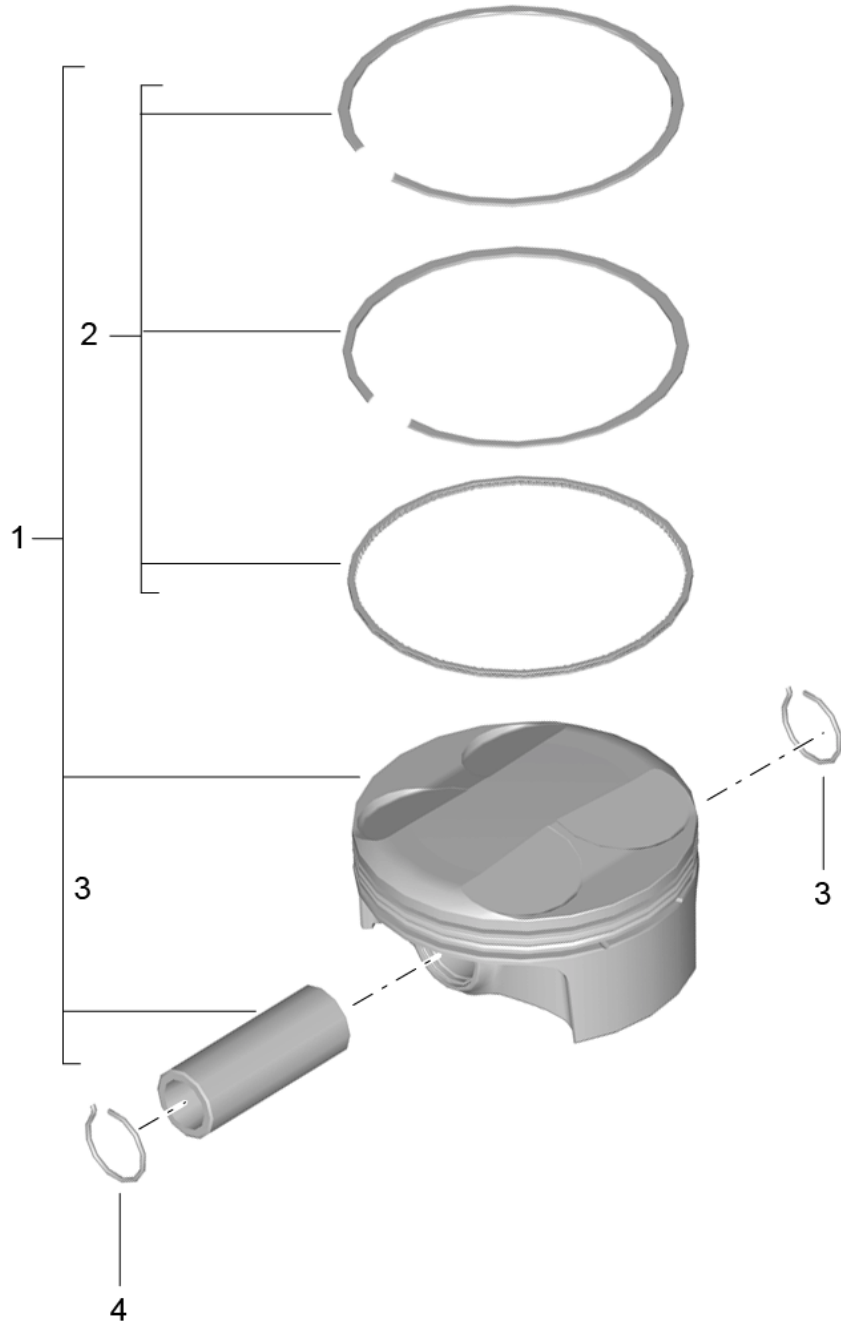
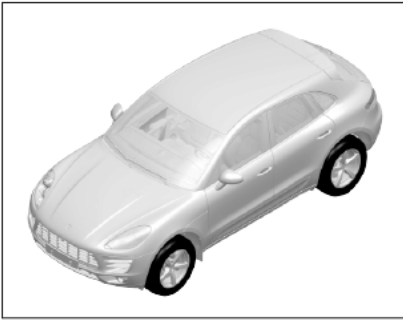
Model: 95B

Model life 2014>>

Pos	Part Number	Description	Remark	Qty	Model
1	958 103 034 10	piston piston ring piston complete Discontinued part		6	CDUD, CTBA, CTBB, CTBC
(1)	958 103 034 20	piston complete D >> - 15.09.2016		6	
(1)	958 103 034 21	piston complete D - 16.09.2016>> No longer use the part here		6	
(1)	958 103 034 22	piston complete D - 16.09.2016>>		6	
2	958 103 927 00	1 set: piston rings Discontinued part		6	
(2)	958 103 927 10	1 set: piston rings D >> - 15.09.2016		6	
(2)	958 103 927 11	1 set: piston rings D - 16.09.2016>>		6	
3	955 103 441 00	Securing ring	30X2	6	
4	955 103 441 00	Securing ring	30X2	6	

Model: 95B

Model life 2014>>



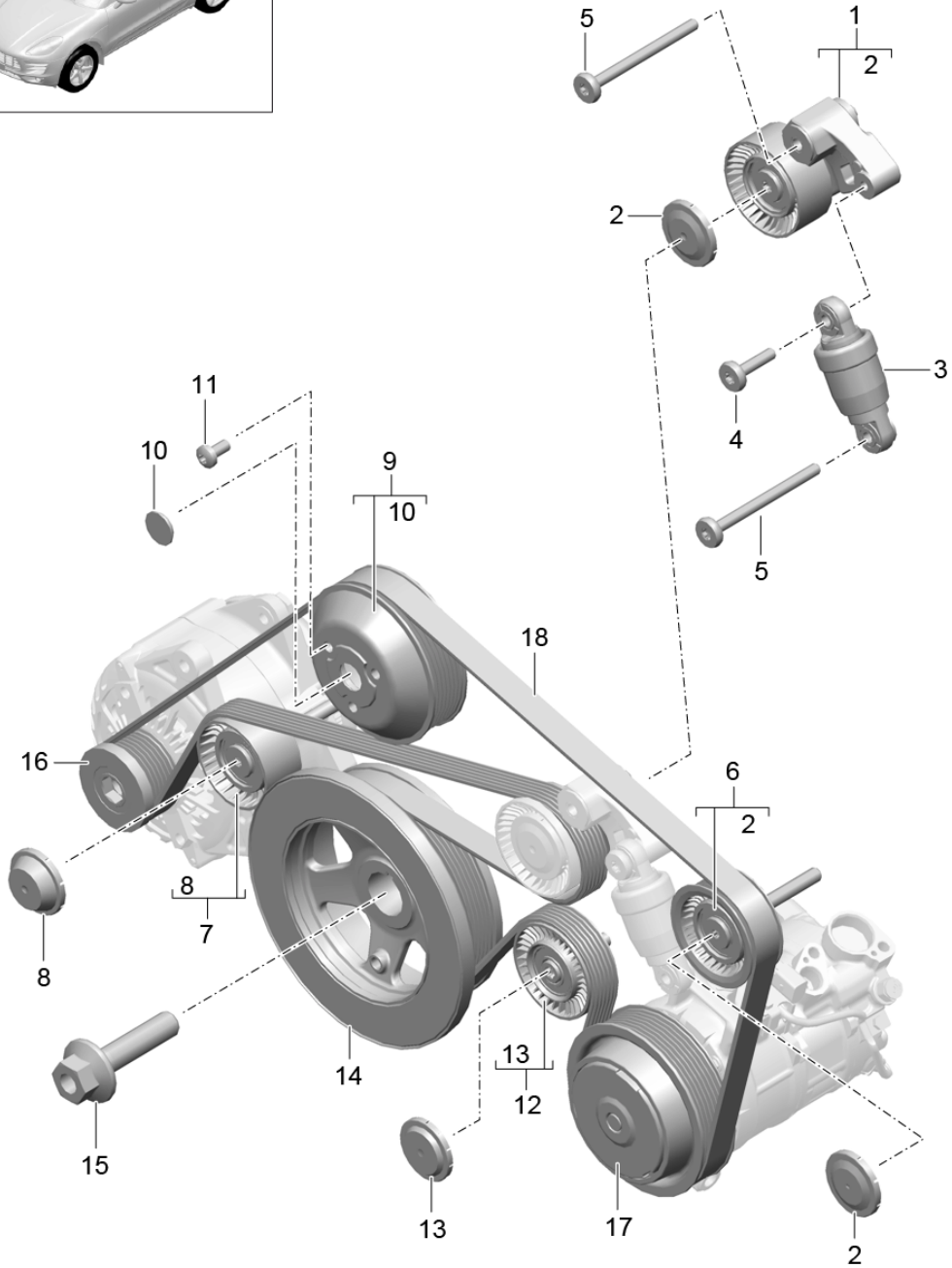
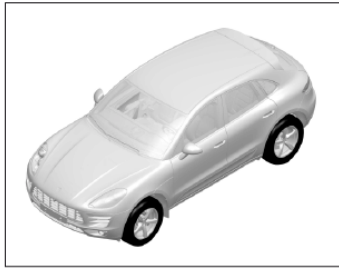
Model: 95B

Model life 2014>>

Pos	Part Number	Description	Remark	Qty	Model
		piston			CNCC, CNC,
		piston ring			CYNA, CYPA,
1	958 107 065 00	piston complete		4	CYP, CYNB
(1)	958 107 065 10	piston complete		4	CNCC, CNC
(1)	958 107 065 20	piston complete		4	CYNA
2	958 198 151 00	1 set: piston rings		4	CYPA, CYP,
(2)	958 198 151 10	1 set: piston rings		4	CYNB
(2)	958 198 151 20	1 set: piston rings		4	CNCC, CNC
3	N 911 766 01	Securing ring	23X1,5	4	CYNA
4	N 911 766 01	Securing ring	23X1,5	4	CYNB, CYPA,
					CYP

Model: 95B

Model life 2014>>

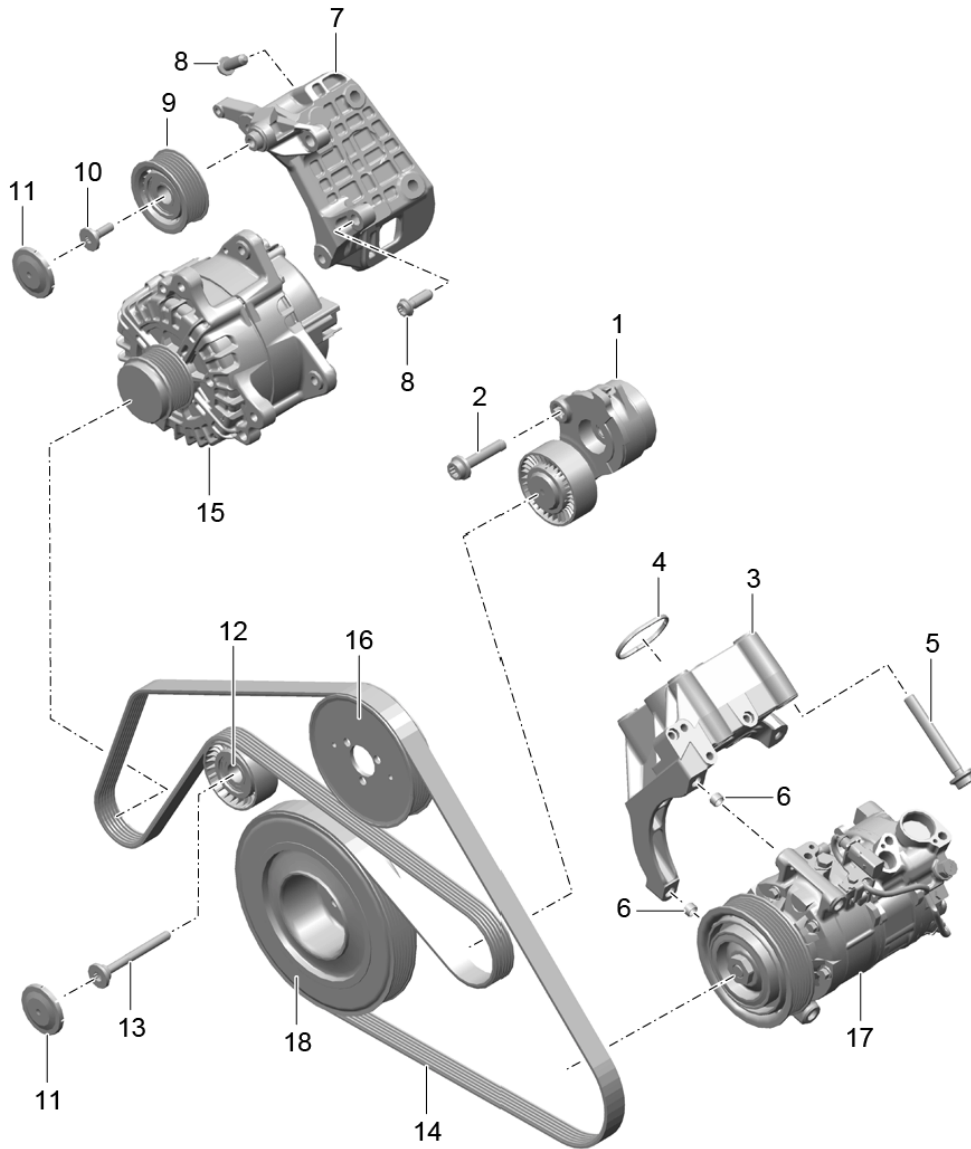
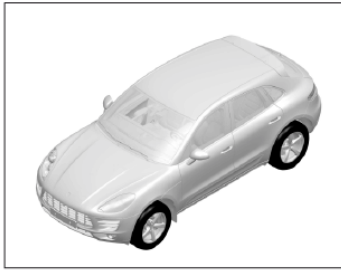


Model: 95B Model life 2014>>

Pos	Part Number	Description	Remark	Qty	Model
		Belt tensioner damper Poly-V-belt			CTMA,CTM, CTLA,CTL, DCNA,DCN, DHKA,DHK
1	948 102 403 75	lever		1	
		with:			
2	948 102 839 00	Tensioning roller		2	
3	948 102 261 75	Protective cap tensioner	hydraulic	1	
4	999 073 246 02	See technical information Hexagon socket head bolt	DE 1373 06/14 M8X33	1	
5	999 073 329 09	Torx screw	M8X96-CH-	2	
6	7PP 145 279	idler pulley with bolt		1	
		with:			
7	946 102 118 30	Protective cap idler pulley with bolt		1	
		with:			
(7)	946 102 118 31	Protective cap Discontinued part idler pulley with bolt		1	
		with:			
8	03F 903 310	Protective cap		1	
9	946 106 091 75	Protective cap pulley		1	
10	948 106 419 00	Coolant pump End cap		1	
11	999 073 104 01	Torx screw	M8X16	3	
12	946 102 117 30	idler pulley with bolt		1	
		with:			
13	03G 145 291	Protective cap		1	
14	946 102 241 75	Protective cap vibration damper Crankshaft		1	
		M >> CTL 011 539			
		M >> CTM 027 077			
15	948 102 202 10	Hexagon bolt	M18X1,5X72,1	1	
16		pulley		1	
		Alternator			
		see illustration, item:	902-005,7		
17		Compressor		1	
		Air conditioning			
		see illustration, item:	813-045,1		
18	946 102 252 30	v-belt 6 PK 2526		1	

Model: 95B

Model life 2014>>



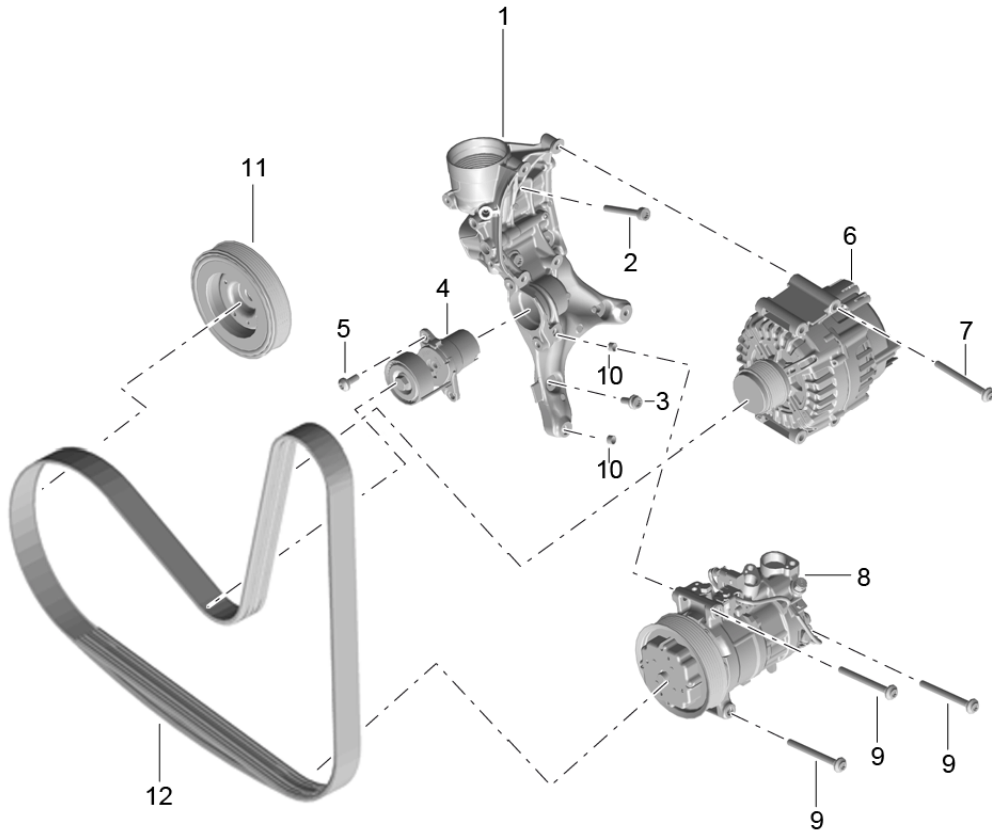
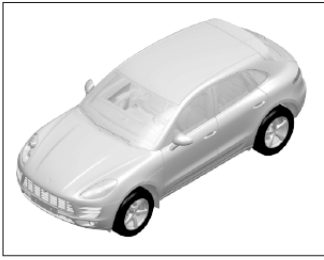
Model: 95B

Model life 2014>>

Pos	Part Number	Description	Remark	Qty	Model
		Belt tensioner damper Poly-V-belt			CDUD, CTBA, CTBB, CTBC
1	958 102 361 51	Belt tensioner damper		1	
2	N 107 610 01	Socket head collared bolt with inner multipoint head	M10X48	1	
3	958 147 151 20	Console Compressor Air conditioning Discontinued part		1	
(3)	958 147 151 21	Console Compressor Air conditioning		1	
4	958 147 661 00	Seal		1	
5	N 107 156 01	Socket head collared bolt with inner multipoint head	M10X80	4	
6	958 147 501 00	Centre sleeve	11,15X6,5	2	
7	958 603 252 20	bracket for alternator		1	
8	N 911 831 01	Socket head collared bolt with inner multipoint head	M10X29	4	
9	955 102 118 01	idler pulley		1	
10	N 911 857 01	Locating bolt	M8X10X25	1	
(10)	N 912 397 01	No longer use the part here Locating bolt	M8X16,5X25	1	
11	955 102 839 00	Protective cap Discontinued part		2	
(11)	955 102 839 01	Protective cap		2	
12	955 102 119 21	idler pulley		1	
13	N 911 793 01	Cylinder fitting screw with inner multipoint head	M8X15X82	1	
14	059 903 137 AG	Poly-V-belt 6 PK 21,36 X 2414		1	
15		Alternator see illustration, item:	902-005,6	1	
16		pulley Coolant pump see illustration, item:	105-005,3	1	
17		Compressor Air conditioning see illustration, item:	813-045,1	1	
18		vibration damper Crankshaft see illustration, item:	102-010,4	1	

Model: 95B

Model life 2014>>



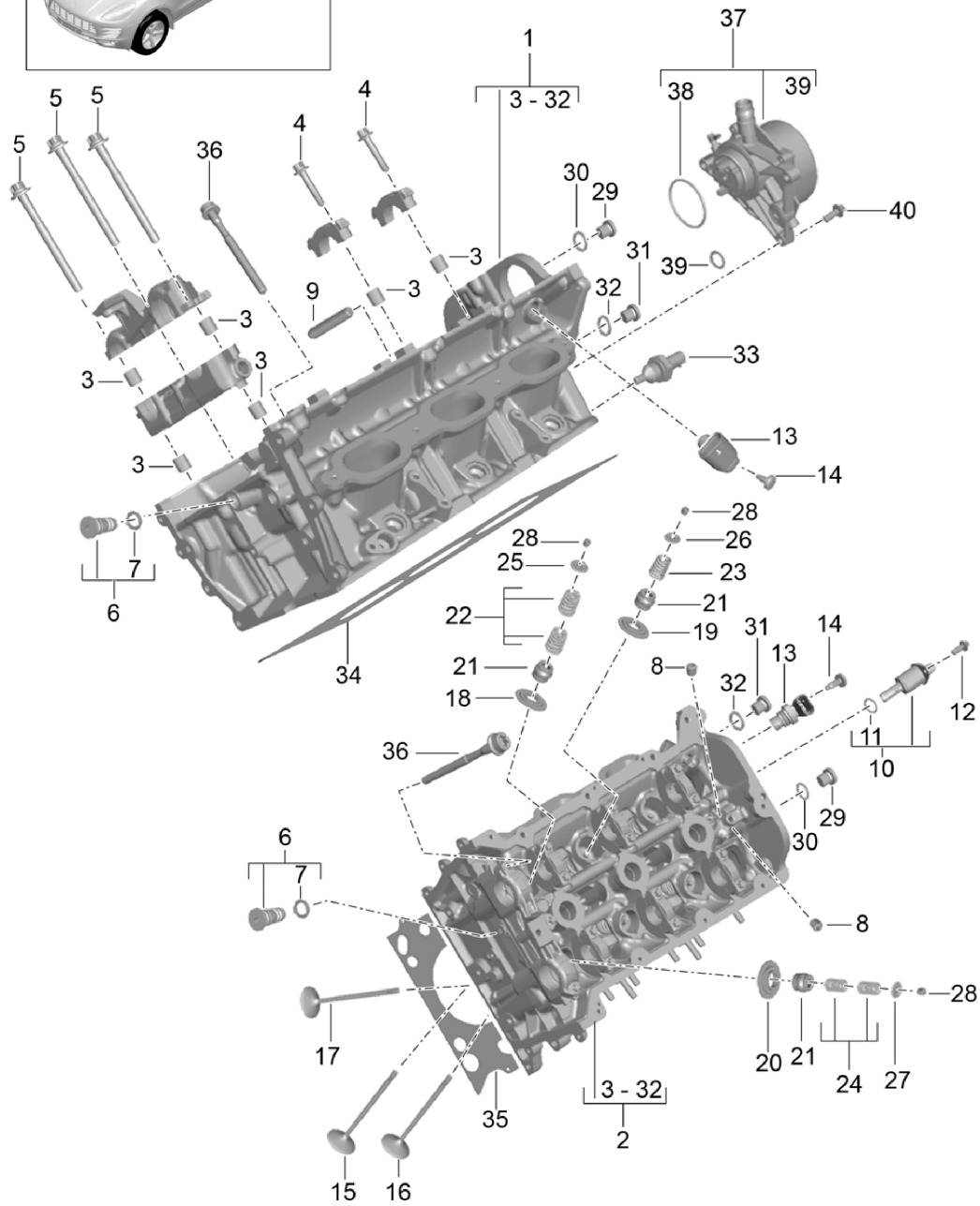
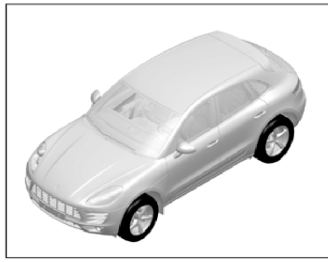
Model: 95B

Model life 2014>>

Pos	Part Number	Description	Remark	Qty	Model
		Belt tensioner damper Poly-V-belt			CNCC ,CNC , CYNA ,CYPA , CYP ,CYNB
1	958 147 151 40	bracket for alternator and refrigerant compressor		1	
2	N 910 455 02	Socket head bolt with inner multipoint head	M8X65	3	
3	N 106 648 01	Socket head collared bolt with inner multipoint head	M8X20	2	
4	958 102 361 70	Belt tensioner damper		1	
5	N 107 663 01	Socket head bolt with inner multipoint head	M8X20 aluminium	2	
6		Alternator see illustration, item:		1	
7	N 107 655 01	Hexagon socket head bolt	902-005,7 M8X85 aluminium	4	
8		Compressor Air conditioning see illustration, item:		1	
9	N 107 655 01	Hexagon socket head bolt	813-055,1 M8X85 aluminium	3	
10	958 147 501 00	Centre sleeve		2	
11		vibration damper Crankshaft see illustration, item:		1	
12	06L 903 137 A	Poly-V-belt 6 PK 1132 +- 5 MM	102-020,5	1	

Model: 95B

Model life 2014>>



Model: 95B Model life 2014>>

Pos	Part Number	Description	Remark	Qty	Model
		Cylinder head Vacuum pump			CTMA,CTM, CTLA,CTL, DCNA,DCN, DHKA,DHK
1	946 104 015 78	Cylinder head (complete) but without: Discontinued part	cylinders 1-3 Camshaft	1	
(1)	946 104 015 79	Cylinder head (complete) but without: Discontinued part	cylinders 1-3 Camshaft	1	
2	946 104 016 78	Cylinder head (complete) but without: Discontinued part	cylinders 4-6 Camshaft	1	
(2)	946 104 016 79	Cylinder head (complete) but without: Discontinued part	cylinders 4-6 Camshaft	1	
3	944 104 361 00	dowel sleeve	8,5X1X8,5	30	
(3)	999 095 071 00	dowel sleeve	12X1X10	2	
4	999 073 363 01	Torx screw	M6X35	24	
5	900 385 027 01	Torx screw	BM6X70	6	
6	948 104 250 01	choke		2	
7	999 707 577 40	O-ring	10X2,5	2	
8	900 063 010 00	sealing plug	M8X1	4	
9	999 060 001 01	Threaded stud	MFS8X42	18	
10	948 105 308 03	throttle control element Valve		2	
11	999 701 582 40	O-ring	11,5X1,8	2	
12	900 385 112 01	Torx screw	BM5X12	4	
13	946 606 106 00	Hall sensor		4	
14	999 073 902 31	fillister hd. bolt	M6X16 aluminium	4	
15	948 105 321 02	Inlet valve	Intake, short 107,7MM	6	
16	948 105 321 15	Inlet valve	Intake, long 112,8MM	6	
17	948 105 322 52	exhaust valve		12	
18	948 105 151 01	spring disc	lower Inlet	6	
19	948 105 153 51	spring disc	lower Inlet	6	
20	948 105 153 51	spring disc	lower Outlet	12	
21	996 105 115 52	Valve stem seal		24	
22	948 105 094 02	1 set of valve springs	Inlet	6	
23	946 105 416 00	Valve spring	Inlet	6	
24	948 105 095 52	1 set of valve springs	Outlet	12	
25	948 105 150 01	spring disc	upper Inlet	6	
26	948 105 150 01	spring disc	upper Inlet	6	
27	948 105 152 51	spring disc	upper Outlet	12	
28	996 105 123 52	cotter, split		48	
29	900 219 023 01	sealing plug	M10X1	2	
30	900 123 144 30	seal ring	A10X13,5	2	
31	900 219 006 01	sealing plug M 12 X 1,5	M12X1,5	2	
32	900 123 005 30	seal ring	A12X16	2	
33	948 606 420 00	Temperature sensor		1	
34	946 104 173 01	Cylinder head gasket Discontinued part	cylinders 1-3	1	

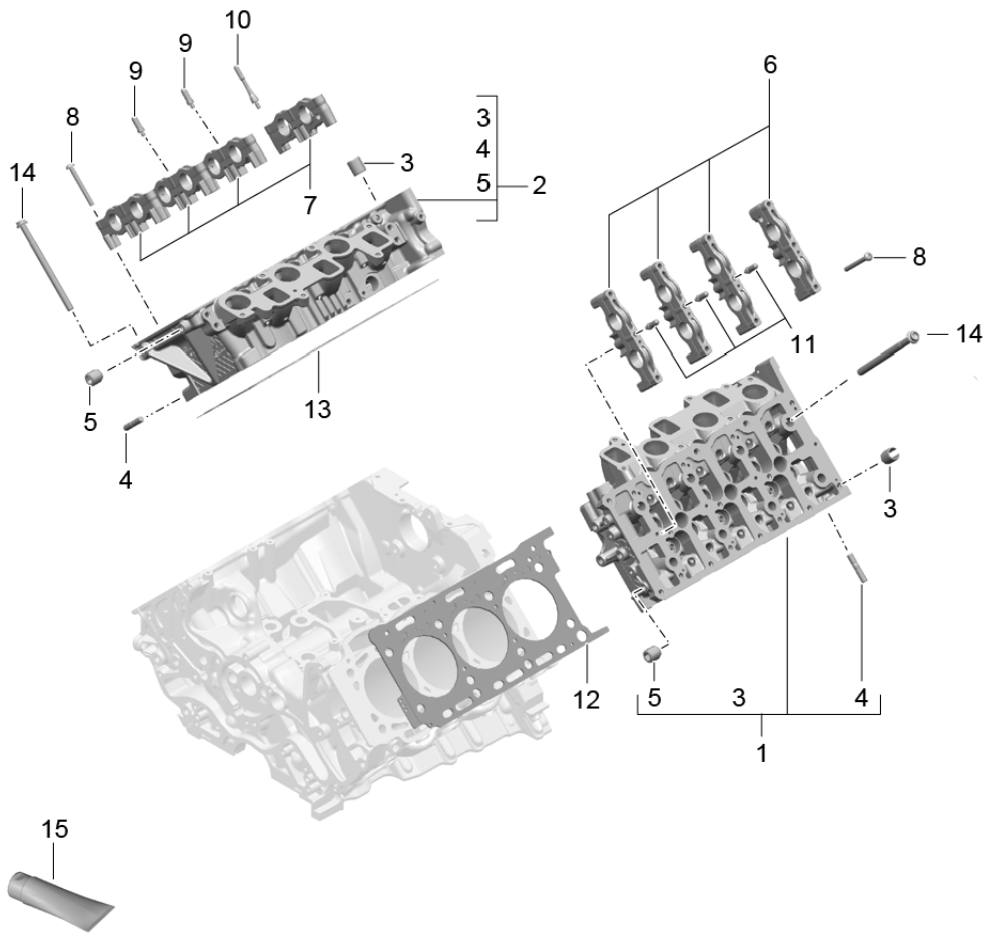
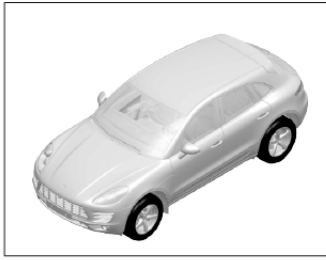
Model: 95B

Model life 2014>>

Pos	Part Number	Description	Remark	Qty	Model
(34)	946 104 173 02	Cylinder head gasket	cylinders 1-3	1	
35	946 104 174 01	Cylinder head gasket Discontinued part	cylinders 4-6	1	
(35)	946 104 174 02	Cylinder head gasket	cylinders 4-6	1	
36	948 104 181 10	Socket head bolt	M11X1,5X140	16	
37	948 110 050 06	Vacuum pump		1	
38	999 707 581 41	O-ring	54X3	1	
39	999 707 582 41	O-ring	13X3	1	
40	900 385 072 01	Torx screw	M6X25	3	

Model: 95B

Model life 2014>>



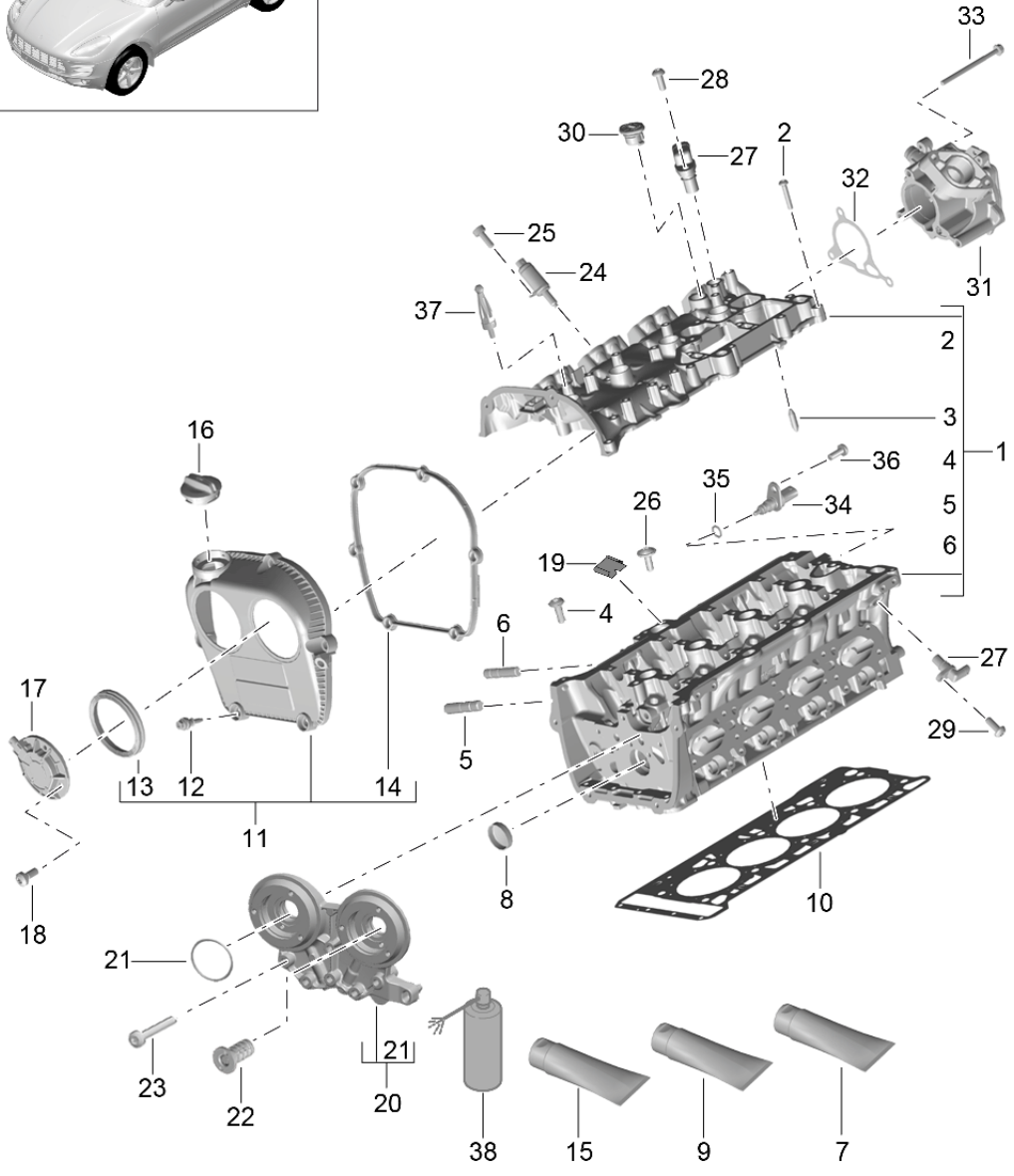
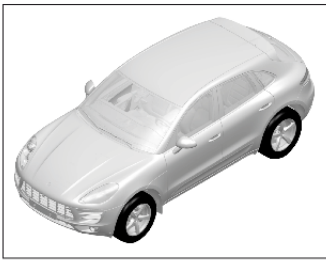
Model: 95B

Model life 2014>>

Pos	Part Number	Description	Remark	Qty	Model
		Cylinder head			CDUD, CTBA, CTBB, CTBC
1	958 104 016 21	Complete cylinder head Discontinued part	cylinders 4-6	1	
(1)	958 104 016 22	Complete cylinder head	cylinders 4-6	1	
2	958 104 015 21	Complete cylinder head Discontinued part	cylinders 1-3	1	
(2)	958 104 015 22	Complete cylinder head	cylinders 1-3	1	
3	958 104 429 10	dowel sleeve	8X9	4	
4	N 044 408 7	Threaded pin	M8X25	16	
5	N 102 833 04	sealing plug	M8X1	2	
		D >> - 02.11.2016			
6	958 104 959 00	Bearing cover	cylinders 4-6	1	
7	958 104 960 00	Bearing cover	cylinders 1-3	1	
8	N 106 165 01	Oval hexagon socket head bolt	M6X56	24	
9	958 104 564 00	ball head	M5X6	2	
			cylinders 1-3		
10	958 104 564 10	ball head	M6X12	1	
			cylinders 1-3		
11	958 104 564 00	ball head	M5X6	3	
			cylinders 4-6		
12	958 104 173 11	Cylinder head gasket	1,58MM 1 hole	X	
(12)	958 104 173 21	Cylinder head gasket	1,63MM 2 holes	X	
(12)	958 104 173 31	Cylinder head gasket	1,68MM 3 holes	X	
13	958 104 174 11	Cylinder head gasket	1,58MM 1 hole	X	
(13)	958 104 174 21	Cylinder head gasket	1,63MM 2 holes	X	
(13)	958 104 174 31	Cylinder head gasket	1,68MM 3 holes	X	
14	WHT 005 262 A	Cylinder screw with washer	M12X1,5X177	16	
15	000 043 300 39	sealant 1 tube	50ml	X	

Model: 95B

Model life 2014>>



Model: 95B Model life 2014>>

Pos	Part Number	Description	Remark	Qty	Model
		Cylinder head			CNCC ,CNC , CYNA ,CYPA , CYP ,CYNB
1	958 103 063 00	Complete cylinder head		1	CNCC ,CNC
(1)	958 103 063 10	Complete cylinder head		1	CYNA ,CYPA , CYP ,CYNB
2	N 105 540 05	round hd. screw	M6X35	22	
3	955 104 251 00	dowel sleeve	M8X32	2	
4	WHT 005 305	Flat head multi-point socket bolt	M10X115X85	10	
		No longer use the part here			
(4)	9A7 005 305 02	Socket head bolt	M10X115X85	10	
5	N 912 317 01	Threaded pin	M8X25	4	
6	N 107 702 01	Threaded pin	M6FOX40	2	
7	958 110 503 00	sealant 1 tube for POS.1	100G	X	
		No longer use the part here			
(7)	000 043 305 10	sealant 1 tube	50ml	X	
8	958 103 113 00	End cap	36,6	1	
9	958 101 901 00	sealant for POS.8	18ml	X	
10	958 103 383 00	Cylinder head gasket No longer use the part here		1	
(10)	958 103 383 10	Cylinder head gasket		1	
11	958 103 269 00	cover for timing case	upper	1	
12	958 105 343 00	Securing element Discontinued part		6	
(12)	958 105 343 01	Securing element		6	
13	958 103 583 00	Seal Magnet		2	
14	958 103 483 00	Seal		1	
15	000 043 207 49	sealant 80 ML for POS.11		X	
		No longer use the part here			
(15)	000 043 300 39	sealant 50 ML for POS.11		X	
		also use:	000 043 210 94	1	
16	958 103 485 00	End cap with seal Oil		1	
17	958 109 259 00	Magnet No longer use the part here		2	
(17)	958 109 259 10	Magnet		2	
18	N 107 512 01	Hexagon socket flat head bolt	M6X14	6	
19	958 103 411 00	partition		4	
20	958 103 144 00	Bracket No longer use the part here		1	
		also use:	WHT 007 212	2	
(20)	958 103 144 10	Bracket		1	
		also use:	9A7 007 212 00	2	
21	WHT 007 212	O-ring	52X3	2	
		In conjunction:	958.103.144.00		
		No longer use the part here			
(21)	9A7 007 212 00	O-ring	52X3	2	
		In conjunction:	958.103.144.10		

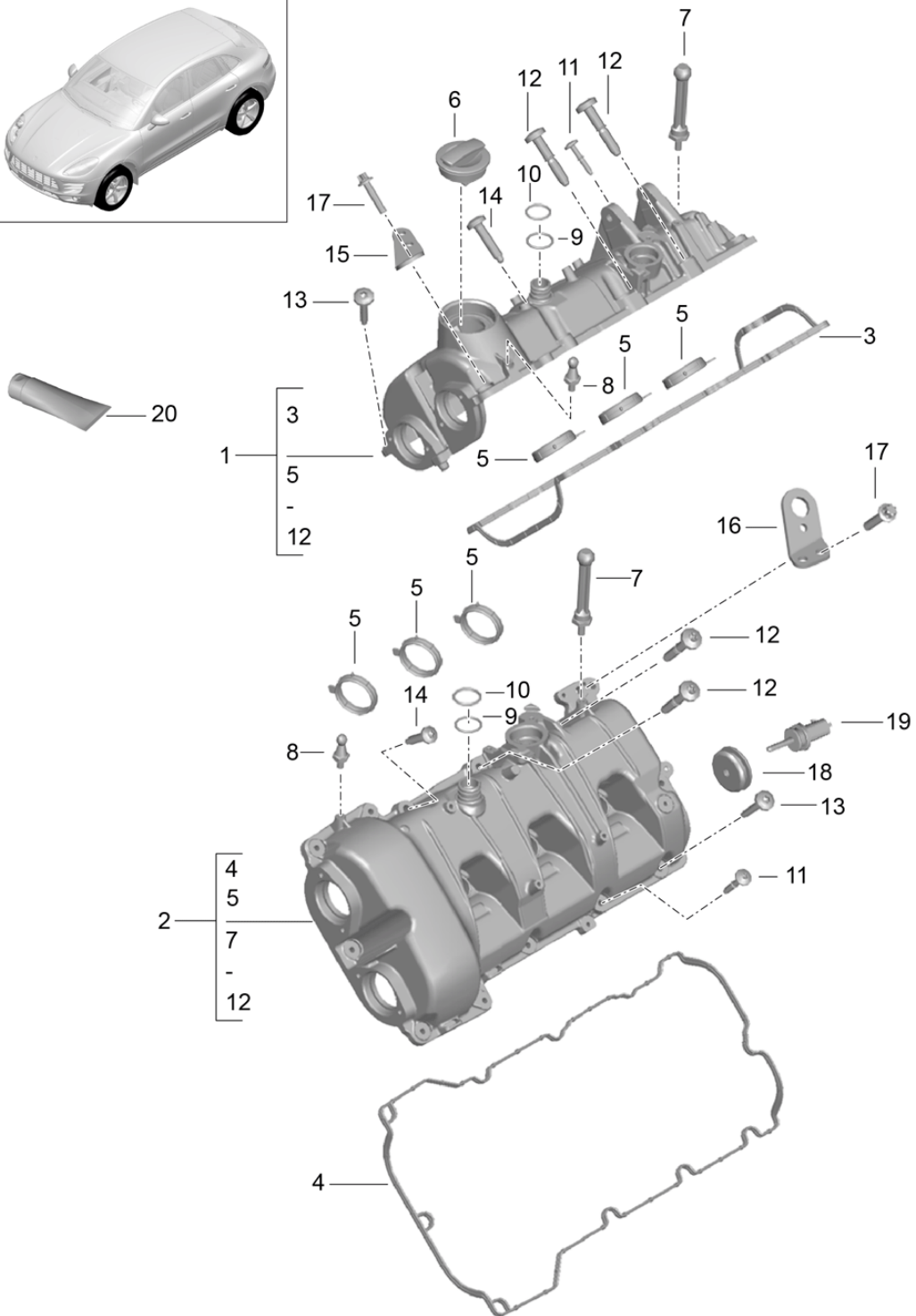
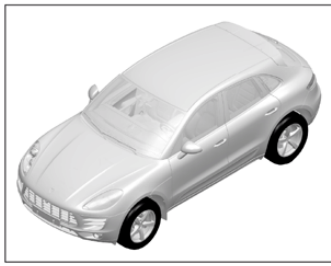
Model: 95B

Model life 2014>>

Pos	Part Number	Description	Remark	Qty	Model
22	958 109 257 00	throttle control element with: Threaded stud M 21 when using: Camshaft 958.109.021.10 958.109.022.00 D >> - 01.06.2016		2	
(22)	958 109 257 01	throttle control element with: Threaded stud M 20 when using: Camshaft 958.109.021.11 958.109.022.01 D - 01.06.2016>>		2	
23	N 912 328 01	Socket head bolt with inner multipoint head	M6X52	6	
24	958 103 697 00	throttle control element No longer use the part here		8	
(24)	958 103 697 01	throttle control element		8	
(24)	958 103 697 02	throttle control element		8	CYNB
25	N 106 225 02	Socket head bolt with hexagon socket head	M5X12	8	
26	N 101 562 06	Oval hexagon socket head bolt	M6X30	4	
27	958 907 601 00	impulse sender		2	
28	N 106 549 02	Flat head bolt with hexagon socket head, thread forming	M6X16	1	
29	N 104 514 05	Oval hexagon socket head bolt	M6X16	1	
30	958 115 418 10	Sealing cap	M6X16	1	
31	958 145 100 00	Vacuum pump Discontinued part		1	
(31)	958 145 100 10	Vacuum pump		1	
32	958 103 121 00	Seal		1	
33	N 107 394 01	bolt,hex.hd.with shoul.(combi)	M6X90X70	4	
34	958 606 623 20	Temperature sensor		1	
35	WHT 002 287 B	O-ring	5,6X2	1	
36	N 910 967 01	Oval hexagon socket head bolt		1	
37	WHT 005 404	Ball pin M 6 X 12	M6X12	2	
38	000 043 210 94	Cleaning solution Spray can 300ML		1	

Model: 95B

Model life 2014>>



Model: 95B Model life 2014>>

Pos	Part Number	Description	Remark	Qty	Model
		Valve cover			CTMA,CTM, CTLA,CTL, DCNA,DCN, DHKA,DHK
1	946 105 135 39	Valve cover	cylinders 1-3	1	CTMA,CTM, CTLA,CTL
		also use:	999 073 905 31	5	
			999 073 908 31	2	
			000 043 305 33	1	
		M >> CTM 003 553			
		M >> CTL 002 423			
(1)	946 105 135 45	Valve cover	cylinders 1-3	1	CTMA,CTM, CTLA,CTL, DCNA,DCN
		also use:	999 073 905 31	8	
			999 073 908 31	4	
			000 043 305 33	1	
		M CTM 003 554>>			
		M CTL 002 424>>			
(1)	946 105 135 45	Valve cover	cylinders 1-3	1	DCNA,DCN, DHKA,DHK
		also use:	999 073 905 31	8	
			999 073 908 31	4	
			000 043 305 33	1	
2	946 105 136 64	Valve cover	cylinders 4-6	1	CTMA,CTM, CTLA,CTL
		also use:	999 073 905 31	8	
			999 073 908 31	1	
			000 043 305 33	1	
		M >> CTM 003 553			
		M >> CTL 002 423			
(2)	946 105 136 65	Valve cover	cylinders 4-6	1	CTMA,CTM, CTLA,CTL, DCNA,DCN
		also use:	999 073 905 31	9	
			999 073 908 31	3	
			000 043 305 33	1	
		M CTM 003 554>>			
		M CTL 002 424>>			
(2)	946 105 136 66	Valve cover	cylinders 4-6	1	
		also use:	999 073 905 31	9	
			999 073 908 31	3	
			000 043 305 33	1	
3	946 105 935 60	D - MJ 2017>> Seal	cylinders 1-3	1	
		also use:	999 073 905 31	8	
			999 073 908 31	4	
			946 105 937 65	3	
			000 043 305 33	1	
(3)	946 105 935 65	No longer use the part here Seal	cylinders 1-3	1	
		also use:	999 073 905 31	8	
			999 073 908 31	4	
			946 105 937 65	3	
			000 043 305 33	1	
4	946 105 936 60	Seal	cylinders 4-6	1	
		also use:	999 073 905 31	9	
			999 073 908 31	3	
			946 105 937 65	3	
			000 043 305 33	1	
(4)	946 105 936 65	No longer use the part here Seal	cylinders 4-6	1	
		also use:	999 073 905 31	9	
			999 073 908 31	3	
			946 105 937 65	3	

Model: 95B Model life 2014>>

Pos	Part Number	Description	Remark	Qty	Model
5	946 105 937 60	Seal	000 043 305 33 inner cylinders 1-3	1 3	
		also use:	999 073 905 31 999 073 908 31 946 105 935 65 000 043 305 33	8 4 1 1	
(5)	946 105 937 60	No longer use the part here Seal	inner cylinders 4-6	3	
		also use:	999 073 905 31 999 073 908 31 946 105 936 65 000 043 305 33	9 3 1 1	
(5)	946 105 937 65	No longer use the part here Seal	inner cylinders 1-3	3	
		also use:	999 073 905 31 999 073 908 31 946 105 935 65 000 043 305 33	8 4 1 1	
(5)	946 105 937 65	Seal	inner cylinders 4-6	3	
		also use:	999 073 905 31 999 073 908 31 946 105 936 65 000 043 305 33	9 3 1 1	
6	958 104 485 10	End cap		1	
7	999 167 056 90	Ball pin	D15M6X12	2	
8	999 167 055 90	Ball pin	D10M6X32,4	2	
9	999 707 677 41	O-ring	22,5X2,5N	2	
10	999 707 677 40	O-ring	22,5X2,5N	2	
11	999 073 581 01	flat round head bolt	M6X36-PA	4	
		M >> CTM 003 553			
		M >> CTL 002 423			
12	999 073 582 01	flat round head bolt	M8X44-PA	4	
		M >> CTM 003 553			
		M >> CTL 002 423			
13	999 073 905 31	fillister hd. bolt	M6X30PA aluminium	13	
		M >> CTM 003 553			
		M >> CTL 002 423			
(13)	999 073 905 31	fillister hd. bolt	M6X30PA aluminium	17	
		M CTM 003 554>>			
		M CTL 002 424>>			
(13)	999 073 905 31	fillister hd. bolt	M6X30PA aluminium	17	DCNA,DCN, DHKA,DHK
14	999 073 908 31	fillister hd. bolt	M8X35PA aluminium	3	
		M >> CTM 003 553			
		M >> CTL 002 423			
(14)	999 073 908 31	fillister hd. bolt	M8X35PA aluminium	7	
		M CTM 003 554>>			
		M CTL 002 424>>			
(14)	999 073 908 31	fillister hd. bolt	M8X35PA aluminium	7	DCNA,DCN, DHKA,DHK
15	948 104 305 21	Transportation shackle		1	
16	946 104 306 00	Transportation shackle		1	
17	900 385 042 01	Torx screw	BM8X35	4	
18	993 110 530 01	Grommet Temperature sensor		1	

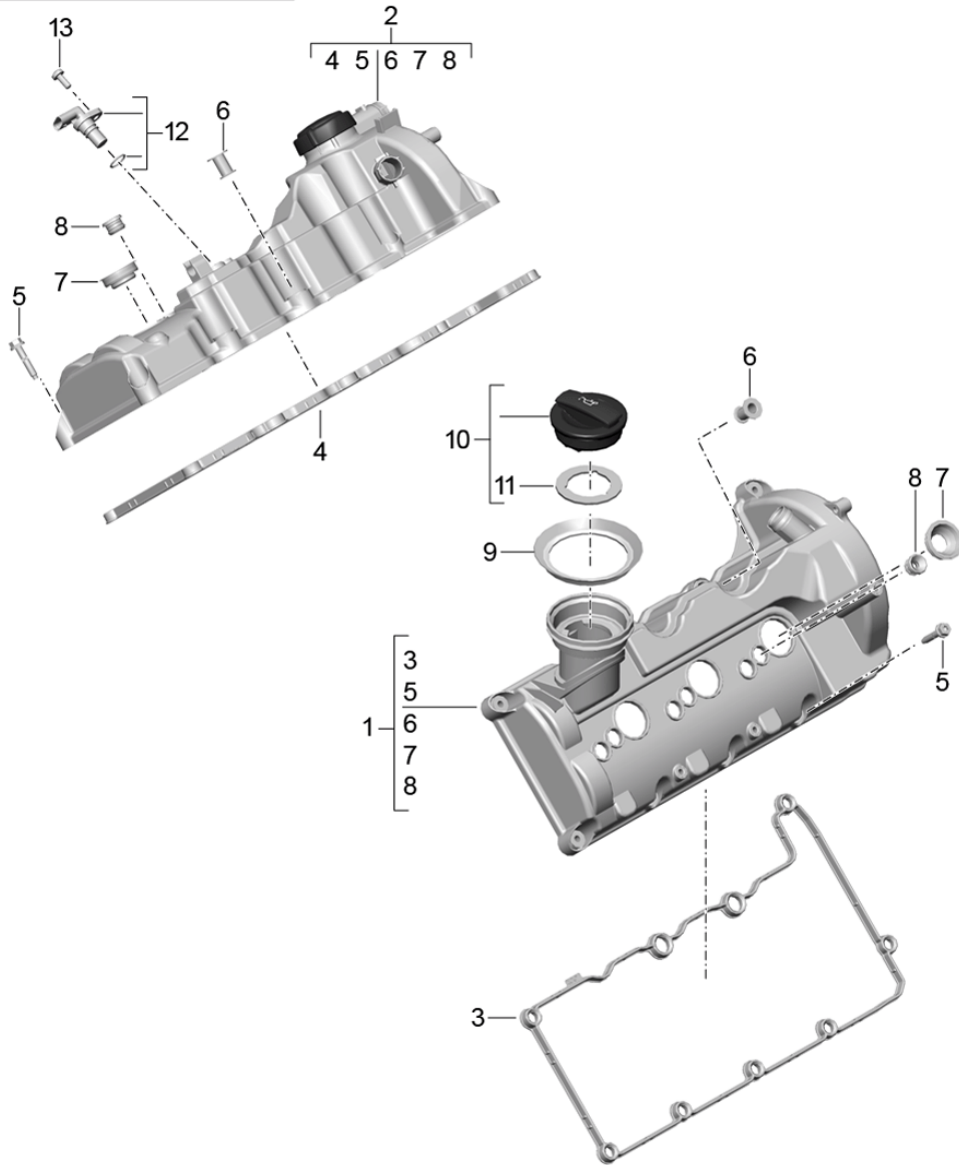
Model: 95B

Model life 2014>>

Pos	Part Number	Description	Remark	Qty	Model
19	997 606 213 00	Temperature sensor Engine bay		1	
20	000 043 305 33	sealant 1 tube for Valve cover Cylinder head Cover for timing chain	75 ml	X	

Model: 95B

Model life 2014>>



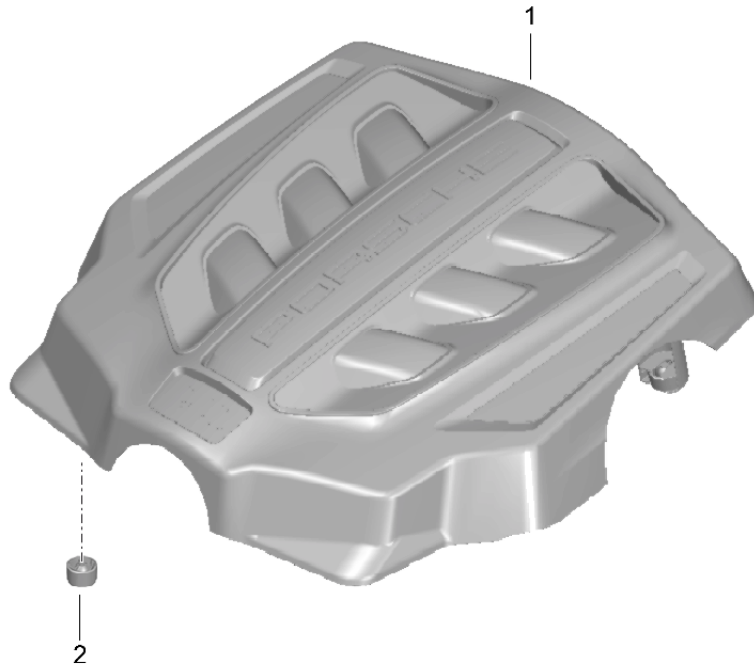
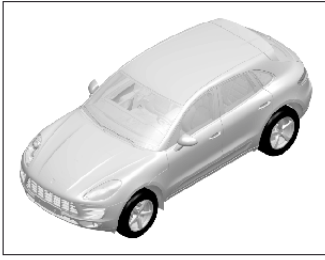
Model: 95B

Model life 2014>>

Pos	Part Number	Description	Remark	Qty	Model
		Valve cover			CDUD, CTBA, CTBB, CTBC
1	958 105 135 11	Valve cover	cylinders 4-6	1	
2	958 105 136 11	Valve cover	cylinders 1-3	1	
3	958 105 231 10	Seal	cylinders 4-6	1	
4	958 105 232 10	Seal	cylinders 1-3	1	
5	958 105 343 00	Securing element Discontinued part		14	
(5)	958 105 343 01	Securing element		14	
6	958 105 343 11	Securing element No longer use the part here		4	
(6)	958 105 343 10	Securing element		4	
7	958 105 585 00	Shaft oil seal	37X13	6	
8	958 105 631 00	Grommet		12	
9	958 107 287 00	seal ring		1	
10	958 104 485 10	End cap		1	
11	958 104 536 00	Seal		1	
12	958 606 106 01	impulse sender		1	
13	N 104 056 04	Oval hexagon socket head bolt	M6X14	1	

Model: 95B

Model life 2014>>

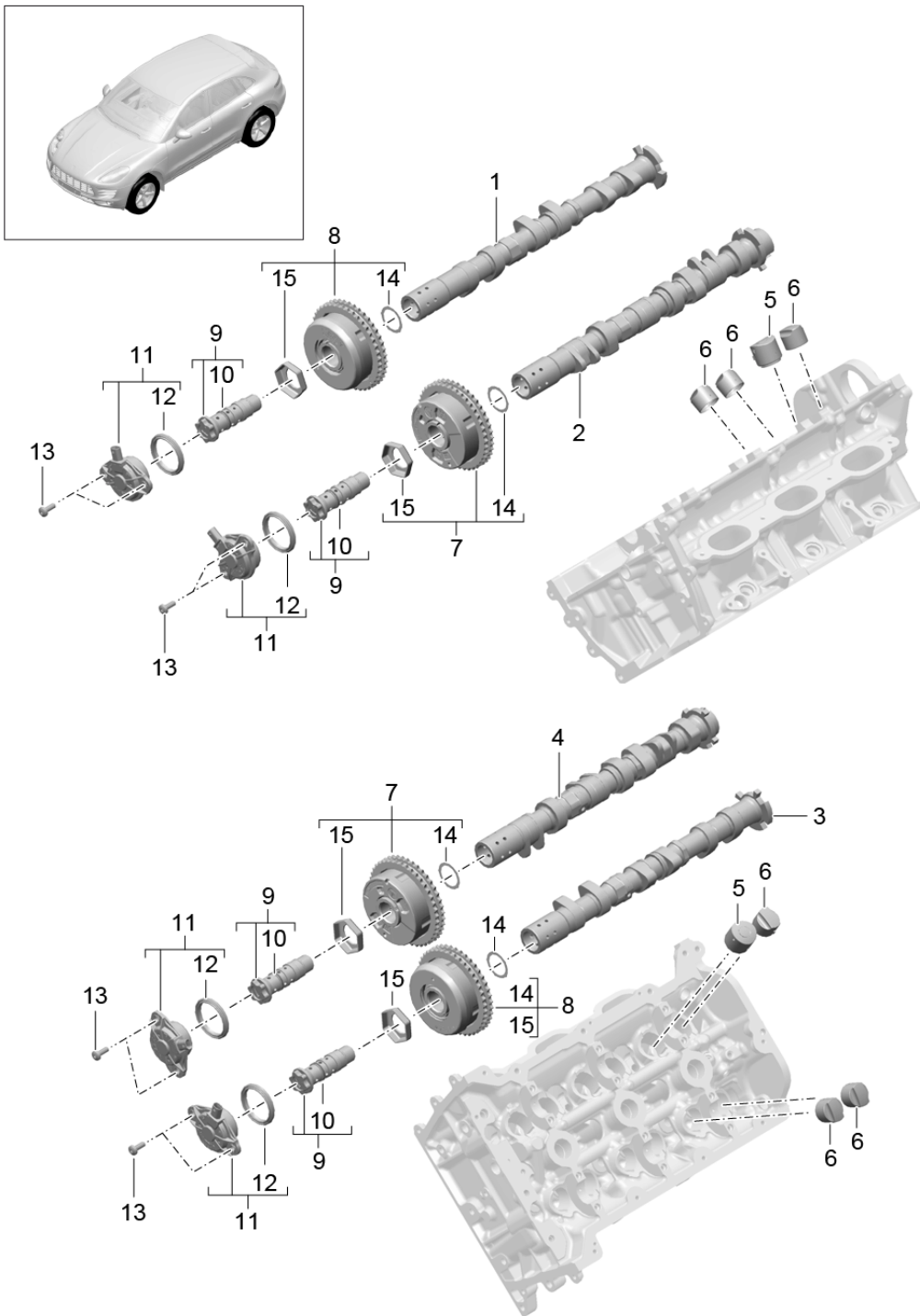


Model: 95B Model life 2014>>

Pos	Part Number	Description	Remark	Qty	Model
1	95B 103 925 D	Engine cover		1	CTMA, CTM
(1)	95B 103 925 F	Engine cover		1	DCNA, DCN
(1)	95B 103 925 E	Engine cover		1	CTLA, CTL
(1)	95B 103 925 G	Engine cover		1	DHKA, DHK
(1)	95B 103 925 A	Engine cover		1	CDUD, CTBA, CTBB, CTBC
(1)	95B 103 925	Engine cover D >> - MJ 2016		1	CNCC, CNC, CYNA
(1)	95B 103 925 H	Engine cover D - MJ 2017>>		1	CYNB, CYP, CYP
2	06J 103 226	ball socket Engine cover	front	2	CTMA, CTM, CTLA, CTL, DCNA, DCN, DHKA, DHK
(2)	06J 103 226	ball socket Engine cover		4	CNCC, CNC, CYNA
(2)	955 110 236 20	ball socket Engine cover	rear	2	CTMA, CTM, CTLA, CTL, DCNA, DCN, DHKA, DHK
(2)	955 110 236 20	ball socket Engine cover		4	CDUD, CTBA, CTBB, CTBC

Model: 95B

Model life 2014>>



Model: 95B Model life 2014>>

Pos	Part Number	Description	Remark	Qty	Model
		Camshaft			CTMA,CTM, DCNA,DCN, DHKA,DHK
1	946 105 242 60	Camshaft	Outlet cylinders 1-3	1	
		M >> CTM 042 345 M >> CTL 016 041			
(1)	946 105 242 61	Camshaft	Outlet cylinders 1-3	1	
		M CTM 042 346>> M CTL 016 042>>			
(1)	946 105 242 61	Camshaft	Outlet cylinders 1-3	1	DCNA,DCN, DHKA,DHK
2	946 105 241 60	Camshaft	Inlet cylinders 1-3	1	
		M >> CTM 042 345 M >> CTL 016 041			
(2)	946 105 241 61	Camshaft	Inlet cylinders 1-3	1	
		M CTM 042 346>> M CTL 016 042>>			
(2)	946 105 241 61	Camshaft	Inlet cylinders 1-3	1	DCNA,DCN, DHKA,DHK
3	946 105 244 60	Camshaft	Outlet cylinders 4-6	1	
		M >> CTM 042 345 M >> CTL 016 041			
(3)	946 105 244 61	Camshaft	Outlet cylinders 4-6	1	
		M CTM 042 346>> M CTL 016 042>>			
(3)	946 105 244 61	Camshaft	Outlet cylinders 4-6	1	DCNA,DCN, DHKA,DHK
4	946 105 243 60	Camshaft	Inlet cylinders 4-6	1	
		M >> CTM 042 345 M >> CTL 016 041			
(4)	946 105 243 61	Camshaft	Inlet cylinders 4-6	1	
		M CTM 042 346>> M CTL 016 042>>			
(4)	946 105 243 61	Camshaft	Inlet cylinders 4-6	1	DCNA,DCN, DHKA,DHK
5	9A1 105 070 04	Hydraulic tappet		6	
6	9A1 105 071 00	Hydraulic tappet Discontinued part		18	
(6)	9A1 105 071 01	Hydraulic tappet		18	
7	946 105 051 76	camshaft adjuster unit	Inlet	2	
8	946 105 052 76	camshaft adjuster unit	Outlet	2	
9	946 105 054 76	Screw camshaft adjuster unit		4	
10	946 105 156 76	piston ring alternatively, you can use: Screw POS.9		4	
11	946 105 053 77	No longer use the part here throttle control element Camshaft		4	
(11)	946 105 053 79	Discontinued part throttle control element Camshaft		4	
12	999 701 506 41	seal ring	42X51,8X4,9	4	
13	999 073 103 01	flat round head bolt	M6X16	8	

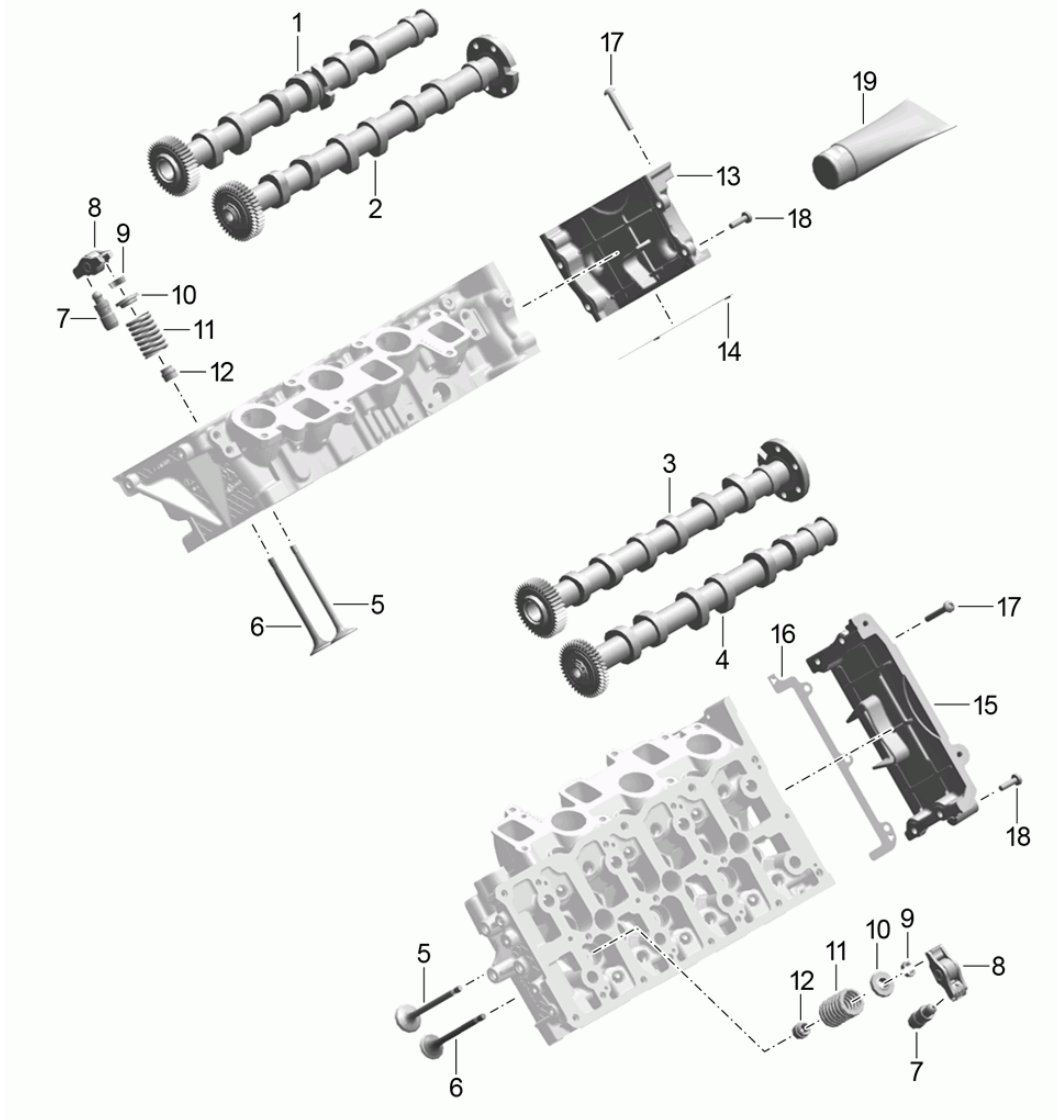
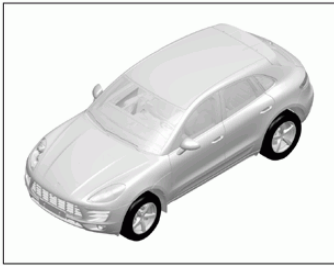
Model: 95B

Model life 2014>>

Pos	Part Number	Description	Remark	Qty	Model
14	946 105 155 75	Friction washer		4	
15	946 105 154 75	Sleeve		4	

Model: 95B

Model life 2014>>

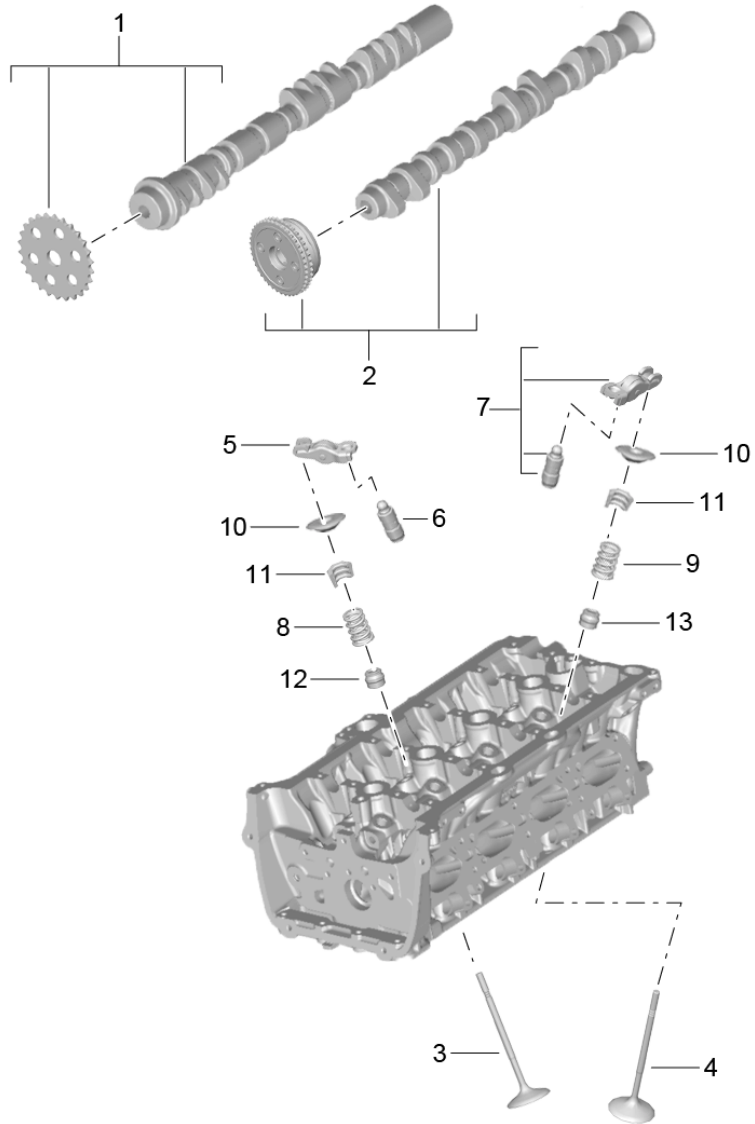
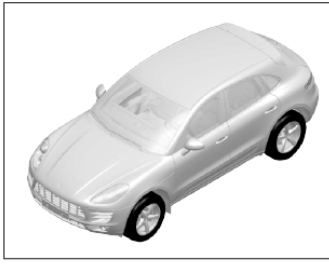


Model: 95B Model life 2014>>

Pos	Part Number	Description	Remark	Qty	Model
		camshaft, valves			CDUD, CTBA, CTBB, CTBC
1	958 105 042 00	Camshaft	Outlet cylinders 1-3	1	CDUD
(1)	958 105 042 10	Camshaft	Outlet cylinders 1-3	1	CTBA, CTBB, CTBC
2	958 105 041 11	Camshaft	Inlet cylinders 1-3	1	CDUD, CTBA, CTBB, CTBC
3	958 105 044 01	Camshaft	Inlet cylinders 4-6	1	CDUD, CTBA, CTBB, CTBC
4	958 105 043 10	Camshaft	Outlet cylinders 4-6	1	CDUD
(4)	958 105 043 20	Camshaft	Outlet cylinders 4-6	1	CTBA, CTBB, CTBC
5	955 105 601 20	Inlet valve		12	
6	958 105 322 30	exhaust valve		12	
7	958 105 423 10	Differential housing equalizing element, hydraulic		24	
8	955 105 417 20	cam lever		24	
9	955 105 651 20	cotter, split		48	
10	955 105 641 10	spring disc	upper	24	
11	955 105 119 10	Valve spring		24	
12	955 105 115 10	Valve stem seal	Inlet 6MM	12	
		also use:	955 105 501 00	X	
(12)	958 105 115 20	No longer use the part here Valve stem seal	Outlet 6MM	12	
		also use:	955 105 501 00	X	
-	955 105 501 00	Sleeve for Repair part Valve stem seal 6 X 20		X	
13	958 105 130 01	Cover	cylinders 1-3	1	
		also use:	000 043 300 39	X	
14	958 105 592 02	Seal		1	
		also use:	000 043 300 39	X	
15	958 105 129 01	Cover	cylinders 4-6	1	
		also use:	000 043 300 39	X	
16	958 105 591 11	Seal		1	
		also use:	000 043 300 39	X	
17	N 105 821 03	oval head countersunk bolt with multi-point socket head	M6X40	6	
18	N 101 243 06	Oval hexagon socket head bolt	M6X20	8	
19	000 043 300 39	sealant 1 tube	50ml	X	

Model: 95B

Model life 2014>>



Model: 95B Model life 2014>>

Pos	Part Number	Description	Remark	Qty	Model
		camshaft, valves			CNCC, CNC, CYNA, CYPA, CYP, CYNB
1	958 109 021 00	Camshaft	Inlet Cylinders 1-4	1	
(1)	958 109 021 10	Discontinued part Camshaft	Inlet Cylinders 1-4	1	
		for threaded insert M 21			
		to use for:	958 109 257 00		
(1)	958 109 021 11	D >> - 01.06.2016 Camshaft	Inlet Cylinders 1-4	1	
		for threaded insert M 20			
		to use for:	958 109 257 01		
2	958 109 022 00	D - 01.06.2016>> Camshaft	Outlet Cylinders 1-4	1	
		for threaded insert M 21			
		to use for:	958 109 257 01		
(2)	958 109 022 01	D >> - 01.06.2016 Camshaft	Outlet Cylinders 1-4	1	
		for threaded insert M 20			
		to use for:	958 109 257 01		
3	958 109 601 00	Inlet valve		8	
4	958 109 611 00	exhaust valve		8	CNCC, CNC
		No longer use the part here			
(4)	958 109 611 01	exhaust valve		8	CNCC, CNC
		Discontinued part			
(4)	958 109 611 10	exhaust valve		8	CNCC, CNC, CYNA, CYPA, CYP, CYNB
5	958 105 417 11	cam lever	Inlet	8	
6	958 105 423 20	Differential housing		8	
7	958 109 417 10	cam lever	Outlet	8	
8	958 109 623 20	Valve spring Inlet valve		8	
		No longer use the part here			
(8)	958 109 623 30	Valve spring Inlet valve		8	
9	958 109 623 10	Valve spring exhaust valve		8	CNCC, CNC
		No longer use the part here			
(9)	958 109 623 00	Valve spring exhaust valve		8	CNCC, CNC, CYNA, CYPA, CYP, CYNB
10	958 105 641 00	spring disc		16	
11	955 105 651 10	cotter, split		32	
(12)	955 105 675 10	Valve stem seal 6 MM		16	
		also use:	955 105 501 00	X	
		No longer use the part here			
(12)	955 105 675 20	Valve stem seal	Inlet	8	

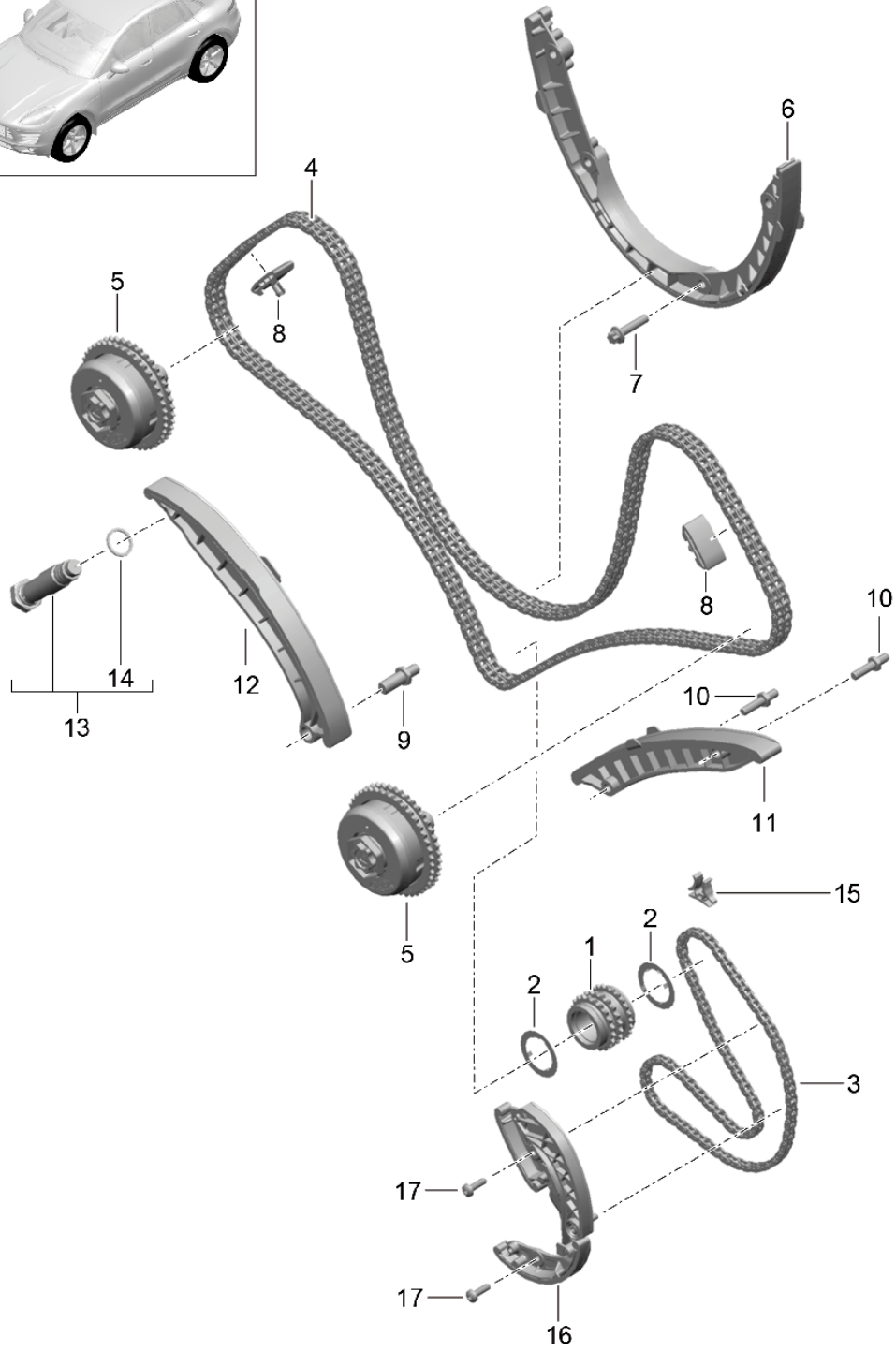
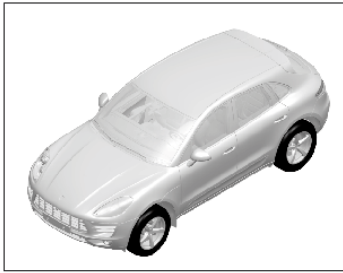
Model: 95B

Model life 2014>>

Pos	Part Number	Description	Remark	Qty	Model
13	955 105 675 00	6 MM Valve stem seal 6 MM	also use: 955 105 501 00 Outlet	X 8	
-	955 105 501 00	Sleeve for Repair part Valve stem seal 6 X 20	also use: 955 105 501 00	X X	

Model: 95B

Model life 2014>>

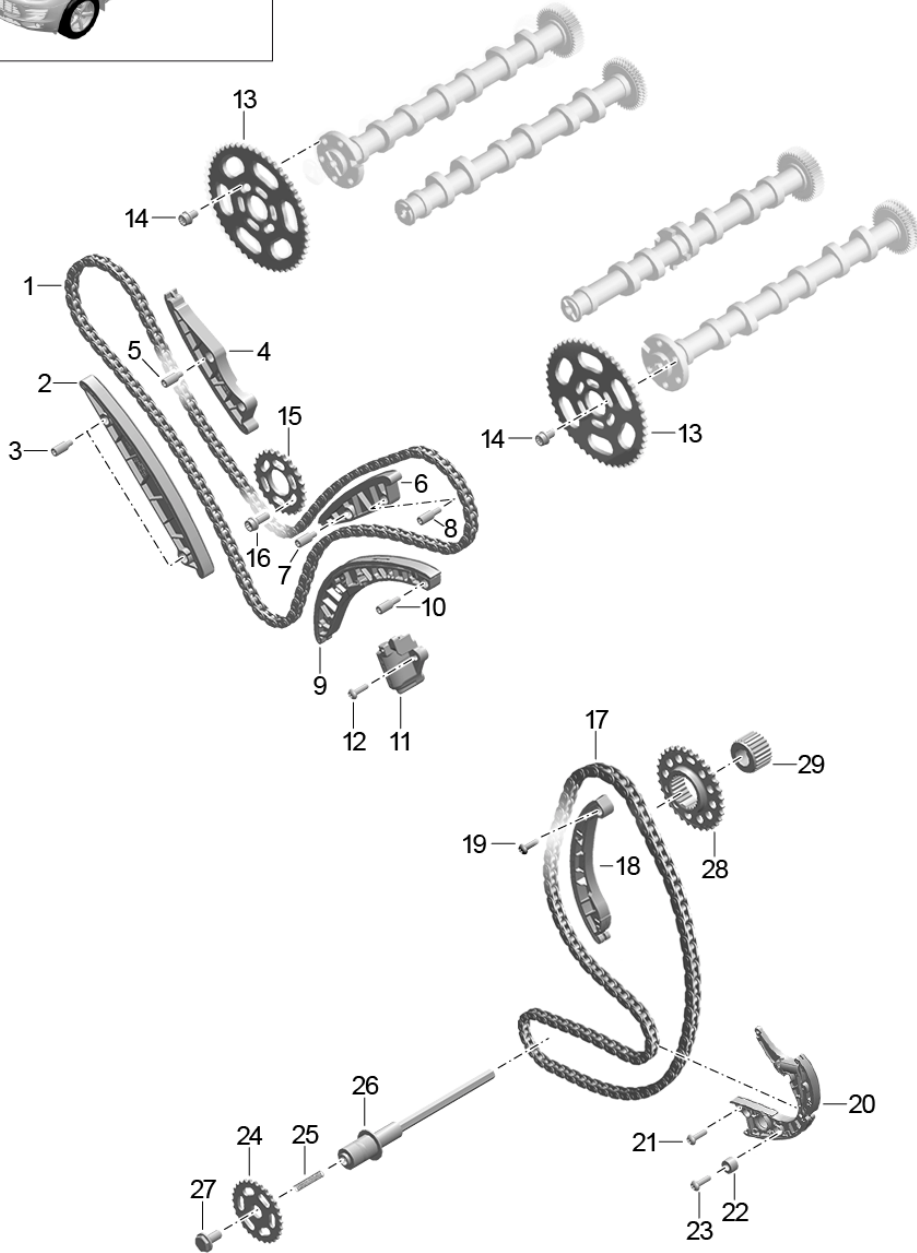
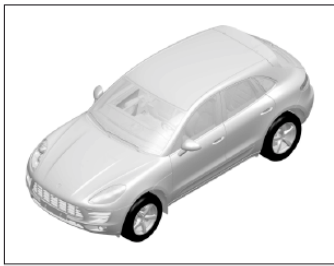


Model: 95B Model life 2014>>

Pos	Part Number	Description	Remark	Qty	Model
		timing chain slide rail			CTMA,CTM, DCNA,DCN, DHKA,DHK
1	946 102 231 75	Chain sprocket		1	
		Crankshaft			
2	948 102 230 00	Shim		2	
3	946 107 252 75	Drive chain		1	
		oil pump			
4	946 105 169 75	Chain		1	
5		camshaft adjuster unit			
		see illustration:	103-040		
6	948 105 023 12	slide rail		1	
7	900 385 042 01	Torx screw	BM8X35	4	
8	948 105 166 12	slide rail		2	
9	999 015 022 01	Threaded stud	M10X25	1	
10	999 015 021 01	Threaded stud	M8X25	2	
11	946 105 068 00	slide rail		1	
12	948 105 065 10	Tensioner blade		1	
13	946 105 180 75	chain tensioner		1	
		M >> CTM 035 886			
		M >> CTL 014 194			
		No longer use the part here			
(13)	946 105 180 76	chain tensioner		1	
		M CTM 035 887>>			
		M CTL 014 195>>			
(13)	946 105 180 76	chain tensioner		1	DCNA,DCN, DHKA,DHK
14	900 123 118 30	seal ring	A22X27	1	
15	946 107 253 00	Guide piece		1	
16	946 107 258 77	chain tensioner		1	
		oil pump			
		Drive chain			
17	999 073 344 01	flat round head bolt	M6X20	2	

Model: 95B

Model life 2014>>

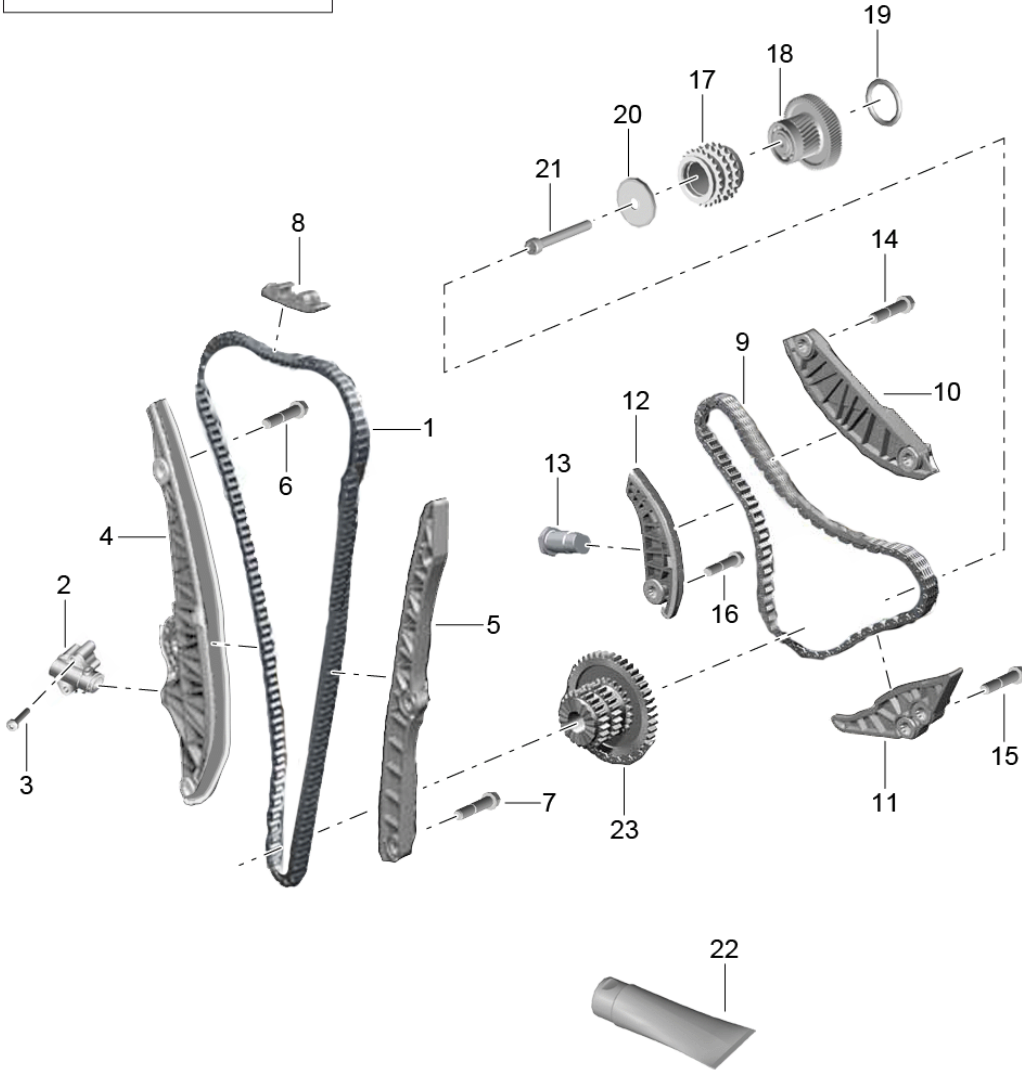
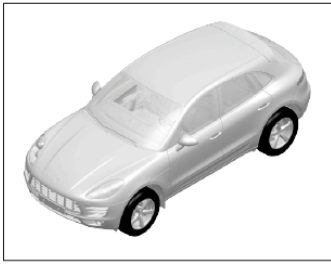


Model: 95B Model life 2014>>

Pos	Part Number	Description	Remark	Qty	Model
		timing chain			CDUD, CTBA,
		slide rail			CTBB, CTBC
1	958 105 169 11	timing chain		1	
2	958 105 065 00	slide rail		1	
3	958 105 426 00	guide pin		2	
4	958 105 066 00	slide rail		1	
5	958 105 426 00	guide pin		2	
6	958 105 067 00	slide rail		1	
7	958 105 426 00	guide pin		1	
8	958 105 426 10	guide pin		1	
9	958 105 068 00	slide rail		1	
10	958 105 426 10	guide pin		1	
11	958 105 467 12	chain tensioner		1	
(11)	958 105 467 13	chain tensioner		1	
12	N 101 243 06	Oval hexagon socket head bolt	M6X20	2	
13	958 105 181 10	Chain sprocket Camshaft Z = 48		2	
14	N 910 522 01	Hexagon socket head bolt	M8X12	10	
15	958 101 333 00	Chain sprocket balancer shaft		1	
16	N 910 488 02	Screw with int. serrations	M8X20	3	
17	958 105 170 00	timing chain		1	
18	958 105 069 00	slide rail		1	
19	WHT 005 189	Hexagon socket flat head bolt with guide sleeve	M6X29,5	1	
20	958 105 507 21	chain tensioner Discontinued part		1	
(20)	958 105 507 23	chain tensioner		1	
21	N 101 243 06	Oval hexagon socket head bolt	M6X20	6	
22	958 105 535 10	spacer bush	6X15,5X8	1	
23	N 101 243 06	Oval hexagon socket head bolt	M6X20	1	
24	958 107 114 10	Chain sprocket oil pump		1	
25	955 105 481 00	Pressure spring		1	
26	958 107 320 10	Input shaft oil pump		1	
27	N 908 932 02	fitted bolt, hexagon head	M10X20	1	
28	958 105 222 00	Chain sprocket high pressure pump only in conj. with:		1	CDUD
		flange 958.110.541.00 059.130.141.F			
(28)	958 105 222 00	Chain sprocket high pressure pump only in conj. with:		1	CDUD
		flange 958.110.541.10 059.130.141.H			
(28)	958 105 222 11	Discontinued part Chain sprocket high pressure pump only in conj. with:		1	
		flange 958.110.541.10 059.130.141.H			
29		flange Chain sprocket high pressure pump see illustration, item:	107-040,18	1	

Model: 95B

Model life 2014>>



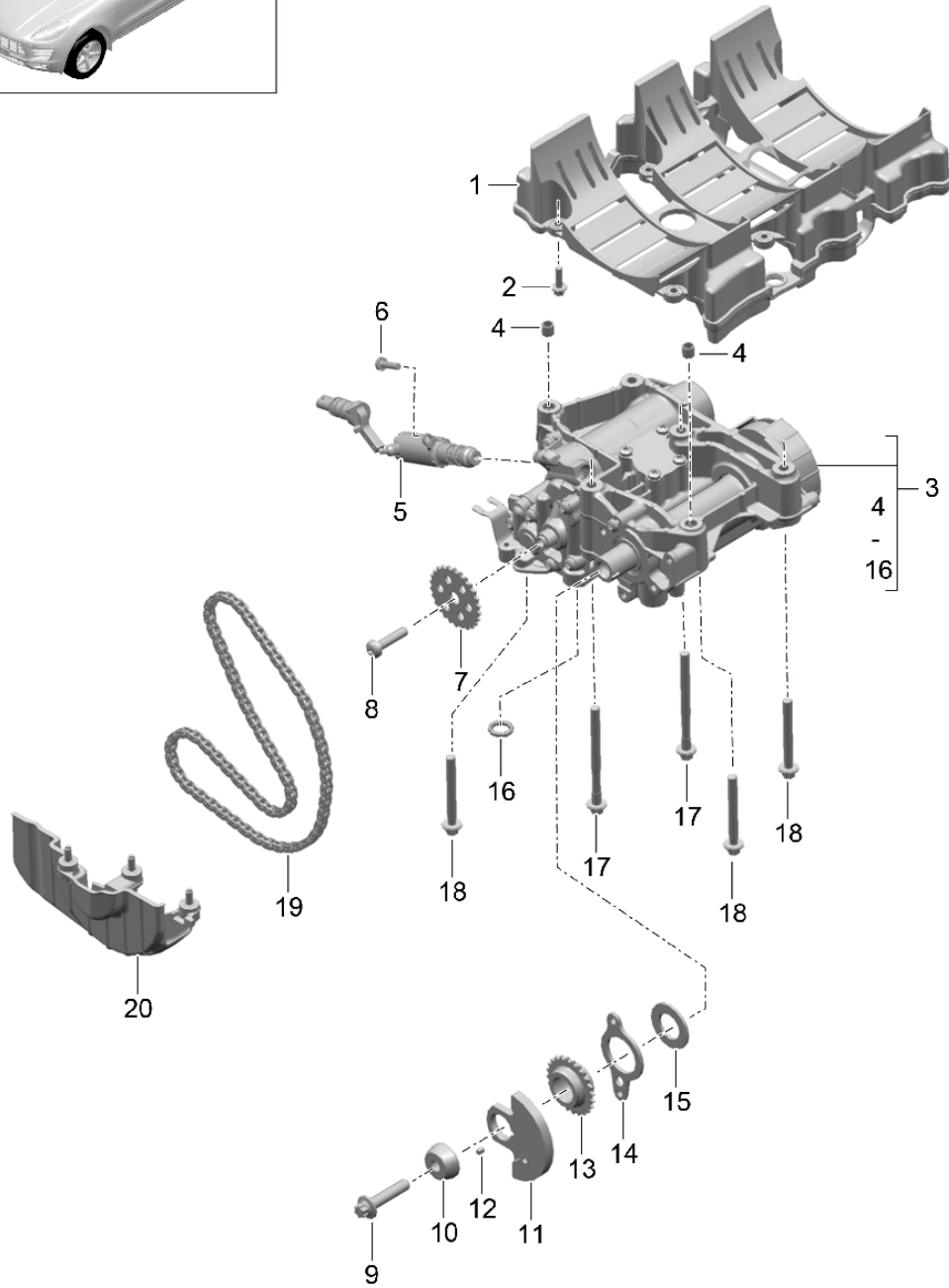
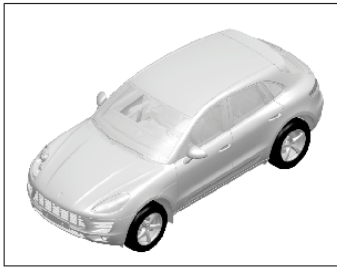
Model: 95B

Model life 2014>>

Pos	Part Number	Description	Remark	Qty	Model
		timing chain slide rail			CNCC ,CNC , CYNA ,CYPA , CYP ,CYNB
1	958 109 158 10	timing chain		1	
2	958 109 467 00	chain tensioner		1	
3	N 107 654 01	Hexagon socket flat head bolt	M6X35 aluminium	2	
4	958 109 509 00	slide rail		1	
5	958 109 469 00	slide rail		1	
6	N 911 303 01	Cylinder fitting screw with inner multipoint head	M8X14X33	1	
7	N 911 304 01	Cylinder fitting screw with inner multipoint head	M8X12X27	2	
8	958 109 469 10	slide rail		1	
9	958 109 158 00	timing chain		1	
		No longer use the part here			
(9)	958 109 158 01	timing chain		1	
10	958 109 469 20	slide rail		1	
11	958 109 469 30	slide rail		1	
		No longer use the part here			
(11)	958 109 469 31	slide rail		1	
12	958 109 509 10	slide rail		1	
13	958 109 467 10	chain tensioner		1	
14	N 911 304 01	Cylinder fitting screw with inner multipoint head	M8X12X27	2	
15	N 911 304 01	Cylinder fitting screw with inner multipoint head	M8X12X27	2	
16	N 911 303 01	Cylinder fitting screw with inner multipoint head	M8X14X33	1	
17	958 103 319 00	Chain sprocket		1	
18	958 103 559 00	Intermediate shaft		1	
19	WHT 001 905 A	O-ring		1	
		No longer use the part here			
(19)	WHT 001 905	O-ring		1	
20	WHT 001 396 A	thrust washer		1	
21	N 105 449 04	Socket head bolt with inner multipoint head	M8X55	1	
22	958 110 503 00	sealant		1	
23		Chain sprocket		1	
		Crankshaft see illustration, item:	102-020,3		

Model: 95B

Model life 2014>>



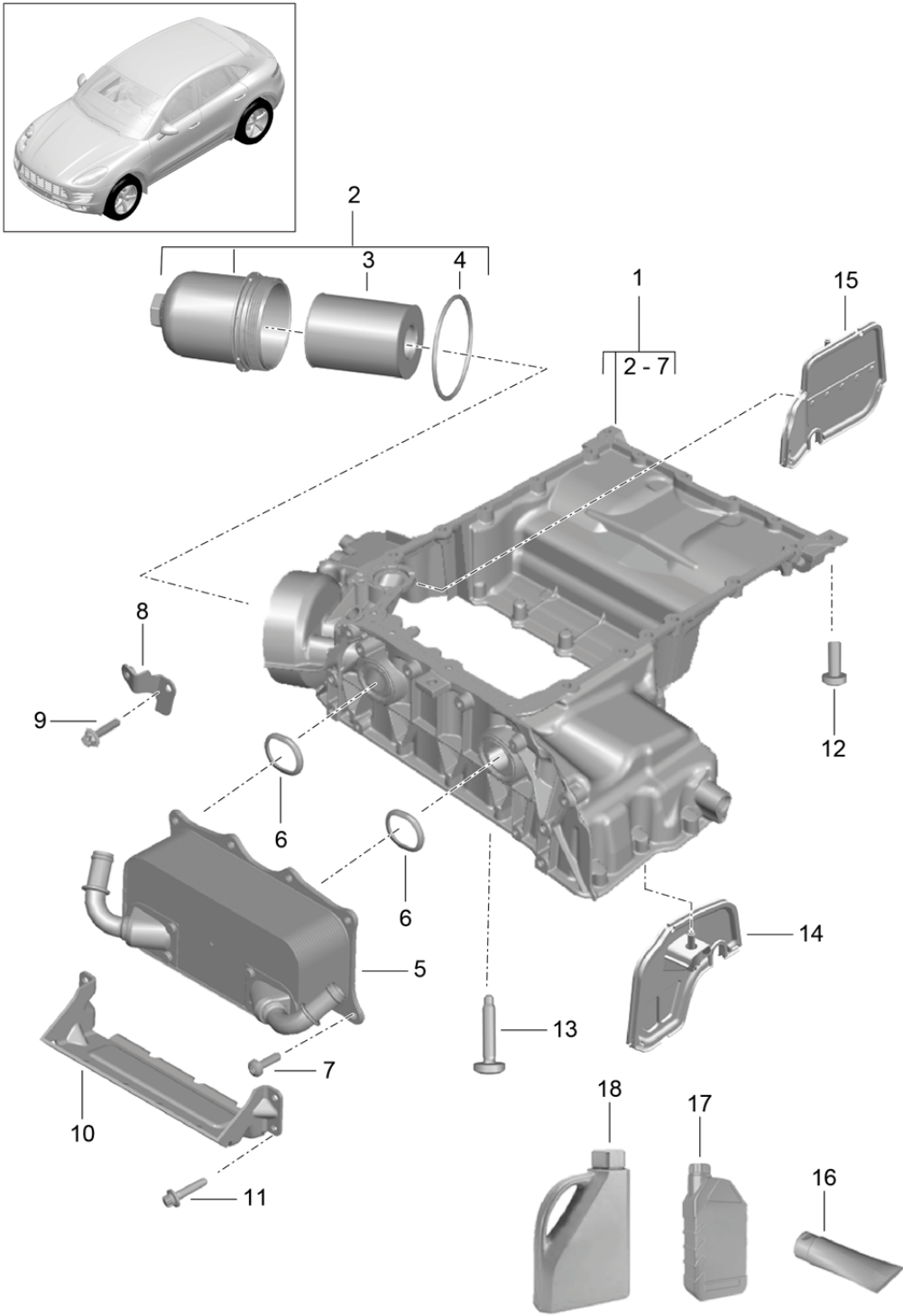
Model: 95B

Model life 2014>>

Pos	Part Number	Description	Remark	Qty	Model
		oil pump Oil baffle plate			CTMA,CTM, CTLA,CTL, DCNA,DCN, DHKA,DHK
1	946 107 085 75	Oil baffle plate		1	
2	900 385 019 01	Torx screw	BM6X20	6	
3	946 107 013 61	oil pump		1	CTMA,CTM, DCNA,DCN
(3)	946 107 013 35	oil pump		1	CTLA,CTL, DHKA,DHK
4	999 095 063 01	dowel sleeve	11M6X10X1,2	2	
5	946 107 113 60	Solenoid valve		1	
6	999 073 344 01	flat round head bolt	M6X20	1	
7	948 107 114 01	Chain sprocket		1	
8	946 107 213 20	Socket head bolt		1	
9	900 385 011 01	Torx screw	BM10X45	1	
10	946 107 218 20	Conical ring		1	CTMA,CTM, DCNA,DCN
(10)	946 107 218 35	Conical ring		1	CTLA,CTL, DHKA,DHK
11	946 107 216 60	Balancer weight		1	CTMA,CTM, DCNA,DCN
(11)	946 107 216 35	Balancer weight		1	CTLA,CTL, DHKA,DHK
12	946 107 217 20	feather key		1	
13	946 107 114 20	Chain sprocket balancer shaft		1	
14	946 107 215 60	Oil pump cover		1	
15	946 107 214 60	Shim		1	
16	999 701 490 40	O-ring	11,3X3	1	
17	900 385 007 01	Torx screw	BM8X100	2	
18	900 385 115 01	Torx screw	CM8X70	4	
19		Drive chain oil pump		1	
20	946 107 254 60	Cover see illustration:	103-070	1	
		with:			
		1 set securing bolts			
		M >> CTL 013 429			
		M >> CTM 000 153			
(20)	946 107 254 61	Cover		1	
		with:			
		1 set securing bolts			
		M CTL 013 430>>			
		M CTM 000 154>>			
(20)	946 107 254 61	Cover		1	DCNA,DCN, DHKA,DHK
		with:			
		1 set securing bolts			

Model: 95B

Model life 2014>>



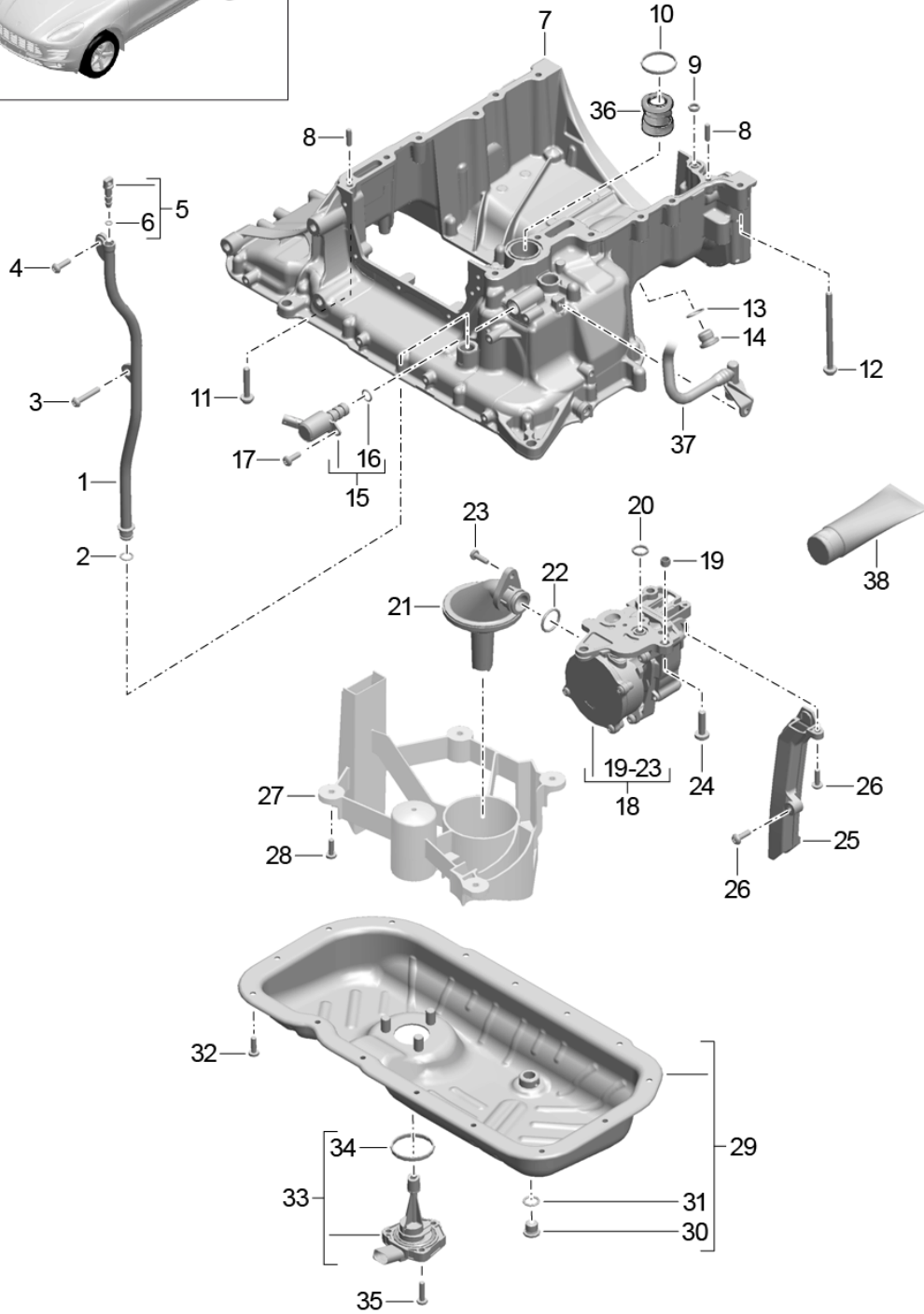
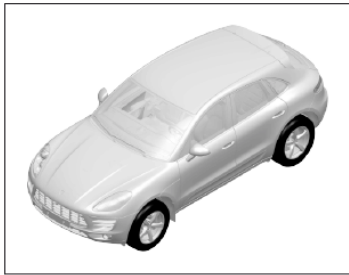
Model: 95B

Model life 2014>>

Pos	Part Number	Description	Remark	Qty	Model
		Oil-conducting housing oil filter heat exchanger			CTMA,CTM, CTLA,CTL, DCNA,DCN, DHKA,DHK
1	946 107 051 31	Oil-conducting housing	aluminium	1	
2	946 107 022 75	oil filter		1	
3	948 107 222 00	Oil filter insert		1	
		also use:	946 107 322 75	1	
4	946 107 322 75	seal ring		1	
5	946 107 281 30	heat exchanger		1	
6	948 107 175 20	Seal		2	
7	999 073 344 01	flat round head bolt	M6X20	6	
8	946 107 251 30	Bracket		1	
9	900 385 009 01	Torx screw	BM6X16	1	
10	95B 121 557	Stone chip guard		1	
11	999 073 094 01	Screw	M8X20	4	
12	999 073 905 31	filllister hd. bolt	M6X30PA aluminium	17	
13	900 385 072 01	Torx screw	BM6X25	4	
14	946 107 242 30	filler plate	left	1	
		Oil-conducting housing			
15	946 107 241 30	filler plate	right	1	
		Oil-conducting housing			
16	999 915 573 43	sealant 1 tube	75 ml	X	
		Discontinued part			
(16)	000 043 305 33	sealant 1 tube	75 ml	X	
17	000 043 301 19	engine oil EXXON MOBIL 1 0W-40	1.0 Ltr.	X	
18	000 043 301 21	engine oil EXXON MOBIL 1 0W-40	20ltr.	X	

Model: 95B

Model life 2014>>



Model: 95B Model life 2014>>

Pos	Part Number	Description	Remark	Qty	Model
		Oil-conducting housing oil pump Vacuum pump oil sump guide tube			CDUD,CTBA, CTBB,CTBC
1	958 107 066 10			1	
			also use:		
2	955 107 427 00	O-ring	955 107 427 00	1	
3	N 105 540 05	round hd. screw	12X2	1	
4	N 101 243 06	Oval hexagon socket head bolt	M6X35	1	
5	958 107 168 10	Sealing cap	M6X20	1	
6	N 908 138 02	O-ring	5X1,9	1	
7	958 107 071 23	Oil-conducting housing		1	
8	955 102 277 00	spring pin	6,2X22	2	
9	958 107 609 00	Seal		1	
10	958 107 610 00	Seal		1	
11	WHT 004 873	fillister head bolt with multi-point socket head	M7X40	9	
12	WHT 004 874	fillister head bolt with multi-point socket head	M7X105X39	3	
13	N 013 832 6	seal ring	18X22	1	
14	N 911 965 01	sealing plug	M18X1,5	1	
15	958 107 243 30	control valve		1	
16	N 910 568 01	O-ring	12X2	1	
17	N 101 961 03	fillister head bolt with multi-point socket head	M6X18	1	
18	958 107 013 60	oil pump		1	
		with:			
		Vacuum pump			
		M >> CDU 165 339			
		M >> CTB 020 586			
(18)	958 107 013 61	oil pump		1	
		with:			
		Vacuum pump			
		M CDU 165 340>>			
		M CTB 020 587>>			
19		bush		2	
20	958 107 611 10	* single parts no available *		1	
21		Seal for oil pump suction line	23,4X3,53	1	
22		* single parts no available * alternatively, you can use:	POS.18	1	
23		seal ring * single parts no available * alternatively, you can use:	POS.18	1	
24	N 107 453 01	Screw		1	
25	958 107 031 20	* single parts no available * alternatively, you can use:	POS.18	1	
26	N 107 451 01	Oval hexagon socket head bolt	M8X30	3	
27	958 107 138 11	Return pipe		1	
28	N 107 451 01	Hexagon socket flat head bolt	M6X20	2	
29	958 107 055 21	Insert		1	
30	N 016 027 6	oil sump Hexagon socket flat head bolt	M6X20	4	
(30)	N 911 679 01	oil sump		1	
31	N 013 815 7	sealing plug	M14X1,5	1	
(31)	N 013 849 4	No longer use the part here sealing plug	M14X1,5	1	
32	N 107 451 01	seal ring	14X20	1	
		No longer use the part here seal ring	14X20	1	
		Hexagon socket flat	M6X20	15	

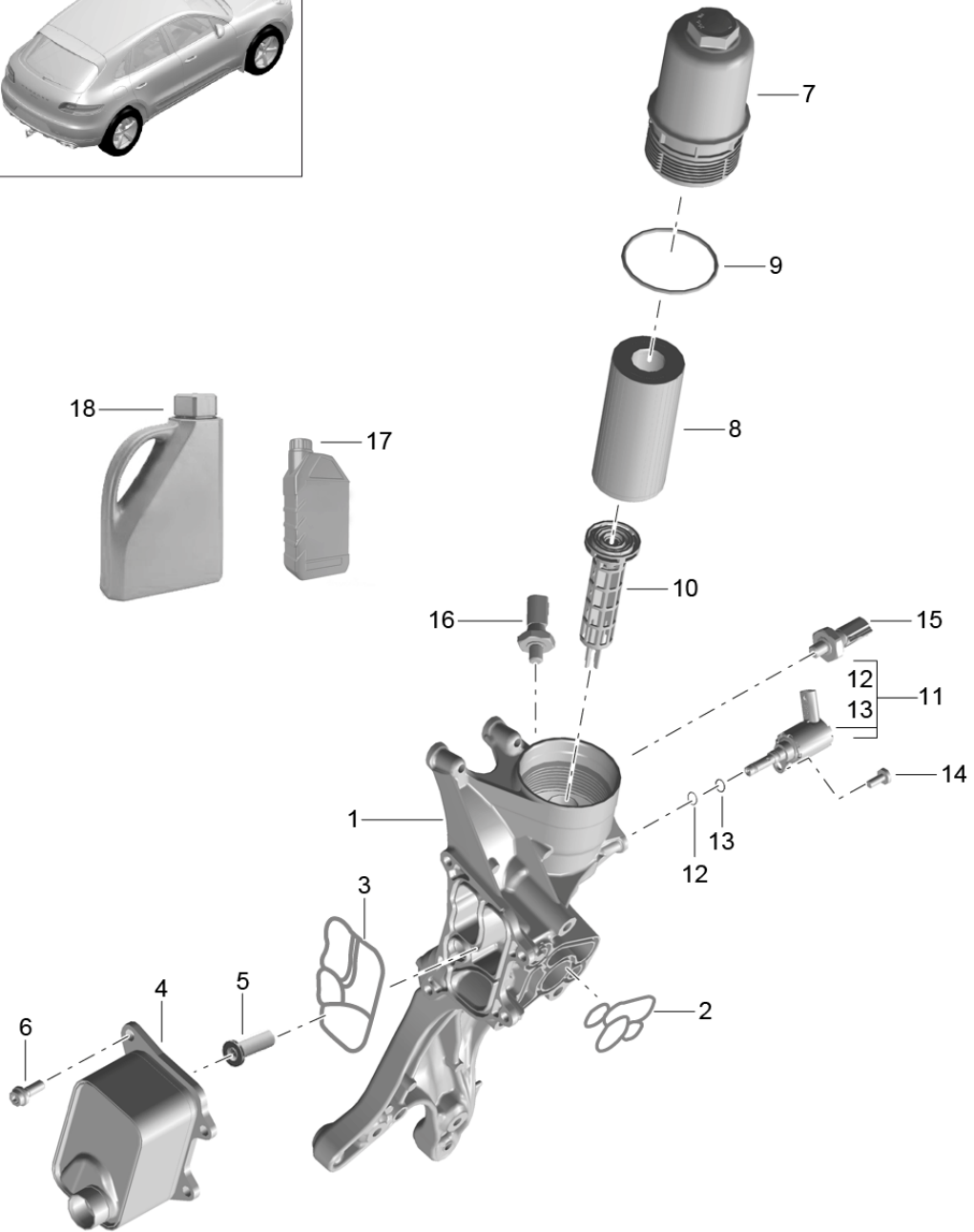
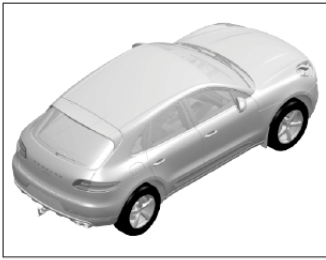
Model: 95B

Model life 2014>>

Pos	Part Number	Description	Remark	Qty	Model
33	958 606 160 20	head bolt oil level sender Discontinued part		1	
(33)	958 606 160 21	oil level sender		1	
34	038 103 196 B	seal ring		1	
35	N 104 134 05	Hexagon socket flat head bolt	M6X25	3	
36	958 107 376 20	Non-return valve		1	
37		Vacuum line see illustration, item:	108-030,28	1	
38	000 043 300 39	sealant 1 tube	50ml	X	

Model: 95B

Model life 2014>>



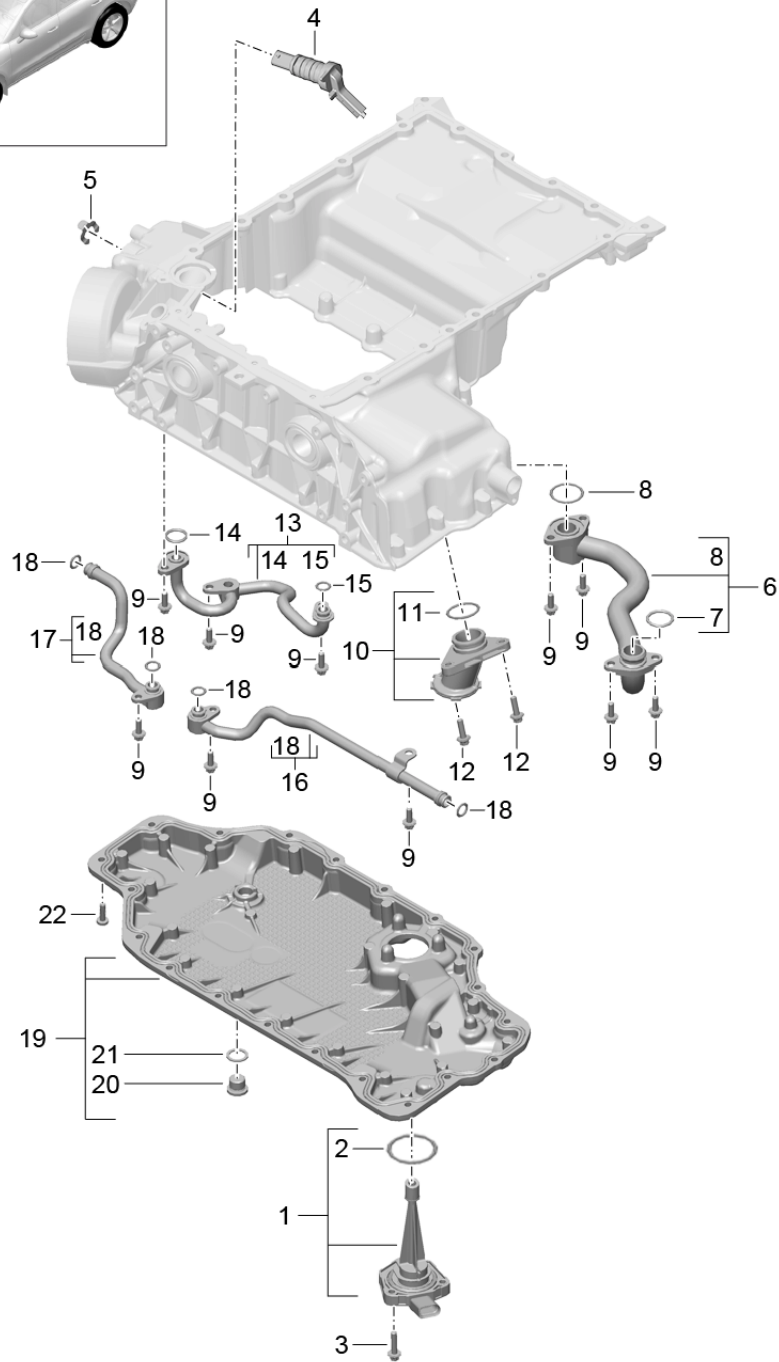
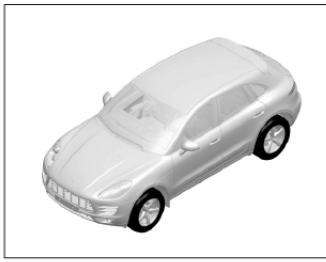
Model: 95B

Model life 2014>>

Pos	Part Number	Description	Remark	Qty	Model
1		Oil-conducting housing oil filter Oil cooler Bracket		1	CNCC ,CNC , CYNA ,CYPA , CYP ,CYNB
2	958 115 441 00	Seal Oil-conducting housing	see illustration: 102-080	1	
3	958 117 070 00	gasket for oil cooler		1	
4	958 117 021 00	Oil cooler		1	
5	958 103 208 00	Valve		1	
6	N 911 976 01	Hexagon socket head bolt (combi)	M8X20 aluminium	4	
7	958 115 408 00	oil filter housing		1	
8	958 115 466 00	oil filter		1	
(8)	958 115 562 00	No longer use the part here oil filter	also use: 958 115 441 10	1	
9		Seal Seal * single parts no available * alternatively, you can use:		1	
10	958 115 678 00	connection piece Discontinued part	958 115 562 00	1	
(10)	958 115 678 20	connection piece		1	
(10)	958 115 678 10	connection piece No longer use the part here		1	
11	958 115 243 00	control valve		1	
12	WHT 007 316	O-ring	5,28X1,78	1	
13	WHT 007 317	O-ring	7,5X1,5	1	
14	N 107 512 01	Hexagon socket flat head bolt	M6X14 aluminium	1	
15	958 919 081 10	Oil pressure switch		1	
16	958 919 081 20	Oil pressure switch		1	
17	000 043 301 16	engine oil EXXON MOBIL 1 ESP FORMULA 5W-30	1.0 Ltr.	X	- "CN."
(17)	000 043 210 46	D >> - MJ 2017 engine oil EXXON MOBIL 1 ESP 0W-20	1.0 Ltr.	X	- "CN."
(17)	000 043 301 19	D - MJ 2018>> engine oil EXXON MOBIL 1 0W-40	1.0 Ltr.	X	"CN."
18	000 043 301 17	engine oil EXXON MOBIL 1 ESP FORMULA 5W-30	20ltr.	X	- "CN."
(18)	000 043 301 21	D >> - MJ 2017 engine oil EXXON MOBIL 1 0W-40	20ltr.	X	"CN."

Model: 95B

Model life 2014>>



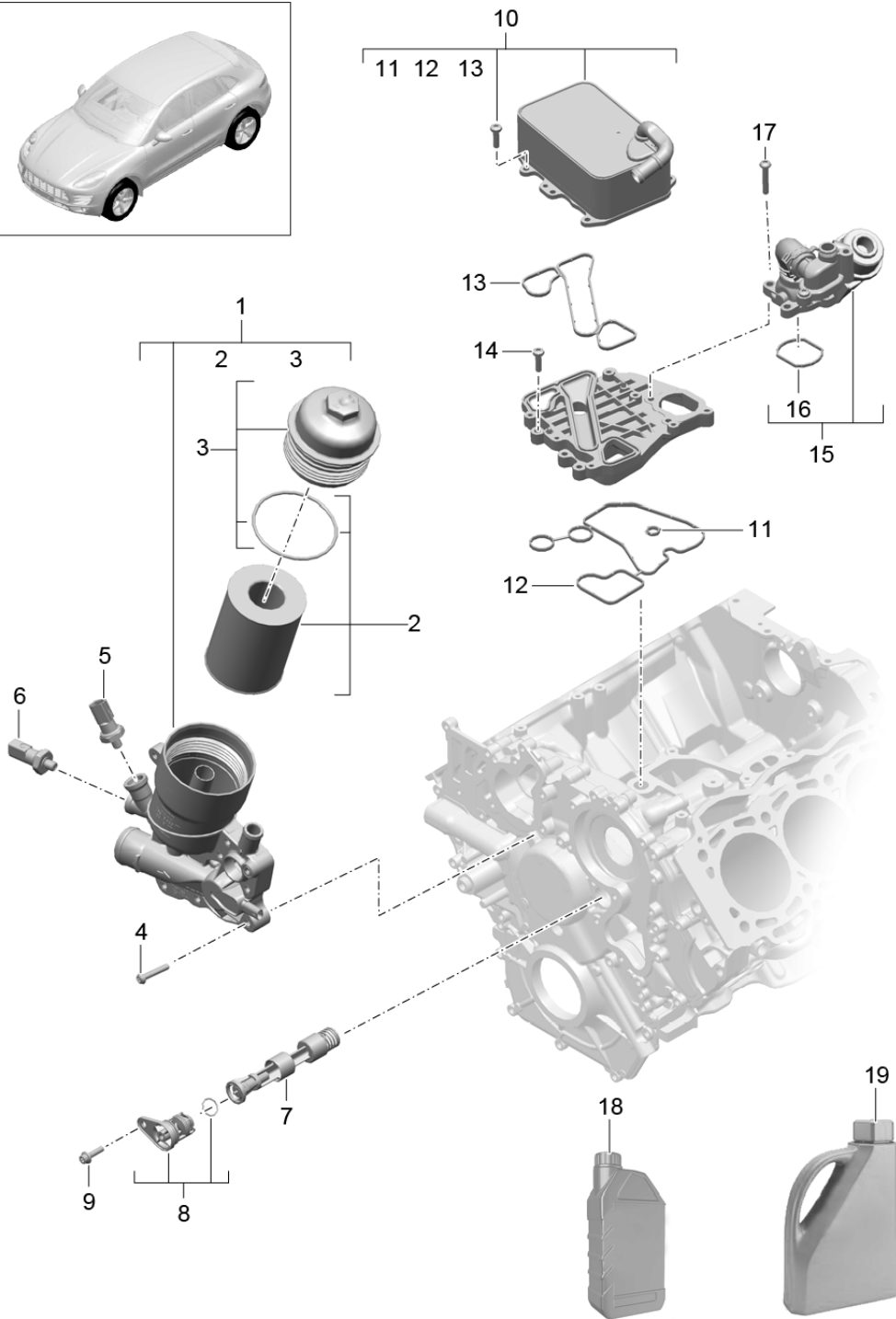
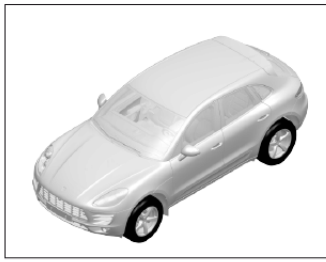
Model: 95B

Model life 2014>>

Pos	Part Number	Description	Remark	Qty	Model
		Intake manifold oil sump			CTMA, CTM, CTLA, CTL, DCNA, DCN, DHKA, DHK
1	946 606 170 00	oil level sensor		1	
2	038 103 196 B	seal ring		1	
3	900 385 072 01	Torx screw	BM6X25	3	
4		Solenoid valve oil pump		1	
5	946 107 413 60	see illustration, item: securing clip Solenoid valve	104-000,5	1	
6	946 107 031 30	oil pipe		1	
7	999 707 585 40	O-ring	22X3	1	
8	999 707 547 40	O-ring	28X3	1	
9	900 385 009 01	Torx screw	BM6X16	10	
10	946 107 030 30	Intake manifold oil pump		1	
11	999 707 547 40	O-ring	28X3	1	
12	900 385 019 01	Torx screw	BM6X20	2	
13	946 107 033 31	Oil pipe		1	
14	999 707 567 40	O-ring	17X3-N-	1	
15	999 707 603 40	O-ring	10X3-N-	1	
16	946 107 037 31	Oil pressure line Exhaust gas turbocharger	cylinders 4-6	1	
17	946 107 038 31	Oil pressure line Exhaust gas turbocharger	cylinders 1-3	1	
18	999 707 603 40	O-ring	10X3-N-	4	
19	946 107 015 31	oil sump		1	
20	900 219 004 01	sealing plug	M16X1,5	1	
21	900 123 152 30	seal ring	A16X22	1	
22	999 073 344 01	flat round head bolt	M6X20	20	

Model: 95B

Model life 2014>>



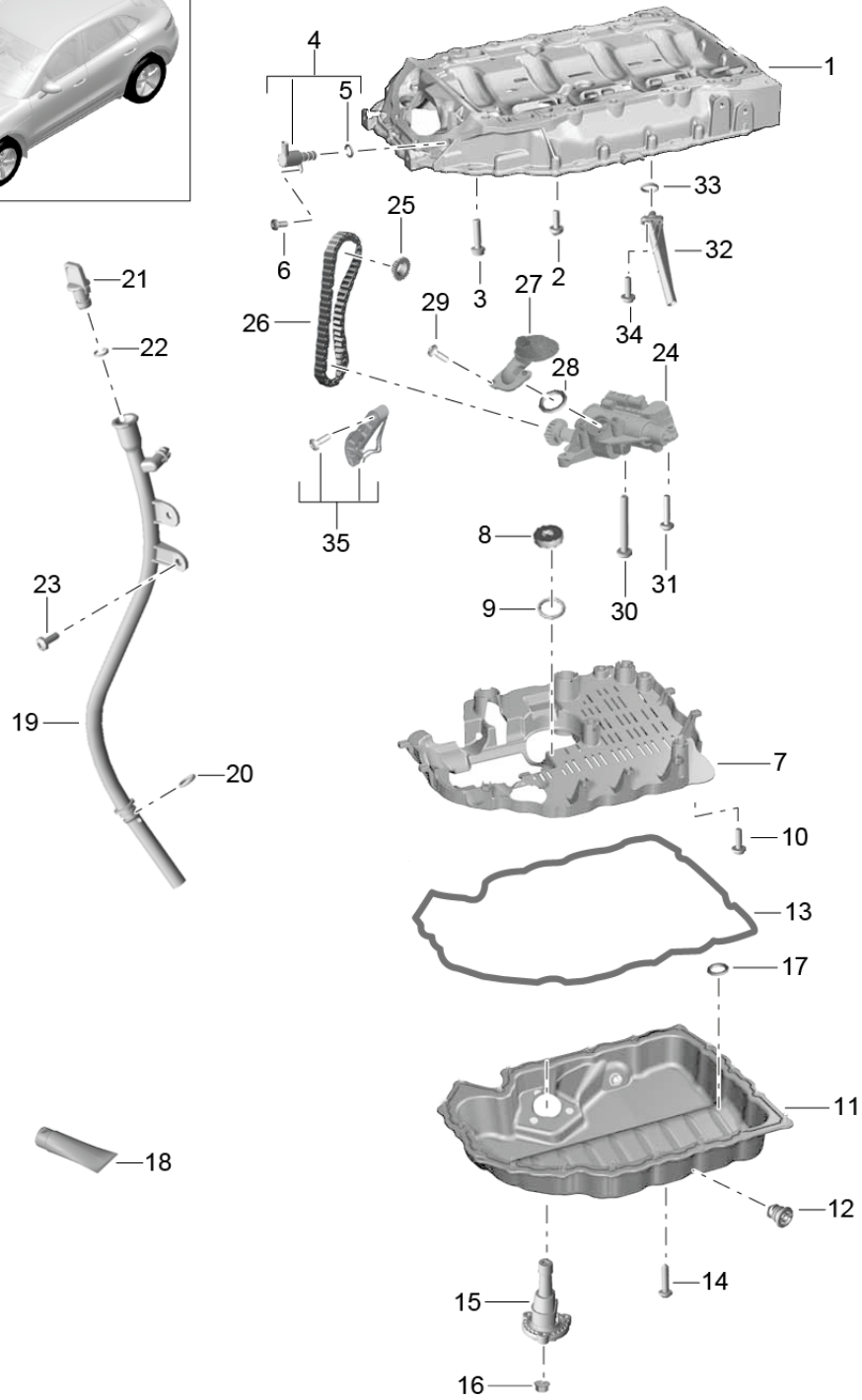
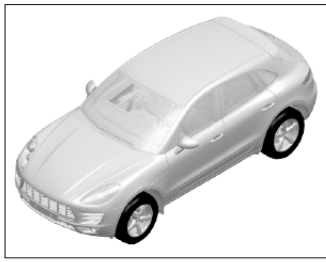
Model: 95B

Model life 2014>>

Pos	Part Number	Description	Remark	Qty	Model
1	958 107 010 32	oil filter flange Oil cooler oil filter with flange and thermostat housing Coolant cooling system		1	CDUD, CTBA, CTBB, CTBC
2	958 107 222 20	filter element with gasket		1	
3	955 107 122 00	End cap		1	
4	N 105 540 05	round hd. screw	M6X35	7	
(4)	N 104 057 02	Hexagon socket head bolt	M6X45	1	
5	958 606 081 60	Oil pressure switch	0,75 - 1,05BAR	1	
6	958 606 081 70	Oil pressure switch	2,0 - 2,5BAR	1	
7	958 107 201 20	thermostat		1	
8	958 107 185 30	cover for thermostat	26MM long	1	
(8)	958 107 185 40	D >> - MJ 2014 cover for thermostat	28MM long	1	
(8)	958 107 185 40	D >> - MJ 2014 cover for thermostat	28MM long	1	
9	N 911 804 01	D - MJ 2015>> Hexalobular flange screw	M6X22	1	
10	958 107 271 21	Oil cooler (complete)		1	
11	958 107 175 20	gasket for oil cooler		1	
12	958 107 176 00	gasket for oil cooler		1	
13	958 107 176 20	gasket for oil cooler		1	
14	N 107 002 01	round hd. screw	M6X22	4	
15	958 106 737 02	Control and regulating unit Discontinued part		1	
(15)	958 106 737 03	Control and regulating unit Discontinued part		1	
(15)	958 106 737 04	Control and regulating unit		1	
16	958 106 749 00	Seal No longer use the part here		1	
(16)	958 106 749 02	Seal		1	
17	N 105 540 05	round hd. screw	M6X35	3	
18	000 043 301 16	engine oil EXXON MOBIL 1 ESP FORMULA 5W-30	1.0 Ltr.	X	
19	000 043 301 17	engine oil EXXON MOBIL 1 ESP FORMULA 5W-30	20ltr.	X	

Model: 95B

Model life 2014>>



Model: 95B Model life 2014>>

Pos	Part Number	Description	Remark	Qty	Model
1	958 103 603 00	Intake manifold oil sump oil pump oil sump-upper part		1	CNCC ,CNC , CYNA ,CYPA , CYP ,CYNB
		also use:	958 103 138 00	1	
			N 028 222 2	1	
			N 911 687 01	1	
2	N 107 663 01	Socket head bolt with inner multipoint head	M8X20 aluminium	13	
3	N 912 112 01	Hex socket head bolt (combi)	M8X30 aluminium	5	
4	958 115 243 10	control valve Discontinued part		1	
(4)	958 115 243 20	control valve		1	
5	N 910 568 01	O-ring	12X2	1	
6	N 911 736 01	Hexalobular flange screw	M6X22 aluminium	1	
7	958 103 138 00	Insert oil sump		1	
8	958 103 245 00	Valve * single parts no available * alternatively, you can use:	POS.7	1	
9	N 028 222 2	No longer use the part here seal ring	20X3,15	2	
10	N 911 687 01	Hexalobular flange screw		1	
11	958 103 600 00	oil sump-lower part		1	
		also use:	958 103 649 00	1	
12	958 103 801 00	Cap closure With seal	14X1,5X22	1	
13	958 103 649 00	gasket for oil sump		1	
14	N 910 717 01	Hexagon socket flat head bolt	M6X25	19	
(14)	N 107 002 01	No longer use the part here round hd. screw	M6X22	19	
(14)	N 108 397 01	No longer use the part here Hexagon socket head bolt	M6X24	19	
15	958 907 660 00	oil level sender		1	
16	N 015 082 10	Hexagon collar nut	M6	3	
17	N 028 222 2	seal ring	20X3,15	2	
18	000 043 207 49	oil sump sealant 1 tube	80ml	X	
(18)	000 043 300 39	No longer use the part here sealant 1 tube	50ml	X	
19	958 115 610 00	guide tube		1	
20	WHT 003 463	O-ring	11,8X2,5	1	
21	958 115 418 30	Sealing cap		1	
22	WHT 002 784	O-ring	9,5X2	1	
23	N 104 514 09	Socket head bolt with hexagon socket head (combination)	M6X16	1	
24	958 115 105 00	oil pump		1	CNCC ,CNC
		with:			
		Chain sprocket			
		also use:	958 115 225 00		
			958 109 507 00		
(24)	958 115 105 01	No longer use the part here oil pump		1	CNCC ,CNC
		with:			
		Chain sprocket			
		also use:	958 115 225 00		
			958 109 507 00		
		No longer use the part here			

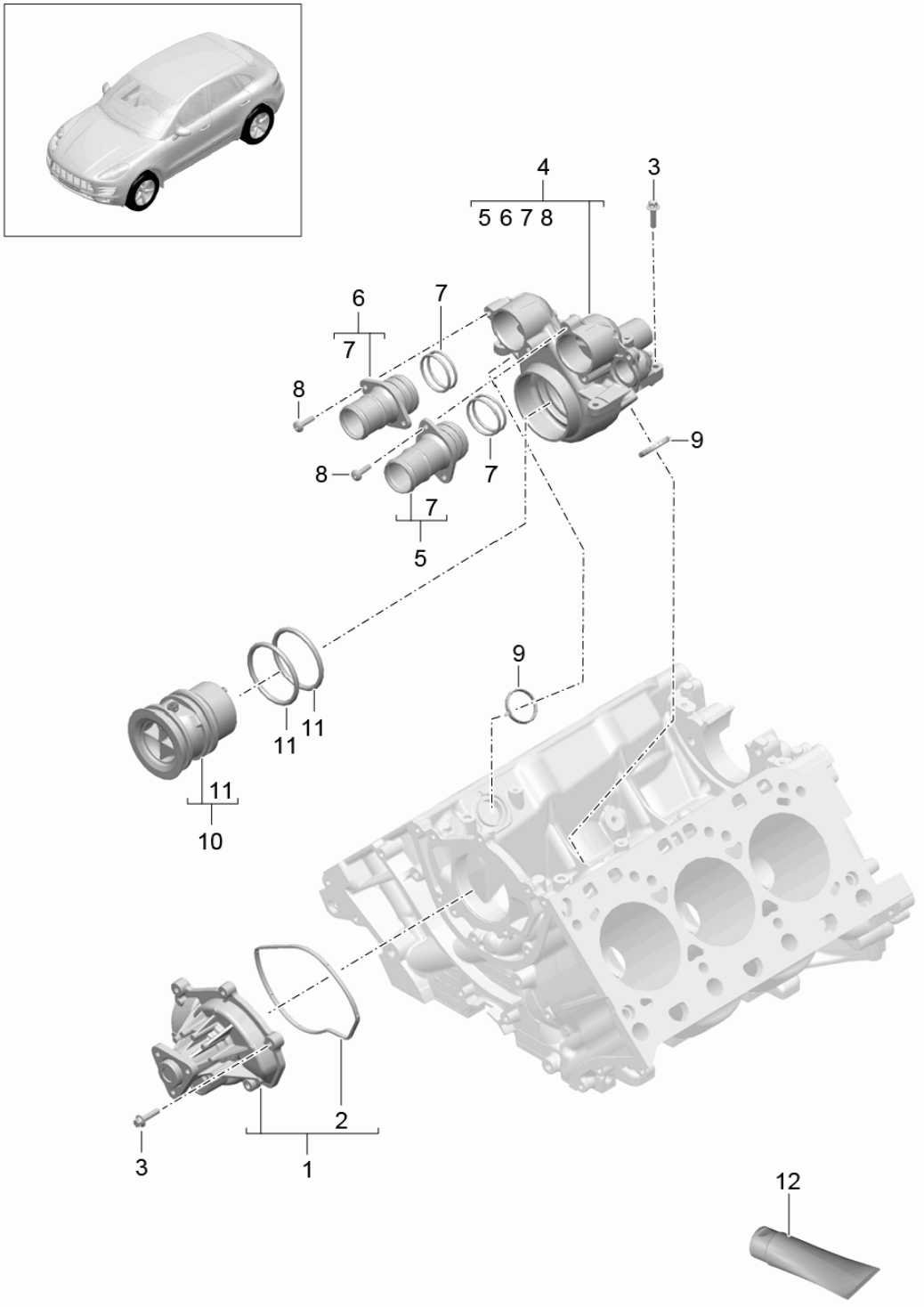
Model: 95B

Model life 2014>>

Pos	Part Number	Description	Remark	Qty	Model
(24)	958 115 105 02	oil pump with: Chain sprocket	also use: 958 115 225 00 958 109 507 00	1	CNCC ,CNC
(24)	958 115 105 10	oil pump with: Chain sprocket	also use:	1	CYNA
(24)	958 115 105 20	POS. 26 POS. 35 No longer use the part here oil pump with: Chain sprocket	also use: 958 115 225 00 958 109 507 10	1	CYNA ,CYNB , CYPA ,CYP
(24)	958 115 105 30	No longer use the part here oil pump with: Chain sprocket	also use: 958 115 225 00 958 109 507 10	1	CYNA ,CYNB , CYPA ,CYP
(24)	958 115 105 31	No longer use the part here oil pump with: Chain sprocket	also use: 958 115 225 00 958 109 507 10	1	CYNA ,CYNB , CYPA ,CYP
25		Chain sprocket see illustration, item:	102-020,3	1	
26	958 115 225 00	Drive chain oil pump		1	
27	958 115 251 00	Intake manifold		1	
28	N 028 222 2	seal ring	20X3,15	1	
29	N 107 500 01	Hexagon socket flat head bolt	M6X16	2	
30	N 911 649 01	Hexagon socket flat head bolt	M8X65	1	
31	N 107 360 01	Hexagon socket flat head bolt	M8X35	2	
32	958 103 206 00	connection piece		1	
33	N 028 222 2	seal ring	20X3,15	1	
34	N 911 687 01	Hexalobular flange screw	M6X18	2	
35	958 109 507 00	chain tensioner only in conj. with:	958 115 105 00	1	CNCC ,CNC
(35)	958 109 507 10	chain tensioner only in conj. with:	958 105 105 20	1	CYNA ,CYNB , CYPA ,CYP

Model: 95B

Model life 2014>>



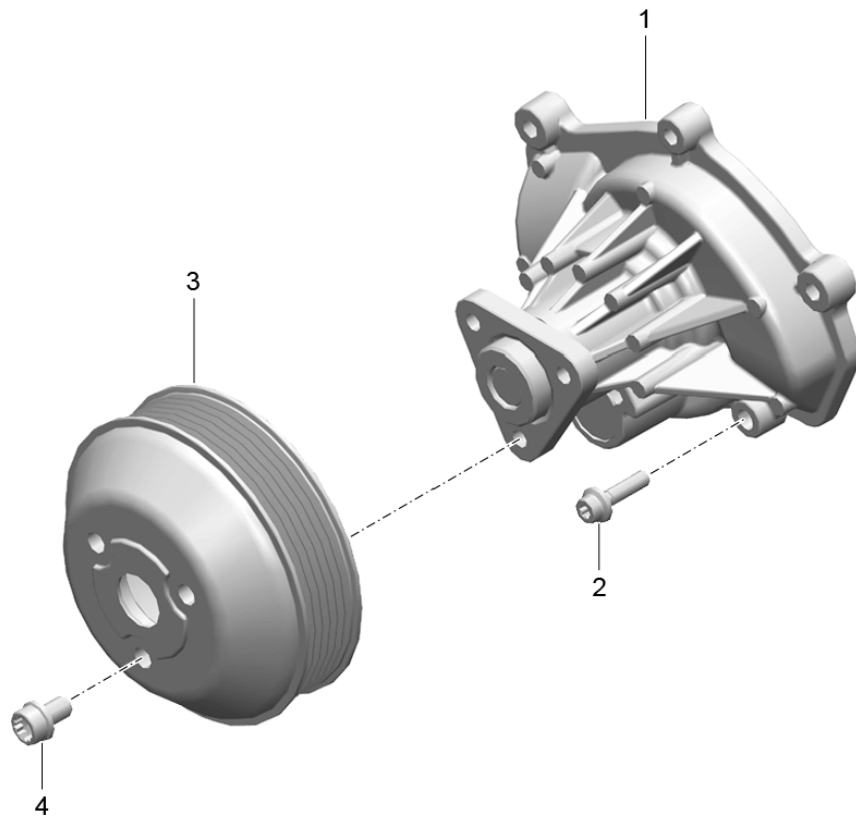
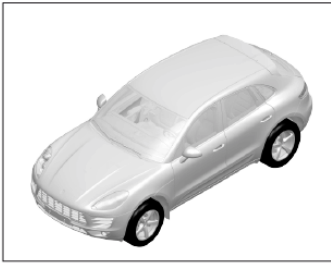
Model: 95B

Model life 2014>>

Pos	Part Number	Description	Remark	Qty	Model
		Coolant pump thermostat housing			CTMA, CTM, CTLA, CTL, DCNA, DCN, DHKA, DHK
1	948 106 033 01	Coolant pump with sealing ring		1	
2	948 106 533 00	Seal		1	
3	900 385 072 01	Torx screw	BM6X25	9	
4	946 106 080 31	thermostat housing		1	
5	946 106 260 31	Pipe union		1	
6	946 106 360 31	Pipe union		1	
7	999 701 083 40	O-ring	38X3N	4	
8	999 073 344 01	flat round head bolt	M6X20	4	
9	948 106 124 02	Seal		2	
10	948 106 034 01	thermostat		1	
		also use:	000 043 205 93	1	
11	948 106 707 00	O-ring	62,86X5,33	2	
		also use:	000 043 205 93	1	
12	000 043 205 93	grease 1 tube for O-ring thermostat	100 gram	X	

Model: 95B

Model life 2014>>



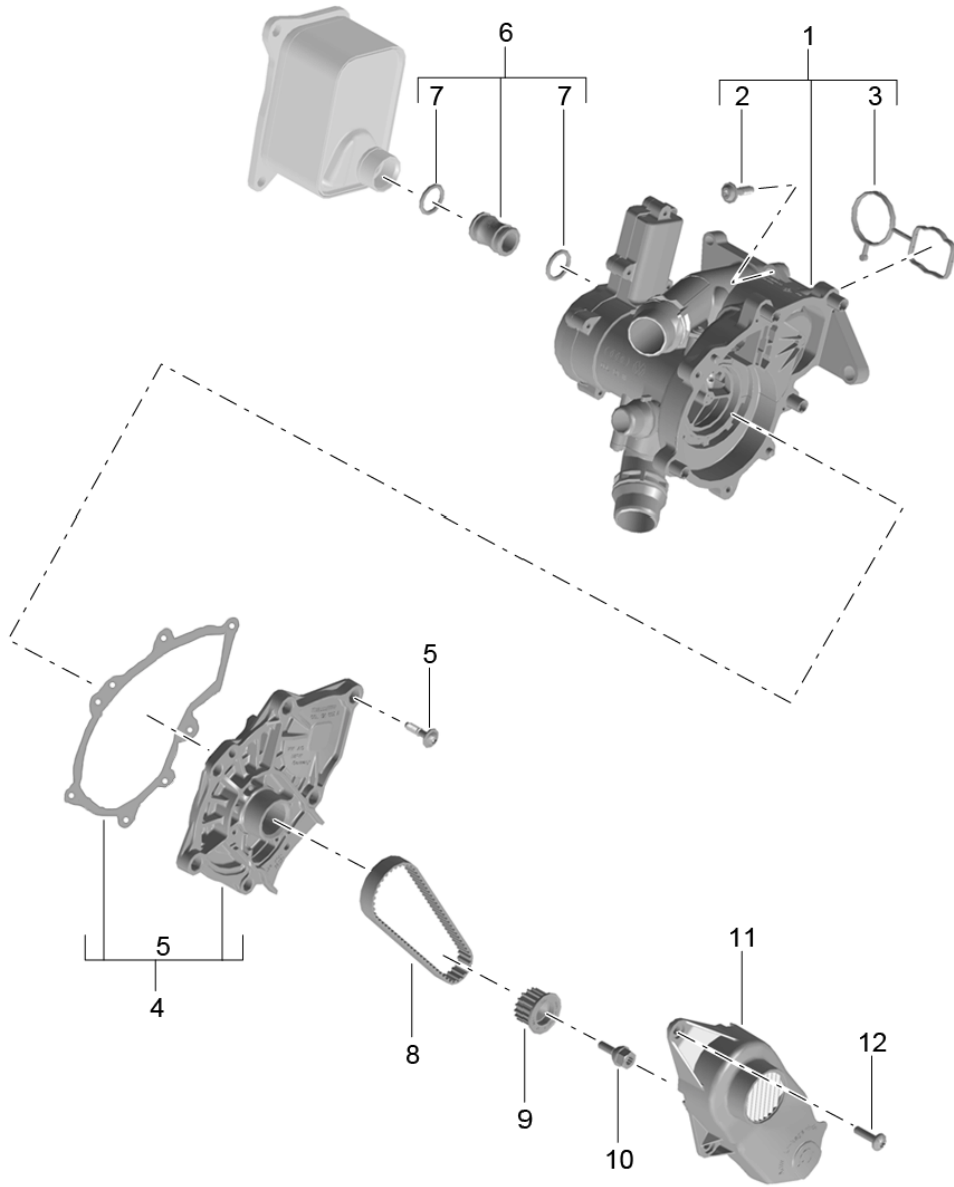
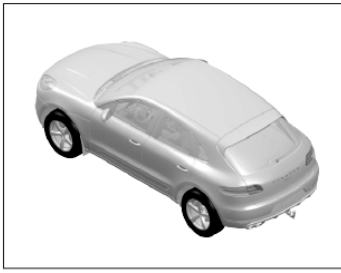
Model: 95B

Model life 2014>>

Pos	Part Number	Description	Remark	Qty	Model
		Coolant pump			CDUD, CTBA, CTBB, CTBC
1	958 106 033 31	Coolant pump with sealing ring		1	
2	N 911 804 01	Hexalobular flange screw	M6X22 aluminium	10	
3	958 106 091 10	pulley		1	
4	N 910 522 01	Hexagon socket head bolt	M8X12	3	

Model: 95B

Model life 2014>>



Model: 95B

Model life 2014>>

Pos	Part Number	Description	Remark	Qty	Model
		Coolant pump			CNCC ,CNC , CYNA ,CYPA , CYP ,CYNB
1	958 121 111 00	thermostat		1	
		No longer use the part here			
(1)	958 121 111 10	thermostat		1	
(1)	PAC 121 111	Coolant regulator		1	
2	WHT 004 972	fillister head bolt with multi-point socket head	M6X23	5	
3	958 121 139 00	Seal		1	
4	958 121 012 00	Coolant pump		1	
5		shouldered bolt * single parts no available *		1	
6	958 121 131 00	connection piece		1	
7	WHT 004 973	O-ring	18X3	2	
8	958 121 605 00	toothed belt		1	
9	958 103 731 00	pulley		1	
		No longer use the part here			
(9)	958 121 731 00	pulley		1	
10	WHT 001 163 B	Hexagon collared bolt with multi-point socket head (duo)	M6X16,5	1	
11	958 109 121 00	Toothed belt guard M >> CNC 137 933 M >> CYN 007 354		1	CNCC ,CNC , CYNA
(11)	958 109 121 10	Toothed belt guard M CNC 137 934>> M CYN 007 355>>		1	CNCC ,CNC , CYNA ,CYPA , CYP ,CYNB
12	N 910 696 01	Hexagon socket flat head bolt	M6X22	2	

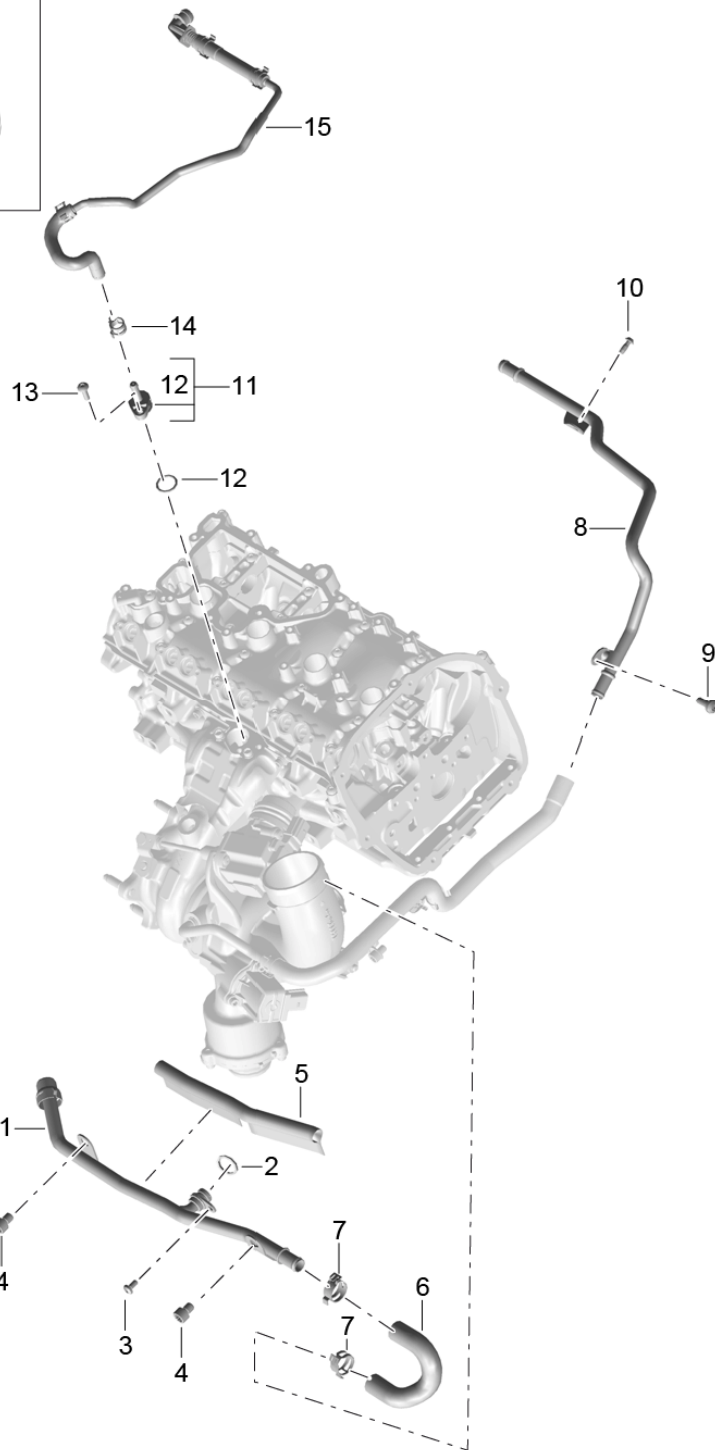
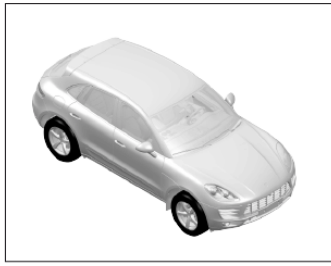
Model: 95B

Model life 2014>>

Pos	Part Number	Description	Remark	Qty	Model
		Coolant cooling system	1		CTMA,CTM, CTLA,CTL, DCNA,DCN, DHKA,DHK
1	948 106 061 76	Distributor for coolant		1	
2	900 123 131 30	seal ring	A16X20	2	
3	900 219 004 01	sealing plug	M16X1,5	2	
4	900 123 118 30	seal ring	A22X27	1	
5	948 106 261 02	Pipe union	M22X1,5	1	
6	948 106 154 01	Seal		2	
7	900 385 072 01	Torx screw	BM6X25	8	
8	946 106 069 60	Coolant pipe heater		1	
9	999 707 477 40	O-ring	19,00X3N	2	
10	999 507 886 40	Hose bracket	4,8-8,0	1	
11	900 385 041 01	Torx screw	BM6X12	2	
12	946 106 026 60	Breather line		1	
13	999 707 586 40	O-ring	11X2,5-N-	2	
14	900 385 009 01	Torx screw	BM6X16	2	

Model: 95B

Model life 2014>>



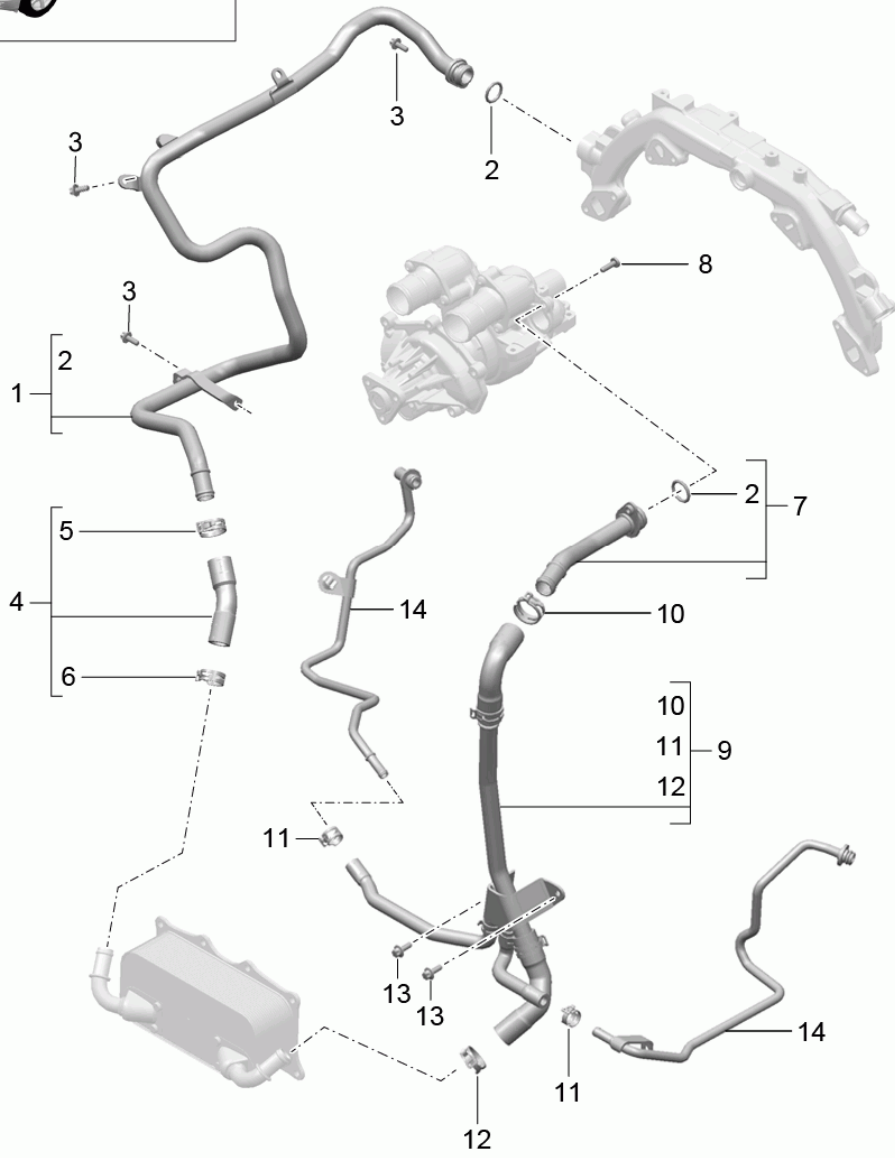
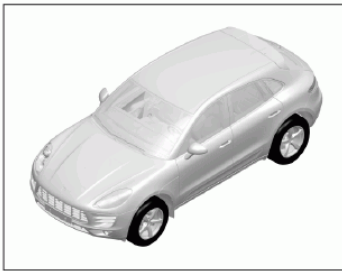
Model: 95B

Model life 2014>>

Pos	Part Number	Description	Remark	Qty	Model
		Coolant cooling system	1		CNCC, CNC, CYNA, CYNB, CYPA, CYP
1	958 121 085 00	Distributor for coolant		1	
2	WHT 005 558	seal ring	14,5X2	1	
3	N 103 352 06	Hexagon socket flat head bolt	M6X12	1	
4	N 105 242 02	Hex socket head locating bolt	M10X12	2	
5	958 133 833 00	Guard plate		1	
6	958 121 051 00	Coolant hose		1	
7	N 906 869 01	Spring band clamp	23X12	2	
8	958 121 075 00	Coolant pipe		1	
9	N 104 514 09	Socket head bolt with hexagon socket head (combination)	M6X16	1	
10	N 107 214 01	oval hd. self-tapp fitt. screw	TP6X16	1	
11	958 121 143 00	connection piece		1	
12	WHT 005 440	seal ring	20X2,5	1	
13	N 910 991 01	Socket head bolt with inner multipoint head	M6X20	1	
14	N 909 865 01	Spring band clamp	14,5X12	1	
15	958 121 081 00	Coolant pipe		1	CNCC, CNC
(15)	958 121 081 10	Coolant pipe		1	CYNA, CYNB, CYPA, CYP

Model: 95B

Model life 2014>>



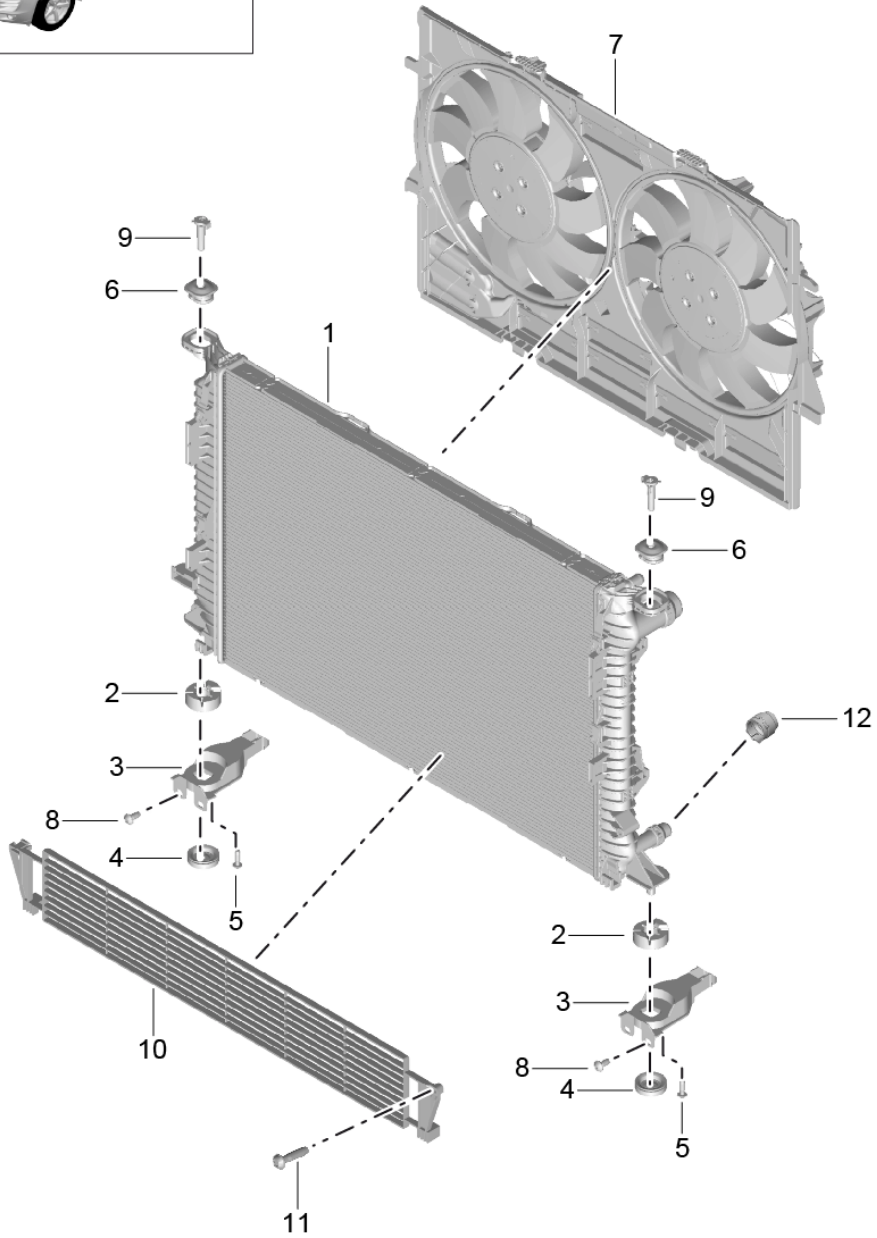
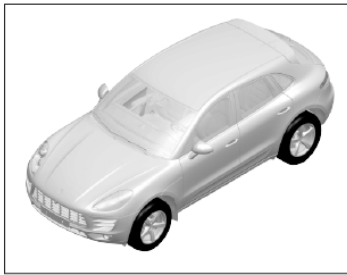
Model: 95B

Model life 2014>>

Pos	Part Number	Description	Remark	Qty	Model
		Coolant cooling system	2		CTMA,CTM, CTLA,CTL, DCNA,DCN, DHKA,DHK
1	946 106 022 32	Coolant pipe	feed	1	
2	999 701 825 40	O-ring	19,6X3,53N	2	
3	900 385 009 01	Torx screw	BM6X16	3	
4	946 106 457 30	Coolant hose	feed	1	
5	999 512 658 09	Hose clamp	B27X12	1	
6	999 512 656 09	Hose clamp	B25X12	1	
7	946 106 421 60	Coolant pipe	return	1	
8	999 073 344 01	flat round head bolt	M6X20	1	
9	946 106 051 31	Coolant pipe with coolant hose (complete)	return	1	
(9)	946 106 051 33	No longer use the part here Coolant pipe with coolant hose (complete)	return	1	
10	999 512 658 09	Hose clamp	B27X12	1	
11	999 512 686 09	Hose clamp	B17X12	2	
12	999 512 656 09	Hose clamp	B25X12	1	
13	900 385 009 01	Torx screw	BM6X16	2	
14		return line		2	
		Exhaust gas turbocharger see illustration:	202-080		

Model: 95B

Model life 2014>>



Model: 95B Model life 2014>>

Pos	Part Number	Description	Remark	Qty	Model
		Coolant cooling system Cooler for coolant	3		CTLA,CTL, CTMA,CTM, CDUD,CTBA, CTBB,CTBC, DCNA,DCN, DHKA,DHK CTLA,CTL
1	95B 121 251	Cooler for coolant		1	
		also use:	4D0 133 335	1	
(1)	95B 121 251 A	Discontinued part Cooler for coolant		1	CTLA,CTL, DHKA,DHK
(1)	8K0 121 251 AA	Coolant radiator with Oil cooler	also use: 9A7 133 335 00	1	CDUD,CTBA, CTBB,CTBC
(1)	8K0 121 251 AA	Discontinued part Coolant radiator with Oil cooler		1	CTMA,CTM
		also use:	4D0 133 335	1	
(1)	8K0 121 251 AL	Discontinued part Coolant radiator with Oil cooler		1	CDUD,CTBA, CTBB,CTBC
(1)	8K0 121 251 AL	Discontinued part Coolant radiator with Oil cooler		1	CTMA,CTM
		also use:	4D0 133 335	1	
(1)	9A7 121 251 01	Discontinued part Cooler for coolant		1	CDUD,CTBA, CTBB,CTBC
(1)	9A7 121 251 01	Cooler for coolant		1	CTMA,CTM, DCNA,DCN
2	8K0 121 276 A	Rubber bush	also use: 9A7 133 335 00 upper	2	
3	95B 121 093 A	Bracket		2	CTMA,CTM, CTLA,CTL, DCNA,DCN, DHKA,DHK
(3)	95B 121 093	Bracket		2	CDUD,CTBA, CTBB,CTBC
4	4H0 121 268 A	Rubber bush	lower	2	
5	N 104 734 02	round hd. screw	M6X20	2	
(5)	N 908 170 03	No longer use the part here Hexagon socket head panel bolt	TP6X17	2	
6	8K0 121 275 C	Rubber bush	upper	2	
7	95B 121 003	Radiator fan with fan ring		1	
(7)	95B 121 003 A	Discontinued part Radiator fan with fan ring		1	
8	N 909 675 02	Hexagon socket head panel bolt	TP7X16	2	
9	WHT 001 506 A	Securing pin	19X46.2	2	
10	95B 820 746 A	protective grille Cooler for coolant		1	CTMA,CTM, CTLA,CTL, DCNA,DCN, DHKA,DHK
11	N 907 315 03	Hexagon socket head panel bolt	TP6X25	1	CTMA,CTM, CTLA,CTL, DCNA,DCN, DHKA,DHK
12	4D0 133 335	Cap closure		1	CTMA,CTM, CTLA,CTL, DCNA,DCN,

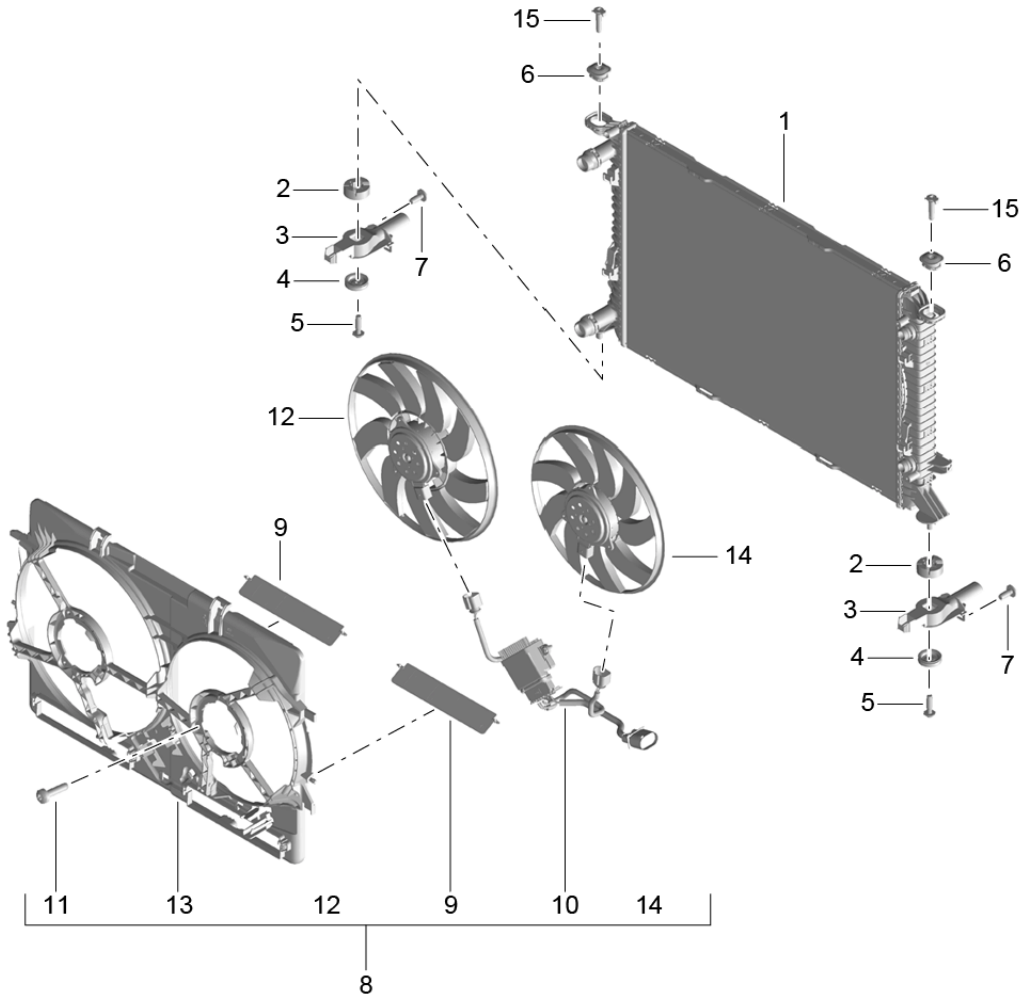
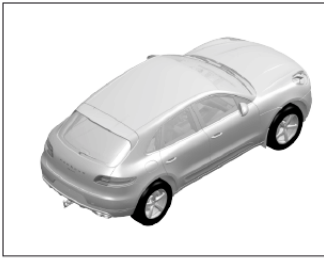
Model: 95B

Model life 2014>>

Pos	Part Number	Description	Remark	Qty	Model
					DHKA , DHK

Model: 95B

Model life 2014>>



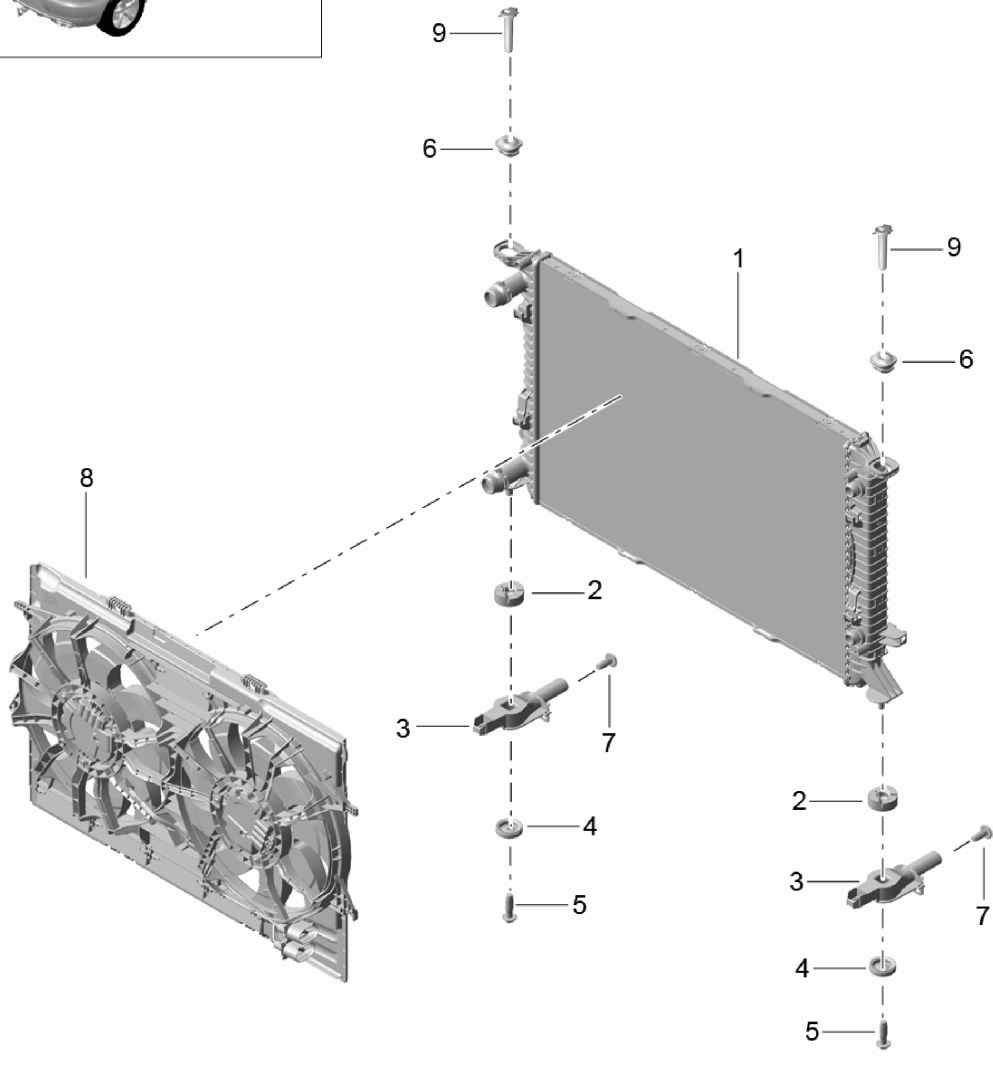
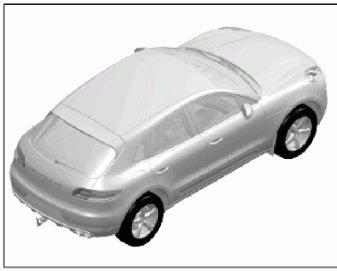
Model: 95B

Model life 2014>>

Pos	Part Number	Description	Remark	Qty	Model
		Coolant cooling system Cooler for coolant	3		CNCC, CNC, CYNA, CYPA, CYP, CYNB+ PR: -B0N
1	8K0 121 251 AH	Coolant radiator with Oil cooler		1	
2	8K0 121 276 A	Rubber bush	lower	2	
3	95B 121 093	Bracket		2	
4	4H0 121 268 A	Rubber bush	lower	2	
5	N 908 170 03	Hexagon socket head panel bolt	TP6X17	2	
6	8K0 121 275 C	Rubber bush		2	
7	N 909 675 02	Hexagon socket head panel bolt	7X16	2	
8	8K0 121 003 P	Radiator fan with fan ring and control unit		1	
9	8K0 121 223 A	Radiator louvre		2	
10	8K0 959 501 G	Control unit for radiator fan		1	
11	N 907 850 02	Hexagon socket flat head bolt	M5X14,5	6	
12	8K0 959 455 K	Radiator fan	400W	1	
13	8K0 121 207 A	Twin fan ring		1	
14	8K0 959 455 M	Radiator fan	200W	1	
15	WHT 001 506 A	Securing pin	19X46.2	2	

Model: 95B

Model life 2014>>



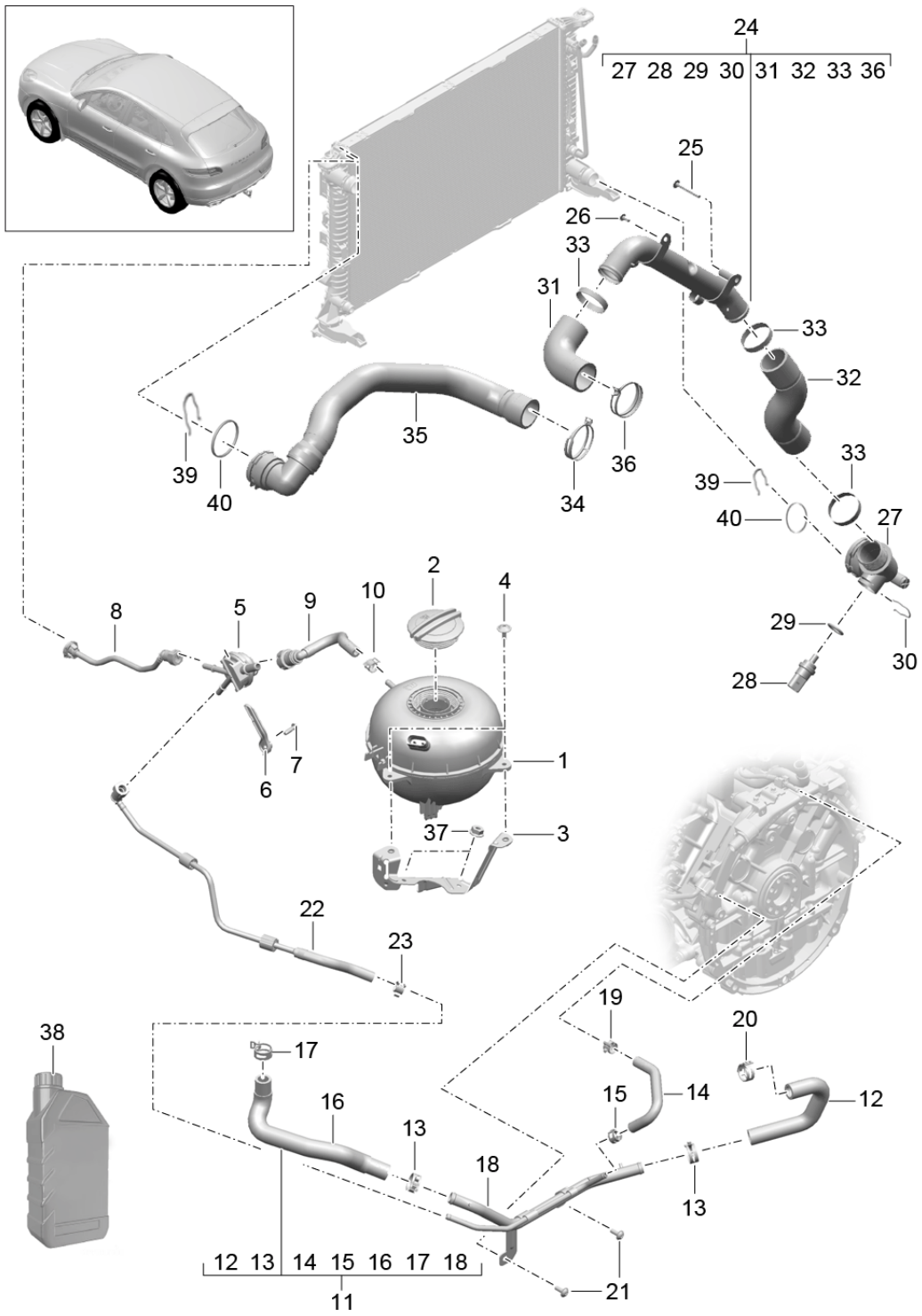
Model: 95B

Model life 2014>>

Pos	Part Number	Description	Remark	Qty	Model
		Coolant cooling system Cooler for coolant	3		CNCC, CNC, CYNA, CYPA, CYP, CYNB+ PR: B0N
1	8K0 121 251 AH	Coolant radiator with Oil cooler		1	
2	8K0 121 276 A	Rubber bush	lower	2	
3	95B 121 093	Bracket		2	
4	4H0 121 268 A	Rubber bush	lower	2	
5	N 908 170 03	Hexagon socket head panel bolt	TP6X17	2	
6	8K0 121 275 C	Rubber bush		2	
7	N 909 675 02	Hexagon socket head panel bolt	7X16	2	
8	95B 121 003 A	Radiator fan with fan ring		1	PR: B0N
9	WHT 001 506 A	Securing pin	19X46.2	2	

Model: 95B

Model life 2014>>



Model: 95B

Model life 2014>>

Pos	Part Number	Description	Remark	Qty	Model
		Coolant cooling system Coolant expansion tank	4		CTMA,CTM, CTLA,CTL, DCNA,DCN, DHKA,DHK
1	95B 121 407	Coolant expansion tank		1	
2	958 106 447 00	Cover		1	
3	95B 121 079	Retainer for reservoir		1	
4	N 911 883 01	Hexagon socket head bolt	M6X20	2	
5	7P5 121 671	Bleed valve No longer use the part here		1	
(5)	7P5 121 671 A	Bleed valve		1	
6	970 106 449 00	Bracket Bleed valve		1	
7	N 104 734 02	round hd. screw Bracket		1	
8	95B 122 447	Breather line No longer use the part here		1	
(8)	95B 122 447 E	Breather line		1	
9	95B 122 447 C	Breather line		1	
10	N 906 867 01	Spring band clamp	14X12	1	
11	95B 121 049	Coolant pipe Discontinued part		1	
(11)	95B 121 049 F	Coolant pipe		1	
12	95B 121 130 A	Coolant hose		1	
13	999 512 683 09	Hose clamp	B23X12	2	
14	95B 121 130 B	Coolant hose		1	
15	999 512 651 09	Hose clamp	B15X12	1	
16	95B 121 130 C	Coolant hose		1	
17	N 912 008 01	Spring band clamp No longer use the part here	23X12	1	
(17)	999 512 683 09	Hose clamp	B23X12	1	
18	95B 121 065 A	Coolant pipe with:		1	
19	999 512 651 09	Bracket Hose clamp	B15X12	1	
20	N 906 869 01	Spring band clamp	23X12	1	
21	N 106 320 03	Oval socket head bolt with hex drive	M6X16	2	
22	95B 121 447	Breather line		1	
23	N 906 867 01	Spring band clamp	14X12	1	
24	95B 121 109 E	Coolant pipe	return	1	
25	N 104 474 02	Oval hexagon socket head bolt	M6X45	1	
26	N 103 352 07	Hexagon socket flat head bolt, self-locking	M6X12	1	
27		Coupling Use item:	POS.24	1	
28	955 106 125 01	Temperature sensor		1	
29	N 903 168 01	O-ring		1	
30	955 106 143 00	retaining spring		1	
31		Coolant hose Use item:	POS.24	1	
32		Coolant hose Use item:	POS.24	1	
33		Hose clamp to use for:	95B 121 109 E	3	
34	N 909 265 01	Spring band clamp	47X12	1	
35	95B 122 101 D	Coolant hose	feed	1	
36	N 909 265 01	Spring band clamp	47X12	1	
37	N 015 082 10	Hexagon collar nut	M6	2	
38	000 043 301 47	Coolant additive	1.0 Ltr.	X	
(38)	000 043 301 48	Coolant additive	20ltr.	X	
(38)	000 043 204 39	Cleaning solution	20ltr.	X	

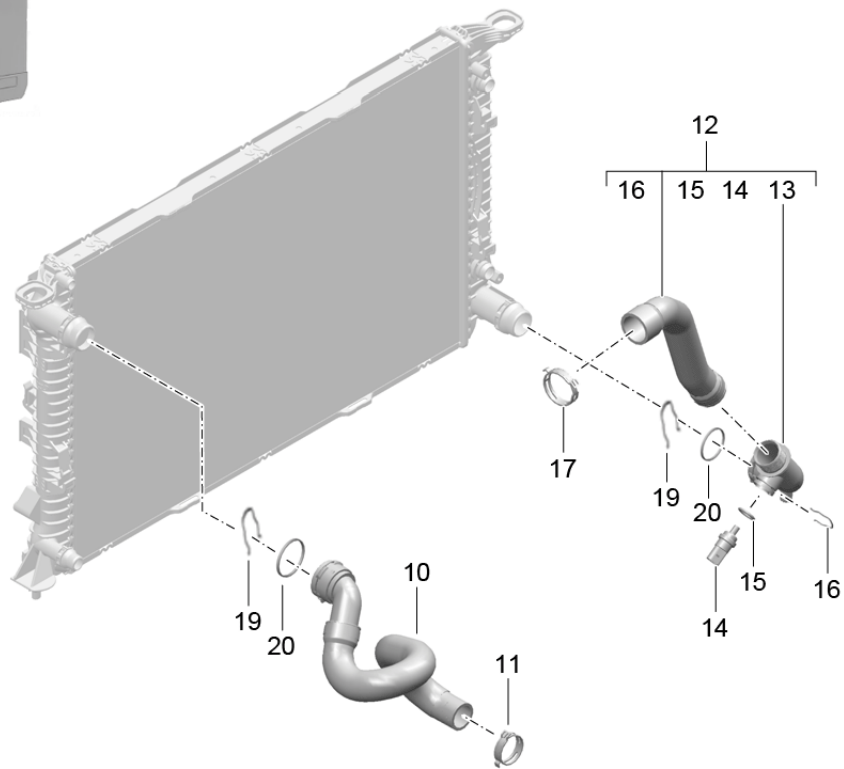
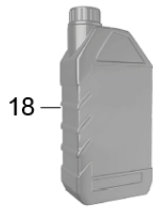
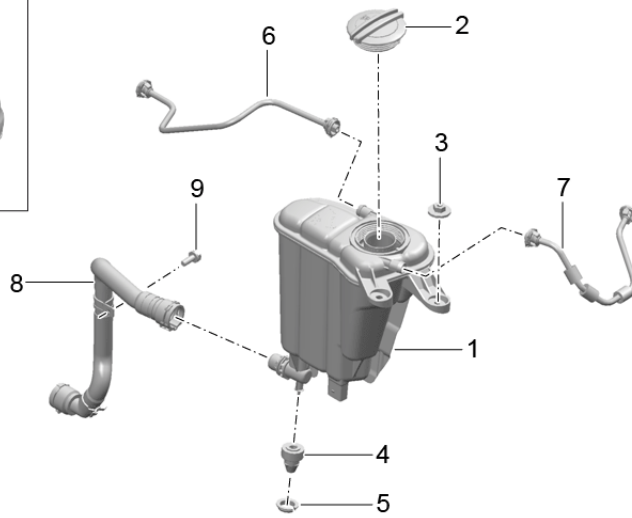
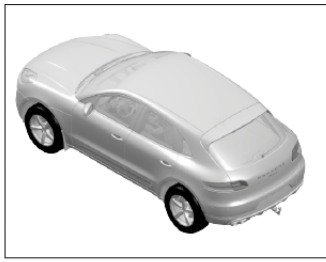
Model: 95B

Model life 2014>>

Pos	Part Number	Description	Remark	Qty	Model
39	4E0 121 142	retaining spring Coolant pipe		2	
40	N 909 331 01	O-ring	38X4	2	

Model: 95B

Model life 2014>>



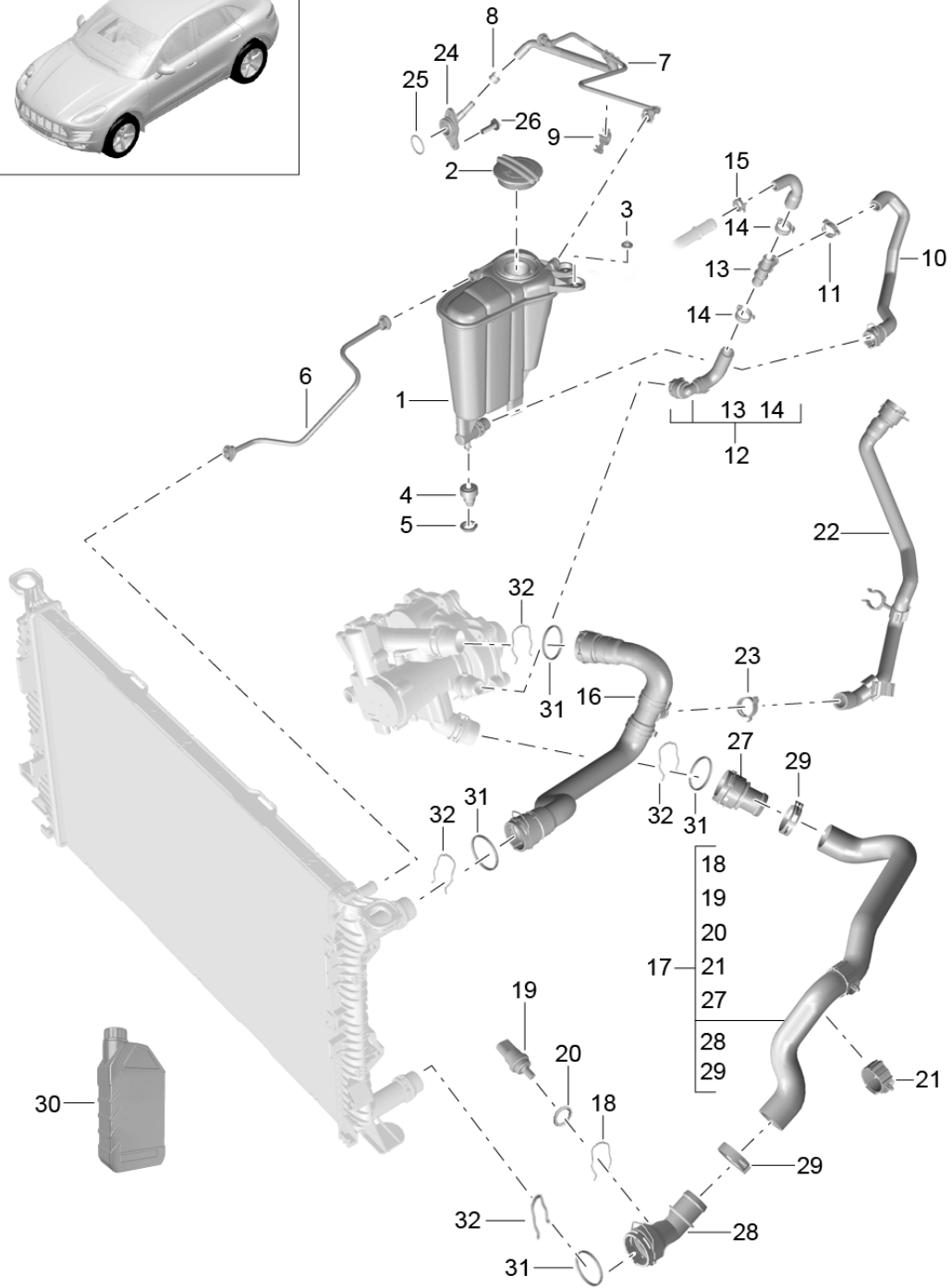
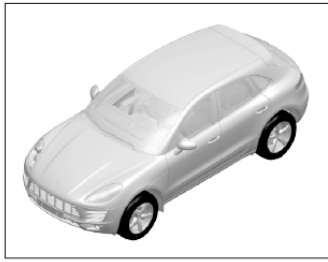
Model: 95B

Model life 2014>>

Pos	Part Number	Description	Remark	Qty	Model
1	8K0 121 405 M	Coolant cooling system Coolant expansion tank Expansion tank with heat shield No longer use the part here	4	1	CDUD, CTBA, CTBB, CTBC
1	9A7 121 405 00	Coolant expansion tank		1	
2	958 106 447 00	Cover		1	
3	N 905 708 03	hex. nut with washer	M6	2	
4	8K0 129 669	Grommet		1	
5	8R0 121 585	Grommet		1	
6	95B 122 447 B	Breather line No longer use the part here		1	
(6)	95B 122 447 F	Breather line		1	
7	95B 121 447 B	Breather line No longer use the part here		1	
(7)	95B 121 447 F	Breather line		1	
8	95B 121 049 B	Coolant pipe		1	
9	N 100 829 08	Hex collared bolt No longer use the part here	M6X16	1	
(9)	N 100 829 12	bolt, hex. hd. (combi.) self-locking	M6X16	1	
10	95B 122 101 B	Coolant hose	feed	1	
11	N 906 872 01	Spring band clamp		1	
12	95B 121 109 B	Coolant hose	return	1	
13		Coupling		1	
14	955 106 125 01	Temperature sensor	Use item: POS.10	1	
15	N 903 168 01	O-ring	19,6X3,65	1	
16	955 106 143 00	retaining spring		1	
17	N 909 265 01	Spring band clamp	47X12	2	
18	000 043 301 47	Coolant additive	1.0 Ltr.	X	
(18)	000 043 301 48	Coolant additive	20ltr.	X	
(18)	000 043 204 39	Cleaning solution	20ltr.	X	
19	4E0 121 142	retaining spring		2	
20	N 909 331 01	Coolant pipe O-ring	38X4	2	

Model: 95B

Model life 2014>>

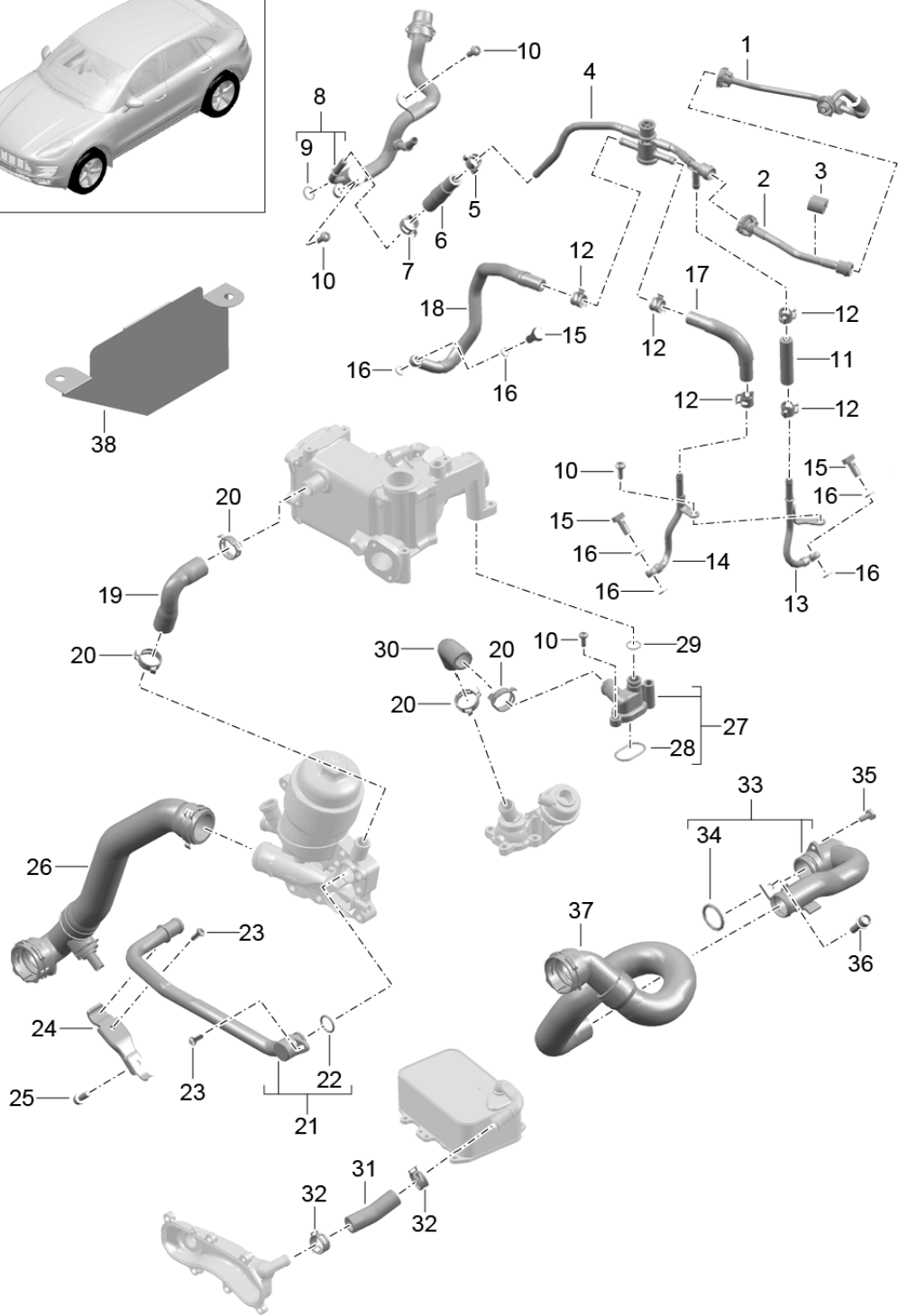
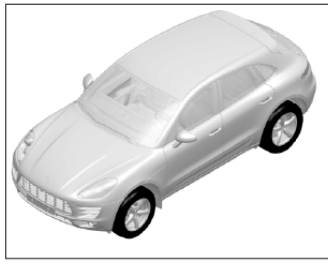


Model: 95B Model life 2014>>

Pos	Part Number	Description	Remark	Qty	Model
		Coolant cooling system Coolant expansion tank	4		CNCC ,CNC , CYNA ,CYPA , CYP ,CYNB
1	8K0 121 403 Q	Reservoir No longer use the part here		1	
(1)	9A7 121 403 00	Coolant expansion tank		1	
2	958 106 447 00	Cover		1	
3	N 905 708 03	hex. nut with washer		2	
4	8K0 129 669	Grommet		1	
5	8R0 121 585	Grommet		1	
6	95B 122 447 B	Breather line No longer use the part here		1	
(6)	95B 122 447 F	Breather line		1	
7	95B 121 447 A	Breather line		1	
8	N 907 702 01	Spring band clamp	17X12	1	
9	999 507 905 40	Line holder		1	
10	95B 121 049 A	Coolant hose		1	
11	N 906 870 01	Spring band clamp	27X12	1	
12	95B 121 049 E	Coolant pipe		1	
13	N 907 606 01	t-piece		1	
14	N 906 871 01	Spring band clamp	32X12	2	
15	999 512 654 09	Hose clamp	B21X12	1	
16	95B 122 101 A	Coolant hose	feed	1	
17	95B 121 109 F	Coolant hose	return	1	
-	999 651 361 40	Bracket for coolant line		1	
18	955 106 143 00	retaining spring		1	
19	955 106 125 01	Temperature sensor		1	
20	N 903 168 01	O-ring		1	
21	WHT 006 829	Hose bracket		1	
22	95B 121 056 A	Coolant hose		1	PR : 9M1 , 9M9
(22)	95B 121 056	Coolant hose		1	PR : 9M0
23	N 906 870 01	Spring band clamp	27X12	1	PR : 9M1 , 9M9
(23)	N 906 870 01	Spring band clamp		2	PR : 9M0
24	958 121 132 00	connection piece		1	
25	WHT 001 688	O-ring	32X3	1	
26	N 910 991 01	Socket head bolt with inner multipoint head	M6X20	2	
27	3B0 122 291 C	Quick acting coupling		1	
28	8K0 122 293 AE	Quick acting coupling		1	
29	999 512 665 09	Hose clamp		2	
30	000 043 301 47	Coolant additive	1.0 Ltr.	X	
(30)	000 043 301 48	Coolant additive	20ltr.	X	
(30)	000 043 204 39	Cleaning solution	20ltr.	X	
31	N 907 653 01	O-ring	32X4	4	
32	1J0 121 142	retaining spring Coolant pipe		4	

Model: 95B

Model life 2014>>



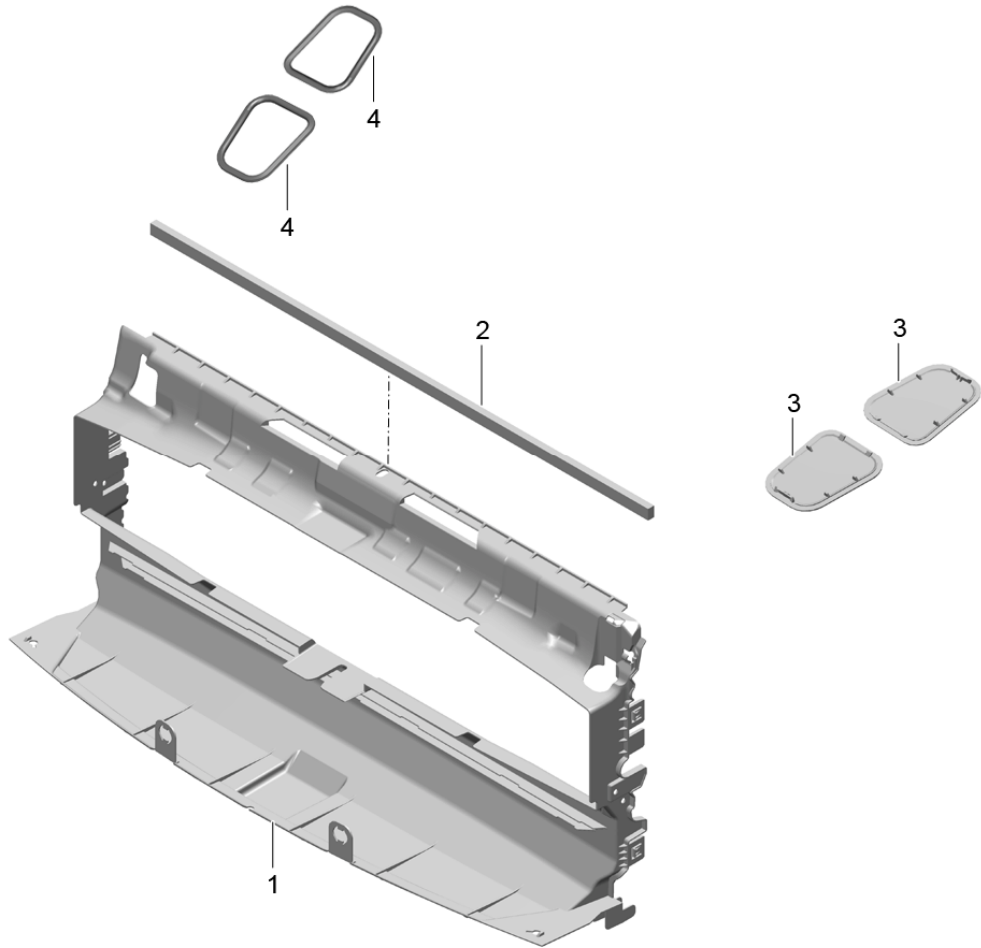
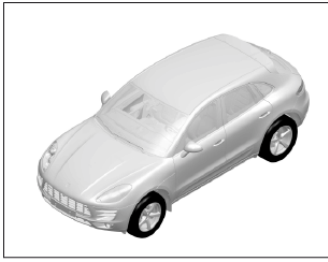
Model: 95B

Model life 2014>>

Pos	Part Number	Description	Remark	Qty	Model
		Coolant cooling system	4		CDUD,CTBA, CTBB,CTBC
1		Breather line see illustration, item:	105-050,6	1	
2	958 106 314 01	Breather line	rear	1	
3	N 107 162 01	Spacer ring	B8X18X20	1	
4	958 106 086 00	Coolant pipe		1	
5	N 906 867 01	Spring band clamp	14X12	1	
6	958 106 456 00	Coolant hose		1	
7	N 907 702 01	Spring band clamp	17X12	1	
8	958 106 065 00	Coolant pipe		1	CDUD
(8)	958 106 065 20	Coolant pipe		1	CTBA,CTBB, CTBC
9	N 908 091 02	O-ring	16X2	1	
10	N 104 514 08	Oval hexagon socket head bolt	M6X16	4	
11	958 106 455 00	Coolant hose		1	
12	N 906 867 01	Spring band clamp	14X12	5	
13	958 106 399 10	Coolant pipe		1	
14	958 106 466 01	Breather line		1	
15	N 910 438 01	Banjo bolt	8	3	
16	N 013 807 6	seal ring	8X11,5	6	
17	958 106 453 01	Coolant hose Discontinued part		1	
(17)	958 106 453 02	Coolant hose		1	
18	958 106 454 01	Coolant hose Discontinued part		1	
(18)	958 106 454 02	Coolant hose		1	
19	958 106 513 00	Coolant hose		1	
20	N 906 870 01	Spring band clamp	27X12	4	
21	958 106 375 00	Coolant pipe		1	CDUD
(21)	059 121 075 EB	Coolant pipe		1	CTBA,CTBB, CTBC
22	958 106 537 00	O-ring	19,5X3	1	
23	N 104 514 08	Oval hexagon socket head bolt	M6X16	2	
24	958 106 593 00	Bracket		1	
25	N 106 449 01	Socket head bolt with inner multipoint head	M8X18	1	
26		Coolant hose		1	
27	958 106 506 02	see illustration, item: Intermediate flange	105-050,12	1	
28	958 106 749 05	with: gasket - intermediate flange		1	
29	N 908 091 02	O-ring	16X2	1	
30	958 106 625 00	Coolant hose Discontinued part		1	
(30)	958 106 625 01	Coolant hose		1	
31	958 106 673 00	Coolant hose		1	
32	N 906 869 01	Spring band clamp	23X12	2	
33	059 121 071 CR	Coolant pipe		1	
34	N 902 753 02	O-ring	32X3	1	
35	N 104 514 08	Oval hexagon socket head bolt	M6X16	1	
36	N 106 389 01	Socket head bolt with inner multipoint head (Kombi)	M8X25	1	
37		Coolant hose see illustration, item:	105-050,10	1	
38	958 106 755 11	Heat insulation Breather line		1	CTBA,CTBB, CTBC

Model: 95B

Model life 2014>>

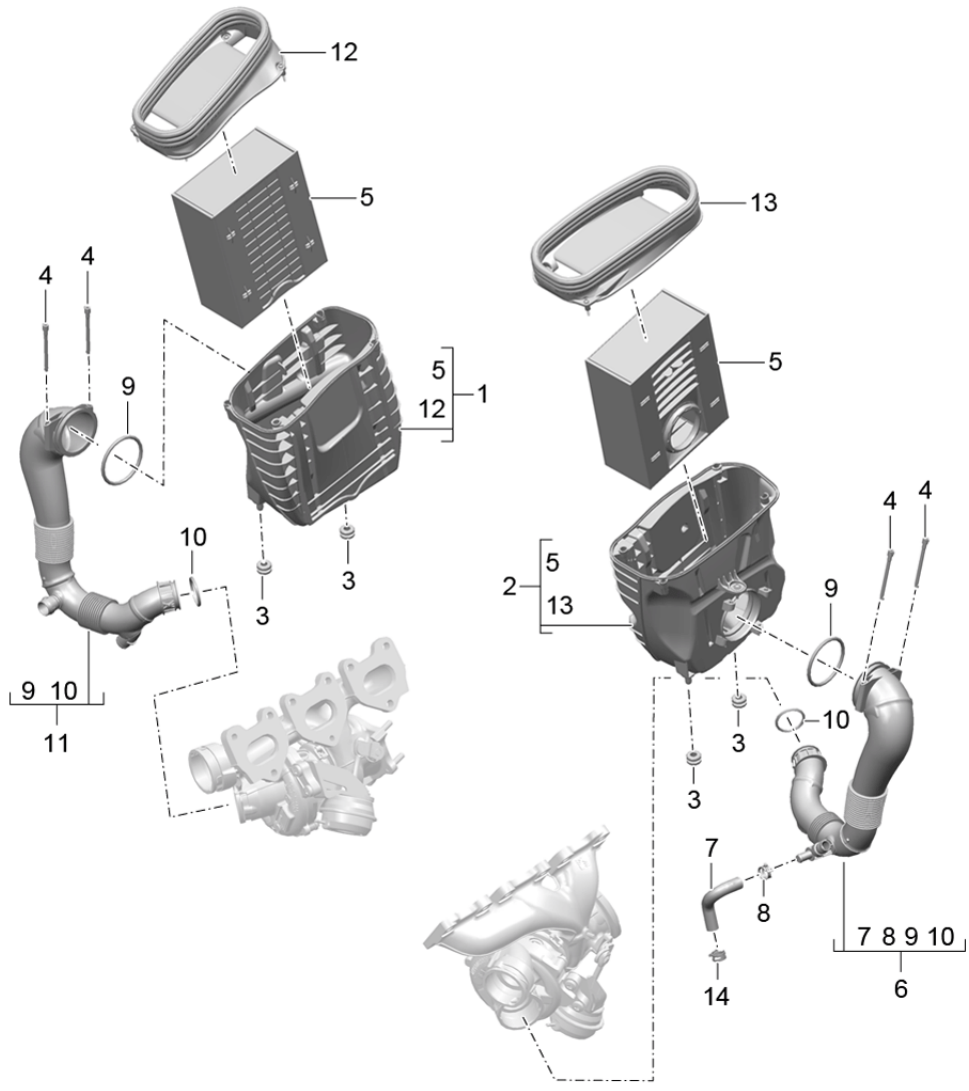
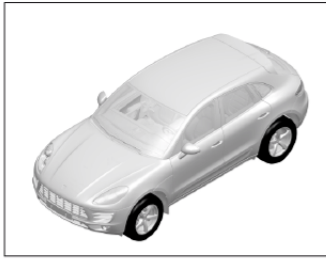


Model: 95B Model life 2014>>

Pos	Part Number	Description	Remark	Qty	Model
1	95B 121 707 B	Air guide	rear	1	CTMA, CTM,
(1)	95B 121 707 F	Air guide	rear	1	CTLA, CTL
(1)	95B 121 707 D	Air guide	rear	1	DCNA, DCN,
(1)	95B 121 707 C	Air guide	rear	1	DHKA, DHK
(1)	95B 121 707 E	Air guide D >> - MJ 2016	rear	1	CDUD, CTBA,
(1)	95B 121 707 G	Air guide No longer use the part here	rear	1	CTBB, CTBC
2	95B 129 049	Seal D - MJ 2017>>	rear	1	CNCC, CNC,
(2)	95B 129 049 A	Air guide No longer use the part here	rear	1	CYNA, CYNB
3	95B 129 119	Seal		2	CYPA, CYP
(3)	95B 129 119 A	Air guide No longer use the part here		2	CDUD, CTBA,
4	95B 129 970	Seal Edge protection		2	CTBB, CTBC

Model: 95B

Model life 2014>>

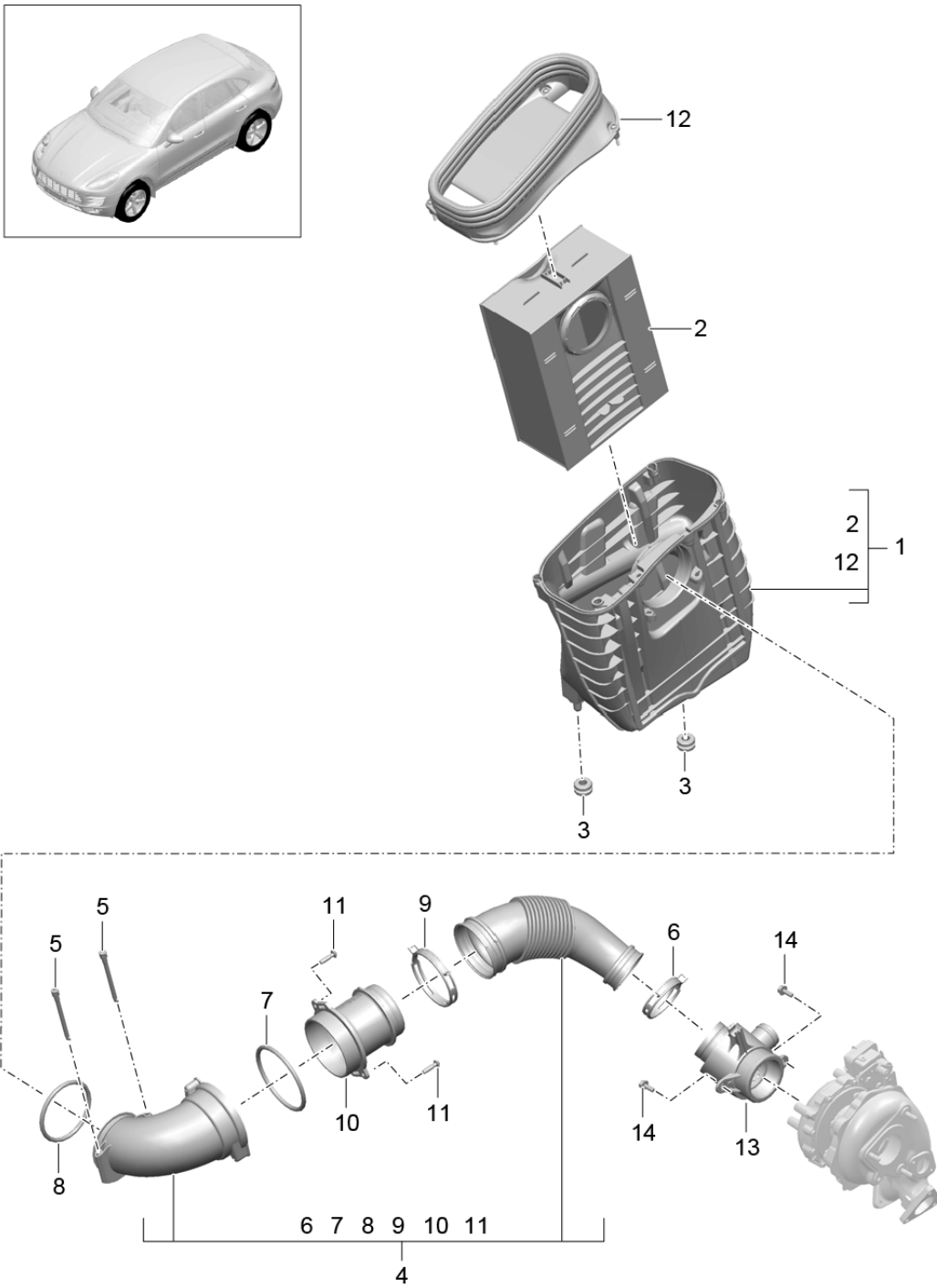


Model: 95B Model life 2014>>

Pos	Part Number	Description	Remark	Qty	Model
		Air filter with connecting parts			CTMA,CTM,CTLA,CTL,DCNA,DCN,DHKA,DHK PR:1L0
1	95B 129 607	Air filter Discontinued part	right	1	
(1)	95B 129 607 B	Air filter	right	1	PR:1L0
(1)	95B 129 607 A	Air filter Discontinued part	right	1	PR:1L1
(1)	95B 129 607 C	Air filter	right	1	PR:1L1
2	95B 128 607	Air filter Discontinued part	left	1	PR:1L0
(2)	95B 128 607 B	Air filter	left	1	PR:1L0
(2)	95B 128 607 A	Air filter Discontinued part	left	1	PR:1L1
(2)	95B 128 607 C	Air filter	left	1	PR:1L1
3	955 110 669 00	Grommet		4	
4	955 110 269 00	Pin		4	
5	95B 129 620	Air filter element		2	PR:1L0
(5)	95B 129 620 A	Air filter element		2	PR:1L1
6	95B 128 532 A	intake manifold D >> - 13.11.2016	left	1	CTMA,CTM,CTLA,CTL CTMA,CTM,CTLA,CTL DCNA,DCN
(6)	95B 128 532 D	intake manifold D - 14.11.2016>>	left	1	
(6)	95B 128 532 B	intake manifold D >> - 13.11.2016	left	1	
(6)	95B 128 532 C	intake manifold D - 14.11.2016>>	left	1	DCNA,DCN, DHKA,DHK
7	95B 145 845	Pressure hose Discontinued part		1	
(7)	95B 145 845 A	Pressure hose		1	
8	999 512 654 09	Hose clamp	B21X12	1	
9	999 707 678 40	O-ring	79X6N	2	
10	3C0 145 117	seal ring		2	
11	95B 129 532 A	intake manifold	right	1	CTMA,CTM,CTLA,CTL DCNA,DCN, DHKA,DHK
(11)	95B 129 532 B	intake manifold	right	1	
12	95B 129 752	connection piece with: Seal	right	1	
(12)	95B 129 752 B	No longer use the part here connection piece with: Seal	right	1	
13	95B 128 752	connection piece with: Seal	left	1	
(13)	95B 128 752 A	No longer use the part here connection piece with: Seal	left	1	
14	4G0 145 917	Spring band clamp	B21X12	1	

Model: 95B

Model life 2014>>



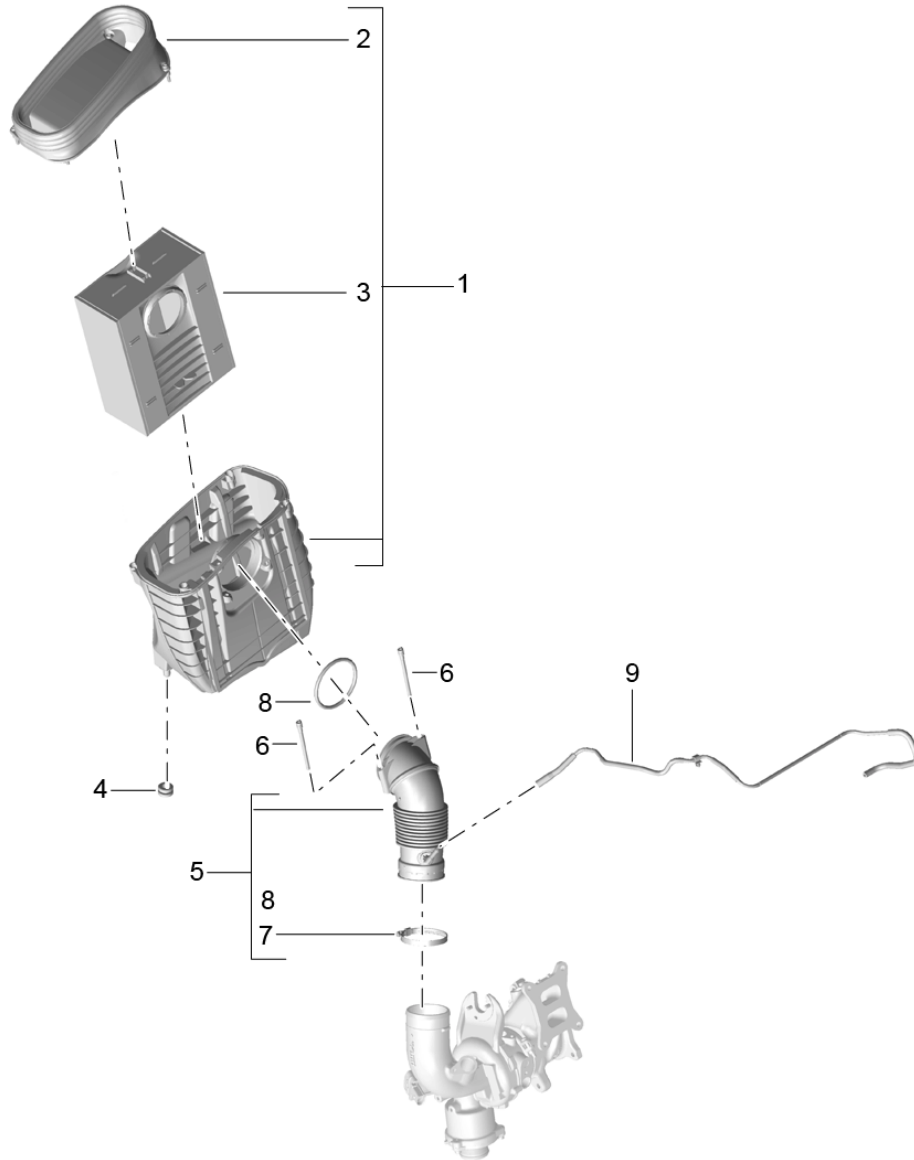
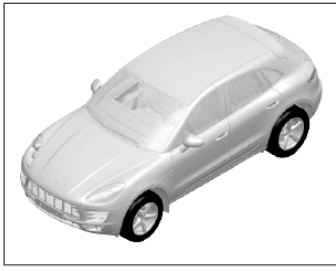
Model: 95B

Model life 2014>>

Pos	Part Number	Description	Remark	Qty	Model
1	95B 129 601	Air filter with connecting parts		1	CDUD,CTBA, CTBB,CTBC
(1)	95B 129 601 A	Air filter		1	PR:1L0
		Discontinued part			PR:1L1
(1)	95B 129 601 E	Air filter		1	PR:1L1
2	95B 129 620	Air filter element		1	PR:1L0
(2)	95B 129 620 A	Air filter element		1	PR:1L1
3	955 110 669 00	Grommet		2	
4	95B 129 609	intake manifold		1	
5	955 110 269 00	Pin		1	
6	N 907 816 01	Spring band clamp	60X12	1	
7	N 909 643 01	O-ring	91X6	1	
8	999 707 678 40	O-ring	79X6N	1	
9	N 906 564 01	Spring band clamp	80X12	1	
10	955 606 123 50	Air mass meter		1	
11	N 106 112 01	oval head panel screw	TP6X22	2	
12	95B 129 752	connection piece		1	
		with:			
		Seal			
(12)	95B 129 752 B	No longer use the part here connection piece		1	
		with:			
		Seal			
13	958 110 055 01	pulsation damper		1	
14	N 107 188 01	bolt,hex.hd.with shoul.(combi)	M6X16	2	

Model: 95B

Model life 2014>>



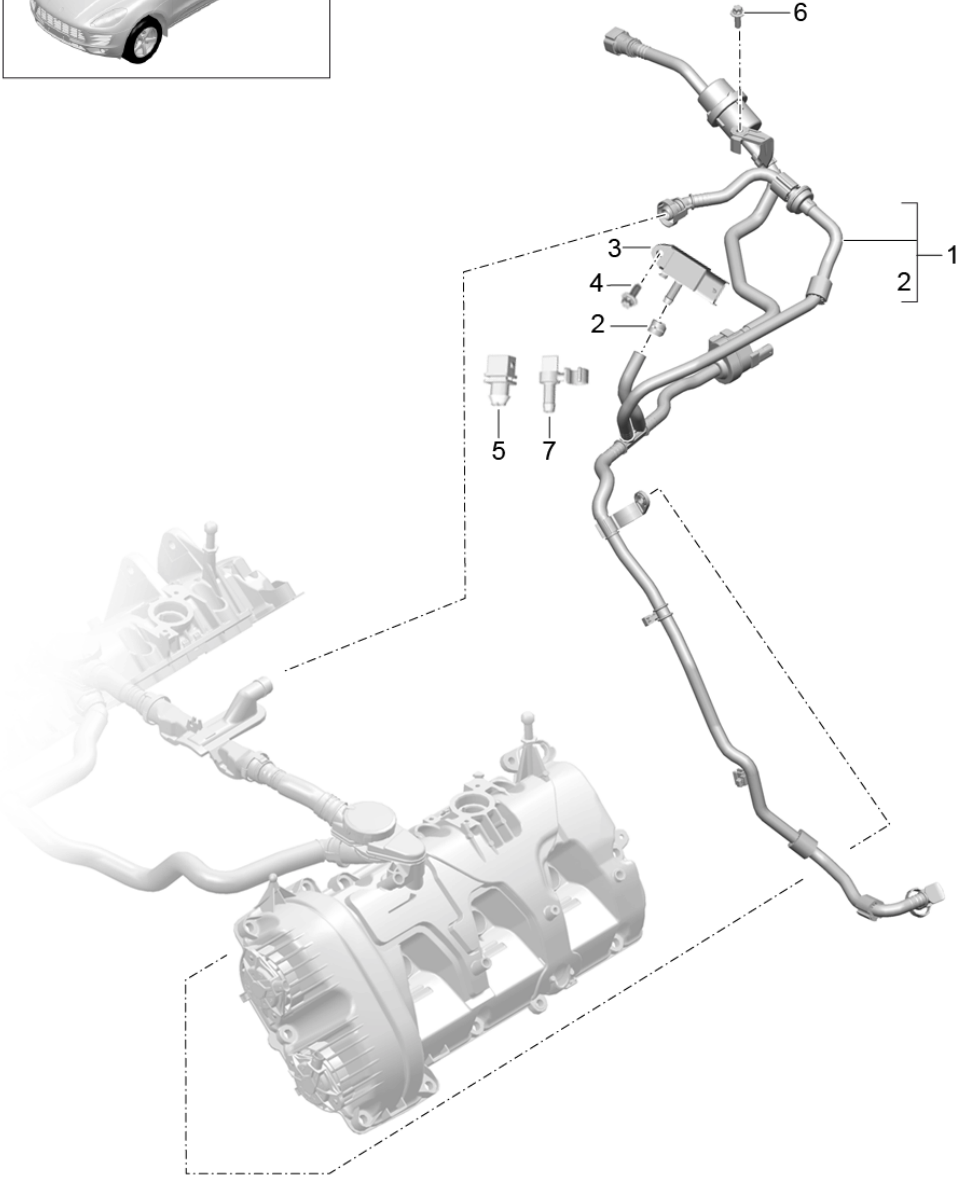
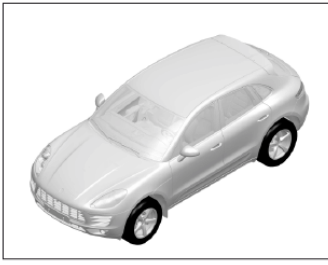
Model: 95B

Model life 2014>>

Pos	Part Number	Description	Remark	Qty	Model
		Air filter with connecting parts			CNCC, CNC, CYNA, CYPA, CYP, CYNB
1	95B 129 601 C	Air filter		1	
		No longer use the part here			
(1)	95B 129 601 F	Air filter		1	
2	95B 129 752 C	connection piece		1	
		Air filter			
3	95B 129 620	Air filter element		1	PR:1L0
(3)	95B 129 620 A	Air filter element		1	PR:1L1
4	955 110 669 00	Grommet		2	
5	95B 129 531 A	intake manifold		1	
		Discontinued part			
(5)	95B 129 531 B	intake manifold		1	
6	955 110 269 00	Pin		1	
7	N 024 522 6	Clamp	60-80X9X0,5	1	
8	999 707 678 40	O-ring	79X6N	1	
9		Connecting hose see illustration, item:	107-067,11	1	

Model: 95B

Model life 2014>>



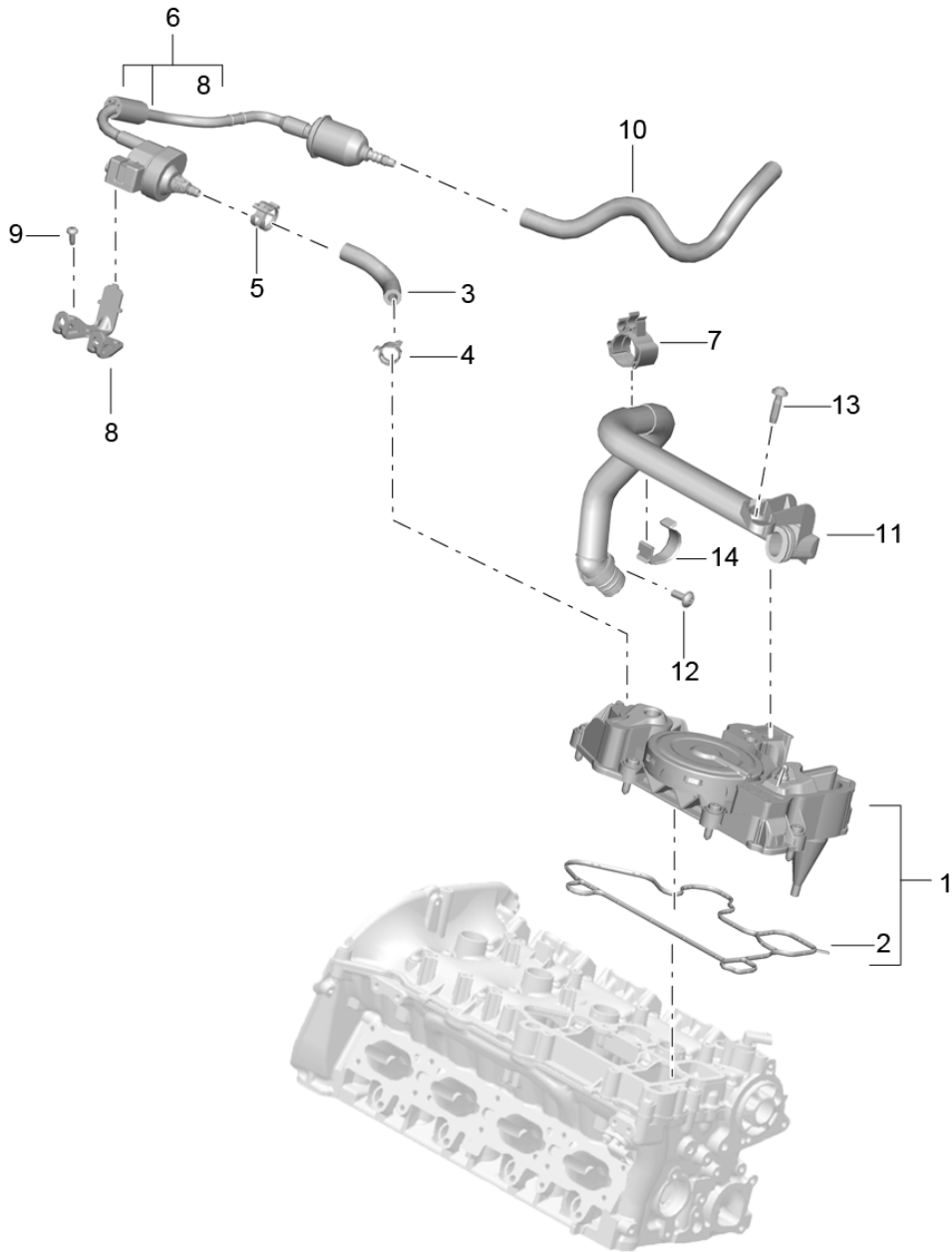
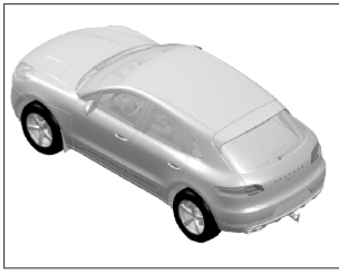
Model: 95B

Model life 2014>>

Pos	Part Number	Description	Remark	Qty	Model
		Tank ventilation			CTMA, CTM, CTLA, CTL, DCNA, DCN, DHKA, DHK
1	946 110 020 33	Breather line Tank ventilation		1	
(1)	946 110 020 34	No longer use the part here Breather line Tank ventilation		1	
(1)	946 110 020 35	No longer use the part here Breather line Tank ventilation		1	
(1)	946 110 020 36	M >> CTM 041 822 M >> CTL 015 883 Breather line Tank ventilation		1	DCNA, DCN, DHKA, DHK
2	999 512 596 09	Hose clamp	A13X12X0,8	1	
3	06H 906 051 G	Pressure sensor No longer use the part here		1	
(3)	9A1 606 114 00	Pressure sensor Discontinued part		1	PR: 7GB
(3)	7P5 906 051	Pressure sensor		1	PR: 7GB
4	900 385 019 01	Torx screw	BM6X20	1	PR: 7GB
5	7PP 971 918 A	Bungs catch Wire set		1	PR: -7GB
6	900 385 009 01	Torx screw	BM6X16	1	
7	946 110 220 00	Bungs catch Breather line Pressure sensor		1	PR: -7GB

Model: 95B

Model life 2014>>



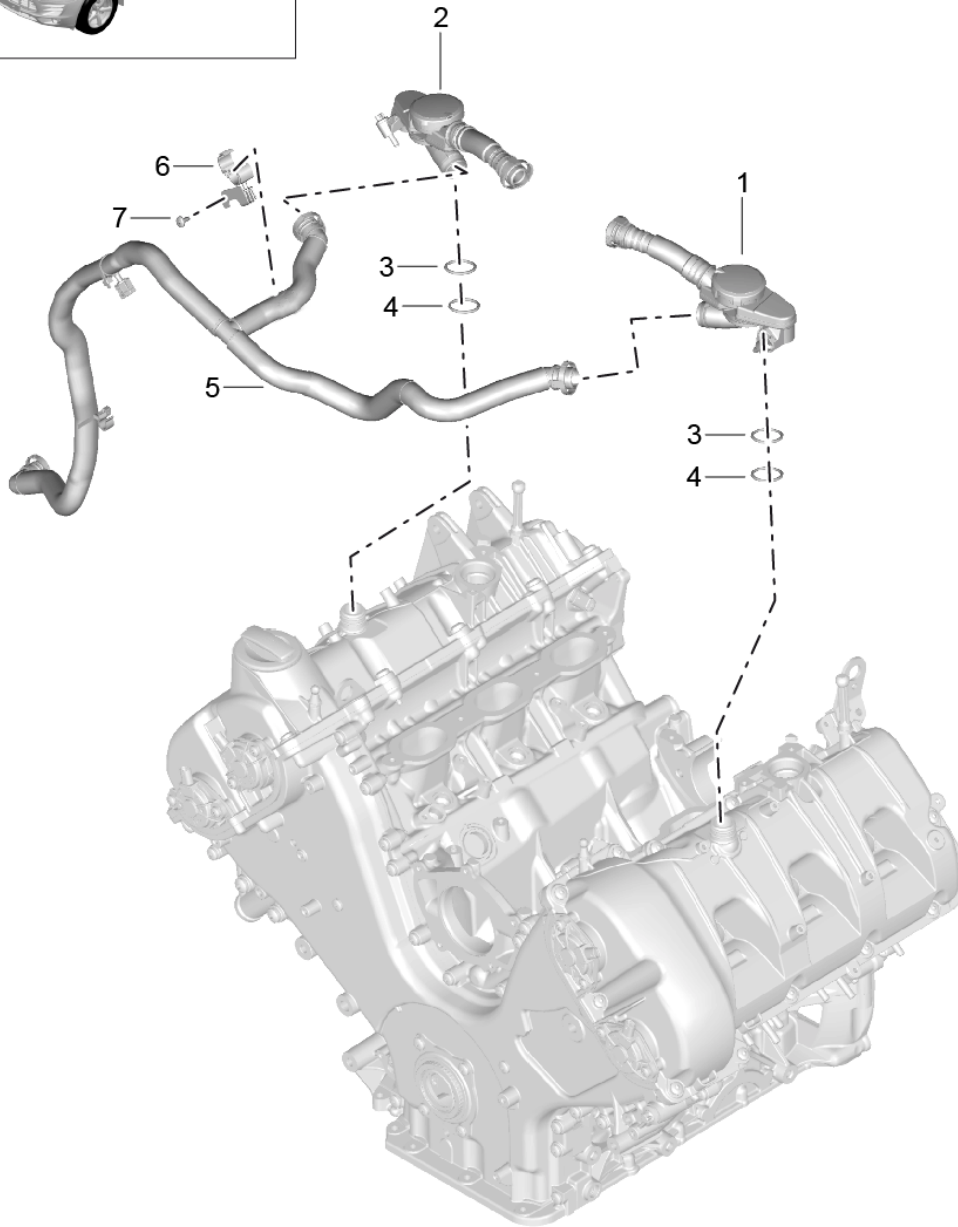
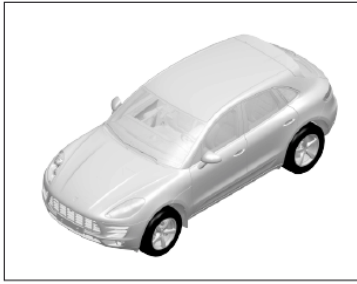
Model: 95B

Model life 2014>>

Pos	Part Number	Description	Remark	Qty	Model
		oil separator Breather line Fuel tank Crankcase housing			CNCC, CNC, CYNA, CYPA, CYP, CYNB
1	958 103 495 00	oil separator		1	
2	958 103 484 00	Seal		1	
3	958 133 514 00	Vent hose		1	
4	N 909 865 01	Spring band clamp	14,5X12	1	
5	N 907 702 01	Spring band clamp	17X12	1	
6	958 133 781 00	Breather line Valve expansion chamber		1	
7	958 133 689 00	Bracket		1	
8	958 133 519 00	Breather line Retainer for valve		1	
		No longer use the part here			
(8)	958 133 519 10	Retainer for valve		1	
9	N 106 549 02	Flat head bolt with hexagon socket head, thread forming		2	
10		Vent hose		1	
11	958 103 213 00	see illustration, item: Breather line Crankcase housing ventilation	201-040,1	1	CNCC, CNC, CYPA, CYP
(11)	958 103 213 10	Breather line Crankcase housing ventilation		1	CYNA, CYNB
12	N 106 320 03	Oval socket head bolt with hex drive	M6X16	1	CNCC, CNC, CYPA, CYP
(12)	958 133 729 00	threaded union		1	CYNA, CYNB
(12)	N 102 549 01	clamp	14X7X0,6	1	CYNA, CYNB
13	N 106 112 01	oval head panel screw	6X22	1	
14	958 201 250 00	Clip Breather line		1	

Model: 95B

Model life 2014>>



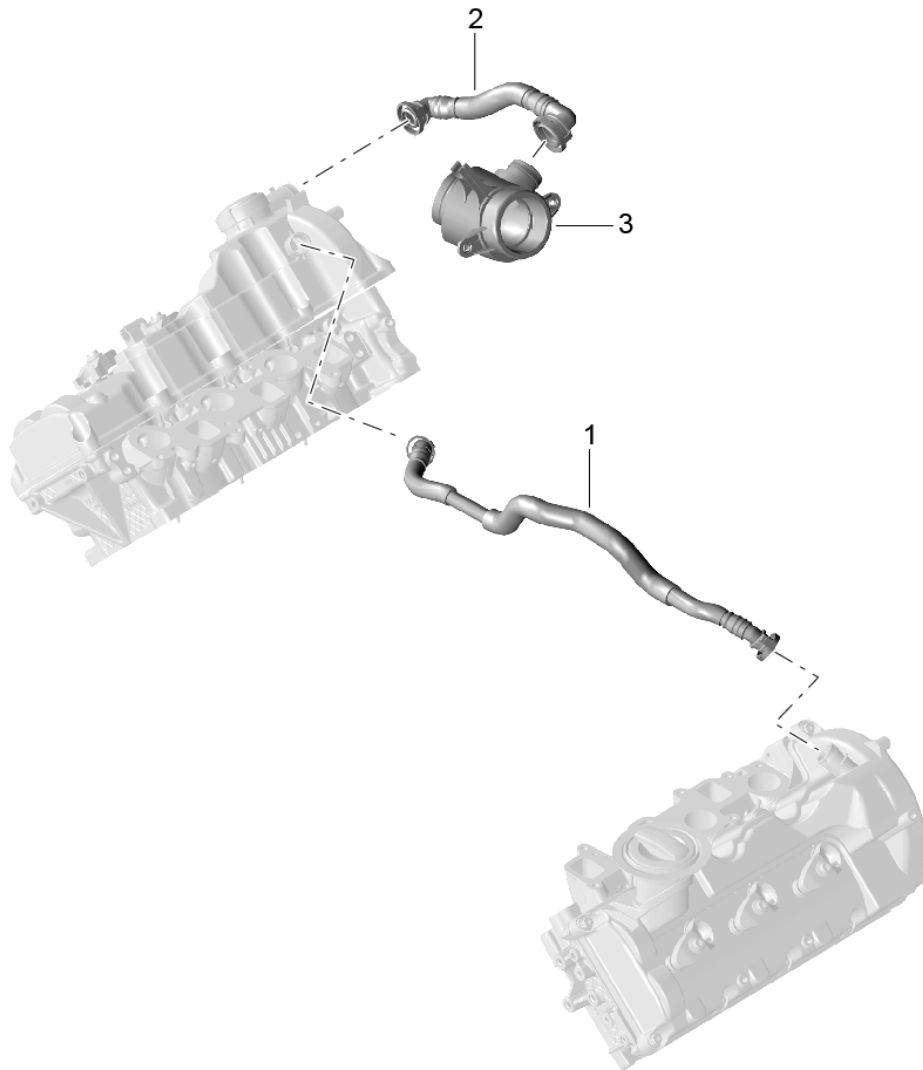
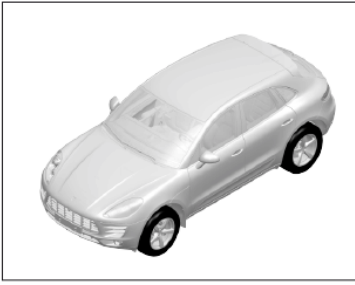
Model: 95B

Model life 2014>>

Pos	Part Number	Description	Remark	Qty	Model
		Crankcase housing ventilation			CTMA, CTM, CTLA, CTL, DCNA, DCN, DHKA, DHK
1	946 107 230 77	Non-return valve	left	1	
		with:			
2	946 107 229 77	Securing element Non-return valve	right	1	
		with:			
3	999 707 677 40	Securing element O-ring	22,5X2,5N	2	
4	999 707 677 41	O-ring	22,5X2,5N	2	
5	946 107 239 32	Breather line Discontinued part		1	
(5)	946 107 239 33	Breather line		1	
6	946 107 029 76	Bracket		1	
7	999 073 902 31	fillister hd. bolt	M6X16-PA- aluminium	4	

Model: 95B

Model life 2014>>



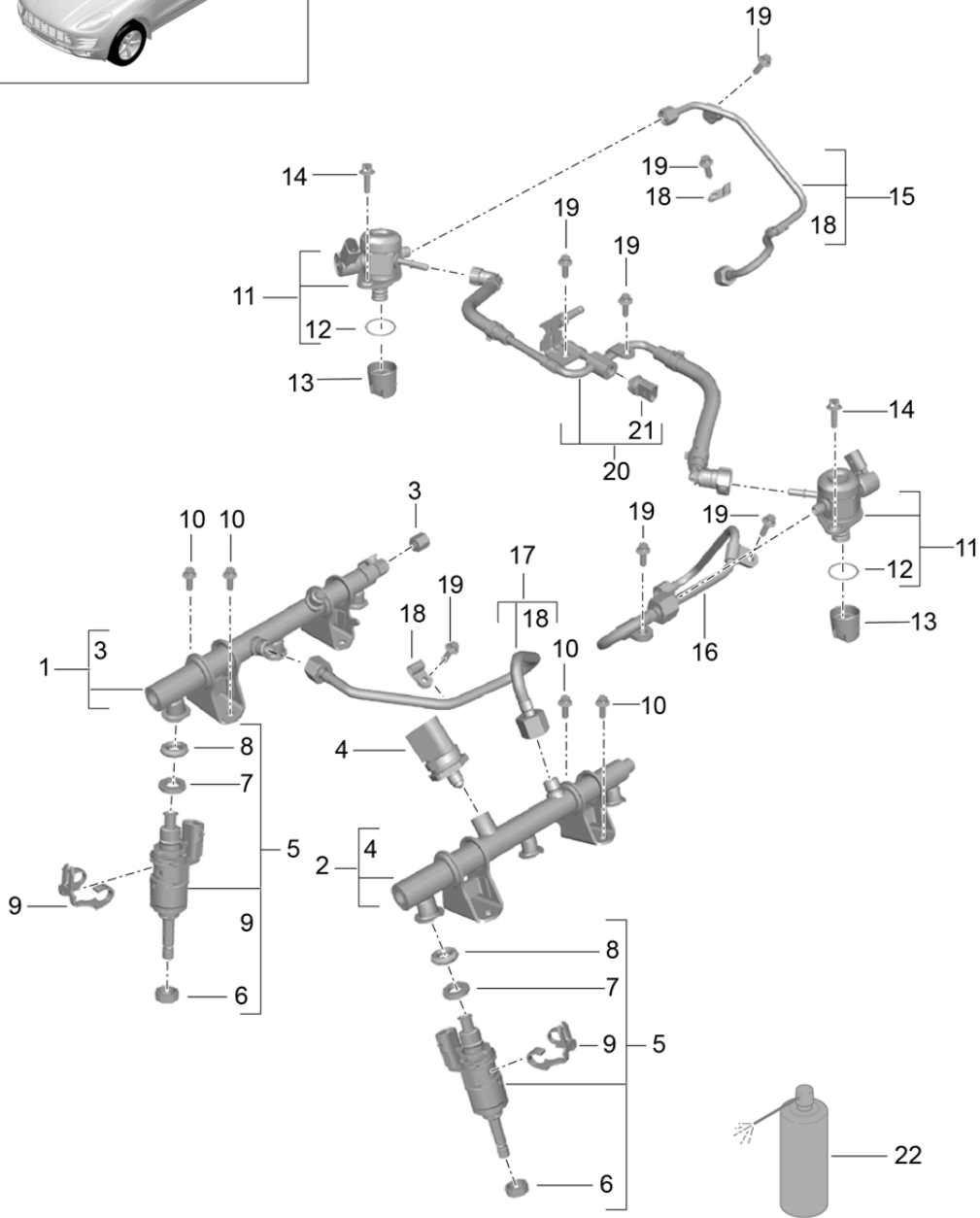
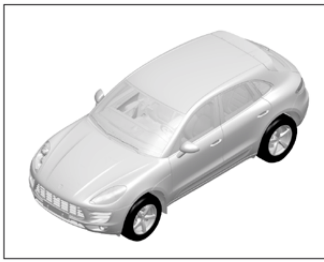
Model: 95B

Model life 2014>>

Pos	Part Number	Description	Remark	Qty	Model
1	958 107 209 00	Breather line Crankcase housing		1	CDUD, CTBA, CTBB, CTBC
2	059 103 221 AJ	Breather line Vent hose		1	
3		pulsation damper see illustration, item:	106-010,13	1	

Model: 95B

Model life 2014>>



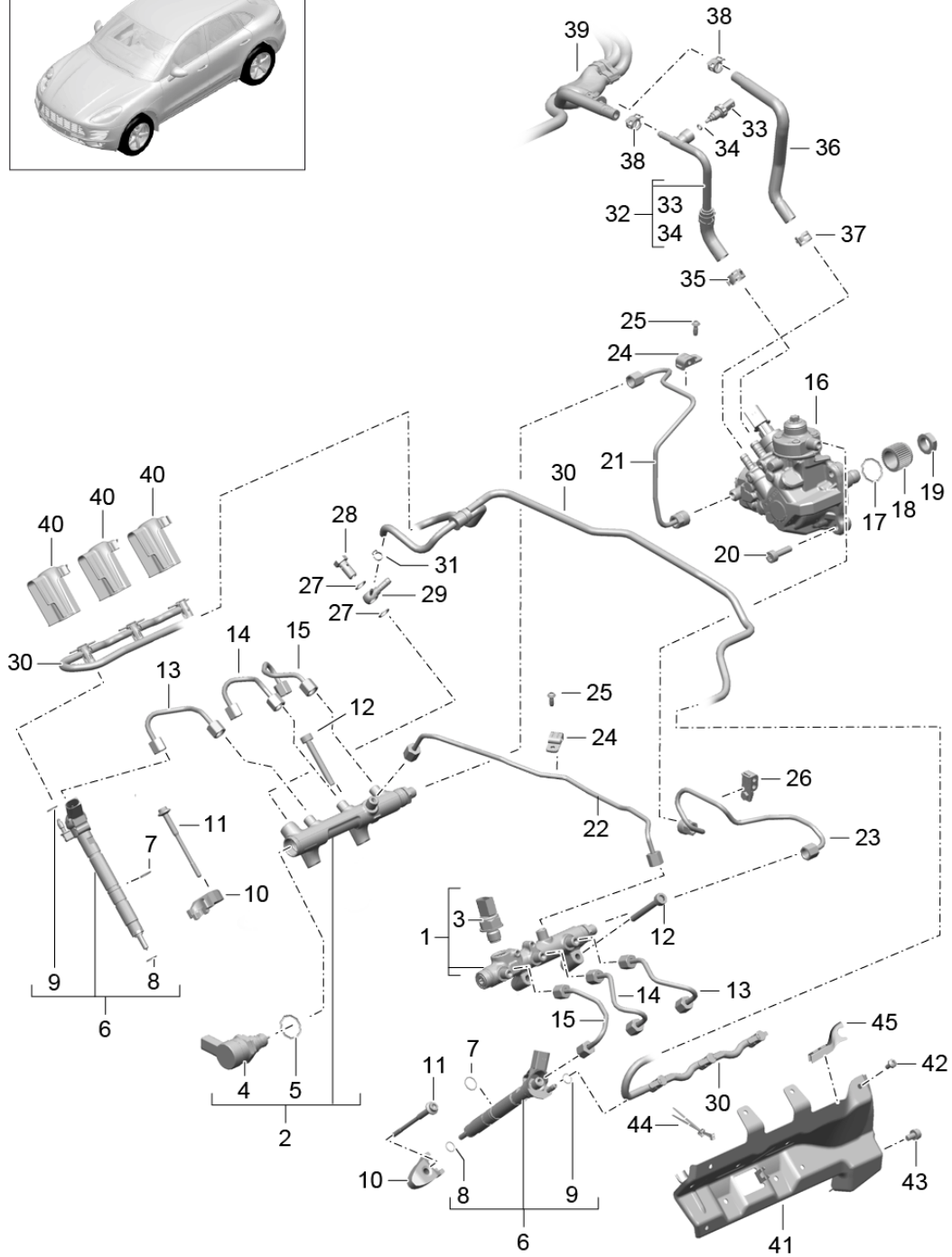
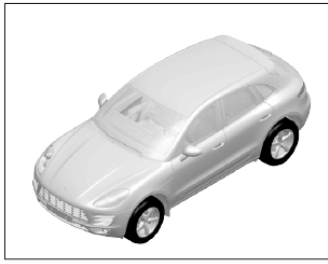
Model: 95B

Model life 2014>>

Pos	Part Number	Description	Remark	Qty	Model
		Fuel collection pipe high-pressure injector high pressure pump			CTMA,CTM, CTLA,CTL, DCNA,DCN, DHKA,DHK
1	946 110 117 00	Fuel collection pipe	cylinders 1-3	1	
2	946 110 118 00	Fuel collection pipe	cylinders 4-6	1	
3	948 110 225 00	Sealing cap		1	
4	06J 906 051 F	Pressure sensor		1	
5	946 110 128 30	high-pressure injector		6	
		D >> - MJ 2015			
(5)	946 110 128 31	high-pressure injector		6	
		D - MJ 2016>> - MJ 2016			
(5)	946 110 128 32	high-pressure injector		6	
		D - MJ 2017>>			
6	946 110 428 60	seal ring		6	
		D >> - MJ 2015			
(6)	946 110 428 61	seal ring		6	
		D - MJ 2016>>			
7	946 110 328 60	clamping ring		6	
		No longer use the part here			
(7)	946 110 328 30	clamping ring		6	
		No longer use the part here			
(7)	946 110 328 31	clamping ring		6	
8	999 701 187 40	O-ring	5,94X13X3,53N	6	
		D >> - MJ 2015			
(8)	999 701 187 42	O-ring	5,94X13X3,53N	6	
		D - MJ 2016>>			
9	946 110 228 60	Bracket		6	
10	900 385 009 01	Torx screw	BM6X16	8	
11	946 110 315 61	high pressure pump		2	
12	999 701 048 40	O-ring	31X2S	2	
13	06L 109 311	Tappets		2	
14	900 385 019 01	Torx screw	BM6X20	4	
15	946 110 127 03	Fuel line	cylinders 1-3	1	
		No longer use the part here			
(15)	946 110 127 04	Fuel line	cylinders 1-3	1	
16	946 110 131 02	Fuel line	cylinders 4-6	1	
		No longer use the part here			
(16)	946 110 131 03	Fuel line	cylinders 4-6	1	
17	946 110 129 01	Fuel line		1	
		No longer use the part here			
(17)	946 110 129 02	Fuel line		1	
18	999 511 741 00	Clamp	8X15	2	
19	900 385 009 01	Torx screw	BM6X16	7	
20	946 110 235 01	Fuel line		1	
		No longer use the part here			
(20)	946 110 235 03	Fuel line		1	
		D >> - MJ 2015			
(20)	946 110 235 04	Fuel line		1	
		D - MJ 2016>>			
21	06H 906 051 G	Pressure sensor		1	
(21)	06H 906 051 J	Pressure sensor		1	
22	000 043 209 35	special lubricant MICROGLEIT DF 977 S for Fuel line	400ml	1	

Model: 95B

Model life 2014>>



Model: 95B

Model life 2014>>

Pos	Part Number	Description	Remark	Qty	Model
1	958 110 115 30	Fuel collection pipe high-pressure injector high pressure pump Fuel collection pipe	left	1	CDUD,CTBA, CTBB,CTBC
(1)	958 110 115 50	Fuel collection pipe	left	1	CDUD
2	958 110 116 31	Fuel collection pipe	right	1	CTBA,CTBB, CTBC
(2)	958 110 116 50	Fuel collection pipe	right	1	CDUD
3	958 606 230 30	Pressure sensor		1	
4	958 606 240 10	pressure regulator		1	
5	955 110 319 00	O-ring		1	
6	958 110 128 40	high-pressure injector (complete)		6	CTBA,CTBB, CTBC
(6)	958 110 128 50	high-pressure injector (complete)		6	CDUD
7	WHT 000 884	O-ring	16,2X1,5	6	
8	958 110 519 00	seal ring high-pressure injector		6	
9	955 110 619 00	O-ring	2,8X1,5	6	
(9)	WHT 007 480	Discontinued part O-ring	2,8X1,5	6	
10	958 110 216 00	tensioning plate Discontinued part		6	
(10)	958 110 216 01	tensioning plate		6	
11	WHT 004 923 B	Hexagon socket head bolt (combi)	M6X93X25	6	
12	N 910 455 02	Socket head bolt with inner multipoint head	M8X65	4	
13	958 110 241 00	Fuel line		2	CTBA,CTBB, CTBC
(13)	958 110 241 50	Fuel line		2	CDUD
14	958 110 241 10	Fuel line		2	CTBA,CTBB, CTBC
(14)	958 110 241 60	Fuel line		2	CDUD
15	958 110 241 20	Fuel line		2	CTBA,CTBB, CTBC
(15)	958 110 241 70	Fuel line		2	CDUD
16	958 110 315 01	high pressure pump		1	CTBA,CTBB, CTBC
(16)	958 110 315 30	high pressure pump		1	CDUD
17	958 110 615 00	seal ring		1	
18	958 110 541 10	flange Chain sprocket		1	CTBA,CTBB, CTBC
(18)	958 110 541 00	only in conj. with: Chain sprocket 958.105.222.11 059.109.569.S flange Chain sprocket		1	CDUD
(18)	958 110 541 10	only in conj. with: Chain sprocket 958.105.222.00 059.109.569.F flange Chain sprocket		1	CDUD
(18)	958 110 541 10	only in conj. with: Chain sprocket 958.105.222.10 059.109.569.L flange Chain sprocket		1	CDUD
(18)	958 110 541 10	only in conj. with: Chain sprocket 958.105.222.10 059.109.569.L flange Chain sprocket		1	CDUD

Model: 95B Model life 2014>>

Pos	Part Number	Description	Remark	Qty	Model
		Chain sprocket 958.105.222.11 059.109.569.S			
19	WHT 002 244	Hexagon collar nut	M18X1,5	1	
20	N 911 873 01	Hexagon socket head bolt	M8X30	3	
21	958 110 125 20	Fuel line		1	CTBA, CTBB, CTBC
(21)	958 110 125 40	Fuel line		1	CDUD
22	958 110 314 10	Fuel line		1	CTBA, CTBB, CTBC
(22)	958 110 314 30	Fuel line		1	CDUD
(23)	958 110 126 10	Fuel line		1	CTBA, CTBB, CTBC
(23)	958 110 126 30	Fuel line		1	CDUD
24	958 110 410 00	Retainer for fuel line		2	CTBA, CTBB, CTBC
(24)	958 110 410 10	Retainer for fuel line		2	CDUD
25	N 107 214 01	oval hd. self-tapp fitt. screw	TP6X16	2	
26	958 110 411 00	Retainer for fuel line		1	CTBA, CTBB, CTBC
(26)	955 110 411 00	Retainer for fuel line		1	CDUD
27	N 013 813 3	seal ring	12X17	2	
28	N 021 071 7	Banjo bolt	8	1	
		No longer use the part here for this use:	PAF 021 71	1	
(28)	PAF 021 071	Banjo bolt	M12X1,5X24	1	
29	958 110 602 00	Banjo fitting		1	
		No longer use the part here			
(29)	958 110 602 01	Banjo fitting		1	
		only in conj. with:			
		Fuel hose 958.110.218.13		1	
30	958 110 218 11	Fuel hose (complete)		1	
		Discontinued part			
(30)	958 110 218 12	Fuel hose (complete)		1	
		No longer use the part here			
(30)	958 110 218 13	Fuel hose (complete)		1	
		only in conj. with:			
		Banjo fitting 958.110.602.01		1	
31	N 102 313 01	Ear crimp hose clamp	10,5X5X0,5	1	
		No longer use the part here			
32	958 110 299 02	Fuel line	feed	1	
33	955 606 221 00	Temperature sensor		1	
34	WHT 002 287 C	O-ring	5,6X2	1	
35	999 512 652 09	Hose clamp	B19X12	1	
-	958 606 341 07	Cable guide		1	
		Wire set discontinued part			
-	958 606 341 08	Cable guide		1	
		Wire set			
-	N 107 214 01	oval hd. self-tapp fitt. screw	TP6X16	2	
36	958 110 297 10	Fuel line	return	1	
37	N 907 702 01	Spring band clamp	17X12	1	
			return		
38	N 909 865 01	Spring band clamp	14,5X12	2	
39		Fuel line (complete)		1	
		see illustration, item:	201-035,1		

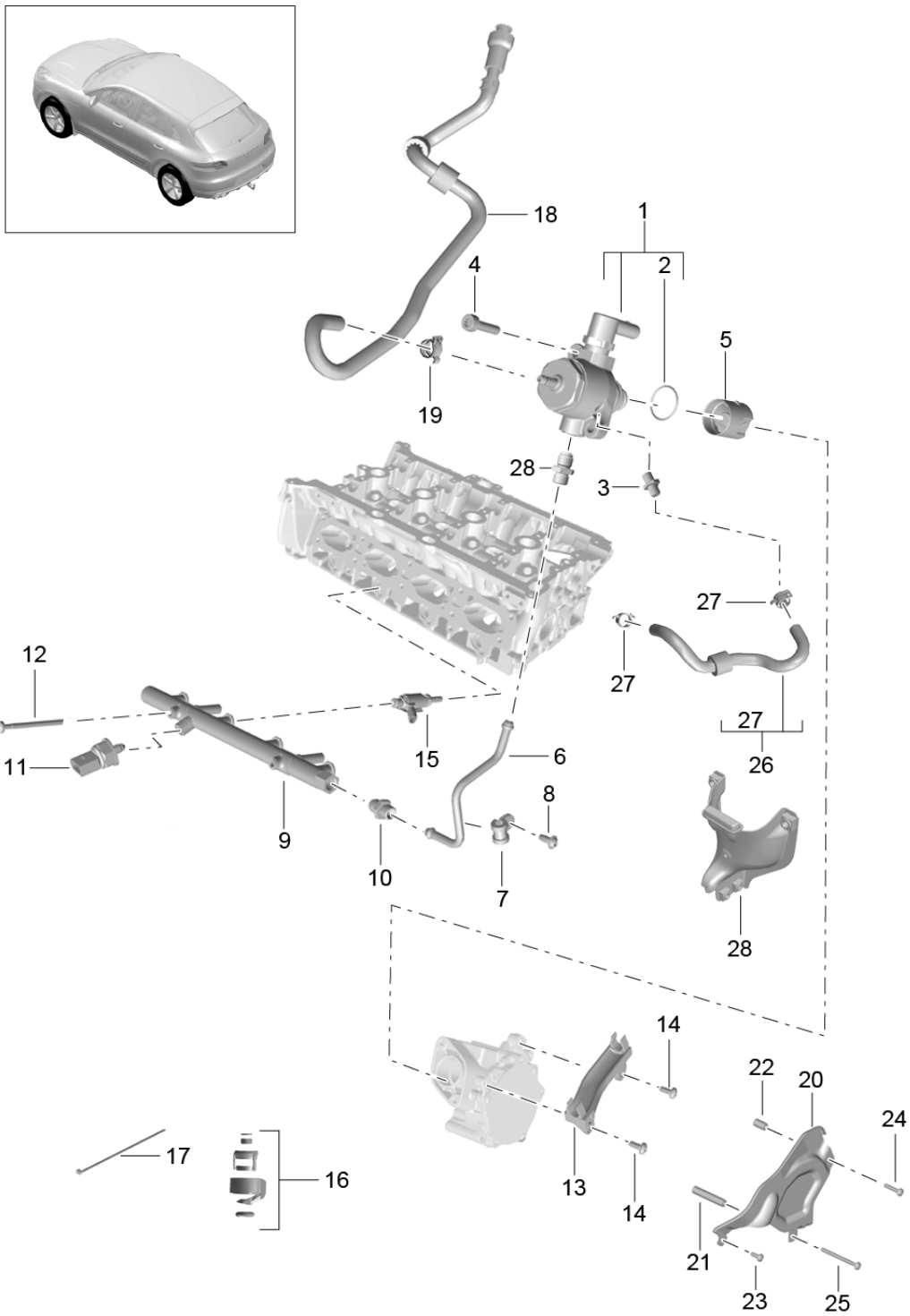
Model: 95B

Model life 2014>>

Pos	Part Number	Description	Remark	Qty	Model
40	958 110 685 01	Protective cap high-pressure injector	cylinders 1-3	3	CTBA, CTBB, CTBC
(40)	95B 130 396	No longer use the part here Cover high-pressure injector	cylinders 1-3	1	CTBA, CTBB, CTBC
41	95B 130 395 A	Cover high-pressure injector	cylinders 4-6	1	
(41)	95B 130 395 B	No longer use the part here Cover high-pressure injector	cylinders 4-6	1	
42	N 103 352 06	Hexagon socket flat head bolt	M6X12	3	
43	N 910 522 01	Hexagon socket head bolt	M8X12	1	
44	8E0 971 850 F	Cable ties		2	
45	95B 971 865 F	Edge protection		1	

Model: 95B

Model life 2014>>



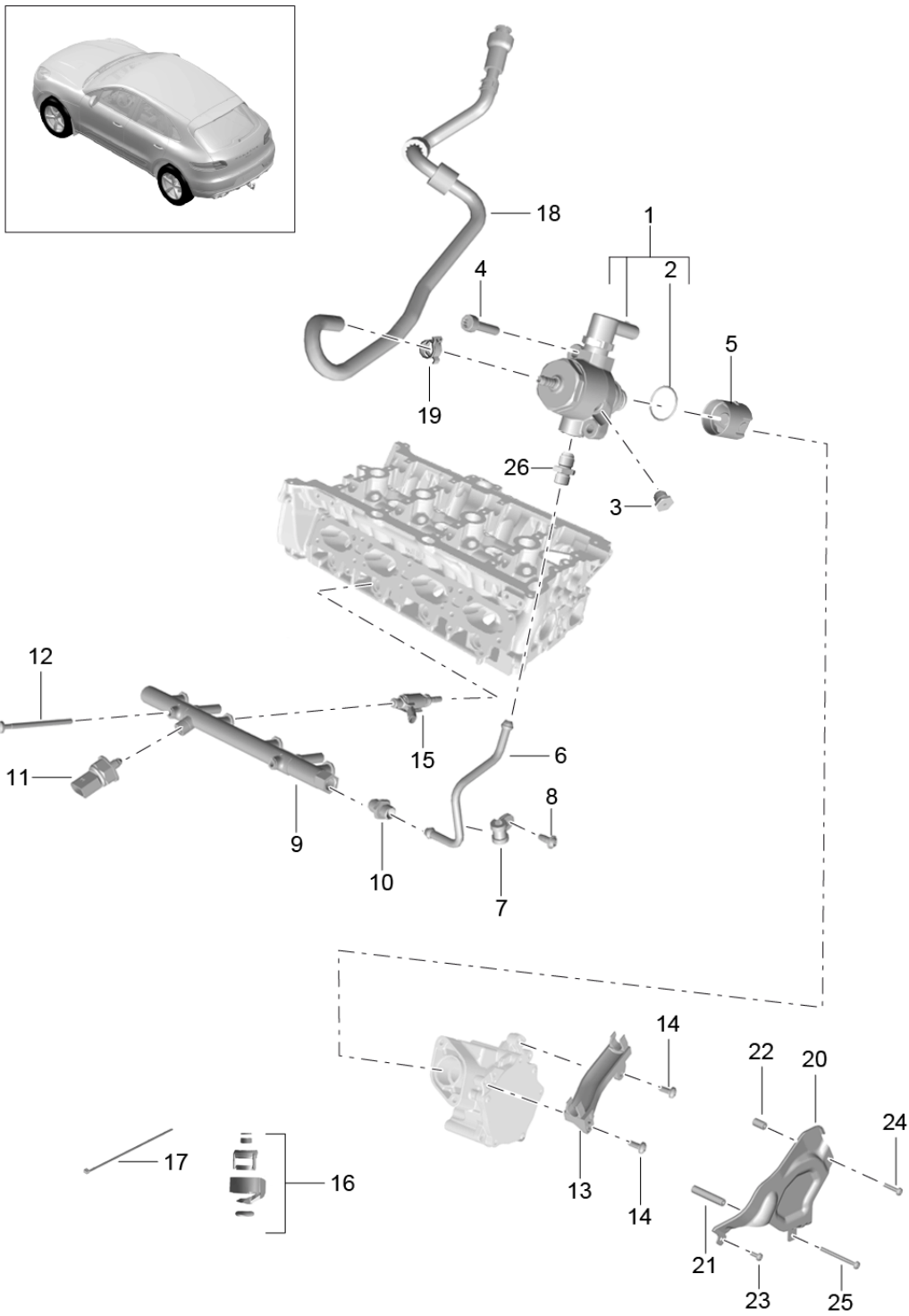
Model: 95B

Model life 2014>>

Pos	Part Number	Description	Remark	Qty	Model
		Fuel collection pipe high-pressure injector high pressure pump high pressure pump Discontinued part		1	CNCC, CNC, CYPA, CYP
1	958 127 025 00				
(1)	958 127 025 10	high pressure pump Discontinued part		1	
(1)	958 127 025 20	high pressure pump		1	
2	WHT 005 184	O-ring	31X2	1	
3	958 127 213 00	Pipe union		1	
4	N 911 287 01	Socket head bolt with inner multipoint head	M8X32	2	
5	06L 109 311	Tappets		1	
6	958 127 501 00	Fuel line No longer use the part here		1	
(6)	958 127 501 01	Fuel line		1	
7	N 020 609 8	Clamp		1	
8	N 909 252 02	Hexagon socket head collared bolt, thread forming	6X16	1	
9	958 133 317 00	Fuel collection pipe	Cylinders 1-4	1	
10	958 127 065 00	Adapter		1	
11	06J 906 051 F	Pressure sensor		1	
12	N 911 310 01	Hexagon socket head bolt	M6X80	2	
13	958 133 689 10	Retainer for fuel line		1	CNCC, CNC
(13)	958 133 689 30	Retainer for fuel line		1	CYPA, CYP
14	N 910 967 03	Oval hexagon socket head bolt	M6X16	2	
15	958 906 036 00	high-pressure injector (complete)		4	
16	958 998 907 00	repair set high-pressure injector No longer use the part here		X	
(16)	958 998 907 01	repair set high-pressure injector		X	
17	N 909 377 01	Cable ties		X	
18		Fuel line see illustration, item:	201-040,3	1	
19		Hose clamp see illustration, item:	201-040,4	1	
20	95B 133 833	Guard plate Vacuum pump		1	
21	95B 131 135	Sleeve	long	1	
22	95B 131 135 A	Sleeve	short	1	
23	N 910 968 01	Hexagon socket flat head bolt	M6X20	1	
24	N 910 972 01	round hd. screw	M6X35	1	
25	N 911 310 01	Hexagon socket head bolt	M6X80	1	
26	958 133 986 00	Fuel hose		1	
27	N 909 865 01	Spring band clamp	14,5X12	2	
28	958 127 065 10	Connector union		1	

Model: 95B

Model life 2014>>



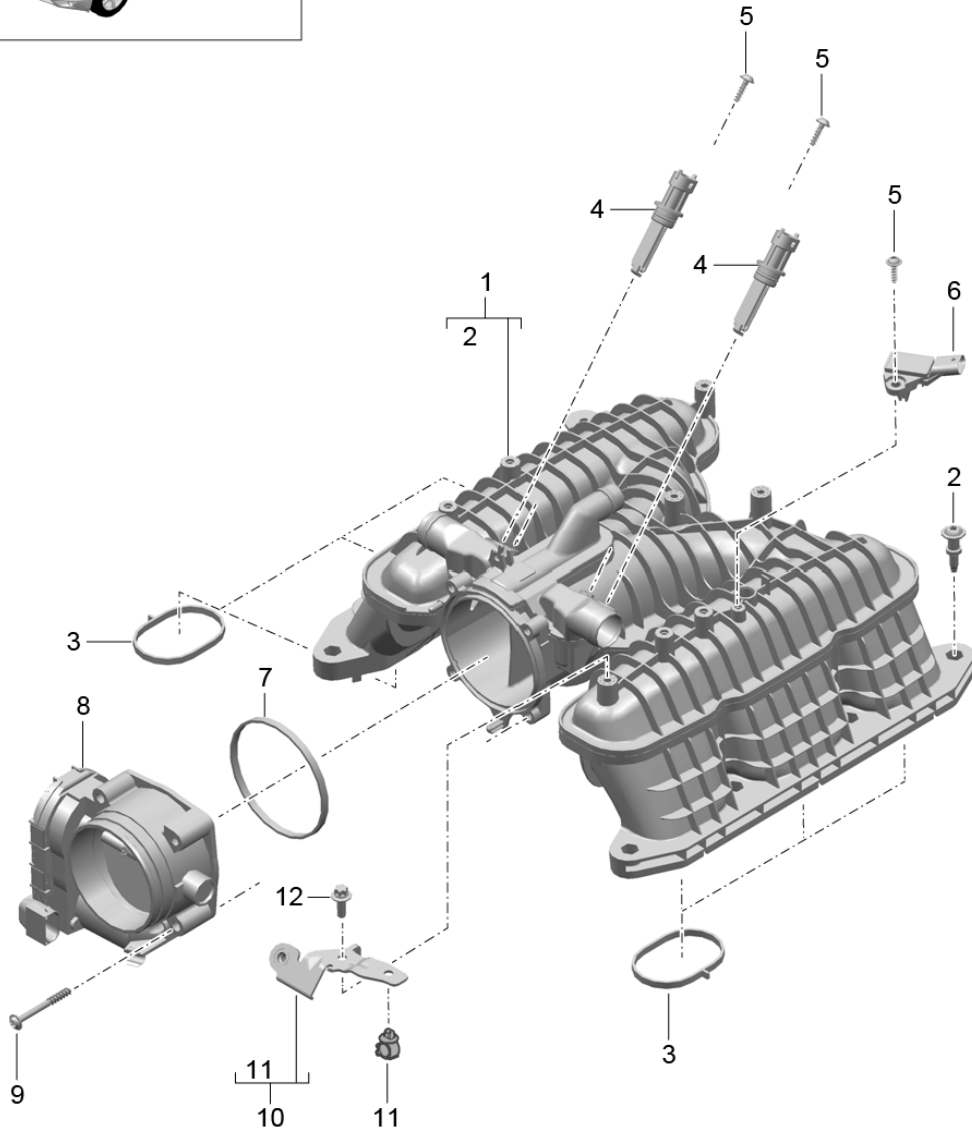
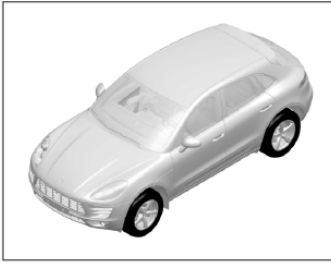
Model: 95B

Model life 2014>>

Pos	Part Number	Description	Remark	Qty	Model
		Fuel collection pipe high-pressure injector high pressure pump high pressure pump No longer use the part here		1	CYNA, CYNB
1	958 127 025 00				
(1)	958 127 025 30	high pressure pump		1	
2	WHT 005 184	O-ring		1	
3	958 127 535 00	sealing plug No longer use the part here		1	
4	N 911 287 01	Socket head bolt with inner multipoint head	M8X32	2	
5	06L 109 311	Tappets		1	
6	958 127 501 00	Fuel line No longer use the part here		1	
(6)	958 127 501 01	Fuel line		1	
7	N 020 609 8	Clamp		1	
8	N 909 252 02	Hexagon socket head collared bolt, thread forming	6X16	1	
9	958 133 317 00	Fuel collection pipe	Cylinders 1-4	1	
10	958 127 065 00	Adapter		1	
11	06J 906 051 F	Pressure sensor		1	
12	N 911 310 01	Fuel collection pipe Hexagon socket head bolt	M6X80	2	
13	958 133 689 10	Retainer for fuel line		1	CYNA
(13)	958 133 689 30	Retainer for fuel line		1	CYNB
14	N 910 967 03	Oval hexagon socket head bolt	M6X16	2	
15	958 906 036 00	high-pressure injector (complete)		4	
16	958 998 907 00	repair set high-pressure injector No longer use the part here		X	
(16)	958 998 907 01	repair set high-pressure injector		X	
17	N 909 377 01	Cable ties		X	
18		Fuel line		1	
19		see illustration, item:	201-040,3	1	
19		Hose clamp see illustration, item:	201-040,4	1	
20	95B 133 833	Guard plate high pressure pump		1	
21	95B 131 135	Sleeve	long	1	
22	95B 131 135 A	Sleeve	short	1	
23	N 910 968 01	Hexagon socket flat head bolt	M6X20	1	
24	N 910 972 01	round hd. screw	M6X35	1	
25	N 911 310 01	Hexagon socket head bolt	M6X80	1	
26	958 127 065 10	Connector union		1	

Model: 95B

Model life 2014>>



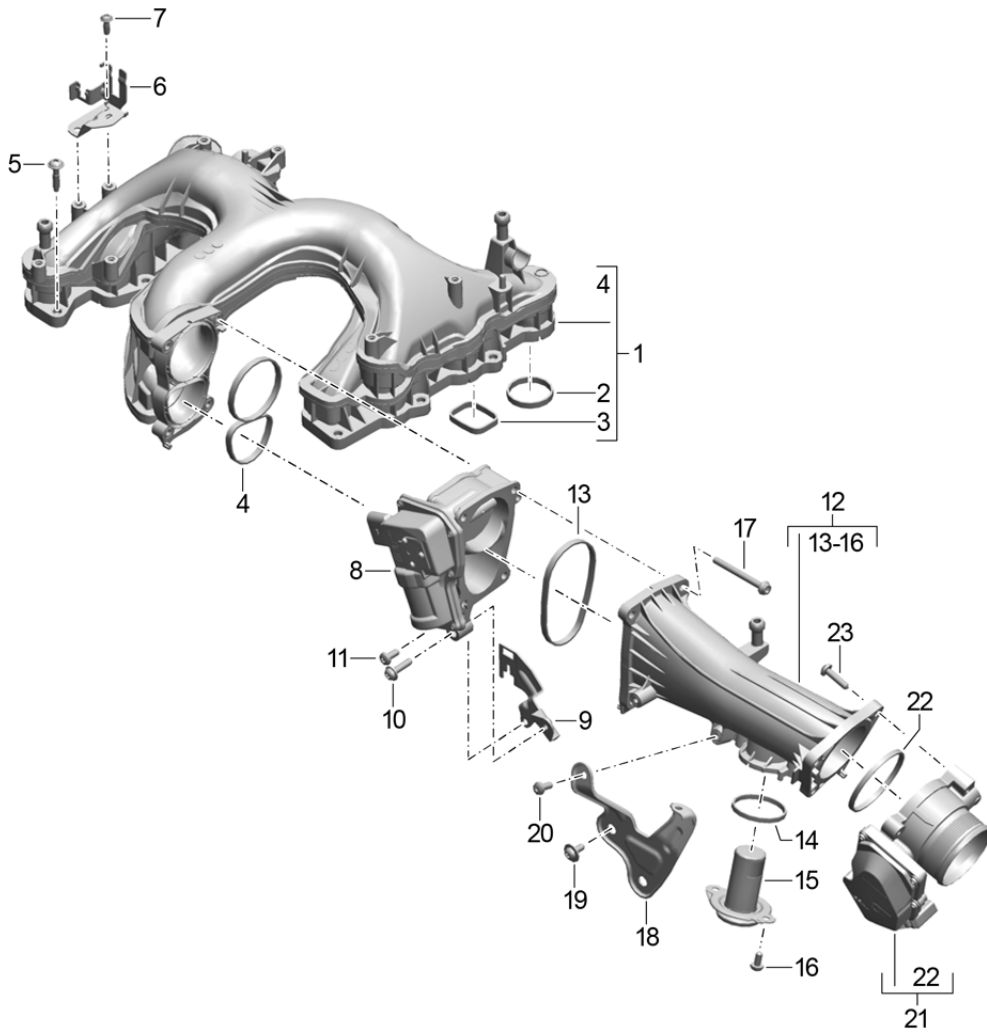
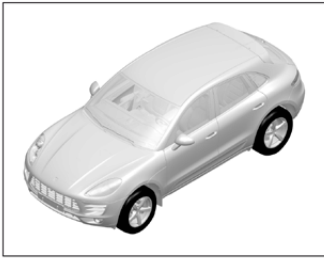
Model: 95B

Model life 2014>>

Pos	Part Number	Description	Remark	Qty	Model
		intake air distributor throttle valve adapter			CTMA,CTM, CTLA,CTL, DCNA,DCN, DHKA,DHK
1	946 110 016 63	intake air distributor M >> CTM 040 461 M >> CTL 015 490		1	
1	946 110 016 64	intake air distributor M CTM 040 462>> M CTL 015 491>>		1	
1	946 110 016 64	intake air distributor		1	DCNA,DCN, DHKA,DHK
2	946 110 412 60	Securing element Discontinued part		8	
(2)	946 110 412 61	Securing element		8	
3	946 110 146 60	Seal		6	
4	946 605 139 00	Heater element		2	
5	999 919 006 01	fillister hd. bolt	5,0X16,0	3	
6	06E 906 051 Q	Pressure sensor Discontinued part		1	
(6)	06E 906 051 AA	Pressure sensor		1	
7	948 110 144 02	Seal		1	
8	997 605 115 01	throttle valve adapter No longer use the part here		1	
(8)	997 605 115 02	throttle valve adapter		1	
9	999 919 005 01	fillister hd. bolt	6,0X50,0	4	
10	946 110 027 76	Bracket		1	
11	N 103 203 02	bracket for corrugated pipe		1	
12	900 385 009 01	Torx screw	BM6X16	1	

Model: 95B

Model life 2014>>



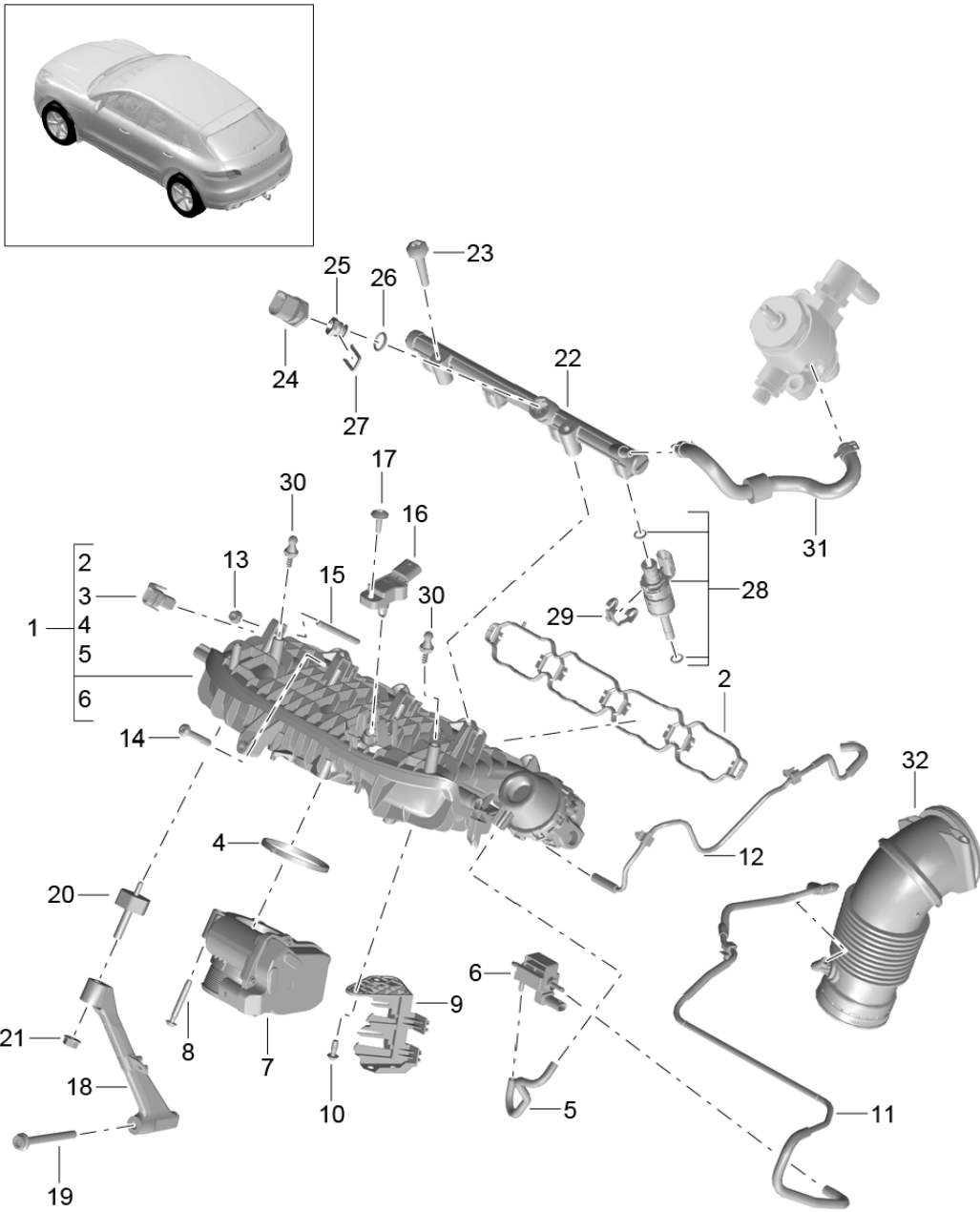
Model: 95B

Model life 2014>>

Pos	Part Number	Description	Remark	Qty	Model
		Intake manifold throttle valve adapter Air guide housing			CDUD, CTBA, CTBB, CTBC
1	958 110 016 00	Intake manifold		1	
2	958 110 147 10	Seal		6	
3	958 110 148 00	Seal		6	
4	958 110 144 00	Seal		1	
5	WHT 004 917	Hexagon socket head bolt	M6X28	12	
6	958 606 311 10	Bracket		1	
7	N 107 214 01	oval hd. self-tapp fitt. screw	TP6X16	2	
8	958 605 115 00	throttle valve adapter		1	
9	958 110 560 00	Bracket		1	
10	N 910 541 01	Oval hexagon socket head bolt	M6X25	1	
11	N 107 214 01	oval hd. self-tapp fitt. screw	TP6X16	2	
12	958 110 065 00	Air guide housing		1	
13	958 110 215 20	Seal		1	
14	958 111 149 00	Seal		1	
15	958 111 153 30	Connecting pipe		1	
16	N 104 056 04	Oval hexagon socket head bolt	M6X14	2	
17	N 104 239 03	Socket head bolt with inner multipoint head	M6X60	4	
18	958 110 661 00	Bracket		1	
19	N 104 114 02	Hexagon socket oval head bolt (combi)	M6X16	2	
20	N 104 056 04	Oval hexagon socket head bolt	M6X14	2	
21	958 605 115 11	throttle valve adapter		1	
22	955 110 144 00	Seal		1	
23	N 911 482 01	flat round head bolt	M6X25	3	

Model: 95B

Model life 2014>>



Model: 95B Model life 2014>>

Pos	Part Number	Description	Remark	Qty	Model
1	958 133 201 00	Intake manifold throttle valve adapter Air guide housing Intake manifold		1	CNCC,CNC, CYPA,CYP
1	PAC 133 201 A	Intake manifold		1	CNCC,CNC, CYPA,CYP
2	958 129 717 00	Seal		1	
3	958 907 386 00	Swing angle sensor		1	
4	958 133 073 00	Seal		1	
5	958 133 595 00	Hose		1	
6	958 906 283 00	Change-over valve		1	CNCC,CNC, CYPA,CYP
(6)	958 906 283 00	Change-over valve		1	CNCC,CNC, CYPA,CYP
7	958 133 062 00	throttle valve adapter No longer use the part here		1	
(7)	958 133 062 10	throttle valve adapter		1	
8	N 106 261 01	Hexagon socket flat head bolt	TP6X45	4	
9	958 971 497 00	Support Knock sensor		1	
10	N 909 252 02	Hexagon socket head collared bolt, thread forming	6X16	2	
11	958 133 583 00	Connecting hose		1	
12	958 132 241 00	Connecting hose No longer use the part here		1	
(12)	958 132 241 10	Connecting hose		1	
13	N 015 082 10	Hexagon collar nut	M6	2	
14	N 910 973 01	Hexagon socket flat head bolt	M6X45	8	
15	N 107 702 01	Threaded pin	M6FOX40	2	
16	958 906 051 00	Pressure sensor		1	
17	N 907 321 03	Hexagon socket oval head bolt	4X16	1	
18	958 129 723 00	Support Intake manifold		1	
19	N 911 703 01	Socket head collared bolt with inner multipoint head	M8X70	1	
20	958 121 273 00	Mounting		1	
21	N 106 092 02	Hexagon collar nut M 8	M8	1	
22	958 133 681 00	Fuel collection pipe only in conj. with: WHT005568 M >> CNC 133 508	Cylinders 1-4 958 127 813 00	1	CNCC,CNC
(22)	958 133 681 10	Fuel collection pipe only in conj. with: M CNC 133 509>>	Cylinders 1-4 958 127 813 10	1	CNCC,CNC, CYPA,CYP
23	N 105 821 02	Hexagon socket flat head bolt	M6X40	2	CNCC,CNC,
24	06H 906 051 G	Pressure sensor No longer use the part here		1	CYPA,CYP CNCC,CNC
(24)	06H 906 051 J	Pressure sensor		1	CNCC,CNC, CYPA,CYP
25	958 127 813 00	Adapter only in conj. with: 958 133 681 00		1	CNCC,CNC
(25)	958 127 813 10	Adapter only in conj. with: 958 133 681 10		1	CNCC,CNC, CYPA,CYP

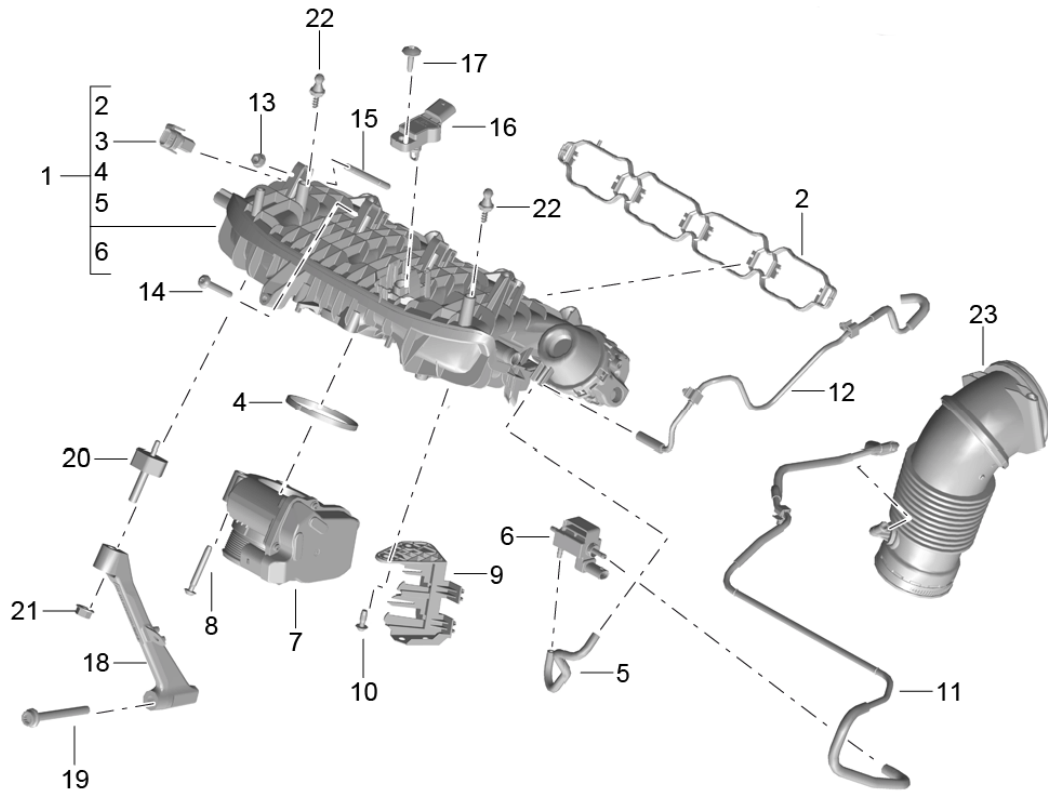
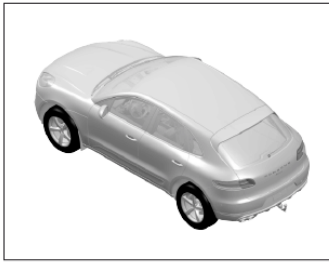
Model: 95B

Model life 2014>>

Pos	Part Number	Description	Remark	Qty	Model
26	WHT 005 568	O-ring only in conj. with: Fuel collection pipe	11X3,1 958 133 681 00	1	CNCC,CNC
(26)	N 910 568 01	O-ring only in conj. with: Fuel collection pipe 95813368110	12X2	1	CNCC,CNC, CYPA,CYP
27	958 133 047 00	Retaining clip		1	CNCC,CNC, CYPA,CYP
28	958 906 031 00	Injection valve		4	CNCC,CNC, CYPA,CYP
29	958 903 037 00	Retaining clip		4	CNCC,CNC, CYPA,CYP
30	WHT 005 593	Ball pin	TP6X13.7	2	
31		Fuel hose see illustration, item:	107-050,26	1	
32		pressure pipe see illustration, item:	106-020,5	1	

Model: 95B

Model life 2014>>



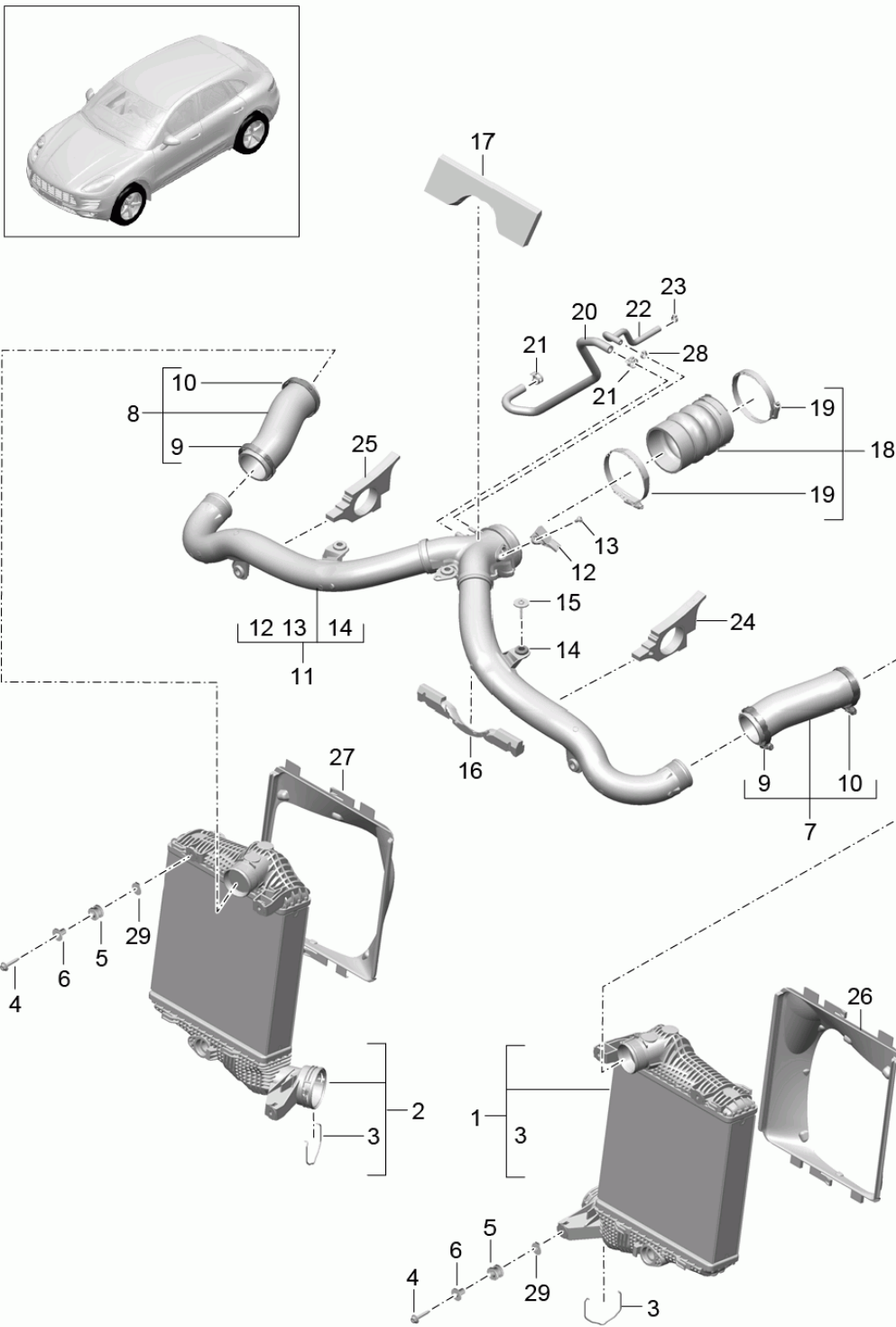
Model: 95B

Model life 2014>>

Pos	Part Number	Description	Remark	Qty	Model
		Intake manifold throttle valve adapter Air guide housing			CYNA, CYNB
1	958 133 201 10	Intake manifold		1	CYNA, CYNB
(1)	PAC 133 201	Intake manifold		1	CYNA, CYNB
2	958 129 717 00	Seal		1	
3	958 907 386 00	Swing angle sensor		1	
4	958 133 073 00	Seal		1	
5	958 133 595 00	Hose		1	
6	958 906 283 10	Change-over valve		1	CYNA, CYNB
7	958 133 062 00	throttle valve adapter		1	
(7)	958 133 062 10	No longer use the part here throttle valve adapter		1	
8	N 106 261 01	Hexagon socket flat head bolt	TP6X45	4	
9	958 971 497 00	Support Knock sensor		1	
10	N 909 252 02	Hexagon socket head collared bolt, thread forming	TP6X16	2	
11	958 133 583 00	Connecting hose		1	
12	958 132 241 00	Connecting hose		1	
(12)	958 132 241 10	No longer use the part here Connecting hose		1	
(12)	958 132 241 11	Connecting hose		1	
13	N 015 082 10	Hexagon collar nut	M6	2	
14	N 910 973 01	Hexagon socket flat head bolt	M6X45	8	
15	N 107 702 01	Threaded pin M 6 X 40	M6FOX40	2	
16	958 906 051 00	Pressure sensor		1	
17	N 907 321 03	Hexagon socket oval head bolt	4X16	1	
18	958 129 723 00	Support Intake manifold		1	
19	N 911 703 01	Socket head collared bolt with inner multipoint head	M8X70	1	
20	958 121 273 00	Mounting		1	
21	N 106 092 02	Hexagon collar nut	M8	1	
22	WHT 005 593	Ball pin	TP6X13.7	2	
23		pressure pipe see illustration, item:	106-020,5	1	

Model: 95B

Model life 2014>>

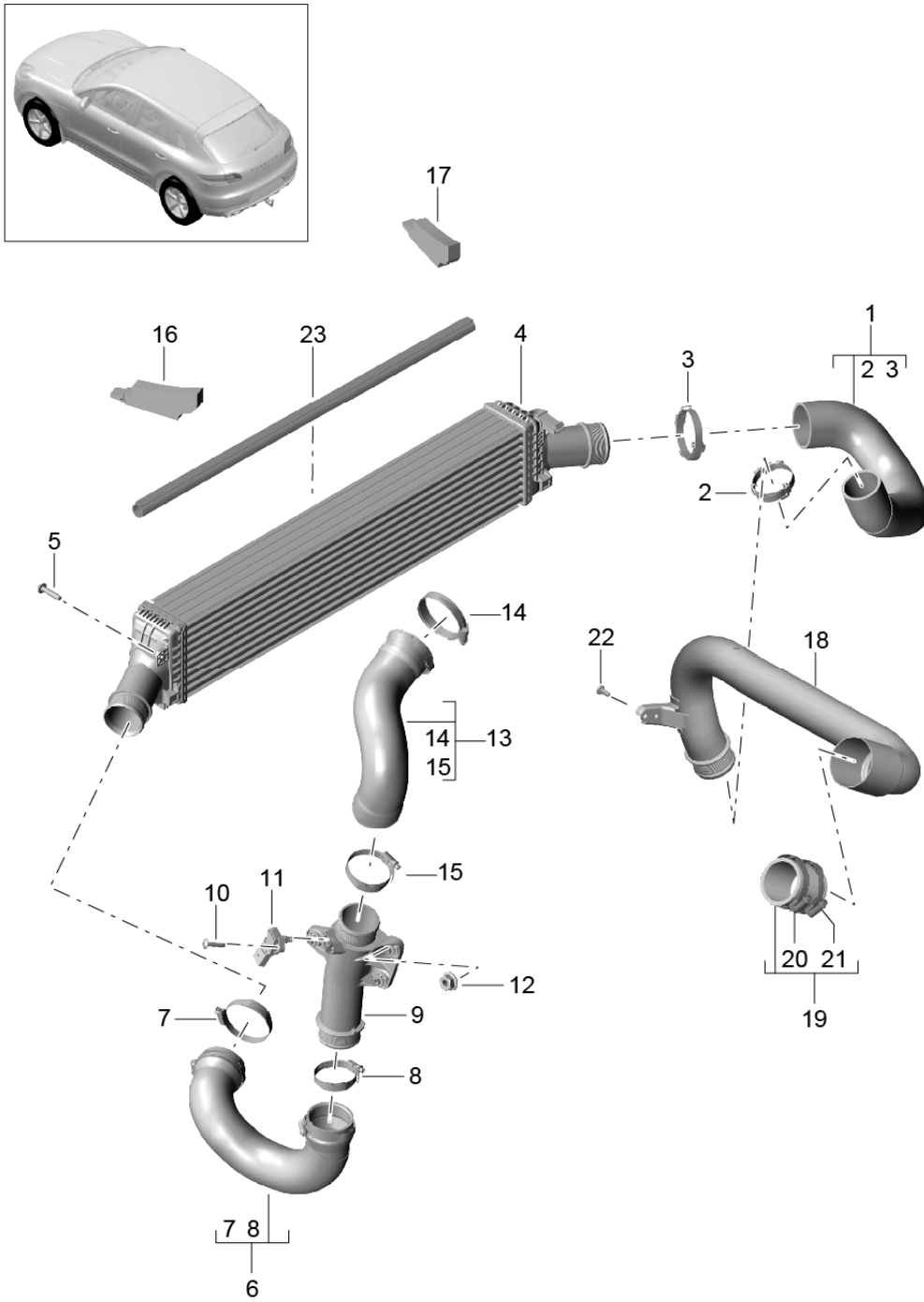


Model: 95B Model life 2014>>

Pos	Part Number	Description	Remark	Qty	Model
		Charge air cooler pressure pipe			CTMA,CTM, CTLA,CTL, DCNA,DCN, DHKA,DHK
1	95B 145 803 A	Charge air cooler	left	1	
		Discontinued part			
(1)	95B 145 803 B	Charge air cooler	left	1	
2	95B 145 804 A	Charge air cooler	right	1	
		Discontinued part			
(2)	95B 145 804 B	Charge air cooler	right	1	
3	955 110 513 10	retaining spring		2	
4	N 107 857 01	Hex socket head locating bolt	M6X35	6	
5	95B 129 669	Grommet		6	
6	95B 129 734	Distance piece		6	
7	95B 145 367 A	Pressure hose	left	1	
8	95B 145 368 A	Pressure hose	right	1	
9	N 107 350 01	Hose clamp	50-70X12	2	
10	N 107 357 01	Hose clamp	50-70X12	2	
11	95B 145 762 A	Pipe		1	
12	06E 906 051 Q	Pressure sensor		1	
		Discontinued part			
(12)	06E 906 051 AA	Pressure sensor		1	
13	N 106 839 01	Oval socket head bolt with hex drive	TP6X12	1	
14	95B 129 381	spacer bush		5	
15	999 919 269 01	Bolt with washer	M6X35	5	
16	95B 129 619	Gaiter		1	
		Y-piece			
17	95B 129 852	Gaiter		1	
		Y-piece			
18	95B 145 832 A	Pressure hose		1	
		Discontinued part			
(18)	95B 145 832 B	Pressure hose		1	
		Discontinued part			
(18)	95B 145 832 C	Pressure hose		1	
19	N 107 152 01	Clamp	80-100X12	2	
20	95B 145 555	Pressure hose		1	
21	N 102 555 01	clamp	17,5X7X0,6	2	
		No longer use the part here			
(21)	955 201 479 00	Hose clamp	16X12	2	
22	95B 145 979 A	Pressure hose		1	
23	N 104 002 01	clamp	9,1-10,9	1	
24	95B 128 146	Gaiter	left	1	
		Seal			
25	95B 129 146	Gaiter	right	1	
		Seal			
26		Air guide	left	1	
		see illustration, item:	802-010,9		
27		Air guide	right	1	
		see illustration, item:	802-010,9		
28	955 111 483 00	clamp	11,5X8,4	1	
29	95B 145 219	Clip		6	

Model: 95B

Model life 2014>>



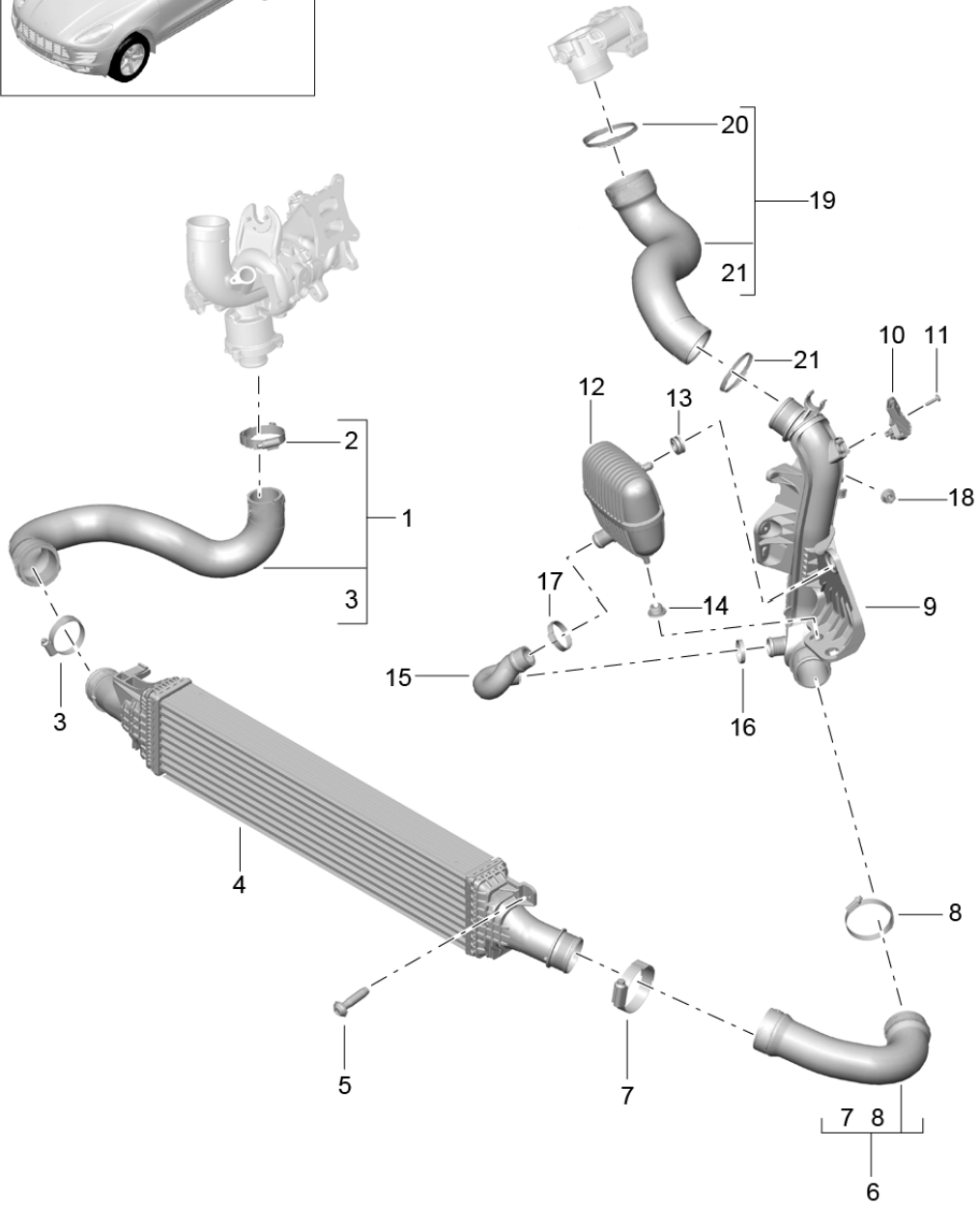
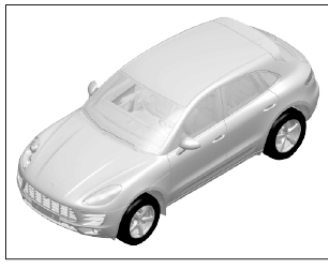
Model: 95B

Model life 2014>>

Pos	Part Number	Description	Remark	Qty	Model
		Charge air cooler pressure pipe			CDUD, CTBA, CTBB, CTBC
1	95B 145 790 B	Pressure hose		1	
2	N 106 198 01	Hose clamp	45-65X12	1	
3	N 106 199 01	Hose clamp	55-75X12	1	
4	8K0 145 805 E	Charge air cooler		1	
		No longer use the part here			
(4)	95B 145 805 A	Charge air cooler		1	
		also use:	95B 145 215	1	
5	N 907 315 03	Hexagon socket head panel bolt	TP6X25	1	
6	8R0 145 979 A	Pressure hose		1	
7	N 107 359 01	Clamp	60-80X12	1	
8	N 107 352 01	Spring band clamp	60X80X12	1	
9	8K0 145 673 AB	pressure pipe		1	
10	N 907 397 03	panel screw	5X22	2	
11	03G 906 051 E	Pressure sensor		1	
12	N 015 082 10	Hexagon collar nut	M6	3	
13	95B 145 993	Pressure hose		1	
14	N 107 359 01	Clamp	60-80X12	1	
15	N 106 199 01	Hose clamp	55-75X12	1	
16	95B 145 563 A	Seal	left	1	
		Charge air cooler			
17	95B 145 563	Seal	right	1	
		Charge air cooler			
18	059 145 731 CS	pressure pipe		1	CDUD
(18)	059 145 731 FT	pressure pipe		1	CTBA, CTBB, CTBC
19	059 145 737 A	Pressure hose		1	
20	N 107 349 01	Hose clamp	45-65X12	1	
21	N 107 356 01	Hose clamp	45-65X12	1	
22	N 104 056 04	Oval hexagon socket head bolt		2	
23	95B 145 215	Seal		1	

Model: 95B

Model life 2014>>



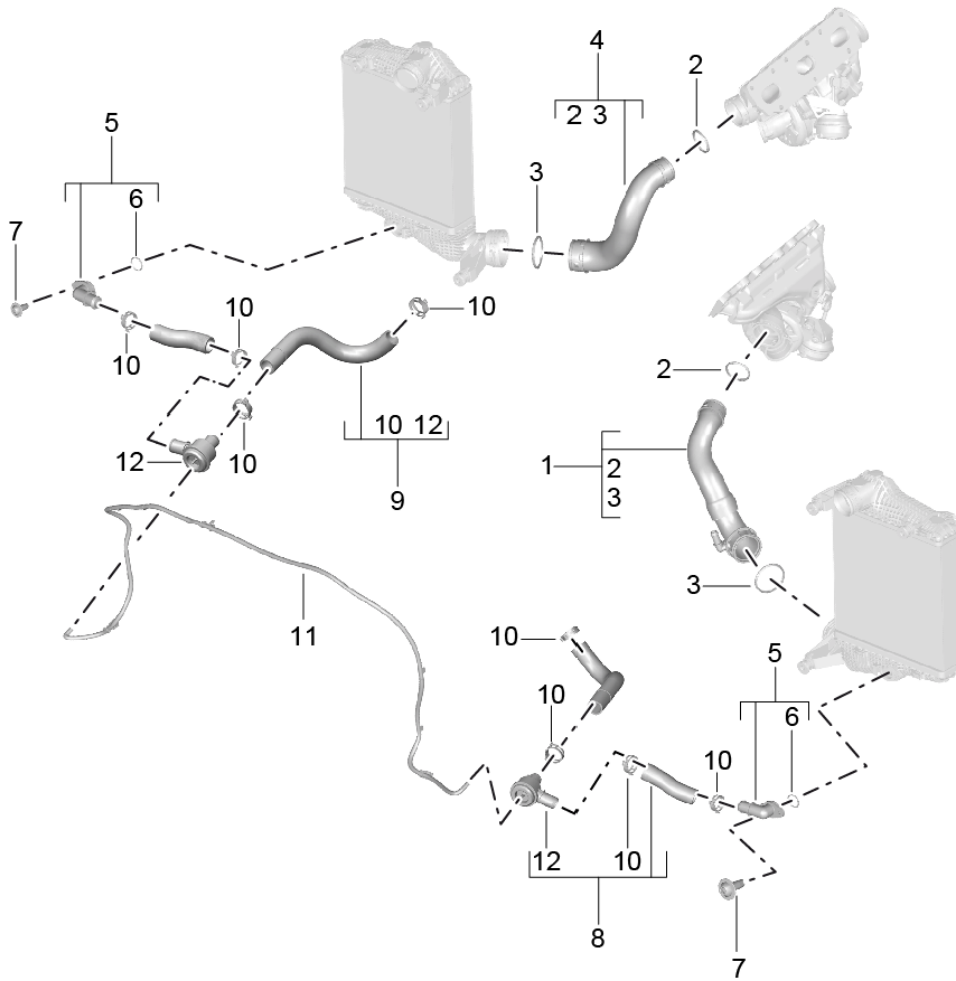
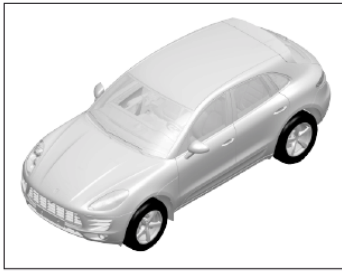
Model: 95B

Model life 2014>>

Pos	Part Number	Description	Remark	Qty	Model
		Charge air cooler pressure pipe			CNCC, CNC, CYNA, CYP, CYP, CYNB
1	8R0 145 790 A	Pressure hose		1	CNCC, CNC, CYNA
(1)	95B 145 790 A	Pressure hose		1	CYPA, CYP, CYNB
2	N 105 188 01	Hose clamp	40-60X12	1	
3	N 105 189 01	Hose clamp	50-70X12	1	
4	8K0 145 805 P	Charge air cooler		1	CNCC, CNC, CYNA
(4)	8K0 145 805 E	Charge air cooler		1	CYPA, CYP, CYNB
5	N 907 315 03	Hexagon socket head panel bolt	TP6X25	1	
6	95B 145 709	Pressure hose		1	CNCC, CNC, CYNA
(6)	95B 145 709 A	Pressure hose		1	CYPA, CYP, CYNB
7	N 107 358 01	Hose clamp	55-75X12	1	CNCC, CNC, CYNA
(7)	N 105 444 01	Hose clamp	60-80X12	1	CYNA, CYNB
8	N 107 357 01	Hose clamp	50-70X12	1	
9	8K0 145 673 AJ	pressure pipe		1	
10	03G 906 051 E	Pressure sensor		1	
11	N 907 397 03	panel screw		2	
12	8K0 129 955 A	pulsation damper		1	
13	050 129 669	Grommet		1	
14	058 145 824 A	Grommet		2	
15	8K0 145 832 B	Pressure hose pulsation damper		1	
16	N 103 132 01	Ear crimp hose clamp		1	
17	N 105 771 01	clamp		1	
18	N 015 082 10	Hexagon collar nut	M6	3	
19	8R0 145 993 C	Pressure hose		1	
20	N 105 444 01	Hose clamp	60-80X12	1	
21	N 107 357 01	Hose clamp	50-70X12	1	

Model: 95B

Model life 2014>>



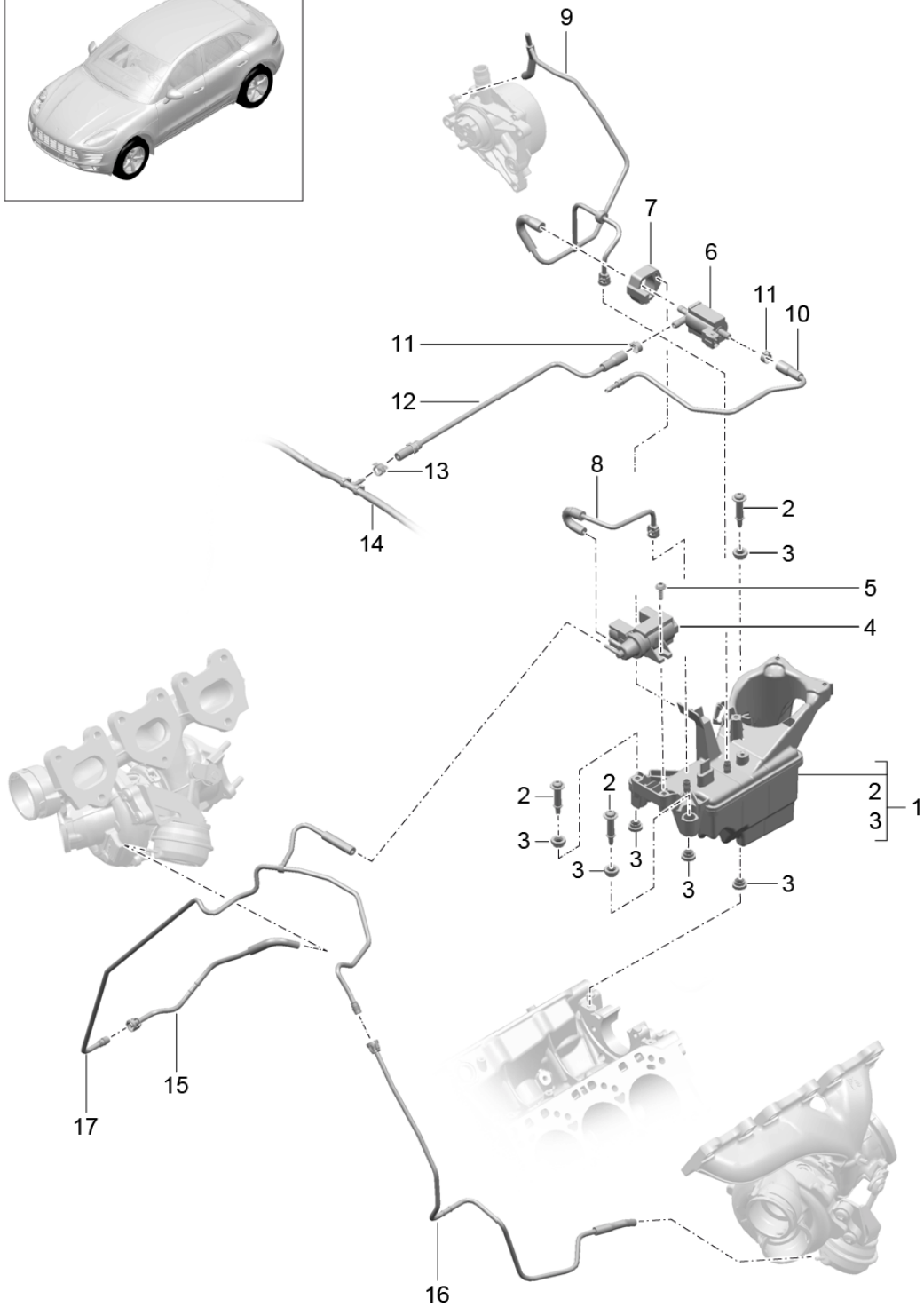
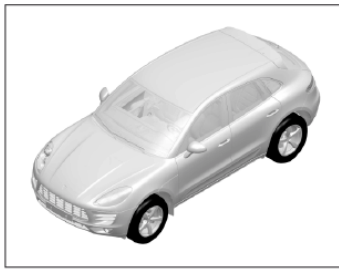
Model: 95B

Model life 2014>>

Pos	Part Number	Description	Remark	Qty	Model
		for models with charge air cooler			CTMA,CTM, CTLA,CTL, DCNA,DCN, DHKA,DHK
1	95B 145 833	pressure pipe			
		Pressure hose	left	1	
2	955 110 720 00	O-ring	43,95X3,5	2	
3	955 110 721 00	O-ring	58,05X3,55	2	
4	95B 145 834	Pressure hose	right	1	
5	95B 145 977	connection piece		2	
6	N 910 697 01	O-ring	26X2,5	2	
7	N 908 170 03	Hexagon socket head panel bolt	TP6X17	2	
8	95B 145 675	Control line	left	1	
9	95B 145 676	Control line	right	1	
10	N 906 871 01	Spring band clamp	32X12	8	
11	95B 145 693 B	Control line		1	
12	955 110 710 01	cut-off valve		2	

Model: 95B

Model life 2014>>



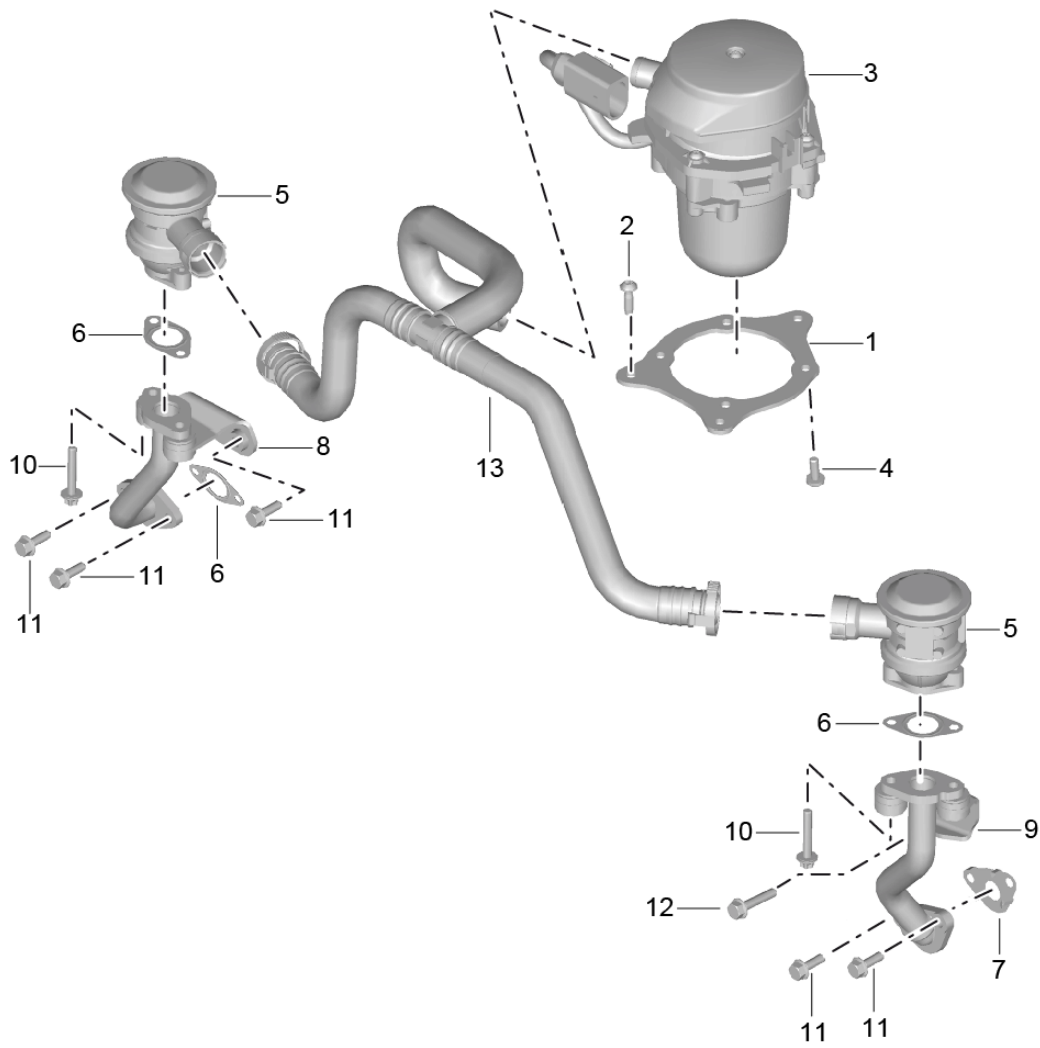
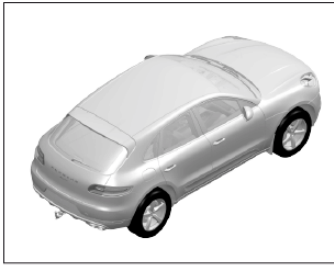
Model: 95B

Model life 2014>>

Pos	Part Number	Description	Remark	Qty	Model
		for models with charge air cooler			CTMA,CTM, CTLA,CTL, DCNA,DCN, DHKA,DHK
1	946 110 030 77	vacuum reservoir		1	
2	946 110 135 75	Securing element		3	
		with:			
3	946 110 134 75	guide sleeve		6	
4	946 605 155 00	Rubber bush		1	
5	999 919 283 01	Pressure converter		1	
5	999 919 283 01	Oval-head screw	6,0X18,0	2	
6	7PP 906 046	Change-over valve		1	
		Electric			
7	7PP 906 290	Bracket		1	
		for			
		Change-over valve			
8	946 110 360 76	Vacuum line		1	
9	946 110 358 77	Vacuum line		1	
10	946 110 324 76	Pressure line		1	
11	999 512 689 00	Hose clip	12,5-14,0	2	
12	946 110 394 75	Control line		1	
13	955 111 483 00	clamp	11,5X8,5	1	
14		Control line		1	
		see illustration, item:	107-080,11		
15	946 110 666 31	Control line		1	
16	946 110 668 32	Control line		1	
		D >> - 13.11.2016			
(16)	946 110 668 33	Control line		1	
		D - 14.11.2016>>			
17	946 110 669 32	Control line		1	

Model: 95B

Model life 2014>>



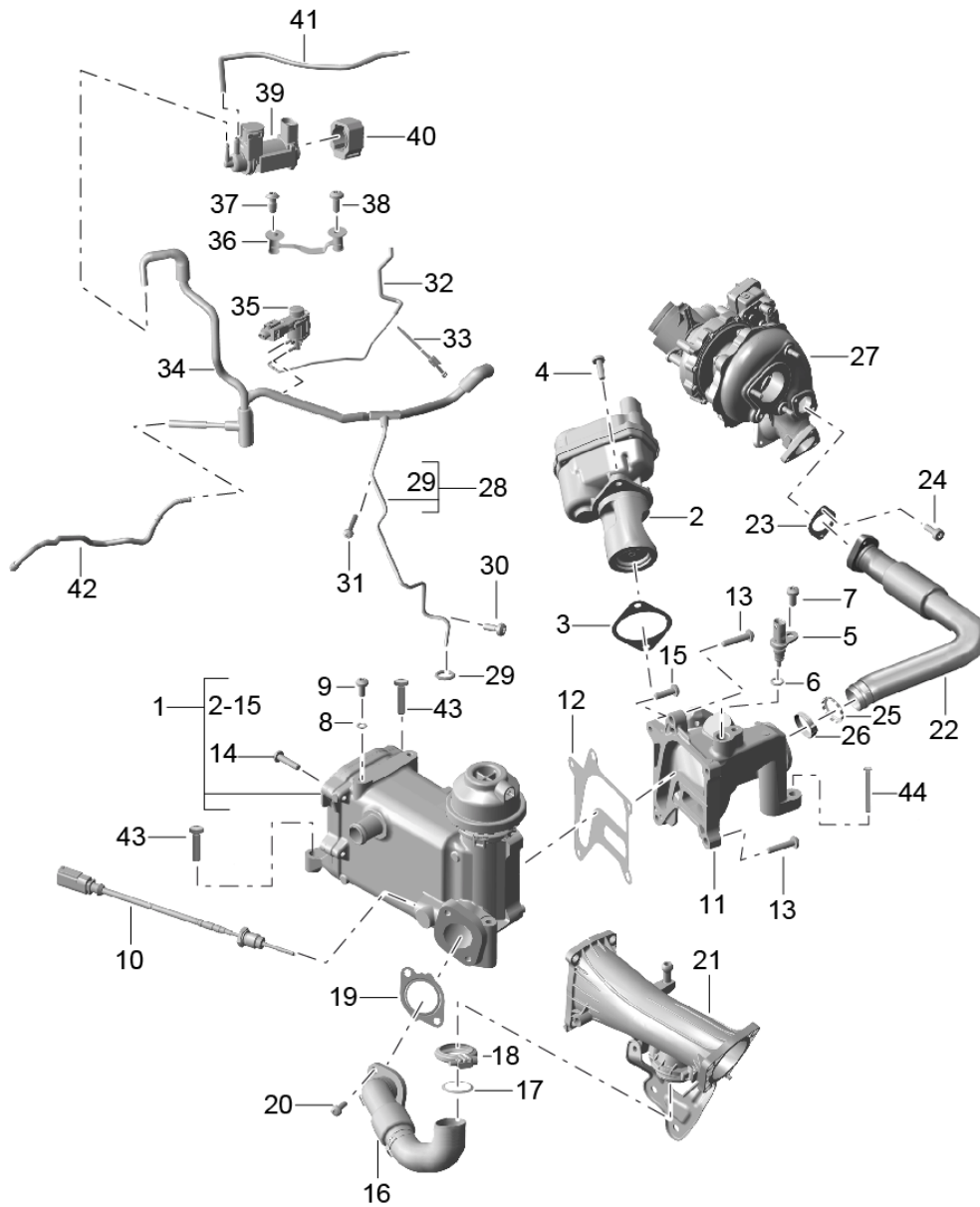
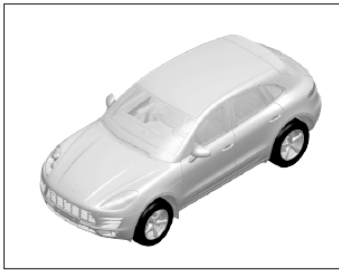
Model: 95B

Model life 2014>>

Pos	Part Number	Description	Remark	Qty	Model
		Secondary air pump			CTMA, CTM, CTLA, CTL, DCNA, DCN, DHKA, DHK
1	95B 131 337	Bracket		1	
2	N 104 734 02	round hd. screw	M6X20	3	
3	95B 959 253	Secondary air pump		1	
-	999 507 085 40	Clip		1	
		Connector housing			
		Secondary air pump			
4	N 104 514 05	Oval hexagon socket head bolt	M6X16	4	
5	997 113 203 71	Valve		2	
6	993 113 258 51	Seal		3	
7	95B 131 120	Seal		1	
8	946 113 131 31	Pipe	left	1	
9	946 113 132 31	Pipe	right	1	
10	900 385 019 01	Torx screw	BM6X20	4	
11	N 106 533 02	Hex collared bolt	M6X20	5	
12	N 107 176 01	Hex collared bolt	M6X32	1	
13	946 113 022 30	Pipe assembly (complete)		1	

Model: 95B

Model life 2014>>



Model: 95B

Model life 2014>>

Pos	Part Number	Description	Remark	Qty	Model
1	958 111 011 12	Exhaust gas recirculation vacuum system heat dissipator		1	CDUD, CTBA, CTBB, CTBC CDUD
(1)	958 111 011 13	Exhaust gas recirculation Discontinued part heat dissipator		1	CDUD
(1)	958 111 011 50	Exhaust gas recirculation heat dissipator		1	CTBA, CTBB, CTBC
(1)	958 111 011 60	Exhaust gas recirculation No longer use the part here heat dissipator		1	CTBA, CTBB, CTBC
(1)	958 111 011 70	Exhaust gas recirculation Discontinued part heat dissipator		1	CTBA, CTBB, CTBC
2	958 111 051 11	Exhaust gas recirculation exhaust recirculation valve		1	
(2)	958 111 051 30	No longer use the part here exhaust recirculation valve		1	CDUD
(2)	958 111 051 40	exhaust recirculation valve		1	CTBA, CTBB, CTBC
3	958 111 120 10	Seal		1	
(3)	958 111 120 11	No longer use the part here Seal		1	
4	N 101 243 06	Oval hexagon socket head bolt	M6X20	2	
5	958 606 623 20	Temperature sensor		1	
6	WHT 002 287 B	O-ring	5, 6X2	1	
7	N 106 507 01	Hexagon socket head bolt	M6X12	1	
8	N 013 804 2	seal ring	6X10	1	
9	N 104 056 04	Oval hexagon socket head bolt	M6X14	1	
10	958 606 688 20	Temperature sensor		1	
(10)	958 606 688 21	No longer use the part here Temperature sensor		1	
(10)	958 606 688 22	Discontinued part Temperature sensor		1	
11	958 111 223 00	valve housing		1	CDUD
12	958 111 599 00	Seal		1	CDUD
13	N 910 680 01	Hexagon socket flat head bolt	M6X28	2	CDUD
14	N 104 134 05	Hexagon socket flat head bolt	M6X25	7	CDUD
15	N 101 243 06	Oval hexagon socket head bolt	M6X20	3	CDUD
16	958 111 530 00	Connecting pipe		1	
17	958 111 547 10	Seal		1	
18	958 111 725 00	Clamp		1	
(18)	1K0 253 725 F	Discontinued part Clamp		1	
19	958 107 358 00	Seal		1	
(19)	958 107 358 10	D >> - MJ 2014 Seal		1	
20	N 101 243 06	D - MJ 2015>> Oval hexagon socket head bolt	M6X20	2	
21		Air guide housing		1	
22	958 111 525 00	see illustration, item: Connecting pipe	107-066,12	1	
(22)	958 111 525 01	discontinued part Connecting pipe		1	
23	958 107 358 10	Seal		1	
24	N 911 962 01	Hexagon socket head bolt	M6X16	2	
25	958 111 547 20	Seal		1	
26	958 111 548 04	Clamp		1	
		Discontinued part			

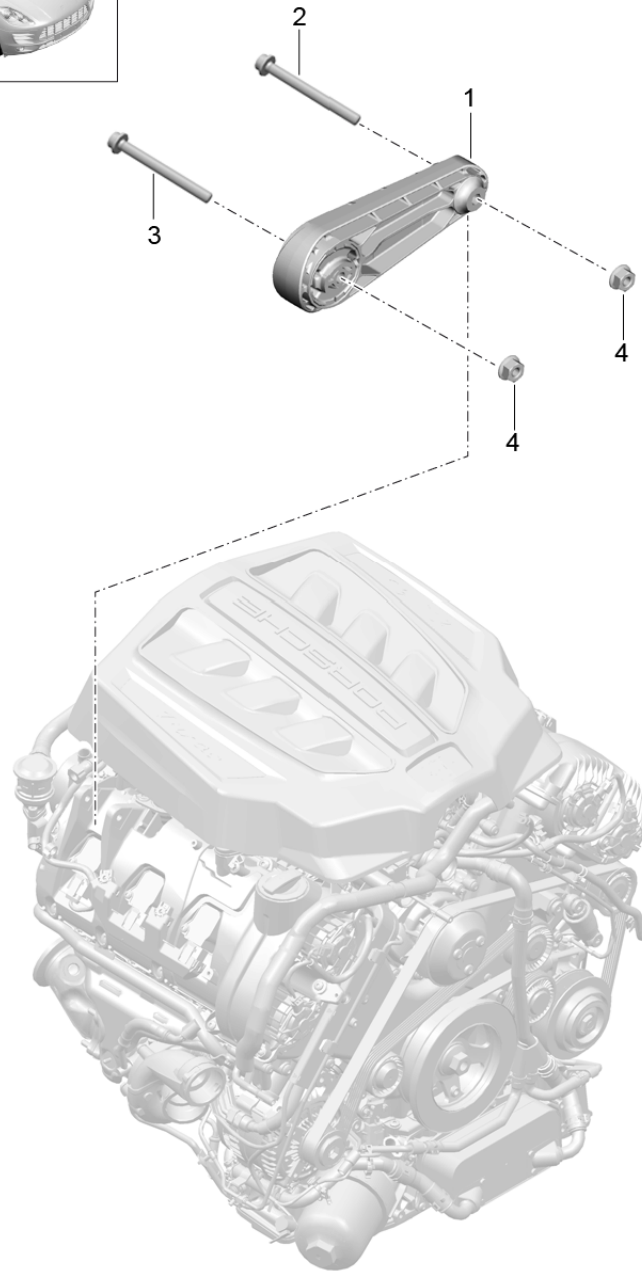
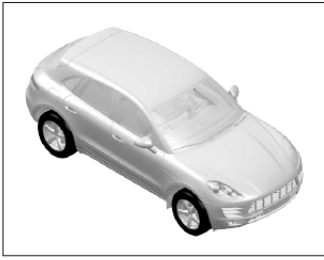
Model: 95B

Model life 2014>>

Pos	Part Number	Description	Remark	Qty	Model
(26)	958 111 548 05	Clamp		1	
27		Exhaust gas turbocharger see illustration, item:	202-020,1	1	
28	958 111 556 02	Vacuum line		1	
29	N 908 091 02	O-ring	16X2	1	
30	N 107 500 01	Hexagon socket flat head bolt	M6X16	1	
31	N 105 540 05	round hd. screw	M6X35	1	
32	958 111 492 00	Vacuum line		1	
33	958 606 838 50	Cable ties		X	
34	958 111 551 11	Vacuum line		1	
35	955 605 283 10	Change-over valve		1	
36	958 110 245 20	Retainer for valve		1	
37	N 107 214 01	oval hd. self-tapp fitt. screw	TP6X16	1	
38	N 104 056 04	Oval hexagon socket head bolt	M6X14	1	
39	958 606 627 00	Pressure converter		1	
40	958 606 629 00	Support		1	
41	958 111 492 11	Vacuum line		1	
42	059 131 055 M	Vacuum hose		1	
43	N 104 134 05	Hexagon socket flat head bolt	M6X25	2	
44	N 106 703 01	Oval hexagon socket head bolt	M6X55	2	

Model: 95B

Model life 2014>>



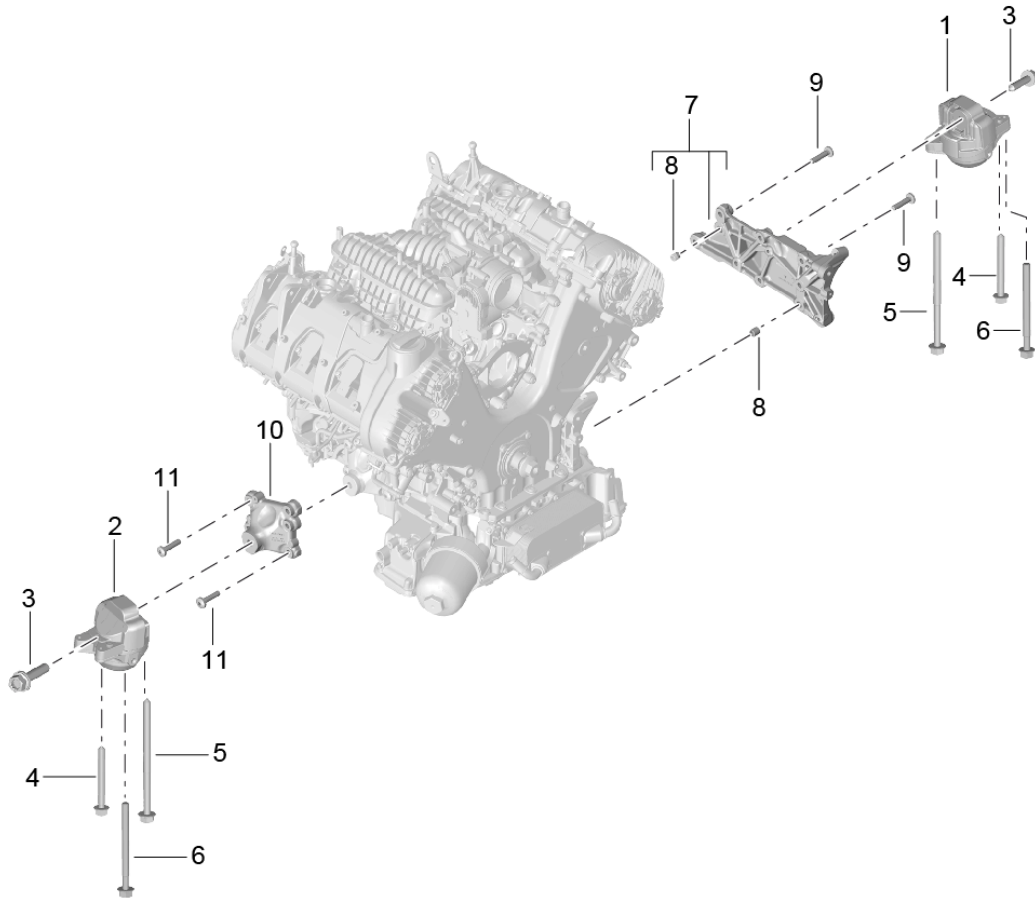
Model: 95B

Model life 2014>>

Pos	Part Number	Description	Remark	Qty	Model
		Engine lifting tackle Engine support			CTMA, CTM, CTLA, CTL, DCNA, DCN, DHKA, DHK
1	7PP 199 331 A	Support	upper also use: WHT 004 595 WHT 005 204 WHT 004 635	1 1 1 2	
2	WHT 004 595	Socket head bolt	M10X90 aluminium	1	
3	WHT 005 204	Socket head bolt	M10X80 aluminium	1	
4	WHT 004 635	Hexagon nut	M10	2	

Model: 95B

Model life 2014>>



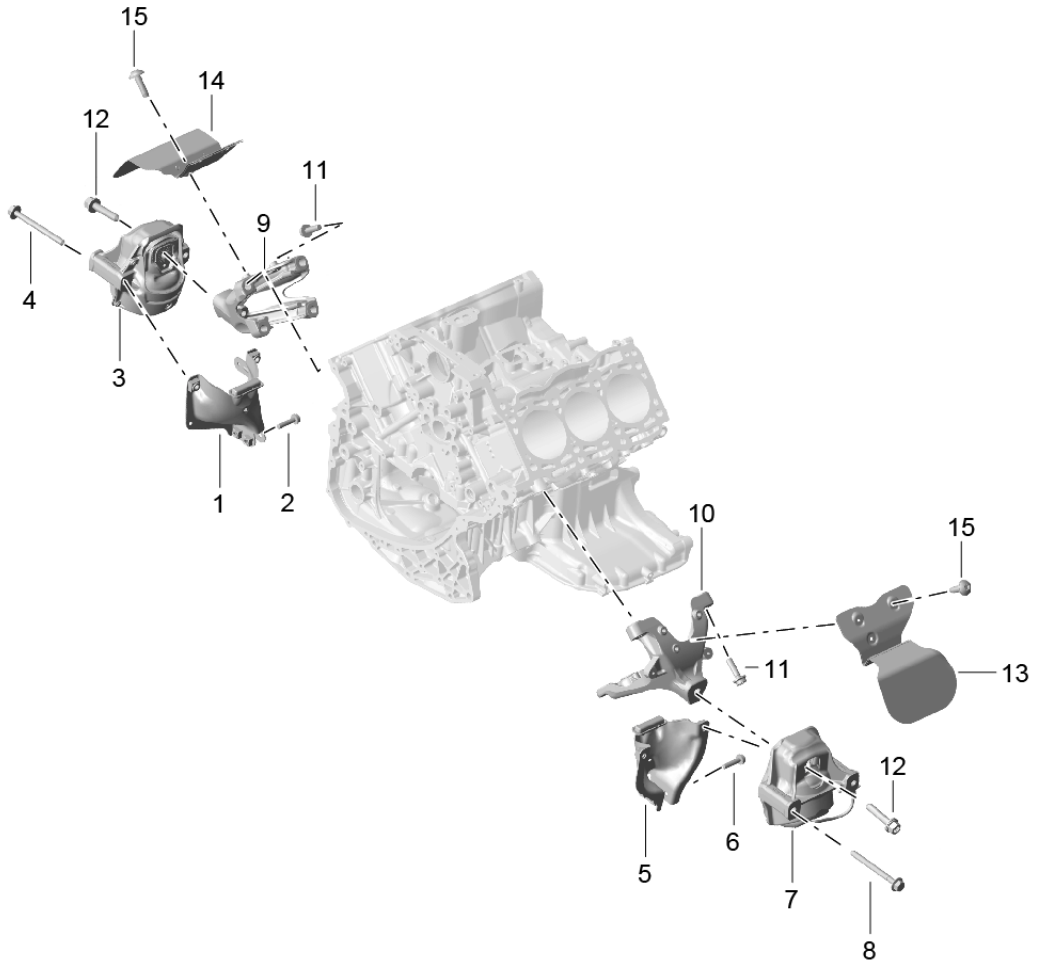
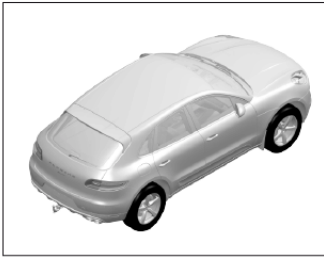
Model: 95B

Model life 2014>>

Pos	Part Number	Description	Remark	Qty	Model
		Engine lifting tackle engine mounting			CTMA,CTM, CTLA,CTL, DCNA,DCN, DHKA,DHK
1	946 375 057 31	engine mounting	left	1	
		also use:	N 911 489 01	1	
(1)	946 375 057 40	No longer use the part here engine mounting	left	1	
		also use:	N 911 489 01	1	
2	946 375 058 31	engine mounting	right	1	
		also use:	N 911 489 01	1	
(2)	946 375 058 40	No longer use the part here engine mounting	right	1	
		also use:	N 911 489 01	1	
3	N 911 489 01	multi-point socket head bolt with collar	M12X1,5X60	2	
4	N 910 734 02	Hex collared bolt	M8X75	2	
5	N 107 993 01	Hexagon bolt	BM8X125X80TC	2	
6	N 107 822 01	Hexagon bolt	M8X95	2	
7	946 102 025 30	Console for engine mounting	left	1	
8	999 095 066 00	dowel sleeve	M6X15	2	
9	999 073 460 01	flat round head bolt	M10X45	8	
10	946 115 211 31	Engine brackets	right	1	
11	999 073 460 01	flat round head bolt	M10X45	5	

Model: 95B

Model life 2014>>



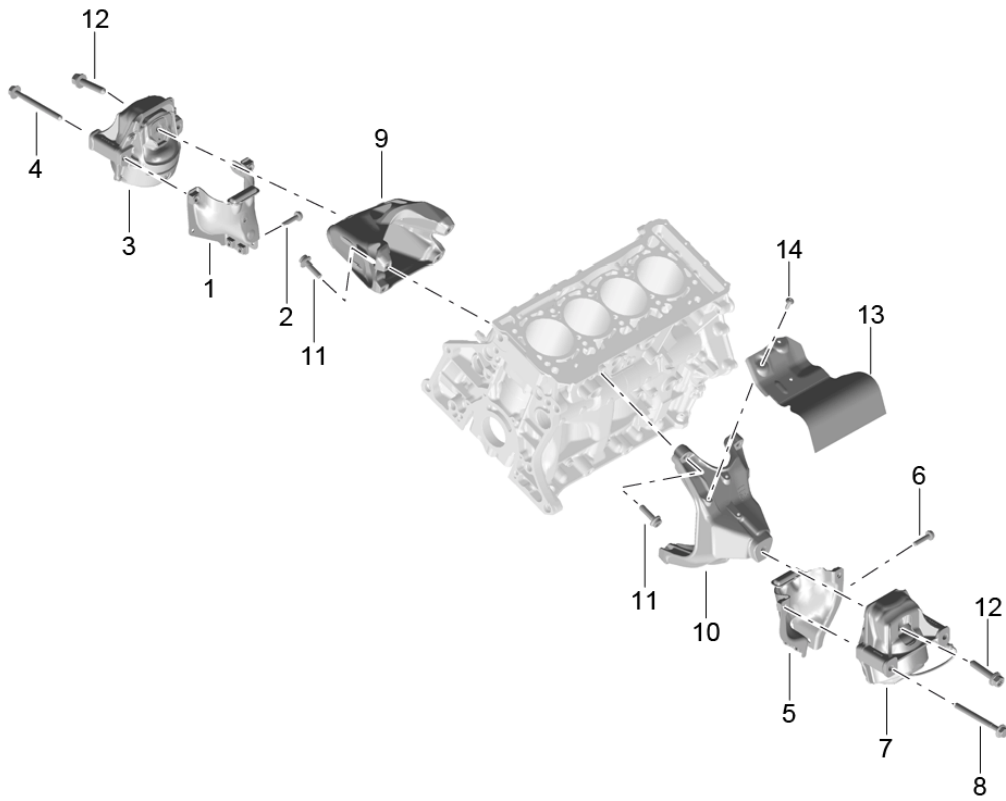
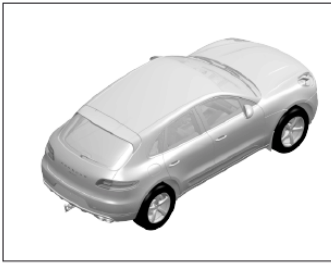
Model: 95B

Model life 2014>>

Pos	Part Number	Description	Remark	Qty	Model
		Engine lifting tackle	lower		CDUD,CTBA, CTBB,CTBC
1	8K0 399 059 F	Retaining plate	left	1	
		also use:	N 911 744 01	2	
2	N 911 744 01	Socket head bolt with inner multipoint head	M8X35	2	
3	8R0 199 381 Q	engine mounting	left	1	
		also use:	8R0 199 381 AA	1	
			8K0 199 307 BJ	1	
			4G0 199 308 K	1	
4	N 107 110 01	bolt, hex. hd. with shaft	N 911 489 01	2	
			M10X110X90	2	
5	8K0 399 060 L	Retaining plate	left	1	
		also use:	right	1	
6	N 911 744 01	Socket head bolt with inner multipoint head	N 911 744 01	2	
			M8X35	2	
7	8R0 199 381 AA	engine mounting	right	1	
		also use:	8R0 199 381 Q	1	
			8K0 199 307 BJ	1	
			4G0 199 308 K	1	
8	N 107 110 01	bolt, hex. hd. with shaft	N 911 489 01	2	
			M10X110X90	2	
9	8K0 199 307 BJ	Engine support	left	1	
		also use:	8R0 199 381 Q	1	
			8R0 199 381 AA	1	
			4G0 199 308 K	1	
10	4G0 199 308 K	Engine support	N 911 489 01	2	
			right	1	
		also use:	8R0 199 381 Q	1	
			8R0 199 381 AA	1	
			8K0 199 307 BJ	1	
			N 911 489 01	2	
(10)	4G0 199 308 AD	Discontinued part Engine support	right	1	
		also use:	8R0 199 381 Q	1	
			8R0 199 381 AA	1	
			8K0 199 307 BJ	1	
			N 911 489 01	2	
11	N 107 026 03	Socket head collared bolt with inner multipoint head	M10X35	8	
12	N 911 489 01	multi-point socket head bolt with collar	M12X1,5X60	2	
13	8K0 199 388 BD	Cover plate for rubber-metal bearing	right	1	
14	8K0 199 387 S	Cover plate for rubber-metal bearing	left	1	
15	N 107 254 01	Hexagon socket head collared bolt, thread forming	M6X20	6	

Model: 95B

Model life 2014>>



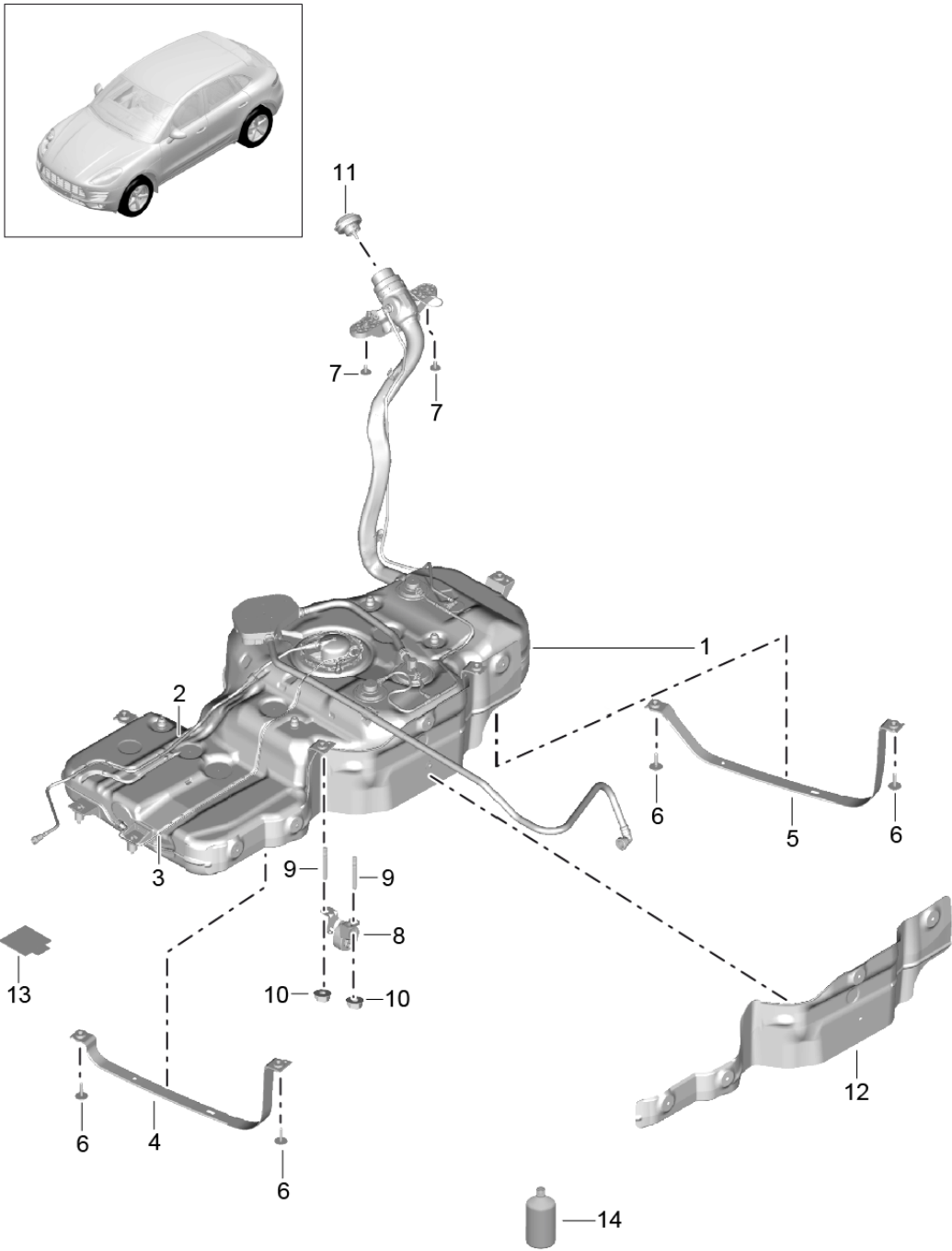
Model: 95B

Model life 2014>>

Pos	Part Number	Description	Remark	Qty	Model
		Engine lifting tackle	lower		CNCC, CNC, CYNA, CYPA, CYP, CYNB
1	8K0 399 059 H	Retaining plate	left	1	
		also use:			
2	N 911 744 01	Socket head bolt with inner multipoint head	N 911 744 01 M8X35	2	
3	8R0 199 381 C	engine mounting	left	1	
		also use:			
			8R0 199 381 AK	1	
			8K0 199 307 CB	1	
			8K0 199 308 CH	1	
4	N 107 110 01	bolt, hex. hd. with shaft M 10 X 110	N 911 489 01 M10X110X90	2	
5	8K0 399 060 L	Retaining plate	left	1	
		also use:			
6	N 911 744 01	Socket head bolt with inner multipoint head	right N 911 744 01 M8X35	2	
7	8R0 199 381 AK	engine mounting	right	1	
		also use:			
			8R0 199 381 C	1	
			8K0 199 307 BJ	1	
			8K0 199 308 CB	1	
			N 911 489 01	2	
8	N 107 110 01	bolt, hex. hd. with shaft	M10X110X90	2	
9	8K0 199 307 CB	Engine support	left	1	
		also use:			
			8R0 199 381 C	1	
			8R0 199 381 AK	1	
			8K0 199 308 CH	1	
			N 911 489 01	2	
10	8K0 199 308 CH	Engine support	right	1	
		also use:			
			8R0 199 381 C	1	
			8R0 199 381 AK	1	
			8K0 199 307 CB	1	
			N 911 489 01	2	
11	N 107 026 03	Socket head collared bolt with inner multipoint head	M10X35	8	
12	N 911 489 01	multi-point socket head bolt with collar	M12X1,5X60	2	
13	8K0 199 388 BN	Cover plate for rubber-metal bearing	right	1	
14	N 107 254 01	Hexagon socket head collared bolt, thread forming	M6X20	3	

Model: 95B

Model life 2014>>



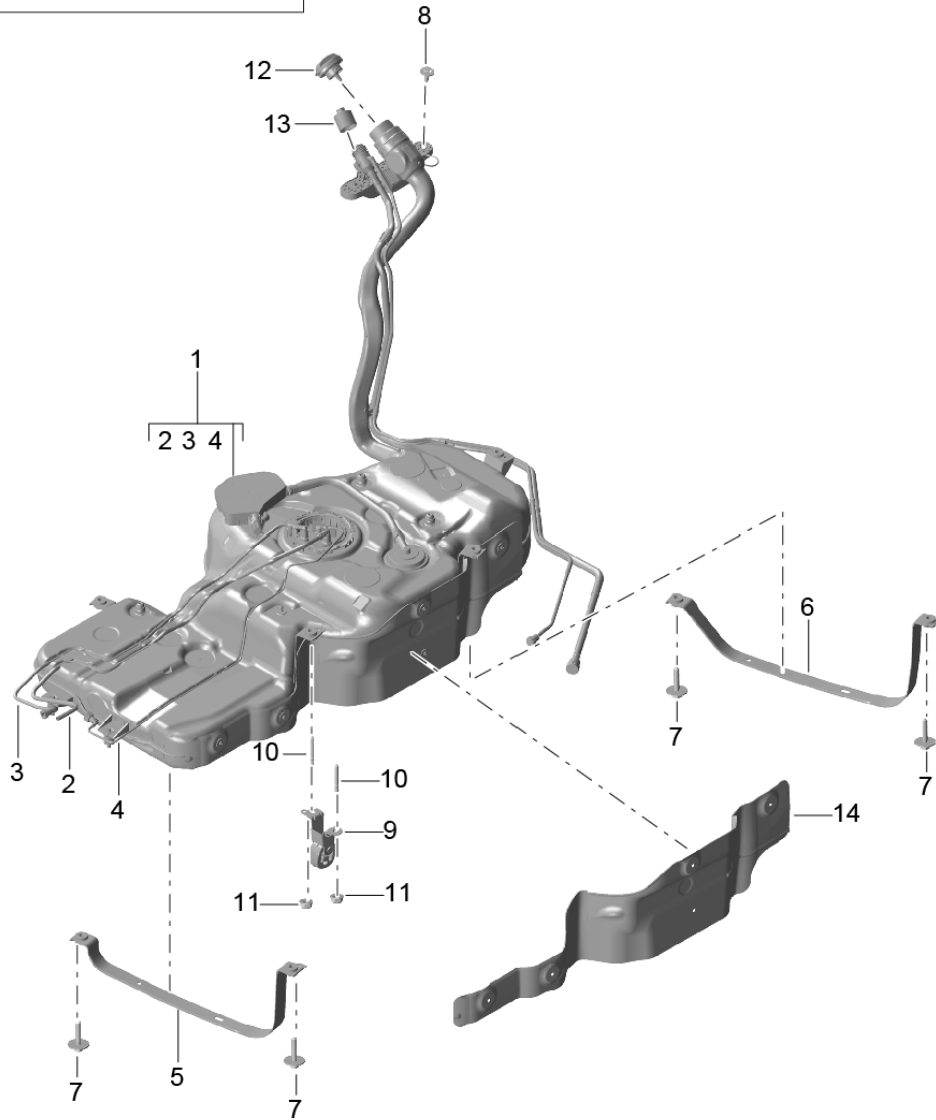
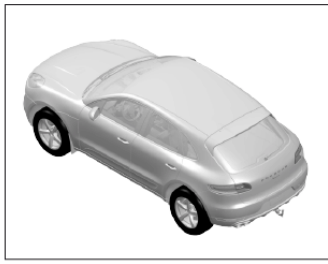
Model: 95B

Model life 2014>>

Pos	Part Number	Description	Remark	Qty	Model
		Fuel tank with: Accessories			CTMA,CTM, CTLA,CTL, CNCC,CNC, CYNA,CYPA, CYP,CYNB, DCNA,DCN, DHKA,DHK PR:2G1,0M6
1	95B 201 060 B	Fuel tank Discontinued part		1	
(1)	95B 201 060 E	Fuel tank		1	PR:2G1,2G7, 0M6
(1)	8R0 201 060 AH	fuel tank with attachments No longer use the part here		1	PR:2G1,0M2
(1)	8R0 201 060 AG	fuel tank with attachments		1	PR:2G1,2G7, 0M2
2	8R0 201 220 A	fuel pipe	feed	1	
-	N 107 162 01	Spacer ring		1	
3	8R0 261 238 F	Fuel line		1	PR:2G1,9M9, 9M1
4	8R0 201 653	tensioning strap Spreader rivet		1	
		only for:			
5	8R0 201 653 A	Assembly aid tensioning strap Spreader rivet		1	
		only for:			
6	N 911 591 01	Assembly aid hexagon head bolt (combi)	M8X40	4	
7	N 908 090 03	hexagon head bolt (combi)	M8X25	2	
8	8K0 253 144 F	Bracket		1	
9	999 061 408 01	Rear silencer Threaded pin		2	
10	N 023 003 16	Hexagon nut		2	
11	95B 201 550	cap with retaining strap for fuel tank		1	PR:2G1,2W0, 2G7
12	8R0 201 308 D	Heat shield		1	
-	N 911 851 01	Semi round bolt (combi) with hexagon socket head	M5X14	5	
13	8R0 201 963 A	Heat insulation		1	
14	000 043 206 89	Multi-purpose additive for Otto engine fuels 100 ML container		X	
(14)	000 043 209 02	Discontinued part Multi-purpose additive for Otto engine fuels 100 ML container		X	

Model: 95B

Model life 2014>>



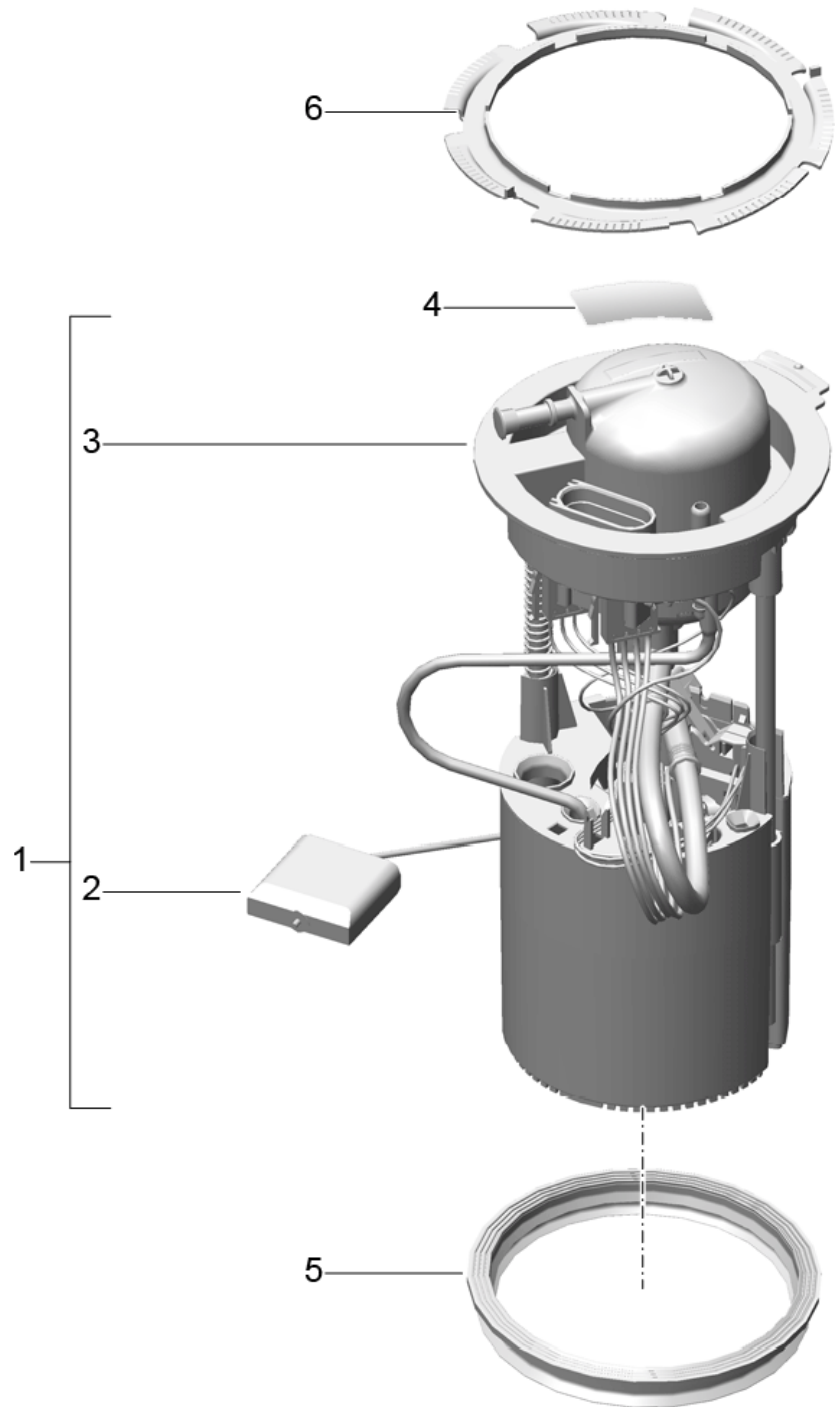
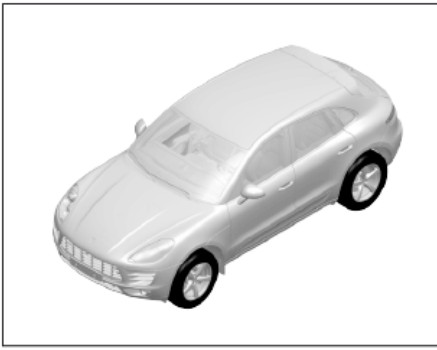
Model: 95B

Model life 2014>>

Pos	Part Number	Description	Remark	Qty	Model
1	95B 201 060	fuel tank with attachments Fuel tank		1	CDUD,CTBA, CTBB,CTBC CDUD+ PR:0M5,1E0
(1)	8R0 201 060 AA	fuel tank with attachments		1	CDUD+ PR:0M2,1E0
(1)	8R0 201 060 AB	No longer use the part here fuel tank with attachments		1	CDUD+ PR:0M2,1E0
(1)	95B 201 060 A	Fuel tank		1	CTBA,CTBB, CTBC+ PR:0M5,1E9
(1)	8R0 201 060 AC	fuel tank with attachments		1	CTBA,CTBB, CTBC+ PR:0M2,1E9
(1)	8R0 201 060 AD	No longer use the part here fuel tank with attachments		1	CTBA,CTBB, CTBC+ PR:0M2,1E9
2	8R0 201 220 C	fuel pipe	feed	1	
3	8R0 201 227 A	fuel pipe	return	1	
4	8R0 261 238 E	Fuel line		1	PR:9M9,9M1
5	8R0 201 653	tensioning strap Spreader rivet		1	
		only for:			
6	8R0 201 653 A	Assembly aid tensioning strap Spreader rivet		1	
		only for:			
7	N 911 591 01	Assembly aid hexagon head bolt (combi)		4	
8	N 908 090 03	hexagon head bolt (combi)	M8X25	2	
9		Bracket		1	
		see illustration, item:	202-050,10		
10	999 061 408 01	Threaded pin		2	
11	N 023 003 16	Hexagon nut		2	
12	95B 201 550 A	cap with retaining strap for fuel tank		1	CDUD+ PR:2W0,-1E9
(12)	95B 201 550 D	cap with retaining strap for fuel tank		1	CTBA,CTBB, CTBC+ PR:2W0,1E9
13	4L0 131 980 C	End cap		1	CTBA,CTBB, CTBC+ PR:1E9
14	8R0 201 308 D	Heat shield		1	
-	N 911 851 01	Semi round bolt (combi) with hexagon socket head	M5X14	5	

Model: 95B

Model life 2014>>



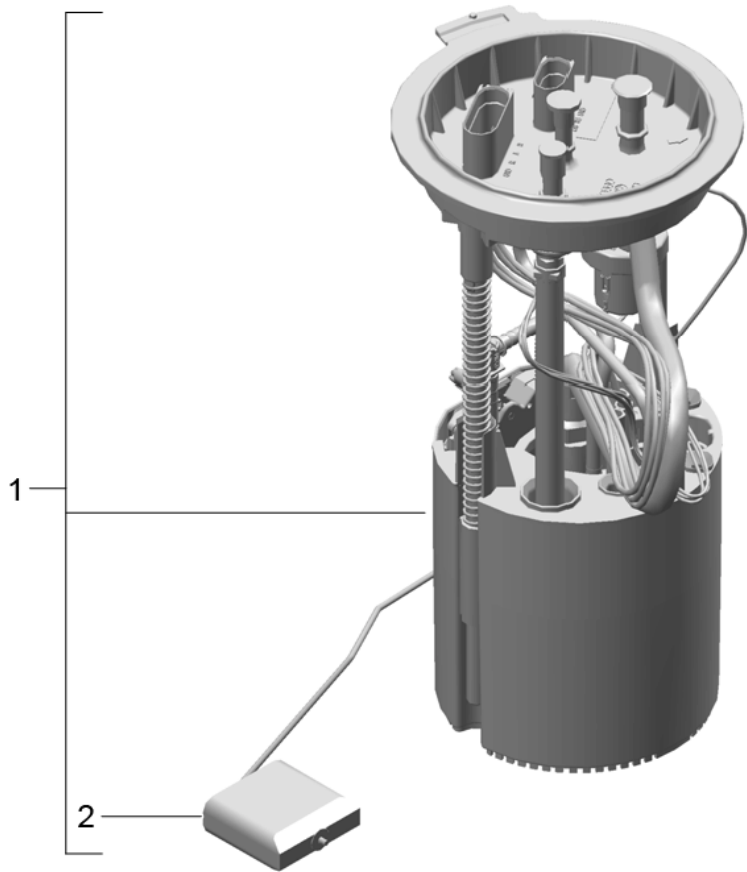
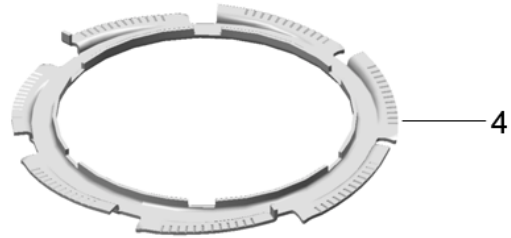
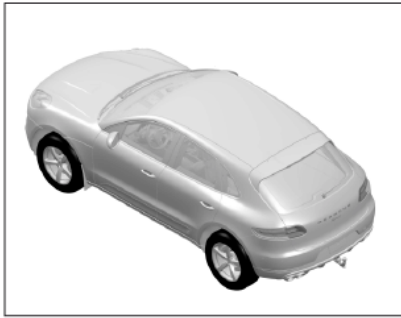
Model: 95B

Model life 2014>>

Pos	Part Number	Description	Remark	Qty	Model
		Fuel pump (complete)			CTMA,CTM, CTLA,CTL, CNCC,CNC, CYNA,CYPA, CYP,CYNB, DCNA,DCN, DHKA,DHK PR:2G1,9M0
1	8R0 919 051 F	Fuel delivery unit and sender for fuel gauge		1	
		with: suction jet pump	9A7 863 385 00	1	
(1)	8R0 919 051 H	Fuel delivery unit and sender for fuel gauge		1	PR:2G4,2G7, 9M0
		with: suction jet pump			
(1)	95B 919 051	No longer use the part here Fuel pump		1	PR:2G4,2G7, 9M0
		with: suction jet pump			
(1)	8R0 919 051 G	Fuel delivery unit and sender for fuel gauge		1	PR:2G1,9M1, 9M9
		with: suction jet pump	9A7 863 385 00	1	
		also use:			
(1)	8R0 919 051 J	Fuel delivery unit and sender for fuel gauge		1	PR:2G7,9M1, 9M9
		with: suction jet pump			
(1)	95B 919 051 A	No longer use the part here Fuel pump		1	PR:2G7,9M1, 9M9
		with: suction jet pump			
		also use:	9A7 863 385 00	1	
2	8R0 919 673 D	Sender for fuel gauge		1	PR:2G1
(2)	8R0 919 673 F	Sender for fuel gauge		1	PR:2G4,2G7
3	8R0 919 679	Flange with fuel filter		1	PR:2G1,2G4, 9M0
(3)	8R0 919 679 E	No longer use the part here Flange with fuel filter		1	PR:2G1,2G4, 9M0
		also use:	9A7 863 385 00	1	
(3)	8R0 919 679 A	Flange with fuel filter		1	PR:2G1,9M1, 9M9
(3)	8R0 919 679 D	No longer use the part here Flange with fuel filter		1	PR:2G1,9M1, 9M9
		also use:	9A7 863 385 00	1	
4	9A7 863 385 00	Adhesive film		1	
5	1K0 919 133 D	seal ring discontinued part		1	PR:2G1
(5)	9A7 919 133 40	Seal		1	PR:2G1
(5)	1J0 919 133 B	seal ring discontinued part		1	PR:2G4
(5)	9A7 919 133 20	Seal		1	PR:2G4
6	955 201 623 01	Union nut		1	

Model: 95B

Model life 2014>>



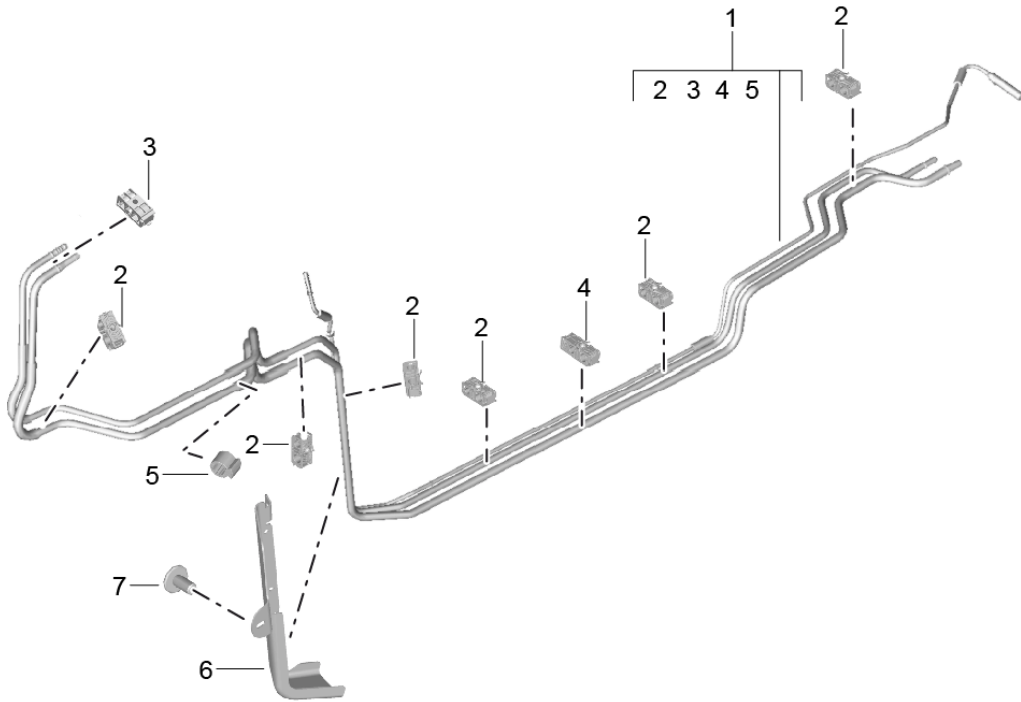
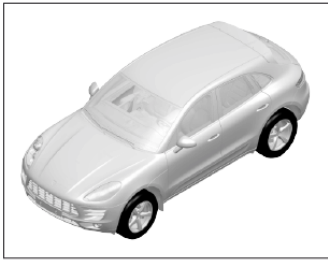
Model: 95B

Model life 2014>>

Pos	Part Number	Description	Remark	Qty	Model
1	8R0 919 050 D	Fuel pump (complete) Fuel delivery unit and sender for fuel gauge		1	CDUD, CTBA, CTBB, CTBC PR: 9M0
		with:			
(1)	95B 919 050	suction jet pump No longer use the part here Fuel pump		1	PR: 9M0
		with:			
(1)	8R0 919 050 E	suction jet pump Fuel delivery unit and sender for fuel gauge		1	PR: 9M1, 9M9
		with:			
(1)	95B 919 050 A	suction jet pump No longer use the part here Fuel pump		1	PR: 9M1, 9M9
		with:			
2	8R0 919 673 D	suction jet pump Sender for fuel gauge		1	PR: 2G0
(2)	8R0 919 673 F	Sender for fuel gauge		1	PR: 2G4, 2G7
3	1K0 919 133 D	seal ring		1	
4	955 201 623 01	Union nut		1	

Model: 95B

Model life 2014>>



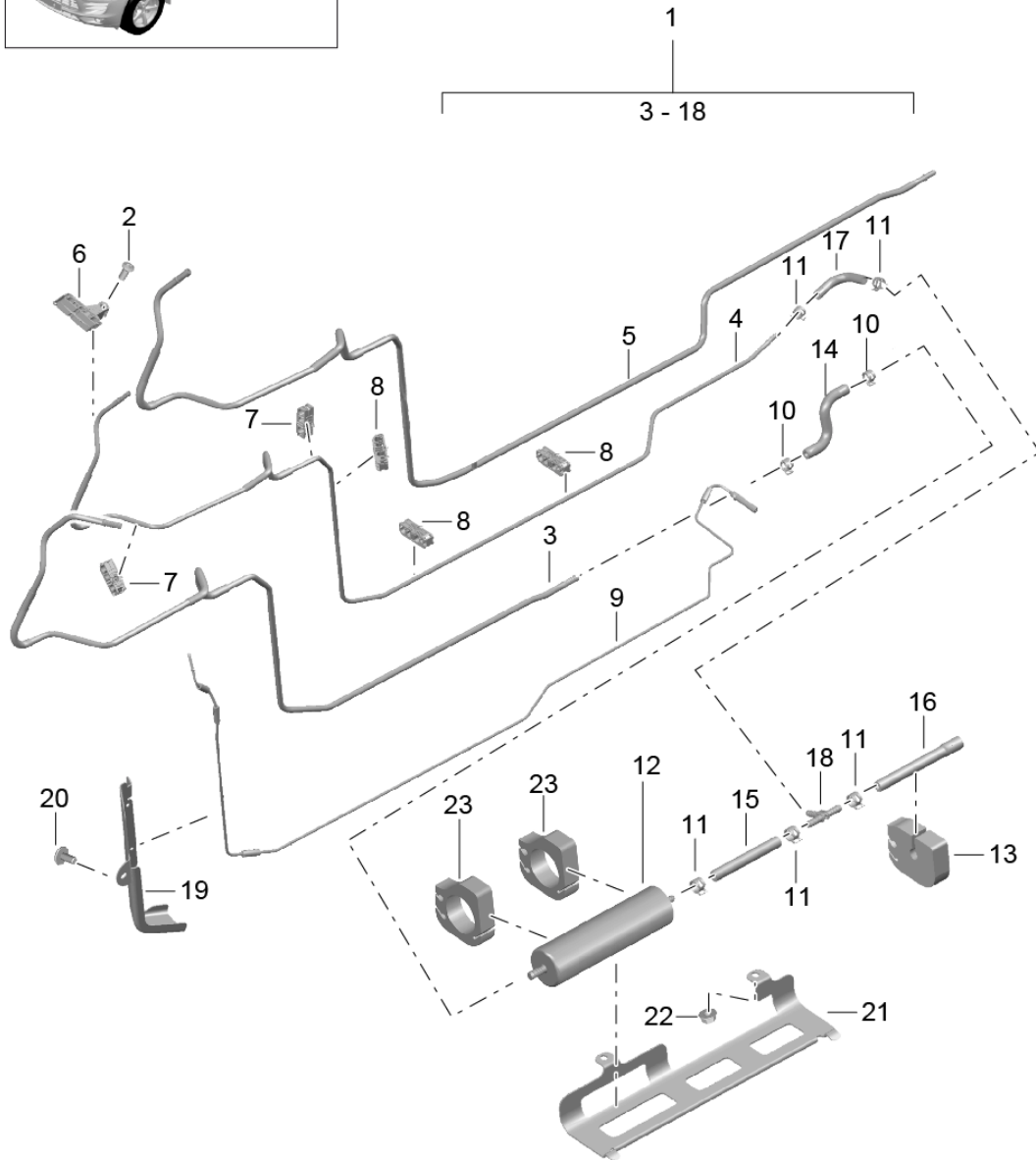
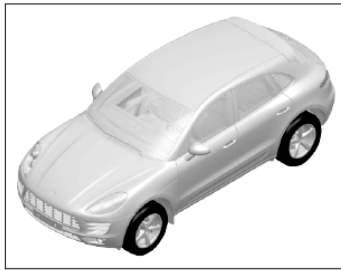
Model: 95B

Model life 2014>>

Pos	Part Number	Description	Remark	Qty	Model
		Fuel system Fuel line Underbody			CTMA, CTM, CTLA, CTL, DCNA, DCN, DHKA, DHK PR: 9M0
1	95B 201 544 G	Fuel line (complete) No longer use the part here		1	
(1)	95B 201 544 AA	Fuel line (complete)		1	PR: 9M0
(1)	95B 201 544 F	Fuel line (complete) No longer use the part here		1	PR: 9M1, 9M9
(1)	95B 201 544 R	Fuel line (complete)		1	PR: 9M1, 9M9
2	8K0 201 190 H	Securing clip		6	PR: 9M0
(2)	8K0 201 190 H	Securing clip		2	PR: 9M1, 9M9
3	95B 201 190	Securing clip		1	PR: 9M0
(3)	95B 201 190	Securing clip		1	PR: 9M1, 9M9
4	8K0 201 190 F	Securing clip		4	PR: 9M1, 9M9
5	958 110 722 40	Distance piece		1	
6	8R0 201 192 B	Protective plate		1	
7	N 104 065 05	Oval hexagon socket head bolt	M6X12	3	

Model: 95B

Model life 2014>>

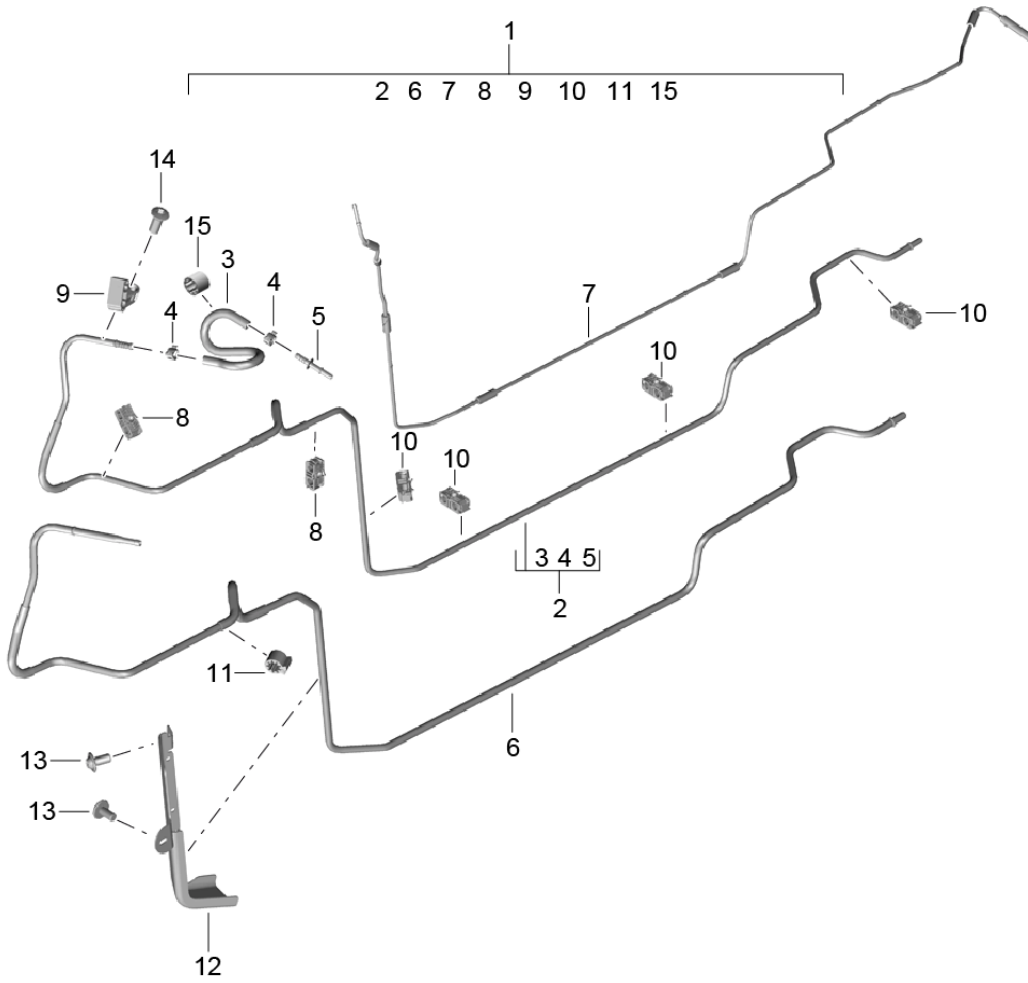
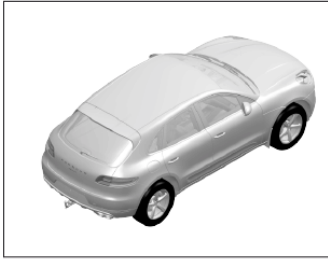


Model: 95B Model life 2014>>

Pos	Part Number	Description	Remark	Qty	Model
1	95B 201 544 E	Fuel system Fuel line Underbody Fuel line (complete) No longer use the part here		1	CDUD, CTBA, CTBB, CTBC PR: 9M1, 9M9
(1)	95B 201 544 Q	Fuel line (complete)		1	PR: 9M1, 9M9
(1)	95B 201 544 D	Fuel line (complete) No longer use the part here		1	PR: 9M0
(1)	95B 201 544 T	Fuel line (complete)		1	PR: 9M0
2	4D0 201 834 C	Cover cap		1	PR: 9M0
3	95B 201 545 B	Fuel line No longer use the part here		1	
(3)	95B 201 545 E	Fuel line		1	
4	95B 201 533	return line No longer use the part here		1	
(4)	95B 201 533 A	return line		1	
5	95B 201 547	return line No longer use the part here		1	
(5)	95B 201 547 A	return line		1	
6	8K0 201 449 AH	Securing clip		1	
7	8K0 201 190 D	Securing clip		2	PR: 9M1, 9M9
(7)	8K0 201 190 D	Securing clip		6	PR: 9M0
8	8K0 201 190 G	Securing clip		3	PR: 9M0
9	95B 261 191	Fuel line		1	PR: 9M1, 9M9
10	955 201 479 00	Hose clamp		2	
11	N 909 865 01	Spring band clamp		5	
12	8R0 127 400 A	Fuel filter		1	
		with:			
		Securing element		2	
		Discontinued part			
(12)	8T0 127 401 A	Fuel filter		1	
		without:			
		Securing element		2	
13	8R0 201 196 G	rubber support ring		1	
14	8R0 201 541 R	Fuel hose		1	
15	8R0 201 541 L	Fuel hose		1	
16	8R0 201 541 Q	Fuel hose		1	
17	8R0 201 543 J	Fuel hose		1	
18	4H0 201 346	t-piece		1	
19	8R0 201 192 B	Protective plate		1	
20	N 104 065 05	Oval hexagon socket head bolt	M6X12	3	
21	8R0 201 710 B	Retaining plate Fuel filter		1	
22	N 015 082 10	Hexagon collar nut	M6	2	
23	8R0 201 196 H	rubber support ring		2	

Model: 95B

Model life 2014>>



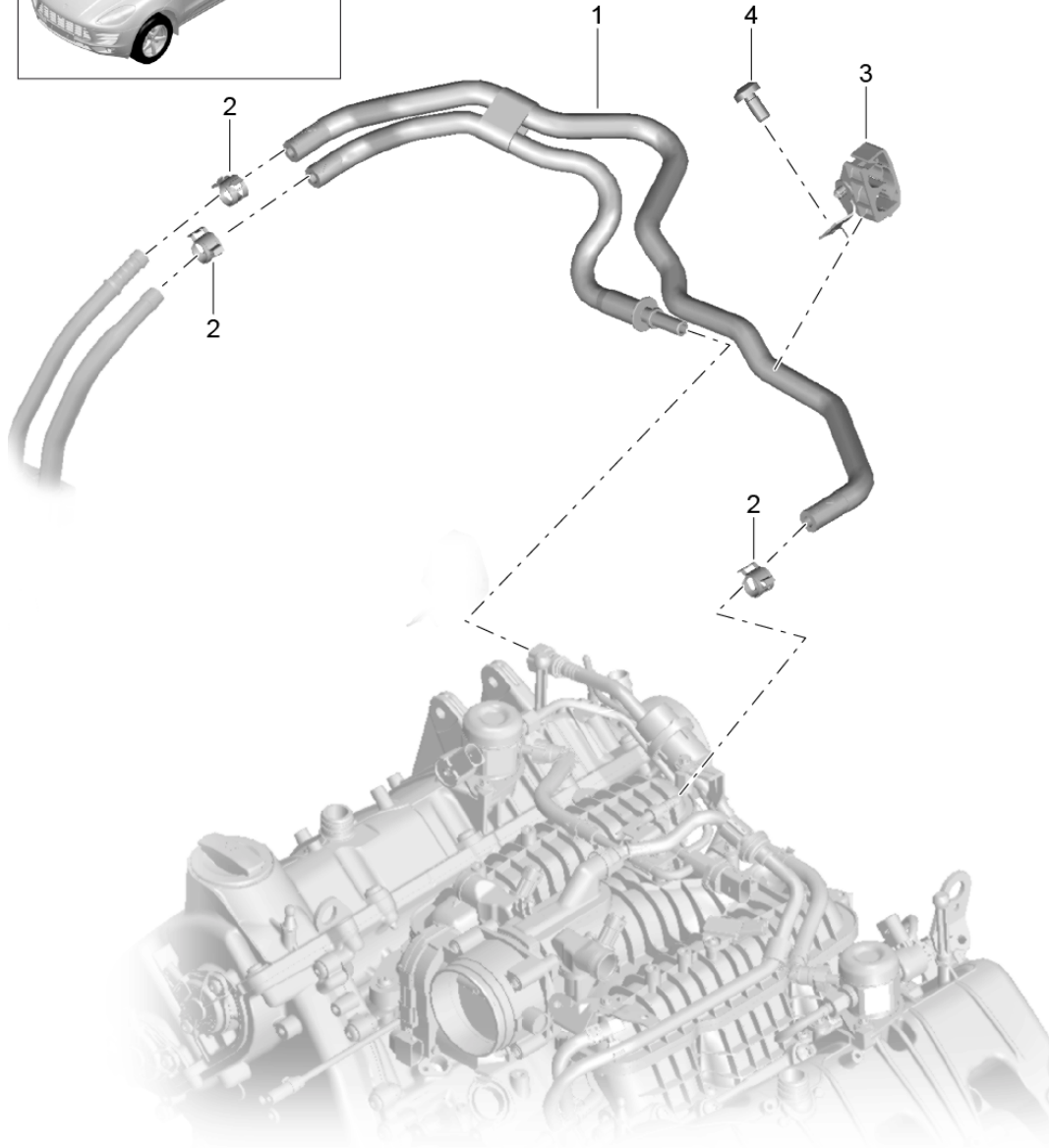
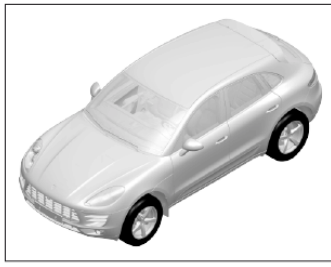
Model: 95B

Model life 2014>>

Pos	Part Number	Description	Remark	Qty	Model
1	95B 201 544 H	Fuel system Fuel line Underbody Fuel line (complete) No longer use the part here		1	CNCC , CNC , CYNA , CYPA , CYP , CYNB PR : 9M0
(1)	95B 201 544 AB	Fuel line (complete) No longer use the part here		1	PR : 9M0
(1)	95B 201 544 AD	Fuel line (complete) No longer use the part here		1	PR : 9M0
(1)	95B 201 544 AE	Fuel line (complete) No longer use the part here		1	PR : 9M0
(1)	95B 201 544 P	Fuel line (complete) No longer use the part here		1	PR : 9M1 , 9M9
(1)	95B 201 544 S	Fuel line (complete) No longer use the part here		1	PR : 9M1 , 9M9
(1)	95B 201 544 AC	Fuel line (complete) also use:	POS.15	1	
2	95B 201 545 C	Fuel line No longer use the part here		1	
(2)	95B 201 545 F	Fuel line No longer use the part here		1	
(2)	95B 201 545 G	Fuel line No longer use the part here		1	
(2)	95B 201 545 H	Fuel line with:		1	
3	95B 201 903	Distance piece Fuel hose		1	
4	N 909 865 01	Spring band clamp		2	
5	95B 201 583	Coupling element		1	
6	95B 201 991 A	Breather line		1	
7	95B 261 191 G	Fuel line		1	PR : 9M1 , 9M9
8	8K0 201 190 H	Securing clip		2	PR : 9M1 , 9M9
(8)	8K0 201 190 H	Securing clip		6	PR : 9M0
9	8R0 201 449 B	Securing clip		1	
10	8K0 201 190 F	Securing clip		4	PR : 9M1 , 9M9
11	958 110 722 40	Distance piece		1	
12	8R0 201 192 B	Protective plate		1	
13	N 104 065 05	Oval hexagon socket head bolt	M6X12	3	
14	4D0 201 834 C	Cover cap		1	
15	N 105 195 01	Spacer ring		1	

Model: 95B

Model life 2014>>



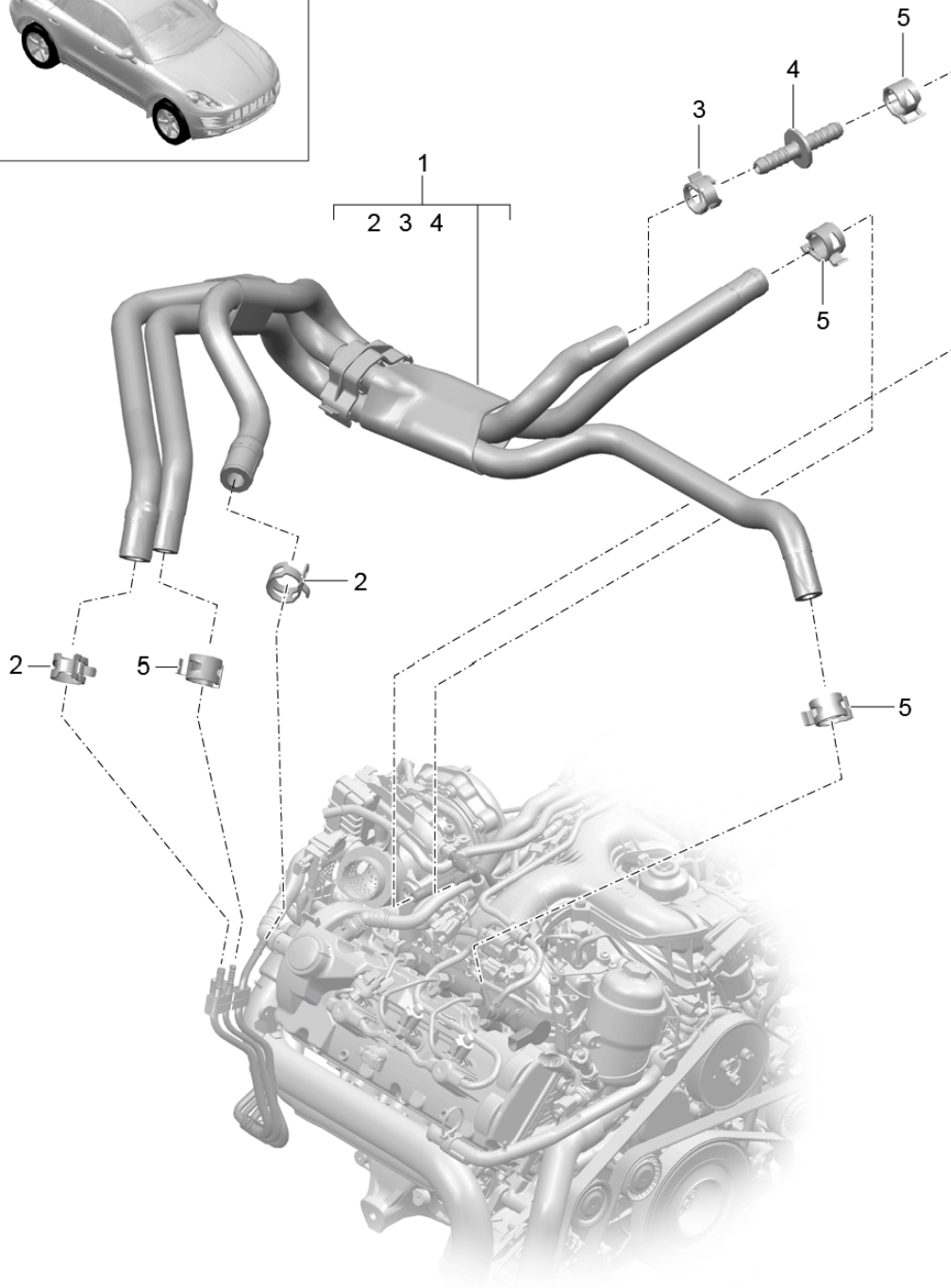
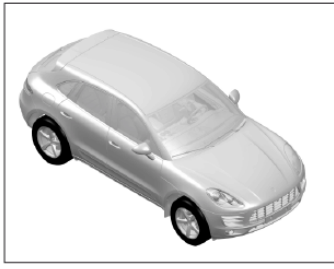
Model: 95B

Model life 2014>>

Pos	Part Number	Description	Remark	Qty	Model
		Fuel system Fuel line Engine bay			CTMA, CTM, CTLA, CTL, DCNA, DCN, DHKA, DHK
1	95B 130 295 A	Fuel line (complete) Discontinued part		1	
(1)	95B 130 295 B	Fuel line (complete) Discontinued part		1	
(1)	95B 130 295 C	Fuel line (complete)		1	
(1)	95B 130 295 D	No longer use the part here Fuel line (complete)		1	
2	N 906 867 01	Spring band clamp No longer use the part here	also use: N 909 865 01 14X12	3 3	
(2)	N 909 865 01	Spring band clamp	14,5X12	3	
3	95B 133 095	Retainer for fuel line D >> - MJ 2014		1	
(3)	95B 133 095 A	Retainer for fuel line D - MJ 2015>>		1	
4	N 103 352 07	Hexagon socket flat head bolt, self-locking	M6X12	1	

Model: 95B

Model life 2014>>



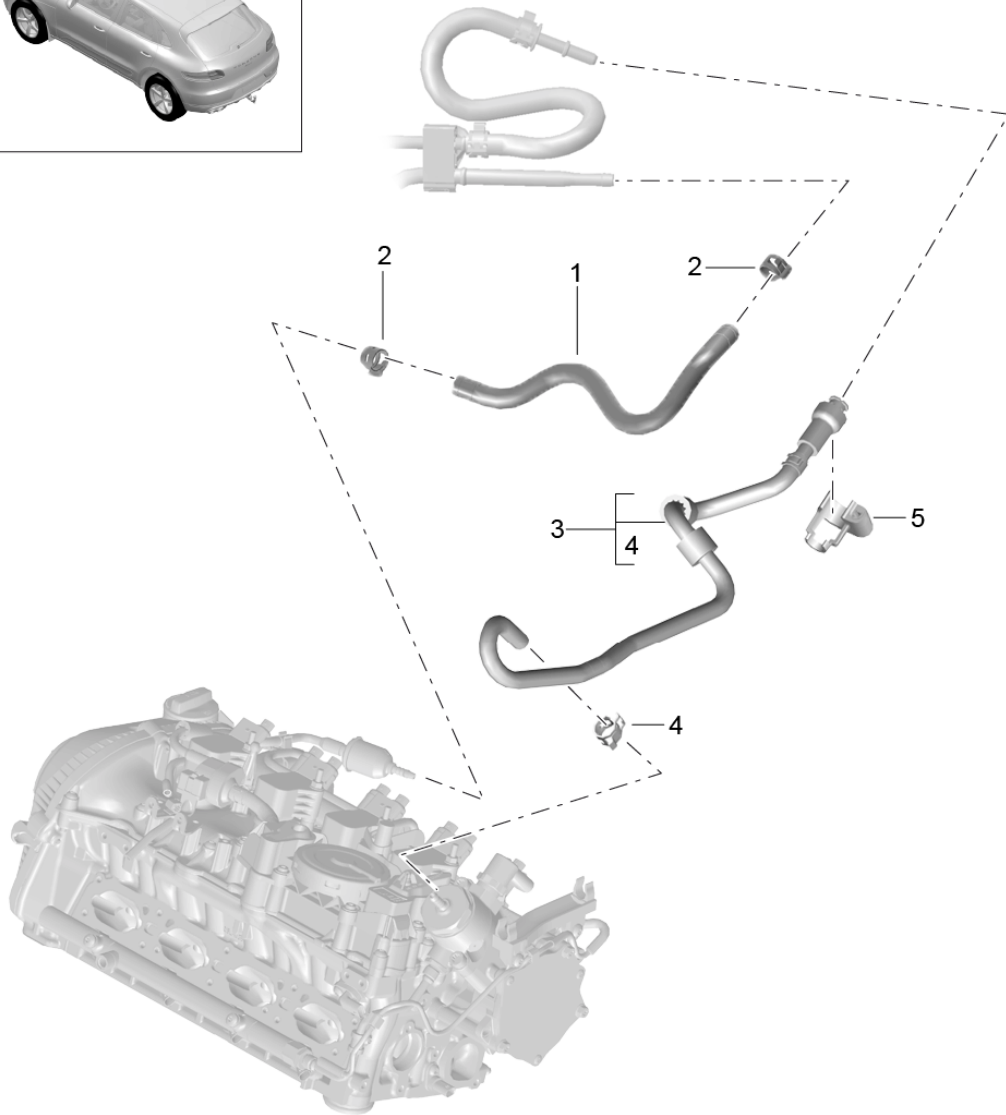
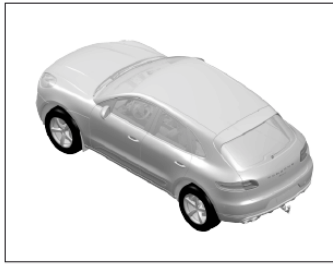
Model: 95B

Model life 2014>>

Pos	Part Number	Description	Remark	Qty	Model
1	95B 201 214 A	Fuel system Fuel line Engine bay 1 set of fuel lines (complete)		1	CDUD, CTBA, CTBB, CTBC
2	955 201 479 00	Hose clamp	16X12	2	
3	N 910 203 01	Spring band clamp	14,5X12	1	
4	958 110 539 00	Double socket		1	
5	N 909 865 01	Spring band clamp	14,5X12	4	

Model: 95B

Model life 2014>>



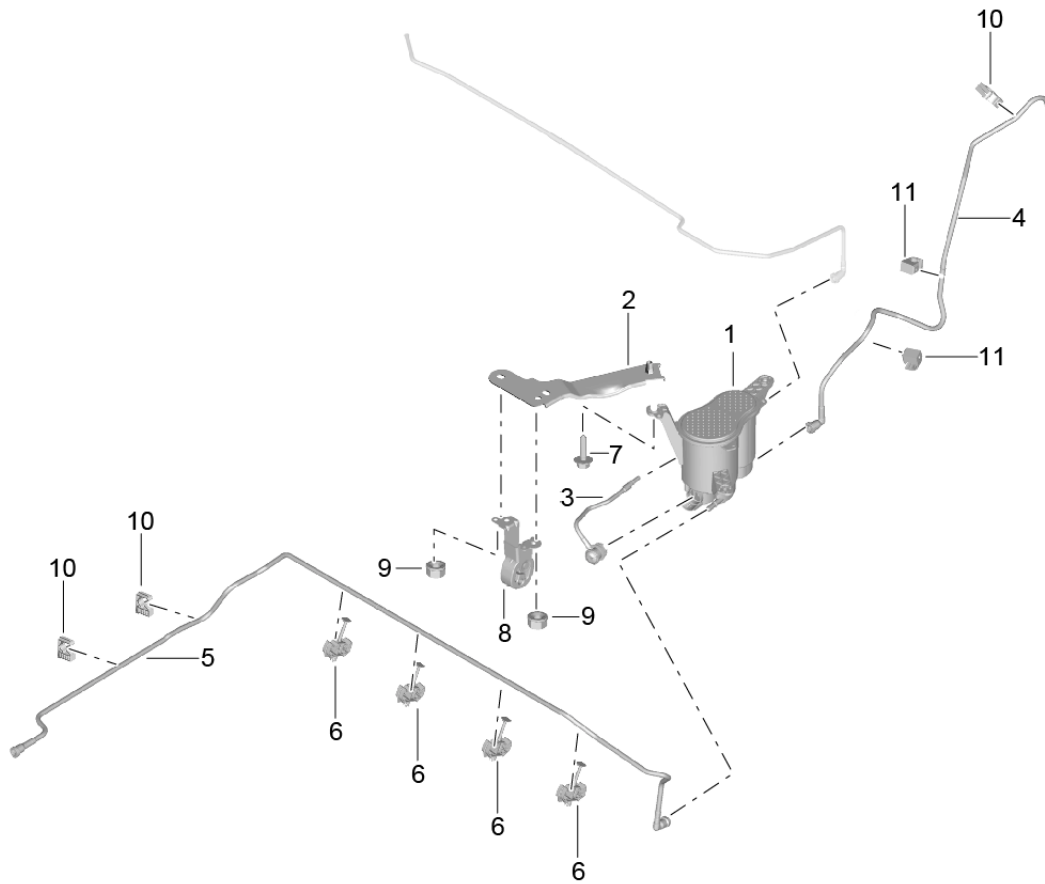
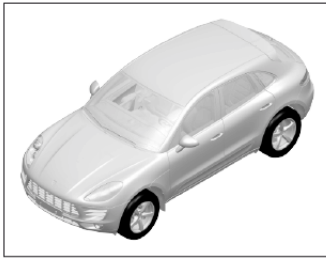
Model: 95B

Model life 2014>>

Pos	Part Number	Description	Remark	Qty	Model
		Fuel system			CNCC, CNC,
		Fuel line			CYNA, CYPA,
		Engine bay			CYP, CYNB
1	8K0 201 994 BB	Vent hose		1	
2	N 909 865 01	Spring band clamp	14,5X12	2	
3	958 133 986 20	Fuel line		1	
		Discontinued part			
(3)	958 133 986 30	Fuel line		1	
4	N 909 865 01	Spring band clamp	14,5X12	1	
5	95B 201 449 A	Retainer for fuel line		1	

Model: 95B

Model life 2014>>



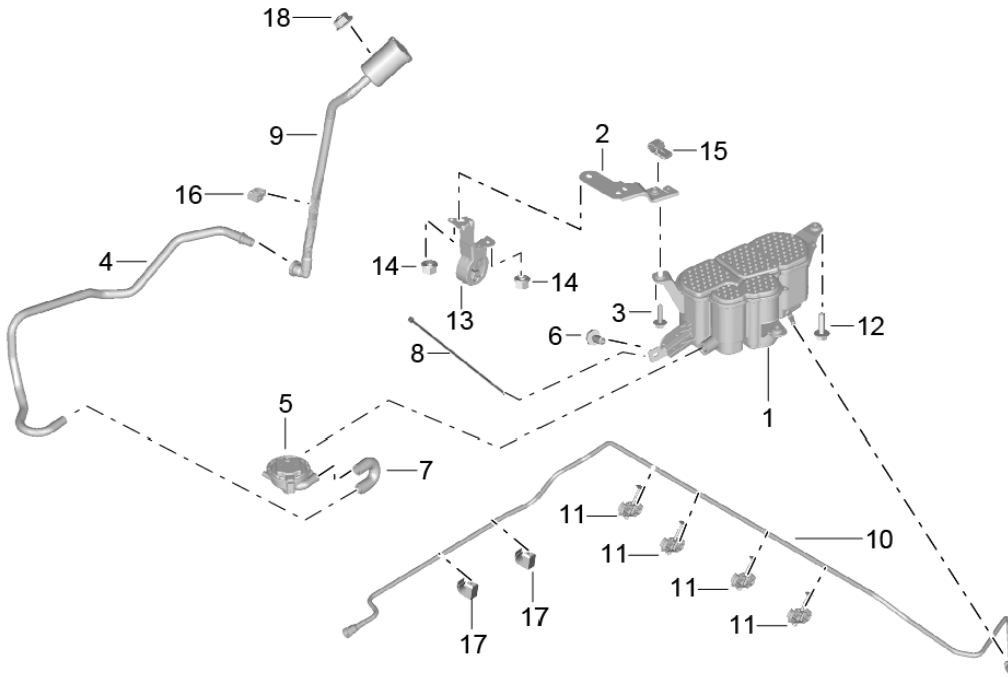
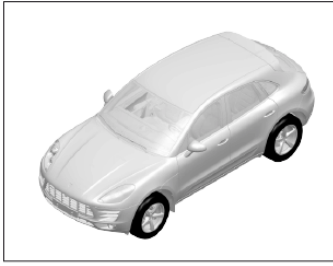
Model: 95B

Model life 2014>>

Pos	Part Number	Description	Remark	Qty	Model
		Activated charcoal container			CTMA,CTM, CTLA,CTL, CNCC,CNC, CYNA,CYPA, CYP,CYNB, DCNA,DCN, DHKA,DHK+ PR:2G1,2G7
1	8K0 201 801 B	Activated charcoal container No longer use the part here		1	
(1)	8K0 201 799 G	Activated charcoal container		1	
2	8R0 201 827 D	Bracket		1	
3	8K0 201 160 A	breather tube with kombi valve * single parts no available *	8K0 201 799 G	1	
		alternatively, you can use: No longer use the part here			
4	95B 201 997	Breather line		1	
5	8R0 201 991 F	Breather line		1	
6	8K0 201 449 Q	Securing clip		4	
7	N 106 266 02	Hex collared bolt	M8X30	2	
8		Bracket see illustration, item:	202-050,10	1	
9	N 103 401 03	Hexagon collar nut	M8	2	
10	1H9 609 738 A	Clip		3	
11	8K0 201 449 R	Bracket		2	

Model: 95B

Model life 2014>>



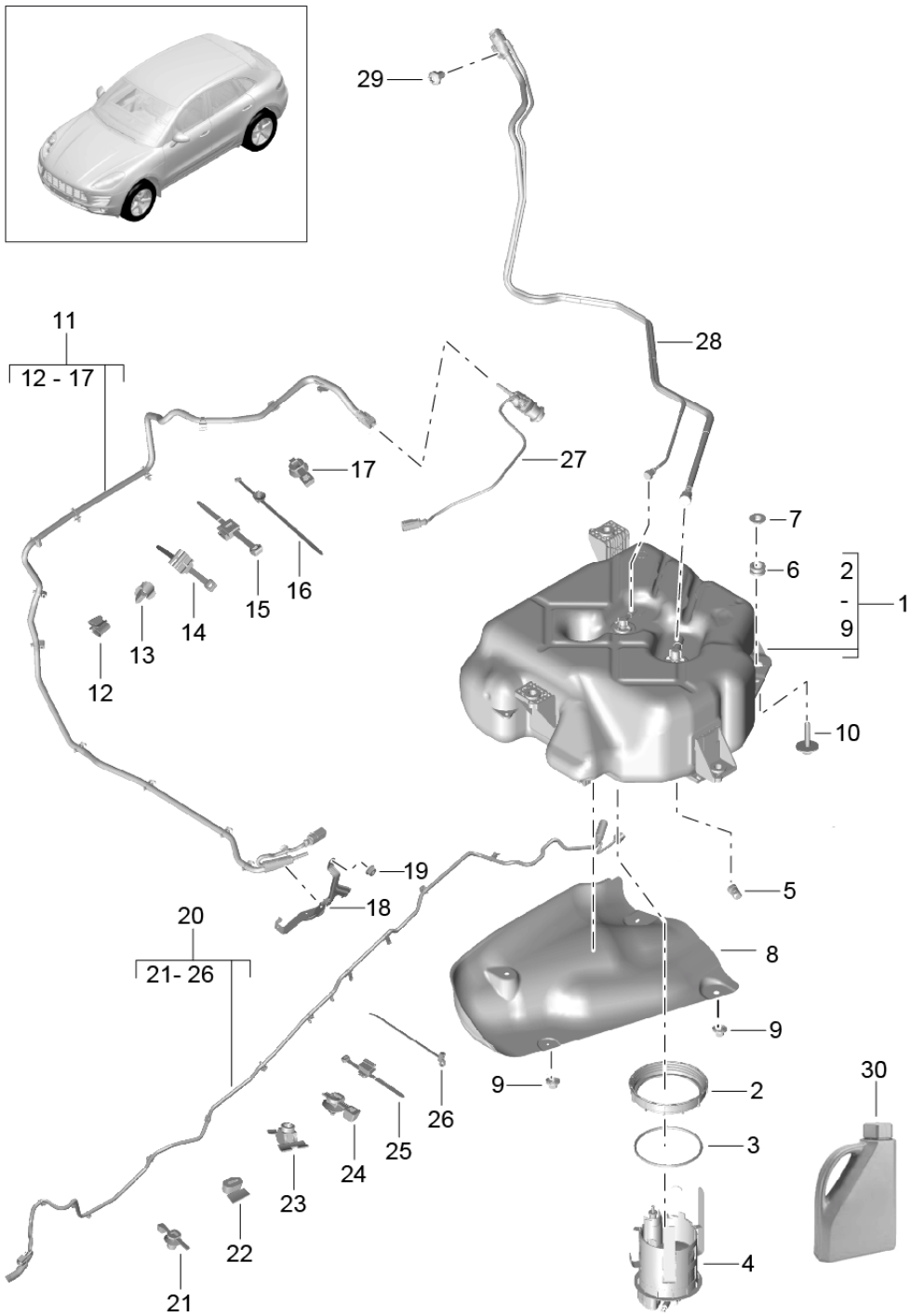
Model: 95B

Model life 2014>>

Pos	Part Number	Description	Remark	Qty	Model
		Activated charcoal container			CTMA,CTM, CTLA,CTL, CYNA,CYNB, DCNA,DCN, DHKA,DHK+ PR:2G4
1	8K0 201 801 C	Activated charcoal container		1	
2	8R0 201 827 A	Bracket		1	
3	N 106 266 02	Hex collared bolt		1	
4	8R0 201 997 K	Breather line		1	
5	8K0 906 253 J	Pressure switch		1	
6	N 106 336 03	Hexagon socket oval head bolt		3	
(6)	N 908 249 02	No longer use the part here oval head panel screw	5X14-Q	3	
7	8K0 906 272 K	Hose		1	
8	N 106 478 01	Cable ties		1	
9	95B 201 997 A	Breather line		1	
		with: filter element			
(9)	95B 201 997 B	No longer use the part here Breather line		1	
		with: filter element			
(9)	95B 201 997 D	No longer use the part here Breather line		1	
		with: filter element			
10	8R0 201 991 E	Breather line		1	
11	8K0 201 449 Q	Securing clip		4	
12	N 106 266 02	Hex collared bolt	M8X30	2	
13		Bracket		1	
		see illustration, item:	202-050,10		
14	N 103 401 03	Hexagon collar nut		2	
15	1K0 121 093 AQ	Hose bracket		1	
16	8J0 201 449 E	Bracket		2	
17	1H9 609 738 A	Clip		4	
18	N 015 082 10	Hexagon collar nut	M6	1	

Model: 95B

Model life 2014>>



Model: 95B Model life 2014>>

Pos	Part Number	Description	Remark	Qty	Model
		Exhaust gas treatment system			CTBA, CTBB, CTBC+ PR: 2G0, 1E9
1	8R0 131 877 N	Reduction agent tank		1	
(1)	9A7 131 877 00	Urea solution AdBlue Discontinued part container		1	
2	8R0 131 975	Urea solution AdBlue Union nut		1	
3	8K0 131 357	O-ring		1	
4	8R0 131 969 C	Delivery module for urea solution AdBlue		1	
(4)	8R0 131 969 D	Urea solution AdBlue Discontinued part Delivery module for urea solution AdBlue		1	
(4)	9A7 131 969 00	Urea solution AdBlue Discontinued part Pump		1	
5	4G0 201 834	Urea solution AdBlue Cover cap		1	
6	8R0 201 840	Rubber bush		4	
7	8R0 201 693 A	bush		4	
8	8R0 201 308 C	Heat shield		1	
9	8E0 825 265 C	Hexagon collar nut		4	
10	N 911 591 01	Heat insulation			
11	95B 131 984	hexagon head bolt (combi)	M8X40	4	
(11)	95B 131 984 A	Metering line for reducing agent injector Urea solution AdBlue Discontinued part		1	
(11)	95B 131 984 D	Metering line for reducing agent injector Urea solution AdBlue No longer use the part here		1	
(11)	95B 131 984 H	Metering line for reducing agent injector Urea solution AdBlue No longer use the part here		1	
12	95B 131 842	Metering line for reducing agent injector Urea solution AdBlue		1	
13	6Q0 971 842 A	cable terminal	13,00-14,00	1	
14	8E0 971 818 A	Cable holder	12,00	1	
15	3D0 971 497 D	double binder cable tie with bracket for welded pin:	207,00X5,00	3	
16	N 106 461 01	cable tie with terminal socket	207,00X5,00	1	
17	N 906 661 01	Cable ties	4,6X143,00	7	
18	059 131 561 G	Cable ties	4,60X200,00	5	
(18)	059 131 561 G	Bracket D >> - MJ 2016		1	
(18)	95B 817 432 D	Bracket D - MJ 2017>>		1	PR:KK1
19	N 106 092 01	Protective plate D - MJ 2017>>		1	PR:KK3
20	8R0 131 984 P	Hexagon collar nut M8		2	
(20)	95B 131 984 C	Metering line for reducing agent injector Urea solution AdBlue No longer use the part here		1	
		Metering line for reducing agent injector		1	

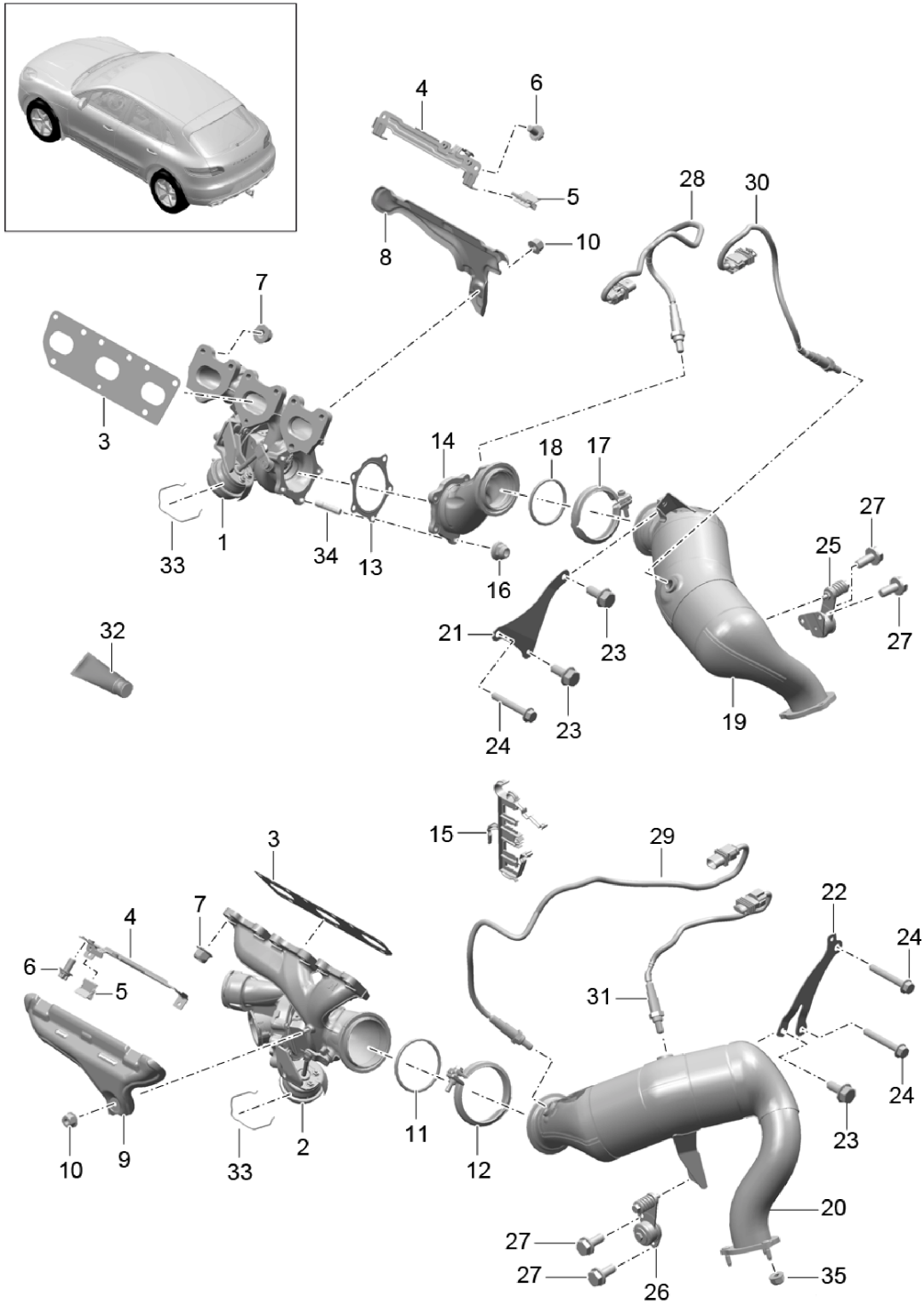
Model: 95B

Model life 2014>>

Pos	Part Number	Description	Remark	Qty	Model
(20)	95B 131 984 J	Urea solution AdBlue No longer use the part here Metering line for reducing agent injector		1	
21	6H0 957 818	Urea solution AdBlue Cable ties	8,00X200,00	1	
22	6Q0 971 838 C	Cable tie with holder for weld pin:	193,00X4,6X5,0	3	
23	958 612 854 00	Cable ties	193,00X4,6X5,0	1	
24	N 906 661 01	Cable ties	4,60X200,00	5	
25		Cable ties		1	
26	8D0 971 850 G	to be used for item: Cable ties	20 210,00X4,70	1	
27		Injection valve Urea solution AdBlue see illustration, item:	202-035,10	1	
28	8R0 131 963 C	Filler line for reducing agent Urea solution AdBlue		1	
29	N 104 840 02	Oval hexagon socket head bolt	M5X7	2	
30	958 113 510 00	Urea solution AdBlue filling quantity:	1890 ml	X	
(30)	958 113 510 10	Urea solution AdBlue filling quantity: for this use:	10 Ltr.	X	
(30)	9A7 052 910 00	tools VAS 6542/1 and VAG 1383/1 BEFUELLEINHEIT Urea solution AdBlue filling quantity:	200ltr.	X	

Model: 95B

Model life 2014>>



Model: 95B

Model life 2014>>

Pos	Part Number	Description	Remark	Qty	Model
1	946 123 025 30	exhaust system Exhaust gas turbocharger Catalytic converter Lambda probe Exhaust gas turbocharger	cylinders 1-3	1	CTMA,CTM, CTLA,CTL, DCNA,DCN, DHKA,DHK CTMA,CTM
(1)	946 123 025 31	Discontinued part Exhaust gas turbocharger	cylinders 1-3	1	CTMA,CTM, DCNA,DCN CTLA,CTL
(1)	946 123 025 35	Exhaust gas turbocharger Discontinued part	cylinders 1-3	1	CTMA,CTM, DCNA,DCN CTLA,CTL
(1)	946 123 025 36	Exhaust gas turbocharger	cylinders 1-3	1	CTLA,CTL, DHKA,DHK CTMA,CTM
2	946 123 026 30	Exhaust gas turbocharger Discontinued part	cylinders 4-6	1	CTMA,CTM, DCNA,DCN
(2)	946 123 026 31	Exhaust gas turbocharger	cylinders 4-6	1	CTMA,CTM, DCNA,DCN
(2)	946 123 026 32	D >> - 13.11.2016 Exhaust gas turbocharger	cylinders 4-6	1	CTMA,CTM, DCNA,DCN
(2)	946 123 026 35	D - 14.11.2016>> Exhaust gas turbocharger Discontinued part	cylinders 4-6	1	CTLA,CTL
(2)	946 123 026 36	Exhaust gas turbocharger	cylinders 4-6	1	CTLA,CTL
(2)	946 123 026 37	D >> - 13.11.2016 Exhaust gas turbocharger	cylinders 4-6	1	CTLA,CTL, DHKA,DHK
3	946 111 181 75	D - 14.11.2016>> Seal		2	
4	946 111 420 76	Exhaust manifolds bracket for shield		2	
5	948 111 213 00	Clip		4	
6	900 385 041 01	Torx screw	BM6X12	4	
7	999 084 642 02	Hexagon nut	M8	18	
8	946 111 337 31	Guard plate	cylinders 1-3	1	
9	946 111 338 30	Guard plate	cylinders 4-6	1	
10	900 380 015 02	Hexagon nut	M6	2	
11	5Q0 253 115 B	Seal		1	
12	5Q0 253 725 C	Clamp		1	
13	95B 253 115	Seal		1	
14	95B 253 101	Exhaust pipe	front	1	
15	95B 971 845 A	Holder for lambda probe		1	
16	N 908 946 02	hexagon nut, self-locking		5	
17	95B 253 725 A	Clamp		1	
(17)	95B 253 725 B	Discontinued part Clamp		1	
18	5C0 253 115 A	Seal		1	
19	95B 254 350	Exhaust pipe with catalyst	right	1	
(19)	95B 254 350 X	Exhaust pipe with catalyst	right	1	
20	95B 254 300	Exhaust pipe with catalyst	left	1	
(20)	95B 254 300 X	Exhaust pipe with catalyst	left	1	
21	95B 253 047 A	Support	right	1	
22	95B 253 047	Support	left	1	
23	N 106 531 02	Hexagon bolt	M8X20	3	
24		1 set securing bolts Support		X	
25	95B 253 230	see illustration, item: Bracket	306-000,4	1	
26	95B 253 230 A	Bracket		1	
27	N 100 493 08	hexagon head bolt (combi)	M8X20	4	
28	95B 906 203 B	Lambda probe (in front of catalyst)	right	1	
29	95B 906 203	Lambda probe	left	1	

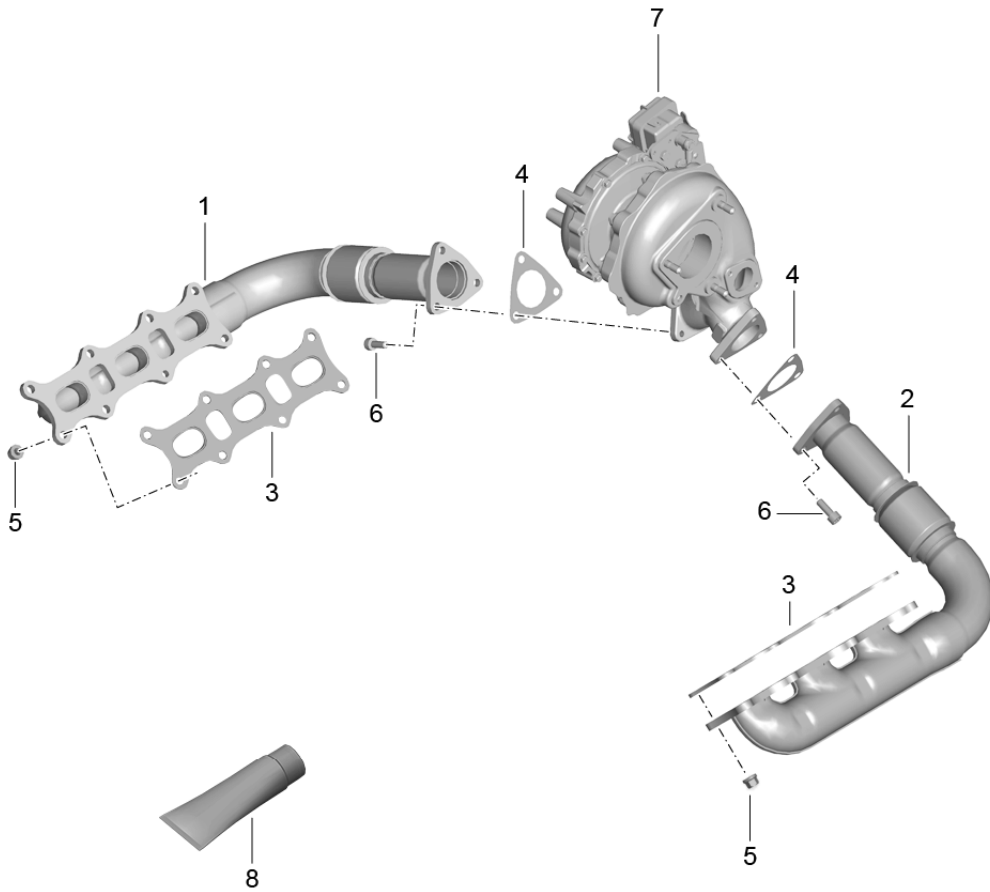
Model: 95B

Model life 2014>>

Pos	Part Number	Description	Remark	Qty	Model
30	95B 906 203 C	(in front of catalyst) Lambda probe	right	1	
31	95B 906 203 A	(behind catalyst) Lambda probe	left	1	
32	000 043 207 07	grease for lambda probe		X	
33	948 123 324 50	retaining spring		4	
34	900 081 059 01	Threaded pin	M8X22	5	
35	N 911 308 01	Hexagon collar nut self-locking	M8	3	

Model: 95B

Model life 2014>>



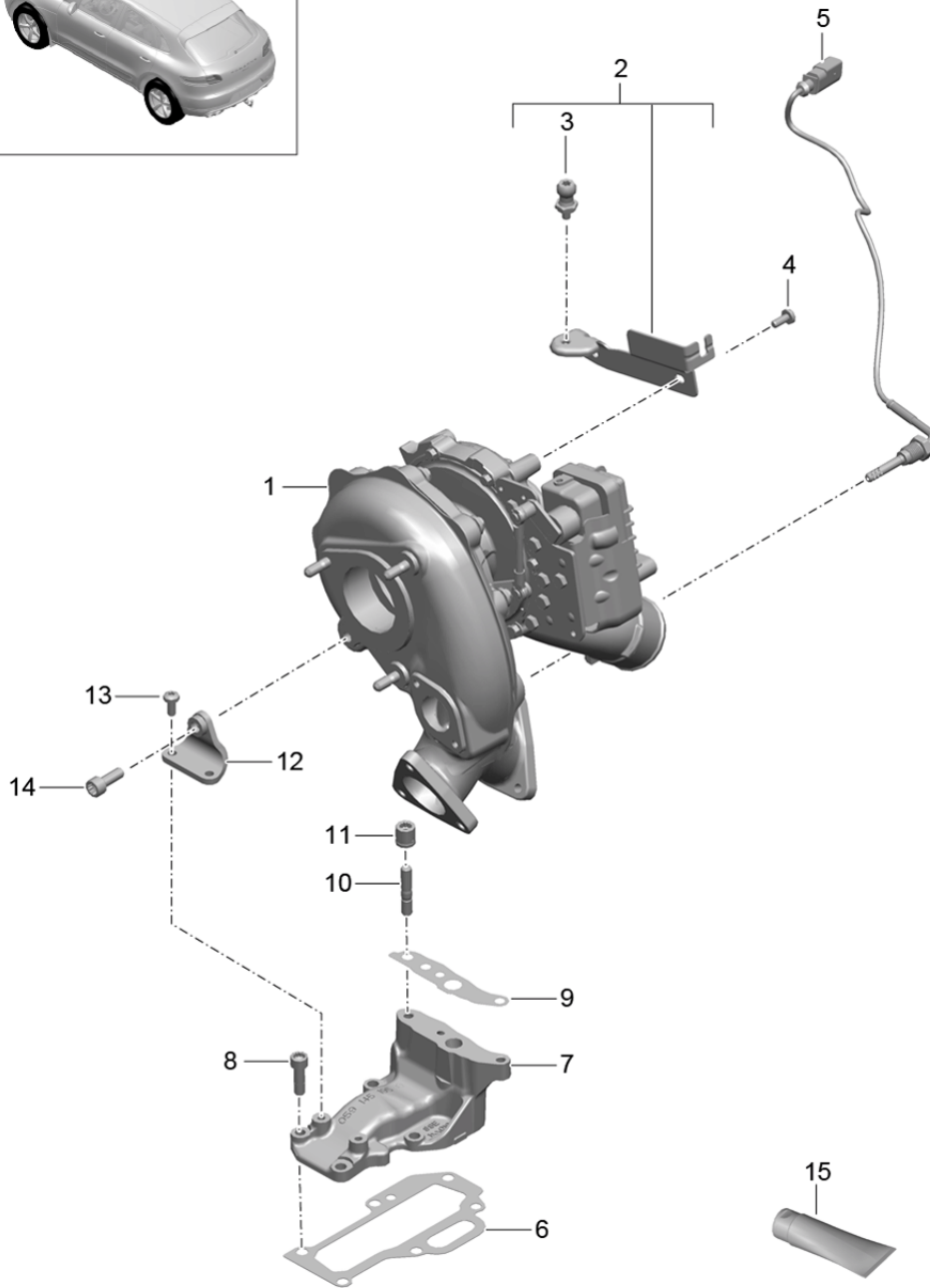
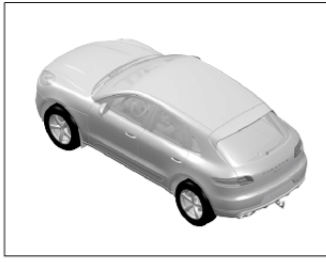
Model: 95B

Model life 2014>>

Pos	Part Number	Description	Remark	Qty	Model
		exhaust system			CDUD, CTBA, CTBB, CTBC
		Exhaust manifolds			
1	958 111 130 21	Exhaust manifolds	cylinders 1-3	1	
2	958 111 129 21	Exhaust manifolds	cylinders 4-6	1	
3	958 111 181 20	Seal		2	
4	958 111 113 30	Seal		2	
5	N 908 946 01	hexagon nut, self-locking	M8	16	
6	N 911 878 01	Socket head bolt with inner multipoint head	M8X20	6	
7		Exhaust gas turbocharger see illustration, item:	202-025,1	1	
8	000 043 207 47	hot-bolt-paste 1 tube 170 GR.		1	

Model: 95B

Model life 2014>>



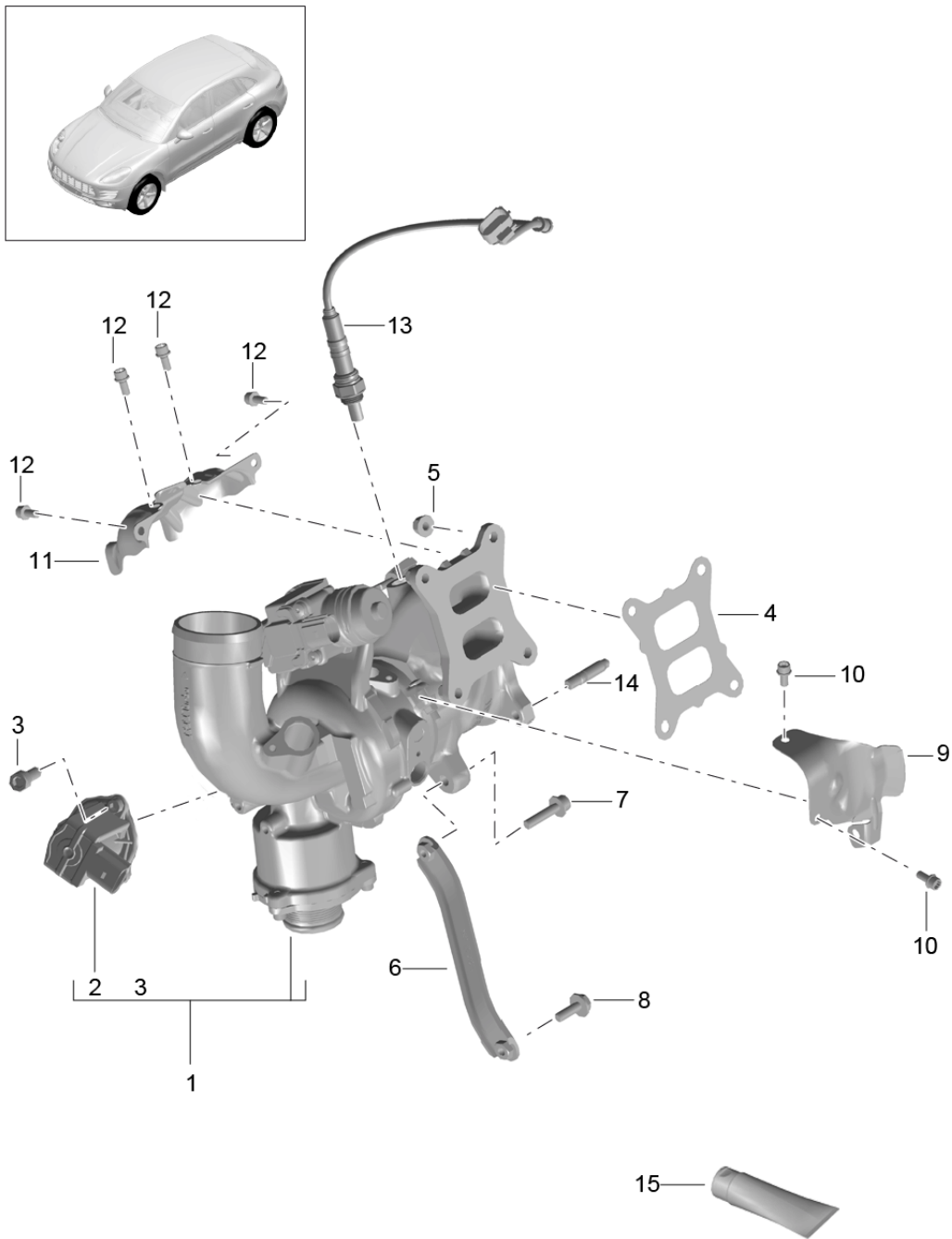
Model: 95B

Model life 2014>>

Pos	Part Number	Description	Remark	Qty	Model
		Exhaust gas turbocharger			CDUD, CTBA, CTBB, CTBC
1	958 123 025 11	Exhaust gas turbocharger Discontinued part		1	
(1)	958 123 025 12	Exhaust gas turbocharger		1	
2	958 110 357 00	Bracket Engine cover		1	
3	WHT 000 351	Ball pin	M6	1	
4	N 104 056 04	Oval hexagon socket head bolt	M6X14	2	
5	958 606 688 31	Temperature sensor Exhaust gas turbocharger		1	CDUD
(5)	958 606 688 70	Temperature sensor Exhaust gas turbocharger		1	CTBA, CTBB, CTBC
6	958 123 547 00	Seal		1	
7	958 123 121 00	Bracket Discontinued part		1	
(7)	958 123 121 01	Bracket		1	
8	N 910 059 02	Hexagon socket head bolt	M8X25	6	
9	958 123 557 00	Seal Discontinued part		1	
(9)	958 123 557 01	Seal		1	
10	N 044 511 3	Threaded pin	M8X18	2	
11	WHT 005 491	shouldered nut with multipoint socket head	M8	2	
12	958 123 122 00	Bracket		1	
13	N 104 056 04	Oval hexagon socket head bolt	M6X14	2	
14	N 910 461 01	Socket head collared bolt with inner multipoint head	M8X22	1	
15	000 043 207 47	hot-bolt-paste 1 tube 170 GR.		X	

Model: 95B

Model life 2014>>



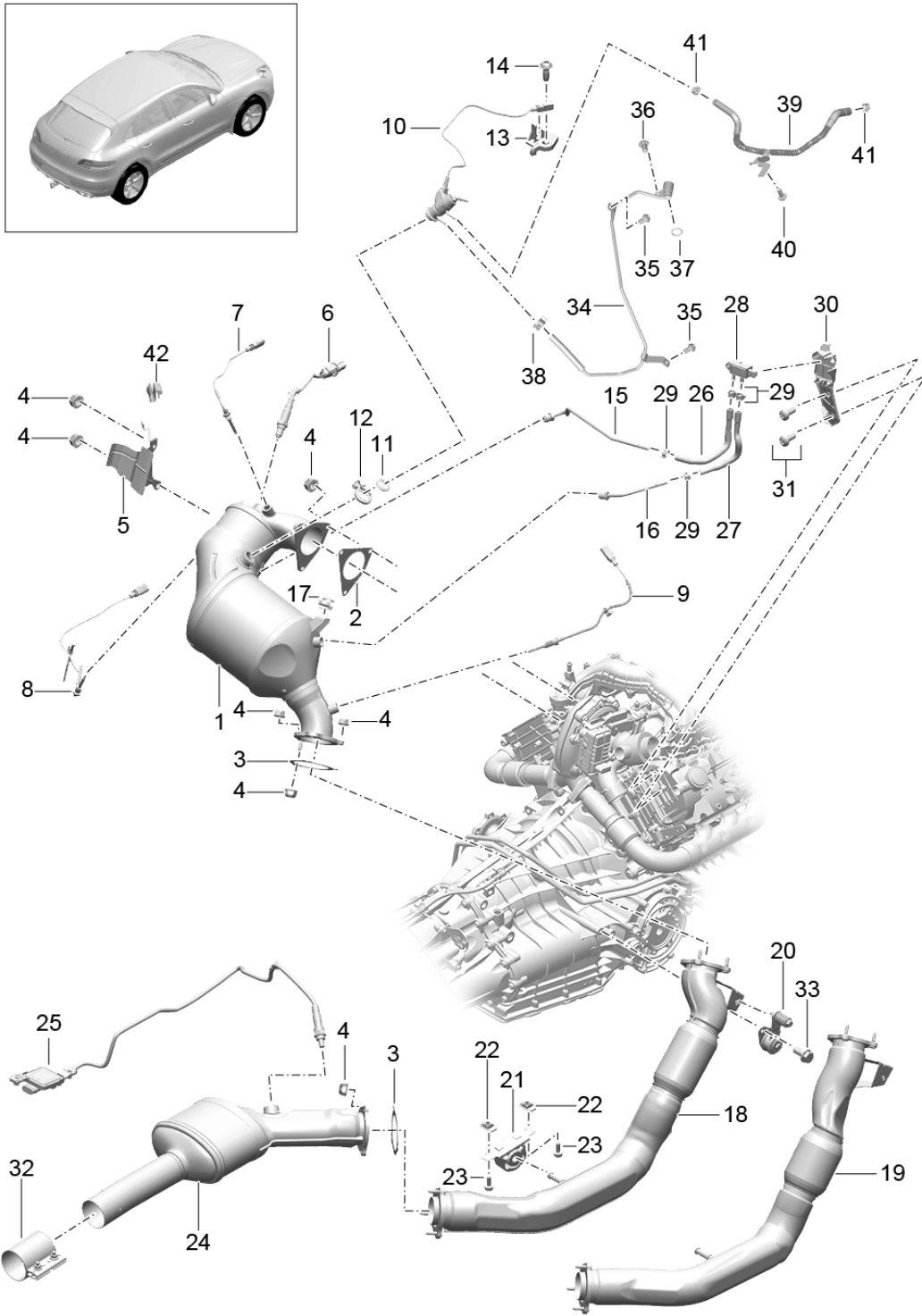
Model: 95B

Model life 2014>>

Pos	Part Number	Description	Remark	Qty	Model
		Exhaust gas turbocharger			CNCC , CNC , CYNA , CYPA , CYP , CYNB
1	958 145 702 00	Exhaust gas turbocharger with charge pressure control		1	
(1)	958 145 702 10	No longer use the part here Exhaust gas turbocharger with charge pressure control		1	
2	958 145 710 00	cut-off valve		1	
3	N 014 740 11	Socket head bolt with hexagon socket head	M6X16	3	
4	958 253 039 00	Seal		1	
5	WHT 007 210	Exhaust manifolds Hexagon collar nut self-locking	M8	4	
6	958 145 536 00	Bracket		1	
7	N 911 037 01	Socket head bolt with hexagon socket head	M8X35	1	
8	N 906 439 07	hexagon head bolt (combi)	M8X25	1	
9	958 129 598 00	Heat insulation		1	
10	N 106 192 01	Socket head bolt with hexagon socket head	M6X15	2	
11	958 129 597 00	Guard plate		1	
12	N 101 148 06	Socket head bolt with hexagon socket head (combination)	M6X15	4	
13	958 906 262 00	Lambda probe		1	
14	N 107 320 01	Hexagon socket flat head bolt	M6X14	4	
(14)	N 107 302 01	No longer use the part here Threaded pin	M10X32	4	
15	000 043 207 47	hot-bolt-paste 1 tube 170 GR.		X	

Model: 95B

Model life 2014>>



Model: 95B Model life 2014>>

Pos	Part Number	Description	Remark	Qty	Model
		exhaust system Exhaust pipe			CTBA, CTBB, CTBC
		with:			
		Catalytic converter			
		Diesel particulate filter			
		Control line			
1	4H0 254 750 D	Diesel particulate filter		1	
(1)	4H0 254 750 X	Exhaust pipe with catalyst and particulate filter		1	
2	958 111 113 20	Seal		1	
3	8K0 253 115 J	Seal		2	
4	N 911 308 02	Hexagon collar nut self-locking	M8	11	
5	4H0 131 783 J	Guard plate		1	
6	070 906 262 B	Lambda probe		1	
		(before particulate filter)			
		No longer use the part here			
(6)	958 606 172 40	Lambda probe		1	
		(before particulate filter)			
7	4H0 906 088 AA	Exhaust gas temperature sender		1	
		(before particulate filter)			
8	4H0 906 088 AG	Exhaust gas temperature sender		1	
		Particulate filter			
9	4H0 906 088 AB	Exhaust gas temperature sender		1	
		(After particulate filter)			
10	4H0 131 113 D	Injector for reduction agent		1	
		Urea solution AdBlue	04L 253 725 A	1	
		also use:			
11	04L 253 115	Seal		1	
12	04L 253 725 A	clamp		1	
13	4H0 131 713 E	Bracket		1	
		Injection valve			
		Urea solution AdBlue			
14	N 107 214 01	oval hd. self-tapp fitt. screw	TP6X16	1	
15	4G0 131 205 C	Connecting pipe	front	1	
16	4G0 131 205 G	Connecting pipe	rear	1	
17	8E0 131 545	Clip	8.0Ltr.	1	
18	4G0 253 350 B	Exhaust pipe	front	1	PR:L0L
19	8R0 253 350	Exhaust pipe	front	1	PR:L0R
20	95B 253 230	Bracket		1	
21	4H0 253 099	Retainer for exhaust pipe		1	
22	4H0 821 213	Speed nut		2	
23	N 107 367 01	Socket head collared bolt with inner multipoint head	M8X20	2	
24	8R0 254 400	Catalytic converter		1	
(24)	8R0 254 400 X	Catalytic converter		1	
25	8R0 907 807 E	NOx sensor		1	
		Control unit			
		with:			
		NOx sensor			
26	4H0 131 850 G	Connecting hose		1	
27	4H0 131 850 H	Connecting hose		1	
28	059 906 051 F	Pressure difference sender		1	
29	958 111 483 10	clamp	13,5X12	4	
30	059 971 362 D	Bracket for diff. pressure sensor		1	
		Pressure sensor			
31	N 104 056 04	Oval hexagon socket head bolt	M6X14	2	
32	958 111 220 10	Clamping sleeve	65X88MM	1	
33	N 100 493 08	hexagon head bolt (combi)	M8X20	2	

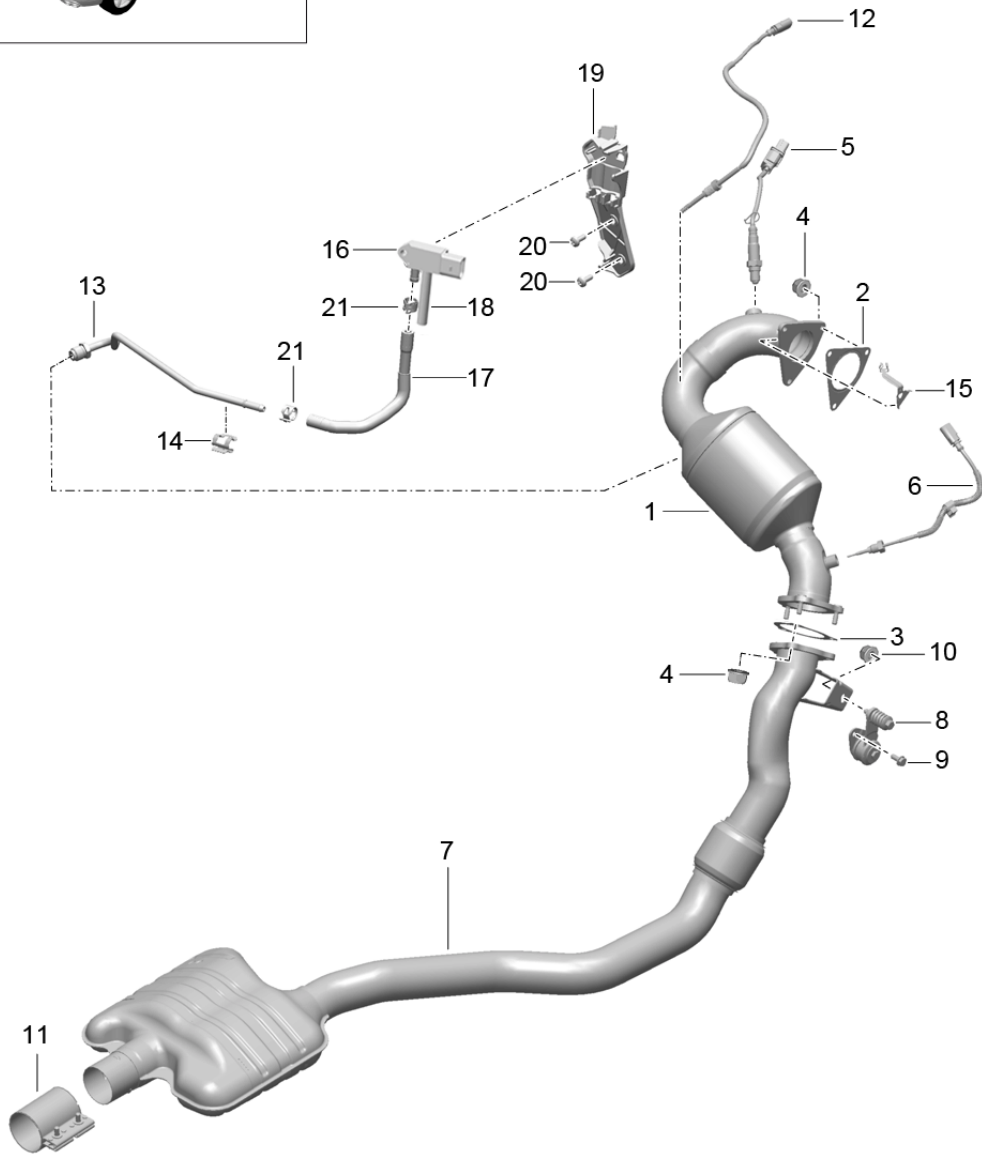
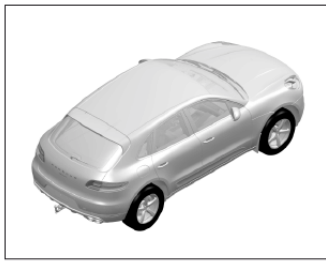
Model: 95B

Model life 2014>>

Pos	Part Number	Description	Remark	Qty	Model
34	958 106 027 03	Coolant pipe Injection valve	feed	1	
35	N 104 056 04	Oval hexagon socket head bolt	M6X14	2	
36	N 101 703 02	round hd. screw	M6X10	1	
37	N 907 834 02	O-ring	13,1X1,6	1	
38	N 107 160 01	Spring band clamp	12,5X8,4	1	
39	958 106 235 01	Coolant pipe Injection valve	return	1	
40	N 106 216 02	Hex socket oval head collared	M4X12	1	
41	999 512 650 09	Hose clamp	B14X12	2	
42	811 971 848 B	Retaining clip Guard plate		1	

Model: 95B

Model life 2014>>



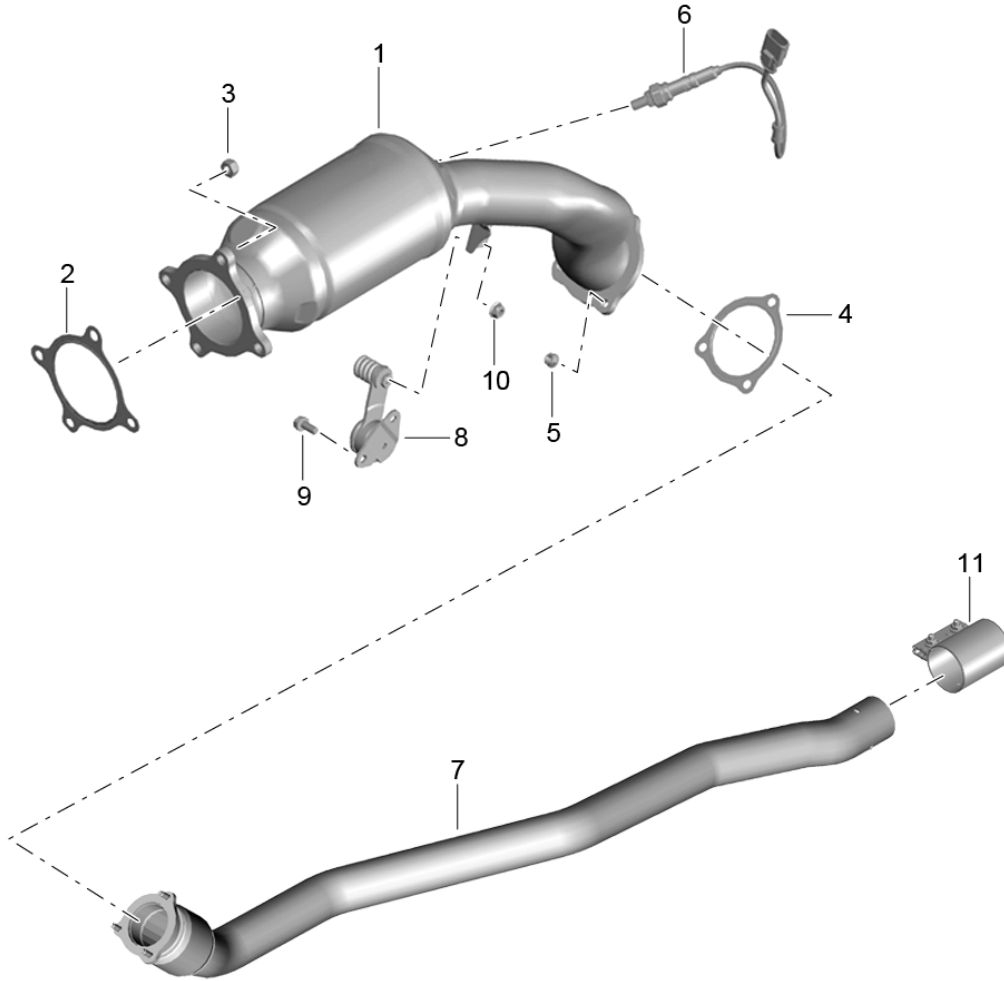
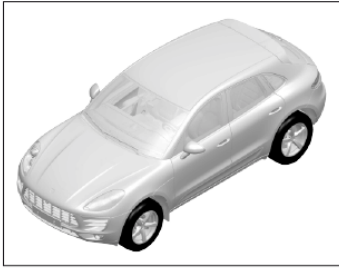
Model: 95B

Model life 2014>>

Pos	Part Number	Description	Remark	Qty	Model
		exhaust system			CDUD
		Exhaust pipe			
		with:			
		Catalytic converter			
		Diesel particulate filter			
		Control line			
1	4G0 254 250 N	Catalytic converter		1	PR:0GG
(1)	4G0 254 250 X	Catalytic converter		1	PR:0GG
(1)	958 254 750 00	Diesel particulate filter		1	PR:7HI
(1)	958 254 750 X	Diesel particulate filter		1	PR:7HI
2	958 111 113 20	Seal		1	
3	8K0 253 115 J	Seal		1	
4	N 911 308 02	Hexagon collar nut self-locking	M8	6	
5	070 906 262 B	Lambda probe (in front of catalyst)		1	
(5)	958 606 172 40	No longer use the part here Lambda probe (in front of catalyst)		1	
6	4H0 906 088 AA	Exhaust gas temperature sender (behind catalyst)		1	
(6)	958 906 088 10	No longer use the part here Temperature sensor (behind catalyst)		1	PR:0GG
(6)	958 906 088 20	Temperature sensor (behind catalyst)		1	PR:7HI
7	8K0 253 102 M	Exhaust pipe with front silencer		1	PR:0GG
(7)	958 253 102 00	Front silencer		1	PR:7HI
8	95B 253 230	Bracket		1	
9	N 100 493 08	hexagon head bolt (combi)	M8X20	2	
10	N 023 003 16	Hexagon nut	M8	1	
11	958 111 220 10	Clamping sleeve	65X88MM	1	
12	958 906 088 30	Temperature sensor (in front of catalyst)		1	PR:7HI
13	4G0 131 205 C	Connecting pipe	front	1	PR:7HI
14	8E0 131 545	Clip		1	PR:7HI
15	958 971 843 00	Pressure line Cable holder Temperature sensor (in front of catalyst)		1	PR:7HI
16	958 606 151 10	Pressure sensor		1	PR:7HI
17	958 131 850 00	Hose Pressure line		1	PR:7HI
18	N 910 960 34	Hose	5X2,5	1	PR:7HI
19	958 971 362 00	Bracket Pressure sensor		1	PR:7HI
20	N 104 056 04	Oval hexagon socket head bolt	M6X14	2	PR:7HI
21	958 111 483 10	clamp	13,5X12	2	PR:7HI

Model: 95B

Model life 2014>>



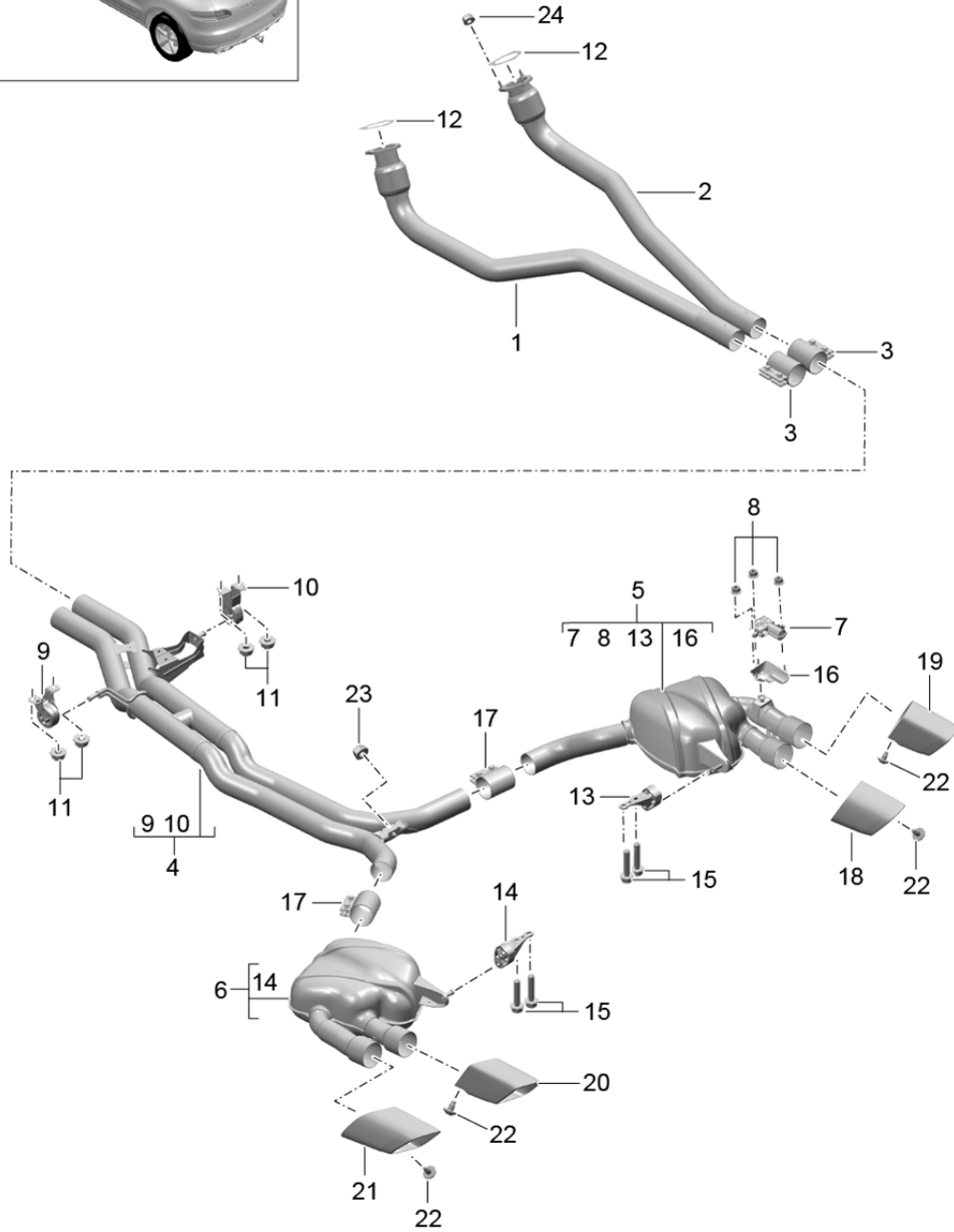
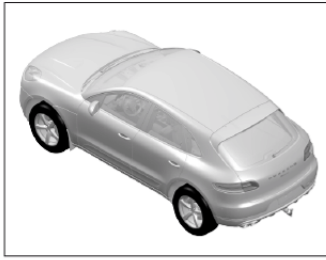
Model: 95B

Model life 2014>>

Pos	Part Number	Description	Remark	Qty	Model
1	8K0 254 253 D	exhaust system Exhaust pipe Catalytic converter Catalytic converter		1	CNCC, CNC, CYNA, CYPA, CYP, CYNB CNCC, CNC, CYPA, CYP
(1)	8K0 254 253 X	Catalytic converter		1	CNCC, CNC, CYPA, CYP
(1)	8K0 254 253 K	Catalytic converter		1	CYNA, CYNB
(1)	8K0 254 253 AX	Catalytic converter		1	CYNA, CYNB
2	8K0 253 115 L	Seal		1	
3	N 102 090 07	hexagon nut, self-locking	M10	4	
4	8K0 253 115 J	Seal		1	
5	N 911 308 02	Hexagon collar nut self-locking	M8	6	
6	8K0 906 262 G	Lambda probe		1	
7	95B 253 209 B	Front silencer		1	
8	95B 253 230	Bracket		1	
9	N 100 493 08	hexagon head bolt (combi)	M8X20	2	
10	N 023 003 16	Hexagon nut	M8	1	
11	958 111 220 10	Clamping sleeve	65X88MM	1	

Model: 95B

Model life 2014>>



Model: 95B

Model life 2014>>

Pos	Part Number	Description	Remark	Qty	Model
		exhaust system Front silencer Rear silencer			CTMA,CTM, CTLA,CTL, DCNA,DCN, DHKA,DHK
1	95B 253 533	Exhaust pipe No longer use the part here		1	
(1)	95B 253 533 E	Exhaust pipe		1	
2	95B 253 533 A	Exhaust pipe No longer use the part here		1	
(2)	95B 253 533 F	Exhaust pipe		1	
3	958 111 220 10	Clamping sleeve		2	
4	95B 253 487 Y	Exhaust pipe		1	
5	95B 253 612 AY	Rear silencer without:	right	1	CTMA,CTM
(5)	95B 253 612 Y	Tailpipe Rear silencer without:	right	1	CTLA,CTL
(5)	95B 253 612 FY	Tailpipe Rear silencer without:	right	1	CTMA,CTM, CTLA,CTL, DCNA,DCN, DHKA,DHK+ PR:0P8,0P9
6	95B 253 611 AY	Rear silencer without:	left	1	CTMA,CTM+ PR:0P0,0P3, 0P6
(6)	95B 253 611 Y	Tailpipe Rear silencer without:	left	1	CTLA,CTL+ PR:0P0,0P3, 0P6
(6)	95B 253 611 FY	Tailpipe Rear silencer without:	left	1	CTMA,CTM, CTLA,CTL, DCNA,DCN, DHKA,DHK+ PR:0P8,0P9
7	8R0 133 246	Servomotor for exhaust flap No longer use the part here		1	CTMA,CTM, CTLA,CTL+ PR:0P0
(7)	8R0 133 246 A	Servomotor for exhaust flap		1	CTMA,CTM, PR:0P0
(7)	8R0 133 246 A	Servomotor for exhaust flap		2	CTMA,CTM, DCNA,DCN, DHKA,DHK+ PR:0P8,0P9
8	N 105 972 01	Hexagon collar nut self-locking	M5	3	CTMA,CTM, CTLA,CTL+ PR:0P0
(8)	N 105 972 01	Hexagon collar nut self-locking	M5	6	CTMA,CTM, CTLA,CTL, DCNA,DCN, DHKA,DHK+ PR:0P8,0P9
9	8K0 253 144 F	Bracket		1	
10	8K0 253 144 E	Bracket		1	
11	N 023 003 16	Hexagon nut	M8	4	
12	8K0 253 115 J	Seal		2	
13	8R0 253 144 C	Bracket No longer use the part here		1	
(13)	95B 253 144 A	Retainer for exhaust system		1	
14	8R0 253 144 B	Bracket No longer use the part here		1	
(14)	95B 253 144	Retainer for exhaust system		1	

Model: 95B Model life 2014>>

Pos	Part Number	Description	Remark	Qty	Model
15	N 106 620 01	Hex collared bolt	M8X40	4	
16	4H0 253 233	Guard plate		1	
(16)	4H0 253 233	Servomotor Guard plate Servomotor		2	CTMA, CTM, CTLA, CTL, DCNA, DCN, DHKA, DHK+ PR: 0P9, 0P8
17	958 111 220 10	Clamping sleeve	65X88MM	2	
18	95B 253 682 C	Tailpipe	right	1	CTMA, CTM+ PR: 0P0
(18)	95B 253 682 E	Tailpipe	inner	1	CTLA, CTL+ PR: 0P0
(18)	95B 253 682 M	Tailpipe	right	2	CTMA, CTM+ PR: 0P6
(18)	95B 253 682 L	Tailpipe	right	2	CTMA, CTM+ PR: 0P3
(18)	95B 253 682 Q	Tailpipe	right inner	1	CTMA, CTM, CTLA, CTL, DCNA, DCN, DHKA, DHK+ PR: 0P9
(18)	95B 253 682 Q	Tailpipe	right inner	1	CTLA, CTL+ PR: 0P6
(18)	95B 253 682 N	Tailpipe	right inner	1	CTLA, CTL+ PR: 0P3
(18)	95B 253 682 N	Tailpipe	right inner	1	CTMA, CTM, CTLA, CTL, DHKA, DHK+ PR: 0P8
19	95B 253 682 D	Tailpipe	right outer	1	CTMA, CTM+ PR: 0P0
(19)	95B 253 682 F	Tailpipe	right outer	1	CTLA, CTL+ PR: 0P0
(19)	95B 253 682 R	Tailpipe	right outer	1	CTLA, CTL+ PR: 0P6
(19)	95B 253 682 R	Tailpipe	right outer	1	CTMA, CTM, CTLA, CTL, DCNA, DCN, DHKA, DHK+ PR: 0P9
(19)	95B 253 682 P	Tailpipe	right outer	1	CTLA, CTL+ PR: 0P3
(19)	95B 253 682 P	Tailpipe	right outer	1	CTMA, CTM, CTLA, CTL, DHKA, DHK+ PR: 0P8
20	95B 253 681 C	Tailpipe	left inner	1	CTMA, CTM+ PR: 0P0
(20)	95B 253 681 E	Tailpipe	left inner	1	CTLA, CTL+ PR: 0P0
(20)	95B 253 681 M	Tailpipe	left	2	CTMA, CTM+ PR: 0P6
(20)	95B 253 681 L	Tailpipe	left	2	CTMA, CTM+ PR: 0P3
(20)	95B 253 681 Q	Tailpipe	left inner	1	CTLA, CTL+ PR: 0P6
(20)	95B 253 681 Q	Tailpipe	left inner	1	CTMA, CTM, CTLA, CTL, DCNA, DCN, DHKA, DHK+ PR: 0P9
(20)	95B 253 681 N	Tailpipe	left	1	CTLA, CTL+ PR: 0P9

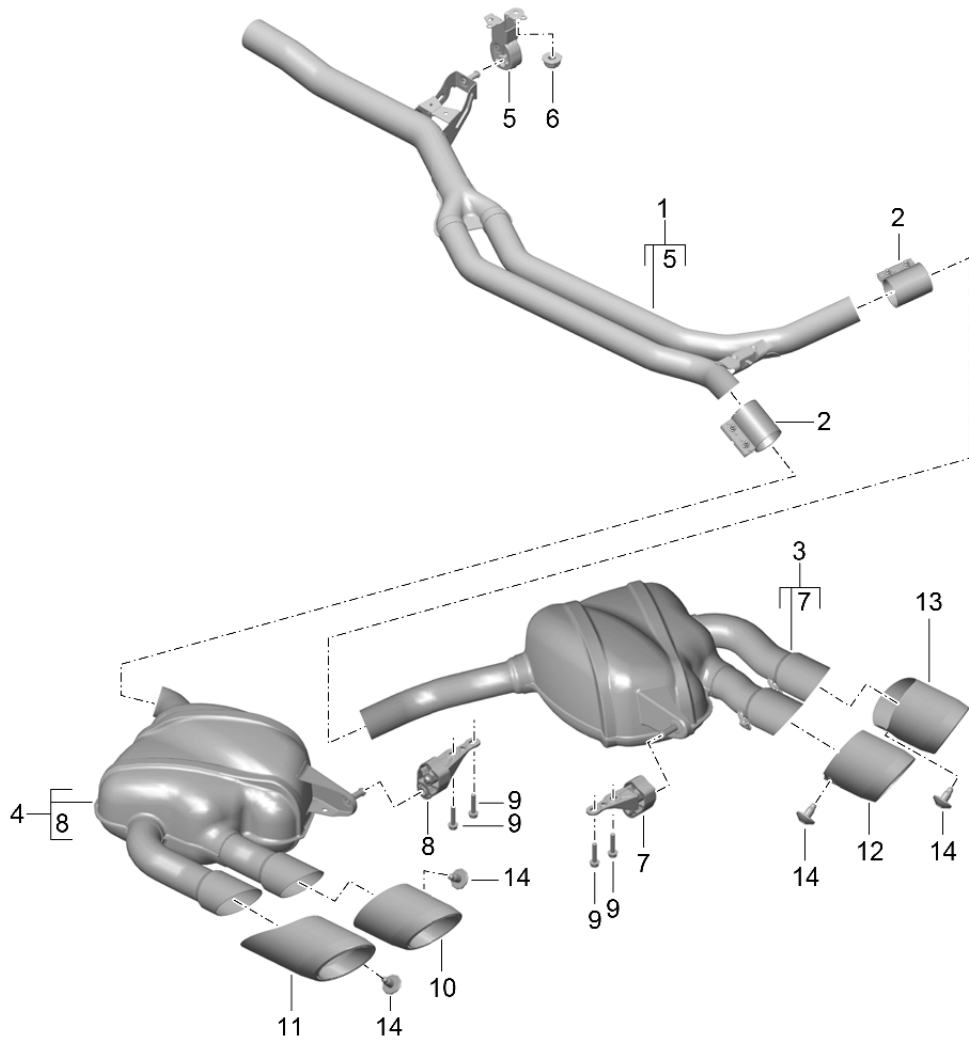
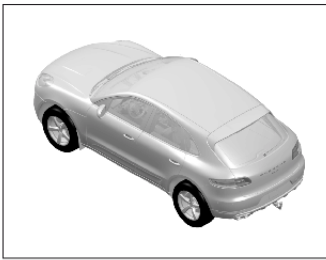
Model: 95B

Model life 2014>>

Pos	Part Number	Description	Remark	Qty	Model
(20)	95B 253 681 N	Tailpipe	inner left inner	1	PR:0P3 CTMA,CTM, CTLA,CTL, DHKA,DHK+ PR:0P8
21	95B 253 681 D	Tailpipe	left outer	1	CTMA,CTM+ PR:0P0
(21)	95B 253 681 F	Tailpipe	left outer	1	CTLA,CTL+ PR:0P0
(21)	95B 253 681 R	Tailpipe	left outer	1	CTLA,CTL+ PR:0P6
(21)	95B 253 681 R	Tailpipe	left outer	1	CTMA,CTM, CTLA,CTL, DCNA,DCN, DHKA,DHK+ PR:0P9
(21)	95B 253 681 P	Tailpipe	left outer	1	CTLA,CTL+ PR:0P3
(21)	95B 253 681 P	Tailpipe	left outer	1	CTMA,CTM, CTLA,CTL, DHKA,DHK+ PR:0P8
22	999 073 594 01	Oval-head screw	M6X12PA	4	
23	N 911 308 02	Hexagon collar nut self-locking	M8	1	
24	N 911 308 01	Hexagon collar nut self-locking	M8	3	

Model: 95B

Model life 2014>>

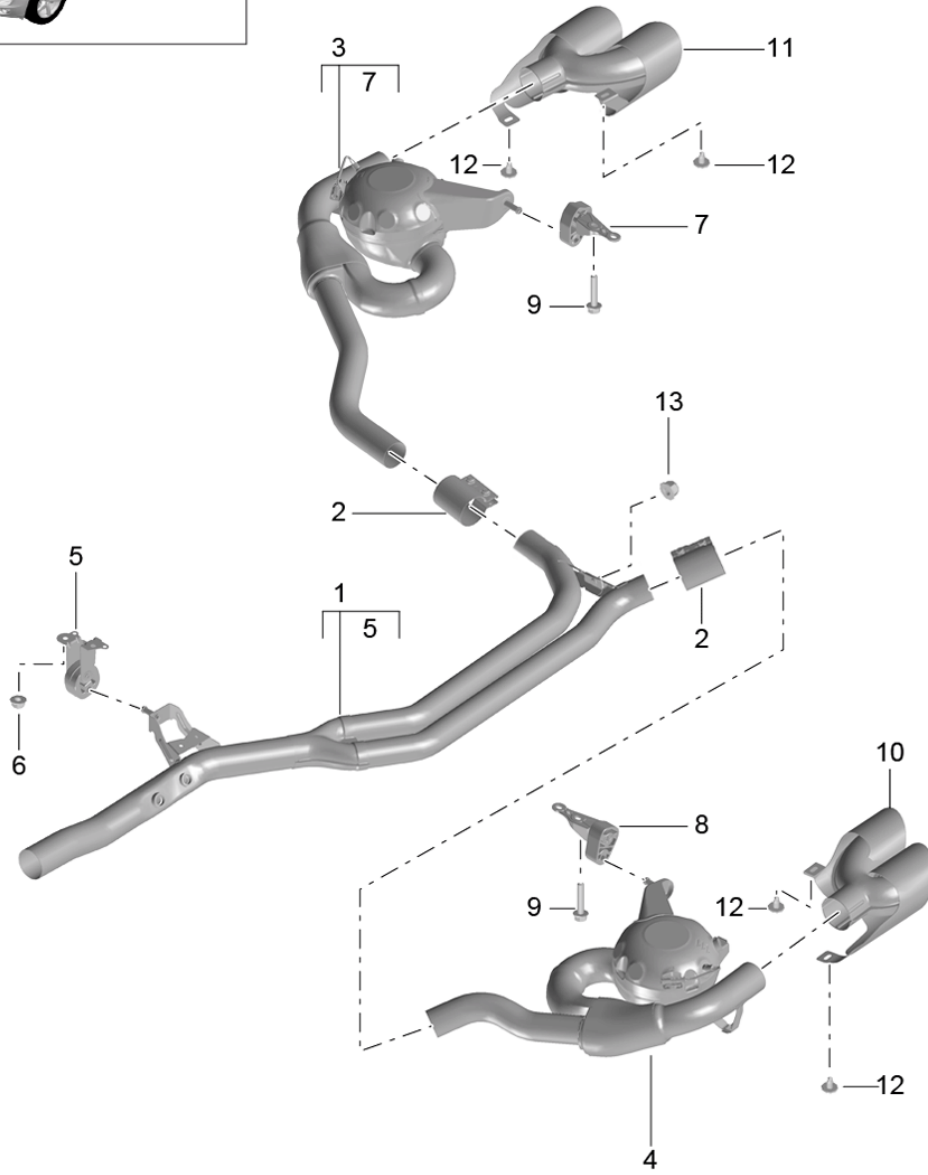
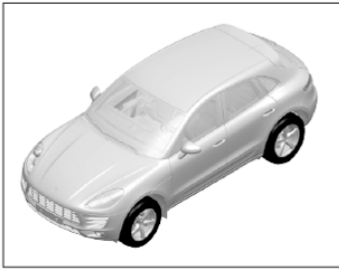


Model: 95B Model life 2014>>

Pos	Part Number	Description	Remark	Qty	Model
1	95B 253 487 BY	exhaust system Front silencer Rear silencer Exhaust pipe		1	CDUD,CTBA, CTBB,CTBC CTBA,CTBB, CTBC+ PR:7MM,0P0, 0P3,0P6
(1)	95B 253 487 CY	Exhaust pipe		1	CDUD+ PR:0P0,0P3, 0P6
2	958 111 220 20	Clamping sleeve	55X88MM	2	
3	95B 253 612 CY	Rear silencer	right	1	CDUD+ PR:7GH,0P3, 0P6
		without: Tailpipe			
(3)	95B 253 612 BY	Rear silencer	right	1	CTBA,CTBB, CTBC+ PR:7MM,0P0, 0P3,0P6
		without: Tailpipe			
(3)	95B 253 612 BY	Rear silencer	right	1	CDUD+ PR:7HI,0P0, 0P3,0P6
		without: Tailpipe			
4	95B 253 611 CY	Rear silencer	left	1	CDUD+ PR:0P0,0P3, 0P6
		without: Tailpipe			
(4)	95B 253 611 BY	Rear silencer	left	1	CTBA,CTBB, CTBC+ PR:7MM,0P0, 0P3,0P6
		without: Tailpipe			
(4)	95B 253 611 BY	Rear silencer	left	1	CDUD+ PR:7HI,0P0, 0P3,0P6
		without: Tailpipe			
5	8K0 253 144 E	Bracket		1	
6	N 023 003 16	Hexagon nut	M8	2	
7	8R0 253 144 C	Bracket		1	
8	8R0 253 144 B	Bracket		1	
		No longer use the part here			
(8)	95B 253 144	Retainer for exhaust system		1	
9	N 106 620 01	Hex collared bolt		4	
10	95B 253 681 C	Tailpipe	left	1	PR:0P0
			inner		
(10)	95B 253 681 M	Tailpipe	left	2	PR:0P6
(10)	95B 253 681 L	Tailpipe	left	2	PR:0P3
11	95B 253 681 D	Tailpipe	left	1	PR:0P0
			outer		
12	95B 253 682 C	Tailpipe	right	1	PR:0P0
			inner		
(12)	95B 253 682 M	Tailpipe	right	2	PR:0P6
(12)	95B 253 682 L	Tailpipe	right	2	PR:0P3
13	95B 253 682 D	Tailpipe	right	1	PR:0P0
			outer		
14	999 073 594 01	Oval-head screw	M6X12PA	4	

Model: 95B

Model life 2014>>

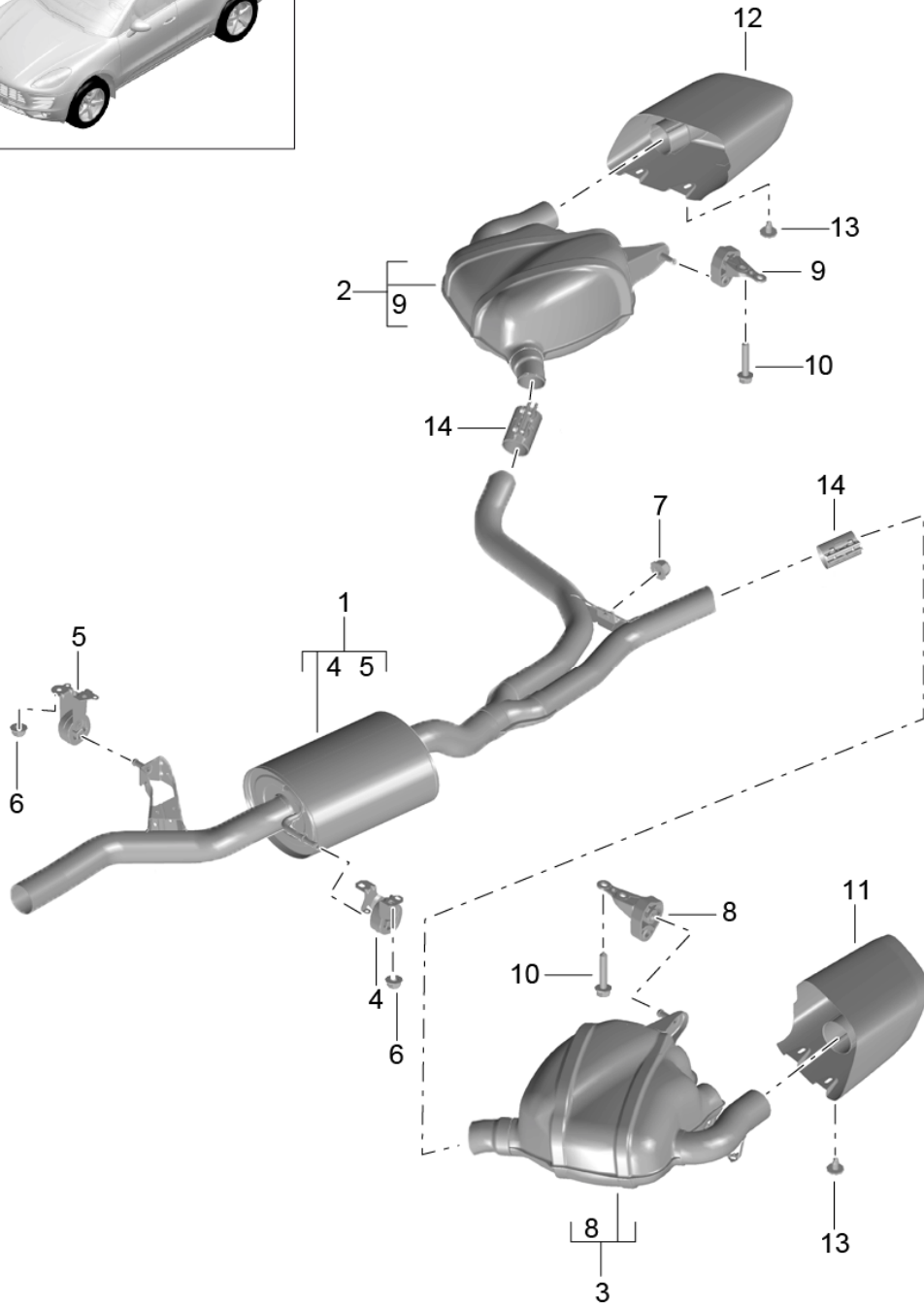
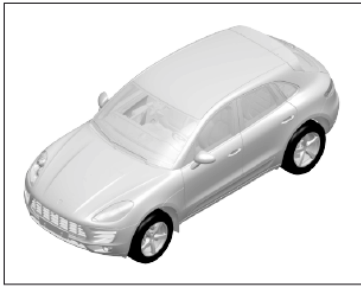


Model: 95B Model life 2014>>

Pos	Part Number	Description	Remark	Qty	Model
1	95B 253 487 BY	exhaust system Sport version Front silencer Rear silencer Exhaust pipe		1	CTBA, CTBB, CTBC, CDUD
1	95B 253 487 CY	Exhaust pipe		1	CTBA, CTBB, CTBC+ PR: 7MM, 0P8, 0P9 CDUD+ PR: 0P8, 0P9
2	958 111 220 20	Clamping sleeve	55X88MM	2	
3	95B 253 612 GY	Rear silencer without: Tailpipe	right	1	PR: 0P9, 0P8
4	95B 253 611 GY	Rear silencer without: Tailpipe	left	1	PR: 0P9, 0P8
5	8K0 253 144 E	Bracket		1	
6	N 023 003 16	Hexagon nut	M8	2	
7	8R0 253 144 C	Bracket		1	
(7)	95B 253 144 A	No longer use the part here Retainer for exhaust system		1	
8	95B 253 144	Retainer for exhaust system		1	
9	N 106 620 01	Hex collared bolt		4	
10	95B 253 681 T	Tailpipe	left	1	PR: 0P9
(10)	95B 253 681 S	Tailpipe	left	1	PR: 0P8
11	95B 253 682 T	Tailpipe	right	1	PR: 0P9
(11)	95B 253 682 S	Tailpipe	right	1	PR: 0P8
12	999 073 594 01	Oval-head screw	M6X12PA	4	
13	N 911 308 02	Hexagon collar nut self-locking	M8	1	

Model: 95B

Model life 2014>>



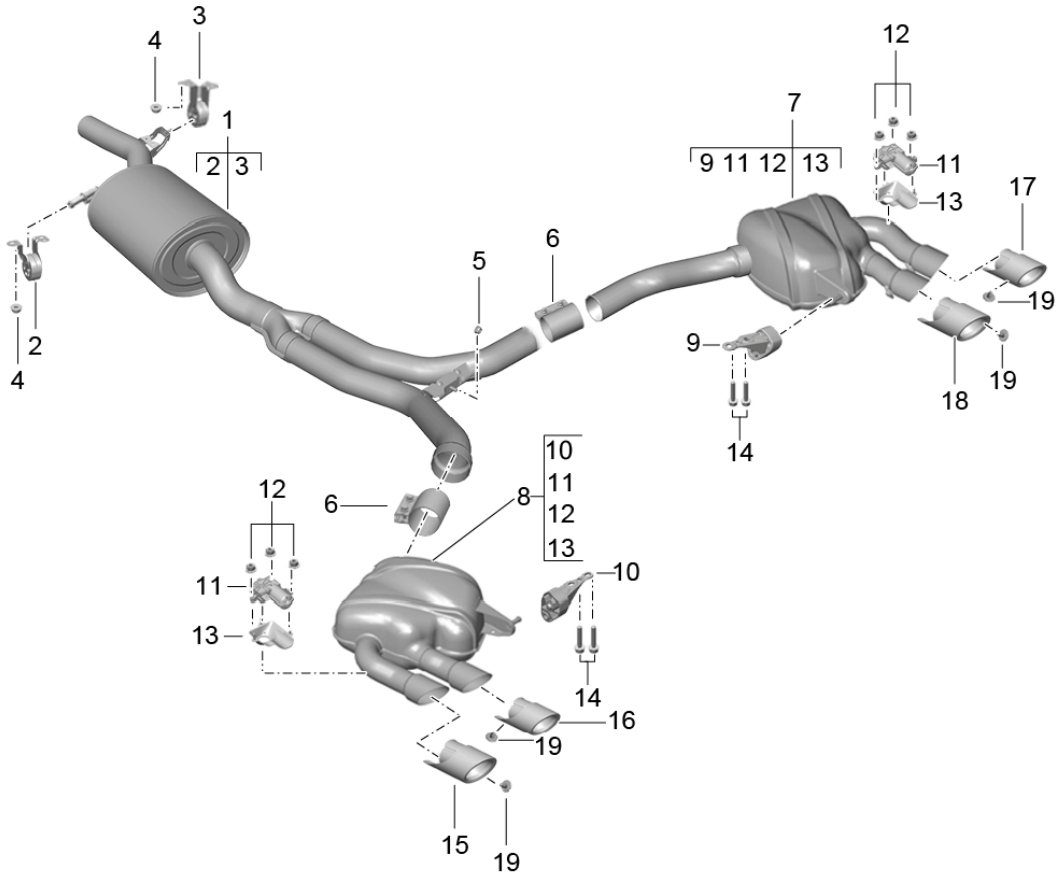
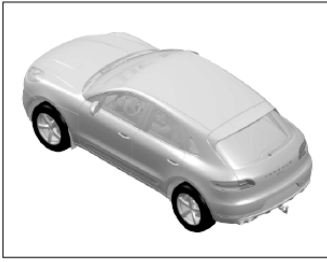
Model: 95B

Model life 2014>>

Pos	Part Number	Description	Remark	Qty	Model
		exhaust system Front silencer Rear silencer			CNCC ,CNC , CYNA ,CYPA , CYP ,CYNB+ PR:0P0 ,0P3 , 0P6
1	95B 253 411 Y	Centre silencer		1	
2	95B 253 612 DY	Rear silencer	right	1	
3	95B 253 611 DY	Rear silencer	left	1	
4	8K0 253 144 F	Bracket		1	
5	8K0 253 144 E	Bracket		1	
6	N 023 003 16	Hexagon nut	M8	4	
7	N 911 308 02	Hexagon collar nut self-locking	M8	1	
8	8R0 253 144 B	Bracket		1	
		Discontinued part			
(8)	95B 253 144	Retainer for exhaust system		1	
9	8R0 253 144 C	Bracket		1	
10	N 106 620 01	Hex collared bolt	M8X40	4	
11	95B 253 681	Tailpipe	left	1	PR:0P0
(11)	95B 253 681 AG	Tailpipe	left	1	PR:0P3
(11)	95B 253 681 AH	Tailpipe	left	1	PR:0P6
12	95B 253 682	Tailpipe	right	1	PR:0P0
(12)	95B 253 682 AG	Tailpipe	right	1	PR:0P3
(12)	95B 253 682 AH	Tailpipe	right	1	PR:0P6
13	999 073 594 01	Oval-head screw	M6X12PA	4	
14	958 111 220 20	Clamping sleeve	55X88MM	2	

Model: 95B

Model life 2014>>

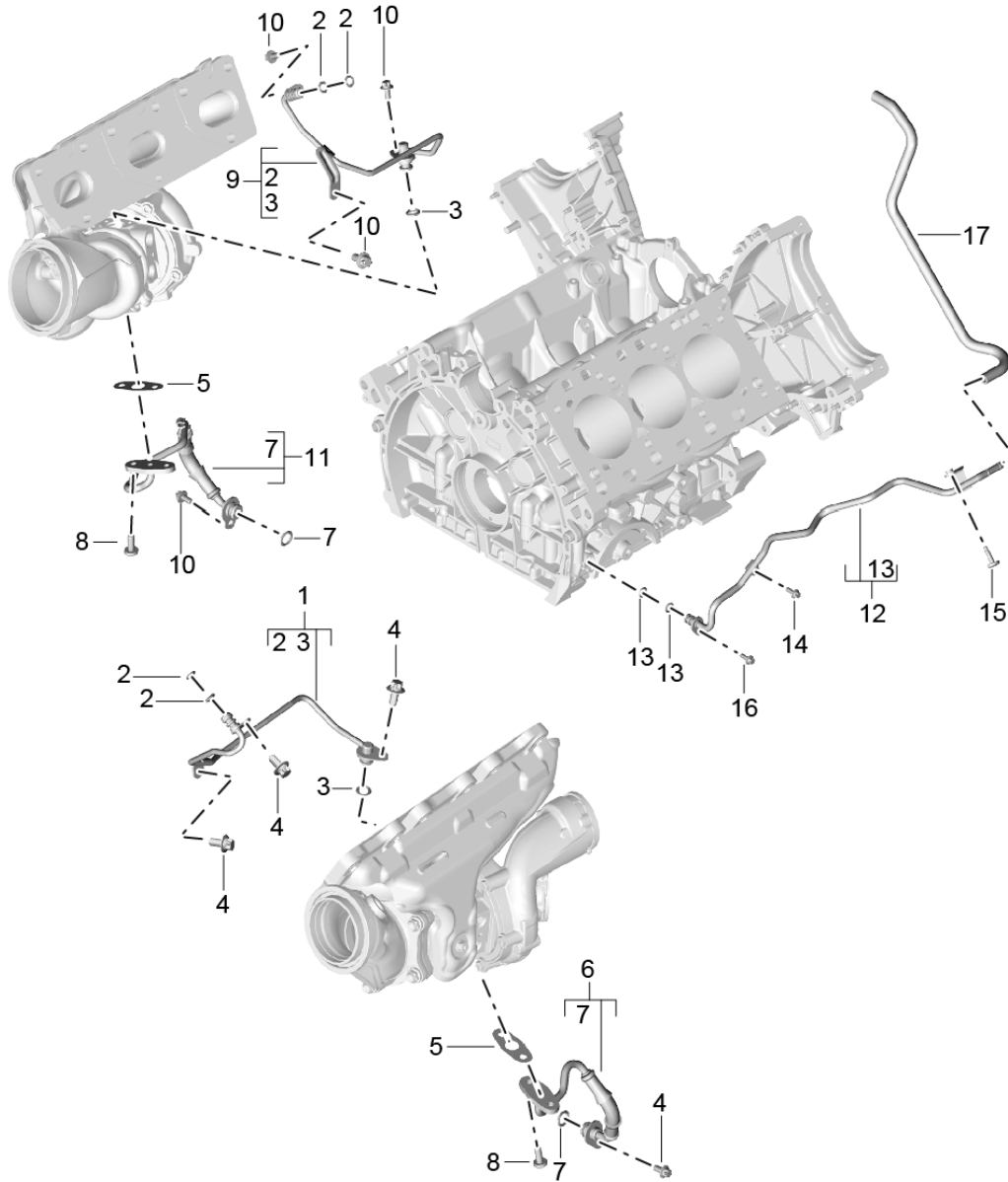
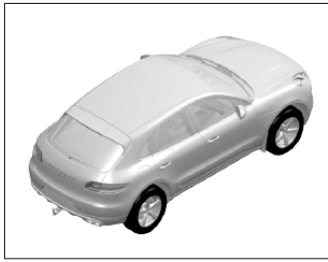


Model: 95B Model life 2014>>

Pos	Part Number	Description	Remark	Qty	Model
		exhaust system Sport version Front silencer Rear silencer Centre silencer		1	CNCC , CNC , CYNA , CYPA , CYP , CYNB+ PR : 0P8 , 0P9
1	95B 253 411 AY			1	
2	8K0 253 144 F	Bracket		1	
3	8K0 253 144 E	Bracket		1	
4	N 023 003 16	Hexagon nut	M8	4	
5	N 911 308 02	Hexagon collar nut self-locking	M8	1	
6	958 111 220 20	Clamping sleeve	55X88MM	2	
7	95B 253 612 SY	Rear silencer	right	1	
8	95B 253 611 SY	Rear silencer	left	1	
9	95B 253 144 A	Retainer for exhaust system		1	
10	95B 253 144	Retainer for exhaust system		1	
11	958 133 246 02	Servomotor		2	
12	N 105 972 01	Hexagon collar nut self-locking	M5	6	
13	4H0 253 233	Guard plate Servomotor		2	
14	N 106 620 01	Hex collared bolt	M8X40	4	
15	95B 253 681 P	Tailpipe	left outer	1	PR : 0P8
(15)	95B 253 681 R	Tailpipe	left outer	1	PR : 0P9
16	95B 253 681 N	Tailpipe	left inner	1	PR : 0P8
(16)	95B 253 681 Q	Tailpipe	left inner	1	PR : 0P9
17	95B 253 682 P	Tailpipe	right outer	1	PR : 0P8
(17)	95B 253 682 R	Tailpipe	right outer	1	PR : 0P9
18	95B 253 682 N	Tailpipe	right inner	1	PR : 0P8
(18)	95B 253 682 Q	Tailpipe	right inner	1	PR : 0P9
19	999 073 594 01	Oval-head screw	M6X12PA	4	

Model: 95B

Model life 2014>>



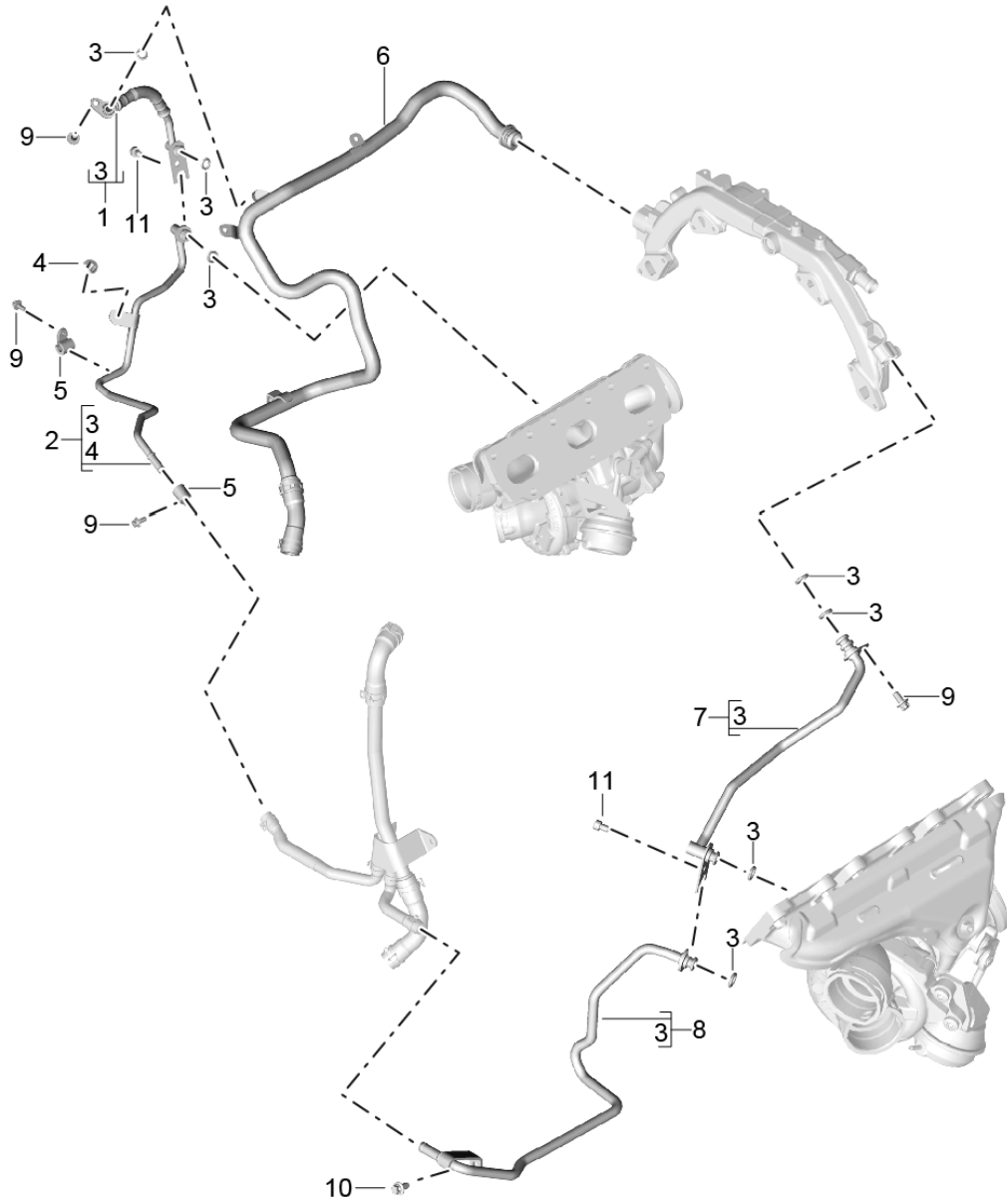
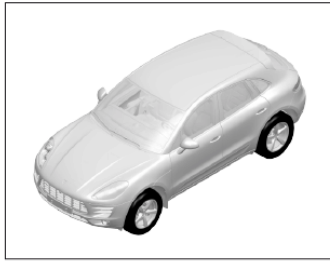
Model: 95B

Model life 2014>>

Pos	Part Number	Description	Remark	Qty	Model
		Oil return line for Exhaust gas turbocharger			CTMA,CTM, CTLA,CTL, DCNA,DCN, DHKA,DHK
1	946 107 086 30	Pressure line No longer use the part here	cylinders 1-3	1	
1	946 107 086 31	Pressure line	cylinders 1-3	1	
2	999 707 613 40	O-ring	8,00X2,5	4	
3	999 707 603 40	O-ring	10X3-N-	2	
4	900 385 041 01	Torx screw	BM6X12	4	
5	948 107 123 50	Seal		2	
6	946 107 088 31	Oil pressure line No longer use the part here	cylinders 1-3	1	
(6)	946 107 088 32	Oil pressure line	cylinders 1-3	1	
7	999 707 568 40	O-ring	12X3-N-	2	
8	999 073 601 01	flat round head bolt	M6X14	4	
9	946 107 087 30	Pressure line	cylinders 4-6	1	
10	900 385 041 01	Torx screw	BM6X12	4	
11	946 107 089 31	Oil pressure line D >> - MJ 2016	cylinders 4-6	1	
(11)	946 107 089 32	Oil pressure line D >> - 13.11.2016 D - MJ 2017>>	cylinders 4-6	1	
(11)	946 107 089 33	Oil pressure line D - 14.11.2016>>	cylinders 4-6	1	
12	946 107 260 31	Breather line	cylinders 1-3	1	
13	999 707 603 40	O-ring	10X3-N-	2	
14	900 385 009 01	Torx screw	BM6X16	1	
15	999 073 903 31	fillister hd. bolt	M6X20PA aluminium	1	
16	900 385 041 01	Torx screw	BM6X12	1	
17		ventilation adapter see illustration, item:	107-070,20	1	

Model: 95B

Model life 2014>>



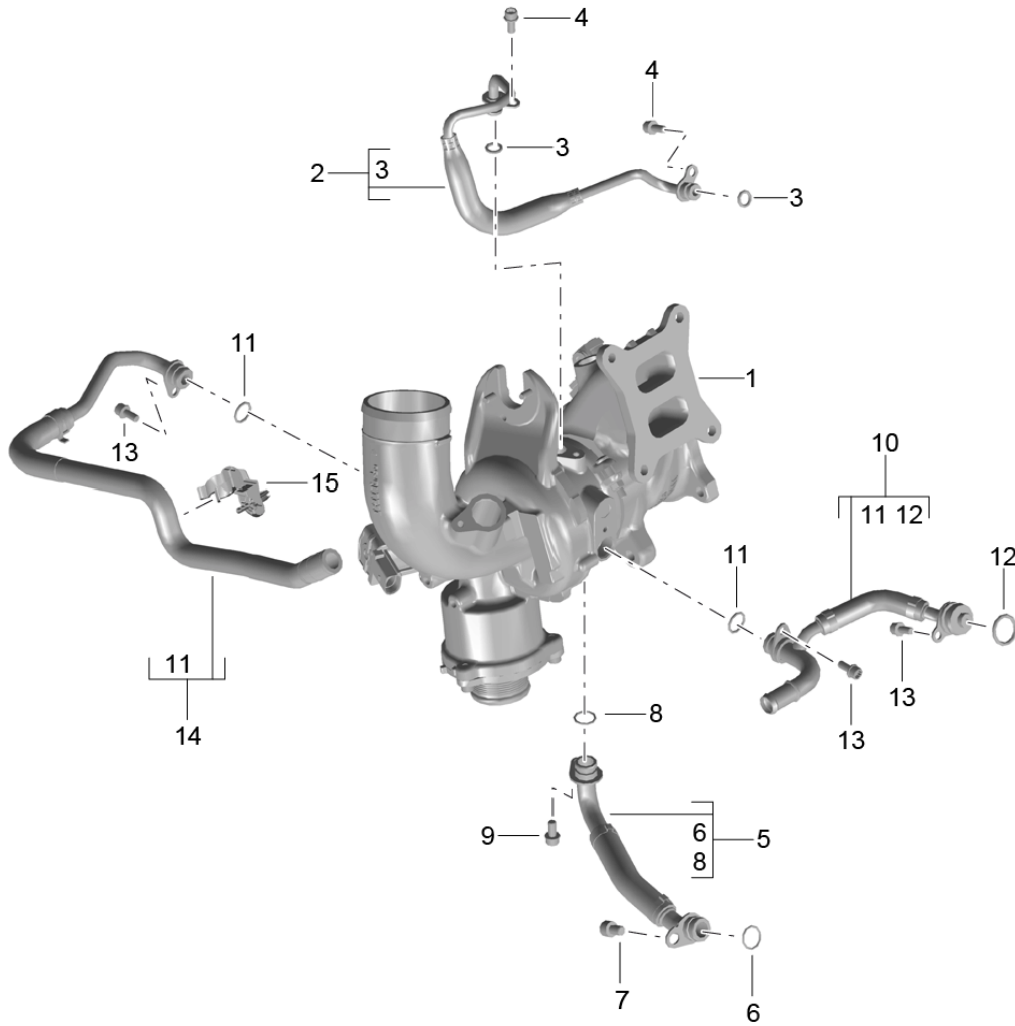
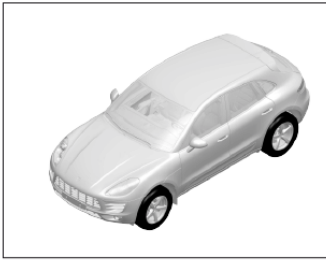
Model: 95B

Model life 2014>>

Pos	Part Number	Description	Remark	Qty	Model
		Coolant pipe for Exhaust gas turbocharger			CTMA, CTM, CTLA, CTL, DCNA, DCN, DHKA, DHK
1	946 106 027 30	Coolant pipe	cylinders 1-3 feed	1	
2	946 106 235 31	Coolant pipe	cylinders 1-3 return	1	
3	999 707 670 40	O-ring	10X3N	7	
4	999 507 611 40	Hose bracket	6,0-6,5	1	
5	999 511 116 03	Clamp	D110X15	2	
6		Coolant pipe	feed	1	
7	946 106 237 30	see illustration, item: Coolant pipe	105-030,1 cylinders 4-6 feed	1	
8	946 106 239 30	Coolant pipe	cylinders 4-6 return	1	
9	900 385 041 01	Torx screw	BM6X12	4	
10	900 385 009 01	Torx screw	BM6X16	1	
11	N 105 447 03	Socket head bolt with inner hex round head	M6X10	2	

Model: 95B

Model life 2014>>



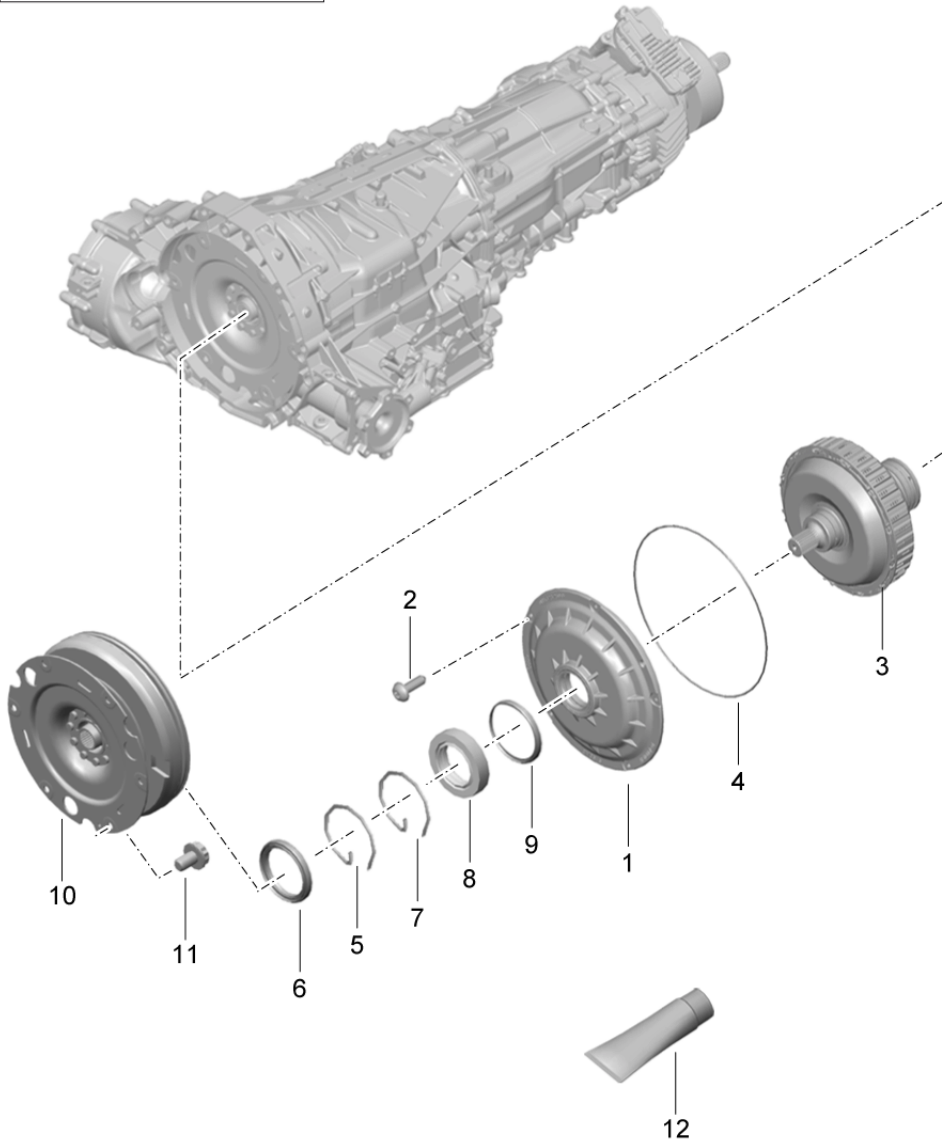
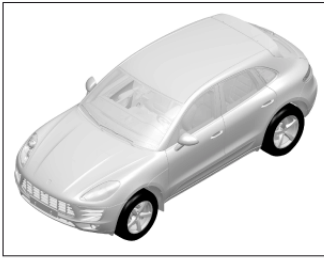
Model: 95B

Model life 2014>>

Pos	Part Number	Description	Remark	Qty	Model
1		Oil pressure line Coolant pipe for Exhaust gas turbocharger Exhaust gas turbocharger see illustration, item:	202-030,1	1	CNCC, CNC, CYNA, CYPA, CYP, CYNB
2	958 145 778 00	Pressure line		1	
3	WHT 006 123	O-ring	9,5X2,5	2	
4	N 106 192 01	Socket head bolt with hexagon socket head	M6X15	2	
5	958 145 735 00	Oil pressure line		1	
6	WHT 006 112	O-ring	16,75X1,65	1	
7	N 106 109 02	Hexagon socket head bolt	M8X12	1	
8	WHT 006 113	O-ring	15X1,8	1	
9	N 106 192 01	Socket head bolt with hexagon socket head	M6X15	1	
10	958 121 497 00	Coolant pipe	feed	1	
11	WHT 006 114	O-ring	15X2	2	
12	WHT 006 124	O-ring	20X3	1	
13	N 106 192 01	Socket head bolt with hexagon socket head	M6X15	3	
14	958 121 492 00	Coolant pipe	return	1	
15	958 115 261 00	Bracket		1	

Model: 95B

Model life 2014>>

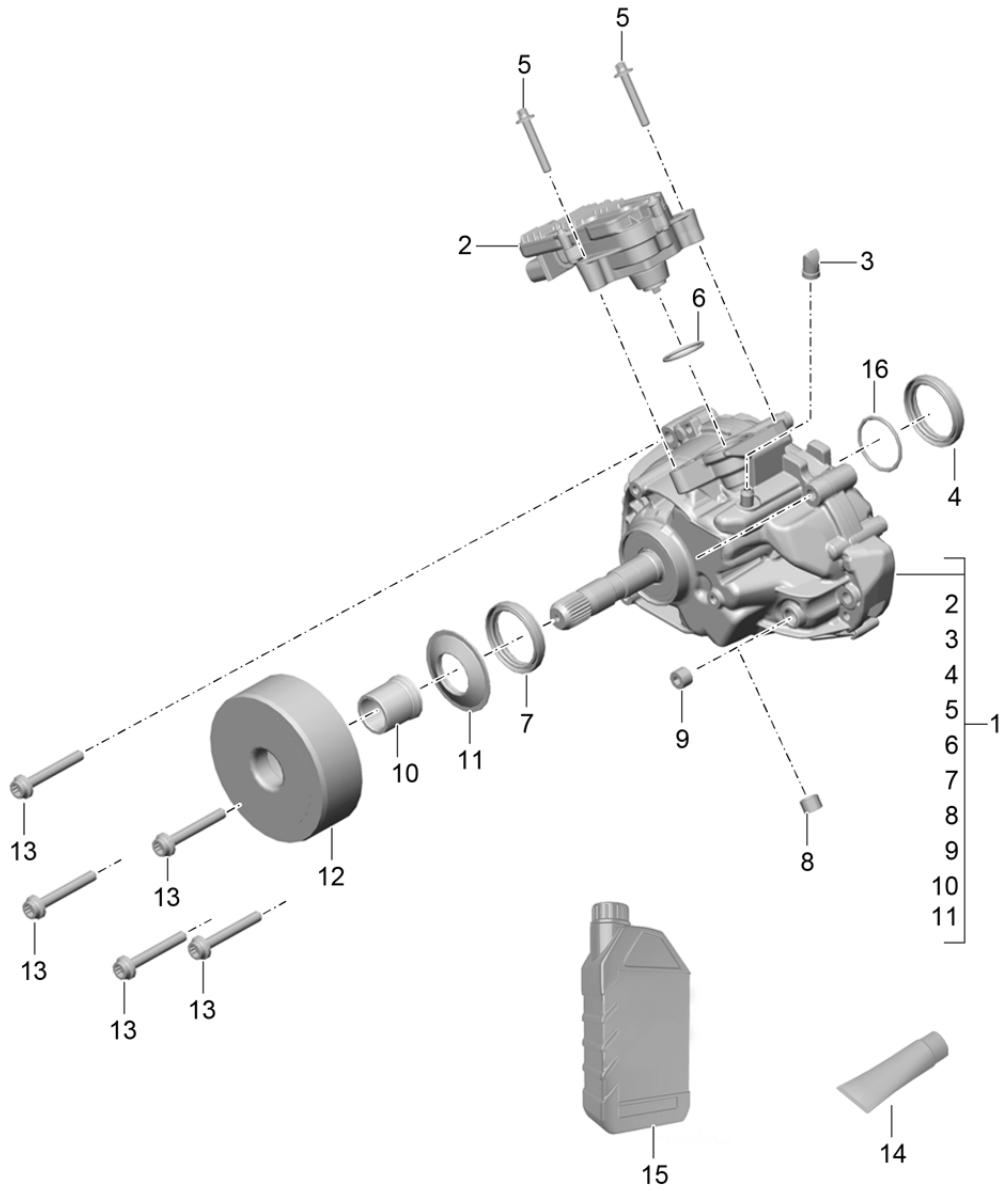
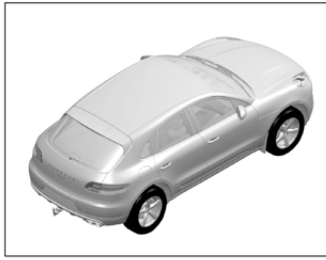


Model: 95B Model life 2014>>

Pos	Part Number	Description	Remark	Qty	Model
1	9A7 323 259 00	Coupling flywheel		1	
2	N 910 968 01	Gearbox cover		1	
		Hexagon socket flat head bolt	M6X20	5	
3	9A7 141 030 00	Coupling		1	CTLA, CTL, CDUD, CTBA, CTBB, CTBC, DCNA, DCN, DHKA, DHK
(3)	9A7 141 030 10	Coupling		1	CNCC, CNC, CYNA, CTMA, CTM, CYNB, CYPA, CYP
4	9A7 323 525 00	seal ring	233X2,5	1	
5	9A7 323 157 00	Securing ring	72X1,5	1	
6	9A7 311 113 00	radial shaft seal	72X7	1	
7	9A7 323 369 00	Securing ring	55X1,5	1	
8	9A7 323 263 00	ball bearing	72X1,5	1	
9	9A7 000 375 00	thrust washer	72X72X0,5	1	
10	9A7 105 317 00	flywheel		1	CTLA, CTL
		also use:	N 911 432 03	6	
(10)	9A7 105 317 10	flywheel		1	CTMA, CTM,
		also use:	N 911 432 03	6	DCNA, DCN
(10)	9A7 105 317 20	flywheel		1	CDUD, CTBA,
		also use:	N 911 432 03	6	CTBB, CTBC, DHKA, DHK
(10)	9A7 105 317 30	flywheel		1	CNCC, CNC, CYNA
		also use:	N 911 432 03	3	CYPA, CYP,
(10)	9A7 105 317 40	flywheel		1	CYNB
		also use:	N 911 432 03	3	CTLA, CTL, CTMA, CTM, CDUD, CTBA, CTBB, CTBC, DCNA, DCN
11	N 911 432 03	12-point head bolt	M10X1X15,5	6	CNCC, CNC, CYNA, CYPA, CYP, CYNB
(11)	N 911 432 03	12-point head bolt	M10X1X15,5	3	
12	G 052 128 A1	sealing grease for radial shaft oil seal radial shaft seal	50G	1	

Model: 95B

Model life 2014>>



Model: 95B

Model life 2014>>

Pos	Part Number	Description	Remark	Qty	Model
1	95B 341 010	Transfer box Transfer box use if required: See technical information see main group 3 (gearbox) 3965 26/18 D >> - 04.03.2018	0B4 409 309 G	1 1	PR:-LU2
(1)	95B 341 010 X	Transfer box use if required: See technical information see main group 3 (gearbox) 3965 26/18 D >> - 04.03.2018	0B4 409 309 G	1 1	PR:-LU2
(1)	95B 341 010 A	Transfer box use if required: See technical information see main group 3 (gearbox) 3965 26/18 D >> - 04.03.2018	0B4 409 309 G	1 1	PR:LU2
(1)	95B 341 010 AX	Transfer box use if required: See technical information see main group 3 (gearbox) 3965 26/18 D - 05.03.2018>>	0B4 409 309 G	1 1	PR:LU2
2	95B 927 755 B	Control unit for transfer box to use for: also use: See technical information see main group 3 (gearbox) D >> - 04.03.2018	95B 341 010 958 341 501 00 958 341 502 00	1 1 2	PR:-LU2
(2)	95B 927 755 C	Control unit for transfer box to use for: also use: See technical information see main group 3 (gearbox) D - 05.03.2018>>	95B 341 010 A 958 341 501 00 958 341 502 00	1 1 2	PR:LU2
3	958 341 393 00	Bleed valve		1	
4	95B 301 189	radial shaft seal		1	
5	900 385 071 01	Torx screw		2	
(5)	958 341 502 00	No longer use the part here Hexagon head bolt		2	
6	958 341 501 00	O-ring		1	
7	95B 301 189 A	radial shaft seal		1	
8	95B 301 115	oil drain plug, magnetic		1	
9	955 301 115 01	Transfer box sealing plug		2	
10	95B 341 139	Centre sleeve		1	
11	95B 341 375	Splash guard		1	
12	0B4 409 309 G	Balance weight		1	CTMA, CTM, CTLA, CTL, CTBA, CTBB, CTBC, CDUD, DCNA, DCN, DHKA, DHK
13	N 106 259 02	Socket head collared bolt with inner multipoint head	M10X70	5	
14	000 043 024 00	Extreme-pressure grease 1 tube	80GR	1	

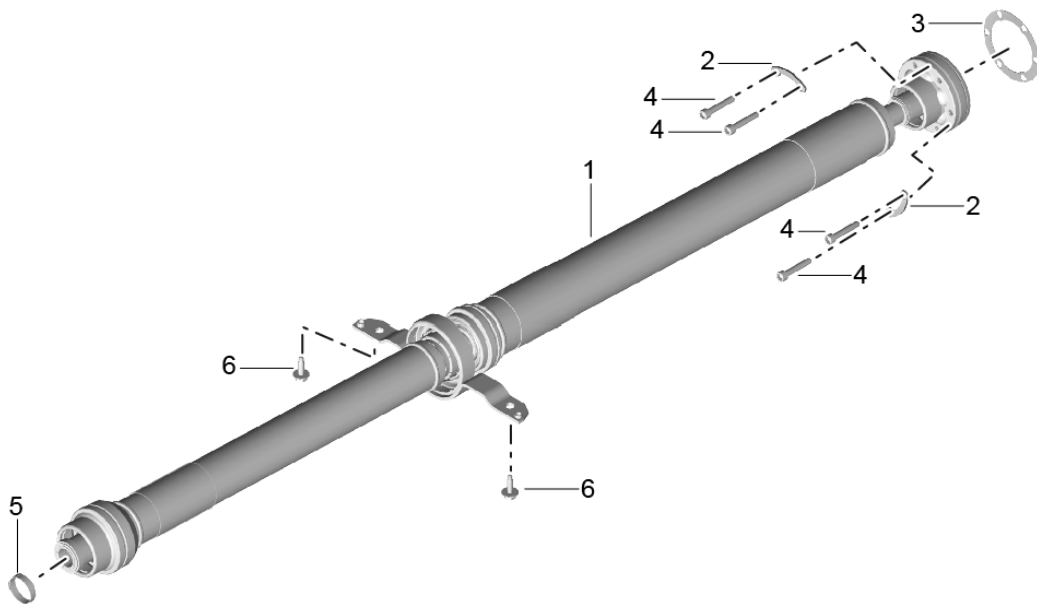
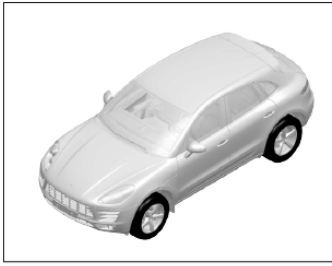
Model: 95B

Model life 2014>>

Pos	Part Number	Description	Remark	Qty	Model
(14)	000 043 305 73	discontinued part Extreme-pressure grease 1 tube	80GR	1	
15	000 043 301 36	Transfer box gear oil Discontinued part	1.0 Ltr.	1	
(15)	000 043 305 63	Transfer box gear oil	850ml	1	
16	WHT 005 156	O-ring Transfer box	28X2	1	

Model: 95B

Model life 2014>>



Model: 95B Model life 2014>>

Pos	Part Number	Description	Remark	Qty	Model
1	95B 521 101	Cardan shaft Cardan shaft No longer use the part here		1	CTMA, CTM, CTLA, CTL
(1)	95B 521 101 C	Cardan shaft for M 8 D >> - 06.06.2016		1	CTMA, CTM, CTLA, CTL, DCNA, DCN
(1)	95B 521 101 F	Cardan shaft for M 10 D - 07.06.2016>>		1	CTMA, CTM, CTLA, CTL, DCNA, DCN, DHKA, DHK
(1)	95B 521 101	Cardan shaft No longer use the part here		1	CDUD, CTBA, CTBB, CTBC
(1)	95B 521 101 C	Cardan shaft for M 8 D >> - 06.06.2016		1	CDUD, CTBA, CTBB, CTBC
(1)	95B 521 101 F	Cardan shaft for M 10 D - 07.06.2016>>		1	CDUD, CTBA, CTBB, CTBC
(1)	95B 521 101 A	Cardan shaft No longer use the part here		1	CNCC, CNC, CYNA
(1)	95B 521 101 B	Cardan shaft for M 8 D >> - 06.06.2016		1	CNCC, CNC, CYNA, CYP, CYP, CYNB
(1)	95B 521 101 E	Cardan shaft for M 10 D - 07.06.2016>>		1	CNCC, CNC, CYNA, CYP, CYP, CYNB
2	958 349 191 00	Spacer for M 8 also use:		3	
(2)	955 349 191 21	D >> - 06.06.2016 Spacer for M 10 also use:	N 107 190 01	6 3	
3	8K0 521 142 A	D - 07.06.2016>> Seal for Cardan shaft with:	N 107 599 01	6 1	
(3)	95B 521 142	M 8 D >> - 06.06.2016 No longer use the part here Seal for Cardan shaft with:		1	
(3)	9A7 521 142 01	M 8 D >> - 06.06.2016 Seal for Cardan shaft with:		1	
4	N 107 190 01	M 10 D - 07.06.2016>> Socket head bolt with hex. socket head, self-locking D >> - 06.06.2016	M8X45X30	6	

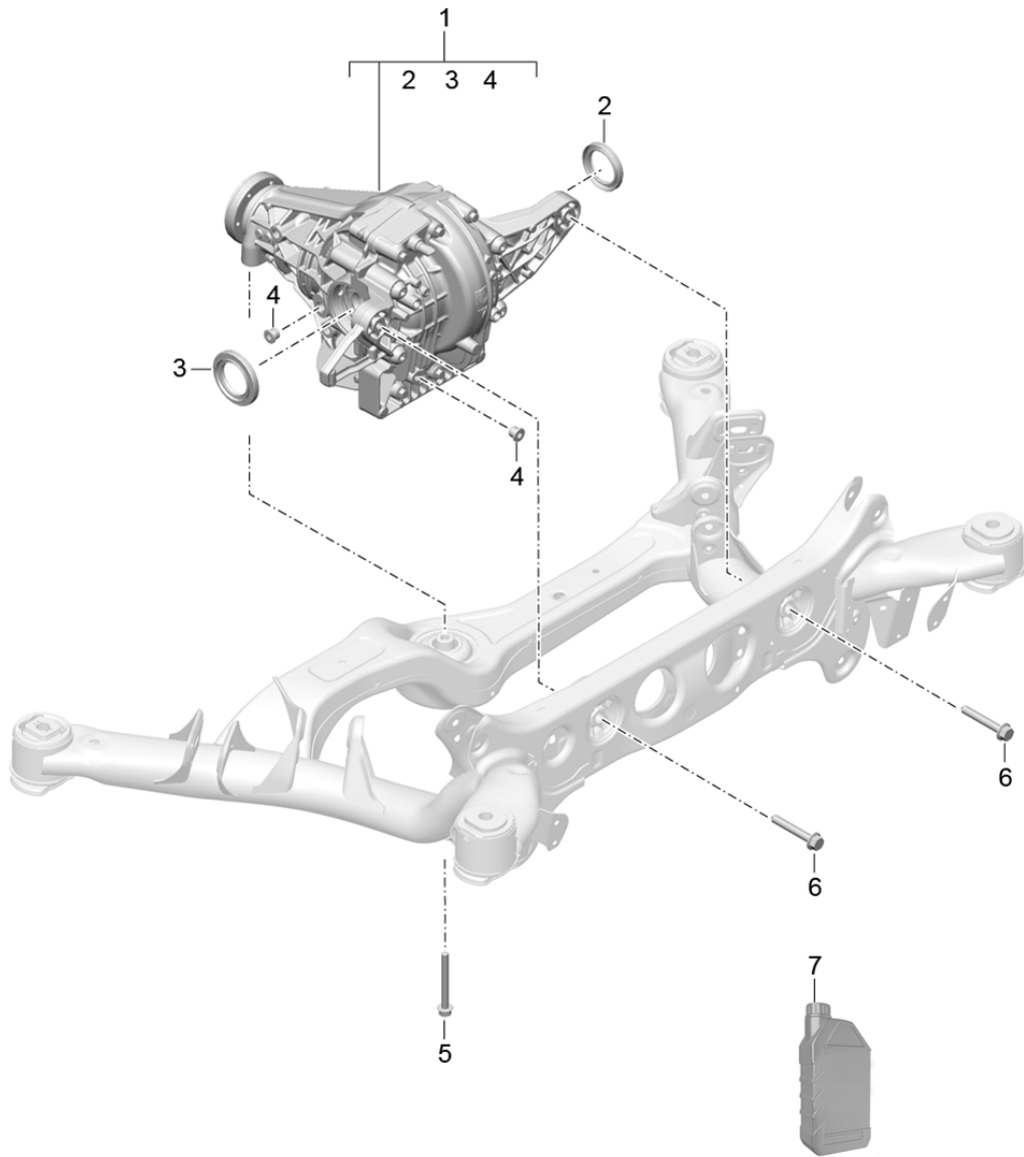
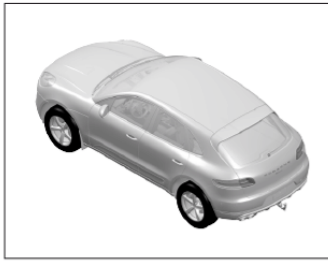
Model: 95B

Model life 2014>>

Pos	Part Number	Description	Remark	Qty	Model
(4)	N 107 599 01	Socket head bolt with inner multipoint head D - 07.06.2016>>	M10X1X45.0	6	
5	N 107 722 01	Ear crimp hose clamp	36,1X9X0,6	1	
6	N 019 530 7	Hex collared bolt	M8X25	2	

Model: 95B

Model life 2014>>



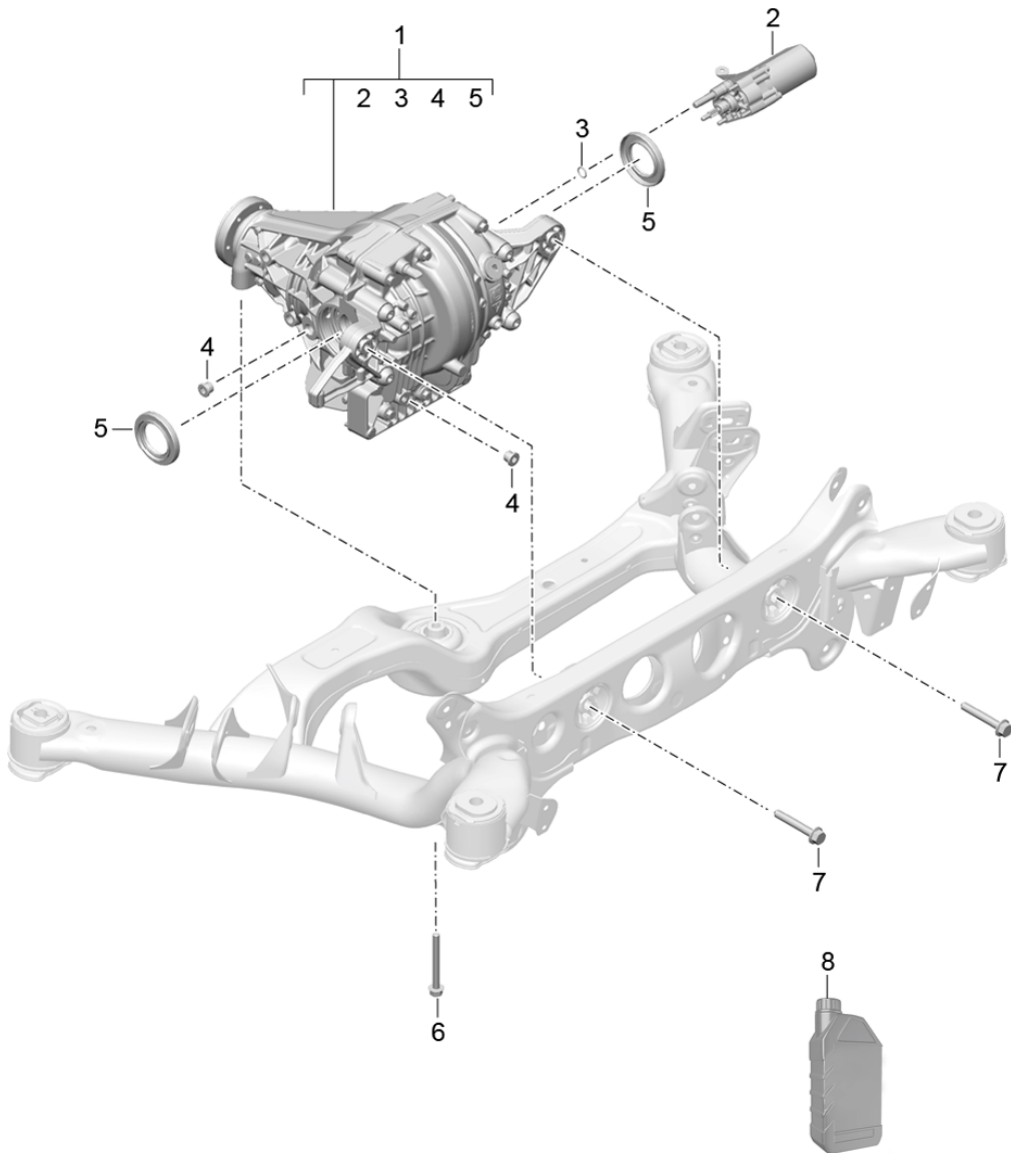
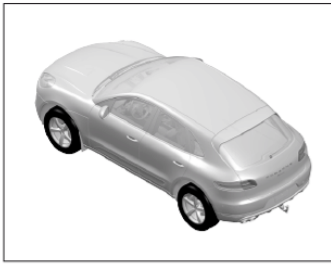
Model: 95B

Model life 2014>>

Pos	Part Number	Description	Remark	Qty	Model
1	95B 525 015 F	rear axle differential rear axle differential with: M 8 D >> - 06.06.2016		1	PR:1Y0 CTMA,CTM, DCNA,DCN
(1)	95B 525 015 J	rear axle differential with: M 10 D - 07.06.2016>>		1	CTMA,CTM, DCNA,DCN
(1)	95B 525 015 E	rear axle differential with: M 8 D >> - 06.06.2016		1	CTLA,CTL, CDUD,CTBA, CTBB,CTBC, CNCC,CNC, CYNA,CYPA, CYP,CYNB
(1)	95B 525 015 K	rear axle differential with: M 10 D - 07.06.2016>>		1	CTLA,CTL, CDUD,CTBA, CTBB,CTBC, CNCC,CNC, CYNA,CYPA, CYP,CYNB, DHKA,DHK
2	958 349 189 60	Shaft oil seal		1	
3	958 349 189 50	Shaft oil seal		1	
4	955 332 057 00	sealing plug	M16X1,5	2	
5	900 378 332 01	Hexagon flange screw	M10X92	1	
6	N 106 405 01	bolt,hex.hd.with shoul.(combi)	M12X1,5X80	2	
7	000 043 205 30	Transmission fluid 75 W 90	1.0 Ltr.	X	

Model: 95B

Model life 2014>>

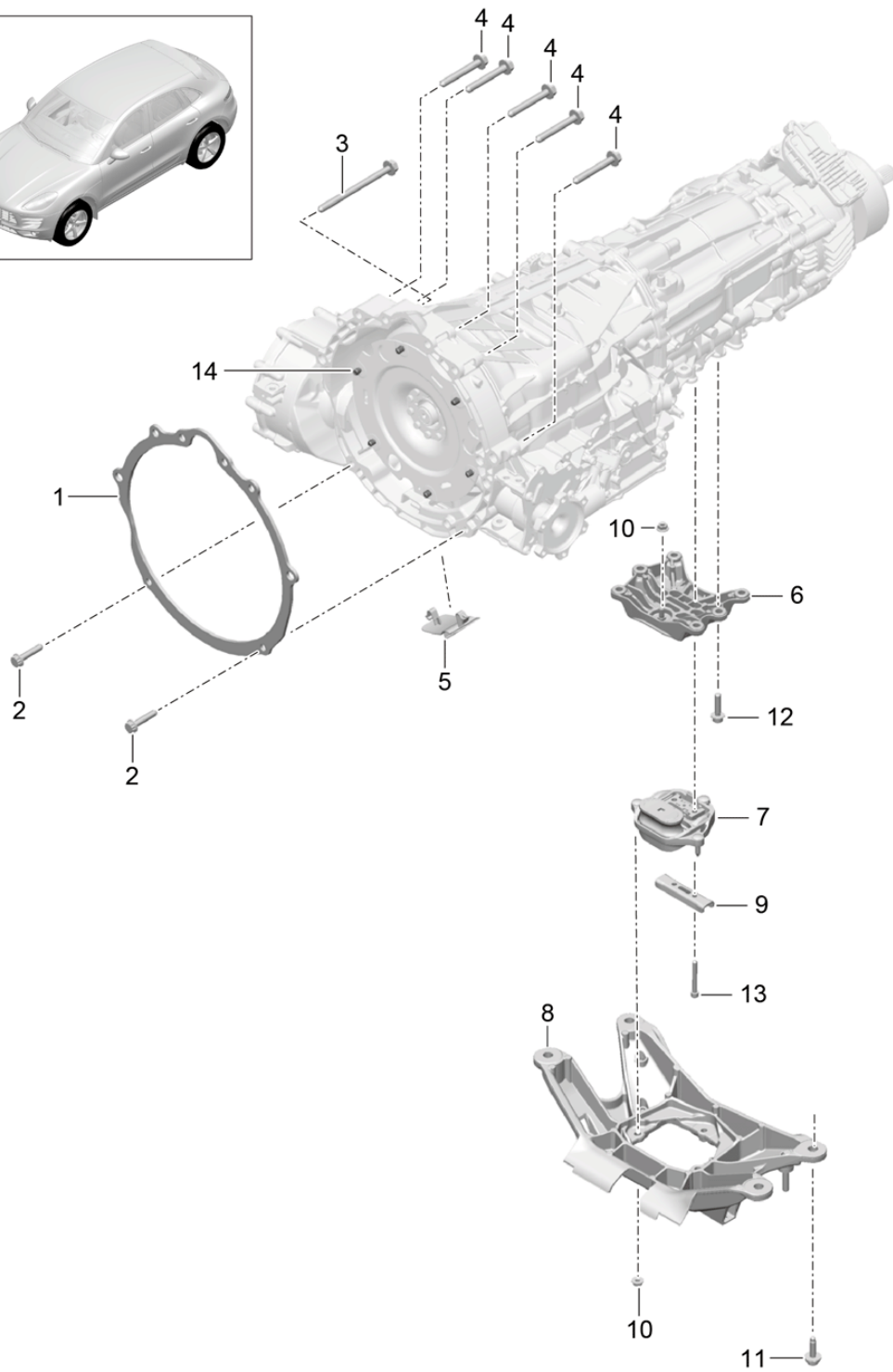
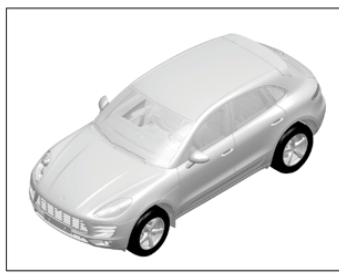


Model: 95B Model life 2014>>

Pos	Part Number	Description	Remark	Qty	Model
1	95B 525 016 H	rear axle differential rear axle differential with: M 8 D >> - 06.06.2016		1	PR:1Y1 CTMA,CTM, DCNA,DCN
(1)	95B 525 016 M	rear axle differential with: M 10 D - 07.06.2016>>		1	CTMA,CTM, DCNA,DCN
(1)	95B 525 016 L	rear axle differential with: M 8 D >> - 06.06.2016		1	CTLA,CTL, CDUD,CTBA, CTBB,CTBC, CNCC,CNC, CYNA,CYPA, CYP,CYNB
(1)	95B 525 016 N	rear axle differential with: M 10 D - 07.06.2016>>		1	CTLA,CTL, CDUD,CTBA, CTBB,CTBC, CNCC,CNC, CYNA,CYPA, CYP,CYNB, DHKA,DHK
2	95B 341 601	Servomotor limited slip differential also use:	955 332 649 00	1	
3	955 332 649 00	O-ring	25X2	1	
4	955 332 057 00	sealing plug		2	
5	958 349 189 50	Shaft oil seal		2	
6	900 378 332 01	Hexagon flange screw M 10 X 92		1	
7	N 106 405 01	bolt,hex.hd.with shoul.(combi) M 12 X 1,5 X 80		2	
8	000 043 300 37	Transmission fluid 75 W 90 filling quantity:	1.0 Ltr.	X	

Model: 95B

Model life 2014>>



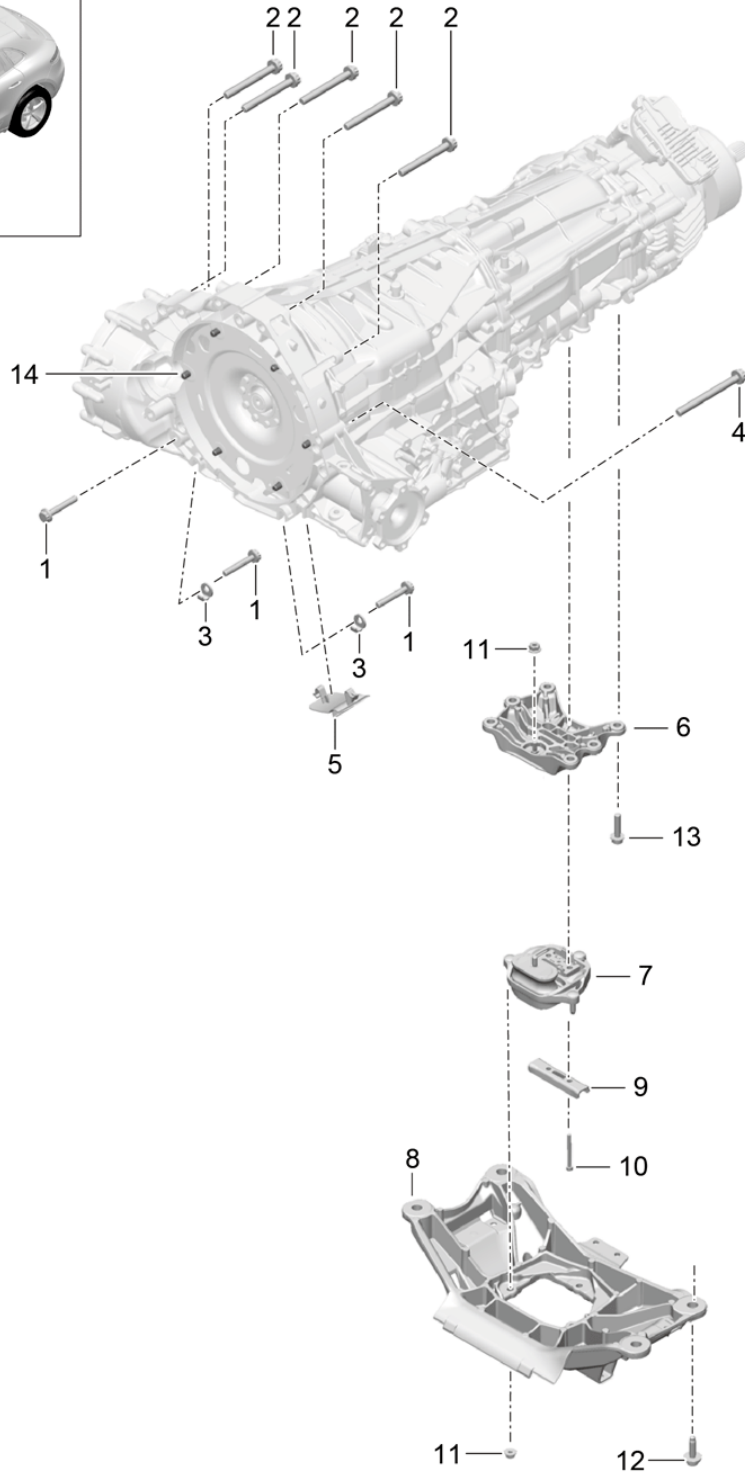
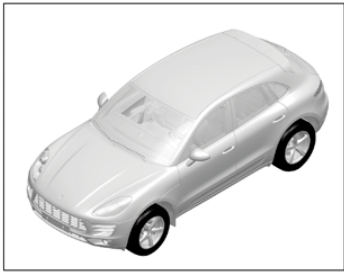
Model: 95B

Model life 2014>>

Pos	Part Number	Description	Remark	Qty	Model
		mounting parts for engine and transmission			CTMA, CTM, CTLA, CTL, DCNA, DCN, DHKA, DHK
		transmission carrier			
1	95B 301 425	Spacer ring		1	
2	WHT 003 211	12-point head bolt	M10X50	2	
3	N 107 813 01	Hex collared bolt	M12X1,5X155	1	
4	N 107 847 01	Hex collared bolt	M12X1,5X85	5	
5	8K0 301 257 A	Transmission housing cover		1	
6	8K0 399 115 S	Gearbox support		1	
		No longer use the part here			
(6)	95B 399 115	Console		1	
7	8K0 399 151 DB	Bonded rubber bush		1	
8	8K0 399 263 BF	transmission carrier		1	
9	8K0 399 291 A	Stop		1	
		also use:	N 107 247 01	2	
10	N 911 574 01	Hexagon collar nut	M8	4	
11	N 911 451 01	Socket head bolt with inner multipoint head	M10X40	4	
12	N 106 718 01	Socket head collared bolt with inner multipoint head	M10X40-LTR	4	
		No longer use the part here			
(12)	999 510 105 01	Socket head bolt	M10X38	6	
13	N 107 247 01	Socket head collared bolt with inner multipoint head	M8X60	2	
14	N 911 432 03	12-point head bolt	M10X1X15,5	6	

Model: 95B

Model life 2014>>



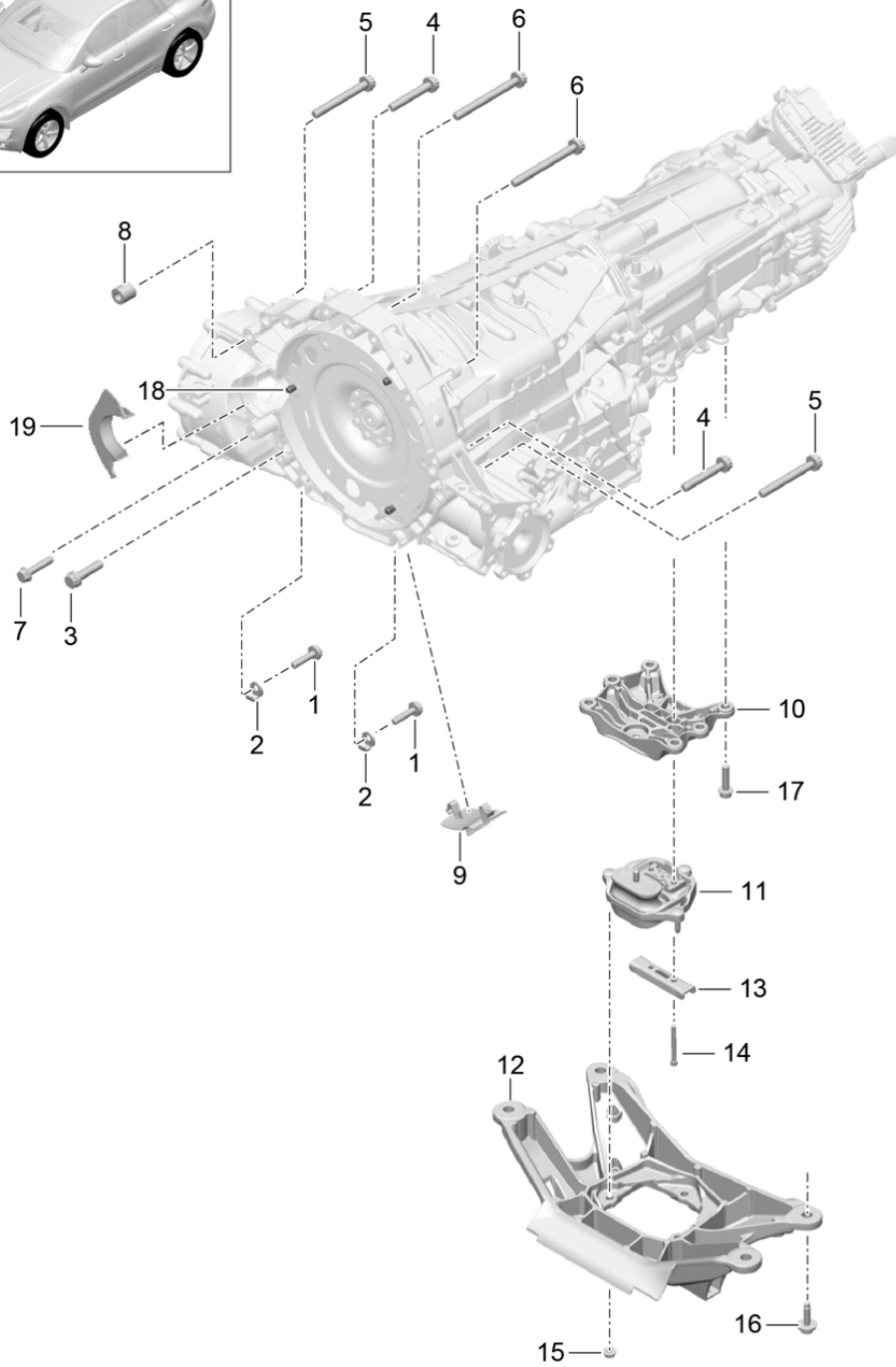
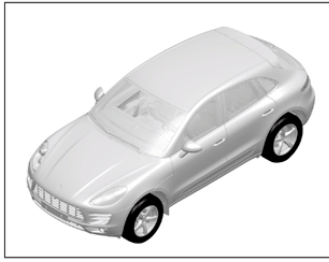
Model: 95B

Model life 2014>>

Pos	Part Number	Description	Remark	Qty	Model
		mounting parts for engine and transmission			CDUD, CTBA, CTBB, CTBC
1	N 911 507 01	transmission carrier			
		12-edge flange screw	M10X60	3	
2	N 911 296 01	12-point head bolt	M12X100X90	5	
3	0B5 301 433	Securing ring		2	
4	N 911 298 01	12-point head bolt	M12X125X90	1	
5	8K0 301 257 A	Transmission housing cover		1	
6	8K0 399 115 S	Gearbox support		1	
		No longer use the part here			
(6)	95B 399 115	Console		1	
7	8K0 399 151 DB	Bonded rubber bush		1	
8	95B 399 263	transmission carrier		1	
9	8K0 399 291 A	Stop		1	
10	N 107 247 01	Socket head collared bolt with inner multipoint head	M8X60	2	
11	N 911 574 01	Hexagon collar nut	M8	4	
12	N 911 451 01	Socket head bolt with inner multipoint head	M10X40	4	
13	N 106 718 01	Socket head collared bolt with inner multipoint head	M10X40-LTR	4	
		No longer use the part here			
(13)	999 510 105 01	Socket head bolt	M10X38	6	
14	N 911 432 03	12-point head bolt	M10X1X15,5	6	

Model: 95B

Model life 2014>>



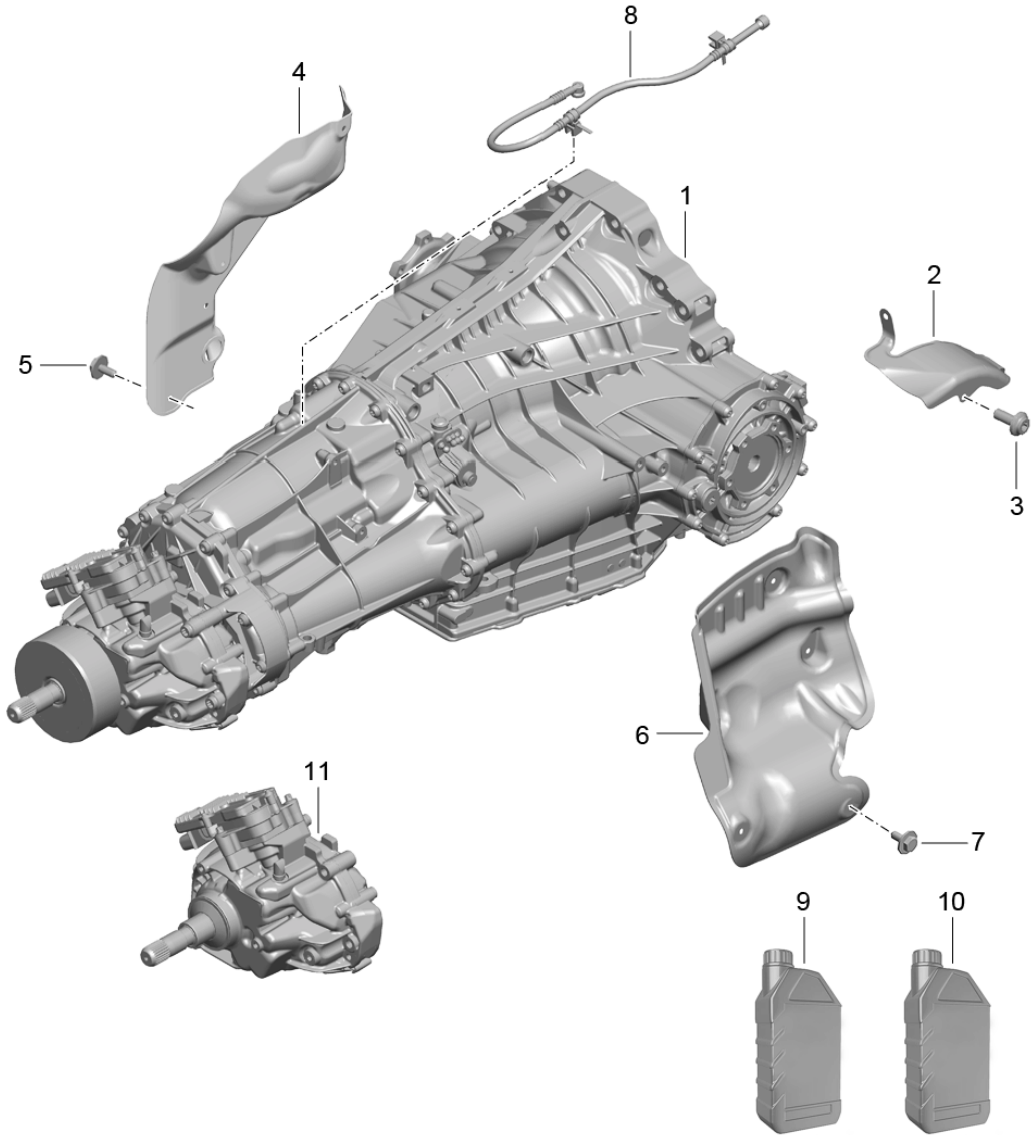
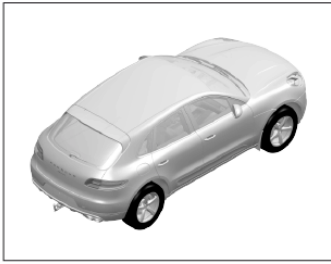
Model: 95B

Model life 2014>>

Pos	Part Number	Description	Remark	Qty	Model
		mounting parts for engine and transmission			CNCC, CNC, CYNA, CYPA, CYP, CYNB
1	N 911 291 01	transmission carrier dodecagonal head bolt	M10X40	2	
2	0B5 301 433	Securing ring		2	
3	N 911 294 01	12-point head bolt	M12X50	1	
4	N 911 295 01	Cylinder fitting screw with inner multipoint head	M12X75	2	
5	N 911 296 01	12-point head bolt	M12X100X90	2	
6	N 911 297 01	12-point head bolt	M12X120	2	
7	N 103 145 06	Hex collared bolt	M10X50	1	
8	8K0 145 198	spacer sleeve		1	
9	8K0 301 257 A	Transmission housing cover		1	
10	95B 399 115	Console		1	
11	8K0 399 151 DD	Bonded rubber bush		1	
12	8K0 399 263 K	transmission carrier		1	
13	8K0 399 291 A	Stop		1	
14	N 107 247 01	Socket head collared bolt with inner multipoint head	M8X60	2	
15	N 911 574 01	Hexagon collar nut	M8	4	
16	N 911 451 01	Socket head bolt with inner multipoint head	M10X40	4	
17	999 510 105 01	Socket head bolt	M10X38	6	
18	N 911 432 03	12-point head bolt	M10X1X15,5	3	
19	06H 103 565	Cover		1	

Model: 95B

Model life 2014>>



Model: 95B

Model life 2014>>

Pos	Part Number	Description	Remark	Qty	Model
1	0FD 300 040	7-speed dual clutch gearbox - PDK - See technical information	3965 26/18	1	PR:DD7,D1V, D43,D51
	0FD 300 040 000	7-speed dual clutch gearbox for four-wheel drive			
1	0FD 300 040 X	No longer use the part here 7-speed dual clutch gearbox for four-wheel drive		1	PR:DD7,D1V, D43,D51
	0FD 300 040 X 000	7-speed dual clutch gearbox for four-wheel drive			
(1)	9A7 300 040 14	No longer use the part here 7-speed dual clutch gearbox for four-wheel drive		1	PR:DD7,D1V, D43,D51
	9A7 300 040 14 000	7-speed dual clutch gearbox for four-wheel drive			
(1)	9A7 300 040 NX	No longer use the part here 7-speed dual clutch gearbox for four-wheel drive		1	PR:DD7,D1V, D43,D51
	9A7 300 040 NX 000	7-speed dual clutch gearbox for four-wheel drive			
(1)	0FD 300 040 C	No longer use the part here 7-speed dual clutch gearbox for four-wheel drive		1	PR:DU1
	0FD 300 040 C 000	7-speed dual clutch gearbox for four-wheel drive			
(1)	0FD 300 040 CX	No longer use the part here 7-speed dual clutch gearbox for four-wheel drive		1	PR:DU1
	0FD 300 040 CX 000	7-speed dual clutch gearbox for four-wheel drive			
(1)	9A7 300 040 16	No longer use the part here 7-speed dual clutch gearbox for four-wheel drive		1	PR:DU1
	9A7 300 040 16 000	7-speed dual clutch gearbox for four-wheel drive			
(1)	9A7 300 040 PX	No longer use the part here 7-speed dual clutch gearbox for four-wheel drive		1	PR:DU1
	9A7 300 040 PX 000	7-speed dual clutch gearbox for four-wheel drive			
(1)	0FD 300 040 D	No longer use the part here 7-speed dual clutch gearbox for four-wheel drive		1	PR:DU0
	0FD 300 040 D 000	7-speed dual clutch gearbox for four-wheel drive			
(1)	0FD 300 040 DX	No longer use the part here 7-speed dual clutch gearbox for four-wheel drive		1	PR:DU0
	0FD 300 040 DX 000	7-speed dual clutch gearbox for four-wheel drive			
(1)	9A7 300 040 17	No longer use the part here 7-speed dual clutch gearbox for four-wheel drive		1	PR:DU0
	9A7 300 040 17 000	7-speed dual clutch gearbox for four-wheel drive			
(1)	9A7 300 040 QX	No longer use the part here 7-speed dual clutch gearbox for four-wheel drive		1	PR:DU0
	9A7 300 040 QX 000	7-speed dual clutch gearbox for four-wheel drive			
(1)	0FD 300 040 E	No longer use the part here 7-speed dual clutch gearbox for four-wheel drive		1	PR:D4A
	0FD 300 040 E 000	7-speed dual clutch gearbox for four-wheel drive			
(1)	0FD 300 040 EX	No longer use the part here 7-speed dual clutch gearbox		1	PR:D4A

Model: 95B

Model life 2014>>

Pos	Part Number	Description	Remark	Qty	Model
	0FD 300 040 EX 000	for four-wheel drive 7-speed dual clutch gearbox for four-wheel drive			
(1)	9A7 300 040 18	No longer use the part here 7-speed dual clutch gearbox for four-wheel drive		1	PR:D4A
	9A7 300 040 18 000	7-speed dual clutch gearbox for four-wheel drive			
(1)	9A7 300 040 RX	7-speed dual clutch gearbox for four-wheel drive		1	PR:D4A
	9A7 300 040 RX 000	7-speed dual clutch gearbox for four-wheel drive			
(1)	0FD 300 040 B	7-speed dual clutch gearbox for four-wheel drive		1	PR:DM0
	0FD 300 040 B 000	7-speed dual clutch gearbox for four-wheel drive			
(1)	0FD 300 040 BX	No longer use the part here 7-speed dual clutch gearbox for four-wheel drive		1	PR:DM0
	0FD 300 040 BX 000	7-speed dual clutch gearbox for four-wheel drive			
(1)	9A7 300 041 00	No longer use the part here 7-speed dual clutch gearbox for four-wheel drive		1	PR:DM0
	9A7 300 041 00 000	7-speed dual clutch gearbox for four-wheel drive			
(1)	9A7 300 041 X	7-speed dual clutch gearbox for four-wheel drive		1	PR:DM0
	9A7 300 041 X 000	No longer use the part here 7-speed dual clutch gearbox for four-wheel drive			
(1)	9A7 300 041 AX	No longer use the part here 7-speed dual clutch gearbox for four-wheel drive		1	PR:DM0
	9A7 300 041 AX 000	7-speed dual clutch gearbox for four-wheel drive			
(1)	9A7 300 040 F	7-speed dual clutch gearbox for four-wheel drive		1	PR:DQ5
	9A7 300 040 F 000	No longer use the part here 7-speed dual clutch gearbox for four-wheel drive			
(1)	9A7 300 040 FX	No longer use the part here 7-speed dual clutch gearbox for four-wheel drive		1	PR:DQ5
	9A7 300 040 FX 000	7-speed dual clutch gearbox for four-wheel drive			
(1)	9A7 300 040 19	No longer use the part here 7-speed dual clutch gearbox for four-wheel drive		1	PR:DQ5
	9A7 300 040 19 000	7-speed dual clutch gearbox for four-wheel drive			
(1)	9A7 300 040 SX	7-speed dual clutch gearbox for four-wheel drive		1	PR:DQ5
	9A7 300 040 SX 000	7-speed dual clutch gearbox for four-wheel drive			
(1)	9A7 300 040 10	7-speed dual clutch gearbox for four-wheel drive		1	PR:DU3
	9A7 300 040 10 000	7-speed dual clutch gearbox for four-wheel drive			
(1)	9A7 300 040 KX	No longer use the part here 7-speed dual clutch gearbox		1	PR:DU3

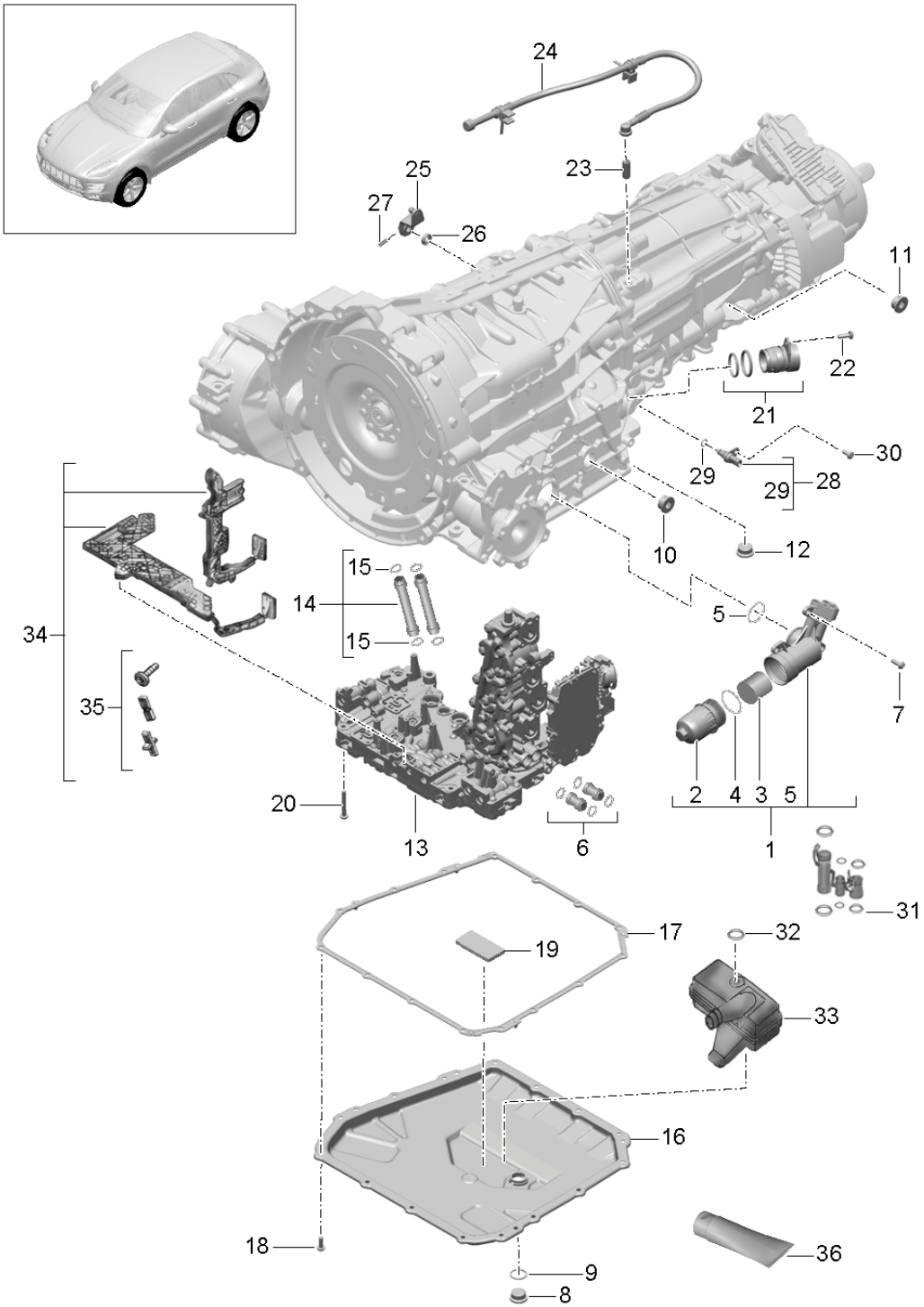
Model: 95B

Model life 2014>>

Pos	Part Number	Description	Remark	Qty	Model
	9A7 300 040 KX 000	for four-wheel drive 7-speed dual clutch gearbox for four-wheel drive			
(1)	9A7 300 040 20	No longer use the part here 7-speed dual clutch gearbox for four-wheel drive		1	PR:DU3
	9A7 300 040 20 000	7-speed dual clutch gearbox for four-wheel drive			
(1)	9A7 300 040 TX	7-speed dual clutch gearbox for four-wheel drive		1	PR:DU3
	9A7 300 040 TX 000	7-speed dual clutch gearbox for four-wheel drive			
2	95B 301 326	Guard plate	right	1	PR:TQ9,T8I
3	N 911 261 01	Hexagon socket flat head bolt	M6X14	1	PR:TQ9,T8I
4	95B 301 327 A	Guard plate	left	1	PR:TQ9,T8I
5	N 103 210 03	bolt, hexagon head self-locking	M6X16	5	PR:TQ9,T8I
6	95B 301 328 A	Guard plate	right	1	PR:TQ9,T8I
7	N 103 210 03	bolt, hexagon head self-locking	M6X16	5	PR:TQ9,T8I
8	0B5 301 675 A	Vent hose		1	
9	G 052 529 A2	Dual clutch transmission fluid Coupling CASTROL BOT 342 A	1.0 Ltr.	X	
10	G 052 513 A2	Transmission fluid gear set CASTROL BOT 233 Q	1.0 Ltr.	X	
(10)	G 055 532 A2	No longer use the part here Transmission fluid gear set CASTROL BOT 233 FEQ	1.0 Ltr.	X	
11		Transfer box see illustration, item:	305-000,1	1	

Model: 95B

Model life 2014>>



Model: 95B Model life 2014>>

Pos	Part Number	Description	Remark	Qty	Model
1	0B5 325 060 C	- PDK - Gearbox Individual parts Filter housing for oil filter		1	
2	0B5 325 240 B	Cover for oil filter for filter element		1	
3	0B5 325 330 A			1	
4	WHT 005 499 A	also use: O-ring	WHT 005 499 A 40X2,5	1	
5	WHT 005 379	O-ring	36X2,5	1	
6	0B5 321 473	oil pipe		2	
7	N 910 968 01	Hexagon socket flat head bolt	M6X20	1	
8	WHT 005 282	sealing plug oil sump		1	
9	N 013 827 5	seal ring drain plug		1	
10	WHT 003 487	sealing plug		1	
11	WHT 003 487	sealing plug		1	
12	WHT 003 487	sealing plug		1	
13	0B5 325 025 AC	mechatronic		1	CTMA, CTM, CTLA, CTL, DCNA, DCN, CDUD, CTBA, CTBB, CTBC, CNCC, CNC, CYNA, CYPA, CYP, CYNB
(13)	0B5 325 025 AC Z00 0B5 325 025 AE	valve body mechatronic Discontinued part		1	DHKA, DHK
(13)	0B5 325 025 AE Z00 9A7 325 025 05	valve body valve body		1	DHKA, DHK
14	0B5 315 105 TC	oil pipe No longer use the part here		1	
(14)	0B5 315 100	oil pipe		1	
15	WHT 004 647	O-ring	10,8X1,78	4	
16	0B5 321 361 C	Transmission oil sump		1	
17	0B5 321 371 E	gasket for oil sump Discontinued part		1	
(17)	9A7 321 371 00	gasket for oil sump		1	
18	N 910 968 01	Hexagon socket flat head bolt	M6X20	15	
19	097 321 368	Magnet		2	
20	N 910 973 02	Torx screw	M6X45	6	
21	0B5 325 571	Sleeve with:		1	
22	N 910 968 01	Gaskets Hexagon socket flat head bolt	M6X20	1	
23	02H 409 275 A	Sleeve		1	
24		Vent hose Vent hose see illustration, item:	320-000,8	1	
25	0B5 321 171 A	lever for cable for Cable		1	
26	0B5 301 457	Shaft oil seal		1	
27	N 043 314 2	spring pin		1	
28	079 919 525 H	Temperature sensor		1	CTMA, CTM, CTLA, CTL,

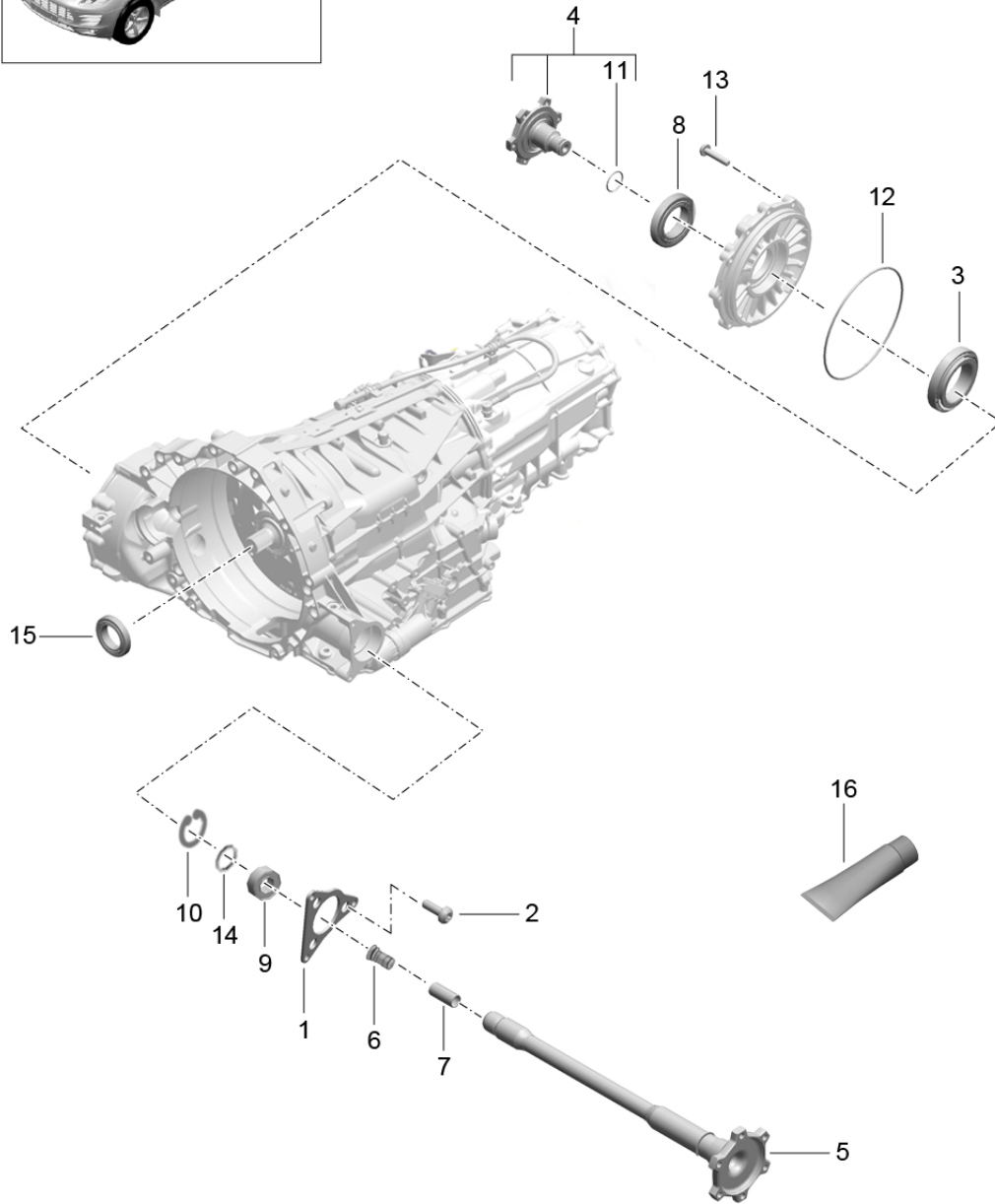
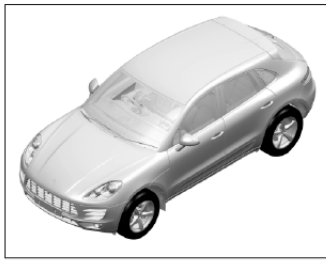
Model: 95B

Model life 2014>>

Pos	Part Number	Description	Remark	Qty	Model
29	WHT 002 287 E	O-ring	5,6X2N	1	DCNA,DCN, DHKA,DHK CTMA,CTM, CTLA,CTL, DCNA,DCN, DHKA,DHK
30	N 104 056 04	Oval hexagon socket head bolt	M6X14	1	CTMA,CTM, CTLA,CTL, DCNA,DCN, DHKA,DHK
31	OB5 315 105 TA	oil pipe		1	
		with:			
32	WHT 003 379	O-ring	10X2,0	1	
33	OB5 325 429 E	oil strainer		1	
34	OB5 398 009 D	repair set		1	
		Conductor foil			
		valve body			
		Discontinued part			
(34)	9A7 301 901 00	repair set		1	
		Conductor foil			
		valve body			
35	OB5 398 008	1 set attachment parts		1	
		Conductor foil			
		valve body			
36	000 043 205 93	grease		1	
		1 tube	100 gram		
		KLUEBERPLUS S 06-100			

Model: 95B

Model life 2014>>



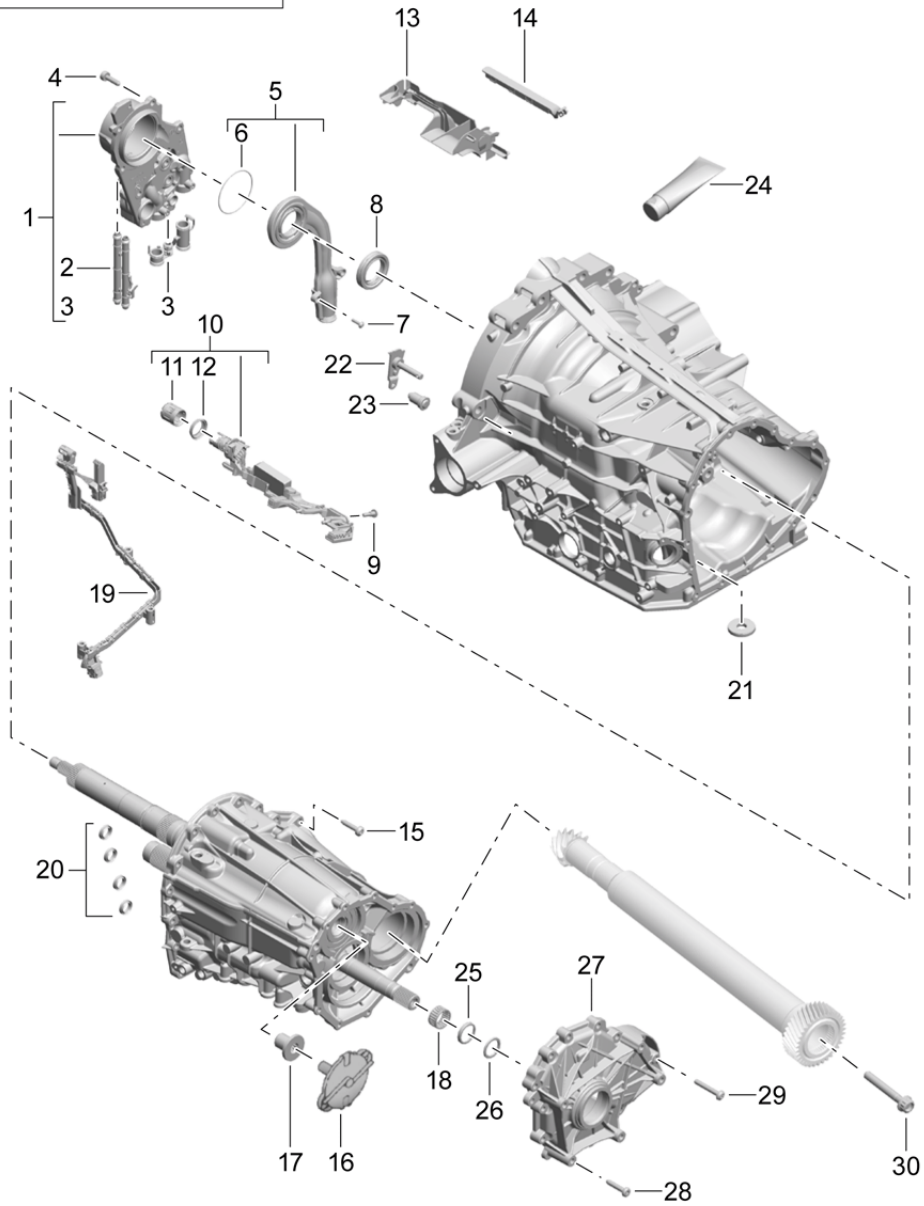
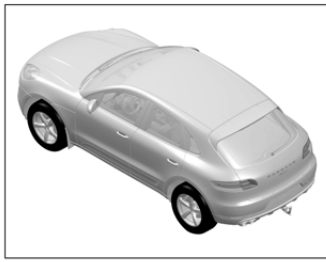
Model: 95B

Model life 2014>>

Pos	Part Number	Description	Remark	Qty	Model
1	9A7 409 175 00	- PDK - Gearbox Front axle differential Cover	left	1	CDUD, CTBA, CTBB, CTBC, CNCC, CNC, CYNA, CYNB, CYPA, CYP
(1)	9A7 409 175 01	Cover	left	1	CTMA, CTM, CTLA, CTL, DCNA, DCN, DHKA, DHK
2	N 912 088 01	Socket head bolt with inner multipoint head	M8X25	3	
3	9A7 409 399 00	radial shaft seal	left	1	
4	9A7 409 344 00	Flanged shaft	right	1	
5	9A7 409 355 00	Flanged shaft	left	1	
6	9A7 409 368 00	Pressure spring		1	
7	9A7 409 370 00	Tappets		1	
8	9A7 409 400 00	radial shaft seal	right	1	
9	9A7 409 294 00	grooved ball bearing	35X62X41	1	
10	9A7 409 297 00	Securing ring	30X1,5	1	
11	012 409 413	snap ring	35X1,5	1	
12	9A7 004 074 00	O-ring	185X3,5	1	
13	N 106 070 02	Oval hexagon socket head bolt	M8X38	10	
14	9A7 409 227 00	Washer		1	
15	9A7 311 113 00	radial shaft seal		1	
16	G 052 128 A1	sealing grease for radial shaft oil seal		1	

Model: 95B

Model life 2014>>

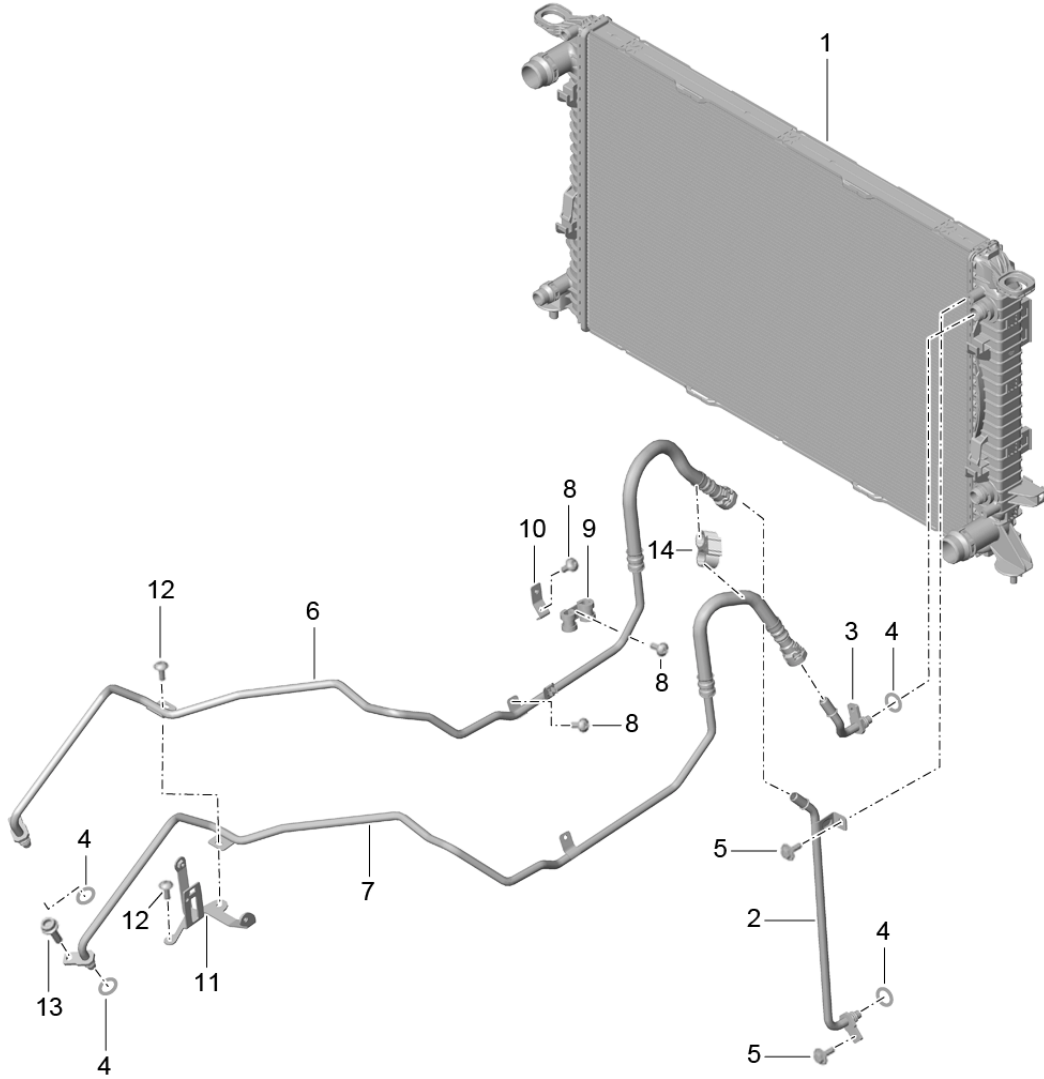
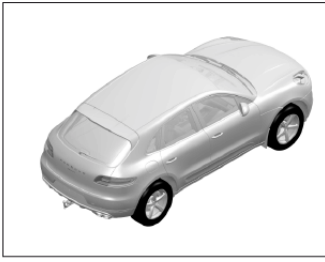


Model: 95B Model life 2014>>

Pos	Part Number	Description	Remark	Qty	Model
1	9A7 315 105 00	oil pump Wire set		1	
2	0B5 315 100	oil pump Gearbox oil pipe		1	
		with:			
3	0B5 315 105 TA	seal ring oil pipe		1	
		with:			
4	N 910 766 01	seal ring Socket head bolt with inner multipoint head	M8X30	5	
5	9A7 301 515 00	suction jet pump Gearbox		1	
6	9A7 004 741 00	O-ring	71,5X1,5	1	
7	N 106 373 02	Oval hexagon socket head bolt	M5X20	2	
8	9A7 301 227 00	radial shaft seal		1	
9	N 911 963 01	Hex socket head locating bolt	M6X8X25	1	
10	9A7 927 321 00	speed sensor		1	
		also use:	9A7 321 391 00		
11	9A7 927 407 00	lock ring		1	
12	9A7 927 377 00	Seal		1	
13	9A7 301 311 00	oil drip tray		1	
14	9A7 301 279 00	oil drip tray		1	
15	9A7 002 459 00	Torx screw	M8X40	17	
16	9A7 301 134 00	oil guide		1	
17	9A7 007 674 00	Banjo bolt	M26X1,5X29	1	
18	9A7 311 525 00	needle bearing -		1	
19	9A7 321 391 00	Wire set		1	
20	9A7 311 944 00	radial shaft seal	26X16X6	4	
21	9A7 301 143 00	Magnet		1	
22	9A7 321 191 00	shift rod		1	
		also use:	9A7 321 222 00		
23	9A7 321 222 00	shift rod		1	
24	000 043 300 33	sealant	100G	1	
25	9A7 311 190 00	radial shaft seal		1	
26	9A7 311 189 00	radial shaft seal		1	
27	9A7 301 212 00	Transmission housing cover		1	
28	9A7 002 079 00	Torx screw	M8X43	11	
29	9A7 001 958 00	Torx screw	M8X55	2	
30	9A7 001 955 00	Hexagon bolt		1	

Model: 95B

Model life 2014>>



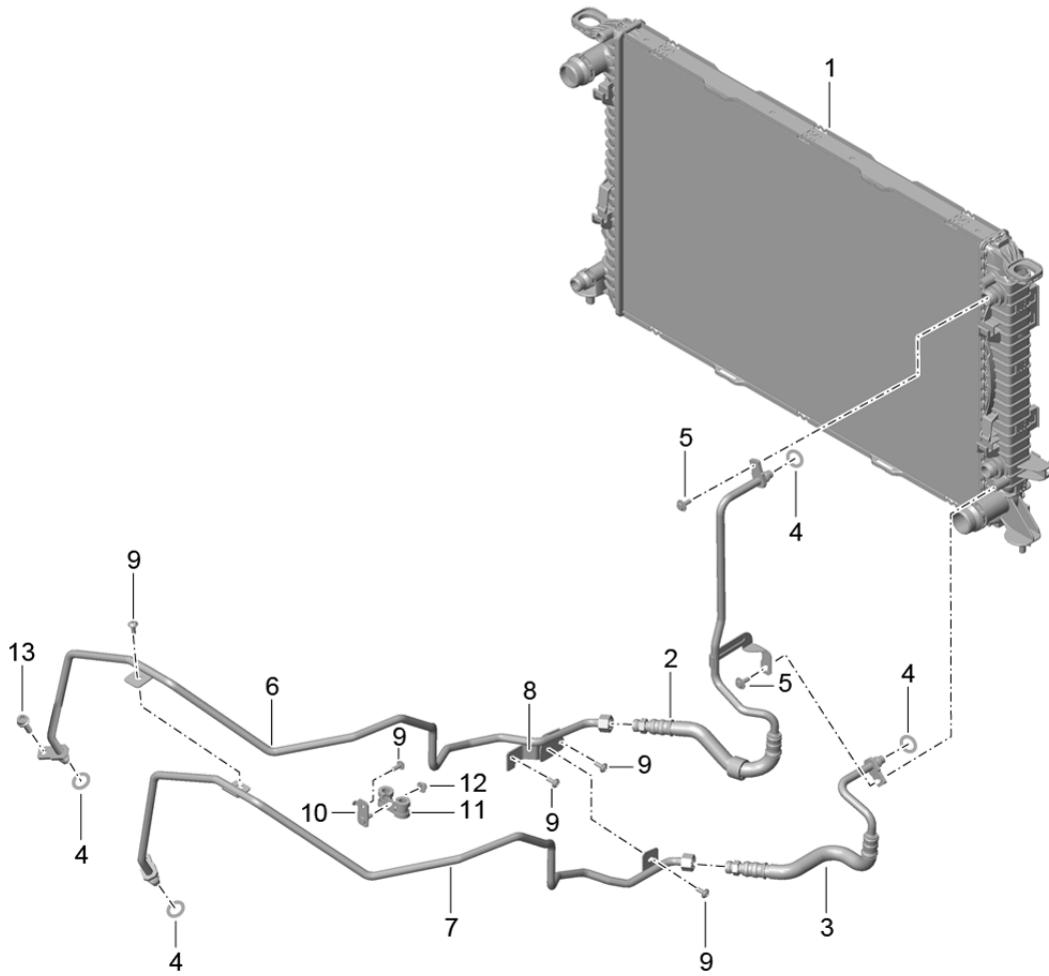
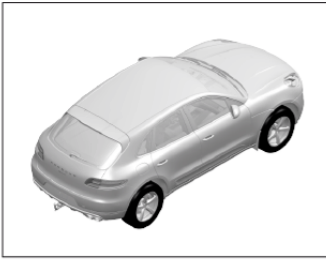
Model: 95B

Model life 2014>>

Pos	Part Number	Description	Remark	Qty	Model
1		- PDK - Gearbox Gear oil cooler Oil pressure line Cooler for coolant see illustration, item:	105-035,1	1	CTLA, CTL, CTMA, CTM, DCNA, DCN, DHKA, DHK
2	95B 317 825 A	oil pressure line for gearbox oil cooling		1	
3	95B 317 826 A	oil pressure line for gearbox oil cooling		1	
4	N 906 660 01	O-ring	11,5X3	4	
5	N 100 095 06	hexagon head bolt (combi)	M6X18	2	
6	95B 317 817 A	oil pressure line for gearbox oil cooling		1	
		also use:	958 572 699 00	1	
7	95B 317 818 A	oil pressure line for gearbox oil cooling		1	
		also use:	958 572 699 00	1	
8	N 106 320 03	Oval socket head bolt with hex drive	M6X16	3	
(8)	N 103 352 06	Hexagon socket flat head bolt	M6X12	1	
9	8K0 317 063 C	Securing clip		1	
10	95B 317 355	Bracket		1	
11	95B 121 305 B	Retainer for pump		1	
12	N 106 320 03	Oval socket head bolt with hex drive	M6X16	2	
13	N 106 893 02	Socket head bolt with inner multipoint head	M8X25	1	
14	958 572 699 00	Grommet		1	

Model: 95B

Model life 2014>>



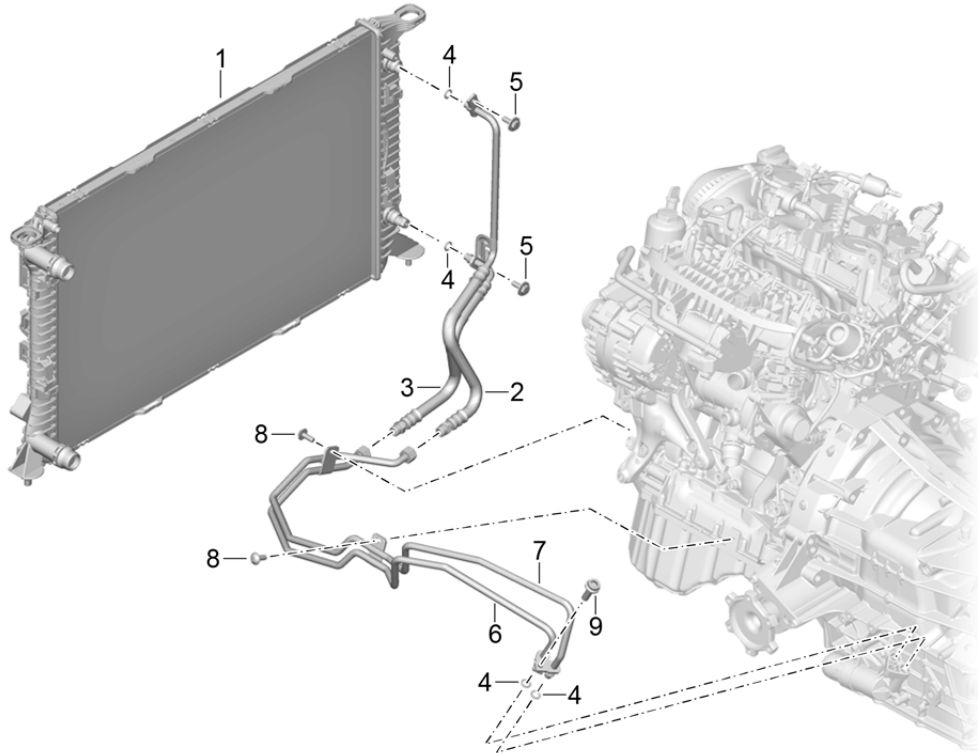
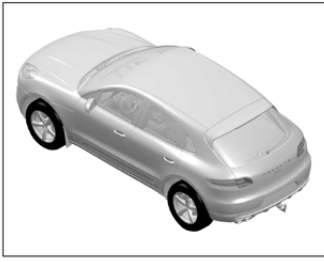
Model: 95B

Model life 2014>>

Pos	Part Number	Description	Remark	Qty	Model
1		- PDK - Gearbox Gear oil cooler Oil pressure line Cooler for coolant see illustration, item:	105-035,1	1	CDUD, CTBA, CTBB, CTBC
2	8R0 317 825 P	Oil pressure line		1	
3	8R0 317 826 Q	Oil pressure line		1	
4	N 906 660 01	O-ring	11,5X3	4	
5	N 100 095 06	hexagon head bolt (combi)	M6X18	2	
6	8R0 317 817 BD	Oil pressure line		1	
7	8R0 317 818 BD	Oil pressure line		1	
8	8K0 317 827 P	Bracket		1	
9	N 106 320 03	Oval socket head bolt with hex drive	M6X16	4	
10	95B 317 827	Bracket		1	
11	8K0 317 063 C	Securing clip		1	
12	N 908 877 03	Hexagon flange nut, self-locking	M6	1	
13	N 106 893 02	Socket head bolt with inner multipoint head	M8X25	1	

Model: 95B

Model life 2014>>



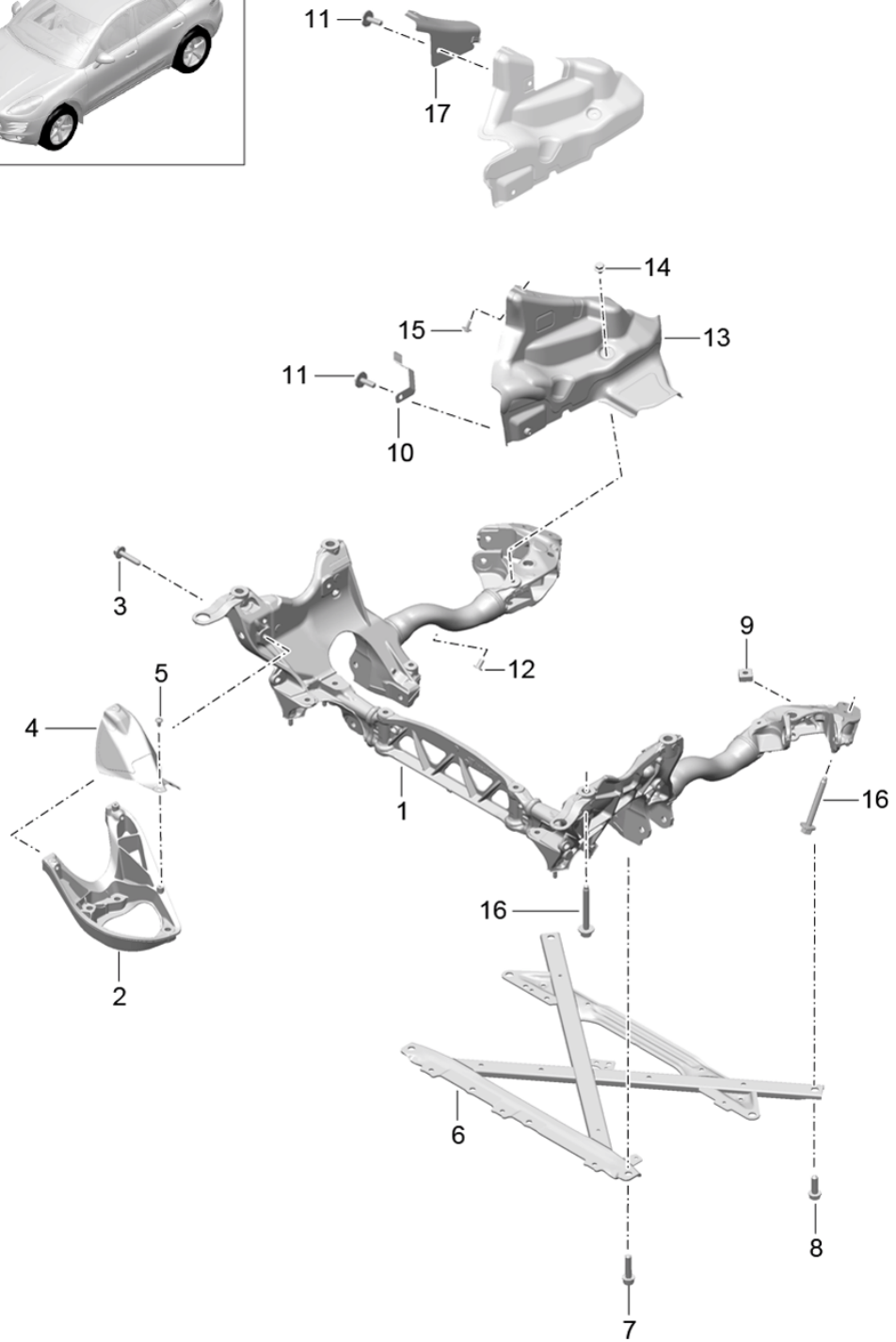
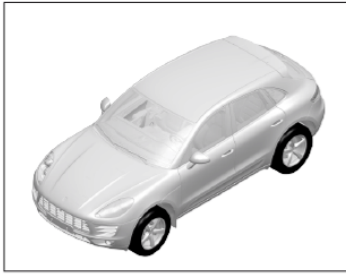
Model: 95B

Model life 2014>>

Pos	Part Number	Description	Remark	Qty	Model
1		- PDK - Gearbox Gear oil cooler Oil pressure line Cooler for coolant see illustration, item:	105-035,1	1	CNCC, CNC, CYNA, CYPA, CYP, CYNB
2	95B 317 826 B	oil pressure line for gearbox oil cooling		1	
3	95B 317 825 B	oil pressure line for gearbox oil cooling		1	
4	N 906 660 01	O-ring	11,5X3	4	
5	N 100 095 06	hexagon head bolt (combi)	M6X18	2	
6	8K0 317 817 CL	Oil pressure line		1	
7	8K0 317 818 CL	Oil pressure line		1	
8	N 106 320 03	Oval socket head bolt with hex drive	M6X16	2	
9	N 106 893 02	Socket head bolt with inner multipoint head	M8X25	1	

Model: 95B

Model life 2014>>



Model: 95B Model life 2014>>

Pos	Part Number	Description	Remark	Qty	Model
1	95B 399 315 B	Support frame Cross member Guard plate		1	PR:DU0,DU1, DU3,D4A
(1)	8R0 399 315 J	Support frame Front axle		1	PR:DD7,DQ5, D1V,D43,D50, D51,DM0
2	95B 399 331 A	Support engine mounting	left	1	PR:DU0,DU1
2	95B 399 331 B	Discontinued part Support engine mounting	left	1	PR:DU0,DU1, DU3
(2)	95B 399 332 A	Support engine mounting Discontinued part	right	1	PR:DU0,DU1
(2)	95B 399 332 B	Support engine mounting	right	1	PR:DU0,DU1, DU3
3	N 106 994 01	Hexagon bolt M10 X 50 Support engine mounting		4	PR:DU0,DU1, DU3,D4A
4	95B 399 299	Guard plate	left	1	PR:DU0,DU1, DU3,D4A
(4)	95B 399 300	Guard plate	right	1	PR:DU0,DU1, DU3,D4A
5	N 107 414 02	Hexagon socket flat head bolt M6 X 14 Guard plate		4	PR:DU0,DU1, DU3,D4A
6	8K1 399 345 E	Strut brace for assembly carrier	lhd	1	PR:L0L
(6)	8K2 399 345 E	Strut brace for assembly carrier	rhd	1	PR:L0R
7	WHT 005 372	Socket head bolt with inner multipoint head M12 X 1.5 X 51		2	
8	N 911 511 01	hexagon head bolt (combi) M 12 X 1.5 X 42		4	
9	WHT 002 305	nut, square M 12 X 1.5		4	
10	8T0 399 379 A	Bracket Guard plate	left	1	PR:DU0,DU1, D43,DD7,D51, D1V,D4A,DU3
(10)	8T0 399 380 A	Bracket Guard plate	right	1	PR:L0L
11	N 100 092 09	hexagon head bolt (combi) M6 X 20		2	PR:DU0,DU1, D43,DD7,D51, D1V,D4A,DU3
(11)	N 100 092 09	hexagon head bolt (combi) M6 X 20		1	PR:-DU0, -DU1,-D43, -DD7,-D51, -D1V,-D4A, -DU3
12	N 906 365 02	riveted cap nut M6	lhd	2	PR:L0L
13	8R0 399 299	Guard plate	left	1	PR:D43,DD7, D51,D1V
(13)	95B 399 545	Guard plate	left right	1	PR:DU0,DU1, D4A,DU3
(13)	8R1 399 300 A	Guard plate	right	1	PR:L0L,D43, DD7,D51,DM0
(13)	95B 399 546	Guard plate	right	1	PR:L0L,DU0,

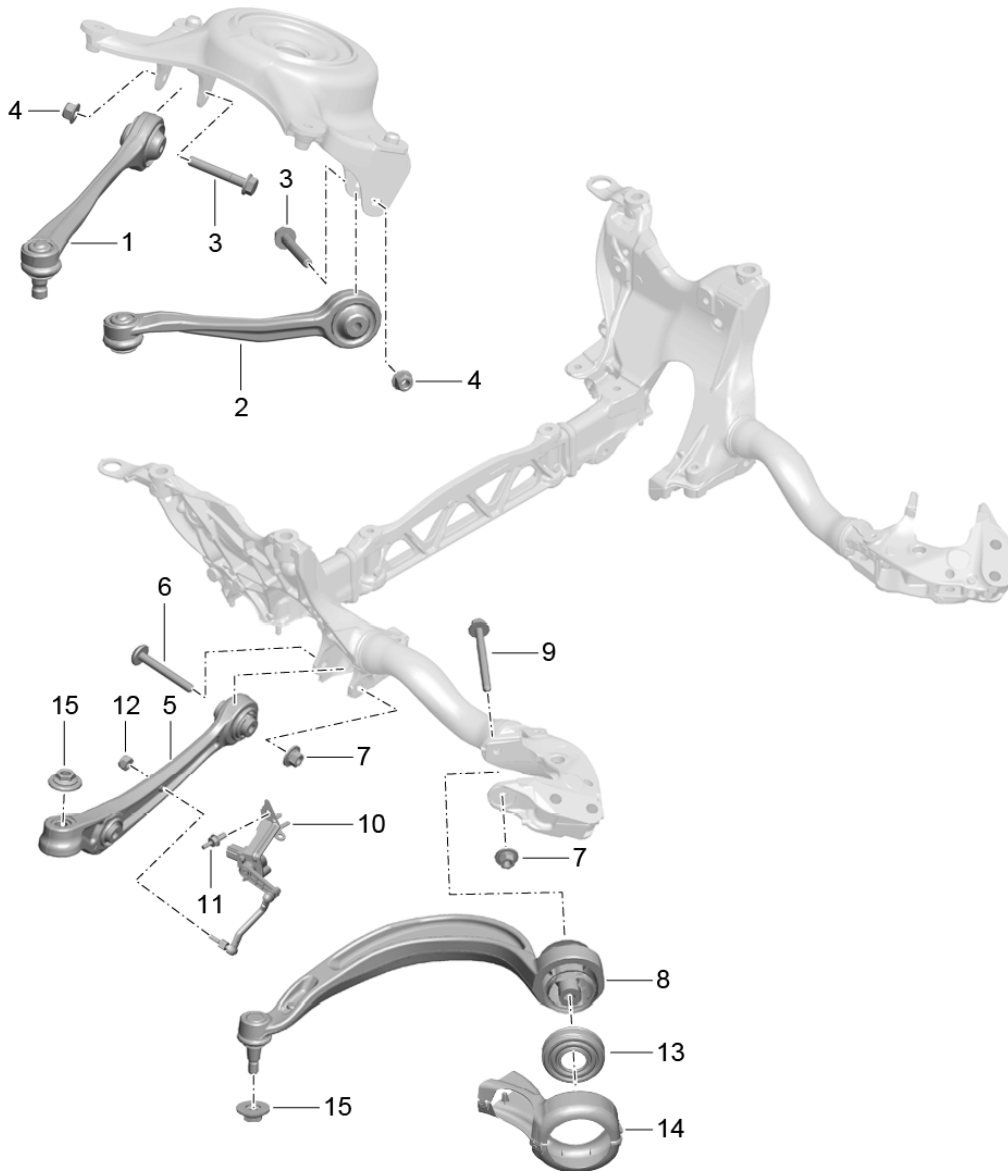
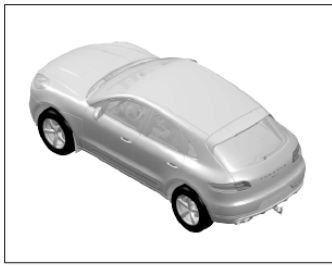
Model: 95B

Model life 2014>>

Pos	Part Number	Description	Remark	Qty	Model
(13)	95B 399 546 A	Guard plate D >> - 28.09.2015	right lhd	1	DU1,D4A,DU3 PR:LOR,DU0, DU1,D4A,DU3
(13)	95B 399 546 B	Guard plate D - 29.09.2015>>	right	1	PR:LOR
14	N 910 793 01	Hex collared bolt M8 X 16		2	PR:DU0,DU1, D43,DD7,D51, D1V,D4A,DU3
(14)	N 910 793 01	Hex collared bolt M8 X 16		1	PR:-DU0, -DU1,-D43, -DD7,-D51, -D1V,-D4A, -DU3
15	900 075 510 01	Bolt with washer M6 X 20 D >> - 12.09.2015		8	PR:DU0,DU1, D43,DD7,D51, D1V
(15)	N 910 345 01	hexagon head bolt (combi) M6 X 20 D - 14.09.2015>>		2	PR:DU0,DU1, D43,DD7,D51, D1V,D4A,DU3
16	N 911 561 01	Hexagon bolt M 12 X 1.5 X 100 Support frame Body		8	
17	8R2 399 300 A	Guard plate	right	1	PR:LOR

Model: 95B

Model life 2014>>



Model: 95B

Model life 2014>>

Pos	Part Number	Description	Remark	Qty	Model
1	8K0 407 505 B	Wishbone Guide Level sensor Guide	left upper front	1	
(1)	8K0 407 505 P	Discontinued part Guide	left upper front	1	
(1)	8K0 407 506 B	Guide	right upper front	1	
(1)	8K0 407 506 P	Discontinued part Guide	right upper front	1	
2	8K0 407 509 B	Guide	left rear	1	
(2)	8K0 407 509 P	Discontinued part Guide	left rear	1	
(2)	8K0 407 510 B	Guide	right rear	1	
(2)	8K0 407 510 P	Discontinued part Guide	right rear	1	
3	N 104 253 02	Hex collared bolt M 10 X 62 X 45		4	
4	N 102 861 10	Hexagon collar nut self-locking M 10		4	
5	8K0 407 151 F	front wishbone link	left lower	1	
(5)	8K0 407 152 F	front wishbone link	right lower	1	
6	WHT 001 949	round hd. screw M12 X 1.5 X 92		2	
7	WHT 001 987	hex. nut, self-locking with washer M12 X 1.5		4	
8	8R0 407 693 B	Guide	left	1	
8	9A7 407 693 03	Discontinued part Guide	left	1	
(8)	8R0 407 694 B	Guide	right	1	
(8)	9A7 407 694 03	Discontinued part Guide	right	1	
9	N 107 315 01	Hex collared bolt BM12 X 1.5 X 118		2	
10	8R0 941 285 D	Level sensor	left	1	PR:1BA,8Q3
(10)	8R0 941 285 D	Level sensor	left	1	PR:1BH,1BK
(10)	8R0 941 286 D	Level sensor	right	1	PR:1BH,1BK
11	N 907 847 02	double stud with hexagon drive M8/M6		2	
12	N 011 183 12	hexagon nut, self-locking M6		2	
13	95B 407 459	Protective cap Guide		4	PR:DU1,DU0, D4A,DU3
(13)	95B 407 459	Protective cap Guide		2	PR:DM0
14	95B 407 119	Protective cap Guide		2	PR:DU1,DU0, D4A,DU3
(14)	95B 407 119	Protective cap		1	PR:DM0

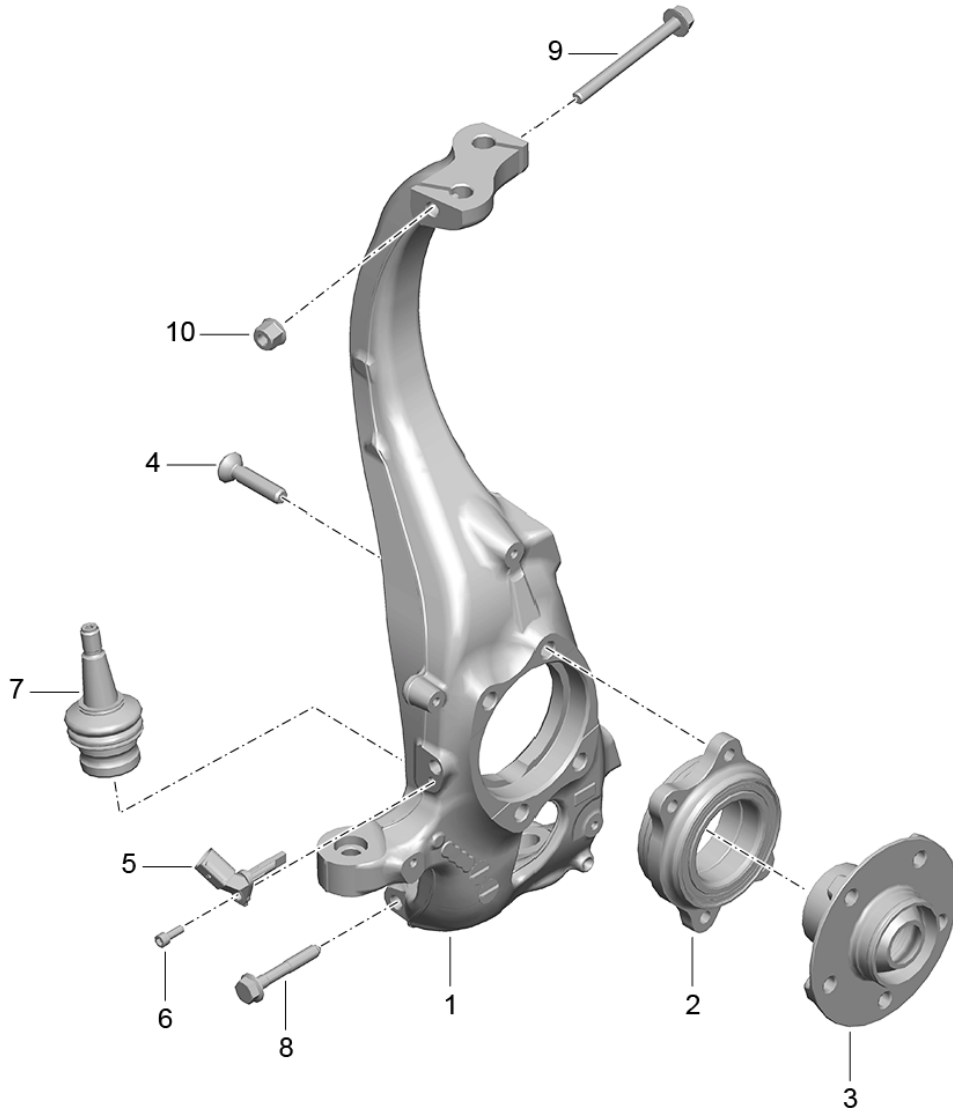
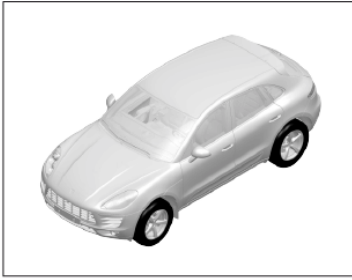
Model: 95B

Model life 2014>>

Pos	Part Number	Description	Remark	Qty	Model
15	WHT 004 898	Guide Hexagon collar nut self-locking M14.1.5		4	

Model: 95B

Model life 2014>>

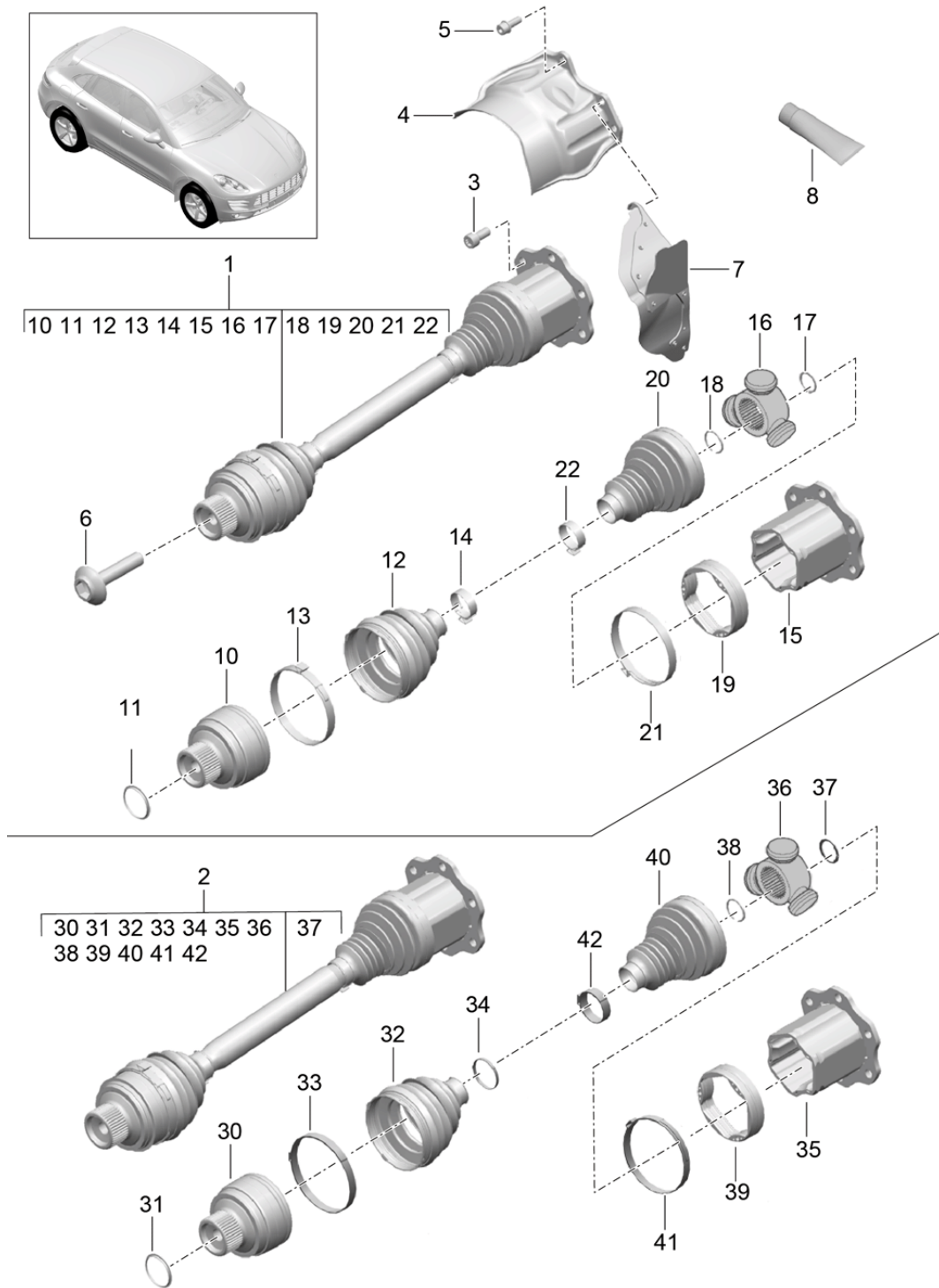


Model: 95B Model life 2014>>

Pos	Part Number	Description	Remark	Qty	Model
1	95B 407 253 A	Swivel mounting Wheel hub	left	1	PR:1LA,1LE
1	95B 407 253 E	Swivel mounting D >> - MJ 2016	left	1	PR:1LA,1LE
(1)	95B 407 254 A	Swivel mounting D >> - MJ 2016	right	1	PR:1LA,1LE
(1)	95B 407 254 E	Swivel mounting D - MJ 2017>>	right	1	PR:1LA,1LE
(1)	95B 407 253 B	Swivel mounting D >> - MJ 2016	left	1	PR:1LB,1LF, 1LG,1ZK,1LY
(1)	95B 407 253 F	Swivel mounting D - MJ 2017>>	left	1	PR:1LB,1LF, 1LG,1ZK,1LY, 1LH
(1)	95B 407 254 B	Swivel mounting D >> - MJ 2016	right	1	PR:1LB,1LF, 1LG,1ZK,1LY
(1)	95B 407 254 F	Swivel mounting D - MJ 2017>>	right	1	PR:1LB,1LF, 1LG,1ZK,1LY, 1LH
2	8K0 407 625 B	duoble ball bearing Discontinued part		2	
(2)	9A7 407 625 01	angular ball bearing		2	
3	8K0 407 613 B	Wheel hub		2	
4	WHT 000 237 B	Ball screw M12 X 1.5 X 45		8	
5	95B 927 803	speed sensor D >> - 02.02.2015	left	1	
(5)	95B 927 803 A	speed sensor D - 03.02.2015>>	left	1	
(5)	95B 927 804	speed sensor D >> - 02.02.2015	right	1	
(5)	95B 927 804 A	speed sensor D - 03.02.2015>>	right	1	
5	95B 927 803	speed sensor No longer use the part here	left	1	
(5)	95B 927 803 A	speed sensor No longer use the part here	left	1	
(5)	95B 927 803 B	speed sensor only in conj. with:	left	1	95B.927.804.B
(5)	95B 927 804	speed sensor No longer use the part here	right	1	
(5)	95B 927 804 A	speed sensor No longer use the part here	right	1	
(5)	95B 927 804 B	speed sensor only in conj. with:	right	1	95B.927.803.B
6	N 014 740 11	Socket head bolt with hexagon socket head M6 X 16		2	
7	4G0 407 689 C	Swivel joint		2	
8	N 101 973 04	Hex collared bolt BM10 X 65		2	
9	N 107 709 01	Hex collared bolt M10 X 110		2	
10	N 102 723 02	Hexagon collar nut self-locking M10		2	
-	G 052 778 A2	Lock cylinder grease spray Spray can 25 ML		1	

Model: 95B

Model life 2014>>



Model: 95B Model life 2014>>

Pos	Part Number	Description	Remark	Qty	Model
-		Drive shaft See main group 4 SY1615			
1	95B 407 271 A	Drive shaft See main group 4 SY1615 D >> - 03.10.2016		2	PR:-DU1, -DU2,-DU3
(1)	95B 407 271 D	Drive shaft See main group 4 SY1615 D - 04.10.2016>>		2	PR:-DU1, -DU2,-DU3
(1)	95B 407 271 B	Drive shaft See main group 4 SY1615 D >> - 20.03.2016		2	CTLA,CTL
2	95B 407 271 C	Drive shaft D - 21.03.2016>> - 03.10.2016		2	PR:DU1,DU2, DU3
(2)	95B 407 271 E	Drive shaft D - 04.10.2016>>		2	PR:DU1,DU2, DU3
3	N 904 411 03	Socket head bolt with inner multipoint head M 10 X 20		12	
4	8K0 407 719	Guard plate	left	1	PR:DU0,DU1, D4A,DU3
(4)	8K0 407 720	Heat shield plate D >> - 03.10.2016	right	1	
(4)	9A7 407 720 01	Guard plate D - 04.10.2016>>	right	1	
5	N 904 154 05	Socket head bolt with hexagon socket head (combination) M8X22		6	
6	8E0 407 643 A	Socket head bolt with inner multipoint head M16X72		2	
7	4G0 903 445	Splash guard		1	PR:D43,D51
8	000 043 110 02	grease 1 TUBE 100 GR.	outer	X	
(8)	000 043 110 03	grease 1 TUBE 110 GR.	inner	X	
10	8K0 407 305 M	Outer joint with rotor	outer	2	
11	N 911 811 01	Securing ring	outer	2	
12	8K0 407 285 E	Outer light joint boot	outer	2	
13	N 107 502 01	clamp Bellows 89.5X10X1	outer	2	
14	N 107 286 01	Clamp Bellows 33X10X0.8	outer	2	
15	8K0 407 341 B	Joint D >> - 03.10.2016	inner	2	
(15)	9A7 407 341 01	Joint D - 04.10.2016>>	inner	2	
16	95B 407 363	trip.roll. spider with rollers	inner	2	
17	N 911 458 01	Securing ring 23X1.2	inner tripodic	2	
18	N 911 460 01	Securing ring 24.5X1.5	inner tripodic	2	
19	8K0 407 413	Adapter Joint	inner	2	
20	8K0 407 283 B	joint boot	inner	2	
21	N 909 411 01	terminal	inner	2	

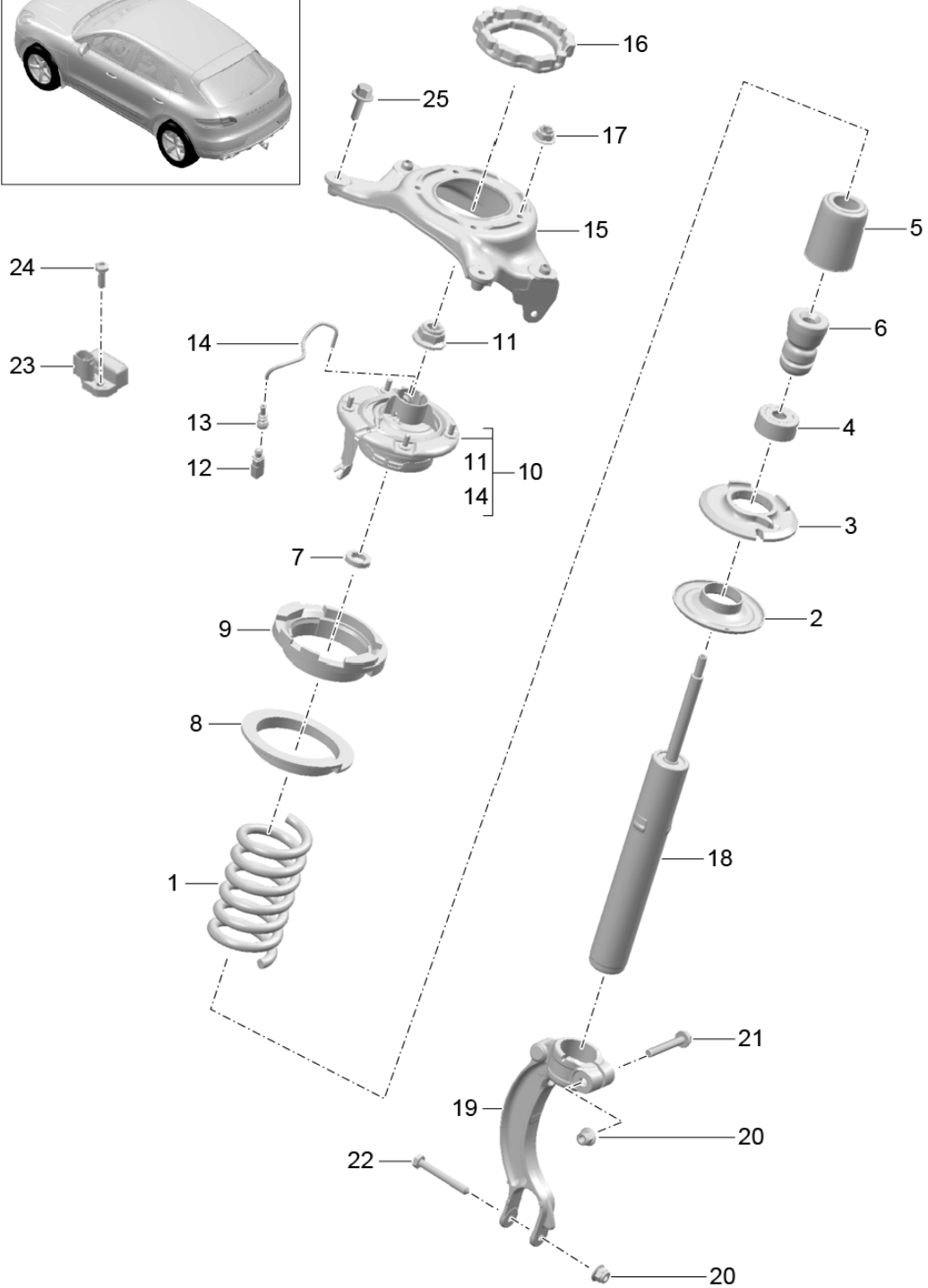
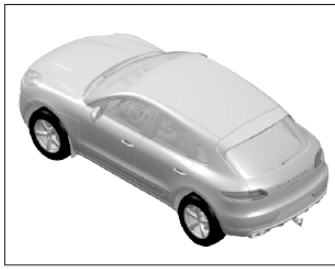
Model: 95B

Model life 2014>>

Pos	Part Number	Description	Remark	Qty	Model
22	N 107 149 01	Bellows 91X10X1 Ear crimp hose clamp	inner	2	
30	9A7 407 305 00	Bellows 32.5X10X0.8 constant velocity joint	outer	2	
31	N 911 705 01	Securing ring Outer light 27,79	outer	2	
32	9A7 407 285 00	Bellows	outer	2	
33	N 107 401 01	clamp	outer	2	
34	N 107 402 01	Bellows 95,4X10X1 clamp	outer	2	
35	95B 407 341	Bellows 35,5X10X0,8 Joint	inner	2	
(35)	95B 407 341 B	D >> - 03.10.2016 Joint	inner	2	
36	95B 407 363 A	D - 04.10.2016>> trip.roll. spider with rollers	inner	2	
37	N 908 345 01	Securing ring 23,2	inner tripodic	2	
38	N 911 169 01	Securing ring 25,9	inner tripodic	2	
39	9A7 407 413 00	Adapter Joint	inner	2	
40	9A7 407 283 00	Bellows	inner	2	
41	N 106 721 01	clamp Bellows	inner	2	
42	N 106 148 01	94X10X1 clamp Bellows 34X10X0.8	inner	2	

Model: 95B

Model life 2014>>



Model: 95B

Model life 2014>>

Pos	Part Number	Description	Remark	Qty	Model
		Steel spring suspension			PR:1BA,1BH
		Suspension strut, complete			
1	95B 411 105 AC	Coil spring		1	PR:1BA,0JA
	95B 411 105 AC 504	1 pair of springs			
		Colour designation:	silver green		
(1)	95B 411 105 AD	Coil spring		1	PR:1BA,0JB
	95B 411 105 AD 504	1 pair of springs			
		Colour designation:	silver blue		
(1)	95B 411 105 AE	Coil spring		1	PR:1BA,0JC
	95B 411 105 AE 504	1 pair of springs			
		Colour designation:	silver orange		
(1)	95B 411 105 AF	Coil spring		1	PR:1BA,0JD, 0JE
	95B 411 105 AF 504	1 pair of springs			
		Colour designation:	silver brown		
(1)	95B 411 105 AG	Coil spring		1	PR:1BA,0JF, 0JG
	95B 411 105 AG 504	1 pair of springs			
		Colour designation:	silver red		
(1)	95B 411 105 AH	Coil spring		1	PR:1BA,0JH, 0JJ,0JK
	95B 411 105 AH 504	1 pair of springs			
		Colour designation:	silver dark red		
(1)	95B 411 105 AK	Coil spring		1	PR:1BH,0JA
	95B 411 105 AK 504	1 pair of springs			
		Colour designation:	yellow silver		
(1)	95B 411 105 AL	Coil spring		1	PR:1BH,0JB
	95B 411 105 AL 504	1 pair of springs			
		Colour designation:	yellow green		
(1)	95B 411 105 AM	Coil spring		1	PR:1BH,0JC
	95B 411 105 AM 504	1 pair of springs			
		Colour designation:	yellow blue		
(1)	95B 411 105 AN	Coil spring		1	PR:1BH,0JD
	95B 411 105 AN 504	1 pair of springs			
		Colour designation:	yellow orange		
(1)	95B 411 105 AP	Coil spring		1	PR:1BH,0JE, 0JF
	95B 411 105 AP 504	1 pair of springs			
		Colour designation:	yellow brown		
(1)	95B 411 105 AQ	Coil spring		1	PR:1BH,0JG, 0JH
	95B 411 105 AQ 504	1 pair of springs			
		Colour designation:	yellow red		
(1)	95B 411 105 AR	Coil spring		1	PR:1BH,0JJ, -E0W,-DU3
	95B 411 105 AR 504	1 pair of springs			
		Colour designation:	yellow dark red		
(1)	95B 411 105 AS	Coil spring		1	PR:1BH,0JK, -E0W,-DU3
	95B 411 105 AS 504	1 pair of springs			

Model: 95B Model life 2014>>

Pos	Part Number	Description	Remark	Qty	Model
(1)	95B 411 105 BA	Coil spring Colour designation:	yellow dark blue	1	PR:1BH,0JJ, E0W
	95B 411 105 BA 504	1 pair of springs Colour designation:	silver yellow		
(1)	95B 411 105 BA	Coil spring Colour designation:	silver yellow	1	PR:1BH,0JJ, DU3
	95B 411 105 BA 504	1 pair of springs Colour designation:	silver yellow		
(1)	95B 411 105 BB	Coil spring Colour designation:	silver blue	1	PR:1BH,0JK, E0W
	95B 411 105 BB 504	1 pair of springs Colour designation:	silver blue		
(1)	95B 411 105 BB	Coil spring Colour designation:	silver blue	1	PR:1BH,0JK, DU3
	95B 411 105 BB 504	1 pair of springs Colour designation:	silver blue		
(1)	95B 411 105 BC	Coil spring Colour designation:	Grey violet	1	PR:1BH,0JL, E0W
	95B 411 105 BC 504	1 pair of springs Colour designation:	Grey violet		
(1)	95B 411 105 BC	Coil spring Colour designation:	Grey violet	1	PR:1BH,0JL, DU3
	95B 411 105 BC 504	1 pair of springs Colour designation:	Grey violet		
2	8K0 412 103 C	spring disc	lower	2	
3	8K0 412 109 A	Underlay		2	
4	95B 412 127	Protective cap		2	
5	8K0 412 137 A	Protective sleeve		2	PR:1BA
(5)	95B 412 137	Protective sleeve		2	PR:1BH
6	95B 412 131 D	Stop buffer		2	PR:1BH,-E0W, -DU3
(6)	95B 412 131 C	Stop buffer		2	PR:1BA
(6)	95B 412 131 E	Stop buffer		2	PR:1BH,E0W
(6)	95B 412 131 E	Stop buffer		2	PR:1BH,DU3
7	WHT 001 484	Washer		2	
8	95B 412 109	Bearing plate		2	PR:1BH
9	95B 411 178	Insert		2	PR:1BH
10	95B 412 321	Bearing plate		2	PR:1BH
		with:			
		Shock absorber bearing D >> - 15.06.2014			
10	95B 412 321 A	Bearing plate		2	PR:1BH
		with:			
		Shock absorber bearing D - 16.06.2014>> - 28.04.2016			
10	95B 412 321 B	Bearing plate		2	PR:1BH
		with:			
		Shock absorber bearing D - 29.04.2016>>			
(10)	8K0 412 377 C	Mounting	upper	2	PR:1BA
11	999 084 458 01	Hexagon nut M12 X 1.5		2	PR:1BH
(11)	N 101 064 02	Hexagon collar nut self-locking M12 X 1.5		2	PR:1BA

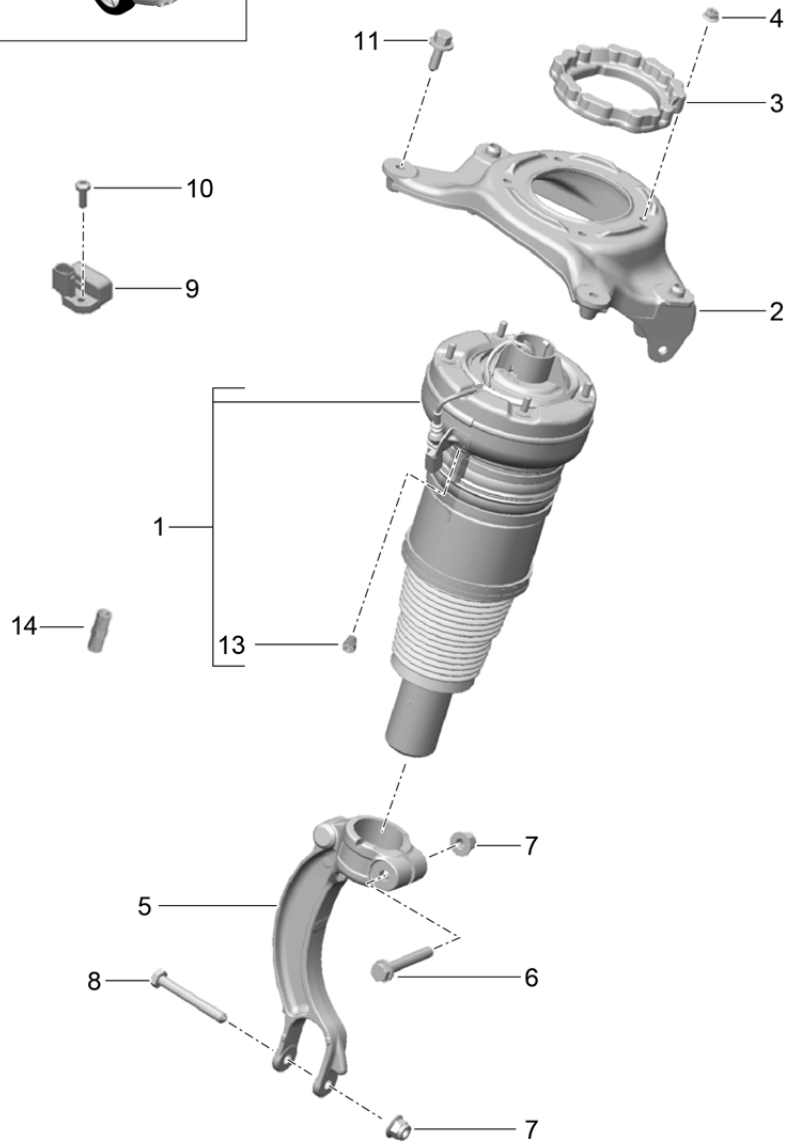
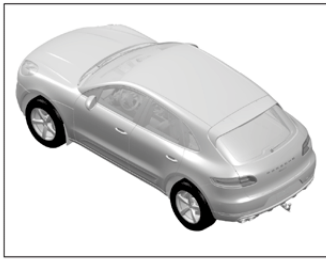
Model: 95B

Model life 2014>>

Pos	Part Number	Description	Remark	Qty	Model
12	1J0 973 802	Flat connector housing with contact locking mechanism		2	PR:1BH
13	1J0 906 102	Grommet		2	PR:1BH
14	95B 972 869	Cable guide		2	PR:1BH
15	95B 412 383	Bracket	left	1	PR:1BH
(15)	95B 412 384	Bracket	right	1	PR:1BH
(15)	8R0 412 391 A	Bracket	left	1	PR:1BA
(15)	8R0 412 392 A	Bracket	right	1	PR:1BA
16	95B 412 081	seal ring		2	PR:1BH
		D >> - 06.10.2014			
16	95B 412 081 A	seal ring		2	PR:1BH
		D - 07.10.2014>>			
17	999 084 657 01	Hexagon nut		8	PR:1BH
		M 8			
18	95B 413 031 A	Suspension strut, complete		2	PR:1BH
		Discontinued part			
(18)	95B 413 031 F	Suspension strut, complete		2	PR:1BH
		Discontinued part			
(18)	95B 413 031 G	Suspension strut, complete		2	PR:1BH
(18)	95B 413 031 D	Suspension strut, complete		2	PR:1BA
		Discontinued part			
(18)	95B 413 031 E	Suspension strut, complete		2	PR:1BA
19	8K0 413 037 L	Suspension forks	left	1	
(19)	8K0 413 038 L	Suspension forks	right	1	
20	N 101 064 02	Hexagon collar nut		4	
		self-locking			
		M12 X 1.5			
21	N 104 213 04	hexagon head bolt (combi)		2	
		M12 X 1.5 X 80			
22	N 102 412 02	Hexagon bolt		2	
		M12 X 1.5 X 85			
23	95B 907 508	Accelerator sensor		2	PR:1BH
24	N 101 961 03	fillister head bolt with multi-point socket head		2	PR:1BH
		M6X18			
25	N 911 523 01	hexagon head bolt (combi)		8	
		M10X35			
-		Control unit		1	PR:1BH
		see illustration:	502-000		

Model: 95B

Model life 2014>>



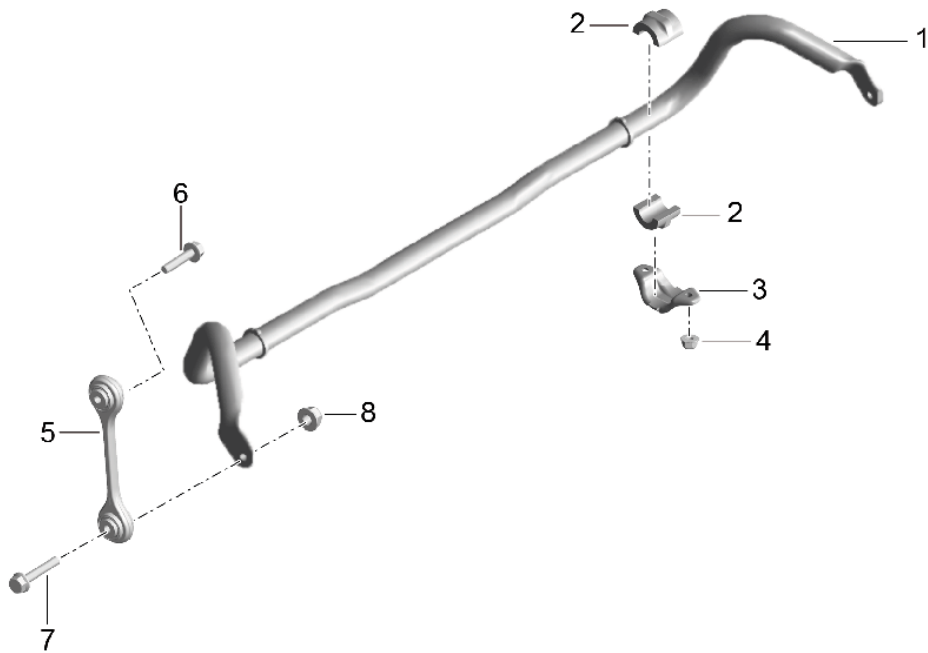
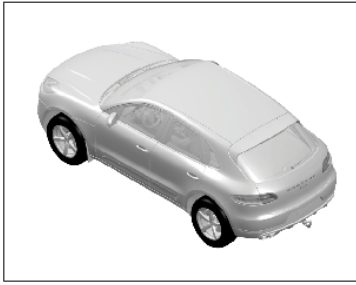
Model: 95B

Model life 2014>>

Pos	Part Number	Description	Remark	Qty	Model
1	95B 616 039	air spring Suspension strut, complete air spring Damper D >> - 28.11.2016 Discontinued part		2	PR:1BK PR:-E0W,-DU3
(1)	95B 616 039 B	air spring Damper D >> - 28.11.2016		2	PR:-E0W,-DU3
(1)	95B 616 039 D	air spring Damper D - 29.11.2016>>		2	PR:-E0W,-DU3
(1)	95B 616 039 A	air spring Damper D >> - 28.11.2016		2	PR:E0W
(1)	95B 616 039 C	air spring Damper D - 29.11.2016>>		2	PR:E0W
(1)	95B 616 039 A	air spring Damper D >> - 28.11.2016		2	PR:DU3
(1)	95B 616 039 C	air spring Damper D - 29.11.2016>>		2	PR:DU3
2	95B 412 383	Bracket	left	1	
(2)	95B 412 384	Bracket	right	1	
3	95B 412 081	seal ring		2	
4	999 084 657 01	Hexagon nut M 8		8	
5	8K0 413 037 L	Suspension forks	left	1	
(5)	8K0 413 038 L	Suspension forks	right	1	
6	N 104 213 04	hexagon head bolt (combi) M12 X 1.5 X 80		2	
7	N 101 064 02	Hexagon collar nut self-locking M12 X 1,5		4	
8	N 102 412 02	Hexagon bolt		2	
9	95B 907 508	Accelerator sensor		2	
10	N 101 961 03	fillister head bolt with multi-point socket head M6X18		2	
11	N 911 523 01	hexagon head bolt (combi) M10X35		8	
13	955 358 541 00	push-on connector		2	
14	955 358 910 00	Air line push-on connector		2	
-		Control unit see illustration:	606-000	1	

Model: 95B

Model life 2014>>



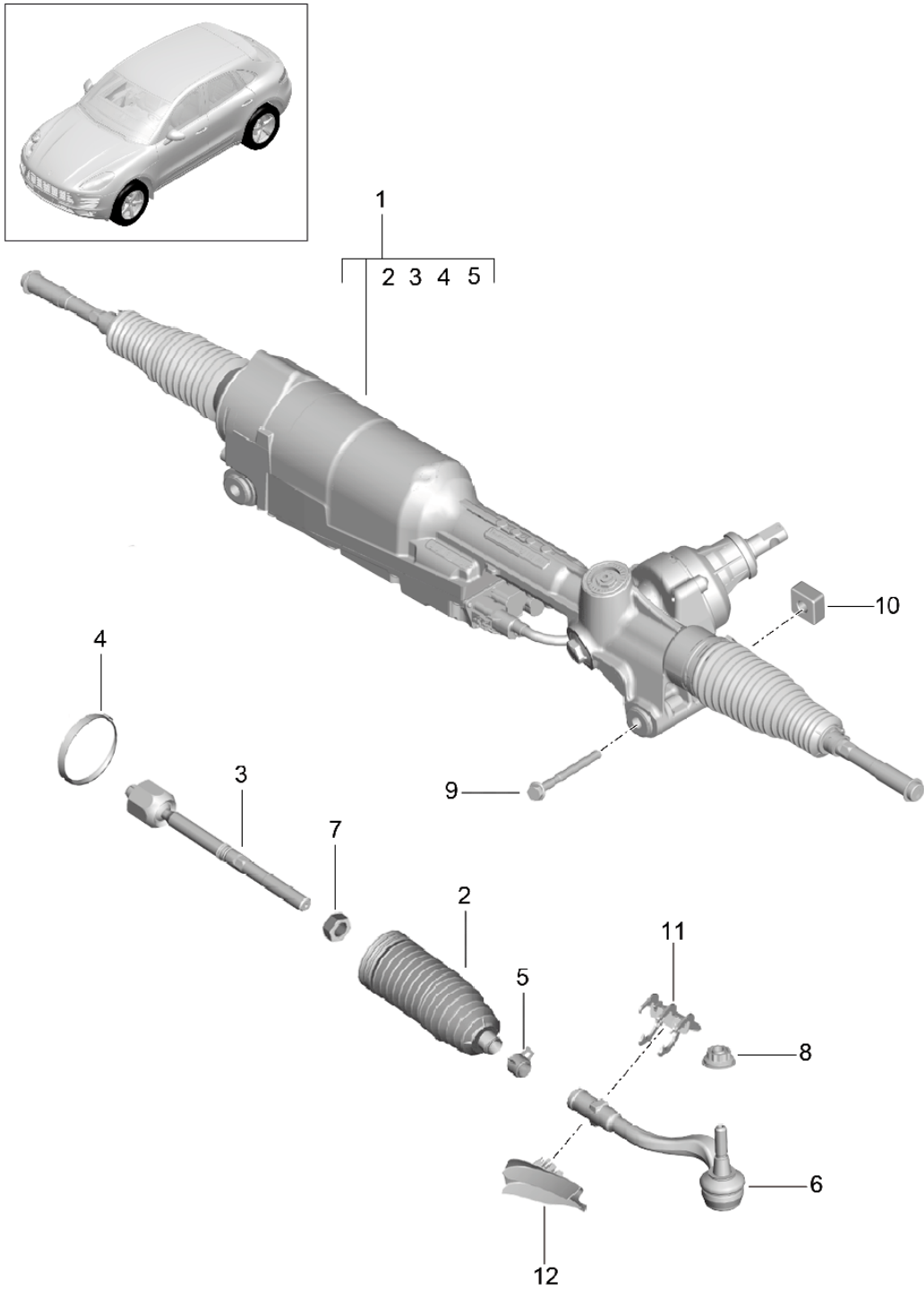
Model: 95B

Model life 2014>>

Pos	Part Number	Description	Remark	Qty	Model
1	95B 411 309 A	Anti-roll bar		1	PR:DM0,DQ5
(1)	95B 411 309 C	Anti-roll bar		1	PR:DD7,D43, D1V,D50,D51
(1)	95B 411 309 E	Anti-roll bar		1	PR:DU0,DU1, DU3,D4A
2	95B 411 035	anti-roll bar bearing bracket		4	PR:DU0,DU1, DU3,D4A
(2)	4D0 411 327 J	Rubber bush		2	PR:DD7,D1V, D43,D51,DM0, DQ5,D50
3	95B 411 336	Clamp		2	PR:DU0,DU1, DU3,D4A
(3)	4D0 411 336 G	Clamp		2	PR:DD7,D1V, D43,D51,DM0, DQ5,D50
4	N 104 355 06	Hexagon collar nut self-locking M 8		4	
5	4G0 411 317 A	Coupling rod		2	
(5)	4M0 411 317	Discontinued part Coupling rod		2	
6	N 106 999 01	Hexagon bolt		2	
7	N 105 707 02	M 10 X 45 bolt,hex.hd.with shoul.(combi)		2	
8	N 102 861 10	AM 10 X 60 Hexagon collar nut self-locking M10		2	

Model: 95B

Model life 2014>>



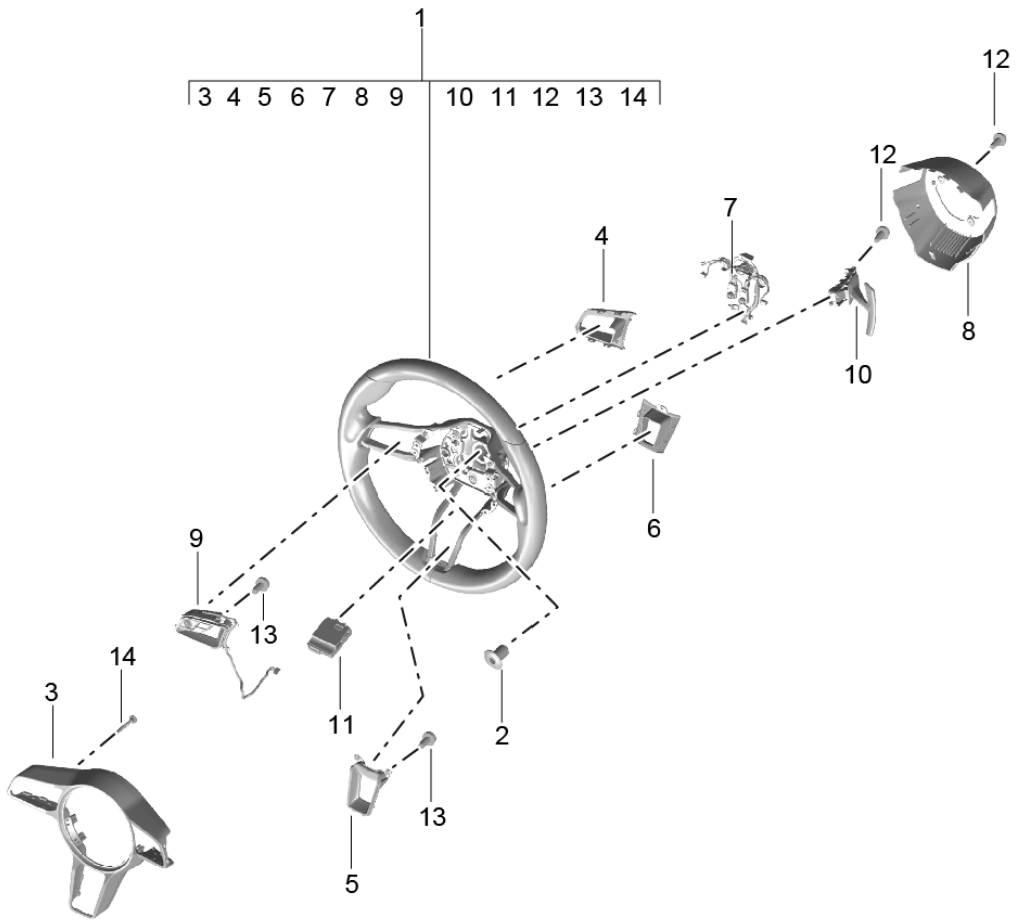
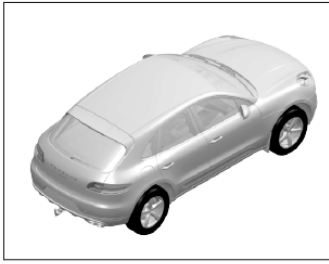
Model: 95B

Model life 2014>>

Pos	Part Number	Description	Remark	Qty	Model
1	95B 423 055 K	Steering gear Individual parts Steering gear with int. track rod joint		1	PR:L0L
(1)	95B 423 055 AC	No longer use the part here Steering gear with int. track rod joint		1	PR:L0L
(1)	95B 423 055 AF	D >> - 17.04.2016 Steering gear with int. track rod joint		1	PR:L0L
(1)	95B 423 055 L	D - 18.04.2016>> Steering gear with int. track rod joint		1	PR:L0R
(1)	95B 423 055 AD	No longer use the part here Steering gear with int. track rod joint		1	PR:L0R
(1)	95B 423 055 AG	D >> - 17.04.2016 Steering gear with int. track rod joint		1	PR:L0R
2	4G0 423 831	Gaiter (drivers side)		1	
(2)	4G0 423 832 A	Gaiter (passenger side)		1	
3	4G0 423 810 A	Track rod		2	
4	N 104 344 02	Ear crimp hose clamp (drivers side) 59X7X0,6		1	
(4)	N 107 660 02	Ear crimp hose clamp (passenger side) 85X7X0,8		1	
5	4G0 423 875	Spring band clamp		2	
6	4G0 423 811 A	tie rod end	left	1	
(6)	4G0 423 812 A	tie rod end	right	1	
7	N 011 164 18	Hexagon nut M 16 X 1,5		2	
8	WHT 004 593	12 point socket shouldered nut self-locking M12X1,5		2	
9	WHT 005 514	hexagon head bolt (combi) M12 X 1,5 X 153		2	
10	WHT 002 305	nut, square M 12 X 1,5		2	
11	95B 699 011 B	Clip		2	PR:DU1,DU0, D4A,DU3
12	95B 615 447 A	Air guide plate Discontinued part	left	2	PR:DU1,DU0
(12)	95B 615 447 B	Air guide plate	left	2	PR:DU1,DU0,
(12)	95B 615 448 A	Air guide plate Discontinued part	right	2	PR:DU1,DU0
(12)	95B 615 448 B	Air guide plate	right	2	PR:DU1,DU0,

Model: 95B

Model life 2014>>



Model: 95B Model life 2014>>

Pos	Part Number	Description	Remark	Qty	Model
1	95B 419 091 N	steering wheel steering wheel D >> - MJ 2016 Discontinued part		1	PR:2ZM
	95B 419 091 N A34	Black	-VC, VJ, VF, VI, VU, VK, VO, VX, VZ		
	95B 419 091 N OE5	agate grey	-VD, VG, VL, VQ		
	95B 419 091 N 6H6	Espresso	-VR		
	95B 419 091 N OK6	saddle brown	-VN, VP		
	95B 419 091 N 9J9	Luxor beige	-VE, VH, VM		
1	95B 419 091 AA	steering wheel D >> - MJ 2016		1	PR:2ZM
	95B 419 091 AA A34	Black	-VC, VJ, VF, VI, VU, VK, VO, VX, VZ		
	95B 419 091 AA OE5	agate grey	-VD, VG, VL, VQ		
	95B 419 091 AA 6H6	Espresso	-VR		
	95B 419 091 AA OK6	saddle brown	-VN, VP		
	95B 419 091 AA 9J9	Luxor beige	-VE, VH, VM		
1	95B 419 091 AJ	steering wheel D - MJ 2017>>		1	PR:2ZM
	95B 419 091 AJ A34	Black	-FA, FL, FE, FF, FN, FK, TR, TS, VC, VJ, VF, VI, VU, VK, VO, VX, VZ		
	95B 419 091 AJ OE5	agate grey	-FB, FM, VD, VG, VL, VQ		
	95B 419 091 AJ 6H6	Espresso	-VR		
	95B 419 091 AJ OK6	saddle brown	-FI, VN, VP		
	95B 419 091 AJ 9J9	Luxor beige	-FC, FH, VE, VH, VM		
(1)	95B 419 091 P	steering wheel D >> - MJ 2016 Discontinued part		1	PR:2ZH
	95B 419 091 P A34	Black	-VC, VJ, VF, VI, VU, VK, VO, VX, VZ		
	95B 419 091 P OE5	agate grey	-VD, VG, VL, VQ		
	95B 419 091 P 6H6	Espresso	-VR		
	95B 419 091 P OK6	saddle brown	-VN, VP		
	95B 419 091 P 9J9	Luxor beige	-VE, VH, VM		
(1)	95B 419 091 AH	steering wheel D >> - MJ 2016		1	PR:2ZH
	95B 419 091 AH A34	Black	-VC, VJ, VF, VI, VU, VK, VO, VX, VZ		
	95B 419 091 AH OE5	agate grey	-VD, VG, VL, VQ		
	95B 419 091 AH 6H6	Espresso	-VR		
	95B 419 091 AH OK6	saddle brown	-VN, VP		
	95B 419 091 AH 9J9	Luxor beige	-VE, VH, VM		
(1)	95B 419 091 AK	steering wheel D - MJ 2017>>		1	PR:2ZH
	95B 419 091 AK A34	Black	-FA, FL, FE, FF, FN, FK, TR, TS, VC, VJ, VF, VI, VU, VK, VO, VX, VZ		
	95B 419 091 AK OE5	agate grey	-FB, FM, VD, VG, VL, VQ		
	95B 419 091 AK 6H6	Espresso	-VR		
	95B 419 091 AK OK6	saddle brown	-FI, VN, VP		

Model: 95B Model life 2014>>

Pos	Part Number	Description	Remark	Qty	Model
	95B 419 091 AK 9J9	Luxor beige	-FC, FH, VE, VH, VM		
(1)	95B 419 091 Q	steering wheel D >> - MJ 2016 Discontinued part		1	PR:2FX
	95B 419 091 Q A34	Black	-VC, VJ, VF, VI, VU, VK, VO, VX, VZ		
	95B 419 091 Q OE5	agate grey	-VD, VG, VL, VQ		
	95B 419 091 Q 6H6	Espresso	-VR		
	95B 419 091 Q OK6	saddle brown	-VN, VP		
	95B 419 091 Q 9J9	Luxor beige	-VE, VH, VM		
(1)	95B 419 091 AB	steering wheel D >> - MJ 2016		1	PR:2FX
	95B 419 091 AB A34	Black	-VC, VJ, VF, VI, VU, VK, VO, VX, VZ		
	95B 419 091 AB OE5	agate grey	-VD, VG, VL, VQ		
	95B 419 091 AB 6H6	Espresso	-VR		
	95B 419 091 AB OK6	saddle brown	-VN, VP		
	95B 419 091 AB 9J9	Luxor beige	-VE, VH, VM		
(1)	95B 419 091 AL	steering wheel D - MJ 2017>>		1	PR:2FX
	95B 419 091 AL A34	Black	-FA, FL, FE, FF, FN, FK, TR, TS, VC, VJ, VF, VI, VU, VK, VO, VX, VZ		
	95B 419 091 AL OE5	agate grey	-FB, FM, VD, VG, VL, VQ		
	95B 419 091 AL 6H6	Espresso	-VR		
	95B 419 091 AL OK6	saddle brown	-FI, VN, VP		
	95B 419 091 AL 9J9	Luxor beige	-FC, FH, VE, VH, VM		
(1)	95B 419 091 R	steering wheel D >> - MJ 2016 Discontinued part		1	PR:1XG
	95B 419 091 R A34	Black	-VC, VJ, VF, VI, VU, VK, VO, VX, VZ		
	95B 419 091 R OE5	agate grey	-VD, VG, VL, VQ		
	95B 419 091 R 6H6	Espresso	-VR		
	95B 419 091 R OK6	saddle brown	-VN, VP		
	95B 419 091 R 9J9	Luxor beige	-VE, VH, VM		
(1)	95B 419 091 AC	steering wheel D >> - MJ 2016		1	PR:1XG
	95B 419 091 AC A34	Black	-VC, VJ, VF, VI, VU, VK, VO, VX, VZ		
	95B 419 091 AC OE5	agate grey	-VD, VG, VL, VQ		
	95B 419 091 AC 6H6	Espresso	-VR		
	95B 419 091 AC OK6	saddle brown	-VN, VP		
	95B 419 091 AC 9J9	Luxor beige	-VE, VH, VM		
(1)	95B 419 091 AM	steering wheel D - MJ 2017>>		1	PR:1XG
	95B 419 091 AM A34	Black	-FA, FL, FE, FF, FN, FK, VC, VJ, VF, VI, VU, VK, VO, VX, VZ		
	95B 419 091 AM OE5	agate grey	-FB, FM, VD, VG, VL, VQ		
	95B 419 091 AM 6H6	Espresso	-VR		
	95B 419 091 AM OK6	saddle brown	-FI, VN, VP		

Model: 95B Model life 2014>>

Pos	Part Number	Description	Remark	Qty	Model
	95B 419 091 AM 9J9	Luxor beige	-FC, FH, VE, VH, VM		
(1)	95B 419 091 S	steering wheel D >> - MJ 2016 Discontinued part		1	PR:1XA
	95B 419 091 S A34	Black	-VC, VJ, VF, VI, VU, VK, VO, VX, VZ		
	95B 419 091 S OE5	agate grey	-VD, VG, VL, VQ		
	95B 419 091 S 6H6	Espresso	-VR		
	95B 419 091 S OK6	saddle brown	-VN, VP		
	95B 419 091 S 9J9	Luxor beige	-VE, VH, VM		
(1)	95B 419 091 AD	steering wheel D >> - MJ 2016		1	PR:1XA
	95B 419 091 AD A34	Black	-VC, VJ, VF, VI, VU, VK, VO, VX, VZ		
	95B 419 091 AD OE5	agate grey	-VD, VG, VL, VQ		
	95B 419 091 AD 6H6	Espresso	-VR		
	95B 419 091 AD OK6	saddle brown	-VN, VP		
	95B 419 091 AD 9J9	Luxor beige	-VE, VH, VM		
(1)	95B 419 091 AN	steering wheel D - MJ 2017>>		1	PR:1XA
	95B 419 091 AN A34	Black	-FA, FL, FE, FF, FN, FK, VC, VJ, VF, VI, VU, VK, VO, VX, VZ		
	95B 419 091 AN OE5	agate grey	-FB, FM, VD, VG, VL, VQ		
	95B 419 091 AN 6H6	Espresso	-VR		
	95B 419 091 AN OK6	saddle brown	-FI, VN, VP		
	95B 419 091 AN 9J9	Luxor beige	-FC, FH, VE, VH, VM		
(1)	95B 419 091 T	steering wheel Alcantara D >> - MJ 2016		1	PR:2PX
	95B 419 091 T 2W0	Black			
(1)	95B 419 091 AG	steering wheel Alcantara D >> - MJ 2016		1	PR:2ZF
	95B 419 091 AG 2W0	Black			
(1)	95B 419 091 AP	steering wheel Alcantara D - MJ 2017>>		1	PR:2ZF
	95B 419 091 AP 2W0	Black			
2	N 910 207 01	Screw with int. serrations M 18 X 1,5 X 26		1	
3	95B 419 732	Cover		1	
	95B 419 732 GT8	Galvano silver			
4	95B 419 937	Trim	left rear	1	
	95B 419 937 6N3	Black			
(4)	95B 419 936	Trim	right rear	1	
	95B 419 936 6N3	Black			
5	95B 419 938 D	Trim	front lower	1	
	95B 419 938 D 6N3	Black			
6	95B 419 938 B	Trim	rear lower	1	PR:2ZM
	95B 419 938 B 6N3	Black			
(6)	95B 951 527	Trim	rear lower	1	PR:1XG, 2FX, 2ZH, 1XA

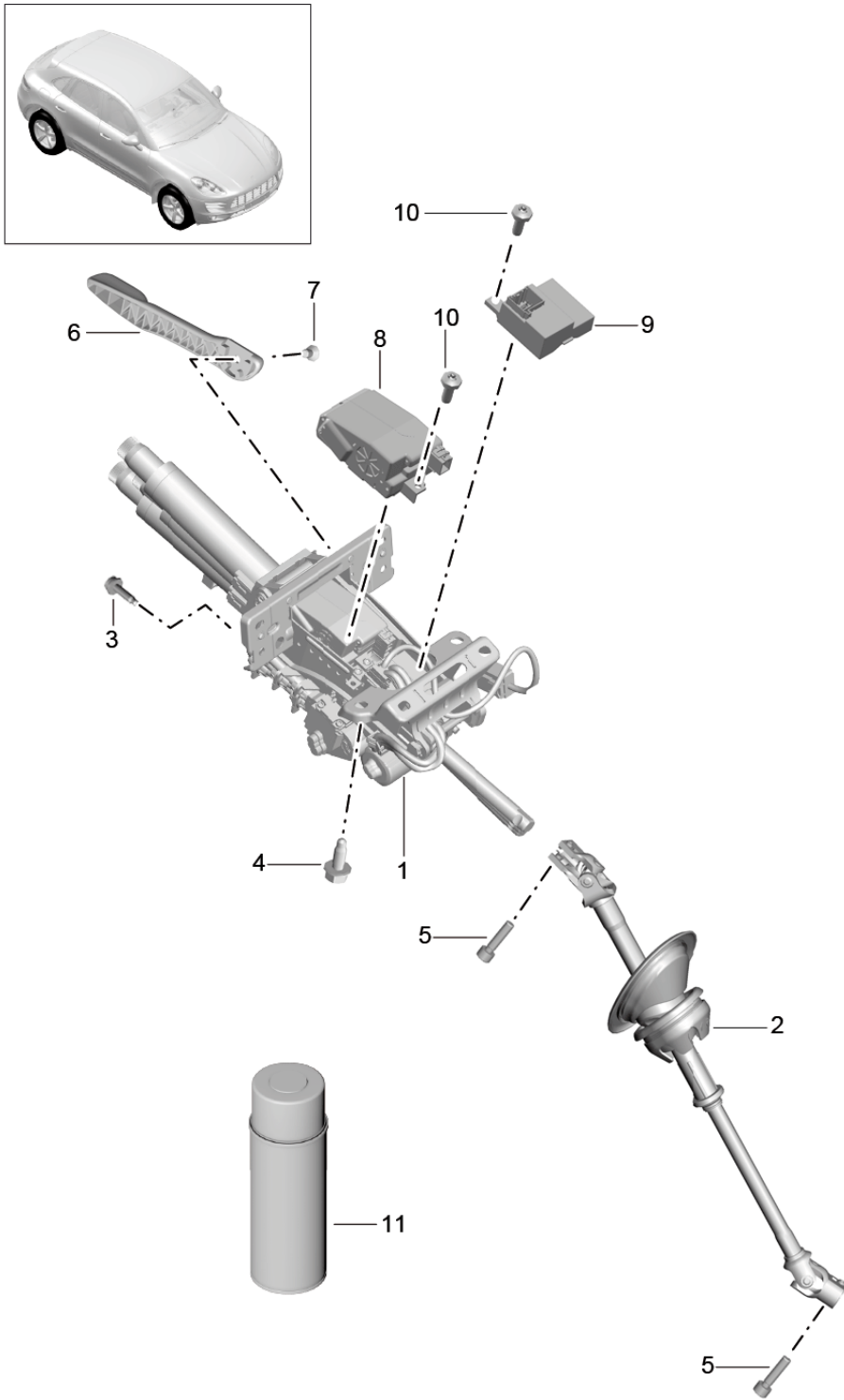
Model: 95B

Model life 2014>>

Pos	Part Number	Description	Remark	Qty	Model
7	95B 951 527 6N3	Black		1	
	95B 971 388 B	Wire set		1	
8	95B 419 798 D	Cover	rear	1	PR: 2ZM, 2ZH
		plastic			
	95B 419 798 D 5Q0	Black			
(8)	95B 419 798 E	Cover	rear	1	PR: 1XG, 1XA, 2FX
		Leather			
	95B 419 798 E A34	Leather			
9	95B 998 537	Switch	left a. right	1	
		for vehicles with multifunc-			
		tion steering wheel			
		Matt black			
10	95B 998 540 A	1 set of actuating levers	left a. right	1	
		steering wheel			
		Galvano silver			
11	95B 959 256	Control unit		1	
11	95B 959 256 E	Control unit		1	
12	N 107 524 01	Oval socket head bolt		5	
		with hex drive			
		M4X10			
13	999 919 304 01	Screw		6	
		M3X8			
14	999 919 305 01	Screw		4	
		M4X30			

Model: 95B

Model life 2014>>



Model: 95B Model life 2014>>

Pos	Part Number	Description	Remark	Qty	Model
1	95B 419 506 A	Steering column Intermediate steering shaft		1	PR:2C4,0RC,
(1)	95B 419 506 S	Steering column No longer use the part here		1	PR:2C4,0RC,
(1)	95B 419 506 AB	Steering column D >> - 02.10.2015		1	-B0D,-B0E PR:2C4,0RC,
(1)	95B 419 506 AH	Steering column D - 03.10.2015>> - 30.09.2016		1	-B0D,-B0E PR:2C4,0RC,
(1)	95B 419 506 H	Steering column No longer use the part here		1	-B0D,-B0E PR:2C4,0RZ,
(1)	95B 419 506 AA	Steering column D >> - 28.09.2015		1	PR:2C4,0RZ,
(1)	95B 419 506 AC	Steering column D - 29.09.2015>> - 30.09.2016		1	-B0D,-B0E PR:2C4,0RZ,
(1)	95B 419 506 AJ	Steering column D - 03.10.2016>>		1	-B0D,-B0E PR:2C4,0RZ,
(1)	95B 419 506 L	Steering column No longer use the part here		1	-B0D,-B0E PR:2C5,0RC,
(1)	95B 419 506 P	Steering column D >> - 07.08.2016		1	PR:2C5,0RC,
(1)	95B 419 506 AE	Steering column D - 08.08.2016>>		1	-B0D,-B0E PR:2C5,0RC,
(1)	95B 419 506 N	Steering column No longer use the part here		1	-B0D,-B0E PR:2C5,0RZ,
(1)	95B 419 506 R	Steering column D >> - 31.07.2016		1	PR:2C5,0RZ,
(1)	95B 419 506 AF	Steering column D - 01.08.2016>>		1	-B0D,-B0E PR:2C5,0RZ,
2	95B 419 753	Intermediate steering shaft See technical information GR. 4 NR. SY1714	lhd	1	PR:L0L
		use if required:	999 917 828 00		
(2)	95B 419 753 B	Intermediate steering shaft See technical information GR. 4 NR. SY1714	lhd	1	PR:L0L
		use if required:	999 917 828 00		
(2)	95B 419 753 A	Intermediate steering shaft See technical information GR. 4 NR. SY1714	rhd	1	PR:L0R
		use if required:	999 917 828 00		
(2)	95B 419 753 C	Intermediate steering shaft See technical information GR. 4 NR. SY1714	rhd	1	PR:L0R
		use if required:	999 917 828 00		
3	N 106 447 01	Socket head collared bolt with inner multipoint head		2	
4	N 019 526 9	M8X30 Hex collared bolt		2	
5	N 105 184 05	M8X22 Socket head bolt with multi- point inner drive, self-lock.	M8X30	2	
5	WHT 004 955 A	No longer use the part here Torx socket head bolt	M8X30	2	
6	4G0 419 378 C	handle		1	PR:2C5
7	N 107 393 01	fillister hd. bolt		1	PR:2C5
8	7PP 905 852 C	Control unit		1	PR:0RC
9	4H0 907 705 K	Control unit for electrically adjustable steering column		1	PR:2C4

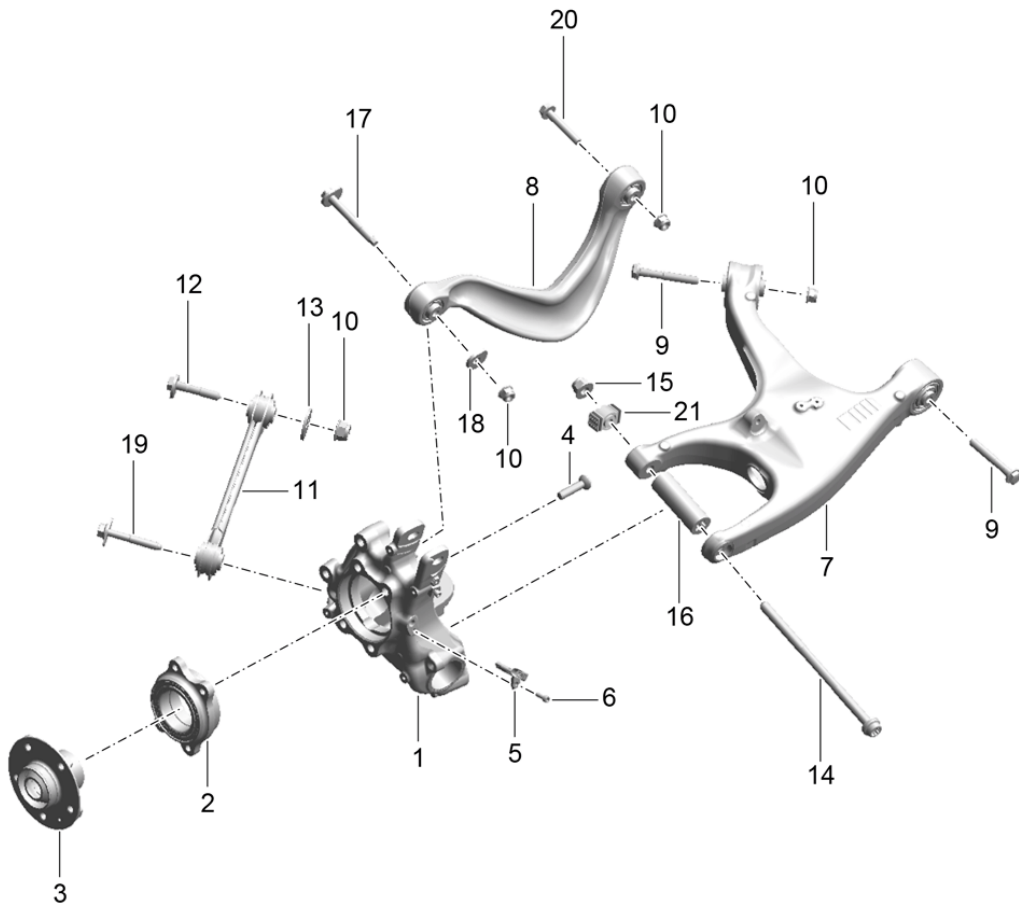
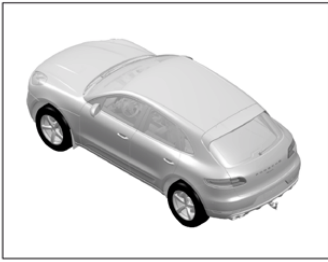
Model: 95B

Model life 2014>>

Pos	Part Number	Description	Remark	Qty	Model
10	8E0 035 413	Hexagon socket head bolt		2	
11	999 917 828 00	Aerosol-Spray See technical information GR. 4 NR. SY1714		X	

Model: 95B

Model life 2014>>



Model: 95B Model life 2014>>

Pos	Part Number	Description	Remark	Qty	Model
		Rear axle Wheel carrier Wheel hub Wishbone Track rod			
1	95B 505 431 Y	Wheel carrier D >> - 09.12.2015	left	1	
1	95B 505 431 BY	Wheel carrier D - 10.12.2015>>	left	1	
(1)	95B 505 432 Y	Wheel carrier D >> - 09.12.2015	right	1	
(1)	95B 505 432 BY	Wheel carrier D - 10.12.2015>>	right	1	
2	8K0 407 625 B	duoble ball bearing Discontinued part		2	
(2)	9A7 407 625 01	angular ball bearing		2	
3	8K0 407 613 B	Wheel hub		2	
4	WHT 000 237 A	Ball screw M12 X 1.5 X 45		8	
5	95B 927 803	speed sensor No longer use the part here	right	1	
(5)	95B 927 803 A	speed sensor No longer use the part here	right	1	
(5)	95B 927 803 B	speed sensor only in conj. with:	right 95B.927.804.B	1	
(5)	95B 927 804	speed sensor No longer use the part here	left	1	
(5)	95B 927 804 A	speed sensor No longer use the part here	left	1	
(5)	95B 927 804 B	speed sensor only in conj. with:	left 95B.927.803.B	1	
6	N 014 740 11	Socket head bolt with hexagon socket head M6 X 16		2	
-	G 052 778 A2	Lock cylinder grease spray Spray can 25 ML		1	
7	8R0 505 311 F	Axle guide	left lower	1	
(7)	8R0 505 312 F	Axle guide	right lower	1	
8	8K0 505 323 H	Wishbone	left upper	1	
(8)	8K0 505 324 H	Wishbone	right upper	1	
9	WHT 002 479	hexagon head bolt (combi) M12 X 1.5 X 87		4	
10	WHT 002 557	Hexagon collar nut self-locking M12 X 1.5		8	
11	8K0 501 529 L	Track rod		2	
12	WHT 002 053	Eccentric bolt M12 X 1.5 X 65		2	
13	WHT 002 492	eccentric washer 35X3		2	
14	WHT 003 818	Hexagon socket head bolt (combi) M14 X 1.5 X 265 Wishbone	lower	2	
15	N 104 018 01	Hexagon collar nut M14 X 1.5 Wishbone	lower	2	
16	8K0 505 139 F	Spacer pipe	lower	2	

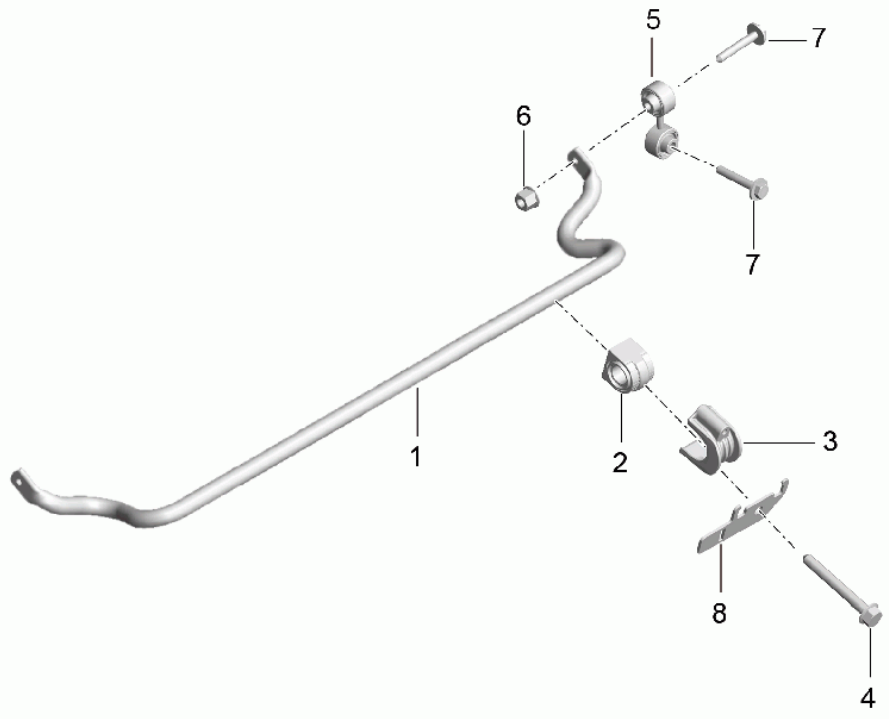
Model: 95B

Model life 2014>>

Pos	Part Number	Description	Remark	Qty	Model
17	WHT 000 228 A	Wishbone Eccentric bolt M 12 X 1,5 X 100	upper	2	
18	WHT 000 232 A	Wishbone eccentric washer	upper	2	
19	WHT 002 059	Wishbone bolt,hex.hd.with shoul.(combi) M12 X 1.5 X 80.8		2	
20	N 105 007 01	Track rod Hex collared bolt M12X1.5X70		2	
21	9A7 505 279 00	Mounting Wheel carrier		2	

Model: 95B

Model life 2014>>



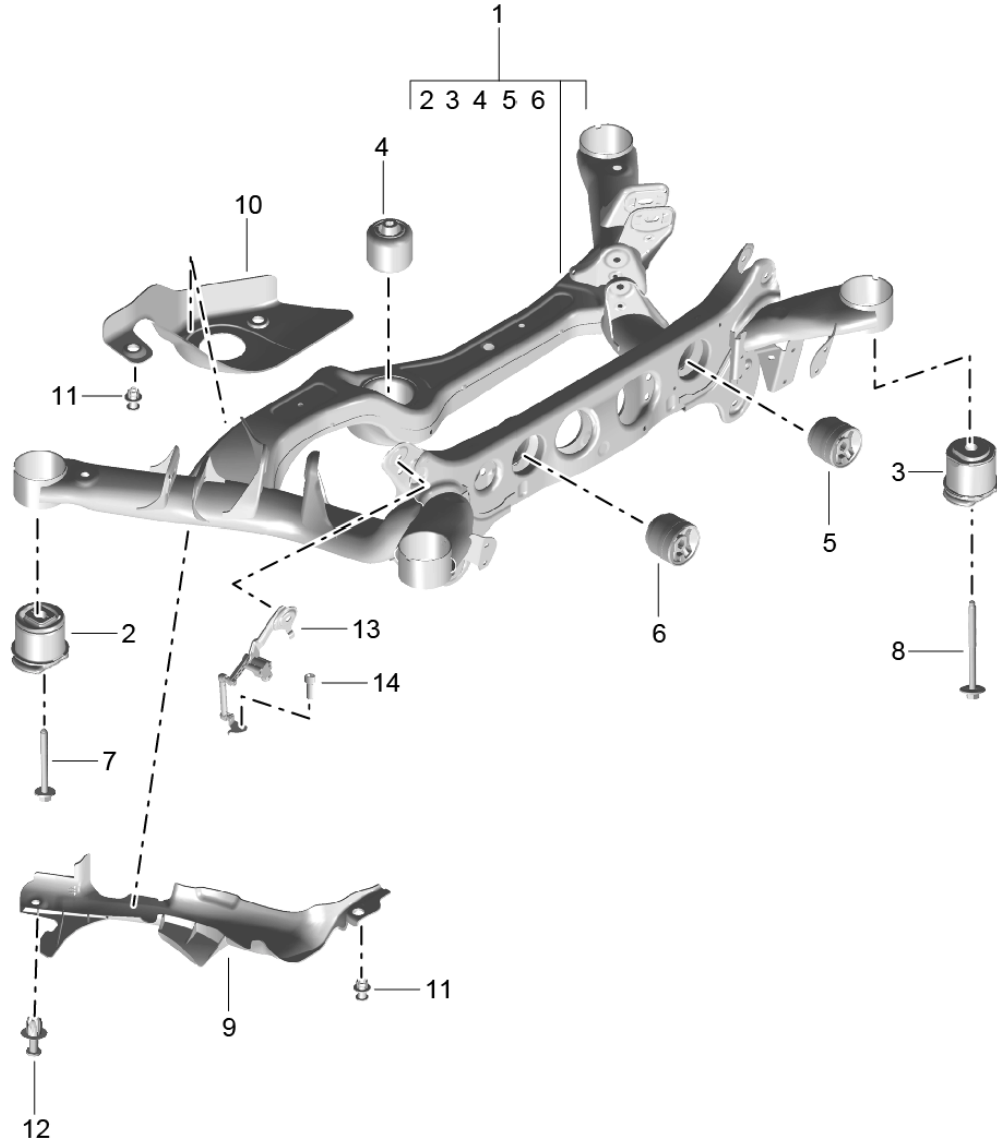
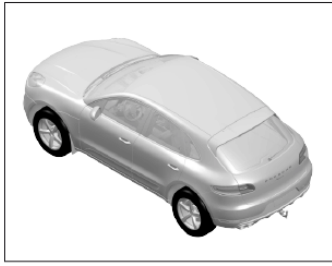
Model: 95B

Model life 2014>>

Pos	Part Number	Description	Remark	Qty	Model
1	95B 511 305	Anti-roll bar		1	PR:DM0,DQ5
(1)	95B 511 305 A	Anti-roll bar		1	PR:DD7,DU0, DU1,D43,D1V, D51
(1)	95B 511 305 E	Anti-roll bar		1	PR:D4A,DU3
2	95B 511 035	anti-roll bar bearing bracket		2	
3	95B 511 439	Clamp		2	
4	N 106 957 01	Hex collared bolt M 8 X 56		4	
5	95B 505 465	Coupling rod		2	
6	N 102 723 02	Hexagon collar nut self-locking M 10		2	
7	N 909 978 02	Hex collared bolt M 10 X 65-TCX		4	
8	95B 907 324 A	Bracket Adapter Control unit tyre pressure control system		1	

Model: 95B

Model life 2014>>

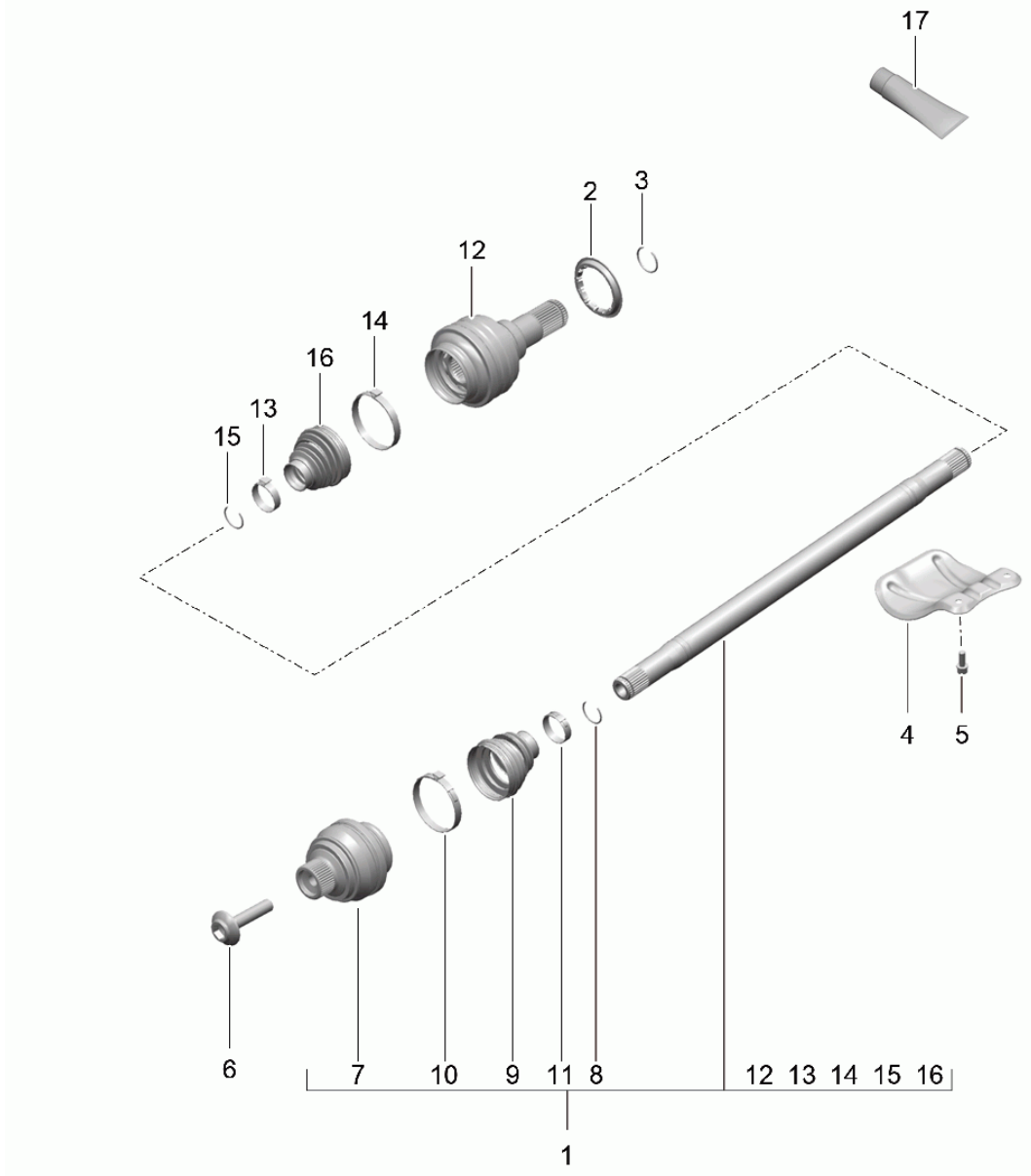
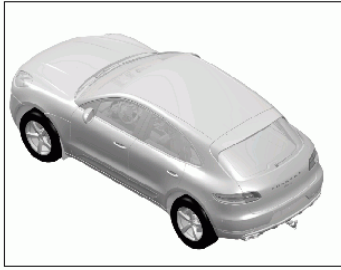


Model: 95B Model life 2014>>

Pos	Part Number	Description	Remark	Qty	Model
1	95B 505 235 B	Rear axle Suspension sub-frame Level sensor Support frame		1	
(1)	95B 505 235 C	No longer use the part here Suspension sub-frame		1	
(1)	95B 505 235 D	Discontinued part Support frame		1	
(1)	95B 505 235 E	D >> - 28.02.2016 Suspension sub-frame		1	
2	8R0 505 145 K	D - 29.02.2016>> Bonded rubber bush Suspension sub-frame	front	2	
2	95B 505 145	D >> - 14.03.2015 Mounting Suspension sub-frame	front	2	
3	8R0 505 145 A	D - 16.03.2015>> Bonded rubber bush Suspension sub-frame	rear	2	
4	95B 599 381	Mounting rear axle differential	front	1	
(4)	95B 599 381 A	No longer use the part here Mounting rear axle differential	front	1	
5	8K0 599 257 P	Bonded rubber bush rear axle differential	left rear	1	
6	8K0 599 257 N	Bonded rubber bush rear axle differential	right rear	1	
7	N 909 763 02	bolt,hex.hd.with shoul.(combi) M 14 X 1.5 X 135		2	
8	WHT 004 756	bolt,hex.hd.with shoul.(combi) M 12 X 1.5 X 145		2	
9	8R0 505 413 A	Stone chip guard Suspension sub-frame	left	1	PR:6EC,D43, D51,DU1,DU0, DD7,D1V,DM0, DU3,D4A
(9)	8R0 505 414 A	Stone chip guard Suspension sub-frame	right	1	PR:6EC,D43, D51,DU1,DU0, DD7,D1V,DM0, DU3,D4A
(10)	8R0 505 565	Stone chip guard Suspension sub-frame	center	1	PR:6EC,D43, D51,D1V,DD7, DM0
(10)	95B 505 565	Stone chip guard Suspension sub-frame	center	1	PR:6EC,DU1, DU0,D4A,DU3
(10)	95B 505 565 A	Stone chip guard Suspension sub-frame	center	1	PR:6EA,DU1, DU0,D4A,DU3
11	4F0 501 329 A	Spreader rivet		8	PR:6EC
(11)	4F0 501 329 A	Spreader rivet		2	PR:6EA,DU1, DU0,D4A,DU3
12	8K0 501 329	Spreader rivet		2	PR:6EC
13	8R0 941 309 B	Level sensor	left	1	
(13)	8R0 941 310 E	Level sensor	right	1	PR:1BH,1BK
14	N 014 740 11	Socket head bolt with hexagon socket head M6X16		1	

Model: 95B

Model life 2014>>



Model: 95B Model life 2014>>

Pos	Part Number	Description	Remark	Qty	Model
1	95B 501 203	Drive shaft Drive shaft D >> - MJ 2016		2	PR:DD7,DU1, D43,D1V,D51, D50,1Y0
1	95B 501 203 G	Drive shaft D - MJ 2017>>		2	PR:DD7,DU1, D43,D1V,D51, D50,DU3,1Y0
(1)	95B 501 203 C	Drive shaft D >> - MJ 2016		2	PR:DU0,DM0, DQ5,D4A,1Y0
(1)	95B 501 203 K	Drive shaft D - MJ 2017>>		2	PR:DU0,DQ5, D4A,1Y0
(1)	95B 501 203 A	Drive shaft D >> - MJ 2016	left	1	PR:1Y1
(1)	95B 501 203 H	Drive shaft D - MJ 2017>>	left	1	PR:1Y1
(1)	95B 501 203 B	Drive shaft D >> - MJ 2016	right	1	PR:1Y1
(1)	95B 501 203 J	Drive shaft D - MJ 2017>>	right	1	PR:1Y1
2	7PP 501 811	protective ring		2	
3	955 332 125 00	Securing ring		2	
4	8K0 501 721 A	Guard plate		1	
5	N 106 649 01	Socket head collared bolt with inner multipoint head M8X16		2	
6	8E0 407 643 A	Socket head bolt with inner multipoint head M16X227		2	
7	95B 501 305	constant velocity joint D >> - MJ 2016	outer	2	PR:1Y0,DD7, DU1,D43,D1V, D51
7	95B 501 305 B	constant velocity joint D - MJ 2017>>	outer	1	PR:1Y0,DD7, DU1,DU3,D1V, D43,D50,D51
(7)	95B 501 305	constant velocity joint D >> - MJ 2016	outer	2	PR:1Y1
(7)	95B 501 305 B	constant velocity joint D - MJ 2017>>	outer	2	PR:1Y1
(7)	95B 501 305 A	constant velocity joint D >> - MJ 2016	outer	2	PR:1Y0,DU0, DM0
(7)	95B 501 305 A	constant velocity joint D - MJ 2017>>	outer	1	PR:1Y0,D4A, DU0,DQ5
8	N 911 891 01	Securing ring Outer light	outer	2	
9	95B 501 151	Bellows	outer	2	
10	N 106 015 01	clamp Bellows	outer	2	
11	999 512 117 01	74.5X10X1 clamp Bellows	outer	2	
12	95B 501 331	constant velocity joint D >> - MJ 2016	inner	2	PR:1Y0,DD7, DU1,D43,D1V, D51
(12)	95B 501 331 D	constant velocity joint D - MJ 2017>>	inner	2	PR:1Y0,DD7, DU1,DU3,D1V, D43,D50,D51
(12)	95B 501 331 C	constant velocity joint D >> - MJ 2016	inner	2	PR:1Y0,DU0, DM0
(12)	95B 501 331 C	constant velocity joint	inner	2	PR:1Y0,DQ5,

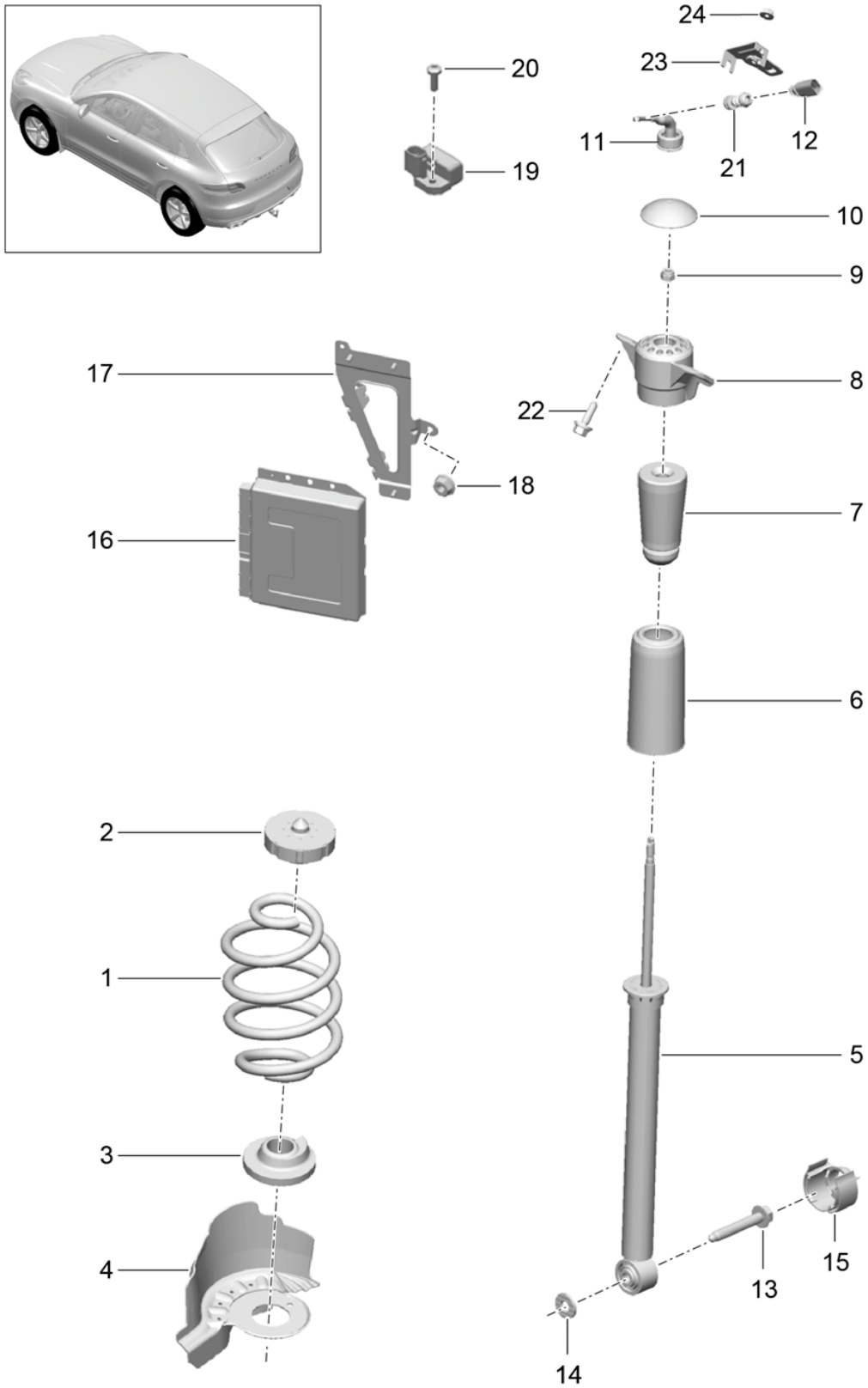
Model: 95B

Model life 2014>>

Pos	Part Number	Description	Remark	Qty	Model
(12)	95B 501 331 A	D - MJ 2017>> constant velocity joint	left inner	1	D4A PR:1Y1
(12)	95B 501 331 E	D >> - MJ 2016 constant velocity joint	left inner	1	PR:1Y1
(12)	95B 501 331 B	D - MJ 2017>> constant velocity joint	right inner	1	PR:1Y1
(12)	95B 501 331 F	D >> - MJ 2016 constant velocity joint	right inner	1	PR:1Y1
13	999 512 068 01	D - MJ 2017>> clamp Bellows 35.80	inner	2	
14	N 106 015 01	clamp Bellows 74.5X10X1	inner	2	
15	N 911 891 01	Securing ring constant velocity joint	inner	2	
16	95B 501 151	Bellows	inner	2	
17	000 043 110 02	grease 1 TUBE 100 GR.		X	

Model: 95B

Model life 2014>>



Model: 95B

Model life 2014>>

Pos	Part Number	Description	Remark	Qty	Model
		Steel spring suspension Suspension strut, complete			PR:1BA,1BH
1	95B 511 115	Coil spring		1	PR:1BA,0YA, 0YB
	95B 511 115 504	1 pair of springs Colour designation:	green blue		
(1)	95B 511 115 A	Coil spring		1	PR:1BA,0YC, 0YD
	95B 511 115 A 504	1 pair of springs Colour designation:	green orange		
(1)	95B 511 115 B	Coil spring		1	PR:1BA,0YE, 0YF
	95B 511 115 B 504	1 pair of springs Colour designation:	green brown		
(1)	95B 511 115 C	Coil spring		1	PR:1BA,0YG, 0YH
	95B 511 115 C 504	1 pair of springs Colour designation:	green red		
(1)	95B 511 115 E	Coil spring		1	PR:1BH,0YA, -EOW,-DU3
	95B 511 115 E 504	1 pair of springs Colour designation:	blue orange		
(1)	95B 511 115 F	Coil spring		1	PR:1BH,0YB, 0YC,-EOW, -DU3
	95B 511 115 F 504	1 pair of springs Colour designation:	blue brown		
(1)	95B 511 115 G	Coil spring		1	PR:1BH,0YD, 0YE,-EOW, -DU3
	95B 511 115 G 504	1 pair of springs Colour designation:	blue red		
(1)	95B 511 115 H	Coil spring		1	PR:1BH,0YF, 0YG,-EOW, -DU3
	95B 511 115 H 504	1 pair of springs Colour designation:	blue dark red		
(1)	95B 511 115 J	Coil spring		1	PR:1BH,0YH, -EOW,-DU3
	95B 511 115 J 504	1 pair of springs Colour designation:	blue dark blue		
(1)	95B 511 115 AD	Coil spring		1	PR:1BH,0YA, EOW
	95B 511 115 AD 504	1 pair of springs Colour designation:	silver white		
(1)	95B 511 115 AD	Coil spring		1	PR:1BH,0YA, DU3
	95B 511 115 AD 504	1 pair of springs Colour designation:	silver white		
(1)	95B 511 115 AE	Coil spring		1	PR:1BH,0YB, 0YC,EOW
	95B 511 115 AE 504	1 pair of springs			

Model: 95B

Model life 2014>>

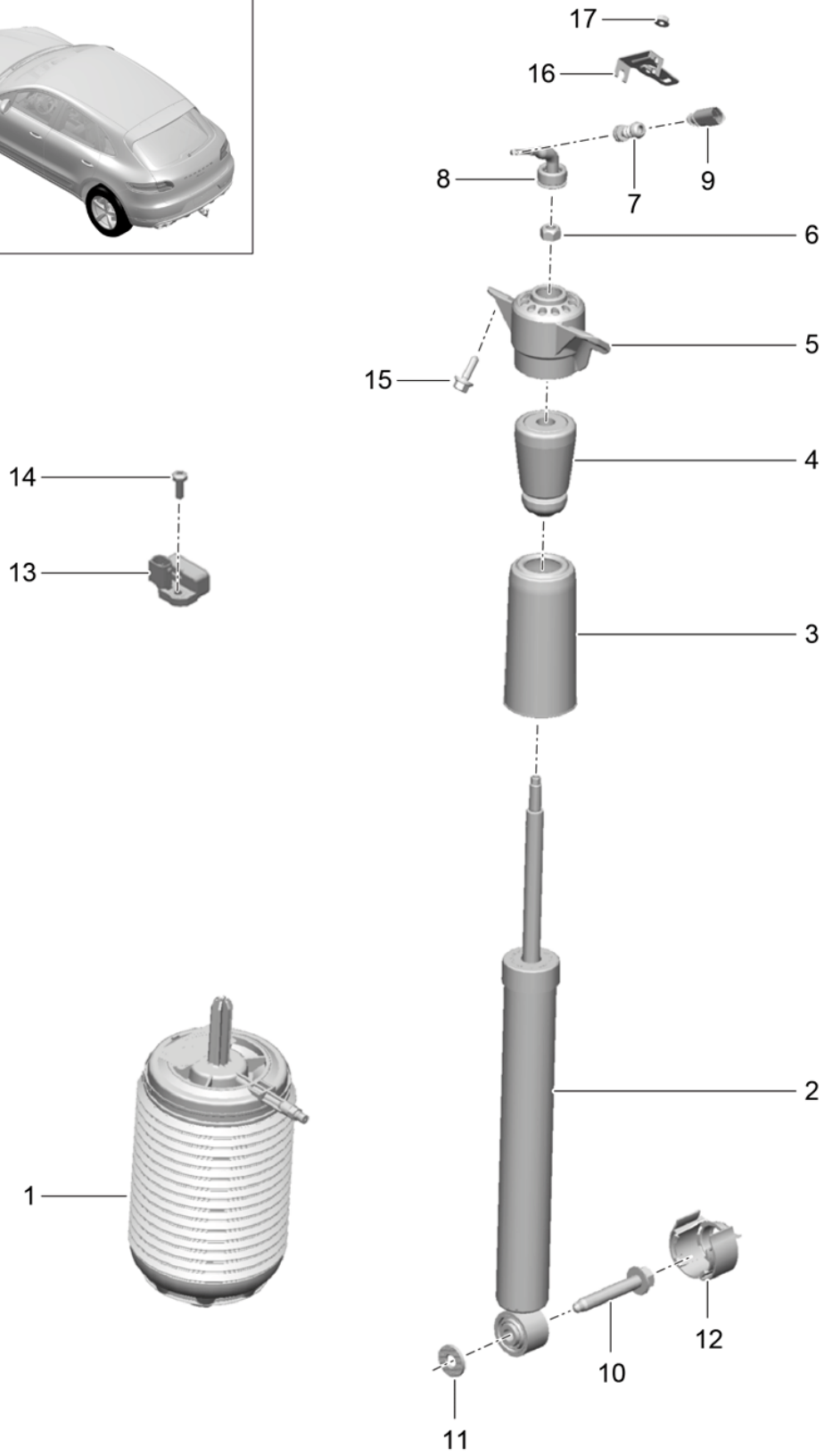
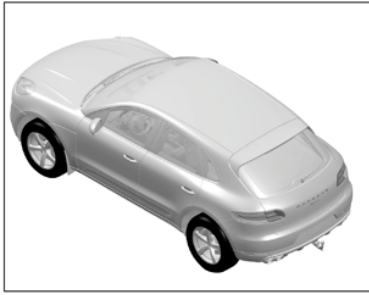
Pos	Part Number	Description	Remark	Qty	Model
(1)	95B 511 115 AE	Coil spring Colour designation:	silver yellow	1	PR:1BH,0YB, 0YC,DU3
	95B 511 115 AE 504	1 pair of springs Colour designation:	silver yellow		
(1)	95B 511 115 AF	Coil spring Colour designation:	silver orange	1	PR:1BH,0YD, 0YE,E0W
	95B 511 115 AF 504	1 pair of springs Colour designation:	silver orange		
(1)	95B 511 115 AF	Coil spring Colour designation:	silver orange	1	PR:1BH,0YD, 0YE,DU3
	95B 511 115 AF 504	1 pair of springs Colour designation:	silver orange		
(1)	95B 511 115 AG	Coil spring Colour designation:	silver pink	1	PR:1BH,0YF, 0YG,E0W
	95B 511 115 AG 504	1 pair of springs Colour designation:	silver pink		
(1)	95B 511 115 AG	Coil spring Colour designation:	silver pink	1	PR:1BH,0YF, 0YG,DU3
	95B 511 115 AG 504	1 pair of springs Colour designation:	silver pink		
(1)	95B 511 115 AH	Coil spring Colour designation:	silver violet	1	PR:1BH,0YH, E0W
	95B 511 115 AH 504	1 pair of springs Colour designation:	silver violet		
(1)	95B 511 115 AH	Coil spring Colour designation:	silver violet	1	PR:1BH,0YH, DU3
	95B 511 115 AH 504	1 pair of springs Colour designation:	silver violet		
(1)	95B 511 115 AJ	Coil spring Colour designation:	silver blue	1	PR:1BH,0YJ, E0W
	95B 511 115 AJ 504	1 pair of springs Colour designation:	silver blue		
(1)	95B 511 115 AJ	Coil spring Colour designation:	silver blue	1	PR:1BH,0YJ, DU3
	95B 511 115 AJ 504	1 pair of springs Colour designation:	silver blue		
2	95B 512 149 B	spring disc	upper	2	
3	8K0 512 297 E	Spring support	lower	2	
4	8R0 511 539 C	Stone chip guard	left	1	
(4)	8R0 511 540 C	Stone chip guard	right	1	
5	95B 513 035 D	vibration damper		2	PR:1BA
(5)	95B 513 035 A	vibration damper Discontinued part		2	PR:1BH
(5)	95B 513 035 E	vibration damper Discontinued part		2	PR:1BH
(5)	95B 513 035 F	vibration damper		2	PR:1BH
6	8K0 512 137 A	Protective sleeve		2	
7	95B 512 131 C	Stop buffer		2	PR:1BA
(7)	95B 512 131 D	Stop buffer		2	PR:1BH,-E0W, -DU3
(7)	95B 512 131 E	Stop buffer D - 01.01.2016>> - 09.01.2016		2	PR:1BH,E0W

Model: 95B Model life 2014>>

Pos	Part Number	Description	Remark	Qty	Model
(7)	95B 512 131 B	Stop buffer D - 11.01.2016>>		2	PR:1BH,E0W
(7)	95B 512 131 B	Stop buffer		2	PR:1BH,DU3
8	8K0 513 353 E	Shock absorber bearing		2	PR:1BA
(8)	95B 513 353 A	Shock absorber bearing		2	PR:1BH
9	N 102 951 01	hexagon nut, self-locking		2	PR:1BA
(9)	N 100 289 10	hexagon nut, self-locking		2	PR:1BH
10	8K0 512 135	Protective cap		2	PR:1BA
11	95B 971 873 A	Grommet		2	PR:1BH
12	1J0 973 802	Flat connector housing with contact locking mechanism		2	PR:1BH
13	N 105 008 02	bolt, hex. hd. with shoulder, self-locking M14 X 1.5 X 90		2	
14	WHT 002 389	Washer		2	
15	8K0 511 533 A	Stone chip guard		2	
16	95B 907 557 C	Control unit Discontinued part		1	PR:1BH
(16)	95B 907 557 D	Control unit Discontinued part		1	PR:1BH
(16)	95B 907 557 E	Control unit for adaptive suspension Discontinued part		1	PR:1BH
(16)	95B 907 557 F	Control unit for adaptive suspension D >> - 23.05.2015		1	PR:1BH
(16)	95B 907 557 G	Control unit for adaptive suspension D - 25.05.2015>> - 02.08.2016		1	PR:1BH
(16)	95B 907 557 H	Control unit for adaptive suspension D - 03.08.2016>>		1	PR:1BH
17	95B 907 713	Retainer for control units		1	
18	N 015 082 10	Hexagon collar nut M6		6	
19		Accelerator sensor see illustration, item:	402-000,23		PR:1BH
20	N 101 961 03	fillister head bolt with multi-point socket head M6X18		1	PR:1BH
21	95B 971 878	Protective cap		2	PR:1BH
22	N 910 661 01	hexagon head bolt (combi) M10X35		4	
23	95B 971 005	Cable holder	left	1	PR:1BH
(23)	95B 971 006	Cable holder F 95-FLB90 001>> 95-FLB90 835 F 95-FLB50 001>> 95-FLB51 639 F 95-FLB70 001>> 95-FLB76 019 F 95-FLB00 001>> 95-FLB00 374	right	1	PR:1BH
(23)	95B 971 006 A	Cable holder F 95-FLB90 836>> F 95-FLB51 640>> F 95-FLB76 020>> F 95-FLB00 375>>	right	1	PR:1BH
(23)	95B 971 006 A	Cable holder D - 02.04.2014>>	right	1	PR:1BH
24	N 015 082 10	Hexagon collar nut M6		2	PR:1BH

Model: 95B

Model life 2014>>

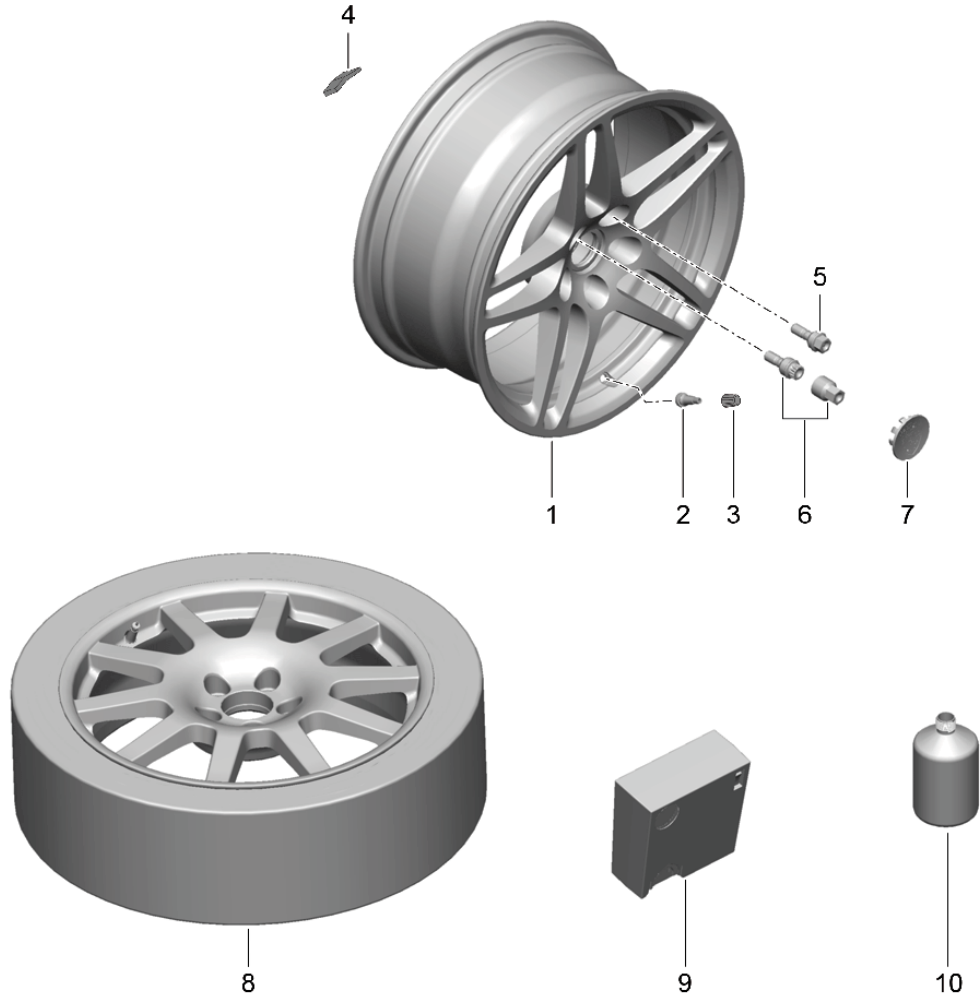
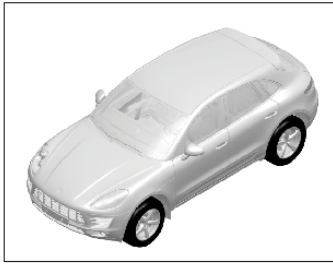


Model: 95B Model life 2014>>

Pos	Part Number	Description	Remark	Qty	Model
		air spring			PR:1BK
1	95B 616 001 A	Suspension strut, complete Air suspension module	left	1	PR:-E0W,-DU3
		Discontinued part			
(1)	95B 616 001 B	Air suspension module	left	1	PR:-E0W,-DU3
(1)	95B 616 001 C	Air suspension module	left	1	PR:E0W,-DU3
		D >> - 30.09.2016			
(1)	95B 616 001 D	Air suspension module	left	1	PR:E0W,-DU3
		D - 03.10.2016>>			
(1)	95B 616 001 H	Air suspension module	left	1	
		Rear axle			
(1)	95B 616 001 D	Air suspension module	left	1	PR:DU3
(1)	95B 616 002 A	Air suspension module	right	1	PR:-E0W,-DU3
		Discontinued part			
(1)	95B 616 002 B	Air suspension module	right	1	PR:-E0W,-DU3
(1)	95B 616 002 C	Air suspension module	right	1	PR:E0W,-DU3
		D >> - 30.09.2016			
(1)	95B 616 002 D	Air suspension module	right	1	PR:E0W,-DU3
		D - 03.10.2016>>			
(1)	95B 616 002 D	Air suspension module	right	1	PR:DU3
2	95B 513 035 A	vibration damper		2	
		Discontinued part			
(2)	95B 513 035 E	vibration damper		2	
		Discontinued part			
(2)	95B 513 035 F	vibration damper		2	
3	8K0 512 137 A	Protective sleeve		2	
4	95B 512 131 B	Stop buffer		2	PR:-E0W,-DU3
(4)	95B 512 131 F	Stop buffer		2	PR:E0W
(4)	95B 512 131 F	Stop buffer		2	PR:DU3
5	95B 513 353 A	Shock absorber bearing		2	
6	N 100 289 10	hexagon nut, self-locking		2	
7	95B 971 878	Protective cap		2	
8	95B 971 873 A	Grommet		2	
9	1J0 973 802	Flat connector housing with contact locking mechanism		2	
10	N 105 008 02	bolt, hex. hd. with shoulder, self-locking M14 X 1.5 X 90		2	
11	WHT 002 389	Washer		2	
12	8K0 511 533 A	Stone chip guard		2	
13		Accelerator sensor			
		see illustration, item:	402-005,9		
14	N 101 961 03	fillister head bolt with multi-point socket head M6X18		1	
15	N 910 661 01	hexagon head bolt (combi) M10X35		4	
16	95B 971 005	Cable holder	left	1	
(16)	95B 971 006	Cable holder	right	1	
		F 95-FLB90 001>> 95-FLB90 835			
		F 95-FLB50 001>> 95-FLB51 639			
		F 95-FLB70 001>> 95-FLB76 019			
		F 95-FLB00 001>> 95-FLB00 374			
(16)	95B 971 006 A	Cable holder	right	1	
		F 95-FLB90 836>>			
		F 95-FLB51 640>>			
		F 95-FLB76 020>>			
		F 95-FLB00 375>>			
17	N 015 082 10	Hexagon collar nut M6		2	
-		Control unit		1	
		see illustration:	606-000		

Model: 95B

Model life 2014>>



Model: 95B

Model life 2014>>

Pos	Part Number	Description	Remark	Qty	Model
-		Wheels/tyres manufacturer's certificate See main group 4 01/14			
-		part number Alloy wheel			
		without:			
1	95B 601 025 AH	Hub cap and Wheel bolt Alloy wheel 8,0 J X 18 ET 21 Discontinued part	front	2	PR:C5F
	95B 601 025 AH 8Z8	silver			
(1)	95B 601 025 AR	Alloy wheel 8,0 J X 18 ET 21	front	2	PR:C5F
	95B 601 025 AR 8Z8	silver			
(1)	95B 601 025 F	Alloy wheel 8,0 J X 19 H2 ET 21 Discontinued part	front	2	PR:C6P
	95B 601 025 F 88Z	silver			
(1)	95B 601 025 BB	Alloy wheel 8,0 J X 19 H2 ET 21	front	2	PR:C6P
	95B 601 025 BB 88Z	silver			
(1)	95B 601 025 J	Alloy wheel 8,0 J X 19 H2 ET 21 Discontinued part	front	2	PR:C6X
	95B 601 025 J 88Z	silver			
(1)	95B 601 025 BD	Alloy wheel 8,0 J X 19 H2 ET 21	front	2	PR:C6X
	95B 601 025 BD 88Z	silver			
(1)	95B 601 025 M	Alloy wheel 9,0 J X 20 H2 ET 26 Discontinued part	front	2	PR:CY3
	95B 601 025 M OC6	Titanium			
(1)	95B 601 025 BF	Alloy wheel 9,0 J X 20 H2 ET 26	front	2	PR:CY3
	95B 601 025 BF OC6	Titanium			
(1)	95B 601 025 BF	Alloy wheel 9,0 J X 20 H2 ET 26	front	2	PR:41L
	95B 601 025 BF JE1	Matt black			
(1)	95B 601 025 Q	Alloy wheel 9,0 J X 20 H2 ET 26 Discontinued part	front	2	PR:CY4
	95B 601 025 Q 88Z	silver			
(1)	95B 601 025 BH	Alloy wheel 9,0 J X 20 H2 ET 26	front	2	PR:CY4
	95B 601 025 BH 88Z	silver			
(1)	95B 601 025 T	Alloy wheel 9,0 J X 21 H2 ET 26 Discontinued part	front	2	PR:C7T

Model: 95B Model life 2014>>

Pos	Part Number	Description	Remark	Qty	Model
(1)	95B 601 025 T OC6 95B 601 025 AT	Titanium Alloy wheel 9,0 J X 21 H2 ET 26	front	2	PR:C7T
(1)	95B 601 025 AT OC6 95B 601 025 AT	Titanium Alloy wheel 9,0 J X 21 H2 ET 26	front	2	PR:46X
(1)	95B 601 025 AT 041 95B 601 025 AF	Black Alloy wheel 8,0 J X 18 H2 ET 21 Discontinued part	front	2	PR:C7N
(1)	95B 601 025 AF 8Z8 95B 601 025 AP	silver Alloy wheel 8,0 J X 18 H2 ET 21	front	2	PR:C7N
(1)	95B 601 025 AP 8Z8 95B 601 025 AC	silver Alloy wheel 9,0 J X 21 H2 ET 26	front	2	PR:C9K,V95, V96,V39
(1)	95B 601 025 AC M7Z 95B 601 025 AC 041 95B 601 025 AC OB5 95B 601 025 AB	GT Silver Metallic Black Platinum satin-matt Alloy wheel 10,0 J X 21 H2 ET 19 Discontinued part	rear	2	PR:C9K,V39 PR:V95 PR:V96 PR:C7T
(1)	95B 601 025 AB OC6 95B 601 025 BA	Titanium Alloy wheel 10,0 J X 21 H2 ET 19	rear	2	PR:C7T
(1)	95B 601 025 BA OC6 95B 601 025 BA	Titanium Alloy wheel 10,0 J X 21 H2 ET 19	rear	2	PR:46X
(1)	95B 601 025 BA 041 95B 601 025 AK	Black Alloy wheel 9,0 J X 18 H2 ET 21 Discontinued part	rear	2	PR:C7N
(1)	95B 601 025 AK 8Z8 95B 601 025 AQ	silver Alloy wheel 9,0 J X 18 H2 ET 21	rear	2	PR:C7N
(1)	95B 601 025 AQ 8Z8 95B 601 025 AL	silver Alloy wheel 9,0 J X 18 H2 ET 21 Discontinued part	rear	2	PR:C5F
(1)	95B 601 025 AL 8Z8 95B 601 025 AS	silver Alloy wheel 9,0 J X 18 H2 ET 21	rear	2	PR:C5F
(1)	95B 601 025 AS 8Z8 95B 601 025 AM	silver Alloy wheel 9,0 J X 19 H2 ET 21 Discontinued part	rear	2	PR:C6P
(1)	95B 601 025 AM 88Z 95B 601 025 BC	silver Alloy wheel 9,0 J X 19 H2 ET 21	rear	2	PR:C6P

Model: 95B Model life 2014>>

Pos	Part Number	Description	Remark	Qty	Model
(1)	95B 601 025 BC 88Z 95B 601 025 AN	silver Alloy wheel 9,0 J X 19 H2 ET 21 Discontinued part	rear	2	PR:C6X
(1)	95B 601 025 AN 88Z 95B 601 025 BE	silver Alloy wheel 9,0 J X 19 H2 ET 21	rear	2	PR:C6X
(1)	95B 601 025 BE 88Z 95B 601 025 P	silver Alloy wheel 10,0 J X 20 H2 ET 19 Discontinued part	rear	2	PR:CY3
(1)	95B 601 025 P OC6 95B 601 025 BG	Titanium Alloy wheel 10,0 J X 20 H2 ET 19	rear	2	PR:CY3
(1)	95B 601 025 BG OC6 95B 601 025 BG	Titanium Alloy wheel 10,0 J X 20 H2 ET 19	rear	2	PR:41L
(1)	95B 601 025 BG JE1 95B 601 025 S	Matt black Alloy wheel 10,0 J X 20 H2 ET 19 Discontinued part	rear	2	PR:CY4
(1)	95B 601 025 S 88Z 95B 601 025 BJ	silver Alloy wheel 10,0 J X 20 H2 ET 19	rear	2	PR:CY4
(1)	95B 601 025 BJ 88Z 95B 601 025 AE	silver Alloy wheel 10,0 J X 21 H2 ET 19	rear	2	PR:C9K,V95, V96,V39
	95B 601 025 AE M7Z	Silver metallic			PR:C9K,V39
	95B 601 025 AE 041	Black			PR:V95
	95B 601 025 AE OB5	Platinum satin-matt			PR:V96
2	900 265 001 50	Rubber valve		4	PR:-7K3,-7K4
(2)		Valve tyre pressure control system see illustration:	601-005	4	PR:7K3,7K4
3	955 361 163 00	Cap		4	
4	997 361 405 00	Balancer weight (self-adhesive) silver		X	
(4)	9P1 601 179	Balancer weight (self-adhesive) Black		X	
(4)	997 361 410 00	Balancer weight (self-adhesive) silver		X	
(4)	9P1 601 181	Balancer weight (self-adhesive) Black		X	
(4)	997 361 415 00	Balancer weight (self-adhesive) silver		X	
(4)	9P1 601 182	Balancer weight (self-adhesive) Black		X	
(4)	997 361 420 00	Balancer weight (self-adhesive)		X	

Model: 95B Model life 2014>>

Pos	Part Number	Description	Remark	Qty	Model
(4)	9P1 601 183	silver Balancer weight (self-adhesive)		X	
(4)	997 361 425 00	Black Balancer weight (self-adhesive)		X	
(4)	9P1 601 184	silver Balancer weight (self-adhesive)		X	
(4)	997 361 430 00	Black Balancer weight (self-adhesive)		X	
(4)	9P1 601 185	silver Balancer weight (self-adhesive)		X	
(4)	997 361 435 00	Black Balancer weight (self-adhesive)		X	
(4)	9P1 601 186	silver Balancer weight (self-adhesive)		X	
(4)	997 361 440 00	Black Balancer weight (self-adhesive)		X	
(4)	9P1 601 187	silver Balancer weight (self-adhesive)		X	
(4)	997 361 445 00	Black Balancer weight (self-adhesive)		X	
(4)	9P1 601 188	silver Balancer weight (self-adhesive)		X	
(4)	997 361 450 00	Black Balancer weight (self-adhesive)		X	
(4)	9P1 601 189	silver Balancer weight (self-adhesive)		X	
(4)	997 361 455 00	Black Balancer weight (self-adhesive)		X	
(4)	9P1 601 190	silver Balancer weight (self-adhesive)		X	
(4)	997 361 460 00	Black Balancer weight (self-adhesive)		X	
(4)	9P1 601 191	silver Balancer weight (self-adhesive)		X	
(4)	997 361 465 00	Black Balancer weight (self-adhesive)		X	
(4)	9P1 601 192	silver Balancer weight (self-adhesive)		X	
(4)	997 361 470 00	Black Balancer weight (self-adhesive)		X	
(4)	9P1 601 193	silver Balancer weight (self-adhesive)		X	

Model: 95B Model life 2014>>

Pos	Part Number	Description	Remark	Qty	Model
(4)	997 361 475 00	Black Balancer weight (self-adhesive) silver		X	
(4)	9P1 601 194	Black Balancer weight (self-adhesive)		X	
(4)	997 361 480 00	Black Balancer weight (self-adhesive) silver		X	
(4)	9P1 601 195	Black Balancer weight (self-adhesive)		X	
(4)	997 361 485 00	Black Balancer weight (self-adhesive) silver		X	
(4)	9P1 601 196	Black Balancer weight (self-adhesive)		X	
(4)	997 361 490 00	Black Balancer weight (self-adhesive) silver		X	
(4)	9P1 601 197	Black Balancer weight (self-adhesive)		X	
5	WHT 006 978	Wheel bolt		X	PR:1PC
6	WHT 006 979 A	1 set wheel studs, anti-theft comprising: Wheel bolt Adapter		1	PR:-444
(6)	WHT 006 980 A	1 set wheel studs, anti-theft comprising: Wheel bolt Adapter		4	
				1	PR:B0N,1PC
(6)	WHT 006 980 C	Discontinued part 1 set wheel studs, anti-theft comprising: Wheel bolt Adapter		4	
				1	PR:B0N,1PC
7	95B 601 150	Hub cap	Concave	4	PR:1NE
	95B 601 150 8Z8	silver			PR:C5F,C7N
	95B 601 150 88Z	silver			PR:C6P,C6X
(7)	95B 601 150 A	Hub cap	Concave Multi-coloured	4	PR:1NP
	95B 601 150 A 8Z8	silver			PR:C5F,C7N
	95B 601 150 A 88Z	silver			PR:C6P,C6X
	95B 601 150 A M7Z	GT Silver Metallic			PR:C9K
(7)	95B 601 150 D	Hub cap	Concave Multi-coloured	4	PR:1NP
	95B 601 150 D 041	Black			PR:V95
	95B 601 150 D OB5	Platinum satin-matt			PR:V96,V39
(7)	95B 601 149	Hub cap	Concave	4	PR:1NE,C7T, 46X
(7)	95B 601 149 A	Hub cap	Concave Multi-coloured	4	PR:1NP,C7T, 46X
(7)	95B 601 151	Hub cap	Convex	4	PR:1NE,CY3, CY4
	95B 601 151 OC6	Titanium			PR:CY3
	95B 601 151 88Z	silver			PR:CY4
(7)	95B 601 151 A	Hub cap	Concave	4	PR:1NP

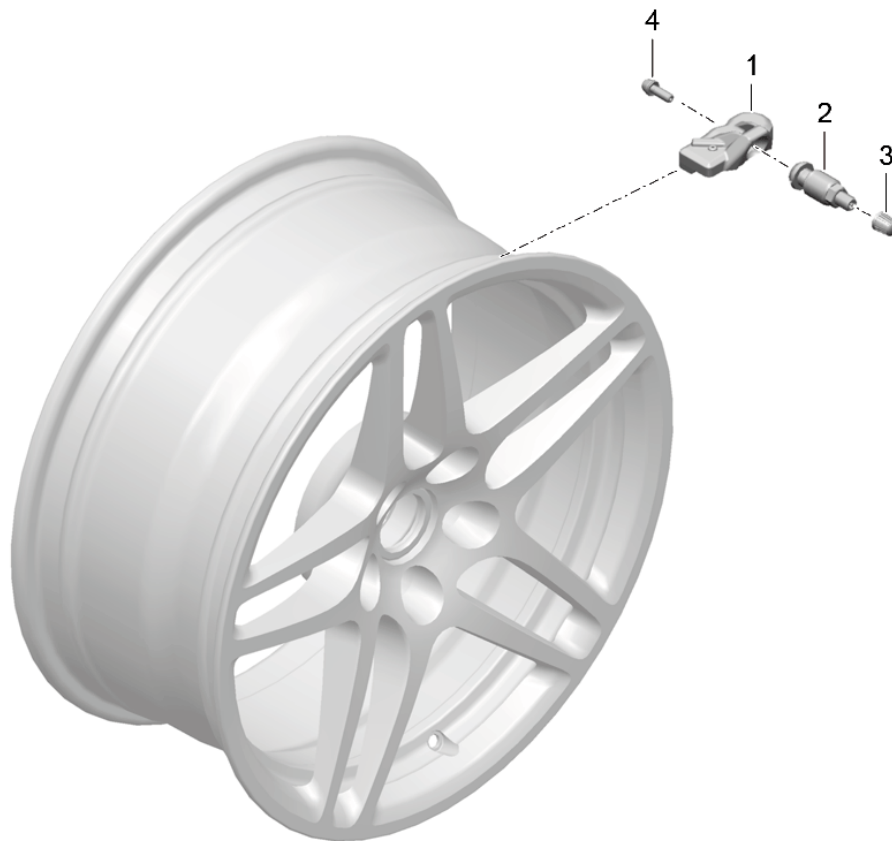
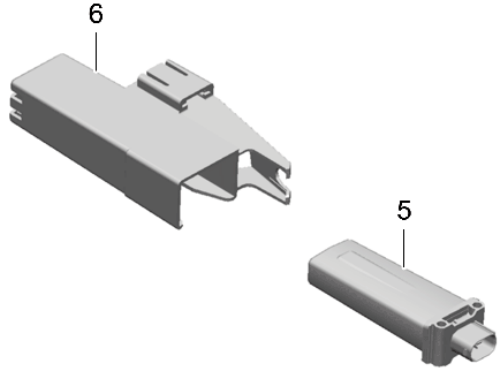
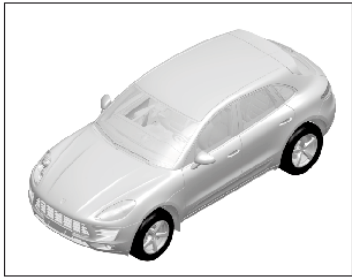
Model: 95B

Model life 2014>>

Pos	Part Number	Description	Remark	Qty	Model
	95B 601 151 A OC6	Titanium	Multi-coloured		PR:CY3
	95B 601 151 A 88Z	silver			PR:CY4
	95B 601 151 A JE1	Matt black			PR:41L
8	95B 601 011 J	Spare wheel 18" No longer use the part here			1
(8)	95B 601 011 AC	Spare wheel 18"		1	PR:1G1,-B0M, -B0R,-B1D
(8)	95B 601 011 AD	Spare wheel 18"		1	PR:1G1,B0M, B0R,B1D
(8)	95B 601 011 K	Spare wheel 19"		1	PR:1G4
9	955 652 053 02	Compressor D >> - 08.12.2015		1	PR:B0M,1G1, 1G4
(9)	955 652 053 02	Compressor D >> - 08.12.2015		1	PR:1G8
(9)	955 652 053 05	Compressor D - 09.12.2015>>		1	PR:B0M,1G1, 1G4
(9)	955 652 053 05	Compressor D - 09.12.2015>>		1	PR:1G8
(9)	5N0 012 615 C	Air compressor D - 04.04.2016>>		1	PR:-B0M,1G1, 1G4
10	4L0 012 619 A	Tyre sealant		1	PR:1G8

Model: 95B

Model life 2014>>



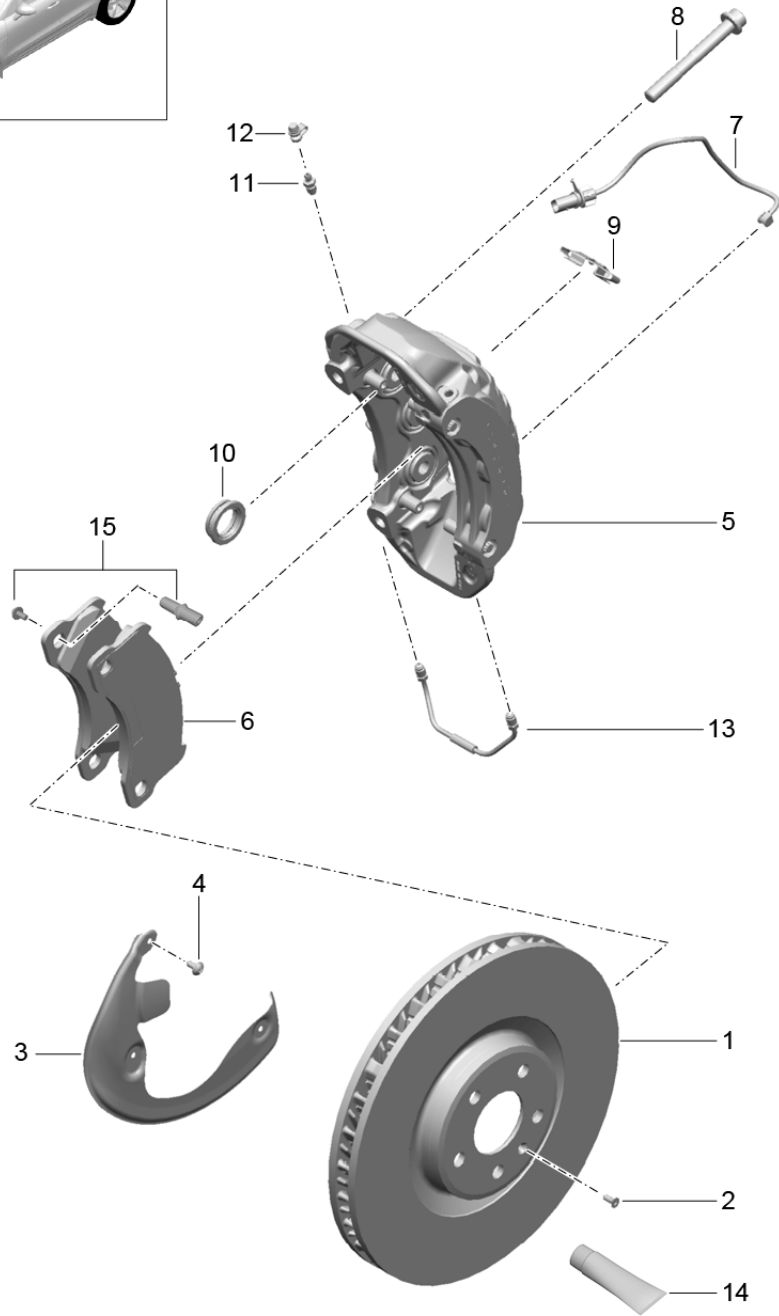
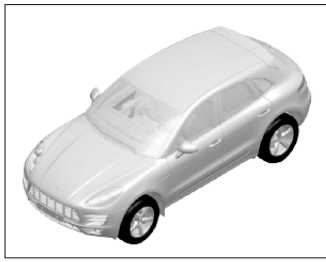
Model: 95B

Model life 2014>>

Pos	Part Number	Description	Remark	Qty	Model
1	5Q0 907 275	tyre pressure control system Tyre pressure sensor		4	PR:7K3,7K4 PR:7K3
(1)	5Q0 907 275 A	tyre pressure control system also use: Tyre pressure sensor	955 361 053 00	4	PR:7K4
2	955 361 053 00	tyre pressure control system also use: Valve	955 361 053 00	4	PR:UX6
(2)	9P1 601 361 A	tyre pressure control system silver Discontinued part Valve		4	PR:UX6
(2)	9P1 601 361	tyre pressure control system silver Valve		4	PR:UX7
3	N 908 729 01	tyre pressure control system Black Valve cap for valve unit		4	PR:UX6
(3)	WHT 006 913	Valve silver Valve cap for valve unit		4	PR:UX7
4	4D0 601 365	Black Hexagon socket head bolt, self-locking		4	
5	7PP 907 273 D	Control unit for tyre pressure control Discontinued part		1	PR:7K3
5	7PP 907 273 H	Control unit for tyre pressure control		1	PR:7K3
(5)	7PP 907 273 E	Control unit for tyre pressure control		1	PR:7K4
(5)	9A7 907 273 00	No longer use the part here Control unit for tyre pressure control		1	PR:7K4
6	95B 907 324	Retainer for control unit Discontinued part		1	
6	95B 907 324 B	Retainer for control unit		1	

Model: 95B

Model life 2014>>



Model: 95B Model life 2014>>

Pos	Part Number	Description	Remark	Qty	Model
1	95B 615 301 B	Disc brake Front axle Brake disc 17" 345X30 Discontinued part	front left a. right	2	PR:1LA,1LE
1	95B 615 301 M	Brake disc 17" 345X30	front left a. right	2	PR:1LA
		also use:		1	
(1)	95B 615 301 M	D >> - 29.11.2016 Brake disc 17" 345X30	8R0 698 151 H front left a. right	2	PR:1LA
		also use:	9A7 698 151 00	1	
1	95B 615 301 M	D - 30.11.2016>> Brake disc 17" 345X30	front left a. right	2	PR:1LE
		also use:	95B 698 151 H	1	
(1)	95B 615 301	Brake disc 18" 350X34 No longer use the part here	left front	1	PR:1LB,1LF
(1)	95B 615 301 F	Brake disc 18" 350X34	left front	1	PR:1LB,1LF
		D >> - 07.02.2017 Discontinued part			
(1)	95B 615 301 H	Brake disc 18" 350X34	left front	1	PR:1LB
		also use:	95B 615 302 H 95B 698 151 E	1 1	
(1)	95B 615 301 H	D >> - 07.02.2017 Brake disc 18" 350X34	left front	1	PR:1LF
		also use:	95B 615 302 H 95B 698 151 G	1 1	
(1)	95B 615 301 T	D >> - 07.02.2017 Brake disc 18" 350X34	left front	1	
		also use:	95B 615 302 R 95B 698 151 E	1 1	
(1)	95B 615 301 T	D - 08.02.2017>> Brake disc 18" 350X34	left front	1	PR:1LF
		also use:	95B 615 302 R 95B 698 151 G	1 1	
(1)	95B 615 302	D - 08.02.2017>> Brake disc 18" 350X34 No longer use the part here	right front	1	PR:1LB,1LF
(1)	95B 615 302 F	Brake disc 18" 350X34	right front	1	PR:1LB,1LF
		D >> - 07.02.2017 Discontinued part			
(1)	95B 615 302 H	Brake disc 18" 350X34	right front	1	PR:1LB
		also use:	95B 615 301 H 95B 698 151 E	1 1	
(1)	95B 615 302 H	D >> - 07.02.2017 Brake disc 18" 350X34	right front	1	PR:1LF
		also use:	95B 615 301 H 95B 698 151 G	1 1	
(1)	95B 615 302 R	D >> - 07.02.2017 Brake disc 18" 350X34	right front	1	PR:1LB
		also use:	95B 615 301 T	1	

Model: 95B Model life 2014>>

Pos	Part Number	Description	Remark	Qty	Model
			95B 698 151 E	1	
(1)	95B 615 302 R	D - 08.02.2017>> Brake disc 18" 350X34	right front	1	PR:1LF
		also use:	95B 615 301 T	1	
			95B 698 151 G	1	
(1)	95B 615 301 E	D - 08.02.2017>> Brake disc 18" 360X36	left front	1	PR:1LG,1ZK
(1)	95B 615 301 G	No longer use the part here Brake disc 18" 360X36	left front	1	PR:1LG,1ZK
(1)	95B 615 301 J	Discontinued part Brake disc 18" 360X36	left front	1	PR:1LG
		also use:	95B 615 302 J	1	
(1)	95B 615 301 J	Brake disc 18" 360X36	left front	1	PR:1ZK
		also use:	95B 615 302 J	1	
(1)	95B 615 302 E	Brake disc 18" 360X36	right front	1	PR:1LG,1ZK
(1)	95B 615 302 G	No longer use the part here Brake disc 18" 360X36	right front	1	PR:1LG,1ZK
(1)	95B 615 302 J	Discontinued part Brake disc 18" 360X36	right front	1	PR:1LG
		also use:	95B 615 301 J	1	
(1)	95B 615 302 J	Brake disc 18" 360X36	right front	1	PR:1ZK
		also use:	95B 615 301 J	1	
(1)	95B 615 301 P	Brake disc 19" 390X38	left front	1	PR:1LH
		also use:	95B 615 302 M	1	
(1)	95B 615 302 M	Brake disc 19" 390X38	right front	1	PR:1LH
		also use:	95B 615 301 P	1	
(1)	95B 615 301 D	Brake disc 396X38	left front	1	PR:1LY
		Discontinued part			
(1)	95B 615 301 K	Brake disc 396X38	left front	1	PR:1LY
		also use:	95B 615 302 K	1	
(1)	95B 615 302 D	Brake disc 396X38	right front	1	PR:1LY
		Discontinued part			
(1)	95B 615 302 K	Brake disc 396X38	right front	1	PR:1LY
		also use:	95B 615 301 K	1	
2	N 106 483 01	Hex socket countersunk bolt M6X16-TC		2	
3	95B 615 311 B	Cover plate	left	1	PR:1LB,1LF, 1LG,1ZK
(3)	95B 615 311 E	Cover plate	left	1	PR:1LH
(3)	95B 615 311 D	Cover plate	left	1	PR:1LA,1LE

Model: 95B Model life 2014>>

Pos	Part Number	Description	Remark	Qty	Model
(3)	95B 615 311 E	Cover plate	left	1	PR:1LE,1LA
(3)	95B 615 311 C	Cover plate	left	1	PR:1LY
(3)	95B 615 312 B	Cover plate	right	1	PR:1LB,1LF, 1LG,1ZK
(3)	95B 615 312 E	Cover plate	right	1	PR:1LH
(3)	95B 615 312 D	Cover plate	right	1	PR:1LA,1LE
(3)	95B 615 312 E	Cover plate	right	1	PR:1LE,1LA
(3)	95B 615 312 C	Cover plate	right	1	PR:1LY
4	N 107 414 02	Hexagon socket flat head bolt M 6 X 14-TC		6	PR:1LB,1LF, 1LG,1ZK,1LA, 1LE,1LH
(4)	N 107 414 02	Hexagon socket flat head bolt M 6 X 14-TC		8	PR:1LY
5	95B 615 123	caliper without brake pads Black	left	1	PR:1LA,1LE
		also use: with:	N 911 476 01	2	
(5)	95B 615 123 F	Connecting line caliper without brake pads Black	left	1	PR:1LE,1LA
		also use:	N 911 476 01	2	
(5)	95B 615 123 A	caliper without brake pads silver	left	1	PR:1LB,1LF
		also use:	WHT 004 571	2	
(5)	95B 615 123 B	caliper without brake pads red	left	1	PR:1ZK,1LG
		also use:	WHT 004 571	2	
(5)	95B 615 123 G	caliper without brake pads red	left	1	PR:1LH
		also use:	WHT 004 572	2	
(5)	95B 615 123 K	D >> - 07.05.2017 caliper without brake pads red	left	1	PR:1LH
		also use:	WHT 004 572	2	
(5)	95B 615 123 C	D - 08.05.2017>> caliper without brake pads yellow	left	1	PR:1LY
		also use:	WHT 004 571	2	
(5)	95B 615 124	caliper without brake pads Black	right	1	PR:1LA,1LE
		also use: with:	N 911 476 01	2	
(5)	95B 615 124 F	Connecting line caliper without brake pads Black	right	1	PR:1LE,1LA
		also use:	N 911 476 01	2	
(5)	95B 615 124 A	caliper without brake pads silver	right	1	PR:1LB,1LF
		also use:	WHT 004 571	2	
(5)	95B 615 124 B	caliper without brake pads red	right	1	PR:1LG,1ZK
		also use:	WHT 004 571	2	
(5)	95B 615 124 G	caliper without brake pads red	right	1	PR:1LH
		also use:	WHT 004 572	2	
(5)	95B 615 124 K	D >> - 07.05.2017 caliper without brake pads red	right	1	PR:1LH
		also use:	WHT 004 572	2	
(5)	95B 615 124 C	D - 08.05.2017>> caliper without brake pads	right	1	PR:1LY

Model: 95B

Model life 2014>>

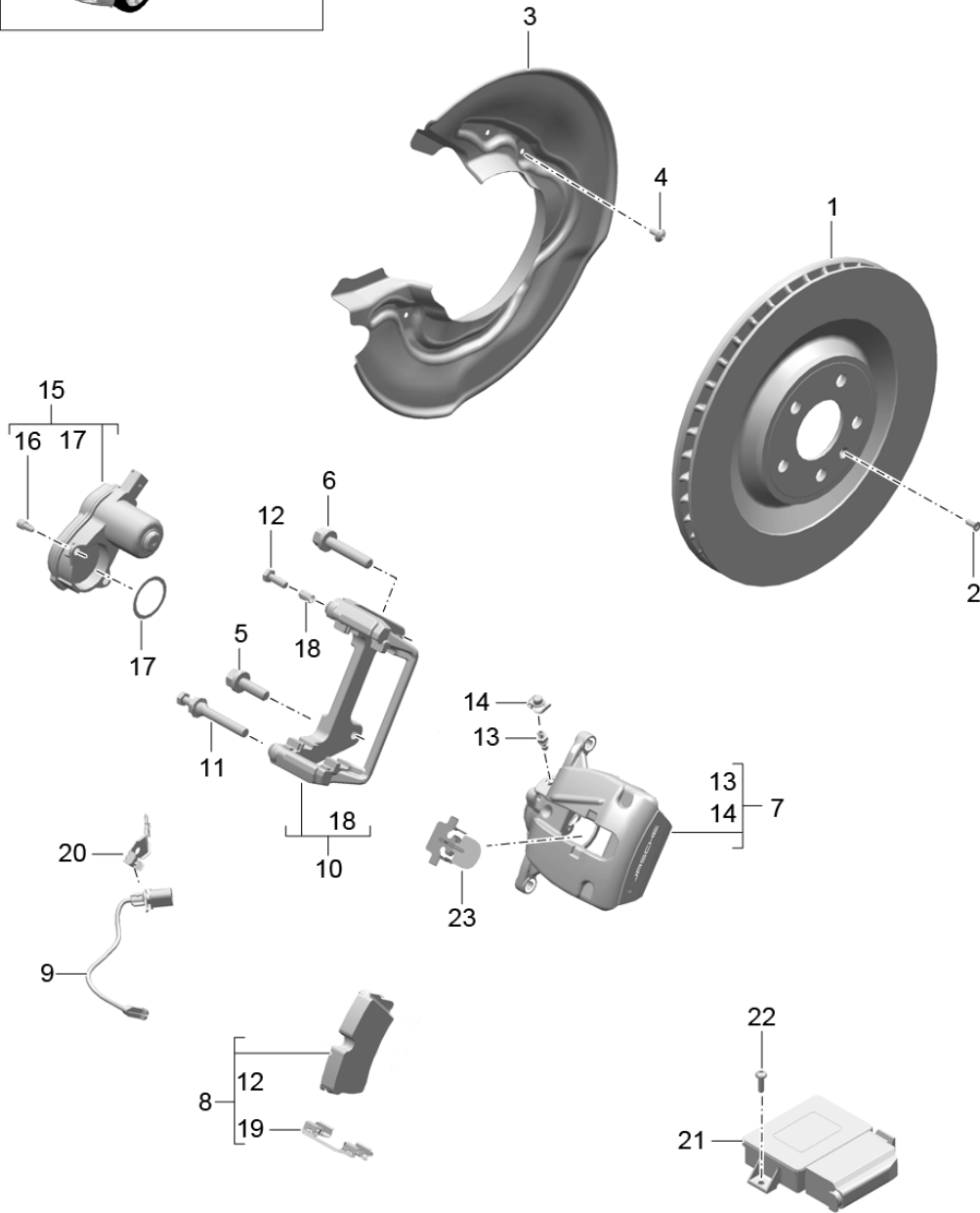
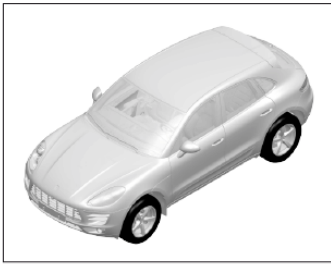
Pos	Part Number	Description	Remark	Qty	Model
6	8R0 698 151 H	yellow also use: 1 set of brake pads for disk brake	WHT 004 571 front	2 1	PR:1LA
6	9A7 698 151 00	D >> - 29.11.2016 1 set of brake pads for disk brake	front	1	PR:1LA
(6)	95B 698 151 A	comprising: 1 set of brake pads for disk brake	front	1	PR:1LF
(6)	95B 698 151 G	comprising: also use: Fasteners Discontinued part 1 set of brake pads for disk brake	front	1	PR:1LF
(6)	95B 698 151 E	comprising: Brake lining also use: Fasteners 1 set of brake pads for disk brake	front	1	PR:1LB
(6)	95B 698 151 C	comprising: Brake lining also use: Fasteners 1 set of brake pads for disk brake	front	1	PR:1ZK,1LH
(6)	970 351 949 04	comprising: Brake lining also use: Fasteners 1 set of brake pads for disk brake	front	1	PR:1LG
(6)	7P5 698 151 D	comprising: Brake lining also use: Fasteners 1 set of brake pads for disk brake	front	1	PR:1LY
(6)	95B 698 151 H	comprising: Brake lining also use: Fasteners 1 set of brake pads for disk brake	front	1	PR:1LE
7	95B 907 253	sender wire (pad wear indicator)		2	PR:1LB,1LF, 1LG,1ZK
(7)	95B 907 253 A	sender wire (pad wear indicator)		2	PR:1LA,1LE
(7)	95B 907 253 C	sender wire (pad wear indicator)		2	PR:1LY
(7)	95B 907 253 D	sender wire (pad wear indicator)		2	PR:1LH
8	N 911 476 01	bolt,hex.hd.with shoul.(combi) M 14 X 1.5 X 48		4	PR:1LA,1LE
(8)	WHT 004 571	Socket head collared bolt with inner multipoint head M 14 X 1.5 X 115		4	PR:1LB,1LF, 1LG,1ZK
(8)	WHT 004 572	Socket head bolt with	9A7 615 269 10	4	PR:1LY,1LH

Model: 95B Model life 2014>>

Pos	Part Number	Description	Remark	Qty	Model
9	8R0 698 269 A	inner multipoint head M 14 X 1.5 X 135 1 set attachment parts repair set No longer use the part here		2	PR:1LA,1LE
(9)	9A7 615 269 10	Spring		2	PR:1LA,1LE
(9)	970 351 959 01	Spring repair set Discontinued part	use if required: 9A7 615 145 00	2	PR:1LB,1LF, 1LG,1ZK
(9)	970 351 959 02	Spring repair set		2	PR:1LB,1LF, 1LG,1ZK,1LH
(9)	970 351 959 02	Spring repair set		2	PR:1LY
10	8R0 698 471 A	Set of gaskets for brake caliper housing comprising:		2	PR:1LA,1LE
		Protective cap for		4	
		Fixed calliper		1	
(10)	955 351 915 20	No longer use the part here repair set comprising:		2	PR:1LB,1LF, 1LG,1ZK,1LY, 1LH
		Protective cap for		6	
		Fixed calliper		1	
11	8A0 615 273	Breather valve		2	PR:1LB,1LF, 1LG,1ZK,1LA, 1LY,1LE,1LH
		dust cap	with:		
12	211 611 483	dust cap		2	PR:1LB,1LF, 1LG,1ZK,1LA, 1LY,1LH
13	970 351 961 00	Connecting line	left	1	PR:1LB,1LF, 1LG,1ZK
(13)	7P5 615 701 A	Connecting line	left	1	PR:1LY
(13)	9A7 615 702 20	Connecting line	left	1	PR:1LH
(13)		Connecting line * single parts no available * See item:	left	1	PR:1LA,1LE
		Fixed calliper	5		
(13)	970 351 962 00	Connecting line	right	1	PR:1LB,1LF, 1LG,1ZK
(13)	7P5 615 702 A	Connecting line	right	1	PR:1LY
(13)	9A7 615 701 20	Connecting line	right	1	PR:1LH
(13)		Connecting line * single parts no available * See item:	right	1	PR:1LA,1LE
		Fixed calliper	5		
14	000 043 117 00	brake cylinder paste 1 tube		X	
(14)	000 043 020 00	Assembly paste 1 tube	50 G	X	
15	9A7 615 145 00	Locking pin D - 30.11.2016>>	100 G front	4	PR:1LA,1LE
(15)		See item:	9		PR:-1LA,-1LE
		Spring repair set			

Model: 95B

Model life 2014>>



Model: 95B

Model life 2014>>

Pos	Part Number	Description	Remark	Qty	Model
1	95B 615 601 A	Disc brake Rear axle Brake disc 330X22	left a. right	2	PR:1KE,1KD, 1KY
		also use:	4G0 698 451 A	1	
			4G0 615 121	1	
		D >> - 26.06.2016			
1	95B 615 601 G	Brake disc 330X22	left a. right	2	PR:1KE,1KD, 1KY
		also use:	9A7 698 451 00	1	
			4G0 615 121	1	
		D - 27.06.2016>>			
(1)	95B 615 601 D	Brake disc 356X28	left a. right	2	PR:2EK
		also use:	95B 698 451 A	1	
(1)	95B 615 601 B	Brake disc 370X30	left rear	1	PR:2EH
		Discontinued part			
(1)	95B 615 601 C	Brake disc 370X30	left rear	1	PR:2EH
		Discontinued part			
(1)	95B 615 601 E	Brake disc 370X30	left rear	1	PR:2EH
		also use:	95B 615 602 B	1	
(1)	95B 615 602	Brake disc 370X30	right rear	1	PR:2EH
		Discontinued part			
(1)	95B 615 602 A	Brake disc 370X30	right rear	1	PR:2EH
		Discontinued part			
(1)	95B 615 602 B	Brake disc 370X30	right rear	1	PR:2EH
		also use:	95B 615 601 E	1	
			95B 698 451 B	1	
2	N 106 483 01	Hex socket countersunk bolt M 6 X 16		2	
3	95B 615 611	Cover plate	left	1	PR:2EK,2EH
		D >> - 05.06.2017			
(3)	95B 615 611 A	Cover plate	left	1	PR:2EK,2EH
		D - 06.06.2017>>			
(3)	8K0 615 611 A	Cover plate	left	1	PR:1KE,1KD, 1KY
(3)	95B 615 612	Cover plate	right	1	PR:2EK,2EH
		D >> - 05.06.2017			
(3)	95B 615 612 A	Cover plate	right	1	PR:2EK,2EH
		D - 06.06.2017>>			
(3)	8K0 615 612 A	Cover plate	right	1	PR:1KE,1KD, 1KY
4	N 107 414 02	Hexagon socket flat head bolt M6 X 14		8	
5	N 910 417 02	self-locking bolt M12 X 1,5 X 38		2	
6	N 911 268 01	self-locking bolt M12 X 1,5 X 62		2	
7	95B 615 423	Floating call. w/o br. linings housing Black	left	1	PR:1KD
		also use:	N 910 417 02		
			N 911 268 01		
(7)	95B 615 423 D	Floating call. w/o br. linings housing	left	1	PR:1KE

Model: 95B Model life 2014>>

Pos	Part Number	Description	Remark	Qty	Model
(7)	95B 615 423 F	silver also use: Floating call. w/o br. linings housing red	N 910 417 02 N 911 268 01 left	1	PR:1KY
(7)	95B 615 423 E	also use: Floating call. w/o br. linings housing red	N 910 417 02 N 911 268 01 left	1	PR:2EK
(7)	95B 615 423 C	also use: Floating call. w/o br. linings housing yellow	N 910 417 02 N 911 268 01 left	1	PR:2EH
(7)	95B 615 424	also use: Floating call. w/o br. linings housing Black	N 910 417 02 N 911 268 01 right	1	PR:1KD
(7)	95B 615 424 D	also use: Floating call. w/o br. linings housing silver	N 910 417 02 N 911 268 01 right	1	PR:1KE
(7)	95B 615 424 F	also use: Floating call. w/o br. linings housing silver	N 910 417 02 N 911 268 01 right	1	PR:1KY
(7)	95B 615 424 E	also use: Floating call. w/o br. linings housing red	N 910 417 02 N 911 268 01 right	1	PR:2EK
(7)	95B 615 424 C	also use: Floating call. w/o br. linings housing yellow	N 910 417 02 N 911 268 01 right	1	PR:2EH
8	4G0 698 451 A	1 set of brake pads for disk brake comprising: Brake lining retaining spring Hexagon bolt brake pad wear display	also use: rear 4G0 615 121	1 4 4 2 1 1	PR:1KE,1KD, 1KY
(8)	9A7 698 451 00	1 set of brake pads for disk brake comprising: Brake lining retaining spring Hexagon bolt brake pad wear display	also use: rear 4G0 615 121	1 4 4 2 1 1	PR:1KE,1KD, 1KY
(8)	95B 698 451	1 set of brake pads for disk brake comprising:	also use: rear	1 4	PR:2EK

Model: 95B Model life 2014>>

Pos	Part Number	Description	Remark	Qty	Model
		Brake lining		4	
		retaining spring		4	
		Hexagon bolt			
		Discontinued part			
(8)	95B 698 451 A	1 set of brake pads for disk brake	rear	1	PR:2EK
		comprising:		4	
		Brake lining		4	
		retaining spring		4	
		Hexagon bolt			
(8)	95B 698 451 B	1 set of brake pads for disk brake	rear	1	PR:2EH
		comprising:		4	
		Brake lining		4	
		retaining spring		4	
		Hexagon bolt			
9	4G0 615 121	sender wire (pad wear indicator)		2	PR:-2EH
(9)	4G0 615 121 A	sender wire (pad wear indicator)		2	PR:2EH
10	95B 615 425	calliper carrier	left	2	PR:1KD
(10)	95B 615 425 C	calliper carrier	left	2	PR:1KE
(10)	95B 615 425 E	calliper carrier	left	2	PR:1KY
(10)	95B 615 425 D	calliper carrier	left	2	PR:2EK
(10)	95B 615 425 B	calliper carrier	left	2	PR:2EH
(10)	95B 615 426	calliper carrier	right	2	PR:1KD
(10)	95B 615 426 C	calliper carrier	right	2	PR:1KE
(10)	95B 615 426 E	calliper carrier	right	2	PR:1KY
(10)	95B 615 426 D	calliper carrier	right	2	PR:2EK
(10)	95B 615 426 B	calliper carrier	right	2	PR:2EH
11	WHT 001 921	Balance weight with hexagon bolt		2	PR:1KD,1KE,
		M8 X 22,15			1KY
12	N 010 241 24	bolt, hex. hd. with shoulder, self-locking		2	PR:1KD,1KE,
		M8 X 22-K			1KY
(12)	N 010 241 24	bolt, hex. hd. with shoulder, self-locking		4	PR:2EK
		M8 X 22-K			
13	1K0 615 273 C	Breather valve		2	
14	4H0 611 483	dust cap		2	
15	8K0 998 281 A	Servomotor for brake calliper housing with assembly parts		2	
		Parking brake			
		with:			
		Fasteners			
16	N 102 855 06	Socket head bolt with inner hex round head		2	
		M6 X 12			
17	4E0 615 137	O-ring		2	
18	8K0 698 470 A	1 set protective sleeves for guide pins		2	
		comprising:		2	
		Bellows		2	
		Hexagon bolt		1	
		grease			
19	3D0 615 231	retaining spring		2	PR:1KE,1KD,
		intermediate layer			1KY
(19)	4H6 615 231 A	retaining spring		2	PR:2EK,2EH
		intermediate layer			
20	4G0 615 133	Cable holder	left	2	
		brake pad wear display			
(20)	4G0 615 134	Cable holder	right	2	

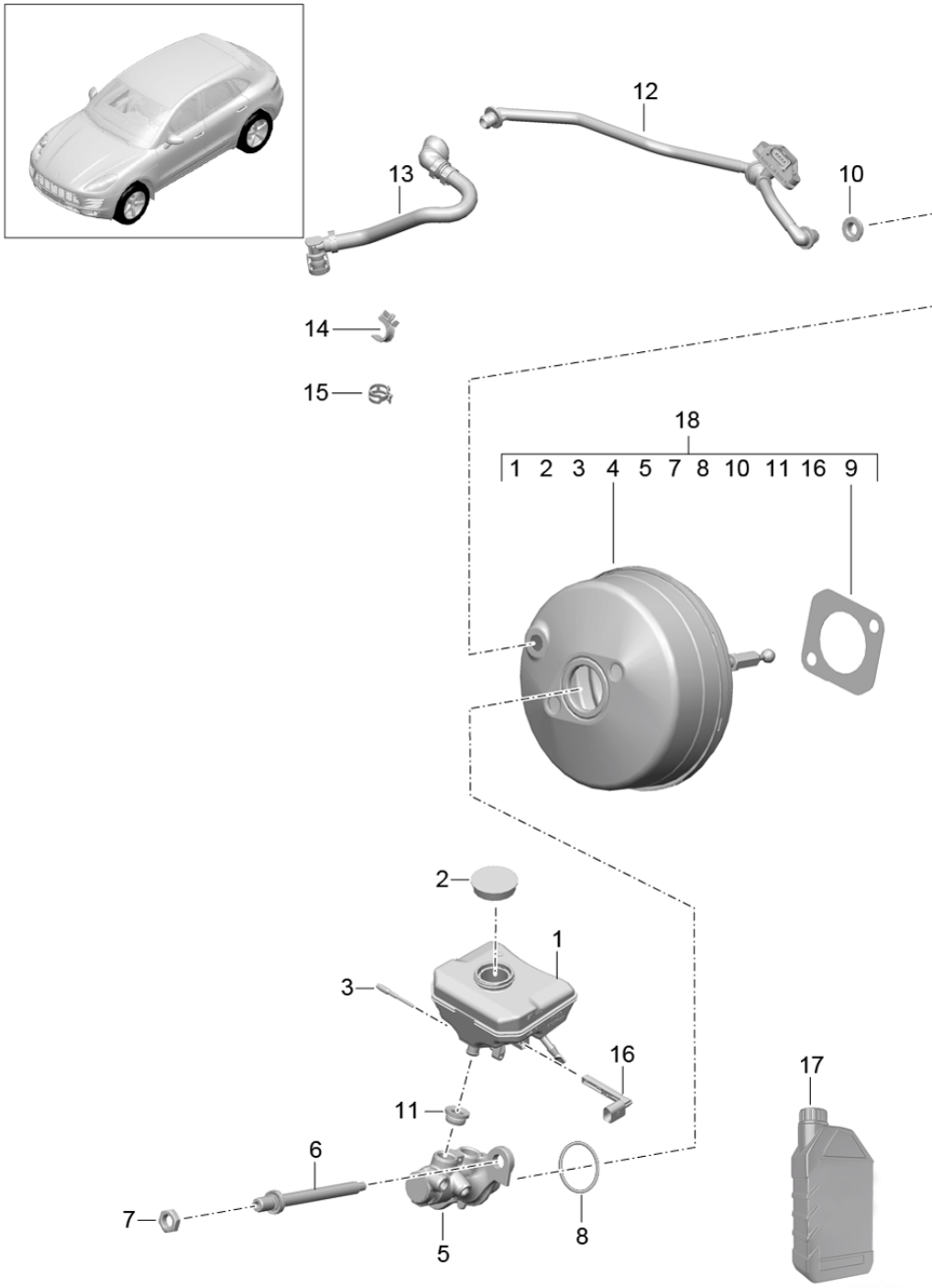
Model: 95B

Model life 2014>>

Pos	Part Number	Description	Remark	Qty	Model
21	95B 907 801 B	brake pad wear display Control unit Parking brake Discontinued part		1	
(21)	95B 907 801 C	Control unit for electro- mechanical parking brake		1	
22	N 101 243 09	Oval hexagon socket head bolt M6 X 20		2	
23	4G0 615 191	Heat shield brake pad wear display		2	PR:2EH

Model: 95B

Model life 2014>>



Model: 95B

Model life 2014>>

Pos	Part Number	Description	Remark	Qty	Model
1	8W0 611 301	Brake master cylinder Brake servo Vacuum line Reservoir for brake fluid		1	
2	5Q0 611 349 A	cap for expansion tank D >> - 28.05.2017		1	PR:B0D,B0E
(2)	5Q0 611 349 A	cap for expansion tank D - 29.05.2017>>		1	PR:B0D
(2)	5Q0 611 349 B	cap for expansion tank D >> - 28.05.2017		1	PR:-B0D,-B0E
(2)	5Q0 611 349 B	cap for expansion tank D - 29.05.2017>>		1	PR:-B0D
3	WHT 005 308	stud with shoulder M 5 X 51		1	
4	4M0 612 107	Brake servo		1	PR:1KD,1LA, 1LE
(4)	4M0 612 107 B	Brake servo		1	PR:1KE,2EK, 1LB,1LF,1LG, 1ZK
(4)	4M0 612 107 C	Brake servo		1	PR:1LY,2EH,
(4)	4M0 612 107 C	Brake servo		1	PR:1LH
5	4M0 611 021 C	Brake master cylinder also use:		1	PR:1KD,1LA, 1LE
(5)	4M0 611 021 D	Nut M8 Brake master cylinder also use:		2	
(5)	4M0 611 021 D	Nut M8 Brake master cylinder		1	PR:1KE,2EK, 1LB,1LF,1LG, 1ZK,1LH
6	WHT 003 382 A	12-point head bolt BM8 X 205 X 125		2	PR:1LY,2EH
7	8K0 698 135	1 set attachment parts M16X8		2	
8	4G0 611 243	gasket between brake servo andbrake tandem master cylinder		1	
9	4G0 612 161	Seal		1	
10	958 355 175 00	Seal		1	
11	958 355 922 00	Rubber seal		2	
12	95B 611 931 H	Vacuum line D >> - 22.07.2015		1	PR:L0L
12	95B 611 931 N	Vacuum line D - 23.07.2015>>		1	PR:L0L
(12)	95B 611 931 J	Vacuum line		1	PR:L0R
13	95B 611 931 E	Vacuum line		1	PR:DM0
(13)	95B 611 931 L	Vacuum line No longer use the part here		1	PR:D43,D51, D1V,DD7
(13)	95B 611 931 M	Vacuum line		1	PR:D43,D51, D1V,DD7
(13)	95B 611 931 K	Vacuum line		1	PR:D4A,DU0, DU1,DU2,DU3
14	8K0 612 797 E	Retaining clip		1	PR:DM0
15	955 347 569 00	Hose clamp		1	PR:D43,D51,
16	1S0 611 377	contacts		1	
17	000 043 210 82	brake fluid	1.0 Ltr.	X	
17	000 043 210 86	brake fluid	30ltr.	X	
18	4M0 612 103	Brake servo		1	PR:1KD,1LA

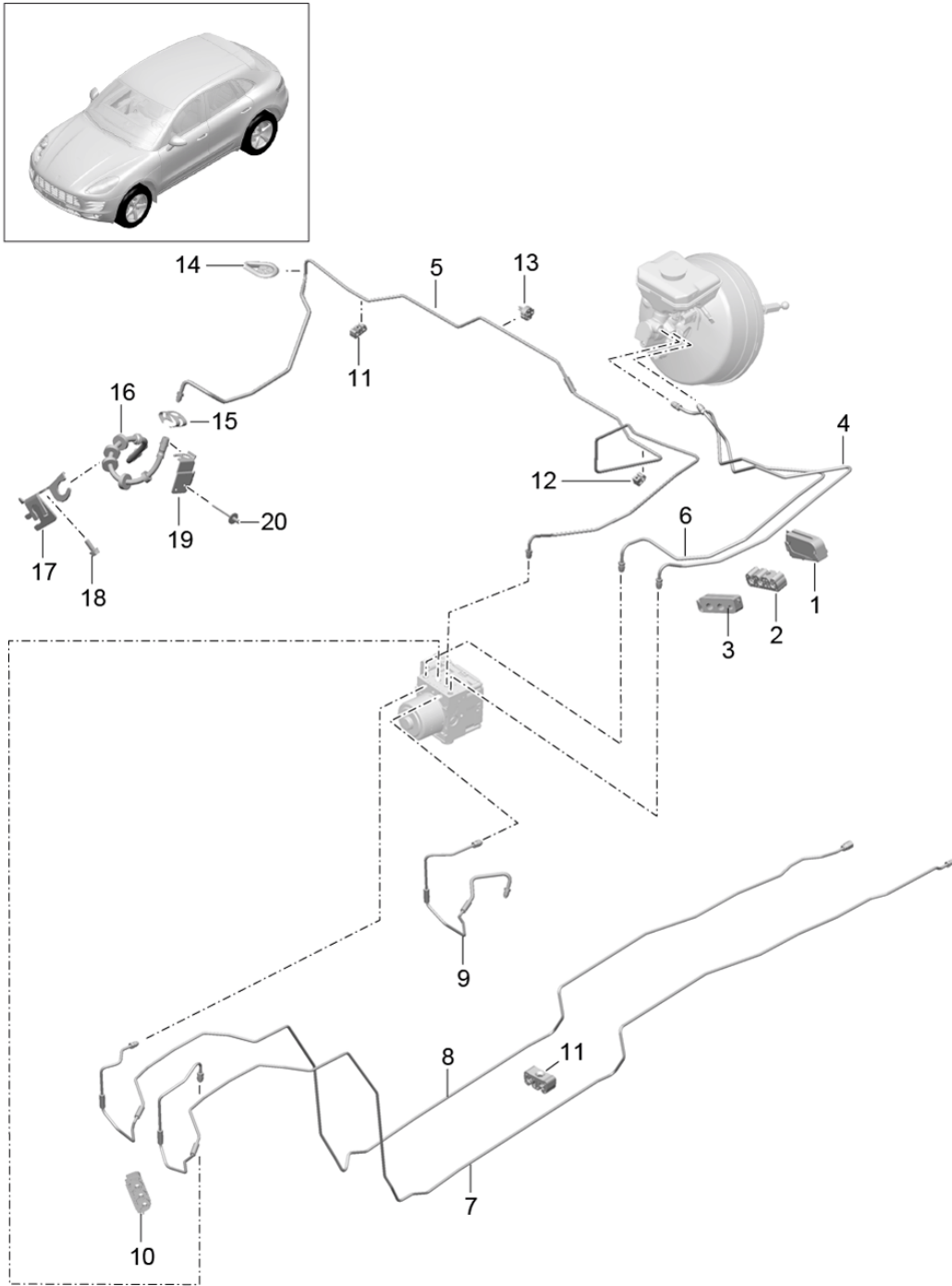
Model: 95B

Model life 2014>>

Pos	Part Number	Description	Remark	Qty	Model
(18)	4M0 612 103 E	(complete) Brake servo (complete)		1	PR: 1KE, 2EK, 1LB, 1LF, 1LG, 1ZK

Model: 95B

Model life 2014>>

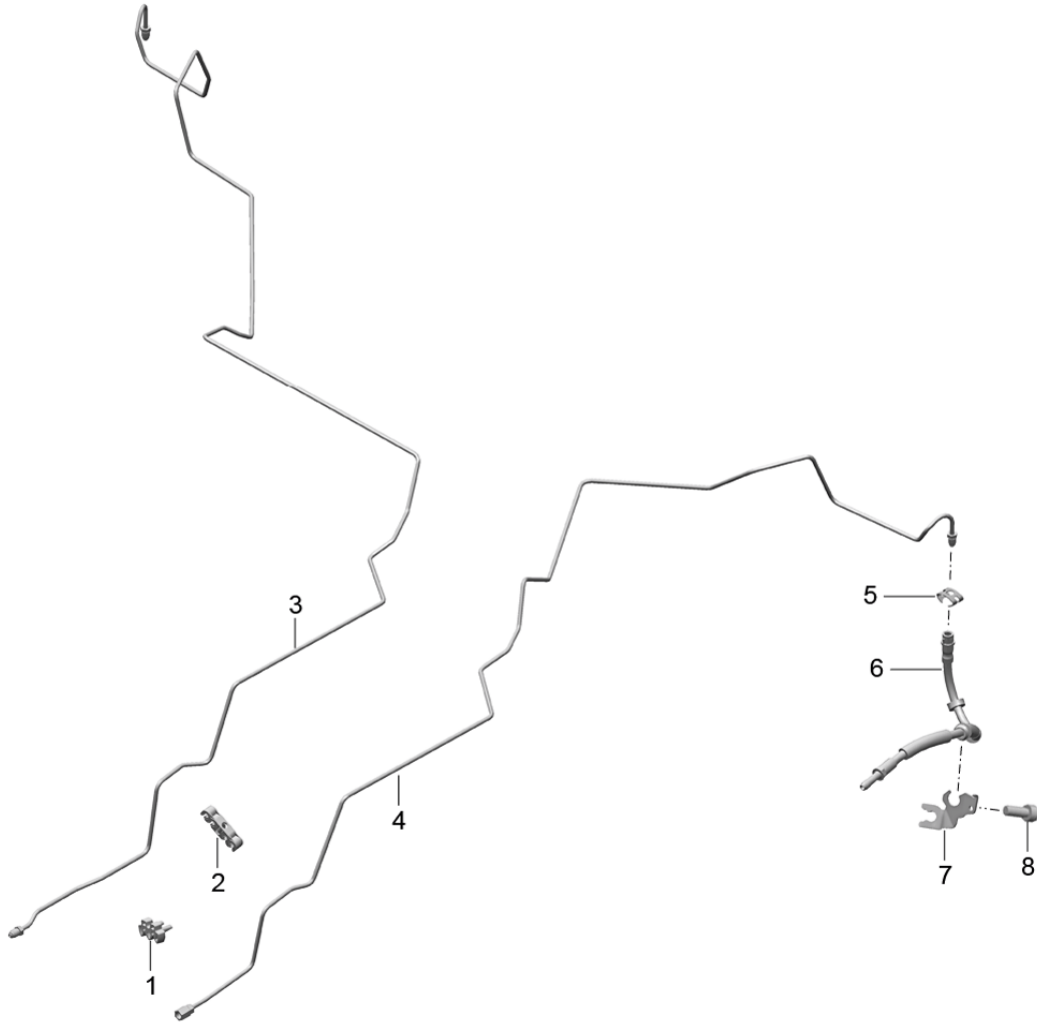
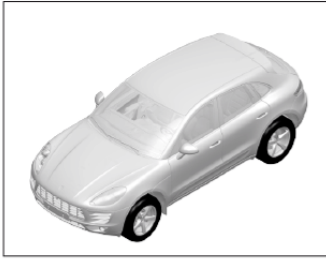


Model: 95B Model life 2014>>

Pos	Part Number	Description	Remark	Qty	Model
		Brake line	front		
		Front end			
1	8R0 614 769 B	Grommet		1	
2	8K0 611 797 E	Brake line bracket		2	PR:L0L
(2)	4E0 611 797	Line holder		1	PR:L0R
		D >> - 11.12.2016			
(2)	9A7 611 797 00	Brake line bracket		1	PR:L0R
		D - 12.12.2016>>			
3	958 355 797 05	Bracket	3 point	3	PR:L0R
4	95B 614 162	Brake line		1	PR:L0L
(4)	95B 614 684 A	Brake line		1	PR:L0R
5	95B 614 724 B	Brake line		1	
6	95B 614 161	Brake line		1	PR:L0L
(6)	95B 614 683	Brake line		1	PR:L0R
7	95B 614 725 A	Brake line		1	
8	95B 614 726 A	Brake line		1	
9	95B 614 723 A	Brake line		1	
10	6N0 611 797 D	Retainer for brake pipe		1	
11	8K0 611 797 D	Clip		10	PR:1BA,1BH
(11)	8K0 611 797 D	Clip		8	PR:1BK
12	95B 611 797	Clip		1	
13	955 355 550 00	Distance piece		2	
14	8K0 614 769 B	Grommet		1	
15	8K0 611 715	retaining spring		2	
16	95B 611 701 A	Brake hose		2	PR:1LA,1LE
		D >> - 21.04.2016			
(16)	95B 611 701 D	Brake hose		2	PR:1LA,1LE
		D - 22.04.2016>>			
(16)	95B 611 701 B	Brake hose		2	PR:1LB,1LF,1LG,1ZK
		D >> - 21.04.2016			
(16)	95B 611 701 E	Brake hose		2	PR:1LB,1LF,1LG,1ZK,1LH
		D - 22.04.2016>>			
(16)	95B 611 701 F	Brake hose	left	1	PR:1LY
		No longer use the part here			
(16)	95B 611 701 G	Brake hose	left	1	PR:1LY
(16)	95B 611 702 A	Brake hose	right	1	PR:1LY
		No longer use the part here			
(16)	95B 611 702 B	Brake hose	right	1	PR:1LY
17	95B 971 501	Retainer for brake hose	left	1	PR:1LA,1LB,1LE,1LF,1LG,1ZK,1LH
		Wheel carrier			
(17)	95B 971 501 A	Retainer for brake hose	left	1	PR:1LY
		Wheel carrier			
(17)	95B 971 502	Retainer for brake hose	right	1	PR:1LA,1LB,1LE,1LF,1LG,1ZK,1LH
		Wheel carrier			
(17)	95B 971 502 A	Retainer for brake hose	right	1	PR:1LY
		Wheel carrier			
18	N 100 829 13	hexagon head bolt (combi)		2	
		M6X16			
19	8R0 611 845 A	Retainer for brake hose	left	1	
		Body			
(19)	8R0 611 846 A	Retainer for brake hose	right	1	
		Body			
20	N 902 866 04	Pop rivet		4	

Model: 95B

Model life 2014>>



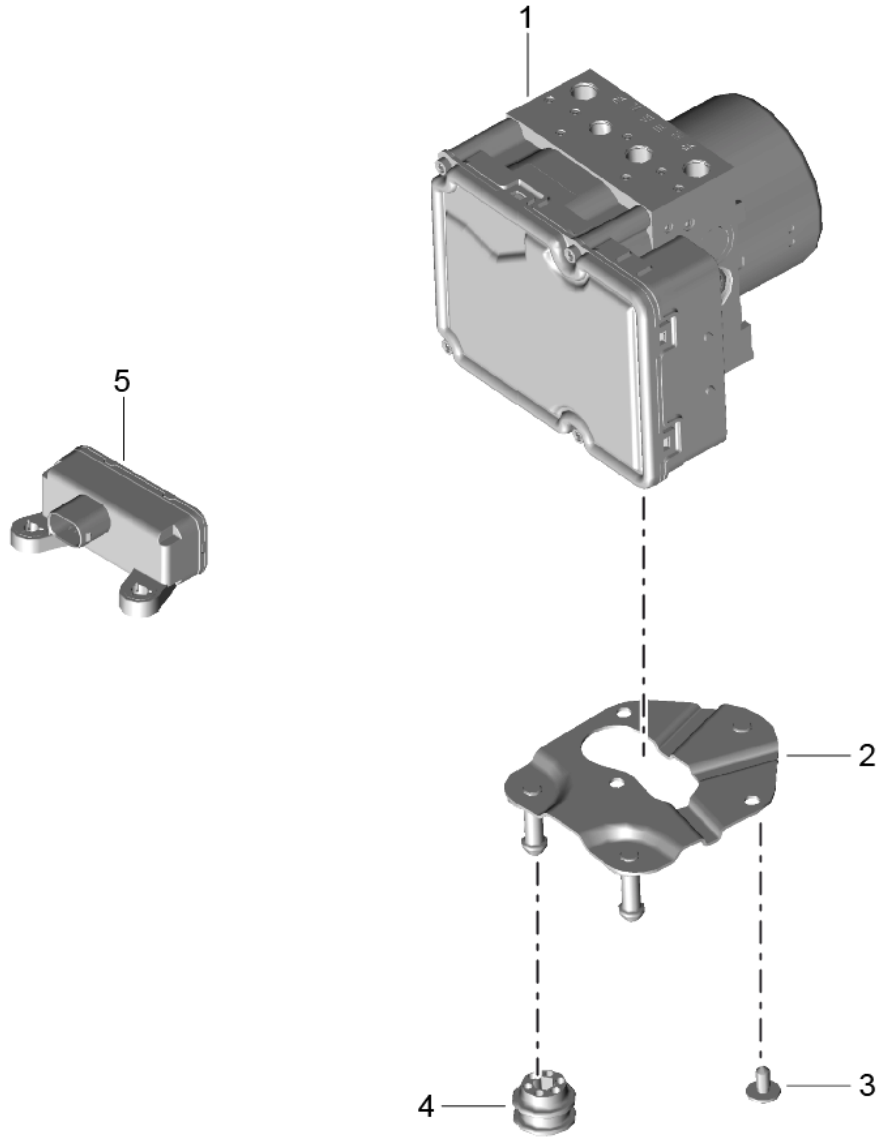
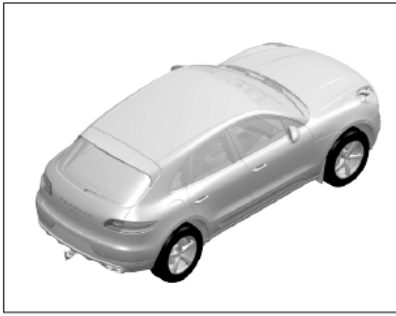
Model: 95B

Model life 2014>>

Pos	Part Number	Description	Remark	Qty	Model
		Brake line	center		
		Underbody	rear		
1	1K0 611 853	Bracket		2	PR:1BA,1BH
(1)	1K0 611 853	Bracket		1	PR:1BK
2	955 355 543 20	Line holder		2	
3	95B 614 742 A	Brake line		1	
4	95B 614 741	Brake line		1	
5	8K0 611 715	retaining spring		2	
6	8K0 611 775 J	Brake hose		2	PR:1KE,1KD, 1KY
(6)	95B 611 776	Brake hose		2	PR:2EK
(6)	95B 611 776 A	Brake hose		2	PR:2EH
7	8K0 611 845 G	Bracket	left	1	
		Brake hose			
(7)	8K0 611 846 G	Bracket	right	1	
		Brake hose			
8	N 014 740 11	Socket head bolt with hexagon socket head M 6 X 16		2	

Model: 95B

Model life 2014>>

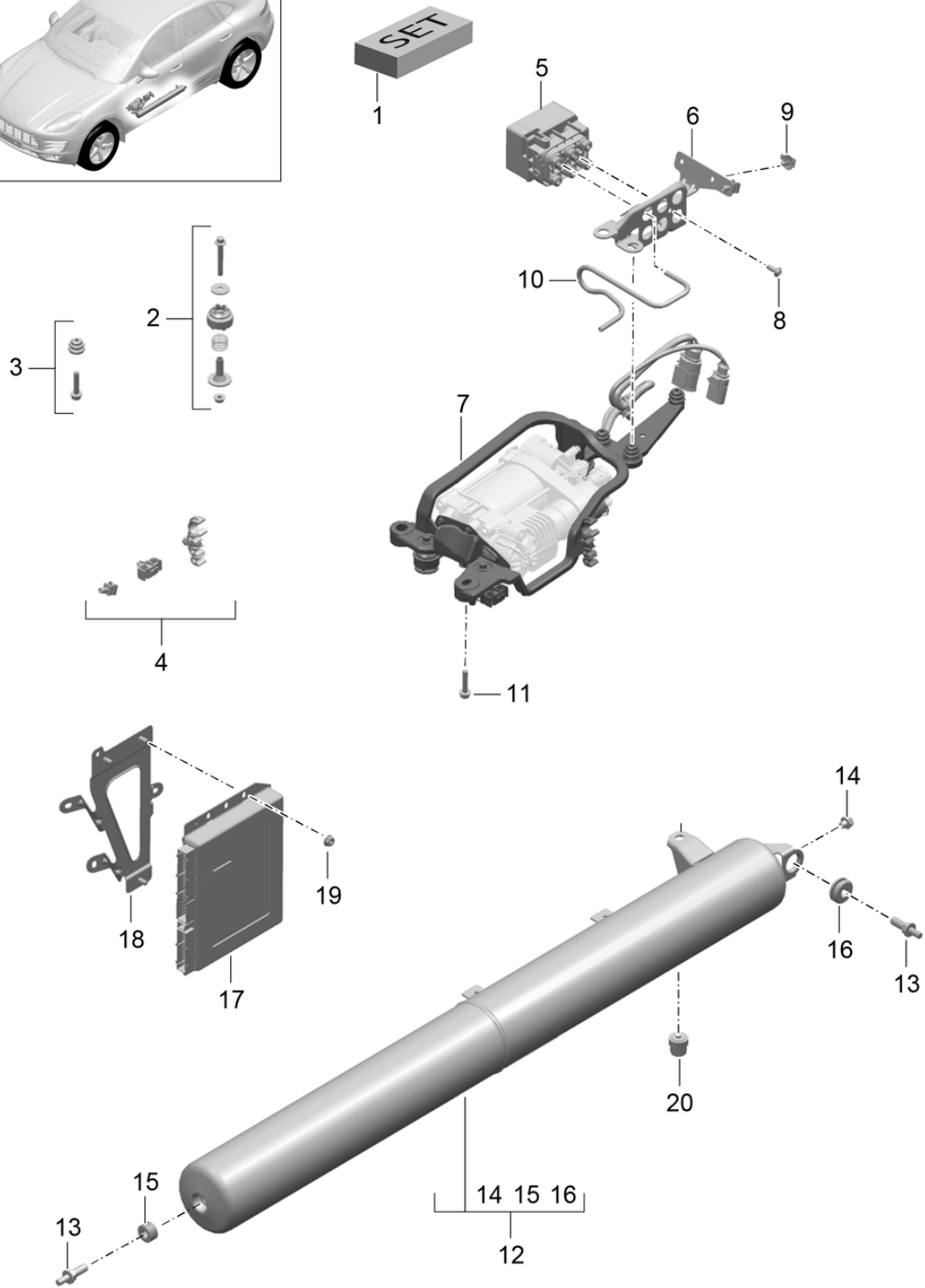
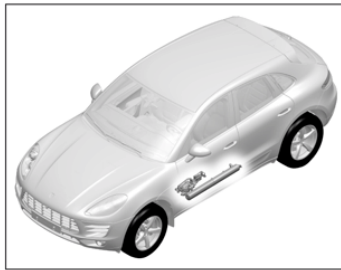


Model: 95B Model life 2014>>

Pos	Part Number	Description	Remark	Qty	Model
1	95B 614 511 D	Hydraulic unit anti-locking brake syst. -abs- Hydraulic unit D >> - 08.01.2016 Discontinued part		1	PR:-8T3
(1)	95B 614 511 F	Hydraulic unit D >> - 08.01.2016		1	PR:-8T3
(1)	95B 614 511 K	Hydraulic unit D - 11.01.2016>> - 26.06.2016		1	PR:-8T3
(1)	95B 614 511 L	Hydraulic unit D - 27.06.2016>>		1	PR:-8T3
(1)	95B 614 512 D	Hydraulic unit D >> - 08.01.2016 Discontinued part		1	PR:8T3
(1)	95B 614 512 F	Hydraulic unit D >> - 08.01.2016		1	PR:8T3
(1)	95B 614 512 K	Hydraulic unit D - 11.01.2016>> - 26.06.2016		1	PR:8T3
(1)	95B 614 512 L	Hydraulic unit D - 27.06.2016>>		1	PR:8T3
2	95B 614 235	Bracket		1	
3	N 107 862 01	Hex socket oval head collared		3	
4	958 355 177 10	Stop buffer		3	
5	95B 907 637 A	Multiple sensor Location:		1	
(5)	95B 907 637 C	Bottom plate D >> - MJ 2016 Discontinued part Multiple sensor Location:		1	
(5)	95B 907 637 E	Bottom plate D >> - MJ 2016 Multiple sensor Location:		1	
		Centre console D - MJ 2017>>			

Model: 95B

Model life 2014>>



Model: 95B

Model life 2014>>

Pos	Part Number	Description	Remark	Qty	Model
		Adaptive suspension Compressor Pressure accumulator Control unit			PR:1BK
1	95B 698 010	Repair kit for compressor comprising: Compressor Bracket change-over switch Bracket Crankcase housing Screw Hexagon nut Cable ties Adhesive tape		1 1 1 1 5 3 1 1	
2	95B 698 137	repair set Mounting comprising: Hexagon nut Hexagon bolt Washer Spring Spring Bearing bush Rubber bush		1 3 3 3 1 2 3 3	
3	95B 698 030	repair set Damping comprising: Hexagon bolt sound absorber piece		1 3 3	
4	95B 698 139	repair set Bracket comprising: Line holder Line holder Line holder		1 1 1	
5	7P0 616 014	Valve unit		1	
6	95B 616 251	Bracket Valve block		1 1	
7	95B 616 879 A	Bracket for compressor		1	
8	N 107 214 01	oval hd. self-tapp fitt. screw M6 X 16		2	
9	N 906 851 01	bracket for connector housing		4	
10	95B 616 703 A	Pressure line		1	
11	N 910 678 01	bolt,hex.hd.with shoul.(combi) M 8 X 45		3	
12	95B 616 201 A	Pressure accumulator		1	
13	WHT 001 832	Hexagon bolt M8 X 16		2	
14	955 358 540 00	push-on connector Pressure accumulator Pressure line		1	
15	958 358 320 00	Rubber bush		1	
16	964 356 635 00	Rubber bush		1	
17	95B 907 553 C	Control unit for adaptive suspension Discontinued part		1	
(17)	95B 907 553 D	Control unit for adaptive suspension Discontinued part		1	
(17)	95B 907 553 E	Control unit for adaptive suspension Discontinued part		1	

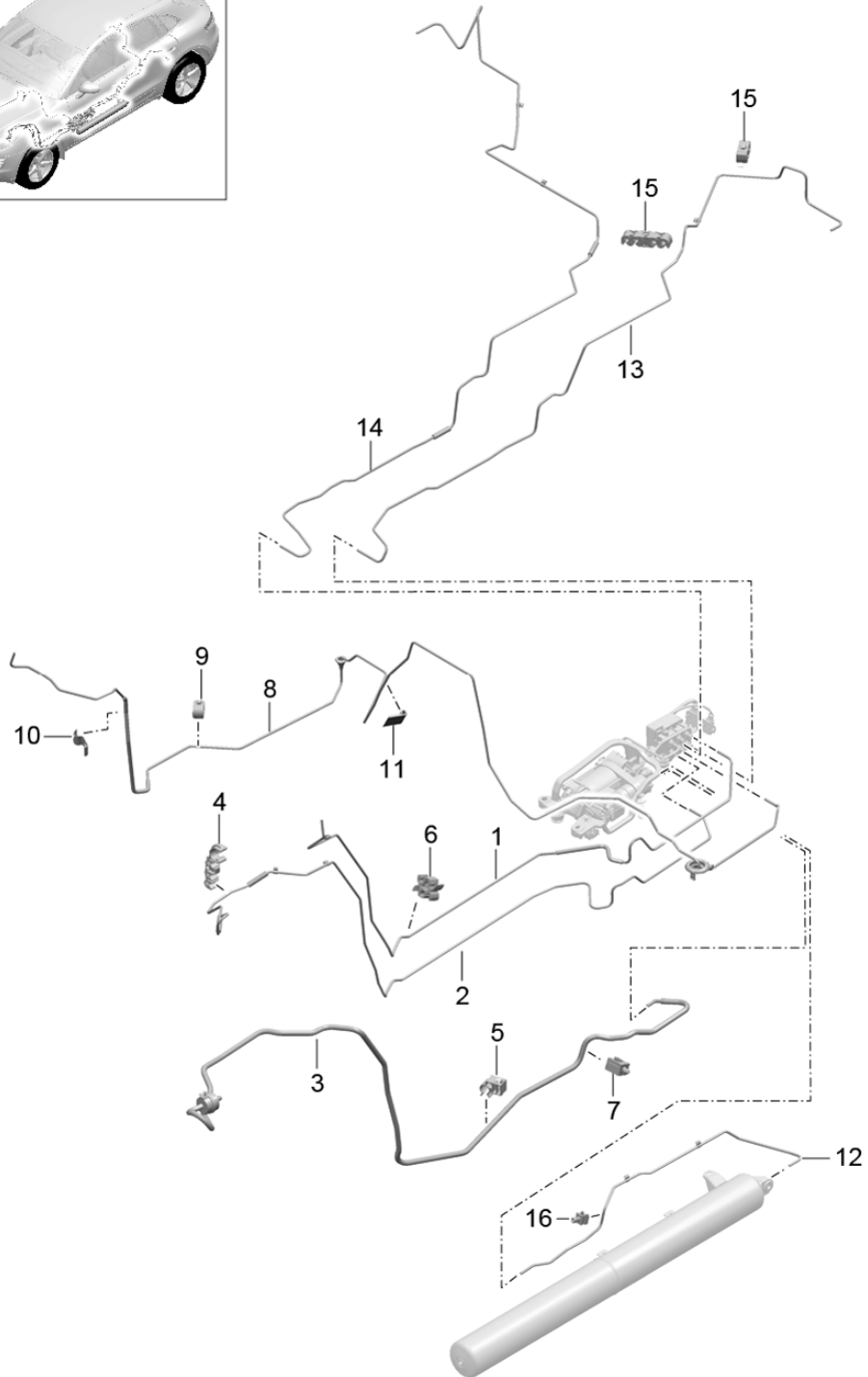
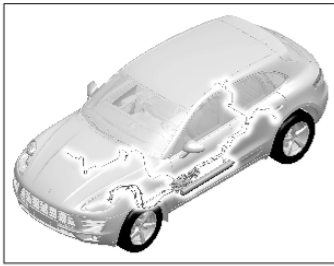
Model: 95B

Model life 2014>>

Pos	Part Number	Description	Remark	Qty	Model
(17)	95B 907 553 F	Control unit for adaptive suspension		1	
(17)	95B 907 553 G	D >> - 23.05.2015 Control unit for adaptive suspension		1	
(17)	95B 907 553 H	D - 25.05.2015>> - 02.08.2016 Control unit for adaptive suspension		1	
18	95B 907 713	D - 03.08.2016>> Retainer for control units		1	
19	N 015 082 10	Hexagon collar nut		6	
20	958 611 182 00	M6 domed cap nut		1	
		M8			

Model: 95B

Model life 2014>>

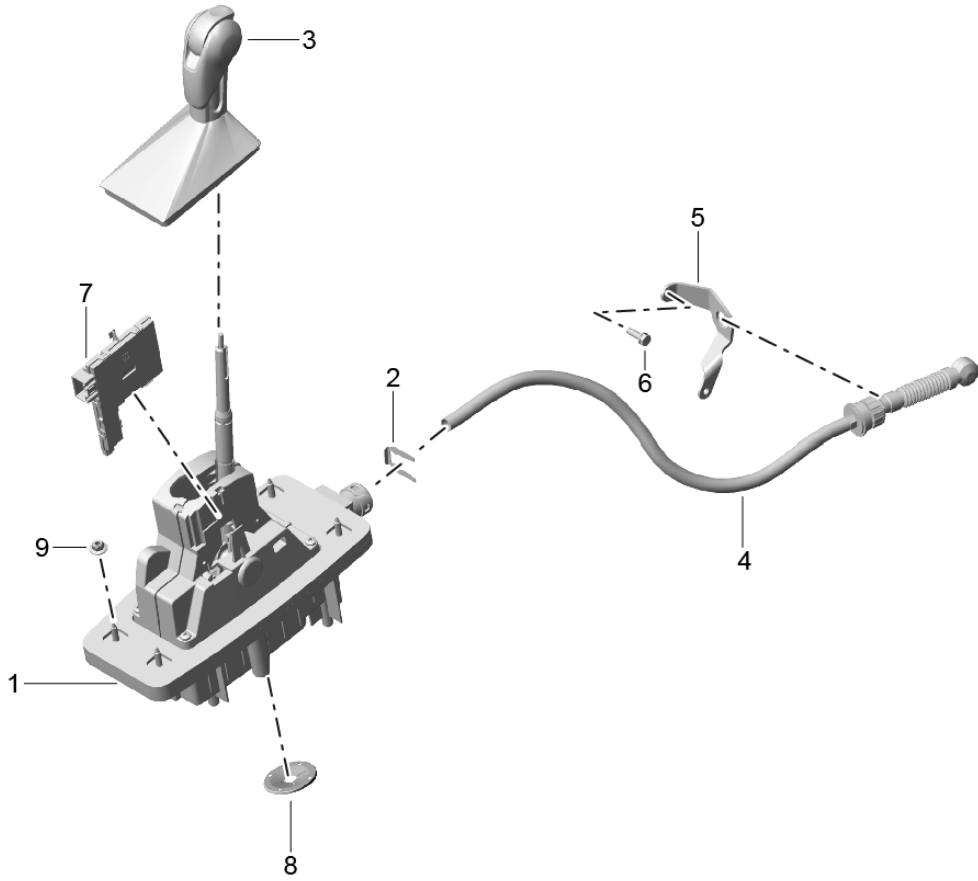
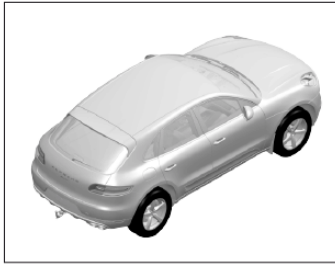


Model: 95B Model life 2014>>

Pos	Part Number	Description	Remark	Qty	Model
		Adaptive suspension			PR:1BK
1	95B 616 719	Pressure line SAUGLEITUNGEN Pressure line	front left	1	
2	95B 616 657	violet Pressure line		1	
3	95B 616 785 A	Black suction line		1	
4	95B 616 143	Bracket	4 point	2	
5	95B 616 197	Bracket	1 point	4	
6	95B 616 198	Bracket	4 point	3	
7	N 909 435 01	Hose bracket		1	
8	95B 616 762	Pressure line	front right	1	
9	95B 611 797	green Clip		4	
10	95B 616 259	Bracket		1	
11	7L5 827 925	Velcro		1	
12	95B 616 706	Pressure line Pressure accumulator		1	
13	95B 616 763	Black Pressure line	rear left	1	
14	95B 616 764 A	red Pressure line	rear right	1	
15		yellow Line holder		8	
16	955 511 645 00	see illustration: Clip 4.80-6.00X6.50	604-005	1	

Model: 95B

Model life 2014>>

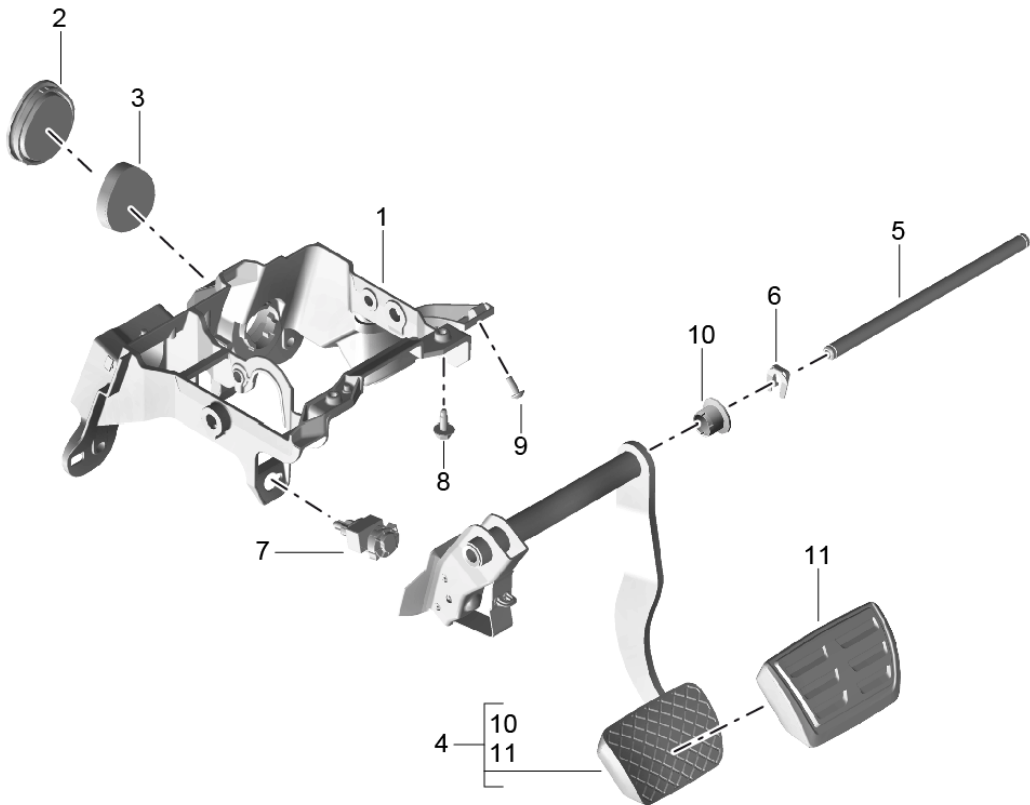
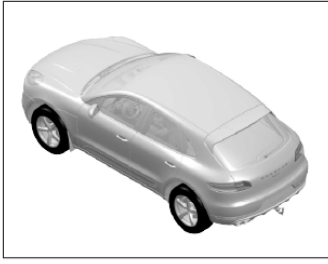


Model: 95B Model life 2014>>

Pos	Part Number	Description	Remark	Qty	Model
1	95B 713 059	selector lever PDK Selector mechanism		1	
2	955 426 335 01	Securing bars		1	
3	95B 713 139 B	selector lever		1	PR:6Q2
	95B 713 139 B 8YR	Black	-VC, VJ, VF, VI, VU, VK, VO, VX, VZ		
	95B 713 139 B PL1	agate grey	-VD, VG, VL, VQ		
	95B 713 139 B 9H6	Luxor beige	-VE, VH, VM		
	95B 713 139 B 8C0	Espresso	-VR		
	95B 713 139 B OK6	saddle brown	-VN, VP		
(3)	95B 713 139 C	selector lever		1	PR:7F4
	95B 713 139 C 8YR	Black	-VC, VJ, VF, VI, VU, VK, VO, VX, VZ		
	95B 713 139 C PL1	agate grey	-VD, VG, VL, VQ		
	95B 713 139 C 9H6	Luxor beige	-VE, VH, VM		
	95B 713 139 C 8C0	Espresso	-VR		
	95B 713 139 C OK6	saddle brown	-VN, VP		
(3)	95B 713 139 D	selector lever		1	PR:6Q5
	95B 713 139 D 2W0	Alcantara Black			
4	8R0 713 265 K	cable for shift mechanism		1	
5	8K0 713 281 F	abutment		1	
6	N 090 261 9	hexagon head bolt (combi) M6 X 20		2	
7	95B 713 132	Control unit for selector lever sensors		1	
8	N 902 204 02	Clamping washer B-10X40		4	PR:DU1, DU0, DU3
9	N 908 877 03	Hexagon flange nut, self-locking M6		4	

Model: 95B

Model life 2014>>



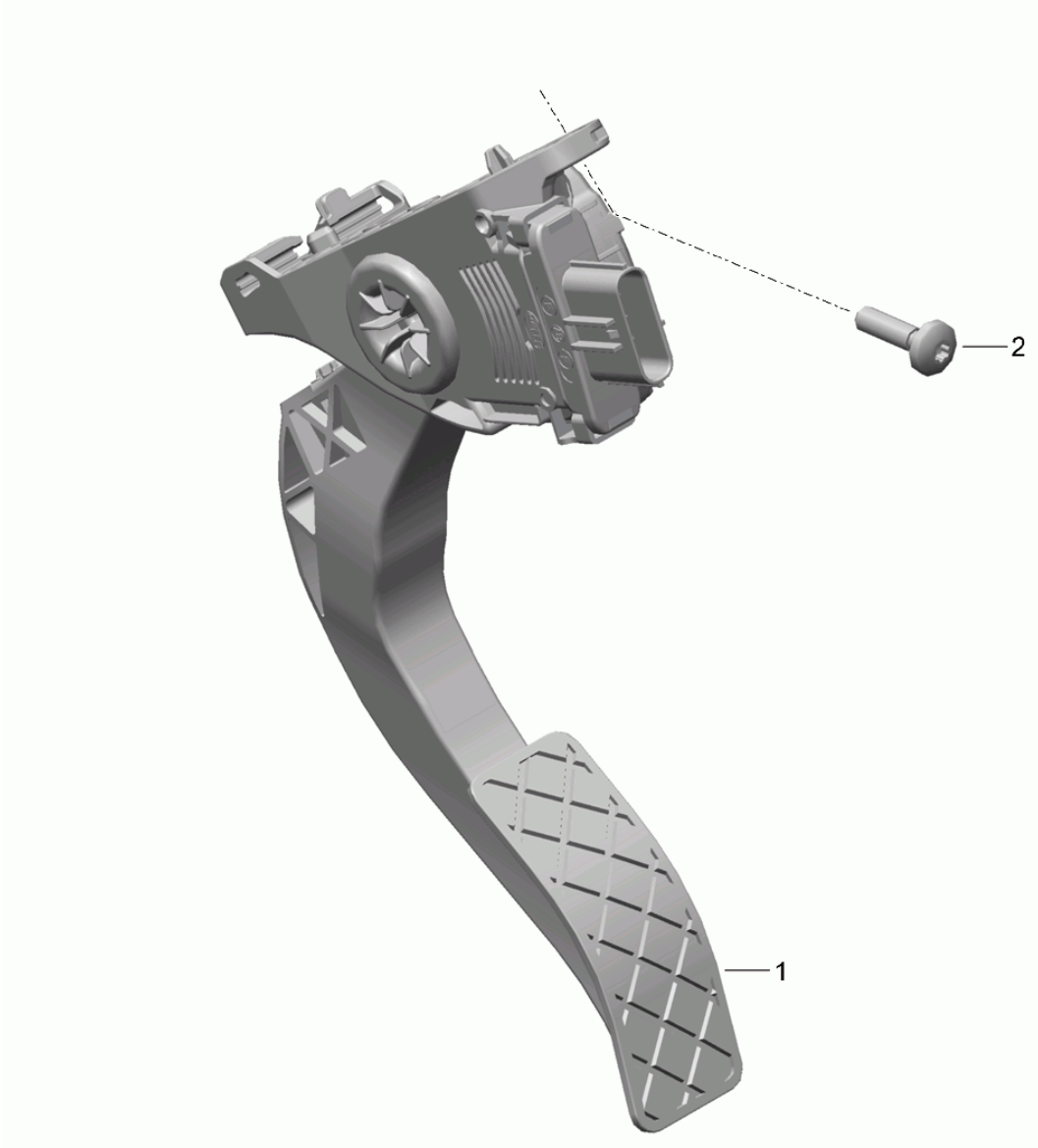
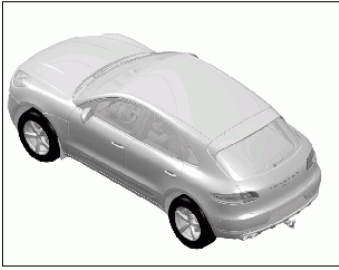
Model: 95B

Model life 2014>>

Pos	Part Number	Description	Remark	Qty	Model
1	95B 723 117 B	Brake pedal		1	PR:L0L
(1)	8K2 721 117	Bracket		1	PR:L0R
2	8K0 721 495	bracket for pedal cluster		1	
3	8K0 723 495	Grommet		1	
4	4H1 723 140 A	End cap		1	
(4)	8K2 723 140 A	brake pedal		1	PR:L0L
5	95B 723 311 A	brake pedal		1	PR:L0R
(5)	8K2 721 329	bearing pin		1	PR:L0L
6	N 012 329 4	brake pedal		1	PR:L0R
(6)	N 912 700 01	pivot pin		1	PR:L0R
7	N 911 484 01	brake pedal		1	PR:L0L
(7)	4F0 945 459 B	Retaining washer		2	PR:L0L
8	WHT 003 698	D >> - 09.03.2017		2	PR:L0L
(8)	WHT 003 698	Retaining washer		2	PR:L0L
9	N 107 148 01	D - 10.03.2017>>		2	PR:L0L
(9)	4F0 945 459 B	Retaining washer		2	PR:L0L
10	95B 723 820	Brake light sensor		1	
(10)	95B 723 820 A	Brake light		1	
11	4H1 723 173	hexagon head bolt (combi)		1	PR:L0L
(11)	8K2 723 173	M8X22		2	PR:L0R
		hexagon head bolt (combi)		1	
		M8X22		1	
		fillister head bolt with		1	
		multi-point socket head		1	
		M6X18		1	
		Bearing bush		1	PR:L0L
		Bearing bush		1	PR:L0R
		Cap for foot brake pedal		1	PR:L0L
		Cap for foot brake pedal		1	PR:L0R

Model: 95B

Model life 2014>>



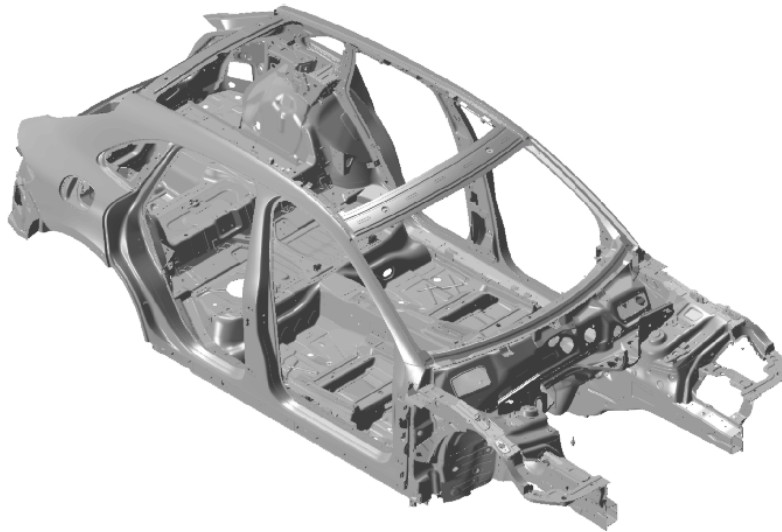
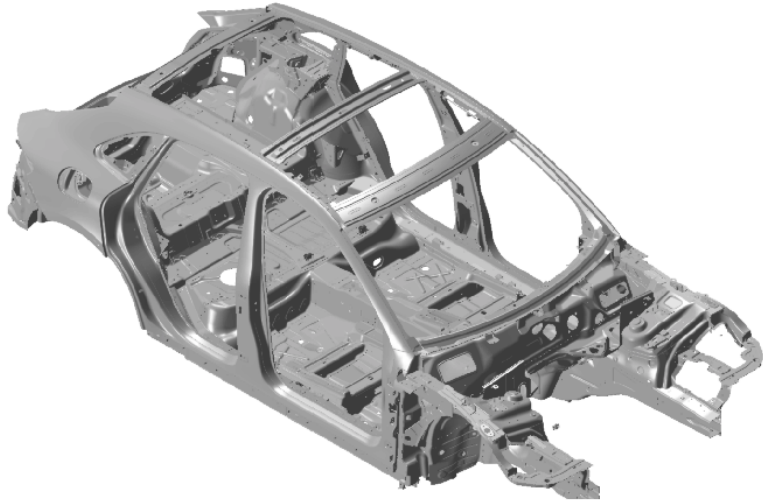
Model: 95B

Model life 2014>>

Pos	Part Number	Description	Remark	Qty	Model
1	8K1 723 523 A	Accelerator pedal throttle control Accelerator pedal with electronic module		1	
2	958 423 199 00	Oval hexagon socket head bolt throttle control	lhd	1	PR:L0L
(2)	N 107 148 01	fillister head bolt with multi-point socket head	rhd	1	PR:L0R

Model: 95B

Model life 2014>>



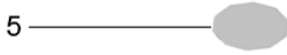
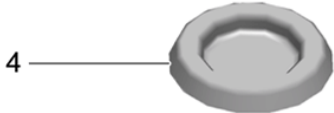
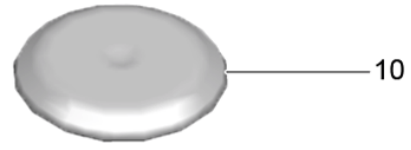
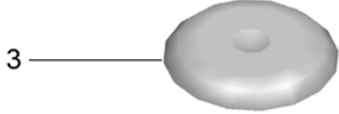
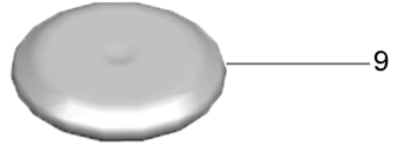
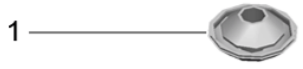
Model: 95B

Model life 2014>>

Pos	Part Number	Description	Remark	Qty	Model
-		Car body			
		Bodywork primed and sealed, without doors, flaps and wings, and with underbody protection			
		Bodies can only be delivered from the current model year			
		The data that is required for the order, such as the VIN, order type, country equipment, optional equipment and amendments can be found in the vehicle's data medium and specified when placing the order			
1	95B 800 701 Y 95B 800 701 Y GRV	Car body primed		1	

Model: 95B

Model life 2014>>



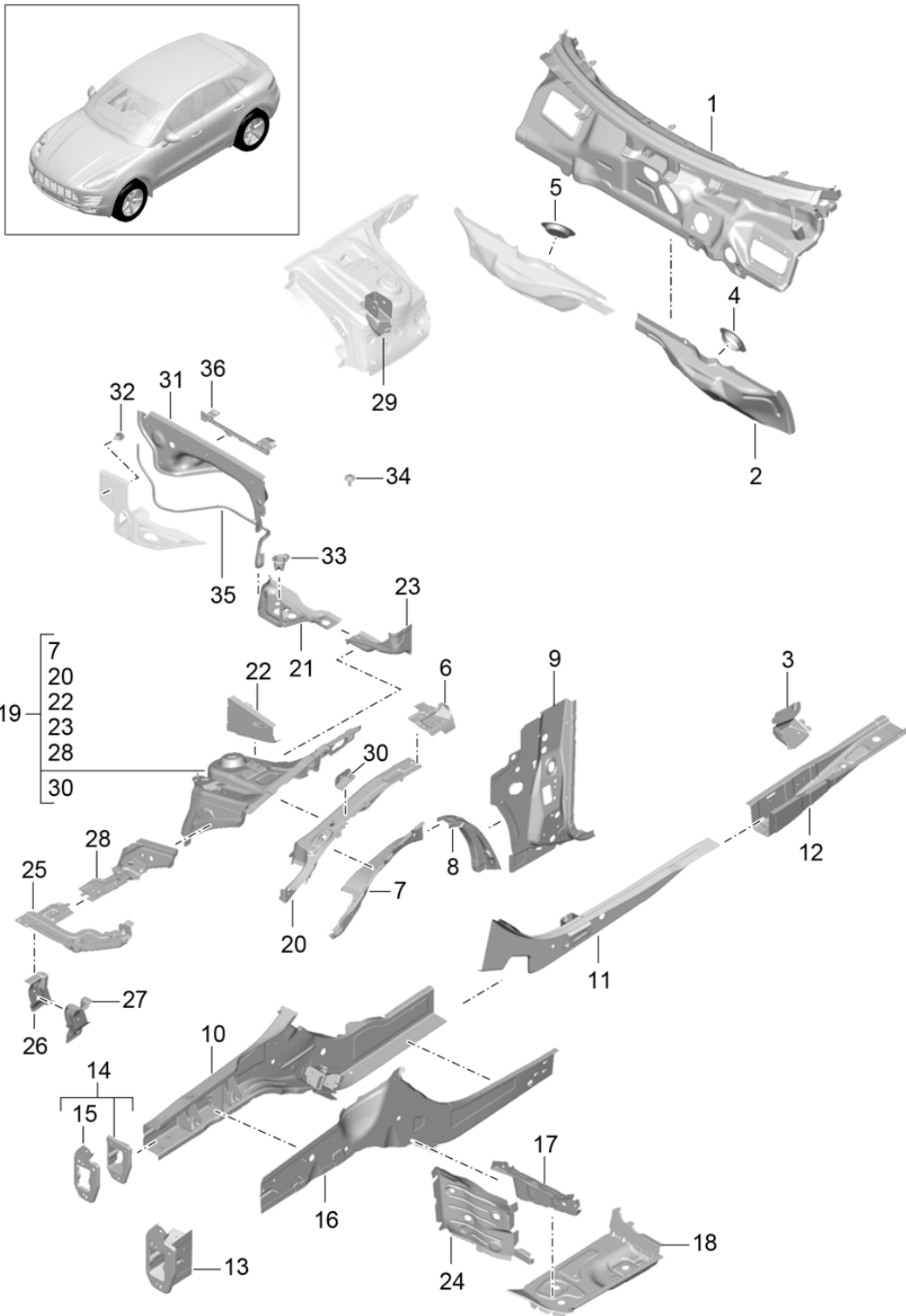
Model: 95B

Model life 2014>>

Pos	Part Number	Description	Remark	Qty	Model
1	955 504 281 00	Bungs Bungs 10 MM		1	
2	955 504 182 00	Bungs 20 MM		1	
3	955 504 183 00	Bungs 30 MM		1	
4	999 703 195 40	Rubber grommet 30 MM		1	
5	000 043 302 59	Sticky pad 19 MM		1	
6	999 911 741 31	Sticky pad 40 MM		1	
7	955 504 185 00	Bungs 15 MM		1	
8	999 703 556 40	End cap 15 MM		1	
9	7L0 899 191	Bungs 41 MM		1	
10	N 909 649 02	Bungs 40 MM		1	
11	7L0 899 187	Bungs 19,8 MM		1	
12	N 105 151 01	Bungs 25 MM		1	
13	N 908 214 01	expanding nut 7,5 X 7,5		1	
14	95B 723 380	Bungs		1	

Model: 95B

Model life 2014>>



Model: 95B Model life 2014>>

Pos	Part Number	Description	Remark	Qty	Model
1	95B 803 147 Y	Front end Individual parts Firewall	lhd	1	PR:L0L
(1)	95B 803 147 Y GRV	primed			
	95B 803 147 AY	Firewall	rhd	1	PR:L0R
	95B 803 147 AY GRV	primed			
2	95B 802 019 Y	Tunnel cross-piece	left	1	
	95B 802 019 Y GRV	primed			
(2)	95B 802 020 Y	Tunnel cross-piece	right	1	
	95B 802 020 Y GRV	primed			
3	95B 802 117 Y	Console	left	1	
		Tunnel cross-piece			
		tunnel			
	95B 802 117 Y GRV	primed			
(3)	95B 802 118 Y	Console	right	1	
		Tunnel cross-piece			
		tunnel			
	95B 802 118 Y GRV	primed			
4	8K0 805 479 B	Reinforcement		1	
		Steering column			
	8K0 805 479 B GRV	primed			
5	8K0 805 479 C	Reinforcement		1	
		Steering column			
	8K0 805 479 C GRV	primed			
6	95B 821 227 AY	Console	left	1	
		Wing			
		modify in workshop			
		Body assembly work			
		New parts			
		Bonnet			
		D >> - MJ 2014			
	95B 821 227 AY GRV	primed			
6	95B 821 227 BY	Console	left	1	
		Wing			
	95B 821 227 BY GRV	primed			
(6)	95B 821 228 AY	Console	right	1	
		Wing			
		modify in workshop			
		Body assembly work			
		New parts			
		Bonnet			
		D >> - MJ 2014			
	95B 821 228 AY GRV	primed			
(6)	95B 821 228 BY	Console	right	1	
		Wing			
	95B 821 228 BY GRV	primed			
7	95B 805 029 Y	Closing element	left	1	
	95B 805 029 Y GRV	primed			
-	95B 804 985 A	deformation element	left	1	
		Closing element			
-	95B 806 655	Guide for Bowden cable	left	1	
(7)	95B 805 030 Y	Closing element	right	1	
	95B 805 030 Y GRV	primed			
-	95B 804 986 A	deformation element	right	1	
		Closing element			
-	95B 806 656	Guide for Bowden cable	right	1	
8	95B 803 135 Y	A-pillar	left	1	
		Junction plate			
	95B 803 135 Y GRV	primed			
(8)	95B 803 136 Y	A-pillar	right	1	
		Junction plate			
	95B 803 136 Y GRV	primed			
9	95B 802 123 Y	A-pillar	left	1	

Model: 95B Model life 2014>>

Pos	Part Number	Description	Remark	Qty	Model
	95B 802 123 Y GRV	primed	inner		
(9)	95B 802 124 Y	A-pillar	right inner	1	
	95B 802 124 Y GRV	primed			
10	95B 803 103 Y	Side member	left front	1	
		D >> - MJ 2015			
(10)	95B 803 103 Y GRV	primed			
	95B 803 103 AY	Side member	left front	1	
		D - MJ 2016>>			
(10)	95B 803 103 AY GRV	primed			
	95B 803 104 Y	Side member	right front	1	
		D >> - MJ 2015			
(10)	95B 803 104 Y GRV	primed			
	95B 803 104 AY	Side member	right front	1	
		D - MJ 2016>>			
	95B 803 104 AY GRV	primed			
11	95B 804 029 Y	Reinforcement for side member	left front	1	
		D >> - MJ 2015			
(11)	95B 804 029 Y GRV	primed			
	95B 804 189 Y	Reinforcement for side member	left front	1	
		D - MJ 2016>>			
(11)	95B 804 189 Y GRV	primed			
	95B 804 030 Y	Reinforcement for side member	right front	1	
		D >> - MJ 2015			
(11)	95B 804 030 Y GRV	primed			
	95B 804 190 Y	Reinforcement for side member	right front	1	
		D - MJ 2016>>			
12	95B 804 190 Y GRV	primed			
	95B 803 107 Y	Cross panel for side member	left front	1	
(12)	95B 803 107 Y GRV	primed			
	8R0 803 108	Cross panel for side member	right front	1	
		primed			
13	8R0 803 108 GRV	primed			
	95B 803 101 Y	Sectional part - side member	left front	1	
(13)	95B 803 101 Y GRV	primed			
	95B 803 102 Y	Sectional part - side member	right front	1	
14	95B 803 102 Y GRV	primed			
	95B 805 677 Y	Shock absorber mounting	left front	1	
		(complete)			
(14)	95B 805 677 Y GRV	primed			
	95B 805 678 Y	Shock absorber mounting	right front	1	
		(complete)			
15	95B 805 678 Y GRV	primed			
	95B 805 765 Y	Bracket for deformation element	left front	1	
(15)	95B 805 765 Y GRV	primed			
	95B 805 766 Y	Bracket for deformation element	right front	1	
		primed			
	95B 805 766 Y GRV	primed			

Model: 95B Model life 2014>>

Pos	Part Number	Description	Remark	Qty	Model
16	95B 803 717 Y	Closing element	left front	1	
	95B 803 717 Y GRV	primed			
(16)	95B 803 718 Y	Closing element	right front	1	
	95B 803 718 Y GRV	primed			
17	8R0 803 697	Reinforcement	left	1	
	8R0 803 697 GRV	primed			
(17)	8R0 803 698	Reinforcement	right	1	
	8R0 803 698 GRV	primed			
18	95B 802 171 Y	Support	left	1	
		D >> - MJ 2015			
	95B 802 171 Y GRV	primed			
(18)	95B 802 171 BY	Support	left	1	
		D - MJ 2016>>			
	95B 802 171 BY GRV	primed			
(18)	95B 802 172 Y	Support	right	1	
		D >> - MJ 2015			
	95B 802 172 Y GRV	primed			
(18)	95B 802 172 BY	Support	right	1	
		D - MJ 2016>>			
	95B 802 172 BY GRV	primed			
19	95B 805 139 Y	Suspension strut mounting	left	1	
		D >> - MJ 2015			
	95B 805 139 Y GRV	primed			
(19)	95B 805 139 AY	Suspension strut mounting	left	1	
		D - MJ 2016>>			
	95B 805 139 AY GRV	primed			
(19)	95B 805 140 Y	Suspension strut mounting	right	1	
		D >> - MJ 2015			
	95B 805 140 Y GRV	primed			
(19)	95B 805 140 AY	Suspension strut mounting	right	1	
		D - MJ 2016>>			
	95B 805 140 AY GRV	primed			
20	95B 805 303 Y	Connecting plate	left	1	
		Suspension strut mounting			
		D >> - MJ 2015			
	95B 805 303 Y GRV	primed			
(20)	95B 805 303 AY	Connecting plate	left	1	
		Suspension strut mounting			
		D - MJ 2016>>			
	95B 805 303 AY GRV	primed			
(20)	95B 805 304 Y	Connecting plate	right	1	
		Suspension strut mounting			
		D >> - MJ 2015			
	95B 805 304 Y GRV	primed			
(20)	95B 805 304 AY	Connecting plate	right	1	
		Suspension strut mounting			
		D - MJ 2016>>			
	95B 805 304 AY GRV	primed			
21	95B 805 275 Y	water box	left	1	
	95B 805 275 Y GRV	primed			
(21)	95B 805 276 Y	water box	right	1	
	95B 805 276 Y GRV	primed			
22	95B 805 323 Y	Bracket	left	1	
		water box			
	95B 805 323 Y GRV	primed			
(22)	95B 805 324 Y	Bracket	right	1	
		water box			
	95B 805 324 Y GRV	primed			
23	95B 805 147 Y	Wheel housing	left front	1	
	95B 805 147 Y GRV	primed			

Model: 95B Model life 2014>>

Pos	Part Number	Description	Remark	Qty	Model
(23)	95B 805 148 Y	Wheel housing	right front	1	
24	95B 805 148 Y GRV	primed			
	95B 805 263 AY	wheel housing length extension	left front	1	
(24)	95B 805 263 AY GRV	primed			
	95B 805 122 AY	wheel housing length extension	right front	1	
25	95B 805 122 AY GRV	primed			
	95B 805 475 Y	Brace Headlights	left	1	
(25)	95B 805 475 Y GRV	primed			
	95B 805 476 Y	Brace Headlights	right	1	
26	95B 805 476 Y GRV	primed			
	95B 805 831 Y	Support Brace Headlights	left	1	
(26)	95B 805 831 Y GRV	primed			
	95B 805 832 Y	Support Brace Headlights	right	1	
27	95B 805 832 Y GRV	primed			
	95B 803 691 Y	Support Side member	left front	1	
(27)	95B 803 691 Y GRV	primed			
	95B 803 692 Y	Support Side member	right front	1	
28	95B 803 692 Y GRV	primed			
	95B 805 457 Y	Support Side member	left front upper	1	
(28)		D >> - MJ 2015			
	95B 805 457 Y GRV	primed			
	95B 805 457 AY	Support Side member	left front upper	1	
(28)		D - MJ 2016>>			
	95B 805 457 AY GRV	primed			
	95B 805 458 Y	Support Side member	right front upper	1	
(28)		D >> - MJ 2015			
	95B 805 458 Y GRV	primed			
	95B 805 458 AY	Support Side member	right front upper	1	
29		D - MJ 2016>>			
	95B 805 458 AY GRV	primed			
	95B 805 848 BY	Console Support		1	
30	95B 805 848 BY GRV	primed			
	95B 823 401 Y	Bracket Damper	left	1	
(30)	95B 823 401 Y GRV	primed			
	95B 823 402 Y	Bracket Damper	right	1	
31	95B 823 402 Y GRV	primed			
	95B 819 523 B	water box Firewall		1	
(31)	95B 819 523 C	water box Firewall		1	
32	N 909 266 01	Cable ties		1	

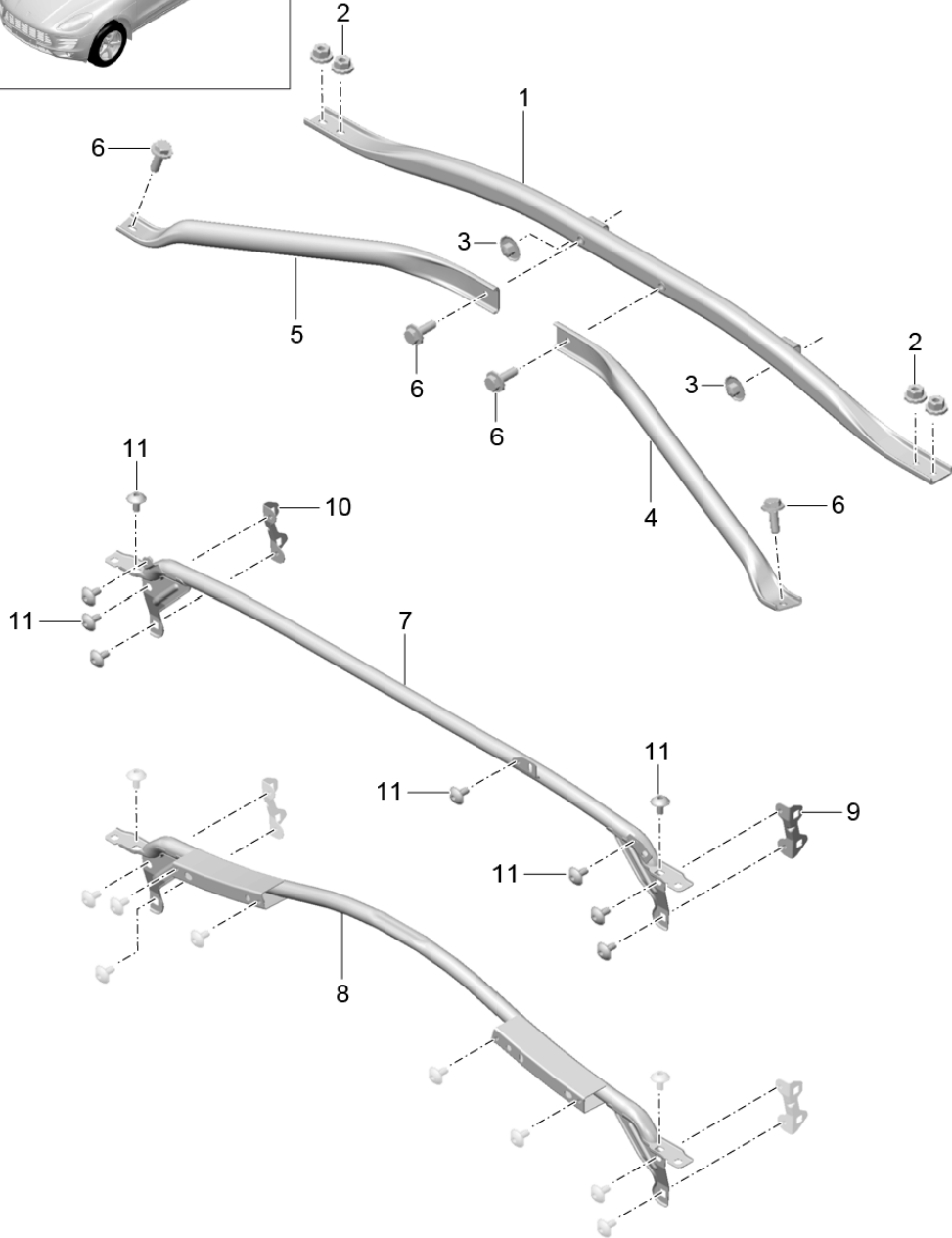
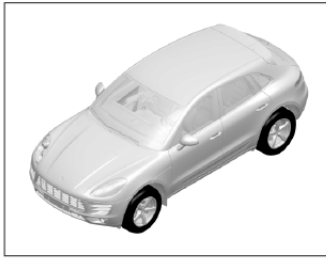
Model: 95B

Model life 2014>>

Pos	Part Number	Description	Remark	Qty	Model
33	4F0 805 271	Fasteners water box Water drain valve		2	
34	N 910 423 02	water box Oval hexagon socket head bolt		1	
35	95B 819 532	water box seal for water box		1	
36	95B 819 079	Firewall Retaining bar		1	
37	N 908 877 03	water box Hexagon flange nut, self-locking		2	
-	000 043 206 30	water box adhesive		1	
-	000 043 204 85	cavity preservative agent 400 ML		X	

Model: 95B

Model life 2014>>

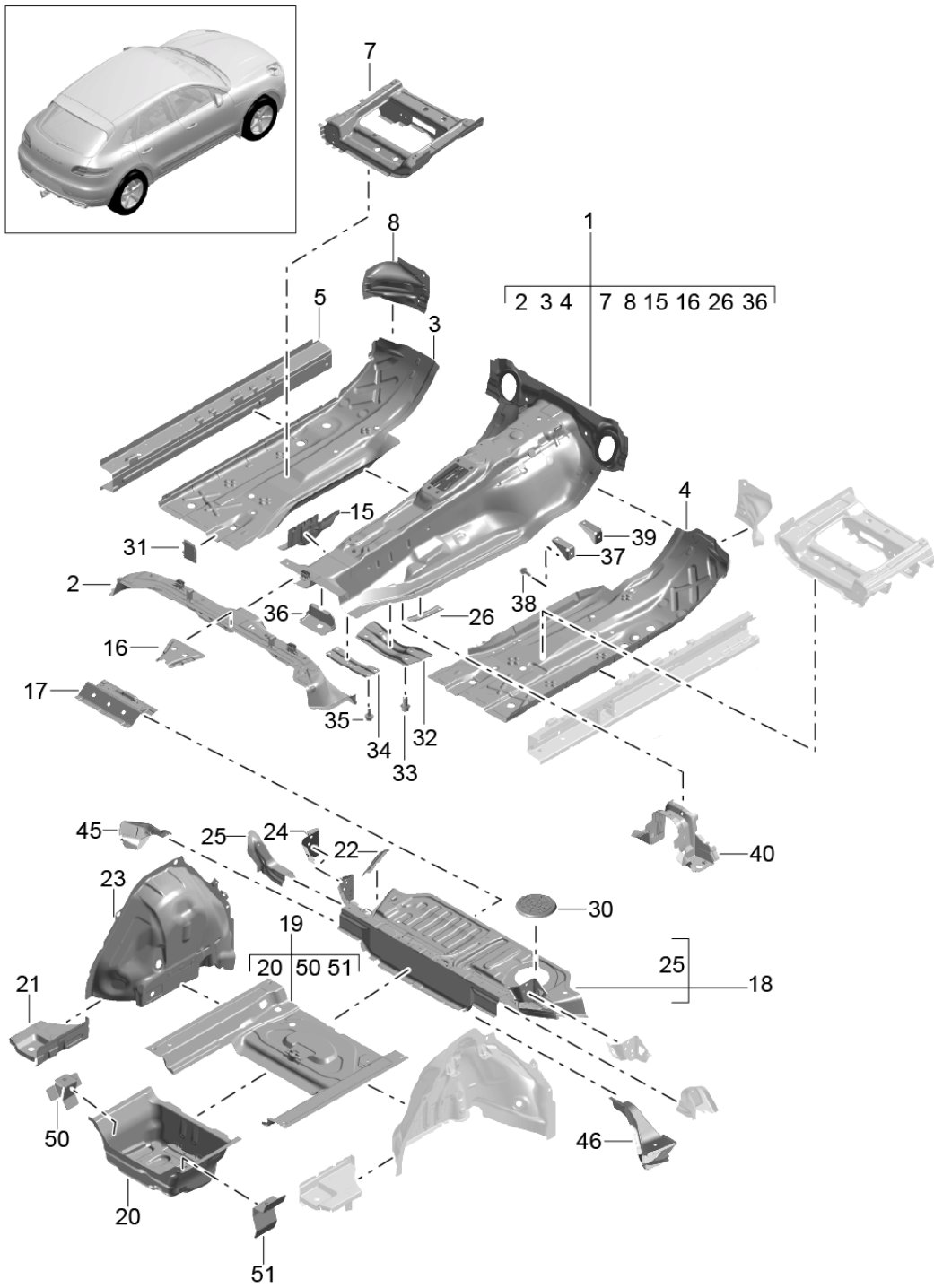


Model: 95B Model life 2014>>

Pos	Part Number	Description	Remark	Qty	Model
1	9A7 805 629 02	Brace Front end Reinforcement		1	
(1)	95B 805 629	D >> - 10.08.2017 Reinforcement		1	
2	N 904 862 04	D - 11.08.2017>> hex. nut with washer M8		4	
		For attachment to:			
3	N 907 088 03	Brace speed nut		2	
		For attachment to:			
4	8R0 805 619	Brace Additional reinforcement	left	1	
		Brace D >> - 16.12.2016			
5	8R0 805 620	Additional reinforcement	right	1	
		Brace D >> - 16.12.2016			
6	N 906 439 06	hexagon head bolt (combi) M8X25		4	
		For attachment to:			
		Reinforcement D >> - 16.12.2016			
7	95B 803 227	Brace	front	1	
8	95B 803 228	Brace	front	1	
9	95B 804 473	Securing bracket	left	1	
		Brace	front		
10	95B 804 474	Securing bracket	right	1	
		Brace	front		
11	999 073 357 01	fillister hd. bolt M6X12		10	
		For attachment to:			
		POS 7 POS 8 POS 9 POS 10			

Model: 95B

Model life 2014>>



Model: 95B Model life 2014>>

Pos	Part Number	Description	Remark	Qty	Model
1	95B 803 061 Y	floor plates Bottom plate	front	1	
	95B 803 061 Y GRV	(complete) primed			
2	95B 802 081 Y	Cross panel Bottom plate	front	1	
	95B 802 081 Y GRV	primed			
3	95B 803 073 Y	Bottom plate	left front	1	
	95B 803 073 Y GRV	primed			
4	95B 803 074 Y	Bottom plate	right front	1	
	95B 803 074 Y GRV	primed			
5	95B 803 751 Y	Sill	left inner	1	
	95B 803 751 Y GRV	primed			
(5)	95B 803 752 Y	Sill	right inner	1	
	95B 803 752 Y GRV	primed			
7	95B 803 379 Y	seat support	left	1	
	95B 803 379 Y GRV	primed			
(7)	95B 803 380 Y	seat support	right	1	
	95B 803 380 Y GRV	primed			
8	8K0 810 253	Cross member for floor Wheel housing	left front	1	
	8K0 810 253 GRV	primed			
(8)	8K0 810 254	Cross member for floor Wheel housing	right front	1	
	8K0 810 254 GRV	primed			
15	95B 802 895 Y	Cross member	left front	1	
	95B 802 895 Y GRV	primed			
(15)	95B 802 894 Y	Cross member	right front	1	
	95B 802 894 Y GRV	primed			
16	95B 803 329 AY	Support Brace		1	
	95B 803 329 AY GRV	primed			
17	95B 802 893 Y	Cross member	center	1	
	95B 802 893 Y GRV	primed			
18	95B 802 087 Y	Bottom plate	rear front	1	
	95B 802 087 Y GRV	primed			
19	95B 802 088 Y	Bottom plate	rear	1	
	95B 802 088 Y GRV	primed			
20	95B 804 869 Y	Console battery box		1	
	95B 804 869 Y GRV	primed			
-		battery box		1	
		see illustration:	902-005		
21	95B 802 089 Y	Web plate for floor	left	1	
	95B 802 089 Y GRV	primed			
(21)	95B 802 090 Y	Web plate for floor	right	1	
	95B 802 090 Y GRV	primed			
22	95B 803 297 Y	Reinforcement Bottom plate	rear	1	
	95B 803 297 Y GRV	primed			
23	95B 810 363 Y	Wheel housing	left rear inner	1	
	95B 810 363 Y GRV	primed			
(23)	95B 810 364 Y	Wheel housing	right rear	1	

Model: 95B Model life 2014>>

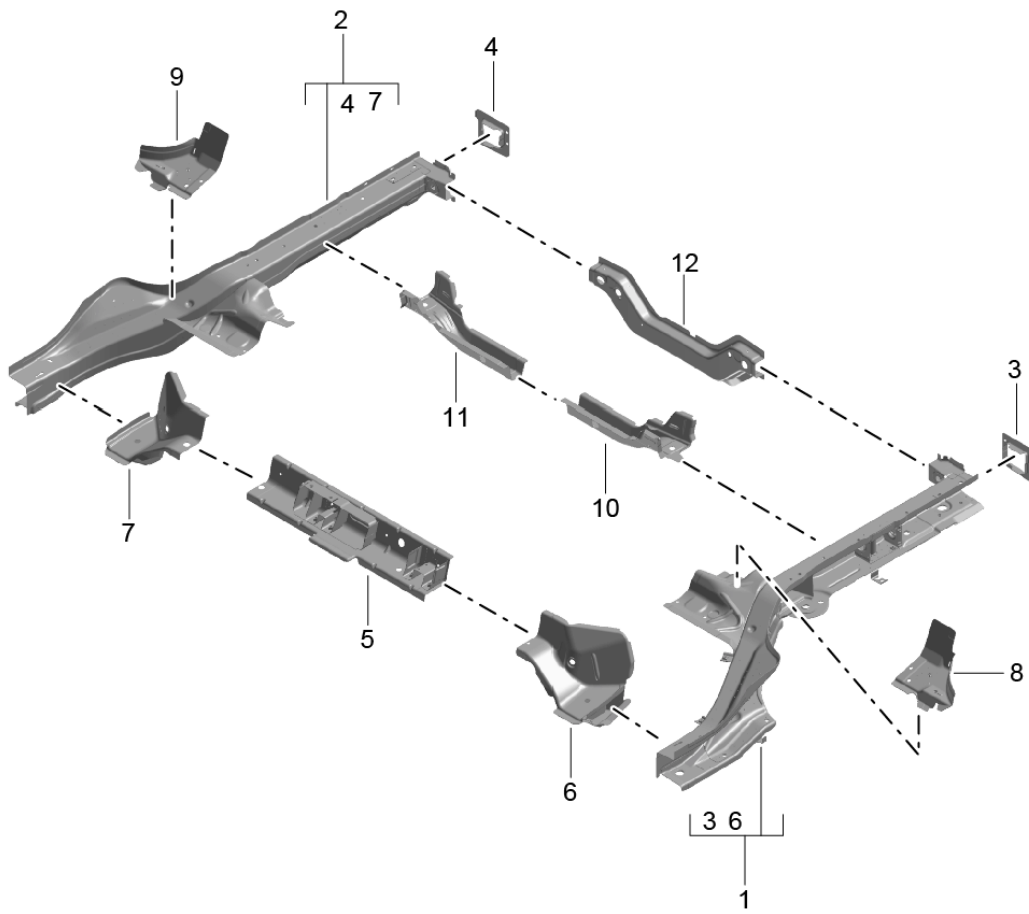
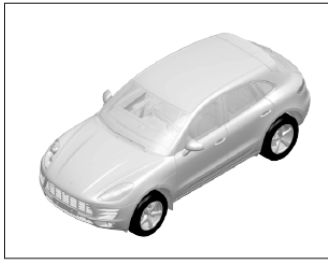
Pos	Part Number	Description	Remark	Qty	Model
			inner		
24	95B 810 364 Y GRV 95B 802 231 Y	primed Bracket backrest	left rear	1	
(24)	95B 802 231 Y GRV 95B 802 232 Y	primed Bracket backrest	right rear	1	
25	95B 802 232 Y GRV 95B 804 483 Y	primed Reinforcement for wheel hsg	left rear	1	
(25)	95B 804 483 Y GRV 95B 804 484 Y	primed Reinforcement for wheel hsg	right rear	1	
26	95B 804 484 Y GRV 95B 803 811 Y	primed Reinforcement Bottom plate	left	1	
(26)	95B 803 811 Y GRV 95B 803 812 Y	primed Reinforcement Bottom plate	right	1	
30	95B 803 812 Y GRV 298 201 063	primed Cover Sensor Fuel tank		1	PR-1A2
(30)	298 201 063 A	Cover Sensor Fuel tank		1	PR-1A2
(30)	298 201 063 B	Cover Sensor Fuel tank		1	PR-0F5
31	8R0 809 025 B	Noise insulation plate Sill	inner	4	
32	95B 804 813	Support tunnel	front	1	
(32)	9A7 804 813 01	D >> - MJ 2015 Support tunnel	front	1	
33	N 910 230 02	D - MJ 2016>> Socket head bolt with inner multipoint head M12X25 POS32		4	
(33)	N 912 011 02	D >> - MJ 2015 Socket head collared bolt with inner multipoint head M12X25 POS32		8	
34	8K0 803 183 B	D - MJ 2016>> Cross member tunnel	rear	1	
35	N 909 767 02	hexagon head bolt (combi) M10X30 POS34		1	
36	8R0 804 417	filler plate for tunnel		1	
37	95B 804 367	Gearbox support Console		1	
38	N 909 944 02	hexagon head bolt (combi) M8X30 POS37		2	
39	8R0 804 369 A	Gearbox support Console		1	
40	9A7 803 865 00	Discontinued part Reinforcement for tunnel D - MJ 2016>>	left	1	

Model: 95B Model life 2014>>

Pos	Part Number	Description	Remark	Qty	Model
(40)	9A7 803 865 00 GRV 9A7 803 866 00	primed Reinforcement for tunnel D - MJ 2016>>	right	1	
45	9A7 803 866 00 GRV 95B 803 531 Y	primed Cross member Cross panel	left	1	
46	95B 803 531 Y GRV 8R0 803 532	primed Cross member	right center	1	
-	8R0 803 532 GRV 000 043 305 51	primed cavity preservative agent 400 ML		X	
50	95B 805 609 95B 805 609 GRV	Bracket for subwoofer primed	left	1	
51	95B 805 610 95B 805 610 GRV	Bracket for subwoofer primed	right	1	

Model: 95B

Model life 2014>>

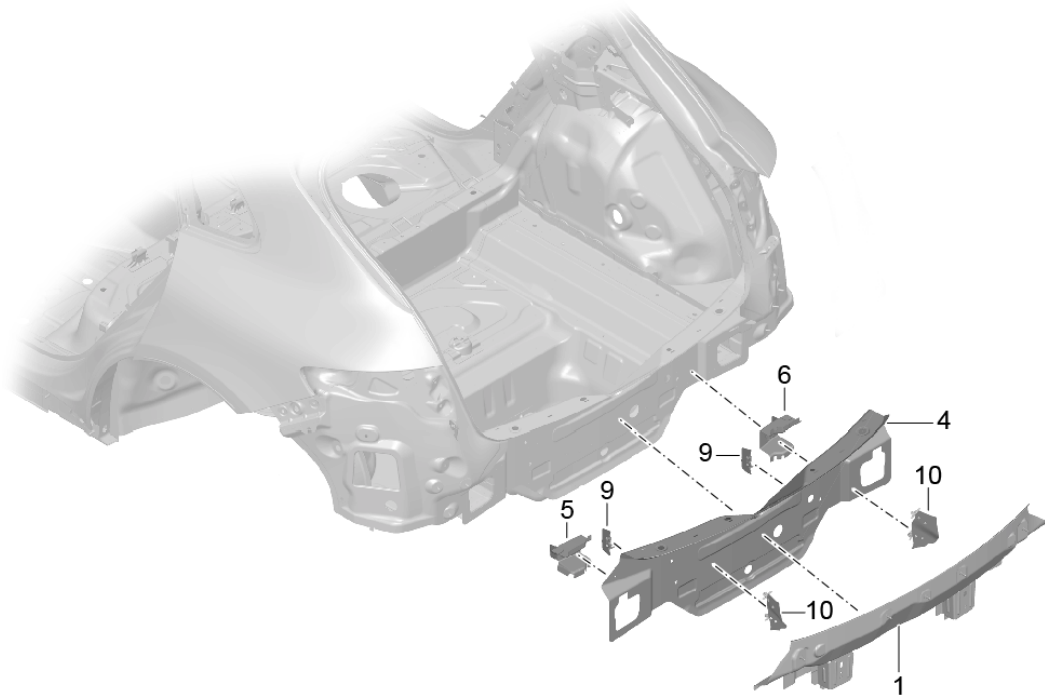
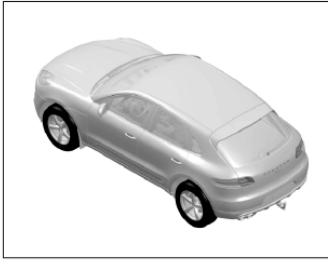


Model: 95B Model life 2014>>

Pos	Part Number	Description	Remark	Qty	Model
1	95B 803 401 Y	Frame Side member	left	1	
		D >> - MJ 2015			
	95B 803 401 Y GRV	primed			
(1)	95B 803 401 AY	Side member	left	1	
		D - MJ 2016>>			
	95B 803 401 AY GRV	primed			
2	95B 803 402 Y	Side member	right	1	
		D >> - MJ 2015			
	95B 803 402 Y GRV	primed			
(2)	95B 803 402 AY	Side member	right	1	
		D - MJ 2016>>			
	95B 803 402 AY GRV	primed			
3	95B 803 499 Y	Closing element	left	1	
	95B 803 499 Y GRV	primed			
4	95B 803 500 Y	Closing element	right	1	
	95B 803 500 Y GRV	primed			
5	95B 803 535 Y	Cross member for floor for	left center	1	
	95B 803 535 Y GRV	primed			
6	95B 803 531 Y	Cross member	left center	1	
	95B 803 531 Y GRV	primed			
7	8R0 803 532	Cross member	right center	1	
	8R0 803 532 GRV	primed			
8	95B 803 579 Y	Reinforcement	left	1	
	95B 803 579 Y GRV	primed			
9	95B 803 580 Y	Reinforcement	right	1	
	95B 803 580 Y GRV	primed			
10	8R0 803 347 A	Cross member for spare wheel well for spare wheel	left	1	
	8R0 803 347 A GRV	primed			
11	8R0 803 348 A	Cross member for spare wheel well for spare wheel	right	1	
	8R0 803 348 A GRV	primed			
12	95B 803 671 Y	Cross member for cross panel	rear	1	
	95B 803 671 Y GRV	primed			
-	000 043 305 51	cavity preservative agent 400 ML		X	

Model: 95B

Model life 2014>>



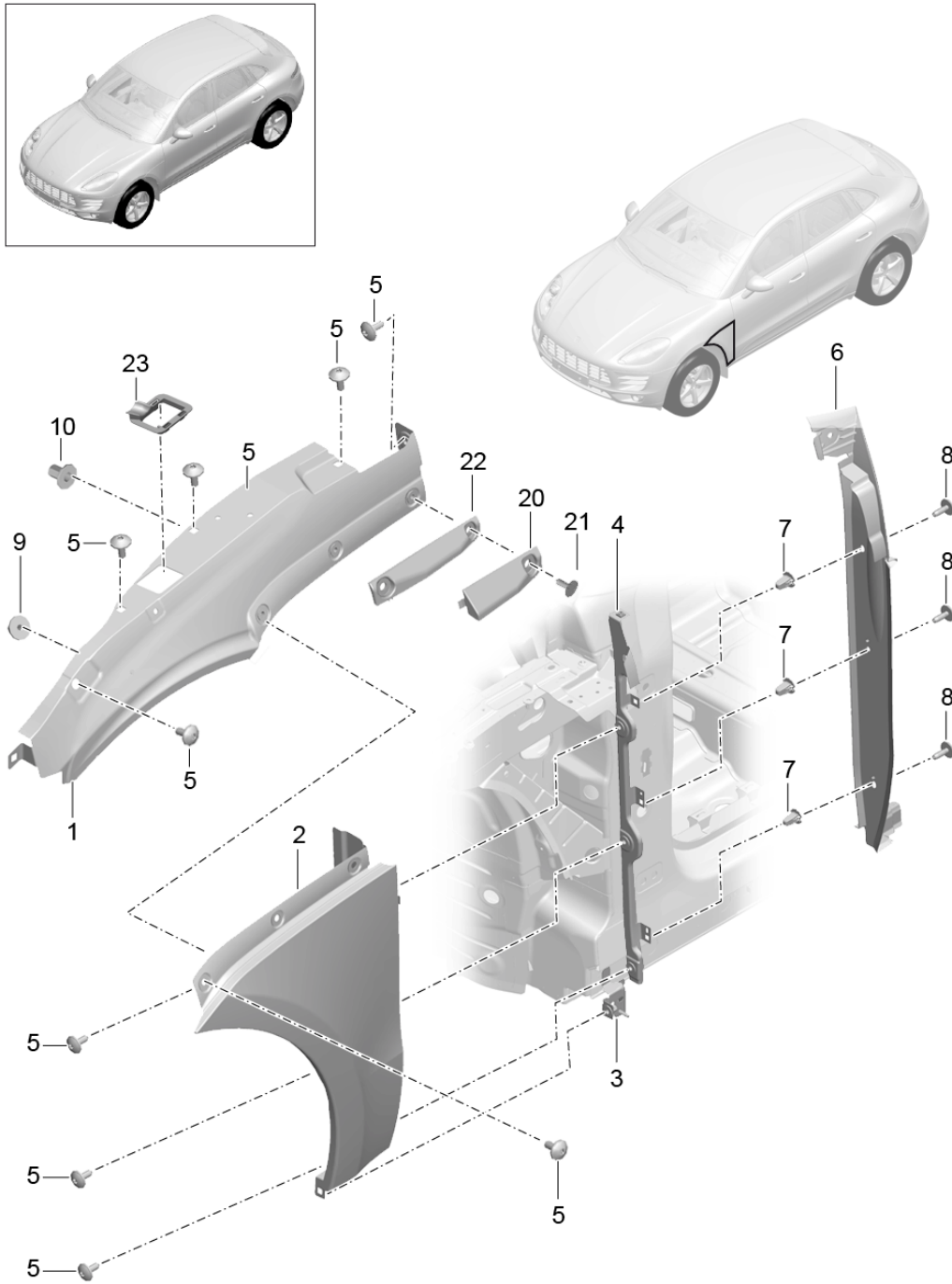
Model: 95B

Model life 2014>>

Pos	Part Number	Description	Remark	Qty	Model
1	95B 813 303 Y	Rear end Cross panel		1	
	95B 813 303 Y GRV	primed			
4	95B 813 311 Y	lock carrier	rear	1	
	95B 813 311 Y GRV	primed			
5	8R0 803 383 B	Bracket lock carrier	left rear	1	
	8R0 803 383 B GRV	primed			
6	8R0 803 384 B	Bracket lock carrier	right rear	1	
	8R0 803 384 B GRV	primed			
9	95B 864 539	Seal		2	
10	95B 864 561	Cross panel Seal		2	
		Carrier			
-	000 043 206 30	Cross panel adhesive		1	
-	000 043 305 51	cavity preservative agent 400 ML		X	

Model: 95B

Model life 2014>>



Model: 95B Model life 2014>>

Pos	Part Number	Description	Remark	Qty	Model
1	95B 821 103 AY	Wing Wing	left upper	1	
		Discontinued part			
1	95B 821 103 AY GRV 95B 821 103 BY	primed Wing	left upper	1	
(1)	95B 821 103 BY GRV 95B 821 104 AY	primed Wing	right upper	1	
		Discontinued part			
(1)	95B 821 104 AY GRV 95B 821 104 BY	primed Wing	right upper	1	
2	95B 821 104 BY GRV 95B 821 101 Y	primed Wing	left lower	1	
		Discontinued part			
2	95B 821 101 Y GRV 95B 821 101 AY	primed Wing	left lower	1	
		Discontinued part			
2	95B 821 101 AY GRV 95B 821 101 BY	primed Wing	left lower	1	
(2)	95B 821 101 BY GRV 95B 821 102 Y	primed Wing	right lower	1	
		Discontinued part			
(2)	95B 821 102 Y GRV 95B 821 102 AY	primed Wing	right lower	1	
		Discontinued part			
(2)	95B 821 102 AY GRV 95B 821 102 BY	primed Wing	right lower	1	
3	95B 821 102 BY GRV 95B 810 659 Y	primed bracket - fender and	left	1	
		Side member trim			
(3)	95B 810 659 Y GRV 95B 810 660 Y	primed bracket - fender and	right	1	
		Side member trim			
4	95B 810 660 Y GRV 95B 809 573 AY	primed Rail	left	1	
		Wing			
(4)	95B 809 573 AY GRV 95B 809 574 AY	primed Rail	right	1	
		Wing			
5	95B 809 574 AY GRV N 910 423 02	primed Oval hexagon socket head bolt		26	
		M 6 X 16			
6	95B 854 777 B	Trim	left	1	
		Wing			
(6)	95B 854 777 B 1E0 95B 854 778 B	Satin black Trim	right	1	
		Wing			
7	95B 854 778 B 1E0 WHT 004 935	Satin black expanding nut		X	
		5X15,5			
8	N 909 747 01	Hexagon socket head panel bolt		X	
		TP5X16			

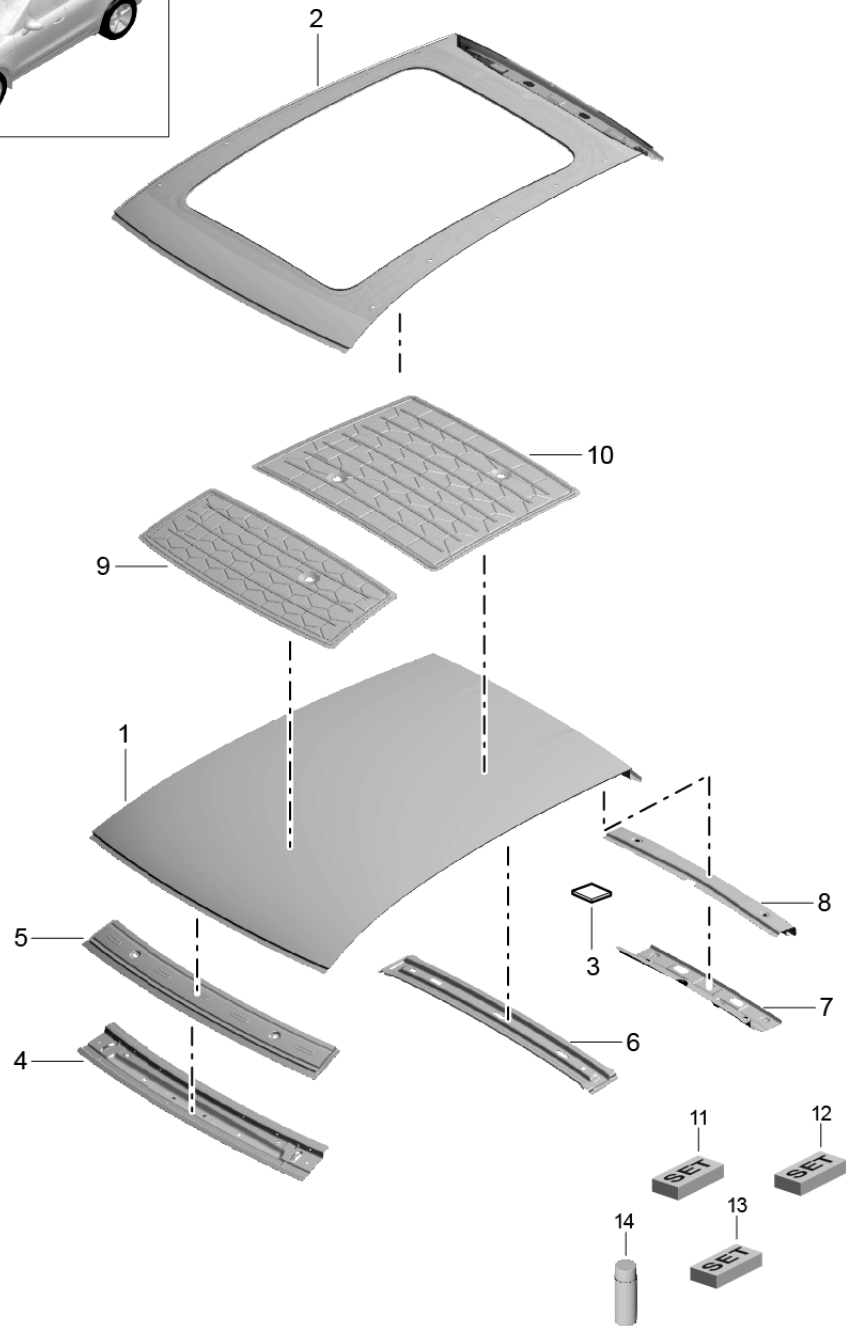
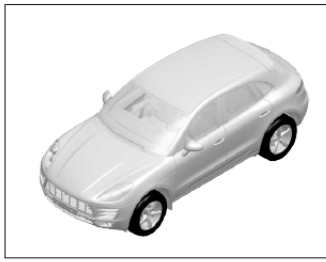
Model: 95B

Model life 2014>>

Pos	Part Number	Description	Remark	Qty	Model
9	N 907 579 01	Hexagon collar nut		X	
10	N 908 173 02	riveted cap nut		8	
		M6			
20	95B 823 417	Guide piece	left	1	
			short		
(20)	95B 823 418	Guide piece	right	1	
			short		
21	N 910 423 02	Oval hexagon socket head bolt		X	
		Black			
		M6X16			
22	95B 821 235	Guide piece	left	1	
		Wing			
(22)	95B 821 236	Guide piece	right	1	
		Wing			
23	95B 971 865 B	Frame		1	
		Wing			

Model: 95B

Model life 2014>>



Model: 95B Model life 2014>>

Pos	Part Number	Description	Remark	Qty	Model
1	95B 817 111 AY	Roof Scuttle Roof		1	PR:QU0,QV0, QV1,QV3,QV5, 3FA,3S0
	95B 817 111 AY GRV	primed			
		also use:	000 043 305 65 000 043 305 35		
(1)	95B 817 101 AY	Roof		1	PR:QU0,QV0, QV1,QV3,QV5, 3FA,3S1,3S5, 5W1,5W4
	95B 817 101 AY GRV	primed			
		also use:	000 043 305 65 000 043 305 35		
(1)	95B 817 101 BY	Roof		1	PR:QV4,QV8, 3FA,3S1,3S5, 5W1,5W4
	95B 817 101 BY GRV	primed			
		also use:	000 043 305 65 000 043 305 35		
(1)	95B 817 101 CY	Roof		1	PR:QV4,QV8, 3FA,3S0
	95B 817 101 CY GRV	primed			
		also use:	000 043 305 65 000 043 305 35		
2	95B 817 102 Y	Roof		1	PR:QU0,QV0, QV1,QV3,QV5, 3FU,3S0
	95B 817 102 Y GRV	primed			
		for vehicles with sliding roof			
		also use:	000 043 305 65 000 043 305 35		
(2)	95B 817 102 AY	Roof		1	PR:QU0,QV0, QV1,QV3,QV5, 3FU,3S1,3S5, 5W1,5W4
	95B 817 102 AY GRV	primed			
		for vehicles with sliding roof			
		also use:	000 043 305 65 000 043 305 35		
(2)	95B 817 102 BY	Roof		1	PR:QV4,QV8, 3FU,3S1,3S5, 5W1,5W4
	95B 817 102 BY GRV	primed			
		for vehicles with sliding roof			
		also use:	000 043 305 65 000 043 305 35		
(2)	95B 817 102 CY	Roof		1	PR:QV4,QV8, 3FU,3S0
	95B 817 102 CY GRV	primed			
		for vehicles with sliding roof			
		also use:	000 043 305 65 000 043 305 35		
3	000 043 300 98	Distance piece See workshop manual		3	
		Group:			
4	95B 817 122 AY	51 Roof cross member	front inner	1	
	95B 817 122 AY GRV	primed			
5	95B 817 124 Y	Roof cross member	front outer	1	

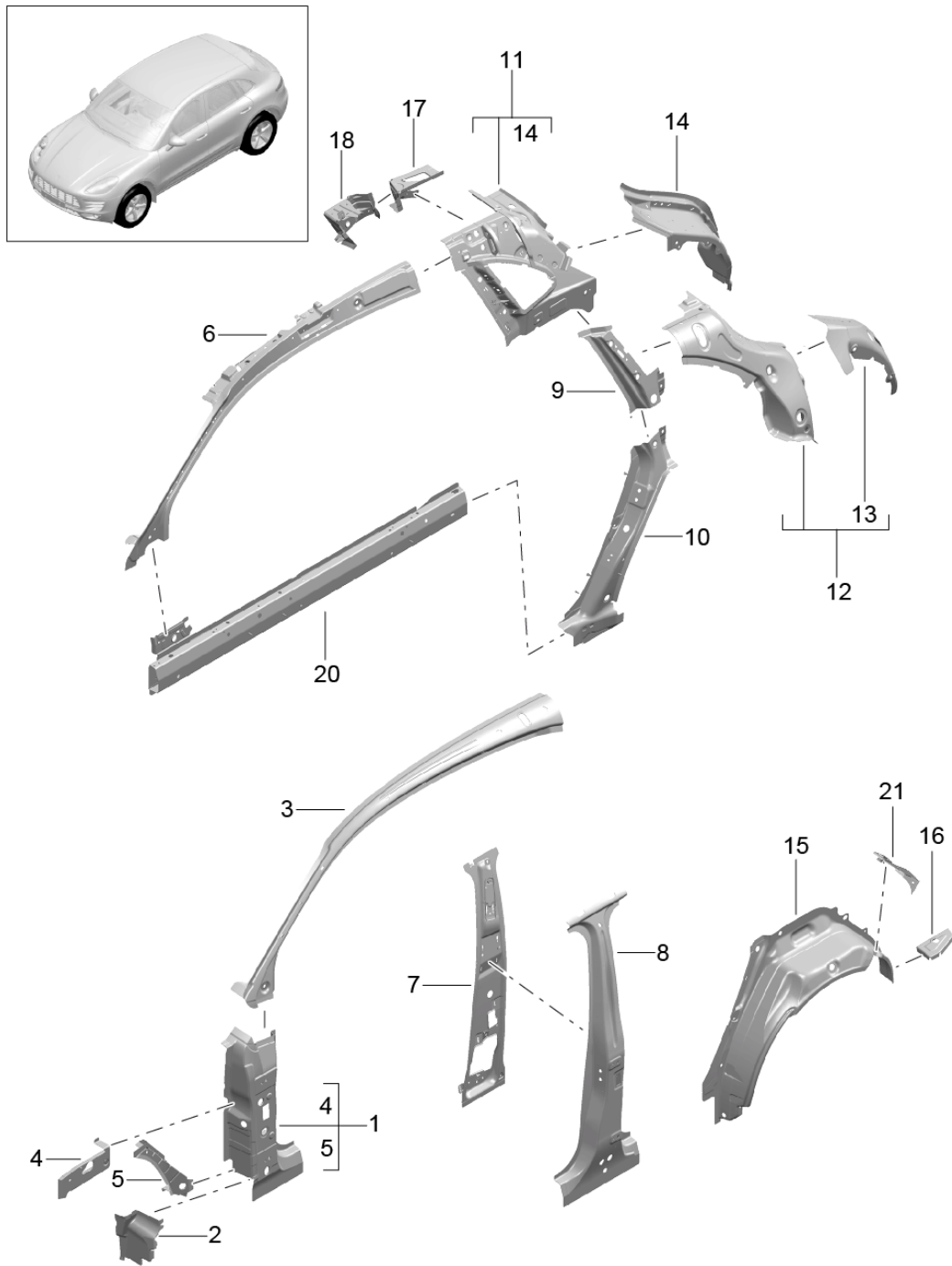
Model: 95B

Model life 2014>>

Pos	Part Number	Description	Remark	Qty	Model
6	95B 817 124 Y GRV	primed			
	95B 817 465 AY	Roof cross member B-pillar		1	
7	95B 817 465 AY GRV	primed			
	95B 817 163 Y	Roof cross member	rear inner	1	
8	95B 817 163 Y GRV	primed			
	95B 817 164 AY	Roof cross member	rear outer	1	
9	95B 817 164 AY GRV	primed			
10	95B 817 285	Roof reinforcement	front	1	PR:3FA
11	95B 817 120	Roof reinforcement	rear	1	PR:3FA
11	000 043 305 65	Adhesive set		X	
		Roof See workshop manual			
12	000 043 305 35	51 2K pane adhesive set See workshop manual	Group:	1	
		51	Group:		
13	000 043 205 37	emulsion tube Supplementary kit		X	
14	000 043 204 85	cavity preservative agent 400 ML		X	

Model: 95B

Model life 2014>>



Model: 95B Model life 2014>>

Pos	Part Number	Description	Remark	Qty	Model
1	95B 809 201 Y	Side part A-pillar	inner left outer	1	
		D >> - MJ 2015			
(1)	95B 809 201 Y GRV 95B 809 201 AY	primed A-pillar	left outer	1	
		D - MJ 2016>>			
1	95B 809 201 AY GRV 95B 809 202 Y	primed A-pillar	right outer	1	
		D >> - MJ 2015			
1	95B 809 202 Y GRV 95B 809 202 AY	primed A-pillar	right outer	1	
		D - MJ 2016>>			
2	95B 809 202 AY GRV 95B 803 087 Y	primed Closing element Sill	left front	1	
		D >> - MJ 2015			
2	95B 803 087 Y GRV 95B 803 099 Y	primed Closing element Sill	left front	1	
		D - MJ 2016>>			
(2)	95B 803 099 Y GRV 95B 803 088 AY	primed Closing element Sill	right front	1	
		D >> - MJ 2015			
(2)	95B 803 088 AY GRV 95B 803 100 Y	primed Closing element Sill	right front	1	
		D - MJ 2016>>			
3	95B 803 100 Y GRV 95B 809 199 Y	primed Reinforcement for A-pillar	left upper	1	
(3)	95B 809 199 Y GRV 95B 809 200 Y	primed Reinforcement for A-pillar	right upper	1	
4	95B 809 200 Y GRV 95B 809 111 Y	primed Reinforcement plate Side member A-pillar	left upper	1	
(4)	95B 809 111 Y GRV 95B 809 112 Y	primed Reinforcement plate Side member A-pillar	right upper	1	
5	95B 809 112 Y GRV 95B 805 143 Y	primed Closing element Side member A-pillar	left upper	1	
(5)	95B 805 143 Y GRV 95B 805 144 Y	primed Closing element Side member A-pillar	right upper	1	
6	95B 805 144 Y GRV 95B 810 179 AY	primed Reinforcement for A-pillar	left inner	1	
		D >> - MJ 2016			
(6)	95B 810 179 AY GRV 95B 810 179 DY	primed Reinforcement for A-pillar	left inner	1	
		D - MJ 2017>>			
	95B 810 179 DY GRV	primed			

Model: 95B Model life 2014>>

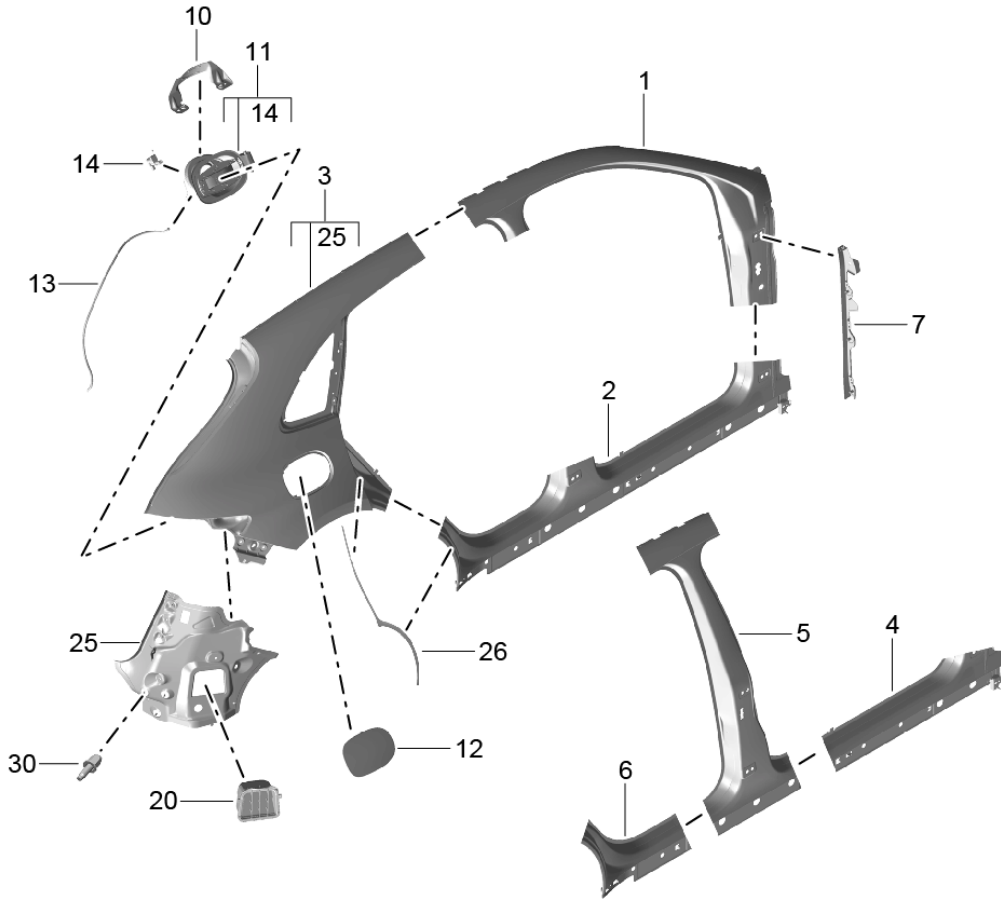
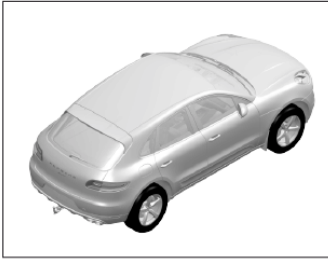
Pos	Part Number	Description	Remark	Qty	Model
(6)	95B 810 180 AY	Reinforcement for A-pillar	right inner	1	
		D >> - MJ 2016			
	95B 810 180 AY GRV	primed			
(6)	95B 810 180 DY	Reinforcement for A-pillar	right inner	1	
		D - MJ 2017>>			
	95B 810 180 DY GRV	primed			
7	95B 809 443 Y	B-pillar	left inner	1	
		primed			
(7)	95B 809 443 Y GRV	B-pillar	right inner	1	
		primed			
8	95B 809 444 Y	Reinforcement for B-pillar	left	1	
		(complete)			
		D >> - MJ 2015			
	95B 809 607 AY GRV	primed			
8	95B 809 607 CY	Reinforcement for B-pillar	left	1	
		(complete)			
		D - MJ 2016>>			
	95B 809 607 CY GRV	primed			
(8)	95B 809 608 AY	Reinforcement for B-pillar	right	1	
		(complete)			
		D >> - MJ 2015			
	95B 809 608 AY GRV	primed			
(8)	95B 809 608 CY	Reinforcement for B-pillar	right	1	
		(complete)			
		D - MJ 2016>>			
	95B 809 608 CY GRV	primed			
9	95B 809 393 Y	Reinforcement for C-pillar	left upper	1	
		primed			
(9)	95B 809 394 Y	Reinforcement for C-pillar	right upper	1	
		primed			
10	95B 809 261 Y	Reinforcement for C-pillar	left	1	
		(complete)			
		primed			
(10)	95B 809 262 Y	Reinforcement for C-pillar	right	1	
		(complete)			
		primed			
11	95B 809 262 Y GRV	primed			
	95B 809 403 Y	Side part	left inner rear upper	1	
		primed			
(11)	95B 809 404 Y	Side part	right inner rear upper	1	
		primed			
12	95B 809 404 Y GRV	primed			
	95B 809 299 Y	Reinforcement for D-pillar	left outer	1	
		primed			
(12)	95B 809 300 Y	Reinforcement for D-pillar	right outer	1	
		primed			
13	95B 809 300 Y GRV	primed			
	95B 809 359 Y	Reinforcement for D-pillar	left lower	1	
		primed			
(13)	95B 809 359 Y GRV	primed			
	95B 809 360 Y	Reinforcement for D-pillar	right lower	1	

Model: 95B Model life 2014>>

Pos	Part Number	Description	Remark	Qty	Model
14	95B 809 360 Y GRV 95B 809 289 Y	primed d-pillar	left inner lower	1	
(14)	95B 809 289 Y GRV 95B 809 290 Y	primed d-pillar	right inner lower	1	
15	95B 809 290 Y GRV 95B 809 411 Y	primed Wheel housing	left rear outer	1	
15	95B 809 411 Y GRV 95B 809 411 AY	Discontinued part primed Wheel housing	left rear outer	1	
(15)	95B 809 411 AY GRV 95B 809 410 Y	primed Wheel housing	right rear outer	1	
(15)	95B 809 410 Y GRV 95B 809 410 AY	Discontinued part primed Wheel housing	right rear outer	1	
16	95B 809 410 AY GRV 95B 809 347 Y	primed Connecting piece	left	1	
(16)	95B 809 347 Y GRV 95B 809 348 Y	primed Connecting piece	right	1	
17	95B 809 348 Y GRV 95B 809 779 AY	primed Console For seat belt	left rear	1	
(17)	95B 809 779 AY GRV 95B 809 780 BY	primed Console For seat belt Discontinued part	right rear	1	
18	95B 809 780 BY GRV 95B 810 163 Y	primed Console Seat belt guide For seat belt	left rear	1	
(18)	95B 810 163 Y GRV 95B 810 164 Y	primed Console Seat belt guide	right rear	1	
20	95B 810 164 Y GRV 95B 809 377 Y	primed Sill	left	1	
(20)	95B 809 377 Y GRV 95B 809 378 Y	primed Sill	right	1	
21	95B 809 378 Y GRV 95B 864 681	primed Seal Wheel housing	left	1	
(21)	95B 864 682	Seal Wheel housing	right	1	
-	000 043 305 51	cavity preservative agent 400 ML		X	
-	000 043 206 30	adhesive		1	

Model: 95B

Model life 2014>>



Model: 95B Model life 2014>>

Pos	Part Number	Description	Remark	Qty	Model
1	95B 809 009 Y	Side part	outer	1	
	95B 809 009 Y GRV	Side part A-pillar primed	left		
		also use:			
(1)	95B 809 010 Y	POS7 Side part	right	1	
	95B 809 010 Y GRV	A-pillar primed			
		also use:			
2	95B 809 673 Y	POS7 Sill	left outer	1	
	95B 809 673 Y GRV	D >> - MJ 2015 primed			
		also use:			
2	95B 809 673 AY	POS7 Sill	left outer	1	
	95B 809 673 AY GRV	D - MJ 2016>> primed			
		also use:			
(2)	95B 809 674 Y	POS7 Sill	right outer	1	
	95B 809 674 Y GRV	D >> - MJ 2015 primed			
		also use:			
(2)	95B 809 674 AY	POS7 Sill	right outer	1	
	95B 809 674 AY GRV	D - MJ 2016>> primed			
		also use:			
3	95B 809 029 Y	POS7 Side part	C-pillar left	1	
	95B 809 029 Y GRV	primed			
(3)	95B 809 030 Y	Side part	C-pillar right	1	
	95B 809 030 Y GRV	primed			
4	95B 809 529 Y	Sill	left front	1	
	95B 809 529 Y GRV	D >> - MJ 2015 primed			
4	95B 809 529 AY	Sill	left front	1	
	95B 809 529 AY GRV	D - MJ 2016>> primed			
(4)	95B 809 530 Y	Sill	right front	1	
	95B 809 530 Y GRV	D >> - MJ 2015 primed			
(4)	95B 809 530 AY	Sill	right front	1	
	95B 809 530 AY GRV	D - MJ 2016>> primed			
5	95B 809 021 Y	Side part B-pillar	left	1	
	95B 809 021 Y GRV	primed			
(5)	95B 809 022 Y	Side part B-pillar	right	1	
	95B 809 022 Y GRV	primed			

Model: 95B

Model life 2014>>

Pos	Part Number	Description	Remark	Qty	Model
6	95B 809 241 Y	Sill	left rear	1	
(6)	95B 809 241 Y GRV 95B 809 242 Y	primed Sill	right rear	1	
7	95B 809 242 Y GRV	primed Rail		1	
10	95B 802 305 Y	see illustration, item: Bracket	801-040,4	1	
11	95B 802 305 Y GRV 95B 809 857	primed Fuel filler flap module		1	PR:DM0,DU0, DU1,D43,DQ5, D4A
11	95B 809 857 B	with: throttle control element Emergency operation Discontinued part Fuel filler flap module		1	PR:DM0,DU0, DU1,D43,DQ5, D4A
11	95B 809 857 D	with: throttle control element Emergency operation Discontinued part Fuel filler flap module		1	PR:DM0,DU0, DU1,D43,DQ5, D4A
(11)	95B 809 857 A	with: throttle control element Emergency operation Discontinued part Fuel filler flap module		1	PR:DD7,D1V, D50,D51
(11)	95B 809 857 C	with: throttle control element Emergency operation Discontinued part Fuel filler flap module		1	PR:DD7,D1V, D50,D51
(11)	95B 809 857 E	with: throttle control element Emergency operation Discontinued part Fuel filler flap module		1	PR:DD7,D1V, D50,D51
12	95B 809 909	Fuel filler flap primed		1	
13	8T0 809 937 A	Hose		1	
20	8K0 819 161 C	Vent trim Tank ventilation		2	
25	95B 813 541 Y	Retainer for bumper	left	1	
(25)	95B 813 541 Y GRV 95B 813 542 Y	primed Retainer for bumper	right	1	
26	95B 813 542 Y GRV 95B 853 225	primed Protective film	left rear	1	
(26)	95B 853 226	Protective film Side part	right rear	1	
30	999 080 073 01	clinch pin M 6 X 20 Securing element Bracket bumper	left a. right	6	
-	000 043 305 51	cavity preservative agent 400 ML		X	

Model: 95B

Model life 2014>>

Pos	Part Number	Description	Remark	Qty	Model
1	95B 863 821	Underbody trim Trim	front	1	PR:DD7,DM0, D1V,D51,D43, DQ5
(1)	95B 863 821 A	Trim Discontinued part	front	1	PR:DU1,DU0
(1)	95B 863 821 B	Trim	front	1	
2	8K0 863 788	Spreader rivet		2	
3	999 073 491 01	panel screw 4,8 X 18		X	
4	999 507 795 09	panel nut 4,8		X	
5	95B 825 101 A	Trim	left front	1	PR:DD7,DU0, DM0,D1V,D51, D43,-2JU,DQ5
(5)	95B 825 101 A 1E0 95B 825 101 D	Black Trim	left front	1	PR:DD7,DU0, DM0,D1V,D51, D43,DQ5,2JU
(5)	95B 825 101 D 1E0 95B 825 101 B	Black Trim	left front	1	PR:DU1
6	95B 825 101 B 1E0 95B 825 102 A	Black Trim	right front	1	PR:DD7,DU0, DM0,D1V,D51, D43,-2JU,DQ5
(6)	95B 825 102 A 1E0 95B 825 102 D	Black Trim	right front	1	PR:DD7,DU0, DM0,D1V,D51, D43,2JU,DQ5
(6)	95B 825 102 D 1E0 95B 825 102 B	Black Trim	right front	1	PR:DU1
7	95B 825 102 B 1E0 95B 825 205 A	Black Trim	left center	1	
7	95B 825 205 C	D >> - MJ 2015 Trim	left center	1	
8	95B 825 206 A	D - MJ 2016>> Trim	right center	1	
(8)	95B 825 206 D	D >> - MJ 2015 Trim	right center	1	
9	95B 825 215	D - MJ 2016>> Trim	left center	1	PR:1E9
10	N 907 579 01	Hexagon collar nut 5,0		2	PR:1E9
11	N 907 088 02	speed nut 5,0		X	
12	95B 825 209 A	Trim	rear center	1	CTMA,CTM, CTLA,CTL, DCNA,DCN, DHKA,DHK
(12)	95B 825 209 D	Trim	rear center	1	PR:2JU
13	95B 825 370 A	Trim	center	1	PR:DU1,DU0
(13)	95B 825 370 D	Trim	center	1	PR:2JU,DQ5, DM0
14	N 904 388 05	hexagon head bolt (combi) 5 X 15		2	PR:TQ9,T8I
15	95B 825 271	Cover	front	2	

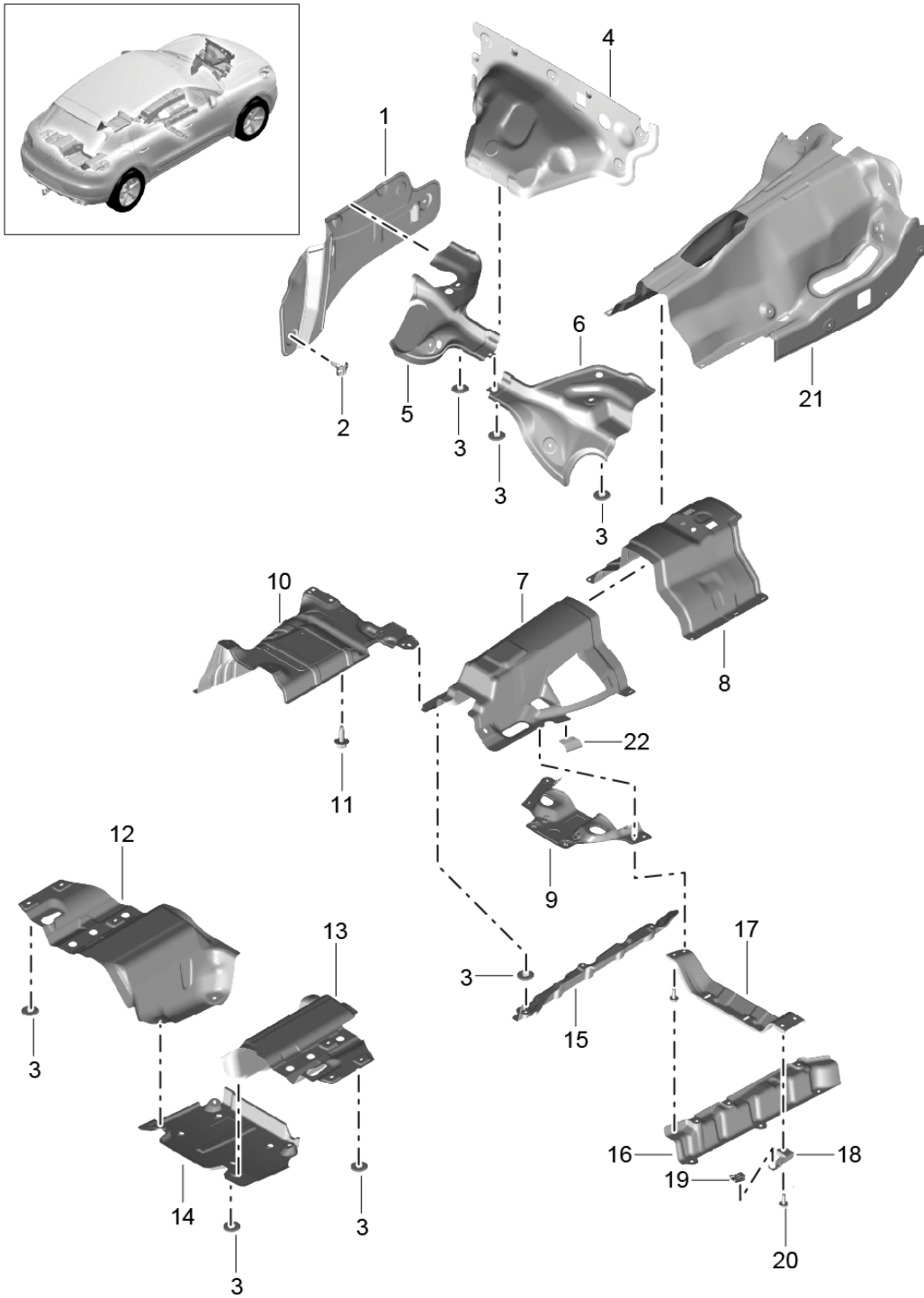
Model: 95B

Model life 2014>>

Pos	Part Number	Description	Remark	Qty	Model
16	N 909 855 01	Cover countersunk multi-point socket head bolt 5 X 12		4	
17	95B 825 353	Cover	left	1	
18	95B 825 213 A	Cover Trim	rear left	1	
19	95B 825 213 A 1E0	Black	rear	1	
	95B 825 282 B	Trim	right		
	95B 825 282 B 1E0	Black	rear		

Model: 95B

Model life 2014>>

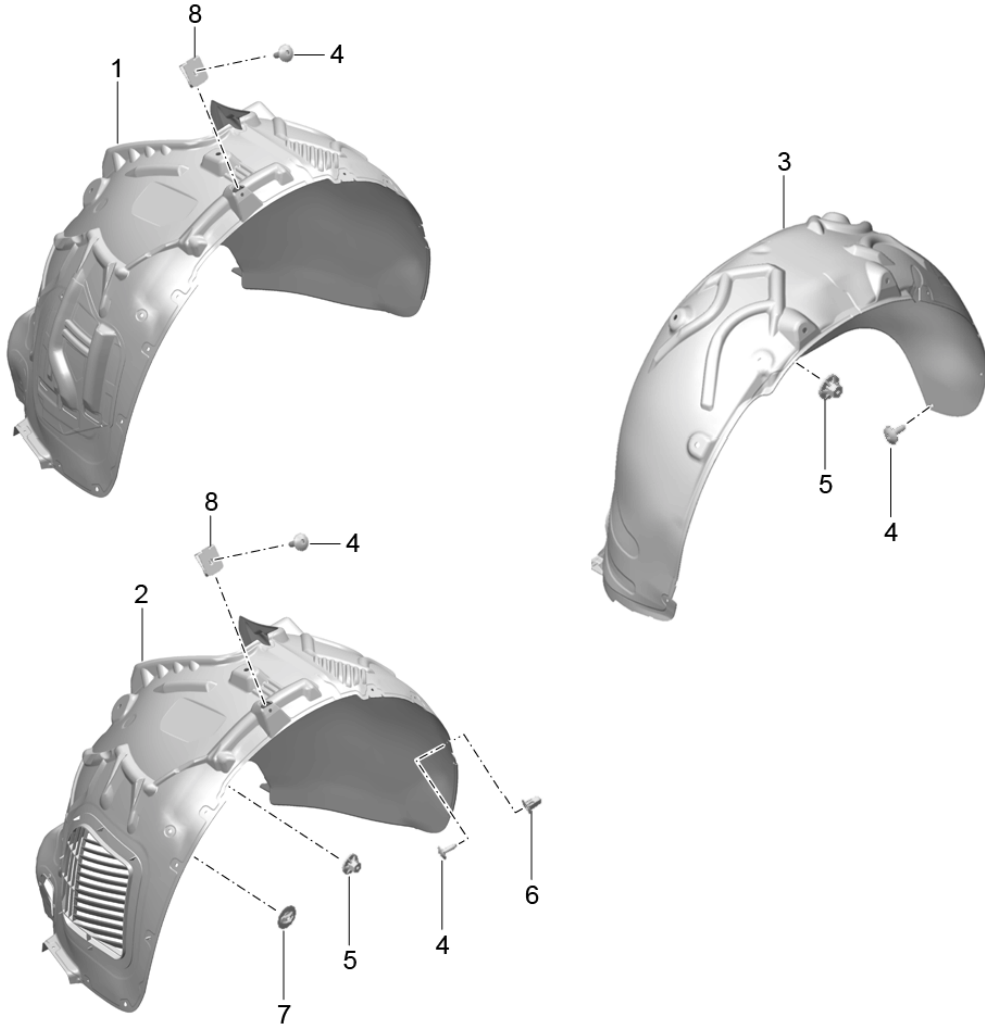
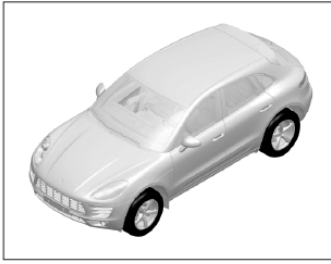


Model: 95B Model life 2014>>

Pos	Part Number	Description	Remark	Qty	Model
1	95B 804 161	Trim Heat insulation Underbody Heat shield for side member	left	1	PR:D43,DD7,DU1,DU0,D51
(1)	95B 804 162	Heat shield for side member	right	1	
2	8K0 863 203	Clip		X	
3	N 907 088 02	speed nut 5,0		X	
4	95B 804 165	Heat insulation Firewall	upper	1	PR:DD7,D1V,D43,D51
5	8R1 804 163 A	Heat shield for bulkhead	left	1	PR:L0L
			lower		
(5)	8R2 804 163 A	Firewall Heat shield for bulkhead	left	1	PR:L0R
			lower		
6	8R1 804 164	Firewall Heat shield for bulkhead	right	1	PR:L0L
			lower		
(6)	8R2 804 164	Firewall Heat shield for bulkhead	right	1	PR:L0R
			lower		
7	95B 804 160	Firewall Heat shield for tunnel	center	1	PR:-5C1,-5C6
(7)	PAC 804 160 00	Heat shield for tunnel	center	1	PR:5C1,5C6
8	8K0 804 160 P	Heat shield for tunnel	front	1	
9	95B 521 443	Heat shield for tunnel	rear	1	
10	95B 804 173 D	Heat shelf for centre silencer		1	PR:1E0
(10)	95B 804 173 C	Heat insulation Centre silencer		1	PR:1E1
(10)	95B 804 173 E	Heat shelf for centre silencer		1	PR:1E1
11	N 019 530 7	Hex collared bolt M8X25		2	
12	8R0 804 171 B	Heat shield for rear silencer	left	1	
13	8R0 804 172 D	Heat shield for rear silencer	right	1	
14	95B 825 216	Trim battery box		1	
15	95B 825 757 A	Heat shield for tunnel	left	1	
16	95B 825 758 A	Heat shield for tunnel	right	1	PR:DU1,DU0
17	8R0 825 001 C	Stone chip guard tunnel		1	
18	95B 825 352 B	Bracket Sill	right	1	
19	999 507 795 09	panel nut Bracket		1	
20	N 911 456 01	hexagon head bolt (combi) M8X28		4	
21	95B 803 979	Heat shield for tunnel		1	PR:G1D
22	95B 825 136	Bracket for trim Underbody D - MJ 2016>>		1	

Model: 95B

Model life 2014>>

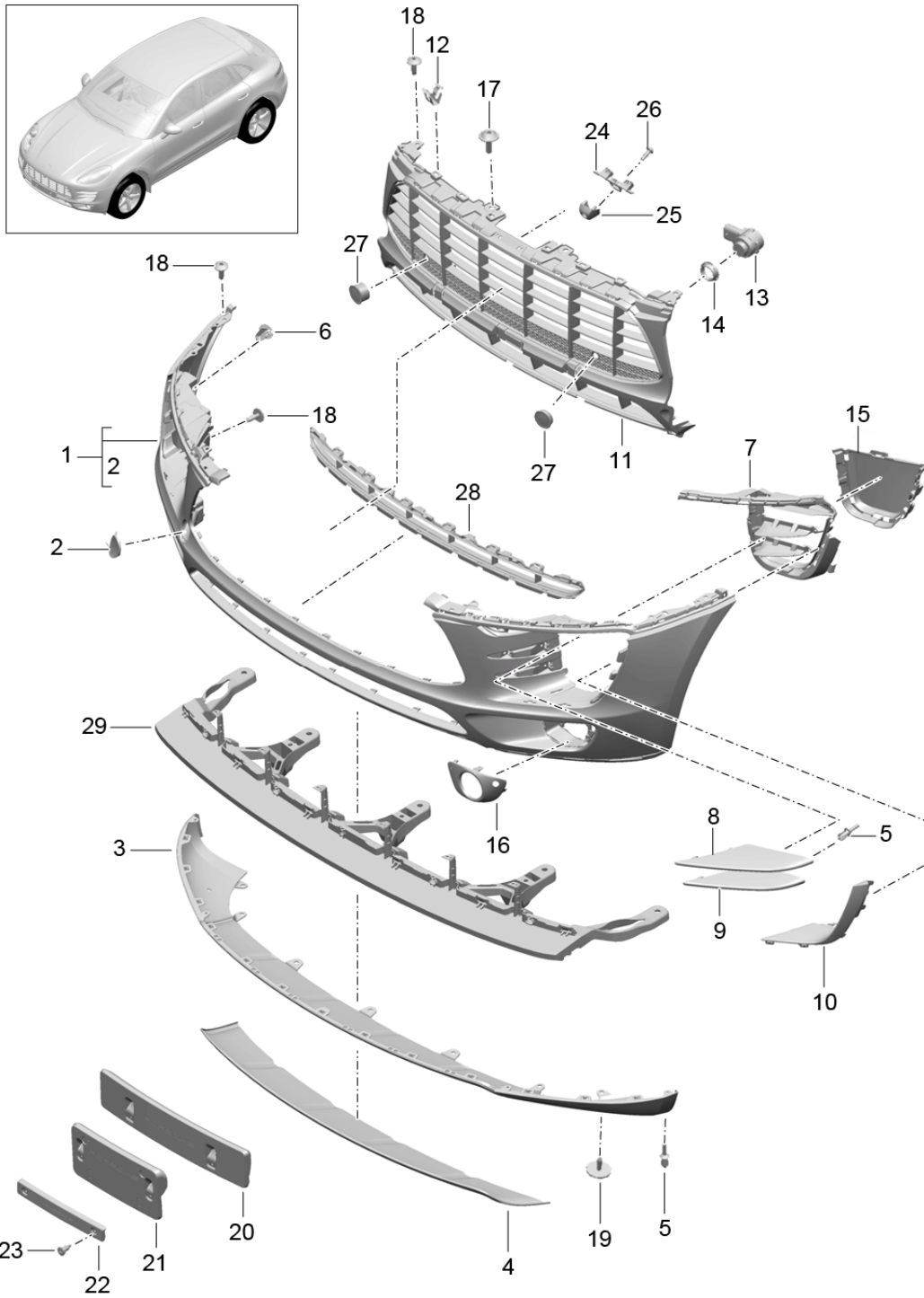


Model: 95B Model life 2014>>

Pos	Part Number	Description	Remark	Qty	Model
1	95B 809 961 D	Trim Wheel housing Wheel housing liner	left front	1	PR:D43,DD7, D51,DM0,DQ5
(1)	95B 809 962 D	Wheel housing liner	right front	1	PR:D43,DD7, D51,DM0,DQ5
2	95B 809 961 E	Wheel housing liner	left front	1	PR:DU1,DU0, D4A
(2)	95B 809 962 E	Wheel housing liner	right front	1	PR:DU1,DU0, D4A
3	95B 810 971 E	Wheel housing liner	left rear	1	
(3)	95B 810 972 E	Wheel housing liner	right rear	1	
4	N 909 747 01	Hexagon socket head panel bolt TP5X16-Q		X	
5	N 907 579 01	Hexagon collar nut T 5 22 X 11		X	
6	WHT 004 935	expanding nut TP5X15.5		X	
7	3D0 863 907	POS1 POS2 Clip		2	
8	999 507 795 09	POS1 POS2 panel nut ST4,8		2	

Model: 95B

Model life 2014>>



Model: 95B Model life 2014>>

Pos	Part Number	Description	Remark	Qty	Model
		bumper	front		
1	95B 807 221 A	Bumper cover	basic front	1	PR:DD7,DU0, D43,D1V,DM0, D51,D50,DQ5 PR:6W1,6W2, 6W4,6W7
1	95B 807 221 A G2X 95B 807 221 A	primed Bumper cover	front	1	PR:2D0,2D7, 8F2
2	95B 807 221 A G2X 95B 807 156	primed Cover cap		1	
3	95B 807 156 G2X 95B 807 061	primed Front spoiler		1	PR:2JB,2D0, 2D7
3	95B 807 061 1E0 95B 807 061 A	Discontinued part Black Front spoiler		1	PR:2JC,2JX, 2D0,2D7
3	95B 807 061 A 1E0 95B 807 061 F	for Trim stainless steel Discontinued part Black Front spoiler		1	PR:2D0,2D7, 2JU
4	95B 807 061 F 1E0 95B 807 833	ON-ROAD D - MJ 2016>> Discontinued part Black Trim		1	PR:2JC,2JX
5	95B 807 833 6M7 N 038 501 3	stainless steel stainless steel Spreader rivet		16	
6	WHT 004 935	A6,0X12,0 expanding nut		4	
7	95B 807 681	TP5X15.5 Grille	Closed left	1	
(7)	95B 807 681 1E0 95B 807 682	Black Grille	Closed right	1	
8	95B 807 682 1E0 95B 807 685	Black Disc	left upper	1	
(8)	95B 807 685 1E0 95B 807 686	Black Disc	right upper	1	
9	95B 807 686 1E0 95B 807 877	Black Disc	left lower	1	
(9)	95B 807 877 1E0 95B 807 878	Black Disc	right lower	1	
10	95B 807 878 1E0 95B 807 819	Black Trim	left	1	
(10)	95B 807 819 1E0 95B 807 820	Black Trim	right	1	
11	95B 807 820 1E0 95B 807 683 H	Black Grille	center	1	PR:7X2,7X8, 8T0,8T1,8T6
(11)	95B 807 683 H 1E0 95B 807 683 J	Black Grille	center	1	PR:7X2,7X8, 8T3
11	95B 807 683 J 1E0 95B 807 683 K	ACC Black Grille	center	1	PR:8A4,8T0, 8T1,8T6
			with:		
			with:		
	95B 807 683 K 1E0	Camera Black			

Model: 95B Model life 2014>>

Pos	Part Number	Description	Remark	Qty	Model
11	95B 807 683 L	Grille ACC and Camera	center	1	PR:8A4,8T3
(11)	95B 807 683 L 1E0 95B 807 683 R	Black Grille	center	1	PR:7X0,7X9, 8T0,8T1,8T6
		without:			
(11)	95B 807 683 R 1E0 95B 807 683 S	Parking aid Black Grille	center	1	PR:7X0,7X9, 8T3
		without:			
		Parking aid with:			
	95B 807 683 S 1E0	ACC Black			
12	999 507 836 09	Clamp 9,0X13,0/4,0		6	
13	5Q0 919 275	Sensor Parking aid		4	PR:7X2,7X8, 8A4
	5Q0 919 275 G2X	primed			
14	5Q0 919 133	seal ring Parking aid Sensors		4	PR:7X2,7X8, 8A4
15	95B 121 333	Air guide	Closed left	1	
(15)	95B 121 333 1E0 95B 121 334	Black Air guide	Closed right	1	
	95B 121 334 1E0	Black			
16	95B 807 795	cover for fog lamp	left	1	PR:7X0
(16)	95B 807 795 1E0 95B 807 796	Black cover for fog lamp	right	1	PR:7X0
(16)	95B 807 796 1E0 95B 807 795 B	Black cover for fog lamp	left	1	PR:7X2,7X8
		with:			
(16)	95B 807 795 B 1E0 95B 807 796 B	Black cover for fog lamp	right	1	PR:7X2,7X8
		with:			
17	95B 807 796 B 1E0 N 911 883 01	Black Hexagon socket head bolt M6X20		2	
18	N 909 747 01	Hexagon socket head panel bolt TP5X16-Q		10	
19	999 073 491 01	panel screw ST4,8X18-C		2	
20	95B 807 287 95B 807 287 1E0	Licence plate holder Black		1	PR:6W1
21	95B 807 287 C 95B 807 287 C 1E0	Licence plate holder Black		1	PR:6W4
22	95B 807 287 B 95B 807 287 B 1E0	Licence plate holder Black		1	PR:6W2
(22)	95B 807 287 D 95B 807 287 D 1E0	Licence plate holder Black		1	PR:6W7
23	999 919 243 01	Screw Licence plate holder 5,0X13,0		X	PR:6W2,6W3, 6W4,6W7

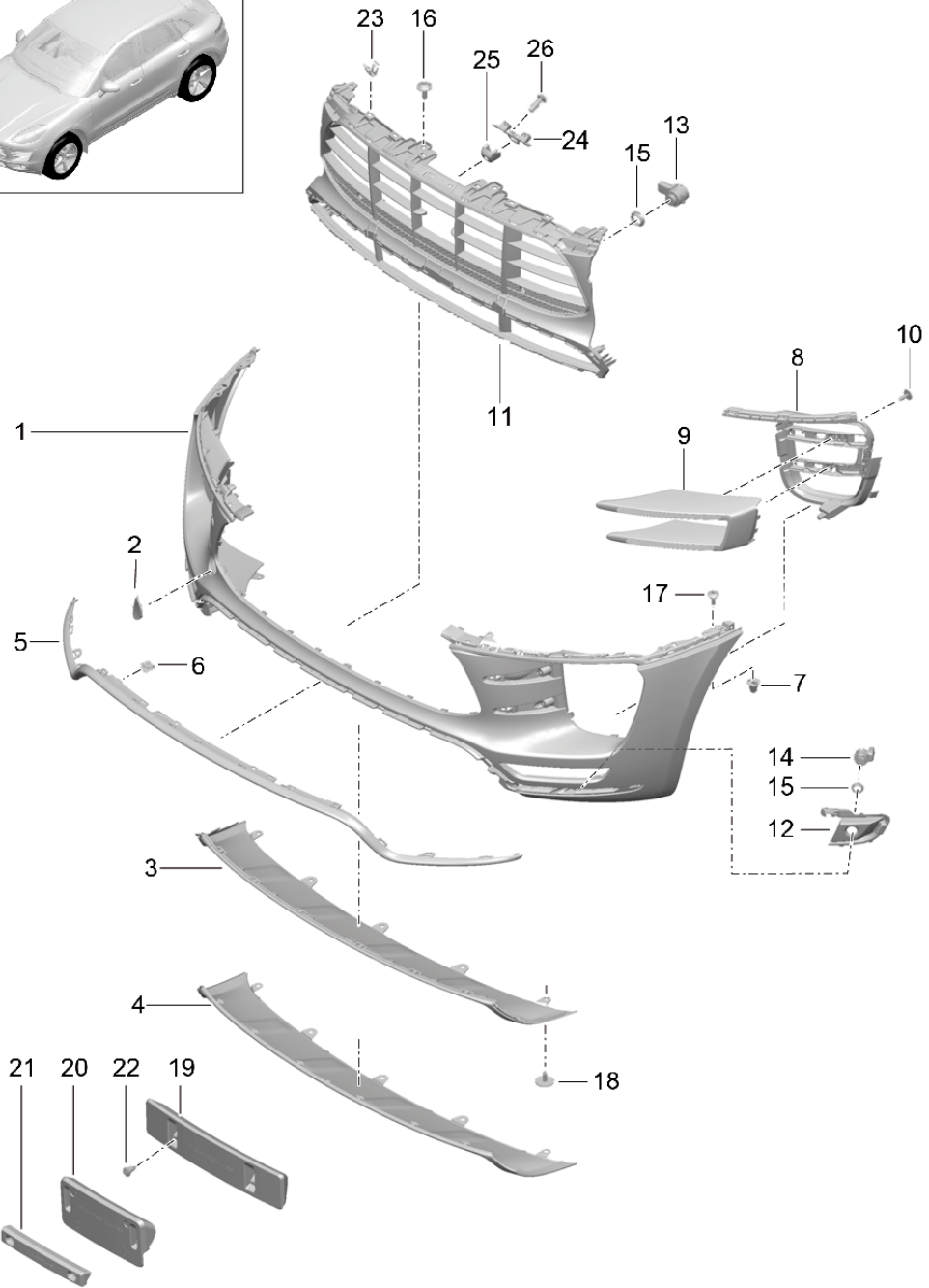
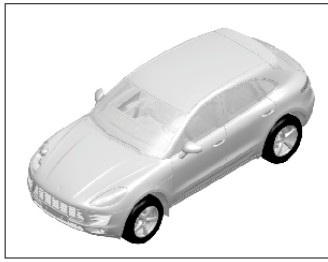
Model: 95B

Model life 2014>>

Pos	Part Number	Description	Remark	Qty	Model
24	95B 807 692	Bracket Camera		1	PR:8A4
25	95B 807 725	Trim Camera		1	PR:8A4
26	95B 807 725 1E0 N 104 159 03	Black Oval hexagon socket head bolt 4,0X12,0-Q		2	PR:8A4
27	95B 807 763	Trim without:	'Park assist' front	2	PR:8A4
28	95B 807 763 1E0 95B 805 935	Grille Black Grille Front spoiler		1	PR:2JU
29	95B 805 935 1E0 95B 805 842 95B 805 842 1E0	Black Cross member Black		1	PR:2JU

Model: 95B

Model life 2014>>



Model: 95B Model life 2014>>

Pos	Part Number	Description	Remark	Qty	Model
1	95B 807 221 E	bumper Turbo Bumper cover	front front	1	PR:DU1,DU3 PR:2D0,2D7, 2D8,8F2
2	95B 807 221 E G2X 95B 807 156 A 95B 807 156 A G2X	primed Cover cap primed		1	
3	95B 807 061 B 95B 807 061 B 1E0	Front spoiler Black		1	PR:2JB
(3)	95B 807 061 C	Front spoiler for Trim stainless steel		1	PR:2JC,2JX
4	95B 807 061 C 1E0 95B 807 833 A	Black Trim stainless steel		1	PR:2JC,2JX
5	95B 807 833 A 6M7 95B 807 110 95B 807 110 1E0	stainless steel Spoiler lip Black		1	PR:6KA
(5)	95B 807 110 95B 807 110 G2X	Spoiler lip primed		1	PR:6KC
6	N 905 319 02	U-clip 3,00-4,00		4	
7	WHT 004 935	expanding nut TP5X15.5		4	
8	95B 807 681 A 95B 807 681 A 1E0	Grille Black	left	1	
(8)	95B 807 682 A 95B 807 682 A 1E0	Grille Black	right	1	
9	95B 807 823 95B 807 823 1E0	Trim Black	left	1	
(9)	95B 807 823 041 95B 807 824 95B 807 824 1E0 95B 807 824 041	High-Gloss Black Trim Black High-Gloss Black	right	1	
10	N 909 747 01	Hexagon socket head panel bolt TP5X16-Q		4	
(11)	95B 807 683 AA	Grille for vehicles with parking aid	center	1	PR:8T0,8T1, 8T6,6KA,7X2, 7X8
(11)	95B 807 683 AA 1E0 95B 807 683 AA	Black Grille for vehicles with parking aid	center	1	PR:8T0,8T1, 8T6,6KC,7X2, 7X8
(11)	95B 807 683 AA 041 95B 807 683 AB	High-Gloss Black Grille For vehicles with adaptive cruise-control system 'ACC' and parking aid	center	1	PR:8T3,6KA, 7X2,7X8
(11)	95B 807 683 AB 1E0 95B 807 683 AB	Black Grille For vehicles with adaptive cruise-control system 'ACC' and parking aid	center	1	PR:8T3,6KC, 7X2,7X8
(11)	95B 807 683 AB 041 95B 807 683 AC	High-Gloss Black Grille	center	1	PR:8T0,8T1, 8T6,6KA,8A4
(11)	95B 807 683 AC 1E0 95B 807 683 AC	Real Top View Black Grille	center with:	1	PR:8T0,8T1, 8T6,6KC,8A4
(11)	95B 807 683 AC 041	Real Top View High-Gloss Black	center with:	1	PR:8T0,8T1, 8T6,6KC,8A4

Model: 95B Model life 2014>>

Pos	Part Number	Description	Remark	Qty	Model
(11)	95B 807 683 AD	Grille For vehicles with adaptive cruise control (ACC) Real Top View	center	1	PR:8T3,6KA, 8A4
(11)	95B 807 683 AD 1E0 95B 807 683 AD	Black Grille For vehicles with adaptive cruise control (ACC) Real Top View	center	1	PR:8T3,6KC, 8A4
(11)	95B 807 683 AD 041 95B 807 683 AE	High-Gloss Black Grille For vehicles without adaptive speed control	center	1	PR:8T0,8T1, 8T6,6KA,7X0, 7X9
(11)	95B 807 683 AE 1E0 95B 807 683 AE	Parking aid Black Grille For vehicles without adaptive speed control	center	1	PR:8T0,8T1, 8T6,6KC,7X0, 7X9
(11)	95B 807 683 AE 041 95B 807 683 AF	Parking aid High-Gloss Black Grille For vehicles with adaptive cruise-control system 'ACC' and without parking aid	center	1	PR:8T3,6KA, 7X0,7X9
(11)	95B 807 683 AF 1E0 95B 807 683 AF	Black Grille For vehicles with adaptive cruise-control system 'ACC' and without parking aid	center	1	PR:8T3,6KC, 7X0,7X9
12	95B 807 683 AF 041 95B 807 795 A	High-Gloss Black cover for fog lamp	left	1	PR:7X0
(12)	95B 807 795 A 1E0 95B 807 796 A	Black cover for fog lamp	right	1	PR:7X0
(12)	95B 807 796 A 1E0 95B 807 795 C	Black cover for fog lamp	left	1	PR:7X2,7X8
(12)	95B 807 795 C 1E0 95B 807 796 C	Black cover for fog lamp	right	1	PR:7X2,7X8
13	95B 807 796 C 1E0 5Q0 919 275	Black Sensor Grille Parking aid	inner	2	PR:7X2,7X8, 8A4
14	5Q0 919 275 G2X 5Q0 919 275 A	Parking aid primed Sensor	outer	2	PR:7X2,7X8, 8A4
15	5Q0 919 133	Parking aid seal ring Parking aid		4	PR:7X2,7X8, 8A4
16	N 911 883 01	Sensors Hexagon socket head bolt		2	
17	N 909 747 01	M6X20 Hexagon socket head panel bolt TP5X16-Q		10	

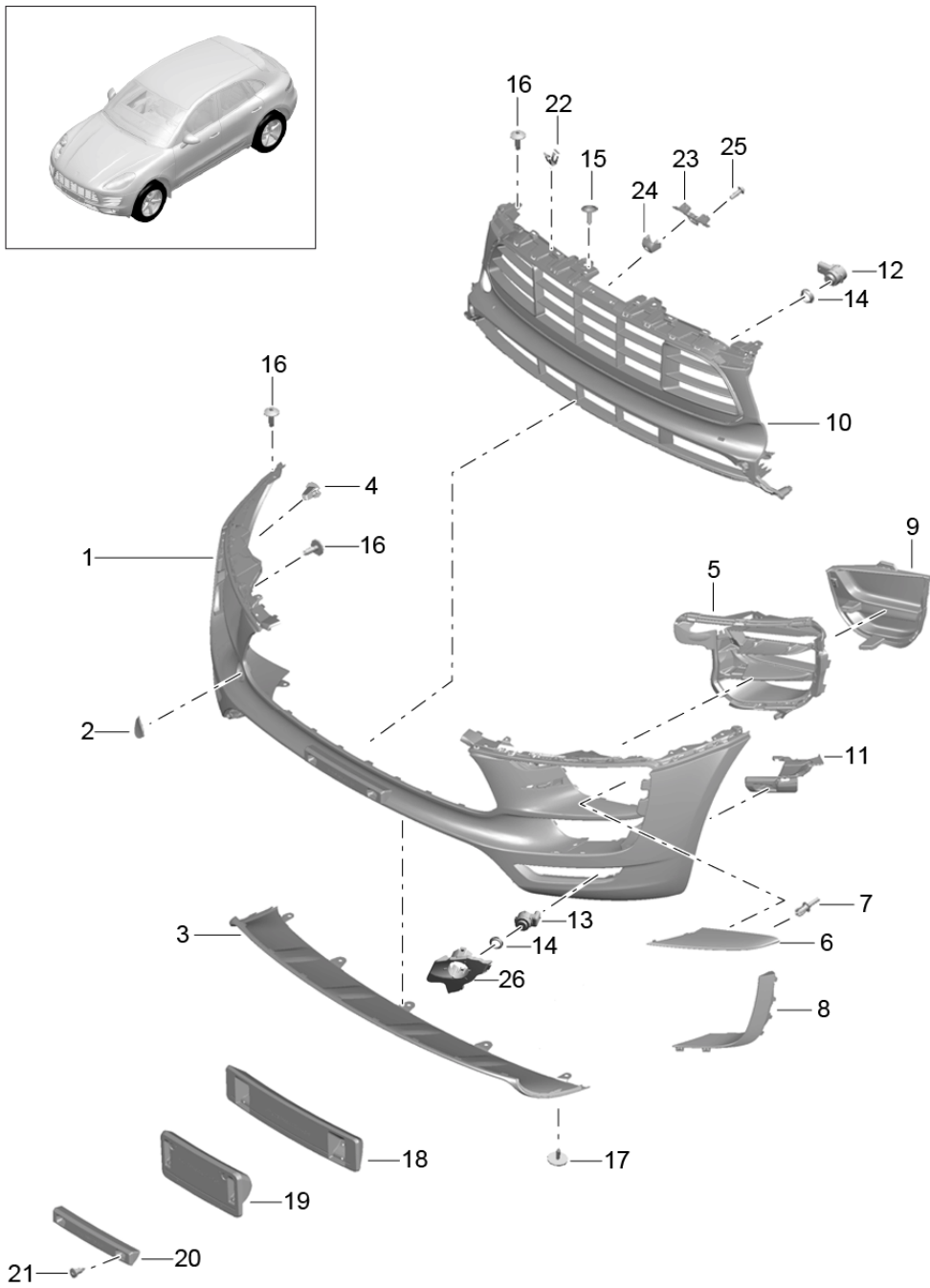
Model: 95B

Model life 2014>>

Pos	Part Number	Description	Remark	Qty	Model
18	999 073 491 01	panel screw ST4,8X18-C		7	
19	95B 807 287 E 95B 807 287 E 1E0	Carrier Black		1	PR:6W1
20	95B 807 287 H 95B 807 287 H 1E0	Carrier Black		1	PR:6W4
21	95B 807 287 G 95B 807 287 G 1E0	Carrier Black		1	PR:6W2
(21)	95B 807 287 J 95B 807 287 J 1E0	Carrier Black		1	PR:6W7
22	999 919 243 01	Screw Licence plate holder 5,0X13,0		X	PR:6W2,6W3, 6W4,6W7
23	999 507 836 09	Clamp 9,0X13,0/4,0		6	
24	95B 807 692	Bracket Camera		1	PR:8A4
25	95B 807 725 95B 807 725 1E0	Trim Camera Black		1	PR:8A4
26	N 104 159 03	Oval hexagon socket head bolt 4,0X12,0-Q		2	PR:8A4

Model: 95B

Model life 2014>>



Model: 95B Model life 2014>>

Pos	Part Number	Description	Remark	Qty	Model
		bumper GTS and Sport Design package	front		PR: 2D1, 2D2, 2D5, 2D6,
1	95B 807 221 H	Trim	front	1	PR: 8F2
	95B 807 221 H G2X	primed			
2	95B 807 156 B	Cover cap		1	
	95B 807 156 B G2X	primed			
3	95B 807 061 D	Front spoiler		1	
	95B 807 061 D G2X	primed			
4	WHT 004 935	expanding nut TP5X15.5		4	
5	95B 807 681 B	Grille	Closed left	1	PR: 2D1, 2D2
	95B 807 681 B OK1	Matt black			
5	95B 807 681 B	Grille	Closed left	1	PR: 2D5, 2D6
	95B 807 681 B G2X	primed			
(5)	95B 807 682 B	Grille	Closed right	1	PR: 2D1, 2D2
	95B 807 682 B OK1	Matt black			
(5)	95B 807 682 B	Grille	Closed right	1	PR: 2D5, 2D6
	95B 807 682 B G2X	primed			
6	95B 807 685 A	Disc	left upper	1	
	95B 807 685 A OK1	Matt black			
	95B 807 685 A G2X	primed			
(6)	95B 807 686 A	Disc	right upper	1	
	95B 807 686 A OK1	Matt black			
	95B 807 686 A G2X	primed			
7	N 038 501 3	Spreader rivet A6,0X12,0		6	
8	95B 807 819 A	Trim	left	1	
	95B 807 819 A OK1	Matt black			
	95B 807 819 A G2X	primed			
(8)	95B 807 820 A	Trim	right	1	
	95B 807 820 A OK1	Matt black			
	95B 807 820 A G2X	primed			
9	95B 121 333 A	Air guide	Closed left	1	
	95B 121 333 A 1E0	Black			
(9)	95B 121 334 A	Air guide	Closed right	1	
	95B 121 334 A 1E0	Black			
10	95B 807 683 AL	Grille	center	1	PR: 2D5, 2D6, 7X0, 7X9, 8T0, 8T1, 8T6, 2D1, 2D2
	95B 807 683 AL G2X	primed			
(10)	95B 807 683 AH	Grille	center	1	PR: 2D5, 2D6, 7X2, 7X8, 8T3
	95B 807 683 AH G2X	primed			
(10)	95B 807 683 AH	Grille For vehicles with adaptive cruise-control system 'ACC' and parking aid	center	1	PR: 2D1, 2D2, 7X2, 7X8, 8T3
	95B 807 683 AH OK1	Matt black			
(10)	95B 807 683 AJ	Grille for vehicles with parking aid	center	1	PR: 2D5, 2D6, 8A4, 8T0, 8T1, 8T6
	95B 807 683 AJ G2X	Real Top View primed			
(10)	95B 807 683 AJ	Grille	center	1	PR: 2D1, 2D2,

Model: 95B Model life 2014>>

Pos	Part Number	Description	Remark	Qty	Model
(10)	95B 807 683 AJ OK1 95B 807 683 AK	for vehicles with parking aid Real Top View Matt black Grille	center	1	8A4, 8T0, 8T1, 8T6 PR: 2D5, 2D6, 8A4, 8T3
(10)	95B 807 683 AK G2X 95B 807 683 AK	For vehicles with adaptive cruise-control system 'ACC' and parking aid Real Top View primed Grille	center	1	PR: 2D1, 2D2, 8A4, 8T3
(10)	95B 807 683 AK OK1 95B 807 683 AG	Matt black Grille	center	1	PR: 2D5, 2D6, 7X2, 7X8, 8T0, 8T1, 8T6
(10)	95B 807 683 AG G2X 95B 807 683 AG	for vehicles with parking aid primed Grille	center	1	PR: 2D1, 2D2, 7X2, 7X8, 8T0, 8T1, 8T6
(10)	95B 807 683 AG OK1 95B 807 683 AM	Matt black Grille	center	1	PR: 2D5, 2D6, 7X0, 7X9, 8T3
(10)	95B 807 683 AM G2X 95B 807 683 AM	For vehicles with adaptive cruise-control system 'ACC' and without parking aid primed Grille	center	1	PR: 2D1, 2D2, 7X0, 7X9, 8T3
11	95B 807 683 AM OK1 95B 807 795 D	Matt black cover for fog lamp	left	1	PR: 7X0, 7X9
(11)	95B 807 795 D OK1 95B 807 795 D G2X 95B 807 796 D	Matt black primed cover for fog lamp	right	1	PR: 7X0, 7X9
(11)	95B 807 796 D OK1 95B 807 796 D G2X 95B 807 795 E	Matt black primed cover for fog lamp	left	1	PR: 7X2, 7X8, 8A4
(11)	95B 807 795 E OK1 95B 807 795 E G2X 95B 807 796 E	Matt black primed cover for fog lamp	right	1	PR: 7X2, 7X8, 8A4
12	95B 807 796 E OK1 95B 807 796 E G2X 5Q0 919 275	Matt black primed Sensor Grille	inner	2	PR: 7X2, 7X8, 8A4
13	5Q0 919 275 G2X 5Q0 919 275 A	Parking aid primed Sensor	outer	2	PR: 7X2, 7X8, 8A4
14	5Q0 919 133	Parking aid seal ring Parking aid		4	PR: 7X2, 7X8, 8A4
15	N 911 883 01	Sensors Hexagon socket head		2	

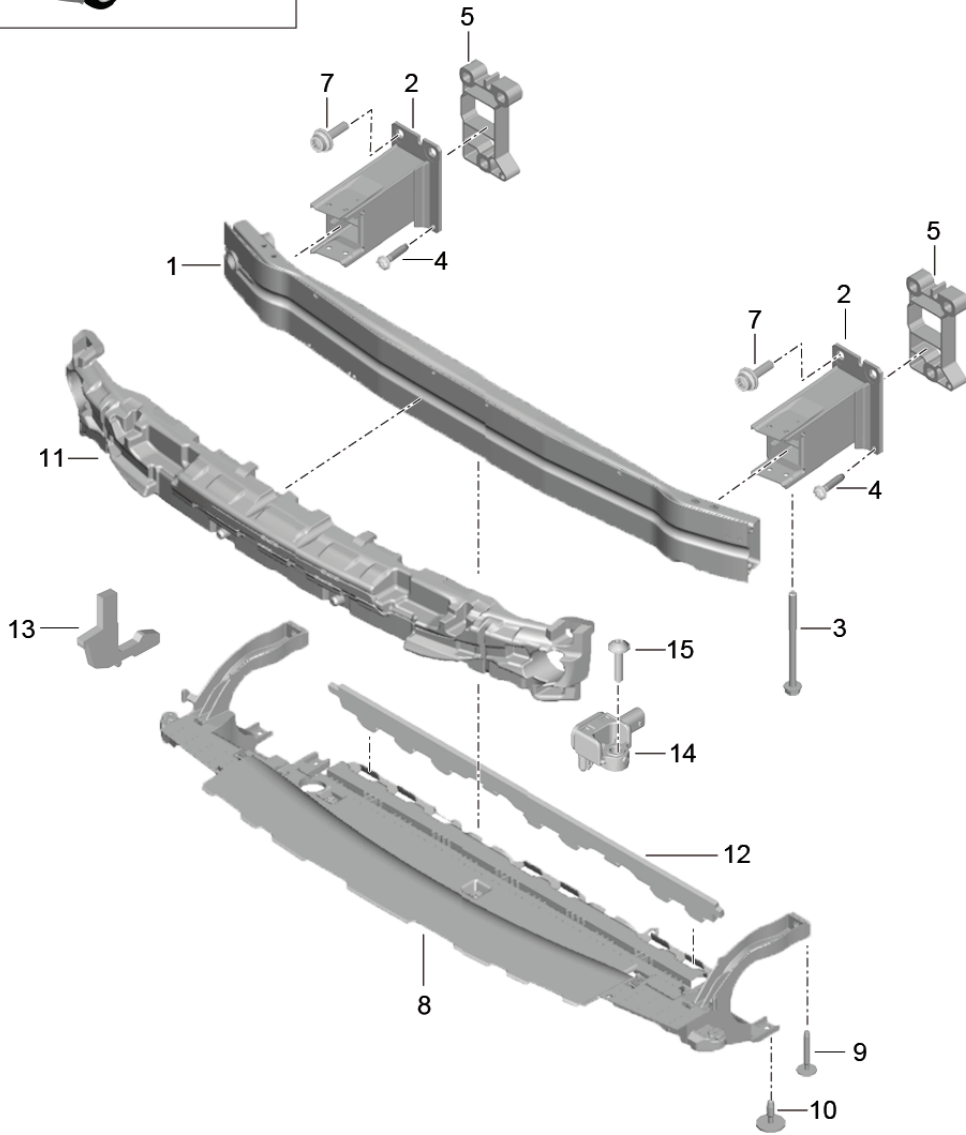
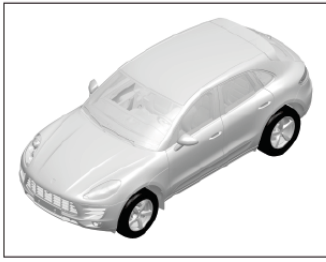
Model: 95B

Model life 2014>>

Pos	Part Number	Description	Remark	Qty	Model
16	N 909 747 01	bolt M6X20 Hexagon socket head panel bolt TP5X16-Q		10	
17	999 073 491 01	panel screw ST4,8X18-C		7	
18	95B 807 287 K 95B 807 287 K 1E0	Licence plate holder Black		1	PR:6W1
19	95B 807 287 N 95B 807 287 N 1E0	Licence plate holder Black		1	PR:6W4
20	95B 807 287 M 95B 807 287 M 1E0	Licence plate holder Black		1	PR:6W2
(20)	95B 807 287 P 95B 807 287 P 1E0	Licence plate holder Black		1	PR:6W7
21	999 919 243 01	Screw Licence plate holder 5,0X13,0		X	PR:6W2,6W3, 6W4,6W7
22	999 507 836 09	Clamp 9,0X13,0/4,0		6	
23	95B 807 692	Bracket Camera		1	PR:8A4
24	95B 807 725 A 95B 807 725 A OK1 95B 807 725 A G2X	Trim Camera Matt black primed		1	PR:8A4
25	N 104 159 03	Oval hexagon socket head bolt 4,0X12,0-Q		2	PR:8A4
26	95B 807 129 A	Bracket Parking aid SENSOREN	left inner	1	
(26)	95B 807 130 A	Bracket Parking aid Sensors	right inner	1	

Model: 95B

Model life 2014>>



Model: 95B Model life 2014>>

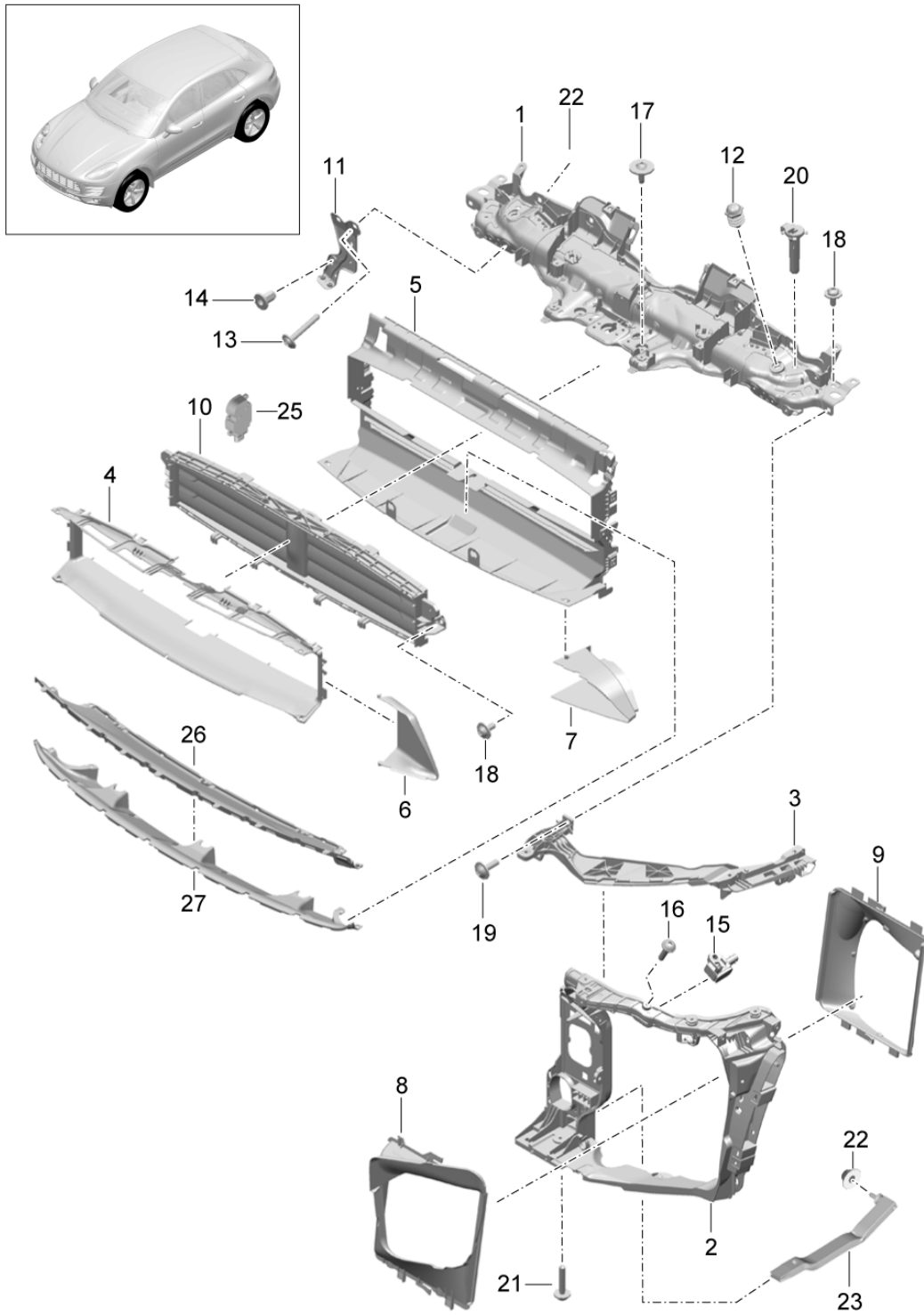
Pos	Part Number	Description	Remark	Qty	Model
1	8R0 807 113 D	Bumper carrier	front	1	
2	8R0 807 133 A	Bumper carrier Bracket	left	1	
(2)	8R0 807 134 D	Bumper carrier holder for bumper bracket	right	1	
3	N 100 362 03	hexagon head bolt (combi) M8X105X41		4	
4	N 105 539 03	fillister hd. bolt 6,0X30,0-Q		2	PR:B0A,B0E, B0L,B0M,B0N, B0R,B1C,B1D, B1P,B2A,B2G, B2H
7	N 911 530 01	Socket head bolt with inner multipoint head (Kombi) M10X35-ITR		6	PR:B0A,B0L, B0M,B0N,B0R, B1C,B1D,B1P, B2A,B2G,B2H
8	95B 805 241	Cross member Pedestrian protection		1	PR:DD7,DE5, DM0,DU0,D43, DQ5
(8)	95B 805 241 B	Cross member Pedestrian protection		1	PR:DU1,DU3, 2D0,2D7,2D8
(8)	95B 805 241 B	Cross member Pedestrian protection		1	PR:2D1,2D2, 2D5,2D6
9	WHT 007 484	Sport Design package Bolt with washer 6,0X40,0		2	
10	N 911 182 01	Hex socket head bolt (combi) 6,0X20-R-L		4	
11	95B 807 550 G	Plastic foam strip Basic equipment		1	PR:B0A,B0L, B0M,B0N,B0R, B1C,B1D,B1P, B2A,B0E,B2G, B2H,DU0,D4A 2D0,2D7,DQ5
11	95B 807 550 G	Plastic foam strip	basic	1	PR:D43,DD7, D1V,D50,D51, DQ5,2D0,2D7
11	95B 807 550 G	Plastic foam strip	basic	1	PR:B3D,DU0, D4A,2D0,2D7
(11)	95B 807 550 F	Plastic foam strip Turbo		1	PR:B0A,B0L, B0M,B0N,B0R, B1C,B1D,B1P, B2A,B0E,B2G, B2H,2D0,2D7
(11)	95B 807 550 F	Plastic foam strip Turbo		1	PR:B0A,B0L, B0M,B0N,B0R, B1C,B1P,B2A, B2G,B2H,DU1, DU3,2D8
(11)	95B 807 550 F	Plastic foam strip Turbo		1	PR:B1D,DU1, 2D0,2D7
(11)	95B 807 550 F	Plastic foam strip Turbo		1	PR:B1D,DU1, DU3,2D8
(11)	95B 807 550 F	Plastic foam strip Turbo		1	PR:B3D,DU1, 2D0,2D7
(11)	95B 807 550 H	Plastic foam strip Sport Design package		1	PR:B0A,B0L, B0M,B0N,B0R, B1C,B1D,B1P, B2A,B2G,B2H, DU1,DU3,2D1, 2D2,2D5,2D6

Model: 95B Model life 2014>>

Pos	Part Number	Description	Remark	Qty	Model
(11)	95B 807 550 H	Plastic foam strip Sport Design package		1	PR:B0A,B0L, B0M,B0N,B0R, B1C,B1D,B1P, B2A,B2G,B2H, DU0,D4A,2D1, 2D2,2D5,2D6
(11)	95B 807 550 J	Plastic foam strip Sport Design package		1	PR:B0A,B0L, B0M,B0N,B0R, B1C,B1D,B1P, B2A,B2G,B2H, DU1,DU3,2D1, 2D2,2D5,2D6, PR:B0A,B0L, B0M,B0N,B0R, B1C,B1D,B1P, B2A,B2G,B2H, DU0,D4A,2D1, 2D2,2D5,2D6, PR:D43,DD7, D1V,D50,D51, DQ5,2D1,2D2, 2D5,2D6, PR:B3D,DU1, DU3,DU0,D4A, 2D1,2D2,2D5, 2D6,B2H
(11)	95B 807 550 J	Plastic foam strip Sport Design package		1	PR:B0A,B0L, B0M,B0N,B0R, B1C,B1D,B1P, B2A,B2G,B2H, DU0,D4A,2D1, 2D2,2D5,2D6, PR:D43,DD7, D1V,D50,D51, DQ5,2D1,2D2, 2D5,2D6, PR:B3D,DU1, DU3,DU0,D4A, 2D1,2D2,2D5, 2D6,B2H
(11)	95B 807 550 J	Plastic foam strip Sport Design package		1	PR:D43,DD7, D1V,D50,D51, DQ5,2D1,2D2, 2D5,2D6, PR:B3D,DU1, DU3,DU0,D4A, 2D1,2D2,2D5, 2D6,B2H
(11)	95B 807 550 J	Plastic foam strip Sport Design package		1	PR:B3D,DU1, DU3,DU0,D4A, 2D1,2D2,2D5, 2D6,B2H
-		Connecting line Aerial VTS vehicle tracking see illustration:	911-010 center	1	
12	95B 121 289	Sealing strip	center	1	PR:DE5,D43, D51,D1V,DD7, DM0
(12)	95B 121 289 A	Sealing strip	center	1	PR:DU0,DU1
13	95B 121 675	Sealing strip	side	2	PR:DM0,DQ5
(13)	95B 121 675 B	Sealing strip	side	2	PR:D43,DD7, D1V,D51
(13)	95B 121 675 E	Sealing strip	side	2	PR:DU1
(13)	95B 121 675 E	Sealing strip	side	2	PR:DU0,2D1, 2D2,2D5,2D6
(13)	95B 121 675 F	Sport Design package Sealing strip	side	2	PR:DU0
(13)	95B 121 675 H	Sealing strip Sport Design package	side	2	PR:D43,D1V, D51,DD7,DM0, 2D1,2D2,2D5, 2D6,D50
14	2H0 959 652	Crash sensor for airbag		2	
15	N 106 321 02	Oval hexagon socket head bolt 6,0X20-R-L		2	

Model: 95B

Model life 2014>>



Model: 95B Model life 2014>>

Pos	Part Number	Description	Remark	Qty	Model
1	95B 805 931 F	Carrier Cooler for coolant Air guide and lock carrier lock carrier	basic also use: 95B 823 411 95B 823 347	1	PR:D43,DD7, D1V,D51,DM0, DQ5
1	95B 805 931 F	D >> - MJ 2014 lock carrier D - MJ 2015>>	basic	1	PR:D43,DD7, D1V,D51,DM0, DQ5
(1)	95B 805 931 G	lock carrier Turbo also use:	95B 823 411 95B 823 347	1	PR:DU1,DU0, D4A
-	95B 128 146 A	Seal lock carrier	left	1	
-	95B 129 146 A	Seal lock carrier	right	1	
2	95B 805 295	Carrier Charge air cooler	left	1	
2	95B 805 594	Carrier Charge air cooler	right	1	
3	95B 807 889 A	Guide piece	left	1	
(3)	95B 807 890 A	Guide piece	right	1	
4	95B 121 710	Air guide For vehicles without adaptive speed control		1	PR:8T0,8T1, 8T6,2D0,2D7
(4)	95B 121 710 1E0 95B 121 710 B	Black Air guide For vehicles without adaptive speed control		1	PR:8T0,8T1, 8T6,2D1,2D2, 2D5,2D6
(4)	95B 121 710 B 1E0 95B 121 710 A	Sport Design package Black Air guide For vehicles with adaptive cruise control (ACC)		1	PR:8T3,2D0, 2D7
(4)	95B 121 710 A 1E0 95B 121 710 C	Black Air guide For vehicles with adaptive cruise control (ACC)		1	PR:8T3,2D1, 2D2,2D5,2D6
5	95B 121 710 C 1E0	Sport Design package Black Air guide	rear see illustration: 105-080	1	
6	95B 121 673	Air guide	left basic	1	
(6)	95B 121 673 1E0 95B 121 673 B	Black Air guide Sport Design package	left	1	PR:2D1,2D2, 2D5,2D6
(6)	95B 121 673 B 1E0 95B 121 674	Black Air guide	right basic	1	
(6)	95B 121 674 1E0 95B 121 674 B	Black Air guide Sport Design package	right	1	PR:2D1,2D2, 2D5,2D6
7	95B 121 674 B 1E0 95B 121 699 F	Black Air guide Air flap	left	1	PR:DD7,DU0, D43,DE5,DM0, D1V,D51,DQ5

Model: 95B

Model life 2014>>

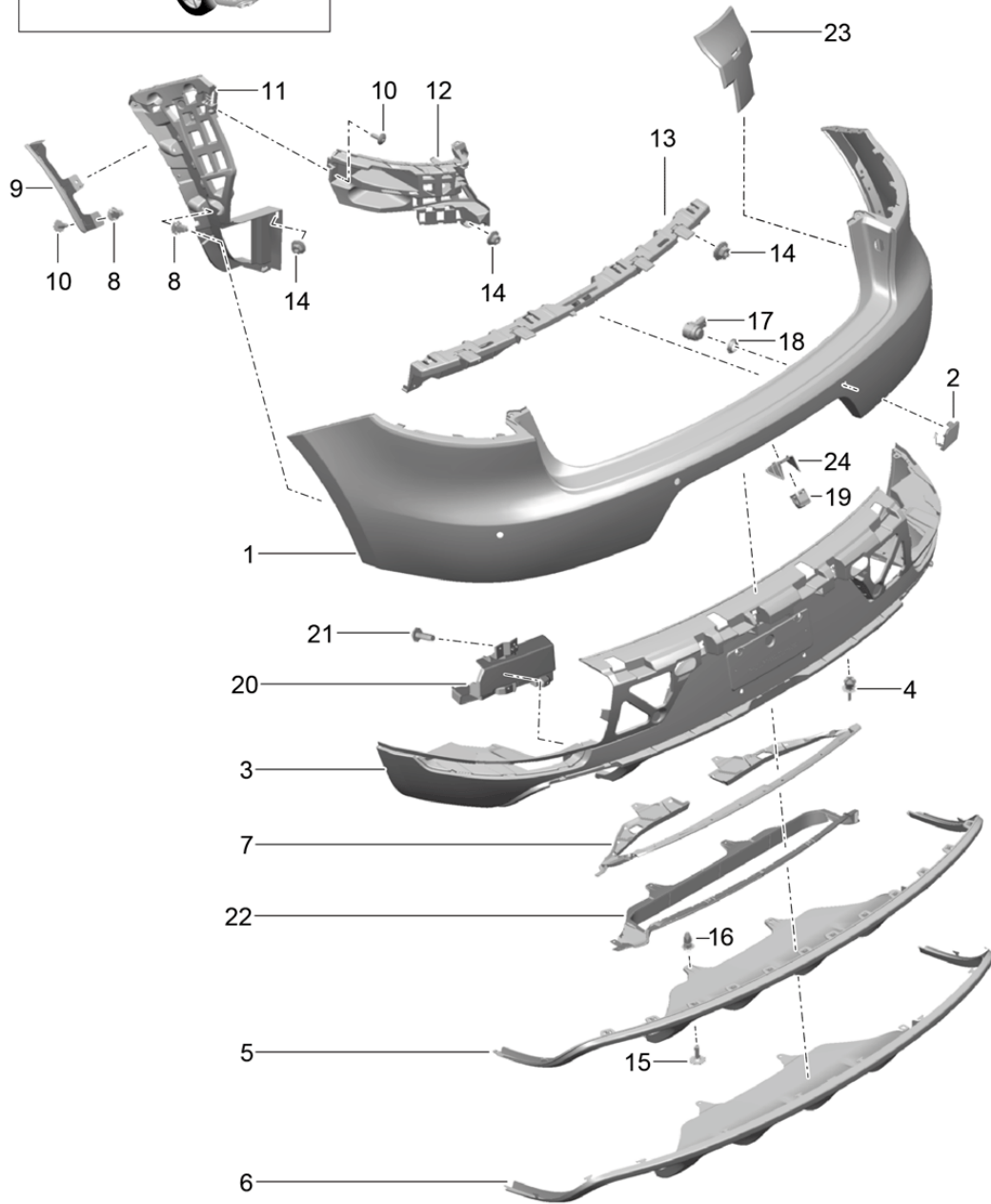
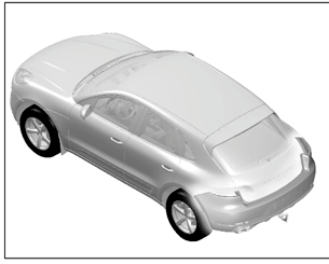
Pos	Part Number	Description	Remark	Qty	Model
(7)	95B 121 699 F 1E0 95B 121 700 B	Black Air guide Air flap	right	1	PR:DD7,DU0, D43,DE5,DM0, D1V,D51,DQ5
(7)	95B 121 700 B 1E0 95B 121 699 C	Black Air guide Air flap	left	1	PR:DU1,2D0, 2D7
(7)	95B 121 699 C 1E0 95B 121 699 C	Black Air guide Air flap Sport Design package	left	1	PR:2D1,2D2, 2D5,2D6
(7)	95B 121 699 C 1E0 95B 121 700 C	Black Air guide Air flap	right	1	PR:DU1,2D0, 2D7
(7)	95B 121 700 C 1E0 95B 121 700 C	Black Air guide Air flap Sport Design package	right	1	PR:2D1,2D2, 2D5,2D6
8	95B 121 700 C 1E0 95B 117 335	Black Air guide	left	1	PR:DU0,2D0, 2D7
(8)	95B 117 336	Air guide	right	1	PR:DU0,2D0, 2D7
(8)	95B 117 335 A	Air guide	left	1	PR:DU1,DU3, 2D0,2D7,2D8
(8)	95B 117 336 A	Air guide	right	1	PR:DU1,DU3 2D0,2D7,2D8
(8)	95B 117 335 B	Air guide Sport Design package	left	1	PR:DU1,DU0, 2D1,2D2,2D5, 2D6
(8)	95B 117 336 B	Air guide Sport Design package	right	1	PR:DU1,DU0, 2D1,2D2,2D5, 2D6
(8)	95B 117 339 B	Air guide	left	1	PR:D4A
(8)	95B 117 340	Air guide	right	1	PR:D4A
9	95B 117 339	Air guide Discontinued part	left	1	PR:DU1,DU0
(9)	95B 117 340	Air guide	right	1	PR:DU1,DU0
10	95B 121 257 Y	disc set Discontinued part		1	PR:B0A,B0L, B0M,B0N,B0R, B1C,B1D,B1P, B2A,B2G,B2H, DU0,DU1
10	95B 121 257 Y	disc set		1	PR:D43,DD7, D1V,D50,D51, DM0,DQ5,D4A
10	95B 121 257 Y	disc set Discontinued part		1	PR:B3D,DU0, DU1
11	95B 807 333	Support	left	1	PR:D43,DD7, D1V,DM0,D51
(11)	95B 807 334	Support	right	1	PR:D43,DD7, D1V,DM0,D51
12	955 511 500 00	Rubber buffer		2	
13	N 911 463 01	Oval hexagon socket head bolt M6X42		4	
14	N 910 240 01	rivettted cap nut M6/0,75-3,5		1	
15	2H0 959 652	Crash sensor for airbag		2	
16	N 106 321 02	Oval hexagon socket head bolt M6X25		2	
17	N 911 080 01	Hexagon socket oval head panel bolt (combi)		2	

Model: 95B Model life 2014>>

Pos	Part Number	Description	Remark	Qty	Model
18	N 104 114 02	5,0X16,0-Q Hexagon socket oval head bolt (combi) M6X16-TC		X	
19	N 911 405 02	Torx socket head bolt M6X22		8	
20	WHT 001 506 A	Securing pin 19X46.2		2	
21	N 911 657 01	Hex socket head bolt (combi) M6X35-TC		2	
22	N 907 611 03	Hexagon collar nut self-locking M8		2	
23	95B 805 527	Brace	left	1	
(23)	95B 805 528	Brace	right	1	
25	95B 965 501 B	Servomotor Disc pack Discontinued part		1	
25	95B 965 501 H	Servomotor Disc pack		1	
26	95B 805 187	Air guide ON-ROAD	upper	1	PR:2JU
27	95B 805 187 1E0	Black			
	95B 805 647 A	Air guide ON-ROAD	lower	1	PR:2JU
	95B 805 647 A 1E0	Black			

Model: 95B

Model life 2014>>



Model: 95B Model life 2014>>

Pos	Part Number	Description	Remark	Qty	Model
1	95B 807 421 H	bumper Bumper cover For vehicles without parking aid and Reversing camera Discontinued part	rear rear	1	PR:7X0
(1)	95B 807 421 H G2X 95B 807 417 F	primed Bumper cover for vehicles with parking aid	rear	1	PR:7X2
(1)	95B 807 417 F G2X 95B 807 421 C	without: Reversing camera Discontinued part primed Bumper cover For vehicles with reversing camera system	rear	1	PR:7X9
(1)	95B 807 421 C G2X 95B 807 417 G	without: Parking aid primed Bumper cover For vehicles with parking aid and reversing camera system Discontinued part	rear	1	PR:7X8,8A4
2	95B 807 417 G G2X 95B 807 500 95B 807 500 G2X	primed Cover cap primed		1	
3	95B 807 521 M	Spoiler Discontinued part	rear	1	PR:D43,D51, DM0,DU0,DD7, 2D0,6W1,6W2, 6W3,DQ5,2D7, D1V,D50
(3)	95B 807 521 M 1E0 95B 807 521 P	Black Spoiler Discontinued part	rear	1	PR:D43,D51, DM0,DU0,D1V, DD7,2D0,2D7, 6W4,D4A,D51, DQ5
(3)	95B 807 521 P 1E0 95B 807 521 AE	Black Spoiler	rear	1	PR:DU1,2D0, 2D7,2D8,6W4 DU3
(3)	95B 807 521 AE G2X 95B 807 521 AD	Turbo version primed Spoiler	Japan rear	1	
(3)	95B 807 521 AD 1E0 95B 807 521 S	version Black Spoiler	China rear	1	PR:D43,D51, DM0,DU0,2D0, 2D7,6W7,D1V D4A,D51,DD7 DQ5
(3)	95B 807 521 S G2X 95B 807 521 S	version Discontinued part primed Spoiler version Discontinued part	China rear China	1	PR:DU1,2D0, 6W7
(3)	95B 807 521 S G2X 95B 807 521 N 95B 807 521 N G2X	primed Spoiler primed Spoiler primed	rear rear	1	PR:2D7,6W7 2D1,2D2,2D5 2D6
(3)	95B 807 521 S G2X 95B 807 521 N 95B 807 521 N G2X	primed Spoiler primed	rear	1	PR:0UA,0UD, 2D1,2D2,2D5, 2D6,2D7,6W1,

Model: 95B Model life 2014>>

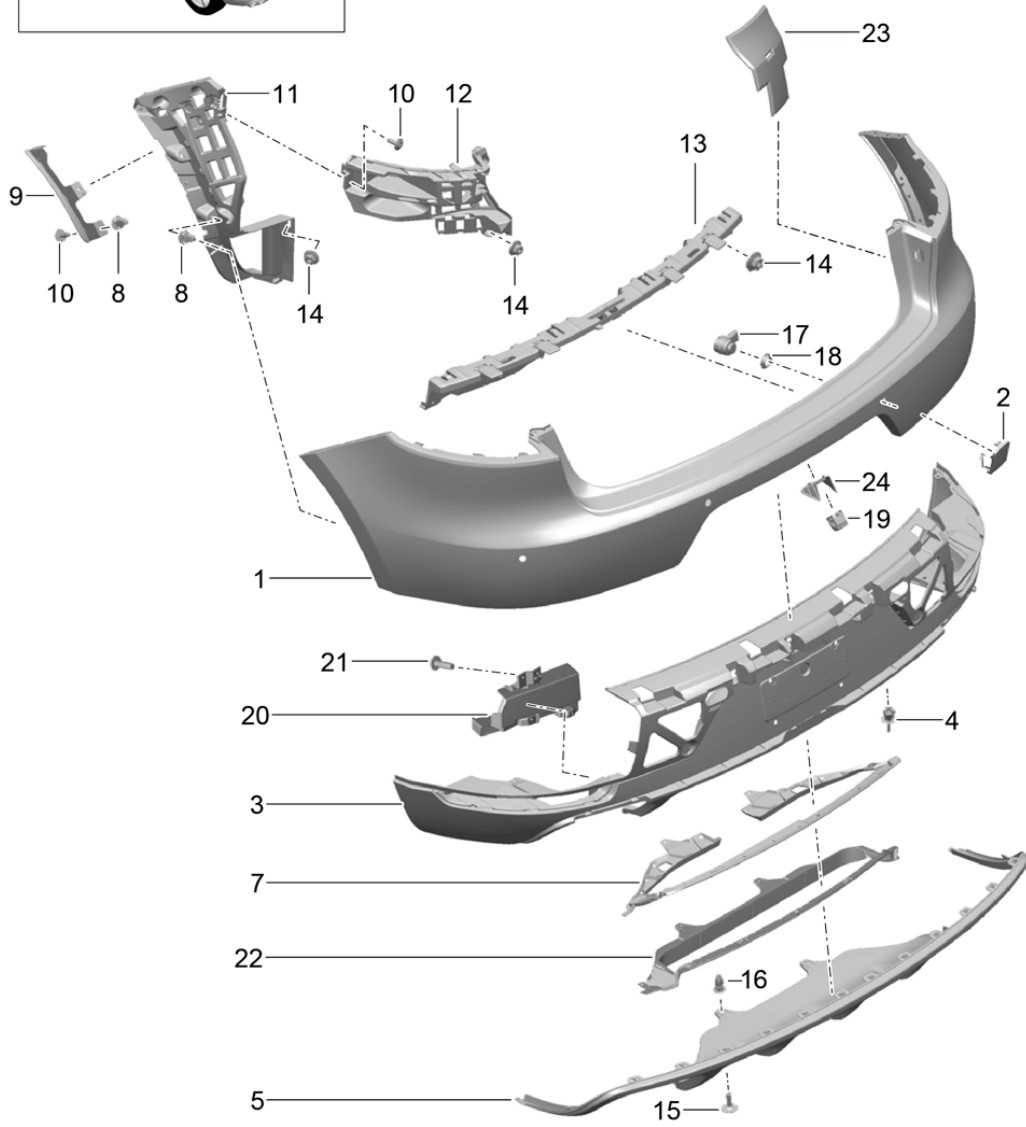
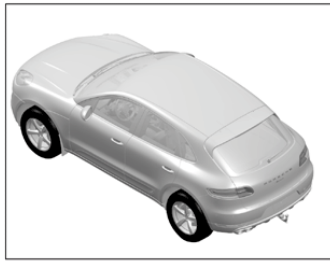
Pos	Part Number	Description	Remark	Qty	Model
(3)	95B 807 521 N	Spoiler	rear	1	6W2,6W3 PR:DU1,2D0, 6W1,6W2,6W3
4	95B 807 521 N G2X N 038 549 4	Turbo primed Spreader rivet A-8X12		6	PR:B2G,B2H
5	95B 807 834	Trim	rear	1	PR:1D0,1D7, 1D8,2D0,2D7, 2JB,2JC,2JU
		without: Tow hitch and stainless steel Discontinued part			
(5)	95B 807 834 1E0 95B 807 834 B	Black Trim	rear	1	PR:1D3,2D0, 2D7,2JB,2JC, 2JU
		without: stainless steel			
(5)	95B 807 834 B 1E0 95B 807 834 D	Black Trim	rear	1	PR:1D6,2JB, 2JC,2JU,2D0, 2D1,2D5,2D7
		without: Tow hitch USA			
(5)	95B 807 834 D 1E0 95B 807 834 E	stainless steel Discontinued part Black Trim	rear	1	PR:1D0,1D3, 1D7,1D8,2D1, 2D2,2D8
		without: Tow hitch Electric			
(5)	95B 807 834 E G2X 95B 807 834 A	stainless steel Discontinued part primed Trim	rear	1	PR:1D0,1D7, 1D8,2D0,2D7, 2JX
		without: Tow hitch stainless steel Discontinued part			
6	95B 807 834 A 1E0 95B 807 837	Black Trim		1	PR:1D0,1D7, 1D8,2JX
		without: Tow hitch stainless steel			
(7)	95B 807 837 6M7	stainless steel		1	PR:1D3,1D6
8	95B 807 883 WHT 004 935	Reinforcement expanding nut TP5X15.5		X	
9	95B 853 827 A	wheel cover	left rear	1	PR:H6K,H6N, H6P
(9)	95B 853 827 A 1E0 95B 853 828 A	Black wheel cover	right rear	1	PR:H6K,H6N, H6P
10	95B 853 828 A 1E0 N 909 747 01	Black Hexagon socket head panel bolt TP5X16-Q		X	
11	95B 807 253	Bracket	left rear	1	

Model: 95B Model life 2014>>

Pos	Part Number	Description	Remark	Qty	Model
(11)	95B 807 254	Bracket	side right	1	
12	95B 807 571	Bracket	rear side left	1	
(12)	95B 807 572	Bracket	right	1	
13	95B 807 863	Securing strip	center	1	
14	999 076 042 01	Hexagon nut M 6-S-SC		X	
15	N 907 750 01	Hexagon socket head panel bolt ST4,8X16		2	
16	N 908 214 01	expanding nut ST 4,8		2	
17	5Q0 919 275	Sensor Parking aid		4	PR:7X2,7X8, 8A4
	5Q0 919 275 G2X	primed			
18	5Q0 919 133	seal ring Parking aid Sensors		4	PR:7X2,7X8, 8A4
19	95B 807 997	Support for reversing camera		1	PR:7X8,7X9
	95B 807 997 1E0	Black			
19	95B 807 997 A	Support for reversing camera		1	PR:8A4
	95B 807 997 A 1E0	Black			
20	95B 807 275	Shock absorber	left inner	1	PR:5C6
(20)	95B 807 276	Shock absorber	right inner	1	PR:5C6
21	N 104 159 03	Oval hexagon socket head bolt 4,0X12,0-Q		8	
22	95B 807 925	Grille Trim Sport Design package		1	PR:1D0,1D3, 1D7,1D8,2D1, 2D2,2D5,2D6
	95B 807 925 1E0	Black			
23	95B 805 885	Sound absorber	left	1	
(23)	95B 805 886	Sound absorber	right	1	
24	95B 807 286	Bracket Reversing camera		1	PR:7X8
24	95B 807 286 A	Bracket Reversing camera		1	PR:8A4

Model: 95B

Model life 2014>>



Model: 95B Model life 2014>>

Pos	Part Number	Description	Remark	Qty	Model
		bumper	rear		PR:2D1,2D2,2D5,2D6
1	95B 807 421 H	Sport Design package and GTS Bumper cover For vehicles without parking aid and Reversing camera Discontinued part	rear	1	PR:7X0
(1)	95B 807 421 H G2X 95B 807 417 F	primed Bumper cover for vehicles with parking aid	rear	1	PR:7X2
(1)	95B 807 417 F G2X 95B 807 417 G	without: Reversing camera Discontinued part primed Bumper cover For vehicles with parking aid and reversing camera system Discontinued part	rear	1	PR:7X8,8A4
2	95B 807 417 G G2X 95B 807 500	primed Cover cap Discontinued part		1	
2	95B 807 500 G2X 95B 807 500 A	primed Cover cap Discontinued part		1	
3	95B 807 500 A G2X 95B 807 521 N	primed Spoiler	rear	1	PR:6W1,6W2,6W3
(3)	95B 807 521 N G2X 95B 807 521 R	Discontinued part primed Spoiler version Discontinued part	rear Japan	1	PR:6W4
(3)	95B 807 521 R G2X 95B 807 521 S	primed Spoiler version Discontinued part	rear China	1	PR:6W7
4	95B 807 521 S G2X N 038 549 4	primed Spreader rivet A-8X12		6	PR:B2G,B2H
5	95B 807 834 D	Trim	rear	1	PR:1D6,2JB,2JC,2JU
(5)	95B 807 834 D 1E0 95B 807 834 D	Tow hitch USA without: stainless steel Sport Design package Discontinued part Black Trim	rear	1	PR:E0A,2JB,2JC,2JU,2D1,2D2,1D6
	95B 807 834 D 1E0	Tow hitch USA without: stainless steel Sport Design package D - MJ 2017>> Discontinued part Black			

Model: 95B Model life 2014>>

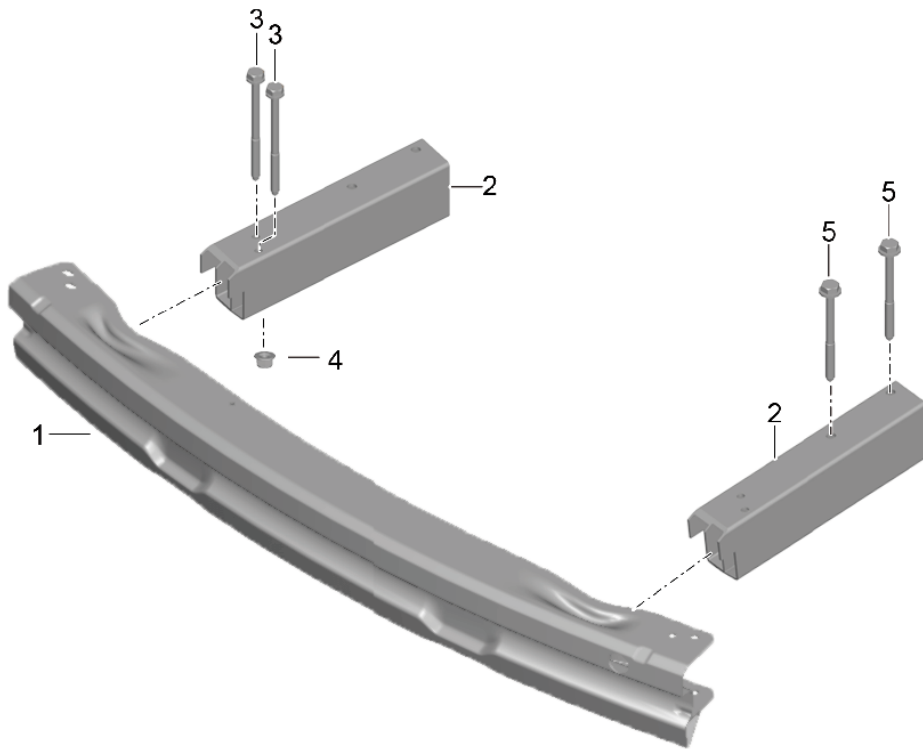
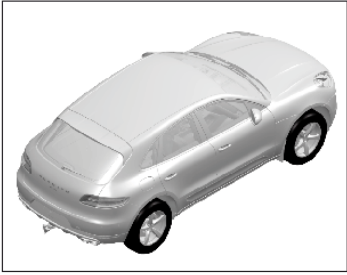
Pos	Part Number	Description	Remark	Qty	Model
(5)	95B 807 834 E	Trim Tow hitch Electric without: stainless steel Sport Design package Discontinued part	rear	1	PR:1D0,1D3, 1D7,1D8
(5)	95B 807 834 E G2X 95B 807 834 E	primed Trim Tow hitch Electric without: stainless steel GTS D - MJ 2017>> Discontinued part	rear	1	PR:E0W,1D0, 1D3,1D7,1D8, 2D1,2D8
(5)	95B 807 834 E OK1 95B 807 834 E G2X 95B 807 834 F	Matt black primed Trim Tow hitch USA without: stainless steel GTS D - MJ 2017>> Discontinued part	rear	1	PR:E0W,1D6, 2D1,2D2
(7)	95B 807 834 F OK1	Matt black		1	PR:1D3,1D6
8	WHT 004 935	Reinforcement expanding nut TP5X15.5		X	
9	95B 853 827 A	wheel cover	left rear	1	PR:H6K,H6N, H6P
(9)	95B 853 827 A 1E0 95B 853 828 A	Black wheel cover	right rear	1	PR:H6K,H6N, H6P
10	95B 853 828 A 1E0 N 909 747 01	Black Hexagon socket head panel bolt TP5X16-Q		X	
11	95B 807 253	Bracket	left rear side	1	
(11)	95B 807 254	Bracket	right rear side	1	
12	95B 807 571	Bracket	left	1	
(12)	95B 807 572	Bracket	right	1	
13	95B 807 863	Securing strip	center	1	
14	999 076 042 01	Hexagon nut M 6-S-SC		X	
15	N 907 750 01	Hexagon socket head panel bolt ST4,8X16		2	
16	N 908 214 01	expanding nut ST 4,8		2	
17	5Q0 919 275	Sensor Parking aid		4	PR:7X2,7X8, 8A4
18	5Q0 919 275 G2X 5Q0 919 133	primed seal ring Parking aid		4	PR:7X2,7X8, 8A4
19	95B 807 997 A	Sensors Support for reversing camera		1	PR:8A4

Model: 95B Model life 2014>>

Pos	Part Number	Description	Remark	Qty	Model
20	95B 807 997 A 1E0 95B 807 275	Black Shock absorber	left inner	1	PR:5C6
(20)	95B 807 276	Shock absorber	right inner	1	PR:5C6
21	N 104 159 03	Oval hexagon socket head bolt 4,0X12,0-Q		8	
22	95B 807 925	Grille Trim Sport Design package		1	PR:1D0,1D3, 1D7,1D8,2D1, 2D2,2D5,2D6
23	95B 807 925 1E0 95B 805 885	Black Sound absorber	left	1	
(23)	95B 805 886	Sound absorber	right	1	
24	95B 807 286 A	Bracket Reversing camera		1	PR:8A4

Model: 95B

Model life 2014>>



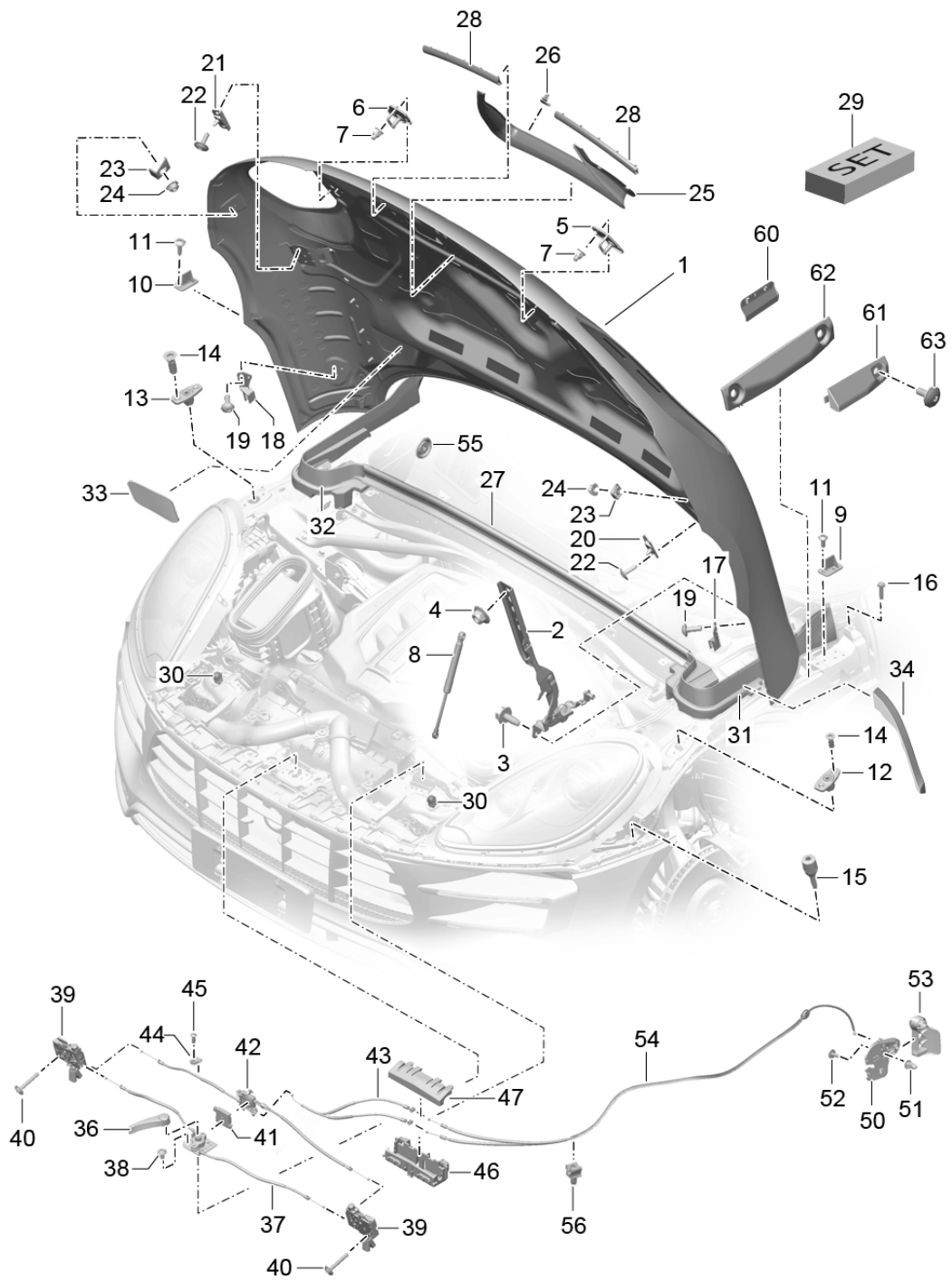
Model: 95B

Model life 2014>>

Pos	Part Number	Description	Remark	Qty	Model
1	8R0 807 313 D	Bumper carrier	rear	1	PR:1D0,1D7
1	8R0 807 313 E	Bumper carrier		1	PR:1D8
2	8R0 807 331 B	holder for bumper bracket bumper	left	1	PR:1D0,1D7
2	8R0 807 331 D	holder for bumper bracket bumper	left	1	PR:1D8
(2)	8R0 807 332 E	holder for bumper bracket	right	1	PR:1D0,1D7
(2)	8R0 807 332 F	holder for bumper bracket	right	1	PR:1D8
3	N 907 075 02	hexagon head bolt (combi) M8X100X41-S2		4	PR:1D0,1D7, 1D8
4	N 905 038 01	hex. nut with washer M8		4	PR:1D0,1D7, 1D8
5	N 907 721 02	hexagon head bolt (combi) BM10X105X45		4	PR:1D0,1D7, 1D8

Model: 95B

Model life 2014>>



Model: 95B Model life 2014>>

Pos	Part Number	Description	Remark	Qty	Model
1	95B 823 031 Y	Cover Cover	front	1	
		also use:	000 043 305 51	1	
			WHT 004 974	2	
			95B 823 493	1	
			95B 823 494	1	
			95B 821 235	1	
			95B 821 236	1	
			N 910 423 02	4	
		D >> - MJ 2014 Discontinued part			
1	95B 823 031 Y GRV 95B 823 031 Y	primed Cover		1	
		also use:	000 043 305 51	1	
			WHT 004 974	2	
		D - MJ 2015>> Discontinued part			
1	95B 823 031 Y GRV 95B 823 031 AY	primed Cover		1	
		also use:	000 043 305 51	1	
			WHT 004 974	2	
			95B 823 493	1	
			95B 823 494	1	
			95B 821 235	1	
			95B 821 236	1	
			N 910 423 02	4	
		D >> - MJ 2014 Discontinued part			
1	95B 823 031 AY GRV 95B 823 031 AY	primed Cover		1	
		also use:	000 043 305 51	1	
			WHT 004 974	2	
		D - MJ 2015>> Discontinued part			
1	95B 823 031 AY GRV 95B 823 031 BY	primed Cover		1	
		also use:	000 043 305 51	1	
			WHT 004 974	2	
			95B 823 493	1	
			95B 823 494	1	
			95B 821 235	1	
			95B 821 236	1	
			N 910 423 02	4	
		D >> - MJ 2014 Discontinued part			
1	95B 823 031 BY GRV 95B 823 031 BY	primed Cover		1	
		also use:	000 043 305 51	1	
			WHT 004 974	2	
		D - MJ 2015>> Discontinued part			
1	95B 823 031 BY GRV 95B 823 031 CY	primed Cover		1	
		also use:	000 043 305 51	1	
			WHT 004 974	2	
			95B 823 493	1	
			95B 823 494	1	
			95B 821 235	1	
			95B 821 236	1	
			N 910 423 02	4	
		D >> - MJ 2014 Discontinued part			
1	95B 823 031 CY GRV 95B 823 031 CY	primed Cover		1	

Model: 95B Model life 2014>>

Pos	Part Number	Description	Remark	Qty	Model
		also use:	000 043 305 51	1	
			WHT 004 974	2	
		D - MJ 2015>>			
	95B 823 031 CY GRV	primed			
2	95B 823 301 B	Hinge	left	1	
(2)	95B 823 302 B	Hinge	right	1	
3	N 106 860 01	flat round head bolt M8 X 20 TC		2	
4	N 907 611 03	Hexagon collar nut self-locking M 8		3	
5	95B 823 259	arm	left	1	
6	95B 823 260	arm	right	1	
7	WHT 001 308	cap nut, self-locking		2	
8	95B 823 359	Damper		2	
9	95B 823 499	Stop buffer	left	1	
10	95B 823 500	Stop buffer	right	1	
11	N 907 809 04	Oval hexagon socket head bolt M6X16		3	
12	7N0 843 637 B	catch plate	left	1	
13	7N0 843 638	catch plate	right	1	
14	N 910 839 01	countersunk multi-point socket head bolt M8X25		2	
15	95B 845 471	Stop buffer		2	
16	999 072 847 02	Stop buffer Hinge M6X25		2	
17	95B 823 481	Stop buffer	left	1	
18	95B 823 482	Stop buffer	right	1	
19	N 907 809 04	Oval hexagon socket head bolt M6X16		3	
20	7N0 843 841 C	detent peg	left	1	
21	7N0 843 842 A	detent peg	right	1	
22	N 911 883 01	Hexagon socket head bolt M6X20		2	
23	95B 823 429	Stop buffer		2	
24	N 023 002 13	hexagon nut, self-locking M6		2	
25	95B 129 551	Seal for lock carrier cover - lock		1	PR:D43,DD7, D51,DM0
(25)	95B 129 551 A	Seal for lock carrier cover - lock		1	PR:DU0,DU1, D4A
26	95B 898 802	Clip		8	
		with:			
27	95B 823 737	ring seal for water box	rear	1	
28	95B 823 727	Seal	front	2	
29	95B 898 051	1 set attachment parts Seal	front	1	
30	955 511 500 00	Rubber buffer		2	
31	95B 823 731	seal for water box	left	1	
32	95B 823 732	seal for water box	right	1	
33	95B 823 739	gasket for engine cover		2	
34	95B 823 721	Seal Cover Wing Discontinued part	left	1	
(34)	95B 823 722	Seal Cover Wing Seal	right	1	

Model: 95B Model life 2014>>

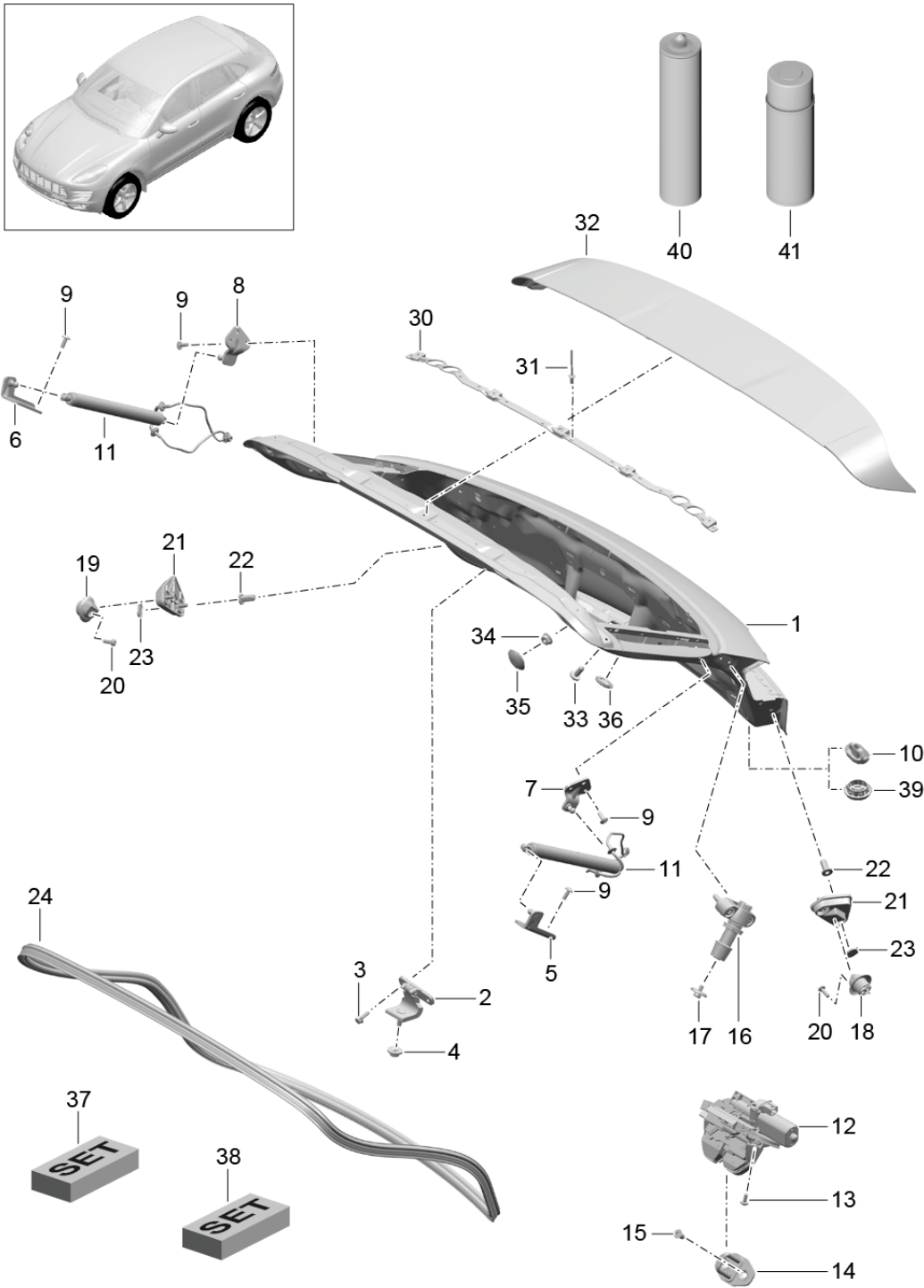
Pos	Part Number	Description	Remark	Qty	Model
(34)	95B 823 722 A	Cover Wing Discontinued part Seal	right	1	
36	95B 823 661	Cover Wing Actuating lever Catch hook		1	
36	95B 823 661 A	Discontinued part Actuating lever Catch hook		1	
37	95B 823 529 A	Release element	front	1	
38	N 907 371 07	Cover fillister head bolt with multi-point socket head M6X12		2	
39	95B 823 509	lock	front	2	
39	95B 823 509 B	Cover Discontinued part lock	front	2	
40	N 911 463 01	Cover Oval hexagon socket head bolt		X	
41	4H0 823 543	lock Cover		1	
42	95B 823 536	Cover Bowden cable lock		1	
42	95B 823 536 A	Discontinued part Bowden cable lock		1	
43	95B 823 531	Bowden cable	lhd	1	PR:L0L
43	95B 823 531 B	Bowden cable	lhd	1	PR:L0L
(43)	95B 823 531 A	D - MJ 2015>> Bowden cable	rhd	1	PR:L0R
(43)	95B 823 531 C	Bowden cable	rhd	1	PR:L0R
44	999 511 014 01	D - MJ 2015>> Clamp 5X12		X	
45	N 908 249 02	oval head panel screw 5X14		X	
46	95B 823 411	Support Bowden cable		1	
47	95B 823 347	D - MJ 2015>> Cover cap Bowden cable		1	
50	8R1 823 633	D - MJ 2015>> Bracket	lhd	1	PR:L0L
(50)	8R1 823 633 01C	Satin black			
	8R2 823 633	Bracket	rhd	1	PR:L0R
	8R2 823 633 01C	Satin black			
51	N 911 214 01	expanding nut 4,2X21		1	
52	N 907 750 01	Hexagon socket head panel bolt 4,8X16		1	
53	8T1 823 533 B	Actuating lever	lhd	1	PR:L0L
	8T1 823 533 B 1E0	Black			
	8T1 823 533 B OP1	agate grey			
	8T1 823 533 B 4H0	Luxor beige			
	8T1 823 533 B OM8	saddle brown			
	8T1 823 533 B OV4	D - MJ 2015>> flint grey			
	8T1 823 533 B 7N0	D - MJ 2015>> Espresso			

Model: 95B Model life 2014>>

Pos	Part Number	Description	Remark	Qty	Model
(53)	8T2 823 533 B	D - MJ 2015>> Actuating lever	rhd	1	PR:LOR
	8T2 823 533 B 1E0	Black			
	8T2 823 533 B OP1	agate grey			
	8T2 823 533 B 4H0	Luxor beige			
	8T2 823 533 B OM8	saddle brown			
	8T2 823 533 B OV4	D - MJ 2015>> flint grey			
	8T2 823 533 B 7N0	D - MJ 2015>> Espresso			
54	95B 823 535	D - MJ 2015>> Bowden cable		1	
55	191 971 908	Grommet (passenger side)		1	
56	955 511 645 00	Clip POS54		1	
60	95B 823 493	Guide piece Cover	left front	1	
(60)	95B 823 494	Guide piece Cover	right front	1	
61	95B 823 417	Guide piece Wing	left front	1	
(61)	95B 823 418	Guide piece Wing	right front	1	
62	95B 821 235	Guide piece Wing	left	1	
(62)	95B 821 236	Guide piece Wing	right	1	
63	N 910 423 02	Oval hexagon socket head bolt		X	
70	95B 863 237	Stop buffer	left	1	
70	95B 863 237 A	Stop buffer	left	1	
71	95B 863 238	Stop buffer	right	1	
71	95B 863 238 A	Stop buffer	right	1	
72	95B 863 230	Cap Stop buffer		X	

Model: 95B

Model life 2014>>



Model: 95B Model life 2014>>

Pos	Part Number	Description	Remark	Qty	Model
1	95B 827 025 Y	Rear lid Rear lid		1	
		also use:	000 043 207 67		
		See workshop manual 5X00IN42			
		also use:	N 905 410 01	2	
			958 731 633 00	2	
			958 502 899 00	2	
			N 906 481 02	4	
			N 016 206 1	10	
			000 043 305 51	1	
		Discontinued part primed			
1	95B 827 025 Y GRV 95B 827 025 BY	Rear lid		1	
		also use:	000 043 207 67		
		See workshop manual 5X00IN42			
		also use:	N 905 410 01	2	
			958 731 633 00	2	
			958 502 899 00	2	
			N 906 481 02	4	
			N 016 206 1	10	
			000 043 305 51	1	
		Discontinued part primed			
1	95B 827 025 BY GRV 95B 827 025 CY	Rear lid		1	
		also use:	000 043 207 67		
		See workshop manual 5X00IN42			
		also use:	N 905 410 01	2	
			958 731 633 00	2	
			958 502 899 00	2	
			N 906 481 02	4	
			N 016 206 1	10	
			000 043 305 51	1	
		Discontinued part primed			
2	95B 827 025 CY GRV 8U0 827 299 A	Lid hinge	left	1	
(2)	8U0 827 300 A	Lid hinge	right	1	
3	N 106 533 02	Hex collared bolt M 6 X 20		X	
4	N 905 115 05	Hexagon collar nut self-locking M 6 X 20		2	
5	95B 827 427 B	Bracket Drive unit for rear spoiler	left	1	
6	95B 827 428 B	Bracket Drive unit for rear spoiler	right	1	
7	95B 827 601 A	Bracket Drive unit for boot lid	left	1	
8	95B 827 602 A	Bracket Drive unit for boot lid	right	1	
9	N 907 809 01	Oval hexagon socket head bolt M6X16		X	
10	8P4 827 951 A	Bungs Rear lid	lower oval	2	
11	95B 827 851 B	Drive unit for boot lid		1	
12	95B 827 505	Lock upper part Rear lid		1	

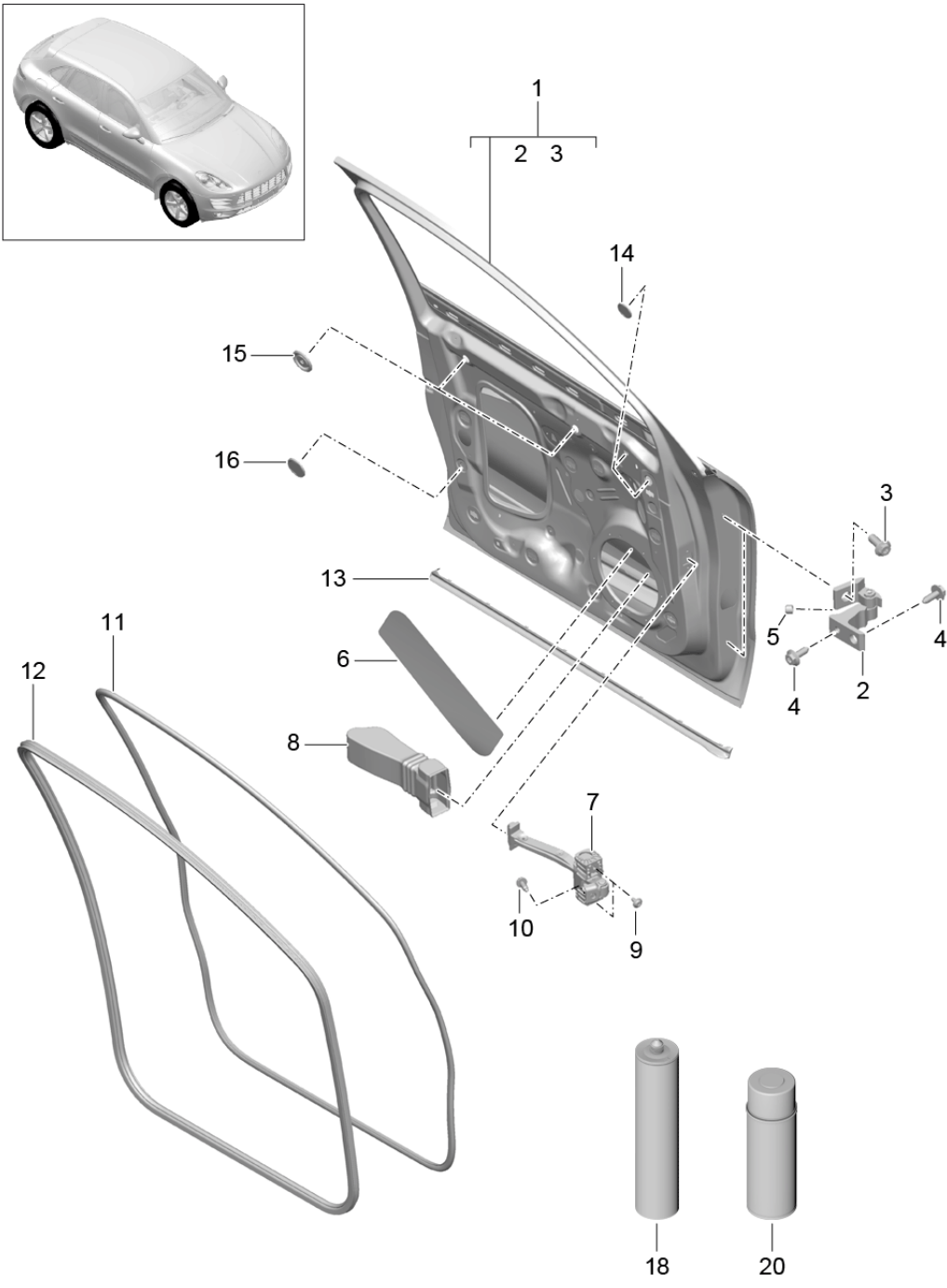
Model: 95B

Model life 2014>>

Pos	Part Number	Description	Remark	Qty	Model
13	N 910 967 03	Oval hexagon socket head bolt M6X16		2	
14	7P0 827 517 F	Striker		1	
15	N 907 448 05	countersunk multi-point socket head bolt M8X20		2	
16	95B 827 239	Stop buffer		2	
17	958 512 475 00	Bungs stop plate		2	
18	95B 829 733	Guide wedge Rear lid	left	1	
19	95B 829 734	Guide wedge Rear lid	right	1	
20	N 101 961 03	fillister head bolt with multi-point socket head M6X18		2	
21	95B 827 679	Guide wedge		2	
22	N 906 481 02	rivetted cap nut		X	
23	95B 827 751	Cover		X	
24	95B 827 705 C	Seal		1	
30	95B 827 933	retaining strip Spoiler		1	
31	N 016 206 1	cup rivet retaining strip		10	
32	95B 827 934	Rear spoiler Discontinued part		1	
	95B 827 934 G2X	primed			
32	95B 827 934 B	Rear spoiler		1	
	95B 827 934 B G2X	primed			
33	N 910 967 01	Oval hexagon socket head bolt M6X16		2	
34	N 015 082 10	Hexagon collar nut M6		2	
35	958 512 975 00	Cover cap 20MM		2	
36	958 512 976 00	Cover cap 15MM		2	
37	95B 898 056	1 set of fixing parts for rear spoiler		1	
		comprising:		2	
		Seal		2	
		Screw		3	
		Securing element			
38	95B 898 064	1 set of fixing parts for rear spoiler		1	
		comprising:		1	
		Gasket set			
		Rear spoiler			
39	958 502 899 00	Drain nozzle Rear lid	lower Round	2	
40	000 043 207 67	sealant TEROSON		1	
41	000 043 305 51	cavity preservative agent		1	
50	9A7 005 207 00	Blind rivet stud M6X22		3	

Model: 95B

Model life 2014>>



Model: 95B Model life 2014>>

Pos	Part Number	Description	Remark	Qty	Model
1	95B 831 021	Door shell Gaskets Door shell also use: See workshop manual 5X00IN42	front left 000 043 207 67 8K0 837 833 A 95B 837 911 N 910 167 02 95B 831 719 A 8K0 837 199 AKL 437 D40 999 911 659 40 000 043 305 51 WHT 003 688	1 2 1 1 1 3 2 2 1 2	
(1)	95B 831 021 GRV 95B 831 022	primed Door shell also use: See workshop manual 5X00IN42 also use:	right 000 043 207 67 8K0 837 833 A 95B 837 911 N 910 167 02 95B 831 719 A 8K0 837 199 AKL 437 D40 999 911 659 40 000 043 305 51 WHT 003 688	1 2 1 1 1 3 2 2 1 2	
(1)	95B 831 022 GRV 95B 831 022 B	primed Door shell also use: See workshop manual 5X00IN42 also use: M5 EINZIEHMUTTER EINSTECKMUTTER	right 000 043 207 67 8K0 837 833 A 95B 837 911 N 910 167 02 95B 831 719 A 8K0 837 199 AKL 437 D40 999 911 659 40 000 043 305 51 WHT 003 688	1 2 1 1 1 3 2 2 1 2	
2	95B 831 022 B GRV	primed			
(2)	4G0 831 401 D	Door hinge	left	2	
(2)	4G0 831 402 D	Door hinge	right	2	
3	N 911 428 01	Socket head bolt with inner multipoint head M 10 X 25		4	
4	N 909 305 03	multi-point socket head bolt with collar M 8 X 24		8	
5	958 537 947 00	Cover cap Hinge		4	
6	8K0 837 833 A	sound absorber (self-adhesive)		2	
7	8R0 837 249 F	Door catch		2	
8	8R0 837 267 C	Cover Door catch		2	
9	WHT 003 237	Hexagon socket flat head bolt		4	

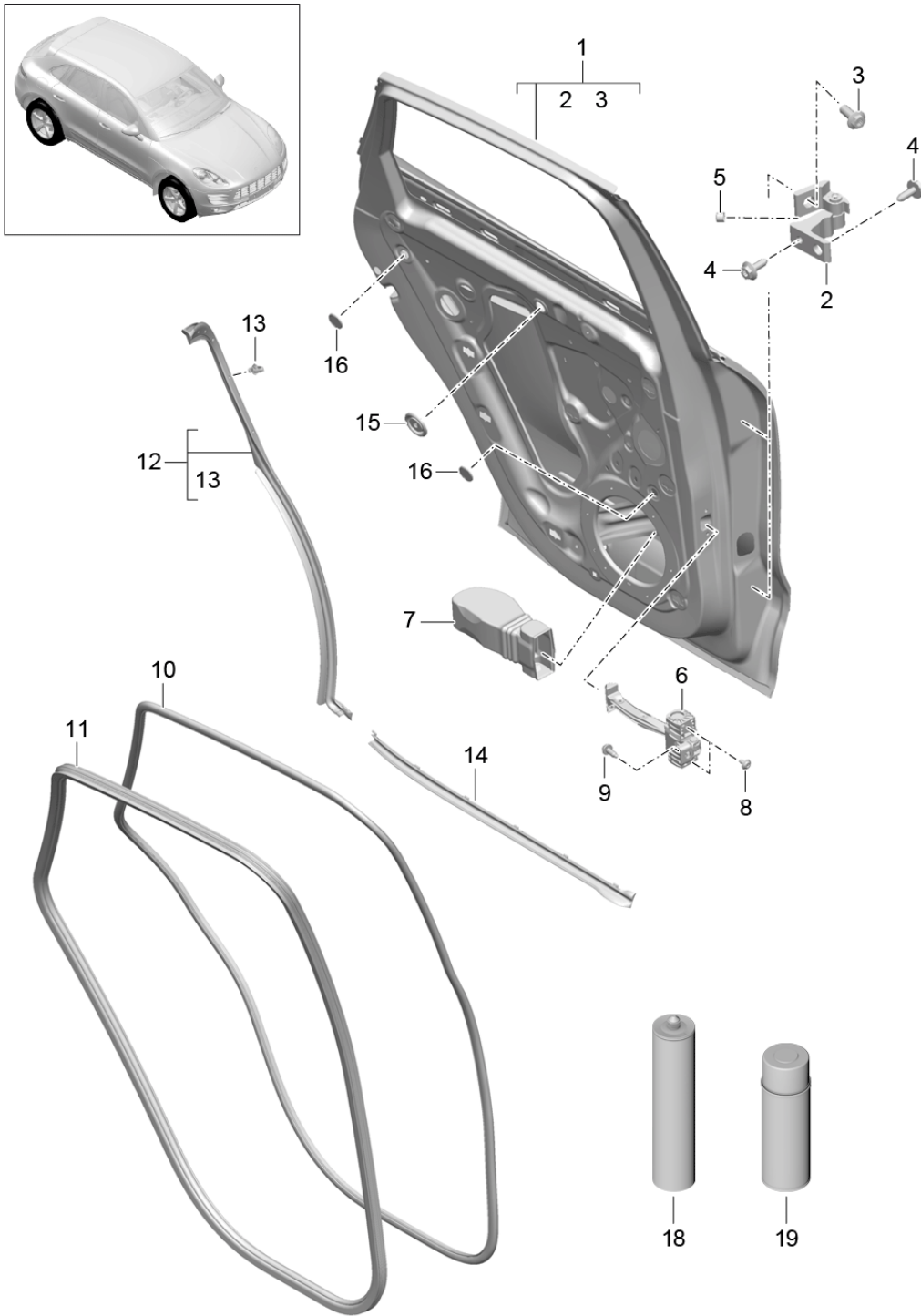
Model: 95B

Model life 2014>>

Pos	Part Number	Description	Remark	Qty	Model
10	WHT 003 497	M 6 X 12 Hexagon socket oval head bolt (combi)		2	
11	95B 837 911	M 8 X 23 Door seal	outer	2	
12	95B 831 721 A	Door seal	inner	2	
13	95B 837 119 A	Door seal	left	1	
(13)	95B 837 120 A	Sill Discontinued part Door seal	right	1	
14	AKL 437 D40	Sill Discontinued part webbing adhesive tape		4	
15	191 971 908	Grommet		4	
16	999 911 659 40	23MM Door seal		2	
18	000 043 207 67	30MM sealant		1	
20	000 043 204 85	TEROSON cavity preservative agent		1	

Model: 95B

Model life 2014>>



Model: 95B

Model life 2014>>

Pos	Part Number	Description	Remark	Qty	Model
1	95B 833 021	Door shell Gaskets Door shell	rear left	1	
		also use:	000 043 207 67		
		See workshop manual 5X00IN42			
		also use:	970 556 543 00	1	
			95B 839 911	1	
			8K0 837 199	6	
			999 911 659 40	2	
			WHT 003 688	2	
			000 043 305 51	1	
1	95B 833 021 GRV 95B 833 022	primed Door shell	right	1	
		also use:	000 043 207 67		
		See workshop manual 5X00IN42			
		also use:	970 556 543 00	1	
			95B 839 911	1	
			8K0 837 199	6	
			999 911 659 40	2	
			WHT 003 688	2	
			000 043 305 51	1	
2	95B 833 022 GRV 4G0 831 401 D	primed Door hinge	left	2	
(2)	4G0 831 402 D	Door hinge	right	2	
3	N 911 428 01	Socket head bolt with inner multipoint head M 10 X 25		4	
4	N 909 305 03	multi-point socket head bolt with collar M 8 X 24		8	
5	958 537 947 00	Cover cap Hinge		4	
6	8R0 839 249 F	Door catch		2	
7	8R0 839 267 B	Cover Door catch		2	
8	WHT 003 237	Hexagon socket flat head bolt M 6 X 12		4	
9	WHT 003 497	Hexagon socket oval head bolt (combi) M 8 X 23		2	
10	95B 839 911	Door seal	outer	2	
11	95B 833 721 A	Door seal	inner	2	
12	95B 839 761 B	Door seal	C-pillar left	1	
(12)	95B 839 762 B	Door seal	C-pillar right	1	
13	95B 837 069	Clip Door seal	C-pillar	X	
14	95B 839 119 A	Door seal Sill	left	1	
(14)	95B 839 120 A	Discontinued part Door seal Sill Discontinued part	right	1	
15	191 971 908	Grommet 23MM		2	
16	999 911 659 40	Door seal 30MM		4	
18	000 043 207 67	sealant TEROSON		1	

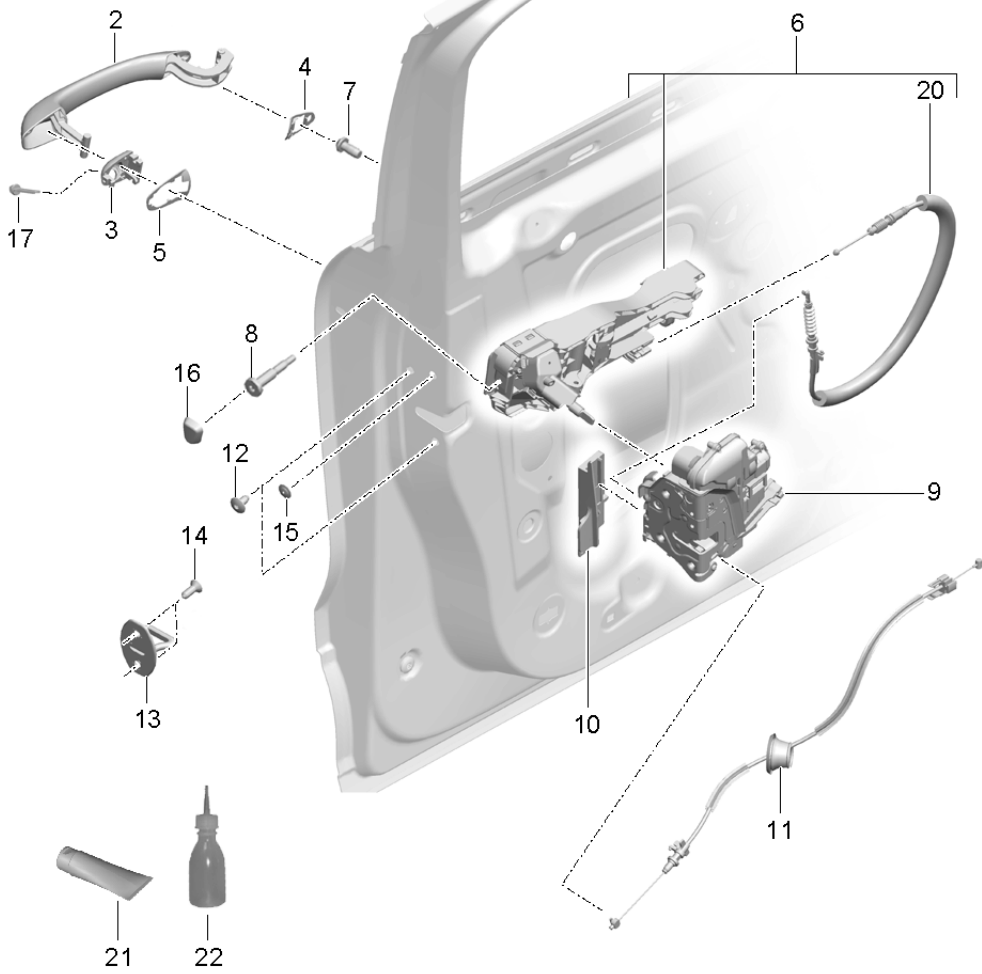
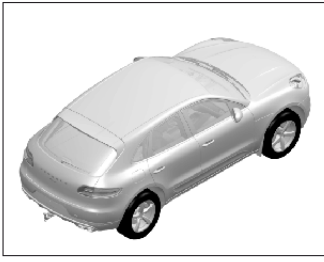
Model: 95B

Model life 2014>>

Pos	Part Number	Description	Remark	Qty	Model
19	000 043 204 85	cavity preservative agent		1	

Model: 95B

Model life 2014>>



Model: 95B Model life 2014>>

Pos	Part Number	Description	Remark	Qty	Model
1		Door handles Door lock Handheld transmitter	front	1	
2	95B 837 205	Door handle, exterior	901-004 left	1	PR:4K0,4K3
(2)	95B 837 206	Door handle, exterior	right	1	PR:4K0,4K3
(2)	95B 837 205 A	Door handle, exterior	left	1	PR:4F2,4F6
(2)	95B 837 206 A	Door handle, exterior	right	1	PR:4F2,4F6
3	95B 837 329	Protective cap Driver's door	left lhd	1	PR:L0L
(3)	95B 837 330	Protective cap Driver's door	right rhd	1	PR:L0R
(3)	95B 839 330	Protective cap Passenger's door	right lhd	1	PR:L0L
(3)	95B 839 329	Protective cap Passenger's door	left rhd	1	PR:L0R
4	95B 837 209	Underlay	left	1	
(4)	95B 837 210	Underlay	front right	1	
5	95B 837 277	Underlay	front left	1	
(5)	95B 837 278	Underlay	rear right	1	
6	95B 800 375 H	Mounting bar with: Lock cylinders When ordering, please provide the vehicle identification and the lock number	rear left lhd	1	PR:4K0,4K3, L0L
(6)	95B 839 886 B	Mounting bar	right lhd	1	PR:4K0,4K3, L0L
(6)	95B 800 375 J	Mounting bar with: Lock cylinders When ordering, please provide the vehicle identification and the lock number	right rhd	1	PR:4K0,4K3, L0R
(6)	95B 839 885 B	Mounting bar	left rhd	1	PR:4K0,4K3, L0R
(6)	95B 800 375 K	Mounting bar with: Lock cylinders When ordering, please provide the vehicle identification and the lock number	left lhd	1	PR:4F2,4F6, L0L
(6)	95B 839 886 C	Mounting bar	right lhd	1	PR:4F2,4F6, L0L
(6)	95B 800 375 L	Mounting bar with: Lock cylinders When ordering, please provide the vehicle identification and the lock number	right rhd	1	PR:4F2,4F6, L0R
(6)	95B 839 885 C	Mounting bar	left rhd	1	PR:4F2,4F6,

Model: 95B Model life 2014>>

Pos	Part Number	Description	Remark	Qty	Model
7	N 911 768 01	Hexagon socket flat head bolt M5 X 10		2	LOR
8	WHT 002 684	Locating bolt M4 X 28		1	
9	8J1 837 015 E	Driver's door Door lock	left lhd front	1	PR: 4F2, 4K3, 7AC, 7AB, 7AL, LOL
(9)	8J1 837 015 F	D - MJ 2015>> Door lock	left lhd front	1	PR: 4F6, 4K0, 4F2, 4K3, 7AA, 7AB, 7AH, L0L
9	4G1 837 015	D - MJ 2015>> Door lock	left lhd front	1	PR: 4F2, 4K3, 7AC, 7AK, 7AL, L0L
(9)	4G1 837 015	D - MJ 2015>> Door lock	left lhd front	1	PR: 4F2, 4K3, 7AC, 7AK, 7AL, L0L
(9)	4G1 837 015 A	D >> - MJ 2014 Door lock	left lhd front	1	PR: 4F2, 4K3, 7AA, 7AB, 7AH, L0L
(9)	4G1 837 015 A	D - MJ 2015>> Door lock	left lhd front	1	PR: 4F2, 4K3, 7AA, 7AB, 7AH, L0L
(9)	8J1 837 016 E	D >> - MJ 2014 Door lock	right lhd front	1	PR: 4F2, 4K3, 7AC, 7AK, 7AL, L0L
(9)	8J1 837 016 F	Door lock	right lhd front	1	PR: 4F2, 4K3, 7AA, 7AB, 7AH, L0L
(9)	8J2 837 016 E	Door lock	right rhd front	1	PR: 4F2, 4K3, 7AC, 7AK, 7AL, LOR
(9)	8J2 837 016 F	D - MJ 2015>> Door lock	right rhd front	1	PR: 4F2, 4K0, 7AA, 7AB, LOR
(9)	4G2 837 016	D - MJ 2015>> Door lock	right rhd front	1	PR: 4F2, 4K3, 7AC, 7AK, 7AL, LOR
(9)	4G2 837 016	D - MJ 2015>> Door lock	right rhd front	1	PR: 4F2, 4K3, 7AC, 7AK, 7AL, LOR
(9)	4G2 837 016 A	D >> - MJ 2014 Door lock	right rhd front	1	PR: 4F2, 4K3, 7AA, 7AB, LOR
(9)	4G2 837 016 A	D - MJ 2015>> Door lock	right rhd front	1	PR: 4F2, 4K3, 7AA, 7AB, LOR
(9)	8J2 837 015 E	D >> - MJ 2014 Door lock	left rhd front	1	PR: 4F2, 4K3, 7AC, 7AK, 7AL, LOR
(9)	8J2 837 015 F	Door lock	left rhd front	1	PR: 4F2, 4K3, 7AA, 7AB, LOR
10	95B 837 349	door lock cover	left	1	
(10)	95B 837 350	door lock cover	right	1	
11	95B 837 085	Bowden cable door handle, inner Door lock	inner	2	
12	WHT 003 688	fillister head bolt (combi.) M8 X 16		4	
13	3C0 837 767 A	Striker		2	
14	N 910 174 02	countersunk multi-point		4	

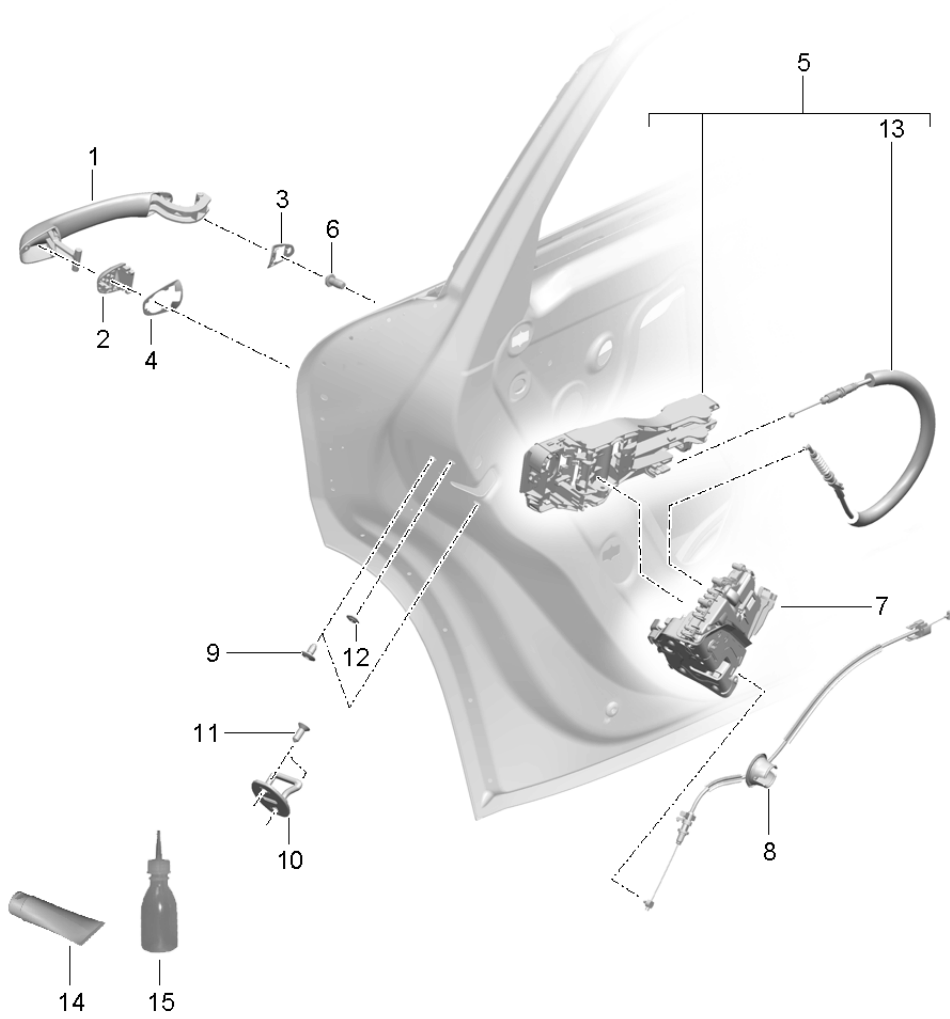
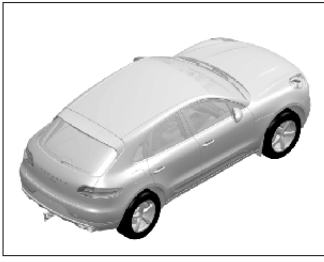
Model: 95B

Model life 2014>>

Pos	Part Number	Description	Remark	Qty	Model
		socket head bolt M8 X 22			
15	958 531 111 00	Cover cap		2	
16	958 531 211 00	Cover cap		2	
	958 531 211 00 9B9	Black			
17	95B 837 491	Bungs Lock cylinders		1	
20	95B 837 017	Bowden cable Mounting bar Door lock	outer	2	
21	000 043 206 17	universal low temperat. grease 10 GRAMM 1 tube		X	
22	000 043 204 40	Door handles Lock cylinders Silicon lubricant spray for Door lock Spray can 200 ML		1	

Model: 95B

Model life 2014>>



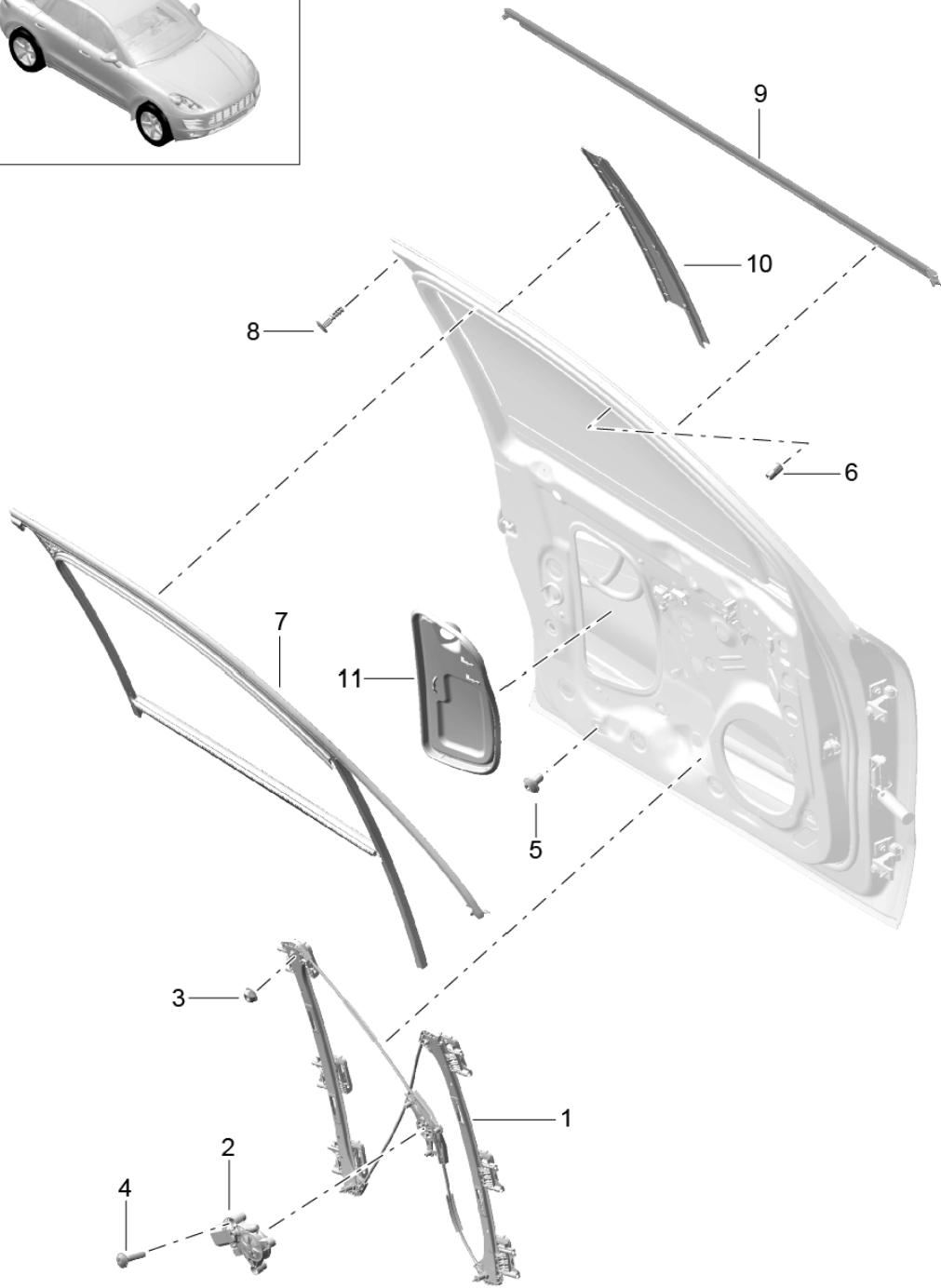
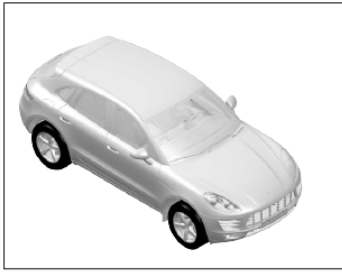
Model: 95B

Model life 2014>>

Pos	Part Number	Description	Remark	Qty	Model
		Door handles	rear		
		Door lock			
1	95B 837 205	Door handle, exterior	left	1	PR: 4K0, 4K3
	95B 837 205 G2X	primed			
(1)	95B 837 206	Door handle, exterior	right	1	PR: 4K0, 4K3
	95B 837 206 G2X	primed			
(1)	95B 837 205 A	Door handle, exterior	left	1	PR: 4F2, 4F6
	95B 837 205 A G2X	primed			
(1)	95B 837 206 A	Door handle, exterior	right	1	PR: 4F2, 4F6
	95B 837 206 A G2X	primed			
2	95B 839 329	Protective cap	left	1	
(2)	95B 839 330	Protective cap	right	1	
3	95B 837 209	Underlay	left	1	
			front		
(3)	95B 837 210	Underlay	right	1	
			front		
4	95B 837 277	Underlay	left	1	
			rear		
(4)	95B 837 278	Underlay	right	1	
			rear		
5	95B 839 885 B	Mounting bar	left	1	PR: 4K0, 4K3
(5)	95B 839 886 B	Mounting bar	right	1	PR: 4K0, 4K3
(5)	95B 839 885 C	Mounting bar	left	1	PR: 4F2, 4F6
(5)	95B 839 886 C	Mounting bar	right	1	PR: 4F2, 4F6
6	N 911 768 01	Hexagon socket flat head bolt M5 X 10		2	
7	8K0 839 015 C	Door lock	left	1	PR: 4F2, 4K3,
			rear		7AC, 7AK, 7AL
(7)	8K0 839 015 E	Door lock	left	1	PR: 4F2, 4K3,
			rear		7AA, 7AB
(7)	8K0 839 016 C	Door lock	right	1	PR: 4F2, 4K3,
			rear		7AC, 7AK, 7AL
(7)	8K0 839 016 E	Door lock	right	1	PR: 4F2, 4K3,
			rear		7AA, 7AB
8	95B 839 085	Bowden cable	inner	2	
		Door lock			
		door handle, inner			
9	WHT 003 688	fillister head bolt (combi.) M8 X 16		4	
10	3C0 837 767 A	Striker		2	
11	N 910 174 02	countersunk multi-point socket head bolt M8 X 22		4	
12	958 531 111 00	Cover cap		2	
13	95B 837 017	Bowden cable	outer	2	
		Mounting bar			
		Door lock			
14	000 043 206 17	universal low temperat. grease 10 GRAMM 1 tube		X	
		Door handles			
		Lock cylinders			
15	000 043 204 40	Silicon lubricant spray for Door lock Spray can 200 ML		1	

Model: 95B

Model life 2014>>



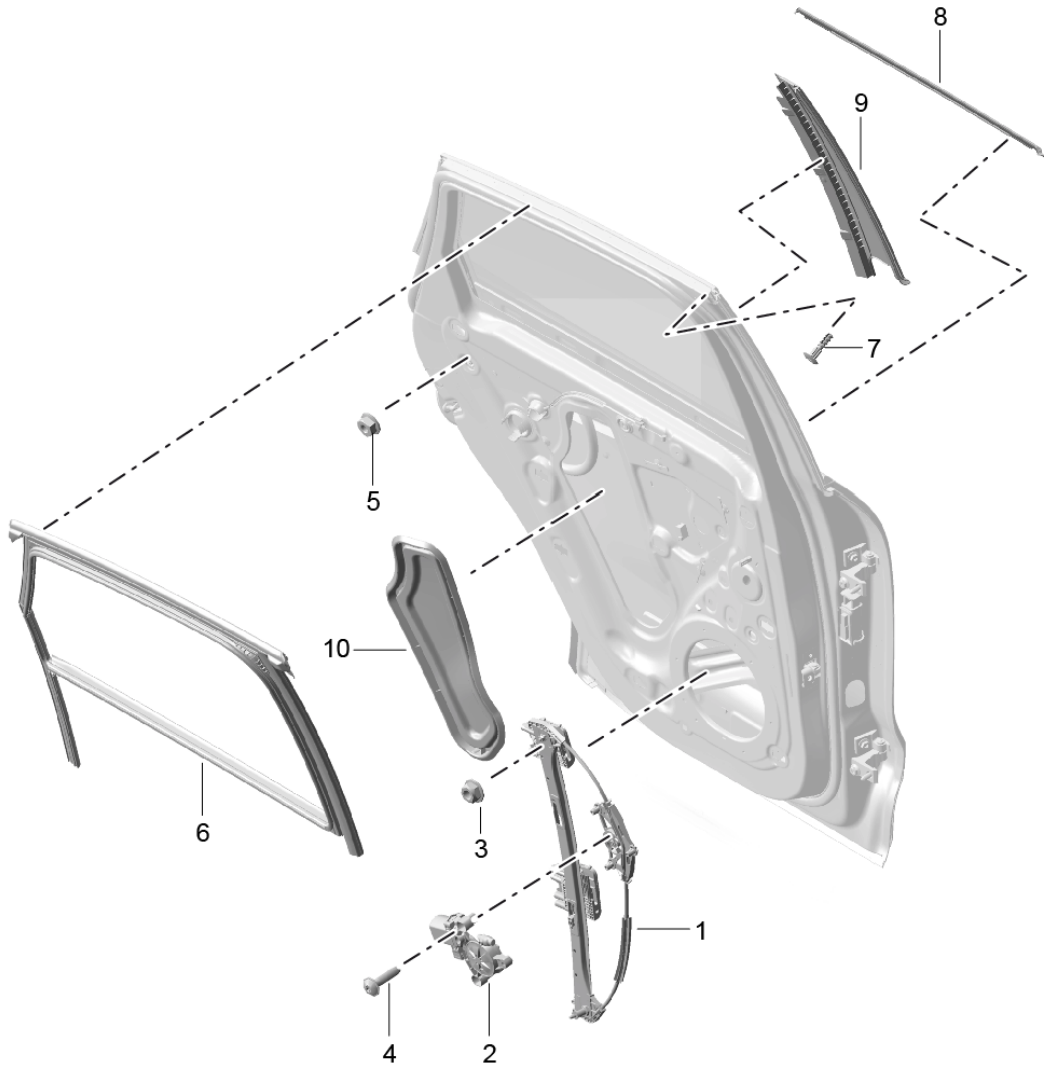
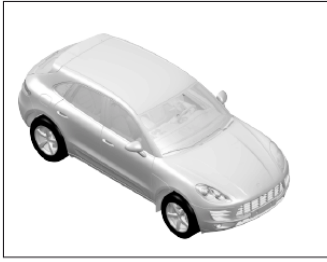
Model: 95B

Model life 2014>>

Pos	Part Number	Description	Remark	Qty	Model
		Window regulator doors	front		
1	95B 837 461	Window regulator without motor	left	1	
(1)	95B 837 462	Window regulator without motor	right	1	
2	5Q0 959 801 B	Window regulator motor	left	1	
(2)	5Q0 959 802 B	Window regulator motor	right	1	
(2)	5Q0 959 802 C	Window regulator motor	right	1	
-		Window regulator with motor			
-		Fasteners			
3	N 023 002 13	hexagon nut, self-locking M6		X	
4	N 907 397 04	panel screw TP 5 X 22		X	
5	N 106 538 01	Hexagon socket head bolt		8	
6	N 910 167 02	rivetted cap nut		2	
-		Window guide	front		
7	95B 837 431	Window guide	left	1	
(7)	95B 837 432	Window guide	right	1	
-		Fasteners			
8	95B 831 719	Clip		2	
9		Window aperture seal	outer		
		see illustration:	810-000		
10		Trim			
		B-pillar			
		see illustration:	810-000		
-		Cover			
		Door			
		Inner panel			
11	95B 837 915	Cover	left	1	
(11)	95B 837 916	Cover	right	1	

Model: 95B

Model life 2014>>



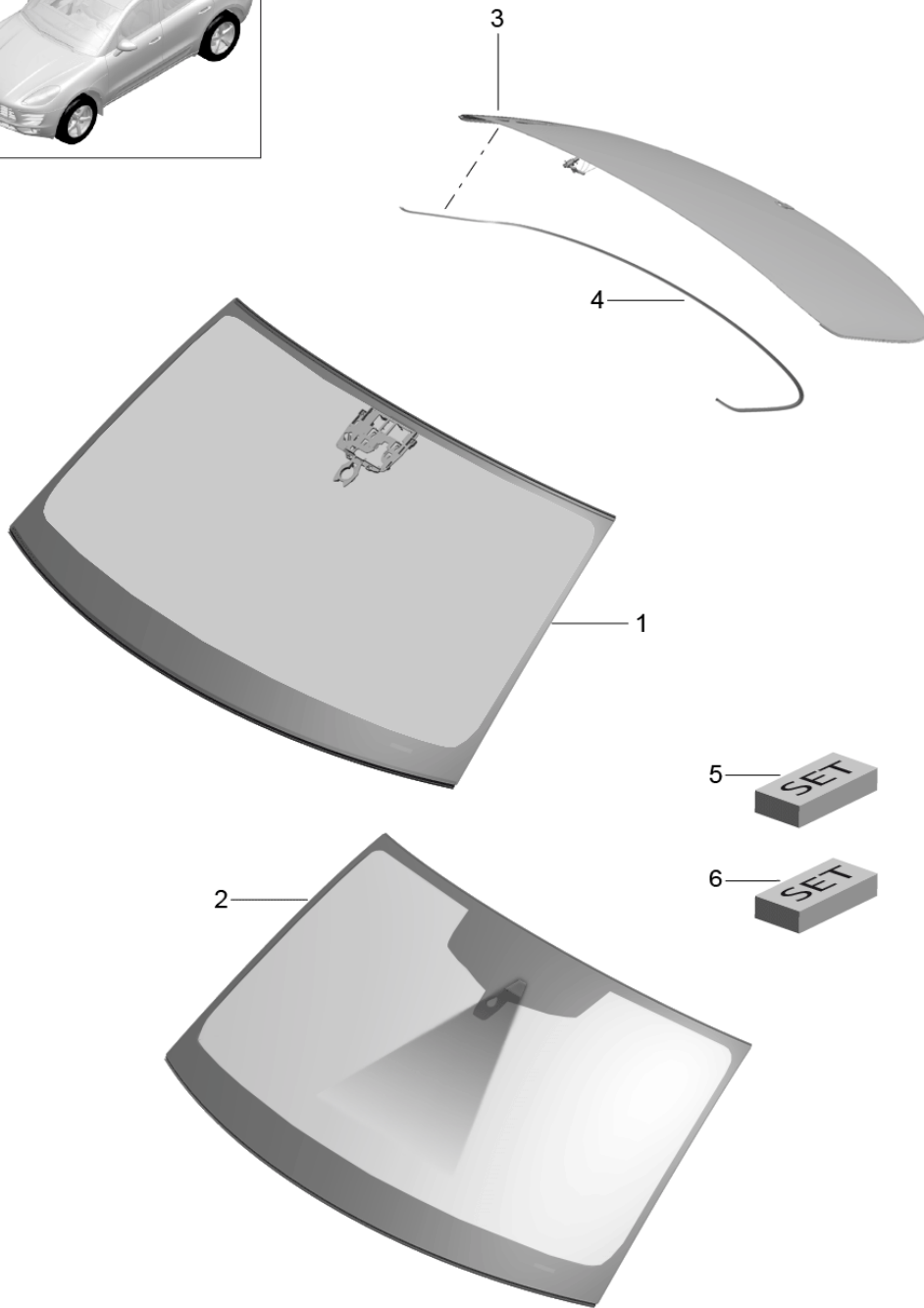
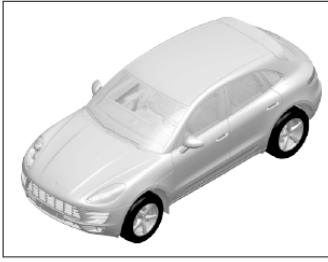
Model: 95B

Model life 2014>>

Pos	Part Number	Description	Remark	Qty	Model
		Window regulator doors	rear		
(1)	95B 839 461	Window regulator without motor	left	1	
(1)	95B 839 462	Window regulator without motor	right	1	
2	5Q0 959 801 A	Window regulator motor	left	1	
(2)	5Q0 959 802 A	Window regulator motor	right	1	
-		Fasteners			
3	N 023 002 13	hexagon nut, self-locking M6		X	
4	N 907 397 04	panel screw TP 5 X 22		X	
5	N 015 082 10	Hexagon collar nut M6		4	
-		Window guide	rear		
6	95B 839 431	Window guide	left	1	
(6)	95B 839 432	Window guide	right	1	
-		Fasteners			
7	95B 831 719	Clip		2	
8		Window aperture seal	outer		
		see illustration:	810-000		
9		Trim	C-pillar		
		see illustration:	810-000		
-		Cover			
		Door			
		Inner panel			
10	95B 839 915	Cover	left	1	
(10)	95B 839 916	Cover	right	1	

Model: 95B

Model life 2014>>



Model: 95B Model life 2014>>

Pos	Part Number	Description	Remark	Qty	Model
1	95B 845 099 HY	Windscreen Rear window D >> - MJ 2016 Windscreen (laminated insulated glass)		1	PR:-4GK, -7Y2,-7Y3, -7Y6,-7Y7, -8G1,-8G2, -9Q6
(1)	95B 845 099 NY	without: Camera also use: Windscreen (laminated insulated glass)	000 043 305 35	1	PR:-4GC, -7Q4,-7Y3, -7Y6,-7Y7, -8G1,-8G2, -9Q6,-7Y2
(1)	95B 845 099 PY	without: Camera also use: Windscreen (laminated insulated glass)	000 043 305 35	1	PR:-4GC,7Q4, -7Y3,-7Y6, -7Y7,-8G1, -8G2,-9Q6, -7Y2
2	95B 845 099 LY	without: Camera also use: Windscreen (laminated insulated glass)	000 043 305 35	1	PR:-3W8, -4GK,7Y2, 7Y3,7Y6,7Y7, -8G2,-9Q6, -8G1
(2)	95B 845 099 LY	with: Camera also use: Windscreen (laminated insulated glass)	000 043 305 35	1	PR:-3W8, -4GK,7Y2, 7Y3,7Y6,7Y7, -8G2,9Q6, -8G1
(2)	95B 845 099 LY	with: Camera also use: Windscreen (laminated insulated glass)	000 043 305 35	1	PR:-3W8, -4GK,7Y2, 7Y3,7Y6,7Y7, 8G2,-9Q6,8G1
(2)	95B 845 099 LY	with: Camera also use: Windscreen (laminated insulated glass)	000 043 305 35	1	PR:-3W8, -4GK,7Y2, 7Y3,7Y6,7Y7, 8G2,9Q6,8G1
(2)	95B 845 099 LY	with: Camera also use: Windscreen (laminated insulated glass)	000 043 305 35	1	PR:-3W8, -4GK,-7Y2, -7Y6,-7Y7, -7Y3,8G2, -9Q6,8G1
(2)	95B 845 099 LY	with: Camera also use: Windscreen (laminated insulated glass)	000 043 305 35	1	PR:-3W8, -4GK,-7Y2, -7Y6,-7Y7, -7Y3,-8G2, 9Q6,-8G1
(2)	95B 845 099 LY	with: Camera also use: Windscreen (laminated insulated glass)	000 043 305 35	1	PR:-3W8, -4GK,-7Y2, -7Y6,-7Y7, -7Y3,8G2, 9Q6,8G1

Model: 95B Model life 2014>>

Pos	Part Number	Description	Remark	Qty	Model
(2)	95B 845 099 MY	Windscreen (laminated insulated glass) with: Camera	000 043 305 35	1	PR:-4GK,7Y3, 7Y2,7Y7,7Y6, -8G1,-8G2, -9Q6
(2)	95B 845 099 MY	Windscreen (laminated insulated glass) with: Camera	000 043 305 35	1	PR:-4GK,7Y3, 7Y2,7Y7,7Y6, 8G1,8G2,-9Q6
(2)	95B 845 099 MY	Windscreen (laminated insulated glass) with: Camera	000 043 305 35	1	PR:-4GK,7Y3, 7Y2,7Y7,7Y6, -8G1,-8G2, 9Q6
(2)	95B 845 099 MY	Windscreen (laminated insulated glass) with: Camera	000 043 305 35	1	PR:-4GK,7Y3, 7Y2,7Y7,7Y6, 8G1,8G2,9Q6
(2)	95B 845 099 MY	Windscreen (laminated insulated glass) with: Camera	000 043 305 35	1	PR:-4GK, -7Y3,-7Y2, -7Y6,-7Y7, -8G1,-8G2, 9Q6
(2)	95B 845 099 MY	Windscreen (laminated insulated glass) with: Camera	000 043 305 35	1	PR:-4GK, -7Y3,-7Y2, -7Y6,-7Y7, 8G1,8G2,9Q6
(2)	95B 845 099 MY	Windscreen (laminated insulated glass) with: Camera	000 043 305 35	1	PR:-4GK, -7Y3,-7Y2, -7Y6,-7Y7, 8G1,8G2,-9Q6
(2)	95B 845 099 QY	Windscreen (laminated insulated glass) with: Camera	000 043 305 35	1	PR:-4GC, -7Q4,7Y2, 7Y3,7Y6,7Y7, -8G2,-9Q6, -8G1
(2)	95B 845 099 QY	Windscreen (laminated insulated glass) with: Camera	000 043 305 35	1	PR:-4GC, -7Q4,7Y2, 7Y3,7Y6,7Y7, -8G2,9Q6, -8G1
(2)	95B 845 099 QY	Windscreen (laminated insulated glass) with: Camera	000 043 305 35	1	PR:-4GC, -7Q4,7Y2, 7Y3,7Y6,7Y7, 8G2,9Q6,8G1
(2)	95B 845 099 QY	Windscreen (laminated insulated glass)		1	PR:-4GC, -7Q4,7Y2,

Model: 95B

Model life 2014>>

Pos	Part Number	Description	Remark	Qty	Model
		Camera with: also use:	000 043 305 35	1	7Y3,7Y6,7Y7, 8G2,-9Q6,8G1
(2)	95B 845 099 QY	Windscreen (laminated insulated glass)		1	PR:-4GC, -7Q4,-7Y2, -7Y3,-7Y6, -7Y7,-8G2, 9Q6,-8G1 PR:-4GC,
		Camera with: also use:	000 043 305 35	1	-7Q4,-7Y2, -7Y3,-7Y6, -7Y7,8G2, 9Q6,8G1 PR:-4GC,
(2)	95B 845 099 QY	Windscreen (laminated insulated glass)		1	-7Q4,-7Y2, -7Y3,-7Y6, -7Y7,8G2, 9Q6,8G1 PR:-4GC,
		Camera with: also use:	000 043 305 35	1	-7Q4,-7Y2, -7Y3,-7Y6, -7Y7,8G2, 9Q6,8G1 PR:-4GC,
(2)	95B 845 099 RY	Windscreen (laminated insulated glass)		1	-7Q4,-7Y2, -7Y3,-7Y6, -7Y7,8G2, -9Q6,8G1 PR:-4GC,7Q4,
		Camera with: also use:	000 043 305 35	1	7Y2,7Y3,7Y6, 7Y7,-8G2, -9Q6,-8G1
(2)	95B 845 099 RY	Windscreen (laminated insulated glass)		1	PR:-4GC,7Q4, 7Y2,7Y3,7Y6, 7Y7,-8G2, 9Q6,-8G1
		Camera with: also use:	000 043 305 35	1	PR:-4GC,7Q4, 7Y2,7Y3,7Y6, 7Y7,8G2,9Q6, 8G1
(2)	95B 845 099 RY	Windscreen (laminated insulated glass)		1	PR:-4GC,7Q4, 7Y2,7Y3,7Y6, 7Y7,8G2, -9Q6,8G1
		Camera with: also use:	000 043 305 35	1	PR:-4GC,7Q4, -7Y2,-7Y3, -7Y6,-7Y7, -8G2,9Q6, -8G1
(2)	95B 845 099 RY	Windscreen (laminated insulated glass)		1	PR:-4GC,7Q4, -7Y2,-7Y3, -7Y6,-7Y7, 8G2,9Q6,8G1
		Camera with: also use:	000 043 305 35	1	PR:-4GC,7Q4, -7Y2,-7Y3, -7Y6,-7Y7, 8G2,9Q6,8G1
(2)	95B 845 099 RY	Windscreen (laminated insulated glass)		1	PR:-4GC,7Q4, -7Y2,-7Y3, -7Y6,-7Y7, 8G2,-9Q6,8G1
		Camera with: also use:	000 043 305 35	1	PR:-4GC,7Q4, -7Y2,-7Y3, -7Y6,-7Y7, 8G2,-9Q6,8G1

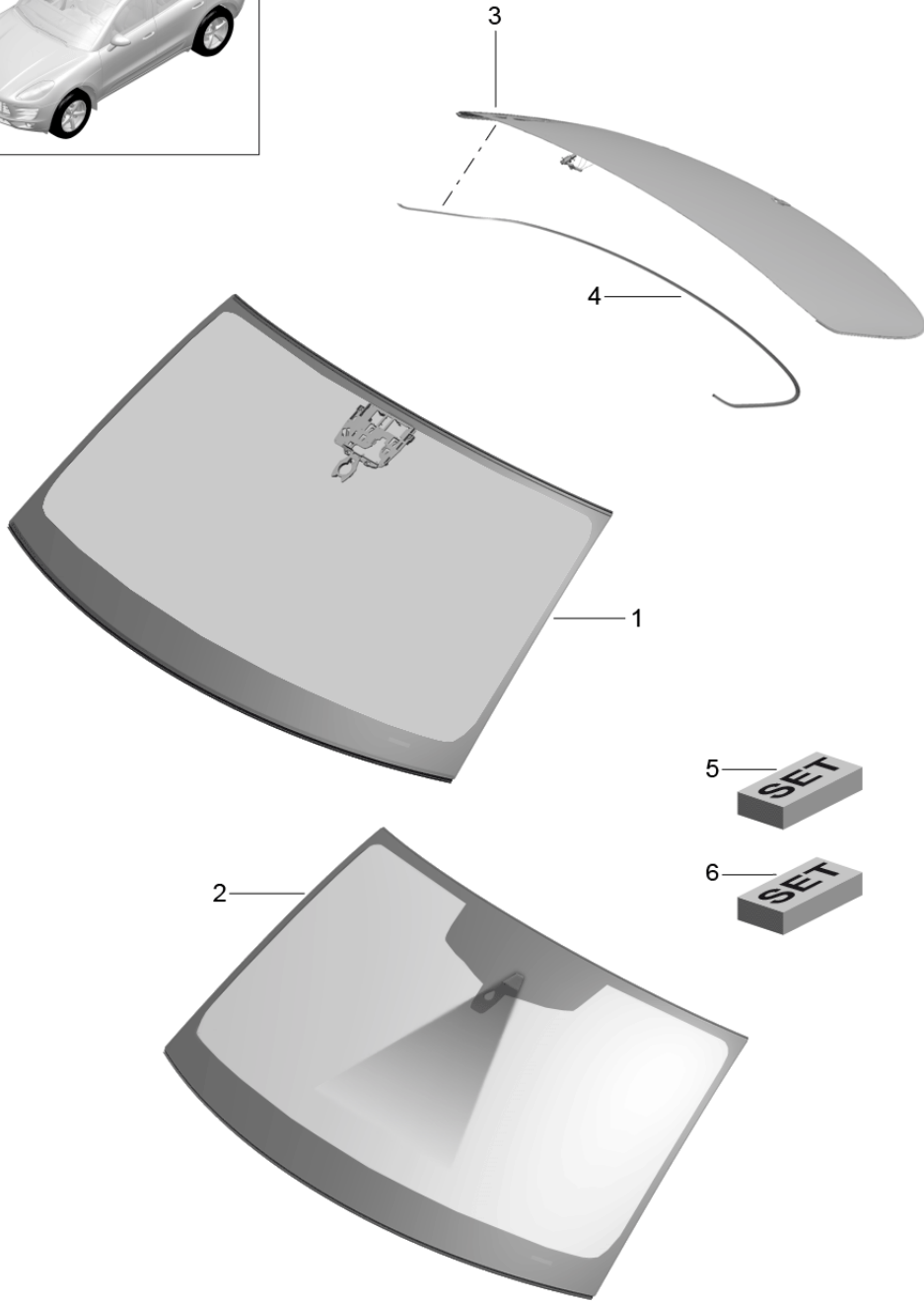
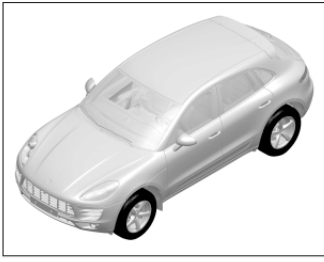
Model: 95B

Model life 2014>>

Pos	Part Number	Description	Remark	Qty	Model
3	95B 845 051 H	Rear window		1	PR: 4KC, QU0,
		also use:	000 043 305 35	1	QV3, QV4, QV8,
(3)	95B 845 051 A	Rear window		1	-7Q4
		also use:	000 043 305 35	1	PR: 4KC, QV0,
(3)	95B 845 051 C	Rear window		1	QV1, QV5
		also use:	000 043 305 35	1	PR: 4KF, QV0,
(3)	95B 845 051 M	Rear window		1	QV1, QV5
		also use:	000 043 305 35	1	PR: VW5, QU0,
(3)	95B 845 051 E	Rear window		1	QV3, QV4, QV8,
		also use:	000 043 305 35	1	-7Q4
(3)	95B 845 051 G	Rear window		1	PR: VW5, QV0,
		also use:	000 043 305 35	1	QV1, QV5
(3)	95B 845 051 Q	Discontinued part Rear window		1	PR: VW1, QV0,
		also use:	000 043 305 35	1	QV1, QV5
(3)	95B 845 051 P	Rear window		1	PR: VW1, QU0,
		also use:	000 043 305 35	1	QV3, QV4, QV8,
4	95B 845 571	Seal for rear window		1	-7Q4
(4)	95B 845 571 A	Seal for rear window		1	PR: -VW5
5	000 043 305 35	2K pane adhesive set		1	
6	000 043 205 37	For front and rear window emulsion tube Supplementary kit		X	

Model: 95B

Model life 2014>>



Model: 95B Model life 2014>>

Pos	Part Number	Description	Remark	Qty	Model
1	95B 845 099 JY	Windscreen Rear window D - MJ 2017>> Windscreen (laminated insulated glass)		1	PR:4GC,-7Y2, -7Y3,-7Y6, -7Y7,-8G1, -8G2,-9Q6
		without:			
		Camera	000 043 305 35	1	
		also use:			
(1)	95B 845 099 NY	Windscreen (laminated insulated glass)		1	PR:4GK,-7Y2, -7Y3,-7Y6, -7Y7,-8G1, -8G2,-9Q6
		without:			
		Camera	000 043 305 35	1	
		also use:			
2	95B 845 099 MY	Windscreen (laminated insulated glass)		1	PR:4GC,-B0L, 7Y2,7Y3,7Y6, 7Y7,8G1,8G2, 9Q6
		with:			
		Camera	000 043 305 35	1	
		also use:			
2	95B 845 099 MY	Windscreen (laminated insulated glass)		1	PR:4GC,-B0L, 7Y2,7Y3,7Y6, 7Y7,8G1,8G2, -9Q6
		with:			
		Camera	000 043 305 35	1	
		also use:			
2	95B 845 099 MY	Windscreen (laminated insulated glass)		1	PR:4GC,-B0L, 7Y2,7Y3,7Y6, 7Y7,-8G1, -8G2,9Q6
		with:			
		Camera	000 043 305 35	1	
		also use:			
2	95B 845 099 MY	Windscreen (laminated insulated glass)		1	PR:4GC,-B0L, -7Y2,-7Y3, -7Y6,-7Y7, 8G1,8G2,9Q6
		with:			
		Camera	000 043 305 35	1	
		also use:			
2	95B 845 099 MY	Windscreen (laminated insulated glass)		1	PR:4GC,-B0L, 7Y2,7Y3,7Y6, 7Y7,-8G1, -8G2,-9Q6
		with:			
		Camera	000 043 305 35	1	
		also use:			
2	95B 845 099 MY	Windscreen (laminated insulated glass)		1	PR:4GC,-B0L, -7Y2,-7Y3, -7Y6,-7Y7, 8G1,8G2,-9Q6
		with:			
		Camera	000 043 305 35	1	
		also use:			
2	95B 845 099 MY	Windscreen (laminated insulated glass)		1	PR:4GC,-B0L, -7Y2,-7Y3, -7Y6,-7Y7, -8G1,-8G2, 9Q6
		with:			
		Camera	000 043 305 35	1	
		also use:			
(2)	95B 845 091 AY	Windscreen		1	PR:4GC,B0L, 7Y2,7Y3,7Y6, 7Y7,8G1,8G2, 9Q6
		with:			
		Camera	000 043 305 35	1	
		also use:			
(2)	95B 845 091 AY	Windscreen		1	PR:4GC,B0L, 7Y2,7Y3,7Y6,
		with:			

Model: 95B Model life 2014>>

Pos	Part Number	Description	Remark	Qty	Model
(2)	95B 845 091 AY	Camera also use: Windscreen with:	000 043 305 35	1	7Y7, 8G1, 8G2, -9Q6
(2)	95B 845 091 AY	Camera also use: Windscreen with:	000 043 305 35	1	PR: 4GC, B0L, 7Y2, 7Y3, 7Y6, 7Y7, -8G1, -8G2, 9Q6
(2)	95B 845 091 AY	Camera also use: Windscreen with:	000 043 305 35	1	PR: 4GC, B0L, -7Y2, -7Y3, -7Y6, -7Y7, 8G1, 8G2, 9Q6
(2)	95B 845 091 AY	Camera also use: Windscreen with:	000 043 305 35	1	PR: 4GC, B0L, 7Y2, 7Y3, 7Y6, 7Y7, -8G1, -8G2, -9Q6
(2)	95B 845 091 AY	Camera also use: Windscreen with:	000 043 305 35	1	PR: 4GC, B0L, -7Y2, -7Y3, -7Y6, -7Y7, 8G1, 8G2, -9Q6
(2)	95B 845 091 AY	Camera also use: Windscreen with:	000 043 305 35	1	PR: 4GC, B0L, -7Y2, -7Y3, -7Y6, -7Y7, 8G1, 8G2, -9Q6
(2)	95B 845 099 QY	Windscreen (laminated insulated glass) with:	000 043 305 35	1	PR: 4GK, 7Y2, 7Y3, 7Y6, 7Y7, 8G1, 8G2, 9Q6
(2)	95B 845 099 QY	Windscreen (laminated insulated glass) with:	000 043 305 35	1	PR: 4GK, 7Y2, 7Y3, 7Y6, 7Y7, 8G1, 8G2, -9Q6
(2)	95B 845 099 QY	Windscreen (laminated insulated glass) with:	000 043 305 35	1	PR: 4GK, 7Y2, 7Y3, 7Y6, 7Y7, -8G1, -8G2, 9Q6
(2)	95B 845 099 QY	Windscreen (laminated insulated glass) with:	000 043 305 35	1	PR: 4GK, -7Y2, -7Y3, -7Y6, -7Y7, 8G1, 8G2, 9Q6
(2)	95B 845 099 QY	Windscreen (laminated insulated glass) with:	000 043 305 35	1	PR: 4GK, 7Y2, 7Y3, 7Y6, 7Y7, -8G1, -8G2, -9Q6
(2)	95B 845 099 QY	Windscreen (laminated insulated glass) with:	000 043 305 35	1	PR: 4GK, -7Y2, -7Y3, -7Y6, -7Y7, 8G1, 8G2, -9Q6
(2)	95B 845 099 QY	Windscreen (laminated insulated glass) with:	000 043 305 35	1	PR: 4GK, -7Y2, -7Y3, -7Y6, -7Y7, -8G1,

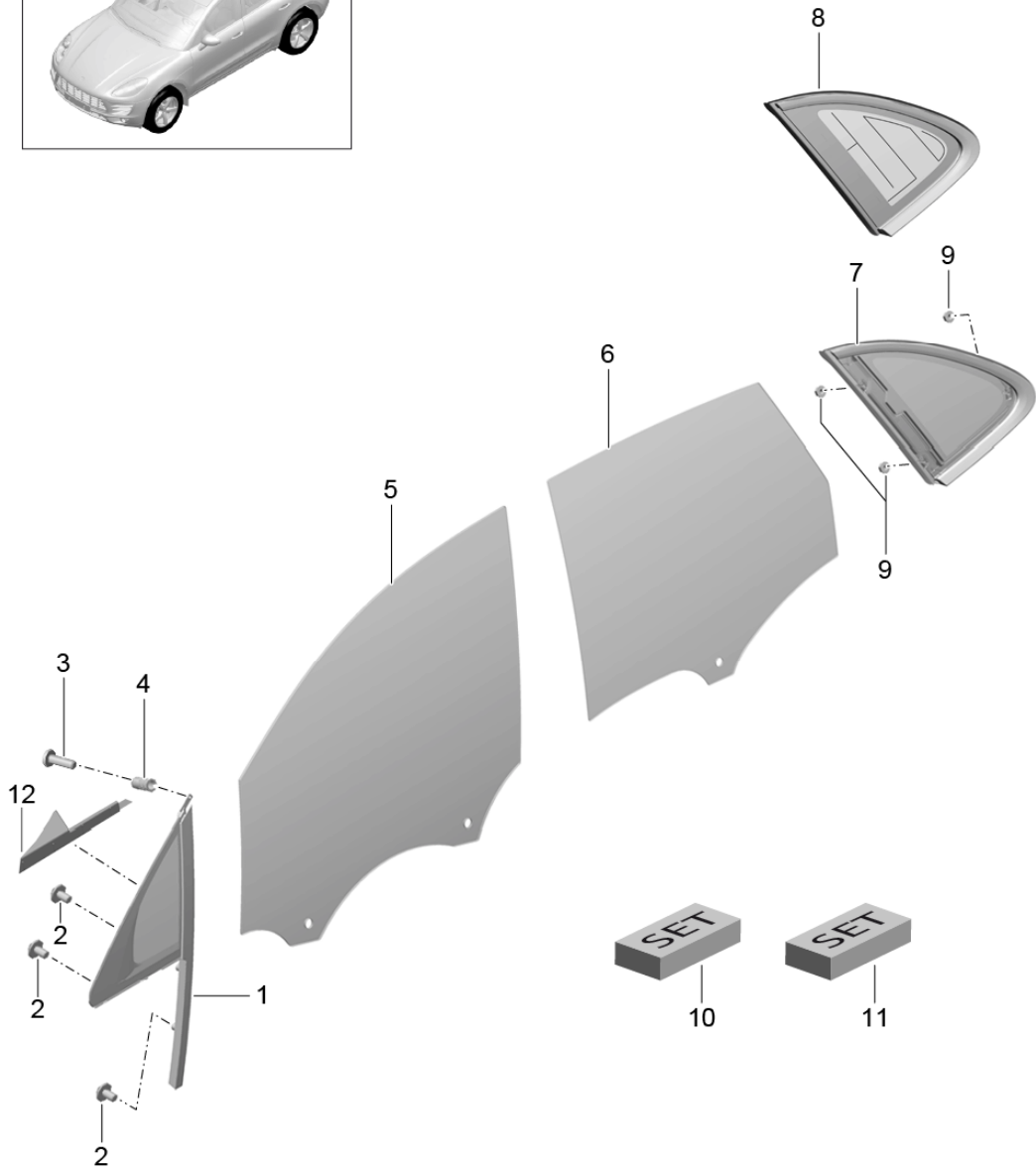
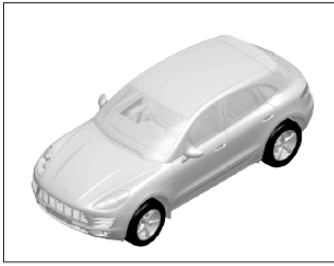
Model: 95B

Model life 2014>>

Pos	Part Number	Description	Remark	Qty	Model
		Camera	000 043 305 35	1	-8G2,9Q6
3	95B 845 051 AN	Rear window	also use: 000 043 305 35	1	PR:VW1
(3)	95B 845 051 AG	Rear window	also use: 000 043 305 35	1	PR:4KC
(3)	95B 845 051 AJ	Rear window	also use: 000 043 305 35	1	PR:4KF
(3)	95B 845 051 AL	Rear window	also use: 000 043 305 35	1	PR:VW5
4	95B 845 571	Seal for rear window	also use: 000 043 305 35	1	PR:-VW5
(4)	95B 845 571 A	Seal for rear window		1	PR:VW5
5	000 043 305 35	2K pane adhesive set		1	
6	000 043 205 37	For front and rear window emulsion tube		X	
		Supplementary kit			

Model: 95B

Model life 2014>>



Model: 95B Model life 2014>>

Pos	Part Number	Description	Remark	Qty	Model
-		Side window D >> - MJ 2016	side		
		Door window (fixed) (drivers side) (passenger side)			
1	95B 845 113 C	Door window (fixed)	left	1	PR:VW1,4KC, 4KF
(1)	95B 845 114 C	Door window (fixed)	right	1	PR:VW1,4KC, 4KF
(1)	95B 845 113 D	Door window (fixed)	left	1	PR:VW5
(1)	95B 845 114 D	Door window (fixed)	right	1	PR:VW5
2	N 106 538 01	Hexagon socket head bolt M5 X 8		6	
3	999 073 455 01	Screw M5 X 16		2	
4	N 910 167 02	rivetted cap nut M5		2	
-		Side window doors	front		
5	95B 845 201	Door window	left	1	PR:VW1,4KC, 4KF
(5)	95B 845 202	Door window	right	1	PR:VW1,4KC, 4KF
(5)	95B 845 201 A	Door window	left	1	PR:VW5
(5)	95B 845 202 A	Door window	right	1	PR:VW5
-		Side window doors	rear		
6	95B 845 205	Door window	left	1	PR:4KC
(6)	95B 845 206	Door window	right	1	PR:4KC
(6)	95B 845 205 A	Door window	left	1	PR:VW1
(6)	95B 845 206 A	Door window	right	1	PR:VW1
(6)	95B 845 205 B	Door window	left	1	PR:VW5
(6)	95B 845 206 B	Door window	right	1	PR:VW5
-		side window (fixed) without:			
7	95B 845 297 DA	Aerial side window (non-opening) for side panel	left	1	PR:QJ2,4KC, QV0,QV3,QV4, QV8,-7Q4
		with:			
(7)	95B 845 298 DA	Trim Chrome look side window (fixed)	right	1	PR:QJ2,4KC, QU0,QV0,QV3, QV4,QV8, -9M9,-7Q4
		with:			
(7)	95B 845 297 DB	Trim Chrome look side window (non-opening) for side panel	left	1	PR:QJ2,VW1, QV0,QV3,QV4, QV8,-7Q4
		with:			
(7)	95B 845 298 DB	Trim Chrome look side window (fixed)	right	1	PR:QJ2,VW1, QU0,QV0,QV3, QV4,QV8, -9M9,-7Q4
		with:			
(7)	95B 845 297 DC	Trim Chrome look side window (fixed)	left	1	PR:QJ2,VW5, QV0,QV3,QV4, QV8,-7Q4
		with:			
(7)	95B 845 298 DC	Trim Chrome look side window (fixed)	right	1	PR:QJ2,VW5, QU0,QV0,QV3,
		with:			

Model: 95B Model life 2014>>

Pos	Part Number	Description	Remark	Qty	Model
(7)	95B 845 297 DD	Trim Chrome look side window (fixed) with:	left	1	QV4, QV8, -9M9, -7Q4 PR: QJ4, 4KC, QV0, QV3, QV4, QV8, -7Q4
(7)	95B 845 298 DD	Trim Black side window (fixed) also use: with:	000 043 305 35 right	1 1	PR: QJ4, 4KC, QU0, QV0, QV3, QV4, QV8, -9M9, -7Q4
(7)	95B 845 297 DE	Trim Black side window (fixed) also use: with:	000 043 305 35 left	1 1	PR: QJ4, VW1, QV0, QV3, QV4, QV8, -7Q4
(7)	95B 845 298 DE	Trim Black side window (fixed) also use: with:	000 043 305 35 right	1 1	PR: QJ4, VW1, QU0, QV0, QV3, QV4, QV8, -9M9, -7Q4
(7)	95B 845 297 DF	Trim Black side window (fixed) also use: with:	000 043 305 35 left	1 1	PR: QJ4, VW5, QV0, QV3, QV4, QV8, -7Q4
(7)	95B 845 298 DF	Trim Black side window (fixed) also use: with:	000 043 303 19 right	1 1	PR: QJ4, VW5, QU0, QV0, QV3, QV4, QV8, -9M9, -7Q4
(7)	95B 845 297 DN	Trim Chrome look side window (fixed) also use: with:	000 043 305 35 left	1 1	PR: QJ2, 4KC, QV0, 7Q4
(7)	95B 845 298 DN	Trim Chrome look side window (fixed) also use: with:	000 043 305 35 right	1 1	PR: QJ2, 4KC, QV0, 7Q4
(7)	95B 845 297 DP	Trim Chrome look side window (fixed) also use: with:	000 043 305 35 left	1 1	PR: QJ2, VW1, QV0, 7Q4
(7)	95B 845 298 DP	Trim Chrome look side window (fixed) also use: with:	000 043 305 35 right	1 1	PR: QJ2, VW1, QV0, 7Q4
(7)	95B 845 297 DQ	Trim Chrome look side window (fixed) also use: with:	000 043 305 35 left	1 1	PR: QJ2, VW5, QV0, 7Q4
(7)	95B 845 298 DQ	Trim Chrome look side window (fixed) also use: with:	000 043 305 35 right	1 1	PR: QJ2, VW5, QV0, 7Q4
(7)	95B 845 297 DR	Trim Chrome look side window (fixed) also use:	000 043 305 35 left	1 1	PR: QJ4, 4KC,

Model: 95B

Model life 2014>>

Pos	Part Number	Description	Remark	Qty	Model
		with: Trim Black			QV0,7Q4
(7)	95B 845 298 DR	side window (fixed)	also use: 000 043 305 35 right	1 1	PR:QJ4,4KC, QV0,7Q4
		with: Trim Black			
(7)	95B 845 297 DS	side window (fixed)	also use: 000 043 305 35 left	1 1	PR:QJ4,VW1, QV0,7Q4
		with: Trim Black			
(7)	95B 845 298 DS	side window (fixed)	also use: 000 043 305 35 right	1 1	PR:QJ4,VW1, QV0,7Q4
		with: Trim Black			
(7)	95B 845 297 DT	side window (fixed)	also use: 000 043 305 35 left	1 1	PR:QJ4,VW5, QV0,7Q4
		with: Trim Black			
(7)	95B 845 298 DT	side window (fixed)	also use: 000 043 305 35 right	1 1	PR:QJ4,VW5, QV0,7Q4
		with: Trim Black			
(7)	95B 845 297 EE	side window (fixed)	also use: 000 043 305 35 left	1 1	PR:QJ2,4KF, QV0,7Q4
		with: Trim Chrome look			
(7)	95B 845 298 EE	side window (fixed)	also use: 000 043 305 35 right	1 1	PR:QJ2,4KF, QV0,7Q4
		with: Trim Chrome look			
(7)	95B 845 297 EF	side window (fixed)	also use: 000 043 305 35 left	1 1	PR:QJ4,4KF, QV0,7Q4
		with: Trim Black			
(7)	95B 845 298 EF	side window (fixed)	also use: 000 043 305 35 right	1 1	PR:QJ4,4KF, QV0,7Q4
		with: Trim Black			
(7)	95B 845 297 EA	side window (fixed)	also use: 000 043 305 35 left	1 1	PR:QJ2,4KF, QV0,QV3,QV4, QV8,-7Q4
		with: Trim Chrome look			
(7)	95B 845 298 EA	side window (fixed)	also use: 000 043 305 35 right	1 1	PR:QJ2,4KF, QU0,QV0,QV3, QV4,QV8, -9M9,-7Q4
		with: Trim Chrome look			
(7)	95B 845 297 EB	side window (fixed)	also use: 000 043 305 35 left	1 1	PR:QJ4,4KF, QV0,QV3,QV4, QV8,-7Q4
		with: Trim Black			

Model: 95B Model life 2014>>

Pos	Part Number	Description	Remark	Qty	Model
(7)	95B 845 298 EB	side window (fixed) Trim Black	also use: 000 043 305 35 right with:	1 1	PR:QJ4,4KF, QU0,QV0,QV3, QV4,QV8, -9M9,-7Q4
(7)	95B 845 297 EG	side window (fixed) Trim Matt black	also use: 000 043 305 35 left with:	1 1	PR:QJ6,4KC, QV0,QV3,QV4, QV8,-7Q4
(7)	95B 845 298 EG	side window (fixed) Trim Matt black	also use: 000 043 305 35 right with:	1 1	PR:QJ6,4KC, QU0,QV0,QV3, QV4,QV8, -9M9,-7Q4
(7)	95B 845 297 EH	side window (fixed) Trim Matt black	also use: 000 043 305 35 left with:	1 1	PR:QJ6,VW1, QV0,QV3,QV4, QV8,-7Q4
(7)	95B 845 298 EH	side window (fixed) Trim Matt black	also use: 000 043 305 35 right with:	1 1	PR:QJ6,VW1, QU0,QV0,QV3, QV4,QV8, -9M9,-7Q4
(7)	95B 845 297 EJ	side window (fixed) Trim Matt black	also use: 000 043 305 35 left with:	1 1	PR:QJ6,VW5, QV0,QV3,QV4, QV8,-7Q4
(7)	95B 845 298 EJ	side window (fixed) Trim Matt black	also use: 000 043 305 35 right with:	1 1	PR:QJ6,VW5, QU0,QV0,QV3, QV4,QV8, -9M9,-7Q4
(7)	95B 845 297 EK	side window (fixed) Trim Matt black	also use: 000 043 305 35 left with:	1 1	PR:QJ6,4KF, QV0,QV3,QV4, QV8,-7Q4
(7)	95B 845 298 EK	side window (fixed) Trim Matt black	also use: 000 043 305 35 right with:	1 1	PR:QJ6,4KF, QU0,QV0,QV3, QV4,QV8, -9M9,-7Q4
-		Side window	also use: 000 043 305 35 with:	1	
8	95B 845 297 DG	Aerial side window (fixed) Trim Chrome look	also use: 000 043 305 35 left with:	1 1	PR:QJ2,4KC, QU0,QV1,QV5
(8)	95B 845 298 DG	side window (fixed) Trim Chrome look	also use: 000 043 305 35 right with:	1 1	PR:QJ2,4KC, QV1,QV5
(8)	95B 845 298 DG	side window (fixed) Trim Chrome look	also use: 000 043 305 35 right with:	1 1	PR:QJ2,4KC, 9M9

Model: 95B Model life 2014>>

Pos	Part Number	Description	Remark	Qty	Model
(8)	95B 845 297 DH	side window (fixed) Trim Chrome look	also use: 000 043 305 35 left with:	1 1	PR:QJ2,VW1, QU0,QV1,QV5
(8)	95B 845 298 DH	side window (fixed) Trim Chrome look	also use: 000 043 305 35 right with:	1 1	PR:QJ2,VW1, QV1,QV5
(8)	95B 845 298 DH	side window (fixed) Trim Chrome look	also use: 000 043 305 35 right with:	1 1	PR:QJ2,VW1, 9M9
(8)	95B 845 297 DJ	side window (fixed) Trim Chrome look	also use: 000 043 305 35 left with:	1 1	PR:QJ2,VW5, QU0,QV1,QV5
(8)	95B 845 298 DJ	side window (fixed) Trim Chrome look	also use: 000 043 305 35 right with:	1 1	PR:QJ2,VW5, QV1,QV5
(8)	95B 845 298 DJ	side window (fixed) Trim Chrome look	also use: 000 043 305 35 right with:	1 1	PR:QJ2,VW5, 9M9
(8)	95B 845 297 DK	side window (fixed) Trim Black	also use: 000 043 305 35 left with:	1 1	PR:QJ4,4KC, QU0,QV1,QV5
(8)	95B 845 298 DK	side window (fixed) Trim Black	also use: 000 043 305 35 right with:	1 1	PR:QJ4,4KC, QV1,QV5
(8)	95B 845 298 DK	side window (fixed) Trim Black	also use: 000 043 305 35 right with:	1 1	PR:QJ4,4KC, 9M9
(8)	95B 845 297 DL	side window (fixed) Trim Black	also use: 000 043 305 35 left with:	1 1	PR:QJ4,VW1, QU0,QV1,QV5
(8)	95B 845 298 DL	side window (fixed) Trim Black	also use: 000 043 305 35 right with:	1 1	PR:QJ4,VW1, QV1,QV5
(8)	95B 845 298 DL	side window (fixed) Trim Black	also use: 000 043 305 35 right with:	1 1	PR:QJ4,VW1, 9M9
(8)	95B 845 297 DM	side window (fixed)	also use: 000 043 305 35 left with:	1 1	PR:QJ4,VW5, QU0,QV1,QV5

Model: 95B Model life 2014>>

Pos	Part Number	Description	Remark	Qty	Model
(8)	95B 845 298 DM	Trim Black side window (fixed) also use: with:	000 043 305 35 right	1 1	PR:QJ4,VW5, QV1,QV5
(8)	95B 845 298 DM	Trim Black side window (fixed) also use: with:	000 043 305 35 right	1 1	PR:QJ4,VW5, 9M9
(8)	95B 845 297 EC	Trim Black side window (fixed) also use: with:	000 043 305 35 left	1 1	PR:QJ2,4KF, QU0,QV1,QV5
(8)	95B 845 298 EC	Trim Chrome look side window (fixed) also use: with:	000 043 305 35 right	1 1	PR:QJ2,4KF, QV1,QV5
(8)	95B 845 298 EC	Trim Chrome look side window (fixed) also use: with:	000 043 305 35 right	1 1	PR:QJ2,4KF, 9M9
(8)	95B 845 297 ED	Trim Black side window (fixed) also use: with:	000 043 305 35 left	1 1	PR:QJ4,4KF, QU0,QV1,QV5
(8)	95B 845 298 ED	Trim Black side window (fixed) also use: with:	000 043 305 35 right	1 1	PR:QJ4,4KF, QV1,QV5
(8)	95B 845 298 ED	Trim Black side window (fixed) also use: with:	000 043 305 35 right	1 1	PR:QJ4,4KF, 9M9
(8)	95B 845 297 EL	Trim Matt black side window (fixed) also use: with:	000 043 305 35 left	1 1	PR:QJ6,4KC, QU0,QV1,QV5
(8)	95B 845 298 EL	Trim Matt black side window (fixed) also use: with:	000 043 305 35 right	1 1	PR:QJ6,4KC, QV1,QV5
(8)	95B 845 298 EL	Trim Matt black side window (fixed) also use: with:	000 043 305 35 right	1 1	PR:QJ6,4KC, 9M9
(8)	95B 845 297 EM	Trim Matt black side window (fixed) also use: with:	000 043 305 35 left	1 1	PR:QJ6,VW1, QU0,QV1,QV5
			also use:	1	000 043 305 35

Model: 95B Model life 2014>>

Pos	Part Number	Description	Remark	Qty	Model
(8)	95B 845 298 EM	side window (fixed) with: Trim Matt black	right	1	PR:QJ6,VW1, QV1,QV5
(8)	95B 845 298 EM	side window (fixed) with: Trim Matt black	also use: 000 043 305 35 right	1 1	PR:QJ6,VW1, 9M9
(8)	95B 845 297 EN	side window (fixed) with: Trim Matt black	also use: 000 043 305 35 left	1 1	PR:QJ6,VW5, QU0,QV1,QV5
(8)	95B 845 298 EN	side window (fixed) with: Trim Matt black	also use: 000 043 305 35 right	1 1	PR:QJ6,VW5, QV1,QV5
(8)	95B 845 298 EN	side window (fixed) with: Trim Matt black	also use: 000 043 305 35 right	1 1	PR:QJ6,VW5, 9M9
(8)	95B 845 297 EP	side window (fixed) with: Trim Matt black	also use: 000 043 305 35 left	1 1	PR:QJ6,4KF, QU0,QV1,QV5
(8)	95B 845 298 EP	side window (fixed) with: Trim Matt black	also use: 000 043 305 35 right	1 1	PR:QJ6,4KF, QV1,QV5
(8)	95B 845 298 EP	side window (fixed) with: Trim Matt black	also use: 000 043 305 35 right	1 1	PR:QJ6,4KF, 9M9
(8)	95B 845 297 EQ	side window (fixed) with: Trim Matt black	also use: 000 043 305 35 left	1 1	PR:QJ6,4KC, 7Q4
(8)	95B 845 298 EQ	side window (fixed) with: Trim Matt black	also use: 000 043 305 35 right	1 1	PR:QJ6,4KC, 7Q4
(8)	95B 845 297 ER	side window (fixed) with: Trim Matt black	also use: 000 043 305 35 left	1 1	PR:QJ6,VW1, 7Q4
(8)	95B 845 298 ER	side window (fixed) with: Trim Matt black	also use: 000 043 305 35 right	1 1	PR:QJ6,VW1, 7Q4
(8)	95B 845 297 ES	side window (fixed) with: Trim	also use: 000 043 303 19 left	1 1	PR:QJ6,VW5, 7Q4

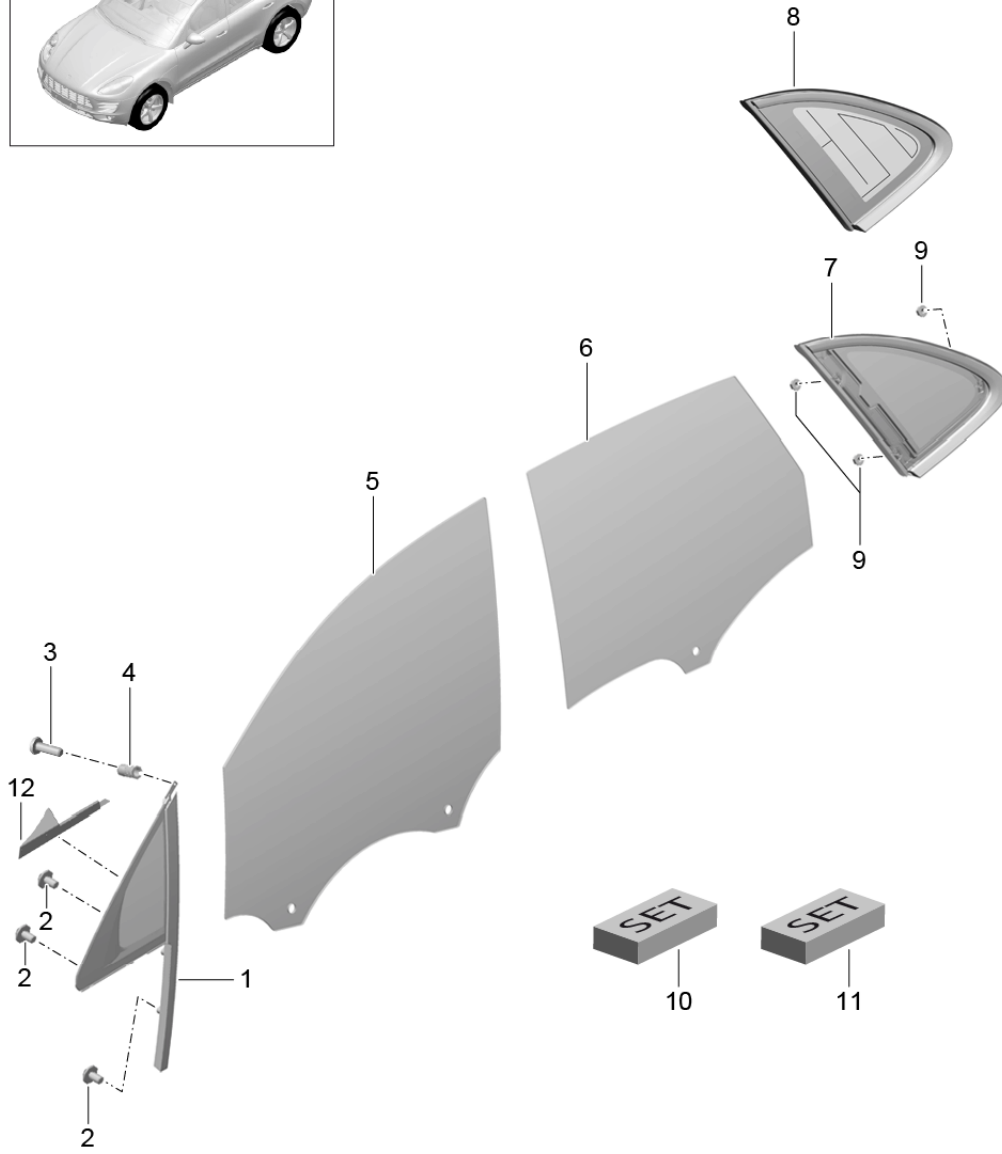
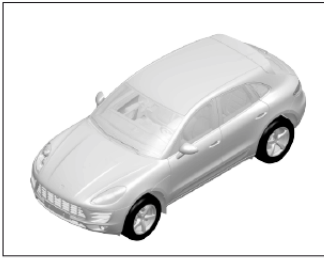
Model: 95B

Model life 2014>>

Pos	Part Number	Description	Remark	Qty	Model
(8)	95B 845 298 ES	Matt black side window (fixed) Trim Matt black	also use: 000 043 305 35 right with:	1 1	PR:QJ6,VW5, 7Q4
(8)	95B 845 297 ET	Matt black side window (fixed) Trim Matt black	also use: 000 043 305 35 left with:	1 1	PR:QJ6,4KF, 7Q4
(8)	95B 845 298 ET	Matt black side window (fixed) Trim Matt black	also use: 000 043 305 35 right with:	1 1	PR:QJ6,4KF, 7Q4
9	N 015 082 10	Hexagon collar nut	also use: 000 043 305 35	1	
10	000 043 305 35	2K pane adhesive set		6	
11	000 043 205 37	side window (fixed) emulsion tube Supplementary kit		1	
12	95B 867 393	Cover	left	X	
(12)	95B 867 394	Door window (fixed) Cover	inner	1	
	95B 867 394 1E0	Black	right inner	1	

Model: 95B

Model life 2014>>



Model: 95B Model life 2014>>

Pos	Part Number	Description	Remark	Qty	Model
-		Side window D - MJ 2017>> Door window (fixed) (drivers side) (passenger side)	side		
1	95B 845 113 C	Door window (fixed)	left	1	PR:VW1,4KC, 4KF
(1)	95B 845 114 C	Door window (fixed)	right	1	PR:VW1,4KC, 4KF
(1)	95B 845 113 D	Door window (fixed)	left	1	PR:VW5
(1)	95B 845 114 D	Door window (fixed)	right	1	PR:VW5
2	N 106 538 01	Hexagon socket head bolt M5 X 8		6	
3	999 073 455 01	Screw M5 X 16		2	
4	N 910 167 02	rivetted cap nut M5		2	
-		Side window doors	front		
5	95B 845 201 B	Door window	left	1	PR:VW1,4KC, 4KF
(5)	95B 845 202 B	Door window	right	1	PR:VW1,4KC, 4KF
(5)	95B 845 201 A	Door window	left	1	PR:VW5
(5)	95B 845 202 A	Door window	right	1	PR:VW5
-		Side window doors	rear		
6	95B 845 205	Door window	left	1	PR:4KC
(6)	95B 845 206	Door window	right	1	PR:4KC
(6)	95B 845 205 A	Door window	left	1	PR:VW1
(6)	95B 845 206 A	Door window	right	1	PR:VW1
(6)	95B 845 205 B	Door window	left	1	PR:VW5
(6)	95B 845 206 B	Door window	right	1	PR:VW5
-		Side window			
		without:			
7	95B 845 297 FA	Aerial side window (fixed)	left	1	PR:QJ2,4KC, QV0,QU8
		with:			
		Trim Chrome look			
(7)	95B 845 298 FA	side window (fixed)	right	1	PR:QJ2,4KC, QU8,QV0,QV3, -9M9
		also use:	000 043 305 35	1	
		with:			
		Trim Chrome look			
(7)	95B 845 297 FB	side window (fixed)	left	1	PR:QJ2,VW1, QV0,QU8
		also use:	000 043 305 35	1	
		with:			
		Trim Chrome look			
(7)	95B 845 298 FB	side window (fixed)	right	1	PR:QJ2,VW1, QU8,QV0,QV3, -9M9
		also use:	000 043 305 35	1	
		with:			
		Trim Chrome look			
(7)	95B 845 297 FC	side window (fixed)	left	1	PR:QJ2,VW5, QV0,QU8
		also use:	000 043 305 35	1	
		with:			
		Trim Chrome look			
(7)	95B 845 298 FC	side window (fixed)	right	1	PR:QJ2,VW5,

Model: 95B

Model life 2014>>

Pos	Part Number	Description	Remark	Qty	Model
		Trim Chrome look	with: 000 043 305 35	1	QU8, QV0, QV3, -9M9
(7)	95B 845 297 FD	side window (fixed)	also use: left	1	PR:QJ4, 4KC, QV0, QU8
		Trim Black	with: 000 043 305 35	1	
(7)	95B 845 298 FD	side window (fixed)	also use: right	1	PR:QJ4, 4KC, QU8, QV0, QV3, -9M9
		Trim Black	with: 000 043 305 35	1	
(7)	95B 845 297 FE	side window (fixed)	also use: left	1	PR:QJ4, VW1, QV0, QU8
		Trim Black	with: 000 043 305 35	1	
(7)	95B 845 298 FE	side window (fixed)	also use: right	1	PR:QJ4, VW1, QU8, QV0, QV3, -9M9
		Trim Black	with: 000 043 305 35	1	
(7)	95B 845 297 FF	side window (fixed)	also use: left	1	PR:QJ4, VW5, QV0, QU8
		Trim Black	with: 000 043 305 35	1	
(7)	95B 845 298 FF	side window (fixed)	also use: right	1	PR:QJ4, VW5, QU8, QV0, QV3, -9M9
		Trim Black	with: 000 043 305 35	1	
(7)	95B 845 297 GA	side window (fixed)	also use: left	1	PR:QJ2, 4KF, QV0, QU8
		Trim Chrome look	with: 000 043 305 35	1	
(7)	95B 845 298 GA	side window (fixed)	also use: right	1	PR:QJ2, 4KF, QU8, QV0, QV3, -9M9
		Trim Chrome look	with: 000 043 305 35	1	
(7)	95B 845 297 GB	side window (fixed)	also use: left	1	PR:QJ4, 4KF, QV0, QU8
		Trim Black	with: 000 043 305 35	1	
(7)	95B 845 298 GB	side window (fixed)	also use: right	1	PR:QJ4, 4KF, QU8, QV0, QV3, -9M9
		Trim Black	with: 000 043 305 35	1	
(7)	95B 845 297 GE	side window (fixed)	also use: left	1	PR:QJ6, 4KC, QV0, QU8
		Trim Matt black	with: 000 043 305 35	1	
(7)	95B 845 298 GE	side window (fixed)	also use: right	1	PR:QJ6, 4KC, QU8, QV0, QV3, -9M9
		Trim Matt black	with: 000 043 305 35	1	

Model: 95B

Model life 2014>>

Pos	Part Number	Description	Remark	Qty	Model
(7)	95B 845 297 GF	side window (fixed) Trim Matt black	also use: 000 043 305 35 left with:	1 1	PR:QJ6,VW1, QV0,QU8
(7)	95B 845 298 GF	side window (fixed) Trim Matt black	also use: 000 043 305 35 right with:	1 1	PR:QJ6,VW1, QU8,QV0,QV3, -9M9
(7)	95B 845 297 GG	side window (fixed) Trim Matt black	also use: 000 043 305 35 left with:	1 1	PR:QJ6,VW5, QV0,QU8
(7)	95B 845 298 GG	side window (fixed) Trim Matt black	also use: 000 043 305 35 right with:	1 1	PR:QJ6,VW5, QU8,QV0,QV3, -9M9
(7)	95B 845 297 GH	side window (fixed) Trim Matt black	also use: 000 043 305 35 left with:	1 1	PR:QJ6,4KF, QV0,QU8
(7)	95B 845 298 GH	side window (fixed) Trim Matt black	also use: 000 043 305 35 right with:	1 1	PR:QJ6,4KF, QU8,QV0,QV3, -9M9
-		Side window	also use: 000 043 305 35 with:	1	
8	95B 845 297 FG	Aerial side window (fixed) Trim Chrome look	left with:	1	PR:QJ2,4KC, QU1,QV1,QV3
(8)	95B 845 298 FG	side window (fixed) Trim Chrome look	also use: 000 043 305 35 right with:	1 1	PR:QJ2,4KC, QU1,QV1
(8)	95B 845 298 FG	side window (fixed) Trim Chrome look	also use: 000 043 305 35 right with:	1 1	PR:QJ2,4KC, 9M9
(8)	95B 845 297 FH	side window (fixed) Trim Chrome look	also use: 000 043 305 35 left with:	1 1	PR:QJ2,VW1, QU1,QV1,QV3
(8)	95B 845 298 FH	side window (fixed) Trim Chrome look	also use: 000 043 305 35 right with:	1 1	PR:QJ2,VW1, QU1,QV1
(8)	95B 845 298 FH	side window (fixed) Trim Chrome look	also use: 000 043 305 35 right with:	1 1	PR:QJ2,VW1, 9M9

Model: 95B Model life 2014>>

Pos	Part Number	Description	Remark	Qty	Model
(8)	95B 845 297 FJ	side window (fixed) Trim Chrome look	also use: 000 043 305 35 left with:	1 1	PR:QJ2,VW5, QU1,QV1,QV3
(8)	95B 845 298 FJ	side window (fixed) Trim Chrome look	also use: 000 043 305 35 right with:	1 1	PR:QJ2,VW5, QU1,QV1
(8)	95B 845 298 FJ	side window (fixed) Trim Chrome look	also use: 000 043 305 35 right with:	1 1	PR:QJ2,VW5, 9M9
(8)	95B 845 297 FK	side window (fixed) Trim Black	also use: 000 043 305 35 left with:	1 1	PR:QJ4,4KC, QU1,QV1,QV3
(8)	95B 845 298 FK	side window (fixed) Trim Black	also use: 000 043 305 35 right with:	1 1	PR:QJ4,4KC, QU1,QV1
(8)	95B 845 298 FK	side window (fixed) Trim Black	also use: 000 043 305 35 right with:	1 1	PR:QJ4,4KC, 9M9
(8)	95B 845 297 FL	side window (fixed) Trim Black	also use: 000 043 305 35 left with:	1 1	PR:QJ4,VW1, QU1,QV1,QV3
(8)	95B 845 298 FL	side window (fixed) Trim Black	also use: 000 043 305 35 right with:	1 1	PR:QJ4,VW1, QU1,QV1
(8)	95B 845 298 FL	side window (fixed) Trim Black	also use: 000 043 305 35 right with:	1 1	PR:QJ4,VW1, 9M9
(8)	95B 845 297 FM	side window (fixed) Trim Black	also use: 000 043 305 35 left with:	1 1	PR:QJ4,VW5, QU1,QV1,QV3
(8)	95B 845 298 FM	side window (fixed) Trim Black	also use: 000 043 305 35 right with:	1 1	PR:QJ4,VW5, QU1,QV1
(8)	95B 845 298 FM	side window (fixed) Trim Black	also use: 000 043 305 35 right with:	1 1	PR:QJ4,VW5, 9M9
(8)	95B 845 297 GC	side window (fixed)	also use: 000 043 305 35 left with:	1 1	PR:QJ2,QU1, QV1,QV3,4KF

Model: 95B Model life 2014>>

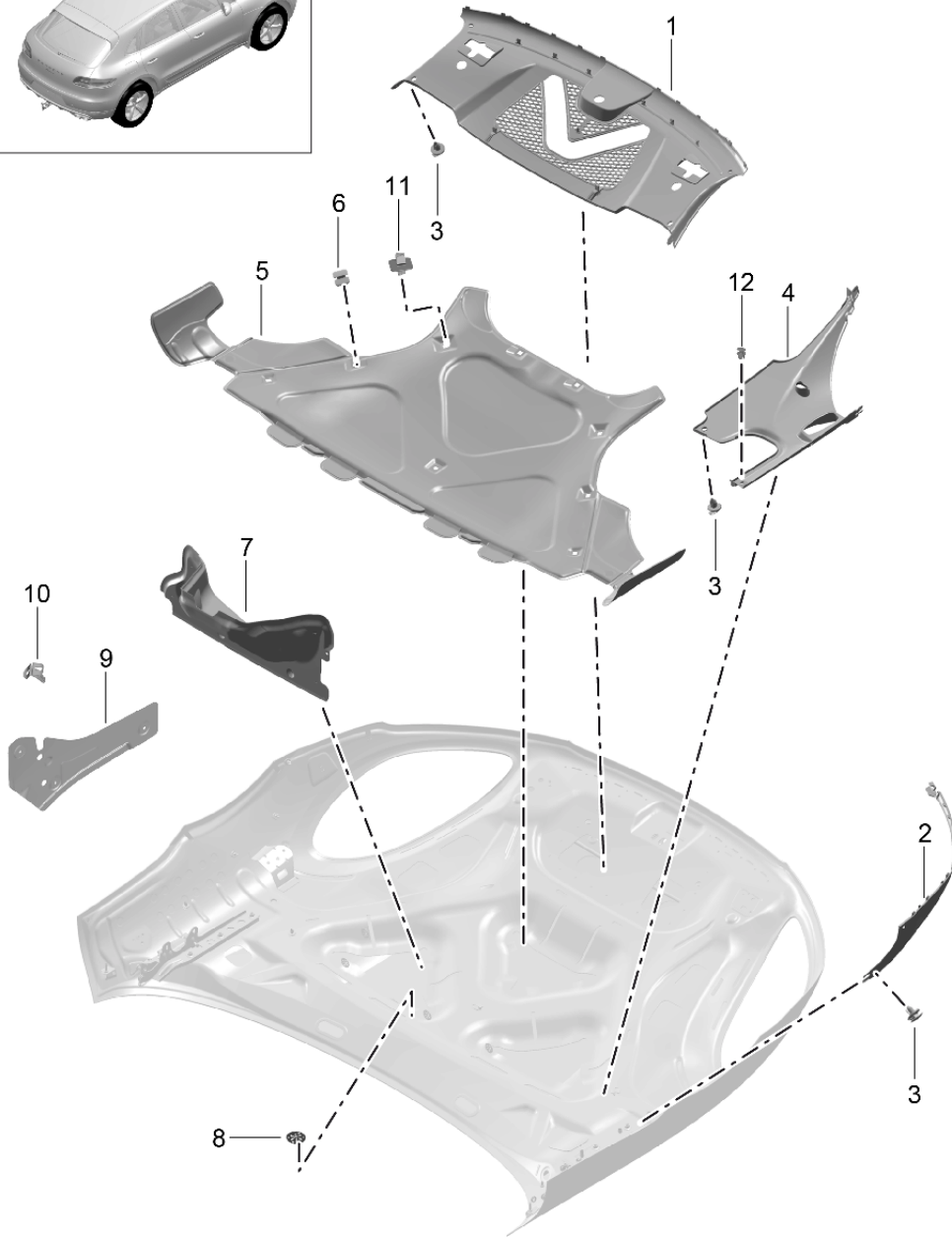
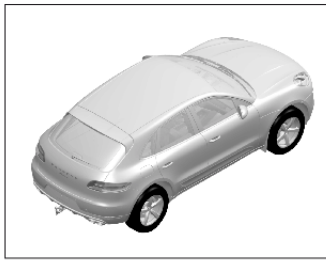
Pos	Part Number	Description	Remark	Qty	Model
(8)	95B 845 298 GC	Trim Chrome look side window (fixed) also use: with:	000 043 305 35 right	1 1	PR:QJ2,4KF, QU1,QV1
(8)	95B 845 298 GC	Trim Chrome look side window (fixed) also use: with:	000 043 305 35 right	1 1	PR:QJ2,4KF, 9M9
(8)	95B 845 297 GD	Trim Chrome look side window (fixed) also use: with:	000 043 305 35 left	1 1	PR:QJ4,4KF, QU1,QV1,QV3
(8)	95B 845 298 GD	Trim Black side window (fixed) also use: with:	000 043 305 35 right	1 1	PR:QJ4,4KF, QU1,QV1
(8)	95B 845 298 GD	Trim Black side window (fixed) also use: with:	000 043 305 35 right	1 1	PR:QJ4,4KF, 9M9
(8)	95B 845 297 GJ	Trim Matt black side window (fixed) also use: with:	000 043 305 35 left	1 1	PR:QJ6,4KC, QU1,QV1,QV3
(8)	95B 845 298 GJ	Trim Matt black side window (fixed) also use: with:	000 043 305 35 right	1 1	PR:QJ6,4KC, QU1,QV1
(8)	95B 845 298 GJ	Trim Matt black side window (fixed) also use: with:	000 043 305 35 right	1 1	PR:QJ6,4KC, 9M9
(8)	95B 845 297 GK	Trim Matt black side window (fixed) also use: with:	000 043 305 35 left	1 1	PR:QJ6,VW1, QU1,QV1,QV3
(8)	95B 845 298 GK	Trim Matt black side window (fixed) also use: with:	000 043 305 35 right	1 1	PR:QJ6,VW1, QU1,QV1
(8)	95B 845 298 GK	Trim Matt black side window (fixed) also use: with:	000 043 305 35 right	1 1	PR:QJ6,VW1, 9M9
(8)	95B 845 297 GL	Trim Matt black side window (fixed) also use: with:	000 043 305 35 left	1 1	PR:QJ6,VW5, QU1,QV1,QV3
			also use:	1	000 043 305 35

Model: 95B Model life 2014>>

Pos	Part Number	Description	Remark	Qty	Model
(8)	95B 845 298 GL	side window (fixed) with: Trim Matt black	right	1	PR:QJ6,VW5, QU1,QV1
(8)	95B 845 298 GL	side window (fixed) with: Trim Matt black	also use: 000 043 305 35 right	1 1	PR:QJ6,VW5, 9M9
(8)	95B 845 297 GM	side window (fixed) with: Trim Matt black	also use: 000 043 305 35 left	1 1	PR:QJ6,4KF, QU1,QV1,QV3
(8)	95B 845 298 GM	side window (fixed) with: Trim Matt black	also use: 000 043 305 35 right	1 1	PR:QJ6,4KF, QU1,QV1
(8)	95B 845 298 GM	side window (fixed) with: Trim Matt black	also use: 000 043 305 35 right	1 1	PR:QJ6,4KF, 9M9
9	N 015 082 10	Hexagon collar nut		6	
10	000 043 305 35	2K pane adhesive set		1	
11	000 043 205 37	side window (fixed) emulsion tube Supplementary kit		X	
12	95B 867 393	Cover Door window (fixed)	left inner	1	
(12)	95B 867 394	Cover Door window (fixed)	right inner	1	

Model: 95B

Model life 2014>>

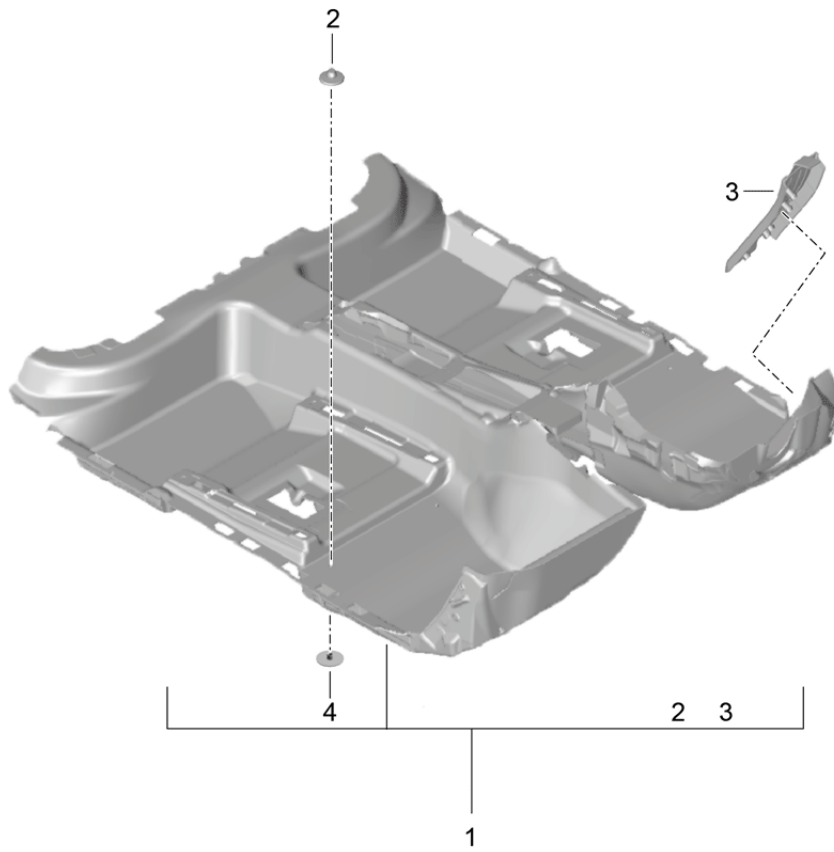
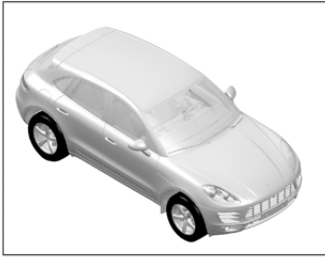


Model: 95B Model life 2014>>

Pos	Part Number	Description	Remark	Qty	Model
1	95B 805 806 G	Trim Sound absorber Trim Engine bay Trim Engine bay lock		1	PR:DU0,DU1, D4A
(1)	95B 805 806 G 1E0	Black			
	95B 805 806 F	Trim Engine bay lock		1	PR:DD7,D1V, D43,D51,DM0, DQ5
	95B 805 806 F 1E0	Black			
2	95B 807 173 A	headlight trim	left	1	
	95B 807 173 A 1E0	Black D >> - 28.05.2017			
2	95B 807 173 C	headlight trim	left	1	
	95B 807 173 C 1E0	Black D - 29.05.2017>>			
(2)	95B 807 174 A	headlight trim	right	1	
	95B 807 174 A 1E0	Black D >> - 28.05.2017			
(2)	95B 807 174 C	headlight trim	right	1	
	95B 807 174 C 1E0	Black D - 29.05.2017>>			
3	WHT 004 750	Spreader rivet Securing element:	left a. right	1	
		Trim Headlights			
4	95B 806 583 B	cover for engine compartment	left	1	
	95B 806 583 B 1E0	Black			
(4)	95B 806 584 B	cover for engine compartment	right	1	
	95B 806 584 B 1E0	Black			
5	95B 863 831 A	Damping plate Bonnet D - 27.11.2013>> - 08.11.2014		1	
(5)	95B 863 831 B	Damping plate Bonnet D - 10.11.2014>> - 15.07.2015		1	
(5)	95B 863 831 C	Damping plate Bonnet D - 16.07.2015>>		1	
6	1T0 863 727	Retaining clip Damping plate Bonnet		1	
7	95B 863 829 A	Sound absorber water box Bonnet		1	PR:TQ9,TW6, T8I
8	N 903 350 04	Clamping washer Damping water box Bonnet		6	
9	95B 863 827 A	sound absorb. for side member Bonnet		1	PR:TW6
10	8K0 863 203	Clip for sound absorb. for side member Bonnet		1	
11	95B 863 151	Spreader rivet Damping plate		1	
12	95B 805 163 A	Clip Cover		1	

Model: 95B

Model life 2014>>

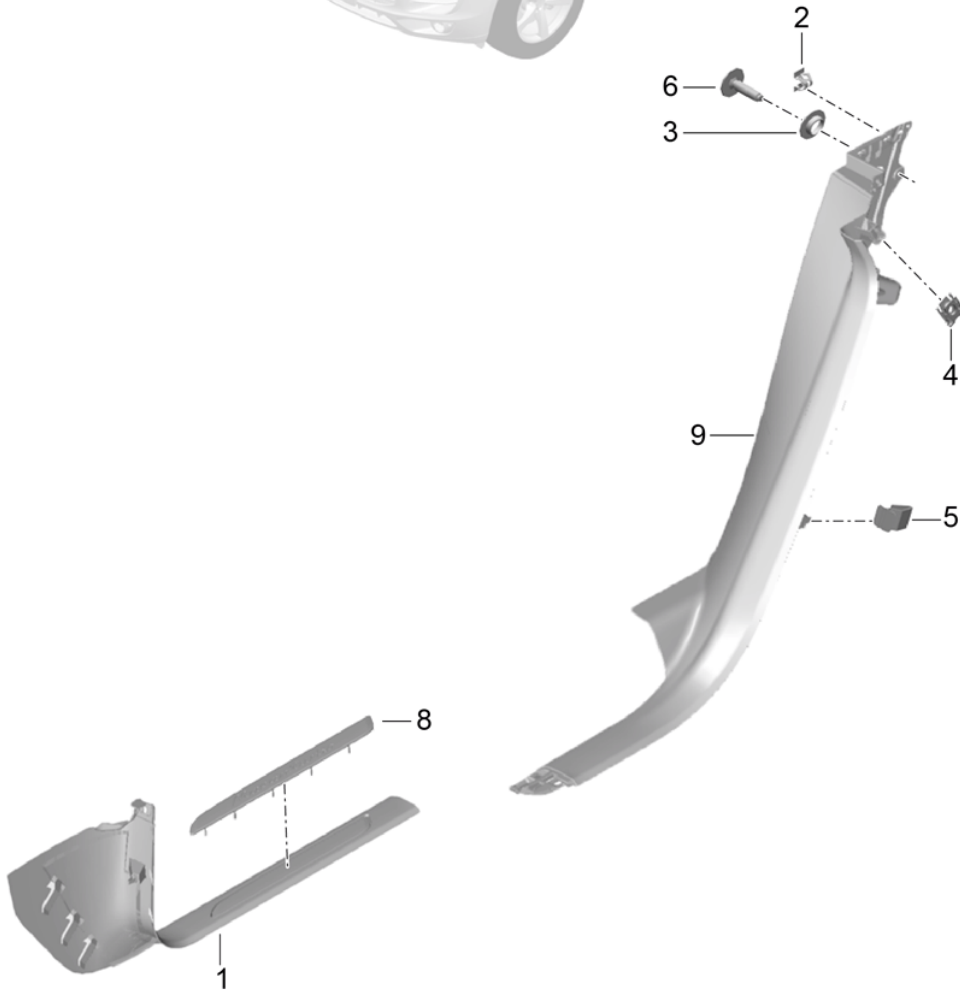
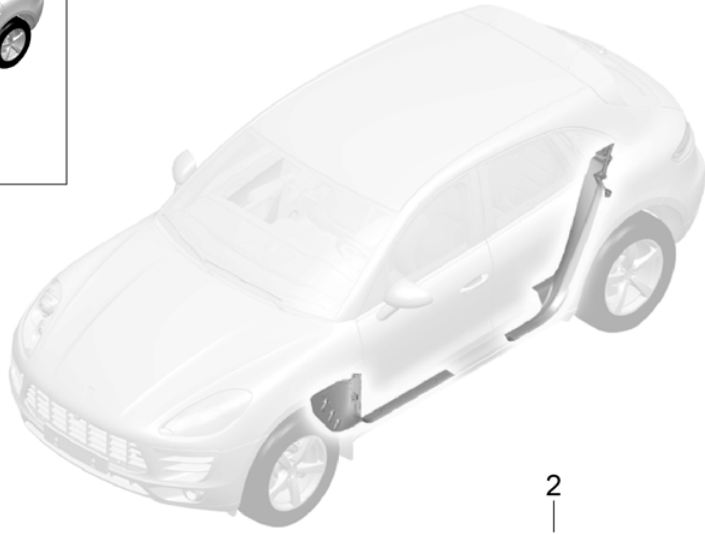
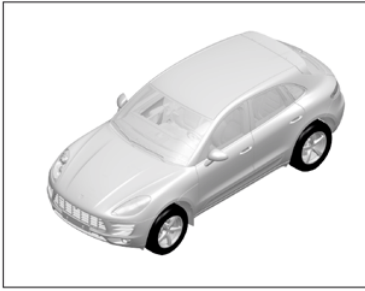


Model: 95B Model life 2014>>

Pos	Part Number	Description	Remark	Qty	Model
1	95B 863 021 F	Flooring Cover Foot rest floor cover for pass. compart. Discontinued part		1	PR:L0L
	95B 863 021 F OS5	Black	-VC, VJ, VF, VI, VU, VK, VO, VX, VZ		
	95B 863 021 F OQ3	agate grey	-VD, VG, VL, VQ		
	95B 863 021 F OR4	Luxor beige	-VE, VH, VM		
	95B 863 021 F OL7	saddle brown	-VN, VP		
	95B 863 021 F OT7	Espresso	-VR		
(1)	95B 863 021 H	floor cover for pass. compart. Discontinued part		1	PR:L0L
	95B 863 021 H OS5	Black	-VC, VJ, VF, VI, VU, VK, VO, VX, VZ		
	95B 863 021 H OQ3	agate grey	-VD, VG, VL, VQ		
	95B 863 021 H OR4	Luxor beige	-VE, VH, VM		
	95B 863 021 H OL7	saddle brown	-VN, VP		
	95B 863 021 H OT7	Espresso	-VR		
(1)	95B 863 021 G	floor cover for pass. compart. Discontinued part		1	PR:L0R
	95B 863 021 G OS5	Black	-VC, VJ, VF, VI, VU, VK, VO, VX, VZ		
	95B 863 021 G OQ3	agate grey	-VD, VG, VL, VQ		
	95B 863 021 G OR4	Luxor beige	-VE, VH, VM		
	95B 863 021 G OL7	saddle brown	-VN, VP		
	95B 863 021 G OT7	Espresso	-VR		
2	8E0 864 229	Cover cap Flooring Passenger compartment Discontinued part		1	
	8E0 864 229 1E0	Black	-VC, VJ, VF, VI, VU, VK, VO, VX		+VZ
	8E0 864 229 OP1	agate grey	-VD, VG, VL, VQ		
	8E0 864 229 4H0	Luxor beige	-VE, VH, VM		
3	95B 864 777	Cover for footrest Passenger compartment		1	PR:L0L
	95B 864 777 1E0	Black			
(3)	95B 864 777 A	Cover for footrest Passenger compartment		1	PR:L0R
	95B 864 777 A 1E0	D >> - 17.04.2017 Black			
(3)	95B 864 777 B	Cover for footrest Passenger compartment		1	PR:L0R
	95B 864 777 B 1E0	D - 18.04.2017>> Black			
(4)	955 551 227 02	Bracket Flooring		4	

Model: 95B

Model life 2014>>



Model: 95B Model life 2014>>

Pos	Part Number	Description	Remark	Qty	Model
1	95B 863 483 K	Trim Accessories Sill trim strip Sill A-pillar trim	lower inner left lower	1	PR:L0L,7M0
	95B 863 483 K 1E0	Black	-VC, VF, VI, VU, FA, FL, FE, FF, FN, FK, TR, TS, PE, VK, VL, VO		
	95B 863 483 K OP1	agate grey	-VD, VG, VL		
	95B 863 483 K 4H0	Luxor beige	-VE, VH, VM, VP, VX, VZ		
	95B 863 483 K OM8	saddle brown	-VN		
	95B 863 483 K OV4	flint grey	-VQ		
	95B 863 483 K 7N0	Espresso	-VR		
(1)	95B 863 483 L	A-pillar trim	left lower	1	PR:L0R,7M0
	95B 863 483 L 1E0	Black	-VC, VF, VI, VU, FA, FL, FE, FF, FN, FK, TR, TS, PE, VK, VL, VO		
	95B 863 483 L OP1	agate grey	-VD, VG, VL		
	95B 863 483 L 4H0	Luxor beige	-VE, VH, VM, VP, VX, VZ		
	95B 863 483 L OM8	saddle brown	-VN		
	95B 863 483 L OV4	flint grey	-VQ		
	95B 863 483 L 7N0	Espresso	-VR		
1	95B 863 484 K	A-pillar trim	right lower	1	PR:L0L,7M0
	95B 863 484 K 1E0	Black	-VC, VF, VI, VU, FA, FL, FE, FF, FN, FK, TR, TS, PE, VK, VL, VO		
	95B 863 484 K OP1	agate grey	-VD, VG, VL		
	95B 863 484 K 4H0	Luxor beige	-VE, VH, VM, VP, VX, VZ		
	95B 863 484 K OM8	saddle brown	-VN		
	95B 863 484 K OV4	flint grey	-VQ		
	95B 863 484 K 7N0	Espresso	-VR		
1	95B 863 484 L	A-pillar trim	right lower	1	PR:L0R,7M0
	95B 863 484 L 1E0	Black	-VC, VF, VI, VU, FA, FL, FE, FF, FN, FK, TR, TS, PE, VK, VL, VO		
	95B 863 484 L OP1	agate grey	-VD, VG, VL		
	95B 863 484 L 4H0	Luxor beige	-VE, VH, VM, VP, VX, VZ		
	95B 863 484 L OM8	saddle brown	-VN		
	95B 863 484 L OV4	flint grey	-VQ		
	95B 863 484 L 7N0	Espresso	-VR		
1	95B 863 483 B	A-pillar trim	left lower	1	PR:L0L,-7M0
	95B 863 483 B 1E0	Black	-VC, VF, VI, VU, FA, FL, FE, FF, FN, FK, TR, TS, PE, VK, VL, VO		
	95B 863 483 B OP1	agate grey	-VD, VG, VL		
	95B 863 483 B 4H0	Luxor beige	-VE, VH, VM, VP, VX, VZ		
	95B 863 483 B OM8	saddle brown	-VN		
	95B 863 483 B OV4	flint grey	-VQ		

Model: 95B Model life 2014>>

Pos	Part Number	Description	Remark	Qty	Model		
(1)	95B 863 483 B 7N0	Espresso	-VR	1	PR:L0R,-7M0		
	95B 863 483 C	A-pillar trim	left				
			lower				
	95B 863 483 C 1E0	Black	-VC,VF,VI,VU, FA,FL,FE,FF, FN,FK,TR,TS, PE,VK,VL,VO				
	95B 863 483 C OP1	agate grey	-VD,VG,VL				
	95B 863 483 C 4H0	Luxor beige	-VE,VH,VM,VP, VX,VZ				
	95B 863 483 C OM8	saddle brown	-VN				
	95B 863 483 C OV4	flint grey	-VQ				
	95B 863 483 C 7N0	Espresso	-VR				
	(1)	95B 863 484 B	A-pillar trim			right	1
		lower					
95B 863 484 B 1E0	Black	-VC,VF,VI,VU, FA,FL,FE,FF, FN,FK,TR,TS, PE,VK,VL,VO					
95B 863 484 B OP1	agate grey	-VD,VG,VL					
95B 863 484 B 4H0	Luxor beige	-VE,VH,VM,VP, VX,VZ					
95B 863 484 B OM8	saddle brown	-VN					
95B 863 484 B OV4	flint grey	-VQ					
95B 863 484 B 7N0	Espresso	-VR					
(1)	95B 863 484 C	A-pillar trim	right	1	PR:L0R,-7M0		
		lower					
95B 863 484 C 1E0	Black	-VC,VF,VI,VU, FA,FL,FE,FF, FN,FK,TR,TS, PE,VK,VL,VO					
95B 863 484 C OP1	agate grey	-VD,VG,VL					
95B 863 484 C 4H0	Luxor beige	-VE,VH,VM,VP, VX,VZ					
95B 863 484 C OM8	saddle brown	-VN					
95B 863 484 C OV4	flint grey	-VQ					
95B 863 484 C 7N0	Espresso	-VR					
2	999 507 584 02	Clamp				X	
3	999 209 087 02	spacer sleeve				X	
4	1K0 880 288 A	Clip		X			
5	1Y0 867 276	Clip		X			
6	999 073 369 09	fillister hd. bolt M5 X 18		X			
8	95B 853 467	Trim Sill trim strip Aluminium, brushed Macan	left front	1	Macan PR:7M9		
8	95B 853 467 AD	Trim Sill trim strip Aluminium, brushed Lighting Macan	left front	1	Macan PR:VT2		
8	95B 853 467 AH	Trim Sill trim strip Carbon, fine high-gloss Macan	left front	1	Macan PR:7M3		
8	95B 853 467 AM	Trim Sill trim strip Carbon, fine high-gloss Lighting Macan	left front	1	Macan PR:7M8		
(8)	95B 853 468	Trim Sill trim strip	right front	1	Macan PR:7M9		

Model: 95B

Model life 2014>>

Pos	Part Number	Description	Remark	Qty	Model
8	95B 853 468 AD	Aluminium, brushed Macan Trim Sill trim strip Aluminium, brushed Lighting Macan	right front	1	Macan PR:VT2
(8)	95B 853 468 AH	Trim Sill trim strip Carbon, fine high-gloss Macan	right front	1	Macan PR:7M3
(8)	95B 853 468 AM	Trim Sill trim strip Carbon, fine high-gloss Macan	right front	1	Macan PR:7M8
(8)	95B 853 467 A	Trim Sill trim strip Aluminium, brushed Macan	left front	1	Macan S PR:7M9
(8)	95B 853 467 AE	Trim Sill trim strip Aluminium, brushed Lighting	left front	1	Macan S PR:VT2
(8)	95B 853 467 AJ	Trim Sill trim strip Carbon, fine high-gloss	left front	1	Macan S PR:7M3
(8)	95B 853 467 AN	Trim Sill trim strip Carbon, fine high-gloss Lighting	left front	1	Macan S PR:7M8
(8)	95B 853 468 A	Trim Sill trim strip Aluminium, brushed	right front	1	Macan S PR:7M9
(8)	95B 853 468 AE	Trim Sill trim strip Aluminium, brushed Lighting	right front	1	Macan S PR:VT2
(8)	95B 853 468 AJ	Trim Sill trim strip Carbon, fine high-gloss	right front	1	Macan S PR:7M3
(8)	95B 853 468 AN	Trim Sill trim strip Carbon, fine high-gloss Lighting	right front	1	Macan S PR:7M8
(8)	95B 853 467 D	Trim Sill trim strip Aluminium, brushed Macan Turbo	left front	1	Macan Turbo PR:7M9
(8)	95B 853 467 AF	Trim Sill trim strip Aluminium, brushed Lighting Macan Turbo	left front	1	Macan Turbo PR:VT2
(8)	95B 853 467 N	Trim Sill trim strip Carbon, fine high-gloss Lighting Macan Turbo	left front	1	Macan Turbo PR:7M8
(8)	95B 853 468 D	Trim Sill trim strip	right front	1	Macan Turbo PR:7M9

Model: 95B Model life 2014>>

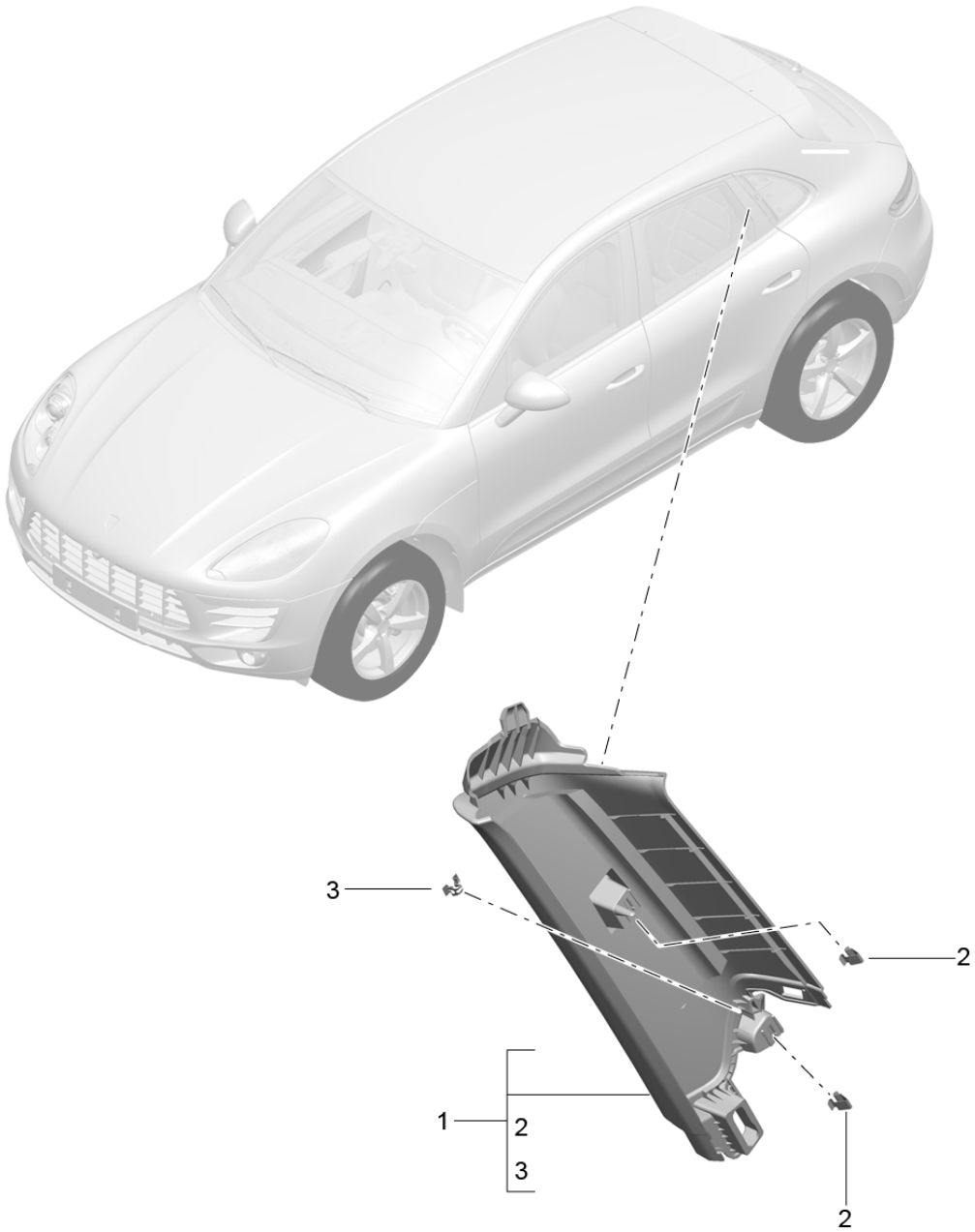
Pos	Part Number	Description	Remark	Qty	Model
(8)	95B 853 468 AF	Aluminium, brushed Macan Turbo Trim Sill trim strip Aluminium, brushed Lighting Macan Turbo	right front	1	Macan Turbo PR:VT2
(8)	95B 853 468 N	Trim Sill trim strip Carbon, fine high-gloss Lighting Macan Turbo	right front	1	Macan Turbo PR:7M8
(8)	95B 853 467 P	Trim Sill trim strip Aluminium, brushed Macan	left front	1	Macan GTS PR:7M9
(8)	95B 853 467 Q	Trim Sill trim strip Macan aluminium Lighting GTS	left front	1	Macan GTS PR:VT2
(8)	95B 853 467 R	Trim Sill trim strip Macan Carbon, fine high-gloss GTS	left front	1	MACAN GTS PR:7M3
(8)	95B 853 467 S	Trim Sill trim strip Macan Carbon, fine high-gloss Lighting GTS	left front	1	Macan GTS PR:7M8
(8)	95B 853 468 P	Trim Sill trim strip Aluminium, brushed Macan	right front	1	Macan GTS PR:7M9
(8)	95B 853 468 Q	Trim Sill trim strip Macan aluminium Lighting GTS	right front	1	Macan GTS PR:VT2
(8)	95B 853 468 R	Trim Sill trim strip Macan Carbon, fine high-gloss GTS	right front	1	MACAN GTS PR:7M3
(8)	95B 853 468 S	Trim Sill trim strip Macan Carbon, fine high-gloss BELEUCHTUNG GTS	right front	1	Macan GTS PR:7M8
9	95B 867 767 D 95B 867 767 D 1E0	Wheel housing trim Sill trim strip Black	left rear -VC, VF, VI, VU, FA, FL, FE, FF, FN, FK, TR, TS, PE, VK, VL, VO	1	PR:4X3

Model: 95B Model life 2014>>

Pos	Part Number	Description	Remark	Qty	Model
	95B 867 767 D OP1	agate grey	-VD, VG, VL		
	95B 867 767 D 4H0	Luxor beige	-VE, VH, VM, VP, VX, VZ		
	95B 867 767 D OM8	saddle brown	-VN		
	95B 867 767 D OV4	flint grey	-VQ		
	95B 867 767 D 7N0	Espresso	-VR		
(9)	95B 867 767 E	Wheel housing trim	left	1	PR:4X4
		Sill trim strip	rear		
	95B 867 767 E 1E0	Black	-VC, VF, VI, VU, FA, FL, FE, FF, FN, FK, TR, TS, PE, VK, VL, VO		
	95B 867 767 E OP1	agate grey	-VD, VG, VL		
	95B 867 767 E 4H0	Luxor beige	-VE, VH, VM, VP, VX, VZ		
	95B 867 767 E OM8	saddle brown	-VN		
	95B 867 767 E OV4	flint grey	-VQ		
	95B 867 767 E 7N0	Espresso	-VR		
(9)	95B 867 768 D	Wheel housing trim	right	1	PR:4X3
		Sill trim strip	rear		
	95B 867 768 D 1E0	Black	-VC, VF, VI, VU, FA, FL, FE, FF, FN, FK, TR, TS, PE, VK, VL, VO		
	95B 867 768 D OP1	agate grey	-VD, VG, VL		
	95B 867 768 D 4H0	Luxor beige	-VE, VH, VM, VP, VX, VZ		
	95B 867 768 D OM8	saddle brown	-VN		
	95B 867 768 D OV4	flint grey	-VQ		
	95B 867 768 D 7N0	Espresso	-VR		
(9)	95B 867 768 E	Wheel housing trim	right	1	PR:4X4
		Sill trim strip	rear		
	95B 867 768 E 1E0	Black	-VC, VF, VI, VU, FA, FL, FE, FF, FN, FK, TR, TS, PE, VK, VL, VO		
	95B 867 768 E OP1	agate grey	-VD, VG, VL		
	95B 867 768 E 4H0	Luxor beige	-VE, VH, VM, VP, VX, VZ		
	95B 867 768 E OM8	saddle brown	-VN		
	95B 867 768 E OV4	flint grey	-VQ		
	95B 867 768 E 7N0	Espresso	-VR		

Model: 95B

Model life 2014>>



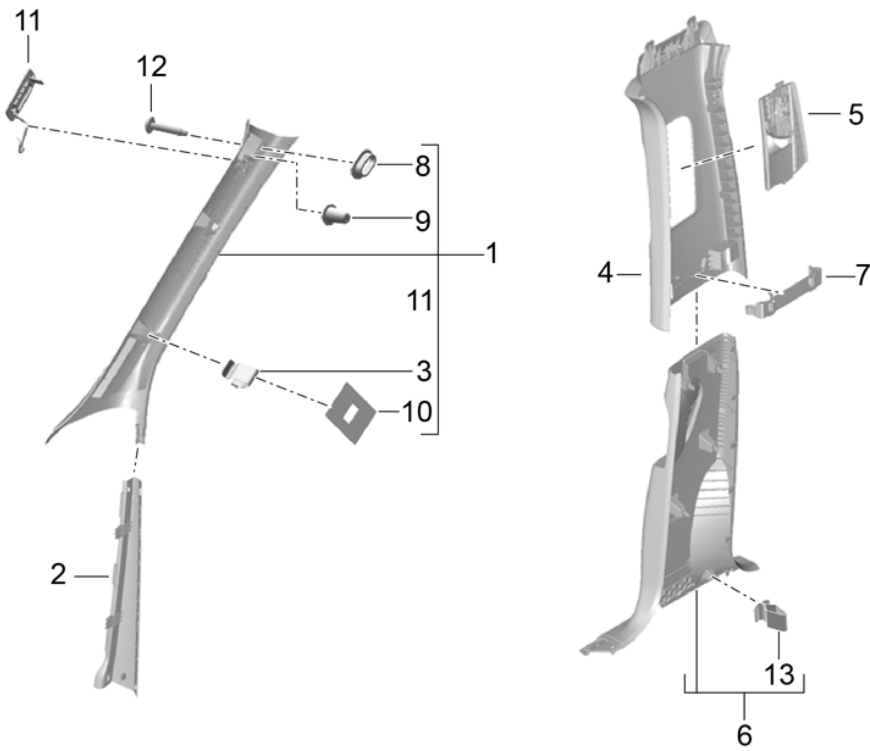
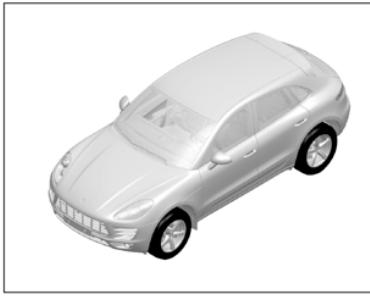
Model: 95B

Model life 2014>>

Pos	Part Number	Description	Remark	Qty	Model
1	95B 867 287 95B 867 287 1E0	Trim C-pillar trim Black	upper C-pillar left -VC,VJ,VF,VI, VU,VK,VO,VX, VZ	1	
	95B 867 287 OP1 95B 867 287 4H0 95B 867 287 OM8 95B 867 287 7N0	agate grey Luxor beige saddle brown Espresso	-VD,VG,VL,VQ -VE,VH,VM -VN,VP -VR		
(1)	95B 867 288 95B 867 288 1E0	C-pillar trim Black	right -VC,VJ,VF,VI, VU,VK,VO,VX, VZ	1	
	95B 867 288 OP1 95B 867 288 4H0 95B 867 288 OM8 95B 867 288 7N0	agate grey Luxor beige saddle brown Espresso	-VD,VG,VL,VQ -VE,VH,VM -VN,VP -VR		
2	999 507 839 01	Clip		2	
3	999 507 584 02	Clamp		1	

Model: 95B

Model life 2014>>



Model: 95B Model life 2014>>

Pos	Part Number	Description	Remark	Qty	Model
1	95B 867 233 B	A-pillar B-pillar Trim Accessories A-pillar trim	upper left upper	1	PR: 6NJ, 6NQ
	95B 867 233 B 6F2	Black	-VC, VJ, VF, VI, VU, VK, VO, VX, VZ		
	95B 867 233 B DR7	agate grey	-VD, VG, VL, VQ		
	95B 867 233 B 7F3	Luxor beige	-VE, VH, VM		
	95B 867 233 B CH6	saddle brown	-VN, VP		
	95B 867 233 B 4F7	Espresso	-VR		
(1)	95B 867 233 C	A-pillar trim	left upper	1	PR: 6NA, 6NN
	95B 867 233 C 2W0	Black	-VC, VJ, VF, VI, VU, VK, VO, VX, VZ		
	95B 867 233 C OU5	agate grey	-VD, VG, VL, VQ		
	95B 867 233 C 9U1	Luxor beige	-VE, VH, VM		
	95B 867 233 C OP2	saddle brown	-VN, VP		
	95B 867 233 C 9U7	Espresso	-VR		
(1)	95B 867 234 B	A-pillar trim	right upper	1	PR: 6NJ, 6NQ
	95B 867 234 B 6F2	Black	-VC, VJ, VF, VI, VU, VK, VO, VX, VZ		
	95B 867 234 B DR7	agate grey	-VD, VG, VL, VQ		
	95B 867 234 B 7F3	Luxor beige	-VE, VH, VM		
	95B 867 234 B CH6	saddle brown	-VN, VP		
	95B 867 234 B 4F7	Espresso	-VR		
(1)	95B 867 234 C	A-pillar trim	right upper	1	PR: 6NA, 6NN
	95B 867 234 C 2W0	Black	-VC, VJ, VF, VI, VU, VK, VO, VX, VZ		
	95B 867 234 C OU5	agate grey	-VD, VG, VL, VQ		
	95B 867 234 C 9U1	Luxor beige	-VE, VH, VM		
	95B 867 234 C OP2	saddle brown	-VN, VP		
	95B 867 234 C 9U7	Espresso	-VR		
2	95B 868 239	A-pillar trim	left center	1	
	95B 868 239 1E0	Black	-VC, VJ, VF, VI, VU, VK, VO		
	95B 868 239 OP1	agate grey	-VD, VG, VL		
	95B 868 239 4H0	Luxor beige	-VE, VH, VM, VP, VX, VZ		
	95B 868 239 OM8	saddle brown	-VN		
	95B 868 239 OV4	flint grey	-VQ		
	95B 868 239 7N0	Espresso	-VR		
(2)	95B 868 240	A-pillar trim	right center	1	
	95B 868 240 1E0	Black	-VC, VJ, VF, VI, VU, VK, VO		
	95B 868 240 OP1	agate grey	-VD, VG, VL		
	95B 868 240 4H0	Luxor beige	-VE, VH, VM, VP, VX, VZ		
	95B 868 240 OM8	saddle brown	-VN		
	95B 868 240 OV4	flint grey	-VQ		
	95B 868 240 7N0	Espresso	-VR		
3	999 507 839 01	Clip		2	
4	95B 867 243	B-pillar trim	left upper	1	PR: 6NJ, 6NQ

Model: 95B Model life 2014>>

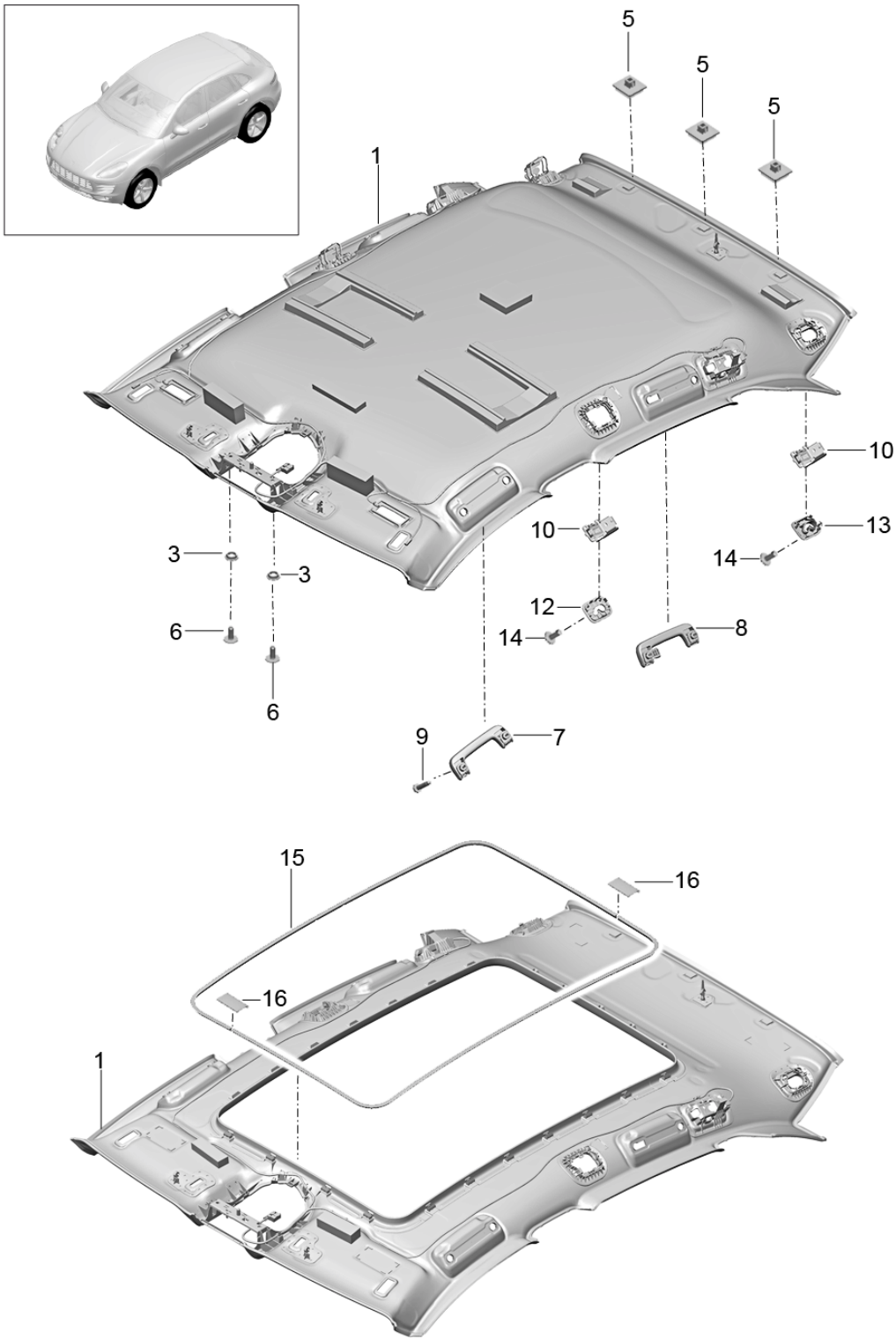
Pos	Part Number	Description	Remark	Qty	Model
	95B 867 243 6F2	Black	-VC, VJ, VF, VI, VU, VK, VO, VX, VZ		
	95B 867 243 DR7	agate grey	-VD, VG, VL, VQ		
	95B 867 243 7F3	Luxor beige	-VE, VH, VM		
	95B 867 243 CH6	saddle brown	-VN, VP		
	95B 867 243 4F7	Espresso	-VR		
(4)	95B 867 244	B-pillar trim	right upper	1	PR: 6NJ, 6NQ
	95B 867 244 6F2	Black	-VC, VJ, VF, VI, VU, VK, VO, VX, VZ		
	95B 867 244 DR7	agate grey	-VD, VG, VL, VQ		
	95B 867 244 7F3	Luxor beige	-VE, VH, VM		
	95B 867 244 CH6	saddle brown	-VN, VP		
	95B 867 244 4F7	Espresso	-VR		
(4)	95B 867 243 A	B-pillar trim	left upper	1	PR: 6NA, 6NN
	95B 867 243 A 2W0	Black	-VC, VJ, VF, VI, VU, VK, VO, VX, VZ		
	95B 867 243 A OU5	agate grey	-VD, VG, VL, VQ		
	95B 867 243 A 9U1	Luxor beige	-VE, VH, VM		
	95B 867 243 A OP2	saddle brown	-VN, VP		
	95B 867 243 A 9U7	Espresso	-VR		
(4)	95B 867 244 A	B-pillar trim	right upper	1	PR: 6NA, 6NN
	95B 867 244 A 2W0	Black	-VC, VJ, VF, VI, VU, VK, VO, VX, VZ		
	95B 867 244 A OU5	agate grey	-VD, VG, VL, VQ		
	95B 867 244 A 9U1	Luxor beige	-VE, VH, VM		
	95B 867 244 A OP2	saddle brown	-VN, VP		
	95B 867 244 A 9U7	Espresso	-VR		
5	95B 867 293	slide valve For seat belt Trim B-pillar	left upper	1	
	95B 867 293 1E0	Black	-VC, VJ, VF, VI, VU, VK, VO, VX, VZ		
	95B 867 293 OP1	agate grey	-VD, VG, VL, VQ		
	95B 867 293 4H0	Luxor beige	-VE, VH, VM		
	95B 867 293 OM8	saddle brown	-VN, VP		
	95B 867 293 7N0	Espresso	-VR		
(5)	95B 867 294	slide valve For seat belt Trim B-pillar	right upper	1	
	95B 867 294 1E0	Black	-VC, VJ, VF, VI, VU, VK, VO, VX, VZ		
	95B 867 294 OP1	agate grey	-VD, VG, VL, VQ		
	95B 867 294 4H0	Luxor beige	-VE, VH, VM		
	95B 867 294 OM8	saddle brown	-VN, VP		
	95B 867 294 7N0	Espresso	-VR		
6	95B 867 239	B-pillar trim	left lower	1	PR: 7AA, 7AB, 7AC, 7AK, 7AL
	95B 867 239 1E0	Black	-VC, VJ, VF, VI, VU, VK, VO		
	95B 867 239 OP1	agate grey	-VD, VG, VL		
	95B 867 239 4H0	Luxor beige	-VE, VH, VM, VP, VX, VZ		

Model: 95B Model life 2014>>

Pos	Part Number	Description	Remark	Qty	Model
(6)	95B 867 239 OM8	saddle brown	-VN	1	PR:7AH
	95B 867 239 OV4	flint grey	-VQ		
	95B 867 239 7N0	Espresso	-VR		
	95B 867 239 A	B-pillar trim	left		
			lower		
	95B 867 239 A 1E0	Black	-VC, VJ, VF, VI, VU, VK, VO, VX, VZ		
(6)	95B 867 239 A OP1	agate grey	-VD, VG, VL	1	
	95B 867 239 A 4H0	Luxor beige	-VE, VH, VM, VP		
	95B 867 239 A OM8	saddle brown	-VN		
	95B 867 239 A OV4	flint grey	-VQ		
	95B 867 239 A 7N0	Espresso	-VR		
	95B 867 240	B-pillar trim	right		
7	95B 867 240 1E0	Black	-VC, VJ, VF, VI, VU, VK, VO, VX, VZ	1	
	95B 867 240 OP1	agate grey	-VD, VG, VL		
	95B 867 240 4H0	Luxor beige	-VE, VH, VM, VP		
	95B 867 240 OM8	saddle brown	-VN		
	95B 867 240 OV4	flint grey	-VQ		
	95B 867 240 7N0	Espresso	-VR		
(7)	95B 867 191	Bracket B-pillar Trim	left	1	
	95B 867 192	Bracket B-pillar Trim	right		
8	9A7 867 144 00	bush		1	
9	997 555 857 00	Grommet		1	
10	999 209 084 40	Distance piece		2	
(11)	95B 868 171	Cover cap Airbag	left	1	
	95B 868 171 1E0	Black	-VC, VX, VF, VI, VU, VZ, VK, VO		
	95B 868 171 OP1	agate grey	-VD, VG, VL, VQ		
	95B 868 171 4H0	Luxor beige	-VE, VH, VM		
	95B 868 171 OM8	saddle brown	-VN, VP		
	95B 868 171 7N0	Espresso	-VR		
12	95B 868 172	Cover cap Airbag	right	1	
	95B 868 172 1E0	Black	-VC, VX, VF, VI, VU, VZ, VK, VO		
	95B 868 172 OP1	agate grey	-VD, VG, VL, VQ		
	95B 868 172 4H0	Luxor beige	-VE, VH, VM		
	95B 868 172 OM8	saddle brown	-VN, VP		
	95B 868 172 7N0	Espresso	-VR		
13	N 106 768 01	Oval hexagon socket head bolt		2	
	1Y0 867 276	Clip		7	

Model: 95B

Model life 2014>>



Model: 95B Model life 2014>>

Pos	Part Number	Description	Remark	Qty	Model
1	95B 867 501 BK	roof trim and Accessories roof trim Fabric		1	PR: 3CU, 3CX, 3FA, 6NJ, 9MB
	95B 867 501 BK 6F2	Black	-VC, VJ, VF, VI, VU, VK, VO, VX, VZ		
	95B 867 501 BK DR7	agate grey	-VD, VG, VL, VQ		
	95B 867 501 BK 7F3	Luxor beige	-VE, VH, VM		
	95B 867 501 BK CH6	saddle brown	-VN, VP		
	95B 867 501 BK 4F7	Espresso D - MJ 2015>>	-VR		
1	95B 867 501 BT	roof trim Fabric		1	PR: 3CU, 3CX, 3FU, 6NJ, 9MA
	95B 867 501 BT 6F2	Black	-VC, VJ, VF, VI, VU, VK, VO, VX, VZ		
	95B 867 501 BT DR7	agate grey	-VD, VG, VL, VQ		
	95B 867 501 BT 7F3	Luxor beige	-VE, VH, VM		
	95B 867 501 BT CH6	saddle brown	-VN, VP		
	95B 867 501 BT 4F7	Espresso D - MJ 2015>>	-VR		
(1)	95B 867 501 AB	roof trim Fabric		1	PR: 3CA, 3FA, 6NJ, 9MA
	95B 867 501 AB 6F2	Black	-VC, VJ, VF, VI, VU, VK, VO, VX, VZ		
	95B 867 501 AB DR7	agate grey	-VD, VG, VL, VQ		
	95B 867 501 AB 7F3	Luxor beige	-VE, VH, VM		
	95B 867 501 AB CH6	saddle brown	-VN, VP		
	95B 867 501 AB 4F7	Espresso D - MJ 2015>>	-VR		
(1)	95B 867 501 AD	roof trim Fabric		1	PR: 3CA, 3FU, 6NJ, 9MA
	95B 867 501 AD 6F2	Black	-VC, VJ, VF, VI, VU, VK, VO, VX, VZ		
	95B 867 501 AD DR7	agate grey	-VD, VG, VL, VQ		
	95B 867 501 AD 7F3	Luxor beige	-VE, VH, VM		
	95B 867 501 AD CH6	saddle brown	-VN, VP		
	95B 867 501 AD 4F7	Espresso D - MJ 2015>>	-VR		
(1)	95B 867 501 AF	roof trim Fabric		1	PR: 3CU, 3CX, 3FA, 6NJ, 9MA
	95B 867 501 AF 6F2	Black	-VC, VJ, VF, VI, VU, VK, VO		
	95B 867 501 AF DR7	agate grey	-VD, VG, VL, VQ		
	95B 867 501 AF 7F3	Luxor beige	-VE, VH, VM		
	95B 867 501 AF CH6	saddle brown	-VN, VP		
	95B 867 501 AF 4F7	Espresso D - MJ 2015>>	-VR		
(1)	95B 867 501 CD	roof trim Fabric		1	PR: 3CU, 3CX, 3FU, 6NJ, 9MB
	95B 867 501 CD 6F2	Black	-VC, VJ, VF, VI, VU, VK, VO, VX, VZ		
	95B 867 501 CD DR7	agate grey	-VD, VG, VL, VQ		

Model: 95B Model life 2014>>

Pos	Part Number	Description	Remark	Qty	Model
(1)	95B 867 501 CD 7F3	Luxor beige	-VE, VH, VM	1	PR: 3CA, 3FA, 6NJ, 9MB
	95B 867 501 CD CH6	saddle brown	-VN, VP		
		D - MJ 2015>>			
	95B 867 501 CD 4F7	Espresso	-VR		
		D - MJ 2015>>			
	95B 867 501 R	roof trim			
		Fabric			
	95B 867 501 R 6F2	Black	-VC, VJ, VF, VI, VU, VK, VO, VX, VZ		
	95B 867 501 R DR7	agate grey	-VD, VG, VL, VQ		
	95B 867 501 R 7F3	Luxor beige	-VE, VH, VM		
95B 867 501 R CH6	saddle brown	-VN, VP			
	D - MJ 2015>>				
95B 867 501 R 4F7	Espresso	-VR			
	D - MJ 2015>>				
(1)	95B 867 501 T	roof trim		1	PR: 3CA, 3FU, 6NJ, 9MB
		Fabric			
	95B 867 501 T 6F2	Black	-VC, VJ, VF, VI, VU, VK, VO, VX, VZ		
	95B 867 501 T DR7	agate grey	-VD, VG, VL, VQ		
	95B 867 501 T 7F3	Luxor beige	-VE, VH, VM		
	95B 867 501 T CH6	saddle brown	-VN, VP		
		D - MJ 2015>>			
	95B 867 501 T 4F7	Espresso	-VR		
		D - MJ 2015>>			
	(1)	95B 867 501 BL	roof trim		
		Alcantara			
95B 867 501 BL 2W0		Black	-VC, VJ, VF, VI, VU, VK, VO, VX, VZ		
95B 867 501 BL OU5		agate grey	-VD, VG, VL, VQ		
95B 867 501 BL 9U1		Luxor beige	-VE, VH, VM		
95B 867 501 BL OP2		saddle brown	-VN, VP		
		D - MJ 2015>>			
95B 867 501 BL 9U7		Espresso	-VR		
		D - MJ 2015>>			
(1)		95B 867 501 AA	roof trim		1
		Alcantara			
	95B 867 501 AA 2W0	Black	-VC, VJ, VF, VI, VU, VK, VO, VX, VZ		
	95B 867 501 AA OU5	agate grey	-VD, VG, VL, VQ		
	95B 867 501 AA 9U1	Luxor beige	-VE, VH, VM		
	95B 867 501 AA OP2	saddle brown	-VN, VP		
		D - MJ 2015>>			
	95B 867 501 AA 9U7	Espresso	-VR		
		D - MJ 2015>>			
	(1)	95B 867 501 AC	roof trim		
		Alcantara			
95B 867 501 AC 2W0		Black	-VC, VJ, VF, VI, VU, VK, VO, VX, VZ		
95B 867 501 AC OU5		agate grey	-VD, VG, VL, VQ		
95B 867 501 AC 9U1		Luxor beige	-VE, VH, VM		
95B 867 501 AC OP2		saddle brown	-VN, VP		
		D - MJ 2015>>			
95B 867 501 AC 9U7		Espresso	-VR		
		D - MJ 2015>>			
(1)		95B 867 501 AE	roof trim		1
		Alcantara			
	95B 867 501 AE 2W0	Black	-VC, VJ, VF, VI,		

Model: 95B Model life 2014>>

Pos	Part Number	Description	Remark	Qty	Model
	95B 867 501 AE OU5	agate grey	VU, VK, VO, VX, VZ		
	95B 867 501 AE 9U1	Luxor beige	-VD, VG, VL, VQ		
	95B 867 501 AE OP2	saddle brown	-VE, VH, VM		
		D - MJ 2015>>	-VN, VP		
	95B 867 501 AE 9U7	Espresso	-VR		
(1)	95B 867 501 AG	roof trim Alcantara Discontinued part		1	PR: 3CU, 3CX, 3FA, 6NN, 9MA
	95B 867 501 AG 2W0	Black	-VC, VJ, VF, VI, VU, VK, VO		
	95B 867 501 AG OU5	agate grey	-VD, VG, VL, VQ		
	95B 867 501 AG 9U1	Luxor beige	-VE, VH, VM		
(1)	95B 867 501 BG	roof trim Alcantara		1	PR: 3CU, 3CX, 3FA, 6NN, 9MA
	95B 867 501 BG 2W0	Black	-VC, VJ, VF, VI, VU, VK, VO, VX, VZ		
	95B 867 501 BG OU5	agate grey	-VD, VG, VL, VQ		
	95B 867 501 BG 9U1	Luxor beige	-VE, VH, VM		
	95B 867 501 BG OP2	saddle brown	-VN, VP		
		D - MJ 2015>>			
	95B 867 501 BG 9U7	Espresso	-VR		
		D - MJ 2015>>			
(1)	95B 867 501 CA	roof trim Alcantara		1	PR: 3CU, 3CX, 3FU, 6NN, 9MA
	95B 867 501 CA 2W0	Black	-VC, VJ, VF, VI, VU, VK, VO, VX, VZ		
	95B 867 501 CA OU5	agate grey	-VD, VG, VL, VQ		
	95B 867 501 CA 9U1	Luxor beige	-VE, VH, VM		
	95B 867 501 CA OP2	saddle brown	-VN, VP		
		D - MJ 2015>>			
	95B 867 501 CA 9U7	Espresso	-VR		
		D - MJ 2015>>			
(1)	95B 867 501 CE	roof trim Alcantara		1	PR: 3CU, 3CX, 3FU, 6NN, 9MB
	95B 867 501 CE 2W0	Black	-VC, VJ, VF, VI, VU, VK, VO		
	95B 867 501 CE OU5	agate grey	-VD, VG, VL, VQ		
	95B 867 501 CE 9U1	Luxor beige	-VE, VH, VM		
	95B 867 501 CE OP2	saddle brown	-VN, VP		
		D - MJ 2015>>			
	95B 867 501 CE 9U7	Espresso	-VR		
		D - MJ 2015>>			
(1)	95B 867 501 S	roof trim Alcantara		1	PR: 3CA, 3FA, 6NN, 9MB
	95B 867 501 S 2W0	Black	-VC, VJ, VF, VI, VU, VK, VO, VX, VZ		
	95B 867 501 S OU5	agate grey	-VD, VG, VL, VQ		
	95B 867 501 S 9U1	Luxor beige	-VE, VH, VM		
	95B 867 501 S OP2	saddle brown	-VN, VP		
		D - MJ 2015>>			
	95B 867 501 S 9U7	Espresso	-VR		
		D - MJ 2015>>			
3	999 209 095 01	spacer sleeve		2	
5	7PP 867 300	Clip		3	
6	999 073 250 09	fillister hd. bolt M5 X 15		2	
-		Accessories			

Model: 95B Model life 2014>>

Pos	Part Number	Description	Remark	Qty	Model
7	95B 857 607	Grab handle	front	2	
	95B 857 607 1E0	Black	-VC, VJ, VF, VI, VU, VK, VO, VX, VZ		
	95B 857 607 OP1	agate grey	-VD, VG, VL, VQ		
	95B 857 607 4H0	Luxor beige	-VE, VH, VM		
	95B 857 607 OM8	saddle brown	-VN, VP		
	95B 857 607 7N0	D - MJ 2015>> Espresso	-VR		
	95B 857 607 7N0	D - MJ 2015>>			
8	95B 857 643	Grab handle	left	1	
	95B 857 643 1E0	Black	rear -VC, VJ, VF, VI, VU, VK, VO, VX, VZ		
	95B 857 643 OP1	agate grey	-VD, VG, VL, VQ		
	95B 857 643 4H0	Luxor beige	-VE, VH, VM		
	95B 857 643 OM8	saddle brown	-VN, VP		
	95B 857 643 7N0	D - MJ 2015>> Espresso	-VR		
	95B 857 643 7N0	D - MJ 2015>>			
(8)	95B 857 644	Grab handle	right	1	
	95B 857 644 1E0	Black	rear -VC, VJ, VF, VI, VU, VK, VO, VX, VZ		
	95B 857 644 OP1	agate grey	-VD, VG, VL, VQ		
	95B 857 644 4H0	Luxor beige	-VE, VH, VM		
	95B 857 644 OM8	saddle brown	-VN, VP		
	95B 857 644 7N0	D - MJ 2015>> Espresso	-VR		
	95B 857 644 7N0	D - MJ 2015>>			
9	N 105 963 02	Oval hexagon socket head bolt		8	
10	95B 861 687 B	Eye	left	2	PR: 3CU, 3CX
	95B 861 687 B 1E0	Black	-VC, VJ, VF, VI, VU, VK, VO, VX, VZ		
	95B 861 687 B OP1	agate grey	-VD, VG, VL, VQ		
	95B 861 687 B 4H0	Luxor beige	-VE, VH, VM		
	95B 861 687 B OM8	saddle brown	-VN, VP		
	95B 861 687 B 7N0	D - MJ 2015>> Espresso	-VR		
	95B 861 687 B 7N0	D - MJ 2015>>			
(10)	95B 861 688 B	Eye	right	2	PR: 3CU, 3CX
	95B 861 688 B 1E0	Black	-VC, VJ, VF, VI, VU, VK, VO, VX, VZ		
	95B 861 688 B OP1	agate grey	-VD, VG, VL, VQ		
	95B 861 688 B 4H0	Luxor beige	-VE, VH, VM		
	95B 861 688 B OM8	saddle brown	-VN, VP		
	95B 861 688 B 7N0	D - MJ 2015>> Espresso	-VR		
	95B 861 688 B 7N0	D - MJ 2015>>			
12	95B 868 071 D	Trim	left	2	PR: 3CU, 3CX, 3FA
	95B 868 071 D 1E0	Eyelet for indexing bolt	front Black		
	95B 868 071 D 1E0	Black	-VC, VJ, VF, VI, VU, VK, VO, VX, VZ		
	95B 868 071 D OP1	agate grey	-VD, VG, VL, VQ		
	95B 868 071 D 4H0	Luxor beige	-VE, VH, VM		
	95B 868 071 D OM8	saddle brown	-VN, VP		
	95B 868 071 D 7N0	D - MJ 2015>> Espresso	-VR		

Model: 95B Model life 2014>>

Pos	Part Number	Description	Remark	Qty	Model
(12)	95B 868 071 E	D - MJ 2015>> Trim	left front	2	PR: 3CU, 3CX, 3FU
	95B 868 071 E 1E0	Eyelet for indexing bolt Black	-VC, VJ, VF, VI, VU, VK, VO, VX, VZ		
	95B 868 071 E OP1	agate grey	-VD, VG, VL, VQ		
	95B 868 071 E 4H0	Luxor beige	-VE, VH, VM		
	95B 868 071 E OM8	saddle brown	-VN, VP		
(12)	95B 868 071 E 7N0	D - MJ 2015>> Espresso	-VR	2	PR: 3CU, 3CX, 3FA
	95B 868 072 D	D - MJ 2015>> Trim	right front		
	95B 868 072 D 1E0	Eyelet for indexing bolt Black	-VC, VJ, VF, VI, VU, VK, VO, VX, VZ		
	95B 868 072 D OP1	agate grey	-VD, VG, VL, VQ		
	95B 868 072 D 4H0	Luxor beige	-VE, VH, VM		
(12)	95B 868 072 D OM8	saddle brown	-VN, VP	2	PR: 3CU, 3CX, 3FU
	95B 868 072 D 7N0	D - MJ 2015>> Espresso	-VR		
	95B 868 072 E	D - MJ 2015>> Trim	right front		
	95B 868 072 E 1E0	Eyelet for indexing bolt Black	-VC, VJ, VF, VI, VU, VK, VO, VX, VZ		
	95B 868 072 E OP1	agate grey	-VD, VG, VL, VQ		
13	95B 868 072 E 4H0	Luxor beige	-VE, VH, VM	2	PR: 3CU, 3CX, 3FA
	95B 868 072 E OM8	saddle brown	-VN, VP		
	95B 868 072 E 7N0	D - MJ 2015>> Espresso	-VR		
	95B 868 823 B	D - MJ 2015>> Trim	left rear		
	95B 868 823 B 1E0	Eyelet for indexing bolt Black	-VC, VJ, VF, VI, VU, VK, VO, VX, VZ		
(13)	95B 868 823 B OP1	agate grey	-VD, VG, VL, VQ	2	PR: 3CU, 3CX, 3FU
	95B 868 823 B 4H0	Luxor beige	-VE, VH, VM		
	95B 868 823 B OM8	saddle brown	-VN, VP		
	95B 868 823 B 7N0	D - MJ 2015>> Espresso	-VR		
	95B 868 823 C	D - MJ 2015>> Trim	left rear		
(13)	95B 868 823 C 1E0	Eyelet for indexing bolt Black	-VC, VJ, VF, VI, VU, VK, VO, VX, VZ	2	PR: 3CU, 3CX, 3FA
	95B 868 823 C OP1	agate grey	-VD, VG, VL, VQ		
	95B 868 823 C 4H0	Luxor beige	-VE, VH, VM		
	95B 868 823 C OM8	saddle brown	-VN, VP		
	95B 868 823 C 7N0	D - MJ 2015>> Espresso	-VR		
(13)	95B 868 824 B	D - MJ 2015>> Trim	right rear	2	PR: 3CU, 3CX, 3FA
	95B 868 824 B 1E0	Eyelet for indexing bolt Black	-VC, VJ, VF, VI, VU, VK, VO, VX, VZ		
	95B 868 824 B OP1	agate grey	-VD, VG, VL, VQ		
	95B 868 824 B 4H0	Luxor beige	-VE, VH, VM		

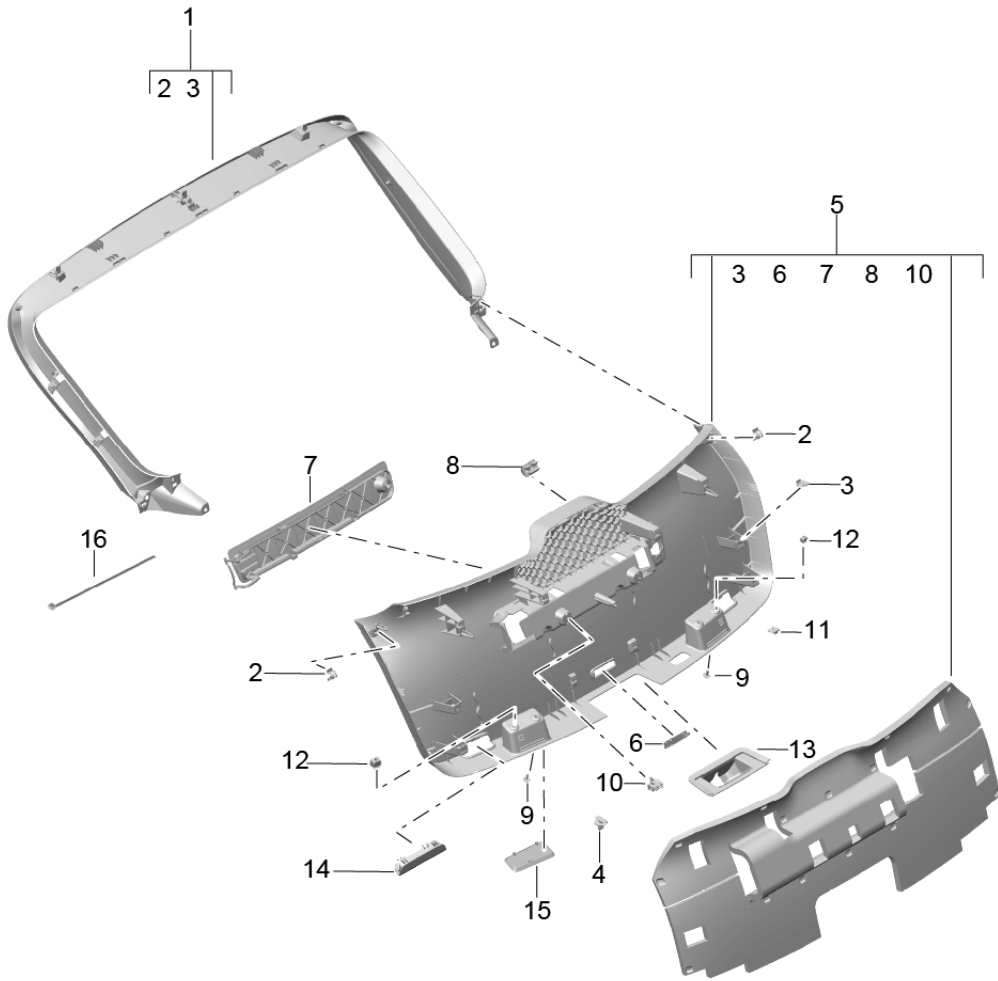
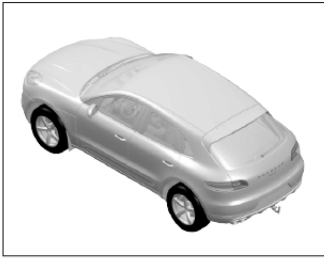
Model: 95B

Model life 2014>>

Pos	Part Number	Description	Remark	Qty	Model
	95B 868 824 B OM8	saddle brown D - MJ 2015>>	-VN,VP		
	95B 868 824 B 7N0	Espresso D - MJ 2015>>	-VR		
(13)	95B 868 824 C	Trim	right	2	PR:3CU,3CX,
	95B 868 824 C 1E0	Eyelet for indexing bolt Black	rear -VC,VJ,VF,VI, VU,VK,VO,VX, VZ		3FU
	95B 868 824 C OP1	agate grey	-VD,VG,VL,VQ		
	95B 868 824 C 4H0	Luxor beige	-VE,VH,VM		
	95B 868 824 C OM8	saddle brown D - MJ 2015>>	-VN,VP		
	95B 868 824 C 7N0	Espresso D - MJ 2015>>	-VR		
14	N 907 378 03	Hexagon socket flat head bolt M6 X 14		4	
15	95B 867 561	Cover frame	left	1	PR:3FU
(15)	95B 867 562	Cover frame	right	1	PR:3FU
16	958 555 615 00	Clip		X	

Model: 95B

Model life 2014>>



Model: 95B Model life 2014>>

Pos	Part Number	Description	Remark	Qty	Model	
1	95B 867 973	trims Rear lid Rear lid trim panel	upper	1		
			N 106 622 01	2		
	95B 867 973 1E0	Black	-VC, VJ, VF, VI, VU, VK, VO, VX, VZ			
	95B 867 973 OP1	agate grey	-FA, FL, FE, FF, FN, FK, TR, TS, PE, TB			
	95B 867 973 4H0	Luxor beige	-VD, VG, VL, VQ			
	95B 867 973 OM8	saddle brown	-VE, VH, VM			
	95B 867 973 7N0	Espresso	-VN, VP			
			-VR			
	2	999 507 584 02	Clamp		2	
	3	955 555 276 00	Retaining clip		X	
4	WHT 004 750	Spreader rivet		2		
5	95B 867 979 A	Rear lid trim panel	lower	1		
	95B 867 979 A 1E0	Black	-VC, VJ, VF, VI, VU, VK, VO, VX, VZ			
	95B 867 979 A OP1	agate grey	-FA, FL, FE, FF, FN, FK, TR, TS, PE, TB			
	95B 867 979 A 4H0	Luxor beige	-VD, VG, VL, VQ			
	95B 867 979 A OM8	saddle brown	-VE, VH, VM			
	95B 867 979 A 7N0	Espresso	-VN, VP			
			-VR			
	6	95B 867 747	Cover Emergency operation		1	
		95B 867 747 1E0	Black	-VC, VJ, VF, VI, VU, VK, VO, VX, VZ		
		95B 867 747 OP1	agate grey	-FA, FL, FE, FF, FN, FK, TR, TS, PE, TB		
	95B 867 747 4H0	Luxor beige	-VD, VG, VL, VQ			
	95B 867 747 OM8	saddle brown	-VE, VH, VM			
	95B 867 747 OM8	saddle brown	-VN, VP			
	95B 867 747 7N0	Espresso	-VR			
7	95B 867 926	Cover warning triangle		1		
	95B 867 926 1E0	Black	-VC, VJ, VF, VI, VU, VK, VO, VX, VZ			
	95B 867 926 OP1	agate grey	-FA, FL, FE, FF, FN, FK, TR, TS, PE, TB			
	95B 867 926 4H0	Luxor beige	-VD, VG, VL, VQ			
	95B 867 926 OM8	saddle brown	-VE, VH, VM			
	95B 867 926 OM8	saddle brown	-VN, VP			
	95B 867 926 7N0	Espresso	-VR			
	8	5J7 867 815	Stop		1	
	9	N 909 868 03	Hexagon socket head panel bolt ST 4,2X13		X	
	10	958 731 633 00	Clamp		2	
11	6K0 867 331 B	Spring clip		2		
12	N 905 410 01	expanding nut		4		
13	95B 827 520	cover - lock		1		
	95B 827 520 1E0	Black	-VC, VJ, VF, VI, VU, VK, VO			
			-FA, FL, FE, FF, FN, FK, TR, TS,			

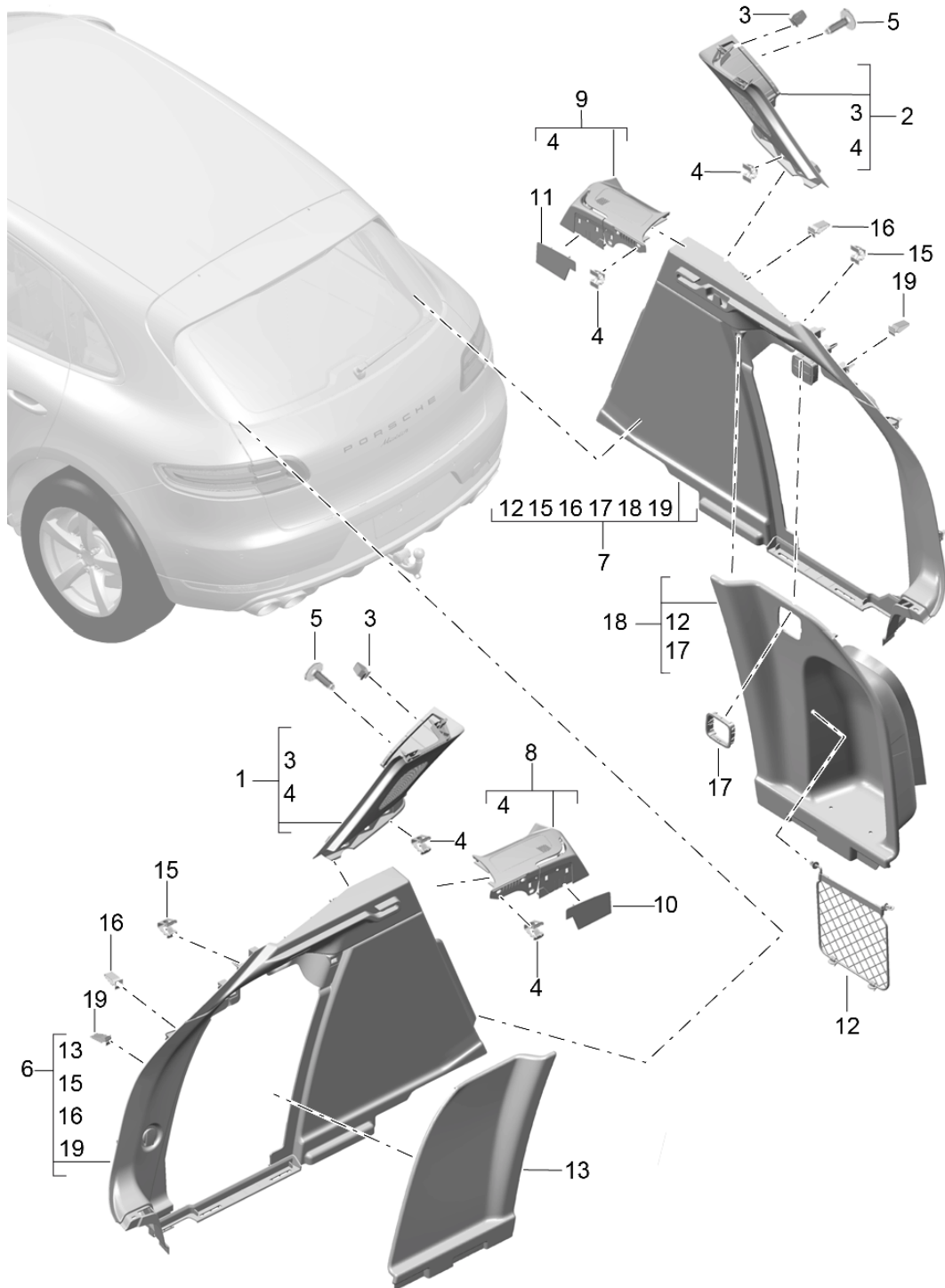
Model: 95B

Model life 2014>>

Pos	Part Number	Description	Remark	Qty	Model
	95B 827 520 OP1	agate grey	PE, TB		
	95B 827 520 4H0	Luxor beige	-VD, VG, VL, VQ		
	95B 827 520 OM8	saddle brown	-VE, VH, VM		
	95B 827 520 7N0	Espresso	-VN, VP		
14	1K0 947 419 A	rear light reflector	-VR	2	
15	95B 867 581	Cover	left	1	
		Trim			
	95B 867 581 1E0	Black			
(15)	95B 867 582	Cover	right	1	
		Trim			
	95B 867 582 1E0	Black			
16	N 106 622 01	Cable ties		2	

Model: 95B

Model life 2014>>



Model: 95B Model life 2014>>

Pos	Part Number	Description	Remark	Qty	Model
1	95B 867 245	Trim For luggage compartment d-pillar D-pillar trim	side left	1	PR:9VK,9VL, 9VJ
		without:			
	95B 867 245 OM8	Loudspeaker saddle brown	-VN,VP		
	95B 867 245 OP1	agate grey	-VD,VG,VL,VQ		
	95B 867 245 1E0	Black	-VC,VF,VI,VJ, VK,VO,VU,VX, VZ		
	95B 867 245 4H0	Luxor beige	-FA,FL,FE,FF, FN,FK,TR,TS, PE,TB		
	95B 867 245 7N0	Espresso	-VE,VH,VM		
(1)	95B 867 245 A	D-pillar trim for vehicles with bose sound system	-VR left	1	PR:9VL
	95B 867 245 A OM8	Discontinued part saddle brown	-VN,VP		
	95B 867 245 A OP1	agate grey	-VD,VG,VL,VQ		
	95B 867 245 A 1E0	Black	-VC,VF,VI,VJ, VK,VO,VU,VX, VZ		
	95B 867 245 A 4H0	Luxor beige	-VE,VH,VM		
	95B 867 245 A 7N0	Espresso	-VR		
(1)	95B 867 245 B	D-pillar trim For vehicles with Premium loudspeaker system	left	1	PR:9VJ
	95B 867 245 B OM8	Discontinued part saddle brown	-VN,VP		
	95B 867 245 B OP1	agate grey	-VD,VG,VL,VQ		
	95B 867 245 B 1E0	Black	-VC,VF,VI,VJ, VK,VO,VU,VX, VZ		
	95B 867 245 B 4H0	Luxor beige	-VE,VH,VM		
	95B 867 245 B 7N0	Espresso	-VR		
2	95B 867 246	D-pillar trim	right	1	PR:9VK,9VL, 9VJ
		without:			
	95B 867 246 OM8	Loudspeaker saddle brown	-VN,VP		
	95B 867 246 OP1	agate grey	-VD,VG,VL,VQ		
	95B 867 246 1E0	Black	-VC,VF,VI,VJ, VK,VO,VU,VX, VZ		
	95B 867 246 4H0	Luxor beige	-FA,FL,FE,FF, FN,FK,TR,TS, PE,TB		
	95B 867 246 7N0	Espresso	-VE,VH,VM		
(2)	95B 867 246 A	D-pillar trim for vehicles with bose sound system	-VR right	1	PR:9VL
	95B 867 246 A OM8	Discontinued part saddle brown	-VN,VP		
	95B 867 246 A OP1	agate grey	-VD,VG,VL,VQ		
	95B 867 246 A 1E0	Black	-VC,VF,VI,VJ, VK,VO,VU		
	95B 867 246 A 4H0	Luxor beige	-VE,VH,VM		
	95B 867 246 A 7N0	Espresso	-VR		

Model: 95B Model life 2014>>

Pos	Part Number	Description	Remark	Qty	Model
(2)	95B 867 246 B	D-pillar trim For vehicles with Premium loudspeaker system Discontinued part	right	1	PR:9VJ
	95B 867 246 B OM8	saddle brown	-VN,VP		
	95B 867 246 B OP1	agate grey	-VD,VG,VL,VQ		
	95B 867 246 B 1E0	Black	-VC,VF,VI,VJ, VK,VO,VU,VX, VZ		
	95B 867 246 B 4H0	Luxor beige	-VE,VH,VM		
	95B 867 246 B 7N0	Espresso	-VR		
-		Securing element			
3	999 507 839 01	Clip		X	
4	999 507 584 02	Clamp		X	
5	999 073 369 09	fillister hd. bolt M 5 X 18		2	
6	95B 863 879	Side panel trim	left basic	1	PR:9MA
	95B 863 879 OF2	Espresso	-VR		
	95B 863 879 ZG1	Black	-VC,VF,VI,VJ, VK,VO,VU,VX, VZ		
	95B 863 879 ZN3	Luxor beige	-VE,VH,VM		
	95B 863 879 ZP4	agate grey	-VD,VG,VL,VQ		
	95B 863 879 ZR5	saddle brown	-VN,VP		
(6)	95B 863 879 A	Side panel trim Comfort version	left	1	PR:9MB
	95B 863 879 A OF2	Espresso	-VR		
	95B 863 879 A ZG1	Black	-VC,VF,VI,VJ, VK,VO,VU,VX, VZ		
	95B 863 879 A ZN3	Luxor beige	-VE,VH,VM		
	95B 863 879 A ZP4	agate grey	-VD,VG,VL,VQ		
	95B 863 879 A ZR5	saddle brown	-VN,VP		
7	95B 863 880	Side panel trim	right basic	1	PR:9MA
	95B 863 880 OF2	Espresso	-VR		
	95B 863 880 ZG1	Black	-VC,VF,VI,VJ, VK,VO,VU,VX, VZ		
	95B 863 880 ZN3	Luxor beige	-VE,VH,VM		
	95B 863 880 ZP4	agate grey	-VD,VG,VL,VQ		
	95B 863 880 ZR5	saddle brown	-VN,VP		
(7)	95B 863 880 A	Side panel trim Comfort version	right	1	PR:9MB
	95B 863 880 A OF2	Espresso	-VR		
	95B 863 880 A ZG1	Black	-VC,VF,VI,VJ, VK,VO,VU,VX, VZ		
	95B 863 880 A ZN3	Luxor beige	-VE,VH,VM		
	95B 863 880 A ZP4	agate grey	-VD,VG,VL,VQ		
	95B 863 880 A ZR5	saddle brown	-VN,VP		
8	95B 863 337	trim for ventilation	left	1	
	95B 863 337 OM8	saddle brown	-VN,VP		
	95B 863 337 OP1	agate grey	-VD,VG,VL,VQ		
	95B 863 337 1E0	Black	-VC,VF,VI,VJ, VK,VO,VU,VX, VZ		
	95B 863 337 4H0	Luxor beige	-VE,VH,VM		
	95B 863 337 7N0	Espresso	-VR		
8	95B 863 338	trim for ventilation	right	1	
	95B 863 338 OM8	saddle brown	-VN,VP		
	95B 863 338 OP1	agate grey	-VD,VG,VL,VQ		

Model: 95B

Model life 2014>>

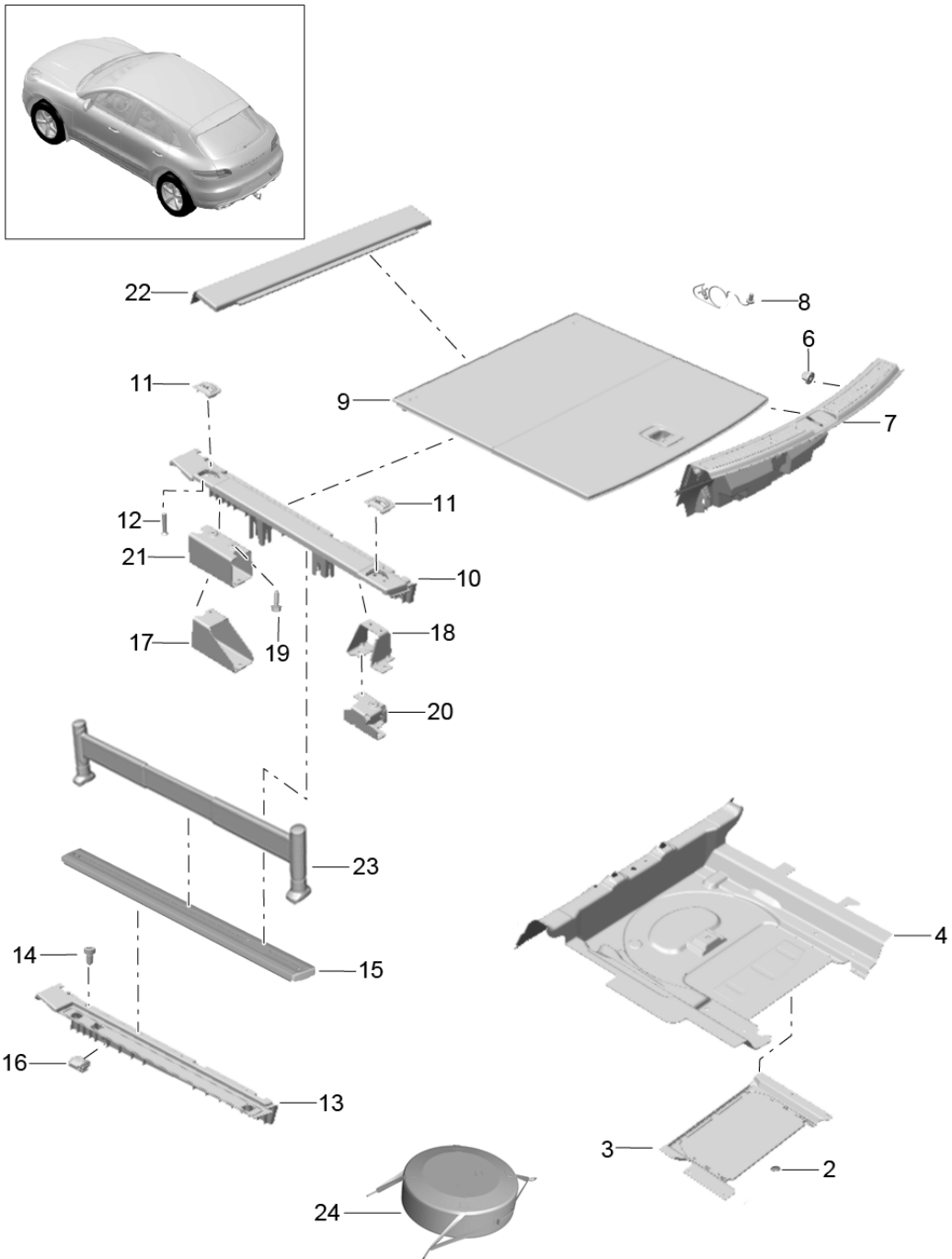
Pos	Part Number	Description	Remark	Qty	Model
	95B 863 338 1E0	Black	-VC, VF, VI, VJ, VK, VO, VU, VX, VZ		
	95B 863 338 4H0	Luxor beige	-VE, VH, VM		
	95B 863 338 7N0	Espresso	-VR		
9	95B 863 338	trim for ventilation	right	1	
	95B 863 338 OM8	saddle brown	-VN, VP		
	95B 863 338 OP1	agate grey	-VD, VG, VL, VQ		
	95B 863 338 1E0	Black	-VC, VF, VI, VJ, VK, VO, VU, VX, VZ		
	95B 863 338 4H0	Luxor beige	-VE, VH, VM		
	95B 863 338 7N0	Espresso	-VR		
10	95B 863 279	Cover	left	1	
			upper		
	95B 863 279 OM8	saddle brown	-VN, VP		
	95B 863 279 OP1	agate grey	-VD, VG, VL, VQ		
	95B 863 279 1E0	Black	-VC, VF, VI, VJ, VK, VO, VU, VX, VZ		
	95B 863 279 4H0	Luxor beige	-VE, VH, VM		
	95B 863 279 7N0	Espresso	-VR		
10	95B 863 280	Cover	right	1	
			upper		
	95B 863 280 OM8	saddle brown	-VN, VP		
	95B 863 280 OP1	agate grey	-VD, VG, VL, VQ		
	95B 863 280 1E0	Black	-VC, VF, VI, VJ, VK, VO, VU, VX, VZ		
	95B 863 280 4H0	Luxor beige	-VE, VH, VM		
	95B 863 280 7N0	Espresso	-VR		
11	95B 863 280	Cover	right	1	
			upper		
	95B 863 280 OM8	saddle brown	-VN, VP		
	95B 863 280 OP1	agate grey	-VD, VG, VL, VQ		
	95B 863 280 1E0	Black	-VC, VF, VI, VJ, VK, VO, VU, VX, VZ		
	95B 863 280 4H0	Luxor beige	-VE, VH, VM		
	95B 863 280 7N0	Espresso	-VR		
12	95B 861 690	Luggage net		1	
	95B 861 690 DK4	Black	-VC, VF, VI, VJ, VK, VO, VU, VX, VZ		
	95B 861 690 OK2	agate grey	-VD, VG, VL, VQ		
	95B 861 690 DM5	Luxor beige	-VE, VH, VM		
	95B 861 690 OL7	saddle brown	-VN, VP		
	95B 861 690 DP8	Espresso	-VR		
13	95B 863 989	Cover		1	
	95B 863 989 ZG1	Black	-VC, VF, VI, VJ, VK, VO, VU, VX, VZ		
	95B 863 989 ZP4	agate grey	-VD, VG, VL, VQ		
	95B 863 989 ZN3	Luxor beige	-VE, VH, VM		
	95B 863 989 ZR5	saddle brown	-VN, VP		
	95B 863 989 OF2	Espresso	-VR		
-		Switch			
		air spring			
		Tow hitch			
		see illustration:	002-000		
-		Securing element			
15	955 555 388 00	Clip		2	
16	955 555 276 00	Retaining clip		5	

Model: 95B Model life 2014>>

Pos	Part Number	Description	Remark	Qty	Model
17	7P5 868 288 A 7P5 868 288 A 1E0	Trim for switch Black	-VC, VF, VI, VJ, VK, VO, VU, VX, VZ	1	PR:1BK,1D3
	7P5 868 288 A OP1	agate grey	-VD, VG, VL, VQ		
	7P5 868 288 A OM8	saddle brown	-VN, VP		
	7P5 868 288 A 4H0	Luxor beige	-VE, VH, VM		
	7P5 868 288 A 7N0	Espresso	-VR		
18	95B 863 990	Cover	right	1	PR:1BA,1BH, 1D0,1D6,1D7, 1D8
	95B 863 990 ZG1	Black	-VC, VF, VI, VJ, VK, VO, VU, VX, VZ		
	95B 863 990 ZP4	agate grey	-VD, VG, VL, VQ		
	95B 863 990 ZN3	Luxor beige	-VE, VH, VM		
	95B 863 990 ZR5	saddle brown	-VN, VP		
	95B 863 990 OF2	Espresso	-VR		
(18)	95B 863 990 A	Cover	right	1	PR:1D3,1BK, 1D0,1D6,1D7, 1D8
	95B 863 990 A ZG1	Black	-VC, VF, VI, VJ, VK, VO, VU, VX, VZ		
	95B 863 990 A ZP4	agate grey	-VD, VG, VL, VQ		
	95B 863 990 A ZN3	Luxor beige	-VE, VH, VM		
	95B 863 990 A ZR5	saddle brown	-VN, VP		
	95B 863 990 A OF2	Espresso	-VR		
19	PAB 867 276 00	Clip		1	

Model: 95B

Model life 2014>>



Model: 95B Model life 2014>>

Pos	Part Number	Description	Remark	Qty	Model
		Trim For luggage compartment Accessories LADERAUMSYSTEM			
2	8R0 839 723	Clip for spare wheel		4	PR: 8RV, 9VJ, 9VK, 9VL
3	95B 863 565 C	Cover battery box		1	PR: 9VJ, 9VL
(3)	95B 863 565 D	Cover battery box		1	PR: 8RV, 9VK
4	95B 863 462	luggage comp. floor covering Flooring	basic	1	PR: 8RV, 9VK
(4)	95B 863 462 B	luggage comp. floor covering Flooring		1	PR: 9VJ, 9VL
(4)	95B 863 462 C	luggage comp. floor covering Flooring	basic	1	PR: 8RV, 9VK
(4)	95B 863 462 D	luggage comp. floor covering Flooring		1	PR: 9VJ, 9VL
(4)	95B 863 462 E	luggage comp. floor covering Flooring	basic	1	PR: 8RV, 9VK
(4)	95B 863 462 F	luggage comp. floor covering Flooring		1	PR: 9VJ, 9VL
6	999 076 081 40	D - MJ 2015>> Hexagon plastic collar nut T5		2	
(7)	95B 864 483 D	Lock carrier trim D >> - MJ 2016		1	PR: 0K0, 2P3
	95B 864 483 D 1E0	Black	-VC, VJ, VF, VI, VU, VK, VO, VX, VZ		
	95B 864 483 D OP1	agate grey	-VD, VG, VL, VQ		
	95B 864 483 D 4H0	Luxor beige	-VE, VH, VM		
	95B 864 483 D OM8	saddle brown	-VN, VP		
	95B 864 483 D 7N0	Espresso	-VR		
(7)	95B 864 483 K	Lock carrier trim D - MJ 2017>>		1	PR: 0K0, 2P3
	95B 864 483 K 1E0	Black	-VC, VJ, VF, VI, VU, VK, VO, VX, VZ, FA, FL, FE, FF, FN, FK, TR, TS		
	95B 864 483 K OP1	agate grey	-VD, VG, VL, VQ, FB, FM		
	95B 864 483 K 4H0	Luxor beige	-VE, VH, VM, FC, FH		
	95B 864 483 K OM8	saddle brown	-VN, VP, FI		
	95B 864 483 K 7N0	Espresso	-VR		
(7)	95B 864 483 F	Lock carrier trim D >> - MJ 2016		1	PR: 0K0, 2P2
	95B 864 483 F 1E0	Black	-VC, VJ, VF, VI, VU, VK, VO, VX, VZ		
	95B 864 483 F OP1	agate grey	-VD, VG, VL, VQ		
	95B 864 483 F 4H0	Luxor beige	-VE, VH, VM		
	95B 864 483 F OM8	saddle brown	-VN, VP		
	95B 864 483 F 7N0	Espresso	-VR		
(7)	95B 864 483 J	Lock carrier trim D - MJ 2017>>		1	PR: 0K0, 2P2
	95B 864 483 J 1E0	Black	-VC, VJ, VF, VI, VU, VK, VO, VX, VZ, FA, FL, FE, FF, FN, FK, TR, TS		

Model: 95B

Model life 2014>>

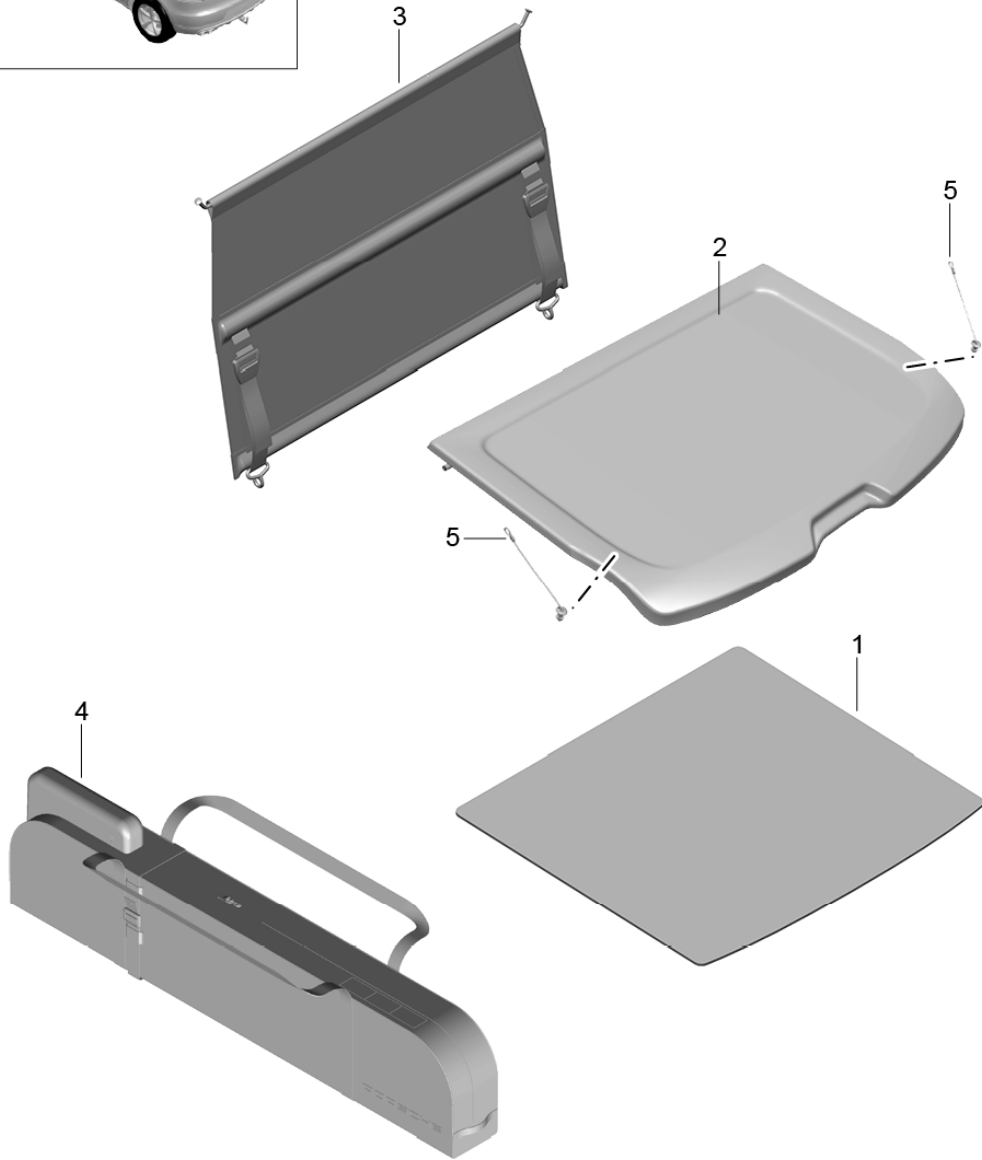
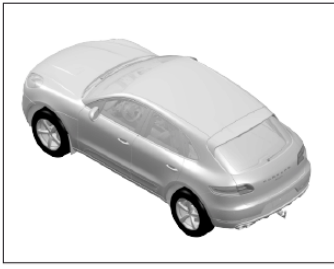
Pos	Part Number	Description	Remark	Qty	Model
	95B 864 483 J OP1	agate grey	-VD, VG, VL, VQ, FB, FM		
	95B 864 483 J 4H0	Luxor beige	-VE, VH, VM, FC, FH		
	95B 864 483 J OM8	saddle brown	-VN, VP, FI		
	95B 864 483 J 7N0	Espresso	-VR		
8	8R0 860 273	Holding strap		1	PR:1T3,1T7
9	95B 861 531	cover for luggage boot		1	PR:0K0
	95B 861 531 ZG1	Black	-VC, VJ, VF, VI, VU, VK, VO, VX, VZ		
	95B 861 531 ZP4	agate grey	-VD, VG, VL, VQ		
	95B 861 531 ZN3	Luxor beige	-VE, VH, VM		
	95B 861 531 ZR5	saddle brown	-VN, VP		
	95B 861 531 OF2	Espresso	-VR		
10	95B 861 827	Filler piece	left	1	PR:0K0,3GA
	95B 861 827 ZG1	Luggage compartment cover Black	-VC, VJ, VF, VI, VU, VK, VO, VX, VZ		
	95B 861 827 ZP4	agate grey	-VD, VG, VL, VQ		
	95B 861 827 ZN3	Luxor beige	-VE, VH, VM		
	95B 861 827 ZR5	saddle brown	-VN, VP		
	95B 861 827 OF2	Espresso	-VR		
(10)	95B 861 828	Filler piece	right	1	PR:0K0,3GA
	95B 861 828 ZG1	Luggage compartment cover Black	-VC, VJ, VF, VI, VU, VK, VO, VX, VZ		
	95B 861 828 ZP4	agate grey	-VD, VG, VL, VQ		
	95B 861 828 ZN3	Luxor beige	-VE, VH, VM		
	95B 861 828 ZR5	saddle brown	-VN, VP		
	95B 861 828 OF2	Espresso	-VR		
11	1K0 864 203	Lashing eye without spring		4	PR:3GA
	1K0 864 203 2ZZ	Luggage compartment cover chrome			
12	N 105 560 01	Hex socket countersunk bolt M6X30		8	
		Securing element			
		Lashing eye			
		For luggage compartment			
13	95B 861 835	Filler piece	left	1	PR:3GN
	95B 861 835 ZG1	cover for luggage boot Black	-VC, VJ, VF, VI, VU, VK, VO, VX, VZ		
	95B 861 835 ZP4	agate grey	-VD, VG, VL, VQ		
	95B 861 835 ZN3	Luxor beige	-VE, VH, VM		
	95B 861 835 ZR5	saddle brown	-VN, VP		
	95B 861 835 OF2	Espresso	-VR		
(13)	95B 861 836	Filler piece	right	1	PR:3GN
	95B 861 836 ZG1	cover for luggage boot Black	-VC, VJ, VF, VI, VU, VK, VO, VX, VZ		
	95B 861 836 ZP4	agate grey	-VD, VG, VL, VQ		
	95B 861 836 ZN3	Luxor beige	-VE, VH, VM		
	95B 861 836 ZR5	saddle brown	-VN, VP		
	95B 861 836 OF2	Espresso	-VR		
14	N 909 725 01	Hexagon socket head bolt M8 X 16 retaining rail		6	PR:3GN

Model: 95B Model life 2014>>

Pos	Part Number	Description	Remark	Qty	Model
15	8R0 863 555 B	retaining rail	left	1	PR:3GN
(15)	8R0 863 556 B	retaining rail	right	1	PR:3GN
16	4F9 863 539	Lashing eye For luggage compartment		4	PR:3GN
17	8R0 813 383	mounting for tie-down eye	left front	1	PR:0K0,3GA
(17)	8R0 813 384	mounting for tie-down eye	right front	1	PR:0K0,3GA
18	8R0 813 383 H	mounting for tie-down eye	left rear	1	PR:3GA
(18)	8R0 813 384 H	mounting for tie-down eye	right rear	1	PR:3GA
19	N 019 502 11	Hex collared bolt M8 X 25		8	
20	8R0 863 253 F	Bracket	left front	1	PR:3GN
(20)	8R0 863 254 H	Bracket	right front	1	PR:3GN
21	8R0 863 253 C	Bracket	left rear	1	PR:3GN
(21)	8R0 863 254 C	Bracket	right rear	1	PR:3GN
22	95B 861 529 95B 861 529 ZG1	cover for luggage boot Black	front -VC,VJ,VF,VI, VU,VK,VO,VX, VZ	1	PR:0K0
	95B 861 529 ZP4	agate grey	-VD,VG,VL,VQ		
	95B 861 529 ZN3	Luxor beige	-VE,VH,VM		
	95B 861 529 ZR5	saddle brown	-VN,VP		
	95B 861 529 OF2	Espresso	-VR		
23	4F9 860 378 F	Telescopic luggage safety 715MM		1	PR:3GN
24	955 551 504 00	Pocket		1	PR:3GN

Model: 95B

Model life 2014>>



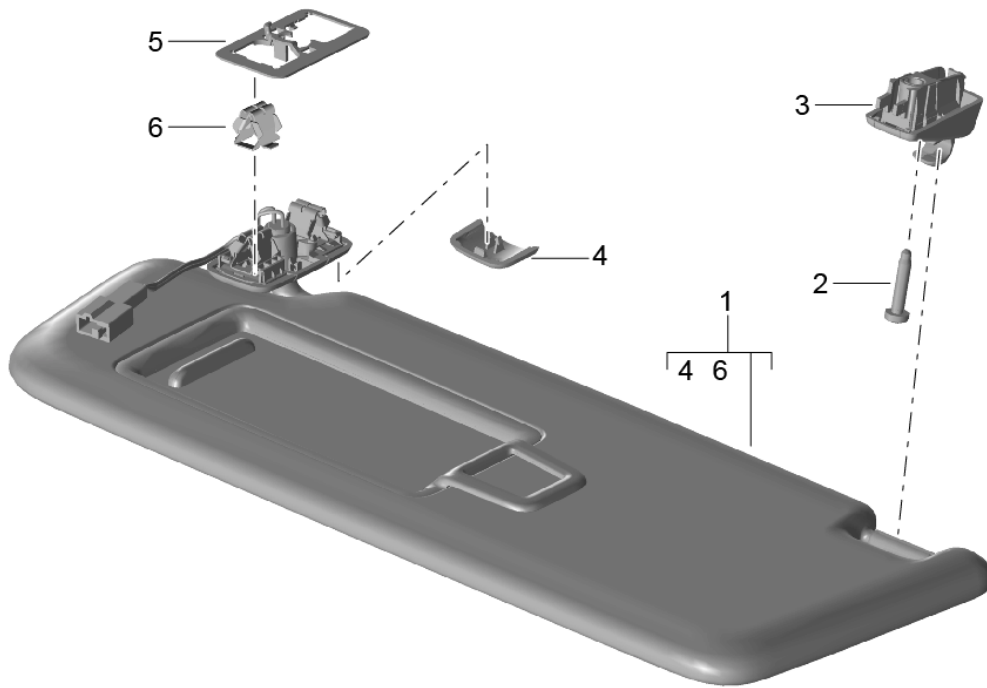
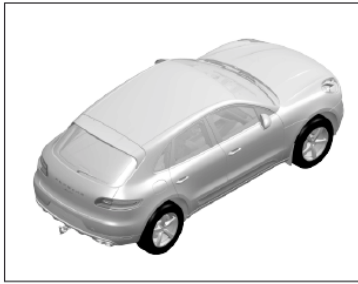
Model: 95B

Model life 2014>>

Pos	Part Number	Description	Remark	Qty	Model
1	95B 864 769 95B 864 769 OS5	cover for luggage boot Net partition Accessories Luggage compartment mat Luggage compartment mat Black	-VC, VJ, VF, VI, VU, VK, VO, VX, VZ -VD, VG, VL, VQ -VE, VH, VM -VN, VP -VR	1	PR:3GN
2	95B 864 769 OQ3 95B 864 769 OR4 95B 864 769 OL7 95B 864 769 OT7 95B 867 769 B 95B 867 769 B OF5	agate grey Luxor beige saddle brown Espresso Cover For luggage compartment Black	-VD, VG, VL, VQ -VE, VH, VM -VN, VP -VR -VC, VJ, VF, VI, VU, VK, VO	1	PR:QE0
(2)	95B 867 769 B OB1 95B 867 769 B OD3 95B 867 769 B OE4 95B 867 769 B OC2 95B 867 769 C 95B 867 769 C OF5	agate grey Luxor beige saddle brown Espresso Cover For luggage compartment Black	-VD, VG, VL, VQ -VE, VH, VM -VN, VP -VR -VC, VJ, VF, VI, VU, VK, VO	1	PR:QE1
3	95B 861 691 A	Net partition	-VD, VG, VL, VQ -VE, VH, VM -VN, VP -VR	1	PR:3CX
		with: Pocket			
4	95B 861 691 A AY1 95B 860 811	Black Ski bag		1	PR:3X1
		with: Carrier bag			
5	95B 867 749 A	Holding strap Cover For luggage compartment		2	

Model: 95B

Model life 2014>>



Model: 95B Model life 2014>>

Pos	Part Number	Description	Remark	Qty	Model
1	95B 857 551 AH	sun vizors Sun visor	left	1	PR:L0L,6NJ, 9MA
	95B 857 551 AH OF7	Black	-VC,VJ,VF,VI, VU,VK,VO,VX, VZ,FL,FN		
	95B 857 551 AH OA2	agate grey	-VD,VG,VL,VQ		
	95B 857 551 AH OE6	Luxor beige	-VE,VH,VM		
	95B 857 551 AH ON9	saddle brown	-VN,VP		
	95B 857 551 AH OJ8	Espresso	-VR		
(1)	95B 857 552 AH	Sun visor	right	1	PR:L0R,6NJ, 9MA
	95B 857 552 AH OF7	Black	-VC,VJ,VF,VI, VU,VK,VO,VX, VZ,FL		
	95B 857 552 AH OA2	agate grey	-VD,VG,VL,VQ		
	95B 857 552 AH OE6	Luxor beige	-VE,VH,VM		
	95B 857 552 AH ON9	saddle brown	-VN,VP		
	95B 857 552 AH OJ8	Espresso	-VR		
(1)	95B 857 551 AJ	Sun visor	left	1	PR:L0L,6NJ, 9MB
	95B 857 551 AJ OF7	Black	-VC,VJ,VF,VI, VU,VK,VO,VX, VZ,FL		
	95B 857 551 AJ OA2	agate grey	-VD,VG,VL,VQ		
	95B 857 551 AJ OE6	Luxor beige	-VE,VH,VM		
	95B 857 551 AJ ON9	saddle brown	-VN,VP		
	95B 857 551 AJ OJ8	Espresso	-VR		
(1)	95B 857 552 AJ	Sun visor	right	1	PR:L0R,6NJ, 9MB
	95B 857 552 AJ OF7	Black	-VC,VJ,VF,VI, VU,VK,VO,VX, VZ,FL		
	95B 857 552 AJ OA2	agate grey	-VD,VG,VL,VQ		
	95B 857 552 AJ OE6	Luxor beige	-VE,VH,VM		
	95B 857 552 AJ ON9	saddle brown	-VN,VP		
	95B 857 552 AJ OJ8	Espresso	-VR		
(1)	95B 857 551 AK	Sun visor Alcantara	left	1	PR:L0L,6NN, 9MA
	95B 857 551 AK 2W0	Black	-VC,VJ,VF,VI, VU,VK,VO,VX, VZ,FA		
	95B 857 551 AK OU5	agate grey	-VD,VG,VL,VQ		
	95B 857 551 AK 9U1	Luxor beige	-VE,VH,VM		
	95B 857 551 AK OP2	saddle brown	-VN,VP		
	95B 857 551 AK 9U7	Espresso	-VR		
(1)	95B 857 552 AK	Sun visor Alcantara	right	1	PR:L0R,6NN, 9MA
	95B 857 552 AK 2W0	Black	-VC,VJ,VF,VI, VU,VK,VO,VX, VZ		
	95B 857 552 AK OU5	agate grey	-VD,VG,VL,VQ		
	95B 857 552 AK 9U1	Luxor beige	-VE,VH,VM		
	95B 857 552 AK OP2	saddle brown	-VN,VP		
	95B 857 552 AK 9U7	Espresso	-VR		
(1)	95B 857 551 AL	Sun visor Alcantara	left	1	PR:L0L,6NN, 9MB
	95B 857 551 AL 2W0	Black	-VC,VJ,VF,VI, VU,VK,VO,VX, VZ,FL		
	95B 857 551 AL OU5	agate grey	-VD,VG,VL,VQ		
	95B 857 551 AL 9U1	Luxor beige	-VE,VH,VM		
	95B 857 551 AL OP2	saddle brown	-VN,VP		

Model: 95B Model life 2014>>

Pos	Part Number	Description	Remark	Qty	Model
(1)	95B 857 551 AL 9U7	Espresso	-VR	1	PR:L0R,6NN, 9MB
	95B 857 552 AL	Sun visor	right		
	95B 857 552 AL 2W0	Alcantara Black	-VC,VJ,VF,VI, VU,VK,VO,VX, VZ,TR		
	95B 857 552 AL OU5	agate grey	-VD,VG,VL,VQ		
	95B 857 552 AL 9U1	Luxor beige	-VE,VH,VM		
	95B 857 552 AL OP2	saddle brown	-VN,VP		
	95B 857 552 AL 9U7	Espresso	-VR		
(1)	95B 857 551 AM	Sun visor	left		
	95B 857 551 AM OF7	Black	-VC,VJ,VF,VI, VU,VK,VO,VX, VZ,FL		
	95B 857 551 AM OA2	agate grey	-VD,VG,VL,VQ		
	95B 857 551 AM OE6	Luxor beige	-VE,VH,VM		
	95B 857 551 AM ON9	saddle brown	-VN,VP		
	95B 857 551 AM OJ8	Espresso	-VR		
(1)	95B 857 552 AM	Sun visor	right	1	PR:L0L,6NJ, 9MA
	95B 857 552 AM OF7	Black	-VC,VJ,VF,VI, VU,VK,VO,VX, VZ,FL,FN		
	95B 857 552 AM OA2	agate grey	-VD,VG,VL,VQ		
	95B 857 552 AM OE6	Luxor beige	-VE,VH,VM		
	95B 857 552 AM ON9	saddle brown	-VN,VP		
	95B 857 552 AM OJ8	Espresso	-VR		
(1)	95B 857 551 AN	Sun visor	left		
	95B 857 551 AN OF7	Black	-VC,VJ,VF,VI, VU,VK,VO,VX, VZ,FL		
	95B 857 551 AN OA2	agate grey	-VD,VG,VL,VQ		
	95B 857 551 AN OE6	Luxor beige	-VE,VH,VM		
	95B 857 551 AN ON9	saddle brown	-VN,VP		
	95B 857 551 AN OJ8	Espresso	-VR		
(1)	95B 857 552 AN	Sun visor	right	1	PR:L0L,6NJ, 9MB
	95B 857 552 AN OF7	Black	-VC,VJ,VF,VI, VU,VK,VO,VX, VZ,FL		
	95B 857 552 AN OA2	agate grey	-VD,VG,VL,VQ		
	95B 857 552 AN OE6	Luxor beige	-VE,VH,VM		
	95B 857 552 AN ON9	saddle brown	-VN,VP		
	95B 857 552 AN OJ8	Espresso	-VR		
(1)	95B 857 551 AP	Sun visor	left		
	95B 857 551 AP 2W0	Alcantara Black	-VC,VJ,VF,VI, VU,VK,VO,VX, VZ,FA		
	95B 857 551 AP OU5	agate grey	-VD,VG,VL,VQ		
	95B 857 551 AP 9U1	Luxor beige	-VE,VH,VM		
	95B 857 551 AP OP2	saddle brown	-VN,VP		
	95B 857 551 AP 9U7	Espresso	-VR		
(1)	95B 857 552 AP	Sun visor	right	1	PR:L0L,6NN, 9MA
	95B 857 552 AP 2W0	Alcantara Black	-VC,VJ,VF,VI, VU,VK,VO,VX, VZ,FA		
	95B 857 552 AP OU5	agate grey	-VD,VG,VL,VQ		
	95B 857 552 AP 9U1	Luxor beige	-VE,VH,VM		
	95B 857 552 AP OP2	saddle brown	-VN,VP		

Model: 95B Model life 2014>>

Pos	Part Number	Description	Remark	Qty	Model
(1)	95B 857 552 AP 9U7 95B 857 551 AQ	Espresso Sun visor	-VR left	1	PR:L0R,6NN, 9MB
	95B 857 551 AQ 2W0	Alcantara Black	-VC,VJ,VF,VI, VU,VK,VO,VX, VZ,TR		
	95B 857 551 AQ OU5	agate grey	-VD,VG,VL,VQ		
	95B 857 551 AQ 9U1	Luxor beige	-VE,VH,VM		
	95B 857 551 AQ OP2	saddle brown	-VN,VP		
(1)	95B 857 551 AQ 9U7 95B 857 552 AQ	Espresso Sun visor	-VR right	1	PR:L0L,6NN, 9MB
	95B 857 552 AQ 2W0	Alcantara Black	-VC,VJ,VF,VI, VU,VK,VO,VX, VZ,FA		
	95B 857 552 AQ OU5	agate grey	-VD,VG,VL,VQ		
	95B 857 552 AQ 9U1	Luxor beige	-VE,VH,VM		
	95B 857 552 AQ OP2	saddle brown	-VN,VP		
(1)	95B 857 552 AQ 9U7 95B 857 552 BP	Espresso Sun visor	-VR right	1	PR:L0L,6DQ, 6NJ,9MA "CH."
	95B 857 552 BP OF7	Black	-VC,VJ,VF,VI, VU,VK,VO,VX, VZ,FL		
	95B 857 552 BP OA2	agate grey	-VD,VG,VL,VQ		
	95B 857 552 BP OE6	Luxor beige	-VE,VH,VM		
	95B 857 552 BP ON9	saddle brown	-VN,VP		
(1)	95B 857 552 BP OJ8 95B 857 552 BQ	Espresso Sun visor	-VR right	1	PR:L0L,6DQ, 6NJ,9MB "CH."
	95B 857 552 BQ OF7	Black	-VC,VJ,VF,VI, VU,VK,VO,VX, VZ,FL		
	95B 857 552 BQ OA2	agate grey	-VD,VG,VL,VQ		
	95B 857 552 BQ OE6	Luxor beige	-VE,VH,VM		
	95B 857 552 BQ ON9	saddle brown	-VN,VP		
(1)	95B 857 552 BQ OJ8 95B 857 552 BR	Espresso Sun visor	-VR right	1	PR:L0L,6DQ, 9MA,6NN "CH."
	95B 857 552 BR 2W0	Alcantara Black	-VC,VJ,VF,VI, VU,VK,VO,VX, VZ		
	95B 857 552 BR OU5	agate grey	-VD,VG,VL,VQ		
	95B 857 552 BR 9U1	Luxor beige	-VE,VH,VM		
	95B 857 552 BR OP2	saddle brown	-VN,VP		
(1)	95B 857 552 BR 9U7 95B 857 552 BS	Espresso Sun visor	-VR right	1	PR:L0L,6DQ, 9MB,6NN "CH."
	95B 857 552 BS 2W0	Alcantara Black	-VC,VJ,VF,VI, VU,VK,VO,VX, VZ		
	95B 857 552 BS OU5	agate grey	-VD,VG,VL,VQ		
	95B 857 552 BS 9U1	Luxor beige	-VE,VH,VM		
	95B 857 552 BS OP2	saddle brown	-VN,VP		
2	95B 857 552 BS 9U7	Espresso	-VR		
2	N 105 963 02	Oval hexagon socket head bolt M5X25		1	
3	95B 857 561	Mounting	inner	1	
	95B 857 561 1E0	Black	-VC,VJ,VF,VI,		

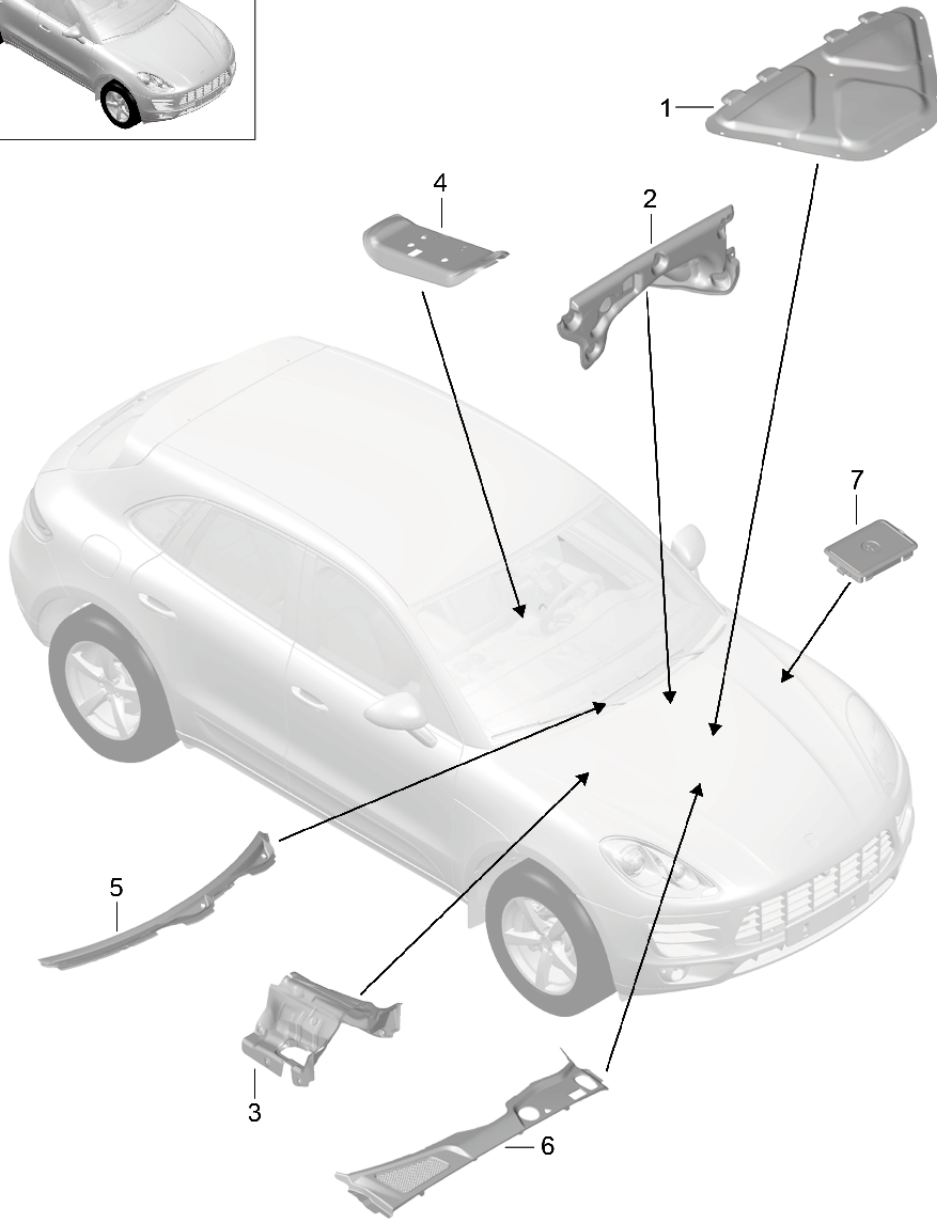
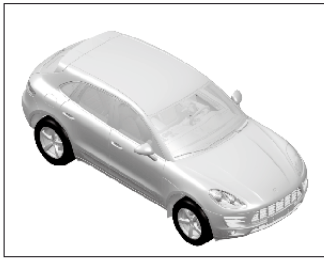
Model: 95B

Model life 2014>>

Pos	Part Number	Description	Remark	Qty	Model
	95B 857 561 OP1	agate grey	VU, VK, VO, VX, VZ		
	95B 857 561 4H0	Luxor beige	-VD, VG, VL, VQ		
	95B 857 561 OM8	saddle brown	-VE, VH, VM		
	95B 857 561 7N0	Espresso	-VN, VP		
4	5G0 858 133 A	Cover	-VR	2	
	5G0 858 133 A 1E0	Black	-VC, VJ, VF, VI, VU, VK, VO, VX, VZ		
	5G0 858 133 A OP1	agate grey	-VD, VG, VL, VQ		
	5G0 858 133 A 4H0	Luxor beige	-VE, VH, VM		
	5G0 858 133 A OM8	saddle brown	-VN, VP		
	5G0 858 133 A 7N0	Espresso	-VR		
5	5G0 857 623 A	Clamping plate for mounting	left outer	1	
(5)	5G0 857 624 A	Clamping plate for mounting	right outer	1	
6	9A7 867 633 00	Clip		2	

Model: 95B

Model life 2014>>

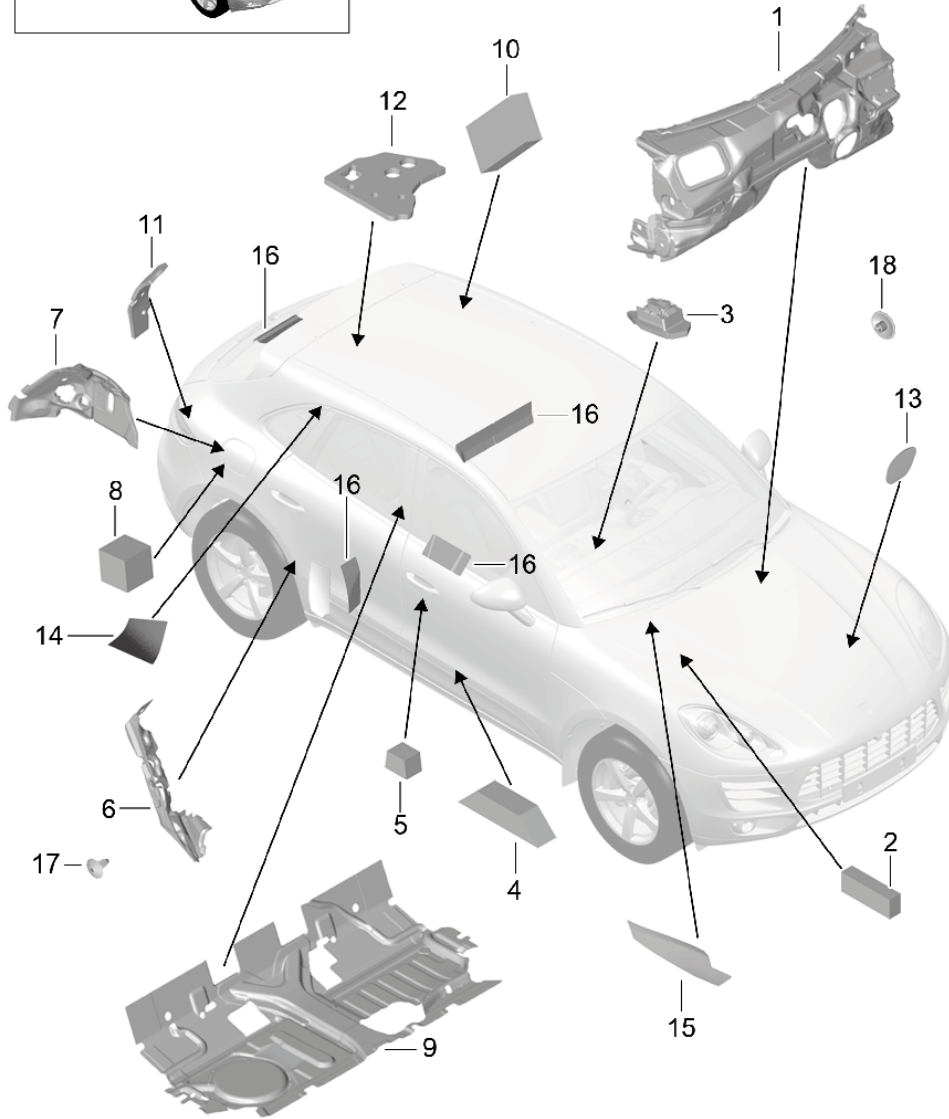
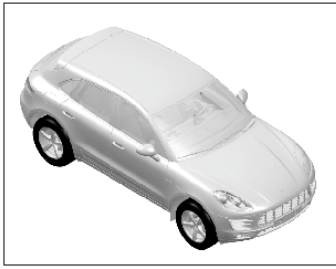


Model: 95B Model life 2014>>

Pos	Part Number	Description	Remark	Qty	Model
1	95B 863 831 A	Sound absorber Front end Cover Damping plate Bonnet		1	
2	95B 863 829 A	Sound absorber water box		1	PR:TQ9,T8I, TW6
3	8R0 803 979 M	Heat shield for tunnel		1	PR:G1D,TF1, TH1,OK0
4	95B 713 077	Sound absorber ball housing - gearshift lever	outer	1	PR:G1D,TQ9, TW6,T8I
5	95B 819 403 B	Plenum chamber cover		1	PR:L0L
(5)	95B 819 403 B 1E0	Black			
	95B 819 403 A	Plenum chamber cover		1	PR:L0R
		D - MJ 2015>>			
	95B 819 403 A 1E0	Black			
6	95B 819 447 C	Plenum chamber cover		1	PR:L0L,OK0
	95B 819 447 C 1E0	Black			
(6)	95B 819 447 B	Plenum chamber cover		1	PR:L0R
		D - MJ 2015>>			
	95B 819 447 B 1E0	Black			
7	95B 819 424	Plenum chamber cover		1	
		Slave start socket			
	95B 819 424 1E0	Black			
-	N 903 350 04	Clamping washer		X	
		S-5X30			
-	N 902 204 02	Clamping washer		4	
		B-10 X 40			
-	1T0 863 727	Retaining clip		9	

Model: 95B

Model life 2014>>

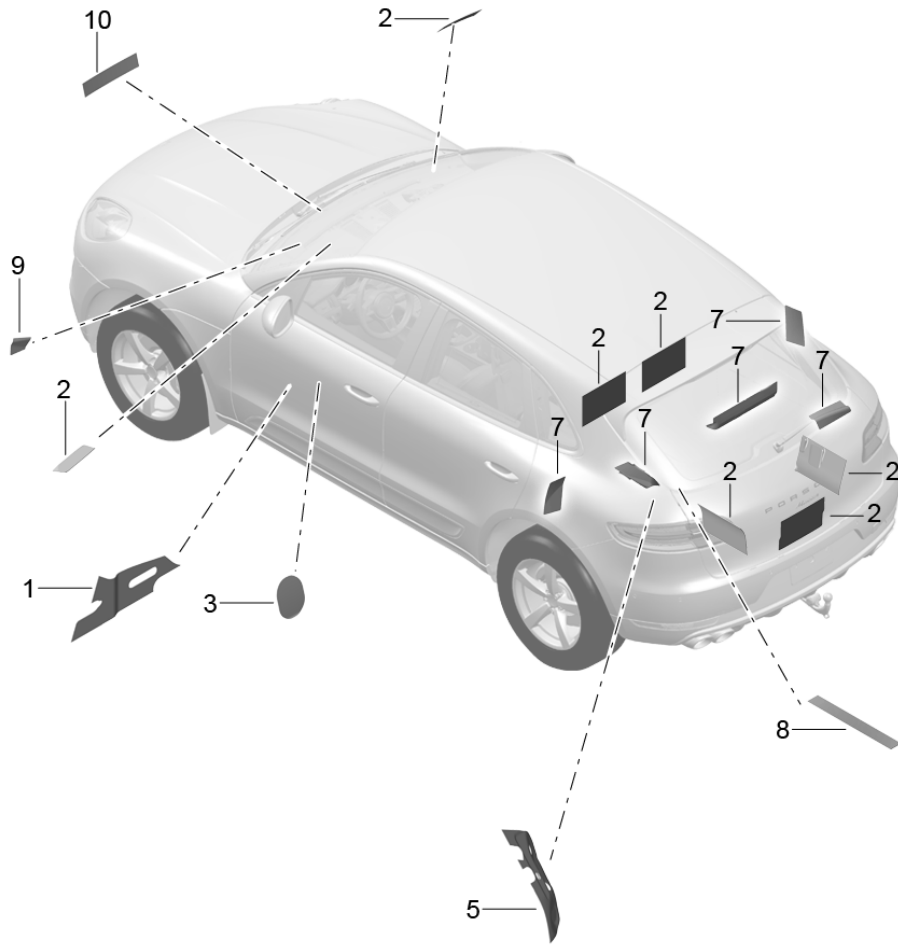


Model: 95B Model life 2014>>

Pos	Part Number	Description	Remark	Qty	Model
1	95B 863 947 B	Sound absorber Passenger compartment Sound absorber Firewall		1	PR:L0L
(1)	95B 863 947 A	Passenger compartment Sound absorber Firewall		1	PR:L0R
2	8K0 867 640 A	Passenger compartment D - MJ 2015>> Filler piece A-pillar	lower	1	
3	95B 863 807	Damping selector lever		1	PR:G1D
4	8R0 867 335	sound absorber-pillar b B-pillar	lower	1	
5	8K0 863 501 A	sound absorber-pillar b B-pillar	upper	1	
6	95B 864 774	Sound absorber Wheel housing Side member	right	1	
(6)	95B 864 773	Sound absorber Wheel housing Side member	left	1	
7	95B 863 890	sound absorb.for wheel housing For luggage compartment	right inner	1	
(7)	95B 863 889	sound absorb.for wheel housing For luggage compartment	left inner	1	
8	8E5 864 773	Damping suspension strut dome	left a. right rear	1	
9	95B 863 545	Damping plate Seat support	rear	1	
10	95B 863 866	sound absorber-pillar d	center	1	
11	95B 863 862	sound absorber-pillar d	right lower	1	
(11)	95B 863 861	sound absorber-pillar d	left lower	1	
12	95B 864 953	Damping passenger comp. ventilation	side, left rear	1	
(12)	95B 864 954	Damping passenger comp. ventilation	side, right rear	1	
13	8K0 863 815	sound absorber (self-adhesive)		1	
14	970 556 513 01	Steering column Damping Side panel trim		1	
15	95B 863 247	Damper for tunnel	left	1	
(15)	95B 863 248	Damper for tunnel	right	1	
16	991 556 503 00	Damping	inner	1	
17	N 902 016 01	Bungs 7,5 X 14,5		3	
18	4A5 853 909	Clip nut		2	

Model: 95B

Model life 2014>>



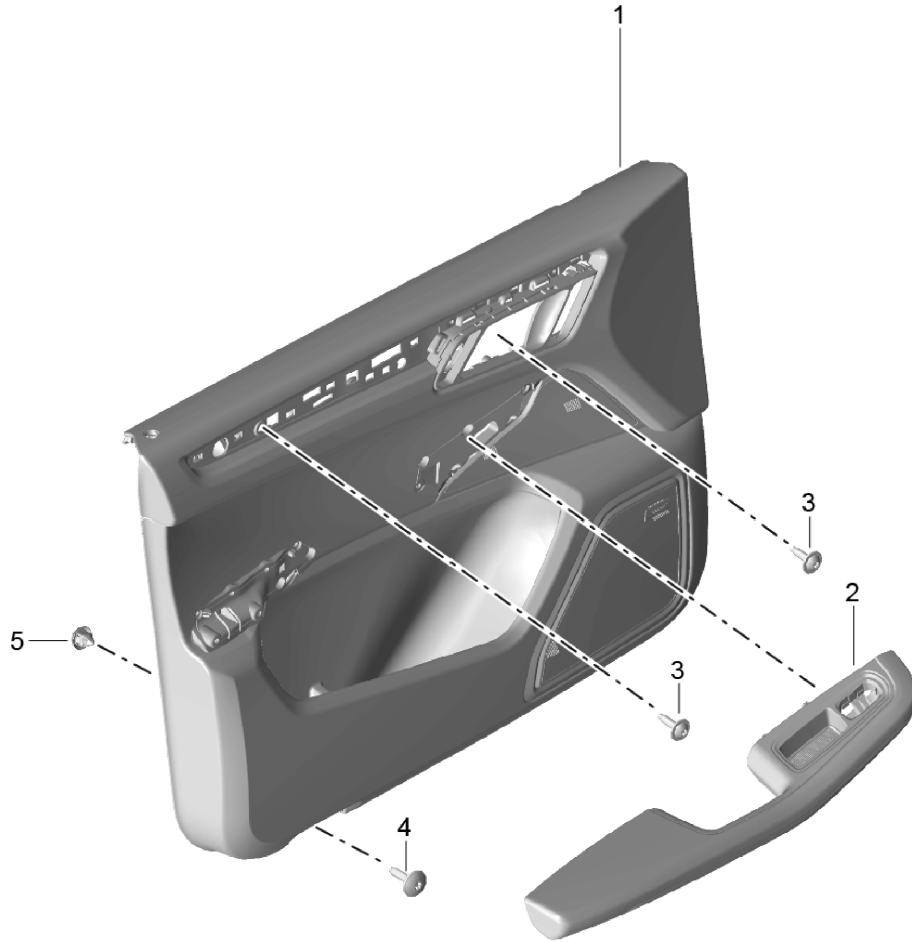
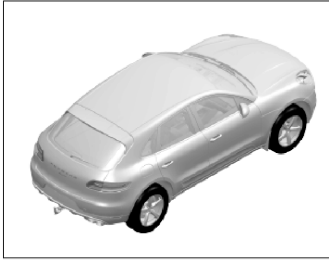
Model: 95B

Model life 2014>>

Pos	Part Number	Description	Remark	Qty	Model
1	8K0 863 942	Sound absorber Passenger compartment and Rear end	center	1	PR:L0L
(1)	8K2 863 941	Sound absorber Firewall	center	1	PR:L0R
2	8E5 863 811	D - MJ 2015>> Damping	side Universal	6	
3	8K0 863 815	sound absorber (self-adhesive) Steering column Firewall	punched	1	
5	8R0 863 895 A	Damping	left	1	
(5)	8R0 863 896	Damping	right	1	
7	991 556 503 00	Damping	inner	1	
8	970 556 543 00	Damping lock carrier	rear	1	
9	970 556 545 00	sound absorber for rear panel		4	
10	95B 863 591	sound absorb. for cross member Windscreen		1	

Model: 95B

Model life 2014>>



Model: 95B

Model life 2014>>

Pos	Part Number	Description	Remark	Qty	Model
1	95B 867 011 AF	door panel slush technology	front	1	PR: 3LD, 3LE
	95B 867 011 AF DK4	Black	left		PR: 3L3, 3L5, 3L6, 3PB, 3PE, 3PJ, 9MA, 9VK
	95B 867 011 AF DM5	Luxor beige	-VC, VJ, VF, VI, VU		
	95B 867 011 AF OS2	agate grey	-VE, VH		
(1)	95B 867 012 AF	door panel slush technology	right	1	PR: 3L3, 3L4, 3L5, 3PB, 3PE, 3PH, 9MA, 9VK
	95B 867 012 AF DK4	Black	-VC, VJ, VF, VI, VU		
	95B 867 012 AF DM5	Luxor beige	-VE, VH		
	95B 867 012 AF OS2	agate grey	-VD, VG		
(1)	95B 867 011 AK	door panel slush technology	left	1	PR: 3L4, 3PH, 3PN, 9MA, 9VK
	95B 867 011 AK DK4	Black	-VC, VJ, VF, VI, VU		
	95B 867 011 AK DM5	Luxor beige	-VE, VH		
	95B 867 011 AK OS2	agate grey	-VD, VG		
(1)	95B 867 012 AK	door panel slush technology	right	1	PR: 3L6, 3PJ, 3PN, 9MA, 9VK
	95B 867 012 AK DK4	Black	-VC, VJ, VF, VI, VU		
	95B 867 012 AK DM5	Luxor beige	-VE, VH		
	95B 867 012 AK OS2	agate grey	-VD, VG		
(1)	95B 867 011 AP	door panel slush technology	left	1	PR: 3LD, 3LE, 3L5, 3L6, 3PB, 3PE, 3PJ, 9MA, 9VL
	95B 867 011 AP DK4	Black	-VC, VJ, VF, VI, VU		
	95B 867 011 AP DM5	Luxor beige	-VE, VH		
	95B 867 011 AP OS2	agate grey	-VD, VG		
(1)	95B 867 011 AP	door panel slush technology	left	1	PR: 3L5, 3L6, 3PB, 3PE, 3PJ, 9MA, 9VL
	95B 867 011 AP DK4	Black	-VC, VJ, VF, VI, VU		
	95B 867 011 AP DM5	Luxor beige	-VE, VH		
	95B 867 011 AP OS2	agate grey	-VD, VG		
(1)	95B 867 011 AP	door panel slush technology	left	1	PR: 3L5, 3L6, 3PB, 3PE, 3PJ, 4AH, 9MA, 9VL
	95B 867 011 AP DK4	Black	-VC, VJ, VF, VI, VU		
	95B 867 011 AP DM5	Luxor beige	-VE, VH		
	95B 867 011 AP OS2	agate grey	-VD, VG		
(1)	95B 867 012 AP	door panel slush technology	right	1	PR: 3L3, 3L4, 3L5, 3PB, 3PE, 3PH, 9MA, 9VL
	95B 867 012 AP DK4	Black	-VC, VJ, VF, VI, VU		
	95B 867 012 AP DM5	Luxor beige	-VE, VH		
	95B 867 012 AP OS2	agate grey	-VD, VG		
(1)	95B 867 011 AT	door panel slush technology	left	1	PR: 3L4, 3PH, 3PN, 9MA, 9VL
	95B 867 011 AT DK4	Black	-VC, VJ, VF, VI, VU		
	95B 867 011 AT DM5	Luxor beige	-VE, VH		
	95B 867 011 AT OS2	agate grey	-VD, VG		

Model: 95B Model life 2014>>

Pos	Part Number	Description	Remark	Qty	Model
(1)	95B 867 012 AT	door panel slush technology	right	1	PR: 3L6, 3PJ, 3PN, 9MA, 9VL
	95B 867 012 AT DK4	Black	-VC, VJ, VF, VI, VU		
	95B 867 012 AT DM5	Luxor beige	-VE, VH		
	95B 867 012 AT OS2	agate grey	-VD, VG		
(1)	95B 867 011 BD	door panel slush technology	left	1	PR: 3L3, 3L5, 3L6, 3PB, 3PE, 3PJ, 9MA, 9VJ
	95B 867 011 BD DK4	Black	-VC, VJ, VF, VI, VU		
	95B 867 011 BD DM5	Luxor beige	-VE, VH		
	95B 867 011 BD OS2	agate grey	-VD, VG		
(1)	95B 867 012 BD	door panel slush technology	right	1	PR: 3L3, 3L4, 3L5, 3PB, 3PE, 3PH, 9MA, 9VJ
	95B 867 012 BD DK4	Black	-VC, VJ, VF, VI, VU		
	95B 867 012 BD DM5	Luxor beige	-VE, VH		
	95B 867 012 BD OS2	agate grey	-VD, VG		
(1)	95B 867 011 BH	door panel slush technology	left	1	PR: 3L4, 3PH, 3PN, 9MA, 9VJ
	95B 867 011 BH DK4	Black	-VC, VJ, VF, VI, VU		
	95B 867 011 BH DM5	Luxor beige	-VE, VH		
	95B 867 011 BH OS2	agate grey	-VD, VG		
(1)	95B 867 012 BH	door panel slush technology	right	1	PR: 3L6, 3PJ, 3PN, 9MA, 9VJ
	95B 867 012 BH DK4	Black	-VC, VJ, VF, VI, VU		
	95B 867 012 BH DM5	Luxor beige	-VE, VH		
	95B 867 012 BH OS2	agate grey	-VD, VG		
(1)	95B 867 105 AF	door panel slush technology	left	1	PR: 3L3, 3L5, 3L6, 3PB, 3PE, 3PJ, 9MB, 9VK
	95B 867 105 AF DK4	Black	-VC, VJ, VF, VI, VU		
	95B 867 105 AF DM5	Luxor beige	-VE, VH		
	95B 867 105 AF OS2	agate grey	-VD, VG		
(1)	95B 867 106 AF	door panel slush technology	right	1	PR: 3L3, 3L4, 3L5, 3PB, 3PE, 3PH, 9MB, 9VK
	95B 867 106 AF DK4	Black	-VC, VJ, VF, VI, VU		
	95B 867 106 AF DM5	Luxor beige	-VE, VH		
	95B 867 106 AF OS2	agate grey	-VD, VG		
(1)	95B 867 105 AK	door panel slush technology	left	1	PR: 3L4, 3PH, 3PN, 9MB, 9VK
	95B 867 105 AK DK4	Black	-VC, VJ, VF, VI, VU		
	95B 867 105 AK DM5	Luxor beige	-VE, VH		
	95B 867 105 AK OS2	agate grey	-VD, VG		
(1)	95B 867 106 AK	door panel slush technology	right	1	PR: 3L6, 3PJ, 3PN, 9MB, 9VK
	95B 867 106 AK DK4	Black	-VC, VJ, VF, VI, VU		
	95B 867 106 AK DM5	Luxor beige	-VE, VH		
	95B 867 106 AK OS2	agate grey	-VD, VG		
(1)	95B 867 105 AP	door panel slush technology	left	1	PR: 3L3, 3L5, 3L6, 3PB, 3PE, 3PJ, 9MB, 9VL
	95B 867 105 AP DK4	Black	-VC, VJ, VF, VI, VU		

Model: 95B Model life 2014>>

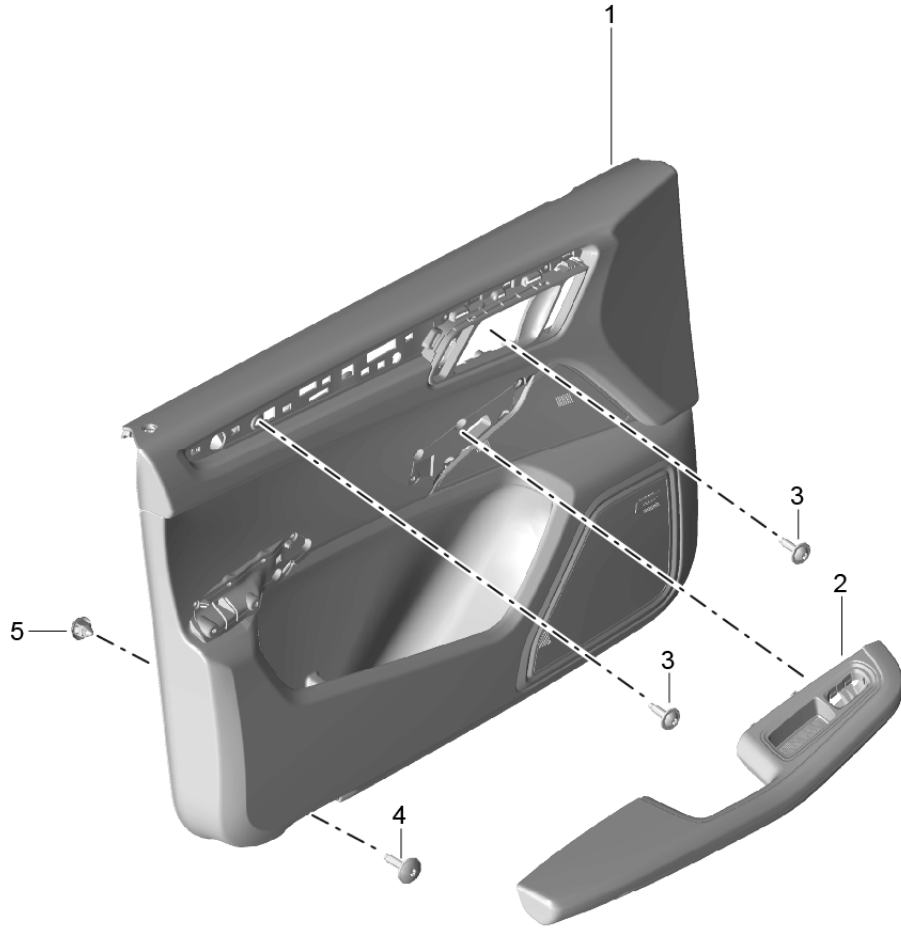
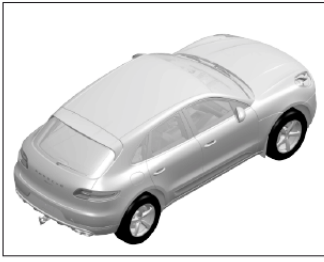
Pos	Part Number	Description	Remark	Qty	Model
(1)	95B 867 105 AP DM5	Luxor beige	-VE, VH	1	PR: 3L3, 3L4, 3L5, 3PB, 3PE, 3PH, 9MB, 9VL
	95B 867 105 AP OS2	agate grey	-VD, VG		
	95B 867 106 AP	door panel slush technology	right		
	95B 867 106 AP DK4	Black	-VC, VJ, VF, VI, VU		
(1)	95B 867 106 AP DM5	Luxor beige	-VE, VH	1	PR: 3L4, 3PH, 3PN, 9MB, 9VL
	95B 867 106 AP OS2	agate grey	-VD, VG		
	95B 867 105 AT	door panel slush technology	left		
	95B 867 105 AT DK4	Black	-VC, VJ, VF, VI, VU		
(1)	95B 867 105 AT DM5	Luxor beige	-VE, VH	1	PR: 3L6, 3PJ, 3PN, 9MB, 9VL
	95B 867 105 AT OS2	agate grey	-VD, VG		
	95B 867 106 AT	door panel slush technology	right		
	95B 867 106 AT DK4	Black	-VC, VJ, VF, VI, VU		
(1)	95B 867 106 AT DM5	Luxor beige	-VE, VH	1	PR: 3L3, 3L5, 3L6, 3PB, 3PE, 3PJ, 9MB, 9VJ
	95B 867 106 AT OS2	agate grey	-VD, VG		
	95B 867 105 BD	door panel slush technology	left		
	95B 867 105 BD DK4	Black	-VC, VJ, VF, VI, VU		
(1)	95B 867 105 BD DM5	Luxor beige	-VE, VH	1	PR: 3L3, 3L4, 3L5, 3PB, 3PE, 3PH, 9MB, 9VJ
	95B 867 105 BD OS2	agate grey	-VD, VG		
	95B 867 106 BD	door panel slush technology	right		
	95B 867 106 BD DK4	Black	-VC, VJ, VF, VI, VU		
(1)	95B 867 106 BD DM5	Luxor beige	-VE, VH	1	PR: 3L4, 3PH, 3PN, 9MB, 9VJ
	95B 867 106 BD OS2	agate grey	-VD, VG		
	95B 867 105 BH	door panel slush technology	left		
	95B 867 105 BH DK4	Black	-VC, VJ, VF, VI, VU		
(1)	95B 867 105 BH DM5	Luxor beige	-VE, VH	1	PR: 3L6, 3PJ, 3PN, 9MB, 9VJ
	95B 867 105 BH OS2	agate grey	-VD, VG		
	95B 867 106 BH	door panel slush technology	right		
	95B 867 106 BH DK4	Black	-VC, VJ, VF, VI, VU		
2	95B 867 106 BH DM5	Luxor beige	-VE, VH	1	PR: L0L, 3LD
	95B 867 106 BH OS2	agate grey	-VD, VG		
	95B 867 173	armrest (leatherette)	left lhd		
(2)	95B 867 173 1D0	Black	-VC	1	PR: L0L, 3LD
	95B 867 173 2E0	Luxor beige	-VE		
	95B 867 173 OW7	agate grey	-VD		
	95B 867 174	armrest (leatherette)	right lhd		
(2)	95B 867 174 1D0	Black	-VC	1	PR: L0R, 3LD
	95B 867 174 2E0	Luxor beige	-VE		
	95B 867 174 OW7	agate grey	-VD		
(2)	95B 867 173 C	armrest (leatherette)	left rhd	1	PR: L0R, 3LD
	95B 867 173 C 1D0	Black	-VC		
	95B 867 173 C 2E0	Luxor beige	-VE		
(2)	95B 867 173 C OW7	agate grey	-VD	1	PR: L0R, 3LD
	95B 867 174 C	armrest (leatherette)	right rhd		
	95B 867 174 C 1D0	Black	-VC		
	95B 867 174 C 2E0	Luxor beige	-VE		
	95B 867 174 C OW7	agate grey	-VD		

Model: 95B Model life 2014>>

Pos	Part Number	Description	Remark	Qty	Model
(2)	95B 867 173 A	armrest (leather) Leather package	left lhd	1	PR:3LE,L0L
	95B 867 173 A A11	Black	-VF		
	95B 867 173 A 7J0	Luxor beige	-VH		
	95B 867 173 A OA1	agate grey	-VG		
	95B 867 173 A HAO	Black/Saddle Tan	-VJ		
	95B 867 173 A HBO	Black/Carrera Red	-VI,VU		
(2)	95B 867 174 A	armrest (leather) Leather package	right lhd	1	PR:3LE,L0L
	95B 867 174 A A11	Black	-VF		
	95B 867 174 A 7J0	Luxor beige	-VH		
	95B 867 174 A OA1	agate grey	-VG		
	95B 867 174 A HAO	Black/Saddle Tan	-VJ		
	95B 867 174 A HBO	Black/Carrera Red	-VI,VU		
(2)	95B 867 173 D	armrest (leather) Leather package	left rhd	1	PR:3LE,L0R
	95B 867 173 D A11	Black	-VF		
	95B 867 173 D 7J0	Luxor beige	-VH		
	95B 867 173 D OA1	agate grey	-VG		
	95B 867 173 D HAO	Black/Saddle Tan	-VJ		
	95B 867 173 D HBO	Black/Carrera Red	-VI,VU		
(2)	95B 867 174 D	armrest (leather) Leather package	right rhd	1	PR:3LE,L0R
	95B 867 174 D A11	Black	-VF		
	95B 867 174 D 7J0	Luxor beige	-VH		
	95B 867 174 D OA1	agate grey	-VG		
	95B 867 174 D HAO	Black/Saddle Tan	-VJ		
	95B 867 174 D HBO	Black/Carrera Red	-VI,VU		
3	N 911 809 01	Flat head multi-point socket bolt M5X20-W		2	
4	N 907 758 01	Hexagon socket head panel bolt ST4,8X19-F		1	
5	N 106 213 01	expanding nut 5,0-F		1	

Model: 95B

Model life 2014>>



Model: 95B

Model life 2014>>

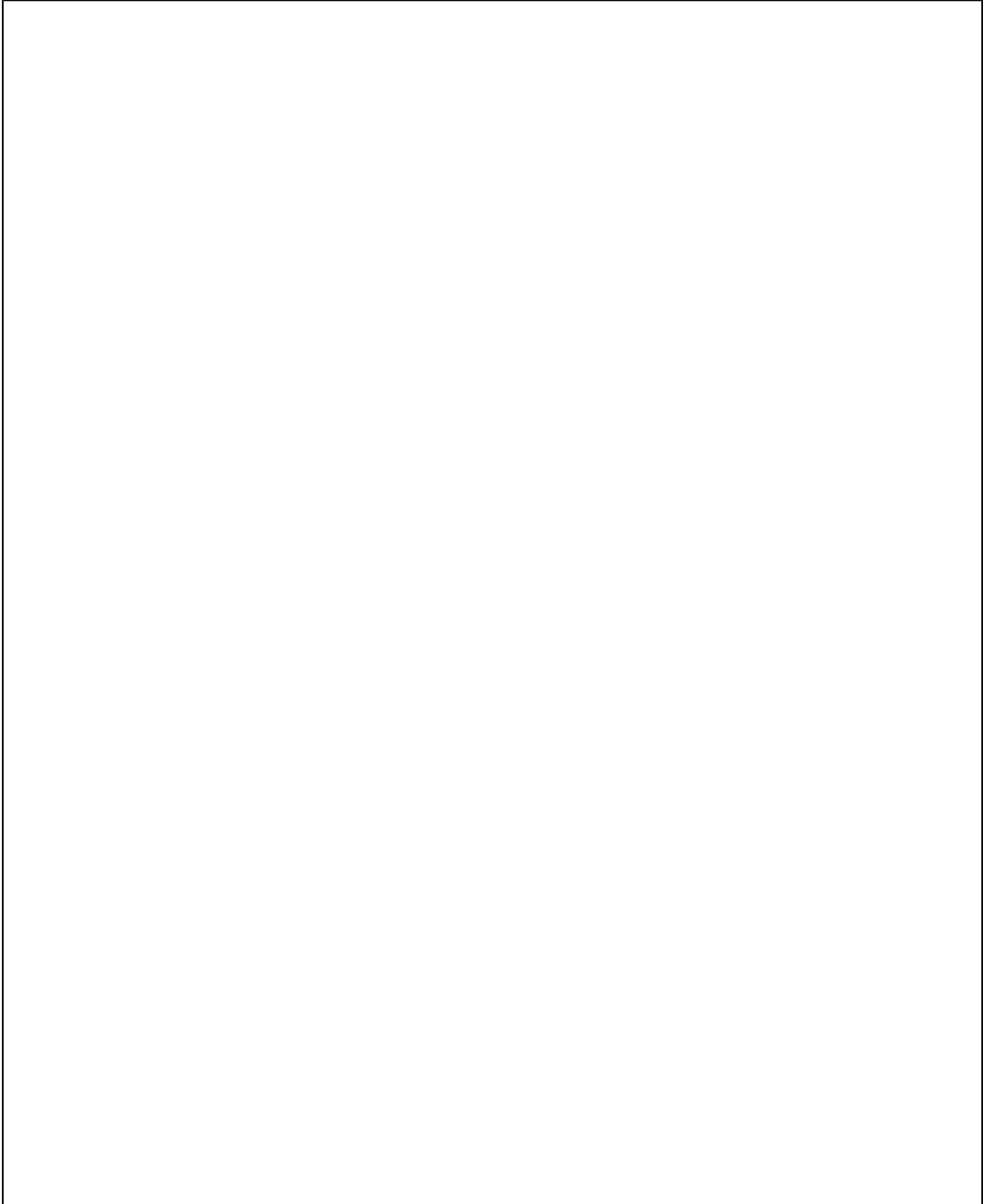
Pos	Part Number	Description	Remark	Qty	Model
		door panel Leather package two-colour slush technology	front		PR: 4AK, 4AP
1	95B 867 011 AF	door panel slush technology	left	1	PR: 3L5, 3L6, 3PB, 3PE, 3PJ, 9MA, 9VK
(1)	95B 867 011 AF HWO 95B 867 012 AF	Black/Luxor Beige door panel slush technology	-VX, VZ right	1	PR: 3L4, 3L5, 3PB, 3PE, 3PH, 9MA, 9VK
(1)	95B 867 012 AF HWO 95B 867 011 AK	Black/Luxor Beige door panel slush technology	-VX, VZ left	1	PR: 3L4, 3PH, 3PN, 9MA, 9VK
(1)	95B 867 011 AK HWO 95B 867 012 AK	Black/Luxor Beige door panel slush technology	-VX, VZ right	1	PR: 3L6, 3PJ, 3PN, 9MA, 9VK
(1)	95B 867 012 AK HWO 95B 867 011 AP	Black/Luxor Beige door panel slush technology	-VX, VZ left	1	PR: 3L5, 3L6, 3PB, 3PE, 3PJ, 9MA, 9VL
(1)	95B 867 011 AP HWO 95B 867 012 AP	Black/Luxor Beige door panel slush technology	-VX, VZ right	1	PR: 3L4, 3L5, 3PB, 3PE, 3PH, 9MA, 9VL
(1)	95B 867 012 AP HWO 95B 867 011 AT	Black/Luxor Beige door panel slush technology	-VX, VZ left	1	PR: 3L4, 3PH, 3PN, 9MA, 9VL
(1)	95B 867 011 AT HWO 95B 867 012 AT	Black/Luxor Beige door panel slush technology	-VX, VZ right	1	PR: 3L6, 3PJ, 3PN, 9MA, 9VL
(1)	95B 867 012 AT HWO 95B 867 011 BD	Black/Luxor Beige door panel slush technology	-VX, VZ left	1	PR: 3L5, 3L6, 3PB, 3PE, 3PJ, 9MA, 9VJ
(1)	95B 867 011 BD HWO 95B 867 012 BD	Black/Luxor Beige door panel slush technology	-VX, VZ right	1	PR: 3L4, 3L5, 3PB, 3PE, 3PH, 9MA, 9VJ
(1)	95B 867 012 BD HWO 95B 867 011 BH	Black/Luxor Beige door panel slush technology	-VX, VZ left	1	PR: 3L4, 3PH, 3PN, 9MA, 9VJ
(1)	95B 867 011 BH HWO 95B 867 012 BH	Black/Luxor Beige door panel slush technology	-VX, VZ right	1	PR: 3L6, 3PJ, 3PN, 9MA, 9VJ
(1)	95B 867 012 BH HWO 95B 867 105 AF	Black/Luxor Beige door panel slush technology	-VX, VZ left	1	PR: 3L5, 3L6, 3PB, 3PE, 3PJ, 9MB, 9VK
(1)	95B 867 105 AF HWO 95B 867 106 AF	Black/Luxor Beige door panel slush technology	-VX, VZ right	1	PR: 3L4, 3L5, 3PB, 3PE, 3PH, 9MB, 9VK
(1)	95B 867 106 AF HWO 95B 867 105 AK	Black/Luxor Beige door panel slush technology	-VX, VZ left	1	PR: 3L4, 3PH, 3PN, 9MB, 9VK
(1)	95B 867 105 AK HWO 95B 867 106 AK	Black/Luxor Beige door panel slush technology	-VX, VZ right	1	PR: 3L6, 3PJ, 3PN, 9MB, 9VK
(1)	95B 867 106 AK HWO 95B 867 105 AP	Black/Luxor Beige door panel slush technology	-VX, VZ left	1	PR: 3L5, 3L6, 3PB, 3PE, 3PJ, 9MB, 9VL

Model: 95B Model life 2014>>

Pos	Part Number	Description	Remark	Qty	Model
(1)	95B 867 105 AP HWO 95B 867 106 AP	Black/Luxor Beige door panel slush technology	-VX,VZ right	1	PR:3L4,3L5, 3PB,3PE,3PH, 9MB,9VL
(1)	95B 867 106 AP HWO 95B 867 105 AT	Black/Luxor Beige door panel slush technology	-VX,VZ left	1	PR:3L4,3PH, 3PN,9MB,9VL
(1)	95B 867 105 AT HWO 95B 867 106 AT	Black/Luxor Beige door panel slush technology	-VX,VZ right	1	PR:3L6,3PJ, 3PN,9MB,9VL
(1)	95B 867 106 AT HWO 95B 867 105 BD	Black/Luxor Beige door panel slush technology	-VX,VZ left	1	PR:3L5,3L6, 3PB,3PE,3PJ, 9MB,9VJ
(1)	95B 867 105 BD HWO 95B 867 106 BD	Black/Luxor Beige door panel slush technology	-VX,VZ right	1	PR:3L4,3L5, 3PB,3PE,3PH, 9MB,9VJ
(1)	95B 867 106 BD HWO 95B 867 105 BH	Black/Luxor Beige door panel slush technology	-VX,VZ left	1	PR:3L4,3PH, 3PN,9MB,9VJ
(1)	95B 867 105 BH HWO 95B 867 106 BH	Black/Luxor Beige door panel slush technology	-VX,VZ right	1	PR:3L6,3PJ, 3PN,9MB,9VJ
2	95B 867 106 BH HWO 95B 867 173	Black/Luxor Beige armrest (leatherette)	-VX,VZ left	1	PR:L0L,4AP
(2)	95B 867 173 2E0 95B 867 174	Luxor beige armrest (leatherette)	-VX right	1	PR:L0L,4AP
(2)	95B 867 174 2E0 95B 867 173 C	Luxor beige armrest (leatherette)	-VX left	1	PR:L0R,4AP
(2)	95B 867 173 C 2E0 95B 867 174 C	Luxor beige armrest (leatherette)	-VX right	1	PR:L0R,4AP
(2)	95B 867 174 C 2E0 95B 867 173 A	Luxor beige armrest (leather) Leather package	-VX left	1	PR:3LE,L0L
(2)	95B 867 173 A 7J0 95B 867 174 A	Luxor beige armrest (leather) Leather package	-VZ right	1	PR:3LE,L0L
(2)	95B 867 174 A 7J0 95B 867 173 D	Luxor beige armrest (leather) Leather package	-VZ left	1	PR:3LE,L0R
(2)	95B 867 173 D 7J0 95B 867 174 D	Luxor beige armrest (leather) Leather package	-VZ right	1	PR:3LE,L0R
3	95B 867 174 D 7J0 N 911 809 01	Luxor beige Flat head multi-point socket bolt M5X20-W	-VZ	2	
4	N 907 758 01	Hexagon socket head panel bolt ST4,8X19-F		1	
5	N 106 213 01	expanding nut 5,0-F		1	

Model: 95B

Model life 2014>>



Model: 95B

Model life 2014>>

Pos	Part Number	Description	Remark	Qty	Model
		door panel Leather package Alcantara slush technology	front		PR: 4AH
1	95B 867 011 AF	door panel slush technology	left	1	PR: 3L5, 3L6, 3PB, 3PE, 3PJ, 9MA, 9VK
	95B 867 011 AF DK4	Black	-FA		
	95B 867 011 AF DM5	Luxor beige	-FC		
	95B 867 011 AF OS2	agate grey	-FB		
(1)	95B 867 012 AF	door panel slush technology	right	1	PR: 3L4, 3L5, 3PB, 3PE, 3PH, 9MA, 9VK
	95B 867 012 AF DK4	Black	-FA		
	95B 867 012 AF DM5	Luxor beige	-FC		
	95B 867 012 AF OS2	agate grey	-FB		
(1)	95B 867 011 AK	door panel slush technology	left	1	PR: 3L4, 3PH, 3PN, 9MA, 9VK
	95B 867 011 AK DK4	Black	-FA		
	95B 867 011 AK DM5	Luxor beige	-FC		
	95B 867 011 AK OS2	agate grey	-FB		
(1)	95B 867 012 AK	door panel slush technology	right	1	PR: 3L6, 3PJ, 3PN, 9MA, 9VK
	95B 867 012 AK DK4	Black	-FA		
	95B 867 012 AK DM5	Luxor beige	-FC		
	95B 867 012 AK OS2	agate grey	-FB		
(1)	95B 867 011 AP	door panel slush technology	left	1	PR: 3L5, 3L6, 3PB, 3PE, 3PJ, 9MA, 9VL
	95B 867 011 AP DK4	Black	-FA		
	95B 867 011 AP DM5	Luxor beige	-FC		
	95B 867 011 AP OS2	agate grey	-FB		
(1)	95B 867 012 AP	door panel slush technology	right	1	PR: 3L4, 3L5, 3PB, 3PE, 3PH, 9MA, 9VL
	95B 867 012 AP DK4	Black	-FA		
	95B 867 012 AP DM5	Luxor beige	-FC		
	95B 867 012 AP OS2	agate grey	-FB		
(1)	95B 867 011 AT	door panel slush technology	left	1	PR: 3L4, 3PH, 3PN, 9MA, 9VL
	95B 867 011 AT DK4	Black	-FA		
	95B 867 011 AT DM5	Luxor beige	-FC		
	95B 867 011 AT OS2	agate grey	-FB		
(1)	95B 867 012 AT	door panel slush technology	right	1	PR: 3L6, 3PJ, 3PN, 9MA, 9VL
	95B 867 012 AT DK4	Black	-FA		
	95B 867 012 AT DM5	Luxor beige	-FC		
	95B 867 012 AT OS2	agate grey	-FB		
(1)	95B 867 011 BD	door panel slush technology	left	1	PR: 3L5, 3L6, 3PB, 3PE, 3PJ, 9MA, 9VJ
	95B 867 011 BD DK4	Black	-FA		
	95B 867 011 BD DM5	Luxor beige	-FC		
	95B 867 011 BD OS2	agate grey	-FB		
(1)	95B 867 012 BD	door panel slush technology	right	1	PR: 3L4, 3L5, 3PB, 3PE, 3PH, 9MA, 9VJ
	95B 867 012 BD DK4	Black	-FA		
	95B 867 012 BD DM5	Luxor beige	-FC		
	95B 867 012 BD OS2	agate grey	-FB		
(1)	95B 867 011 BH	door panel slush technology	left	1	PR: 3L4, 3PH, 3PN, 9MA, 9VJ
	95B 867 011 BH DK4	Black	-FA		

Model: 95B

Model life 2014>>

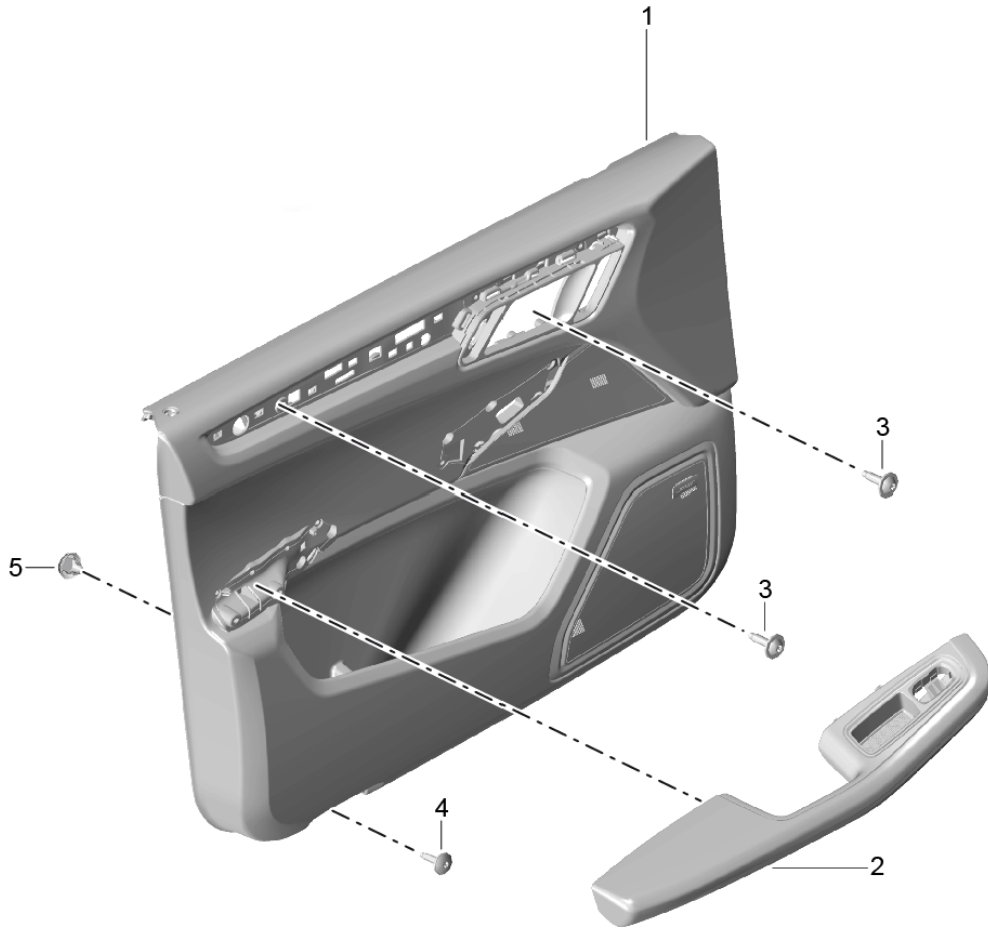
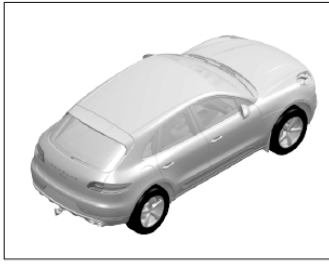
Pos	Part Number	Description	Remark	Qty	Model
(1)	95B 867 011 BH DM5	Luxor beige	-FC	1	PR: 3L6, 3PJ, 3PN, 9MA, 9VJ
	95B 867 011 BH OS2	agate grey	-FB		
	95B 867 012 BH	door panel slush technology	right		
	95B 867 012 BH DK4	Black	-FA		
(1)	95B 867 012 BH DM5	Luxor beige	-FC	1	PR: 3L5, 3L6, 3PB, 3PE, 3PJ, 9MB, 9VK
	95B 867 012 BH OS2	agate grey	-FB		
	95B 867 105 AF	door panel slush technology	left		
	95B 867 105 AF DK4	Black	-FA		
(1)	95B 867 105 AF DM5	Luxor beige	-FC	1	PR: 3L4, 3L5, 3PB, 3PE, 3PH, 9MB, 9VK
	95B 867 105 AF OS2	agate grey	-FB		
	95B 867 106 AF	door panel slush technology	right		
	95B 867 106 AF DK4	Black	-FA		
(1)	95B 867 106 AF DM5	Luxor beige	-FC	1	PR: 3L4, 3PH, 3PN, 9MB, 9VK
	95B 867 106 AF OS2	agate grey	-FB		
	95B 867 105 AK	door panel slush technology	left		
	95B 867 105 AK DK4	Black	-FA		
(1)	95B 867 105 AK DM5	Luxor beige	-FC	1	PR: 3L6, 3PJ, 3PN, 9MB, 9VK
	95B 867 105 AK OS2	agate grey	-FB		
	95B 867 106 AK	door panel slush technology	right		
	95B 867 106 AK DK4	Black	-FA		
(1)	95B 867 106 AK DM5	Luxor beige	-FC	1	PR: 3L5, 3L6, 3PB, 3PE, 3PJ, 9MB, 9VL
	95B 867 106 AK OS2	agate grey	-FB		
	95B 867 105 AP	door panel slush technology	left		
	95B 867 105 AP DK4	Black	-FA		
(1)	95B 867 105 AP DM5	Luxor beige	-FC	1	PR: 3L4, 3L5, 3PB, 3PE, 3PH, 9MB, 9VL
	95B 867 105 AP OS2	agate grey	-FB		
	95B 867 106 AP	door panel slush technology	right		
	95B 867 106 AP DK4	Black	-FA		
(1)	95B 867 106 AP DM5	Luxor beige	-FC	1	PR: 3L4, 3PH, 3PN, 9MB, 9VL
	95B 867 106 AP OS2	agate grey	-FB		
	95B 867 105 AT	door panel slush technology	left		
	95B 867 105 AT DK4	Black	-FA		
(1)	95B 867 105 AT DM5	Luxor beige	-FC	1	PR: 3L6, 3PJ, 3PN, 9MB, 9VL
	95B 867 105 AT OS2	agate grey	-FB		
	95B 867 106 AT	door panel slush technology	right		
	95B 867 106 AT DK4	Black	-FA		
(1)	95B 867 106 AT DM5	Luxor beige	-FC	1	PR: 3L5, 3L6, 3PB, 3PE, 3PJ, 9MB, 9VJ
	95B 867 106 AT OS2	agate grey	-FB		
	95B 867 105 BD	door panel slush technology	left		
	95B 867 105 BD DK4	Black	-FA		
(1)	95B 867 105 BD DM5	Luxor beige	-FC	1	PR: 3L4, 3L5, 3PB, 3PE, 3PH, 9MB, 9VJ
	95B 867 105 BD OS2	agate grey	-FB		
	95B 867 106 BD	door panel slush technology	right		
	95B 867 106 BD DK4	Black	-FA		
	95B 867 106 BD DM5	Luxor beige	-FC		
	95B 867 106 BD OS2	agate grey	-FB		

Model: 95B Model life 2014>>

Pos	Part Number	Description	Remark	Qty	Model
(1)	95B 867 105 BH	door panel slush technology	left	1	PR:3L4,3PH, 3PN,9MB,9VJ
	95B 867 105 BH DK4	Black	-FA		
	95B 867 105 BH DM5	Luxor beige	-FC		
	95B 867 105 BH OS2	agate grey	-FB		
(1)	95B 867 106 BH	door panel slush technology	right	1	PR:3L6,3PJ, 3PN,9MB,9VJ
	95B 867 106 BH DK4	Black	-FA		
	95B 867 106 BH DM5	Luxor beige	-FC		
	95B 867 106 BH OS2	agate grey	-FB		
(2)	95B 867 173 F	armrest (alcantara)	left lhd	1	PR:L0L,3LS
	95B 867 173 F 2W0	Black	-FA		
	95B 867 173 F OU5	agate grey	-FB		
	95B 867 173 F 9U1	Luxor beige	-FC		
(2)	95B 867 174 F	armrest (alcantara)	right lhd	1	PR:L0L,3LS
	95B 867 174 F 2W0	Black	-FA		
	95B 867 174 F OU5	agate grey	-FB		
	95B 867 174 F 9U1	Luxor beige	-FC		
(2)	95B 867 173 G	armrest (alcantara)	left rhd	1	PR:L0R,3LS
	95B 867 173 G 2W0	Black	-FA		
	95B 867 173 G OU5	agate grey	-FB		
	95B 867 173 G 9U1	Luxor beige	-FC		
(2)	95B 867 174 G	armrest (alcantara)	right rhd	1	PR:L0R,3LS
	95B 867 174 G 2W0	Black	-FA		
	95B 867 174 G OU5	agate grey	-FB		
	95B 867 174 G 9U1	Luxor beige	-FC		
3	N 911 809 01	Flat head multi-point socket bolt M5X20-W		2	
4	N 907 758 01	Hexagon socket head panel bolt ST4,8X19-F		1	
5	N 106 213 01	expanding nut 5,0-F		1	

Model: 95B

Model life 2014>>



Model: 95B Model life 2014>>

Pos	Part Number	Description	Remark	Qty	Model
		door panel Leather	front		PR: 3LH, 3LM
1	95B 867 011 BM	Door panel trim (leather)	left	1	PR: 3LH, 3L3, 3L5, 3L6, 3PB, 3PE, 3PJ, 8RV, 9MA, 9VK
	95B 867 011 BM A11	Black	-VK		
	95B 867 011 BM 7J0	Luxor beige	-VM		
	95B 867 011 BM OA1	agate grey	-VL		
	95B 867 011 BM OK6	saddle brown	-VN		
1	95B 867 011 BM	Door panel trim (leather)	left	1	PR: 3LH, 3L3, 3PB, 3PE, 3PJ, 9MA, 9VK, 8RV
		With coloured stitching			
	95B 867 011 BM HHX	Black/Carmine Red	-FN		
	95B 867 011 BM HAG	Black/Rhodium Silver	-FK		
1	95B 867 012 BM	Door panel trim (leather)	right	1	PR: 3LH, 3L3, 3L4, 3L5, 3PB, 3PE, 3PH, 8RV, 9MA, 9VK
	95B 867 012 BM A11	Black	-VK		
	95B 867 012 BM 7J0	Luxor beige	-VM		
	95B 867 012 BM OA1	agate grey	-VL		
	95B 867 012 BM OK6	saddle brown	-VN		
(1)	95B 867 012 BM	Door panel trim (leather)	right	1	PR: 3LH, 3L4, 3L5, 3PB, 3PE, 3PJ, 9MA, 9VK
		With coloured stitching			
	95B 867 012 BM HHX	Black/Carmine Red	-FN		
	95B 867 012 BM HAG	Black/Rhodium Silver	-FK		
(1)	95B 867 011 AH	Door panel trim (leather)	natur. leather left	1	PR: 3LM, 3L3, 3PB, 3PE, 3PJ, 9MA, 9VK
	95B 867 011 AH 6J0	Espresso	-VR		
(1)	95B 867 012 AH	Door panel trim (leather)	natur. leather right	1	PR: 3LM, 3L3, 3PB, 3PE, 3PH, 9MA, 9VK
	95B 867 012 AH 6J0	Espresso	-VR		
(1)	95B 867 011 BN	Door panel trim (leather)	left	1	PR: 3LH, 3PH, 3PN, 9MA, 9VK, 8RV
	95B 867 011 BN A11	Black	-VK		
	95B 867 011 BN 7J0	Luxor beige	-VM		
	95B 867 011 BN OA1	agate grey	-VL		
	95B 867 011 BN OK6	saddle brown	-VN		
(1)	95B 867 011 BN	Door panel trim (leather)	left	1	PR: 3LH, 3PH, 3PN, 9MA, 9VK, 8RV
		With coloured stitching			
	95B 867 011 BN HHX	Black/Carmine Red	-FN		
	95B 867 011 BN HAG	Black/Rhodium Silver	-FK		
(1)	95B 867 012 BN	Door panel trim (leather)	right	1	PR: 3LH, 3PH, 3PN, 9MA, 9VK, 8RV
	95B 867 012 BN A11	Black	-VK		
	95B 867 012 BN 7J0	Luxor beige	-VM		
	95B 867 012 BN OA1	agate grey	-VL		
	95B 867 012 BN OK6	saddle brown	-VN		
(1)	95B 867 012 BN	Door panel trim (leather)	right	1	PR: 3LH, 3PH, 3PN, 9MA, 9VK, 8RV
		With coloured stitching			
	95B 867 012 BN HHX	Black/Carmine Red	-FN		
	95B 867 012 BN HAG	Black/Rhodium Silver	-FK		
(1)	95B 867 011 AM	Door panel trim (leather)	natur. leather left	1	PR: 3LM, 3PH, 3PN, 9MA, 9VK
	95B 867 011 AM 6J0	Espresso	-VR		

Model: 95B Model life 2014>>

Pos	Part Number	Description	Remark	Qty	Model
(1)	95B 867 012 AM	Door panel trim (leather)	natur. leather right	1	PR: 3LM, 3PJ, 3PN, 9MA, 9VK
	95B 867 012 AM 6J0	Espresso	-VR		
(1)	95B 867 011 BP	Door panel trim (leather)	left	1	PR: 3LH, 3L3, 3PB, 3PE, 3PJ, 9MA, 9VL
	95B 867 011 BP A11	Black	-VK		
	95B 867 011 BP 7J0	Luxor beige	-VM		
	95B 867 011 BP OA1	agate grey	-VL		
	95B 867 011 BP OK6	saddle brown	-VN		
(1)	95B 867 011 BP	Door panel trim (leather)	left	1	PR: 3LH, 3L3, 3PB, 3PE, 3PJ, 9MA, 9VL
		With coloured stitching			
	95B 867 011 BP HHX	Black/Carmin Red	-FN		
	95B 867 011 BP HAG	Black/Rhodium Silver	-FK		
(1)	95B 867 012 BP	Door panel trim (leather)	right	1	PR: 3LH, 3L3, 3PB, 3PE, 3PJ, 9MA, 9VL
	95B 867 012 BP A11	Black	-VK		
	95B 867 012 BP 7J0	Luxor beige	-VM		
	95B 867 012 BP OA1	agate grey	-VL		
	95B 867 012 BP OK6	saddle brown	-VN		
(1)	95B 867 012 BP	Door panel trim (leather)	right	1	PR: 3LH, 3L3, 3PB, 3PE, 3PJ, 9MA, 9VL
		With coloured stitching			
	95B 867 012 BP HHX	Black/Carmin Red	-FN		
	95B 867 012 BP HAG	Black/Rhodium Silver	-FK		
(1)	95B 867 011 AR	Door panel trim (leather)	natur. leather left	1	PR: 3LM, 3L3, 3PB, 3PE, 3PJ, 9MA, 9VL
	95B 867 011 AR 6J0	Espresso	-VR		
(1)	95B 867 012 AR	Door panel trim (leather)	natur. leather RECHTS	1	PR: 3LM, 3L3, 3PB, 3PE, 3PH, 9MA, 9VL
	95B 867 012 AR 6J0	Espresso	-VR		
(1)	95B 867 011 BQ	Door panel trim (leather)	left	1	PR: 3LH, 3PH, 3PN, 9MA, 9VL
	95B 867 011 BQ A11	Black	-VK		
	95B 867 011 BQ 7J0	Luxor beige	-VM		
	95B 867 011 BQ OA1	agate grey	-VL		
	95B 867 011 BQ OK6	saddle brown	-VN		
(1)	95B 867 011 BQ	Door panel trim (leather)	left	1	PR: 3LH, 3PH, 3PN, 9MA, 9VL
		With coloured stitching			
	95B 867 011 BQ HHX	Black/Carmin Red	-FN		
	95B 867 011 BQ HAG	Black/Rhodium Silver	-FK		
(1)	95B 867 012 BQ	Door panel trim (leather)	right	1	PR: 3LH, 3PH, 3PN, 9MA, 9VL
	95B 867 012 BQ A11	Black	-VK		
	95B 867 012 BQ 7J0	Luxor beige	-VM		
	95B 867 012 BQ OA1	agate grey	-VL		
	95B 867 012 BQ OK6	saddle brown	-VN		
(1)	95B 867 012 BQ	Door panel trim (leather)	right	1	PR: 3LH, 3PH, 3PN, 9MA, 9VL
		With coloured stitching			
	95B 867 012 BQ HHX	Black/Carmin Red	-FN		
	95B 867 012 BQ HAG	Black/Rhodium Silver	-FK		
(1)	95B 867 011 BB	Door panel trim (leather)	natur. leather left	1	PR: 3LM, 3PH, 3PN, 9MA, 9VL
	95B 867 011 BB 6J0	Espresso	-VR		
(1)	95B 867 012 BB	Door panel trim (leather)	natur. leather right	1	PR: 3LM, 3PJ, 3PN, 9MA, 9VL
	95B 867 012 BB 6J0	Espresso	-VR		

Model: 95B Model life 2014>>

Pos	Part Number	Description	Remark	Qty	Model
(1)	95B 867 011 BE	Door panel trim (leather)	left	1	PR: 3LH, 3L3, 3PB, 3PE, 3PJ, 9MA, 9VJ
	95B 867 011 BE A11	Black	-VK		
	95B 867 011 BE 7J0	Luxor beige	-VM		
	95B 867 011 BE OA1	agate grey	-VL		
	95B 867 011 BE OK6	saddle brown	-VN		
(1)	95B 867 011 BR	Door panel trim (leather)	left	1	PR: 3LH, 3L3, 3PB, 3PE, 3PJ, 9MA, 9VJ
	95B 867 011 BR A11	Black	-VK		
	95B 867 011 BR 7J0	Luxor beige	-VM		
	95B 867 011 BR OA1	agate grey	-VL		
	95B 867 011 BR OK6	saddle brown	-VN		
(1)	95B 867 011 BR	Door panel trim (leather)	left	1	PR: 3LH, 3L3, 3PB, 3PE, 3PJ, 9MA, 9VJ
		With coloured stitching			
	95B 867 011 BR HHX	Black/Carmin Red	-FN		
	95B 867 011 BR HAG	Black/Rhodium Silver	-FK		
(1)	95B 867 012 BR	Door panel trim (leather)	right	1	PR: 3LH, 3L3, 3PB, 3PE, 3PJ, 9MA, 9VJ
	95B 867 012 BR A11	Black	-VK		
	95B 867 012 BR 7J0	Luxor beige	-VM		
	95B 867 012 BR OA1	agate grey	-VL		
	95B 867 012 BR OK6	saddle brown	-VN		
(1)	95B 867 012 BR	Door panel trim (leather)	right	1	PR: 3LH, 3L3, 3PB, 3PE, 3PJ, 9MA, 9VJ
		With coloured stitching			
	95B 867 012 BR HHX	Black/Carmin Red	-FN		
	95B 867 012 BR HAG	Black/Rhodium Silver	-FK		
(1)	95B 867 011 BF	Door panel trim (leather)	natur. leather left	1	PR: 3LM, 3L3, 3PB, 3PE, 3PJ, 9MA, 9VJ
	95B 867 011 BF 6J0	Espresso	-VR		
(1)	95B 867 012 BF	Door panel trim (leather)	natur. leather right	1	PR: 3LM, 3L3, 3PB, 3PE, 3PH, 9MA, 9VJ
	95B 867 012 BF 6J0	Espresso	-VR		
(1)	95B 867 011 BS	Door panel trim (leather)	left	1	PR: 3LH, 3PH, 3PN, 9MA, 9VJ
	95B 867 011 BS A11	Black	-VK		
	95B 867 011 BS 7J0	Luxor beige	-VM		
	95B 867 011 BS OA1	agate grey	-VL		
	95B 867 011 BS OK6	saddle brown	-VN		
(1)	95B 867 011 BS	Door panel trim (leather)	left	1	PR: 3LH, 3PH, 3PN, 9MA, 9VJ
		With coloured stitching			
	95B 867 011 BS HHX	Black/Carmin Red	-FN		
	95B 867 011 BS HAG	Black/Rhodium Silver	-FK		
(1)	95B 867 012 BS	Door panel trim (leather)	right	1	PR: 3LH, 3PH, 3PN, 9MA, 9VJ
	95B 867 012 BS A11	Black	-VK		
	95B 867 012 BS 7J0	Luxor beige	-VM		
	95B 867 012 BS OA1	agate grey	-VL		
	95B 867 012 BS OK6	saddle brown	-VN		
(1)	95B 867 012 BS	Door panel trim (leather)	right	1	PR: 3LH, 3PH, 3PN, 9MA, 9VJ
		With coloured stitching			
	95B 867 012 BS HHX	Black/Carmin Red	-FN		
	95B 867 012 BS HAG	Black/Rhodium Silver	-FK		
(1)	95B 867 011 BK	Door panel trim (leather)	natur. leather left	1	PR: 3LM, 3PH, 3PN, 9MA, 9VJ

Model: 95B Model life 2014>>

Pos	Part Number	Description	Remark	Qty	Model
(1)	95B 867 011 BK 6J0 95B 867 012 BK	Espresso Door panel trim (leather)	-VR natur. leather right	1	PR: 3LM, 3PJ, 3PN, 9MA, 9VJ
(1)	95B 867 012 BK 6J0 95B 867 105 BM	Espresso Door panel trim (leather)	-VR left	1	PR: 3LH, 3L3, 3PB, 3PE, 3PJ, 9MB, 9VK, 8RV
	95B 867 105 BM A11	Black	-VK		
	95B 867 105 BM 7J0	Luxor beige	-VM		
	95B 867 105 BM OA1	agate grey	-VL		
	95B 867 105 BM OK6	saddle brown	-VN		
(1)	95B 867 105 BM	Door panel trim (leather)	left	1	PR: 3LH, 3L3, 3PB, 3PE, 3PJ, 9MB, 9VK, 8RV
		With coloured stitching			
	95B 867 105 BM HHX	Black/Carmin Red	-FN		
	95B 867 105 BM HAG	Black/Rhodium Silver	-FK		
(1)	95B 867 106 BM	Door panel trim (leather)	right	1	PR: 3LH, 3L4, 3L5, 3PB, 3PE, 3PH, 9MB, 9VK
	95B 867 106 BM A11	Black	-VK		
	95B 867 106 BM 7J0	Luxor beige	-VM		
	95B 867 106 BM OA1	agate grey	-VL		
	95B 867 106 BM OK6	saddle brown	-VN		
(1)	95B 867 106 BM	Door panel trim (leather)	right	1	PR: 3LH, 3L4, 3L5, 3PB, 3PE, 3PH, 9MB, 9VK
		With coloured stitching			
	95B 867 106 BM HHX	Black/Carmin Red	-FN		
	95B 867 106 BM HAG	Black/Rhodium Silver	-FK		
(1)	95B 867 105 AH	Door panel trim (leather)	natur. leather left	1	PR: 3LM, 3L3, 3PB, 3PE, 3PJ, 9MB, 9VK
	95B 867 105 AH 6J0	Espresso	-VR		
(1)	95B 867 106 AH	Door panel trim (leather)	natur. leather right	1	PR: 3LM, 3L3, 3PB, 3PE, 3PH, 9MB, 9VK
	95B 867 106 AH 6J0	Espresso	-VR		
(1)	95B 867 105 BN	Door panel trim (leather)	left	1	PR: 3LH, 3PH, 3PN, 9MB, 9VK, 8RV
	95B 867 105 BN A11	Black	-VK		
	95B 867 105 BN 7J0	Luxor beige	-VM		
	95B 867 105 BN OA1	agate grey	-VL		
	95B 867 105 BN OK6	saddle brown	-VN		
(1)	95B 867 105 BN	Door panel trim (leather)	left	1	PR: 3LH, 3PH, 3PN, 9MB, 9VK, 8RV
		With coloured stitching			
	95B 867 105 BN HHX	Black/Carmin Red	-FN		
	95B 867 105 BN HAG	Black/Rhodium Silver	-FK		
(1)	95B 867 106 BN	Door panel trim (leather)	right	1	PR: 3LH, 3L6, 3PJ, 3PN, 9MB, 9VK
	95B 867 106 BN A11	Black	-VK		
	95B 867 106 BN 7J0	Luxor beige	-VM		
	95B 867 106 BN OA1	agate grey	-VL		
	95B 867 106 BN OK6	saddle brown	-VN		
(1)	95B 867 106 BN	Door panel trim (leather)	right	1	PR: 3LH, 3L6, 3PJ, 3PN, 9MB, 9VK
		With coloured stitching			
	95B 867 106 BN HHX	Black/Carmin Red	-FN		
	95B 867 106 BN HAG	Black/Rhodium Silver	-FK		
(1)	95B 867 105 AM	Door panel trim (leather)	natur. leather left	1	PR: 3LM, 3PH, 3PN, 9MB, 9VK
	95B 867 105 AM 6J0	Espresso	-VR		

Model: 95B

Model life 2014>>

Pos	Part Number	Description	Remark	Qty	Model
(1)	95B 867 106 AM	Door panel trim (leather)	natur. leather right	1	PR: 3LM, 3PJ, 3PN, 9MB, 9VK
	95B 867 106 AM 6J0	Espresso	-VR		
(1)	95B 867 105 BP	Door panel trim (leather)	left	1	PR: 3LH, 3L3, 3PB, 3PE, 3PJ, 9MB, 9VL
	95B 867 105 BP A11	Black	-VK		
	95B 867 105 BP 7J0	Luxor beige	-VM		
	95B 867 105 BP OA1	agate grey	-VL		
	95B 867 105 BP OK6	saddle brown	-VN		
(1)	95B 867 105 BP	Door panel trim (leather)	left	1	PR: 3LH, 3L3, 3PB, 3PE, 3PJ, 9MB, 9VL
		With coloured stitching			
	95B 867 105 BP HHX	Black/Carmin Red	-FN		
	95B 867 105 BP HAG	Black/Rhodium Silver	-FK		
(1)	95B 867 106 BP	Door panel trim (leather)	right	1	PR: 3LH, 3L3, 3PB, 3PE, 3PJ, 9MB, 9VL
	95B 867 106 BP A11	Black	-VK		
	95B 867 106 BP 7J0	Luxor beige	-VM		
	95B 867 106 BP OA1	agate grey	-VL		
	95B 867 106 BP OK6	saddle brown	-VN		
(1)	95B 867 106 BP	Door panel trim (leather)	right	1	PR: 3LH, 3L3, 3PB, 3PE, 3PJ, 9MB, 9VL
		With coloured stitching			
	95B 867 106 BP HHX	Black/Carmin Red	-FN		
	95B 867 106 BP HAG	Black/Rhodium Silver	-FK		
(1)	95B 867 105 AR	Door panel trim (leather)	natur. leather left	1	PR: 3LM, 3L3, 3PB, 3PE, 3PJ, 9MB, 9VL
	95B 867 105 AR 6J0	Espresso	-VR		
(1)	95B 867 106 AR	Door panel trim (leather)	natur. leather right	1	PR: 3LM, 3L3, 3PB, 3PE, 3PH, 9MB, 9VL
	95B 867 106 AR 6J0	Espresso	-VR		
(1)	95B 867 105 BQ	Door panel trim (leather)	left	1	PR: 3LH, 3PH, 3PN, 9MB, 9VL
	95B 867 105 BQ A11	Black	-VK		
	95B 867 105 BQ 7J0	Luxor beige	-VM		
	95B 867 105 BQ OA1	agate grey	-VL		
	95B 867 105 BQ OK6	saddle brown	-VN		
(1)	95B 867 105 BQ	Door panel trim (leather)	left	1	PR: 3LH, 3PH, 3PN, 9MB, 9VL
		With coloured stitching			
	95B 867 105 BQ HHX	Black/Carmin Red	-FN		
	95B 867 105 BQ HAG	Black/Rhodium Silver	-FK		
(1)	95B 867 106 BQ	Door panel trim (leather)	right	1	PR: 3LH, 3PH, 3PN, 9MB, 9VL
	95B 867 106 BQ A11	Black	-VK		
	95B 867 106 BQ 7J0	Luxor beige	-VM		
	95B 867 106 BQ OA1	agate grey	-VL		
	95B 867 106 BQ OK6	saddle brown	-VN		
(1)	95B 867 106 BQ	Door panel trim (leather)	right	1	PR: 3LH, 3PH, 3PN, 9MB, 9VL
		With coloured stitching			
	95B 867 106 BQ HHX	Black/Carmin Red	-FN		
	95B 867 106 BQ HAG	Black/Rhodium Silver	-FK		
(1)	95B 867 105 BB	Door panel trim (leather)	natur. leather left	1	PR: 3LM, 3PH, 3PN, 9MB, 9VL
	95B 867 105 BB 6J0	Espresso	-VR		
(1)	95B 867 106 BB	Door panel trim (leather)	natur. leather right	1	PR: 3LM, 3PJ, 3PN, 9MB, 9VL
	95B 867 106 BB 6J0	Espresso	-VR		

Model: 95B

Model life 2014>>

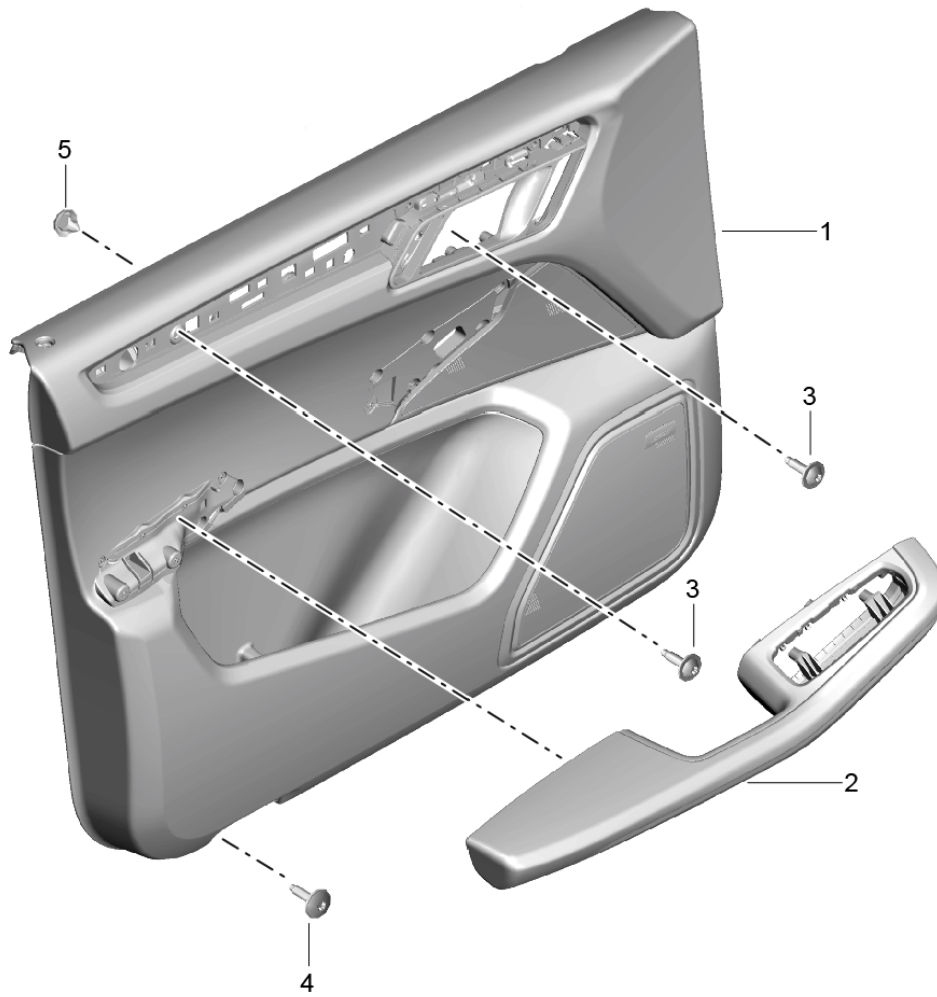
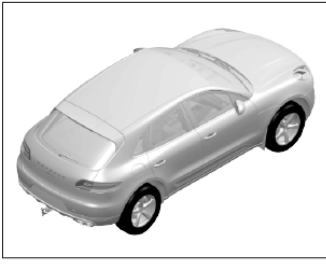
Pos	Part Number	Description	Remark	Qty	Model
(1)	95B 867 105 BR	Door panel trim (leather)	left	1	PR: 3LH, 3L3, 3PB, 3PE, 3PH, 9MB, 9VJ
	95B 867 105 BR A11	Black	-VK		
	95B 867 105 BR 7J0	Luxor beige	-VM		
	95B 867 105 BR OA1	agate grey	-VL		
	95B 867 105 BR OK6	saddle brown	-VN		
(1)	95B 867 105 BR	Door panel trim (leather)	left	1	PR: 3LH, 3L3, 3PB, 3PE, 3PH, 9MB, 9VJ
		With coloured stitching			
	95B 867 105 BR HHX	Black/Carmine Red	-FN		
	95B 867 105 BR HAG	Black/Rhodium Silver	-FK		
(1)	95B 867 106 BR	Door panel trim (leather)	right	1	PR: 3LH, 3L3, 3PB, 3PE, 3PH, 9MB, 9VJ
	95B 867 106 BR A11	Black	-VK		
	95B 867 106 BR 7J0	Luxor beige	-VM		
	95B 867 106 BR OA1	agate grey	-VL		
	95B 867 106 BR OK6	saddle brown	-VN		
(1)	95B 867 106 BR	Door panel trim (leather)	right	1	PR: 3LH, 3L3, 3PB, 3PE, 3PH, 9MB, 9VJ
		With coloured stitching			
	95B 867 106 BR HHX	Black/Carmine Red	-FN		
	95B 867 106 BR HAG	Black/Rhodium Silver	-FK		
(1)	95B 867 105 BF	Door panel trim (leather)	natur. leather left	1	PR: 3LM, 3L3, 3PB, 3PE, 3PJ, 9MB, 9VJ
	95B 867 105 BF 6J0	Espresso	-VR		
(1)	95B 867 106 BF	Door panel trim (leather)	natur. leather right	1	PR: 3LM, 3L3, 3PB, 3PE, 3PH, 9MB, 9VJ
	95B 867 106 BF 6J0	Espresso	-VR		
(1)	95B 867 105 BS	Door panel trim (leather)	left	1	PR: 3LH, 3PH, 3PN, 9MB, 9VJ
	95B 867 105 BS A11	Black	-VK		
	95B 867 105 BS 7J0	Luxor beige	-VM		
	95B 867 105 BS OA1	agate grey	-VL		
	95B 867 105 BS OK6	saddle brown	-VN		
(1)	95B 867 105 BS	Door panel trim (leather)	left	1	PR: 3LH, 3PH, 3PN, 9MB, 9VJ
		With coloured stitching			
	95B 867 105 BS HHX	Black/Carmine Red	-FN		
	95B 867 105 BS HAG	Black/Rhodium Silver	-FK		
(1)	95B 867 106 BS	Door panel trim (leather)	right	1	PR: 3LH, 3PH, 3PN, 9MB, 9VJ
	95B 867 106 BS A11	Black	-VK		
	95B 867 106 BS 7J0	Luxor beige	-VM		
	95B 867 106 BS OA1	agate grey	-VL		
	95B 867 106 BS OK6	saddle brown	-VN		
(1)	95B 867 106 BS	Door panel trim (leather)	right	1	PR: 3LH, 3PH, 3PN, 9MB, 9VJ
		With coloured stitching			
	95B 867 106 BS HHX	Black/Carmine Red	-FN		
	95B 867 106 BS HAG	Black/Rhodium Silver	-FK		
(1)	95B 867 105 BK	Door panel trim (leather)	natur. leather left	1	PR: 3LM, 3PH, 3PN, 9MB, 9VJ
	95B 867 105 BK 6J0	Espresso	-VR		
(1)	95B 867 106 BK	Door panel trim (leather)	natur. leather right	1	PR: 3LM, 3PH, 3PN, 9MB, 9VJ
	95B 867 106 BK 6J0	Espresso	-VR		
2	95B 867 173 A	armrest (leather)	left	1	PR: L0L, 3LH
	95B 867 173 A A11	Black	-VK		
	95B 867 173 A 7J0	Luxor beige	-VM, VZ		

Model: 95B Model life 2014>>

Pos	Part Number	Description	Remark	Qty	Model
	95B 867 173 A OA1	agate grey	-VL		
	95B 867 173 A OK6	saddle brown	-VN		
	95B 867 173 A HHX	Black/Carmine Red	-FN		
	95B 867 173 A HAG	Black/Rhodium Silver	-FK		
2	95B 867 174 A	armrest (leather)	right lhd	1	PR:L0L,3LH
	95B 867 174 A A11	Black	-VK		
	95B 867 174 A 7J0	Luxor beige	-VM,VZ		
	95B 867 174 A OA1	agate grey	-VL		
	95B 867 174 A OK6	saddle brown	-VN		
	95B 867 174 A HHX	Black/Carmine Red	-FN		
	95B 867 174 A HAG	Black/Rhodium Silver	-FK		
(2)	95B 867 173 D	armrest (leather)	left rhd	1	PR:L0R,3LH
	95B 867 173 D A11	Black	-VK		
	95B 867 173 D 7J0	Luxor beige	-VM,VZ		
	95B 867 173 D OA1	agate grey	-VL		
	95B 867 173 D OK6	saddle brown	-VN		
	95B 867 173 D HHX	Black/Carmine Red	-FN		
	95B 867 173 D HAG	Black/Rhodium Silver	-FK		
(2)	95B 867 174 D	armrest (leather)	right rhd	1	PR:L0R,3LH
	95B 867 174 D A11	Black	-VK		
	95B 867 174 D 7J0	Luxor beige	-VM,VZ		
	95B 867 174 D OA1	agate grey	-VL		
	95B 867 174 D OK6	saddle brown	-VN		
	95B 867 174 D HHX	Black/Carmine Red	-FN		
	95B 867 174 D HAG	Black/Rhodium Silver	-FK		
(2)	95B 867 173 B	armrest (leather)	natural left	1	PR:L0L,3LM
	95B 867 173 B 6J0	Espresso	-VR		
(2)	95B 867 174 B	armrest (leather)	natural right	1	PR:L0L,3LM
	95B 867 174 B 6J0	Espresso	-VR		
(2)	95B 867 173 E	armrest (leather)	natural left	1	PR:L0R,3LM
	95B 867 173 E 6J0	Espresso	-VR		
(2)	95B 867 174 E	armrest (leather)	natural right	1	PR:L0R,3LM
	95B 867 174 E 6J0	Espresso	-VR		
3	N 911 809 01	Flat head multi-point socket bolt M5X20-W		2	
4	N 907 758 01	Hexagon socket head panel bolt ST4,8X19-F		1	
5	N 106 213 01	expanding nut 5,0-F		1	

Model: 95B

Model life 2014>>



Model: 95B Model life 2014>>

Pos	Part Number	Description	Remark	Qty	Model
		door panel Leather two-colour	front		PR: 3LT
1	95B 867 011 AJ	Door panel trim (leather)	left	1	PR: 3LT, 3L3, 3PB, 3PE, 3PJ, 9MA, 9VK
	95B 867 011 AJ CDR	two-colour Black/Carrera Red	-VO		
	95B 867 011 AJ CDS	Agate Grey/Pebble Grey	-VQ		
	95B 867 011 AJ CDT	Saddle Tan/Luxor Beige	-VP		
(1)	95B 867 012 AJ	Door panel trim (leather)	right	1	PR: 3LT, 3L3, 3PB, 3PE, 3PH, 9MA, 9VK
	95B 867 012 AJ CDR	two-colour Black/Carrera Red	-VO		
	95B 867 012 AJ CDS	Agate Grey/Pebble Grey	-VQ		
	95B 867 012 AJ CDT	Saddle Tan/Luxor Beige	-VP		
(1)	95B 867 011 AN	Door panel trim (leather)	left	1	PR: 3LT, 3PH, 3PN, 9MA, 9VK
	95B 867 011 AN CDR	two-colour Black/Carrera Red	-VO		
	95B 867 011 AN CDS	Agate Grey/Pebble Grey	-VQ		
	95B 867 011 AN CDT	Saddle Tan/Luxor Beige	-VP		
(1)	95B 867 011 CA	Door panel trim (leather)	front	1	PR: 3LT, 3PH, PR: 3LT, 3PH,
	95B 867 011 CA AAE	two-colour Black/Luxor Beige	-TB		
(1)	95B 867 012 AN	Door panel trim (leather)	right	1	PR: 3LT, 3PJ, 3PN, 9MA, 9VK
	95B 867 012 AN CDR	two-colour Black/Carrera Red	-VO		
	95B 867 012 AN CDS	Agate Grey/Pebble Grey	-VQ		
	95B 867 012 AN CDT	Saddle Tan/Luxor Beige	-VP		
(1)	95B 867 012 CA	Door panel trim (leather)		1	PR: 3LT, 3PJ, 3L6, 3PN, 9MA, 9VK
	95B 867 012 CA AAE	two-colour Black/Luxor Beige	-TB		
(1)	95B 867 011 AS	Door panel trim (leather)	left	1	PR: 3LT, 3L3, 3PB, 3PE, 3PJ, 9MA, 9VL
	95B 867 011 AS CDR	two-colour Black/Carrera Red	-VO		
	95B 867 011 AS CDS	Agate Grey/Pebble Grey	-VQ		
	95B 867 011 AS CDT	Saddle Tan/Luxor Beige	-VP		
(1)	95B 867 012 AS	Door panel trim (leather)	right	1	PR: 3LT, 3L3, 3PB, 3PE, 3PH, 9MA, 9VL
	95B 867 012 AS CDR	two-colour Black/Carrera Red	-VO		
	95B 867 012 AS CDS	Agate Grey/Pebble Grey	-VQ		
	95B 867 012 AS CDT	Saddle Tan/Luxor Beige	-VP		
(1)	95B 867 011 BC	Door panel trim (leather)	left	1	PR: 3LT, 3PH, 3PN, 9MA, 9VL
	95B 867 011 BC CDR	two-colour Black/Carrera Red	-VO		
	95B 867 011 BC CDS	Agate Grey/Pebble Grey	-VQ		
	95B 867 011 BC CDT	Saddle Tan/Luxor Beige	-VP		
(1)	95B 867 012 BC	Door panel trim (leather)	right	1	PR: 3LT, 3PJ, 3PN, 9MA, 9VL
	95B 867 012 BC CDR	two-colour Black/Carrera Red	-VO		
	95B 867 012 BC CDS	Agate Grey/Pebble Grey	-VQ		
	95B 867 012 BC CDT	Saddle Tan/Luxor Beige	-VP		
(1)	95B 867 011 BG	Door panel trim (leather)	left	1	PR: 3LT, 3L3, 3PB, 3PE, 3PJ, 9MA, 9VJ
	95B 867 011 BG CDR	two-colour Black/Carrera Red	-VO		
	95B 867 011 BG CDS	Agate Grey/Pebble Grey	-VQ		

Model: 95B Model life 2014>>

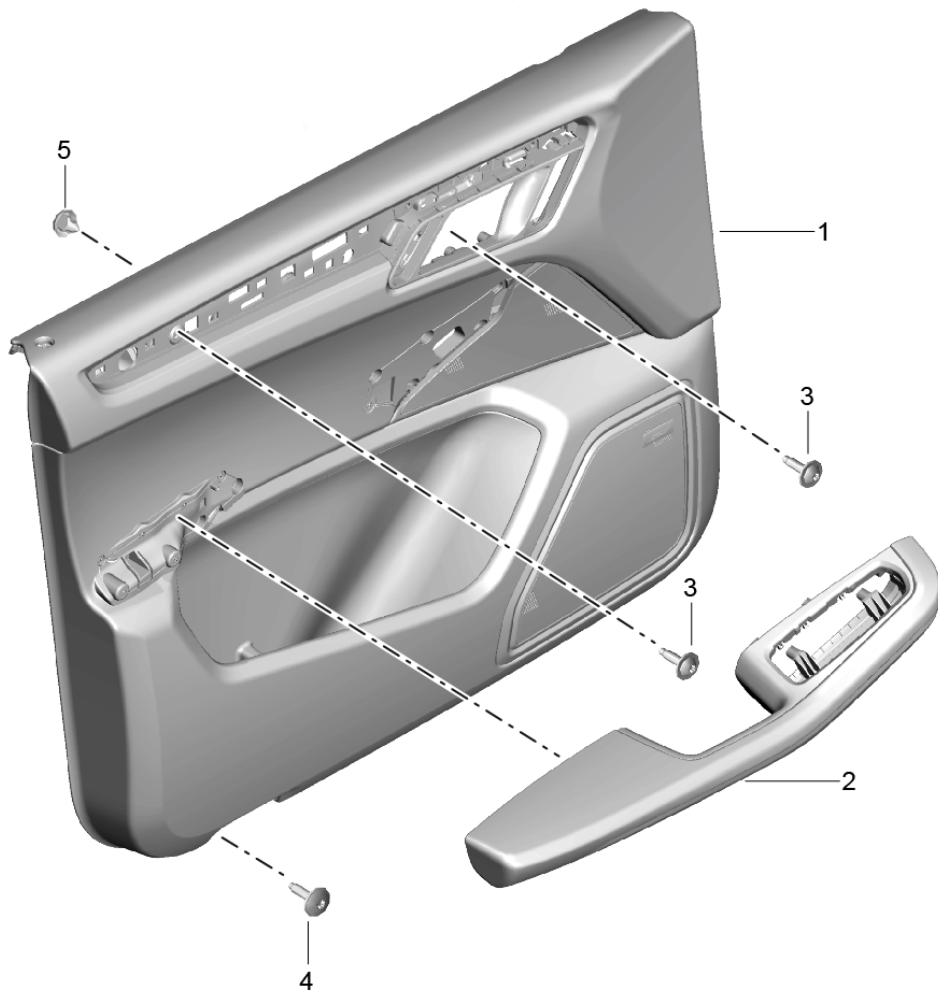
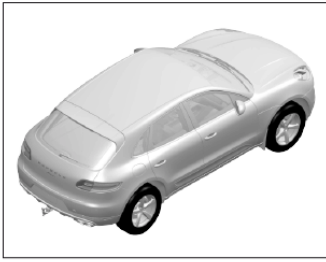
Pos	Part Number	Description	Remark	Qty	Model
(1)	95B 867 011 BG CDT 95B 867 012 BG	Saddle Tan/Luxor Beige Door panel trim (leather)	-VP right	1	PR: 3LT, 3L3, 3PB, 3PE, 3PH, 9MA, 9VJ
		two-colour			
	95B 867 012 BG CDR	Black/Carrera Red	-VO		
	95B 867 012 BG CDS	Agate Grey/Pebble Grey	-VQ		
(1)	95B 867 012 BG CDT 95B 867 011 BL	Saddle Tan/Luxor Beige Door panel trim (leather)	-VP left	1	PR: 3LT, 3PH, 3PN, 9MA, 9VJ
		two-colour			
	95B 867 011 BL CDR	Black/Carrera Red	-VO		
	95B 867 011 BL CDS	Agate Grey/Pebble Grey	-VQ		
	95B 867 011 BL CDT	Saddle Tan/Luxor Beige	-VP		
(1)	95B 867 012 BL	Door panel trim (leather)	right	1	PR: 3LT, 3PJ, 3PN, 9MA, 9VJ
		two-colour			
	95B 867 012 BL CDR	Black/Carrera Red	-VO		
	95B 867 012 BL CDS	Agate Grey/Pebble Grey	-VQ		
	95B 867 012 BL CDT	Saddle Tan/Luxor Beige	-VP		
(1)	95B 867 105 AJ	Door panel trim (leather)	left	1	PR: 3LT, 3L3, 3PB, 3PE, 3PJ, 9MB, 9VK
		two-colour			
	95B 867 105 AJ CDR	Black/Carrera Red	-VO		
	95B 867 105 AJ CDS	Agate Grey/Pebble Grey	-VQ		
	95B 867 105 AJ CDT	Saddle Tan/Luxor Beige	-VP		
(1)	95B 867 106 AJ	Door panel trim (leather)	right	1	PR: 3LT, 3L3, 3PB, 3PE, 3PH, 9MB, 9VK
		two-colour			
	95B 867 106 AJ CDR	Black/Carrera Red	-VO		
	95B 867 106 AJ CDS	Agate Grey/Pebble Grey	-VQ		
	95B 867 106 AJ CDT	Saddle Tan/Luxor Beige	-VP		
(1)	95B 867 105 AN	Door panel trim (leather)	left	1	PR: 3LT, 3PH, 3PN, 9MB, 9VK
		two-colour			
	95B 867 105 AN CDR	Black/Carrera Red	-VO		
	95B 867 105 AN CDS	Agate Grey/Pebble Grey	-VQ		
	95B 867 105 AN CDT	Saddle Tan/Luxor Beige	-VP		
(1)	95B 867 106 AN	Door panel trim (leather)	right	1	PR: 3LT, 3PJ, 3PN, 9MB, 9VK
		two-colour			
	95B 867 106 AN CDR	Black/Carrera Red	-VO		
	95B 867 106 AN CDS	Agate Grey/Pebble Grey	-VQ		
	95B 867 106 AN CDT	Saddle Tan/Luxor Beige	-VP		
(1)	95B 867 105 AS	Door panel trim (leather)	left	1	PR: 3LT, 3L3, 3PB, 3PE, 3PJ, 9MB, 9VL
		two-colour			
	95B 867 105 AS CDR	Black/Carrera Red	-VO		
	95B 867 105 AS CDS	Agate Grey/Pebble Grey	-VQ		
	95B 867 105 AS CDT	Saddle Tan/Luxor Beige	-VP		
(1)	95B 867 106 AS	Door panel trim (leather)	right	1	PR: 3LT, 3L3, 3PB, 3PE, 3PH, 9MB, 9VL
		two-colour			
	95B 867 106 AS CDR	Black/Carrera Red	-VO		
	95B 867 106 AS CDS	Agate Grey/Pebble Grey	-VQ		
	95B 867 106 AS CDT	Saddle Tan/Luxor Beige	-VP		
(1)	95B 867 105 BC	Door panel trim (leather)	left	1	PR: 3LT, 3PH, 3PN, 9MB, 9VL
		two-colour			
	95B 867 105 BC CDR	Black/Carrera Red	-VO		
	95B 867 105 BC CDS	Agate Grey/Pebble Grey	-VQ		
	95B 867 105 BC CDT	Saddle Tan/Luxor Beige	-VP		
(1)	95B 867 106 BC	Door panel trim (leather)	right	1	PR: 3LT, 3PJ, 3PN, 9MB, 9VL

Model: 95B Model life 2014>>

Pos	Part Number	Description	Remark	Qty	Model
(1)	95B 867 106 BC CDR	two-colour Black/Carrera Red	-VO	1	PR: 3LT, 3L3, 3PB, 3PE, 3PJ, 9MB, 9VJ
	95B 867 106 BC CDS	Agate Grey/Pebble Grey	-VQ		
	95B 867 106 BC CDT	Saddle Tan/Luxor Beige	-VP		
	95B 867 105 BG	Door panel trim (leather)	left		
(1)	95B 867 105 BG CDR	two-colour Black/Carrera Red	-VO	1	PR: 3LT, 3L3, 3PB, 3PE, 3PH, 9MB, 9VJ
	95B 867 105 BG CDS	Agate Grey/Pebble Grey	-VQ		
	95B 867 105 BG CDT	Saddle Tan/Luxor Beige	-VP		
	95B 867 106 BG	Door panel trim (leather)	right		
(1)	95B 867 106 BG CDR	two-colour Black/Carrera Red	-VO	1	PR: 3LT, 3PH, 3PN, 9MB, 9VJ
	95B 867 106 BG CDS	Agate Grey/Pebble Grey	-VQ		
	95B 867 106 BG CDT	Saddle Tan/Luxor Beige	-VP		
	95B 867 105 BL	Door panel trim (leather)	left		
(1)	95B 867 105 BL CDR	two-colour Black/Carrera Red	-VO	1	PR: 3LT, 3PJ, 3PN, 9MB, 9VJ
	95B 867 105 BL CDS	Agate Grey/Pebble Grey	-VQ		
	95B 867 105 BL CDT	Saddle Tan/Luxor Beige	-VP		
	95B 867 106 BL	Door panel trim (leather)	right		
2	95B 867 106 BL CDR	two-colour Black/Carrera Red	-VO	1	PR: L0L
	95B 867 106 BL CDS	Agate Grey/Pebble Grey	-VQ		
(2)	95B 867 106 BL CDT	Saddle Tan/Luxor Beige	-VP	1	PR: L0L
	95B 867 173 A	armrest (leather)	left front		
	95B 867 173 A OG3	two-colour Carrera Red	-VO		
	95B 867 173 A OD4	flint grey	-VQ		
(2)	95B 867 173 A 7J0	Luxor beige	-VH, VM, VP, VZ	1	PR: L0L
	95B 867 174 A	armrest (leather)	right rear		
	95B 867 174 A OG3	two-colour Carrera Red	-VO		
	95B 867 174 A OD4	flint grey	-VQ		
(2)	95B 867 174 A 7J0	Luxor beige	-VH, VM, VP, VZ	1	PR: L0R
	95B 867 173 D	armrest (leather)	left rear		
	95B 867 173 D OG3	two-colour Carrera Red	-VO		
	95B 867 173 D OD4	flint grey	-VQ		
(2)	95B 867 173 D 7J0	Luxor beige	-VH, VM, VP, VZ	1	PR: L0R
	95B 867 174 D	armrest (leather)	right rear		
	95B 867 174 D OG3	two-colour Carrera Red	-VO		
	95B 867 174 D OD4	flint grey	-VQ		
3	95B 867 174 D 7J0	Luxor beige	-VH, VM, VP, VZ	2	
	N 911 809 01	Flat head multi-point socket bolt			
		M5X20-W			
4	N 907 758 01	Hexagon socket head panel bolt		1	
5	N 106 213 01	ST4, 8X19-F expanding nut		1	
		5,0-F			

Model: 95B

Model life 2014>>



Model: 95B Model life 2014>>

Pos	Part Number	Description	Remark	Qty	Model
		door panel Leather Alcantara	front		PR: 3LS
(1)	95B 867 011 BM	Door panel trim (leather)	left	1	PR: 3L5, 3L6, 3PB, 3PE, 3PJ, 9MA, 9VK
	95B 867 011 BM A11	Black	-FF		
	95B 867 011 BM 7J0	Luxor beige	-FM		
	95B 867 011 BM OA1	agate grey	-FH		
	95B 867 011 BM OK6	saddle brown	-FI		
	95B 867 011 BM HHX	Black/Carmine Red	-FL		
	95B 867 011 BM HAG	Black/Rhodium Silver	-FE		+TS
	95B 867 011 BM HAT	Black/Carrera Red	-TR		
(1)	95B 867 012 BM	Door panel trim (leather)	right	1	PR: 3L4, 3L5, 3PB, 3PE, 3PH, 9MA, 9VK
	95B 867 012 BM A11	Black	-FF		
	95B 867 012 BM 7J0	Luxor beige	-FM		
	95B 867 012 BM OA1	agate grey	-FH		
	95B 867 012 BM OK6	saddle brown	-FI		
	95B 867 012 BM HHX	Black/Carmine Red	-FL		
	95B 867 012 BM HAG	Black/Rhodium Silver	-FE		+TS
	95B 867 012 BM HAT	Black/Carrera Red	-TR		
(1)	95B 867 011 BN	Door panel trim (leather)	left	1	PR: 3L4, 3PH, 3PN, 9MA, 9VK
	95B 867 011 BN A11	Black	-FF		
	95B 867 011 BN 7J0	Luxor beige	-FM		
	95B 867 011 BN OA1	agate grey	-FH		
	95B 867 011 BN OK6	saddle brown	-FI		
	95B 867 011 BN HHX	Black/Carmine Red	-FL		
	95B 867 011 BN HAG	Black/Rhodium Silver	-FE		+TS
	95B 867 011 BN HAT	Black/Carrera Red	-TR		
(1)	95B 867 012 BN	Door panel trim (leather)	right	1	PR: 3L6, 3PJ, 3PN, 9MA, 9VK
	95B 867 012 BN A11	Black	-FF		
	95B 867 012 BN 7J0	Luxor beige	-FM		
	95B 867 012 BN OA1	agate grey	-FH		
	95B 867 012 BN OK6	saddle brown	-FI		
	95B 867 012 BN HHX	Black/Carmine Red	-FL		
	95B 867 012 BN HAG	Black/Rhodium Silver	-FE		+TS
	95B 867 012 BN HAT	Black/Carrera Red	-TR		
(1)	95B 867 011 BP	Door panel trim (leather)	left	1	PR: 3L5, 3L6, 3PB, 3PE, 3PJ, 9MA, 9VL
	95B 867 011 BP A11	Black	-FF		
	95B 867 011 BP 7J0	Luxor beige	-FM		
	95B 867 011 BP OA1	agate grey	-FH		
	95B 867 011 BP OK6	saddle brown	-FI		
	95B 867 011 BP HHX	Black/Carmine Red	-FL		
	95B 867 011 BP HAG	Black/Rhodium Silver	-FE		+TS
	95B 867 011 BP HAT	Black/Carrera Red	-TR		
(1)	95B 867 012 BP	Door panel trim (leather)	right	1	PR: 3L4, 3L5, 3PB, 3PE, 3PH, 9MA, 9VL
	95B 867 012 BP A11	Black	-FF		
	95B 867 012 BP 7J0	Luxor beige	-FM		
	95B 867 012 BP OA1	agate grey	-FH		
	95B 867 012 BP OK6	saddle brown	-FI		
	95B 867 012 BP HHX	Black/Carmine Red	-FL		
	95B 867 012 BP HAG	Black/Rhodium Silver	-FE		+TS
	95B 867 012 BP HAT	Black/Carrera Red	-TR		
(1)	95B 867 011 BQ	Door panel trim (leather)	left	1	PR: 3L4, 3PH, 3PN, 9MA, 9VL

Model: 95B Model life 2014>>

Pos	Part Number	Description	Remark	Qty	Model
	95B 867 011 BQ A11	Black	-FF		
	95B 867 011 BQ 7J0	Luxor beige	-FM		
	95B 867 011 BQ OA1	agate grey	-FH		
	95B 867 011 BQ OK6	saddle brown	-FI		
	95B 867 011 BQ HHX	Black/Carmine Red	-FL		
	95B 867 011 BQ HAG	Black/Rhodium Silver	-FE		+TS
	95B 867 011 BQ HAT	Black/Carrera Red	-TR		
(1)	95B 867 012 BQ	Door panel trim (leather)	right	1	PR: 3L6, 3PJ, 3PN, 9MA, 9VL
	95B 867 012 BQ A11	Black	-FF		
	95B 867 012 BQ 7J0	Luxor beige	-FM		
	95B 867 012 BQ OA1	agate grey	-FH		
	95B 867 012 BQ OK6	saddle brown	-FI		
	95B 867 012 BQ HHX	Black/Carmine Red	-FL		
	95B 867 012 BQ HAG	Black/Rhodium Silver	-FE		+TS
	95B 867 012 BQ HAT	Black/Carrera Red	-TR		
(1)	95B 867 011 BR	Door panel trim (leather)	left	1	PR: 3L5, 3L6, 3PB, 3PE, 3PJ, 9MA, 9VJ
	95B 867 011 BR A11	Black	-FF		
	95B 867 011 BR 7J0	Luxor beige	-FM		
	95B 867 011 BR OA1	agate grey	-FH		
	95B 867 011 BR OK6	saddle brown	-FI		
	95B 867 011 BR HHX	Black/Carmine Red	-FL		
	95B 867 011 BR HAG	Black/Rhodium Silver	-FE		+TS
	95B 867 011 BR HAT	Black/Carrera Red	-TR		
(1)	95B 867 012 BR	Door panel trim (leather)	right	1	PR: 3L4, 3L5, 3PB, 3PE, 3PH, 9MA, 9VJ
	95B 867 012 BR A11	Black	-FF		
	95B 867 012 BR 7J0	Luxor beige	-FM		
	95B 867 012 BR OA1	agate grey	-FH		
	95B 867 012 BR OK6	saddle brown	-FI		
	95B 867 012 BR HHX	Black/Carmine Red	-FL		
	95B 867 012 BR HAG	Black/Rhodium Silver	-FE		+TS
	95B 867 012 BR HAT	Black/Carrera Red	-TR		
(1)	95B 867 011 BS	Door panel trim (leather)	left	1	PR: 3L4, 3PH, 3PN, 9MA, 9VJ
	95B 867 011 BS A11	Black	-FF		
	95B 867 011 BS 7J0	Luxor beige	-FM		
	95B 867 011 BS OA1	agate grey	-FH		
	95B 867 011 BS OK6	saddle brown	-FI		
	95B 867 011 BS HHX	Black/Carmine Red	-FL		
	95B 867 011 BS HAG	Black/Rhodium Silver	-FE		+TS
	95B 867 011 BS HAT	Black/Carrera Red	-TR		
(1)	95B 867 012 BS	Door panel trim (leather)	right	1	PR: 3L6, 3PJ, 3PN, 9MA, 9VJ
	95B 867 012 BS A11	Black	-FF		
	95B 867 012 BS 7J0	Luxor beige	-FM		
	95B 867 012 BS OA1	agate grey	-FH		
	95B 867 012 BS OK6	saddle brown	-FI		
	95B 867 012 BS HHX	Black/Carmine Red	-FL		
	95B 867 012 BS HAG	Black/Rhodium Silver	-FE		+TS
	95B 867 012 BS HAT	Black/Carrera Red	-TR		
(1)	95B 867 105 BM	Door panel trim (leather)	left	1	PR: 3L5, 3L6, 3PB, 3PE, 3PJ, 9MB, 9VK
	95B 867 105 BM A11	Black	-FF		
	95B 867 105 BM 7J0	Luxor beige	-FM		
	95B 867 105 BM OA1	agate grey	-FH		
	95B 867 105 BM OK6	saddle brown	-FI		
	95B 867 105 BM HHX	Black/Carmine Red	-FL		
	95B 867 105 BM HAG	Black/Rhodium Silver	-FE		+TS

Model: 95B Model life 2014>>

Pos	Part Number	Description	Remark	Qty	Model		
(1)	95B 867 105 BM HAT	Black/Carrera Red	-TR	1	PR: 3L4, 3L5, 3PB, 3PE, 3PH, 9MB, 9VK		
	95B 867 106 BM	Door panel trim (leather)	right				
	95B 867 106 BM A11	Black	-FF				
	95B 867 106 BM 7J0	Luxor beige	-FM				
	95B 867 106 BM OA1	agate grey	-FH				
	95B 867 106 BM OK6	saddle brown	-FI				
	95B 867 106 BM HHX	Black/Carmine Red	-FL				
	95B 867 106 BM HAG	Black/Rhodium Silver	-FE				
	95B 867 106 BM HAT	Black/Carrera Red	-TR				
(1)	95B 867 105 BN	Door panel trim (leather)	left			1	PR: 3L4, 3PH, 3PN, 9MB, 9VK
	95B 867 105 BN A11	Black	-FF				
	95B 867 105 BN 7J0	Luxor beige	-FM				
	95B 867 105 BN OA1	agate grey	-FH				
	95B 867 105 BN OK6	saddle brown	-FI				
	95B 867 105 BN HHX	Black/Carmine Red	-FL				
	95B 867 105 BN HAG	Black/Rhodium Silver	-FE				
	95B 867 105 BN HAT	Black/Carrera Red	-TR				
(1)	95B 867 106 BN	Door panel trim (leather)	right	1	PR: 3L6, 3PJ, 3PN, 9MB, 9VK		
	95B 867 106 BN A11	Black	-FF				
	95B 867 106 BN 7J0	Luxor beige	-FM				
	95B 867 106 BN OA1	agate grey	-FH				
	95B 867 106 BN OK6	saddle brown	-FI				
	95B 867 106 BN HHX	Black/Carmine Red	-FL				
	95B 867 106 BN HAG	Black/Rhodium Silver	-FE				
	95B 867 106 BN HAT	Black/Carrera Red	-TR				
(1)	95B 867 105 BP	Door panel trim (leather)	left			1	PR: 3L5, 3L6, 3PB, 3PE, 3PJ, 9MB, 9VL
	95B 867 105 BP A11	Black	-FF				
	95B 867 105 BP 7J0	Luxor beige	-FM				
	95B 867 105 BP OA1	agate grey	-FH				
	95B 867 105 BP OK6	saddle brown	-FI				
	95B 867 105 BP HHX	Black/Carmine Red	-FL				
	95B 867 105 BP HAG	Black/Rhodium Silver	-FE				
	95B 867 105 BP HAT	Black/Carrera Red	-TR				
(1)	95B 867 106 BP	Door panel trim (leather)	right	1	PR: 3L4, 3L5, 3PB, 3PE, 3PH, 9MB, 9VL		
	95B 867 106 BP A11	Black	-FF				
	95B 867 106 BP 7J0	Luxor beige	-FM				
	95B 867 106 BP OA1	agate grey	-FH				
	95B 867 106 BP OK6	saddle brown	-FI				
	95B 867 106 BP HHX	Black/Carmine Red	-FL				
	95B 867 106 BP HAG	Black/Rhodium Silver	-FE				
	95B 867 106 BP HAT	Black/Carrera Red	-TR				
(1)	95B 867 105 BQ	Door panel trim (leather)	left			1	PR: 3L4, 3PH, 3PN, 9MB, 9VL
	95B 867 105 BQ A11	Black	-FF				
	95B 867 105 BQ 7J0	Luxor beige	-FM				
	95B 867 105 BQ OA1	agate grey	-FH				
	95B 867 105 BQ OK6	saddle brown	-FI				
	95B 867 105 BQ HHX	Black/Carmine Red	-FL				
	95B 867 105 BQ HAG	Black/Rhodium Silver	-FE				
	95B 867 105 BQ HAT	Black/Carrera Red	-TR				
(1)	95B 867 106 BQ	Door panel trim (leather)	right	1	PR: 3L6, 3PJ, 3PN, 9MB, 9VL		
	95B 867 106 BQ A11	Black	-FF				
	95B 867 106 BQ 7J0	Luxor beige	-FM				
	95B 867 106 BQ OA1	agate grey	-FH				

Model: 95B Model life 2014>>

Pos	Part Number	Description	Remark	Qty	Model
(1)	95B 867 106 BQ OK6	saddle brown	-FI	1	+TS PR: 3L5, 3L6, 3PB, 3PE, 3PJ, 9MB, 9VJ
	95B 867 106 BQ HHX	Black/Carmine Red	-FL		
	95B 867 106 BQ HAG	Black/Rhodium Silver	-FE		
	95B 867 106 BQ HAT	Black/Carrera Red	-TR		
	95B 867 105 BR	Door panel trim (leather)	left		
	95B 867 105 BR A11	Black	-FF		
	95B 867 105 BR 7J0	Luxor beige	-FM		
	95B 867 105 BR OA1	agate grey	-FH		
	95B 867 105 BR OK6	saddle brown	-FI		
	95B 867 105 BR HHX	Black/Carmine Red	-FL		
(1)	95B 867 105 BR HAG	Black/Rhodium Silver	-FE	1	+TS PR: 3L4, 3L5, 3PB, 3PE, 3PH, 9MB, 9VJ
	95B 867 105 BR HAT	Black/Carrera Red	-TR		
	95B 867 106 BR	Door panel trim (leather)	right		
	95B 867 106 BR A11	Black	-FF		
	95B 867 106 BR 7J0	Luxor beige	-FM		
	95B 867 106 BR OA1	agate grey	-FH		
	95B 867 106 BR OK6	saddle brown	-FI		
	95B 867 106 BR HHX	Black/Carmine Red	-FL		
	95B 867 106 BR HAG	Black/Rhodium Silver	-FE		
	95B 867 106 BR HAT	Black/Carrera Red	-TR		
(1)	95B 867 105 BS	Door panel trim (leather)	left	1	+TS PR: 3L4, 3PH, 3PN, 9MB, 9VJ
	95B 867 105 BS A11	Black	-FF		
	95B 867 105 BS 7J0	Luxor beige	-FM		
	95B 867 105 BS OA1	agate grey	-FH		
	95B 867 105 BS OK6	saddle brown	-FI		
	95B 867 105 BS HHX	Black/Carmine Red	-FL		
	95B 867 105 BS HAG	Black/Rhodium Silver	-FE		
	95B 867 105 BS HAT	Black/Carrera Red	-TR		
	95B 867 106 BS	Door panel trim (leather)	right		
	95B 867 106 BS A11	Black	-FF		
(2)	95B 867 106 BS 7J0	Luxor beige	-FM	1	+TS PR: L0L, 4AH
	95B 867 106 BS OA1	agate grey	-FH		
	95B 867 106 BS OK6	saddle brown	-FI		
	95B 867 106 BS HHX	Black/Carmine Red	-FL		
	95B 867 106 BS HAG	Black/Rhodium Silver	-FE		
	95B 867 106 BS HAT	Black/Carrera Red	-TR		
	95B 867 173 F	armrest (alcantara)	left lhd		
	95B 867 173 F 2W0	Black	-FF		
	95B 867 173 F OU5	agate grey	-FM		
	95B 867 173 F 9U1	Luxor beige	-FH		
(2)	95B 867 173 F OP2	saddle brown	-FI	1	+TS PR: L0L, 4AH
	95B 867 173 F HMO	Black/Carmine Red	-FL		
	95B 867 173 F HNO	Black/Rhodium Silver	-FE		
	95B 867 173 F HYI	Black/Carrera Red	-TR		
	95B 867 174 F	armrest (alcantara)	right lhd		
	95B 867 174 F 2W0	Black	-FF		
	95B 867 174 F OU5	agate grey	-FM		
	95B 867 174 F 9U1	Luxor beige	-Fh		
	95B 867 174 F OP2	saddle brown	-FI		
	95B 867 174 F HMO	Black/Carmine Red	-FL		
(2)	95B 867 174 F HNO	Black/Rhodium Silver	-FE	1	+TS PR: L0R, 4AH
	95B 867 174 F HYI	Black/Carrera Red	-TR		
	95B 867 173 G	armrest (alcantara)	left rhd		
	95B 867 173 G 2W0	Black	-FF		
	95B 867 173 G OU5	agate grey	-FM		
	95B 867 173 G 9U1	Luxor beige	-FH		
95B 867 173 G OP2	saddle brown	-FI			

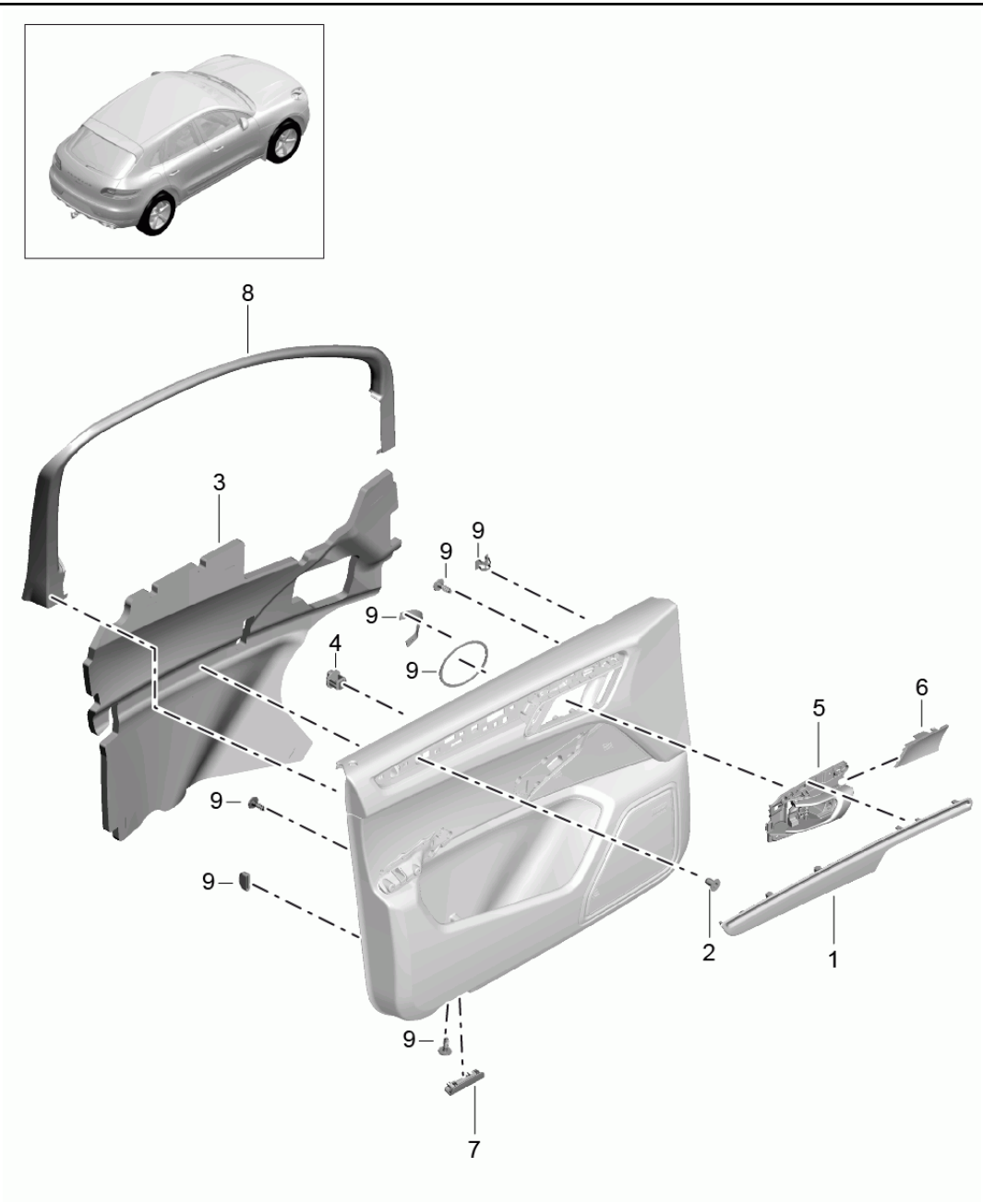
Model: 95B

Model life 2014>>

Pos	Part Number	Description	Remark	Qty	Model
(2)	95B 867 173 G HMO	Black/Carmine Red	-FL	1	PR:LOR,4AH
	95B 867 173 G HNO	Black/Rhodium Silver	-FE		
	95B 867 173 G HYI	Black/Carrera Red	-TR		
	95B 867 174 G	armrest (alcantara)	right rhd		
	95B 867 174 G 2W0	Black	-FF		
	95B 867 174 G OU5	agate grey	-FM		
	95B 867 174 G 9U1	Luxor beige	-FH		
	95B 867 174 G OP2	saddle brown	-FI		
	95B 867 174 G HMO	Black/Carmine Red	-FL		
	95B 867 174 G HNO	Black/Rhodium Silver	-FE		
3	95B 867 174 G HYI	Black/Carrera Red	-TR	2	+TS
	N 911 809 01	Flat head multi-point socket bolt M5X20-W			
4	N 907 758 01	Hexagon socket head panel bolt ST4,8X19-F		1	
5	N 106 213 01	expanding nut 5,0-F		1	

Model: 95B

Model life 2014>>



Model: 95B

Model life 2014>>

Pos	Part Number	Description	Remark	Qty	Model
		Accessories	front		
1	95B 867 409	door panel			
		molding for door trim	left	1	PR:5MA
		panel			
		Paint			
	95B 867 409 5Q0	Black			
(1)	95B 867 410	molding for door trim	right	1	PR:5MA
		panel			
		Paint			
	95B 867 410 5Q0	Black			
(1)	95B 867 409 A	molding for door trim	left	1	PR:5MP
		panel			
	95B 867 409 A OE9	American Walnut			
(1)	95B 867 410 A	molding for door trim	right	1	PR:5MP
		panel			
	95B 867 410 A OE9	American Walnut			
(1)	95B 867 409 C	molding for door trim	left	1	PR:5MH
		panel			
	95B 867 409 C OH3	Carbon			
(1)	95B 867 410 C	molding for door trim	right	1	PR:5MH
		panel			
	95B 867 410 C OH3	Carbon			
(1)	95B 867 409 D	molding for door trim	left	1	PR:5TL
		panel			
		High gloss			
		Paint			
	95B 867 409 D OT1	Highly polished/piano-black			
		look			
(1)	95B 867 410 D	molding for door trim	right	1	PR:5TL
		panel			
		High gloss			
		Paint			
	95B 867 410 D OT1	Highly polished/piano-black			
		look			
(1)	95B 867 409 E	molding for door trim	left	1	PR:5TE
		panel			
	95B 867 409 E U03	Aluminium, brushed			
(1)	95B 867 410 E	molding for door trim	right	1	PR:5TE
		panel			
	95B 867 410 E U03	Aluminium, brushed			
(1)	95B 867 409 F	molding for door trim	left	1	PR:7TK
		panel			
	95B 867 409 F OA7	Light Oak			
(1)	95B 867 410 F	molding for door trim	right	1	PR:7TK
		panel			
	95B 867 410 F OA7	Light Oak			
(1)	95B 867 409 G	molding for door trim	left	1	PR:5TH
		panel			
	95B 867 409 G OR2	Aluminium Black			
(1)	95B 867 410 G	molding for door trim	right	1	PR:5TH
		panel			
	95B 867 410 G OR2	Aluminium Black			
2	958 552 900 00	Grommet		2	
3	95B 863 979	Damping		2	
4	970 537 557 00	Bracket for door trim		18	
		Trim			
5	95B 837 019	Inner actuator	left	1	
	95B 837 019 GT8	Galvano silver			
(5)	95B 837 020	Inner actuator	right	1	
	95B 837 020 GT8	Galvano silver			
6	95B 837 095 B	Cover	left	1	PR:9MA
		Inner actuator			
	95B 837 095 B 1E0	Black			

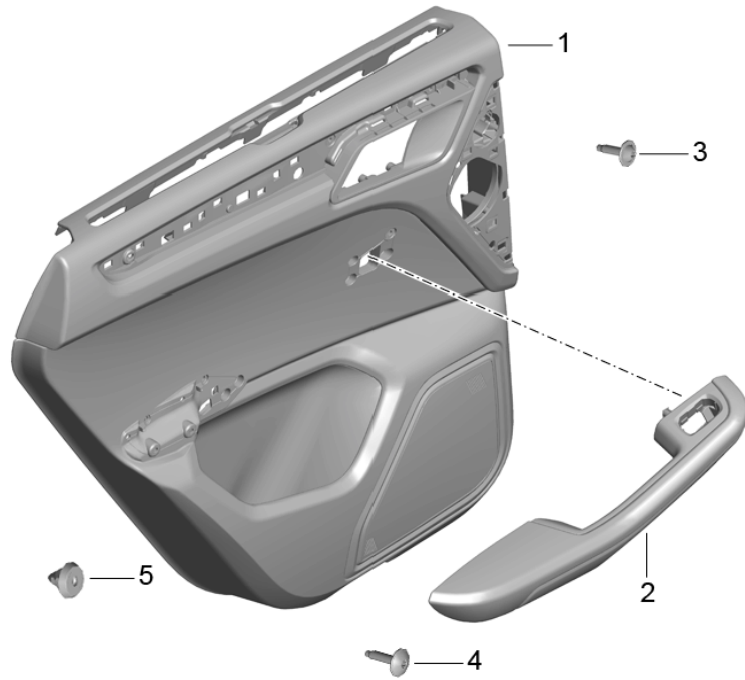
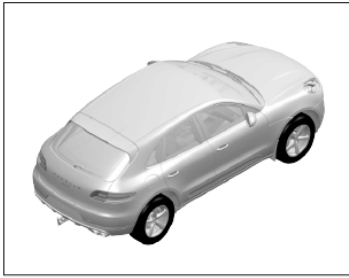
Model: 95B

Model life 2014>>

Pos	Part Number	Description	Remark	Qty	Model
(6)	95B 837 096 B	Cover panel Inner actuator	right	1	PR:9MA
	95B 837 096 B 1E0	Black			
(6)	95B 837 095 C	Cover panel Inner actuator	left	1	PR:9MB
	95B 837 095 C 1E0	Black			
(6)	95B 837 096 C	Cover panel Inner actuator	right	1	PR:9MB
	95B 837 096 C 1E0	Black			
7	1K0 947 419 A	rear light reflector		1	PR:9MA
(7)	1K0 947 411 C	Door warning light Door		1	PR:9MB
8	95B 867 609 A	Trim for window frame	left front	1	
	95B 867 609 A 1E0	Black			
(8)	95B 867 610 A	Trim for window frame	right front	1	
	95B 867 610 A 1E0	Black			
9	95B 898 099	Repair set for door panel trims		1	

Model: 95B

Model life 2014>>



Model: 95B

Model life 2014>>

Pos	Part Number	Description	Remark	Qty	Model
		door panel slush technology	rear		PR: 3LD, 3LE
1	95B 867 211	door panel slush technology	left	1	PR: 3Y0, 9MA, 9VK
	95B 867 211 DK4	Black	-VC, VJ, VF, VI, VU, FA		
	95B 867 211 DM5	Luxor beige	-VE, VM, FC		
	95B 867 211 OS2	agate grey	-VD, VG, FB		
(1)	95B 867 212	door panel slush technology	right	1	PR: 3Y0, 9MA, 9VK
	95B 867 212 DK4	Black	-VC, VJ, VF, VI, VU, FA		
	95B 867 212 DM5	Luxor beige	-VE, VM, FC		
	95B 867 212 OS2	agate grey	-VD, VG, FB		
(1)	95B 867 211 D	door panel slush technology	left	1	PR: 3Y4, 9MA, 9VK
	95B 867 211 D DK4	Black	-VC, VJ, VF, VI, VU, FA		
	95B 867 211 D DM5	Luxor beige	-VE, VM, FC		
	95B 867 211 D OS2	agate grey	-VD, VG, FB		
(1)	95B 867 212 D	door panel slush technology	right	1	PR: 3Y4, 9MA, 9VK
	95B 867 212 D DK4	Black	-VC, VJ, VF, VI, VU, FA		
	95B 867 212 D DM5	Luxor beige	-VE, VM, FC		
	95B 867 212 D OS2	agate grey	-VD, VG, FB		
(1)	95B 867 211 H	door panel slush technology	left	1	PR: 3Y0, 9MA, 9VL
	95B 867 211 H DK4	Black	-VC, VJ, VF, VI, VU, FA		
	95B 867 211 H DM5	Luxor beige	-VE, VM, FC		
	95B 867 211 H OS2	agate grey	-VD, VG, FB		
(1)	95B 867 212 H	door panel slush technology	right	1	PR: 3Y0, 9MA, 9VL
	95B 867 212 H DK4	Black	-VC, VJ, VF, VI, VU, FA		
	95B 867 212 H DM5	Luxor beige	-VE, VM, FC		
	95B 867 212 H OS2	agate grey	-VD, VG, FB		
(1)	95B 867 211 M	door panel slush technology	left	1	PR: 3Y4, 9MA, 9VL
	95B 867 211 M DK4	Black	-VC, VJ, VF, VI, VU, FA		
	95B 867 211 M DM5	Luxor beige	-VE, VM, FC		
	95B 867 211 M OS2	agate grey	-VD, VG, FB		
(1)	95B 867 212 M	door panel slush technology	right	1	PR: 3Y4, 9MA, 9VL
	95B 867 212 M DK4	Black	-VC, VJ, VF, VI, VU, FA		
	95B 867 212 M DM5	Luxor beige	-VE, VM, FC		
	95B 867 212 M OS2	agate grey	-VD, VG, FB		
(1)	95B 867 211 R	door panel slush technology	left	1	PR: 3Y0, 9MA, 9VJ
	95B 867 211 R DK4	Black	-VC, VJ, VF, VI, VU, FA		
	95B 867 211 R DM5	Luxor beige	-VE, VM, FC		
	95B 867 211 R OS2	agate grey	-VD, VG, FB		
(1)	95B 867 212 R	door panel slush technology	right	1	PR: 3Y0, 9MA, 9VJ
	95B 867 212 R DK4	Black	-VC, VJ, VF, VI, VU, FA		
	95B 867 212 R DM5	Luxor beige	-VE, VM, FC		
	95B 867 212 R OS2	agate grey	-VD, VG, FB		
(1)	95B 867 211 AB	door panel	left	1	PR: 3Y4, 9MA,

Model: 95B Model life 2014>>

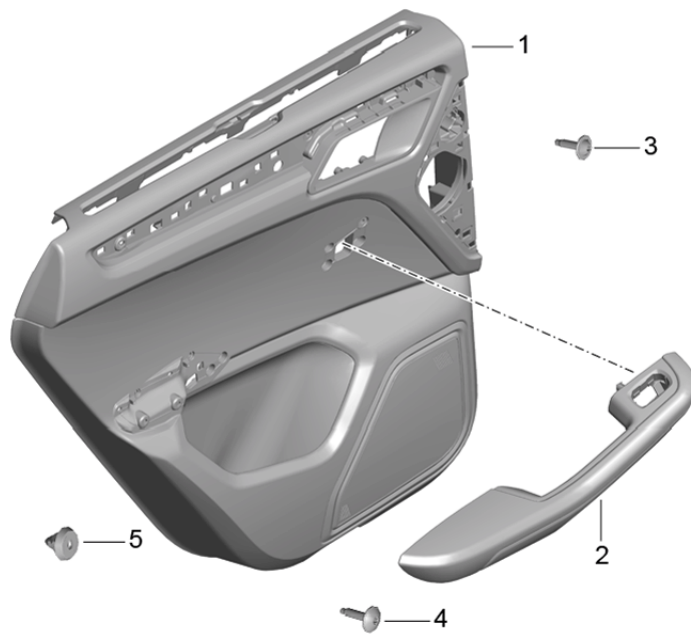
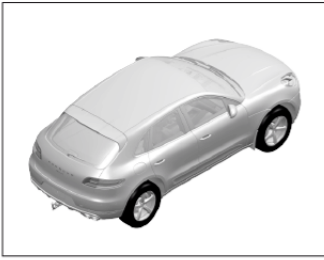
Pos	Part Number	Description	Remark	Qty	Model
	95B 867 211 AB DK4	slush technology Black	-VC, VJ, VF, VI, VU, FA		9VJ
	95B 867 211 AB DM5	Luxor beige	-VE, VM, FC		
	95B 867 211 AB OS2	agate grey	-VD, VG, FB		
(1)	95B 867 212 AB	door panel slush technology	right	1	PR: 3Y4, 9MA, 9VJ
	95B 867 212 AB DK4	Black	-VC, VJ, VF, VI, VU, FA		
	95B 867 212 AB DM5	Luxor beige	-VE, VM, FC		
	95B 867 212 AB OS2	agate grey	-VD, VG, FB		
(1)	95B 867 305	door panel slush technology	left	1	PR: 3Y0, 9MB, 9VK
	95B 867 305 DK4	Black	-VC, VJ, VF, VI, VU, FA		
	95B 867 305 DM5	Luxor beige	-VE, VM, FC		
	95B 867 305 OS2	agate grey	-VD, VG, FB		
(1)	95B 867 306	door panel slush technology	right	1	PR: 3Y0, 9MB, 9VK
	95B 867 306 DK4	Black	-VC, VJ, VF, VI, VU, FA		
	95B 867 306 DM5	Luxor beige	-VE, VM, FC		
	95B 867 306 OS2	agate grey	-VD, VG, FB		
(1)	95B 867 305 D	door panel slush technology	left	1	PR: 3Y4, 9MB, 9VK
	95B 867 305 D DK4	Black	-VC, VJ, VF, VI, VU, FA		
	95B 867 305 D DM5	Luxor beige	-VE, VM, FC		
	95B 867 305 D OS2	agate grey	-VD, VG, FB		
(1)	95B 867 306 D	door panel slush technology	right	1	PR: 3Y4, 9MB, 9VK
	95B 867 306 D DK4	Black	-VC, VJ, VF, VI, VU, FA		
	95B 867 306 D DM5	Luxor beige	-VE, VM, FC		
	95B 867 306 D OS2	agate grey	-VD, VG, FB		
(1)	95B 867 305 H	door panel slush technology	left	1	PR: 3Y0, 9MB, 9VL
	95B 867 305 H DK4	Black	-VC, VJ, VF, VI, VU, FA		
	95B 867 305 H DM5	Luxor beige	-VE, VM, FC		
	95B 867 305 H OS2	agate grey	-VD, VG, FB		
(1)	95B 867 306 H	door panel slush technology	right	1	PR: 3Y0, 9MB, 9VL
	95B 867 306 H DK4	Black	-VC, VJ, VF, VI, VU, FA		
	95B 867 306 H DM5	Luxor beige	-VE, VM, FC		
	95B 867 306 H OS2	agate grey	-VD, VG, FB		
(1)	95B 867 305 M	door panel slush technology	left	1	PR: 3Y4, 9MB, 9VL
	95B 867 305 M DK4	Black	-VC, VJ, VF, VI, VU, FA		
	95B 867 305 M DM5	Luxor beige	-VE, VM, FC		
	95B 867 305 M OS2	agate grey	-VD, VG, FB		
(1)	95B 867 306 M	door panel slush technology	right	1	PR: 3Y4, 9MB, 9VL
	95B 867 306 M DK4	Black	-VC, VJ, VF, VI, VU, FA		
	95B 867 306 M DM5	Luxor beige	-VE, VM, FC		
	95B 867 306 M OS2	agate grey	-VD, VG, FB		
(1)	95B 867 305 R	door panel slush technology	left	1	PR: 3Y0, 9MB, 9VJ
	95B 867 305 R DK4	Black	-VC, VJ, VF, VI, VU, FA		

Model: 95B Model life 2014>>

Pos	Part Number	Description	Remark	Qty	Model
(1)	95B 867 305 R DM5	Luxor beige	-VE,VM,FC	1	PR:3Y0,9MB, 9VJ
	95B 867 305 R OS2	agate grey	-VD,VG,FB		
	95B 867 306 R	door panel slush technology	right		
	95B 867 306 R DK4	Black	-VC,VJ,VF,VI, VU,FA		
(1)	95B 867 306 R DM5	Luxor beige	-VE,VM,FC	1	PR:3Y4,9MB, 9VJ
	95B 867 306 R OS2	agate grey	-VD,VG,FB		
	95B 867 305 AB	door panel slush technology	left		
	95B 867 305 AB DK4	Black	-VC,VJ,VF,VI, VU,FA		
(1)	95B 867 305 AB DM5	Luxor beige	-VE,VM,FC	1	PR:3Y4,9MB, 9VJ
	95B 867 305 AB OS2	agate grey	-VD,VG,FB		
	95B 867 306 AB	door panel slush technology	right		
	95B 867 306 AB DK4	Black	-VC,VJ,VF,VI, VU,FA		
2	95B 867 306 AB DM5	Luxor beige	-VE,VM,FC	1	PR:3LD
	95B 867 306 AB OS2	agate grey	-VD,VG,FB		
	95B 867 373	armrest (leatherette)	left		
	95B 867 373 1D0	Black	-VC,VX		
(2)	95B 867 373 2E0	Luxor beige	-VE	1	PR:3LD
	95B 867 373 OW7	agate grey	-VD		
	95B 867 374	armrest (leatherette)	right		
	95B 867 374 1D0	Black	-VC,VX		
(2)	95B 867 374 2E0	Luxor beige	-VE	1	PR:3LE,3LH, 3LT
	95B 867 374 OW7	agate grey	-VD		
	95B 867 373 A	armrest (leather) Leather package	left		
	95B 867 373 A A11	Black	-VF		
(2)	95B 867 373 A OA1	agate grey	-VG	1	PR:3LE,3LH, 3LT
	95B 867 373 A 7J0	Luxor beige	-VH,VZ		
	95B 867 373 A HAO	Black/Saddle Tan	-VJ		
	95B 867 373 A HBO	Black/Carrera Red	-VI,VU		
	95B 867 374 A	armrest (leather) Leather package	right		
	95B 867 374 A A11	Black	-VF		
	95B 867 374 A OA1	agate grey	-VG		
	95B 867 374 A 7J0	Luxor beige	-VH,VZ		
3	95B 867 374 A HAO	Black/Saddle Tan	-VJ	1	
	95B 867 374 A HBO	Black/Carrera Red	-VI,VU		
	N 911 809 01	Flat head multi-point socket bolt M5X20-W			
	N 907 758 01	Hexagon socket head panel bolt ST4,8X19-F			
4	N 106 213 01	expanding nut 5,0-F		1	

Model: 95B

Model life 2014>>



Model: 95B

Model life 2014>>

Pos	Part Number	Description	Remark	Qty	Model
		door panel Leather package two-colour slush technology	rear		PR: 4AK, 4AP
(1)	95B 867 211	door panel slush technology	left	1	PR: 3Y0, 9MA, 9VK, 4AK, 4AP
	95B 867 211 HWO	Black/Luxor Beige	-VX, VZ		
(1)	95B 867 212	door panel slush technology	right	1	PR: 3Y0, 9MA, 9VK, 4AK, 4AP
	95B 867 212 HWO	Black/Luxor Beige	-VX, VZ		
(1)	95B 867 211 D	door panel slush technology	left	1	PR: 3Y4, 9MA, 9VK, 4AK, 4AP
	95B 867 211 D HWO	Black/Luxor Beige	-VX, VZ		
(1)	95B 867 212 D	door panel slush technology	right	1	PR: 3Y4, 9MA, 9VK, 4AK, 4AP
	95B 867 212 D HWO	Black/Luxor Beige	-VX, VZ		
(1)	95B 867 211 H	door panel slush technology	left	1	PR: 3Y0, 9MA, 9VL, 4AK, 4AP
	95B 867 211 H HWO	Black/Luxor Beige	-VX, VZ		
(1)	95B 867 212 H	door panel slush technology	right	1	PR: 3Y0, 9MA, 9VL, 4AK, 4AP
	95B 867 212 H HWO	Black/Luxor Beige	-VX, VZ		
(1)	95B 867 211 M	door panel slush technology	left	1	PR: 3Y4, 9MA, 9VL, 4AK, 4AP
	95B 867 211 M HWO	Black/Luxor Beige	-VX, VZ		
(1)	95B 867 212 M	door panel slush technology	right	1	PR: 3Y4, 9MA, 9VL, 4AK, 4AP
	95B 867 212 M HWO	Black/Luxor Beige	-VX, VZ		
(1)	95B 867 211 R	door panel slush technology	left	1	PR: 3Y0, 9MA, 9VJ, 4AK, 4AP
	95B 867 211 R HWO	Black/Luxor Beige	-VX, VZ		
(1)	95B 867 212 R	door panel slush technology	right	1	PR: 3Y0, 9MA, 9VJ, 4AK, 4AP
	95B 867 212 R HWO	Black/Luxor Beige	-VX, VZ		
(1)	95B 867 211 AB	door panel slush technology	left	1	PR: 3Y4, 9MA, 9VJ, 4AK, 4AP
	95B 867 211 AB HWO	Black/Luxor Beige	-VX, VZ		
(1)	95B 867 212 AB	door panel slush technology	right	1	PR: 3Y4, 9MA, 9VJ, 4AK, 4AP
	95B 867 212 AB HWO	Black/Luxor Beige	-VX, VZ		
(1)	95B 867 305	door panel slush technology	left	1	PR: 3Y0, 9MB, 9VK, 4AK, 4AP
	95B 867 305 HWO	Black/Luxor Beige	-VX, VZ		
(1)	95B 867 306	door panel slush technology	right	1	PR: 3Y0, 9MB, 9VK, 4AK, 4AP
	95B 867 306 HWO	Black/Luxor Beige	-VX, VZ		
(1)	95B 867 305 D	door panel slush technology	left	1	PR: 3Y4, 9MB, 9VK, 4AK, 4AP
	95B 867 305 D HWO	Black/Luxor Beige	-VX, VZ		
(1)	95B 867 306 D	door panel slush technology	right	1	PR: 3Y4, 9MB, 9VK, 4AK, 4AP
	95B 867 306 D HWO	Black/Luxor Beige	-VX, VZ		
(1)	95B 867 305 H	door panel slush technology	left	1	PR: 3Y0, 9MB, 9VL, 4AK, 4AP
	95B 867 305 H HWO	Black/Luxor Beige	-VX, VZ		
(1)	95B 867 306 H	door panel slush technology	right	1	PR: 3Y0, 9MB, 9VL, 4AK, 4AP
	95B 867 306 H HWO	Black/Luxor Beige	-VX, VZ		
(1)	95B 867 305 M	door panel slush technology	left	1	PR: 3Y4, 9MB, 9VL, 4AK, 4AP
	95B 867 305 M HWO	Black/Luxor Beige	-VX, VZ		
(1)	95B 867 306 M	door panel slush technology	right	1	PR: 3Y4, 9MB, 9VL, 4AK, 4AP

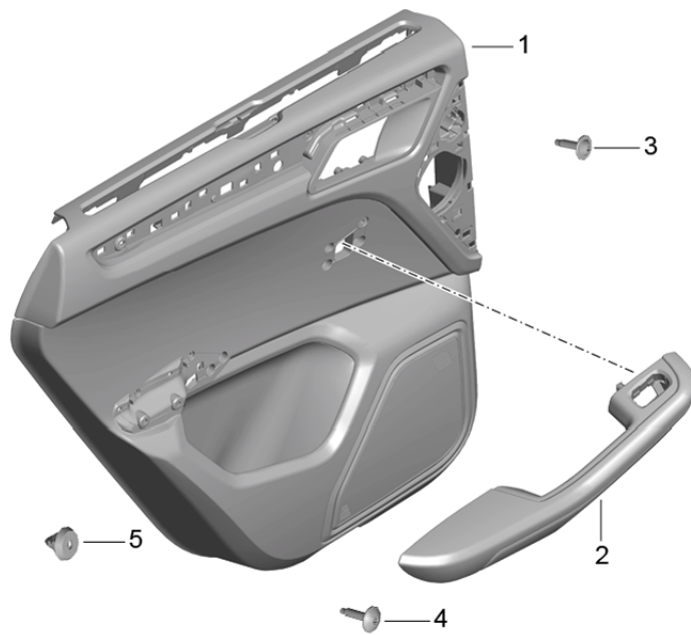
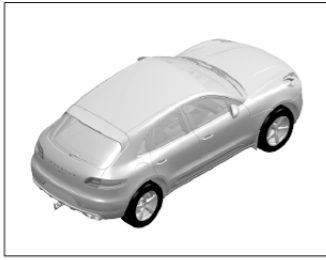
Model: 95B

Model life 2014>>

Pos	Part Number	Description	Remark	Qty	Model
(1)	95B 867 306 M HWO 95B 867 305 R	Black/Luxor Beige door panel slush technology	-VX,VZ left	1	PR:3Y0,9MB, 9VJ,4AK,4AP
(1)	95B 867 305 R HWO 95B 867 306 R	Black/Luxor Beige door panel slush technology	-VX,VZ right	1	PR:3Y0,9MB, 9VJ,4AK,4AP
(1)	95B 867 306 R HWO 95B 867 305 AB	Black/Luxor Beige door panel slush technology	-VX,VZ left	1	PR:3Y4,9MB, 9VJ,4AK,4AP
(1)	95B 867 305 AB HWO 95B 867 306 AB	Black/Luxor Beige door panel slush technology	-VX,VZ right	1	PR:3Y4,9MB, 9VJ,4AK,4AP
(2)	95B 867 306 AB HWO 95B 867 373 A	Black/Luxor Beige armrest (leather) Leather package	-VX,VZ left	1	PR:3LE,3LH, 3LT
(2)	95B 867 373 A 7J0 95B 867 373 A HAO 95B 867 373 A HBO 95B 867 374 A	Luxor beige Black/Saddle Tan Black/Carrera Red armrest (leather) Leather package	-VH,VZ -VJ -VI,VU right	1	PR:3LE,3LH, 3LT
	95B 867 374 A 7J0 95B 867 374 A HAO 95B 867 374 A HBO	Luxor beige Black/Saddle Tan Black/Carrera Red	-VH,VZ -VJ -VI,VU		
3	N 911 809 01	Flat head multi-point socket bolt M5X20-W		1	
4	N 907 758 01	Hexagon socket head panel bolt ST4,8X19-F		1	
5	N 106 213 01	expanding nut 5,0-F		1	

Model: 95B

Model life 2014>>



Model: 95B Model life 2014>>

Pos	Part Number	Description	Remark	Qty	Model
		door panel Leather package Alcantara slush technology	rear		PR:4AH
1	95B 867 211	door panel slush technology	left	1	PR:3Y0,9MA, 9VK
	95B 867 211 DK4	Black	-VC,VJ,VF,VI, VU,FA		
	95B 867 211 DM5	Luxor beige	-VE,VM,FC		
	95B 867 211 OS2	agate grey	-VD,VG,FB		
(1)	95B 867 212	door panel slush technology	right	1	PR:3Y0,9MA, 9VK
	95B 867 212 DK4	Black	-VC,VJ,VF,VI, VU,FA		
	95B 867 212 DM5	Luxor beige	-VE,VM,FC		
	95B 867 212 OS2	agate grey	-VD,VG,FB		
(1)	95B 867 211 D	door panel slush technology	left	1	PR:3Y4,9MA, 9VK
	95B 867 211 D DK4	Black	-VC,VJ,VF,VI, VU,FA		
	95B 867 211 D DM5	Luxor beige	-VE,VM,FC		
	95B 867 211 D OS2	agate grey	-VD,VG,FB		
(1)	95B 867 212 D	door panel slush technology	right	1	PR:3Y4,9MA, 9VK
	95B 867 212 D DK4	Black	-VC,VJ,VF,VI, VU,FA		
	95B 867 212 D DM5	Luxor beige	-VE,VM,FC		
	95B 867 212 D OS2	agate grey	-VD,VG,FB		
(1)	95B 867 211 H	door panel slush technology	left	1	PR:3Y0,9MA, 9VL
	95B 867 211 H DK4	Black	-VC,VJ,VF,VI, VU,FA		
	95B 867 211 H DM5	Luxor beige	-VE,VM,FC		
	95B 867 211 H OS2	agate grey	-VD,VG,FB		
(1)	95B 867 212 H	door panel slush technology	right	1	PR:3Y0,9MA, 9VL
	95B 867 212 H DK4	Black	-VC,VJ,VF,VI, VU,FA		
	95B 867 212 H DM5	Luxor beige	-VE,VM,FC		
	95B 867 212 H OS2	agate grey	-VD,VG,FB		
(1)	95B 867 211 M	door panel slush technology	left	1	PR:3Y4,9MA, 9VL
	95B 867 211 M DK4	Black	-VC,VJ,VF,VI, VU,FA		
	95B 867 211 M DM5	Luxor beige	-VE,VM,FC		
	95B 867 211 M OS2	agate grey	-VD,VG,FB		
(1)	95B 867 212 M	door panel slush technology	right	1	PR:3Y4,9MA, 9VL
	95B 867 212 M DK4	Black	-VC,VJ,VF,VI, VU,FA		
	95B 867 212 M DM5	Luxor beige	-VE,VM,FC		
	95B 867 212 M OS2	agate grey	-VD,VG,FB		
(1)	95B 867 211 R	door panel slush technology	left	1	PR:3Y0,9MA, 9VJ
	95B 867 211 R DK4	Black	-VC,VJ,VF,VI, VU,FA		
	95B 867 211 R DM5	Luxor beige	-VE,VM,FC		
	95B 867 211 R OS2	agate grey	-VD,VG,FB		
(1)	95B 867 212 R	door panel slush technology	right	1	PR:3Y0,9MA, 9VJ
	95B 867 212 R DK4	Black	-VC,VJ,VF,VI, VU,FA		
	95B 867 212 R DM5	Luxor beige	-VE,VM,FC		

Model: 95B Model life 2014>>

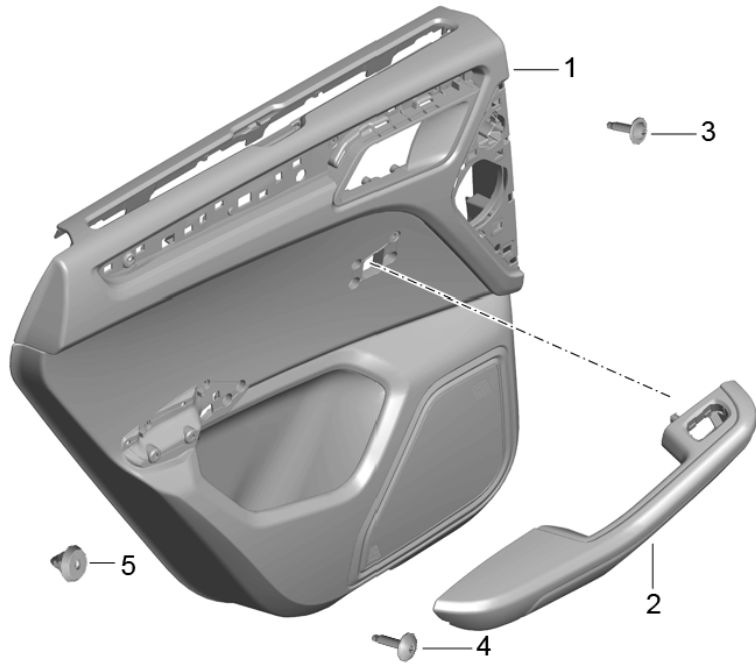
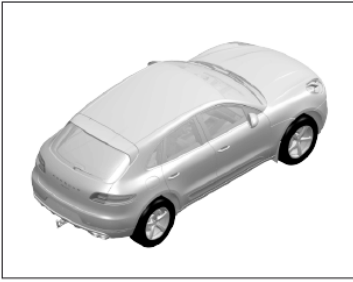
Pos	Part Number	Description	Remark	Qty	Model
(1)	95B 867 212 R OS2	agate grey	-VD, VG, FB		
	95B 867 211 AB	door panel	left	1	PR: 3Y4, 9MA, 9VJ
	95B 867 211 AB DK4	slush technology Black	-VC, VJ, VF, VI, VU, FA		
	95B 867 211 AB DM5	Luxor beige	-VE, VM, FC		
(1)	95B 867 211 AB OS2	agate grey	-VD, VG, FB		
	95B 867 212 AB	door panel	right	1	PR: 3Y4, 9MA, 9VJ
	95B 867 212 AB DK4	slush technology Black	-VC, VJ, VF, VI, VU, FA		
	95B 867 212 AB DM5	Luxor beige	-VE, VM, FC		
(1)	95B 867 212 AB OS2	agate grey	-VD, VG, FB		
	95B 867 305	door panel	left	1	PR: 3Y0, 9MB, 9VK
	95B 867 305 DK4	slush technology Black	-VC, VJ, VF, VI, VU, FA		
	95B 867 305 DM5	Luxor beige	-VE, VM, FC		
(1)	95B 867 305 OS2	agate grey	-VD, VG, FB		
	95B 867 306	door panel	right	1	PR: 3Y0, 9MB, 9VK
	95B 867 306 DK4	slush technology Black	-VC, VJ, VF, VI, VU, FA		
	95B 867 306 DM5	Luxor beige	-VE, VM, FC		
(1)	95B 867 306 OS2	agate grey	-VD, VG, FB		
	95B 867 305 D	door panel	left	1	PR: 3Y4, 9MB, 9VK
	95B 867 305 DK4	slush technology Black	-VC, VJ, VF, VI, VU, FA		
	95B 867 305 D DM5	Luxor beige	-VE, VM, FC		
(1)	95B 867 305 D OS2	agate grey	-VD, VG, FB		
	95B 867 306 D	door panel	right	1	PR: 3Y4, 9MB, 9VK
	95B 867 306 DK4	slush technology Black	-VC, VJ, VF, VI, VU, FA		
	95B 867 306 DM5	Luxor beige	-VE, VM, FC		
(1)	95B 867 306 D OS2	agate grey	-VD, VG, FB		
	95B 867 305 H	door panel	left	1	PR: 3Y0, 9MB, 9VL
	95B 867 305 H DK4	slush technology Black	-VC, VJ, VF, VI, VU, FA		
	95B 867 305 H DM5	Luxor beige	-VE, VM, FC		
(1)	95B 867 305 H OS2	agate grey	-VD, VG, FB		
	95B 867 306 H	door panel	right	1	PR: 3Y0, 9MB, 9VL
	95B 867 306 H DK4	slush technology Black	-VC, VJ, VF, VI, VU, FA		
	95B 867 306 H DM5	Luxor beige	-VE, VM, FC		
(1)	95B 867 306 H OS2	agate grey	-VD, VG, FB		
	95B 867 305 M	door panel	left	1	PR: 3Y4, 9MB, 9VL
	95B 867 305 M DK4	slush technology Black	-VC, VJ, VF, VI, VU, FA		
	95B 867 305 M DM5	Luxor beige	-VE, VM, FC		
(1)	95B 867 305 M OS2	agate grey	-VD, VG, FB		
	95B 867 306 M	door panel	right	1	PR: 3Y4, 9MB, 9VL
	95B 867 306 M DK4	slush technology Black	-VC, VJ, VF, VI, VU, FA		
	95B 867 306 M DM5	Luxor beige	-VE, VM, FC		
(1)	95B 867 306 M OS2	agate grey	-VD, VG, FB		
	95B 867 305 R	door panel	left	1	PR: 3Y0, 9MB, 9VJ
	95B 867 305 R	slush technology			

Model: 95B Model life 2014>>

Pos	Part Number	Description	Remark	Qty	Model
	95B 867 305 R DK4	Black	-VC, VJ, VF, VI, VU, FA		
	95B 867 305 R DM5	Luxor beige	-VE, VM, FC		
	95B 867 305 R OS2	agate grey	-VD, VG, FB		
(1)	95B 867 306 R	door panel slush technology	right	1	PR: 3Y0, 9MB, 9VJ
	95B 867 306 R DK4	Black	-VC, VJ, VF, VI, VU, FA		
	95B 867 306 R DM5	Luxor beige	-VE, VM, FC		
	95B 867 306 R OS2	agate grey	-VD, VG, FB		
(1)	95B 867 305 AB	door panel slush technology	left	1	PR: 3Y4, 9MB, 9VJ
	95B 867 305 AB DK4	Black	-VC, VJ, VF, VI, VU, FA		
	95B 867 305 AB DM5	Luxor beige	-VE, VM, FC		
	95B 867 305 AB OS2	agate grey	-VD, VG, FB		
(1)	95B 867 306 AB	door panel slush technology	right	1	PR: 3Y4, 9MB, 9VJ
	95B 867 306 AB DK4	Black	-VC, VJ, VF, VI, VU, FA		
	95B 867 306 AB DM5	Luxor beige	-VE, VM, FC		
	95B 867 306 AB OS2	agate grey	-VD, VG, FB		
(2)	95B 867 373 C	armrest (alcantara)	left	1	PR: 3LS, 4AH
	95B 867 373 C 2W0	Black	-FA		
	95B 867 373 C OU5	agate grey	-FB		
	95B 867 373 C 9U1	Luxor beige	-FC		
(2)	95B 867 374 C	armrest (alcantara)	right	1	PR: 3LS, 4AH
	95B 867 374 C 2W0	Black	-FA		
	95B 867 374 C OU5	agate grey	-FB		
	95B 867 374 C 9U1	Luxor beige	-FC		
3	N 911 809 01	Flat head multi-point socket bolt M5X20-W		1	
4	N 907 758 01	Hexagon socket head panel bolt ST4, 8X19-F		1	
5	N 106 213 01	expanding nut 5,0-F		1	

Model: 95B

Model life 2014>>



Model: 95B Model life 2014>>

Pos	Part Number	Description	Remark	Qty	Model
1	95B 867 211 A	door panel Leather Door panel trim (leather)	rear left	1	PR: 3LH, 3LM PR: 3Y0, 9MA, 9VK, 3LH
	95B 867 211 A A11	Discontinued part Black	-VK		
	95B 867 211 A 7J0	Luxor beige	-VM		
	95B 867 211 A OA1	agate grey	-VL		
	95B 867 211 A OK6	saddle brown	-VN		
1	95B 867 211 AF	Door panel trim (leather)	left	1	PR: 3Y0, 9MA, 9VK, 3LH
	95B 867 211 AF HHX	Black/Carmine Red	-FN		
	95B 867 211 AF HAG	Black/Rhodium Silver	-FK		
(1)	95B 867 212 A	Door panel trim (leather)	right	1	PR: 3Y0, 9MA, 9VK, 3LH
	95B 867 212 A A11	Discontinued part Black	-VK		
	95B 867 212 A 7J0	Luxor beige	-VM		
	95B 867 212 A OA1	agate grey	-VL		
	95B 867 212 A OK6	saddle brown	-VN		
(1)	95B 867 212 AF	Door panel trim (leather)	right	1	PR: 3Y0, 9MA, 9VK, 3LH
	95B 867 212 AF HHX	Black/Carmine Red	-FN		
	95B 867 212 AF HAG	Black/Rhodium Silver	-FK		
(1)	95B 867 211 B	Door panel trim (leather)	natur. leather left	1	PR: 3Y0, 9MA, 9VK, 3LM
	95B 867 211 B 6J0	Espresso	-VR		
(1)	95B 867 212 B	Door panel trim (leather)	natur. leather right	1	PR: 3Y0, 9MA, 9VK, 3LM
	95B 867 212 B 6J0	Espresso	-VR		
(1)	95B 867 211 AH	Door panel trim (leather)	left	1	PR: 3Y4, 9MA, 9VK, 3LH
	95B 867 211 AH A11	Black	-VK		
	95B 867 211 AH 7J0	Luxor beige	-VM		
	95B 867 211 AH OA1	agate grey	-VL		
	95B 867 211 AH OK6	saddle brown	-VN		
	95B 867 211 AH HHX	Black/Carmine Red	-FN		
	95B 867 211 AH HAG	Black/Rhodium Silver	-FK		
(1)	95B 867 212 AH	Door panel trim (leather)	right	1	PR: 3Y4, 9MA, 9VK, 3LH
	95B 867 212 AH A11	Black	-VK		
	95B 867 212 AH 7J0	Luxor beige	-VM		
	95B 867 212 AH OA1	agate grey	-VL		
	95B 867 212 AH OK6	saddle brown	-VN		
	95B 867 212 AH HHX	Black/Carmine Red	-FN		
	95B 867 212 AH HAG	Black/Rhodium Silver	-FK		
(1)	95B 867 211 F	Door panel trim (leather)	natur. leather left	1	PR: 3Y4, 9MA, 9VK, 3LM
	95B 867 211 F 6J0	Espresso	-VR		
(1)	95B 867 212 F	Door panel trim (leather)	natur. leather right	1	PR: 3Y4, 9MA, 9VK, 3LM
	95B 867 212 F 6J0	Espresso	-VR		
(1)	95B 867 211 J	Door panel trim (leather)	left	1	PR: 3Y0, 9MA, 9VL, 3LH
	95B 867 211 J A11	Discontinued part Black	-VK		
	95B 867 211 J 7J0	Luxor beige	-VM		
	95B 867 211 J OA1	agate grey	-VL		
	95B 867 211 J OK6	saddle brown	-VN		
(1)	95B 867 211 AJ	Door panel trim (leather)	left	1	PR: 3Y0, 9MA, 9VL, 3LH
	95B 867 211 AJ HHX	Black/Carmine Red	-FN		
	95B 867 211 AJ HAG	Black/Rhodium Silver	-FK		

Model: 95B Model life 2014>>

Pos	Part Number	Description	Remark	Qty	Model
(1)	95B 867 212 AJ	Door panel trim (leather)	right	1	PR:3Y0,9MA, 9VL,3LH
	95B 867 212 AJ A11	Black	-VK		
	95B 867 212 AJ 7J0	Luxor beige	-VM		
	95B 867 212 AJ OA1	agate grey	-VL		
	95B 867 212 AJ OK6	saddle brown	-VN		
	95B 867 212 AJ HHX	Black/Carmine Red	-FN		
	95B 867 212 AJ HAG	Black/Rhodium Silver	-FK		
(1)	95B 867 211 K	Door panel trim (leather)	natur. leather left	1	PR:3Y0,9MA, 9VL,3LM
	95B 867 211 K 6J0	Espresso	-VR		
(1)	95B 867 212 K	Door panel trim (leather)	natur. leather right	1	PR:3Y0,9MA, 9VL,3LM
	95B 867 212 K 6J0	Espresso	-VR		
(1)	95B 867 211 AK	Door panel trim (leather)	left	1	PR:3Y4,9MA, 9VL,3LH
	95B 867 211 AK A11	Black	-VK		
	95B 867 211 AK 7J0	Luxor beige	-VM		
	95B 867 211 AK OA1	agate grey	-VL		
	95B 867 211 AK OK6	saddle brown	-VN		
	95B 867 211 AK HHX	Black/Carmine Red	-FN		
	95B 867 211 AK HAG	Black/Rhodium Silver	-FK		
(1)	95B 867 212 AK	Door panel trim (leather)	right	1	PR:3Y4,9MA, 9VL,3LH
	95B 867 212 AK A11	Black	-VK		
	95B 867 212 AK 7J0	Luxor beige	-VM		
	95B 867 212 AK OA1	agate grey	-VL		
	95B 867 212 AK OK6	saddle brown	-VN		
	95B 867 212 AK HHX	Black/Carmine Red	-FN		
	95B 867 212 AK HAG	Black/Rhodium Silver	-FK		
(1)	95B 867 211 P	Door panel trim (leather)	natur. leather left	1	PR:3Y4,9MA, 9VL,3LM
	95B 867 211 P 6J0	Espresso	-VR		
(1)	95B 867 212 P	Door panel trim (leather)	natur. leather right	1	PR:3Y4,9MA, 9VL,3LM
	95B 867 212 P 6J0	Espresso	-VR		
(1)	95B 867 211 AL	Door panel trim (leather)	left	1	PR:3Y0,9MA, 9VJ,3LH
	95B 867 211 AL A11	Black	-VK		
	95B 867 211 AL 7J0	Luxor beige	-VM		
	95B 867 211 AL OA1	agate grey	-VL		
	95B 867 211 AL OK6	saddle brown	-VN		
	95B 867 211 AL HHX	Black/Carmine Red	-FN		
	95B 867 211 AL HAG	Black/Rhodium Silver	-FK		
(1)	95B 867 212 AL	Door panel trim (leather)	right	1	PR:3Y0,9MA, 9VJ,3LH
	95B 867 212 AL A11	Black	-VK		
	95B 867 212 AL 7J0	Luxor beige	-VM		
	95B 867 212 AL OA1	agate grey	-VL		
	95B 867 212 AL OK6	saddle brown	-VN		
	95B 867 212 AL HHX	Black/Carmine Red	-FN		
	95B 867 212 AL HAG	Black/Rhodium Silver	-FK		
(1)	95B 867 211 T	Door panel trim (leather)	natur. leather left	1	PR:3Y0,9MA, 9VJ,3LM
	95B 867 211 T 6J0	Espresso	-VR		
(1)	95B 867 212 T	Door panel trim (leather)	natur. leather right	1	PR:3Y0,9MA, 9VJ,3LM
	95B 867 212 T 6J0	Espresso	-VR		
(1)	95B 867 211 AG	Door panel trim (leather)	left	1	PR:3Y4,9MA, 9VJ,3LH
	95B 867 211 AG A11	Black	-VK		
	95B 867 211 AG 7J0	Luxor beige	-VM		
	95B 867 211 AG OA1	agate grey	-VL		

Model: 95B Model life 2014>>

Pos	Part Number	Description	Remark	Qty	Model			
(1)	95B 867 211 AG OK6	saddle brown	-VN	1	PR: 3Y4, 9MA, 9VJ, 3LH			
	95B 867 211 AG HHX	Black/Carmine Red	-FN					
	95B 867 211 AG HAG	Black/Rhodium Silver	-FK					
	95B 867 212 AG	Door panel trim (leather)	right					
	95B 867 212 AG A11	Black	-VK					
	95B 867 212 AG 7J0	Luxor beige	-VM					
	95B 867 212 AG OA1	agate grey	-VL					
	95B 867 212 AG OK6	saddle brown	-VN					
	95B 867 212 AG HHX	Black/Carmine Red	-FN					
	95B 867 212 AG HAG	Black/Rhodium Silver	-FK					
(1)	95B 867 211 AD	Door panel trim (leather)	natur. leather left	1	PR: 3Y4, 9MA, 9VJ, 3LM			
(1)	95B 867 211 AD 6J0	Espresso	-VR	1	PR: 3Y4, 9MA, 9VJ, 3LM			
(1)	95B 867 212 AD	Door panel trim (leather)	natur. leather right					
(1)	95B 867 212 AD 6J0	Espresso	-VR	1	PR: 3Y0, 9MB, 9VK, 3LH			
(1)	95B 867 305 AF	Door panel trim (leather)	left					
(1)	95B 867 305 AF A11	Black	-VK	1	PR: 3Y0, 9MB, 9VK, 3LH			
	95B 867 305 AF 7J0	Luxor beige	-VM					
	95B 867 305 AF OA1	agate grey	-VL					
	95B 867 305 AF OK6	saddle brown	-VN					
	95B 867 305 AF HHX	Black/Carmine Red	-FN					
	95B 867 305 AF HAG	Black/Rhodium Silver	-FK					
	95B 867 306 AF	Door panel trim (leather)	right					
	95B 867 306 AF A11	Black	-VK					
	95B 867 306 AF 7J0	Luxor beige	-VM					
	95B 867 306 AF OA1	agate grey	-VL					
(1)	95B 867 306 AF OK6	saddle brown	-VN	1	PR: 3Y0, 9MB, 9VK, 3LM			
	95B 867 306 AF HHX	Black/Carmine Red	-FN					
	95B 867 306 AF HAG	Black/Rhodium Silver	-FK					
	95B 867 305 B	Door panel trim (leather)	natur. leather left					
	95B 867 305 B 6J0	Espresso	-VR					
	(1)	95B 867 306 B	Door panel trim (leather)			natur. leather right	1	PR: 3Y0, 9MB, 9VK, 3LM
	(1)	95B 867 306 B 6J0	Espresso			-VR	1	PR: 3Y4, 9MB, 9VK, 3LH
	(1)	95B 867 305 AH	Door panel trim (leather)			left		
	(1)	95B 867 305 AH A11	Black			-VK	1	PR: 3Y4, 9MB, 9VK, 3LH
		95B 867 305 AH 7J0	Luxor beige			-VM		
95B 867 305 AH OA1		agate grey	-VL					
95B 867 305 AH OK6		saddle brown	-VN					
95B 867 305 AH HHX		Black/Carmine Red	-FN					
95B 867 305 AH HAG		Black/Rhodium Silver	-FK					
95B 867 306 AH		Door panel trim (leather)	right					
95B 867 306 AH A11		Black	-VK					
95B 867 306 AH 7J0		Luxor beige	-VM					
95B 867 306 AH OA1		agate grey	-VL					
(1)	95B 867 306 AH OK6	saddle brown	-VN	1	PR: 3Y4, 9MB, 9VK, 3LM			
	95B 867 306 AH HHX	Black/Carmine Red	-FN					
	95B 867 306 AH HAG	Black/Rhodium Silver	-FK					
	95B 867 305 F	door panel	natur. leather left					
	95B 867 305 F 6J0	Espresso	-VR					
	(1)	95B 867 306 F	door panel			natur. leather right	1	PR: 3Y4, 9MB, 9VK, 3LM
	(1)	95B 867 306 F 6J0	Espresso			-VR	1	PR: 3Y0, 9MB, 9VL, 3LH
	(1)	95B 867 305 AJ	Door panel trim (leather)			left		

Model: 95B Model life 2014>>

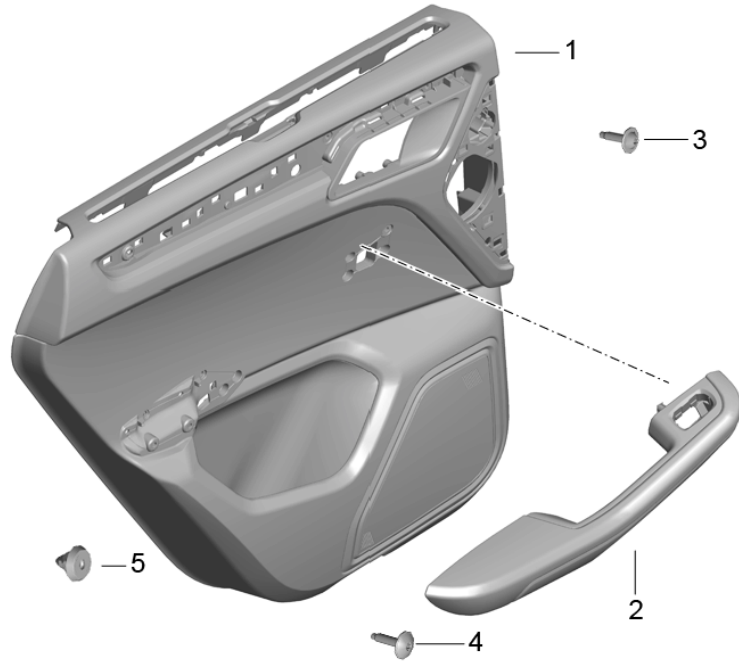
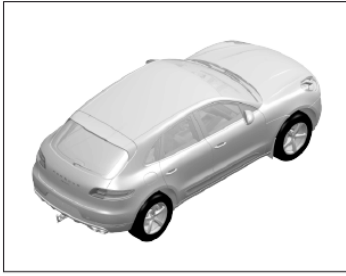
Pos	Part Number	Description	Remark	Qty	Model
	95B 867 305 AJ A11	Black	-VK		
	95B 867 305 AJ 7J0	Luxor beige	-VM		
	95B 867 305 AJ OA1	agate grey	-VL		
	95B 867 305 AJ OK6	saddle brown	-VN		
	95B 867 305 AJ HHX	Black/Carmine Red	-FN		
	95B 867 305 AJ HAG	Black/Rhodium Silver	-FK		
(1)	95B 867 306 AJ	Door panel trim (leather)	right	1	PR:3Y0,9MB, 9VL,3LH
	95B 867 306 AJ A11	Black	-VK		
	95B 867 306 AJ 7J0	Luxor beige	-VM		
	95B 867 306 AJ OA1	agate grey	-VL		
	95B 867 306 AJ OK6	saddle brown	-VN		
	95B 867 306 AJ HHX	Black/Carmine Red	-FN		
	95B 867 306 AJ HAG	Black/Rhodium Silver	-FK		
(1)	95B 867 305 K	Door panel trim (leather)	natur. leather left	1	PR:3Y0,9MB, 9VL,3LM
	95B 867 305 K 6J0	Espresso	-VR		
(1)	95B 867 306 K	Door panel trim (leather)	natur. leather right	1	PR:3Y0,9MB, 9VL,3LM
	95B 867 306 K 6J0	Espresso	-VR		
(1)	95B 867 305 AK	Door panel trim (leather)	left	1	PR:3Y4,9MB, 9VL,3LH
	95B 867 305 AK A11	Black	-VK		
	95B 867 305 AK 7J0	Luxor beige	-VM		
	95B 867 305 AK OA1	agate grey	-VL		
	95B 867 305 AK OK6	saddle brown	-VN		
	95B 867 305 AK HHX	Black/Carmine Red	-FN		
	95B 867 305 AK HAG	Black/Rhodium Silver	-FK		
(1)	95B 867 306 N	Door panel trim (leather)	right	1	PR:3Y4,9MB, 9VL,3LH
		Discontinued part			
	95B 867 306 N A11	Black	-VK		
	95B 867 306 N 7J0	Luxor beige	-VM		
	95B 867 306 N OA1	agate grey	-VL		
	95B 867 306 N OK6	saddle brown	-VN		
(1)	95B 867 306 AK	Door panel trim (leather)	right	1	PR:3Y4,9MB, 9VL,3LH
	95B 867 306 AK HHX	Black/Carmine Red	-FN		
	95B 867 306 AK HAG	Black/Rhodium Silver	-FK		
(1)	95B 867 305 P	Door panel trim (leather)	natur. leather left	1	PR:3Y4,9MB, 9VL,3LM
	95B 867 305 P 6J0	Espresso	-VR		
(1)	95B 867 306 P	Door panel trim (leather)	natur. leather right	1	PR:3Y4,9MB, 9VL,3LM
	95B 867 306 P 6J0	Espresso	-VR		
(1)	95B 867 305 AL	Door panel trim (leather)	left	1	PR:3Y0,9MB, 9VJ,3LH
	95B 867 305 AL A11	Black	-VK		
	95B 867 305 AL 7J0	Luxor beige	-VM		
	95B 867 305 AL OA1	agate grey	-VL		
	95B 867 305 AL OK6	saddle brown	-VN		
	95B 867 305 AL HHX	Black/Carmine Red	-FN		
	95B 867 305 AL HAG	Black/Rhodium Silver	-FK		
(1)	95B 867 306 AL	Door panel trim (leather)	right	1	PR:3Y0,9MB, 9VJ,3LH
	95B 867 306 AL A11	Black	-VK		
	95B 867 306 AL 7J0	Luxor beige	-VM		
	95B 867 306 AL OA1	agate grey	-VL		
	95B 867 306 AL OK6	saddle brown	-VN		
	95B 867 306 AL HHX	Black/Carmine Red	-FN		
	95B 867 306 AL HAG	Black/Rhodium Silver	-FK		
(1)	95B 867 305 T	Door panel trim (leather)	natur. leather left	1	PR:3Y0,9MB, 9VJ,3LM

Model: 95B Model life 2014>>

Pos	Part Number	Description	Remark	Qty	Model
(1)	95B 867 305 T 6J0 95B 867 306 T	Espresso Door panel trim (leather)	-VR natur. leather right	1	PR:3Y0,9MB, 9VJ,3LM
(1)	95B 867 306 T 6J0 95B 867 305 AG	Espresso Door panel trim (leather)	-VR left	1	PR:3Y4,9MB, 9VJ,3LH
	95B 867 305 AG A11	Black	-VK		
	95B 867 305 AG 7J0	Luxor beige	-VM		
	95B 867 305 AG OA1	agate grey	-VL		
	95B 867 305 AG OK6	saddle brown	-VN		
	95B 867 305 AG HHX	Black/Carmine Red	-FN		
	95B 867 305 AG HAG	Black/Rhodium Silver	-FK		
(1)	95B 867 306 AG	Door panel trim (leather)	right	1	PR:3Y4,9MB, 9VJ,3LH
	95B 867 306 AG A11	Black	-VK		
	95B 867 306 AG 7J0	Luxor beige	-VM		
	95B 867 306 AG OA1	agate grey	-VL		
	95B 867 306 AG OK6	saddle brown	-VN		
	95B 867 306 AG HHX	Black/Carmine Red	-FN		
	95B 867 306 AG HAG	Black/Rhodium Silver	-FK		
(1)	95B 867 305 AD	Door panel trim (leather)	natur. leather left	1	PR:3Y4,9MB, 9VJ,3LM
	95B 867 305 AD 6J0	Espresso	-VR		
(1)	95B 867 306 AD	Door panel trim (leather)	natur. leather right	1	PR:3Y4,9MB, 9VJ,3LM
	95B 867 306 AD 6J0	Espresso	-VR		
2	95B 867 373 A	armrest (leather)	left	1	PR:3LE,3LH, 3LT
	95B 867 373 A A11	Black	-VK		
	95B 867 373 A 7J0	Luxor beige	-VM		
	95B 867 373 A OA1	agate grey	-VL		
	95B 867 373 A OK6	saddle brown	-VN		
	95B 867 373 A HHX	Black/Carmine Red	-FN		
	95B 867 373 A HAG	Black/Rhodium Silver	-FK		
(2)	95B 867 374 A	armrest (leather)	right	1	PR:3LE,3LH, 3LT
	95B 867 374 A A11	Black	-VK		
	95B 867 374 A 7J0	Luxor beige	-VM		
	95B 867 374 A OA1	agate grey	-VL		
	95B 867 374 A OK6	saddle brown	-VN		
	95B 867 374 A HHX	Black/Carmine Red	-FN		
	95B 867 374 A HAG	Black/Rhodium Silver	-FK		
(2)	95B 867 373 B	armrest (leather)	natur. leather left	1	PR:3LM
	95B 867 373 B 6J0	Espresso	-VR		
(2)	95B 867 374 B	armrest (leather)	natur. leather right	1	PR:3LM
	95B 867 374 B 6J0	Espresso	-VR		
3	N 911 809 01	Flat head multi-point socket bolt M5X20-W		1	
4	N 907 758 01	Hexagon socket head panel bolt ST4,8X19-F		1	
5	N 106 213 01	expanding nut 5,0-F		1	

Model: 95B

Model life 2014>>



Model: 95B

Model life 2014>>

Pos	Part Number	Description	Remark	Qty	Model
		door panel Leather two-colour	rear		PR:3LT
1	95B 867 211 C	Door panel trim (leather)	left	1	PR:3Y0,9MA, 9VK
	95B 867 211 C CDR	two-colour Black/Carrera Red	-VO		
	95B 867 211 C CDS	Agate Grey/Pebble Grey	-VQ		
	95B 867 211 C CDT	Saddle Tan/Luxor Beige	-VP		
(1)	95B 867 212 C	Door panel trim (leather)	right	1	PR:3Y0,9MA, 9VK
	95B 867 212 C CDR	two-colour Black/Carrera Red	-VO		
	95B 867 212 C CDS	Agate Grey/Pebble Grey	-VQ		
	95B 867 212 C CDT	Saddle Tan/Luxor Beige	-VP		
(1)	95B 867 211 G	Door panel trim (leather)	left	1	PR:3Y4,9MA, 9VK
	95B 867 211 G CDR	two-colour Black/Carrera Red	-VO		
	95B 867 211 G CDS	Agate Grey/Pebble Grey	-VQ		
	95B 867 211 G CDT	Saddle Tan/Luxor Beige	-VP		
(1)	95B 867 212 G	Door panel trim (leather)	right	1	PR:3Y4,9MA, 9VK
	95B 867 212 G CDR	two-colour Black/Carrera Red	-VO		
	95B 867 212 G CDS	Agate Grey/Pebble Grey	-VQ		
	95B 867 212 G CDT	Saddle Tan/Luxor Beige	-VP		
(1)	95B 867 211 L	Door panel trim (leather)	left	1	PR:3Y0,9MA, 9VL
	95B 867 211 L CDR	two-colour Black/Carrera Red	-VO		
	95B 867 211 L CDS	Agate Grey/Pebble Grey	-VQ		
	95B 867 211 L CDT	Saddle Tan/Luxor Beige	-VP		
(1)	95B 867 212 L	Door panel trim (leather)	right	1	PR:3Y0,9MA, 9VL
	95B 867 212 L CDR	two-colour Black/Carrera Red	-VO		
	95B 867 212 L CDS	Agate Grey/Pebble Grey	-VQ		
	95B 867 212 L CDT	Saddle Tan/Luxor Beige	-VP		
(1)	95B 867 211 Q	Door panel trim (leather)	left	1	PR:3Y4,9MA, 9VL
	95B 867 211 Q CDR	two-colour Black/Carrera Red	-VO		
	95B 867 211 Q CDS	Agate Grey/Pebble Grey	-VQ		
	95B 867 211 Q CDT	Saddle Tan/Luxor Beige	-VP		
(1)	95B 867 212 Q	Door panel trim (leather)	right	1	PR:3Y4,9MA, 9VL
	95B 867 212 Q CDR	two-colour Black/Carrera Red	-VO		
	95B 867 212 Q CDS	Agate Grey/Pebble Grey	-VQ		
	95B 867 212 Q CDT	Saddle Tan/Luxor Beige	-VP		
(1)	95B 867 211 AA	Door panel trim (leather)	left	1	PR:3Y0,9MA, 9VJ
	95B 867 211 AA CDR	two-colour Black/Carrera Red	-VO		
	95B 867 211 AA CDS	Agate Grey/Pebble Grey	-VQ		
	95B 867 211 AA CDT	Saddle Tan/Luxor Beige	-VP		
(1)	95B 867 212 AA	Door panel trim (leather)	right	1	PR:3Y0,9MA, 9VJ
	95B 867 212 AA CDR	two-colour Black/Carrera Red	-VO		
	95B 867 212 AA CDS	Agate Grey/Pebble Grey	-VQ		
	95B 867 212 AA CDT	Saddle Tan/Luxor Beige	-VP		

Model: 95B Model life 2014>>

Pos	Part Number	Description	Remark	Qty	Model
(1)	95B 867 211 AE	Door panel trim (leather)	left	1	PR:3Y4,9MA,9VJ
		two-colour			
	95B 867 211 AE CDR	Black/Carrera Red	-VO		
	95B 867 211 AE CDS	Agate Grey/Pebble Grey	-VQ		
	95B 867 211 AE CDT	Saddle Tan/Luxor Beige	-VP		
(1)	95B 867 212 AE	Door panel trim (leather)	right	1	PR:3Y4,9MA,9VJ
		two-colour			
	95B 867 212 AE CDR	Black/Carrera Red	-VO		
	95B 867 212 AE CDS	Agate Grey/Pebble Grey	-VQ		
	95B 867 212 AE CDT	Saddle Tan/Luxor Beige	-VP		
(1)	95B 867 305 C	Door panel trim (leather)	left	1	PR:3Y0,9MB,9VK
		two-colour			
	95B 867 305 C CDR	Black/Carrera Red	-VO		
	95B 867 305 C CDS	Agate Grey/Pebble Grey	-VQ		
	95B 867 305 C CDT	Saddle Tan/Luxor Beige	-VP		
(1)	95B 867 306 C	Door panel trim (leather)	right	1	PR:3Y0,9MB,9VK
		two-colour			
	95B 867 306 C CDR	Black/Carrera Red	-VO		
	95B 867 306 C CDS	Agate Grey/Pebble Grey	-VQ		
	95B 867 306 C CDT	Saddle Tan/Luxor Beige	-VP		
(1)	95B 867 305 G	Door panel trim (leather)	left	1	PR:3Y4,9MB,9VK
		two-colour			
	95B 867 305 G CDR	Black/Carrera Red	-VO		
	95B 867 305 G CDS	Agate Grey/Pebble Grey	-VQ		
	95B 867 305 G CDT	Saddle Tan/Luxor Beige	-VP		
(1)	95B 867 306 G	Door panel trim (leather)	right	1	PR:3Y4,9MB,9VK
		two-colour			
	95B 867 306 G CDR	Black/Carrera Red	-VO		
	95B 867 306 G CDS	Agate Grey/Pebble Grey	-VQ		
	95B 867 306 G CDT	Saddle Tan/Luxor Beige	-VP		
(1)	95B 867 305 L	Door panel trim (leather)	left	1	PR:3Y0,9MB,9VL
		two-colour			
	95B 867 305 L CDR	Black/Carrera Red	-VO		
	95B 867 305 L CDS	Agate Grey/Pebble Grey	-VQ		
	95B 867 305 L CDT	Saddle Tan/Luxor Beige	-VP		
(1)	95B 867 306 L	Door panel trim (leather)	right	1	PR:3Y0,9MB,9VL
		two-colour			
	95B 867 306 L CDR	Black/Carrera Red	-VO		
	95B 867 306 L CDS	Agate Grey/Pebble Grey	-VQ		
	95B 867 306 L CDT	Saddle Tan/Luxor Beige	-VP		
(1)	95B 867 305 Q	Door panel trim (leather)	left	1	PR:3Y4,9MB,9VL
		two-colour			
	95B 867 305 Q CDR	Black/Carrera Red	-VO		
	95B 867 305 Q CDS	Agate Grey/Pebble Grey	-VQ		
	95B 867 305 Q CDT	Saddle Tan/Luxor Beige	-VP		
(1)	95B 867 306 Q	Door panel trim (leather)	right	1	PR:3Y4,9MB,9VL
		two-colour			
	95B 867 306 Q CDR	Black/Carrera Red	-VO		
	95B 867 306 Q CDS	Agate Grey/Pebble Grey	-VQ		
	95B 867 306 Q CDT	Saddle Tan/Luxor Beige	-VP		
(1)	95B 867 305 AA	Door panel trim (leather)	left	1	PR:3Y0,9MB,9VJ
		two-colour			

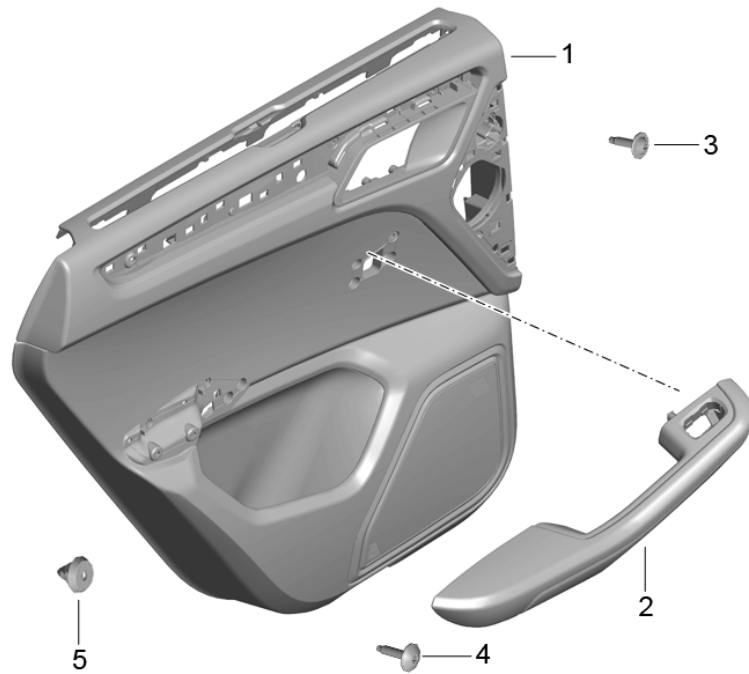
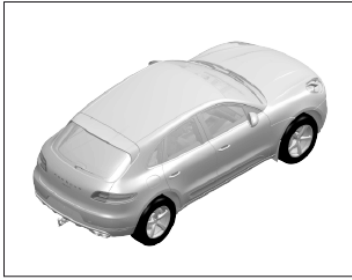
Model: 95B

Model life 2014>>

Pos	Part Number	Description	Remark	Qty	Model
(1)	95B 867 305 AA CDR	Black/Carrera Red	-VO	1	PR:3Y0,9MB, 9VJ
	95B 867 305 AA CDS	Agate Grey/Pebble Grey	-VQ		
	95B 867 305 AA CDT	Saddle Tan/Luxor Beige	-VP		
	95B 867 306 AA	Door panel trim (leather)	right		
(1)		two-colour		1	PR:3Y4,9MB, 9VJ
	95B 867 306 AA CDR	Black/Carrera Red	-VO		
	95B 867 306 AA CDS	Agate Grey/Pebble Grey	-VQ		
	95B 867 306 AA CDT	Saddle Tan/Luxor Beige	-VP		
(1)	95B 867 305 AE	Door panel trim (leather)	left	1	PR:3Y4,9MB, 9VJ
(1)		two-colour		1	PR:3Y4,9MB, 9VJ
	95B 867 305 AE CDR	Black/Carrera Red	-VO		
	95B 867 305 AE CDS	Agate Grey/Pebble Grey	-VQ		
	95B 867 305 AE CDT	Saddle Tan/Luxor Beige	-VP		
(1)	95B 867 306 AE	Door panel trim (leather)	right	1	PR:3Y4,9MB, 9VJ
(1)		two-colour		1	PR:3LT,3Y0, 9MB,9VL
	95B 867 306 AE CDR	Black/Carrera Red	-VO		
	95B 867 306 AE CDS	Agate Grey/Pebble Grey	-VQ		
	95B 867 306 AE CDT	Saddle Tan/Luxor Beige	-VP		
(1)	95B 867 305 AR	Door panel trim (leather)	rear	1	PR:3LT,3Y0, 9MB,9VL
(1)		two-colour		1	PR:3LT,3Y0, 9MB,9VL
	95B 867 305 AR AAE	Black/Luxor Beige	-TB		
(1)	95B 867 306 AR	Door panel trim (leather)	rear	1	PR:3LT,3Y0, 9MB,9VL
2		two-colour		1	PR:3LE,3LH, 3LT
	95B 867 306 AR AAE	Black/Luxor Beige	-TB		
(2)	95B 867 373 A	armrest (leather)	left	1	PR:3LE,3LH, 3LT
(2)	95B 867 373 A OG3	Carrera Red	-VO	1	PR:3LE,3LH, 3LT
	95B 867 373 A OD4	flint grey	-VQ		
	95B 867 373 A 7J0	Luxor beige	-VP		
	95B 867 374 A	armrest (leather)	right		
3		two-colour		1	PR:3LE,3LH, 3LT
	95B 867 374 A OG3	Carrera Red	-VO		
	95B 867 374 A OD4	flint grey	-VQ		
4		two-colour		1	PR:3LE,3LH, 3LT
	95B 867 374 A 7J0	Luxor beige	-VP		
	N 911 809 01	Flat head multi-point socket bolt M5X20-W			
4	N 907 758 01	Hexagon socket head panel bolt ST4,8X19-F		1	
5	N 106 213 01	expanding nut 5,0-F		1	

Model: 95B

Model life 2014>>



Model: 95B Model life 2014>>

Pos	Part Number	Description	Remark	Qty	Model
		door panel Leather Alcantara	rear		PR:3LS
1	95B 867 211 AF	Door panel trim (leather)	left	1	PR:3Y0,9MA, 9VK
	95B 867 211 AF A11	Black	-FF		
	95B 867 211 AF 7J0	Luxor beige	-FH		
	95B 867 211 AF OA1	agate grey	-FM		
	95B 867 211 AF OK6	saddle brown	-FI		
	95B 867 211 AF HHX	Black/Carmine Red	-FL		
	95B 867 211 AF HAG	Black/Rhodium Silver	-FE,TS		
	95B 867 211 AF HAT	Black/Carrera Red	-TR		
(1)	95B 867 212 AF	Door panel trim (leather)	right	1	PR:3Y0,9MA, 9VK
	95B 867 212 AF A11	Black	-FF		
	95B 867 212 AF 7J0	Luxor beige	-FH		
	95B 867 212 AF OA1	agate grey	-FM		
	95B 867 212 AF OK6	saddle brown	-FI		
	95B 867 212 AF HHX	Black/Carmine Red	-FL		
	95B 867 212 AF HAG	Black/Rhodium Silver	-FE,TS		
	95B 867 212 AF HAT	Black/Carrera Red	-TR		
(1)	95B 867 211 AH	Door panel trim (leather)	left	1	PR:3Y4,9MA, 9VK
	95B 867 211 AH A11	Black	-FF		
	95B 867 211 AH 7J0	Luxor beige	-FH		
	95B 867 211 AH OA1	agate grey	-FM		
	95B 867 211 AH OK6	saddle brown	-FI		
	95B 867 211 AH HHX	Black/Carmine Red	-FL		
	95B 867 211 AH HAG	Black/Rhodium Silver	-FE,TS		
	95B 867 211 AH HAT	Black/Carrera Red	-TR		
(1)	95B 867 212 AH	Door panel trim (leather)	right	1	PR:3Y4,9MA, 9VK
	95B 867 212 AH A11	Black	-FF		
	95B 867 212 AH 7J0	Luxor beige	-FH		
	95B 867 212 AH OA1	agate grey	-FM		
	95B 867 212 AH OK6	saddle brown	-FI		
	95B 867 212 AH HHX	Black/Carmine Red	-FL		
	95B 867 212 AH HAG	Black/Rhodium Silver	-FE,TS		
	95B 867 212 AH HAT	Black/Carrera Red	-TR		
(1)	95B 867 211 AJ	Door panel trim (leather)	left	1	PR:3Y0,9MA, 9VL
	95B 867 211 AJ A11	Black	-FF		
	95B 867 211 AJ 7J0	Luxor beige	-FH		
	95B 867 211 AJ OA1	agate grey	-FM		
	95B 867 211 AJ OK6	saddle brown	-FI		
	95B 867 211 AJ HHX	Black/Carmine Red	-FL		
	95B 867 211 AJ HAG	Black/Rhodium Silver	-FE,TS		
	95B 867 211 AJ HAT	Black/Carrera Red	-TR		
(1)	95B 867 212 AJ	Door panel trim (leather)	right	1	PR:3Y0,9MA, 9VL
	95B 867 212 AJ A11	Black	-FF		
	95B 867 212 AJ 7J0	Luxor beige	-FH		
	95B 867 212 AJ OA1	agate grey	-FM		
	95B 867 212 AJ OK6	saddle brown	-FI		
	95B 867 212 AJ HHX	Black/Carmine Red	-FL		
	95B 867 212 AJ HAG	Black/Rhodium Silver	-FE,TS		
	95B 867 212 AJ HAT	Black/Carrera Red	-TR		
(1)	95B 867 211 AK	Door panel trim (leather)	left	1	PR:3Y4,9MA, 9VL
	95B 867 211 AK A11	Black	-FF		
	95B 867 211 AK 7J0	Luxor beige	-FH		
	95B 867 211 AK OA1	agate grey	-FM		
	95B 867 211 AK OK6	saddle brown	-FI		

Model: 95B Model life 2014>>

Pos	Part Number	Description	Remark	Qty	Model
(1)	95B 867 211 AK HHX	Black/Carmine Red	-FL	1	PR:3Y4,9MA, 9VL
	95B 867 211 AK HAG	Black/Rhodium Silver	-FE,TS		
	95B 867 211 AK HAT	Black/Carrera Red	-TR		
	95B 867 212 AK	Door panel trim (leather)	right		
	95B 867 212 AK A11	Black	-FF		
	95B 867 212 AK 7J0	Luxor beige	-FH		
	95B 867 212 AK OA1	agate grey	-FM		
	95B 867 212 AK OK6	saddle brown	-FI		
	95B 867 212 AK HHX	Black/Carmine Red	-FL		
	95B 867 212 AK HAG	Black/Rhodium Silver	-FE,TS		
(1)	95B 867 212 AK HAT	Black/Carrera Red	-TR	1	PR:3Y0,9MA, 9VJ
	95B 867 211 AL	Door panel trim (leather)	left		
	95B 867 211 AL A11	Black	-FF		
	95B 867 211 AL 7J0	Luxor beige	-FH		
	95B 867 211 AL OA1	agate grey	-FM		
	95B 867 211 AL OK6	saddle brown	-FI		
	95B 867 211 AL HHX	Black/Carmine Red	-FL		
	95B 867 211 AL HAG	Black/Rhodium Silver	-FE,TS		
	95B 867 211 AL HAT	Black/Carrera Red	-TR		
	95B 867 212 AL	Door panel trim (leather)	right		
(1)	95B 867 212 AL A11	Black	-FF	1	PR:3Y0,9MA, 9VJ
	95B 867 212 AL 7J0	Luxor beige	-FH		
	95B 867 212 AL OA1	agate grey	-FM		
	95B 867 212 AL OK6	saddle brown	-FI		
	95B 867 212 AL HHX	Black/Carmine Red	-FL		
	95B 867 212 AL HAG	Black/Rhodium Silver	-FE,TS		
	95B 867 212 AL HAT	Black/Carrera Red	-TR		
	95B 867 211 AG	Door panel trim (leather)	left		
	95B 867 211 AG A11	Black	-FF		
	95B 867 211 AG 7J0	Luxor beige	-FH		
(1)	95B 867 211 AG OA1	agate grey	-FM	1	PR:3Y4,9MA, 9VJ
	95B 867 211 AG OK6	saddle brown	-FI		
	95B 867 211 AG HHX	Black/Carmine Red	-FL		
	95B 867 211 AG HAG	Black/Rhodium Silver	-FE,TS		
	95B 867 211 AG HAT	Black/Carrera Red	-TR		
	95B 867 212 AG	Door panel trim (leather)	right		
	95B 867 212 AG A11	Black	-FF		
	95B 867 212 AG 7J0	Luxor beige	-FH		
	95B 867 212 AG OA1	agate grey	-FM		
	95B 867 212 AG OK6	saddle brown	-FI		
(1)	95B 867 212 AG HHX	Black/Carmine Red	-FL	1	PR:3Y0,9MB, 9VK
	95B 867 212 AG HAG	Black/Rhodium Silver	-FE,TS		
	95B 867 212 AG HAT	Black/Carrera Red	-TR		
	95B 867 305 AF	Door panel trim (leather)	left		
	95B 867 305 AF A11	Black	-FF		
	95B 867 305 AF 7J0	Luxor beige	-FH		
	95B 867 305 AF OA1	agate grey	-FM		
	95B 867 305 AF OK6	saddle brown	-FI		
	95B 867 305 AF HHX	Black/Carmine Red	-FL		
	95B 867 305 AF HAG	Black/Rhodium Silver	-FE,TS		
(1)	95B 867 305 AF HAT	Black/Carrera Red	-TR	1	PR:3Y0,9MB, 9VK
	95B 867 306 AF	Door panel trim (leather)	right		
	95B 867 306 AF A11	Black	-FF		
	95B 867 306 AF 7J0	Luxor beige	-FH		
	95B 867 306 AF OA1	agate grey	-FM		
	95B 867 306 AF OK6	saddle brown	-FI		

Model: 95B Model life 2014>>

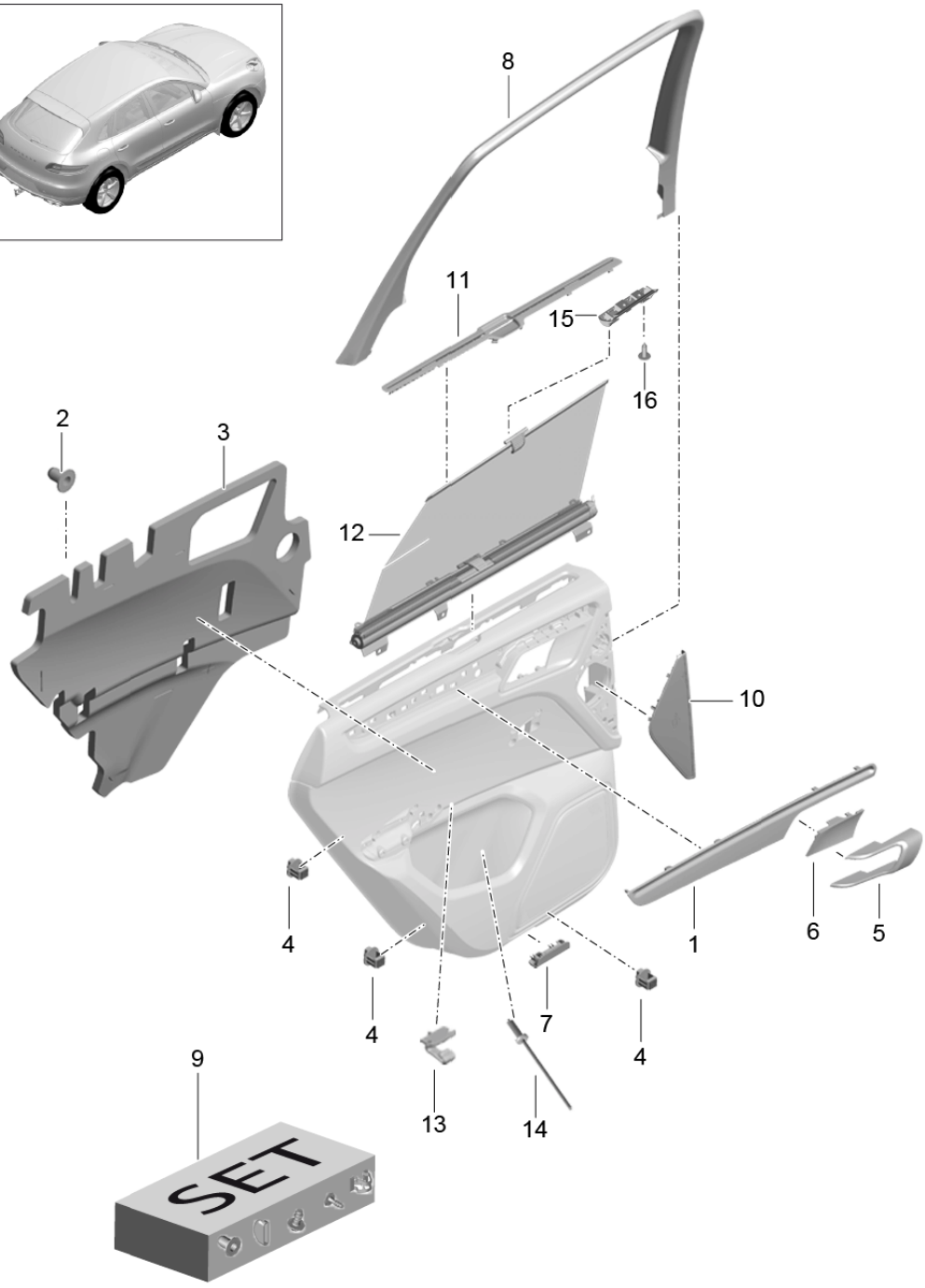
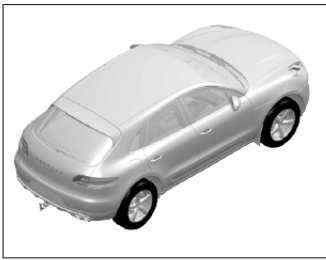
Pos	Part Number	Description	Remark	Qty	Model
(1)	95B 867 306 AF HHX	Black/Carmine Red	-FL	1	PR:3Y4,9MB, 9VK
	95B 867 306 AF HAG	Black/Rhodium Silver	-FE,TS		
	95B 867 306 AF HAT	Black/Carrera Red	-TR		
	95B 867 305 AH	Door panel trim (leather)	left		
	95B 867 305 AH A11	Black	-FF		
	95B 867 305 AH 7J0	Luxor beige	-FH		
	95B 867 305 AH OA1	agate grey	-FM		
	95B 867 305 AH OK6	saddle brown	-FI		
	95B 867 305 AH HHX	Black/Carmine Red	-FL		
	95B 867 305 AH HAG	Black/Rhodium Silver	-FE,TS		
(1)	95B 867 305 AH HAT	Black/Carrera Red	-TR	1	PR:3Y4,9MB, 9VK
	95B 867 306 AH	Door panel trim (leather)	right		
	95B 867 306 AH A11	Black	-FF		
	95B 867 306 AH 7J0	Luxor beige	-FH		
	95B 867 306 AH OA1	agate grey	-FM		
	95B 867 306 AH OK6	saddle brown	-FI		
	95B 867 306 AH HHX	Black/Carmine Red	-FL		
	95B 867 306 AH HAG	Black/Rhodium Silver	-FE,TS		
	95B 867 306 AH HAT	Black/Carrera Red	-TR		
	95B 867 305 AJ	Door panel trim (leather)	left		
(1)	95B 867 305 AJ A11	Black	-FF	1	PR:3Y0,9MB, 9VL
	95B 867 305 AJ 7J0	Luxor beige	-FH		
	95B 867 305 AJ OA1	agate grey	-FM		
	95B 867 305 AJ OK6	saddle brown	-FI		
	95B 867 305 AJ HHX	Black/Carmine Red	-FL		
	95B 867 305 AJ HAG	Black/Rhodium Silver	-FE,TS		
	95B 867 305 AJ HAT	Black/Carrera Red	-TR		
	95B 867 306 AJ	Door panel trim (leather)	right		
	95B 867 306 AJ A11	Black	-FF		
	95B 867 306 AJ 7J0	Luxor beige	-FH		
(1)	95B 867 306 AJ OA1	agate grey	-FM	1	PR:3Y4,9MB, 9VL
	95B 867 306 AJ OK6	saddle brown	-FI		
	95B 867 306 AJ HHX	Black/Carmine Red	-FL		
	95B 867 306 AJ HAG	Black/Rhodium Silver	-FE,TS		
	95B 867 306 AJ HAT	Black/Carrera Red	-TR		
	95B 867 305 AK	Door panel trim (leather)	left		
	95B 867 305 AK A11	Black	-FF		
	95B 867 305 AK 7J0	Luxor beige	-FH		
	95B 867 305 AK OA1	agate grey	-FM		
	95B 867 305 AK OK6	saddle brown	-FI		
(1)	95B 867 305 AK HHX	Black/Carmine Red	-FL	1	PR:3Y4,9MB, 9VL
	95B 867 305 AK HAG	Black/Rhodium Silver	-FE,TS		
	95B 867 305 AK HAT	Black/Carrera Red	-TR		
	95B 867 306 AK	Door panel trim (leather)	right		
	95B 867 306 AK A11	Black	-FF		
	95B 867 306 AK 7J0	Luxor beige	-FH		
	95B 867 306 AK OA1	agate grey	-FM		
	95B 867 306 AK OK6	saddle brown	-FI		
	95B 867 306 AK HHX	Black/Carmine Red	-FL		
	95B 867 306 AK HAG	Black/Rhodium Silver	-FE,TS		
(1)	95B 867 306 AK HAT	Black/Carrera Red	-TR	1	PR:3Y0,9MB, 9VJ
	95B 867 305 AL	Door panel trim (leather)	left		
	95B 867 305 AL A11	Black	-FF		
	95B 867 305 AL 7J0	Luxor beige	-FH		
	95B 867 305 AL OA1	agate grey	-FM		
	95B 867 305 AL OK6	saddle brown	-FI		

Model: 95B Model life 2014>>

Pos	Part Number	Description	Remark	Qty	Model
(1)	95B 867 305 AL HHX	Black/Carmine Red	-FL	1	PR:3Y0,9MB, 9VJ
	95B 867 305 AL HAG	Black/Rhodium Silver	-FE,TS		
	95B 867 305 AL HAT	Black/Carrera Red	-TR		
	95B 867 306 AL	Door panel trim (leather)	right		
	95B 867 306 AL A11	Black	-FF		
	95B 867 306 AL 7J0	Luxor beige	-FH		
	95B 867 306 AL OA1	agate grey	-FM		
	95B 867 306 AL OK6	saddle brown	-FI		
	95B 867 306 AL HHX	Black/Carmine Red	-FL		
	95B 867 306 AL HAG	Black/Rhodium Silver	-FE,TS		
(1)	95B 867 306 AL HAT	Black/Carrera Red	-TR	1	PR:3Y4,9MB, 9VJ
	95B 867 305 AG	Door panel trim (leather)	left		
	95B 867 305 AG A11	Black	-FF		
	95B 867 305 AG 7J0	Luxor beige	-FH		
	95B 867 305 AG OA1	agate grey	-FM		
	95B 867 305 AG OK6	saddle brown	-FI		
	95B 867 305 AG HHX	Black/Carmine Red	-FL		
	95B 867 305 AG HAG	Black/Rhodium Silver	-FE,TS		
	95B 867 305 AG HAT	Black/Carrera Red	-TR		
	95B 867 306 AG	Door panel trim (leather)	right		
2	95B 867 306 AG A11	Black	-FF	1	PR:4AH
	95B 867 306 AG 7J0	Luxor beige	-FH		
	95B 867 306 AG OA1	agate grey	-FM		
	95B 867 306 AG OK6	saddle brown	-FI		
	95B 867 306 AG HHX	Black/Carmine Red	-FL		
	95B 867 306 AG HAG	Black/Rhodium Silver	-FE,TS		
	95B 867 306 AG HAT	Black/Carrera Red	-TR		
	95B 867 373 C	armrest (alcantara)	left		
	95B 867 373 C 2W0	Black	-FF		
	95B 867 373 C OU5	agate grey	-FM		
2	95B 867 373 C 9U1	Luxor beige	-FH	1	PR:4AH
	95B 867 373 C OP2	saddle brown	-FI		
	95B 867 373 C HMO	Black/Carmine Red	-FL		
	95B 867 373 C HNO	Black/Rhodium Silver	-FE,TS		
	95B 867 373 C HYI	Black/Carrera Red	-TR		
	95B 867 374 C	armrest (alcantara)	right		
	95B 867 374 C 2W0	Black	-FF		
	95B 867 374 C OU5	agate grey	-FM		
	95B 867 374 C 9U1	Luxor beige	-FH		
	95B 867 374 C OP2	saddle brown	-FI		
3	95B 867 374 C HMO	Black/Carmine Red	-FL	1	
	95B 867 374 C HNO	Black/Rhodium Silver	-FE,TS		
	95B 867 374 C HYI	Black/Carrera Red	-TR		
	N 911 809 01	Flat head multi-point socket bolt M5X20-W			
	N 907 758 01	Hexagon socket head panel bolt ST4,8X19-F			
5	N 106 213 01	expanding nut 5,0-F		1	

Model: 95B

Model life 2014>>



Model: 95B

Model life 2014>>

Pos	Part Number	Description	Remark	Qty	Model
		Accessories	rear		
1	95B 867 061	door panel			
		molding for door trim	left	1	PR:5MA
		panel			
		Paint			
	95B 867 061 5Q0	Black			
(1)	95B 867 062	molding for door trim	right	1	PR:5MA
		panel			
		Paint			
	95B 867 062 5Q0	Black			
(1)	95B 867 061 A	molding for door trim	left	1	PR:5MP
		panel			
	95B 867 061 A OE9	American Walnut			
(1)	95B 867 062 A	molding for door trim	right	1	PR:5MP
		panel			
	95B 867 062 A OE9	American Walnut			
(1)	95B 867 061 C	molding for door trim	left	1	PR:5MH
		panel			
	95B 867 061 C OH3	Carbon			
(1)	95B 867 062 C	molding for door trim	right	1	PR:5MH
		panel			
	95B 867 062 C OH3	Carbon			
(1)	95B 867 061 D	molding for door trim	left	1	PR:5TL
		panel			
	95B 867 061 D OT1	Highly polished/piano-black			
		look			
(1)	95B 867 062 D	molding for door trim	right	1	PR:5TL
		panel			
	95B 867 062 D OT1	Highly polished/piano-black			
		look			
(1)	95B 867 061 E	molding for door trim	left	1	PR:5TE
		panel			
	95B 867 061 E U03	aluminium			
(1)	95B 867 062 E	molding for door trim	right	1	PR:5TE
		panel			
	95B 867 062 E U03	aluminium			
(1)	95B 867 061 F	molding for door trim	left	1	PR:7TK
		panel			
	95B 867 061 F OA7	Light Oak			
(1)	95B 867 062 F	molding for door trim	right	1	PR:7TK
		panel			
	95B 867 062 F OA7	Light Oak			
(1)	95B 867 061 G	molding for door trim	left	1	PR:5TH
		panel			
	95B 867 061 G OR2	Aluminium Black			
(1)	95B 867 062 G	molding for door trim	right	1	PR:5TH
		panel			
	95B 867 062 G OR2	Aluminium Black			
2	958 552 900 00	Grommet		2	
3	95B 863 981	sound abs. for door trim panel		2	
4	970 537 557 00	Bracket for door trim		16	
		Trim			
5	95B 837 019	Inner actuator	left	1	
	95B 837 019 GT8	Galvano silver			
(5)	95B 837 020	Inner actuator	right	1	
	95B 837 020 GT8	Galvano silver			
6	95B 837 095 B	Cover	left	1	PR:9MA
		Inner actuator			
	95B 837 095 B 1E0	Black			
(6)	95B 837 096 B	Cover panel	right	1	PR:9MA
		Inner actuator			
	95B 837 096 B 1E0	Black			
(6)	95B 837 095 C	Cover panel	left	1	PR:9MB

Model: 95B Model life 2014>>

Pos	Part Number	Description	Remark	Qty	Model
(6)	95B 837 095 C 1E0	Inner actuator Black			
	95B 837 096 C	Cover panel	right	1	PR:9MB
7	95B 837 096 C 1E0	Inner actuator Black			
	1K0 947 419 A	rear light reflector		2	
(7)	1K0 947 411 C	Door warning light		2	
8	95B 867 671 B	Door Trim for window frame	left basic	1	PR:3Y0
	95B 867 671 B 1E0	Black			
(8)	95B 867 672 B	Trim for window frame	right basic	1	PR:3Y0
(8)	95B 867 672 B 1E0	Black			
	95B 867 671 C	Trim for window frame	left	1	PR:3Y4
(8)	95B 867 671 C 1E0	roller blind Black			
	95B 867 672 C	Trim for window frame	right	1	PR:3Y4
9	95B 867 672 C 1E0	roller blind Black			
	95B 898 101	Repair set for door panel trims	rear	1	
10	95B 035 793	Loudspeaker trim	left	1	
	95B 035 793 1E0	Mid tone speaker Black			
(10)	95B 035 793 4H0	Luxor beige	-VC, VJ, VF, VI, VU, VK, VX, VZ		
	95B 035 793 OP1	agate grey	-VE, VH, VM, VP		
(10)	95B 035 793 OM8	saddle brown	-VD, VG, VL		
	95B 035 793 7N0	Espresso	-VN		
(10)	95B 035 793 OV4	flint grey	-VR		
	95B 035 793 OW5	Carrera Red	-VQ		
(10)	95B 035 794	Loudspeaker trim	right	1	
	95B 035 794 1E0	Mid tone speaker Black			
(10)	95B 035 794 4H0	Luxor beige	-VC, VJ, VF, VI, VU, VK, VX, VZ		
	95B 035 794 OP1	agate grey	-VE, VH, VM, VP		
(10)	95B 035 794 OM8	saddle brown	-VD, VG, VL		
	95B 035 794 7N0	Espresso	-VN		
(10)	95B 035 794 OV4	flint grey	-VR		
	95B 035 794 OW5	Carrera Red	-VQ		
(11)	95B 860 379	cover for door trim panel	left	1	PR:3Y4
	95B 860 379 5Q0	roller blind Black			
(11)	95B 860 379 6W0	Luxor beige	-VC, VJ, VF, VI, VU, VK, VO, VX, VZ		
	95B 860 379 OA6	agate grey	-VE, VH, VM		
(11)	95B 860 379 OL7	saddle brown	-VD, VG, VL, VQ		
	95B 860 379 3T0	Espresso	-VN, VP		
(11)	95B 860 380	cover for door trim panel	right	1	PR:3Y4
	95B 860 380 5Q0	roller blind Black			
(11)	95B 860 380 6W0	Luxor beige	-VC, VJ, VF, VI, VU, VK, VO, VX, VZ		
	95B 860 380 OA6	agate grey	-VE, VH, VM		
(11)	95B 860 380 OL7	saddle brown	-VD, VG, VL, VQ		
	95B 860 380 3T0	Espresso	-VN, VP		
12	95B 861 333	roller blind	left	1	PR:3Y4

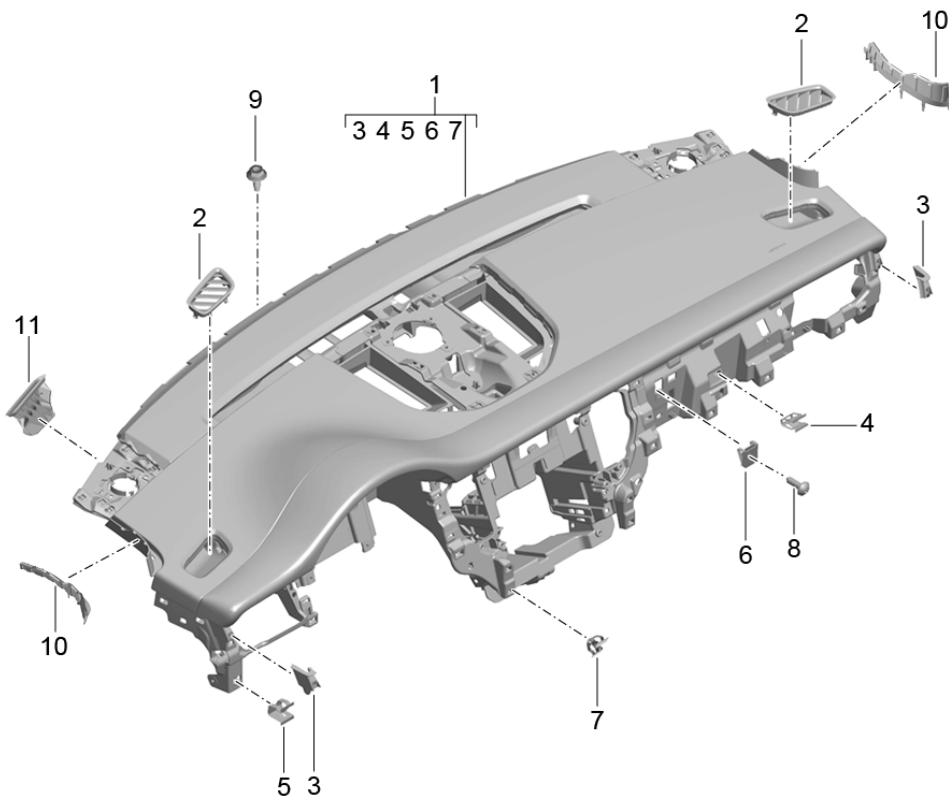
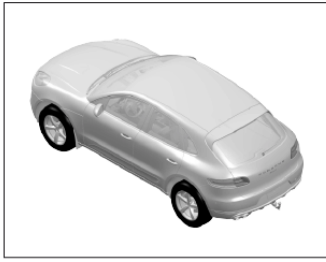
Model: 95B

Model life 2014>>

Pos	Part Number	Description	Remark	Qty	Model
(12)	95B 861 333 3W4 95B 861 334	door panel Black roller blind	right	1	PR:3Y4
13	95B 861 334 3W4 955 645 982 07	door panel Black Hooks Rear seat entertainment system Headphones		2	PR:9WM
14	955 645 982 07 1E0 999 190 240 30	Black Pop rivet 3,2X11,0		4	
15	95B 861 789	Retainer plate roller		2	
16	95B 861 789 1E0 WHT 003 434 A	Black fillister hd. bolt 3,5X13,0		2	PR:3Y4 PR:3Y4

Model: 95B

Model life 2014>>



Model: 95B Model life 2014>>

Pos	Part Number	Description	Remark	Qty	Model
1	95B 857 003 R	Instrument panel trim Upper part with: Fasteners Instrument panel trim Upper part D >> - MJ 2016	lhd	1	PR:L0L,4N1, 4N9
	95B 857 003 R DK4	Black	-VC,VX		
	95B 857 003 R OS2	agate grey	-VD		
	95B 857 003 R DM5	Luxor beige	-VE		
(1)	95B 857 003 BC	Instrument panel trim Upper part D - MJ 2017>>	lhd	1	PR:L0L,4N1, 4N9
	95B 857 003 BC DK4	Black	-VC,VX		
	95B 857 003 BC OS2	agate grey	-VD		
	95B 857 003 BC DM5	Luxor beige	-VE		
(1)	95B 857 003 T	Instrument panel trim Upper part Leather D >> - MJ 2016	lhd	1	PR:L0L,4N2, 4N3,4N8
	95B 857 003 T A11	Black	-VF,VK		
	95B 857 003 T OA1	agate grey	-VG,VL		
	95B 857 003 T 7J0	Luxor beige	-VH,VM		
	95B 857 003 T HAT	Black/Carrera Red	-VI,VU,VO		
	95B 857 003 T HAS	Black/Saddle Tan	-VJ		
	95B 857 003 T OK6	saddle brown	-VN		
	95B 857 003 T HAU	Saddle Tan/Luxor Beige	-VP		
	95B 857 003 T HAV	Agate Grey/Pebble Grey	-VQ		
(1)	95B 857 003 AL	Instrument panel trim Upper part Leather D - MJ 2017>>	lhd	1	PR:L0L,4N2, 4N3,4N8,4N0
	95B 857 003 AL A11	Black	-VF,VK,FA,FF		
	95B 857 003 AL OA1	agate grey	-VG,VL,FB,FM		
	95B 857 003 AL 7J0	Luxor beige	-VH,VM,FC		
	95B 857 003 AL HAT	Black/Carrera Red	-VI,VU,VO,FH, TR		
	95B 857 003 AL OK6	saddle brown	-VN,FI		
	95B 857 003 AL HAU	Saddle Tan/Luxor Beige	-VP		
	95B 857 003 AL HAV	Agate Grey/Pebble Grey	-VQ		
	95B 857 003 AL HSO	Black/Luxor Beige	-VZ		
	95B 857 003 AL HHX	Black/Carmin Red	-FL,FN		
	95B 857 003 AL HAG	Black/Rhodium Silver	-FE,FK,TS		
(1)	95B 857 003 AB	Instrument panel trim Upper part Leather D >> - MJ 2016	lhd	1	PR:L0L,4N5
	95B 857 003 AB 6J0	Espresso	-VR		
(1)	95B 857 003 BE	Instrument panel trim Upper part Leather D - MJ 2017>>	lhd	1	PR:L0L,4N5
	95B 857 003 BE 6J0	Espresso	-VR		
(1)	95B 857 003 S	Instrument panel trim Upper part D >> - MJ 2016	rhd	1	PR:L0R,4N1, 4N9
	95B 857 003 S DK4	Black	-VC,VX		
	95B 857 003 S OS2	agate grey	-VD		
	95B 857 003 S DM5	Luxor beige	-VE		
(1)	95B 857 003 AE	Instrument panel trim Upper part D - MJ 2017>>	rhd	1	PR:L0R,4N1, 4N9
	95B 857 003 AE DK4	Black	-VC,VX		

Model: 95B Model life 2014>>

Pos	Part Number	Description	Remark	Qty	Model			
(1)	95B 857 003 AE OS2	agate grey	-VD	1	PR:L0R, 4N2, 4N3, 4N8			
	95B 857 003 AE DM5	Luxor beige	-VE					
	95B 857 003 AA	Instrument panel trim Upper part Leather D >> - MJ 2016	rhd					
	95B 857 003 AA A11	Black	-VF, VK					
	95B 857 003 AA OA1	agate grey	-VG, VL					
	95B 857 003 AA 7J0	Luxor beige	-VH, VM					
	95B 857 003 AA HAT	Black/Carrera Red	-VI, VU, VO					
	95B 857 003 AA HAS	Black/Saddle Tan	-VJ					
	95B 857 003 AA OK6	saddle brown	-VN					
	95B 857 003 AA HAU	Saddle Tan/Luxor Beige	-VP					
(1)	95B 857 003 AA HAV	Agate Grey/Pebble Grey	-VQ	1	PR:L0R, 4N2, 4N3, 4N8, 4N0			
	95B 857 003 AG	Instrument panel trim Upper part Leather D - MJ 2017>>	rhd					
	95B 857 003 AG A11	Black	-VF, VK, FA, FF					
	95B 857 003 AG OA1	agate grey	-VG, VL, FB, FM					
	95B 857 003 AG 7J0	Luxor beige	-VH, VM, FC					
	95B 857 003 AG HAT	Black/Carrera Red	-VI, VU, VO, FH, TR					
	95B 857 003 AG OK6	saddle brown	-VN, FI					
	95B 857 003 AG HAU	Saddle Tan/Luxor Beige	-VP					
	95B 857 003 AG HAV	Agate Grey/Pebble Grey	-VQ					
	95B 857 003 AG HSO	Black/Luxor Beige	-VZ					
(1)	95B 857 003 AG HHX	Black/Carmine Red	-FL, FN	1	PR:L0R, 4N5			
	95B 857 003 AG HAG	Black/Rhodium Silver	-FE, FK, TS					
	95B 857 003 AG HAS	Black/Saddle Tan	-VJ					
	95B 857 003 AC	No longer use the part here Instrument panel trim Upper part Leather D >> - MJ 2016	rhd					
	95B 857 003 AC 6J0	Espresso	-VR					
	95B 857 003 AJ	Instrument panel trim Upper part Leather D - MJ 2017>>	rhd					
	95B 857 003 AJ 6J0	Espresso	-VR					
	2	95B 819 705 A	jet			left	1	PR:L0R, 4N5
		95B 819 705 A 5Q0	Black			-VC, VJ, VF, VI, VU, VK, VO, VX, VZ		
		95B 819 705 A OA6	agate grey			-VD, VG, VL, VQ		
95B 819 705 A 6W0		Luxor beige	-VE, VH, VM					
95B 819 705 A OL7		saddle brown	-VN, VP					
95B 819 705 A 3T0		Espresso	-VR					
(2)		95B 819 706 A	jet	right	1	PR:L0R, 4N5		
		95B 819 706 A 5Q0	Black	-VC, VJ, VF, VI, VU, VK, VO, VX, VZ				
		95B 819 706 A OA6	agate grey	-VD, VG, VL, VQ				
		95B 819 706 A 6W0	Luxor beige	-VE, VH, VM				
	95B 819 706 A OL7	saddle brown	-VN, VP					
	95B 819 706 A 3T0	Espresso	-VR					
	3	95B 860 437	Intermediate piece	left			1	PR:L0R, 4N5
		95B 860 438	Intermediate piece	right				
		8T0 853 107	Clip					
	4	8E0 853 107	Clip				19	
5	8E0 853 107	Clip		3				
6	999 507 556 01	panel nut M5		19				

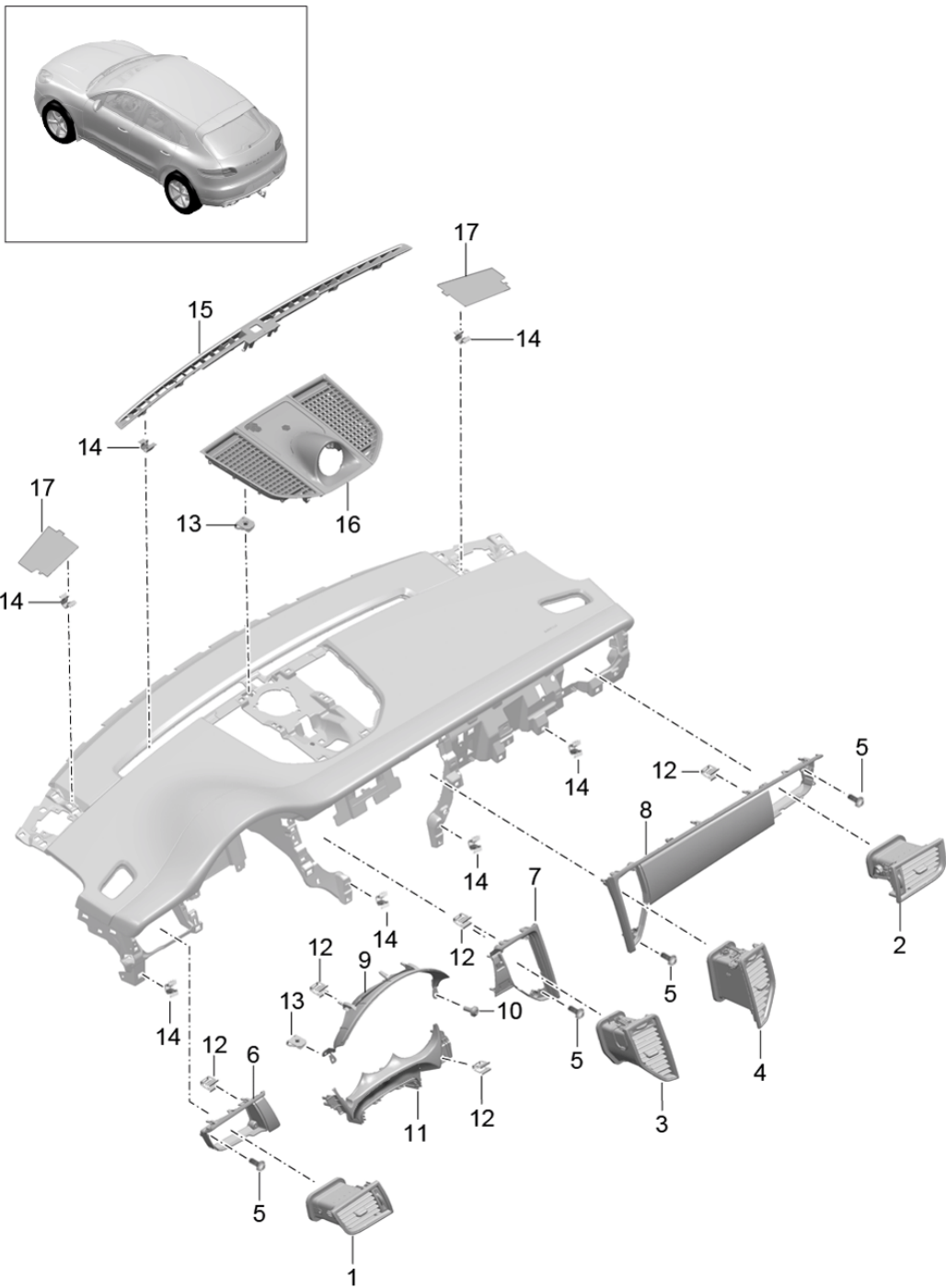
Model: 95B

Model life 2014>>

Pos	Part Number	Description	Remark	Qty	Model
7	999 507 533 02	Clamp		28	
8	N 910 742 01	Hexagon socket head bolt M5X16		11	
9	N 910 333 01	hexagon head bolt (combi) M8X22		1	
10	95B 861 874 B	Decoupling element A-pillar	left	1	
(10)	95B 861 874 C	Decoupling element A-pillar	right	1	
11	95B 857 155	Holder for vehicle chassis number plate		1	

Model: 95B

Model life 2014>>



Model: 95B Model life 2014>>

Pos	Part Number	Description	Remark	Qty	Model
1	95B 819 701 95B 819 701 GOB	Accessories Instrument panel trim Upper part Vent Galvano silver F >> 95-FLB09 735 F >> 95-FLB60 210 F >> 95-FLB83 197 F >> 95-FLB94 223 F >> 95-FLB83 201 F >> 95-FLB83 228 F >> 95-FLB83 275	left	1	PR:9MA
1	95B 819 701 B 95B 819 701 B GOB	Vent Galvano silver F 95-FLB09 736>> F 95-FLB60 211>> F 95-FLB83 198>> F 95-FLB94 224>> F 95-FLB83 202>> F 95-FLB83 229>> F 95-FLB83 276>>	left	1	PR:9MA
(1)	95B 819 701 A 95B 819 701 A GOB	Vent Galvano silver F >> 95-FLB09 735 F >> 95-FLB60 210 F >> 95-FLB83 197 F >> 95-FLB94 223 F >> 95-FLB83 201 F >> 95-FLB83 228 F >> 95-FLB83 275	left	1	PR:9MB
(1)	95B 819 701 C 95B 819 701 C GOB	Vent Galvano silver F 95-FLB09 736>> F 95-FLB60 211>> F 95-FLB83 198>> F 95-FLB94 224>> F 95-FLB83 202>> F 95-FLB83 229>> F 95-FLB83 276>>	left	1	PR:9MB
2	95B 819 702 95B 819 702 GOB	Vent Galvano silver F >> 95-FLB09 735 F >> 95-FLB60 210 F >> 95-FLB83 197 F >> 95-FLB94 223 F >> 95-FLB83 201 F >> 95-FLB83 228 F >> 95-FLB83 275	right	1	PR:9MA
2	95B 819 702 B 95B 819 702 B GOB	Vent Galvano silver F 95-FLB09 736>> F 95-FLB60 211>> F 95-FLB83 198>> F 95-FLB94 224>> F 95-FLB83 202>> F 95-FLB83 229>> F 95-FLB83 276>>	right	1	PR:9MA
(2)	95B 819 702 A 95B 819 702 A GOB	Vent Galvano silver F >> 95-FLB09 735 F >> 95-FLB60 210 F >> 95-FLB83 197 F >> 95-FLB94 223	right	1	PR:9MB

Model: 95B Model life 2014>>

Pos	Part Number	Description	Remark	Qty	Model
(2)	95B 819 702 C 95B 819 702 C G0B	F >> 95-FLB83 201 F >> 95-FLB83 228 F >> 95-FLB83 275 Vent Galvano silver F 95-FLB09 736>> F 95-FLB60 211>> F 95-FLB83 198>> F 95-FLB94 224>> F 95-FLB83 202>> F 95-FLB83 229>> F 95-FLB83 276>>	right	1	PR:9MB
3	95B 819 201 95B 819 201 G0B	Vent Galvano silver F >> 95-FLB09 735 F >> 95-FLB60 210 F >> 95-FLB83 197 F >> 95-FLB94 223 F >> 95-FLB83 201 F >> 95-FLB83 228 F >> 95-FLB83 275	center, left	1	PR:9MA
3	95B 819 201 B 95B 819 201 B G0B	Vent Galvano silver F 95-FLB09 736>> F 95-FLB60 211>> F 95-FLB83 198>> F 95-FLB94 224>> F 95-FLB83 202>> F 95-FLB83 229>> F 95-FLB83 276>>	center, left	1	PR:9MA
(3)	95B 819 201 A 95B 819 201 A G0B	Vent Galvano silver F >> 95-FLB09 735 F >> 95-FLB60 210 F >> 95-FLB83 197 F >> 95-FLB94 223 F >> 95-FLB83 201 F >> 95-FLB83 228 F >> 95-FLB83 275	center, left	1	PR:9MB
(3)	95B 819 201 C 95B 819 201 C G0B	Vent Galvano silver F 95-FLB09 736>> F 95-FLB60 211>> F 95-FLB83 198>> F 95-FLB94 224>> F 95-FLB83 202>> F 95-FLB83 229>> F 95-FLB83 276>>	center, left	1	PR:9MB
4	95B 819 202 95B 819 202 G0B	Vent Galvano silver F >> 95-FLB09 735 F >> 95-FLB60 210 F >> 95-FLB83 197 F >> 95-FLB94 223 F >> 95-FLB83 201 F >> 95-FLB83 228 F >> 95-FLB83 275	center, right	1	PR:9MA
4	95B 819 202 B 95B 819 202 B G0B	Vent Galvano silver F 95-FLB09 736>> F 95-FLB60 211>> F 95-FLB83 198>> F 95-FLB94 224>>	center, right	1	PR:9MA

Model: 95B Model life 2014>>

Pos	Part Number	Description	Remark	Qty	Model
4	95B 819 202 A 95B 819 202 A G0B	F 95-FLB83 202>> F 95-FLB83 229>> F 95-FLB83 276>> Vent Galvano silver F >> 95-FLB09 735 F >> 95-FLB60 210 F >> 95-FLB83 197 F >> 95-FLB94 223 F >> 95-FLB83 201 F >> 95-FLB83 228 F >> 95-FLB83 275	center, right	1	PR:9MB
(4)	95B 819 202 C 95B 819 202 C G0B	Vent Galvano silver F 95-FLB09 736>> F 95-FLB60 211>> F 95-FLB83 198>> F 95-FLB94 224>> F 95-FLB83 202>> F 95-FLB83 229>> F 95-FLB83 276>>	center, right	1	PR:9MB
5	N 106 021 01	Hexagon socket flat head bolt		12	
6	95B 857 189 H	Trim (drivers side)		1	PR:L0L,5MA
(6)	95B 857 189 H 5Q0 95B 857 189 J	Black Trim (drivers side)		1	PR:L0L,5MH
(6)	95B 857 189 J OH3 95B 857 189 K	Carbon Trim (drivers side)		1	PR:L0L,5MP
(6)	95B 857 189 K OE9 95B 857 189 L	American Walnut Trim (drivers side)		1	PR:L0L,5TE
(6)	95B 857 189 L U03 95B 857 189 M	Aluminium, brushed Trim (drivers side)		1	PR:L0L,5TL
(6)	95B 857 189 M OT1 95B 857 189 N	Piano Black, high-gloss Trim (drivers side)		1	PR:L0L,7TK
(6)	95B 857 189 N OA7 95B 857 189 P	White Oak, chalked Trim (drivers side)		1	PR:L0L,5TH
(6)	95B 857 189 P OR2 95B 857 221 H	D - MJ 2017>> Aluminium Black Trim (drivers side)		1	PR:L0R,5MA
(6)	95B 857 221 H 5Q0 95B 857 221 J	Black Trim (drivers side)		1	PR:L0R,5MH
(6)	95B 857 221 J OH3 95B 857 221 K	Carbon Trim (drivers side)		1	PR:L0R,5MP
(6)	95B 857 221 K OE9 95B 857 221 L	American Walnut Trim (drivers side)		1	PR:L0R,5TE
(6)	95B 857 221 L U03 95B 857 221 M	Aluminium, brushed Trim (drivers side)		1	PR:L0R,5TL
(6)	95B 857 221 M OT1 95B 857 221 N	Piano Black, high-gloss Trim (drivers side)		1	PR:L0R,7TK

Model: 95B Model life 2014>>

Pos	Part Number	Description	Remark	Qty	Model
(6)	95B 857 221 N OA7 95B 857 221 P	White Oak, chalked Trim (drivers side) D - MJ 2017>>		1	PR:L0R,5TH
7	95B 857 221 P OR2 95B 857 190	Aluminium Black Trim (drivers side) D >> - MJ 2016		1	PR:L0L,5MA
(7)	95B 857 190 5Q0 95B 857 190 G	Black Trim (drivers side) D - MJ 2017>>		1	PR:L0L,5MA
(7)	95B 857 190 G 5Q0 95B 857 190 A	Black Trim (drivers side) D >> - MJ 2016		1	PR:L0L,5MH
(7)	95B 857 190 A OH3 95B 857 190 H	Carbon Trim (drivers side) D - MJ 2017>>		1	PR:L0L,5MH
(7)	95B 857 190 H OH3 95B 857 190 B	Carbon Trim (drivers side) D >> - MJ 2016		1	PR:L0L,5MP
(7)	95B 857 190 B OE9 95B 857 190 J	American Walnut Trim (drivers side) D - MJ 2017>>		1	PR:L0L,5MP
(7)	95B 857 190 J OE9 95B 857 190 D	American Walnut Trim (drivers side) D >> - MJ 2016		1	PR:L0L,5TE
(7)	95B 857 190 D U03 95B 857 190 K	Aluminium, brushed Trim (drivers side) D - MJ 2017>>		1	PR:L0L,5TE
(7)	95B 857 190 K U03 95B 857 190 E	Aluminium, brushed Trim (drivers side) D >> - MJ 2016		1	PR:L0L,5TL
(7)	95B 857 190 E OT1 95B 857 190 L	Piano Black, high-gloss Trim (drivers side) D - MJ 2017>>		1	PR:L0L,5TL
(7)	95B 857 190 L OT1 95B 857 190 F	Piano Black, high-gloss Trim (drivers side) D >> - MJ 2016		1	PR:L0L,7TK
(7)	95B 857 190 F OA7 95B 857 190 M	White Oak, chalked Trim (drivers side) D - MJ 2017>>		1	PR:L0L,7TK
(7)	95B 857 190 M OA7 95B 857 190 P	White Oak, chalked Trim (drivers side) D - MJ 2017>>		1	PR:L0L,5TH
(7)	95B 857 190 P OR2 95B 857 222	Aluminium Black Trim (drivers side) D >> - MJ 2016		1	PR:L0R,5MA
(7)	95B 857 222 5Q0 95B 857 222 G	Black Trim (drivers side)		1	PR:L0R,5MA

Model: 95B Model life 2014>>

Pos	Part Number	Description	Remark	Qty	Model
(7)	95B 857 222 G 5Q0 95B 857 222 A	D - MJ 2017>> Black Trim (drivers side) D >> - MJ 2016		1	PR:L0R,5MH
(7)	95B 857 222 A OH3 95B 857 222 H	Carbon Trim (drivers side) D - MJ 2017>>		1	PR:L0R,5MH
(7)	95B 857 222 H OH3 95B 857 222 B	Carbon Trim (drivers side) D >> - MJ 2016		1	PR:L0R,5MP
(7)	95B 857 222 B OE9 95B 857 222 J	American Walnut Trim (drivers side) D - MJ 2017>>		1	PR:L0R,5MP
(7)	95B 857 222 J OE9 95B 857 222 D	American Walnut Trim (drivers side) D >> - MJ 2016		1	PR:L0R,5TE
(7)	95B 857 222 D U03 95B 857 222 K	Aluminium, brushed Trim (drivers side) D - MJ 2017>>		1	PR:L0R,5TE
(7)	95B 857 222 K U03 95B 857 222 E	Aluminium, brushed Trim (drivers side) D >> - MJ 2016		1	PR:L0R,5TL
(7)	95B 857 222 E OT1 95B 857 222 L	Piano Black, high-gloss Trim (drivers side) D - MJ 2017>>		1	PR:L0R,5TL
(7)	95B 857 222 L OT1 95B 857 222 F	Piano Black, high-gloss Trim (drivers side) D >> - MJ 2016		1	PR:L0R,7TK
(7)	95B 857 222 F OA7 95B 857 222 M	White Oak, chalked Trim (drivers side) D - MJ 2017>>		1	PR:L0R,7TK
(7)	95B 857 222 M OA7 95B 857 222 P	White Oak, chalked Trim (drivers side) D - MJ 2017>>		1	PR:L0R,5TH
8	95B 857 222 P OR2 95B 857 224 H	Aluminium Black Trim (passenger side) D >> - MJ 2016		1	PR:L0L,5MA
(8)	95B 857 224 H 5Q0 95B 857 224 Q	Black Trim (passenger side) D - MJ 2017>>		1	PR:L0L,5MA
(8)	95B 857 224 Q 5Q0 95B 857 224 J	Black Trim (passenger side) D >> - MJ 2016		1	PR:L0L,5MH
(8)	95B 857 224 J OH3 95B 857 224 R	Carbon Trim (passenger side) D - MJ 2017>>		1	PR:L0L,5MH
(8)	95B 857 224 R OH3 95B 857 224 K	Carbon Trim		1	PR:L0L,5MP

Model: 95B Model life 2014>>

Pos	Part Number	Description	Remark	Qty	Model
		(passenger side) D >> - MJ 2016			
(8)	95B 857 224 K OE9 95B 857 224 S	American Walnut Trim		1	PR:L0L,5MP
		(passenger side) D - MJ 2017>>			
(8)	95B 857 224 S OE9 95B 857 224 L	American Walnut Trim		1	PR:L0L,5TE
		(passenger side) D >> - MJ 2016			
(8)	95B 857 224 L U03 95B 857 224 T	Aluminium, brushed Trim		1	PR:L0L,5TE
		(passenger side) D - MJ 2017>>			
(8)	95B 857 224 T U03 95B 857 224 M	Aluminium, brushed Trim		1	PR:L0L,5TL
		(passenger side) D >> - MJ 2016			
(8)	95B 857 224 M OT1 95B 857 224 AA	Piano Black, high-gloss Trim		1	PR:L0L,5TL
		(passenger side) D - MJ 2017>>			
(8)	95B 857 224 AA OT1 95B 857 224 N	Piano Black, high-gloss Trim		1	PR:L0L,7TK
		(passenger side) D >> - MJ 2016			
(8)	95B 857 224 N OA7 95B 857 224 AB	White Oak, chalked Trim		1	PR:L0L,7TK
		(passenger side) D - MJ 2017>>			
(8)	95B 857 224 AB OA7 95B 857 224 P	White Oak, chalked Trim		1	PR:L0L,5TH
		(passenger side) D - MJ 2017>>			
(8)	95B 857 224 P OR2 95B 857 226 H	Aluminium Black Trim		1	PR:L0R,5MA
		(passenger side) D >> - MJ 2016			
(8)	95B 857 226 H 5Q0 95B 857 226 Q	Black Trim		1	PR:L0R,5MA
		(passenger side) D - MJ 2017>>			
(8)	95B 857 226 Q 5Q0 95B 857 226 J	Black Trim		1	PR:L0R,5MH
		(passenger side) D >> - MJ 2016			
(8)	95B 857 226 J OH3 95B 857 226 R	Carbon Trim		1	PR:L0R,5MH
		(passenger side) D - MJ 2017>>			
(8)	95B 857 226 R OH3 95B 857 226 K	Carbon Trim		1	PR:L0R,5MP
		(passenger side) D >> - MJ 2016			
(8)	95B 857 226 K OE9 95B 857 226 S	American Walnut Trim		1	PR:L0R,5MP
		(passenger side) D - MJ 2017>>			
(8)	95B 857 226 S OE9 95B 857 226 L	American Walnut Trim		1	PR:L0R,5TE
		(passenger side) D >> - MJ 2016			
	95B 857 226 L U03	Aluminium, brushed			

Model: 95B Model life 2014>>

Pos	Part Number	Description	Remark	Qty	Model
(8)	95B 857 226 T	Trim (passenger side) D - MJ 2017>>		1	PR:L0R,5TE
	95B 857 226 T U03	Aluminium, brushed			
(8)	95B 857 226 M	Trim (passenger side) D >> - MJ 2016		1	PR:L0R,5TL
	95B 857 226 M OT1	Piano Black, high-gloss			
(8)	95B 857 226 AA	Trim (passenger side) D - MJ 2017>>		1	PR:L0R,5TL
	95B 857 226 AA OT1	Piano Black, high-gloss			
(8)	95B 857 226 N	Trim (passenger side) D >> - MJ 2016		1	PR:L0R,7TK
	95B 857 226 N OA7	White Oak, chalked			
(8)	95B 857 226 AB	Trim (passenger side) D - MJ 2017>>		1	PR:L0R,7TK
	95B 857 226 AB OA7	White Oak, chalked			
(8)	95B 857 226 P	Trim (passenger side) D - MJ 2017>>		1	PR:L0R,5TH
	95B 857 226 P OR2	Aluminium Black			
9	95B 857 059 B	Trim for instruments	upper	1	PR:L0L
	95B 857 059 B 5Q0	Black			
(9)	95B 857 059 C	Trim for instruments	upper	1	PR:L0R
	95B 857 059 C 5Q0	Black			
10	N 910 742 01	Hexagon socket head bolt M5X16		2	
11	95B 857 054 D	Trim for instruments	lower	1	PR:L0L
	95B 857 054 D 5Q0	Black			
(11)	95B 857 054 E	Trim for instruments	lower	1	PR:L0R
	95B 857 054 E 5Q0	Black			
12	8T0 853 107	Clip		X	
13	999 507 556 01	panel nut M5		X	
14	999 507 533 02	Clamp		X	
15	95B 858 365 A	Defroster trim		1	
	95B 858 365 A 5Q0	Black	-VC, VJ, VF, VI, VU, VK, VO, VX, VZ		
	95B 858 365 A OA6	agate grey	-VD, VG, VL, VQ		
	95B 858 365 A 6W0	Luxor beige	-VE, VH, VM		
	95B 858 365 A OL7	saddle brown	-VN, VP		
	95B 858 365 A 3T0	Espresso	-VR		
16	95B 858 189 C	Cover	center	1	PR:QR1, QR3, QR4, QR5
	95B 858 189 C 5Q0	Black	-VC, VJ, VF, VI, VU, VK, VO, VX, VZ		
	95B 858 189 C OA6	agate grey	-VD, VG, VL, VQ		
	95B 858 189 C 6W0	Luxor beige	-VE, VH, VM		
	95B 858 189 C OL7	saddle brown	-VN, VP		
	95B 858 189 C 3T0	Espresso	-VR		
(16)	95B 858 189 B	Cover	center	1	PR:QR0
	95B 858 189 B 5Q0	Black	-VC, VJ, VF, VI, VU, VK, VO, VX, VZ		
	95B 858 189 B OA6	agate grey	-VD, VG, VL, VQ		
	95B 858 189 B 6W0	Luxor beige	-VE, VH, VM		
	95B 858 189 B OL7	saddle brown	-VN, VP		
	95B 858 189 B 3T0	Espresso	-VR		

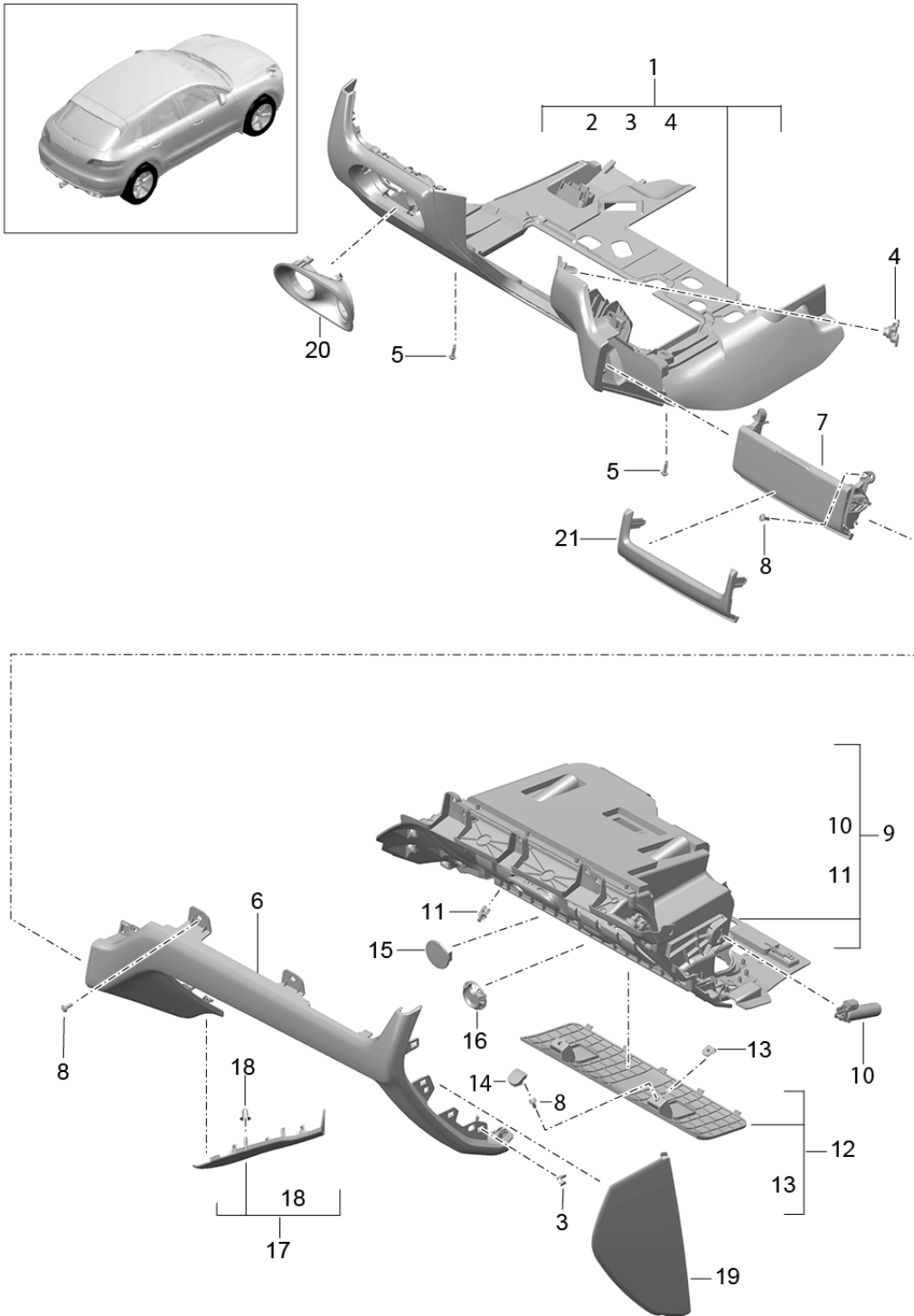
Model: 95B

Model life 2014>>

Pos	Part Number	Description	Remark	Qty	Model
17	95B 035 405 A	Loudspeaker trim	left	1	PR:9VK,9VL
	95B 035 405 A 5Q0	Black	-VC,VJ,VF,VI, VU,VK,VO,VX, VZ		
	95B 035 405 A OA6	agate grey	-VD,VG,VL,VQ		
	95B 035 405 A 6W0	Luxor beige	-VE,VH,VM		
	95B 035 405 A OL7	saddle brown	-VN,VP		
	95B 035 405 A 3T0	Espresso	-VR		
(17)	95B 035 406 A	Loudspeaker trim	right	1	PR:9VK,9VL
	95B 035 406 A 5Q0	Black	-VC,VJ,VF,VI, VU,VK,VO,VX, VZ		
	95B 035 406 A OA6	agate grey	-VD,VG,VL,VQ		
	95B 035 406 A 6W0	Luxor beige	-VE,VH,VM		
	95B 035 406 A OL7	saddle brown	-VN,VP		
	95B 035 406 A 3T0	Espresso	-VR		
(17)	95B 035 407 A	Loudspeaker trim	left	1	PR:9VJ
	95B 035 407 A 5Q0	Black	-VC,VJ,VF,VI, VU,VK,VO,VX, VZ		
	95B 035 407 A OA6	agate grey	-VD,VG,VL,VQ		
	95B 035 407 A 6W0	Luxor beige	-VE,VH,VM		
	95B 035 407 A OL7	saddle brown	-VN,VP		
	95B 035 407 A 3T0	Espresso	-VR		
(17)	95B 035 408 A	Loudspeaker trim	right	1	PR:9VJ
	95B 035 408 A 5Q0	Black	-VC,VJ,VF,VI, VU,VK,VO,VX, VZ		
	95B 035 408 A OA6	agate grey	-VD,VG,VL,VQ		
	95B 035 408 A 6W0	Luxor beige	-VE,VH,VM		
	95B 035 408 A OL7	saddle brown	-VN,VP		
	95B 035 408 A 3T0	Espresso	-VR		

Model: 95B

Model life 2014>>



Model: 95B Model life 2014>>

Pos	Part Number	Description	Remark	Qty	Model
1	95B 858 903	Glove box and Trim (drivers side) Instrument panel trim Lower part D >> - MJ 2015	lhd	1	PR:L0L,4N1, 4N2,4UD,4UE, B0A,B0N
	95B 858 903 DK4	Black	-VC,VF,VI,VJ, VU		
	95B 858 903 OS2	agate grey	-VD,VG		
	95B 858 903 DM5	Luxor beige	-VE,VH,VX		
1	95B 858 903 Q	Instrument panel trim Lower part D - MJ 2016>>	lhd	1	PR:L0L,4N0, 4N1,4N2,4N9, 4UD,4UE,B0A, B0N
	95B 858 903 Q DK4	Black	-FA,VC,VF,VI, VU		
	95B 858 903 Q OS2	agate grey	-FB,VD,VG		
	95B 858 903 Q DM5	Luxor beige	-VE,VH,VX		
(1)	95B 858 903 B	Instrument panel trim Lower part Leather D >> - MJ 2015	lhd	1	PR:L0L,4N3, 4N8,4UD,4UE, B0A,B0N
	95B 858 903 B A11	Black	-VK		
	95B 858 903 B OA1	agate grey	-VL		
	95B 858 903 B 7J0	Luxor beige	-VM,VP		
	95B 858 903 B OK6	saddle brown	-VN		
	95B 858 903 B OG3	Carrera Red	-VO		
	95B 858 903 B OD4	flint grey	-VQ		
(1)	95B 858 903 S	Instrument panel trim Lower part Leather D - MJ 2016>>	lhd	1	PR:L0L,4N3, 4N8,4UD,4UE, B0A,B0N
	95B 858 903 S A11	Black	-FE,FF,FK,FL, FN,TR,TS,VK		
	95B 858 903 S OA1	agate grey	-FM,VL		
	95B 858 903 S 7J0	Luxor beige	-FH,VM,VP		
	95B 858 903 S OK6	saddle brown	-FI,VN		
	95B 858 903 S OG3	Carrera Red	-VO		
	95B 858 903 S OD4	flint grey	-VQ		
(1)	95B 858 903 D	Instrument panel trim Lower part D >> - MJ 2015	lhd natur. leather	1	PR:L0L,4N5, 4UD,4UE,B0A, B0N
	95B 858 903 D 6J0	Espresso	-VR		
(1)	95B 858 903 AA	Instrument panel trim UNTERTEIL D - MJ 2016>>	lhd natur. leather	1	PR:L0L,4N5, 4UD,4UE,B0A, B0N
	95B 858 903 AA 6J0	Espresso	-VR		
(1)	95B 858 903 A	Instrument panel trim Lower part D >> - MJ 2015	rhd	1	PR:L0R,4N1, 4N2,4UD,4UE, B0A,B0N
	95B 858 903 A DK4	Black	-VC,VF,VI,VJ, VU		
	95B 858 903 A OS2	agate grey	-VD,VG		
	95B 858 903 A DM5	Luxor beige	-VE,VH,VX		
(1)	95B 858 903 R	Instrument panel trim Lower part D - MJ 2016>>	rhd	1	PR:L0R,4N1, 4N2,4UD,4UE, B0A,B0N
	95B 858 903 R DK4	Black	-FA,VC,VF,VI, VU		
	95B 858 903 R OS2	agate grey	-FB,VD,VG		
	95B 858 903 R DM5	Luxor beige	-VE,VH,VX		

Model: 95B Model life 2014>>

Pos	Part Number	Description	Remark	Qty	Model
(1)	95B 858 903 C	Instrument panel trim Lower part Leather D >> - MJ 2015	rhd	1	PR:L0R,4N3, 4N8,4UD,4UE, B0A,B0N
	95B 858 903 C A11	Black	-VK		
	95B 858 903 C OA1	agate grey	-VL		
	95B 858 903 C 7J0	Luxor beige	-VM,VP		
	95B 858 903 C OK6	saddle brown	-VN		
	95B 858 903 C OG3	Carrera Red	-VO		
	95B 858 903 C OD4	flint grey	-VQ		
(1)	95B 858 903 T	Instrument panel trim Lower part Leather D - MJ 2016>>	rhd	1	PR:L0R,4N3, 4N8,4UD,4UE, B0A,B0N
	95B 858 903 T A11	Black	-FE,FF,FK,FL, FN,TR,TS,VK		
	95B 858 903 T OA1	agate grey	-FM,VL		
	95B 858 903 T 7J0	Luxor beige	-FH,VM,VP		
	95B 858 903 T OK6	saddle brown	-FI,VN		
	95B 858 903 T OG3	Carrera Red	-VO		
	95B 858 903 T OD4	flint grey	-VQ		
(1)	95B 858 903 E	Instrument panel trim Lower part D >> - MJ 2015	rhd natur. leather	1	PR:L0R,4N5, 4UD,4UE,B0A, B0N
	95B 858 903 E 6J0	Espresso	-VR		
(1)	95B 858 903 AB	Instrument panel trim Lower part D - MJ 2016>>	rhd natur. leather	1	PR:L0R,4N5, 4UD,4UE,B0A, B0N
	95B 858 903 AB 6J0	Espresso	-VR		
(1)	95B 858 903 AC	Instrument panel trim Lower part D - MJ 2016>>		1	PR:4N1,4N2, 4UQ,NZ3,4N0, 4N9,B0D,B0E
	95B 858 903 AC DK4	Black	-FA,VC,VF,VI, VU		
	95B 858 903 AC OS2	agate grey	-FB,VD,VG		
	95B 858 903 AC DM5	Luxor beige	-VE,VH,VX		
(1)	95B 858 903 AD	Instrument panel trim Lower part Leather D - MJ 2016>>		1	PR:4N3,4N8, 4UQ,NZ3,B0D, B0E
	95B 858 903 AD A11	Black	-FE,FF,FK,FL, FN,TR,TS,VK		
	95B 858 903 AD OA1	agate grey	-FM,VL		
	95B 858 903 AD 7J0	Luxor beige	-FH,VM,VP		
	95B 858 903 AD OK6	saddle brown	-FI,VN		
	95B 858 903 AD OG3	Carrera Red	-VO		
	95B 858 903 AD OD4	flint grey	-VQ		
(1)	95B 858 903 AE	Instrument panel trim Lower part D - MJ 2016>>	natur. leather	1	PR:4N5,4UQ, NZ3,B0D,B0E
	95B 858 903 AE 6J0	Espresso	-VR		
(1)	95B 858 903 J	Instrument panel trim Lower part D >> - MJ 2015	lhd	1	PR:L0L,4N1, 4N2,4UD,4UE, B0L,B0M,B0R, B1C,B1P,B2A, B2G,B2H
	95B 858 903 J DK4	Black	-VC,VF,VI,VJ, VU		
	95B 858 903 J OS2	agate grey	-VD,VG		
	95B 858 903 J DM5	Luxor beige	-VE,VH		
(1)	95B 858 903 AF	Instrument panel trim Lower part D - MJ 2016>>	lhd	1	PR:L0L,4N0, 4N9,4UD,4UE, 4N1,4N2,B0L,

Model: 95B Model life 2014>>

Pos	Part Number	Description	Remark	Qty	Model
	95B 858 903 AF DK4	Black	-FA,VC,VF,VI, VU		B0M,B0R,B1C, B1P,B2A,B2G, B2H
(1)	95B 858 903 AF OS2	agate grey	-FB,VD,VG		
	95B 858 903 AF DM5	Luxor beige	-VE,VH,VX		
	95B 858 903 K	Instrument panel trim Lower part D >> - MJ 2015	rhd	1	PR:L0R,4N1, 4N2,4UD,4UE, B0L,B0M,B0R, B1C,B1P,B2A, B2G,B2H
	95B 858 903 K DK4	Black	-VC,VF,VI,VJ, VU		
	95B 858 903 K OS2	agate grey	-VD,VG		
	95B 858 903 K DM5	Luxor beige	-VE		+VH
(1)	95B 858 903 AG	Instrument panel trim Lower part D - MJ 2016>>	rhd	1	PR:L0R,4N1, 4N2,4UD,4UE, 4N0,4N9,B0L, B0M,B0R,B1C, B1P,B2A,B2G, B2H
	95B 858 903 AG DK4	Black	-FA,VC,VF,VI, VU		
	95B 858 903 AG OS2	agate grey	-FB,VD,VG		
	95B 858 903 AG DM5	Luxor beige	-VE,VH,VX		
(1)	95B 858 903 L	Instrument panel trim Lower part Leather D >> - MJ 2015	lhd	1	PR:L0L,4N3, 4N8,4UD,4UE, B0L,B0M,B0R, B1C,B1P,B2A, B2G,B2H
	95B 858 903 L A11	Black	-VK		
	95B 858 903 L OA1	agate grey	-VL		
	95B 858 903 L 7J0	Luxor beige	-VM,VP		
	95B 858 903 L OK6	saddle brown	-VN		
	95B 858 903 L OG3	Carrera Red	-VO		
	95B 858 903 L OD4	flint grey	-VQ		
(1)	95B 858 903 AH	Instrument panel trim Lower part Leather D - MJ 2016>>	lhd	1	PR:L0L,4N3, 4N8,4UD,4UE, B0L,B0M,B0R, B1C,B1P,B2A, B2G,B2H
	95B 858 903 AH A11	Black	-FE,FF,FK,FL, FN,TR,TS,VK		
	95B 858 903 AH OA1	agate grey	-FM,VL		
	95B 858 903 AH 7J0	Luxor beige	-FH,VM,VP		
	95B 858 903 AH OK6	saddle brown	-FI,VN		
	95B 858 903 AH OG3	Carrera Red	-VO		
	95B 858 903 AH OD4	flint grey	-VQ		
(1)	95B 858 903 M	Instrument panel trim Lower part Leather D >> - MJ 2015	rhd	1	PR:L0R,4N3, 4N8,4UD,4UE, B0L,B0M,B0R, B1C,B1P,B2A, B2G,B2H
	95B 858 903 M A11	Black	-VK		
	95B 858 903 M OA1	agate grey	-VL		
	95B 858 903 M 7J0	Luxor beige	-VM,VP		
	95B 858 903 M OK6	saddle brown	-VN		
	95B 858 903 M OG3	Carrera Red	-VO		
	95B 858 903 M OD4	flint grey	-VQ		
(1)	95B 858 903 AJ	Instrument panel trim Lower part Leather	rhd	1	PR:L0R,4N3, 4N8,4UD,4UE, B0L,B0M,B0R,

Model: 95B Model life 2014>>

Pos	Part Number	Description	Remark	Qty	Model
		D - MJ 2016>>			B1C, B1P, B2A, B2H
	95B 858 903 AJ A11	Black	-FE, FF, FK, FL, FN, TR, TS, VK		
	95B 858 903 AJ OA1	agate grey	-FM, VL		
	95B 858 903 AJ 7J0	Luxor beige	-FH, VM, VP		
	95B 858 903 AJ OK6	saddle brown	-FI, VN		
	95B 858 903 AJ OG3	Carrera Red	-VO		
	95B 858 903 AJ OD4	flint grey	-VQ		
(1)	95B 858 903 N	Instrument panel trim Lower part D >> - MJ 2015	lhd natur. leather	1	PR: L0L, 4N5, 4UD, 4UE, B0L, B0M, B0R, B1C, B1P, B2A, B2G, B2H
	95B 858 903 N 6J0	Espresso	-VR		
(1)	95B 858 903 AK	Instrument panel trim Lower part D - MJ 2016>>	lhd natur. leather	1	PR: L0L, 4N5, 4UD, 4UE, B0L, B0M, B0R, B1C, B1P, B2A, B2G, B2H
	95B 858 903 AK 6J0	Espresso	-VR		
(1)	95B 858 903 P	Instrument panel trim Lower part D >> - MJ 2015	rhd natur. leather	1	PR: L0R, 4N5, 4UD, 4UE, B0L, B0M, B0R, B1C, B1P, B2A, B2G, B2H
	95B 858 903 P 6J0	Espresso	-VR		
(1)	95B 858 903 AL	Instrument panel trim Lower part D - MJ 2016>>	rhd natur. leather	1	PR: L0R, 4N5, 4UD, 4UE, B0L, B0M, B0R, B1C, B1P, B2A, B2H
	95B 858 903 AL 6J0	Espresso	-VR		
2	8T0 853 107	Clip		X	
3	999 507 533 02	Clamp		X	
5	N 106 847 01	Oval hexagon socket head bolt M5X20		4	
6	95B 858 122 F	Cover (passenger side)	lhd	1	PR: L0L, 4N1, 4N2
	95B 858 122 F DK4	Black	-VC, VF, VI, VJ, VU		
	95B 858 122 F OS2	agate grey	-VD, VG		
	95B 858 122 F DM5	Luxor beige	-VE, VH, VX, VZ		
(6)	95B 858 122 H	Cover (leather) (passenger side)	lhd	1	PR: L0L, 4N3, 4N8
	95B 858 122 H A11	Black	-VK		
	95B 858 122 H OA1	agate grey	-VL		
	95B 858 122 H 7J0	Luxor beige	-VM, VP		
	95B 858 122 H OK6	saddle brown	-VN		
	95B 858 122 H N12	Carrera Red	-VO		
	95B 858 122 H OD4	flint grey	-VQ		
(6)	95B 858 122 K	Cover (leather) (passenger side)	lhd natur. leather	1	PR: L0L, 4N5
	95B 858 122 K 6J0	Espresso	-VR		
6	95B 858 122 G	Cover (passenger side)	rhd	1	PR: L0R, 4N1, 4N2
	95B 858 122 G DK4	Black	-VC, VF, VI, VJ, VU		
	95B 858 122 G OS2	agate grey	-VD, VG		
	95B 858 122 G DM5	Luxor beige	-VE, VH, VX, VZ		
(6)	95B 858 122 J	Cover (leather) (passenger side)	rhd	1	PR: L0R, 4N3, 4N8
	95B 858 122 J A11	Black	-VK		
	95B 858 122 J OA1	agate grey	-VL		

Model: 95B Model life 2014>>

Pos	Part Number	Description	Remark	Qty	Model
(6)	95B 858 122 J 7J0	Luxor beige	-VM,VP	1	PR: L0R, 4N5
	95B 858 122 J OK6	saddle brown	-VN		
(6)	95B 858 122 J N12	Carrera Red	-VO	1	PR: 4N1, 4N2
	95B 858 122 J OD4	flint grey	-VQ		
7	95B 858 122 L	Cover (leather) (passenger side)	rhhd natur. leather	1	PR: 4N0, 4N9
	95B 858 122 L 6J0	Espresso	-VR		
(7)	95B 858 100 M	Trim for switch		1	PR: 4N1, 4N2
	95B 858 100 M 1D0	D >> - MJ 2015 Black	-VC, VF, VI, VJ, VU		
(7)	95B 858 100 M OW7	agate grey	-VD, VG	1	PR: 4N0, 4N9
	95B 858 100 M 2E0	Luxor beige	-VE, VH		
(7)	95B 858 100 Q	Trim for switch		1	PR: 4N1, 4N2
	95B 858 100 Q 1D0	D - MJ 2016>> - MJ 2016 Black	-VC, VF, VI, VJ, VU		
(7)	95B 858 100 Q OW7	agate grey	-VD, VG	1	PR: 4N0, 4N1, 4N2, 4N9
	95B 858 100 Q 2E0	Luxor beige	-VE, VH, VX, VZ		
(7)	95B 858 100 Q	Trim for switch		1	PR: 4N3, 4N8
	95B 858 100 Q 1D0	D - MJ 2016>> - MJ 2016 Black	-VC, VF, VI, VJ, VU		
(7)	95B 858 100 Q OW7	agate grey	-VD, VG	1	PR: 4N3, 4N8
	95B 858 100 Q 2E0	Luxor beige	-VE, VH, VX, VZ		
(7)	95B 858 100 T	Trim for switch		1	PR: 4N3, 4N8
	95B 858 100 T 1D0	D - MJ 2017>> Black	-FA, VC, VF, VI, VJ, VU		
(7)	95B 858 100 T OW7	agate grey	-FB, VD, VG	1	PR: 4N3, 4N8
	95B 858 100 T 2E0	Luxor beige	-FC, VE, VH, VX, VZ		
(7)	95B 858 100 N	Trim for switch		1	PR: 4N3, 4N8
	95B 858 100 N A11	D >> - MJ 2016 Leather	-VK		
(7)	95B 858 100 N OA1	agate grey	-VL	1	PR: 4N3, 4N8
	95B 858 100 N 7J0	Luxor beige	-VM, VP		
(7)	95B 858 100 N OK6	saddle brown	-VN	1	PR: 4N3, 4N8
	95B 858 100 N OG3	Carrera Red	-VO		
(7)	95B 858 100 N OD4	flint grey	-VQ	1	PR: 4N3, 4N8
	95B 858 100 AA	Trim for switch			
(7)	95B 858 100 AA A11	D - MJ 2017>> Black	-FE, FF, FK, FL, FN, TR, TS, VK	1	PR: 4N5
	95B 858 100 AA OA1	agate grey	-FM, VL		
(7)	95B 858 100 AA 7J0	Luxor beige	-VM, VP	1	PR: 4N5
	95B 858 100 AA OK6	saddle brown	-FI, VN		
(7)	95B 858 100 AA OG3	Carrera Red	-VO	1	PR: 4N5
	95B 858 100 AA OD4	flint grey	-VQ		
(7)	95B 858 100 S	Trim for switch	natur. leather	1	PR: 4N5
	95B 858 100 S 6J0	D >> - MJ 2016 Espresso	-VR		
(7)	95B 858 100 AB	Trim for switch	natur. leather	1	PR: 4N5
	95B 858 100 AB 6J0	D - MJ 2017>> Espresso	-VR		
8	N 910 742 01	Hexagon socket head bolt M5X16		X	
9	95B 857 095 F	Glove box	lhd	1	PR: L0L, 4N1, 4N2
	95B 857 095 F DK4	Black	-VC, VF, VI, VJ, VU		

Model: 95B Model life 2014>>

Pos	Part Number	Description	Remark	Qty	Model
(9)	95B 857 095 F OS2	agate grey	-VD, VG	1	PR-L0L, 4N0, 4N1, 4N2, 4N9, 6G2
	95B 857 095 F DM5	Luxor beige	-VE, VH, VX, VZ		
	95B 857 095 M	Glove box			
	95B 857 095 M DK4	Black	-FA, VC, VF, VI, VU		
	95B 857 095 M DM5	Luxor beige	-FC, VE, VH, VX, VZ		
(9)	95B 857 095 M OS2	agate grey	-FB, VD, VG	1	PR:L0L, 4N5
	95B 857 095 K	Glove box	lhd natur. leather		
(9)	95B 857 095 K 6J0	Espresso	-VR	1	PR-L0L, 4N5, 6G2
	95B 857 095 R	Glove box	natur. leather		
(9)	95B 857 095 R 6J0	Espresso	-VR	1	PR:L0L, 4N3, 4N8
	95B 857 095 H	Glove box	lhd Leather		
	95B 857 095 H A11	Black	-VK		
	95B 857 095 H OA1	agate grey	-VL		
	95B 857 095 H 7J0	Luxor beige	-VM, VP		
	95B 857 095 H OK6	saddle brown	-VN		
	95B 857 095 H OG3	Carrera Red	-VO		
(9)	95B 857 095 H OD4	flint grey	-VQ	1	PR-L0L, 4N3, 4N8, 6G2
	95B 857 095 P	Glove box	Leather		
	95B 857 095 P A11	Black	-FE, FF, FK, FL, FN, TR, TS, VK		
	95B 857 095 P OA1	agate grey	-FM, VL		
	95B 857 095 P OD4	flint grey	-VQ		
	95B 857 095 P OG3	Carrera Red	-VO		
	95B 857 095 P OK6	saddle brown	-FI, VN		
(9)	95B 857 095 P 7J0	Luxor beige	-FH, VM, VP	1	PR:L0R, 4N1, 4N2
	95B 857 095 G	Glove box	rhd		
	95B 857 095 G DK4	Black	-VC, VF, VI, VJ, VU		
	95B 857 095 G OS2	agate grey	-VD, VG		
(9)	95B 857 095 G DM5	Luxor beige	-VE, VH, VX, VZ	1	PR-L0R, 4N0, 4N1, 4N2, 4N9, 6G2
	95B 857 095 N	Glove box			
	95B 857 095 N DK4	Black	-FA, VC, VF, VI, VU		
	95B 857 095 N DM5	Luxor beige	-FC, VE, VH, VX, VZ		
(9)	95B 857 095 N OS2	agate grey	-FB, VD, VG	1	PR:L0R, 4N5
	95B 857 095 L	Glove box	rhd natur. leather		
(9)	95B 857 095 L 6J0	Espresso	-VR	1	PR-L0R, 4N5, 6G2
	95B 857 095 S	Glove box	natur. leather		
(9)	95B 857 095 S 6J0	Espresso	-VR	1	PR:L0R, 4N3, 4N8
	95B 857 095 J	Glove box	rhd Leather		
	95B 857 095 J A11	Black	-VK		
	95B 857 095 J OA1	agate grey	-VL		
	95B 857 095 J 7J0	Luxor beige	-VM, VP		
	95B 857 095 J OK6	saddle brown	-VN		
	95B 857 095 J OG3	Carrera Red	-VO		
(9)	95B 857 095 J OD4	flint grey	-VQ	1	PR-L0R, 4N3, 4N8, 6G2
	95B 857 095 Q	Glove box	Leather		

Model: 95B Model life 2014>>

Pos	Part Number	Description	Remark	Qty	Model
	95B 857 095 Q A11	Black	-FE, FF, FK, FL, FN, TR, TS, VK		
	95B 857 095 Q OA1	agate grey	-FM, VL		
	95B 857 095 Q OD4	flint grey	-VQ		
	95B 857 095 Q OG3	Carrera Red	-VO		
	95B 857 095 Q OK6	saddle brown	-FI, VN		
	95B 857 095 Q 7J0	Luxor beige	-FH, VM, VP		
10	95B 880 324	Damper	lhd	1	PR:L0L
(10)	95B 880 324 A	Damper	rhd	1	PR:L0R
11	958 552 223 00	Pen holder		2	
12	95B 858 325	Cover		1	PR:L0L, 4UD, 4UE
	95B 858 325 1E0	Black			
13	999 507 556 01	panel nut M5		2	
14	95B 857 161	Cover		4	PR:L0L
15	4L0 858 193	Dummy cover		1	PR:9AD
	4L0 858 193 4PK	soul (black)			
16	3B0 816 355	Valve		1	PR:9AQ
	3B0 816 355 9B9	Satin black			
17	95B 858 927	Trim	lhd	1	PR:L0L
		(passenger side)	lower		
	95B 858 927 7N0	Espresso	-VR		
	95B 858 927 1E0	Black	-VC, VF, VI, VJ, VK, VU		
	95B 858 927 OP1	agate grey	-VD, VG, VL		
	95B 858 927 4H0	Luxor beige	-VE, VH, VM, VP, VX, VZ		
	95B 858 927 OM8	saddle brown	-VN		
	95B 858 927 OW5	Carrera Red	-VO		
	95B 858 927 OV4	flint grey	-VQ		
(17)	95B 858 927 A	Trim	rhd	1	PR:L0R
		(drivers side)	lower		
	95B 858 927 A 7N0	Espresso	-VR		
	95B 858 927 A 1E0	Black	-VC, VF, VI, VJ, VK, VU		
	95B 858 927 A OP1	agate grey	-VD, VG, VL		
	95B 858 927 A 4H0	Luxor beige	-VE, VH, VM, VP, VX, VZ		
	95B 858 927 A OM8	saddle brown	-VN		
	95B 858 927 A OW5	Carrera Red	-VO		
	95B 858 927 A OV4	flint grey	-VQ		
(17)	95B 858 927 B	Trim	rhd	1	PR:L0R
		(passenger side)	lower		
	95B 858 927 B 7N0	Espresso	-VR		
	95B 858 927 B 1E0	Black	-VC, VF, VI, VJ, VK, VU		
	95B 858 927 B OP1	agate grey	-VD, VG, VL		
	95B 858 927 B 4H0	Luxor beige	-VE, VH, VM, VP, VX, VZ		
	95B 858 927 B OM8	saddle brown	-VN		
	95B 858 927 B OW5	Carrera Red	-VO		
	95B 858 927 B OV4	flint grey	-VQ		
18	999 702 559 40	Grommet		2	
19	95B 857 175 A	Trim	left	1	
	95B 857 175 A 5Q0	Black	-VC, VF, VI, VJ, VK, VU		
	95B 857 175 A OP1	agate grey	-VD, VG, VL		
	95B 857 175 A 4H0	Luxor beige	-VE, VH, VM, VP, VX, VZ		
	95B 857 175 A OM8	saddle brown	-VN		
	95B 857 175 A OE1	Carrera Red	-VO		
	95B 857 175 A OV4	flint grey	-VQ		

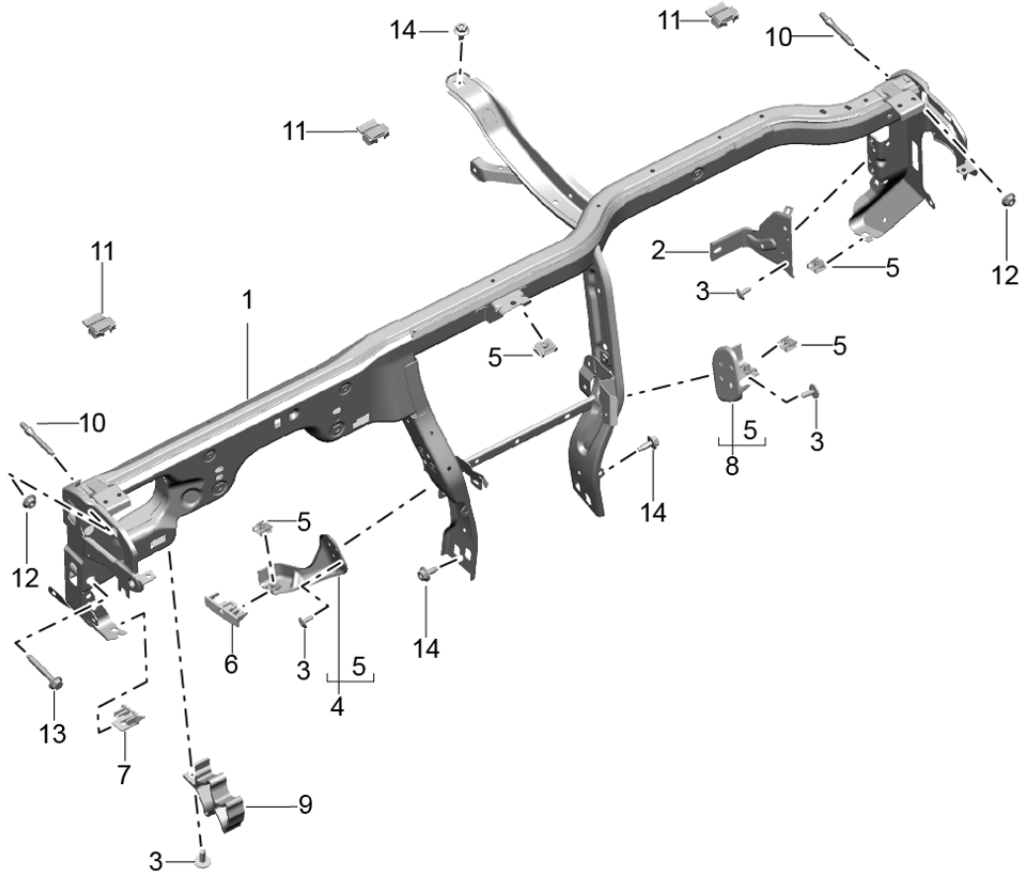
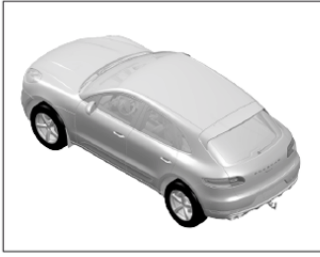
Model: 95B

Model life 2014>>

Pos	Part Number	Description	Remark	Qty	Model
(19)	95B 857 175 A 7N0	Espresso	-VR	1	
	95B 857 176 A	Trim	right		
	95B 857 176 A 5Q0	Black	-VC, VF, VI, VJ, VK, VU		
	95B 857 176 A OP1	agate grey	-VD, VG, VL		
	95B 857 176 A 4H0	Luxor beige	-VE, VH, VM, VP, VX, VZ		
	95B 857 176 A OM8	saddle brown	-VN		
	95B 857 176 A OE1	Carrera Red	-VO		
	95B 857 176 A OV4	flint grey	-VQ		
	95B 857 176 A 7N0	Espresso	-VR		
	20	95B 857 290	Support		
(20)	95B 857 290 1E0	Trim		1	PR:L0R
	95B 857 290 A	Black			
	95B 857 290 A 1E0	Support			
21	95B 858 100 C	Trim		1	PR:7Q4
	95B 858 100 C	Trim for switch plastic			
	95B 858 100 C GT8	Galvano silver			

Model: 95B

Model life 2014>>



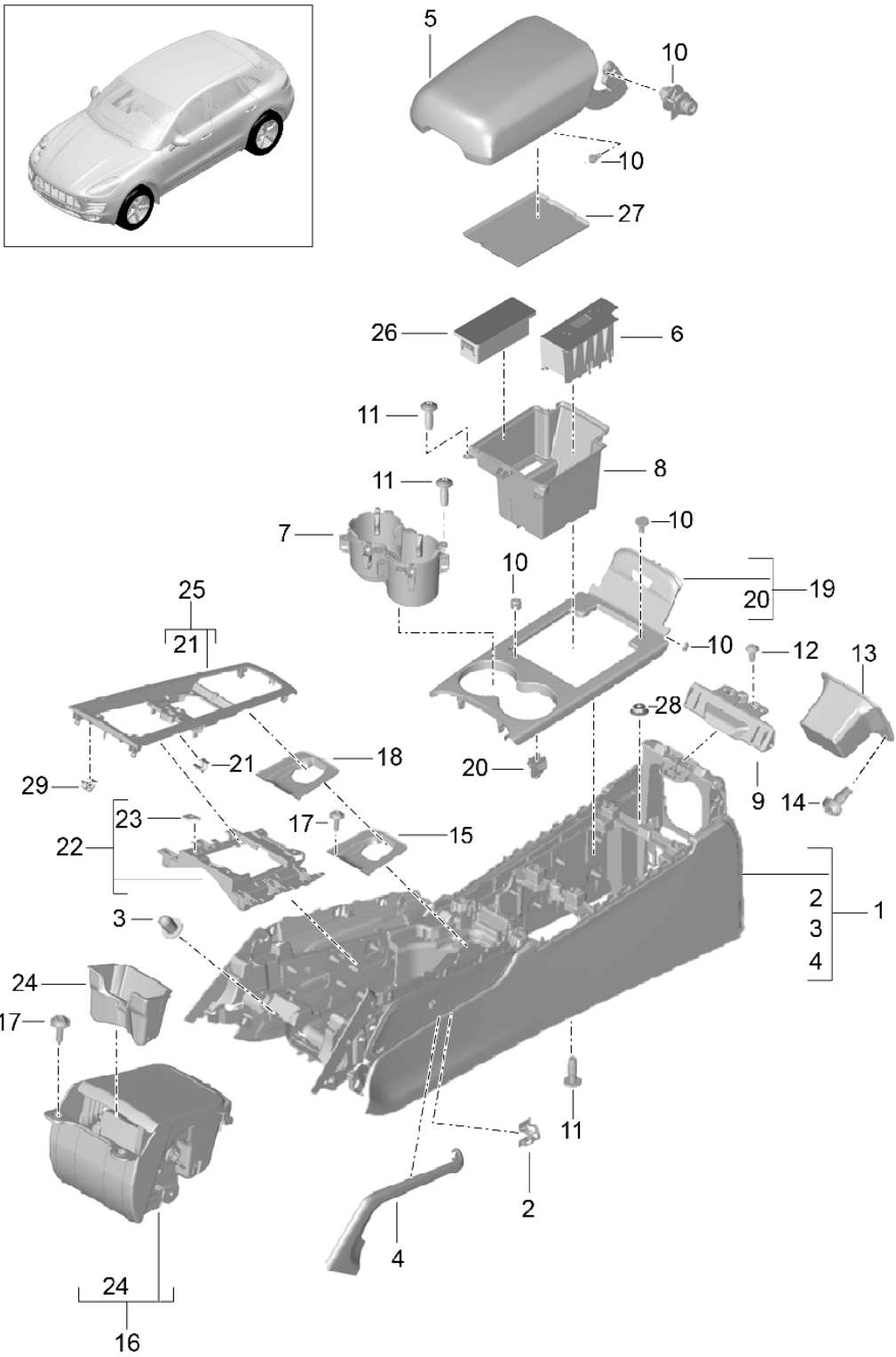
Model: 95B

Model life 2014>>

Pos	Part Number	Description	Remark	Qty	Model
		retaining frame dashboard			
1	95B 857 011	retaining frame	lhd	1	PR:L0L
(1)	95B 857 011 A	retaining frame	rhd	1	PR:L0R
2	8K1 819 079	Retaining bar for air conditioner	lhd	1	PR:L0L
(2)	8K2 819 079	Retaining bar for air conditioner	rhd	1	PR:L0R
3	N 910 423 02	Oval hexagon socket head bolt M6X16		X	
4	8K1 863 159 B	Securing bracket		1	PR:L0L,4UD, 4UE
5	N 910 018 01	Speed nut M5		1	
6	95B 858 361 A	Adapter		X	
7	95B 858 361	Adapter	left	X	
8	8K2 863 160 A	Securing bracket	inner right	1	PR:L0R
10	WHT 002 413	Threaded pin		2	
11	4D0 857 949 A	Grommet		3	
12	N 907 988 05	Hexagon collar nut M8		2	
13	N 106 044 02	Hex collared bolt M8X65		1	
14	N 910 333 01	hexagon head bolt (combi) M8X22		5	

Model: 95B

Model life 2014>>



Model: 95B Model life 2014>>

Pos	Part Number	Description	Remark	Qty	Model
1	95B 863 241	Centre console		1	
	95B 863 241 5Q0	Black	-VC, VJ, VF, VI, VU, VK		
	95B 863 241 OA6	agate grey	-VD, VG, VL		
	95B 863 241 6W0	Luxor beige	-VE, VH, VM, VP, VX, VZ		
	95B 863 241 OL7	saddle brown	-VN		
	95B 863 241 OE1	Carrera Red	-VO		
	95B 863 241 OD9	flint grey	-VQ		
	95B 863 241 3T0	Espresso	-VR		
2	999 507 533 03	Clamp		X	
3	999 703 551 40	Grommet		1	
4	95B 864 365	Trim	left	1	PR: 3D1, 3D2, 3D9, 3I0
	95B 864 365 1D0	Black	-VC		+VF+VI+VU
	95B 864 365 OW7	agate grey	-VD		+VG
	95B 864 365 2E0	Luxor beige	-VE		+VH+VX+VZ
(4)	95B 864 365 A	Trim	left	1	PR: 3D8, 3D6
	95B 864 365 A A11	Black	-VK		
	95B 864 365 A 7J0	Luxor beige	-VM		+VP
	95B 864 365 A OA1	agate grey	-VL		
	95B 864 365 A OK6	saddle brown	-VN		
	95B 864 365 A OG3	Carrera Red	-VO		
	95B 864 365 A OD4	flint grey	-VQ		
(4)	95B 864 365 B	Trim	left	1	PR: 3D4
	95B 864 365 B 6J0	Espresso	-VR		
(4)	95B 864 366	Trim	right	1	PR: 3D1, 3D2, 3D9, 3I0
	95B 864 366 1D0	Black	-VC		+VF+VI+VU
	95B 864 366 OW7	agate grey	-VD		+VG
	95B 864 366 2E0	Luxor beige	-VE		+VH+VX+VZ
(4)	95B 864 366 A	Trim	right	1	PR: 3D8, 3D6
	95B 864 366 A A11	Black	-VK		
	95B 864 366 A 7J0	Luxor beige	-VM		+VP
	95B 864 366 A OA1	agate grey	-VL		
	95B 864 366 A OK6	saddle brown	-VN		
	95B 864 366 A OG3	Carrera Red	-VO		
	95B 864 366 A OD4	flint grey	-VQ		
(4)	95B 864 366 B	Trim	right	1	PR: 3D4
	95B 864 366 B 6J0	Espresso	-VR		
5	95B 864 207 A	Armrest		1	PR: 3D2, 3D8, 6F0, 3D6, 3I0
	95B 864 207 A A11	Black	-VF, VK		
	95B 864 207 A OA1	agate grey	-VG, VL		
	95B 864 207 A 7J0	Luxor beige	-VH, VM, VP, VZ		
	95B 864 207 A OK6	saddle brown	-VJ, VN		
	95B 864 207 A OG3	Carrera Red	-VI, VU, VO		
	95B 864 207 A OD4	flint grey	-VQ		
	95B 864 207 A HHX	Black/Carmine Red	-FN		
	95B 864 207 A HAG	Black/Rhodium Silver	-FK		
(5)	95B 864 207	Armrest		1	PR: 3D1, 6F0, 3D9
	95B 864 207 1D0	Black	-VC		
	95B 864 207 OW7	agate grey	-VD		
	95B 864 207 2E0	Luxor beige	-VE, VX		
(5)	95B 864 207 B	Armrest		1	PR: 3D4, 6F0
	95B 864 207 B 6J0	Espresso	-VR		
(5)	95B 864 207 C	Armrest		1	PR: 3D2, 3D6, 3D8, 6F6, 3I0
		with:			
		Porsche crest			
	95B 864 207 C A11	Black	-VF, FA, FF, VK		
	95B 864 207 C OA1	agate grey	-VG, FB, VL, FM		

Model: 95B Model life 2014>>

Pos	Part Number	Description	Remark	Qty	Model
	95B 864 207 C 7J0	Luxor beige	-VH, VZ, FC, FH, FM, VP		
	95B 864 207 C OG3	Carrera Red	-VI, VU, VO		
	95B 864 207 C HHX	Black/Carmine Red	-FL, FN		
	95B 864 207 C HAG	Black/Rhodium Silver	-FE, FK		
	95B 864 207 C OK6	saddle brown	-FI, VN		
	95B 864 207 C OD4	flint grey	-VQ		
(5)	95B 864 207 D	Armrest	-VR	1	PR: 3D4, 6F6
		with:			
		Porsche crest			
	95B 864 207 D 6J0	Espresso			
(5)	95B 864 207 E	Armrest	lhd	1	PR: L0L, 3D2, 6F8
		With lettering:			
		Macan			
	95B 864 207 E A11	Black	-VF, VK		
	95B 864 207 E OA1	agate grey	-VG, VL		
	95B 864 207 E 7J0	Luxor beige	-VH, VZ, VM, VP		
	95B 864 207 E OG3	Carrera Red	-VI, VO, VU		
	95B 864 207 E OK6	saddle brown	-FN		
	95B 864 207 E OD4	flint grey	-VQ		
(5)	95B 864 207 F	Armrest	rhd	1	PR: L0R, 3D2, 6F8
		With lettering:			
		Macan			
	95B 864 207 F A11	Black	-VF, VK		
	95B 864 207 F OA1	agate grey	-VG, VL		
	95B 864 207 F 7J0	Luxor beige	-VH, VZ, VM, VP		
	95B 864 207 F OG3	Carrera Red	-VI, VO, VU		
	95B 864 207 F OK6	saddle brown	-FN		
	95B 864 207 F OD4	flint grey	-VQ		
(5)	95B 864 207 G	Armrest	lhd	1	PR: L0L, 3D4, 6F8
		With lettering:			
		Macan			
	95B 864 207 G 6J0	Espresso	-VR		
(5)	95B 864 207 H	Armrest	rhd	1	PR: L0R, 3D4, 6F8
		With lettering:			
		Macan			
	95B 864 207 H 6J0	Espresso	-VR		
(5)	95B 864 207 J	Armrest	lhd	1	PR: L0L, 3D2, 3D6, 3D8, 6F8, 3I0
		With lettering:			
		Macan	S		
	95B 864 207 J A11	Black	-VF, VK		
	95B 864 207 J OA1	agate grey	-VG, VL		
	95B 864 207 J 7J0	Luxor beige	-VH, VZ, VM, VP		
	95B 864 207 J OG3	Carrera Red	-VI, VU, VO		
	95B 864 207 J OK6	saddle brown	-VN		
	95B 864 207 J OD4	flint grey	-VQ		
(5)	95B 864 207 K	Armrest	rhd	1	PR: L0R, 3D2, 3D6, 3D8, 6F8, 3I0
		With lettering:			
		Macan	S		
	95B 864 207 K A11	Black	-VF, VK		
	95B 864 207 K OA1	agate grey	-VG, VL		
	95B 864 207 K 7J0	Luxor beige	-VH, VZ, VM, VP		
	95B 864 207 K OG3	Carrera Red	-VI, VU, VO		
	95B 864 207 K OK6	saddle brown	-VN		
	95B 864 207 K OD4	flint grey	-VQ		
(5)	95B 864 207 L	Armrest	lhd	1	PR: L0L, 3D4, 6F8
		With lettering:			
		Macan	S		
	95B 864 207 L 6J0	Espresso	-VR		
(5)	95B 864 207 M	Armrest	rhd	1	PR: L0R, 3D4, 6F8
		With lettering:			
		Macan	S		

Model: 95B Model life 2014>>

Pos	Part Number	Description	Remark	Qty	Model
(5)	95B 864 207 M 6J0	Espresso	-VR	1	PR:L0L, 3D2, 3D6, 3D8, 3I0, 6F8
	95B 864 207 N	Armrest With lettering:	lhd		
(5)		Macan Turbo		1	PR:L0R, 3D2, 3D6, 3D8, 3I0, 6F8
	95B 864 207 N A11	Black	-VF, VK		
	95B 864 207 N OA1	agate grey	-VG, VL		
	95B 864 207 N 7J0	Luxor beige	-VH, VZ, VM, VP		
	95B 864 207 N OG3	Carrera Red	-VI, VU, VO		
	95B 864 207 N OK6	saddle brown	-VN		
	95B 864 207 N OD4	flint grey	-VQ		
	95B 864 207 P	Armrest With lettering:	rhd		
		Macan Turbo			
	95B 864 207 P A11	Black	-VF, VK		
95B 864 207 P OA1	agate grey	-VG, VL			
95B 864 207 P 7J0	Luxor beige	-VH, VZ, VM, VP			
95B 864 207 P OG3	Carrera Red	-VI, VU, VO			
95B 864 207 P OK6	saddle brown	-VN			
95B 864 207 P OD4	flint grey	-VQ			
(5)	95B 864 207 Q	Armrest With lettering:	lhd	1	PR:L0L, 3D4, 6F8
	Macan Turbo				
(5)	95B 864 207 Q 6J0	Espresso	-VR	1	PR:L0R, 3D4, 6F8
	95B 864 207 R	Armrest With lettering:	rhd		
		Macan Turbo			
(5)	95B 864 207 R 6J0	Espresso	-VR	1	PR:3D3, 3D5, 6F0
	95B 864 207 S	armrest (alcantara)			
	95B 864 207 S HPO	Luxor beige	-FC, FH		
	95B 864 207 S DSJ	Black	-FA, FF		
	95B 864 207 S DJQ	agate grey	-FB, FM		
	95B 864 207 S HP0	Luxor beige	-FC, FH		
	95B 864 207 S HR0	Black/Carmine Red	-FL		
	95B 864 207 S DJS	Black/Rhodium Silver	-FE, TS		
	95B 864 207 S HQ0	saddle brown	-FI		
	95B 864 207 S HX0	Black/Carrera Red	-TR		
(5)	95B 864 207 T	Armrest With lettering:	lhd		
	Macan GTS				
	95B 864 207 T A11	Black	-VF, FA, FF, VK		
	95B 864 207 T OA1	agate grey	-VG, FB, FM, VL		
	95B 864 207 T 7J0	Luxor beige	-VH, VZ, FC, FH, VM, VP		
	95B 864 207 T OG3	Carrera Red	-VI, VO		
	95B 864 207 T HHX	Black/Carmine Red	-FL, FN		
	95B 864 207 T HAG	Black/Rhodium Silver	-FE, FK		
	95B 864 207 T OK6	saddle brown	-FI, VN		
	95B 864 207 T OD4	flint grey	-VQ		
(5)	95B 864 207 AA	Armrest With lettering:	rhd	1	PR:L0R, 3D2, 3D3, 3D5, 3D6, 3D8, 3I0, 6F8
	Macan GTS				
	95B 864 207 AA A11	Black	-VF, FA, FF, VK		
	95B 864 207 AA OA1	agate grey	-VG, FB, FM, VL		
	95B 864 207 AA 7J0	Luxor beige	-VH, VZ, FC, FH, VM, VP		
	95B 864 207 AA OG3	Carrera Red	-VI, VO		

Model: 95B Model life 2014>>

Pos	Part Number	Description	Remark	Qty	Model
(5)	95B 864 207 AA HHX	Black/Carmine Red	-FL, FN	1	PR:L0L, 3D4, 6F8
	95B 864 207 AA HAG	Black/Rhodium Silver	-FE, FK		
	95B 864 207 AA OK6	saddle brown	-FI, VN		
	95B 864 207 AA OD4	flint grey	-VQ		
	95B 864 207 AB	Armrest			
		With lettering:	lhd		
		Macan			
		GTS			
(5)	95B 864 207 AB 6J0	Espresso	-VR	1	PR:L0R, 3D4, 6F8
	95B 864 207 AC	Armrest			
		With lettering:	rhd		
		Macan			
		GTS			
6	95B 864 207 AC 6J0	Espresso	-VR	1	PR:9ZP
	95B 863 351	Support			
7	8R0 862 533 B	Drinks holder		1	
		Centre console			
8	8R0 862 533 B 5Q0	Black		1	
	95B 857 232	Stowage box			
(8)	95B 857 232 A	D >> - MJ 2016		1	
		Stowage box			
-		D - MJ 2017>>			
		bracket for navigation unit or tv receiver (tuner)			
			911-002		
		see illustration:	11		
		See item:			
9	95B 863 083	Cover for lock carrier		1	
10	95B 863 083 1E0	Black		1	
	95B 860 255	Assembly kit			
		Hinge			
		with:			
11	N 908 249 02	Rubber buffer		10	
		oval head panel screw			
12		5,0X14		2	
	N 106 695 01	fillister head bolt with multi-point socket head			
13		Stowage compartment		1	
14		see illustration:	809-025		
15	N 106 021 01	Hexagon socket flat head bolt		4	
		M6X16			
16	95B 864 132	Stowage compartment		1	PR:9JA
	95B 864 132 6N3	Matt black			
17	95B 857 273	Support		1	PR:9JB
	95B 857 273 CZ0	Galvano silver			
18	N 906 986 06	Hexagon socket head panel bolt		2	
		4,2X16			
19	95B 863 169	insert for stowage compartment		1	PR:9JA
19	95B 863 097	Cover	upper	1	
	95B 863 097 5Q0	Black	-VC, VJ, VF, VI, VU, VK		
			-VD, VG, VL		
	95B 863 097 OA6	agate grey	-VE, VH, VM, VP, VX, VZ		
	95B 863 097 6W0	Luxor beige			
	95B 863 097 OL7	saddle brown	-VN		
	95B 863 097 OE1	Carrera Red	-VO		
	95B 863 097 OD9	flint grey	-VQ		
	95B 863 097 3T0	Espresso	-VR		
20	999 507 130 01	U-clip		6	
21	999 507 533 03	Clamp		3	
22	95B 863 531	Securing bracket	front	1	

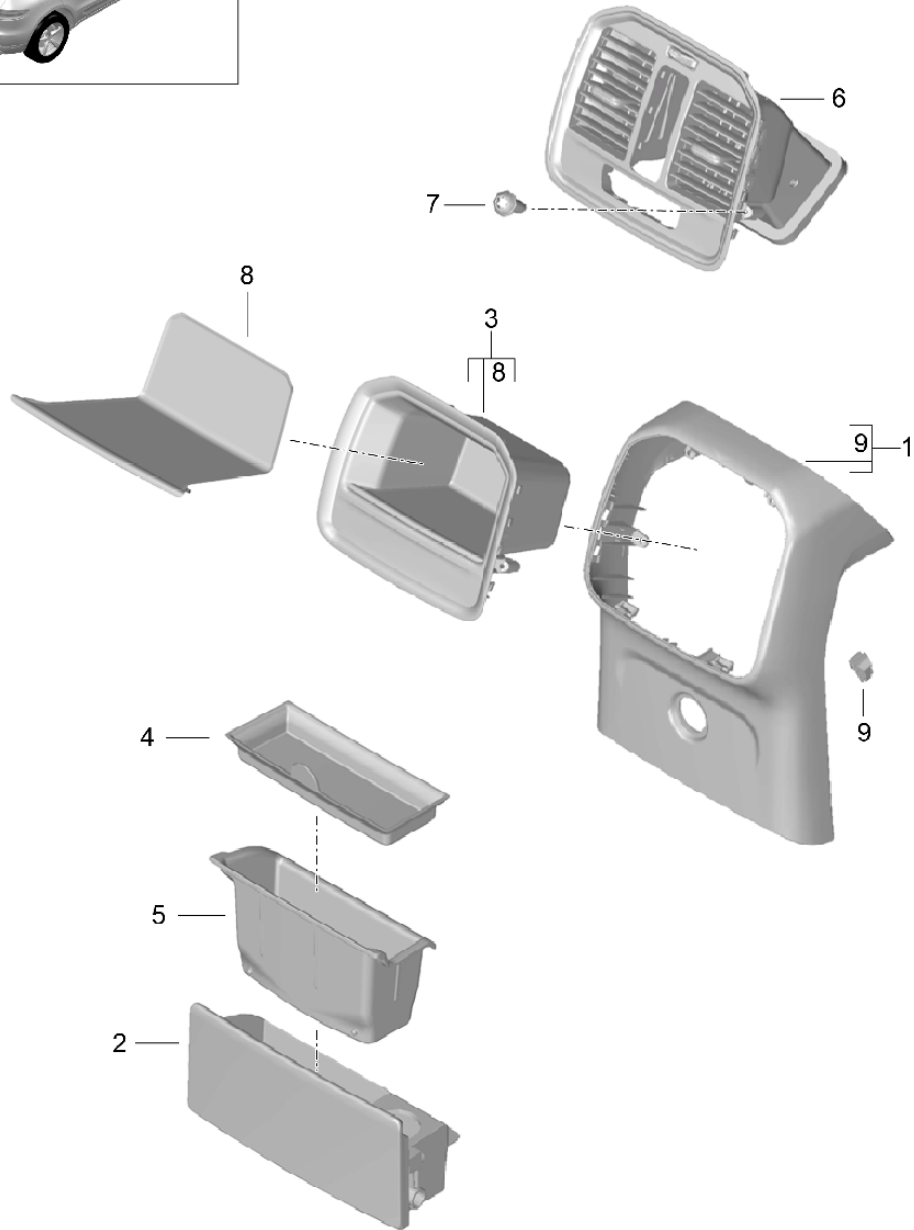
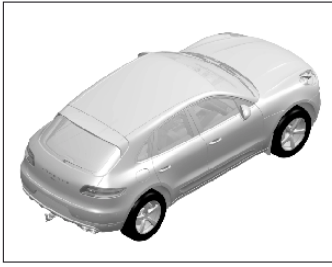
Model: 95B

Model life 2014>>

Pos	Part Number	Description	Remark	Qty	Model
23	999 507 556 01	Centre console panel nut		4	
24	95B 857 311	Ashtray insert		1	PR:9JB
25	95B 863 419	Cover Tiptronic		1	PR:G1D
26	95B 863 797	Support		1	PR:UF0
	95B 863 797 1E0	Black			
(26)	7PP 035 724 D	bush		1	PR:UF1,8DQ, 8DV,8YZ
27	95B 863 301	insert for stowage compartment Stowage box		1	PR:9W0,9W1, 9W5
		D >> - MJ 2016			
(27)	95B 863 301 B	insert for stowage compartment Stowage box		1	PR:9ZK,9ZX
		D - MJ 2017>>			
(27)	95B 863 301 A	insert for stowage compartment For vehicles with fixed telephone installation		1	PR:9ZP
		D >> - MJ 2016			
(27)	95B 863 301 C	insert for stowage compartment For vehicles with fixed telephone installation		1	PR:9ZC,9ZE
		D - MJ 2017>>			
28	N 907 988 05	Hexagon collar nut M8		2	
29	999 507 533 03	Clamp		3	PR:G1D

Model: 95B

Model life 2014>>



Model: 95B Model life 2014>>

Pos	Part Number	Description	Remark	Qty	Model
1	95B 864 378 A 95B 864 378 A 5Q0	Centre console Accessories Trim Black	rear -VC, VJ, VF, VI, VU, VK	1	PR: 9JA
	95B 864 378 A OA6 95B 864 378 A 6W0	agate grey Luxor beige	-VD, VG, VL -VE, VH, VZ, VM, VP		+VX,
	95B 864 378 A OL7 95B 864 378 A OE1 95B 864 378 A OD9 95B 864 378 A 3T0	saddle brown Carrera Red flint grey Espresso	-VN -VO -VQ -VR		
(1)	95B 864 378 C 95B 864 378 C 5Q0	Trim Black	-VC, VJ, VF, VI, VU, VK	1	PR: 9JB
	95B 864 378 C OA6 95B 864 378 C 6W0	agate grey Luxor beige	-VD, VG, VL -VE, VH, VZ, VM, VP		+VX,
	95B 864 378 C OL7 95B 864 378 C OE1 95B 864 378 C OD9 95B 864 378 C 3T0	saddle brown Carrera Red flint grey Espresso	-VN -VO -VQ -VR		
2	95B 857 274 A 95B 857 274 A 5Q0	Mounting for stowage compart. Black	-VC, VJ, VF, VI, VU, VK	1	PR: 9JB
	95B 857 274 A OA6 95B 857 274 A 6W0	agate grey Luxor beige	-VD, VG, VL -VE, VH, VZ, VM, VP		+VX,
	95B 857 274 A OL7 95B 857 274 A OE1 95B 857 274 A OD9 95B 857 274 A 3T0	saddle brown Carrera Red flint grey Espresso	-VN -VO -VQ -VR		
3	95B 864 131 B	Stowage compartment		1	PR: 4A0, 4A3, 9AD
(3)	95B 864 131 B 1E0 95B 864 131 C 95B 864 131 C 1E0	Black Stowage compartment Black		1	PR: 4A4, 9AD
4	95B 863 170	insert for stowage compartment		1	PR: 9JA
5	95B 864 575	ashtray		1	PR: 9JB
6	95B 819 203 B 95B 819 203 B G0B	jet Galvano silver		1	PR: 9AQ, 9MA
		F >> 95-FLB09 735 F >> 95-FLB60 210 F >> 95-FLB83 197 F >> 95-FLB94 223 F >> 95-FLB83 201 F >> 95-FLB83 228 F >> 95-FLB83 275			
6	95B 819 203 D 95B 819 203 D G0B	jet Galvano silver		1	PR: 9AQ, 9MA
		F 95-FLB09 736>> F 95-FLB60 211>> F 95-FLB83 198>> F 95-FLB94 224>> F 95-FLB83 202>> F 95-FLB83 229>> F 95-FLB83 276>>			
(6)	95B 819 203 C 95B 819 203 C G0B	jet Galvano silver		1	PR: 9AQ, 9MB
		F >> 95-FLB09 735 F >> 95-FLB60 210 F >> 95-FLB83 197 F >> 95-FLB94 223			

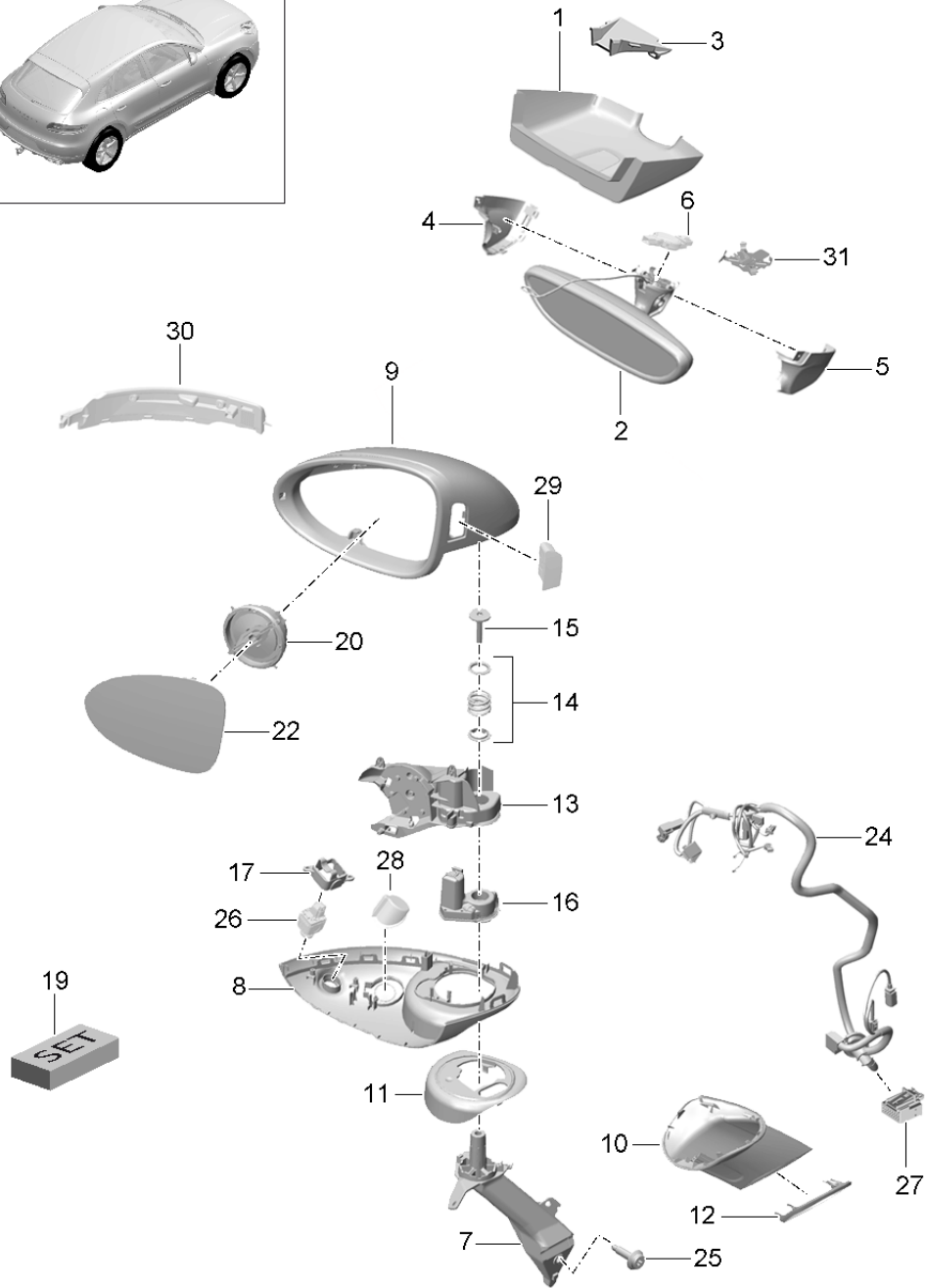
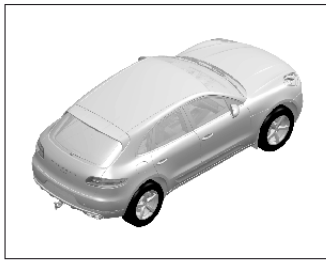
Model: 95B

Model life 2014>>

Pos	Part Number	Description	Remark	Qty	Model
(6)	95B 819 203 E 95B 819 203 E G0B	F >> 95-FLB83 201 F >> 95-FLB83 228 F >> 95-FLB83 275 jet Galvano silver F 95-FLB09 736>> F 95-FLB60 211>> F 95-FLB83 198>> F 95-FLB94 224>> F 95-FLB83 202>> F 95-FLB83 229>> F 95-FLB83 276>>		1	PR:9AQ,9MB
7	N 106 021 01	Hexagon socket flat head bolt		4	
8	95B 863 135	insert for stowage compartment		1	PR:9AD
9	999 507 130 01	U-clip		X	

Model: 95B

Model life 2014>>



Model: 95B Model life 2014>>

Pos	Part Number	Description	Remark	Qty	Model
-		Interior mirror Exterior mirror Accessories basic plate for Mirror base Interior mirror		1	PR:6FG
1	7PP 863 081	POS. 1 8/05/00 Cover for basic plate Mirror base Interior mirror	for this use:	1	PR:4UD,7Y0
(1)	7PP 863 081 1E0 7PP 863 081 B	Satin black Cover for basic plate Mirror base Interior mirror		1	PR:4UE,4UQ, 7Y1
(1)	7PP 863 081 B 1E0 7PP 863 081 C	Satin black Cover for basic plate Mirror base Interior mirror		1	PR:7Y2,7Y3, 7Y6,7Y7,4UE, 4UQ
(1)	7PP 863 081 C 1E0 7PP 863 081 D	Satin black Cover for basic plate Mirror base Interior mirror		1	PR:4UD,7Y2, 7Y3,7Y6,7Y7,
(1)	7PP 863 081 D 1E0 7PP 863 081 D	Satin black Cover for basic plate Mirror base Interior mirror		1	PR:4UD,8G1, 8G2
(1)	7PP 863 081 D 1E0 7PP 863 081 D	Satin black Cover for basic plate Mirror base Interior mirror		1	PR:4UD,9Q6
2	7PP 863 081 D 1E0 7PP 857 511 E	Satin black Interior mirror, anti-dazzle		1	PR:4L2,5RQ, 5RR,5RT,5RV, 5SG,5SJ,5SL -"J.."
(2)	7PP 857 511 E 1E0 7PP 857 511 H	Satin black Interior mirror, automatic anti-dazzle		1	PR:4L6 -"J.."
(2)	7PP 857 511 H 1E0 958 731 511 02	Satin black Interior mirror		1	"J.."
3	958 731 511 02 1E0 7PP 858 066	display Interior mirror Trim Camera	with:	1	PR:7Y2,7Y3, 7Y6,7Y7
3	7PP 858 066	Trim Camera		1	PR:8G1,8G2
3	7PP 858 066	Trim		1	PR:9Q6

Model: 95B Model life 2014>>

Pos	Part Number	Description	Remark	Qty	Model
4	7PP 858 547 7PP 858 547 1E0	Camera Cover cap Satin black Interior mirror	left left	1	
5	7PP 858 548 7PP 858 548 1E0	Cover cap Satin black Interior mirror	right right	1	
6		Rain sensor Interior mirror			
7	95B 857 539	see illustration: Mirror base	904-000 left lhd	1	PR:L0L
(7)	95B 857 540	Exterior mirror Mirror base	right lhd	1	PR:L0L
(7)	95B 857 539 A	Exterior mirror Mirror base	left rhd	1	PR:L0R
(7)	95B 857 540 A	Exterior mirror Mirror base	right rhd	1	PR:L0R
8	95B 857 185	Trim for exterior mirror housing	left	1	PR:5SG,5SJ, lower 5SL,7X0,7X2, 7X8,7X9,9TH
(8)	95B 857 185 1E0 95B 857 185 A	Mirror housing Black Trim for exterior mirror housing	left	1	PR:5SG,5SJ, lower 5SL,7X0,7X2, 7X8,7X9,9TF
		Mirror housing	with:		
(8)	95B 857 185 A 1E0 95B 857 185 B	Light Black Trim for exterior mirror housing	left	1	PR:5SG,5SJ, lower 5SL,8A4,9TH
		Mirror housing	with:		
(8)	95B 857 185 B 1E0 95B 857 185 C	Real Top View Black Trim for exterior mirror housing	left	1	PR:5SG,5SJ, lower 5SL,8A4,9TF
		Mirror housing	with:		
(8)	95B 857 185 C 1E0 95B 857 185 D	Light and Real Top View Black Trim for exterior mirror housing	left	1	PR:5SU,9TH lower "J.."
		Mirror housing	with:		
(8)	95B 857 185 D 1E0 95B 857 185 E	Camera Black Trim for exterior mirror housing	left	1	PR:5SU,9TF lower "J.."
		Mirror housing	with:		
(8)	95B 857 185 E 1E0 95B 857 186	Camera and Light Black Trim for exterior	right	1	PR:5RQ,5RR,

Model: 95B Model life 2014>>

Pos	Part Number	Description	Remark	Qty	Model
		mirror housing	lower		5RT,5RV,7X0, 7X2,7X8,7X9, 9TH
		Mirror housing			
	95B 857 186 1E0	Black			
(8)	95B 857 186 A	Trim for exterior mirror housing	right	1	PR:5RQ,5RR,
		Mirror housing	lower		5RT,5RV,7X0, 7X2,7X8,7X9, 9TF
		with:			
	95B 857 186 A 1E0	Light			
		Black			
(8)	95B 857 186 B	Trim for exterior mirror housing	right	1	PR:5RQ,5RR,
		Mirror housing	lower		5RT,5RV,8A4, 9TH
		with:			
	95B 857 186 B 1E0	Real Top View			
		Black			
(8)	95B 857 186 C	Trim for exterior mirror housing	right	1	PR:5RQ,5RR,
		Mirror housing	lower		5RT,5RV,8A4, 9TF
		with:			
	95B 857 186 C 1E0	Light			
		and			
		Real Top View			
		Black			
(8)	95B 857 186 D	Trim for exterior mirror housing	right	1	PR:5RP,9TH
		Mirror housing	lower		"J.."
		with:			
	95B 857 186 D 1E0	Camera			
		Black			
(8)	95B 857 186 E	Trim for exterior mirror housing	right	1	PR:5RP,9TF
		Mirror housing	lower		"J.."
		with:			
	95B 857 186 E 1E0	Camera			
		and			
		Light			
		Black			
9	95B 857 527	Exterior mirror housing	left	1	PR:7Y0,7Y2, 7Y6
		For vehicles without lane assist system			
	95B 857 527 G2X	primed			
(9)	95B 857 527 A	Exterior mirror housing	left	1	PR:7Y1,7Y3, 7Y7
		For vehicles with lane change assist			
	95B 857 527 A G2X	primed			
(9)	95B 857 528	Exterior mirror housing	right	1	PR:7Y0,7Y2, 7Y6
		For vehicles without lane assist system			
	95B 857 528 G2X	primed			
(9)	95B 857 528 A	Exterior mirror housing	right	1	PR:7Y1,7Y3, 7Y7
		For vehicles with lane change assist			
	95B 857 528 A G2X	primed			

Model: 95B

Model life 2014>>

Pos	Part Number	Description	Remark	Qty	Model
10	95B 857 085	Cover cap Mirror base	left lhd	1	PR:L0L
(10)	95B 857 085 1E0 95B 857 086	Satin black Cover cap Mirror base	right lhd	1	PR:L0L
(10)	95B 857 086 1E0 95B 857 085 A	Satin black Cover cap Mirror base	left rhd	1	PR:L0R
(10)	95B 857 085 A 1E0 95B 857 086 A	Satin black Cover cap Mirror base	right rhd	1	PR:L0R
11	95B 857 086 A 1E0 95B 857 555	Satin black Seal Mirror base	left upper	1	
(11)	95B 857 556	Seal Mirror base	right upper	1	
12	95B 857 679	Underlay Mirror base	left lower	1	
12	95B 857 680	Underlay Mirror base	right lower	1	
13	95B 858 298	basic plate Discontinued part	left	1	
13	95B 858 298 B	basic plate	right	1	
(13)	95B 858 298 A	basic plate Discontinued part	right	1	
(13)	95B 858 298 C	basic plate	right	1	
14	95B 857 981	Spring repair set		2	
15	95B 858 689	1 set securing bolts Spring		2	
16	95B 959 577	Servomotor Exterior mirror	left	1	
(16)	95B 959 578	Servomotor Exterior mirror	right	1	
17	95B 857 117	Clip Retaining bar Real Top View	left	1	PR:8A4
(17)	95B 857 118	Clip Retaining bar Real Top View	right	1	PR:8A4
(17)	95B 857 117 A	Clip Retaining bar Camera version		1	PR:L0R,5SU
(17)	95B 857 118 A	Clip Retaining bar Camera version	Japan	1	PR:L0L,5SU
19	95B 898 813	1 set securing bolts		1	
20	8T0 959 577	Adjusting unit with motor for exterior mirror		1	PR:6XP,6XW
(20)	8T0 959 577 A	Adjusting unit with motor for exterior mirror		1	PR:6XQ,6XT
22	95B 857 521	Mirror glass (flat)	left	1	PR:L0L,5SG, 6XP,6XQ
(22)	95B 857 521 A	Mirror (aspherical)	left	1	PR:L0L,5SL, 6XP,6XQ
(22)	95B 857 521 B	Mirror glass (convex)	left	1	PR:L0R,5SJ, 6XP,6XQ
(22)	95B 857 521 C	Mirror glass (flat)	left	1	PR:L0L,5SG, 6XT,6XW
(22)	95B 857 521 D	Mirror (aspherical)	left	1	PR:L0L,5SL, 6XT,6XW

Model: 95B Model life 2014>>

Pos	Part Number	Description	Remark	Qty	Model
(22)	95B 857 521 E	Mirror glass (convex)	left	1	PR:L0R,5SJ, 6XT,6XW
(22)	95B 857 522	Mirror glass (convex)	right	1	PR:L0L,5RQ, 6XP,6XQ
(22)	95B 857 522 B	Mirror glass (convex)	right	1	PR:L0L,5RT, 6XP,6XQ "PME"
(22)	95B 857 522 C	Mirror glass (convex)	right	1	PR:L0L,5RQ, 6XT,6XW
(22)	95B 857 522 T	Mirror glass (convex) USA	right	1	
(22)	95B 857 522 E	Mirror glass (convex)	right	1	PR:L0L,5RT, 6XT,6XW "PME"
(22)	95B 857 522 F	Mirror (aspherical)	right	1	PR:L0R,5RV, 6XP,6XQ
(22)	95B 857 522 G	Mirror (aspherical)	right	1	PR:L0R,5RV, 6XT,6XW
(22)	95B 857 522 AB	Mirror (aspherical)	right	1	PR:L0R,5RV, 6XT,6XW
25	999 073 192 01	Socket head bolt M8X33		1	
24	95B 971 469 AG	Wire set	right	1	PR:6XT,8A4, 9TF,7Y1,7Y3, 7Y7
(24)	95B 971 469 AG	Wire set	right	1	PR:6XT,8A4, 9TF,-7Y1, -7Y3,-7Y7
(24)	95B 971 469 AG	Wire set	right	1	PR:6XT,8A4, -9TF,-7Y1, -7Y3,-7Y7
(24)	95B 971 469 AJ	Wire set	left	1	PR:6XT,8A4, 9TF,7Y1,7Y3, 7Y7
(24)	95B 971 469 AJ	Wire set	left	1	PR:6XT,8A4, 9TF,-7Y1, -7Y3,-7Y7
(24)	95B 971 469 AJ	Wire set	left	1	PR:6XT,8A4, -9TF,-7Y1, -7Y3,-7Y7
(24)	95B 971 469 AD	Wire set	right	1	PR:6XQ,8A4, 9TF,7Y1,7Y3, 7Y7
(24)	95B 971 469 AD	Wire set	right	1	PR:6XQ,8A4, 9TF,-7Y1, -7Y3,-7Y7
(24)	95B 971 469 AD	Wire set	right	1	PR:6XQ,8A4, -9TF,-7Y1, -7Y3,-7Y7
(24)	95B 971 469 Q	Wire set	left	1	PR:6XQ,8A4, 9TF,7Y1,7Y3, 7Y7
(24)	95B 971 469 Q	Wire set	left	1	PR:6XQ,8A4, 9TF,-7Y1, -7Y3,-7Y7
(24)	95B 971 469 Q	Wire set	left	1	PR:6XQ,8A4, -9TF,-7Y1, -7Y3,-7Y7
(24)	95B 971 469 AK	Wire set	left a. right	2	PR:6XT,-8A4, 9TF,7Y1,7Y3, 7Y7
(24)	95B 971 469 AK	Wire set	left a. right	2	PR:6XT,-8A4, 9TF,-7Y1,

Model: 95B Model life 2014>>

Pos	Part Number	Description	Remark	Qty	Model
(24)	95B 971 469 AK	Wire set	left a. right	2	-7Y3,-7Y7 PR:6XT,-8A4, -9TF,-7Y1, -7Y3,-7Y7
(24)	95B 971 469 AE	Wire set	left a. right	2	PR:6XQ,-8A4, 9TF,7Y1,7Y3, 7Y7
(24)	95B 971 469 AE	Wire set	left a. right	2	PR:6XQ,-8A4, 9TF,-7Y1, -7Y3,-7Y7
(24)	95B 971 469 AE	Wire set	left a. right	2	PR:6XQ,-8A4, -9TF,-7Y1, -7Y3,-7Y7
(24)	95B 971 469 AR	Wire set	right	1	PR:6XW,8A4, 9TF,7Y1,7Y3, 7Y7
(24)	95B 971 469 AR	Wire set	right	1	PR:6XW,8A4, 9TF,-7Y1, -7Y3,-7Y7
(24)	95B 971 469 AR	Wire set	right	1	PR:6XW,8A4, -9TF,-7Y1, -7Y3,-7Y7
(24)	95B 971 469 BC	Wire set	left	1	PR:6XW,8A4, 9TF,7Y1,7Y3, 7Y7
(24)	95B 971 469 BC	Wire set	left	1	PR:6XW,8A4, 9TF,-7Y1, -7Y3,-7Y7
(24)	95B 971 469 BC	Wire set	left	1	PR:6XW,8A4, -9TF,-7Y1, -7Y3,-7Y7
(24)	95B 971 469 M	Wire set	right	1	PR:6XP,8A4, 9TF,7Y1,7Y3, 7Y7
(24)	95B 971 469 M	Wire set	right	1	PR:6XP,8A4, 9TF,-7Y1, -7Y3,-7Y7
(24)	95B 971 469 M	Wire set	right	1	PR:6XP,8A4, -9TF,-7Y1, -7Y3,-7Y7
(24)	95B 971 469 C	Wire set	left	1	PR:6XP,8A4, 9TF,7Y1,7Y3, 7Y7
(24)	95B 971 469 C	Wire set	left	1	PR:6XP,8A4, 9TF,-7Y1, -7Y3,-7Y7
(24)	95B 971 469 C	Wire set	left	1	PR:6XP,8A4, -9TF,-7Y1, -7Y3,-7Y7
(24)	95B 971 469 BJ	Wire set	left a. right	2	PR:6XW,-8A4, 9TF,7Y1,7Y3, 7Y7
(24)	95B 971 469 BJ	Wire set	left a. right	2	PR:6XW,-8A4, 9TF,-7Y1, -7Y3,-7Y7
(24)	95B 971 469 BJ	Wire set	left a. right	2	PR:6XW,-8A4, -9TF,-7Y1, -7Y3,-7Y7
(24)	95B 971 469 R	Wire set	left a. right	2	PR:6XP,-8A4, 9TF,7Y1,7Y3, 7Y7
(24)	95B 971 469 R	Wire set	left a. right	2	PR:6XP,-8A4, 9TF,-7Y1,

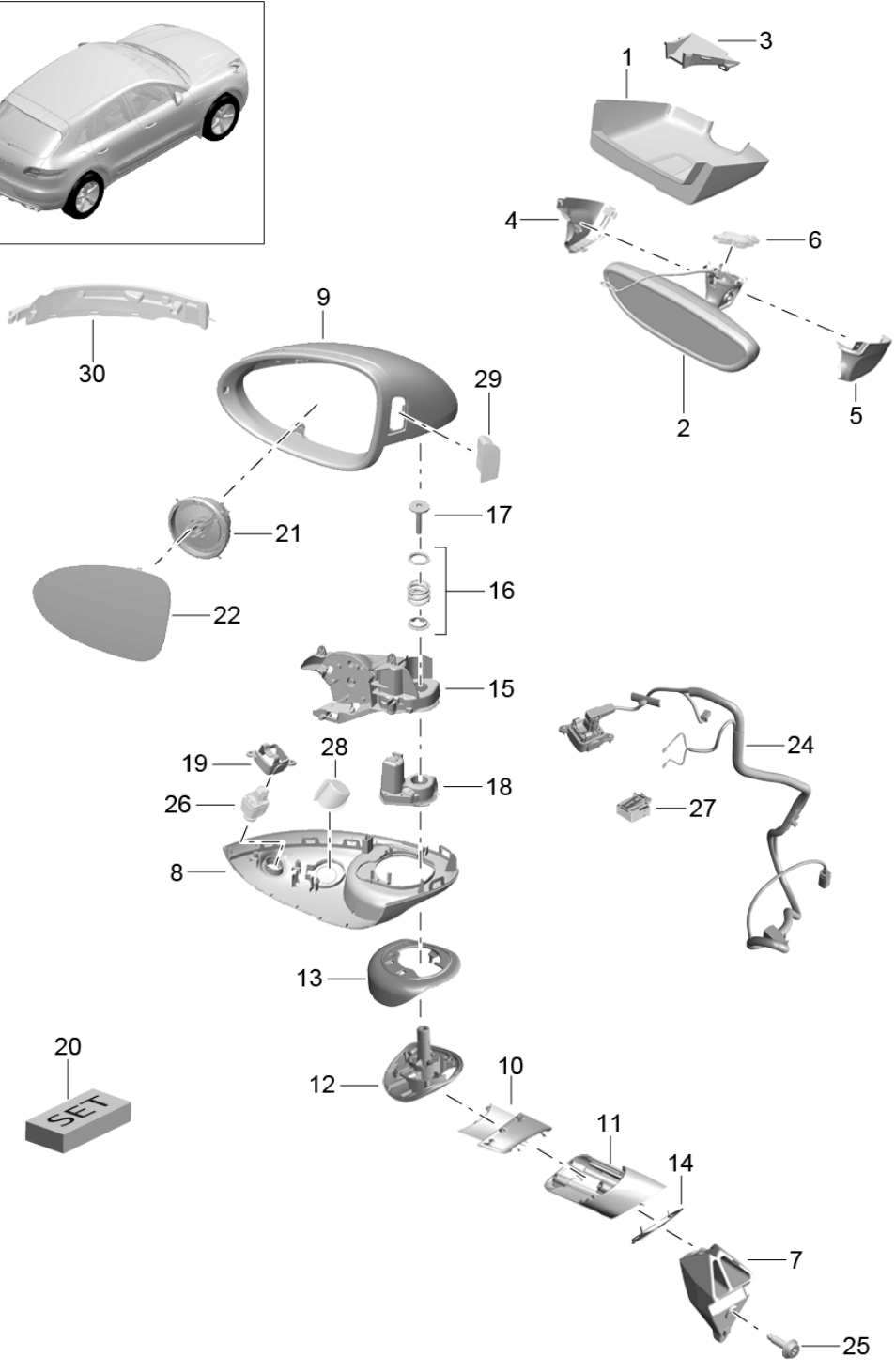
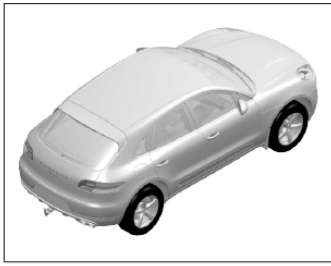
Model: 95B

Model life 2014>>

Pos	Part Number	Description	Remark	Qty	Model
(24)	95B 971 469 R	Wire set	left a. right	2	-7Y3,-7Y7 PR:6XP,-8A4, -9TF,-7Y1, -7Y3,-7Y7
(24)	95B 971 469 AA	Wire set	left a. right	2	PR:6XQ,B0L
(24)	95B 971 469 G	Wire set	left a. right	2	PR:6XP,B0L
25	999 073 192 01	Socket head bolt M8X33		1	
26		Camera Real Top View		1	PR:8A4
(26)		Camera version see illustration:	911-000 Japan 911-001	1	
27	999 656 412 40	Connector housing		1	
28		Wire set Light see illustration:	903-004	1	PR:9TF
29		Warning light For vehicles with lane change assist see illustration:	901-004	1	PR:7Y1,7Y2, 7Y3,7Y6,7Y7
30		Turn signal indicator see illustration:	903-004	1	PR:8F2
31	7PP 857 959	Spring clip Interior mirror		1	

Model: 95B

Model life 2014>>



Model: 95B Model life 2014>>

Pos	Part Number	Description	Remark	Qty	Model
-		Interior mirror Exterior mirror Accessories Sport Design package basic plate for Mirror base Interior mirror		1	PR:6FB
1	7PP 863 081	POS. 1 8/05/00 Cover for basic plate Mirror base Interior mirror	for this use:	1	PR:4UD,7Y0
(1)	7PP 863 081 1E0 7PP 863 081 B	Satin black Cover for basic plate Mirror base Interior mirror		1	PR:4UE,4UQ, 7Y1
(1)	7PP 863 081 B 1E0 7PP 863 081 C	Satin black Cover for basic plate Mirror base Interior mirror		1	PR:7Y2,7Y3, 7Y6,7Y7,4UE
(1)	7PP 863 081 C 1E0 7PP 863 081 D	Satin black Cover for basic plate Mirror base Interior mirror		1	PR:7Y2,7Y3, 7Y6,7Y7,8G1, 8G2,4UD
2	7PP 863 081 D 1E0 7PP 857 511 E	Satin black Interior mirror, anti-dazzle		1	PR:4L2,5RQ, 5RR,5RT,5RV, 5SG,5SJ,5SL -"J.."
(2)	7PP 857 511 E 1E0 7PP 857 511 H	Satin black Interior mirror, automatic anti-dazzle		1	PR:4L6 -"J.."
(2)	7PP 857 511 H 1E0 958 731 511 02	Satin black Interior mirror	with:	1	"J.."
3	958 731 511 02 1E0 7PP 858 066	display Interior mirror Trim Camera		1	PR:7Y2,7Y3, 8G0,9Q1,8G1, 8G2,9Q6
4	7PP 858 547 7PP 858 547 1E0	Cover cap Satin black	left left	1	
5	7PP 858 548 7PP 858 548 1E0	Interior mirror Cover cap Satin black	right right	1	
6		Interior mirror Rain sensor Interior mirror			
7	95B 857 541	see illustration: Mirror base	904-000 left	1	
(7)	95B 857 542	Exterior mirror Mirror base Exterior mirror	right	1	

Model: 95B Model life 2014>>

Pos	Part Number	Description	Remark	Qty	Model
8	95B 857 185 F	Trim for exterior mirror housing	left	1	PR:5SG,5SJ,
			lower		5SL,7X0,7X2,7X8,7X9,9TH
	95B 857 185 F G2X	Mirror housing primed			
(8)	95B 857 185 G	Trim for exterior mirror housing	left	1	PR:5SG,5SJ,
			lower		5SL,7X0,7X2,7X8,7X9,9TF
		Mirror housing			
		with:			
	95B 857 185 G G2X	Light primed			
(8)	95B 857 185 H	Trim for exterior mirror housing	left	1	PR:5SG,5SJ,
			lower		5SL,8A4,9TH
		Mirror housing			
		with:			
	95B 857 185 H G2X	Real Top View primed			
(8)	95B 857 185 J	Trim for exterior mirror housing	left	1	PR:5SG,5SJ,
			lower		5SL,8A4,9TF
		Mirror housing			
		with:			
	95B 857 185 J G2X	Real Top View primed			
(8)	95B 857 185 K	Trim for exterior mirror housing	left	1	PR:5SU,9TH
			lower		"J.."
		Mirror housing			
		with:			
	95B 857 185 K G2X	Camera primed			
(8)	95B 857 185 L	Trim for exterior mirror housing	left	1	PR:5SU,9TF
			lower		"J.."
		Mirror housing			
		with:			
	95B 857 185 L G2X	Camera and Light primed			
(8)	95B 857 186 F	Trim for exterior mirror housing	right	1	PR:5RQ,5RR,
			lower		5RT,5RV,7X0,7X2,7X8,7X9,9TH
		Mirror housing			
	95B 857 186 F G2X	primed			
(8)	95B 857 186 G	Trim for exterior mirror housing	right	1	PR:5RQ,5RR,
			lower		5RT,5RV,7X0,7X2,7X8,7X9,9TF
		Mirror housing			
		with:			
	95B 857 186 G G2X	Light primed			
(8)	95B 857 186 H	Trim for exterior mirror housing	right	1	PR:5RQ,5RR,
			lower		5RT,5RV,8A4,9TH
		Mirror housing			
		with:			

Model: 95B Model life 2014>>

Pos	Part Number	Description	Remark	Qty	Model
(8)	95B 857 186 H G2X 95B 857 186 J	Real Top View primed Trim for exterior mirror housing Mirror housing Light and Real Top View primed	right lower with: right	1	PR:5RQ,5RR, 5RT,5RV,8A4, 9TF
(8)	95B 857 186 J G2X 95B 857 186 K	Trim for exterior mirror housing Mirror housing with: Camera and Light Real Top View primed	right lower with: right	1	PR:5RP,9TH "J.."
(8)	95B 857 186 K G2X 95B 857 186 L	Trim for exterior mirror housing Mirror housing with: Camera and Light Real Top View primed	right lower with: right	1	PR:5RP,9TF "J.."
9	95B 857 186 L G2X 95B 857 527	Exterior mirror housing For vehicles without lane assist system primed	left	1	PR:7Y0,7Y2, 7Y6
(9)	95B 857 527 G2X 95B 857 527 A	Exterior mirror housing For vehicles with lane change assist primed	left	1	PR:7Y1,7Y3, 7Y7
(9)	95B 857 527 A G2X 95B 857 528	Exterior mirror housing For vehicles without lane assist system primed	right	1	PR:7Y0,7Y2, 7Y6
(9)	95B 857 528 G2X 95B 857 528 A	Exterior mirror housing For vehicles with lane change assist primed	right	1	PR:7Y1,7Y3, 7Y7
10	95B 857 528 A G2X 95B 857 109	Cover Mirror base primed	left lhd inner	1	PR:L0L
(10)	95B 857 109 G2X 95B 857 109 A	Cover Mirror base primed	right lhd inner	1	PR:L0L
(10)	95B 857 109 A G2X 95B 857 109 B	Cover Mirror base primed	left rhd inner	1	PR:L0R
(10)	95B 857 109 B G2X 95B 857 109 C	Cover Mirror base primed	right rhd inner	1	PR:L0R
11	95B 857 109 C G2X 95B 857 110	Cover Mirror base primed	left lhd outer	1	PR:L0L
(11)	95B 857 110 G2X 95B 857 110 A	Cover Mirror base primed	right lhd outer	1	PR:L0L
	95B 857 110 A G2X	primed			

Model: 95B Model life 2014>>

Pos	Part Number	Description	Remark	Qty	Model
(11)	95B 857 110 B	Cover Mirror base	left rhd outer	1	PR:L0R
	95B 857 110 B G2X	primed			
(11)	95B 857 110 C	Cover Mirror base	right rhd outer	1	PR:L0R
	95B 857 110 C G2X	primed			
12	95B 861 270	Rotary table Mirror base	left lhd	1	PR:L0L
	95B 861 270 G2X	primed			
(12)	95B 861 270 C	Rotary table Mirror base	right lhd	1	PR:L0L
	95B 861 270 C G2X	primed			
(12)	95B 861 270 A	Rotary table Mirror base	left rhd	1	PR:L0R
	95B 861 270 A G2X	primed			
(12)	95B 861 270 B	Rotary table Mirror base	right rhd	1	PR:L0R
	95B 861 270 B G2X	primed			
13	95B 858 345	Seal Mirror base	left upper	1	
(13)	95B 858 346	Seal Mirror base	right upper	1	
14	95B 857 543	Underlay Mirror base	left lower	1	
(14)	95B 857 544	Underlay Mirror base	right lower	1	
15	95B 858 298	basic plate Discontinued part	left	1	
15	95B 858 298 B	basic plate	right	1	
(15)	95B 858 298 A	basic plate Discontinued part	right	1	
(15)	95B 858 298 C	basic plate	right	1	
16	95B 857 981	Spring repair set		2	
17	95B 858 689	1 set securing bolts Spring		2	
18	95B 959 577	Servomotor Exterior mirror	left	1	
(18)	95B 959 578	Servomotor Exterior mirror	right	1	
19	95B 857 117	Clip Retaining bar Real Top View	left	1	PR:8A4
(19)	95B 857 118	Clip Retaining bar Real Top View	right	1	PR:8A4
(19)	95B 857 117 A	Clip Retaining bar Camera version		1	PR:L0R, 5SU
(19)	95B 857 118 A	Clip Retaining bar Camera version	Japan	1	PR:L0L, 5SU
20	95B 898 817	1 set securing bolts		1	
21	8T0 959 577	Adjusting unit with motor for exterior mirror		1	PR:6XP, 6XW
(21)	8T0 959 577 A	Adjusting unit with motor for exterior mirror		1	PR:6XQ, 6XT
22	95B 857 521	Mirror glass (flat)	left	1	PR:L0L, 5SG, 6XP, 6XQ
(22)	95B 857 521 A	Mirror (aspherical)	left	1	PR:L0L, 5SL, 6XP, 6XQ

Model: 95B Model life 2014>>

Pos	Part Number	Description	Remark	Qty	Model
(22)	95B 857 521 B	Mirror glass (convex)	left	1	PR:L0R,5SJ, 6XP,6XQ,5SU
(22)	95B 857 521 C	Mirror glass (flat)	left	1	PR:L0L,5SG, 6XT,6XW
(22)	95B 857 521 D	Mirror (aspherical)	left	1	PR:L0L,5SL, 6XT,6XW
(22)	95B 857 521 E	Mirror glass (convex)	left	1	PR:L0R,5SJ, 6XT,6XW
(22)	95B 857 522	Mirror glass (convex)	right	1	PR:L0L,5RQ, 6XP,6XQ
(22)	95B 857 522 B	Mirror glass (convex)	right	1	PR:L0L,5RT, 6XP,6XQ "PME"
(22)	95B 857 522 C	Mirror glass (convex)	right	1	PR:L0L,5RQ, 6XT,6XW
(22)	95B 857 522 E	Mirror glass (convex)	right	1	PR:L0L,5RT, 6XT,6XW "PME"
(22)	95B 857 522 F	Mirror (aspherical)	right	1	PR:L0R,5RV, 6XP,6XQ
(22)	95B 857 522 G	Mirror (aspherical)	right	1	PR:L0R,5RV, 6XT,6XW
24	95B 971 469 AG	Wire set	right	1	PR:6XT,8A4, 9TF,7Y1,7Y3, 7Y7
(24)	95B 971 469 AG	Wire set	right	1	PR:6XT,8A4, 9TF,-7Y1, -7Y3,-7Y7
(24)	95B 971 469 AG	Wire set	right	1	PR:6XT,8A4, -9TF,-7Y1, -7Y3,-7Y7
(24)	95B 971 469 AJ	Wire set	left	1	PR:6XT,8A4, 9TF,7Y1,7Y3, 7Y7
(24)	95B 971 469 AJ	Wire set	left	1	PR:6XT,8A4, 9TF,-7Y1, -7Y3,-7Y7
(24)	95B 971 469 AJ	Wire set	left	1	PR:6XT,8A4, -9TF,-7Y1, -7Y3,-7Y7
(24)	95B 971 469 AD	Wire set	right	1	PR:6XQ,8A4, 9TF,7Y1,7Y3, 7Y7
(24)	95B 971 469 AD	Wire set	right	1	PR:6XQ,8A4, 9TF,-7Y1, -7Y3,-7Y7
(24)	95B 971 469 AD	Wire set	right	1	PR:6XQ,8A4, -9TF,-7Y1, -7Y3,-7Y7
(24)	95B 971 469 Q	Wire set	left	1	PR:6XQ,8A4, 9TF,7Y1,7Y3, 7Y7
(24)	95B 971 469 Q	Wire set	left	1	PR:6XQ,8A4, 9TF,-7Y1, -7Y3,-7Y7
(24)	95B 971 469 Q	Wire set	left	1	PR:6XQ,8A4, -9TF,-7Y1, -7Y3,-7Y7
(24)	95B 971 469 AK	Wire set	left a. right	2	PR:6XT,-8A4, 9TF,7Y1,7Y3, 7Y7
(24)	95B 971 469 AK	Wire set	left a. right	2	PR:6XT,-8A4, 9TF,-7Y1,

Model: 95B Model life 2014>>

Pos	Part Number	Description	Remark	Qty	Model
(24)	95B 971 469 AK	Wire set	left a. right	2	-7Y3,-7Y7 PR:6XT,-8A4, -9TF,-7Y1, -7Y3,-7Y7
(24)	95B 971 469 AE	Wire set	left a. right	2	PR:6XQ,-8A4, 9TF,7Y1,7Y3, 7Y7
(24)	95B 971 469 AE	Wire set	left a. right	2	PR:6XQ,-8A4, 9TF,-7Y1, -7Y3,-7Y7
(24)	95B 971 469 AE	Wire set	left a. right	2	PR:6XQ,-8A4, -9TF,-7Y1, -7Y3,-7Y7
(24)	95B 971 469 AR	Wire set	right	1	PR:6XW,8A4, 9TF,7Y1,7Y3, 7Y7
(24)	95B 971 469 AR	Wire set	right	1	PR:6XW,8A4, 9TF,-7Y1, -7Y3,-7Y7
(24)	95B 971 469 AR	Wire set	right	1	PR:6XW,8A4, -9TF,-7Y1, -7Y3,-7Y7
(24)	95B 971 469 BC	Wire set	left	1	PR:6XW,8A4, 9TF,7Y1,7Y3, 7Y7
(24)	95B 971 469 BC	Wire set	left	1	PR:6XW,8A4, 9TF,-7Y1, -7Y3,-7Y7
(24)	95B 971 469 BC	Wire set	left	1	PR:6XW,8A4, -9TF,-7Y1, -7Y3,-7Y7
(24)	95B 971 469 M	Wire set	right	1	PR:6XP,8A4, 9TF,7Y1,7Y3, 7Y7
(24)	95B 971 469 M	Wire set	right	1	PR:6XP,8A4, 9TF,-7Y1, -7Y3,-7Y7
(24)	95B 971 469 M	Wire set	right	1	PR:6XP,8A4, -9TF,-7Y1, -7Y3,-7Y7
(24)	95B 971 469 C	Wire set	left	1	PR:6XP,8A4, 9TF,7Y1,7Y3, 7Y7
(24)	95B 971 469 C	Wire set	left	1	PR:6XP,8A4, 9TF,-7Y1, -7Y3,-7Y7
(24)	95B 971 469 C	Wire set	left	1	PR:6XP,8A4, -9TF,-7Y1, -7Y3,-7Y7
(24)	95B 971 469 BJ	Wire set	left a. right	2	PR:6XW,-8A4, 9TF,7Y1,7Y3, 7Y7
(24)	95B 971 469 BJ	Wire set	left a. right	2	PR:6XW,-8A4, 9TF,-7Y1, -7Y3,-7Y7
(24)	95B 971 469 BJ	Wire set	left a. right	2	PR:6XW,-8A4, -9TF,-7Y1, -7Y3,-7Y7
(24)	95B 971 469 R	Wire set	left a. right	2	PR:6XP,-8A4, 9TF,7Y1,7Y3, 7Y7
(24)	95B 971 469 R	Wire set	left a. right	2	PR:6XP,-8A4, 9TF,-7Y1,

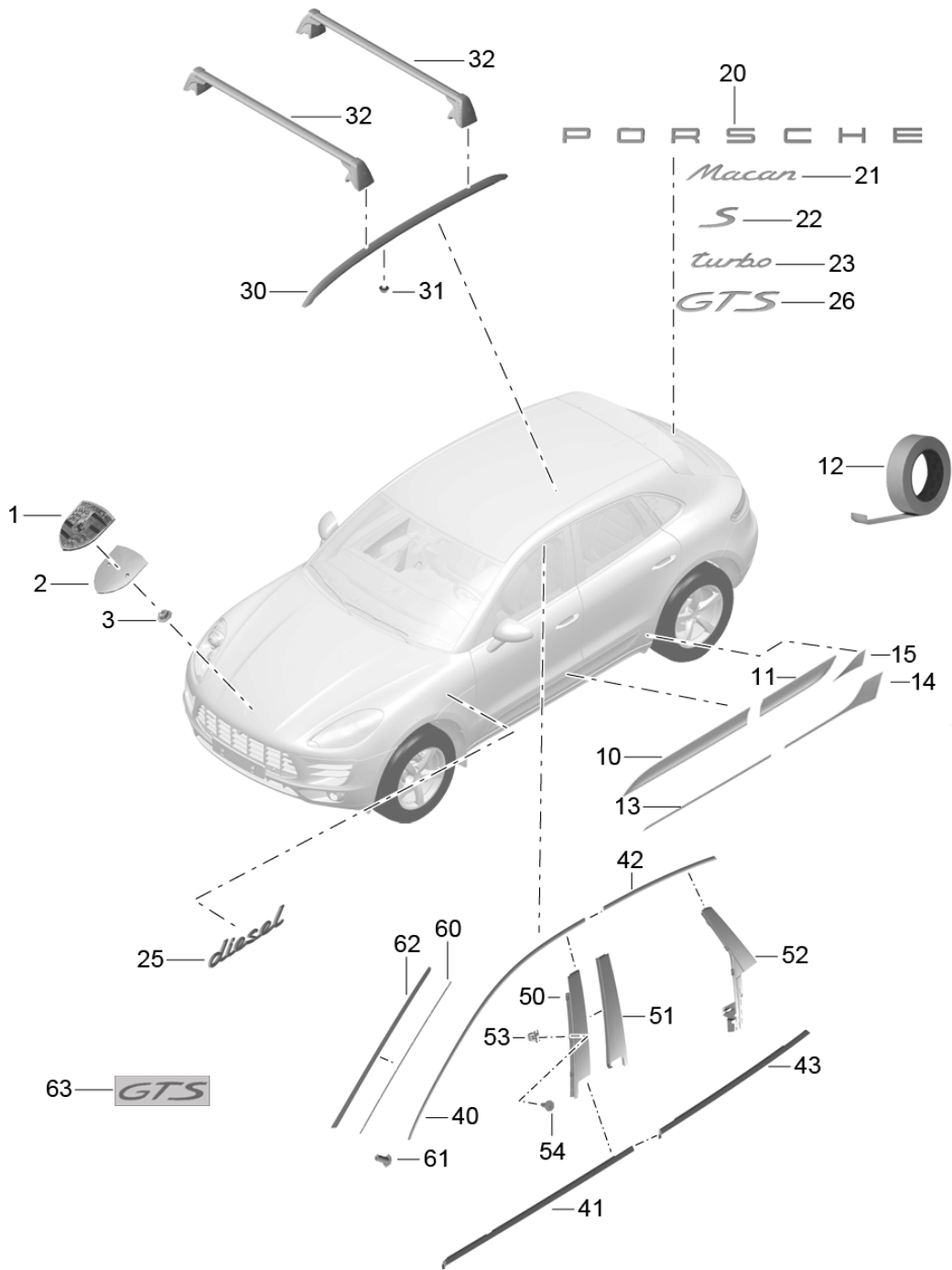
Model: 95B

Model life 2014>>

Pos	Part Number	Description	Remark	Qty	Model
(24)	95B 971 469 R	Wire set	left a. right	2	-7Y3,-7Y7 PR:6XP,-8A4,
(24)	95B 971 469 AA	Wire set	left a. right	2	-9TF,-7Y1, -7Y3,-7Y7 PR:6XQ,B0L
(24)	95B 971 469 G	Wire set	left a. right	2	PR:6XP,B0L
25	999 073 192 01	Socket head bolt M8X33		1	
26		Camera Real Top View		1	PR:8A4
(26)		Camera version see illustration:	911-000 Japan 911-001	1	
27	999 656 412 40	Connector housing		1	
28		Wire set Light see illustration:	903-004	1	PR:9TF
29		Warning light For vehicles with lane change assist	901-004	1	PR:7Y1,7Y2, 7Y3,7Y6,7Y7
30		Turn signal indicator see illustration:	903-004	1	PR:8F2

Model: 95B

Model life 2014>>



Model: 95B Model life 2014>>

Pos	Part Number	Description	Remark	Qty	Model
		inscriptions/lettering moldings Stone guard film			
1	991 559 211 00	Porsche crest		1	
2	991 559 215 02	Underlay Porsche crest		1	
3	WHT 004 974	Nut Securing element Porsche crest		2	
10	95B 898 561	Trim for door	left front	1	PR:6H0
(10)	95B 898 561 OK1 95B 898 562	Matt black Trim for door	right front	1	PR:6H0
(10)	95B 898 562 OK1 95B 898 561 A	Matt black Trim for door	left front	1	PR:6H1,6H5, 6H6
(10)	95B 898 561 A G2X 95B 898 562 A	primed Trim for door	right front	1	PR:6H1,6H5, 6H6
(10)	95B 898 562 A G2X 95B 898 563	primed Trim for door	left front	1	PR:6H3
(10)	95B 898 564	Carbon Trim for door	right front	1	PR:6H3
(10)	95B 837 901 BY	Carbon Trim for door	left front	1	PR:6H3,E0W
(10)	95B 837 902 BY	Carbon GTS inscription Trim for door	right front	1	PR:6H3,E0W
(10)	95B 837 901 AY	Carbon GTS inscription Trim for door	left front	1	PR:6H3
(10)	95B 837 902 AY	Carbon D - MJ 2015>> Trim for door	right front	1	PR:6H3
11	95B 898 565	Carbon D - MJ 2015>> Trim for door	left rear	1	PR:6H0
(11)	95B 898 565 OK1 95B 898 566	Matt black Trim for door	right rear	1	PR:6H0
(11)	95B 898 566 OK1 95B 898 565 A	Matt black Trim for door	left rear	1	PR:6H1,6H5, 6H6
(11)	95B 898 566 A	primed Trim for door	right rear	1	PR:6H1,6H5, 6H6
(11)	95B 898 567	primed Trim for door	left rear	1	PR:6H3
(11)	95B 898 568	Carbon Trim for door	right	1	PR:6H3

Model: 95B Model life 2014>>

Pos	Part Number	Description	Remark	Qty	Model
(11)	95B 839 901 AY	Carbon Trim for door	rear left rear	1	PR:6H3
(11)	95B 839 901 BY	Carbon D - MJ 2015>> Trim for door	rear left	1	PR:6H3
(11)	95B 839 902 AY	Carbon D - MJ 2015>> Trim for door	right rear	1	PR:6H3
(11)	95B 839 902 BY	Carbon D - MJ 2015>> Trim for door	rear right	1	PR:6H3
12	95B 898 633	repair set Adhesive tape Door	left front and rear	1	PR:6H0,6H1, 6H5
(12)	95B 898 634	repair set Adhesive tape Door	right front and rear	1	PR:6H0,6H1, 6H5
(12)	95B 898 635	repair set Adhesive tape Door	front and rear	1	PR:6H3
13	95B 853 823	Stone guard film Door	left front	1	PR:6EC
(13)	95B 853 824	Stone guard film Door	right front	1	PR:6EC
14	95B 853 931	Stone guard film Door	left rear	1	PR:6EC
(14)	95B 853 932	Stone guard film Door	right rear	1	PR:6EC
15	95B 854 931	Stone guard film Door	left rear	1	PR:6EA,6ET
(15)	95B 854 932	Stone guard film Door	right rear	1	PR:6EA,6ET
20	95B 853 687	inscription Porsche chromed	rear	1	PR:0NA,0NB
(20)	95B 853 687 A	inscription Porsche Matt black	rear	1	PR:E0W,0NA, 0NB
21	95B 853 675	inscription Macan chromed	rear	1	PR:0NB
(21)	95B 853 675 D	inscription Macan Matt black	rear	1	PR:E0W,0NB
22	95B 853 675 A	inscription S	rear	1	PR:0NB,DD7, DU0,D1V,D43, D51
23	95B 853 675 B	chromed inscription Turbo	rear	1	PR:0NB,DU1
25	95B 854 499 A	chromed inscription Cover	Diesel left front	1	PR:0NB,DD7, DE5,D1V,D43, D51
(25)	95B 854 500 A	chromed inscription Cover	Diesel right front	1	PR:0NB,DD7, DE5,D1V,D43, D51
26	95B 853 675 E	chromed inscription	rear	1	PR:0NB,D4A,

Model: 95B Model life 2014>>

Pos	Part Number	Description	Remark	Qty	Model
		GTS			E0W
30	95B 860 025 A	Matt black roof rail	left	1	PR:3S5,5W4
(30)	95B 860 043 A	Black roof rail	left	1	PR:3S1,5W1
(30)	95B 860 026 A	silver roof rail	right	1	PR:3S5,5W4
(30)	95B 860 044 A	Black roof rail	right	1	PR:3S1,5W1
31	N 023 002 13	silver hexagon nut, self-locking		X	PR:3S1,5W1, 3S5,5W4
32	95B 860 019 B	Additional traverses		1	PR:5W1,5W4
40	95B 853 985	molding for door	left front upper	1	PR:QJ2
(40)	95B 853 985 GV9 95B 853 985 A	Galvano silver molding for door	left front upper	1	PR:QJ4
(40)	95B 853 985 A 041 95B 853 985 B	Black molding for door	left front upper	1	PR:QJ6
(40)	95B 853 985 B A78 95B 853 986	Matt black molding for door	right front upper	1	PR:QJ2
(40)	95B 853 986 GV9 95B 853 986 A	Galvano silver molding for door	right front upper	1	PR:QJ4
(40)	95B 853 986 A 041 95B 853 986 B	Black molding for door	right front upper	1	PR:QJ6
41	95B 853 986 B A78 95B 837 475	Matt black Trim	left front	1	PR:QJ2
(41)	95B 837 475 GV9 95B 837 475 A	Door seal Galvano silver Trim	with: left front	1	PR:QJ4
(41)	95B 837 475 A 041 95B 837 475 B	Door seal Black Trim	with: left front	1	PR:QJ6
(41)	95B 837 475 B A78 95B 837 476	Door seal Matt black Trim	with: right front	1	PR:QJ2
(41)	95B 837 476 GV9 95B 837 476 A	Door seal Galvano silver Trim	with: right front	1	PR:QJ4
(41)	95B 837 476 A 041 95B 837 476 B	Door seal Black seal on molding	with: right front	1	PR:QJ6
42	95B 837 476 B A78 95B 853 907	Door seal Matt black molding for door	left rear	1	PR:QJ2

Model: 95B Model life 2014>>

Pos	Part Number	Description	Remark	Qty	Model
(42)	95B 853 907 GV9 95B 853 907 A	Galvano silver molding for door	upper left rear upper	1	PR:QJ4
(42)	95B 853 907 A 041 95B 853 907 B	Black molding for door	left rear upper	1	PR:QJ6
(42)	95B 853 907 B A78 95B 853 908	Matt black molding for door	right rear upper	1	PR:QJ2
(42)	95B 853 908 GV9 95B 853 908 A	Galvano silver molding for door	right rear upper	1	PR:QJ4
(42)	95B 853 908 A 041 95B 853 908 B	Black molding for door	right rear upper	1	PR:QJ6
43	95B 853 908 B A78 95B 839 475	Matt black molding for door	left rear with:	1	PR:QJ2
(43)	95B 839 475 GV9 95B 839 475 A	Seal Galvano silver molding for door	left rear with:	1	PR:QJ4
(43)	95B 839 475 A 041 95B 839 475 B	Seal Black molding for door	left rear with:	1	PR:QJ6
(43)	95B 839 475 B A78 95B 839 476	Seal Matt black molding for door	right rear with:	1	PR:QJ2
(43)	95B 839 476 GV9 95B 839 476 A	Seal Galvano silver molding for door	right rear with:	1	PR:QJ4
(43)	95B 839 476 A 041 95B 839 476 B	Seal Black molding for door	right rear with:	1	PR:QJ6
50	95B 839 476 B A78 95B 853 317 B	Seal Matt black trim for pillar b	left front	1	
(50)	95B 853 318 B	Door Discontinued part trim for pillar b	right front	1	
51	95B 853 351 B	Door Discontinued part trim for pillar b	left rear	1	
(51)	95B 853 352 B	Door Discontinued part trim for pillar b	right rear	1	
52	95B 853 589 B	Door Discontinued part Trim for door	left	1	

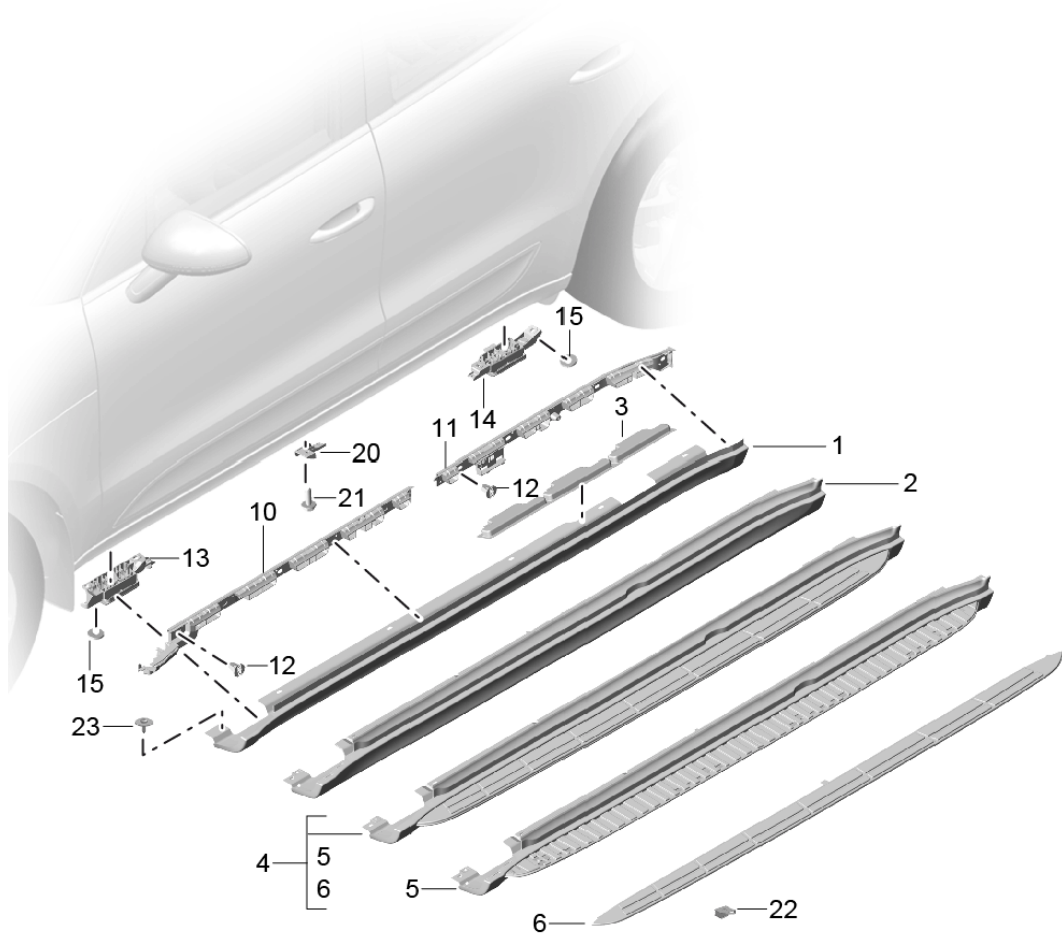
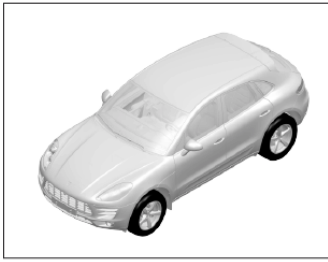
Model: 95B

Model life 2014>>

Pos	Part Number	Description	Remark	Qty	Model
(52)	95B 853 590 B	Trim for door	rear right rear	1	
53	8K0 837 199	Discontinued part Clip		X	
54	WHT 002 250	Hexagon socket flat head bolt 5,0X15,0		X	
60	95B 845 453	Clamp strip A-pillar	left	1	
(60)	95B 845 454	Clamp strip A-pillar	right	1	
61	N 908 550 01	Pop rivet		X	
62	95B 845 327	Clamp strip Cover	left	1	
	95B 845 327 1E0	Black			
(62)	95B 845 328	Clamp strip Cover	right	1	
	95B 845 328 1E0	Black			
63	95B 800 951	Decorative film Gloss black GTS		2	PR:6H6,E0W
(63)	95B 800 951 A	Decorative film Black mat/satin black GTS		2	PR:6H1,E0W

Model: 95B

Model life 2014>>



Model: 95B Model life 2014>>

Pos	Part Number	Description	Remark	Qty	Model
		trims			
		Accessories			
		Sill			
1	95B 853 563	Side member trim	left	1	PR:VR0
	95B 853 563 1E0	Black			
(1)	95B 853 564	Side member trim	right	1	PR:VR0
	95B 853 564 1E0	Black			
2	95B 854 883 A	Side member trim	left	1	PR:VR4
	95B 854 883 A G2X	primed			
(2)	95B 854 884 A	Side member trim	right	1	PR:VR4
	95B 854 884 A G2X	primed			
3	95B 857 993 A	Sound absorber		2	PR:VR0,L0R
(3)	95B 857 993	Sound absorber	left	1	PR:VR4
(3)	95B 857 994	Sound absorber	right	1	PR:VR4
4	95B 854 749 A	Side member trim	left	1	PR:VR1
		footboard			
		(complete)			
	95B 854 749 A 1E0	Black			
(4)	95B 854 750 A	Side member trim	right	1	PR:VR1
		footboard			
		(complete)			
	95B 854 750 A 1E0	Black			
5	95B 854 885 A	Side member trim	left	1	PR:VR1
	95B 854 885 A 1E0	Black			
(5)	95B 854 886 A	Side member trim	right	1	PR:VR1
	95B 854 886 A 1E0	Black			
6	95B 853 807 A	Trim	left	1	PR:VR1
		stainless steel			
(6)	95B 853 808 A	Trim	right	1	PR:VR1
		stainless steel			
10	95B 853 557 A	Rail	left	1	PR:VR0,VR4
			front		
(10)	95B 853 558 A	Rail	right	1	PR:VR0,VR4
			front		
(10)	95B 853 473 A	Rail	left	1	PR:VR1
			front		
(10)	95B 853 474 A	Rail	right	1	PR:VR1
			front		
11	95B 853 541 A	Rail	left	1	PR:VR0,VR4
			rear		
(11)	95B 853 542 A	Rail	right	1	PR:VR0,VR4
			rear		
(11)	95B 853 819 B	Rail	left	1	PR:VR1
			rear		
(11)	95B 853 820 B	Rail	right	1	PR:VR1
			rear		
12	WHT 004 935	expanding nut		10	
		5 X 15,5			
13	95B 802 845 A	socket - jack	left	1	
			front		
	95B 802 845 A 9B9	Black			
(13)	95B 802 846 A	socket - jack	right	1	
			front		
	95B 802 846 A 9B9	Black			
14	95B 802 847 A	socket - jack	left	1	
			rear		
	95B 802 847 A 9B9	Black			
(14)	95B 802 848 A	socket - jack	right	1	
			rear		
	95B 802 848 A 9B9	Black			
15	N 905 708 03	hex. nut with washer		8	
		M6			
20	95B 825 352	Bracket		1	

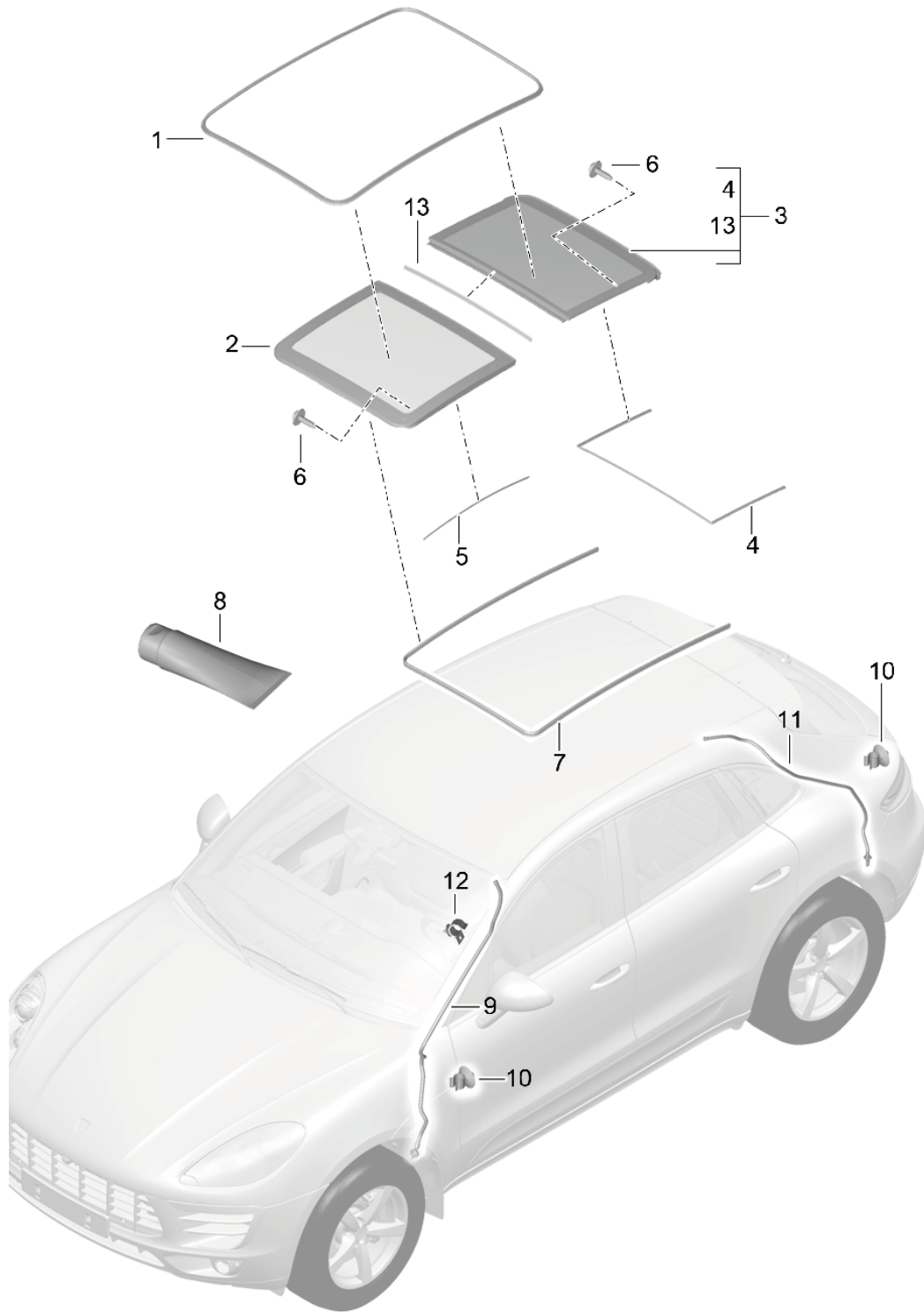
Model: 95B

Model life 2014>>

Pos	Part Number	Description	Remark	Qty	Model
20	95B 825 352 B	Side member trim D >> - MJ 2014 Bracket		1	
21	N 911 456 01	Side member trim D - MJ 2015>> hexagon head bolt (combi)		4	
22	999 507 795 09	M8 X 28 panel nut		X	
23	999 073 491 01	ST4,8 POS6 POS7 panel screw		X	
		ST4,8			

Model: 95B

Model life 2014>>

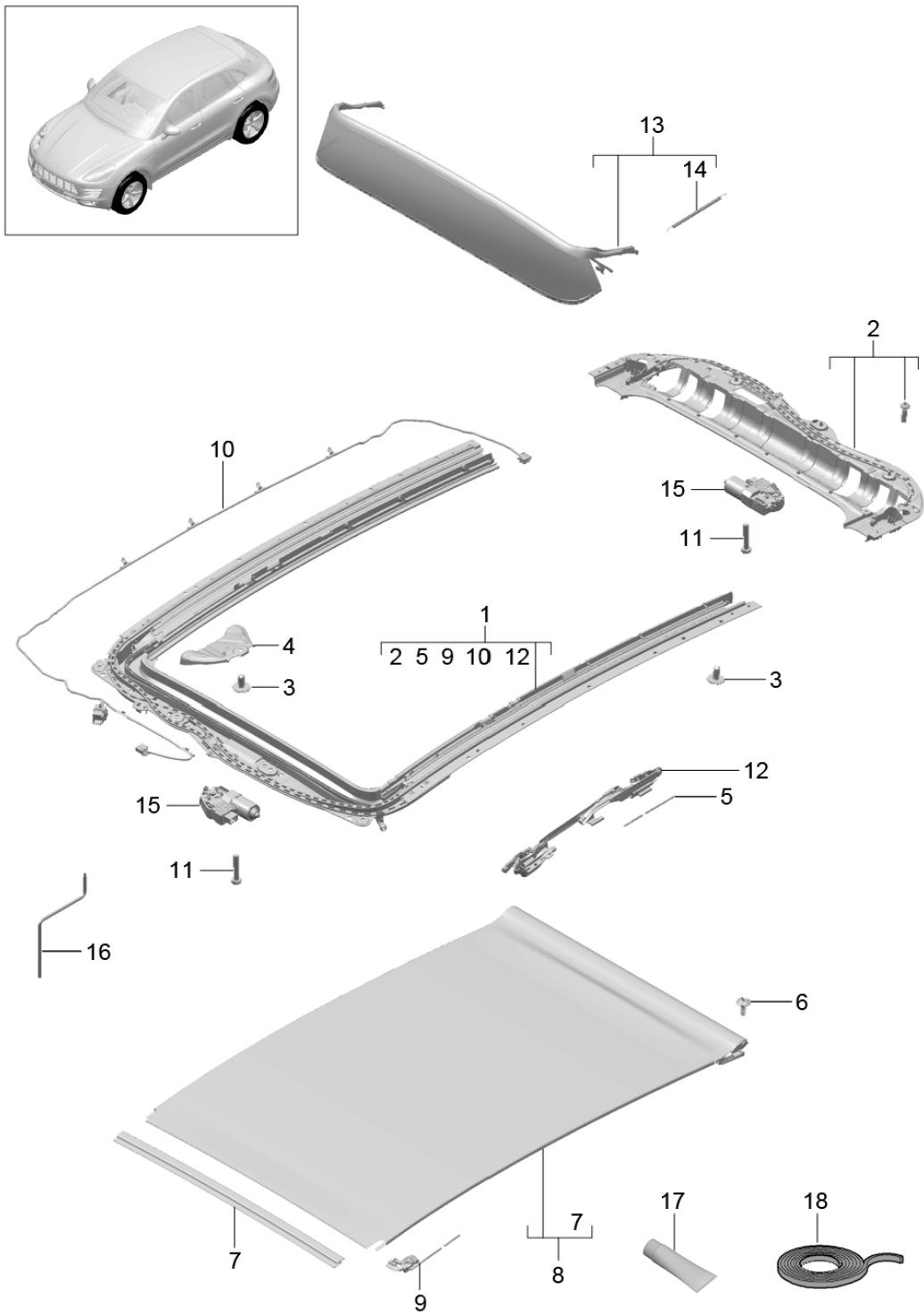


Model: 95B Model life 2014>>

Pos	Part Number	Description	Remark	Qty	Model
		Glass roof Accessories Cover Water drainage hose			PR: 3FU
1	95B 877 459	Seal		1	
2	95B 877 055	Body Cover	front	1	
3	95B 877 055 9B9	Glass roof Satin black			
	95B 877 056	Cover	rear	1	
4	95B 877 056 9B9	Glass roof Satin black			
	95B 877 297	Seal for Cover	rear	1	
5	958 562 791 00	Trim		2	
	958 562 791 00 9B9	Satin black			
6	95B 898 011	1 set fixing parts for glass sliding sunroof cover		1	
7	95B 877 439	Seal	inner	1	
8	958 562 900 01	grease 150 ML 1 tube		1	
(8)	000 043 302 96	D >> - 30.10.2015 Grease spray can 100 ML Grease spray can D - 31.10.2015>>		1	
9	95B 877 201	Water drainage hose	front left	1	
(9)	95B 877 202	Water drainage hose	front right	1	
10	958 564 244 00	Hose bracket		X	
11	95B 877 203	Water drainage hose	rear left	1	
(11)	95B 877 204	Water drainage hose	rear right	1	
12	970 564 701 00	Hose bracket	front right	1	
13	95B 877 913	Seal	front rear	1	
		for Cover			

Model: 95B

Model life 2014>>



Model: 95B Model life 2014>>

Pos	Part Number	Description	Remark	Qty	Model
		Glass roof Frame Accessories			PR:3FU
1	95B 877 941	Frame D >> - 30.10.2015		1	
(1)	95B 877 941 A	Frame Glass roof D - 31.10.2015>>		1	
2	95B 898 025	repair set frame part	rear	1	
3	N 911 664 01	also use: Oval hexagon socket head bolt M6X14	000 043 172 00	X	
4	95B 817 294	D >> - MJ 2017 Console	right	1	
(4)	95B 817 293	D >> - MJ 2017 Console	left	1	
5	95B 898 021	D >> - MJ 2017 1 set cables for glass roof		1	
6	95B 898 026	1 set securing bolts roller blind		1	
7	95B 898 028	repair set Roof arch		1	
8	95B 877 307 95B 877 307 ZR5 95B 877 307 OG9 95B 877 307 OA3	roller blind saddle brown agate grey Black	-VN,VP -VD,VG,VL,VQ -VC,VJ,VF,VI, VU,VK,VO,VX, VZ	1	
	95B 877 307 OB4 95B 877 307 OE7	Luxor beige Espresso	-VE,VH,VM -VR		
9	95B 898 014	1 set cables for sun blind roller blind		1	
10	95B 971 648	Wire set Glass roof		1	
11	8K9 898 057 B	1 set OF attachment parts for SLIDING ROOF MOTOR	front and rear	1	
		Screw for Engine		6	
		with: Clip Insert		2 2	
12	95B 898 010	1 set sliding and tilting mechanisms for Glass roof		1	
13	95B 877 651	wind deflector Black		1	
14	95B 898 012	Sundry parts set for wind deflector		1	
15	95B 959 591	Engine		2	
16	955 564 036 00	crank Emergency operation		1	
17	958 562 900 01	grease 150 ML 1 tube		1	
(17)	000 043 302 96	D >> - 30.10.2015 Grease spray can 100 ML		1	

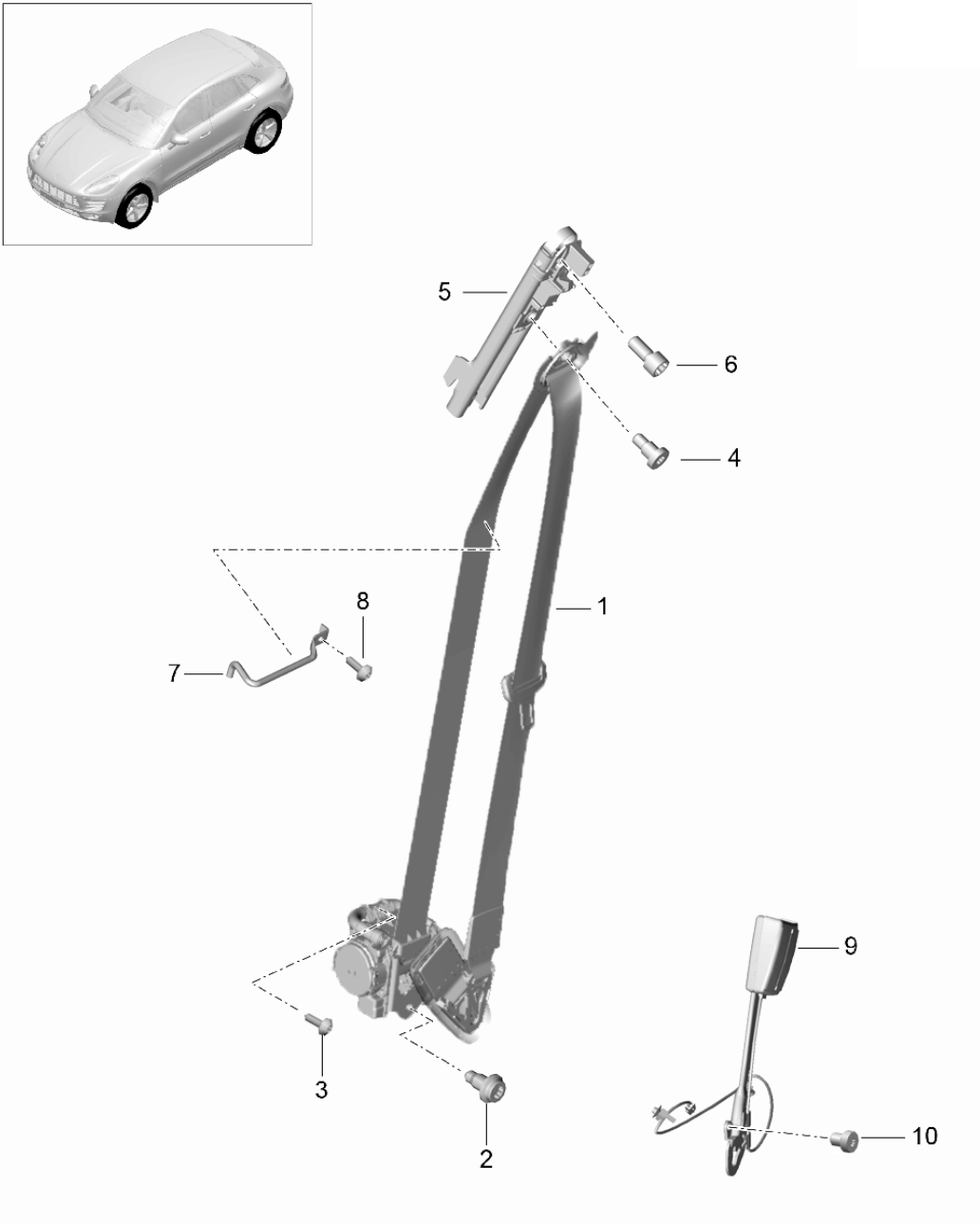
Model: 95B

Model life 2014>>

Pos	Part Number	Description	Remark	Qty	Model
18	000 043 172 00	Grease spray can D - 31.10.2015>> sealing cord roller for Seal Frame	rear	1	

Model: 95B

Model life 2014>>



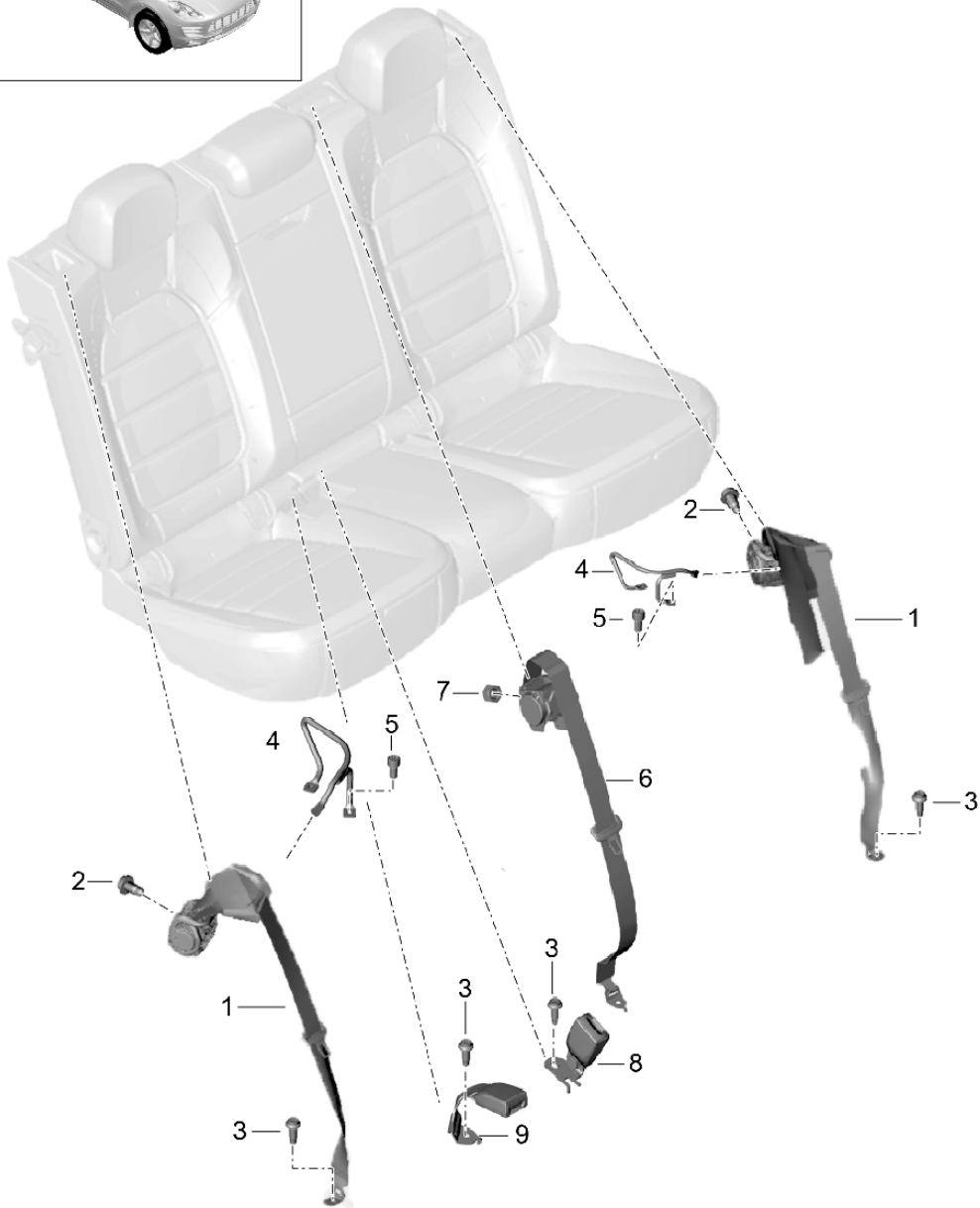
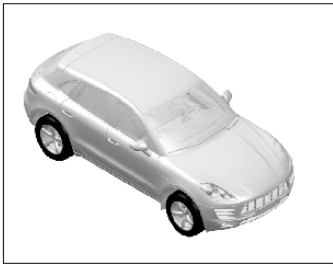
Model: 95B

Model life 2014>>

Pos	Part Number	Description	Remark	Qty	Model
		Three-point safety belt	front		
		Belt latch			
1	95B 857 706 C	Three-point safety belt	right	1	PR:L0L,3QT
	95B 857 706 C HCP	Black			
	95B 857 706 C OR1	agate grey			
	95B 857 706 C OP2	saddle brown			
	95B 857 706 C OA5	Carrera Red			
	95B 857 706 C OC7	Espresso			
	95B 857 706 C OB6	flint grey			
	95B 857 706 C 62S	Luxor beige			
	95B 857 706 C M3C	Carmine red			
	95B 857 706 C M7U	Rhodium Silver Metallic			
(1)	95B 857 705	Three-point safety belt	left	1	PR:L0L,3QT
	95B 857 705 HCP	Black			
	95B 857 705 OR1	agate grey			
	95B 857 705 OP2	saddle brown			
	95B 857 705 OA5	Carrera Red			
	95B 857 705 OC7	Espresso			
	95B 857 705 OB6	flint grey			
	95B 857 705 62S	Luxor beige			
	95B 857 705 M3C	Carmine red			
	95B 857 705 M7U	Rhodium Silver Metallic			
(1)	95B 857 706 B	Three-point safety belt	right	1	PR:L0R,3QT
	95B 857 706 B HCP	Black			
	95B 857 706 B OR1	agate grey			
	95B 857 706 B OP2	saddle brown			
	95B 857 706 B OA5	Carrera Red			
	95B 857 706 B OC7	Espresso			
	95B 857 706 B OB6	flint grey			
	95B 857 706 B 62S	Luxor beige			
	95B 857 706 B M3C	Carmine red			
	95B 857 706 B M7U	Rhodium Silver Metallic			
(1)	95B 857 705 C	Three-point safety belt	left	1	PR:L0R,3QT
	95B 857 705 C HCP	Black			
	95B 857 705 C OR1	agate grey			
	95B 857 705 C OP2	saddle brown			
	95B 857 705 C OA5	Carrera Red			
	95B 857 705 C OC7	Espresso			
	95B 857 705 C OB6	flint grey			
	95B 857 705 C 62S	Luxor beige			
	95B 857 705 C M3C	Carmine red			
	95B 857 705 C M7U	Rhodium Silver Metallic			
2	N 989 260 01	Socket head collared bolt with inner multipoint head		2	
4	N 989 243 03	Socket head collared bolt with inner multipoint head	upper	2	
5	958 803 819 00	Support		2	
6	N 105 724 01	Seat belt height adjuster		2	
7	95B 857 817	Socket head bolt with inner multipoint head		2	
8	N 910 742 01	Seat belt height adjuster arm		1	
9	958 803 755 00	Hexagon socket head bolt M5X18		2	
	958 803 755 00 YLZ	Belt latch		2	
10	N 989 237 01	Satin black		2	
		Socket head bolt with inner multipoint head		2	
		Belt latch			

Model: 95B

Model life 2014>>



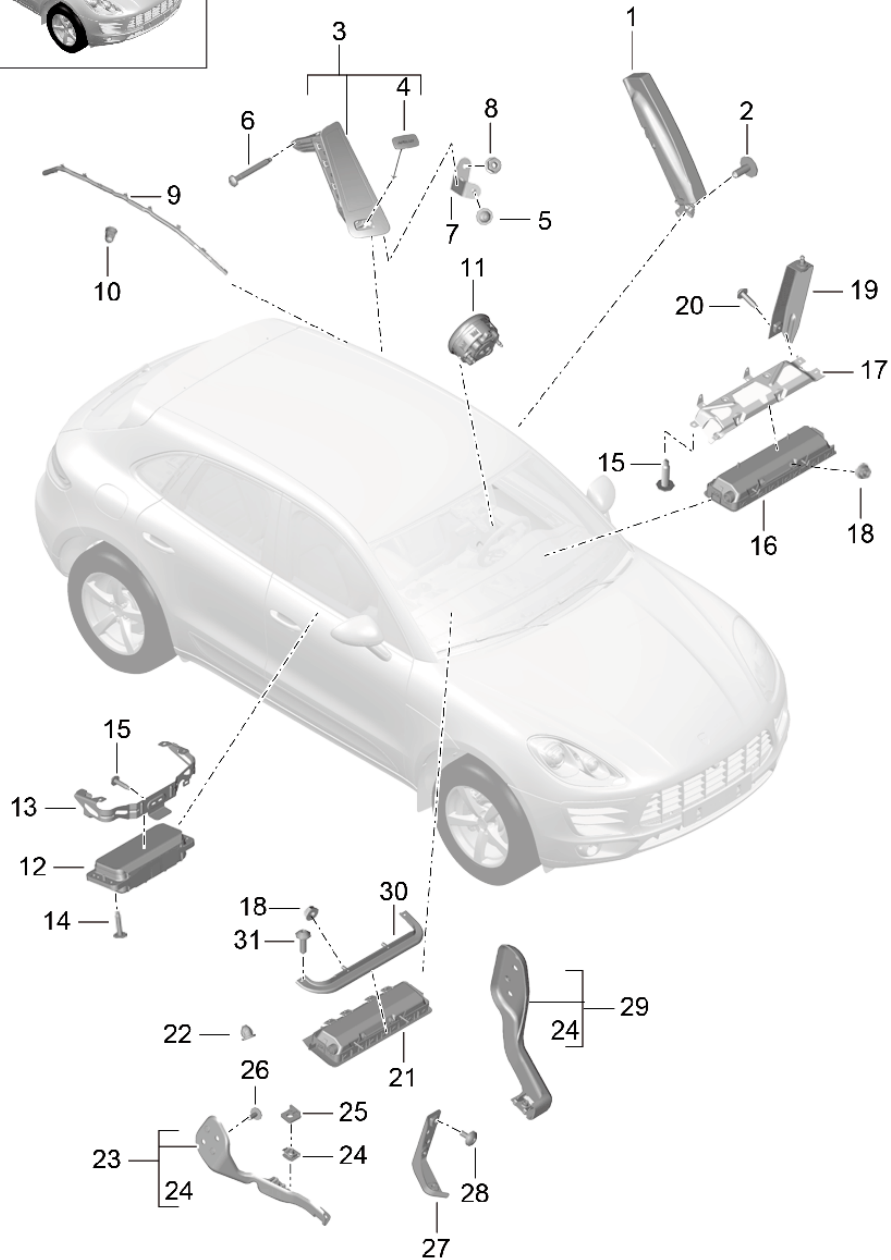
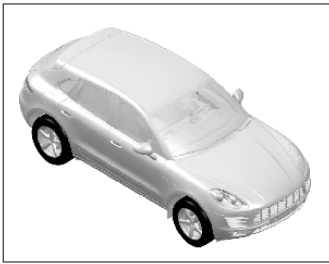
Model: 95B

Model life 2014>>

Pos	Part Number	Description	Remark	Qty	Model
1	95B 857 805 B	Three-point safety belt	rear	2	PR:3ZU
	95B 857 805 B HCP	Belt latch			
	95B 857 805 B OR1	Three-point safety belt			
	95B 857 805 B OP2	Black			
	95B 857 805 B OA5	agate grey			
	95B 857 805 B OC7	saddle brown			
	95B 857 805 B OB6	Carrera Red			
	95B 857 805 B 62S	Espresso			
	95B 857 805 B M3C	flint grey			
	95B 857 805 B M7U	Luxor beige			
2	N 989 260 01	Socket head collared bolt with inner multipoint head		2	
3	N 912 098 01	Flat head multi-point socket bolt for	lower	X	
4	95B 857 791	Three-point safety belt arm	left	1	
(4)	95B 857 792	arm	right	1	
5	N 105 724 01	Socket head bolt with inner multipoint head arm		6	
5	N 105 724 01	Socket head bolt with inner multipoint head arm		6	
6	95B 857 807	Three-point safety belt	center	1	PR:3QT
	95B 857 807 HCP	Black			
	95B 857 807 OR1	agate grey			
	95B 857 807 OP2	saddle brown			
	95B 857 807 OA5	Carrera Red			
	95B 857 807 OC7	Espresso			
	95B 857 807 OB6	flint grey			
	95B 857 807 62S	Luxor beige			
7	N 989 910 01	Hexagon nut		1	
8	95B 857 753	Belt latch	left	1	PR:9P3,9P7
	95B 857 753 YLZ	Satin black			
(8)	95B 857 753 A	Belt latch	left	1	PR:9P6
	95B 857 753 A YLZ	Satin black			
(8)	95B 857 754	Belt latch	right	1	PR:9P3,9P7
	95B 857 754 YLZ	Satin black			
(8)	95B 857 754 A	Belt latch	right	1	PR:9P6
	95B 857 754 A YLZ	Satin black			
9	95B 857 740	Belt latch	center	1	PR:9P3,9P7
	95B 857 740 YLZ	Satin black			
(9)	95B 857 740 A	Belt latch	center	1	PR:9P6
	95B 857 740 A YLZ	Satin black			

Model: 95B

Model life 2014>>



Model: 95B

Model life 2014>>

Pos	Part Number	Description	Remark	Qty	Model
1	95B 880 241	Airbag Side airbag unit	left front	1	PR: 4X3, 4X4
(1)	95B 880 242	Side airbag unit	right front	1	PR: 4X3, 4X4
2	N 910 423 02	Oval hexagon socket head bolt M6X16		2	
3	95B 880 441	Side airbag unit	left rear	1	PR: 4X4
	95B 880 441 5Q0	Black	-VC, VJ, VF, VI, VU, VK, VO, VX, VZ		
	95B 880 441 OA6	agate grey	-VD, VG, VL		
	95B 880 441 6W0	Luxor beige	-VE, VH, VM, VP		
	95B 880 441 OL7	saddle brown	-VN		
	95B 880 441 OD9	flint grey	-VQ		
	95B 880 441 3T0	Espresso	-VR		
(3)	95B 880 442	Side airbag unit	right rear	1	PR: 4X4
	95B 880 442 5Q0	Black	-VC, VJ, VF, VI, VU, VK, VO, VX, VZ		
	95B 880 442 OA6	agate grey	-VD, VG, VL		
	95B 880 442 6W0	Luxor beige	-VE, VH, VM, VP		
	95B 880 442 OL7	saddle brown	-VN		
	95B 880 442 OD9	flint grey	-VQ		
	95B 880 442 3T0	Espresso	-VR		
4	95B 853 437	Trim with emblem Airbag	left	1	PR: 4X4
	95B 853 437 5Q0	Black	-VC, VJ, VF, VI, VU, VK, VO, VX, VZ		
	95B 853 437 OA6	agate grey	-VD, VG, VL		
	95B 853 437 6W0	Luxor beige	-VE, VH, VM, VP		
	95B 853 437 OL7	saddle brown	-VN		
	95B 853 437 OD9	flint grey	-VQ		
	95B 853 437 3T0	Espresso	-VR		
(4)	95B 853 438	Trim with emblem Airbag	right	1	PR: 4X4
	95B 853 438 5Q0	Black	-VC, VJ, VF, VI, VU, VK, VO, VX, VZ		
	95B 853 438 OA6	agate grey	-VD, VG, VL		
	95B 853 438 6W0	Luxor beige	-VE, VH, VM, VP		
	95B 853 438 OL7	saddle brown	-VN		
	95B 853 438 OD9	flint grey	-VQ		
	95B 853 438 3T0	Espresso	-VR		
5	N 909 101 02	fillister head bolt with allen key head M5X18		2	
6	N 106 230 01	round hd. screw M5X40		2	
7	8R0 880 273 A	retaining bracket for airbag Airbag	left rear	1	PR: 4X4
(7)	8R0 880 274 A	retaining bracket for airbag Airbag	right rear	1	PR: 4X4
8	N 015 082 10	Hexagon collar nut M6		4	
9	95B 880 741	Head airbag unit	left	1	
(9)	95B 880 742	Head airbag unit	right	1	
10	955 618 419 21	domed cap nut M6		4	
11	95B 880 201 F	Airbag unit		1	PR: 1A2, 4N1,

Model: 95B Model life 2014>>

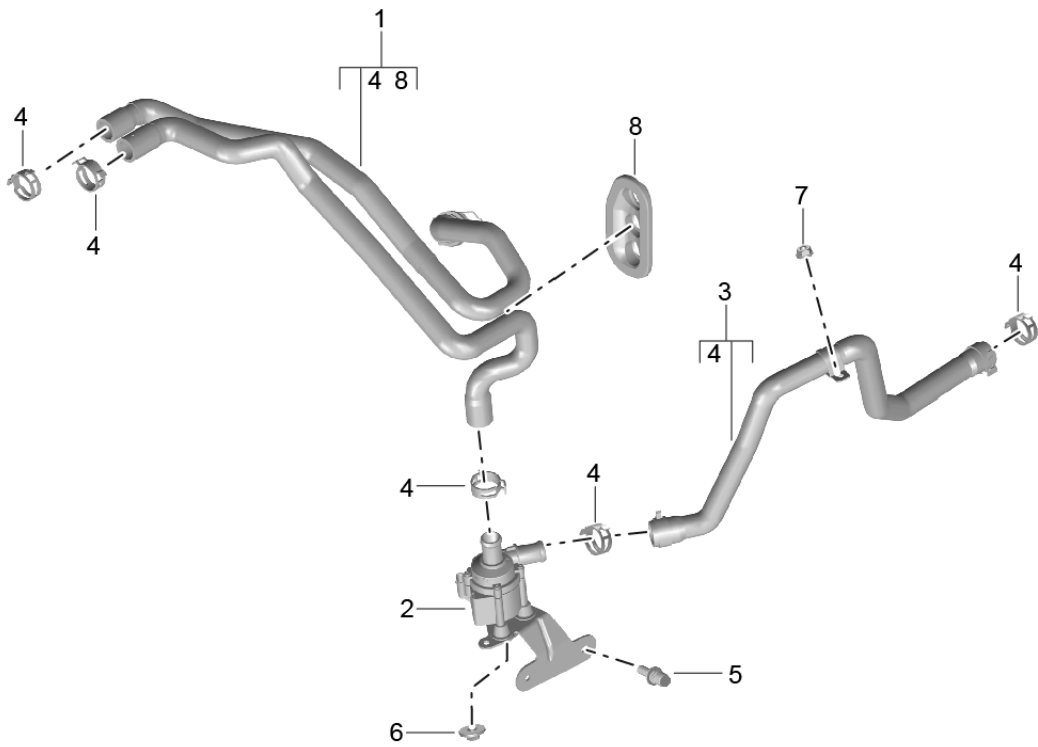
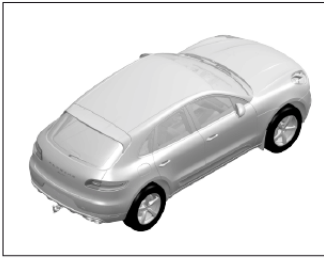
Pos	Part Number	Description	Remark	Qty	Model
		(drivers side) Leatherette D >> - MJ 2016			4N2
	95B 880 201 F 5Q0	Black	-VC, VJ, VF, VI, VU, VX, VZ		
	95B 880 201 F OA6	agate grey	-VD, VG		
	95B 880 201 F 6W0	Luxor beige	-VE, VH		
11	95B 880 201 R	Airbag unit (drivers side) Leatherette D - MJ 2017>>		1	PR: 1A2, 4N0, 4N9, 4N2
	95B 880 201 R 5Q0	Black	-VC, VJ, VF, VI, VU, VX, VZ		
	95B 880 201 R OA6	agate grey	-VD, VG		
	95B 880 201 R 6W0	Luxor beige	-VE, VH, FC		
11	95B 880 201 AF	Airbag unit (drivers side) Leatherette D - MJ 2017>>		1	PR: 1A2, 4N1, 4N2
	95B 880 201 AF 5Q0	Black	-VC, VF, VI, VU, FA		
	95B 880 201 AF OA6	agate grey	-VD, VG		
(11)	95B 880 201 G	Airbag unit (drivers side) Leather D >> - MJ 2016		1	PR: 1A2, 4N3, 4N5
	95B 880 201 G A34	Black	-VK, VO		
	95B 880 201 G OE5	agate grey	-VL, VQ		
	95B 880 201 G 9J9	Luxor beige	-VM		
	95B 880 201 G OK6	saddle brown	-VP, VN		
	95B 880 201 G 6H6	Espresso	-VR		
(11)	95B 880 201 S	Airbag unit (drivers side) Leather D - MJ 2017>>		1	PR: 1A2, 4N3, 4N5
	95B 880 201 S A34	Black	-VK, VO		
	95B 880 201 S OE5	agate grey	-VL, VQ		
	95B 880 201 S 9J9	Luxor beige	-VM		
	95B 880 201 S OK6	saddle brown	-VP, VN		
	95B 880 201 S 6H6	Espresso	-VR		
(11)	95B 880 201 S	Airbag unit (drivers side) Leather D - MJ 2017>>		1	PR: 1A2, 4N8
	95B 880 201 S A34	Black	-VK, VO		
	95B 880 201 S OE5	agate grey	-VL, VQ		
	95B 880 201 S 9J9	Luxor beige	-VM		
	95B 880 201 S OK6	saddle brown	-VP, VN		
	95B 880 201 S 6H6	Espresso	-VR		
(11)	95B 880 201 H	Airbag unit (drivers side) Leatherette D >> - MJ 2016		1	PR: 0F5, 4N0, 4N9, 4N2
	95B 880 201 H 5Q0	Black	-VC, VJ, VF, VI, VU, VX, VZ		
	95B 880 201 H OA6	agate grey	-VD, VG		
	95B 880 201 H 6W0	Luxor beige	-VE, VH		
(11)	95B 880 201 T	Airbag unit (drivers side) Leatherette D - MJ 2017>>		1	PR: 0F5, 4N0, 4N9, 4N1, 4N2
	95B 880 201 T 5Q0	Black	-VC, VJ, VF, VI, VU, VX, VZ		

Model: 95B Model life 2014>>

Pos	Part Number	Description	Remark	Qty	Model
(11)	95B 880 201 T OA6	agate grey	-VD, VG	1	PR: 0F5, 4N3, 4N5, 4N8
	95B 880 201 T 6W0	Luxor beige	-VE, VH		
(11)	95B 880 201 J	Airbag unit (drivers side) Leather D >> - MJ 2016		1	PR: 0F5, 4N3, 4N5, 4N8
	95B 880 201 J A34	Black	-VK, VO		
	95B 880 201 J OE5	agate grey	-VL, VQ		
	95B 880 201 J 9J9	Luxor beige	-VM		
	95B 880 201 J OK6	saddle brown	-VP, VN		
	95B 880 201 J 6H6	Espresso	-VR		
	95B 880 201 AA	Airbag unit (drivers side) Leather D - MJ 2017>>			
	95B 880 201 AA A34	Black	-VK, VO		
	95B 880 201 AA OE5	agate grey	-VL, VQ		
	95B 880 201 AA 9J9	Luxor beige	-VM		
12	95B 880 201 AA OK6	saddle brown	-VP, VN	1	
	95B 880 201 AA 6H6	Espresso	-VR		
13	95B 880 204	Airbag unit (passenger side)		1	
13	95B 880 571	bracket for airbag Airbag unit (passenger side)		1	
14	N 910 935 02	Hexagon socket oval head bolt, self-locking M6X30		4	
15	N 106 847 01	Oval hexagon socket head bolt M5X20		X	
26	N 910 423 02	Oval hexagon socket head bolt M6X16		X	
29	8R1 863 442 B	Securing bracket		1	PR: L0L
(29)	8R2 863 441 A	Securing bracket		1	PR: L0R

Model: 95B

Model life 2014>>



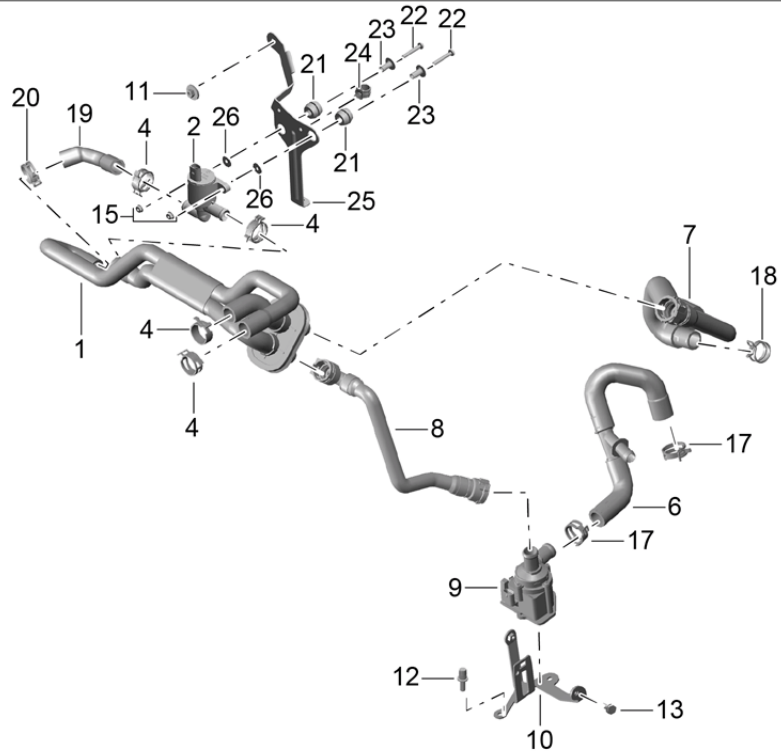
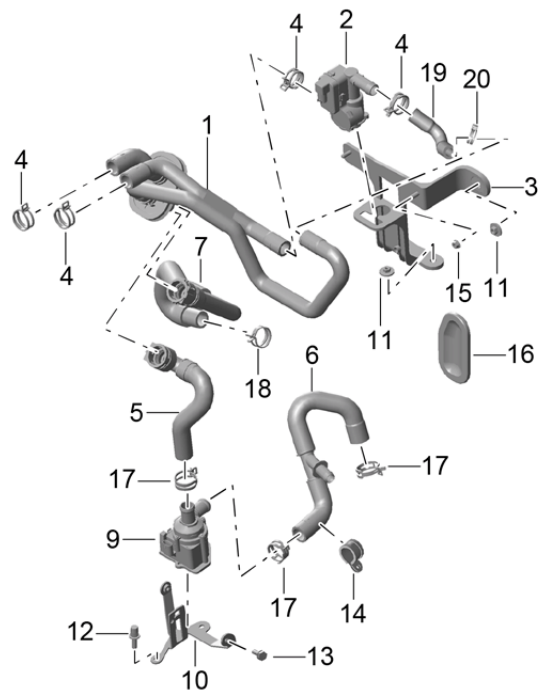
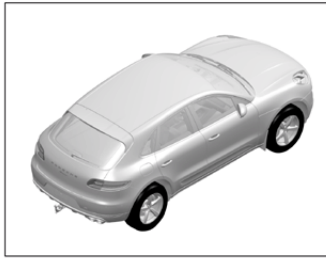
Model: 95B

Model life 2014>>

Pos	Part Number	Description	Remark	Qty	Model
1	8R0 819 350 BB	Heating hose supply pipe return line	basic	1	V6 TDI PR:D43,D1V, D51,DD7
2	8R0 819 025 J	Heating hose hose set with clips Additional coolant pump		1	PR:9MO
		with:			
3	8R0 819 376 T	Bracket Heating hose		1	PR:7E6,9MO
4	999 512 658 09	Hose clamp B27X12		5	
5	N 105 854 01	Blind rivet stud M6X16,5		2	
6	N 905 708 02	hex. nut with washer M6		2	
7	N 015 082 10	Hexagon collar nut M6		1	
8	8K0 819 345 E	Double grommet Heating hose		1	

Model: 95B

Model life 2014>>

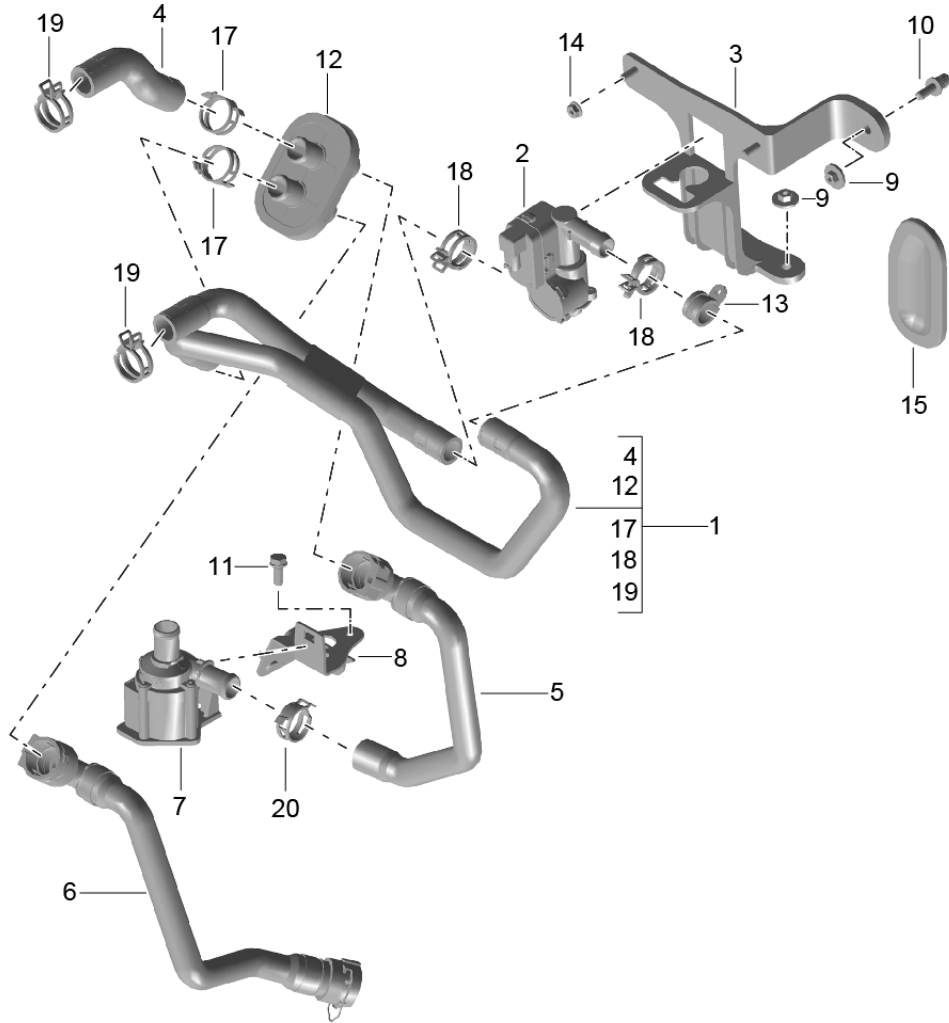
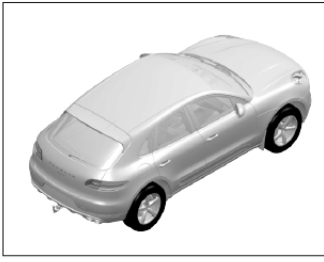


Model: 95B Model life 2014>>

Pos	Part Number	Description	Remark	Qty	Model
		heater supply pipe return line	basic		V6 BT PR:DU1,DU0
1	95B 819 337	Heating hose	lhd	1	PR:9MO,L0L
(1)	8R2 819 350 F	hose set with clips Heating hose	rhd	1	PR:9MO,L0R
2	958 572 810 00	hose set with clips Heater valve	lhd	1	PR:9MO,L0L
		use if required: POS 3			
(2)	PAB 121 671 00	Solenoid valve		1	PR:9MO,L0R
3	95B 819 735	Bracket	lhd	1	PR:9MO,L0L
4	999 512 604 09	plastic Hose clamp		X	
5	95B 819 334	A27X12 Heating hose return line		1	PR:7E0,9MO, DU0,DU1
6	95B 819 350 A	Coolant pump Heating hose return line Coolant pump		1	PR:7E0,9MO, DU0,DU1
7	95B 819 332 A	Engine Heating hose		1	PR:DU0,DU1
9	8K0 819 025 AB	supply pipe Coolant pump		1	PR:9MO
10	95B 121 305 B	Retainer for pump		1	PR:DU0,DU1
11	N 905 708 02	hex. nut with washer M6		3	
12	8R0 122 291	Adapter		1	
13	N 100 829 08	Hex collared bolt M6X16-S1-N		1	
14	N 107 752 01	Hose clamp D1-23X15		2	
15	N 015 082 10	Hexagon collar nut M6		2	
16	8K0 819 345 G	Grommet		1	PR:9MO
17	N 906 870 01	Spring band clamp B27X12		2	
18	999 512 589 09	Hose clamp A25X12		2	
19	95B 819 371	Heating hose		1	
20	999 512 606 09	Hose clamp A29X12		2	
21	4D0 614 177 A	Stop buffer		2	
22	N 105 821 03	oval head countersunk bolt with multi-point socket head fillister hd. bolt	M6X40	1	
23	4D0 614 173 B	Bearing bush		2	
24	3B0 971 848 B	Clip		1	
25	PAC 819 263	Retainer for valve		1	
26	PAF 904 676	Washer		2	

Model: 95B

Model life 2014>>

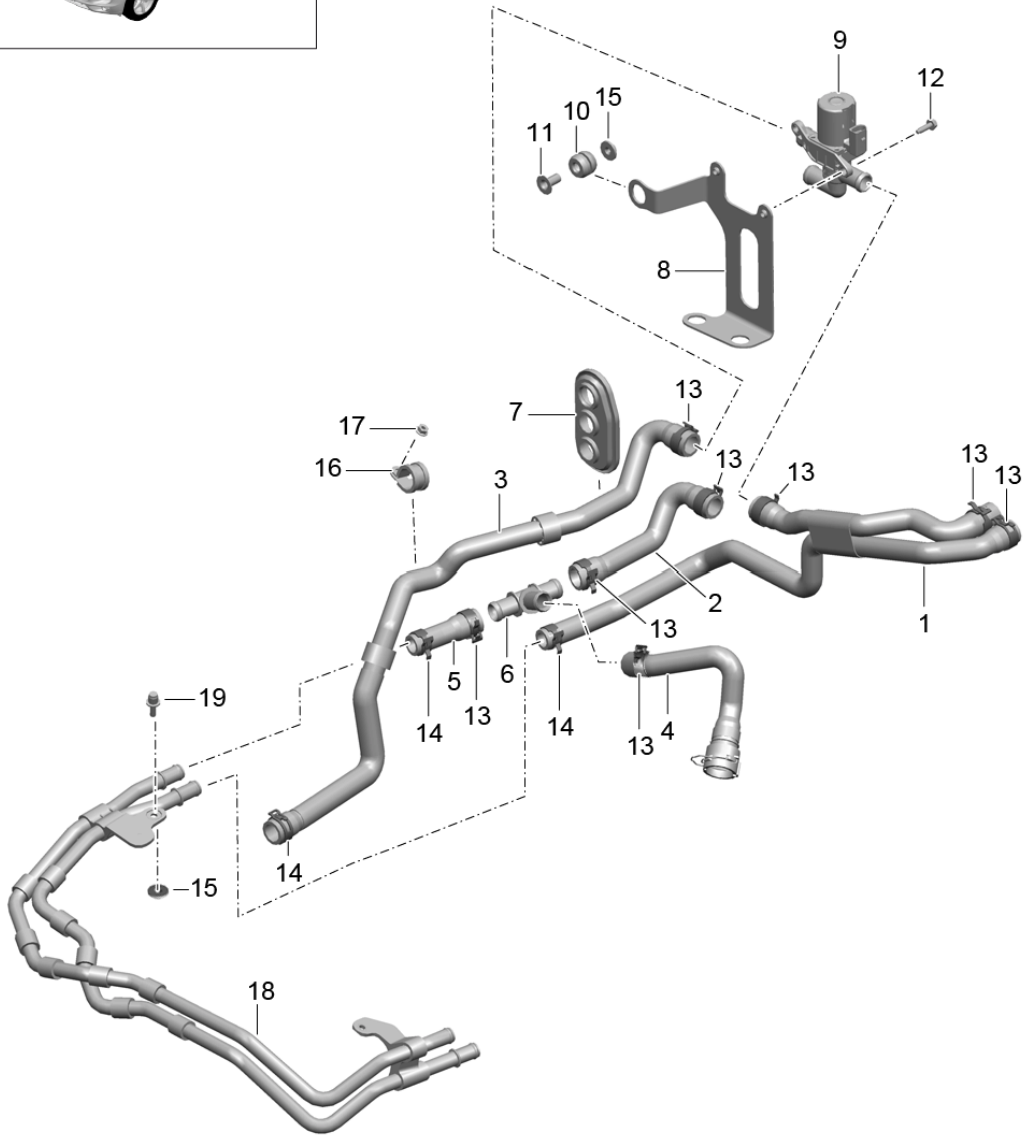
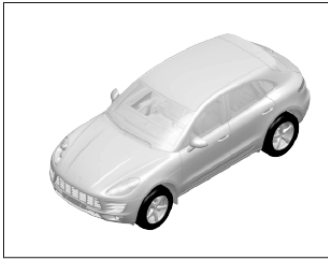


Model: 95B Model life 2014>>

Pos	Part Number	Description	Remark	Qty	Model
1	95B 819 337	Heating, air cond. system supply pipe return line Heating hose hose set with clips	basic lhd	1	R4 TFSI PR:DM0,DQ5 PR:9MO,L0L
(1)	8R2 819 350 F	Adapter Heating hose hose set with clips	with: rhd	1	PR:9MO,L0R
2	958 572 810 00	Adapter Heater valve	with: lhd	1	PR:9MO,L0L
(2)	8R2 819 133 D	POS 3 Heater valve	use if required: rhd	1	PR:9MO,L0R
3	95B 819 735	Bracket Bracket plastic	with: lhd	1	PR:9MO,L0L
4	95B 819 371	Heating hose		1	
5	8R0 819 332 G	Coolant hose supply pipe		1	PR:7E0,9M0, DM0
6	8R0 819 334 AC	Coolant pump Heating hose return line		1	PR:DM0
7	8K0 819 025 AB	Coolant pump		1	PR:9MO
8	8K0 971 502 AN	Bracket Pump		1	PR:DM0
9	N 905 708 02	hex. nut with washer M6		3	
10	N 105 854 01	Blind rivet stud M6X16,5		2	
11	N 100 829 08	Hex collared bolt M6X16-S1-N		1	
12	8R0 122 291	Adapter		1	
13	N 107 752 01	Hose clamp D1-23X15		2	
14	N 015 082 10	Hexagon collar nut M6		2	
15	8K0 819 345 G	Grommet		1	PR:9MO
17	N 906 870 01	Spring band clamp B27X12		2	
18	999 512 589 09	Hose clamp A25X12		2	
19	999 512 604 09	Hose clamp A27X12		2	
20	999 512 606 09	Hose clamp A29X12		2	

Model: 95B

Model life 2014>>



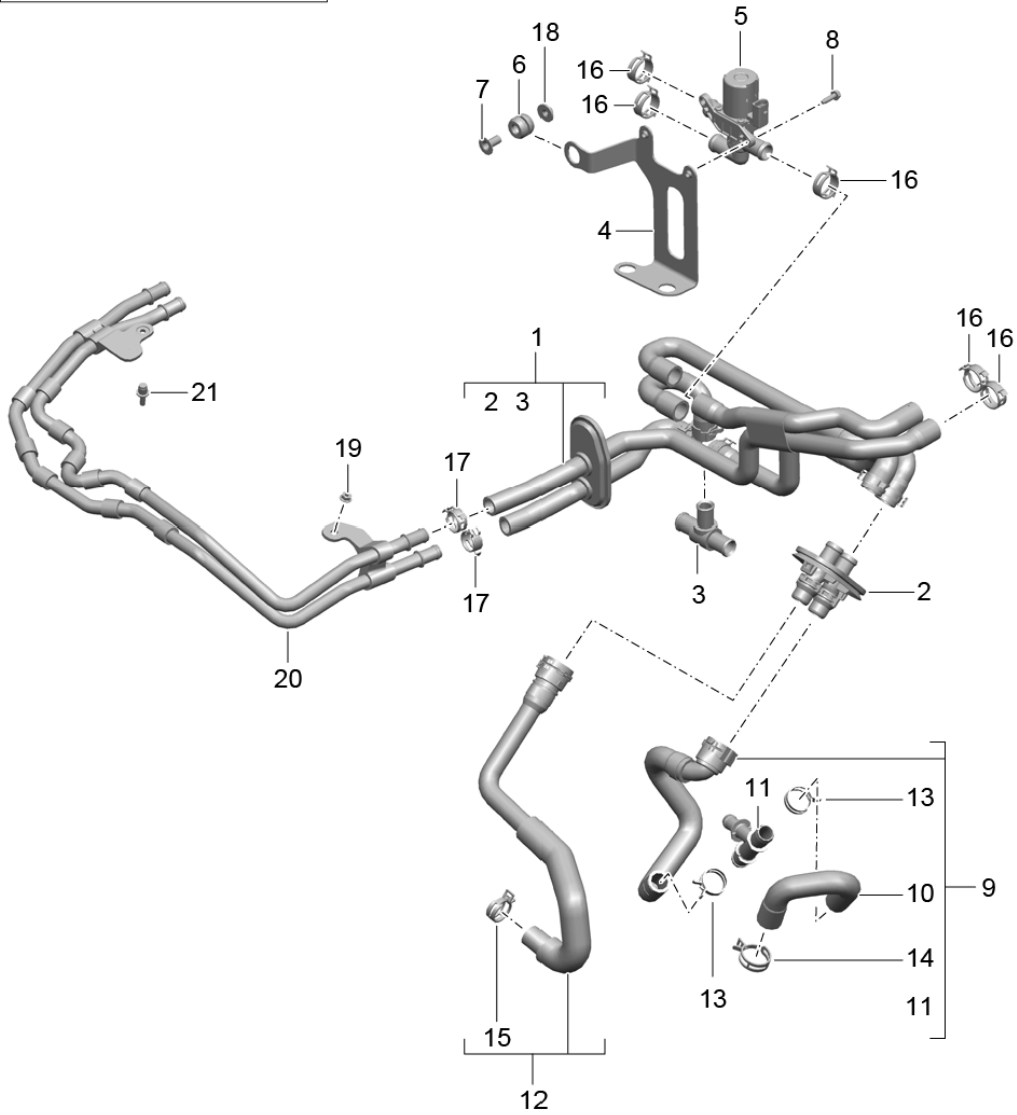
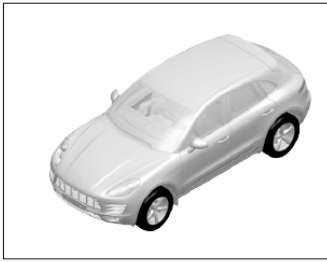
Model: 95B

Model life 2014>>

Pos	Part Number	Description	Remark	Qty	Model
		heater with: Auxiliary heater for models with diesel engine			V6 TDI PR:D43,DD7, D51,D1V
1	8R0 265 348 Q	Heating hose		1	PR:9M1,9M9
2	8R0 265 385 G	Coolant hose		1	PR:9M1,9M9
3	8R0 265 370 AB	Coolant hose return line		1	PR:9M1,9M9
4	8R0 265 344 J	Coolant hose		1	PR:9M1,9M9
5	8R0 265 354 C	Coolant hose		1	PR:9M1,9M9
6	N 907 606 01	t-piece		1	PR:9M1,9M9
7	8K0 819 345 E	Double grommet		1	
8	8R0 261 153 A	Bracket Solenoid valve		1	
9	955 572 824 05	Valve Auxiliary heater		1	
10	4D0 614 177 A	Stop buffer		3	
11	4D0 614 173 B	Bearing bush		3	
12	N 106 533 01	Hex collared bolt M6X20		2	
13	N 906 870 01	Spring band clamp B27X12		7	
14	N 906 869 04	Spring band clamp B23X12		2	
15	N 905 708 02	hex. nut with washer M6		3	
16	N 107 752 01	Hose clamp D1-23X15		1	
17	N 015 082 10	Hexagon collar nut M6		3	
18	95B 265 235 C	Coolant pipe		1	PR:9M1,9M9
19	N 908 127 02	Blind rivet stud M6X18		1	

Model: 95B

Model life 2014>>



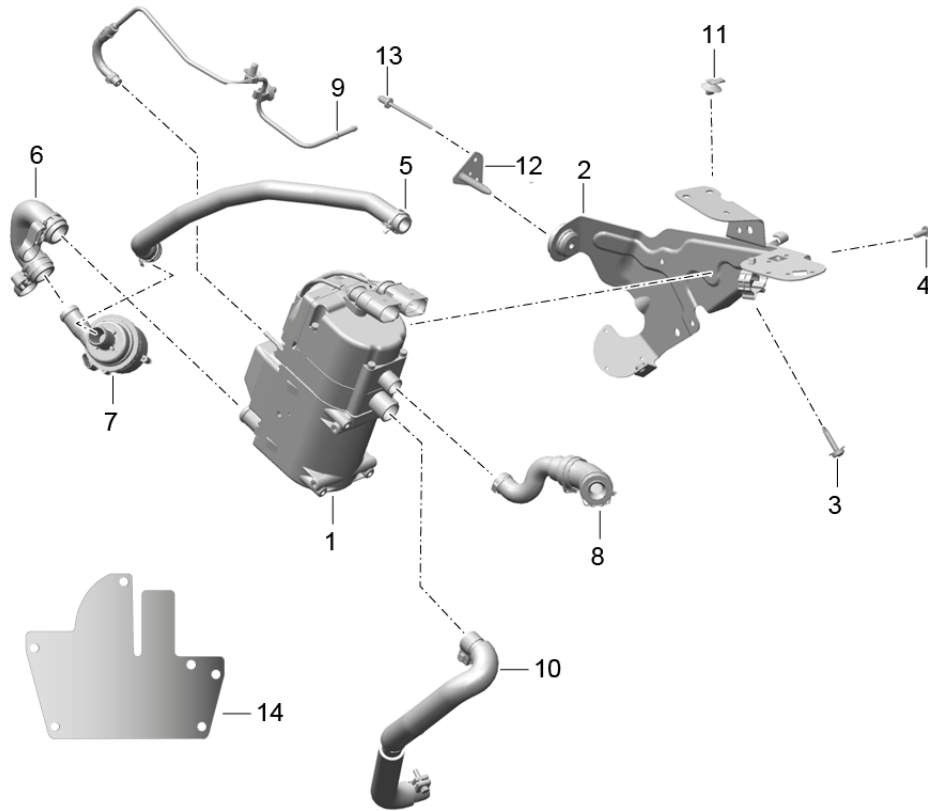
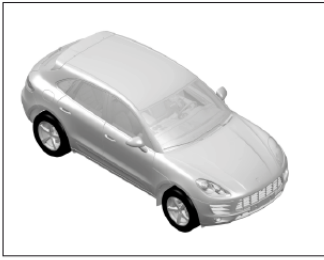
Model: 95B

Model life 2014>>

Pos	Part Number	Description	Remark	Qty	Model
		heater			V6 BT
		with:			PR:DU0,DU1,
		Auxiliary heater	petrol		D4A
1	8R0 265 347 Q	Coolant hose		1	PR:9M1,9M9
2	8R0 122 291	Adapter		1	
3	N 907 606 01	t-piece		1	PR:9M1,9M9
4	8R0 261 153 A	Bracket		1	
		Solenoid valve			
5	955 572 824 05	Valve		1	
		Auxiliary heater			
6	4D0 614 177 A	Stop buffer		3	
7	4D0 614 173 B	Bearing bush		3	
8	N 106 533 01	Hex collared bolt		2	
		M6X20			
9	95B 265 344 A	Heating hose	return	1	PR:9M1,9M9
10	95B 819 376 A	Heating hose	return	1	PR:9M1,9M9
11	7PP 121 237	Y-piece		1	
		Coolant hoses			
12	95B 819 332 A	Heating hose	feed	1	PR:9M1,9M9
13	999 512 604 09	Hose clamp		2	
		A27X12			
14	999 512 606 09	Hose clamp		2	
		A29X12			
15	999 512 589 09	Hose clamp		1	
		A25X12			
16	N 906 870 01	Spring band clamp		5	
		B27X12			
17	N 906 869 04	Spring band clamp		2	
		B23X12			
18	N 905 708 02	hex. nut with washer		3	
		M6			
19	N 015 082 10	Hexagon collar nut		2	
		M6			
20	95B 265 235 B	Water pipe		1	
21	N 908 127 02	Blind rivet stud		1	
		M6X18			

Model: 95B

Model life 2014>>

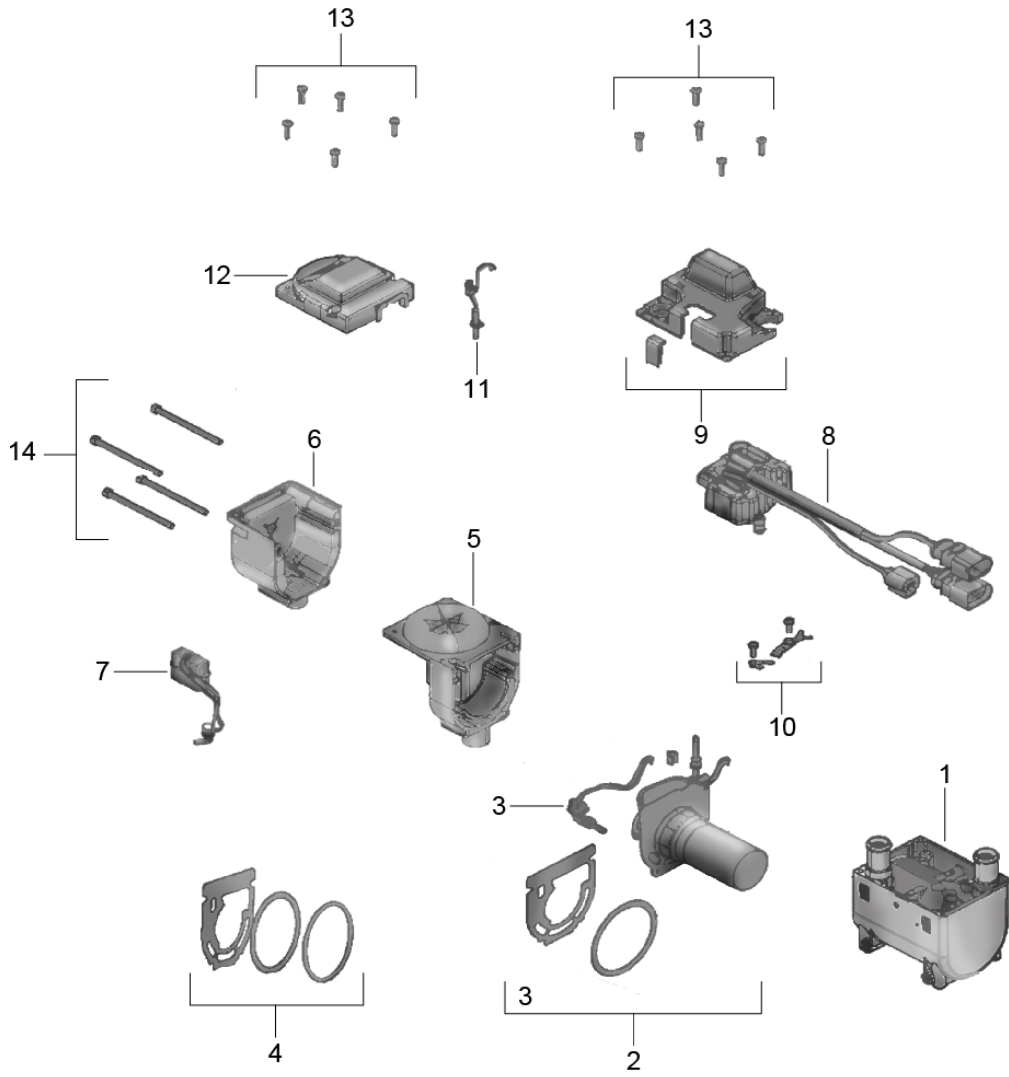
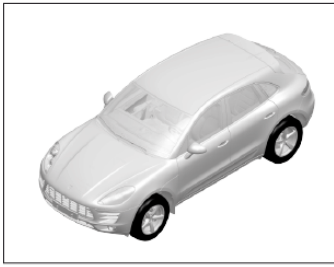


Model: 95B Model life 2014>>

Pos	Part Number	Description	Remark	Qty	Model
1	95B 265 105	Auxiliary heater		1	
(1)	95B 265 105 A	Accessories Auxiliary heater	petrol	1	
2	95B 298 651	Auxiliary heater for models with diesel engine repair set Bracket Auxiliary heater		1	
		with: Bearing bush Screw Clip			
3	999 073 467 01	Bolt with washer M6X30-DIS		2	
4	N 106 549 02	Flat head bolt with hexagon socket head, thread forming M6GFX16		1	
5	95B 298 653	repair set for coolant hose: with:	Large	1	
		Clip Screw Hose clamp			
6	95B 265 354	Heating hose	Small	1	PR:9M1,9M9
7	958 106 313 00	Coolant pump heater		1	PR:9M0
		also use:	95B 298 861	3	
-	95B 298 861	repair set Coolant pump		3	
8	95B 298 805	Front silencer Fresh air intake Silencer		1	
9	95B 298 681	Repair set for fuel line with:		1	
		Line holder Clamp			
10	95B 298 844	repair set Exhaust pipe		1	
11	958 572 830 00	Clip		1	
12	95B 265 093 A	Bracket Auxiliary heater Wing		1	
13	9A7 016 197 80	Pop rivet A 4,0X6,0		1	
14	9A7 121 653 00	Heat reflective mat see special information: SY 36/17 (8272)	V3/2144 main group 8	1	

Model: 95B

Model life 2014>>



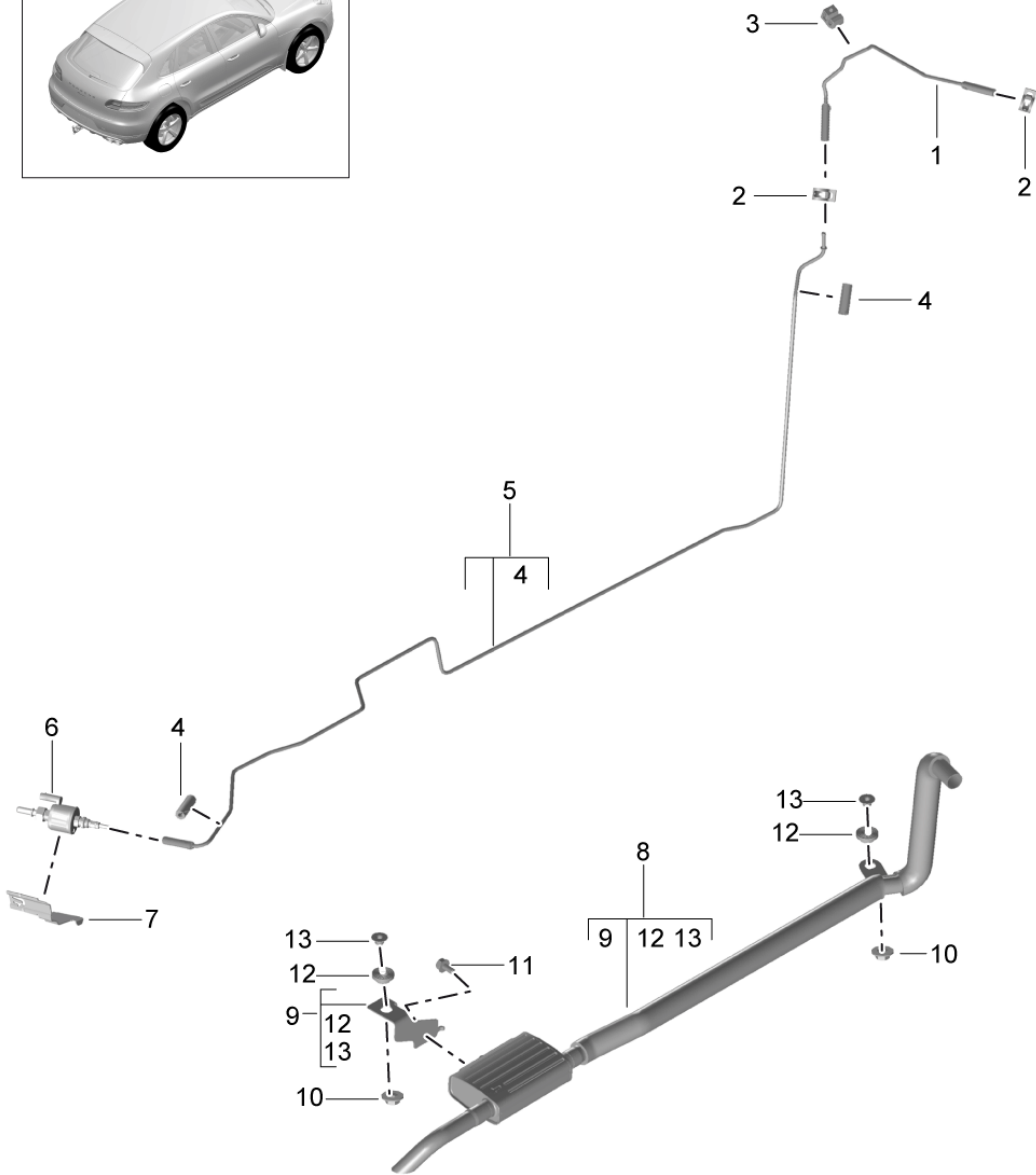
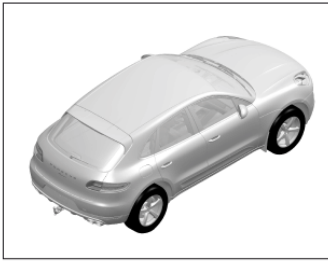
Model: 95B

Model life 2014>>

Pos	Part Number	Description	Remark	Qty	Model
1	4H0 819 061 A	Auxiliary heater heater unit repair set heat exchanger housing heat exchanger		1	PR:9M1,9M9
2	4H0 898 919 C	combustion chamber insert repair set	Diesel lhd	1	Diesel PR:DD7,D1V, D51,D43,L0L
(2)	4H0 898 919 D	Gaskets combustion chamber insert repair set	with: petrol lhd	1	Benzin PR:DM0,DU0, DU1,L0L
3	4H0 963 319 A	Gaskets Glow plug		1	
4	8K0 898 003	Gasket set combustion chamber insert heat exchanger	lhd	1	Diesel PR:DD7,D1V, D51,D43,L0L
(4)	8K0 898 003 D	Gasket set combustion chamber insert heat exchanger	lhd	1	Benzin PR:DM0,DU0, DU1,L0L
5	4H0 963 031	Fan motor with wheel		1	
6	8K0 815 713	Cover Electric motor		1	
7	4H0 971 411	Adapter cable loom		1	
8	95B 298 972	Control unit		1	
9	95B 265 417	Bracket Cap Control unit		1	
10	95B 898 049	1 set springs		1	
11	8K0 963 533	fuel cut-off		1	
12	8K0 819 915 A	Cover Fan		1	
13	4H0 898 919	Seal 1 set attachment parts Screw M4X16		1	
14	8K0 898 919	1 set attachment parts Screw M5X80		1	

Model: 95B

Model life 2014>>



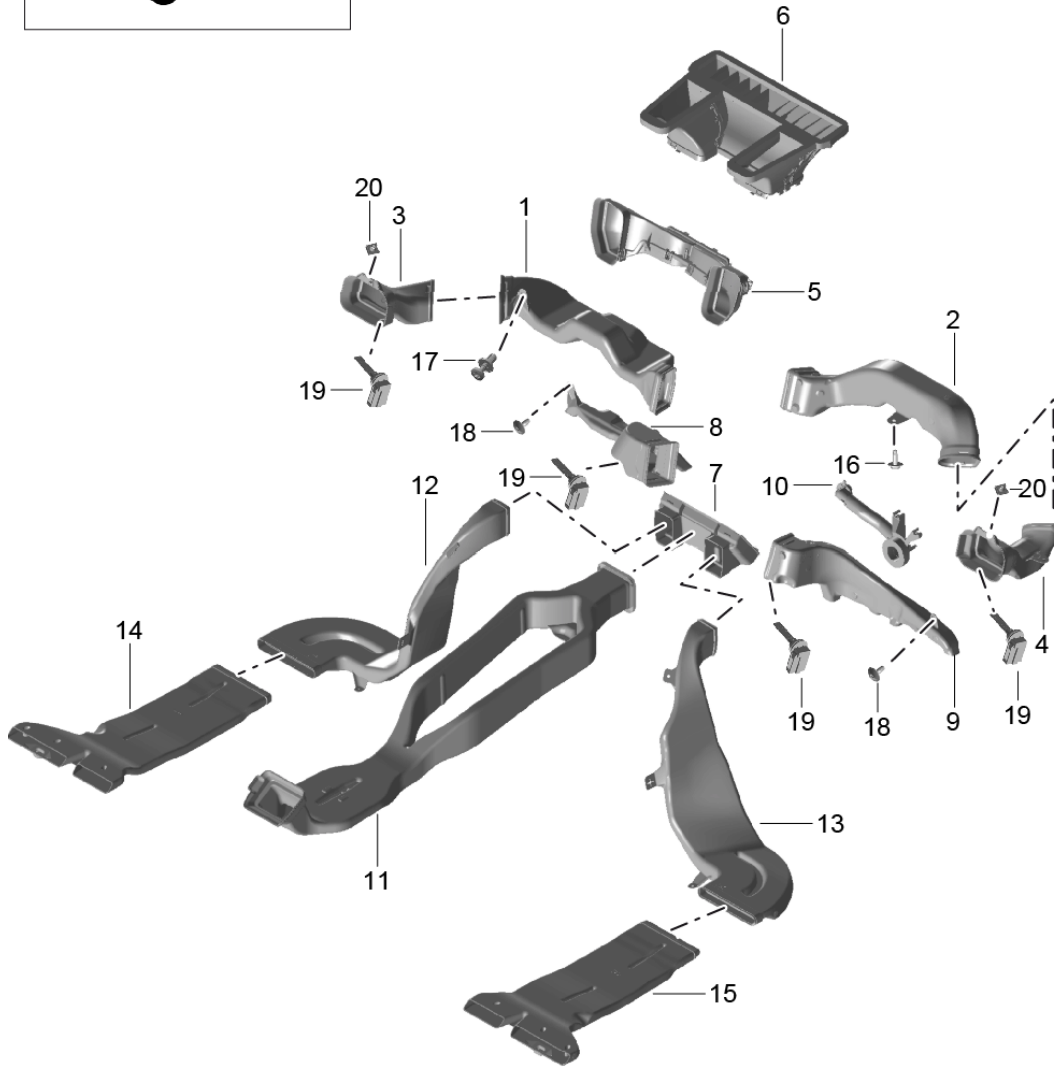
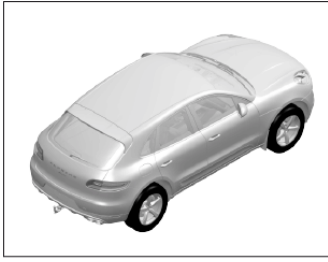
Model: 95B

Model life 2014>>

Pos	Part Number	Description	Remark	Qty	Model
1	95B 261 191 C	Auxiliary heater Fuel system and exhaust system Fuel line		1	
2	999 512 746 01	Wheel housing Hose clamp		3	
3	999 651 409 40	Fuel line B10,5X8,4 Cable holder 4,75-6,00		1	
4	8E0 611 853 B	Distance piece		X	
5	95B 261 191	Fuel line	Diesel	1	PR:2G0
(5)	95B 261 191 A	Fuel line	petrol	1	PR:2G1
6	8K0 963 303	fuel metering pump Auxiliary heater Discontinued part		1	
7	8R0 261 165 A	Retainer for pump Fuel pump		1	
8	95B 261 711 A	Silencer		1	
9	95B 298 579	Auxiliary heater repair set Bracket Silencer		1	
10	N 901 326 05	Auxiliary heater hex. nut with washer M 6		2	
11	N 107 591 01	Hex collared bolt M6X12		1	
12	867 129 669	Grommet		3	
13	955 106 662 00	Sleeve		3	

Model: 95B

Model life 2014>>



Model: 95B Model life 2014>>

Pos	Part Number	Description	Remark	Qty	Model
1	8R1 819 655	Air guide Air guide dashboard	left lhd	1	PR:L0L
(1)	8R2 819 655	Air guide dashboard	left rhd	1	PR:L0R
2	8R1 819 656	Air guide dashboard	right lhd	1	PR:L0L
(2)	8R2 819 656	Air guide dashboard	right rhd	1	PR:L0R
3	95B 819 725	Air guide Vent	left lhd	1	PR:L0L
(3)	95B 819 725 A	Air guide Vent	left rhd	1	PR:L0R
4	95B 819 726	Air guide Vent	right lhd	1	PR:L0L
(4)	95B 819 726 A	Air guide Vent	right rhd	1	PR:L0R
5	95B 819 389	Air guide Vent	center	1	
6	95B 858 431	Intermediate piece Defroster nozzle for wind- screen		1	
7	8K0 819 513 E	Air guide	center	1	PR:9AQ
(7)	95B 819 513	Connecting piece	center	1	PR:9AD
8	95B 819 151	Footwell vent (drivers side) Discontinued part	left lhd	1	PR:L0L
8	95B 819 151 A	Footwell vent (drivers side)	left lhd	1	PR:L0L
(8)	95B 819 152	Footwell vent (passenger side) Discontinued part	left rhd	1	PR:L0R
(8)	95B 819 152 A	Footwell vent (passenger side)	left rhd	1	PR:L0R
9	95B 819 168	Footwell vent (passenger side)	left lhd	1	PR:L0L
(9)	95B 819 167	Footwell vent (drivers side)	left rhd	1	PR:L0R
10	8R1 816 311	Vent For vehicles with glove comp. with cooling air connection	lhd	1	PR:9AQ,L0L
(10)	8R2 816 311	Vent For vehicles with glove comp. with cooling air connection	rhd	1	PR:9AQ,L0R
11	95B 857 039 A	Air guide channel Centre console		1	PR:9AQ
12	95B 819 503	Connecting piece	left	1	
13	95B 819 504	Connecting piece	right	1	
14	8R0 819 801	Air channel for pass. cabin heater	left rear lower	1	
15	8R0 819 802	Air channel for pass. cabin heater	right rear lower	1	
16	N 107 452 01	hexagon head bolt (combi) M5X16-S1-L		2	
17	4F0 857 784	Spreader rivet		1	
18	N 909 855 01	countersunk multi-point socket head bolt		2	
19	958 572 304 00	TP5X12-Q Temperature sensor		4	
20	N 907 777 04	Air guide channel Speed nut		2	

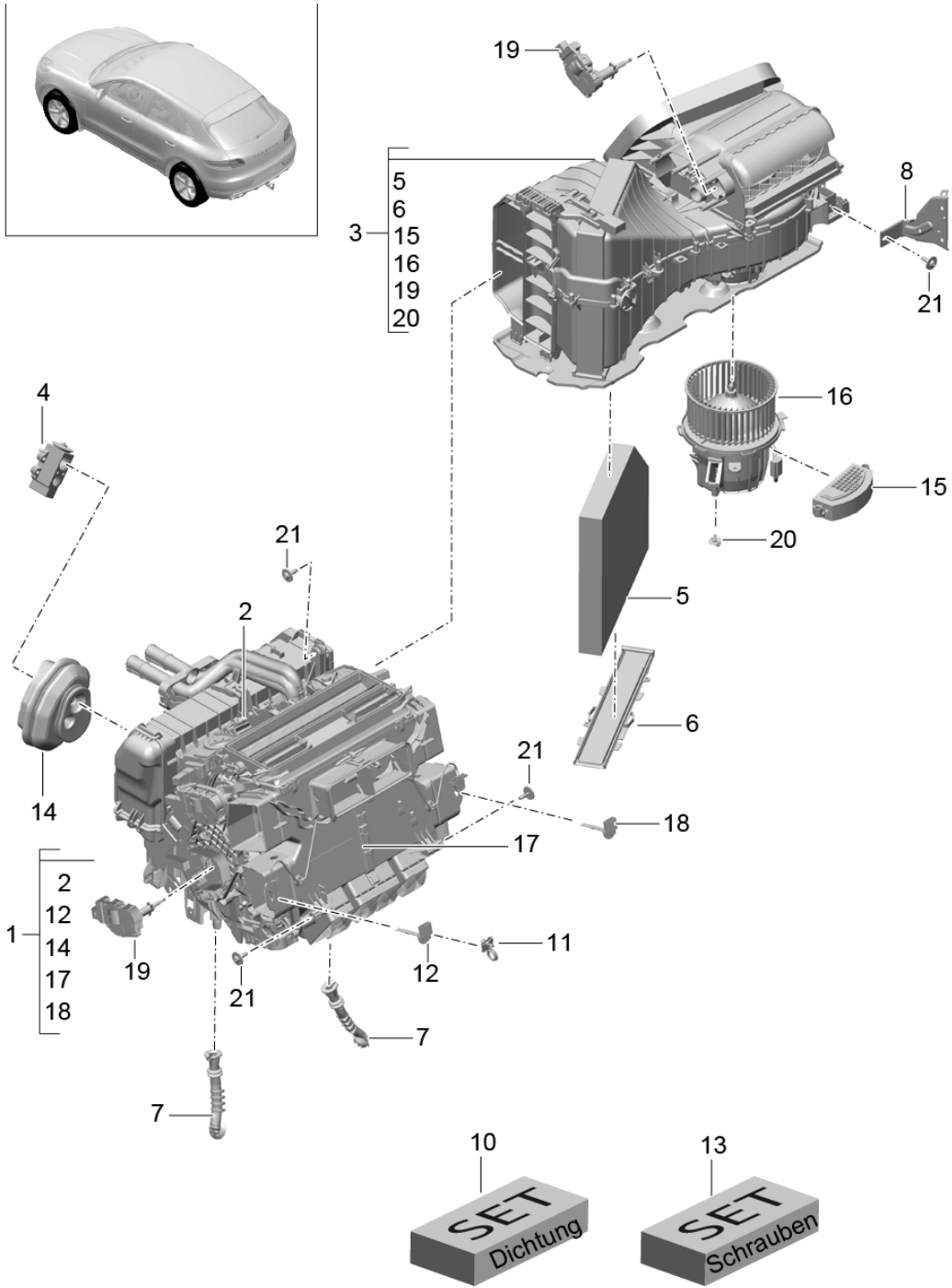
Model: 95B

Model life 2014>>

Pos	Part Number	Description	Remark	Qty	Model
		M5X13.6X11.5			

Model: 95B

Model life 2014>>



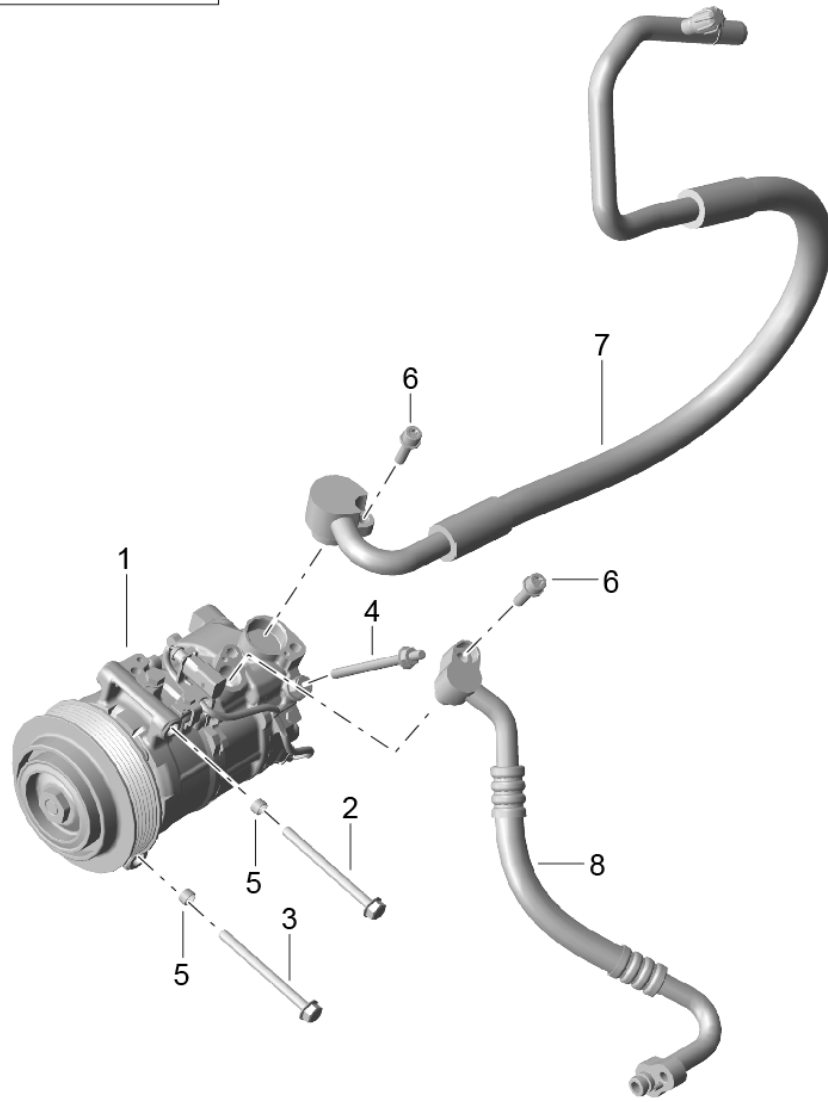
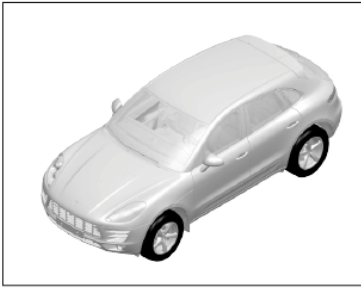
Model: 95B

Model life 2014>>

Pos	Part Number	Description	Remark	Qty	Model
1	95B 898 030	Air conditioning Junction (complete)	lhd	1	PR:7E0,L0L
		without:			
(1)	95B 898 030 A	Auxiliary heater Junction (complete)	lhd	1	PR:7E6,L0L
		with:			
(1)	95B 898 030 B	Auxiliary heater Junction (complete)	rhd	1	PR:7E0,L0R
		without:			
(1)	95B 898 030 C	Auxiliary heater Junction (complete)	rhd	1	PR:7E6,L0R
		with:			
2	8K0 819 333	Auxiliary heater Actuating lever		1	
3	95B 898 033	blower housing (complete)	lhd	1	PR:L0L
(3)	95B 898 033 A	blower housing (complete)	rhd	1	PR:L0R
4	95B 898 031	Expansion valve repair set		1	
		also use:			
5	8K0 819 439 B	POS. 10 Filter insert with odour and harmful substance filtering		1	
6	8K0 819 422 A	Cover		1	
7	8K0 260 113	Water drainage hose		2	
8	8K1 819 079	Retaining bar	lhd	1	PR:L0L
(8)	8K2 819 079	Retaining bar	rhd	1	PR:L0R
10	8K0 820 261	Gasket set		1	
11	8K0 820 536 A	pipe holder		1	
12	8K0 820 539	Temperature sensor		1	
13	8K0 898 540	1 set securing bolts		1	
14	8K1 819 345	Grommet		1	
15	8T0 820 521	Fan control governor		1	
		Discontinued part			
15	8T0 820 521 E	Fan control governor		1	
16	8T1 820 021	Fan (complete)	lhd	1	PR:L0L
(16)	8T2 820 021	Fan (complete)	rhd	1	PR:L0R
17	928 570 423 00	Tensioning spring		1	
18	970 653 253 00	Temperature sensor		1	
19	991 624 425 02	Servomotor		X	
20	WHT 000 155	wing screw		1	
21	N 911 182 01	Hex socket head bolt (combi) M6 X 18		4	
22	8K0 819 011 C	Auxiliary heater PTC		1	PR:KK1,7E6
23	8K0 819 229 A	Seal		1	

Model: 95B

Model life 2014>>



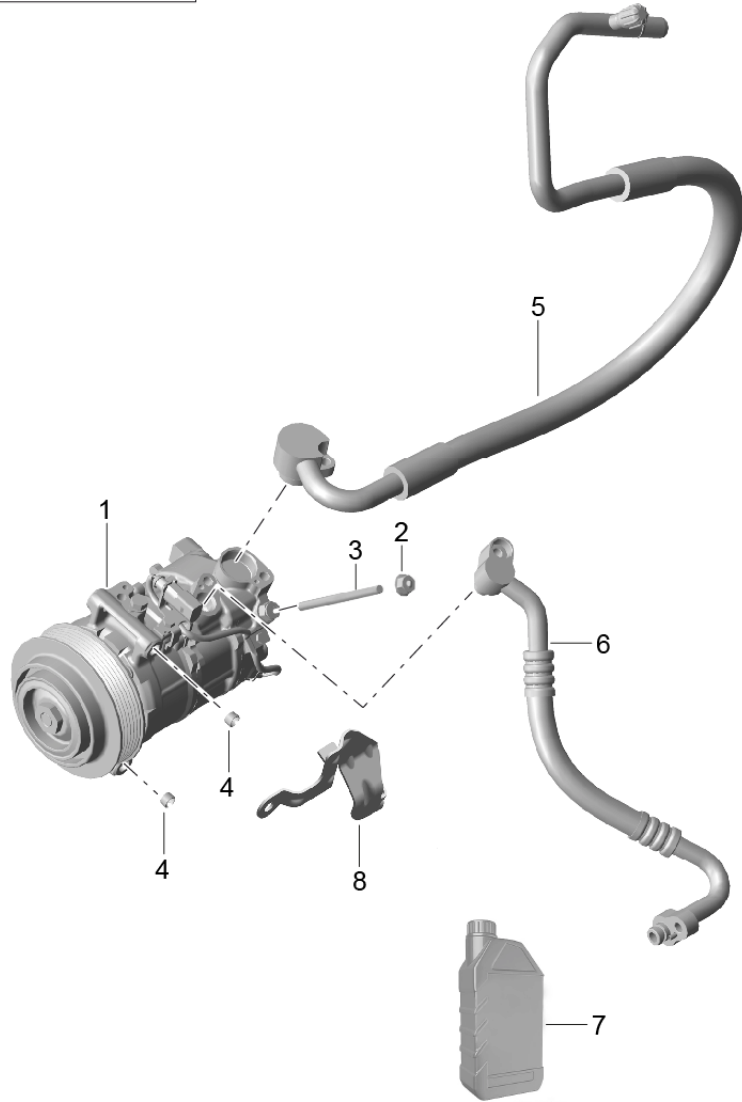
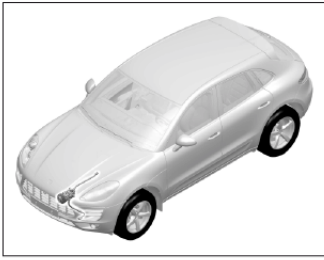
Model: 95B

Model life 2014>>

Pos	Part Number	Description	Remark	Qty	Model
		Compressor Air conditioning R134A			PR:KK1
1	8T0 260 805 N	A/C compressor		1	R4 2,0 TFSI
1	8T0 260 805 R	A/C compressor		1	PR:DM0 V6 TDI
1	95B 260 805 B	Compressor		1	PR:DD7,D1V, D43,D50,D51
1	95B 260 805 B	Compressor		1	V6 Turbo PR:DU0,DU1
2	N 106 365 01	bolt,hex.hd.with shoul.(combi) AM8X90		3	V6 GTS PR:D4A
3	N 106 365 01	bolt,hex.hd.with shoul.(combi) AM8X90		1	PR:DU1,DM0, DU0
4	N 107 976 01	double stud with hexagon drive BM 8X90/M8		2	PR:DD7,D1V, D51,1E9
5	958 147 501 00	Centre sleeve		2	
6	N 104 144 02	Socket head bolt with hexagon socket head M8X28-S10-N		2	
7		suction line See illustration from: to:	813-060 813-072	1	
8		Pressure line See illustration from: to:	813-050 813-072	1	
-	000 043 200 04	Compressor oil 250 ML		1	

Model: 95B

Model life 2014>>

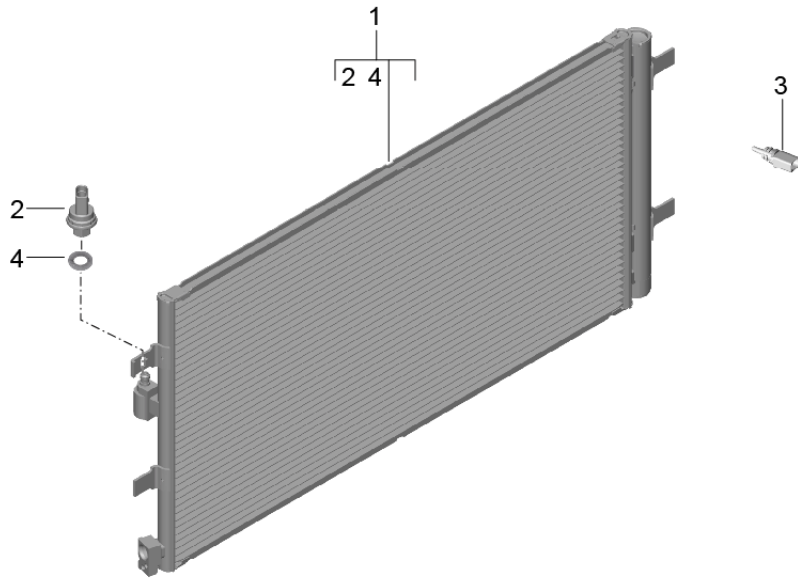
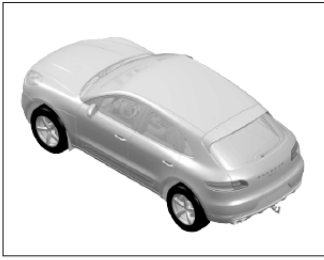


Model: 95B Model life 2014>>

Pos	Part Number	Description	Remark	Qty	Model
		Compressor Air conditioning R1234YF			PR:KK3
1	9A7 816 803 00	Compressor		1	R4 2,0 TFSI
1	9A7 816 803 10	Compressor		1	V6 TDI D51,D43
1	95B 816 803	Compressor		1	V6 Turbo PR:DU0,DU1, DU3
1	95B 816 803	Compressor		1	V6 GTS PR:D4A
2	N 106 092 01	Hexagon collar nut M8		X	
3	N 107 976 01	double stud with hexagon drive BM 8X90/M8		3	
4	958 147 501 00	Centre sleeve		2	
5		suction line See illustration from: to:	813-060 813-072	1	
6		Pressure line See illustration from: to:	813-060 813-072	1	
7	9A7 573 900 10	Refrigerant Compressor 250 ML		1	
(7)		Refrigerant for R1234YF 5 KG See workshop manual 8X00IN		1	
8	95B 817 432 D	Protective plate		1	PR:D43,DD7, D1V,D50,D51, DQ5
(8)	95B 817 432 E	Protective plate		1	PR:DU1,DU0, D4A

Model: 95B

Model life 2014>>



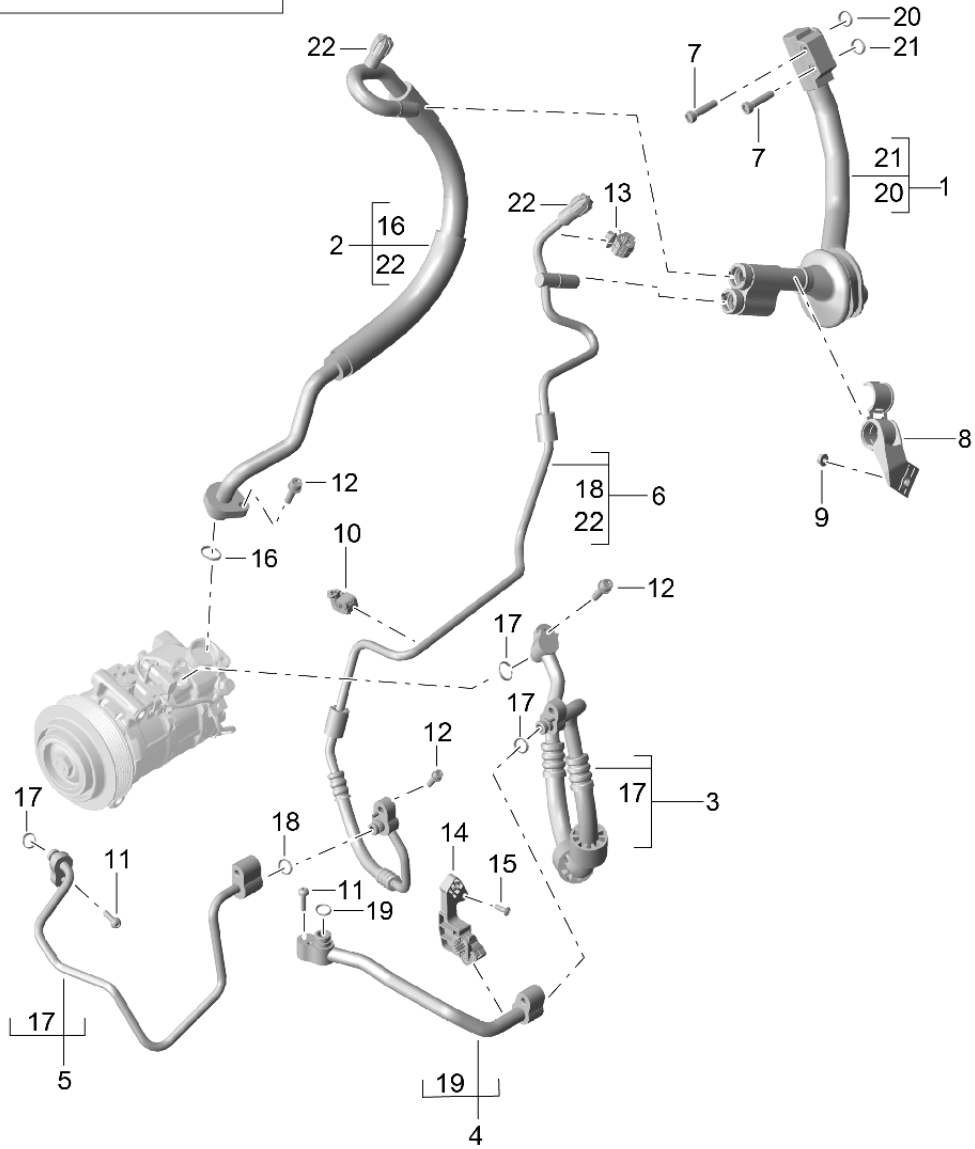
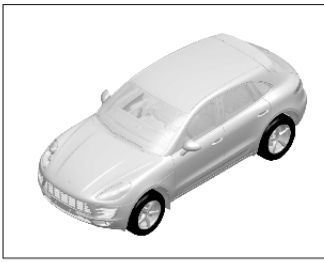
Model: 95B

Model life 2014>>

Pos	Part Number	Description	Remark	Qty	Model
1	9A7 260 403 01	Condenser Air conditioning Condenser without: Pressure sensor Refrigerant R134A		1	PR:KK1
1	9A7 260 403 01	Condenser without: Pressure sensor Refrigerant R1234YF		1	PR:KK3
2	4H0 959 126 B	D - MJ 2017>> Pressure sender Air conditioning also use:	9A7 820 896 00	1	
3	8Z0 820 535 A	External temperature sensor		1	
4	9A7 820 896 00	O-ring 7.6X1.82-N		1	

Model: 95B

Model life 2014>>

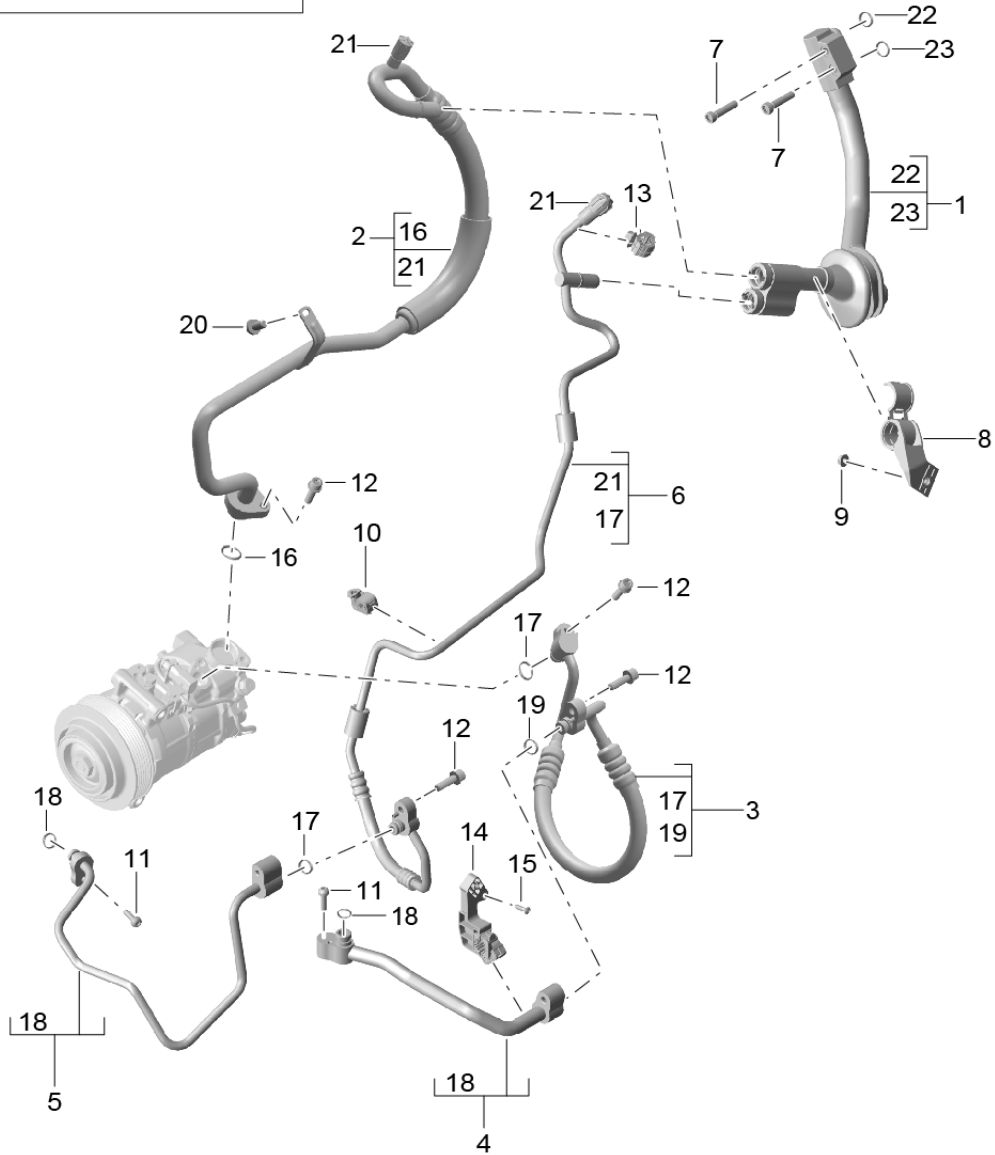
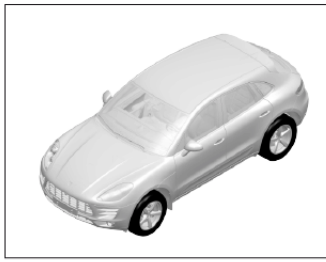


Model: 95B Model life 2014>>

Pos	Part Number	Description	Remark	Qty	Model
		refrigerant circuit R134A			V6 TDI PR:KK1 ,D1V, D51 ,D43,DD7 PR:L0L
1	8R1 260 712 D	Refrigerant pipe with:	lhd	1	
		Grommet			
(1)	9A7 260 712 10	Discontinued part Refrigerant line with:	rhd	1	PR:L0R
		Grommet			
2	8T0 260 707 A	Refrigerant line suction line		1	
		Compressor			
3	95B 260 701 D	Refrigerant line		1	
		Discontinued part			
4	95B 260 702	Refrigerant line		1	
		Discontinued part			
5	95B 260 367 B	Refrigerant line Adapter		1	
6	95B 260 710 D	Refrigerant line Pressure line		1	
		Discontinued part			
7	N 909 035 02	Socket head bolt with inner multipoint head M8X35		2	
8	8R0 260 759	bracket for refrigerant pipe		1	
9	N 015 082 10	Hexagon collar nut M6		1	
10	999 507 827 40	Hose bracket 10,0-B		1	
		Car body			
11	N 103 472 04	Hexagon socket head bolt, self-locking M6X25-S11-N		4	
12	N 104 144 02	Socket head bolt with hexagon socket head M8X28-S10-N		2	
13	991 573 839 01	Bracket		1	
14	95B 260 197	Bracket for coolant line		1	
15	N 104 420 03	self-tapping screw TP5X16-Q		1	
16	999 707 439 41	O-ring 23,80X2,40N		1	
17	999 707 557 41	O-ring 11,00X2,50N		X	
18	999 707 556 41	O-ring 9,50X2,50N		1	
19	999 707 558 41	O-ring 13,70X2,50		1	
20	9A7 004 858	O-ring 13,94X2,62		1	
21	955 573 749 00	O-ring 9,5X2,5		1	
22	3C0 820 581	Protective cap Refrigerant line		2	

Model: 95B

Model life 2014>>

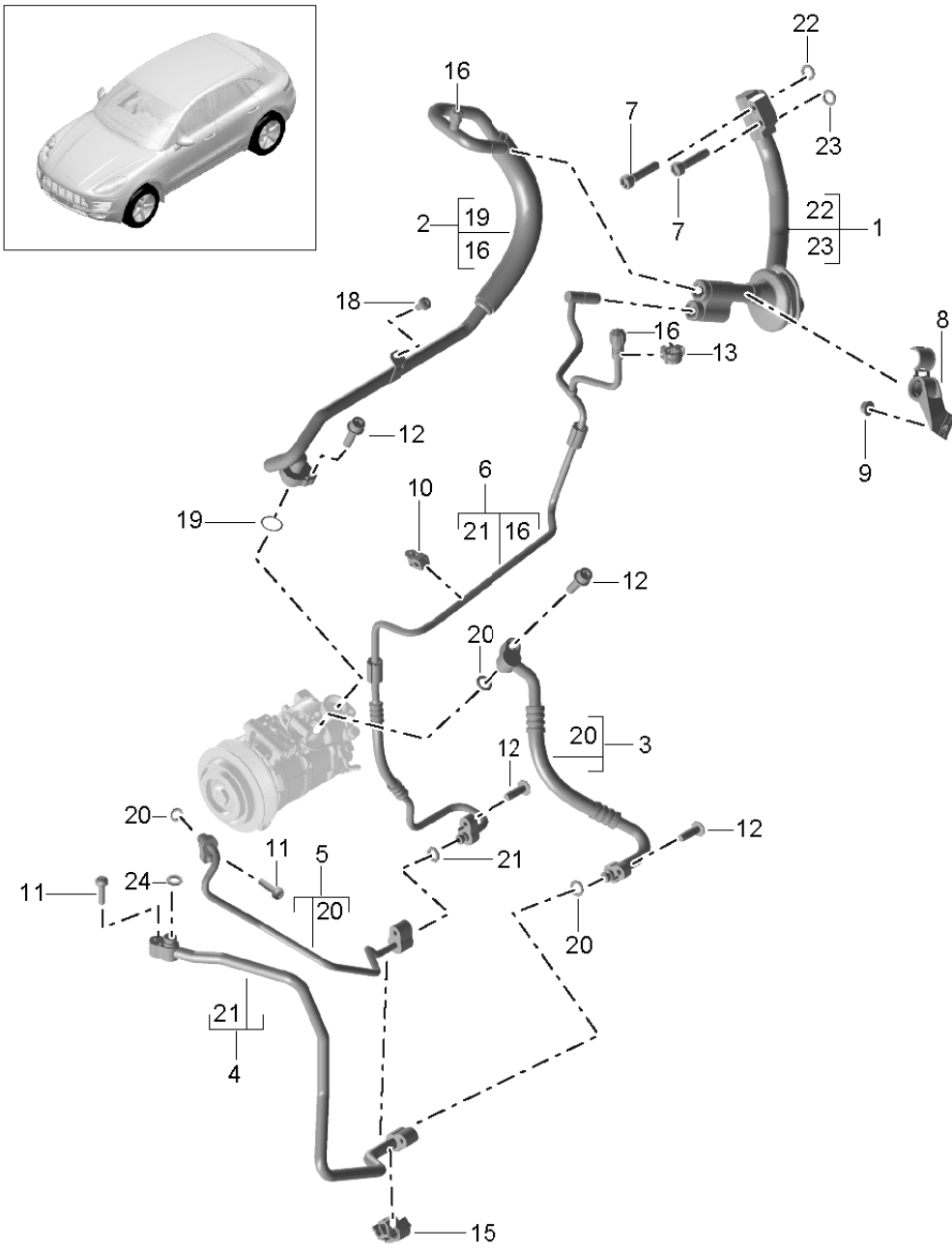


Model: 95B Model life 2014>>

Pos	Part Number	Description	Remark	Qty	Model
1	9A7 260 712 00	refrigerant circuit R1234YF D - MJ 2017>> Refrigerant line	lhd	1	V6 TDI PR:KK3,D1V, D51,D43,DD7 PR:L0L
(1)	9A7 260 712 10	Grommet Refrigerant line	with: rhd	1	PR:L0R
2	95B 816 743 H	Grommet Refrigerant line suction line		1	
3	95B 816 720 B	Compressor Refrigerant line		1	
4	95B 260 702	Refrigerant line		1	
5	95B 260 367 B	Refrigerant line Adapter		1	
6	95B 816 741 B	Refrigerant line Pressure line		1	
7	N 909 035 02	Socket head bolt with inner multipoint head M8X35		2	
8	8R0 260 759	bracket for refrigerant pipe		1	
9	N 015 082 10	Hexagon collar nut M6		1	
10	999 507 827 40	Hose bracket 10,0-B Car body		1	
11	N 103 472 04	Hexagon socket head bolt, self-locking M6X25-S11-N		4	
12	N 104 144 02	Socket head bolt with hexagon socket head M8X28-S10-N		2	
14	95B 260 197	Bracket for coolant line		1	
15	N 104 420 03	self-tapping screw TP5X16-Q		1	
16	999 707 439 41	O-ring 23,80X2,40N		1	
17	999 707 557 41	O-ring 11,00X2,50N		2	
18	999 707 556 41	O-ring 9,50X2,50N		1	
19	999 707 439 41	O-ring 23,80X2,40N		1	
20	N 103 352 06	Hexagon socket flat head bolt M6X12		1	
21	9A7 816 581 00	Cover Valve		1	
22	9A7 004 858	O-ring 13,94X2,62		1	
23	955 573 749 00	O-ring 9,5X2,5		1	

Model: 95B

Model life 2014>>



Model: 95B Model life 2014>>

Pos	Part Number	Description	Remark	Qty	Model
		refrigerant circuit R134A			V6 BT PR:KK1,DU0, DU1,D4A PR:L0L
1	8R1 260 712 D	Refrigerant pipe with: Grommet	lhd	1	
(1)	9A7 260 712 10	Discontinued part Refrigerant line with: Grommet	rhd	1	PR:L0R
2	95B 260 707	Refrigerant line suction line Compressor		1	
3	95B 260 701 E	Discontinued part Refrigerant line Pressure line Compressor		1	
3	95B 260 701 AA	D >> - MJ 2016 Refrigerant line Pressure line Compressor		1	PR:KK1
4	95B 260 702 D	D - MJ 2017>> Refrigerant line		1	
5	95B 260 367 C	Refrigerant line Adapter		1	
6	95B 260 710	Refrigerant line Pressure line Discontinued part		1	
(6)	95B 816 741 A	Refrigerant line Pressure line R1234YF		1	PR:KK3
7	N 909 035 02	Socket head bolt with inner multipoint head M8X35		2	
8	8R0 260 759	bracket for refrigerant pipe		1	
9	N 015 082 10	Hexagon collar nut M6		1	
10	999 507 827 40	Hose bracket 10,0-B		1	
11	N 103 472 04	Hexagon socket head bolt, self-locking M6X25-S11-N		4	
12	N 104 144 02	Socket head bolt with hexagon socket head M8X28-S10-N		2	
13	991 573 839 01	Bracket		1	
14	95B 260 089 B	Bracket for coolant line		1	
15	WHT 006 919	Bracket 10,0/16,0 D >> - MJ 2016		1	
(15)	9A7 008 222 00	Discontinued part Bracket 10,0/16,0		1	
16	3C0 820 581	Protective cap Refrigerant line		2	
17	N 107 214 01	oval hd. self-tapp fitt. screw		1	
18	N 103 352 06	Hexagon socket flat head bolt M6X12		1	
19	999 707 439 41	O-ring 23,80X2,40N		1	
20	999 707 557 41	O-ring		2	

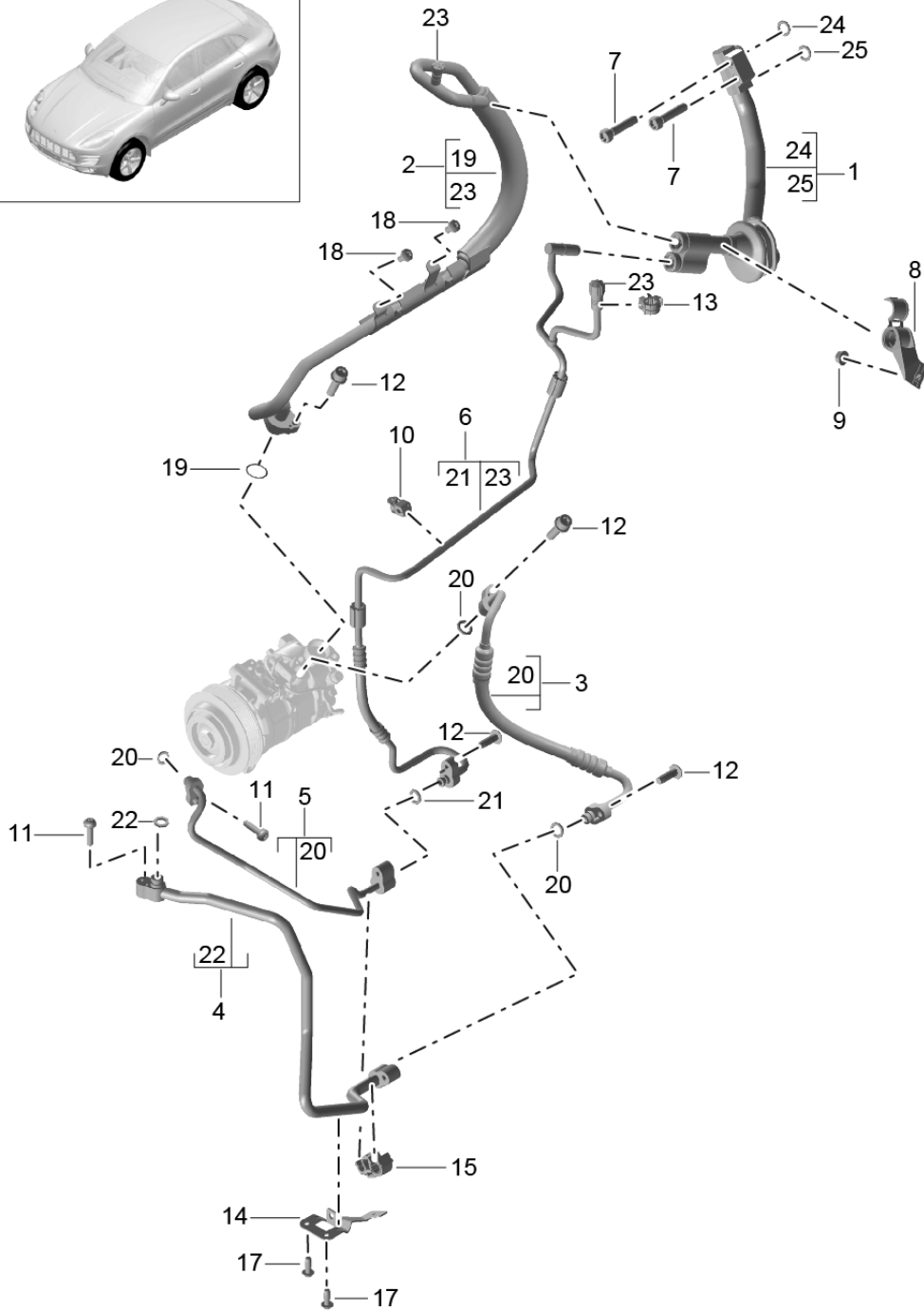
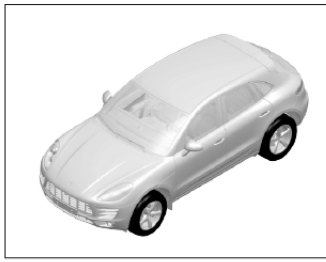
Model: 95B

Model life 2014>>

Pos	Part Number	Description	Remark	Qty	Model
21	999 707 556 41	11,00X2,50N O-ring		1	
22	9A7 004 858	9,50X2,50N O-ring		1	
23	955 573 749 00	13,94X2,62 O-ring		1	
24	999 707 558 41	9,5X2,5 O-ring 13,7X2,5		1	

Model: 95B

Model life 2014>>

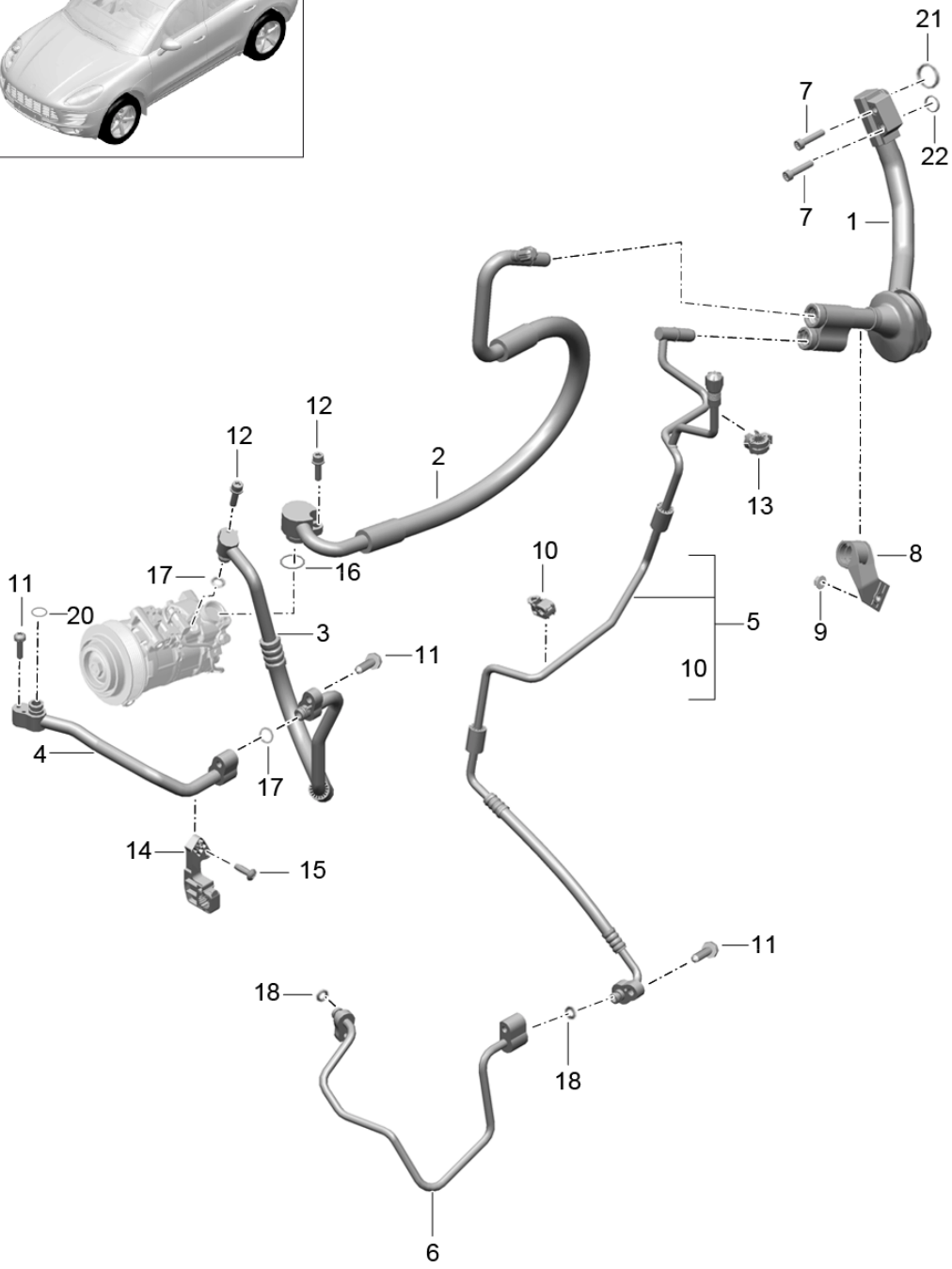
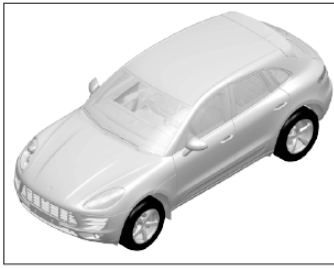


Model: 95B Model life 2014>>

Pos	Part Number	Description	Remark	Qty	Model
1	9A7 260 712 00	refrigerant circuit R1234YF D - MJ 2017>> Refrigerant line	lhd	1	V6 BT PR:KK3,DU0, DU1,D4A PR:L0L
(1)	9A7 260 712 10	Grommet Refrigerant line	with: rhd	1	PR:L0R
2	95B 816 743 A	Grommet Refrigerant line suction line		1	
3	95B 816 720 A	Compressor Refrigerant line Pressure line		1	
4	95B 260 702 D	Compressor Refrigerant line		1	
5	95B 260 367 C	R1234YF Refrigerant line		1	
6	95B 816 741 A	Adapter Refrigerant line Pressure line		1	
7	N 909 035 02	R1234YF Socket head bolt with inner multipoint head		2	
8	8R0 260 759	M8X35 bracket for refrigerant pipe		1	
9	N 015 082 10	Hexagon collar nut M6		1	
10	999 507 827 40	Hose bracket 10,0-B		1	
11	N 103 472 04	Hexagon socket head bolt, self-locking		4	
12	N 104 144 02	M6X25-S11-N Socket head bolt with hexagon socket head		X	
13	991 573 839 01	M8X28-S10-N Bracket		1	
14	95B 260 089 B	Bracket for coolant line		1	
(15)	9A7 008 222 00	Bracket 10,0/16,0		1	
17	N 107 214 01	oval hd. self-tapp fitt. screw		2	
18	N 103 352 06	Hexagon socket flat head bolt		2	
19	999 707 439 41	M6X12 O-ring 23,80X2,40N		1	
20	999 707 557 41	O-ring 11,00X2,50N		2	
21	999 707 556 41	O-ring 9,50X2,50N		1	
22	999 707 558 41	O-ring 13,70X2,50N		1	
23	9A7 816 581 00	Cover Valve		2	
24	9A7 004 858	O-ring 13,94X2,62		1	
25	955 573 749 00	O-ring 9,5X2,5		1	

Model: 95B

Model life 2014>>

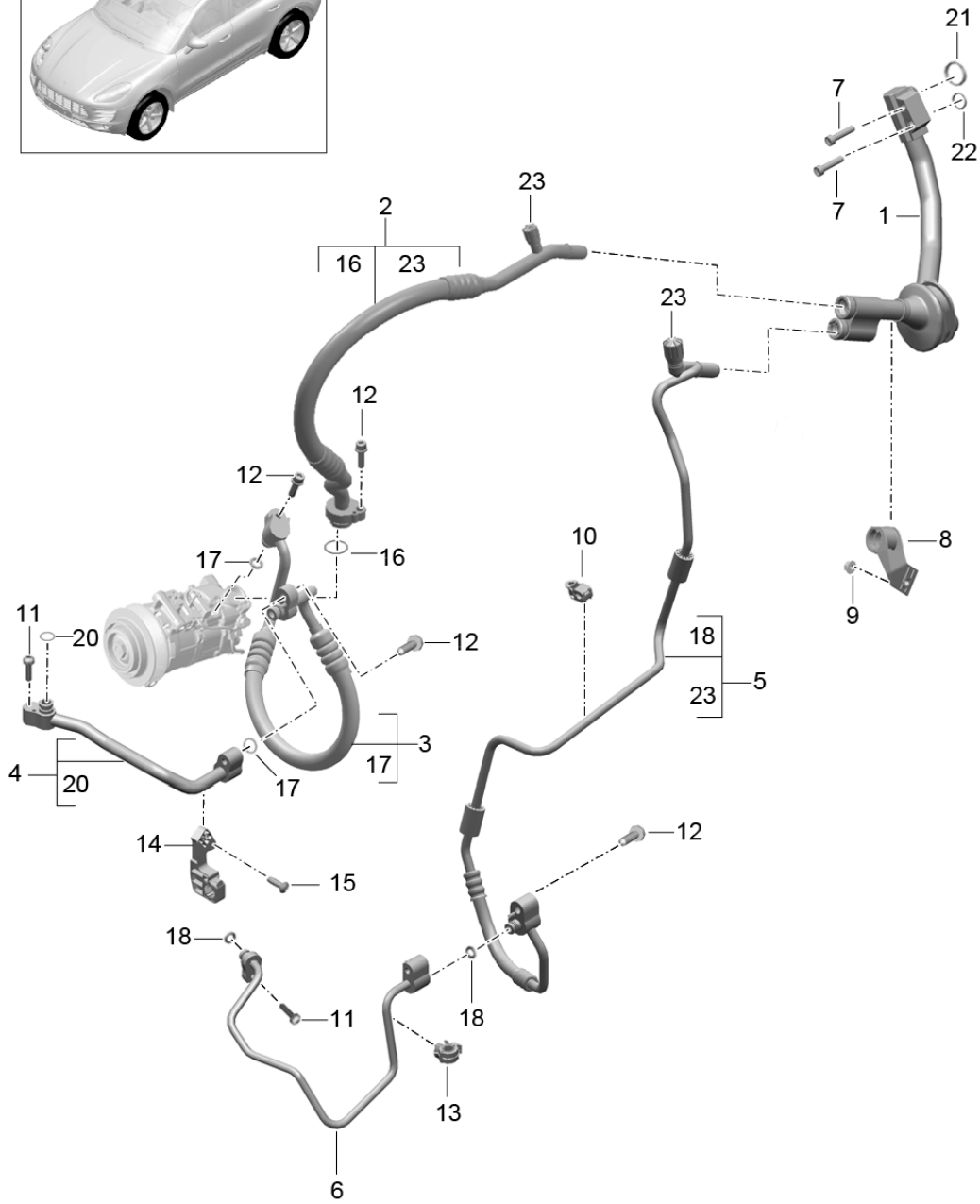
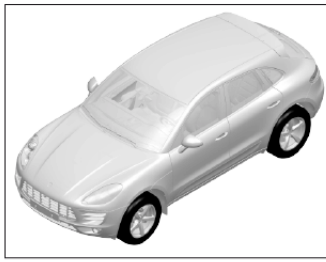


Model: 95B Model life 2014>>

Pos	Part Number	Description	Remark	Qty	Model
		refrigerant circuit R134A			R4 2,0 TFSI PR:KK1,DM0, DQ5 PR:L0L
1	8R1 260 712 D	Refrigerant pipe with: Grommet	lhd	1	
(1)	9A7 260 712 10	Discontinued part Refrigerant line with: Grommet	rhd	1	PR:L0R
2	8T0 260 707 B	Refrigerant line suction line Compressor		1	
3	95B 260 701 A	Discontinued part Refrigerant line		1	
4	95B 260 702	Discontinued part Refrigerant line		1	
5	95B 260 710 F	Discontinued part Refrigerant line		1	
6	95B 260 367 B	Pressure line Refrigerant line		1	
7	N 909 035 02	Adapter Socket head bolt with inner multipoint head M8X35		2	
8	8R0 260 759	bracket for refrigerant pipe		1	
9	N 015 082 10	Hexagon collar nut M6		2	
10	999 507 827 40	Hose bracket 10,0-B		1	
11	N 103 472 04	Hexagon socket head bolt, self-locking M6X25-S11-N		4	
12	N 104 144 02	Socket head bolt with hexagon socket head M8X28-S10-N		2	
13	991 573 839 01	Bracket		1	
14	95B 260 197	Bracket for coolant line		1	
15	N 104 420 03	self-tapping screw TP5X16-Q		1	
16	999 707 439 41	O-ring 23,80X2,40N		1	
17	999 707 557 41	O-ring 11,00X2,50N		2	
18	999 707 556 41	O-ring 9,50X2,50N		1	
20	999 707 558 41	O-ring 13,70X2,50N		1	
21	9A7 004 858	O-ring 13,94X2,62		1	
22	955 573 749 00	O-ring 9,5X2,5		1	

Model: 95B

Model life 2014>>

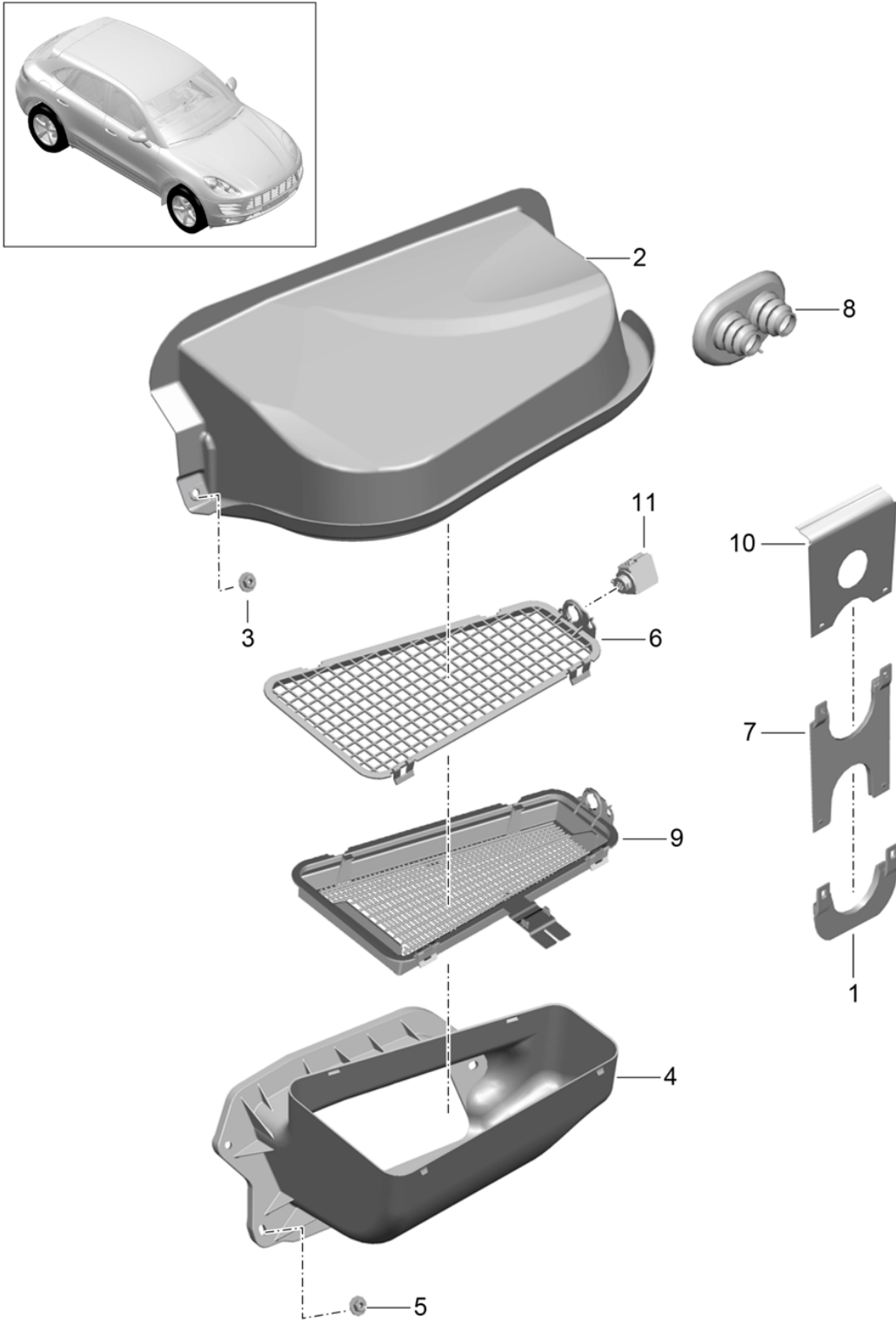


Model: 95B Model life 2014>>

Pos	Part Number	Description	Remark	Qty	Model
1	9A7 260 712 00	refrigerant circuit R1234YF D - MJ 2017>> Refrigerant line	lhd	1	R4 2,0 TFSI PR:KK3,DM0, DQ5 PR:L0L
(1)	9A7 260 712 10	Grommet Refrigerant line	with: rhd	1	PR:L0R
2	95B 816 743 F	Grommet Refrigerant line suction line		1	
3	95B 816 720	Compressor Refrigerant line		1	
4	95B 260 702	Refrigerant line		1	
5	95B 816 741	Refrigerant line Pressure line		1	
6	95B 260 367 B	Refrigerant line Adapter		1	
7	N 909 035 02	Socket head bolt with inner multipoint head M8X35		2	
8	8R0 260 759	bracket for refrigerant pipe		1	
9	N 015 082 10	Hexagon collar nut M6		2	
10	999 507 827 40	Hose bracket 10,0-B		1	
11	N 103 472 04	Hexagon socket head bolt, self-locking M6X25-S11-N		2	
12	N 104 144 02	Socket head bolt with hexagon socket head M8X28-S10-N		X	
13	991 573 839 01	Bracket		1	
14	95B 260 197	Bracket for coolant line		1	
15	N 104 420 03	self-tapping screw TP5X16-Q		1	
16	999 707 439 41	O-ring 23,80X2,40N		1	
17	999 707 557 41	O-ring 11,00X2,50N		2	
18	999 707 556 41	O-ring 9,50X2,50N		1	
19	999 707 439 41	O-ring 23,80X2,40N		1	
20	999 707 558 41	O-ring 13,70X2,50N		1	
21	9A7 004 858	O-ring 13,94X2,62		1	
22	955 573 749 00	O-ring 9,5X2,5		1	
23	9A7 816 581 00	Cover Valve		1	

Model: 95B

Model life 2014>>



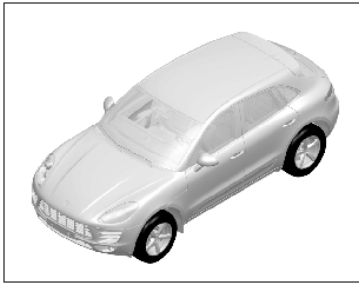
Model: 95B

Model life 2014>>

Pos	Part Number	Description	Remark	Qty	Model
(1)	8K0 260 753 B	water box		1	
2	95B 819 979	Adapter		1	
(2)	95B 819 979 A	rain channel	lhd	1	PR:L0L
3	N 901 326 05	rain channel	rhd	1	PR:L0R
		hex. nut with washer		2	
		M6			
4	8K1 819 904 A	intake manifold	lhd	1	PR:L0L
		water box			
(4)	8K2 819 904 A	intake manifold	rhd	1	PR:L0R
		water box			
5	N 901 326 05	hex. nut with washer		3	
		M6			
6	8K1 819 408 A	Foliage grille	lhd	1	PR:L0L
(6)	8K2 819 408 A	Foliage grille	rhd	1	PR:L0R
7	8K0 260 753 C	Intermediate piece		1	
8	8K0 819 699 A	Double grommet		1	
		heat exchanger			
9	8KD 819 441 A	Foliage grille		1	PR:B1P
		Carrier			
10	95B 971 824 B	Cable guide		1	PR:DU0,DU1
(10)	95B 971 824 C	Cable guide		1	PR:DM0,D43, DD7,D1V,D51
11	958 572 659 00	Air quality sensor		1	

Model: 95B

Model life 2014>>



Model: 95B Model life 2014>>

Pos	Part Number	Description	Remark	Qty	Model
1	N 911 475 02	Seat rail Cover Securing element Seat Socket head bolt with inner multipoint head (Kombi)		1	
2	958 521 465 00	Seat Cover cap Screw	front	1	PR: 3L4, 3L5, 3L6, 3PB, 3PH, 3PJ
	958 521 465 00 1E0	Black	-VC, VJ, VF, VI, VU, VK, VO, VX, VZ		
	958 521 465 00 OP1	agate grey	-VD, VG, VL, VQ		
	958 521 465 00 4H0	Luxor beige	-VE, VH, VM		
	958 521 465 00 OM8	saddle brown	-VN, VP		
	958 521 465 00 7N0	Espresso	-VR		
3	958 521 466 00	Seat Cover cap Screw	front	1	PR: 3PB, 3PE, 3PN, 3L6, 3L5, 3L4, 3PH
	958 521 466 00 1E0	Black	-VC, VJ, VF, VI, VU, VK, VO, VX, VZ		
	958 521 466 00 OP1	agate grey	-VD, VG, VL, VQ		
	958 521 466 00 4H0	Luxor beige	-VE, VH, VM		
	958 521 466 00 OM8	saddle brown	-VN, VP		
	958 521 466 00 7N0	Espresso	-VR		
-	95B 882 767	Seat Cover cap Screw		1	PR: 3PB, 3PH, 3PE, 3PJ
	95B 882 767 1E0	Mechanical Black	-VC, VJ, VF, VI, VU, VK, VO, VX, VZ		
	95B 882 767 OP1	agate grey	-VD, VG, VL, VQ		
	95B 882 767 4H0	Luxor beige	-VE, VH, VM		
	95B 882 767 OM8	saddle brown	-VN, VP		
	95B 882 767 7N0	Espresso	-VR		
-	95B 882 768	Seat Cover cap Screw		1	PR: 3PB, 3PH, 3PE, 3PJ
	95B 882 768 1E0	Mechanical Black	-VC, VJ, VF, VI, VU, VK, VO, VX, VZ		
	95B 882 768 OP1	agate grey	-VD, VG, VL, VQ		
	95B 882 768 4H0	Luxor beige	-VE, VH, VM		
	95B 882 768 OM8	saddle brown	-VN, VP		
	95B 882 768 7N0	Espresso	-VR		
4	95B 881 479	Seat Cover cap	left	1	PR: 3PE
	95B 881 479 1E0	Seat rail Satin black	rear -VC, VJ, VF, VI, VU, VK, VO, VX		+VZ
	95B 881 479 OP1	agate grey	-VD, VG, VL, VQ		
	95B 881 479 4H0	Luxor beige	-VE, VH, VM		
(4)	95B 881 480	Seat Cover cap	right	1	PR: 3PE
	95B 881 480 1E0	Seat rail Satin black	rear -VC, VJ, VF, VI, VU, VK, VO, VX		+VZ
	95B 881 480 OP1	agate grey	-VD, VG, VL, VQ		
	95B 881 480 4H0	Luxor beige	-VE, VH, VM		

Model: 95B Model life 2014>>

Pos	Part Number	Description	Remark	Qty	Model
(4)	958 521 564 00	Cover Seat rail	right rear	1	PR: 3L4, 3L5, 3L6, 3PB, 3PH, 3PN
	958 521 564 00 1E0	Satin black	-VC, VX, VF, VI, VU, VZ, VK, VO		
	958 521 564 00 OP1	agate grey	-VD, VG, VL, VQ		
	958 521 564 00 4H0	Luxor beige	-VE, VH, VM		
	958 521 564 00 OM8	saddle brown	-VN, VP		
	958 521 564 00 7N0	Espresso	-VR		
(4)	958 521 563 00	Cover Seat rail Seat	left rear	1	PR: 3L4, 3L5, 3L6, 3PB, 3PH, 3PN
	958 521 563 00 1E0	Black	-VC, VX, VF, VI, VU, VZ, VK, VO		
	958 521 563 00 OP1	agate grey	-VD, VG, VL, VQ		
	958 521 563 00 4H0	Luxor beige	-VE, VH, VM		
	958 521 563 00 OM8	saddle brown	-VN, VP		
	958 521 563 00 7N0	Espresso	-VR		
5	958 521 463 00	Cover cap Seat rail	left front	1	PR: 3L4, 3L5, 3L6, 3PB, 3PH, 3PN, 3PE
	958 521 463 00 1E0	Satin black	-VC, VJ, VF, VI, VU, VK, VO, VX		+VZ
	958 521 463 00 OP1	agate grey	-VD, VG, VL, VQ		
	958 521 463 00 4H0	Luxor beige	-VE, VH, VM		
	958 521 463 00 OM8	saddle brown	-VN, VP		
	958 521 463 00 7N0	Espresso	-VR		
(5)	958 521 464 00	Cover cap Seat rail	right front	1	PR: 3L4, 3L5, 3L6, 3PB, 3PH, 3PN, 3PE
	958 521 464 00 1E0	Satin black	-VC, VJ, VF, VI, VU, VK, VO, VX		+VZ
	958 521 464 00 OP1	agate grey	-VD, VG, VL, VQ		
	958 521 464 00 4H0	Luxor beige	-VE, VH, VM		
	958 521 464 00 OM8	saddle brown	-VN, VP		
	958 521 464 00 7N0	Espresso	-VR		
(5)	95B 881 477	Cover cap Mechanical Seat rail	left front	1	PR: 3L3, 3PB, 3PH, 3PJ, 3PE
	95B 881 477 1E0	Satin black	-VC, VJ, VF, VI, VU, VK, VO, VX		+VZ
	95B 881 477 OP1	agate grey	-VD, VG, VL, VQ		
	95B 881 477 4H0	Luxor beige	-VE, VH, VM		
	95B 881 477 OM8	saddle brown	-VN, VP		
	95B 881 477 7N0	Espresso	-VR		
(5)	95B 881 478	Cover cap Mechanical Seat rail	right front	1	PR: 3L3, 3PB, 3PH, 3PJ, 3PE
	95B 881 478 1E0	Satin black	-VC, VJ, VF, VI, VU, VK, VO, VX		+VZ
	95B 881 478 OP1	agate grey	-VD, VG, VL, VQ		
	95B 881 478 4H0	Luxor beige	-VE, VH, VM		
	95B 881 478 OM8	saddle brown	-VN, VP		
	95B 881 478 7N0	Espresso	-VR		
6	958 521 327 00	Cover panel Trim backrest Seat frame tunnel		1	

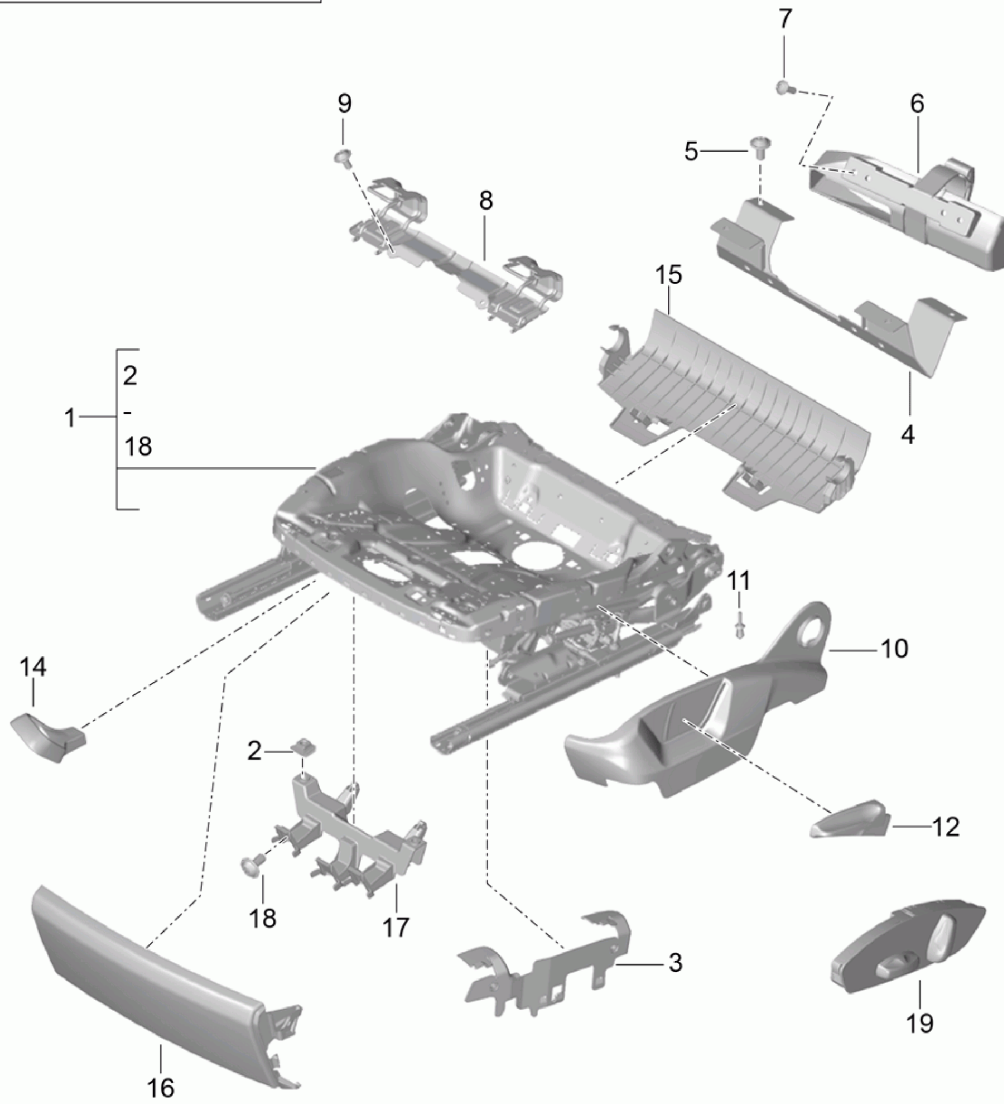
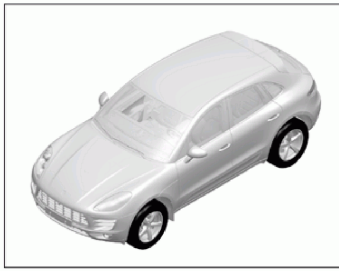
Model: 95B

Model life 2014>>

Pos	Part Number	Description	Remark	Qty	Model
	958 521 327 00 82V	Titan black	-VC, VJ, VF, VI, VU, VK, VO		
	958 521 327 00 OP1	agate grey	-VD, VG, VC		
	958 521 327 00 4H0	Luxor beige	-VE, VH, VM, VP		
	958 521 327 00 7N0	Espresso	-VR		
	958 521 327 00 OM8	saddle brown	-VN		
	958 521 327 00 OV4	flint grey	-VQ		
7	N 038 501 3	Spreader rivet		1	
		Trim			
		Trim			
		backrest			
		Seat frame			
		tunnel			
8	8E0 881 500	Spreader rivet		1	
		Trim			
		Trim			
		backrest			
		Seat frame			
		tunnel			

Model: 95B

Model life 2014>>



Model: 95B Model life 2014>>

Pos	Part Number	Description	Remark	Qty	Model
1	8K0 881 105 T	Seat frame Accessories Trim Seat frame (electrically adjustable)	left	1	PR:3L4,3L5, 3L6,3PB,3PH, 3PN
(1)	8K0 881 106 T	Front seats Seat frame (electrically adjustable)	right	1	PR:3L4,3L5, 3L6,3PE,3PJ, 3PN
(1)	7P6 881 105 B	Front seats seat frame with height adjustment Mechanical	left	1	PR:3PE,3PJ
(1)	7P6 881 106 B	seat frame with height adjustment Mechanical	right	1	PR:3PB,3PH
2	N 900 880 03	Speed nut Seat frame		1	
3	958 521 539 00	Reinforcement Trim Seat frame	left	1	PR:3PB,3PN, 3PH
(3)	958 521 540 00	Reinforcement Trim Seat frame	right	1	PR:3L4,3L5, 3L6,3PE,3PJ, 3PN
4	958 521 285 00	Holder for fire extinguisher Seat frame		1	PR:L0R,6A7
5	N 907 371 01	Oval hexagon socket head bolt Retaining bracket Fire extinguishers Seat frame		1	
6	7PP 882 607	Holder for fire extinguisher		1	PR:L0L,6A7, L0R
7	N 107 148 01	fillister head bolt with multi-point socket head Bracket Fire extinguishers Seat frame		1	
8	958 521 545 00	Retaining bracket child seat		1	PR:L0L,3B9, L0R
9	N 907 371 05	Oval hexagon socket head bolt Bracket child seat Seat frame		1	
10	95B 881 313	Trim Seat frame	left manual	1	PR:3PE,3L3, 3PJ
	95B 881 313 82V	Titan black	-VC,VJ,VF,VI, VU,VK,VO		
	95B 881 313 OP1	agate grey	-VD,VG,VL		
	95B 881 313 4H0	Luxor beige	-VE,VH,VM,VP, VX,VZ		
	95B 881 313 OM8	saddle brown	-VN		
	95B 881 313 OV4	flint grey	-VQ		
	95B 881 313 7N0	Espresso	-VR		
		* Note technical * product information TI 7216 (98/15)			
(10)	95B 881 314	Trim Seat frame	right manual	1	PR:3PB
	95B 881 314 82V	Titan black	-VC,VJ,VF,VI, VU,VK,VO		
	95B 881 314 OP1	agate grey	-VD,VG,VL		
	95B 881 314 4H0	Luxor beige	-VE,VH,VM,VP,		

Model: 95B

Model life 2014>>

Pos	Part Number	Description	Remark	Qty	Model
	95B 881 314 OM8	saddle brown	VX, VZ		
	95B 881 314 OV4	flint grey	-VN		
	95B 881 314 7N0	Espresso	-VQ		
		* Note technical	-VR		
		* product information			
		TI 7216 (98/15)			
(10)	7P5 881 313 B	Trim Seat frame Sill	left	1	PR:N0Q,N1A, N1B,N1M,N1P, N5U,N6D,3L4, 3L3,3L6,3PB, 3PH,3PN
	7P5 881 313 B 82V	Titan black	-VC, VJ, VF, VI, VU, VK, VO		
	7P5 881 313 B OP1	agate grey	-VD, VG, VL		
	7P5 881 313 B 4H0	Luxor beige	-VE, VH, VM, VP, VX, VZ		
	7P5 881 313 B 7N0	Espresso	-VR		
	7P5 881 313 B OV4	flint grey	-VQ		
	7P5 881 313 B OM8	saddle brown	-VN		
(10)	7P5 881 314 B	Trim Seat frame Sill	right	1	PR:N0Q,N1A, N1B,N1M,N1P, N5U,N6D,3L4, 3L5,3L6,3PE, 3PJ,3PN
	7P5 881 314 B 1E0	Titan black	-VC, VJ, VF, VI, VU, VK, VO		
	7P5 881 314 B OP1	agate grey	-VD, VG, VL		
	7P5 881 314 B 4H0	Luxor beige	-VE, VH, VM, VP, VX, VZ		
	7P5 881 314 B 7N0	Espresso	-VR		
	7P5 881 314 B OV4	flint grey	-VQ		
	7P5 881 314 B OM8	saddle brown	-VN		
11	N 038 501 3	Spreader rivet Trim Seat frame		1	
12	95B 882 251	handle for vehicles with seat height adjustment D >> - MJ 2014	manual left manual	1	PR:3PE,3PJ, 3L3
	95B 882 251 82V	Titan black	-VC, VJ, VF, VI, VU, VK, VO		
	95B 882 251 OP1	agate grey	-VD, VG, VL		
	95B 882 251 4H0	Luxor beige	-VE, VH, VM, VP, VX, VZ		
	95B 882 251 7N0	Espresso	-VR		
	95B 882 251 OV4	flint grey	-VQ		
	95B 882 251 OM8	saddle brown	-VN		
12	95B 882 251	handle for vehicles with seat height adjustment D - MJ 2015>>	left manual	1	PR:3PE,3PJ, 3L3
	95B 882 251 1E0	Black	-VC, VJ, VF, VI, VU, VK, VO		
	95B 882 251 OP1	agate grey	-VD, VG, VL		
	95B 882 251 4H0	Luxor beige	-VE, VH, VM, VP, VX, VZ		
	95B 882 251 7N0	Espresso	-VR		
	95B 882 251 OV4	flint grey	-VQ		
	95B 882 251 OM8	saddle brown	-VN		
(12)	95B 882 252	handle for vehicles with seat height adjustment	right manual	1	PR:3PB,3PH, 3L3

Model: 95B Model life 2014>>

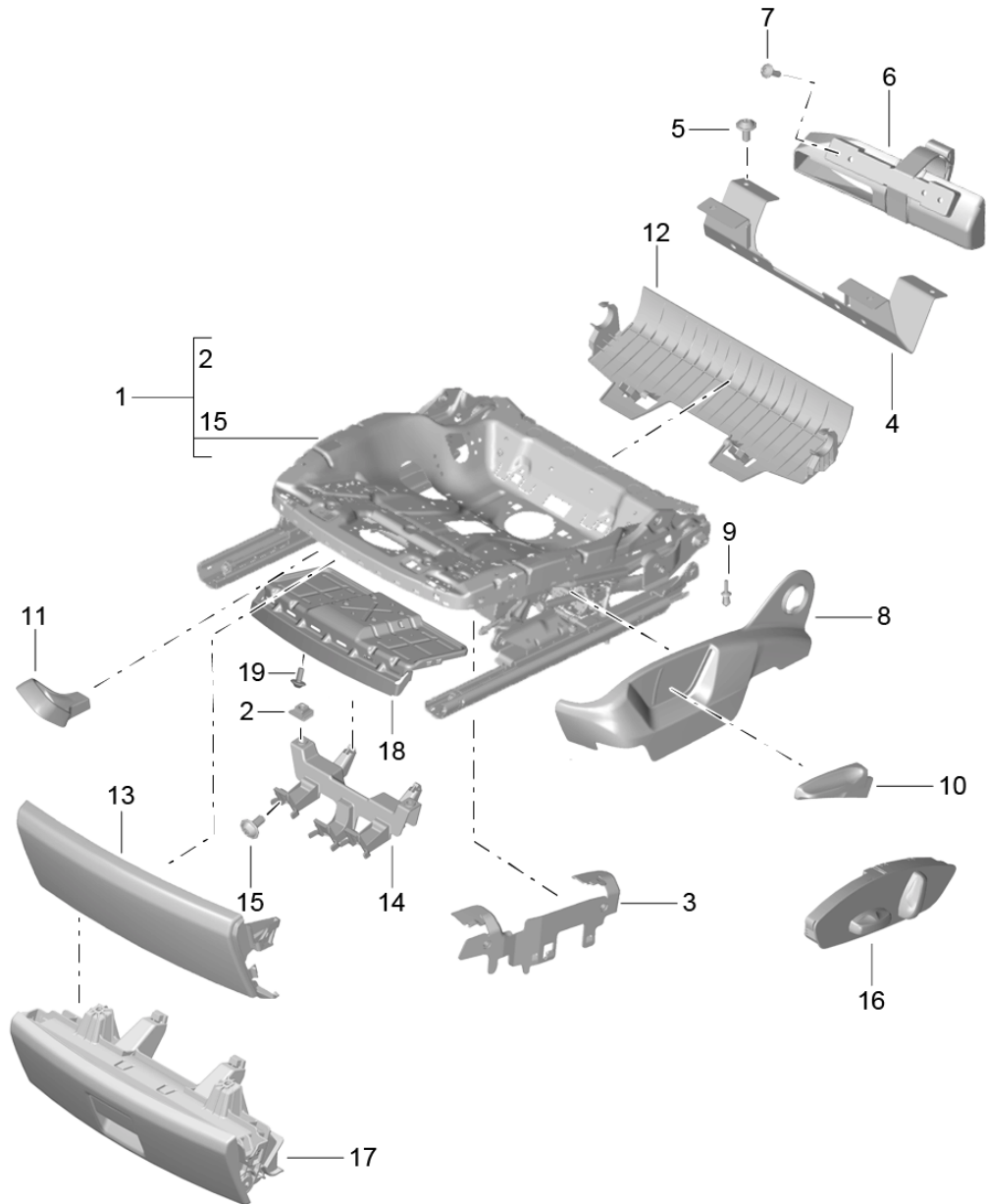
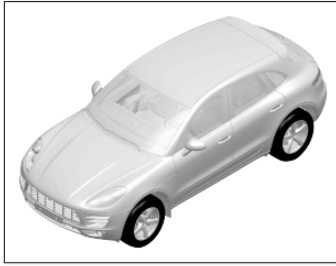
Pos	Part Number	Description	Remark	Qty	Model
		D >> - MJ 2014			
	95B 882 252 82V	Titan black	-VC, VJ, VF, VI, VU, VK, VO		
	95B 882 252 OP1	agate grey	-VD, VG, VL		
	95B 882 252 4H0	Luxor beige	-VE, VH, VM, VP, VX, VZ		
	95B 882 252 7N0	Espresso	-VR		
	95B 882 252 OV4	flint grey	-VQ		
	95B 882 252 OM8	saddle brown	-VN		
(12)	95B 882 252	handle for vehicles with seat height adjustment	right manual	1	PR:3PB,3PH,3L3
		D - MJ 2015>>			
	95B 882 252 1E0	Black	-VC, VJ, VF, VI, VU, VK, VO		
	95B 882 252 OP1	agate grey	-VD, VG, VL		
	95B 882 252 4H0	Luxor beige	-VE, VH, VM, VP, VX, VZ		
	95B 882 252 7N0	Espresso	-VR		
	95B 882 252 OV4	flint grey	-VQ		
	95B 882 252 OM8	saddle brown	-VN		
14	1P0 881 253 A	handle: seat longit. adjustm. Seat frame	manual	1	PR:3PE
	1P0 881 253 A 1UQ	persia black			
15	958 521 091 00	Trim Seat frame backrest		1	
(16)	95B 881 457 B	Trim	lower front	1	PR:QE0,6A0,L0L
	95B 881 457 B 82V	Seat frame Titan black	-VC, VJ, VF, VI, VU, VK, VO		
	95B 881 457 B OP1	agate grey	-VD, VG, VL		
	95B 881 457 B 4H0	Luxor beige	-VE, VH, VM, VP, VX, VZ		
	95B 881 457 B OM8	saddle brown	-VN		
	95B 881 457 B OV4	flint grey	-VQ		
	95B 881 457 B 7N0	Espresso	-VR		
		* Note technical * product information TI 7216 (98/15)			
(16)	95B 881 458 B	Trim		1	PR:QE0,6A0,L0R
	95B 881 458 B 82V	Seat frame Titan black	-VC, VJ, VF, VI, VU, VK, VO		
	95B 881 458 B OP1	agate grey	-VD, VG, VL		
	95B 881 458 B 4H0	Luxor beige	-VE, VH, VM, VP, VX, VZ		
	95B 881 458 B OM8	saddle brown	-VN		
	95B 881 458 B OV4	flint grey	-VQ		
	95B 881 458 B 7N0	Espresso	-VR		
		* Note technical * product information TI 7216 (98/15)			
17	95B 881 507	Bracket Trim Cover		1	PR:QE0,6A0
		Seat frame			
18	N 907 371 05	Oval hexagon socket head bolt Bracket Trim Cover		1	

Model: 95B Model life 2014>>

Pos	Part Number	Description	Remark	Qty	Model
19	9A7 959 747 10	Seat frame Switch module for seat	left front	1	PR:Q1G,3L5, 3L6,3PB,Q4P
	9A7 959 747 10 DMN	Galvano silver			
(19)	9A7 959 748 10	Switch module for seat Seat adjuster	right front	1	PR:Q4P,3L4, 3L5,3PE,Q1G
	9A7 959 748 10 DMN	Galvano silver			
(19)	7PP 959 747 AA	Switch module for seat For comfort seat Seat adjuster	left front	1	PR:Q2J,3PN
	7PP 959 747 AA DMN	Galvano silver			
(19)	7PP 959 748 AA	Switch module for seat For comfort seat Seat adjuster	right front	1	PR:Q2J,3PN
	7PP 959 748 AA DMN	Galvano silver			
(19)	7PP 959 747 N	Switch module for seat for vehicles with electric seat adjustment	left front	1	PR:Q1G,3L4, 3PN,3PH,Q4P
	7PP 959 747 N DMN	Galvano silver			
(19)	7PP 959 748 N	Switch module for seat for vehicles with electric seat adjustment	right front	1	PR:Q1G,3L6, 3PN,3PJ
	7PP 959 748 N DMN	Galvano silver			
(19)	7PP 959 747 Q	Switch module for seat Seat adjuster	left front	1	PR:Q1J,3PN
	7PP 959 747 Q DMN	Galvano silver			
(19)	7PP 959 748 Q	Switch module for seat Seat adjuster	right front	1	PR:Q1J,3PN
	7PP 959 748 Q DMN	Galvano silver			
(19)	7PP 959 747 P	Switch module for seat For comfort seat Seat adjuster	left front	1	PR:Q2J,3PN
	7PP 959 747 P DMN	Galvano silver DMN			
(19)	7PP 959 748 P	Switch module for seat Seat adjuster For comfort seat	right front	1	PR:Q2J,3PN
	7PP 959 748 P DMN	Galvano silver			
20	958 521 907 00	repair set Seat adjuster Seat	front	1	
21	958 521 559 00	Bracket frame for seat	left	1	PR:3L4,3L5, 3L6,3PB,3PH, 3PN
(21)	958 521 560 00	Bracket frame for seat	right	1	PR:3L4,3L5, 3L6,3PE,3PJ, 3PN

Model: 95B

Model life 2014>>



Model: 95B

Model life 2014>>

Pos	Part Number	Description	Remark	Qty	Model
1	8K0 881 105 T	Seat frame Accessories Trim Seat frame (electrically adjustable)	left	1	PR:3L4,3L5,3L6,3PB,3PH,3PN
(1)	8K0 881 106 T	Seat frame (electrically adjustable)	right	1	PR:3L4,3L5,3L6,3PE,3PJ,3PN
(1)	7P6 881 105 B	seat frame with height adjustment Mechanical	left	1	PR:3PE,3PJ
(1)	7P6 881 106 B	seat frame with height adjustment Mechanical	right	1	PR:3PB,3PH
2	N 900 880 03	Speed nut Seat adjuster		1	
3	958 521 539 00	Reinforcement Trim Seat adjuster		1	PR:3PB,3PN,3PH
(3)	958 521 540 00	Reinforcement Seat adjuster	right	1	PR:3L4,3L5,3L6,3PE,3PJ,3PN
5	N 907 371 01	Oval hexagon socket head bolt Retaining bracket Fire extinguishers Seat adjuster		1	
6	7PP 882 607	Holder for fire extinguisher		1	PR:L0L,6A7,L0R
7	N 107 148 01	Seat adjuster fillister head bolt with multi-point socket head Bracket Fire extinguishers Seat adjuster		1	
8	95B 881 313	Trim Seat frame	left manual	1	PR:3PE,3L3,3PJ
	95B 881 313 82V	Titan black	-VC,VJ,VF,VI,VU,VK,VO		
	95B 881 313 OP1	agate grey	-VD,VG,VL		
	95B 881 313 4H0	Luxor beige	-VE,VH,VM,VP,VX,VZ		
	95B 881 313 OM8	saddle brown	-VN		
	95B 881 313 OV4	flint grey	-VQ		
	95B 881 313 7N0	Espresso	-VR		
		* Note technical * product information TI 7216 (98/15)			
(8)	95B 881 314	Trim Seat frame	right manual	1	PR:3PB
	95B 881 314 82V	Titan black	-VC,VJ,VF,VI,VU,VK,VO		
	95B 881 314 OP1	agate grey	-VD,VG,VL		
	95B 881 314 4H0	Luxor beige	-VE,VH,VM,VP,VX,VZ		
	95B 881 314 OM8	saddle brown	-VN		
	95B 881 314 OV4	flint grey	-VQ		
	95B 881 314 7N0	Espresso	-VR		
		* Note technical * product information TI 7216 (98/15)			
(8)	7P5 881 313 B	Trim Seat frame	left	1	PR:N0Q,N1A,N1B,N1M,N1P,

Model: 95B Model life 2014>>

Pos	Part Number	Description	Remark	Qty	Model
		Sill			N5U,N6D,3L4, 3L3,3L6,3PB, 3PH,3PN
	7P5 881 313 B 82V	Titan black	-VC,VJ,VF,VI, VU,VK,VO		
	7P5 881 313 B OP1	agate grey	-VD,VG,VL		
	7P5 881 313 B 4H0	Luxor beige	-VE,VH,VM,VP, VX,VZ		
	7P5 881 313 B 7N0	Espresso	-VR		
	7P5 881 313 B OV4	flint grey	-VQ		
	7P5 881 313 B OM8	saddle brown	-VN		
(8)	7P5 881 314 B	Trim Seat frame Sill	right	1	PR:N0Q,N1A, N1B,N1M,N1P, N5U,N6D,3L4, 3L5,3L6,3PE, 3PJ,3PN
	7P5 881 314 B 1E0	Titan black	-VC,VJ,VF,VI, VU,VK,VO		
	7P5 881 314 B OP1	agate grey	-VD,VG,VL		
	7P5 881 314 B 4H0	Luxor beige	-VE,VH,VM,VP, VX,VZ		
	7P5 881 314 B 7N0	Espresso	-VR		
	7P5 881 314 B OV4	flint grey	-VQ		
	7P5 881 314 B OM8	saddle brown	-VN		
9	N 038 501 3	Spreader rivet		1	
		Trim Seat frame	manual		
10	95B 882 251	handle for vehicles with seat height adjustment	manual	1	PR:3PE
		D >> - MJ 2014			
	95B 882 251 82V	Titan black	-VC,VJ,VF,VI, VU,VK,VO		
	95B 882 251 OP1	agate grey	-VD,VG,VL		
	95B 882 251 4H0	Luxor beige	-VE,VH,VM,VP, VX,VZ		
	95B 882 251 7N0	Espresso	-VR		
	95B 882 251 OV4	flint grey	-VQ		
	95B 882 251 OM8	saddle brown	-VN		
(10)	95B 882 251	handle for vehicles with seat height adjustment	left manual	1	PR:3PE,3PJ, 3L3
		D - MJ 2015>>			
	95B 882 251 1E0	Black	-VC,VJ,VF,VI, VU,VK,VO		
	95B 882 251 OP1	agate grey	-VD,VG,VL		
	95B 882 251 4H0	Luxor beige	-VE,VH,VM,VP, VX,VZ		
	95B 882 251 7N0	Espresso	-VR		
	95B 882 251 OV4	flint grey	-VQ		
	95B 882 251 OM8	saddle brown	-VN		
11	1P0 881 253 A	handle: seat longit. adjustm. Seat adjuster	manual	1	PR:3PE,3PJ
	1P0 881 253 A 1UQ	persia black			
(11)	1P0 881 254 A	handle: seat longit. adjustm. Seat adjuster	manual	1	PR:3PB,3PH
	1P0 881 254 A 1UQ	persia black			
12	958 521 091 00	Trim Seat frame backrest		1	
13	95B 881 457 B	Trim Seat frame	lower front	1	PR:QE0,6A0, L0L

Model: 95B Model life 2014>>

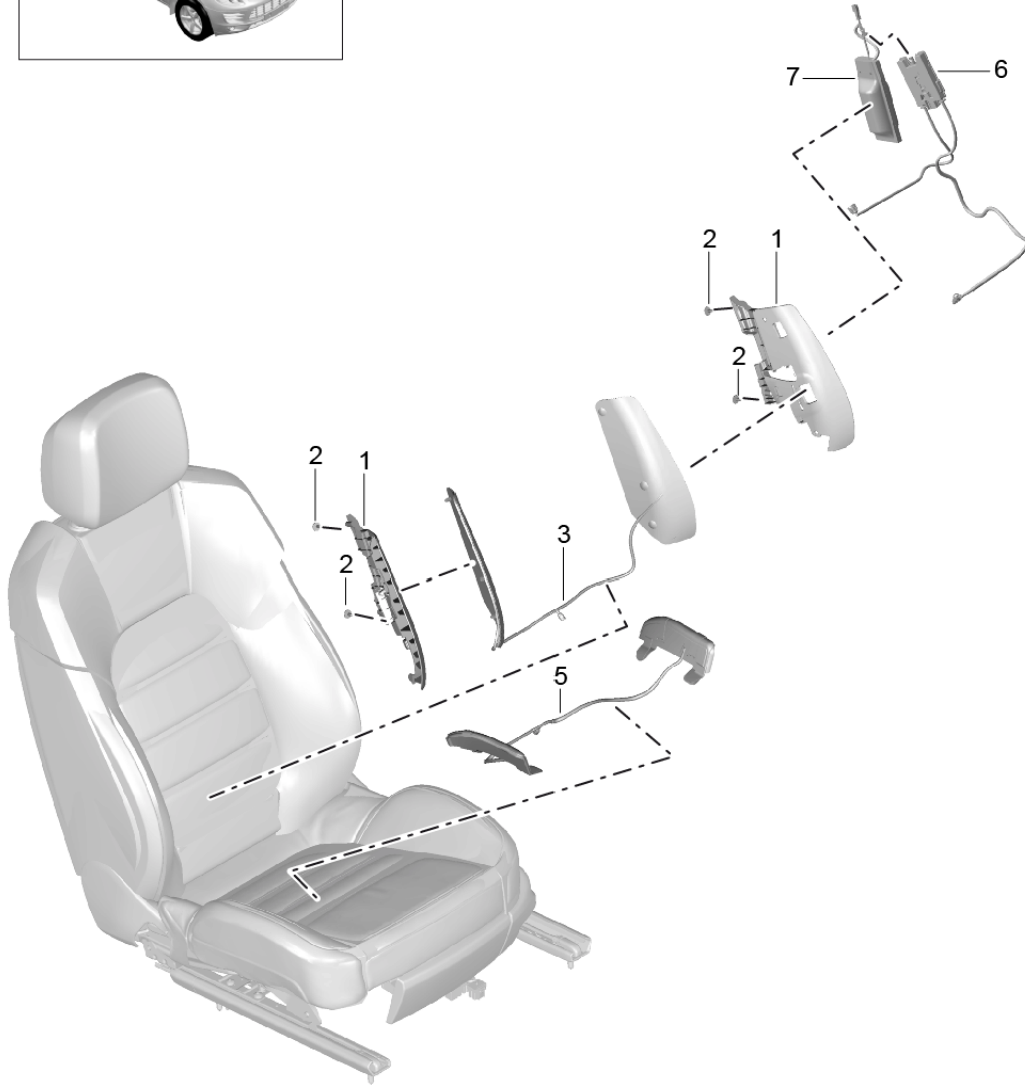
Pos	Part Number	Description	Remark	Qty	Model
	95B 881 457 B 82V	Titan black	-VC, VJ, VF, VI, VU, VK, VO		
	95B 881 457 B OP1	agate grey	-VD, VG, VL		
	95B 881 457 B 4H0	Luxor beige	-VE, VH, VM, VP, VX, VZ		
	95B 881 457 B OM8	saddle brown	-VN		
	95B 881 457 B OV4	flint grey	-VQ		
	95B 881 457 B 7N0	Espresso	-VR		
		* Note technical			
		* product information			
		TI 7216 (98/15)			
(13)	95B 881 458 B	Trim	lower front	1	PR:QE0, 6A0, L0R
		Seat frame			
	95B 881 458 B 82V	Titan black	-VC, VJ, VF, VI, VU, VK, VO		
	95B 881 458 B OP1	agate grey	-VD, VG, VL		
	95B 881 458 B 4H0	Luxor beige	-VE, VH, VM, VP, VX, VZ		
	95B 881 458 B OM8	saddle brown	-VN		
	95B 881 458 B OV4	flint grey	-VQ		
	95B 881 458 B 7N0	Espresso	-VR		
		* Note technical			
		* product information			
		TI 7216 (98/15)			
14	95B 881 507	Bracket		1	PR:QE0, 6A0
		Trim			
		Cover			
		Seat frame			
15	N 907 371 05	Oval hexagon socket head bolt		1	
		Bracket			
		Trim			
		Cover			
		Seat frame			
16	7PP 959 747 N	Switch module for seat for vehicles with electric seat adjustment	left front	1	PR:Q1G, 3L4, 3PN, 3PH
	7PP 959 747 N DMN	Galvano silver			
(16)	7PP 959 748 N	Switch module for seat for vehicles with electric seat adjustment	right front	1	PR:Q1G, 3L6, 3PN, 3PJ
	7PP 959 748 N DMN	Galvano silver			
(16)	7PP 959 747 Q	Switch module for seat	left front	1	PR:Q1J, 3PN
		Seat adjuster			
	7PP 959 747 Q DMN	Galvano silver			
(16)	7PP 959 748 Q	Switch module for seat	right front	1	PR:Q1J, 3PN
		Seat adjuster			
	7PP 959 748 Q DMN	Galvano silver			
(16)	7PP 959 747 P	Switch module for seat	left front	1	PR:Q2J, 3PN
		Seat adjuster			
		For comfort seat			
	7PP 959 747 P DMN	Galvano silver			
(16)	7PP 959 748 P	Switch module for seat	right front	1	PR:Q2J, 3PN
		Seat adjuster			
		For comfort seat			
	7PP 959 748 P DMN	Galvano silver			
(16)	7PP 959 747 M	Switch module for seat	left front	1	PR:Q1G, 3L5, 3L6, 3PB
		Seat adjuster			
	7PP 959 747 M DMN	Galvano silver			
(16)	7PP 959 748 M	Switch module for seat	right front	1	PR:Q1G, 3L4, 3L5, 3PE
		Seat adjuster			
	7PP 959 748 M DMN	Galvano silver			
17	958 521 400 00	drawer		1	PR:QE1, 6A0,

Model: 95B Model life 2014>>

Pos	Part Number	Description	Remark	Qty	Model
		Cover			L0L
		Seat frame			
	958 521 400 00 82V	Titan black	-VC, VJ, VF, VI, VU, VK, VO		
	958 521 400 00 OP1	agate grey	-VD, VG, VL		
	958 521 400 00 4H0	Luxor beige	-VE, VH, VM, VP, VX, VZ		
	958 521 400 00 OM8	saddle brown	-VN		
	958 521 400 00 OV4	flint grey	-VQ		
	958 521 400 00 7N0	Espresso	-VR		
(17)	8K0 882 601 B	Stowage box		1	PR:QE1, 6A0, L0R
		flap box			
	8K0 882 601 B 82V	Titan black	-VC, VJ, VF		
	8K0 882 601 B OP1	agate grey	-VD, VG, VL		
	8K0 882 601 B 4H0	Luxor beige	-VE, VH, VM, VP, VX, VZ		
	8K0 882 601 B OM8	saddle brown	-VN		
	8K0 882 601 B OV4	flint grey	-VQ		
	8K0 882 601 B 7N0	Espresso	-VR		
(17)	9A7 882 602 B	drawer		1	PR:L0L, QE1, 3PB, 3PH, 6A0
		flap box			
	9A7 882 602 B 82V	Black	-VC, VF, VI, VU, FA, FL, FE, FF, FN, FK, VK, VO		
	9A7 882 602 B OP1	agate grey	-VD, VG, FB, FM, VL		
	9A7 882 602 B 4H0	Luxor beige	-VE, VX, VH, VZ, FC, FH, VM, VP		
	9A7 882 602 B OM8	saddle brown	-FI, VN		
	9A7 882 602 B OV4	flint grey	-VQ		
	9A7 882 602 B 7N0	Espresso	-VR		
18	958 521 057 01	Seat depth adjuster	left	1	PR:Q1J, Q2J
		Seat	front		
(18)	958 521 058 01	Seat depth adjuster	right	1	PR:Q1J, Q2J
		Seat	front		
19	N 907 371 01	Oval hexagon socket head bolt		4	
		M 6 X 12			
20	958 521 559 00	Bracket	left	1	PR:3L4, 3L5, 3L6, 3PB, 3PH, 3PN
		frame for seat			
(20)	958 521 560 00	Bracket	right	1	PR:3L4, 3L5, 3L6, 3PE, 3PJ, 3PN
		frame for seat			
21	958 521 775 00	bracket for seat frame trim	left	1	PR:3L4, 3L5, 3L6, 3PB, 3PH, 3PN
		panel			
(21)	958 521 776 00	bracket for seat frame trim	right	1	PR:3L4, 3L5, 3L6, 3PE, 3PJ, 3PN
		panel			

Model: 95B

Model life 2014>>



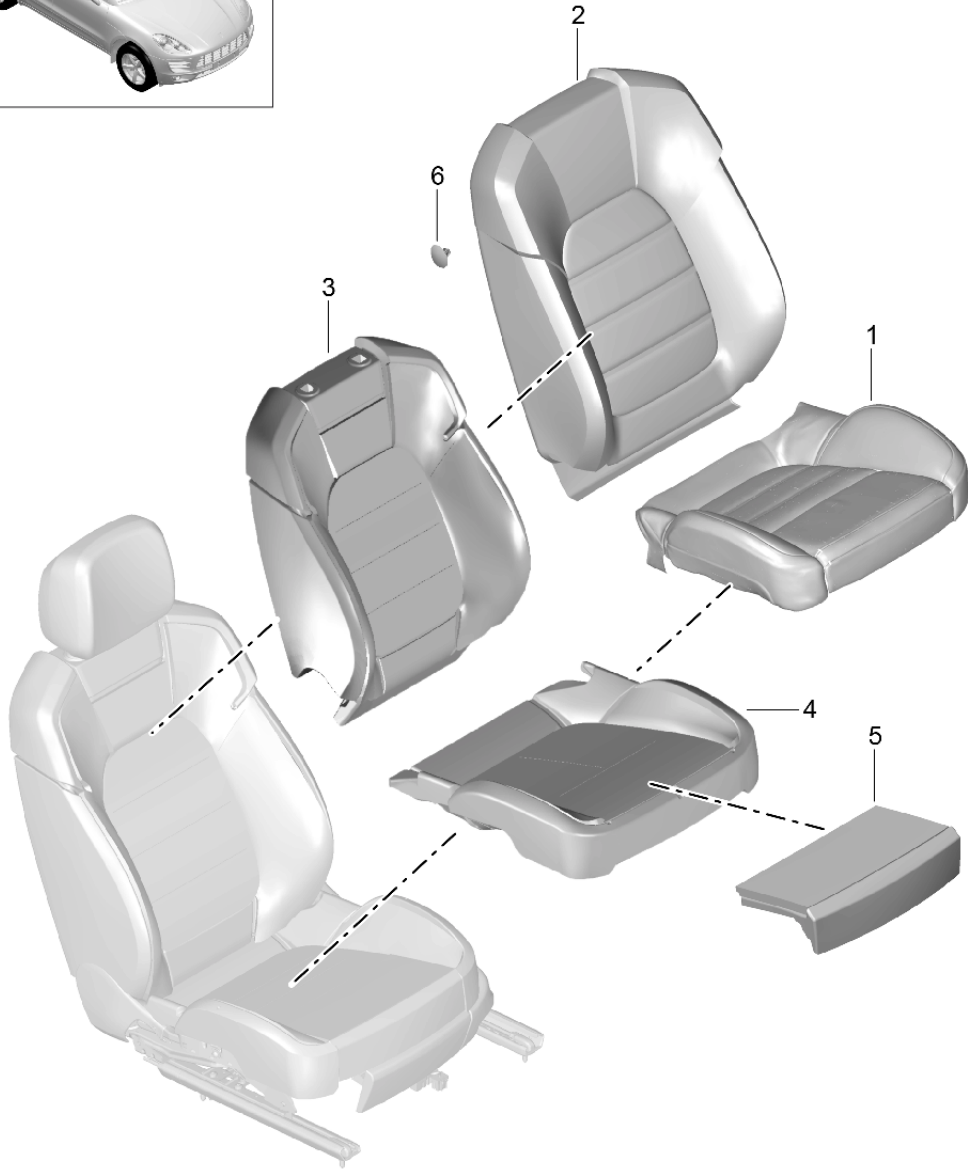
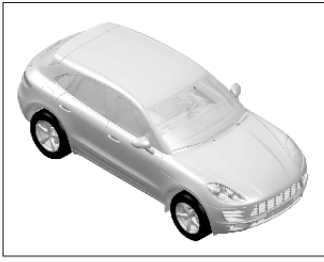
Model: 95B

Model life 2014>>

Pos	Part Number	Description	Remark	Qty	Model
1	958 521 354 00	Lumbar support adjustment Seat and backrest surface Accessories Support element Backrest	right	1	PR:Q1J
(1)	958 521 353 00	Lumbar support Support element Backrest	left	1	PR:Q1J
2	N 103 545 03	Lumbar support Hexagon socket oval head bolt (combi) Support plate Lumbar support backrest		1	
3	958 521 351 00	Einlage für Lehnenwangenverstellung Lumbar support Backrest		1	PR:Q1J
5	958 521 357 00	Einlage für Sitzwangenverstellung Lumbar support		1	PR:Q1J
6	958 521 356 01	Valve block Lumbar support		1	PR:Q1J
7	958 521 355 02	Pump Lumbar support		1	PR:Q1J
8	9A7 898 173	Repair set for lumbar support Lumbar		1	
9	958 521 349 01	Support element Seat side support adjustment	left	1	PR:Q1J,Q4P
10	958 521 350 01	Support element Seat side support adjustment	right	1	PR:Q1J,Q4P
11	N 902 244 01	Pop rivet	A4,8X9,2X11	1	
12	N 908 123 02	Pop rivet	6X10	1	
13	N 107 148 01	fillister head bolt with multi-point socket head	M6X18	2	
14	958 521 357 01	bush		2	
15	WHT 003 301	Speed nut	M6X20,58X13	2	

Model: 95B

Model life 2014>>



Model: 95B Model life 2014>>

Pos	Part Number	Description	Remark	Qty	Model
1	95B 881 405 R	Backrest cover Seat cover Foam part Seat cover Alcantara	left	1	PR:N6D,Q1G, 3PE
	95B 881 405 R YAI	Black	-VC		
	95B 881 405 R YBI	agate grey	-VD		
	95B 881 405 R YCI	Luxor beige	-VE,VX		
1	95B 881 405 R	Seat cover Alcantara	left	1	PR:N6D,Q1G, 3PJ
	95B 881 405 R YAI	Black	-VC		
	95B 881 405 R YBI	agate grey	-VD		
	95B 881 405 R YCI	Luxor beige	-VE,VX		
(1)	95B 881 406 R	Seat cover Alcantara	right	1	PR:N6D,Q1G, 3PB
	95B 881 406 R YAI	Black	-VC		
	95B 881 406 R YBI	agate grey	-VD		
	95B 881 406 R YCI	Luxor beige	-VE,VX		
(1)	95B 881 406 R	Seat cover Alcantara	right	1	PR:N6D,Q1G, 3PH
	95B 881 406 R YAI	Black	-VC		
	95B 881 406 R YBI	agate grey	-VD		
	95B 881 406 R YCI	Luxor beige	-VE,VX		
(1)	95B 881 405 S	Seat cover	left	1	PR:N4M,Q1G, 3PE
	95B 881 405 S YDI	Black	-VF		
	95B 881 405 S YEI	agate grey	-VG		
	95B 881 405 S YFI	Luxor beige	-VH,VZ		
	95B 881 405 S YHI	Black/Carrera Red	-VI		
	95B 881 405 S YGI	Black/Saddle Tan	-VJ		
(1)	95B 881 405 S	Seat cover	left	1	PR:N4M,Q1G, 3PJ
	95B 881 405 S YDI	Black	-VF		
	95B 881 405 S YEI	agate grey	-VG		
	95B 881 405 S YFI	Luxor beige	-VH,VZ		
	95B 881 405 S YHI	Black/Carrera Red	-VI		
	95B 881 405 S YGI	Black/Saddle Tan	-VJ		
(1)	95B 881 406 S	Seat cover	right	1	PR:N4M,Q1G, 3PB
	95B 881 406 S YDI	Black	-VF		
	95B 881 406 S YEI	agate grey	-VG		
	95B 881 406 S YFI	Luxor beige	-VH,VZ		
	95B 881 406 S YHI	Black/Carrera Red	-VI		
	95B 881 406 S YGI	Black/Saddle Tan	-VJ		
(1)	95B 881 406 S	Seat cover	right	1	PR:N4M,Q1G, 3PH
	95B 881 406 S YDI	Black	-VF		
	95B 881 406 S YEI	agate grey	-VG		
	95B 881 406 S YFI	Luxor beige	-VH,VZ		
	95B 881 406 S YHI	Black/Carrera Red	-VI		
	95B 881 406 S YGI	Black/Saddle Tan	-VJ		
(1)	95B 881 405 B	Seat cover	left	1	PR:N5U,Q1G, 3PB
	95B 881 405 B D0D	Black	-VK		
	95B 881 405 B YKI	agate grey	-VL		
	95B 881 405 B D0F	Luxor beige	-VM,VP		
	95B 881 405 B YMI	saddle brown	-VN		
	95B 881 405 B YPI	flint grey	-VQ		
(1)	95B 881 405 B	Seat cover	left	1	PR:N5U,Q1G, 3PH
	95B 881 405 B D0D	Black	-VK		
	95B 881 405 B YKI	agate grey	-VL		
	95B 881 405 B D0F	Luxor beige	-VM,VP		

Model: 95B Model life 2014>>

Pos	Part Number	Description	Remark	Qty	Model
(1)	95B 881 405 B YMI	saddle brown	-VN	1	PR:N5U,Q1G, 3PE
	95B 881 405 B YPI	flint grey	-VQ		
	95B 881 406 B	Seat cover	right		
	95B 881 406 B D0D	Black	-VK		
	95B 881 406 B YKI	agate grey	-VL		
(1)	95B 881 406 B D0F	Luxor beige	-VM,VP	1	PR:N5U,Q1G, 3PJ
	95B 881 406 B YMI	saddle brown	-VN		
	95B 881 406 B YPI	flint grey	-VQ		
	95B 881 406 B	Seat cover	right		
	95B 881 406 B D0D	Black	-VK		
(1)	95B 881 406 B YKI	agate grey	-VL	1	PR:N1P,Q1G, 3PB
	95B 881 406 B D0F	Luxor beige	-VM,VP		
	95B 881 406 B YMI	saddle brown	-VN		
	95B 881 406 B YPI	flint grey	-VQ		
	95B 881 405 C	Seat cover	left		
(1)	95B 881 405 C D0L	Espresso	-VR	1	PR:N1P,Q1G, 3PH
	95B 881 405 C	Seat cover	left		
(1)	95B 881 405 C D0L	Espresso	-VR	1	PR:N1P,Q1G, 3PE
	95B 881 406 C	Seat cover	right		
(1)	95B 881 406 C D0L	Espresso	-VR	1	PR:N1P,Q1G, 3PJ
	95B 881 406 C	Seat cover	right		
(1)	95B 881 406 C D0L	Espresso	-VR	1	PR:N5U,Q2J, 3PN
	95B 881 405 D	Seat cover	left		
(1)	95B 881 405 D D0D	Black	-VC,VE,VF,VK	1	PR:N5U,Q2J, 3PN
	95B 881 405 D YKI	agate grey	-VD,VG,VL		
	95B 881 405 D D0F	Luxor beige	-VH,VM,VP,VX, VZ		
	95B 881 405 D YMI	saddle brown	-VJ,VN		
	95B 881 405 D YPI	flint grey	-VQ		
(1)	95B 881 406 D	Seat cover	right	1	PR:N0Q,Q2J, 3PN
	95B 881 406 D D0D	Black	-VC,VE,VF,VK		
	95B 881 406 D YKI	agate grey	-VD,VG,VL		
	95B 881 406 D D0F	Luxor beige	-VH,VM,VP,VX, VZ		
	95B 881 406 D YMI	saddle brown	-VJ,VN		
(1)	95B 881 406 D YPI	flint grey	-VQ	1	PR:N0Q,Q2J, 3PN
	95B 881 405 E	Seat cover	left		
	95B 881 405 E D0D	Black	-VC,VF,VK		
	95B 881 405 E YKI	agate grey	-VD,VG,VL		
	95B 881 405 E D0F	Luxor beige	-VH,VM,VP,VX, VZ,VE		
(1)	95B 881 405 E YMI	saddle brown	-VJ,VN	1	PR:N0Q,Q2J, 3PN
	95B 881 405 E YPI	flint grey	-VQ		
	95B 881 405 BH	Seat cover	left		
	95B 881 405 BH D0D	Black	-VC,VF,VK,VK		
	95B 881 405 BH YKI	agate grey	-VD,VG,VL		
(1)	95B 881 405 BH D0F	Luxor beige	-VH,VM,VP,VX, VZ,VE	1	PR:N2S,Q1J
	95B 881 405 BH YMI	saddle brown	-VN		
	95B 881 405 BH YPI	flint grey	-VQ		
	95B 881 405 AM	Seat cover	left		
	95B 881 405 AM IVA	Black	-FA,FL,FF		

Model: 95B Model life 2014>>

Pos	Part Number	Description	Remark	Qty	Model
	95B 881 405 AM DJM	agate grey	-FB,FM		
	95B 881 405 AM IVC	Luxor beige	-FC,FH		
	95B 881 405 AM IVE	Black/Carmine Red	-FL		
	95B 881 405 AM DJP	Black/Rhodium Silver	-FE,TS		
	95B 881 405 AM DJN	saddle brown	-FI		
	95B 881 405 AM HYO	Black/Carrera Red	-TR		
(1)	95B 881 405 AH	Seat cover	left	1	PR:N2S,Q4P, 3L4,3L5,3L6
		D - MJ 2017>>			
	95B 881 405 AH IVA	Black	-FA,FL,FF		
	95B 881 405 AH DJM	agate grey	-FB,FM		
	95B 881 405 AH IVC	Luxor beige	-FC,FH		
	95B 881 405 AH IVE	Black/Carmine Red	-FL		
	95B 881 405 AH DJP	Black/Rhodium Silver	-FE,TS		
	95B 881 405 AH DJN	saddle brown	-FI		
(1)	95B 881 406 E	Seat cover	right	1	PR:NOQ,Q2J, 3PN
		D >> - 18.12.2016			
	95B 881 406 E D0D	Black	-VC,VF,VK,VK		
	95B 881 406 E YKI	agate grey	-VD,VG,VL		
	95B 881 406 E D0F	Luxor beige	-VH,VM,VP,VX, VZ,VE		
	95B 881 406 E YMI	saddle brown	-VJ,VN		
	95B 881 406 E YPI	flint grey	-VQ		
(1)	95B 881 406 BH	Seat cover	right	1	PR:NOQ,Q2J, 3PN
		D - 19.12.2016>>			
	95B 881 406 BH D0D	Black	-VC,VF,VK,VK		
	95B 881 406 BH YKI	agate grey	-VD,VG,VL		
	95B 881 406 BH D0F	Luxor beige	-VH,VM,VP,VX, VZ,VE		
	95B 881 406 BH YMI	saddle brown	-VN		
	95B 881 406 BH YPI	flint grey	-VQ		
(1)	95B 881 406 AM	Seat cover	right	1	PR:N2S,Q1J, 9P3,9P6
		GTS			
		D - MJ 2017>>			
	95B 881 406 AM IVA	Black	-FA,FL,FF		
	95B 881 406 AM DJM	agate grey	-FB,FM		
	95B 881 406 AM IVC	Luxor beige	-FC,FH		
	95B 881 406 AM IVE	Black/Carmine Red	-FL		
	95B 881 406 AM DJP	Black/Rhodium Silver	-FE,TS		
	95B 881 406 AM DJN	saddle brown	-FI		
	95B 881 406 AM HYO	Black/Carrera Red	-TR		
(1)	95B 881 406 AH	Seat cover	right	1	PR:N2S,Q4P, 3L4,3L5,3L6, 9P3,9P6,9P7
		GTS			
		D - MJ 2017>>			
	95B 881 406 AH IVA	Black	-FA,FL,FF		
	95B 881 406 AH DJM	agate grey	-FB,FM		
	95B 881 406 AH IVC	Luxor beige	-FC,FH		
	95B 881 406 AH IVE	Black/Carmine Red	-FL		
	95B 881 406 AH DJP	Black/Rhodium Silver	-FE,TS		
	95B 881 406 AH DJN	saddle brown	-FI		
(1)	95B 881 405 F	Seat cover	left	1	PR:N1P,Q2J, 3PN
		D - MJ 2015>>			
	95B 881 405 F D0L	Espresso	-VR		
(1)	95B 881 406 F	Seat cover	right	1	PR:N1P,Q2J, 3PN
		D - MJ 2015>>			
	95B 881 406 F D0L	Espresso	-VR		
(1)	95B 881 405 G	Seat cover	left	1	PR:N1A,Q2J, 3PN
		D			
	95B 881 405 G D0L	Espresso	-VR		
		D >> - 18.12.2016			
(1)	95B 881 405 BJ	Seat cover	left	1	PR:N1A,Q2J, 3PN
		D			
	95B 881 405 BJ D0L	Espresso	-VR		
		D - 19.12.2016>>			

Model: 95B Model life 2014>>

Pos	Part Number	Description	Remark	Qty	Model
(1)	95B 881 406 G	Seat cover	right	1	PR:N1A,Q2J,3PN
	95B 881 406 G D0L	Espresso D >> - 18.12.2016	-VR		
(1)	95B 881 406 BJ	Seat cover	right	1	PR:N1A,Q2J,3PN
	95B 881 406 BJ D0L	Espresso D - 19.12.2016>>	-VR		
(1)	95B 881 405 H	Seat cover	left	1	PR:N5U,Q1J,3PN
	95B 881 405 H D0D	Black	-VC,VE,VF,VK		
	95B 881 405 H YKI	agate grey	-VD,VG,VL		
	95B 881 405 H D0F	Luxor beige	-VH,VM,VP,VX, VZ		
	95B 881 405 H YMI	saddle brown	-VJ,VN		
	95B 881 405 H YPI	flint grey	-VQ		
	95B 881 405 H HHR	Black/Carmine Red	-FN		
	95B 881 405 H HHW	Black/Rhodium Silver	-FK		
(1)	95B 881 406 H	Seat cover	right	1	PR:N5U,Q1J,3PN
	95B 881 406 H D0D	Black	-VC,VE,VF,VK		
	95B 881 406 H YKI	agate grey	-VD,VG,VL		
	95B 881 406 H D0F	Luxor beige	-VH,VM,VP,VX, VZ		
	95B 881 406 H YMI	saddle brown	-VJ,VN		
	95B 881 406 H YPI	flint grey	-VQ		
	95B 881 406 H HHR	Black/Carmine Red	-FN		
	95B 881 406 H HHW	Black/Rhodium Silver	-FK		
(1)	95B 881 405 J	Seat cover	left	1	PR:N0Q,Q1J,3PN
	95B 881 405 J D0D	Black	-VC,VE,VF,VK		
	95B 881 405 J YKI	agate grey	-VD,VG,VL		
	95B 881 405 J D0F	Luxor beige	-VH,VM,VP,VX, VZ		
	95B 881 405 J YMI	saddle brown	-VJ,VN		
	95B 881 405 J YPI	flint grey	-VQ		
(1)	95B 881 405 BK	Seat cover	left	1	PR:N0Q,Q1J,3PN
	95B 881 405 BK D0D	Black	-VC,VF,VK		
	95B 881 405 BK YKI	agate grey	-VD,VG,VL		
	95B 881 405 BK D0F	Luxor beige	-VH,VM,VP,VX, VZ,VE		
	95B 881 405 BK YMI	saddle brown	-VN		
	95B 881 405 BK YPI	flint grey	-VQ		
(1)	95B 881 406 J	Seat cover	right	1	PR:N0Q,Q1J,3PN
	95B 881 406 J D0D	Black	-VC,VJ,VF,VK		
	95B 881 406 J YKI	agate grey	-VD,VG,VL		
	95B 881 406 J D0F	Luxor beige	-VH,VM,VP,VX, VZ		
	95B 881 406 J YMI	saddle brown	-VJ,VN		
	95B 881 406 J YPI	flint grey	-VQ		
(1)	95B 881 406 BK	Seat cover	right	1	PR:N0Q,Q1J,3PN
	95B 881 406 BK D0D	Black	-VC,VF,VK		
	95B 881 406 BK YKI	agate grey	-VD,VG,VL		
	95B 881 406 BK D0F	Luxor beige	-VH,VM,VP,VX, VZ,VE		
	95B 881 406 BK YMI	saddle brown	-VN		
	95B 881 406 BK YPI	flint grey	-VQ		
(1)	95B 881 405 K	Seat cover	left	1	PR:N1P,Q1J,3PN
	95B 881 405 K D0L	Espresso D - MJ 2015>>	-VR		

Model: 95B

Model life 2014>>

Pos	Part Number	Description	Remark	Qty	Model
(1)	95B 881 406 K	Seat cover D - MJ 2015>>	right	1	PR:N1P,Q1J, 3PN
	95B 881 406 K D0L	Espresso	-VR		
(1)	95B 881 405 L	Seat cover	left	1	PR:N1A,Q1J, 3PN
	95B 881 405 L D0L	Espresso	-VR		
		D >> - 18.12.2016			
(1)	95B 881 405 BL	Seat cover	left	1	PR:N1A,Q1J, 3PN
	95B 881 405 BL D0L	Espresso	-VR		
		D - 19.12.2016>>			
(1)	95B 881 406 L	Seat cover	right	1	PR:N1A,Q1J, 3PN
	95B 881 406 L D0L	Espresso	-VR		
		D >> - 18.12.2016			
(1)	95B 881 406 BL	Seat cover	right	1	PR:N1A,Q1J, 3PN
	95B 881 406 BL D0L	Espresso	-VR		
		D - 19.12.2016>>			
(1)	95B 881 405 M	Seat cover Alcantara	left	1	PR:N6D,Q1G, 3PB,3L4,3L5, 3L6
	95B 881 405 M YAI	Black	-VC		
	95B 881 405 M YBI	agate grey	-VD		
	95B 881 405 M YCI	Luxor beige	-VE,VX		
(1)	95B 881 405 M	Seat cover Alcantara	left	1	PR:N6D,Q1G, 3PH
	95B 881 405 M YAI	Black	-VC		
	95B 881 405 M YBI	agate grey	-VD		
	95B 881 405 M YCI	Luxor beige	-VE,VX		
(1)	95B 881 406 M	Seat cover Alcantara	right	1	PR:N6D,Q1G, 3L4,3L5,9P3, 9P6
	95B 881 406 M YAI	Black	-VC		
	95B 881 406 M YBI	agate grey	-VD		
	95B 881 406 M YCI	Luxor beige	-VE,VX		
(1)	95B 881 406 M	Seat cover Alcantara	right	1	PR:N6D,Q1G, 3PJ,3L6,3PE
	95B 881 406 M YAI	Black	-VC		
	95B 881 406 M YBI	agate grey	-VD		
	95B 881 406 M YCI	Luxor beige	-VE,VX		
(1)	95B 881 406 M	Seat cover Alcantara	right	1	PR:N6D,Q1G, 3L4,3L5,9P7
	95B 881 406 M YAI	Black	-VC		
	95B 881 406 M YBI	agate grey	-VD		
	95B 881 406 M YCI	Luxor beige	-VE,VX		
(1)	95B 881 405 N	Seat cover	left	1	PR:N4M,Q1G, 3L4,3L5,3L6, 3PB,3PH
	95B 881 405 N YDI	Black	-VF		
	95B 881 405 N YEI	agate grey	-VG		
	95B 881 405 N YFI	Luxor beige	-VH,VZ		
	95B 881 405 N YHI	Black/Carrera Red	-VI		
	95B 881 405 N YGI	Black/Saddle Tan	-VJ		
(1)	95B 881 406 N	Seat cover	right	1	PR:N4M,Q1G, 3PE
	95B 881 406 N YDI	Black	-VF		
	95B 881 406 N YEI	agate grey	-VG		
	95B 881 406 N YFI	Luxor beige	-VH,VZ		
	95B 881 406 N YHI	Black/Carrera Red	-VI		
	95B 881 406 N YGI	Black/Saddle Tan	-VJ		
(1)	95B 881 406 N	Seat cover	right	1	PR:N4M,Q1G, 3PJ

Model: 95B Model life 2014>>

Pos	Part Number	Description	Remark	Qty	Model
(1)	95B 881 406 N YDI	Black	-VF	1	PR:N5U,Q1G, 3PE
	95B 881 406 N YEI	agate grey	-VG		
	95B 881 406 N YFI	Luxor beige	-VH,VZ		
	95B 881 406 N YHI	Black/Carrera Red	-VI		
	95B 881 406 N YGI	Black/Saddle Tan	-VJ		
(1)	95B 881 405 T	Seat cover	left	1	PR:N5U,Q1G, 3PJ
	95B 881 405 T D0D	Black	-VK		
	95B 881 405 T YKI	agate grey	-VL		
	95B 881 405 T D0F	Luxor beige	-VM,VP		
	95B 881 405 T YMI	saddle brown	-VN		
(1)	95B 881 405 T YPI	flint grey	-VQ	1	PR:N5U,Q1G, 3PB
	95B 881 405 T	Seat cover	left		
	95B 881 405 T D0D	Black	-VK		
	95B 881 405 T YKI	agate grey	-VL		
	95B 881 405 T D0F	Luxor beige	-VM,VP		
(1)	95B 881 405 T YMI	saddle brown	-VN	1	PR:N5U,Q1G, 3PH
	95B 881 405 T YPI	flint grey	-VQ		
	95B 881 406 T	Seat cover	right		
	95B 881 406 T D0D	Black	-VK		
	95B 881 406 T YKI	agate grey	-VL		
(1)	95B 881 406 T D0F	Luxor beige	-VM,VP	1	PR:N5U,Q1G, 3PH
	95B 881 406 T YMI	saddle brown	-VN		
	95B 881 406 T YPI	flint grey	-VQ		
	95B 881 406 T	Seat cover	right		
	95B 881 406 T D0D	Black	-VK		
(1)	95B 881 406 T YKI	agate grey	-VL	1	PR:N1P,Q1G, 3PE
	95B 881 406 T D0F	Luxor beige	-VM,VP		
	95B 881 406 T YMI	saddle brown	-VN		
	95B 881 406 T YPI	flint grey	-VQ		
	95B 881 405 AA	Seat cover	left		
(1)	95B 881 405 AA D0L	Espresso	-VR	1	PR:N1P,Q1G, 3PJ
	95B 881 405 AA	Seat cover	left		
(1)	95B 881 405 AA D0L	Espresso	-VR	1	PR:N1P,Q1G, 3PB
	95B 881 406 AA	Seat cover	right		
(1)	95B 881 406 AA D0L	Espresso	-VR	1	PR:N1P,Q1G, 3PH
	95B 881 406 AA	Seat cover	right		
(1)	95B 881 406 AA D0L	Espresso	-VR	1	PR:N1M,Q2J, 3PN
	95B 881 405 AC	Seat cover	left		
(1)	95B 881 405 AC AAB	Black/Carrera Red	-VU,VO	1	PR:N1M,Q2J, 3PN
	95B 881 406 AC	Seat cover	right		
(1)	95B 881 406 AC AAB	Black/Carrera Red	-VU,VO	1	PR:N1B,Q2J, 3PN
	95B 881 405 AD	Seat cover	left		
(1)	95B 881 405 AD AAB	Black/Carrera Red	-VU,VO	1	PR:N1B,Q2J, 3PN
	95B 881 405 BM	Seat cover	left		

Model: 95B

Model life 2014>>

Pos	Part Number	Description	Remark	Qty	Model
	95B 881 405 BM AAB	Black/Carrera Red D - 19.12.2016>>	-VU,VO		
(1)	95B 881 406 AD	Seat cover Leather two-colour	right	1	PR:N1B,Q2J, 3PN
	95B 881 406 AD AAB	Black/Carrera Red D >> - 18.12.2016	-VU,VO		
(1)	95B 881 406 BM	Seat cover Leather two-colour	right	1	PR:N1B,Q2J, 3PN
	95B 881 406 BM AAB	Black/Carrera Red D - 19.12.2016>>	-VU,VO		
(1)	95B 881 405 AE	Seat cover Leather two-colour	left	1	PR:N1M,Q1J, 3PN
	95B 881 405 AE AAB	Black/Carrera Red D - MJ 2015>>	-VU,VO		
(1)	95B 881 406 AE	Seat cover Leather two-colour	right	1	PR:N1M,Q1J, 3PN
	95B 881 406 AE AAB	Black/Carrera Red D - MJ 2015>>	-VU,VO		
(1)	95B 881 405 AF	Seat cover Leather two-colour	left	1	PR:N1B,Q1J, 3PN
	95B 881 405 AF AAB	Black/Carrera Red D >> - 18.12.2016	-VU,VO		
(1)	95B 881 405 BN	Seat cover Leather two-colour	left	1	PR:N1B,Q1J, 3PN
	95B 881 405 BN AAB	Black/Carrera Red D - 19.12.2016>>	-VU,VO		
(1)	95B 881 406 AF	Seat cover Leather two-colour	right	1	PR:N1B,Q1J, 3PN
	95B 881 406 AF AAB	Black/Carrera Red D >> - 18.12.2016	-VU,VO		
(1)	95B 881 406 BN	Seat cover Leather two-colour	right	1	PR:N1B,Q1J, 3PN
	95B 881 406 BN AAB	Black/Carrera Red D - 19.12.2016>>	-VU,VO		
(1)	95B 881 405 AG	Seat cover Leather two-colour	left	1	PR:N1M,Q1G, 3PE
	95B 881 405 AG AAB	Black/Carrera Red D - MJ 2015>>	-VU,VO		
(1)	95B 881 405 AG	Seat cover Leather two-colour	left	1	PR:N1M,Q1G, 3PJ
	95B 881 405 AG AAB	Black/Carrera Red D - MJ 2015>>	-VU,VO		
(1)	95B 881 406 AG	Seat cover Leather two-colour	right	1	PR:N1M,Q1G, 3PB
	95B 881 406 AG AAB	Black/Carrera Red D - MJ 2015>>	-VU,VO		
(1)	95B 881 406 AG	Seat cover Leather two-colour	right	1	PR:N1M,Q1G, 3PH
	95B 881 406 AG AAB	Black/Carrera Red D - MJ 2015>>	-VU,VO		
(1)	95B 881 405 AL	Seat cover	left	1	PR:N1M,Q4P,

Model: 95B Model life 2014>>

Pos	Part Number	Description	Remark	Qty	Model
		Leather two-colour D - MJ 2017>>			3L4, 3L5, 3L6
(1)	95B 881 405 AL AAB 95B 881 406 AL	Black/Carrera Red Seat cover Leather two-colour D - MJ 2017>>	-VU,VO right	1	PR:N1M,Q4P, 3L4, 3L5, 9P3, 9P6, 9P7
(1)	95B 881 406 AL AAB 95B 881 405 AJ	Black/Carrera Red Seat cover	-VU,VO left	1	PR:N5U,Q4P, 3L4, 3L5, 3L6
		GTS D - MJ 2017>>			
	95B 881 405 AJ D0D	Black	-VF, VK		
	95B 881 405 AJ YKI	agate grey	-VG, VL		
	95B 881 405 AJ D0F	Luxor beige	-VH, VZ, VM, VP		
	95B 881 405 AJ HHR	Black/Carmine Red	-FN		
	95B 881 405 AJ HHW	Black/Rhodium Silver	-FK		
	95B 881 405 AJ YMI	saddle brown	-VN		
(1)	95B 881 405 AJ YPI 95B 881 406 AJ	flint grey Seat cover	-VQ right	1	PR:N5U,Q4P, 3L4, 3L5, 3L6, 9P3, 9P6
		GTS D - MJ 2017>>			
	95B 881 406 AJ D0D	Black	-VF, VK		
	95B 881 406 AJ YKI	agate grey	-VG, VL		
	95B 881 406 AJ D0F	Luxor beige	-VH, VZ, VM, VP		
	95B 881 406 AJ HHR	Black/Carmine Red	-FN		
	95B 881 406 AJ HHW	Black/Rhodium Silver	-FK		
	95B 881 406 AJ YMI	saddle brown	-VN		
	95B 881 406 AJ YPI	flint grey	-VQ		
2	95B 881 805 F	Backrest cover D - MJ 2015>>	left	1	PR:N1A,Q1J
(2)	95B 881 805 F D0L 95B 881 806 F	Espresso Backrest cover D - MJ 2015>>	-VR right	1	PR:N1A,Q1J
(2)	95B 881 806 F D0L 95B 881 805 B	Espresso Backrest cover	-VR left	1	PR:N5U,Q1G
	95B 881 805 B D0D	Black	-VC, VF, VK		
	95B 881 805 B YKI	agate grey	-VD, VG, VL		
	95B 881 805 B D0F	Luxor beige	-VH, VM, VP, VX, VZ, VE		
	95B 881 805 B YMI	saddle brown	-VJ, VN		
(2)	95B 881 805 B YPI 95B 881 805 B	flint grey Backrest cover	-VQ left	1	PR:N5U,Q2J
	95B 881 805 B D0D	Black	-VC, VF, VK		
	95B 881 805 B YKI	agate grey	-VD, VG, VL		
	95B 881 805 B D0F	Luxor beige	-VH, VM, VP, VX, VZ, VE		
	95B 881 805 B YMI	saddle brown	-VJ, VN		
(2)	95B 881 805 B YPI 95B 881 806 B	flint grey Backrest cover	-VQ right	1	PR:N5U,Q1G
	95B 881 806 B D0D	Black	-VC, VF, VK		
	95B 881 806 B YKI	agate grey	-VD, VG, VL		
	95B 881 806 B D0F	Luxor beige	-VH, VM, VP, VX, VZ, VE		
	95B 881 806 B YMI	saddle brown	-VJ, VN		
(2)	95B 881 806 B YPI 95B 881 806 B	flint grey Backrest cover	-VQ right	1	PR:N5U,Q2J
	95B 881 806 B D0D	Black	-VC, VF, VK		
	95B 881 806 B YKI	agate grey	-VD, VG, VL		
	95B 881 806 B D0F	Luxor beige	-VH, VM, VP, VX, VZ, VE		

Model: 95B Model life 2014>>

Pos	Part Number	Description	Remark	Qty	Model
(2)	95B 881 806 B YMI	saddle brown	-VJ, VN	1	PR:N5U, Q2J
	95B 881 806 B YPI	flint grey	-VQ		
	95B 881 805 B	Backrest cover	left		
	95B 881 805 B D0D	Black	-VC, VF, VK		
	95B 881 805 B YKI	agate grey	-VD, VG, VL		
	95B 881 805 B D0F	Luxor beige	-VH, VM, VP, VX, VZ, VE		
(2)	95B 881 805 B YMI	saddle brown	-VJ, VN	1	PR:N0Q, Q2J
	95B 881 805 B YPI	flint grey	-VQ		
	95B 881 805 C	Backrest cover	left		
	95B 881 805 C D0D	Black	-VC, VF, VK		
	95B 881 805 C YKI	agate grey	-VD, VG, VL		
	95B 881 805 C D0F	Luxor beige	-VH, VM, VP, VX, VZ, VE		
(2)	95B 881 805 C YMI	saddle brown	-VJ, VN	1	PR:N0Q, Q2J
	95B 881 805 C YPI	flint grey	-VQ		
	95B 881 806 C	Backrest cover	right		
	95B 881 806 C D0D	Black	-VC, VF, VK		
	95B 881 806 C YKI	agate grey	-VD, VG, VL		
	95B 881 806 C D0F	Luxor beige	-VH, VM, VP, VX, VZ, VE		
(2)	95B 881 806 C YMI	saddle brown	-VJ, VN	1	PR:N1P, Q1G
	95B 881 806 C YPI	flint grey	-VQ		
	95B 881 805 G	Backrest cover	left		
(2)	95B 881 805 G D0L	Espresso	-VR	1	PR:N1P, Q2J
	95B 881 805 G	Backrest cover	left		
(2)	95B 881 805 G D0L	Espresso	-VR	1	PR:N1P, Q1G
	95B 881 806 G	Backrest cover	right		
(2)	95B 881 806 G D0L	Espresso	-VR	1	PR:N1P, Q2J
	95B 881 806 G	Backrest cover	right		
(2)	95B 881 806 G D0L	Espresso	-VR	1	PR:N1A, Q2J
	95B 881 805 H	Backrest cover	left		
(2)	95B 881 805 H D0L	Espresso	-VR	1	PR:N1A, Q2J
	95B 881 806 H	Backrest cover	right		
(2)	95B 881 806 H D0L	Espresso	-VR	1	PR:N5U, Q1J, Q4P
	95B 881 805 D	Backrest cover	left		
(2)	95B 881 805 D D0D	Black	-VC, VF, VK	1	FN FK PR:N5U, Q1J, Q4P
	95B 881 805 D YKI	agate grey	-VD, VG, VL		
	95B 881 805 D D0F	Luxor beige	-VH, VM, VP, VX, VZ, VE		
	95B 881 805 D YMI	saddle brown	-VJ, VN		
	95B 881 805 D YPI	flint grey	-VQ		
	95B 881 805 D HHR	Black/Carmine Red			
	95B 881 805 D HHW	Black/Rhodium Silver			
	95B 881 806 D	Backrest cover	right		
	95B 881 806 D D0D	Black	-VC, VF, VK		
	95B 881 806 D YKI	agate grey	-VD, VG, VL		
	95B 881 806 D D0F	Luxor beige	-VH, VM, VP, VX, VZ, VE		
	95B 881 806 D YMI	saddle brown	-VJ, VN		
	95B 881 806 D YPI	flint grey	-VQ		
	95B 881 806 D HHR	Black/Carmine Red			
	95B 881 806 D HHW	Black/Rhodium Silver			
	95B 881 805 E	Backrest cover	left		
	95B 881 805 E D0D	Black	-VC, VF, VK		

Model: 95B Model life 2014>>

Pos	Part Number	Description	Remark	Qty	Model
	95B 881 805 E YKI	agate grey	-VD, VG, VL		
	95B 881 805 E D0F	Luxor beige	-VH, VM, VP, VX, VZ, VE		
	95B 881 805 E YMI	saddle brown	-VJ, VN		
	95B 881 805 E YPI	flint grey	-VQ		
(2)	95B 881 805 P	Backrest cover	left	1	PR:N2S, Q1J, Q4P
	95B 881 805 P IVA	Black	-FA, FF		
	95B 881 805 P DJM	agate grey	-FB, FM		
	95B 881 805 P IVC	Luxor beige	-FC, FH		
	95B 881 805 P IVE	Black/Carmine Red	-FL		
	95B 881 805 P DJP	Black/Rhodium Silver	-FE, TS		
	95B 881 805 P DJN	saddle brown	-FI		
	95B 881 805 P HYO	Black/Carrera Red	-VQ		
(2)	95B 881 806 E	Backrest cover	right	1	PR:N0Q, Q1J
	95B 881 806 E D0D	Black	-VC, VF, VK		
	95B 881 806 E YKI	agate grey	-VD, VG, VL		
	95B 881 806 E D0F	Luxor beige	-VH, VM, VP, VX, VZ, VE		
	95B 881 806 E YMI	saddle brown	-VJ, VN		
	95B 881 806 E YPI	flint grey	-VQ		
(2)	95B 881 806 P	Backrest cover	right	1	PR:N2S, Q1J, Q4P
	95B 881 806 P IVA	Black	-FA, FF		
	95B 881 806 P DJM	agate grey	-FB, FM		
	95B 881 806 P IVC	Luxor beige	-FC, FH		
	95B 881 806 P IVE	Black/Carmine Red	-FL		
	95B 881 806 P DJP	Black/Rhodium Silver	-FE, TS		
	95B 881 806 P DJN	saddle brown	-FI		
	95B 881 806 P HYO	Black/Carrera Red	-VQ		
(2)	95B 881 805 J	Backrest cover	left	1	PR:N1P, Q1J
		D - MJ 2015>>			
	95B 881 805 J D0L	Espresso	-VR		
(2)	95B 881 806 J	Backrest cover	right	1	PR:N1P, Q1J
		D - MJ 2015>>			
	95B 881 806 J D0L	Espresso	-VR		
(2)	95B 881 805	backrest cover (alcantara)	left	1	PR:N6D, Q1G
	95B 881 805 YAI	Black	-VC		
	95B 881 805 YBI	agate grey	-VD		
	95B 881 805 YCI	Luxor beige	-VE, VX		
(2)	95B 881 806	backrest cover (alcantara)	right	1	PR:N6D, Q1G
	95B 881 806 YAI	Black	-VC		
	95B 881 806 YBI	agate grey	-VD		
	95B 881 806 YCI	Luxor beige	-VE, VX		
(2)	95B 881 805 A	Backrest cover	left	1	PR:N4M, Q1G
	95B 881 805 A YDI	Black	-VF		
	95B 881 805 A YEI	agate grey	-VG		
	95B 881 805 A YFI	Luxor beige	-VH, VZ		
	95B 881 805 A YHI	Black/Carrera Red	-VI		
	95B 881 805 A YGI	Black/Saddle Tan	-VJ		
(2)	95B 881 806 A	Backrest cover	right	1	PR:N4M, Q1G
	95B 881 806 A YDI	Black	-VF		
	95B 881 806 A YEI	agate grey	-VG		
	95B 881 806 A YFI	Luxor beige	-VH, VZ		
	95B 881 806 A YHI	Black/Carrera Red	-VI		
	95B 881 806 A YGI	Black/Saddle Tan	-VJ		
(2)	95B 881 805 K	Backrest cover	left	1	PR:N1M, Q1G
	95B 881 805 K AAB	Black/Carrera Red	-VU, VO		
(2)	95B 881 805 K	Backrest cover	left	1	PR:N1M, Q2J
	95B 881 805 K AAB	Black/Carrera Red	-VU, VO		
(2)	95B 881 806 K	Backrest cover	right	1	PR:N1M, Q1G
	95B 881 806 K AAB	Black/Carrera Red	-VU, VO		
(2)	95B 881 806 K	Backrest cover	right	1	PR:N1M, Q2J

Model: 95B Model life 2014>>

Pos	Part Number	Description	Remark	Qty	Model
(2)	95B 881 806 K AAB	Black/Carrera Red	-VU,VO		
	95B 881 805 L	Backrest cover	left	1	PR:N1B,Q2J
	95B 881 805 L AAB	Black/Carrera Red	-VU,VO		
(2)	95B 881 806 L	Backrest cover	right	1	PR:N1B,Q2J
	95B 881 806 L AAB	Black/Carrera Red	-VU,VO		
(2)	95B 881 805 M	Backrest cover	left	1	PR:N1M,Q1J,Q4P
	95B 881 805 M AAB	Black/Carrera Red	-VU,VO		
(2)	95B 881 806 M	Backrest cover	right	1	PR:N1M,Q1J,Q4P
	95B 881 806 M AAB	Black/Carrera Red	-VU,VO		
(2)	95B 881 805 N	Backrest cover	left	1	PR:N1B,Q1J
	95B 881 805 N AAB	Black/Carrera Red	-VU,VO		
(2)	95B 881 806 N	Backrest cover	right	1	PR:N1B,Q1J
	95B 881 806 N AAB	Black/Carrera Red	-VU,VO		
3	958 521 771 00	Foam part backrest Discontinued part	left	1	PR:Q1G,N1P,4A0
(3)	958 521 771 00	Foam part backrest Discontinued part	left	1	PR:Q1G,N4M,4A0
(3)	958 521 771 00	Foam part backrest Discontinued part	left	1	PR:Q1G,N5U,4A0
(3)	958 521 771 00	Foam part backrest Discontinued part	left	1	PR:Q1G,N6D,4A0
(3)	958 521 771 00	Foam part backrest Discontinued part	left	1	PR:Q2J,N1P,4A0
(3)	958 521 771 00	Foam part backrest Discontinued part	left	1	PR:Q2J,N4M,4A0
(3)	958 521 771 00	Foam part backrest Discontinued part	left	1	PR:Q2J,N5U,4A0
(3)	958 521 771 00	Foam part backrest Discontinued part	left	1	PR:Q2J,N6D,4A0
(3)	958 521 771 00	Foam part backrest Discontinued part	left	1	PR:Q2J,N1M,4A0
(3)	958 521 772 00	Foam part backrest Discontinued part	right	1	PR:Q1G,N1P,4A0
(3)	958 521 772 00	Foam part backrest Discontinued part	right	1	PR:Q1G,N4M,4A0
(3)	958 521 772 00	Foam part backrest Discontinued part	right	1	PR:Q1G,N5U,4A0
(3)	958 521 772 00	Foam part backrest Discontinued part	right	1	PR:Q1G,N6D,4A0
(3)	958 521 772 00	Foam part backrest Discontinued part	right	1	PR:Q2J,N1P,4A0
(3)	958 521 772 00	Foam part backrest Discontinued part	right	1	PR:Q2J,N4M,4A0
(3)	958 521 772 00	Foam part backrest Discontinued part	right	1	PR:Q2J,N5U,4A0

Model: 95B

Model life 2014>>

Pos	Part Number	Description	Remark	Qty	Model
(3)	958 521 772 00	Foam part backrest Discontinued part	right	1	PR:Q2J,N6D, 4A0
(3)	958 521 772 00	Foam part backrest Discontinued part	right	1	PR:Q2J,N1M, 4A0
(3)	958 521 779 00	Foam part backrest Discontinued part	left	1	PR:Q1G,N1P, 4A3,4A4
(3)	958 521 779 00	Foam part backrest Discontinued part	left	1	PR:Q1G,N4M, 4A3,4A4
(3)	958 521 779 00	Foam part backrest Discontinued part	left	1	PR:Q1G,N5U, 4A3,4A4
(3)	958 521 779 00	Foam part backrest Discontinued part	left	1	PR:Q1G,N6D, 4A3,4A4
(3)	958 521 779 00	Foam part backrest Discontinued part	left	1	PR:Q2J,N1P, 4A3,4A4
(3)	958 521 779 00	Foam part backrest Discontinued part	left	1	PR:Q2J,N4M, 4A3,4A4
(3)	958 521 779 00	Foam part backrest Discontinued part	left	1	PR:Q2J,N5U, 4A3,4A4
(3)	958 521 779 00	Foam part backrest Discontinued part	left	1	PR:Q2J,N6D, 4A3,4A4
(3)	958 521 779 00	Foam part backrest Discontinued part	left	1	PR:N1M,Q2J, 4A3,4A4
(3)	958 521 780 00	Foam part backrest Discontinued part	right	1	PR:Q1G,N1P, 4A3,4A4
(3)	958 521 780 00	Foam part backrest Discontinued part	right	1	PR:Q1G,N4M, 4A3,4A4
(3)	958 521 780 00	Foam part backrest Discontinued part	right	1	PR:Q1G,N5U, 4A3,4A4
(3)	958 521 780 00	Foam part backrest Discontinued part	right	1	PR:Q1G,N6D, 4A3,4A4
(3)	958 521 780 00	Foam part backrest Discontinued part	right	1	PR:Q2J,N1P, 4A3,4A4
(3)	958 521 780 00	Foam part backrest Discontinued part	right	1	PR:Q2J,N4M, 4A3,4A4
(3)	958 521 780 00	Foam part backrest Discontinued part	right	1	PR:Q2J,N5U, 4A3,4A4
(3)	958 521 780 00	Foam part backrest Discontinued part	right	1	PR:Q2J,N6D, 4A3,4A4
(3)	958 521 780 00	Foam part backrest Discontinued part	right	1	PR:N1M,Q2J, 4A3,4A4
(3)	958 521 789 00	Foam part backrest Discontinued part	left	1	PR:Q2J,N0Q, 4A3,4A4

Model: 95B Model life 2014>>

Pos	Part Number	Description	Remark	Qty	Model
(3)	958 521 789 00	Foam part backrest Discontinued part	left	1	PR:Q2J,N1A, 4A3,4A4
(3)	958 521 789 00	Foam part backrest Discontinued part	left	1	PR:Q2J,N1B, 4A3,4A4
(3)	958 521 790 00	Foam part backrest Discontinued part	right	1	PR:Q2J,N0Q, 4A3,4A4
(3)	958 521 790 00	Foam part backrest Discontinued part	right	1	PR:Q2J,N1A, 4A3,4A4
(3)	958 521 790 00	Foam part backrest Discontinued part	right	1	PR:Q2J,N1B, 4A3,4A4
(3)	958 521 787 00	Foam part backrest Discontinued part	left	1	PR:N1M,Q1J, 4A0
(3)	958 521 787 00	Foam part backrest Discontinued part	left	1	PR:N1P,Q1J, 4A0
(3)	958 521 787 00	Foam part backrest Discontinued part	left	1	PR:N5U,Q1J, 4A0
(3)	958 521 788 00	Foam part backrest Discontinued part	right	1	PR:Q1J,N1M, 4A0
(3)	958 521 788 00	Foam part backrest Discontinued part	right	1	PR:Q1J,N1P, 4A0
(3)	958 521 788 00	Foam part backrest Discontinued part	right	1	PR:Q1J,N5U, 4A0
(3)	958 521 787 10	Foam part backrest Discontinued part	left	1	PR:Q1J,N1M, 4A3,4A4
(3)	958 521 787 10	Foam part backrest Discontinued part	left	1	PR:Q1J,N1P, 4A3,4A4
(3)	958 521 787 10	Foam part backrest Discontinued part	left	1	PR:Q1J,N5U, 4A3,4A4
(3)	958 521 788 10	Foam part backrest Discontinued part	right	1	PR:N1M,N1P, N5U,Q1J,4A3, 4A4,N2S,Q4P
(3)	958 521 788 10	Foam part backrest Discontinued part	right	1	PR:Q1J,N1P, 4A3,4A4
(3)	958 521 788 10	Foam part backrest Discontinued part	right	1	PR:Q1J,N5U, 4A3,4A4
(3)	958 521 791 00	Foam part backrest Discontinued part	left	1	PR:Q1J,N0Q, 4A3,4A4
(3)	958 521 791 00	Foam part backrest Discontinued part	left	1	PR:Q1J,N1A, 4A3,4A4
(3)	958 521 791 00	Foam part backrest Discontinued part	left	1	PR:Q1J,N1B, 4A3,4A4
(3)	958 521 792 00	D >> - MJ 2014 Discontinued part Foam part backrest	right	1	PR:Q1J,N0Q, 4A3,4A4

Model: 95B

Model life 2014>>

Pos	Part Number	Description	Remark	Qty	Model
(3)	958 521 792 00	Discontinued part Foam part backrest	right	1	PR:Q1J,N1A, 4A3,4A4
(3)	958 521 792 00	Discontinued part Foam part backrest	right	1	PR:Q1J,N1B, 4A3,4A4
4	95B 881 375 D	Discontinued part Foam part Seat cushion	left	1	PR:N1P,Q1G, 4A0,L0L
(4)	95B 881 375 D	Foam part Seat cushion	left	1	PR:N4M,Q1G, 4A0,L0L
(4)	95B 881 375 D	Foam part Seat cushion	left	1	PR:N5U,Q1G, 4A0,L0L
(4)	95B 881 375 D	Foam part Seat cushion	left	1	PR:N6D,Q1G, 4A0,L0L
(4)	95B 881 376 F	Foam part Seat cushion	right	1	PR:N1P,Q1G, 4A0,9P3,9P6, L0L
(4)	95B 881 376 F	Foam part Seat cushion	right	1	PR:N4M,Q1G, 4A0,9P3,9P6, L0L
(4)	95B 881 376 F	Foam part Seat cushion	right	1	PR:N5U,Q1G, 4A0,9P3,9P6, L0L
(4)	95B 881 376 F	Foam part Seat cushion	right	1	PR:N6D,Q1G, 4A0,9P3,9P6, L0L
(4)	95B 881 375 E	Foam part Seat cushion	left	1	PR:N1P,Q1G, 4A0,L0R
(4)	95B 881 375 E	Foam part Seat cushion	left	1	PR:N4M,Q1G, 4A0,L0R
(4)	95B 881 375 E	Foam part Seat cushion	left	1	PR:N5U,Q1G, 4A0,L0R
(4)	95B 881 375 E	Foam part Seat cushion	left	1	PR:N6D,Q1G, 4A0,L0R
(4)	95B 881 376 D	Foam part Seat cushion	right	1	PR:N1P,Q1G, 4A0,9P3,9P6, L0R
(4)	95B 881 376 D	Foam part Seat cushion	right	1	PR:N4M,Q1G, 4A0,9P3,9P6, L0R
(4)	95B 881 376 D	Foam part Seat cushion	right	1	PR:N5U,Q1G, 4A0,9P3,9P6, L0R
(4)	95B 881 376 D	Foam part Seat cushion	right	1	PR:N6D,Q1G, 4A0,9P3,9P6, L0R
(4)	95B 881 375 F	Foam part Seat cushion	left	1	PR:N1P,Q1G, 4A3,4A4,L0L
(4)	95B 881 375 F	Foam part Seat cushion	left	1	PR:N4M,Q1G, 4A3,4A4,L0L
(4)	95B 881 375 F	Foam part Seat cushion	left	1	PR:N5U,Q1G, 4A3,4A4,L0L
(4)	95B 881 375 F	Foam part Seat cushion	left	1	PR:N6D,Q1G, 4A3,4A4,L0L
(4)	95B 881 376 G	Foam part Seat cushion	right	1	PR:N1P,Q1G, 4A3,4A4,9P3, 9P6,L0L
(4)	95B 881 376 G	Foam part Seat cushion	right	1	PR:N4M,Q1G, 4A3,4A4,9P3, 9P6,L0L

Model: 95B Model life 2014>>

Pos	Part Number	Description	Remark	Qty	Model
(4)	95B 881 376 G	Foam part Seat cushion	right	1	PR:N5U,Q1G, 4A3,4A4,9P3, 9P6,L0L
(4)	95B 881 376 G	Foam part Seat cushion	right	1	PR:N6D,Q1G, 4A3,4A4,9P3, 9P6,L0L
(4)	95B 881 375 G	Foam part Seat cushion	left	1	PR:N1P,Q1G, 4A3,4A4,L0R
(4)	95B 881 375 G	Foam part Seat cushion	left	1	PR:N4M,Q1G, 4A3,4A4,L0R
(4)	95B 881 375 G	Foam part Seat cushion	left	1	PR:N5U,Q1G, 4A3,4A4,L0R
(4)	95B 881 375 G	Foam part Seat cushion	left	1	PR:N6D,Q1G, 4A3,4A4,L0R
(4)	95B 881 376 E	Foam part Seat cushion	right	1	PR:N1P,Q1G, 4A3,4A4,9P3, 9P6,L0R
(4)	95B 881 376 E	Foam part Seat cushion	right	1	PR:N4M,Q1G, 4A3,4A4,9P3, 9P6,L0R
(4)	95B 881 376 E	Foam part Seat cushion	right	1	PR:N5U,Q1G, 4A3,4A4,9P3, 9P6,L0R
(4)	95B 881 376 E	Foam part Seat cushion	right	1	PR:N6D,Q1G, 4A3,4A4,9P3, 9P6,L0R
(4)	95B 881 376 E	Foam part Seat cushion	right	1	PR:N1M,Q1G, 4A3,4A4,9P7
(4)	95B 881 376 E	Foam part Seat cushion	right	1	PR:N1P,Q1G, 4A3,4A4,9P7
(4)	95B 881 376 E	Foam part Seat cushion	right	1	PR:N4M,Q1G, 4A3,4A4,9P7
(4)	95B 881 376 E	Foam part Seat cushion	right	1	PR:N5U,Q1G, 4A3,4A4,9P7
(4)	95B 881 376 E	Foam part Seat cushion	right	1	PR:N6D,Q1G, 4A3,4A4,9P7
(4)	958 521 387 00	Foam part Seat cushion	left	1	PR:N1M,Q1J, 4A0,L0L
(4)	958 521 387 00	Foam part Seat cushion	left	1	PR:N1P,Q1J, 4A0,L0L
(4)	958 521 387 00	Foam part Seat cushion	left	1	PR:N5U,Q1J, 4A0,L0L
(4)	958 521 487 00	Foam part Seat cushion	right	1	PR:N1M,Q1J, 4A0,9P3,9P6, L0L
(4)	958 521 487 00	Foam part Seat cushion	right	1	PR:N1P,Q1J, 4A0,9P3,9P6, L0L
(4)	958 521 487 00	Foam part Seat cushion	right	1	PR:N5U,Q1J, 4A0,9P3,9P6, L0L
(4)	958 521 389 01	Foam part Seat cushion	left	1	PR:N1M,Q1J, 4A3,4A4,L0L
(4)	958 521 389 01	Foam part Seat cushion	left	1	PR:N1P,Q1J, 4A3,4A4,L0L
(4)	958 521 389 01	Foam part Seat cushion	left	1	PR:N5U,Q1J, 4A3,4A4,L0L
(4)	958 521 489 01	Foam part Seat cushion	right	1	PR:N1M,Q1J, 4A3,4A4,9P3, 9P6,L0L
(4)	958 521 489 01	Foam part Seat cushion	right	1	PR:N1P,Q1J, 4A3,4A4,9P3, 9P6,L0L

Model: 95B Model life 2014>>

Pos	Part Number	Description	Remark	Qty	Model
(4)	958 521 489 01	Foam part Seat cushion	right	1	PR:N5U,Q1J, 4A3,4A4,9P3, 9P6,L0L
(4)	958 521 388 00	Foam part Seat cushion	left	1	PR:N1M,Q1J, 4A0,L0R
(4)	958 521 388 00	Foam part Seat cushion	left	1	PR:N1P,Q1J, 4A0,L0R
(4)	958 521 388 00	Foam part Seat cushion	left	1	PR:N5U,Q1J, 4A0,L0R
(4)	958 521 488 00	Foam part Seat cushion	right	1	PR:N1M,Q1J, 4A0,9P7,L0L
(4)	958 521 488 00	Foam part Seat cushion	right	1	PR:N1P,Q1J, 4A0,9P7,L0L
(4)	958 521 488 00	Foam part Seat cushion	right	1	PR:N5U,Q1J, 4A0,9P7,L0L
(4)	958 521 488 00	Foam part Seat cushion	right	1	PR:N1M,Q1J, 4A0,9P3,9P6, L0R
(4)	958 521 488 00	Foam part Seat cushion	right	1	PR:N1P,Q1J, 4A0,9P3,9P6, L0R
(4)	958 521 488 00	Foam part Seat cushion	right	1	PR:N5U,Q1J, 4A0,9P3,9P6, L0R
(4)	958 521 391 01	Foam part Seat cushion	left	1	PR:N1M,Q1J, 4A3,4A4,L0R
(4)	958 521 391 01	Foam part Seat cushion	left	1	PR:N1P,Q1J, 4A3,4A4,L0R
(4)	958 521 391 01	Foam part Seat cushion	left	1	PR:N5U,Q1J, 4A3,4A4,L0R
(4)	958 521 491 01	Foam part Seat cushion	right	1	PR:N1M,Q1J, 4A3,4A4,9P7
(4)	958 521 491 01	Foam part Seat cushion	right	1	PR:N1P,Q1J, 4A3,4A4,9P7
(4)	958 521 491 01	Foam part Seat cushion	right	1	PR:N5U,Q1J, 4A3,4A4,9P7
(4)	958 521 491 01	Foam part Seat cushion	right	1	PR:N1M,Q1J, 4A3,4A4,9P3, 9P6,L0R
(4)	958 521 491 01	Foam part Seat cushion	right	1	PR:N1P,Q1J, 4A3,4A4,9P3, 9P6,L0R
(4)	958 521 491 01	Foam part Seat cushion	right	1	PR:N5U,Q1J, 4A3,4A4,9P3, 9P6,L0R
(4)	958 521 395 01	Foam part Seat cushion	left	1	PR:NOQ,Q1J, 4A3,4A4,L0L
(4)	958 521 395 01	Foam part Seat cushion	left	1	PR:N1A,Q1J, 4A3,4A4,L0L
(4)	958 521 395 01	Foam part Seat cushion	left	1	PR:N1B,Q1J, 4A3,4A4,L0L
(4)	958 521 495 01	Foam part Seat cushion	right	1	PR:NOQ,Q1J, 4A3,4A4,9P3, 9P6,L0L
(4)	958 521 495 01	Foam part Seat cushion	right	1	PR:N1A,Q1J, 4A3,4A4,9P3, 9P6,L0L
(4)	958 521 495 01	Foam part Seat cushion	right	1	PR:N1B,Q1J, 4A3,4A4,9P3, 9P6,L0L
(4)	958 521 379 00	Foam part Seat cushion	left	1	PR:N1M,Q2J, 4A0,L0L
(4)	958 521 379 00	Foam part	left	1	PR:N1P,Q2J,

Model: 95B Model life 2014>>

Pos	Part Number	Description	Remark	Qty	Model
(4)	958 521 379 00	Seat cushion Foam part	left	1	4A0, L0L PR:N5U, Q2J,
(4)	958 521 480 00	Seat cushion Foam part	right	1	4A0, L0L PR:N1M, Q2J,
(4)	958 521 480 00	Seat cushion Foam part	right	1	4A0, 9P7, L0L PR:N1P, Q2J,
(4)	958 521 480 00	Seat cushion Foam part	right	1	4A0, 9P7, L0L PR:N5U, Q2J,
(4)	958 521 480 00	Seat cushion Foam part	right	1	4A0, 9P7, L0L PR:N1M, Q2J,
(4)	958 521 480 00	Seat cushion Foam part	right	1	4A0, 9P3, 9P6, L0R
(4)	958 521 480 00	Seat cushion Foam part	right	1	PR:N1P, Q2J, 4A0, 9P3, 9P6, L0R
(4)	958 521 480 00	Seat cushion Foam part	right	1	PR:N5U, Q2J, 4A0, 9P3, 9P6, L0R
(4)	958 521 380 00	Seat cushion Foam part	left	1	PR:N1M, Q2J, 4A0, L0R
(4)	958 521 380 00	Seat cushion Foam part	left	1	PR:N1P, Q2J, 4A0, L0R
(4)	958 521 380 00	Seat cushion Foam part	left	1	PR:N5U, Q2J, 4A0, L0R
(4)	958 521 479 00	Seat cushion Foam part	right	1	PR:N1M, Q2J, 4A0, 9P3, 9P6, L0L
(4)	958 521 479 00	Seat cushion Foam part	right	1	PR:N1P, Q2J, 4A0, 9P3, 9P6, L0L
(4)	958 521 479 00	Seat cushion Foam part	right	1	PR:N5U, Q2J, 4A0, 9P3, 9P6, L0L
(4)	958 521 381 01	Seat cushion Foam part	left	1	PR:N1M, Q2J, 4A3, 4A4, L0L
(4)	958 521 381 01	Seat cushion Foam part	left	1	PR:N1P, Q2J, 4A3, 4A4, L0L
(4)	958 521 381 01	Seat cushion Foam part	left	1	PR:N5U, Q2J, 4A3, 4A4, L0L
(4)	958 521 482 01	Seat cushion Foam part	right	1	PR:N1M, Q2J, 4A3, 4A4, 9P3, 9P6, L0R
(4)	958 521 482 01	Seat cushion Foam part	right	1	PR:N1P, Q2J, 4A3, 4A4, 9P3, 9P6, L0R
(4)	958 521 482 01	Seat cushion Foam part	right	1	PR:N5U, Q2J, 4A3, 4A4, 9P3, 9P6, L0R
(4)	958 521 482 01	Seat cushion Foam part	right	1	PR:N1M, Q2J, 4A3, 4A4, 9P7
(4)	958 521 482 01	Seat cushion Foam part	right	1	PR:N1P, Q2J, 4A3, 4A4, 9P7
(4)	958 521 482 01	Seat cushion Foam part	right	1	PR:N5U, Q2J, 4A3, 4A4, 9P7
(4)	958 521 382 01	Seat cushion Foam part	left	1	PR:N1M, Q2J, 4A3, 4A4, L0R
(4)	958 521 382 01	Seat cushion Foam part	left	1	PR:N1P, Q2J, 4A3, 4A4, L0R
(4)	958 521 382 01	Seat cushion Foam part	left	1	PR:N5U, Q2J, 4A3, 4A4, L0R
(4)	958 521 481 01	Seat cushion Foam part	right	1	PR:N1M, Q2J, 4A3, 4A4, 9P3, 9P6, L0L

Model: 95B

Model life 2014>>

Pos	Part Number	Description	Remark	Qty	Model
(4)	958 521 481 01	Foam part Seat cushion	right	1	PR:N1P,Q2J, 4A3,4A4,9P3, 9P6,L0L
(4)	958 521 481 01	Foam part Seat cushion	right	1	PR:N5U,Q2J, 4A3,4A4,9P3, 9P6,L0L
(4)	958 521 393 01	Foam part Seat cushion with heating	left	1	PR:L0L,N0Q, N1A,N1B,Q2J, 4A4,4A3
(4)	958 521 497 00	Foam part Seat cushion with heating	right	1	PR:N0Q,N1A, N1B,Q2J,4A3, 4A4
(4)	958 521 394 01	Foam part Seat cushion with heating	left	1	PR:L0R,N0Q, N1A,Q2J,4A3, 4A4
(4)	958 521 393 01	Foam part Seat cushion with heating	left	1	PR:L0L,N0Q, Q2J,4A3,4A4
(4)	958 521 387 50	Foam part Seat cushion GTS without heating	left	1	PR:L0L,N1M, N1P,N2S,N5U, Q4P,4A0
(4)	958 521 493 01	Foam part Seat cushion GTS without heating	right	1	PR:L0R,N1M, N1P,N2S,N5U, Q4P,4A0,9P3, 9P6
(4)	958 521 399 01	Foam part Seat cushion GTS with heating	left	1	PR:L0L,N1M, N1P,N2S,N5U, Q4P,4A3,4A4
(4)	958 521 493 03	Foam part Seat cushion GTS with heating	right	1	PR:L0L,L0R, N1M,N1P,N2S, N5U,Q4P,4A3, 4A4,9P3,9P6, 9P7
(4)	958 521 387 70	Foam part Seat cushion GTS without heating	left	1	PR:L0R,N1M, N1P,N2S,N5U, Q4P,4A0
(4)	958 521 493 70	Foam part Seat cushion GTS without heating	right	1	PR:L0L,N1M, N1P,N2S,N5U, Q4P,4A0,9P3, 9P6
(4)	958 521 393 03	Foam part Seat cushion GTS with heating	left	1	PR:L0R,N1M, N1P,N2S,N5U, Q4P,4A3,4A4
(4)	958 521 499 01	Foam part Seat cushion GTS with heating	right	1	PR:N1M,N1P, N2S,N5U,Q4P, 4A3,4A4,9P3, 9P6,9P7
(4)	958 521 396 01	Foam part Seat cushion with heating	left	1	PR:L0R,N0Q, N1A,N1B,Q1J, 4A3,4A4
(4)	958 521 494 01	Foam part Seat cushion with heating	right	1	PR:L0L,N0Q, N1A,N1B,Q2J, 4A3,4A4,9P3, 9P6
(4)	958 521 496 01	Foam part Seat cushion with heating	right	1	PR:L0R,N0Q, N1A,N1B,Q1J, 4A3,4A4,9P3, 9P6
5	958 521 392 00	Foam part	front	1	PR:N1M,N1P,

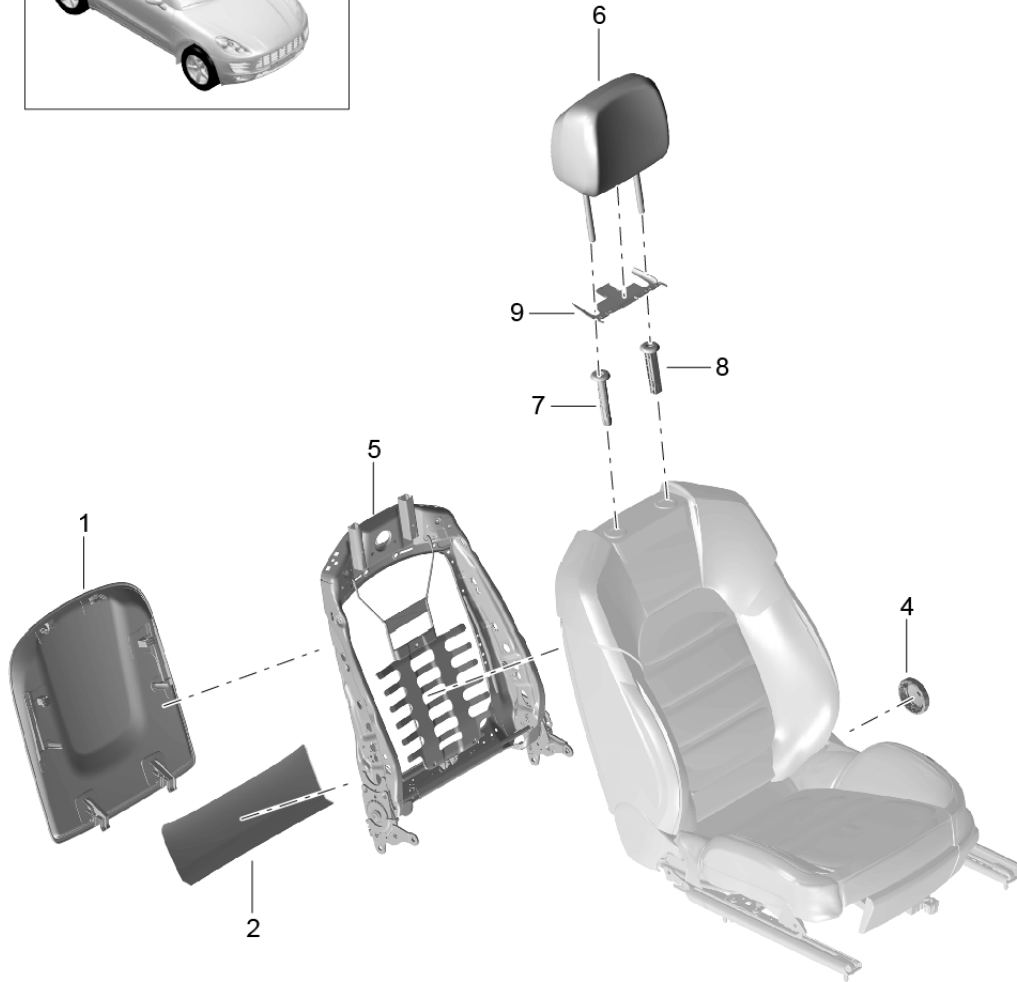
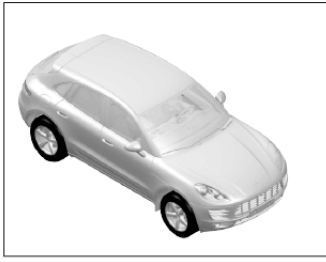
Model: 95B

Model life 2014>>

Pos	Part Number	Description	Remark	Qty	Model
(5)	958 521 390 00	Seat cushion without heating Foam part	TIEF front	1	N5U,Q1J,Q2J, 4A0,N2S PR:N1M,N1P,
(5)	958 521 397 00	Seat cushion with heating Foam part	TIEF front	1	N5U,Q1J,Q2J, 4A3,4A4,N2S PR:NOQ,N1A,
6	PAF 991 944 01	with heating Retaining clip Backrest cover	6,5x1,5	2	N1B,Q1J,Q2J, 4A3,4A4
7	958 881 695 00	Foam sect. for rest side supp.	left	1	PR:Q4P,3L4, 3L5,3L6
(7)	958 881 696 00	Foam sect. for rest side supp.	right	1	PR:Q4P,3L4, 3L5,3L6

Model: 95B

Model life 2014>>



Model: 95B Model life 2014>>

Pos	Part Number	Description	Remark	Qty	Model
1	958 521 989 00	backrest frame Backrest shell Accessories Cover		1	PR:NOQ,N1A, N1B,N1M,N1P, N5U,N6D,QE1
	958 521 989 00 1D0	Black	-VC, VF, VI, VU, VK, VO		
	958 521 989 00 OW7	agate grey	-VD, VG, VL		
	958 521 989 00 2E0	Luxor beige	-VE, VX, VH, VZ, VM, VP		
	958 521 989 00 OE4	saddle brown	-VN		
	958 521 989 00 OL1	flint grey	-VQ		
	958 521 989 00 5H0	Espresso	-VR		
1	958 521 989 01	Cover Backrest shell	left a. right upper	1	PR:QE1
	958 521 989 01 1D0	Black	-VC, VF, VI, VU, FA, FL, FE, FF, FN, FK, TR, TS, VK		
	958 521 989 01 2E0	Luxor beige	-VE, VX, VH, VZ, FC, FH, VM, VP		
	958 521 989 01 5H0	Espresso	-VR		
	958 521 989 01 OW7	agate grey	-VD, VG, FB, FM, VL		
	958 521 989 01 OE4	saddle brown	-FI		VN
	958 521 989 01 OL1	flint grey	-VQ		
(1)	7P5 881 989 J	Backrest shell		1	PR:NOQ,N1A, N1B,N1M,N1P, N5U,N6D,QE0
	7P5 881 989 J 1D0	Black	-VC, VF, VI, VU, VK, VO		
	7P5 881 989 J OW7	agate grey	-VD, VG, VL		
	7P5 881 989 J 2E0	Luxor beige	-VE, VX, VH, VZ, VM, VP		
	7P5 881 989 J OE4	saddle brown	-VN		
	7P5 881 989 J OL1	flint grey	-VQ		
	7P5 881 989 J 5H0	Espresso	-VR		
2	7P5 881 607	Trim Backrest shell		1	PR:QE1
	7P5 881 607 1D0	Black	-VC, VF, VI, VU, VK, VO		
	7P5 881 607 OW7	agate grey	-VD, VG, VL		
	7P5 881 607 2E0	Luxor beige	-VE, VX, VH, VZ, VM, VP		
	7P5 881 607 OE4	saddle brown	-VN		
	7P5 881 607 OL1	flint grey	-VQ		
	7P5 881 607 5H0	Espresso	-VR		
(2)	7P5 881 607 B	Trim Backrest shell		1	PR:QE0,N1A, NOQ,N1B,N1M, N1P,N5U,N6D, N4M
	7P5 881 607 B 1D0	Black	-VC, VF, VI, VU, VK, VO		
	7P5 881 607 B OW7	agate grey	-VD, VG, VL		
	7P5 881 607 B 2E0	Luxor beige	-VE, VX, VH, VZ, VM, VP		
	7P5 881 607 B OE4	saddle brown	-VN		
	7P5 881 607 B OL1	flint grey	-VQ		
	7P5 881 607 B 5H0	Espresso	-VR		
4	8T0 881 671	Setting knob backrest frame		1	PR:3PE
	8T0 881 671 82V	Titan black	-VC, VJ, VF, VI,		

Model: 95B Model life 2014>>

Pos	Part Number	Description	Remark	Qty	Model
	8T0 881 671 OP1	agate grey	VU, VK, VO		
	8T0 881 671 4H0	Luxor beige	-VD, VG, VL		
	8T0 881 671 OM8	saddle brown	-VE, VH, VM, VP, VX, VZ		
	8T0 881 671 OV4	flint grey	-VN		
	8T0 881 671 7N0	Espresso	-VQ		
5	95B 881 045	backrest frame	-VR	1	PR:3PE,3PJ
		also use:	left		
			958 881 879		
			9A7 898 173		
(5)	9A7 881 045 00	backrest frame	left	1	PR:3PN
		With memory function			
5	958 521 045 10	backrest frame	left	1	PR:3L4,3L5,3L6,3PB,3PH
		Electric			
5	95B 881 046	backrest frame	right	1	PR:3PE,3PJ
		also use:			
			958 881 879		
			9A7 898 173		
(5)	9A7 881 046 00	backrest frame	right	1	PR:3PN
		With memory function			
		also use:			
			958 881 879 A		
			9A7 898 173		
(5)	958 521 046 00	backrest frame	right	1	PR:3L4,3L5,3L6,3PE,3PJ
		Electric			
(5)	958 521 046 02	backrest frame	right	1	PR:3L4,3L5,3L6,3PE,3PJ
		Electric			
6	95B 881 901 P	Head restr. with cover (leath)		1	PR:N6D,3J4
		D >> - 05.11.2017			
		D - MJ 2016>>			
	95B 881 901 P 1D0	Black	-VC		
	95B 881 901 P 2E0	Luxor beige	-VE, VX		
	95B 881 901 P OW7	agate grey	-VD		
(6)	95B 881 901 AF	Head restr. with cover (leath)		1	PR:N6D,3J4
		D >> - 05.11.2017			
		D - MJ 2016>>			
	95B 881 901 AF 1D0	Black	-VC		
	95B 881 901 AF 2E0	Luxor beige	-VE, VX		
	95B 881 901 AF OW7	agate grey	-VD		
		also use:			
			9A7 881 920 10		
			9A7 881 920 00		
6	95B 881 901 AF	Head restr. with cover (leath)		1	PR:N6D,3J4
		D - 06.11.2017>>			
		D - MJ 2016>>			
	95B 881 901 AF 1D0	Black	-VC		
	95B 881 901 AF 2E0	Luxor beige	-VE, VX		
	95B 881 901 AF OW7	agate grey	-VD		
(6)	95B 881 901 A	Head restr. with cover (leath)		1	PR:N0Q,N1B,N1M,N5U,3J4
		D >> - 24.05.2015			
	95B 881 901 A D0D	Black	-VC, VF, VK		
	95B 881 901 A D0F	Luxor beige	-VE, VH, VM, VP		
	95B 881 901 A YKI	agate grey	-VD, VG, VL		
	95B 881 901 A AAB	Black/Carrera Red	-VI, VU, VO		
	95B 881 901 A YMI	saddle brown	-VJ, VN		
	95B 881 901 A YPI	flint grey	-VQ		
(6)	95B 881 901 Q	Head restr. with cover (leath)		1	PR:N0Q,N1B,N1M,N5U,3J4
		D - 25.05.2015>> - 05.11.2017			
	95B 881 901 Q D0D	Black	-VC, VF, VK		
	95B 881 901 Q D0F	Luxor beige	-VE, VH, VM, VP, VX, VZ		
	95B 881 901 Q YKI	agate grey	-VD, VG, VL		
	95B 881 901 Q AAB	Black/Carrera Red	-VI, VU, VO		
	95B 881 901 Q YMI	saddle brown	-VN		

Model: 95B Model life 2014>>

Pos	Part Number	Description	Remark	Qty	Model
(6)	95B 881 901 Q YPI	flint grey	-VQ	1	PR:NOQ,N1B, N1M,N5U,3J4
	95B 881 901 AG	Head restr. with cover (leath)			
		D - 06.11.2017>>			
	95B 881 901 AG D0D	Black	-VC,VF,VK		
	95B 881 901 AG D0F	Luxor beige	-VE,VH,VM,VP, VX,VZ		
	95B 881 901 AG YKI	agate grey	-VD,VG,VL		
		D - MJ 2016>>			
(6)	95B 881 901 AG AAB	Black/Carrera Red	-VI,VU,VO	1	PR:NOQ,N1B, N1M,N5U,3J4
	95B 881 901 AG YMI	saddle brown	-VN		
	95B 881 901 AG YPI	flint grey	-VQ		
		also use:	9A7 881 920 10 9A7 881 920 00		
	95B 881 901 AG	Head restr. with cover (leath)			
		D - 06.11.2017>>			
	95B 881 901 AG D0D	Black	-VC,VF,VK		
(6)	95B 881 901 AG D0F	Luxor beige	-VE,VH,VM,VP, VX,VZ	1	PR:NOQ,N5U, N1M,3J7,5ZF, N1B
	95B 881 901 AG YKI	agate grey	-VD,VG,VL		
		D - MJ 2016>>			
	95B 881 901 AG AAB	Black/Carrera Red	-VI,VU,VO		
	95B 881 901 AG YMI	saddle brown	-VN		
	95B 881 901 AG YPI	flint grey	-VQ		
	95B 881 901 B	Head restraint			
(6)		with:		1	PR:NOQ,N5U, N1M,3J7,5ZF, N1B
		D >> - 05.11.2017			
		Porsche crest			
		Discontinued part			
	95B 881 901 B D0D	Black	-VC,VF,VK		
	95B 881 901 B D0F	Luxor beige	-VE,VH,VM,VP		
	95B 881 901 B YKI	agate grey	-VD,VG,VL		
(6)	95B 881 901 B AAB	Black/Carrera Red	-VI,VU,VO	1	PR:NOQ,N5U, N1M,3J7,5ZF, N1B
	95B 881 901 B YMI	saddle brown	-VJ,VN		
	95B 881 901 B YPI	flint grey	-VQ		
	95B 881 901 AH	Head restraint			
		with:			
		D >> - 05.11.2017			
		D - MJ 2016>>			
(6)	95B 881 901 AH D0D	Black	-VC,VF,VK	1	PR:NOQ,N5U, N1M,3J7,5ZF, N1B
	95B 881 901 AH D0F	Luxor beige	-VE,VH,VM,VP, VX,VZ		
	95B 881 901 AH YKI	agate grey	-VD,VG,VL		
	95B 881 901 AH AAB	Black/Carrera Red	-VI,VU,VO		
	95B 881 901 AH YMI	saddle brown	-VN		
	95B 881 901 AH YPI	flint grey	-VQ		
		also use:	9A7 881 920 10 9A7 881 920 00		
(6)	95B 881 901 AH	Head restraint		1	PR:NOQ,N5U, N1M,3J7,5ZF, N1B
		with:			
		Porsche crest			
		D - 06.11.2017>>			
		D - MJ 2016>>			
	95B 881 901 AH D0D	Black	-VC,VF,VK		
	95B 881 901 AH D0F	Luxor beige	-VE,VH,VM,VP, VX,VZ		
(6)	95B 881 901 AH YKI	agate grey	-VD,VG,VL	1	PR:E0W,NOQ,
	95B 881 901 AH AAB	Black/Carrera Red	-VI,VU,VO		
	95B 881 901 AH YMI	saddle brown	-VN		
	95B 881 901 AH YPI	flint grey	-VQ		
	95B 881 901 G	Head restraint			

Model: 95B Model life 2014>>

Pos	Part Number	Description	Remark	Qty	Model
		with: GTS D >> - 05.11.2017 D - MJ 2017>>			N1B,N1M,N2S, N5U,5ZD
	95B 881 901 G D0D	Black	-VC,VF,VK,FA, FF		
	95B 881 901 G D0F	Luxor beige	-VE,VH,VM,VP, VX,VZ,FC,FH		
	95B 881 901 G YKI	agate grey	-VD,VG,VL,FB, FM		
	95B 881 901 G AAB	Black/Carrera Red	-VI,VU,VO		
	95B 881 901 G HHR	Black/Carmin Red	-FL, FN		
	95B 881 901 G HHW	Black/Rhodium Silver	-FE		FK
	95B 881 901 G YMI	saddle brown	-VN,FI		
	95B 881 901 G YPI	flint grey	-VQ		
(6)	95B 881 901 AD	Head restraint		1	PR:E0W,NOQ, N1B,N1M,N2S, N5U,5ZD
		with: GTS D >> - 05.11.2017 D - MJ 2017>>			
	95B 881 901 AD D0D	Black	-VC,VF,VK,FA, FF		
	95B 881 901 AD D0F	Luxor beige	-VE,VH,VM,VP, VX,VZ,FC,FH		
	95B 881 901 AD YKI	agate grey	-VD,VG,VL,FB, FM		
	95B 881 901 AD AAB	Black/Carrera Red	-VI,VU,VO		
	95B 881 901 AD HHR	Black/Carmin Red	-FL, FN		
	95B 881 901 AD HHW	Black/Rhodium Silver	-FE		FK
	95B 881 901 AD YMI	saddle brown	-VN,FI		
	95B 881 901 AD YPI	flint grey	-VQ		
		also use:	9A7 881 920 10 9A7 881 920 00		
(6)	95B 881 901 AD	Head restraint		1	PR:E0W,NOQ, N1B,N1M,N2S, N5U,5ZD
		with: GTS D - 06.11.2017>> D - MJ 2017>>			
	95B 881 901 AD D0D	Black	-VC,VF,VK,FA, FF		
	95B 881 901 AD D0F	Luxor beige	-VE,VH,VM,VP, VX,VZ,FC,FH		
	95B 881 901 AD YKI	agate grey	-VD,VG,VL,FB, FM		
	95B 881 901 AD AAB	Black/Carrera Red	-VI,VU,VO		
	95B 881 901 AD HHR	Black/Carmin Red	-FL, FN		
	95B 881 901 AD HHW	Black/Rhodium Silver	-FE		FK
	95B 881 901 AD YMI	saddle brown	-VN,FI		
	95B 881 901 AD YPI	flint grey	-VQ		
(6)	95B 881 901 C	Head restraint	natur. leather	1	PR:N1A,N1P, 3J4
		D >> - 05.11.2017			
	95B 881 901 C D0L	Espresso	-VR		
(6)	95B 881 901 AJ	Head restraint	natur. leather	1	PR:N1A,N1P, 3J4
		D >> - 05.11.2017 D - MJ 2016>>			
	95B 881 901 AJ D0L	Espresso	-VR		
		also use:	9A7 881 920 10 9A7 881 920 00		
(6)	95B 881 901 AJ	Head restraint	natur. leather	1	PR:N1A,N1P, 3J4
		D - 06.11.2017>> D - MJ 2016>>			
	95B 881 901 AJ D0L	Espresso	-VR		
(6)	95B 881 901 D	Head restraint	natur. leather	1	PR:N1A,N1P,

Model: 95B Model life 2014>>

Pos	Part Number	Description	Remark	Qty	Model
		with: Porsche crest D >> - 05.11.2017			3J7,5ZF
(6)	95B 881 901 D D0L 95B 881 901 AK	Espresso Head restraint	-VR natur. leather	1	PR:N1A,N1P, 3J7,5ZF
		with: Porsche crest D >> - 05.11.2017 D - MJ 2016>>			
(6)	95B 881 901 AK D0L 95B 881 901 AK	Espresso Head restraint	-VR also use: 9A7 881 920 10 9A7 881 920 00 natur. leather	1	PR:N1A,N1P, 3J7,5ZF
		with: Porsche crest D - 06.11.2017>> D - MJ 2016>>			
(6)	95B 881 901 AK D0L 95B 881 901 H	Espresso Head restraint	-VR natur. leather	1	PR:E0W,N1A, N1P,5ZD
		with: GTS D >> - 05.11.2017 D - MJ 2017>>			
(6)	95B 881 901 H D0L 95B 881 901 AE	Espresso Head restraint	-VR natur. leather	1	PR:E0W,N1A, N1P,5ZD
		with: GTS D >> - 05.11.2017 D - MJ 2017>>			
(6)	95B 881 901 AE D0L 95B 881 901 AE	Espresso Head restraint	-VR also use: 9A7 881 920 10 9A7 881 920 00 natur. leather	1	PR:E0W,N1A, N1P,5ZD
		with: GTS D - 06.11.2017>> D - MJ 2017>>			
(6)	95B 881 901 AE D0L 95B 881 901 E	Espresso Head restraint	-VR	1	PR:N4M,3J4
		Leatherette D >> - 05.11.2017			
	95B 881 901 E YDI 95B 881 901 E YEI 95B 881 901 E YFI 95B 881 901 E YHI 95B 881 901 E YGI	Black agate grey Luxor beige Black/Carrera Red Black/Saddle Tan	-VF -VG -VH -VI -VJ		
(6)	95B 881 901 AL 95B 881 901 AL YDI 95B 881 901 AL YEI 95B 881 901 AL YFI 95B 881 901 AL YHI 95B 881 901 AL YGI	Head restraint Leatherette D - 06.11.2017>> Black agate grey Luxor beige Black/Carrera Red Black/Saddle Tan	-VF -VG -VH,VZ -VI -VJ	1	PR:N4M,3J4
		also use: 9A7 881 920 10 9A7 881 920 00			
(6)	95B 881 901 F 95B 881 901 F YDI 95B 881 901 F YEI 95B 881 901 F YFI	Head restraint with: Porsche crest D >> - 05.11.2017 Black agate grey Luxor beige	Smooth leather -VF -VG -VH	1	PR:N4M,3J7, 5ZF

Model: 95B Model life 2014>>

Pos	Part Number	Description	Remark	Qty	Model	
(6)	95B 881 901 F YHI	Black/Carrera Red	-VI	1	PR:N4M,3J7, 5ZF	
	95B 881 901 F YGI	Black/Saddle Tan	-VJ			
	95B 881 901 AM	Head restraint	Smooth leather			
		with:				
		Porsche crest				
		D >> - 05.11.2017				
(6)	95B 881 901 AM YDI	Black	-VF	1	PR:N4M,3J7, 5ZF	
	95B 881 901 AM YEI	agate grey	-VG			
	95B 881 901 AM YFI	Luxor beige	-VH,VZ			
	95B 881 901 AM YHI	Black/Carrera Red	-VI			
	95B 881 901 AM YGI	Black/Saddle Tan	-VJ			
		also use:	9A7 881 920 10			
(6)	95B 881 901 AM	Head restraint	Smooth leather	1	PR:N4M,3J7, 5ZF	
		with:				
		Porsche crest				
		D - 06.11.2017>>				
		D - MJ 2016>>				
		95B 881 901 AM YDI	Black			-VF
(6)	95B 881 901 AM YFI	agate grey	-VG	1	PR:NOQ,N1B, N1M,N2S,N5U, 5ZD	
	95B 881 901 AM YFI	Luxor beige	-VH,VZ			
	95B 881 901 AM YHI	Black/Carrera Red	-VI			
	95B 881 901 AM YGI	Black/Saddle Tan	-VJ			
	95B 881 901 AC	Head restraint	Smooth leather			
		Turbo inscription				
(6)	95B 881 901 AC HHW	Black/Rhodium Silver	-TS	1	PR:NOQ,N1B, N1M,N2S,N5U, 5ZD	
	95B 881 901 AC HAZ	Black/Carrera Red	-TR			
	95B 881 901 AN	Head restraint	Smooth leather			
		Turbo inscription				
		D >> - 05.11.2017				
		D - MJ 2017>>				
(6)	95B 881 901 AN HHW	Black/Rhodium Silver	-TS	1	PR:NOQ,N1B, N1M,N2S,N5U, 5ZD	
	95B 881 901 AN HAZ	Black/Carrera Red	-TR			
	95B 881 901 AN	Head restraint	Smooth leather			
		Turbo inscription				
		D >> - 05.11.2017				
		D - MJ 2017>>				
(6)	95B 881 901 AN	Head restraint	Smooth leather	1	PR:NOQ,N1B, N1M,N2S,N5U, 5ZD	
		Turbo inscription				
		D - 06.11.2017>>				
		D - MJ 2017>>				
		95B 881 901 AN HHW	Black/Rhodium Silver			-TS
		95B 881 901 AN HAZ	Black/Carrera Red			-TR
7	1K0 881 920 R	guide for head restraint, adjustable	right	1	PR:NOQ,N1A, N1B,N1M,N1P, N5U,N6D,N4M	
		D >> - 05.11.2017				
	1K0 881 920 R 82V	Titan black	-VC,VJ,VF,VI, VU,VK,VO			
	1K0 881 920 R OP1	agate grey	-VD,VG,VL			
	1K0 881 920 R 4H0	Luxor beige	-VE,VH,VM,VP, VX,VZ			
	1K0 881 920 R OM8	saddle brown	-VN			
(7)	1K0 881 920 R OV4	flint grey	-VQ	1	PR:NOQ,N1A, N1B,N1M,N1P, N5U,N6D,N4M	
	1K0 881 920 R 7N0	Espresso	-VR			
	9A7 881 920 10	guide sleeve	right			
		D - 06.11.2017>>				
	9A7 881 920 10 82V	Titan black	-VC,VJ,VF,VI,			

Model: 95B Model life 2014>>

Pos	Part Number	Description	Remark	Qty	Model			
8	9A7 881 920 10 OP1	agate grey	VU, VK, VO	1	PR:N0Q, N1A, N1B, N1M, N1P, N5U, N6D, N4M			
	9A7 881 920 10 4H0	Luxor beige	-VD, VG, VL -VE, VH, VM, VP, VX, VZ					
	9A7 881 920 10 OM8	saddle brown	-VN					
	9A7 881 920 10 OV4	flint grey	-VQ					
	9A7 881 920 10 7N0	Espresso	-VR					
	1K0 881 920 Q	guide for head restraint, adjustable D >> - 05.11.2017	left					
	1K0 881 920 Q 82V	Titan black	-VC, VJ, VF, VI, VU, VK, VO					
	1K0 881 920 Q OP1	agate grey	-VD, VG, VL					
	1K0 881 920 Q 4H0	Luxor beige	-VE, VH, VM, VP, VX, VZ					
	1K0 881 920 Q OM8	saddle brown	-VN					
8	1K0 881 920 Q OV4	flint grey	-VQ	1	PR:N0Q, N1A, N1B, N1M, N1P, N5U, N6D, N4M			
	1K0 881 920 Q 7N0	Espresso	-VR					
	9A7 881 920 00	guide sleeve D - 06.11.2017>>	right					
	9A7 881 920 00 82V	Titan black	-VC, VJ, VF, VI, VU, VK, VO					
	9A7 881 920 00 OP1	agate grey	-VD, VG, VL					
	9A7 881 920 00 4H0	Luxor beige	-VE, VH, VM, VP, VX, VZ					
	9A7 881 920 00 OM8	saddle brown	-VN					
	9A7 881 920 00 OV4	flint grey	-VQ					
	9A7 881 920 00 7N0	Espresso	-VR					
	9	1K0 882 519 A	Trim Head restraint				1	PR:N0Q, N1A, N1B, N1M, N1P, N5U, N6D, N4M, 3J4, 3J7, 5ZF
1K0 882 519 A 82V		Titan black	-VC, VJ, VF, VI, VU, VK, VO					
1K0 882 519 A OP1		agate grey	-VD, VG, VL					
1K0 882 519 A 4H0		Luxor beige	-VE, VH, VM, VP, VX, VZ					
1K0 882 519 A OM8		saddle brown	-VN					
1K0 882 519 A OV4		flint grey	-VQ					
1K0 882 519 A 7N0		Espresso	-VR					
10		958 521 793 00	Trim Rear seat entertainment system	left a. right	1	PR:N0Q, N1A, N1B, N1M, N1P, N5U, N6D, 9WM, 9WU		
		958 521 793 00 1E0	Black	-VC, VX, VF, VI, VU, VZ, VK, VO				
		958 521 793 00 OP1	agate grey	-VD, VG, VL, VQ				
	958 521 793 00 4H0	Luxor beige	-VE, VH, VM					
	958 521 793 00 OM8	saddle brown	-VN, VP					
	958 521 793 00 7N0	Espresso	-VR					
	11	958 521 998 01	Bracket Rear seat entertainment system display	left a. right			1	PR:9WM, 9WU

Model: 95B

Model life 2014>>



Model: 95B Model life 2014>>

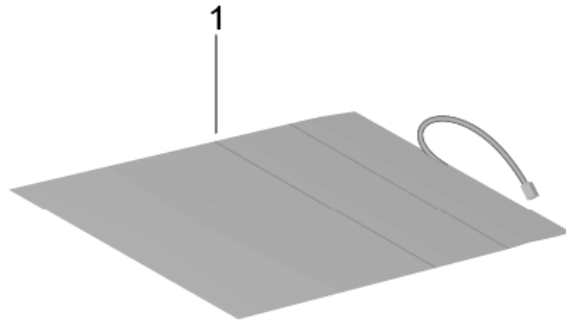
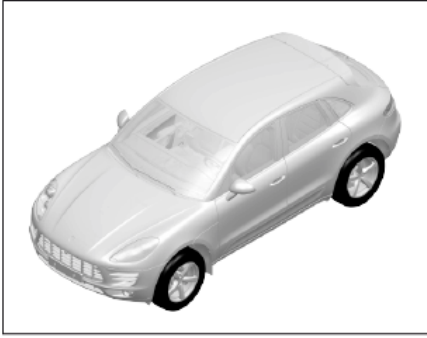
Pos	Part Number	Description	Remark	Qty	Model
1	958 624 345 00	Electrics Wire set Control units Accessories ventliation motor Seat	Vented	1	PR:4D3
(1)	958 624 351 00	ventliation motor backrest	Vented	1	PR:4D3
2	958 618 760 04	Control unit With memory function D - MJ 2015>>		1	PR:3PN,3L4, 3PH,3PJ,3L6
3	958 521 729 00	Bracket Control unit With memory function		1	PR:3PN,3PH
4	N 907 371 01	Oval hexagon socket head bolt Bracket Control unit With memory function		1	
5	95B 971 363 BA	Comfort seat sports seat Wire set Seat adjuster	left	1	PR:L0L,Q1G, Q4P,3L5,3PB, 4A0,4D0,4UD, 4UE,9MB,9P3, 9P6
(5)	95B 971 363 BB	Wire set Seat adjuster	left	1	PR:L0L,Q1G, 3L5,3PB,4A3, 4A4,4D0,4UD, 4UE,9MB,9P3, 9P6
(5)	95B 971 363 BC	Wire set Seat adjuster	left	1	PR:L0L,Q1G, Q4P,3L5,3PB, 4A0,4D0,4UQ, 9MB,9P7
(5)	95B 971 363 BD	Wire set Seat adjuster	left	1	PR:L0L,Q1G, Q4P,3L5,3PB, 4A3,4A4,4D0, 4UQ,9MB,9P7
(5)	95B 971 364 BA	Wire set Seat adjuster	right	1	PR:L0R,Q1G, Q4P,3L5,3PE, 4A0,4D0,4UD, 4UE,9MB,9P3, 9P6
(5)	95B 971 364 BB	Wire set Seat adjuster	right	1	PR:L0R,Q1G, 3L5,3PE,4A3, 4A4,4D0,4UD, 4UE,9MB,9P3, 9P6
(5)	95B 971 363 R	Wire set Seat adjuster	left	1	PR:L0L,Q2J, 3PN,4A4,4A3, 4D3,4UE,9P3, 4UD,9MB,9P6
(5)	95B 971 364 R	Wire set Seat adjuster D >> - MJ 2015	right	1	PR-L0L,Q2J, 3PN,4A3,4A4, 4D3,4UD,4UE, 9MB,9P3,9P6
(5)	95B 971 363 T	Wire set Seat	left	1	PR-L0L,Q2J, 3PN,4A3,4A4, 4D3,4UQ,9MB, 9P7
(5)	95B 971 363 CP	Wire set Seat adjuster	left	1	PR:L0L,Q1J, 3PN,4A4,4A3, 4D3,4UE,4UD,

Model: 95B Model life 2014>>

Pos	Part Number	Description	Remark	Qty	Model
(5)	95B 971 364 CP	Wire set Seat adjuster D - MJ 2016>>	right	1	9MA, 9P3, 9P6 PR:L0L, Q2J, 3PN, 4A4, 4A3, 4D3, 4UQ, 9P7, 9MA
(5)	95B 971 364 DB	Wire set Seat adjuster	right	1	PR:L0L, Q1G, Q4P, 4A4, 4A3, 3L4, 3L5, 4UQ, 9MB, 9P7
(5)	95B 971 363 CF	Wire set Seat adjuster	left	1	PR:L0L, Q2J, 3PN, 4A4, 4A3, 4D3, 4UQ, 9P7, 9MA
(5)	95B 971 363 CM	Wire set Seat adjuster	left	1	PR:L0L, Q1J, 3PN, 4A0, 4D0, 4UD, 4UE, 9MA, 9P3, 9P6
(5)	95B 971 364 CM	Wire set Seat adjuster	right	1	PR:Q2J, 3PN, 4A3, 4A4, 4D3, 4UD, 4UE, 9MA, 9P3
(5)	95B 971 364 BK	Wire set Seat adjuster	right	1	PR:L0L, Q1J, 3PN, 4A3, 4A4, 4D0, 4UD, 4UE, 9MA, 9P3, 9P6
(5)	95B 971 363 AN	wiring harness for electric- ally adjustable seat with memory and heated seat	left	1	PR-L0R, Q1J, 3PN, 4A3, 4A4, 4D0, 4UD, 4UE, 9MB, 9P3, 9P6
(5)	95B 971 364 AL	wiring harness for electric- ally adjustable seat with memory and heated seat	right	1	PR-L0R, Q1J, 3PN, 4A3, 4A4, 4D0, 4UD, 4UE, 9MB, 9P3, 9P6
6	958 612 752 01	Wire set backrest Comfort seat With memory function Lumbar		1	PR:Q2J, 3PN, 4D0
(6)	958 612 753 01	Wire set backrest Comfort seat With memory function Lumbar	Vented	1	PR:Q2J, 3PN, 4D3
(6)	958 612 753 50	Wire set backrest sports seat With memory function Lumbar	Vented	1	PR:Q1J, 3PN, 4D3
(6)	958 612 752 02	Wire set backrest sports seat With memory function Lumbar		1	PR:Q1J, 3PN, 4D0

Model: 95B

Model life 2014>>



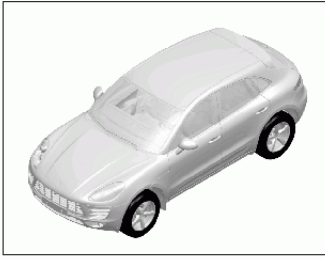
Model: 95B

Model life 2014>>

Pos	Part Number	Description	Remark	Qty	Model
1	958 618 553 10	seat occupied recognition (passenger side) and (drivers side) Inlay for seat occupied sensor		1	

Model: 95B

Model life 2014>>



Model: 95B Model life 2014>>

Pos	Part Number	Description	Remark	Qty	Model
1	95B 885 657	Seat and backrest surface Accessories Trim Trim For seat belt backrest		1	
	95B 885 657 82V	Titan black	-VC, VJ, VF, VI, VU, VK, VO		
	95B 885 657 OP1	agate grey	-VD, VG, VL		
	95B 885 657 4H0	Luxor beige	-VE, VH, VM, VP, VX, VZ		
	95B 885 657 OM8	saddle brown	-VN		
	95B 885 657 OV4	flint grey	-VQ		
	95B 885 657 7N0	Espresso	-VR		
2	95B 885 249	Trim lever for folding backrest	left side	1	
	95B 885 249 82V	Titan black	-VC, VJ, VF, VI, VU, VK, VO		
	95B 885 249 OP1	agate grey	-VD, VG, VL, VQ		
	95B 885 249 4H0	Luxor beige	-VE, VH, VM		
	95B 885 249 OM8	saddle brown	-VN, VP		
	95B 885 249 7N0	Espresso	-VR		
(2)	95B 885 250	Trim lever for folding backrest	right side	1	
	95B 885 250 82V	Titan black	-VC, VJ, VF, VI, VU, VK, VO		
	95B 885 250 OP1	agate grey	-VD, VG, VL, VQ		
	95B 885 250 4H0	Luxor beige	-VE, VH, VM		
	95B 885 250 OM8	saddle brown	-VN, VP		
	95B 885 250 7N0	Espresso	-VR		
3	95B 885 879	Cover cap lever for folding backrest	left upper	1	
	95B 885 879 82V	Titan black	-VC, VJ, VF, VI, VU, VK, VO		
	95B 885 879 OP1	agate grey	-VD, VG, VL		
	95B 885 879 4H0	Luxor beige	-VE, VH, VM, VP, VX, VZ		
	95B 885 879 OM8	saddle brown	-VN		
	95B 885 879 OV4	flint grey	-VQ		
	95B 885 879 7N0	Espresso	-VR		
(3)	95B 885 880	Cover cap lever for folding backrest	right upper	1	
	95B 885 880 82V	Titan black	-VC, VJ, VF, VI, VU, VK, VO		
	95B 885 880 OP1	agate grey	-VD, VG, VL		
	95B 885 880 4H0	Luxor beige	-VE, VH, VM, VP, VX, VZ		
	95B 885 880 OM8	saddle brown	-VN		
	95B 885 880 OV4	flint grey	-VQ		
	95B 885 880 7N0	Espresso	-VR		
4	95B 885 217	Frame Release element through-load aperture		1	
	95B 885 217 82V	Titan black	-VC, VJ, VF, VI, VU, VK, VO		
	95B 885 217 OP1	agate grey	-VD, VG, VL, VQ		
	95B 885 217 4H0	Luxor beige	-VE, VH, VM		
	95B 885 217 OM8	saddle brown	-VN, VP		
	95B 885 217 7N0	Espresso	-VR		
5	95B 885 949	Cover panel backrest	left Folding	1	
	95B 885 949 82V	Titan black	-VC, VJ, VF, VI, VU, VK, VO		

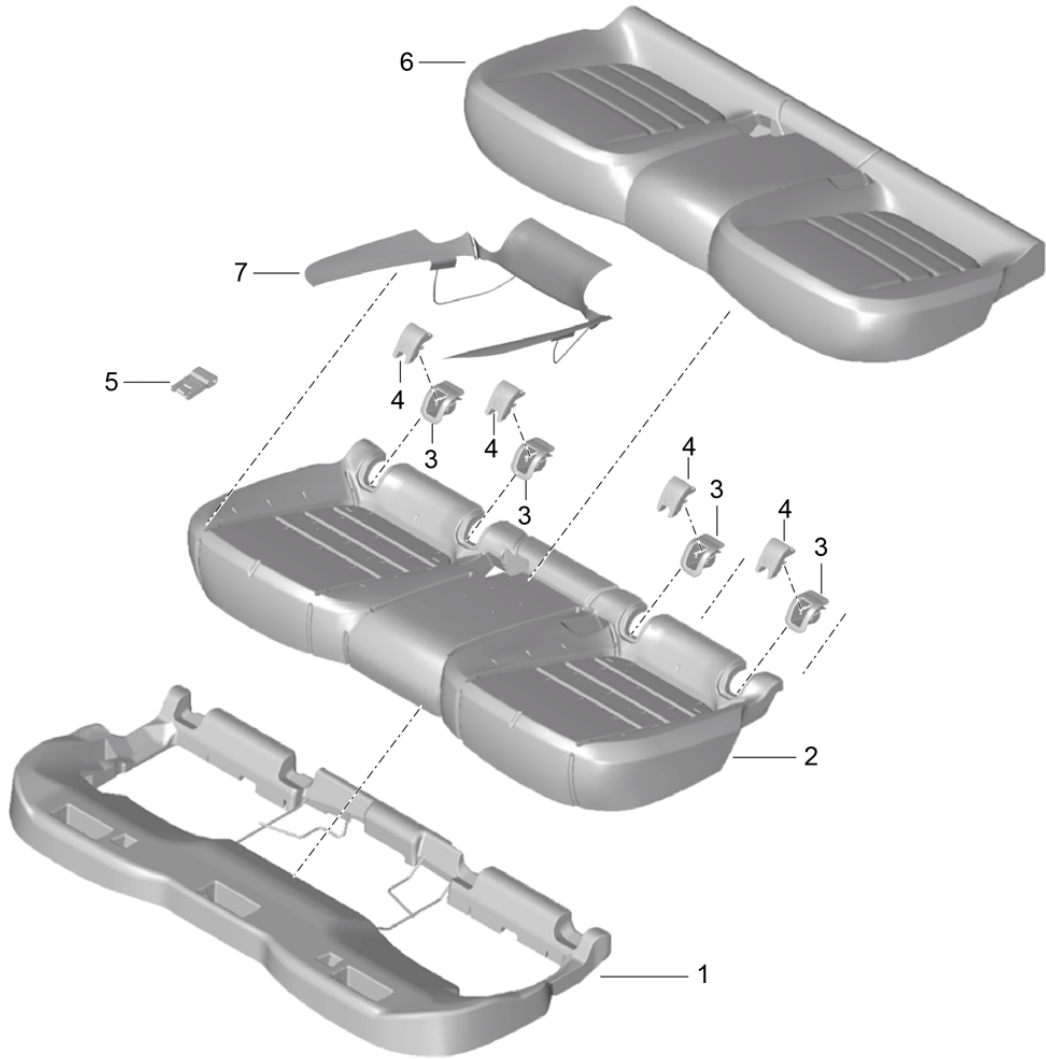
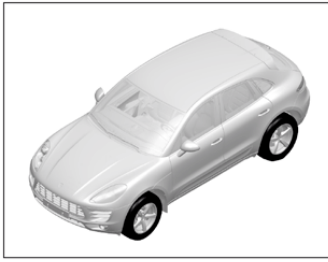
Model: 95B

Model life 2014>>

Pos	Part Number	Description	Remark	Qty	Model
(5)	95B 885 949 OP1	agate grey	-VD, VG, VL	1	
	95B 885 949 4H0	Luxor beige	-VE, VH, VM, VP, VX, VZ		
	95B 885 949 OM8	saddle brown	-VN		
	95B 885 949 OV4	flint grey	-VQ		
	95B 885 949 7N0	Espresso	-VR		
	95B 885 950	Cover panel backrest	right Folding		
	95B 885 950 82V	Titan black	-VC, VJ, VF, VI, VU, VK, VO		
	95B 885 950 OP1	agate grey	-VD, VG, VL		
	95B 885 950 4H0	Luxor beige	-VE, VH, VM, VP, VX, VZ		
	95B 885 950 OM8	saddle brown	-VN		
	95B 885 950 OV4	flint grey	-VQ		
	95B 885 950 7N0	Espresso	-VR		

Model: 95B

Model life 2014>>



Model: 95B Model life 2014>>

Pos	Part Number	Description	Remark	Qty	Model
1	95B 885 259 A	Foam part Seat cover Seat cushion Support element		1	
2	95B 885 375	Foam part Seat cushion		1	PR:5KA
2	95B 885 375 B	D >> - MJ 2014 Foam part Seat cushion		1	PR:5KA
(2)	95B 885 375 C	D - MJ 2015>> Foam part Seat cushion		1	PR:5KH
3	8U0 887 233 B	Mounting sleeve for child seat child seat Seat cushion ISOFIX		1	
	8U0 887 233 B 1E0	Black	-VC, VJ, VF, VI, VU, VK, VO		
	8U0 887 233 B OP1	agate grey	-VD, VG, VL		
	8U0 887 233 B 4H0	Luxor beige	-VE, VH, VM, VP, VX, VZ		
	8U0 887 233 B OM8	saddle brown	-VN		
	8U0 887 233 B OV4	flint grey	-VQ		
	8U0 887 233 B 7N0	Espresso	-VR		
4	8U0 887 187	Cover Guide child seat Seat cushion ISOFIX		1	
	8U0 887 187 1E0	D >> - 18.06.2017 Black	-VC, VJ, VF, VI, VU, VK, VO		
	8U0 887 187 OP1	agate grey	-VD, VG, VL		
	8U0 887 187 4H0	Luxor beige	-VE, VH, VM, VP, VX, VZ		
	8U0 887 187 OM8	saddle brown	-VN		
	8U0 887 187 OV4	flint grey	-VQ		
	8U0 887 187 7N0	Espresso	-VR		
(4)	95B 887 187	Cover D - 19.06.2017>>		1	
	95B 887 187 1E0	Black	-VC, VF, VU, FA, FL, FE, FF, FN, FK, TR, TS, PE, VK, VO		
	95B 887 187 OM8	saddle brown	-VN		
	95B 887 187 OP1	agate grey	-VD, VG, VL		
	95B 887 187 OV4	flint grey	-VQ		
	95B 887 187 4H0	Luxor beige	-VX, VZ, VP, TB		
	95B 887 187 7N0	Espresso	-VR		
6	95B 885 405 M	Seat cover Seat cushion		1	PR:N6D, 4A0, 4A3, 5KA
	95B 885 405 M YAI	Black	-VC		
	95B 885 405 M YBI	agate grey	-VD		
	95B 885 405 M YCI	Luxor beige	-VE, VX		
(6)	95B 885 405 N	Seat cover Seat cushion		1	PR:N6D, 4A4, 5KA
	95B 885 405 N YAI	Black	-VC		
	95B 885 405 N YBI	agate grey	-VD		
	95B 885 405 N YCI	Luxor beige	-VE, VX		
(6)	95B 885 405 P	Seat cover Seat cushion		1	PR:N0Q, N5U, 4A0, 4A3, 5KA

Model: 95B Model life 2014>>

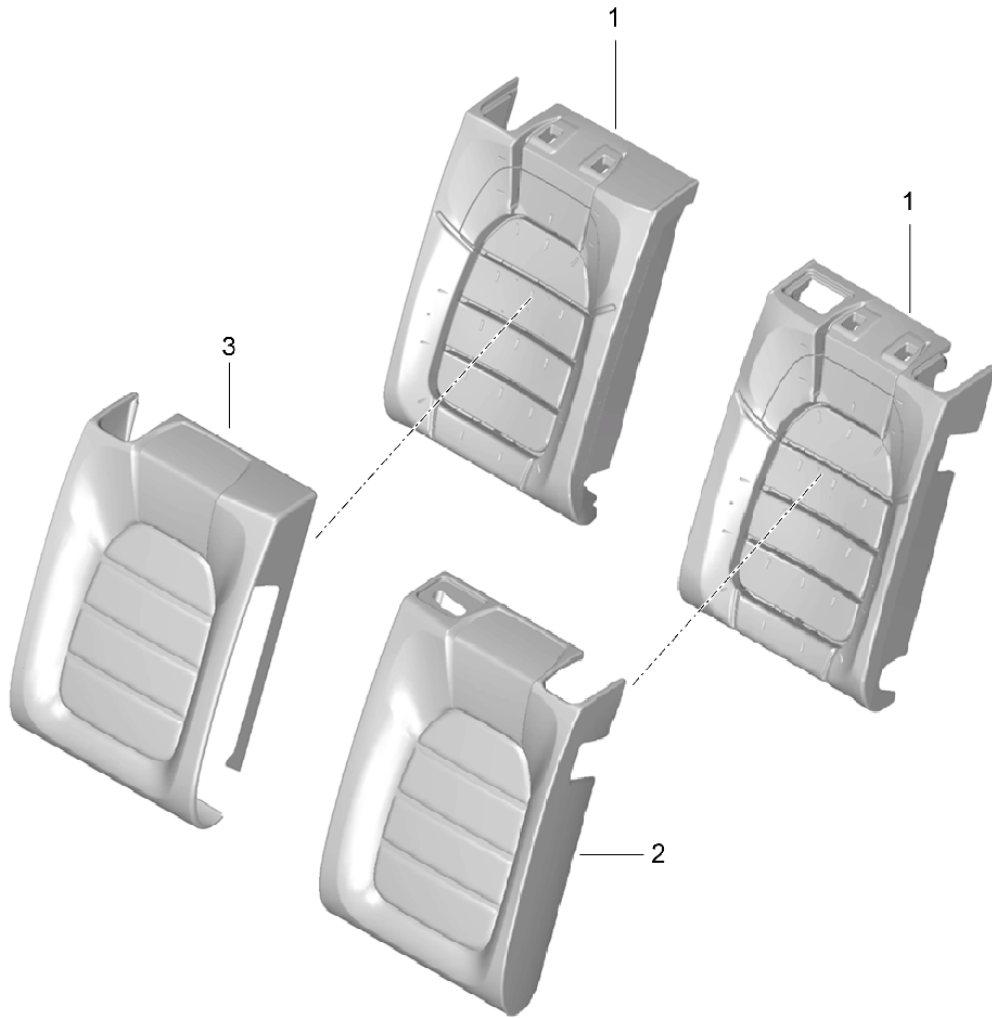
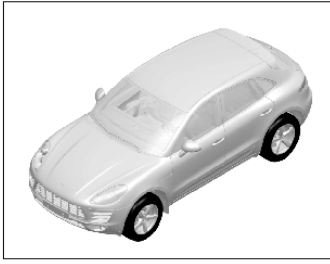
Pos	Part Number	Description	Remark	Qty	Model
	95B 885 405 P D0D	Black	-VK, VC, VF		
	95B 885 405 P YKI	agate grey	-VL, VD, VG		
	95B 885 405 P D0F	Luxor beige	-VE, VM, VP, VX, VH, VZ		
	95B 885 405 P YMI	saddle brown D - MJ 2015>>	-VN		
	95B 885 405 P YPI	flint grey D - MJ 2015>>	-VQ		
(6)	95B 885 405 Q	Seat cover Seat cushion		1	PR:N0Q, N5U, 4A4, 5KA
	95B 885 405 Q D0D	Black	-VK, VC, VF		
	95B 885 405 Q YKI	agate grey	-VL, VD		+VL
	95B 885 405 Q D0F	Luxor beige	-VE, VM, VP, VX, VH, VZ		
	95B 885 405 Q YMI	saddle brown D - MJ 2015>>	-VN, VJ		
	95B 885 405 Q YPI	flint grey D - MJ 2015>>	-VQ		
(6)	95B 885 405 T	Seat cover Seat cushion		1	PR:N0Q, N5U, 4A0, 4A3, 5KH
	95B 885 405 T D0D	Black	-VK, VC, VF		
	95B 885 405 T YKI	agate grey	-VL, VD		+VL
	95B 885 405 T D0F	Luxor beige	-VE, VM, VP, VX, VH, VZ		
	95B 885 405 T YMI	saddle brown	-VN		
	95B 885 405 T YPI	flint grey	-VQ		
	95B 885 405 T HHR	Black/Carmine Red	-FN		
	95B 885 405 T HHW	Black/Rhodium Silver	-FK		
(6)	95B 885 405 AA	Seat cover Seat cushion		1	PR:N0Q, N5U, 4A4, 5KH
	95B 885 405 AA D0D	Black	-VK, VC, VF		
	95B 885 405 AA YKI	agate grey	-VL, VD		+VL
	95B 885 405 AA D0F	Luxor beige	-VE, VM, VP, VX, VH, VZ		
	95B 885 405 AA YMI	saddle brown	-VN		
	95B 885 405 AA YPI	flint grey	-VQ		
(6)	95B 885 405 AB	Seat cover Seat cushion		1	PR:N1A, N1P, 4A0, 4A3, 5KH
	95B 885 405 AB D0L	Espresso	-VR		
(6)	95B 885 405 AC	Seat cover Seat cushion		1	PR:N1A, N1P, 4A4, 5KH
	95B 885 405 AC D0L	Espresso	-VR		
(6)	95B 885 405 AD	Seat cover Seat cushion		1	PR:N4M, 4A0, 4A3, 5KA
	95B 885 405 AD YDI	Black	-VF		
	95B 885 405 AD YEI	agate grey	-VG		
	95B 885 405 AD YFI	Luxor beige	-VH, VZ		
	95B 885 405 AD YHI	Black/Carrera Red	-VI		
	95B 885 405 AD YGI	Black/Saddle Tan	-VJ		
(6)	95B 885 405 AE	Seat cover Seat cushion		1	PR:N4M, 4A4, 5KA
	95B 885 405 AE YDI	Black	-VF		
	95B 885 405 AE YEI	agate grey	-VG		
	95B 885 405 AE YFI	Luxor beige	-VH, VZ		
	95B 885 405 AE YHI	Black/Carrera Red	-VI		
	95B 885 405 AE YGI	Black/Saddle Tan	-VJ		
(6)	95B 885 405 AK	Seat cover Seat cushion D - MJ 2017>>		1	PR:N2S, 4A0, 4A3, 5KH
	95B 885 405 AK IVA	Black	-FA, FF		
	95B 885 405 AK DJM	agate grey	-FB, FM		
	95B 885 405 AK IVC	Luxor beige	-FC, FH		
	95B 885 405 AK IVE	Black/Carmine Red	-FL		

Model: 95B Model life 2014>>

Pos	Part Number	Description	Remark	Qty	Model			
(6)	95B 885 405 AK DJP	Black/Rhodium Silver	-FE,TS	1	PR:N2S,4A4, 5KH			
	95B 885 405 AK DJN	saddle brown	-FI					
	95B 885 405 AK HYO	Black/Carrera Red	-TR					
	95B 885 405 AL	Seat cover						
		Seat cushion						
		Seat heater						
		D - MJ 2017>>						
	95B 885 405 AL IVA	Black	-FA,FF					
	95B 885 405 AL DJM	agate grey	-FB,FM					
	95B 885 405 AL IVC	Luxor beige	-FC,FH					
(6)	95B 885 405 AL IVE	Black/Carmine Red	-FL	1	PR:N1B,N1M, 4A0,4A3,5KA			
	95B 885 405 AL DJP	Black/Rhodium Silver	-FE,TS					
	95B 885 405 AL DJN	saddle brown	-FI					
	95B 885 405 AL HYO	Black/Carrera Red	-TR					
	95B 885 405 AF	Seat cover						
		Seat cushion						
	95B 885 405 AF YNI	Carrera Red	-VU,VO					
	(6)	95B 885 405 AG	Seat cover				1	PR:N1B,N1M, 4A4,5KA
			Seat cushion					
	(6)	95B 885 405 AG YNI	Carrera Red			-VU,VO	1	PR:N1B,N1M, 4A0,4A3,5KH
95B 885 405 AH		Seat cover						
(6)	95B 885 405 AH YNI	Seat cushion		1	PR:N1B,N1M, 4A4,5KH			
	95B 885 405 AJ	Carrera Red	-VU,VO					
(6)	95B 885 405 AJ YNI	Seat cover		1	PR:N1A,N1P, 4A0,4A3,5KA			
	95B 885 405 R	Seat cushion						
(6)	95B 885 405 R D0L	Carrera Red	-VU,VO	1	PR:N1A,N1P, 4A4,5KA			
	95B 885 405 S	Espresso	-VR					
7	95B 885 405 S D0L	Seat cover		1	PR:4A4,5KA, 5KH			
	95B 963 561	Seat cushion						
(7)	95B 885 405 S D0L	Espresso	-VR	1	PR:4A4,5KA, 5KH			
	95B 963 561 A	Heater element	left					
		Seat cushion	rear	1	PR:4A4,5KA, 5KH			
		Heater element	right	1	PR:4A4,5KA, 5KH			
		Seat cushion	rear					

Model: 95B

Model life 2014>>



Model: 95B Model life 2014>>

Pos	Part Number	Description	Remark	Qty	Model
1	95B 885 775	Foam part Back seat backrest Backrest cover	left	1	PR:5KA
(1)	95B 885 775 A	Foam part Back seat backrest	left	1	PR:5KH
(1)	95B 885 776	Foam part Back seat backrest	right	1	PR:5KA
(1)	95B 885 776 A	Foam part Back seat backrest	right	1	PR:5KH
2	95B 885 805	Backrest cover Back seat backrest	left	1	PR:N6D, 4A0, 4A3, 5KA
	95B 885 805 YAI	Black	-VC		
	95B 885 805 YBI	agate grey	-VD		
	95B 885 805 YCI	Luxor beige	-VE, VX		
(2)	95B 885 805 A	Backrest cover Back seat backrest	left	1	PR:N6D, 4A4, 5KA
	95B 885 805 A YAI	Black	-VC		
	95B 885 805 A YBI	agate grey	-VD		
	95B 885 805 A YCI	Luxor beige	-VE, VX		
(2)	95B 885 805 B	Backrest cover Back seat backrest	left	1	PR:N0Q, N5U, 4A0, 4A3, 5KA
	95B 885 805 B D0D	Black	-VC, VE, VF, VK		
	95B 885 805 B YKI	agate grey	-VD, VG, VL		
	95B 885 805 B D0F	Luxor beige	-VH, VM, VP, VX, VZ		
	95B 885 805 B YMI	saddle brown	-VJ, VN		
	95B 885 805 B YPI	flint grey	-VQ		
(2)	95B 885 805 C	Backrest cover Back seat backrest	left	1	PR:N0Q, N5U, 4A4, 5KA
	95B 885 805 C D0D	Black	-VC, VE, VF, VK		
	95B 885 805 C YKI	agate grey	-VD, VG, VL		
	95B 885 805 C D0F	Luxor beige	-VH, VM, VP, VX, VZ		
	95B 885 805 C YMI	saddle brown	-VJ, VN		
	95B 885 805 C YPI	flint grey	-VQ		
(2)	95B 885 805 F	Backrest cover Back seat backrest	left	1	PR:N0Q, N5U, 4A0, 4A3, 5KH
	95B 885 805 F D0D	Black	-VC, VE, VF, VK		
	95B 885 805 F YKI	agate grey	-VD, VG, VL		
	95B 885 805 F D0F	Luxor beige	-VH, VM, VP, VX, VZ		
	95B 885 805 F YMI	saddle brown	-VJ, VN		
	95B 885 805 F YPI	flint grey	-VQ		
(2)	95B 885 805 G	Backrest cover Back seat backrest	left	1	PR:N0Q, N5U, 4A4, 5KH
	95B 885 805 G D0D	Black	-VC, VE, VF, VK		
	95B 885 805 G YKI	agate grey	-VD, VG, VL		
	95B 885 805 G D0F	Luxor beige	-VH, VM, VP, VX, VZ		
	95B 885 805 G YMI	saddle brown	-VJ, VN		
	95B 885 805 G YPI	flint grey	-VQ		
(2)	95B 885 805 K	Backrest cover Back seat backrest	left	1	PR:N4M, 4A0, 4A3, 5KA
	95B 885 805 K YDI	Black	-VF		
	95B 885 805 K YEI	agate grey	-VG		
	95B 885 805 K YFI	Luxor beige	-VH, VZ		
	95B 885 805 K YHI	Black/Carrera Red	-VI		
	95B 885 805 K YGI	Black/Saddle Tan	-VJ		
(2)	95B 885 805 L	Backrest cover Back seat backrest	left	1	PR:N4M, 4A4, 5KA
	95B 885 805 L YDI	Black	-VF		

Model: 95B Model life 2014>>

Pos	Part Number	Description	Remark	Qty	Model			
(2)	95B 885 805 L YEI	agate grey	-VG	1	PR:N2S,4A0, 4A3,5KH			
	95B 885 805 L YFI	Luxor beige	-VH,VZ					
	95B 885 805 L YHI	Black/Carrera Red	-VI					
	95B 885 805 L YGI	Black/Saddle Tan	-VJ					
	95B 885 805 AB	Backrest cover	left					
		Back seat backrest						
		D - MJ 2017>>						
	95B 885 805 AB IVA	Black	-FA,FF					
	95B 885 805 AB DJM	agate grey	-FB,FM					
	95B 885 805 AB IVC	Luxor beige	-FC,FH					
(2)	95B 885 805 AB IVE	Black/Carmine Red	-FL	1	PR:N2S,4A4, 5KH			
	95B 885 805 AB DJP	Black/Rhodium Silver	-FE,TS					
	95B 885 805 AB DJN	saddle brown	-FI					
	95B 885 805 AB HYO	Black/Carrera Red	-TR					
	95B 885 805 AC	Backrest cover	left					
		Back seat backrest						
		Seat heater						
		D - MJ 2017>>						
	95B 885 805 AC IVA	Black	-FA,FF					
	95B 885 805 AC DJM	agate grey	-FB,FM					
(2)	95B 885 805 AC IVC	Luxor beige	-FC,FH	1	PR:N1B,N1M, 4A4,5KH			
	95B 885 805 AC IVE	Black/Carmine Red	-FL					
	95B 885 805 AC DJP	Black/Rhodium Silver	-FE,TS					
	95B 885 805 AC DJN	saddle brown	-FI					
	95B 885 805 AC HYO	Black/Carrera Red	-TR					
	95B 885 805 AA	Backrest cover	left					
		Back seat backrest						
	95B 885 805 AA YNI	Carrera Red	-VU,VO					
	(2)	95B 885 805 D	Backrest cover			left	1	PR:N1A,N1P, 4A0,4A3,5KA
			Back seat backrest					
(2)	95B 885 805 D D0L	Espresso	-VR	1	PR:N1A,N1P, 4A4,5KA			
	95B 885 805 E	Backrest cover	left					
(2)	95B 885 805 E D0L	Espresso	-VR	1	PR:N1A,N1P, 4A0,4A3,5KH			
	95B 885 805 H	Backrest cover	left					
(2)	95B 885 805 H D0L	Espresso	-VR	1	PR:N1A,N1P, 4A4,5KH			
	95B 885 805 J	Backrest cover	left					
(2)	95B 885 805 J D0L	Espresso	-VR	1	PR:N1B,N1M, 4A0,4A3,5KA			
	95B 885 805 R	Backrest cover	left					
(2)	95B 885 805 R YNI	Back seat backrest	-VU,VO	1	PR:N1B,N1M, 4A4,5KA			
	95B 885 805 S	Backrest cover	left					
(2)	95B 885 805 S YNI	Back seat backrest	-VU,VO	1	PR:N1B,N1M, 4A0,4A3,5KH			
	95B 885 805 T	Backrest cover	left					
3	95B 885 805 T YNI	Back seat backrest	-VU,VO	1	PR:N6D,4A0, 4A3,5KA			
	95B 885 806	Carrera Red	right					
(3)	95B 885 806	Backrest cover		1	PR:N6D,4A4, 5KA			
		Back seat backrest						
	95B 885 806 YAI	Black	-VC					
	95B 885 806 YBI	agate grey	-VD					
	95B 885 806 YCI	Luxor beige	-VE,VX					
	95B 885 806 A	Backrest cover	right					
		Back seat backrest						
	95B 885 806 A YAI	Black	-VC					
	95B 885 806 A YBI	agate grey	-VD					
	95B 885 806 A YCI	Luxor beige	-VE,VX					
(3)	95B 885 806 B	Backrest cover	right	1	PR:NOQ,N5U, 4A0,4A3,5KA			
		Back seat backrest						
	95B 885 806 B D0D	Black	-VC,VE,VF,VK					
	95B 885 806 B YKI	agate grey	-VD,VG,VL					

Model: 95B Model life 2014>>

Pos	Part Number	Description	Remark	Qty	Model
(3)	95B 885 806 B D0F	Luxor beige	-VH,VM,VP,VX, VZ	1	PR:N0Q,N5U, 4A4,5KA
	95B 885 806 B YMI	saddle brown	-VJ,VN		
	95B 885 806 B YPI	flint grey	-VQ		
	95B 885 806 C	Backrest cover Back seat backrest	right		
	95B 885 806 C D0D	Black	-VC,VE,VF,VK		
(3)	95B 885 806 C YKI	agate grey	-VD,VG,VL	1	PR:N0Q,N5U, 4A0,4A3,5KH
	95B 885 806 C D0F	Luxor beige	-VH,VM,VP,VX, VZ		
	95B 885 806 C YMI	saddle brown	-VJ,VN		
	95B 885 806 C YPI	flint grey	-VQ		
	95B 885 806 F	Backrest cover Back seat backrest	right		
(3)	95B 885 806 F D0D	Black	-VC,VE,VF,VK	1	PR:N0Q,N5U, 4A4,5KA
	95B 885 806 F YKI	agate grey	-VD,VG,VL		
	95B 885 806 F D0F	Luxor beige	-VH,VM,VP,VX, VZ		
	95B 885 806 F YMI	saddle brown	-VJ,VN		
	95B 885 806 F YPI	flint grey	-VQ		
(3)	95B 885 806 G	Backrest cover Back seat backrest	right	1	PR:N0Q,N5U, 4A4,5KA
	95B 885 806 G D0D	Black	-VC,VE,VF,VK		
	95B 885 806 G YKI	agate grey	-VD,VG,VL		
	95B 885 806 G D0F	Luxor beige	-VH,VM,VP,VX, VZ		
	95B 885 806 G YMI	saddle brown	-VJ,VN		
(3)	95B 885 806 G YPI	flint grey	-VQ	1	PR:N4M,4A0, 4A3,5KA
	95B 885 806 K	Backrest cover Back seat backrest	right		
	95B 885 806 K YDI	Black	-VF		
	95B 885 806 K YEI	agate grey	-VG		
	95B 885 806 K YFI	Luxor beige	-VH,VZ		
(3)	95B 885 806 K YHI	Black/Carrera Red	-VI	1	PR:N4M,4A4, 5KA
	95B 885 806 K YGI	Black/Saddle Tan	-VJ		
	95B 885 806 L	Backrest cover Back seat backrest	right		
	95B 885 806 L YDI	Black	-VF		
	95B 885 806 L YEI	agate grey	-VG		
(2)	95B 885 806 L YFI	Luxor beige	-VH,VZ	1	PR:N2S,4A0, 4A3,5KH
	95B 885 806 L YHI	Black/Carrera Red	-VI		
	95B 885 806 L YGI	Black/Saddle Tan	-VJ		
	95B 885 806 AB	Backrest cover Back seat backrest	right		
	95B 885 806 AB IVA	Black	-FA,FF		
(3)	95B 885 806 AB DJM	agate grey	-FB,FM	1	PR:N2S,4A4, 5KH
	95B 885 806 AB IVC	Luxor beige	-FC,FH		
	95B 885 806 AB IVE	Black/Carmine Red	-FL		
	95B 885 806 AB DJP	Black/Rhodium Silver	-FE,TS		
	95B 885 806 AB DJN	saddle brown	-FI		
	95B 885 806 AB HYO	Black/Carrera Red	-TR		
	95B 885 806 AC	Backrest cover Back seat backrest Seat heater	right		
	95B 885 806 AC IVA	Black	-FA,FF		
	95B 885 806 AC DJM	agate grey	-FB,FM		
	95B 885 806 AC IVC	Luxor beige	-FC,FH		
	95B 885 806 AC IVE	Black/Carmine Red	-FL		
	95B 885 806 AC DJP	Black/Rhodium Silver	-FE,TS		
	95B 885 806 AC DJN	saddle brown	-FI		
	95B 885 806 AC HYO	Black/Carrera Red	-TR		

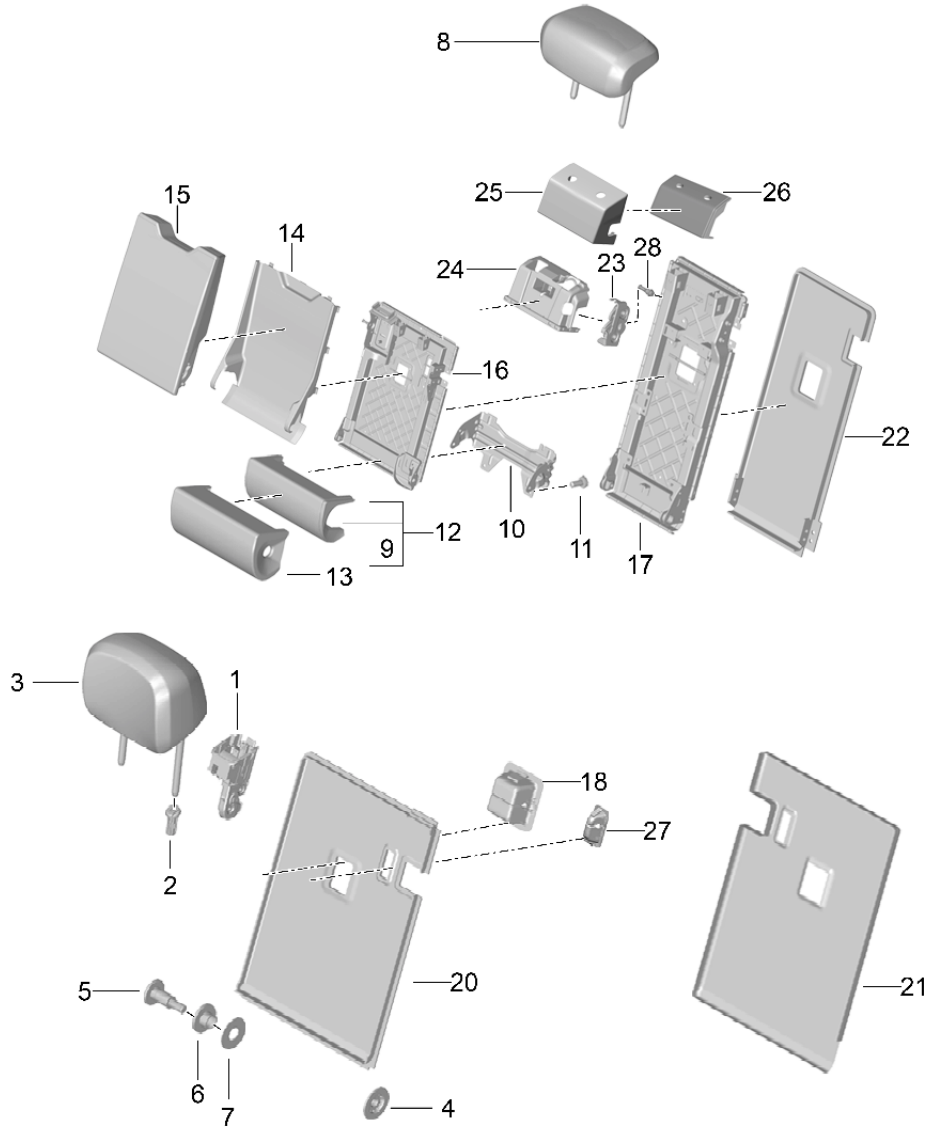
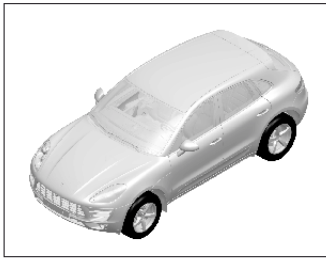
Model: 95B

Model life 2014>>

Pos	Part Number	Description	Remark	Qty	Model
(3)	95B 885 806 AA	Backrest cover Back seat backrest	right	1	PR:N1B,N1M, 4A4,5KH
	95B 885 806 AA YNI	Carrera Red	-VU,VO		
(3)	95B 885 806 D	Backrest cover Back seat backrest	right	1	PR:N1A,N1P, 4A0,4A3,5KA
	95B 885 806 D D0L	Espresso	-VR		
(3)	95B 885 806 E	Backrest cover Back seat backrest	right	1	PR:N1A,N1P, 4A4,5KA
	95B 885 806 E D0L	Espresso	-VR		
(3)	95B 885 806 H	Backrest cover Back seat backrest	right	1	PR:N1A,N1P, 4A0,4A3,5KH
	95B 885 806 H D0L	Espresso	-VR		
(3)	95B 885 806 J	Backrest cover Back seat backrest	right	1	PR:N1A,N1P, 4A4,5KH
	95B 885 806 J D0L	Espresso	-VR		
(3)	95B 885 806 R	Backrest cover Back seat backrest	right	1	PR:N1B,N1M, 4A0,4A3,5KA
	95B 885 806 R YNI	Carrera Red	-VU,VO		
(3)	95B 885 806 S	Backrest cover Back seat backrest	right	1	PR:N1B,N1M, 4A4,5KA
	95B 885 806 S YNI	Carrera Red	-VU,VO		
(3)	95B 885 806 T	Backrest cover Back seat backrest	right	1	PR:N1B,N1M, 4A0,4A3,5KH
	95B 885 806 T YNI	Carrera Red	-VU,VO		

Model: 95B

Model life 2014>>



Model: 95B Model life 2014>>

Pos	Part Number	Description	Remark	Qty	Model
1	95B 885 681 A 95B 885 681 A 82V	Backrest release Accessories Head restraint Backrest release Titan black	left -VC, VJ, VF, VI, VU, VK, VO	1	
	95B 885 681 A OP1 95B 885 681 A 4H0	agate grey Luxor beige	-VD, VG, VL -VE, VH, VM, VP, VX, VZ		
	95B 885 681 A OM8 95B 885 681 A OV4	saddle brown flint grey	-VN -VQ		
	95B 885 681 A 7N0	Espresso	-VR		
1	95B 885 682 A 95B 885 682 A 82V	Backrest release Titan black	right -VC, VJ, VF, VI, VU, VK, VO	1	
	95B 885 682 A OP1 95B 885 682 A 4H0	agate grey Luxor beige	-VD, VG, VL -VE, VH, VM, VP, VX, VZ		
	95B 885 682 A OM8 95B 885 682 A OV4	saddle brown flint grey	-VN -VQ		
	95B 885 682 A 7N0	Espresso	-VR		
2	5G0 886 920	guide with push button for adjustable head restraint Head restraint	left	1	
		with:			
	5G0 886 920 82V	Pushbutton Titan black	-VC, VJ, VF, VI, VU, VK, VO		
	5G0 886 920 OP1 5G0 886 920 4H0	agate grey Luxor beige	-VD, VG, VL -VE, VH, VM, VP, VX, VZ		
	5G0 886 920 OM8 5G0 886 920 OV4	saddle brown flint grey	-VN -VQ		
	5G0 886 920 7N0	Espresso	-VR		
(2)	5G0 886 920 C	guide for head restraint, adjustable Head restraint	right	1	
		with:			
	5G0 886 920 C 82V	Pushbutton Titan black	-VC, VJ, VF, VI, VU, VK, VO		
	5G0 886 920 C OP1 5G0 886 920 C 4H0	agate grey Luxor beige	-VD, VG, VL -VE, VH, VM, VP, VX, VZ		
	5G0 886 920 C OM8 5G0 886 920 C OV4	saddle brown flint grey	-VN -VQ		
	5G0 886 920 C 7N0	Espresso	-VR		
3	95B 885 901 95B 885 901 1D0	Head restraint Black	outer -VC	1	PR:N6D, 3J4
	95B 885 901 OW7 95B 885 901 2E0	agate grey Luxor beige	-VD -VE, VX		
(3)	95B 885 901 A	Head restraint	outer	1	PR:N4M, 3J4, 3J7
	95B 885 901 A YDI 95B 885 901 A YEI	Black agate grey	-VF -VG		
	95B 885 901 A YFI 95B 885 901 A YHI	Luxor beige Black/Carrera Red	-VH, VZ -VI		
	95B 885 901 A YGI	Black/Saddle Tan	-VJ		
(3)	95B 885 901 B 95B 885 901 B YDI	Head restraint Black	outer -VF	1	PR:N4M, 5ZF
	95B 885 901 B YEI 95B 885 901 B YFI	agate grey Luxor beige	-VG -VH, VZ		
	95B 885 901 B YHI	Black/Carrera Red	-VI		

Model: 95B Model life 2014>>

Pos	Part Number	Description	Remark	Qty	Model
(3)	95B 885 901 B YGI 95B 885 901 C	Black/Saddle Tan Head restraint	-VJ outer	1	PR:N0Q,N5U, 3J4,3J7
	95B 885 901 C D0D 95B 885 901 C YKI 95B 885 901 C D0F	Black agate grey Luxor beige	-VC,VF,VK -VD,VG,VL -VE,VH,VM,VP, VX,VZ		
	95B 885 901 C AAB 95B 885 901 C YMI 95B 885 901 C YPI	Black/Carrera Red saddle brown flint grey	-VI,VU,VO -VJ,VN -VQ		
(3)	95B 885 901 D	Head restraint	outer	1	PR:N0Q,N1B, N1M,N5U,5ZF, 3J7
	95B 885 901 D D0D 95B 885 901 D YKI 95B 885 901 D D0F	Black agate grey Luxor beige	-VC,VF,VK -VD,VG,VL -VE,VH,VM,VP, VX,VZ		
	95B 885 901 D AAB 95B 885 901 D YMI 95B 885 901 D YPI	Black/Carrera Red saddle brown flint grey	-VI,VU,VO -VJ,VN -VQ		
(3)	95B 885 901 E	Head restr. with cover (leath)	outer	1	PR-N1A,N1P, 3J4,3J7
(3)	95B 885 901 E D0L 95B 885 901 G	Espresso Head restraint	-VR outer	1	PR:E0W,N0Q, N1B,N1M,N2S, N5U,5ZD
		GTS D - MJ 2017>>			
	95B 885 901 G D0D 95B 885 901 G YKI 95B 885 901 G D0F	Black agate grey Luxor beige	-VF,FA,FF,VK -VG,FB,FM,VL -VH,VZ,FC,FH, VM,VP		
	95B 885 901 G AAB 95B 885 901 G HHR 95B 885 901 G HHW 95B 885 901 G YMI 95B 885 901 G YPI	Black/Carrera Red Black/Carmine Red Black/Rhodium Silver saddle brown flint grey	-VU,VO -FL,FN -FE,FK -FI,VN -VQ		
(3)	95B 885 901 H	Head restr. with cover (leath)	outer	1	PR:N1A,N1P, 5ZD
		D - MJ 2017>>			
(3)	95B 885 901 H D0L 95B 885 901 J	Espresso Head restr. with cover (leath)	-VR outer	1	PR:N0Q,N1B, N1M,N2S,N5U, 5ZD
		Turbo inscription D - MJ 2017>>			
	95B 885 901 J HHW 95B 885 901 J HAZ	Black/Rhodium Silver Black/Carrera Red	-TS -TR		
4	5Q0 885 677	Grommet Mounting	left a. right	1	
5	95B 885 581	backrest bearing pin	left a. right	1	
6	95B 885 937	backrest Sleeve bearing pin	left a. right	1	
7	95B 885 448	backrest Spacer ring bearing pin	left a. right	1	
8	95B 885 900 95B 885 900 1D0 95B 885 900 OW7 95B 885 900 2E0	Head restraint Black agate grey Luxor beige	center -VC -VD -VE,VX	1	PR:N6D

Model: 95B Model life 2014>>

Pos	Part Number	Description	Remark	Qty	Model
(8)	95B 885 900 A	Head restraint	center	1	PR:N4M
	95B 885 900 A YDI	Black	-VF		
	95B 885 900 A YEI	agate grey	-VG		
	95B 885 900 A YFI	Luxor beige	-VH, VZ		
	95B 885 900 A YHI	Black/Carrera Red	-VI		
	95B 885 900 A YGI	Black/Saddle Tan	-VJ		
(8)	95B 885 900 B	Head restraint	center	1	PR:NOQ, N5U, N1B, N1M
	95B 885 900 B D0D	Black	-VC, VE, VF, VK		
	95B 885 900 B YKI	agate grey	-VD, VG, VL		
	95B 885 900 B D0F	Luxor beige	-VH, VM, VP, VX, VZ		
	95B 885 900 B OG3	Carrera Red	-VU, VO		
	95B 885 900 B YMI	saddle brown	-VJ, VN		
	95B 885 900 B YPI	flint grey	-VQ		
(8)	95B 885 900 C	Head restraint	center	1	PR:N1A, N1P
	95B 885 900 C D0L	Espresso	-VR		
9	95B 885 778	Foam part	center	1	
		Armrest			
10	95B 885 961	Bracket	center	1	
		Armrest			
11	N 107 141 02	Discontinued part fillister hd. bolt	center	1	
		Bracket			
		Armrest			
12	95B 885 778	Foam part	lower	1	
		Armrest			
13	95B 885 853	armrest cover, lower part		1	PR:N6D, 5KA
	95B 885 853 1D0	Black	-VC		
	95B 885 853 OW7	agate grey	-VD		
	95B 885 853 2E0	Luxor beige	-VE, VX		
(13)	95B 885 853 A	armrest cover, lower part		1	PR:NOQ, N4M, N5U, 5KA, 5KH
	95B 885 853 A 8YR	Black	-VC, VJ, VF, VI, VU, VK		
	95B 885 853 A PL1	agate grey	-VD, VG, VL		
	95B 885 853 A 9H6	Luxor beige	-VE, VH, VM, VP, VX, VZ		
	95B 885 853 A OG3	Carrera Red	-VO		
	95B 885 853 A OK6	saddle brown	-VN		
	95B 885 853 A PQ4	flint grey	-VQ		
14	95B 885 219	Cover panel through-load aperture Armrest	center	1	PR:NOQ, N1A, N1B, N1M, N1P, N5U, N6D, N4M, N2S
	95B 885 219 82V	Titan black	-VC, VJ, VF, VI, VU, VK, VO		
	95B 885 219 OP1	agate grey	-VD, VG, VL		
	95B 885 219 4H0	Luxor beige	-VE, VH, VM, VP, VX, VZ		
	95B 885 219 OM8	saddle brown	-VN		
	95B 885 219 OV4	flint grey	-VQ		
	95B 885 219 7N0	Espresso	-VR		
15	95B 885 081	Armrest	center	1	PR:N6D, 4M3
		Back seat backrest			
	95B 885 081 1D0	Black	-VC		
	95B 885 081 OW7	agate grey	-VD		
	95B 885 081 2E0	Luxor beige	-VE, VX		
(15)	95B 885 081 A	Armrest	center	1	PR:NOQ, N1B, N1M, N2S, N5U, 4M3, 5KA, 5KH
		Back seat backrest			
	95B 885 081 A 8YR	Black	-VC, VJ, VF, VI, VU, VK, FA, FL,		

Model: 95B

Model life 2014>>

Pos	Part Number	Description	Remark	Qty	Model
	95B 885 081 A PL1	agate grey	FE, FF, FN, FK, TR, TS, VK		
	95B 885 081 A 9H6	Luxor beige	-VD, VG, VL -VE, VH, VM, VP, VX, VZ		
	95B 885 081 A OG3	Carrera Red	-VO		
	95B 885 081 A OK6	saddle brown	-VN		
	95B 885 081 A PQ4	flint grey	-VQ		
(15)	95B 885 081 B	Armrest	center	1	PR:N1A,N1P, 4M3
		Back seat backrest			
	95B 885 081 B 8C0	Espresso	-VR		
(15)	95B 885 081 C	Armrest	center	1	PR:N6D,4M0
		Back seat backrest			
		No longer use the part here			
	95B 885 081 C 1D0	Black	-VC		
	95B 885 081 C OW7	agate grey	-VD		
	95B 885 081 C 2E0	Luxor beige	-VE, VX		
(15)	95B 885 081 D	Armrest	center	1	PR:NOQ,N4M, N5U,4M0,5KA, 5KH
		Back seat backrest			
		No longer use the part here			
	95B 885 081 D 8YR	Black	-VC, VJ, VF, VI, VU, VK		
	95B 885 081 D PL1	agate grey	-VD, VG, VL		
	95B 885 081 D 9H6	Luxor beige	-VE, VH, VM, VP, VX, VZ		
	95B 885 081 D OG3	Carrera Red	-VO		
	95B 885 081 D OK6	saddle brown	-VN		
	95B 885 081 D PQ4	flint grey	-VQ		
(15)	95B 885 081 E	Armrest	center	1	PR:N1A,N1P, 4M0
		Back seat backrest			
		No longer use the part here			
	95B 885 081 E 8C0	Espresso	-VR		
(15)	95B 885 081 F	Armrest	center	1	PR:N6D,4M3
		Back seat backrest			
	95B 885 081 F 1D0	Black	-VC		
	95B 885 081 F OW7	agate grey	-VD		
	95B 885 081 F 2E0	Luxor beige	-VE, VX		
(15)	95B 885 081 G	Armrest	center	1	PR:NOQ,N1B, N1M,N5U,N4M, 4M3,5KA,5KH
		Back seat backrest			
	95B 885 081 G 8YR	Black	-VC, VJ, VF, VI, VU, VK		
	95B 885 081 G PL1	agate grey	-VD, VG, VL		
	95B 885 081 G 9H6	Luxor beige	-VE, VH, VM, VP, VX, VZ		
	95B 885 081 G OG3	Carrera Red	-VO		
	95B 885 081 G OK6	saddle brown	-VN		
	95B 885 081 G PQ4	flint grey	-VQ		
(15)	95B 885 081 H	Armrest	center	1	PR:N1A,N1P, 4M3
		Back seat backrest			
	95B 885 081 H 8C0	Espresso	-VR		
		D >> - 16.02.2016			
16	95B 885 501	rear panel	left	1	
		backrest frame			
(16)	95B 885 502	rear panel	right	1	
		backrest frame			
17	95B 885 070	rear panel	center	1	
		backrest frame			

Model: 95B Model life 2014>>

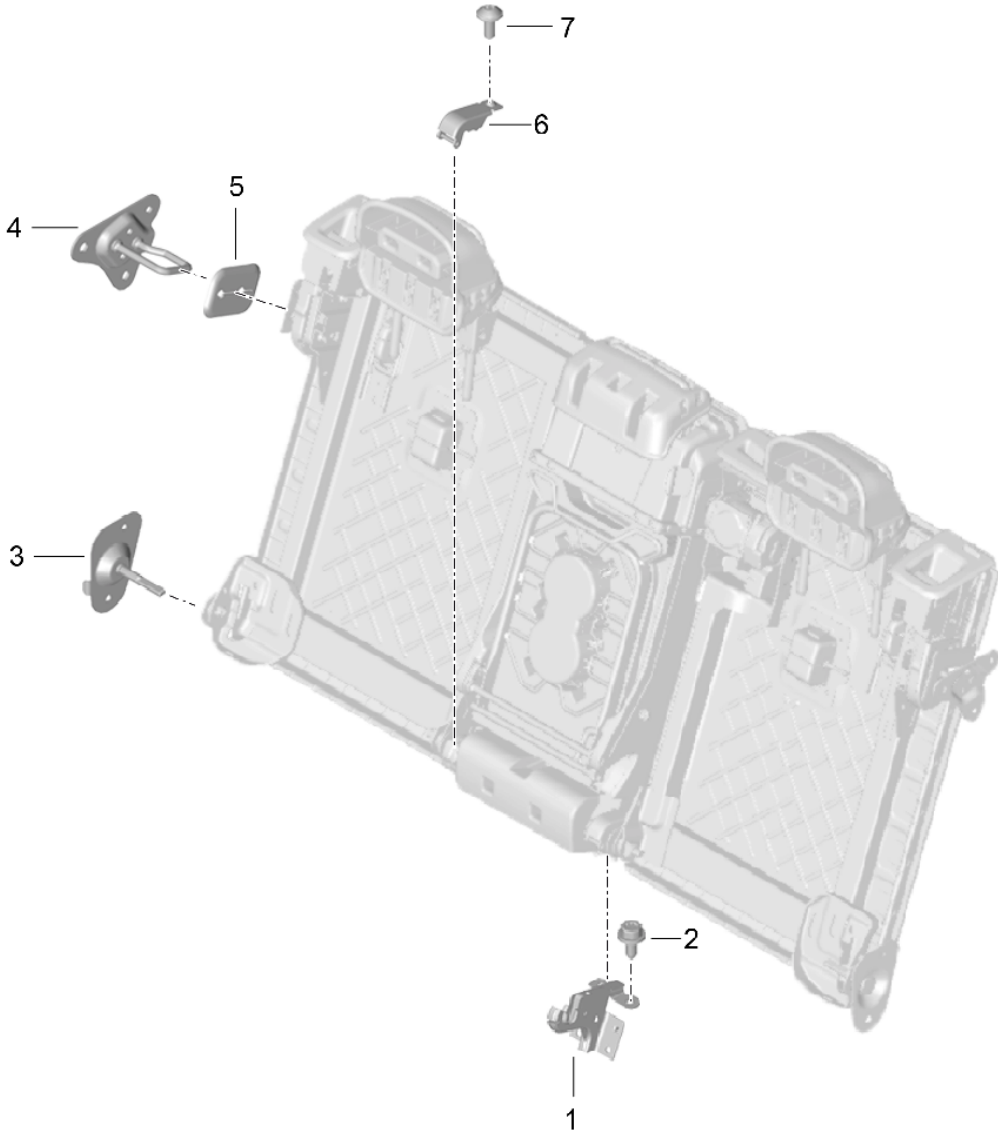
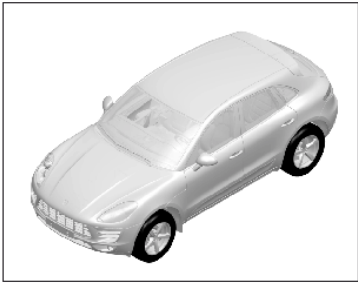
Pos	Part Number	Description	Remark	Qty	Model
18	958 522 301 00	Armrest Cover cap Rear panel trim Net partition For child seat mounting		1	PR:B0A,B0N, B0L,B0M,B1C, B1D,B1P,B2A, B2G,B2H
	958 522 301 00 82V	Titan black	-VC,VJ,VF,VI, VU,VK,VO,VX, VZ		
	958 522 301 00 OP1	agate grey	-VD,VG,VL,VQ		
	958 522 301 00 4H0	Luxor beige	-VE,VH,VM		
	958 522 301 00 OM8	saddle brown	-VN,VP		
	958 522 301 00 7N0	Espresso	-VR		
(18)	8R0 887 301 B	Cover cap Rear panel trim Net partition For child seat mounting		1	PR:B0D,B0E, B0R
	8R0 887 301 B 82V	Titan black	-VC,VJ,VF,VI, VU,VK,VO,VX, VZ		
	8R0 887 301 B OP1	agate grey	-VD,VG,VL,VQ		
	8R0 887 301 B 4H0	Luxor beige	-VE,VH,VM		
	8R0 887 301 B OM8	saddle brown	-VN,VP		
	8R0 887 301 B 7N0	Espresso	-VR		
20	95B 885 753	covering rear panel	left	1	
	95B 885 753 ZG1	Black	-VC,VJ,VF,VI, VU,VK,VO,VX, VZ		
	95B 885 753 ZP4	agate grey	-VD,VG,VL,VQ		
	95B 885 753 ZN3	Luxor beige	-VE,VH,VM		
	95B 885 753 ZR5	saddle brown	-VN,VP		
	95B 885 753 OF2	Espresso	-VR		
20	95B 885 754	covering rear panel	right	1	
	95B 885 754 ZG1	Black	-VC,VJ,VF,VI, VU,VK,VO,VX, VZ		
	95B 885 754 ZP4	agate grey	-VD,VG,VL,VQ		
	95B 885 754 ZN3	Luxor beige	-VE,VH,VM		
	95B 885 754 ZR5	saddle brown	-VN,VP		
	95B 885 754 OF2	Espresso	-VR		
21	95B 885 754	covering rear panel	right	1	
	95B 885 754 ZG1	Black	-VC,VJ,VF,VI, VU,VK,VO,VX, VZ		
	95B 885 754 ZP4	agate grey	-VD,VG,VL,VQ		
	95B 885 754 ZN3	Luxor beige	-VE,VH,VM		
	95B 885 754 ZR5	saddle brown	-VN,VP		
	95B 885 754 OF2	Espresso	-VR		
22	95B 885 611	covering rear panel	center	1	
	95B 885 611 ZG1	Black	-VC,VJ,VF,VI, VU,VK,VO,VX, VZ		
	95B 885 611 ZP4	agate grey	-VD,VG,VL,VQ		
	95B 885 611 ZN3	Luxor beige	-VE,VH,VM		
	95B 885 611 ZR5	saddle brown	-VN,VP		
	95B 885 611 OF2	Espresso	-VR		
23	95B 883 481	backrest lock	Folding	1	
24	95B 886 165 A	Backrest release	also use: 95B 898 107 center Folding	1	

Model: 95B Model life 2014>>

Pos	Part Number	Description	Remark	Qty	Model
25	95B 885 828 C	Armrest cover (leatherette)	upper	1	PR:N6D,5KA
	95B 885 828 C 1D0	Black	-VC		
	95B 885 828 C OW7	agate grey	-VD		
	95B 885 828 C 2E0	Luxor beige	-VE,VX		
(25)	95B 885 828 D	Armrest cover (smooth leather)	upper	1	PR:N4M,5KA, 5KH
	95B 885 828 D 8YR	Black	-VC,VJ,VF,VI, VU,VK		
	95B 885 828 D PL1	agate grey	-VD,VG,VL		
	95B 885 828 D 9H6	Luxor beige	-VE,VH,VM,VP, VX,VZ		
	95B 885 828 D OK6	saddle brown	-VN		
	95B 885 828 D OG3	Carrera Red	-VO		
	95B 885 828 D PQ4	flint grey	-VQ		
(25)	95B 885 828 E	Armrest cov. (genuine leather)	upper	1	PR:N1A,N1P, 5KA,5KH
	95B 885 828 E 8C0	Espresso	-VR		
26	95B 885 777	Foam part Armrest	upper	1	
27	958 522 302 00	Trim Rear panel trim Net partition		2	
	958 522 302 00 82V	Titan black	-VC,VX,VF,VI, VU,VZ,FA,FL, FE,FF,FN,FK, TR,TS,VK,VO		
	958 522 302 00 4H0	Luxor beige	-VE,VH,VM,FC, FH,VM		
	958 522 302 00 7N0	Espresso	-VR		
	958 522 302 00 OP1	agate grey	-VD,VG,FB,FM, VL,VQ		
	958 522 302 00 OM8	saddle brown	-FI,VN,VP		
28	95B 898 107	repair set seat release	rear	1	

Model: 95B

Model life 2014>>

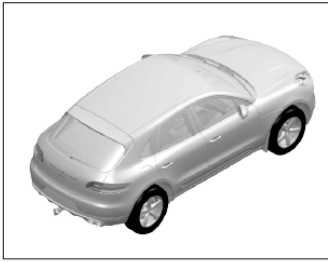


Model: 95B Model life 2014>>

Pos	Part Number	Description	Remark	Qty	Model
1	95B 886 185	Bracket backrest and frame for seat Mounting Fasteners Mounting	left	1	
(1)	95B 886 186	Bracket Mounting Bracket	center right center	1	
2	N 907 870 03	Socket head bolt with inner multipoint head (Kombi) Mounting	left a. right	1	
3	95B 886 174	Mounting backrest Wheel housing	right	1	
(3)	95B 886 173	Mounting backrest Wheel housing	left	1	
4	95B 886 162	Mounting backrest c-pillar	right	1	
(4)	95B 886 161	Mounting backrest c-pillar	left	1	
5	95B 885 678	Grommet Mounting c-pillar	left a. right	1	
	95B 885 678 1E0	Black	-VC, VJ, VF, VI, VU, VK, VO		
	95B 885 678 OP1	agate grey	-VD, VG, VL		
	95B 885 678 4H0	Luxor beige	-VE, VH, VM, VP, VX, VZ		
	95B 885 678 OM8	saddle brown	-VN		
	95B 885 678 OV4	flint grey	-VQ		
	95B 885 678 7N0	Espresso	-VR		
6	95B 886 617 A	Striker Mounting	right center	1	
(6)	95B 886 617	Striker Mounting	left center	1	
7	N 907 378 03	Hexagon socket flat head bolt Striker Mounting	left a. right center	1	

Model: 95B

Model life 2014>>



Model: 95B

Model life 2014>>

Pos	Part Number	Description	Remark	Qty	Model
1	95B 898 375	1 set of lock cylinders with handheld trans. & emerg. key comprising: Lock cylinder for glove compartment flap Mounting bar Lock cylinders emergency key Key fob Handheld transmitter	lhd	1	ECE PR: 4K0, 4K3, L0L
(1)	95B 898 375 A	When ordering, provide vehicle identification number. 1 set of lock cylinders with handheld trans. & emerg. key	lhd	1	ECE PR: 4F2, 4F6, L0L
(1)	95B 898 375 B	When ordering, provide vehicle identification number. 1 set of lock cylinders with handheld trans. & emerg. key	rhd	1	ECE PR: 4K0, 4K3, L0R
(1)	95B 898 375 C	When ordering, provide vehicle identification number. 1 set of lock cylinders with handheld trans. & emerg. key	rhd	1	ECE PR: 4F2, 4F6, L0R
(1)	95B 898 375 F	When ordering, provide vehicle identification number. 1 set of lock cylinders with handheld trans. & emerg. key	rhd	1	USA PR: 4K0, 4K3, L0R
(1)	95B 898 375 G	When ordering, provide vehicle identification number. 1 set of lock cylinders with handheld trans. & emerg. key	rhd	1	USA PR: 4F2, 4F6, L0R
(1)	95B 898 375 H	When ordering, provide vehicle identification number. 1 set of lock cylinders with handheld trans. & emerg. key	lhd	1	Japan PR: 4K0, 4K3, L0L
(1)	95B 898 375 J	When ordering, provide vehicle identification number. 1 set of lock cylinders with handheld trans. & emerg. key	lhd	1	Japan PR: 4F2, 4F6, L0L
(1)	95B 898 375 K	When ordering, provide vehicle identification number. 1 set of lock cylinders with handheld trans. & emerg. key	rhd	1	Japan PR: 4K0, 4K3, L0R
(1)	95B 898 375 L	When ordering, provide vehicle identification number. 1 set of lock cylinders with handheld trans. & emerg. key	rhd	1	Japan PR: 4F2, 4F6, L0R
(1)	95B 898 375 M	When ordering, provide vehicle identification number. 1 set of lock cylinders with handheld trans. & emerg. key	lhd	1	Korea PR: 4K0, 4K3, L0L

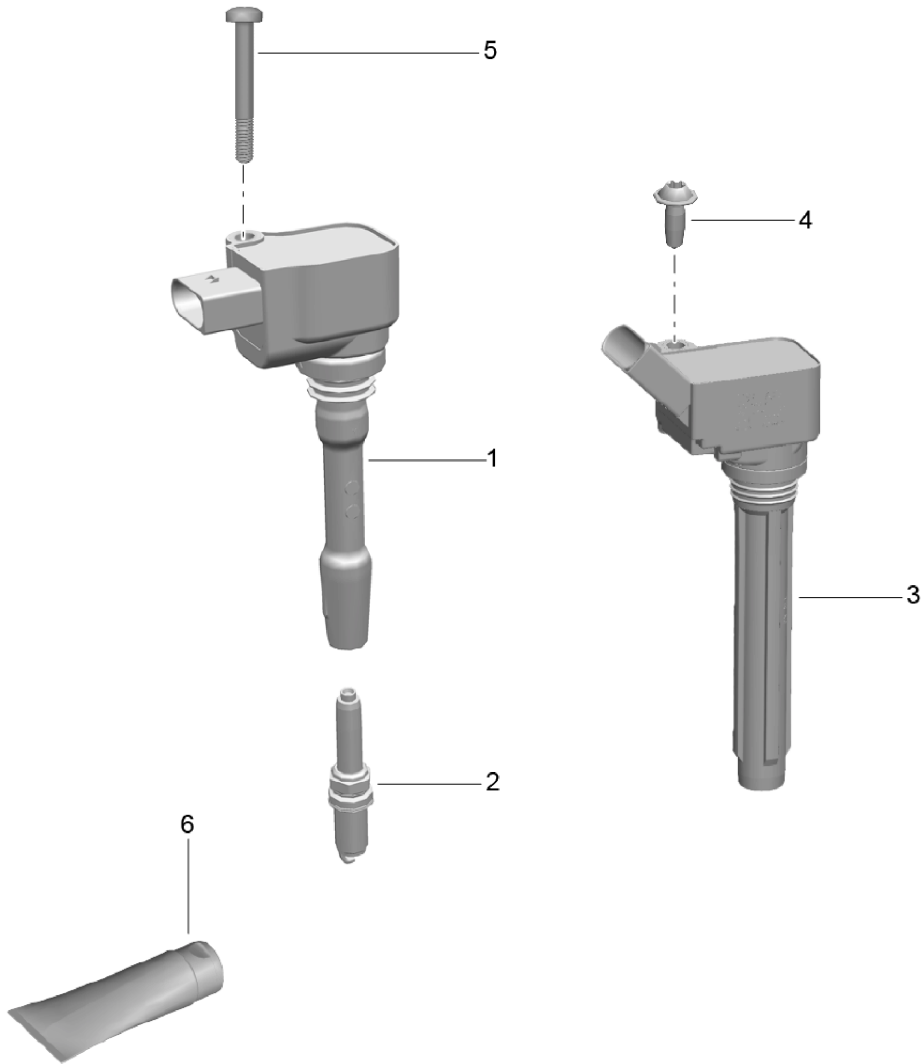
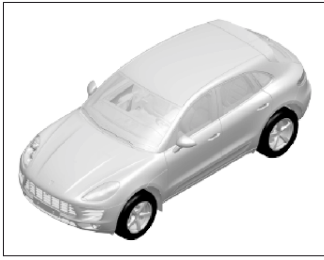
Model: 95B

Model life 2014>>

Pos	Part Number	Description	Remark	Qty	Model
(1)	95B 898 375 N	When ordering, provide vehicle identification number. 1 set of lock cylinders with handheld trans. & emerg. key	lhd	1	Korea PR:4F2,4F6, L0L
(1)	95B 898 375 P	When ordering, provide vehicle identification number. 1 set of lock cylinders with handheld trans. & emerg. key	rhd	1	Korea PR:4K0,4K3, L0R
(1)	95B 898 375 Q	When ordering, provide vehicle identification number. 1 set of lock cylinders with handheld trans. & emerg. key When ordering, provide vehicle identification number.	rhd	1	Korea PR:4F2,4F6, L0R

Model: 95B

Model life 2014>>



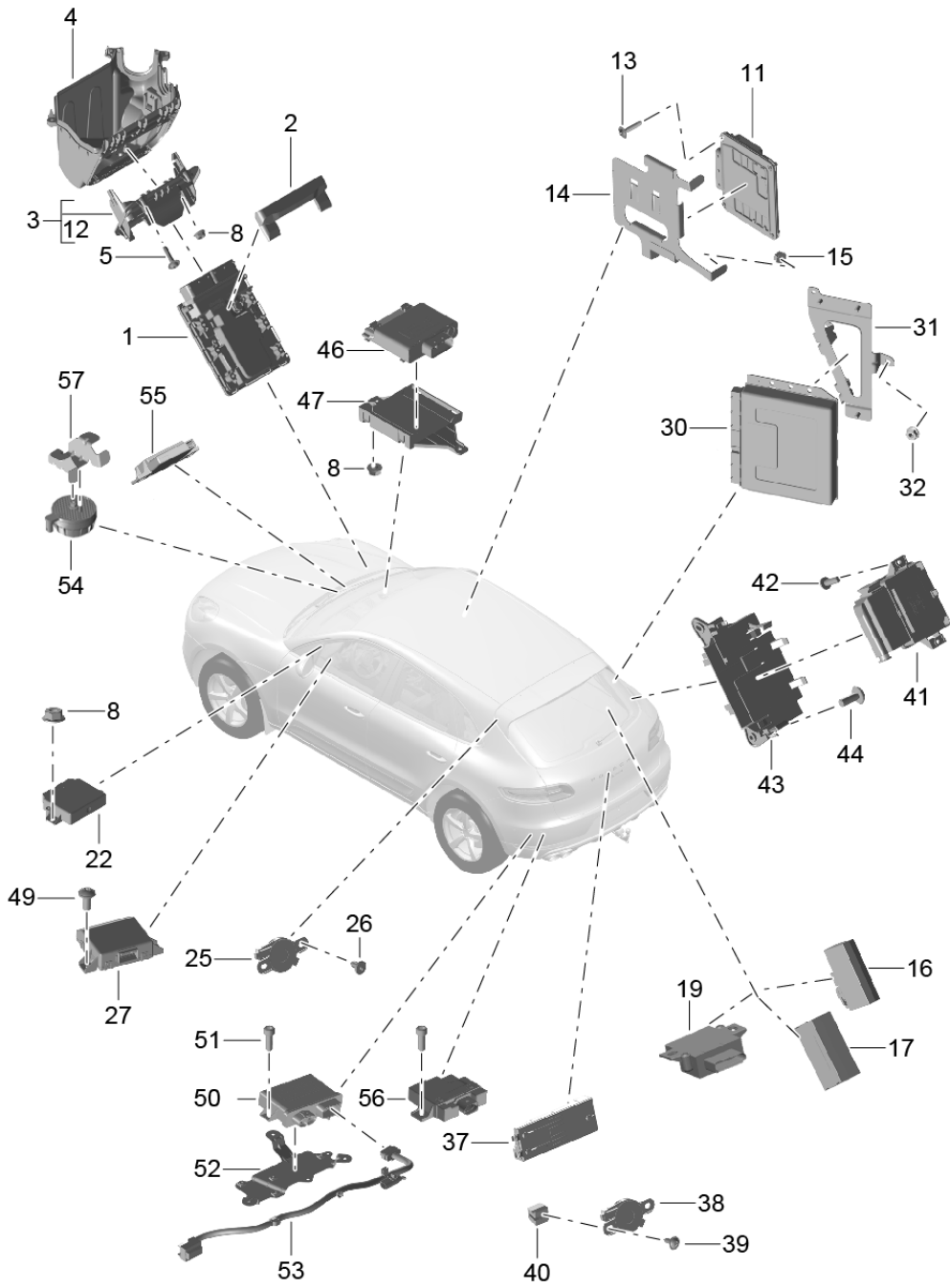
Model: 95B

Model life 2014>>

Pos	Part Number	Description	Remark	Qty	Model
1	946 602 104 00	Ignition system Ignition coil Discontinued part		X	CTMA, CTM, DHKA, DHK, DCNA, DCN
1	946 602 104 01	Ignition coil Discontinued part		X	CTMA, CTM, DHKA, DHK, DCNA, DCN
1	946 602 104 02	Ignition coil		X	CTMA, CTM, DHKA, DHK, DCNA, DCN
2	999 170 233 90	Spark plug FR5 NPP		6	CTMA, CTM, CTLA, CTL
(2)	958 170 320 91	Glow plug		6	DIESEL CDUD, CTBA, CTBB, CTBC
(2)	999 170 233 90	Spark plug FR5 NPP		6	CTMA, CTM, CTLA, CTL, DCNA, DCN, DHKA, DHK
(2)	958 905 601 00	Spark plug NGK		4	R4 TFSI
3	958 905 110 00	Ignition coil D >> - MJ 2015	also use: 000 043 210 83	X 4	R4 TFSI
3	958 905 110 01	Ignition coil D - MJ 2016>>		4	R4 TFSI
4	N 909 252 02	Hexagon socket head collared bolt, thread forming M 6 X 16		4	CNCC, CNC, CYNA, CYNB
5	999 073 703 01	flat round head bolt M 6 X 46,5		6	CTLA, CTL, DHKA, DHK, CTMA, CTM, DCNA, DCN
6	000 043 210 83	grease for Ignition coil 958.905.110.01 D - MJ 2016>>		1	CNCC, CNC, CYNA, CYNB

Model: 95B

Model life 2014>>



Model: 95B

Model life 2014>>

Pos	Part Number	Description	Remark	Qty	Model
		Control units Engine Gearbox Control unit for differential locks oil pump Tow hitch Reversing camera Parking aid Adaptive suspension Rear lid Electronic parking brake Fuel pump Control unit for stop-start system			
1	95B 906 022 B	Engine control unit Discontinued part	-DME-	1	CTMA,CTM, CTLA,CTL, DCNA,DCN
(1)	95B 906 022 C	Engine control unit Discontinued part	-DME-	1	CTMA,CTM, CTLA,CTL, DCNA,DCN
(1)	95B 906 022 D	Control unit	-DME-	1	CTMA,CTM, CTLA,CTL, DCNA,DCN DHKA,DHK
(1)	059 907 309	Engine control unit	-DME-	1	CDUD
(1)	059 907 309 A	Engine control unit	-DME-	1	CTBA,CTBB, CTBC
(1)	06K 907 425 B	Engine control unit	-DME-	1	CNCC,CNC, CYNA,CYNB, CYPA,CYP
2	95B 907 352 A	Sound absorber	-DME-	1	
3	8K0 907 461 D	Control unit	-DME-	1	
4		Retainer for control unit Fuse box Lower part	-DME-	1 1	
5	N 910 252 01	see illustration: panel screw M6 X 30	902-008	4	
8	N 015 082 10	Hexagon collar nut M 6		2	
11	95B 927 771 C	Control unit for differential locks		1	PR:1Y1
(11)	95B 927 771 H	Control unit for differential locks		1	PR:1Y1
12	8K0 907 461 D	Retainer for control unit		1	PR:1Y1
(12)	95B 907 471	Bracket		1	PR:1Y1,L0R
13	N 910 252 01	panel screw M6X30		4	
14	95B 907 331	Bracket		1	PR:1Y1
15	N 015 082 10	Hexagon collar nut M6		2	PR:1Y1
16	4H0 907 383 L	Control unit for trailer detection		1	PR:1D3
(17)	7PP 907 556 AA	Tow hitch Control unit for camera TOP-VIEW		1	PR:8A4
19	4G0 906 093 H	Control unit for fuel pump		1	PR:2G0,2G1, 2G7
(19)	4G0 906 093 J	Control unit for fuel pump		1	PR:2G4
22	95B 919 475 A	Control unit for parking aid		1	PR:7X2,7X8, 8A4

Model: 95B

Model life 2014>>

Pos	Part Number	Description	Remark	Qty	Model
(22)	95B 919 475 L	D >> - MJ 2016 Control unit for parking aid		1	PR:7X2,7X8, 8A4
25	8E0 919 279	D - MJ 2017>> Warning buzzer Parking aid		1	PR:4E7
26	N 911 635 01	Spreader rivet		3	PR:7X2,7X8
27	95B 907 530 C	Control unit	GATEWAY	1	
27	95B 907 530 F	D >> - MJ 2016 Control unit	GATEWAY	1	
30		D - MJ 2016>> Control unit Adaptive suspension		1	PR:1BK
(30)		see illustration: Control unit Adaptive suspension	606-000	1	PR:1BH
31		see illustration: Bracket	606-000	1	PR:1BK,1BH
32		see illustration: Hexagon nut	606-000	1	
37	7P5 959 107 E	see illustration: Control unit	606-000	6	PR:1BK,1BH
38	8E0 919 279	Control unit Rear lid Warning buzzer Parking aid		1	PR:4E7
39	N 909 868 03	Hexagon socket head panel bolt ST 4,2 X 13		2	PR:4E7
40	N 905 410 01	expanding nut		2	PR:4E7
41	95B 907 801 B	Control unit Electronic parking brake		1	
42	N 101 243 09	Oval hexagon socket head bolt M 6 X 20		2	
43	95B 907 371 C	Retainer for control units Electronic parking brake		1	
44	N 106 320 03	Oval socket head bolt with hex drive M 6 X 20		2	
46	8K0 959 663	Voltage stabiliser Voltage converter		1	PR:7L4,7L8
47	8R0 907 371	For start-stop system Retainer for control unit Voltage converter		1	PR:7L4,7L8
49	N 909 446 04	For start-stop system Oval hexagon socket head bolt M5X12		1	
50	4G0 907 355 C	Control unit for reduction agent metering system Exhaust gas treatment system		1	PR:1E9
51	N 105 464 03	Hexagon socket head bolt M6X16		2	
52	95B 201 187	D - MJ 2015>> Retainer for control units Exhaust gas treatment system		1	PR:1E9
53	95B 971 765	D - MJ 2015>> Wire set Control unit for exhaust reduction		1	PR:1E9
54	4H0 907 601 D	To Pump Actuator for impact sound Engine sound system		1	PR:2HB
55	8R0 907 159 D	Control unit		1	PR:2HB

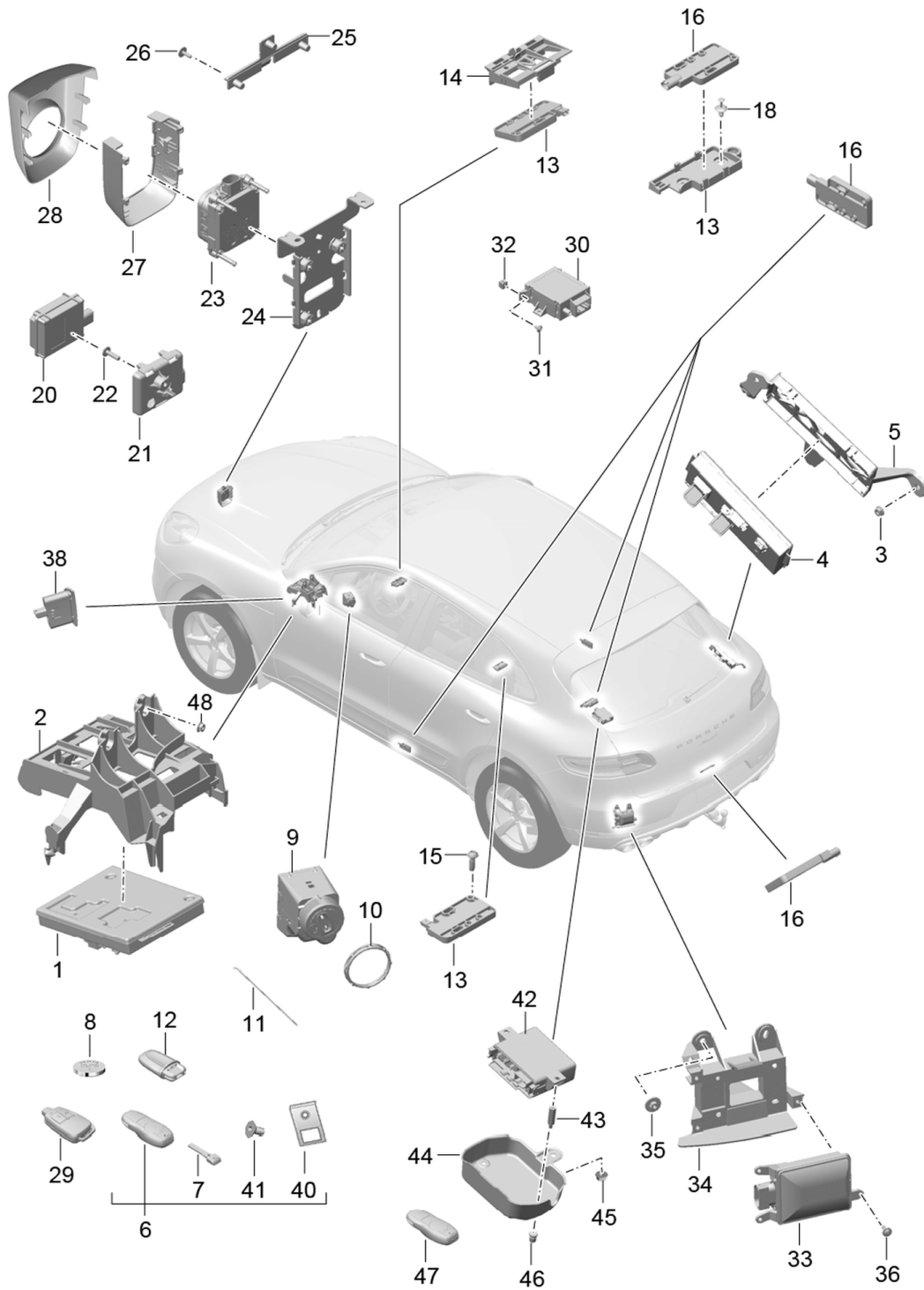
Model: 95B

Model life 2014>>

Pos	Part Number	Description	Remark	Qty	Model
(55)	95B 907 159	impulse sender Engine sound system Control unit		1	PR:E0W
(55)	95B 907 159 A	impulse sender Engine sound system Control unit		1	
56	8R0 907 160 C	impulse sender Engine sound system Control unit exhaust system	Sports version	1	PR:0P8,0P9
57	95B 805 345	Bracket impulse sender Engine sound system		1	PR:2HB

Model: 95B

Model life 2014>>



Model: 95B Model life 2014>>

Pos	Part Number	Description	Remark	Qty	Model
		Control units Front end Rear end Ignition/starter switch Handheld transmitter for vehicles with radio controlled garage door opener For radio receiver Auxiliary heater Aerial Control unit for lane change assist			
1	7PP 907 064 HJ	Control unit (BCM) for conv. system & OB power supply Front end		1	PR:4K3,5D8
1	7PP 907 064 HK	Control unit (BCM) for conv. system & OB power supply Front end		1	PR:4K3,5D1
1	7PP 907 064 HL	Control unit (BCM) for conv. system & OB power supply Front end		1	PR:4K0,4K3, 5D2,5D3
1	7PP 907 064 HM	Control unit (BCM) for conv. system & OB power supply Front end		1	PR:4F2,5D8
1	9A7 907 064 10	Control unit (BCM) for conv. system & OB power supply Front end		1	PR:4F2,5D8
1	7PP 907 064 HN	Control unit (BCM) for conv. system & OB power supply Electric Front end		1	PR:4F2,5D1
1	9A7 907 064 20	Control unit (BCM) for conv. system & OB power supply Front end		1	PR:4F2,5D1
1	7PP 907 064 HP	Control unit (BCM) for conv. system & OB power supply Electric Front end		1	PR:4F2,4F6, 5D2,5D3
(1)	9A7 907 064 30	Control unit (BCM) for conv. system & OB power supply Front end		1	PR:4F2,4F6, 5D2,5D3
(1)	9A7 907 064 02	Control unit (BCM) for conv. system & OB power supply Front end		1	PR:4F2,4F6, 5D2,5D3
2	95B 907 461	Retainer for control units Front end	lhd	1	PR:L0L
2	95B 907 461 A	Retainer for control units Front end	rhd	1	PR:L0R
3	N 015 082 10	Hexagon collar nut M6		X	
4	958 618 279 15	Control unit (BCM) for conv. system & OB power supply 7PP.907.279.BG Rear end		1	
5	95B 907 462 A	Retainer for control units Rear end		1	
6	958 637 946 02	Handheld transmitter When ordering, provide vehicle identification number.		1	PR:5D1
(6)	958 637 946 03	D >> - 06.11.2016 Handheld transmitter When ordering, provide vehicle identification number.		1	PR:5D1

Model: 95B

Model life 2014>>

Pos	Part Number	Description	Remark	Qty	Model
(6)	958 637 950 02	D - 07.11.2016>> Handheld transmitter When ordering, provide vehicle identification number. D >> - 06.11.2016		1	PR:5D8
(6)	958 637 950 03	Handheld transmitter When ordering, provide vehicle identification number. D - 07.11.2016>>		1	PR:5D8
(6)	958 637 948 02	Handheld transmitter When ordering, provide vehicle identification number. D >> - 06.11.2016		1	PR:5D3
(6)	958 637 948 03	Handheld transmitter When ordering, provide vehicle identification number. D - 07.11.2016>>		1	PR:5D3
(6)	958 637 947 02	Handheld transmitter When ordering, provide vehicle identification number. D >> - 06.11.2016		1	PR:5D2
(6)	958 637 947 03	Handheld transmitter When ordering, provide vehicle identification number. D - 07.11.2016>>		1	PR:5D2
7	958 538 916 00	emergency key MIT BESTIMMTER SCHLIESSUNG When ordering, provide vehicle identification number.		1	
8	999 611 108 00	Battery for hand sender		1	
9	7PP 905 865 F	Control unit Ignition/starter switch D >> - 02.10.2016		1	
10	7PP 911 094	Nut		1	
11	7PP 907 256	Emergency operation Release element Ignition/starter switch		1	
12	7PP 919 157 A	Control panel		1	
13	7PP 962 132 A	Aerial dashboard and Centre console		2	PR:4F2,4F6
14	95B 962 283 C	bracket for dash panel KESSY		1	PR:4F2,4F6
15	N 104 159 03	Oval hexagon socket head bolt M 4 X 12		4	
16	7PP 962 132	Aerial Side member	Luggage comp. rear	4	PR:4F2,4F6
17	95B 962 283	Bracket Aerial	Luggage comp.	1	PR:4F2,4F6
18	N 911 585 01	Spreader rivet		2	PR:4F2,4F6
20	8K0 907 410	Control unit for opening garage door		1	PR:VC1
(20)	8K0 907 410 C	Control unit for opening garage door		1	PR:VC2
21	95B 907 392	Bracket Control unit for opening garage door		1	PR:VC1,VC2
22	N 106 444 04	Hexagon socket flat head bolt M6X22		1	
23	95B 907 567 B	Control unit for distance regulation	ACC	1	PR:8T3

Model: 95B

Model life 2014>>

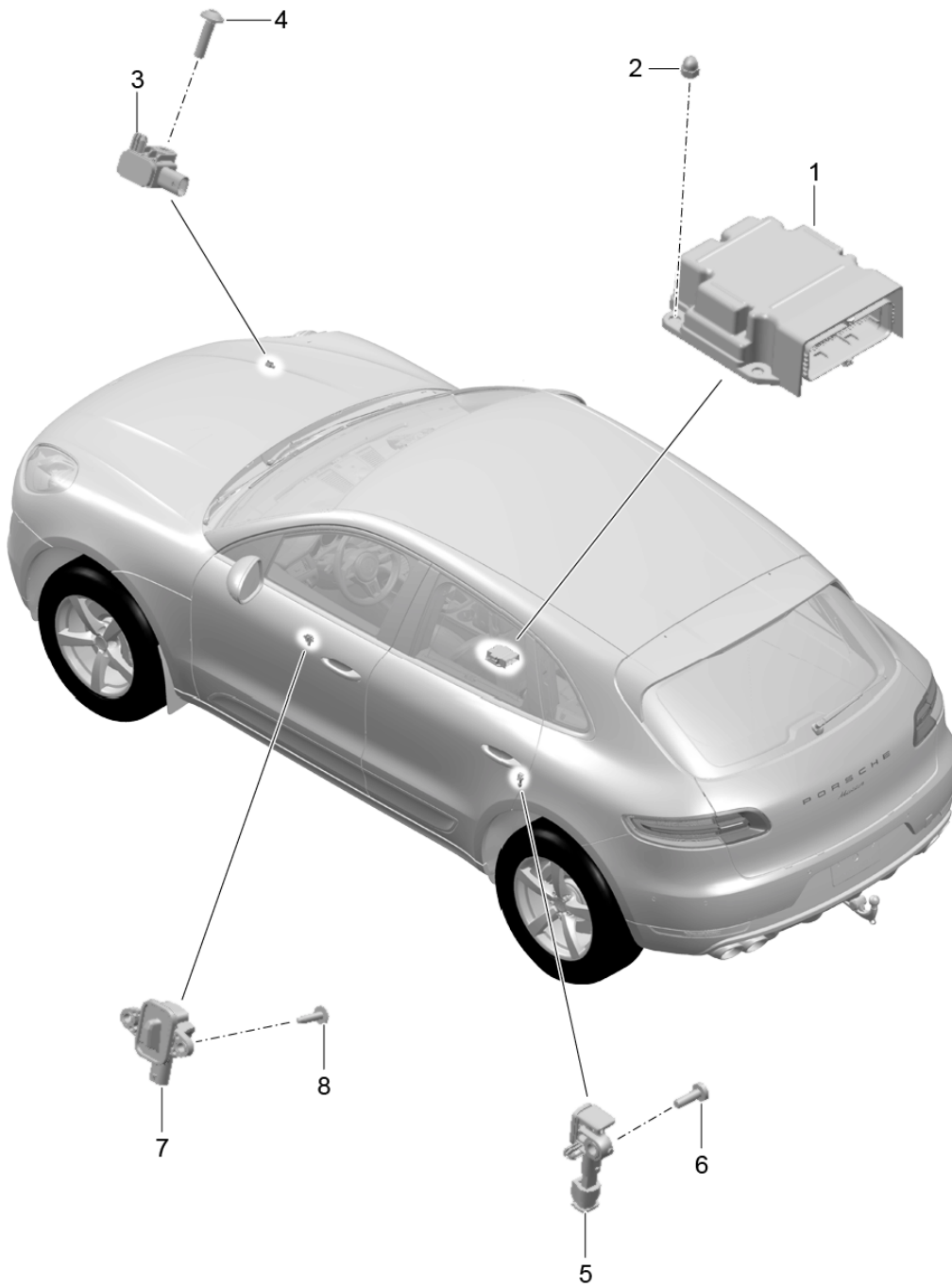
Pos	Part Number	Description	Remark	Qty	Model
24	95B 971 303 A	Retainer for control units	ACC	1	PR:8T3
-	970 605 287 00	Clip for Retainer for control unit	ACC	3	PR:8T3
-	970 605 901 00	repair set comprising: Clip adjusting screw Screw Clip	ACC	1 3 2 1 3	
25	95B 907 699	Adapter Bracket	ACC	1	PR:8T3
26	N 909 747 01	Hexagon socket head panel bolt TP5X16		3	
27	991 605 188 00 991 605 188 00 1E0	Cover panel Black distance sensor	rear	1	PR:8T3
28	95B 957 053 B 95B 957 053 B 1E0	Cover panel Black distance sensor	front	1	PR:8T3
-	999 919 257 01	fillister hd. bolt 6 X 20		2	PR:8T3
29	7PP 963 511 B	Handheld transmitter		1	PR:9M9
30	8K0 963 271	Auxiliary heater Control and receiver unit for radio-controlled aux. heater Auxiliary heater		1	PR:9M9
31	N 106 737 01	Hexagon socket flat head bolt 4,2 X 9,5		2	PR:9M9
32	N 905 410 01	expanding nut		2	PR:9M9
33	8T0 907 566 B	Control unit for lane change assist	left	1	PR:7Y1,7Y3, 7Y7
(33)	8T0 907 568 B	Control unit for lane change assist	right	1	PR:7Y1,7Y3, 7Y7
34	95B 907 509 A	Bracket For vehicles with lane change assist	left	1	PR:7Y1,7Y3
(34)	95B 907 510 A	Bracket For vehicles with lane change assist	right	1	PR:7Y1,7Y3
35	N 905 708 03	hex. nut with washer M 6		6	PR:7Y1,7Y3
36	999 073 255 09	Bolt with washer M 5 X 14		6	PR:7Y1,7Y3
38	95B 953 039	Warning light Exterior mirror For vehicles with lane change assist	left lhd	1	PR:L0L,7Y1, 7Y3
(38)	95B 953 040	Warning light Exterior mirror For vehicles with lane change assist	right lhd	1	PR:L0L,7Y1, 7Y3
(38)	95B 953 039 A	Warning light Exterior mirror For vehicles with lane change assist	left rhd	1	PR:L0R,7Y1, 7Y3
(38)	95B 953 040 A	Warning light Exterior mirror For vehicles with lane change assist	right rhd	1	PR:L0R,7Y1, 7Y3
40	991 637 301 00	Eye		1	
41	991 637 303 00	countersunk bolt		1	

Model: 95B Model life 2014>>

Pos	Part Number	Description	Remark	Qty	Model
42	7PP 035 620 J	Control unit VTS vehicle tracking		1	PR:7I2,7G9
42	9A7 637 620 01	D >> - MJ 2016 Control unit VTS vehicle tracking		1	PR:7I0,7I2, 7G9
43	7PP 971 952	D - MJ 2017>> Distance piece		2	PR:7I0,7I2, 7G9
44	95B 963 213	M 6 Retainer for control units		1	PR:7I0,7I2
45	N 015 082 10	VTS vehicle tracking Hexagon collar nut		2	
46	WHT 006 947	M6 Pull-off nut		5	
47	7PP 862 423	M 6 - SB Handheld transmitter		1	PR:7I0,7I2
-	7PP 862 077	Driver Card		1	PR:7I2
48	N 902 867 03	VTS vehicle tracking hex. nut, self-locking with washer		X	
-		M6 Aerial amplifier			
-		Auxiliary heater see illustration:	911-010		
-		Alarm horn			
-		Control unit			
-		Tilt angle sensor see illustration:	903-000		

Model: 95B

Model life 2014>>



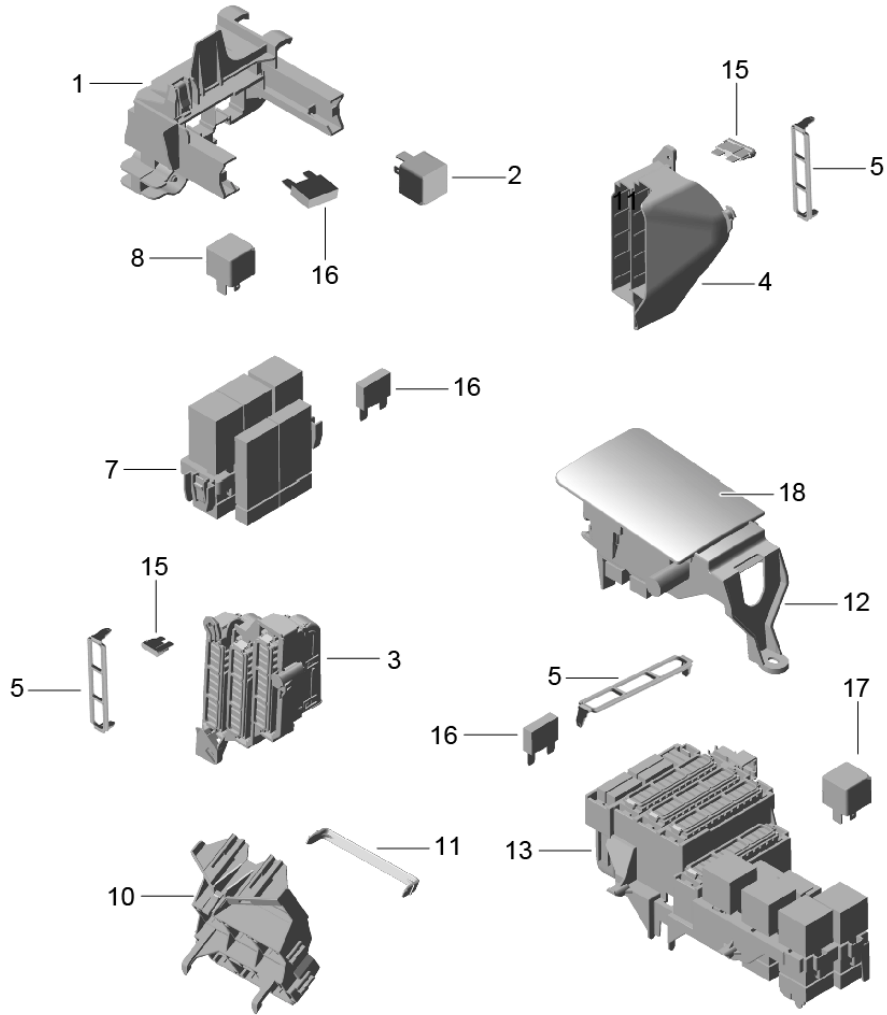
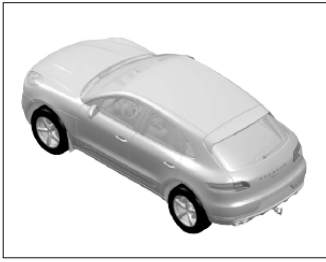
Model: 95B

Model life 2014>>

Pos	Part Number	Description	Remark	Qty	Model
-		Control unit Crash sensor for airbag Airbag Airbag unit			
-		see illustration: Switch Airbag	812-050		
1	95B 959 655 C	see illustration: Control unit for airbag D >> - 04.09.2014	903-005	1	
1	95B 959 655 D	Control unit for airbag D - 05.09.2014>>		1	
2	955 618 419 21	domed cap nut M 6		3	
3	2H0 959 652	Crash sensor for airbag		2	
4	N 106 321 02	Oval hexagon socket head bolt M 6 X 25		2	
5	958 618 222 00	Crash sensor for airbag	C-pillar	2	
6	N 101 961 03	fillister head bolt with multi-point socket head M 6 X 18		2	
7	4H0 955 557	Pressure sensor doors		2	
8	N 106 847 01	Oval hexagon socket head bolt M 6 X 20		4	

Model: 95B

Model life 2014>>



Model: 95B

Model life 2014>>

Pos	Part Number	Description	Remark	Qty	Model
1	8K1 937 503 C	Fuse box relay plate	front	1	PR:L0L
(1)	4G2 937 503 A	relay plate (drivers side)	front	1	PR:L0R
2		Relay		X	
(2)	4H0 951 253 C	Relay Fanfare		1	
(2)	958 615 029 00	relay location/code no.: Relay	S1/2	1	
(2)	999 607 011 00	Adaptive suspension relay location/code no.:	S1/3	1	
3	8K0 971 845	fuse 40 A MAXI	S1/B	1	PR:L0L
4	95B 971 846	fuse holder (passenger side)	driver side	1	PR:L0L
(4)	95B 971 846 A	fuse holder (passenger side)		1	PR:L0R
5	8K0 971 981 A	cover for fuse holder		X	
7	4F1 937 503 A	relay plate dashboard		1	
8		Relay		X	
(8)	958 615 029 00	Relay		X	
(8)	958 615 008 01	relay location/code no.: Relay	S2/2	1	
9		VAKUUMPUMPE relay location/code no.:	S2/3	X	
(9)	999 607 011 00	fuse 40A		1	
(9)	999 607 013 00	relay location/code no.: fuse 60A	S2/C	1	
10	8K0 937 545 B	relay location/code no.: bracket for connector housing	S2/D	1	
11	8D0 937 083	Retaining bar	Footwell	1	
12	8R0 937 545 A	relay plate bracket for connector housing	TRENNSTELLE	2	
13	8K0 971 845 A	Seat fuse holder	Luggage comp. right	1	
15	999 607 082 00	fuse 5 A		X	
(15)	999 607 083 00	fuse 7,5 A		X	
(15)	999 607 084 00	fuse 10 A		X	
(15)	999 607 085 00	fuse 15 A		X	
(15)	999 607 086 00	fuse 20 A		X	
(15)	999 607 088 00	fuse 30 A		X	
16	999 607 011 00	fuse 40 A		X	
(16)	999 607 012 00	fuse 50 A		X	
(16)	999 607 013 00	fuse 60 A		X	
17	958 615 029 00	Relay		1	

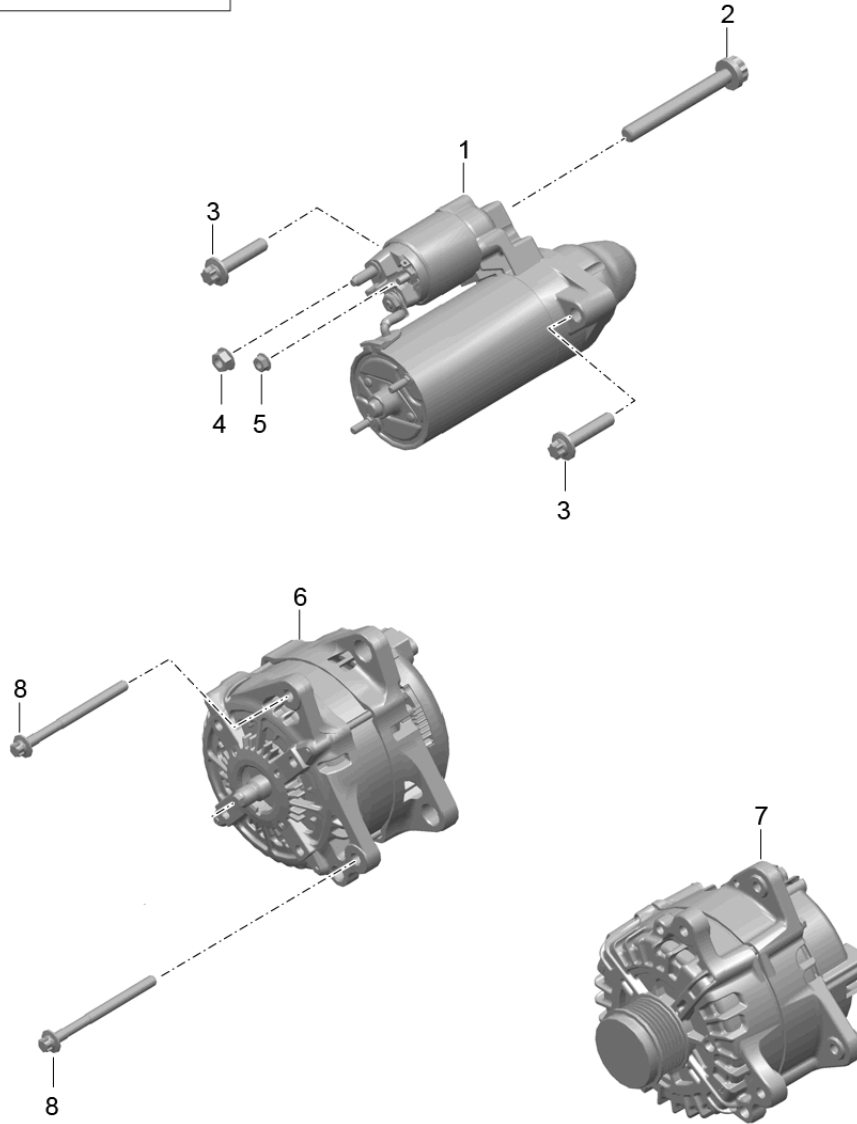
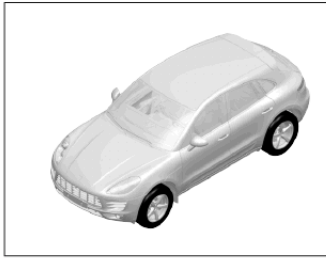
Model: 95B

Model life 2014>>

Pos	Part Number	Description	Remark	Qty	Model
(17)	958 615 010 00	Relay		1	
18	8J0 971 981	Cover cap		2	
19	N 102 615 01	flat fuse 5A	10/2x2,8	X	
(19)	N 102 615 03	flat fuse 10A	10/2x2,8	X	
(19)	N 102 615 07	flat fuse 15A	10/2x2,8	X	

Model: 95B

Model life 2014>>



Model: 95B Model life 2014>>

Pos	Part Number	Description	Remark	Qty	Model
1	948 604 214 01	Starter Alternator Earth line Starter		1	CTMA, CTM, CTLA, CTL, DCNA, DCN
1	948 604 214 AX	Starter		1	CTMA, CTM, CTLA, CTL, DCNA, DCN
(1)	059 911 022	Starter For vehicles without start-stop operation		1	CTBA, CTBB, CTBC, CDUD, CPNB+ PR: 7L7
(1)	059 911 022 X	Starter For vehicles without start-stop operation		1	CTBA, CTBB, CTBC, CDUD, CPNB+ PR: 7L7
(1)	059 911 021 K	Starter For vehicles with start-stop		1	CTBA, CTBB, CTBC, CDUD, CPNB+ PR: 7L8
(1)	059 911 021 X	Starter For vehicles with start-stop		1	CTBA, CTBB, CTBC, CDUD, CPNB+ PR: 7L8
(1)	06H 911 021 E	Starter For vehicles without start-stop operation		1	CNCC, CNC, CYPA, CYP+ PR: 7L7
(1)	06H 911 021 AX	Starter For vehicles without start-stop operation		1	CNCC, CNC, CYPA, CYP+ PR: 7L7
(1)	06H 911 021 D	Starter For vehicles with start-stop		1	CNCC, CNC, CYPA, CYP+ PR: 7L8, 7L4
(1)	06H 911 021 X	Starter For vehicles with start-stop		1	CNCC, CNC, CYPA, CYP+ PR: 7L8, 7L4
3	900 385 011 01	Torx screw BM 10 X 45		2	CTMA, CTM, CTLA, CTL, DCNA, DCN
(3)	N 103 145 06	Hex collared bolt AM10X50		1	CTBA, CTBB, CTBC, CDUD, CPNB
4	900 377 003 01	Hexagon nut M 8		2	
5	900 377 010 02	Hexagon nut M 6		1	
6	06H 903 017 K	Alternator contains additional positions: D >> - 31.08.2014	9	1	
(6)	06H 903 017 X	Alternator contains additional positions: D >> - 31.08.2014	9	1	
(6)	06H 903 018 E	Alternator contains additional positions: D - 01.09.2014>>	9	1	
(6)	06H 903 018 X	Alternator contains additional positions: D - 01.09.2014>>	9	1	
6	7PP 903 016 A	Alternator		1	CTMA, CTM, DCNA, DCN
(6)	7PP 903 016 AX	Alternator		1	CTMA, CTM, DCNA, DCN

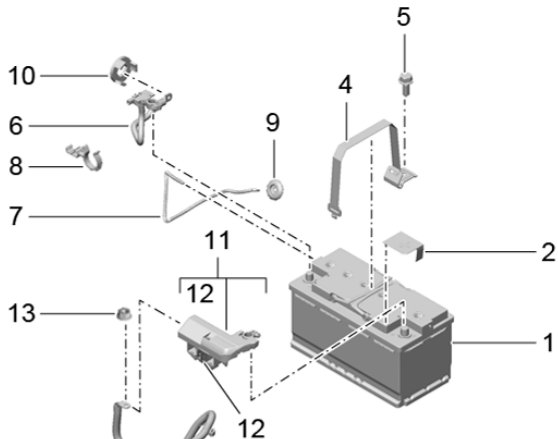
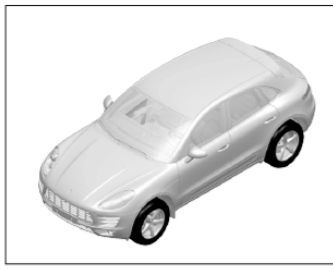
Model: 95B

Model life 2014>>

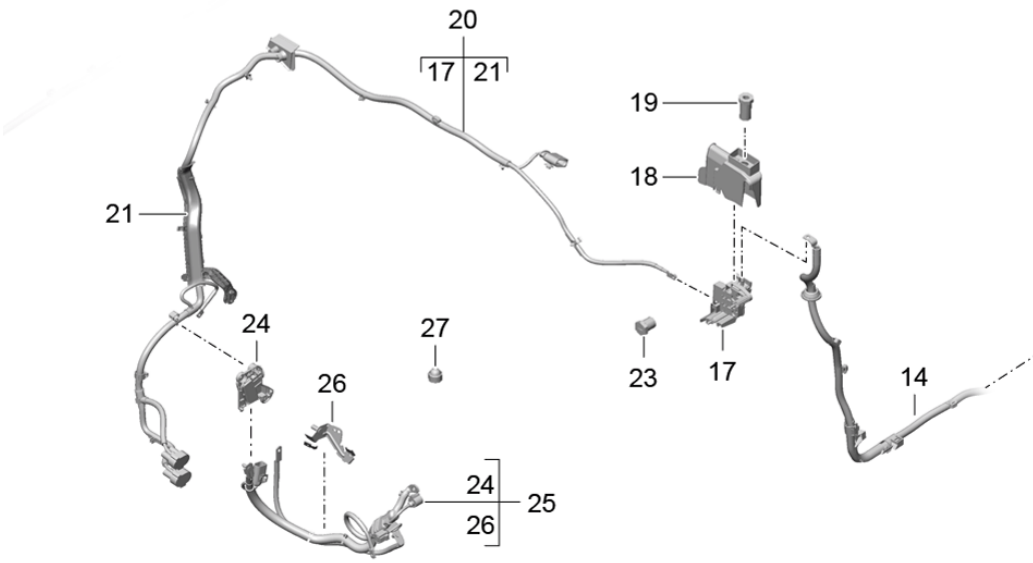
Pos	Part Number	Description	Remark	Qty	Model
7	059 903 018 Q	Alternator No longer use the part here		1	CTBA, CTBB, CTBC, CDUD, CPNB
7	059 903 018 X	3-phase alternator (water-cooled) No longer use the part here		1	CTBA, CTBB, CTBC, CDUD, CPNB
7	059 903 019 L	Alternator		1	CTBA, CTBB, CTBC, CDUD, CPNB
7	059 903 019 X	Alternator		1	CTBA, CTBB, CTBC, CDUD, CPNB
8	N 107 655 01	Hexagon socket head bolt M 8 X 85		4	CNCC, CNC
8	900 385 007 01	Torx screw BM 8 X 100		2	CTMA, CTM, CTLA, CTL, DCNA, DCN
(8)	N 106 100 01	Hex collared bolt M 8 X 90		2	CTBA, CTBB, CTBC, CDUD, CPNB
9	946 603 955 00	pulley Alternator No longer use the part here		1	

Model: 95B

Model life 2014>>



14



Model: 95B Model life 2014>>

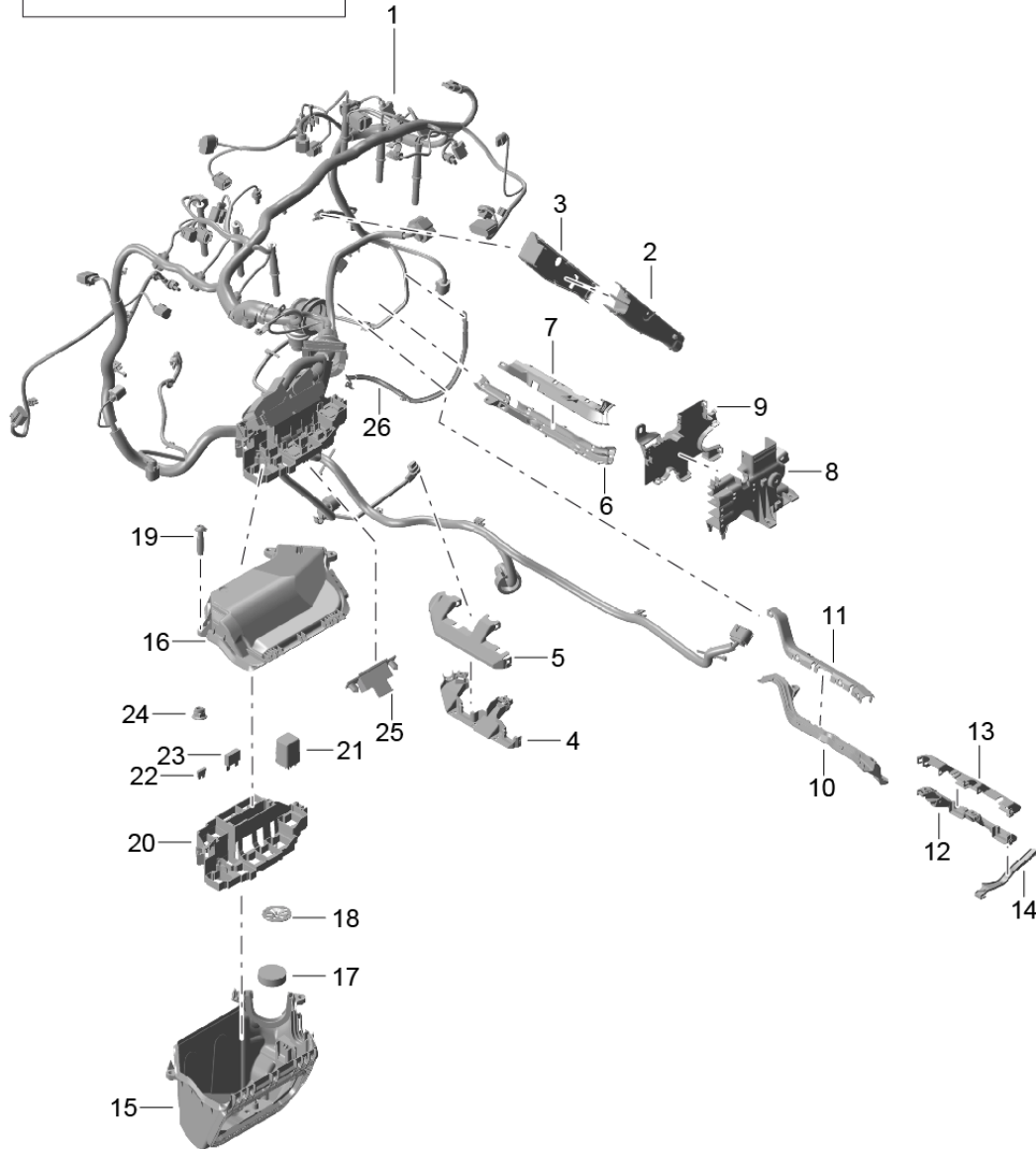
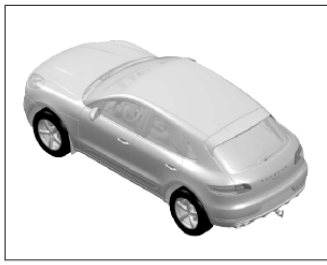
Pos	Part Number	Description	Remark	Qty	Model
(1)	958 611 075 20	Battery Wire set Battery 75AH D - MJ 2016>>		1	PR:J1N,IY2
(1)	958 611 092 21	Battery 92AH		1	PR:J0B
(1)	5GM 915 105 AC	Battery with country-specific certification 92AH		1	PR:J0B
(1)	958 611 105 21	Battery 105 AH		1	"BR." PR:J0P
(1)	5GM 915 105 AD	Battery 105 AH		1	PR:J0P "BR."
2	8K0 915 429 C	Battery pos. terminal cover	Batt. term. +	1	
4	8R0 867 749 A	Holding strap Battery		1	
5	N 107 371 01	Hex collared bolt M8 X 22		1	
6	8R0 915 181 C	Control unit for battery monitoring Battery		1	
6	9A7 915 181 30	Body Earth line Battery Body D - 30.05.2016>>		1	
7	8R0 915 531	corrugated pipe		1	
8	N 107 758 01	Cable holder		1	
9	4H0 915 143	Grommet		1	
10	6Q0 971 260	Anti-twist device		1	
11	8J0 915 459	Central protection Battery fuse		1	
12	955 611 205 00	Battery isolator Battery main switch		1	
-	N 104 249 05	fuse 110A		1	
13	N 902 955 02	Hexagon collar nut M8		1	
14	95B 971 225 C	Wire set Battery Until		1	
17	95B 937 517 B	Slave start socket Slave start socket Wire set Engine bay		1	
18	95B 937 115 A	cover for engine compartment Slave start socket		1	
19	955 611 206 00	Hexagon nut Slave start socket		1	
20	95B 971 226 E	Wire set Slave start socket To Junction		1	CNCC,CNC
20	95B 971 226 F	Wire set Slave start socket To		1	CTMA,CTM, CTLA,CTL, DCNA,DCN
(20)	95B 971 226 D	Radiator fan Connecting line Connection point To Junction		1	CTBA,CTBB, CTBC,CDUD, CPNB

Model: 95B Model life 2014>>

Pos	Part Number	Description	Remark	Qty	Model
21	95B 971 925	Cable guide Wire set		1	
23	4F0 972 501	Slave start socket contact pin		1	
24	95B 937 517 A	Slave start socket Junction	Engine bay	1	CTBA, CTBB, CTBC, CDUD, CPNB CNCC, CNC
25	95B 971 228 M	Wire set Alternator Starter		1	
(25)	95B 971 228 L	Wire set Alternator Starter		1	CTBA, CTBB, CTBC, CDUD, CPNB+ PR: 7L4, 7L8
(25)	95B 971 228 N	Wire set Alternator Starter		1	CTBA, CTBB, CTBC, CDUD, CPNB+ PR: 7L7
(25)	946 607 067 00	Wire set Alternator Starter		1	CTMA, CTM, CTLA, CTL, DCNA, DCN
26	8K0 971 502 AB	Bracket Wire set		1	CTBA, CTBB, CTBC, CDUD, CPNB
27	N 904 030 02	Cover cap M8		1	

Model: 95B

Model life 2014>>



Model: 95B Model life 2014>>

Pos	Part Number	Description	Remark	Qty	Model
-		Wire set Engine Connector housing Indiv. parts see: WWW.TKR-CONNECTOR.COM			
1	946 607 003 01	Wire set Engine D >> - MJ 2016		1	CTMA,CTM, CTLA,CTL, DCNA,DCN+ PR:L0L
1	946 607 003 02	Wire set Engine D - MJ 2017>>		1	CTMA,CTM, CTLA,CTL, DCNA,DCN+ PR:L0L
1	946 607 003 51	Wire set Engine D >> - MJ 2016		1	CTMA,CTM, CTLA,CTL, DCNA,DCN+ PR:L0R
1	946 607 003 52	Wire set Engine D - MJ 2017>>		1	CTMA,CTM, CTLA,CTL, DCNA,DCN+ PR:L0R
1	95B 971 072 AT	Wire set Engine		1	CTBA,CTBB, CTBC+
1	95B 971 072 BM	Wire set Engine	lhd	1	PR:7MM,L0L CPNB,CTBA+
1	95B 971 072 BA	Wire set Engine		1	PR:7GB,L0L CTBA,CTBB, CTBC+
1	95B 971 072 BB	Wire set Engine	lhd	1	PR:7MM,L0R CDUD+
1	95B 971 072 BC	Wire set Engine	rhd	1	PR:0GG,L0L CDUD+
1	95B 971 072 D	Wire set Engine	lhd	1	PR:0GG,L0R
1	95B 971 072 E	Wire set Engine	lhd	1	PR:7GH,7MM, L0L
1	95B 971 072 J	Wire set Engine	rhd	1	PR:7GB,L0L
2	948 607 251 00	Cable guide - upper part Sealing flange		1	PR:7GH,7MM, L0R CTMA,CTM, CTLA,CTL, DCNA,DCN
3	948 607 161 00	Cable guide - lower part Cable guide		1	CTMA,CTM, CTLA,CTL, DCNA,DCN
4	946 607 132 00	Cover for timing chain Cable guide	cylinders 1-3 outer	1	CTMA,CTM, CTLA,CTL, DCNA,DCN
5	946 607 142 00	Cover Cable guide	cylinders 1-3 outer	1	CTMA,CTM, CTLA,CTL, DCNA,DCN
6	946 607 153 00	Cable guide	cylinders 1-3 center	1	CTMA,CTM, CTLA,CTL, DCNA,DCN
7	946 607 163 00	Cover Cable guide	cylinders 1-3 center	1	CTMA,CTM, CTLA,CTL, DCNA,DCN
8	946 607 151 00	Cable guide Lower part	center	1	CTMA,CTM, CTLA,CTL, DCNA,DCN
9	946 607 161 00	Cover Cable guide	center	1	CTMA,CTM, CTLA,CTL, DCNA,DCN

Model: 95B

Model life 2014>>

Pos	Part Number	Description	Remark	Qty	Model
10	946 607 156 00	Cable guide	cylinders 4-6 center	1	CTMA,CTM, CTLA,CTL, DCNA,DCN
11	946 607 166 00	Cover Cable guide	cylinders 4-6 center	1	CTMA,CTM, CTLA,CTL, DCNA,DCN
12	946 607 131 00	Cable guide	cylinders 4-6 outer	1	CTMA,CTM, CTLA,CTL, DCNA,DCN
13	946 607 141 00	Cover Cable guide	cylinders 4-6 outer	1	CTMA,CTM, CTLA,CTL, DCNA,DCN
14	946 607 110 00	Cable clip Wire set Engine		1	CTMA,CTM, CTLA,CTL, DCNA,DCN
15	8K1 907 355 F	housing for control units Lower part		1	PR:L0L
(15)	8K2 907 355 E	housing for control units Lower part		1	PR:L0R
16	8K1 907 613 C	Cover Cover		1	PR:L0L
(16)	8K2 907 613 B	Cover Cover		1	PR:L0R
17	8K0 868 951	fleece housing		1	PR:L0L
18	N 903 350 04	Clamping washer Sound absorber		1	PR:L0L
19	N 907 315 03	Hexagon socket head panel bolt 6X25		3	
20	8K1 937 503 B	relay plate water box	front	1	PR:L0L
(20)	8K2 937 503	relay plate water box	front	1	PR:L0R
21		Relay		X	
(21)	958 618 028 00	Control unit for glow plug relay location/code no.:	S1/1	1	
(21)	958 615 029 00	Relay relay location/code no.:	S1/1	1	
(21)	4H0 951 253 C	Relay Starter relay location/code no.:	S1/2A	1	
(21)	4H0 951 253 C	Relay Starter relay location/code no.:	S1/2B	1	
(21)	958 615 008 01	Relay VAKUUMPUMPE relay location/code no.:	S1/4	1	
22	999 607 082 00	fuse 5 A		X	
(22)	999 607 083 00	fuse 7,5 A		X	
(22)	999 607 084 00	fuse 10 A		X	
(22)	999 607 085 00	fuse 15 A		X	
(22)	999 607 085 00	fuse 15 A		X	
(22)	999 607 086 00	fuse 20 A		X	
(22)	999 607 088 00	fuse 30 A		X	
23	999 607 011 00	fuse 40 A		X	

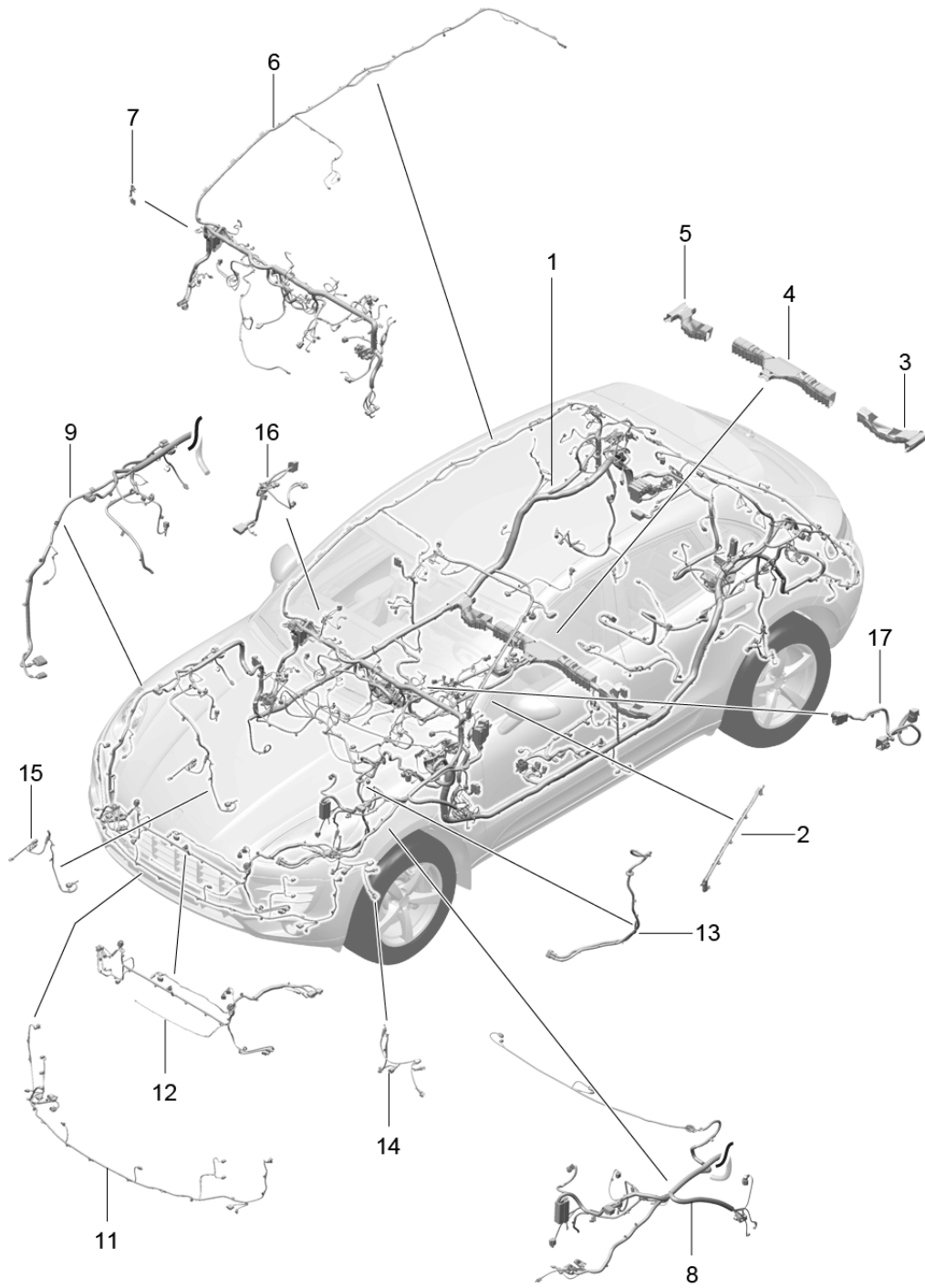
Model: 95B

Model life 2014>>

Pos	Part Number	Description	Remark	Qty	Model
24	N 102 058 02	Hexagon collar nut self-locking M 6		1	
25	8K0 971 824 B	Cable guide Suspension strut mounting		1	CTBA, CTBB, CTBC, CDUD, CPNB
26	946 607 030 00	Earth line Engine Body		1	CTLA, CTL, CTMA, CTM

Model: 95B

Model life 2014>>



Model: 95B

Model life 2014>>

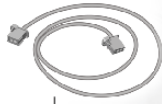
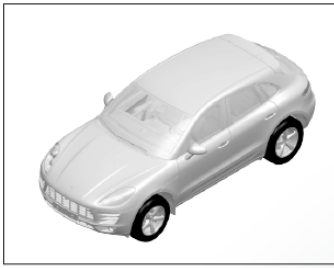
Pos	Part Number	Description	Remark	Qty	Model
-		Wire set Passenger compartment bumper Front end anti-locking brake syst. -abs- brake pad wear display Front axle Connector housing Indiv. parts see: WWW.TKR-CONNECTOR.COM			
1	95B 612 901 00	Wire set Passenger compartment When ordering, provide vehicle identification number.		1	
2	95B 971 341	Cable guide A-pillar	left	1	
3	8R0 971 821	Cable guide Heel plate	left	1	
4	8R0 971 824	Cable guide Heel plate	center	1	
5	8R0 971 822	Cable guide Heel plate	right	1	
6	95B 612 901 01	Wire set dashboard When ordering, provide vehicle identification number. modify in workshop		1	
7	95B 971 865 C	Cable guide Wire set dashboard		1	PR:L0L
7	95B 971 865 D	Cable guide Wire set dashboard		1	PR:L0R
8	95B 612 901 02	Wire set Front end section When ordering, provide vehicle identification number. modify in workshop	left	1	PR:L0L
8	95B 612 901 04	Wire set Front end section When ordering, provide vehicle identification number. modify in workshop	left	1	PR:L0R
9	95B 612 901 03	Wire set Front end section When ordering, provide vehicle identification number. modify in workshop	right	1	PR:L0L
9	95B 612 901 05	Wire set Front end section When ordering, provide vehicle identification number. modify in workshop	right	1	PR:L0R
11	95B 971 095 AF	Wire set bumper	front	1	PR:8F2,2D0, 2D8,2D7
11	95B 971 095 AK	Wire set	front	1	PR:8F2,-2D0,
(11)	95B 971 095 AJ	Wire set bumper	front	1	PR:8F5,2D0, 2D8
(11)	95B 971 095 AN	Wire set bumper	front	1	PR:8F5,-2D0, -2D8
(11)	95B 971 095 A	Wire set bumper	front	1	PR:8F2
(11)	95B 971 095 F	Wire set	front	1	PR:8F5

Model: 95B Model life 2014>>

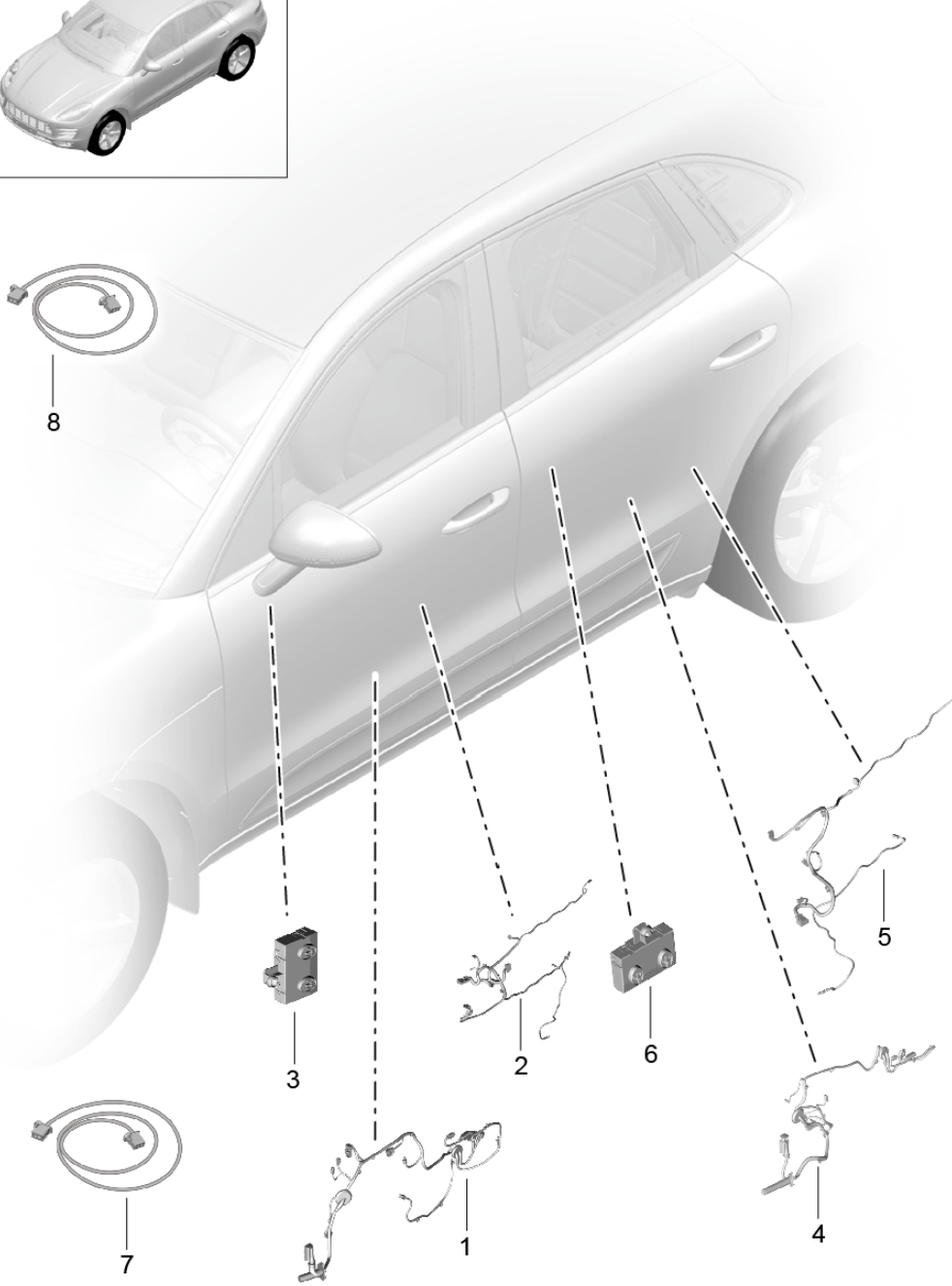
Pos	Part Number	Description	Remark	Qty	Model
12	95B 971 073 N	bumper Wire set Front end modify in workshop NEUER STRANG INDEX		1	
13	95B 971 111	Wire set Steering		1	PR:L0L
(13)	95B 971 111 B	Wire set Steering		1	PR:L0L
(13)	95B 971 111 A	Wire set Steering		1	PR:L0R
(13)	95B 971 111 C	Wire set Steering		1	PR:L0R
14	95B 972 251	Wire set anti-locking brake syst. -abs- brake pad wear display	left	1	PR:1BA,8Q2
(14)	95B 972 251 A	Wire set anti-locking brake syst. -abs- brake pad wear display	left	1	PR:1BH,1BK, 8Q2
(14)	95B 972 251 B	Wire set anti-locking brake syst. -abs- brake pad wear display	left	1	PR:8Q3
15	95B 972 252	Wire set anti-locking brake syst. -abs- brake pad wear display	right	1	PR:L0L,1BA
(15)	95B 972 252 A	Wire set anti-locking brake syst. -abs- brake pad wear display	right	1	PR:L0L,1BH, 1BK
(15)	95B 972 252 B	Wire set anti-locking brake syst. -abs- brake pad wear display	right	1	PR:L0R,1BA
(15)	95B 972 252 C	Wire set anti-locking brake syst. -abs- brake pad wear display	right	1	PR:L0R,1BH, 1BK
16	95B 971 679 A	Wire set Glove box		1	PR:9MA
(16)	95B 971 679 C	Wire set Glove box		1	PR:9MB
17	95B 971 411	Wire set Adapter Air conditioning		1	
-	N 106 478 01	Cable ties		1	
-	8E0 971 818 A	double binder cable tie with bracket for welded pin: 207,00 X 5,00		3	

Model: 95B

Model life 2014>>



8



3

2

6

5

7

1

4

Model: 95B Model life 2014>>

Pos	Part Number	Description	Remark	Qty	Model
-		Wire set Control units doors Connector housing Indiv. parts see: WWW.TKR-CONNECTOR.COM			
(1)	95B 971 029 BJ	Wire set Assembly frame Driver's door		1	PR:9VJ,4F2, 4F6,7X0,7X2, 7X8,7X9,7Y0, 7Y2,7Y6,TQ9, T8I
(1)	95B 971 029 CQ	Wire set Assembly frame Driver's door		1	PR:9VJ,4F2, 4F6,7X0,7X2, 7X8,7X9,7Y0, 7Y2,7Y6,TF1, TH1,TW6
1	95B 971 029 T	Wire set Assembly frame Driver's door		1	PR:9VJ,4F2, 4F6,7Y0,7Y2, 8A4,7X9,7Y6, TQ9,T8I
1	95B 971 029 CC	Wire set Assembly frame Driver's door		1	PR:9VJ,4F2, 4F6,7Y0,7Y2, 8A4,7X9,7Y6, TF1,TH1,TW6
(1)	95B 971 029 BM	Wire set Assembly frame Driver's door		1	PR:9VJ,4F2, 4F6,7X0,7X2, 7X8,7X9,7Y1, 7Y3,7Y7,TQ9, T8I
(1)	95B 971 029 CT	Wire set Assembly frame Driver's door		1	PR:9VJ,4F2, 4F6,7X0,7X2, 7X8,7X9,7Y1, 7Y3,7Y7,TF1, TH1,TW6
(1)	95B 971 029 AC	Wire set Assembly frame Driver's door		1	PR:9VJ,4F2, 4F6,7Y1,7Y3, 8A4,7X9,7Y7, TQ9,T8I
(1)	95B 971 029 CF	Wire set Assembly frame Driver's door		1	PR:9VJ,4F2, 4F6,7Y1,7Y3, 8A4,7X9,7Y7, TF1,TH1
(1)	95B 971 029 AQ	Wire set Assembly frame Driver's door		1	PR:9VJ,4K0, 4K3,7Y0,7Y2, 7X0,7X2,7X8, 7X9,7Y6,TQ9, T8I
(1)	95B 971 029 CJ	Wire set Assembly frame Driver's door		1	PR:9VJ,4K0, 4K3,7Y0,7Y2, 7X0,7X2,7X8, 7X9,7Y6,TF1, TH1,TW6
(1)	95B 971 029 M	Wire set Assembly frame Driver's door		1	PR:9VJ,4K0, 4K3,7Y0,7Y2, 8A4,7X9,7Y6, TQ9,T8I
(1)	95B 971 029 BQ	Wire set Assembly frame Driver's door		1	PR:9VJ,4K0, 4K3,7Y0,7Y2, 8A4,7X9,7Y6, TF1,TH1,TW6
(1)	95B 971 029 AT	Wire set Assembly frame Driver's door		1	PR:9VJ,4K0, 4K3,7X0,7X2, 7X8,7X9,7Y1,

Model: 95B Model life 2014>>

Pos	Part Number	Description	Remark	Qty	Model
(1)	95B 971 029 CM	Wire set Assembly frame Driver's door		1	7Y3, 7Y7, TQ9, T8I PR: 9VJ, 4K0, 4K3, 7X0, 7X2, 7X8, 7X9, 7Y1, 7Y3, 7Y7, TF1, TH1, TW6
(1)	95B 971 029 Q	Wire set Assembly frame Driver's door		1	PR: 9VJ, 4K0, 4K3, 7Y1, 7Y3, 8A4, 7X9, 7Y7, TQ9, T8I
(1)	95B 971 029 BT	Wire set Assembly frame Driver's door		1	PR: 9VJ, 4K0, 4K3, 7Y1, 7Y3, 8A4, 7X9, 7Y7, TF1, TH1, TW6
(1)	95B 971 029 BK	Wire set Assembly frame Driver's door		1	PR: 9VK, 4F2, 4F6, 7X0, 7X2, 7X8, 7X9, 7Y0, 7Y2, 7Y6, TQ9, T8I
(1)	95B 971 029 CR	Wire set Assembly frame Driver's door		1	PR: 9VK, 4F2, 4F6, 7X0, 7X2, 7X8, 7X9, 7Y0, 7Y2, 7Y6, TF1, TH1, TW6
(1)	95B 971 029 AA	Wire set Assembly frame Driver's door		1	PR: 9VK, 4F2, 4F6, 7Y0, 7Y2, 8A4, 7X9, 7Y6, TQ9, T8I
(1)	95B 971 029 CD	Wire set Assembly frame Driver's door		1	PR: 9VK, 4F2, 4F6, 7Y0, 7Y2, 8A4, 7X9, 7Y6, TF1, TH1, TW6
(1)	95B 971 029 BN	Wire set Assembly frame Driver's door		1	PR: 9VK, 4F2, 4F6, 7X0, 7X2, 7X8, 7X9, 7Y1, 7Y3, 7Y7, TQ9, T8I
(1)	95B 971 029 DA	Wire set Assembly frame Driver's door		1	PR: 9VK, 4F2, 4F6, 7X0, 7X2, 7X8, 7X9, 7Y1, 7Y3, 7Y7, TF1, TH1, TW6
(1)	95B 971 029 AD	Wire set Assembly frame Driver's door		1	PR: 9VK, 4F2, 4F6, 7Y1, 7Y3, 8A4, 7X9, 7Y7, TQ9, T8I
(1)	95B 971 029 CG	Wire set Assembly frame Driver's door		1	PR: 9VK, 4F2, 4F6, 7Y1, 7Y3, 8A4, 7X9, 7Y7, TF1, TH1, TW6
(1)	95B 971 029 AR	Wire set Assembly frame Driver's door		1	PR: 9VK, 4K0, 4K3, 7X0, 7X2, 7X8, 7X9, 7Y0, 7Y2, 7Y6, TQ9, T8I
(1)	95B 971 029 CK	Wire set Assembly frame Driver's door		1	PR: 9VK, 4K0, 4K3, 7X0, 7X2, 7X8, 7X9, 7Y0, 7Y2, 7Y7, TF1, TH1, TW6, 7Y6
(1)	95B 971 029 N	Wire set Assembly frame		1	PR: 9VK, 4K0, 4K3, 7Y0, 7Y2,

Model: 95B Model life 2014>>

Pos	Part Number	Description	Remark	Qty	Model
(1)	95B 971 029 BR	Driver's door Wire set Assembly frame Driver's door		1	8A4, 7X9, 7Y6, TQ9, T8I PR: 9VK, 4K0, 4K3, 7Y0, 7Y2, 8A4, 7X9, 7Y6, TF1, TH1, TW6
(1)	95B 971 029 BA	Wire set Assembly frame Driver's door		1	PR: 9VK, 4K0, 4K3, 7X0, 7X2, 7X8, 7X9, 7Y1, 7Y3, 7Y7, TQ9, T8I
(1)	95B 971 029 CN	Wire set Assembly frame Driver's door		1	PR: 9VK, 4K0, 4K3, 7X0, 7X2, 7X8, 7X9, 7Y1, 7Y3, 7Y7, TF1, TH1, TW6
(1)	95B 971 029 R	Wire set Assembly frame Driver's door		1	PR: 9VK, 4K0, 4K3, 7Y1, 7Y3, 8A4, 7X9, 7Y7, TQ9, T8I
(1)	95B 971 029 CA	Wire set Assembly frame Driver's door		1	PR: 9VK, 4K0, 4K3, 7Y1, 7Y3, 8A4, 7X9, 7Y7, TF1, TH1, TW6
(1)	95B 971 029 BL	Wire set Assembly frame Driver's door		1	PR: 9VL, 4F2, 4F6, 7X0, 7X2, 7X8, 7X9, 7Y0, 7Y2, 7Y6, TQ9, T8I
(1)	95B 971 029 CS	Wire set Assembly frame Driver's door		1	PR: 9VL, 4F2, 4F6, 7X0, 7X2, 7X8, 7X9, 7Y0, 7Y2, 7Y6, TF1, TH1, TW6
(1)	95B 971 029 AB	Wire set Assembly frame Driver's door		1	PR: 9VL, 4F2, 4F6, 7Y0, 7Y2, 8A4, 7X9, 7Y6, TQ9, T8I
(1)	95B 971 029 CE	Wire set Assembly frame Driver's door		1	PR: 9VL, 4F2, 4F6, 7Y0, 7Y2, 8A4, 7X9, 7Y6, TF1, TH1, TW6
(1)	95B 971 029 BP	Wire set Assembly frame Driver's door		1	PR: 9VL, 4F2, 4F6, 7X0, 7X2, 7X8, 7X9, 7Y1, 7Y3, 7Y7, TQ9, T8I
(1)	95B 971 029 DB	Wire set Assembly frame Driver's door		1	PR: 9VL, 4F2, 4F6, 7X0, 7X2, 7X8, 7X9, 7Y1, 7Y3, 7Y7, TF1, TH1, TW6
(1)	95B 971 029 AE	Wire set Assembly frame Driver's door		1	PR: 9VL, 4F2, 4F6, 7Y1, 7Y3, 8A4, 7X9, 7Y7, TQ9, T8I
(1)	95B 971 029 CH	Wire set Assembly frame Driver's door		1	PR: 9VL, 4F2, 4F6, 7Y1, 7Y3, 8A4, 7Y7, TF1, TH1, TW6
(1)	95B 971 029 AS	Wire set Assembly frame Driver's door		1	PR: 9VL, 4K0, 4K3, 7X0, 7X2, 7X8, 7X9, 7Y0,

Model: 95B Model life 2014>>

Pos	Part Number	Description	Remark	Qty	Model
(1)	95B 971 029 CL	Wire set Assembly frame Driver's door		1	7Y2, 7Y6, TQ9, T8I PR: 9VL, 4K0, 4K3, 7X0, 7X2, 7X8, 7X9, 7Y0, 7Y2, 7Y6, TF1, TH1, TW6
(1)	95B 971 029 P	Wire set Assembly frame Driver's door		1	PR: 9VL, 4K0, 4K3, 7Y0, 7Y2, 8A4, 7X9, 7Y6, TQ9, T8I
(1)	95B 971 029 BS	Wire set Assembly frame Driver's door		1	PR: 9VL, 4K0, 4K3, 7Y0, 7Y2, 8A4, 7X9, 7Y6, TF1, TH1, TW6
(1)	95B 971 029 BB	Wire set Assembly frame Driver's door		1	PR: 9VL, 4K0, 4K3, 7X0, 7X2, 7X8, 7X9, 7Y1, 7Y3, 7Y7, TQ9, T8I
(1)	95B 971 029 CP	Wire set Assembly frame Driver's door		1	PR: 9VL, 4K0, 4K3, 7X0, 7X2, 7X8, 7X9, 7Y1, 7Y3, 7Y7, TF1, TH1, TW6
(1)	95B 971 029 S	Wire set Assembly frame Driver's door		1	PR: 9VL, 4K0, 4K3, 7Y1, 7Y3, 8A4, 7X9, 7Y7, TQ9, T8I
(1)	95B 971 029 CB	Wire set Assembly frame Driver's door		1	PR: 9VL, 4K0, 4K3, 7Y1, 7Y3, 8A4, 7X9, 7Y7, TF1, TH1, TW6
(1)	95B 971 030 CB	Wire set Assembly frame Passenger's door	lhd	1	PR: 9VJ, 4F2, 4F6, 5RQ, 5RR, 5RT, 5RV, 7X0, 7X2, 7X9, L0L, 7Y0, 7Y2, 7Y6
(1)	95B 971 030 CB	Wire set Assembly frame Passenger's door	rhd	1	PR: 9VJ, 4F2, 4F6, 5SG, 5SJ, 5SL, 5RV, 7X0, 7X2, 7X9, L0R, 7Y0, 7Y2, 7Y6
(1)	95B 971 030 CE	Wire set Assembly frame Passenger's door	lhd	1	PR: 9VJ, 4F2, 4F6, 5RQ, 5RR, 5RT, 5RV, 7X0, 7X2, 7X9, L0L, 7Y1, 7Y3, 7Y7
(1)	95B 971 030 CE	Wire set Assembly frame Passenger's door	rhd	1	PR: 9VJ, 4F2, 4F6, 5SG, 5SJ, 5SL, 5RV, 7X0, 7X2, 7X9, L0R, 7Y1, 7Y3, 7Y7
(1)	95B 971 030 AT	Wire set Assembly frame Passenger's door	lhd	1	PR: 9VJ, 4K0, 4K3, 5RQ, 5RR, 5RT, 5RV, 7X0, 7X2, 7X8, L0L, 7Y0, 7Y2, 7Y6
(1)	95B 971 030 AT	Wire set Assembly frame Passenger's door	rhd	1	PR: 9VJ, 4K0, 4K3, 5SG, 5SJ, 5SL, 5RV, 7X0, 7X2, 7X8, L0R, 7Y0, 7Y2, 7Y6

Model: 95B Model life 2014>>

Pos	Part Number	Description	Remark	Qty	Model
(1)	95B 971 030 BD	Wire set Assembly frame Passenger's door	lhd	1	PR:9VJ,4K0, 4K3,5RQ,5RR, 5RT,5RV,7X0, 7X2,7X9,L0L, 7Y1,7Y3,7Y7
(1)	95B 971 030 BD	Wire set Assembly frame Passenger's door	rhd	1	PR:9VJ,4K0, 4K3,5SG,5SJ, 5SL,5RV,7X0, 7X2,7X9,L0R, 7Y1,7Y3,7Y7
(1)	95B 971 030 CC	Wire set Assembly frame Passenger's door	lhd	1	PR:9VK,4F2, 4F6,5RQ,5RR, 5RT,5RV,7X0, 7X2,7X8,L0L, 7Y0,7Y2,7Y7, 7Y6
(1)	95B 971 030 CC	Wire set Assembly frame Passenger's door	rhd	1	PR:9VK,4F2, 4F6,5SG,5SJ, 5SL,5RV,7X0, 7X2,7X8,L0R, 7Y0,7Y2,7Y6
(1)	95B 971 030 CF	Wire set Assembly frame Passenger's door	lhd	1	PR:9VK,4F2, 4F6,5RQ,5RR, 5RT,5RV,7X0, 7X2,7X8,L0L, 7Y1,7Y3,7Y7
(1)	95B 971 030 CF	Wire set Assembly frame Passenger's door	rhd	1	PR:9VK,4F2, 4F6,5SG,5SJ, 5SL,5RV,7X0, 7X2,7X8,L0R, 7Y1,7Y3,7Y7
(1)	95B 971 030 BA	Wire set Assembly frame Passenger's door	lhd	1	PR:9VK,4K0, 4K3,5RQ,5RR, 5RT,5RV,7X0, 7X2,7X8,L0L, 7Y0,7Y2,7Y6
(1)	95B 971 030 BA	Wire set Assembly frame Passenger's door	rhd	1	PR:9VK,4K0, 4K3,5SG,5SJ, 5SL,5RV,7X0, 7X2,7X8,L0R, 7X9,7Y0,7Y2, 7Y6
(1)	95B 971 030 BE	Wire set Assembly frame Passenger's door	lhd	1	PR:9VK,4K0, 4K3,5RQ,5RR, 5RT,5RV,7X0, 7X2,7X8,L0L, 7Y1,7Y3,7Y7
(1)	95B 971 030 BE	Wire set Assembly frame Passenger's door	rhd	1	PR:9VK,4K0, 4K3,5SG,5SJ, 5SL,5RV,7X0, 7X2,7X8,L0R, 7Y1,7Y3,7Y7
(1)	95B 971 030 BS	Wire set Assembly frame Passenger's door	lhd	1	PR:9VK,4F2, 4F6,5RP,7X0, 7X2,7X8,7X9, 7Y0,7Y2,L0L, 7Y6
(1)	95B 971 030 BS	Wire set Assembly frame Passenger's door	rhd	1	PR:9VK,4F2, 4F6,5SU,7X0, 7X2,7X8,7X9, 7Y0,7Y2,L0R, 7Y6
(1)	95B 971 030 CA	Wire set	lhd	1	PR:9VK,4F2,

Model: 95B Model life 2014>>

Pos	Part Number	Description	Remark	Qty	Model
		Assembly frame Passenger's door			4F6, 5RP, 7X0, 7X2, 7X8, 7X9, 7Y1, 7Y3, L0L, 7Y7
(1)	95B 971 030 CA	Wire set Assembly frame Passenger's door	rhd	1	PR: 9VK, 4F2, 4F6, 5SU, 7X0, 7X2, 7X8, 7X9, 7Y1, 7Y3, L0R, 7Y7
(1)	95B 971 030 BN	Wire set Assembly frame Passenger's door	lhd	1	PR: 9VK, 4K0, 4K3, 5RP, 7X0, 7X2, 7X8, 7X9, 7Y0, 7Y2, L0L, 7Y7
(1)	95B 971 030 BN	Wire set Assembly frame Passenger's door	rhd	1	PR: 9VK, 4K0, 4K3, 5SU, 7X0, 7X2, 7X8, 7X9, 7Y0, 7Y2, L0R, 7Y6
(1)	95B 971 030 BQ	Wire set Assembly frame Passenger's door	lhd	1	PR: 9VK, 4K0, 4K3, 5RP, 7X0, 7X2, 7X8, 7X9, 7Y1, 7Y3, L0L, 7Y7
(1)	95B 971 030 BQ	Wire set Assembly frame Passenger's door	rhd	1	PR: 9VK, 4K0, 4K3, 5SU, 7X0, 7X2, 7X8, 7X9, 7Y1, 7Y3, L0R, 7Y7
(1)	95B 971 030 CD	Wire set Assembly frame Passenger's door	lhd	1	PR: 9VL, 4F2, 4F6, 5RQ, 5RR, 5RT, 5RV, 7X0, 7X2, 7X8, L0L, 7Y0, 7Y2, 7Y6
(1)	95B 971 030 CD	Wire set Assembly frame Passenger's door	rhd	1	PR: 9VL, 4F2, 4F6, 5SG, 5SJ, 5SL, 5RV, 7X0, 7X2, 7X8, L0R, 7Y0, 7Y2, 7Y6
(1)	95B 971 030 CG	Wire set Assembly frame Passenger's door	lhd	1	PR: 9VL, 4F2, 4F6, 5RQ, 5RR, 5RT, 5RV, 7X0, 7X2, 7X8, L0L, 7Y1, 7Y3, 7Y7
(1)	95B 971 030 AN	Wire set Assembly frame Passenger's door	lhd	1	PR: 9VL, 4F2, 4F6, 5RQ, 5RR, 5RT, 5RV, 7Y1, 7Y3, 8A4, L0L, 7Y7
(1)	95B 971 030 CG	Wire set Assembly frame Passenger's door	rhd	1	PR: 9VL, 4F2, 4F6, 5SG, 5SJ, 5SL, 5RV, 7X0, 7X2, 7X8, L0R, 7Y1, 7Y3, 7Y7
(1)	95B 971 030 AN	Wire set Assembly frame Passenger's door	rhd	1	PR: 9VL, 4F2, 4F6, 5SG, 5SJ, 5SL, 7Y1, 7Y3, 8A4, L0R, 7Y7
(1)	95B 971 030 BC	Wire set Assembly frame Passenger's door	lhd	1	PR: 9VL, 4K0, 4K3, 5RQ, 5RR, 5RT, 5RV, 7X0, 7X2, 7X8, L0L, 7Y0, 7Y2, 7Y6

Model: 95B Model life 2014>>

Pos	Part Number	Description	Remark	Qty	Model
(1)	95B 971 030 BC	Wire set Assembly frame Passenger's door	rhd	1	PR:9VL,4K0, 4K3,5SG,5SJ, 5SL,7X0,7X2, 7X8,7X9,L0R, 7Y0,7Y2,7Y6
(1)	95B 971 030 BF	Wire set Assembly frame Passenger's door	lhd	1	PR:9VL,4K0, 4K3,5RQ,5RR, 5RT,5RV,7X0, 7X2,7X8,L0L, 7Y1,7Y3,7Y7
(1)	95B 971 030 BF	Wire set Assembly frame Passenger's door	rhd	1	PR:9VL,4K0, 4K3,5SG,5SJ, 5SL,5RV,7X0, 7X2,7X8,L0R, 7Y1,7Y3,7Y7
(1)	95B 971 030 BB	Wire set Assembly frame Passenger's door	lhd	1	PR:9VL,4F2, 4F6,5RP,7X0, 7X2,7X8,7X9, 7Y1,7Y3,L0L, 7Y7
(1)	95B 971 030 BB	Wire set Assembly frame Passenger's door	rhd	1	PR:9VL,4F2, 4F6,5SU,7X0, 7X2,7X8,7X9, 7Y1,7Y3,L0R, 7Y7
(1)	95B 971 030 BT	Wire set Assembly frame Passenger's door	lhd	1	PR:9VL,4F2, 4F6,5RP,7X0, 7X2,7X8,7X9, 7Y0,7Y2,L0L, 7Y6
(1)	95B 971 030 BT	Wire set Assembly frame Passenger's door	rhd	1	PR:9VL,4F2, 4F6,5SU,7X0, 7X2,7X8,7X9, 7Y0,7Y2,L0R, 7Y6
(1)	95B 971 030 BP	Wire set Assembly frame Passenger's door	lhd	1	PR:9VL,4K0, 4K3,5RP,7X0, 7X2,7X8,7X9, 7Y0,7Y2,L0L, 7Y6
(1)	95B 971 030 BP	Wire set Assembly frame Passenger's door	rhd	1	PR:9VL,4K0, 4K3,5SU,7X0, 7X2,7X8,7X9, 7Y0,7Y2,L0R, 7Y6
(1)	95B 971 030 BR	Wire set Assembly frame Passenger's door	lhd	1	PR:9VL,4K0, 4K3,5RP,7X0, 7X2,7X8,7X9, 7Y1,7Y3,L0L, 7Y7
(1)	95B 971 030 BR	Wire set Assembly frame Passenger's door	rhd	1	PR:9VL,4K0, 4K3,5SU,7X0, 7X2,7X8,7X9, 7Y1,7Y3,L0R, 7Y7
(2)	95B 971 035 P	Wire set door panel Driver's door		1	PR:9VJ,7Y0, 7Y2,9MA,7Y6
(2)	95B 971 035 AP	Wire set door panel Driver's door		1	PR:9VJ,7Y0, 7Y2,9MB,7Y6
(2)	95B 971 035 AB	Wire set door panel		1	PR:9VJ,7Y1, 7Y3,9MA,7Y7

Model: 95B

Model life 2014>>

Pos	Part Number	Description	Remark	Qty	Model
(2)	95B 971 035 AS	Driver's door Wire set door panel		1	PR:9VJ,7Y1, 7Y3,9MB,7Y7
(2)	95B 971 035 M	Driver's door Wire set door panel		1	PR:9VK,7Y0, 7Y2,9MA,7Y6
(2)	95B 971 035 AM	Driver's door Wire set door panel		1	PR:9VK,7Y0, 7Y2,9MB,7Y6
(2)	95B 971 035 T	Driver's door Wire set door panel		1	PR:9VK,7Y1, 7Y3,9MA,7Y7
(2)	95B 971 035 AQ	Driver's door Wire set door panel		1	PR:9VK,7Y1, 7Y3,9MB,7Y7
(2)	95B 971 035 N	Driver's door Wire set door panel		1	PR:9VL,7Y0, 7Y2,9MA,7Y6
(2)	95B 971 035 AN	Driver's door Wire set door panel		1	PR:9VL,7Y0, 7Y2,9MB,7Y6
(2)	95B 971 035 AA	Driver's door Wire set door panel		1	PR:9VL,7Y1, 7Y3,9MA,7Y7
(2)	95B 971 035 AR	Driver's door Wire set door panel		1	PR:9VL,7Y1, 7Y3,9MB,7Y7
(2)	95B 971 036 H	Driver's door Wire set door panel		1	PR:9VJ,3PN, 9MA
(2)	95B 971 036 S	Passenger's door Wire set door panel		1	PR:9VJ,3PN, 9MB
(2)	95B 971 036 F	Passenger's door Wire set door panel		1	PR:9VK,3PN, 9MA
(2)	95B 971 036 Q	Passenger's door Wire set door panel		1	PR:9VK,3PN, 9MB
(2)	95B 971 036 G	Passenger's door Wire set door panel		1	PR:9VL,3PN, 9MA
(2)	95B 971 036 R	Passenger's door Wire set door panel		1	PR:9VL,3PN, 9MB
3	4H0 959 793 AC	Passenger's door Door control unit (drivers side)	front	1	
(3)	4H0 959 792 S	Door control unit (passenger side)	front	1	
4	95B 971 687 K	Wire set	rear	1	PR:9VJ,4K0, 4K3
(4)	95B 971 687 L	Assembly frame	left	1	PR:9VJ,4F2, 4F6
(4)	95B 971 687 F	Wire set	rear	1	PR:9VK,4K0, 4K3
(4)	95B 971 687 G	Assembly frame	left	1	PR:9VK,4F2, 4F6
(4)	95B 971 687 H	Wire set	rear	1	PR:9VL,4K0, 4K3
(4)	95B 971 687 J	Assembly frame	left	1	PR:9VL,4F2, 4F6
(4)	95B 971 688 K	Wire set	rear	1	PR:9VJ,4K0,

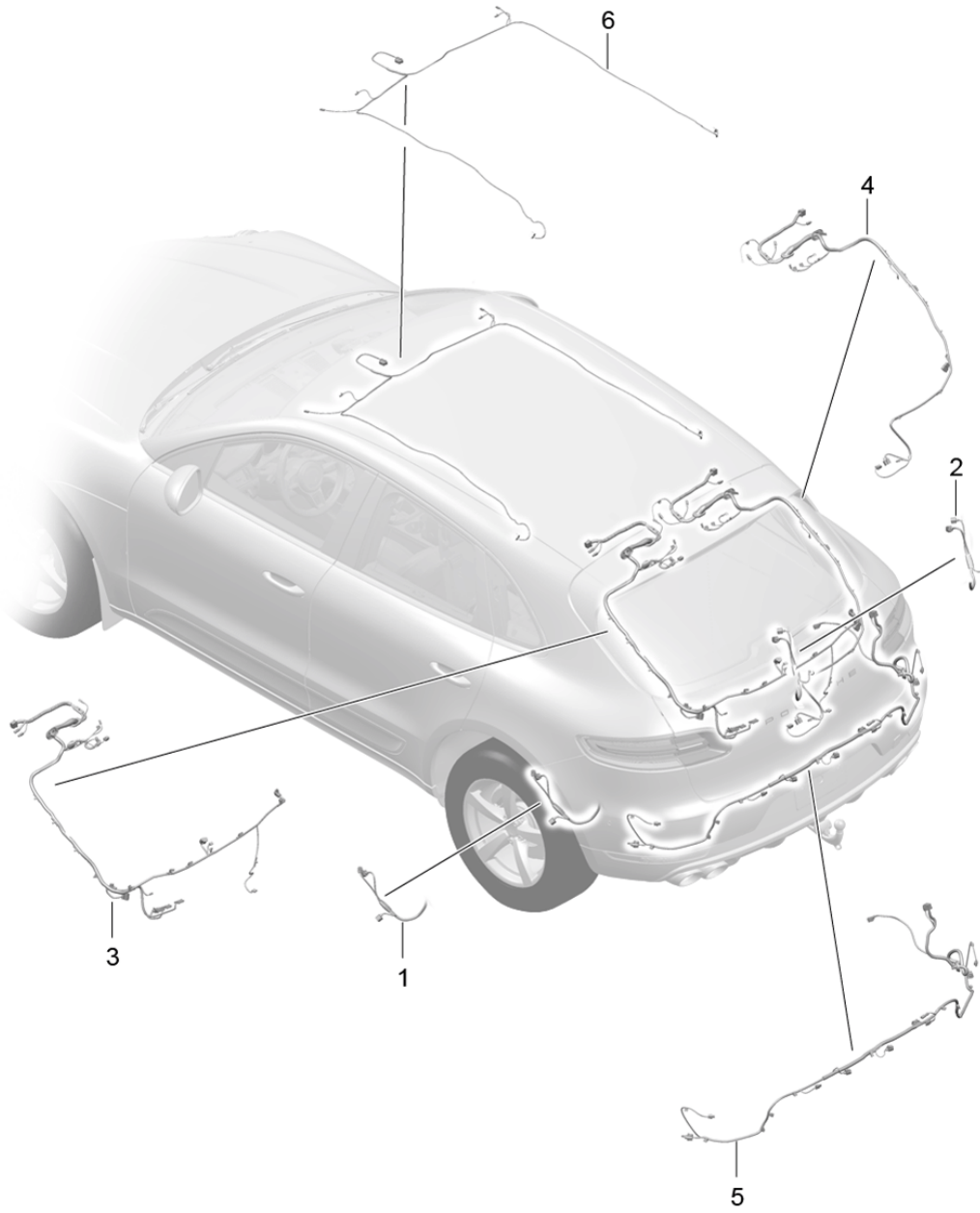
Model: 95B

Model life 2014>>

Pos	Part Number	Description	Remark	Qty	Model
(4)	95B 971 688 L	Assembly frame Wire set	right rear	1	4K3 PR:9VJ,4F2,
(4)	95B 971 688 F	Assembly frame Wire set	right rear	1	4F6 PR:9VK,4K0,
(4)	95B 971 688 G	door panel Wire set	right rear	1	4K3 PR:9VK,4F2,
(4)	95B 971 688 H	Assembly frame Wire set	right rear	1	4F6 PR:9VL,4K0,
(4)	95B 971 688 J	Assembly frame Wire set	right rear	1	4K3 PR:9VL,4F2,
(5)	95B 971 693 D	Assembly frame Wire set	right rear	2	4F6 PR:9VJ,9MA
(5)	95B 971 693 H	door panel Wire set	rear	2	PR:9VJ,9MB
(5)	95B 971 693	door panel Wire set	rear	2	PR:9VK,9MA
(5)	95B 971 693 F	door panel Wire set	rear	2	PR:9VK,9MB
(5)	95B 971 693 B	door panel Wire set	rear	2	PR:9VL,9MA
(5)	95B 971 693 G	door panel Wire set	rear	2	PR:9VL,9MB
6	4H0 959 795 P	Door control unit	rear	2	
7	95B 971 298 L	Wire set Camera (drivers side)		1	PR:5RP,5SU
8	95B 971 298 E	Wire set Camera (passenger side)		1	PR:5RP,5SU

Model: 95B

Model life 2014>>



Model: 95B Model life 2014>>

Pos	Part Number	Description	Remark	Qty	Model
-		Wire set Rear end roof trim Rear lid anti-locking brake syst. -abs- brake pad wear display Rear axle Connector housing Indiv. parts see: WWW.TKR-CONNECTOR.COM			
1	95B 972 253 A	Wire set anti-locking brake syst. -abs- brake pad wear display D >> - MJ 2015	rear left	1	PR:1BA,1BK, 7K0,8Q2,1BH
1	95B 972 253 M	Wire set anti-locking brake syst. -abs- brake pad wear display D >> - MJ 2016	rear left	1	PR:1BH,1BK, 7K0
1	95B 972 253 B	Wire set anti-locking brake syst. -abs- brake pad wear display D >> - MJ 2015	rear left	1	PR:4K0,4K3, 7K0,8Q3
1	95B 972 253 N	Wire set anti-locking brake syst. -abs- brake pad wear display D - MJ 2016>>	rear left	1	PR:1BA,7K0, 8Q3
(1)	95B 972 253 G	Wire set anti-locking brake syst. -abs- brake pad wear display D >> - MJ 2015	rear left	1	PR:1BH,1BK, 7K3,7K4
(1)	95B 972 253 AB	Wire set anti-locking brake syst. -abs- brake pad wear display D - MJ 2016>>	rear left	1	PR:1BK,7K3, 7K4,1BH
(1)	95B 972 253 H	Wire set anti-locking brake syst. -abs- brake pad wear display D >> - MJ 2015	rear left	1	PR:7K3,7K4, 8Q3,-1BK, -1BH
(1)	95B 972 253 AC	Wire set anti-locking brake syst. -abs- brake pad wear display D - MJ 2016>>	rear left	1	PR:7K3,7K4, 8Q3,-1BK, -1BH
(1)	95B 972 253 K	Wire set anti-locking brake syst. -abs- brake pad wear display D >> - MJ 2015	rear left	1	PR:1BA,7K3, 7K4,8Q2
2	95B 972 254 D	Wire set anti-locking brake syst. -abs- brake pad wear display D >> - MJ 2015	rear right	1	PR:1BA
2	95B 972 254 H	Wire set anti-locking brake syst. -abs- brake pad wear display D - MJ 2016>>	rear right	1	PR:1BA
(2)	95B 972 254 E	Wire set anti-locking brake syst. -abs- brake pad wear display D >> - MJ 2015	rear right	1	PR:1BH,1BK
(2)	95B 972 254 J	Wire set anti-locking brake syst. -abs- brake pad wear display D - MJ 2016>>	rear right	1	PR:1BH,1BK
3	95B 971 145 J	Wire set Rear lid	left	1	PR:QV1,QV5, 4E7

Model: 95B Model life 2014>>

Pos	Part Number	Description	Remark	Qty	Model
(3)	95B 971 145 L	D >> - MJ 2016 Wire set Rear lid	left	1	PR:4E7,7Q4
(3)	95B 971 145 Q	D >> - MJ 2016 Wire set Rear lid	left	1	PR:QU0,QV0, QV3,QV4,QV8, 4E7
(3)	95B 971 145 AA	D >> - MJ 2016 Wire set Rear lid	left	1	PR:ER1,ER2, ER3,ER4,ER6, ER7,ER8,I8L, QU8,QV0,QV3
(3)	95B 971 145 AB	D - MJ 2017>> Wire set Rear lid	left	1	PR:ER1,ER2, ER3,ER6,ER8, I8L,QU1,QV1
(3)	95B 971 145 AC	D - MJ 2017>> Wire set Rear lid	left	1	PR:ER5,I8L
4	95B 971 148 A	D - MJ 2017>> Wire set Rear lid	right	1	
(4)	95B 971 148 E	D >> - MJ 2016 Wire set Rear lid	right	1	PR:ER1,ER2, ER3,ER4,ER6, ER7,ER8,I8L, GY1
(4)	95B 971 148 F	D - MJ 2017>> Wire set Rear lid	right	1	PR:ER5,GY1, I8L
5	95B 971 104 K	D - MJ 2017>> Wire set bumper	rear	1	PR:7X8,7X2, 7X0
(5)	95B 971 104 P	D >> - MJ 2016 Wire set bumper	rear	1	PR:9ZX,7X8, 7X2,7X0
(5)	95B 971 104 F	D - MJ 2017>> Wire set bumper	rear	1	PR:8A4
(5)	95B 971 104 Q	D >> - MJ 2016 Wire set bumper	rear	1	PR:9ZX,8A4
(5)	95B 971 104 T	D - MJ 2017>> Wire set bumper	rear	1	PR:9ZC,7X8, 7X2,7X0
(5)	95B 971 104 AA	D - MJ 2017>> Wire set bumper	rear	1	PR:9ZC,8A4
(5)	95B 971 104 AD	D - MJ 2017>> Wire set bumper	rear	1	PR:9ZE,7X8, 7X2,7X0
(5)	95B 971 104 AE	D - MJ 2017>> Wire set bumper	rear	1	PR:9ZE,8A4
(5)	95B 971 104 AJ	D - MJ 2017>> Wire set bumper	rear	1	PR:9ZK,7X8, 7X2,7X0
(5)	95B 971 104 AK	D - MJ 2017>> Wire set bumper	rear	1	PR:9ZK,8A4
6	95B 971 247	D - MJ 2017>> Wire set Moulded headliner		1	PR:3FA,3FU, 9MA
6	95B 971 247 A	Wire set Moulded headliner		1	PR:3FA,3FU, 9MB

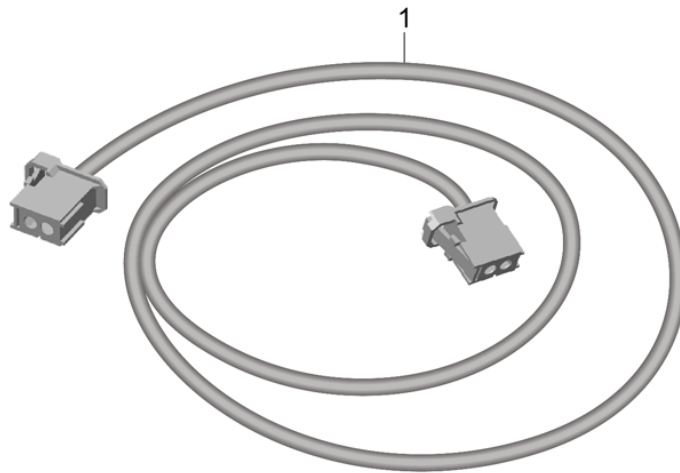
Model: 95B

Model life 2014>>

Pos	Part Number	Description	Remark	Qty	Model
7	95B 937 403	Bracket Wire set Rear lid	left	1	
(7)	95B 937 403 A	Bracket Wire set Rear lid	right	1	
-		Cable ties see illustration:	902-010		

Model: 95B

Model life 2014>>



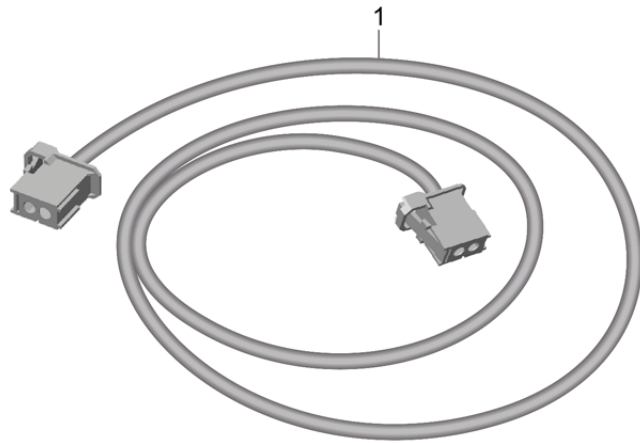
Model: 95B

Model life 2014>>

Pos	Part Number	Description	Remark	Qty	Model
1	95B 971 297 A	fibre optic wave conductor D >> - MJ 2016 fibre optic wave conductor Communication Amplifiers		1	PR:L0L,QU0, QV0,QV3,QV4, QV8,9VJ,9VL
1	95B 971 297 F	fibre optic wave conductor Communication Amplifiers		1	PR:L0R,QU0, QV0,QV3,9VJ, 9VL
(1)	95B 971 297 B	fibre optic wave conductor Communication TV		1	PR:L0L,QV1, QV5,9VK
(1)	95B 971 297 G	fibre optic wave conductor Communication TV		1	PR:L0R,QV1, QV5,9VK
(1)	95B 971 297 D	fibre optic wave conductor Communication Amplifiers TV		1	PR:L0L,QV1, QV5,9VJ,9VL
(1)	95B 971 297 J	fibre optic wave conductor Communication Amplifiers TV		1	PR:L0R,QV1, QV5,9VJ,9VL

Model: 95B

Model life 2014>>



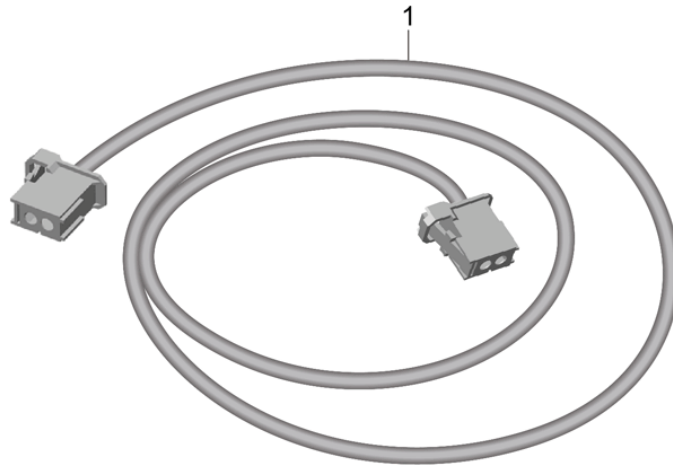
Model: 95B

Model life 2014>>

Pos	Part Number	Description	Remark	Qty	Model
1	95B 971 297 K	fibre optic wave conductor D - MJ 2017>> fibre optic wave conductor Communication Central computer Amplifiers		1	PR:QU8,QV0, QV3,7A0,9VL, 9VJ
(1)	95B 971 297 M	fibre optic wave conductor Communication Central computer TV tuner		1	PR:QU1,QV1, 7A0,9VK
(1)	95B 971 297 N	fibre optic wave conductor Communication Central computer Amplifiers		1	PR:QU1,QV1, 9VL,9VJ
(1)	95B 971 297 Q	fibre optic wave conductor Communication Central computer Amplifiers		1	PR:QU8,QV0, QV3,6G2,9VL, 9VJ
(1)	95B 971 297 S	fibre optic wave conductor Communication Central computer TV tuner		1	PR:QU1,QV1, 6G2,9VK
(1)	95B 971 297 T	fibre optic wave conductor Communication Central computer Amplifiers		1	PR:QU1,QV1, 6G2,9VL,9VJ

Model: 95B

Model life 2014>>



Model: 95B

Model life 2014>>

Pos	Part Number	Description	Remark	Qty	Model
1	95B 971 333	Wire set Airbag For seat belt Single wire	1st stage	1	PR:L0L
1	95B 971 333 K	Airbag (passenger side) Single wire	1st stage	1	PR:L0R,4UE, 4UD
(1)	95B 971 333 A	Airbag (passenger side) Single wire	2nd stage	1	PR:L0L
(1)	95B 971 333 L	Airbag (passenger side) Single wire	2nd stage	1	PR:L0R,4UE, 4UD
(1)	95B 971 333 C	Single wire		1	PR:L0L,4UQ
(1)	95B 971 333 B	Knee airbag unit (drivers side) Single wire		1	PR:L0L,4UQ
(1)	95B 971 331	Knee airbag unit (passenger side) Single wire		1	PR:L0L
(1)	95B 971 331 B	Head airbag unit (drivers side) Single wire		1	PR:L0R
(1)	95B 971 331 A	Head airbag unit (drivers side) Single wire		1	PR:L0L
(1)	95B 971 331 C	Head airbag unit (passenger side) Single wire		1	PR:L0R
(1)	95B 971 333 J	Head airbag unit (passenger side) Single wire	rear	1	PR:4X4
(1)	95B 971 333 H	Airbag Single wire	left rear	1	PR:4X4
(1)	95B 971 345	Airbag Single wire	right front	1	PR:L0L,4UE, 4UQ
(1)	95B 971 345 D	Seat belt tensioner (drivers side) Single wire	front	1	PR:L0R,4UD, 4UE
(1)	95B 971 345 A	Seat belt tensioner (drivers side) Single wire	front	1	PR:L0L,4UE, 4UQ
(1)	95B 971 345 E	Seat belt tensioner (passenger side) Single wire	front	1	PR:L0R,4UE, 4UQ
(1)	95B 971 345 B	Seat belt tensioner (passenger side) Single wire	rear	1	PR:L0L
(1)	95B 971 345 F	Seat belt tensioner (drivers side) Single wire	rear	1	PR:L0R
(1)	95B 971 345 C	Seat belt tensioner (drivers side) Single wire	rear	1	PR:L0L
(1)	95B 971 345 G	Seat belt tensioner (passenger side) Single wire	rear	1	PR:L0R
(1)	95B 971 333 E	Seat belt tensioner (passenger side) Single wire For seat belt	front	1	PR:L0L,4UQ

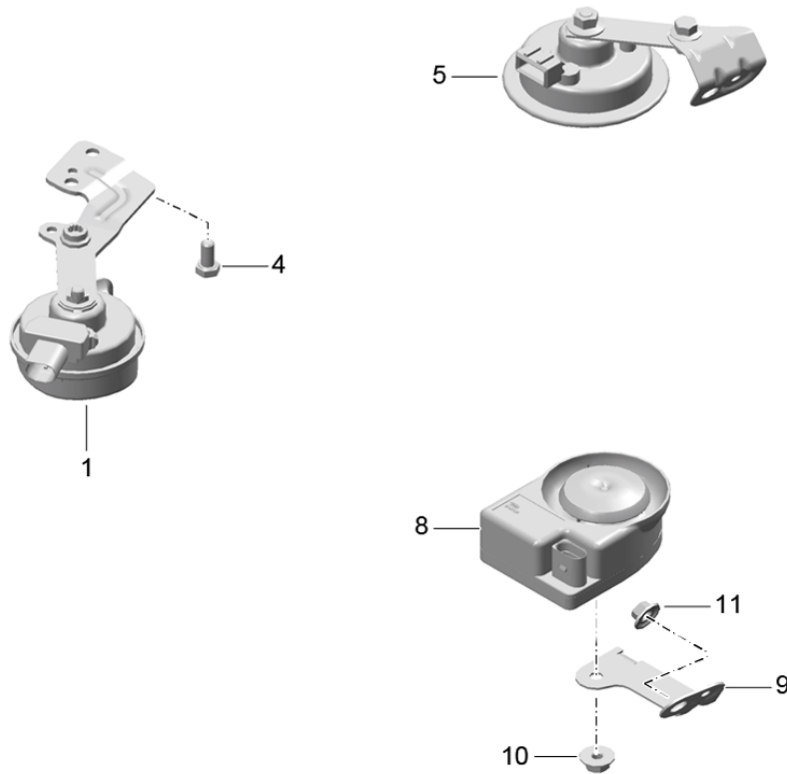
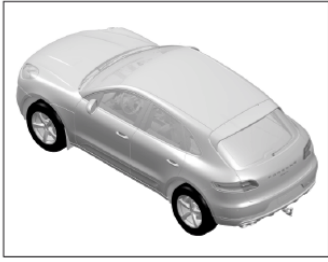
Model: 95B

Model life 2014>>

Pos	Part Number	Description	Remark	Qty	Model
(1)	95B 971 333 D	(drivers side) Single wire For seat belt	front	1	PR:L0L,4UQ
(1)	95B 971 333 G	(passenger side) Single wire For seat belt	rear	1	PR:L0L,4UQ
(1)	95B 971 333 F	(drivers side) Single wire For seat belt (passenger side)	rear	1	PR:L0L,4UQ

Model: 95B

Model life 2014>>



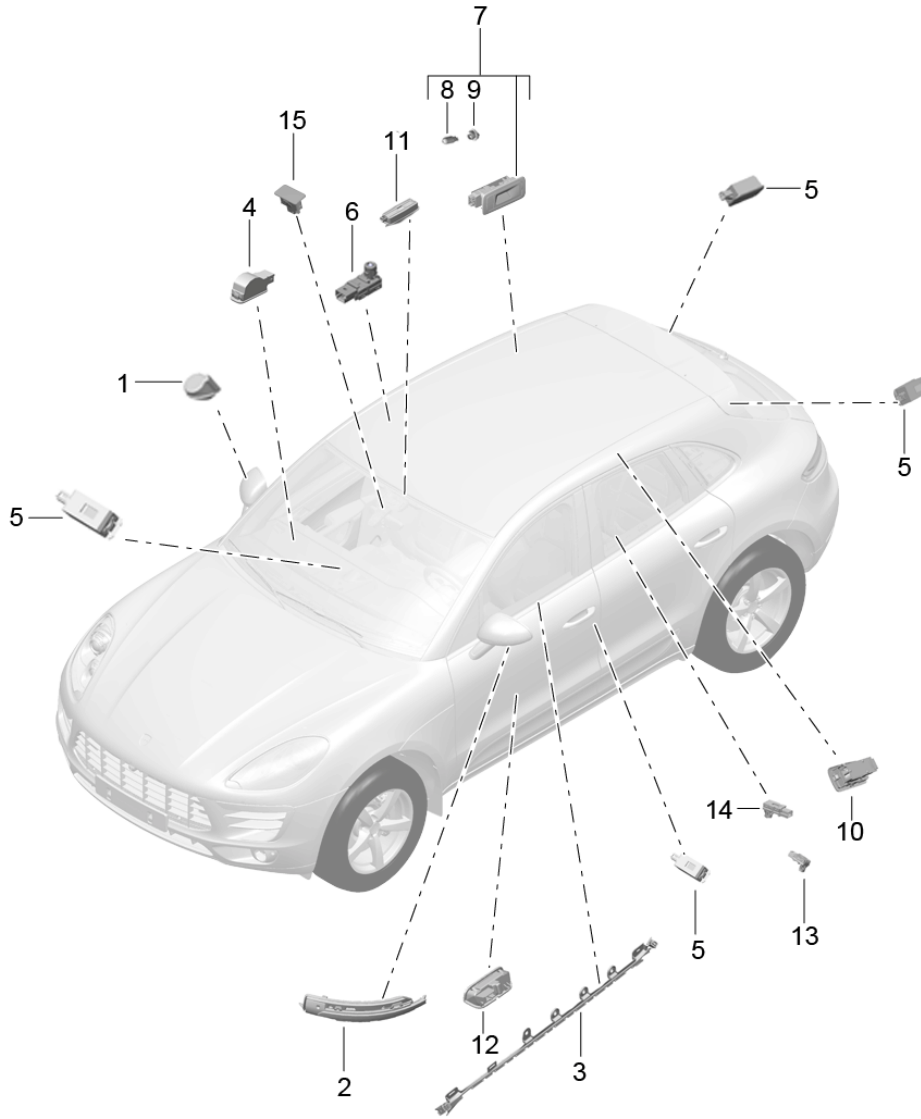
Model: 95B

Model life 2014>>

Pos	Part Number	Description	Remark	Qty	Model
1	95B 951 211 A	Fanfare Signal horn Electronic siren Fanfare	low tone	1	PR:8Y2
		with:			
1	95B 951 211	Securing element Fanfare	low tone	1	PR:8Y1
		with:			
(1)	95B 951 212 A	Securing element Fanfare	high tone	1	PR:8Y2
		with:			
(1)	95B 951 212	Securing element Fanfare	high tone	1	PR:8Y1
		with:			
3	900 034 001 04	Securing element Nut M 8		2	
4	N 104 139 05	hexagon head bolt (combi) M 8 X 16		2	
5	95B 951 101 C	Signal horn	lhd	1	PR:7AB,7AC, 7AK,L0L
(5)	95B 951 097	D >> - 29.05.2016 Signal horn	lhd	1	PR:7AB,7AC, 7AK,L0L
		use if required:	9P1 998 003 A		
5	95B 951 101 D	D - 30.05.2016>> Signal horn	rhd	1	PR:7AB,7AC, 7AK,L0R
(5)	95B 951 097 A	D >> - 29.05.2016 Signal horn	rhd	1	PR:7AB,7AC, 7AK,L0R
		use if required:	9P1 998 003 A		
8	1K0 951 605 C	D - 30.05.2016>> Electronic siren		1	PR:7AL,7AH
9	8T1 951 285	Retainer for electronic siren	lhd	1	PR:L0L,7AL, 7AH
(9)	95B 951 285	Retainer for electronic siren	rhd	1	PR:L0R,7AL, 7AH
10	N 015 082 10	Hexagon collar nut M 6		2	
11	N 907 988 05	Hexagon collar nut		1	
12	9P1 998 003 A	Wire set conversion kit (kd) Signal horn		1	PR:7AB,7AC, 7AK

Model: 95B

Model life 2014>>



Model: 95B Model life 2014>>

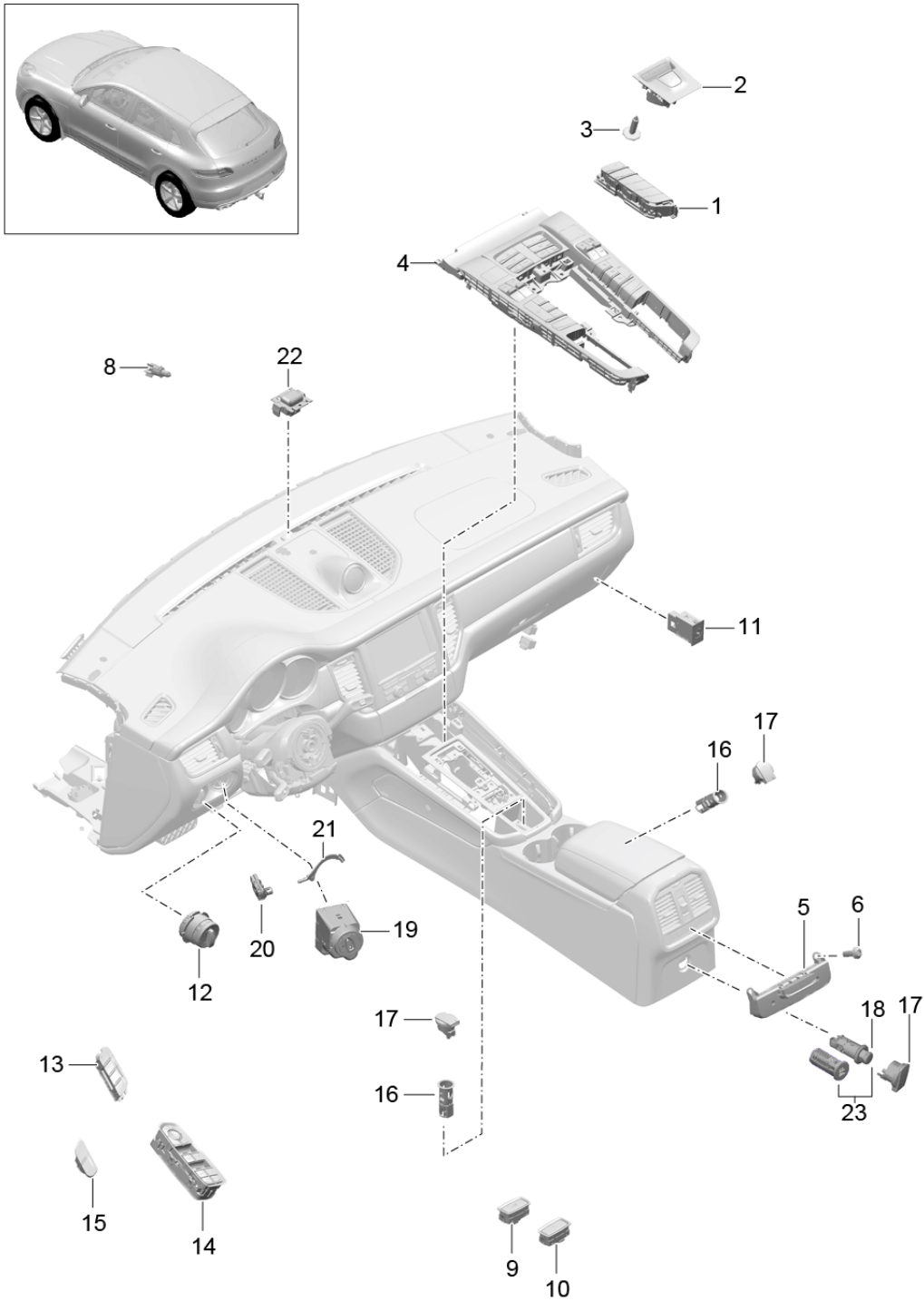
Pos	Part Number	Description	Remark	Qty	Model
(1)	95B 949 133	interior light Luggage compartment lamp Door warning light footwell light Light	left	1	PR:9TF
1	95B 949 134	Exterior mirror Light	right	1	PR:9TF
2	95B 949 101	Exterior mirror Turn signal repeater	left	1	
(2)	95B 949 102	Exterior mirror Turn signal repeater	right	1	
3	95B 947 093	Light Door	front left	1	PR:9MB
(3)	95B 947 094	Light Door	front right	1	PR:9MB
(3)	95B 947 095	Light Door	rear left	1	PR:9MB
(3)	95B 947 096	Light Door	rear right	1	PR:9MB
4	4B0 947 415 A	Light Glove box		X 1	PR:9MA
5	4E0 947 415	Luggage compartment lamp Light Door		2 X 5	PR:9MB
6	958 632 145 00	footwell light Light door panel		2 4	PR:9MB
(7)	95B 947 291 A	Reading light	left rear	1	PR:9MA
	95B 947 291 A 1E0	Black	-VC, VJ, VF, VI, VU, VK, VO, VX, VZ		
	95B 947 291 A 4H0	Luxor beige	-VE, VH, VM		
	95B 947 291 A OP1	agate grey	-VD, VG, VL, VQ		
	95B 947 291 A 7N0	Espresso	-VR		
	95B 947 291 A OM8	saddle brown	-VN, VP		
7	95B 947 292 A	Reading light	right rear	1	PR:9MA
	95B 947 292 A 1E0	Black	-VC, VJ, VF, VI, VU, VK, VO, VX, VZ		
	95B 947 292 A 4H0	Luxor beige	-VE, VH, VM		
	95B 947 292 A OP1	Black/agate grey	-VD, VG, VL, VQ		
	95B 947 292 A 7N0	Espresso	-VR		
	95B 947 292 A OM8	saddle brown	-VN, VP		
8	N 017 753 5	bulb 'longlife' 5 W		X	
9	7PP 919 244	Bulb holder		2	
10	95B 947 303	Reading light	left rear	1	PR:9MB
	95B 947 303 1E0	Black	-VC, VJ, VF, VI, VU, VK, VO, VX, VZ		
	95B 947 303 4H0	Luxor beige	-VE, VH, VM		
	95B 947 303 OP1	agate grey	-VD, VG, VL, VQ		
	95B 947 303 7N0	Espresso	-VR		
	95B 947 303 OM8	saddle brown	-VN, VP		
(10)	95B 947 304	Reading light	right rear	1	PR:9MB
	95B 947 304 1E0	Black	-VC, VJ, VF, VI, VU, VK, VO, VX, VZ		

Model: 95B Model life 2014>>

Pos	Part Number	Description	Remark	Qty	Model
	95B 947 304 4H0	Luxor beige	-VE, VH, VM		
	95B 947 304 OP1	agate grey	-VD, VG, VL, VQ		
	95B 947 304 7N0	Espresso	-VR		
	95B 947 304 OM8	saddle brown	-VN, VP		
11	4H0 947 105 B	interior light	front	2	PR: 9MB
12	958 632 411 00	Door warning light		X	
		doors		4	
		Rear lid		2	
13	7PP 919 238 A	warning lamp		2	
		for immobilizer			
		D >> - 07.08.2016			
(13)	7PP 919 238 A	warning lamp		1	
		for immobilizer			
		(drivers side)			
		D - 08.08.2016>>			
(13)	95B 919 238	warning lamp		1	
		for immobilizer			
		(passenger side)			
		D - 08.08.2016>>			
14	958 632 242 01	Sleeve		2	
	958 632 242 01 1E0	Black	-VC, VJ, VF, VI, VU, VK, VO, VX, VZ		
	958 632 242 01 4H0	Luxor beige	-VE, VH, VM		
	958 632 242 01 OP1	agate grey	-VD, VG, VL, VQ		
	958 632 242 01 7N0	Espresso	-VR		
	958 632 242 01 OM8	saddle brown	-VN, VP		
		D >> - 07.08.2016			
(14)	958 632 242 01	Sleeve		1	
		(drivers side)			
	958 632 242 01 1E0	Black	-VC, VJ, VF, VI, VU, VK, VO, VX, VZ		
	958 632 242 01 4H0	Luxor beige	-VE, VH, VM		
	958 632 242 01 OP1	agate grey	-VD, VG, VL, VQ		
	958 632 242 01 7N0	Espresso	-VR		
	958 632 242 01 OM8	saddle brown	-VN, VP		
		D - 08.08.2016>>			
(14)	95B 919 205	Sleeve		1	
		(passenger side)			
	95B 919 205 1E0	Black	-VC, VJ, VF, VI, VU, VK, VO, VX, VZ		
	95B 919 205 4H0	Luxor beige	-VE, VH, VM		
	95B 919 205 OP1	agate grey	-VD, VG, VL, VQ		
	95B 919 205 7N0	Espresso	-VR		
	95B 919 205 OM8	saddle brown	-VN, VP		
		D - 08.08.2016>>			
15	5C5 919 234	Control lamp for deactivation of front passenger airbag		1	PR: 4UE, 4UQ
		Airbag			
		Cover			
		Interior mirror			

Model: 95B

Model life 2014>>



Model: 95B

Model life 2014>>

Pos	Part Number	Description	Remark	Qty	Model
1	95B 907 041 L	Switch Control panel Air conditioning Control panel with pushbuttons	left	1	PR:QR0,QR1, QR3,1BA
(1)	95B 907 041 L DML 95B 907 041 M	Matt Black/hi-gloss chrome Control panel with pushbuttons	left	1	PR:QR0,QR1, QR3,1BH
(1)	95B 907 041 M DML 95B 907 041 N	Matt Black/hi-gloss chrome Control panel with pushbuttons	left	1	PR:QR0,QR1, QR3,1BK
(1)	95B 907 041 N DML 95B 907 041 P	Matt Black/hi-gloss chrome Control panel with pushbuttons	left	1	PR:QR4,QR5, 1BA
(1)	95B 907 041 P DML 95B 907 041 Q	Matt Black/hi-gloss chrome Control panel with pushbuttons	left	1	PR:QR4,QR5, 1BH
(1)	95B 907 041 Q DML 95B 907 041 R	Matt Black/hi-gloss chrome Control panel with pushbuttons	left	1	PR:QR4,QR5, 1BK
(1)	95B 907 041 R DML 95B 907 042 H	Matt Black/hi-gloss chrome Control panel with pushbuttons	right	1	PR:OP0,OP3, OP6,7L7,7Y0, 7Y1
(1)	95B 907 042 H DML 95B 907 042 J	Matt Black/hi-gloss chrome Control panel with pushbuttons	right	1	PR:OP0,OP3, OP6,7L4,7L8, 7Y0,7Y1
(1)	95B 907 042 J DML 95B 907 042 K	Matt Black/hi-gloss chrome Control panel with pushbuttons	right	1	PR:OP0,OP3, OP6,7L7,7Y2, 7Y3
(1)	95B 907 042 K DML 95B 907 042 L	Matt Black/hi-gloss chrome Control panel with pushbuttons	right	1	PR:OP0,OP3, 7L4,7Y2,7Y3, OP6,7L8,7Y6, 7Y7
(1)	95B 907 042 L DML 95B 907 042 R	Matt Black/hi-gloss chrome Control panel with pushbuttons	right	1	PR:OP8,OP9, 7L4,7Y2,7Y3, 7L8
(1)	95B 907 042 R DML 95B 907 042 S	Matt Black/hi-gloss chrome Control panel with pushbuttons	right	1	OP0,OP3,OP6, 7L7,7Y6,7Y7
(1)	95B 907 042 S DML 95B 907 042 M	Matt Black/hi-gloss chrome Control panel with pushbuttons	right	1	PR:OP8,OP9, 7Y0,7Y1,7L7
(1)	95B 907 042 M DML 95B 907 042 N	Matt Black/hi-gloss chrome Control panel with pushbuttons	right	1	PR:OP8,OP9, 7L4,7L8,7Y1, 7Y0
(1)	95B 907 042 N DML 95B 907 042 Q	Matt Black/hi-gloss chrome Control panel with pushbuttons	right	1	PR:OP8,OP9, 7L7,7Y2,7Y3
(1)	95B 907 042 Q DML 95B 907 042 AA	Matt Black/hi-gloss chrome Control panel with pushbuttons	right	1	PR:OP8,OP9, 7L7,7Y6,7Y7
(1)	95B 907 042 AA DML 95B 907 042 AB	Matt Black/hi-gloss chrome Control panel with pushbuttons	right	1	PR:OP8,OP9, 7L4,7L8,7Y6, 7Y7
2	95B 907 042 AB DML 95B 927 225 A	Matt Black/hi-gloss chrome Switch		1	

Model: 95B Model life 2014>>

Pos	Part Number	Description	Remark	Qty	Model
3	N 906 986 06	Electronic parking brake Hexagon socket head panel bolt 4,2 X 16		X	
-		Control panel	front		
4	95B 907 040 F	Air conditioning Control panel		1	PR: 4A0, 4D0
		D >> - MJ 2016			
4	95B 907 040 F DML	Matt Black/hi-gloss chrome		1	PR: 4A0, 4D0
	95B 907 040 AF	Control panel			
		D - MJ 2017>>			
	95B 907 040 AF DML	Matt Black/hi-gloss chrome		1	PR: 4A3, 4A4, 4D0
(4)	95B 907 040 G	Control panel			
		D >> - MJ 2016			
	95B 907 040 G DML	Matt Black/hi-gloss chrome		1	PR: 4A3, 4A4, 4D0
(4)	95B 907 040 AG	Control panel			
		D - MJ 2017>>			
	95B 907 040 AG DML	Matt Black/hi-gloss chrome		1	PR: 4A3, 4A4, 4D3
(4)	95B 907 040 H	Control panel			
		D >> - MJ 2016			
	95B 907 040 H DML	Matt Black/hi-gloss chrome		1	PR: 4A3, 4A4, 4D3
(4)	95B 907 040 AH	Control panel			
		D - MJ 2017>>			
	95B 907 040 AH DML	Matt Black/hi-gloss chrome		1	PR: 4A3, 4A4, 4D3
-		Control panel	rear		
		Air conditioning			
5	95B 907 049 C	Control panel		1	PR: 4A4, 9AD
		Air conditioning			
(5)	95B 907 049 D	Control panel		1	PR: 4A0, 4A3, 9AQ
		Air conditioning			
(5)	95B 907 049 E	Control panel		1	PR: 4A4, 9AQ
		Air conditioning			
6	N 104 159 03	Oval hexagon socket head bolt		2	
8	7PP 907 527 A	Temperature sensor		1	
9	7PP 959 832 J	Switch for rear lid release		1	PR: 4E7, 4F2, 4F6
	7PP 959 832 J IVI	Matt black			
(9)	7PP 959 832 H	Switch for rear lid release		1	PR: 4E7, 4K0, 4K3
	7PP 959 832 H IVI	Matt black			
11	958 613 165 00	Switch Airbag		1	PR: 4UE
12	7P5 941 531 F	switch for lighting		1	
13	95B 959 855	Switch	lhd	1	PR: L0L, 2C4, 3PH, 3PJ, 3PN, 6XQ, 6XT
		With memory function Driver's door			
(13)	95B 959 855 DML	Matt Black/hi-gloss chrome		1	PR: L0L, 2C4, 3PH, 3PJ, 3PN, 6XQ, 6XT
	95B 959 856	Switch	lhd		
		With memory function Passenger's door			
(13)	95B 959 856 DML	Matt Black/hi-gloss chrome		1	PR: 3PN, L0R, 2C4, 3PH, 3PJ, 6XT, 6XQ
	95B 959 856 A	Switch	rhd		
		With memory function Passenger's door			
(13)	95B 959 856 A DML	Matt Black/hi-gloss chrome		1	PR: L0R, 2C4, 3PH, 3PJ, 3PN, 6XQ, 6XT
	95B 959 855 C	Switch	rhd		
		With memory function Driver's door			
14	95B 959 855 C DML	Matt Black/hi-gloss chrome		2	
	7PP 959 855 C	Switch for electric window regulator	rear		
14	7PP 959 855 C DML	Matt Black/hi-gloss chrome		1	
	7PP 959 855 C	Switch for electric window regulator			

Model: 95B Model life 2014>>

Pos	Part Number	Description	Remark	Qty	Model
(14)	7PP 959 855 C DML 9A7 959 855 00	(passenger side) Matt Black/hi-gloss chrome Switch for electric window regulator		3	
(14)	9A7 959 855 00 DML 7PP 959 858 R	Matt Black/hi-gloss chrome D - 18.09.2017>> Switch for electric window regulator Exterior mirror (drivers side)		1	PR:7Y0,7Y2, 7Y6
(14)	7PP 959 858 R DML 7PP 959 858 Q	Matt Black/hi-gloss chrome Switch for electric window regulator Exterior mirror (drivers side)		1	PR:7Y1,7Y3, 7Y7
15	7PP 959 858 Q DML 95B 962 125	Matt Black/hi-gloss chrome Switch central locking system (drivers side)		1	
15	95B 962 125 B	D >> - 24.05.2015 Switch central locking system (drivers side)		1	
(15)	95B 962 125 A	D - 25.05.2015>> Switch central locking system (passenger side)		1	
(15)	95B 962 126 B	D >> - 24.05.2015 Switch central locking system (passenger side)		1	
16	955 652 107 00	D - 25.05.2015>> Socket Drinks holder	rear	3	
(16)	958 652 107 00	Centre console Socket luggage compartment Stowage compartment Centre console Sound absorber (passenger side)		2	
17	958 652 103 00	Spring pin		3	
(17)	7PP 919 341	with: Cover Spring pin		1	
(17)	6Y0 919 341	Clear Spring pin Black		3	
18	970 652 101 00	Cigarette lighter		1	
(18)	970 652 101 00 A05 955 652 201 00	Matt black Cigarette lighter Insert		2	PR:9JB
(18)	955 652 201 00 01C	Satin black		1	
19	958 652 311 00 7PP 905 865 F	Cigarette lighter cover Control unit		1	
20	7PP 947 101	Ignition/starter switch Light		1	
21	991 632 131 00	Ignition/starter switch fibre optic conductor	lhd	1	PR:L0L
(21)	991 632 132 00	Ignition/starter switch fibre optic conductor	rhhd	1	PR:L0R
22	991 653 243 00	Ignition/starter switch Sun sensor		1	

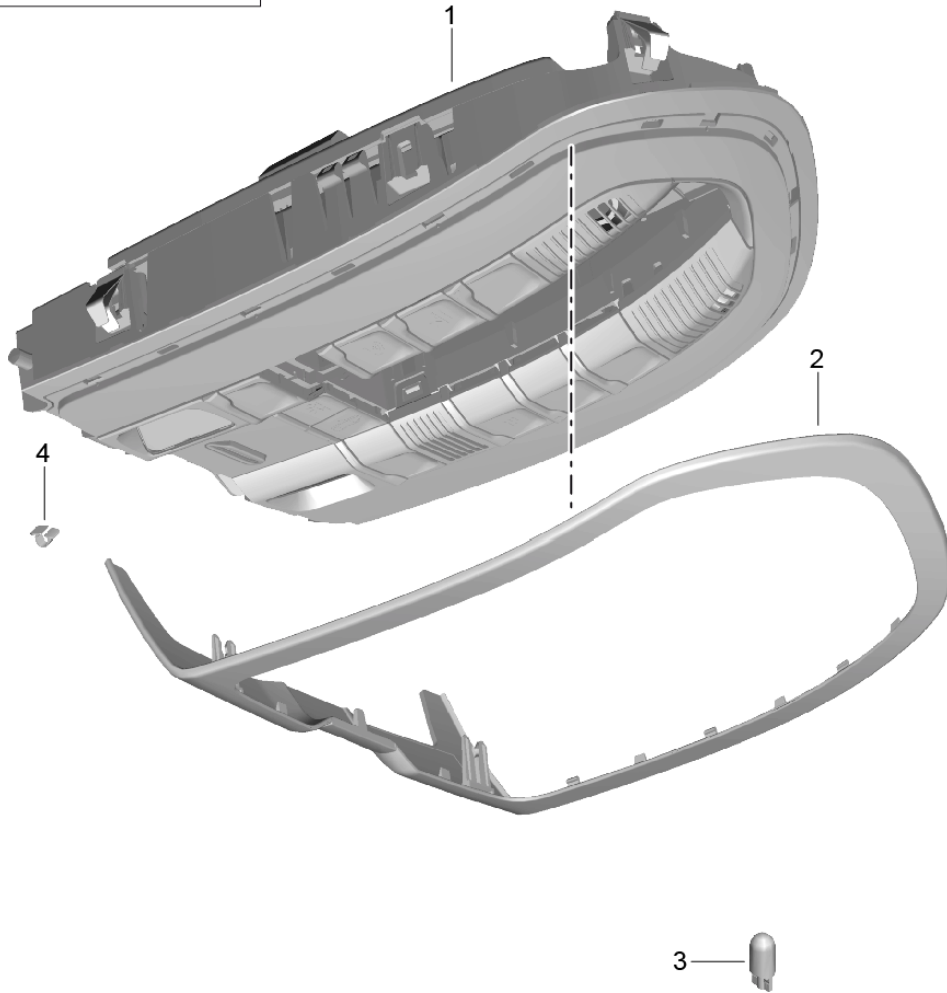
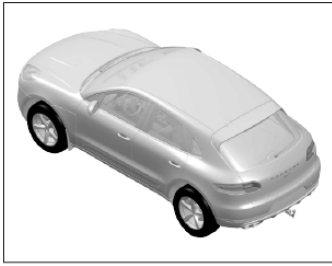
Model: 95B

Model life 2014>>

Pos	Part Number	Description	Remark	Qty	Model
23	95B 035 222	Air conditioning Double USB charging port Charging socket D - MJ 2017>>		1	PR:UI6

Model: 95B

Model life 2014>>



Model: 95B

Model life 2014>>

Pos	Part Number	Description	Remark	Qty	Model
1	7PP 868 404 LK	Console Roof see workshop manual Roof console D >> - MJ 2016		1	PR:VC0,7Q0, 9MA,7X0,7X9, 7T1,7T4,3FA, 7Q7
1	7PP 868 404 LK	Roof console D - MJ 2017>>		1	PR:VC0,9MA, 7X0,7X9,3FA
1	7PP 868 404 LM	Roof console D >> - MJ 2016		1	PR:VC0,7Q0, 9MA,7X2,7X8, 7T1,7T4,3FA, 8A4,7Q7
1	7PP 868 404 LM	Roof console D - MJ 2017>>		1	PR:VC0,9MA, 7X2,7X8,3FA, 8A4
1	7PP 868 404 LN	Roof console D >> - MJ 2016		1	PR:VC1,7Q0, 9MA,7X0,7X9, 7T1,7T4,VC2, 3FA,7Q7
1	7PP 868 404 LN	Roof console D - MJ 2017>>		1	PR:VC1,9MA, 7X0,7X9,VC2, 3FA
1	7PP 868 404 LQ	Roof console D >> - MJ 2016		1	PR:VC1,9MA, 7X2,7X8,VC2, 3FA,7T1,7T4, 8A4,7Q0,7Q7
1	7PP 868 404 LQ	Roof console D - MJ 2017>>		1	PR:VC1,9MA, 7X2,7X8,VC2, 3FA,8A4
1	7PP 868 404 LT	Roof console D >> - MJ 2016		1	PR:VC0,7Q4, 9MA,7X0,7X9, 3FA
1	7PP 868 404 MB	Roof console D >> - MJ 2016		1	PR:VC0,7Q4, 9MA,7X2,7X8, 3FA,8A4
1	7PP 868 404 MC	Roof console D >> - MJ 2016		1	PR:VC1,7Q4, 9MA,7X0,7X9, VC2,3FA
1	7PP 868 404 ME	Roof console D >> - MJ 2016		1	PR:VC1,7Q4, 9MA,7X2,7X8, VC2,3FA,8A4
1	7PP 868 404 MH	Roof console D >> - MJ 2016		1	PR:VC0,7Q0, 9MB,7X0,7X9, 7T1,7T4,3FA, 7Q7
1	7PP 868 404 MH	Roof console D - MJ 2017>>		1	PR:VC0,9MB, 7X0,7X9,3FA
1	7PP 868 404 MK	Roof console D >> - MJ 2016		1	PR:VC0,7Q0, 9MB,7X2,7X8, 7T1,7T4,3FA, 8A4,7Q7
1	7PP 868 404 MK	Roof console D - MJ 2017>>		1	PR:VC0,9MB, 7X2,7X8,3FA, 8A4
1	7PP 868 404 ML	Roof console D >> - MJ 2016		1	PR:VC1,7Q0, 9MB,7X0,7X9, 7T1,7T4,VC2, 3FA,7Q7
1	7PP 868 404 ML	Roof console		1	PR:VC1,9MB, 7X0,7X9,VC2,

Model: 95B Model life 2014>>

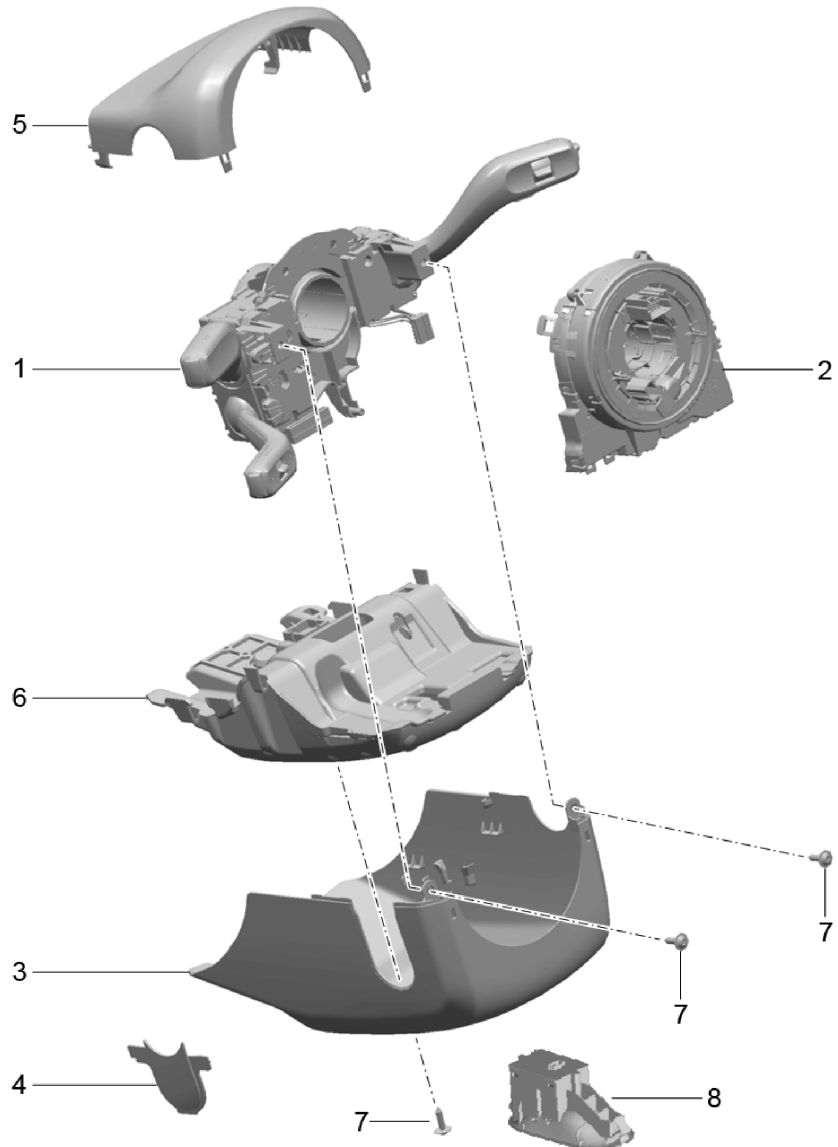
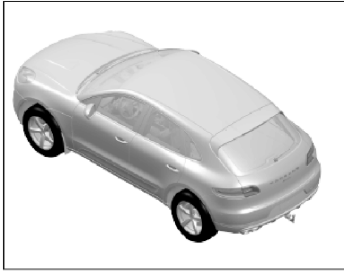
Pos	Part Number	Description	Remark	Qty	Model
1	7PP 868 404 MN	D - MJ 2017>> Roof console D >> - MJ 2016		1	3FA PR:VC1,7Q0, 9MB,7X2,7X8, 7T1,7T4,VC2, 3FA,8A4,7Q7
1	7PP 868 404 MN	Roof console D - MJ 2017>>		1	PR:VC1,9MB, 7X2,7X8,VC2, 3FA,8A4
1	7PP 868 404 MR	Roof console D >> - MJ 2016		1	PR:VC0,7Q4, 9MB,7X0,7X9, 3FA
1	7PP 868 404 MT	Roof console D >> - MJ 2016		1	PR:VC0,7Q4, 9MB,7X2,7X8, 3FA,8A4
1	7PP 868 404 NA	Roof console D >> - MJ 2016		1	PR:VC1,7Q4, 9MB,7X0,7X9, VC2,3FA
1	7PP 868 404 NC	Roof console D >> - MJ 2016		1	PR:VC1,7Q4, 9MB,7X2,7X8, VC2,3FA,8A4
(1)	958 613 942 04	Roof console D >> - MJ 2016		1	PR:VC0,7Q0, 7T1,7T4,7X0, 7X9,9MA,3FU, 7Q7
(1)	958 613 942 04	Roof console D - MJ 2017>>		1	PR:VC0,7X0, 7X9,9MA,3FU
(1)	958 613 943 04	Roof console D >> - MJ 2016		1	PR:VC0,7Q0, 7T1,7T4,7X2, 7X8,9MA,3FU, 8A4,7Q7
(1)	958 613 943 04	Roof console D - MJ 2017>>		1	PR:VC0,7X2, 7X8,9MA,3FU, 8A4
(1)	958 613 944 04	Roof console D >> - MJ 2016		1	PR:VC1,VC2, 7Q0,7T1,7T4, 7X0,7X9,9MA, 3FU,7Q7
(1)	958 613 944 04	Roof console D - MJ 2017>>		1	PR:VC1,VC2, 7X0,7X9,9MA, 3FU
(1)	958 613 945 04	Roof console D >> - MJ 2016		1	PR:VC1,VC2, 7Q0,7T1,7T4, 7X2,7X8,9MA, 3FU,8A4,7Q7
(1)	958 613 945 04	Roof console D - MJ 2017>>		1	PR:VC1,VC2, 7X2,7X8,9MA, 3FU,8A4
(1)	958 613 946 04	Roof console D >> - MJ 2016		1	PR:VC0,7Q4, 7X0,7X9,9MA, 3FU
(1)	958 613 947 04	Roof console D >> - MJ 2016		1	PR:VC0,7Q4, 7X2,7X8,9MA, 3FU,8A4
(1)	958 613 948 04	Roof console D >> - MJ 2016		1	PR:VC1,VC2, 7Q4,7X0,7X9, 9MA,3FU
(1)	958 613 949 04	Roof console D >> - MJ 2016		1	PR:VC1,VC2, 7Q4,7X2,7X8, 9MA,3FU,8A4
(1)	7PP 868 404 NP	Roof console D >> - MJ 2016		1	PR:VC0,7Q0, 7T1,7T4,7X0, 7X9,9MB,3FU,

Model: 95B Model life 2014>>

Pos	Part Number	Description	Remark	Qty	Model
(1)	7PP 868 404 NP	Roof console		1	7Q7 PR:VC0,7X0, 7X9,9MB,3FU
(1)	958 613 951 04	Roof console D - MJ 2017>>		1	PR:VC0,7Q0, 7T1,7T4,7X2, 7X8,9MB,3FU, 8A4,7Q7
(1)	958 613 951 04	Roof console D >> - MJ 2016		1	PR:VC0,7X2, 7X8,9MB,3FU, 8A4
(1)	958 613 952 04	Roof console D - MJ 2017>>		1	PR:VC1,VC2, 7Q0,7T1,7T4, 7X0,7X9,9MB, 3FU,7Q7
(1)	958 613 952 04	Roof console D >> - MJ 2016		1	PR:VC1,VC2, 7X0,7X9,9MB, 3FU
(1)	958 613 953 04	Roof console D - MJ 2017>>		1	PR:VC1,VC2, 7Q0,7T1,7T4, 7X2,7X8,9MB, 3FU,8A4,7Q7
(1)	958 613 953 04	Roof console D >> - MJ 2016		1	PR:VC1,VC2, 7X2,7X8,9MB, 3FU,8A4
(1)	958 613 954 04	Roof console D - MJ 2017>>		1	PR:VC0,7Q4, 7X0,7X9,9MB, 3FU
(1)	958 613 955 04	Roof console D >> - MJ 2016		1	PR:VC0,7Q4, 7X2,7X8,9MB, 3FU,8A4
(1)	958 613 956 04	Roof console D >> - MJ 2016		1	PR:VC1,VC2, 7Q4,7X0,7X9, 9MB,3FU
(1)	958 613 957 04	Roof console D >> - MJ 2016		1	PR:VC1,VC2, 7Q4,7X2,7X8, 9MB,3FU,8A4
2	7PP 919 317	Trim Console Roof		1	
	7PP 919 317 3T0	Espresso	-VR		
	7PP 919 317 6W0	Luxor beige	-VE,VH,VM		
	7PP 919 317 0A6	agate grey	-VD,VG,VL,VQ		
	7PP 919 317 5Q0	Black	-VC,VJ,VF,VI, VU,VK,VO,VX, VZ		
3	999 631 032 90	bulb W5W		X	
4	95B 868 771	Spring clip		X	

Model: 95B

Model life 2014>>

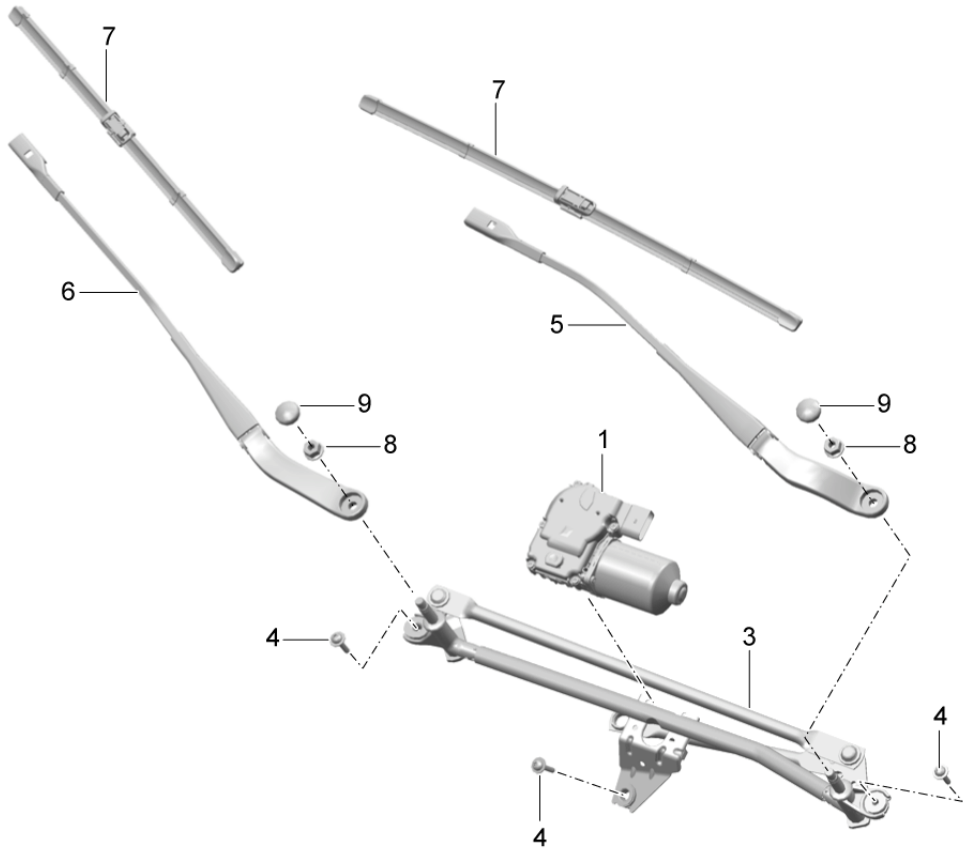
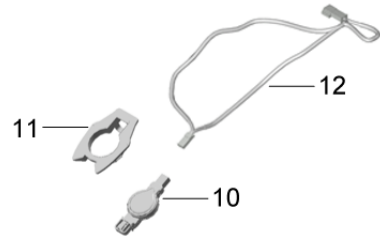
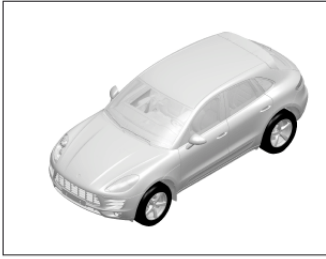


Model: 95B Model life 2014>>

Pos	Part Number	Description	Remark	Qty	Model
1	95B 953 502 A	Steering column switch		1	PR:QH0,8T0,8X1
1	95B 953 502 B	Steering column switch		1	PR:QH1,8T0,8X0
1	95B 953 502 C	Steering column switch		1	PR:QH1,8T0,8X1
1	95B 953 502 D	Steering column switch		1	PR:QH0,8T3,8X0
1	95B 953 502 E	Steering column switch		1	PR:QH0,8T3,8X1
1	95B 953 502 F	Steering column switch		1	PR:QH1,8T3,8X0
1	95B 953 502 H	Steering column switch		1	PR:QH1,8T3,8X1
1	95B 953 502 J	Steering column switch		1	PR:QH0,8T1,8X0
1	95B 953 502 K	Steering column switch		1	PR:QH0,8T1,8X1
1	95B 953 502 L	Steering column switch		1	PR:QH1,8T1,8X0
1	95B 953 502 M	Steering column switch		1	PR:QH1,8T1,8X1
1	95B 953 502 N	Steering column switch		1	PR:QH0,8T0,8X0
1	95B 953 502 P	Steering column switch		1	PR:QH0,8T6,8X0
1	95B 953 502 R	Steering column switch		1	PR:QH0,8T6,8X1
1	95B 953 502 S	Steering column switch		1	PR:QH1,8T6,8X0
1	95B 953 502 T	Steering column switch		1	PR:QH1,8T6,8X1
2	95B 953 568	Control unit Steering column switch Included Coil spring with electronics and steering angle sensor		1	PR:2ZM,2PX
2	95B 953 568 A	Control unit Steering column switch Included Coil spring with electronics and steering angle sensor		1	PR:1XE,1XG,2FX,2ZH,2ZU
3	95B 953 516 D	Trim Steering column switch	lower	1	PR:2C5
(3)	95B 953 516 D 5Q0	Black			
	95B 953 516 E	Trim Steering column switch	lower	1	PR:2C4
	95B 953 516 E 5Q0	Black			
4	95B 953 565 A	Cover	lower	1	PR:8T0
	95B 953 565 A 5Q0	Black			
5	95B 953 515 B	Trim LENKSTOCKSCHALTER	upper	1	
	95B 953 515 B 5Q0	Black			
6	95B 880 515	Shock absorber		1	PR:2C5
(6)	95B 880 515 A	Shock absorber		1	PR:2C4
7	N 906 986 06	Hexagon socket head panel bolt ST 4,2 X 16		3	
8	7PP 953 519 D	Switch for steering column adjustment		1	PR:2C4
	7PP 953 519 D IVI	Matt black			

Model: 95B

Model life 2014>>



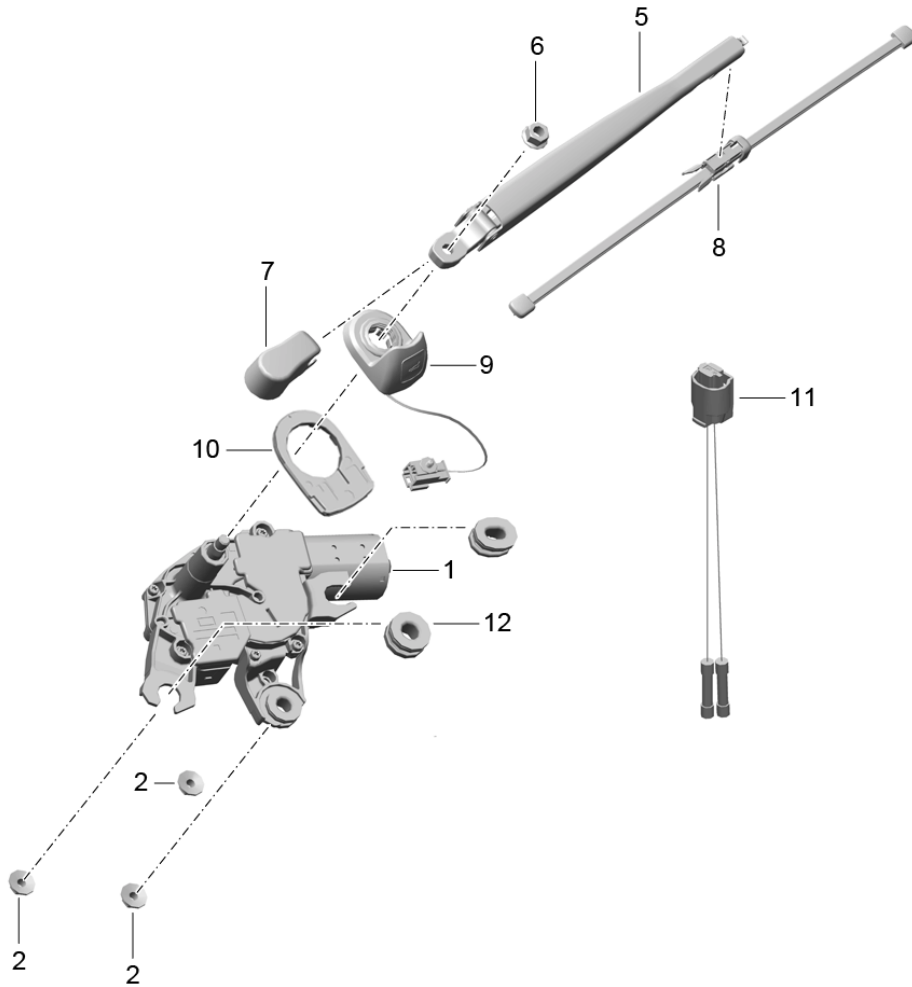
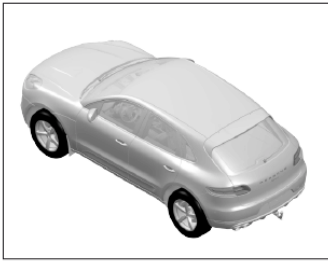
Model: 95B

Model life 2014>>

Pos	Part Number	Description	Remark	Qty	Model
1	95B 955 113 A	Windscreen wiper system, compl Rain sensor Wiper motor	lhd	1	PR:L0L
(1)	95B 955 114 A	Discontinued part Wiper motor	rhd	1	PR:L0R
3	95B 955 601 A	Discontinued part Drive rod with crank	lhd	1	PR:L0L
(3)	95B 955 602 A	Drive rod with crank	rhd	1	PR:L0R
4	N 105 355 02	Hexagon socket head bolt (combi) M 6 X 30		3	
5	95B 955 407	Wiper arm (drivers side)	lhd	1	PR:L0L
(5)	95B 955 407 A	Wiper arm (passenger side)		1	PR:L0R
6	95B 955 408	Wiper arm (passenger side)		1	PR:L0L
(6)	95B 955 408 A	Wiper arm (drivers side)		1	PR:L0R
7	95B 998 001	1 set: wiper blades	front	1	PR:L0L
(7)	95B 998 002	1 set: wiper blades	front	1	PR:L0R
8	N 102 613 11	Hexagon nut M 10		2	
9	958 628 305 00	cap for wiper arm (drivers side)		2	
10	7P0 955 559 E	Rain and humidity sensor		1	PR:8N7,8N8
11	9A7 955 609 00	Adhesive film Rain sensor		1	
12	95B 971 375	Adapter wire Rain sensor		1	

Model: 95B

Model life 2014>>



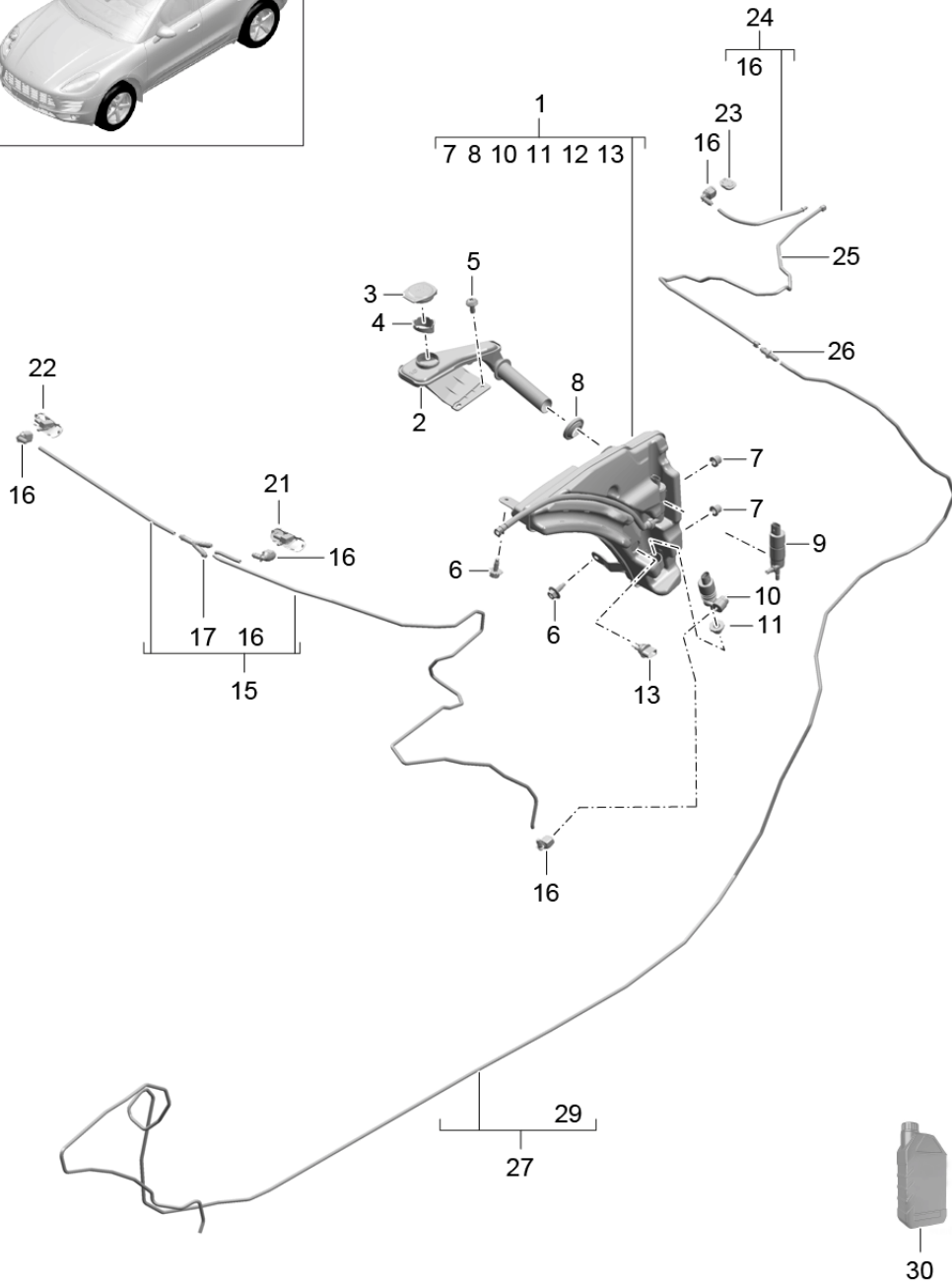
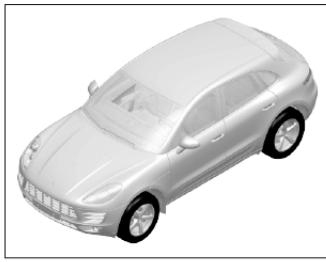
Model: 95B

Model life 2014>>

Pos	Part Number	Description	Remark	Qty	Model
1	95B 955 711	Rear window wiper Wiper motor		1	
		also use:	N 011 696 4	2	
		D >> - MJ 2015			
1	95B 955 711	Wiper motor		1	
		D - MJ 2016>>			
2	N 911 733 01	hex. nut with washer	M6	3	
		M 6			
5	970 628 169 01	Wiper arm		1	
6	N 106 092 04	Hexagon collar nut		1	
		M 8			
7	970 628 123 00	Cover cap		1	
8	970 628 189 00	wiper blade	rear	1	
9	95B 927 227 A	Pushbutton for rear lid actuation		1	
		also use:	95B 998 030		
(9)	95B 927 227 B	Discontinued part Pushbutton for rear lid actuation Rear lid		1	
10	95B 927 347 A	Discontinued part Bracket Pushbutton for rear lid actuation		1	
11	95B 998 030	Adapter cable Pushbutton for rear lid actuation		1	
12	N 011 696 4	Washer Wiper motor		2	
		D >> - MJ 2015			

Model: 95B

Model life 2014>>

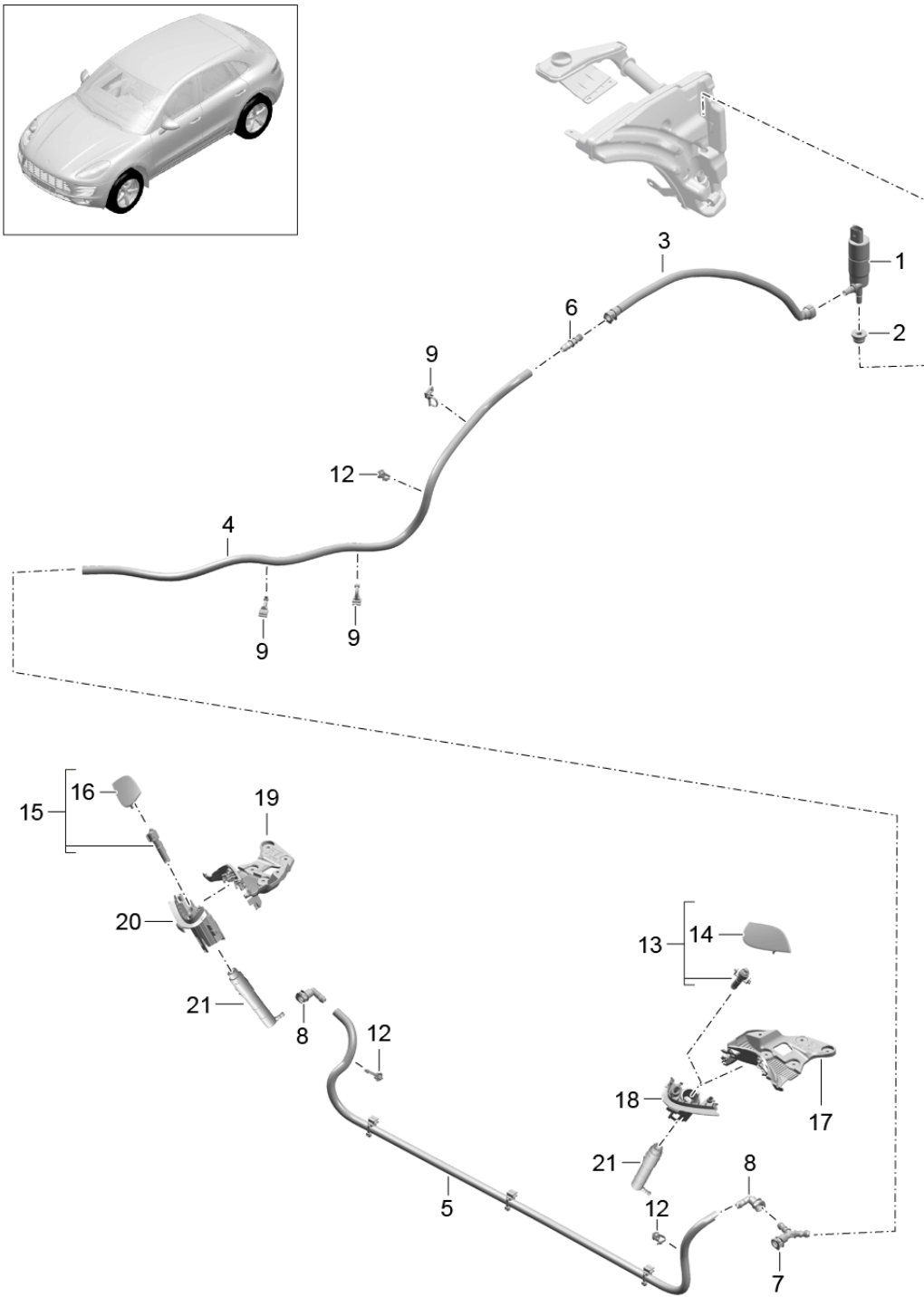


Model: 95B Model life 2014>>

Pos	Part Number	Description	Remark	Qty	Model
1	95B 955 451	Windscreen washer system fluid container for water (complete)		1	PR:8X1
(1)	95B 955 451 A	fluid container for water (complete)		1	PR:8X0
2	95B 955 452	fuel filler neck		1	
3	1K0 955 455	End cap D >> - MJ 2014		1	
3	3Q0 955 455	End cap D - MJ 2015>>		1	
4	8Z0 955 485	strainer D >> - MJ 2014		1	
(4)	3D0 955 485 A	strainer D - MJ 2015>>		1	
5	N 907 378 03	Hexagon socket flat head bolt M 6 X 14		1	
6	N 908 204 01	bolt, hex. hd. (combi.) self-locking M 6 X 16		2	
7	999 702 221 40	Grommet		2	
8	3C0 955 489 A	Grommet		1	
9		fuel filler neck Pump see illustration:	904-020	1	
10	955 628 172 01	Windscreen washer system pump		1	
11	431 955 465 A	Seal		1	
12	955 528 721 00	Seal		1	
13	955 628 105 00	Water level switch		1	
15	95B 955 960	Hose line for washer water (complete)	front	1	
16	955 628 200 01	Elbow fitting		3	
17	955 628 210 00	Distributor		1	
21	95B 955 986	Water jet	left	1	
22	95B 955 986 A	Water jet	right	1	
23	95B 955 985	Water jet		1	
24	95B 955 961	Rear window Hose line for washer water (complete)	rear	1	
25	95B 955 571	Pipe assembly Connecting line (complete)	rear	1	PR:L0L
26	95B 955 569	Connecting piece		2	
27	95B 955 963	Hose line for washer water Connecting line (complete)		1	PR:L0L
(27)	95B 955 963 A	Hose line for washer water Connecting line (complete)		1	PR:L0R
29	95B 955 793	Connecting piece		1	
30	999 901 017 42	Window cleaning solution 250 ML	Summer	X	
(30)	999 901 033 40	Window cleaning solution 1000 ML	Winter	X	

Model: 95B

Model life 2014>>



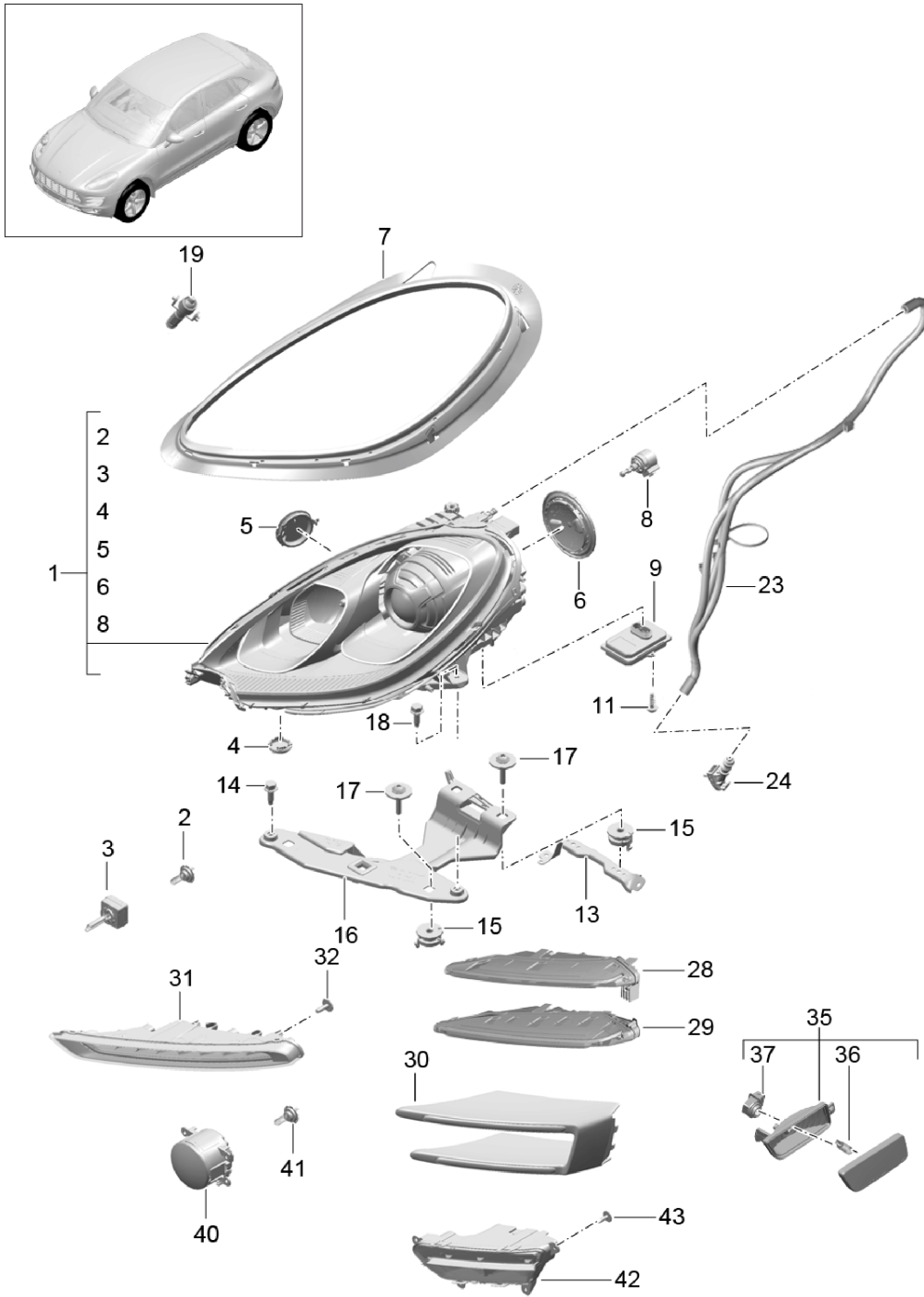
Model: 95B

Model life 2014>>

Pos	Part Number	Description	Remark	Qty	Model
1	6R0 955 681	headlight washer system Pump for headlight- washer system		1	PR:8X0,8X1
2	431 955 465 A	Seal		1	
3	95B 955 970	Hose headlight washer system		1	
-	7P5 955 964	Hose headlight washer system		X	
4		shorten to:	955 MM	1	
5		shorten to:	1160 MM	1	
6	997 628 208 00	Hose connector		1	
7	95B 955 875	Coupling Y-piece		1	
8	1J0 955 665 E	Elbow fitting		2	
9	958 612 838 00	Cable ties with bracket		3	
12	N 906 661 01	Cable ties		3	
13	95B 955 099 A	Nozzle holder	left	1	PR:8X1
14	95B 955 283 A	Trim Nozzle holder	left	1	PR:8X0,8X1
15	95B 955 100 A	Nozzle holder	right	1	PR:8X1
16	95B 955 284 A	Trim Nozzle holder	right	1	PR:8X0,8X1
17	95B 955 127 B	Cover Headlights	left	1	PR:8X1
18	95B 955 159 B	Bracket Nozzle holder	left	1	PR:8X1
(18)	95B 955 159 C	Retainer for trim	left	1	PR:8X0
19	95B 955 128 B	Cover Headlights	right	1	PR:8X1
20	95B 955 160 B	Bracket Nozzle holder	right	1	PR:8X1
(20)	95B 955 160 C	Retainer for trim	right	1	PR:8X0
21	95B 955 978	Lift cylinder Nozzle holder		2	PR:8X1

Model: 95B

Model life 2014>>



Model: 95B

Model life 2014>>

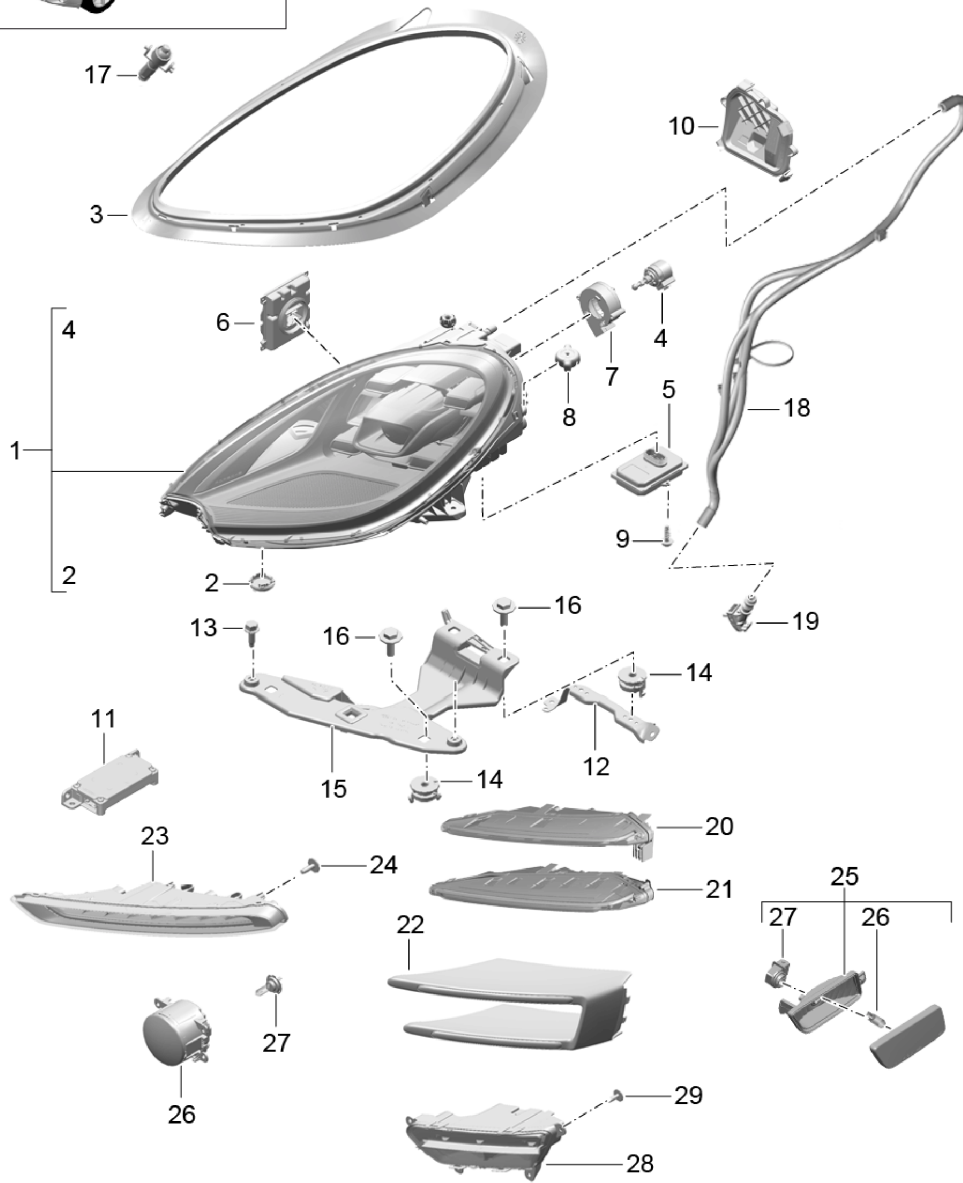
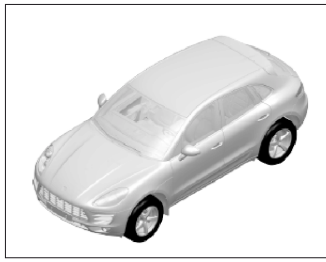
Pos	Part Number	Description	Remark	Qty	Model
		Headlights Halogen bulb Turn signal repeater Fog lights			PR:8BB,8BF, 8BR
(1)	95B 941 029 AA	Headlights	left	1	PR:8BF,8Q2, -B1P
(1)	95B 941 030 AA	Headlights	right	1	PR:8BF,8Q2, -B1P
(1)	95B 941 029 T	Headlights	left	1	PR:8BB,8Q2, -B1P
(1)	95B 941 030 T	Headlights	right	1	PR:8BB,8Q2, -B1P
2	999 631 133 91	Halogen bulb H 7		4	
4	997 631 267 01	ventilation valve	lower	2	
5	991 631 313 00	Protective hood		2	
6	95B 941 363	Protective hood	rear	2	
7	95B 941 323 B	Seal	left	1	
(7)	95B 941 323 C	Seal	right	1	
8	991 631 327 02	Servomotor		2	
9	7PP 941 329 N	Headlight range control Control unit for LED headlight		2	PR:8BE,8EA, 8EE,8EF,8EG, 8JE
(9)	7PP 941 329 T	Power module for headlight Control unit for LED headlight		2	PR:8BE,8EA, 8EE,8EF,8EG, 8JE
11	999 919 159 09	Power module for headlight fillister hd. bolt 4,0 X 12,0		8	
13	95B 941 451 B	Bracket for headlight	left	1	
(13)	95B 941 452 B	Setting device Bracket for headlight Setting device	right	1	
14	N 101 586 05	bolt,hex.hd.with shoul.(combi) M6 X 20		4	
15	WHT 006 897	speed nut		4	
16	95B 941 121 A	Retaining plate	left	1	
(16)	95B 941 122 A	Retaining plate	right	1	
17	N 912 481 01	Bolt with washer M6 X 35		8	
(18)	N 100 092 09	hexagon head bolt (combi) M6 X 20		4	
19	95B 955 101	Nozzle holder Headlights	left	1	PR:8X1
(19)	95B 955 102	Nozzle holder Headlights	right	1	PR:8X1
23	95B 941 559 A	Vent hose	left	1	
(23)	95B 941 560 B	Vent hose	right	1	
(23)	95B 941 560 C	Vent hose	right	1	
24	95B 941 741 A	jet Vent hose		2	
28	95B 953 049 A	Turn signal indicator	left	1	
(28)	95B 953 050 A	Turn signal indicator	right	1	
29	95B 941 107 A	Position light	left	1	
(29)	95B 941 108 A	Position light	right	1	

Model: 95B Model life 2014>>

Pos	Part Number	Description	Remark	Qty	Model
30	95B 998 021	repair set Additional headlight	left	1	
(30)	95B 998 022	repair set Additional headlight	right	1	
31	95B 941 181	Additional headlight Included Turn signal indicator	left	1	
(31)	95B 941 182	Additional headlight Included Turn signal indicator	right	1	
32	N 909 747 01	Hexagon socket head panel bolt 5 X 16		4	
40	955 631 163 00	Fog lights		2	PR:8WB,8WH
41	N 105 297 01	Halogen bulb H 11		2	PR:8WB,8WH
42	95B 941 699 B	Fog lights	left	1	PR:8WB,8WH
42	95B 941 700 B	Fog lights	right	1	PR:8WB,8WH
43	N 909 747 01	Hexagon socket head panel bolt 5 X 16		8	

Model: 95B

Model life 2014>>



Model: 95B Model life 2014>>

Pos	Part Number	Description	Remark	Qty	Model
		LED headlight Turn signal repeater side marker light D - MJ 2017>>			PR:8EX,8EY, 8IS
(1)	95B 941 039 G	LED headlight	left	1	PR:8IS,8Q3
(1)	95B 941 040 G	LED headlight	right	1	PR:8IS,8Q3
(1)	95B 941 039 F	LED headlight	left	1	PR:8EX,8Q3
(1)	95B 941 040 F	LED headlight	right	1	PR:8EX,8Q3
2	997 631 267 01	ventilation valve	lower	2	
3	95B 941 323 E	Seal	left	1	
(3)	95B 941 323 D	Seal	right	1	
4	991 631 327 02	Servomotor		2	
5	7PP 941 329 T	Headlight range control Control unit for		2	
6	9A7 941 572 00	LED headlight Control unit		2	
7	9A7 907 463 00	LED module Fan for headlamps		2	
9	999 919 159 09	LED module fillister hd. bolt		8	
10	95B 941 159	4,0 X 12,0 Cover cap	left	1	
(10)	95B 941 158	Cover cap	right	1	
11	7PP 941 597 B	Control unit		1	
12	95B 941 451 C	For day driving lights Bracket for headlight	left	1	
(12)	95B 941 452 C	Setting device Bracket for headlight	right	1	
13	N 101 586 05	Setting device bolt,hex.hd.with shoul.(combi)		4	
14	WHT 006 897	M6 X 20 speed nut		4	
15	95B 941 121 B	Retaining plate	left	1	
(15)	95B 941 122 B	Retaining plate	right	1	
16	N 100 092 09	hexagon head bolt (combi)		4	
17	95B 955 101	M6 X 20 Nozzle holder	left	1	PR:8X1
(17)	95B 955 102	Headlights Nozzle holder	right	1	PR:8X1
18	95B 941 559 B	Headlights Vent hose	left	1	
(18)	95B 941 560 C	Vent hose	right	1	
19	95B 941 741 A	jet Vent hose		2	
20	95B 953 049 A	Turn signal indicator	left	1	
(20)	95B 953 050 A	Turn signal indicator	right	1	
21	95B 941 107 A	Position light	left	1	
(21)	95B 941 108 A	Position light	right	1	
22	95B 998 021	repair set	left	1	
(22)	95B 998 022	Additional headlight repair set	right	1	
23	95B 941 181 A	Additional headlight Included	left	1	
(23)	95B 941 182 A	Turn signal indicator Additional headlight	right	1	
24	N 909 747 01	Included Turn signal indicator Hexagon socket head panel bolt		4	
		5 X 16			

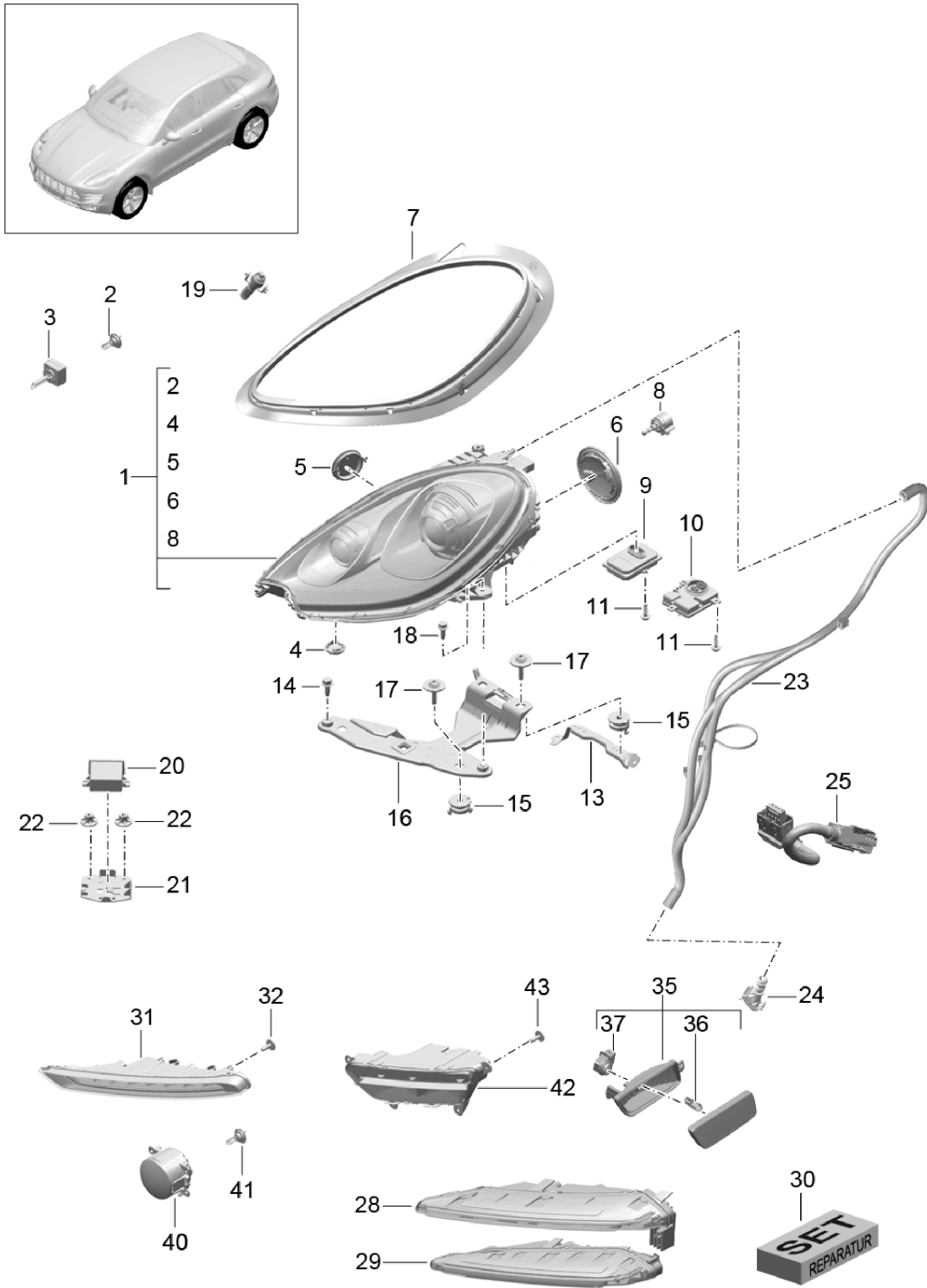
Model: 95B

Model life 2014>>

Pos	Part Number	Description	Remark	Qty	Model
26	955 631 163 00	Fog lights		2	PR: 8WB, 8WH
27	N 105 297 01	Halogen bulb H 11		2	PR: 8WB, 8WH
28	95B 941 699 C	Fog lights	left	1	PR: 8WB, 8WH
28	95B 941 700 C	Fog lights	right	1	PR: 8WB, 8WH
29	N 909 747 01	Hexagon socket head panel bolt 5 X 16		8	

Model: 95B

Model life 2014>>



Model: 95B

Model life 2014>>

Pos	Part Number	Description	Remark	Qty	Model
		Headlights XENON Turn signal repeater Fog lights			PR:8BC,8BE, 8EA,8JD,8BB, 8JE,8BZ,8EF
(1)	95B 941 029 AG	Headlights	left	1	PR:8BZ,8Q3
(1)	95B 941 030 AG	Headlights	right	1	PR:8BZ,8Q3
(1)	95B 941 029 AD	Headlights	left	1	PR:8BE
(1)	95B 941 030 AD	Headlights	right	1	PR:8BE
(1)	95B 941 029 AF	Headlights	left	1	PR:8BC,8Q3
(1)	95B 941 030 AF	Headlights	right	1	PR:8BC,8Q3
(1)	95B 941 029 AN	Headlights	left	1	PR:8JE
(1)	95B 941 030 AN	Headlights	right	1	PR:8JE
(1)	95B 941 029 CM	Headlights	left	1	PR:8EF,8Q3,
(1)	95B 941 030 CM	Headlights	right	1	PR:8EF,8Q3,
(1)	95B 941 029 CN	Headlights	left	1	PR:8EE,8Q3,
(1)	95B 941 030 CN	Headlights	right	1	PR:8EE,8Q3,
2	N 107 333 01	Halogen bulb H 15		2	PR:8EA,8JE, 8BE,8EE,8EF, 8EG
3	999 631 070 90	Gas discharge lamp D3S		2	
4	997 631 267 01	ventilation valve	lower	2	
5	991 631 313 00	Protective hood		2	
6	95B 941 363	Protective hood	rear	2	
7	95B 941 323 B	Seal	left	1	
(7)	95B 941 323 C	Seal	right	1	
8	991 631 327 02	Servomotor		2	
9	7PP 941 329 M	Headlight range control Power module for cornering light		2	PR:8BC,8BZ, 8JD
9	7PP 941 329 R	Control unit for LED headlight		2	PR:8BE,8EA, 8EE,8EF,8EG, 8JE
9	7PP 941 329 T	Power module for headlight Control unit for LED headlight		2	PR:8BE,8EA, 8EE,8EF,8EG, 8JE
10	991 618 323 03	Power module for headlight Control unit XENON		2	PR:8BE,8BC, 8BZ,8EA,8JD, 8JE
11	999 919 159 09	fillister hd. bolt 4,0 X 12,0		8	
12	991 631 323 00	Connecting line Control unit XENON		2	
13	95B 941 057 B	Bracket for headlight Setting device	left	1	
13	95B 941 058 B	Bracket for headlight Setting device	right	1	
14	N 101 586 05	bolt,hex.hd.with shoul.(combi) M6 X 20		4	
15	WHT 006 897	speed nut		8	
16	95B 941 121 A	Retaining plate	left	1	
16	95B 941 122 A	Retaining plate	right	1	
17	N 912 481 01	Bolt with washer M6 X 30		8	

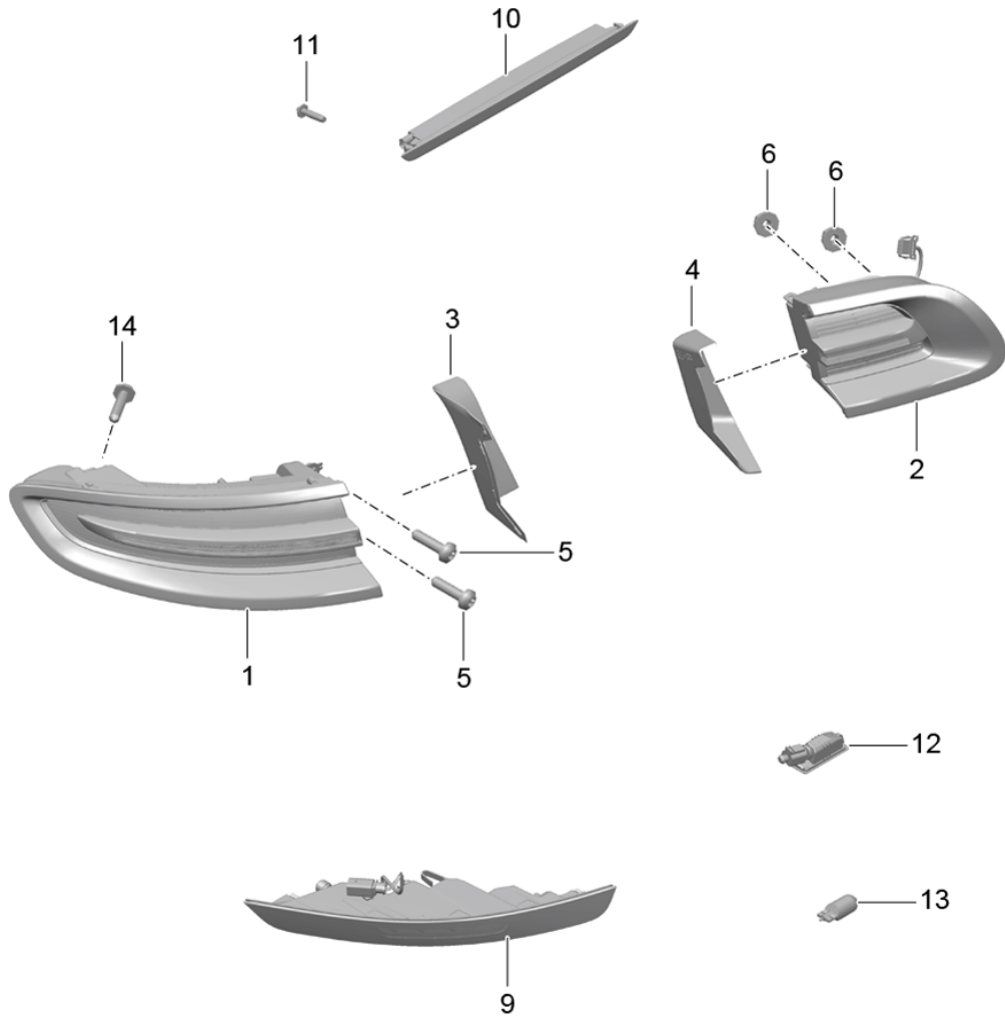
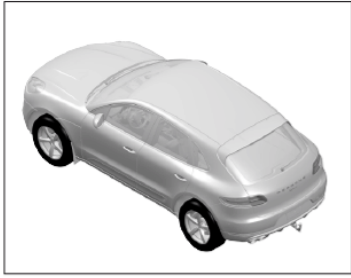
Model: 95B

Model life 2014>>

Pos	Part Number	Description	Remark	Qty	Model
18	N 100 092 09	hexagon head bolt (combi) M6 X 20		4	
19	95B 955 101	Nozzle holder Headlights	left	1	PR:8X1
19	95B 955 102	Nozzle holder Headlights	right	1	PR:8X1
20	7PP 907 357 D	Control unit Headlight range control		1	PR:8BC,8BE, 8BZ,8EA,8JD, 8JE,8Q3
21	95B 907 366	Retainer for control units Headlight range control		1	PR:8BC,8BE, 8BZ,8EA,8JD, 8JE,8Q3
22	N 907 579 01	Hexagon collar nut		2	
23	95B 941 559 A	Vent hose	left	1	
(23)	95B 941 560 B	Vent hose	right	1	
(23)	95B 941 560 C	Vent hose	right	1	
24	95B 941 741 A	jet Vent hose		2	
25	991 631 323 00	Connecting line Control unit		2	
28	95B 953 049 A	Turn signal indicator	left	1	
(28)	95B 953 050 A	Turn signal indicator	right	1	
29	95B 941 107 A	Position light	left	1	
29	95B 941 108 A	Position light	right	1	
30	95B 998 021	repair set Additional headlight	left	1	
30	95B 998 022	repair set Additional headlight	right	1	
31	95B 941 181	Additional headlight Included	left	1	
31	95B 941 182	Turn signal indicator Additional headlight Included	right	1	
32	N 909 747 01	Turn signal indicator Hexagon socket head panel bolt 5 X 16		4	
40	955 631 163 00	Fog lights		2	PR:8WB,8WH
41	N 105 297 01	Halogen bulb H 11		2	PR:8WB,8WH
42	95B 941 699 A	Fog lights	left	1	PR:8WB,8WH
42	95B 941 700 A	Fog lights	right	1	PR:8WB,8WH
43	N 909 747 01	Hexagon socket head panel bolt 5 X 16		8	

Model: 95B

Model life 2014>>



Model: 95B

Model life 2014>>

Pos	Part Number	Description	Remark	Qty	Model
1	95B 945 095 D	Rear light Additional brake light Licence plate light Rear light	left outer	1	PR:8SA
1	95B 945 096 D	Rear light	right outer	1	PR:8SA
1	95B 945 095 B	Rear light	left outer	1	PR:8SB
1	95B 945 096 B	Rear light	right outer	1	PR:8SB
2	95B 945 093	Rear light	left inner	1	PR:8SA,-B1P
2	95B 945 094	Rear light	right inner	1	PR:8SA,-B1P
2	95B 945 093 B	Rear light	left inner	1	PR:8SB
2	95B 945 094 B	Rear light	right inner	1	PR:8SB
3	95B 945 311 D	Cover Rear light	left outer	1	
(3)	95B 945 312 D	Cover Rear light	right outer	1	
4	95B 945 425 D	Cover Rear light	left inner	1	
(4)	95B 945 426 D	Cover Rear light	right inner	1	
5	N 910 717 01	Hexagon socket flat head bolt M 6 X 25		4	
6	N 015 082 10	Hexagon collar nut M 6		4	
9	95B 945 725 C	rear light reflector Reversing light Discontinued part	left lhd	1	PR:8SA,L0L
9	95B 945 725 J	rear light reflector Reversing light	left lhd	1	PR:8SA,8SB, L0L
9	95B 945 726 C	rear light reflector Reversing light Discontinued part	right lhd	1	PR:8SA,L0L,
9	95B 945 726 J	rear light reflector Reversing light	right lhd	1	PR:8SA,8SB, L0L,
9	95B 945 725 E	rear light reflector Reversing light Discontinued part	left rhd	1	PR:8SA,L0R, -B1P
9	95B 945 725 L	rear light reflector Reversing light	left rhd	1	PR:8SA,8SB, L0R,-B1P
9	95B 945 726 E	rear light reflector Reversing light Discontinued part	right rhd	1	PR:8SA,L0R, -B1P
9	95B 945 726 L	rear light reflector Reversing light	right rhd	1	PR:8SA,8SB, L0R,-B1P
10	95B 945 097	Additional brake light		1	PR:-B1P
11	N 105 496 03	Oval hexagon socket head bolt 4 X 16		2	
12	958 631 620 00	Licence plate light		2	PR:9MA
(12)	420 943 021	Licence plate light		2	PR:9MB
13	N 017 753 5	bulb 'longlife' 5 W		2	
14	N 911 482 01	flat round head bolt M 6 X 25		2	
15	95B 915 557	Distance piece 0,56 MM		X	

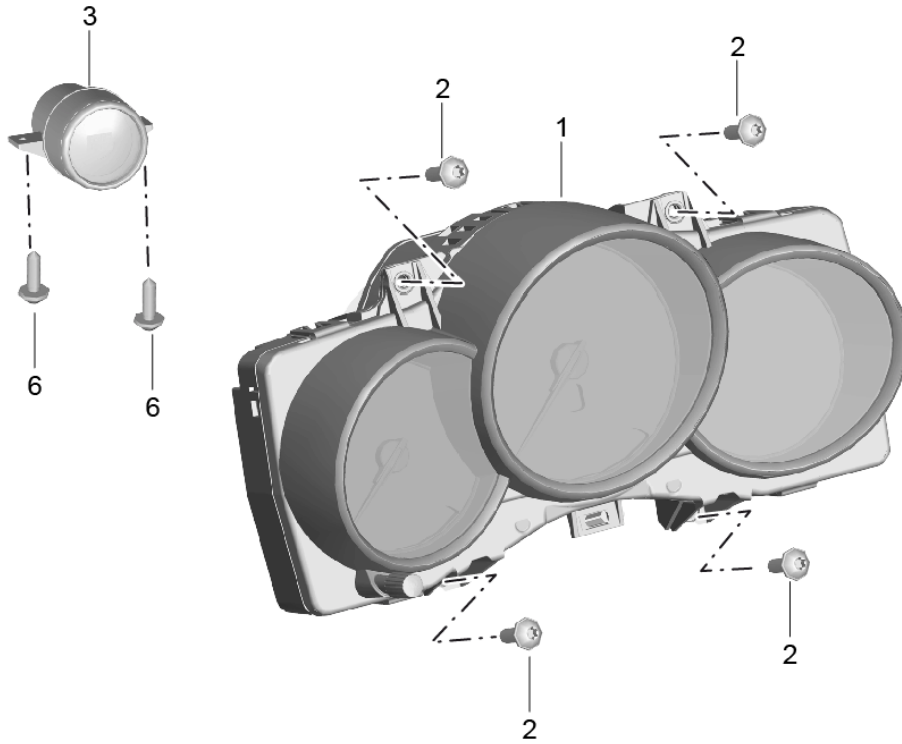
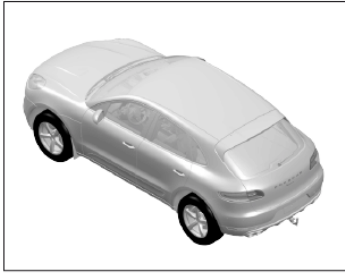
Model: 95B

Model life 2014>>

Pos	Part Number	Description	Remark	Qty	Model
15	95B 915 557 A	See workshop manual 943119 Distance piece 0,8 MM See workshop manual 943119		X	
15	95B 915 557 B	Distance piece 1,6 MM See workshop manual 943119		X	
15	95B 915 557 C	Distance piece 2,0 MM See workshop manual 943119		X	

Model: 95B

Model life 2014>>



Model: 95B Model life 2014>>

Pos	Part Number	Description	Remark	Qty	Model
		Combi-instrument Dial Silver-black Stopwatch D >> - MJ 2016			PR:7V5,7V6, 7V0
1	95B 920 900 Q	Combi-instrument		1	PR:DM0,G1D, 7V0
	95B 920 900 Q 6N3	Black			
		D >> - 31.08.2014			
1	95B 920 900 AF	Combi-instrument		1	PR:DM0,G1D, 7V0
	95B 920 900 AF 6N3	Black			
		D - 01.09.2014>>			
1	95B 920 900 R	Combi-instrument		1	PR:DM0,G1D, U5B
	95B 920 900 R 6N3	Black			
		D >> - 31.08.2014			
1	95B 920 900 AG	Combi-instrument		1	PR:DM0,G1D, U5B
	95B 920 900 AG 6N3	Black			
		D - 01.09.2014>>			
1	95B 920 901 M	Combi-instrument		1	PR:DU0,G1D, 7V5
	95B 920 901 M 6N3	Black			
		D >> - 31.08.2014			
1	95B 920 901 AC	Combi-instrument		1	PR:DU0,G1D, 7V5
	95B 920 901 AC 6N3	Black			
		D - 01.09.2014>>			
1	95B 920 901 N	Combi-instrument		1	PR:DU0,G1D, U5B,7V5
	95B 920 901 N 6N3	Black			
		D >> - 31.08.2014			
1	95B 920 901 AD	Combi-instrument		1	PR:DU0,G1D, U5B,7V5
	95B 920 901 AD 6N3	Black			
		D - 01.09.2014>>			
1	95B 920 902 M	Combi-instrument		1	PR:DU1,G1D, 7V6
	95B 920 902 M 6N3	Black			
		D >> - 31.08.2014			
1	95B 920 902 AC	Combi-instrument		1	PR:DU1,G1D, 7V6
	95B 920 902 AC 6N3	Black			
		D - 01.09.2014>>			
1	95B 920 902 N	Combi-instrument		1	PR:DU1,G1D, U5B,7V6
	95B 920 902 N 6N3	Black			
		D >> - 31.08.2014			
1	95B 920 902 AD	Combi-instrument		1	PR:DU1,G1D, U5B,7V6
	95B 920 902 AD 6N3	Black			
		D - 01.09.2014>>			
1	95B 920 904 T	Combi-instrument		1	PR:DD7,D43, D1V,D51,G1D, 7V5,-U5B
	95B 920 904 T 6N3	Black			
		D >> - 31.08.2014			
1	95B 920 904 AJ	Combi-instrument		1	PR:DD7,D43, G1D,7V5, -U5B,D51,D1V
	95B 920 904 AJ 6N3	Black			
		D - 01.09.2014>>			

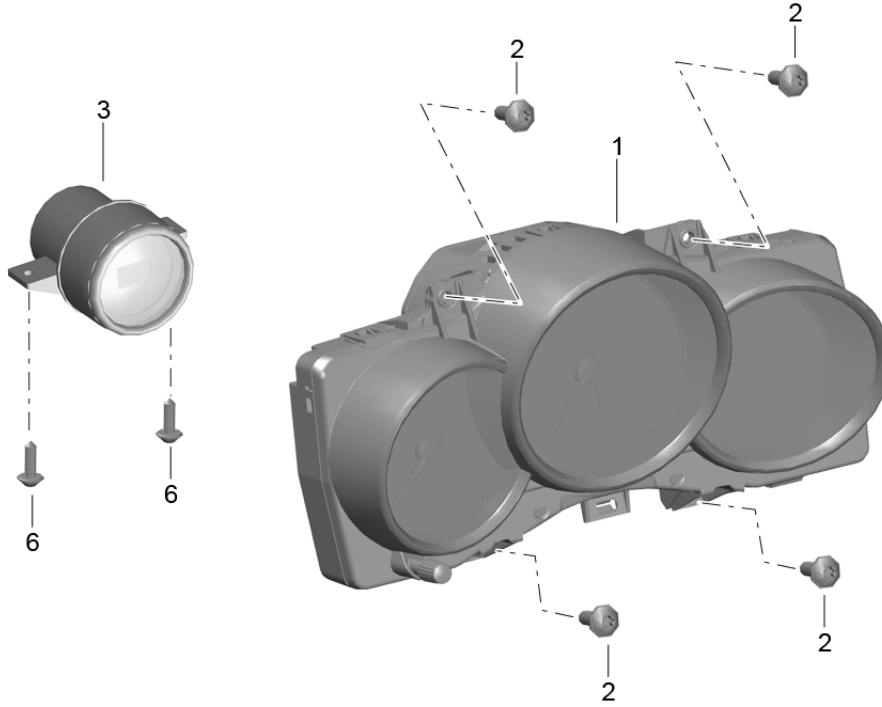
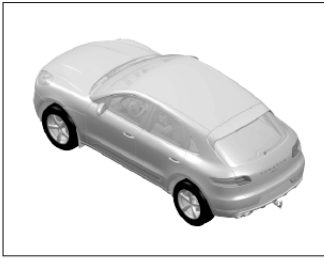
Model: 95B

Model life 2014>>

Pos	Part Number	Description	Remark	Qty	Model
1	95B 920 904 AA	Combi-instrument		1	PR:DD7,D43, D1V,D51,G1D, U5B,7V5
	95B 920 904 AA 6N3	Black D >> - 31.08.2014			
1	95B 920 904 AK	Combi-instrument		1	PR:DD7,D43, G1D,U5B,7V5
	95B 920 904 AK 6N3	Black D - 01.09.2014>>			
2	N 910 742 01	Hexagon socket head bolt		4	
3	958 641 401 04	Compass		1	PR:QR1,7Q7,
(3)	958 641 501 04	Stopwatch		1	PR:QR4,QR5
6	N 910 742 01	Hexagon socket head bolt		2	

Model: 95B

Model life 2014>>



Model: 95B Model life 2014>>

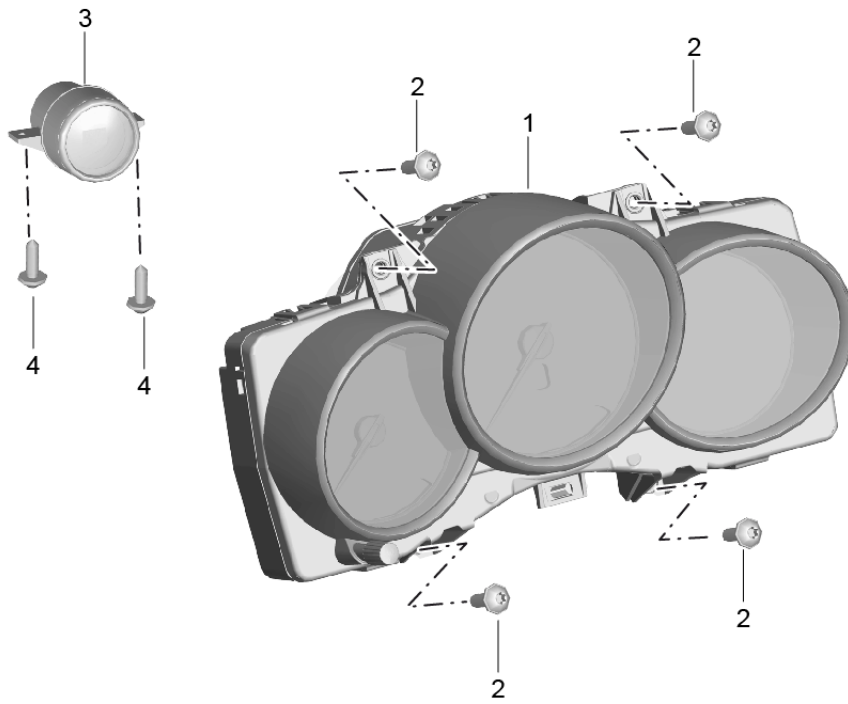
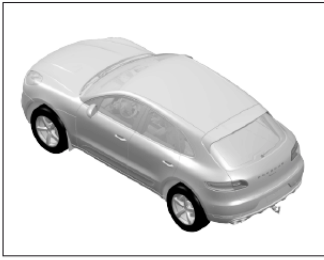
Pos	Part Number	Description	Remark	Qty	Model
1	95B 920 920	Combi-instrument Dial Stopwatch D >> - MJ 2016 Combi-instrument	Multi-coloured	1	PR:-7V0, -7V5,-7V6
1	95B 920 920 OE1 95B 920 920 A	Carrera Red Combi-instrument		1	PR:DM0,G1D, U5A,U5D,U5E, U5F,U5G,7V7
1	95B 920 920 A OE1 95B 920 921	Carrera Red Combi-instrument		1	PR:DU0,G1D, U5A,U5D,U5E, U5F,U5G,7V7
1	95B 920 921 OE1 95B 920 921 A	Carrera Red Combi-instrument		1	PR:DU0,G1D, U5B,7V7
1	95B 920 921 A OE1 95B 920 922	Carrera Red Combi-instrument		1	PR:DU1,G1D, U5A,U5D,U5E, U5F,U5G,7V7
1	95B 920 922 OE1 95B 920 922 A	Carrera Red Combi-instrument		1	PR:DU1,G1D, U5B,7V7
1	95B 920 922 A OE1 95B 920 924	Carrera Red Combi-instrument		1	PR:D1V,D43, D50,D51,DD7, G1D,U5A,U5D, U5E,U5F PR:U5G,7V7
1	95B 920 924 OE1 95B 920 924 A	Carrera Red Combi-instrument		1	PR:D1V,D43, D50,D51,DD7, G1D,U5B,7V7
1	95B 920 924 A OE1 95B 920 940	Carrera Red Combi-instrument		1	PR:DM0,G1D, U5A,U5D,U5E, U5F,U5G,7V3
1	95B 920 940 C9A 95B 920 940 A	white Combi-instrument		1	PR:DM0,G1D, U5B,7V3
1	95B 920 940 A C9A 95B 920 941	white Combi-instrument		1	PR:DU0,G1D, U5A,U5D,U5E, U5F,U5G,7V3
1	95B 920 941 C9A 95B 920 941 A	white Combi-instrument		1	PR:DU0,G1D, U5B,7V3
1	95B 920 941 A C9A 95B 920 942	white Combi-instrument		1	PR:DU1,G1D, U5A,U5E,U5F, U5G,7V3,U5D
1	95B 920 942 C9A 95B 920 942 A	white Combi-instrument		1	PR:DU1,G1D, U5B,7V3
1	95B 920 942 A C9A 95B 920 944	white Combi-instrument		1	PR:D1V,D43, D50,D51,DD7, G1D,U5A,U5D, U5E,U5F
1	95B 920 944 C9A 95B 920 944 A	white Combi-instrument		1	PR:U5G,7V3 PR:D1V,D43, D50,D51,DD7, G1D,U5B,7V3

Model: 95B Model life 2014>>

Pos	Part Number	Description	Remark	Qty	Model
1	95B 920 944 A C9A 95B 920 960	white Combi-instrument		1	PR:DM0,G1D, U5A,U5D,U5E, U5F,U5G,7V4
1	95B 920 960 6W0 95B 920 960 A	Luxor beige Combi-instrument		1	PR:DM0,G1D, U5B,7V4
1	95B 920 960 A 6W0 95B 920 961	Luxor beige Combi-instrument		1	PR:DU0,G1D, U5A,U5D,U5E, U5F,U5G,7V4
1	95B 920 961 6W0 95B 920 961 A	Luxor beige Combi-instrument		1	PR:DU0,G1D, U5B,7V4
1	95B 920 961 A 6W0 95B 920 962	Luxor beige Combi-instrument		1	PR:DU1,G1D, U5A,U5D,U5E, U5F,U5G,7V4
1	95B 920 962 6W0 95B 920 962 A	Luxor beige Combi-instrument		1	PR:DU1,G1D, U5B,7V4
1	95B 920 962 A 6W0 95B 920 964	Luxor beige Combi-instrument		1	PR:D1V,D43, D50,D51,DD7, G1D,U5A,U5D, U5E,U5F
1	95B 920 964 6W0 95B 920 964 A	Luxor beige Combi-instrument		1	PR:U5G,7V4 PR:D1V,D43, D50,D51,DD7, G1D,U5B,7V4
1	95B 920 964 A 6W0 95B 920 964 D	Luxor beige Combi-instrument D - MJ 2016>>		1	PR:D1V,D43, D50,D51,DD7, G1D,U5B,7V4
2	95B 920 964 D 6W0 N 910 742 01	Luxor beige Hexagon socket head bolt		4	
3	7P5 919 107 L	Compass GRANATROT		1	Granatrot PR:QR1,UP5
(3)	7P5 919 107 M	Compass Luxor beige		1	PR:QR1,UP4
(3)	7P5 919 107 N	Compass white		1	PR:QR1,UP3
(3)	7P5 919 203 G	Stopwatch GRANATROT		1	PR:QR4,QR5, UP5
(3)	7P5 919 203 H	Stopwatch Luxor beige		1	PR:QR4,QR5, UP4
(3)	7P5 919 203 J	Stopwatch white		1	PR:QR4,QR5, UP3
6	N 910 742 01	Hexagon socket head bolt		2	

Model: 95B

Model life 2014>>



Model: 95B Model life 2014>>

Pos	Part Number	Description	Remark	Qty	Model
1	95B 920 900 EF	Combi-instrument Dial Silver-black Stopwatch D - MJ 2017>> Combi-instrument		1	PR:7V0,7V5, 7V6
	95B 920 900 EF 6N3	Black			
1	95B 920 900 EJ	D >> - 06.11.2016 Combi-instrument		1	PR:TW6,U5A, U5E,U5F,U5G, 7V0,T2G
	95B 920 900 EJ 6N3	Black			
(1)	95B 920 900 EG	D - 07.11.2016>> Combi-instrument		1	PR:TW6,U5B, 7V0,T2G
	95B 920 900 EG 6N3	Black			
(1)	95B 920 900 EK	D >> - 06.11.2016 Combi-instrument		1	PR:TW6,U5B, 7V0,T2G
	95B 920 900 EK 6N3	Black			
(1)	95B 920 901 EF	D - 07.11.2016>> Combi-instrument		1	PR:DU0,U5A, U5E,U5F,U5G, 7V5
	95B 920 901 EF 6N3	Grey/black			
(1)	95B 920 901 EJ	D >> - 06.11.2016 Combi-instrument		1	PR:DU0,U5A, U5E,U5F,U5G, 7V5
	95B 920 901 EJ 6N3	Grey/black			
(1)	95B 920 901 EG	D - 07.11.2016>> Combi-instrument		1	PR:DU0,U5B, 7V5
	95B 920 901 EG 6N3	Grey/black			
(1)	95B 920 901 EK	D >> - 06.11.2016 Combi-instrument		1	PR:DU0,U5B, 7V5
	95B 920 901 EK 6N3	Grey/black			
(1)	95B 920 902 EF	D - 07.11.2016>> Combi-instrument		1	PR:DU1,U5A, U5E,U5F,U5G, 7V6
	95B 920 902 EF 6N3	black/silver			
(1)	95B 920 902 EJ	D >> - 06.11.2016 Combi-instrument		1	PR:DU1,U5A, U5E,U5F,U5G, 7V6
	95B 920 902 EJ 6N3	black/silver			
(1)	95B 920 902 EG	D - 07.11.2016>> Combi-instrument		1	PR:DU1,U5B, 7V6
	95B 920 902 EG 6N3	black/silver			
(1)	95B 920 902 EK	D >> - 06.11.2016 Combi-instrument		1	PR:DU1,U5B, 7V6
	95B 920 902 EK 6N3	black/silver			
(1)	95B 920 904 EF	D - 07.11.2016>> Combi-instrument		1	PR:DD7,D1V, D43,D50,D51, U5A,U5E,U5F, U5G,7V5

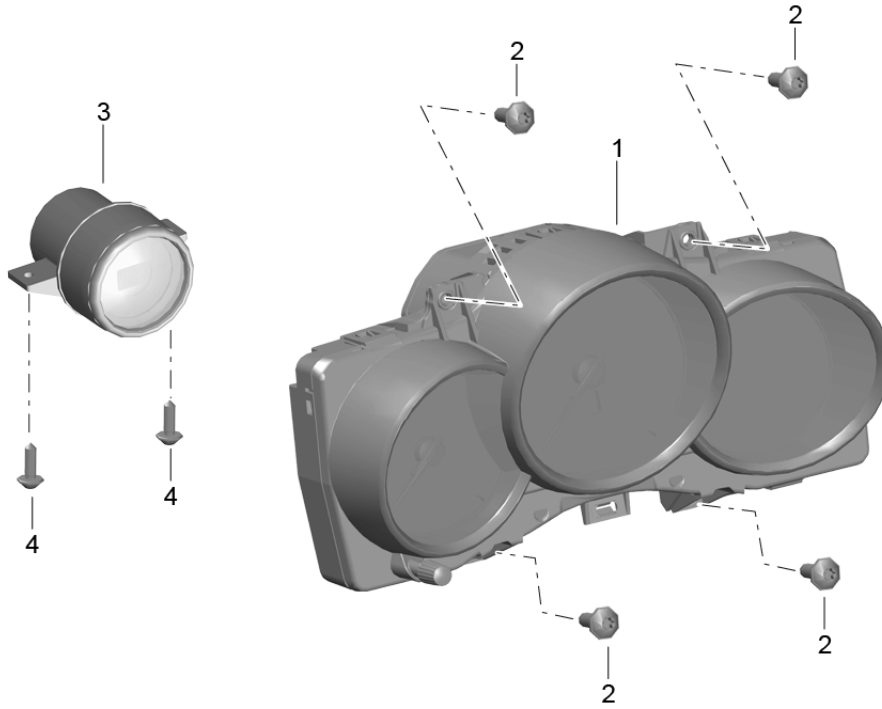
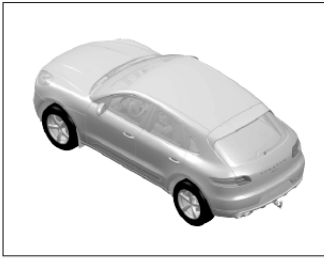
Model: 95B

Model life 2014>>

Pos	Part Number	Description	Remark	Qty	Model
(1)	95B 920 904 EF 6N3	Grey/black D >> - 06.11.2016		1	PR:DD7,D1V, D43,D50,D51, U5E,U5F,U5G, U5A,7V5
(1)	95B 920 904 EJ 6N3	Grey/black D - 07.11.2016>>		1	PR:DD7,D1V, D43,D50,U5B, D51,7V5
(1)	95B 920 904 EG 6N3	Grey/black D >> - 06.11.2016		1	PR:DD7,D1V, D43,D50,U5B, D51,7V5
(1)	95B 920 904 EK 6N3	Grey/black D - 07.11.2016>>		1	PR:D4A,U5A, U5E,U5F,U5G, 7V0
(1)	95B 920 911 DQ 6N3	Black D >> - 06.11.2016		1	PR:D4A,U5A, U5E,U5F,U5G, 7V0
(1)	95B 920 911 EF 6N3	Black D - 07.11.2016>>		1	PR:D4A,U5B, 7V0
(1)	95B 920 911 DR 6N3	Black D >> - 06.11.2016		1	PR:D4A,U5B, 7V0
(1)	95B 920 911 EG 6N3	Black D - 07.11.2016>>		1	PR:D4A,U5A, U5E,U5F,U5G, 7V5
(1)	95B 920 911 DT 6N3	Grey/black D >> - 06.11.2016		1	PR:D4A,U5A, U5E,U5F,U5G, 7V5
(1)	95B 920 911 EJ 6N3	Grey/black D - 07.11.2016>>		1	PR:D4A,U5B, 7V5
(1)	95B 920 911 EA 6N3	Grey/black D >> - 06.11.2016		1	PR:D4A,U5B, 7V5
(1)	95B 920 911 EK 6N3	Grey/black D - 07.11.2016>>		4	
2	N 910 742 01	Hexagon socket head bolt		1	PR:QR1,UP1
3	958 641 401 05	Compass		1	PR:QR5,UP1
(3)	958 641 501 07	Stopwatch		2	
4	N 910 742 01	Hexagon socket head bolt			

Model: 95B

Model life 2014>>



Model: 95B Model life 2014>>

Pos	Part Number	Description	Remark	Qty	Model
		Combi-instrument Dial Stopwatch D - MJ 2017>>	Multi-coloured		PR:7V3,7V4, 7V7,7V8
1	95B 920 920 M	Combi-instrument		1	PR:TW6,U5A, U5E,U5F,U5G, 7V7
	95B 920 920 M OE1	Carrera Red			
		D >> - 06.11.2016			
1	95B 920 920 Q	Combi-instrument		1	PR:TW6,U5A, U5E,U5F,U5G, 7V7
	95B 920 920 Q OE1	Carrera Red			
		D - 07.11.2016>>			
(1)	95B 920 920 N	Combi-instrument		1	PR:TW6,U5B, 7V7
	95B 920 920 N OE1	Carrera Red			
		D >> - 06.11.2016			
(1)	95B 920 920 R	Combi-instrument		1	PR:TW6,U5B, 7V7
	95B 920 920 R OE1	Carrera Red			
		D - 07.11.2016>>			
(1)	95B 920 921 M	Combi-instrument		1	PR:DU0,U5A, U5E,U5F,U5G, 7V7
	95B 920 921 M OE1	Carrera Red			
		D >> - 06.11.2016			
(1)	95B 920 921 Q	Combi-instrument		1	PR:DU0,U5A, U5E,U5F,U5G, 7V7
	95B 920 921 Q OE1	Carrera Red			
		D - 07.11.2016>>			
(1)	95B 920 921 N	Combi-instrument		1	PR:DU0,U5B, 7V7
	95B 920 921 N OE1	Carrera Red			
		D >> - 06.11.2016			
(1)	95B 920 921 R	Combi-instrument		1	PR:DU0,U5B, 7V7
	95B 920 921 R OE1	Carrera Red			
		D - 07.11.2016>>			
(1)	95B 920 922 M	Combi-instrument		1	PR:DU1,U5A, U5E,U5F,U5G, 7V7,DU3
	95B 920 922 M OE1	Carrera Red			
		D >> - 06.11.2016			
(1)	95B 920 922 Q	Combi-instrument		1	PR:DU1,U5A, U5E,U5F,U5G, 7V7,DU3
	95B 920 922 Q OE1	Carrera Red			
		D - 07.11.2016>>			
(1)	95B 920 922 N	Combi-instrument		1	PR:DU1,U5B, 7V7,DU3
	95B 920 922 N OE1	Carrera Red			
		D >> - 06.11.2016			
(1)	95B 920 922 R	Combi-instrument		1	PR:DU1,U5B, 7V7,DU3
	95B 920 922 R OE1	Carrera Red			
		D - 07.11.2016>>			
(1)	95B 920 924 M	Combi-instrument		1	PR:DD7,D1V, D43,D50,U5A, U5E,U5F,U5G, 7V7
	95B 920 924 M OE1	Carrera Red			

Model: 95B

Model life 2014>>

Pos	Part Number	Description	Remark	Qty	Model
(1)	95B 920 924 Q	D >> - 06.11.2016 Combi-instrument		1	PR:DD7,D1V, D43,D50,U5A, U5E,U5F,U5G, 7V7
	95B 920 924 Q OE1	Carrera Red D - 07.11.2016>>			
(1)	95B 920 924 N	Combi-instrument		1	PR:DD7,D1V, D43,D50,U5B, 7V7
	95B 920 924 N OE1	Carrera Red			
(1)	95B 920 924 R	D >> - 06.11.2016 Combi-instrument		1	PR:DD7,D1V, D43,D50,U5B, 7V7
	95B 920 924 R OE1	Carrera Red D - 07.11.2016>>			
(1)	95B 920 931 M	Combi-instrument		1	PR:D4A,U5A, U5E,U5F,U5G, 7V7
	95B 920 931 M OE1	Carrera Red			
(1)	95B 920 931 Q	D >> - 06.11.2016 Combi-instrument		1	PR:D4A,U5A, U5E,U5F,U5G, 7V7
	95B 920 931 Q OE1	Carrera Red D - 07.11.2016>>			
(1)	95B 920 931 N	Combi-instrument		1	PR:D4A,U5B, 7V7
	95B 920 931 N OE1	Carrera Red			
(1)	95B 920 931 R	D >> - 06.11.2016 Combi-instrument		1	PR:D4A,U5B, 7V7
	95B 920 931 R OE1	Carrera Red D - 07.11.2016>>			
1	95B 920 940 M	Combi-instrument		1	PR:TW6,U5A, U5E,U5F,U5G, 7V3
	95B 920 940 M C9A	white			
1	95B 920 940 Q	D >> - 06.11.2016 Combi-instrument		1	PR:TW6,U5A, U5E,U5F,U5G, 7V3
	95B 920 940 Q C9A	white			
(1)	95B 920 940 N	D - 07.11.2016>> Combi-instrument		1	PR:TW6,U5B, 7V3
	95B 920 940 N C9A	white			
(1)	95B 920 940 R	D >> - 06.11.2016 Combi-instrument		1	PR:TW6,U5B, 7V3
	95B 920 940 R C9A	white			
(1)	95B 920 941 M	D - 07.11.2016>> Combi-instrument		1	PR:DU0,U5A, U5E,U5F,U5G, 7V3
	95B 920 941 M C9A	white			
(1)	95B 920 941 Q	D >> - 06.11.2016 Combi-instrument		1	PR:DU0,U5A, U5E,U5F,U5G, 7V3
	95B 920 941 Q C9A	white D - 07.11.2016>>			

Model: 95B Model life 2014>>

Pos	Part Number	Description	Remark	Qty	Model
(1)	95B 920 941 N	Combi-instrument		1	PR:DU0,U5B,7V3
	95B 920 941 N C9A	white D >> - 06.11.2016			
(1)	95B 920 941 R	Combi-instrument		1	PR:DU0,U5B,7V3
	95B 920 941 R C9A	white D - 07.11.2016>>			
(1)	95B 920 942 M	Combi-instrument		1	PR:DU1,U5A,U5E,U5F,U5G,7V3,DU3
	95B 920 942 M C9A	white D >> - 06.11.2016			
(1)	95B 920 942 Q	Combi-instrument		1	PR:DU1,U5A,U5E,U5F,U5G,7V3,DU3
	95B 920 942 Q C9A	white D - 07.11.2016>>			
(1)	95B 920 942 N	Combi-instrument		1	PR:DU1,U5B,7V3,DU3
	95B 920 942 N C9A	white D >> - 06.11.2016			
(1)	95B 920 942 R	Combi-instrument		1	PR:DU1,U5B,7V3,DU3
	95B 920 942 R C9A	white D - 07.11.2016>>			
(1)	95B 920 944 M	Combi-instrument		1	PR:DD7,D1V,D43,D50,U5A,U5E,U5F,U5G,7V3
	95B 920 944 M C9A	white D >> - 06.11.2016			
(1)	95B 920 944 Q	Combi-instrument		1	PR:DD7,D1V,D43,D50,U5A,U5E,U5F,U5G,7V3
	95B 920 944 Q C9A	white D - 07.11.2016>>			
(1)	95B 920 944 N	Combi-instrument		1	PR:DD7,D1V,D43,D50,U5B,7V3
	95B 920 944 N C9A	white D >> - 06.11.2016			
(1)	95B 920 944 R	Combi-instrument		1	PR:DD7,D1V,D43,D50,U5B,7V3
	95B 920 944 R C9A	white D - 07.11.2016>>			
(1)	95B 920 951 M	Combi-instrument		1	PR:D4A,U5A,U5E,U5F,U5G,7V3
	95B 920 951 M C9A	white D >> - 06.11.2016			
(1)	95B 920 951 Q	Combi-instrument		1	PR:D4A,U5A,U5E,U5F,U5G,7V3
	95B 920 951 Q C9A	white D - 07.11.2016>>			
(1)	95B 920 951 N	Combi-instrument		1	PR:D4A,U5B,7V3
	95B 920 951 N C9A	white D >> - 06.11.2016			
(1)	95B 920 951 R	Combi-instrument		1	PR:D4A,U5B,

Model: 95B Model life 2014>>

Pos	Part Number	Description	Remark	Qty	Model
	95B 920 951 R C9A	white			7V3
1	95B 920 960 M	D - 07.11.2016>> Combi-instrument		1	PR:TW6,U5A, U5E,U5F,U5G, 7V4
	95B 920 960 M 6W0	Luxor beige			
1	95B 920 960 Q	D >> - 06.11.2016 Combi-instrument		1	PR:TW6,U5A, U5E,U5F,U5G, 7V4
	95B 920 960 Q 6W0	Luxor beige			
(1)	95B 920 960 N	D - 07.11.2016>> Combi-instrument		1	PR:TW6,U5B, 7V4
	95B 920 960 N 6W0	Luxor beige			
(1)	95B 920 960 R	D >> - 06.11.2016 Combi-instrument		1	PR:TW6,U5B, 7V4
	95B 920 960 R 6W0	Luxor beige			
(1)	95B 920 961 M	D - 07.11.2016>> Combi-instrument		1	PR:DU0,U5A, U5E,U5F,U5G, 7V4
	95B 920 961 M 6W0	Luxor beige			
(1)	95B 920 961 Q	D >> - 06.11.2016 Combi-instrument		1	PR:DU0,U5A, U5E,U5F,U5G, 7V4
	95B 920 961 Q 6W0	Luxor beige			
(1)	95B 920 961 N	D - 07.11.2016>> Combi-instrument		1	PR:DU0,U5B, 7V4
	95B 920 961 N 6W0	Luxor beige			
(1)	95B 920 961 R	D >> - 06.11.2016 Combi-instrument		1	PR:DU0,U5B, 7V4
	95B 920 961 R 6W0	Luxor beige			
(1)	95B 920 962 M	D - 07.11.2016>> Combi-instrument		1	PR:DU1,U5A, U5E,U5F,U5G, 7V4,DU3
	95B 920 962 M 6W0	Luxor beige			
(1)	95B 920 962 Q	D >> - 06.11.2016 Combi-instrument		1	PR:DU1,U5A, U5E,U5F,U5G, 7V4,DU3
	95B 920 962 Q 6W0	Luxor beige			
(1)	95B 920 962 N	D - 07.11.2016>> Combi-instrument		1	PR:DU1,U5B, 7V4,DU3
	95B 920 962 N 6W0	Luxor beige			
(1)	95B 920 962 R	D >> - 06.11.2016 Combi-instrument		1	PR:DU1,U5B, 7V4,DU3
	95B 920 962 R 6W0	Luxor beige			
(1)	95B 920 964 M	D - 07.11.2016>> Combi-instrument		1	PR:DD7,D1V, D43,D50,U5A, U5E,U5F,U5G, 7V4
	95B 920 964 M 6W0	Luxor beige			
		D >> - 06.11.2016			

Model: 95B Model life 2014>>

Pos	Part Number	Description	Remark	Qty	Model
(1)	95B 920 964 Q	Combi-instrument		1	PR:DD7,D1V, D43,D50,U5A, U5E,U5F,U5G, 7V4
	95B 920 964 Q 6W0	Luxor beige D - 07.11.2016>>			
(1)	95B 920 964 N	Combi-instrument		1	PR:DD7,D1V, D43,D50,U5B, 7V4
	95B 920 964 N 6W0	Luxor beige D >> - 06.11.2016			
(1)	95B 920 964 R	Combi-instrument		1	PR:DD7,D1V, D43,D50,U5B, 7V4
	95B 920 964 R 6W0	Luxor beige D - 07.11.2016>>			
(1)	95B 920 971 M	Combi-instrument		1	PR:D4A,U5A, U5E,U5F,U5G, 7V4
	95B 920 971 M 6W0	Luxor beige D >> - 06.11.2016			
(1)	95B 920 971 Q	Combi-instrument		1	PR:D4A,U5A, U5E,U5F,U5G, 7V4
	95B 920 971 Q 6W0	Luxor beige D - 07.11.2016>>			
(1)	95B 920 971 N	Combi-instrument		1	PR:D4A,U5B, 7V4
	95B 920 971 N 6W0	Luxor beige D >> - 06.11.2016			
(1)	95B 920 971 R	Combi-instrument		1	PR:D4A,U5B, 7V4
	95B 920 971 R 6W0	Luxor beige D - 07.11.2016>>			
(1)	95B 920 911 EC	Combi-instrument		1	PR:D4A,U5A, U5E,U5F,U5G, 7V8
	95B 920 911 EC M3C	Carmine red D >> - 06.11.2016			
(1)	95B 920 911 EM	Combi-instrument		1	PR:D4A,U5A, U5E,U5F,U5G, 7V8
	95B 920 911 EM M3C	Carmine red D - 07.11.2016>>			
(1)	95B 920 911 ED	Combi-instrument		1	PR:D4A,U5B, 7V8
	95B 920 911 ED M3C	Carmine red D >> - 06.11.2016			
(1)	95B 920 911 EN	Combi-instrument		1	PR:D4A,U5B, 7V8
	95B 920 911 EN M3C	Carmine red D - 07.11.2016>>			
2	N 910 742 01	Hexagon socket head bolt		4	
3	9A7 919 107 20	Compass Carrera Red		1	PR:QR1,UP5
(3)	9A7 919 107 21	Compass white		1	PR:QR1,UP3
(3)	9A7 919 107 22	Compass Luxor beige		1	PR:QR1,UP4
(3)	9A7 919 203 13	Stopwatch Carrera Red		1	PR:QR5,UP5
(3)	9A7 919 203 16	Stopwatch white		1	PR:QR5,UP3

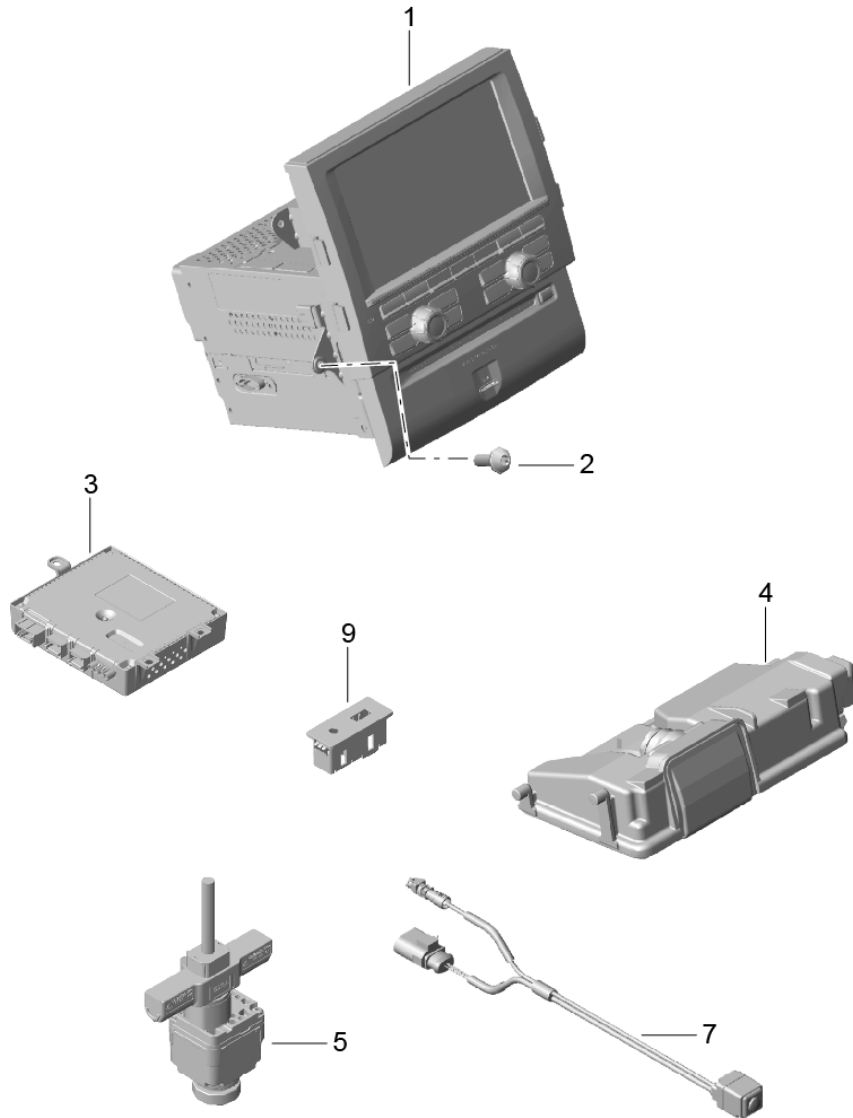
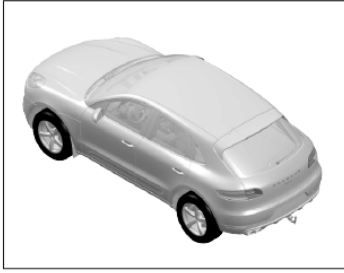
Model: 95B

Model life 2014>>

Pos	Part Number	Description	Remark	Qty	Model
(3)	9A7 919 203 14	Stopwatch Luxor beige		1	PR:QR5,UP4
(3)	958 641 501 08	Stopwatch GTS		1	PR:QR5,7V8
(3)	958 641 501 17	clock for instrument housing GTS		1	PR:QR3,7V8
4	N 910 742 01	Hexagon socket head bolt		2	

Model: 95B

Model life 2014>>



Model: 95B Model life 2014>>

Pos	Part Number	Description	Remark	Qty	Model
-		Control panel Navigation system Radio unit Receiver unit for TV reception microphone Camera			
1	95B 035 970 AX	Control panel exchange parts Control panel We take back: 95B.035.970.01		1	PR: 7T1, QV0, QV1, 7A0 - "CN. "
1	95B 035 970 01	D >> - MJ 2014 Control panel D >> - MJ 2014		1	PR: 7T1, QV0, "CN. "
(1)	95B 035 970 BX	Control panel We take back: 95B.035.970.02		1	PR: 7T1, QV0, QV1, 7A0, -IY2 - "CN. "
(1)	95B 035 970 02	D - MJ 2015>> - MJ 2015 Control panel D - MJ 2015>> - MJ 2015		1	PR: 7T1, QV0, "CN. "
(1)	95B 035 970 CX	Control panel We take back: 95B.035.970.03		1	PR: 7T1, QV0, QV1, 7A0, IY2 - "CN. "
(1)	95B 035 970 03	D - MJ 2015>> - MJ 2015 Control panel D - MJ 2015>> - MJ 2015		1	PR: 7T1, QV0, "CN. "
(1)	95B 035 970 DX	Control panel We take back: 95B.035.970.04		1	PR: 7T1, QV0, QV1, 7A0 - "CN. "
(1)	95B 035 970 04	D - MJ 2016>> Control panel D - MJ 2016>>		1	PR: 7T1, QV0, "CN. "
(1)	95B 035 961 AX	Control panel We take back: 95B.035.961.01		1	PR: 7T1, QV4, 7A0
(1)	95B 035 961 BX	D >> - MJ 2014 Control panel We take back: 95B.035.961.02		1	PR: 7T1, QV4, 7A0, -IY2
(1)	95B 035 961 CX	D - MJ 2015>> - MJ 2015 Control panel We take back: 95B.035.961.03		1	PR: 7T1, QV4, 7A0, IY2
(1)	95B 035 961 DX	D - MJ 2015>> - MJ 2015 Control panel We take back: 95B.035.961.04		1	PR: 7T1, QV4, 7A0
(1)	95B 035 962 AX	D - MJ 2016>> Control panel We take back: 95B.035.962.01		1	PR: 7T1, QV3, 7A0
(1)	95B 035 962 BX	D >> - MJ 2014 Control panel We take back: 95B.035.962.02		1	PR: 7T1, QV3, 7A0, -IY2
(1)	95B 035 962 CX	D - MJ 2015>> - MJ 2015 Control panel We take back: 95B.035.962.03		1	PR: 7T1, QV3, 7A0, IY2
(1)	95B 035 962 DX	D - MJ 2015>> - MJ 2015 Control panel We take back:		1	PR: 7T1, QV3, 7A0

Model: 95B Model life 2014>>

Pos	Part Number	Description	Remark	Qty	Model
(1)	95B 035 963 AX	95B.035.962.04 D - MJ 2016>> Control panel We take back: 95B.035.963.01		1	PR:7T1,QV8, 7A0
(1)	95B 035 963 BX	D >> - MJ 2014 Control panel We take back: 95B.035.963.02		1	PR:7T1,QV8, 7A0,-IY2
(1)	95B 035 963 CX	D - MJ 2015>> - MJ 2015 Control panel We take back: 95B.035.963.03		1	PR:7T1,QV8, 7A0,IY2
(1)	95B 035 963 DX	D - MJ 2015>> - MJ 2015 Control panel We take back: 95B.035.963.04		1	PR:7T1,QV8, 7A0
(1)	95B 035 950 AX	D - MJ 2016>> Control panel We take back: 95B.035.950.01		1	PR:7T1,QU0, QV5,7A0
(1)	95B 035 950 BX	D >> - MJ 2014 Control panel We take back: 95B.035.950.02		1	PR:7T1,QU0, QV5,7A0,-IY2
(1)	95B 035 950 CX	D - MJ 2015>> - MJ 2015 Control panel We take back: 95B.035.950.03		1	PR:7T1,QU0, QV5,7A0,IY2
(1)	95B 035 950 DX	D - MJ 2015>> - MJ 2015 Control panel We take back: 95B.035.950.04		1	PR:7T1,QU0, QV5,7A0
(1)	95B 035 972 AX	D - MJ 2016>> Control panel We take back: 95B.035.972.01		1	PR:7T1,7D7, QV0,QV1
(1)	95B 035 972 BX	D >> - MJ 2014 Control panel We take back: 95B.035.972.02		1	PR:7T1,7D7, QV0,QV1,-IY2
(1)	95B 035 972 CX	D - MJ 2015>> - MJ 2015 Control panel We take back: 95B.035.972.03		1	PR:7T1,7D7, QV0,QV1,IY2
(1)	95B 035 972 DX	D - MJ 2015>> - MJ 2015 Control panel We take back: 95B.035.972.04		1	PR:7T1,7D7, QV0,QV1
(1)	95B 035 951 AX	D - MJ 2016>> Control panel We take back: 95B.035.951.01		1	PR:7T1,7D7, QU0,QV5
(1)	95B 035 951 BX	D >> - MJ 2014 Control panel We take back: 95B.035.951.02		1	PR:7T1,7D7, QU0,QV5,-IY2
(1)	95B 035 951 CX	D - MJ 2015>> - MJ 2015 Control panel We take back: 95B.035.951.03		1	PR:7T1,7D7, QU0,QV5,IY2
(1)	95B 035 951 DX	D - MJ 2015>> - MJ 2015 Control panel		1	PR:7T1,7D7,

Model: 95B Model life 2014>>

Pos	Part Number	Description	Remark	Qty	Model
(1)	95B 035 974 AX	We take back: 95B.035.951.04 D - MJ 2016>> Control panel We take back: 95B.035.974.01 D >> - MJ 2014		1	QU0, QV5 PR: 7T4, QV0, QV1, 7A0
(1)	95B 035 974 BX	We take back: 95B.035.974.02 D - MJ 2015>> - MJ 2015		1	PR: 7T4, QV0, QV1, 7A0, -IY2
(1)	95B 035 974 CX	We take back: 95B.035.974.03 D - MJ 2015>> - MJ 2015		1	PR: 7T4, QV0, QV1, 7A0, IY2
(1)	95B 035 974 DX	We take back: 95B.035.974.04 D - MJ 2016>>		1	PR: 7T4, QV0, QV1, 7A0
(1)	95B 035 975 AX	We take back: 95B.035.975.01 D >> - MJ 2014		1	PR: 7T4, 7D7, QV0, QV1
(1)	95B 035 975 BX	We take back: 95B.035.975.02 D - MJ 2015>> - MJ 2015		1	PR: 7T4, 7D7, QV0, QV1, -IY2
(1)	95B 035 975 CX	We take back: 95B.035.975.03 D - MJ 2015>> - MJ 2015		1	PR: 7T4, 7D7, QV0, QV1, IY2
(1)	95B 035 975 DX	We take back: 95B.035.975.04 D - MJ 2016>>		1	PR: 7T4, 7D7, QV0, QV1
(1)	95B 035 976 AX	We take back: 95B.035.976.01 D >> - MJ 2014		1	PR: 7Q7, QV0, QV1, 7A0
(1)	95B 035 976 BX	We take back: 95B.035.976.02 D - MJ 2015>> - MJ 2015		1	PR: 7Q7, QV0, QV1, 7A0, -IY2
(1)	95B 035 976 CX	We take back: 95B.035.976.03 D - MJ 2015>> - MJ 2015		1	PR: 7Q7, QV0, QV1, 7A0, IY2
(1)	95B 035 976 DX	We take back: 95B.035.976.04 D - MJ 2016>>		1	PR: 7Q7, QV0, QV1, 7A0
(1)	95B 035 977 AX	We take back: 95B.035.977.01 D >> - MJ 2014		1	PR: 7Q7, 7D7, QV0, QV1
(1)	95B 035 977 BX	We take back: 95B.035.977.02 D - MJ 2015>> - MJ 2015		1	PR: 7Q7, 7D7, QV0, QV1, -IY2
(1)	95B 035 977 CX	We take back: 95B.035.977.03 D - MJ 2015>> - MJ 2015		1	PR: 7Q7, 7D7, QV0, QV1, IY2

Model: 95B Model life 2014>>

Pos	Part Number	Description	Remark	Qty	Model
(1)	95B 035 977 DX	Control panel We take back: 95B.035.977.04 D - MJ 2016>>		1	PR:7Q7,7D7, QV0,QV1
(1)	95B 035 956 AX	Control panel We take back: 95B.035.956.01 D >> - MJ 2014		1	PR:8DQ,8DV, 7Q0,QV0,QV1, 7A0 -"CN."
(1)	95B 035 956 01	Control panel D >> - MJ 2014		1	PR:8DQ,8DV, "CN."
(1)	95B 035 956 BX	Control panel We take back: 95B.035.956.02 D - MJ 2015>> - MJ 2015		1	PR:8DQ,8DV, 7Q0,QV0,QV1, 7A0,-IY2 -"CN."
(1)	95B 035 956 02	Control panel D - MJ 2015>> - MJ 2015		1	PR:8DQ,8DV, "CN."
(1)	95B 035 956 CX	Control panel We take back: 95B.035.956.03 D - MJ 2015>> - MJ 2015		1	PR:8DQ,8DV, 7Q0,QV0,QV1, 7A0,IY2 -"CN."
(1)	95B 035 956 03	Control panel D - MJ 2015>> - MJ 2015		1	PR:8DQ,8DV, "CN."
(1)	95B 035 956 DX	Control panel We take back: 95B.035.956.04 D - MJ 2016>>		1	PR:8DQ,8DV, 7Q0,QV0,QV1, 7A0 -"CN."
(1)	95B 035 956 04	Control panel D - MJ 2016>>		1	PR:8DQ,8DV, "CN."
(1)	95B 035 957 AX	Control panel We take back: 95B.035.957.01 D >> - MJ 2014		1	PR:8DQ,8DV, 7Q0,7D7,QU0, QV1,QV0
(1)	95B 035 957 BX	Control panel We take back: 95B.035.957.02 D - MJ 2015>> - MJ 2015		1	PR:8DQ,8DV, QV1,-IY2,QV0
(1)	95B 035 957 CX	Control panel We take back: 95B.035.957.03 D - MJ 2015>> - MJ 2015		1	PR:8DQ,8DV, QV1,IY2,QV0
(1)	95B 035 957 DX	Control panel We take back: 95B.035.957.04 D - MJ 2016>>		1	PR:8DQ,8DV, QV1,QV0
(1)	95B 035 952 AX	Control panel We take back: 95B.035.952.01 D >> - MJ 2014		1	PR:8DQ,8DV, 7Q0,QU0,QV5, 7A0
(1)	95B 035 952 BX	Control panel We take back: 95B.035.952.02 D - MJ 2015>> - MJ 2015		1	PR:8DQ,8DV, 7A0,-IY2
(1)	95B 035 952 CX	Control panel We take back: 95B.035.952.03		1	PR:8DQ,8DV, 7A0,IY2

Model: 95B Model life 2014>>

Pos	Part Number	Description	Remark	Qty	Model
(1)	95B 035 952 DX	D - MJ 2015>> - MJ 2015 Control panel We take back: 95B.035.952.04		1	PR:8DQ,8DV, 7A0
(1)	95B 035 953 AX	D - MJ 2016>> Control panel We take back: 95B.035.953.01		1	PR:8DQ,8DV, QV5
(1)	95B 035 953 BX	D >> - MJ 2014 Control panel We take back: 95B.035.953.02		1	PR:8DQ,8DV, QV5,-IY2
(1)	95B 035 953 CX	D - MJ 2015>> - MJ 2015 Control panel We take back: 95B.035.953.03		1	PR:8DQ,8DV, QV5,IY2
(1)	95B 035 953 DX	D - MJ 2015>> - MJ 2015 Control panel We take back: 95B.035.953.04		1	PR:8DQ,8DV, QV5
(1)	95B 035 954 AX	D - MJ 2016>> Control panel We take back: 95B.035.954.01		1	PR:8DV,8DQ, QV4
(1)	95B 035 954 BX	D >> - MJ 2014 Control panel We take back: 95B.035.954.02		1	PR:8DV,8DQ, -IY2,QV4
(1)	95B 035 954 CX	D - MJ 2015>> - MJ 2015 Control panel We take back: 95B.035.954.03		1	PR:8DV,8DQ, IY2,QV4
(1)	95B 035 954 DX	D - MJ 2015>> - MJ 2015 Control panel We take back: 95B.035.954.04		1	PR:8DV,8DQ, QV4
(1)	95B 035 955 AX	D - MJ 2016>> Control panel We take back: 95B.035.955.01		1	PR:8DV,8DQ,
(1)	95B 035 955 BX	D >> - MJ 2014 Control panel We take back: 95B.035.955.02		1	PR:8DV,8DQ, -IY2
(1)	95B 035 955 CX	D - MJ 2015>> - MJ 2015 Control panel We take back: 95B.035.955.03		1	PR:8DV,8DQ, IY2
(1)	95B 035 955 DX	D - MJ 2015>> - MJ 2015 Control panel We take back: 95B.035.955.04		1	PR:8DV,8DQ,
2	N 910 742 01	D - MJ 2016>> Hexagon socket head bolt M5X16		2	Macan
-	7PP 919 855	CD-ROM for electronic driver's logbook		1	Macan
-	997 642 271 56	DVD-ROM for navigation system for Software		1	PR:9NY PR:7RT
-	997 642 271 57	D - MJ 2014>> - MJ 2014 DVD-ROM for navigation		1	PR:7RT

Model: 95B

Model life 2014>>

Pos	Part Number	Description	Remark	Qty	Model
-	997 642 271 58	system for Software D - MJ 2015>> DVD-ROM for navigation system		1	PR:7RT
-	997 642 271 59	for Software D - MJ 2016>> DVD-ROM for navigation system		1	PR:7RT
-	997 642 275 56	for Software D - MJ 2016>> DVD-ROM for navigation system		1	PR:7RX
-	997 642 275 57	for Software D - MJ 2014>> - MJ 2014 DVD-ROM for navigation system		1	PR:7RX
-	997 642 275 58	for Software D - MJ 2015>> DVD-ROM for navigation system		1	PR:7RX
-	991 642 287 52	for Software D - MJ 2016>> DVD-ROM for navigation system		1	PR:7RH
-	991 642 287 57	for Software D - MJ 2014>> - MJ 2014 DVD-ROM for navigation system		1	PR:7RH
-	991 642 287 58	for Software D - MJ 2015>> DVD-ROM for navigation system		1	PR:7RH
-	997 642 279 56	for Software D - MJ 2016>> DVD-ROM for navigation system		1	PR:7RJ
-	997 642 279 57	for Software D - MJ 2014>> - MJ 2014 DVD-ROM for navigation system		1	PR:7RJ
-	997 642 279 58	for Software D - MJ 2015>> DVD-ROM for navigation system		1	PR:7RJ
-	997 642 281 56	for Software D - MJ 2016>> DVD-ROM for navigation system		1	PR:7RM

Model: 95B Model life 2014>>

Pos	Part Number	Description	Remark	Qty	Model
-	997 642 281 57	D - MJ 2014>> - MJ 2014 DVD-ROM for navigation system for Software		1	PR:7RM
-	997 642 281 58	D - MJ 2015>> DVD-ROM for navigation system for Software		1	PR:7RM
-	997 642 283 56	D - MJ 2016>> DVD-ROM for navigation system for Software		1	PR:7RV
-	997 642 283 57	D - MJ 2014>> - MJ 2014 DVD-ROM for navigation system for Software		1	PR:7RV
-	997 642 283 58	D - MJ 2015>> DVD-ROM for navigation system for Software		1	PR:7RV
-	970 642 285 55	D - MJ 2016>> DVD-ROM for navigation system for Software		1	PR:7RG
-	970 642 285 57	D - MJ 2014>> - MJ 2014 DVD-ROM for navigation system for Software		1	PR:7RG
-	970 642 285 58	D - MJ 2015>> DVD-ROM for navigation system for Software		1	PR:7RG
-	991 642 288 56	D - MJ 2016>> DVD-ROM for navigation system for Software		1	PR:77J
-	991 642 288 57	D - MJ 2014>> - MJ 2014 DVD-ROM for navigation system for Software		1	PR:77J
-	991 642 288 58	D - MJ 2015>> DVD-ROM for navigation system for Software		1	PR:77J
-	991 642 289 56	D - MJ 2016>> DVD-ROM for navigation system for Software		1	PR:77K
-	991 642 289 57	D - MJ 2014>> - MJ 2014 DVD-ROM for navigation system for Software		1	PR:77K

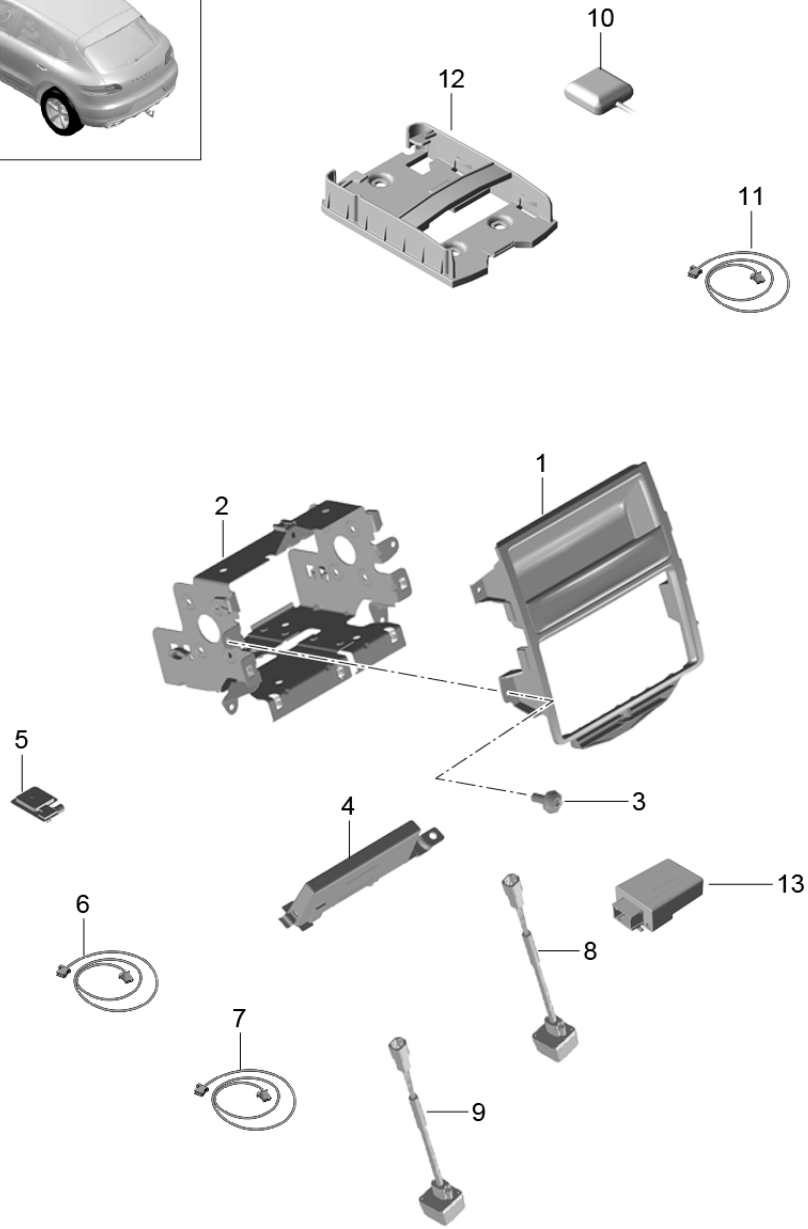
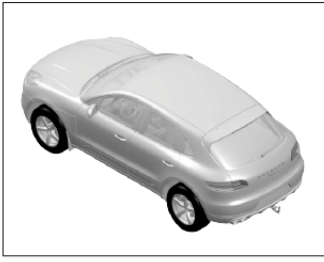
Model: 95B

Model life 2014>>

Pos	Part Number	Description	Remark	Qty	Model
-	991 642 289 58	for Software D - MJ 2015>> DVD-ROM for navigation system		1	PR:77K
3	7PP 919 148 H	for Software D - MJ 2016>> Receiver unit for TV reception		1	PR:QV1,QV5
-	N 907 371 07	fillister head bolt with multi-point socket head M6X16		3	PR:QV1,QV5
4	7PP 980 653 C	Camera Windscreen		1	PR:8G1,8G2, 9Q1,9Q6,8G0
5	5Q0 980 546 A	Camera TOP VIEW		4	PR:8A4
7	95B 980 551 F	Reversing camera		1	PR:7X8,7X9
9	7PP 035 724 D	bush For vehicles with multimedia equipment Glove box		1	PR:UF1,8DQ, 8DV,8YZ

Model: 95B

Model life 2014>>



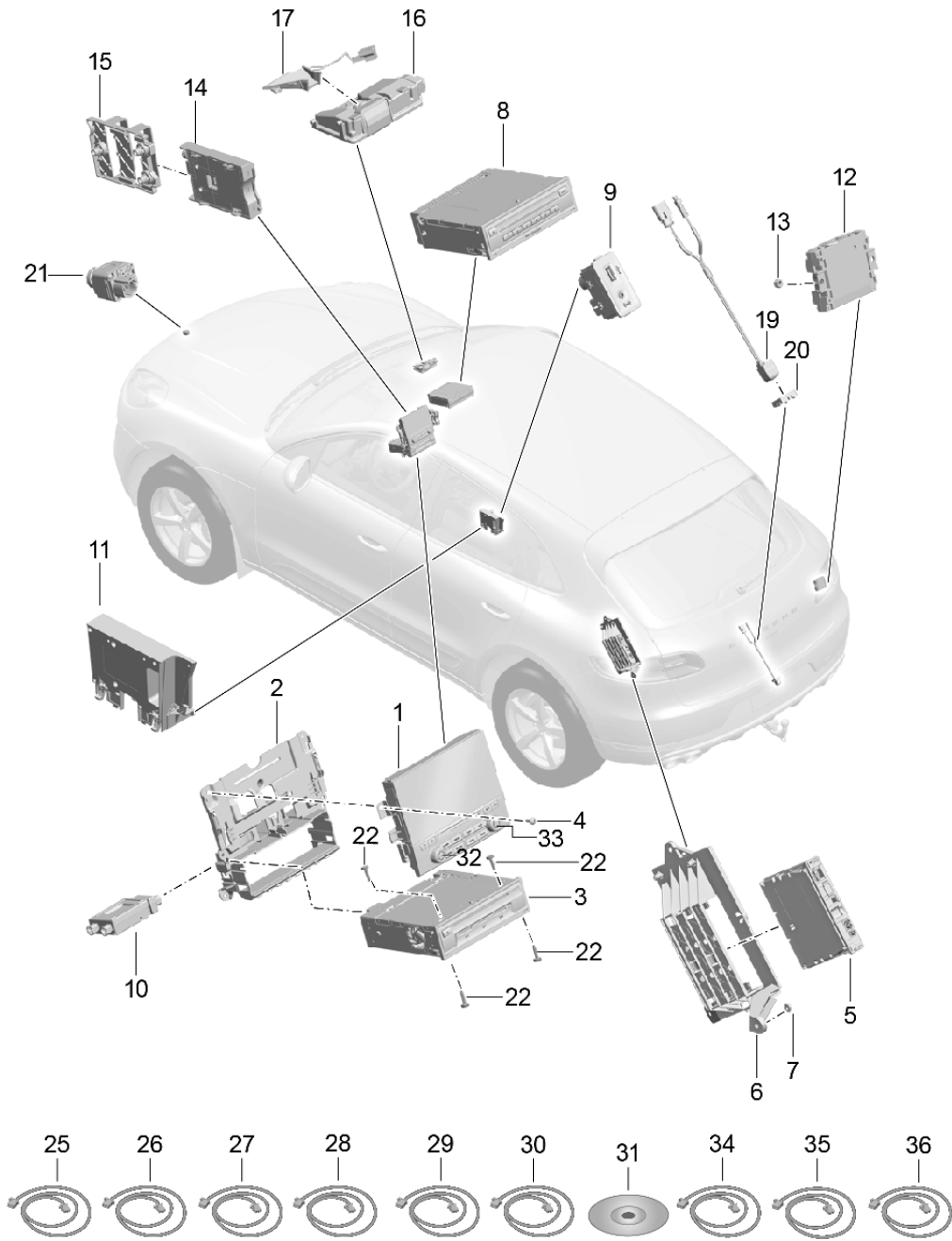
Model: 95B

Model life 2014>>

Pos	Part Number	Description	Remark	Qty	Model
1	95B 035 421 A	for models prepared for navigation system "J.." Japan Trim		1	PR:7Q4
2	95B 035 547	Navigation system Bracket Trim		1	PR:7Q4
3	N 910 742 01	Navigation system Hexagon socket head bolt		6	
4	95B 035 225 C	Aerial amplifier		1	PR:7Q4
5	7PP 035 504 A	Aerial		1	PR:7Q4,7Q7, 7T1,7T4
6	95B 035 550 AB	Aerial connection line		1	PR:7Q4
(6)	95B 035 550 AA	Aerial connection line		1	PR:7Q4
(6)	95B 035 550 AK	Aerial connection line TV		1	PR:7Q4
(6)	95B 035 550 F	Aerial connection line PCM	rear	1	PR:L0L,7Q4
(6)	95B 035 550 AD	Rear lid Aerial connection line Side window		1	PR:L0L,7Q4
7	95B 971 298 Q	Wire set Camera		1	PR:L0R,5SU
(7)	95B 971 298 P	Interior mirror Wire set PCM		1	PR:L0R,QV1, QV5
(7)	95B 971 298 AC	TV Wire set		1	PR:9WM
(7)	95B 971 298 T	Rear seat entertainment system Wire set Real Top View PSM		1	PR:L0R,QU0, QV0,QV3,7Q0, 7Q7,7T1,7T4, 8A4
(7)	95B 971 298 AA	Wire set Real Top View		1	LL RL
(7)	95B 971 298 S	Wire set Real Top View		1	PR:QV1,QV5, 7Q0,7Q7,7T1,
(7)	95B 971 298 G	Wire set Interior mirror		1	PR:L0L,5RP
(7)	95B 971 298 H	Wire set PCM microphone		1	LL RL PR:7Q4
(7)	95B 971 298 L	Roof Wire set Camera		1	PR:5RP,5SU
(7)	95B 971 298 F	Door Wire set PCM		1	PR:7Q4
8	958 645 291 00	Rear compartment area Camera		1	LL
9	958 645 291 00	Mirror housing Camera		1	PR:L0R,5SU RL
10	5C5 919 853	Mirror housing 'DSRC' antenna		1	PR:L0L,5RP PR:7Q4
11	5C5 035 320 D	DRSC Aerial cable DRSC		1	PR:7Q4,L0L
12	7PP 919 669 B	SIM card reader Bracket		1	PR:7Q4
13	7PP 971 324 B	SIM card reader Adapter cable for CAN bus - CAN -		1	

Model: 95B

Model life 2014>>



Model: 95B Model life 2014>>

Pos	Part Number	Description	Remark	Qty	Model
		display Central computer Navigation system TV microphone For vehicles with multimedia equipment Stowage compartment for mobile Camera Connecting line			
1	95B 919 606 B	display		1	
	95B 919 606 B DML	Matt Black/hi-gloss chrome			
1	95B 919 606 BX	display		1	
	95B 919 606 BX DML	Matt Black/hi-gloss chrome			
2	95B 035 464	Module support		1	
		display and Central computer			
3	95B 035 035 C	Central computer		1	PR:ER1,QU1, QV3,9ZC,9ZK
	95B 035 035 C 6N3	Black			
3	95B 035 035 X	Central computer		1	PR:ER1,QU1, QV3,9ZC,9ZK
	95B 035 035 X 6N3	Black			
(3)	95B 035 036 C	Central computer		1	PR:ER1,QV0, QV1,9ZC,9ZK
	95B 035 036 C 6N3	Black			
(3)	95B 035 036 X	Central computer		1	PR:ER1,QV0, QV1,9ZC,9ZK
	95B 035 036 X 6N3	Black			
(3)	95B 035 037 C	Central computer		1	PR:ER1,QU1, QV3,9ZE,9ZX
	95B 035 037 C 6N3	Black			
(3)	95B 035 037 X	Central computer		1	PR:ER1,QU1, QV3,9ZE,9ZX
	95B 035 037 X 6N3	Black			
(3)	95B 035 038 C	Central computer		1	PR:ER1,QV0, QV1,9ZE,9ZX
	95B 035 038 C 6N3	Black			
(3)	95B 035 038 X	Central computer		1	PR:ER1,QV0, QV1,9ZE,9ZX
	95B 035 038 X 6N3	Black			
(3)	95B 035 039 C	Central computer		1	PR:ER2,QV0, QV1,9ZC,9ZK
	95B 035 039 C 6N3	Black			
(3)	95B 035 039 X	Central computer		1	PR:ER2,QV0, QV1,9ZC,9ZK
	95B 035 039 X 6N3	Black			
(3)	95B 035 040 C	Central computer		1	PR:ER2,QV0, QV1,9ZE,9ZX
	95B 035 040 C 6N3	Black			
(3)	95B 035 040 X	Central computer		1	PR:ER2,QV0, QV1,9ZE,9ZX
	95B 035 040 X 6N3	Black			
(3)	95B 035 041 C	Central computer		1	PR:ER2,QU1, QV3,9ZC,9ZK
	95B 035 041 C 6N3	Black			
(3)	95B 035 041 X	Central computer		1	PR:ER2,QU1, QV3,9ZC,9ZK
	95B 035 041 X 6N3	Black			
(3)	95B 035 868 C	Central computer		1	PR:ER2,QU1, QV3,9ZE,9ZX
	95B 035 868 C 6N3	Black			

Model: 95B Model life 2014>>

Pos	Part Number	Description	Remark	Qty	Model
(3)	95B 035 868 X	Central computer		1	PR:ER2,QU1, QV3,9ZE,9ZX
	95B 035 868 X 6N3	Black			
(3)	95B 035 890 C	Central computer		1	PR:ER3,QU8, 9ZC,9ZK
	95B 035 890 C 6N3	Black			
(3)	95B 035 890 X	Central computer		1	PR:ER3,QU8, 9ZC,9ZK
	95B 035 890 X 6N3	Black			
(3)	95B 035 892 C	Central computer		1	PR:ER3,QU8, 9ZE,9ZX
	95B 035 892 C 6N3	Black			
(3)	95B 035 892 X	Central computer		1	PR:ER3,QU8, 9ZE,9ZX
	95B 035 892 X 6N3	Black			
(3)	95B 035 893 C	Central computer		1	PR:ER4,QV0, 9ZE,9ZX
	95B 035 893 C 6N3	Black			
(3)	95B 035 893 X	Central computer		1	PR:ER4,QV0, 9ZE,9ZX
	95B 035 893 X 6N3	Black			
(3)	95B 035 894 B	Central computer		1	PR:ER6,QV0, QV1,9ZC,9ZK
	95B 035 894 B 6N3	Black			
		D >> - 29.05.2016			
(3)	95B 035 894 X	Central computer		1	PR:ER6,QV0, QV1,9ZC,9ZK
	95B 035 894 X 6N3	Black			
		D >> - 29.05.2016			
(3)	95B 035 894 D	Central computer		1	PR:ER6,QV0, QV1,9ZC,9ZK
	95B 035 894 D 6N3	Black			
		D - 30.05.2016>>			
(3)	95B 035 894 AX	Central computer		1	PR:ER6,QV0, QV1,9ZC,9ZK
	95B 035 894 AX 6N3	Black			
		D - 30.05.2016>>			
(3)	95B 035 895 B	Central computer		1	PR:ER6,QV0, QV1,9ZE,9ZX
	95B 035 895 B 6N3	Black			
		D >> - 29.05.2016			
(3)	95B 035 895 X	Central computer		1	PR:ER6,QV0, QV1,9ZE,9ZX
	95B 035 895 X 6N3	Black			
		D >> - 29.05.2016			
(3)	95B 035 895 D	Central computer		1	PR:ER6,QV0, QV1,9ZE,9ZX
	95B 035 895 D 6N3	Black			
		D - 30.05.2016>>			
(3)	95B 035 895 AX	Central computer		1	PR:ER6,QV0, QV1,9ZE,9ZX
	95B 035 895 AX 6N3	Black			
		D - 30.05.2016>>			
(3)	95B 035 896 B	Central computer		1	PR:ER8,QV0, 9ZE,9ZX
	95B 035 896 B 6N3	Black			
(3)	95B 035 896 X	Central computer		1	PR:ER8,QV0, 9ZE,9ZX
	95B 035 896 X 6N3	Black			
(3)	95B 035 897 B	Central computer		1	PR:ER5,QV0, QV1,9ZC,9ZK
	95B 035 897 B 6N3	Black			
		D >> - 29.05.2016			

Model: 95B Model life 2014>>

Pos	Part Number	Description	Remark	Qty	Model
(3)	95B 035 897 X	Central computer		1	PR:ER5,QV0, QV1,9ZC,9ZK
	95B 035 897 X 6N3	Black D >> - 29.05.2016			
(3)	95B 035 897 D	Central computer		1	PR:ER5,QV0, QV1,9ZC,9ZK
	95B 035 897 D 6N3	Black D - 30.05.2016>>			
(3)	95B 035 897 AX	Central computer		1	PR:ER5,QV0, QV1,9ZC,9ZK
	95B 035 897 AX 6N3	Black D - 30.05.2016>>			
(3)	95B 035 898 B	Central computer		1	PR:ER5,QV0, QV1,9ZE,9ZX
	95B 035 898 B 6N3	Black D >> - 29.05.2016			
(3)	95B 035 898 X	Central computer		1	PR:ER5,QV0, QV1,9ZE,9ZX
	95B 035 898 X 6N3	Black D >> - 29.05.2016			
(3)	95B 035 898 D	Central computer		1	PR:ER5,QV0, QV1,9ZE,9ZX
	95B 035 898 D 6N3	Black D - 30.05.2016>>			
(3)	95B 035 898 AX	Central computer		1	PR:ER5,QV0, QV1,9ZE,9ZX
	95B 035 898 AX 6N3	Black D - 30.05.2016>>			
(3)	95B 035 899 B	Central computer		1	PR:ER7,QV0, QV1,9ZE,9ZX
	95B 035 899 B 6N3	Black			
(3)	95B 035 899 X	Central computer		1	PR:ER7,QV0, QV1,9ZE,9ZX
	95B 035 899 X 6N3	Black			
4	N 910 742 01	Hexagon socket head bolt M5X16		4	
5	9A7 919 191 00	TV tuner TV		1	PR:ER1,ER2, ER8,QU1,QV1
(5)	9A7 919 192 00	TV tuner TV		1	PR:ER6,QV1
(5)	9A7 919 146 00	TV tuner TV		1	PR:ER7,QV1
(5)	9A7 919 129 00	TV tuner TV		1	PR:ER5,QV1
6	95B 035 251	Holder for amplifier TV tuner		1	PR:QU1,QV1
7	N 908 877 03	Hexagon flange nut, self-locking M6		3	
8	9A7 035 108 00	DVD-player		1	
9	95B 035 252	Connection for USB and AUX-IN		1	PR:ER5
(9)	95B 035 252 A	Connection for USB and AUX-IN		1	PR:ER1,ER2,
10	9A7 642 953 00	USB hub		1	PR:ER5
11	95B 035 773 A	bracket for navigation unit or tv receiver (tuner)		1	PR:9ZC,9ZE
	95B 035 773 A 1E0	Black			
12	9A7 646 456 00	Amplifiers Mobile		1	PR:ER1,ER2, ER5,ER6,ER7,
13	N 011 005 18	Hexagon nut		2	
14	9A7 919 813 00	chip card reader for road toll system D >> - 18.01.2018		1	PR:ER5
14	9A7 919 813 A	chip card reader for road		1	PR:ER5

Model: 95B Model life 2014>>

Pos	Part Number	Description	Remark	Qty	Model
		toll system			
		use also for retrofitting:	9A7 035 504		
15	95B 035 480	Bracket chip card reader for road toll system		1	PR:ER5
16	7PP 980 653 D	Camera Windscreen		1	PR:7Y2,7Y3, 7Y6,7Y7,8G0, 8G1,8G2,9Q1, 9Q6
17	7PP 858 066	Trim heater	with:	1	PR:7Y2,7Y3, 7Y6,7Y7,8G0, 8G1,8G2,9Q1, 9Q6
19	95B 980 551 K	Reversing camera		1	PR:7X8
20	95B 807 286	Bracket Reversing camera		1	PR:7X8
21	5Q0 980 546 A	Camera TOP VIEW		4	PR:8A4
22	9A7 008 064 00	flat round head bolt M 2,5 X 10		4	PR:I8L,9ZK, 9ZX
25	95B 035 550 BT	Connecting line bracket for navigation unit or tv receiver (tuner)		1	PR:9ZC,9ZE
26	95B 971 086 N	Centre console Connecting line Central computer USB hub 260 MM		1	PR:ER5,I8L, UI4
27	95B 971 086 P	Connecting line USB hub 1810 MM		1	PR:ER5,I8L, UI4
28	95B 971 086 AF	Connecting line Central computer To Multimedia interface Connector housing Round connector for Connection for USB and AUX-IN 1690 MM		1	PR:I8L,UI4
29	95B 971 086 AG	Connecting line Central computer To Multimedia interface Connector housing for Pawl connector 1585 MM		1	PR:I8L,UI4
30	95B 971 086 AD	Connecting line Central computer To Display unit Control panel 225 MM		1	PR:I8L
31	958 919 855 00	CD-ROM for electronic driver's logbook		1	PR:9NY
32	9P1 919 069	Rot. knob display	left	1	
33	9P1 919 070	Rot. knob display	right	1	
34	95B 971 086 AJ	Connecting line Central computer		1	PR:I8L,L0L

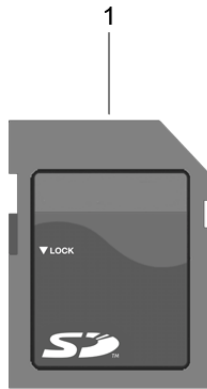
Model: 95B

Model life 2014>>

Pos	Part Number	Description	Remark	Qty	Model
(34)	95B 971 086 AC	To Combi-instrument Connecting line Central computer		1	PR:I8L,L0R
35	95B 971 158 A	To Combi-instrument Connecting line Camera Real Top View Coupling element Front end To Control unit Real Top View 5045 MM		1	PR:8A4

Model: 95B

Model life 2014>>



Model: 95B

Model life 2014>>

Pos	Part Number	Description	Remark	Qty	Model
1	9P1 909 000 G	SD memory card for updating the navigation data		1	PR:ER1
1	9P1 909 000 T	SD memory card for updating the navigation data D >> - MJ 2017		1	PR:ER1
1	9P1 909 000 H	SD memory card for updating the navigation data D - MJ 2018>>		1	PR:ER3,ER4
1	9P1 909 000 AA	SD memory card for updating the navigation data D >> - MJ 2017		1	PR:ER3,ER4
1	9P1 909 000 J	SD memory card for updating the navigation data D - MJ 2018>>		1	PR:ER2
1	9P1 909 000 AB	SD memory card for updating the navigation data D >> - MJ 2017		1	PR:ER2
1	9P1 909 000 L	SD memory card for updating the navigation data D - MJ 2018>>		1	PR:ER5
1	9P1 909 000 AD	SD memory card for updating the navigation data D >> - MJ 2017		1	PR:ER5,IY1
1	9P1 909 000 AH	SD memory card for updating the navigation data D - MJ 2018>> - MJ 2018		1	PR:ER5,IY2
1	9P1 909 000 N	SD memory card for updating the navigation data D - MJ 2018>> - MJ 2018		1	PR:ER8
1	9P1 909 000 AF	SD memory card for updating the navigation data D >> - MJ 2017		1	PR:ER8,IY1
1	9P1 909 000 AK	SD memory card for updating the navigation data D - MJ 2018>> - MJ 2018		1	PR:ER8,IY2
1	9P1 906 961	SD card Software Central computer D >> - MJ 2017		1	PR:ER1,ER2
1	9P1 919 360 B	SD card Software Central computer D - MJ 2018>>		1	PR:ER1,ER2
1	9P1 906 961 A	SD card Software Central computer D >> - MJ 2017		1	PR:ER3,ER4
1	9P1 919 360 C	SD card Software Central computer D - MJ 2018>>		1	PR:ER3,ER4
1	9P1 906 961 B	SD card Software Central computer D >> - 08.11.2016		1	PR:ER6
1	9P1 919 360	SD card Software Central computer D - 09.11.2016>> D >> - MJ 2017		1	PR:ER6

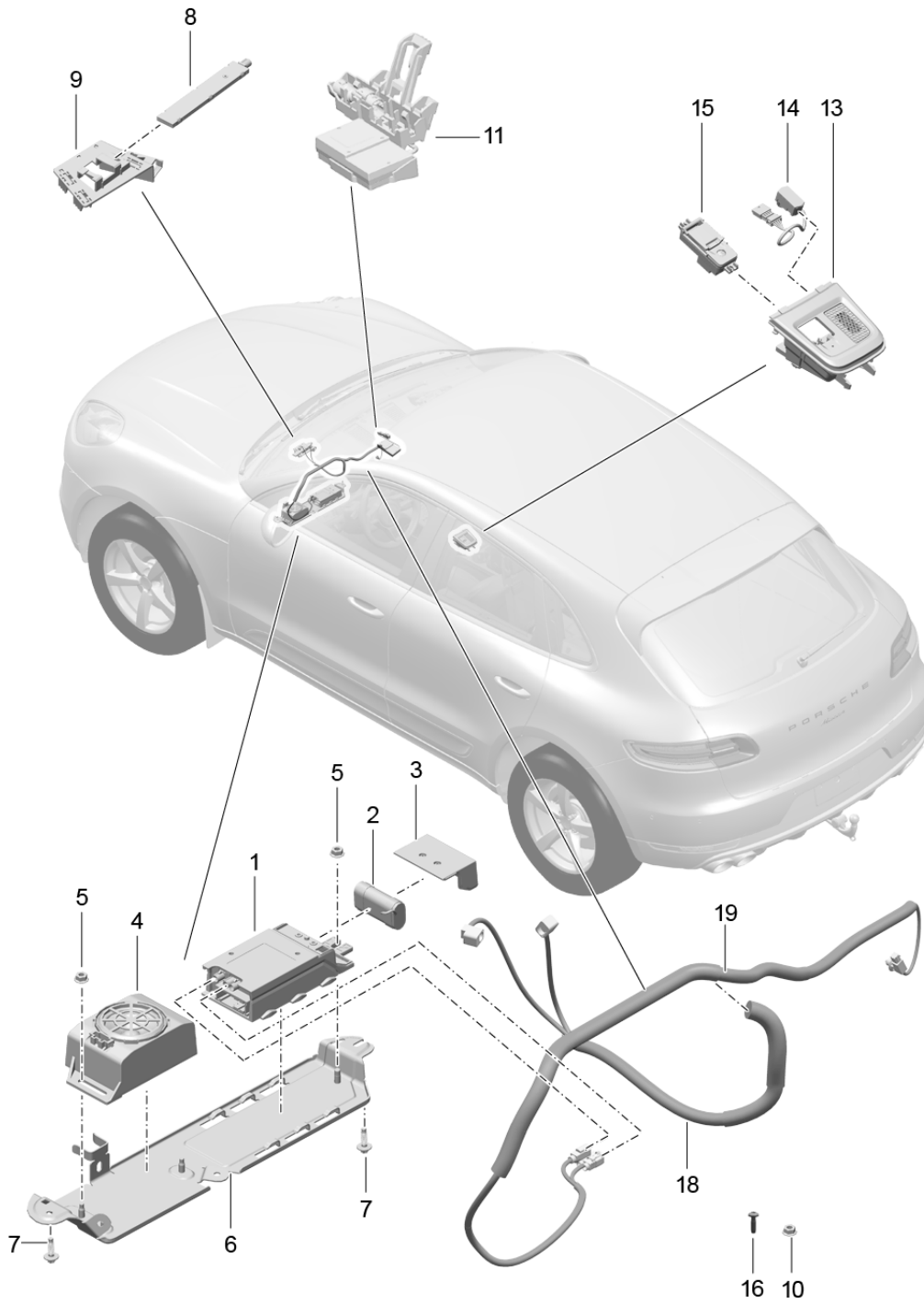
Model: 95B

Model life 2014>>

Pos	Part Number	Description	Remark	Qty	Model
1	9P1 919 360 D	SD card Software Central computer D - MJ 2018>>		1	PR:ER6
1	9P1 906 961 C	SD card Software Central computer		1	PR:ER5
1	9P1 919 360 E	SD card Software Central computer D - MJ 2018>>		1	PR:ER5
1	9P1 906 961 D	SD card Software Central computer D >> - MJ 2017		1	PR:ER8
1	9P1 919 360 F	SD card Software Central computer D - MJ 2018>>		1	PR:ER8
1	9P1 906 961 E	SD card Software Central computer D >> - MJ 2017		1	PR:ER7
1	9P1 919 360 G	SD card Software Central computer D - MJ 2018>>		1	PR:ER7

Model: 95B

Model life 2014>>

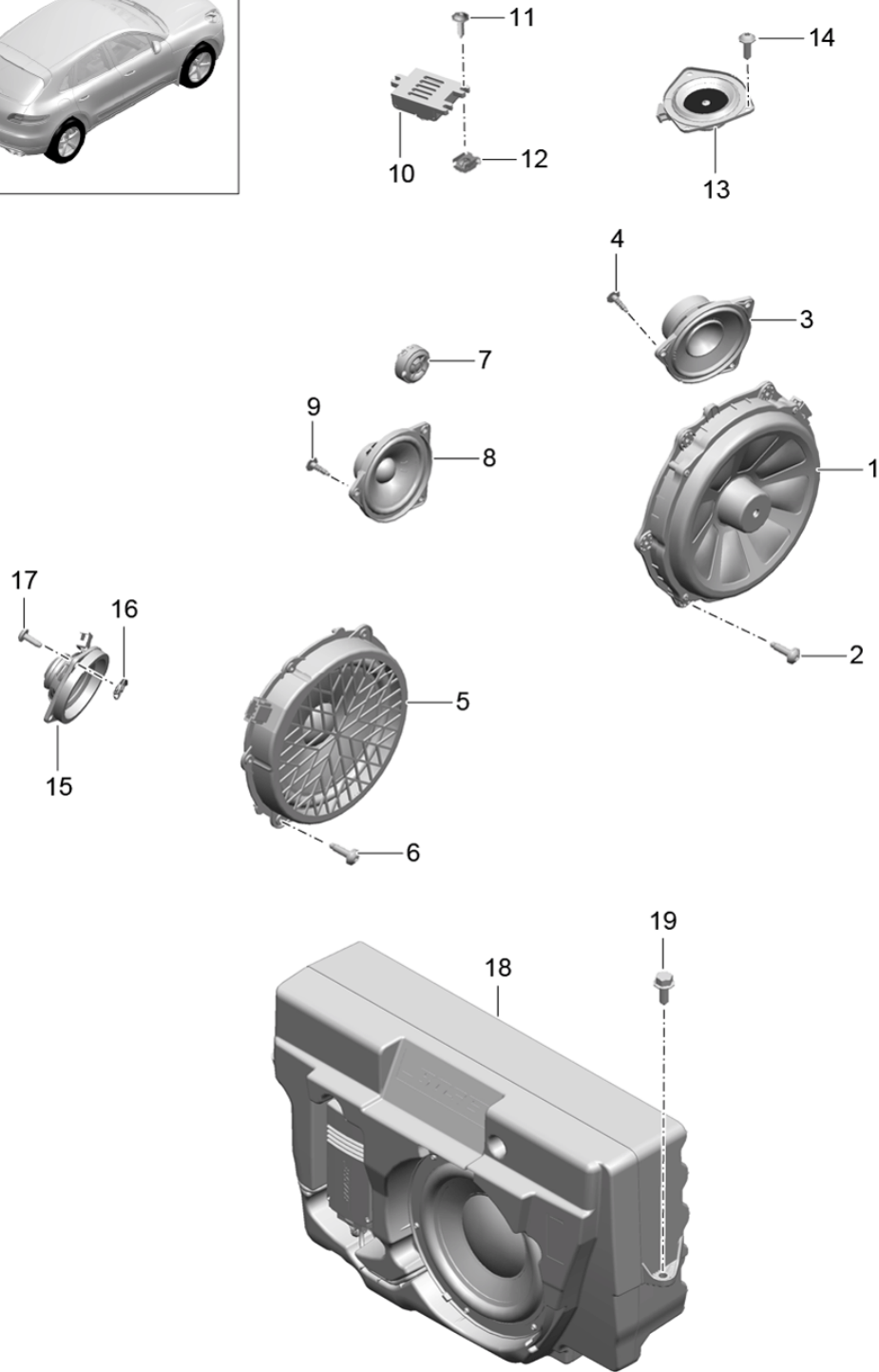
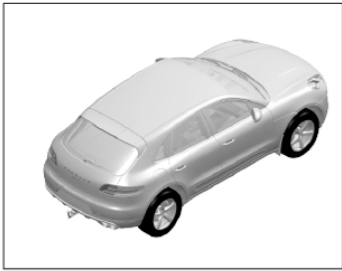


Model: 95B Model life 2014>>

Pos	Part Number	Description	Remark	Qty	Model
		for models with telephone and emergency call			PR:NZ3
1	9P1 035 284 B	Control unit for emerg. call module and communications unit		1	
2	9P1 915 611	Battery for Control unit for emerg. call module and communications unit		1	
3	9P1 035 215	Cover for Control unit for emerg. call module and communications unit		1	
4	7PP 035 709 A	Loudspeaker		1	
5	N 015 082 10	Hexagon collar nut		4	
6	95B 035 205	Bracket		4	
7	N 106 847 01	Oval hexagon socket head bolt 5X20		2	
8	9A7 035 504 00	Aerial GSM		2	
9	95B 035 525 A	Retainer for aerial	left	1	
(9)	95B 035 526 A	Retainer for aerial	right	1	
11	95B 035 500	Aerial module with bracket GPS		1	
13	95B 857 273 A	Trim for centre console		1	
	95B 857 273 A 6N3	Black			
14	9P1 035 712	microphone		1	
15	9P1 959 511	Switch		1	
	9P1 959 511 6N3	Black			
16	N 106 258 02	Hexagon socket flat head bolt 3X10		2	
17	95B 974 128	Wire set		1	
		Control unit for emerg. call module and communications unit			
18	95B 035 550 CK	Single wire for Control unit for models with telephone and emergency call	left right	1	
		To Aerial 3985 MM and Aerial 5825 MM Connector housing Bordeaux red violet			
19	95B 035 550 CL	Single wire for Control unit for models with telephone and emergency call		1	
		To Aerial 6710 MM Connector housing blue			

Model: 95B

Model life 2014>>



Model: 95B Model life 2014>>

Pos	Part Number	Description	Remark	Qty	Model
1	7PP 035 454 H	Loudspeaker Bass loudspeaker	front	2	PR:9VJ
(1)	7PP 035 454 L	Door Bass loudspeaker	front	2	PR:9VK
(1)	7PP 035 454 M	Door Bass loudspeaker	front	2	PR:9VL
(1)	970 645 551 02	Door Bass loudspeaker	front	2	PR:8RV
2	N 106 847 01	Oval hexagon socket head bolt		12	
3	7PP 035 415 H	Mid tone speaker door panel	front	2	PR:8RV
(3)	7PP 035 415 J	Mid tone speaker door panel	front	2	PR:9VK
(3)	7PP 035 415 F	Mid tone speaker door panel	front	2	PR:9VL
(3)	7PP 035 415 G	Mid tone speaker door panel	front	2	PR:9VJ
4	999 919 250 01	Oval-head screw		3	
5	7PP 035 453 B	Bass loudspeaker Door	rear	2	PR:9VJ
(5)	7PP 035 710 C	Bass loudspeaker Door	rear	2	PR:9VL
(5)	970 645 651 02	Bass loudspeaker Door	rear	2	PR:8RV,9VK
6	N 106 847 01	Oval hexagon socket head bolt		12	
7	7PP 035 411	Treble speaker door panel		2	PR:8RV,9VK
(7)	7PP 035 411 D	Treble speaker door panel	rear rear	2	PR:9VL
(7)	7PP 035 412 A	Treble speaker door panel	rear	2	PR:9VJ
8	7PP 035 415 G	Mid tone speaker door panel	rear	2	PR:9VJ
9	999 919 250 01	Oval-head screw		3	
10	7PP 035 411	Treble speaker	front	2	PR:8RV,9VK
(10)	7PP 035 411 D	Treble speaker	front	2	PR:9VL
(10)	7PP 035 411 E	Treble speaker	front	2	PR:9VJ
11	N 906 986 06	Hexagon socket head panel bolt		6	
12	N 906 988 01	Speed nut		6	
13	7PP 035 828 F	Loudspeaker dashboard		2	PR:9VK
(13)	7PP 035 828 D	Loudspeaker dashboard		2	PR:9VL
(13)	7PP 035 828 E	Loudspeaker dashboard		2	PR:9VJ
14	N 910 742 01	Hexagon socket head bolt		3	
15	7PP 035 416 B	Loudspeaker Mid tone speaker		1	PR:9VL
(15)	7PP 035 416 C	Loudspeaker Mid tone speaker		1	PR:9VJ
16	999 507 138 01	panel nut		3	
17	999 073 339 09	panel screw		3	
18	95B 035 481	Subwoofer for Radio unit PCM 3		1	PR:9VL
18	95B 035 481 B	Subwoofer		1	PR:9VL

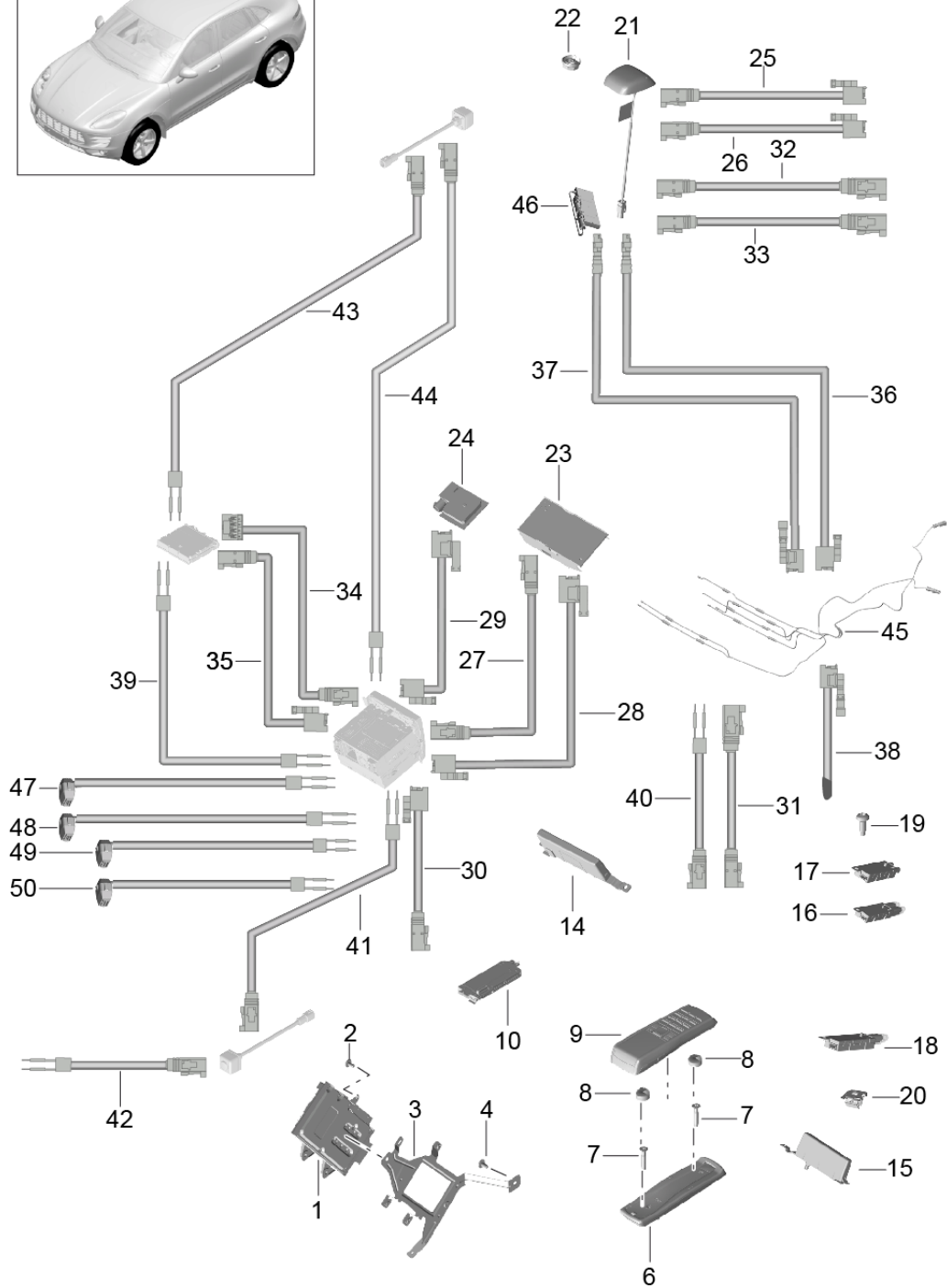
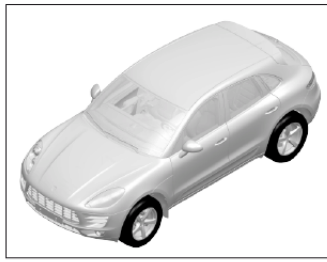
Model: 95B

Model life 2014>>

Pos	Part Number	Description	Remark	Qty	Model
(18)	95B 035 481 A	for Radio unit		1	PR:9VJ
19	N 106 532 01	Central computer Subwoofer Hex collared bolt		2	

Model: 95B

Model life 2014>>



Model: 95B Model life 2014>>

Pos	Part Number	Description	Remark	Qty	Model
-		telephone Amplifiers Aerial amplifier Aerial cable For vehicles with multimedia equipment D >> - MJ 2016			
1	7PP 035 223 M	Amplifier for sound system		1	PR:7Q4,9VL
(1)	95B 035 223	Amplifiers		1	PR:9VK
1	7PP 035 223 AA	Amplifiers		1	PR:7Q0,7Q7,
(1)	7PP 035 223 AB	Amplifiers		1	PR:9VJ
2	N 907 371 07	fillister head bolt with multi-point socket head		3	
3	95B 035 209 A	Holder for amplifier Discontinued part		1	
4	N 907 371 07	fillister head bolt with multi-point socket head		3	
-		microphone			
6	955 646 214 00	see illustration: Support for cellphone receiver	911-000	1	PR:9ZP
7	N 911 598 01	countersunk bolt		2	
8	955 646 311 00	Bungs		2	
9	7PP 035 725 B	Telephone controls/receiver		1	
10	7PP 035 730 B	Control unit for telephone		1	PR:9W1,9ZP
14	95B 035 225 A	Aerial amplifier		1	
15	95B 035 225 B	Aerial amplifier		1	PR:QV1,QV5
16	958 647 316 00	Aerial amplifier Auxiliary heater		1	PR:QU0,QV0, 9M9
17	958 647 317 00	Aerial amplifier		1	PR:QV5,QV1,
18	958 647 318 00	Aerial amplifier TV		1	PR:QV1,QV5, 9M9
(18)	958 647 320 00	Aerial amplifier Side window		1	PR:QU0
(18)	958 647 319 00	Aerial amplifier Side window	left	1	PR:QV5
19	N 104 472 01	Hexagon socket oval head panel bolt (combi)	left	3	
20	955 647 269 00	expanding nut		2	
22	1J0 035 437	Hexagon nut		1	
23	7PP 035 503	Telephone aerial GSM		1	PR:9W1,9ZP
24	7PP 035 504 A	Aerial GPS		1	PR:7Q4,7Q7, 7T1,7T4
25	95B 035 550 C	Aerial connection line Coupling element Roof To PCM 3530 MM		1	PR:8DQ,8DV
(25)	95B 035 550 AL	Aerial connection line Aerial amplifier To Coupling element Roof 955 MM		1	PR:8DQ,8DV
27	95B 035 550 S	Aerial connection line		1	PR:QV1,QV5
28	95B 035 550 G	Aerial connection line GMS		1	PR:9W1,9ZP
29	95B 035 550 E	Aerial connection line		1	PR:7Q7,7T1,

Model: 95B

Model life 2014>>

Pos	Part Number	Description	Remark	Qty	Model
		GPS			7T4
30	95B 035 550 R	Aerial connection line		1	PR:QV0,QV5
31	95B 035 550 Q	Aerial connection line		1	PR:QV0,QV5
32	95B 035 550	Aerial connection line central locking system		1	
33	95B 035 550 AM	Aerial connection line central locking system		1	PR:L0L,9M9
34	95B 035 550 A	Aerial connection line		1	PR:L0L,QV1, QV5
35	95B 035 550 AJ	TV Aerial connection line		1	PR:QV1,QV5
36	95B 035 550 N	TV Aerial connection line		1	PR:L0L,7G5, 7G9,7I2,7I0
37	95B 035 550 P	VTS vehicle tracking Aerial connection line		1	LL PR:L0L,7G5, 7G9,7I2,7I0
(37)	95B 035 550 AN	VTS vehicle tracking Control unit Aerial connection line		1	RL PR:L0R,7G5, 7G9,7I2,7I0
38	95B 035 550 T	VTS vehicle tracking Control unit Aerial connection line		1	PR:7G5,7G9, 7I2
39	95B 971 298 B	VTS vehicle tracking Wire set PCM		1	LL RL
40	95B 971 298 AC	Reversing camera Wire set Rear seat entertainment system		1	PR:QV1,QV5 PR:9WM
41	95B 971 298 T	Wire set Control unit Real Top View To PCM		1	PR:L0R,QU0, QV0,QV3,7Q0, 7Q7,7T1,7T4, 8A4
41	95B 971 298 T	4180 MM Wire set Control unit Real Top View To PCM		1	PR:L0R,QU0, QV0,QV3,7Q0, 7Q7,7T1,7T4, 8A4
42	95B 971 298 R	4180 MM Wire set Control unit Real Top View To PCM		1	PR:L0L,QU0, QV0,QV3,QV4, QV8,7Q0,7Q7, 7T1,7T4
43	95B 971 298	4280 MM Wire set TV		1	PR:L0L,QV1, QV5,7X8
44	95B 971 298 A	Reversing camera Wire set PCM		1	PR:QU0,QV0, QV3,QV4,QV8, 7X8
45	95B 035 502 A	Reversing camera Aerial		1	PR:7G5,7G9, 7I0,7I2
46	95B 907 245 A	VTS vehicle tracking Aerial		1	PR:7G5,7G9, 7I0,7I2
47	95B 971 086 A	VTS vehicle tracking Connecting line PCM USB stick		1	PR:UF1,8DQ, 8DV

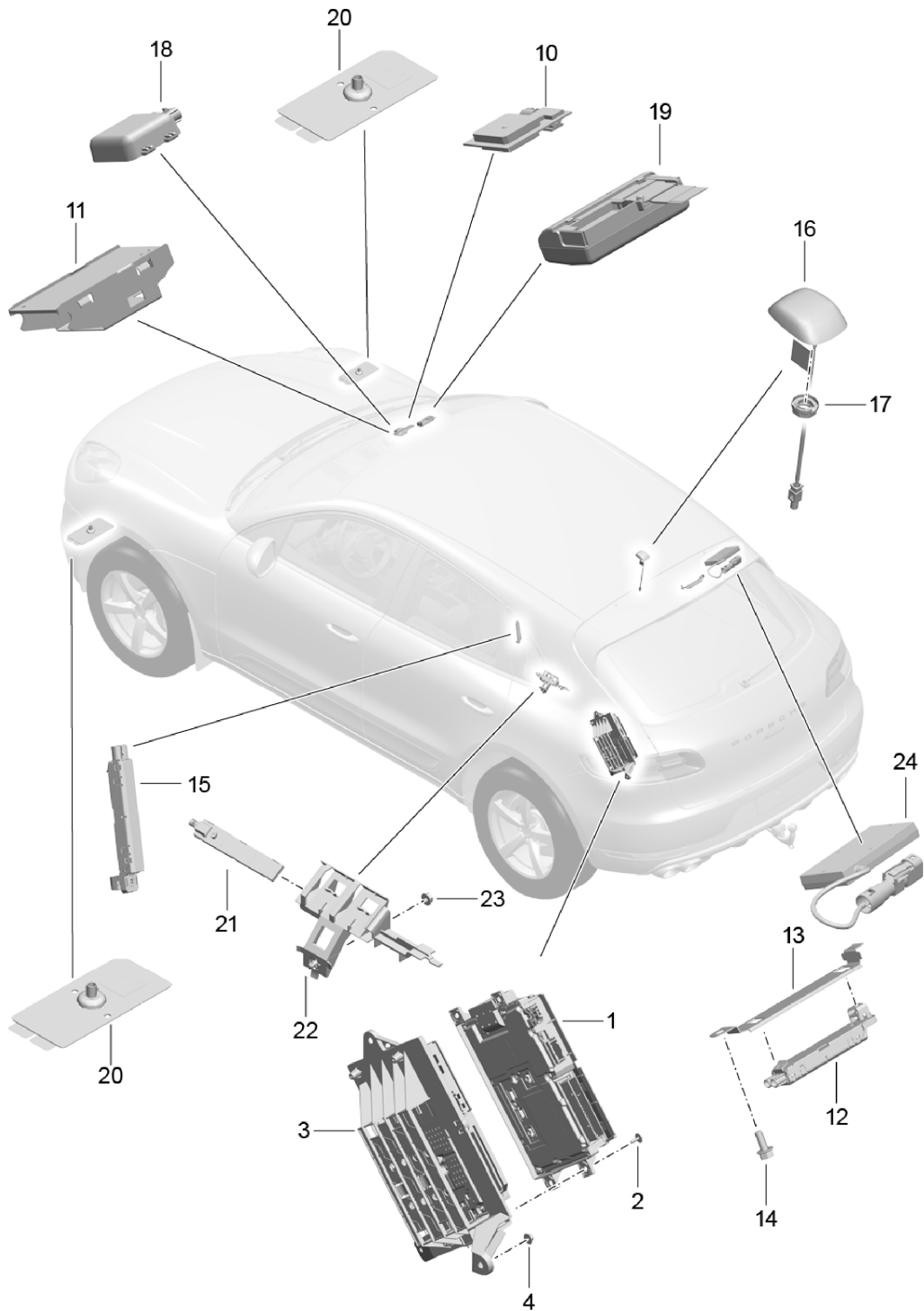
Model: 95B

Model life 2014>>

Pos	Part Number	Description	Remark	Qty	Model
48	95B 971 086 D	Connecting line PCM USB stick		1	PR:UF1,8DQ, 8DV
49	95B 971 086	Connecting line PCM Combi-instrument		1	
50	95B 971 158 F	Connecting line Real Top View Trim To Control unit Connector housing blue 4965 MM	rear	1	PR:8A4

Model: 95B

Model life 2014>>



Model: 95B

Model life 2014>>

Pos	Part Number	Description	Remark	Qty	Model
-		telephone Amplifiers Aerial amplifier D - MJ 2017>> Amplifier for sound system			
1	9A7 645 443 10	Amplifiers		1	PR:9VL
(1)	95B 035 223 B	Amplifiers		1	PR:9VJ
2	N 909 747 01	Hexagon socket head panel bolt		4	PR:9VL
(2)	N 909 747 01	Hexagon socket head panel bolt		2	PR:9VJ
3	95B 035 251	Holder for amplifier		1	PR:9VJ,9VL
4	N 908 877 03	Hexagon flange nut, self-locking		3	
10	7PP 035 504 A	Aerial GPS		1	
11	971 035 503 A	Telephone aerial GSM		1	PR:9ZC,9ZK
12	95B 035 225 D	Aerial amplifier Curry yellow	2 pin	1	PR:ER1,ER2, ER3,ER4,ER6, ER7,ER8,ER9
12		Aerial amplifier Rear lid			
(12)	95B 035 225 E	Aerial amplifier violet	2 pin	1	PR:ER5
(12)	95B 035 225 F	Aerial amplifier Bordeaux red	1 pin	1	PR:ER1,ER2, ER3,ER4,ER6, ER7,ER8,ER9, QU8,QV0,QV3 PR:ER5,QV0
(12)	95B 035 225 G	Aerial amplifier blue	1 pin	1	
(12)	95B 035 225 H	Aerial amplifier Bordeaux red	2 pin	1	PR:ER1,ER2, ER3,ER4,ER6, ER7,ER8,ER9, QU1,QV1 PR:ER5,QV1
(12)	95B 035 225 Q	Aerial amplifier blue	2 pin	1	
13	95B 035 545 A	holder for aerial booster for		1	
14	N 908 479 03	hexagon head bolt (combi)		1	
15	958 647 320 00	Aerial amplifier Side window		1	
(15)	95B 035 225 J	Aerial amplifier green	1 pin	1	PR:ER1,ER2, ER3,ER4,ER6, ER7,ER8,ER9, QV1 PR:ER5,QV1
(15)	95B 035 225 K	Aerial amplifier brown	1 pin	1	
(15)	95B 035 225 L	Aerial amplifier Black	1 pin	1	PR:ER1,ER2, ER3,ER4,ER6, ER7,ER8,ER9, QV3
(15)	95B 035 225 M	Aerial amplifier Black	2 pin	1	PR:ER1,ER2, ER3,ER4,ER6, ER7,ER8,ER9, QU1
(15)	95B 035 225 N	Aerial amplifier Grey	1 pin	1	PR:ER1,ER2, ER3,ER4,ER6, ER7,ER8,ER9, QU8,QV0,QV3, 9M9
(15)	95B 035 225 P	Aerial amplifier green	2 pin	1	PR:ER1,ER2, ER3,ER4,ER6, ER7,ER8,ER9,

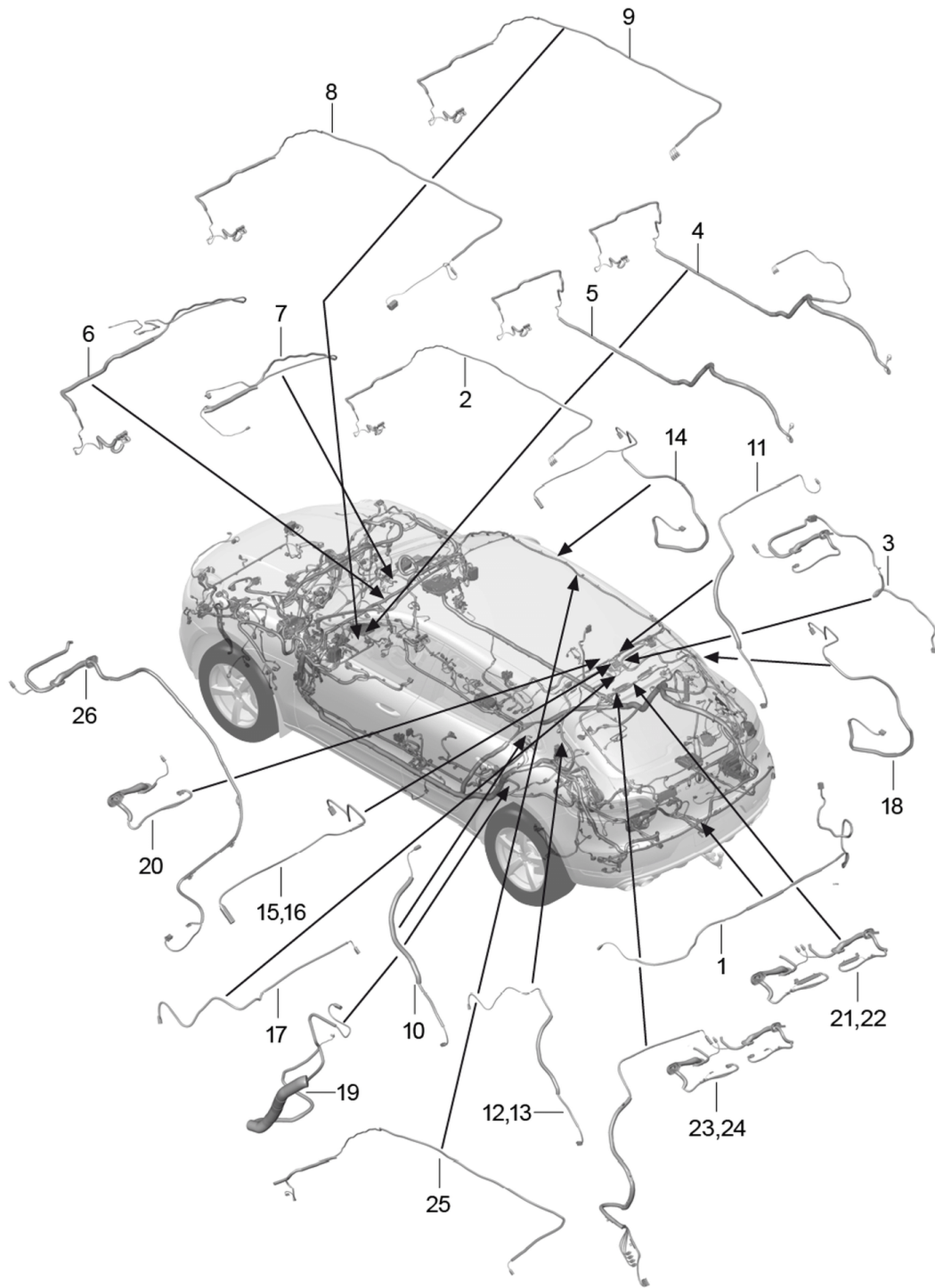
Model: 95B

Model life 2014>>

Pos	Part Number	Description	Remark	Qty	Model
17	1J0 035 437	Hexagon nut		1	QU1, QV1, 9M9
18	9A7 647 504 00	Aerial ETC		1	PR:ER5
19	9A7 647 504 10	Aerial VICS		1	PR:ER5
10	9A7 035 504	D >> - 18.01.2018 Aerial VICS use also for retrofitting: 9A7.919.813.A		1	PR:ER5
20	971 035 510 B	D - 19.01.2018>> Telephone aerial GSM/UMTS/LTE1		2	PR:9ZC, 9ZE, 9ZK
21	9A7 035 504 00	Aerial GSM		1	PR:7G5, 7G9, 7I0, 7I2
22	95B 035 525 A	Retainer for aerial GSM		1	PR:7G5, 7G9, 7I0, 7I2
23	N 015 082 10	Hexagon collar nut		1	PR:7G5, 7G9, 7I0, 7I2
24	95B 907 245 A	Aerial VTS vehicle tracking		1	PR:7G9, 7I0, 7I2

Model: 95B

Model life 2014>>



Model: 95B Model life 2014>>

Pos	Part Number	Description	Remark	Qty	Model
1	95B 035 550 CA	Single wire Connecting line Aerial Aerial amplifier D - MJ 2017>> Aerial connection line LTE bumper To		1	PR:9ZC
2	95B 035 550	Coupling element Aerial connection line Coupling element Roof To		1	
3	95B 035 550 CT	Control unit Electronics Front end Connecting line Aerial amplifier To		1	PR:I8L
4	95B 035 550 CN	Coupling element Roof and Coupling element Rear light Aerial connection line Central computer To		1	PR:ER1,ER3, I8L,9ZC,9ZK
5	95B 035 550 BA	GSM and Coupling element Rear lid Connecting line Central computer To		1	PR:ER5,I8L, 9ZK
6	95B 035 550 DD	Aerial GSM Aerial connection line Central computer To		1	PR:I8L
7	95B 035 550 DE	GPS Aerial connection line SIM card reader To		1	PR:ER5,I8L
8	95B 035 550 DF	ETC/DSRC Aerial connection line Central computer To		1	PR:I8L,QU8
9	95B 035 550 DA	SDARS Connecting line Central computer To	center	1	PR:I8L,QU1, QV3
10	95B 035 550 CP	Coupling element Roof Connecting line TV tuner To	left	1	PR:ER1,ER2, ER6,ER7,I8L, QU1,QV1
11	95B 035 550 CR	Rear lid Connecting line TV tuner To Coupling element Roof		1	PR:ER1,ER2, ER6,I8L,QU1

Model: 95B

Model life 2014>>

Pos	Part Number	Description	Remark	Qty	Model
12	95B 035 550 CQ	and Side window To Coupling element Roof Connecting line TV tuner To Coupling element Roof and Side window Connecting line TV tuner To Coupling element Roof and Side window Connecting line Side window To Coupling element Roof and Auxiliary heater Connecting line Side window To Coupling element Roof	left	1	PR:ER1,ER2, ER6,ER7,I8L, QV1
13	95B 035 550 CS	and Side window Connecting line TV tuner To Coupling element Roof and Side window Connecting line Side window To Coupling element Roof and Side window Connecting line Side window To Coupling element Roof and Auxiliary heater Connecting line Side window To Coupling element Roof	left	1	PR:ER5,I8L, QV1
14	95B 035 550 BL	and Side window Connecting line Side window To Coupling element Roof and Auxiliary heater Connecting line Side window To Coupling element Roof	right	1	PR:I8L,QU1, QV1,9M9
15	95B 035 550 BN	and Side window Connecting line Side window To Coupling element Roof	right	1	PR:I8L,QU1, QV1,9M0,9M1
16	95B 035 550 BP	and Side window Connecting line Side window To Coupling element Roof	right	1	PR:ER5,I8L, QV1
17	95B 035 550 BR	and Side window Connecting line Side window To Coupling element Roof	left	1	PR:I8L,QV3
18	95B 035 550 BS	and Side window Connecting line Side window To Coupling element Roof and Auxiliary heater Connecting line Side window To Coupling element Roof	right	1	PR:I8L,9M9
19	95B 035 550 P	and Side window Connecting line Side window To Coupling element Roof and Auxiliary heater Connecting line Side window To Coupling element Roof		1	LL PR:L0L,7G5, 7G9,7I2,7I0
(19)	95B 035 550 AN	VTS vehicle tracking Control unit Aerial connection line		1	RL PR:L0R,7G5, 7G9,7I2,7I0
(19)	95B 035 550 CJ	VTS vehicle tracking Control unit Aerial connection line Control unit VTS vehicle tracking ->		1	PR:7G5,7G9, 7I0,7I2
(19)	95B 035 550 N	VTS vehicle tracking Aerial connection line VTS vehicle tracking		1	PR:7G9,7I2, 7I0

Model: 95B

Model life 2014>>

Pos	Part Number	Description	Remark	Qty	Model
20	95B 035 550 AL	Connector blue Connector white 3385MM Aerial connection line Aerial amplifier To KUPPLUNGSSTUECK Roof		1	
21	95B 035 550 CB	Rear lid Connecting line Aerial Radio unit Rear lid To Coupling element Roof		1	PR:ER1,ER2, ER3,ER4,ER6, ER7,ER8,QV0, QV3
22	95B 035 550 CC	Rear lid Connecting line Aerial Radio unit Rear lid To Coupling element Roof		1	PR:ER5,QU8, QV0,QV3
23	95B 035 550 CD	Rear lid Connecting line Aerial amplifier To Coupling element Roof Rear lid Radio unit and Coupling element Roof		1	PR:ER1,ER2, ER3,ER4,ER6, ER8,QU1,QV1
24	95B 035 550 CE	Rear lid TV Connecting line Aerial amplifier To Coupling element Roof Rear lid Radio unit and Coupling element Roof		1	PR:ER5,QU1, QV1
25	95B 035 550 DG	Rear lid TV Aerial connection line Radio unit Coupling element Roof Rear lid To		1	PR:ER1,ER2, ER3,ER4,ER6, ER7,ER8
26	95B 035 550 DH	Rear lid Aerial connection line Radio unit central locking system Rear lid		1	PR:ER5

Model: 95B

Model life 2014>>

Pos	Part Number	Description	Remark	Qty	Model
26	95B 035 550 DH	To Coupling element Roof Rear lid Radio unit and Coupling element Roof Rear lid central locking system Aerial connection line Radio unit central locking system Rear lid To Coupling element Roof Rear lid Radio unit and Coupling element Roof Rear lid central locking system		1	PR:ER5