

Model: 970 10

Model life 2010>>2016

Model Overview Sales Type

Sales term	Description	Mounting time	Remark
970110	Panamera	08/10-05/16	
970111	Panamera	08/10-05/16	
970120	Panamera S	08/09-05/16	
970121	Panamera S	08/09-05/16	
970130	Panamera S Hybrid	05/11-05/16	
970131	Panamera S Hybrid	05/11-05/16	
970140	Panamera Diesel	05/11-05/16	
970141	Panamera Diesel	05/11-05/16	
970150	Panamera S Executive	05/13-05/16	
970170	Panamera Diesel	05/13-05/16	
970171	Panamera Diesel	05/13-05/16	
970180	Panamera Executive	05/14-05/16	
970410	Panamera 4	08/10-05/16	
970411	Panamera 4	08/10-05/16	
970420	Panamera 4S	08/09-05/16	
970421	Panamera 4S	08/09-05/16	
970430	Panamera Turbo	08/09-05/16	
970431	Panamera Turbo	08/09-05/16	
970440	Panamera 4 GTS	05/12-05/13	
970441	Panamera 4 GTS	05/12-05/13	
970450	Panamera Turbo S	05/12-05/13	
970451	Panamera Turbo S	05/12-05/13	
970460	Panamera 4S Executive	05/13-05/16	
970470	Panamera Turbo Executive	05/13-05/16	
970480	Panamera Turbo S	05/13-05/16	
970481	Panamera Turbo S	05/13-05/16	
970490	Panamera Turbo S Executive	05/13-05/16	
970590	Panamera Exclusive Series	05/15-05/16	
970740	Panamera 4 GTS	05/13-05/16	
970741	Panamera 4 GTS	05/13-05/16	
970750	Panamera 4S Edition Sport	05/14-05/16	
970780	Panamera 4 Executive	05/14-05/16	
970810	Panamera Platinum	05/12-05/13	
970811	Panamera Platinum	05/12-05/13	
970820	Panamera 4 Platinum	05/12-05/13	
970821	Panamera 4 Platinum	05/12-05/13	
970830	Panamera Diesel Platinum	05/12-05/13	
970831	Panamera Diesel Platinum	05/12-05/13	
970840	Panamera Diesel Edition	05/15-05/16	
970841	Panamera Diesel Edition	05/15-05/16	
970850	Panamera Edition	05/15-05/16	
970851	Panamera Edition	05/15-05/16	
970860	Panamera 4 Edition	05/15-05/16	
970861	Panamera 4 Edition	05/15-05/16	
970870	Panamera Diesel 220 kW Edition	05/15-05/16	

Model: 970 10**Model life 2010>>2016**

970871	Panamera Diesel 220 kW Edition	05/15-05/16
970880	Panamera Edition Executive	05/15-05/16
970890	Panamera 4 Edition Executive	05/15-05/16

Model: 970 10

Model life 2010>>2016

Model Overview EC

EC	Sales term	LTR	KW	Hp	Cyl	Mounting time	Remark
4620		3,60	220	299	6	08/10-05/13	
4640		3,60	220	299	6	08/10-05/13	
4820		4,80	294	399	8	08/09-05/13	
4840		4,80	294	399	8	08/09-05/13	
4840		4,80	316	429	8	05/12-05/13	
4870		4,80	386	524	8	08/09-07/10	
4870		4,80	368	500	8	08/10-05/13	
4870		4,80	397	539	8	05/11-05/13	
4870		4,80	404	549	8	05/11-05/13	
CGE		3,00	245	333	6	05/11-05/16	
CGEA		3,00	245	333	6	05/11-05/16	TFSI HY
CGFA		3,00	245	333	6	05/11-05/16	TFSI HY
CRC		3,00	184	250	6	05/11-05/14	
CRCB		3,00	155	210	6	05/11-05/16	
CRCC		3,00	184	250	6	05/11-05/16	
CWAA		3,60	220	299	6	05/13-05/14	
CWAA		3,60	228	310	6	05/14-05/16	
CWB		4,80	382	519	8	05/15-05/16	
CWBA		4,80	382	519	8	05/13-05/16	
CWC		4,80	419	569	8	05/15-05/16	
CWCA		4,80	419	569	8	05/13-05/16	
CWD		3,00	309	420	6	05/14-05/16	
CWDA		3,00	309	420	6	05/13-05/16	
CWF		3,00	235	319	6	05/13-05/16	
CWFA		3,00	235	319	6	05/13-05/14	
CWJA		3,00	220	299	6	05/13-05/15	
CWJA		3,00	221	300	6	05/15-05/16	
CXNA		3,60	220	299	6	05/13-05/14	
CXNA		3,60	228	310	6	05/14-05/16	
CXPA		4,80	324	440	8	05/13-05/16	
CXR		4,80	316	429	8	05/15-05/16	
CXRA		4,80	324	440	8	05/13-05/14	
CXRA		4,80	316	429	8	05/14-05/16	

Model: 970 10

Model life 2010>>2016

Model Overview TC

TC	Sales term	Type	Mounting time	Remark
A7000		8A	05/11-05/16	
A7010		8A	05/11-05/16	
A7011		8A	05/13-05/16	
C7000		7C	08/10-05/13	
C7001		7C	05/13-05/16	
C7005		7C	08/09-05/13	
C7030		7C	08/10-05/13	
C7031		7C	05/13-05/16	
C7035		7C	08/09-05/13	
C7050		7C	08/09-05/13	
C7051		7C	05/13-05/16	
G7000		6S	08/09-05/13	

Model: 970 10

Model life 2010>>2016

VIN-Numbers Overview

Model	year	Date	VIN	Remark
2010		01.08.2009	97-AL040061 >97-AL059999	Panamera S
2010		01.08.2009	A7-AL060061 >A7-AL079999	Panamera S (USA, CDN)
2010		01.08.2009	97-AL080061 >97-AL089999	Panamera Turbo
2010		01.08.2009	97-AL060061 >97-AL079999	Panamera S (CN, MEX, BR, KOR)
2010		01.08.2009	97-AL090061 >97-AL099999	Panamera Turbo (CN, MEX, BR, KOR)
2010		01.08.2009	A7-AL090061 >A7-AL099999	Panamera Turbo (USA, CDN)
2011		01.08.2010	97-BL000061 >97-BL009999	Panamera
2011		01.08.2010	A7-BL010061 >A7-BL019999	Panamera (USA, CDN)
2011		01.08.2010	97-BL050061 >97-BL059999	Panamera S
2011		01.08.2010	A7-BL060061 >A7-BL079999	Panamera S (USA, CDN)
2011		01.08.2010	97-BL080061 >97-BL089999	Panamera Turbo
2011		01.08.2010	97-BL060061 >97-BL079999	Panamera S (CN, MEX, BR, KOR)
2011		01.08.2010	97-BL090061 >97-BL099999	Panamera Turbo (CN, MEX, BR, KOR)
2011		01.08.2010	A7-BL090061 >A7-BL099999	Panamera Turbo (USA, CDN)
2011		01.08.2010	97-BL010061 >97-BL019999	Panamera (CN, MEX, BR, KOR)
2012		01.06.2011	97-CL000061 >97-CL010000	Panamera
2012		01.06.2011	A7-CL010061 >A7-CL020000	Panamera (USA, CDN)
2012		01.06.2011	A7-CL070061 >A7-CL075000	Panamera (USA, CDN)
2012		01.06.2011	97-CL020061 >97-CL030000	Panamera Diesel
2012		01.06.2011	97-CL040061 >97-CL045000	Panamera Hybrid
2012		01.06.2011	97-CL050061 >97-CL060000	Panamera S
2012		01.06.2011	A7-CL060061 >A7-CL070000	Panamera S (USA, CDN)
2012		01.06.2011	97-CL080061 >97-CL090000	Panamera Turbo
2012		01.06.2011	97-CL060061 >97-CL070000	Panamera S (CN, MEX, BR, KOR)
2012		01.06.2011	97-CL090061 >97-CL099999	Panamera Turbo (CN, MEX, BR, KOR)
2012		01.06.2011	A7-CL090061 >A7-CL099999	Panamera Turbo (USA, CDN)
2012		01.06.2011	97-CL010061 >97-CL020000	Panamera (CN, MEX, BR, KOR)
2012		01.06.2011	97-CL070061 >97-CL075000	Panamera (CN, MEX, BR, KOR)
2012		01.06.2011	97-CL045061 >97-CL050000	Panamera Hybrid (CN, MEX, BR, KOR)
2012		01.06.2011	A7-CL045061 >A7-CL050000	Panamera Hybrid (USA, CDN)
2012		01.06.2011	97-CL030061 >97-CL040000	Panamera Diesel (CN, MEX, BR, KOR)
2012		01.06.2011	A7-CL030061 >A7-CL040000	Panamera Diesel (USA, CDN)
2013		01.06.2012	97-DL000061 >97-DL010000	Panamera
2013		01.06.2012	A7-DL010061 >A7-DL020000	Panamera (USA, CDN)
2013		01.06.2012	97-DL020061 >97-DL030000	Panamera Diesel
2013		01.06.2012	97-DL070061 >97-DL075000	Panamera GTS
2013		01.06.2012	97-DL040061 >97-DL045000	Panamera Hybrid
2013		01.06.2012	97-DL050061 >97-DL060000	Panamera S

Model: 970 10		Model life 2010>>2016		
2013	01.06.2012	A7-DL060061	>A7-DL070000	Panamera S (USA, CDN)
2013	01.06.2012	97-DL080061	>97-DL090000	Panamera Turbo
2013	01.06.2012	97-DL060061	>97-DL070000	Panamera S (CN, MEX, BR, KOR)
2013	01.06.2012	97-DL090061	>97-DL099999	Panamera Turbo (CN, MEX, BR, KOR)
2013	01.06.2012	A7-DL090061	>A7-DL099999	Panamera Turbo (USA, CDN)
2013	01.06.2012	97-DL010061	>97-DL020000	Panamera (CN, MEX, BR, KOR)
2013	01.06.2012	97-DL045061	>97-DL050000	Panamera Hybrid (CN, MEX, BR, KOR)
2013	01.06.2012	A7-DL045061	>A7-DL050000	Panamera Hybrid (USA, CDN)
2013	01.06.2012	97-DL030061	>97-DL040000	Panamera Diesel (CN, MEX, BR, KOR)
2013	01.06.2012	A7-DL030061	>A7-DL040000	Panamera Diesel (USA, CDN)
2013	01.06.2012	97-DL075061	>97-DL080000	Panamera GTS (CN, MEX, BR, KOR)
2013	01.06.2012	A7-DL075061	>A7-DL080000	Panamera GTS (USA, CDN)
2014	01.06.2013	97-EL000061	>97-EL005000	Panamera
2014	01.06.2013	A7-EL005061	>A7-EL020000	Panamera (USA, CDN)
2014	01.06.2013	97-EL025061	>97-EL035000	Panamera Diesel
2014	01.06.2013	97-EL080061	>97-EL083000	Panamera GTS
2014	01.06.2013	97-EL040061	>97-EL044000	Panamera Hybrid
2014	01.06.2013	97-EL050061	>97-EL055000	Panamera S
2014	01.06.2013	A7-EL055061	>A7-EL057000	Panamera S (USA, CDN)
2014	01.06.2013	97-EL060061	>97-EL062000	Panamera S Executive
2014	01.06.2013	97-EL055061	>97-EL057000	Panamera S (CN, MEX, BR, KOR)
2014	01.06.2013	97-EL005061	>97-EL020000	Panamera (CN, MEX, BR, KOR)
2014	01.06.2013	97-EL044061	>97-EL048000	Panamera Hybrid (CN, MEX, BR, KOR)
2014	01.06.2013	A7-EL044061	>A7-EL048000	Panamera Hybrid (USA, CDN)
2014	01.06.2013	97-EL035061	>97-EL036000	Panamera Diesel (CN, MEX, BR, KOR)
2014	01.06.2013	A7-EL035061	>A7-EL036000	Panamera Diesel (USA, CDN)
2014	01.06.2013	97-EL083061	>97-EL086000	Panamera GTS (CN, MEX, BR, KOR)
2014	01.06.2013	A7-EL083061	>A7-EL086000	Panamera GTS (USA, CDN)
2014	01.06.2013	97-EL062061	>97-EL068000	Panamera S Executive (CN, MEX, BR, KOR)
2014	01.06.2013	A7-EL062061	>A7-EL068000	Panamera S Executive (USA, CDN)
2014	01.06.2013	97-FL070061	>97-FL073000	Panamera Turbo / Turbo S
2014	01.06.2013	97-FL073061	>97-FL075000	Panamera Turbo / Turbo S (CN, MEX, BR, KOR)
2014	01.06.2013	A7-FL073061	>A7-FL075000	Panamera Turbo / Turbo S (USA, CDN)

Model:	970 10	Model life	2010>>2016	
2014	01.06.2013	97-FL075061	>97-FL077000	Panamera Turbo / Turbo S Executive
2014	01.06.2013	A7-FL077061	>A7-FL079000	Panamera Turbo / Turbo S Executive (USA, CDN)
2014	01.06.2013	97-FL077061	>97-FL079000	Panamera Turbo / Turbo S Executive (CN, MEX, BR, KOR)
2015	01.06.2014	97-FL000061	>97-FL015000	Panamera
2015	01.06.2014	A7-FL000061	>A7-FL015000	Panamera (USA, CDN)
2015	01.06.2014	97-FL025061	>97-FL030000	Panamera Diesel
2015	01.06.2014	97-FL080061	>97-FL085000	Panamera GTS
2015	01.06.2014	97-FL040061	>97-FL045000	Panamera Hybrid
2015	01.06.2014	97-FL060061	>97-FL065000	Panamera S Executive
2015	01.06.2014	97-FL000061	>97-FL015000	Panamera (CN, MEX, BR, KOR)
2015	01.06.2014	97-FL040061	>97-FL045000	Panamera Hybrid (CN, MEX, BR, KOR)
2015	01.06.2014	A7-FL040061	>A7-FL045000	Panamera Hybrid (USA, CDN)
2015	01.06.2014	97-FL025061	>97-FL030000	Panamera Diesel (CN, MEX, BR, KOR)
2015	01.06.2014	97-FL080061	>97-FL085000	Panamera GTS (CN, MEX, BR, KOR)
2015	01.06.2014	A7-FL080061	>A7-FL085000	Panamera GTS (USA, CDN)
2015	01.06.2014	97-FL060061	>97-FL065000	Panamera S Executive (CN, MEX, BR, KOR)
2015	01.06.2014	A7-FL060061	>A7-FL065000	Panamera S Executive (USA, CDN)
2015	01.06.2014	97-FL070061	>97-FL075000	Panamera Turbo / Turbo S
2015	01.06.2014	97-FL070061	>97-FL075000	Panamera Turbo / Turbo S (CN, MEX, BR, KOR)
2015	01.06.2014	A7-FL070061	>A7-FL075000	Panamera Turbo / Turbo S (USA, CDN)
2015	01.06.2014	97-FL075061	>97-FL080000	Panamera Turbo / Turbo S Executive
2015	01.06.2014	A7-FL075061	>A7-FL080000	Panamera Turbo / Turbo S Executive (USA, CDN)
2015	01.06.2014	97-FL015061	>97-FL020000	Panamera Executive (CN)
2015	01.06.2014	97-FL050061	>97-FL055000	Panamera S / Edition Sport
2015	01.06.2014	A7-FL050061	>A7-FL055000	Panamera S / Edition Sport (USA, CDN)
2015	01.06.2014	97-FL050061	>97-FL055000	Panamera S / Edition Sport (CN, MEX, BR, KOR)
2015	01.06.2014	97-FL075061	>97-FL080000	Panamera Turbo / Turbo S Executive (CN, MEX, BR, KOR)
2016	01.06.2015	97-GL000061	>97-GL015000	Panamera / Panamera 4
2016	01.06.2015	97-GL080061	>97-GL085000	Panamera GTS

Model:	970 10	Model life	2010>>2016	
2016	01.06.2015	97-GL040061	>97-GL045000	Panamera Hybrid
2016	01.06.2015	97-GL060061	>97-GL065000	Panamera S Executive
2016	01.06.2015	97-GL025061	>97-GL030000	997 Coupe S (USA, CN, CDN, MEX, BR)
2016	01.06.2015	97-GL040061	>97-GL045000	Panamera Hybrid (CN, MEX, BR, KOR)
2016	01.06.2015	A7-GL040061	>A7-GL045000	Panamera Hybrid (USA, CDN)
2016	01.06.2015	97-GL080061	>97-GL085000	Panamera GTS (CN, MEX, BR, KOR)
2016	01.06.2015	A7-GL080061	>A7-GL085000	Panamera GTS (USA, CDN)
2016	01.06.2015	97-GL060061	>97-GL065000	Panamera S Executive (CN, MEX, BR, KOR)
2016	01.06.2015	A7-GL060061	>A7-GL065000	Panamera S Executive (USA, CDN)
2016	01.06.2015	97-GL070061	>97-GL075000	Panamera Turbo / Turbo S
2016	01.06.2015	97-GL070061	>97-GL075000	Panamera Turbo / Turbo S (CN, MEX, BR, KOR)
2016	01.06.2015	A7-GL070061	>A7-GL075000	Panamera Turbo / Turbo S (USA, CDN)
2016	01.06.2015	97-GL075061	>97-GL080000	Panamera Turbo / Turbo S Executive
2016	01.06.2015	A7-GL075061	>A7-GL080000	Panamera Turbo / Turbo S Executive (USA, CDN)
2016	01.06.2015	97-GL015061	>97-GL020000	Panamera Executive (CN)
2016	01.06.2015	97-GL050061	>97-GL055000	Panamera S / Edition Sport
2016	01.06.2015	A7-GL050061	>A7-GL055000	Panamera S / Edition Sport (USA, CDN)
2016	01.06.2015	97-GL050061	>97-GL055000	Panamera S / Edition Sport (CN, MEX, BR, KOR)
2016	01.06.2015	97-GL000061	>97-GL015000	Panamera / Panamera 4 (CN, MEX, BR, KOR)
2016	01.06.2015	A7-GL000061	>A7-GL015000	Panamera / Panamera 4 (USA, CDN)
2016	01.06.2015	97-GL025061	>97-GL030000	Panamera Diesel / Edition (CN, MEX, BR, KOR)
2016	01.06.2015	97-GL075061	>97-GL080000	Panamera Luxury Sports
2016	01.06.2015	97-GL075061	>97-GL080000	Panamera Luxury Sports (CN, MEX, BR, KOR)
2016	01.06.2015	A7-GL075061	>A7-GL080000	Panamera Luxury Sports (USA, CDN)
2016	01.06.2015	97-GL075061	>97-GL080000	Panamera Turbo / Turbo S Executive (CN, MEX, BR, KOR)

Model: 970 10

Model life 2010>>2016

Engine Numbers

Engine number	Model year	Vehicle type	Engine type
_A 00501>99999	2010	PANAMERA S I338	4820
_A 00501>99999	2010	PANAMERA S I339	4840
_A 00501>99999	2010	PANAMERA TURBO I339	4870
_B 00501>59999	2011	PANAMERA I338	4620
_VB 00501>59999	2011	PANAMERA I338 I145	4620
_B 00501>59999	2011	PANAMERA I339	4640
_VB 00501>59999	2011	PANAMERA I339 I145	4640
_B 00501>59999	2011	PANAMERA S I338	4820
_B 00501>59999	2011	PANAMERA S I339	4840
_B 00501>59999	2011	PANAMERA TURBO I339	4870
CGE 0001>999999	2012	PANAMERA HYBRID (C33)	CGE
CGE 0001>999999	2012	PANAMERA HYBRID	CGEA
CGF 0001>999999	2012	PANAMERA HYBRID I553	CGFA
CRC 0001>999999	2012	PANAMERA DIESEL (C33)	CRC
CRC 0001>999999	2012	PANAMERA DIESEL (C22/C20)	CRCB
CRC 0001>999999	2012	PANAMERA DIESEL	CRCC
_C 00501>60000	2012	PANAMERA I338	4620
_VC 00501>60000	2012	PANAMERA I338 I145	4620
_C 00501>60000	2012	PANAMERA I339	4640
_VC 00501>60000	2012	PANAMERA I339 I145	4640
_C 00501>60000	2012	PANAMERA S I338	4820
_VC 00501>60000	2012	PANAMERA S I338 I145	4820
_C 00501>60000	2012	PANAMERA S I339	4840
_VC 00501>60000	2012	PANAMERA S I339 I145	4840
_C 00501>60000	2012	PANAMERA TURBO	4870
S_C 00501>60000	2012	PANAMERA TURBO IX80	4870
T_C 00501>60000	2012	PANAMERA TURBO I016	4870
CGE 0001>999999	2013	PANAMERA HYBRID (C33)	CGE
CGE 0001>999999	2013	PANAMERA HYBRID	CGEA
CGF 0001>999999	2013	PANAMERA HYBRID I553	CGFA
CRC 0001>999999	2013	PANAMERA DIESEL (C33)	CRC
CRC 0001>999999	2013	PANAMERA DIESEL (C22/C20)	CRCB
CRC 0001>999999	2013	PANAMERA DIESEL	CRCC
_D 00501>60000	2013	PANAMERA I339	4620
_VD 00501>60000	2013	PANAMERA I338 I145	4620
_D 00501>60000	2013	PANAMERA I339	4640
_VD 00501>60000	2013	PANAMERA I339 I145	4640
_D 00501>60000	2013	PANAMERA S I338	4820
_VD 00501>60000	2013	PANAMERA S I338 I145	4820
_D 00501>60000	2013	PANAMERA S I339	4840
_VD 00501>60000	2013	PANAMERA S I339 I145	4840
G_D 00501>60000	2013	PANAMERA GTS I339 I015	4840
GVD 00501>60000	2013	PANAMERA GTS I339 I015 I145	4840
_D 00501>60000	2013	PANAMERA TURBO	4870
S_D 00501>60000	2013	PANAMERA TURBO IX80	4870
T_D 00501>60000	2013	PANAMERA TURBO I016	4870
CGE 0001>999999	2014	PANAMERA HYBRID (C33)	CGE
CGE 0001>999999	2014	PANAMERA HYBRID	CGEA
CGF 0001>999999	2014	PANAMERA HYBRID I553	CGFA
CRC 0001>999999	2014	PANAMERA DIESEL (C33)	CRC
CRC 0001>999999	2014	PANAMERA DIESEL (C22/C20)	CRCB
CRC 0001>999999	2014	PANAMERA DIESEL	CRCC
CWA 0001>999999	2014	PANAMERA	CWAA
CWB 0001>999999	2014	PANAMERA TURBO	CWBA

Model: 970 10 Model life 2010>>2016

CWC 0001>999999	2014	PANAMERA TURBO I016	CWCA
CWD 0001>999999	2014	PANAMERA S I144	CWDA
CWF 0001>999999	2014	PANAMERA S I143 (C33)	CWF
CWF 0001>999999	2014	PANAMERA S I143	CWFA
CWJ 0001>999999	2014	PANAMERA DIESEL	CWJA
CXN 0001>999999	2014	PANAMERA I145	CXNA
CXP 0001>999999	2014	PANAMERA GTS I339	CXPA
CXR 0001>999999	2014	PANAMERA GTS I339 I145	CXRA
CGE 0001>999999	2015	PANAMERA HYBRID (C33)	CGE
CGE 0001>999999	2015	PANAMERA HYBRID	CGEA
CGF 0001>999999	2015	PANAMERA HYBRID I553	CGFA
CRC 0001>999999	2015	PANAMERA DIESEL (C22/C20)	CRCB
CRC 0001>999999	2015	PANAMERA DIESEL	CRCC
CWA 0001>999999	2015	PANAMERA	CWAA
CWB 0001>999999	2015	PANAMERA TURBO	CWBA
CWC 0001>999999	2015	PANAMERA TURBO I016	CWCA
CWD 0001>999999	2015	PANAMERA S (C33) I144	CWD
CWD 0001>999999	2015	PANAMERA S I144	CWDA
CWF 0001>999999	2015	PANAMERA S (C33) I143	CWF
CWJ 0001>999999	2015	PANAMERA DIESEL	CWJA
CXN 0001>999999	2015	PANAMERA I145	CXNA
CXP 0001>999999	2015	PANAMERA GTS I339	CXPA
CXR 0001>999999	2015	PANAMERA GTS I339 I145	CXRA
CGE 0001>999999	2016	PANAMERA HYBRID (C33)	CGE
CGE 0001>999999	2016	PANAMERA HYBRID	CGEA
CGF 0001>999999	2016	PANAMERA HYBRID I553	CGFA
CRC 0001>999999	2016	PANAMERA DIESEL (C22/C20)	CRCB
CRC 0001>999999	2016	PANAMERA DIESEL	CRCC
CWA 0001>999999	2016	PANAMERA	CWAA
CWB 0001>999999	2016	PANAMERA TURBO (C33)	CWB
CWB 0001>999999	2016	PANAMERA TURBO	CWBA
CWC 0001>999999	2016	PANAMERA TURBO I016 (C33)	CWC
CWC 0001>999999	2016	PANAMERA TURBO I016	CWCA
CWD 0001>999999	2016	PANAMERA S (C33) I144	CWD
CWD 0001>999999	2016	PANAMERA S I144	CWDA
CWF 0001>999999	2016	PANAMERA S (C33) I143	CWF
CWJ 0001>999999	2016	PANAMERA DIESEL	CWJA
CXN 0001>999999	2016	PANAMERA I145	CXNA
CXP 0001>999999	2016	PANAMERA GTS I339	CXPA
CXR 0001>999999	2016	PANAMERA GTS I339 I145 (C33)	CXR
CXR 0001>999999	2016	PANAMERA GTS I339 I145	CXRA

Model: 970 10

Model life 2010>>2016

Transmission Numbers

Transmission Number	Model year	Vehicle type	Gearbox type
C7005 1 002001>999999	2010	PANAMERA S PDK I338	C7005
C7035 1 002001>999999	2010	PANAMERA S PDK I339	C7035
C7050 1 002001>999999	2010	PANAMERA TURBO PDK I339	C7050
G7000 1 002001>999999	2010	PANAMERA S I338	G7000
C7000 1 002001>999999	2011	PANAMERA PDK I338	C7000
C7005 1 002001>999999	2011	PANAMERA S PDK I338	C7005
C7030 1 002001>999999	2011	PANAMERA PDK I339	C7030
C7035 1 002001>999999	2011	PANAMERA S PDK I339	C7035
C7050 1 002001>999999	2011	PANAMERA TURBO PDK I339	C7050
G7000 1 002001>999999	2011	PANAMERA I338	G7000
G7000 1 002001>999999	2011	PANAMERA S I338	G7000
A7000 1 002001>999999	2012	PANAMERA Hybrid I249	A7000
A7010 1 002001>999999	2012	PANAMERA Diesel I249	A7010
C7000 1 002001>999999	2012	PANAMERA PDK I338	C7000
C7005 1 002001>999999	2012	PANAMERA S PDK I338	C7005
C7030 1 002001>999999	2012	PANAMERA PDK I339	C7030
C7035 1 002001>999999	2012	PANAMERA S PDK I339	C7035
C7050 1 002001>999999	2012	PANAMERA TURBO PDK I339	C7050
G7000 1 002001>999999	2012	PANAMERA I338	G7000
G7000 1 002001>999999	2012	PANAMERA S I338	G7000
A7000 1 002001>999999	2013	PANAMERA Hybrid I249	A7000
A7010 1 002001>999999	2013	PANAMERA Diesel I249	A7010
C7000 1 002001>999999	2013	PANAMERA PDK I338	C7000
C7005 1 002001>999999	2013	PANAMERA S PDK I338	C7005
C7030 1 002001>999999	2013	PANAMERA PDK I339	C7030
C7035 1 002001>999999	2013	PANAMERA S PDK I339	C7035
C7050 1 002001>999999	2013	PANAMERA TURBO PDK I339	C7050
G7000 1 002001>999999	2013	PANAMERA I338	G7000
G7000 1 002001>999999	2013	PANAMERA S I338	G7000
A7000 1 002001>999999	2014	PANAMERA Hybrid I249	A7000
A7010 1 002001>999999	2014	PANAMERA Diesel I249	A7010
A7011 1 002001>999999	2014	PANAMERA Diesel I249 I221	A7011
C7001 1 002001>999999	2014	PANAMERA PDK I338	C7001
C7031 1 002001>999999	2014	PANAMERA PDK I339	C7031
C7051 1 002001>999999	2014	PANAMERA V8 Turbo PDK	C7051
A7000 1 002001>999999	2015	PANAMERA Hybrid I249	A7000
A7010 1 002001>999999	2015	PANAMERA Diesel I249	A7010
A7011 1 002001>999999	2015	PANAMERA Diesel I249 I221	A7011
C7001 1 002001>999999	2015	PANAMERA PDK I338	C7001
C7031 1 002001>999999	2015	PANAMERA PDK I339	C7031
C7051 1 002001>999999	2015	PANAMERA V8 Turbo PDK	C7051
A7000 1 002001>999999	2016	PANAMERA Hybrid I249	A7000
A7010 1 002001>999999	2016	PANAMERA Diesel I249	A7010
A7011 1 002001>999999	2016	PANAMERA Diesel I249 I221	A7011
C7001 1 002001>999999	2016	PANAMERA PDK I338	C7001
C7031 1 002001>999999	2016	PANAMERA PDK I339	C7031
C7051 1 002001>999999	2016	PANAMERA V8 Turbo PDK	C7051

Model: 970 10

Model life 2010>>2016

NR	Description
002	China Panamera, basic, long
010	Panamera II 4S SPORT EDITION
015	Special model: Panamera 4 GTS
016	Special model: Panamera Turbo S
017	base equipment level
020	Panamera G1 II Turbo S Exclusive Series
021	Instrument cluster dials in Black/Silver
022	Black-coloured instrument dials, instrument cluster
023	Silver -coloured instrument dials, instrument cluster
024	Version for Greece
025	Black-coloured instrument dials, stopwatch
026	Silver-coloured instrument dials, stopwatch
029	Standard chassis
030	Sports suspension
032	Touring suspension
033	Panamera Edition
034	Version for Italy
058	Impact absorbers, front and rear
060	Turkey version
061	Version for Great Britain
062	sweden version
063	Version Luxemburg
064	Version for Netherlands
065	Version for Denmark
066	Version for Norway
067	Version for Finland
068	PAP right-hand drive version
069	Other country version
071	EU country version
072	Version for Mexico
073	Version for Russia
074	PAP left-hand drive version
075	Chinese version
080	Fuel tank, 80-litre
081	Fuel tank, 100-litre
086	Korea version
098	Left-hand drive version
099	Right-hand drive version
111	Version for Austria
113	Version for Canada
114	Version for Taiwan
119	Version for Spain
124	Version for France
126	Control and indications in French lettering
127	Control and indications in Swedish lettering
130	Control and indications in English lettering

Model: 970 10

Model life 2010>>2016

NR	Description
143	V6T 3.0 litre, low compression ratio
144	V6T 3.0 litre, high compression ratio
145	Compression variant
150	Operation with leaded gas
158	Emissions concept EU3, diesel with EOBD
159	Curbed engine, 155 kW/211 bhp
160	Emissions concept EU 4 w/o OBD
161	Emissions concept EU 4 with OBD
162	Emissions concept LEV-2
164	Emissions concept ULEV 2
165	Emissions concept EU 5
167	Emissions concept EU4, ethanol
168	Emissions concept EU5, Japan (hybrid)
170	Acoustic package RoW
171	Acoustic package USA
172	Acoustic package PAP, China, Korea
176	Sports exhaust system
182	Hot country
186	Tailpipes, sports exhaust system Turbo S
193	japan version
194	Battery, 60 Ah
195	Battery, 70 Ah
196	Battery, 80 Ah
197	Stronger battery
198	Enhanced starter motor (1.7 kW)
199	Battery disconnection switch
200	95 Ah battery
201	105 Ah battery
206	Electrically extendable trailer hitch
209	Licence plate holder version 1
210	Licence plate holder version 2
211	Licence plate holder version 3
213	Ski bag
215	Version for Saudi Arabia
218	Licence plate holder version 4
219	Differential
220	Locking differential 40 %
221	PTV Plus, el. controlled rear-diff. lock
225	Version for Belgium
230	Tyres ZR 18" (245/50, 275/45)
231	Tyres ZR 19" (255/45, 285/40)
232	Tyres ZR 20" (255/40, 295/35)
234	All-season ZR 20 Rolling resistance optimised
235	All Season tyres, ZR 19" (255/45, 285/40)
236	All-season tyres R19 (255/45, 285/40)

Model: 970 10

Model life 2010>>2016

NR	Description
237	All-season tyres ZR 19"
249	Tiptronic transmission
250	PDK transmission (dual clutch)
255	Manually retractable exterior mirrors with memory
257	Manually retractable exterior mirrors, with automatic dimming and memory
258	Electrically retractable exterior mirrors
259	Electrically retractable ext. mirrors with memory
260	Electrically retractable exterior mirrors with automatic dimming
261	Electrically retractable exterior mirrors with automatic dimming and memory
263	Left exterior mirror glass, flat
264	Left exterior mirror glass, convex
265	Left exterior mirror glass, aspherical
266	Automatic anti-dazzle door mirror
267	Automatically dimmable interior and door mirrors
268	Rain sensor
270	Door mirrors -flat - driver's side, electrically adjustable and heatable
271	Door mirrors -aspherical- driver's side, electrically adjustable and heatable
273	Door mirrors, electrically adjustable and heatable
274	Vanity mirror, illuminated
275	Manual anti-dazzle interior mirror
276	Automatic anti-dazzle interior mirror
277	Swiss version
284	Right exterior mirror glass, convex
285	Right exterior mirror glass, aspherical
288	Headlamp washer
301	Transmission ratio long
325	Version for South Africa/New Zealand
335	Automatic seat belt, 3-point, rear
338	Rear-wheel drive
339	All-wheel drive
340	Wheel rims painted in basic colour
342	Seat heating, left/right seat
343	Adjustable heated seats, front and rear
345	Heated steering wheel
350	Air suspension
351	Air suspension with PDCC
352	Electronic damper control

Model: 970 10

Model life 2010>>2016

NR	Description
	for PASM and PDCC
354	Air suspension and PASM Comfort
355	Air suspension and PASM, PDCC Comfort
367	Standard seat, left, 8-way
368	Standard seat, right, 8-way
369	Standard seat, left
370	Standard seat, right
375	Sports seat, backrest shell, left
376	Sports seat, backrest shell, right
377	Sports seat, backrest shell, left, electrically adjustable
378	Sports seat, backrest shell, right, electrically adjustable
379	Power seat, left, 14-way
380	Power seat, right, 14-way
381	Seat upholstery, standard
382	Soft seat upholstery, front and rear
383	Soft seat cushion pad in front
388	Sports bucket seat, left
389	Sports bucket seat, right
390	Sports seat, left, 18-way
391	Sports seat, right, 18-way
402	Carrera 3 wheel 18-inch
403	Carrera S wheel 19-inch
404	19" Turbo-1 wheel
405	Carrera Classic wheel 19-inch
406	Carrera GT wheel 19-inch/20-inch
407	SportDesign wheel 19-inch
410	18" Turbo-2/Panamera wheel
411	18-inch Carrera wheel -->2005 19-inch Carrera wheel 2012-->
413	Panamera S wheel, 18"
414	Carrera S Facelift 18" wheel
415	Panamera Turbo wheel, 19"
416	Panamera Design wheel, 19"
417	RS Spyder Design wheel, 20"
418	911 Turbo 2 wheel, 20"
419	Carrera S Facelift 19" wheel
421	Turbo 2 wheel, 19"
424	CD storage unit
425	Rear window wiper
426	Without rear window wiper
429	20" 911 Turbo III wheel
431	Multi-function steering wheel, touch + feel
432	19" Carrera wheel (6)
436	Panamera Sport Design wheel, 19"
437	Comfort seat, left,

Model: 970 10 Model life 2010>>2016

NR	Description
438	electrically adjustable Comfort seat, right, electrically adjustable
440	Antenna diversity
441	Basic sound package
444	Anti-theft lock, wheel bolts "THATCHAM"
446	Concave wheel centers with full-colour Porsche Crest
447	Emergency wheel
448	Brake pad; sport version
450	Ceramic brake (PCCB)
451	Multi-function steering wheel, Makassar Ebony, touch + feel
452	Multi-function steering wheel, Sycamore, touch + feel
453	Multi-function steering wheel, Carbon, touch + feel
454	Automatic speed control
456	Automatic distance control (ACC)
457	Lane change assist
458	Lane departure warning
459	3-spoke airbag steering wheel, touch + feel
460	20" RS Spyder Design wheel
461	External antenna
462	Comfort air pressure, 270 km/h
463	Comfort air pressure, 100 mph
464	Komfortluftdruck Lowspeed USA
465	Rear fog light, left
466	Rear fog light, right
471	19" Panamera Turbo II wheel
472	19" Panamera Design II wheel
475	"PASM" electronic damper control
476	Porsche Stability Management (PSM)
479	Version for Australia
480	6-speed manual transmission
482	Tire Pressure Monitoring TPM, 433 MHz
483	315-MHz TPM, Tire Pressure Monitoring
484	Version for USA
488	Inscriptions in German language
490	Sound system "ASK"
492	Headlights for left-hand traffic
498	Deletion of model designation on rear end
499	Version for Germany
501	Car cover
509	Fire extinguishers
513	Lumbar support, right seat
516	Rear spoiler in Black
519	Rear spoiler in Silver

Model: 970 10

Model life 2010>>2016

NR	Description
521	Tilt sensor
523	Immobiliser, 434 MHz
524	Immobilizer, central locking, 433 MHz
525	Immobilizer, central locking, 315 MHz
532	Alarm system remote control omitted
533	Radio convertible-top operation omitted
534	Theft security system, 433 MHz
535	Theft security system, 315 MHz
536	-07 Alarm siren and tilt sensor 08- Alarm siren
537	Seat position control for comfort seat, left
538	Seat position control for comfort seat, right
539	Mechanical seat height adjustment, left
540	Mechanical seat height adjustment, right
541	Active seat ventilation (incl. heated seats)
542	Active seat ventilation, front and rear (incl. heated seats)
544	Anti-theft protection without infrared monitoring, 433 MHz
545	Anti-theft protection without infrared monitoring, 315 MHz
549	Roof Transport System
553	Version for USA, Canada
555	Black seat belts
556	Seat belts in basic colours
560	Advanced airbag
562	Airbag, driver's side and front passenger's side
563	Side airbag
565	Thorax airbag in rear seat backrest
566	Front fog lights, white
567	Windscreen tinted, upper part darker coloured
568	Windscreen without shade band
569	Standard sill covers, painted
571	Activated charcoal filter
572	Manual air-conditioning system
573	Air conditioner
574	No air conditioning
575	Luggage compartment cooling system
576	4-zone air conditioning system
581	Centre console, front
585	Cupholder
586	Lumbar support, left seat
592	Standard rooflining, fabric
594	Alcantara rooflining

Model: 970 10

Model life 2010>>2016

NR	Description
597	Door sill trims, brushed aluminium
598	Door entry guards, brushed aluminium
600	Bi-Xenon
601	Xenon lighting system
602	LED headlights with dynamic cornering light Plus (PDLs Plus)
603	Xenon plus dynamic cornering light
604	Bi-Xenon top and dynamic cornering light
605	LED daytime driving lights
606	Daytime driving lights
607	Garage door opener "Homelink", 315 MHz
608	Garage door opener "Homelink" 433 MHz
610	DVD navigation, "Europe package"
611	DVD navigation South Africa
612	DVD navigation middle east
613	DVD navigation australia
614	DVD navigation asia-pacific
615	DVD navigation system, North America
616	DVD, Navigation Russia
617	DVD Navigation China
618	Phone preparation
619	Mobile phone preparation (BLUETOOTH) without console
620	Bi-Xenon plus dynamic cornering light, Black
621	12-V socket, passenger's side, footwell
625	"KESSY" Porsche Entry and Drive
626	Charging tray in rear
627	Bi-Xenon/static AHBA
630	Interior light package
631	Traffic sign recognition
632	PDLs+ dynamic high beam
633	ParkAssist (front and rear) plus real Topview
634	ParkAssist (front and rear) with camera (LOW)
635	Park distance control
636	Park distance control in front and rear
637	Rear ParkAssist and reversing camera
638	ParkAssist, front, rear and reversing camera
639	Sport Chrono package
640	Sport Chrono Plus package
641	electronic log book
642	Start/Stop function
644	Central locking button in rear
645	Master control button in rear (seat adjustment)
647	Steering column, mechanically

Model: 970 10

Model life 2010>>2016

NR	Description
	reach/height-adjustable, without ELV
648	Steering column, electrically reach/height-adjustable, without ELV
650	Electrical sliding roof
651	Electric window opener
652	Without sliding/tilting roof
655	Steering column with mech. reach/height adjustment
656	Steering column with electric reach/ height adjustment and memory
657	Power steering
658	Servotronic
659	on-board computer
660	Obd 2
661	Stricter emission-control concept
663	Fuel pump activation
664	Orvr
665	-2008 PCM 2, 2009- PCM 3 basic module incl. radio
666	-2008 PCM 2, 2009- PCM 3 telephone (GSM)
669	PCM 3 - Telephone handset (BLUETOOTH)
671	Voice control system
672	-2008 PCM 2, 2009- PCM 3 Offroad navigation
673	Navigation system preparation, China
674	"Vehicle Tracking System" preparation
675	Without radio preparation (Japan navigation system)
676	TV tuner
677	"Driver card" antenna
678	Alarm system connection
679	Restart inhibitor
680	BOSE sound package
682	Top Premium sound system
685	Rear seats, split
686	SAT radio reception XM (SDARS)
688	HD radio reception
689	Preperation for CD autochanger
690	CD radio "Porsche Online Pro"
691	Digital radio reception DAB
692	CD autochanger "Porsche"
693	Integrated CD/DVD autochanger
694	CD radio "PORSCHE CDR 24"
695	CD radio, Porsche CDR 30
696	CD radio, Porsche CDR 31
697	CD radio "Porsche CDR-23"
701	Springs of the next lowest weight group
750	Model year A -(2010) vehicle with technical design status

Model: 970 10

Model life 2010>>2016

NR	Description
	Electric Model year B (2011)-
789	Colour to sample
796	Full leather trim natural leather
798	Full leather trim special leather
799	Full leather trim by choice
801	Makassar Ebony wood package, dark (matt satin finish)
802	Sycamore package, light (matt satin finish)
803	Carbon package
805	Lifestyle package
806	Aluminium package, Black (Blackline)
810	foot mats
817	Decorative inlays in Piano Black
818	Aluminium decorative inlays
819	Carbon decorative inlays
821	Decorative inlays in Dark Walnut
822	Tineo decorative inlays
823	Decorative inlays in Anthracite Birch
824	Decorative inlays in Olive
826	Decorative inlays in American Walnut
827	Decorative inlays in American Walnut/Piano Black
830	Basic rear seats (40/60), Comfort
831	Basic rear seats (40/60), Sport
832	Premium rear seats (40/20/40), Comfort
833	Premium rear seats (40/20/40), Sport
834	Premium rear seats (40/20/40), Comfort electric
835	Premium rear seats (40/20/40), Sport electric
836	Premium rear seats (40/40), Business
837	Multi-function steering wheel in Walnut
838	Business package
840	Sports steering wheel (for PDK with paddle)
841	Basic steering wheel Smooth leather
842	Multi-function steering wheel, Dark Walnut
843	Sports steering wheel in Alcantara
844	Multi-function steering wheel Smooth leather
845	Multi-function steering wheel Carbon
847	Multi-function steering wheel Makassar
848	Multi-function steering wheel, Anthracite Birch
849	Multi-function steering wheel, Tineo
850	Auxiliary/additional heater w/o remote control
851	Auxiliary/additional heater with remote control
852	PDLs+ High beam assist

Model: 970 10

Model life 2010>>2016

NR	Description
856	5-mm wheel spacers, rear
861	Electric roll-up blind, rear side windows
862	Electric roll-up blind on rear window
863	Tinted heat-insulating glass
864	"Privacy" heat-insulating glass
865	"Clear" heat-insulating glass
866	"Privacy" heat-insulating glass
867	Trunk lid power closing
868	Roll-up blind for luggage compartment cover
869	Rear shelf (fixed luggage cover)
870	Universal multimedia interface
874	Horns for extreme driving situations
885	Softclose (closing aid for doors)
890	Folding table, left
891	Folding table, right
899	Isofix child-seat restraint on front passenger side
911	Model designation 911
912	without identification plate
932	Rear seat covers in Alcantara/leather
936	Seat covers, rear, leather
937	Seat covers, rear, leatherette
938	Seat covers rear, leather/leather/leatherette Partially embossed
939	Seat covers, rear, draped leather
940	Seat covers rear, ruff.leather/leather/leatherette Soft ruffled leather, embossed
941	Seat covers rear, ruffled leather/leather/leather Soft ruffled leather, smooth finish
943	Seat covers rear, leather/leather/leather Full-leather, smooth finish
946	Seat covers, front, leather/leather/leatherette
947	Seat covers fr., ruff.leather/leather/leatherette Soft ruffled leather, embossed
950	Alcantara seat covers, front
951	Seat covers front, Alcantara/leather/leather
970	Two-tone interior
971	"TORO" embossed leather
975	Alcantara interior
980	Leather package
981	Leather equipment, without seat covers
982	Seat covers, front, draped leather/leather/leather
983	Seat covers, front, leather
985	Seat covers,

Model: 970 10

Model life 2010>>2016

NR	Description
990	leather/leather/leatherette, 2 Seat covers, front, cloth/cloth/leatherette
991	Steering wheel airbag module in leather
998	Leather, natural
999	Passenger compartment monitoring sensor for leather colour of choice
B0M	Component set for AGCC countries
B1D	Component set for Brazil
DJ5	6-Zylinder-Dieselmotor 3,0 L/220 KW TDI
D51	6-Zylinder-Dieselmotor 3,0 L/184 KW TDI
EH1	Length of charging cable: standard
EH2	Charging cable length: 7.5 metres
ES1	Charging socket, AC type 1, mode 2-3 (NAR/Japan)
ES3	Charging socket, AC type 2, mode 2-3 (EU)
ES4	Household charging socket, type L
ET0	Household charging cable, type L
EV1	Household charging cable, type E/F
EV2	Household charging cable, type Japan 100V
EV3	Household charging cable, type J
EV4	Household charging cable, type G
EV5	Household charging cable, type B
EV6	Household charging cable, type K
EV7	Household charging cable, type I Australia
EV8	Household charging cable, type M
EV9	Household charging cable, type I CN China
IY1	Model year period from week 22 to week 45
IY2	Model year period from week 45 to week 22
J0B	Battery (92 Ah)Battery (92 Ah)
KB1	Charger, 3.6 kW
KB2	Charger, 7.2 kW
NJ1	Charging Dock (wall mount)
NJ2	Charging Dock, flush-mounted (wall mount)
QR3	Analog clock on dashboard
Q1G	Standard seats (front), 8-way
UX5	Standard valve
UX6	TPM valve, Silver
UX7	TPM valve, Black
XAF	Turbo aerokit
XAJ	Painted sill covers
XAP	Sport Design Package (Aerokit)
XAR	Sill covers
XCA	Dashboard trim strip (3-part) sports seats
XCB	Instrument surround sports seats
XCC	Side air vents sports seats
XCD	Center air vent bracket sports seats
XCE	Rear center console sports seats

Model: 970 10

Model life 2010>>2016

NR	Description
XCG	Sports seat backrest in Aluminium Look finish
XCH	Side/centre air vent slats, sports seats
XCK	Rear center console in Galvano Silver
XCL	Instrument surround in Galvano Silver
XCN	Side air vents in Aluminium Look finish (997)
XCY	Center air vent in Aluminium Look finish
XCZ	Short shifter
XDG	Rims painted in high-gloss Black
XDS	Ignition lock surround in leather
XDV	Dashboard end-trim in leather
XDZ	Selector lever cover in leather
XD9	Wheel painted in body colour
XEA	Passive handset in leather
XEP	Preparation for "Rear Seat Entertainment"
XES	Preparation, illuminated door entry guard
XET	Preparation for coolbox in rear
XEX	Headlights, Black
XEY	LED headlights, dynamic Cornering light
XE8	Gear lever knob aluminium/dark burr maple/leather
XE9	Handbrake lever aluminium/dark burr maple/leather
XFD	Instrument dials in Sand Beige
XFE	Instrument dials in Terracotta
XFF	Instrument dials in Brown/Natural
XFG	Instrument dials in Guards Red
XFH	Instrument dials in Speed Yellow
XFJ	Instrument dials in Carrara White
XFL	Instrument dials painted in Luxor Beige
XFY	20" Panamera Sport wheel, Platin.
XGB	Decorative dashboard trim, carbon
XGC	Dashboard carbon/Alcantara
XGE	Handle recess insert, carbon
XHA	Decorative inlays, leather
XJL	Makassar Ebony side air vent
XJM	Sycamore side air vent
XJN	Makassar Ebony center air vent
XJP	Sycamore center air vent
XJR	Makassar Ebony windscreen defroster panel
XJS	Sycamore windscreen defroster panel
XJT	Makassar Ebony rear center console
XJU	Sycamore rear center console
XJ4	Leather cover for ignition lock surround
XKB	Side air vent in light burr maple
XKC	Side air vent in dark burr maple
XKD	Side air vent in Carbon
XKG	"Defroster trim in light burr maple; leather"
XKH	"Defroster trim in dark burr maple; leather"

Model: 970 10

Model life 2010>>2016

NR	Description
XKJ	Defroster trim in Carbon/leather
XKL	Leather speaker covers
XKM	Speaker covers in light burr maple
XKN	Speaker covers in dark burr maple
XKP	Carbon speaker covers
XKR	Center air vent bracket in light burr maple
XKS	Center air vent bracket in dark burr maple
XLF	Sports exhaust system
XLG	Centre console storage bin cover in Alcantara, with logo
XLP	Sports tailpipes, Black
XLR	Sports tailpipes, Panamera
XMA	Rooflining in leather
XME	Rear section of centre console painted
XMF	Front center console including 2 storage bins, leather
XMJ	Rear section of centre console in Carbon
XML	Rear center console in light burr maple
XMP	Leather sun visor, 2 illuminated vanity mirrors *
XMR	Sun visor in leather, 2 illuminated vanity mirrors,
XMZ	Rear section of centre console in leather
XNB	Rear center console in dark burr maple
XNG	Instrument surround in leather
XNN	Center air vent bracket in leather
XNR	Carbon center air vent bracket
XNS	Leather steering column trim, 4-part
XNU	Leather trim strip (dashboard)
XNV	Trim strip (dashboard) in light burr maple
XNW	Trim strip (dashboard) in dark burr maple
XNX	Carbon trim strip (dashboard)
XN3	Dashboard side air vent in leather
XPA	3-spoke sports steering wheel in leather interior co
XPB	3-spoke sports steering wheel, light burr maple, leather
XPC	3-spoke sports steering wheel, dark burr maple, leather
XPD	3-spoke sports steering wheel, Carbon/leather
XPG	3-spoke sports steering wheel, sports seats
XPT	Centre console storage bin lid with crest
XPU	Multi-function steering wheel Galvano Silver, new generation
XPV	Multi-function steering wheel, Galvano Silver
XPW	Instrument surround in light burr maple
XPX	Instrument surround in dark burr maple *
XPY	Carbon instrument surround

Model: 970 10

Model life 2010>>2016

NR	Description
XRB	18-inch Sport Classic II wheel
XRC	18-inch SportTechno wheel
XRL	18-inch SportDesign wheel
XRN	17-mm spacers, rear
XRP	5-mm spacers, front/rear
XRR	19-in. Carrera Sport wheel
XRU	20" Sport Classic wheel
XRV	20" Sport Classic wheel, Jet Black
XRW	Panamera Sport wheel, 20"
XRX	Panamera Sport wheel 20" in body colour
XRY	Panamera Sport wheel 20" in Black
XRZ	20" Sport Classic wheel, Black
XSA	Painted sports seat backrest
XSB	Leather sports seat backrest
XSC	Porsche Crest embossed in headrest
XSD	Front seat controls in leather
XSE	Bucket seat, left
XSF	Bucket seat, right
XSH	Silver seat belts
XSM	Racing safety cage
XSN	Omission of rear seats
XSR	Carbon back for bucket seat, right
XSS	Carbon back for bucket seat, left
XST	Seat belts in Sand Beige
XSU	Upholstered seat
XSW	Seat belts in Maritime Blue
XSX	Seat belts in Guards Red
XSY	Seat belts in Speed Yellow
XTG	Inner door sills in leather
XTJ	Door panel parts in light burr maple
XTK	Door panel parts in dark burr maple
XTL	Door panel parts in Carbon
XTR	Door panel parts in Aluminium Look finish
XTT	Makassar Ebony door panel parts
XTU	Sycamore door panel parts
XTV	Leather door panel parts
XTW	Door panel parts in Galvano Silver
XUB	Cover on headlight cleaning system, painted
XUF	SportDesign rear apron
XUL	SportDesign rear apron, painted Black *
XUV	Centre console storage bin lid with logo
XVM	Leather center air vent
XVP	Trim strip including cupholder cover in leather
XVR	Side/centre air vent in leather

Model: 970 10

Model life 2010>>2016

NR	Description
XV1	Defroster trim in leather
XWR	PDK gate frame in Aluminium Look
XWS	PDK gate frame painted
XWT	PDK gate frame painted Black
XWU	PDK gate frame in leather
XXB	Door entry guards, stainless steel, illuminated
XXC	Door entry guards, aluminium, illuminated
XXD	Door entry guards, carbon, illuminated
XXF	Red tail lights
XXP	Tail lights, darkened
XXV	Sports-look pedals
XXZ	Footrest
XX1	Floor mats, logo, leather border
XX2	footwell light
XYA	PDK selector lever (EXC)
XYB	Fuel tank cap in Aluminium Look
XYR	Porsche Crest on armrest front
XYS	Model logo on armrest front
XYT	Porsche Crest on armrest front and rear
XYU	Model logo on armrest front and rear
XYV	Porsche Crest on front headrest
XYW	Porsche Crest on front and rear headrests
XZB	Carbon centre air vent
XZD	Interior light surround in leather
XZY	Decorative inlays in Mahogany Yachting
XZZ	Multi-function steering wheel, Mahogany Yachting
X45	Instrument dial in interior color
X47	Gear lever knob in Carbon/leather
X54	Stainless steel tailpipes
X69	Door entry guards in Carbon with logo
X70	Door entry guards in stainless steel with logo
X71	Instrument dial painted/Aluminium Look finish
X72	Gear lever knob aluminium/light burr maple/leather
X73	Turbo sports suspension
X74	Sports suspension (exclusive)
X75	Differential lock (exclusive)
X76	Inner door sill guard, left/right
X80	Panamera Turbo power kit
X97	Gear lever knob in aluminium/leather
X99	Natural leather
0E1	Shorter wheelbase
0E2	Long wheelbase
0Y1	Standard climatic zone

Model: 970 10

Model life 2010>>2016

NR	Description
0Y2	Tropical climatic zone
0Y3	Cold climatic zone
1A5	Engine variant with reduced compression
3L4	Driver memory package
3L5	Electrical adjustment for both 12-way adjustable front seats
3L6	Front seat adjustment, electrical with memory, right
3PB	Front seat adjustment, left electrical, right manual
3PH	Front seat adjustment, right electrical and memory, left manual
4F2	Porsche entry + drive
4F6	Porsche entry + drive (usa/can)
4K0	Central-locking system with key remote and interior operation
4K3	Central locking with remote control, inner release and safe lock system
4SV	Vanity mirror in rear left
4TV	Vanity mirror in rear right
7G9	VTS preparation and Porsche Car Connect (pcc)
7I2	VTS security package (with PCC)
7MM	EU6 plus exhaust concept
70A	Weight group 1, front axle (-950 kg)
70B	Weight group 2, front axle (951-965 kg)
70C	Weight group 3, front axle (966-980 kg)
70D	Weight group 4, front axle (981-995 kg)
70E	Weight group 5, front axle (996-1025 kg)
70F	Weight group 6, front axle (1026-1055 kg)
70G	Weight group 7, front axle (1056-1070 kg)
70H	Household charging cable, type N Brazil
70L	Household charging cable, type N ZA South Africa
71A	Weight group 1, rear axle (-880 kg)
71B	Weight group 2, rear axle (881-905 kg)
71C	Weight group 3, rear axle (906-930 kg)
71D	Weight group 4, rear axle

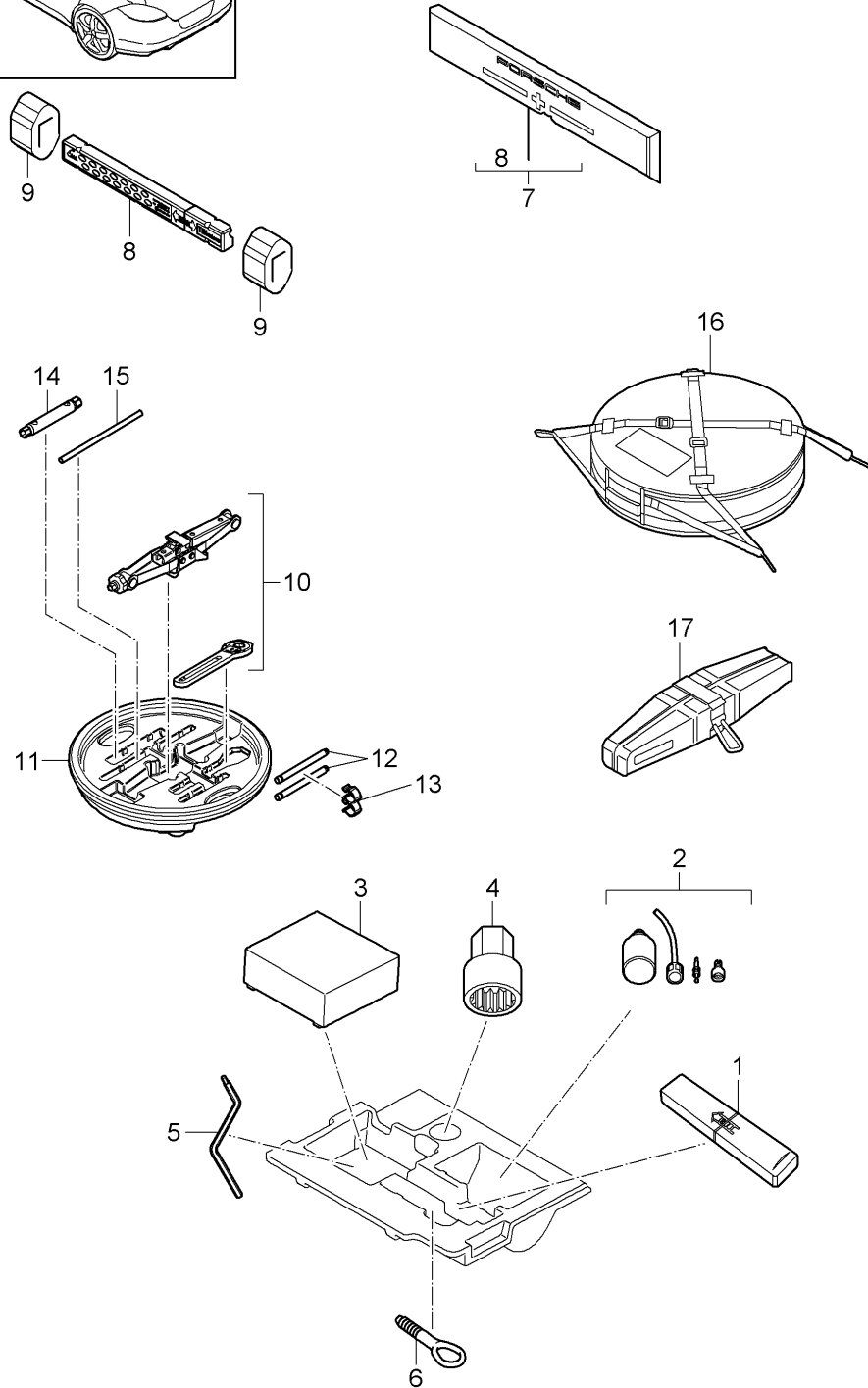
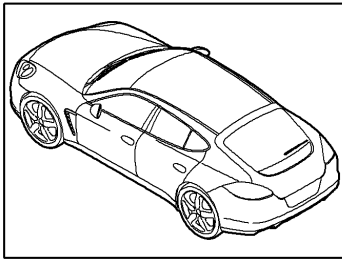
Model: 970 10

Model life 2010>>2016

NR	Description
	(931-960 kg)
71E	Weight group 5, rear axle (961-990 kg)
71F	Weight group 6, rear axle (991-1020 kg)
71G	Weight group 7, rear axle (1021-1050 kg)
71Z	Without weight group specification Rear axle
73B	Industrial charging cable, NEMA 6-30
73C	Industrial charging cable, NEMA 6-50
73D	Industrial charging cable, type NEMA 14-30
73E	Industrial charging cable, NEMA 14-50
73F	Industrial charging cable, Japan 200V
73G	Industrial charging cable, CEE 16A/230V/6H
73H	Industrial charging cable, CEE 32A/230V/6H
73J	Industrial charging cable, CEE 16A/400V/6H
73K	Industrial charging cable, CEE 32A/400V/6H
73L	Infrastructure charging cable, fixed (USA)
77J	Navigation software Argentina
77K	Navigation software Chile
9G1	220 A generator
9Z2	Plug socket, 115 V/60 HZ
9Z3	Plug socket, 230 V/50 HZ
9Z4	Plug socket, 100 V/50 HZ

Model: 970 10

Model life 2010>>2016



Model: 970 10 Model life 2010>>2016

Pos	Part Number	Description	Remark	Qty	Model
1	970 721 115 00	Tool jack Toolbox with contents comprising:		1	
-	477 012 229	Double open-ended spanner 10 X 13		1	
-	477 012 231	screwdriver		1	
-	111 012 287	handle for screwdriver		1	
-	955 721 135 01	Socket wrench Release Headlights		1	
2		Sealing compound see illustration:	601-000	1	
3		Compressor see illustration:	601-000	1	
4		Adapter Anti-theft protection Wheel bolt see illustration:	601-000	1	
5	970 564 810 00	Emergency operation Sunroof		1	
6	970 721 551 01	Tow hitch No longer use the part here		1	
(6)	970 721 551 02	Tow hitch		1	
7	970 722 041 01	first aid kit with:		1	PR:024,499
(7)	970 722 041 04	warning triangle Discontinued part first aid kit with:		1	PR:024,499
(7)	000 722 041 00	warning triangle first aid kit Discontinued part		1	HYBRID PR:024,499
(7)	000 722 041 01	first aid kit		1	HYBRID PR:024,499
8	970 722 123 00	warning triangle with:		1	
(8)	8K0 860 251	Cover Discontinued part warning triangle Included		1	
9	970 551 601 00	Cover retaining strap for warning triangle		2	
10	970 721 711 00	Scissors type jack		1	PR:447,479
11	970 721 121 00	Foam part		1	
12	999 571 074 30	Scissors type jack Threaded stud for Assembly Wheels		1	PR:447
(12)	999 571 074 30	Threaded stud		2	PR:447,450
14	477 012 221 A	wheel bolt wrench		1	PR:447
15	999 571 070 30	operating rod for Rim wrench		1	PR:447
16	970 722 061 03	Bag for emergency wheel Included Belt		1	PR:447
-	996 361 521 00	Protective sleeve		1	

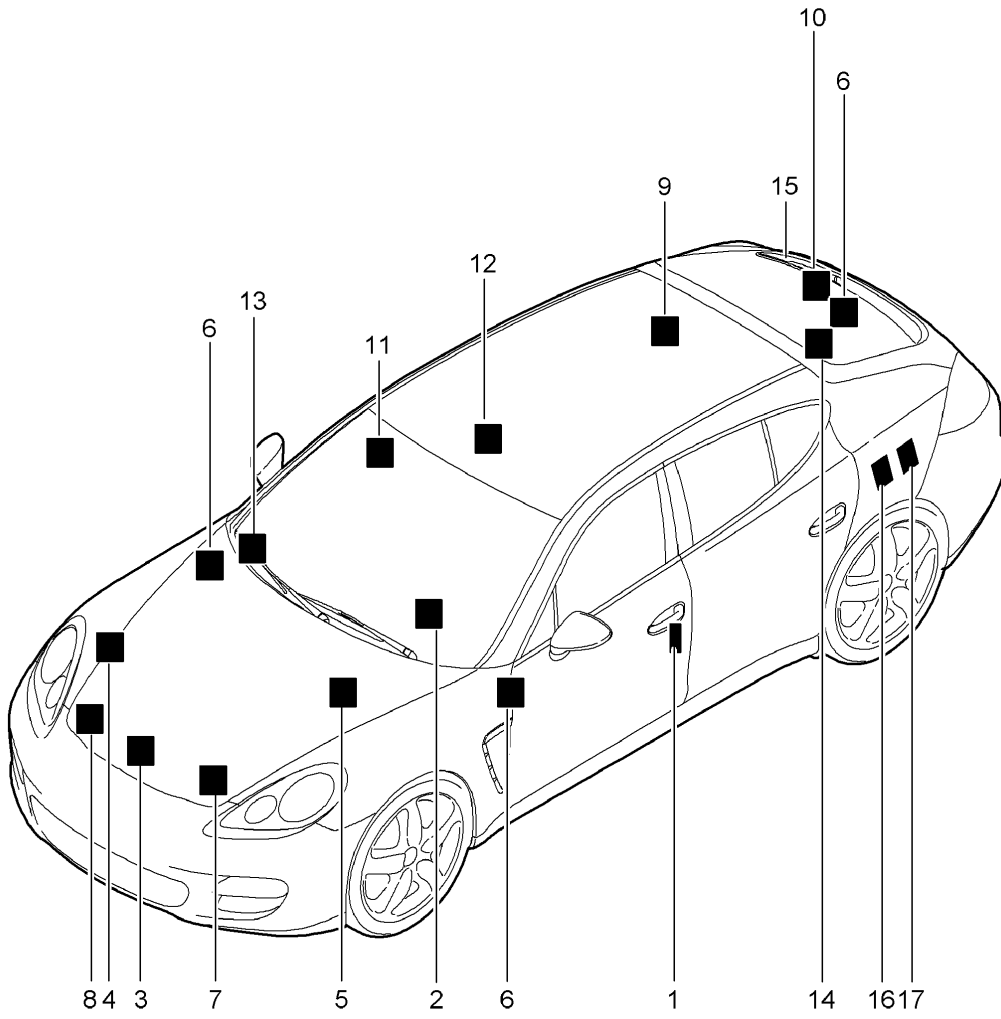
Model: 970 10

Model life 2010>>2016

Pos	Part Number	Description	Remark	Qty	Model
17	970 551 801 00	Wheel Bag for vehicle jack Scissors type jack Discontinued part		1	PR:479 "AUS"

Model: 970 10

Model life 2010>>2016



Model: 970 10 Model life 2010>>2016

Pos	Part Number	Description	Remark	Qty	Model
-		Signs/notices			
1	970 701 286 01	Signs/notices Tyre pressure Data plate for tyre pressure		1	4620,4640, CRCB,CRCC+ PR:230,231, 232,462,463 4620,4640+
(1)	970 701 286 06	D >> - MJ 2014 Data plate for tyre pressure		1	PR:230,231, 463,482,483 4820,4840,
(1)	970 701 286 15	D >> - MJ 2014 Data plate for tyre pressure		1	CGEA,CGE, CGFA+ PR:230,231, 463 4870+
(1)	970 701 286 16	Data plate for tyre pressure		1	PR:231,463
(1)	970 701 286 17	D >> - MJ 2014 Data plate for tyre pressure		1	4620,4640+
(1)	970 701 286 18	D >> - MJ 2014 Data plate for tyre pressure		1	PR:235,237, 463,482 4820,4840,
(1)	970 701 286 19	D >> - MJ 2014 Data plate for tyre pressure		1	CGEA,CGE, CGFA+ PR:235,237, 463 4870+
(1)	970 701 286 25	D >> - MJ 2014 Data plate for tyre pressure		1	PR:235,237, 463 4820,4840,
(1)	970 701 286 26	D >> - MJ 2014 Data plate for tyre pressure		1	CGEA,CGE, CGFA+ PR:232,463 4870+
(1)	970 701 286 27	Data plate for tyre pressure		1	PR:232,463
(1)	970 701 286 30	D >> - MJ 2014 Data plate for tyre pressure		1	PR:232,463, 482,483 4820,4840+
(1)	970 701 286 31	D >> - MJ 2014 Data plate for tyre pressure		1	PR:230,231, 462 4870+
(1)	970 701 286 32	D >> - MJ 2014 Data plate for tyre pressure		1	PR:231,462
(1)	970 701 286 33	D >> - MJ 2014 Data plate for tyre pressure		1	4620,4640+ PR:235,237, 462,463 4820,4840+

Model: 970 10 Model life 2010>>2016

Pos	Part Number	Description	Remark	Qty	Model
(1)	970 701 286 34	D >> - MJ 2014 Data plate for tyre pressure		1	PR: 235, 462 4870+
(1)	970 701 286 35	D >> - MJ 2014 Data plate for tyre pressure		1	PR: 235, 237, 462 CGEA, CGE,
(1)	970 701 286 40	D >> - MJ 2014 Data plate for tyre pressure		1	CGFA+ PR: 230, 231, 462 4820, 4840+
(1)	970 701 286 41	D >> - MJ 2014 Data plate for tyre pressure		1	PR: 232, 462 4870+
(1)	970 701 286 42	D >> - MJ 2014 Data plate for tyre pressure		1	PR: 232, 462 CGEA, CGE,
(1)	970 701 286 44	D >> - MJ 2014 Data plate for tyre pressure		1	CGFA+ PR: 232, 462 4820, 4840,
(1)	970 701 286 45	D >> - MJ 2014 Data plate for tyre pressure		1	CGEA, CGE, CGFA+ PR: 234, 235, 237, 462
(1)	970 701 286 48	D >> - MJ 2014 Data plate for tyre pressure		1	4870+ PR: 234, 462 4870+
(1)	970 701 286 43	D >> - MJ 2014 Data plate for tyre pressure		1	PR: 234, 463, 482, 483 4620, 4640+
(1)	970 701 286 46	D >> - MJ 2014 Data plate for tyre pressure		1	PR: 234, 462, 463 4620, 4640+
(1)	970 701 286 47	D >> - MJ 2014 Data plate for tyre pressure		1	PR: 234, 463, 482, 483 4820, 4840,
(1)	970 701 286 58	D >> - MJ 2014 Data plate for tyre pressure		1	CGEA, CGE, CGFA+ PR: 234, 235, 237, 463 CRCB, CRCC+
(1)	970 701 286 59	Data plate for tyre pressure		1	PR: 234, 462, 463 CRCB, CRCC+
(1)	970 701 286 GA	Data plate for tyre pressure		1	PR: 234, 463, 482, 483 CWAA, CXNA, CGEA, CGE+ PR: 0E1, 230,

Model: 970 10 Model life 2010>>2016

Pos	Part Number	Description	Remark	Qty	Model
(1)	970 701 286 JH	Data plate for tyre pressure		1	231, 232, 462, 463, -482, -483 CGEA, CGE+ PR:0E1, 230, 231, 462
(1)	970 701 286 GC	Data plate for tyre pressure		1	CGEA, CGE+ PR:0E1, 232, 462
(1)	970 701 286 GD	Data plate for tyre pressure		1	CXPA, CGE+ PR:0E1, 230, 231, 462, -015
(1)	970 701 286 GE	Data plate for tyre pressure		1	CXPA, CGE+ PR:0E1, 232, 462, -015
(1)	970 701 286 GF	Data plate for tyre pressure		1	CXPA, CGE+ PR:0E1, 231, 462, 015
(1)	970 701 286 JA	Data plate for tyre pressure		1	CXPA, CGE+ PR:0E1, 232, 462, 015
(1)	970 701 286 GH	Data plate for tyre pressure		1	CWBA, CWB+ PR:0E1, 231, 462
(1)	970 701 286 GI	Data plate for tyre pressure		1	CWBA, CWB+ PR:0E1, 232, 462
(1)	970 701 286 GJ	Data plate for tyre pressure		1	CXPA, CXRA, CXR+ PR:0E2, 230, 231, 462
(1)	970 701 286 GK	Data plate for tyre pressure		1	CXPA, CXRA, CXR+ PR:0E2, 232, 462
(1)	970 701 286 GL	Data plate for tyre pressure		1	CWBA, CWB+ PR:0E2, 231, 462
(1)	970 701 286 GM	Data plate for tyre pressure		1	CWBA, CWB+ PR:0E2, 232, 462
(1)	970 701 286 GN	Data plate for tyre pressure D - MJ 2015>>		1	CWAA, CXNA, CRCC, CRCB, CRC, CWJA+ PR:0E1, 230, 231, 463, 482
(1)	970 701 286 GO	Data plate for tyre pressure D - MJ 2015>>		1	CWAA, CXNA, CRCC, CRCB, CRC, CWJA+ PR:0E1, 232, 463, 482, 483
(1)	970 701 286 GP	Data plate for tyre pressure D - MJ 2015>>		1	CGEA, CGE+ PR:0E1, 230, 231, 463
(1)	970 701 286 GQ	Data plate for tyre pressure D - MJ 2015>>		1	CGEA, CGE+ PR:0E1, 232, 463
(1)	970 701 286 JC	Data plate for tyre pressure D - MJ 2015>>		1	CXPA, CXRA, CXR+ PR:0E1, 230, 463, -015
(1)	970 701 286 GS	Data plate for tyre pressure		1	CXPA, CXRA, CXR+

Model: 970 10 Model life 2010>>2016

Pos	Part Number	Description	Remark	Qty	Model
(1)	970 701 286 GT	D - MJ 2015>> Data plate for tyre pressure D - MJ 2015>>		1	PR:0E1,232,463,-015 CXPA,CXRA,CXR+ PR:0E1,231,463,015
(1)	970 701 286 JJ	Data plate for tyre pressure D - MJ 2015>>		1	CXPA,CXRA,CXR+ PR:0E1,232,463,015
(1)	970 701 286 JD	Data plate for tyre pressure D - MJ 2015>>		1	CWBA,CWB+ PR:0E1,231,463
(1)	970 701 286 GW	Data plate for tyre pressure D - MJ 2015>>		1	CWBA,CWB+ PR:0E1,232,463
(1)	970 701 286 JE	Data plate for tyre pressure D - MJ 2015>>		1	CXPA,CXRA,CXR+ PR:0E2,230,231,463
(1)	970 701 286 GY	Data plate for tyre pressure D - MJ 2015>>		1	CXPA,CXRA,CXR+ PR:0E2,232,463
(1)	970 701 286 GZ	Data plate for tyre pressure D - MJ 2015>>		1	CWBA,CWB+ PR:0E2,231,463
(1)	970 701 286 HA	Data plate for tyre pressure D - MJ 2015>>		1	CWBA,CWB+ PR:0E2,232,463
(1)	970 701 286 HB	Data plate for tyre pressure D - MJ 2015>>		1	CWAA,CXNA,CRCC,CRCB,CRC+ PR:0E1,235,462,463,-482,-483,075
(1)	970 701 286 HC	Data plate for tyre pressure D - MJ 2015>>		1	CWAA,CXNA,CRCC,CRCB,CRC+ PR:0E1,235,463,482,483,075
(1)	970 701 286 HD	Data plate for tyre pressure D - MJ 2015>>		1	CWAA,CXNA+ PR:0E1,234,462,463,-482,-483
(1)	970 701 286 HE	Data plate for tyre pressure D - MJ 2015>>		1	CWAA,CXNA+ PR:0E1,234,463,482,483
(1)	970 701 286 IE	Data plate for tyre pressure D - MJ 2015>>		1	CRCC,CRCB,CRC,CWJA+ PR:0E1,234,462,463,-482,-483
(1)	970 701 286 HF	Data plate for tyre pressure D - MJ 2015>>		1	CRCC,CRCB,CRC,CWJA+ PR:0E1,234,463,482,483
(1)	970 701 286 JF	Data plate for tyre pressure D - MJ 2015>>		1	CGEA,CGE+ PR:0E1,236,462,463,075
(1)	970 701 286 HH	Data plate for		1	CGEA,CGE+

Model: 970 10 Model life 2010>>2016

Pos	Part Number	Description	Remark	Qty	Model
(1)	970 701 286 HI	tyre pressure D - MJ 2015>> Data plate for tyre pressure		1	PR:0E1,235, 236,463,075 CGEA,CGE+ PR:0E1,234, 462
(1)	970 701 286 HJ	tyre pressure D - MJ 2015>> Data plate for tyre pressure		1	CGEA,CGE+ PR:0E1,234, 463
(1)	970 701 286 HK	tyre pressure D - MJ 2015>> Data plate for tyre pressure		1	CXPA,CXRA, CXR+ PR:0E1,235, 236,462,075, -015
(1)	970 701 286 HL	tyre pressure D - MJ 2015>> Data plate for tyre pressure		1	CXPA,CXRA, CXR+ PR:0E1,235, 236,462,463, -015,075
(1)	970 701 286 HM	tyre pressure D - MJ 2015>> Data plate for tyre pressure		1	CXPA,CXRA, CXR+ PR:0E1,234, 462,-015
(1)	970 701 286 HN	tyre pressure D - MJ 2015>> Data plate for tyre pressure		1	CXPA,CXRA, CXR+ PR:0E1,234, 463,-015
(1)	970 701 286 HO	tyre pressure D - MJ 2015>> Data plate for tyre pressure		1	CXPA,CXRA, CXR+ PR:0E1,236, 235,015,075, 462
(1)	970 701 286 HP	tyre pressure D - MJ 2015>> Data plate for tyre pressure		1	CXPA,CXRA, CXR+ PR:0E1,236, 235,015,075, 463
(1)	970 701 286 HQ	tyre pressure D - MJ 2015>> Data plate for tyre pressure		1	CXPA,CXRA, CXR+ PR:0E1,234, 462,015
(1)	970 701 286 JK	tyre pressure D - MJ 2015>> Data plate for tyre pressure		1	CXPA,CXRA, CXR+ PR:0E1,234, 463,015
(1)	970 701 286 HS	tyre pressure D - MJ 2015>> Data plate for tyre pressure		1	CWBA,CWB+ PR:0E1,235, 462
(1)	970 701 286 HT	tyre pressure D - MJ 2015>> Data plate for tyre pressure		1	CWBA,CWB+ PR:0E1,235, 463
(1)	970 701 286 JL	tyre pressure D - MJ 2015>> Data plate for tyre pressure		1	CWBA,CWB, CWCA,CWC+ PR:0E1,234, 462
(1)	970 701 286 JZ	tyre pressure D - MJ 2015>> Data plate for tyre pressure		1	CWBA,CWB, CWCA,CWC+ PR:0E1,234, 463,016
(1)	970 701 286 HW	tyre pressure D - MJ 2015>> Data plate for tyre pressure		1	CXPA,CXRA, CXR+ PR:0E2,075, 235,236,462
(1)	970 701 286 KA	Data plate for		1	CXPA,CXRA,

Model: 970 10 Model life 2010>>2016

Pos	Part Number	Description	Remark	Qty	Model
(1)	970 701 286 HY	tyre pressure D - MJ 2015>> Data plate for tyre pressure D - MJ 2015>>		1	CXR+ PR:0E2,075, 235,236,463 CXPA,CXRA, CXR+ PR:0E2,234, 462
(1)	970 701 286 HZ	Data plate for tyre pressure D - MJ 2015>>		1	CXPA,CXRA, CXR+ PR:0E2,234, 463
(1)	970 701 286 IA	Data plate for tyre pressure D - MJ 2015>>		1	CWBA,CWB+ PR:0E2,235, 236,462,075
(1)	970 701 286 KC	Data plate for tyre pressure D - MJ 2015>>		1	CWBA,CWB+ PR:0E2,235, 236,463,075
(1)	970 701 286 IC	Data plate for tyre pressure D - MJ 2015>>		1	CWBA,CWB+ PR:0E2,234, 462
(1)	970 701 286 ID	Data plate for tyre pressure D - MJ 2015>>		1	CWBA,CWB+ PR:0E2,234, 463
(1)	970 701 501 00	Sticker Auxiliary heater		1	PR:850,851
(1)	970 701 501 01	Sticker Auxiliary heater		1	
2	7PP 010 686 F	Sticker Top speed 240 km/h		1	PR:235,237
(2)	7PP 010 686 G	Sticker Top speed 240 Km/h / 150mph		1	PR:235,237
-		Signs/notices Engine specifications			
3	7PP 010 696 A	Sticker Exhaust gas No longer use the part here		1	PR:068 "PAP"
(3)	7PP 010 751 C	Sticker Exhaust gas		1	PR:068 "PAP"
(3)	7PP 010 001 A	Sticker Exhaust gas		1	PR:068 "PAP"
(3)	970 006 102 00	Sticker Diesel Assembly v-belt		1	
4	955 006 675 00	Sticker Motor fan		1	PR:193 "J.."
5	970 701 141 00	Sticker Air conditioning		1	"USA","S..", "CN."
(5)	970 701 521 01	Sticker Air conditioning	japanese	1	PR:193 "J.."
(5)	955 701 675 00	Sticker Reservoir		1	PR:193 "J.."
(5)	955 701 675 05	Sticker brake fluid		1	PR:193 "J.."
(5)	7PP 010 709 L	Notice brake fluid	arabic	1	PR:215 "SA."
(5)	7PP 010 709 M	Notice brake fluid	chinese	1	PR:075 "CN."
7	7PP 010 714 R	Warning sign Start/Stop		1	
(7)	958 701 739 00	Warning sign for hybrid		1	HYBRID

Model: 970 10 Model life 2010>>2016

Pos	Part Number	Description	Remark	Qty	Model
8	997 006 544 00	vehicles Sticker engine oil - MOBILLOEL - No longer use the part here		1	
8	997 006 544 01	Sticker engine oil - MOBILLOEL - Discontinued part		1	
8	7PP 010 786 T	Sticker engine oil - MOBILLOEL -		1	
9	970 006 117 00	Sticker Type of fuel 98 ROZ Unleaded D >> - MJ 2013		1	
9	970 006 117 04	Sticker Type of fuel 98 ROZ D - MJ 2014>>		1	PR:-075, -479,-553
9	970 006 117 10	Sticker Type of fuel 95 ROZ Unleaded D >> - MJ 2013		1	
9	970 006 117 11	Sticker Type of fuel 95 ROZ Unleaded D - MJ 2014>>		1	
9	970 006 117 21	Sticker Type of fuel 95/97 ROZ Unleaded D >> - MJ 2013		1	PR:075 "CN."
9	970 006 117 22	Sticker Type of fuel 95/97 ROZ Unleaded D - MJ 2014>>		1	PR:075 "CN."
(9)	970 006 117 02	Sticker Type of fuel 96 ROZ D >> - MJ 2013		1	PR:479 "AUS"
(9)	970 006 117 05	Sticker Type of fuel 96 ROZ D - MJ 2014>>		1	PR:479 "AUS"
(9)	958 701 119 00	Sticker Auxiliary heater		1	PR:-075,850, 851
(9)	958 701 119 10	Sticker Auxiliary heater		1	PR:075,850, 851
9	970 006 117 30	Sticker Type of fuel D - MJ 2012>> - MJ 2013		1	DIESEL
9	970 006 117 31	Sticker Type of fuel D - MJ 2014>>		1	DIESEL
9	970 006 118 02	Sticker Warning note Fuel filler flap		1	PR:074
9	970 006 118 30	Sticker		1	DIESEL

Model: 970 10 Model life 2010>>2016

Pos	Part Number	Description	Remark	Qty	Model
9	970 006 118 31	Warning note Fuel filler flap D >> - MJ 2013 Sticker		1	DIESEL
9	955 701 676 10	Warning note Fuel filler flap D - MJ 2014>> Sticker		1	PR:193
9	955 701 676 15	Fuel filler flap sticker for		1	"J.." PR:193
(9)	7P5 010 869 D	fuel filler neck Sticker		1	"J.." PR:074
-		Warning note Type of fuel Signs/notices			
10	955 701 675 15	Airbag Sticker	Japan	1	PR:193 "J.."
11	997 701 531 00	Import Sticker		1	PR:193 "J.."
12	997 701 531 00	Airbag Sticker		1	PR:193 "J.."
13	955 701 435 00	Airbag Warning sign		1	
(13)	955 701 435 30	Airbag Warning sign		1	PR:479 "AUS"
(13)	955 701 435 20	Airbag Warning sign		1	PR:215,B0M
(13)	955 701 435 10	Airbag Warning sign		1	PR:075 "CN."
(13)	970 701 523 00	Sticker Recycling		1	PR:193 "J.."
14	955 701 673 00	Sticker Battery		1	PR:193 "J.."
15	7PP 010 707 K	Sticker Spare wheel		1	PR:447
(15)	958 701 680 00	Warning sign Battery Hybrid	german	1	PR:488
(15)	958 701 642 00	Warning sign Battery Hybrid	french	1	PR:126
(15)	958 701 674 00	Warning sign Battery Hybrid	italian	1	PR:034
(15)	958 701 681 00	Warning sign Battery Hybrid	spanish	1	PR:119
(15)	958 701 681 10	Warning sign Battery Hybrid	arabic	1	PR:215
(15)	958 701 681 21	Warning sign Battery Hybrid	japanese	1	PR:193
(15)	958 701 681 30	Warning sign Battery Hybrid	chinese	1	PR:075
16	970 611 501 00	Warning sign Cover	english	1	PR:034,119, 130
(16)	970 611 503 00	Charging socket Warning sign Cover Charging socket	arabic	1	PR:215

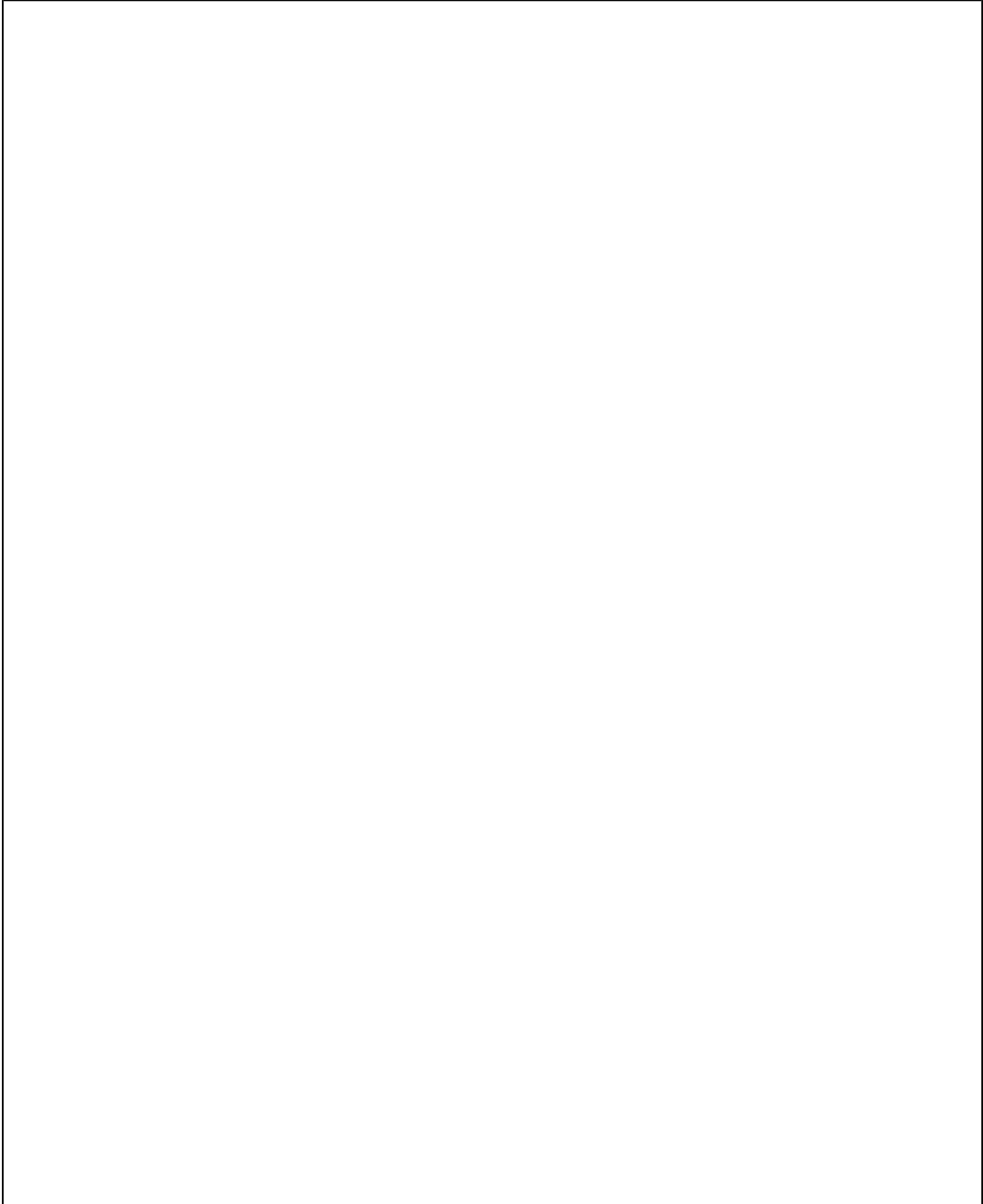
Model: 970 10

Model life 2010>>2016

Pos	Part Number	Description	Remark	Qty	Model
(16)	970 611 505 00	Warning sign Cover Charging socket	german	1	PR:488
(16)	970 611 507 00	Warning sign Cover Charging socket	chinese	1	PR:075
(16)	970 611 509 00	Warning sign Cover Charging socket	japanese	1	PR:193
(16)	970 611 513 00	Warning sign Cover Charging socket	french	1	PR:126
(16)	970 611 515 00	Warning sign Cover Charging socket	Turkish	1	PR:060
17	970 611 502 00	Warning sign Cup Charging socket	english	1	PR:034,119, 130
(17)	970 611 504 00	Warning sign Cup Charging socket	arabic	1	PR:215
(17)	970 611 506 00	Warning sign Cup Charging socket	german	1	PR:488
(17)	970 611 508 00	Warning sign Cup Charging socket	chinese	1	PR:075
(17)	970 611 510 00	Warning sign Cup Charging socket	japanese	1	PR:193
(17)	970 611 514 00	Warning sign Cup Charging socket	french	1	PR:126
(17)	970 611 516 00	Warning sign Cup Charging socket	Turkish	1	PR:060

Model: 970 10

Model life 2010>>2016



Model: 970 10 Model life 2010>>2016

Pos	Part Number	Description	Remark	Qty	Model
1	970 701 286 GA	Signs/notices Tyre pressure D - MJ 2015>> Data plate for tyre pressure		1	CWAA, CXNA, CGEA, CGE+ PR:0E1, 230, 231, 232, 462, 463, -482, -483
(1)	970 701 286 JH	Data plate for tyre pressure		1	CGEA, CGE+ PR:0E1, 230, 231, 462
(1)	970 701 286 GC	Data plate for tyre pressure		1	CGEA, CGE+ PR:0E1, 232, 462
(1)	970 701 286 GD	Data plate for tyre pressure		1	CXPA, CGE+ PR:0E1, 230, 231, 462, -015
(1)	970 701 286 GE	Data plate for tyre pressure		1	CXPA, CGE+ PR:0E1, 232, 462, -015
(1)	970 701 286 GF	Data plate for tyre pressure		1	CXPA, CGE+ PR:0E1, 231, 462, 015
(1)	970 701 286 JA	Data plate for tyre pressure		1	CXPA, CGE+ PR:0E1, 232, 462, 015
(1)	970 701 286 GH	Data plate for tyre pressure		1	CWBA, CWB+ PR:0E1, 231, 462
(1)	970 701 286 GI	Data plate for tyre pressure		1	CWBA, CWB+ PR:0E1, 232, 462
(1)	970 701 286 GJ	Data plate for tyre pressure		1	CXPA, CXRA, CXR+ PR:0E2, 230, 231, 462
(1)	970 701 286 GK	Data plate for tyre pressure		1	CXPA, CXRA, CXR+ PR:0E2, 232, 462
(1)	970 701 286 GL	Data plate for tyre pressure		1	CWBA, CWB+ PR:0E2, 231, 462
(1)	970 701 286 GM	Data plate for tyre pressure		1	CWBA, CWB+ PR:0E2, 232, 462
(1)	970 701 286 GN	Data plate for tyre pressure		1	CWAA, CXNA, CRCC, CRCB, CRC, CWJA+ PR:0E1, 230, 231, 463, 482
(1)	970 701 286 GO	Data plate for tyre pressure		1	CWAA, CXNA, CRCC, CRCB, CRC, CWJA+ PR:0E1, 232, 463, 482, 483
(1)	970 701 286 GP	Data plate for tyre pressure		1	CGEA, CGE+ PR:0E1, 230, 231, 463
(1)	970 701 286 GQ	Data plate for tyre pressure		1	CGEA, CGE+ PR:0E1, 232, 463

Model: 970 10 Model life 2010>>2016

Pos	Part Number	Description	Remark	Qty	Model
(1)	970 701 286 JC	Data plate for tyre pressure		1	CXPA,CXRA, CXR+ PR:0E1, 230, 463, -015
(1)	970 701 286 GS	Data plate for tyre pressure		1	CXPA,CXRA, CXR+ PR:0E1, 232, 463, -015
(1)	970 701 286 GT	Data plate for tyre pressure		1	CXPA,CXRA, CXR+ PR:0E1, 231, 463, 015
(1)	970 701 286 JJ	Data plate for tyre pressure		1	CXPA,CXRA, CXR+ PR:0E1, 232, 463, 015
(1)	970 701 286 JD	Data plate for tyre pressure		1	CWBA,CWB+ PR:0E1, 231, 463
(1)	970 701 286 GW	Data plate for tyre pressure		1	CWBA,CWB+ PR:0E1, 232, 463
(1)	970 701 286 JE	Data plate for tyre pressure		1	CXPA,CXRA, CXR+ PR:0E2, 230, 231, 463
(1)	970 701 286 GY	Data plate for tyre pressure		1	CXPA,CXRA, CXR+ PR:0E2, 232, 463
(1)	970 701 286 GZ	Data plate for tyre pressure		1	CWBA,CWB+ PR:0E2, 231, 463
(1)	970 701 286 HA	Data plate for tyre pressure		1	CWBA,CWB+ PR:0E2, 232, 463
(1)	970 701 286 HB	Data plate for tyre pressure D - MJ 2015>>		1	CWAA,CXNA, CRCC,CRCB, CRC+ PR:0E1, 235, 462, 463, -482, -483, 075
(1)	970 701 286 HC	Data plate for tyre pressure		1	CWAA,CXNA, CRCC,CRCB, CRC+ PR:0E1, 235, 463, 482, 483, 075
(1)	970 701 286 HD	Data plate for tyre pressure D - MJ 2015>>		1	CWAA,CXNA+ PR:0E1, 234, 462, 463, -482, -483
(1)	970 701 286 HE	Data plate for tyre pressure		1	CWAA,CXNA+ PR:0E1, 234, 463, 482, 483
(1)	970 701 286 IE	Data plate for tyre pressure D - MJ 2015>>		1	CRCC,CRCB, CRC,CWJA+ PR:0E1, 234, 462, 463, -482, -483
(1)	970 701 286 HF	Data plate for tyre pressure		1	CRCC,CRCB, CRC,CWJA+

Model: 970 10 Model life 2010>>2016

Pos	Part Number	Description	Remark	Qty	Model
(1)	970 701 286 JF	Data plate for tyre pressure		1	PR:0E1,234,463,482,483 CGEA,CGE+ PR:0E1,236,462,463,075
(1)	970 701 286 HH	Data plate for tyre pressure		1	CGEA,CGE+ PR:0E1,235,236,463,075
(1)	970 701 286 HI	Data plate for tyre pressure		1	CGEA,CGE+ PR:0E1,234,462
(1)	970 701 286 HJ	Data plate for tyre pressure		1	CGEA,CGE+ PR:0E1,234,463
(1)	970 701 286 HK	Data plate for tyre pressure		1	CXPA,CXRA, CXR+ PR:0E1,235,236,462,075,-015
(1)	970 701 286 HL	Data plate for tyre pressure		1	CXPA,CXRA, CXR+ PR:0E1,235,236,462,463,-015,075
(1)	970 701 286 HM	Data plate for tyre pressure		1	CXPA,CXRA, CXR+ PR:0E1,234,462,-015
(1)	970 701 286 HN	Data plate for tyre pressure		1	CXPA,CXRA, CXR+ PR:0E1,234,463,-015
(1)	970 701 286 HO	Data plate for tyre pressure		1	CXPA,CXRA, CXR+ PR:0E1,236,235,015,075,462
(1)	970 701 286 HP	Data plate for tyre pressure		1	CXPA,CXRA, CXR+ PR:0E1,236,235,015,075,463
(1)	970 701 286 HQ	Data plate for tyre pressure		1	CXPA,CXRA, CXR+ PR:0E1,234,462,015
(1)	970 701 286 JK	Data plate for tyre pressure		1	CXPA,CXRA, CXR+ PR:0E1,234,463,015
(1)	970 701 286 HS	Data plate for tyre pressure		1	CWBA,CWB+ PR:0E1,235,462
(1)	970 701 286 HT	Data plate for tyre pressure		1	CWBA,CWB+ PR:0E1,235,463
(1)	970 701 286 JL	Data plate for tyre pressure		1	CWBA,CWB, CWCA,CWC+ PR:0E1,234,462
(1)	970 701 286 JZ	Data plate for tyre pressure		1	CWBA,CWB, CWCA,CWC+ PR:0E1,234,

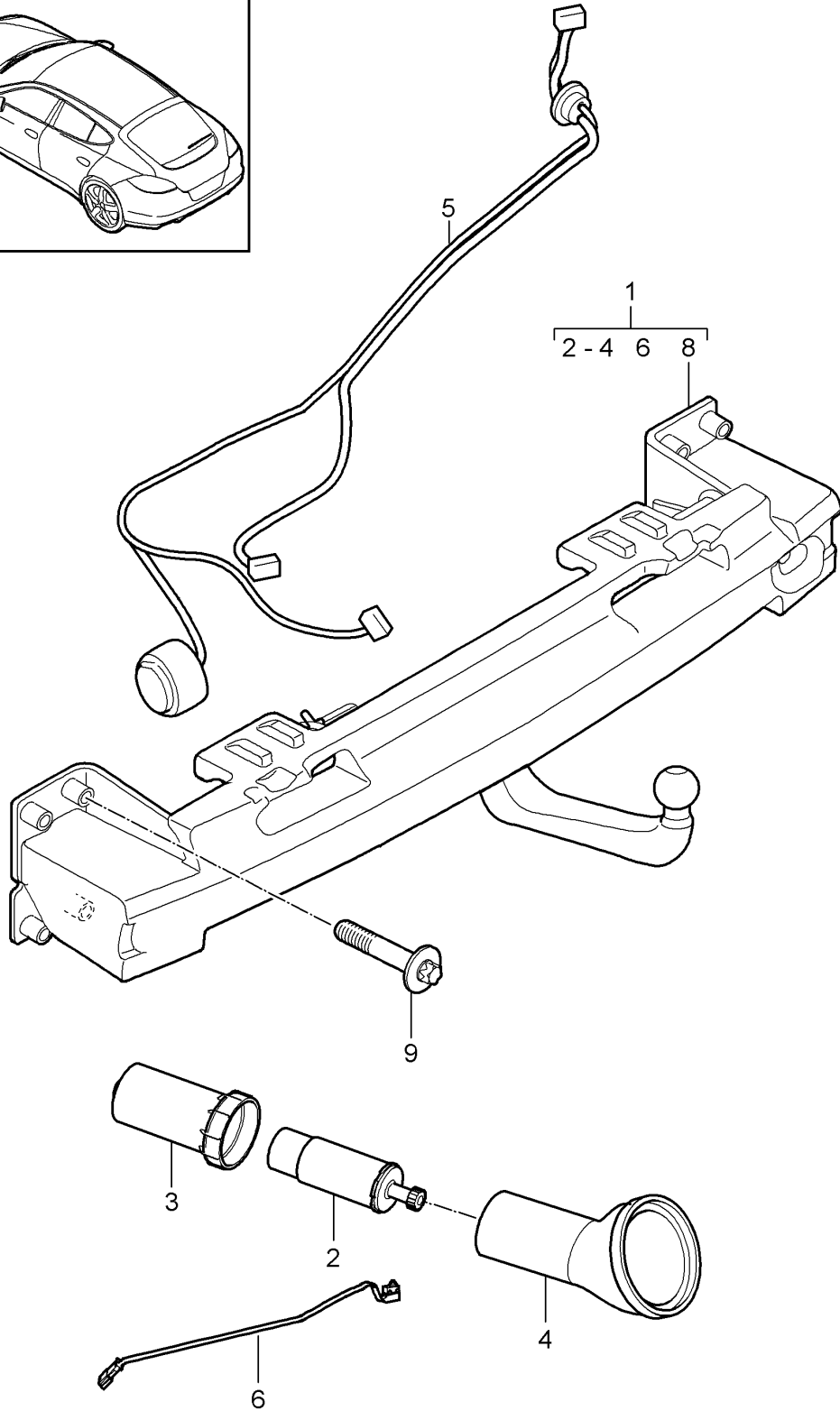
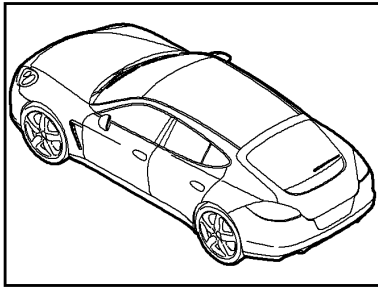
Model: 970 10

Model life 2010>>2016

Pos	Part Number	Description	Remark	Qty	Model
(1)	970 701 286 HW	Data plate for tyre pressure		1	463,016 CXPA,CXRA, CXR+ PR:0E2,075, 235,236,462
(1)	970 701 286 KA	Data plate for tyre pressure		1	CXPA,CXRA, CXR+ PR:0E2,075, 235,236,463
(1)	970 701 286 HY	Data plate for tyre pressure		1	CXPA,CXRA, CXR+ PR:0E2,234, 462
(1)	970 701 286 HZ	Data plate for tyre pressure		1	CXPA,CXRA, CXR+ PR:0E2,234, 463
(1)	970 701 286 IA	Data plate for tyre pressure		1	CWBA,CWB+ PR:0E2,235, 236,462,075
(1)	970 701 286 KC	Data plate for tyre pressure		1	CWBA,CWB+ PR:0E2,235, 236,463,075
(1)	970 701 286 IC	Data plate for tyre pressure		1	CWBA,CWB+ PR:0E2,234, 462
(1)	970 701 286 ID	Data plate for tyre pressure		1	CWBA,CWB+ PR:0E2,234, 463

Model: 970 10

Model life 2010>>2016



Model: 970 10 Model life 2010>>2016

Pos	Part Number	Description	Remark	Qty	Model
1	970 722 931 00	Tow hitch Tow hitch without: Wire set D >> - MJ 2013		1	PR:206,475
(1)	970 722 931 08	Tow hitch without: Wire set D - MJ 2014>>		1	PR:206,029,475
(1)	970 722 931 01	Tow hitch without: Wire set D >> - MJ 2013		1	PR:206,350,351
(1)	970 722 931 03	Discontinued part Tow hitch without: Wire set D >> - MJ 2013		1	PR:206,350,351
(1)	970 722 931 05	Discontinued part Tow hitch without: Wire set D >> - MJ 2013		1	PR:206,350,351
(1)	970 722 931 09	Tow hitch without: Wire set D - MJ 2014>>		1	PR:206,350,351
-	970 722 911 00	Assembly kit Tow hitch comprising: Socket head bolt Socket head bolt Bearing plate Screw Cable ties Screw Torx screw Torx screw countersunk bolt Securing plate Cable ties		X 4 6 1 4 2 6 2 2 1 1 1 1	PR:206
2	970 624 121 00	Electric motor Tow hitch		1	
-	970 722 951 00	Assembly kit housing comprising: Seal seal ring Socket head bolt		X 1 1 6	
5	970 612 810 00	Wire set Tow hitch Included Socket		1	PR:206
8	970 722 311 00	Cross member Tow hitch D >> - MJ 2013		1	
8	970 722 311 01	Cross member Tow hitch D - MJ 2014>>		1	
-	970 722 711 00	Foam part Cross member Tow hitch D >> - MJ 2013		1	

Model: 970 10

Model life 2010>>2016

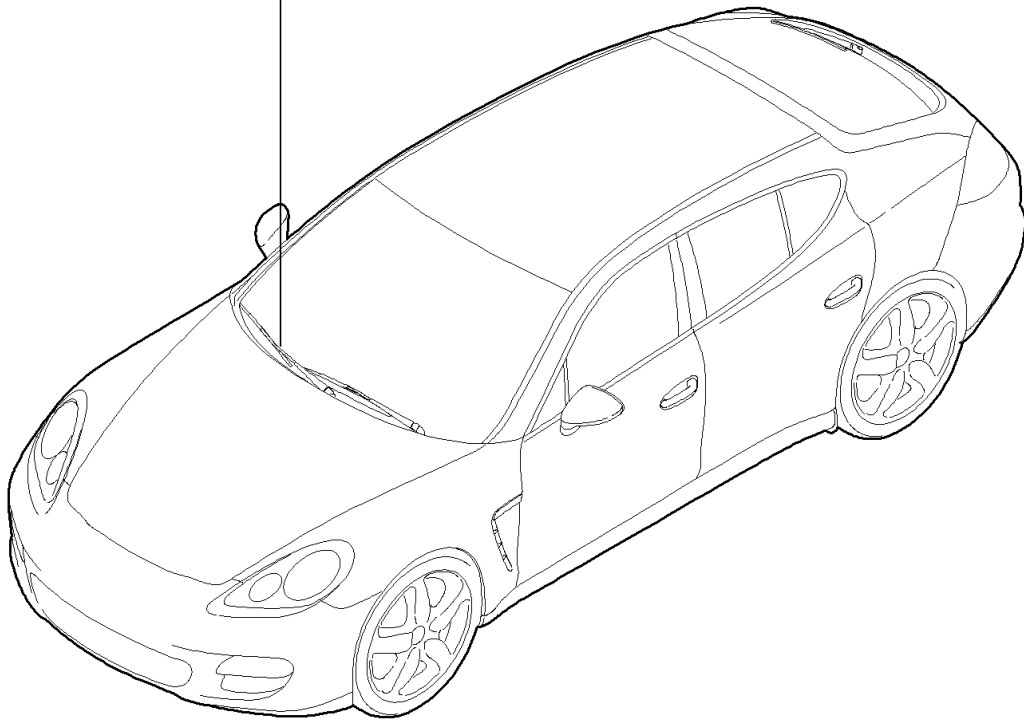
Pos	Part Number	Description	Remark	Qty	Model
9	999 385 140 01	Hexagon head bolt	BM10X95	8	PR:206

Model: 970 10

Model life 2010>>2016

PROD.NUMMER PROD.NUMBER	888 0815
FIN VIN	WP1ZZZ12345678912
TYP TYPE	9PAAG1
MOTORKB./GETR.KB ENG.CODE/TRANS.CODE	M5502/C7050
VERTRIEBSFARBCODE SALESNO.	G1
AUSSTATTUNGSCODE INTERIOR.CODE	AT
FARBCODE COLORCODE	GB8

7P5.010.732.T

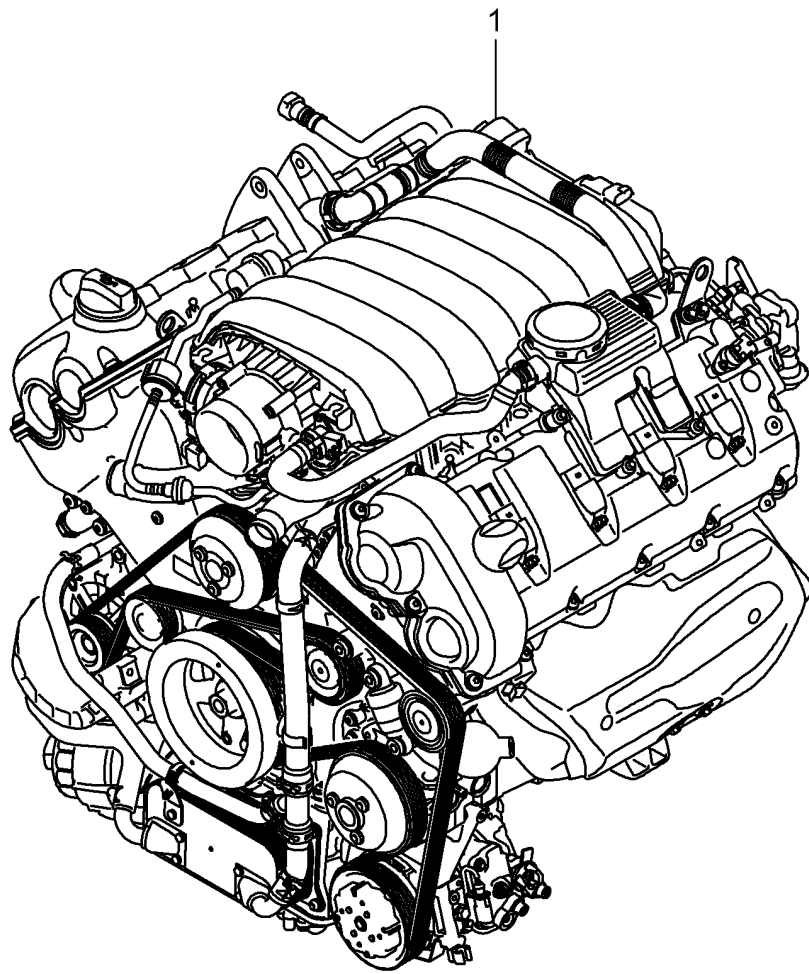
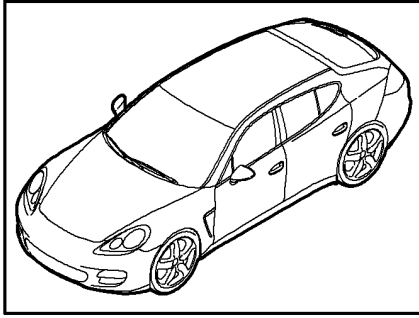


Model: 970 10 Model life 2010>>2016

Pos	Part Number	Description	Remark	Qty	Model
-		paint touch-up applicator Paints Paint identification label see Vehicle wallet Vehicle data carrier			
-	911 095 932 20	paint touch-up applicator		X	
	911 095 932 20 041	Black			A 1
	911 095 932 20 B9A	Carrara white			B 4
	911 095 932 20 M3C	Carmine red			O L
	911 095 932 20 C9A	white			O Q
-	911 095 933 20	D - MJ 2014>> Paint pen set Set comprising: base paint clear paint		X	
	911 095 933 20 C9Z	Basalt black metallic			Z 4
	911 095 933 20 M9Z	Carbon Grey Metallic			1 A
	911 095 933 20 M7T	Platinum Silver Metallic			1 H
	911 095 933 20 M5X	Dark blue metallic			N 4
	911 095 933 20 Z6H	Jet Green Metallic			J 6
	911 095 933 20 M1S	Luxor Beige Metallic			K 6
	911 095 933 20 M8X	Topaz Brown Metallic			J 3
	911 095 933 20 M8Y	Mahogany Metallic			Y 8
	911 095 933 20 M5S	Yachting Blue Metallic			R 9
	911 095 933 20 M3X	Ruby red metallic			A 6
	911 095 933 20 A6W	Crystal green metallic			3 P
	911 095 933 20 M4Z	Amethyst metallic			N 6
	911 095 933 20 M7Z	GT Silver Metallic			U 2
	911 095 933 20 M5R	Aqua blue metallic			D 2
	911 095 933 20 M8Z	Cognac Metallic			W 6
	911 095 933 20 M7S	Achat Grey Metallic			N 0
	911 095 933 20 M7U	Rhodium Silver Metallic			S 2
	911 095 933 20 H8Z	D - MJ 2014>> Chestnut Brown Metallic			4 Q
	911 095 933 20 M3C	D - MJ 2015>> Carmine red			O L
	911 095 933 20 B9A	D - MJ 2016>> Carrara white			B 4
	911 095 933 20 M5F	D - MJ 2016>> Midnight Blue Metallic			N 5

Model: 970 10

Model life 2010>>2016



Model: 970 10 Model life 2010>>2016

Pos	Part Number	Description	Remark	Qty	Model
1	948 100 920 00	Replacement engine without: Clutch plate - PDK - without: flywheel Manual gearbox without: Compressor		1	4820,4840, 4870
(1)	948 100 920 X	Replacement engine Not Ready for installation Replacement See technical information Service Group 1 Document 1001 66/10 Discontinued part		1	4820+ PR:-642
(1)	948 100 920 02	Replacement engine Not Ready for installation Discontinued part		1	4820+ PR:-145,-642
(1)	948 100 920 BX	Replacement engine Not Ready for installation Discontinued part		1	4820+ PR:-145,-642
(1)	948 100 920 05	Replacement engine Not Ready for installation for vehicles up to Chassis number F >> 97-BL051 267 also use:	970 618 601 03	1	
(1)	948 100 920 EX	Discontinued part		1	4820+ PR:-145,-642
(1)	948 100 920 EX	Replacement engine Not Ready for installation for vehicles up to Chassis number F >> 97-BL051 267 also use:	970 618 601 03	1	
(1)	948 100 920 08	Discontinued part		1	4820+ PR:-145,-642
(1)	948 100 920 08	Replacement engine Not Ready for installation for vehicles up to Chassis number F >> 97-BL051 267		1	

Model: 970 10 Model life 2010>>2016

Pos	Part Number	Description	Remark	Qty	Model
			also use: 970 618 601 03	1	
			use if required: 970 106 420 02	1	
		D >> - MJ 2012			4820+ PR:-145,-642
(1)	948 100 920 HX	Replacement engine Not Ready for installation for vehicles up to Chassis number F >> 97-BL051 267		1	
			also use: 970 618 601 03	1	
			use if required: 970 106 420 02	1	
		D >> - MJ 2012			4820+ PR:-145,-642
(1)	948 100 920 11	Replacement engine Not Ready for installation for vehicles up to Chassis number F >> 97-BL051 267		1	
			also use: 970 618 601 03	1	
			use if required: 970 106 420 02	1	
		D - MJ 2013>>			4820+ PR:-145,-642
(1)	948 100 920 LX	Replacement engine Not Ready for installation for vehicles up to Chassis number F >> 97-BL051 267		1	
			also use: 970 618 601 03	1	
			use if required: 970 106 420 02	1	
		D - MJ 2013>>			4820+ PR:-145,-642
(1)	948 100 920 01	Replacement engine Not Ready for installation Replacement See technical information Service Group 1 Document 1001 66/10		1	4820+ PR:-145,-642 4820+ PR:642
(1)	948 100 920 AX	Discontinued part Replacement engine Not Ready for installation Replacement See technical information Service Group 1 Document 1001 66/10		1	4820+ PR:642
(1)	948 100 920 03	Discontinued part Replacement engine Not Ready for installation		1	4820+ PR:642,-145
(1)	948 100 920 CX	Discontinued part Replacement engine		1	4820+

Model: 970 10 Model life 2010>>2016

Pos	Part Number	Description	Remark	Qty	Model
(1)	948 100 920 06	Not Ready for installation Discontinued part Replacement engine Not Ready for installation for vehicles up to Chassis number F >> 97-BL051 267 also use:	970 618 601 03	1	PR:642,-145
(1)	948 100 920 FX	Discontinued part Replacement engine Not Ready for installation for vehicles up to Chassis number F >> 97-BL051 267 also use:	970 618 601 03	1	4820+ PR:642,-145
(1)	948 100 920 09	Discontinued part Replacement engine Not Ready for installation for vehicles up to Chassis number F >> 97-BL051 267 also use:	970 618 601 03	1	4820+ PR:642,-145
(1)	948 100 920 JX	Discontinued part Replacement engine Not Ready for installation for vehicles up to Chassis number F >> 97-BL051 267 also use:	970 618 601 03	1	4820+ PR:642,-145
(1)	948 100 920 12	Discontinued part Replacement engine Not Ready for installation for vehicles up to Chassis number F >> 97-BL051 267 also use: use if required:	970 618 601 03 970 106 420 02	1 1	4820+ PR:642,-145
(1)	948 100 920 MX	Discontinued part Replacement engine Not Ready for installation for vehicles up to Chassis number F >> 97-BL051 267 also use: use if required:	970 618 601 03 970 106 420 02	1 1	4820+ PR:642,-145

Model: 970 10 Model life 2010>>2016

Pos	Part Number	Description	Remark	Qty	Model
(1)	948 100 920 04	Replacement engine Not Ready for installation Discontinued part		1	4820+ PR:642,145
(1)	948 100 920 DX	Replacement engine Not Ready for installation Discontinued part		1	4820+ PR:642,145
(1)	948 100 920 07	Replacement engine Not Ready for installation for vehicles up to Chassis number F >> 97-BL051 267		1	4820+ PR:642,145
			also use: 970 618 601 03	1	
(1)	948 100 920 GX	Discontinued part Replacement engine Not Ready for installation for vehicles up to Chassis number F >> 97-BL051 267		1	4820+ PR:642,145
			also use: 970 618 601 03	1	
(1)	948 100 920 10	Discontinued part Replacement engine Not Ready for installation for vehicles up to Chassis number F >> 97-BL051 267		1	4820+ PR:642,145
			also use: 970 618 601 03	1	
(1)	948 100 920 KX	Discontinued part Replacement engine Not Ready for installation for vehicles up to Chassis number F >> 97-BL051 267		1	4820+ PR:642,145
			also use: 970 618 601 03	1	
(1)	948 100 920 13	Discontinued part Replacement engine Not Ready for installation for vehicles up to Chassis number F >> 97-BL051 267		1	4820+ PR:642,145
			also use: 970 618 601 03	1	
			use if required: 970 106 420 02	1	
(1)	948 100 920 NX	Replacement engine Not Ready for installation for vehicles up to Chassis number F >> 97-BL051 267		1	4820+ PR:642,145
			also use: 970 618 601 03	1	
			use if required: 970 106 420 02	1	
(1)	948 100 940 01	Replacement engine Not Ready for installation Replacement See technical information Service Group 1		1	4840

Model: 970 10 Model life 2010>>2016

Pos	Part Number	Description	Remark	Qty	Model
(1)	948 100 940 AX	Document 1001 66/10 Discontinued part Replacement engine Not Ready for installation Replacement See technical information Service Group 1 Document 1001 66/10		1	4840
(1)	948 100 940 02	Discontinued part Replacement engine Not Ready for installation		1	4840+ PR:-145
(1)	948 100 940 BX	Discontinued part Replacement engine Not Ready for installation		1	4840+ PR:-145
(1)	948 100 940 04	Discontinued part Replacement engine Not Ready for installation for vehicles up to Chassis number F >> 97-BL051 267 also use:	970 618 601 03	1	
(1)	948 100 940 DX	Discontinued part Replacement engine Not Ready for installation for vehicles up to Chassis number F >> 97-BL051 267 also use:	970 618 601 03	1	4840+ PR:-145
(1)	948 100 940 06	Discontinued part Replacement engine Not Ready for installation for vehicles up to Chassis number F >> 97-BL051 267 also use:	970 618 601 03	1	4840+ PR:-145
(1)	948 100 940 FX	Discontinued part Replacement engine Not Ready for installation for vehicles up to Chassis number F >> 97-BL051 267 also use:	970 618 601 03	1	4840+ PR:-145,-015
(1)	948 100 940 10	Discontinued part Replacement engine Not		1	4840+ PR:-145,-015

Model: 970 10 Model life 2010>>2016

Pos	Part Number	Description	Remark	Qty	Model
		Ready for installation for vehicles up to Chassis number F >> 97-BL051 267 also use: 970 618 601 03 use if required: 970 106 420 02		1 1	4840+ PR:-145,-015
(1)	948 100 940 KX	Replacement engine Not Ready for installation for vehicles up to Chassis number F >> 97-BL051 267 also use: 970 618 601 03 use if required: 970 106 420 02		1 1	4840+ PR:-145,-015
(1)	948 100 940 08	Replacement engine Not Ready for installation use if required: 970 106 420 02		1	4840+ PR:-145,015
(1)	948 100 940 HX	Replacement engine Not Ready for installation use if required: 970 106 420 02		1	4840+ PR:-145,015
(1)	948 100 940 03	Replacement engine Not Ready for installation Discontinued part		1	4840+ PR:145
(1)	948 100 940 CX	Replacement engine Not Ready for installation Discontinued part		1	4840+ PR:145
(1)	948 100 940 05	Replacement engine Not Ready for installation for vehicles up to Chassis number F >> 97-BL051 267 also use: 970 618 601 03		1	4840+ PR:145
(1)	948 100 940 EX	Discontinued part Replacement engine Not Ready for installation for vehicles up to Chassis number F >> 97-BL051 267 also use: 970 618 601 03		1	4840+ PR:145
(1)	948 100 940 07	Discontinued part Replacement engine Not Ready for installation for vehicles up to Chassis number F >> 97-BL051 267 also use: 970 618 601 03		1	4840+ PR:145,-015
(1)	948 100 940 GX	Discontinued part Replacement engine Not Ready for installation for vehicles up to Chassis number		1	4840+ PR:145,-015

Model: 970 10 Model life 2010>>2016

Pos	Part Number	Description	Remark	Qty	Model
(1)	948 100 940 11	F >> 97-BL051 267 also use: Discontinued part Replacement engine Not Ready for installation for vehicles up to Chassis number	970 618 601 03	1	4840+ PR:145,-015
(1)	948 100 940 LX	F >> 97-BL051 267 also use: use if required: Replacement engine Not Ready for installation for vehicles up to Chassis number	970 618 601 03 970 106 420 02	1 1 1	4840+ PR:145,-015
(1)	948 100 940 09	F >> 97-BL051 267 also use: use if required: Replacement engine Not Ready for installation use if required:	970 618 601 03 970 106 420 02	1 1 1	4840+ PR:145,015
(1)	948 100 940 JX	Replacement engine Not Ready for installation use if required:	970 106 420 02	1 1	4840+ PR:145,015
(1)	948 100 970 01	Replacement engine Not Ready for installation Replacement See technical information Service Group 1 Document 1001 66/10	970 106 420 02	1 1	4870
(1)	948 100 970 AX	Discontinued part Replacement engine Not Ready for installation Replacement See technical information Service Group 1 Document 1001 66/10		1	4870
(1)	948 100 970 02	Discontinued part Replacement engine Not Ready for installation		1	4870+ PR:-X80
(1)	948 100 970 BX	Discontinued part Replacement engine Not Ready for installation		1	4870+ PR:-X80
(1)	948 100 970 04	Discontinued part Replacement engine Not Ready for installation for vehicles up to Chassis number		1	
		F >> 97-BL080 603 also use: Discontinued part	970 618 601 03	1	

Model: 970 10 Model life 2010>>2016

Pos	Part Number	Description	Remark	Qty	Model
(1)	948 100 970 DX	Replacement engine Not Ready for installation for vehicles up to Chassis number F >> 97-BL080 603 also use:	970 618 601 03	1	4870+ PR:-X80
(1)	948 100 970 06	Replacement engine Not Ready for installation for vehicles up to Chassis number F >> 97-BL080 603 also use:	970 618 601 03	1	4870+ PR:-X80
(1)	948 100 970 FX	Replacement engine Not Ready for installation for vehicles up to Chassis number F >> 97-BL080 603 also use:	970 618 601 03	1	4870+ PR:-X80,-016
(1)	948 100 970 09	Replacement engine Not Ready for installation for vehicles up to Chassis number F >> 97-BL080 603 also use: use if required:	970 618 601 03 970 106 420 02	1 1	4870+ PR:-X80,-016
(1)	948 100 970 JX	Replacement engine Not Ready for installation for vehicles up to Chassis number F >> 97-BL080 603 also use: use if required:	970 618 601 03 970 106 420 02	1 1	4870+ PR:-X80,-016
(1)	948 100 970 03	Replacement engine Not Ready for installation Discontinued part		1	4870+ PR:-X80,-016 4870+ PR:X80
(1)	948 100 970 CX	Replacement engine Not Ready for installation Discontinued part		1	4870+ PR:X80
(1)	948 100 970 05	Replacement engine Not Ready for installation		1	

Model: 970 10 Model life 2010>>2016

Pos	Part Number	Description	Remark	Qty	Model
		for vehicles up to Chassis number F >> 97-BL080 603 also use:	970 618 601 03	1	
		Discontinued part			4870+ PR:X80
(1)	948 100 970 EX	Replacement engine Not Ready for installation for vehicles up to Chassis number F >> 97-BL080 603 also use:	970 618 601 03	1	
		Discontinued part			4870+ PR:X80
(1)	948 100 970 07	Replacement engine Not Ready for installation for vehicles up to Chassis number F >> 97-BL080 603 also use:	970 618 601 03	1	
		Discontinued part			4870+ PR:X80
(1)	948 100 970 GX	Replacement engine Not Ready for installation for vehicles up to Chassis number F >> 97-BL080 603 also use:	970 618 601 03	1	
		Discontinued part			4870+ PR:X80
(1)	948 100 970 10	Replacement engine Not Ready for installation for vehicles up to Chassis number F >> 97-BL080 603 also use:	970 618 601 03	1	
		use if required:	970 106 420 02	1	
		Discontinued part			4870+ PR:X80
(1)	948 100 970 KX	Replacement engine Not Ready for installation for vehicles up to Chassis number F >> 97-BL080 603 also use:	970 618 601 03	1	
		use if required:	970 106 420 02	1	
		Discontinued part			4870+ PR:X80
(1)	948 100 970 08	Replacement engine Not Ready for installation		1	4870+ PR:016
		Discontinued part			
(1)	948 100 970 HX	Replacement engine Not		1	4870+ PR:016

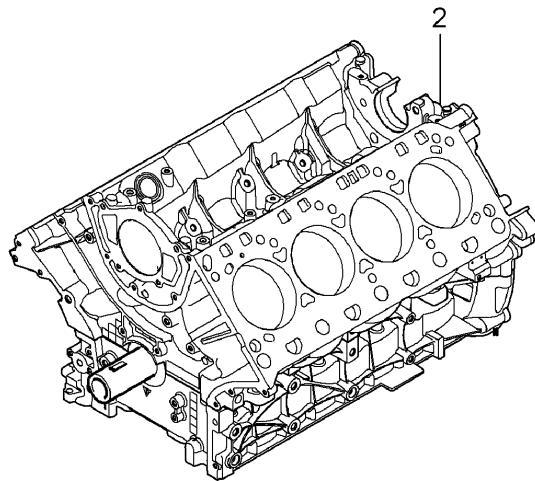
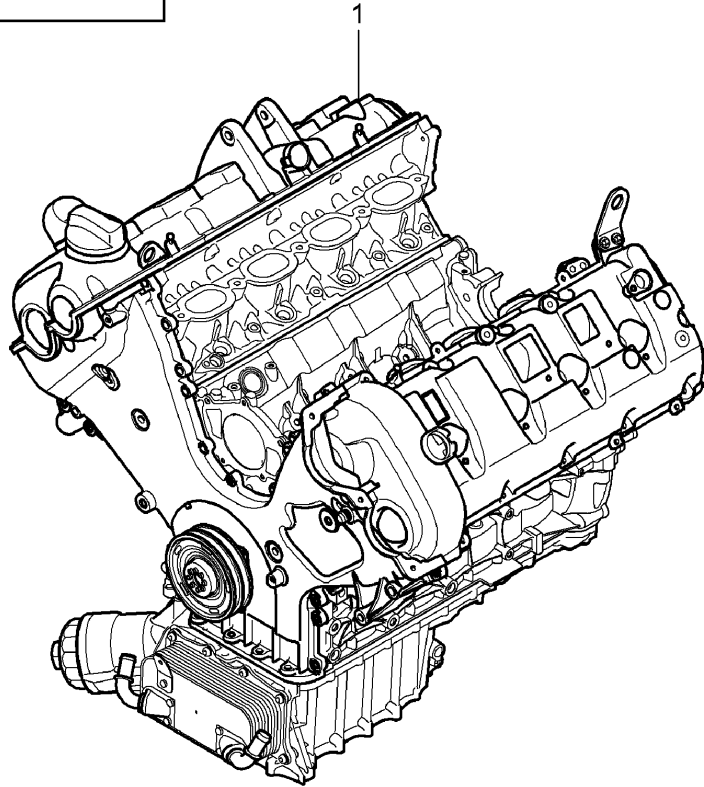
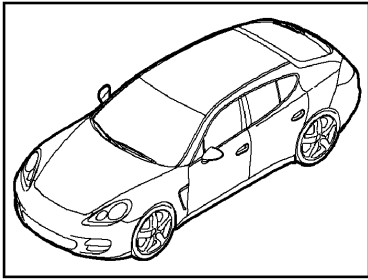
Model: 970 10

Model life 2010>>2016

Pos	Part Number	Description	Remark	Qty	Model
(1)	948 100 970 11	Ready for installation Discontinued part Replacement engine Not Ready for installation		1	4870+ PR:016
		use if required:	970 106 420 02	1	
(1)	948 100 970 LX	Replacement engine Not Ready for installation		1	4870+ PR:016
		use if required:	970 106 420 02	1	

Model: 970 10

Model life 2010>>2016



Model: 970 10 Model life 2010>>2016

Pos	Part Number	Description	Remark	Qty	Model
1	948 100 920 60	Base engine Short block Base engine comprising: Valve cover Cylinder head Crank drive oil sump Valve control Parts kit without: Gaskets		1	4820,4840, 4870 4820+ PR:-145
			also use:		
			948 111 041 01	1	
			948 111 042 01	1	
			N 906 651 01	10	
			999 707 582 41	1	
			999 707 581 41	1	
			948 110 615 00	1	
			999 701 502 41	2	
(1)	948 100 920 RX	Base engine comprising: Valve cover Cylinder head Crank drive oil sump Valve control Parts kit without: Gaskets		1	4820+ PR:-145
			also use:		
			948 111 041 01	1	
			948 111 042 01	1	
			N 906 651 01	10	
			999 707 582 41	1	
			999 707 581 41	1	
			948 110 615 00	1	
			999 701 502 41	2	
(1)	948 100 920 65	Base engine comprising: Valve cover Cylinder head Crank drive oil sump Valve control Parts kit without: Gaskets		1	4820+ PR:145
			also use:		
			948 111 041 01	1	
			948 111 042 01	1	
			N 906 651 01	10	
			999 707 582 41	1	
			999 707 581 41	1	
			948 110 615 00	1	
			999 701 502 41	2	
(1)	948 100 920 SX	Base engine comprising: Valve cover Cylinder head Crank drive oil sump Valve control Parts kit without: Gaskets		1	4820+ PR:145

Model: 970 10 Model life 2010>>2016

Pos	Part Number	Description	Remark	Qty	Model
(1)	948 100 940 60	Base engine comprising: Valve cover Cylinder head Crank drive oil sump Valve control Parts kit	also use: 948 111 041 01 948 111 042 01 N 906 651 01 999 707 582 41 999 707 581 41 948 110 615 00 999 701 502 41	1 1 10 1 1 1 2 1	4840+ PR:-145,-015
		Gaskets	without:		
(1)	948 100 940 PX	Base engine comprising: Valve cover Cylinder head Crank drive oil sump Valve control Parts kit	also use: 948 111 041 01 948 111 042 01 N 906 651 01 999 707 582 41 999 707 581 41 948 110 615 00 999 701 502 41	1 1 10 1 1 1 2 1	4840+ PR:-145,-015
		Gaskets	without:		
(1)	948 100 940 62	Base engine comprising: Valve cover Cylinder head Crank drive oil sump Valve control Parts kit	also use: 948 111 041 01 948 111 042 01 N 906 651 01 999 707 582 41 999 707 581 41 948 110 615 00 999 701 502 41	1 1 10 1 1 1 2 1	4840+ PR:-145,015
		Gaskets	without:		
(1)	948 100 940 QX	Base engine comprising: Valve cover Cylinder head Crank drive	also use: 948 111 041 01 948 111 042 01 N 906 651 01 999 707 582 41 999 707 581 41 948 110 615 00 999 701 502 41	1 1 10 1 1 1 2 1	4840+ PR:-145,015
		Gaskets	without:		

Model: 970 10 Model life 2010>>2016

Pos	Part Number	Description	Remark	Qty	Model
(1)	948 100 940 64	oil sump Valve control Parts kit without: Gaskets also use:	948 111 041 01 948 111 042 01 N 906 651 01 999 707 582 41 999 707 581 41 948 110 615 00 999 701 502 41	1 1 10 1 1 1 2	4840+ PR:145,-015
(1)	948 100 940 RX	Base engine comprising: Valve cover Cylinder head Crank drive oil sump Valve control Parts kit without: Gaskets also use:	948 111 041 01 948 111 042 01 N 906 651 01 999 707 582 41 999 707 581 41 948 110 615 00 999 701 502 41	1 1 10 1 1 1 2	4840+ PR:145,-015
(1)	948 100 940 66	Base engine comprising: Valve cover Cylinder head Crank drive oil sump Valve control Parts kit without: Gaskets also use:	948 111 041 01 948 111 042 01 N 906 651 01 999 707 582 41 999 707 581 41 948 110 615 00 999 701 502 41	1 1 10 1 1 1 2	4840+ PR:145,015

Model: 970 10 Model life 2010>>2016

Pos	Part Number	Description	Remark	Qty	Model
(1)	948 100 940 SX	Base engine comprising: Valve cover Cylinder head Crank drive oil sump Valve control Parts kit without: Gaskets		1	4840+ PR:145,015
		also use:	948 111 041 01	1	
			948 111 042 01	1	
			N 906 651 01	10	
			999 707 582 41	1	
			999 707 581 41	1	
			948 110 615 00	1	
			999 701 502 41	2	
-	948 106 533 00	Seal Parts kit for Base engine 94810092060/65 948100920RX/SX 94810094060/62/64/66 948100940PX/QX/RX/SX also use:	948 106 124 02	2	4820,4840
			948 106 154 01	2	
			999 707 586 40	2	
			999 701 825 40	2	
			948 107 437 20	1	
			948 107 438 20	1	
			999 707 606 40	8	
			999 704 020 90	8	
			948 110 146 01	8	
(1)	948 100 970 60	Base engine comprising: Valve cover Cylinder head Crank drive oil sump Valve control Parts kit without: Gaskets		1	4870
		also use:	N 906 651 01	10	
			948 111 181 70	2	
			999 707 582 41	1	
			999 707 581 41	1	
			948 110 615 00	1	
			999 701 502 41	2	
(1)	948 100 970 RX	Base engine comprising: Valve cover Cylinder head Crank drive oil sump Valve control Parts kit without: Gaskets		1	4870
		also use:	N 906 651 01	10	
			948 111 181 70	2	
			999 707 582 41	1	

Model: 970 10 Model life 2010>>2016

Pos	Part Number	Description	Remark	Qty	Model
-	948 106 533 00	Seal Parts kit for Base engine 94810097060 948100970RX	999 707 581 41 948 110 615 00 999 701 502 41	1 1 2 1	4870
		also use:	948 106 124 02 948 106 154 01 999 707 586 40 999 701 825 40 948 107 437 20 948 107 438 20 999 707 606 40 999 704 020 90 948 110 146 01	2 2 2 2 1 1 8 8 8	
-	999 707 763 40	O-ring Exhaust gas turbocharger Parts kit for Base engine 94810097060 948100970RX		2	4870
		also use:	900 123 005 20 948 107 123 50 999 707 568 40 999 707 503 40 900 123 005 20	4 2 2 1 8	
2	948 100 920 50	Short block comprising: Crankcase housing piston		1	4820+ PR:-145
		with:	Connecting rod Crankshaft		
		also use:	948 107 013 23 948 111 041 01 948 111 042 01 999 170 130 90 N 906 651 01	1 1 1 8 10	
(2)	948 100 920 TX	Short block comprising: Crankcase housing piston		1	4820+ PR:-145
		with:	Connecting rod Crankshaft		
		also use:	948 107 013 23 948 111 041 01 948 111 042 01 999 170 130 90 N 906 651 01	1 1 1 8 10	
(2)	948 100 920 55	Short block comprising: Crankcase housing piston		1	4820+ PR:145
		with:	Connecting rod Crankshaft		
		also use:	948 107 013 23 948 111 041 01	1 1	

Model: 970 10 Model life 2010>>2016

Pos	Part Number	Description	Remark	Qty	Model
(2)	948 100 920 UX	Short block comprising: Crankcase housing piston	948 111 042 01 999 170 130 90 N 906 651 01	1 8 10 1	4820+ PR:145
		with: Connecting rod Crankshaft			
		also use:	948 107 013 23 948 111 041 01 948 111 042 01 999 170 130 90 N 906 651 01	1 1 1 8 10	
-	948 101 910 20	Sealing flange Parts kit for Short block 94810092050/55 948100920TX/UX		1	4820
		also use:	948 106 533 00 948 106 124 02 948 106 154 01 999 707 586 40 999 701 825 40 948 107 437 20 948 107 438 20 999 707 606 40 999 704 020 90 948 110 146 01	1 2 2 2 2 1 1 8 8 8	
-	999 707 575 40	O-ring Parts kit for Short block 94810092050/55 948100920TX/UX		1	4820
		also use:	999 707 481 40 948 101 130 21 948 101 125 20 948 101 127 20 948 101 129 21 000 043 204 35 948 104 173 05 948 104 174 05 948 104 181 10	1 1 1 1 1 X 1 1 20	
-	948 105 935 01	Seal Parts kit for Short block 94810092050/55 948100920TX/UX		1	4820
		also use:	948 105 936 01 948 105 938 00 948 105 937 02 999 073 905 31 999 073 908 31 948 105 169 10 948 105 023 12 948 105 068 11 948 105 065 10 948 105 180 11 948 105 166 12	1 2 8 23 3 1 1 1 1 1 1 2	

Model: 970 10 Model life 2010>>2016

Pos	Part Number	Description	Remark	Qty	Model
-	948 107 222 00	Oil filter insert Parts kit for Short block 94810092050/55 948100920TX/UX	999 015 022 01 999 015 021 01	1 2 1	4820
		also use:	999 915 573 43 999 073 905 31 948 107 322 00 999 707 567 40 999 707 530 40 999 707 547 40 999 707 585 40 999 707 568 40 038 103 196 B 948 107 275 21 999 707 496 40 948 107 252 12	X 29 1 1 1 1 1 1 1 1 1 1	
(2)	948 100 940 50	Short block comprising: Crankcase housing piston	with: Connecting rod Crankshaft	1	4840+ PR:-145
		also use:	948 107 013 23 948 111 041 01 948 111 042 01 999 170 130 90 N 906 651 01 999 707 641 40 948 101 223 41	1 1 1 8 10 4 2	
(2)	948 100 940 TX	Short block comprising: Crankcase housing piston	with: Connecting rod Crankshaft	1	4840+ PR:-145
		also use:	948 107 013 23 948 111 041 01 948 111 042 01 999 170 130 90 N 906 651 01 999 707 641 40 948 101 223 41	1 1 1 8 10 4 2	
(2)	948 100 940 54	Short block comprising: Crankcase housing piston	with: Connecting rod Crankshaft	1	4840+ PR:145
		also use:	948 107 013 23 948 111 041 01 948 111 042 01 999 170 130 90 N 906 651 01 999 707 641 40 948 101 223 41	1 1 1 8 10 4 2	
(2)	948 100 940 WX	Short block		1	4840+

Model: 970 10 Model life 2010>>2016

Pos	Part Number	Description	Remark	Qty	Model
		comprising: Crankcase housing piston			PR:145
		with: Connecting rod Crankshaft			
		also use:	948 107 013 23	1	
			948 111 041 01	1	
			948 111 042 01	1	
			999 170 130 90	8	
			N 906 651 01	10	
			999 707 641 40	4	
			948 101 223 41	2	
-	948 101 910 20	Sealing flange Parts kit for Short block 94810094050/54 948100940TX/WX		1	4840
		also use:	948 106 533 00	1	
			948 106 124 02	2	
			948 106 154 01	2	
			999 707 586 40	2	
			999 701 825 40	2	
			948 107 437 20	1	
			948 107 438 20	1	
			999 707 606 40	8	
			999 704 020 90	8	
			948 110 146 01	8	
-	999 707 575 40	O-ring Parts kit for Short block 94810094050/54 948100940TX/WX		1	4840
		also use:	999 707 481 40	1	
			948 101 130 21	1	
			948 101 125 20	1	
			948 101 127 20	1	
			948 101 129 21	1	
			000 043 204 35	X	
			948 104 173 05	1	
			948 104 174 05	1	
			948 104 181 10	20	
-	948 105 935 01	Seal Parts kit for Short block 94810094050/54 948100940TX/WX		1	4840
		also use:	948 105 936 01	1	
			948 105 938 00	2	
			948 105 937 02	8	
			999 073 905 31	23	
			999 073 908 31	3	
			948 105 169 10	1	
			948 105 023 12	1	
			948 105 068 11	1	
			948 105 065 10	1	
			948 105 180 11	1	
			948 105 166 12	2	
			999 015 022 01	1	
			999 015 021 01	2	

Model: 970 10 Model life 2010>>2016

Pos	Part Number	Description	Remark	Qty	Model
-	948 107 222 00	Oil filter insert Parts kit for Short block 94810094050/54 948100940TX/WX		1	4840
		also use:	999 915 573 43	X	
			999 073 905 31	29	
			948 107 322 00	1	
			999 707 567 40	1	
			999 707 530 40	1	
			999 707 547 40	1	
			999 707 585 40	1	
			999 707 568 40	1	
			038 103 196 B	1	
			948 107 275 21	1	
			999 707 496 40	1	
			948 107 252 12	1	
(2)	948 100 970 50	Short block comprising: Crankcase housing piston		1	4870
		with:			
		Connecting rod Crankshaft			
		also use:	948 107 013 73	1	
			948 111 181 70	2	
			999 170 228 90	8	
			N 906 651 01	10	
			999 707 641 40	4	
			948 101 223 41	2	
(2)	948 100 970 TX	Short block comprising: Crankcase housing piston		1	4870
		with:			
		Connecting rod Crankshaft			
		also use:	948 107 013 73	1	
			948 111 181 70	2	
			999 170 228 90	8	
			N 906 651 01	10	
			999 707 641 40	4	
			948 101 223 41	2	
-	948 101 910 20	Sealing flange Parts kit for Short block 94810097050 948100970TX		1	4870
		also use:	948 106 533 00	1	
			948 106 124 02	2	
			948 106 154 01	2	
			999 707 586 40	2	
			999 701 825 40	2	
			948 107 437 20	1	
			948 107 438 20	1	
			999 707 606 40	8	
			999 704 020 90	8	
			948 110 146 01	8	
-	999 707 763 40	O-ring Exhaust gas turbocharger Parts kit		2	4870

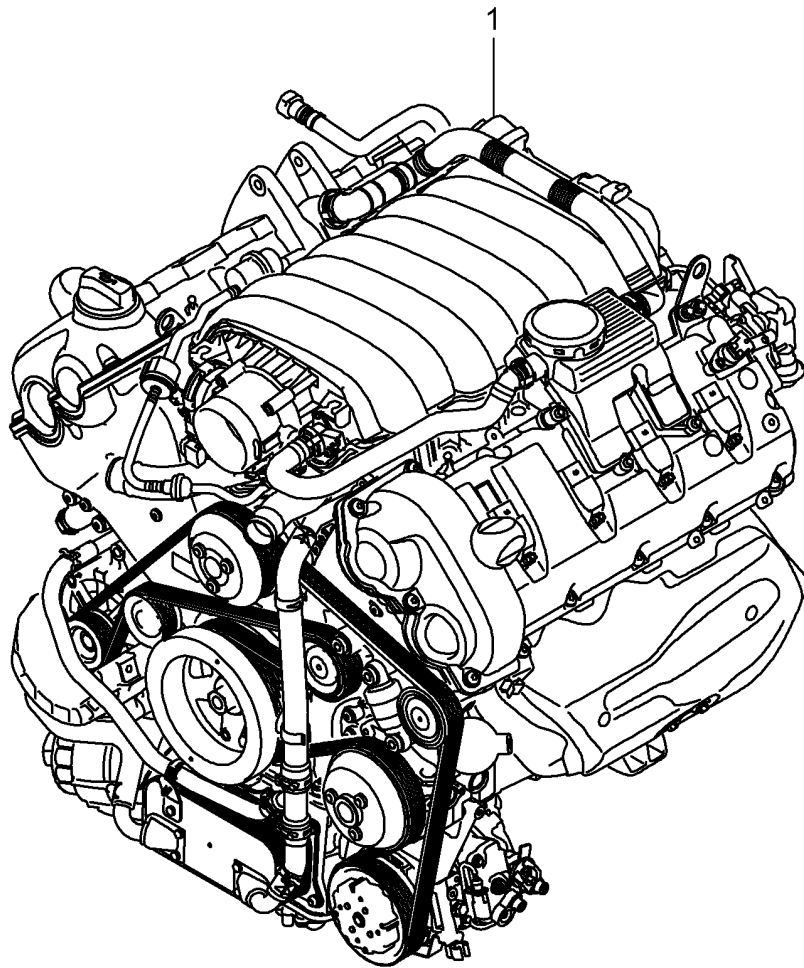
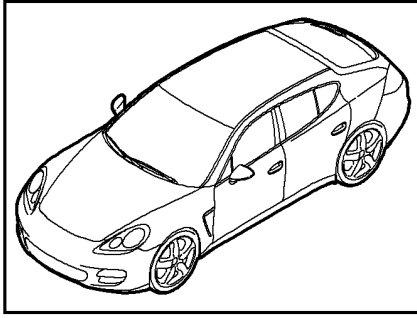
Model: 970 10

Model life 2010>>2016

Pos	Part Number	Description	Remark	Qty	Model
-	999 707 575 40	for Short block 94810097050 948100970TX also use:	900 123 005 20 948 107 123 50 999 707 568 40 999 707 503 40 900 123 005 20	4 2 2 1 8 1	4870
-	948 105 935 01	O-ring Parts kit for Short block 94810097050 948100970TX also use:	999 707 481 40 948 101 130 21 948 101 125 20 948 101 127 20 948 101 129 21 000 043 204 35 948 104 173 05 948 104 174 05 948 104 181 10	1 1 1 1 1 X 1 1 20 1	4870
-	948 107 222 00	Seal Parts kit for Short block 94810097050 948100970TX also use:	948 105 936 01 948 105 938 00 948 105 937 02 999 073 905 31 999 073 908 31 948 105 169 10 948 105 023 12 948 105 068 11 948 105 065 10 948 105 180 11 948 105 166 12 999 015 022 01 999 015 021 01	1 2 8 23 3 1 1 1 1 1 2 1 2 2	4870
-	948 107 222 00	Oil filter insert Parts kit for Short block 94810097050 948100970TX also use:	999 915 573 43 999 073 905 31 948 107 322 00 999 707 603 40 999 707 567 40 999 707 530 40 999 707 547 40 999 707 585 40 999 707 568 40 038 103 196 B 948 107 275 21 999 707 496 40 948 107 252 12	1 29 1 4 1 1 1 1 1 1 1 1 1 1	4870

Model: 970 10

Model life 2010>>2016



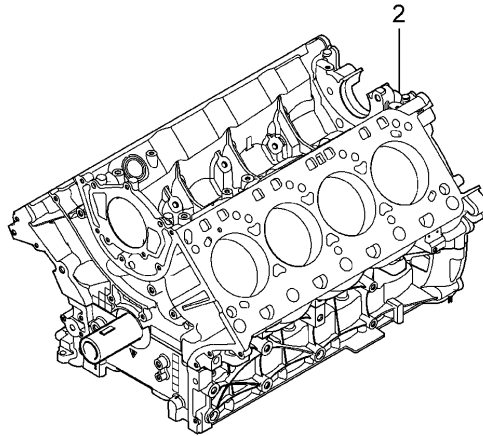
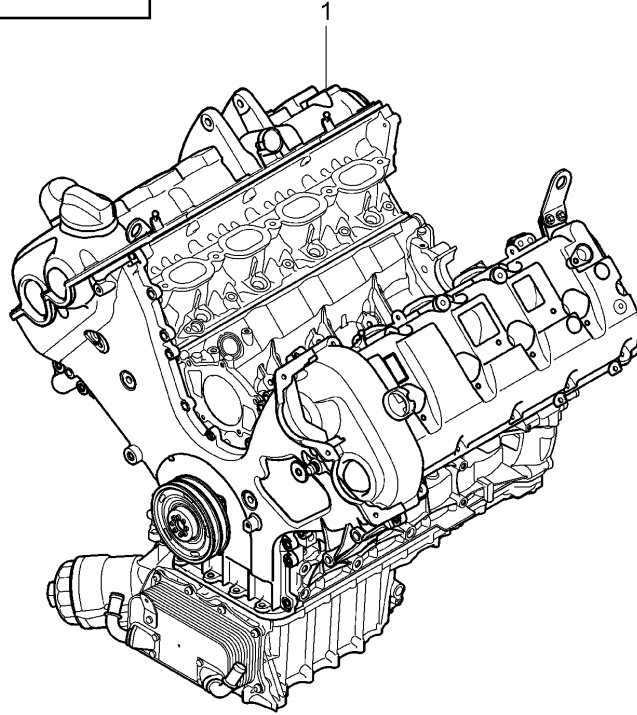
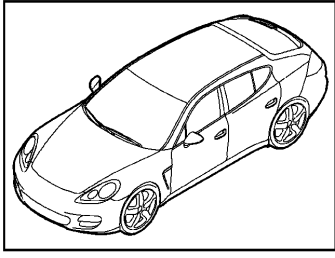
Model: 970 10

Model life 2010>>2016

Pos	Part Number	Description	Remark	Qty	Model
		Replacement engine without: Clutch plate - PDK - without: Compressor Air conditioning			CXPA, CXRA, CXR, CWBA, CWB, CWCA, CWC
1	948 100 941 00	Replacement engine Not Ready for installation M >> CXP 000 913		1	CXPA+ PR:-145
(1)	948 100 941 X	Replacement engine Not Ready for installation M >> CXP 000 913		1	CXPA+ PR:-145
(1)	948 100 941 02	Replacement engine Not Ready for installation M CXP 000 914>>		1	CXPA+ PR:-145
(1)	948 100 941 BX	Replacement engine Not Ready for installation M CXP 000 914>>		1	CXPA+ PR:-145
(1)	948 100 941 01	Replacement engine Not Ready for installation M >> CXR 000 522		1	CXRA, CXR+ PR:145
(1)	948 100 941 AX	Replacement engine Not Ready for installation M >> CXR 000 522		1	CXRA, CXR+ PR:145
(1)	948 100 941 03	Replacement engine Not Ready for installation M CXR 000 523>>		1	CXRA, CXR+ PR:145
(1)	948 100 941 CX	Replacement engine Not Ready for installation M CXR 000 523>>		1	CXRA, CXR+ PR:145
(1)	948 100 971 00	Replacement engine Not Ready for installation M >> CWB 001 356		1	CWBA, CWB
(1)	948 100 971 X	Replacement engine Not Ready for installation M >> CWB 001 356		1	CWBA, CWB
(1)	948 100 971 01	Replacement engine Not Ready for installation M CWB 001 357>>		1	CWBA, CWB
(1)	948 100 971 AX	Replacement engine Not Ready for installation M CWB 001 357>>		1	CWBA, CWB
(1)	948 100 971 02	Replacement engine Not Ready for installation		1	CWCA, CWC
(1)	948 100 971 BX	Replacement engine Not Ready for installation		1	CWCA, CWC

Model: 970 10

Model life 2010>>2016



Model: 970 10 Model life 2010>>2016

Pos	Part Number	Description	Remark	Qty	Model
1	948 100 940 62	Base engine Short block Base engine comprising: Valve cover Cylinder head Crank drive oil sump Valve control Parts kit without: Gaskets		1	CXPA, CXRA, CXR, CWBA, CWB, CWCA, CWC CXPA
			also use:		
			948 111 041 01	1	
			948 111 042 01	1	
			N 906 651 01	10	
			999 707 582 41	1	
			999 707 581 41	1	
			948 110 615 00	1	
			999 701 502 41	2	
(1)	948 100 940 QX	Base engine comprising: Valve cover Cylinder head Crank drive oil sump Valve control Parts kit without: Gaskets		1	CXPA
			also use:		
			948 111 041 01	1	
			948 111 042 01	1	
			N 906 651 01	10	
			999 707 582 41	1	
			999 707 581 41	1	
			948 110 615 00	1	
			999 701 502 41	2	
(1)	948 100 940 66	Base engine comprising: Valve cover Cylinder head Crank drive oil sump Valve control Parts kit without: Gaskets		1	CXRA, CXR
			also use:		
			948 111 041 01	1	
			948 111 042 01	1	
			N 906 651 01	10	
			999 707 582 41	1	
			999 707 581 41	1	
			948 110 615 00	1	
			999 701 502 41	2	
(1)	948 100 940 SX	Base engine comprising: Valve cover Cylinder head Crank drive oil sump Valve control Parts kit without:		1	CXRA, CXR

Model: 970 10

Model life 2010>>2016

Pos	Part Number	Description	Remark	Qty	Model
		Gaskets			
			also use:		
			948 111 041 01	1	
			948 111 042 01	1	
			N 906 651 01	10	
			999 707 582 41	1	
			999 707 581 41	1	
			948 110 615 00	1	
			999 701 502 41	2	
-	948 106 533 00	Seal Parts kit for Base engine		1	CXPA, CXRA, CXR
			also use:		
			948 106 124 02	2	
			948 106 154 01	2	
			999 707 586 40	2	
			999 701 825 40	2	
			948 107 437 20	1	
			948 107 438 20	1	
			999 707 606 40	8	
			999 704 020 90	8	
			948 110 146 01	8	
(1)	948 100 971 60	Base engine comprising: Valve cover Cylinder head Crank drive oil sump Valve control Parts kit		1	CWBA, CWB
			without:		
		Gaskets			
			also use:		
			N 906 651 01	10	
			948 111 181 70	2	
			999 707 582 41	1	
			999 707 581 41	1	
			948 110 615 00	1	
			999 701 502 41	2	
(1)	948 100 971 RX	Base engine comprising: Valve cover Cylinder head Crank drive oil sump Valve control Parts kit		1	CWBA, CWB
			without:		
		Gaskets			
			also use:		
			N 906 651 01	10	
			948 111 181 70	2	
			999 707 582 41	1	
			999 707 581 41	1	
			948 110 615 00	1	
			999 701 502 41	2	
(1)	948 100 971 65	Base engine comprising: Valve cover Cylinder head Crank drive oil sump Valve control Parts kit		1	CWCA, CWC
			without:		
		Gaskets			

Model: 970 10 Model life 2010>>2016

Pos	Part Number	Description	Remark	Qty	Model
(1)	948 100 971 SX	Base engine comprising: Valve cover Cylinder head Crank drive oil sump Valve control Parts kit	also use: N 906 651 01 948 111 181 70 999 707 582 41 999 707 581 41 948 110 615 00 999 701 502 41	10 2 1 1 1 2 1	CWCA, CWC
-	948 106 533 00	Gaskets Seal Parts kit for Base engine	without: also use: N 906 651 01 948 111 181 70 999 707 582 41 999 707 581 41 948 110 615 00 999 701 502 41	1 10 2 1 1 1 2 1	CWBA, CWB, CWCA, CWC
-	999 707 763 40	O-ring Exhaust gas turbocharger Parts kit for Base engine	also use: 948 106 124 02 948 106 154 01 999 707 586 40 999 701 825 40 948 107 437 20 948 107 438 20 999 707 606 40 999 704 020 90 948 110 146 01	2 2 2 2 1 1 8 8 8 2	CWBA, CWB, CWCA, CWC
(2)	948 100 940 50	Short block comprising: Crankcase housing piston	also use: 900 123 005 20 948 107 123 50 999 707 568 40 999 707 503 40 900 123 005 20	4 2 2 1 8 1	CXPA
(2)	948 100 940 TX	Short block comprising: Crankcase housing piston	with: also use: 948 107 013 23 948 111 041 01 948 111 042 01 999 170 130 90 N 906 651 01 999 707 641 40 948 101 223 41	1 1 1 8 10 4 2 1	CXPA

Model: 970 10 Model life 2010>>2016

Pos	Part Number	Description	Remark	Qty	Model
		with: Connecting rod Crankshaft			
		also use:	948 107 013 23	1	
			948 111 041 01	1	
			948 111 042 01	1	
			999 170 130 90	8	
			N 906 651 01	10	
			999 707 641 40	4	
			948 101 223 41	2	
(2)	948 100 940 54	Short block comprising: Crankcase housing piston		1	CXRA, CXR
		with: Connecting rod Crankshaft			
		also use:	948 107 013 23	1	
			948 111 041 01	1	
			948 111 042 01	1	
			999 170 130 90	8	
			N 906 651 01	10	
			999 707 641 40	4	
			948 101 223 41	2	
(2)	948 100 940 WX	Short block comprising: Crankcase housing piston		1	CXRA, CXR
		with: Connecting rod Crankshaft			
		also use:	948 107 013 23	1	
			948 111 041 01	1	
			948 111 042 01	1	
			999 170 130 90	8	
			N 906 651 01	10	
			999 707 641 40	4	
			948 101 223 41	2	
-	948 101 910 20	Sealing flange Parts kit for Short block		1	CXPA, CXRA, CXR
		also use:	948 106 533 00	1	
			948 106 124 02	2	
			948 106 154 01	2	
			999 707 586 40	2	
			999 701 825 40	2	
			948 107 437 20	1	
			948 107 438 20	1	
			999 707 606 40	8	
			999 704 020 90	8	
			948 110 146 01	8	
-	999 707 575 40	O-ring Parts kit for Short block		1	CXPA, CXRA, CXR
		also use:	999 707 481 40	1	
			948 101 130 21	1	
			948 101 125 20	1	
			948 101 127 20	1	
			948 101 129 21	1	
			000 043 204 35	X	
			948 104 173 05	1	

Model: 970 10 Model life 2010>>2016

Pos	Part Number	Description	Remark	Qty	Model	
-	948 105 935 01	Seal Parts kit for Short block	948 104 174 05 948 104 181 10	1 20 1	CXPA, CXRA, CXR	
		also use:	948 105 936 01 948 105 938 00 948 105 937 02 999 073 905 31 999 073 908 31 948 105 169 10 948 105 023 12 948 105 068 11 948 105 065 10 948 105 180 11 948 105 166 12 999 015 022 01 999 015 021 01	1 2 8 23 3 1 1 1 1 1 2 1 2		
-	948 107 222 00	Oil filter insert Parts kit for Short block	also use:	999 915 573 43 999 073 905 31 948 107 322 00 999 707 567 40 999 707 530 40 999 707 547 40 999 707 585 40 999 707 568 40 038 103 196 B 948 107 275 21 999 707 496 40 948 107 252 12	X 29 1 1 1 1 1 1 1 1 1 1	CXPA, CXRA, CXR
(2)	948 100 971 50	Short block comprising: Crankcase housing piston	with:		CWBA, CWB	
		Connecting rod Crankshaft	also use:	948 107 013 73 948 111 181 70 999 170 228 90 N 906 651 01 999 707 641 40 948 101 223 41	1 2 8 10 4 2	
(2)	948 100 971 TX	Short block comprising: Crankcase housing piston	with:		CWBA, CWB	
		Connecting rod Crankshaft	also use:	948 107 013 73 948 111 181 70 999 170 228 90 N 906 651 01 999 707 641 40 948 101 223 41	1 2 8 10 4 2	
(2)	948 100 971 55	Short block comprising:		1	CWCA, CWC	

Model: 970 10 Model life 2010>>2016

Pos	Part Number	Description	Remark	Qty	Model
		Crankcase housing piston			
		with:			
		Connecting rod			
		Crankshaft			
		also use:	948 107 013 73	1	
			948 111 181 70	2	
			999 170 228 90	8	
			N 906 651 01	10	
			999 707 641 40	4	
			948 101 223 41	2	
(2)	948 100 971 UX	Short block comprising: Crankcase housing piston		1	CWCA, CWC
		with:			
		Connecting rod			
		Crankshaft			
		also use:	948 107 013 73	1	
			948 111 181 70	2	
			999 170 228 90	8	
			N 906 651 01	10	
			999 707 641 40	4	
			948 101 223 41	2	
-	948 101 910 20	Sealing flange Parts kit for Short block		1	CWBA, CWB, CWCA, CWC
		also use:	948 106 533 00	1	
			948 106 124 02	2	
			948 106 154 01	2	
			999 707 586 40	2	
			999 701 825 40	2	
			948 107 437 20	1	
			948 107 438 20	1	
			999 707 606 40	8	
			999 704 020 90	8	
			948 110 146 01	8	
-	999 707 763 40	O-ring Exhaust gas turbocharger Parts kit for Short block		2	CWBA, CWB, CWCA, CWC
		also use:	900 123 005 20	4	
			948 107 123 50	2	
			999 707 568 40	2	
			999 707 503 40	1	
			900 123 005 20	8	
-	999 707 575 40	O-ring Parts kit for Short block		1	CWBA, CWB, CWCA, CWC
		also use:	999 707 481 40	1	
			948 101 130 21	1	
			948 101 125 20	1	
			948 101 127 20	1	
			948 101 129 21	1	
			000 043 204 35	X	
			948 104 173 05	1	
			948 104 174 05	1	
			948 104 181 10	20	
-	948 105 935 01	Seal Parts kit		1	CWBA, CWB, CWCA, CWC

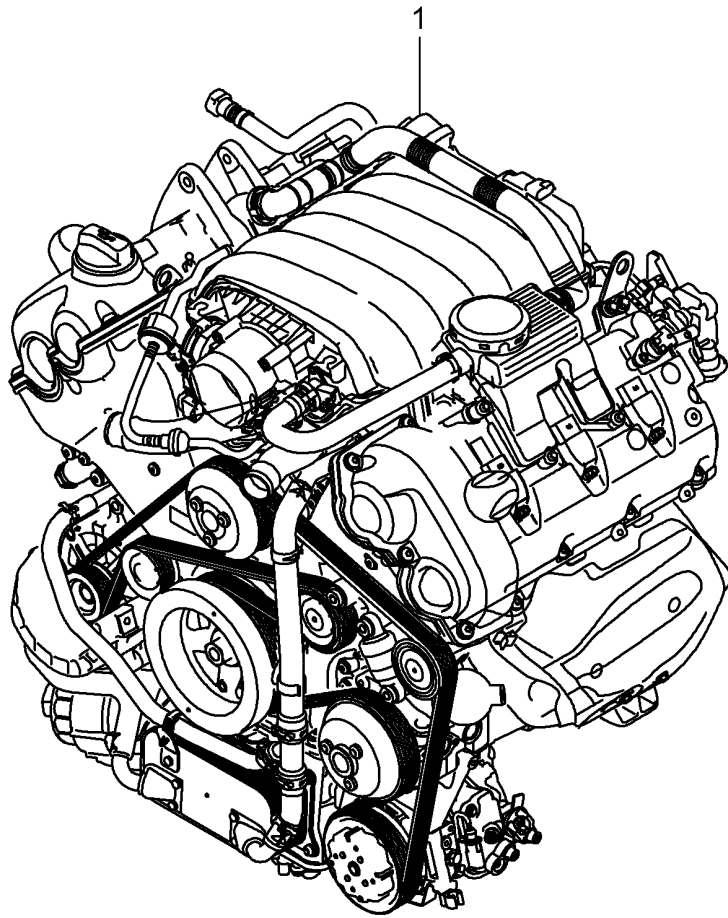
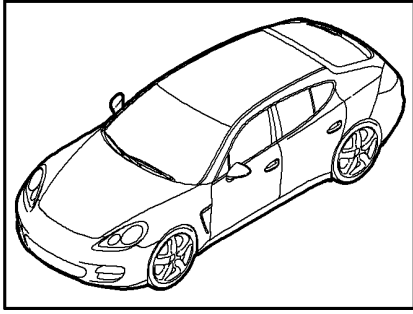
Model: 970 10

Model life 2010>>2016

Pos	Part Number	Description	Remark	Qty	Model
		for Short block			
			also use:		
			948 105 936 01	1	
			948 105 938 00	2	
			948 105 937 02	8	
			999 073 905 31	23	
			999 073 908 31	3	
			948 105 169 10	1	
			948 105 023 12	1	
			948 105 068 11	1	
			948 105 065 10	1	
			948 105 180 11	1	
			948 105 166 12	2	
			999 015 022 01	1	
			999 015 021 01	2	
-	948 107 222 00	Oil filter insert Parts kit for Short block		1	CWBA, CWB, CWCA, CWC
			also use:		
			999 915 573 43	X	
			999 073 905 31	29	
			948 107 322 00	1	
			999 707 603 40	4	
			999 707 567 40	1	
			999 707 530 40	1	
			999 707 547 40	1	
			999 707 585 40	1	
			999 707 568 40	1	
			038 103 196 B	1	
			948 107 275 21	1	
			999 707 496 40	1	
			948 107 252 12	1	

Model: 970 10

Model life 2010>>2016



Model: 970 10 Model life 2010>>2016

Pos	Part Number	Description	Remark	Qty	Model
		Replacement engine without: Clutch plate - PDK - without: flywheel Manual gearbox without: Compressor			4620,4640
1	946 100 920 00	Replacement engine Not Ready for installation Discontinued part		1	4620+ PR:-642
(1)	946 100 920 X	Replacement engine Not Ready for installation Discontinued part		1	4620+ PR:-642
(1)	946 100 920 03	Replacement engine Not Ready for installation Discontinued part		1	4620+ PR:-642
(1)	946 100 920 CX	Replacement engine Not Ready for installation Discontinued part		1	4620+ PR:-642
(1)	946 100 920 06	Replacement engine Not Ready for installation		1	4620+ PR:-642
(1)	946 100 920 FX	Replacement engine Not Ready for installation use if required:	970 106 420 02	1 1	4620+ PR:-642
(1)	946 100 920 01	Replacement engine Not Ready for installation Discontinued part	970 106 420 02	1 1	4620+ PR:642,-145
(1)	946 100 920 AX	Replacement engine Not Ready for installation Discontinued part		1	4620+ PR:642,-145
(1)	946 100 920 04	Replacement engine Not Ready for installation Discontinued part		1	4620+ PR:642,-145
(1)	946 100 920 DX	Replacement engine Not Ready for installation Discontinued part		1	4620+ PR:642,-145
(1)	946 100 920 07	Replacement engine Not Ready for installation use if required:	970 106 420 02	1 1	4620+ PR:642,-145
(1)	946 100 920 GX	Replacement engine Not Ready for installation use if required:	970 106 420 02	1 1	4620+ PR:642,-145
(1)	946 100 920 02	Replacement engine Not Ready for installation Discontinued part	970 106 420 02	1 1	4620+ PR:642,145
(1)	946 100 920 BX	Replacement engine Not		1	4620+ PR:642,145

Model: 970 10

Model life 2010>>2016

Pos	Part Number	Description	Remark	Qty	Model
(1)	946 100 920 05	Ready for installation Discontinued part Replacement engine Not		1	4620+ PR:642,145
(1)	946 100 920 EX	Ready for installation Discontinued part Replacement engine Not		1	4620+ PR:642,145
(1)	946 100 920 08	Ready for installation Discontinued part Replacement engine Not		1	4620+ PR:642,145
(1)	946 100 920 HX	Ready for installation use if required: Replacement engine Not	970 106 420 02	1 1	4620+ PR:642,145
(1)	946 100 940 00	Ready for installation use if required: Replacement engine Not	970 106 420 02	1 1	4640+ PR:-145
(1)	946 100 940 X	Ready for installation Discontinued part Replacement engine Not		1	4640+ PR:-145
(1)	946 100 940 03	Ready for installation Discontinued part Replacement engine Not		1	4640+ PR:-145
(1)	946 100 940 CX	Ready for installation Discontinued part Replacement engine Not		1	4640+ PR:-145
(1)	946 100 940 05	Ready for installation Discontinued part Replacement engine Not		1	4640+ PR:-145
(1)	946 100 940 EX	Ready for installation use if required: Replacement engine Not	970 106 420 02	1 1	4640+ PR:-145
(1)	946 100 940 02	Ready for installation use if required: Replacement engine Not	970 106 420 02	1 1	4640+ PR:145
(1)	946 100 940 BX	Ready for installation Discontinued part Replacement engine Not		1	4640+ PR:145
(1)	946 100 940 04	Ready for installation Discontinued part Replacement engine Not		1	4640+ PR:145
(1)	946 100 940 DX	Ready for installation Discontinued part Replacement engine Not		1	4640+ PR:145
(1)	946 100 940 06	Ready for installation Discontinued part Replacement engine Not		1	4640+ PR:145
(1)	946 100 940 FX	Ready for installation use if required: Replacement engine	970 106 420 02	1 1	4640+

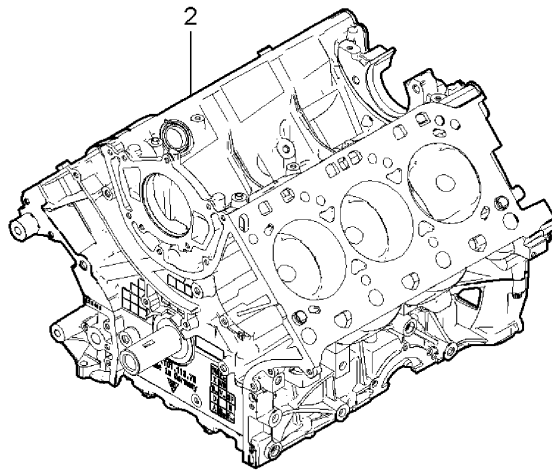
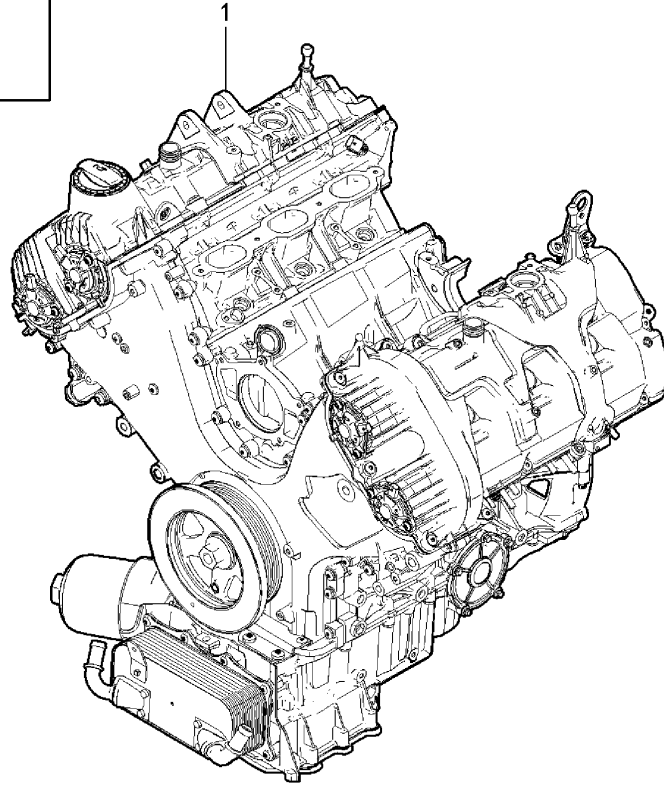
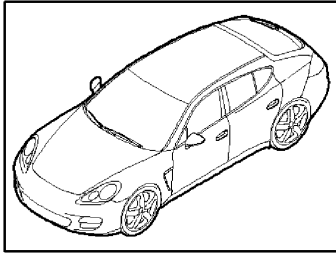
Model: 970 10

Model life 2010>>2016

Pos	Part Number	Description	Remark	Qty	Model
		Not Ready for installation use if required:	970 106 420 02	1	PR:145

Model: 970 10

Model life 2010>>2016



Model: 970 10 Model life 2010>>2016

Pos	Part Number	Description	Remark	Qty	Model
1	946 100 920 60	Base engine Short block Base engine comprising: Valve cover Cylinder head Crank drive oil sump Valve control Parts kit without: Gaskets		1	4620,4640 4620+ PR:-145
(1)	946 100 920 RX	Base engine comprising: Valve cover Cylinder head Crank drive oil sump Valve control Parts kit without: Gaskets	also use: 946 111 041 02 946 111 042 02 N 906 651 01 999 707 582 41 999 707 581 41 948 110 615 00	1 1 10 1 1 1 1	4620+ PR:-145
(1)	946 100 920 65	Base engine comprising: Valve cover Cylinder head Crank drive oil sump Valve control Parts kit without: Gaskets	also use: 946 111 041 02 946 111 042 02 N 906 651 01 999 707 582 41 999 707 581 41 948 110 615 00	1 1 10 1 1 1	4620+ PR:145
(1)	946 100 920 SX	Base engine comprising: Valve cover Cylinder head Crank drive oil sump Valve control Parts kit without: Gaskets	also use: 946 111 041 02 946 111 042 02 N 906 651 01 999 707 582 41 999 707 581 41 948 110 615 00	1 1 10 1 1 1	4620+ PR:145
(1)	946 100 920 SX	Base engine comprising: Valve cover Cylinder head Crank drive oil sump Valve control Parts kit without: Gaskets	also use: 946 111 041 02 946 111 042 02 N 906 651 01	1 1 10	4620+ PR:145

Model: 970 10 Model life 2010>>2016

Pos	Part Number	Description	Remark	Qty	Model
(1)	946 100 940 60	Base engine comprising: Valve cover Cylinder head Crank drive oil sump Valve control Parts kit without: Gaskets	999 707 582 41 999 707 581 41 948 110 615 00	1 1 1 1	4640+ PR:-145
(1)	946 100 940 RX	Base engine comprising: Valve cover Cylinder head Crank drive oil sump Valve control Parts kit without: Gaskets	also use: 946 111 041 02 946 111 042 02 N 906 651 01 999 707 582 41 999 707 581 41 948 110 615 00	1 1 10 1 1 1 1	4640+ PR:-145
(1)	946 100 940 65	Base engine comprising: Valve cover Cylinder head Crank drive oil sump Valve control Parts kit without: Gaskets	also use: 946 111 041 02 946 111 042 02 N 906 651 01 999 707 582 41 999 707 581 41 948 110 615 00	1 1 10 1 1 1 1	4640+ PR:145
(1)	946 100 940 SX	Base engine comprising: Valve cover Cylinder head Crank drive oil sump Valve control Parts kit without: Gaskets	also use: 946 111 041 02 946 111 042 02	1 1 10 1 1 1 1 1 1	4640+ PR:145

Model: 970 10 Model life 2010>>2016

Pos	Part Number	Description	Remark	Qty	Model
-	948 106 533 00	Seal Parts kit for Base engine 94610092060/65 946100920RX/SX 94610094060/65 946100940RX/SX	N 906 651 01 999 707 582 41 999 707 581 41 948 110 615 00	10 1 1 1 1	
		also use:	948 106 124 02 948 106 154 01 999 707 586 40 999 701 825 40 948 107 437 20 948 107 438 20 999 707 606 40 999 704 020 90 946 110 146 02	2 2 2 2 1 1 6 6 6	
2	946 100 920 50	Short block comprising: Crankcase housing piston	with: Connecting rod Crankshaft	1	4620+ PR:-145
		also use:	946 107 013 23 946 111 041 02 946 111 042 02 999 170 130 90 N 906 651 01	1 1 1 6 10	
(2)	946 100 920 TX	Short block comprising: Crankcase housing piston	with: Connecting rod Crankshaft	1	4620+ PR:-145
		also use:	946 107 013 23 946 111 041 02 946 111 042 02 999 170 130 90 N 906 651 01	1 1 1 6 10	
(2)	946 100 920 55	Short block comprising: Crankcase housing piston	with: Connecting rod Crankshaft	1	4620+ PR:145
		also use:	946 107 013 23 946 111 041 02 946 111 042 02 999 170 130 90 N 906 651 01	1 1 1 6 10	
(2)	946 100 920 UX	Short block comprising: Crankcase housing piston	with: Connecting rod	1	4620+ PR:145

Model: 970 10

Model life 2010>>2016

Pos	Part Number	Description	Remark	Qty	Model
-	948 101 910 20	Crankshaft also use:	946 107 013 23 946 111 041 02 946 111 042 02 999 170 130 90 N 906 651 01	1 1 1 6 10	4620
-	948 101 910 20	Sealing flange Parts kit for Short block 94610092050/55 946100920TX/UX also use:	948 106 533 00 948 106 124 02 948 106 154 01 999 707 586 40 999 701 825 40 948 107 437 20 948 107 438 20 999 707 606 40 999 704 020 90 946 110 146 02	1 2 2 2 2 1 1 6 6 6	4620
-	999 707 575 40	O-ring Parts kit for Short block 94610092050/55 946100920TX/UX also use:	999 707 481 40 948 101 130 21 948 101 125 20 948 101 127 20 948 101 129 21 000 043 204 35 946 104 173 02 946 104 174 02 948 104 181 10	1 1 1 1 1 X 1 1 16	4620
-	946 105 935 00	Seal Parts kit for Short block 94610092050/55 946100920TX/UX also use:	946 105 936 00 948 105 938 00 948 105 937 02 999 073 905 31 999 073 908 31 948 105 169 10 948 105 023 12 946 105 068 00 948 105 065 10 946 105 180 00 948 105 166 12 999 015 022 01 999 015 021 01	1 2 6 20 2 1 1 1 1 1 1 2 1 2	4620
-	948 107 222 00	Oil filter insert Parts kit for Short block 94610092050/55 946100920TX/UX also use:	999 915 573 43	1 X	4620

Model: 970 10

Model life 2010>>2016

Pos	Part Number	Description	Remark	Qty	Model
			999 073 905 31	22	
			948 107 322 00	1	
			999 707 567 40	2	
			999 707 547 40	1	
			999 707 585 40	1	
			999 707 568 40	1	
			038 103 196 B	1	
			946 107 275 21	1	
			946 107 252 01	1	
(2)	946 100 940 50	Short block comprising: Crankcase housing piston		1	4640+ PR:-145
		with:			
		Connecting rod			
		Crankshaft			
		also use:	946 107 013 23	1	
			946 111 041 02	1	
			946 111 042 02	1	
			999 170 130 90	6	
			N 906 651 01	10	
			999 707 641 40	4	
			948 101 223 41	2	
(2)	946 100 940 TX	Short block comprising: Crankcase housing piston		1	4640+ PR:-145
		with:			
		Connecting rod			
		Crankshaft			
		also use:	946 107 013 23	1	
			946 111 041 02	1	
			946 111 042 02	1	
			999 170 130 90	6	
			N 906 651 01	10	
			999 707 641 40	4	
			948 101 223 41	2	
(2)	946 100 940 55	Short block comprising: Crankcase housing piston		1	4640+ PR:145
		with:			
		Connecting rod			
		Crankshaft			
		also use:	946 107 013 23	1	
			946 111 041 02	1	
			946 111 042 02	1	
			999 170 130 90	6	
			N 906 651 01	10	
			999 707 641 40	4	
			948 101 223 41	2	
(2)	946 100 940 UX	Short block comprising: Crankcase housing piston		1	4640+ PR:145
		with:			
		Connecting rod			
		Crankshaft			
		also use:	946 107 013 23	1	
			946 111 041 02	1	
			946 111 042 02	1	
			999 170 130 90	6	
			N 906 651 01	10	

Model: 970 10 Model life 2010>>2016

Pos	Part Number	Description	Remark	Qty	Model
-	948 101 910 20	Sealing flange Parts kit for Short block 94610094050/55 946100940TX/UX	999 707 641 40 948 101 223 41	4 2 1	4640
		also use:	948 106 533 00 948 106 124 02 948 106 154 01 999 707 586 40 999 701 825 40 948 107 437 20 948 107 438 20 999 707 606 40 999 704 020 90 946 110 146 02	1 2 2 2 2 1 1 6 6 6	
-	999 707 575 40	O-ring Parts kit for Short block 94610094050/55 946100940TX/UX		1	4640
		also use:	999 707 481 40 948 101 130 21 948 101 125 20 948 101 127 20 948 101 129 21 000 043 204 35 946 104 173 02 946 104 174 02 948 104 181 10	1 1 1 1 1 X 1 1 16	
-	946 105 935 00	Seal Parts kit for Short block 94610094050/55 946100940TX/UX		1	4640
		also use:	946 105 936 00 948 105 938 00 948 105 937 02 999 073 905 31 999 073 908 31 948 105 169 10 948 105 023 12 946 105 068 00 948 105 065 10 946 105 180 00 948 105 166 12 999 015 022 01 999 015 021 01	1 2 6 20 2 1 1 1 1 1 2 1 2	
-	948 107 222 00	Oil filter insert Parts kit for Short block 94610094050/55 946100940TX/UX		2 1	4640
		also use:	999 915 573 43 999 073 905 31 948 107 322 00 999 707 567 40 999 707 547 40	X 22 1 2 1	

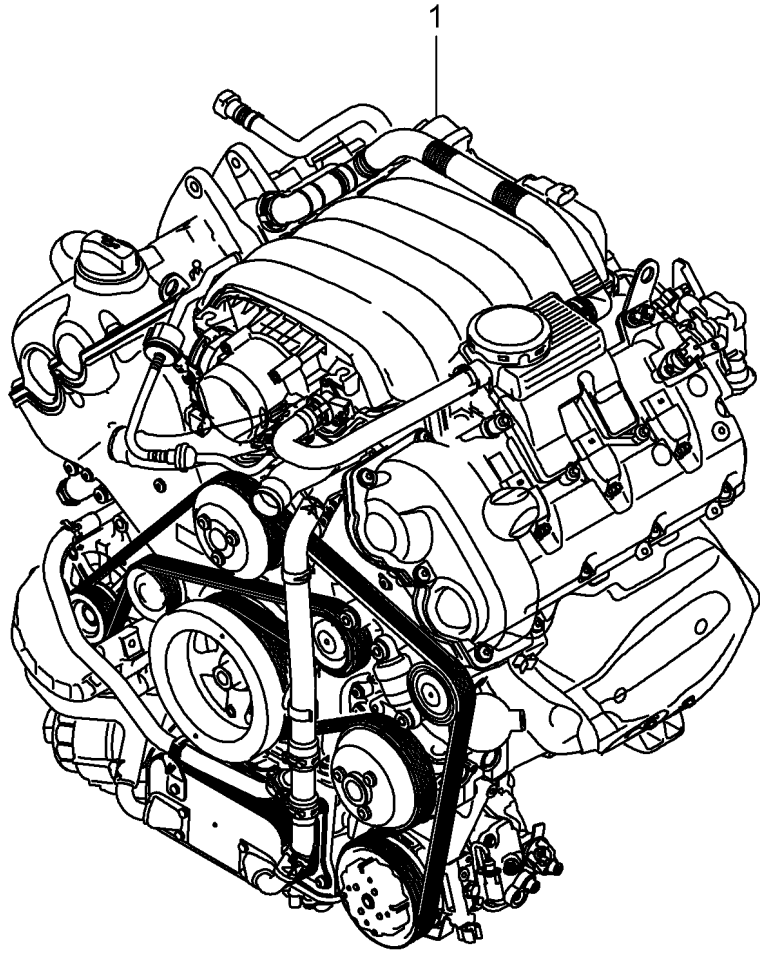
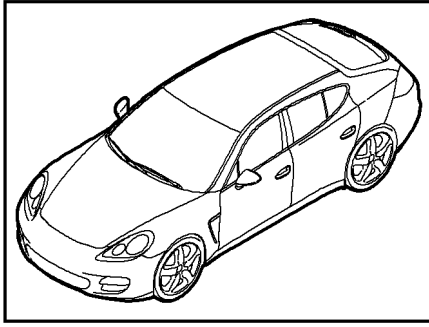
Model: 970 10

Model life 2010>>2016

Pos	Part Number	Description	Remark	Qty	Model
			999 707 585 40	1	
			999 707 568 40	1	
			038 103 196 B	1	
			946 107 275 21	1	
			946 107 252 01	1	

Model: 970 10

Model life 2010>>2016



Model: 970 10

Model life 2010>>2016

Pos	Part Number	Description	Remark	Qty	Model
		Replacement engine without: Clutch plate - PDK - without: Compressor Air conditioning			CWAA, CXNA
1	946 100 921 00	Replacement engine Not Ready for installation M >> CWA 001 886		1	CWAA+ PR:338,-145
(1)	946 100 921 X	Replacement engine Not Ready for installation M >> CWA 001 886		1	CWAA+ PR:338,-145
(1)	946 100 921 04	Replacement engine Not Ready for installation M CWA 001 887>>		1	CWAA+ PR:338,-145
(1)	946 100 921 DX	Replacement engine Not Ready for installation M CWA 001 887>>		1	CWAA+ PR:338,-145
(1)	946 100 921 01	Replacement engine Not Ready for installation M >> CXN 000 539		1	CXNA+ PR:338,145
(1)	946 100 921 AX	Replacement engine Not Ready for installation M >> CXN 000 539		1	CXNA+ PR:338,145
(1)	946 100 921 05	Replacement engine Not Ready for installation M CXN 000 540>>		1	CXNA+ PR:338,145
(1)	946 100 921 EX	Replacement engine Not Ready for installation M CXN 000 540>>		1	CXNA+ PR:338,145
(1)	946 100 921 02	Replacement engine Not Ready for installation M >> CWA 001 886		1	CWAA+ PR:339,-145
(1)	946 100 921 BX	Replacement engine Not Ready for installation M >> CWA 001 886		1	CWAA+ PR:339,-145
(1)	946 100 921 06	Replacement engine Not Ready for installation M CWA 001 887>>		1	CWAA+ PR:339,-145
(1)	946 100 921 FX	Replacement engine Not Ready for installation M CWA 001 887>>		1	CWAA+ PR:339,-145
(1)	946 100 921 03	Replacement engine Not Ready for installation M >> CXN 000 539		1	CXNA+ PR:339,145
(1)	946 100 921 CX	Replacement engine Not Ready for installation M >> CXN 000 539		1	CXNA+ PR:339,145

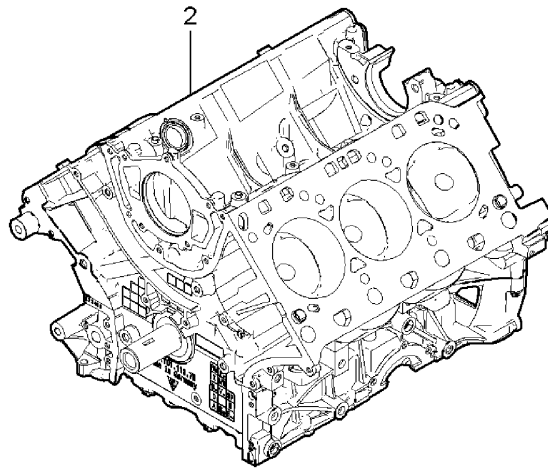
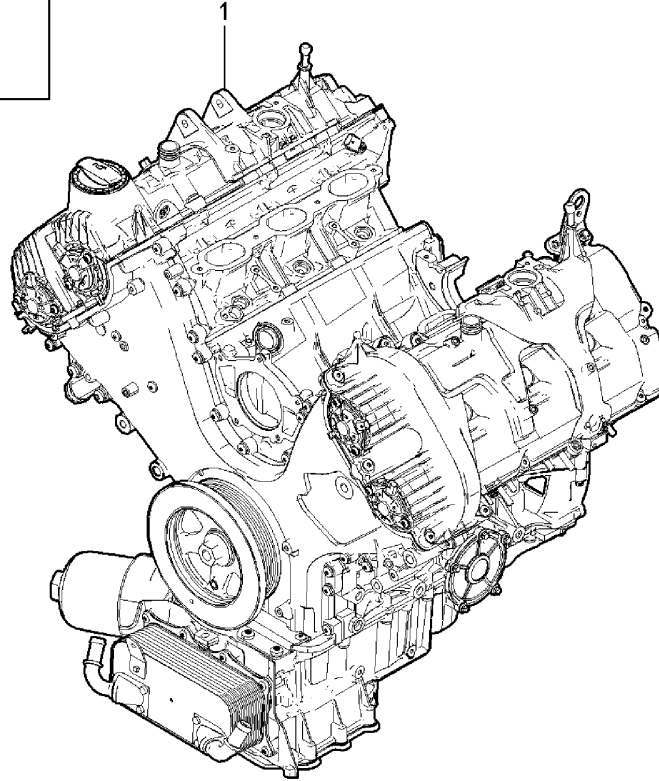
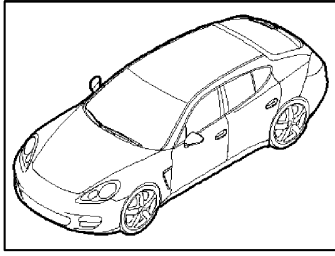
Model: 970 10

Model life 2010>>2016

Pos	Part Number	Description	Remark	Qty	Model
(1)	946 100 921 07	Replacement engine Not Ready for installation M CXN 000 540>>		1	CXNA+ PR:339,145
(1)	946 100 921 GX	Replacement engine Not Ready for installation M CXN 000 540>>		1	CXNA+ PR:339,145

Model: 970 10

Model life 2010>>2016



Model: 970 10 Model life 2010>>2016

Pos	Part Number	Description	Remark	Qty	Model
1	946 100 921 60	Base engine Short block Base engine comprising: Valve cover Cylinder head Crank drive oil sump Valve control Parts kit without: Gaskets		1	CWAA, CXNA CWAA+ PR:338
			also use:		
			946 111 041 02	1	
			946 111 042 02	1	
			N 906 651 01	10	
			999 707 582 41	1	
			999 707 581 41	1	
			948 110 615 00	1	
(1)	946 100 921 RX	Base engine comprising: Valve cover Cylinder head Crank drive oil sump Valve control Parts kit without: Gaskets		1	CWAA+ PR:338
			also use:		
			946 111 041 02	1	
			946 111 042 02	1	
			N 906 651 01	10	
			999 707 582 41	1	
			999 707 581 41	1	
			948 110 615 00	1	
(1)	946 100 921 65	Base engine comprising: Valve cover Cylinder head Crank drive oil sump Valve control Parts kit without: Gaskets		1	CXNA+ PR:338
			also use:		
			946 111 041 02	1	
			946 111 042 02	1	
			N 906 651 01	10	
			999 707 582 41	1	
			999 707 581 41	1	
			948 110 615 00	1	
(1)	946 100 921 SX	Base engine comprising: Valve cover Cylinder head Crank drive oil sump Valve control Parts kit without: Gaskets		1	CXNA+ PR:338
			also use:		
			946 111 041 02	1	
			946 111 042 02	1	
			N 906 651 01	10	

Model: 970 10 Model life 2010>>2016

Pos	Part Number	Description	Remark	Qty	Model
(1)	946 100 941 60	Base engine comprising: Valve cover Cylinder head Crank drive oil sump Valve control Parts kit without: Gaskets	999 707 582 41 999 707 581 41 948 110 615 00	1 1 1 1	CWAA+ PR:339
(1)	946 100 941 RX	Base engine comprising: Valve cover Cylinder head Crank drive oil sump Valve control Parts kit without: Gaskets	also use: 946 111 041 02 946 111 042 02 N 906 651 01 999 707 582 41 999 707 581 41 948 110 615 00	1 1 10 1 1 1 1	CWAA+ PR:339
(1)	946 100 941 65	Base engine comprising: Valve cover Cylinder head Crank drive oil sump Valve control Parts kit without: Gaskets	also use: 946 111 041 02 946 111 042 02 N 906 651 01 999 707 582 41 999 707 581 41 948 110 615 00	1 1 10 1 1 1 1	CXNA+ PR:339
(1)	946 100 941 SX	Base engine comprising: Valve cover Cylinder head Crank drive oil sump Valve control Parts kit without: Gaskets	also use: 946 111 041 02 946 111 042 02 N 906 651 01 999 707 582 41 999 707 581 41 948 110 615 00	1 1 10 1 1 1 1	CXNA+ PR:339

Model: 970 10 Model life 2010>>2016

Pos	Part Number	Description	Remark	Qty	Model
-	948 106 533 00	Seal Parts kit for Base engine	N 906 651 01 999 707 582 41 999 707 581 41 948 110 615 00	10 1 1 1 1	
		also use:	948 106 124 02 948 106 154 01 999 707 586 40 999 701 825 40 948 107 437 20 948 107 438 20 999 707 606 40 999 704 020 90 946 110 146 02	2 2 2 2 1 1 6 6 6	
2	946 100 920 50	Short block comprising: Crankcase housing piston	with:	1	CWAA+ PR:338
		Connecting rod Crankshaft	also use:		
			946 107 013 23 946 111 041 02 946 111 042 02 999 170 130 90 N 906 651 01	1 1 1 6 10	
(2)	946 100 920 TX	Short block comprising: Crankcase housing piston	with:	1	CWAA+ PR:338
		Connecting rod Crankshaft	also use:		
			946 107 013 23 946 111 041 02 946 111 042 02 999 170 130 90 N 906 651 01	1 1 1 6 10	
(2)	946 100 920 55	Short block comprising: Crankcase housing piston	with:	1	CXNA+ PR:338
		Connecting rod Crankshaft	also use:		
			946 107 013 23 946 111 041 02 946 111 042 02 999 170 130 90 N 906 651 01	1 1 1 6 10	
(2)	946 100 920 UX	Short block comprising: Crankcase housing piston	with:	1	CXNA+ PR:338
		Connecting rod Crankshaft	also use:		
			946 107 013 23 946 111 041 02 946 111 042 02	1 1 1	

Model: 970 10 Model life 2010>>2016

Pos	Part Number	Description	Remark	Qty	Model
(2)	946 100 940 50	Short block comprising: Crankcase housing piston with: Connecting rod Crankshaft	999 170 130 90 N 906 651 01	6 10 1	CWAA+ PR:339
		also use:	946 107 013 23 946 111 041 02 946 111 042 02 999 170 130 90 N 906 651 01 999 707 641 40 948 101 223 41	1 1 1 6 10 4 2	
(2)	946 100 940 TX	Short block comprising: Crankcase housing piston with: Connecting rod Crankshaft		1	CWAA+ PR:339
		also use:	946 107 013 23 946 111 041 02 946 111 042 02 999 170 130 90 N 906 651 01 999 707 641 40 948 101 223 41	1 1 1 6 10 4 2	
(2)	946 100 940 55	Short block comprising: Crankcase housing piston with: Connecting rod Crankshaft		1	CXNA+ PR:339
		also use:	946 107 013 23 946 111 041 02 946 111 042 02 999 170 130 90 N 906 651 01 999 707 641 40 948 101 223 41	1 1 1 6 10 4 2	
(2)	946 100 940 UX	Short block comprising: Crankcase housing piston with: Connecting rod Crankshaft		1	CXNA+ PR:339
		also use:	946 107 013 23 946 111 041 02 946 111 042 02 999 170 130 90 N 906 651 01 999 707 641 40 948 101 223 41	1 1 1 6 10 4 2	
-	948 101 910 20	Sealing flange Parts kit for Short block		1	
		also use:	948 106 533 00	1	

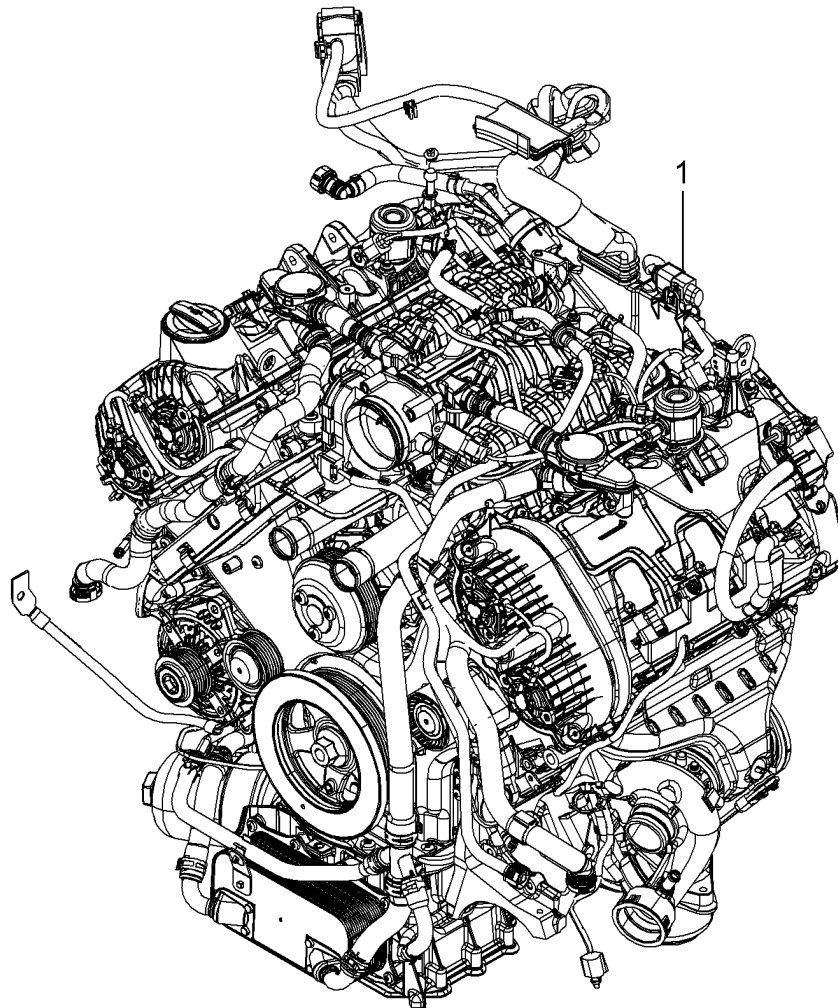
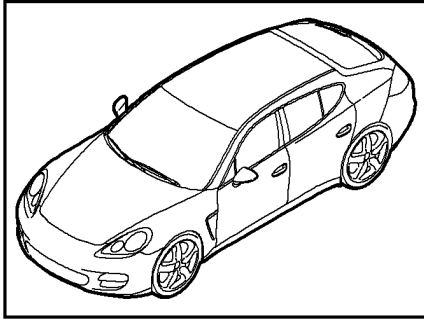
Model: 970 10

Model life 2010>>2016

Pos	Part Number	Description	Remark	Qty	Model
-	999 707 575 40	O-ring Parts kit for Short block	948 106 124 02 948 106 154 01 999 707 586 40 999 701 825 40 948 107 437 20 948 107 438 20 999 707 606 40 999 704 020 90 946 110 146 02	2 2 2 2 1 1 6 6 6 1	
			also use:		
			999 707 481 40 948 101 130 21 948 101 125 20 948 101 127 20 948 101 129 21 000 043 204 35 946 104 173 02 946 104 174 02 948 104 181 10	1 1 1 1 1 X 1 1 16	
-	946 105 935 00	Seal Parts kit for Short block		1	
			also use:		
			946 105 936 00 948 105 938 00 948 105 937 02 999 073 905 31 999 073 908 31 948 105 169 10 948 105 023 12 946 105 068 00 948 105 065 10 946 105 180 00 948 105 166 12 999 015 022 01 999 015 021 01	1 2 6 20 2 1 1 1 1 1 2 1 2 1	
-	948 107 222 00	Oil filter insert Parts kit for Short block		1	
			also use:		
			000 043 305 33 999 073 905 31 948 107 322 00 999 707 567 40 999 707 547 40 999 707 585 40 999 707 568 40 038 103 196 B 946 107 275 21 946 107 252 01	X 22 1 2 1 1 1 1 1 1 1	

Model: 970 10

Model life 2010>>2016



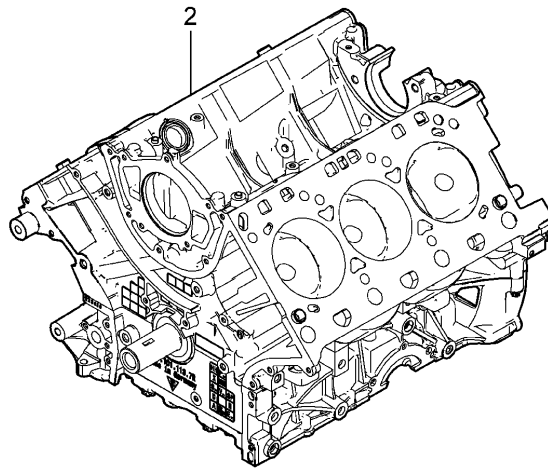
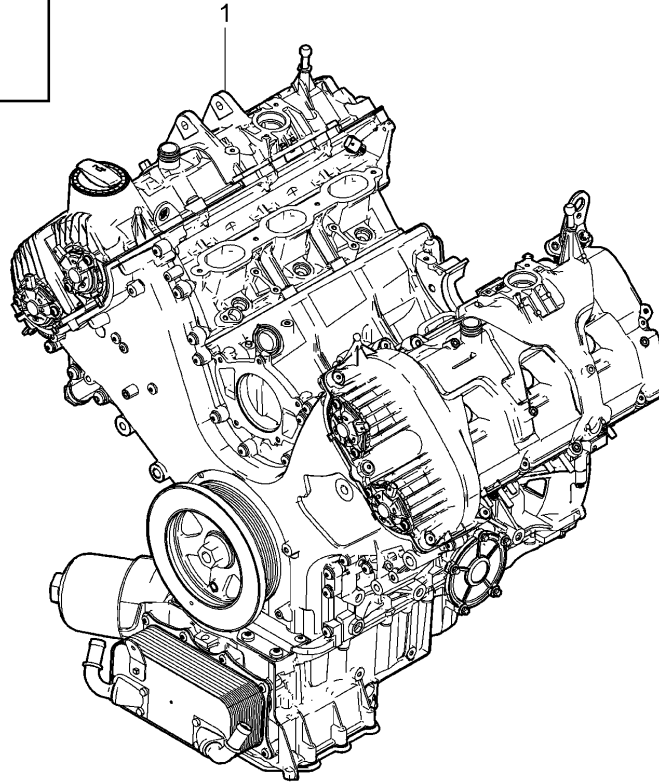
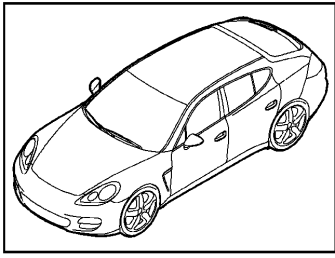
Model: 970 10

Model life 2010>>2016

Pos	Part Number	Description	Remark	Qty	Model
		Replacement engine without: Clutch plate - PDK - without: Compressor Air conditioning			CWDA, CWD, CWFA, CWF
1	946 100 960 00	Replacement engine Not Ready for installation		1	CWDA, CWD+ PR: 338, 144
(1)	946 100 960 X	Replacement engine Not Ready for installation		1	CWDA, CWD+ PR: 338, 144
(1)	946 100 960 01	Replacement engine Not Ready for installation		1	CWFA, CWF+ PR: 338, 143
(1)	946 100 960 AX	Replacement engine Not Ready for installation		1	CWFA, CWF+ PR: 338, 143
(1)	946 100 960 02	Replacement engine Not Ready for installation		1	CWDA, CWD+ PR: 339, 144
(1)	946 100 960 BX	Replacement engine Not Ready for installation		1	CWDA, CWD+ PR: 339, 144
(1)	946 100 960 03	Replacement engine Not Ready for installation		1	CWFA, CWF+ PR: 339, 143
(1)	946 100 960 CX	Replacement engine Not Ready for installation		1	CWFA, CWF+ PR: 339, 143

Model: 970 10

Model life 2010>>2016



Model: 970 10 Model life 2010>>2016

Pos	Part Number	Description	Remark	Qty	Model
1	946 100 960 60	Base engine Short block Base engine comprising: Valve cover Cylinder head Crank drive oil sump Valve control Parts kit without: Gaskets		1	CWDA, CWD, CWFA, CWF PR:338
			also use:		
			946 111 181 75	2	
			N 906 651 01	10	
			999 707 582 41	1	
			999 707 581 41	1	
			999 701 048 40	2	
			06L 109 311	2	
(1)	946 100 960 RX	Base engine comprising: Valve cover Cylinder head Crank drive oil sump Valve control Parts kit without: Gaskets		1	PR:338
			also use:		
			946 111 181 75	2	
			N 906 651 01	10	
			999 707 582 41	1	
			999 707 581 41	1	
			999 701 048 40	2	
			06L 109 311	2	
(1)	946 100 960 65	Base engine comprising: Valve cover Cylinder head Crank drive oil sump Valve control Parts kit without: Gaskets		1	PR:339
			also use:		
			946 111 181 75	2	
			N 906 651 01	10	
			999 707 582 41	1	
			999 707 581 41	1	
			999 701 048 40	2	
			06L 109 311	2	
(1)	946 100 960 SX	Base engine comprising: Valve cover Cylinder head Crank drive oil sump Valve control Parts kit without: Gaskets		1	PR:339
			also use:		
			946 111 181 75	2	
			N 906 651 01	10	
			999 707 582 41	1	

Model: 970 10 Model life 2010>>2016

Pos	Part Number	Description	Remark	Qty	Model
-	948 106 533 00	Seal Parts kit for Base engine	999 707 581 41 999 701 048 40 06L 109 311	1 2 2 1	
		also use:	948 106 124 02 948 106 154 01 999 707 586 40 999 701 825 40 999 707 677 40 999 707 677 41 999 701 187 40 946 110 328 61 946 110 428 61 946 110 146 60	2 2 2 2 2 2 6 6 6 6	
2	946 100 960 50	Short block comprising: Crankcase housing piston	with:	1	PR:338
		Connecting rod Crankshaft	also use:		
			946 107 013 61 946 111 181 75 999 170 233 90 N 906 651 01	1 2 6 10	
(2)	946 100 960 TX	Short block comprising: Crankcase housing piston	with:	1	PR:338
		Connecting rod Crankshaft	also use:		
			946 107 013 61 946 111 181 75 999 170 233 90 N 906 651 01	1 2 6 10	
(2)	946 100 960 55	Short block comprising: Crankcase housing piston	with:	1	PR:339
		Connecting rod Crankshaft	also use:		
			946 107 013 61 946 111 181 75 999 170 233 90 N 906 651 01 999 707 641 40 948 101 223 41	1 2 6 10 4 2	
(2)	946 100 960 UX	Short block comprising: Crankcase housing piston	with:	1	PR:339
		Connecting rod Crankshaft	also use:		
			946 107 013 61 946 111 181 75 999 170 233 90 N 906 651 01	1 2 6 10	

Model: 970 10 Model life 2010>>2016

Pos	Part Number	Description	Remark	Qty	Model	
-	948 101 910 20	Sealing flange Parts kit for Short block	999 707 641 40 948 101 223 41	4 2 1		
		also use:	948 106 533 00 948 106 124 02 948 106 154 01 999 707 586 40 999 701 825 40 999 707 677 40 999 707 677 41 946 110 428 61 946 110 328 61 999 701 187 42 946 110 228 60 06L 109 311 946 110 146 60	1 2 2 2 2 2 2 6 6 6 6 2 6		
-	999 707 575 40	O-ring Parts kit for Short block	also use:	999 707 481 40 946 101 130 04 948 101 125 20 948 101 127 20 946 101 129 04 000 043 209 93 000 043 204 35 999 073 913 31 999 073 914 31 999 073 905 31 999 073 903 31 946 104 173 02 946 104 174 02 948 104 181 10	1 1 1 1 1 X X 2 9 21 2 1 1 16	
-	946 105 935 65	Seal Parts kit for Short block	also use:	946 105 936 65 946 105 937 65 999 073 905 31 999 073 908 31 946 105 169 75 948 105 023 12 946 105 068 00 948 105 065 10 946 105 180 76 948 105 166 12 999 015 022 01 999 015 021 01	1 6 17 7 1 1 1 1 1 2 1 2	
-	948 107 222 00	Oil filter insert Parts kit for Short block	also use:	999 915 573 43 999 073 905 31 999 073 905 31 946 107 322 75 999 707 567 40 999 707 547 40	1 X 19 21 1 2 1	PR:338,339

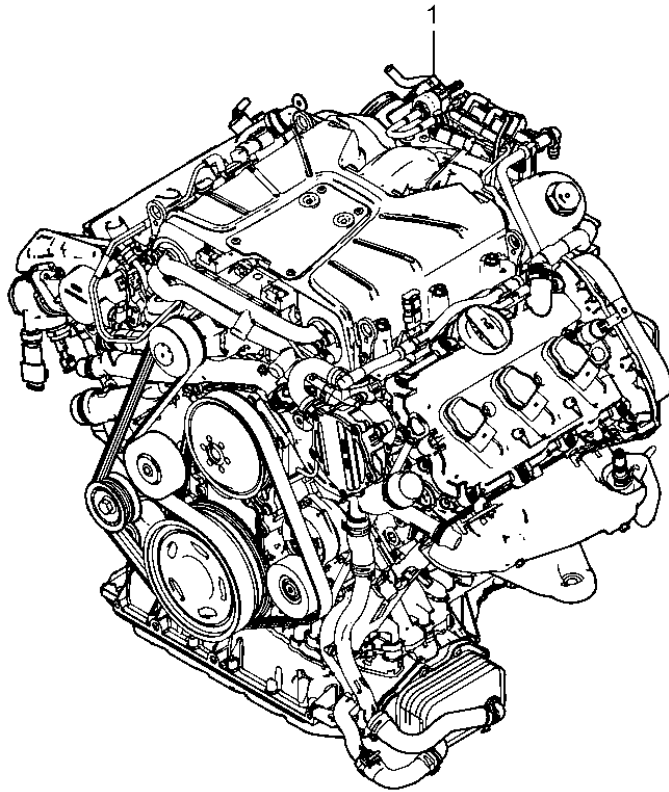
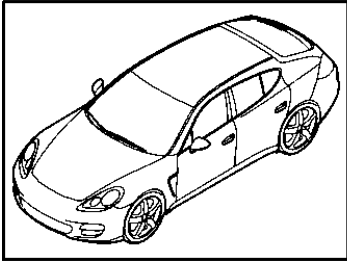
Model: 970 10

Model life 2010>>2016

Pos	Part Number	Description	Remark	Qty	Model
			999 707 585 40	1	
			999 707 568 40	1	
			038 103 196 B	1	
			946 107 275 21	1	
			946 107 252 75	1	

Model: 970 10

Model life 2010>>2016



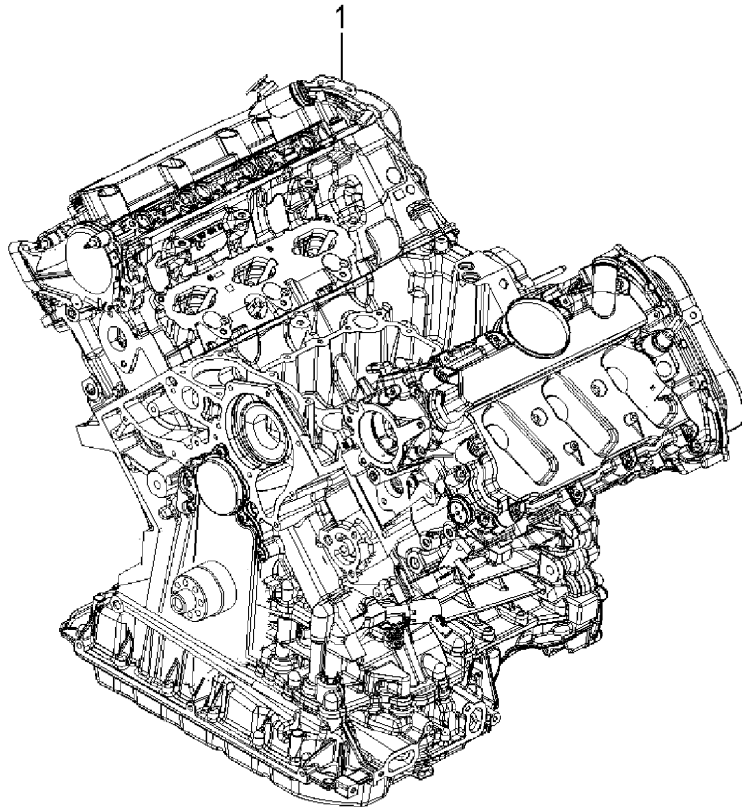
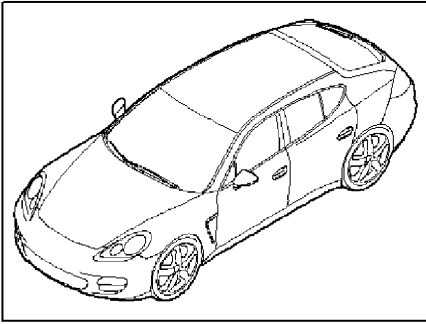
Model: 970 10

Model life 2010>>2016

Pos	Part Number	Description	Remark	Qty	Model
		Replacement engine			
(1)	958 100 960 04	Replacement engine Together with Tiptronic Not Ready for installation		1	CGEA, CGE, CGFA PR:-075
(1)	958 100 960 DX	Replacement engine Together with Tiptronic Not Ready for installation		1	PR:-075
(1)	958 100 960 06	Replacement engine Together with Tiptronic Not Ready for installation		1	PR:075
(1)	958 100 960 FX	Replacement engine Together with Tiptronic Not Ready for installation		1	PR:075

Model: 970 10

Model life 2010>>2016

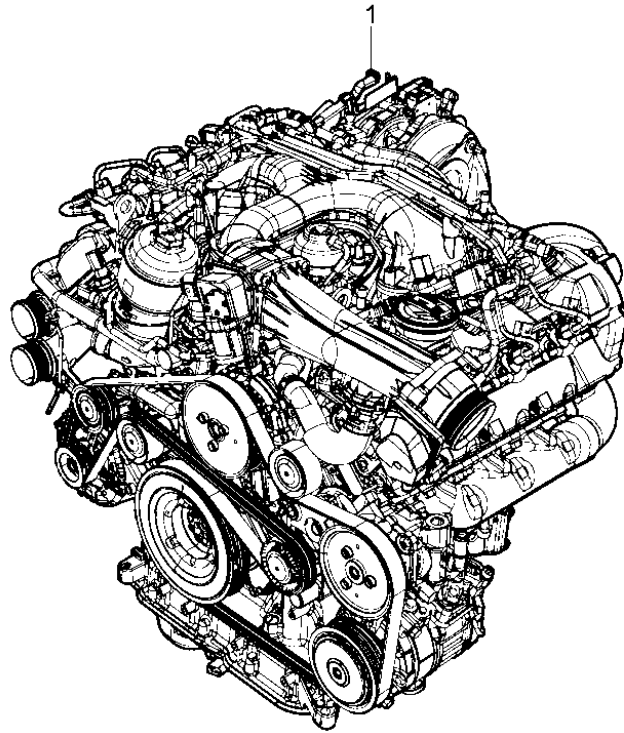
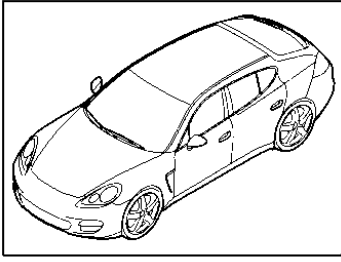


Model: 970 10 Model life 2010>>2016

Pos	Part Number	Description	Remark	Qty	Model
		Base engine comprising: Valve cover Cylinder head Crankcase housing Crank drive oil sump			CGEA, CGE, CGFA
(1)	958 100 935 00	Base engine Not Ready for installation		1	PR:-075
(1)	958 100 935 X	Base engine Not Ready for installation also use:	958 102 313 00	1 1	PR:-075
(1)	958 100 935 05	Base engine Not Ready for installation also use:	958 102 313 00	1 1	PR:075
(1)	958 100 935 EX	Base engine Not Ready for installation also use:	958 102 313 00	1 1	PR:075
			958 102 313 00	1	

Model: 970 10

Model life 2010>>2016



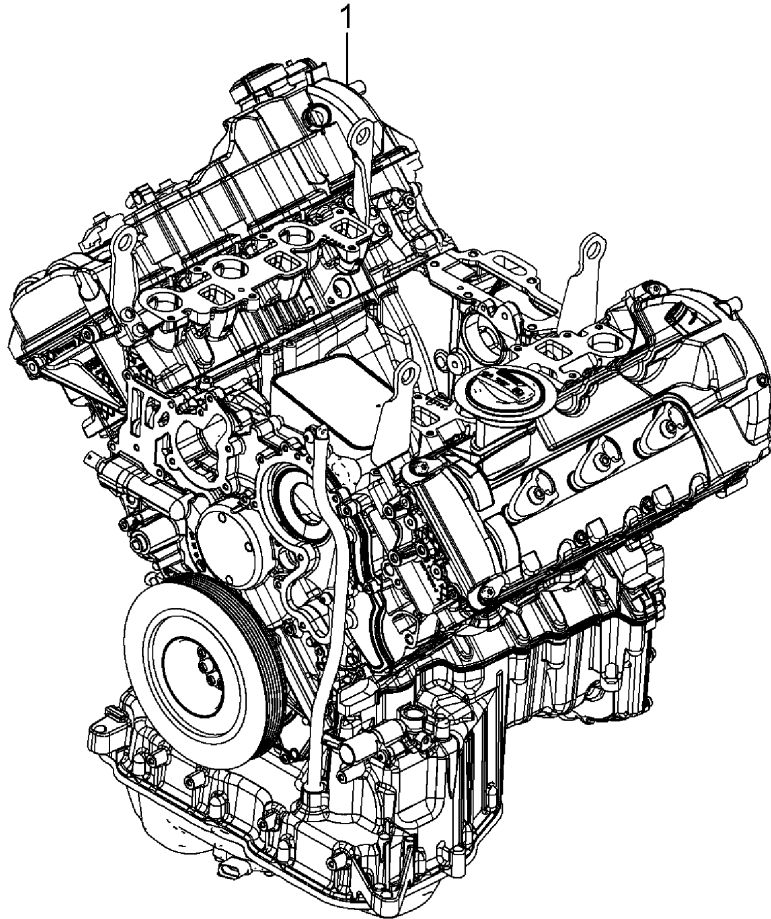
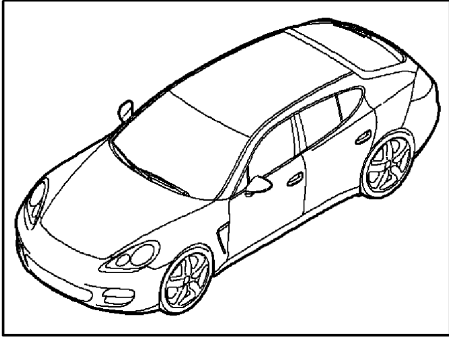
Model: 970 10

Model life 2010>>2016

Pos	Part Number	Description	Remark	Qty	Model
1	059 100 026 BB	Replacement engine Replacement engine Together with Tiptronic Not Ready for installation		1	CRCC,CRCB, CWJA CRCC,CRCB
(1)	059 100 026 X	Replacement engine Together with Tiptronic Not Ready for installation		1	CRCC,CRCB
(1)	059 100 026 CP	Replacement engine Together with Tiptronic Not Ready for installation		1	CWJA
(1)	059 100 026 AX	Replacement engine Together with Tiptronic Not Ready for installation		1	CWJA

Model: 970 10

Model life 2010>>2016



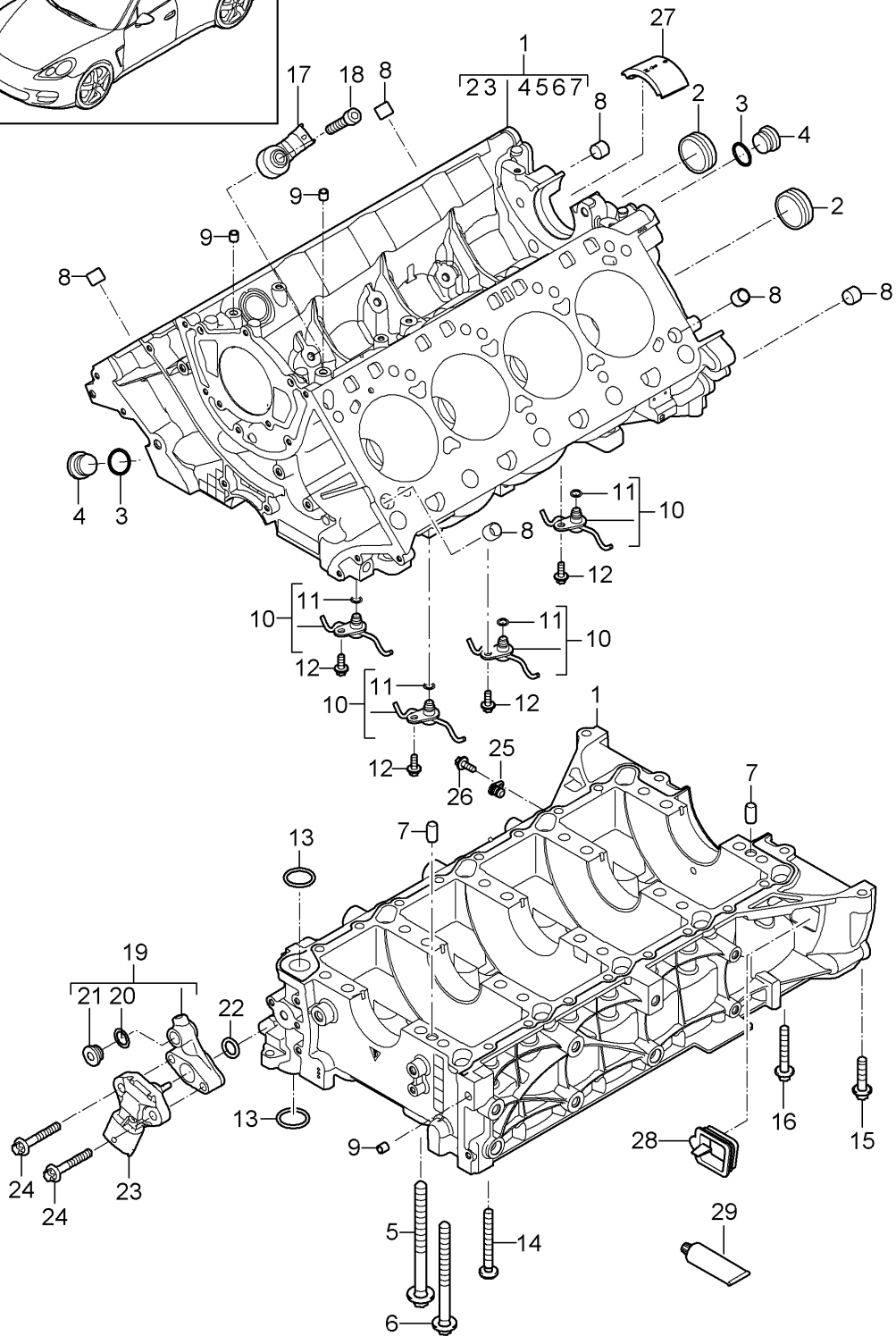
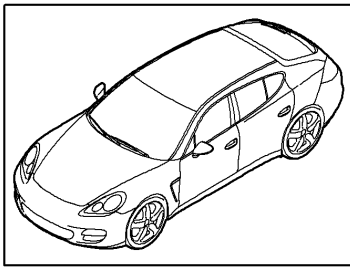
Model: 970 10

Model life 2010>>2016

Pos	Part Number	Description	Remark	Qty	Model
(1)	958 100 934 00	Base engine comprising: Valve cover Cylinder head Crankcase housing Crank drive oil sump Base engine Not Ready for installation		1	CRCC,CRCB, CWJA
		also use:	955 102 329 00	1	
			N 013 199 4	1	
			WHT 005 400	1	
		modify in workshop Cooling water socket			
(1)	958 100 934 X	Base engine Not Ready for installation		1	CRCC,CRCB
		also use:	955 102 329 00	1	
			N 013 199 4	1	
			WHT 005 400	1	
		modify in workshop Cooling water socket			
		also use:	958 106 155 20	1	
1	958 100 936 10	Base engine Not Ready for installation		1	CWJA
		also use:	955 102 329 00	1	
			N 013 199 4	1	
			WHT 005 400	1	
(1)	958 100 936 KX	Base engine Not Ready for installation		1	CWJA
		also use:	955 102 329 00	1	
			N 013 199 4	1	
			WHT 005 400	1	

Model: 970 10

Model life 2010>>2016



Model: 970 10

Model life 2010>>2016

Pos	Part Number	Description	Remark	Qty	Model
1	948 101 001 20	Crankcase housing Individual parts Crankcase housing without: piston		1	4820
		also use:	014 301 153 B 996 106 103 50 948 101 017 11 900 385 009 01 999 707 481 40	6 3 4 4 1	
		piston		8	
(1)	948 101 001 21	Discontinued part Crankcase housing without: piston		1	
		also use:	014 301 153 B 996 106 103 50 948 101 017 11 900 385 009 01 999 707 481 40	6 3 4 4 1	
		piston		8	
(1)	948 101 001 22	No longer use the part here Crankcase housing without: piston		1	PR:-145
		also use:	948 103 058 21 948 103 057 21 014 301 153 B 996 106 103 50 948 101 017 13 900 385 009 01 999 707 481 40	4 4 6 3 4 4 1	
		See technical information see main group 1 (engine) 1010 25/13 M C 02097 >>			
(1)	948 101 001 22	Discontinued part Crankcase housing without: piston		1	PR:145
		also use:	948 103 058 51 948 103 057 51 014 301 153 B 996 106 103 50 948 101 017 13 900 385 009 01 999 707 481 40	4 4 6 3 4 4 1	
		See technical information see main group 1 (engine) 1010 25/13 M V C 02101 >>			
(1)	948 101 001 23	Discontinued part Crankcase housing without: piston		1	
		also use:	014 301 153 B 946 101 153 30 996 106 103 50 948 101 017 13 900 385 009 01 999 707 481 40	4 2 3 4 4 1	

Model: 970 10

Model life 2010>>2016

Pos	Part Number	Description	Remark	Qty	Model
		piston See technical information see main group 1 (engine) 1010 25/13		8	
(1)	948 101 001 24	Discontinued part Crankcase housing		1	
		without: piston			
		also use:	014 301 153 B	4	
			946 101 153 30	2	
			996 106 103 50	3	
			948 101 017 13	4	
			900 385 009 01	4	
			999 707 481 40	1	
		piston See technical information see main group 1 (engine) 1010 25/13		8	
2	948 101 216 00	End cap		2	
3	900 123 118 30	seal ring		2	
4	999 063 024 30	A 22 X 27 sealing plug		2	
5	948 101 190 01	M 22 X 1,5 Screw		10	
6	948 101 191 01	M 11 X 1,5 X 130 Screw		10	
7	999 012 051 00	M 10 X 1,5 X 117 Cylinder pin		2	
8	014 301 153 B	BM 10 X 18 dowel sleeve		4	
		13 X 16 X 13,5 Mount			
(8)	946 101 153 30	Cylinder head dowel sleeve		2	
		13 X 16 X 15 Mount			
		Gearbox See technical information see main group 1 (engine)			
(8)	946 101 153 31	1001 34/15 dowel sleeve		2	
		13 X 16 X 16,5 Mount			
		Gearbox See technical information see main group 1 (engine)			
9	996 106 103 50	1001 34/15 dowel sleeve		3	
10	948 101 017 11	8,2 X 7 Water jet		4	
(10)	948 101 017 12	Discontinued part Water jet		4	
(10)	948 101 017 13	Discontinued part Water jet		4	
11	999 707 509 40	O-ring		4	
12	900 385 009 01	8,55 X 2 Torx screw		4	
13	999 707 481 40	BM 6 X 16 O-ring		2	
14	999 073 915 30	24 X 3 fillister hd. bolt aluminium		16	
		M 8 X 70			

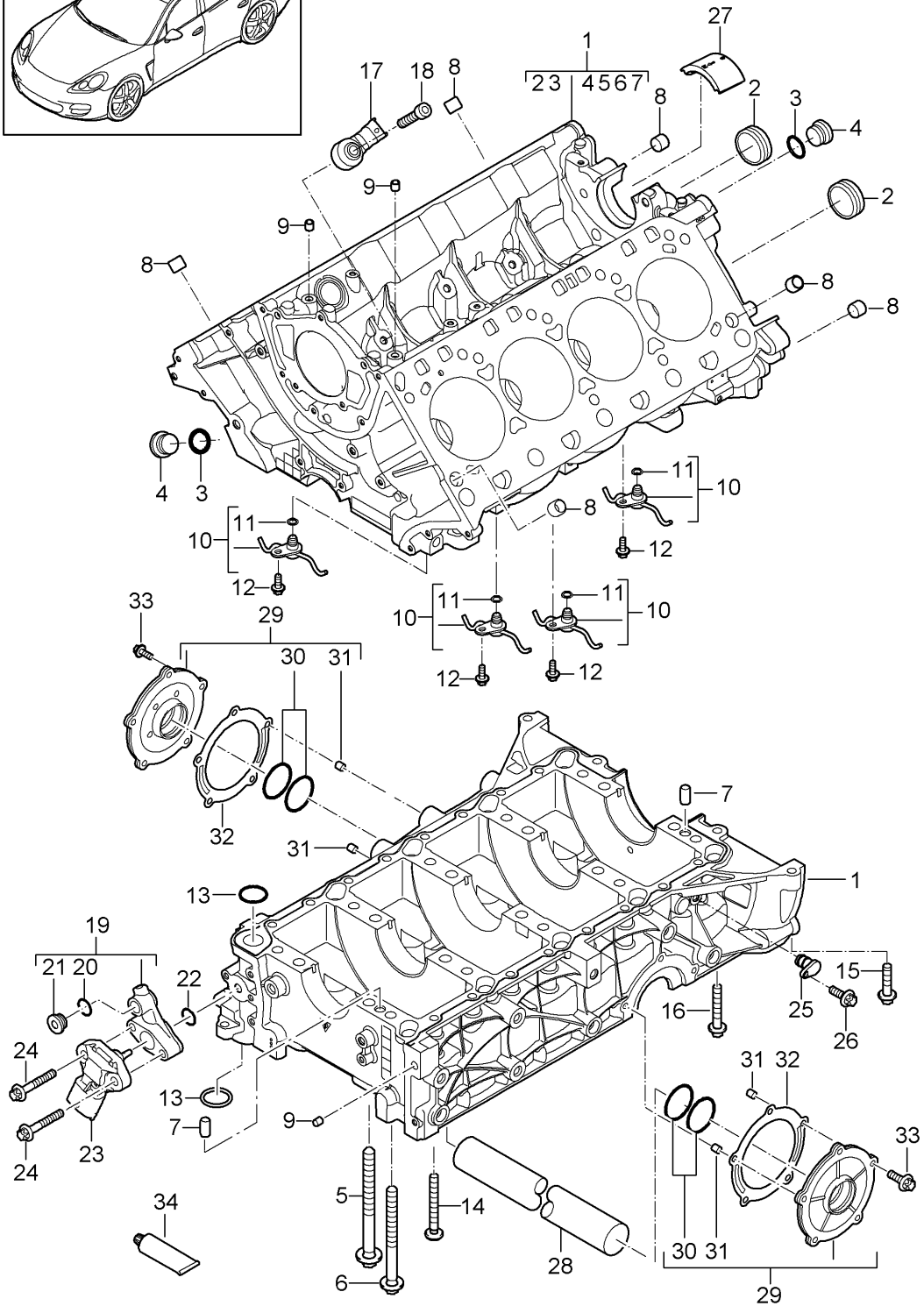
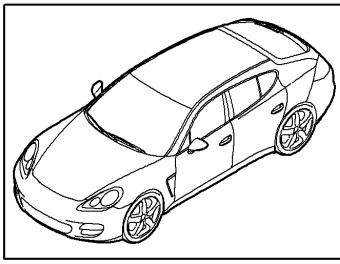
Model: 970 10

Model life 2010>>2016

Pos	Part Number	Description	Remark	Qty	Model
(14)	999 073 915 31	Discontinued part fillister hd. bolt aluminium M 8 X 70		16	
15	900 385 042 01	Torx screw BM 8 X 35		2	
16	900 385 071 01	Torx screw BM 8 X 50		2	
17	997 606 121 00	Knock sensor		4	
18	900 067 102 02	Socket head bolt M 8 X 35		4	
19	948 107 314 20	Adapter		1	
20	900 123 144 30	seal ring A 10 X 13,5		1	
21	900 219 023 01	sealing plug M 10 X 1		1	
22	999 707 575 40	O-ring 20 X 3		1	
23	948 606 213 00	Oil pressure sender		1	
24	900 385 045 01	Torx screw BM 6 X 40		2	
25	948 107 260 00	End cap		1	
26	900 385 041 01	Torx screw BM 6 X 12		1	
27	7P5 103 113	End cap No longer use the part here		1	
(27)	7PP 103 113	End cap		1	
28	955 301 729 10	Sealing cap		1	
29	999 915 573 43	sealant 1 tube for Crankcase housing	75 ml	X	
(29)	000 043 305 33	discontinued part sealant 1 tube for Crankcase housing	75 ml	X	

Model: 970 10

Model life 2010>>2016



Model: 970 10 Model life 2010>>2016

Pos	Part Number	Description	Remark	Qty	Model
		Crankcase housing Individual parts			4840, 4870, CXPA, CXRA, CXR, CWBA, CWB, CWCA, CWC
1	948 101 001 40	Crankcase housing without: piston		1	
		also use:	014 301 153 B	6	
			996 106 103 50	3	
			948 101 017 11	4	
			900 385 009 01	4	
			999 707 481 40	2	
		piston		8	
(1)	948 101 001 43	Discontinued part Crankcase housing without: piston		1	
		also use:	014 301 153 B	6	
			996 106 103 50	3	
			948 101 017 11	4	
			900 385 009 01	4	
			999 707 481 40	2	
		piston		8	
		M >> C 03990			4840, -015
		M >> V C 03994			4840, -015
		M >> C 03302			4870
(1)	948 101 001 44	No longer use the part here Crankcase housing without: piston		1	4840+ PR:-015,-145
		also use:	948 103 058 21	4	
			948 103 057 21	4	
			014 301 153 B	4	
			946 101 153 30	2	
			996 106 103 50	3	
			948 101 017 13	4	
			900 385 009 01	4	
			999 707 481 40	2	
		See technical information see main group 1 (engine) 1010 25/13 M C 03991 >> D >> - MJ 2013			
(1)	948 101 001 44	Crankcase housing without: piston		1	4840+ PR:-015,145
		also use:	948 103 058 51	4	
			948 103 057 51	4	
			014 301 153 B	4	
			946 101 153 30	2	
			996 106 103 50	3	
			948 101 017 13	4	
			900 385 009 01	4	
			999 707 481 40	2	
		See technical information see main group 1 (engine) 1010 25/13 M V C 03995 >> D >> - MJ 2013			
(1)	948 101 001 50	Crankcase housing without: piston		1	4840+ PR:015
		also use:	014 301 153 B	6	

Model: 970 10

Model life 2010>>2016

Pos	Part Number	Description	Remark	Qty	Model
			996 106 103 50	3	
			948 101 017 13	4	
			900 385 009 01	4	
			999 707 481 40	2	
		piston		8	
		M >> G D 01924			
		M >> GVD 01966			
		No longer use the part here			
(1)	948 101 001 44	Crankcase housing		1	4840+
		without:			PR:015,-145
		piston			
		also use:	948 103 058 21	4	
			948 103 057 21	4	
			014 301 153 B	4	
			946 101 153 30	2	
			996 106 103 50	3	
			948 101 017 13	4	
			900 385 009 01	4	
			999 707 481 40	2	
		See technical information			
		see main group 1 (engine)			
		1010 25/13			
		M G D 01925 >>			
		D >> - MJ 2013			
(1)	948 101 001 44	Crankcase housing		1	4840+
		without:			PR:015,145
		piston			
		also use:	948 103 058 51	4	
			948 103 057 51	4	
			014 301 153 B	4	
			946 101 153 30	2	
			996 106 103 50	3	
			948 101 017 13	4	
			900 385 009 01	4	
			999 707 481 40	2	
		See technical information			
		see main group 1 (engine)			
		1010 25/13			
		M GVD 01967 >>			
		D >> - MJ 2013			
(1)	948 101 001 44	Crankcase housing		1	4870
		without:			
		piston			
		also use:	948 103 046 71	4	
			948 103 045 71	4	
			014 301 153 B	4	
			946 101 153 30	2	
			996 106 103 50	3	
			948 101 017 13	4	
			900 385 009 01	4	
			999 707 481 40	2	
		See technical information			
		see main group 1 (engine)			
		1010 25/13			
		M C 03303 >>			
		D >> - MJ 2013			
(1)	948 101 001 45	Crankcase housing		1	
		without:			
		piston			
		also use:	014 301 153 B	4	
			946 101 153 30	2	
			996 106 103 50	3	
			948 101 017 13	4	

Model: 970 10 Model life 2010>>2016

Pos	Part Number	Description	Remark	Qty	Model
			900 385 009 01	4	
			999 707 481 40	2	
		piston		8	
		See technical information			
		see main group 1 (engine)			
		1359 24/13			
		D - MJ 2014>>			
		Discontinued part			
(1)	948 101 001 46	Crankcase housing		1	CXPA, CXRA, CXR, CWBA, CWB, CWCA, CWC
		without:			
		piston			
		also use:	014 301 153 B	4	
			946 101 153 30	2	
			996 106 103 50	3	
			948 101 017 13	4	
			948 101 017 70	4	
			900 385 009 01	4	
			999 707 481 40	2	
		piston		8	
		See technical information			
		see main group 1 (engine)			
		1359 24/13			
		D - MJ 2014>>			
2	948 101 216 00	End cap		2	
3	900 123 118 30	seal ring		2	
		A 22 X 27			
4	999 063 024 30	sealing plug		2	
		M 22 X 1,5			
5	948 101 190 01	Screw		8	
		M 11 X 1,5 X 130			
(5)	948 101 190 40	Screw		2	
		M 11 X 1,5 X 113,5			
6	948 101 191 01	Screw		8	
		M 10 X 1,5 X 117			
(6)	948 101 191 41	Screw		2	
		M 10 X 1,5 X 107,5			
7	999 012 051 00	Cylinder pin		2	
		BM 10 X 18			
8	014 301 153 B	dowel sleeve		4	
		13 X 16 X 13,5			
		Mount			
(8)	946 101 153 30	Cylinder head		2	
		dowel sleeve			
		13 X 16 X 15			
		Mount			
		Gearbox			
		See technical information			
		see main group 1 (engine)			
		1001 34/15			
		M >> CXP 004 317			
		M >> CWB 002 693			
		M >> CWC 001 123			
(8)	946 101 153 31	dowel sleeve		2	
		13 X 16 X 16,5			
		Mount			
		Gearbox			
		See technical information			
		see main group 1 (engine)			
		1001 34/15			
		M CXP 004 318>>			
		M CWB 002 694>>			
		M CWC 001 124>>			
9	996 106 103 50	dowel sleeve		3	

Model: 970 10 Model life 2010>>2016

Pos	Part Number	Description	Remark	Qty	Model
10	948 101 017 11	8,2 X 7 Water jet		4	
(10)	948 101 017 12	Discontinued part Water jet		4	
(10)	948 101 017 13	Discontinued part Water jet		4	4840, 4870, CXPA, CXRA, CXR, CWBA, CWB CWCA, CWC
(10)	948 101 017 70	Water jet		4	
11	999 707 509 40	O-ring		4	
12	900 385 009 01	8,55 X 2 Torx screw		4	
13	999 707 481 40	BM 6 X 16 O-ring		2	
14	999 073 915 30	24 X 3 fillister hd. bolt aluminium		16	
(14)	999 073 915 31	M 8 X 70 Discontinued part fillister hd. bolt aluminium		16	
15	900 385 042 01	M 8 X 70 Torx screw		2	
16	900 385 071 01	BM 8 X 35 Torx screw		2	
17	997 606 121 00	BM 8 X 50 Knock sensor		4	
18	900 067 102 02	Socket head bolt		4	
19	948 107 314 20	M 8 X 35 Adapter		1	
20	900 123 144 30	seal ring		1	
21	900 219 023 01	A 10 X 13,5 sealing plug		1	
22	999 707 575 40	M 10 X 1 O-ring		1	
23	948 606 213 00	20 X 3 Oil pressure sender		1	
24	900 385 045 01	Torx screw		2	
25	948 107 260 00	BM 6 X 40 End cap		1	4840, CXPA, CXRA, CXR
26	900 385 041 01	Torx screw		1	4840, CXPA, CXRA, CXR
27	7P5 103 113	BM 6 X 12 End cap		1	
(27)	7PP 103 113	No longer use the part here End cap		1	
28	948 101 180 00	Cross tube		1	
(28)	948 101 180 01	Discontinued part Cross tube		1	
29	948 101 070 01	Sealing flange		2	
30	999 707 641 40	O-ring		4	
31	996 106 103 50	30 X 3 dowel sleeve		4	
32	948 101 223 40	8,2 X 7 Seal		2	
32	948 101 223 41	D >> - MJ 2013 Seal		2	
33	900 385 019 01	D - MJ 2014>> Torx screw		10	
34	999 915 573 43	BM 6 X 20 sealant	75 ml	X	
		1 tube for			

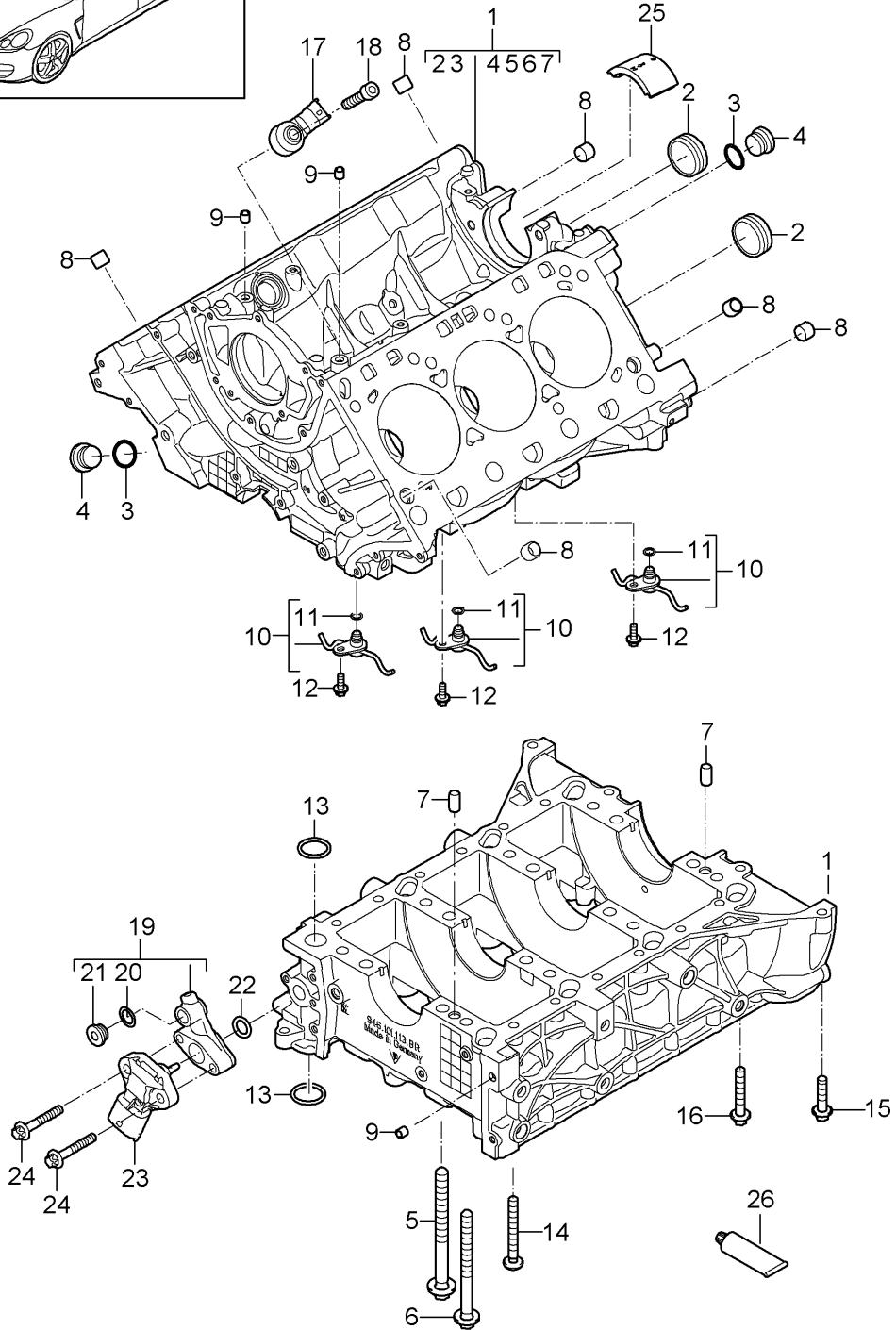
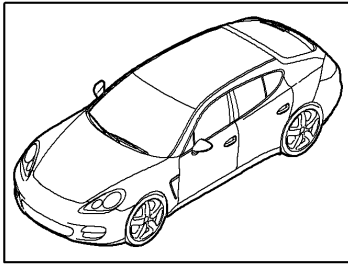
Model: 970 10

Model life 2010>>2016

Pos	Part Number	Description	Remark	Qty	Model
(34)	000 043 305 33	Crankcase housing discontinued part sealant 1 tube for	75 ml	X	
(34)	000 043 204 35	Crankcase housing sealant 1 tube for	50ml	X	
(34)	000 043 305 60	Sealing flange Cross tube discontinued part sealant LOCTITE 5900 for Sealing flange Cross tube	50ml	X	

Model: 970 10

Model life 2010>>2016



Model: 970 10 Model life 2010>>2016

Pos	Part Number	Description	Remark	Qty	Model
		Crankcase housing Individual parts			4620 ,CWAA , CXNA+ PR:338
1	946 101 001 22	Crankcase housing without: piston		1	
		also use:	014 301 153 B	6	
			996 106 103 50	3	
			948 101 017 11	3	
			900 385 009 01	3	
			999 707 481 40	2	
		piston		6	
(1)	946 101 001 23	Discontinued part Crankcase housing without: piston		1	
		also use:	014 301 153 B	6	
			996 106 103 50	3	
			948 101 017 11	3	
			900 385 009 01	3	
			999 707 481 40	2	
		piston		6	
(1)	946 101 001 24	Discontinued part Crankcase housing without: piston		1	
		also use:	014 301 153 B	6	
			996 106 103 50	3	
			948 101 017 11	3	
			900 385 009 01	3	
			999 707 481 40	2	
		piston		6	
		M >> C 08746			
		M >> V C 08745			
		No longer use the part here			
(1)	946 101 001 25	Crankcase housing without: piston		1	PR:-145
		also use:	948 103 058 21	3	
			948 103 057 21	3	
			014 301 153 B	4	
			946 101 153 30	2	
			996 106 103 50	3	
			948 101 017 13	3	
			900 385 009 01	3	
			999 707 481 40	2	
		See technical information see main group 1 (engine) 1010 25/13 M C 08747 >> D >> - MJ 2013			
		discontinued part			
(1)	946 101 001 25	Crankcase housing without: piston		1	PR:145
		also use:	948 103 058 51	3	
			948 103 057 51	3	
			014 301 153 B	4	
			946 101 153 30	2	
			996 106 103 50	3	
			948 101 017 13	3	
			900 385 009 01	3	
			999 707 481 40	2	

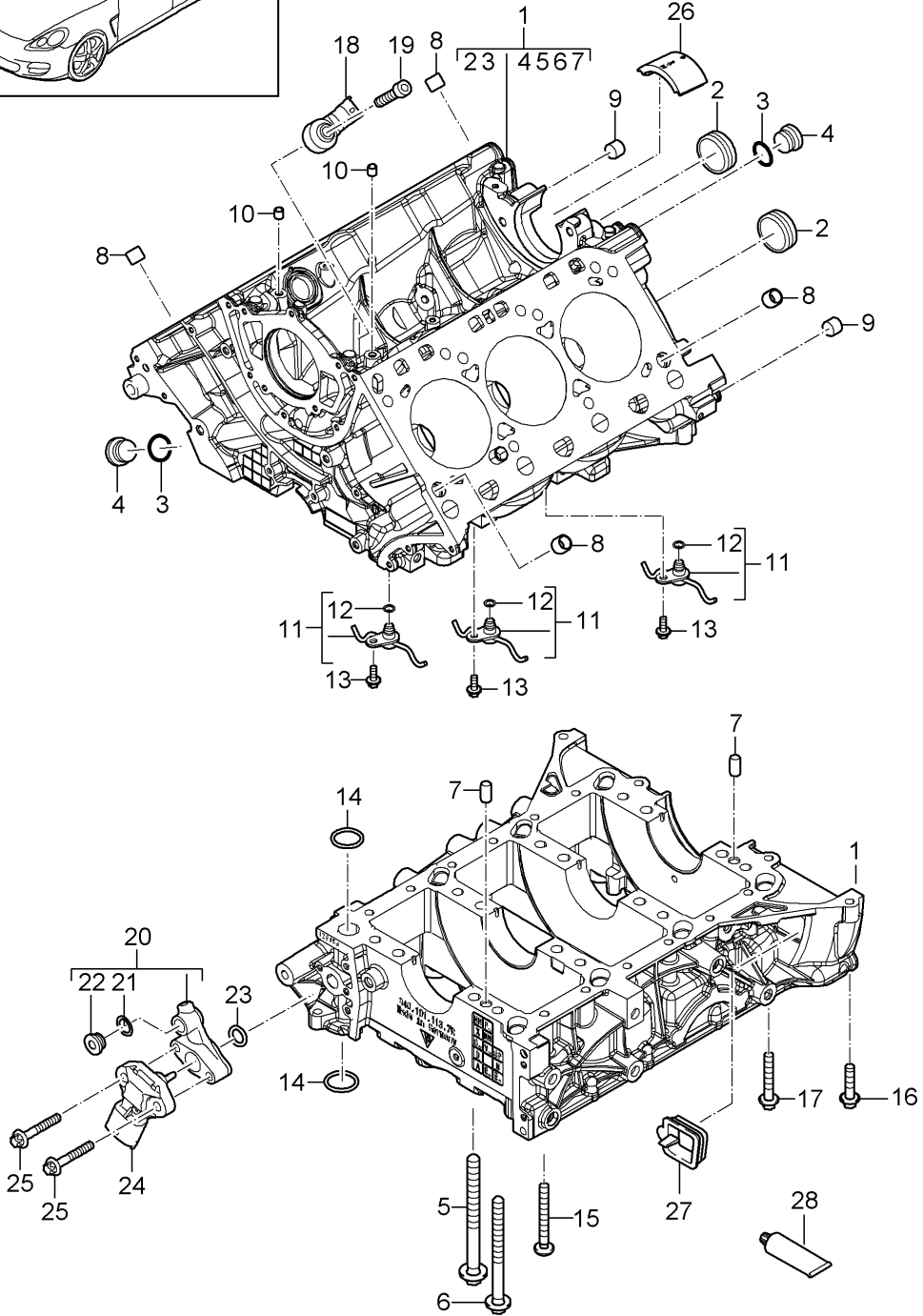
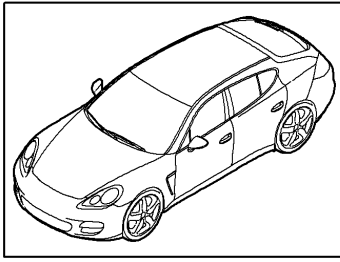
Model: 970 10

Model life 2010>>2016

Pos	Part Number	Description	Remark	Qty	Model
		see main group 1 (engine) 1001 34/15 M CWA 008 487>>			
9	996 106 103 50	dowel sleeve 8,2 X 7		3	
10	948 101 017 11	Water jet Discontinued part		3	
(10)	948 101 017 12	Water jet Discontinued part		3	
(10)	948 101 017 13	Water jet		3	
11	999 707 509 40	O-ring 8,55 X 2		3	
12	900 385 009 01	Torx screw BM 6 X 16		3	
13	999 707 481 40	O-ring 24 X 3		2	
14	999 073 915 31	fillister hd. bolt aluminium M 8 X 70		12	
15	900 385 042 01	Torx screw BM 8 X 35		2	
16	900 385 071 01	Torx screw BM 8 X 50		2	
17	997 606 121 00	Knock sensor		2	
18	900 067 102 02	Socket head bolt M 8 X 35		2	
19	948 107 314 20	Adapter		1	
20	900 123 144 30	seal ring A 10 X 13,5		1	
21	900 219 023 01	sealing plug M 10 X 1		1	
22	999 707 575 40	O-ring 20 X 3		1	
23	948 606 213 00	Oil pressure sender		1	
24	900 385 045 01	Torx screw BM 6 X 40		2	
25	7P5 103 113	End cap No longer use the part here		1	
(25)	7PP 103 113	End cap		1	
26	999 915 573 43	sealant 1 tube for Crankcase housing discontinued part	75 ml	X	
(26)	000 043 305 33	sealant 1 tube for Crankcase housing	75 ml	X	

Model: 970 10

Model life 2010>>2016



Model: 970 10

Model life 2010>>2016

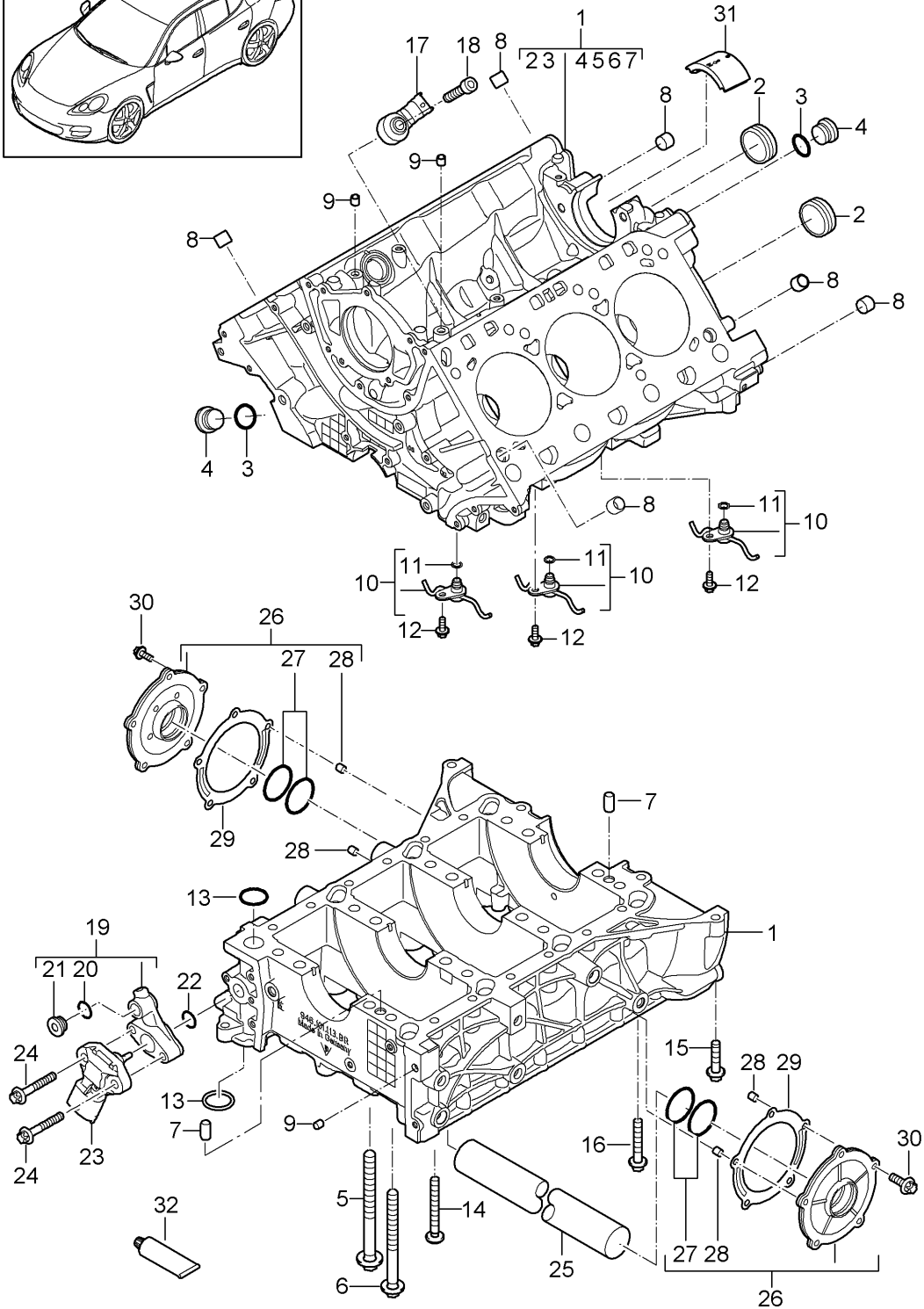
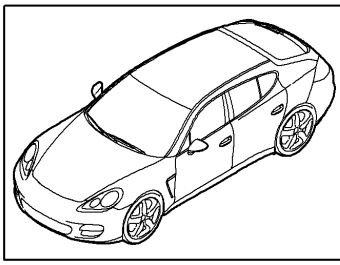
Pos	Part Number	Description	Remark	Qty	Model
		Crankcase housing Individual parts			CWDA, CWD, CWFA, CWF PR: 338
1	946 101 001 60	Crankcase housing without: piston		1	
		also use:	014 301 153 B	4	
			946 101 153 30	2	
			996 106 103 50	2	
			946 101 017 77	3	
			900 385 009 01	3	
			999 707 481 40	2	
		piston		6	
		See technical information see main group 1 (engine) 1359 24/13			
(1)	946 101 001 61	Discontinued part Crankcase housing without: piston		1	
		also use:	014 301 153 B	4	
			946 101 153 30	2	
			996 106 103 50	2	
			946 101 017 77	3	
			900 385 009 01	3	
			999 707 481 40	2	
		piston		6	
		See technical information see main group 1 (engine) 1359 24/13			
2	948 101 216 00	End cap		2	
3	900 123 118 30	seal ring		2	
		A 22 X 27			
4	999 063 024 30	sealing plug		2	
		M 22 X 1,5			
5	948 101 190 01	Screw		6	
		M 11 X 1,5 X 130			
(5)	948 101 190 40	Screw		2	
		M 11 X 1,5 X 113,5			
6	948 101 191 01	Screw		6	
		M 10 X 1,5 X 117			
(6)	948 101 191 41	Screw		2	
		M 10 X 1,5 X 107,5			
7	999 012 051 00	Cylinder pin		2	
		BM 10 X 18			
8	014 301 153 B	dowel sleeve		4	
		13 X 16 X 13,5			
9	946 101 153 30	dowel sleeve		2	
		13 X 16 X 15			
		See technical information see main group 1 (engine) 1001 34/15			
		M >> CWF 013 940			
(9)	946 101 153 31	dowel sleeve		2	
		13 X 16 X 16,5			
		Mount Gearbox			
		See technical information see main group 1 (engine) 1001 34/15			
		M CWF 013 941>>			
10	996 106 103 50	dowel sleeve		2	
		8,2 X 7			

Model: 970 10 Model life 2010>>2016

Pos	Part Number	Description	Remark	Qty	Model
11	946 101 017 77	Water jet M >> CWD 006 880 M >> CWF 009 271		3	CWDA, CWD CWFA, CWF
(11)	946 101 017 78	Water jet M CWD 006 881>> M CWF 009 272>>		3	CWDA, CWD CWFA, CWF
12	999 707 509 40	O-ring 8,55 X 2		3	
13	900 385 009 01	Torx screw BM 6 X 16		3	
14	999 707 481 40	O-ring 24 X 3		2	
15	999 073 915 31	fillister hd. bolt aluminium M 8 X 70		12	
16	900 385 042 01	Torx screw BM 8 X 35		2	
17	900 385 071 01	Torx screw BM 8 X 50		2	
18	997 606 121 00	Knock sensor		2	
19	900 067 102 02	Socket head bolt M 8 X 35		2	
20	948 107 314 20	Adapter		1	
21	900 123 144 30	seal ring A 10 X 13,5		1	
22	900 219 023 01	sealing plug M 10 X 1		1	
23	999 707 575 40	O-ring 20 X 3		1	
24	948 606 213 00	Oil pressure sender		1	
25	900 385 045 01	Torx screw	BM6X40	2	
26	7PP 103 113	End cap		1	
27	955 301 729 10	Sealing cap		1	
28	999 915 573 43	sealant 1 tube for Crankcase housing discontinued part	75 ml	X	
(28)	000 043 305 33	sealant 1 tube for Crankcase housing	75 ml	X	

Model: 970 10

Model life 2010>>2016



Model: 970 10 Model life 2010>>2016

Pos	Part Number	Description	Remark	Qty	Model
		Crankcase housing Individual parts			4640 ,CWAA , CXNA+ PR:339
1	946 101 001 42	Crankcase housing without: piston		1	
		also use:	014 301 153 B	6	
			996 106 103 50	3	
			948 101 017 11	3	
			900 385 009 01	3	
			999 707 481 40	2	
		piston		6	
(1)	946 101 001 43	Discontinued part Crankcase housing without: piston		1	
		also use:	014 301 153 B	6	
			996 106 103 50	3	
			948 101 017 11	3	
			900 385 009 01	3	
			999 707 481 40	2	
		piston		6	
(1)	946 101 001 44	Discontinued part Crankcase housing without: piston		1	
		also use:	014 301 153 B	6	
			996 106 103 50	3	
			948 101 017 11	3	
			900 385 009 01	3	
			999 707 481 40	2	
		piston		6	
(1)	946 101 001 45	M >> C 08729 M >> V C 08728 No longer use the part here Crankcase housing without: piston		1	PR:-145
		also use:	948 103 058 21	3	
			948 103 057 21	3	
			014 301 153 B	4	
			946 101 153 30	2	
			996 106 103 50	3	
			948 101 017 13	3	
			900 385 009 01	3	
			999 707 481 40	2	
		See technical information see main group 1 (engine) 1010 25/13 M C 08730 >> D >> - MJ 2013			
(1)	946 101 001 45	Discontinued part Crankcase housing without: piston		1	PR:145
		also use:	948 103 058 51	3	
			948 103 057 51	3	
			014 301 153 B	4	
			946 101 153 30	2	
			996 106 103 50	3	
			948 101 017 13	3	
			900 385 009 01	3	
			999 707 481 40	2	

Model: 970 10 Model life 2010>>2016

Pos	Part Number	Description	Remark	Qty	Model
		13 X 16 X 16,5 Mount Gearbox See technical information see main group 1 (engine) 1001 34/15 M CWF 013 941>>			
9	996 106 103 50	dowel sleeve 8,2 X 7		7	
10	948 101 017 11	Water jet Discontinued part		3	
(10)	948 101 017 12	Water jet Discontinued part		3	
(10)	948 101 017 13	Water jet		3	
11	999 707 509 40	O-ring 8,55 X 2		3	
12	900 385 009 01	Torx screw BM 6 X 16		3	
13	999 707 481 40	O-ring 24 X 3		2	
14	999 073 915 31	fillister hd. bolt aluminium M 8 X 70		12	
15	900 385 042 01	Torx screw BM 8 X 35		2	
16	900 385 071 01	Torx screw BM 8 X 50		2	
17	997 606 121 00	Knock sensor		2	
18	900 067 102 02	Socket head bolt M 8 X 35		2	
19	948 107 314 20	Adapter		1	
20	900 123 144 30	seal ring A 10 X 13,5		1	
21	900 219 023 01	sealing plug M 10 X 1		1	
22	999 707 575 40	O-ring 20 X 3		1	
23	948 606 213 00	Oil pressure sender		1	
24	900 385 045 01	Torx screw BM 6 X 40		2	
25	948 101 180 00	Cross tube Discontinued part		1	
(25)	948 101 180 01	Cross tube		1	
26	948 101 070 01	Sealing flange		2	
27	999 707 641 40	O-ring 30 X 3		4	
28	996 106 103 50	dowel sleeve 8,2 X 7		4	
29	948 101 223 40	Seal		2	
(29)	948 101 223 41	D >> - MJ 2013 Seal		2	
30	900 385 019 01	D - MJ 2014>> Torx screw BM 6 X 20		10	
31	7P5 103 113	End cap No longer use the part here		1	
(31)	7PP 103 113	End cap		1	
32	999 915 573 43	sealant 1 tube for Crankcase housing discontinued part	75 ml	X	
(32)	000 043 305 33	sealant	75 ml	X	

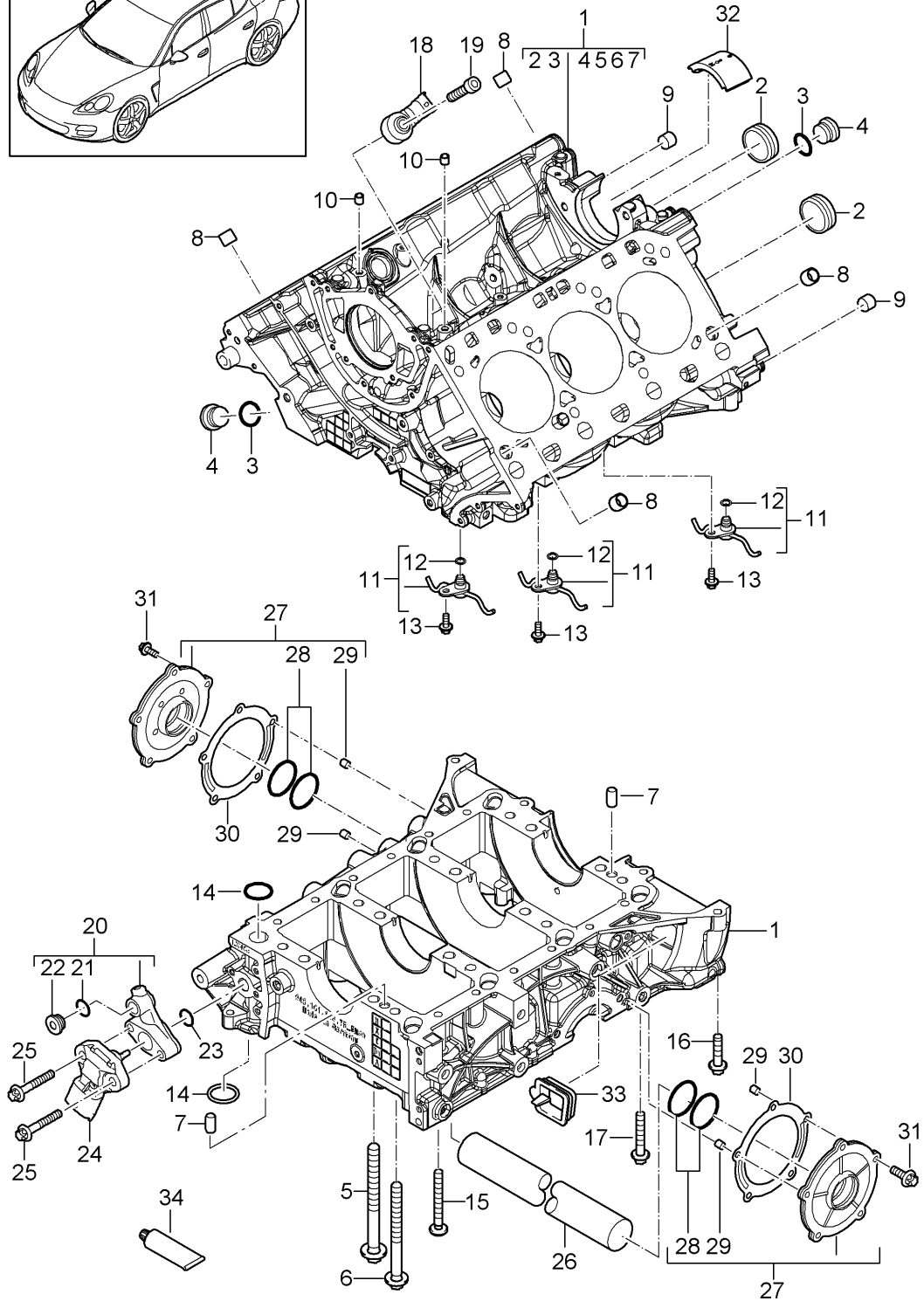
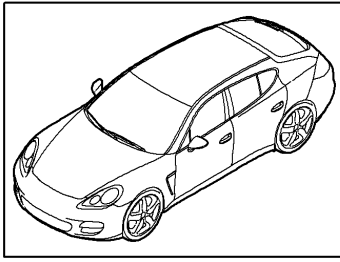
Model: 970 10

Model life 2010>>2016

Pos	Part Number	Description	Remark	Qty	Model
(32)	000 043 204 35	1 tube for Crankcase housing sealant	50ml	X	
(32)	000 043 305 60	1 tube for Sealing flange Cross tube discontinued part sealant LOCTITE 5900 for Sealing flange Cross tube	50ml	X	

Model: 970 10

Model life 2010>>2016



Model: 970 10 Model life 2010>>2016

Pos	Part Number	Description	Remark	Qty	Model
1	946 101 001 75	Crankcase housing Individual parts Crankcase housing without: piston also use:	014 301 153 B 946 101 153 30 996 106 103 50 946 101 017 77 900 385 009 01 999 707 481 40	1 4 2 2 3 3 2	CWDA, CWD, CWFA, CWF+ PR: 339
(1)	946 101 001 76	Discontinued part Crankcase housing without: piston also use:	014 301 153 B 946 101 153 30 996 106 103 50 946 101 017 77 900 385 009 01 999 707 481 40	1 4 2 2 3 3 2 6	
2	948 101 216 00	End cap		2	
3	900 123 118 30	seal ring A 22 X 27		2	
4	999 063 024 30	sealing plug M 22 X 1,5		2	
5	948 101 190 01	Screw M 11 X 1,5 X 130		6	
(5)	948 101 190 40	Screw M 11 X 1,5 X 113,5		2	
6	948 101 191 01	Screw M 10 X 1,5 X 117		6	
(6)	948 101 191 41	Screw M 10 X 1,5 X 107,5		2	
7	999 012 051 00	Cylinder pin BM 10 X 18		2	
8	014 301 153 B	dowel sleeve 13 X 16 X 13,5		4	
9	946 101 153 30	dowel sleeve 13 X 16 X 15 See technical information Service Group 1 Document 1001 34/15		2	
(9)	946 101 153 31	M >> CWF 013 940 dowel sleeve 13 X 16 X 16,5 Mount Gearbox		2	

Model: 970 10 Model life 2010>>2016

Pos	Part Number	Description	Remark	Qty	Model
		See technical information Service Group 1 Document 1001 34/15 M CWF 013 941>>			
10	996 106 103 50	dowel sleeve 8,2 X 7		2	
11	946 101 017 77	Water jet M >> CWD 006 880 M >> CWF 009 271		3	CWDA, CWD CWFA, CWF
(11)	946 101 017 78	Water jet M CWD 006 881>> M CWF 009 272>>		3	CWDA, CWD CWFA, CWF
12	999 707 509 40	O-ring 8,55 X 2		3	
13	900 385 009 01	Torx screw BM 6 X 16		3	
14	999 707 481 40	O-ring 24 X 3		2	
15	999 073 915 31	fillister hd. bolt aluminium M 8 X 70		12	
16	900 385 042 01	Torx screw BM 8 X 35		2	
17	900 385 071 01	Torx screw BM 8 X 50		2	
18	997 606 121 00	Knock sensor		2	
19	900 067 102 02	Socket head bolt M 8 X 35		2	
20	948 107 314 20	Adapter		1	
21	900 123 144 30	seal ring A 10 X 13,5		1	
22	900 219 023 01	sealing plug M 10 X 1		1	
23	999 707 575 40	O-ring 20 X 3		1	
24	948 606 213 00	Oil pressure sender		1	
25	900 385 045 01	Torx screw BM 6 X 40		2	
26	948 101 180 01	Cross tube		1	
27	948 101 070 01	Sealing flange		2	
28	999 707 641 40	O-ring 30 X 3		4	
29	996 106 103 50	dowel sleeve 8,2 X 7		4	
30	948 101 223 41	Seal		2	
31	900 385 019 01	Torx screw BM 6 X 20		10	
32	7PP 103 113	End cap		1	
33	955 301 729 10	Sealing cap		1	
34	999 915 573 43	sealant 1 tube for Crankcase housing discontinued part	75 ml	X	
(34)	000 043 305 33	sealant 1 tube for Crankcase housing	75 ml	X	
(34)	000 043 204 35	sealant 1 tube for	50ml	X	

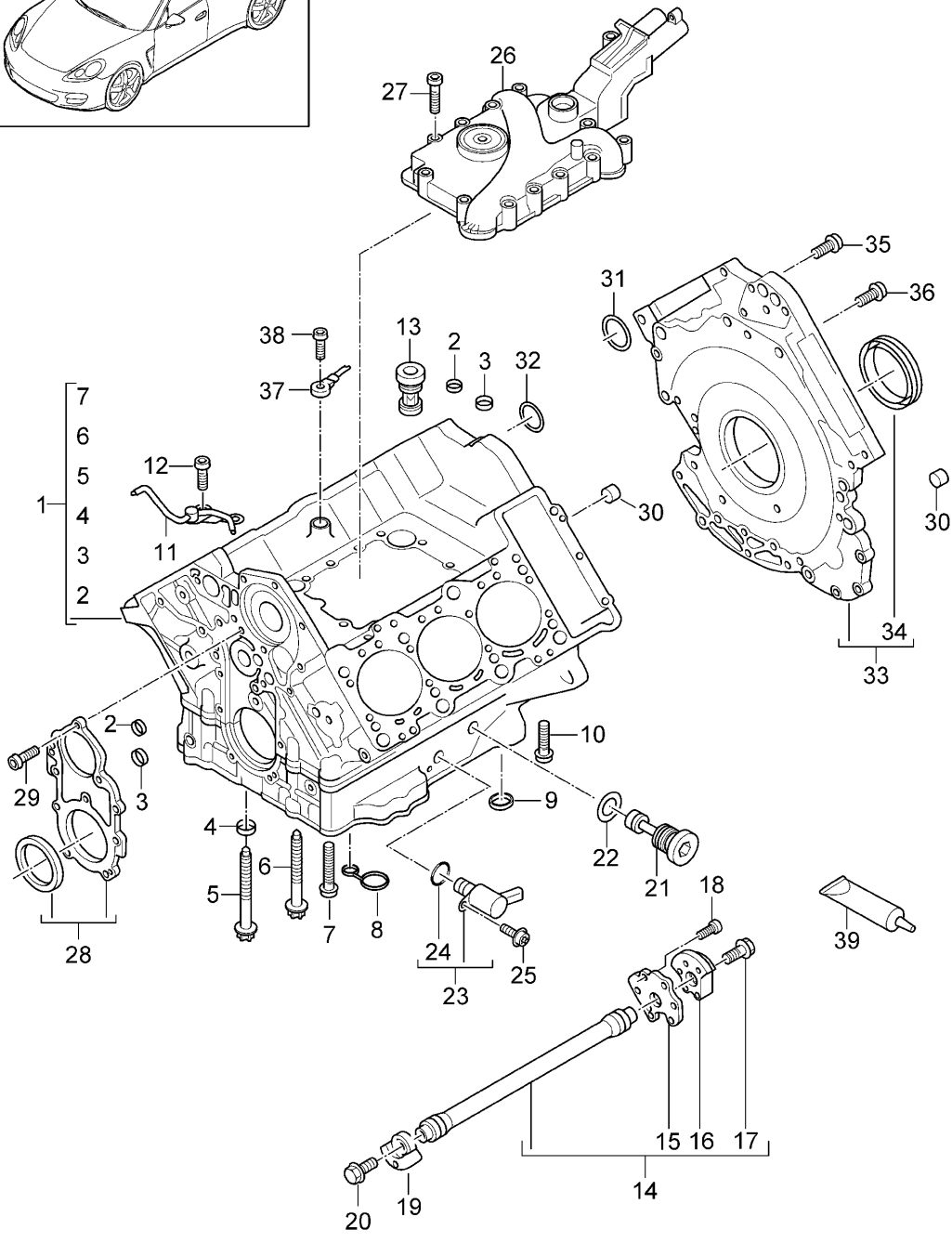
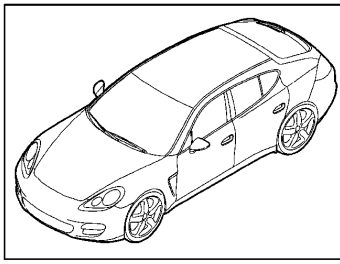
Model: 970 10

Model life 2010>>2016

Pos	Part Number	Description	Remark	Qty	Model
(34)	000 043 305 60	Sealing flange Cross tube discontinued part sealant LOCTITE 5900 for Sealing flange Cross tube	50ml	x	

Model: 970 10

Model life 2010>>2016



Model: 970 10 Model life 2010>>2016

Pos	Part Number	Description	Remark	Qty	Model
1	958 101 011 10	Crankcase housing Individual parts Crankcase housing		1	CGEA, CGE, CGFA
		also use:			
2	N 011 903 10	piston		6	
		End cap		2	
		16			
3	N 011 904 7	End cap		3	
		18			
4	958 107 543 00	Centre sleeve		4	
		10,4 X 12 X 12			
5	WHT 002 949	Hexagon head bolt		8	
		M 10 X 1,5 X 120			
6	WHT 002 671 A	Hexagon head bolt		8	
		M 10 X 1,5 X 110			
7	N 910 506 01	Hexagon socket head bolt		4	
		M 8 X 85			
		D >> - MJ 2012			
7	N 911 991 01	Socket head bolt with inner multipoint head		4	
		M 8 X 85			
		D - MJ 2013>>			
8	958 101 581 00	Seal		1	
9	958 101 582 00	Seal		1	
10	N 911 389 01	Socket head collared bolt with inner multipoint head		2	
		M 8 X 55			
		D >> - MJ 2012			
(10)	N 107 418 02	Socket head collared bolt with inner multipoint head		2	
		M 8 X 55			
		D - MJ 2013>>			
11	958 101 017 10	Water jet		3	
		engine oil			
12	N 104 514 07	Socket head bolt with multi- point inner drive, self-lock.		3	
		M 6 X 16			
		No longer use the part here			
(12)	N 107 512 01	Hexagon socket flat head bolt		3	
		M 6 X 14			
13	958 101 271 00	choke		2	
14	958 101 025 00	balancer shaft		1	
15	958 101 407 00	End cap		1	
16	958 101 331 00	Balancer weight	rear	1	
17	N 908 932 02	fitted bolt, hexagon head		1	
		M 10 X 20			
18	N 104 514 07	Socket head bolt with multi- point inner drive, self-lock.		1	
		M 6 X 16			
19	958 101 332 00	Balancer weight	front	1	
20	N 908 932 02	fitted bolt, hexagon head		1	
		M 10 X 20			
		D >> - MJ 2012			
(20)	N 107 682 01	fitted bolt, hexagon head		1	
		M 10 X 20			
		D - MJ 2013>>			
21	WHT 000 399	sealing plug		1	
		M 14 X 1,5			
22	958 107 444 00	O-ring		1	
		16 X 3			
23	958 107 243 30	control valve		1	

Model: 970 10 Model life 2010>>2016

Pos	Part Number	Description	Remark	Qty	Model
24	N 910 568 01	O-ring 12 X 2		1	
25	N 104 056 04	Oval hexagon socket head bolt M 6 X 14		1	
26	958 101 247 00	trim for ventilation Crankcase housing Discontinued part		1	
(26)	958 101 247 02	trim for ventilation Crankcase housing		1	
27	N 101 562 06	Oval hexagon socket head bolt M 6 X 30		14	
(27)	N 101 562 07	No longer use the part here Oval hexagon socket head bolt M 6 X 30		14	
28	958 101 150 10	Sealing flange	front	1	
		with: Shaft oil seal			
29	N 910 717 01	Hexagon socket flat head bolt M 6 X 25	also use: 000 043 300 39	X 9	
(29)	N 104 514 05	No longer use the part here Oval hexagon socket head bolt M 6 X 16		9	
30	955 101 139 01	dowel sleeve 16 X 13,5		3	
31	958 101 583 00	Seal		1	
32	958 101 584 00	Seal		2	
33	958 101 071 11	Sealing flange	rear	1	
		also use: No longer use the part here	000 043 207 49	X	
(33)	958 101 071 12	Sealing flange	rear	1	
		also use: Discontinued part	000 043 207 49	X	
(33)	958 101 071 13	Sealing flange	rear	1	
		also use:	000 043 300 39	X	
34	955 101 053 00	Shaft oil seal No longer use the part here		1	
(34)	958 101 153 20	Shaft oil seal		1	
35	N 107 503 01	Hexagon socket flat head bolt M 6 X 30		12	
36	N 107 509 01	12-point head bolt M 8 X 30		8	
37	958 606 121 10	Knock sensor Discontinued part	right	1	
(37)	958 606 121 11	Knock sensor	right	1	
(37)	958 606 121 20	Knock sensor Discontinued part	left	1	
(37)	958 606 121 21	Knock sensor	left	1	
38	N 106 886 01	Socket head bolt with inner multipoint head M 8 X 32		2	
39	000 043 207 49	sealant 1 tube 80 ML for Sealing flange	front and rear	X	
(39)	958 101 902 00	Discontinued part sealant 80 ML for Sealing flange	front and rear	X	

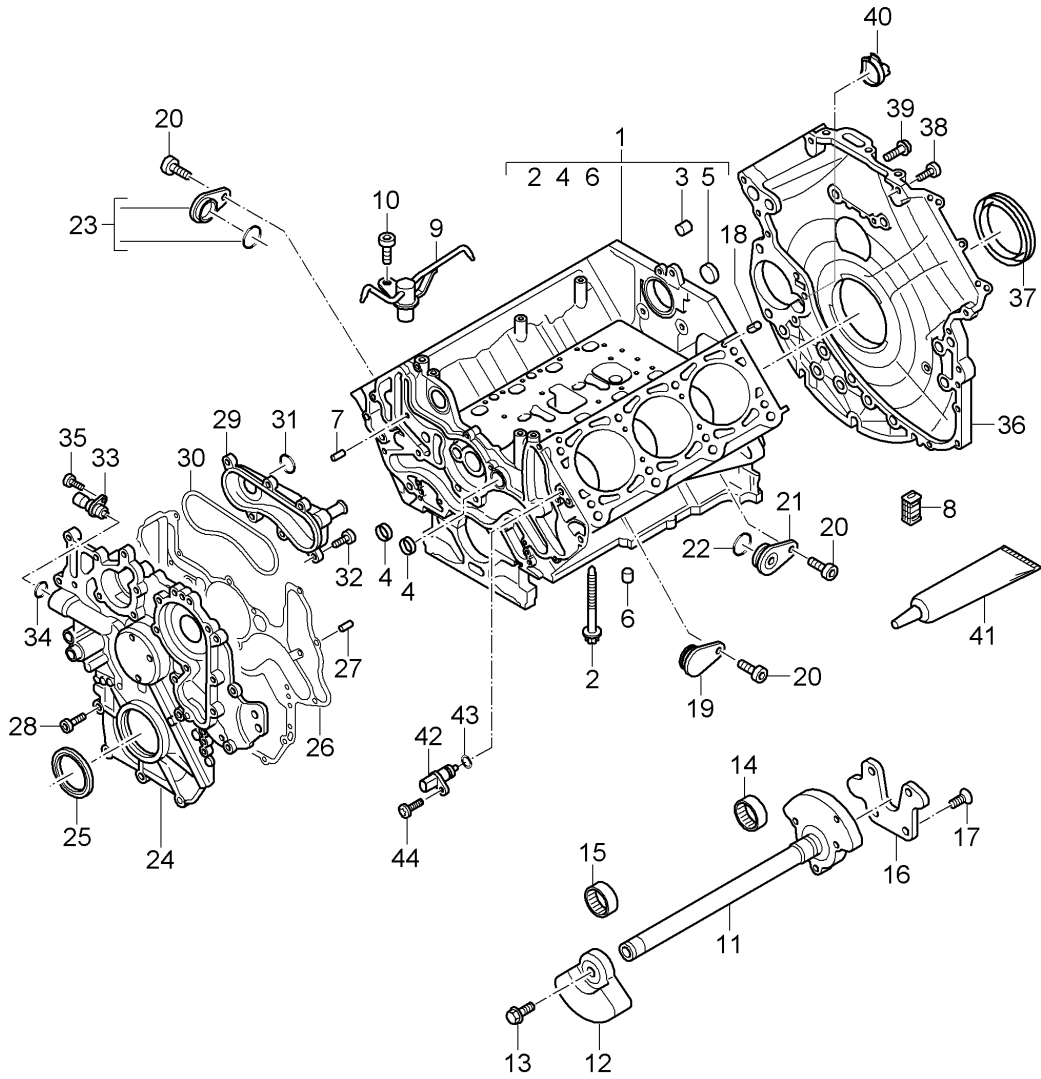
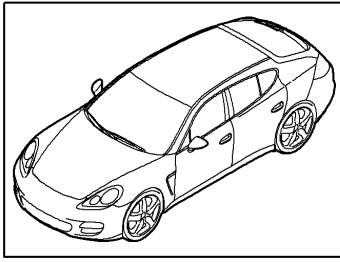
Model: 970 10

Model life 2010>>2016

Pos	Part Number	Description	Remark	Qty	Model
(39)	000 043 300 39	D >> - MJ 2013 sealant 1 tube 50 ML for Sealing flange D - MJ 2014>>	front and rear	X	

Model: 970 10

Model life 2010>>2016



Model: 970 10

Model life 2010>>2016

Pos	Part Number	Description	Remark	Qty	Model
1	958 101 011 20	Crankcase housing Individual parts Crankcase housing		1	CRCC, CRCB, CWJA
		also use: piston		6	
(1)	958 101 011 21	Discontinued part Crankcase housing		1	
		also use: piston		6	
2	WHT 003 959	Hexagon head bolt M 11 X 1,5 X 107		16	
3	955 101 139 01	dowel sleeve 16 X 13,5		2	
4	N 011 903 10	End cap A 16		2	
5	N 011 914 10	End cap 24		2	
6	955 101 139 10	dowel sleeve		4	
7	N 106 678 01	Cylinder pin 6 X 16		2	
8	955 101 147 00	Seal Sealing flange	rear	2	
9	958 101 017 30	Water jet engine oil		3	CRCC, CRCB
(9)	958 101 017 40	Water jet engine oil		3	CWJA
10	N 910 547 01	Hex socket head locating bolt M 6 X 6 X 12		3	
11	958 101 025 10	balancer shaft No longer use the part here		1	
(11)	958 101 025 11	balancer shaft		1	
12	955 101 332 00	Balancer weight	front	1	
13	N 908 932 02	fitted bolt, hexagon head M 10 X 20		1	
14	958 101 869 30	needle bearing - DURCHM. 25 MM Only for Crankcase housing 059.103.011.ED		1	
(14)	958 101 869 40	needle bearing - DURCHM. 25 MM Only for Crankcase housing 059.103.011.FA		1	
15	955 101 869 10	needle bearing - Durchm. 22 MM		1	
16	958 101 407 01	End cap		1	
17	N 104 560 04	Hexagon socket head bolt, self-locking M 6 X 12		4	
18	955 102 277 00	spring pin 6,2 X 22		4	
19	958 106 155 20	End cap		1	
20	N 101 703 02	round hd. screw M 6 X 10		3	
21	958 106 155 00	End cap No longer use the part here		1	
(21)	958 106 155 01	End cap		1	
22	N 907 834 02	O-ring 13,1 X 1,6		1	
23	958 106 155 20	End cap		1	

Model: 970 10 Model life 2010>>2016

Pos	Part Number	Description	Remark	Qty	Model
24	958 101 150 20	Sealing flange	front	1	CRCC,CRCB
		also use:	WHT 005 400	1	
(24)	958 101 151 10	No longer use the part here Sealing flange	front	1	CRCC,CRCB
(24)	958 101 151 11	Discontinued part Sealing flange	front	1	CRCC,CRCB
(24)	958 101 151 12	D >> - MJ 2013 Sealing flange	front	1	CRCC,CRCB
(24)	958 101 151 21	D - MJ 2014>> Sealing flange	front	1	CWJA
-	WHT 005 400	Washer		1	
25	958 101 052 00	11 X 67 X 3,5 Shaft oil seal		1	
(25)	958 101 052 01	No longer use the part here Shaft oil seal		1	
(25)	955 101 052 00	No longer use the part here Shaft oil seal		1	
26	958 101 161 01	Seal		1	
(26)	958 101 161 02	No longer use the part here Seal		1	
(26)	958 101 161 03	Rubber D >> - MJ 2013 Seal		1	
27	N 106 678 01	Metal D - MJ 2014>> Cylinder pin		2	
28	N 911 804 01	6 X 16 Hexalobular flange screw		22	
29	958 101 525 00	M 6 X 22 Cover		1	
30	958 101 161 10	Seal		1	
(30)	958 101 161 11	Discontinued part Seal		1	
31	N 904 650 04	O-ring		1	
32	N 107 002 01	23 X 2,6 round hd. screw		6	
33	958 606 623 20	M 6 X 22 Temperature sensor		1	
-	958 101 826 02	Sleeve		1	
34	WHT 002 287 C	for Temperature sensor		1	
(34)	N 908 514 01	O-ring 5,6 X 2		1	
35	N 104 514 08	14 X 1,78 Behind Adapter Sleeve Temperature sensor		1	
36	958 101 071 30	Oval hexagon socket head bolt M 6 X 16		1	
(36)	958 101 071 31	Sealing flange	rear	1	
		also use:	955 101 147 00	2	
		Discontinued part	000 043 207 49	X	
(36)	958 101 071 32	Sealing flange	rear	1	
		also use:	955 101 147 00	2	
		Discontinued part	000 043 300 39	X	
(36)	958 101 071 32	Sealing flange	rear	1	
		also use:	955 101 147 00	2	
			000 043 300 39	X	
37	958 101 153 00	Shaft oil seal		1	

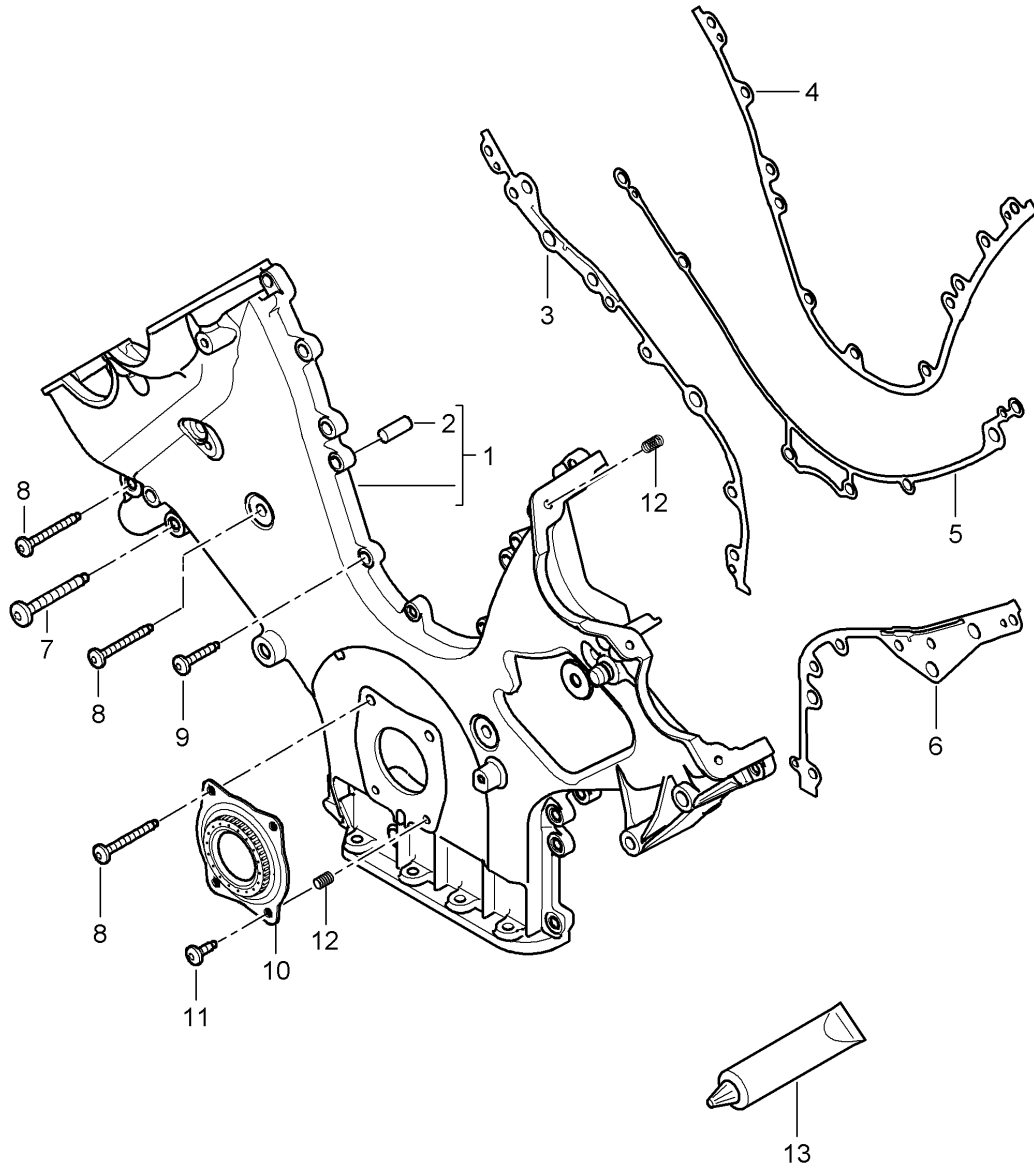
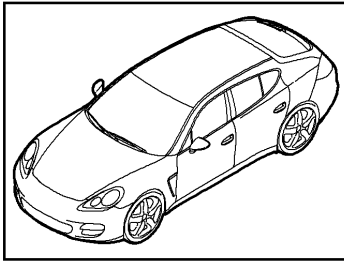
Model: 970 10

Model life 2010>>2016

Pos	Part Number	Description	Remark	Qty	Model
(37)	958 101 153 01	Discontinued part Shaft oil seal		1	
38	N 107 002 01	round hd. screw M 6 X 22		18	
39	N 107 453 01	Oval hexagon socket head bolt M 8 X 30		6	
40	958 101 565 10	Cover		1	
41	000 043 207 49	sealant 1 tube 80 ML		X	
(41)	000 043 300 39	No longer use the part here sealant 1 tube 50 ML		X	
42	958 606 623 00	Coolant temperature sender		1	
43	WHT 002 287 B	O-ring 5,6 X 2 -N-		1	
44	N 101 703 02	round hd. screw M 6 X 10		1	

Model: 970 10

Model life 2010>>2016



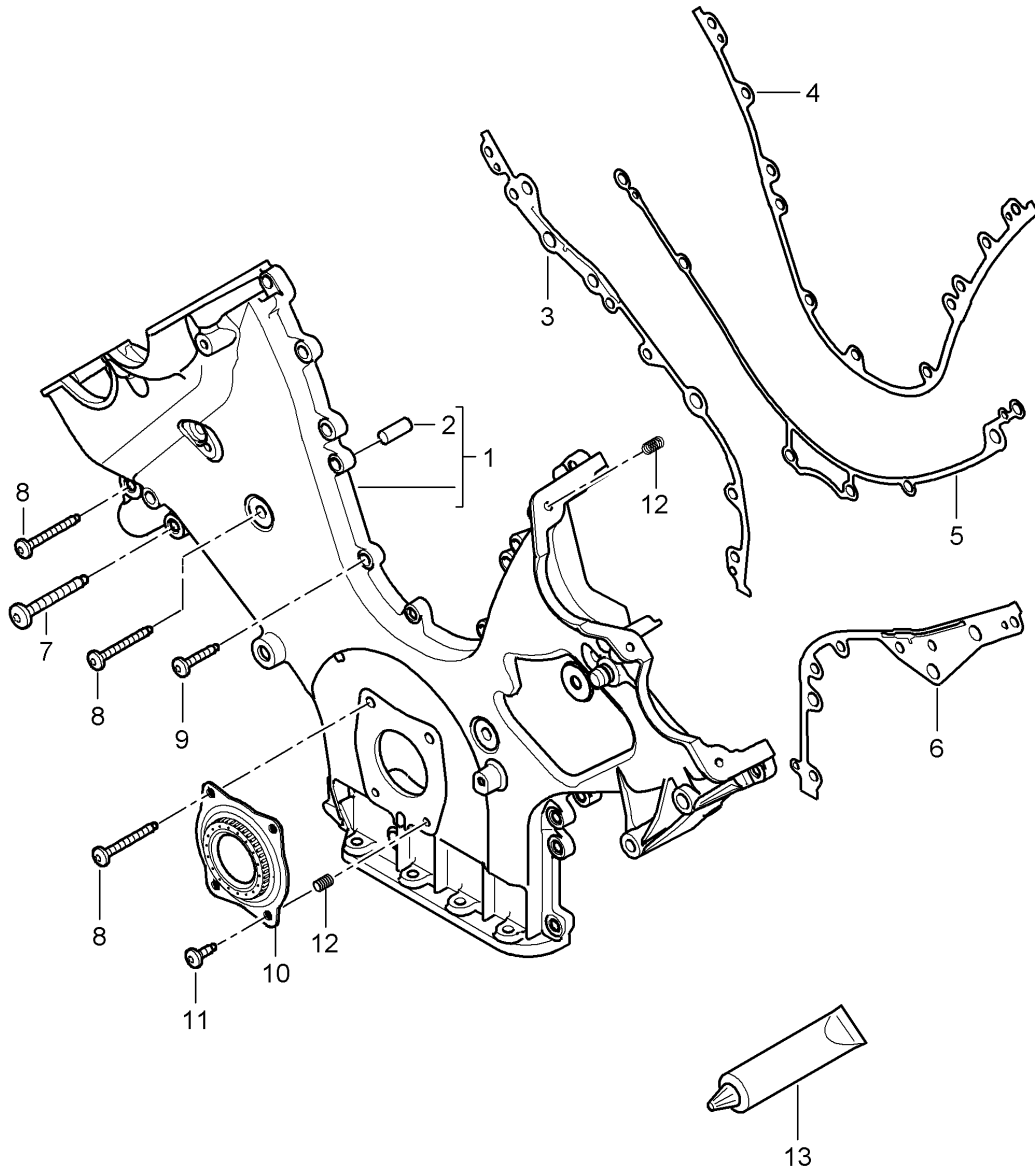
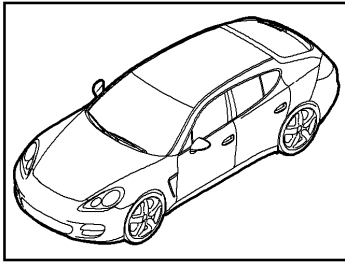
Model: 970 10

Model life 2010>>2016

Pos	Part Number	Description	Remark	Qty	Model
		Cover for timing chain Sealing flange			4820,4840, 4870,CXPA, CXRA,CXR, CWBA,CWB, CWCA,CWC
1	948 101 022 20	Cover for timing chain Magnesium		1	
2	900 012 204 30	Cylinder pin 6 X 16		8	
3	948 101 130 20	Seal Discontinued part		1	
(3)	948 101 130 21	Seal		1	
4	948 101 125 20	Seal		1	
5	948 101 127 20	Seal		1	
6	948 101 129 20	Seal Discontinued part		1	
(6)	948 101 129 21	Seal		1	
7	999 073 913 30	fillister hd. bolt aluminium M 8 X 55		2	
(7)	999 073 913 31	Discontinued part fillister hd. bolt aluminium M 8 X 55		2	
8	999 073 914 30	fillister hd. bolt aluminium M 6 X 55		9	
(8)	999 073 914 31	Discontinued part fillister hd. bolt aluminium M 6 X 55		9	
9	999 073 905 30	fillister hd. bolt aluminium M 6 X 30		21	
(9)	999 073 905 31	Discontinued part fillister hd. bolt aluminium M 6 X 30		21	
10	948 101 910 20	Sealing flange	with:	1	
11	999 073 903 30	Mounting sleeve fillister hd. bolt aluminium M 6 X 20		2	
(11)	999 073 903 31	Discontinued part fillister hd. bolt aluminium M 6 X 20		2	
12	999 504 084 01	threaded insert M 6 X 12 for Thread repair		X	
13	000 043 204 35	Cover for timing chain Magnesium sealant 1 tube 50 ML. for Cover for timing chain		X	

Model: 970 10

Model life 2010>>2016

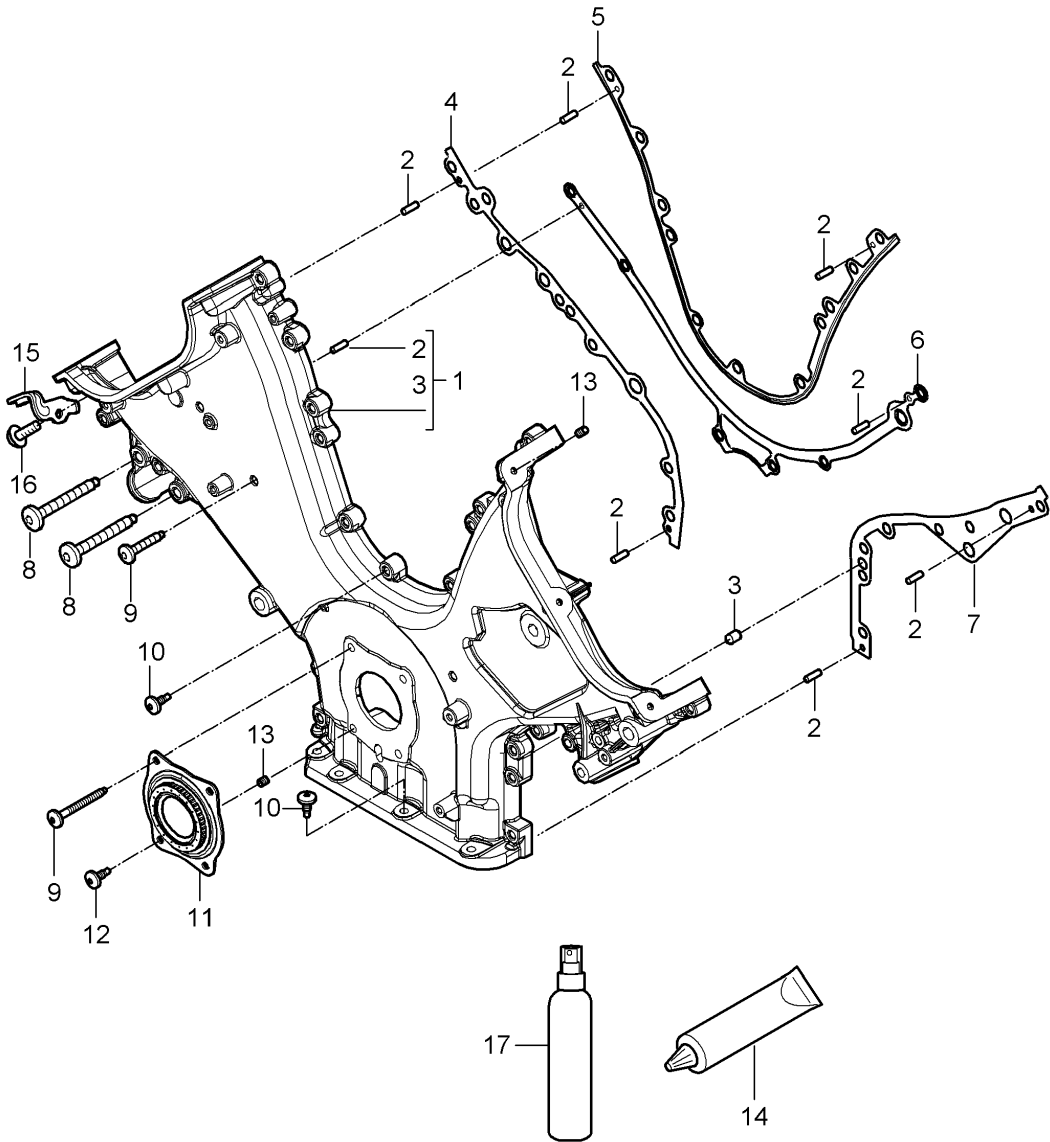
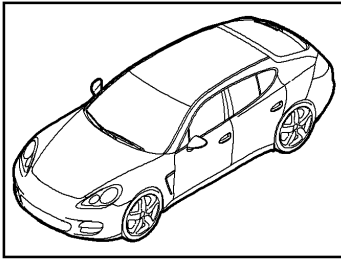


Model: 970 10 Model life 2010>>2016

Pos	Part Number	Description	Remark	Qty	Model
1	948 101 022 20	Cover for timing chain Sealing flange		1	4620,4640, CWAA,CXNA
2	900 012 204 30	Cylinder pin 6 X 16		8	
3	948 101 130 20	Seal M >> B 03153 M >> V B 01004 M >> B 03288 M >> V B 01224		1	4620 4620, 145 4640 4640, 145
(3)	948 101 130 21	Seal M B 03154 >> M V B 01005 >> M B 03289 >> M V B 01225 >> D >> - MJ 2013		1	4620 4620, 145 4640 4640, 145
(3)	948 101 130 21	Seal D - MJ 2014>>		1	
4	948 101 125 20	Seal		1	
5	948 101 127 20	Seal		1	
6	948 101 129 20	Seal M >> B 03153 M >> V B 01004 M >> B 03288 M >> V B 01224		1	4620 4620, 145 4640 4640, 145
(6)	948 101 129 21	Seal M B 03154 >> M V B 01005 >> M B 03289 >> M V B 01225 >> D >> - MJ 2013		1	4620 4620, 145 4640 4640, 145
(6)	948 101 129 21	Seal D - MJ 2014>>		1	
7	999 073 913 31	fillister hd. bolt aluminium M 8 X 55		2	
8	999 073 914 31	fillister hd. bolt aluminium M 6 X 55		9	
9	999 073 905 31	fillister hd. bolt aluminium M 6 X 30		21	
10	948 101 910 20	Sealing flange	with:	1	
11	999 073 903 31	Mounting sleeve fillister hd. bolt aluminium M 6 X 20		2	
12	999 504 084 01	threaded insert M 6 X 12 for Thread repair		X	
13	000 043 204 35	Cover for timing chain Magnesium sealant 1 tube 50 ml. for Cover for timing chain		X	

Model: 970 10

Model life 2010>>2016



Model: 970 10 Model life 2010>>2016

Pos	Part Number	Description	Remark	Qty	Model
1	946 101 022 01	Cover for timing chain Sealing flange cover for timing case Magnesium M >> CWD 007 064 M >> CWF 009 957		1	CWDA, CWD, CWFA, CWF
(1)	946 101 022 02	cover for timing case Magnesium M CWD 007 065>> M CWF 009 958>>		1	CWDA, CWD CWFA, CWF
2	900 012 204 30	Cylinder pin 6 X 16		8	
3	944 104 361 00	dowel sleeve 8,5 X 8,5		1	
4	946 101 130 03	Seal M >> CWD 007 064 M >> CWF 009 957		1	CWDA, CWD CWFA, CWF
(4)	946 101 130 04	Seal M CWD 007 065>> M CWF 009 958>>		1	CWDA, CWD CWFA, CWF
5	948 101 125 20	Seal		1	
6	948 101 127 20	Seal		1	
7	946 101 129 03	Seal M >> CWD 007 064 M >> CWF 009 957		1	CWDA, CWD CWFA, CWF
(7)	946 101 129 04	Seal M CWD 007 065>> M CWF 009 958>>		1	CWDA, CWD CWFA, CWF
8	999 073 913 31	fillister hd. bolt aluminium M 8 X 55		2	
9	999 073 914 31	fillister hd. bolt aluminium M 6 X 55		9	
10	999 073 905 31	fillister hd. bolt aluminium M 6 X 30		25	
11	948 101 910 20	Sealing flange	with:	1	
12	999 073 903 31	Mounting sleeve fillister hd. bolt aluminium M 6 X 20		2	
13	999 504 084 01	threaded insert M 6 X 12 for Thread repair		X	
14	000 043 204 35	Cover for timing chain Magnesium sealant 1 tube 50 ML. for		X	
15	946 107 270 60	Cover for timing chain Bracket Mount - PDK - Oil pipe		1	CWDA, CWD
16	999 073 902 31	fillister hd. bolt aluminium M 6 X 16		1	CWDA, CWD
17	000 043 209 93	Cleaning solution Corrosion protection		1	

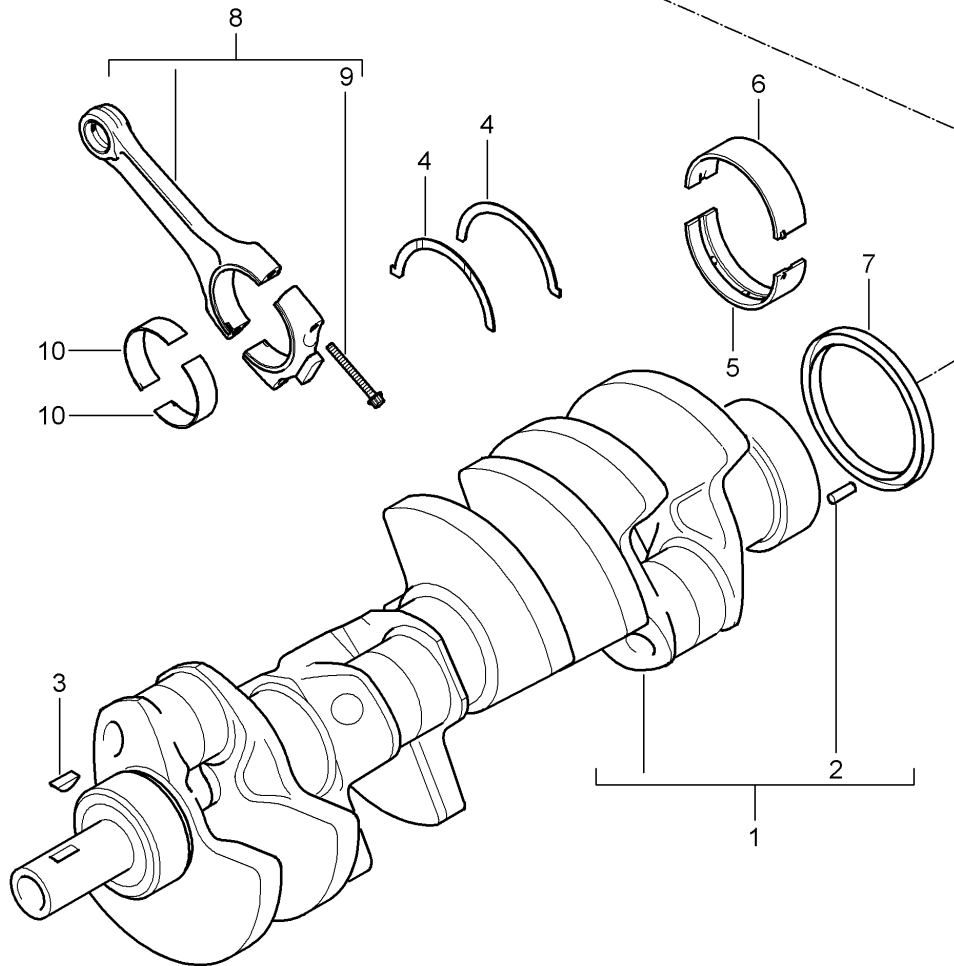
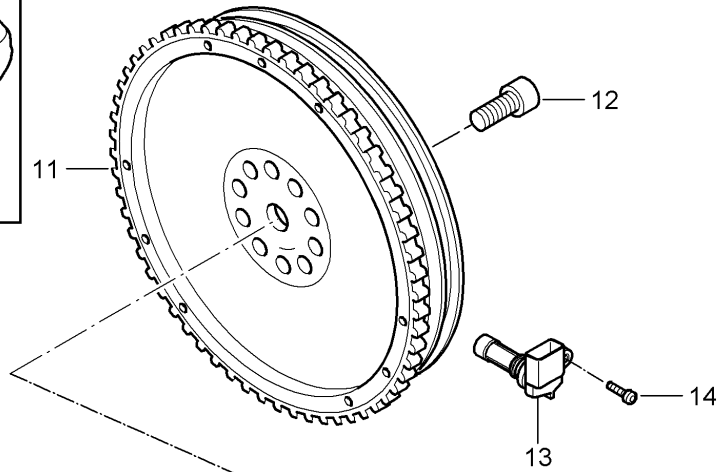
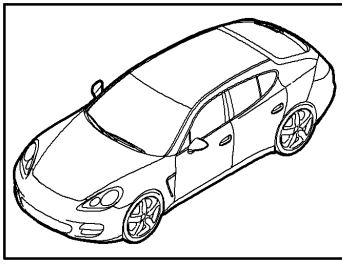
Model: 970 10

Model life 2010>>2016

Pos	Part Number	Description	Remark	Qty	Model
		Loctite 7515 Atomiser 100 ML for Cover for timing chain			

Model: 970 10

Model life 2010>>2016



Model: 970 10 Model life 2010>>2016

Pos	Part Number	Description	Remark	Qty	Model
		Crankshaft conrod			4820,4840, 4870,CXPA, CXRA,CXR, CWBA,CWB, CWCA,CWC
1	948 102 011 21	Crankshaft		1	4820,4840, CXPA,CXRA, CXR
(1)	948 102 011 71	Crankshaft		1	4870,CWBA, CWB,CWCA,CWC
2	900 302 049 00	Cylinder pin 6 X 20		1	
3	N 012 713 1	woodruff key 5,0 X 6,5		1	
4	948 101 215 10	thrust washer		2	
5	948 101 241 04	crankshaft bearing shell Identification: >> >> red	lower	5	
(5)	948 101 241 08	D - MJ 2013 crankshaft bearing shell Identification: >> >> red	lower	5	
(5)	948 101 241 05	D - MJ 2014>> crankshaft bearing shell Identification: >> >> yellow	lower	5	
(5)	948 101 241 09	D - MJ 2013 crankshaft bearing shell Identification: >> >> yellow	lower	5	
(5)	948 101 241 06	D - MJ 2014>> crankshaft bearing shell Identification: >> >> blue	lower	5	
(5)	948 101 241 10	D - MJ 2013 crankshaft bearing shell Identification: >> >> blue	lower	5	
(5)	948 101 241 07	D - MJ 2014>> crankshaft bearing shell Identification: >> >> green	lower	5	
(5)	948 101 241 11	D - MJ 2013 crankshaft bearing shell Identification: >> >> green	lower	5	
6	948 101 242 04	D - MJ 2014>> crankshaft bearing shell Identification: >> >> red	upper	5	
(6)	948 101 242 08	Discontinued part crankshaft bearing shell Identification: >> >> red	upper	5	
(6)	948 101 242 05	crankshaft bearing shell Identification: >> >> yellow	upper	5	
(6)	948 101 242 09	Discontinued part crankshaft bearing shell Identification: >> >> yellow	upper	5	
(6)	948 101 242 06	crankshaft bearing shell Identification: >> >>	upper	5	

Model: 970 10 Model life 2010>>2016

Pos	Part Number	Description	Remark	Qty	Model
(6)	948 101 242 10	blue Discontinued part crankshaft bearing shell Identification: >> >>	upper	5	
(6)	948 101 242 07	blue crankshaft bearing shell Identification: >> >>	upper	5	
(6)	948 101 242 11	green Discontinued part crankshaft bearing shell Identification: >> >>	upper	5	
7	997 101 212 01	green Shaft oil seal		1	
8	948 103 019 21	conrod (complete) Discontinued part		8	4820,4840, CXPA,CXRA, CXR
(8)	948 103 019 22	conrod (complete)		8	4820,4840, CXPA,CXRA, CXR
(8)	948 103 010 14	conrod (complete) Discontinued part		8	4870
(8)	948 103 010 70	conrod (complete) M >> CWB 001 547		8	4870,CWBA, CWB
(8)	948 103 010 71	conrod (complete) M CWB 001 548>> M CWC 000 501>>		8	4870,CWBA, CWB,CWCA,CWC
9	997 103 115 01	bolt - connecting rod		16	
10	948 103 230 23	connecting rod bearing shell Identification: >> >> red Discontinued part		16	4820,4840, CXPA,CXRA, CXR
(10)	948 103 230 26	connecting rod bearing shell Identification: >> >> red		16	4820,4840, CXPA,CXRA, CXR
(10)	948 103 230 24	connecting rod bearing shell Identification: >> >> yellow		16	4820,4840, CXPA,CXRA, CXR
(10)	948 103 230 27	Discontinued part connecting rod bearing shell Identification: >> >> yellow		16	4820,4840, CXPA,CXRA, CXR
(10)	948 103 230 25	connecting rod bearing shell Identification: >> >> blue		16	4820,4840, CXPA,CXRA, CXR
(10)	948 103 230 28	Discontinued part connecting rod bearing shell Identification: >> >> blue		16	4820,4840, CXPA,CXRA, CXR
(10)	948 103 210 10	connecting rod bearing shell Identification: >> >> ROT		16	4870
(10)	948 103 210 13	Discontinued part connecting rod bearing shell Identification: >> >> ROT		16	4870,CWBA, CWB
(10)	948 103 210 11	M >> CWB 001 547 connecting rod bearing shell Identification: >> >> yellow Discontinued part		16	4870

Model: 970 10 Model life 2010>>2016

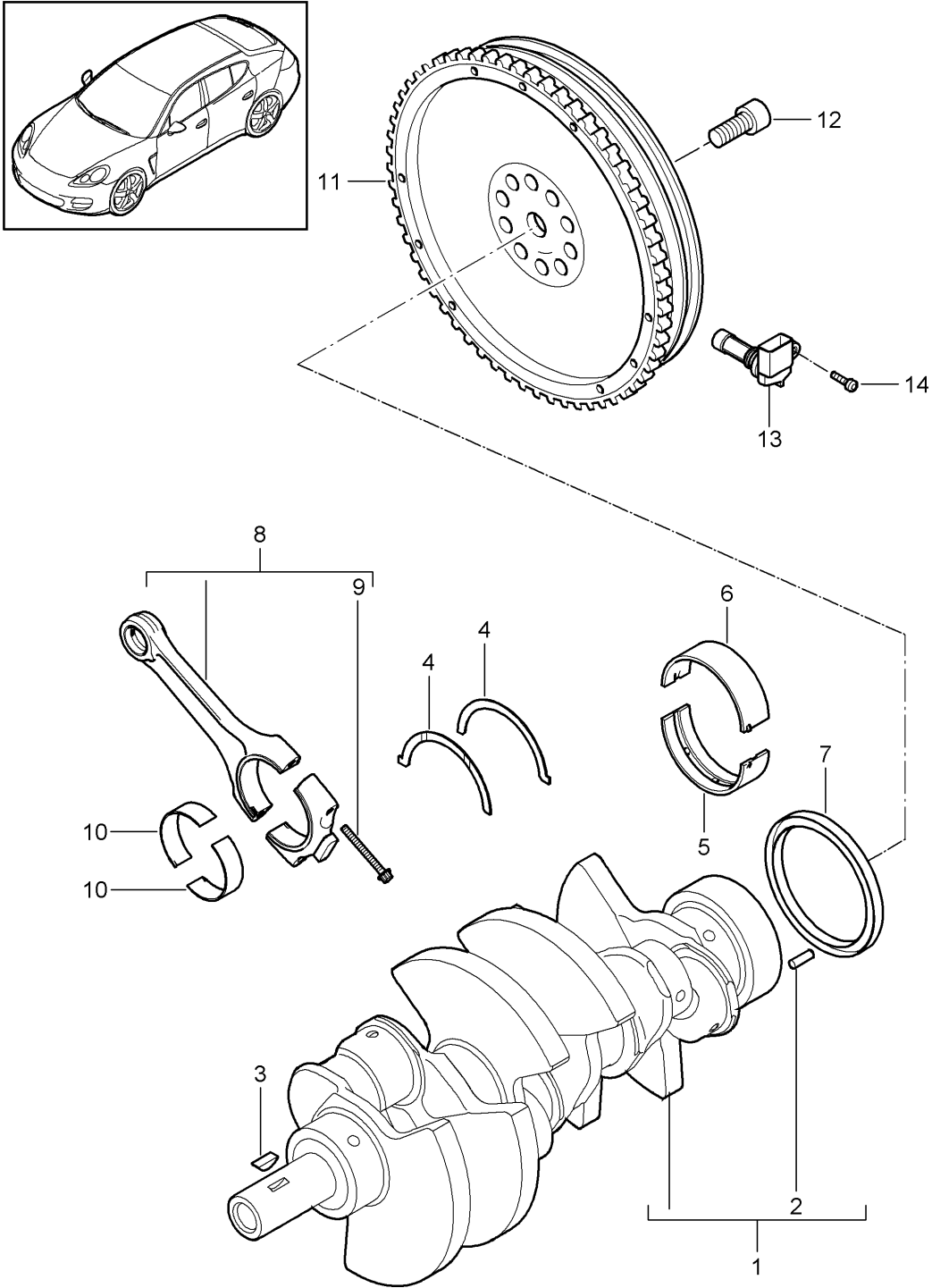
Pos	Part Number	Description	Remark	Qty	Model
(10)	948 103 210 14	connecting rod bearing shell Identification: >> >> yellow M >> CWB 001 547		16	4870, CWBA, CWB
(10)	948 103 210 12	connecting rod bearing shell Identification: >> >> blue Discontinued part		16	4870
(10)	948 103 210 15	connecting rod bearing shell Identification: >> >> blue M >> CWB 001 547		16	4870, CWBA, CWB
(10)	946 103 354 00	connecting rod bearing shell Identification: >> >> red Discontinued part	upper	8	4870, CWBA, CWB, CWCA, CWC
(10)	946 103 354 03	connecting rod bearing shell Identification: >> >> red M CWB 001 548>> M CWC 000 501>>	upper	8	4870, CWBA, CWB, CWCA, CWC
(10)	946 103 354 01	connecting rod bearing shell Identification: >> >> yellow Discontinued part	upper	8	4870, CWBA, CWB, CWCA, CWC
(10)	946 103 354 04	connecting rod bearing shell Identification: >> >> yellow M CWB 001 548>> M CWC 000 501>>	upper	8	4870, CWBA, CWB, CWCA, CWC
(10)	946 103 354 02	connecting rod bearing shell Identification: >> >> blue Discontinued part	upper	8	4870, CWBA, CWB, CWCA, CWC
(10)	946 103 354 05	connecting rod bearing shell Identification: >> >> blue M CWB 001 548>> M CWC 000 501>>	upper	8	4870, CWBA, CWB, CWCA, CWC
(10)	946 103 254 00	connecting rod bearing shell Identification: >> >> red only in conj. with: Connecting rod 948.103.010.71 M CWB 001 548>> M CWC 000 501>>	lower	8	4870, CWBA, CWB, CWCA, CWC
(10)	946 103 254 01	connecting rod bearing shell Identification: >> >> yellow only in conj. with: Connecting rod 948.103.010.71 M CWB 001 548>> M CWC 000 501>>	lower	8	4870, CWBA, CWB, CWCA, CWC

Model: 970 10 Model life 2010>>2016

Pos	Part Number	Description	Remark	Qty	Model
(10)	946 103 254 02	connecting rod bearing shell Identification: >> >> blue only in conj. with: Connecting rod 948.103.010.71 M CWB 001 548>> M CWC 000 501>>	lower	8	4870, CWBA, CWB, CWCA, CWC
11	970 114 012 21	Dual-mass flywheel No longer use the part here		1	4820+ PR:480
(11)	970 114 012 22	Dual-mass flywheel		1	4820+ PR:480
(11)	970 114 020 21	Dual-mass flywheel D >> - MJ 2010		1	4820, 4840+ PR:250
(11)	970 114 020 22	Dual-mass flywheel D - MJ 2011>> - MJ 2013		1	4820, 4840+ PR:250
(11)	970 114 020 22	Dual-mass flywheel D - MJ 2014>>		1	CXPA, CXRA, CXR+ PR:250
(11)	970 114 020 51	Dual-mass flywheel		1	4870, CWBA, CWB, CWCA, CWC+ PR:250
12	N 906 651 01	Socket head bolt with inner multipoint head M 10 X 1 X 29		10	
13	7PP 905 381	Inductive sensor Discontinued part		1	
(13)	7PP 905 381 A	Inductive sensor Discontinued part		1	
(13)	7PP 905 381 B	Inductive sensor		1	
14	900 387 264 01	Socket head bolt M 6 X 16 Discontinued part		1	
14	N 105 464 03	Hexagon socket head bolt M 6 X 16		1	

Model: 970 10

Model life 2010>>2016



Model: 970 10 Model life 2010>>2016

Pos	Part Number	Description	Remark	Qty	Model
1	946 102 011 22	Crankshaft conrod		1	4620,4640, CWAA,CXNA
2	900 302 049 00	Cylinder pin 6 X 20		1	
3	900 118 007 00	woodruff key 5,0 X 6,5		1	
4	948 101 215 10	thrust washer		2	
5	948 101 241 04	crankshaft bearing shell Identification: >> >> red	lower	4	4620,4640
5	948 101 241 04	crankshaft bearing shell Identification: >> >> red M >> CWA 005 352 M >> CXN 000 592	lower	4	CWAA CXNA
(5)	948 101 241 08	crankshaft bearing shell Identification: >> >> red M CWA 005 353>> M CXN 000 593>>	lower	4	CWAA CXNA
(5)	948 101 241 05	crankshaft bearing shell Identification: >> >> yellow	lower	4	4620,4640
(5)	948 101 241 05	crankshaft bearing shell Identification: >> >> yellow M >> CWA 005 352 M >> CXN 000 592	lower	4	CWAA CXNA
(5)	948 101 241 09	crankshaft bearing shell Identification: >> >> yellow M CWA 005 353>> M CXN 000 593>>	lower	4	CWAA CXNA
(5)	948 101 241 06	crankshaft bearing shell Identification: >> >> blue	lower	4	4620,4640
(5)	948 101 241 06	crankshaft bearing shell Identification: >> >> blue M >> CWA 005 352 M >> CXN 000 592	lower	4	CWAA CXNA
(5)	948 101 241 10	crankshaft bearing shell Identification: >> >> blue M CWA 005 353>> M CXN 000 593>>	lower	4	CWAA CXNA
(5)	948 101 241 07	crankshaft bearing shell Identification: >> >> green	lower	4	4620,4640
(5)	948 101 241 07	crankshaft bearing shell Identification: >> >> green M >> CWA 005 352 M >> CXN 000 592	lower	4	CWAA CXNA
(5)	948 101 241 11	crankshaft bearing shell Identification: >> >> green M CWA 005 353>> M CXN 000 593>>	lower	4	CWAA CXNA
6	948 101 242 04	crankshaft bearing shell Identification: >> >> red	upper	4	

Model: 970 10

Model life 2010>>2016

Pos	Part Number	Description	Remark	Qty	Model
(6)	948 101 242 08	Discontinued part crankshaft bearing shell Identification: >> >> red	upper	4	
(6)	948 101 242 05	crankshaft bearing shell Identification: >> >> yellow	upper	4	
(6)	948 101 242 09	Discontinued part crankshaft bearing shell Identification: >> >> yellow	upper	4	
(6)	948 101 242 06	crankshaft bearing shell Identification: >> >> blue	upper	4	
(6)	948 101 242 10	Discontinued part crankshaft bearing shell Identification: >> >> blue	upper	4	
(6)	948 101 242 07	crankshaft bearing shell Identification: >> >> green	upper	4	
(6)	948 101 242 11	Discontinued part crankshaft bearing shell Identification: >> >> green	upper	4	
7	997 101 212 01	Shaft oil seal		1	
8	948 103 019 21	conrod (complete)		6	
(8)	948 103 019 22	Discontinued part conrod (complete)		6	
9	997 103 115 01	bolt - connecting rod		12	
10	948 103 230 23	connecting rod bearing shell Identification: >> >> red		12	
(10)	948 103 230 26	Discontinued part connecting rod bearing shell Identification: >> >> red		12	
(10)	948 103 230 24	connecting rod bearing shell Identification: >> >> yellow		12	
(10)	948 103 230 27	Discontinued part connecting rod bearing shell Identification: >> >> yellow		12	
(10)	948 103 230 25	connecting rod bearing shell Identification: >> >> blue		12	
(10)	948 103 230 28	Discontinued part connecting rod bearing shell Identification: >> >> blue		12	
11	970 114 012 00	Dual-mass flywheel		1	PR:480
(11)	970 114 020 00	Dual-mass flywheel		1	PR:250
12	N 906 651 01	Socket head bolt with inner multipoint head M 10 X 1 X 29		10	
13	7PP 905 381 A	Inductive sensor Discontinued part		1	
(13)	7PP 905 381 B	Inductive sensor		1	
14	900 387 264 01	Socket head bolt M 6 X 16		1	

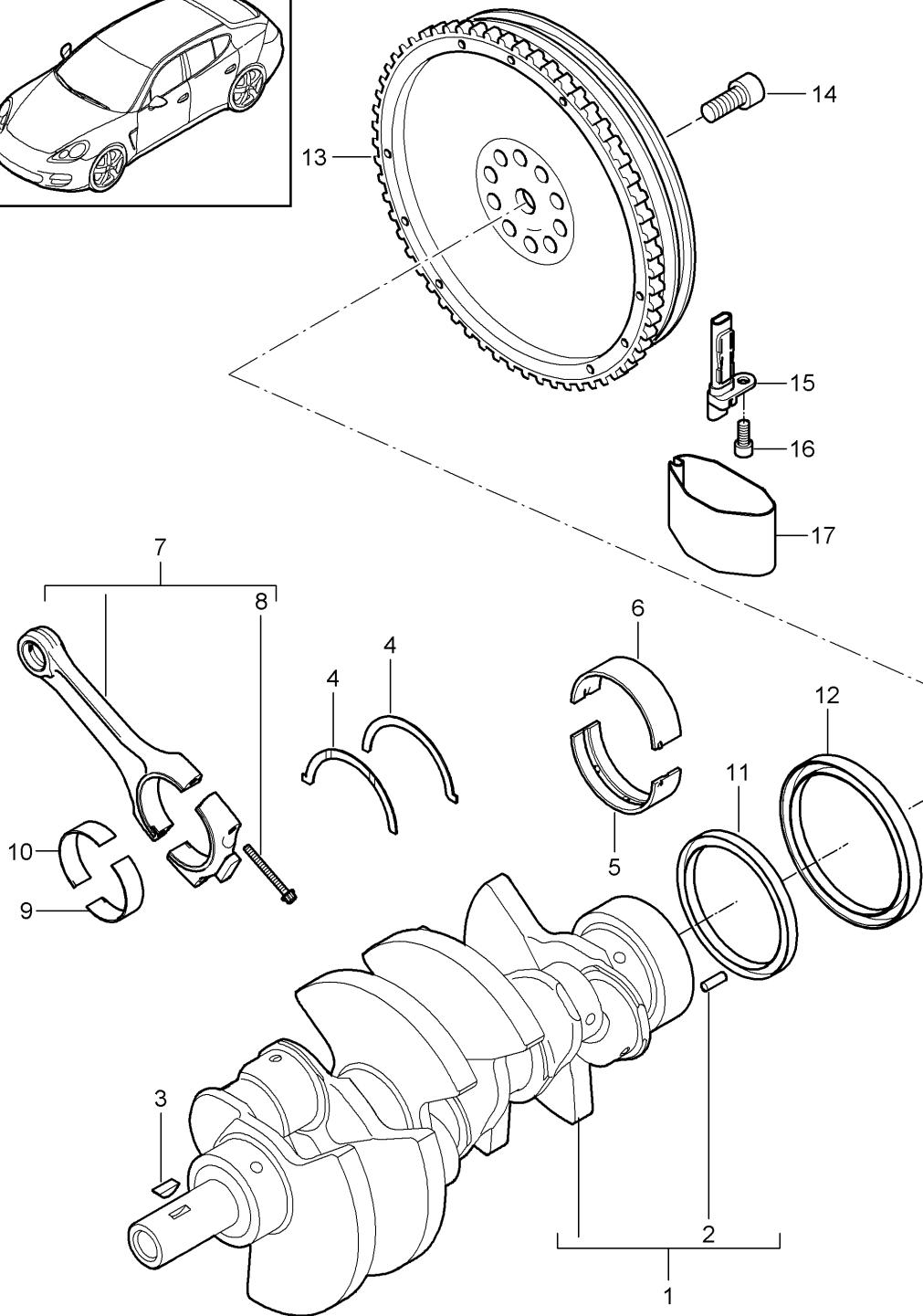
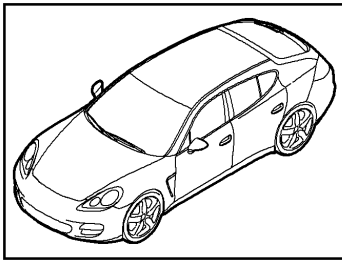
Model: 970 10

Model life 2010>>2016

Pos	Part Number	Description	Remark	Qty	Model
14	N 105 464 03	Discontinued part Hexagon socket head bolt M 6 X 16		1	

Model: 970 10

Model life 2010>>2016



Model: 970 10 Model life 2010>>2016

Pos	Part Number	Description	Remark	Qty	Model
1	946 102 011 60	Crankshaft conrod Crankshaft M >> CWD 006 880 M >> CWF 009 271		1	CWDA, CWD, CWFA, CWF
(1)	946 102 011 61	Crankshaft M CWD 006 881>> M CWF 009 272>>		1	CWDA, CWD CWFA, CWF
2	900 302 049 00	Cylinder pin 6 X 20		1	
3	900 118 007 00	woodruff key 5,0 X 6,5		1	
4	948 101 215 10	thrust washer		2	
5	948 101 241 04	crankshaft bearing shell Identification: >> >> red	lower	4	
(5)	948 101 241 08	No longer use the part here crankshaft bearing shell Identification: >> >> red	lower	4	
(5)	948 101 241 05	crankshaft bearing shell Identification: >> >> yellow	lower	4	
(5)	948 101 241 09	No longer use the part here crankshaft bearing shell Identification: >> >> yellow	lower	4	
(5)	948 101 241 06	crankshaft bearing shell Identification: >> >> blue	lower	4	
(5)	948 101 241 10	No longer use the part here crankshaft bearing shell Identification: >> >> blue	lower	4	
(5)	948 101 241 07	crankshaft bearing shell Identification: >> >> green	lower	4	
(5)	948 101 241 11	No longer use the part here crankshaft bearing shell Identification: >> >> green	lower	4	
(6)	948 101 242 08	crankshaft bearing shell Identification: >> >> red	upper	4	
(6)	948 101 242 09	crankshaft bearing shell Identification: >> >> yellow	upper	4	
(6)	948 101 242 10	crankshaft bearing shell Identification: >> >> blue	upper	4	
(6)	948 101 242 11	crankshaft bearing shell Identification: >> >> green	upper	4	
7	946 103 019 30	conrod (complete) M >> CWD 006 880 M >> CWF 009 271		6	CWDA, CWD CWFA, CWF
(7)	946 103 019 31	conrod (complete) M CWD 006 881>> M CWF 009 272>>		6	CWDA, CWD CWFA, CWF
8	997 103 115 01	bolt - connecting rod		12	
9	948 103 230 23	connecting rod bearing shell	lower	6	

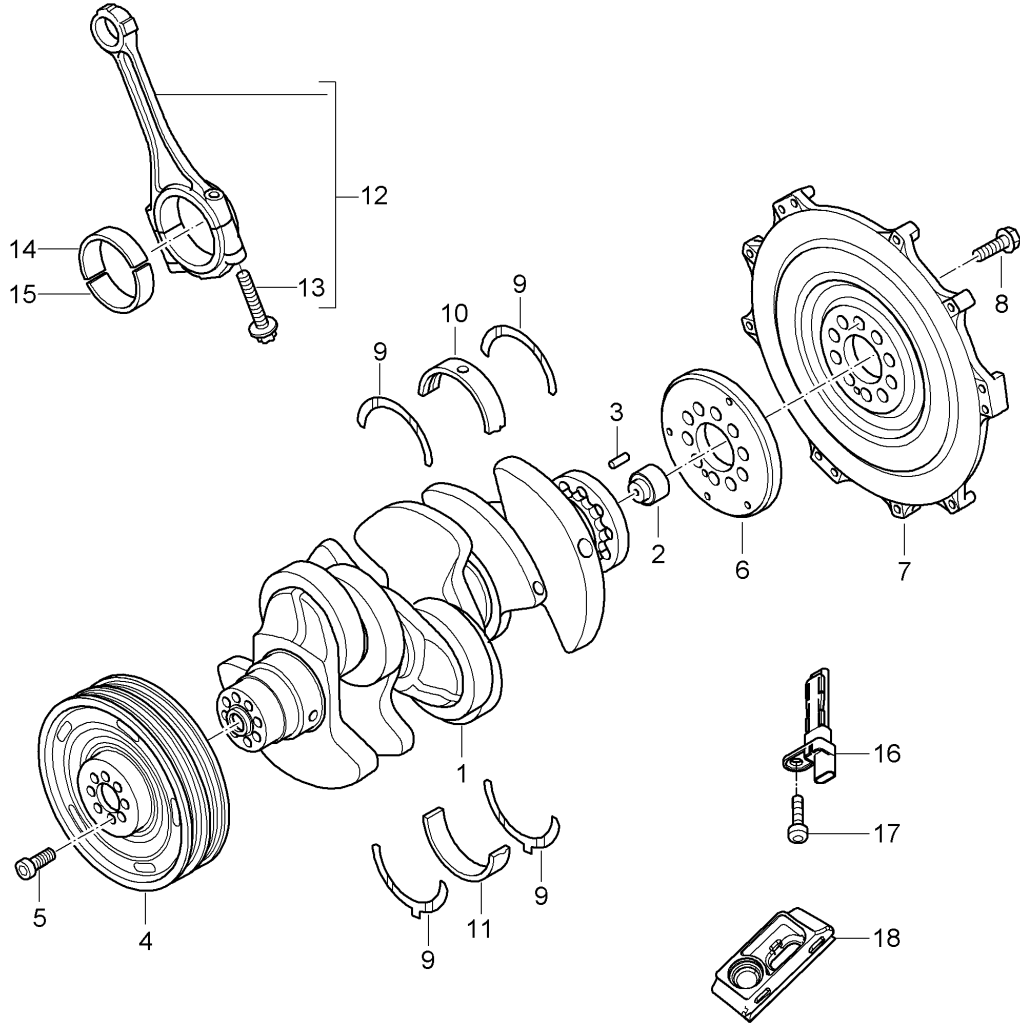
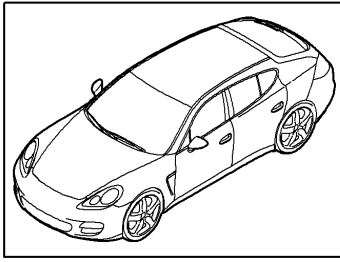
Model: 970 10

Model life 2010>>2016

Pos	Part Number	Description	Remark	Qty	Model
(9)	948 103 230 26	Identification: >> >> red Discontinued part connecting rod bearing shell Identification: >> >> red	lower	6	
(9)	948 103 230 24	No longer use the part here connecting rod bearing shell Identification: >> >> yellow	lower	6	
(9)	948 103 230 27	Discontinued part connecting rod bearing shell Identification: >> >> yellow	lower	6	
(9)	948 103 230 25	connecting rod bearing shell Identification: >> >> blue	lower	6	
(9)	948 103 230 28	Discontinued part connecting rod bearing shell Identification: >> >> blue	lower	6	
10	946 103 352 00	No longer use the part here connecting rod bearing shell Identification: >> >> red	upper	6	
(10)	946 103 352 01	No longer use the part here connecting rod bearing shell Identification: >> >> yellow	upper	6	
(10)	946 103 352 04	Discontinued part connecting rod bearing shell Identification: >> >> yellow	upper	6	
(10)	946 103 352 02	connecting rod bearing shell Identification: >> >> blue	upper	6	
11	997 101 212 01	No longer use the part here Shaft oil seal		1	
12	946 606 135 00	Clutch plate		1	
13	970 114 020 10	Dual-mass flywheel		1	
14	N 906 651 01	Socket head bolt with inner multipoint head M 10 X 1 X 29		10	
15	946 606 131 00	Sensor Discontinued part		1	
(15)	946 606 131 01	Speed sensor		1	
16	900 385 041 01	Torx screw BM 6 X 12		1	
17	946 107 074 60	Sealing cap Oil-conducting housing		1	

Model: 970 10

Model life 2010>>2016



Model: 970 10 Model life 2010>>2016

Pos	Part Number	Description	Remark	Qty	Model
1	958 102 011 11	Crankshaft conrod		1	CGEA, CGE, CGFA
(1)	958 102 021 00	Crankshaft No longer use the part here Crankshaft		1	
		with:			
		Needle bush 958.102.313.00		1	
2	958 102 313 00	Needle bush		1	
3	N 013 199 4	Cylinder pin 6 X 14		1	
4	958 102 241 10	vibration damper Discontinued part		1	
(4)	958 102 241 11	vibration damper		1	
5	N 910 059 02	Hexagon socket head bolt M 8 X 25		8	
6	958 102 189 00	Clutch plate impulse sender		1	
7	958 102 269 03	flywheel		1	
8	N 904 055 02	Hexagon bolt M 10 X 1 X 22		10	
9	955 102 902 00	1 set of thrust washers	lower upper	1	
		comprising:			
		thrust washer		2	
		thrust washer		2	
10	958 101 241 00	crankshaft bearing shell Identification: >> >> Black	upper	4	
(10)	958 101 241 01	crankshaft bearing shell Identification: >> >> blue	upper	4	
(10)	958 101 241 02	crankshaft bearing shell Identification: >> >> yellow	upper	4	
(10)	958 101 241 03	crankshaft bearing shell Identification: >> >> red	upper	4	
11	958 101 242 00	crankshaft bearing shell Identification: >> >> Black	lower	4	
(11)	958 101 242 01	crankshaft bearing shell Identification: >> >> blue	lower	4	
(11)	958 101 242 02	crankshaft bearing shell Identification: >> >> yellow	lower	4	
(11)	958 101 242 03	crankshaft bearing shell Identification: >> >> red	lower	4	
12	958 103 975 01	1 set: connecting rods comprising: conrod		1	
13	WHT 003 466	bolt - connecting rod M 9 X 49		6	
14	958 103 210 00	connecting rod bearing shell Identification: >> >> blue	upper	6	
(14)	958 103 210 03	1,401 MM Discontinued part connecting rod bearing shell Identification: >> >>	upper	6	

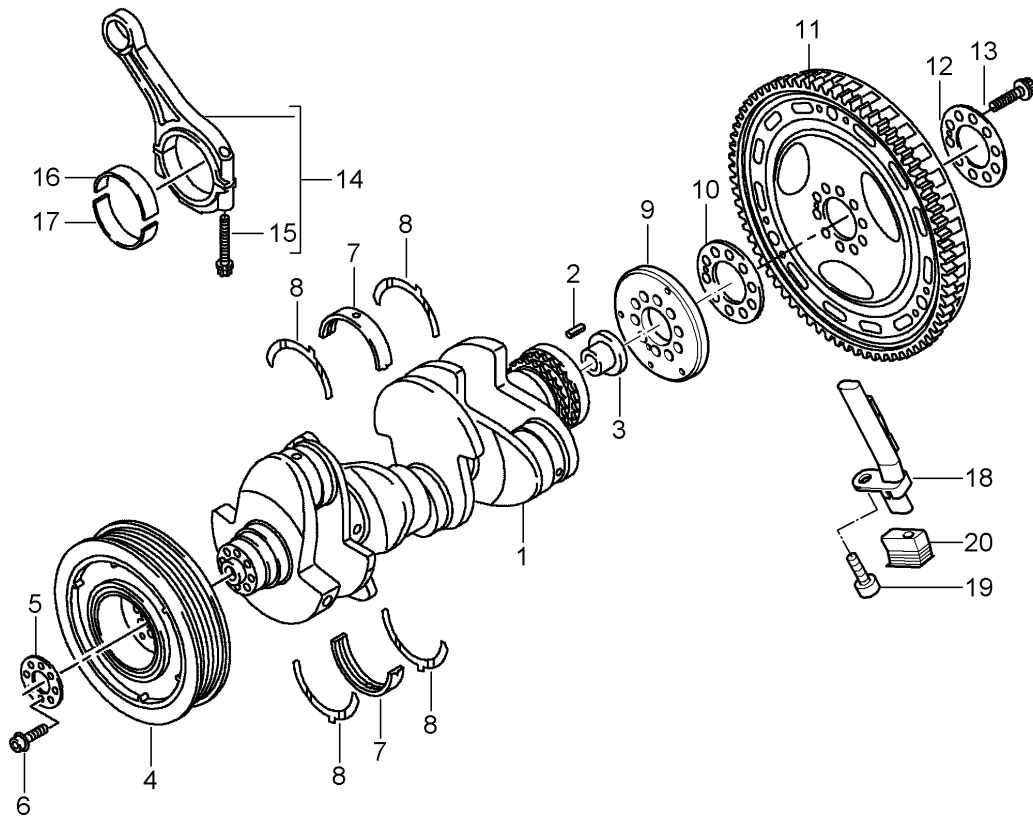
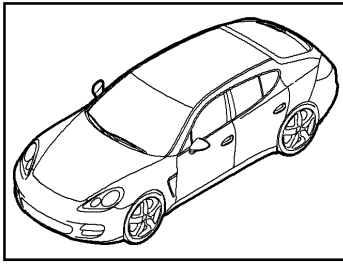
Model: 970 10

Model life 2010>>2016

Pos	Part Number	Description	Remark	Qty	Model
(14)	958 103 210 01	blue 1,401 MM connecting rod bearing shell Identification: >> >>	upper	6	
(14)	958 103 210 04	yellow 1,396 MM Discontinued part connecting rod bearing shell Identification: >> >>	upper	6	
(14)	958 103 210 02	yellow 1,396 MM connecting rod bearing shell Identification: >> >>	upper	6	
(14)	958 103 210 05	red 1,391 MM Discontinued part connecting rod bearing shell Identification: >> >>	upper	6	
15	958 103 210 10	red 1,391 MM connecting rod bearing shell Identification: >> >>	lower	6	
(15)	958 103 210 13	blue 1,401 MM Discontinued part connecting rod bearing shell Identification: >> >>	lower	6	
(15)	958 103 210 11	blue 1,401 MM connecting rod bearing shell Identification: >> >>	lower	6	
(15)	958 103 210 14	yellow 1,396 MM Discontinued part connecting rod bearing shell Identification: >> >>	lower	6	
(15)	958 103 210 12	yellow 1,396 MM connecting rod bearing shell Identification: >> >>	lower	6	
(15)	958 103 210 15	red 1,391 MM Discontinued part connecting rod bearing shell Identification: >> >>	lower	6	
16	958 606 433 10	red 1,391 MM impulse sender Discontinued part		1	
(16)	958 606 433 11	impulse sender		1	
17	N 107 512 01	Hexagon socket flat head bolt		1	
18	958 301 646 00	M 6 X 14 Cover cap		1	

Model: 970 10

Model life 2010>>2016



Model: 970 10

Model life 2010>>2016

Pos	Part Number	Description	Remark	Qty	Model
1	958 102 011 30	Crankshaft conrod Crankshaft		1	CRCC, CRCB, CWJA
		also use:	N 013 199 4	1	
			955 102 329 00	1	
2	N 013 199 4	Cylinder pin 6 X 14		1	
3	955 102 329 00	bush		1	
4	059 105 251 AP	V-belt pulley with vibration damper		1	CRCC, CRCB
(4)	059 105 251 CM	No longer use the part here V-belt pulley with vibration damper		1	CRCC, CRCB
(4)	958 102 241 40	vibration damper		1	CWJA
5	WHT 003 351	compensation washer 24,5 X 60,5 X 1,5		1	
6	N 910 059 02	Hexagon socket head bolt M 8 X 25		8	
7	958 101 241 10	crankshaft bearing shell Identification: >> >> blue	lower	4	
(7)	958 101 241 13	Discontinued part crankshaft bearing shell Identification: >> >> blue	lower	4	
(7)	958 101 241 11	crankshaft bearing shell Identification: >> >> yellow	lower	4	
(7)	958 101 241 14	Discontinued part crankshaft bearing shell Identification: >> >> yellow	lower	4	
(7)	958 101 241 12	crankshaft bearing shell Identification: >> >> red	lower	4	
(7)	958 101 241 15	Discontinued part crankshaft bearing shell Identification: >> >> red	lower	4	
(7)	958 101 242 10	crankshaft bearing shell Identification: >> >> blue	upper	4	
(7)	958 101 242 13	Discontinued part crankshaft bearing shell Identification: >> >> blue	upper	4	
(7)	958 101 242 11	crankshaft bearing shell Identification: >> >> yellow	upper	4	
(7)	958 101 242 14	Discontinued part crankshaft bearing shell Identification: >> >> yellow	upper	4	
(7)	958 101 242 12	crankshaft bearing shell Identification: >> >> red	upper	4	
(7)	958 101 242 15	Discontinued part crankshaft bearing shell Identification: >> >> red	upper	4	
8	955 102 902 00	1 set of thrust washers	lower upper	1	

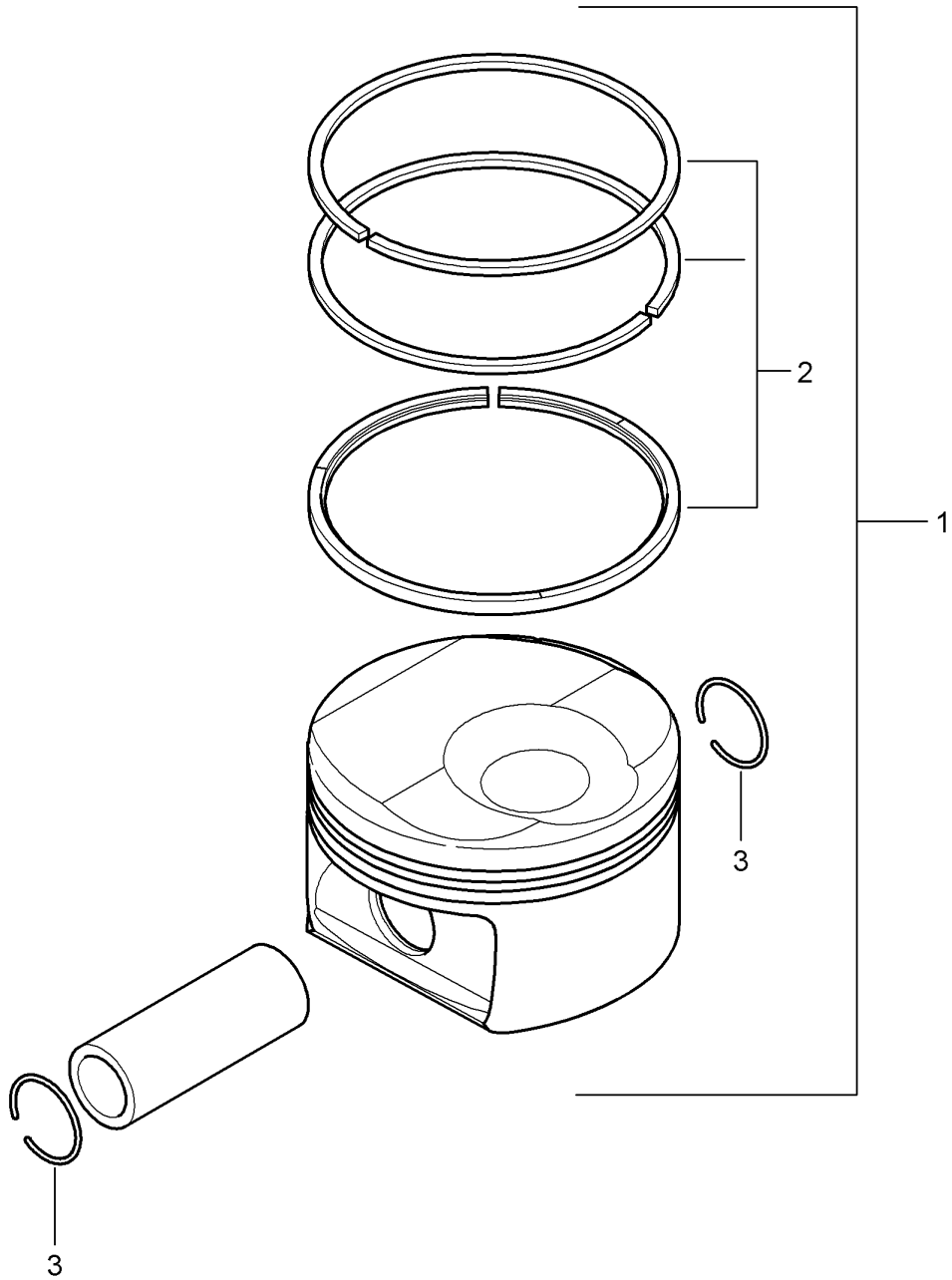
Model: 970 10

Model life 2010>>2016

Pos	Part Number	Description	Remark	Qty	Model
		comprising: thrust washer		2	
		thrust washer		2	
9	958 102 189 00	Clutch plate		1	
		impulse sender			
10	955 102 303 60	compensation washer 1,5 MM		1	
11	059 105 323 BR	Clutch plate		1	CRCC, CRCB
(11)	958 102 327 11	Clutch plate		1	CWJA
12	955 102 303 60	compensation washer 1,5 MM		1	
13	N 905 398 01	Socket head bolt M 10 X 1 X 19		10	
14	958 103 975 20	1 set: connecting rods comprising: conrod		1	
		bolt - connecting rod M 8 X 1 X 50		6	
15	955 102 425 10	Discontinued part		12	
(15)	WHT 006 219	bolt - connecting rod M 8 X 1 X 50		12	
16	958 103 210 30	connecting rod bearing shell Identification: >> >> yellow	upper	6	
17	958 103 210 40	connecting rod bearing shell Identification: >> >> yellow	lower	6	
18	958 606 433 10	impulse sender Discontinued part		1	
(18)	958 606 433 11	impulse sender		1	
19	N 104 056 04	Oval hexagon socket head bolt M 6 X 14		1	
20	958 606 576 10	Grommet impulse sender		1	

Model: 970 10

Model life 2010>>2016



Model: 970 10 Model life 2010>>2016

Pos	Part Number	Description	Remark	Qty	Model
1	948 103 048 21	piston Piston rings piston complete Tolerance range X Identification: >> >> - 556,5 G Cylinders 1 - 4 Discontinued part		4	4820,4840, 4870 4820,4840
(1)	948 103 048 22	piston complete Tolerance range X Identification: >> >> + 562,5 G Cylinders 1 - 4 Discontinued part		4	4820,4840
(1)	948 103 048 24	piston complete Tolerance range X Identification: >> >> - 554 - 559 G Cylinders 1 - 4 Discontinued part		4	4820,4840+ PR:-145
(1)	948 103 048 25	piston complete Tolerance range X Identification: >> >> + 560 - 565 G Cylinders 1 - 4 Discontinued part		4	4820,4840+ PR:-145
(1)	948 103 048 27	piston complete Tolerance range X Identification: >> >> - 554 - 559 G Cylinders 1 - 4 See technical information Service Group 1 Document 1010 25/13		4	4820,4840+ PR:-145,-015
(1)	948 103 048 28	M >> C 02096 M >> C 03990 piston complete Tolerance range X Identification: >> >> + 560 - 565 G Cylinders 1 - 4 See technical information Service Group 1 Document 1010 25/13		4	4820 4840, -015 4820,4840+ PR:-145,-015
(1)	948 103 058 21	M >> C 02096 M >> C 03990 piston complete		4	4820 4840, -015 4820,4840+

Model: 970 10

Model life 2010>>2016

Pos	Part Number	Description	Remark	Qty	Model
(1)	948 103 058 22	Tolerance range X Identification: >> >> - 554 - 559 G Cylinders 1 - 4 See technical information Service Group 1 Document 1010 25/13 M C 02097 >> M C 03991 >> piston complete Tolerance range X Identification: >> >> + 560 - 565 G Cylinders 1 - 4 See technical information Service Group 1 Document 1010 25/13 M C 02097 >> M C 03991 >> piston complete Tolerance range X Identification: >> >> - 554 - 559 G Cylinders 1 - 4 piston complete Tolerance range X Identification: >> >> + 560 - 565 G Cylinders 1 - 4 piston complete Tolerance range X Identification: >> >> - 541 - 546 G Cylinders 1 - 4 Discontinued part piston complete Tolerance range X Identification: >> >> + 547 - 552 G Cylinders 1 - 4 Discontinued part piston complete Tolerance range X Identification: >> >> - 541 - 546 G		4	PR:-145,-015 4820 4840, -015 4820,4840+ PR:-145,-015 4820 4840, -015 4840+ PR:015,-145 4840+ PR:015,-145 4820,4840+ PR:145 4820,4840+ PR:145
(1)	948 103 058 21	Tolerance range X Identification: >> >> + 560 - 565 G Cylinders 1 - 4 See technical information Service Group 1 Document 1010 25/13 M C 02097 >> M C 03991 >> piston complete Tolerance range X Identification: >> >> - 554 - 559 G Cylinders 1 - 4 piston complete Tolerance range X Identification: >> >> + 560 - 565 G Cylinders 1 - 4 piston complete Tolerance range X Identification: >> >> - 541 - 546 G Cylinders 1 - 4 Discontinued part piston complete Tolerance range X Identification: >> >> + 547 - 552 G Cylinders 1 - 4 Discontinued part piston complete Tolerance range X Identification: >> >> - 541 - 546 G		4	4820 4840, -015 4840+ PR:015,-145
(1)	948 103 058 22	Tolerance range X Identification: >> >> - 554 - 559 G Cylinders 1 - 4 piston complete Tolerance range X Identification: >> >> + 560 - 565 G Cylinders 1 - 4 piston complete Tolerance range X Identification: >> >> - 541 - 546 G Cylinders 1 - 4 Discontinued part piston complete Tolerance range X Identification: >> >> + 547 - 552 G Cylinders 1 - 4 Discontinued part piston complete Tolerance range X Identification: >> >> - 541 - 546 G		4	4840+ PR:015,-145
(1)	948 103 048 54	Tolerance range X Identification: >> >> + 560 - 565 G Cylinders 1 - 4 piston complete Tolerance range X Identification: >> >> - 541 - 546 G Cylinders 1 - 4 Discontinued part piston complete Tolerance range X Identification: >> >> + 547 - 552 G Cylinders 1 - 4 Discontinued part piston complete Tolerance range X Identification: >> >> - 541 - 546 G		4	4820,4840+ PR:145
(1)	948 103 048 55	Tolerance range X Identification: >> >> + 560 - 565 G Cylinders 1 - 4 piston complete Tolerance range X Identification: >> >> - 541 - 546 G Cylinders 1 - 4 Discontinued part piston complete Tolerance range X Identification: >> >> + 547 - 552 G Cylinders 1 - 4 Discontinued part piston complete Tolerance range X Identification: >> >> - 541 - 546 G		4	4820,4840+ PR:145
(1)	948 103 048 57	Tolerance range X Identification: >> >> + 560 - 565 G Cylinders 1 - 4 piston complete Tolerance range X Identification: >> >> - 541 - 546 G Cylinders 1 - 4 Discontinued part piston complete Tolerance range X Identification: >> >> + 547 - 552 G Cylinders 1 - 4 Discontinued part piston complete Tolerance range X Identification: >> >> - 541 - 546 G		4	4820,4840+ PR:145,-015

Model: 970 10 Model life 2010>>2016

Pos	Part Number	Description	Remark	Qty	Model
(1)	948 103 048 58	Cylinders 1 - 4 See technical information Service Group 1 Document 1010 25/13 M >> V C 02100 M >> V C 03994 piston complete Tolerance range X Identification: >> >> + 547 - 552 G		4	4820 4840, -015 4820,4840+ PR:145,-015
(1)	948 103 058 51	Cylinders 1 - 4 See technical information Service Group 1 Document 1010 25/13 M >> V C 02100 M >> V C 03994 piston complete Tolerance range X Identification: >> >> - 541 - 546 G		4	4820 4840, -015 4820,4840+ PR:145,-015
(1)	948 103 058 52	Cylinders 1 - 4 See technical information Service Group 1 Document 1010 25/13 M V C 02101 >> M V C 03995 >> piston complete Tolerance range X Identification: >> >> + 547 - 552 G		4	4820 4840, -015 4820,4840+ PR:145,-015
(1)	948 103 058 51	Cylinders 1 - 4 See technical information Service Group 1 Document 1010 25/13 M V C 02101 >> M V C 03995 >> piston complete Tolerance range X Identification: >> >> - 541 - 546 G		4	4820 4840, -015 4840+ PR:015,145
(1)	948 103 058 52	Cylinders 1 - 4 See technical information Service Group 1 Document 1010 25/13 M V C 02101 >> M V C 03995 >> piston complete Tolerance range X Identification: >> >> + 547 - 552 G		4	4840+ PR:015,145

Model: 970 10 Model life 2010>>2016

Pos	Part Number	Description	Remark	Qty	Model
(1)	948 103 047 21	Cylinders 1 - 4 piston complete Tolerance range X Identification: >> >> - 556,5 G		4	4820,4840
(1)	948 103 047 22	Cylinders 5 - 8 Discontinued part piston complete Tolerance range X Identification: >> >> +		4	4820,4840
(1)	948 103 047 24	562,5 G Cylinders 5 - 8 Discontinued part piston complete Tolerance range X Identification: >> >> -		4	4820,4840+ PR:-145
(1)	948 103 047 25	554 - 559 G Cylinders 5 - 8 Discontinued part piston complete Tolerance range X Identification: >> >> +		4	4820,4840+ PR:-145
(1)	948 103 047 27	560 - 565 G Cylinders 5 - 8 Discontinued part piston complete Tolerance range X Identification: >> >> -		4	4820,4840+ PR:-145,-015
(1)	948 103 047 28	554 - 559 G Cylinders 5 - 8 See technical information Service Group 1 Document 1010 25/13 M >> C 02096 M >> C 03990		4	4820 4840, -015 4820,4840+ PR:-145,-015
(1)	948 103 057 21	560 - 565 G Cylinders 5 - 8 See technical information Service Group 1 Document 1010 25/13 M >> C 02096 M >> C 03990		4	4820 4840, -015 4820,4840+ PR:-145,-015

Model: 970 10 Model life 2010>>2016

Pos	Part Number	Description	Remark	Qty	Model
(1)	948 103 057 22	X Identification: >> >> - 554 - 559 G Cylinders 5 - 8 See technical information Service Group 1 Document 1010 25/13 M C 02097 >> M C 03991 >> piston complete Tolerance range		4	4820 4840, -015 4820,4840+ PR:-145,-015
(1)	948 103 057 21	X Identification: >> >> + 560 - 565 G Cylinders 5 - 8 See technical information Service Group 1 Document 1010 25/13 M C 02097 >> M C 03991 >> piston complete Tolerance range		4	4820 4840, -015 4840+ PR:015,-145
(1)	948 103 057 22	X Identification: >> >> - 554 - 559 G piston complete Tolerance range		4	4840+ PR:015,-145
(1)	948 103 047 54	X Identification: >> >> + 560 - 565 G Cylinders 5 - 8 piston complete Tolerance range		4	4820,4840+ PR:145
(1)	948 103 047 55	X Identification: >> >> - 541 - 546 G Cylinders 5 - 8 Discontinued part piston complete Tolerance range		4	4820,4840+ PR:145
(1)	948 103 047 57	X Identification: >> >> + 547 - 552 G Cylinders 5 - 8 Discontinued part piston complete Tolerance range		4	4820,4840+ PR:145,-015
		X Identification: >> >> - 541 - 546 G Cylinders 5 - 8 See technical information			

Model: 970 10

Model life 2010>>2016

Pos	Part Number	Description	Remark	Qty	Model
(1)	948 103 047 58	Service Group 1 Document 1010 25/13 M >> V C 02100 M >> V C 03994 piston complete Tolerance range X Identification: >> >> + 547 - 552 G Cylinders 5 - 8 See technical information		4	4820 4840, -015 4820,4840+ PR:145,-015
(1)	948 103 057 51	Service Group 1 Document 1010 25/13 M >> V C 02100 M >> V C 03994 piston complete Tolerance range X Identification: >> >> - 541 - 546 G Cylinders 5 - 8 See technical information		4	4820 4840, -015 4820,4840+ PR:145,-015
(1)	948 103 057 52	Service Group 1 Document 1010 25/13 M V C 02101 >> M V C 03995 >> piston complete Tolerance range X Identification: >> >> + 547 - 552 G Cylinders 5 - 8 See technical information		4	4820 4840, -015 4820,4840+ PR:145,-015
(1)	948 103 057 51	Service Group 1 Document 1010 25/13 M V C 02101 >> M V C 03995 >> piston complete Tolerance range X Identification: >> >> - 541 - 546 G Cylinders 5 - 8		4	4820 4840, -015 4840+ PR:015,145
(1)	948 103 057 52	Service Group 1 Document 1010 25/13 M V C 02101 >> M V C 03995 >> piston complete Tolerance range X Identification: >> >> + 547 - 552 G Cylinders 5 - 8		4	4840+ PR:015,145
(1)	948 103 046 64	Service Group 1 Document 1010 25/13 M V C 02101 >> M V C 03995 >> piston complete Tolerance range X Identification: >> >> + 547 - 552 G Cylinders 5 - 8		4	4870

Model: 970 10 Model life 2010>>2016

Pos	Part Number	Description	Remark	Qty	Model
(1)	948 103 046 65	Tolerance range X Identification: >> >> - 563,5 G Cylinders 1 - 4 Discontinued part piston complete Tolerance range X Identification: >> >>		4	4870
(1)	948 103 046 67	+ 569,5 G Cylinders 1 - 4 Discontinued part piston complete Tolerance range X Identification: >> >>		4	4870
(1)	948 103 046 68	- 561 - 566 G Cylinders 1 - 4 See technical information Service Group 1 Document 1010 25/13 M >> C 03302 piston complete Tolerance range X Identification: >> >>		4	4870
(1)	948 103 046 71	+ 567 - 572 G Cylinders 1 - 4 See technical information Service Group 1 Document 1010 25/13 M >> C 03302 piston complete Tolerance range X Identification: >> >>		4	4870
(1)	948 103 046 72	- 561 - 566 G Cylinders 1 - 4 See technical information Service Group 1 Document 1010 25/13 M C 03303 >> piston complete Tolerance range X Identification: >> >>		4	4870
		+ 567 - 572 G Cylinders 1 - 4 See technical information Service			

Model: 970 10 Model life 2010>>2016

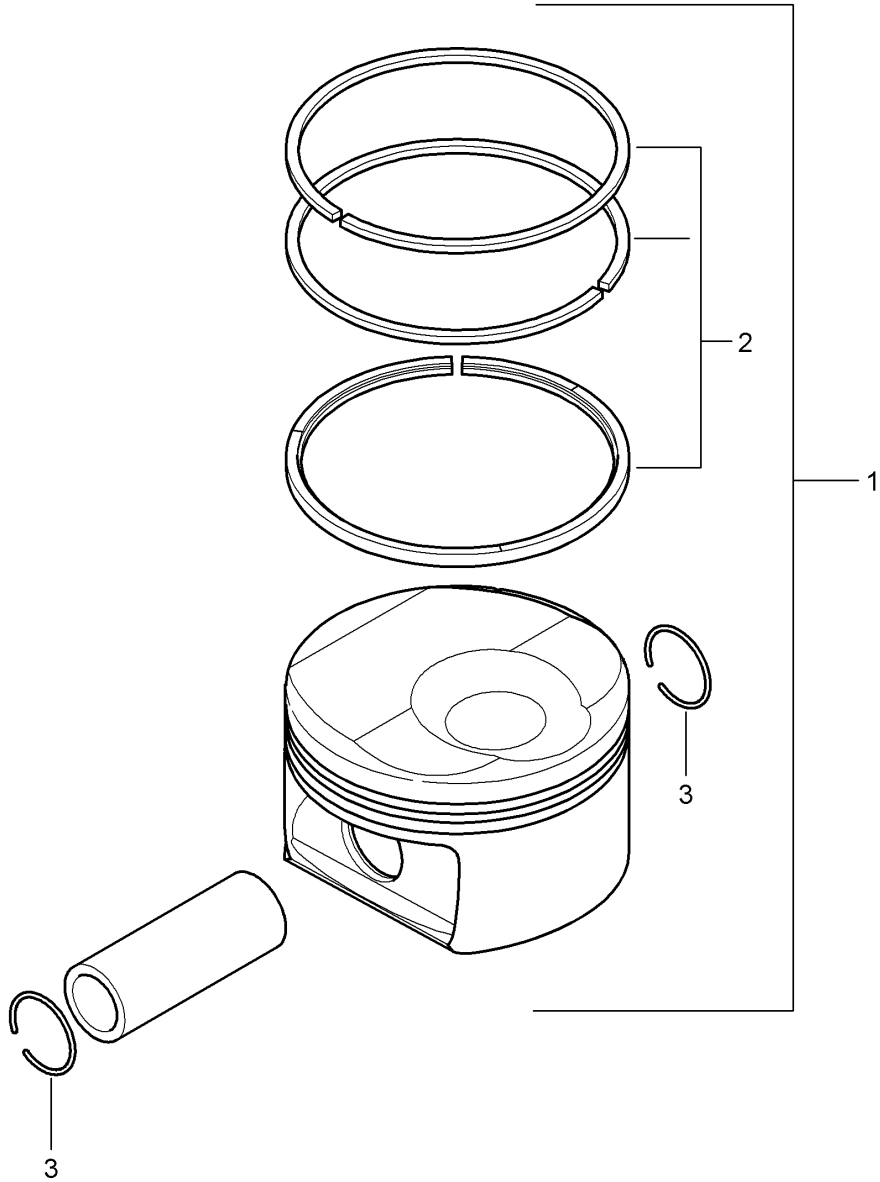
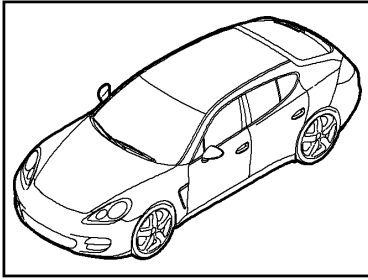
Pos	Part Number	Description	Remark	Qty	Model
(1)	948 103 045 64	Group 1 Document 1010 25/13 M C 03303 >> piston complete Tolerance range X Identification: >> >> - 563,5 G Cylinders 5 - 8		4	4870
(1)	948 103 045 65	Discontinued part piston complete Tolerance range X Identification: >> >> + 569,5 G Cylinders 5 - 8		4	4870
(1)	948 103 045 67	Discontinued part piston complete Tolerance range X Identification: >> >> - 561 - 566 G Cylinders 5 - 8 See technical information Service Group 1 Document 1010 25/13		4	4870
(1)	948 103 045 68	M >> C 03302 piston complete Tolerance range X Identification: >> >> + 567 - 572 G Cylinders 5 - 8 See technical information Service Group 1 Document 1010 25/13		4	4870
(1)	948 103 045 71	M >> C 03302 piston complete Tolerance range X Identification: >> >> - 561 - 566 G Cylinders 5 - 8 See technical information Service Group 1 Document 1010 25/13		4	4870
(1)	948 103 045 72	M C 03303 >> piston complete Tolerance range X Identification: >> >>		4	4870

Model: 970 10 Model life 2010>>2016

Pos	Part Number	Description	Remark	Qty	Model
		+ 567 - 572 G Cylinders 5 - 8 See technical information Service Group 1 Document 1010 25/13 M C 03303 >>			
2	948 103 931 15	1 set: piston rings Discontinued part		8	
(2)	948 103 931 16	1 set: piston rings No longer use the part here		8	4820,4840
(2)	948 103 931 30	1 set: piston rings See technical information Service Group 1 Document 1010 25/13 M >> C 02096 M >> C 03990 M >> V C 02100 M >> V C 03994		8	4820,4840+ PR:-015
(2)	948 103 941 20	1 set: piston rings See technical information Service Group 1 Document 1010 25/13 M C 02097 >> M C 03991 >> M V C 02101 >> M V C 03995 >>		8	4820 4840, -015 4820 4840, -015 4820,4840+ PR:-015
(2)	948 103 941 20	1 set: piston rings		8	4820 4840, -015
(2)	948 103 931 16	1 set: piston rings See technical information Service Group 1 Document 1010 25/13 M >> C 03302		8	4840+ PR:015 4870
(2)	948 103 941 21	1 set: piston rings See technical information Service Group 1 Document 1010 25/13 M C 03303 >>		8	4870
3	948 103 341 00	snap ring		16	

Model: 970 10

Model life 2010>>2016



Model: 970 10 Model life 2010>>2016

Pos	Part Number	Description	Remark	Qty	Model
1	948 103 058 21	piston Piston rings piston complete Tolerance range X Identification: >> >> - 554 - 559 G Cylinders 1 - 4		4	CXPA, CXRA, CXR, CWBA, CWB, CWCA, CWC CXPA+ PR: -145
(1)	948 103 058 22	piston complete Tolerance range X Identification: >> >> + 560 - 565 G Cylinders 1 - 4		4	CXPA+ PR: -145
(1)	948 103 058 51	piston complete Tolerance range X Identification: >> >> - 541 - 546 G Cylinders 1 - 4		4	CXRA, CXR+ PR: 145
(1)	948 103 058 52	piston complete Tolerance range X Identification: >> >> + 547 - 552 G Cylinders 1 - 4		4	CXRA, CXR+ PR: 145
(1)	948 103 057 21	piston complete Tolerance range X Identification: >> >> - 554 - 559 G Cylinders 5 - 8		4	CXPA+ PR: -145
(1)	948 103 057 22	piston complete Tolerance range X Identification: >> >> + 560 - 565 G Cylinders 5 - 8		4	CXPA+ PR: -145
(1)	948 103 057 51	piston complete Tolerance range X Identification: >> >> - 541 - 546 G Cylinders 5 - 8		4	CXRA, CXR+ PR: 145
(1)	948 103 057 52	piston complete Tolerance range X Identification: >> >> + 547 - 552 G Cylinders 5 - 8		4	CXRA, CXR+ PR: 145
(1)	948 103 046 71	piston complete Tolerance range X Identification: >> >>		4	CWBA, CWB

Model: 970 10 Model life 2010>>2016

Pos	Part Number	Description	Remark	Qty	Model
(1)	948 103 046 72	- 561 - 566 G Cylinders 1 - 4 piston complete Tolerance range X Identification: >> >> +		4	CWBA, CWB
(1)	948 103 045 71	567 - 572 G Cylinders 1 - 4 piston complete Tolerance range X Identification: >> >> -		4	CWBA, CWB
(1)	948 103 045 72	561 - 566 G Cylinders 5 - 8 piston complete Tolerance range X Identification: >> >> +		4	CWBA, CWB
(1)	948 103 046 74	567 - 572 G Cylinders 5 - 8 piston complete Tolerance range X Identification: >> >> -		4	CWCA, CWC
(1)	948 103 046 77	561 - 566 G Cylinders 1 - 4 No longer use the part here piston complete Tolerance range X Identification: >> >> -		4	CWCA, CWC
(1)	948 103 046 75	561 - 566 G Cylinders 1 - 4 piston complete Tolerance range X Identification: >> >> +		4	CWCA, CWC
(1)	948 103 046 78	567 - 572 G Cylinders 1 - 4 No longer use the part here piston complete Tolerance range X Identification: >> >> +		4	CWCA, CWC
(1)	948 103 045 74	567 - 572 G Cylinders 1 - 4 piston complete Tolerance range X Identification: >> >> -		4	CWCA, CWC
(1)	948 103 045 77	561 - 566 G Cylinders 5 - 8 No longer use the part here piston complete		4	CWCA, CWC

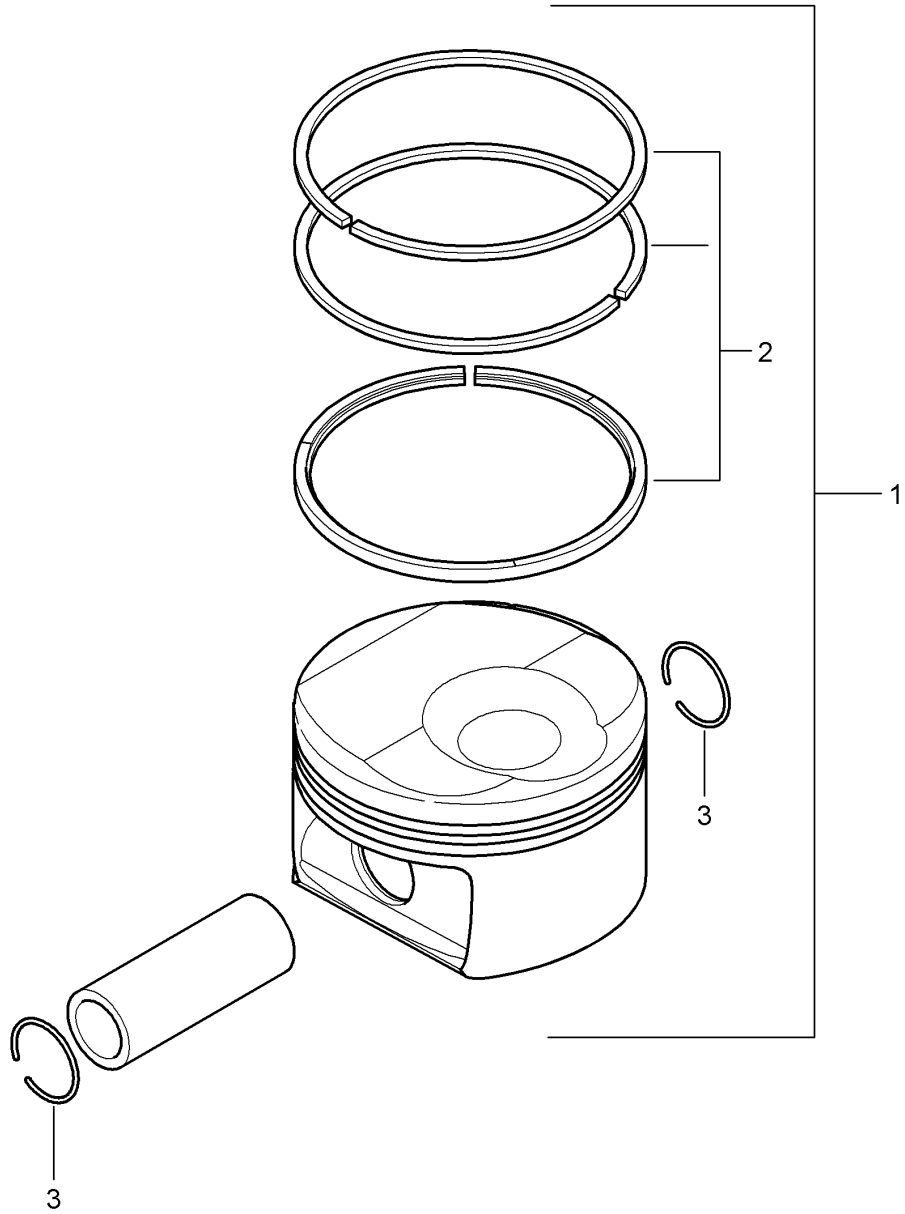
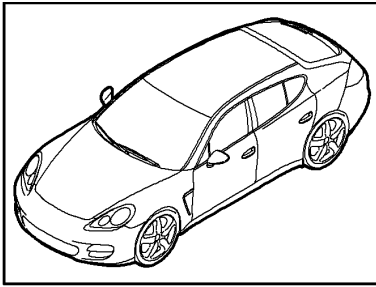
Model: 970 10

Model life 2010>>2016

Pos	Part Number	Description	Remark	Qty	Model
(1)	948 103 045 75	Tolerance range X Identification: >> >> - 561 - 566 G Cylinders 5 - 8 piston complete		4	CWCA, CWC
(1)	948 103 045 78	Tolerance range X Identification: >> >> + 567 - 572 G Cylinders 5 - 8 No longer use the part here piston complete		4	CWCA, CWC
2	948 103 941 20	Tolerance range X Identification: >> >> + 567 - 572 G Cylinders 5 - 8 1 set: piston rings		8	CXPA, CXRA, CXR
(2)	948 103 941 21	1 set: piston rings		8	CWBA, CWB, CWCA, CWC
(2)	946 103 941 00	1 set: piston rings		8	CWCA, CWC
3	948 103 341 00	No longer use the part here snap ring		16	

Model: 970 10

Model life 2010>>2016



Model: 970 10 Model life 2010>>2016

Pos	Part Number	Description	Remark	Qty	Model
1	948 103 048 24	piston Piston rings piston complete Tolerance range X Identification: >> >> - 554 - 559 G Cyl. 1 - 3 Discontinued part		3	4620,4640 PR:-145
(1)	948 103 048 25	piston complete Tolerance range X Identification: >> >> + 560 - 565 G Cyl. 1 - 3 Discontinued part		3	PR:-145
(1)	948 103 048 27	piston complete Tolerance range X Identification: >> >> - 554 - 559 G Cyl. 1 - 3 See technical information Service Group 1 Document 1010 25/13 M >> C 08746 M >> C 08729		3	PR:-145
(1)	948 103 048 28	piston complete Tolerance range X Identification: >> >> + 560 - 565 G Cyl. 1 - 3 See technical information Service Group 1 Document 1010 25/13 M >> C 08746 M >> C 08729		3	4620 4640 PR:-145
(1)	948 103 058 21	piston complete Tolerance range X Identification: >> >> - 554 - 559 G Cyl. 1 - 3 See technical information Service Group 1 Document 1010 25/13 M C 08747 >> M C 08730 >>		3	4620 4640 PR:-145
(1)	948 103 058 22	piston complete Tolerance range X		3	PR:-145

Model: 970 10

Model life 2010>>2016

Pos	Part Number	Description	Remark	Qty	Model
(1)	948 103 048 54	Identification: >> >> + 560 - 565 G Cyl. 1 - 3 See technical information Service Group 1 Document 1010 25/13 M C 08747 >> M C 08730 >> piston complete Tolerance range X Identification: >> >> - 541 - 546 G Cyl. 1 - 3 Discontinued part piston complete Tolerance range X Identification: >> >> + 547 - 552 G Cyl. 1 - 3 Discontinued part piston complete Tolerance range X Identification: >> >> - 541 - 546 G Cyl. 1 - 3 See technical information Service Group 1 Document 1010 25/13 M >> V C 08745 M >> V C 08728 piston complete Tolerance range X Identification: >> >> + 547 - 552 G Cyl. 1 - 3 See technical information Service Group 1 Document 1010 25/13 M >> V C 08745 M >> V C 08728 piston complete Tolerance range X Identification: >> >> - 541 - 546 G Cyl. 1 - 3 See technical information		3	4620 4640 PR:145
(1)	948 103 048 55	Identification: >> >> + 547 - 552 G Cyl. 1 - 3 Discontinued part piston complete Tolerance range X Identification: >> >> - 541 - 546 G Cyl. 1 - 3 See technical information Service Group 1 Document 1010 25/13 M >> V C 08745 M >> V C 08728 piston complete Tolerance range X Identification: >> >> + 547 - 552 G Cyl. 1 - 3 See technical information Service Group 1 Document 1010 25/13 M >> V C 08745 M >> V C 08728 piston complete Tolerance range X Identification: >> >> - 541 - 546 G Cyl. 1 - 3 See technical information		3	PR:145
(1)	948 103 048 57	Identification: >> >> + 547 - 552 G Cyl. 1 - 3 Discontinued part piston complete Tolerance range X Identification: >> >> - 541 - 546 G Cyl. 1 - 3 See technical information Service Group 1 Document 1010 25/13 M >> V C 08745 M >> V C 08728 piston complete Tolerance range X Identification: >> >> + 547 - 552 G Cyl. 1 - 3 See technical information Service Group 1 Document 1010 25/13 M >> V C 08745 M >> V C 08728 piston complete Tolerance range X Identification: >> >> - 541 - 546 G Cyl. 1 - 3 See technical information		3	PR:145
(1)	948 103 048 58	Identification: >> >> + 547 - 552 G Cyl. 1 - 3 See technical information Service Group 1 Document 1010 25/13 M >> V C 08745 M >> V C 08728 piston complete Tolerance range X Identification: >> >> + 547 - 552 G Cyl. 1 - 3 See technical information Service Group 1 Document 1010 25/13 M >> V C 08745 M >> V C 08728 piston complete Tolerance range X Identification: >> >> - 541 - 546 G Cyl. 1 - 3 See technical information		3	4620 4640 PR:145
(1)	948 103 058 51	Identification: >> >> + 547 - 552 G Cyl. 1 - 3 See technical information Service Group 1 Document 1010 25/13 M >> V C 08745 M >> V C 08728 piston complete Tolerance range X Identification: >> >> - 541 - 546 G Cyl. 1 - 3 See technical information		3	4620 4640 PR:145

Model: 970 10 Model life 2010>>2016

Pos	Part Number	Description	Remark	Qty	Model
(1)	948 103 058 52	Service Group 1 Document 1010 25/13 M V C 08746 >> M V C 08729 >> piston complete Tolerance range X Identification: >> >> + 547 - 552 G Cyl. 1 - 3 See technical information		3	4620 4640 PR:145
(1)	948 103 047 24	Service Group 1 Document 1010 25/13 M V C 08746 >> M V C 08729 >> piston complete Tolerance range X Identification: >> >> - 554 - 559 G Cyl. 4 - 6		3	4620 4640 PR:-145
(1)	948 103 047 25	Discontinued part piston complete Tolerance range X Identification: >> >> + 560 - 565 G Cyl. 4 - 6		3	PR:-145
(1)	948 103 047 27	Discontinued part piston complete Tolerance range X Identification: >> >> - 554 - 559 G Cyl. 4 - 6 See technical information		3	PR:-145
(1)	948 103 047 28	Service Group 1 Document 1010 25/13 M >> C 08746 M >> C 08729 piston complete Tolerance range X Identification: >> >> + 560 - 565 G Cyl. 4 - 6 See technical information		3	4620 4640 PR:-145
		Service Group 1 Document 1010 25/13 M >> C 08746			4620

Model: 970 10 Model life 2010>>2016

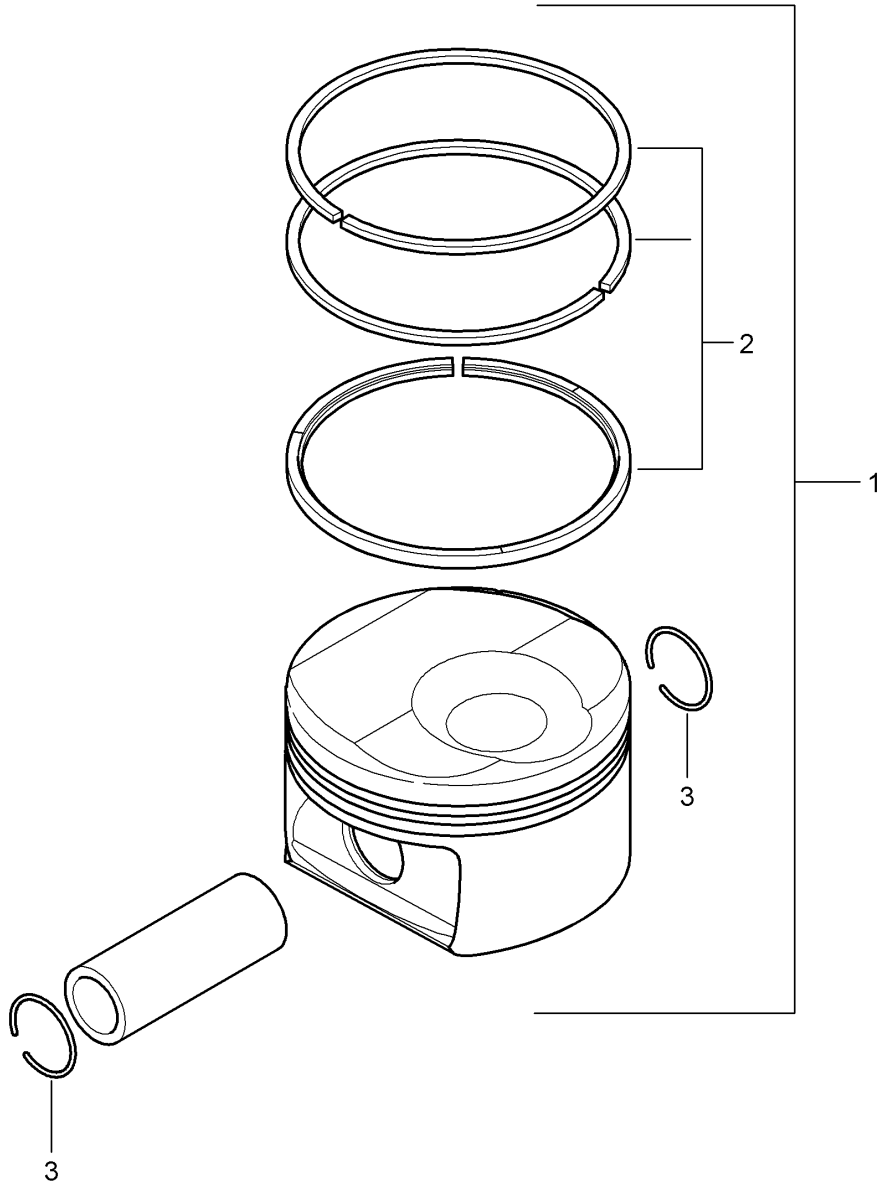
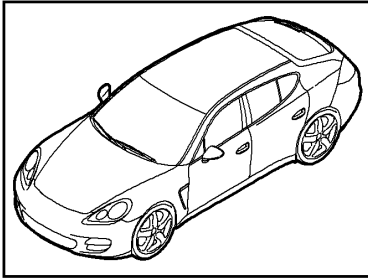
Pos	Part Number	Description	Remark	Qty	Model
(1)	948 103 057 21	M >> C 08729 piston complete Tolerance range X Identification: >> >> - 554 - 559 G Cyl. 4 - 6 See technical information Service Group 1 Document 1010 25/13 M C 08747 >> M C 08730 >>		3	4640 PR:-145
(1)	948 103 057 22	piston complete Tolerance range X Identification: >> >> + 560 - 565 G Cyl. 4 - 6 See technical information Service Group 1 Document 1010 25/13 M C 08747 >> M C 08730 >>		3	4620 4640 PR:-145
(1)	948 103 047 54	piston complete Tolerance range X Identification: >> >> - 541 - 546 G Cyl. 4 - 6		3	4620 4640 PR:145
(1)	948 103 047 55	Discontinued part piston complete Tolerance range X Identification: >> >> + 547 - 552 G Cyl. 4 - 6		3	PR:145
(1)	948 103 047 57	Discontinued part piston complete Tolerance range X Identification: >> >> - 541 - 546 G Cyl. 4 - 6 See technical information Service Group 1 Document 1010 25/13		3	PR:145
(1)	948 103 047 58	M >> V C 08745 M >> V C 08728 piston complete Tolerance range X Identification: >> >>		3	4620 4640 PR:145

Model: 970 10 Model life 2010>>2016

Pos	Part Number	Description	Remark	Qty	Model
(1)	948 103 057 51	+ 547 - 552 G Cyl. 4 - 6 See technical information Service Group 1 Document 1010 25/13 M >> V C 08745 M >> V C 08728 piston complete Tolerance range X Identification: >> >> -		3	4620 4640 PR:145
(1)	948 103 057 52	541 - 546 G Cyl. 4 - 6 See technical information Service Group 1 Document 1010 25/13 M V C 08746 >> M V C 08729 >> piston complete Tolerance range X Identification: >> >>		3	4620 4640 PR:145
2	948 103 931 16	+ 547 - 552 G Cyl. 4 - 6 See technical information Service Group 1 Document 1010 25/13 M V C 08746 >> M V C 08729 >> 1 set: piston rings No longer use the part here		6	4620 4640
(2)	948 103 931 30	1 set: piston rings See technical information Service Group 1 Document 1010 25/13 M >> C 08746 M >> C 08729 M >> V C 08745 M >> V C 08728		6	4620,4640
(2)	948 103 941 20	1 set: piston rings See technical information Service Group 1 Document 1010 25/13 M C 08747 >> M C 08730 >> M V C 08746 >> M V C 08729 >>		6	4620 4640 4620 4640
3	948 103 341 00	1010 25/13 M C 08747 >> M C 08730 >> M V C 08746 >> M V C 08729 >> snap ring		12	4620 4640

Model: 970 10

Model life 2010>>2016

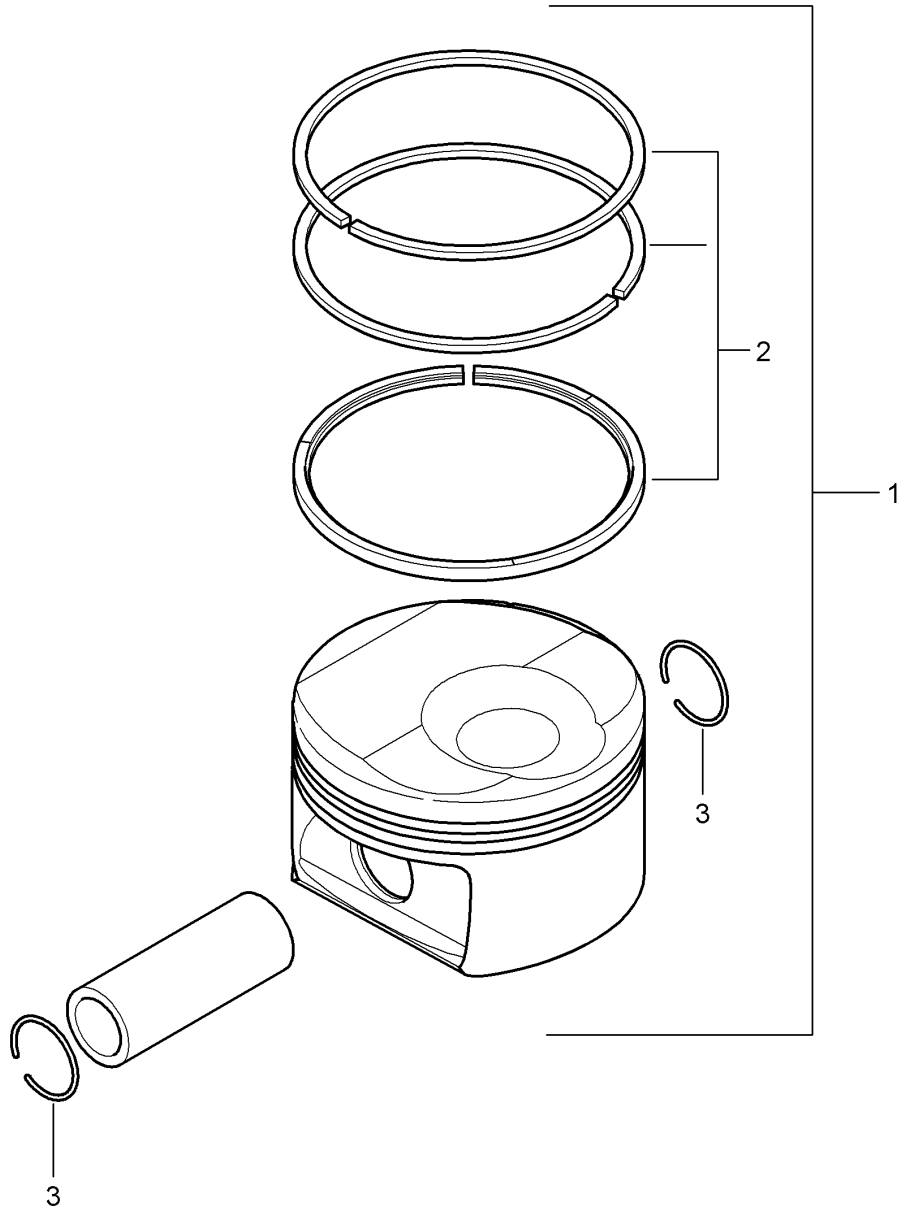
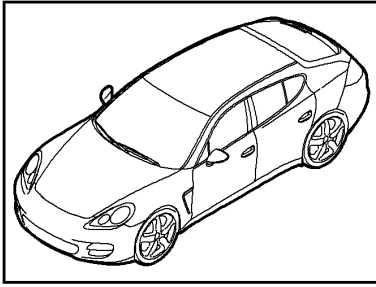


Model: 970 10 Model life 2010>>2016

Pos	Part Number	Description	Remark	Qty	Model
1	948 103 058 21	piston Piston rings piston complete Tolerance range X Identification: >> >> - 554 - 559 G Cyl. 1 - 3		3	CWAA, CXNA CWAA+ PR:-145
(1)	948 103 058 22	piston complete Tolerance range X Identification: >> >> + 560 - 565 G Cyl. 1 - 3		3	CWAA+ PR:-145
(1)	948 103 058 51	piston complete Tolerance range X Identification: >> >> - 541 - 546 G Cyl. 1 - 3		3	CXNA+ PR:145
(1)	948 103 058 52	piston complete Tolerance range X Identification: >> >> + 547 - 552 G Cyl. 1 - 3		3	CXNA+ PR:145
(1)	948 103 057 21	piston complete Tolerance range X Identification: >> >> - 554 - 559 G Cyl. 4 - 6		3	CWAA+ PR:-145
(1)	948 103 057 22	piston complete Tolerance range X Identification: >> >> + 560 - 565 G Cyl. 4 - 6		3	CWAA+ PR:-145
(1)	948 103 057 51	piston complete Tolerance range X Identification: >> >> - 541 - 546 G Cyl. 4 - 6		3	CXNA+ PR:145
(1)	948 103 057 52	piston complete Tolerance range X Identification: >> >> + 547 - 552 G Cyl. 4 - 6		3	CXNA+ PR:145
2	948 103 941 20	1 set: piston rings		6	
3	948 103 341 00	snap ring		12	

Model: 970 10

Model life 2010>>2016



Model: 970 10 Model life 2010>>2016

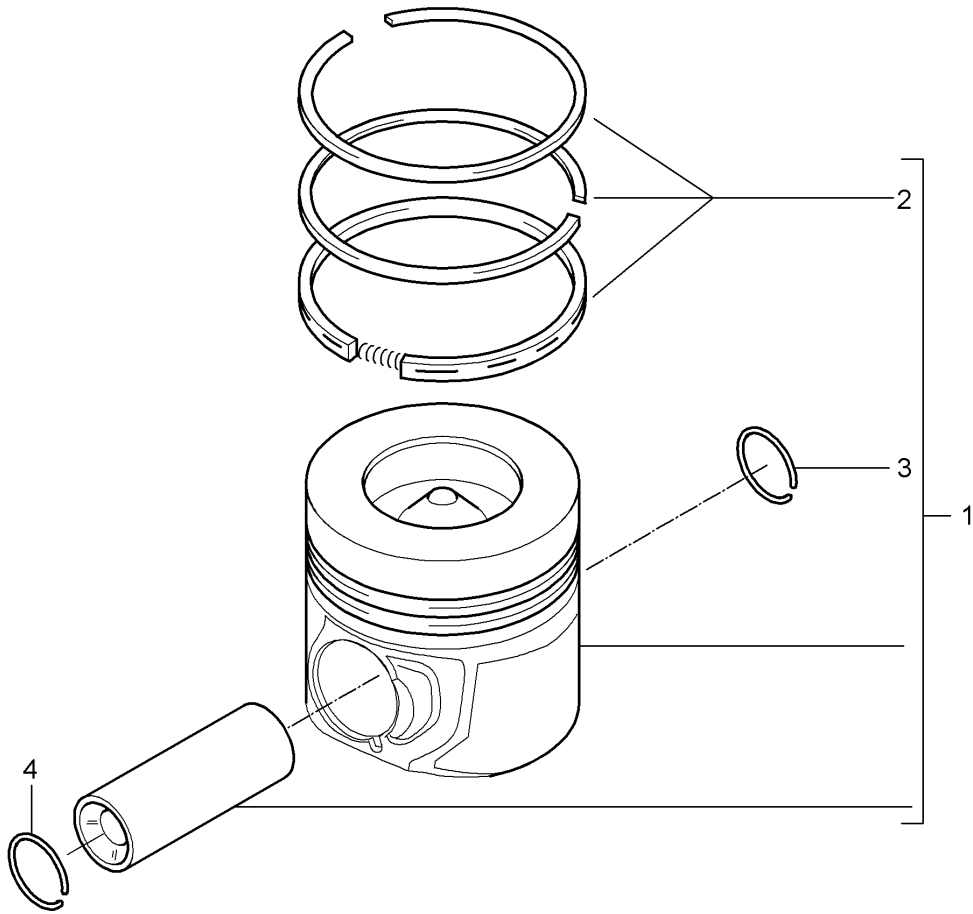
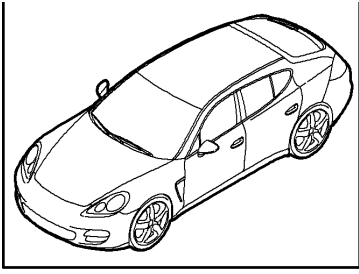
Pos	Part Number	Description	Remark	Qty	Model
1	946 103 060 07	piston Piston rings piston complete Tolerance range X Identification: >> >> - 568 - 573 G Cyl. 1 - 3 M >> CWD 006 880 M >> CWF 009 271		3	CWDA, CWD, CWFA, CWF
(1)	946 103 060 13	piston complete Tolerance range X Identification: >> >> - 568 - 573 G Cyl. 1 - 3 M CWD 006 881>> CWD 007 774 M CWF 009 272>> CWF 013 118		3	CWDA, CWD CWFA, CWF
(1)	946 103 060 19	piston complete Tolerance range X Identification: >> >> - 568 - 573 G Cyl. 1 - 3 M CWD 007 775>> M CWF 013 119>>		3	CWDA, CWD CWFA, CWF
(1)	946 103 060 08	piston complete Tolerance range X Identification: >> >> + 573 - 578 G Cyl. 1 - 3 M >> CWD 006 880 M >> CWF 009 271		3	CWDA, CWD CWFA, CWF
(1)	946 103 060 14	piston complete Tolerance range X Identification: >> >> + 573 - 578 G Cyl. 1 - 3 M CWD 006 881>> CWD 007 774 M CWF 009 272>> CWF 013 118		3	CWDA, CWD CWFA, CWF
(1)	946 103 060 20	piston complete Tolerance range X Identification: >> >> + 573 - 578 G Cyl. 1 - 3 M CWD 007 775>> M CWF 013 119>>		3	CWDA, CWD CWFA, CWF
(1)	946 103 061 07	piston complete Tolerance range X Identification: >> >> - 568 - 573 G Cyl. 4 - 6		3	CWDA, CWD CWFA, CWF

Model: 970 10 Model life 2010>>2016

Pos	Part Number	Description	Remark	Qty	Model
(1)	946 103 061 13	M >> CWD 006 880 M >> CWF 009 271 piston complete Tolerance range X Identification: >> >> - 568 - 573 G Cyl. 4 - 6 M CWD 006 881>> CWD 007 774 M CWF 009 272>> CWF 013 118		3	CWDA, CWD CWFA, CWF
(1)	946 103 061 19	piston complete Tolerance range X Identification: >> >> - 568 - 573 G Cyl. 4 - 6 M CWD 007 775>> M CWF 013 119>>		3	CWDA, CWD CWFA, CWF
(1)	946 103 061 08	piston complete Tolerance range X Identification: >> >> + 573 - 578 G Cyl. 4 - 6 M >> CWD 006 880 M >> CWF 009 271		3	CWDA, CWD CWFA, CWF
(1)	946 103 061 14	piston complete Tolerance range X Identification: >> >> + 573 - 578 G Cyl. 4 - 6 M CWD 006 881>> CWD 007 774 M CWF 009 272>> CWF 013 118		3	CWDA, CWD CWFA, CWF
(1)	946 103 061 20	piston complete Tolerance range X Identification: >> >> + 573 - 578 G Cyl. 4 - 6 M CWD 007 775>> M CWF 013 119>>		3	CWDA, CWD CWFA, CWF
2	946 103 941 00	1 set: piston rings M >> CWD 006 880 M >> CWF 009 271		6	CWDA, CWD CWFA, CWF
(2)	948 103 941 21	1 set: piston rings No longer use the part here		6	
(2)	946 103 941 40	1 set: piston rings M CWD 006 881>> M CWF 009 272>>		6	CWDA, CWD CWFA, CWF
3	948 103 341 00	snap ring		12	

Model: 970 10

Model life 2010>>2016



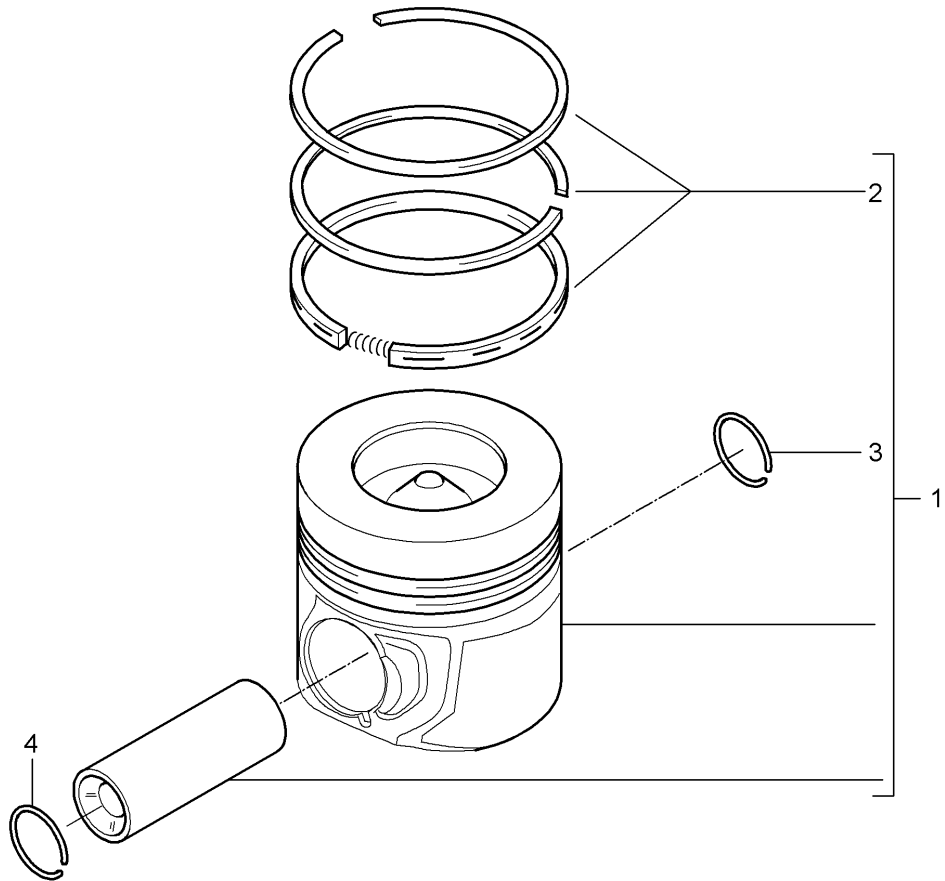
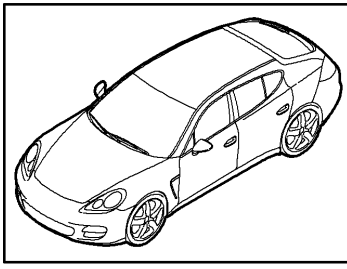
Model: 970 10

Model life 2010>>2016

Pos	Part Number	Description	Remark	Qty	Model
1	958 103 033 21	piston Piston rings piston complete Cyl. 1 - 3		3	CGEA, CGE, CGFA
(1)	958 103 032 21	piston complete Cyl. 4 - 6		3	
2	958 103 926 21	1 set: piston rings		6	
3	N 012 278 1	snap ring C 22 X 1,5		6	
4	N 012 278 1	snap ring C 22 X 1,5		6	

Model: 970 10

Model life 2010>>2016



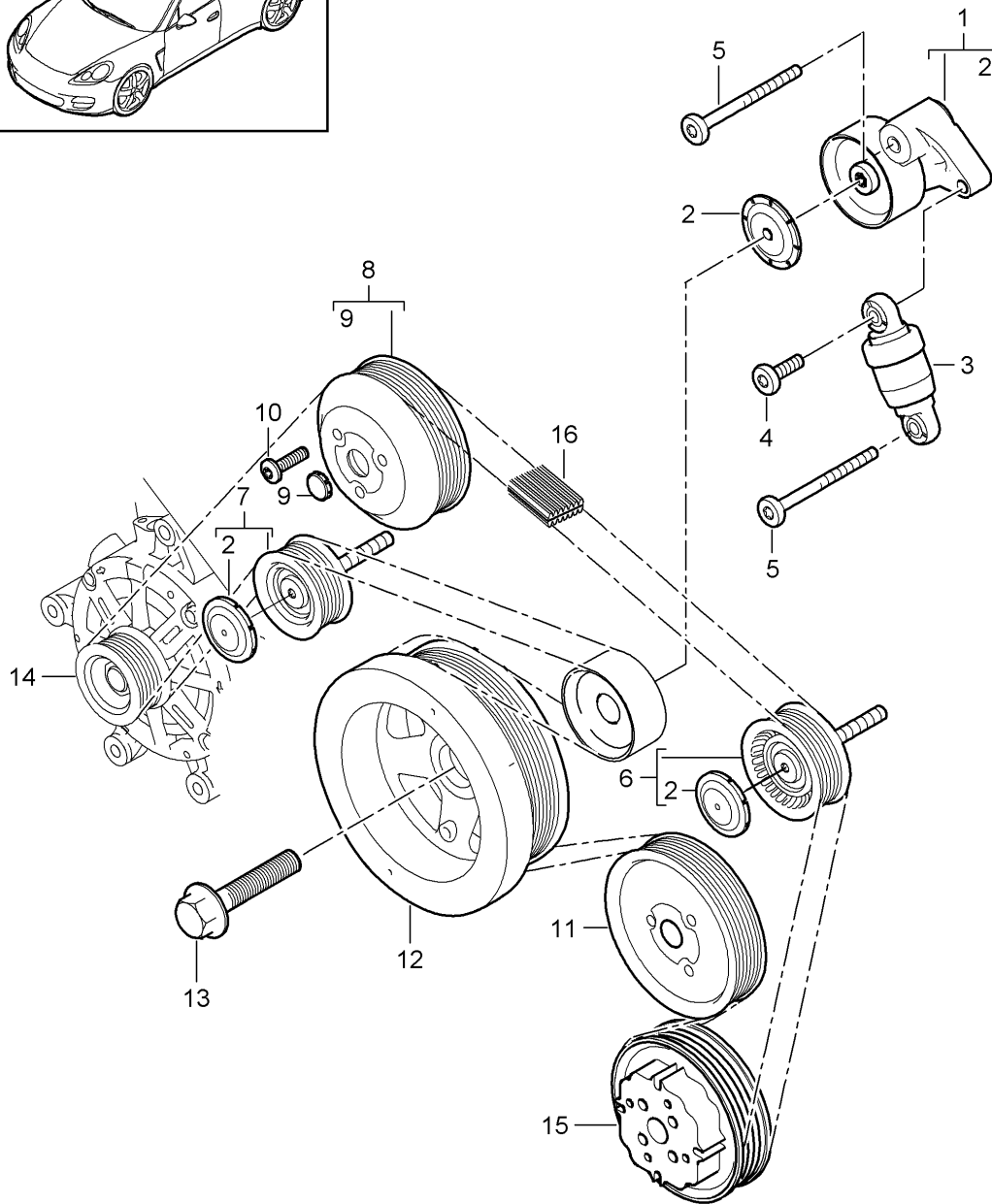
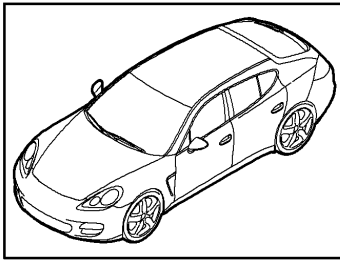
Model: 970 10

Model life 2010>>2016

Pos	Part Number	Description	Remark	Qty	Model
1	958 103 034 10	piston Piston rings piston complete Discontinued part		6	CRCC,CRCB, CWJA CRCC,CRCB
(1)	958 103 034 20	piston complete		6	CRCC,CRCB
(1)	958 103 034 40	piston complete		6	CWJA
2	958 103 927 00	1 set: piston rings Discontinued part		6	CRCC,CRCB
(2)	958 103 927 10	1 set: piston rings D >> - 15.09.2016		6	CRCC,CRCB
(2)	958 103 927 11	1 set: piston rings D - 16.09.2016>>		6	CRCC,CRCB
(2)	958 103 927 20	1 set: piston rings		6	CWJA
3	955 103 441 00	Securing ring 30 X 2		6	
4	955 103 441 00	Securing ring 30 X 2		6	

Model: 970 10

Model life 2010>>2016



Model: 970 10 Model life 2010>>2016

Pos	Part Number	Description	Remark	Qty	Model
		Belt tensioner Belt drive			4820,4840, 4870,CXPA, CXRA,CXR, CWBA,CWB, CWCA,CWC
1	948 102 403 22	lever	with:	1	
(1)	948 102 403 23	Tensioning roller Discontinued part lever	with:	1	
2	948 102 839 00	Tensioning roller		3	
3	948 102 261 21	Protective cap tensioner		1	
4	999 073 246 09	Hydraulic Torx screw M 8 X 33		1	
(4)	999 073 246 02	No longer use the part here Hexagon socket head bolt M 8 X 33		1	
5	999 073 329 09	Torx screw M 8 X 96		2	
6	7PP 145 276	idler pulley	with:	1	
7	948 102 118 20	Fastening screw and Protective cap idler pulley	with:	1	
8	948 106 091 00	Fastening screw and Protective cap pulley		1	
(8)	948 106 091 01	Coolant pump Discontinued part pulley		1	
9	948 106 419 00	Coolant pump		1	
10	999 073 104 01	End cap Torx screw M 8 X 16		3	
11		pulley Power-steering pump Tandem pump		1	
12	948 102 241 61	see illustration: vibration damper Crankshaft	403-045	1	
(12)	948 102 241 62	Discontinued part vibration damper Crankshaft		1	
(12)	948 102 241 63	Discontinued part vibration damper Crankshaft		1	
(12)	948 102 241 64	Discontinued part vibration damper Crankshaft		1	PR:-015
(12)	948 102 241 80	vibration damper Crankshaft		1	PR:015
13	948 102 202 10	Hexagon bolt M 18 X 1,5 X 72,1		1	
14		pulley Alternator		1	
15		see illustration: Compressor	902-005	1	

Model: 970 10

Model life 2010>>2016

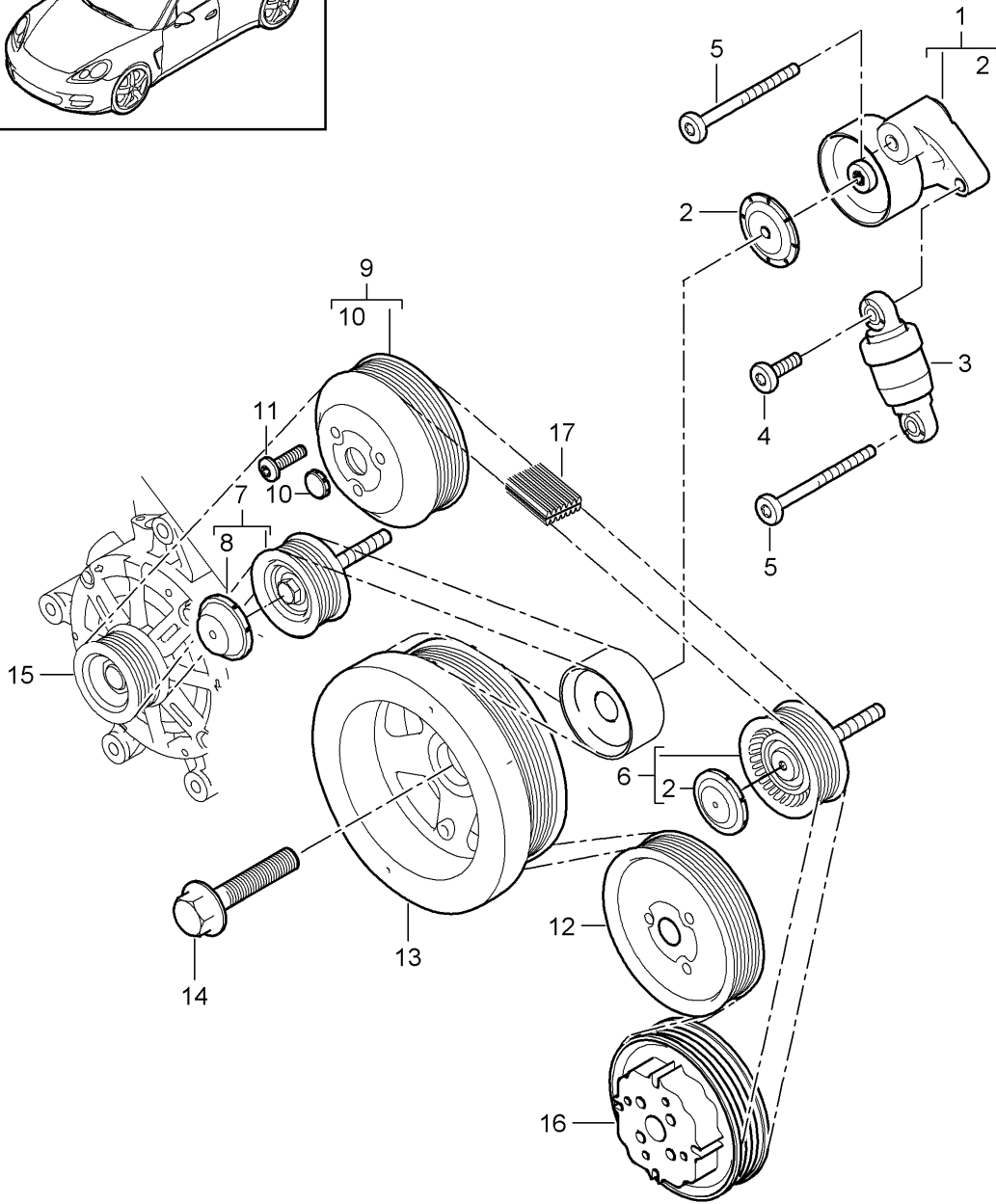
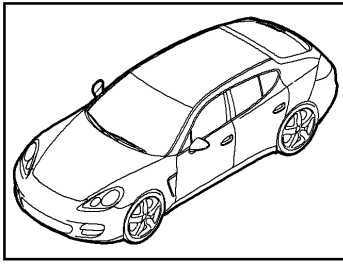
Pos	Part Number	Description	Remark	Qty	Model
16	955 102 251 00	Air conditioning see illustration: v-belt 7 DPK 2880	813-015	1	
(16)	7PP 903 137	Discontinued part v-belt 7 DPK 2880		1	PR:-015
(16)	7PP 903 137 B	v-belt 7 DPK 2860		1	PR:015

Model: 970 10 Model life 2010>>2016

Pos	Part Number	Description	Remark	Qty	Model
1	948 102 403 23	Belt tensioner Belt drive lever with:		1	4620,4640, CWAA,CXNA
2	948 102 839 00	Tensioning roller		3	
3	948 102 261 21	Protective cap tensioner		1	
4	999 073 246 09	Hydraulic Torx screw M 8 X 33		1	
(4)	999 073 246 02	No longer use the part here Hexagon socket head bolt M 8 X 33		1	
5	999 073 329 09	Torx screw M 8 X 96		2	
6	7PP 145 276	idler pulley with:		1	
7	948 102 118 20	Fastening screw and Protective cap idler pulley with:		1	
8	948 106 091 00	Fastening screw and Protective cap pulley		1	
(8)	948 106 091 01	Coolant pump Discontinued part pulley Coolant pump		1	
9	948 106 419 00	End cap		1	
10	999 073 104 01	Torx screw M 8 X 16		3	
11		pulley Power-steering pump Tandem pump		1	
12	946 102 241 01	see illustration: vibration damper Crankshaft	403-045	1	
13	948 102 202 10	Hexagon bolt M 18 X 1,5 X 72,1		1	
14		pulley Alternator		1	
15		see illustration: Compressor Air conditioning	902-005	1	
16	955 102 251 00	see illustration: v-belt 7 DPK 2880	813-015	1	
(16)	7PP 903 137	Discontinued part v-belt 7 DPK 2880		1	

Model: 970 10

Model life 2010>>2016

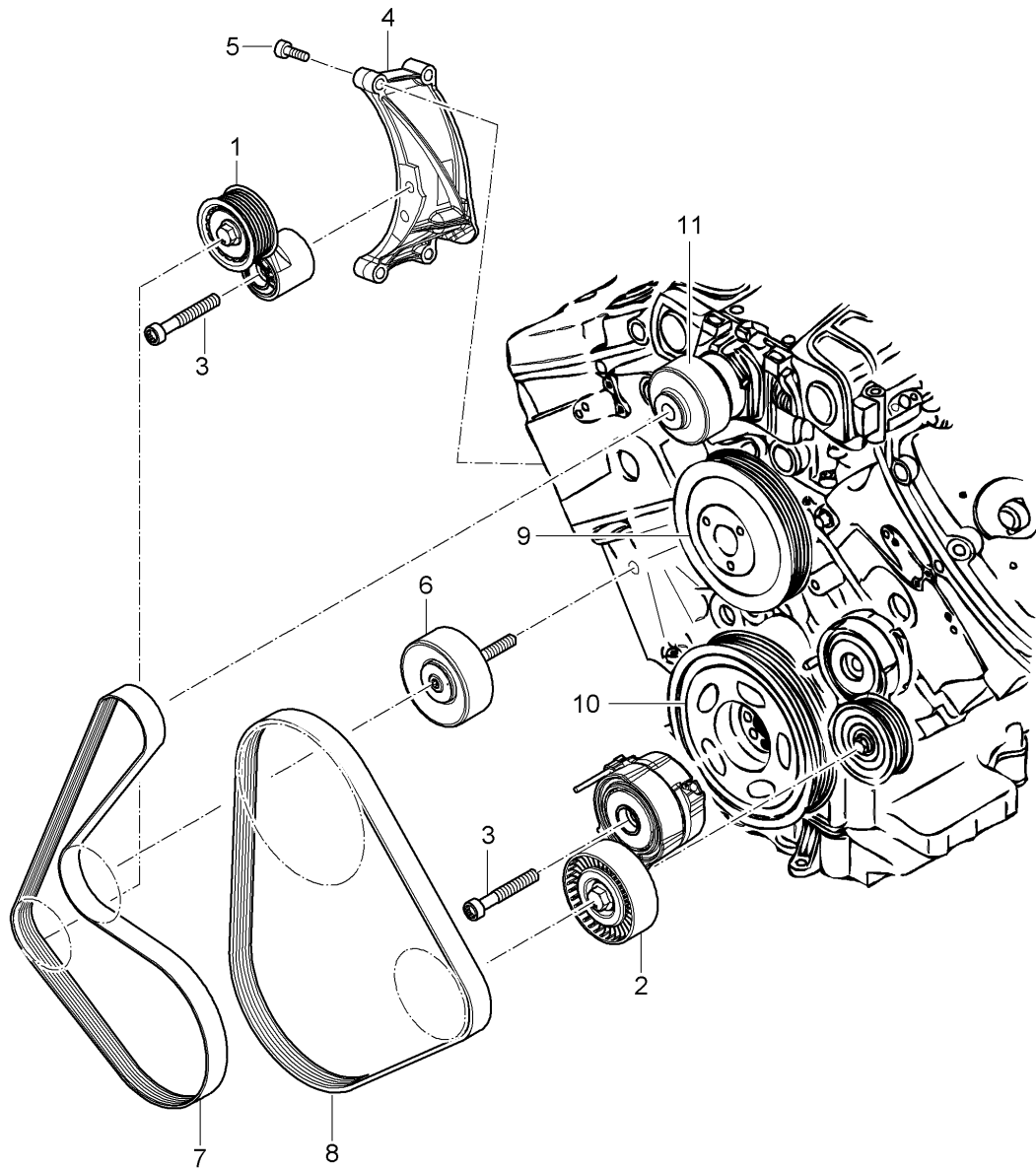
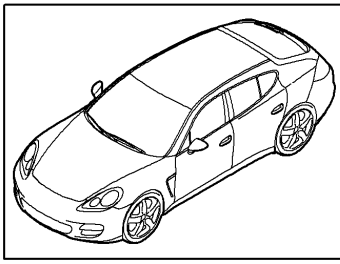


Model: 970 10 Model life 2010>>2016

Pos	Part Number	Description	Remark	Qty	Model
1	948 102 403 75	Belt tensioner Belt drive lever with:		1	CWDA, CWD, CWFA, CWF
2	948 102 839 00	Tensioning roller		2	
3	948 102 261 75	Protective cap tensioner	hydraulic	1	
4	999 073 246 02	See technical information Hexagon socket head bolt M 8 X 33	DE 1373 06/14	1	
5	999 073 329 09	Torx screw M 8 X 96		2	
6	7PP 145 279	idler pulley with bolt with:		1	
7	946 102 118 75	Fastening screw and Protective cap idler pulley with:		1	
(7)	946 102 118 76	Fastening screw and Protective cap M >> 0 08555 M >> 0 03635 idler pulley with:		1	CWDA, CWD CWFA, CWF
8	03F 903 310	Fastening screw and Protective cap M 0 08556 >> M 0 03636 >>		1	CWDA, CWD CWFA, CWF
9	946 106 091 75	Protective cap pulley		1	
10	948 106 419 00	Coolant pump End cap		1	
11	999 073 104 01	Torx screw M 8 X 16		3	
12		pulley Power-steering pump Tandem pump		1	
13	946 102 241 75	see illustration: vibration damper Crankshaft M >> 0 08224 M >> 0 14461	403-045	1	CWDA, CWD CWFA, CWF
(13)	946 102 241 76	vibration damper Crankshaft M 0 08225 >> M 0 14462 >>		1	CWDA, CWD CWFA, CWF
14	948 102 202 10	Hexagon bolt M 18 X 1,5 X 72,1		1	
15		pulley Alternator see illustration:	902-005	1	
16		Compressor Air conditioning see illustration:	813-015	1	
17	7PP 903 137 A	v-belt 6 DPK 2880		1	

Model: 970 10

Model life 2010>>2016



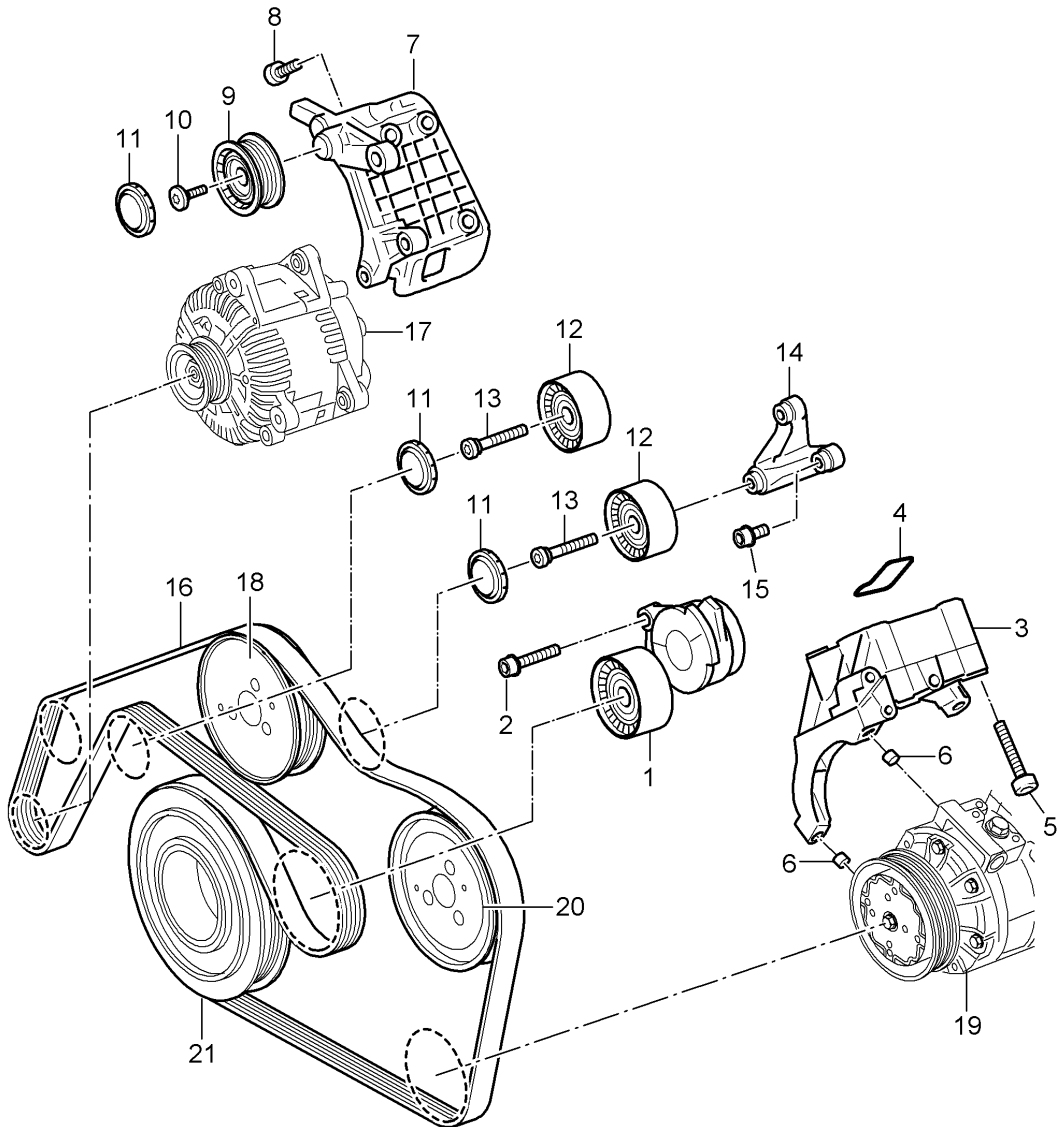
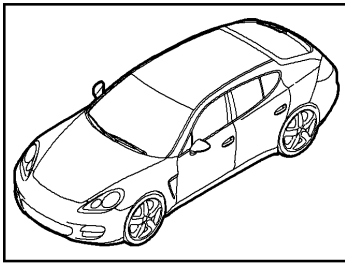
Model: 970 10

Model life 2010>>2016

Pos	Part Number	Description	Remark	Qty	Model
1	958 102 361 10	Belt tensioner Belt drive Belt tensioner Discontinued part		1	CGEA, CGE, CGFA
(1)	958 102 361 11	Belt tensioner		1	
2	958 102 361 20	Belt tensioner		1	
3	N 911 894 01	Flat head multi-point socket bolt M 10 X 60		2	
4	958 603 252 00	Console	right	1	
5	N 106 139 01	Socket head bolt with inner multipoint head (Kombi) M 8 X 45		4	
6	958 102 118 01	idler pulley		1	
		with:			
7	958 102 251 00	Fastening screw Poly-rib belt 24,92 X 1270 MM Driving mechanism Compressor		1	
8	958 102 251 10	Poly-rib belt 21,36 X 963 MM Driving mechanism		1	
9		Coolant pump pulley		1	
		Coolant pump see illustration, item:	105-005,3		
10		vibration damper Crankshaft		1	
		see illustration, item:	102-015,3		
11		pulley Compressor		1	
		see illustration, item:	107-055,3		

Model: 970 10

Model life 2010>>2016

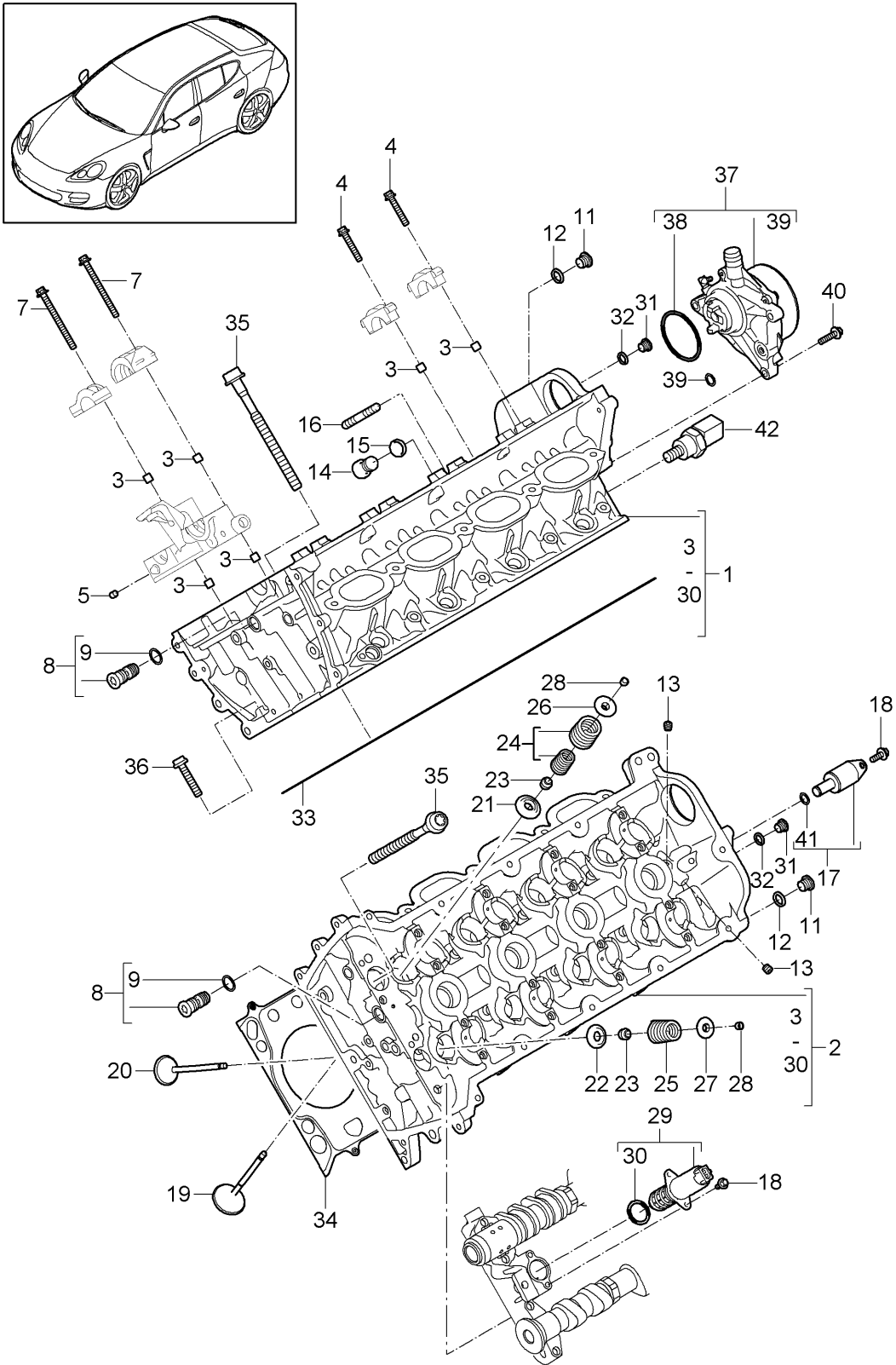


Model: 970 10 Model life 2010>>2016

Pos	Part Number	Description	Remark	Qty	Model
1	958 102 361 50	Belt tensioner Belt drive		1	CRCC, CRCB, CWJA
(1)	958 102 361 51	Belt tensioner damper		1	
2	N 107 610 01	Socket head collared bolt with inner multipoint head M 10 X 48		1	
3	958 147 151 20	Console Compressor Air conditioning Discontinued part		1	
(3)	958 147 151 21	Console Compressor Air conditioning		1	
4	958 147 661 00	Seal		1	
5	N 107 156 01	Socket head collared bolt with inner multipoint head M 10 X 80		4	
6	958 147 501 00	Centre sleeve 11,15 X 6,5		2	
7	958 603 252 20	bracket for alternator		1	
8	N 911 831 01	Socket head collared bolt with inner multipoint head M 10 X 29		4	
9	955 102 118 01	idler pulley		1	
10	N 911 857 01	Locating bolt M 8 X 10 X 25		1	
11	955 102 839 00	Protective cap Discontinued part		3	
(11)	955 102 839 01	Protective cap		3	
12	955 102 119 21	idler pulley		2	
13	N 911 793 01	Cylinder fitting screw with inner multipoint head M 8 X 15 X 82		2	
14	958 102 423 00	BRACKET FOR idler pulley		1	
15	N 911 046 02	Socket head collared bolt with inner multipoint head M 8 X 35		2	
16	958 102 216 10	Poly-rib belt 6 PK 21,36 X 2518		1	
17		Alternator		1	
18		see illustration: pulley	902-005	1	
19		see illustration: Coolant pump	105-010	1	
20		Compressor Air conditioning see illustration:	813-015	1	
21		pulley Power-steering pump see illustration:	403-040	1	
		vibration damper Crankshaft see illustration:	102-020	1	

Model: 970 10

Model life 2010>>2016



Model: 970 10 Model life 2010>>2016

Pos	Part Number	Description	Remark	Qty	Model
		Cylinder head Vacuum pump			4820,4840, 4870,CXPA, CXRA,CXR, CWBA,CWB, CWCA,CWC 4820,4840
1	948 104 015 20	Cylinder head with: Spark plug Cylinders 1 - 4 Discontinued part		1	
(1)	948 104 015 21	Cylinder head with: Spark plug Cylinders 1 - 4 Discontinued part		1	4820,4840
(1)	948 104 015 25	Cylinder head with: Spark plug Cylinders 1 - 4 Discontinued part		1	4820,4840
(1)	948 104 015 26	Cylinder head with: Spark plug Cylinders 1 - 4 Discontinued part		1	4820,4840+ PR:-015
(1)	948 104 015 30	D >> - MJ 2013 Cylinder head with: Spark plug Cylinders 1 - 4		1	4840,CXPA, CXRA,CXR+ PR:015
(1)	948 104 015 70	Cylinder head with: Spark plug Cylinders 1 - 4 Discontinued part		1	4870
(1)	948 104 015 71	Cylinder head with: Spark plug Cylinders 1 - 4 Discontinued part		1	4870
(1)	948 104 015 75	Cylinder head with: Spark plug Cylinders 1 - 4 Discontinued part		1	4870
(1)	948 104 015 76	Cylinder head with: Spark plug Cylinders 1 - 4 Discontinued part		1	4870,CWBA, CWB,CWCA,CWC
2	948 104 016 20	Cylinder head with: Spark plug Cylinders 5 - 8 Discontinued part		1	4820,4840
(2)	948 104 016 21	Cylinder head with: Spark plug Cylinders 5 - 8 Discontinued part		1	4820,4840
(2)	948 104 016 25	Cylinder head with: Spark plug Cylinders 5 - 8 Discontinued part		1	4820,4840

Model: 970 10 Model life 2010>>2016

Pos	Part Number	Description	Remark	Qty	Model
(2)	948 104 016 26	Cylinder head with: Spark plug Cylinders 5 - 8 D >> - MJ 2013		1	4820,4840+ PR:-015
(2)	948 104 016 30	Cylinder head with: Spark plug Cylinders 5 - 8		1	4840,CXPA, CXRA,CXR+ PR:015
(2)	948 104 016 70	Cylinder head with: Spark plug Cylinders 5 - 8		1	4870
(2)	948 104 016 71	Discontinued part Cylinder head with: Spark plug Cylinders 5 - 8		1	4870
(2)	948 104 016 75	Discontinued part Cylinder head with: Spark plug Cylinders 5 - 8		1	4870
(2)	948 104 016 76	Discontinued part Cylinder head with: Spark plug Cylinders 5 - 8		1	4870,CWBA, CWB,CWCA,CWC
3	944 104 361 00	dowel sleeve		44	
4	999 073 363 01	Torx screw M 6 X 35		32	
5	999 501 023 30	Sealing cap 6,7		2	
7	900 385 027 01	Torx screw BM 6 X 70		8	
8	948 104 250 01	choke		2	
9	999 707 577 40	O-ring 10,0 X 2,5		2	
11	900 219 006 01	sealing plug M 12 X 1,5		2	
12	900 123 005 30	seal ring A 12 X 16		2	
13	900 063 010 00	sealing plug M 8 X 1		4	
14	900 219 024 01	sealing plug M 14 X 1,5		2	4820,4840, CXPA,CXRA, CXR
15	900 123 007 30	seal ring A 14 X 18		2	4820,4840, CXPA,CXRA, CXR
16	999 060 002 01	Threaded stud MFS 8 X 33		24	4820,4840, CXPA,CXRA, CXR
(16)	999 060 001 01	Threaded stud MFS 8 X 42		24	4870,CWBA, CWB,CWCA,CWC
17	948 105 308 02	throttle control element Valve Discontinued part		2	
(17)	948 105 308 03	throttle control element Valve		2	
18	900 385 112 01	Torx screw BM 5 X 12		8	
19	948 105 321 02	Inlet valve		16	

Model: 970 10

Model life 2010>>2016

Pos	Part Number	Description	Remark	Qty	Model
20	948 105 322 02	exhaust valve		16	4820,4840, CXPA,CXRA, CXR
(20)	948 105 322 52	exhaust valve		16	4870,CWBA, CWB,CWCA,CWC
21	948 105 151 01	spring disc Intake	lower	16	
22	948 105 153 01	spring disc	lower	16	4820,4840, CXPA,CXRA, CXR
(22)	948 105 153 51	Exhaust spring disc	lower	16	4870,CWBA, CWB,CWCA,CWC
23	996 105 115 52	Exhaust Valve stem seal		32	
24	948 105 094 00	1 set of valve springs Intake		16	
(24)	948 105 094 02	D >> - MJ 2010 1 set of valve springs Intake		16	PR:-015
(24)	948 105 094 05	D - MJ 2011>> 1 set of valve springs Intake		16	4840,CXPA, CXRA,CXR+ PR:015
25	948 105 420 01	Valve spring Exhaust		16	4820,4840
(25)	948 105 420 02	Discontinued part Valve spring Exhaust		16	4820,4840, CXPA,CXRA, CXR
(25)	948 105 095 50	1 set of valve springs Exhaust		16	4870
(25)	948 105 095 52	Discontinued part 1 set of valve springs Exhaust		16	4870,CWBA, CWB,CWCA,CWC
26	948 105 150 01	spring disc Intake	upper	16	
27	996 105 121 54	spring disc	upper	16	4820,4840, CXPA,CXRA, CXR
(27)	948 105 152 51	Exhaust spring disc	upper	16	4870,CWBA, CWB,CWCA,CWC
28	996 105 123 52	Exhaust cotter, split		64	
29	948 105 304 05	throttle control element Camshaft		2	
(29)	948 105 304 06	No longer use the part here throttle control element Camshaft		2	
(29)	948 105 304 07	No longer use the part here throttle control element Camshaft		2	
30	999 707 446 40	O-ring 18 X 2,5		2	
31	900 219 023 01	sealing plug M 10 X 1		2	
32	900 123 144 30	seal ring A 10 X 13,5		2	
33	948 104 173 04	Cylinder head gasket Cylinders 1 - 4		1	
(33)	948 104 173 05	No longer use the part here Cylinder head gasket Cylinders 1 - 4		1	
34	948 104 174 04	Cylinder head gasket		1	

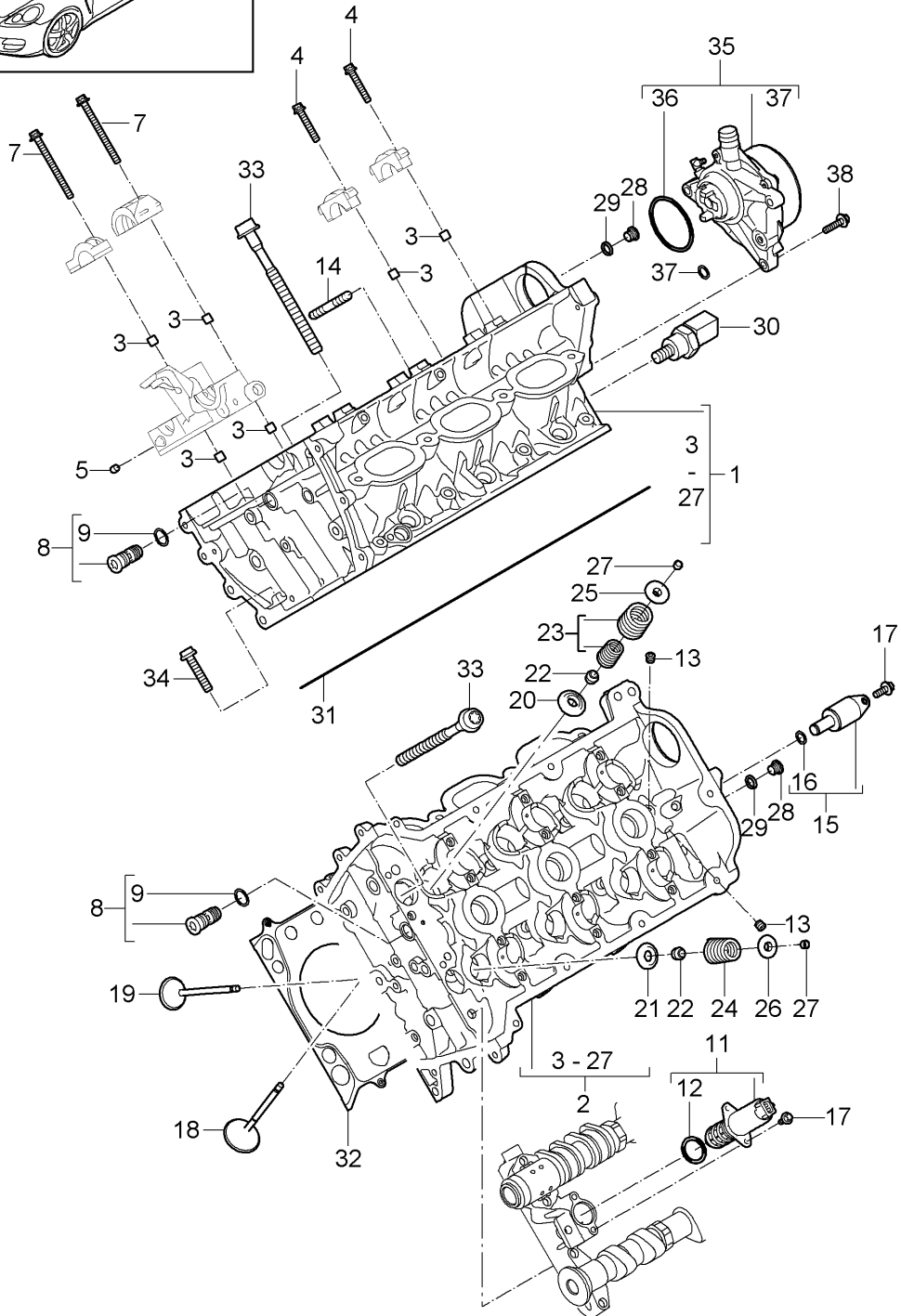
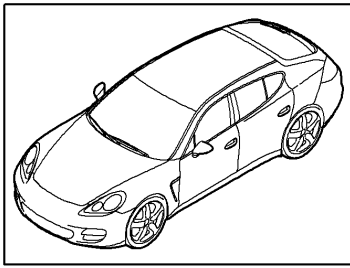
Model: 970 10

Model life 2010>>2016

Pos	Part Number	Description	Remark	Qty	Model
(34)	948 104 174 05	Cylinders 5 - 8 No longer use the part here Cylinder head gasket		1	
35	948 104 181 10	Cylinders 5 - 8 Socket head bolt M 11 X 1,5 X 140		20	
36	999 219 044 01	Socket head bolt M 8 X 40		1	
37	948 110 050 05	Vacuum pump Discontinued part		1	
(37)	948 110 050 06	Vacuum pump		1	
38	999 707 581 41	O-ring 54 X 3		1	
39	999 707 582 41	O-ring 13 X 3		1	
40	900 385 072 01	Torx screw M 6 X 25		3	
41	999 701 582 40	O-ring 11,5 X 1,8		2	
42	948 606 420 00	Temperature sensor Water cooling		1	

Model: 970 10

Model life 2010>>2016



Model: 970 10 Model life 2010>>2016

Pos	Part Number	Description	Remark	Qty	Model
1	946 104 015 05	Cylinder head Vacuum pump Cylinder head with:		1	4620,4640, CWAA,CXNA
(1)	946 104 015 06	Spark plug Cyl. 1 - 3 Discontinued part Cylinder head with:		1	
2	946 104 016 05	Spark plug Cyl. 1 - 3 Cylinder head with:		1	
(2)	946 104 016 06	Spark plug Cyl. 4 - 6 Discontinued part Cylinder head with:		1	
3	944 104 361 00	Spark plug Cyl. 4 - 6 dowel sleeve		36	
4	999 073 363 01	Torx screw M 6 X 35		24	
5	999 501 023 30	Sealing cap 6,7		2	
7	900 385 027 01	Torx screw BM 6 X 70		8	
8	948 104 250 01	choke		2	
9	999 707 577 40	O-ring 10,0 X 2,5		2	
11	948 105 304 05	throttle control element Camshaft		2	
(11)	948 105 304 06	No longer use the part here throttle control element Camshaft		2	
(11)	948 105 304 07	No longer use the part here throttle control element Camshaft		2	
12	999 707 446 40	O-ring 18 X 2,5		2	
13	900 063 010 00	sealing plug M 8 X 1		4	
14	999 060 001 01	Threaded stud MFS 8 X 42		18	
15	948 105 308 02	throttle control element Valve		2	
(15)	948 105 308 03	Discontinued part throttle control element Valve		2	
16	999 701 582 40	O-ring 11,5 X 1,8		2	
17	900 385 112 01	Torx screw BM 5 X 12		8	
18	948 105 321 02	Inlet valve		12	
19	948 105 322 02	exhaust valve		12	
20	948 105 151 01	spring disc Intake	lower	12	
21	948 105 153 01	spring disc Exhaust	lower	12	
22	996 105 115 52	Valve stem seal		24	
23	948 105 094 02	1 set of valve springs Intake		12	
24	948 105 420 02	Valve spring		12	

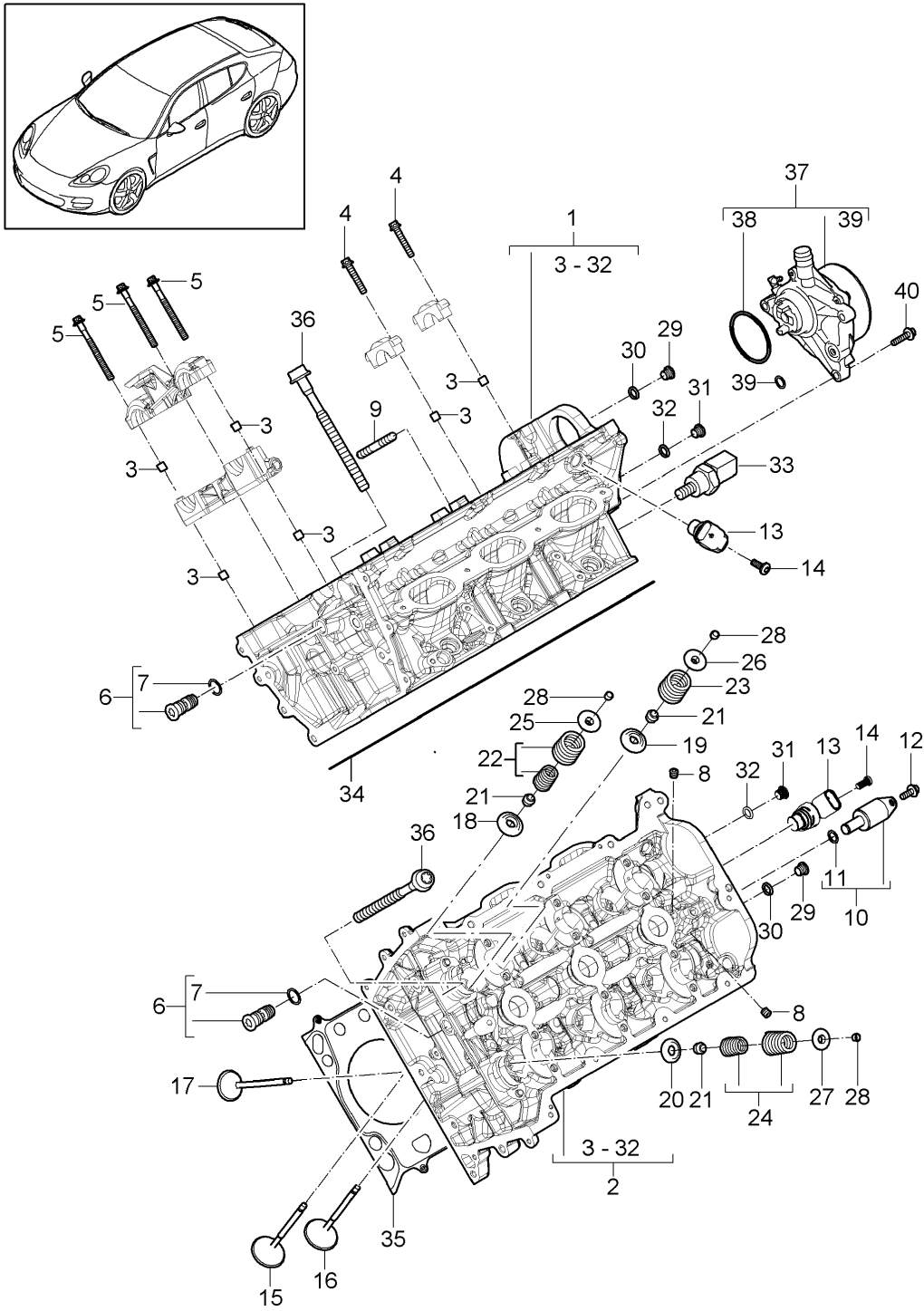
Model: 970 10

Model life 2010>>2016

Pos	Part Number	Description	Remark	Qty	Model
25	948 105 150 01	Exhaust spring disc	upper	12	
26	996 105 121 54	Intake spring disc	upper	12	
27	996 105 123 52	Exhaust cotter, split		48	
28	900 219 023 01	sealing plug M 10 X 1		2	
29	900 123 144 30	seal ring A 10 X 13,5		2	
30	948 606 420 00	Temperature sensor Water cooling		1	
31	946 104 173 01	Cylinder head gasket Cyl. 1 - 3 Discontinued part		1	
(31)	946 104 173 02	Cylinder head gasket Cyl. 1 - 3		1	
32	946 104 174 01	Cylinder head gasket Cyl. 4 - 6 Discontinued part		1	
(32)	946 104 174 02	Cylinder head gasket Cyl. 4 - 6		1	
33	948 104 181 10	Socket head bolt M 11 X 1,5 X 140		16	
34	999 219 044 01	Socket head bolt M 8 X 40		1	
35	948 110 050 06	Vacuum pump		1	
36	999 707 581 41	O-ring 54 X 3		1	
37	999 707 582 41	O-ring 13 X 3		1	
38	900 385 072 01	Torx screw M 6 X 25		3	

Model: 970 10

Model life 2010>>2016



Model: 970 10 Model life 2010>>2016

Pos	Part Number	Description	Remark	Qty	Model
1	946 104 015 78	Cylinder head Vacuum pump Cylinder head (complete) but without: Discontinued part	cylinders 1-3 Camshaft	1	CWDA, CWD, CWFA, CWF
(1)	946 104 015 79	Cylinder head (complete) but without: Discontinued part	cylinders 1-3 Camshaft	1	
2	946 104 016 78	Cylinder head (complete) but without: Discontinued part	cylinders 4-6 Camshaft	1	
(2)	946 104 016 79	Cylinder head (complete) but without: Discontinued part	cylinders 4-6 Camshaft	1	
3	944 104 361 00	dowel sleeve	8,5X1X8,5	30	
(3)	999 095 071 00	dowel sleeve	12X1X10	2	
4	999 073 363 01	Torx screw	M6X35	24	
5	900 385 027 01	Torx screw	BM6X70	6	
6	948 104 250 01	choke		2	
7	999 707 577 40	O-ring	10X2,5	2	
8	900 063 010 00	sealing plug	M8X1	4	
9	999 060 001 01	Threaded stud	MFS8X42	18	
10	948 105 308 03	throttle control element Valve		2	
11	999 701 582 40	O-ring	11,5X1,8	2	
12	900 385 112 01	Torx screw	BM5X12	4	
13	946 606 106 00	Hall sensor		4	
14	999 073 902 31	fillister hd. bolt M 6 X 16	M6X16 aluminium	4	
15	948 105 321 02	Inlet valve	Intake, short 107,7MM	6	
16	948 105 321 15	Inlet valve	Intake, long 112,8MM	6	
17	948 105 322 52	exhaust valve		12	
18	948 105 151 01	spring disc	lower Inlet	6	
19	948 105 153 51	spring disc	lower Inlet	6	
20	948 105 153 51	spring disc	lower Outlet	12	
21	996 105 115 52	Valve stem seal		24	
22	948 105 094 02	1 set of valve springs	Inlet	6	
23	946 105 416 00	Valve spring	Inlet	6	
24	948 105 095 52	1 set of valve springs	Outlet	12	
25	948 105 150 01	spring disc	upper Inlet	6	
26	948 105 150 01	spring disc	upper Inlet	6	
27	948 105 152 51	spring disc	upper Outlet	12	
28	996 105 123 52	cotter, split		48	
29	900 219 023 01	sealing plug	M10X1	2	
30	900 123 144 30	seal ring	A10X13,5	2	
31	900 219 006 01	sealing plug	M12X1,5	2	
32	900 123 005 30	seal ring	A12X16	2	
33	948 606 420 00	Temperature sensor		1	
34	946 104 173 01	Cylinder head gasket Discontinued part	cylinders 1-3	1	
(34)	946 104 173 02	Cylinder head gasket	cylinders 1-3	1	
35	946 104 174 01	Cylinder head gasket Discontinued part	cylinders 4-6	1	

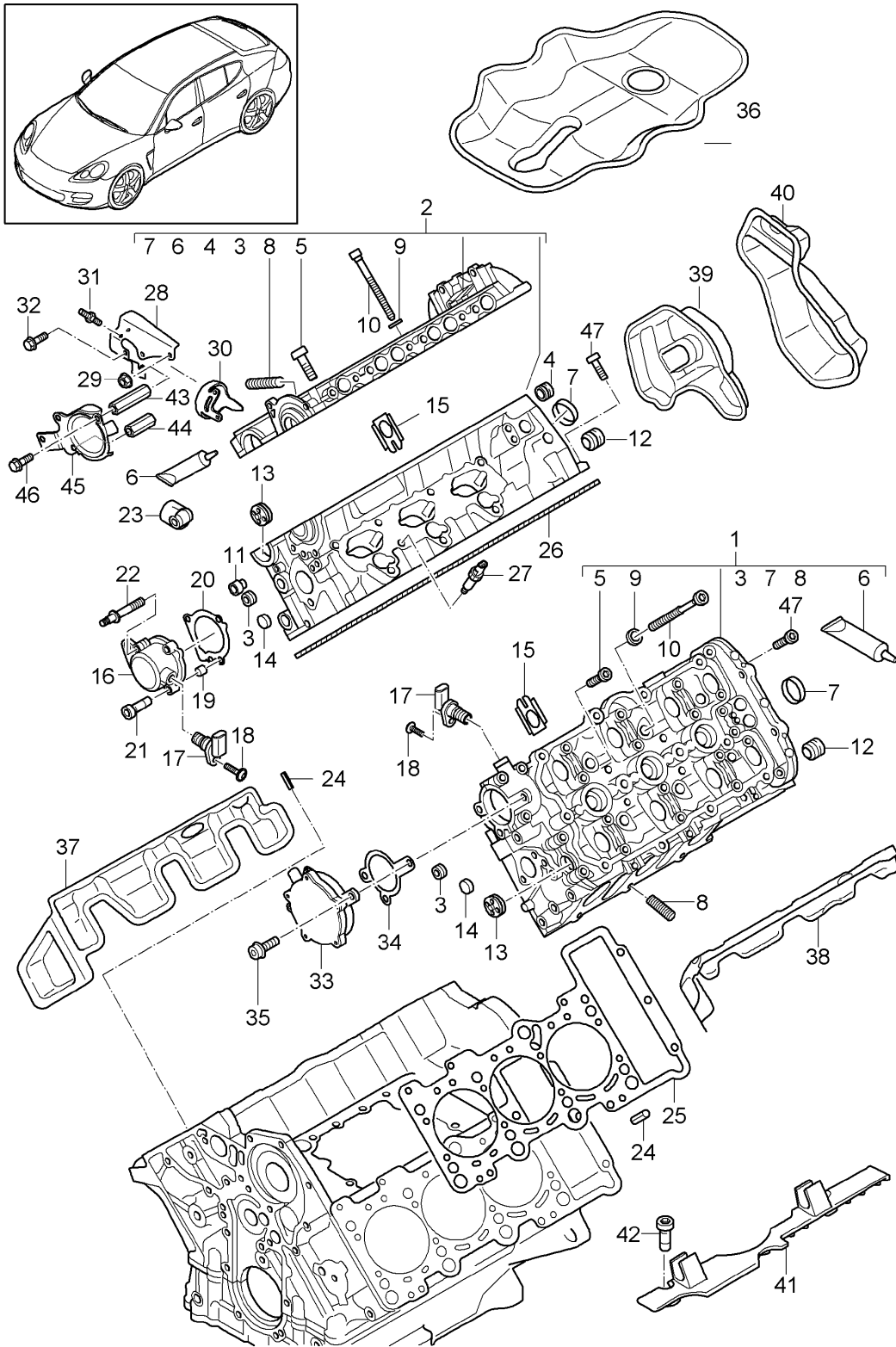
Model: 970 10

Model life 2010>>2016

Pos	Part Number	Description	Remark	Qty	Model
(35)	946 104 174 02	Cylinder head gasket	cylinders 4-6	1	
36	948 104 181 10	Socket head bolt	M11X1,5X140	16	
37	948 110 050 06	Vacuum pump		1	
38	999 707 581 41	O-ring	54X3	1	
39	999 707 582 41	O-ring	13X3	1	
40	900 385 072 01	Torx screw	M6X25	3	

Model: 970 10

Model life 2010>>2016



Model: 970 10

Model life 2010>>2016

Pos	Part Number	Description	Remark	Qty	Model
1	958 104 016 11	Cylinder head Complete cylinder head without: Camshaft Cyl. 4 - 6 Discontinued part		1	CGEA, CGE, CGFA
(1)	958 104 016 12	Complete cylinder head without: Camshaft Cyl. 4 - 6 Discontinued part		1	
(1)	958 104 016 13	Complete cylinder head without: Camshaft Cyl. 4 - 6 Discontinued part		1	
(1)	958 104 016 14	Complete cylinder head without: Camshaft Cyl. 4 - 6 Discontinued part		1	
2	958 104 015 11	Complete cylinder head without: Camshaft Cyl. 1 - 3 Discontinued part		1	
(2)	958 104 015 12	Complete cylinder head without: Camshaft Cyl. 1 - 3 Discontinued part		1	
(2)	958 104 015 13	Complete cylinder head without: Camshaft Cyl. 1 - 3 Discontinued part		1	
(2)	958 104 015 14	Complete cylinder head without: Camshaft Cyl. 1 - 3 Discontinued part		1	
3	N 029 454 2	sealing plug M 10 X 1 No longer use the part here		2	
(3)	N 106 303 02	sealing plug M 10 X 1		2	
4	958 105 591 00	Sealing cap		1	
5	N 911 276 02	Hexagon socket flat head bolt BM 6 X 35 X 16		40	
6	000 043 207 49	sealant 1 tube 80 ML Discontinued part		X	
(6)	958 101 902 00	sealant 80 ML		X	
(6)	000 043 300 39	D >> - MJ 2013 sealant 1 tube 50 ML D - MJ 2014>>		X	
7	955 101 215 00	End cap 36,6		2	
8	N 014 555 5	Threaded pin		18	

Model: 970 10 Model life 2010>>2016

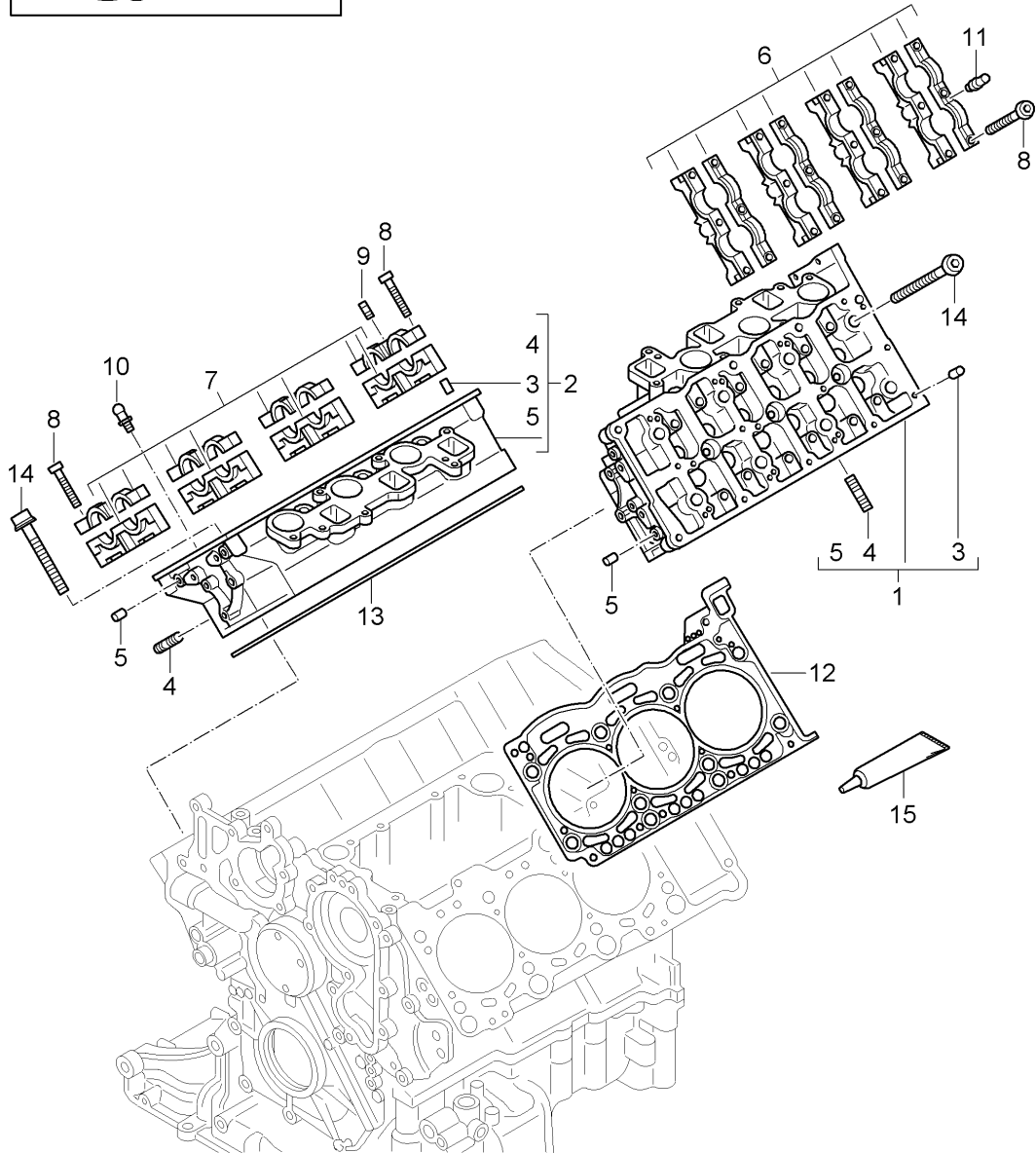
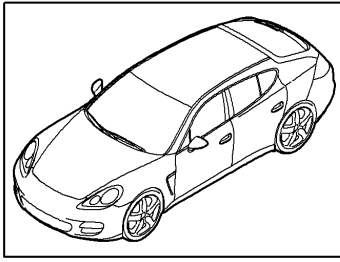
Pos	Part Number	Description	Remark	Qty	Model
9	958 104 377 00	M 8 X 44 Washer only in conj. with:		16	
10	958 104 181 00	Socket head bolt 958.104.181.00 M 10 X 1,5 X 169 X 120 only in conj. with:		16	
(10)	WHT 005 739	Washer 958.104.377.00 D >> - 10.07.2011 Socket head bolt with inner multipoint head BM 10 X 170 X 120 without:		16	
11	958 104 354 00	Washer Water jet Discontinued part		1	
(11)	958 104 354 01	Water jet		1	
12	958 104 476 00	Non-return valve		2	
13	958 104 513 00	End cap 26 Discontinued part		2	
(13)	958 104 513 01	End cap 26 Discontinued part		2	
(13)	958 104 513 00	End cap 26		2	
14	N 011 907 8	End cap 14		2	
15	958 104 411 20	Intermediate plate		6	
16	958 104 535 10	Housing cover		1	
17	958 606 106 00	impulse sender Discontinued part		2	
(17)	958 606 106 01	impulse sender		2	
18	N 104 514 05	Oval hexagon socket head bolt M 6 X 16		2	
19	N 910 208 01	dowel sleeve 8 M 7 X 10		2	
20	958 104 521 10	Seal		1	
21	N 911 276 02	Hexagon socket flat head bolt M 6 X 35 X 16		1	
22	WHT 003 269	double collared stud M 6 X 35 X 16 / M 6 X 10		3	
23		Tappets high pressure pump see illustration, item:	107-037,4	1	
24	955 102 277 00	spring pin 6,2 X 22		2	
25	958 104 174 00	Cylinder head gasket Cyl. 4 - 6		1	
26	958 104 173 00	Cylinder head gasket Cyl. 1 - 3		1	
27	958 606 135 01	Temperature sensor		1	
28	958 104 577 03	Guard plate high pressure pump		1	
29	N 015 082 10	Hexagon collar nut M 6 D >> - MJ 2013		3	
30	958 110 581 03	Support Discontinued part		1	
(30)	958 110 421 00	Support		1	

Model: 970 10 Model life 2010>>2016

Pos	Part Number	Description	Remark	Qty	Model
31	N 910 613 01	double stud with hexagon drive M 6 X 10 / M 6 X 10		1	
32	N 902 452 09	Hex collared bolt M 6 X 10 D >> - MJ 2013		1	
33	958 110 050 01	Vacuum pump		1	
34	958 110 417 00	Seal		1	
35	N 101 243 06	Oval hexagon socket head bolt M 6 X 20 No longer use the part here		3	
(35)	N 101 243 09	Oval hexagon socket head bolt M 6 X 20		3	
36	958 104 677 02	Damping	center	1	
37	958 104 678 02	Damping	right	1	
38	958 104 679 02	Damping	left	1	
39	958 104 680 02	Damping	right rear	1	
(39)	958 104 680 03	Discontinued part Damping	right rear	1	
40	958 104 681 02	Damping	left rear	1	
(40)	958 104 681 03	Discontinued part Damping	left rear	1	
41	958 104 635 03	Cover		1	
42	N 106 225 02	Socket head bolt with hexagon socket head M 5 X 12		2	
43	970 110 417 00	Screwed socket D - MJ 2014>>	upper	2	
44	970 110 417 01	Screwed socket D - MJ 2014>>	lower	1	
45	970 110 833 00	Guard plate D - MJ 2014>>		1	
46	N 107 030 01	round hd. screw M 6 X 10 D - MJ 2014>>		4	
47	N 104 707 05	round hd. screw M 6 X 50		7	

Model: 970 10

Model life 2010>>2016



Model: 970 10

Model life 2010>>2016

Pos	Part Number	Description	Remark	Qty	Model
		Cylinder head			CRCC,CRCB, CWJA
1	958 104 016 20	Complete cylinder head Cyl. 4 - 6 Discontinued part		1	CRCC,CRCB
(1)	958 104 016 21	Complete cylinder head Cyl. 4 - 6 Discontinued part		1	CRCC,CRCB
(1)	958 104 016 22	Complete cylinder head Cyl. 4 - 6		1	CRCC,CRCB
(1)	958 104 016 50	Complete cylinder head Cyl. 4 - 6		1	CWJA
2	958 104 015 20	Complete cylinder head Cyl. 1 - 3 Discontinued part		1	CRCC,CRCB
(2)	958 104 015 21	Complete cylinder head Cyl. 1 - 3 Discontinued part		1	CRCC,CRCB
(2)	958 104 015 22	Complete cylinder head Cyl. 1 - 3		1	CRCC,CRCB
(2)	958 104 015 50	Complete cylinder head Cyl. 1 - 3		1	CWJA
3	958 104 429 10	dowel sleeve 8 X 9		4	
4	N 044 408 7	Threaded pin M 8 X 25		16	
5	N 102 833 04	sealing plug M 8 X 1		2	
6	958 104 959 00	D Bearing cover >> - 29.08.2016 Set Cyl. 4 - 6		1	
7	958 104 960 00	Bearing cover Set Cyl. 1 - 3		1	
8	N 106 165 01	Oval hexagon socket head bolt M 6 X 56		24	
9	958 104 564 00	ball head M 5 X 6 Cyl. 1 - 3		2	
10	958 104 564 10	ball head M 6 X 12 Cyl. 1 - 3		1	
11	958 104 564 00	ball head M 6 X 12 Cyl. 4 - 6		3	
12	958 104 174 10	Cylinder head gasket 1,58 MM 1 LOCH		X	CRCC,CRCB
(12)	958 104 174 11	No longer use the part here Cylinder head gasket 1,58 MM 1 LOCH		X	CRCC,CRCB
(12)	958 104 176 00	Cylinder head gasket 1,58 MM 1 LOCH		X	CWJA
(12)	958 104 174 20	Cylinder head gasket 1,63 MM 2 LOECHER		X	CRCC,CRCB
(12)	958 104 174 21	No longer use the part here Cylinder head gasket 1,63 MM 2 LOECHER		X	CRCC,CRCB

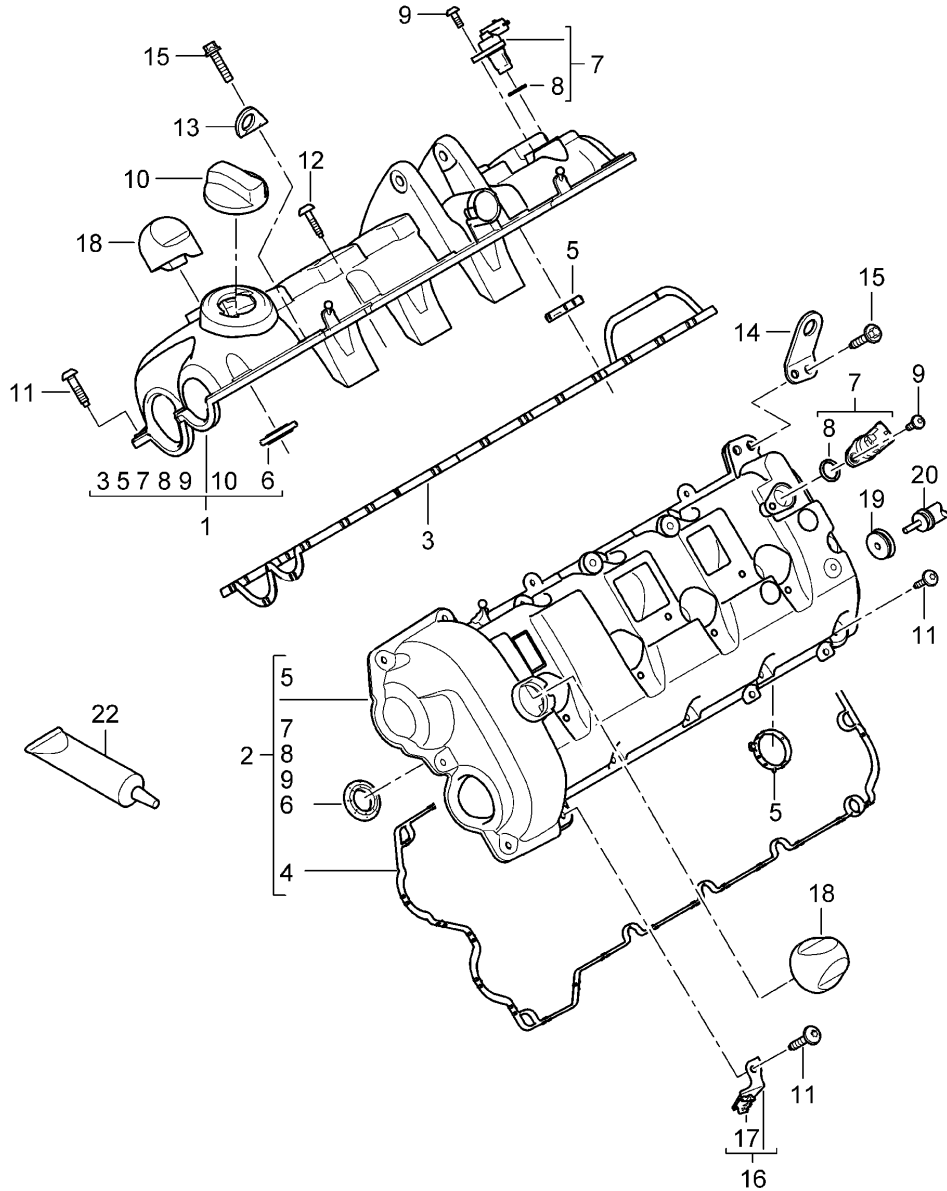
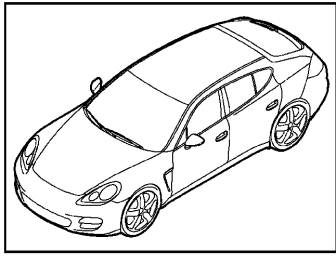
Model: 970 10

Model life 2010>>2016

Pos	Part Number	Description	Remark	Qty	Model
(12)	958 104 176 10	Cylinder head gasket 1,63 MM 2 LOECHER		X	CWJA
(12)	958 104 174 30	Cylinder head gasket 1,68 MM 3 LOECHER		X	CRCC,CRCB
(12)	958 104 174 31	No longer use the part here Cylinder head gasket 1,68 MM 3 LOECHER		X	CRCC,CRCB
(12)	958 104 176 20	Cylinder head gasket 1,68 MM 3 LOECHER		X	CWJA
13	958 104 173 10	Cylinder head gasket 1,58 MM 1 LOCH		X	CRCC,CRCB
(13)	958 104 173 11	No longer use the part here Cylinder head gasket 1,58 MM 1 LOCH		X	CRCC,CRCB
(13)	958 104 175 00	Cylinder head gasket 1,58 MM 1 LOCH		X	CWJA
(13)	958 104 173 20	Cylinder head gasket 1,63 MM 2 LOECHER		X	CRCC,CRCB
(13)	958 104 173 21	No longer use the part here Cylinder head gasket 1,63 MM 2 LOECHER		X	CRCC,CRCB
(13)	958 104 175 10	Cylinder head gasket 1,63 MM 2 LOECHER		X	CWJA
(13)	958 104 173 30	Cylinder head gasket 1,68 MM 3 LOECHER		X	CRCC,CRCB
(13)	958 104 173 31	No longer use the part here Cylinder head gasket 1,68 MM 3 LOECHER		X	CRCC,CRCB
(13)	958 104 175 20	Cylinder head gasket 1,68 MM 3 LOECHER		X	CWJA
14	WHT 005 262	Cylinder screw with washer M 12 X 1,5 X 177		16	
(14)	WHT 005 262 A	Discontinued part Cylinder screw with washer M 12 X 1,5 X 177		16	
15	000 043 207 49	sealant 1 tube 80 ML		X	
(15)	000 043 300 39	No longer use the part here sealant 1 tube 50 ML		X	

Model: 970 10

Model life 2010>>2016



Model: 970 10 Model life 2010>>2016

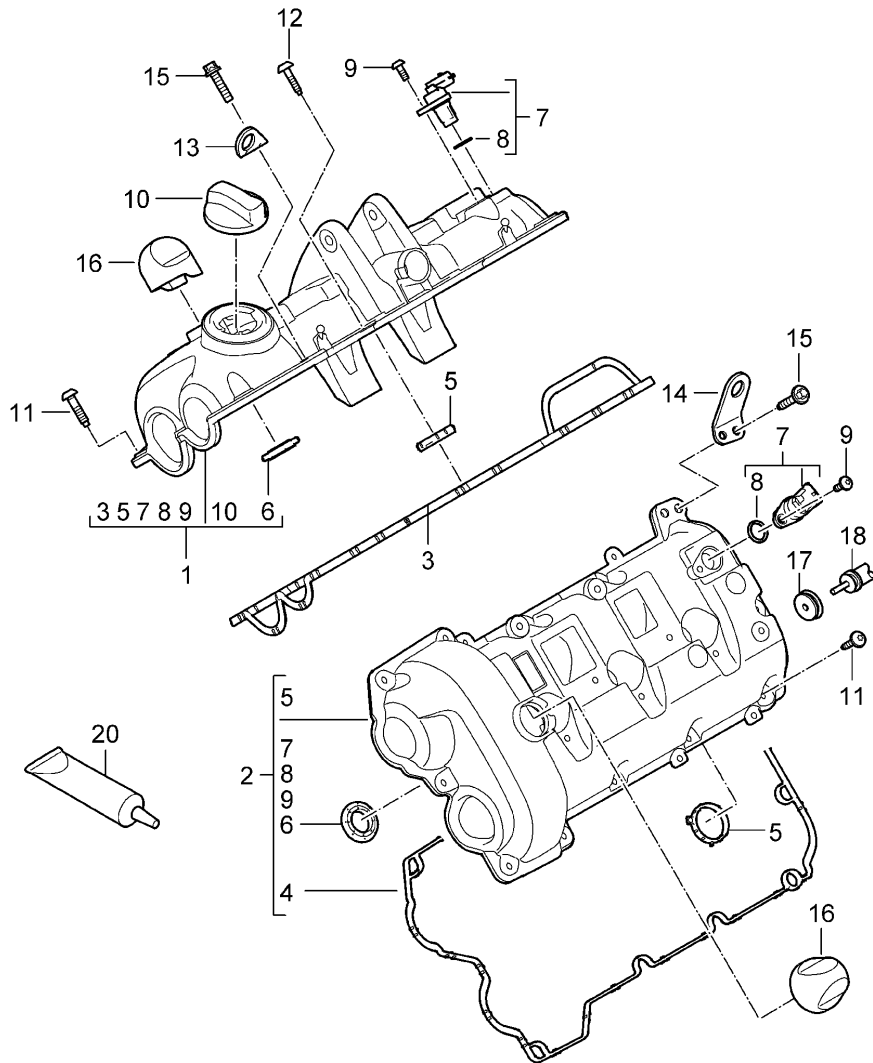
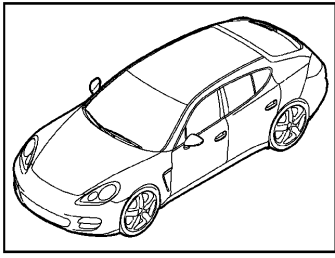
Pos	Part Number	Description	Remark	Qty	Model
		Valve cover			4820,4840, 4870,CXPA, CXRA,CXR, CWBA,CWB, CWCA,CWC
1	948 105 135 20	Valve cover Cylinders 1 - 4	Cylinders 1-4	1	
		also use:	999 073 905 30	10	
			999 073 908 30	3	
			000 043 305 33	X	
(1)	948 105 135 21	Discontinued part Valve cover Cylinders 1 - 4	Cylinders 1-4	1	
		also use:	999 073 905 30	10	
			999 073 908 30	3	
			000 043 305 33	X	
(1)	948 105 135 22	Discontinued part Valve cover Cylinders 1 - 4	Cylinders 1-4	1	
		also use:	999 073 905 30	10	
			999 073 908 30	3	
			000 043 305 33	X	
2	948 105 136 20	Valve cover	Cylinder 5-8	1	
		also use:	999 073 905 30	13	
			000 043 305 33	X	
(2)	948 105 136 21	Discontinued part Valve cover	Cylinder 5-8	1	
		also use:	999 073 905 30	13	
			000 043 305 33	X	
(2)	948 105 136 22	Discontinued part Valve cover	Cylinder 5-8	1	
		also use:	999 073 905 31	13	
			000 043 305 33	X	
(2)	948 105 136 23	Discontinued part Valve cover	Cylinder 5-8	1	
		also use:	999 073 905 31	13	
			000 043 305 33	X	
3	948 105 935 01	Seal	Cylinders 1-4	1	
		also use:	000 043 305 33	X	
4	948 105 936 01	Seal	Cylinder 5-8	1	
		also use:	000 043 305 33	X	
5	948 105 937 02	Seal	inner	8	
		also use:	000 043 305 33	X	
6	948 105 938 00	Seal throttle control element Camshaft		2	
		also use:	000 043 305 33	X	
7	948 606 106 00	Hall sensor		2	
8	999 707 404 40	O-ring 17,05 X 1,78		2	
9	999 073 903 30	fillister hd. bolt aluminium M 6 X 20		2	
(9)	999 073 903 31	Discontinued part fillister hd. bolt aluminium M 6 X 20		2	

Model: 970 10 Model life 2010>>2016

Pos	Part Number	Description	Remark	Qty	Model
10	955 104 485 00	End cap		1	
11	999 073 905 30	fillister hd. bolt aluminium M 6 X 30 Discontinued part		23	
(11)	999 073 905 31	fillister hd. bolt aluminium M 6 X 30		23	
12	999 073 908 30	fillister hd. bolt aluminium M 8 X 35 Discontinued part		3	
(12)	999 073 908 31	fillister hd. bolt aluminium M 8 X 35		3	
13	948 104 305 20	Transportation shackle D >> - MJ 2013		1	
(13)	948 104 305 21	Transportation shackle D - MJ 2014>>		1	
14	948 104 306 20	Transportation shackle D >> - MJ 2013		1	
(14)	948 104 306 21	Transportation shackle D - MJ 2014>>		1	
15	900 385 042 01	Torx screw M 8 X 35		4	
16	948 606 163 02	Holder for lambda probe D >> - MJ 2010		1	
17	999 651 394 40	Cable holder		1	
18	948 607 241 00	Cover cap		2	
19	993 110 530 01	Grommet Temperature sensor		1	
20	997 606 213 00	Temperature sensor Engine bay		1	
21	999 504 084 01	threaded insert M 6 X 12 for Thread repair Valve cover Magnesium		X	
22	000 043 305 33	sealant 1 tube 75 ML for Valve cover Cylinder head Cover for timing chain		X	

Model: 970 10

Model life 2010>>2016



Model: 970 10 Model life 2010>>2016

Pos	Part Number	Description	Remark	Qty	Model
		Valve cover			4620,4640, CWAA,CXNA
1	946 105 135 00	Valve cover	cylinders 1-3	1	
			also use:		
			999 073 905 31	9	
			999 073 908 31	2	
			000 043 305 33	X	
(1)	946 105 135 01	Discontinued part Valve cover	cylinders 1-3	1	
			also use:		
			999 073 905 31	9	
			999 073 908 31	2	
			000 043 305 33	X	
2	946 105 136 01	Valve cover	cylinders 4-6	1	
			also use:		
			999 073 905 31	11	
			000 043 305 33	X	
(2)	946 105 136 02	Discontinued part Valve cover	cylinders 4-6	1	
			also use:		
			999 073 905 31	11	
			000 043 305 33	X	
3	946 105 935 00	Seal	cylinders 1-3	1	
			also use:		
			000 043 305 33	X	
4	946 105 936 00	Seal	cylinders 4-6	1	
			also use:		
			000 043 305 33	X	
5	948 105 937 02	Seal	inner	6	
			also use:		
			000 043 305 33	X	
6	948 105 938 00	Seal throttle control element Camshaft		2	
			also use:		
			000 043 305 33	X	
7	948 606 106 00	Hall sensor		2	
8	999 707 404 40	O-ring 17,05 X 1,78		2	
9	999 073 903 31	fillister hd. bolt aluminium M 6 X 20		2	
10	955 104 485 00	End cap		1	
11	999 073 905 31	fillister hd. bolt aluminium M 6 X 30		20	
12	999 073 908 31	fillister hd. bolt aluminium M 8 X 35		2	
13	948 104 305 20	Transportation shackle D >> - MJ 2013		1	
(13)	948 104 305 21	Transportation shackle D - MJ 2014>>		1	
14	948 104 306 20	Transportation shackle D >> - MJ 2013		1	
(14)	948 104 306 21	Transportation shackle D - MJ 2014>>		1	
15	900 385 042 01	Torx screw M 8 X 35		4	
16	948 607 241 00	Cover cap		2	
17	993 110 530 01	Grommet		1	
18	997 606 213 00	Temperature sensor Temperature sensor		1	
19	999 504 084 01	Engine bay threaded insert		X	

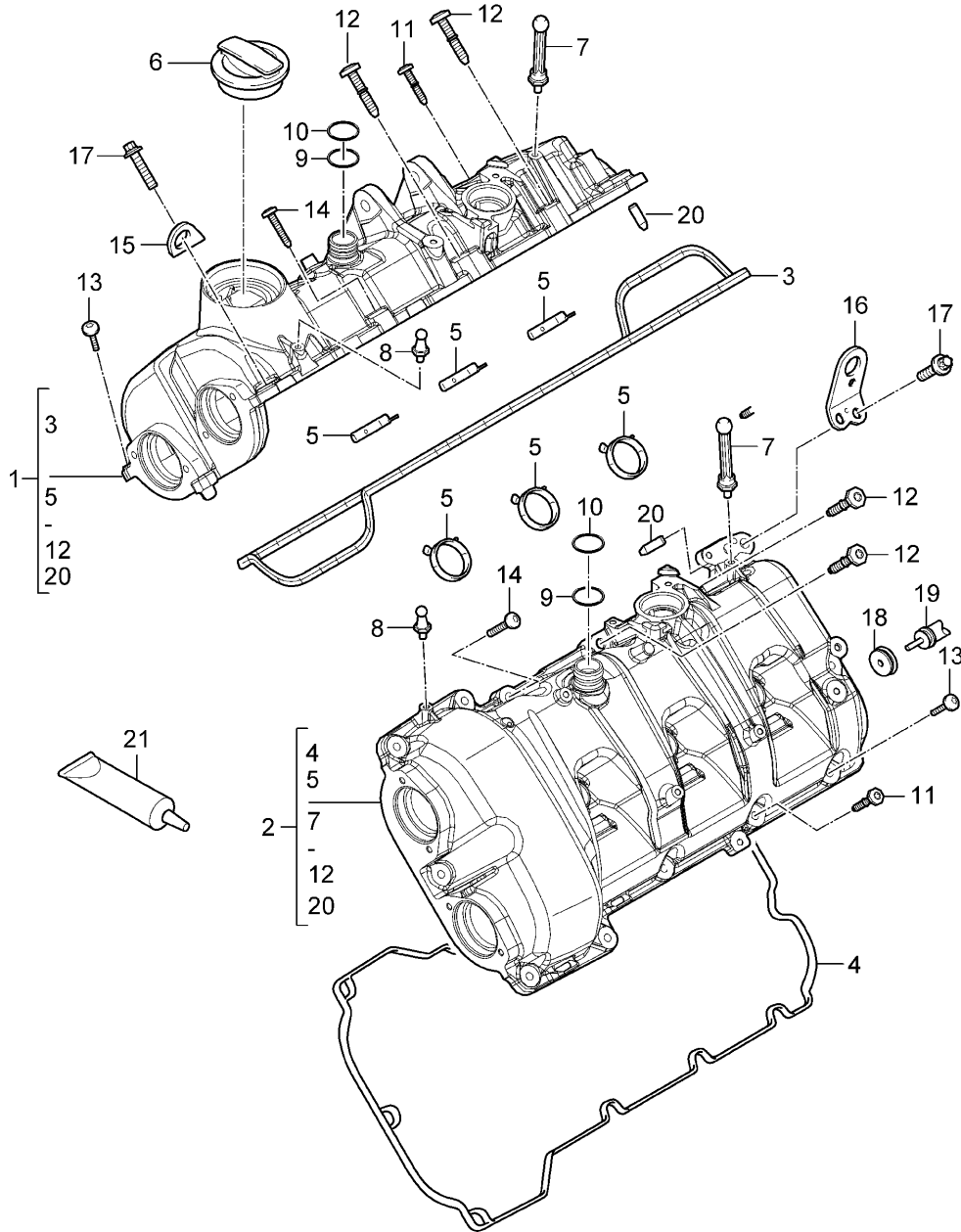
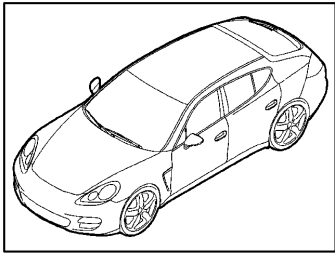
Model: 970 10

Model life 2010>>2016

Pos	Part Number	Description	Remark	Qty	Model
20	000 043 305 33	M 6 X 12 for Thread repair Valve cover Magnesium sealant 1 tube 75 ML for Valve cover Cylinder head Cover for timing chain		X	

Model: 970 10

Model life 2010>>2016



Model: 970 10 Model life 2010>>2016

Pos	Part Number	Description	Remark	Qty	Model
1	946 105 135 62	Valve cover Valve cover	cylinders 1-3 also use: 999 073 905 31 999 073 908 31 000 043 305 33	1 5 2 1	CWDA, CWD, CWFA, CWF
(1)	946 105 135 63	No longer use the part here Valve cover	cylinders 1-3 also use: 999 073 905 31 999 073 908 31 000 043 305 33	1 5 2 1	
(1)	946 105 135 64	No longer use the part here Valve cover	cylinders 1-3 also use: 999 073 905 31 999 073 908 31 000 043 305 33	1 5 2 1	
(1)	946 105 135 65	M >> 0 06268 M >> 0 07454 Valve cover	cylinders 1-3 also use: 999 073 905 31 999 073 908 31 000 043 305 33	1 8 4 1	CWDA, CWD CWFA, CWF
2	946 105 136 62	M 0 06269 >> M 0 07455 >> Valve cover	cylinders 4-6 also use: 999 073 905 31 999 073 908 31 000 043 305 33	1 8 1 1	CWDA, CWD CWFA, CWF
(2)	946 105 136 63	No longer use the part here Valve cover	cylinders 4-6 also use: 999 073 905 31 999 073 908 31 000 043 305 33	1 8 1 1	
(2)	946 105 136 64	No longer use the part here Valve cover	cylinders 4-6 also use: 999 073 905 31 999 073 908 31 000 043 305 33	1 8 1 1	
(2)	946 105 136 65	M >> 0 06268 M >> 0 07454 Valve cover	cylinders 4-6 also use: 999 073 905 31 999 073 908 31 000 043 305 33	1 9 3 1	CWDA, CWD CWFA, CWF
3	946 105 935 60	M 0 06269 >> M 0 07455 >> Seal	cylinders 1-3 also use: 000 043 305 33	1 X	CWDA, CWD CWFA, CWF
(3)	946 105 935 65	No longer use the part here Seal	cylinders 1-3 also use: 999 073 905 31 999 073 908 31 946 105 937 65	1 8 4 3	

Model: 970 10 Model life 2010>>2016

Pos	Part Number	Description	Remark	Qty	Model
4	946 105 936 60	Seal	000 043 305 33 cylinders 4-6	1 1	
			also use: 000 043 305 33	X	
(4)	946 105 936 65	No longer use the part here Seal	cylinders 4-6	1	
			also use: 999 073 905 31	9	
			999 073 908 31	3	
			946 105 937 65	3	
5	946 105 937 60	Seal	000 043 305 33 inner	1 6	
			also use: 000 043 305 33	X	
(5)	946 105 937 65	No longer use the part here Seal	inner	3	
			cylinders 1-3		
			also use: 999 073 905 31	8	
			999 073 908 31	4	
			946 105 935 65	1	
			000 043 305 33	1	
(5)	946 105 937 65	Seal	inner	3	
			cylinders 4-6		
			also use: 999 073 905 31	9	
			999 073 908 31	3	
			946 105 936 65	1	
			000 043 305 33	1	
6	958 104 485 10	End cap		1	
7	999 167 056 90	Ball pin		2	
		15			
8	999 167 055 90	Ball pin		2	
		10			
9	999 707 677 41	O-ring		2	
		22,5 X 2,5			
10	999 707 677 40	O-ring		2	
		22,5 X 2,5			
11	999 073 581 01	flat round head bolt		4	
		M 6 X 36			
		M >> 0 06268			CWDA, CWD
		M >> 0 07454			CWFA, CWF
12	999 073 582 01	flat round head bolt		4	
		M 8 X 44			
		M >> 0 06268			CWDA, CWD
		M >> 0 07454			CWFA, CWF
13	999 073 905 31	fillister hd. bolt		13	
		aluminium			
		M 6 X 30			
		M >> 0 06268			CWDA, CWD
		M >> 0 07454			CWFA, CWF
(13)	999 073 905 31	fillister hd. bolt		17	
		aluminium			
		M 6 X 30			
		M 0 06269 >>			CWDA, CWD
		M 0 07455 >>			CWFA, CWF
14	999 073 908 31	fillister hd. bolt		3	
		aluminium			
		M 8 X 35			
		M >> 0 06268			CWDA, CWD
		M >> 0 07454			CWFA, CWF
(14)	999 073 908 31	fillister hd. bolt		7	
		aluminium			
		M 8 X 35			
		M 0 06269 >>			CWDA, CWD
		M 0 07455 >>			CWFA, CWF

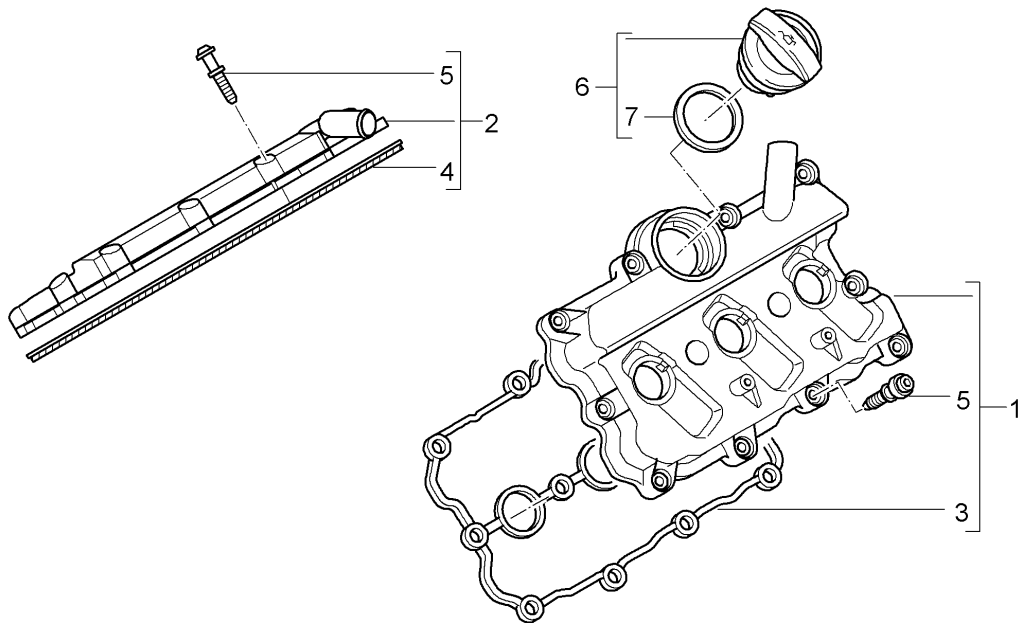
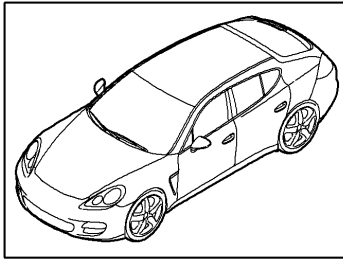
Model: 970 10

Model life 2010>>2016

Pos	Part Number	Description	Remark	Qty	Model
15	948 104 305 21	Transportation shackle		1	
16	946 104 306 00	Transportation shackle		1	
17	900 385 042 01	Torx screw M 8 X 35		4	
18	993 110 530 01	Grommet		1	
19	997 606 213 00	Temperature sensor		1	
20	900 302 056 00	Engine bay Cylinder pin 4 X 16		4	
21	000 043 305 33	sealant 1 tube 75 ML for Valve cover Cylinder head Cover for timing chain		X	

Model: 970 10

Model life 2010>>2016



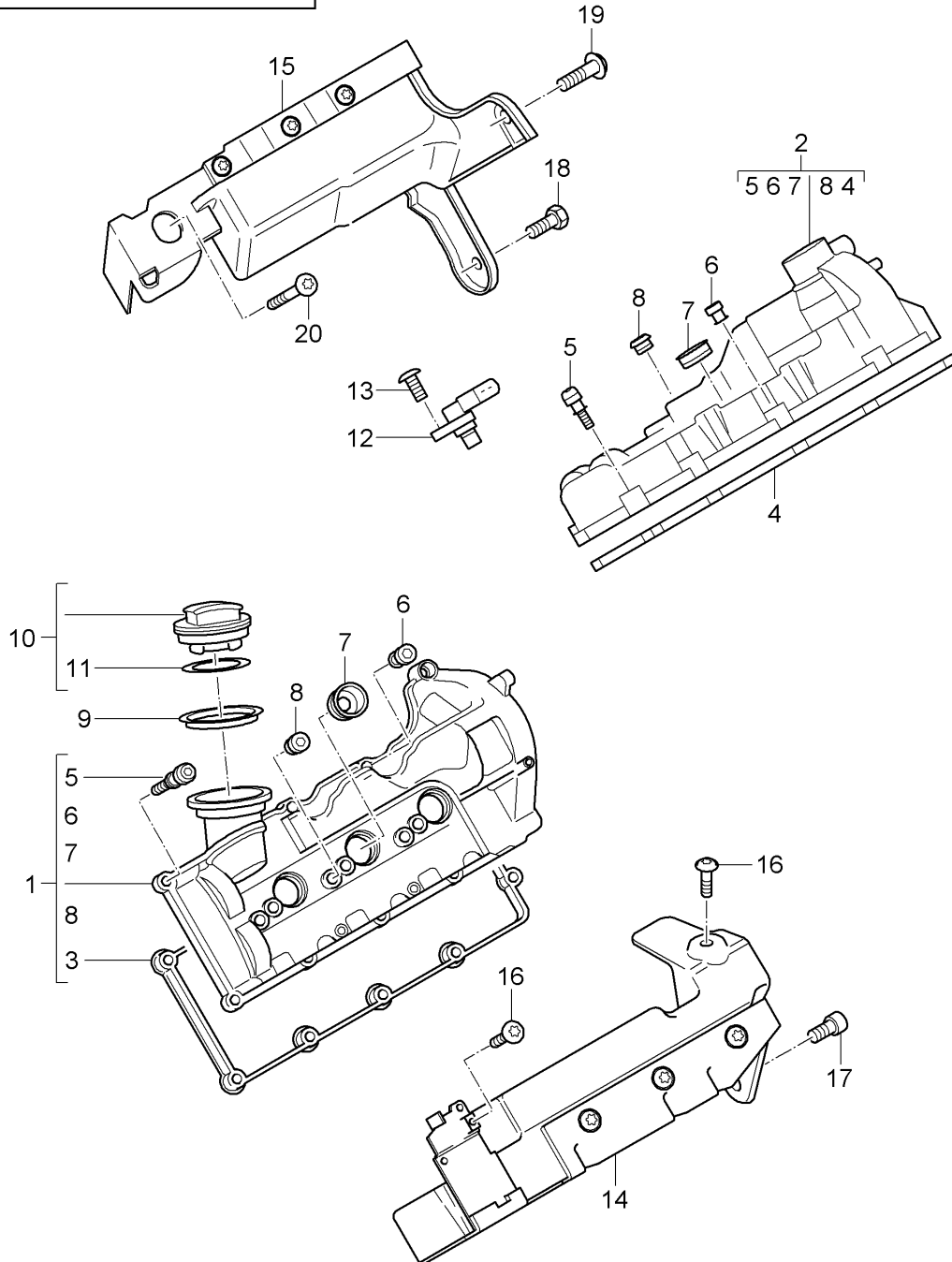
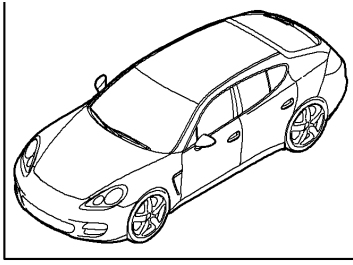
Model: 970 10

Model life 2010>>2016

Pos	Part Number	Description	Remark	Qty	Model
		Valve cover			CGEA, CGE, CGFA
1	958 105 135 00	Valve cover Cyl. 4 - 6		1	
2	958 105 136 00	Valve cover Cyl. 1 - 3		1	
3	958 105 231 00	Seal Cyl. 4 - 6 Discontinued part		1	
(3)	958 105 231 01	Seal Cyl. 4 - 6		1	
4	958 105 232 00	Seal Cyl. 1 - 3 Discontinued part		1	
(4)	958 105 232 01	Seal Cyl. 1 - 3		1	
5	955 105 343 10	flat round head bolt		24	
		with: guide sleeve			
6	958 104 485 00	End cap No longer use the part here		1	
(6)	958 104 485 10	End cap		1	
7	955 107 336 00	Seal No longer use the part here		1	
(7)	958 104 536 00	Seal		1	

Model: 970 10

Model life 2010>>2016



Model: 970 10 Model life 2010>>2016

Pos	Part Number	Description	Remark	Qty	Model
		Valve cover			CRCC ,CRCB , CWJA
1	958 105 135 10	Valve cover Cyl. 4 - 6		1	
(1)	958 105 135 11	Discontinued part Valve cover Cyl. 4 - 6		1	
2	958 105 136 10	Valve cover Cyl. 1 - 3		1	
(2)	958 105 136 11	Discontinued part Valve cover Cyl. 1 - 3		1	
3	958 105 231 10	Seal Cyl. 4 - 6		1	
4	958 105 232 10	Seal Cyl. 1 - 3		1	
5	958 105 343 00	Securing element Discontinued part		14	
(5)	958 105 343 01	Securing element		14	
6	958 105 343 10	Securing element		4	
7	958 105 585 00	Shaft oil seal 37 X 13		6	
8	958 105 631 00	Grommet		12	
9	958 107 287 00	seal ring		1	
10	958 104 485 00	End cap		1	
(10)	958 104 485 10	No longer use the part here End cap		1	
11	955 107 336 00	Seal		1	
(11)	958 104 536 00	No longer use the part here Seal		1	
12	958 606 106 00	impulse sender Discontinued part		1	
(12)	958 606 106 01	impulse sender		1	
13	N 104 056 04	Oval hexagon socket head bolt M 6 X 14		1	
14	970 115 201 31	Cover Discontinued part	left	1	CRCC ,CRCB
(14)	970 115 201 33	Cover	left	1	CRCC ,CRCB
(14)	970 115 201 34	D >> - MJ 2014	left	1	CWJA
(14)	970 115 201 35	D >> - MJ 2014	left	1	
15	970 115 202 32	Cover D - MJ 2015>>	right	1	CRCC ,CRCB
(15)	970 115 202 33	Discontinued part Cover	right	1	CRCC ,CRCB
(15)	970 115 202 34	D >> - MJ 2014	right	1	CWJA
(15)	970 115 202 35	D >> - MJ 2014	right	1	
16	N 107 002 01	Cover D - MJ 2015>>			
(16)	900 385 019 02	round hd. screw M 6 X 22 F >> 97-CL023 855		2	
(16)	999 015 035 09	Screw M 6 X 20 F 97-CL023 856>>		2	
(16)	999 015 035 09	No longer use the part here Screw M 6 X 20 F 97-CL023 856>>		2	
17	N 910 522 01	Hexagon socket head bolt		1	

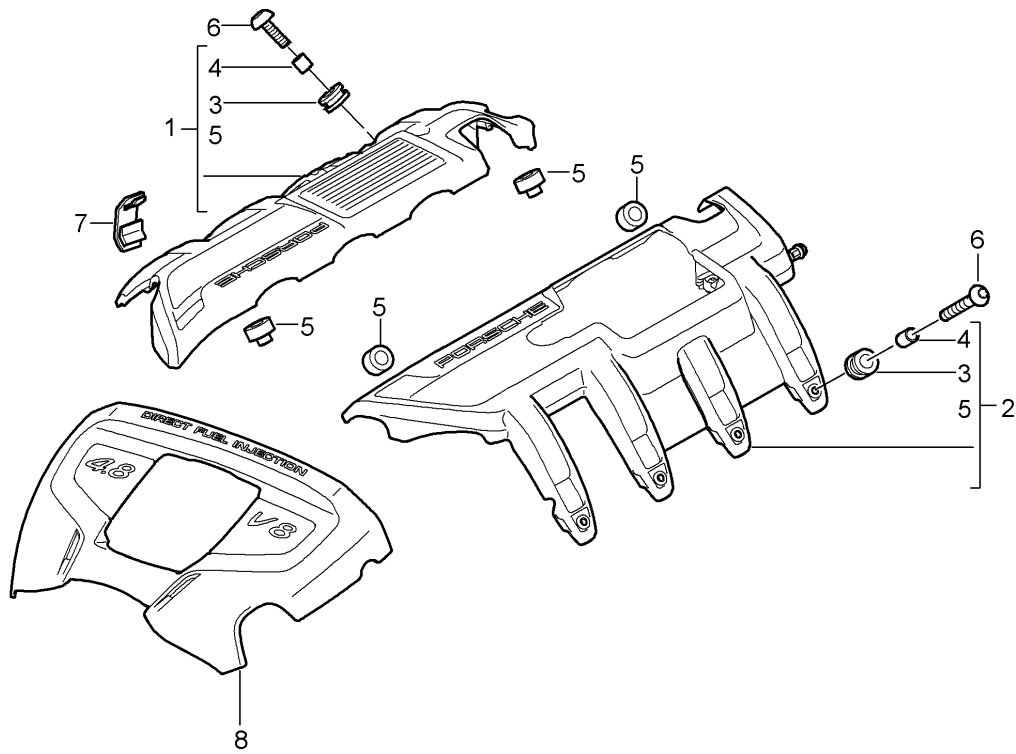
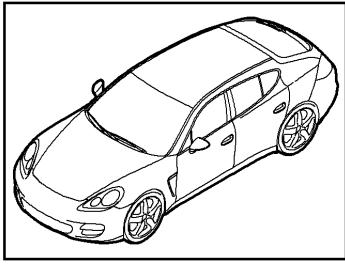
Model: 970 10

Model life 2010>>2016

Pos	Part Number	Description	Remark	Qty	Model
18	N 010 287 12	M 8 X 12 Hexagon bolt		1	
(18)	900 378 162 01	M 6 X 16 F >> 97-CL023 854 Hexagon bolt		1	
19	N 107 002 01	M 6 X 15 F 97-CL023 855>> round hd. screw		1	
(19)	900 385 019 02	M 6 X 22 F >> 97-CL023 854 Screw		1	
(19)	999 015 035 09	M 6 X 20 F 97-CL023 855>> No longer use the part here Screw		1	
20	N 105 821 03	M 6 X 20 F 97-CL023 855>> oval head countersunk bolt with multi-point socket head		1	
(20)	900 385 025 01	M 6 X 40 F >> 97-CL023 854 Torx screw		1	
		BM 6 X 40 F 97-CL023 855>>			

Model: 970 10

Model life 2010>>2016

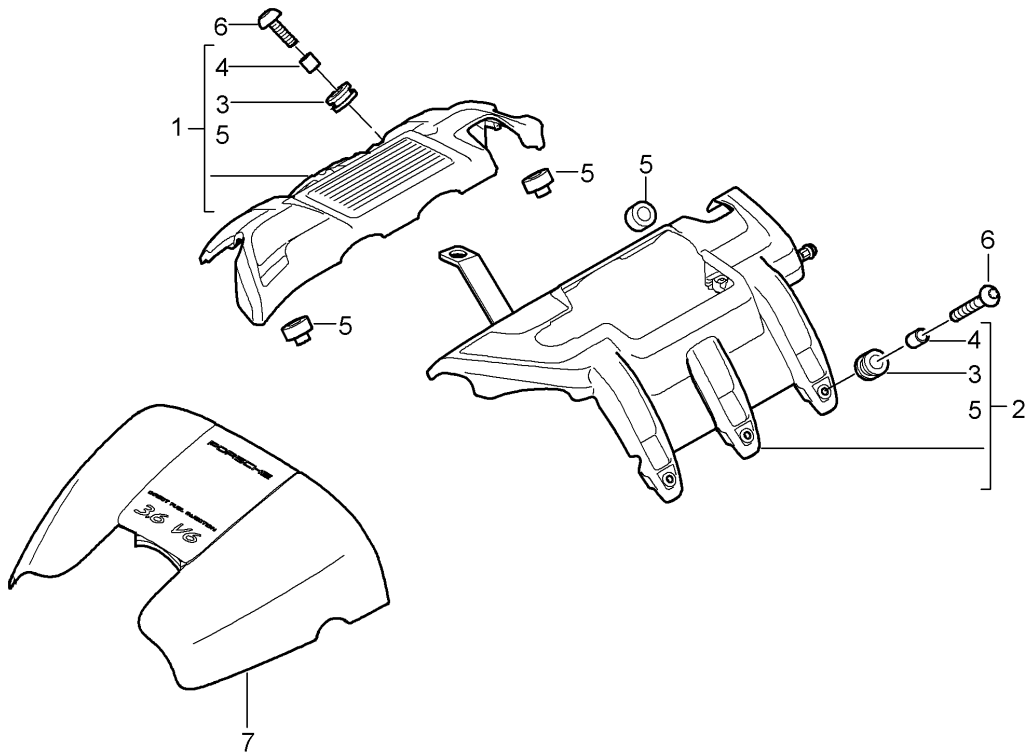
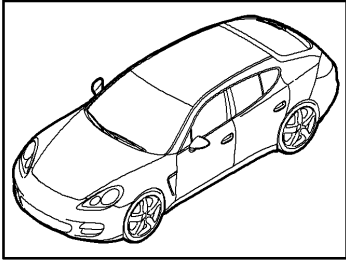


Model: 970 10 Model life 2010>>2016

Pos	Part Number	Description	Remark	Qty	Model
		Engine cover			4820,4840, 4870,CXPA, CXRA,CXR, CWBA,CWB, CWCA,CWC
1	7PP 103 908	Cover Ignition coil Cylinders 1 - 4		1	
(1)	7PP 103 908 B	No longer use the part here Cover Ignition coil Cylinders 1 - 4		1	4820,4840, CXPA,CXRA, CXR
(1)	7PP 103 908 C	Discontinued part Cover Ignition coil Cylinders 1 - 4		1	4820,4840, CXPA,CXRA, CXR
(1)	7PP 103 908 B	Cover Ignition coil Cylinders 1 - 4		1	4870,CWBA, CWB+ PR:-X80,-016
(1)	7PP 103 908 C	Discontinued part Cover Ignition coil Cylinders 1 - 4		1	4870,CWBA, CWB+ PR:-X80,-016
(1)	7PP 103 908 A	Cover Ignition coil Cylinders 1 - 4		1	4870,CWCA, CWC+ PR:X80,016
2	7PP 103 907	Cover Ignition coil Cylinders 5 - 8		1	4820,4840, CXPA,CXRA, CXR
(2)	7PP 103 907	Cover Ignition coil Cylinders 5 - 8		1	4870,CWBA, CWB+ PR:-X80,-016
(2)	7PP 103 907 A	Cover Ignition coil Cylinders 5 - 8		1	4870,CWCA, CWC+ PR:X80,016
3	955 110 638 00	Grommet		8	
4	7L5 103 825 A	Sleeve		8	
5	07C 103 226 A	push-on connector		4	
6	WHT 003 425	Torx screw M 5 X 16		8	
7	7PP 972 487	Cap closure		1	PR:-165,-7MM
(7)	970 605 305 00	Grommet Cable plug Secondary pump		1	PR:165,7MM
8	7PP 130 114	Engine cover		1	4820,4840, CXPA,CXRA, CXR
(8)	7PP 130 114	Engine cover		1	4870,CWBA, CWB+ PR:-X80,-016
(8)	7PP 130 114 A	Engine cover		1	4870,CWCA, CWC+ PR:X80,016

Model: 970 10

Model life 2010>>2016



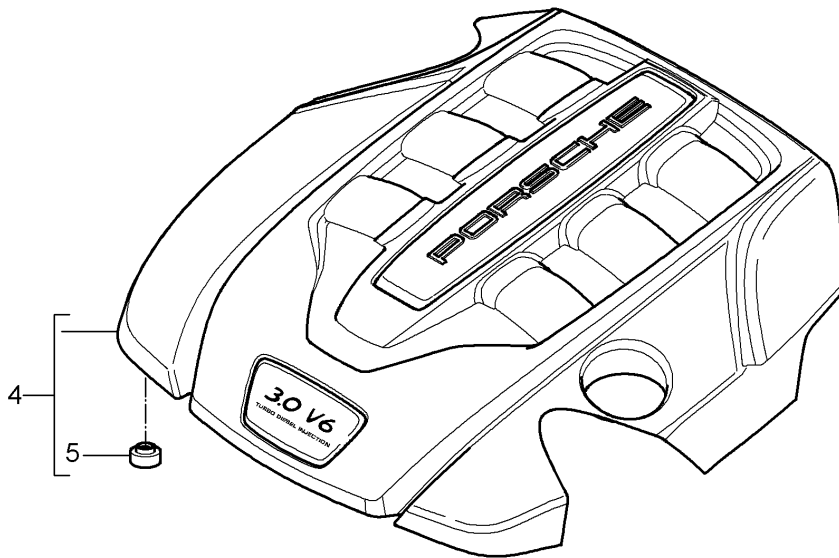
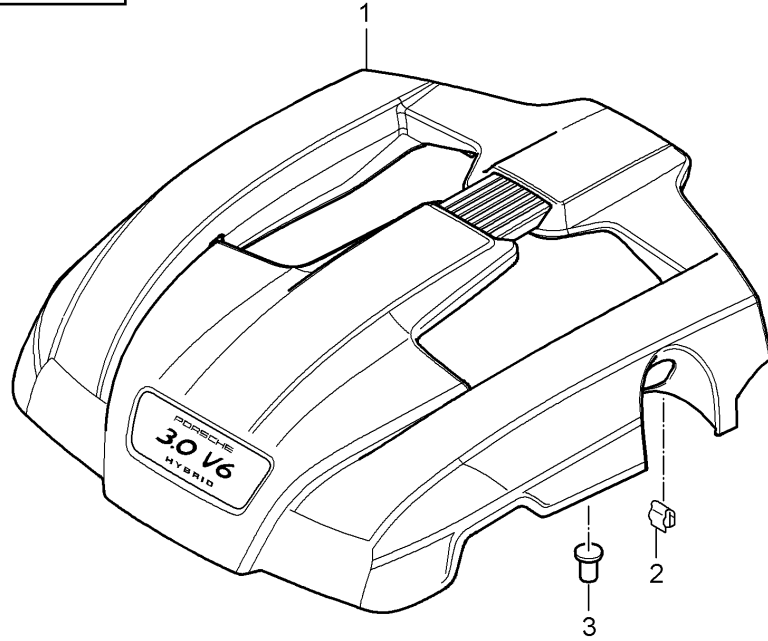
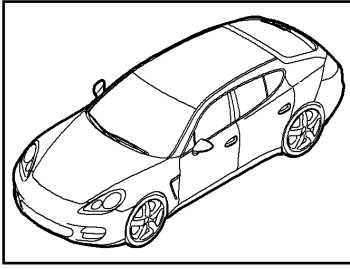
Model: 970 10

Model life 2010>>2016

Pos	Part Number	Description	Remark	Qty	Model
		Engine cover			4620, 4640, CWAA, CXNA
1	970 110 058 00	Cover Ignition coil Cyl. 1 - 3		1	
2	970 110 057 00	Cover Ignition coil Cyl. 4 - 6		1	
3	955 110 638 00	Grommet		6	
4	7L5 103 825 A	Sleeve		6	
5	07C 103 226 A	push-on connector		3	
6	WHT 003 425	Torx screw M 5 X 16		6	
7	970 110 023 00	Engine cover		1	

Model: 970 10

Model life 2010>>2016



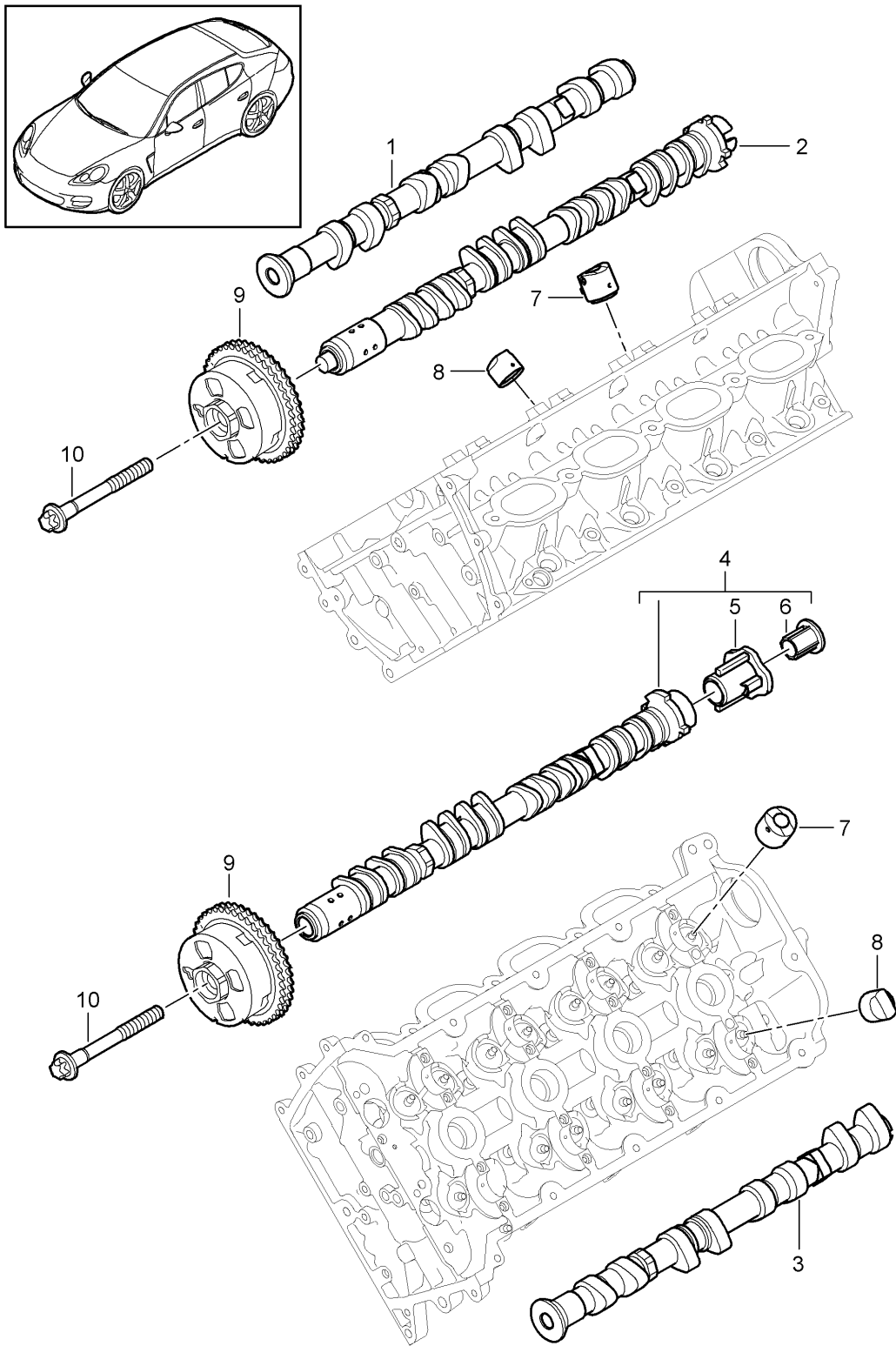
Model: 970 10

Model life 2010>>2016

Pos	Part Number	Description	Remark	Qty	Model
		Engine cover			CGEA, CGE, CGFA, CRCC, CRCB, CWJA, CWDA, CWD, CWFA, CWF
1	958 110 213 20	Engine cover		1	CGEA, CGE, CGFA
		D >> - MJ 2013			
(1)	7PP 103 925 E	Engine cover		1	CGEA, CGE, CGFA
		D - MJ 2014>>			
2	N 912 021 01	Cable fastener		4	CGEA, CGE, CGFA
		7,5 - 11 X 0,5			
3		Grommet		2	CGEA, CGE, CGFA
		see illustration, item:	107-055,8		
4	970 110 090 31	Engine cover		1	CRCC, CRCB
		Discontinued part			
(4)	970 110 090 32	Engine cover		1	CRCC, CRCB
		Discontinued part			
(4)	970 110 090 33	Engine cover		1	CRCC, CRCB, CWJA
(4)	7PP 130 114 B	Engine cover		1	CWDA, CWD
(4)	7PP 130 114 D	Engine cover		1	CWFA, CWF
5	955 110 236 20	ball socket		4	CRCC, CRCB, CWJA
(5)	06J 103 226	ball socket	front	2	CWDA, CWD, CWFA, CWF
		Engine cover			
(5)	955 110 236 20	ball socket	rear	2	CWDA, CWD, CWFA, CWF
		Engine cover			

Model: 970 10

Model life 2010>>2016



Model: 970 10 Model life 2010>>2016

Pos	Part Number	Description	Remark	Qty	Model
		Camshaft			4820,4840, 4870,CXPA, CXRA,CXR, CWBA,CWB, CWCA,CWC
1	948 105 242 20	Camshaft Exhaust Cylinders 1 - 4 Discontinued part		1	
(1)	948 105 242 21	Camshaft Exhaust Cylinders 1 - 4		1	PR:-015
(1)	948 105 242 30	Camshaft Exhaust Cylinders 1 - 4		1	4840,CXPA, CXRA,CXR+ PR:015
2	948 105 241 20	Camshaft Intake Cylinders 1 - 4 Discontinued part		1	4820,4840
(2)	948 105 241 21	Camshaft Intake Cylinders 1 - 4		1	4820,4840+ PR:-015
(2)	948 105 241 30	D >> - MJ 2013 Camshaft Intake Cylinders 1 - 4		1	4840,CXPA, CXRA,CXR+ PR:015
(2)	948 105 241 70	Camshaft Intake Cylinders 1 - 4 Discontinued part		1	4870
(2)	948 105 241 71	Camshaft Intake Cylinders 1 - 4		1	4870,CWBA, CWB,CWCA,CWC
3	948 105 244 20	Camshaft Exhaust Cylinders 5 - 8 Discontinued part		1	
(3)	948 105 244 21	Camshaft Exhaust Cylinders 5 - 8		1	PR:-015
(3)	948 105 244 30	Camshaft Exhaust Cylinders 5 - 8		1	4840,CXPA, CXRA,CXR+ PR:015
4	948 105 243 20	Camshaft Intake Cylinders 5 - 8 Discontinued part		1	4820,4840
(4)	948 105 243 21	Camshaft Intake Cylinders 5 - 8		1	4820,4840+ PR:-015
(4)	948 105 243 30	D >> - MJ 2013 Camshaft Intake Cylinders 5 - 8		1	4840,CXPA, CXRA,CXR+ PR:015
(4)	948 105 243 70	Camshaft Intake Cylinders 5 - 8 Discontinued part		1	4870
(4)	948 105 243 71	Camshaft Intake Cylinders 5 - 8		1	4870,CWBA, CWB,CWCA,CWC
5	948 105 113 01	Coupling high pressure pump		1	

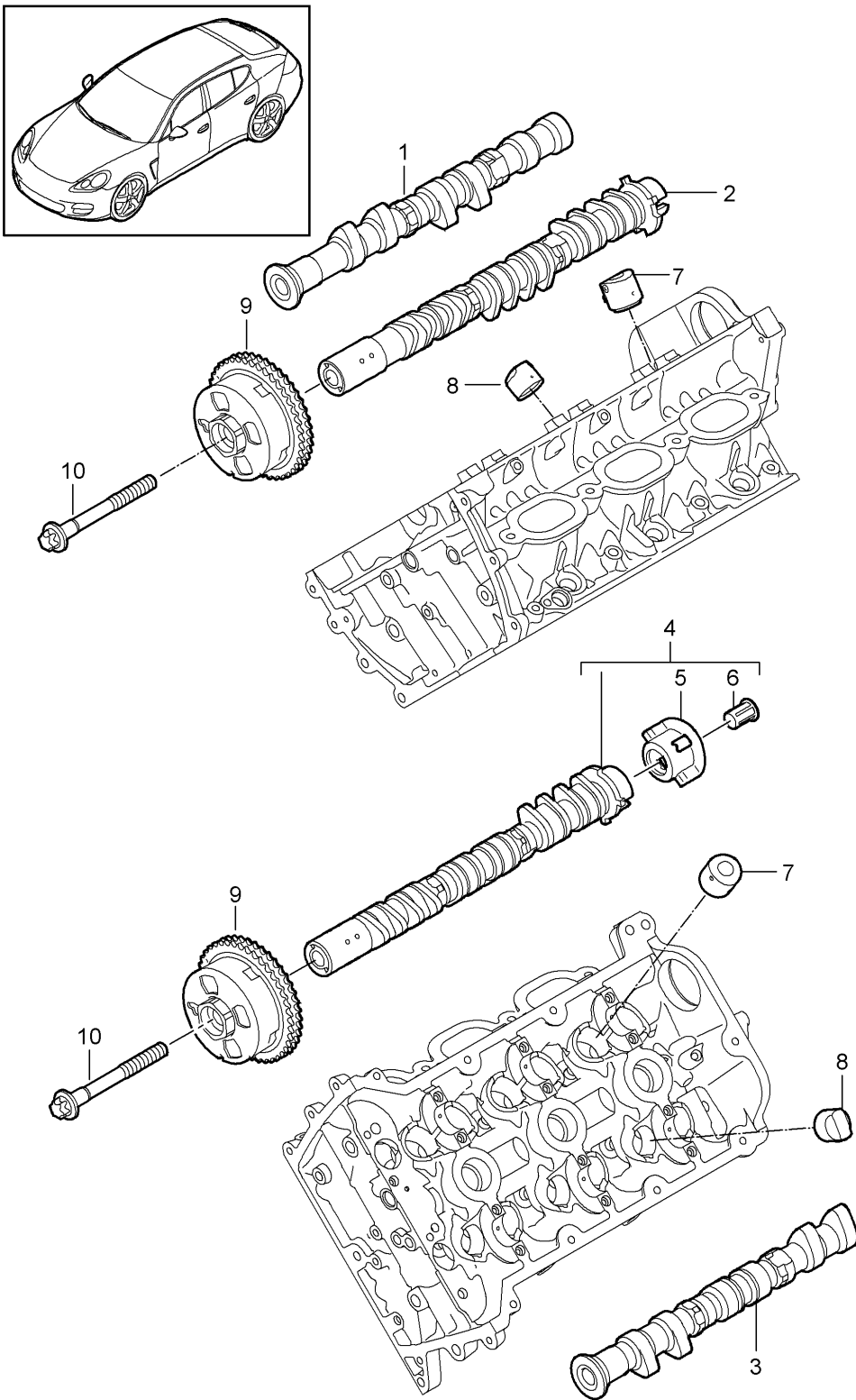
Model: 970 10

Model life 2010>>2016

Pos	Part Number	Description	Remark	Qty	Model
(5)	948 105 113 02	Discontinued part Coupling high pressure pump		1	
6	948 105 114 00	Bungs Coupling high pressure pump		1	
7	9A1 105 070 03	Hydraulic tappet Intake Discontinued part		16	
(7)	9A1 105 070 04	Hydraulic tappet Intake		16	
8	9A1 105 071 00	Hydraulic tappet Exhaust		16	
9	948 105 051 21	camshaft adjuster unit No longer use the part here		2	
(9)	948 105 051 22	camshaft adjuster unit Discontinued part		2	
(9)	948 105 051 23	camshaft adjuster unit		2	
10	948 105 254 00	Outer hexagon round screw M 12 X 1,5 X 110		2	

Model: 970 10

Model life 2010>>2016



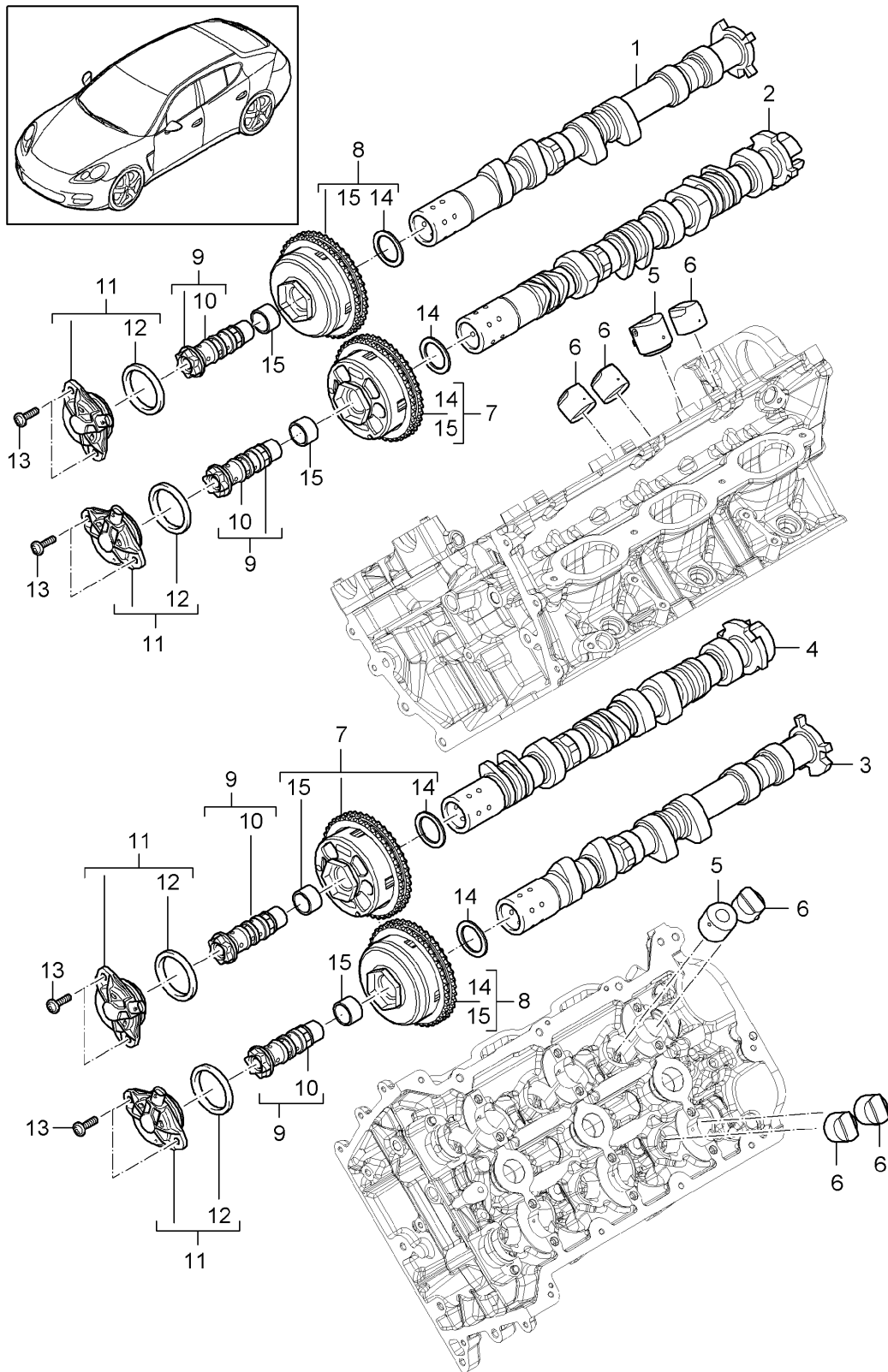
Model: 970 10

Model life 2010>>2016

Pos	Part Number	Description	Remark	Qty	Model
		Camshaft			4620, 4640, CWAA, CXNA
1	946 105 242 01	Camshaft Exhaust Cyl. 1 - 3		1	
2	946 105 241 01	Camshaft Intake Cyl. 1 - 3		1	
(2)	946 105 241 02	Discontinued part Camshaft Intake Cyl. 1 - 3		1	
3	946 105 244 01	Camshaft Exhaust Cyl. 4 - 6		1	
4	946 105 243 01	Camshaft Intake Cyl. 4 - 6		1	
5	948 105 113 02	Coupling high pressure pump		1	
6	948 105 114 00	Bungs Coupling high pressure pump		1	
7	9A1 105 070 03	Hydraulic tappet Intake Discontinued part		12	
(7)	9A1 105 070 04	Hydraulic tappet Intake		12	
8	9A1 105 071 00	Hydraulic tappet Exhaust		12	
9	948 105 051 21	camshaft adjuster unit No longer use the part here		2	
(9)	948 105 051 22	camshaft adjuster unit Discontinued part		2	
(9)	948 105 051 23	camshaft adjuster unit		2	
10	948 105 254 00	Outer hexagon round screw M 12 X 1,5 X 110		2	

Model: 970 10

Model life 2010>>2016

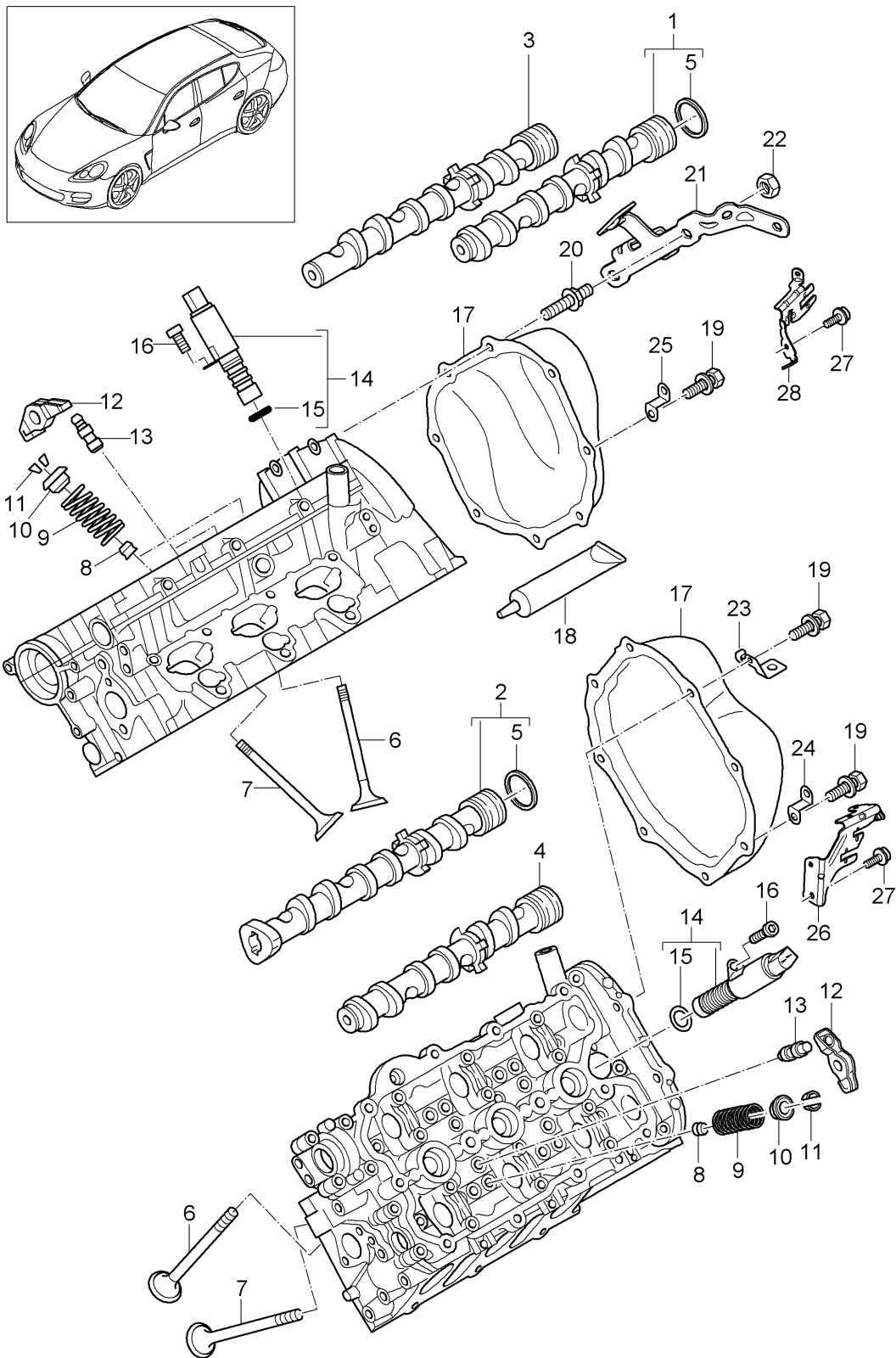


Model: 970 10 Model life 2010>>2016

Pos	Part Number	Description	Remark	Qty	Model
		Camshaft			CWDA, CWD, CWFA, CWF
1	946 105 242 60	Camshaft M >> CWD 008 806 M >> CWF 014 872	Outlet cylinders 1-3	1	
2	946 105 241 60	Camshaft M >> CWD 008 806 M >> CWF 014 872	Inlet cylinders 1-3	1	
3	946 105 244 60	Camshaft M >> CWD 008 806 M >> CWF 014 872	Outlet cylinders 4-6	1	
4	946 105 243 60	Camshaft M >> CWD 008 806 M >> CWF 014 872	Inlet cylinders 4-6	1	
5	9A1 105 070 04	Hydraulic tappet		6	
6	9A1 105 071 00	Hydraulic tappet Discontinued part		18	
(6)	9A1 105 071 01	Hydraulic tappet		18	
7	946 105 051 75	camshaft adjuster unit Discontinued part	Inlet	2	
(7)	946 105 051 76	camshaft adjuster unit	Inlet	2	
8	946 105 052 75	camshaft adjuster unit Discontinued part	Outlet	2	
(8)	946 105 052 76	camshaft adjuster unit	Outlet	2	
9	946 105 054 75	Screw camshaft adjuster unit No longer use the part here		4	
(9)	946 105 054 76	Screw camshaft adjuster unit discontinued part		4	
(9)	946 105 054 77	Screw camshaft adjuster unit		4	
10	946 105 156 75	piston ring Screw Not for this model		4	
		Use item: 9			
(10)	946 105 156 76	No longer use the part here piston ring Screw Not for this model		4	
		Use item: 9			
11	946 105 053 76	No longer use the part here throttle control element Camshaft		4	
(11)	946 105 053 77	No longer use the part here throttle control element Camshaft		4	
(11)	946 105 053 79	Discontinued part throttle control element Camshaft		4	
12	999 701 506 40	seal ring No longer use the part here	42X51,8X4,9	4	
(12)	999 701 506 41	seal ring	42X51,8X4,9	4	
13	999 073 103 01	flat round head bolt	M6X16	8	
14	946 105 155 75	Friction washer		4	
15	946 105 154 75	Sleeve		4	

Model: 970 10

Model life 2010>>2016



Model: 970 10 Model life 2010>>2016

Pos	Part Number	Description	Remark	Qty	Model
		camshaft, valves			CGEA, CGE, CGFA
1	958 105 041 00	Camshaft	Inlet cylinders 1-3	1	
2	958 105 043 00	Camshaft	Inlet cylinders 4-6	1	
3	958 105 242 10	Camshaft	Outlet cylinders 1-3	1	
4	958 105 244 10	Camshaft	Outlet cylinders 4-6	1	
5	958 105 345 20	seal ring		2	
6	958 105 321 00	Inlet valve		12	
7	958 105 322 20	exhaust valve		12	
8	955 105 115 10	Valve stem seal 6 MM	Inlet	12	
(8)	955 105 675 20	Valve stem seal 6 MM	also use: 955 105 501 00 Outlet	X 12	
-	955 105 501 00	Sleeve Valve stem seal	also use: 955 105 501 00 6X20	X X	
9	958 105 119 10	Valve spring		24	
10	958 105 641 00	spring disc		24	
11	955 105 651 20	cotter, split		48	
12	958 105 417 11	cam lever		24	
13	958 105 423 20	Differential housing	hydraulic	24	
14	958 105 304 00	throttle control element Camshaft		2	CGE, CGEA, CGFA
(14)	958 105 304 01	M >> 1 02073 throttle control element Camshaft		2	CGE, CGEA, CGFA
(14)	958 105 304 02	Discontinued part throttle control element Camshaft		2	CGE, CGEA, CGFA
(14)	958 105 304 03	discontinued part throttle control element Camshaft		2	CGEA, CGE, CGFA
15	WHT 002 789	M 1 02074 >> O-ring	14,8X1,9	2	
16	N 106 225 03	Socket head bolt with hex. socket head, self-locking	M5X12	2	CGE, CGEA, CGFA
(16)	N 912 111 01	M >> 1 02073 Hex socket head collared bolt	M5X12	2	CGE, CGEA, CGFA
17	958 105 785 00	M 1 02074 >> Cover		2	
(17)	958 105 785 01	Discontinued part Cover		2	
18	000 043 207 49	also use: sealant 1 tube 80 ML	000 043 300 39	1 X	
(18)	000 043 300 39	No longer use the part here sealant 1 tube	50ml	X	
19	N 100 829 11	hexagon head bolt (combi)	M6X16	14	
20	N 910 573 02	12-point socket head bolt (combi)	M6X16/M6X10	2	
21	958 606 501 20	Bracket		1	
22	N 011 006 32	Hexagon nut	M6	2	
23	958 606 845 00	Bracket		1	
24	958 111 597 00	bracket for shield	left	1	
25	958 111 598 00	bracket for shield	right	1	
26	958 606 301 10	Bracket	left	1	

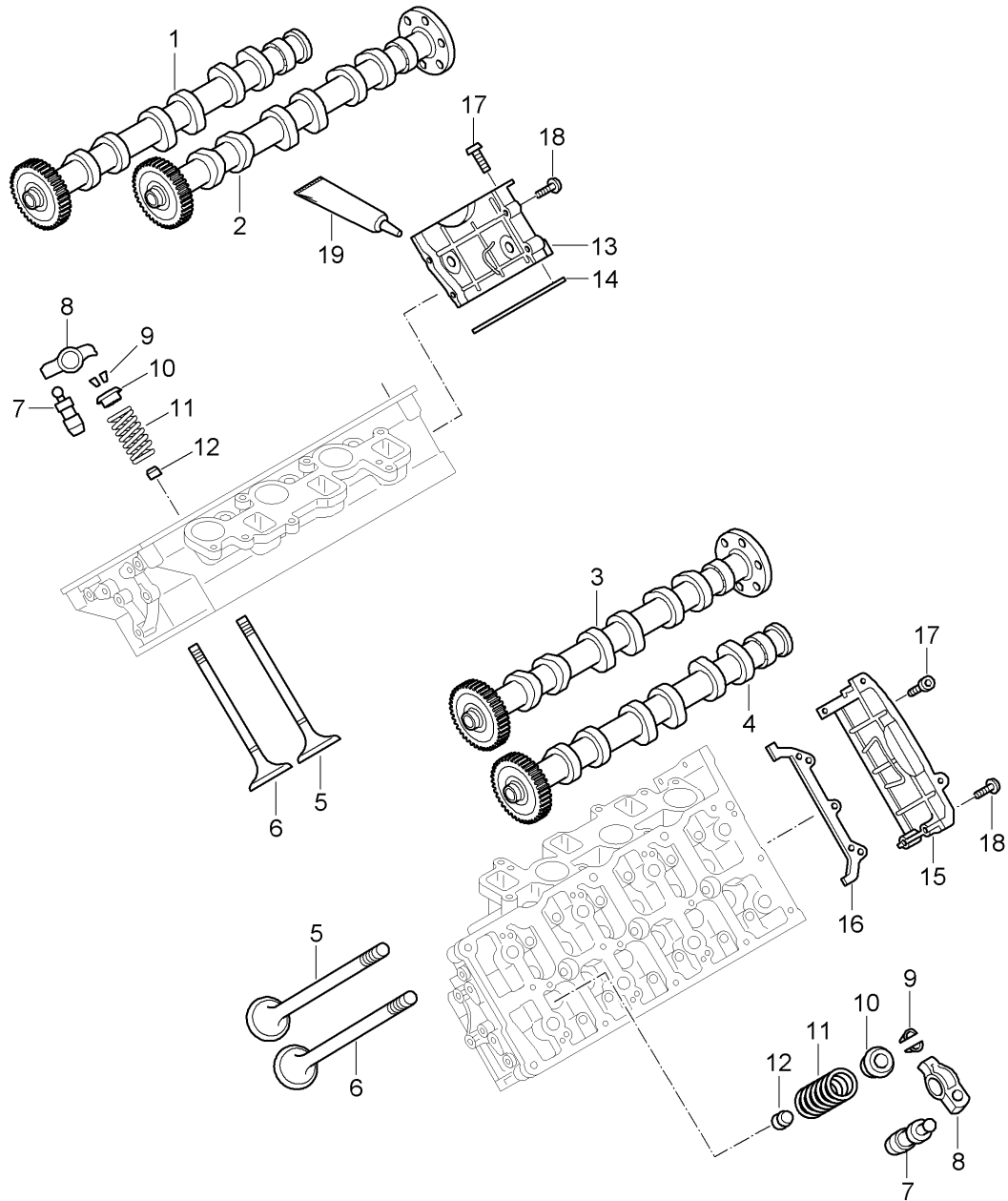
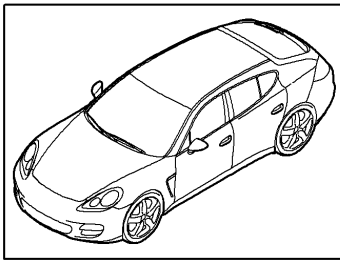
Model: 970 10

Model life 2010>>2016

Pos	Part Number	Description	Remark	Qty	Model
27	N 104 514 05	Knock sensor		3	
28	958 606 361 10	Oval hexagon socket head bolt	M6X16		
		Bracket	right	1	
		Knock sensor			

Model: 970 10

Model life 2010>>2016



Model: 970 10 Model life 2010>>2016

Pos	Part Number	Description	Remark	Qty	Model
1	958 105 042 00	Camshaft Valves Camshaft Exhaust Cyl. 1 - 3		1	CRCC ,CRCB , CWJA
2	958 105 041 10	Camshaft Intake Cyl. 1 - 3 Discontinued part		1	CRCC ,CRCB
(2)	958 105 041 11	Camshaft Intake Cyl. 1 - 3		1	CRCC ,CRCB
(2)	958 105 041 30	Camshaft Intake Cyl. 1 - 3		1	CWJA
3	958 105 044 00	Camshaft Intake Cyl. 4 - 6 Discontinued part		1	CRCC ,CRCB
(3)	958 105 044 01	Camshaft Intake Cyl. 4 - 6		1	CRCC ,CRCB
(3)	958 105 044 20	Camshaft Intake Cyl. 4 - 6		1	CWJA
4	958 105 043 10	Camshaft Exhaust Cyl. 4 - 6		1	
5	955 105 601 20	Inlet valve		12	
6	958 105 322 30	exhaust valve		12	CRCC ,CRCB
(6)	958 105 322 50	exhaust valve		12	CWJA
7	958 105 423 10	Differential housing Hydraulic		24	
8	955 105 417 20	cam lever		24	
9	955 105 651 20	cotter, split		48	
10	955 105 641 10	spring disc	upper	24	
11	955 105 119 10	Valve spring		24	
12	955 105 115 10	Valve stem seal 6 MM Intake		12	
		also use:	955 105 501 00	X	
(12)	958 105 115 20	No longer use the part here Valve stem seal 6 MM Exhaust		12	
		also use:	955 105 501 00	X	
-	955 105 501 00	Sleeve for Repair Valve stem seal 6 X 20		X	
13	958 105 130 00	Cover Cyl. 1 - 3		1	
		also use:	000 043 207 49	X	
(13)	958 105 130 01	M >> 0 43366 Cover Cyl. 1 - 3		1	
		also use:	000 043 207 49	X	
14	958 105 592 00	M 0 43367 >> Seal		1	
		also use:	000 043 207 49	X	
(14)	958 105 592 02	M >> 0 43366 Seal		1	

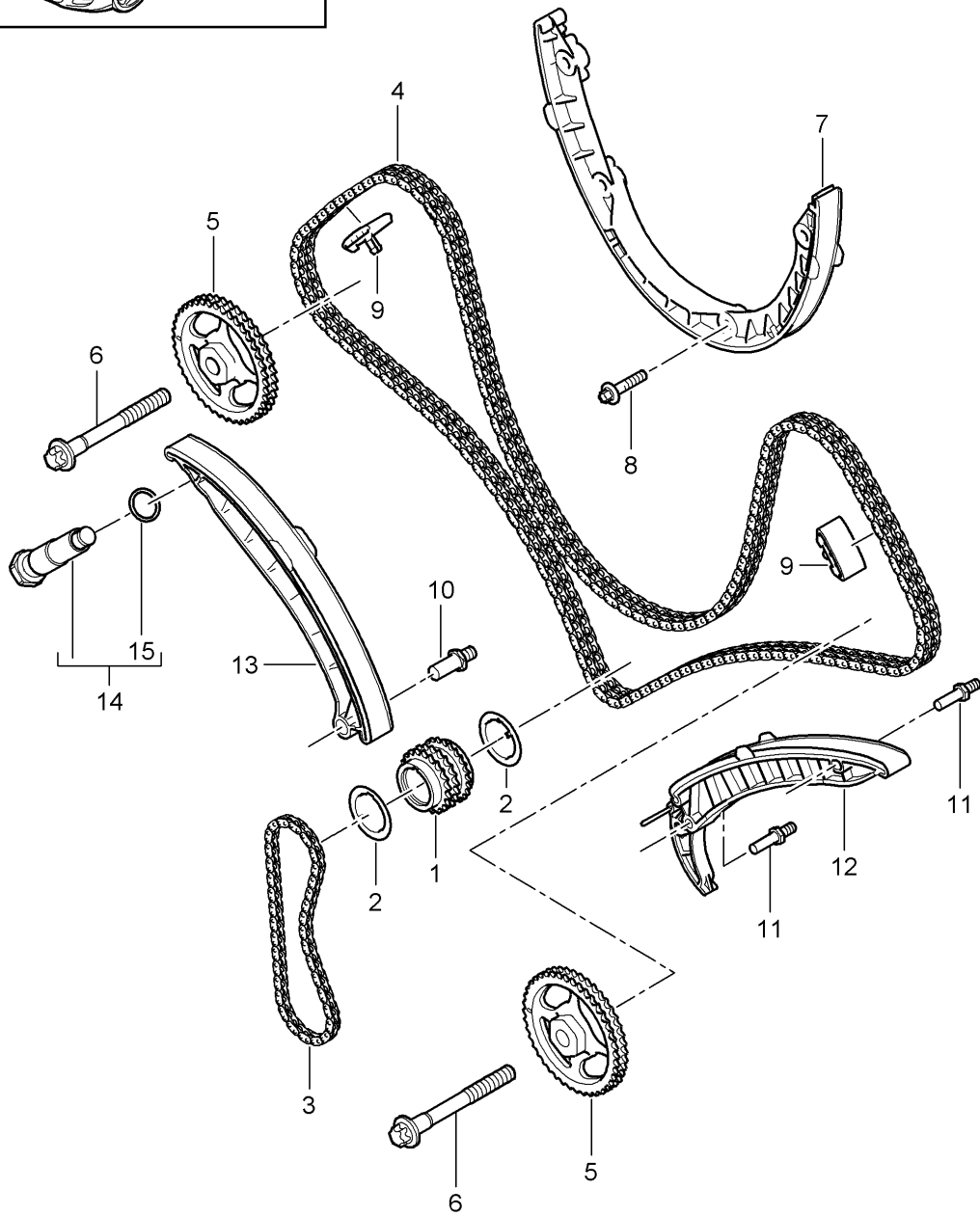
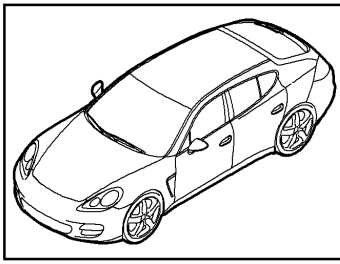
Model: 970 10

Model life 2010>>2016

Pos	Part Number	Description	Remark	Qty	Model
15	958 105 129 00	M 0 43367 >> Cover Cyl. 4 - 6	also use: 000 043 207 49	X	
(15)	958 105 129 01	M >> 0 43366 Cover Cyl. 4 - 6	also use: 000 043 207 49	X	
16	958 105 591 10	M 0 43367 >> Seal	also use: 000 043 207 49	X	
(16)	958 105 591 11	M >> 0 43366 Seal	also use: 000 043 207 49	X	
17	N 101 562 06	M 0 43367 >> Oval hexagon socket head bolt M 6 X 30		6	
(17)	N 105 821 03	M >> 0 43366 oval head countersunk bolt with multi-point socket head M 6 X 40		6	
18	N 101 243 06	M 0 43367 >> Oval hexagon socket head bolt M 6 X 20		8	
19	000 043 207 49	sealant 1 tube 80 ML		X	
(19)	958 101 902 00	Discontinued part sealant 80 ML		X	

Model: 970 10

Model life 2010>>2016



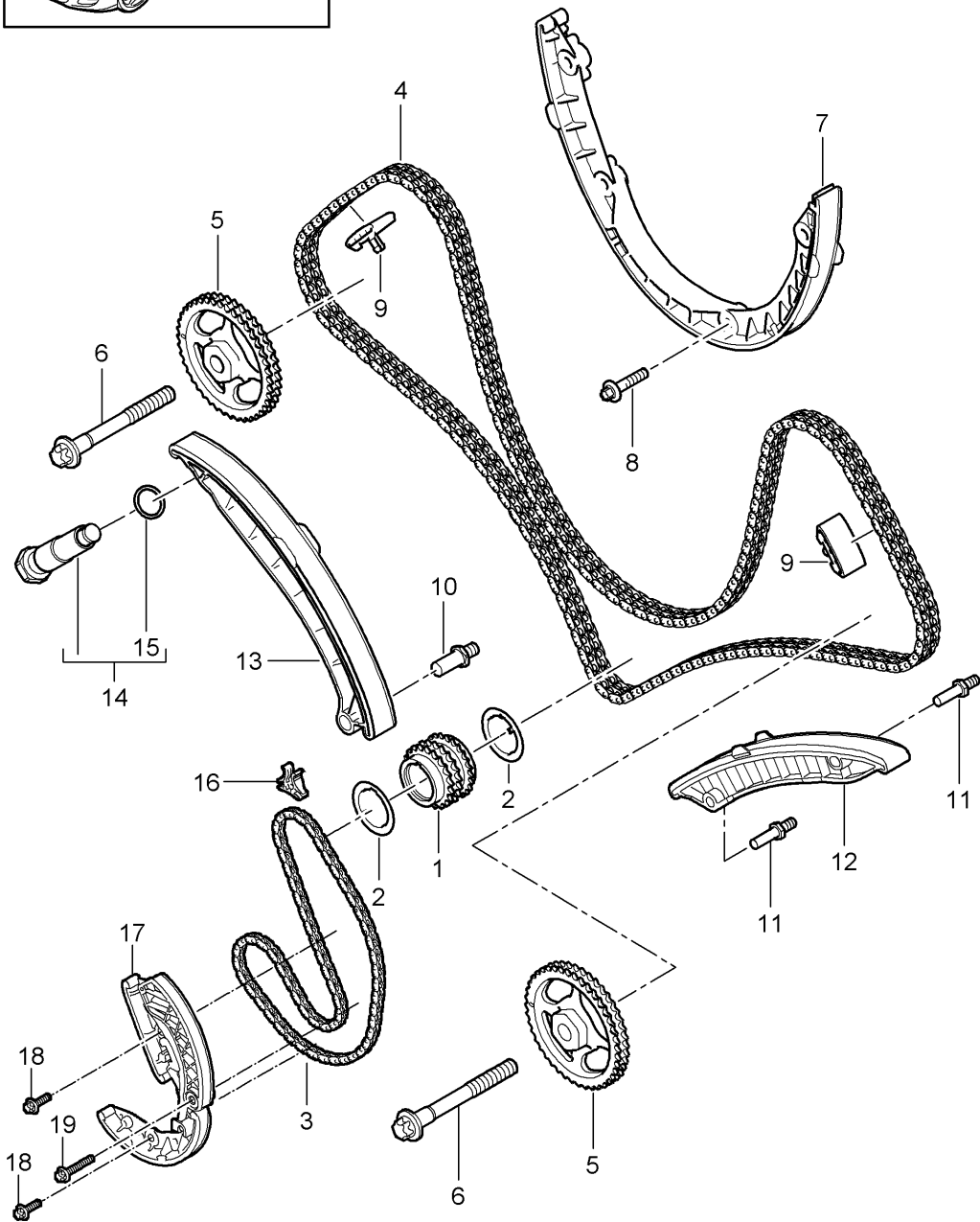
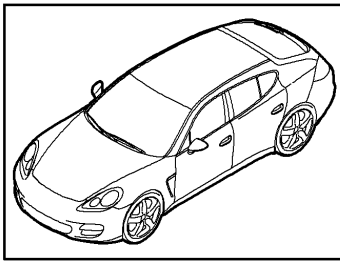
Model: 970 10

Model life 2010>>2016

Pos	Part Number	Description	Remark	Qty	Model
		Valve control			4820, 4840, 4870, CXPA, CXRA, CXR, CWBA, CWB, CWCA, CWC
1	948 102 231 11	Chain sprocket		1	
		Crankshaft			
2	948 102 230 00	Shim		2	
3		Chain		1	
		oil pump			
		see illustration:	104-000		
4	948 105 169 10	Chain		1	
5	948 105 181 11	Chain sprocket		2	
		Camshaft			
		Exhaust			
6	948 105 254 00	Outer hexagon round screw		2	
		M 12 X 1,5 X 110			
7	948 105 023 12	slide rail		1	
8	900 385 042 01	Torx screw		4	
		BM 8 X 35			
9	948 105 166 12	slide rail		2	
10	999 015 022 01	Threaded stud		1	
		M 10 X 25			
11	999 015 021 01	Threaded stud		2	
		M 8 X 25			
12	948 105 068 11	slide rail		1	
		Camshaft			
		Crankshaft			
13	948 105 065 10	Tensioner blade		1	
14	948 105 180 11	chain tensioner		1	
15	900 123 118 30	seal ring		1	
		A 22 X 27			

Model: 970 10

Model life 2010>>2016

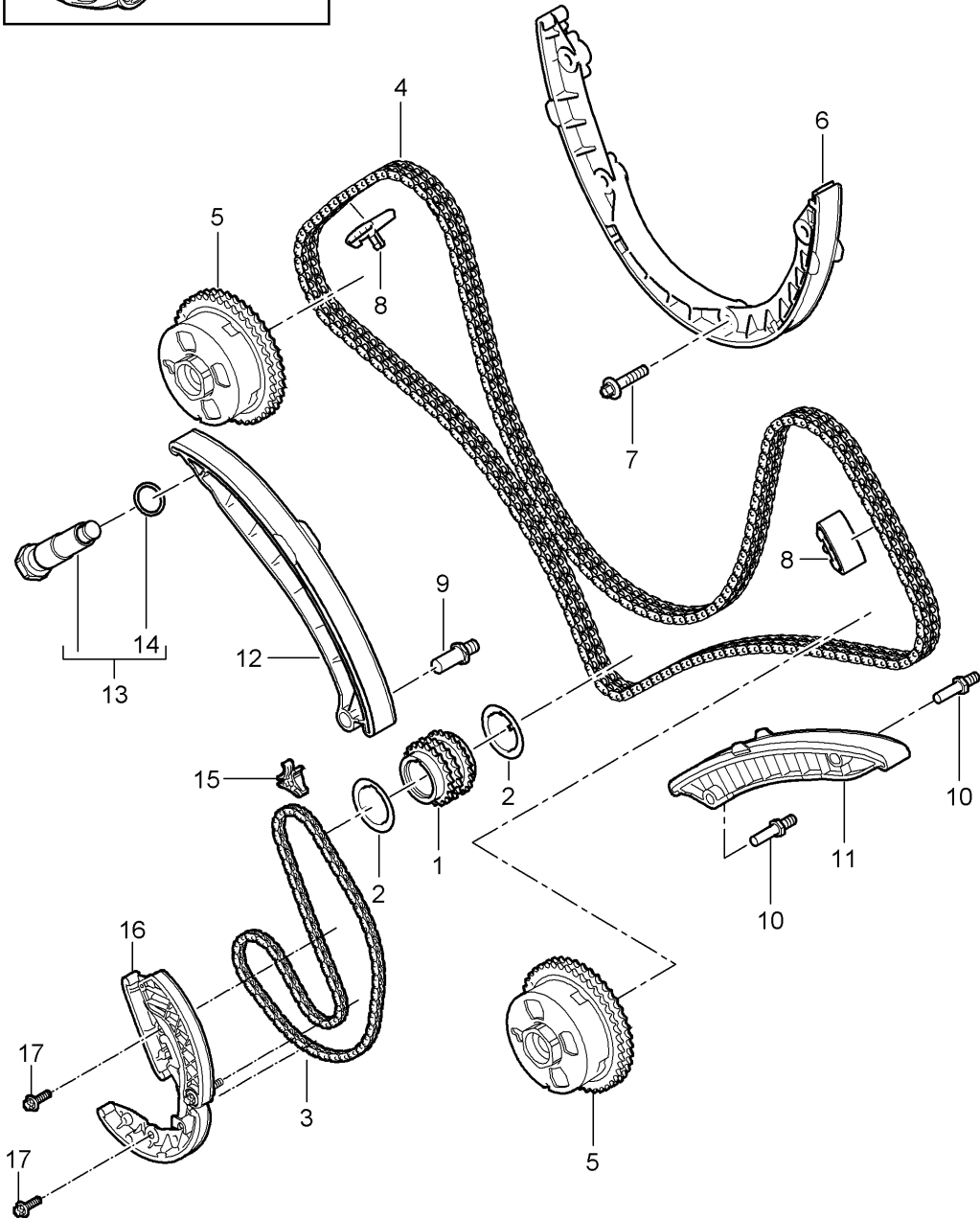
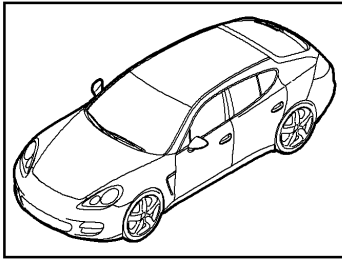


Model: 970 10 Model life 2010>>2016

Pos	Part Number	Description	Remark	Qty	Model
		Valve control			4620,4640, CWAA,CXNA
1	948 102 231 11	Chain sprocket		1	
		Crankshaft			
2	948 102 230 00	Shim		2	
3	946 107 252 00	Chain		1	
		oil pump			
		Discontinued part			
(3)	946 107 252 01	Chain		1	
		oil pump			
4	948 105 169 10	Chain		1	
5	948 105 181 11	Chain sprocket		2	
		Camshaft			
		Exhaust			
6	948 105 254 00	Outer hexagon round screw		2	
		M 12 X 1,5 X 110			
7	948 105 023 12	slide rail		1	
8	900 385 042 01	Torx screw		4	
		BM 8 X 35			
9	948 105 166 12	slide rail		2	
10	999 015 022 01	Threaded stud		1	
		M 10 X 25			
11	999 015 021 01	Threaded stud		2	
		M 8 X 25			
12	946 105 068 00	slide rail		1	
		Camshaft			
		Crankshaft			
13	948 105 065 10	Tensioner blade		1	
14	946 105 180 00	chain tensioner		1	
15	900 123 118 30	seal ring		1	
		A 22 X 27			
16	946 107 253 00	Guide piece		1	
17	946 107 258 00	chain tensioner		1	
		oil pump			
		Driving mechanism			
		Discontinued part			
(17)	946 107 258 01	chain tensioner		1	
		oil pump			
		Driving mechanism			
18	900 385 019 01	Torx screw		2	
		BM 6 X 20			
		M >> D 05386			4620
		M >> D 04624			4640
(18)	999 073 344 01	flat round head bolt		2	
		M 6 X 20			
		M D 05387 >>			4620
		M D 04625 >>			4640
		D >> - MJ 2013			
(18)	999 073 344 01	flat round head bolt		2	
		M 6 X 20			
		D - MJ 2014>>			
19	900 385 270 01	Hexagon head bolt		1	
		BM 6 X 35			
		M >> D 05386			4620
		M >> D 04624			4640
(19)	999 073 570 01	flat round head bolt		1	
		M 6 X 35			
		M D 05387 >>			4620
		M D 04625 >>			4640
		D >> - MJ 2013			
(19)	999 073 570 01	flat round head bolt		1	
		M 6 X 35			
		D - MJ 2014>>			

Model: 970 10

Model life 2010>>2016



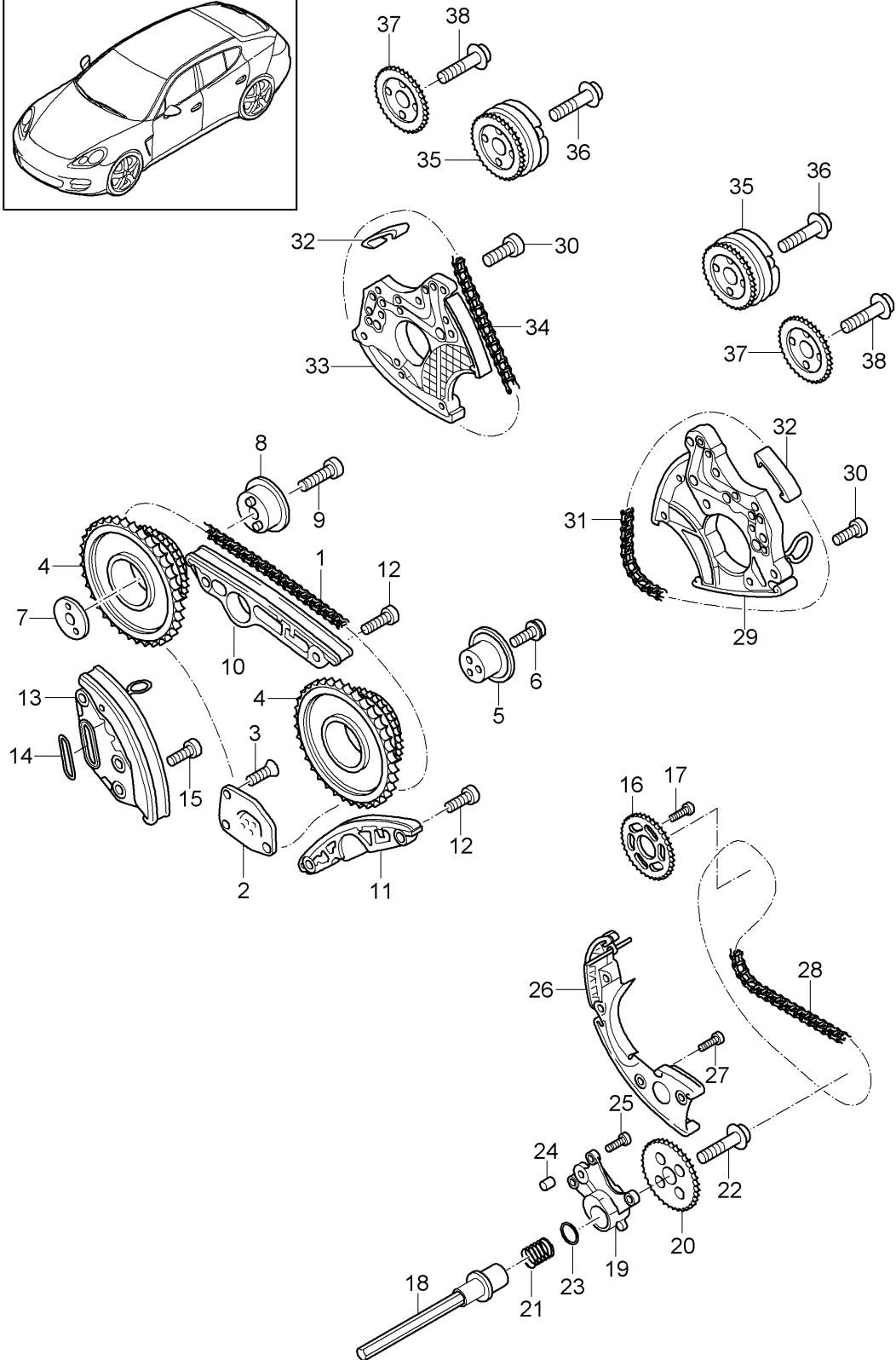
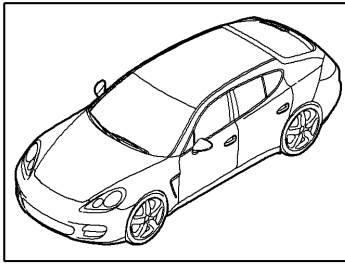
Model: 970 10

Model life 2010>>2016

Pos	Part Number	Description	Remark	Qty	Model
		Valve control			CWDA, CWD, CWFA, CWF
1	946 102 231 75	Chain sprocket		1	
		Crankshaft			
2	948 102 230 00	Shim		2	
3	946 107 252 75	Drive chain		1	
		oil pump			
4	946 105 169 75	Chain		1	
5		camshaft adjuster unit		X	
		see illustration:	103-051		
6	948 105 023 12	slide rail		1	
7	900 385 042 01	Torx screw		4	
		BM 8 X 35			
8	948 105 166 12	slide rail		2	
9	999 015 022 01	Threaded stud		1	
		M 10 X 25			
10	999 015 021 01	Threaded stud		2	
		M 8 X 25			
11	946 105 068 00	slide rail		1	
12	948 105 065 10	Tensioner blade		1	
13	946 105 180 75	chain tensioner		1	
		M >> CWD 008 597			
		M >> CWF 014 738			
(13)	946 105 180 76	No longer use the part here chain tensioner		1	
		M CWD 008 598>>			
		M CWF 014 739>>			
14	900 123 118 30	seal ring		1	
		A 22 X 27			
15	946 107 253 00	Guide piece		1	
16	946 107 258 77	chain tensioner		1	
		oil pump			
		Driving mechanism			
17	999 073 344 01	flat round head bolt		2	
		M 6 X 20			

Model: 970 10

Model life 2010>>2016



Model: 970 10

Model life 2010>>2016

Pos	Part Number	Description	Remark	Qty	Model
		Valve control			CGEA, CGE, CGFA
1	958 105 169 00	timing chain		1	
2	958 105 493 00	plate		1	
3	N 909 549 03	Hex socket countersunk bolt M 6 X 18		3	
4	958 105 077 00	Chain sprocket		2	
5	958 105 289 00	bearing pin		1	
6	N 102 855 05	Socket head bolt with inner hex round head M 6 X 12		3	
(6)	N 102 855 01	No longer use the part here Socket head bolt with inner hex round head M 6 X 12		3	
7	958 105 180 20	thrust washer		1	
8	958 105 220 10	bearing pin		1	
9	N 106 609 01	Socket head bolt with inner multipoint head M 10 X 40		1	
(9)	N 106 609 02	No longer use the part here Socket head bolt with inner multipoint head M 10 X 40		1	
10	958 105 514 00	Guide rail		1	
11	958 105 469 00	Guide rail		1	
12	N 911 290 01	Socket head collared bolt with inner multipoint head M 7 X 36		4	
13	958 105 507 00	chain tensioner Discontinued part		1	
(13)	958 105 507 01	chain tensioner		1	
14	958 105 139 00	Seal		1	
15	N 101 243 04	Oval hexagon socket head bolt M 6 X 20		3	
16	955 105 222 00	Chain sprocket		1	
17	N 910 268 02	Socket head bolt with inner multipoint head M 8 X 20		3	
(17)	N 104 687 03	No longer use the part here Socket head bolt with inner multipoint head M 8 X 20		3	
18	958 107 320 00	Input shaft oil pump Discontinued part		1	
(18)	958 107 320 01	Input shaft oil pump		1	
19	958 105 360 10	Carrier plate		1	
20	958 107 114 00	Chain sprocket oil pump		1	
21	955 105 481 00	Pressure spring		1	
22	N 910 737 01	Socket head collared bolt with inner multipoint head M 10 X 25		1	
23	N 903 620 01	O-ring 14 X 2		1	
24	N 910 208 01	dowel sleeve 8 M 7 X 10		2	
25	N 104 134 05	Hexagon socket flat head bolt M 6 X 25 No longer use the part here		3	

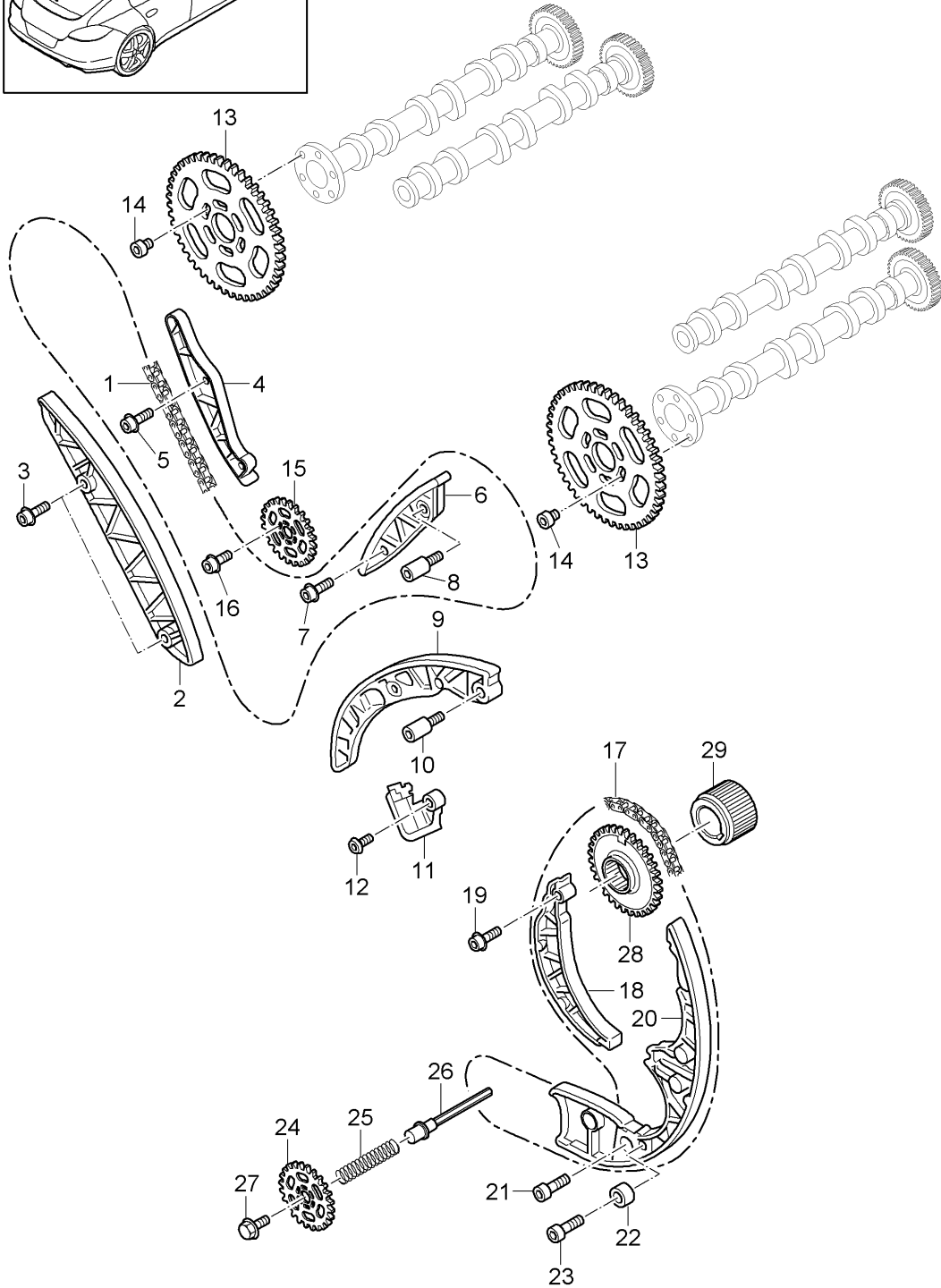
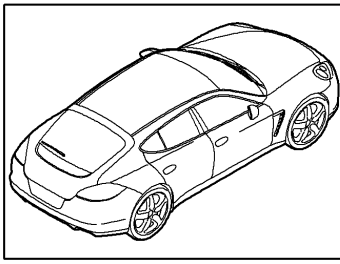
Model: 970 10

Model life 2010>>2016

Pos	Part Number	Description	Remark	Qty	Model
(25)	N 910 717 02	Hexagon socket flat head bolt M 6 X 25		3	
26	958 105 507 10	chain tensioner		1	
27	N 104 514 07	Socket head bolt with multi-point inner drive, self-lock. M 6 X 16		3	
28	958 105 465 00	timing chain		1	
29	958 105 217 00	chain tensioner Discontinued part		1	
(29)	958 105 217 01	chain tensioner		1	
30	N 101 243 04	Oval hexagon socket head bolt M 6 X 20		8	
31	958 105 465 10	timing chain		1	
32	958 105 470 00	slide rail		2	
33	958 105 218 00	chain tensioner Discontinued part		1	
(33)	958 105 218 01	chain tensioner		1	
34	958 105 465 20	timing chain		1	
35	958 105 051 00	camshaft adjuster unit Intake		2	
(35)	958 105 051 01	No longer use the part here camshaft adjuster unit Intake		2	
36	N 910 428 02	Flat head multi-point socket bolt BM 12 X 1,25 X 60 X 30		2	
37	958 105 181 00	Chain sprocket Camshaft		2	
38	N 910 502 01	Socket head bolt with inner multipoint head (Kombi) M 12 X 1,25 X 30		2	

Model: 970 10

Model life 2010>>2016



Model: 970 10 Model life 2010>>2016

Pos	Part Number	Description	Remark	Qty	Model
		timing chain slide rail chain tensioner Chain sprocket			CRCC, CRCB, CWJA
1	958 105 169 10	timing chain Discontinued part		1	
(1)	958 105 169 11	timing chain		1	
2	958 105 065 00	slide rail		1	
3	958 105 426 00	guide pin		2	
4	958 105 066 00	slide rail		1	
5	958 105 426 00	guide pin		2	
6	958 105 067 00	slide rail		1	
7	958 105 426 00	guide pin		1	
8	958 105 426 10	guide pin		1	
9	958 105 068 00	slide rail		1	
10	958 105 426 10	guide pin		1	
11	958 105 467 10	chain tensioner No longer use the part here		1	
(11)	958 105 467 11	chain tensioner No longer use the part here		1	
(11)	958 105 467 12	chain tensioner		1	
(11)	958 105 467 13	chain tensioner		1	
12	N 101 243 06	Oval hexagon socket head bolt	M6X20	2	
13	958 105 181 10	Chain sprocket Camshaft Z = 48		2	
14	N 910 522 01	Hexagon socket head bolt	M8X12	10	
15	958 101 333 00	Chain sprocket balancer shaft		1	
16	N 910 488 02	Screw with int. serrations	M8X20	3	
17	958 105 170 00	timing chain		1	
18	958 105 069 00	slide rail		1	CRCC, CRCB
(18)	958 105 069 10	slide rail		1	CWJA
19	WHT 005 189	Hexagon socket flat head bolt with guide sleeve	M6X29,5	1	
		with:			
20	958 105 507 20	guide sleeve chain tensioner Discontinued part		1	
(20)	958 105 507 21	chain tensioner discontinued part		1	
(20)	958 105 507 23	chain tensioner		1	
21	N 101 243 06	Oval hexagon socket head bolt	M6X20	6	
22	958 105 535 10	spacer bush	6X15,5X8	1	
23	N 101 243 06	Oval hexagon socket head bolt	M6X20	1	
24	958 107 114 10	Chain sprocket oil pump		1	
25	955 105 481 00	Pressure spring		1	
26	958 107 320 10	Input shaft oil pump		1	
27	N 908 932 02	fitted bolt, hexagon head	M10X20	1	
28	958 105 222 00	Chain sprocket high pressure pump only in conj. with:		1	CRCC, CRCB
		flange 958.110.541.00 059.130.141.F			
(28)	958 105 222 10	Chain sprocket high pressure pump only in conj. with:		1	
		flange 958.110.541.10			

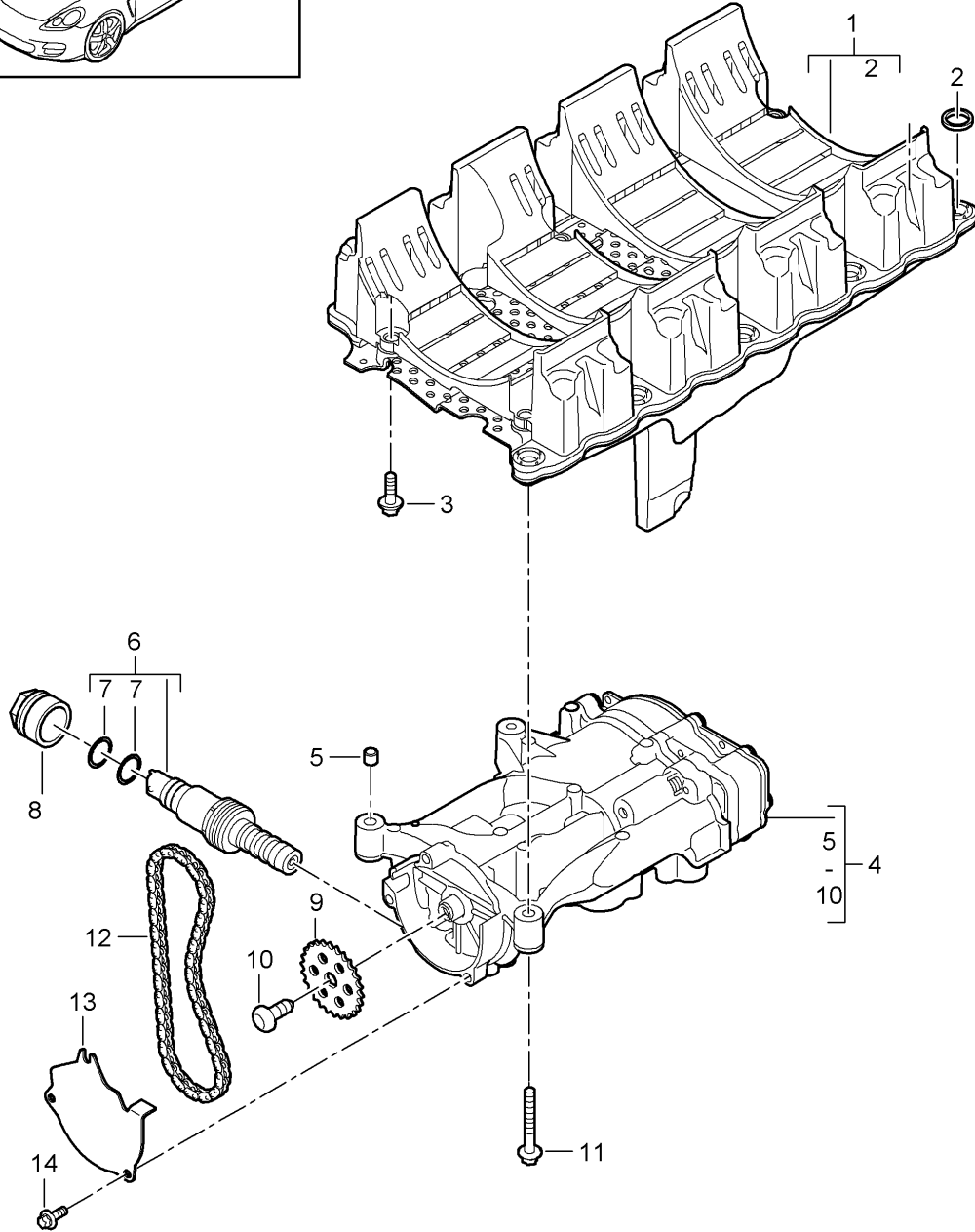
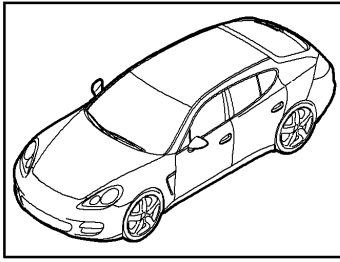
Model: 970 10

Model life 2010>>2016

Pos	Part Number	Description	Remark	Qty	Model
(28)	958 105 222 11	059.130.141.H Discontinued part Chain sprocket high pressure pump only in conj. with: flange		1	
29		958.110.541.10 059.130.141.H flange Chain sprocket high pressure pump see illustration, item:	107-040,18	1	

Model: 970 10

Model life 2010>>2016



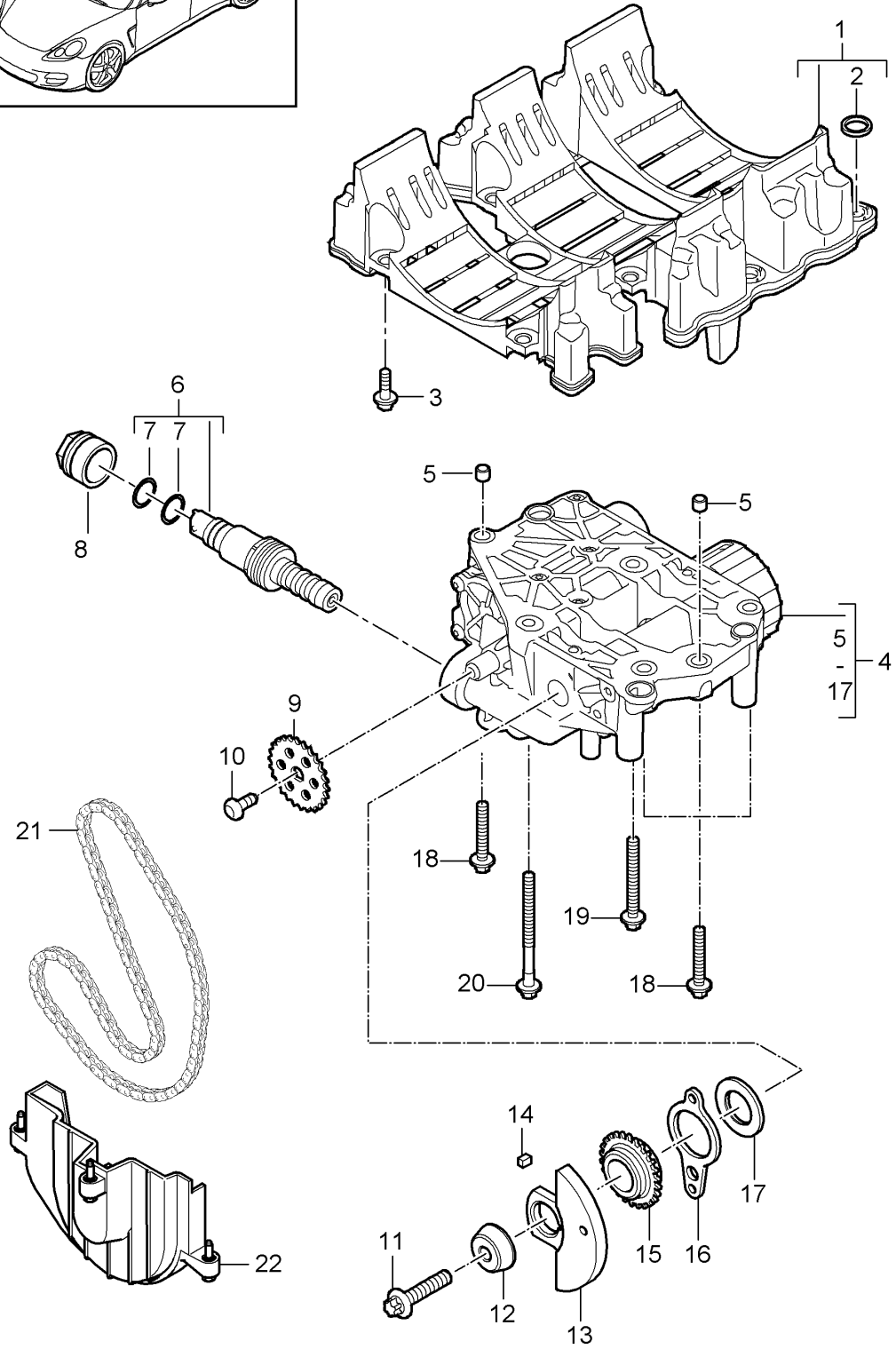
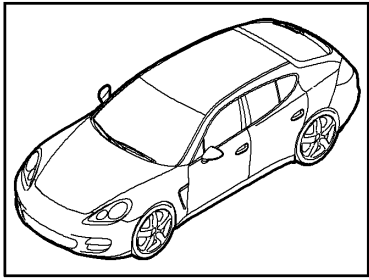
Model: 970 10

Model life 2010>>2016

Pos	Part Number	Description	Remark	Qty	Model
		Oil baffle plate oil pump			4820,4840, 4870,CXPA, CXRA,CXR, CWBA,CWB, CWCA,CWC
1	948 107 085 21	Oil baffle plate		1	4820
(1)	948 107 085 41	Oil baffle plate		1	4840,4870, CXPA,CXRA, CXR,CWBA, CWB,CWCA,CWC
2	948 107 286 20	Seal		9	
3	900 385 019 01	Oil baffle plate Torx screw		6	
4	948 107 013 20	BM 6 X 20 oil pump		1	4820,4840
(4)	948 107 013 21	Discontinued part oil pump		1	4820,4840
(4)	948 107 013 22	Discontinued part oil pump		1	4820,4840
(4)	948 107 013 23	Discontinued part oil pump		1	4820,4840, CXPA,CXRA, CXR
(4)	948 107 013 70	oil pump Discontinued part		1	4870
(4)	948 107 013 71	oil pump Discontinued part		1	4870
(4)	948 107 013 72	oil pump Discontinued part		1	4870
(4)	948 107 013 73	oil pump		1	4870,CWBA, CWB,CWCA,CWC
5	996 106 103 50	dowel sleeve 8,2 X 7		2	
6	948 107 113 20	Solenoid valve Discontinued part		1	
(6)	948 107 113 21	Solenoid valve Discontinued part		1	
(6)	948 107 113 22	Solenoid valve		1	
7	999 707 567 40	O-ring 17 X 3		2	
8	999 261 024 01	Union nut M 36 X 1,0		1	
9	948 107 114 01	Chain sprocket		1	
10	999 073 380 01	Torx screw M 8 X 22		1	
11	900 385 125 01	Torx screw BM 6 X 45		3	
12	948 107 252 11	Drive chain Discontinued part		1	
(12)	948 107 252 12	Drive chain		1	
13	948 107 254 01	Cover		1	
(13)	948 107 254 02	D >> - MJ 2013 Cover		1	
14	900 385 009 01	D - MJ 2014>> Torx screw BM 6 X 16		3	

Model: 970 10

Model life 2010>>2016



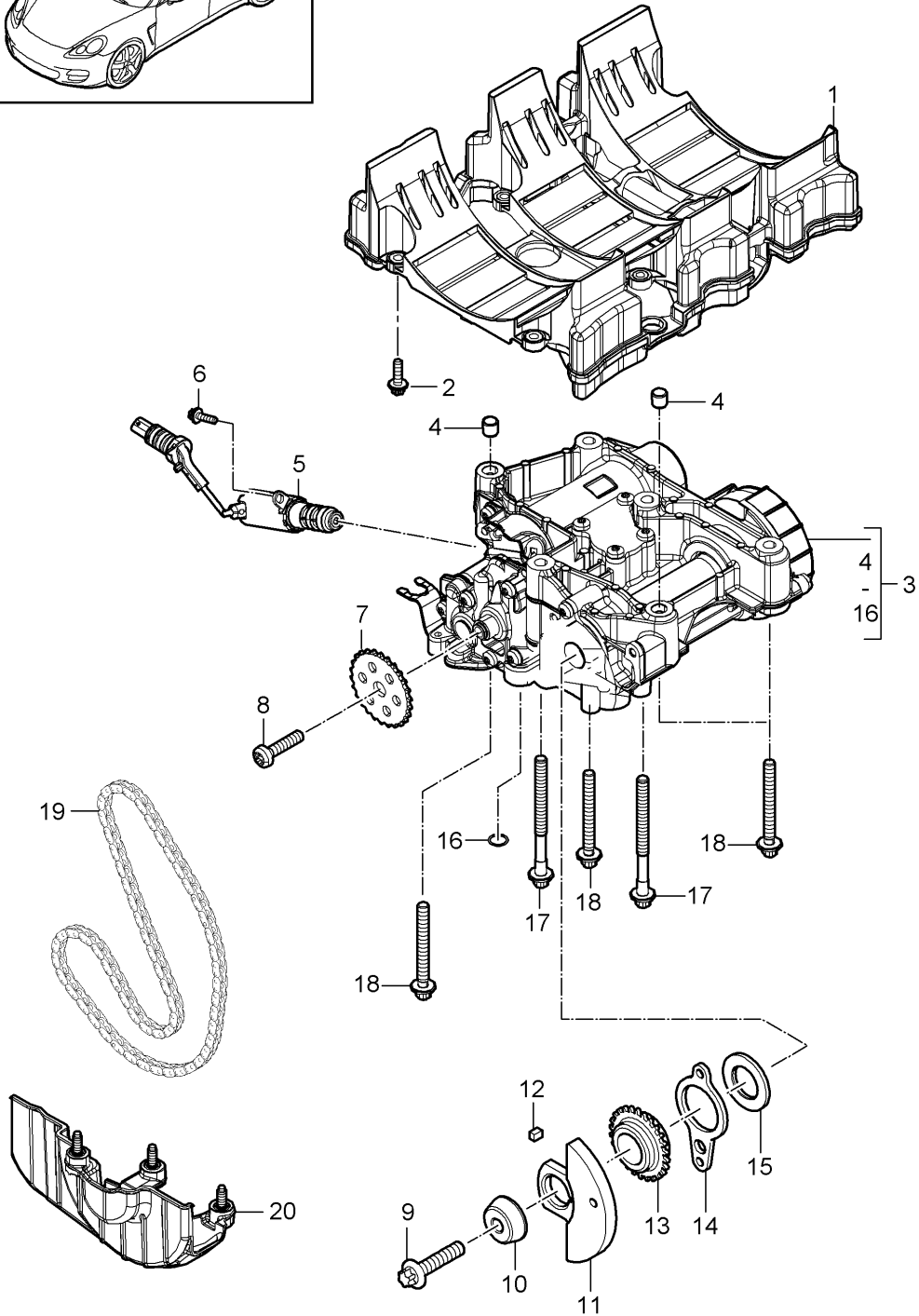
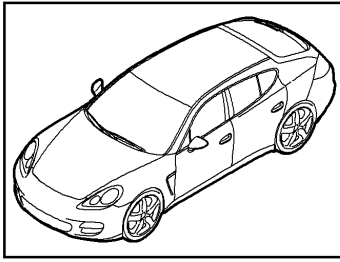
Model: 970 10

Model life 2010>>2016

Pos	Part Number	Description	Remark	Qty	Model
1	946 107 085 20	Oil return circuit oil pump		1	4620,4640, CWAA,CXNA
(1)	946 107 085 40	Oil baffle plate Oil baffle plate		1	4620 4640,CWAA, CXNA+
2	948 107 286 20	Seal		4	PR:339
3	900 385 019 01	Oil baffle plate Torx screw BM 6 X 20		6	
4	946 107 013 20	oil pump		1	
(4)	946 107 013 21	No longer use the part here oil pump		1	
(4)	946 107 013 22	Discontinued part oil pump		1	
(4)	946 107 013 23	Discontinued part oil pump		1	
5	999 095 063 01	dowel sleeve 11M6 X 10		2	
6	948 107 113 21	Solenoid valve		1	
(6)	948 107 113 22	Discontinued part Solenoid valve		1	
7	999 707 567 40	O-ring 17 X 3		2	
8	999 261 024 01	Union nut M 36 X 1,0		1	
9	948 107 114 01	Chain sprocket		1	
10	946 107 213 20	Socket head bolt		1	
11	900 385 011 01	Torx screw BM 10 X 45		1	
12	946 107 218 20	Conical ring		1	
13	946 107 216 20	Balancer weight		1	
14	946 107 217 20	feather key		1	
15	946 107 114 20	Chain sprocket balancer shaft		1	
16	946 107 215 20	Oil pump cover		1	
17	946 107 214 20	compensation washer		1	
18	900 385 071 01	Torx screw BM 8 X 50		4	
19	900 385 007 01	Torx screw BM 8 X 100		1	
20	900 385 115 01	Torx screw BM 8 X 70		1	
21		timing chain oil pump		1	
22	946 107 254 20	Cover Screw	see illustration: with: 103-070	1	

Model: 970 10

Model life 2010>>2016



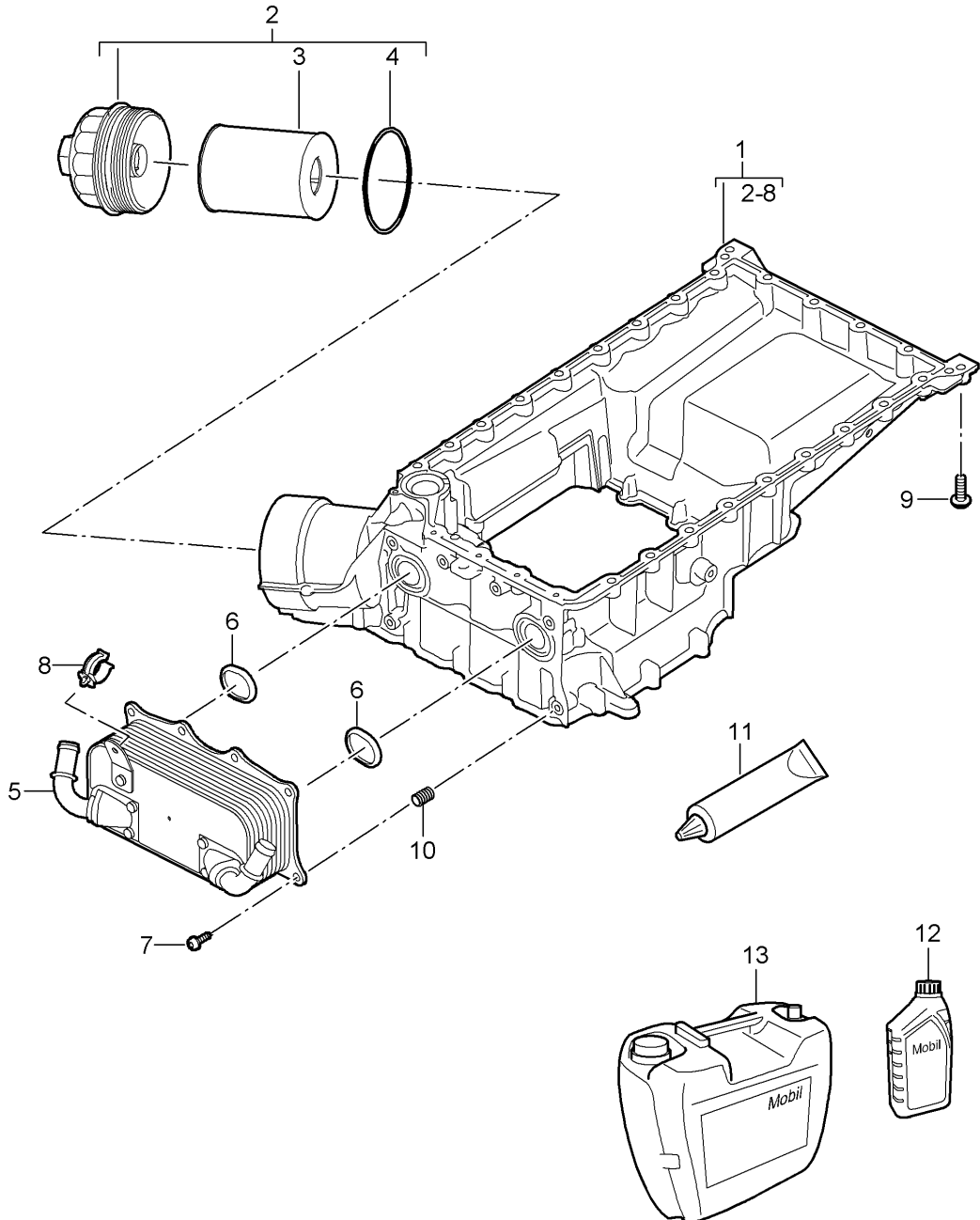
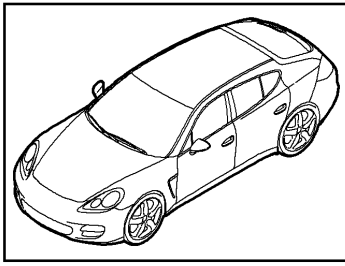
Model: 970 10

Model life 2010>>2016

Pos	Part Number	Description	Remark	Qty	Model
		Oil baffle plate oil pump			CWDA, CWD, CWFA, CWF
1	946 107 085 75	Oil baffle plate		1	
2	900 385 019 01	Torx screw BM 6 X 20		6	
3	946 107 013 61	oil pump		1	
4	999 095 063 01	dowel sleeve 11M6 X 10		2	
5	946 107 113 60	Solenoid valve		1	
6	999 073 344 01	flat round head bolt M 6 X 20		1	
7	948 107 114 01	Chain sprocket		1	
8	946 107 213 20	Socket head bolt		1	
9	900 385 011 01	Torx screw BM 10 X 45		1	
10	946 107 218 20	Conical ring		1	
11	946 107 216 60	Balancer weight		1	
12	946 107 217 20	feather key		1	
13	946 107 114 20	Chain sprocket balancer shaft		1	
14	946 107 215 60	Oil pump cover		1	
15	946 107 214 60	Shim		1	
16	999 701 490 40	O-ring 11,3 X 3,0		1	
17	900 385 007 01	Torx screw BM 8 X 100		2	
18	900 385 115 01	Torx screw BM 8 X 70		4	
19		Drive chain oil pump		1	
20	946 107 254 60	Cover see illustration, item: Screw with:	103-072,3	1	

Model: 970 10

Model life 2010>>2016

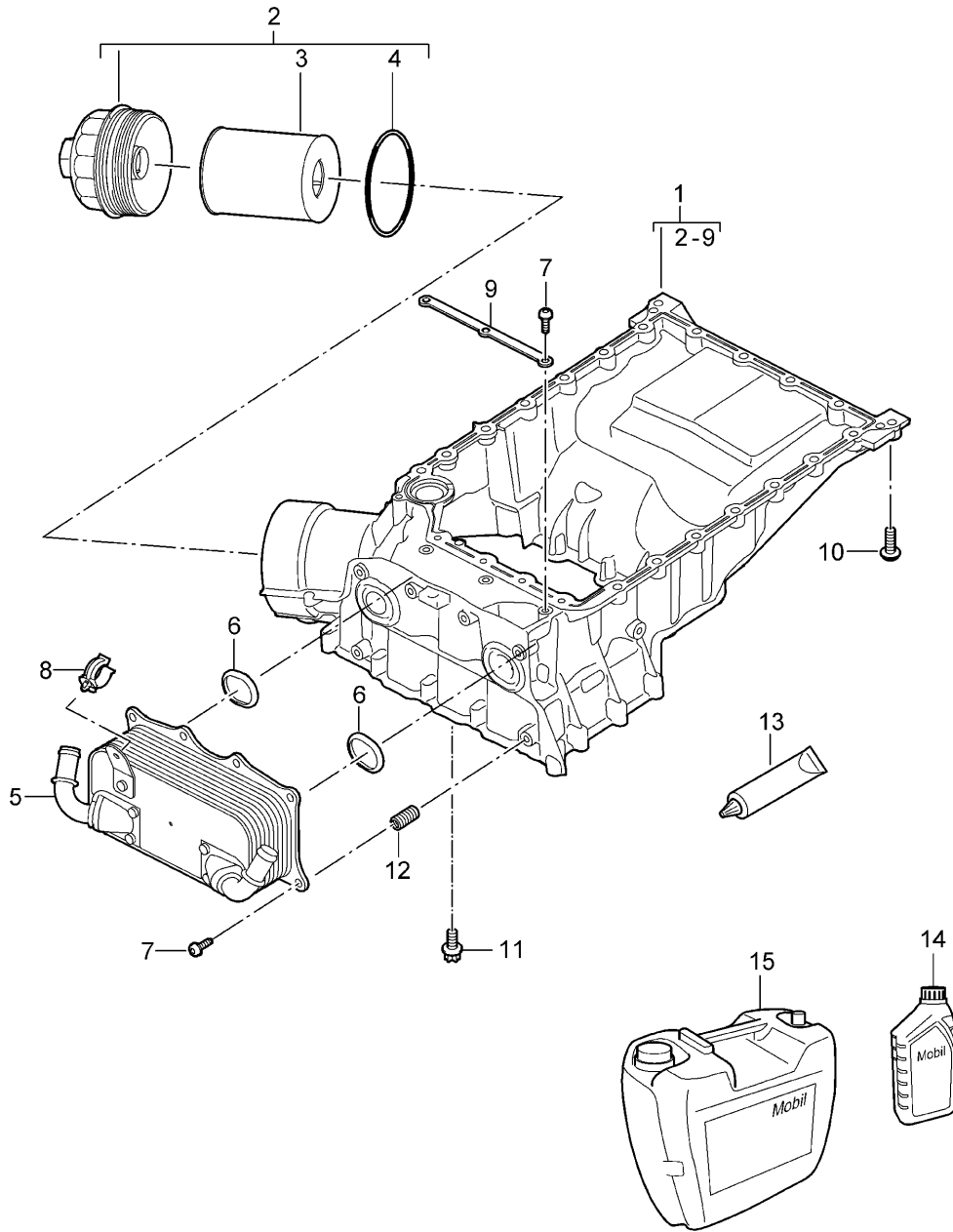
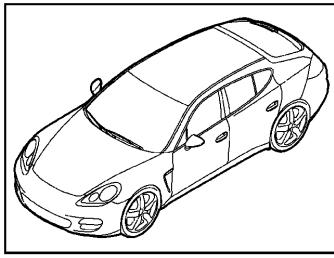


Model: 970 10 Model life 2010>>2016

Pos	Part Number	Description	Remark	Qty	Model
		Oil-conducting housing oil filter heat exchanger			4820,4840, 4870,CXPA, CXRA,CXR, CWBA,CWB, CWCA,CWC 4820
1	948 107 061 23	Oil-conducting housing Discontinued part	Magnesium	1	
(1)	948 107 061 24	Oil-conducting housing	Magnesium	1	4820
(1)	948 107 061 43	Oil-conducting housing Discontinued part	aluminium	1	4840
(1)	948 107 061 44	Oil-conducting housing	aluminium	1	4840,CXPA, CXRA,CXR
(1)	948 107 061 73	Oil-conducting housing Discontinued part	aluminium	1	4870
(1)	948 107 061 74	Oil-conducting housing	aluminium	1	4870,CWBA, CWB,CWCA,CWC
2	948 107 022 00	oil filter		1	
3	948 107 222 00	Oil filter insert		1	
			also use: 948 107 322 00	1	
4	948 107 322 00	seal ring		1	
5	948 107 281 21	heat exchanger Discontinued part		1	
(5)	948 107 281 22	heat exchanger		1	
6	948 107 175 20	Seal		2	
7	999 073 344 01	flat round head bolt	M6X20	6	
(8)	N 106 491 01	Hose bracket	B17,5	1	4820,4840, CXPA,CXRA, CXR
8	999 507 793 40	Hose bracket	23	1	4870,CWBA, CWB,CWCA,CWC
9	999 073 905 30	fillister hd. bolt Discontinued part	M6X30PA aluminium	29	
(9)	999 073 905 31	fillister hd. bolt	M6X30PA aluminium	29	
10	999 504 084 01	threaded insert Thread repair set M6	M6X12	X	
11	999 915 573 43	Oil-conducting housing sealant 1 tube	Magnesium 75 ml	X	
11	000 043 305 33	discontinued part sealant 1 tube	75 ml	X	
12	000 043 301 19	engine oil EXXON MOBIL 1 0W-40	1.0 Ltr.	X	
(12)	000 043 305 21	discontinued part engine oil EXXON MOBIL 1 0W-40	1.0 Ltr.	X	
13	000 043 301 21	engine oil EXXON MOBIL 1 0W-40	20ltr.	X	

Model: 970 10

Model life 2010>>2016

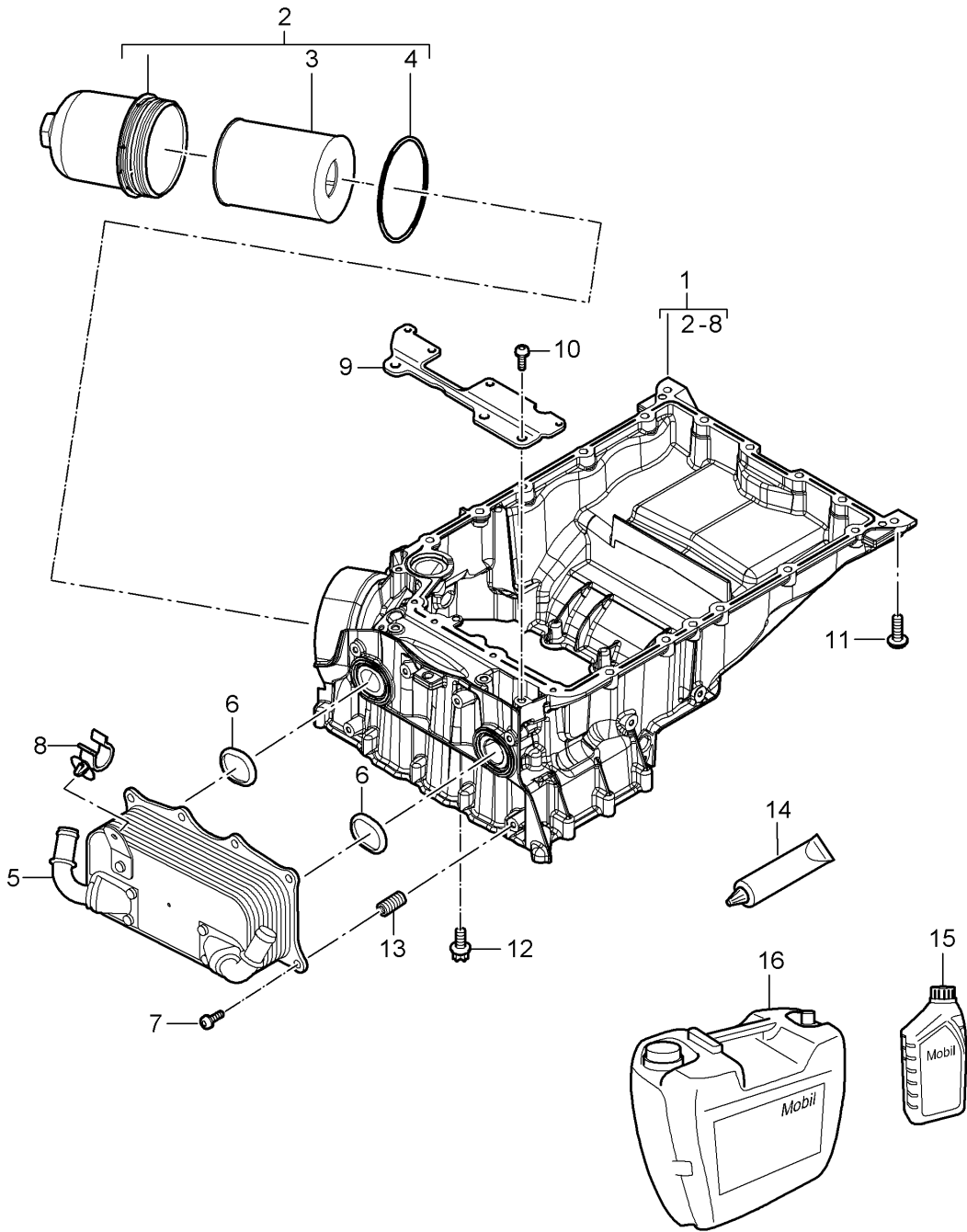
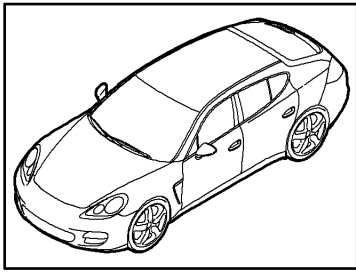


Model: 970 10 Model life 2010>>2016

Pos	Part Number	Description	Remark	Qty	Model
		Oil-conducting housing oil filter heat exchanger			4620,4640, CWAA,CXNA
1	946 107 061 22	Oil-conducting housing	Magnesium	1	4620
(1)	946 107 061 23	Discontinued part Oil-conducting housing	Magnesium	1	4620,CWAA, CXNA+ PR:338
(1)	946 107 061 42	Oil-conducting housing Discontinued part	aluminium	1	4640
(1)	946 107 061 43	Oil-conducting housing	aluminium	1	4640,CWAA, CXNA+ PR:339
2	948 107 022 00	oil filter		1	
3	948 107 222 00	Oil filter insert		1	
		also use:	948 107 322 00	1	
4	948 107 322 00	seal ring		1	
5	948 107 281 21	heat exchanger Discontinued part		1	
(5)	948 107 281 22	heat exchanger		1	
6	948 107 175 20	Seal		2	
7	999 073 344 01	flat round head bolt	M6X20	9	
8	N 106 491 01	Hose bracket	B17,5	1	
9	946 107 211 20	Support		1	
10	999 073 905 31	fillister hd. bolt	aluminium M6X30	22	
11	900 385 072 01	Torx screw	BM6X25	3	
12	999 504 084 01	threaded insert	M6X12	X	
13	999 915 573 43	sealant Discontinued part	75ML	X	
(13)	000 043 305 33	sealant	75ML	X	
14	000 043 301 19	engine oil EXXON MOBIL 1 0W-40	1.0 Ltr.	X	
15	000 043 301 21	engine oil EXXON MOBIL 1 0W-40	20ltr.	X	

Model: 970 10

Model life 2010>>2016



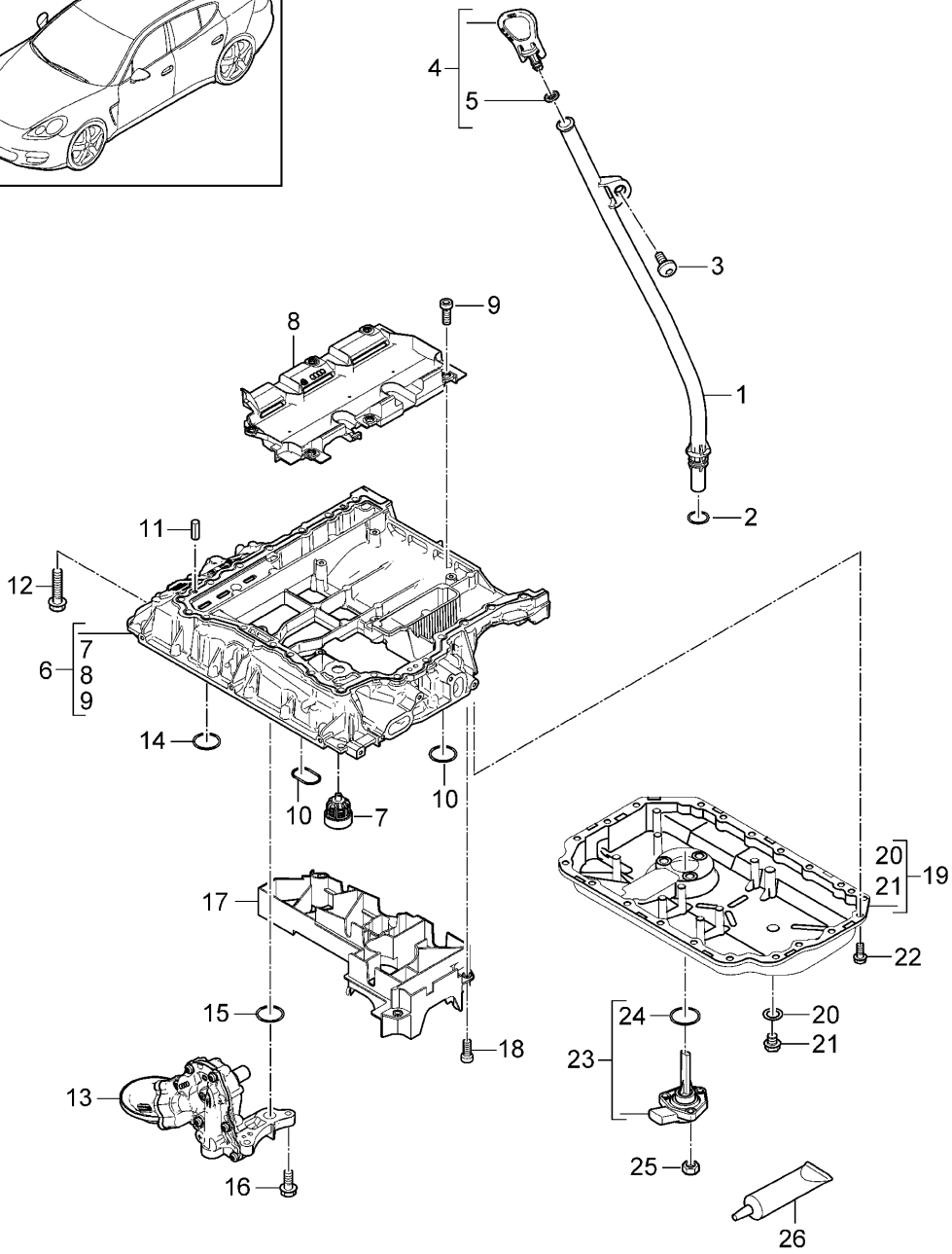
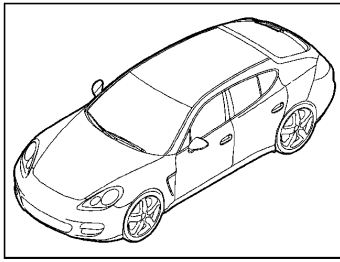
Model: 970 10

Model life 2010>>2016

Pos	Part Number	Description	Remark	Qty	Model
		Oil-conducting housing oil filter heat exchanger			CWDA, CWD, CWFA, CWF
1	946 107 051 60	Oil-conducting housing	Magnesium	1	PR:338
(1)	946 107 051 75	Oil-conducting housing	aluminium	1	PR:339
2	946 107 022 75	oil filter		1	
3	948 107 222 00	Oil filter insert		1	
		also use:	946 107 322 75	1	
4	946 107 322 75	seal ring		1	
5	948 107 281 22	heat exchanger		1	
6	948 107 175 20	Seal		2	
7	999 073 344 01	flat round head bolt	M6X20	6	
8	N 106 491 01	Hose bracket	17,5	1	
9	946 107 211 75	Support		1	
10	999 073 094 01	Screw	M8X20	3	
11	999 073 905 31	fillister hd. bolt	M6X30PA aluminium	21	
12	900 385 072 01	Torx screw	BM6X25	2	
13	999 504 084 01	threaded insert	M6X12	X	
		Thread repair set M6			
14	999 915 573 43	Oil-conducting housing sealant 1 tube	Magnesium 75 ml	X	
(14)	000 043 305 33	discontinued part sealant 1 tube	75 ml	X	
15	000 043 301 19	engine oil EXXON MOBIL 1 0W-40 discontinued part	1.0 Ltr.	X	
(15)	000 043 305 21	engine oil EXXON MOBIL 1 0W-40	1.0 Ltr.	X	
16	000 043 301 21	engine oil EXXON MOBIL 1 0W-40	20ltr.	X	

Model: 970 10

Model life 2010>>2016



Model: 970 10 Model life 2010>>2016

Pos	Part Number	Description	Remark	Qty	Model
1	958 107 066 00	Oil-conducting housing oil pump oil sump guide tube		1	CGEA, CGE, CGFA
			also use: 955 107 427 00	1	
2	955 107 427 00	O-ring 12 X 2		1	
3	N 101 244 08	Hexagon socket head bolt (combi) M 6 X 20		1	
4	958 107 168 00	Sealing cap		1	
5	N 908 138 02	O-ring 5 X 1,9		1	
6	958 107 071 11	Oil-conducting housing Discontinued part		1	
(6)	958 107 071 12	Oil-conducting housing		1	
7	958 107 275 10	Non-return valve		1	
8	958 107 142 00	filler plate		1	
9	N 104 514 01	Oval hexagon socket head bolt M 6 X 16 Discontinued part		6	
(9)	N 104 514 05	Oval hexagon socket head bolt M 6 X 16		6	
10	N 909 513 01	O-ring 21 X 2		2	
11	955 102 277 00	spring pin 6,2 X 22		2	
12	N 106 893 02	Socket head bolt with inner multipoint head M 8 X 25		21	
13	958 107 013 20	oil pump Discontinued part		1	
(13)	958 107 013 21	oil pump		1	
14	N 908 091 02	O-ring 16 X 2		1	
15	N 909 513 01	O-ring 21 X 2		1	
16	N 106 128 01	Hexagon socket head bolt M 8 X 30		3	
17	958 107 138 00	Insert for oil sump		1	
18	N 103 471 03	Hexagon socket oval head bolt (combi) M 6 X 20		5	
19	958 107 055 10	oil sump Discontinued part		1	
(19)	958 107 055 11	oil sump		1	
20	N 013 815 7	seal ring 14 X 20		1	
21	N 016 027 6	sealing plug M 14 X 1,5		1	
22	N 900 711 02	hexagon head bolt (combi) M 6 X 18		19	
23	958 606 160 00	oil level sensor Discontinued part		1	
(23)	958 606 160 01	oil level sensor		1	
24	038 103 196 B	seal ring		1	
25	N 015 082 13	Hexagon collar nut M 6		3	
26	000 043 207 49	sealant 1 tube 80 ML for		X	

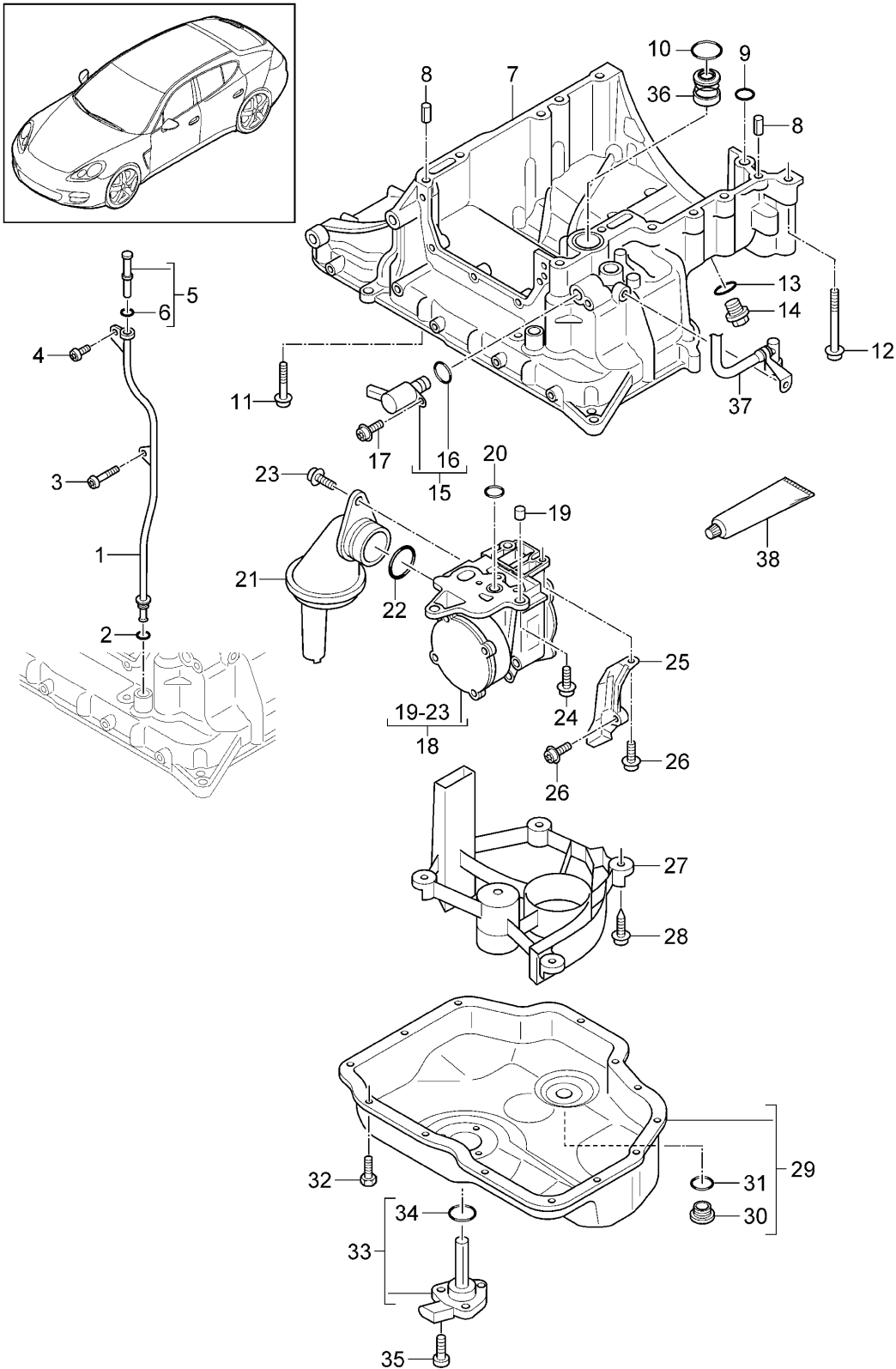
Model: 970 10

Model life 2010>>2016

Pos	Part Number	Description	Remark	Qty	Model
(26)	958 101 902 00	Oil-conducting housing and oil sump Discontinued part sealant 80 ML for Oil-conducting housing and oil sump		X	

Model: 970 10

Model life 2010>>2016



Model: 970 10

Model life 2010>>2016

Pos	Part Number	Description	Remark	Qty	Model
1	958 107 066 10	Oil-conducting housing oil pump Vacuum pump oil sump guide tube		1	CRCC, CRCB, CWJA
2	955 107 427 00	O-ring 12 X 2	also use: 955 107 427 00	1	
3	N 105 540 05	round hd. screw M6 X 35		1	
4	N 101 243 06	Oval hexagon socket head bolt M6 X 20		1	
5	958 107 168 10	Sealing cap		1	
6	N 908 138 02	O-ring 5 X 1,9		1	
7	958 107 071 20	Oil-conducting housing Discontinued part		1	
(7)	958 107 071 22	Oil-conducting housing		1	
8	955 102 277 00	spring pin 6,2 X 22		2	
9	958 107 609 00	Seal		1	
10	958 107 610 00	Seal		1	
11	WHT 004 873	fillister head bolt with multi-point socket head aluminium		9	
12	WHT 004 874	fillister head bolt with multi-point socket head aluminium		3	
13	N 013 832 6	seal ring 18 X 22		1	
14	N 911 965 01	sealing plug M 18 X 1,5		1	
15	958 107 243 30	control valve		1	
16	N 910 568 01	O-ring 12 X 2		1	
17	N 101 961 03	fillister head bolt with multi-point socket head M 6 X 18		1	
18	958 107 013 30	Oil pump with integrated vacuum pump Discontinued part		1	CRCC, CRCB
(18)	958 107 013 31	Oil pump with integrated vacuum pump		1	CRCC, CRCB
(18)	958 107 013 50	Oil pump with integrated vacuum pump Discontinued part		1	CWJA
(18)	958 107 013 51	Oil pump with integrated vacuum pump		1	CWJA
19		bush Not available		2	
20	958 107 611 10	Seal for oil pump 23,4 X 3,53		1	
21		suction line Not available Use Pos.18		1	
22		seal ring Not available Use Pos.18		1	
23		Screw Not available Use		1	

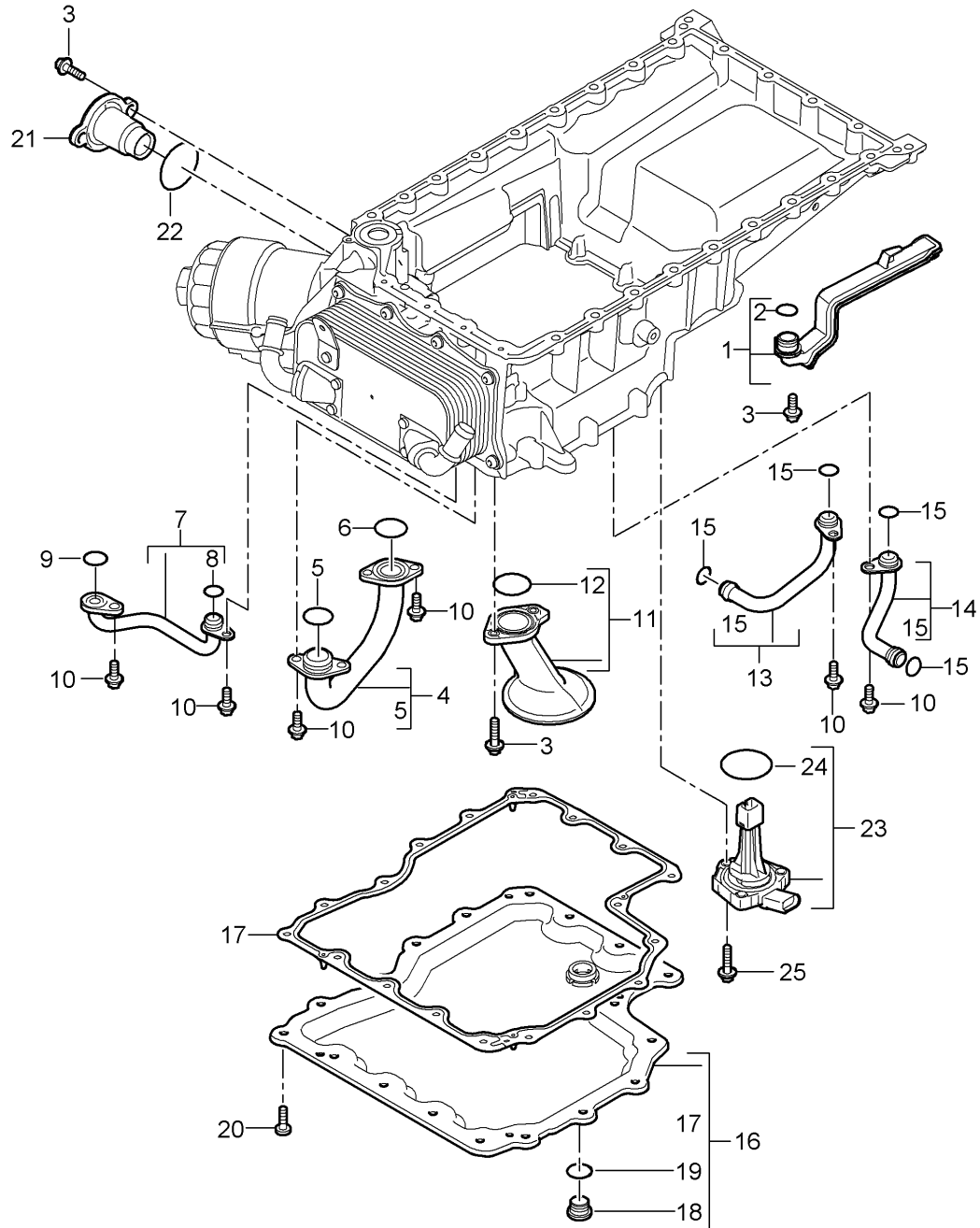
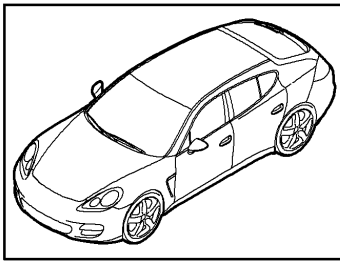
Model: 970 10

Model life 2010>>2016

Pos	Part Number	Description	Remark	Qty	Model
24	N 107 453 01	Pos.18 Oval hexagon socket head bolt aluminium M 8 X 30		3	
25	958 107 031 10	Return pipe		1	
26	N 107 451 01	Hexagon socket flat head bolt aluminium		2	
27	958 107 138 10	Insert for oil sump		1	
28	N 107 451 01	Hexagon socket flat head bolt aluminium		4	
29	958 107 055 20	oil sump		1	
30	N 016 027 6	sealing plug M 14 X 1,5		1	
(30)	N 911 679 01	No longer use the part here sealing plug M 14 X 1,5		1	
31	N 013 815 7	seal ring 14 X 20		1	
(31)	N 013 849 8	No longer use the part here seal ring A 14 X 20		1	
32	N 107 451 01	Hexagon socket flat head bolt aluminium		14	
33	958 606 160 20	oil level sender Discontinued part		1	
(33)	958 606 160 21	oil level sender		1	
34	038 103 196 B	seal ring		1	
35	N 015 082 13	Hexagon collar nut M 6		3	
36	958 107 376 20	Non-return valve		1	
37		Vacuum line see illustration, item:	108-020,28	1	
38	000 043 207 49	sealant 1 tube 80 ML		X	
(38)	000 043 300 39	No longer use the part here sealant 1 tube 50 ML		X	

Model: 970 10

Model life 2010>>2016



Model: 970 10 Model life 2010>>2016

Pos	Part Number	Description	Remark	Qty	Model
		Suction tube oil sump			4820,4840, 4870,CXPA, CXRA,CXR, CWBA,CWB, CWCA,CWC
1	948 107 028 20	Suction tube		1	
2	999 707 496 40	O-ring 23 X 3		1	
3	900 385 019 01	Torx screw M 6 X 20		5	
4	948 107 031 20	oil pipe		1	
5	999 707 585 40	O-ring 22 X 3		1	
6	999 707 547 40	O-ring 28 X 3		1	
7	948 107 033 20	Oil pipe		1	
		with:			
8	999 707 568 40	O-ring O-ring 12 X 3		1	
9	999 707 567 40	O-ring 17 X 3		1	
10	900 385 009 01	Torx screw M 6 X 16		6	4820,4840, CXPA,CXRA, CXR
(10)	900 385 009 01	Torx screw M 6 X 16		8	4870,CWBA, CWB,CWCA,CWC
11	948 107 030 20	Suction tube		1	
12	999 707 530 40	O-ring 34,52 X 3,53		1	
13	948 107 037 70	Oil pipe	Cylinders 1-4	1	4870,CWBA, CWB,CWCA,CWC
		with:			
14	948 107 038 70	O-ring Exhaust gas turbocharger Oil pipe	Cylinder 5-8	1	4870,CWBA, CWB,CWCA,CWC
		with:			
15	999 707 603 40	O-ring Exhaust gas turbocharger O-ring 10 X 3		4	4870,CWBA, CWB,CWCA,CWC
16	948 107 015 22	oil sump		1	
(16)	948 107 015 23	No longer use the part here oil sump		1	
(16)	948 107 015 24	Discontinued part oil sump		1	
17	948 107 275 21	gasket for oil sump		1	
18	900 219 020 31	sealing plug M 18 X 1,5		1	
19	900 123 106 30	seal ring A 18 X 24		1	
20	999 073 344 01	flat round head bolt M 6 X 20		18	
21	948 107 313 20	flange		1	
22	999 707 570 40	O-ring 44,0 X 3,0		1	
23	948 606 160 01	oil level sensor Discontinued part		1	
(23)	948 606 160 02	oil level sensor D >> - MJ 2013		1	
(23)	948 606 160 02	oil level sensor D - MJ 2014>>		1	CXPA,CXRA, CXR
(23)	948 606 170 00	oil level sensor D - MJ 2014>>		1	CWBA,CWB, CWCA,CWC

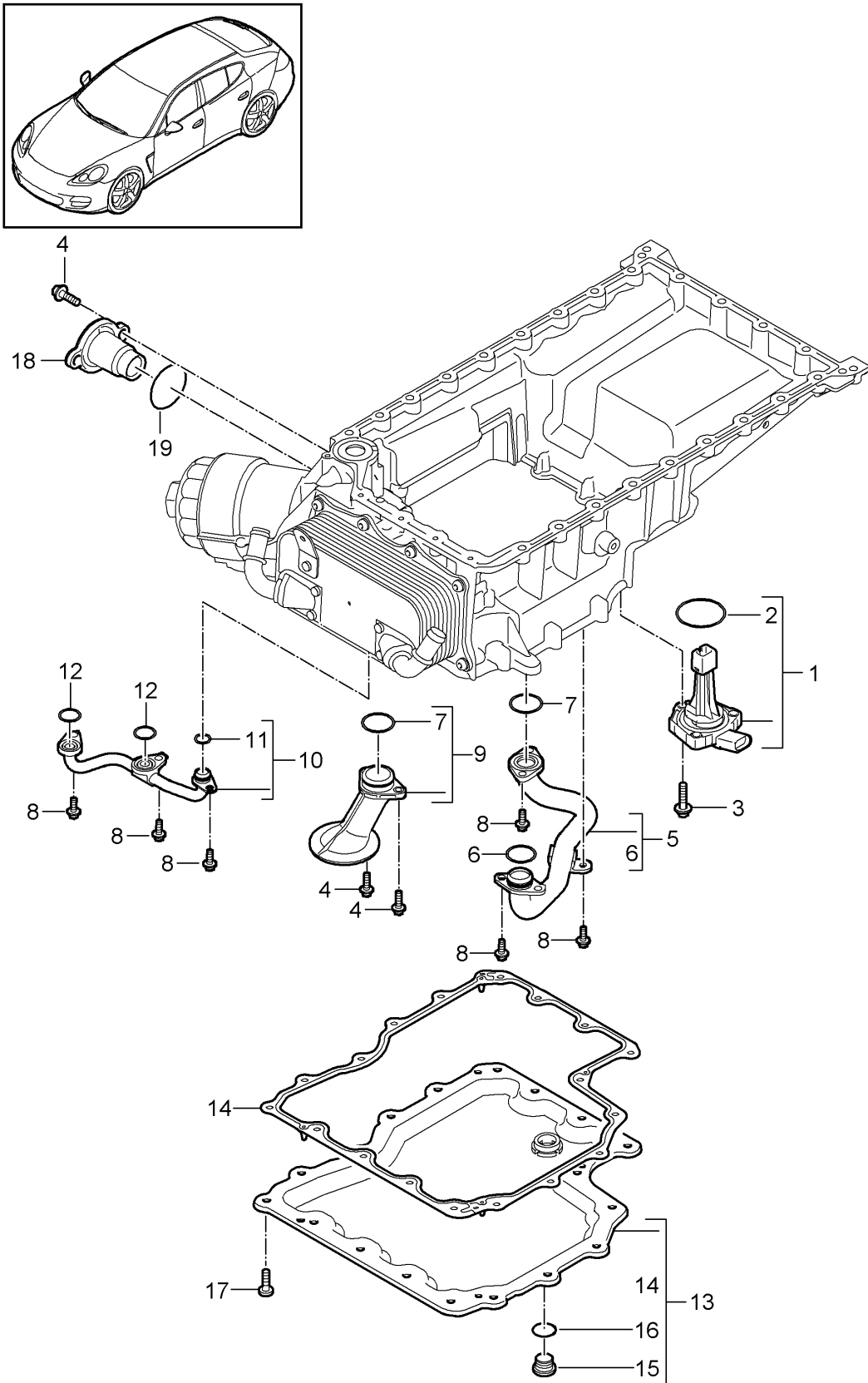
Model: 970 10

Model life 2010>>2016

Pos	Part Number	Description	Remark	Qty	Model
24	038 103 196 B	seal ring		1	
25	900 385 072 01	Torx screw BM 6 X 25		3	

Model: 970 10

Model life 2010>>2016



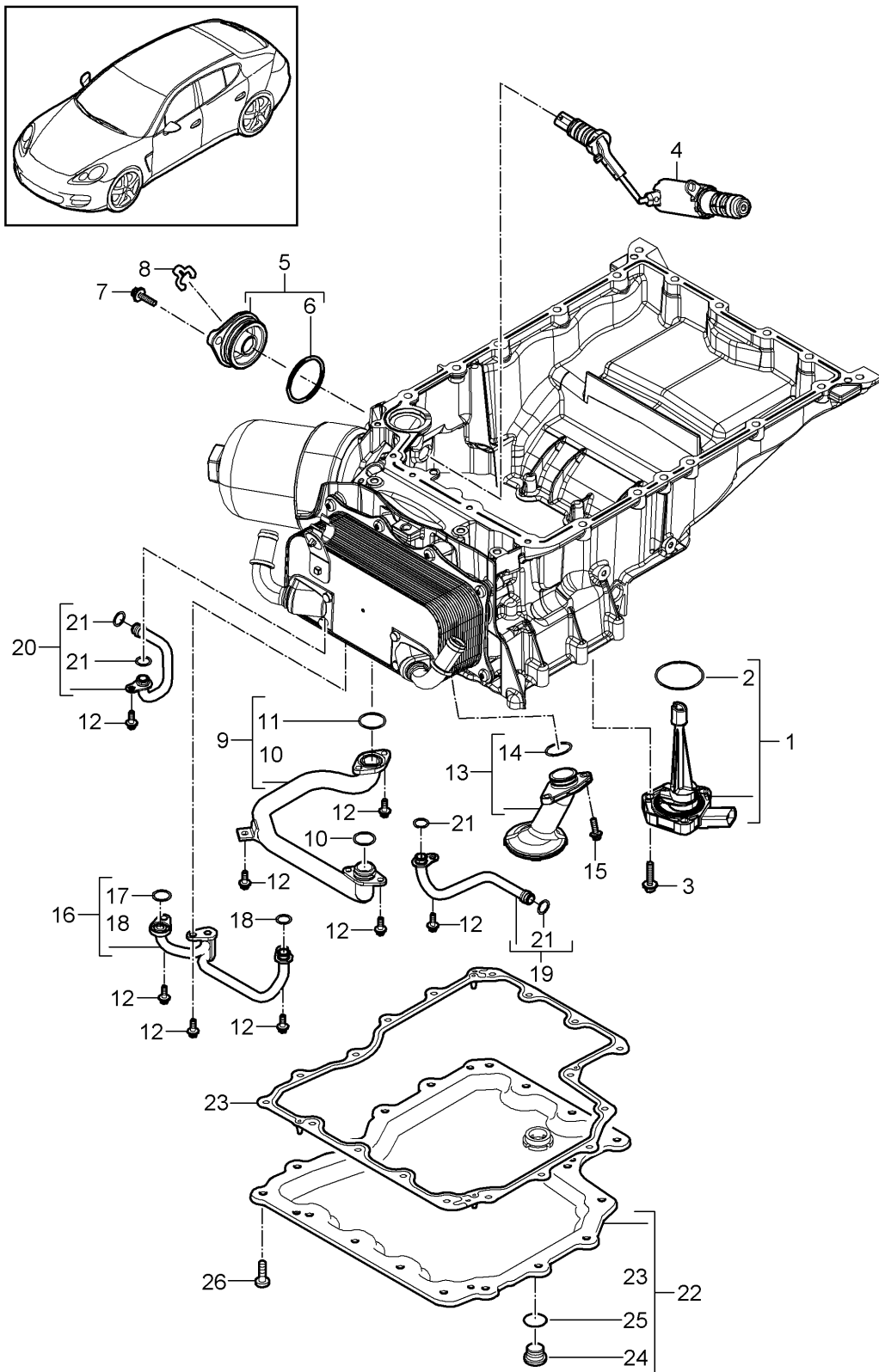
Model: 970 10

Model life 2010>>2016

Pos	Part Number	Description	Remark	Qty	Model
1	948 606 160 02	Suction tube oil sump oil level sensor		1	4620,4640, CWAA,CXNA
(1)	948 606 170 00	D >> - MJ 2013 oil level sensor D - MJ 2014>>		1	
2	038 103 196 B	seal ring		1	
3	900 385 072 01	Torx screw BM 6 X 25		3	
4	900 385 019 01	Torx screw M 6 X 20		4	
5	946 107 031 20	oil pipe		1	
6	999 707 585 40	O-ring 22 X 3		1	
7	999 707 547 40	O-ring 28 X 3		2	
8	900 385 009 01	Torx screw M 6 X 16		8	
9	946 107 030 20	Suction tube		1	
10	946 107 033 21	Oil pipe		1	
		with:			
11	999 707 568 40	O-ring 12 X 3		1	
12	999 707 567 40	O-ring 17 X 3		2	
13	946 107 015 22	oil sump Discontinued part		1	
(13)	946 107 015 23	oil sump Discontinued part		1	
(13)	946 107 015 24	oil sump		1	
14	946 107 275 21	gasket for oil sump		1	
15	900 219 020 31	sealing plug M 18 X 1,5		1	
16	900 123 106 30	seal ring A 18 X 24		1	
17	999 073 344 01	flat round head bolt M 6 X 20		17	
18	948 107 313 20	flange		1	
19	999 707 570 40	O-ring 44,0 X 3,0		1	

Model: 970 10

Model life 2010>>2016



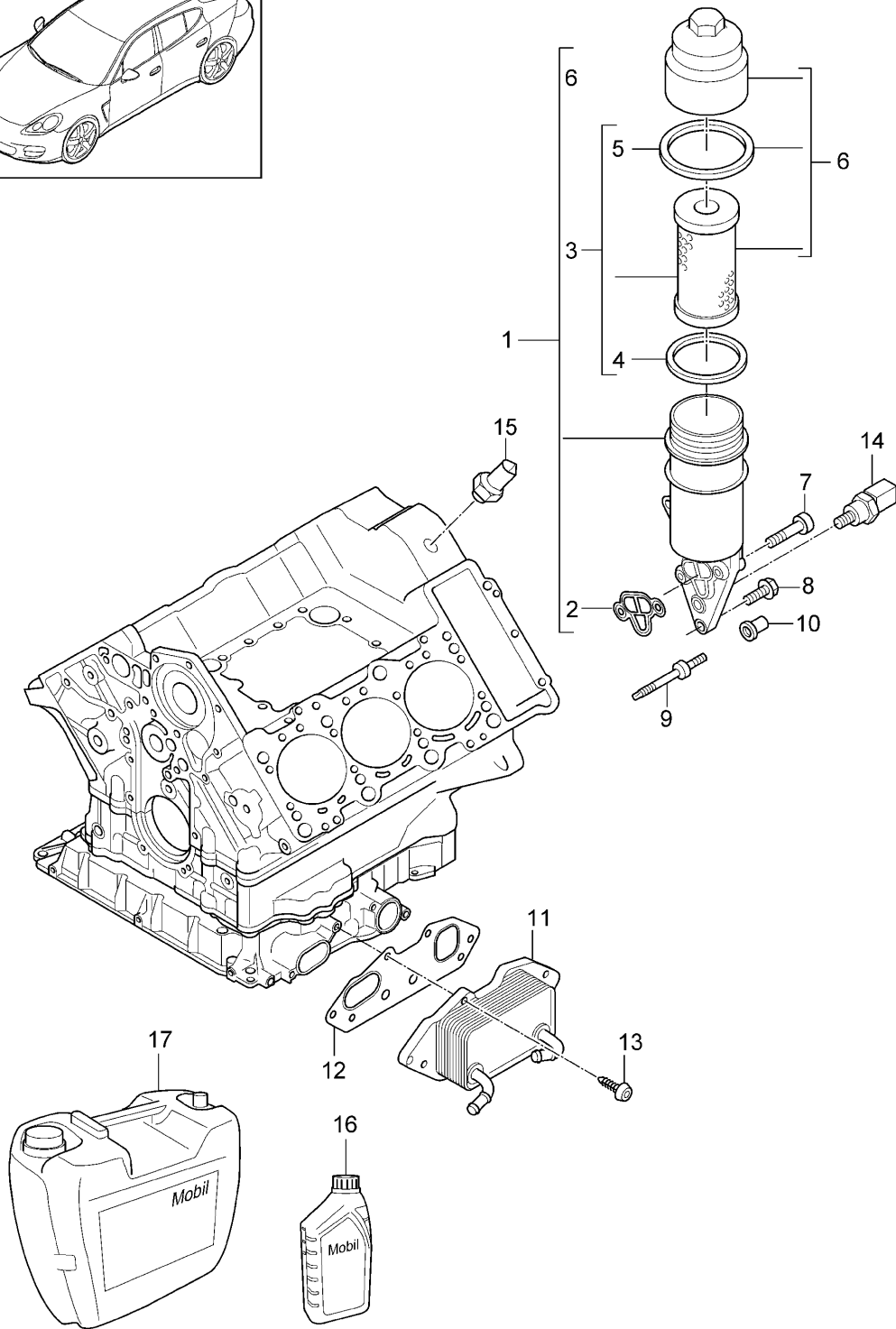
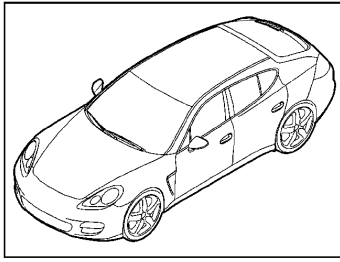
Model: 970 10

Model life 2010>>2016

Pos	Part Number	Description	Remark	Qty	Model
		Suction tube oil sump oil level sensor		1	CWDA, CWD, CWFA, CWF
1	946 606 170 00			1	
2	038 103 196 B	seal ring		1	
3	900 385 072 01	Torx screw BM 6 X 25		3	
4		Solenoid valve oil pump see illustration, item:	104-020,5	1	
5	946 107 313 75	flange		1	
6	999 707 636 40	O-ring 44 X 3,5		1	
7	900 385 019 01	Torx screw M 6 X 20		2	
8	946 107 413 60	securing clip Solenoid valve		1	
9	946 107 031 60	oil pipe		1	
10	999 707 585 40	O-ring 22 X 3		1	
11	999 707 547 40	O-ring 28 X 3		1	
12	900 385 009 01	Torx screw M 6 X 16		10	
13	946 107 030 60	Suction tube		1	
14	999 707 547 40	O-ring 28 X 3		1	
15	900 385 019 01	Torx screw M 6 X 20		2	
16	946 107 033 60	Oil pipe		1	
17	999 707 567 40	O-ring 17 X 3		1	
18	999 707 603 40	O-ring 10 X 3		1	
19	946 107 037 60	Oil pipe Exhaust gas turbocharger	cylinders 4-6	1	
20	946 107 038 60	Oil pipe Exhaust gas turbocharger	cylinders 1-3	1	
21	999 707 603 40	O-ring 10 X 3		4	
22	946 107 015 23	oil sump discontinued part		1	
(22)	946 107 015 24	oil sump		1	
23	946 107 275 21	gasket for oil sump		1	
24	900 219 020 31	sealing plug M 18 X 1,5		1	
25	900 123 106 30	seal ring A 18 X 24		1	
26	999 073 344 01	flat round head bolt M 6 X 20		17	

Model: 970 10

Model life 2010>>2016



Model: 970 10

Model life 2010>>2016

Pos	Part Number	Description	Remark	Qty	Model
1	958 107 010 10	oil filter Console Oil cooler Console No longer use the part here		1	CGEA, CGE, CGFA
(1)	958 107 010 11	Console		1	
2	958 107 111 00	Seal		1	
3	958 107 222 00	filter element with gasket No longer use the part here		1	
(3)	958 107 222 01	filter element with gasket		1	
4	N 910 465 01	O-ring 73,5 X 2		1	
5	958 107 322 00	seal ring		1	
6	958 107 122 00	End cap Discontinued part		1	
(6)	958 107 122 01	End cap		1	
		with:			
7	N 910 528 02	filter element and Seal Hexagon socket head bolt M 7 X 75 Discontinued part		2	
(7)	N 911 997 01	Hexagon socket head bolt M 7 X 75		2	
8	N 102 856 02	hexagon head bolt (combi) M 6 X 25		1	
9	WHT 000 403 A	stud with shoulder M 7 X 93		1	
10	WHT 000 404	also use:	WHT 000 404	1	
		Collar nut M 7 Discontinued part		1	
(10)	WHT 000 404 A	Collar nut M 7		1	
11	958 107 271 00	Oil cooler		1	
12	958 107 175 00	gasket for oil cooler No longer use the part here		1	
(12)	958 107 175 01	gasket for oil cooler		1	
13	N 107 451 01	Hexagon socket flat head bolt M 6 X 20		4	
(13)	N 906 847 07	fillister head bolt (combi.) M 6 X 20		1	
14	958 606 081 30	Oil pressure switch Console No longer use the part here		1	
(14)	958 606 081 31	Oil pressure switch Console		1	
15	958 606 081 40	Oil pressure switch		1	
16	000 043 301 16	Crankcase housing engine oil EXXON MOBIL 1 ESP FORMULA 5W-30 1 LITER		X	- "CN."
(16)	000 043 301 19	Container engine oil EXXON MOBIL 1 0W-40 1 LITER		X	"CN."
17	000 043 301 17	Container engine oil		X	- "CN."

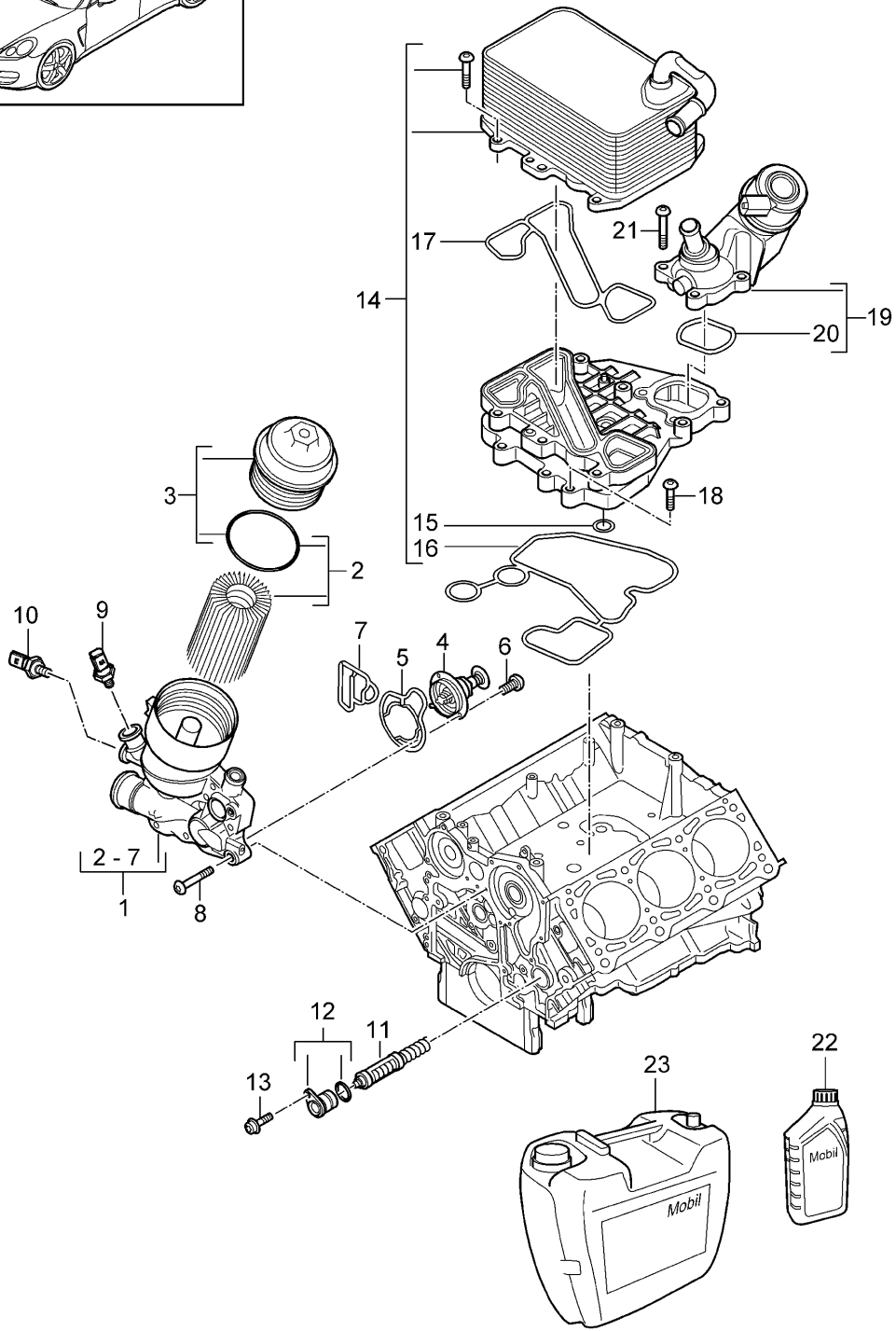
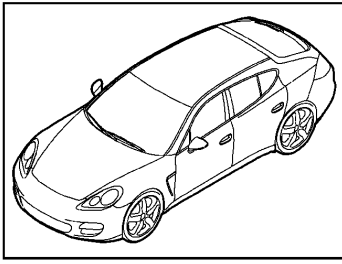
Model: 970 10

Model life 2010>>2016

Pos	Part Number	Description	Remark	Qty	Model
(17)	000 043 301 21	EXXON MOBIL 1 ESP FORMULA 5W-30 20 LITER Container engine oil EXXON MOBIL 1 0W-40 20 LITER Container		X	"CN. "

Model: 970 10

Model life 2010>>2016



Model: 970 10

Model life 2010>>2016

Pos	Part Number	Description	Remark	Qty	Model
1	958 107 010 30	oil filter flange Oil cooler oil filter with flange and Thermostat insert Water cooling		1	CRCC, CRCB, CWJA
(1)	958 107 010 31	Discontinued part oil filter with flange and Thermostat insert Water cooling		1	
(1)	958 107 010 32	Discontinued part oil filter with flange and Thermostat insert Water cooling		1	
2	958 107 222 20	filter element with gasket		1	
3	955 107 122 00	End cap		1	
4		Thermostat insert Water cooling Not available Use POS.1		1	
5		Seal Not available Use Pos.1		1	
6		flat round head bolt Not available Use Pos.1		2	
7		Seal Not available Use Pos.1		1	
8	N 105 540 05	round hd. screw M 6 X 35		7	
(8)	N 104 057 02	Hexagon socket head bolt AM 6 X 45		1	
9	958 606 081 60	Oil pressure switch 0,75 - 1,05 BAR		1	
10	958 606 081 70	Oil pressure switch 2,0 - 2,5 BAR		1	
11	958 107 201 20	thermostat Engine oil cooling		1	
12	958 107 185 30	cover for thermostat LÄNGE 26 MM		1	
(12)	958 107 185 40	cover for thermostat LÄNGE 28 MM		1	
13	N 911 804 01	Hexalobular flange screw M 6 X 22		1	
14	958 107 271 20	Oil cooler (complete) No longer use the part here		1	
(14)	958 107 271 21	Oil cooler (complete)		1	
15	958 107 175 20	gasket for oil cooler		1	
16	958 107 176 00	gasket for oil cooler		1	
17	958 107 176 20	gasket for oil cooler		1	
18	N 107 002 01	round hd. screw M 6 X 22		4	

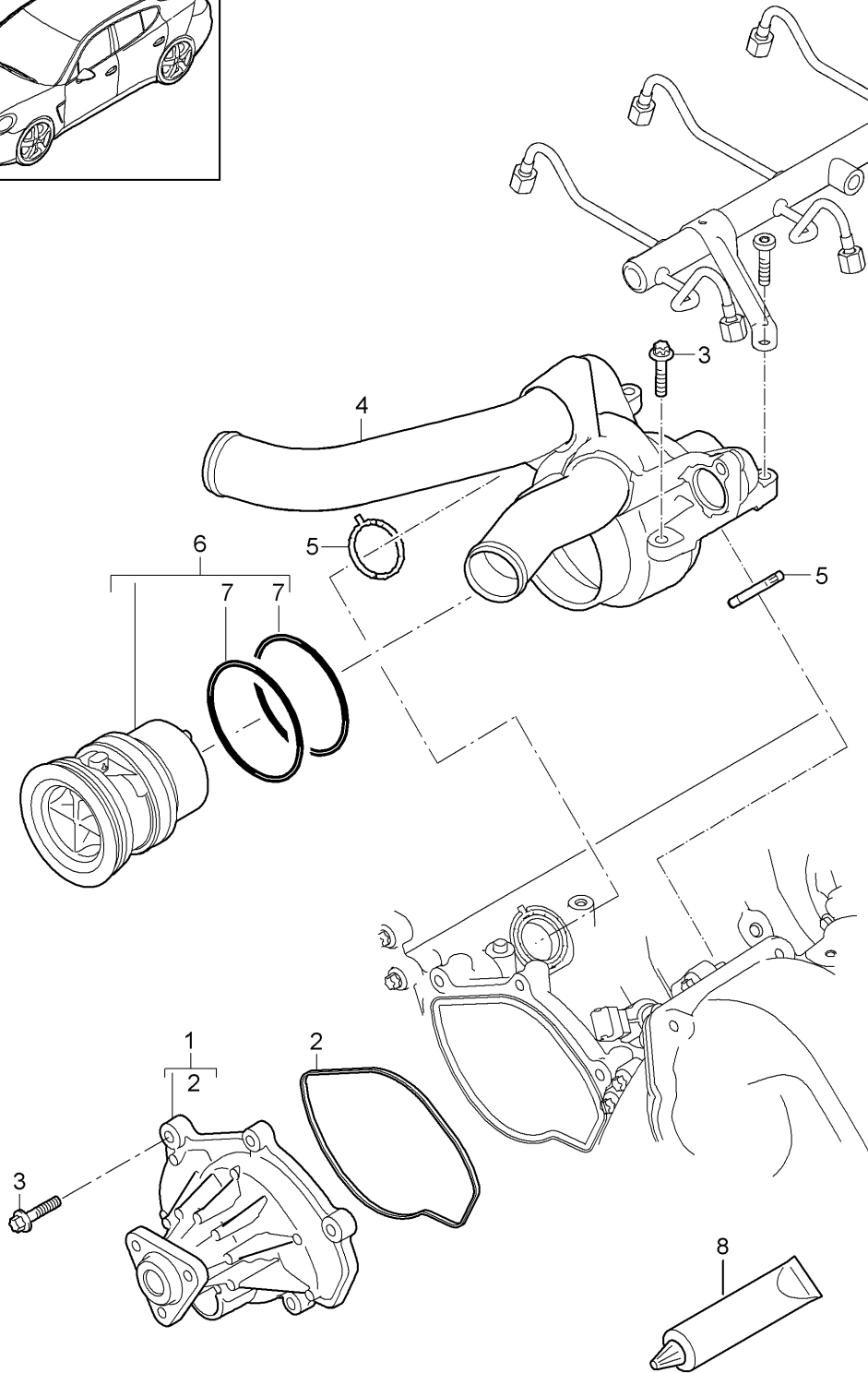
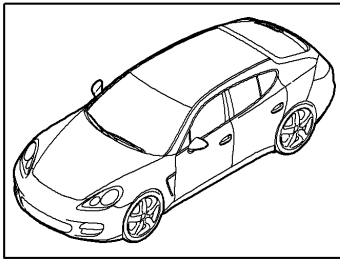
Model: 970 10

Model life 2010>>2016

Pos	Part Number	Description	Remark	Qty	Model
19	958 106 737 01	Governor Discontinued part		1	
(19)	958 106 737 02	Control and regulating unit Discontinued part		1	
(19)	958 106 737 03	Control and regulating unit Discontinued part		1	
(19)	958 106 737 04	Control and regulating unit		1	
20	958 106 749 00	Seal No longer use the part here		1	
(20)	958 106 749 02	Seal		1	
21	N 105 540 05	round hd. screw M 6 X 35		3	
22	000 043 301 16	engine oil EXXON MOBIL 1 ESP FORMULA 5W-30 1 LITER Container		X	
23	000 043 301 17	engine oil EXXON MOBIL 1 ESP FORMULA 5W-30 20 LITER Container		X	

Model: 970 10

Model life 2010>>2016

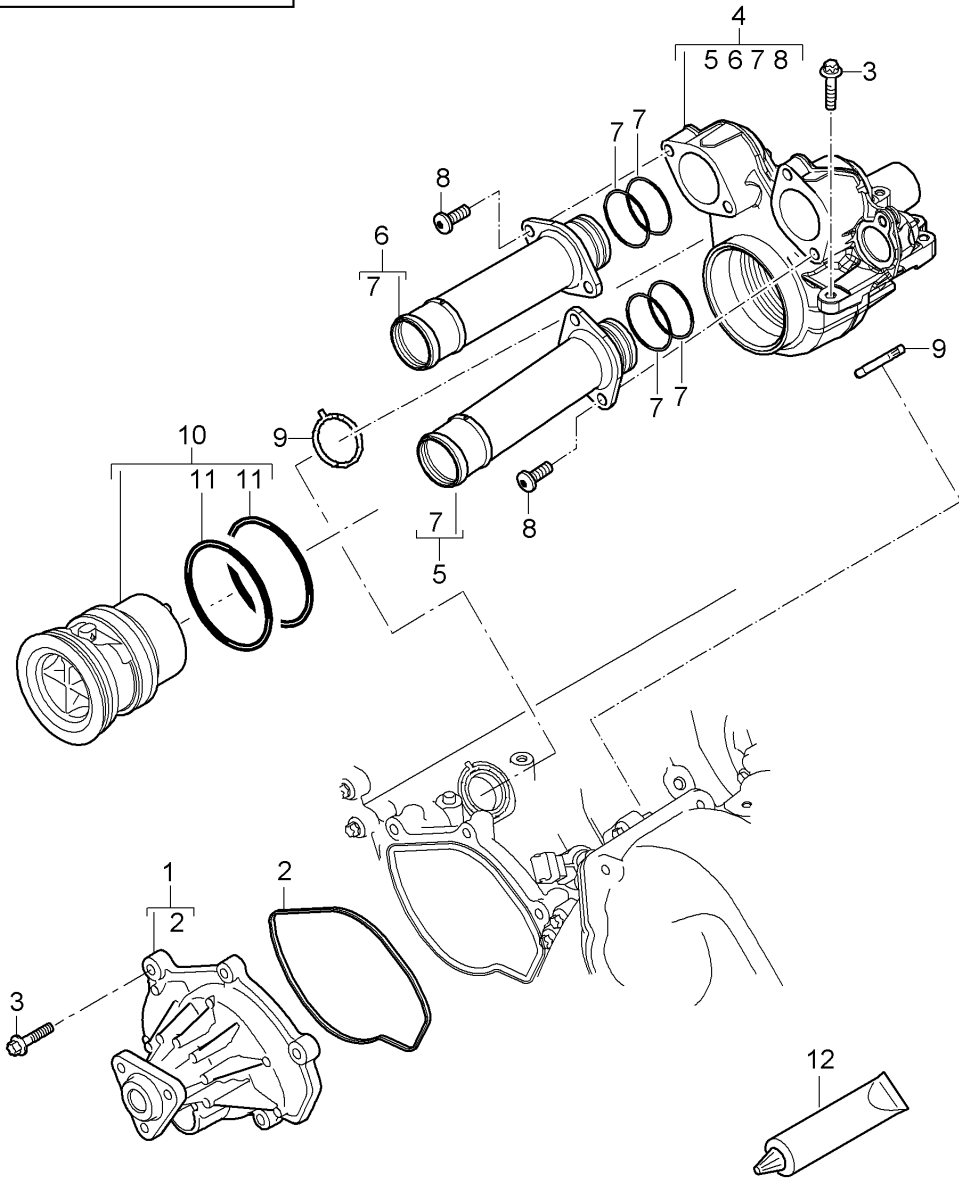
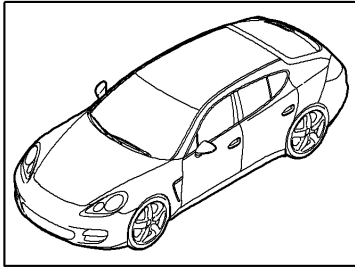


Model: 970 10 Model life 2010>>2016

Pos	Part Number	Description	Remark	Qty	Model
		Coolant pump thermostat housing			4820,4840, 4870,4620, 4640,CXPA, CXRA,CXR, CWBA,CWB, CWAA,CXNA, CWCA,CWC
1	948 106 033 01	Coolant pump with sealing ring		1	4820,4840, 4870,CXPA, CXRA,CXR, CWBA,CWB, CWCA,CWC
(1)	946 106 033 00	Coolant pump with sealing ring		1	4620,4640, CWAA,CXNA
2	948 106 533 00	Seal		1	
3	900 385 072 01	Torx screw	BM6X25	8	
4	948 106 080 00	thermostat housing		1	
		No longer use the part here			
(4)	948 106 080 02	thermostat housing		1	
		also use:	948 106 124 02	2	
			948 106 707 00	2	
			000 043 205 93	1	
5	948 106 124 01	Seal		2	
		No longer use the part here			
(5)	948 106 124 02	Seal		2	
6	948 106 034 00	thermostat		1	
		No longer use the part here			
(6)	948 106 034 01	thermostat		1	
		also use:	000 043 205 93	1	
7	000 043 301 23	O-ring	62,86X5,33	2	
		Discontinued part			
(7)	948 106 707 00	O-ring	62,86X5,33	2	
		also use:	000 043 205 93	1	
8	000 043 205 93	grease for O-ring thermostat	100 gram	X	

Model: 970 10

Model life 2010>>2016



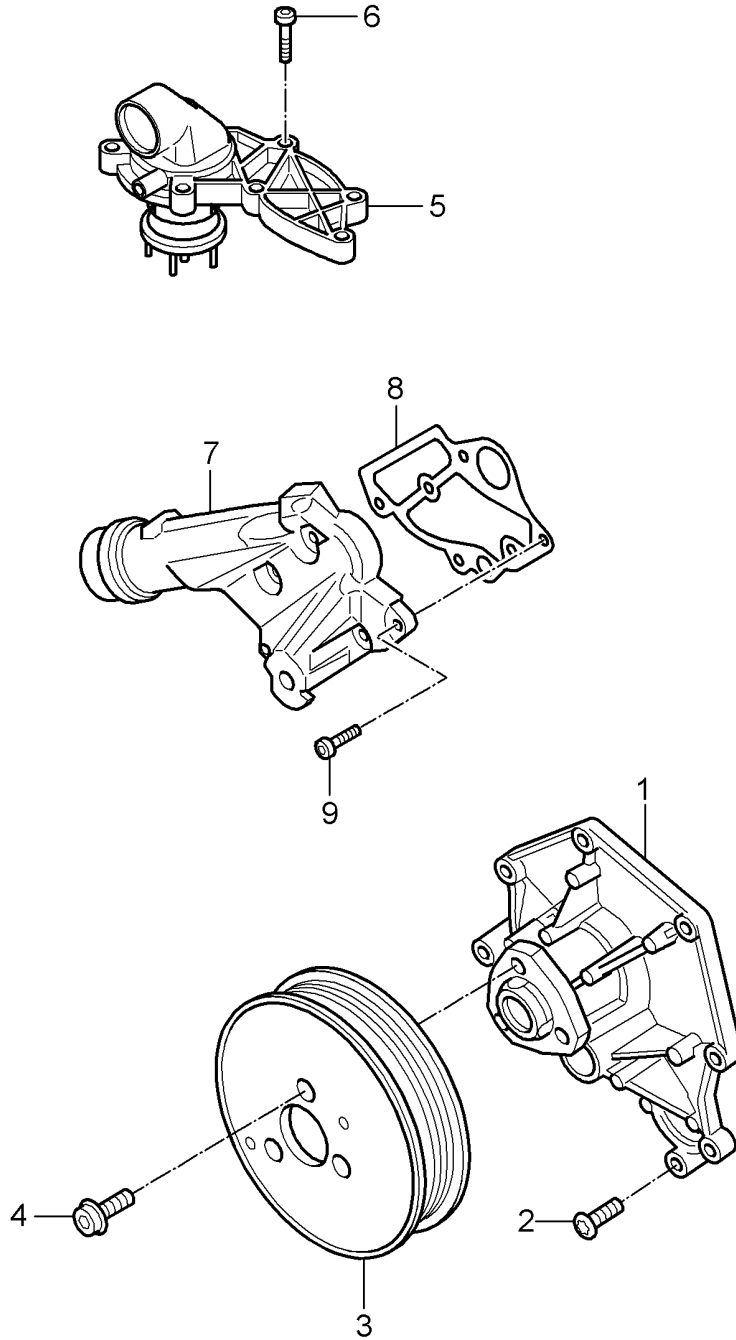
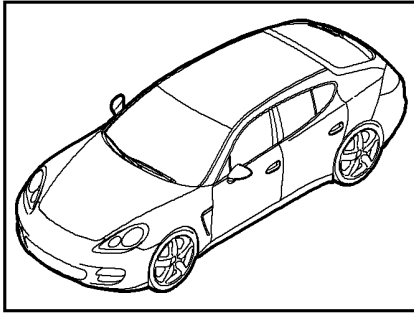
Model: 970 10

Model life 2010>>2016

Pos	Part Number	Description	Remark	Qty	Model
		Coolant pump thermostat housing			CWDA, CWD, CWFA, CWF
1	948 106 033 01	Coolant pump with sealing ring		1	
2	948 106 533 00	Seal		1	
3	900 385 072 01	Torx screw	BM6X25	9	
4	946 106 080 61	thermostat housing		1	
5	946 106 260 61	Pipe union		1	
6	946 106 360 61	Pipe union		1	
7	999 701 083 40	O-ring	38X3N	4	
8	999 073 344 01	flat round head bolt	M6X20	4	
9	948 106 124 02	Seal		2	
10	948 106 034 01	thermostat		1	
		also use:	000 043 205 93	1	
11	948 106 707 00	O-ring	62,86X5,33	2	
		also use:	000 043 205 93	1	
12	000 043 205 93	grease for O-ring thermostat	100 gram	X	

Model: 970 10

Model life 2010>>2016

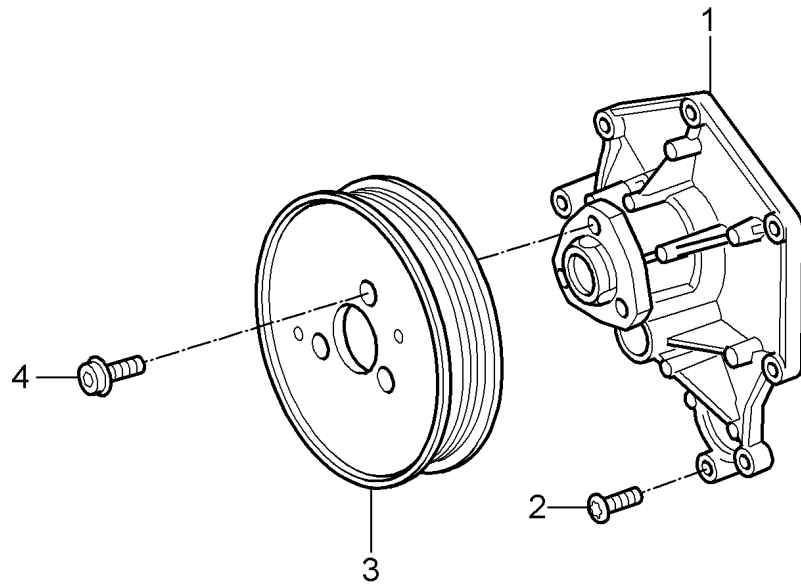
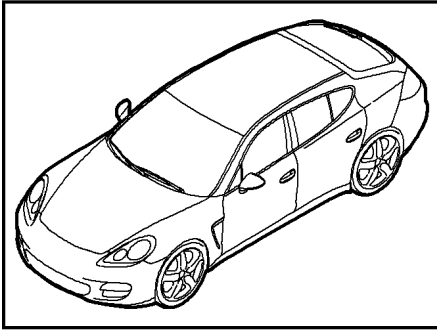


Model: 970 10 Model life 2010>>2016

Pos	Part Number	Description	Remark	Qty	Model
1	958 106 033 12	Coolant pump thermostat housing Coolant pump with sealing ring Discontinued part		1	CGEA, CGE, CGFA
(1)	958 106 033 13	Coolant pump with sealing ring discontinued part		1	
(1)	958 106 033 14	Coolant pump with sealing ring		1	
2	N 910 717 01	Hexagon socket flat head bolt No longer use the part here	M6X25	7	
(2)	N 104 134 05	Hexagon socket flat head bolt	M6X25	7	
3	958 106 091 00	pulley		1	
4	N 910 522 01	Hexagon socket head bolt	M8X12	3	
5	958 106 032 01	thermostat housing with: thermostat No longer use the part here		1	
(5)	958 106 032 02	thermostat housing with: thermostat		1	
6	N 910 680 01	Hexagon socket flat head bolt	M6X28	7	
7	958 106 231 00	Cover with connector union No longer use the part here		1	
(7)	958 106 231 01	Cover with connector union Discontinued part		1	
(7)	958 106 231 02	Cover with connector union		1	
8	958 106 431 00	Seal		1	
9	N 910 717 01	Hexagon socket flat head bolt No longer use the part here	M6X25	6	
(9)	N 104 134 05	Hexagon socket flat head bolt	M6X25	6	

Model: 970 10

Model life 2010>>2016



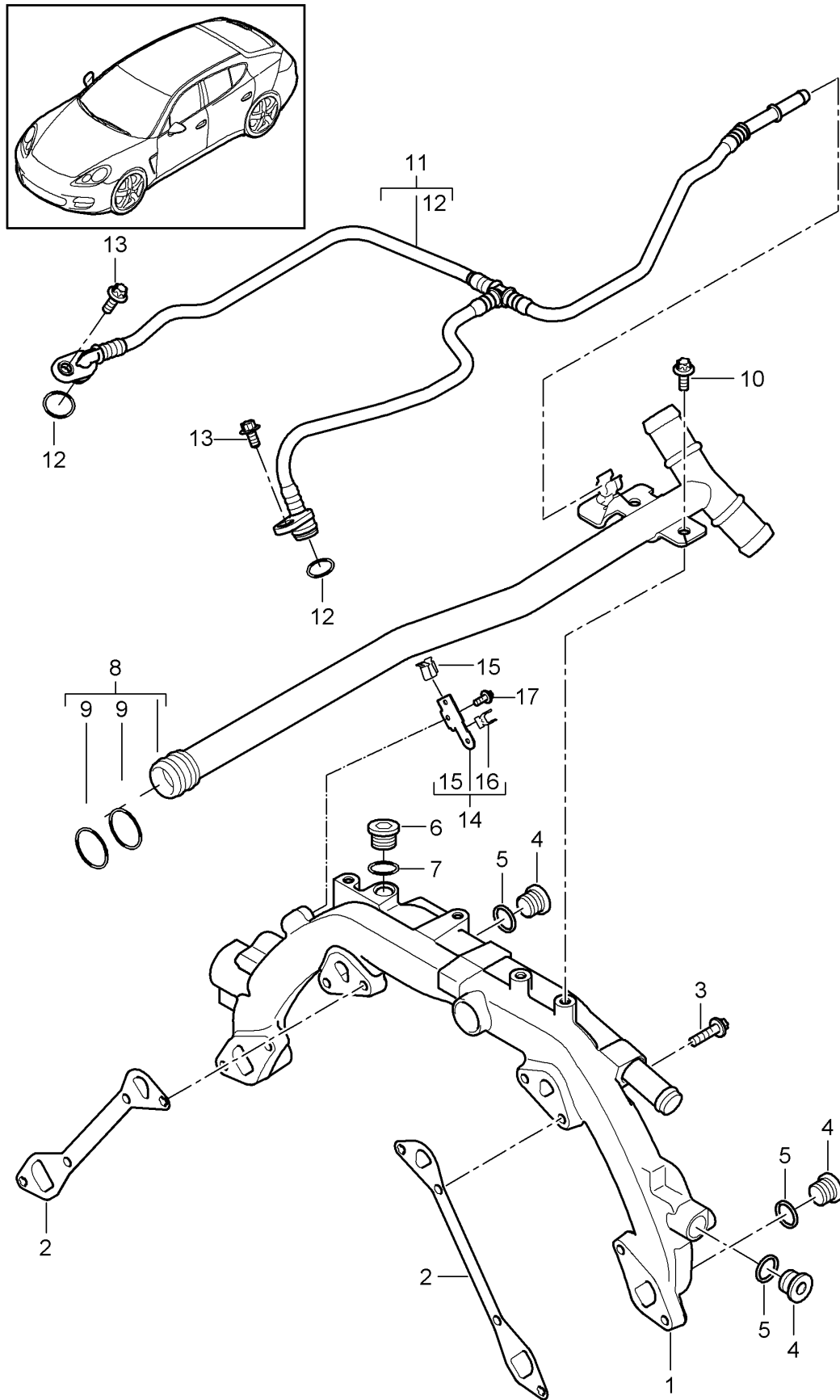
Model: 970 10

Model life 2010>>2016

Pos	Part Number	Description	Remark	Qty	Model
		Coolant pump			CRCC,CRCB, CWJA
1	958 106 033 30	Coolant pump with sealing ring Discontinued part		1	CRCC,CRCB
(1)	958 106 033 31	Coolant pump with sealing ring		1	CRCC,CRCB
(1)	958 106 033 41	Coolant pump with sealing ring		1	CWJA
2	N 107 002 01	round hd. screw	M6X22	10	
		D >> - MJ 2012	steel		
(2)	N 911 804 01	Hexalobular flange screw M 6 X 22	M6X22	10	
		D - MJ 2013>>	aluminium		
3	958 106 091 10	pulley		1	
4	N 910 522 01	Hexagon socket head bolt	M8X12	3	

Model: 970 10

Model life 2010>>2016



Model: 970 10 Model life 2010>>2016

Pos	Part Number	Description	Remark	Qty	Model
		Water cooling 1			4820,4840, 4870,4620, 4640,CWAA, CXNA,CXPA, CXRA,CXR, CWBA,CWB, CWCA,CWC
1	948 106 061 04	Distributor tube without: sealing plug		1	
(1)	948 106 061 20	No longer use the part here Distributor tube with: sealing plug	side	1	
		Only Valid for Panamera Turbo Deleted sealing plug only in conj. with: Heating hose 970.106.420.01 Replacement 948.106.061.21 970.106.420.02		3	
(1)	948 106 061 20	D >> - MJ 2013 No longer use the part here Distributor tube with: sealing plug	side	1	
		M >> CWA 001 886 M >> CXP 000 913 M >> CWB 001 356 Only Valid for Panamera Turbo Deleted sealing plug only in conj. with: Heating hose 970.106.420.01		3	
(1)	948 106 061 21	D - MJ 2014>> No longer use the part here Distributor tube with: sealing plug	side	1	
		M CWA 001 887>> M CXP 000 914>> M CWB 001 357>> Only Valid for Panamera Turbo Deleted sealing plug for vehicles up to M >> CWA 001 886 M >> CXP 000 913 M >> CWB 001 356 use if required:	970 106 420 02	3	
2	948 106 154 01	Seal		2	
3	900 385 072 01	Torx screw BM 6 X 25		8	
4	900 219 004 01	sealing plug		3	4820,4840,

Model: 970 10

Model life 2010>>2016

Pos	Part Number	Description	Remark	Qty	Model
		M 16 X 1,5			4620,4640, CWAA,CXNA, CXPA,CXRA, CXR
(4)	900 219 004 01	sealing plug M 16 X 1,5		2	4870,CWBA, CWB,CWCA,CWC
5	900 123 131 30	seal ring A 16 X 20		3	4820,4840, 4620,4640, CWAA,CXNA, CXPA,CXRA, CXR
(5)	900 123 131 30	seal ring A 16 X 20		2	4870,CWBA, CWB,CWCA,CWC
6	900 219 002 03	sealing plug M 14 X 1,5		1	
		M >> A 05186			4820
		M >> A 09537			4840
		M >> A 06398			4870
		M >> B 00914			4620
		M >> B 03213			4640
7	900 123 007 30	seal ring A 14 X 18		1	
		M >> A 05186			4820
		M >> A 09537			4840
		M >> A 06398			4870
		M >> B 00914			4620
		M >> B 03213			4640
8	948 106 069 21	Coolant pipe heater		1	4820,4840, 4870,CXPA, CXRA,CXR, CWBA,CWB, CWCA,CWC
(8)	946 106 069 21	Coolant pipe heater		1	4620,4640, CWAA,CXNA
9	999 707 477 40	O-ring 19 X 3		2	
10	900 385 041 01	Torx screw BM 6 X 12		2	
11	948 106 026 22	Breather line		1	4820,4840, 4870,CXPA, CXRA,CXR, CWBA,CWB, CWCA,CWC
(11)	946 106 026 22	Breather line		1	4620,4640, CWAA,CXNA
12	999 707 586 40	O-ring 11 X 2,5		2	
13	900 385 009 01	Torx screw BM 6 X 16		2	
14	948 607 271 01	Bracket Wire set		1	4820,4840, 4620,4640, CWAA,CXNA, CXPA,CXRA, CXR
15	999 651 394 40	Cable holder 6,0		1	4820,4840, 4620,4640, CWAA,CXNA, CXPA,CXRA, CXR
16	999 651 392 07	Cable holder 9,5 - 10,5		1	4820,4840, 4620,4640, CWAA,CXNA, CXPA,CXRA,

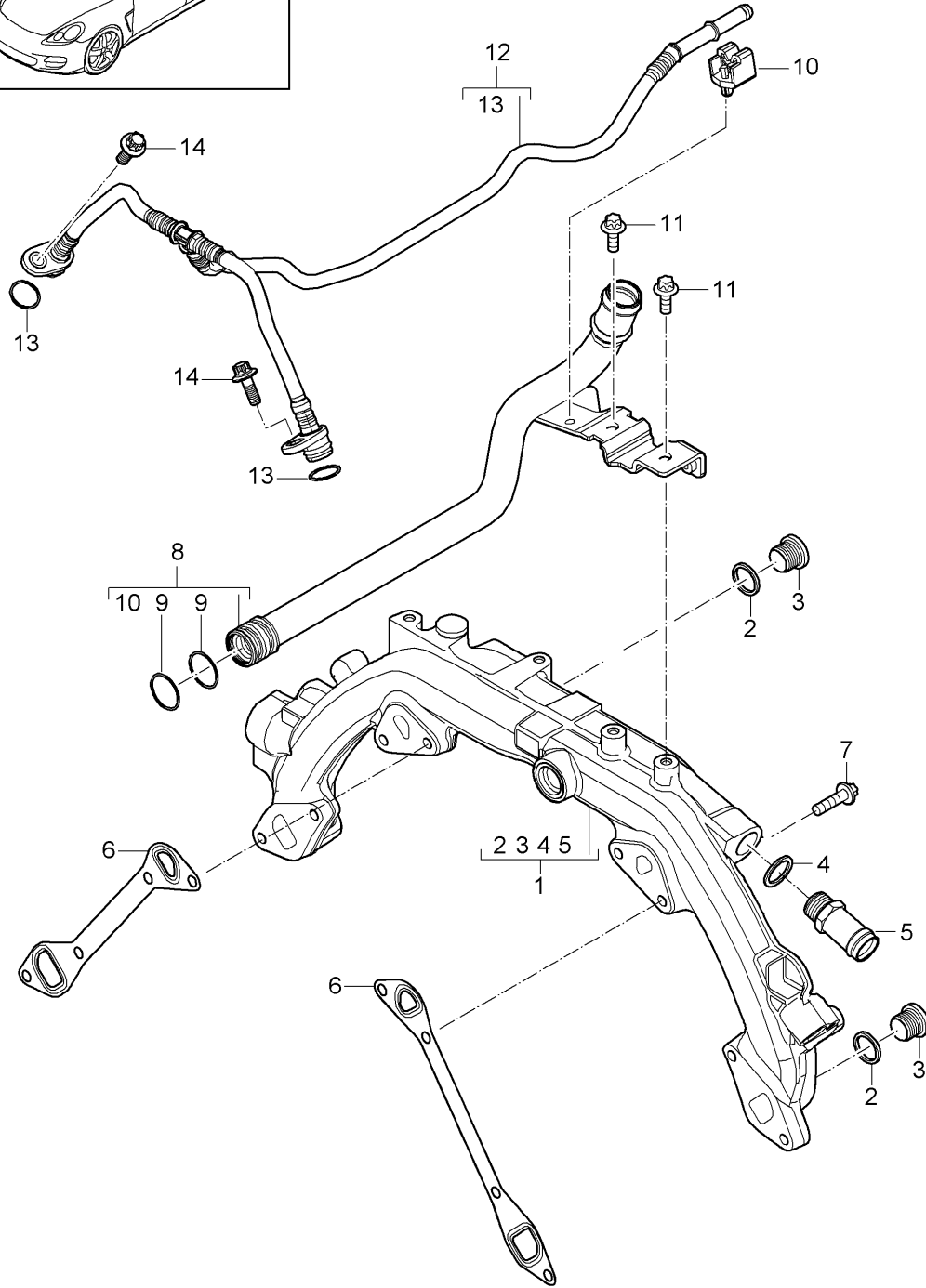
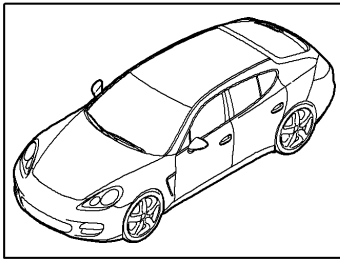
Model: 970 10

Model life 2010>>2016

Pos	Part Number	Description	Remark	Qty	Model
17	900 385 041 01	Torx screw BM 6 X 12		1	CXR 4820, 4840, 4620, 4640, CWAA, CXNA, CXPA, CXRA, CXR

Model: 970 10

Model life 2010>>2016



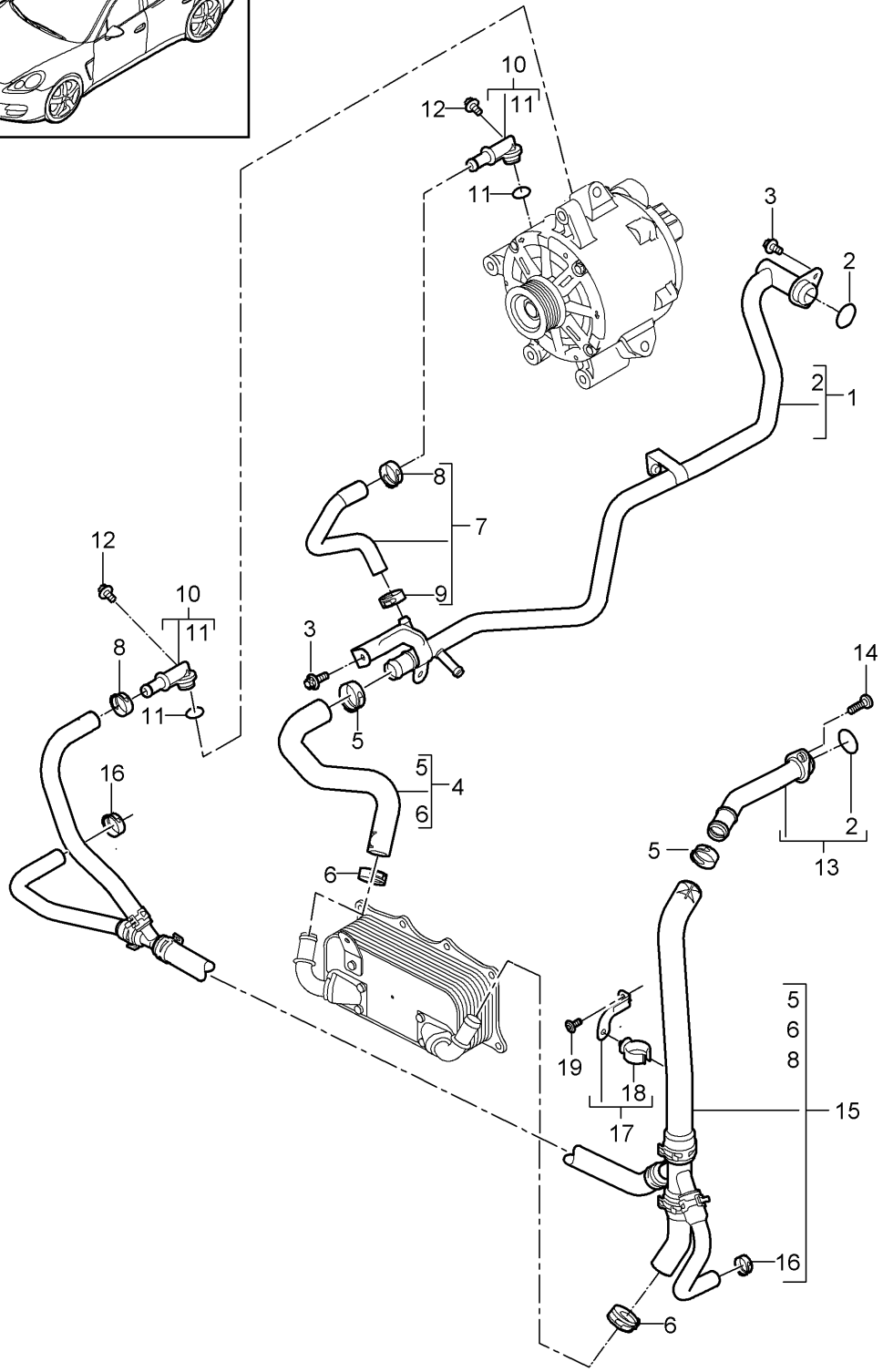
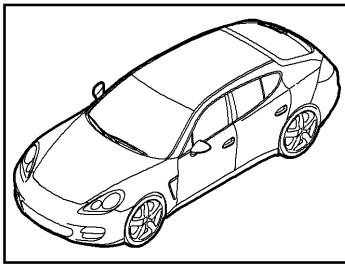
Model: 970 10

Model life 2010>>2016

Pos	Part Number	Description	Remark	Qty	Model
		Water cooling 1			CWDA, CWD, CWFA, CWF
1	948 106 061 76	Distributor for coolant		1	
2	900 123 131 30	seal ring A 16 X 20		2	
3	900 219 004 01	sealing plug M 16 X 1,5		2	
4	900 123 118 30	seal ring A 22 X 27		1	
5	948 106 261 02	Pipe union M 22 X1,5		1	
6	948 106 154 01	Seal		2	
7	900 385 072 01	Torx screw BM 6 X 25		8	
8	946 106 069 60	Coolant pipe heater		1	
9	999 707 477 40	O-ring 19 X 3		2	
10	999 507 886 40	Hose bracket 4,8 - 8		1	
11	900 385 041 01	Torx screw BM 6 X 12		2	
12	946 106 026 60	Breather line		1	
13	999 707 586 40	O-ring 11 X 2,5		2	
14	900 385 009 01	Torx screw BM 6 X 16		2	

Model: 970 10

Model life 2010>>2016



Model: 970 10 Model life 2010>>2016

Pos	Part Number	Description	Remark	Qty	Model
		Water cooling 2			4820,4840, 4870,CXPA, CXRA,CXR, CWBA,CWB, CWCA,CWC 4870
1	948 106 022 75	Coolant pipe	with:	1	
(1)	948 106 022 76	O-ring Discontinued part Coolant pipe	with:	1	4870,CWBA, CWB,CWCA,CWC
-	999 651 199 40	O-ring Cable holder 8,0 - 10,0		1	4870,CWBA, CWB,CWCA,CWC
(1)	948 106 022 24	Coolant pipe	with:	1	4820,4840
(1)	948 106 022 25	O-ring Discontinued part Coolant pipe	with:	1	4820,4840, CXPA,CXRA, CXR
2	999 701 825 40	O-ring		2	
3	900 385 041 01	19,6 X 3,53 Torx screw		2	
4	948 106 457 20	BM 6 X 12 Water hose		1	
(4)	948 106 457 21	Discontinued part Water hose		1	
(4)	948 106 457 22	Discontinued part Water hose		1	
5	999 512 658 09	Hose clamp 27 X 12		2	
6	999 512 656 09	Hose clamp 25 X 12		2	
7	948 106 355 05	Water hose		1	
(7)	948 106 355 06	Discontinued part Water hose		1	
8	999 512 652 09	Hose clamp 19 X 12		2	
9	999 512 686 09	Hose clamp 17 X 12		1	
10	948 106 462 00	connection piece		2	
11	999 707 514 40	Alternator O-ring		2	
12	900 385 009 01	12,37 X 2,62 Torx screw		2	
13	948 106 421 04	BM 6 X 16 Coolant pipe		1	
(13)	948 106 421 10	Return line M >> A 04025 M >> A 06170 M >> A 04494 Coolant pipe		1	4820 4840 4870
(13)	948 106 421 10	Return line M A 04026 >> M A 06171 >> M A 04495 >> D >> - MJ 2013 Coolant pipe		1	4820 4840 4870
14	999 073 344 01	D - MJ 2014>> flat round head bolt M 6 X 20		1	

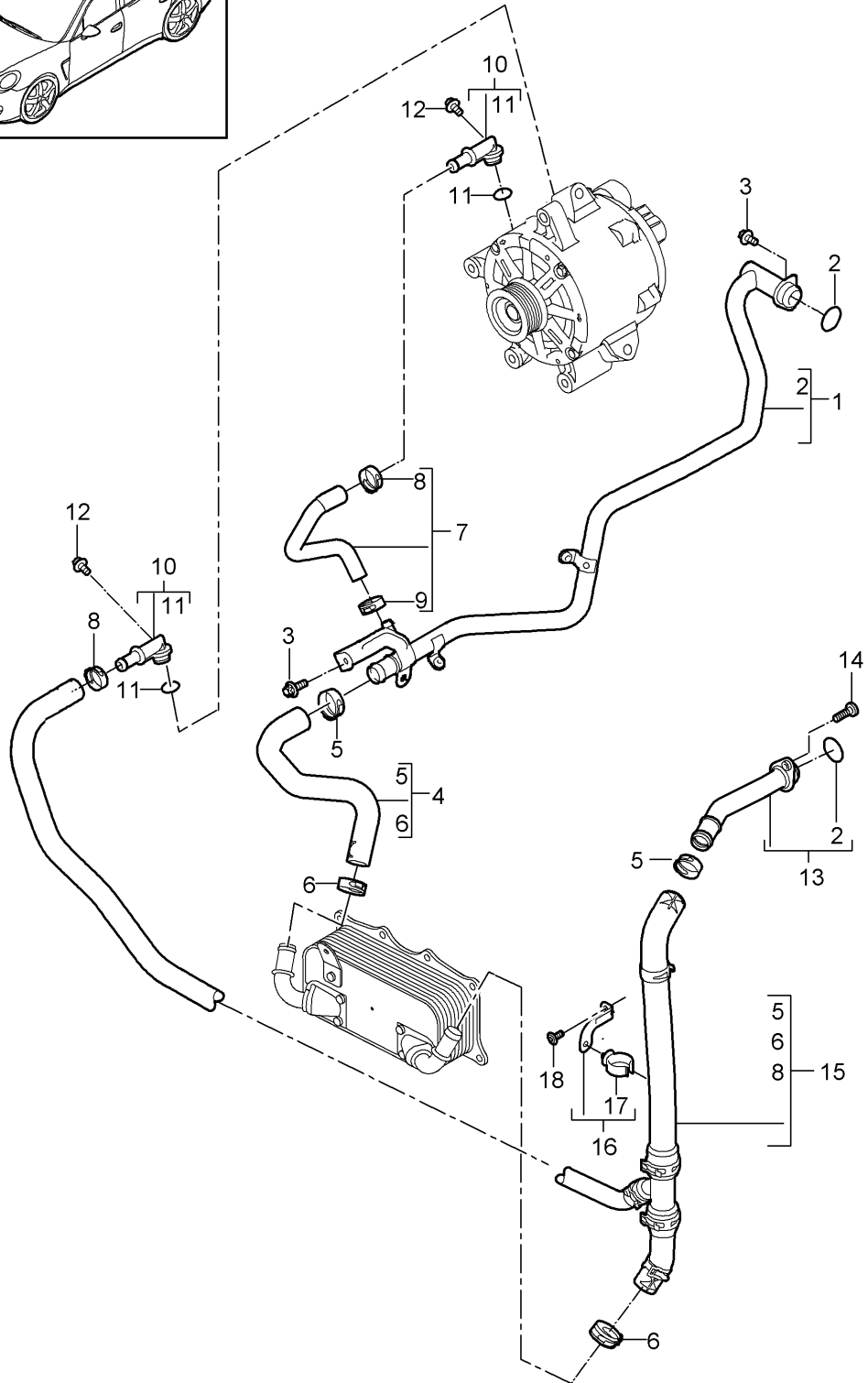
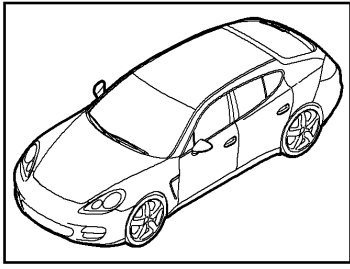
Model: 970 10

Model life 2010>>2016

Pos	Part Number	Description	Remark	Qty	Model
15	948 106 051 73	Water hose (complete) Return line Discontinued part		1	4870
(15)	948 106 051 74	Water hose (complete) Return line Discontinued part		1	4870
(15)	948 106 051 76	Water hose (complete) Return line Discontinued part		1	4870, CWBA, CWB, CWCA, CWC
(15)	948 106 051 77	Water hose (complete) Return line		1	4870, CWBA, CWB, CWCA, CWC
(15)	948 106 051 21	Water hose (complete) Return line Discontinued part		1	4820, 4840
(15)	948 106 051 23	Water hose (complete) Return line Discontinued part		1	4820, 4840, CXPA, CXRA, CXR
(15)	948 106 051 24	Water hose (complete) Return line		1	4820, 4840, CXPA, CXRA, CXR
16	999 512 686 09	Hose clamp B 17 X 12		2	4870
17	7PP 121 232	Retainer for coolant hose Discontinued part		1	
(17)	7PP 121 224	Retainer for coolant hose Discontinued part		1	
(17)	7PP 121 224 A	Retainer for coolant hose		1	
18	999 511 244 40	Cable holder No longer use the part here		1	
(18)	N 105 769 01	Hose bracket		1	
19	999 073 902 30	fillister hd. bolt aluminium M 6 X 16 Discontinued part		1	
(19)	999 073 902 31	fillister hd. bolt aluminium M 6 X 16		1	

Model: 970 10

Model life 2010>>2016



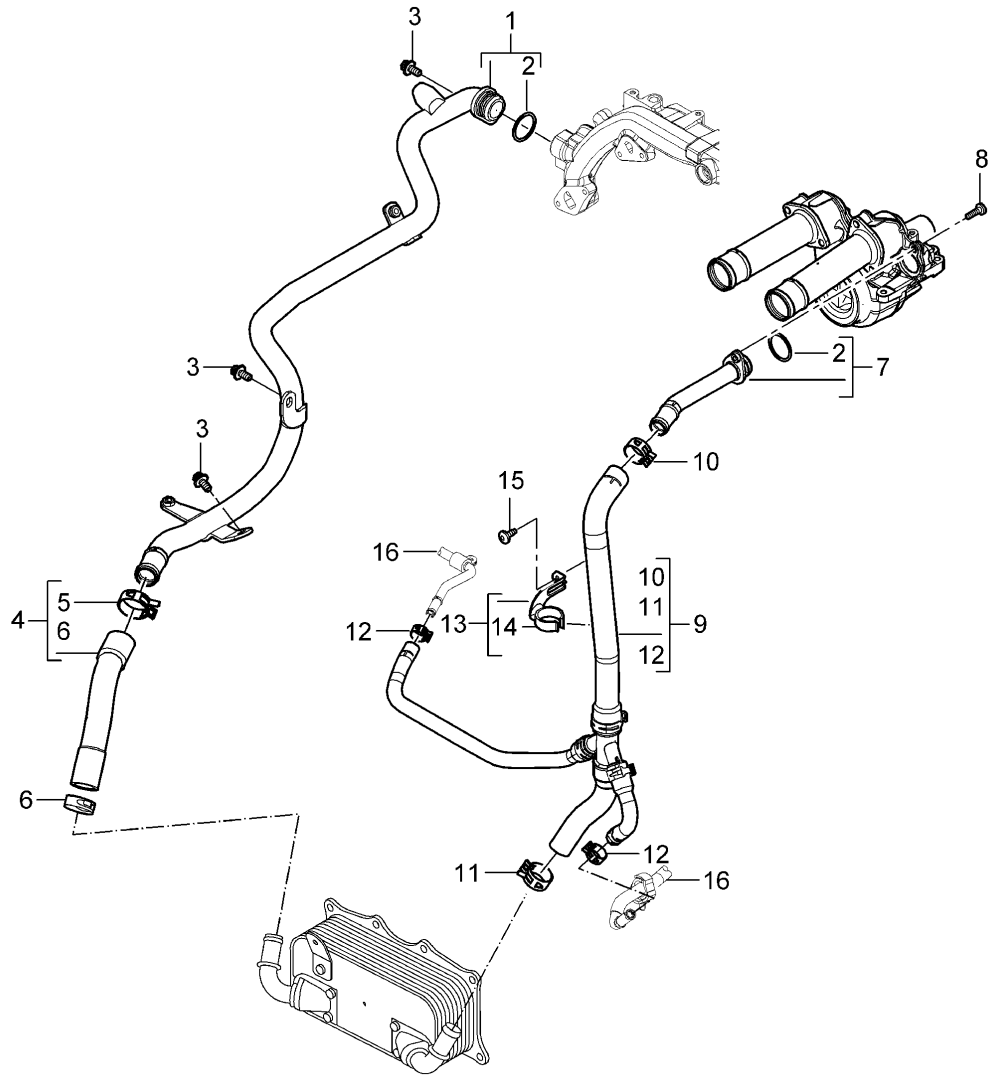
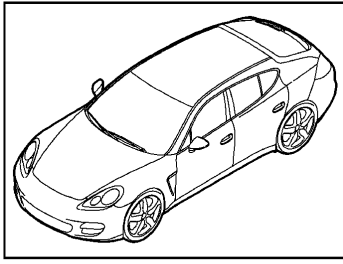
Model: 970 10

Model life 2010>>2016

Pos	Part Number	Description	Remark	Qty	Model
		Water cooling 2			4620,4640, CWAA,CXNA
1	946 106 022 24	Coolant pipe with:		1	
2	999 701 825 40	O-ring		2	
3	900 385 041 01	Torx screw 19,6 X 3,53 BM 6 X 12		2	
4	946 106 457 20	Water hose Discontinued part		1	
(4)	946 106 457 21	Water hose		1	
5	999 512 658 09	Hose clamp 27 X 12		2	
6	999 512 656 09	Hose clamp 25 X 12		2	
7	948 106 355 05	Water hose Discontinued part		1	
(7)	948 106 355 06	Water hose		1	
8	999 512 652 09	Hose clamp 19 X 12		2	
9	999 512 686 09	Hose clamp 17 X 12		1	
10	948 106 462 00	connection piece Alternator		2	
11	999 707 514 40	O-ring 12,37 X 2,62		2	
12	900 385 009 01	Torx screw BM 6 X 16		2	
13	948 106 421 10	Coolant pipe Return line		1	
14	999 073 344 01	flat round head bolt M 6 X 20		1	
15	946 106 051 21	Water hose (complete) Return line Discontinued part		1	
(15)	946 106 051 22	Water hose (complete) Return line		1	
16	7PP 121 232	Retainer for coolant hose Discontinued part		1	
(16)	7PP 121 224	Retainer for coolant hose Discontinued part		1	
(16)	7PP 121 224 A	Retainer for coolant hose		1	
17	999 511 244 40	Cable holder No longer use the part here		1	
(17)	N 105 769 01	Hose bracket		1	
18	999 073 902 31	fillister hd. bolt aluminium M 6 X 16		1	

Model: 970 10

Model life 2010>>2016



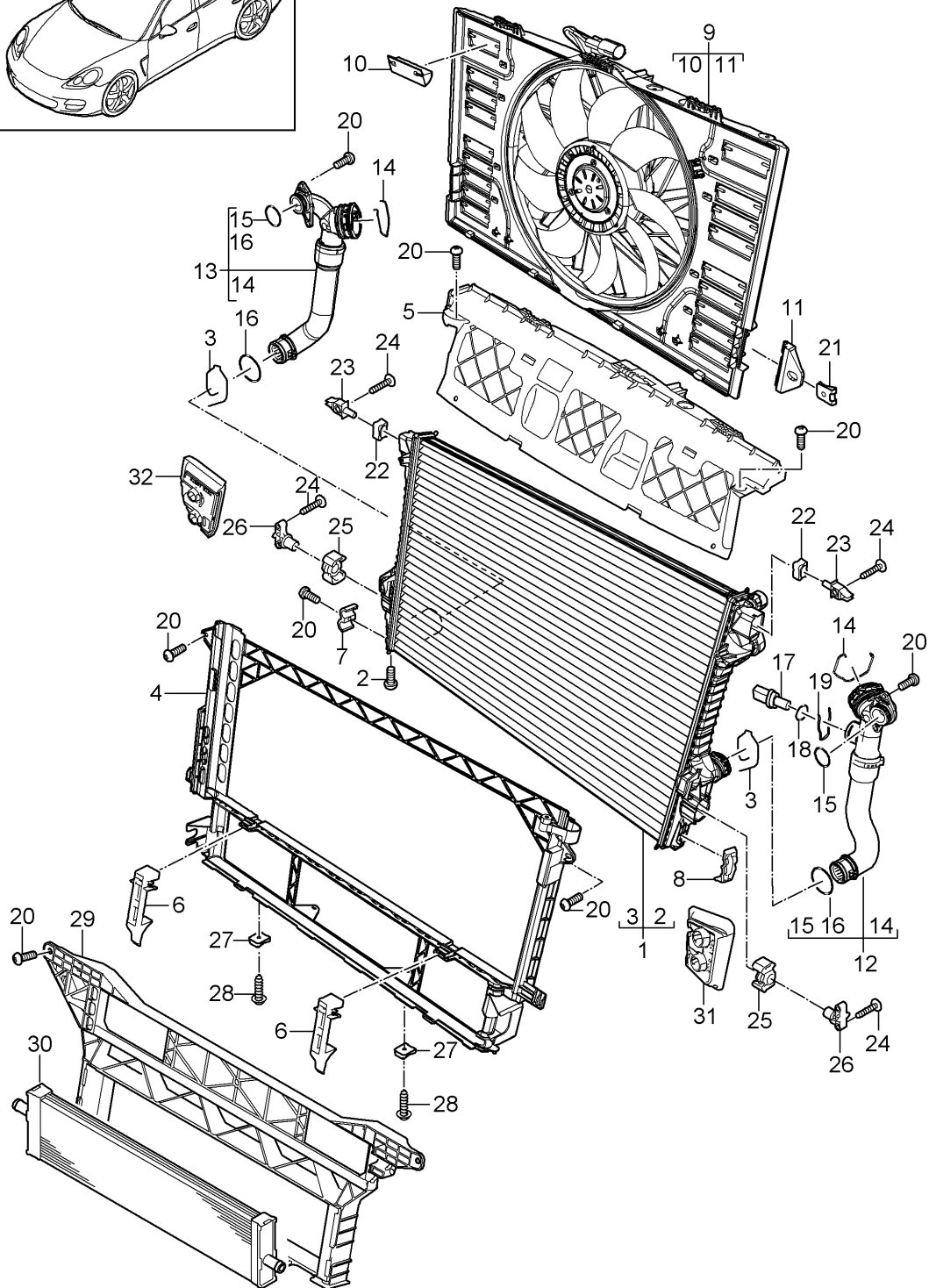
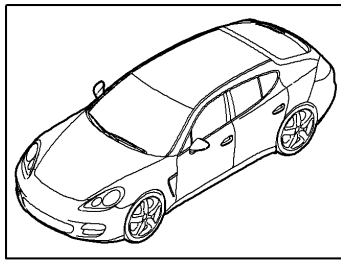
Model: 970 10

Model life 2010>>2016

Pos	Part Number	Description	Remark	Qty	Model
		Water cooling 2			CWDA, CWD, CWFA, CWF
1	946 106 022 60	Coolant pipe Supply		1	
2	999 701 825 40	O-ring 19,6 X 3,53		2	
3	900 385 009 01	Torx screw BM 6 X 16		3	
(3)	900 385 041 01	Torx screw BM 6 X 12		3	
4	946 106 457 60	Water hose Supply		1	
5	999 512 658 09	Hose clamp B 27 X 12		1	
6	999 512 656 09	Hose clamp B 25 X 12		1	
7	946 106 421 60	Coolant pipe Return line		1	
8	999 073 344 01	flat round head bolt M 6 X 20		1	
9	946 106 051 61	Water hose (complete) Return line		1	
10	999 512 658 09	Hose clamp B 27 X 12		1	
11	999 512 656 09	Hose clamp B 25 X 12		1	
12	999 512 686 09	Hose clamp B 17 X 12		2	
13	7PP 121 224	Retainer for coolant hose Discontinued part		1	
(13)	7PP 121 224 A	Retainer for coolant hose		1	
14	N 105 769 01	Hose bracket		1	
15	999 073 902 31	fillister hd. bolt aluminium M 6 X 16		1	
16		return line Exhaust gas turbocharger see illustration:	202-096	2	

Model: 970 10

Model life 2010>>2016



Model: 970 10 Model life 2010>>2016

Pos	Part Number	Description	Remark	Qty	Model
1	970 106 131 02	Water cooling 3 Radiator Radiator Discontinued part		1	
(1)	970 106 131 03	Radiator		1	
2	970 106 215 00	drain plug		1	
3	997 106 802 00	Spring		2	
4	970 106 141 02	Retaining frame Discontinued part		1	
(4)	970 106 141 03	Retaining frame		1	4820,4840, 4870,4620, 4640,CWAA, CXNA,CWDA, CWD,CWFA, CWF,CXPA, CXRA,CXR, CWBA,CWB, CWCA,CWC CRCC,CRCB, CWJA
(4)	970 106 141 03	Retaining frame		1	CGEA,CGE, CGFA
(4)	970 106 141 12	Retaining frame		1	
5	970 106 241 01	Air guide Discontinued part		1	
(5)	970 106 241 02	Air guide		1	
6	970 106 271 02	Retainer for oil cooler Power steering 970.347.239.02		2	4820,4840
(6)	970 106 271 02	D >> - MJ 2010 Retainer for oil cooler		2	4820,4840, 4620,4640+ PR:351
(6)	970 106 271 02	Power steering 970.347.239.02 D - MJ 2011>> - MJ 2013 Retainer for oil cooler		2	CWAA,CXNA, CWDA,CWD, CWFA,CWF, CXPA,CXRA, CXR+ PR:351,352, 355
(6)	970 106 271 50	Retainer for oil cooler Power steering 970.347.239.02/03 D - MJ 2014>>	left	1	4820,4840, 4620,4640+ PR:-351
(6)	970 106 271 50	Power steering 970.347.239.50 D - MJ 2011>> - MJ 2013 Retainer for oil cooler	left	1	CWAA,CXNA, CWDA,CWD, CWFA,CWF, CXPA,CXRA, CXR+ PR:-351, -352,-355
(6)	970 106 272 50	Retainer for oil cooler Power steering 970.347.239.50 D - MJ 2014>>	right	1	4820,4840, 4620,4640+ PR:-351
(6)	970 106 272 50	Power steering 970.347.239.50 D - MJ 2011>> - MJ 2013 Retainer for oil cooler	right	1	CWAA,CXNA, CWDA,CWD,

Model: 970 10 Model life 2010>>2016

Pos	Part Number	Description	Remark	Qty	Model
		Power steering 970.347.239.50 D - MJ 2014>>			CWFA, CWF, CXPA, CXRA, CXR+ PR: -351, -352, -355
(6)	970 106 271 02	Retainer for oil cooler		2	4870, CWBA, CWB, CWCA, CWC
(6)	958 106 271 00	Power steering Bracket Radiator		2	CGEA, CGE, CGFA
(6)	970 106 271 50	D >> - MJ 2013 Retainer for oil cooler	left	1	CRCC, CRCB, CWJA
(6)	970 106 272 50	Power steering Retainer for oil cooler	right	1	CRCC, CRCB, CWJA
7	970 106 371 00	Power steering Bracket Gear oil cooler		1	PR: 250
(7)	970 106 349 10	Bracket Gear oil cooler		1	PR: 249
-	N 101 243 06	Oval hexagon socket head bolt M 6 X 20 Mount Bracket Gear oil cooler thermostat		1	PR: 249
8	970 106 471 00	Retainer for oil cooler		1	4820, 4840, 4870, 4620, 4640, CWAA, CXNA, CWDA, CWD, CWFA, CWF, CXPA, CXRA, CXR, CWBA, CWB, CWCA, CWC
(8)	970 106 471 00	Power steering Retainer for oil cooler		1	CRCC, CRCB, CWJA
9	970 106 061 03	Power steering Cooling air duct	with:	1	4820, 4840
(9)	970 106 061 04	Fan Discontinued part Cooling air duct	with:	1	4820, 4840
(9)	970 106 061 06	Fan Discontinued part Cooling air duct	with:	1	4820, 4840, 4620, 4640, CWAA, CXNA, CWDA, CWD, CWFA, CWF, CXPA, CXRA, CXR
(9)	970 106 061 06	Cooling air duct	with:	1	CGEA, CGE, CGFA
(9)	970 106 061 06	Fan Cooling air duct	with:	1	CRCC, CRCB, CWJA
(9)	970 106 061 52	Fan Cooling air duct	with:	1	4870
		Fan			

Model: 970 10 Model life 2010>>2016

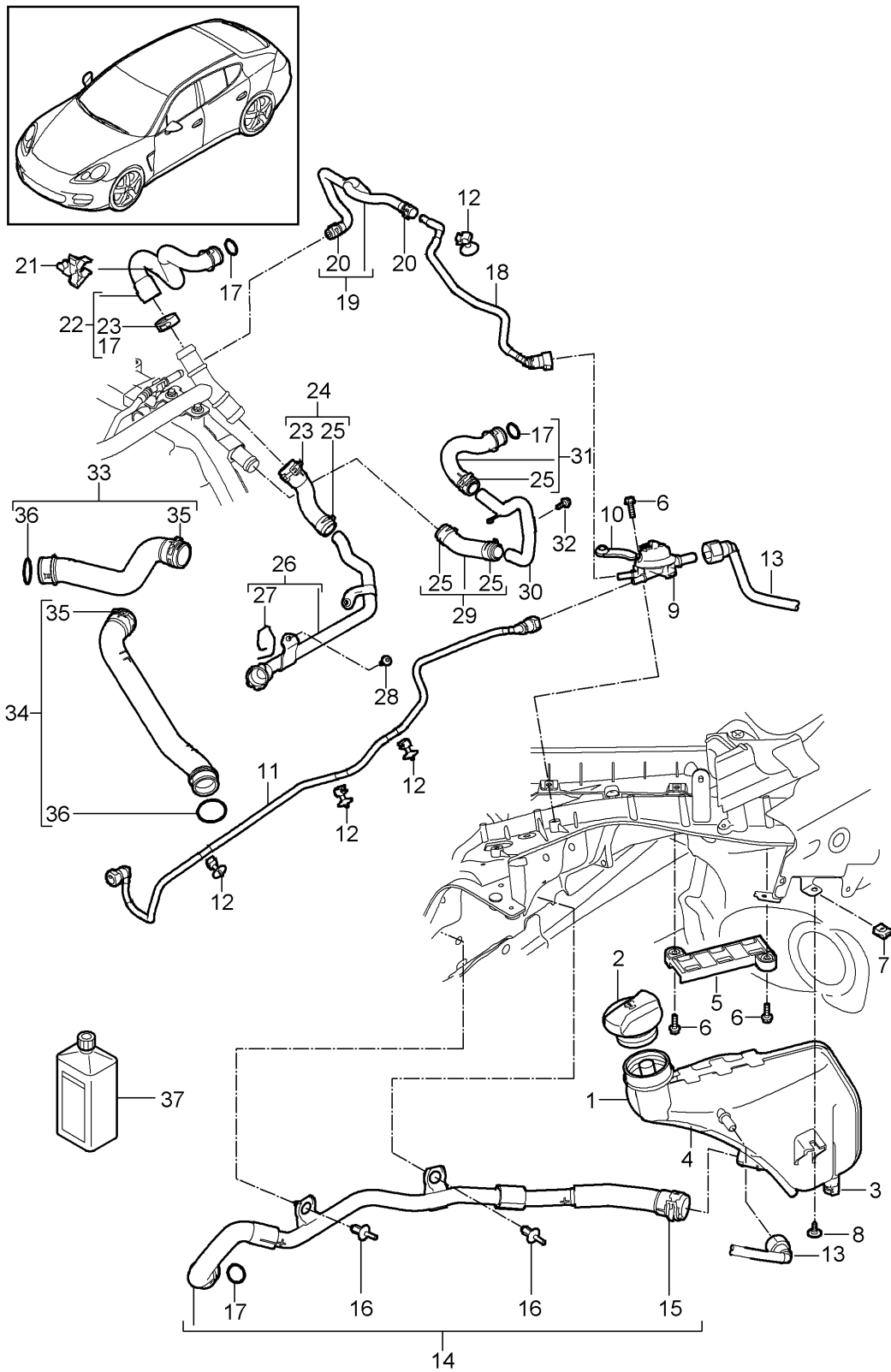
Pos	Part Number	Description	Remark	Qty	Model
(9)	970 106 061 53	Discontinued part Cooling air duct with: Fan		1	4870
(9)	970 106 061 55	Discontinued part Cooling air duct with: Fan		1	4870, CWBA, CWB, CWCA, CWC
10	970 106 361 00	Flap Cooling air duct		18	
11	970 106 363 00	Bracket Cooling air duct		2	
12	970 106 231 01	Distributor tube Return line	left	1	
13	970 106 232 01	Distributor tube Supply	right	1	
(13)	970 106 232 01	D >> - MJ 2013 Distributor tube Supply D - MJ 2014>>	right	1	CWAA, CXNA, CWDA, CWD, CWFA, CWF, CXPA, CXRA, CXR, CWBA, CWB, CRCC, CRCB, CWJA, CWCA, CWC
(13)	970 106 232 05	Distributor tube Supply D - MJ 2014>>	right	1	CGEA, CGE, CGFA
14	997 106 802 02	Spring		2	
15	970 106 801 00	O-ring 26,57 X 3,53		2	
16	996 106 801 05	O-ring 26,35 X 3,53		2	
17	997 606 410 00	Temperature sensor		1	4820, 4840, 4870, 4620, 4640, CWAA, CXNA, CXPA, CXRA, CXR, CWBA, CWB, CWCA, CWC
(17)	955 106 140 00	Bungs		1	CGEA, CGE, CGFA
(17)	955 106 140 00	Bungs		1	CRCC, CRCB, CWJA
(17)	955 106 140 00	Bungs		1	CWDA, CWD, CWFA, CWF
18	999 707 508 40	O-ring 19,6 X 3,65 D >> - MJ 2013		1	
(18)	999 707 508 40	O-ring 19,6 X 3,65 D - MJ 2014>>		1	CWAA, CXNA, CWDA, CWD, CWFA, CWF, CXPA, CXRA, CXR, CWBA, CWB, CRCC, CRCB, CWJA, CWCA, CWC
(18)	999 707 508 40	O-ring 19,6 X 3,65 D - MJ 2014>>		2	CGEA, CGE, CGFA
19	999 021 011 01	retaining spring D >> - MJ 2013		1	
(19)	999 021 011 01	retaining spring		1	CWAA, CXNA,

Model: 970 10 Model life 2010>>2016

Pos	Part Number	Description	Remark	Qty	Model
		D - MJ 2014>>			CWDA, CWD, CWFA, CWF, CXPA, CXRA, CXR, CWBA, CWB, CRCC, CRCB, CWJA, CWCA, CWC
(19)	999 021 011 01	retaining spring		2	CGEA, CGE, CGFA
20	970 106 331 00	D - MJ 2014>> Screw M 6 X 20		8	PR: 480
(20)	970 106 331 00	D >> - MJ 2013 Screw M 6 X 20		9	PR: 250
(20)	970 106 331 00	Screw M 6 X 20		11	CGEA, CGE, CGFA
(20)	970 106 331 00	Screw M 6 X 20		9	CRCC, CRCB, CWJA
21	999 166 083 09	Retaining plate SLB 14		2	
22	970 106 651 02	Rubber bush	upper	2	
23	970 106 661 03	Bracket	upper	2	
24	999 919 259 01	fillister hd. bolt M 6 X 30		6	
25	7P0 121 275	Rubber bush	lower	2	
26	970 106 660 03	Bracket	lower	2	
27	N 900 942 01	Speed nut ST 4,8		2	PR: 351
(27)	N 900 942 01	D >> - MJ 2013 Speed nut ST 4,8		2	PR: 351, 352, 355
28	N 909 514 01	D - MJ 2014>> Hexagon socket head panel bolt ST 4,8		2	PR: 351
(28)	N 909 514 01	D >> - MJ 2013 Hexagon socket head panel bolt ST 4,8		2	PR: 351, 352, 355
29	970 106 341 10	D - MJ 2014>> Retaining frame		1	CGEA, CGE, CGFA
(29)	970 106 341 15	D >> - MJ 2013 Retaining frame		1	CGEA, CGE, CGFA
30	958 106 212 10	D - MJ 2014>> Cooler for coolant		1	CGEA, CGE, CGFA
(30)	958 106 212 10	D >> - MJ 2013 Cooler for coolant		2	CGEA, CGE, CGFA
31	970 106 574 00	D - MJ 2014>> Seal	left	1	CWBA, CWB, CWCA, CWC
32	970 106 573 00	Seal	right	1	CWBA, CWB, CWCA, CWC

Model: 970 10

Model life 2010>>2016



Model: 970 10 Model life 2010>>2016

Pos	Part Number	Description	Remark	Qty	Model
		Coolant cooling system Coolant expansion tank			4820,4840, 4870,4620, 4640,CXPA, CXRA,CXR, CWBA,CWB, CWAA,CXNA, CWCA,CWC
1	970 106 151 03	Coolant expansion tank		1	
2	955 106 447 20	Cover		1	
3	970 606 503 00	water level sender		1	
4	970 106 297 01	Water drainage hose		1	
5	970 106 405 01	Bracket		1	
6	900 378 188 09	Hexagon bolt	M6X20	3	
7	999 507 795 09	panel nut	ST4,8	1	
8	999 073 227 09	panel screw	ST4,8X19	1	
9	7P5 121 671	Bleed valve discontinued part		1	
(9)	7P5 121 671 A	Bleed valve		1	
10	970 106 449 00	Bracket		1	
		Bleed valve			
11	970 106 310 01	Breather line		1	
		D >> - MJ 2013			
(11)	970 106 310 05	Breather line D - MJ 2014>> No longer use the part here		1	
(11)	970 106 310 06	Breather line D - MJ 2014>>		1	
12	999 507 126 40	Hose bracket	7,8	4	
13	970 106 312 01	Breather line		1	
14	970 106 044 00	Coolant pipe		1	
15	999 512 659 09	Hose clamp	B28X12	1	
16	999 507 497 40	Spreader rivet	8,0X14,0	2	
17	996 106 801 01	O-ring	21,35X3	3	
18	970 106 311 02	Breather line Discontinued part		1	
(18)	970 106 311 03	Breather line		1	
19	970 106 422 02	Vent hose		1	
20	999 512 651 09	Hose clamp	B15X12	2	
		D >> - MJ 2013			
(20)	999 512 650 09	Hose clamp D - MJ 2014>>	B14X12	1	
(20)	999 512 651 09	Hose clamp D - MJ 2014>>	B15X12	1	
21	970 106 213 00	Retainer for breather hose		1	
22	970 106 421 01	Heating hose	return	1	
23	999 512 660 09	Hose clamp	B29X12X1,7	2	
24	970 106 450 02	Coolant hose		1	
25	999 512 656 09	Hose clamp	B25X12	4	
		M >> CWA 001 886			
		M >> CXP 000 913			
		M >> CWB 001 356			
(25)	999 512 656 09	Hose clamp M CWA 001 887>> M CXP 000 914>> M CWB 001 357>>	B25X12	3	
(25)	999 512 657 09	Hose clamp Fasteners Coolant pipe M CWA 001 887>> M CXP 000 914>> M CWB 001 357>>	B26X12	1	
26	970 106 445 02	Coolant pipe		1	

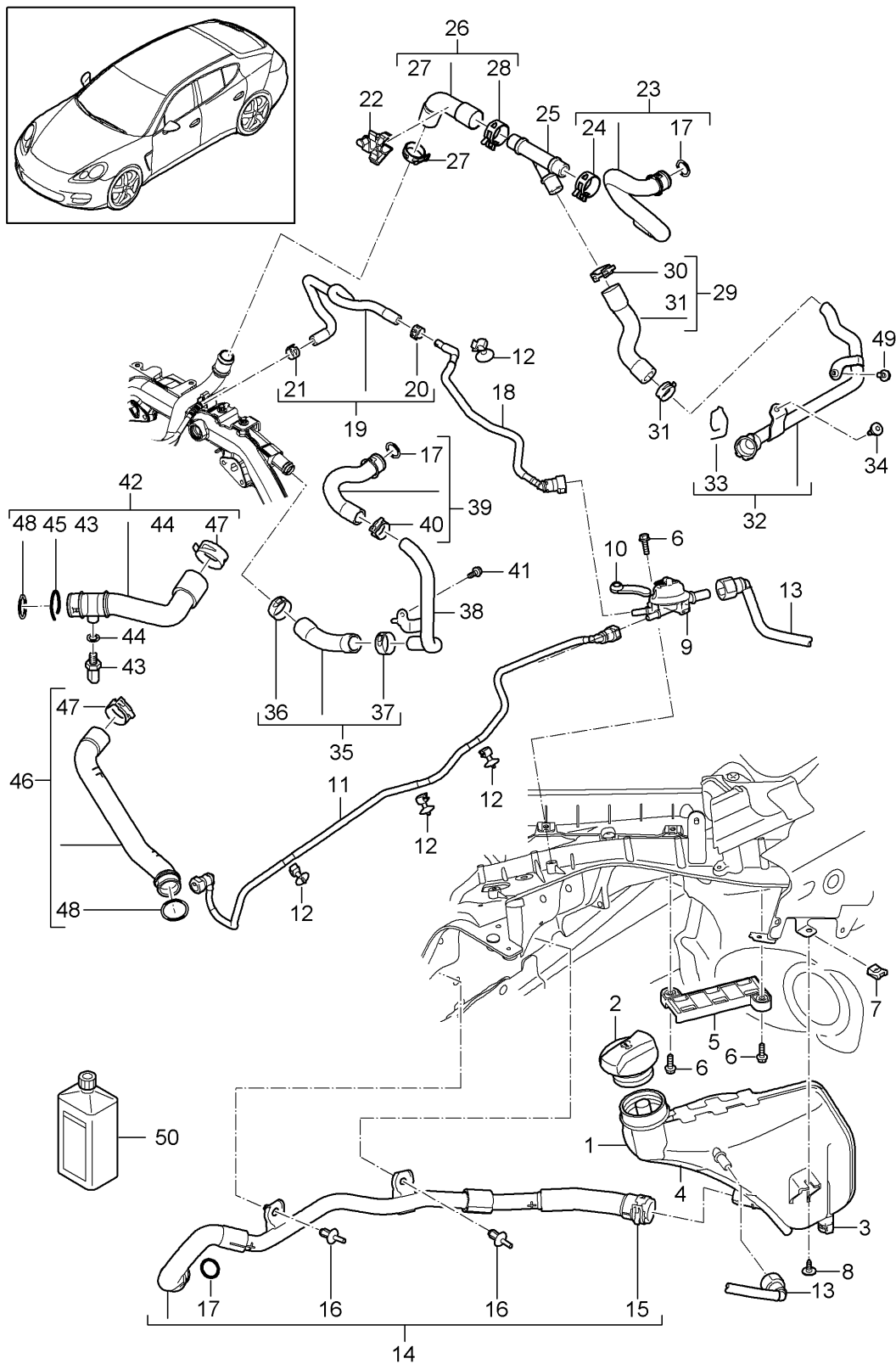
Model: 970 10

Model life 2010>>2016

Pos	Part Number	Description	Remark	Qty	Model
(26)	970 106 445 03	Discontinued part Coolant pipe		1	
27	997 106 802 04	Spring clip		1	
28	999 073 902 30	fillister hd. bolt	M6X16-PA- aluminium	2	
(28)	999 073 902 30	D >> - MJ 2011 fillister hd. bolt	M6X16-PA- aluminium	1	
29	970 106 420 01	D - MJ 2012>> Heating hose only in conj. with: Coolant pipe 948.106.061.20 Pipe union M >> CWA 001 886 M >> CXP 000 913 M >> CWB 001 356	feed	1	
(29)	970 106 420 02	Heating hose only in conj. with: Coolant pipe 948.106.061.21 threaded union M CWA 001 887>> M CXP 000 914>> M CWB 001 357>>	feed	1	
30	970 106 411 01	heater pipe No longer use the part here	feed	1	
(30)	970 106 411 02	heater pipe	feed	1	
31	970 106 425 00	Heating hose	feed	1	
32	900 378 036 01	Hexagon bolt	M6X12	1	
33	970 106 402 02	Coolant hose Supply		1	4820,4840, 4870,CXPA, CXRA,CXR, CWBA,CWB, CWCA,CWC
(33)	970 106 502 01	Coolant hose Supply		1	4620,4640, CWAA,CXNA
34	970 106 401 02	Coolant hose Return line		1	4820,4840, 4870,CXPA, CXRA,CXR, CWBA,CWB, CWCA,CWC
(34)	970 106 501 01	Coolant hose Return line		1	4620,4640, CWAA,CXNA
35	999 512 667 09	Hose clamp	B44X12	2	
36	996 106 801 07	O-ring	39,3X3,53	2	
37	000 043 301 03	Coolant additive Discontinued part	1.0 Ltr.	X	
(37)	000 043 301 47	Coolant additive Discontinued part	1.0 Ltr.	X	
(37)	000 043 305 15	Coolant additive	1.0 Ltr.	X	
(37)	000 043 301 04	Coolant additive Discontinued part	20ltr.	X	
(37)	000 043 301 48	Coolant additive discontinued part	20ltr.	X	
(37)	000 043 305 16	Coolant additive	20ltr.	X	
(37)	000 043 204 39	Cleaning solution Discontinued part	20ltr.	X	
(37)	000 043 305 64	Cleaning solution	20ltr.	X	

Model: 970 10

Model life 2010>>2016



Model: 970 10

Model life 2010>>2016

Pos	Part Number	Description	Remark	Qty	Model
		Coolant cooling system			CWDA, CWD,
		Coolant expansion tank			CWFA, CWF
1	970 106 151 03	Coolant expansion tank		1	
2	955 106 447 20	Cover		1	
3	970 606 503 00	water level sender		1	
4	970 106 297 01	Water drainage hose		1	
5	970 106 405 01	Bracket		1	
6	900 378 188 09	Hexagon bolt	M6X20	3	
7	999 507 795 09	panel nut	ST4,8	1	
8	999 073 227 09	panel screw	ST4,8X19	1	
9	7P5 121 671	Bleed valve		1	
		Discontinued part			
(9)	7P5 121 671 A	Bleed valve		1	
10	970 106 449 00	Bracket		1	
		Bleed valve			
11	970 106 310 60	Breather line		1	
		No longer use the part here			
(11)	970 106 310 61	Breather line		1	
12	999 507 126 40	Hose bracket	7,8	4	
13	970 106 312 01	Breather line		1	
14	970 106 044 00	Coolant pipe		1	
15	999 512 659 09	Hose clamp	B28X12	1	
16	999 507 497 40	Spreader rivet	8,0X14,0	2	
17	996 106 801 01	O-ring	21,35X3	3	
18	970 106 311 03	Breather line		1	
19	970 106 422 60	Vent hose		1	
20	999 512 651 09	Hose clamp	B15X12	1	
21	999 512 650 09	Hose clamp	B14X12	1	
22	970 106 213 00	Retainer for breather hose		1	
23	970 106 421 60	Heating hose	return	1	
24	999 512 658 09	Hose clamp	B27X12	1	
25	970 106 570 60	Y-piece		1	
26	970 106 451 60	Water hose		1	
27	999 512 660 09	Hose clamp	B29X12X1,7	1	
28	999 512 658 09	Hose clamp	B27X12	1	
29	970 106 450 60	Water hose		1	
30	999 512 656 09	Hose clamp	B25X12	1	
31	999 512 683 09	Hose clamp	B23X12	1	
32	970 106 445 03	Coolant pipe		1	
33	997 106 802 04	Spring clip		1	
34	999 073 902 30	fillister hd. bolt	M6X16-PA-aluminium	1	
35	970 106 420 02	Heating hose	feed	1	
36	999 512 657 09	Hose clamp	B26X12	1	
37	999 512 656 09	Hose clamp	B25X12	1	
38	970 106 411 05	heater pipe	feed	1	
39	970 106 425 00	Heating hose	feed	1	
40	999 512 656 09	Hose clamp	B25X12	1	
41	900 378 036 01	Hexagon bolt	M6X12	1	
42	970 106 502 60	Water hose		1	
		Supply			
43	955 106 125 01	Temperature sensor		1	
44	N 903 168 01	O-ring	19,6X3,65	1	
45	955 106 143 00	retaining spring		1	
46	970 106 501 60	Water hose		1	
		Return line			
47	999 512 667 09	Hose clamp	B44X12	2	
48	996 106 801 07	O-ring	39,3X3,53	2	
49	900 378 036 01	Hexagon bolt	M6X12	1	
50	000 043 301 47	Coolant additive	1.0 Ltr.	X	
		Discontinued part			
50	000 043 305 15	Coolant additive	1.0 Ltr.	X	

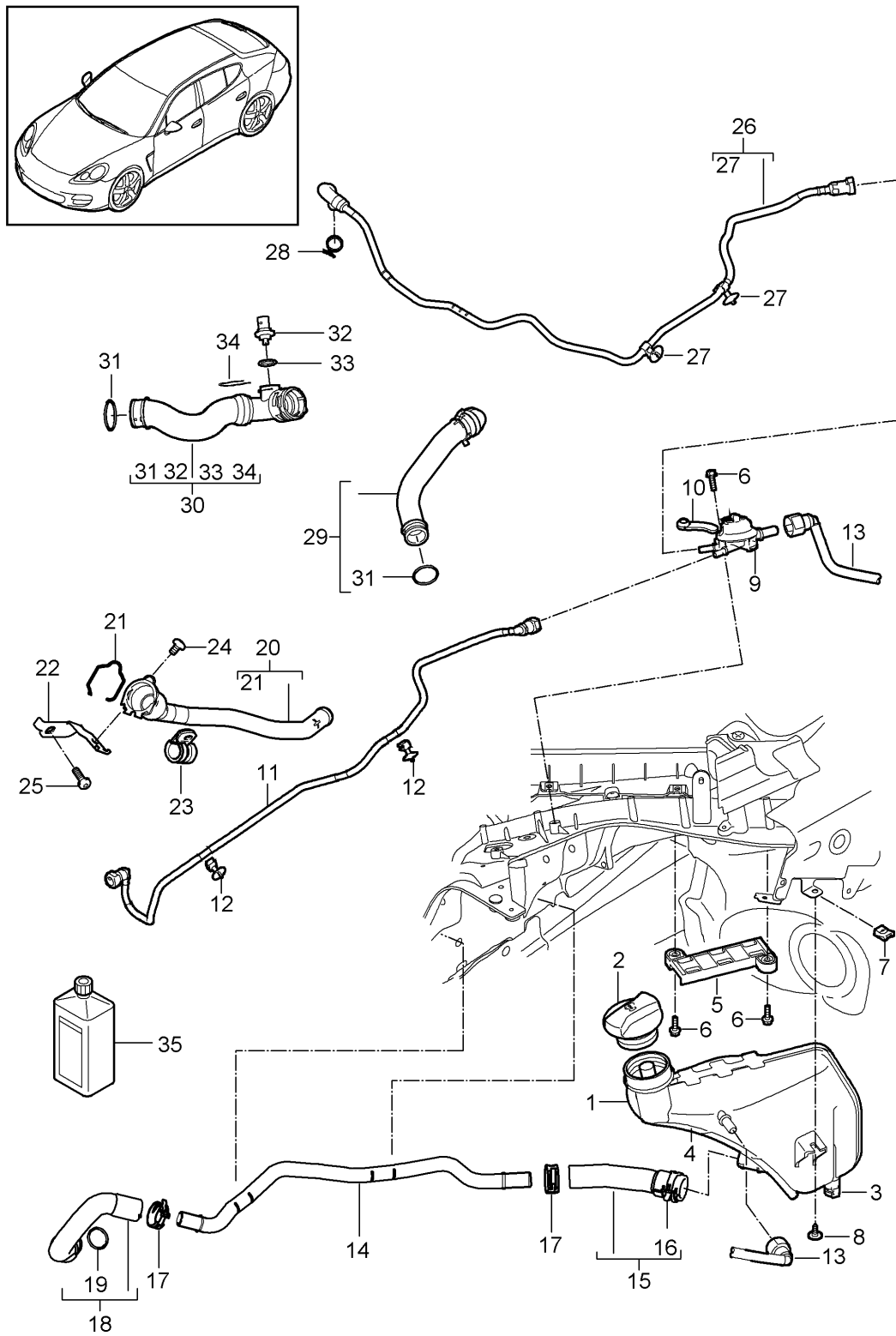
Model: 970 10

Model life 2010>>2016

Pos	Part Number	Description	Remark	Qty	Model
(50)	000 043 301 48	Coolant additive Discontinued part	20ltr.	X	
(50)	000 043 305 16	Coolant additive	20ltr.	X	
(50)	000 043 204 39	Cleaning solution discontinued part	20ltr.	X	
(50)	000 043 305 64	Cleaning solution	20ltr.	X	

Model: 970 10

Model life 2010>>2016

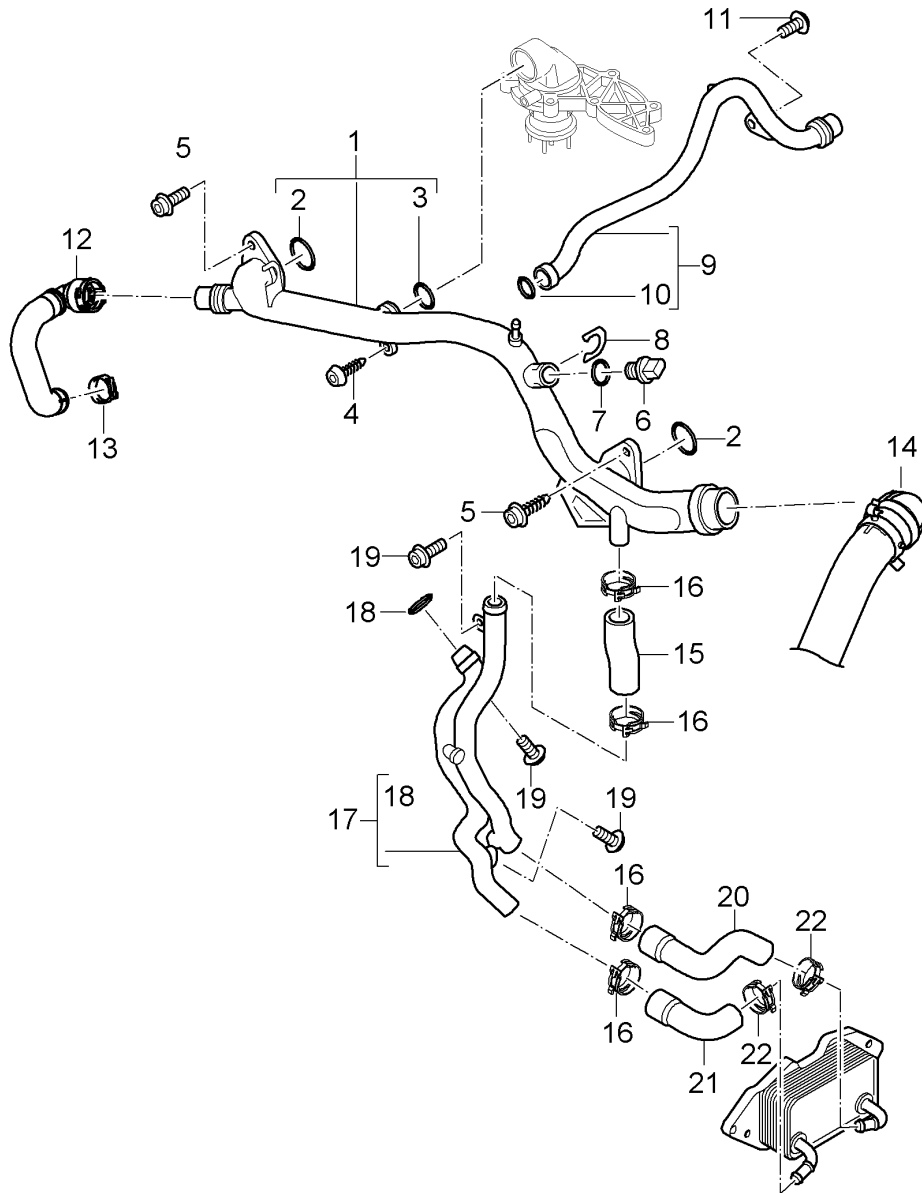
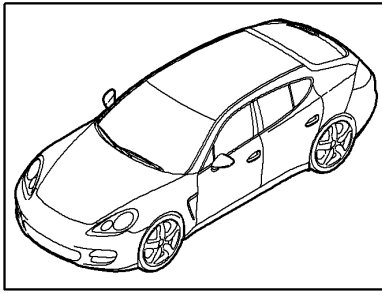


Model: 970 10 Model life 2010>>2016

Pos	Part Number	Description	Remark	Qty	Model
		Coolant cooling system			CGEA, CGE, CGFA
		Coolant expansion tank			
1	970 106 151 03	Coolant expansion tank		1	
2	955 106 447 20	Cover		1	
3	970 606 503 00	water level sender		1	
4	970 106 297 01	Water drainage hose		1	
5	970 106 405 01	Bracket		1	
6	900 378 188 09	Hexagon bolt	M6X20	3	
7	999 507 795 09	panel nut	ST4,8	1	
8	999 073 227 09	panel screw	ST4,8X19	1	
9	7P5 121 671	Bleed valve		1	
		discontinued part			
(9)	7P5 121 671 A	Bleed valve		1	
10	970 106 449 00	Bracket		1	
		Bleed valve			
11	970 106 310 10	Breather line		1	
		No longer use the part here			
(11)	970 106 310 11	Breather line		1	
		D >> - MJ 2013			
(11)	970 106 310 15	Breather line		1	
		D - MJ 2014>>			
12	999 507 126 40	Hose bracket	7,8	2	
13	970 106 312 01	Breather line		1	
14	970 106 444 10	Coolant pipe		1	
15	970 106 452 01	Water hose		1	
16	999 512 659 09	Hose clamp	B28X12	1	
17	999 512 656 09	Hose clamp	B25X12	2	
18	970 106 430 01	Water hose		1	
19	996 106 801 01	O-ring	21,35X3	1	
20	970 106 145 10	Coolant pipe		1	
21	997 106 802 04	Spring clip		1	
22	970 106 463 00	Bracket		1	
23	N 020 626 10	Clamp		1	
		16 X 15			
		No longer use the part here			
(23)	N 102 688 01	Clamp	16X15	1	
24	N 103 352 06	Hexagon socket flat head bolt	M6X12	1	
25	900 385 099 01	Torx screw	BM8X12	1	
26	970 106 320 00	Breather line		1	
		Discontinued part			
(26)	970 106 320 01	Breather line		1	
27	999 507 126 40	Hose bracket	7,8	2	
28	999 512 651 09	Hose clamp	B15X12	1	
29	970 106 402 10	Water hose		1	
		Supply			
30	970 106 401 10	Water hose		1	
		Return line			
31	996 106 801 07	O-ring	39,3X3,53	2	
32	955 106 125 01	Temperature sensor		1	
33	N 903 168 01	O-ring	19,6X3,65	1	
34	955 106 143 00	retaining spring		1	
35	000 043 301 47	Coolant additive	1.0 Ltr.	X	
		discontinued part			
(35)	000 043 305 15	Coolant additive	1.0 Ltr.	X	
(35)	000 043 301 48	Coolant additive	20ltr.	X	
		Discontinued part			
(35)	000 043 305 16	Coolant additive	20ltr.	X	
(35)	000 043 204 39	Cleaning solution	20ltr.	X	
		discontinued part			
(35)	000 043 305 64	Cleaning solution	20ltr.	X	

Model: 970 10

Model life 2010>>2016



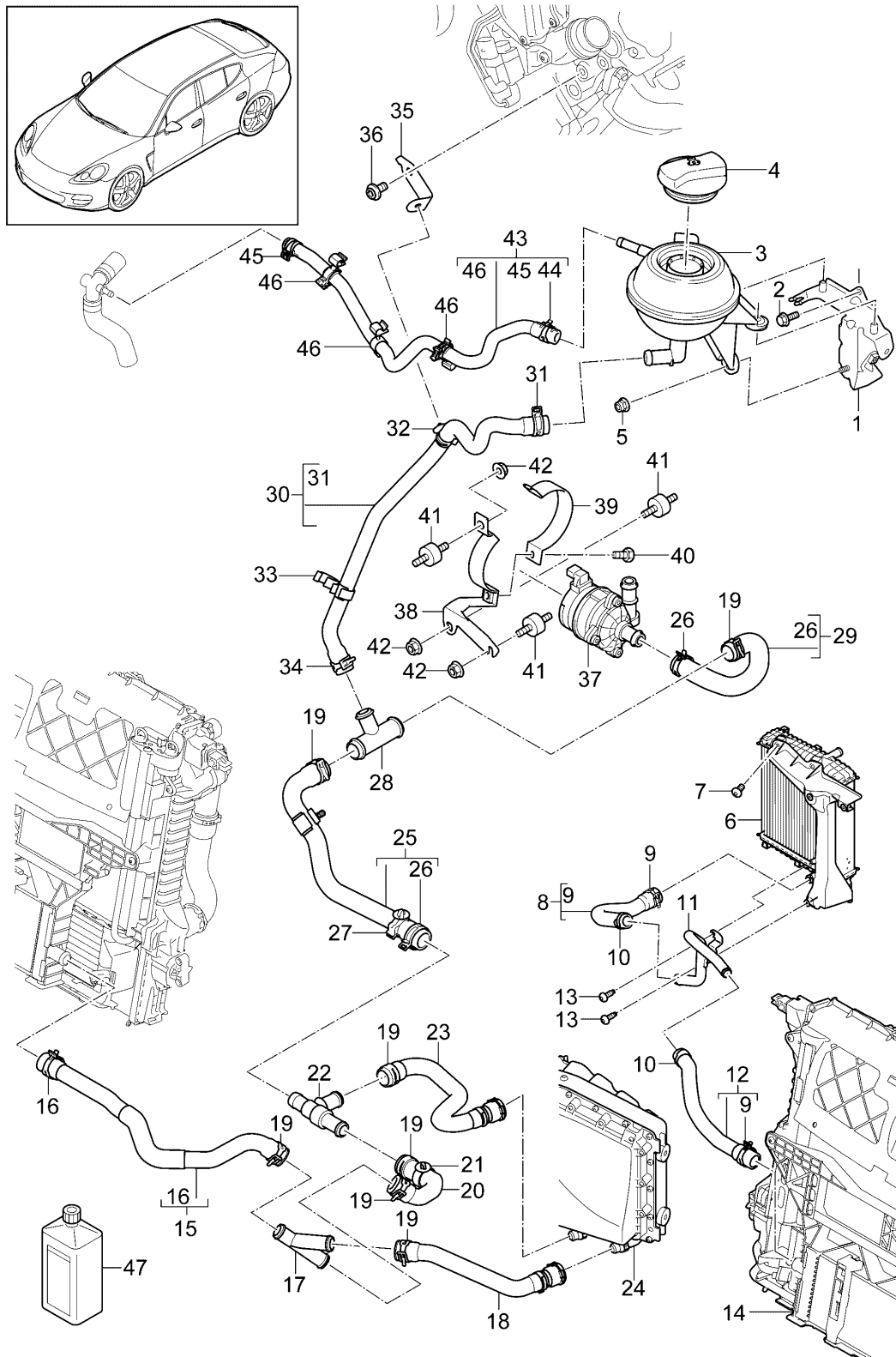
Model: 970 10

Model life 2010>>2016

Pos	Part Number	Description	Remark	Qty	Model
		Coolant cooling system			CGEA, CGE, CGFA
1	958 106 145 01	Coolant pipe		1	
(1)	958 106 145 02	No longer use the part here Coolant pipe		1	
(1)	958 106 145 03	No longer use the part here Coolant pipe		1	
(1)	958 106 145 04	discontinued part Coolant pipe		1	
2	958 106 519 00	seal ring	40X34,9X5,3	2	
(2)	958 106 519 01	discontinued part seal ring	40X34,9X5,4	2	
3	958 106 520 00	seal ring	23X28,4X4,5	1	
(3)	958 106 520 01	discontinued part seal ring	21,7X28,7X4,27	1	
4	N 104 128 04	Hexagon socket head panel bolt	5X16	1	
5	N 101 244 08	Hexagon socket head bolt (combi)	M6X20	4	
6	955 106 125 01	Temperature sensor		1	
7	N 903 168 01	O-ring	19,6X3,65	1	
8	955 106 143 00	retaining spring		1	
9	958 106 465 00	Coolant pipe		1	
10	N 903 168 01	O-ring	19,6X3,65	1	
11	N 911 407 01	Hexagon socket oval head bolt (combi)	M6X18	1	
12	958 106 356 30	Coolant hose		1	
13	N 906 870 01	Spring band clamp	27X12	1	
14		Coolant hose see illustration, item:	feed 105-045,29	1	
15	958 106 458 00	Coolant hose		1	
16	N 906 870 01	Spring band clamp	27X12	4	
17	958 106 444 00	Coolant pipe Discontinued part		1	
(17)	958 106 444 01	Coolant pipe Discontinued part		1	
(17)	958 106 444 02	Coolant pipe		1	
18	N 909 250 01	O-ring	17X3	1	
19	N 107 451 01	Hexagon socket flat head bolt	M6X20	3	
20	958 106 459 00	Coolant hose		1	
21	958 106 482 00	Coolant hose		1	
22	N 906 869 01	Spring band clamp	B23X12	2	

Model: 970 10

Model life 2010>>2016



Model: 970 10 Model life 2010>>2016

Pos	Part Number	Description	Remark	Qty	Model
		Coolant cooling system Coolant expansion tank D >> - MJ 2013			CGEA, CGE, CGFA
1	970 106 335 01	Bracket Discontinued part		1	
(1)	970 106 335 02	Bracket		1	
2	900 378 036 01	Hexagon bolt	M6X12	3	
3	958 106 407 00	Coolant expansion tank		1	
4	955 106 447 20	Cover		1	
5	N 102 058 02	Hexagon collar nut self-locking	M6	1	
6	7PP 121 212	Radiator		1	
7	999 919 257 01	fillister hd. bolt	6,0X20,0	3	
8	970 106 504 00	Water hose		1	
9	999 512 658 09	Hose clamp	B27X12	2	
10	999 512 683 09	Hose clamp	B23X12	2	
11	970 106 509 00	Coolant pipe		1	
12	970 106 505 00	Water hose		1	
13	N 107 214 01	oval hd. self-tapp fitt. screw	TP6X16	2	
14		Cooler for coolant see illustration, item:	105-035,30	1	
15	970 106 533 00	Water hose		1	
16	999 512 658 09	Hose clamp	B27X12	1	
17	970 106 570 00	Y-piece		1	
18	970 106 534 00	Water hose		1	
19	999 512 658 09	Hose clamp	B27X12	7	
20	970 106 537 00	Water hose		1	
21	999 507 793 40	Hose bracket	23	1	
22	7P0 121 113	thermostat Shut-off valve		1	
23	970 106 434 00	Water hose		1	
24		Power and control electronics- for electric drive see illustration:	901-020	1	
25	970 106 547 00	Water hose		1	
26	999 512 658 09	Hose clamp	B27X12	2	
27	4E0 121 120	Hose bracket		1	
28	N 907 944 01	t-piece		1	
29	970 106 536 00	Water hose		1	
30	970 106 545 00	Water hose No longer use the part here		1	
(30)	970 106 545 01	Water hose		1	
31	999 512 683 09	Hose clamp	B23X12	1	
32	N 106 491 01	Hose bracket		1	
33	999 507 870 40	Hose bracket		1	
34	999 512 683 09	Hose clamp	B23X12	1	
35	970 106 464 00	Retainer for coolant hose		1	
36	900 385 099 01	Torx screw	BM8X12	1	
37	958 606 567 00	Coolant pump Electric		1	
38	970 605 320 01	Bracket No longer use the part here		1	
(38)	970 605 321 01	Bracket		1	
39	970 605 322 01	Retaining bar		1	
40	999 217 116 01	Hexagon bolt	M6X16	1	
41	7L0 819 083	Bonded rubber bush		3	
42	900 377 010 01	Hexagon nut	M6	3	
43	970 106 315 00	Breather line		1	
44	999 512 651 09	Hose clamp	B15X12	1	
45	999 512 686 09	Hose clamp	B17X12	1	
46	N 107 670 01	Bracket		3	

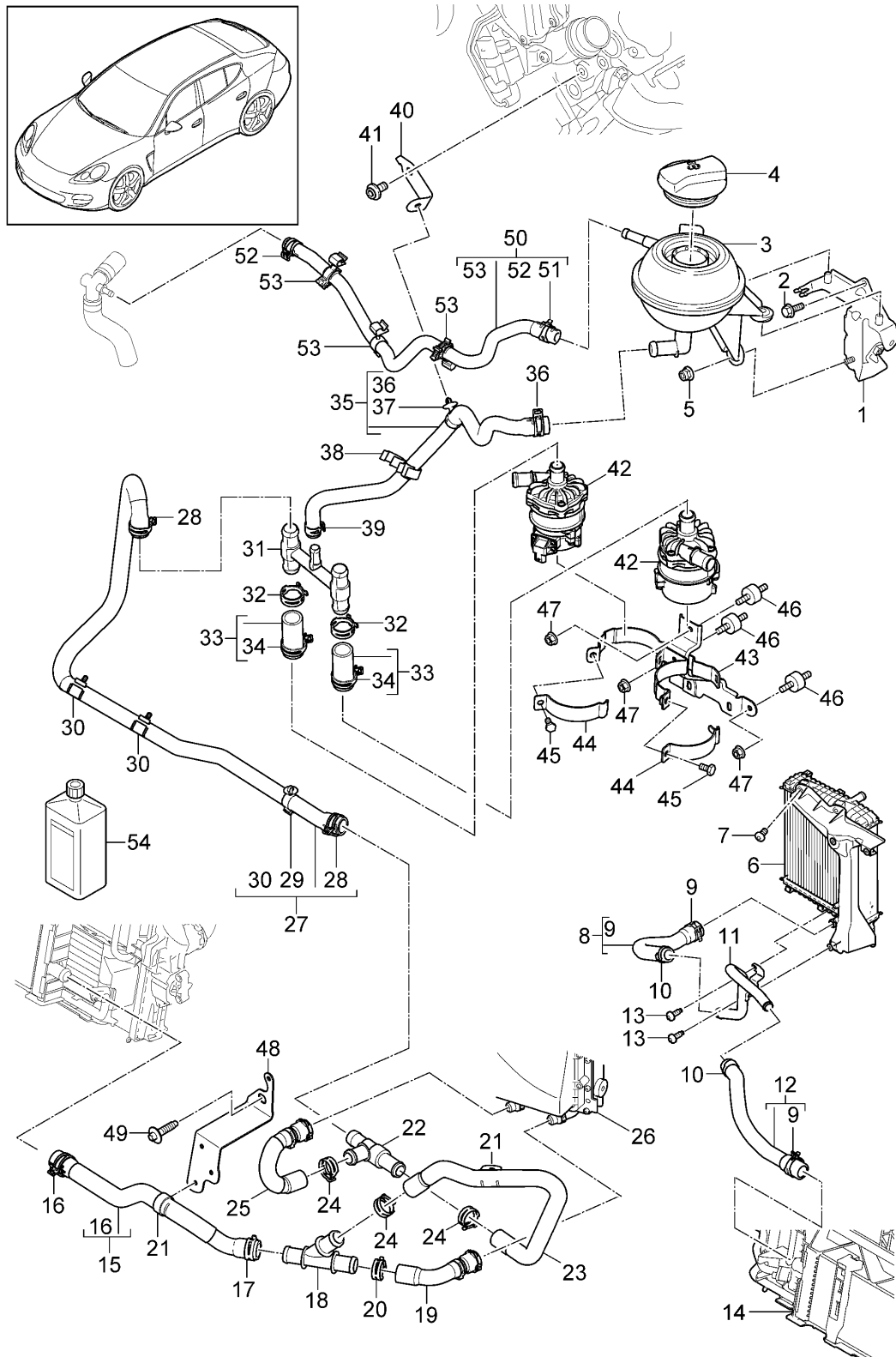
Model: 970 10

Model life 2010>>2016

Pos	Part Number	Description	Remark	Qty	Model
47	000 043 301 47	Coolant additive Discontinued part	1.0 Ltr.	X	
(47)	000 043 305 15	Coolant additive	1.0 Ltr.	X	
(47)	000 043 301 48	Coolant additive discontinued part	20ltr.	X	
(47)	000 043 305 16	Coolant additive	20ltr.	X	
(47)	000 043 305 64	Cleaning solution	20ltr.	1	

Model: 970 10

Model life 2010>>2016



Model: 970 10

Model life 2010>>2016

Pos	Part Number	Description	Remark	Qty	Model
		Coolant cooling system Coolant expansion tank D - MJ 2014>>			CGEA, CGE, CGFA
1	970 106 335 02	Bracket		1	
2	900 378 036 01	Hexagon bolt	M6X12	3	
3	958 106 407 00	Coolant expansion tank		1	
4	955 106 447 20	Cover		1	
5	N 102 058 02	Hexagon collar nut self-locking	M6	1	
6	7PP 121 212	Radiator		1	
7	999 919 257 01	fillister hd. bolt	6,0X20,0	3	
8	970 106 504 00	Water hose		1	
9	999 512 658 09	Hose clamp	B27X12	2	
10	999 512 683 09	Hose clamp	B23X12	2	
11	970 106 509 00	Coolant pipe		1	
12	970 106 505 00	Water hose		1	
13	N 107 214 01	oval hd. self-tapp fitt. screw	TP6X16	2	
14		Cooler for coolant see illustration, item:	105-035,30	2	
15	970 106 533 05	Water hose		1	
16	999 512 658 09	Hose clamp	B27X12	1	
17	999 512 658 09	Hose clamp	B27X12	1	
18	3D0 819 423	Distributor		1	
19	970 106 537 05	Water hose		1	
20	999 512 658 09	Hose clamp	B27X12	2	
21	999 507 793 40	Hose bracket	23	2	
22	7P0 121 113	thermostat Shut-off valve		1	
23	970 106 534 06	Water hose		1	
24	999 512 658 09	Hose clamp	B27X12	2	
25	970 106 434 06	Water hose		1	
26		Power and control electronics- for electric drive see illustration, item:	901-021,1	1	
27	970 106 547 06	Water hose		1	
28	999 512 658 09	Hose clamp	B27X12	2	
29	4E0 121 120	Hose bracket		1	
30	999 507 793 40	Hose bracket	23	2	
31	970 106 252 00	Distributor tube		1	
32	999 512 658 09	Hose clamp	B27X12	2	
33	970 106 457 15	Water hose		2	
34	999 512 658 09	Hose clamp	B27X12	2	
35	970 106 545 15	Coolant hose		1	
36	999 512 683 09	Hose clamp	B23X12	1	
37	N 106 491 01	Hose bracket		1	
38	999 507 870 40	Hose bracket		1	
39	999 512 652 09	Hose clamp	B19X12	1	
40	970 106 464 00	Retainer for coolant hose		1	
41	900 385 099 01	Torx screw	BM8X12	1	
42	958 606 567 00	Coolant pump Electric		2	
43	970 605 341 00	Bracket		1	
44	970 605 342 00	Retaining bar		2	
45	999 217 116 01	Hexagon bolt	M6X16	2	
46	7L0 819 083	Bonded rubber bush		3	
47	900 377 010 01	Hexagon nut	M6	3	
48	970 106 351 00	Retainer for coolant hose		1	
49	999 919 257 01	fillister hd. bolt	6,0X20,0	1	
50	970 106 315 05	Breather line		1	
51	999 512 686 09	Hose clamp	B17X12	1	

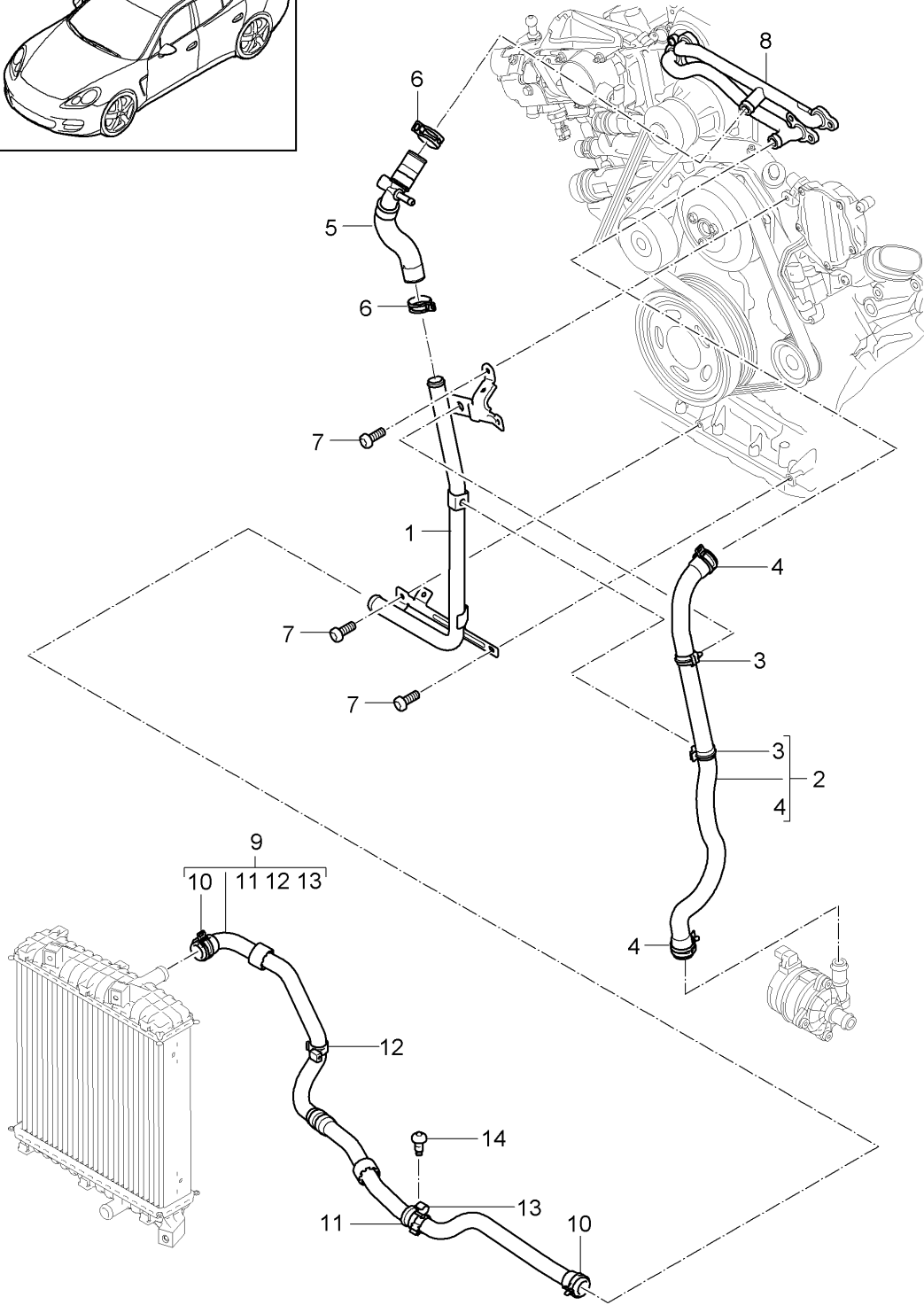
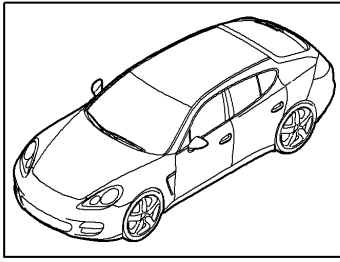
Model: 970 10

Model life 2010>>2016

Pos	Part Number	Description	Remark	Qty	Model
52	999 512 651 09	Hose clamp	B15X12	1	
53	N 107 670 01	Bracket		4	
54	000 043 301 47	Coolant additive discontinued part	1.0 Ltr.	X	
(54)	000 043 305 15	Coolant additive	1.0 Ltr.	X	
(54)	000 043 301 48	Coolant additive discontinued part	20ltr.	X	
(54)	000 043 305 16	Coolant additive	20ltr.	X	
(54)	000 043 305 64	Cleaning solution	20ltr.	1	

Model: 970 10

Model life 2010>>2016

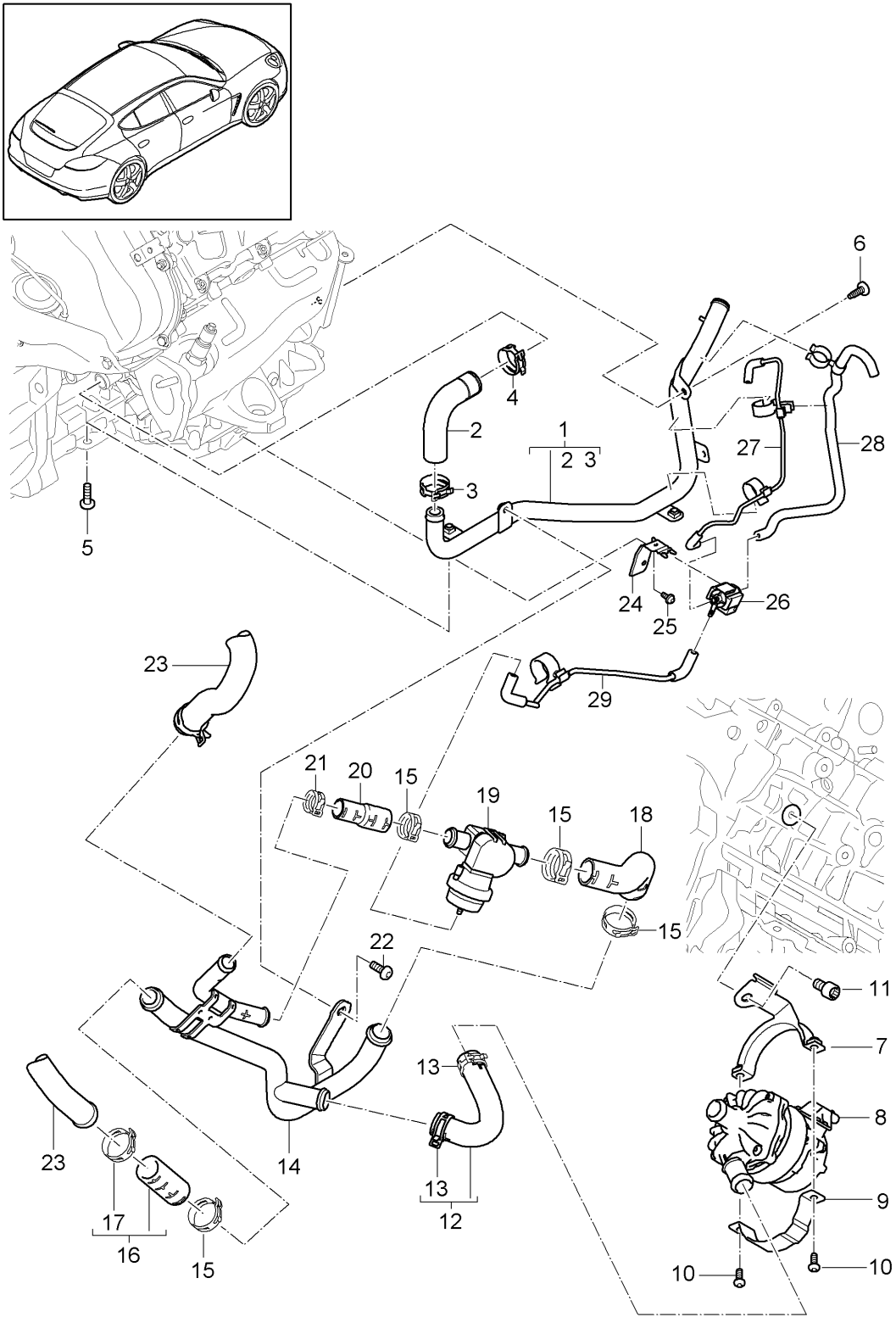


Model: 970 10 Model life 2010>>2016

Pos	Part Number	Description	Remark	Qty	Model
		Coolant cooling system			CGEA, CGE, CGFA
1	970 106 549 00	Coolant pipe		1	
2	970 106 435 00	Water hose		1	
		D >> - MJ 2013			
(2)	970 106 435 05	Water hose		1	
		D - MJ 2014>>			
3	N 104 244 01	Bracket		2	
4	999 512 658 09	Hose clamp	B27X12	2	
5	958 106 105 00	Water hose		1	
6	N 906 870 01	Spring band clamp	27X12	2	
7	N 106 320 03	Oval socket head bolt with hex drive	M6X16	3	
8		Coolant pipe		1	
		see illustration:	107-055		
9	970 106 433 00	Water hose		1	
		D >> - MJ 2013			
(9)	970 106 433 05	Water hose		1	
		D - MJ 2014>>			
10	999 512 658 09	Hose clamp	B27X12	2	
11	N 020 624 4	Clamp	22X15	1	
		D >> - MJ 2013			
12	999 591 808 40	Hose bracket	23,5	1	
13	N 102 628 01	corrugated pipe	11/22	1	
		D >> - MJ 2013			
(13)	999 507 793 40	Hose bracket	23	1	
		D - MJ 2014>>			
14	999 073 533 01	Screw	5X12	1	
		D >> - MJ 2013			

Model: 970 10

Model life 2010>>2016



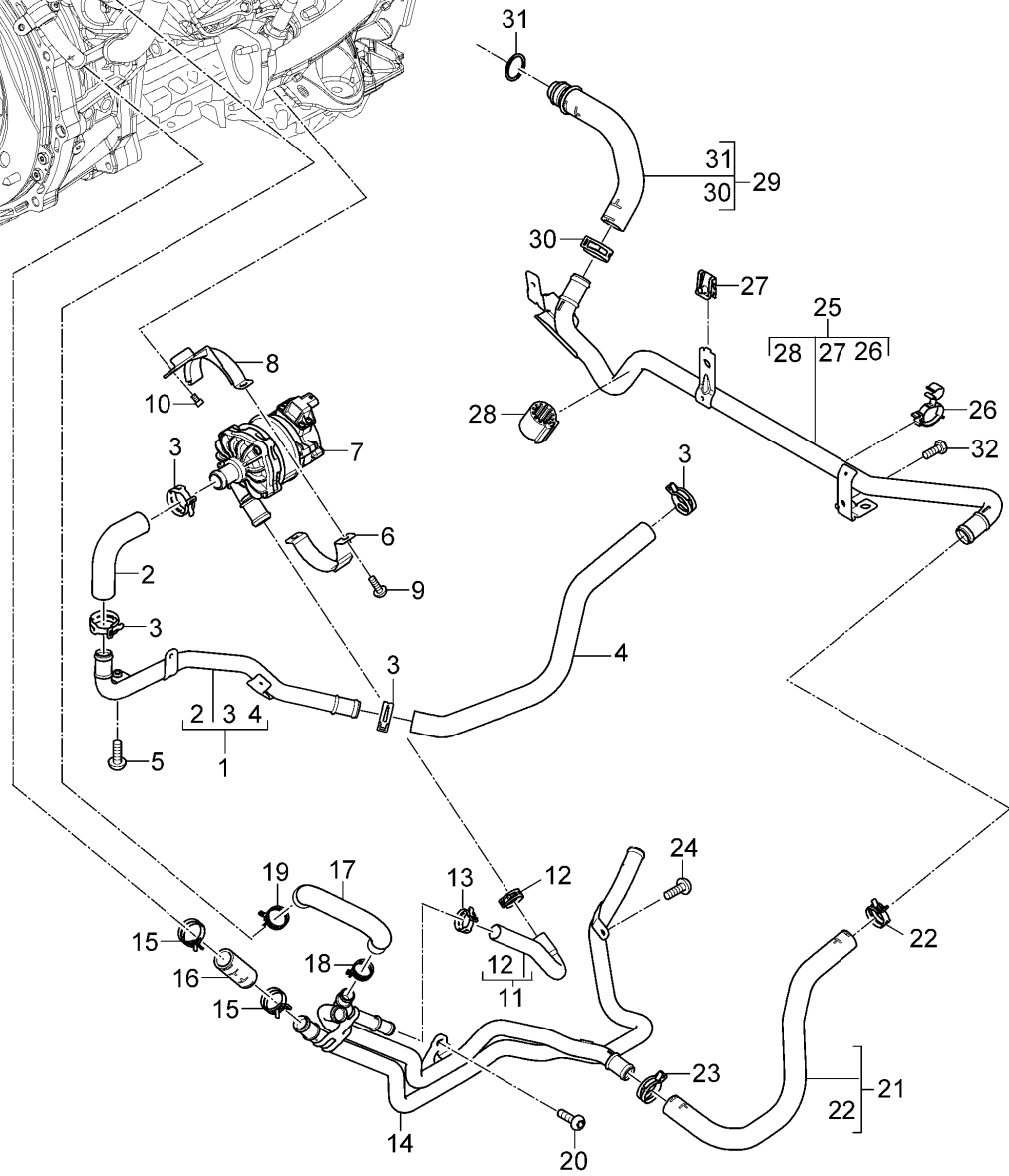
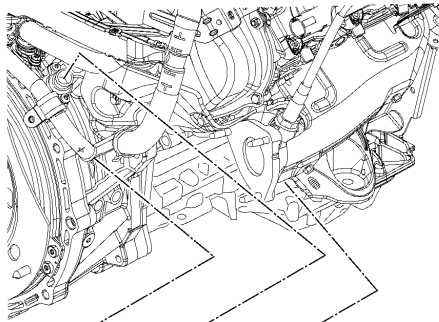
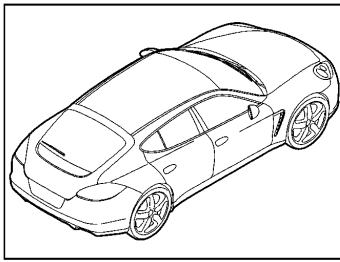
Model: 970 10

Model life 2010>>2016

Pos	Part Number	Description	Remark	Qty	Model
		Coolant cooling system Additional coolant pump Vacuum line D >> - MJ 2013			CGEA, CGE, CGFA
1	958 106 371 01	Coolant pipe with:		1	
2	958 106 357 20	Coolant hose		1	
3	N 906 870 01	Water hose	27X12	1	
4	N 906 870 01	Spring band clamp	27X12	1	
5	N 107 500 01	Spring band clamp	M6X16	1	
		Hexagon socket flat head bolt			
(5)	N 106 320 03	No longer use the part here Oval socket head bolt with hex drive	M6X16	1	
6	N 910 423 01	Oval hexagon socket head bolt	M6X16	1	
7	958 106 579 10	Bracket		1	
8	958 606 567 00	Coolant pump		1	
9	958 106 579 20	Bracket		1	
10	N 104 514 05	Oval hexagon socket head bolt	M6X16	2	
11	N 105 242 02	Hex socket head locating bolt	M10X12	1	
12	970 106 454 00	Water hose		1	
13	999 512 658 09	Hose clamp	B27X12	2	
14	970 106 411 10	Coolant pipe		1	
15	999 512 658 09	Hose clamp	B27X12	4	
16	970 106 457 01	Water hose		1	
		Discontinued part			
(16)	970 106 457 15	Water hose		1	
17	999 512 658 09	Hose clamp	B27X12	1	
18	970 106 455 00	Water hose		1	
19	958 572 809 00	Heater valve		1	
20	970 106 453 00	Water hose		1	
21	999 512 683 09	Hose clamp	B23X12	1	
22	N 107 500 01	Hexagon socket flat head bolt	M6X16	1	
		No longer use the part here			
(22)	N 106 320 03	Oval socket head bolt with hex drive	M6X16	1	
23		Water line		1	
		see illustration:	105-062		
24	970 605 023 01	Bracket		1	
25	N 104 514 05	Oval hexagon socket head bolt	M6X16	1	
26	06H 906 283 B	Solenoid valve Electric		1	
27	970 106 212 00	Vacuum line Shut-off valve		1	
28	970 106 214 00	Vent hose		1	
29	970 106 210 00	Vacuum line Heater valve		1	

Model: 970 10

Model life 2010>>2016



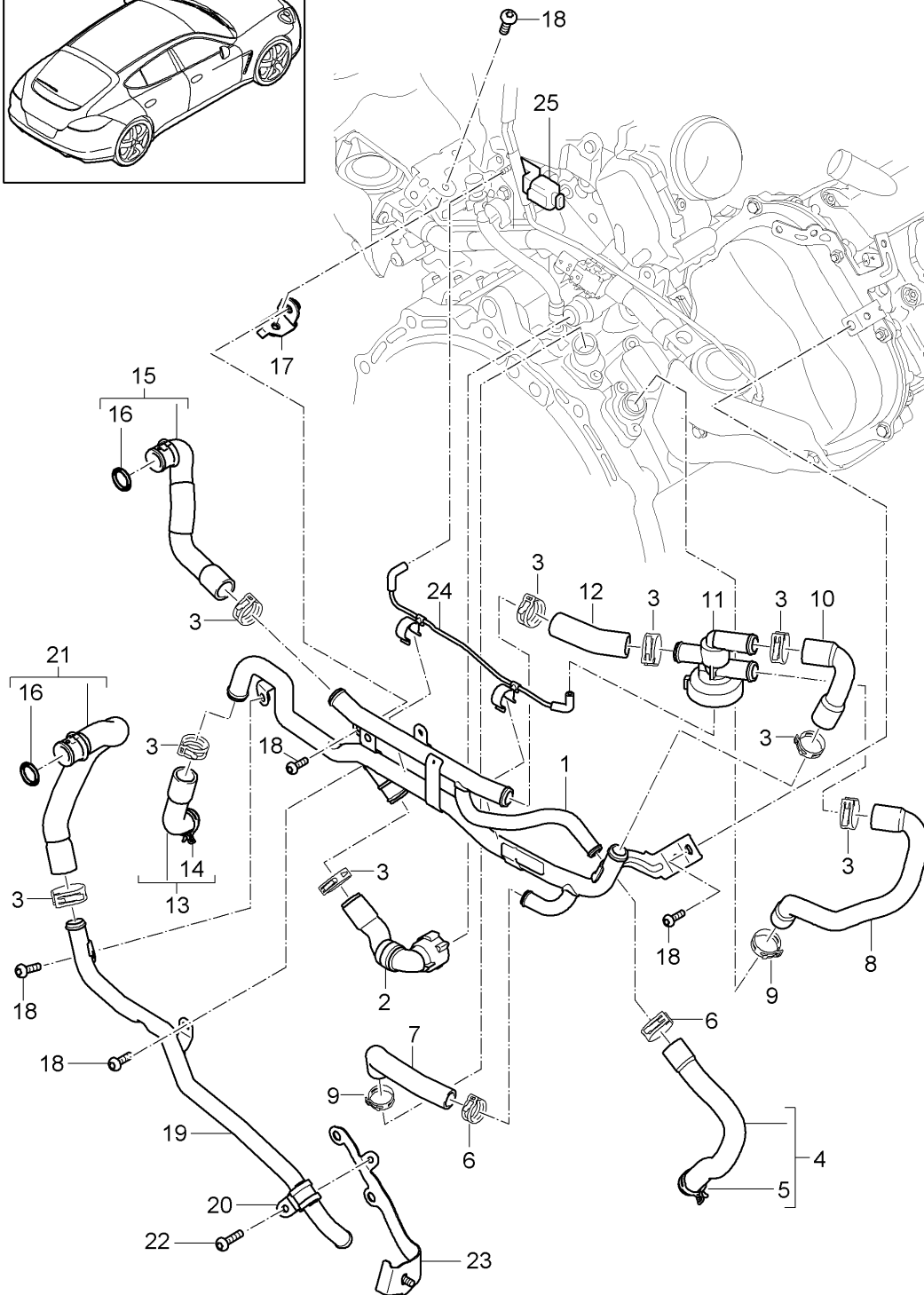
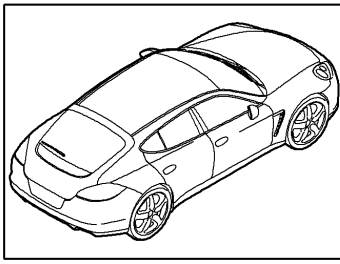
Model: 970 10

Model life 2010>>2016

Pos	Part Number	Description	Remark	Qty	Model
		Coolant cooling system Additional coolant pump D - MJ 2014>>			CGEA, CGE, CGFA
1	970 106 121 15	Coolant pipe with:		1	
		Coolant hose			
2	958 106 357 20	Water hose		1	
3	999 512 658 09	Hose clamp	B27X12	4	
4	970 106 522 00	Water hose		1	
5	N 106 320 03	Oval socket head bolt with hex drive	M6X16	1	
6	958 106 579 10	Bracket		1	
7	958 606 567 00	Coolant pump		1	
8	958 106 579 20	Bracket		1	
9	N 104 514 05	Oval hexagon socket head bolt	M6X16	2	
10	N 105 242 02	Hex socket head locating bolt	M10X12	1	
11	970 106 459 15	Water hose		1	
12	999 512 658 09	Hose clamp	B27X12	1	
13	999 512 683 09	Hose clamp	B23X12	1	
14	970 106 411 15	Heater pipeline		1	
15	999 512 658 09	Hose clamp	B27X12	2	
16	970 106 457 15	Water hose		1	
17	970 106 539 15	Water hose		1	
18	999 512 683 09	Hose clamp	B23X12	1	
19	999 512 658 09	Hose clamp	B27X12	1	
20	N 106 320 03	Oval socket head bolt with hex drive	M6X16	1	
21	970 106 455 05	Water hose		1	
22	999 512 658 09	Hose clamp	B27X12	1	
23	999 512 658 09	Hose clamp	B27X12	1	
24	N 910 423 01	Oval hexagon socket head bolt	M6X16	1	
25	970 106 446 00	Coolant pipe		1	
26	1J0 129 687	Line holder		1	
27	N 906 577 01	Speed nut	M6X26, 4X20	1	
28	N 107 613 01	toothed lock washer		1	
29	970 106 476 01	Water hose		1	
30	999 512 658 09	Hose clamp	B27X12	1	
31	999 707 508 40	O-ring	19, 60X3, 65	1	
32	900 378 155 01	Hexagon bolt	M6X16-PA	1	
(32)	900 378 035 01	Hexagon bolt	M6X16	1	

Model: 970 10

Model life 2010>>2016



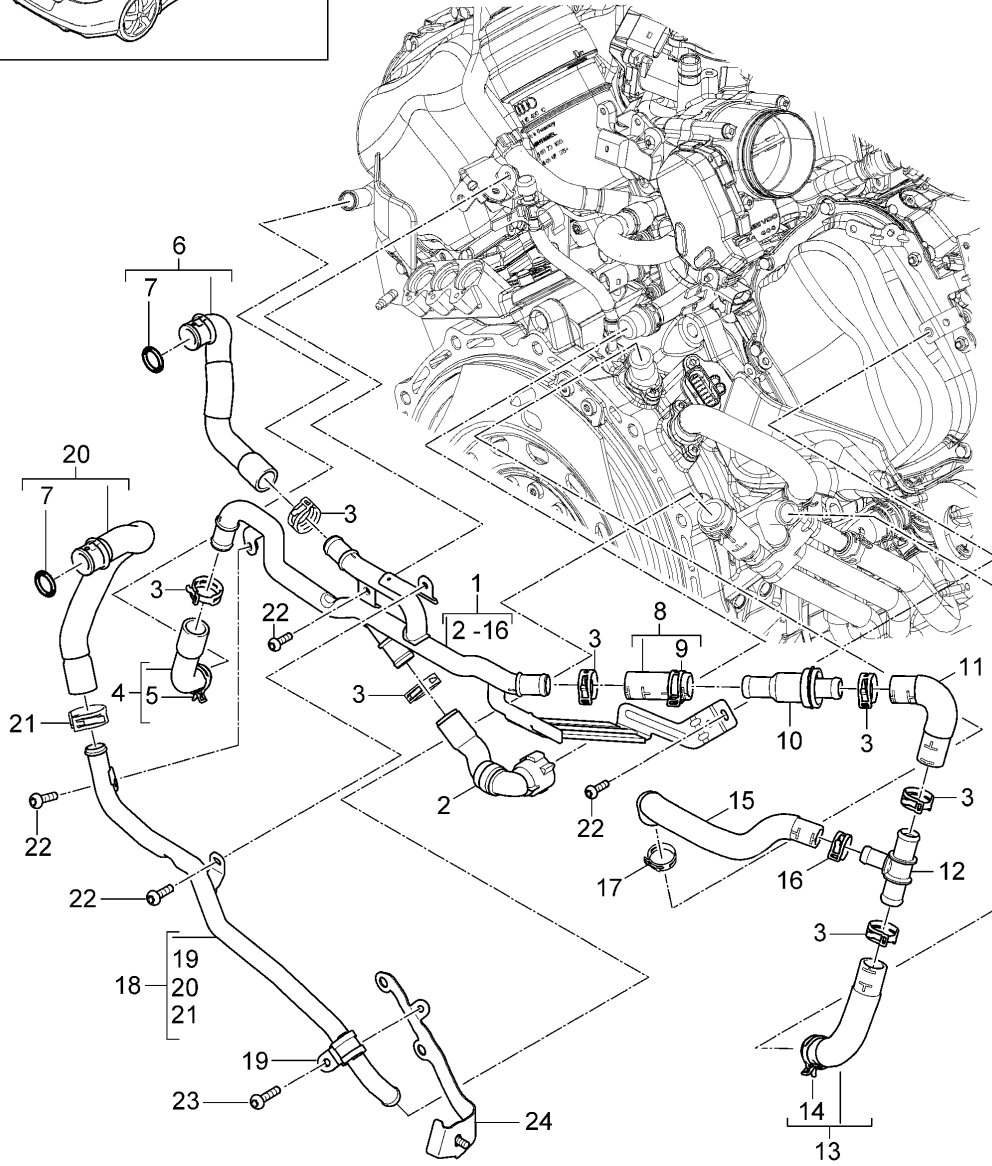
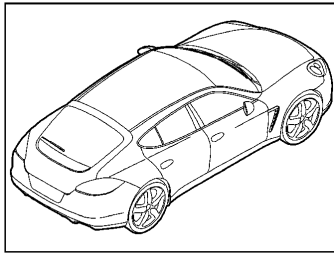
Model: 970 10

Model life 2010>>2016

Pos	Part Number	Description	Remark	Qty	Model
		Coolant cooling system Electric drive D >> - MJ 2013			CGEA, CGE, CGFA
1	970 106 529 10	Coolant pipe		1	
2	970 106 525 10	Water hose		1	
3	999 512 658 09	Hose clamp	B27X12	9	
4	970 106 456 00	Water hose		1	
5	999 512 683 09	Hose clamp	B23X12	1	
6	999 512 683 09	Hose clamp	B23X12	2	
7	970 106 526 10	Water hose		1	
8	970 106 527 10	Water hose		1	
9	N 906 870 01	Spring band clamp	27X12	2	
10	970 106 523 10	Water hose		1	
11	958 106 605 00	Vacuum valve		1	
12	970 106 522 10	Water hose		1	
13	970 106 524 10	Water hose		1	
14	999 512 683 09	Hose clamp	B23X12	1	
15	970 106 521 10	Water hose		1	
16	996 106 801 01	O-ring	21,35X3	2	
17	970 106 467 00	Bracket		1	
18	N 103 352 06	Hexagon socket flat head bolt	M6X12	5	
19	970 106 247 00	Coolant pipe		1	
20	N 020 607 3	Clamp 20 X 20		1	
21	970 106 248 00	Water hose		1	
22	N 104 514 05	Oval hexagon socket head bolt	M6X16	1	
23		Support see illustration, item:	202-025,7	1	
24	970 106 211 00	Vacuum line Vacuum valve		1	
25		Change-over valve see illustration, item:	107-022,7	1	

Model: 970 10

Model life 2010>>2016



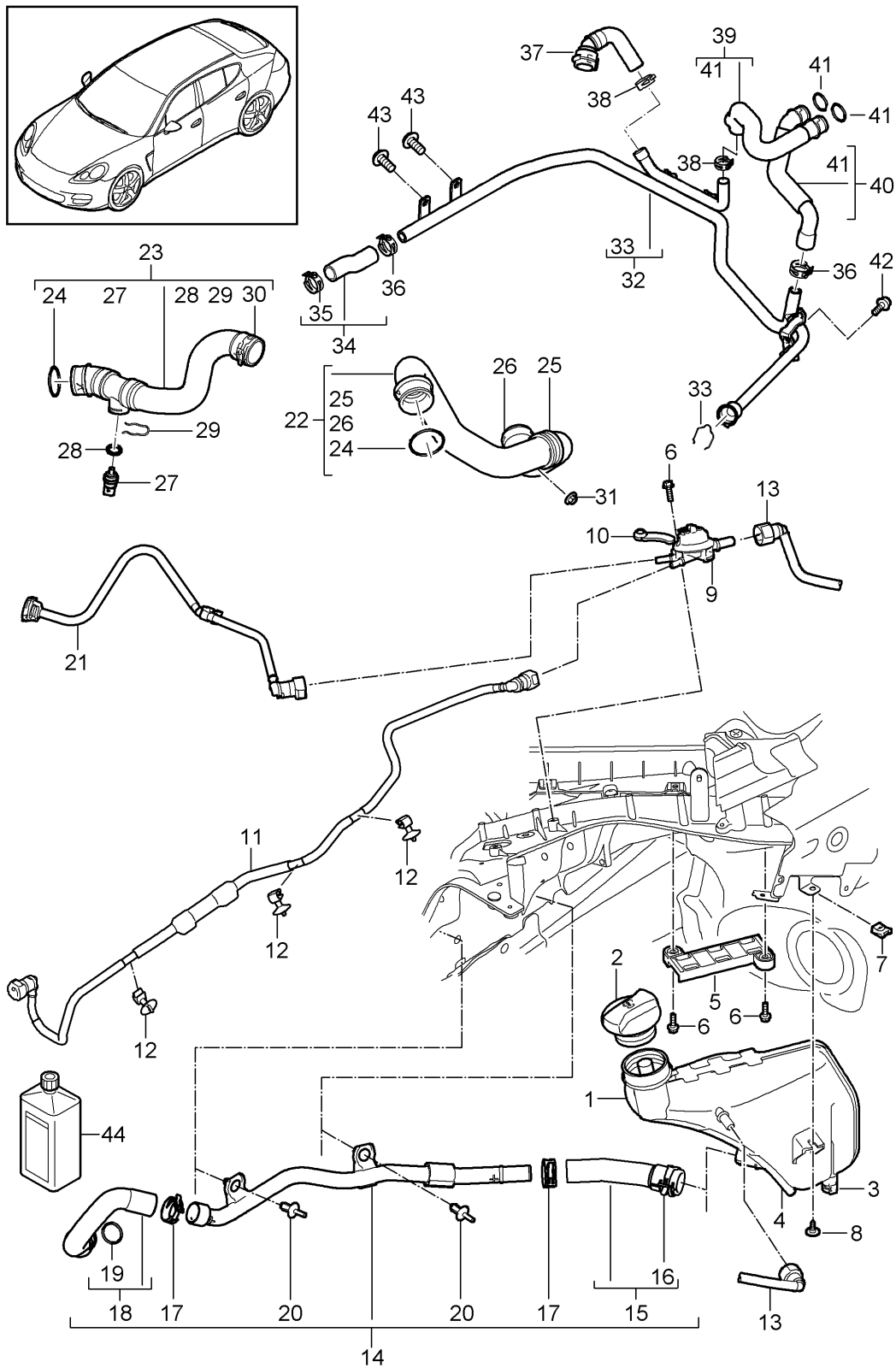
Model: 970 10

Model life 2010>>2016

Pos	Part Number	Description	Remark	Qty	Model
		Coolant cooling system Electric drive D - MJ 2014>>			CGEA, CGE, CGFA
1	970 106 529 15	Coolant pipe		1	
(1)	970 106 421 16	No longer use the part here Coolant pipe (complete)		1	
2	970 106 525 15	Water hose		1	
3	999 512 658 09	Hose clamp	B27X12	7	
4	970 106 524 15	Water hose		1	
5	999 512 683 09	Hose clamp	B23X12	1	
6	970 106 521 15	Water hose		1	
7	996 106 801 01	O-ring	21,35X3	2	
8	970 106 457 15	Water hose		1	
9	999 512 658 09	Hose clamp	B27X12	1	
10	4E0 121 113	Coolant regulator		1	
11	970 106 523 15	Water hose		1	
		No longer use the part here			
12	N 907 944 01	t-piece	20X16X20	1	
13	970 106 456 05	Water hose		1	
14	999 512 658 09	Hose clamp	B27X12	1	
15	970 106 526 15	Water hose		1	
		No longer use the part here			
16	999 512 683 09	Hose clamp	B23X12	1	
17	999 512 658 09	Hose clamp	B27X12	1	
18	970 106 247 15	Coolant pipe		1	
		No longer use the part here			
(18)	970 106 047 15	Coolant pipe (complete)		1	
19	N 020 607 3	Clamp 20 X 20		1	
20	970 106 248 15	Water hose		1	
21	999 512 658 09	Hose clamp	B27X12	1	
22	N 103 352 06	Hexagon socket flat head bolt	M6X12	4	
23	N 104 514 05	Oval hexagon socket head bolt	M6X16	1	
24		Support see illustration, item:	202-025,7	1	

Model: 970 10

Model life 2010>>2016



Model: 970 10 Model life 2010>>2016

Pos	Part Number	Description	Remark	Qty	Model
		Coolant cooling system			CRCC,CRCB, CWJA
		Coolant expansion tank			
1	970 106 151 03	Coolant expansion tank		1	
2	955 106 447 20	Cover		1	
3	970 606 503 00	water level sender		1	
4	970 106 297 01	Water drainage hose		1	
5	970 106 405 01	Bracket		1	
6	900 378 188 09	Hexagon bolt	M6X20	3	
7	999 507 795 09	panel nut	ST4,8	1	
8	999 073 227 09	panel screw	ST4,8X19	1	
9	970 106 447 30	Bleed valve		1	
10	970 106 449 00	Bracket		1	
		Bleed valve			
11	970 106 310 30	Breather line		1	
		D >> - MJ 2013			
(11)	970 106 310 32	Breather line		1	CRCC,CRCB
		D - MJ 2014>>			
(11)	970 106 310 35	Breather line		1	CWJA
12	999 507 126 40	Hose bracket	7,8	3	
13	970 106 312 01	Breather line		1	
14	970 106 044 00	Coolant pipe		1	
15	970 106 452 01	Water hose		1	
16	999 512 659 09	Hose clamp	B28X12	1	
17	999 512 656 09	Hose clamp	B25X12	2	
18	970 106 430 01	Water hose		1	
19	996 106 801 01	O-ring	21,35X3	1	
20	999 507 497 40	Spreader rivet	8,0X14,0	2	
21	970 106 011 30	Breather line		1	CRCC,CRCB
(21)	970 106 011 35	Breather line		1	CWJA
22	970 106 401 30	Water hose		1	
		Supply			
23	970 106 402 30	Water hose		1	
		Return line			
24	996 106 801 07	O-ring	39,3X3,53	2	
25	N 911 237 01	Clamp	40X15	1	
26	999 512 665 09	Hose clamp	B40X12	1	
27	955 106 125 01	Temperature sensor		1	
28	N 903 168 01	O-ring	19,6X3,65	1	
29	955 106 143 00	retaining spring		1	
30	999 512 667 09	Hose clamp	B44X12	1	
31	N 911 733 01	hex. nut with washer	M6	1	
32	970 106 445 31	Coolant pipe		1	
33	997 106 802 04	Spring clip		1	
34	970 106 450 30	Water hose		1	
35	999 512 658 09	Hose clamp	B27X12	1	
36	999 512 658 09	Hose clamp	B27X12	2	
37	970 106 420 30	Heating hose	feed	1	
38	999 512 656 09	Hose clamp	B25X12	2	
39	970 106 425 30	Heating hose	feed	1	
40	970 106 421 30	Heating hose	return	1	
41	996 106 801 01	O-ring	21,35X3	2	
42	N 910 522 01	Hexagon socket head bolt	M8X12	1	
43	N 103 352 06	Hexagon socket flat head bolt	M6X12	2	
44	000 043 301 47	Coolant additive discontinued part	1.0 Ltr.	X	
(44)	000 043 305 15	Coolant additive	1.0 Ltr.	X	
(44)	000 043 301 48	Coolant additive discontinued part	20ltr.	X	
(44)	000 043 305 16	Coolant additive	20ltr.	X	
(44)	000 043 204 39	Cleaning solution discontinued part	20ltr.	X	

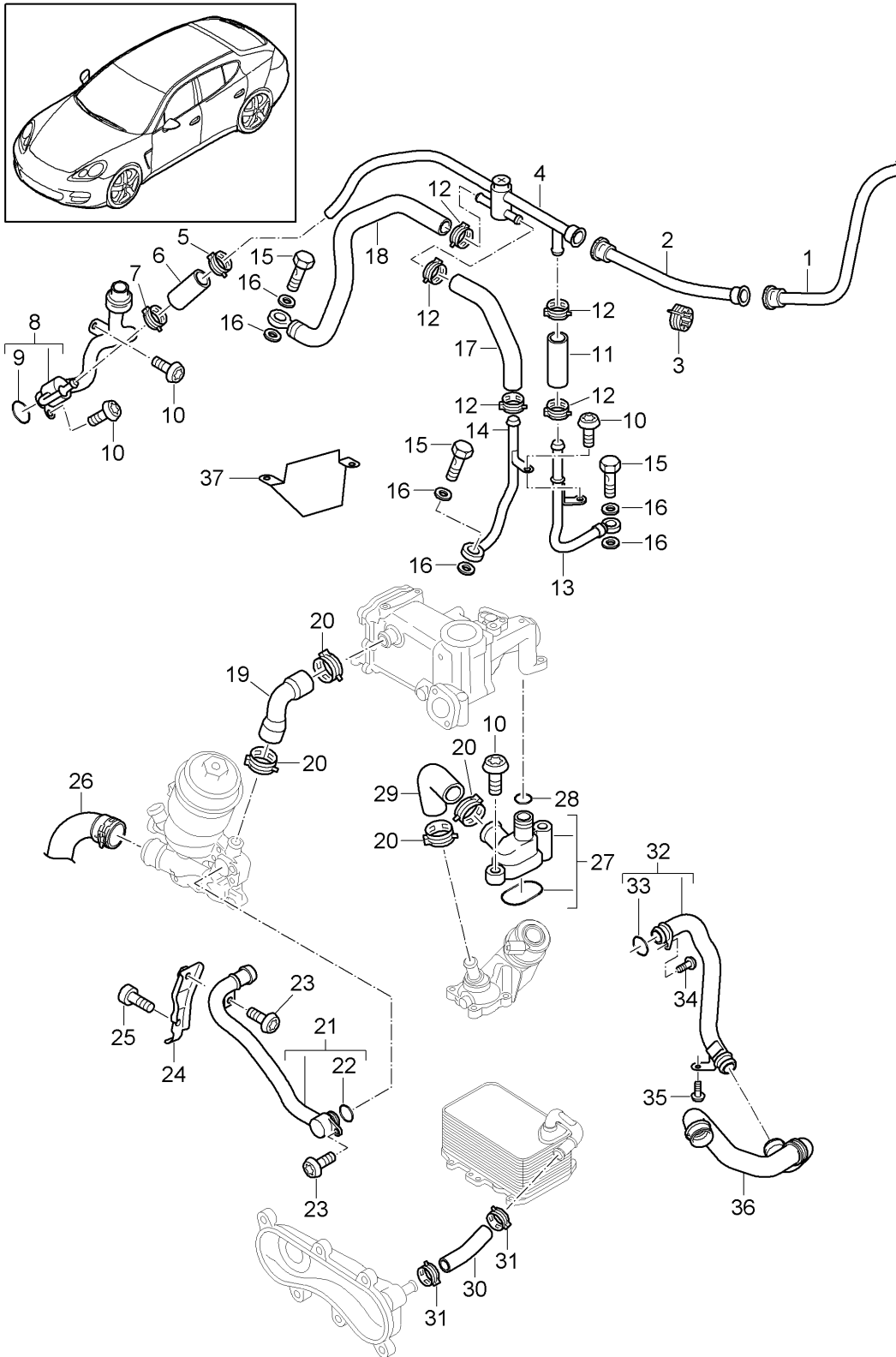
Model: 970 10

Model life 2010>>2016

Pos	Part Number	Description	Remark	Qty	Model
(44)	000 043 305 64	Cleaning solution	20ltr.	X	

Model: 970 10

Model life 2010>>2016



Model: 970 10 Model life 2010>>2016

Pos	Part Number	Description	Remark	Qty	Model
		Coolant cooling system			CRCC,CRCB, CWJA
1		Breather line		1	
		see illustration, item:	105-065,21		
2	958 106 314 00	Breather line	rear	1	
		No longer use the part here			
(2)	958 106 314 01	Breather line	rear	1	
3	N 107 162 01	Spacer ring	B8X18X20	1	
4	958 106 086 00	Coolant pipe		1	
5	N 906 867 01	Spring band clamp	14X12	1	
6	958 106 456 00	Coolant hose		1	
7	N 907 702 01	Spring band clamp	17X12	1	
8	958 106 065 00	Coolant pipe		1	CRCC,CRCB
(8)	958 106 065 10	Coolant pipe		1	CWJA
9	N 908 091 02	O-ring	16X2	1	
10	N 104 514 08	Oval hexagon socket head bolt	M6X16	4	
11	958 106 455 00	Coolant hose		1	
12	N 906 867 01	Spring band clamp	14X12	5	
13	958 106 399 10	Coolant pipe		1	
14	958 106 466 00	Breather line		1	
		Discontinued part			
(14)	958 106 466 01	Breather line		1	
15	N 910 438 01	Banjo bolt	8	3	
16	N 013 807 6	seal ring	A8X11,5	6	
17	958 106 453 00	Water hose		1	
		Discontinued part			
(17)	958 106 453 01	Coolant hose		1	
		Discontinued part			
(17)	958 106 453 02	Coolant hose		1	
18	958 106 454 00	Water hose		1	
		Discontinued part			
(18)	958 106 454 01	Coolant hose		1	
		Discontinued part			
(18)	958 106 454 02	Coolant hose		1	
19	958 106 513 00	Coolant hose		1	
20	N 906 870 01	Spring band clamp	27X12	4	
21	958 106 375 00	Coolant pipe		1	
22	958 106 537 00	O-ring	19,5X3	1	
23	N 104 514 08	Oval hexagon socket head bolt	M6X16	2	
24	958 106 593 00	Bracket		1	
25	N 106 449 01	Socket head bolt with inner multipoint head	M8X18	1	
26		Coolant hose		1	
		see illustration, item:	105-065,23		
27	958 106 506 00	Intermediate flange		1	
		with:			
		Discontinued part			
(27)	958 106 506 01	Intermediate flange		1	
		with:			
		Discontinued part			
(27)	958 106 506 02	Intermediate flange		1	
		with:			
-	958 106 749 05	gasket - intermediate flange		1	
28	N 908 091 02	O-ring	16X2	1	
29	958 106 625 00	Coolant hose		1	
		Discontinued part			
(29)	958 106 625 01	Coolant hose		1	
30	958 106 673 00	Coolant hose		1	
31	N 906 869 01	Spring band clamp	B23X12	2	
32	958 106 071 00	Coolant pipe		1	
33	N 902 753 02	O-ring	32X3	1	
34	N 104 514 08	Oval hexagon socket head bolt	M6X16	1	
35	N 107 002 01	round hd. screw	M6X22	1	

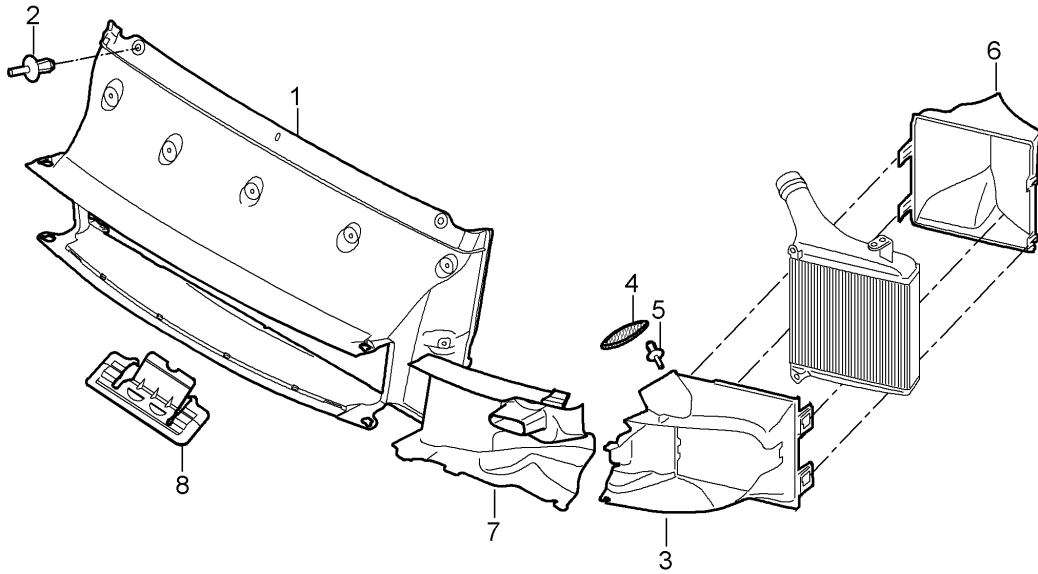
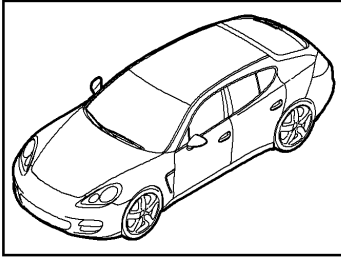
Model: 970 10

Model life 2010>>2016

Pos	Part Number	Description	Remark	Qty	Model
36		Coolant hose see illustration, item:	105-065,22	1	
37	958 106 755 11	Heat insulation Breather line		1	CWJA

Model: 970 10

Model life 2010>>2016



Model: 970 10

Model life 2010>>2016

Pos	Part Number	Description	Remark	Qty	Model
1	970 575 323 10	Air guide Coolant cooling system D >> - MJ 2013	center	1	4620,4640, 4820,4840+
(1)	970 575 323 22	Discontinued part Air guide	center	1	PR:-456,-XAP 4620,4640, 4820,4840+
(1)	970 575 323 10	Air guide	center	1	PR:-456, -XAP,-015 CRCC,CRCB+
(1)	970 575 323 22	No longer use the part here Air guide	center	1	PR:-456,-XAP CRCC,CRCB+
(1)	970 575 982 00	Air guide	center	1	4620,4640, 4820,4840+
(1)	970 575 982 04	Discontinued part Air guide	center	1	PR:-456,XAP 4620,4640, 4820,4840+
(1)	970 575 982 04	Air guide	center	1	PR:-456,XAP CRCC,CRCB+
(1)	970 575 323 04	Air guide	center	1	PR:-456,XAP CGEA,CGE, CGFA+
(1)	970 575 323 20	No longer use the part here Air guide	center	1	PR:-456 CGEA,CGE, CGFA+
(1)	970 575 323 23	Air guide	center	1	PR:-456 4840+
(1)	970 575 323 11	Air guide	center	1	PR:015,-456 4870+
(1)	970 575 323 23	Discontinued part Air guide	center	1	PR:-456 4870+
(1)	970 575 323 12	Air guide	center	1	PR:-456 4620,4640, 4820,4840+
(1)	970 575 323 24	Discontinued part Air guide	center	1	PR:456,-XAP 4620,4640, 4820,4840+
(1)	970 575 323 12	Air guide	center	1	PR:456,-XAP, -015 CRCC,CRCB+
(1)	970 575 323 24	No longer use the part here Air guide	center	1	PR:456,-XAP CRCC,CRCB+
(1)	970 575 982 02	Air guide	center	1	PR:456,-XAP 4620,4640, 4820,4840+
(1)	970 575 982 05	Discontinued part Air guide	center	1	PR:456,XAP 4620,4640, 4820,4840+
(1)	970 575 982 05	Air guide	center	1	PR:456,XAP CRCC,CRCB+
(1)	970 575 323 05	Air guide	center	1	PR:456,XAP CGEA,CGE, CGFA+
(1)	970 575 323 21	No longer use the part here Air guide	center	1	PR:456 CGEA,CGE, CGFA+
(1)	970 575 323 25	Air guide	center	1	PR:456 4840+

Model: 970 10 Model life 2010>>2016

Pos	Part Number	Description	Remark	Qty	Model
(1)	970 575 323 13	Air guide	center	1	PR:015,456 4870+ PR:456
(1)	970 575 323 25	Discontinued part Air guide	center	1	4870+ PR:456
2	999 507 497 40	Spreader rivet	8,0X14,0	X	
3	970 575 321 00	Air guide	left	1	4870+ PR:-XAP
(3)	970 575 321 02	Air guide	left	1	CRCC,CRCB+ PR:-XAP
(3)	970 575 980 00	Air guide	left	1	4870+ PR:XAP
(3)	970 575 980 01	No longer use the part here Air guide	left	1	4870+ PR:XAP
(3)	970 575 981 02	Air guide	left	1	CRCC,CRCB+ PR:XAP
(3)	970 575 980 01	Air guide	left	1	4840+ PR:015
(3)	970 575 322 00	Air guide	right	1	4870+ PR:-XAP
(3)	970 575 322 01	Air guide	right	1	CGEA,CGE, CGFA
(3)	970 575 322 02	Air guide	right	1	CRCC,CRCB+ PR:-XAP
(3)	970 575 981 00	Air guide	right	1	4870+ PR:XAP
(3)	970 575 981 01	No longer use the part here Air guide	right	1	4870+ PR:XAP
(3)	970 575 980 02	Air guide	right	1	CRCC,CRCB+ PR:XAP
(3)	970 575 981 01	Air guide	right	1	4840+ PR:015
4	970 110 241 70	intake grille Air guide	left	1	4870+ PR:-XAP
(4)	970 504 993 00	intake grille Air guide	left	1	4870+ PR:XAP
(4)	970 504 993 00	intake grille Air guide	left	1	4840+ PR:015
(4)	970 110 242 70	intake grille Air guide	right	1	4870+ PR:-XAP
(4)	970 504 994 00	intake grille Air guide	right	1	4870+ PR:XAP
(4)	970 504 994 00	intake grille Air guide	right	1	4840+ PR:015
5	N 905 369 01	Spreader rivet	5X11	6	
(5)	999 591 712 40	Spreader rivet	6,0X12,0	6	
(5)	999 591 712 40	Spreader rivet	6,0X12,0	6	
6	970 575 641 00	Air guide	left	1	4870
(6)	970 575 641 01	Air guide	left	1	CRCC,CRCB
(6)	970 575 641 03	Discontinued part Air guide	left	1	CRCC,CRCB
(6)	970 575 641 02	air guide for air cleaner	left	1	4840+ PR:015
(6)	970 575 642 00	Air guide	right	1	4870
(6)	970 575 642 01	Air guide	right	1	CGEA,CGE, CGFA
(6)	970 575 642 02	Air guide	right	1	CRCC,CRCB
(6)	970 575 642 04	Discontinued part Air guide	right	1	CRCC,CRCB
(6)	970 575 642 03	air guide for air cleaner	right	1	4840+ PR:015
7	970 575 341 01	Air guide	left	1	4870

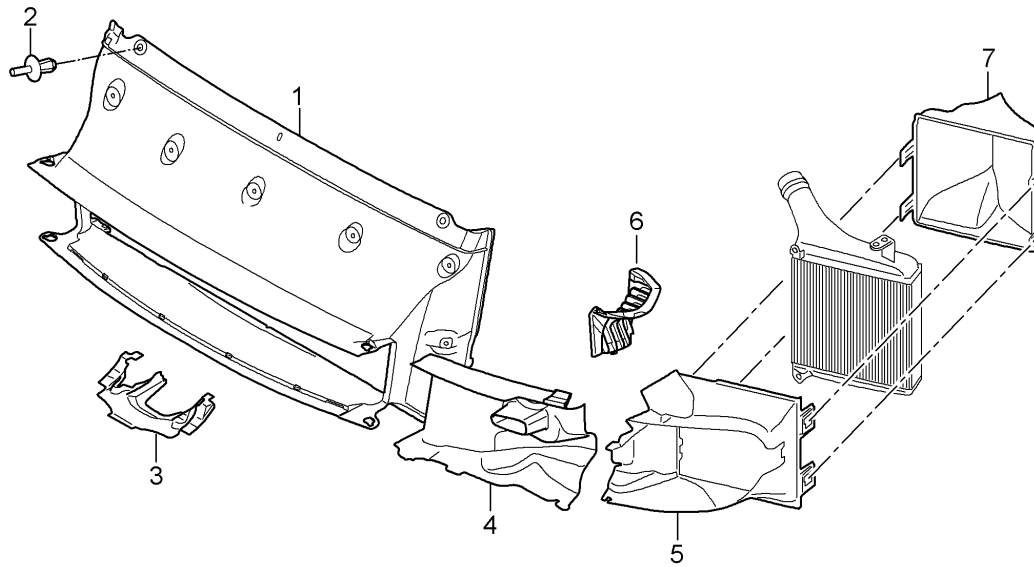
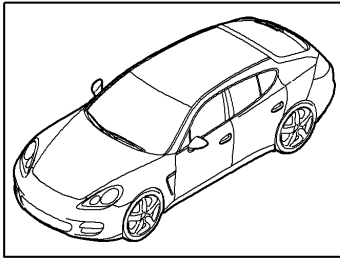
Model: 970 10

Model life 2010>>2016

Pos	Part Number	Description	Remark	Qty	Model
			side		
(7)	970 575 341 02	Discontinued part Air guide	left side	1	4870
(7)	970 575 341 02	Air guide	left side	1	4840+ PR:015
(7)	970 575 342 02	Air guide	right side	1	4870
(7)	970 575 342 03	Discontinued part Air guide	right side	1	4870
(7)	970 575 342 01	Air guide	right side	1	CGEA, CGE, CGFA
(7)	970 575 342 03	Air guide	right side	1	4840+ PR:015
8	970 575 571 00	Cover Air guide		1	PR:456

Model: 970 10

Model life 2010>>2016



Model: 970 10 Model life 2010>>2016

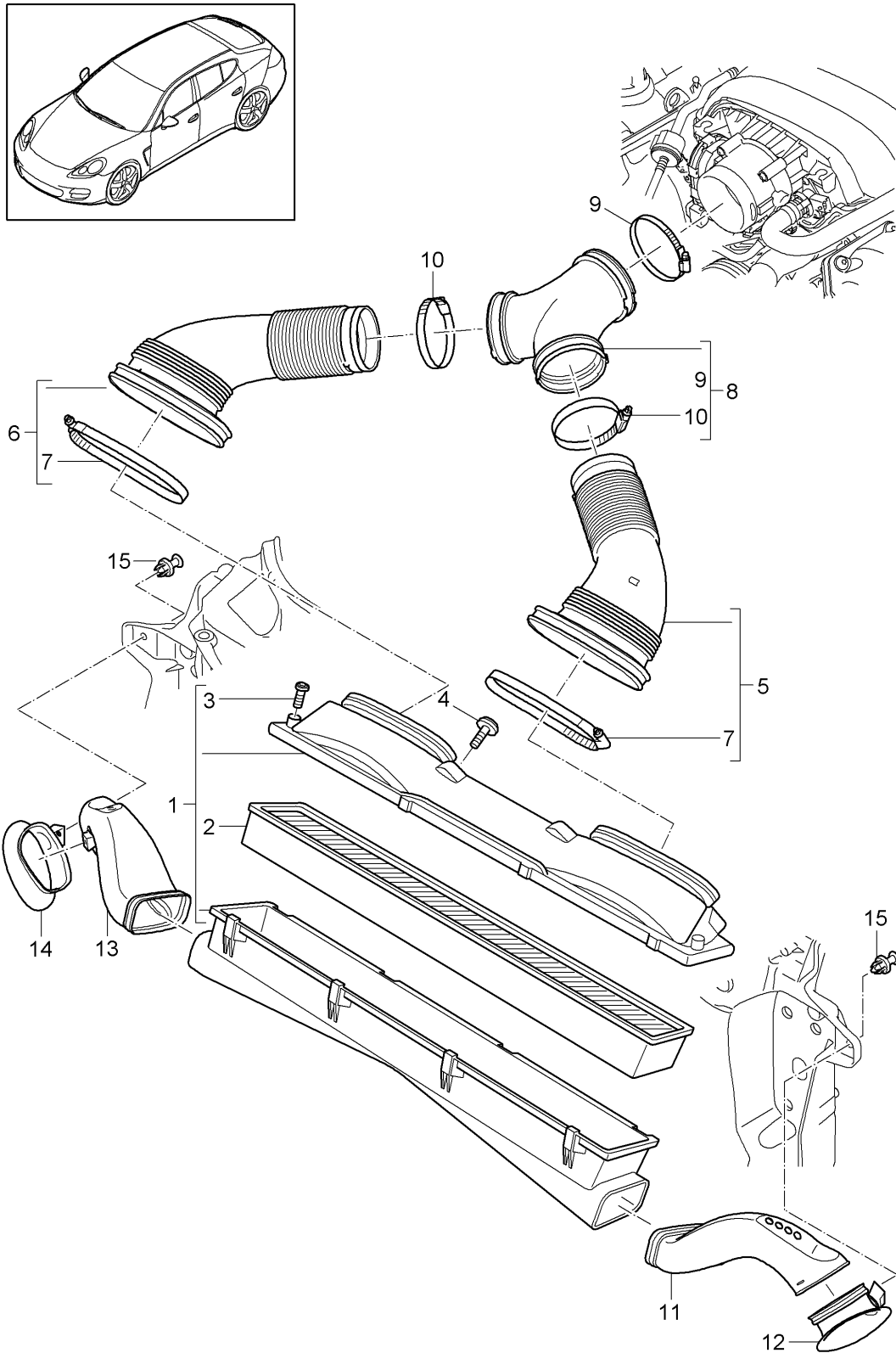
Pos	Part Number	Description	Remark	Qty	Model
1	970 575 323 16	Air guide Coolant cooling system D - MJ 2014>> Air guide	center	1	CWAA, CXNA, CWDA, CWD, CWFA, CWF+ PR: -456
(1)	970 575 323 16	Air guide	center	1	CRCC, CRCB, CWJA+ PR: -456
(1)	970 575 323 14	Air guide	center	1	CGEA, CGE, CGFA+ PR: -456
(1)	970 575 323 17	Air guide	center	1	CXPA, CXRA, CXR, CWBA, CWB, CWCA, CWC+ PR: -456
(1)	970 575 323 18	Air guide	center	1	CWAA, CXNA, CWDA, CWD, CWFA, CWF+ PR: 456
(1)	970 575 323 18	Air guide	center	1	CRCC, CRCB, CWJA+ PR: 456
(1)	970 575 323 15	Air guide	center	1	CGEA, CGE, CGFA+ PR: 456
(1)	970 575 323 19	Air guide	center	1	CXPA, CXRA, CXR, CWBA, CWB, CWCA, CWC+ PR: 456
2	999 507 497 40	Spreader rivet	8,0X14,0	2	
3	970 575 571 01	Cover Air guide		1	PR: 456
4	970 575 341 02	Air guide	left side	1	CXPA, CXRA, CXR, CWBA, CWB, CWCA, CWC
(4)	970 575 342 03	Air guide	right side	1	CXPA, CXRA, CXR, CWBA, CWB, CWCA, CWC
(4)	970 575 342 01	Air guide	right side	1	CGEA, CGE, CGFA
5	970 575 321 04	Air guide	left	1	CXPA, CXRA, CXR, CWBA, CWB, CWCA, CWC
(5)	970 575 321 03	Air guide	left	1	CWDA, CWD, CWFA, CWF
(5)	970 575 321 05	Air guide	left	1	CRCC, CRCB, CWJA
(5)	970 575 322 04	Air guide	right	1	CXPA, CXRA, CXR, CWBA, CWB, CWCA, CWC
(5)	970 575 322 03	Air guide	right	1	CWDA, CWD, CWFA, CWF
(5)	970 575 322 05	Air guide	right	1	CGEA, CGE, CGFA
(5)	970 575 322 06	Air guide	right	1	CRCC, CRCB, CWJA
6	970 575 651 01	intake grille Air guide	left	1	CXPA, CXRA, CXR, CWBA, CWB, CWCA, CWC

Model: 970 10 Model life 2010>>2016

Pos	Part Number	Description	Remark	Qty	Model
(6)	970 575 651 00	intake grille Air guide	left	1	CWDA,CWD, CWFA,CWF
(6)	970 575 652 01	intake grille Air guide	right	1	CXPA,CXRA, CXR,CWBA, CWB,CWCA,CWC
(6)	970 575 652 00	intake grille Air guide	right	1	CWDA,CWD, CWFA,CWF
7	970 575 641 00	Air guide	left	1	CWBA,CWB, CWDA,CWD, CWFA,CWF, CWCA,CWC
(7)	970 575 641 01	Air guide No longer use the part here	left	1	CRCC,CRCB
(7)	970 575 641 03	Air guide	left	1	CRCC,CRCB, CWJA
(7)	970 575 641 02	air guide for air cleaner	left	1	CXPA,CXRA, CXR
(7)	970 575 642 00	Air guide	right	1	CWBA,CWB, CWDA,CWD, CWFA,CWF, CWCA,CWC
(7)	970 575 642 01	Air guide	right	1	CGEA,CGE, CGFA
(7)	970 575 642 02	Air guide No longer use the part here	right	1	CRCC,CRCB
(7)	970 575 642 04	Air guide	right	1	CRCC,CRCB, CWJA
(7)	970 575 642 03	air guide for air cleaner	right	1	CXPA,CXRA, CXR

Model: 970 10

Model life 2010>>2016

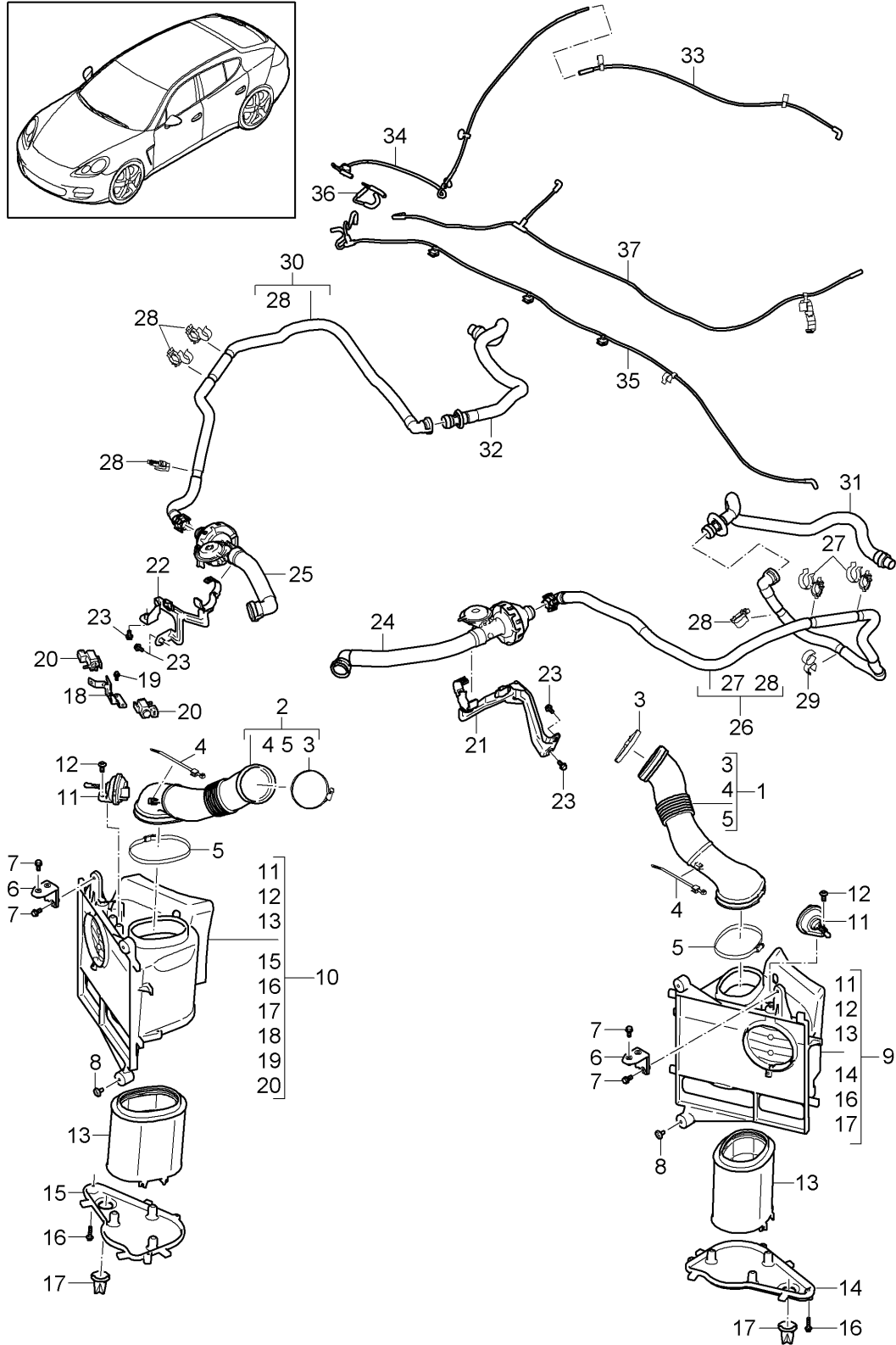
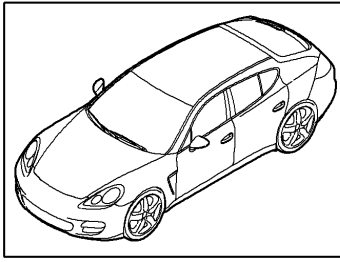


Model: 970 10 Model life 2010>>2016

Pos	Part Number	Description	Remark	Qty	Model
		Air cleaner system			4820,4840, CXPA,CXRA, CXR
1	970 110 021 02	Air filter		1	
2	970 110 220 01	Air filter element		1	
3	999 919 273 01	fillister hd. bolt 5 X 30		8	
4	999 073 981 30	fillister hd. bolt aluminium M 6 X 14		4	
5	970 110 113 02	intake manifold Discontinued part	left	1	
(5)	970 110 113 03	intake manifold D >> - MJ 2013	left	1	PR:-015
(5)	970 110 213 00	intake manifold No longer use the part here	left	1	4840+ PR:015
(5)	970 110 213 01	intake manifold	left	1	4840,CXPA, CXRA,CXR+ PR:015
6	970 110 114 02	intake manifold Discontinued part	right	1	
(6)	970 110 114 03	intake manifold D >> - MJ 2013	right	1	PR:-015
(6)	970 110 214 00	intake manifold No longer use the part here	right	1	4840+ PR:015
(6)	970 110 214 01	intake manifold	right	1	4840,CXPA, CXRA,CXR+ PR:015
7	999 512 727 01	Hose clamp 130 - 150 X 12		2	
8	970 110 140 02	Distributor tube Discontinued part		1	
(8)	970 110 140 03	Distributor tube		1	
9	999 512 515 00	Hose clamp 80 - 100 X 9		1	
10	999 512 721 01	Hose clamp 70 - 90 X 12		2	
11	970 110 271 01	Air guide channel	left	1	
12	970 110 251 02	guide funnel D >> - MJ 2013	left	1	PR:-015
(12)	970 110 251 71	Rubber sleeve	left	1	4840,CXPA, CXRA,CXR+ PR:015
13	970 110 272 01	Air guide channel	right	1	
14	970 110 252 02	guide funnel D >> - MJ 2013	right	1	PR:-015
(14)	970 110 252 71	Rubber sleeve	right	1	4840,CXPA, CXRA,CXR+ PR:015
15	999 591 517 40	Spreader rivet 9,9 X 11,5 D >> - MJ 2013		2	PR:-015

Model: 970 10

Model life 2010>>2016



Model: 970 10 Model life 2010>>2016

Pos	Part Number	Description	Remark	Qty	Model
		Appendix Air cleaner system			4840 ,CXPA , CXRA ,CXR+ PR:015
1	970 110 313 00	intake manifold	left	1	
2	970 110 314 00	intake manifold	right	1	
3	999 512 750 00	Hose clamp 60 - 80 X 9		2	
4	4L0 971 003 A	Cable holder		2	
5	999 512 752 00	Hose clamp 110 - 130 X 9		2	
6	970 110 409 00	Bracket for charge air cooler Discontinued part		2	
(6)	970 110 409 01	Bracket for charge air cooler D >> - MJ 2013		2	
(6)	970 110 409 70	Bracket for charge air cooler Discontinued part		2	
(6)	970 110 409 71	Bracket for charge air cooler D - MJ 2014>>		2	
7	900 378 035 01	Hexagon bolt M 6 X 16		6	
8	999 073 981 30	fillister hd. bolt M 6 X 14		4	
9	970 110 041 01	Air filter Discontinued part	left	1	
(9)	970 110 041 02	Air filter	left	1	
10	970 110 042 01	Air filter Discontinued part	right	1	
(10)	970 110 042 02	Air filter	right	1	
11	993 110 462 02	Vacuum unit		2	
12	N 105 995 01	round hd. screw M 5 X 20		4	
13	997 110 130 31	Air filter element		2	
14	970 110 451 00	Cover	left	1	
15	970 110 452 00	Cover	right	1	
16	900 385 023 01	Torx screw BM 6 X 25		6	
17	970 572 855 00	drain tube		2	
18	970 110 443 02	Bracket Change-over valve		1	
19	900 385 112 01	Torx screw BM 5 X 12		2	
20	7PP 906 270	Change-over valve Electric		2	
21	970 110 551 02	Line holder	left	1	
22	970 110 552 02	Line holder	right	1	
23	900 378 036 01	Hexagon bolt M 6 X 12		4	
24	970 110 541 00	Line	left	1	
25	970 110 542 00	Line	right	1	
26	970 110 531 01	Line	left	1	
(26)	970 110 531 02	No longer use the part here Line	left	1	
27	999 507 284 40	Line holder 16 / 28		2	
28	999 507 285 40	Line holder 16 / 20		4	
29	999 507 689 40	Hose bracket 20 / 24,5 No longer use the part here		1	PR:850 ,851
30	970 110 532 00	Line	right	1	
31	970 110 521 01	Line	left	1	
(31)	970 110 521 02	No longer use the part here Line	left	1	

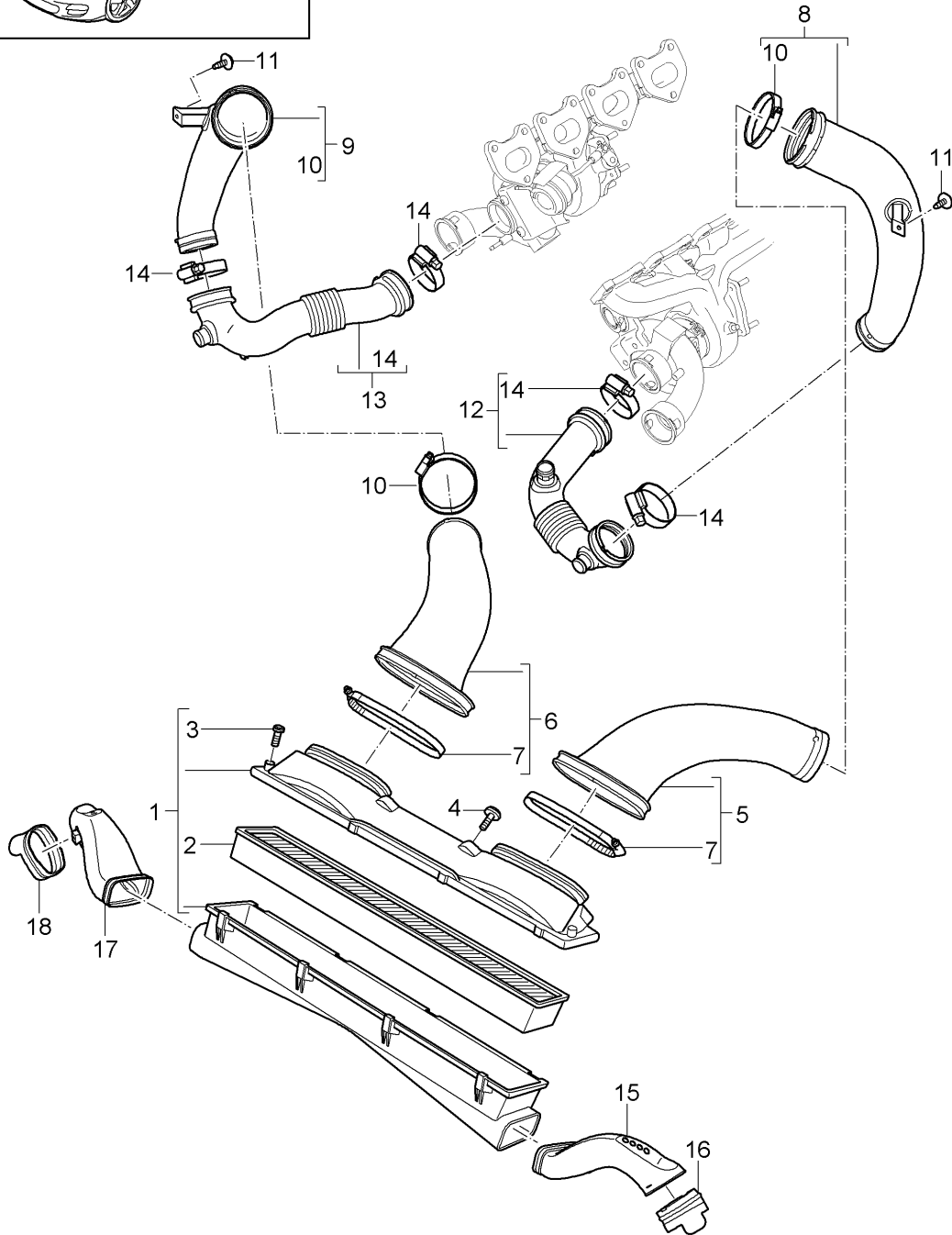
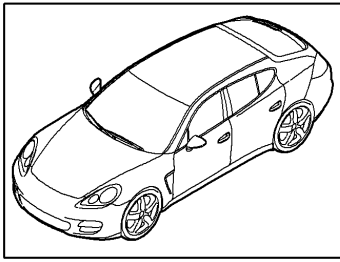
Model: 970 10

Model life 2010>>2016

Pos	Part Number	Description	Remark	Qty	Model
32	970 110 522 00	Line No longer use the part here	right	1	
(32)	970 110 522 01	Line	right	1	
33	970 110 063 02	Vacuum line		1	
34	970 110 065 02	Vacuum line		1	
35	970 110 064 02	Vacuum line No longer use the part here		1	
(35)	970 110 064 03	Vacuum line		1	
36	970 110 046 02	Vacuum line		1	
37	970 110 045 02	Vacuum line		1	

Model: 970 10

Model life 2010>>2016

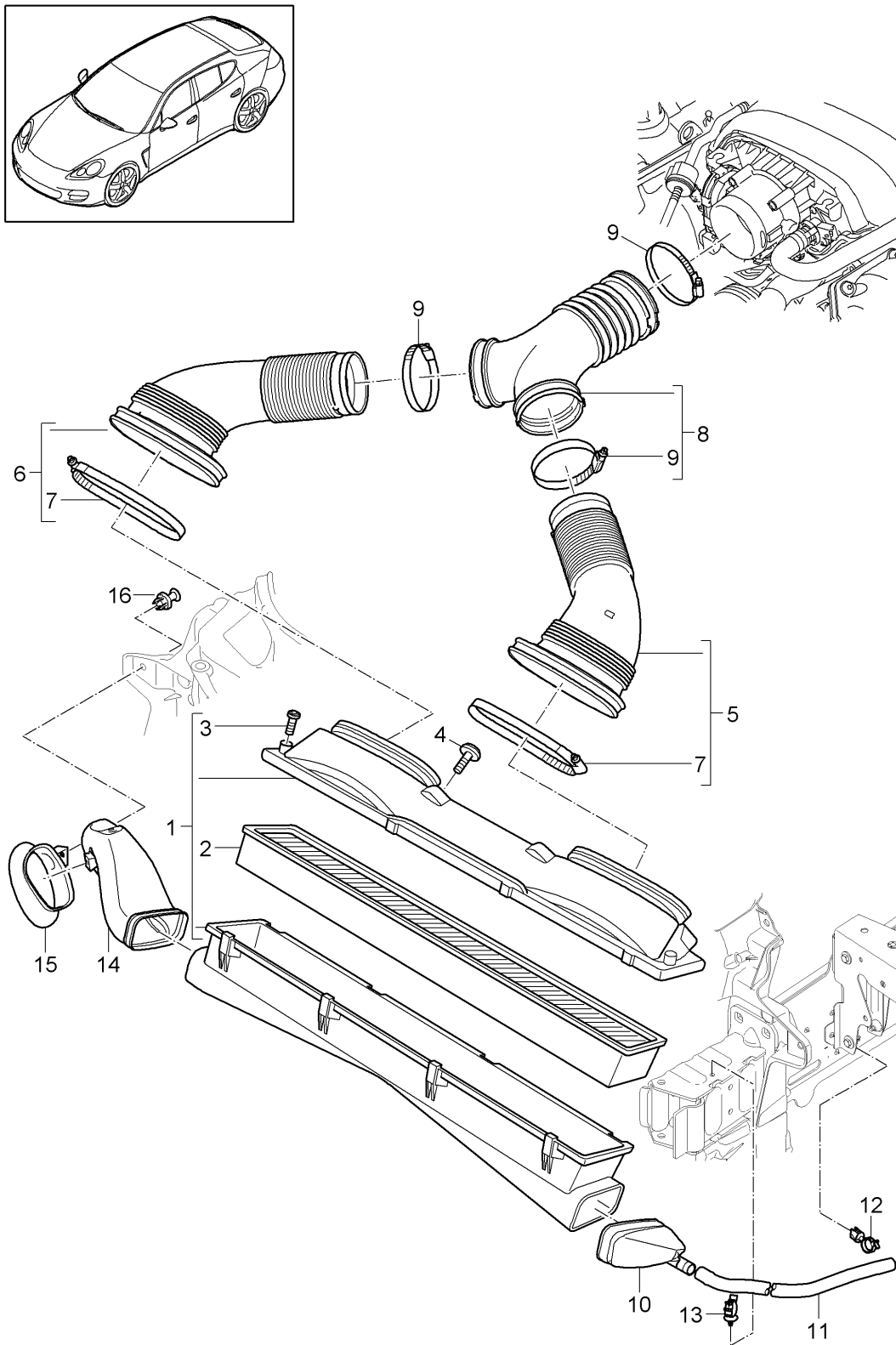


Model: 970 10 Model life 2010>>2016

Pos	Part Number	Description	Remark	Qty	Model
		Air cleaner system			4870 ,CWBA , CWB ,CWCA ,CWC
1	970 110 021 02	Air filter		1	
2	970 110 220 01	Air filter element		1	
3	999 919 273 01	fillister hd. bolt 5 X 30		8	
4	999 073 981 30	fillister hd. bolt aluminium M 6 X 14		4	
5	970 110 113 72	intake manifold	left	1	
		Discontinued part			
(5)	970 110 113 73	intake manifold	left	1	
6	970 110 114 72	intake manifold	right	1	
		Discontinued part			
(6)	970 110 114 73	intake manifold	right	1	
7	999 512 727 01	Hose clamp 130 - 150 X 12		2	
8	970 110 153 73	Intake manifold	left	1	
		Discontinued part			
(8)	970 110 153 74	Intake manifold	left	1	
9	970 110 154 73	Intake manifold	right	1	
		Discontinued part			
(9)	970 110 154 74	Intake manifold	right	1	
10	999 512 721 01	Hose clamp 70 - 90 X 12		2	
11	900 075 510 01	Bolt with washer M 6 X 20		2	
12	970 110 155 70	suction line	left	1	
		Discontinued part			
(12)	970 110 155 71	suction line	left	1	
13	970 110 156 70	suction line	right	1	
		Discontinued part			
(13)	970 110 156 71	suction line	right	1	
14	999 512 690 01	Hose clamp 50 - 70 X 12		4	
15	970 110 271 01	Air guide channel	left	1	
16	970 110 251 71	Rubber sleeve	left	1	
17	970 110 272 01	Air guide channel	right	1	
18	970 110 252 71	Rubber sleeve	right	1	

Model: 970 10

Model life 2010>>2016



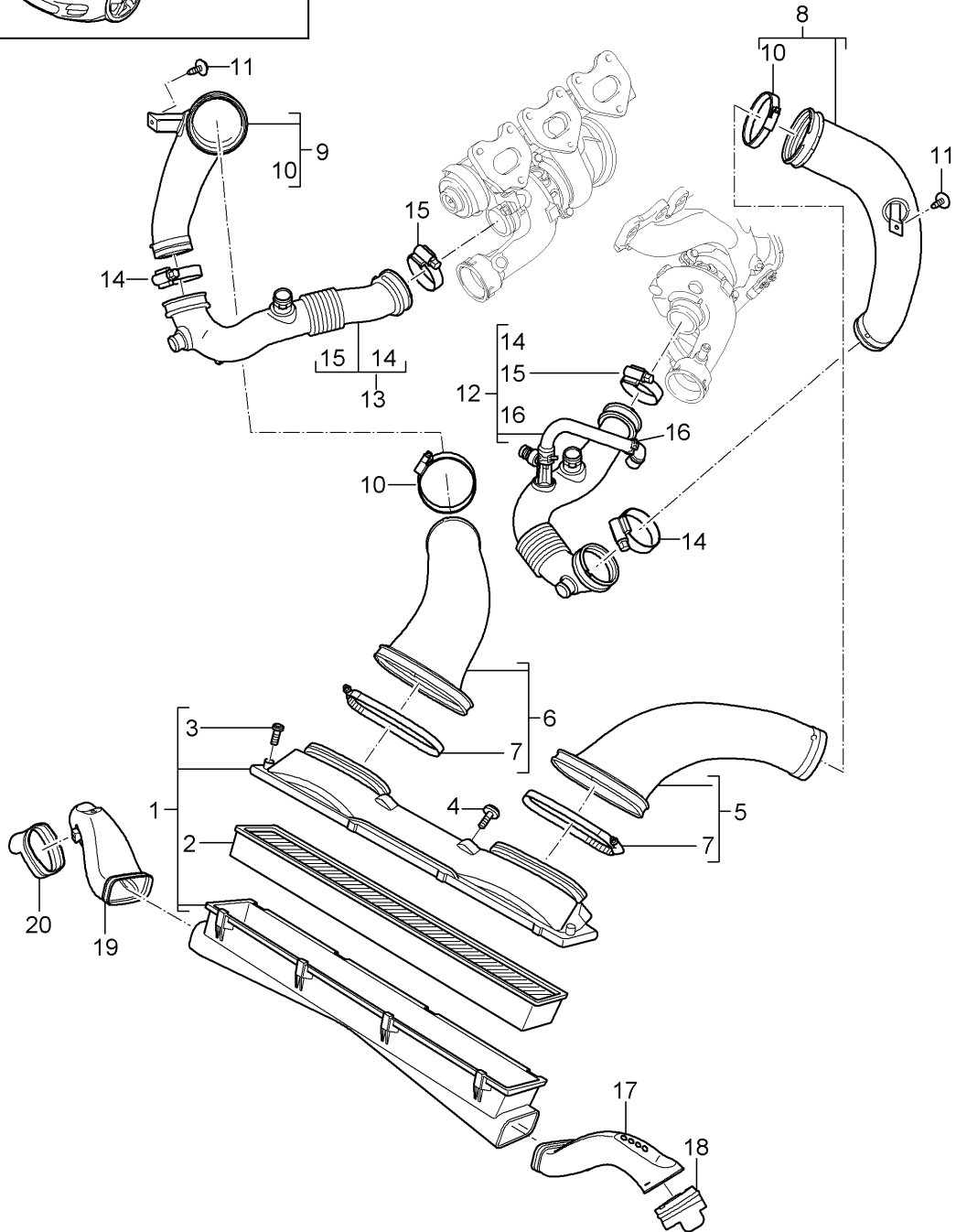
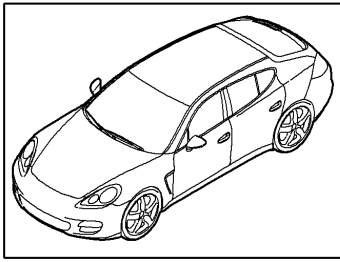
Model: 970 10

Model life 2010>>2016

Pos	Part Number	Description	Remark	Qty	Model
		Air cleaner system			4620,4640, CWAA,CXNA
1	970 110 021 02	Air filter		1	
2	970 110 220 01	Air filter element		1	
3	999 919 273 01	fillister hd. bolt 5 X 30		8	
4	999 073 981 30	fillister hd. bolt aluminium M 6 X 14		4	
5	970 110 113 03	intake manifold	left	1	
6	970 110 114 03	intake manifold	right	1	
7	999 512 727 01	Hose clamp 130 - 150 X 12		2	
8	970 110 140 23	Distributor tube		1	
9	999 512 721 01	Hose clamp 70 - 90 X 12		3	
10	970 110 271 20	Air guide channel	left	1	
11	970 110 281 01	Hose		1	
12	999 507 184 40	Hose bracket 8,0 - 33,0		1	
13	999 507 185 40	Hose bracket 16,0 - 18,5		1	
14	970 110 272 01	Air guide channel	right	1	
15	970 110 252 02	guide funnel	right	1	
16	999 591 517 40	Spreader rivet 9,9 X 11,5		1	

Model: 970 10

Model life 2010>>2016



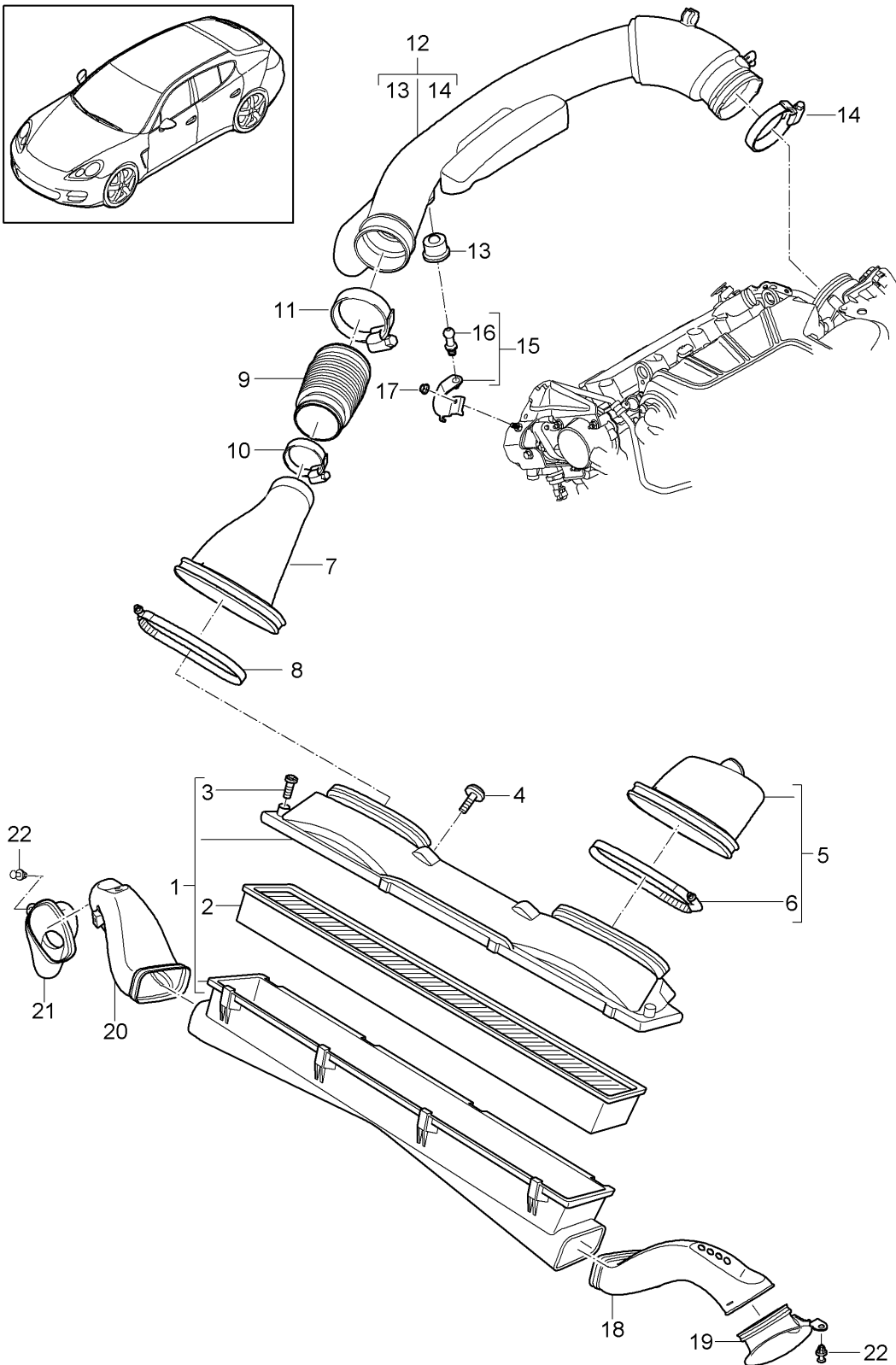
Model: 970 10

Model life 2010>>2016

Pos	Part Number	Description	Remark	Qty	Model
		Air cleaner system			CWDA, CWD, CWFA, CWF
1	970 110 021 02	Air filter		1	
2	970 110 220 01	Air filter element		1	
3	999 919 273 01	fillister hd. bolt 5 X 30		8	
4	999 073 981 30	fillister hd. bolt aluminium M 6 X 14		4	
5	970 110 113 73	intake manifold	left	1	
6	970 110 114 73	intake manifold	right	1	
7	999 512 727 01	Hose clamp 130 - 150 X 12		2	
8	970 110 153 74	Intake manifold	left	1	
9	970 110 154 74	Intake manifold	right	1	
10	999 512 721 01	Hose clamp 70 - 90 X 12		2	
11	900 075 510 01	Bolt with washer M 6 X 20		2	
12	970 110 155 61	suction line	left	1	
13	970 110 156 61	suction line	right	1	
14	999 512 690 01	Hose clamp 50 - 70 X 12		2	
15	999 512 773 00	Hose clamp 40 - 60 X 12		2	
16	999 512 654 09	Hose clamp B 21 X 12		1	
17	970 110 271 01	Air guide channel	left	1	
18	970 110 251 62	Rubber sleeve	left	1	
19	970 110 272 01	Air guide channel	right	1	
20	970 110 252 62	Rubber sleeve	right	1	

Model: 970 10

Model life 2010>>2016



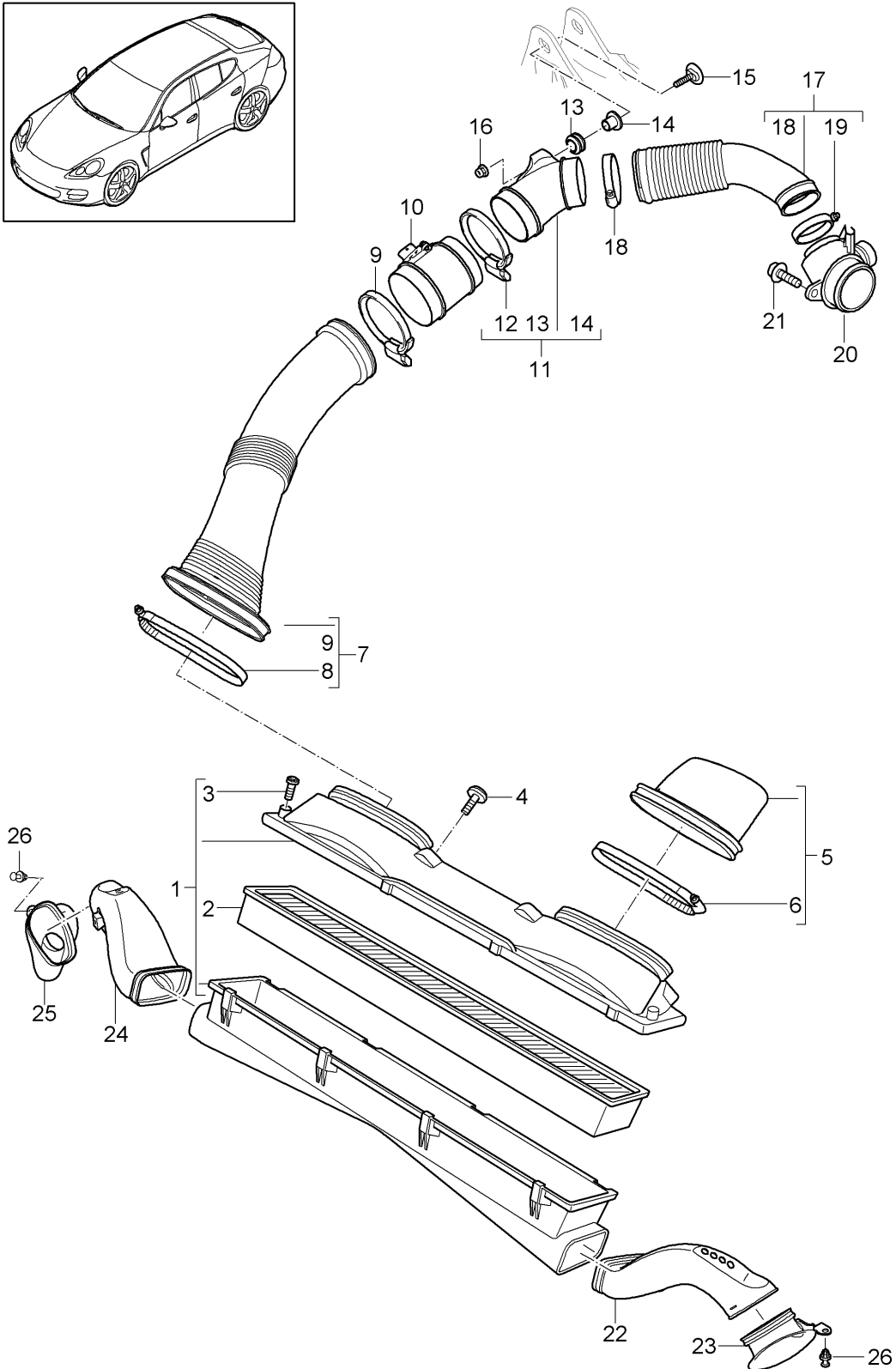
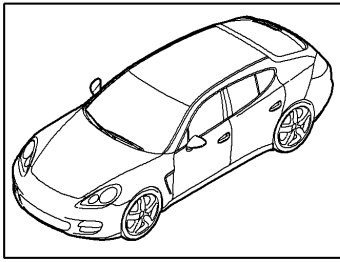
Model: 970 10

Model life 2010>>2016

Pos	Part Number	Description	Remark	Qty	Model
		Air cleaner system			CGEA, CGE, CGFA
1	970 110 021 02	Air filter		1	
2	970 110 220 01	Air filter element		1	
3	999 919 273 01	fillister hd. bolt 5 X 30		8	
4	999 073 981 30	fillister hd. bolt aluminium M 6 X 14		4	
5	970 110 265 10	Cover	left	1	
6	999 512 727 01	Hose clamp 130 - 150 X 12		1	
7	970 110 113 11	intake manifold	right	1	
8	999 512 727 01	Hose clamp 130 - 150 X 12		1	
9	955 110 191 11	Bellows	right	1	
10	999 512 690 01	Hose clamp 50 - 70 X 12		1	
11	999 512 721 01	Hose clamp 70 - 90 X 12		2	
12	970 110 123 11	intake manifold Discontinued part	right	1	
(12)	970 110 123 12	intake manifold	right	1	
13	999 507 731 40	ball socket 14,9		1	
14	999 512 750 00	Hose clamp 60 - 80 X 9		1	
15	970 110 276 00	Bracket		1	
16	955 610 153 00	Screw bolt		1	
17	N 102 058 02	Hexagon collar nut self-locking M 6		1	
18	970 110 271 01	Air guide channel	left	1	
19	970 110 251 10	guide funnel	left	1	
20	970 110 272 01	Air guide channel	right	1	
21	970 110 252 10	guide funnel	right	1	
22	999 591 517 40	Spreader rivet 9,9 X 11,5		2	

Model: 970 10

Model life 2010>>2016



Model: 970 10 Model life 2010>>2016

Pos	Part Number	Description	Remark	Qty	Model
		Air cleaner system			CRCC,CRCB, CWJA
1	970 110 021 02	Air filter		1	
2	970 110 220 01	Air filter element		1	
3	999 919 273 01	fillister hd. bolt 5 X 30		8	
4	999 073 981 30	fillister hd. bolt aluminium M 6 X 14		4	
5	970 110 265 30	Cover		1	
6	999 512 727 01	Hose clamp 130 - 150 X 12		1	
7	970 110 114 30	intake manifold		1	CRCC,CRCB
(7)	970 110 114 31	intake manifold		1	CWJA
		also use:	999 512 729 01	1	
(7)	970 110 114 31	intake manifold		1	CRCC,CRCB
		also use:	999 512 025 01	1	
8	999 512 727 01	Hose clamp 130 - 150 X 12		1	
9	999 512 025 01	Hose clamp 80 - 100 X 12		1	CRCC,CRCB
(9)	999 512 729 01	Hose clamp A 98 X 12		1	CWJA
10	970 605 137 00	Air mass meter		1	CRCC,CRCB
(10)	970 605 138 00	Air mass meter		1	CWJA
11	970 110 124 31	intake manifold		1	CRCC,CRCB
(11)	970 110 124 35	intake manifold		1	CWJA
12	999 512 721 01	Hose clamp 70 - 90 X 12		1	CRCC,CRCB
(12)	N 907 859 01	Spring band clamp A 90 X 12		1	CWJA
13	955 110 669 00	Grommet		1	
14	970 110 275 30	bush		1	
15	970 110 276 30	Bracket		1	
16	N 102 058 02	Hexagon collar nut self-locking M 6		1	
17	970 110 134 30	intake manifold		1	CRCC,CRCB
(17)	970 110 134 35	intake manifold		1	CWJA
18	999 512 065 01	Hose clamp 60 - 80 X 12		1	CRCC,CRCB
(18)	999 512 721 01	Hose clamp 70 - 90 X 12		1	CWJA
19	999 512 690 01	Hose clamp 50 - 70 X 12		1	CRCC,CRCB
(19)	999 512 065 01	Hose clamp 60 - 80 X 12		1	CWJA
20	958 110 055 00	pulsation damper No longer use the part here		1	CRCC,CRCB
(20)	958 110 055 01	pulsation damper		1	CRCC,CRCB
(20)	958 110 055 10	pulsation damper		1	CWJA
21	N 107 188 01	bolt,hex.hd.with shoul.(combi) M 6 X 16		2	
22	970 110 271 01	Air guide channel		1	
23	970 110 251 10	guide funnel		1	
24	970 110 272 01	Air guide channel		1	
25	970 110 252 10	guide funnel		1	PR: -XAP
		D	>> - MJ 2013		
(25)	970 110 980 00	Air line		1	PR: XAP
		D	>> - MJ 2013		
25	970 110 252 10	guide funnel D - MJ 2014>>		1	
26	999 591 517 40	Spreader rivet		2	

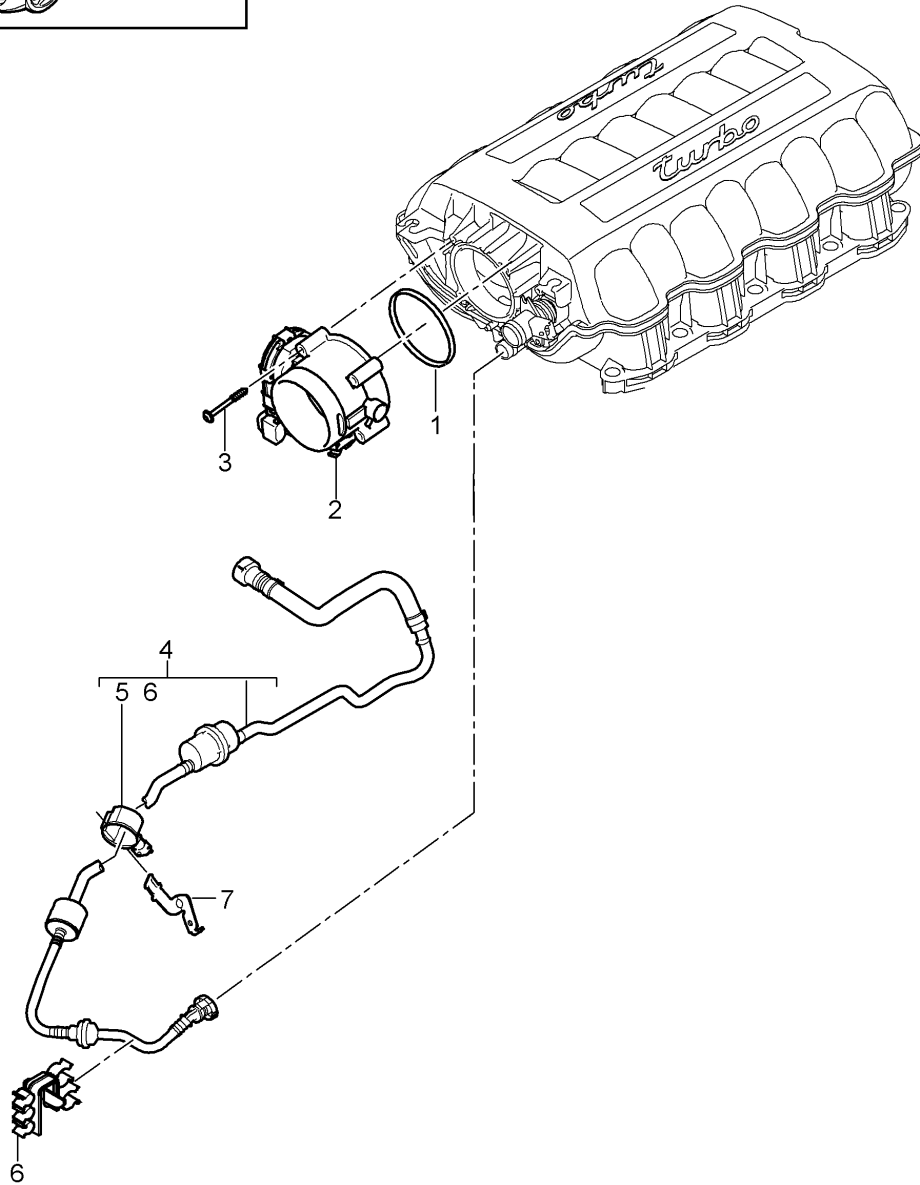
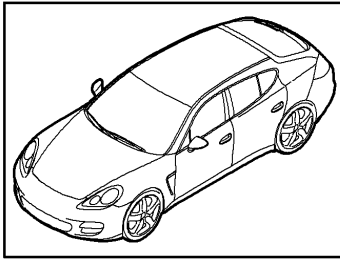
Model: 970 10

Model life 2010>>2016

Pos	Part Number	Description	Remark	Qty	Model
		9,9 X 11,5			

Model: 970 10

Model life 2010>>2016



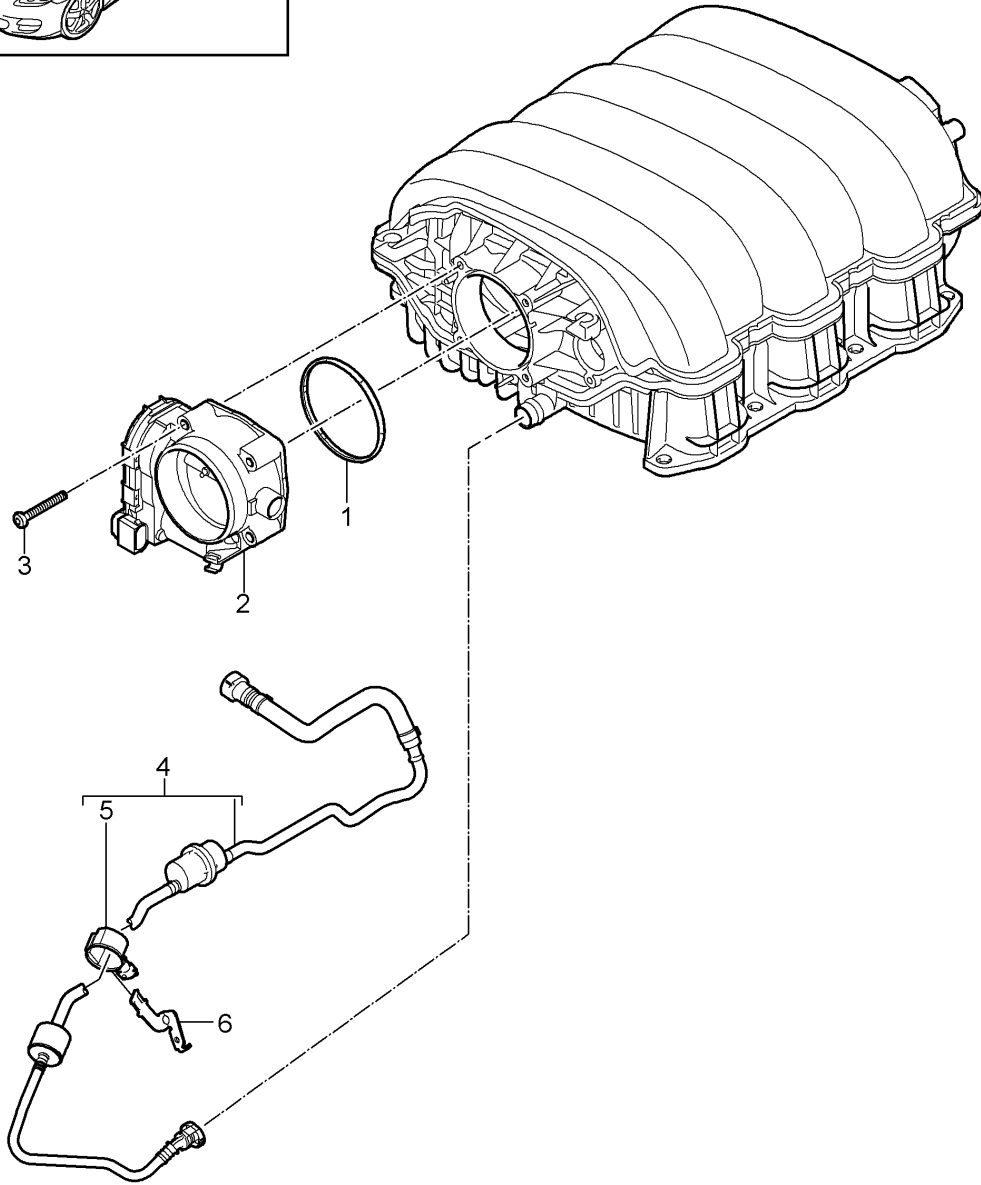
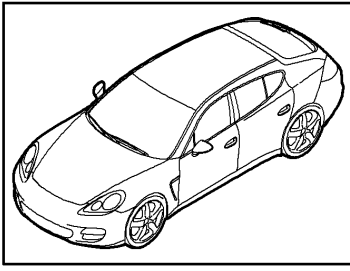
Model: 970 10

Model life 2010>>2016

Pos	Part Number	Description	Remark	Qty	Model
		throttle valve adapter Tank ventilation			4820,4840, 4870,CXPA, CXRA,CXR, CWBA,CWB, CWCA,CWC
1	948 110 144 20	Seal		1	4820,4840, CXPA,CXRA, CXR
(1)	948 110 144 02	Seal		1	4870,CWBA, CWB,CWCA,CWC
2	997 605 116 01	throttle valve adapter		1	4820,4840, CXPA,CXRA, CXR
(2)	948 605 115 03	throttle valve adapter		1	4870
(2)	948 605 115 04	throttle valve adapter		1	CWBA,CWB, CWCA,CWC
3	999 919 005 01	fillister hd. bolt 6 X 50		4	
4	948 110 020 73	Breather line Tank ventilation Discontinued part		1	4870
(4)	948 110 020 74	Breather line Tank ventilation		1	4870,CWBA, CWB,CWCA,CWC
(4)	948 110 020 75	Breather line Tank ventilation No longer use the part here		1	CWBA,CWB, CWCA,CWC
(4)	948 110 020 23	Breather line Tank ventilation Discontinued part		1	4820,4840
(4)	948 110 020 24	Breather line Tank ventilation		1	4820,4840, CXPA,CXRA, CXR
(4)	948 110 020 25	Breather line Tank ventilation No longer use the part here		1	CXPA,CXRA, CXR
5	948 110 221 00	Thrust ring		1	
6	948 110 030 50	Line holder Tank ventilation		1	4870,CWBA, CWB,CWCA,CWC
-	999 513 075 40	Cable ties 1,5 - 50 Mount Breather line Tank ventilation Cable guide		1	
7	948 110 027 20	Bracket Breather line Mount Cover for timing chain		1	

Model: 970 10

Model life 2010>>2016



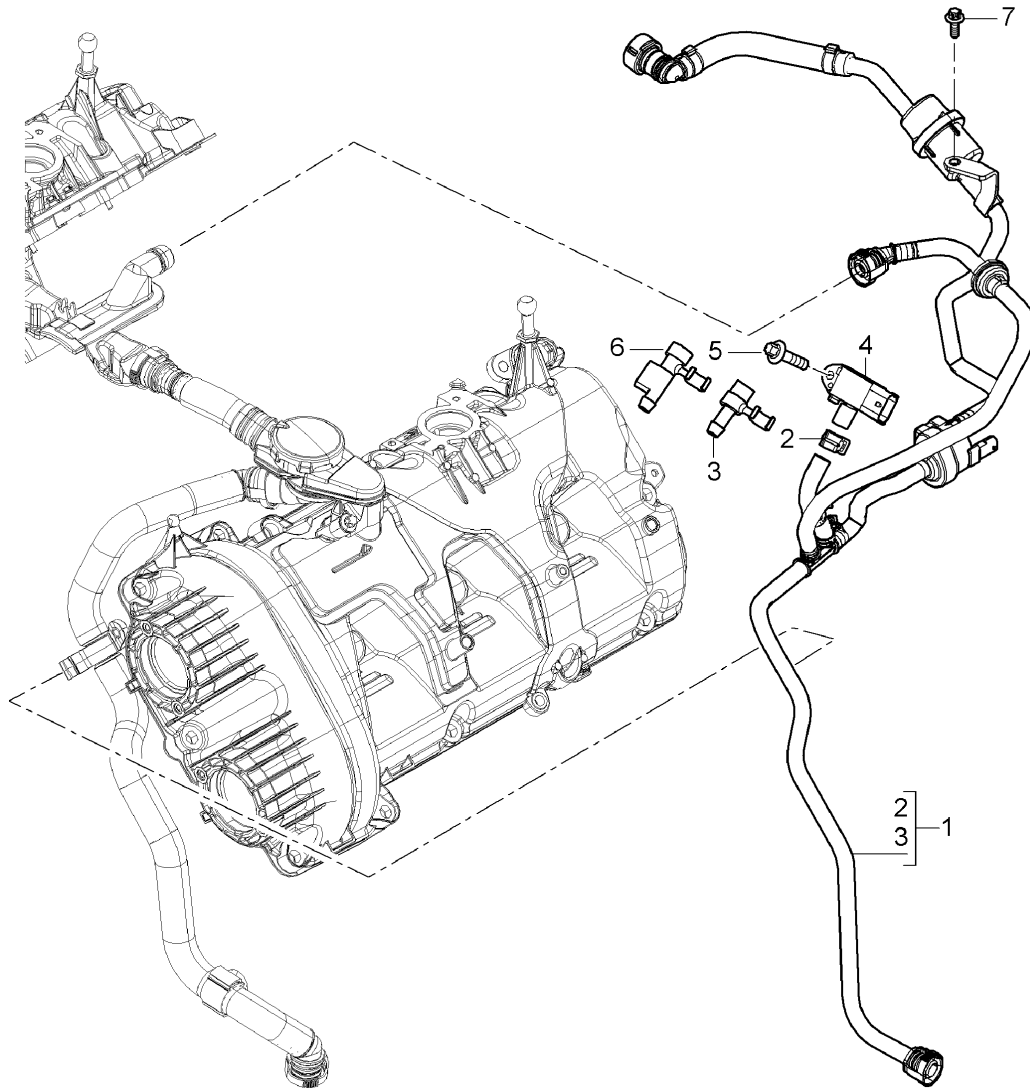
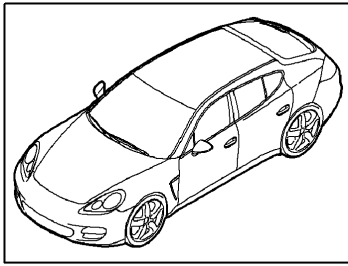
Model: 970 10

Model life 2010>>2016

Pos	Part Number	Description	Remark	Qty	Model
1	946 110 144 01	throttle valve adapter		1	4620,4640, CWAA,CXNA
2	997 605 115 01	Tank ventilation		1	
3	999 919 252 01	Seal		4	
		throttle valve adapter		1	
		fillister hd. bolt		4	
		6,0 X 45,0			
4	946 110 020 04	Breather line		1	
		Tank ventilation			
(4)	946 110 020 05	Breather line		1	
		Tank ventilation			
		No longer use the part here			
5	948 110 221 00	Thrust ring		1	
6	948 110 027 20	Bracket		1	
		Breather line			
		Mount			
		Cover for timing chain			
		D >> - MJ 2013			
(6)	948 110 027 21	Bracket		1	
		Breather line			
		Mount			
		Cover for timing chain			
		D - MJ 2014>>			

Model: 970 10

Model life 2010>>2016



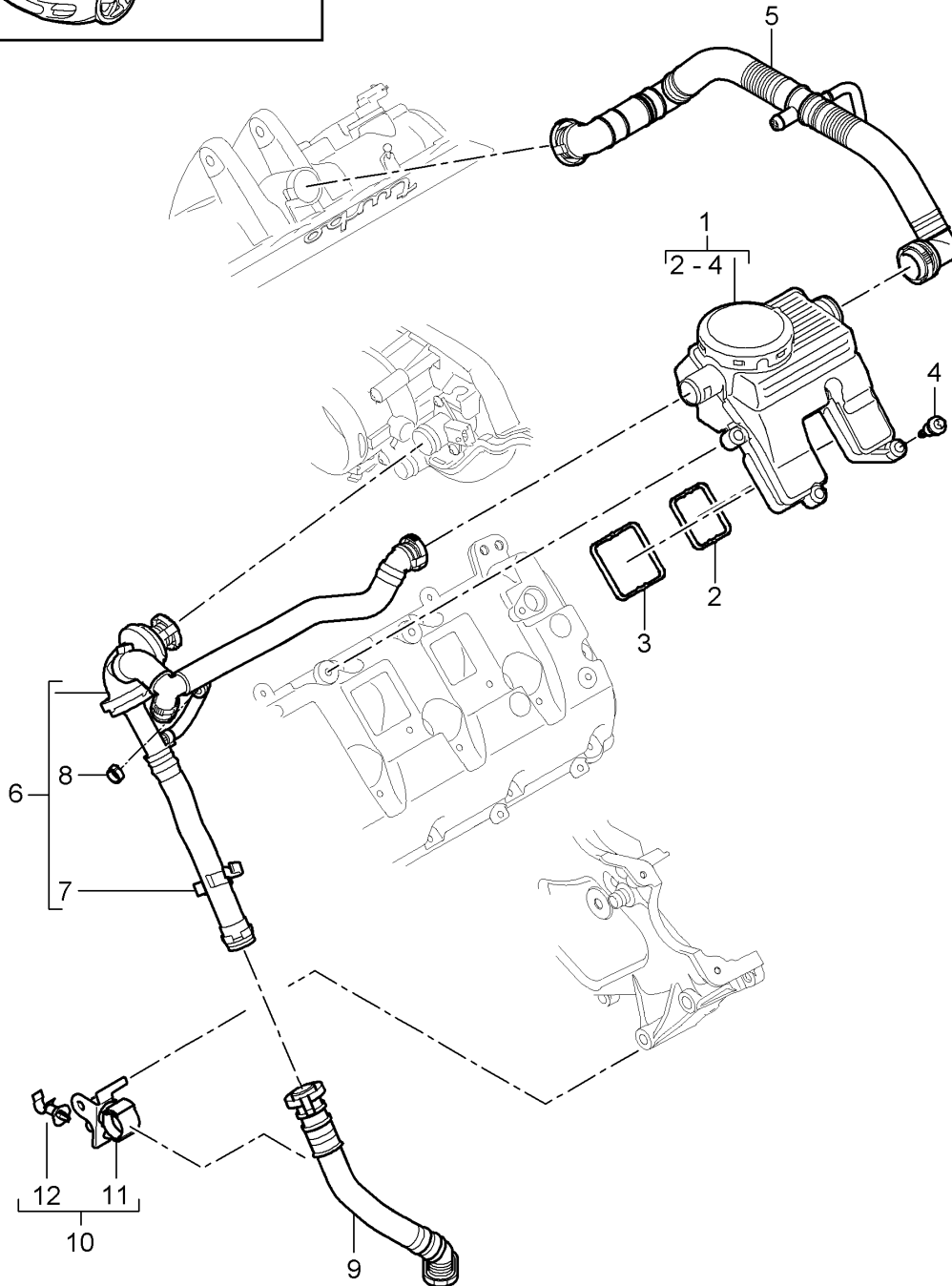
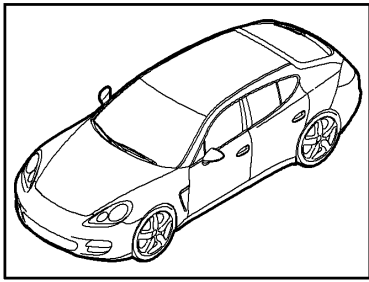
Model: 970 10

Model life 2010>>2016

Pos	Part Number	Description	Remark	Qty	Model
		Tank ventilation			CWDA, CWD, CWFA, CWF
1	946 110 020 76	Breather line Tank ventilation		1	
(1)	946 110 020 77	No longer use the part here Breather line Tank ventilation		1	
2	999 512 596 09	Hose clamp A 13 X 12		1	
3	946 110 220 00	Bungs		1	
4	9A1 606 114 00	Pressure sensor Deleted in Standard To Use Sealing cap 946.110.220.00 and Sealing cap Wire set 7PP.971.918.A		1	
5	900 385 019 01	No longer use the part here Torx screw BM 6 X 20		1	
6	7PP 971 918 A	Bungs catch Connector		1	
7	900 385 009 01	Wire set Torx screw BM 6 X 16		1	

Model: 970 10

Model life 2010>>2016

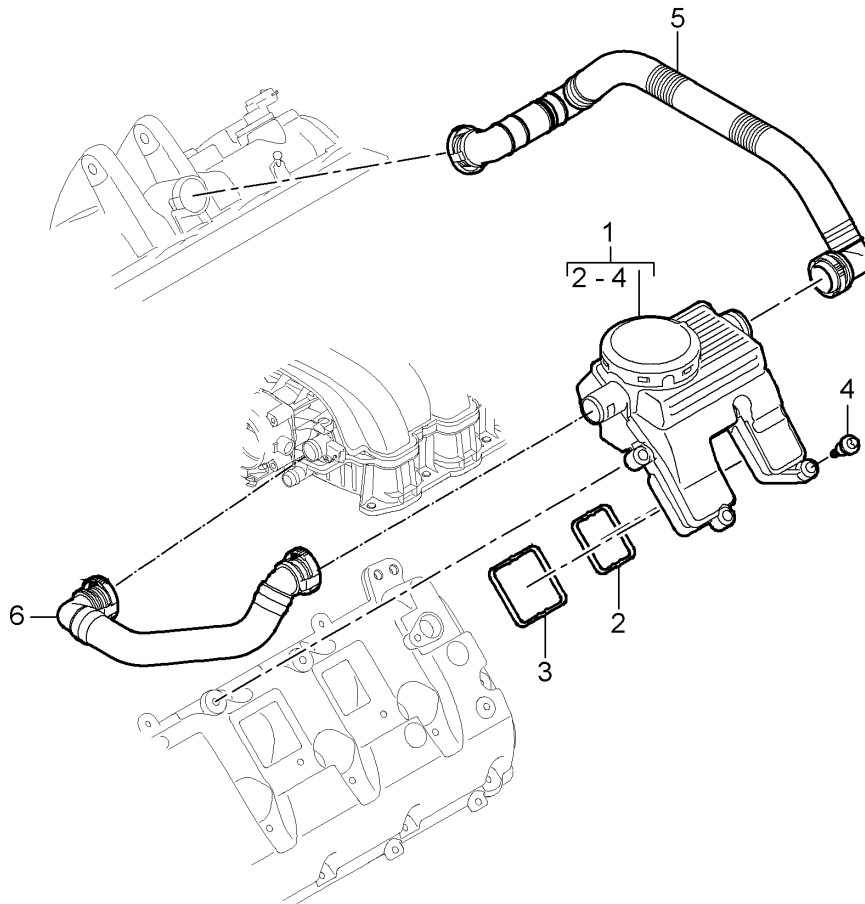
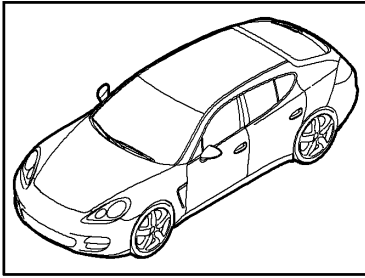


Model: 970 10 Model life 2010>>2016

Pos	Part Number	Description	Remark	Qty	Model
		Crankcase housing Bleeding			4820,4840, 4870,CXPA, CXRA,CXR, CWBA,CWB, CWCA,CWC
1	948 107 135 20	oil separator No longer use the part here		1	
(1)	948 107 135 21	oil separator No longer use the part here		1	
(1)	948 107 135 22	oil separator		1	
2	948 107 437 20	Seal		1	
3	948 107 438 20	Seal		1	
4	948 107 443 01	Securing element M 6 X 33 No longer use the part here		4	
(4)	948 107 443 02	Securing element M 6 X 33		4	
5	948 107 245 71	Breather line		1	4870,CWBA, CWB,CWCA,CWC
(5)	948 107 245 20	Breather line		1	4820,4840, CXPA,CXRA, CXR
6	948 107 229 73	Non-return valve Discontinued part		1	4870
(6)	948 107 229 75	Non-return valve		1	4870,CWBA, CWB,CWCA,CWC
(6)	948 107 247 20	Breather line		1	4820,4840, CXPA,CXRA, CXR
7	999 507 800 40	Hose bracket 6,5 X 24,5 M >> A 06165		2	4870
(7)	999 507 800 40	Hose bracket 6,5 X 24,5 M A 06166 >> D >> - MJ 2013		1	4870
(7)	999 507 800 40	Hose bracket 6,5 X 24,5 D - MJ 2014>>		1	CWBA,CWB, CWCA,CWC
(7)	999 507 191 40	Hose bracket 6 X 22 M B 02322 >> D >> - MJ 2013		1	4870
(7)	999 507 191 40	Hose bracket 6 X 22 D - MJ 2014>>		1	CWBA,CWB, CWCA,CWC
8	999 512 688 00	Hose clip 10,5 X 11,5 M >> A 06165		1	4870
9	970 110 157 72	Breather line Crankcase housing		1	4870,CWBA, CWB,CWCA,CWC
10	948 107 029 70	Bracket Breather line		1	4870,CWBA, CWB,CWCA,CWC
11	999 507 370 40	Hose bracket 23 - A		1	4870,CWBA, CWB,CWCA,CWC
12	999 507 611 40	Hose bracket 6,0 - 6,5		1	4870,CWBA, CWB,CWCA,CWC

Model: 970 10

Model life 2010>>2016



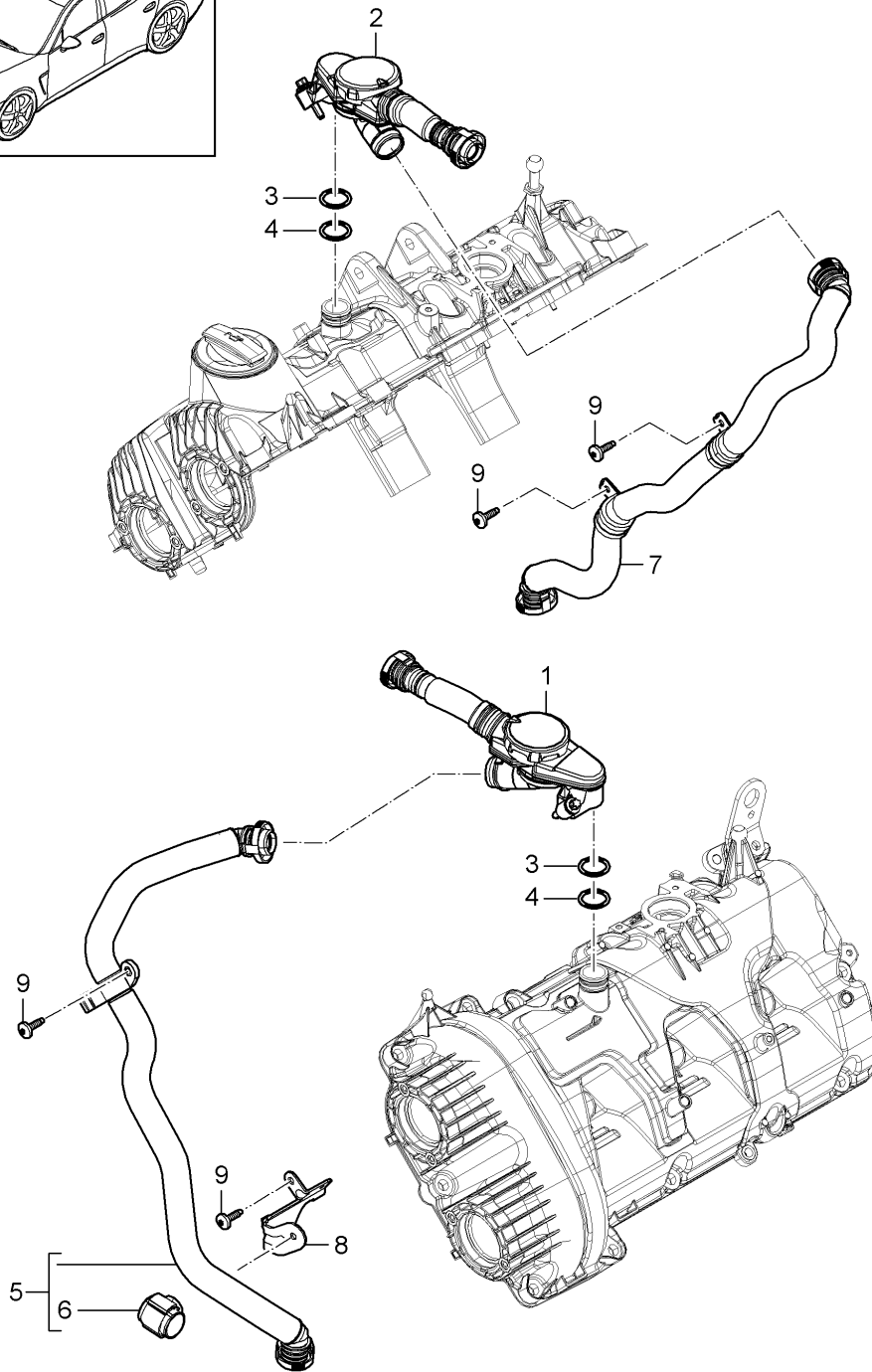
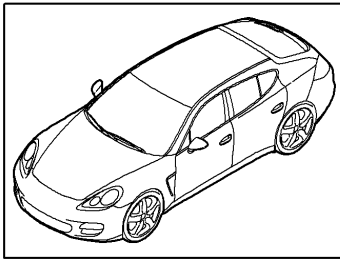
Model: 970 10

Model life 2010>>2016

Pos	Part Number	Description	Remark	Qty	Model
1	948 107 135 20	Crankcase housing Bleeding oil separator		1	4620, 4640, CWAA, CXNA
(1)	948 107 135 21	No longer use the part here oil separator		1	
(1)	948 107 135 22	No longer use the part here oil separator		1	
2	948 107 437 20	Seal		1	
3	948 107 438 20	Seal		1	
4	948 107 443 01	Securing element M 6 X 33		4	
(4)	948 107 443 02	No longer use the part here Securing element M 6 X 33		4	
5	946 107 245 00	Breather line		1	
6	946 107 247 01	Breather line		1	

Model: 970 10

Model life 2010>>2016



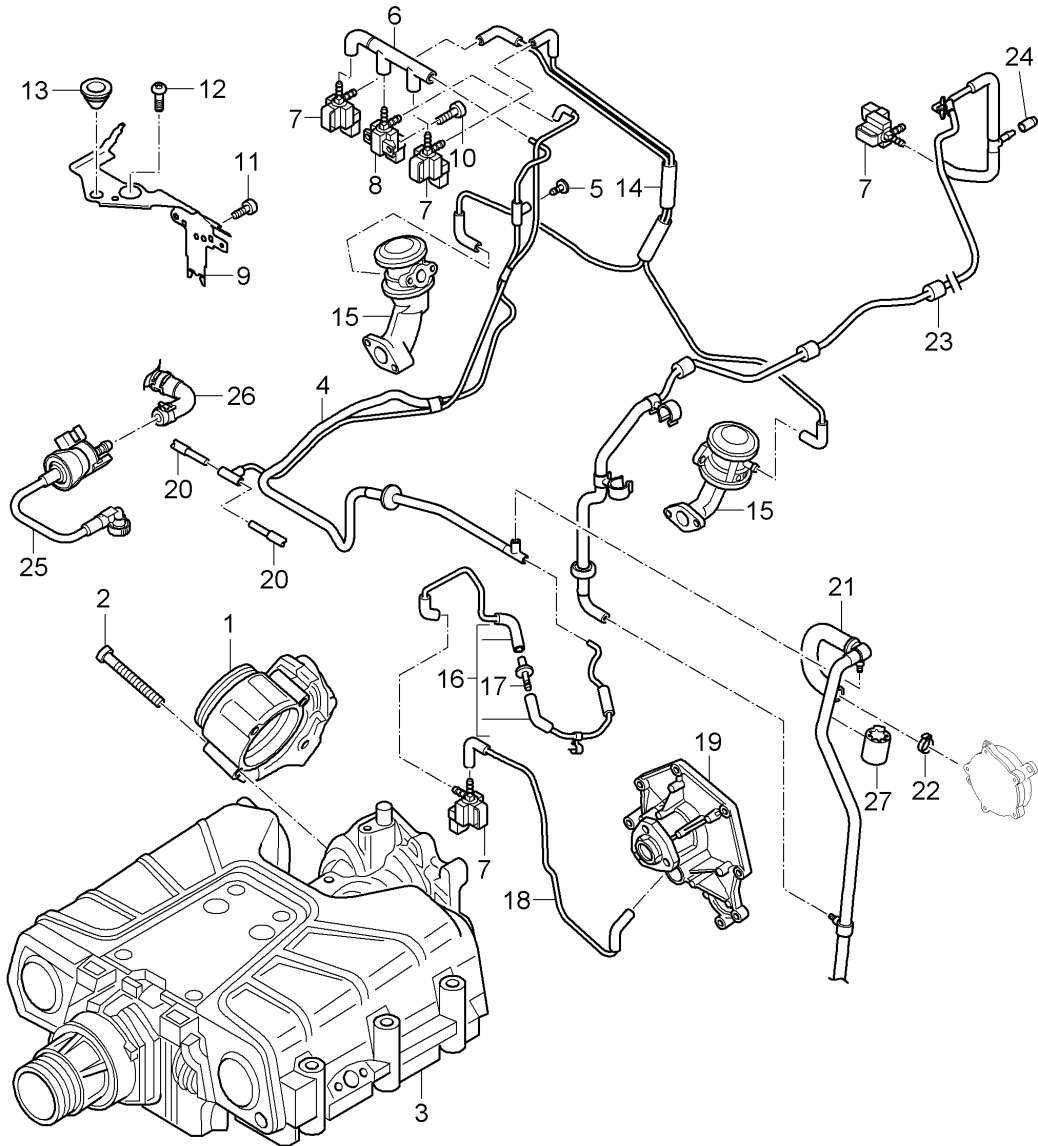
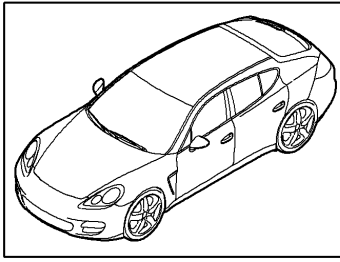
Model: 970 10

Model life 2010>>2016

Pos	Part Number	Description	Remark	Qty	Model
1	946 107 230 77	Crankcase housing Bleeding Non-return valve	left	1	CWDA, CWD, CWFA, CWF
		with:			
2	946 107 229 77	Securing element Non-return valve	right	1	
		with:			
3	999 707 677 40	Securing element O-ring		2	
4	999 707 677 41	22,5 X 2,5 O-ring		2	
5	946 107 240 75	22,5 X 2,5 Breather line	left	1	
6	999 507 370 40	Hose bracket 23		1	
7	946 107 239 75	Breather line	right	1	
8	946 107 029 75	Bracket Discontinued part		1	
(8)	946 107 029 76	Bracket		1	
9	999 073 902 31	fillister hd. bolt aluminium M 6 X 16		4	

Model: 970 10

Model life 2010>>2016



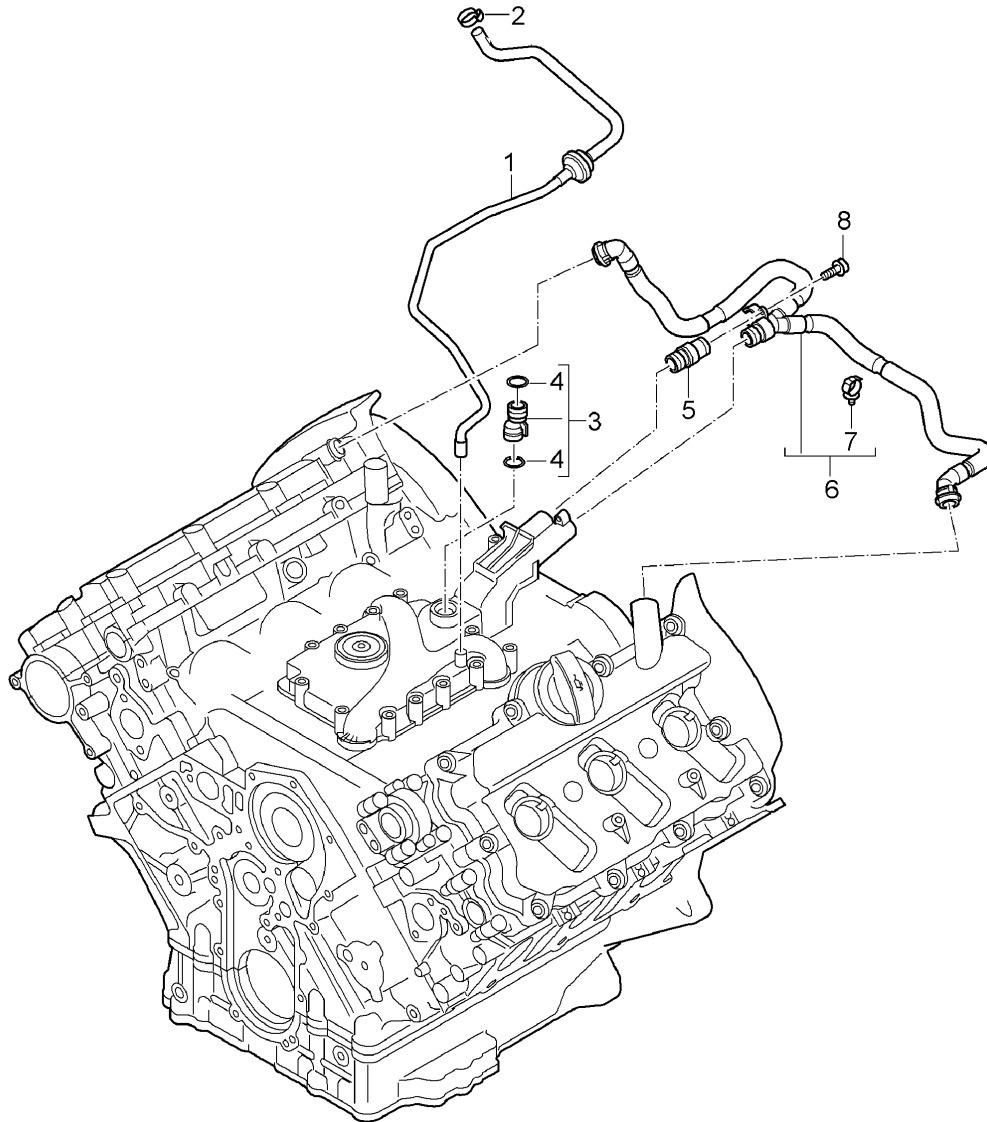
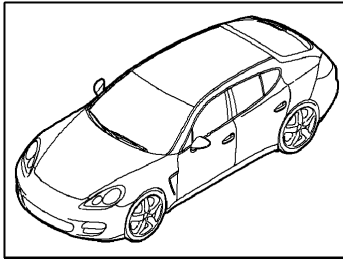
Model: 970 10

Model life 2010>>2016

Pos	Part Number	Description	Remark	Qty	Model
1	958 605 115 31	throttle valve adapter Tank ventilation Vacuum line throttle valve adapter		1	CGEA, CGE, CGFA
(1)	958 605 115 32	Discontinued part throttle valve adapter		1	
2	N 106 221 01	Oval hexagon socket head bolt AM 6 X 65		4	
3		Compressor see illustration, item:	107-055,1	1	
4	958 110 773 00	Vacuum line (complete)		1	
5	958 110 777 10	Bungs 4 MM		1	
6	958 110 773 10	Vacuum line		1	
7	955 605 123 30	Change-over valve		4	
8	958 605 123 20	Change-over valve Discontinued part		1	
(8)	958 605 123 21	Change-over valve		1	
9	958 110 520 00	Bracket		1	
10	N 106 808 01	Hexagon socket flat head bolt M 5 X 10		2	
11	N 106 225 01	Socket head bolt with hexagon socket head M 5 X 12		2	
12	N 104 514 04	Hexagon socket flat head bolt M 6 X 16		3	
13	958 110 673 00	Grommet		1	
14	958 110 773 20	Vacuum line (complete)		1	
15		Valve see illustration:	108-010	2	
16	958 110 714 00	Pos.15 /16 Vacuum line		1	
-	N 020 902 2	Cable ties 3,6 X 246		1	
17	955 606 291 00	Non-return valve		1	
18	958 110 714 10	Vacuum line		1	
19		Coolant pump see illustration, item:	105-005,1	1	
20		Vacuum hose see illustration, item:	107-037,29	2	
21		Vacuum line Vacuum pump Mechanical see illustration, item:	604-000,17	1	
22	955 347 569 00	Hose clamp 21 X 12 X 1,3		1	
23	958 110 360 10	Vacuum line		1	
24	970 110 727 00	Cap closure		1	
25	958 110 020 10	Breather line Tank ventilation		1	
26		Purge-air line see illustration, item:	201-032,7	1	
27	955 110 722 30	Spacer ring		1	

Model: 970 10

Model life 2010>>2016



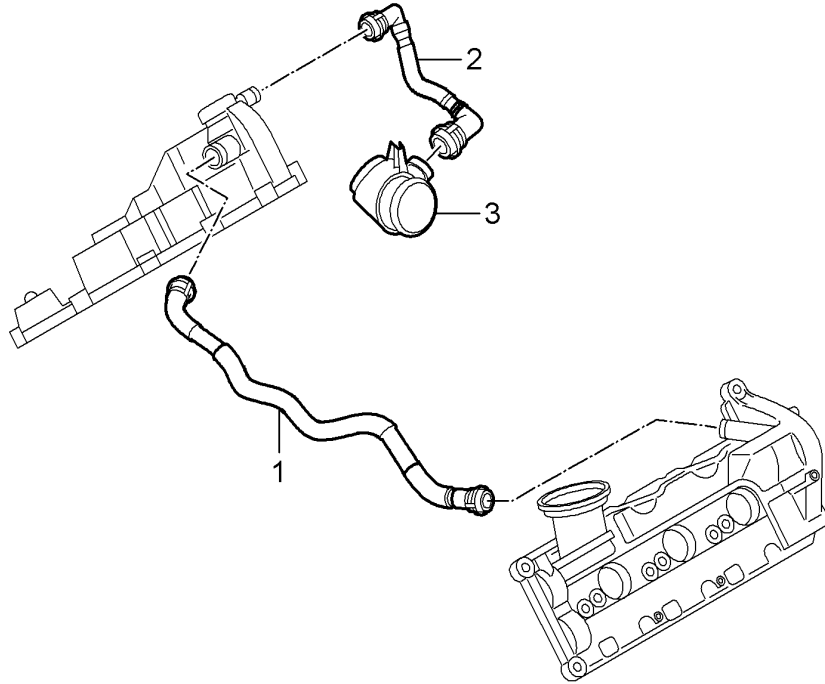
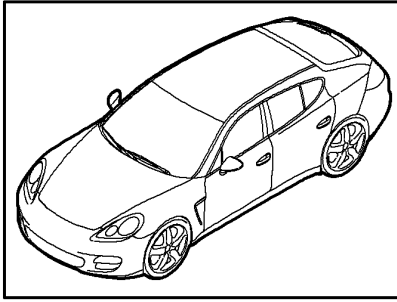
Model: 970 10

Model life 2010>>2016

Pos	Part Number	Description	Remark	Qty	Model
1	958 107 207 00	Breather line Crankcase housing		1	CGEA, CGE, CGFA
2	N 102 036 01	Breather line Ear crimp hose clamp 12,3 X 7 X 0,6		1	CGEA, CGE
3	958 107 213 00	Breather line		1	
4	WHT 004 793 A	O-ring 23 X 3		2	
5	958 107 213 10	ventilation union		1	CGEA, CGE
6	958 107 217 00	Breather line		1	CGEA, CGE
7	955 606 838 00	Cable ties 4,5 X 200		1	
8	N 104 420 03	self-tapping screw 5 X 16		1	

Model: 970 10

Model life 2010>>2016



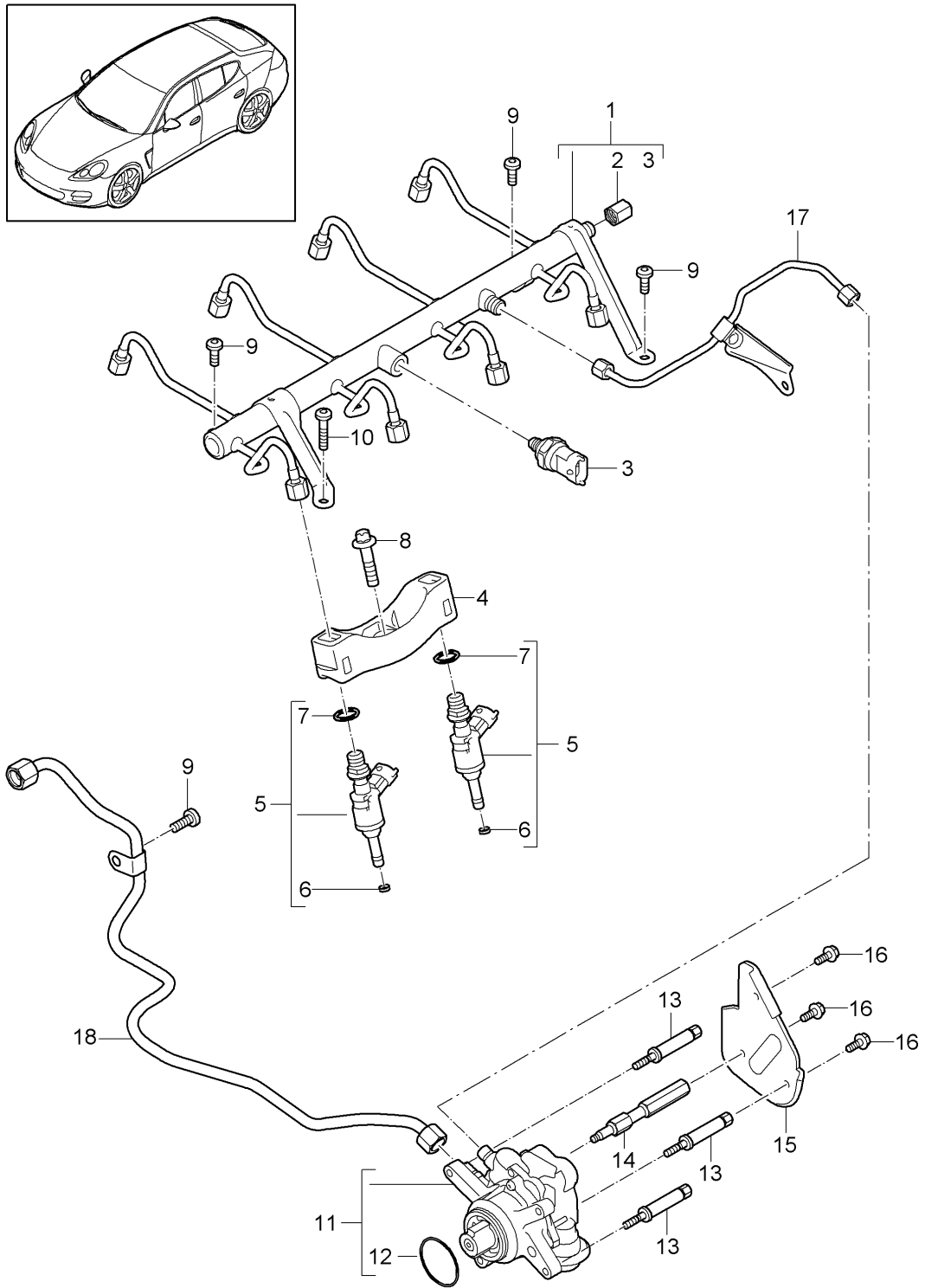
Model: 970 10

Model life 2010>>2016

Pos	Part Number	Description	Remark	Qty	Model
1	958 107 209 00	Breather line Crankcase housing		1	CRCC, CRCB, CWJA
2	958 107 221 00	Breather line		1	
3		pulsation damper see illustration, item:	106-040,20	1	

Model: 970 10

Model life 2010>>2016



Model: 970 10 Model life 2010>>2016

Pos	Part Number	Description	Remark	Qty	Model
		Fuel collection pipe high-pressure injector high pressure pump			4820,4840, 4870,CXPA, CXRA,CXR, CWBA,CWB, CWCA,CWC
1	948 110 115 06	Fuel collection pipe Discontinued part		1	4820,4840, CXPA,CXRA, CXR
(1)	948 110 115 07	Fuel collection pipe		1	4820,4840, CXPA,CXRA, CXR
(1)	948 110 115 56	Fuel collection pipe Discontinued part		1	4870,CWBA, CWB,CWCA,CWC
(1)	948 110 115 57	Fuel collection pipe		1	4870,CWBA, CWB,CWCA,CWC
2	948 110 225 00	Sealing cap		1	
3	948 606 230 01	Pressure sensor Discontinued part		1	
(3)	948 606 230 02	Pressure sensor Discontinued part		1	
(3)	948 606 230 03	Pressure sensor		1	
-	999 653 067 40	Connector for Pressure sensor		1	
4	948 110 515 01	Bracket		4	
5	948 110 128 20	high-pressure injector Identification: >> >> blue		8	4820,4840
(5)	948 110 128 X	Discontinued part high-pressure injector Identification: >> >> blue		8	4820,4840
(5)	948 110 128 21	Discontinued part high-pressure injector Identification: >> >> blue		8	4820,4840
(5)	948 110 128 DX	Discontinued part high-pressure injector Identification: >> >> blue		8	4820,4840
(5)	948 110 128 22	Discontinued part high-pressure injector Identification: >> >> blue		8	4820,4840, CXPA,CXRA, CXR
(5)	948 110 128 HX	Discontinued part high-pressure injector Identification: >> >> blue		8	4820,4840, CXPA,CXRA, CXR
(5)	948 110 128 23	Discontinued part high-pressure injector Identification: >> >> blue		8	4820,4840, CXPA,CXRA, CXR
(5)	948 110 128 MX	Discontinued part high-pressure injector Identification: >> >> blue		8	4820,4840, CXPA,CXRA, CXR
(5)	948 110 128 30	high-pressure injector Identification: >> >> blue		8	4820,4840
(5)	948 110 128 AX	Discontinued part high-pressure injector Identification: >> >> blue Discontinued part		8	4820,4840

Model: 970 10 Model life 2010>>2016

Pos	Part Number	Description	Remark	Qty	Model
(5)	948 110 128 31	high-pressure injector Identification: >> >> blue Discontinued part		8	4820,4840
(5)	948 110 128 EX	high-pressure injector Identification: >> >> blue Discontinued part		8	4820,4840
(5)	948 110 128 32	high-pressure injector Identification: >> >> blue Discontinued part		8	4820,4840, CXPA,CXRA, CXR
(5)	948 110 128 JX	high-pressure injector Identification: >> >> blue Discontinued part		8	4820,4840, CXPA,CXRA, CXR
(5)	948 110 128 33	high-pressure injector Identification: >> >> blue Discontinued part		8	4820,4840, CXPA,CXRA, CXR
(5)	948 110 128 NX	high-pressure injector Identification: >> >> blue Discontinued part		8	4820,4840, CXPA,CXRA, CXR
(5)	948 110 128 70	high-pressure injector Identification: >> >> yellow Discontinued part		8	4870
(5)	948 110 128 BX	high-pressure injector Identification: >> >> yellow Discontinued part		8	4870
(5)	948 110 128 71	high-pressure injector Identification: >> >> yellow Discontinued part		8	4870
(5)	948 110 128 FX	high-pressure injector Identification: >> >> yellow Discontinued part		8	4870
(5)	948 110 128 72	high-pressure injector Identification: >> >> yellow Discontinued part		8	4870,CWBA, CWB,CWCA,CWC
(5)	948 110 128 KX	high-pressure injector Identification: >> >> yellow Discontinued part		8	4870,CWBA, CWB,CWCA,CWC
(5)	948 110 128 73	high-pressure injector Identification: >> >> yellow Discontinued part		8	4870,CWBA, CWB,CWCA,CWC
(5)	948 110 128 PX	high-pressure injector Identification: >> >> yellow Discontinued part		8	4870,CWBA, CWB,CWCA,CWC
(5)	948 110 128 80	high-pressure injector Identification: >> >> yellow Discontinued part		8	4870
(5)	948 110 128 CX	high-pressure injector Identification: >> >> yellow Discontinued part		8	4870
(5)	948 110 128 81	high-pressure injector Identification: >> >> yellow Discontinued part		8	4870

Model: 970 10 Model life 2010>>2016

Pos	Part Number	Description	Remark	Qty	Model
(5)	948 110 128 GX	Discontinued part high-pressure injector Identification: >> >> yellow		8	4870
(5)	948 110 128 82	Discontinued part high-pressure injector Identification: >> >> yellow		8	4870, CWBA, CWB, CWCA, CWC
(5)	948 110 128 LX	Discontinued part high-pressure injector Identification: >> >> yellow		8	4870, CWBA, CWB, CWCA, CWC
(5)	948 110 128 83	Discontinued part high-pressure injector Identification: >> >> yellow		8	4870, CWBA, CWB, CWCA, CWC
(5)	948 110 128 QX	high-pressure injector Identification: >> >> yellow		8	4870, CWBA, CWB, CWCA, CWC
6	999 704 020 90	seal ring 6,3 X 2,8		8	
7	999 707 606 40	O-ring 12 X 3		8	
8	900 385 116 01	Torx screw BM 8 X 30		4	
9	999 073 103 02	flat round head bolt M 6 X 16		4	
10	999 073 102 02	flat round head bolt M 6 X 25		1	
11	948 110 315 20	high pressure pump Discontinued part		1	4820, 4840
(11)	948 110 316 AX	high pressure pump Discontinued part		1	4820, 4840
(11)	948 110 315 22	high pressure pump Discontinued part		1	4820, 4840
(11)	948 110 316 CX	high pressure pump Discontinued part		1	4820, 4840
(11)	948 110 315 24	high pressure pump Discontinued part		1	4820, 4840
(11)	948 110 316 FX	high pressure pump Discontinued part		1	4820, 4840
(11)	948 110 315 25	high pressure pump		1	4820, 4840, CXPA, CXRA, CXR
(11)	948 110 316 HX	high pressure pump		1	4820, 4840, CXPA, CXRA, CXR
(11)	948 110 315 70	high pressure pump Discontinued part		1	4870
(11)	948 110 316 BX	high pressure pump Discontinued part		1	4870
(11)	948 110 315 72	high pressure pump Discontinued part		1	4870, CWBA, CWB
(11)	948 110 316 GX	high pressure pump Discontinued part		1	4870, CWBA, CWB
(11)	948 110 315 80	high pressure pump		1	4870, CWBA, CWB, CWCA, CWC
(11)	948 110 316 JX	high pressure pump		1	4870, CWBA, CWB, CWCA, CWC
12	948 110 615 00	O-ring 45,7 X 2,62		1	
13	948 110 417 02	Screwed socket M 6		3	

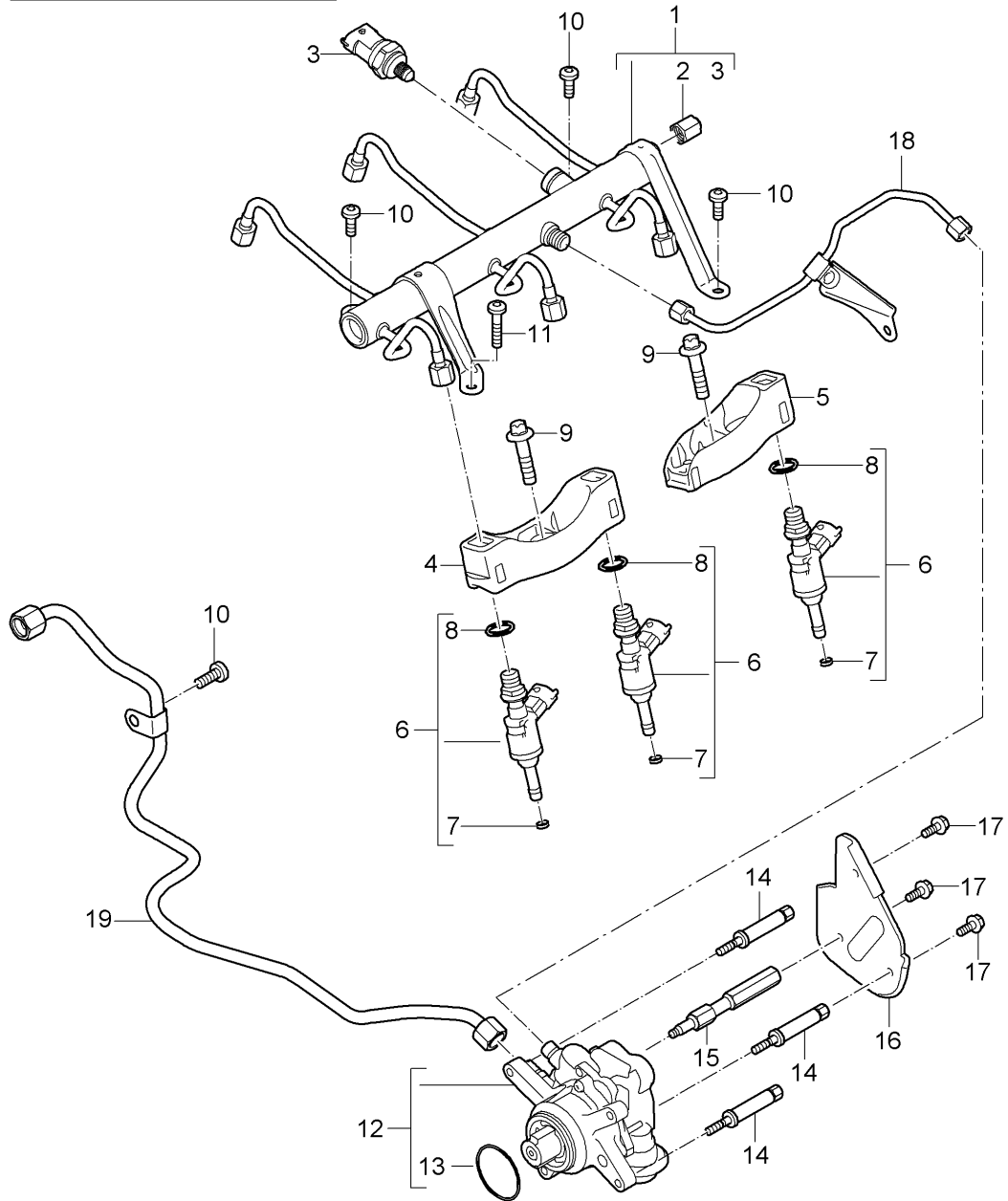
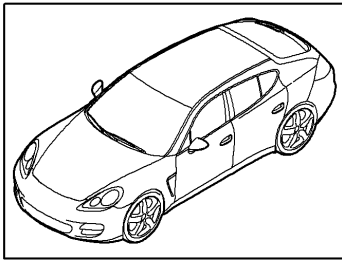
Model: 970 10

Model life 2010>>2016

Pos	Part Number	Description	Remark	Qty	Model
14	948 110 419 02	Screwed socket M 8		1	
15	955 110 415 00	Protective plate		1	4820, 4840, CXPA, CXRA, CXR
(15)	955 110 415 50	Protective plate		1	4870, CWBA, CWB, CWCA, CWC
16	N 106 533 02	Hex collared bolt M 6 X 20		3	
17	948 110 125 01	Fuel line Discontinued part		1	4820, 4840
(17)	948 110 125 10	Fuel line		1	4820, 4840, CXPA, CXRA, CXR
(17)	948 110 125 51	Fuel line Discontinued part		1	4870
(17)	948 110 125 60	Fuel line		1	4870, CWBA, CWB, CWCA, CWC
18	948 110 235 23	Fuel line		1	4820, 4840, CXPA, CXRA, CXR
(18)	948 110 235 73	Fuel line		1	4870, CWBA, CWB, CWCA, CWC

Model: 970 10

Model life 2010>>2016



Model: 970 10

Model life 2010>>2016

Pos	Part Number	Description	Remark	Qty	Model
		Fuel collection pipe high-pressure injector high pressure pump Fuel collection pipe Discontinued part		1	4620,4640, CWAA,CXNA
1	946 110 115 21				
(1)	946 110 115 22	Fuel collection pipe		1	
2	948 110 225 00	Sealing cap		1	
3	948 606 230 01	Pressure sensor Discontinued part		1	
(3)	948 606 230 02	Pressure sensor Discontinued part		1	
(3)	948 606 230 03	Pressure sensor		1	
-	999 653 067 40	Connector for Pressure sensor		1	
4	948 110 515 01	Bracket		2	
5	946 110 515 02	Bracket		2	
6	948 110 128 21	high-pressure injector Identification: >> >> blue Discontinued part		6	
(6)	948 110 128 DX	high-pressure injector Identification: >> >> blue Discontinued part		6	
(6)	948 110 128 22	high-pressure injector Identification: >> >> blue Discontinued part		6	
(6)	948 110 128 HX	high-pressure injector Identification: >> >> blue Discontinued part		6	
(6)	948 110 128 23	high-pressure injector Identification: >> >> blue Discontinued part		6	
(6)	948 110 128 MX	high-pressure injector Identification: >> >> blue Discontinued part		6	
(6)	948 110 128 31	high-pressure injector Identification: >> >> blue Discontinued part		6	
(6)	948 110 128 EX	high-pressure injector Identification: >> >> blue Discontinued part		6	
(6)	948 110 128 32	high-pressure injector Identification: >> >> blue Discontinued part		6	
(6)	948 110 128 JX	high-pressure injector Identification: >> >> blue Discontinued part		6	
(6)	948 110 128 33	high-pressure injector Identification: >> >> blue Discontinued part		6	
(6)	948 110 128 NX	high-pressure injector Identification: >> >> blue Discontinued part		6	
7	999 704 020 90	seal ring 6,3 X 2,8		6	

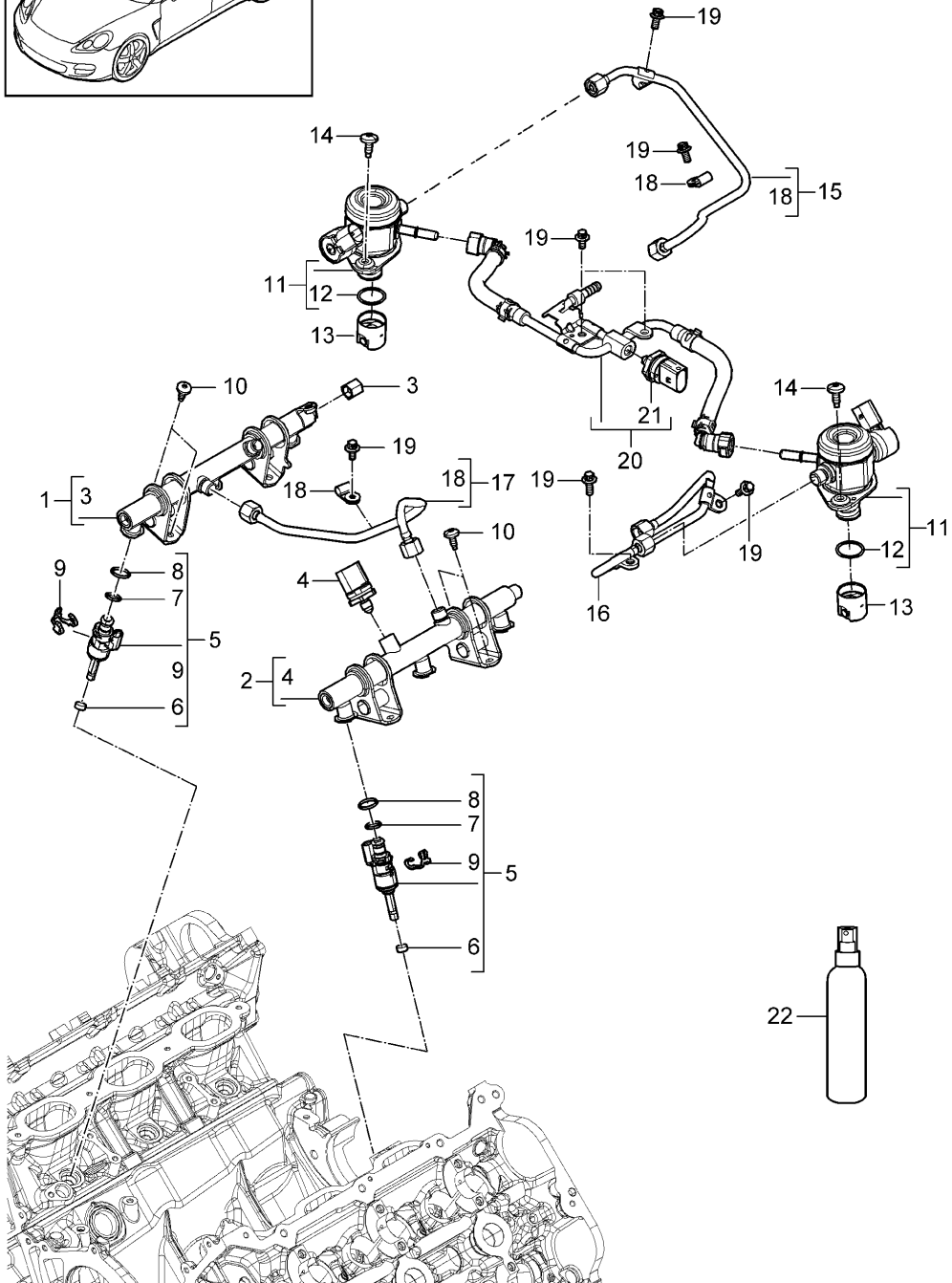
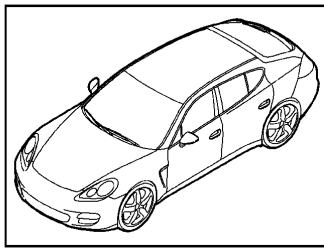
Model: 970 10

Model life 2010>>2016

Pos	Part Number	Description	Remark	Qty	Model
8	999 707 606 40	O-ring 12 X 3		6	
9	900 385 116 01	Torx screw BM 8 X 30		4	
10	999 073 103 02	flat round head bolt M 6 X 16		3	
11	999 073 102 02	flat round head bolt M 6 X 25		1	
12	948 110 315 24	high pressure pump Discontinued part		1	
(12)	948 110 316 FX	high pressure pump Discontinued part		1	
(12)	948 110 315 25	high pressure pump		1	
(12)	948 110 316 HX	high pressure pump		1	
13	948 110 615 00	O-ring 45,7 X 2,62		1	
14	948 110 417 02	Screwed socket M 6		3	
15	948 110 419 02	Screwed socket M 8		1	
16	955 110 415 00	Protective plate		1	
17	N 106 533 02	Hex collared bolt M 6 X 20		3	
18	946 110 125 22	Fuel line		1	
19	948 110 235 23	Fuel line		1	

Model: 970 10

Model life 2010>>2016



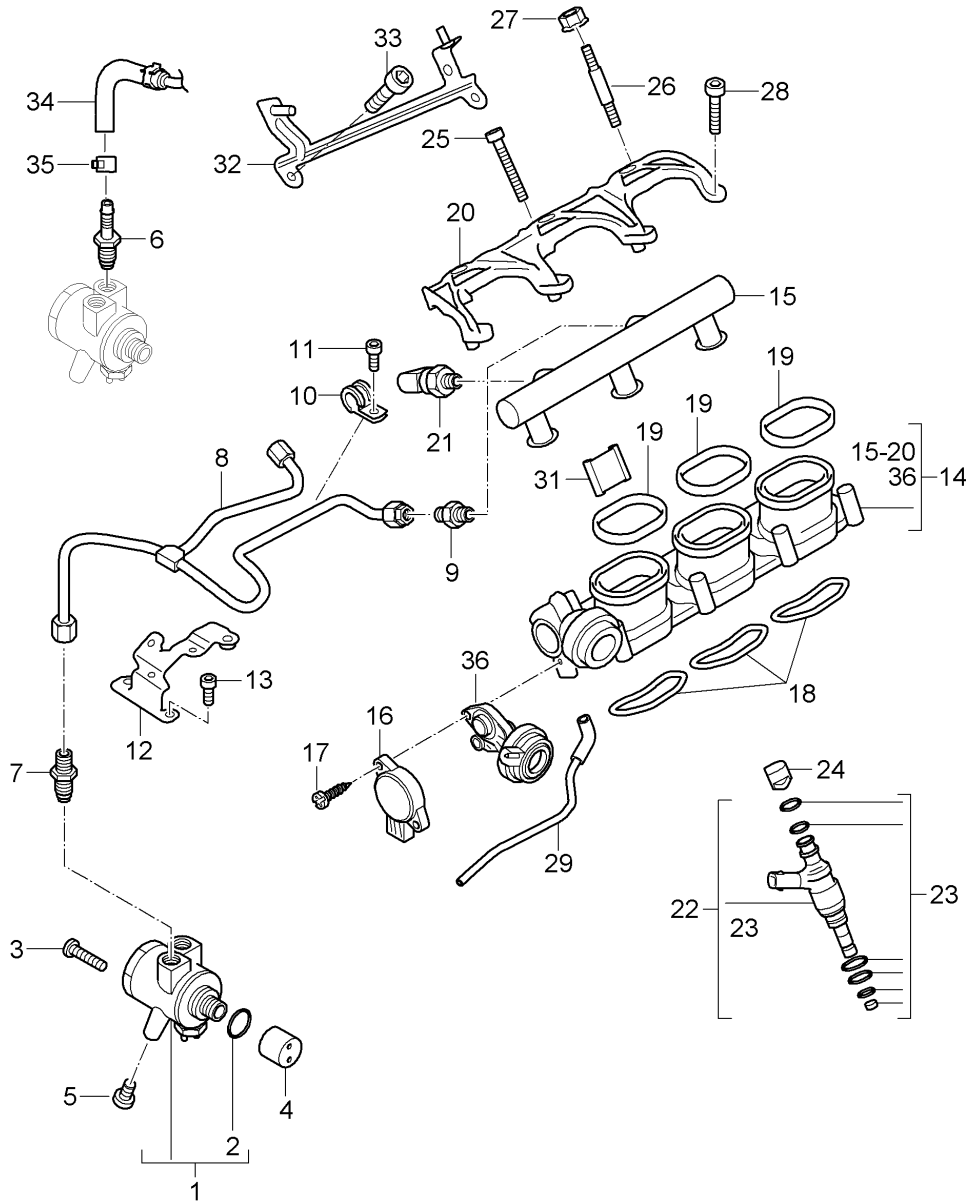
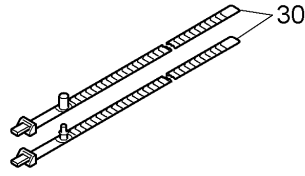
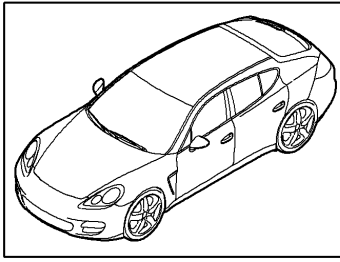
Model: 970 10

Model life 2010>>2016

Pos	Part Number	Description	Remark	Qty	Model
		Fuel collection pipe high-pressure injector high pressure pump			CWDA, CWD, CWFA, CWF
1	946 110 117 00	Fuel collection pipe Cyl. 1 - 3		1	
2	946 110 118 00	Fuel collection pipe Cyl. 4 - 6		1	
3	948 110 225 00	Sealing cap		1	
4	06J 906 051 F	Pressure sensor		1	
5	946 110 128 60	high-pressure injector		6	
6	946 110 428 60	seal ring		6	
7	946 110 328 60	clamping ring		6	
(7)	946 110 328 61	No longer use the part here clamping ring		6	
8	999 701 187 40	O-ring 5,94 X 13 X 3,53		6	
9	946 110 228 60	Bracket		6	
10	900 385 009 01	Torx screw BM 6 X 16		8	
11	946 110 315 61	high pressure pump		2	
12	999 701 048 40	O-ring 31 X 2		2	
13	06L 109 311	Tappets		2	
14	900 385 019 01	Torx screw BM 6 X 20		4	
15	946 110 127 01	Fuel line Cyl. 1 - 3 No longer use the part here		1	
(15)	946 110 127 03	Fuel line Cyl. 1 - 3 No longer use the part here		1	
(15)	946 110 127 04	Fuel line Cyl. 1 - 3 No longer use the part here		1	
16	946 110 131 00	Fuel line Cyl. 4 - 6 No longer use the part here		1	
(16)	946 110 131 02	Fuel line Cyl. 4 - 6 No longer use the part here		1	
(16)	946 110 131 03	Fuel line Cyl. 4 - 6 No longer use the part here		1	
17	946 110 129 01	Fuel line No longer use the part here		1	
(17)	946 110 129 02	Fuel line		1	
18	999 511 741 00	Clamp 8 X 15		2	
19	900 385 009 01	Torx screw BM 6 X 16		7	
20	946 110 235 01	Fuel line Discontinued part		1	
(20)	946 110 235 03	Fuel line		1	
21	06H 906 051 F	Pressure sensor No longer use the part here		1	
(21)	06H 906 051 G	Pressure sensor discontinued part		1	
(21)	06H 906 051 J	Pressure sensor		1	
22	000 043 209 35	special lubricant MICROGLEIT DF 977S for Fuel line	400ml	X	

Model: 970 10

Model life 2010>>2016



Model: 970 10

Model life 2010>>2016

Pos	Part Number	Description	Remark	Qty	Model
1	958 110 316 10	Fuel collection pipe high-pressure injector high pressure pump high pressure pump		1	CGEA, CGE, CGFA
		also use:	958 110 535 30	1	
(1)	958 110 316 11	Discontinued part high pressure pump		1	
		also use:	958 110 535 30	1	
(1)	958 110 316 12	Discontinued part high pressure pump		1	
		also use:	958 110 535 30	1	
2	955 110 615 00	O-ring 31,5 X 2		1	
(2)	WHT 005 184	Discontinued part O-ring 31 X 2		1	
3	N 910 268 02	Socket head bolt with inner multipoint head M 8 X 20		2	
(3)	N 910 488 02	No longer use the part here Screw with int. serrations M 8 X 20		2	
4	958 105 311 00	Tappets		1	
(4)	06L 109 311	Tappets		1	
5	958 110 535 30	sheer bolt M 10 X 1 X 23,9		1	
6	958 110 365 00	Connector union No longer use the part here		1	
(6)	958 110 365 01	Connector union		1	
7	958 110 367 00	Adapter		1	
8	958 110 125 10	Fuel line		1	
9	958 110 368 00	Adapter Discontinued part		2	
(9)	958 110 368 01	Adapter		2	
10	N 020 609 6	Clamp 8 X 15		4	
11	N 104 056 04	Oval hexagon socket head bolt M 6 X 14		4	
12	958 110 438 00	Retainer for fuel line		1	
13	N 104 420 03	self-tapping screw 5 X 16		1	
14	958 110 119 00	intake manifold	left	1	
		with:			
(14)	958 110 119 01	Vacuum timing unit and Fuel collection pipe Discontinued part intake manifold	left	1	
		with:			
(14)	958 110 119 02	Vacuum timing unit and Fuel collection pipe Discontinued part intake manifold	left	1	
		with:			
(14)	958 110 119 03	Vacuum timing unit and Fuel collection pipe Discontinued part intake manifold	left	1	
		with:			
		Vacuum timing unit and			

Model: 970 10

Model life 2010>>2016

Pos	Part Number	Description	Remark	Qty	Model
(14)	958 110 119 04	Fuel collection pipe Discontinued part intake manifold with:	left	1	
(14)	958 110 120 00	Vacuum timing unit and Fuel collection pipe intake manifold with:	right	1	
(14)	958 110 120 01	Vacuum timing unit and Fuel collection pipe Discontinued part intake manifold with:	right	1	
(14)	958 110 120 02	Vacuum timing unit and Fuel collection pipe Discontinued part intake manifold with:	right	1	
(14)	958 110 120 03	Vacuum timing unit and Fuel collection pipe Discontinued part intake manifold with:	right	1	
(14)	958 110 120 04	Vacuum timing unit and Fuel collection pipe Discontinued part intake manifold with:	right	1	
15	958 110 115 10	Fuel collection pipe Fuel collection pipe Discontinued part	left	1	
(15)	958 110 115 11	Fuel collection pipe	left	1	
(15)	958 110 116 10	Fuel collection pipe Discontinued part	right	1	
(15)	958 110 116 11	Fuel collection pipe	right	1	
16	958 606 386 00	Potentiometer Discontinued part		2	
(16)	958 606 386 01	Potentiometer Discontinued part		2	
(16)	958 606 386 02	Potentiometer		2	
17	N 105 356 03	self-tapping screw TP 3 X 16		4	
18	958 110 247 00	Seal	lower	6	
19	958 110 147 00	Seal	upper	6	
20	958 110 340 03	Retaining bar Discontinued part		2	
(20)	958 110 340 04	Retaining bar		2	
21	958 606 230 10	Pressure sensor		1	
22	958 110 128 01	high-pressure injector also use:	958 110 536 01 958 110 537 00	6 X X	
(22)	958 110 128 02	Discontinued part high-pressure injector also use:	958 110 536 01 958 110 537 00	6 X X	
23	958 110 901 01	Gasket set		6	

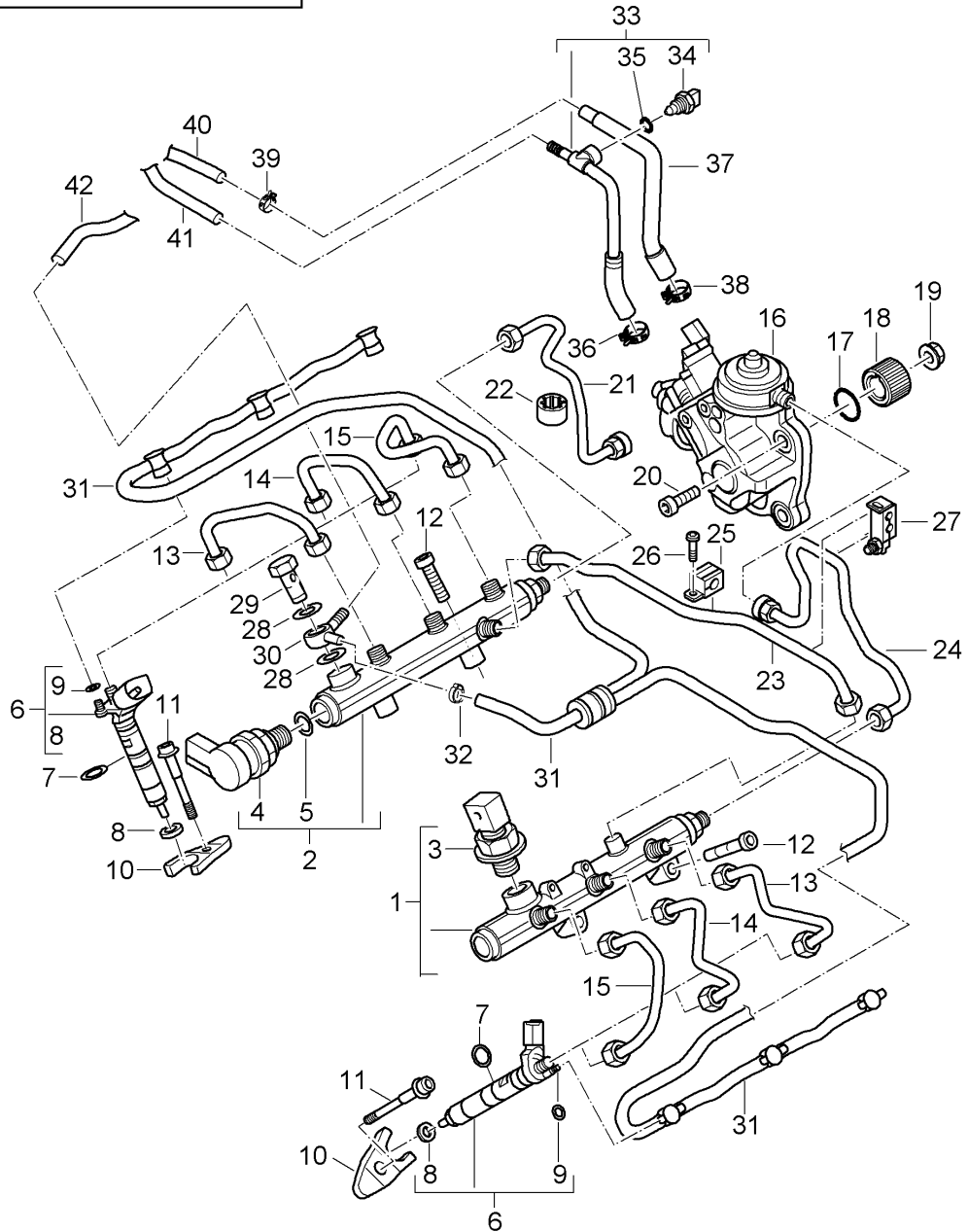
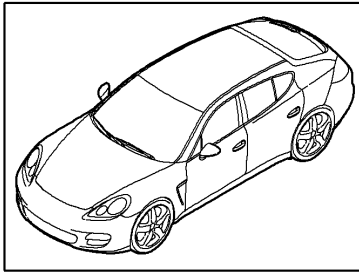
Model: 970 10

Model life 2010>>2016

Pos	Part Number	Description	Remark	Qty	Model
(23)	958 110 901 02	Discontinued part Gasket set		6	
24	958 110 536 00	Support element	upper	6	
(24)	958 110 536 01	Discontinued part Support element	upper	6	
(24)	958 110 537 00	Support element	lower	6	
25	N 106 268 01	fillister hd. bolt M 6 X 70		2	
26	N 910 638 01	Threaded pin M 6 X 62		4	
27	N 015 082 13	Hexagon collar nut M 6		4	
28	N 107 314 01	Socket head bolt with hexagon socket head M 6 X 50		4	
29	958 110 791 00	Vacuum hose	left	1	
(29)	958 110 792 00	Vacuum hose	right	1	
30	955 111 820 00	Cable ties		X	
31		Intermediate plate intake manifold Cylinder head see illustration, item:	103-007,14		
32	958 110 340 10	Retainer for fuel line		1	
33	N 105 864 01	Oval hexagon socket head bolt M 5 X 10		2	
34		Fuel line see illustration, item:	201-032,1	1	
35	999 512 650 09	Hose clamp B 14,5 X 12		1	
36	958 110 959 00	repair set Vacuum unit	left	1	
(36)	958 110 959 01	Discontinued part repair set Vacuum unit	left	1	
(36)	958 110 960 00	repair set Vacuum unit	right	1	
(36)	958 110 960 01	Discontinued part repair set Vacuum unit	right	1	

Model: 970 10

Model life 2010>>2016



Model: 970 10

Model life 2010>>2016

Pos	Part Number	Description	Remark	Qty	Model
		Fuel collection pipe high-pressure injector high pressure pump			CRCC,CRCB, CWJA
1	958 110 115 30	Fuel collection pipe	left	1	
2	958 110 116 30	Fuel collection pipe	right	1	
		No longer use the part here			
(2)	958 110 116 31	Fuel collection pipe	right	1	
3	958 606 230 30	Pressure sensor		1	
4	958 606 240 10	pressure regulator		1	
5	955 110 319 00	O-ring		1	
6	958 110 128 10	high-pressure injector (complete)		6	CRCC,CRCB
		discontinued part			
(6)	958 110 128 11	high-pressure injector (complete)		6	CRCC,CRCB
		discontinued part			
(6)	958 110 128 60	high-pressure injector (complete)		6	CWJA
		discontinued part			
(6)	958 110 128 61	high-pressure injector (complete)		6	CWJA
7	WHT 000 884	O-ring		6	
		16,2 X 1,5			
8	958 110 519 00	seal ring		6	
9	955 110 619 00	high-pressure injector O-ring		6	
		2,8 X 1,5			
		Discontinued part			
(9)	WHT 007 480	O-ring		6	
		2,8 X 1,5			
10	958 110 216 00	tensioning plate		6	
		Discontinued part			
(10)	958 110 216 01	tensioning plate		6	
11	WHT 004 923	Hexagon socket head bolt (combi)		6	
		M 6 X 93 X 25			
		No longer use the part here			
11	WHT 004 923 B	Hexagon socket head bolt (combi)		6	
		M 6 X 93 X 25			
12	N 910 455 02	Socket head bolt with inner multipoint head		4	
		M 8 X 65			
13	958 110 241 00	Fuel line		2	
14	958 110 241 10	Fuel line		2	
15	958 110 241 20	Fuel line		2	
16	958 110 315 00	high pressure pump		1	CRCC,CRCB
		No longer use the part here			
(16)	958 110 315 01	high pressure pump		1	CRCC,CRCB
(16)	958 110 315 20	high pressure pump		1	CWJA
17	958 110 615 00	seal ring		1	
18	958 110 541 00	flange		1	CRCC,CRCB
		Chain sprocket			
		only in conj. with:			
		Chain sprocket			
		958.105.222.00			
		059.109.569.F			
(18)	958 110 541 10	flange		1	CRCC,CRCB
		Chain sprocket			
		only in conj. with:			
		Chain sprocket			
		958.105.222.10			
		059.109.569.L			
		discontinued part			

Model: 970 10 Model life 2010>>2016

Pos	Part Number	Description	Remark	Qty	Model
(18)	958 109 085 00	Chain sprocket high pressure pump with: flange only in conj. with: Chain sprocket 958.105.222.10 059.109.569.L		1	CRCC,CRCB
(18)	958 110 541 10	flange Chain sprocket discontinued part		1	CWJA
(18)	958 109 085 00	Chain sprocket high pressure pump with: flange		1	CWJA
19	WHT 002 244	Hexagon collar nut M 18 X 1,5		1	
20	N 911 873 01	Hexagon socket head bolt M 8 X 30		3	
21	958 110 125 20	Fuel line		1	
22	N 107 855 01	toothed lock washer B 5,2 X 18 X 40		1	
23	958 110 314 10	Fuel line		1	
24	958 110 126 10	Fuel line		1	
25	958 110 410 00	Retainer for fuel line		2	
26	N 107 214 01	oval hd. self-tapp fitt. screw 6 X 16		2	
27	958 110 411 00	Retainer for fuel line		1	
28	N 013 813 3	seal ring A 12 X 17		2	
29	N 021 071 7	Banjo bolt No longer use the part here for this use:	8	1	
(29)	PAF 021 071	Banjo bolt	PAF 021 071	1	
30	958 110 602 00	Banjo fitting No longer use the part here	M12X1,5X24	1	
(30)	958 110 602 01	Banjo fitting only in conj. with:		1	
31	958 110 218 10	Fuel hose 958.110.218.13 Fuel hose (complete) Discontinued part		1	
(31)	958 110 218 11	Fuel hose (complete) Discontinued part		1	
(31)	958 110 218 12	Fuel hose (complete)		1	
(31)	958 110 218 13	No longer use the part here Fuel hose (complete) only in conj. with:		1	
32	N 102 313 01	Banjo fitting 958.110.602.01 Ear crimp hose clamp 10,5 X 5 X 0,5 No longer use the part here		1	
33	958 110 299 00	Fuel line No longer use the part here	feed	1	
(33)	958 110 299 01	Fuel line M >> 0 77782	feed	1	
(33)	958 110 299 02	Fuel line	feed	1	

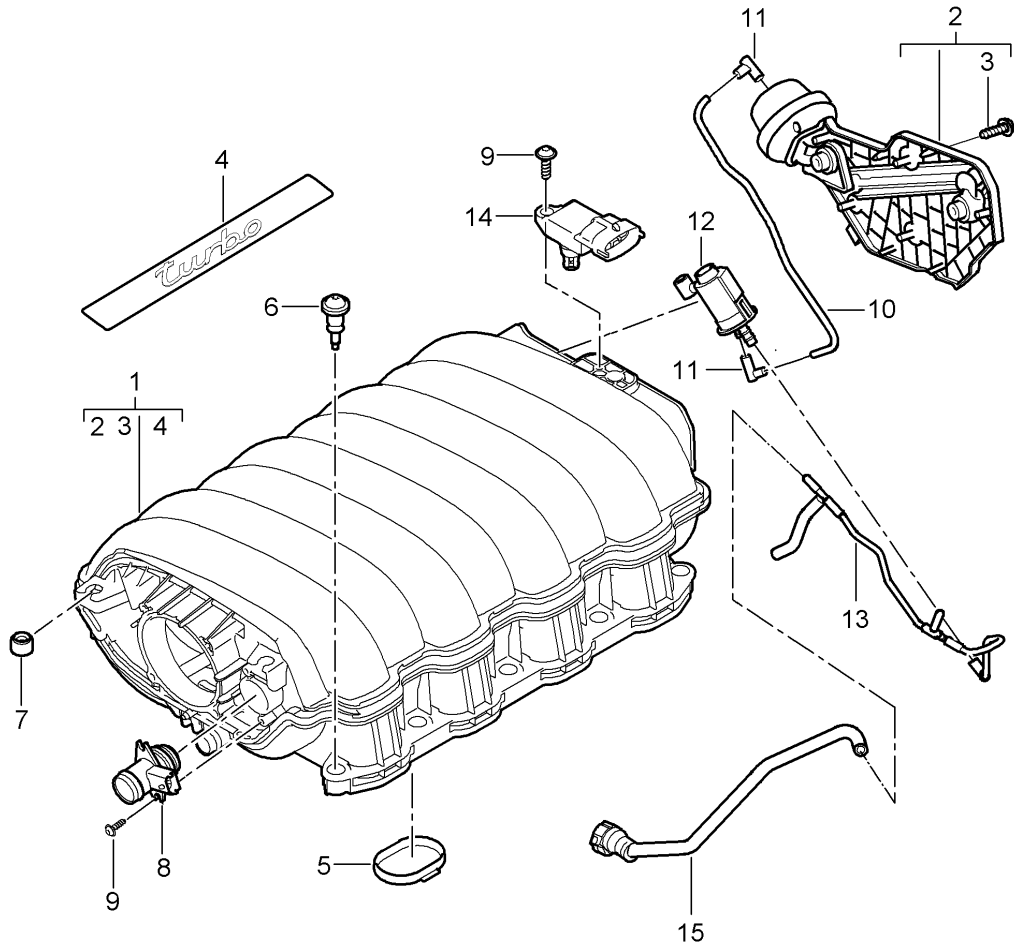
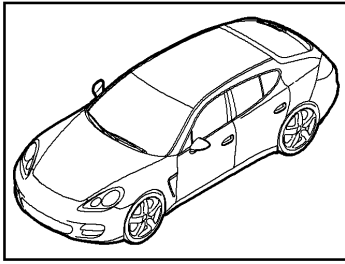
Model: 970 10

Model life 2010>>2016

Pos	Part Number	Description	Remark	Qty	Model
34	955 606 221 00	M 0 77783 >> Temperature sensor		1	
35	WHT 002 287 C	O-ring 5,6 X 2		1	
36	N 909 264 01	Spring band clamp B 19 X 12 Discontinued part		1	
(36)	999 512 652 09	Hose clamp B 19 X 12		1	
-	958 606 341 05	Cable guide Wire set Discontinued part		1	
-	958 606 341 06	Cable guide Wire set No longer use the part here		1	
-	958 606 341 07	Cable guide Wire set discontinued part		1	
-	958 606 341 08	Cable guide Wire set		1	
-	N 107 214 01	oval hd. self-tapp fitt. screw TP 6 X 16		2	
37	958 110 297 10	M 0 77783 >> Fuel line	return	1	
38	N 907 702 01	Spring band clamp B 17 X 12	return	1	
39	N 906 867 01	Spring band clamp B 14 X 12		1	
40		Fuel line	return	1	
41		see illustration, item: Fuel line	201-035,3 feed	1	
42		see illustration, item: Fuel line	201-035,1 return	1	
		see illustration, item:	201-035,4		

Model: 970 10

Model life 2010>>2016



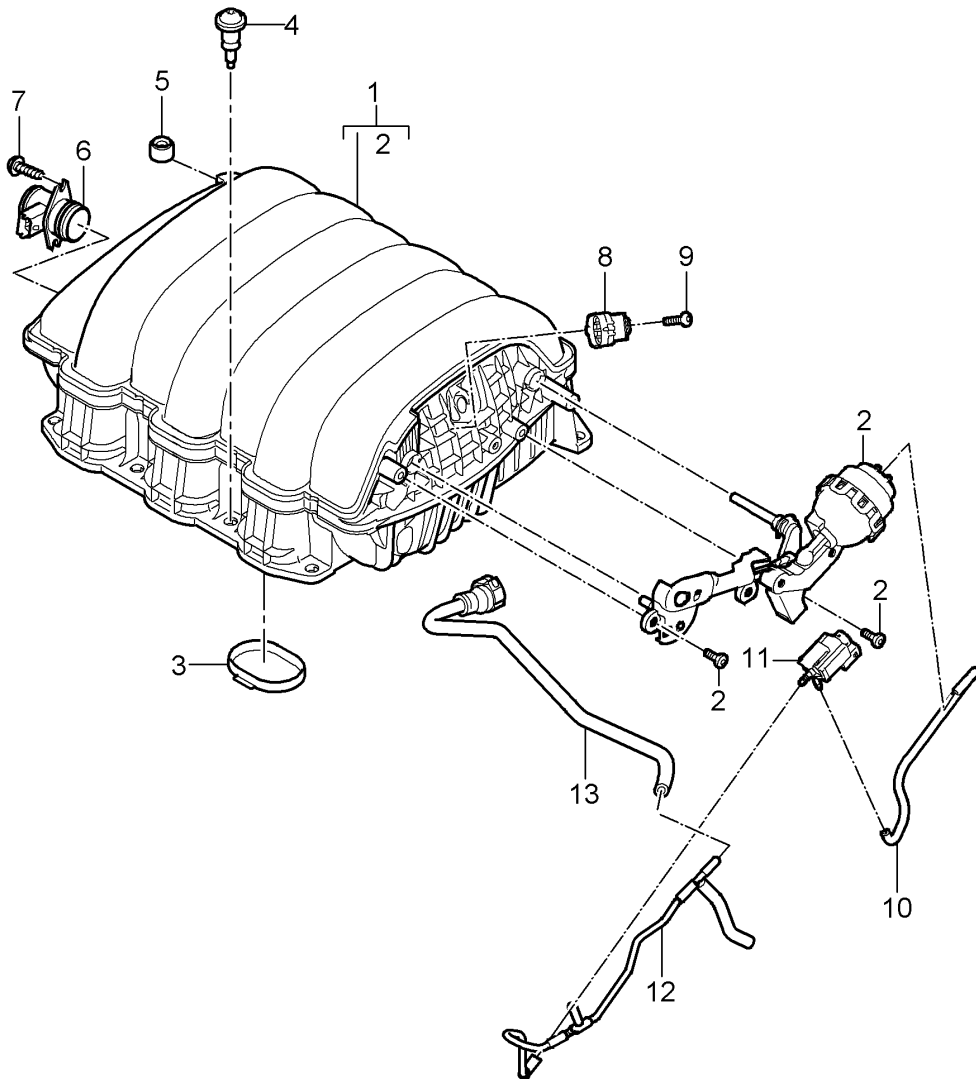
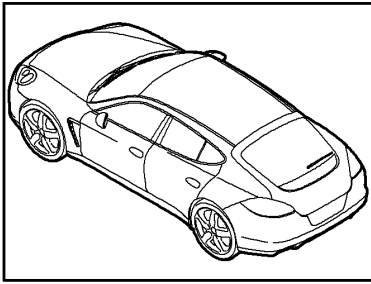
Model: 970 10

Model life 2010>>2016

Pos	Part Number	Description	Remark	Qty	Model
		intake air distributor			4820,4840, 4870,CXPA, CXRA,CXR, CWBA,CWB, CWCA,CWC
1	948 110 016 40	intake air distributor		1	4820,4840
(1)	948 110 016 41	Discontinued part intake air distributor		1	4820,4840, CXPA,CXRA, CXR
(1)	948 110 016 70	intake air distributor Discontinued part		1	4870+
(1)	948 110 016 71	intake air distributor		1	PR:-X80 4870,CWBA, CWB+
(1)	948 110 016 75	intake air distributor		1	PR:-X80,-016 4870+
(1)	948 110 016 76	intake air distributor		1	PR:X80 4870,CWCA, CWC+
2	948 110 116 20	repair set throttle control element		1	PR:016 4820,4840, CXPA,CXRA, CXR
3	999 919 006 01	fillister hd. bolt 5 X 16		5	4820,4840, CXPA,CXRA, CXR
4	948 110 216 70	trim with inscription plastic		1	4870,CWBA, CWB+
(4)	948 110 216 00	Turbo trim with inscription Carbon		1	PR:-X80,-016 4870+
(4)	948 110 216 76	Turbo trim with inscription Carbon		1	PR:X80 4870,CWCA, CWC+
5	948 110 146 01	Turbo S Seal		8	PR:016
6	948 110 142 01	Securing element Discontinued part		10	
(6)	948 110 142 02	Securing element		10	
7	955 110 236 00	ball socket		2	
8	948 605 139 00	Heater element		1	
9	999 919 006 01	fillister hd. bolt 5 X 16		3	
10	948 110 136 00	Pipe		1	4820,4840, CXPA,CXRA, CXR
11	948 110 126 00	Connecting piece		2	4820,4840, CXPA,CXRA, CXR
12	996 605 123 01	Change-over valve Electric		1	4820,4840
(12)	7PP 906 270	Discontinued part Change-over valve Electric		1	4820,4840, CXPA,CXRA, CXR
13	948 110 358 00	Vacuum line		1	4820,4840, CXPA,CXRA, CXR
14	948 606 180 00	Pressure sensor		1	
(15)	970 110 350 02	Vacuum line		1	PR:176

Model: 970 10

Model life 2010>>2016



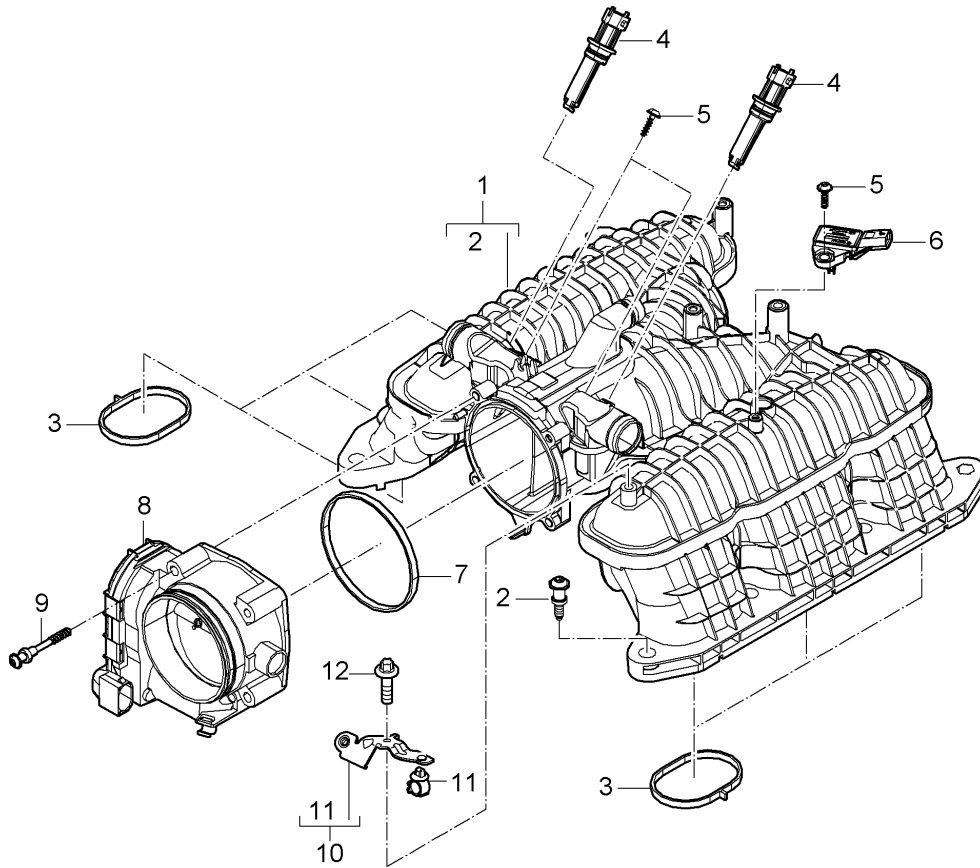
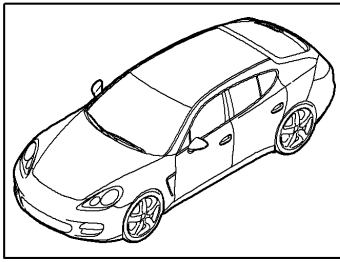
Model: 970 10

Model life 2010>>2016

Pos	Part Number	Description	Remark	Qty	Model
		intake air distributor			4620,4640, CWAA,CXNA
1	946 110 016 02	intake air distributor No longer use the part here		1	
(1)	946 110 016 03	intake air distributor		1	
2		repair set		1	
		throttle control element Not available			
		intake air distributor Use			
3	946 110 146 01	Seal No longer use the part here		6	
(3)	946 110 146 02	Seal		6	
4	946 110 142 01	Securing element		8	
5	955 110 236 00	ball socket		2	
6	948 605 139 00	Heater element		1	
7	999 311 070 01	Locating bolt 5,0 X 16,0		2	
8	948 606 180 00	Pressure sensor		1	
9	999 919 253 01	fillister hd. bolt 6,0 X 20,0		1	
10	946 110 136 01	Vacuum hose		1	
11	996 605 123 01	Change-over valve Electric Discontinued part		1	
(11)	7PP 906 270	Change-over valve Electric		1	
12	948 110 358 00	Vacuum line		1	
(13)	970 110 350 02	Vacuum line		1	PR: XLF

Model: 970 10

Model life 2010>>2016

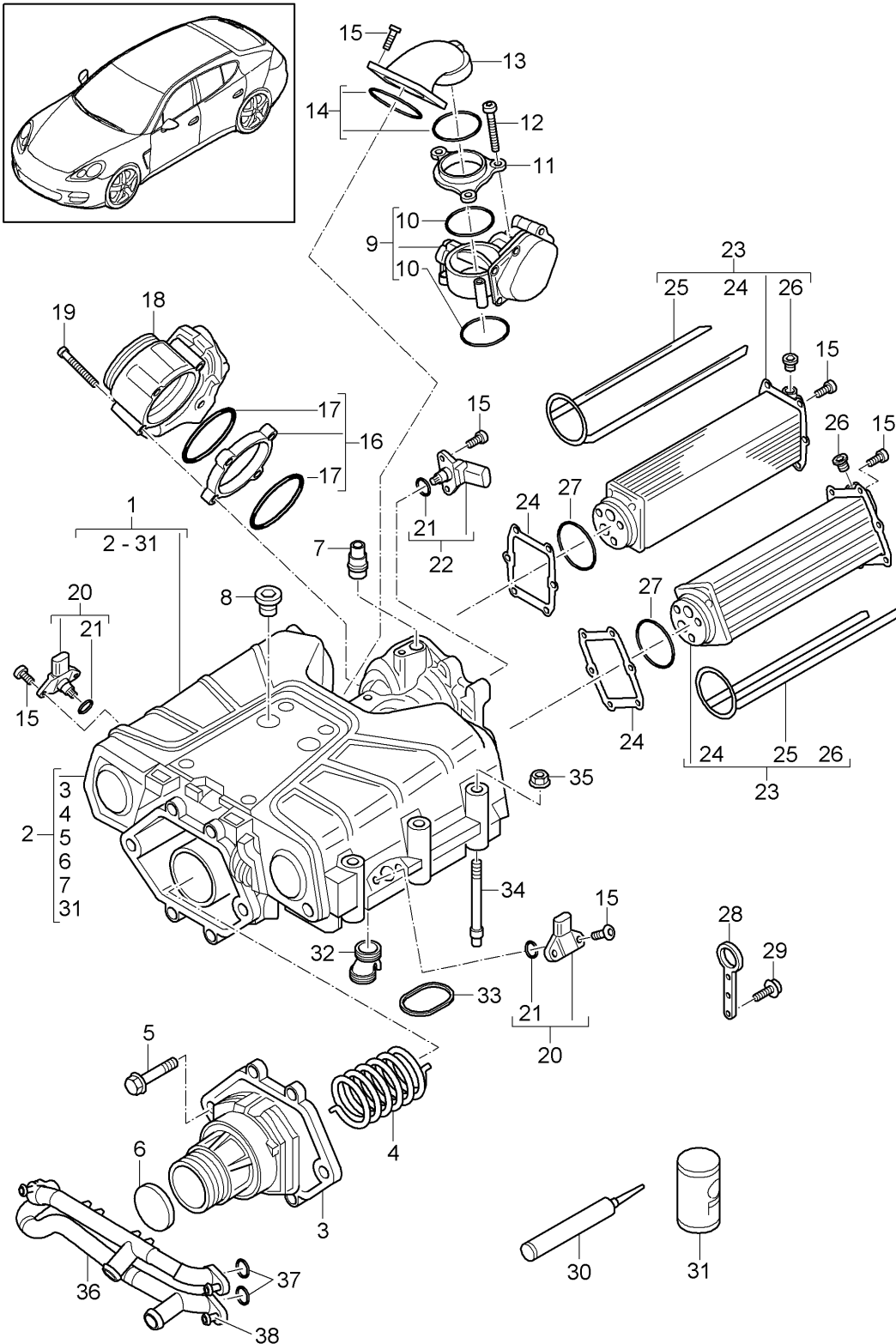


Model: 970 10 Model life 2010>>2016

Pos	Part Number	Description	Remark	Qty	Model
1	946 110 016 62	intake air distributor throttle valve adapter		1	CWDA, CWD, CWFA, CWF
(1)	946 110 016 63	intake air distributor No longer use the part here		1	
		M >> CWF 014 817			
		M >> CWD 008 793			
2	946 110 412 60	Securing element		8	
3	946 110 146 60	Seal		6	
4	946 605 139 00	Heater element		2	
5	999 919 006 01	fillister hd. bolt 5,0 X 16,0		3	
6	946 606 180 00	Pressure sensor Discontinued part		1	
(6)	06E 906 051 Q	Pressure sensor Discontinued part		1	
(6)	06E 906 051 AA	Pressure sensor		1	
7	948 110 144 02	Seal		1	
8	946 605 115 00	throttle valve adapter		1	
9	946 110 411 60	fillister hd. bolt 6 X 55		4	
10	946 110 027 76	Bracket		1	
11	999 507 906 40	Bracket 12		1	
(11)	N 103 203 02	No longer use the part here bracket for corrugated pipe 13		1	
12	900 385 009 01	Torx screw BM 6 X 16		1	

Model: 970 10

Model life 2010>>2016



Model: 970 10 Model life 2010>>2016

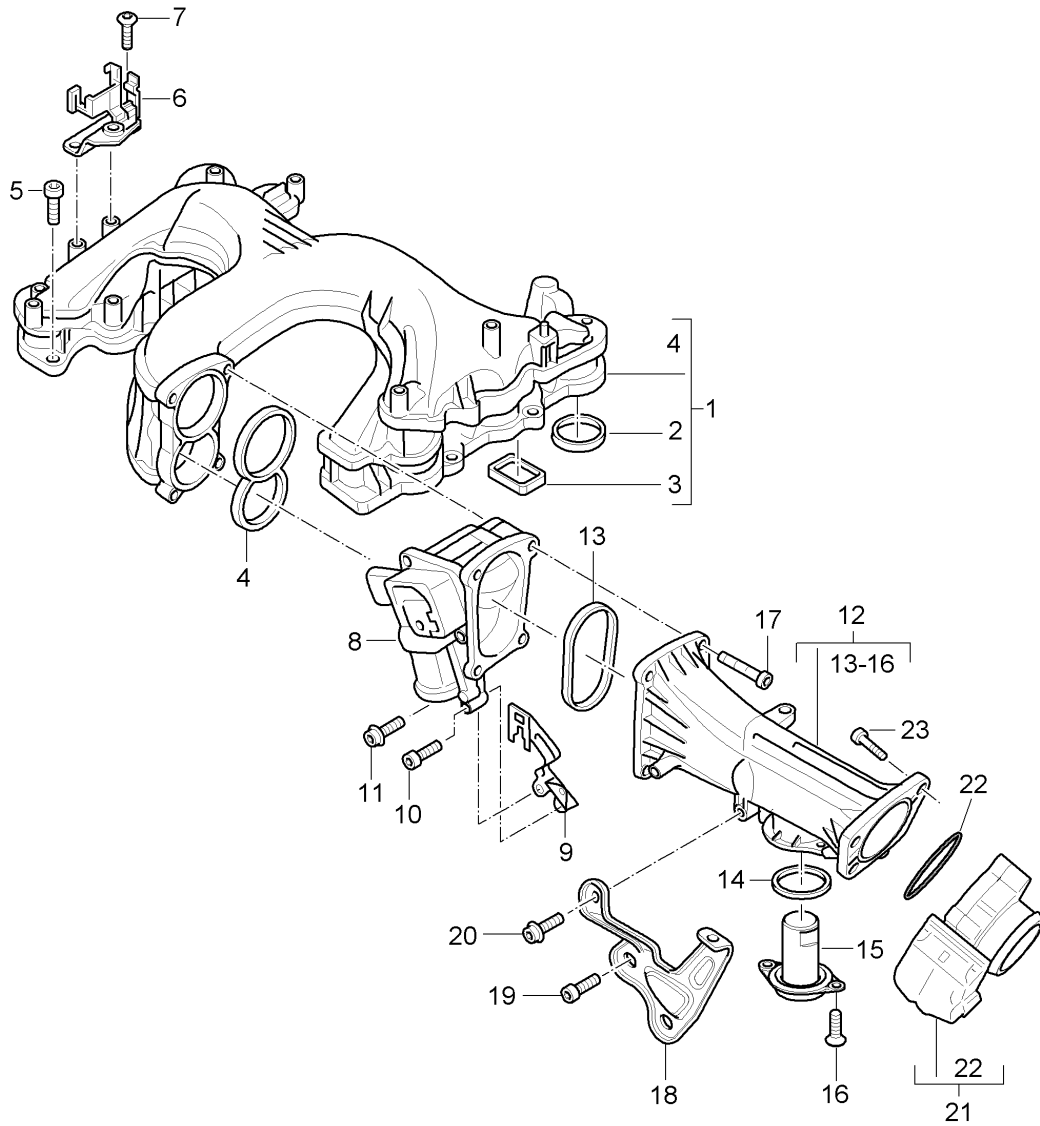
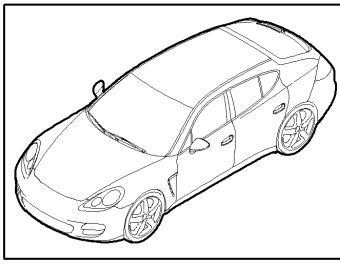
Pos	Part Number	Description	Remark	Qty	Model
		Compressor			CGEA, CGE, CGFA
1	958 110 061 02	Compressor (complete) Discontinued part		1	
(1)	958 110 061 03	Compressor (complete) Discontinued part		1	
(1)	958 110 061 04	Compressor (complete) Discontinued part		1	
(1)	958 110 061 05	Compressor (complete)		1	
2	958 110 163 00	Compressor housing		1	
		without:			
3	958 110 607 10	Charge air cooler Housing cover		1	
		with:			
4	958 110 635 10	pulley Spring		1	
5	N 106 645 03	Hex collared bolt M 8 X 45		8	
		also use:	958 110 503 00	X	
		and			
		Securing liquid Loctite 262			
6	958 110 518 00	Cap		1	
7	958 110 382 10	connection piece		1	
8	958 110 526 00	Grommet		2	
9	958 110 363 04	Flap-Nozzle Discontinued part		1	
(9)	958 110 363 05	Flap-Nozzle		1	
10	N 905 216 04	O-ring 55 X 3 Only in pairs Use		2	
11	958 110 375 10	Adapter		1	
12	N 104 707 03	round hd. screw AM 6 X 50		3	
13	958 110 641 02	Pipe union		1	
14	958 110 912 02	Gasket set		1	
		also use:	N 905 216 04	2	
15	N 104 514 09	Socket head bolt with hexagon socket head (combination) M 6 X 16		22	
16	958 110 375 20	Adapter Discontinued part		1	
(16)	958 110 375 21	Adapter		1	
17	958 110 572 03	O-ring		2	
18		throttle valve adapter see illustration, item:	107-022,1	1	
19		fillister hd. bolt see illustration, item:	107-022,2	4	
20	958 606 180 00	Pressure sensor		2	
21	958 606 549 00	O-ring 7,49 X 2,62		3	
22	958 606 180 10	Pressure sensor		1	
23	958 110 621 20	Charge air cooler		2	
		also use:	958 110 723 20	2	
			N .1 04. 51	12	

Model: 970 10 Model life 2010>>2016

Pos	Part Number	Description	Remark	Qty	Model
24	958 110 723 10	Seal Only in pairs Use		2	
25		Seal Not available To Use Charge air cooler		2	
26	958 110 535 20	sealing plug		1	
27	958 110 723 20	Seal 59,92 X 3,53 Only in pairs Use		2	
28	958 104 305 00	Transportation shackle		4	
29	N 910 268 02	Socket head bolt with inner multipoint head M 8 X 20		4	
30	958 110 503 00	sealant 1 100-gramme tube		1	
31	958 110 570 00	Compressor oil 150 ML		1	
32		Breather line see illustration, item:	107-024,3	1	
33		Seal see illustration, item:	107-037,19	6	
34	958 104 539 00	Pin M 8 X 98		6	
35	N 106 092 03	Hexagon collar nut M 8		6	
36	958 106 583 10	Coolant pipe Discontinued part		1	
(36)	958 106 583 11	Coolant pipe		1	
37	958 106 619 00	seal ring		4	
38	N 106 373 01	Oval hexagon socket head bolt M 5 X 20		6	

Model: 970 10

Model life 2010>>2016



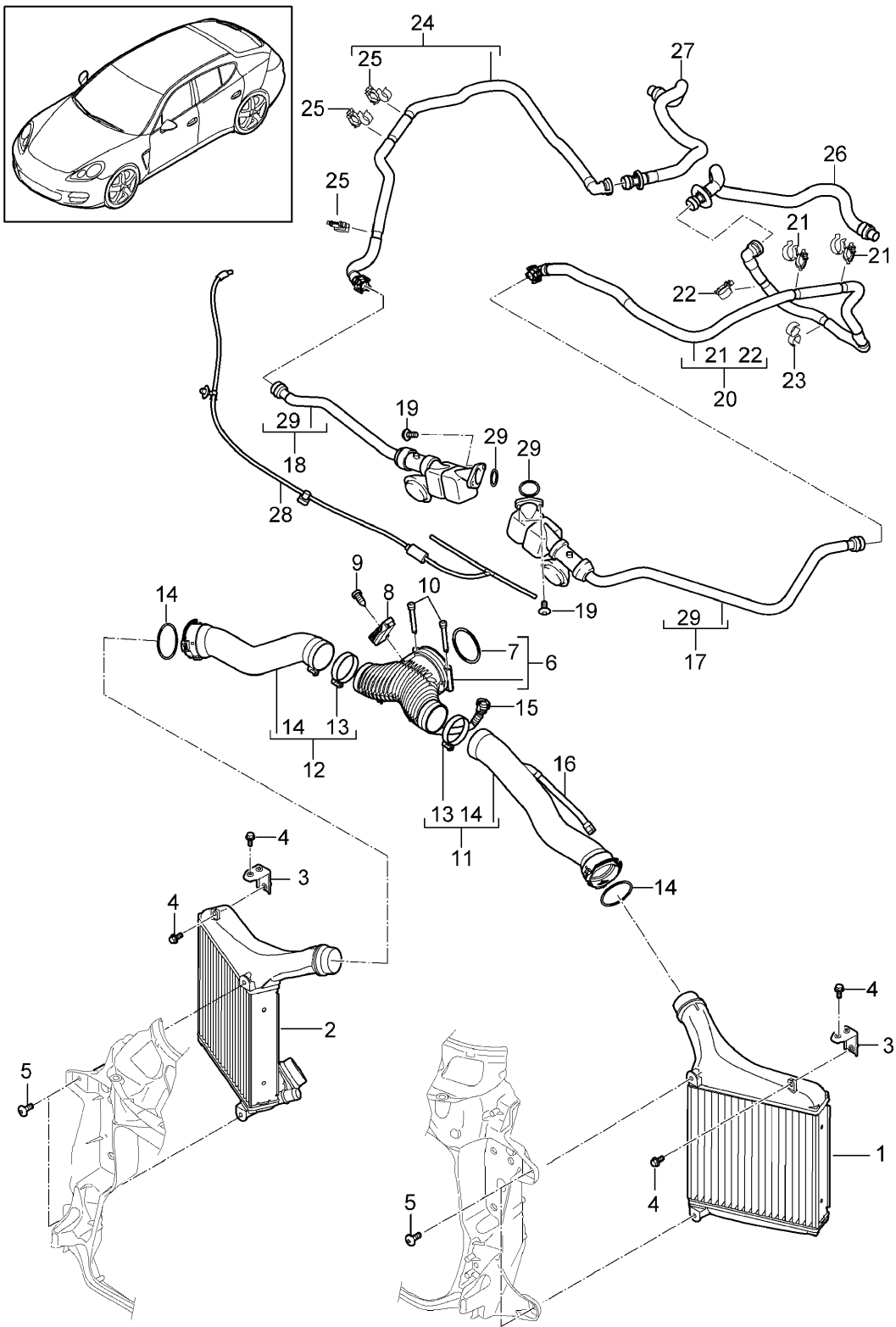
Model: 970 10

Model life 2010>>2016

Pos	Part Number	Description	Remark	Qty	Model
		Intake manifold throttle valve adapter Air guide housing			CRCC, CRCB, CWJA
1	958 110 016 00	Intake manifold		1	
2	958 110 147 10	Seal		6	
3	958 110 148 00	Seal		6	
4	958 110 144 00	Seal		1	
5	WHT 004 917	Hexagon socket head bolt M 6 X 28		12	
6	958 606 311 10	Bracket		1	
7	N 107 214 01	oval hd. self-tapp fitt. screw 6 X 16		2	
8	958 605 115 00	throttle valve adapter		1	
9	958 110 560 00	Bracket		1	
10	N 910 541 01	Oval hexagon socket head bolt M 6 X 25		1	
11	N 107 214 01	oval hd. self-tapp fitt. screw 6 X 16		2	
12	958 110 065 00	Air guide housing		1	
13	958 110 215 20	Seal		1	
14	958 111 149 00	Seal		1	
15	958 111 153 30	Connecting pipe		1	
16	N 104 056 04	Oval hexagon socket head bolt M 6 X 14		2	
17	N 104 239 03	Socket head bolt with inner multipoint head AM 6 X 60		4	
18	958 110 661 00	Bracket		1	
19	N 104 114 02	Hexagon socket oval head bolt (combi) M 6 X 16		2	
20	N 104 056 04	Oval hexagon socket head bolt M 6 X 14		2	
21	958 605 115 10	throttle valve adapter Discontinued part		1	
(21)	958 605 115 11	throttle valve adapter		1	
22	955 110 144 00	Seal		1	
23	N 911 482 01	flat round head bolt M 6 X 25		3	

Model: 970 10

Model life 2010>>2016



Model: 970 10 Model life 2010>>2016

Pos	Part Number	Description	Remark	Qty	Model
1	970 110 209 02	Charge air cooler pressure pipe			4870, CWBA, CWB, CWCA, CWC
(1)	970 110 209 60	Charge air cooler No longer use the part here	left	1	
(1)	970 110 209 61	Charge air cooler No longer use the part here	left	1	
2	970 110 210 02	Charge air cooler No longer use the part here	right	1	
(2)	970 110 210 60	Charge air cooler No longer use the part here	right	1	
(2)	970 110 210 61	Charge air cooler No longer use the part here	right	1	
3	970 110 409 00	Bracket for charge air cooler Discontinued part		2	4870
(3)	970 110 409 01	Bracket for charge air cooler Discontinued part		2	4870
(3)	970 110 409 70	Bracket for charge air cooler Discontinued part		2	CWBA, CWB, CWCA, CWC
(3)	970 110 409 71	Bracket for charge air cooler		2	CWBA, CWB, CWCA, CWC
4	900 378 035 01	Hexagon bolt M 6 X 16		6	
5	999 073 981 30	fillister hd. bolt aluminium M 6 X 14		4	
6	970 110 140 71	Y-piece throttle valve adapter		1	4870+
(6)	970 110 140 71	Y-piece throttle valve adapter		1	PR: -162 CWBA, CWB, CWCA, CWC+
(6)	970 110 150 70	Y-piece throttle valve adapter Discontinued part		1	PR: -176, -162 PR: 162
(6)	7PP 145 770	Y-piece throttle valve adapter		1	4870+
(6)	7PP 145 770	Y-piece throttle valve adapter		1	PR: 162 CWBA, CWB, CWCA, CWC+
(6)	970 110 140 75	Y-piece throttle valve adapter		1	PR: 162, -176 CWBA, CWB, CWCA, CWC+
7	N 910 171 01	O-ring 87 X 4		1	PR: 176
8	996 606 180 00	Sensor Boost pressure		1	
9	999 919 239 01	fillister hd. bolt 3,5 X 12		1	
10	955 110 670 00	Pin Locking mechanism		2	4870
(10)	955 110 670 00	Pin Locking mechanism		2	CWBA, CWB, CWCA, CWC+
(10)	999 218 102 01	Socket head bolt M 8 X 60		2	PR: -176 CWBA, CWB, CWCA, CWC+
11	970 110 173 71	pressure pipe	left	1	
12	970 110 174 73	pressure pipe	right	1	
13	N 105 188 01	Hose clamp 40 - 60 X 12		2	
14	970 110 803 00	seal ring 54,9 X 9		2	
15	970 110 248 70	Breather line		1	4870+
(15)	970 110 248 70	Breather line		1	PR: 162 CWBA, CWB,

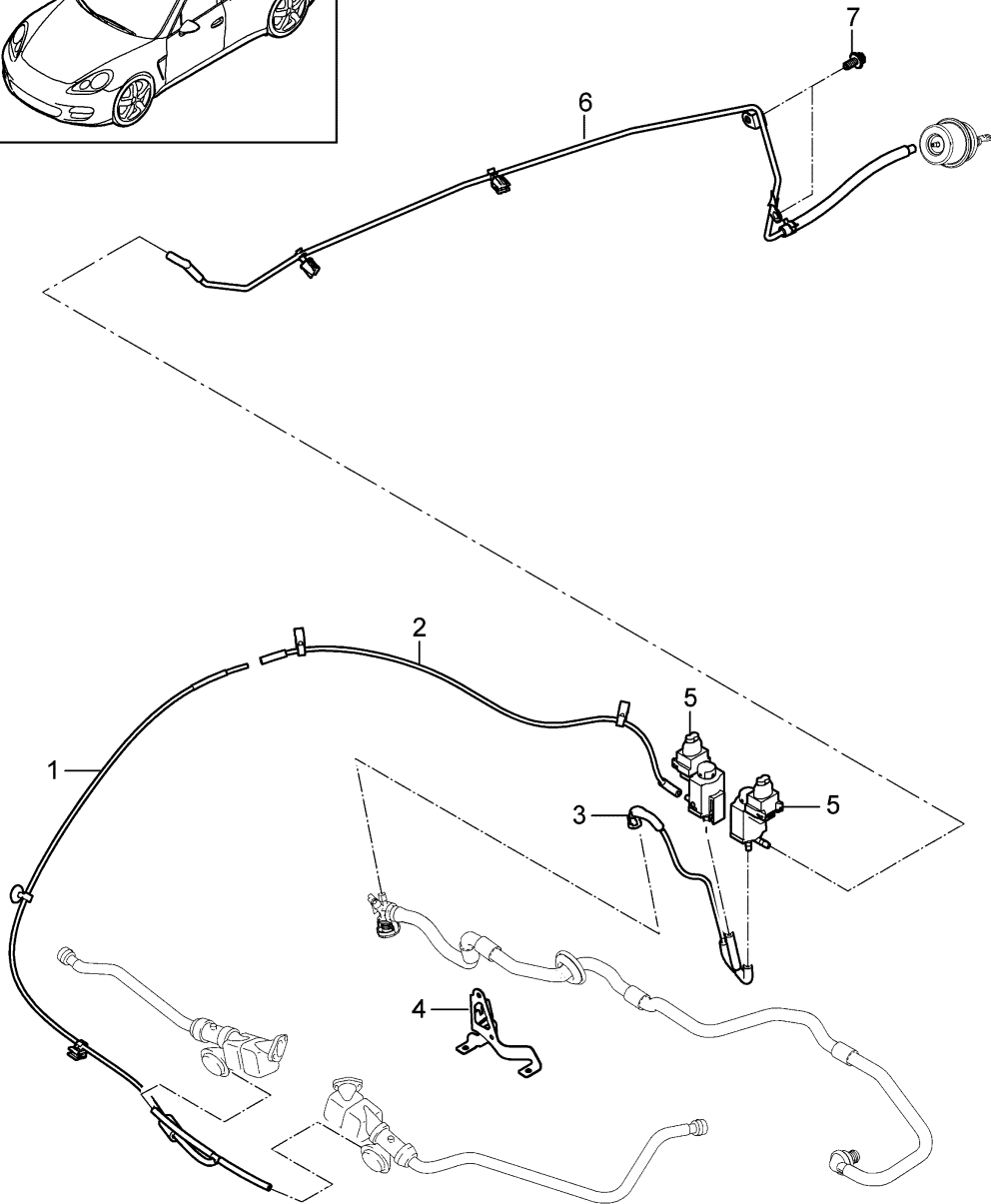
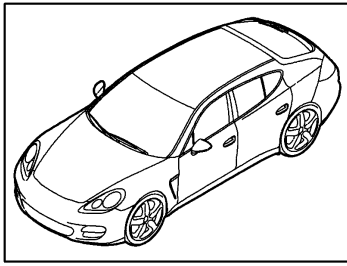
Model: 970 10

Model life 2010>>2016

Pos	Part Number	Description	Remark	Qty	Model
(15)	970 110 248 70	Breather line		1	CWCA, CWC+ PR:162,-176
16		Vent hose see illustration, item:	202-090,22	1	
17	970 110 541 76	Line No longer use the part here	left	1	CWBA, CWB, CWCA, CWC+ PR:176
(17)	970 110 541 77	Line	left	1	CWBA, CWB, CWCA, CWC+ PR:176
18	970 110 542 76	Line No longer use the part here	right	1	CWBA, CWB, CWCA, CWC+ PR:176
(18)	970 110 542 77	Line	right	1	CWBA, CWB, CWCA, CWC+ PR:176
-	999 507 089 40	Hose bracket 24,5 / 95		2	CWBA, CWB, CWCA, CWC+ PR:176
19	N 101 961 03	fillister head bolt with multi-point socket head M 6 X 18		4	CWBA, CWB, CWCA, CWC+ PR:176
20	970 110 531 01	Line No longer use the part here	left	1	CWBA, CWB, CWCA, CWC+ PR:176
(20)	970 110 531 02	Line	left	1	CWBA, CWB, CWCA, CWC+ PR:176
21	999 507 284 40	Line holder 16/28		2	CWBA, CWB, CWCA, CWC+ PR:176
22	999 507 285 40	Line holder 16/20		1	CWBA, CWB, CWCA, CWC+ PR:176
23	999 507 689 40	Hose bracket 20/24,5 No longer use the part here		1	CWBA, CWB, CWCA, CWC+ PR:176, 850, 851
24	970 110 532 00	Line	right	1	CWBA, CWB, CWCA, CWC+ PR:176
25	999 507 285 40	Line holder 16/20		3	CWBA, CWB, CWCA, CWC+ PR:176
26	970 110 521 02	Line	left	1	CWBA, CWB, CWCA, CWC+ PR:176
27	970 110 522 01	Line	right	1	CWBA, CWB, CWCA, CWC+ PR:176
28		Vacuum line see illustration, item:	107-061,1	1	CWBA, CWB, CWCA, CWC+ PR:176
29	999 707 507 40	O-ring 29,74 X 2,95		2	CWBA, CWB, CWCA, CWC+ PR:176

Model: 970 10

Model life 2010>>2016



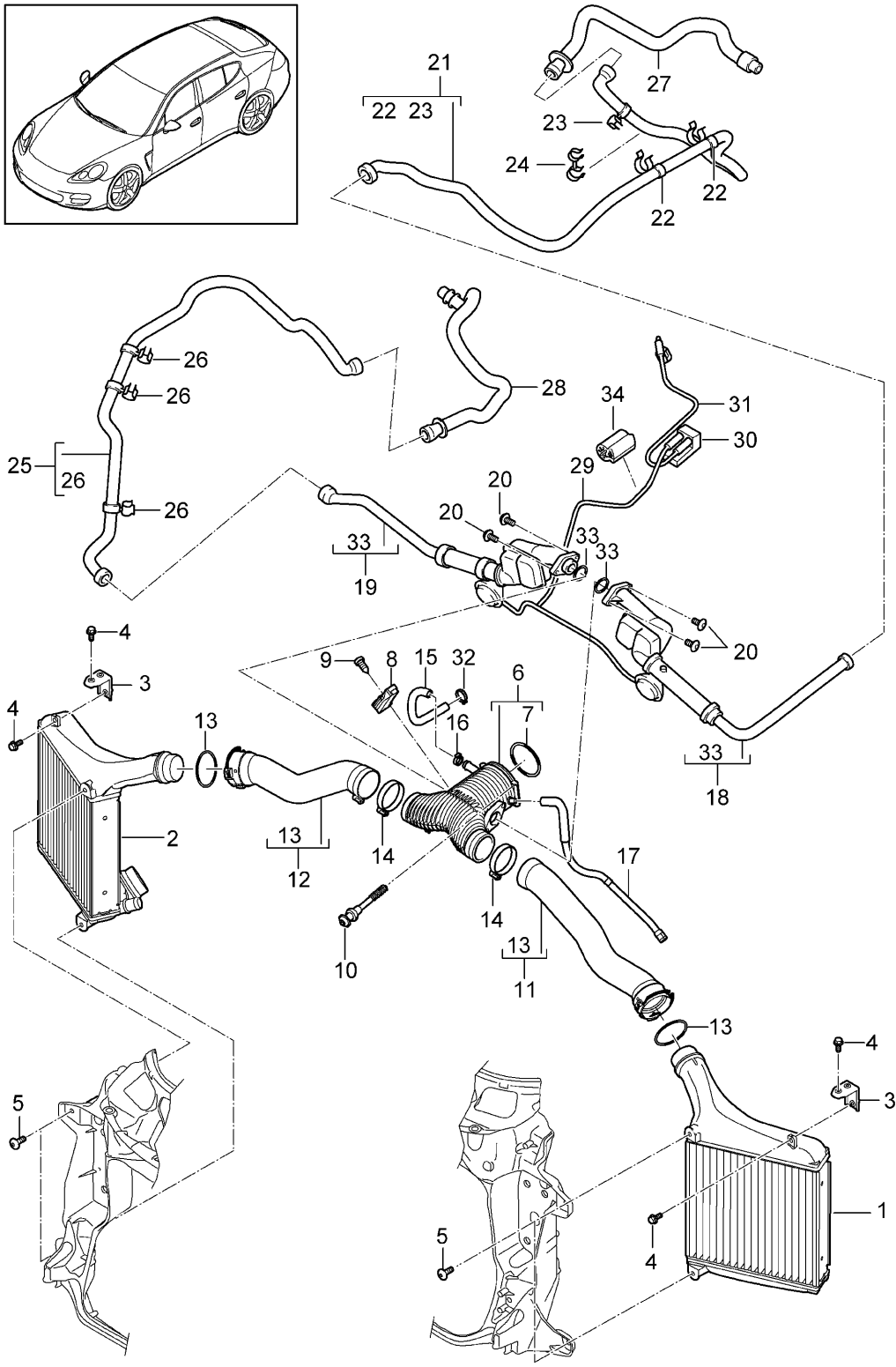
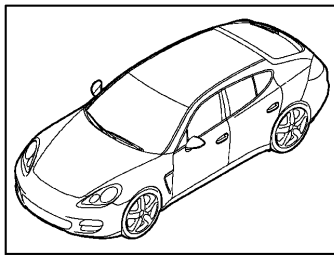
Model: 970 10

Model life 2010>>2016

Pos	Part Number	Description	Remark	Qty	Model
		pressure pipe Vacuum line			CWBA, CWB, CWCA, CWC+ PR:176
1	970 110 047 75	Vacuum line		1	
2	970 110 046 75	Vacuum line		1	
		No longer use the part here			
(2)	970 110 046 76	Vacuum line		1	
3	970 110 045 75	Vacuum line		1	
		Vacuum pump			
		Change-over valve			
		No longer use the part here			
(3)	970 110 045 76	Vacuum line		1	
		Vacuum pump			
		Change-over valve			
4	970 111 341 00	Bracket		1	
		No longer use the part here			
(4)	970 111 341 01	Bracket		1	
5	7PP 906 270	Change-over valve		2	
6	970 111 319 02	Control line		1	
		Vacuum unit			
		Front silencer			
7	N 106 649 01	Socket head collared bolt with inner multipoint head M 8 X 16		2	

Model: 970 10

Model life 2010>>2016



Model: 970 10 Model life 2010>>2016

Pos	Part Number	Description	Remark	Qty	Model
		Charge air cooler pressure pipe			CWDA, CWD, CWFA, CWF
1	970 110 209 02	Charge air cooler	left	1	
(1)	970 110 209 60	No longer use the part here Charge air cooler	left	1	
(1)	970 110 209 61	No longer use the part here Charge air cooler	left	1	
2	970 110 210 02	Charge air cooler	right	1	
(2)	970 110 210 60	No longer use the part here Charge air cooler	right	1	
(2)	970 110 210 61	No longer use the part here Charge air cooler	right	1	
3	970 110 409 70	Bracket for charge air cooler		2	
(3)	970 110 409 71	Discontinued part Bracket for charge air cooler		2	
4	900 378 035 01	Hexagon bolt		6	
		M 6 X 16			
5	999 073 981 30	fillister hd. bolt aluminium		4	
		M 6 X 14			
6	970 110 140 63	Y-piece		1	
7	999 701 517 40	throttle valve adapter		1	
		O-ring		1	
		82 X 4			
8	946 606 180 00	Pressure sensor		1	
(8)	06E 906 051 Q	Discontinued part Pressure sensor		1	
(8)	06E 906 051 AA	Discontinued part Pressure sensor		1	
9	N 106 839 01	Oval socket head bolt with hex drive		1	
		6 X 12			
10		fillister hd. bolt		4	
		6 X 55			
		see illustration, item:	107-052,9		
11	970 110 173 61	pressure pipe	left	1	
12	970 110 174 61	pressure pipe	right	1	
13	970 110 803 00	seal ring		2	
		54,9 X 9			
14	N 106 198 01	Hose clamp		2	
		45 - 65 X 12			
15	970 110 246 60	Vent hose		1	
16	N 101 983 01	Ear crimp hose clamp		1	
		13,3 X 7			
17		Vent hose		1	
		see illustration, item:	202-092,19		
18	970 110 541 61	Line	left	1	CWDA, CWD+ PR:0E1, -176
(18)	970 110 541 62	No longer use the part here Line	left	1	CWDA, CWD+ PR:0E1, -176
(18)	970 110 541 61	Line	left	1	CWFA, CWF
(18)	970 110 541 62	No longer use the part here Line	left	1	CWFA, CWF
(18)	970 110 541 65	Line	left	1	CWDA, CWD+ PR:0E1, 176
(18)	970 110 245 60	End cap	left	1	PR:0E2
19	970 110 542 61	Line	right	1	CWDA, CWD+ PR:0E1, -176
(19)	970 110 542 62	No longer use the part here Line	right	1	CWDA, CWD+ PR:0E1, -176
(19)	970 110 542 61	Line	right	1	CWFA, CWF
(19)	970 110 542 62	No longer use the part here Line	right	1	CWFA, CWF

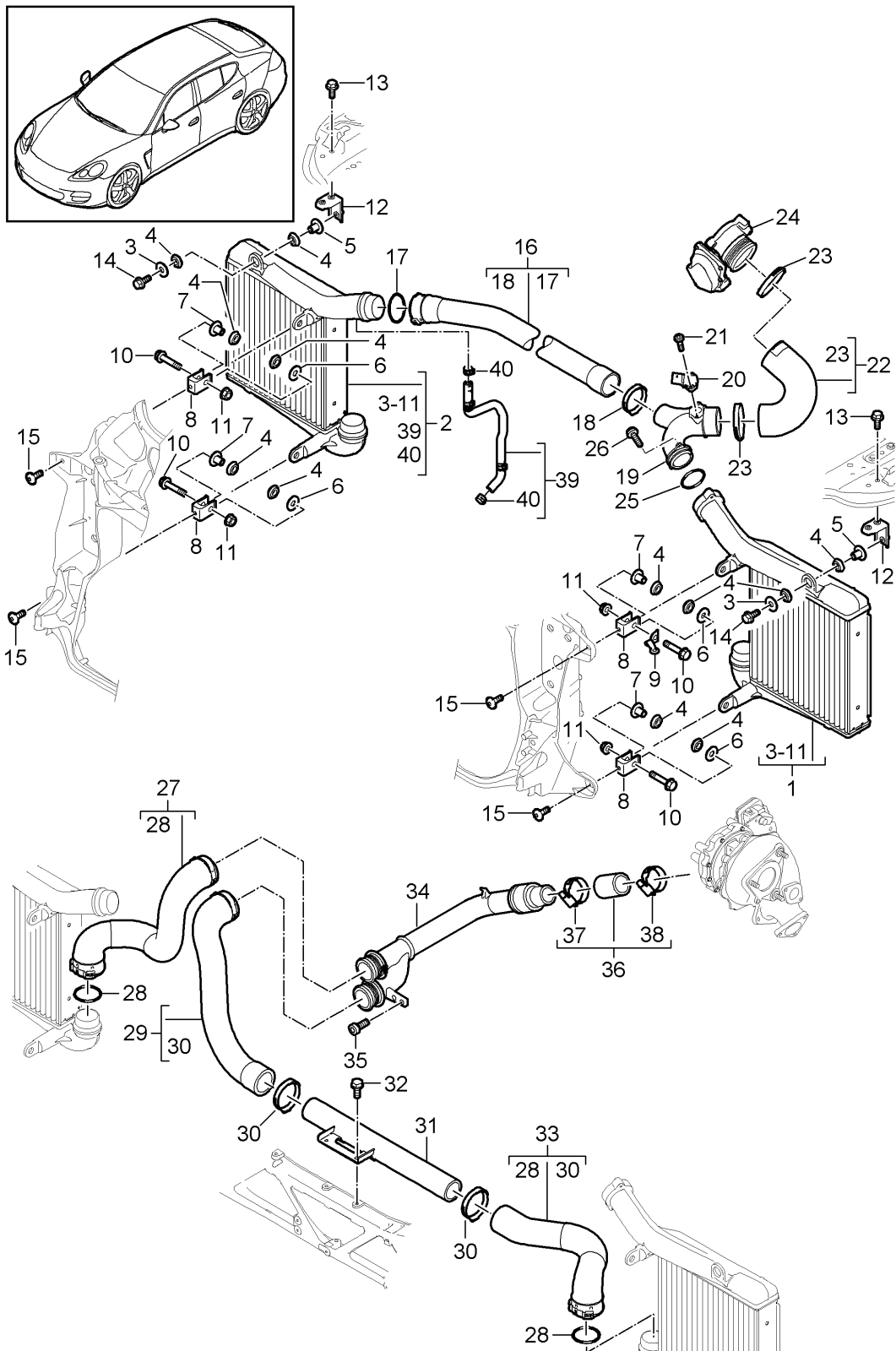
Model: 970 10

Model life 2010>>2016

Pos	Part Number	Description	Remark	Qty	Model
(19)	970 110 542 65	Line	right	1	CWDA,CWD+ PR:0E1,176
(19)	970 110 245 60	End cap	right	1	PR:0E2
20	N 104 734 02	round hd. screw TP 6 X 20		4	
21	970 110 531 01	Line No longer use the part here	left	1	PR:0E1
(21)	970 110 531 02	Line	left	1	PR:0E1
22	999 507 284 40	Line holder 16/28		2	PR:0E1
23	999 507 285 40	Line holder 16/20		1	PR:0E1
24	999 507 689 40	Hose bracket 20/24,5 only in conj. with: Line 970.110.531.01 No longer use the part here		1	PR:0E1,850, 851
25	970 110 532 00	Line	right	1	PR:0E1
26	999 507 285 40	Line holder 16/20		3	PR:0E1
27	970 110 521 02	Line	left	1	PR:0E1
28	970 110 522 01	Line	right	1	PR:0E1
29	970 110 046 60	Vacuum line No longer use the part here		1	PR:0E1
(29)	970 110 046 61	Vacuum line Discontinued part		1	PR:0E1
(29)	7P5 129 456 E	Vacuum line		1	PR:0E1
30	7PP 906 270	Change-over valve		1	PR:0E1
(30)	958 971 918 00	Bungs catch Connector Wire set		1	PR:0E2
31	970 110 045 60	Vacuum line		1	PR:0E1
(31)	970 110 045 61	Vacuum line No longer use the part here		1	PR:0E1
32	955 201 479 00	Hose clamp 16 X 12		1	
33	999 707 461 40	O-ring 31,42 X 2,62		2	
34	N 107 627 01	toothed lock washer B 5,2 X 18 X 30		1	

Model: 970 10

Model life 2010>>2016



Model: 970 10

Model life 2010>>2016

Pos	Part Number	Description	Remark	Qty	Model
1	970 110 209 35	Charge air cooler pressure pipe Charge air cooler See technical information Service Group 2 Document 2143 60/13	left	1	CRCC, CRCB, CWJA
(1)	970 110 209 40	No longer use the part here Charge air cooler See technical information Service Group 2 Document 2143 60/13	left	1	
2	970 110 210 35	Charge air cooler See technical information Service Group 2 Document 2143 60/13	right	1	
(2)	970 110 210 41	No longer use the part here Charge air cooler See technical information Service Group 2 Document 2143 60/13	right	1	
3	970 110 408 00	Washer		2	
4	7P0 253 147 B	Rubber bush		12	
5	970 110 407 00	Sleeve		2	
6	970 110 406 00	Sleeve		4	
7	970 110 405 00	Short Sleeve Long		4	
8	970 110 404 30	Bracket for charge air cooler		4	
9	970 110 403 30	Bracket for charge air cooler		1	
10	N 106 620 01	Hex collared bolt M 8 X 40		4	
11	N 106 092 01	Hexagon collar nut M 8		4	
12	970 110 409 00	Bracket for charge air cooler Discontinued part		2	
(12)	970 110 409 01	Bracket for charge air cooler D >> - MJ 2013		2	
(12)	970 110 409 70	Bracket for charge air cooler Discontinued part		2	
(12)	970 110 409 71	Bracket for charge air cooler D - MJ 2014>>		2	
13	900 378 035 01	Hexagon bolt M 6 X 16		4	
14	900 378 177 01	Hexagon bolt AM 6 X 30		2	
15	999 073 981 30	fillister hd. bolt aluminium M 6 X 14		4	
16	970 110 174 30	Pressure hose		1	CRCC, CRCB
(16)	970 110 174 35	Pressure hose		1	CWJA
17	970 110 803 02	seal ring		1	
18	N 106 198 01	Hose clamp 45 - 65 X 12		1	
19	970 110 175 30	pressure pipe		1	CRCC, CRCB
(19)	970 110 175 35	pressure pipe		1	CWJA

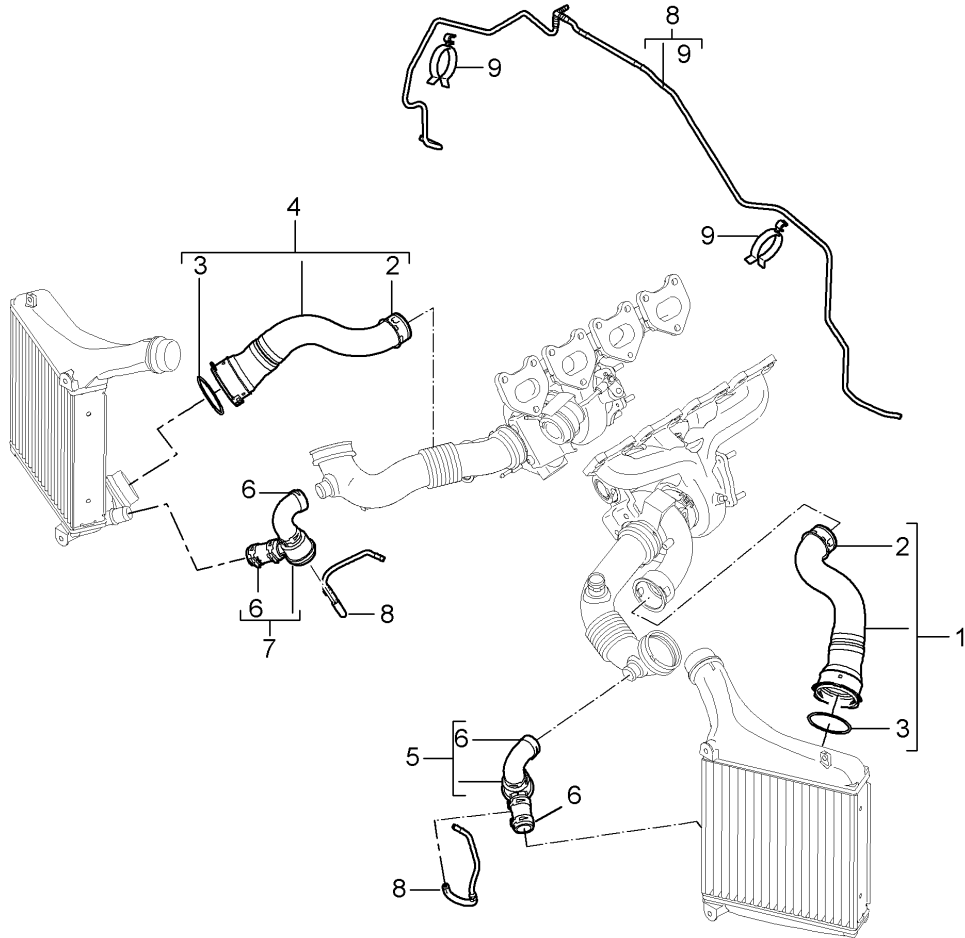
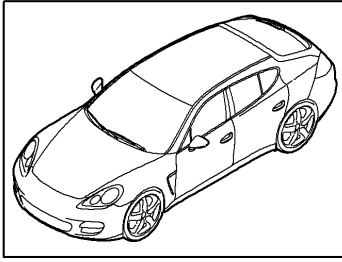
Model: 970 10

Model life 2010>>2016

Pos	Part Number	Description	Remark	Qty	Model
20	03G 906 051 E	Pressure sensor		1	CRCC ,CRCB
(20)	03K 906 051	Pressure sensor		1	CWJA
21	999 073 270 09	fillister hd. bolt M 5 X 20		2	
22	970 110 176 30	Pressure hose		1	CRCC ,CRCB
(22)	970 110 176 35	Pressure hose		1	CWJA
23	N 105 444 01	Hose clamp 60 - 80 X 12		2	CRCC ,CRCB
(23)	N 107 318 01	Hose clamp 70 - 90 X 12		2	CWJA
24		throttle valve adapter see illustration, item:	107-057,21	1	
25	999 707 662 40	O-ring 50 X 3,5		1	
26	N 103 231 03	Socket head bolt with inner multipoint head M 6 X 20		2	
27	970 110 164 30	Pressure hose		1	CRCC ,CRCB
(27)	970 110 164 35	Pressure hose		1	CWJA
28	970 110 803 02	seal ring		2	
29	970 110 161 30	Pressure hose		1	CRCC ,CRCB
(29)	970 110 161 35	Pressure hose		1	CWJA
30	N 106 198 01	Hose clamp 45 - 65 X 12		2	
31	970 110 162 30	pressure pipe		1	
32	999 217 116 01	Hexagon bolt M 6 X 16		2	
33	970 110 163 30	Pressure hose		1	CRCC ,CRCB
(33)	970 110 163 35	Pressure hose		1	CWJA
34	059 145 731 DD	pressure pipe		1	CRCC ,CRCB
(34)	970 110 178 36	pressure pipe		1	CWJA
35	N 103 352 06	Hexagon socket flat head bolt M 6 X 12		1	CRCC ,CRCB
(35)	N 103 352 06	Hexagon socket flat head bolt M 6 X 12		2	CWJA
36	059 145 737 A	Pressure hose		1	CRCC ,CRCB
(36)	970 110 059 36	Pressure hose Discontinued part		1	CWJA
(36)	970 110 059 37	Pressure hose		1	CWJA
37	N 107 349 01	Hose clamp 45 - 65 X 12		1	
38	N 107 356 01	Hose clamp 45 - 65 X 12		1	
39	970 110 316 41	Connecting line		1	
40	999 512 686 09	Hose clamp B 17 X 12		2	

Model: 970 10

Model life 2010>>2016



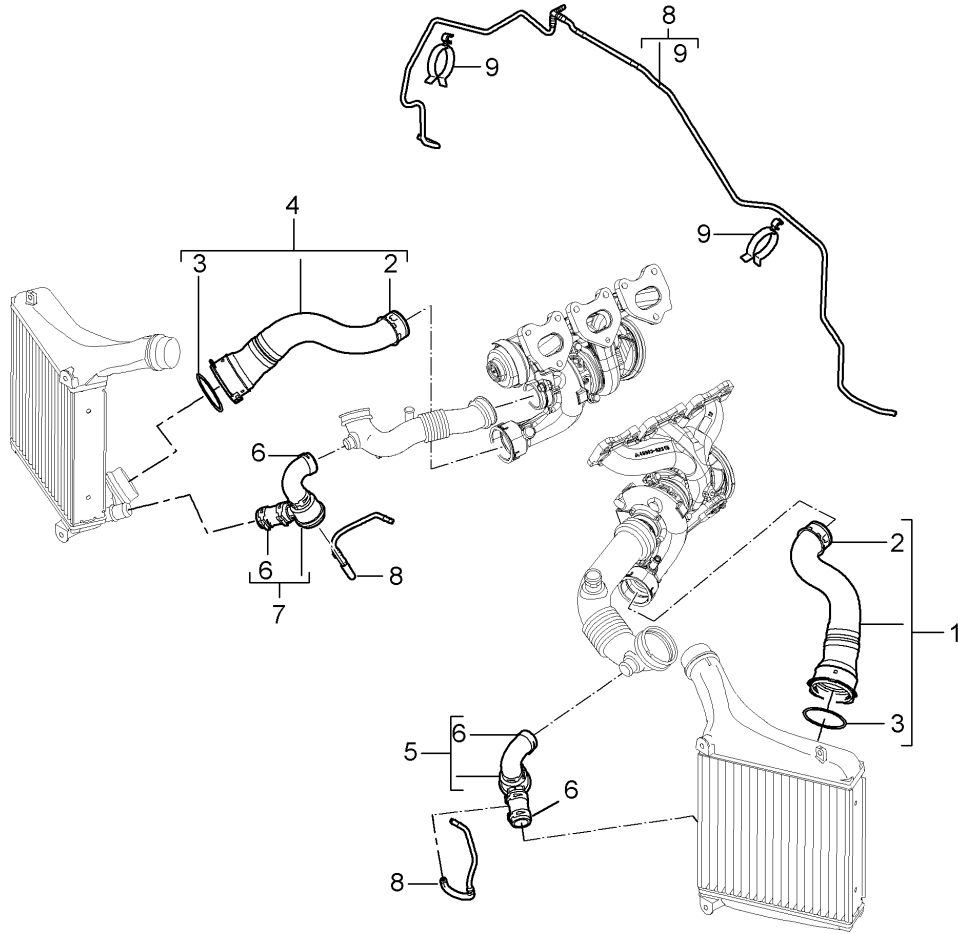
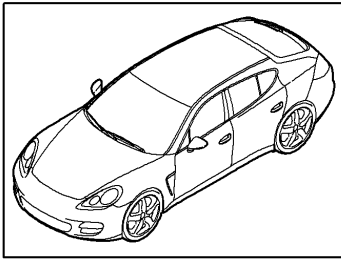
Model: 970 10

Model life 2010>>2016

Pos	Part Number	Description	Remark	Qty	Model
		Supercharging 1 pressure pipe			4870 ,CWBA , CWB ,CWCA ,CWC
1	970 110 163 72	Pressure hose	left	1	
2	970 110 801 00	seal ring 43,95 X 3,5		2	
3	970 110 803 01	seal ring 60 X 10		2	
4	970 110 164 72	Pressure hose	right	1	
5	970 110 143 72	Control line	left	1	
(5)	970 110 143 73	Control line No longer use the part here	left	1	
6	999 512 671 09	Hose clamp B 34 X 12 No longer use the part here		4	
(6)	999 512 159 01	Hose clamp B 35 X 12		4	
7	970 110 144 72	Control line	right	1	
(7)	970 110 144 73	Control line No longer use the part here	right	1	
8	970 110 145 72	Control line		1	
9	999 507 171 40	Line holder 6,0 / 39,0		2	

Model: 970 10

Model life 2010>>2016

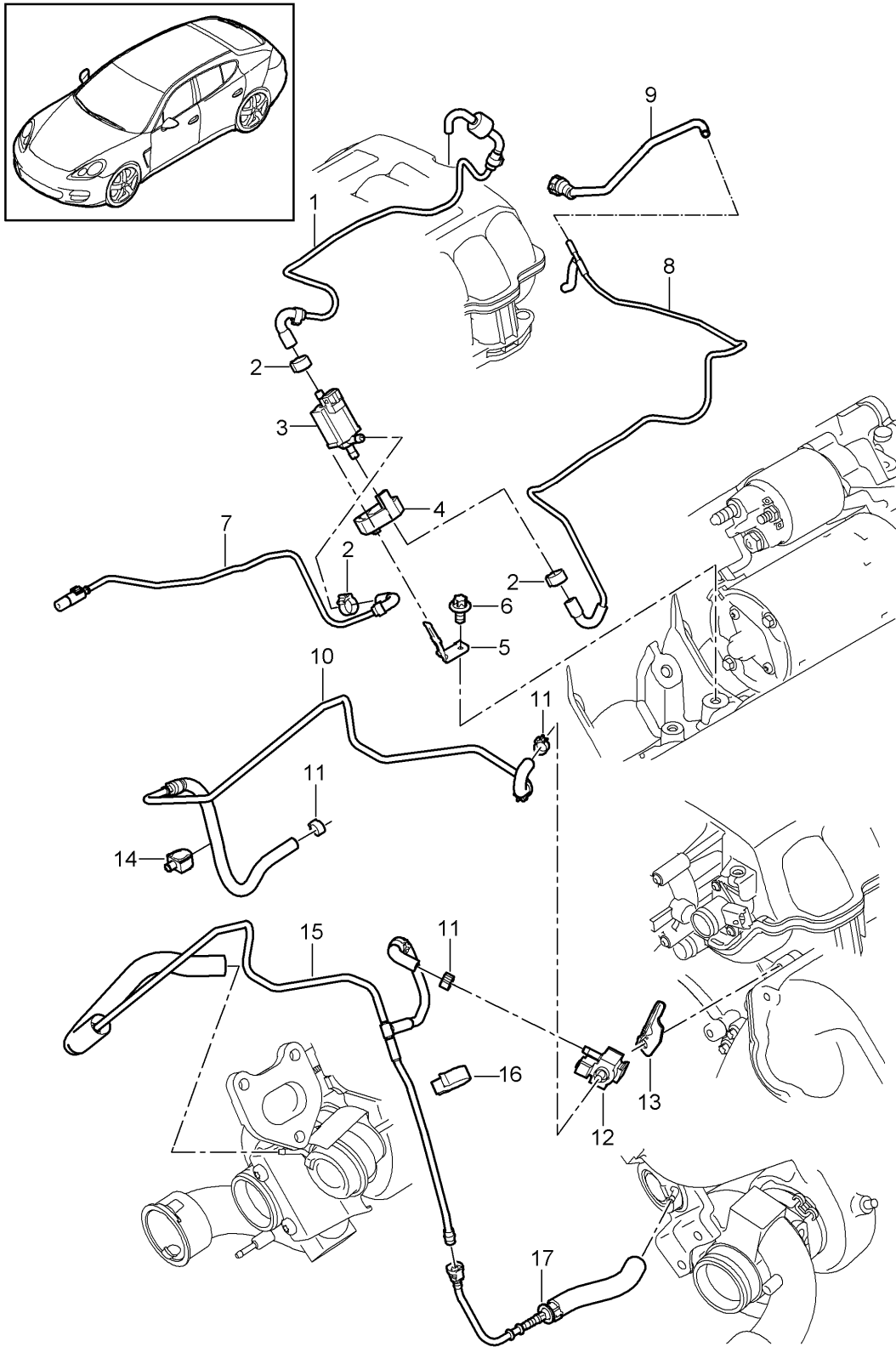


Model: 970 10 Model life 2010>>2016

Pos	Part Number	Description	Remark	Qty	Model
		Supercharging 1 pressure pipe			CWDA, CWD, CWFA, CWF
1	970 110 061 60	Pressure hose	left	1	
2	970 110 801 00	seal ring 43,95 X 3,5		2	
3	970 110 803 01	seal ring 60 X 10		2	
4	970 110 062 60	Pressure hose	right	1	
5	970 110 143 72	Control line See technical information Service Group 2 Document 2140 76/13	left	1	
(5)	970 110 143 73	Control line See technical information Service Group 2 Document 2140 76/13	left	1	
6	999 512 671 09	No longer use the part here Hose clamp B 34 X 12 See technical information Service Group 2 Document 2140 76/13		4	
(6)	999 512 159 01	No longer use the part here Hose clamp B 35 X 12 See technical information Service Group 2 Document 2140 76/13		4	
7	970 110 144 72	Control line See technical information Service Group 2 Document 2140 76/13	right	1	
(7)	970 110 144 73	Control line See technical information Service Group 2 Document 2140 76/13	right	1	
8	970 110 145 60	No longer use the part here Control line		1	
9	999 507 171 40	Line holder 6,0 / 39,0		2	

Model: 970 10

Model life 2010>>2016

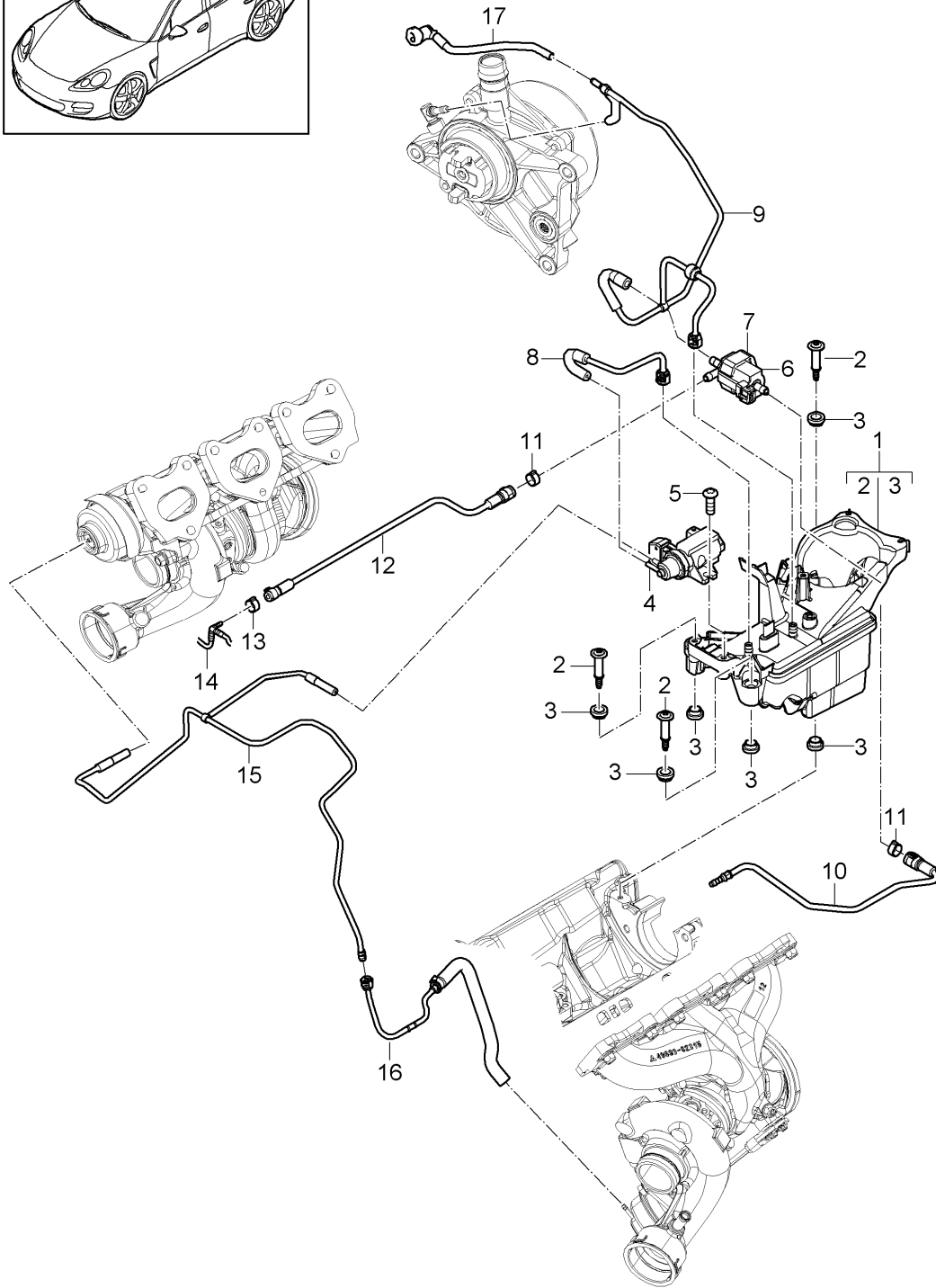
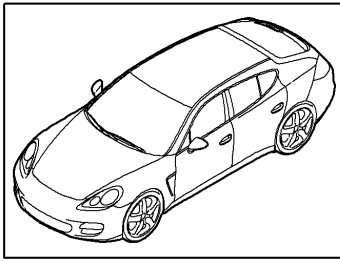


Model: 970 10 Model life 2010>>2016

Pos	Part Number	Description	Remark	Qty	Model
		Supercharging 2			4870, CWBA, CWB, CWCA, CWC
		Control line			
		Pressure line			
1	948 110 324 53	Pressure line		1	
2	999 512 689 00	Hose clip		3	
		12,5 - 14,0			
3	996 605 165 00	Change-over valve		1	
		Electric			
		No longer use the part here			
(3)	9A1 605 165 00	Change-over valve		1	
		Electric			
4	948 605 167 01	Bracket		1	
		for			
		Change-over valve			
5	948 110 360 51	Bracket		1	
		D >> - MJ 2013			
(5)	948 110 360 52	Bracket		1	
		D - MJ 2014>>			
6	900 385 041 01	Torx screw		1	4870
		BM 6 X 12			
		No longer use the part here			
(6)	999 073 189 01	flat round head bolt		1	4870
		M 6 X 12			
(6)	900 385 041 01	Torx screw		1	CWBA, CWB, CWCA, CWC
		BM 6 X 12			
7	948 110 394 52	Control line		1	
8	948 110 358 70	Vacuum line		1	
9	970 110 350 02	Vacuum line		1	
10	948 110 240 71	Pressure line		1	
11	999 512 688 00	Hose clip		3	
		10,5 - 11,5			
12	996 605 155 00	Timing valve		1	
13	948 110 370 71	Bracket		1	
14	999 507 813 40	Cable holder		1	
		11,5 - 12,7			
15	948 110 666 71	Control line		1	
16	999 507 169 40	Hose bracket		1	
		6 ,0 / 38,0			
		No longer use the part here			
17	948 110 668 71	Control line		1	
		Discontinued part			
(17)	948 110 668 72	Control line		1	

Model: 970 10

Model life 2010>>2016



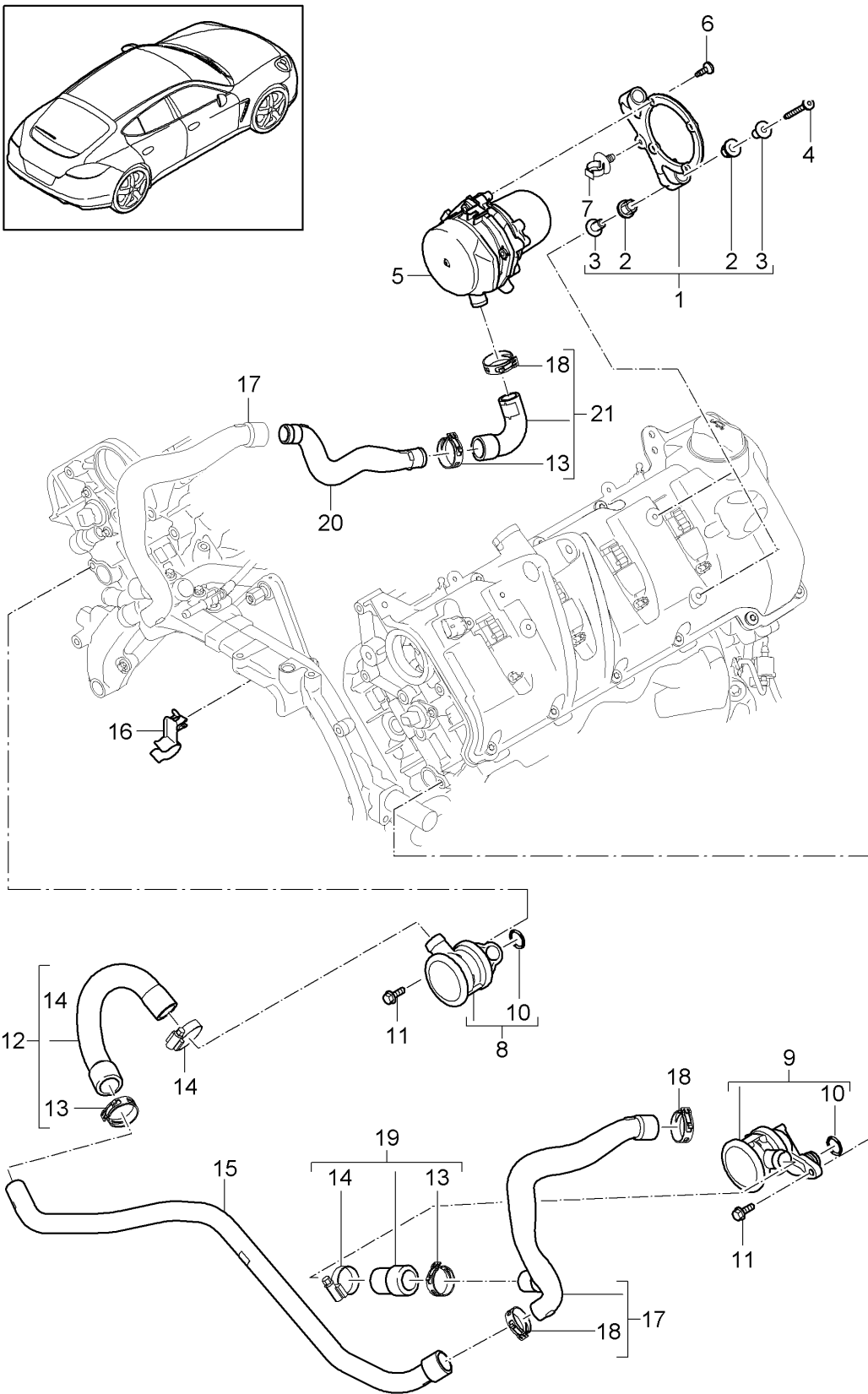
Model: 970 10

Model life 2010>>2016

Pos	Part Number	Description	Remark	Qty	Model
		Supercharging 2 vacuum reservoir Control line Pressure line			CWDA, CWD, CWFA, CWF
1	946 110 030 76	vacuum reservoir		1	
(1)	946 110 030 77	No longer use the part here vacuum reservoir		1	
2	946 110 135 75	Securing element		3	
		with: guide sleeve			
3	946 110 134 75	Rubber bush		6	
4	946 605 155 00	Pressure converter		1	
5	999 919 283 01	Oval-head screw 6 X 18		2	
6	7PP 906 046	Change-over valve Electric		1	
7	7PP 906 290	Bracket for Change-over valve		1	
8	946 110 360 75	Vacuum line No longer use the part here		1	
(8)	946 110 360 76	Vacuum line		1	
9	946 110 358 76	Vacuum line No longer use the part here		1	
(9)	946 110 358 77	Vacuum line		1	
10	946 110 324 76	Pressure line		1	
11	999 512 689 00	Hose clip 12,5 - 14		2	
12	946 110 394 75	Control line		1	
13	955 111 483 00	clamp B 11,5 X 8,4		1	
14		Control line see illustration, item:	107-075,8	1	
15	946 110 666 75	Control line No longer use the part here		1	
(15)	946 110 666 76	Control line		1	
16	946 110 668 75	Control line		1	
17	970 110 350 60	Vacuum line		1	

Model: 970 10

Model life 2010>>2016

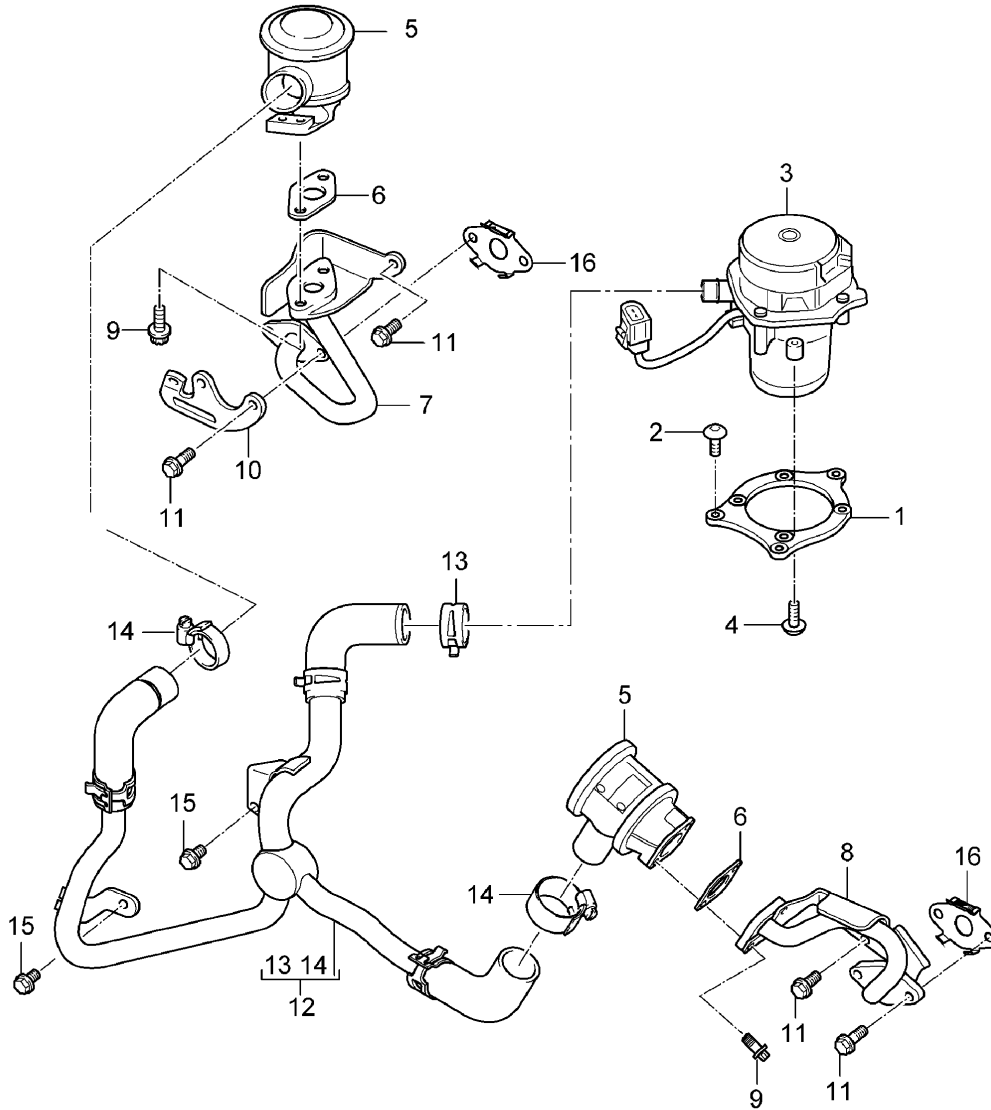
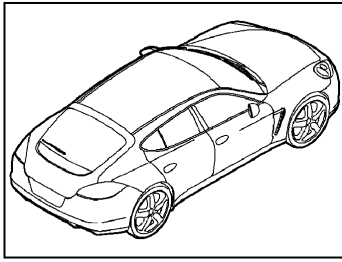


Model: 970 10 Model life 2010>>2016

Pos	Part Number	Description	Remark	Qty	Model
		Exhaust purification system w. secondary air injection			4820,4840, 4870,CXPA, CXRA,CXR, CWBA,CWB, CWCA,CWC+ PR:165,7MM
1	970 113 101 21	Console Discontinued part		1	
(1)	970 113 101 22	Console		1	
2	970 113 231 00	Rubber bush		4	
3	970 113 241 00	Sleeve		4	
4	999 073 914 30	fillister hd. bolt	M6X65	2	
(4)	999 073 914 31	Discontinued part fillister hd. bolt	aluminium M6X55 aluminium	2	
5	7PP 959 253	Secondary air pump Discontinued part		1	
(5)	7PP 959 253 A	Secondary air pump Discontinued part		1	
(5)	7PP 959 253 B	Secondary air pump		1	
-	999 507 085 40	Clip Connector housing Secondary air pump		1	
6	999 073 903 30	D >> - MJ 2010 fillister hd. bolt	M6X20 aluminium	4	
(6)	999 073 903 31	Discontinued part fillister hd. bolt	M6X20 aluminium	4	
7	N 906 814 01	Corrugated tube clip	7,5-A	1	
8	7PP 131 109 A	Valve	left	1	
9	7PP 131 109	Valve	right	1	
10	999 701 502 41	O-ring	15X3	2	
11	N 106 533 02	Hex collared bolt	M6X20	2	
12	970 113 221 00	air hose Discontinued part		1	
(12)	970 113 221 02	air hose		1	
13	999 512 607 09	Hose clamp	A30X12	3	
14	999 512 552 01	Hose clamp	A20-32X9	2	
15	970 113 208 02	Pipe assembly D >> - MJ 2013		1	
(15)	970 113 208 04	Pipe assembly D - MJ 2014>>		1	
16	970 113 209 00	Bracket Discontinued part		1	
(16)	970 113 209 01	Bracket		1	
17	970 113 206 02	Pipe assembly		1	
18	999 512 603 09	Hose clamp	A26X12	3	
19	970 113 222 00	air hose		1	
20	970 113 204 01	Pipe assembly Discontinued part		1	
(20)	970 113 204 02	Pipe assembly		1	
21	970 113 212 01	Pressure hose		1	

Model: 970 10

Model life 2010>>2016



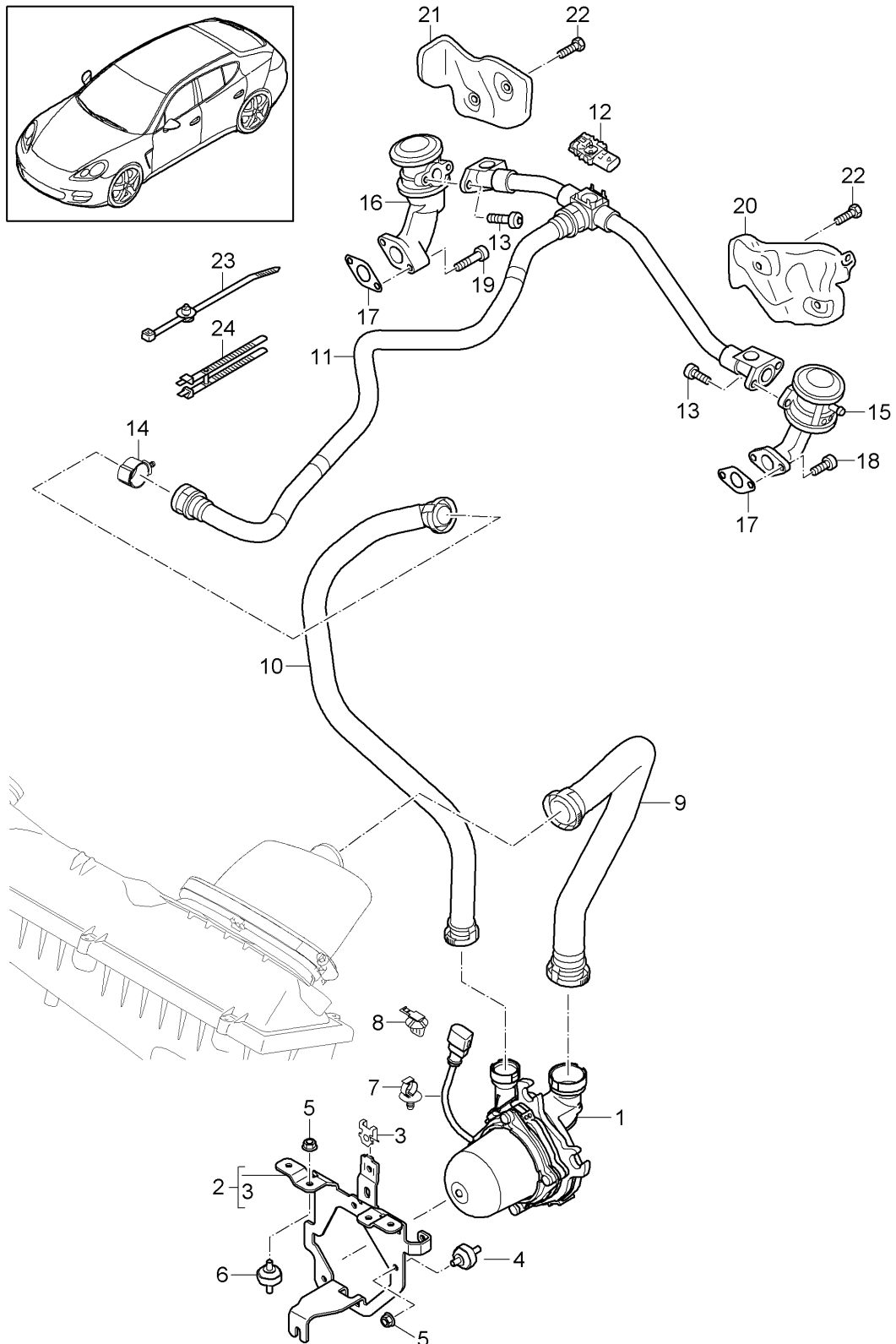
Model: 970 10

Model life 2010>>2016

Pos	Part Number	Description	Remark	Qty	Model
		Exhaust purification system w. secondary air injection			CWDA, CWD, CWFA, CWF
1	95B 131 337	Bracket		1	
2	N 104 734 02	round hd. screw	TP6X20	3	
3	9A1 605 104 72	Secondary air pump		1	
		D >> - MJ 2014			
(3)	95B 959 253	Secondary air pump		1	
		D - MJ 2015>>			
-	999 507 085 40	Clip		1	
		Connector housing			
		Secondary air pump			
4	999 073 902 31	fillister hd. bolt	M6X16	4	
		No longer use the part here	aluminium		
(4)	N 104 514 08	Oval hexagon socket head bolt	M6X16	4	
		No longer use the part here			
(4)	N 104 514 05	Oval hexagon socket head bolt	M6X16	4	
5	948 113 203 51	Valve		2	
6	993 113 258 51	Seal		2	
7	970 113 141 61	Pipe	left	1	
8	970 113 142 61	Pipe	right	1	
9	900 385 019 01	Torx screw	BM6X20	4	
10	970 106 217 00	Bracket		1	
		Coolant pipe			
		No longer use the part here			
(10)	970 106 217 01	Bracket		1	
		Coolant pipe			
11	N 106 533 02	Hex collared bolt	M6X20	6	
12	970 113 022 63	Pipe assembly (complete)		1	
		Discontinued part			
(12)	958 113 032 10	Pipe assembly (complete)		1	
13	999 512 658 09	Hose clamp	B27X12	1	
14	999 512 552 01	Hose clamp	A20-32	2	
15	900 378 036 01	Hexagon bolt	M6X12	2	
16	970 113 258 00	Seal		2	
		Discontinued part			
(16)	958 113 258 00	Seal		2	

Model: 970 10

Model life 2010>>2016



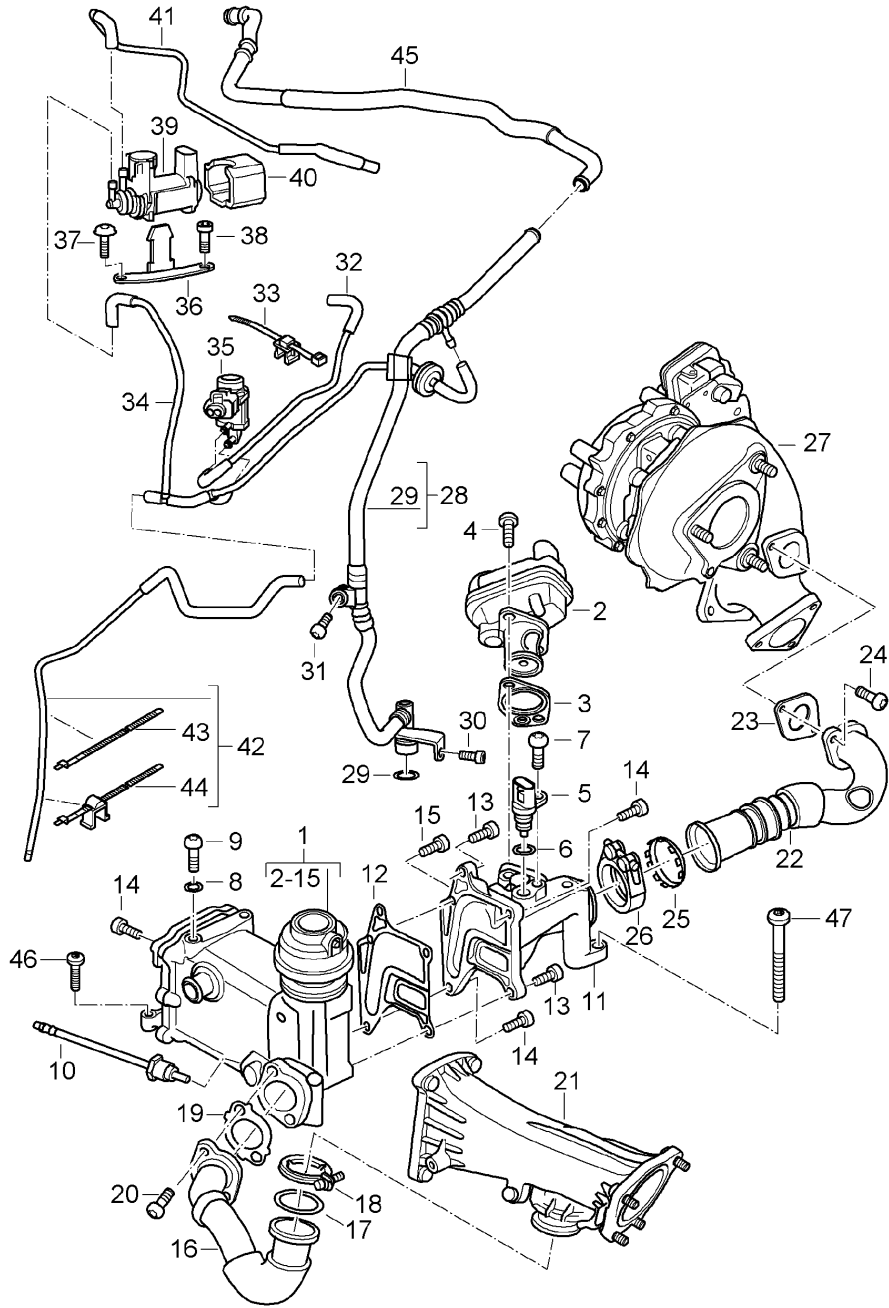
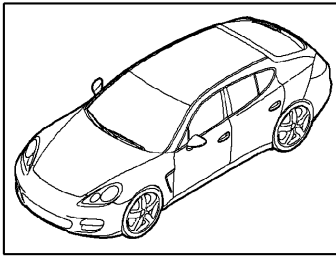
Model: 970 10

Model life 2010>>2016

Pos	Part Number	Description	Remark	Qty	Model
		Exhaust purification system w. secondary air injection			CGEA, CGE, CGFA
1	958 605 104 00	Secondary air pump		1	
2	970 605 314 01	Bracket		1	
		D >> - MJ 2012			
(2)	970 605 314 02	Bracket		1	
		D - MJ 2013>>			
3	N 906 577 01	Speed nut	M6	1	
4	958 113 231 10	Stop buffer		3	
5	900 377 010 01	Hexagon nut	M6	6	
6	7L0 819 083	Bonded rubber bush		3	
7	N 906 814 01	Corrugated tube clip	7,5-A-	1	
8	958 572 830 00	Clip		1	
		Connector housing			
9	970 113 022 10	Connecting line		1	
10	970 113 024 00	Pressure line		1	
11	958 113 232 00	Connecting line		1	
13	N 101 243 06	Oval hexagon socket head bolt	M6X20	4	
		No longer use the part here			
(13)	N 910 991 01	Socket head bolt with inner multipoint head	M6X20	4	
14	N 909 809 01	Hose bracket		1	
15	958 113 223 00	Valve		1	
		Discontinued part			
(15)	958 113 223 01	Valve		1	
		Discontinued part			
(15)	958 113 223 02	Valve		1	
16	958 113 224 00	Valve		1	
		Discontinued part			
(16)	958 113 224 01	Valve		1	
		Discontinued part			
(16)	958 113 224 02	Valve		1	
17	958 113 320 00	Seal		2	
18	N 104 134 05	Hexagon socket flat head bolt	M6X25	2	
19	N 910 553 01	Hexagon socket flat head bolt	M6X42	2	
20	958 111 443 00	Guard plate		1	
21	958 111 444 00	Guard plate		1	
22	N 101 319 03	Hexagon bolt	M6X14	6	
23	955 606 838 00	Cable ties	4,5X200	X	
24	955 111 820 00	Cable ties	7X213X140	X	

Model: 970 10

Model life 2010>>2016



Model: 970 10

Model life 2010>>2016

Pos	Part Number	Description	Remark	Qty	Model
1	958 111 011 10	Exhaust gas recirculation vacuum system heat dissipator		1	CRCC,CRCB, CWJA CRCC,CRCB
(1)	958 111 011 11	No longer use the part here heat dissipator		1	CRCC,CRCB
(1)	958 111 011 12	Exhaust gas recirculation Discontinued part heat dissipator		1	CRCC,CRCB
(1)	958 111 011 13	Exhaust gas recirculation Discontinued part heat dissipator		1	CRCC,CRCB
(1)	958 111 011 40	Exhaust gas recirculation heat dissipator		1	CWJA
2	958 111 051 10	Exhaust gas recirculation exhaust recirculation valve		1	
(2)	958 111 051 11	No longer use the part here exhaust recirculation valve		1	
(2)	958 111 051 30	No longer use the part here exhaust recirculation valve		1	
3	958 111 120 10	Seal		1	
(3)	958 111 120 11	Discontinued part Seal		1	
4	N 101 243 06	Oval hexagon socket head bolt	M6X20	2	
5	958 606 623 20	Temperature sensor		1	
6	WHT 002 287 B	O-ring	5,6X2	1	
7	N 106 507 01	Hexagon socket head bolt	M6X12	1	
8	N 013 804 2	seal ring	6X10	1	
9	N 104 056 04	Oval hexagon socket head bolt	M6X14	1	
10	958 606 688 20	Temperature sensor		1	
(10)	958 606 688 21	No longer use the part here Temperature sensor		1	
(10)	958 606 688 22	Discontinued part Temperature sensor		1	
11	958 111 223 00	valve housing		1	
12	958 111 599 00	Seal		1	
13	N 910 680 01	Hexagon socket flat head bolt	M6X28	2	
14	N 104 134 05	Hexagon socket flat head bolt	M6X25	7	
15	N 101 243 06	Oval hexagon socket head bolt	M6X20	1	
16	958 111 530 00	Connecting pipe		1	
17	958 111 547 10	Seal		1	
18	958 111 725 00	Clamp		1	
(18)	1K0 253 725 F	Discontinued part Clamp		1	
19	958 107 358 00	Seal		1	
(19)	958 107 358 10	D >> - MJ 2014 Seal		1	
20	N 101 243 06	D - MJ 2015>> Oval hexagon socket head bolt	M6X20	2	
21		Air guide housing		1	
22	958 111 525 00	see illustration, item: Connecting pipe	107-057,12	1	
(22)	958 111 525 01	discontinued part Connecting pipe		1	
23	958 107 358 00	Seal		1	
(23)	958 107 358 10	D >> - MJ 2013 Seal		1	
24	N 911 962 01	D - MJ 2014>> Hexagon socket head bolt	M6X16	2	

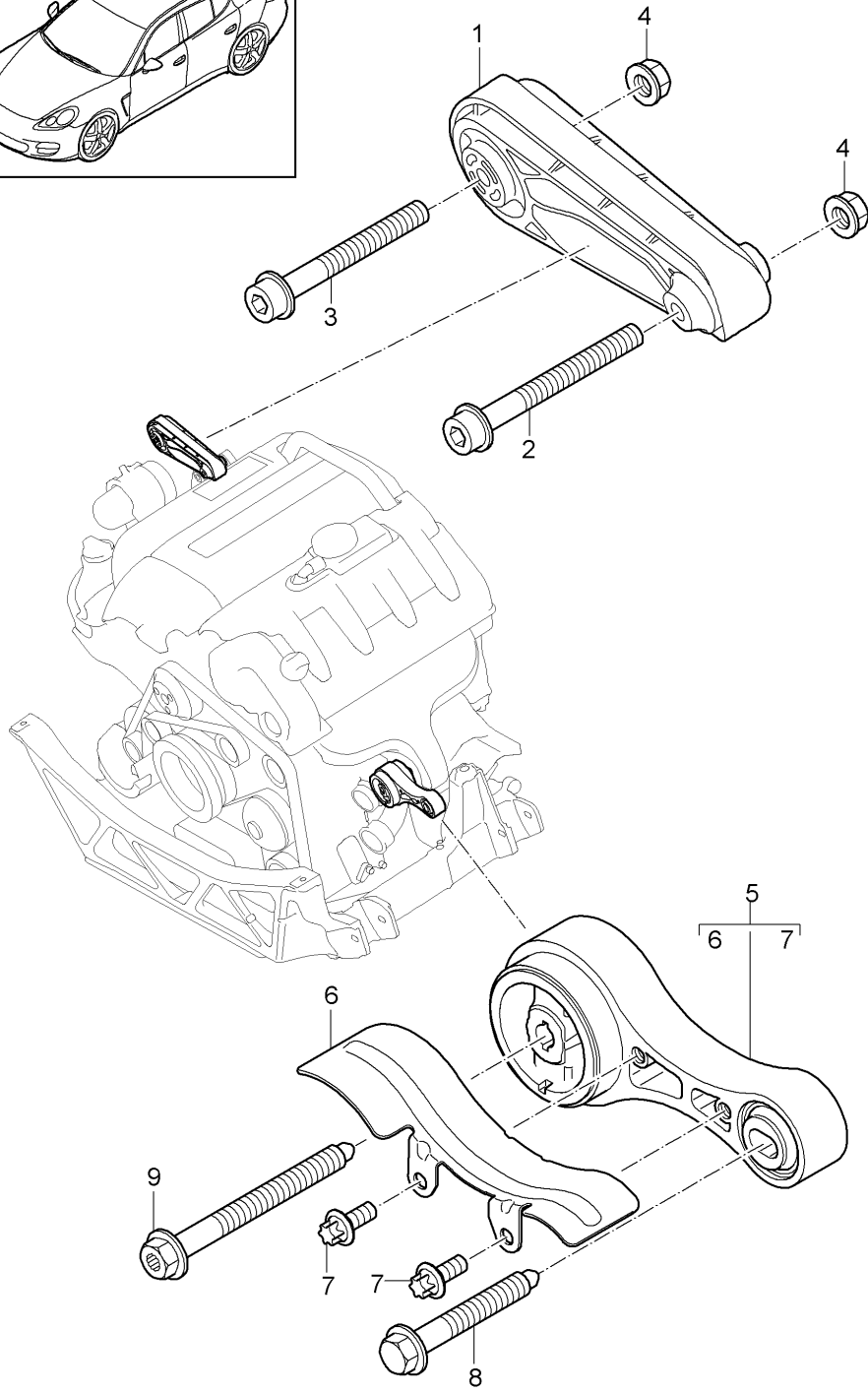
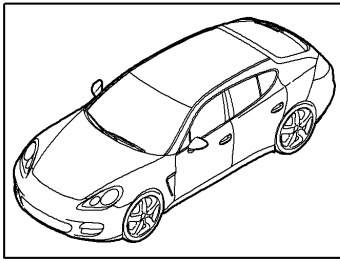
Model: 970 10

Model life 2010>>2016

Pos	Part Number	Description	Remark	Qty	Model
25	958 111 547 20	Seal		1	
26	958 111 548 04	Clamp		1	
(26)	958 111 548 05	Discontinued part Clamp		1	
27		Exhaust gas turbocharger see illustration, item:	202-097,1	1	
28	958 111 556 00	Vacuum line Discontinued part		1	
(28)	958 111 556 01	Vacuum line Discontinued part		1	
(28)	958 111 556 02	Vacuum line		1	
29	N 908 091 02	O-ring	16X2	1	
30	N 107 500 01	Hexagon socket flat head bolt	M6X16	1	
31	N 105 540 05	round hd. screw	M6X35	1	
32	958 111 492 00	Vacuum line		1	
33	958 606 838 50	Cable ties		X	
34	958 111 551 10	Vacuum line Discontinued part		1	
(34)	958 111 551 11	Vacuum line		1	
35	955 605 283 10	Change-over valve		1	
36	958 110 245 20	Retainer for valve		1	
37	N 107 214 01	oval hd. self-tapp fitt. screw	TP6X16	1	
38	N 104 056 04	Oval hexagon socket head bolt	M6X14	1	
39	958 606 627 00	Pressure converter		1	
40	958 606 629 00	Support		1	
41	958 111 492 10	Vacuum line No longer use the part here		1	
(41)	958 111 492 11	Vacuum line		1	
42	970 110 085 30	Vacuum line		1	
43	N 909 377 02	Cable ties		1	
44	958 606 838 50	Cable ties		1	
45	970 110 080 31	Vacuum line Discontinued part		1	
(45)	970 110 080 32	Vacuum line		1	
46	N 104 134 05	Hexagon socket flat head bolt	M6X25	2	
47	N 106 703 01	Oval hexagon socket head bolt	M6X55	2	

Model: 970 10

Model life 2010>>2016

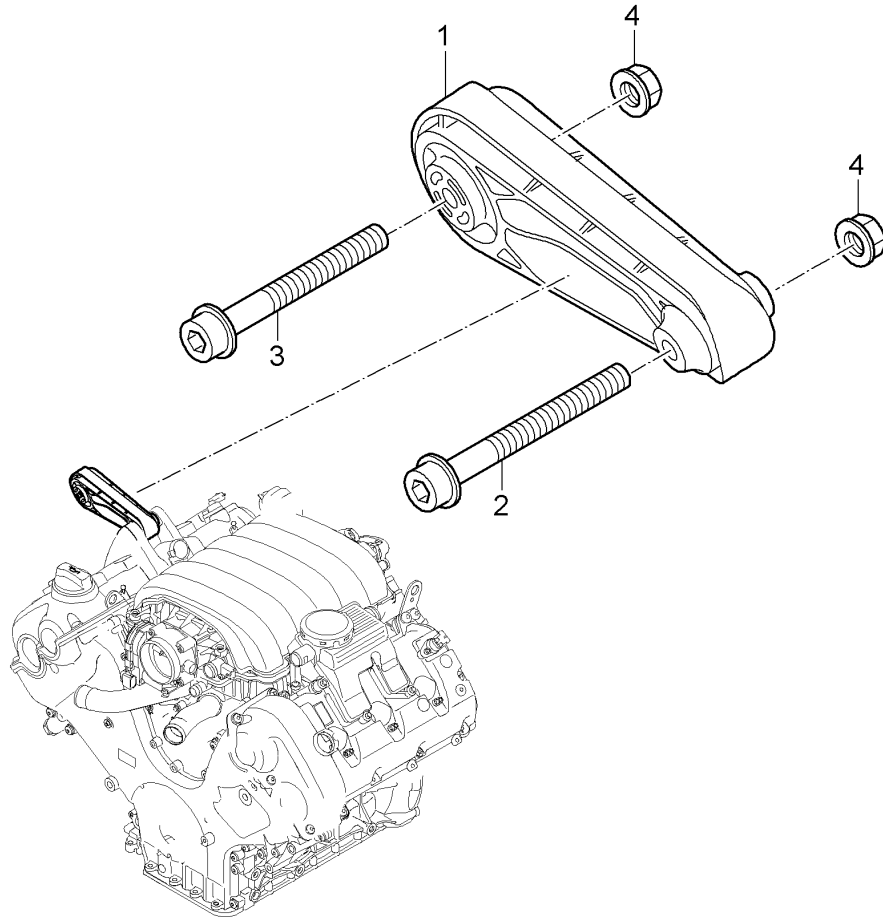
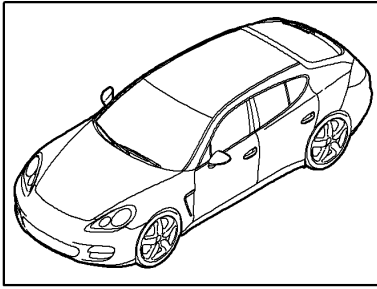


Model: 970 10 Model life 2010>>2016

Pos	Part Number	Description	Remark	Qty	Model
		Engine suspension Engine support			4820,4840, 4870,CXPA, CXRA,CXR, CWBA,CWB, CWCA,CWC
1	7PP 199 331	Support	upper	1	
		also use:	WHT 004 595	1	
			WHT 005 204	1	
(1)	7PP 199 331 A	D >> - MJ 2010 Support	upper	1	
		also use:	WHT 004 595	1	
			WHT 005 204	1	
2	999 067 801 30	D - MJ 2011>> Socket head bolt aluminium M 10 X 90		1	
(2)	WHT 004 595	Discontinued part Socket head bolt aluminium M 10 X 90		1	
3	999 067 802 30	Socket head bolt aluminium M 10 X 80		1	
(3)	WHT 005 204	Discontinued part Socket head bolt aluminium M 10 X 80		1	
4	999 084 130 30	Hexagon nut M 10		2	
(4)	WHT 004 635	No longer use the part here Hexagon nut M 10		2	
5	970 375 041 20	Support	lower	1	4820
(5)	970 375 041 40	D >> - MJ 2010 Support	lower	1	4840,4870
		D >> - MJ 2010			
6	970 375 248 00	Heat insulation		1	4820
		D >> - MJ 2010			
7	900 385 041 01	Torx screw BM 6 X 12		2	4820
		D >> - MJ 2010			
8	N 909 978 02	Hex collared bolt M 10 X 65		1	
		D >> - MJ 2010			
9	N 107 192 01	Socket head bolt with hexagon socket head (combination) M 10 X 95		1	
		D >> - MJ 2010			

Model: 970 10

Model life 2010>>2016



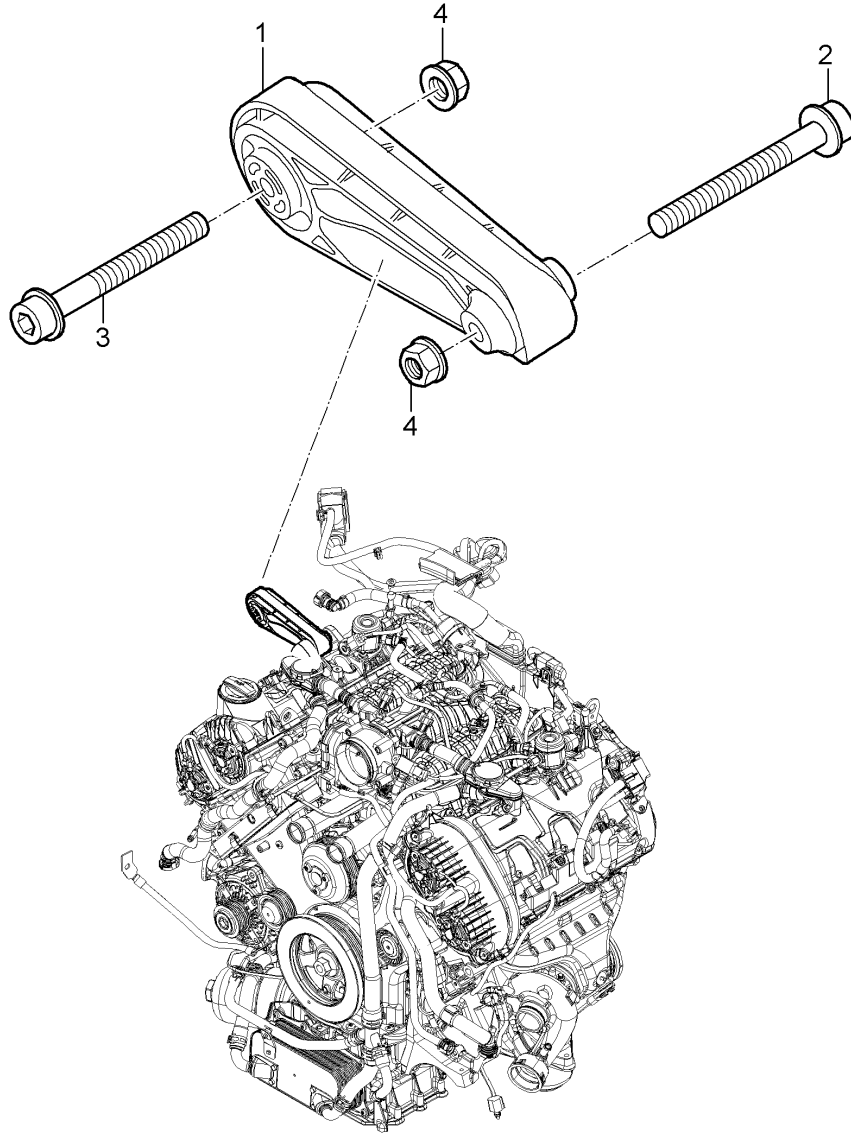
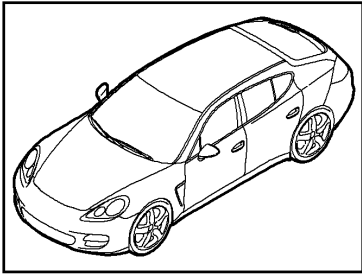
Model: 970 10

Model life 2010>>2016

Pos	Part Number	Description	Remark	Qty	Model
1	7PP 199 331 A	Engine suspension Engine support Support	upper WHT 004 595 WHT 005 204	1 1 1 1	4620,4640, CWAA,CXNA
		also use:			
2	999 067 801 30	Socket head bolt aluminium M 10 X 90 Discontinued part		1	
(2)	WHT 004 595	Socket head bolt aluminium M 10 X 90		1	
3	999 067 802 30	Socket head bolt aluminium M 10 X 80 Discontinued part		1	
(3)	WHT 005 204	Socket head bolt aluminium M 10 X 80		1	
4	WHT 004 635	Hexagon nut M 10		2	

Model: 970 10

Model life 2010>>2016



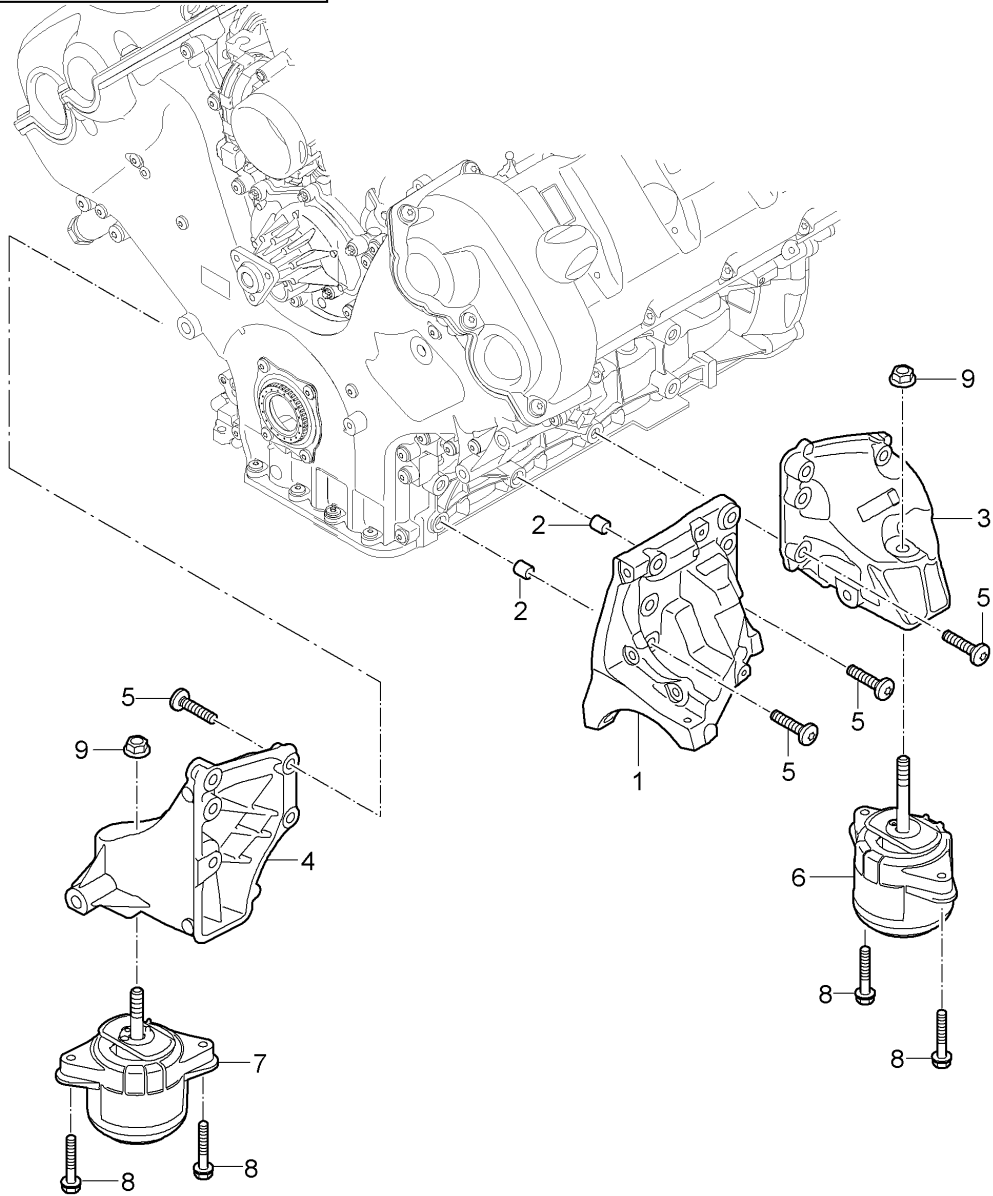
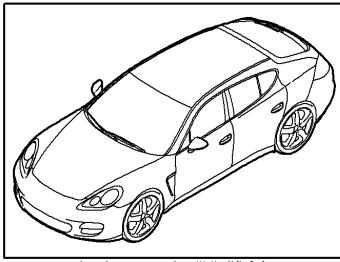
Model: 970 10

Model life 2010>>2016

Pos	Part Number	Description	Remark	Qty	Model
1	7PP 199 331 A	Engine suspension Engine support Support	upper also use: WHT 004 595 WHT 005 204	1 1 1 1	CWDA, CWD, CWFA, CWF
2	WHT 004 595	Socket head bolt aluminium M 10 X 90		1	
3	WHT 005 204	Socket head bolt aluminium M 10 X 80		1	
4	WHT 004 635	Hexagon nut M 10		2	

Model: 970 10

Model life 2010>>2016



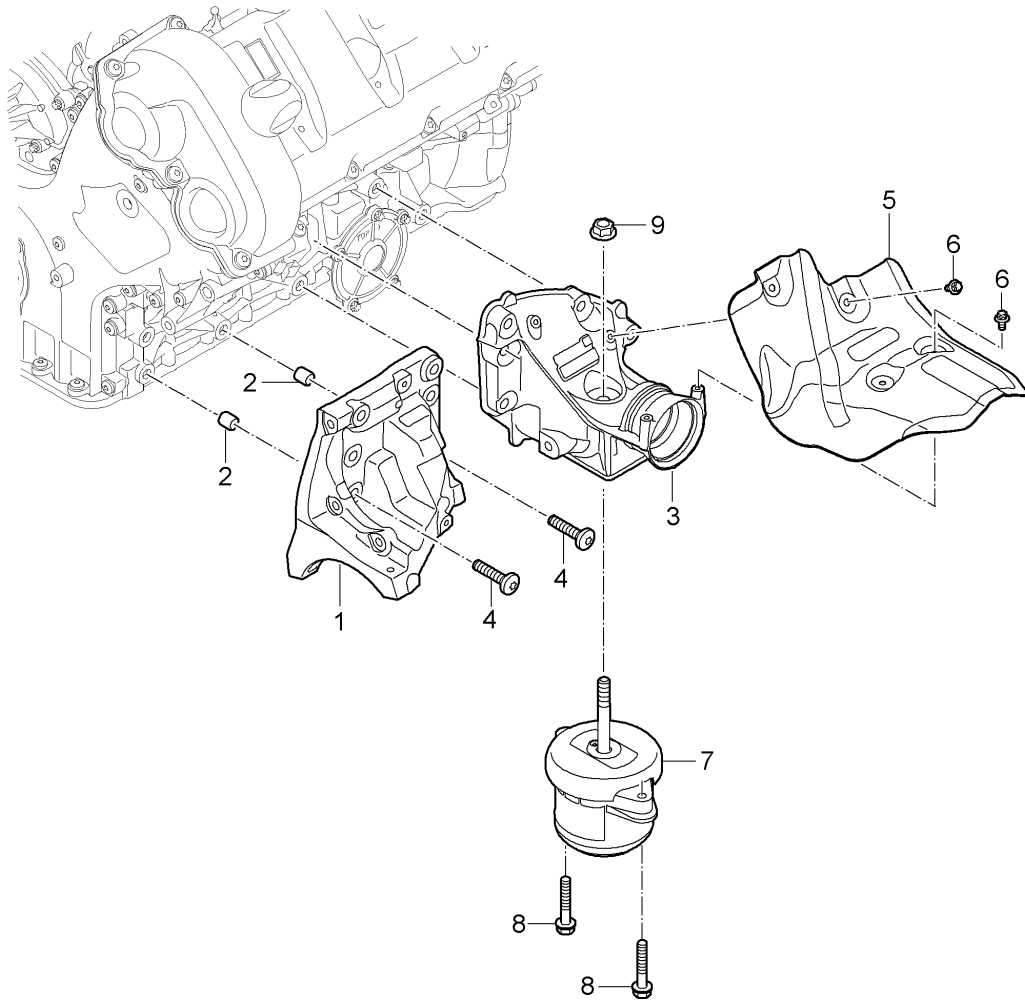
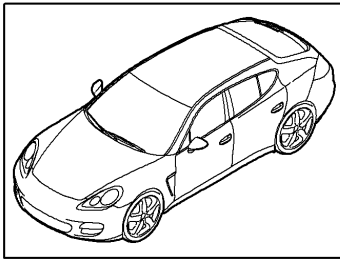
Model: 970 10

Model life 2010>>2016

Pos	Part Number	Description	Remark	Qty	Model
		Engine suspension Console for engine mounting engine mounting			4820
1	948 102 225 21	Console for engine mounting		1	
(1)	948 102 225 22	Discontinued part Console for engine mounting		1	
(1)	948 102 025 20	Discontinued part Console for engine mounting with:		1	
2	999 095 066 00	dowel sleeve dowel sleeve 14 X 15		2	
3	948 115 212 22	Engine brackets Cylinders 5 - 8		1	
4	948 115 211 22	Engine brackets Cylinders 1 - 4 Discontinued part		1	
(4)	948 115 211 23	Engine brackets Cylinders 1 - 4		1	
5	999 073 460 01	flat round head bolt M 10 X 45		16	
6	948 375 057 03	engine mounting Replacement See technical information Service Group 4 Document 4006 105/11 D >> - MJ 2010 No longer use the part here	left	1	
(6)	948 375 057 04	engine mounting D - MJ 2011>>	left	1	
(6)	948 375 057 11	engine mounting Discontinued part	left	1	
(6)	948 375 057 12	engine mounting	left	1	
6	948 375 058 03	engine mounting Replacement See technical information Service Group 4 Document 4006 105/11 D >> - MJ 2010 No longer use the part here	right	1	
(7)	948 375 058 04	engine mounting D - MJ 2011>>	right	1	
(7)	948 375 058 11	engine mounting Discontinued part	right	1	
(7)	948 375 058 12	engine mounting	right	1	
8	900 378 310 01	Hexagon bolt M 10 X 80		4	
9	999 084 445 01	Locknut M 12 X 1,5		2	

Model: 970 10

Model life 2010>>2016



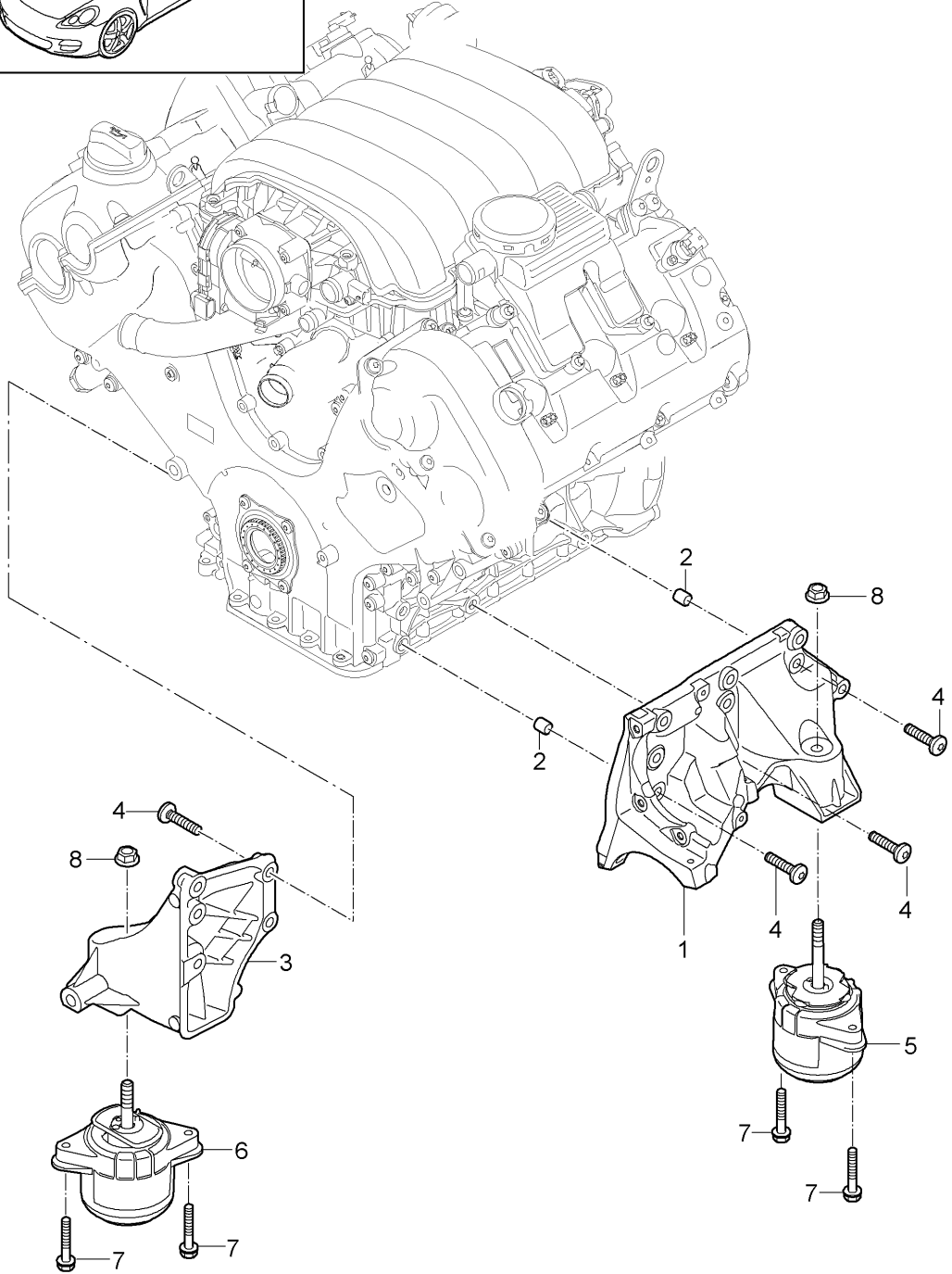
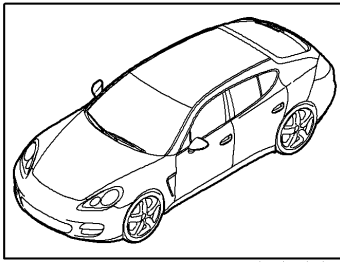
Model: 970 10

Model life 2010>>2016

Pos	Part Number	Description	Remark	Qty	Model
		Engine suspension Console for engine mounting engine mounting			4840, 4870, CXPA, CXRA, CXR, CWBA, CWB, CWCA, CWC
1	948 102 225 21	Console for engine mounting Discontinued part		1	
(1)	948 102 225 22	Console for engine mounting Discontinued part		1	
(1)	948 102 025 20	Console for engine mounting with:		1	
2	999 095 066 00	dowel sleeve dowel sleeve		2	
3		14 X 15 Engine brackets Cylinders 5 - 8		1	
4	999 073 460 01	see illustration, item: flat round head bolt M 10 X 45	305-000,6	6	
5	948 115 218 71	Heat insulation Discontinued part		1	4870
(5)	948 115 218 72	Heat insulation		1	4870, CWBA, CWB, CWCA, CWC
6	900 385 279 01	Hexagon head bolt BM 6 X 12		4	4870, CWBA, CWB, CWCA, CWC
7	948 375 059 03	engine mounting Replacement See technical information Service Group 4 Document 4006 105/11 D >> - MJ 2010	left	1	
(7)	948 375 057 04	No longer use the part here engine mounting D - MJ 2011>> - MJ 2013	left	1	
(7)	948 375 057 11	engine mounting D - MJ 2014>>	left	1	
(7)	948 375 057 12	No longer use the part here engine mounting D - MJ 2014>>	left	1	
(7)	948 375 060 03	engine mounting Replacement See technical information Service Group 4 Document 4006 105/11 D >> - MJ 2010	right	1	
(7)	948 375 058 04	No longer use the part here engine mounting D - MJ 2011>> - MJ 2013	right	1	
(7)	948 375 058 11	engine mounting D - MJ 2014>>	right	1	
(7)	948 375 058 12	No longer use the part here engine mounting D - MJ 2014>>	right	1	
8	900 378 310 01	Hexagon bolt M 10 X 80		4	
9	999 084 445 01	Locknut M 12 X 1,5		2	

Model: 970 10

Model life 2010>>2016



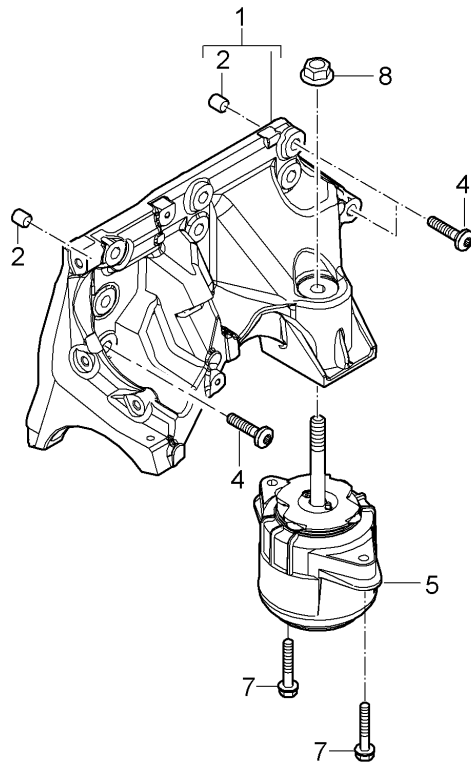
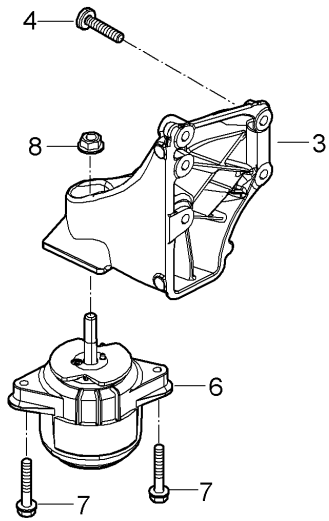
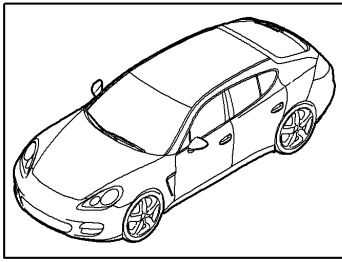
Model: 970 10

Model life 2010>>2016

Pos	Part Number	Description	Remark	Qty	Model
		Engine suspension Console for engine mounting engine mounting			4620 ,CWAA , CXNA+ PR:338
1	946 102 225 21	Console for engine mounting Discontinued part		1	
(1)	946 102 025 20	Console for engine mounting with:		1	
2	999 095 066 00	dowel sleeve dowel sleeve 14 X 15		2	
3	948 115 211 23	Engine brackets Cyl. 1 - 3		1	
4	999 073 460 01	flat round head bolt M 10 X 45		14	
5	948 375 061 00	engine mounting D >> - MJ 2013	left	1	
(5)	946 375 057 21	engine mounting D - MJ 2014>> No longer use the part here	left	1	
(5)	946 375 057 22	engine mounting D - MJ 2014>>	left	1	
6	948 375 062 00	engine mounting D >> - MJ 2013	right	1	
(6)	946 375 058 21	engine mounting D - MJ 2014>> No longer use the part here	right	1	
(6)	946 375 058 22	engine mounting D - MJ 2014>>	right	1	
7	900 378 310 01	Hexagon bolt M 10 X 80		4	
8	999 084 445 01	Locknut M 12 X 1,5		2	

Model: 970 10

Model life 2010>>2016



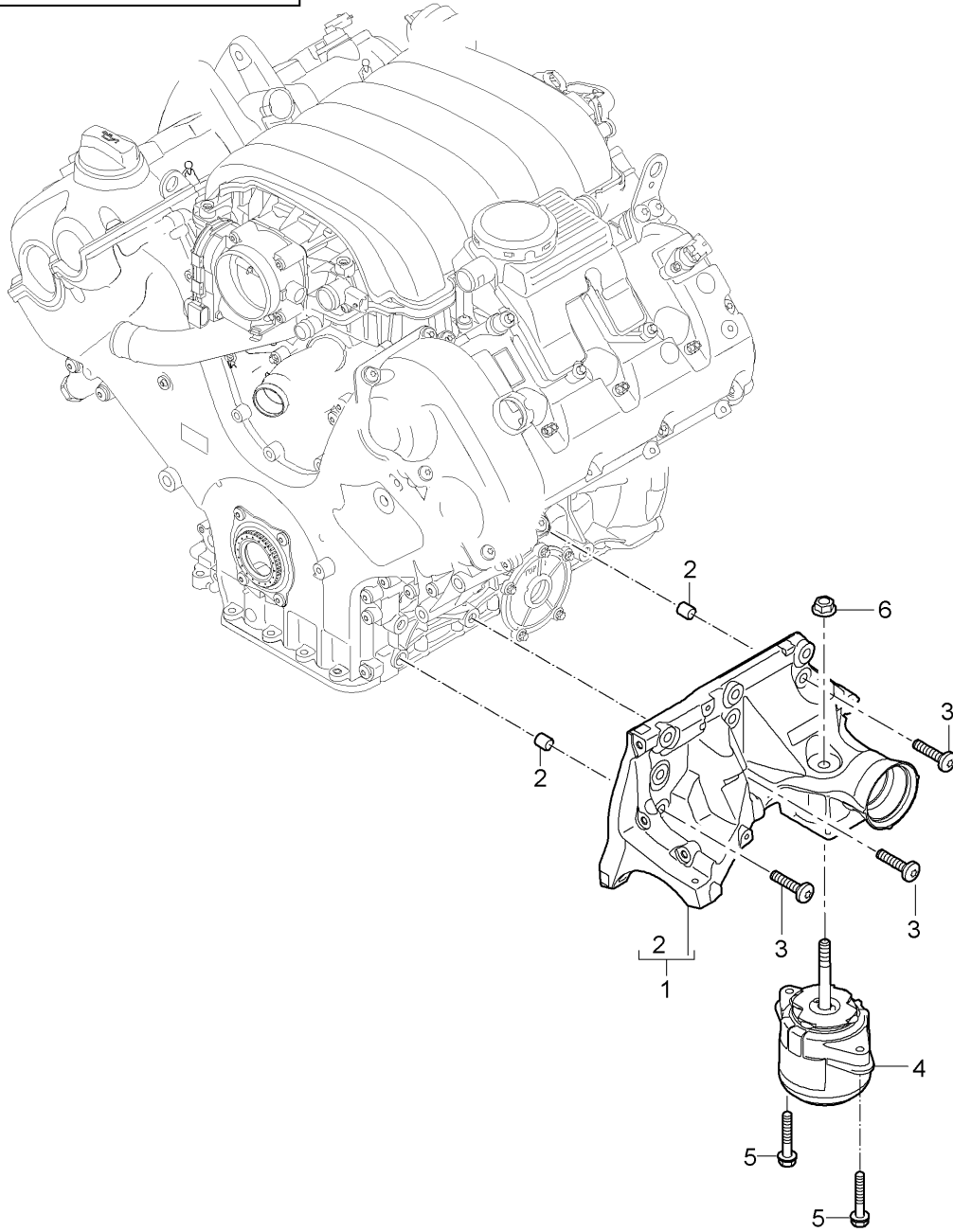
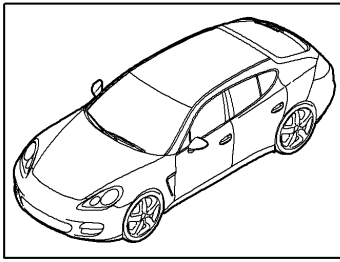
Model: 970 10

Model life 2010>>2016

Pos	Part Number	Description	Remark	Qty	Model
		Engine suspension			CWDA, CWD,
		Console for engine mounting			CWFA, CWF+
		engine mounting			PR: 338
1	946 102 025 20	Console for engine mounting		1	
2	999 095 066 00	dowel sleeve		2	
		14 X 15			
3	948 115 211 23	Engine brackets		1	
		Cyl. 1 - 3			
4	999 073 460 01	flat round head bolt		14	
		M 10 X 45			
5	946 375 057 21	engine mounting	left	1	
		No longer use the part here			
(5)	946 375 057 22	engine mounting	left	1	
6	946 375 058 21	engine mounting	right	1	
		No longer use the part here			
(6)	946 375 058 22	engine mounting	right	1	
7	900 378 310 01	Hexagon bolt		4	
		M 10 X 80			
8	999 084 445 01	Locknut		2	
		M 12 X 1,5			

Model: 970 10

Model life 2010>>2016



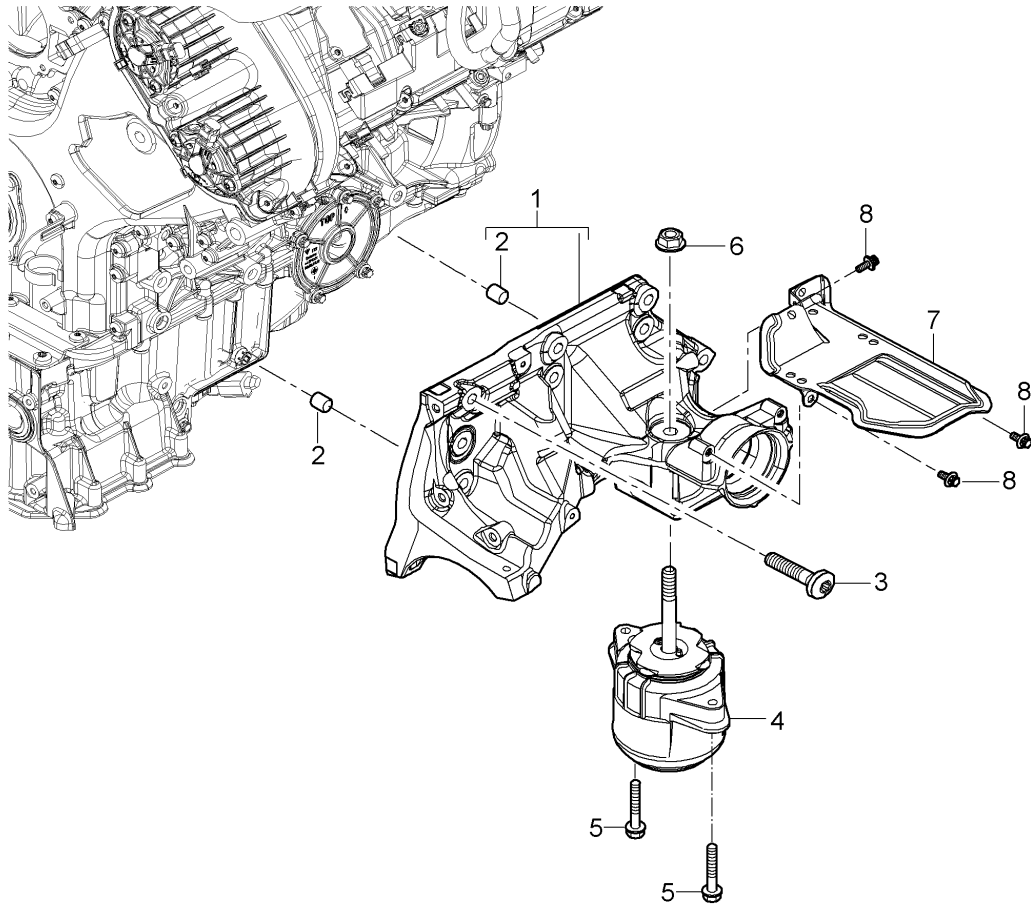
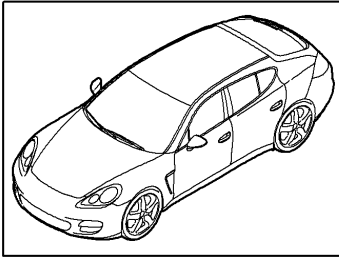
Model: 970 10

Model life 2010>>2016

Pos	Part Number	Description	Remark	Qty	Model
1		Engine suspension Console for engine mounting engine mounting Console for engine mounting Cyl. 4 - 6 see illustration, item:	305-000,6	1	4640 ,CWAA , CXNA+ PR:339
2	999 095 066 00	dowel sleeve 14 X 15		2	
3	999 073 460 01	flat round head bolt M 10 X 45		9	
4	948 375 061 00	engine mounting D >> - MJ 2013	left	1	
(4)	946 375 057 21	engine mounting D - MJ 2014>> No longer use the part here	left	1	
(4)	946 375 057 22	engine mounting D - MJ 2014>>	left	1	
(4)	948 375 062 00	engine mounting D >> - MJ 2013	right	1	
(4)	946 375 058 21	engine mounting D - MJ 2014>> No longer use the part here	right	1	
(4)	946 375 058 22	engine mounting D - MJ 2014>>	right	1	
5	900 378 310 01	Hexagon bolt M 10 X 80		4	
6	999 084 445 01	Locknut M 12 X 1,5		2	

Model: 970 10

Model life 2010>>2016



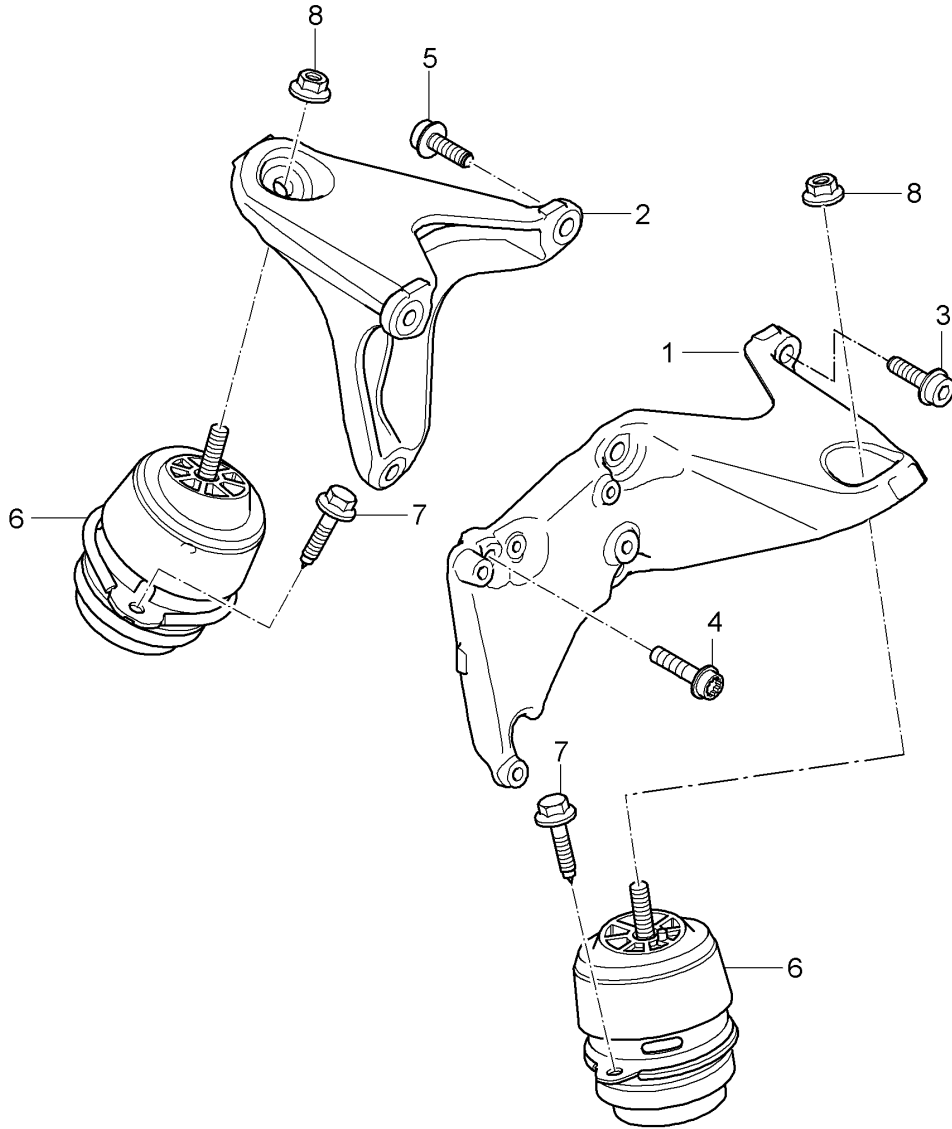
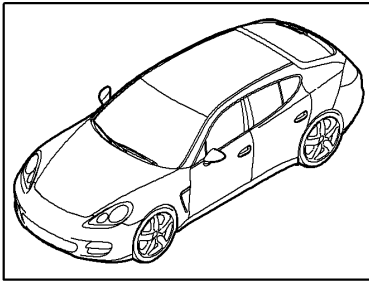
Model: 970 10

Model life 2010>>2016

Pos	Part Number	Description	Remark	Qty	Model
1		Engine suspension Console for engine mounting engine mounting Console for engine mounting Cyl. 4 - 6 see illustration, item:	305-000,6	1	CWDA, CWD, CWFA, CWF+ PR: 339
2	999 095 066 00	dowel sleeve 14 X 15		2	
3	999 073 460 01	flat round head bolt M 10 X 45		9	
4	946 375 057 21	engine mounting No longer use the part here	left	1	
(4)	946 375 057 22	engine mounting	left	1	
(4)	946 375 058 21	engine mounting No longer use the part here	right	1	
(4)	946 375 058 22	engine mounting	right	1	
5	900 378 310 01	Hexagon bolt M 10 X 80		4	
6	999 084 445 01	Locknut M 12 X 1,5		2	
7	946 115 218 75	Heat insulation		1	
8	900 385 279 01	Hexagon head bolt BM 6 X 12		3	

Model: 970 10

Model life 2010>>2016



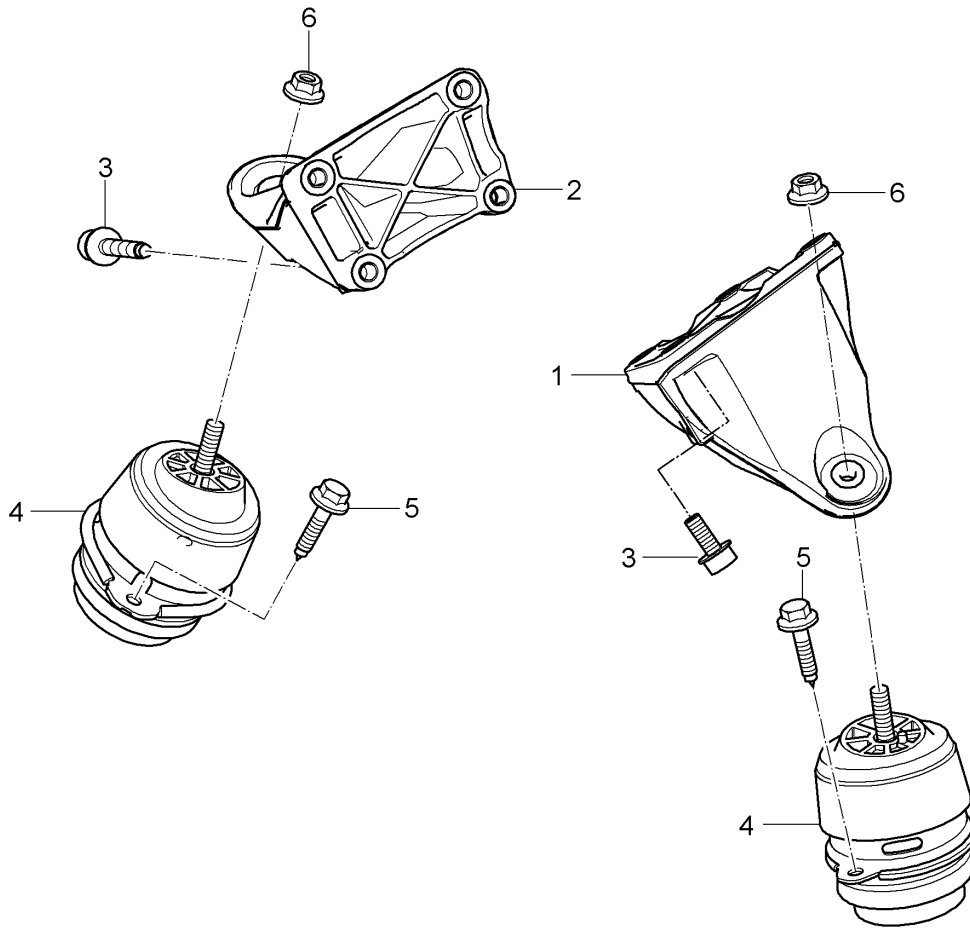
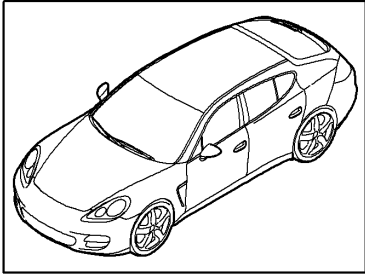
Model: 970 10

Model life 2010>>2016

Pos	Part Number	Description	Remark	Qty	Model
		Engine suspension Console for engine mounting engine mounting			CGEA, CGE, CGFA
1	958 102 215 00	Console for engine mounting	left	1	
2	958 115 201 00	Console for engine mounting	right	1	
(2)	958 115 201 51	Discontinued part Console for engine mounting	right	1	
		also use:	N 106 872 01	3	
			970 611 321 02	1	
3	N 903 202 06	Socket head bolt with hexagon socket head (combination) M 10 X 35		4	
4	N 910 266 02	Oval head locating bolt with multi-point socket head M 8 X 35		2	
5	N 903 202 06	Socket head bolt with hexagon socket head (combination) M 10 X 35		3	
(5)	N 106 872 01	only in conj. with: Console for engine mounting Socket head bolt with inner multipoint head (Kombi) M 10 X 45		3	
		only in conj. with: Console for engine mounting engine mounting		2	
6	970 375 057 00	Hexagon flange screw M 10 X 55		4	
7	N 107 069 02	Locknut M 12 X 1,5		2	
8	999 084 445 01				

Model: 970 10

Model life 2010>>2016



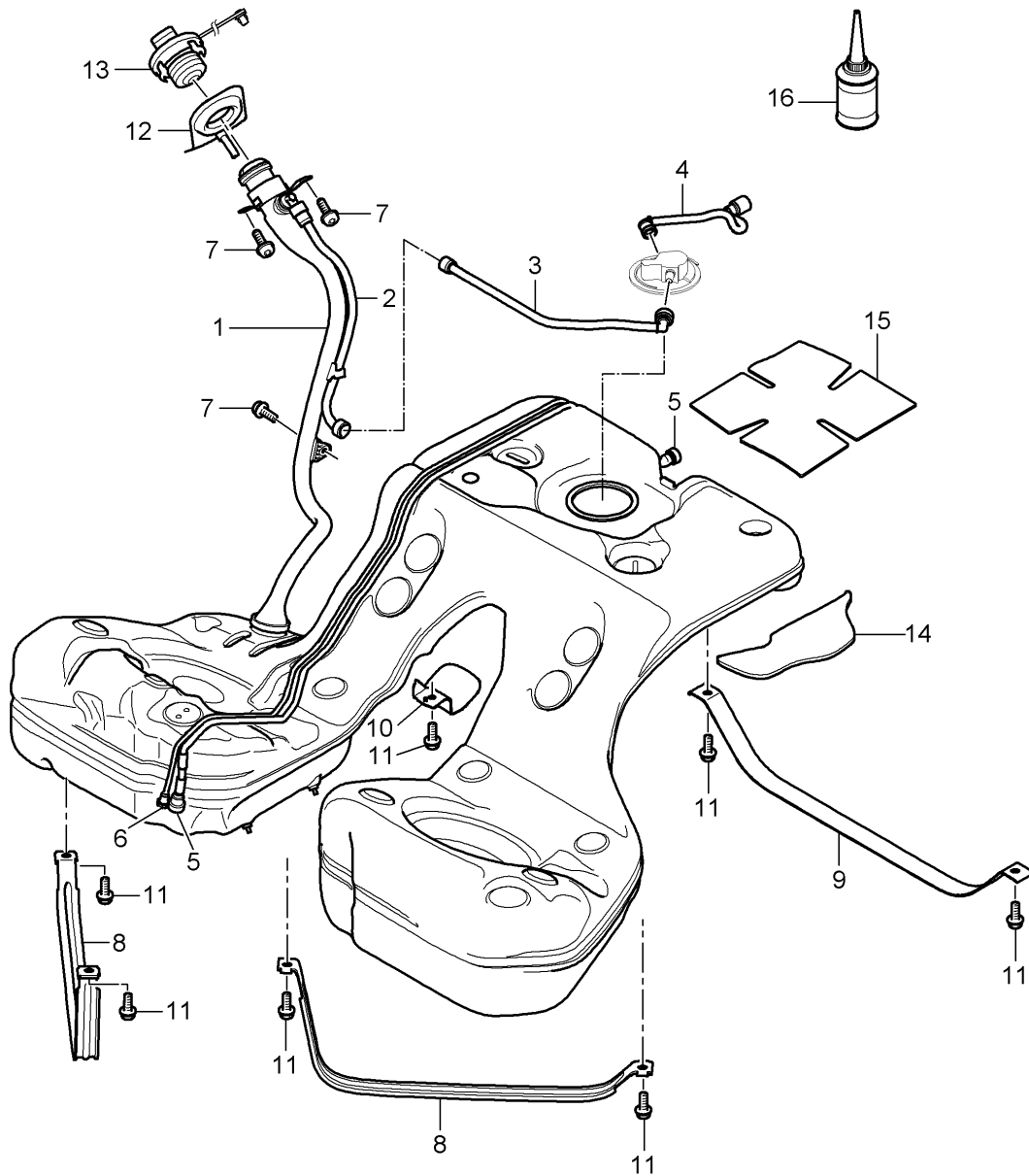
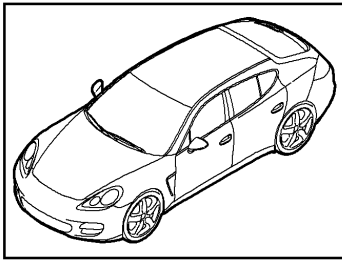
Model: 970 10

Model life 2010>>2016

Pos	Part Number	Description	Remark	Qty	Model
		Engine suspension	lower		CRCC, CRCB, CWJA
1	970 115 211 30	Console for engine mounting	left	1	
2	970 115 212 30	Console for engine mounting	right	1	
3	N 107 642 01	Socket head collared bolt with inner multipoint head M 10 X 32		8	
4	970 375 057 20	hydro-mounting		2	
5	N 107 069 02	Hexagon flange screw M 10 X 55		4	
6	999 084 445 01	Locknut M 12 X 1,5		2	

Model: 970 10

Model life 2010>>2016



Model: 970 10 Model life 2010>>2016

Pos	Part Number	Description	Remark	Qty	Model
		fuel tank with attachments			4620,4640, 4820,4840, 4870,CGEA, CGE,CGFA, CWAA,CXNA, CWDA,CWD, CWFA,CWF, CXPA,CXRA, CXR,CWBA,CWB PR:080,-664
1	970 201 021 00	Fuel tank Discontinued part		1	
(1)	970 201 021 10	Fuel tank Discontinued part		1	PR:080,-664
(1)	970 201 021 14	Fuel tank Discontinued part		1	PR:080,-664
(1)	970 201 021 18	Fuel tank		1	4620,4640, 4820,4840, CGEA,CGE, CWAA,CXNA, CWDA,CWD, CWFA,CWF, CXPA,CXRA, CXR+ PR:080,-664
(1)	970 201 021 02	Fuel tank Discontinued part		1	PR:080,664
(1)	970 201 021 11	Fuel tank Discontinued part		1	PR:080,664
(1)	970 201 021 15	Fuel tank Discontinued part		1	PR:080,664
(1)	970 201 021 19	Fuel tank		1	4620,4640, 4820,4840, CGFA,CWAA, CWDA,CWD, CXPA+ PR:080,664
(1)	970 201 021 03	Fuel tank Discontinued part		1	PR:081,-664
(1)	970 201 021 12	Fuel tank Discontinued part		1	PR:081,-664
(1)	970 201 021 16	Fuel tank Discontinued part		1	PR:081,-664
(1)	970 201 021 20	Fuel tank		1	4620,4640, 4820,4840, 4870,CGEA, CGE+ PR:081,-664
(1)	970 201 021 20	Fuel tank D >> - MJ 2013 D - MJ 2014>>		1	CWAA,CXNA, CWDA,CWD, CWFA,CWF, CXPA,CXRA, CXR,CWBA, CWB,CWCA, CWC+ PR:081,-664
(1)	970 201 021 05	Fuel tank Discontinued part		1	PR:081,664
(1)	970 201 021 13	Fuel tank Discontinued part		1	PR:081,664
(1)	970 201 021 17	Fuel tank Discontinued part		1	4620,4640, 4820,4840, 4870,CGFA+ PR:081,664

Model: 970 10 Model life 2010>>2016

Pos	Part Number	Description	Remark	Qty	Model
(1)	970 201 021 21	Fuel tank		1	4620,4640, 4820,4840, 4870,CGFA, CWAA,CWDA, CWD,CXPA, CWBA,CWB, CWCA,CWC+ PR:081,664
2	970 201 511 00	Breather line		1	PR:-664
(2)	970 201 511 01	Breather line D >> - MJ 2013		1	PR:664
(2)	970 201 511 01	Breather line D - MJ 2014>>		1	CWAA,CWDA, CWD,CXPA, CWBA,CWB, CWCA,CWC+ PR:664
(2)	970 201 511 03	Breather line D - MJ 2014>>		1	CGFA+ PR:664
3	970 201 343 00	Breather line		1	
4	970 201 341 00	Breather line		1	4620,4640, 4820,4840, 4870,CWAA, CXNA,CWDA, CWD,CWFA, CWF,CXPA, CXRA,CXR, CWBA,CWB, CWCA,CWC+ PR:-664
(4)	970 201 341 03	Breather line		1	CGEA,CGE+ PR:-664
(4)	970 201 341 01	Breather line		1	4620,4640, 4820,4840, 4870,CWAA, CWDA,CWD, CXPA,CWBA, CWB,CWCA, CWC+ PR:664
(4)	970 201 341 02	Breather line D >> - MJ 2013		1	CGFA+ PR:664
(4)	970 201 341 04	Breather line D - MJ 2014>>		1	CGFA+ CGFA+
5	970 201 255 00	Purge-air line		1	4620,4640, 4820,4840, 4870,CWAA, CXNA,CWDA, CWD,CWFA, CWF,CXPA, CXRA,CXR, CWBA,CWB, CWCA,CWC
(5)	970 201 255 01	Purge-air line		1	CGEA,CGE, CGFA
6	970 201 365 00	Vacuum line		1	4620,4640, 4820,4840, CWAA,CWDA, CWD,CXPA+ PR:664
(6)	970 201 365 00	Vacuum line		1	4870,CWBA, CWB,CWCA,CWC
(6)	970 201 365 00	Vacuum line		1	PR:176,XLF
7	999 073 348 09	fillister hd. bolt		3	

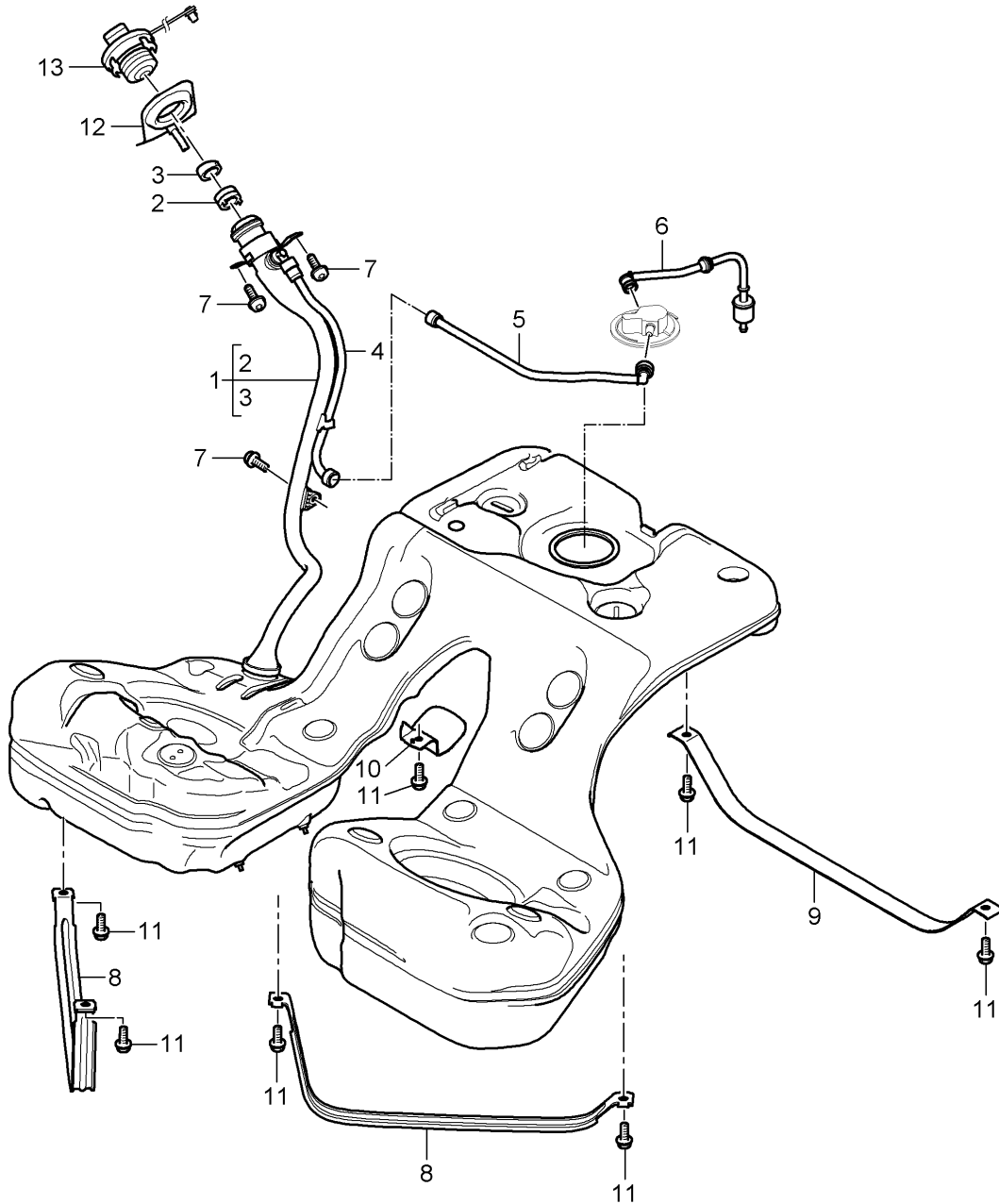
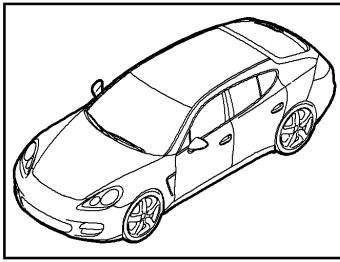
Model: 970 10

Model life 2010>>2016

Pos	Part Number	Description	Remark	Qty	Model
8	970 201 105 00	M 6 X 20 tensioning strap		2	
9	970 201 109 00	tensioning strap		1	
10	970 201 517 01	Clamping piece		1	
11	N 019 530 7	Hex collared bolt M 8 X 25		7	4620,4640, 4820,4840, 4870,CWAA, CXNA,CWDA, CWD,CWFA, CWF,CXPA, CXRA,CXR, CWBA,CWB, CWCA,CWC CGEA,CGE, CGFA
(11)	N 019 530 7	Hex collared bolt M 8 X 25		6	CGEA,CGE, CGFA
(11)	N 911 471 01	double stud with hexagon drive M 8 X 30 / M 6 X 16		1	CGEA,CGE, CGFA
12	970 201 243 01	Pot for filler neck		1	
		with:			
13	970 201 241 04	Hose cap with retaining strap for fuel tank		1	PR: -XYB
(13)	970 201 241 06	discontinued part cap with retaining strap for fuel tank		1	PR: -XYB
(13)	000 044 001 91	cap with retaining strap for fuel tank		1	PR: XYB - "ROK"
14	970 201 645 00	Aluminium look Heat insulation		1	CGEA,CGE, CGFA
15	970 201 646 00	Heat insulation		1	CGEA,CGE, CGFA
16	000 043 206 89	Multi-purpose additive for Otto engine fuels	100ml	X	
(16)	000 043 209 02	discontinued part Multi-purpose additive for Otto engine fuels	100ml	X	

Model: 970 10

Model life 2010>>2016

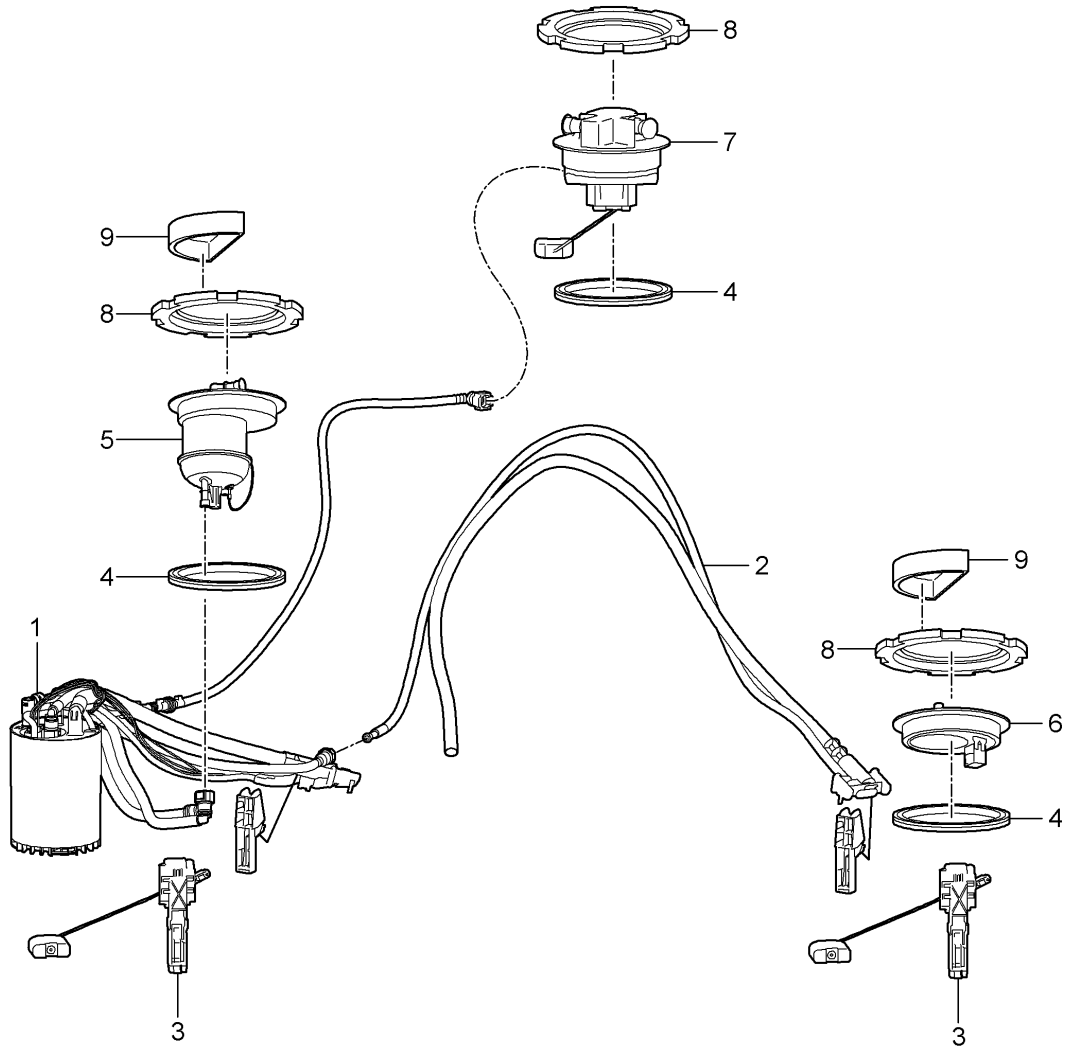
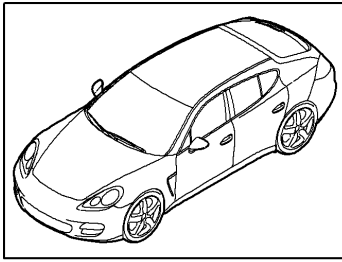


Model: 970 10 Model life 2010>>2016

Pos	Part Number	Description	Remark	Qty	Model
1	970 201 022 01	fuel tank with attachments Fuel tank		1	CRCC, CRCB, CWJA PR:080
(1)	970 201 022 04	Discontinued part Fuel tank		1	PR:080
(1)	970 201 022 06	Discontinued part Fuel tank		1	PR:080
(1)	970 201 022 08	Discontinued part Fuel tank		1	PR:080
(1)	970 201 022 10	F >> 97-EL027 609 Fuel tank		1	PR:080
(1)	970 201 022 12	F 97-EL027 610>> 97-FL026 477 Fuel tank		1	PR:080
(1)	970 201 022 03	F 97-FL026 478>> Fuel tank		1	PR:081
(1)	970 201 022 05	Discontinued part Fuel tank		1	PR:081
(1)	970 201 022 07	Discontinued part Fuel tank		1	PR:081
(1)	970 201 022 09	Discontinued part Fuel tank		1	PR:081
(1)	970 201 022 11	F >> 97-EL027 596 Fuel tank		1	PR:081
(1)	970 201 022 13	F 97-EL027 597>> 97-FL026 471 Fuel tank		1	PR:081
2	4H0 201 112 A	F 97-FL026 472>> Insert piece		1	
3	4H0 201 115 A	also use: Locking ring	4H0 201 115 A	1	
4	970 201 511 00	Breather line		1	
5	970 201 343 00	F >> 97-EL027 609 Breather line		1	
6	970 201 344 01	F >> 97-EL027 596 Ventilation pipe		1	
(6)	999 230 750 41	F >> 97-EL027 596 Dummy plugs	upper	1	
7	999 073 348 09	catch flange F 97-EL027 610>> F 97-EL027 597>>		3	
8	970 201 105 00	fillister hd. bolt M 6 X 20		2	
9	970 201 109 00	tensioning strap		1	
10	970 201 517 01	tensioning strap		1	
11	N 019 530 7	Clamping piece		7	
12	970 201 243 02	Hex collared bolt M 8 X 25		1	
13	970 201 241 05	Pot for filler neck with: Hose		1	PR:-XYB
(13)	000 044 001 91	cap with retaining strap for fuel tank		1	PR:XYB -"ROK"
		cap with retaining strap for fuel tank			
		Aluminium look			

Model: 970 10

Model life 2010>>2016



Model: 970 10 Model life 2010>>2016

Pos	Part Number	Description	Remark	Qty	Model
		Fuel tank Fuel pump suction jet pump			4620,4640, 4820,4840, 4870,CGEA, CGE,CGFA, CWAA,CXNA, CWDA,CWD, CWFA,CWF, CXPA,CXRA, CXR,CWBA, CWB,CWCA,CWC
1	970 620 132 00	Fuel pump with: suction jet pump		1	4620,4640, 4820,4840, 4870,CWAA, CXNA,CXPA, CXRA,CXR, CWBA,CWB, CWCA,CWC+ PR:-850,-851
(1)	970 620 138 01	Fuel pump with: suction jet pump		1	CWDA,CWD, CWFA,CWF+ PR:-850,-851
(1)	970 620 136 00	Fuel pump with: suction jet pump		1	4620,4640, 4820,4840, 4870,CWAA, CXNA,CXPA, CXRA,CXR, CWBA,CWB, CWCA,CWC+ PR:850,851
(1)	970 620 140 00	Fuel pump with: suction jet pump		1	CWDA,CWD, CWFA,CWF+ PR:850,851
(1)	970 620 138 00	Fuel pump with: suction jet pump Discontinued part		1	CGEA,CGE, CGFA
(1)	970 620 138 01	Fuel pump with: suction jet pump		1	CGEA,CGE, CGFA
2	970 620 113 00	suction jet pump suction jet pump	left	1	4620,4640, 4820,4840, 4870,CWAA, CXNA,CWDA, CWD,CWFA, CWF,CXPA, CXRA,CXR, CWBA,CWB, CWCA,CWC+ PR:-850,-851
(2)	970 620 123 00	suction jet pump	left	1	4620,4640, 4820,4840, 4870,CWAA, CXNA,CWDA, CWD,CWFA, CWF,CXPA, CXRA,CXR, CWBA,CWB, CWCA,CWC+ PR:850,851
(2)	970 620 113 00	suction jet pump	left	1	CGEA,CGE, CGFA
3	970 620 831 00	Tank gauge Colour		2	4620,4640, 4820,4840,

Model: 970 10 Model life 2010>>2016

Pos	Part Number	Description	Remark	Qty	Model
		white			4870, CWAA, CXNA, CWDA, CWD, CWFA, CWF, CXPA, CXRA, CXR, CWBA, CWB, CWCA, CWC+ PR: -850, -851
(3)	970 620 831 00	Tank gauge Colour white	right	1	4620, 4640, 4820, 4840, 4870, CWAA, CXNA, CWDA, CWD, CWFA, CWF, CXPA, CXRA, CXR, CWBA, CWB, CWCA, CWC+ PR: 850, 851
(3)	970 620 841 00	Tank gauge Colour blue	left	1	4620, 4640, 4820, 4840, 4870, CWAA, CXNA, CWDA, CWD, CWFA, CWF, CXPA, CXRA, CXR, CWBA, CWB, CWCA, CWC+ PR: 850, 851
(3)	970 620 831 00	Tank gauge		2	CGEA, CGE, CGFA
4	955 201 133 01	seal ring		3	PR: -664
5	970 201 424 00	flange	right	1	
		Fuel filter			
6	970 201 425 00	flange Discontinued part	left	1	4820, 4840, 4870+ PR: -850, -851
(6)	970 201 425 02	flange	left	1	4620, 4640, 4820, 4840, 4870, CWAA, CXNA, CWDA, CWD, CWFA, CWF, CXPA, CXRA, CXR, CWBA, CWB, CWCA, CWC+ PR: -850, -851
(6)	970 201 425 01	flange	left	1	4620, 4640, 4820, 4840, 4870, CWAA, CXNA, CWDA, CWD, CWFA, CWF, CXPA, CXRA, CXR, CWBA, CWB, CWCA, CWC+ PR: 850, 851
(6)	970 201 425 02	flange	left	1	CGEA, CGE, CGFA
7	970 201 421 00	flange Tank ventilation		1	4620, 4640, 4820, 4840, CWAA, CXNA, CWDA, CWD,

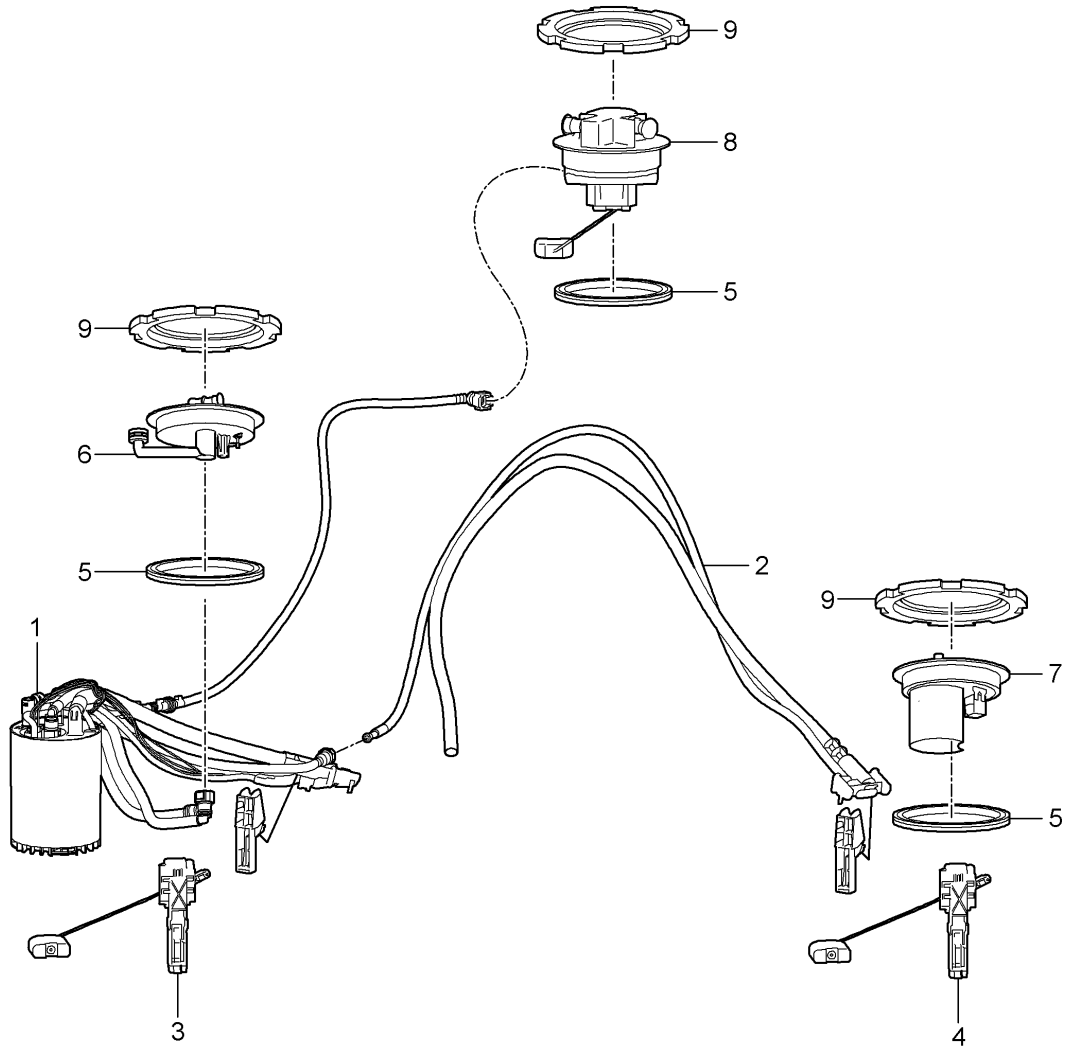
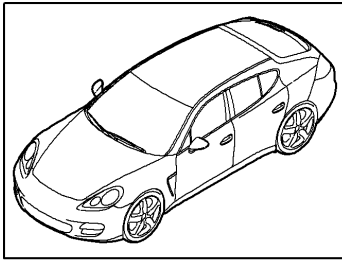
Model: 970 10

Model life 2010>>2016

Pos	Part Number	Description	Remark	Qty	Model
(7)	970 201 421 01	flange Tank ventilation		1	CWFA, CWF, CXPA, CXRA, CXR+ PR:080, -664 CGEA, CGE, CGFA+ PR:080
(7)	970 201 421 02	flange Tank ventilation		1	4620, 4640, 4820, 4840, 4870, CWAA, CXNA, CWDA, CWD, CWFA, CWF, CXPA, CXRA, CXR, CWBA, CWB, CWCA, CWC+ PR:081, -664
(7)	970 201 421 03	flange Tank ventilation D >> - MJ 2013		1	CGEA, CGE, CGFA+ PR:081
8	955 201 623 01	Union nut		3	
9	970 201 813 00	Distance piece D >> - MJ 2010		2	
(9)	970 201 813 00	Distance piece D - MJ 2011>>	right	1	

Model: 970 10

Model life 2010>>2016



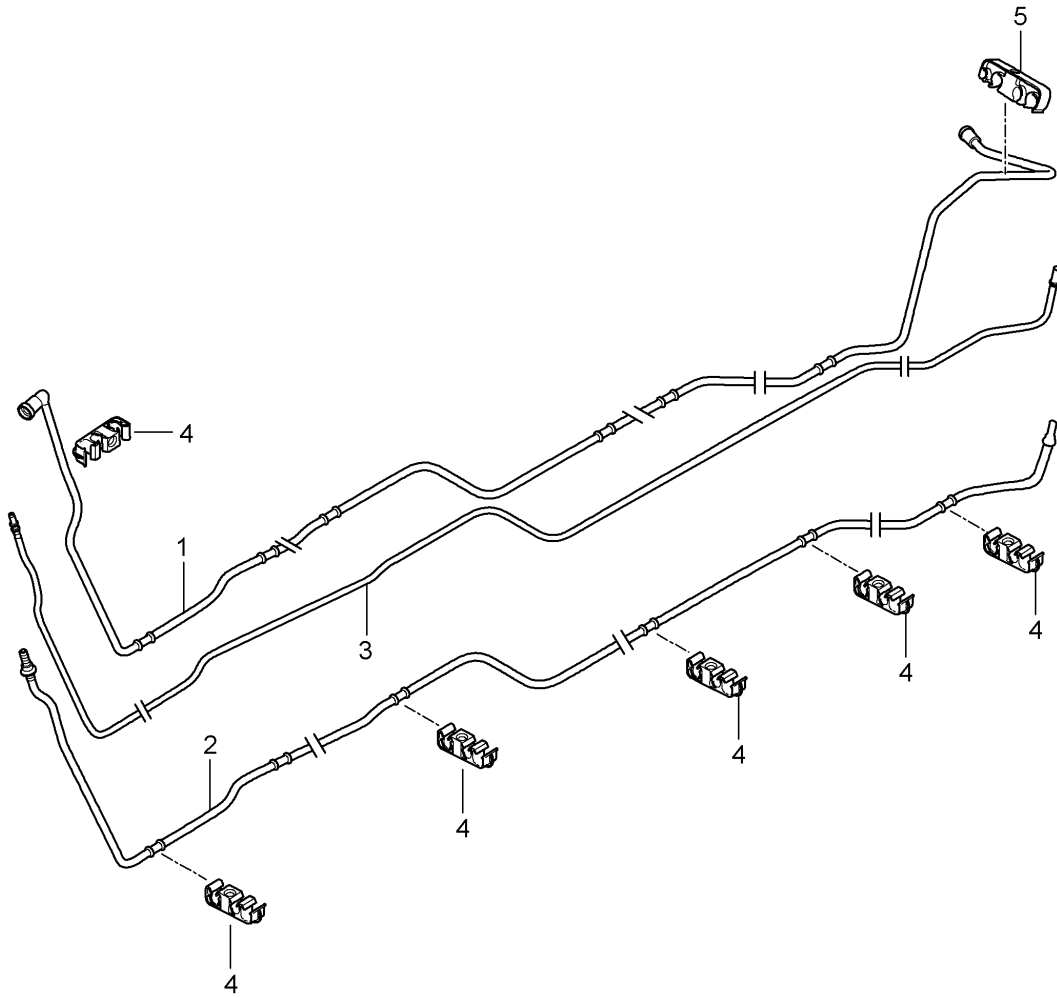
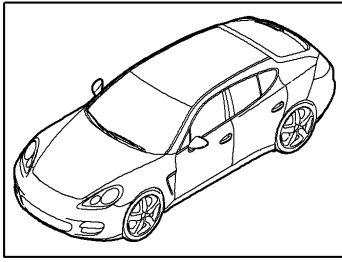
Model: 970 10

Model life 2010>>2016

Pos	Part Number	Description	Remark	Qty	Model
1	970 620 134 00	Fuel tank Fuel pump suction jet pump Fuel pump with:		1	CRCC, CRCB, CWJA
2	970 620 103 00	suction jet pump		1	
3	970 620 831 00	Tank gauge		1	
4	970 620 841 00	Tank gauge		1	
5	955 201 133 01	seal ring		3	
6	970 620 424 00	flange	right	1	
7	970 620 425 00	flange	left	1	
8	970 620 421 00	flange Tank ventilation F >> 97-FL026 477		1	PR:080
(8)	970 620 421 01	flange Tank ventilation F 97-FL026 478>>		1	PR:080
(8)	970 620 423 00	flange Tank ventilation F >> 97-FL026 471		1	PR:081
(8)	970 620 423 01	flange Tank ventilation F 97-FL026 472>>		1	PR:081
9	955 201 623 01	Union nut		3	

Model: 970 10

Model life 2010>>2016



Model: 970 10 Model life 2010>>2016

Pos	Part Number	Description	Remark	Qty	Model
		Fuel system Fuel line Underbody			4620,4640, 4820,4840, 4870,CGEA, CGE,CGFA, CWAA,CXNA, CWDA,CWD, CWFA,CWF, CXPA,CXRA, CXR,CWBA, CWB,CWCA,CWC
1	970 201 261 00	Fuel line No longer use the part here		1	4620,4640, 4820,4840, 4870
(1)	970 201 261 04	Fuel line D >> - MJ 2013		1	4620,4640, 4820,4840, 4870
(1)	970 201 261 04	Fuel line D - MJ 2014>>		1	CWAA,CXNA, CWDA,CWD, CWFA,CWF, CXPA,CXRA, CXR,CWBA, CWB,CWCA, CWC+ PR:0E1 PR:0E2
(1)	970 201 261 03	Fuel line D - MJ 2014>>		1	PR:0E1 PR:0E2
1	970 201 261 02	Fuel line		1	CGEA,CGE, CGFA
2	970 201 351 00	Purge-air line D >> - MJ 2013		1	
(2)	970 201 351 00	Purge-air line D - MJ 2014>>		1	PR:0E1
(2)	970 201 351 01	Purge-air line D - MJ 2014>>		1	PR:0E2
3	970 201 361 01	Vacuum line D - MJ 2014>>		1	PR:0E2
3	970 201 361 00	Vacuum line D - MJ 2014>>		1	CWFA,CWF+ PR:0E1,143 4870
(3)	970 201 361 00	Vacuum line D >> - MJ 2013		1	
(3)	970 201 361 00	Vacuum line D - MJ 2014>>		1	CWBA,CWB, CWCA,CWC+ PR:0E1 PR:176,XLF
(3)	970 201 361 00	Vacuum line D >> - MJ 2013		1	
(3)	970 201 361 00	Vacuum line D - MJ 2014>>		1	PR:176,XLF, 0E1
4	999 651 405 40	Line holder 10 / 8 / 12 D >> - MJ 2013		8	
(4)	999 651 405 40	Line holder 10 / 8 / 12 D - MJ 2014>>		8	PR:0E1
(4)	999 651 405 40	Line holder 10 / 8 / 12 D - MJ 2014>>		9	PR:0E2
5	999 507 990 40	Line holder 12 / 8 / 10 / 5		1	4620,4640, 4820,4840, 4870,CWAA, CXNA,CWDA, CWD,CWFA, CWF,CXPA, CXRA,CXR,

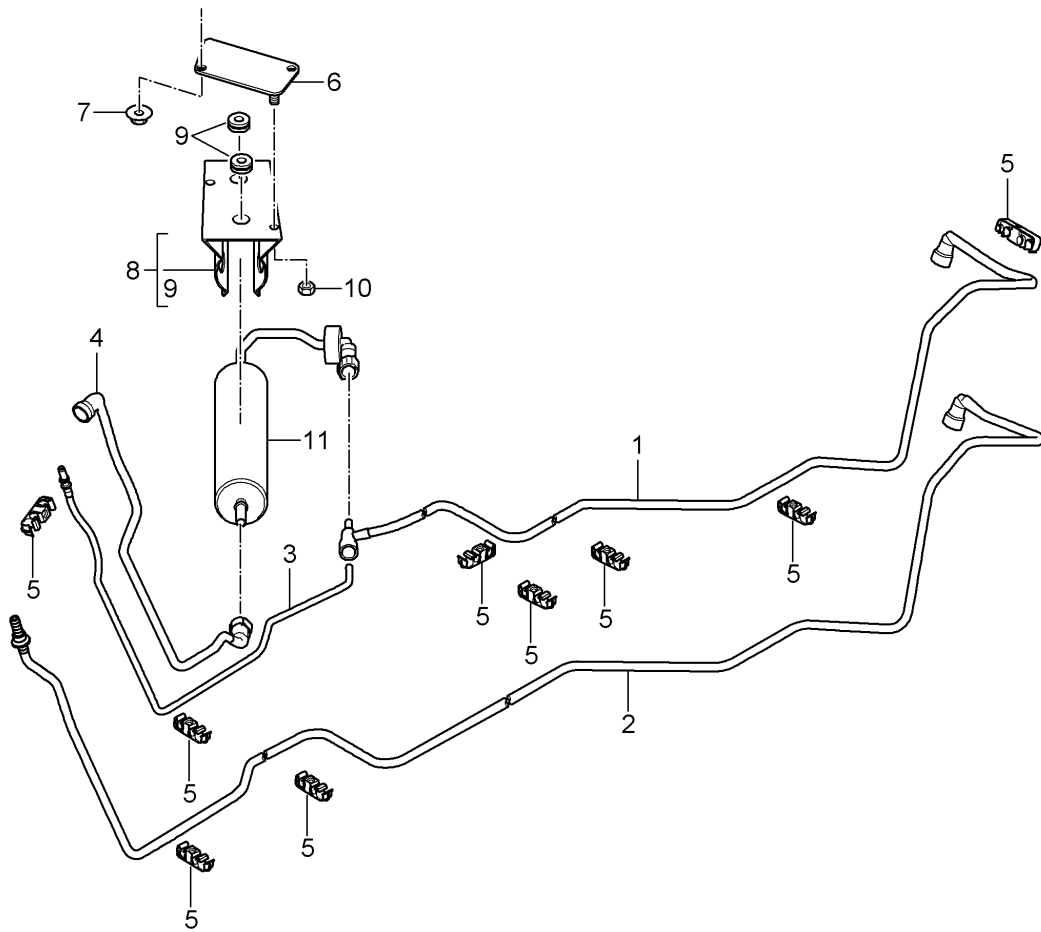
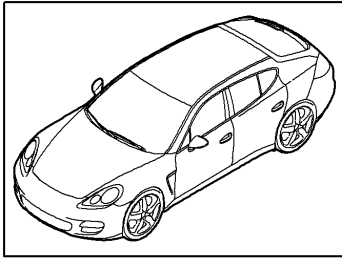
Model: 970 10

Model life 2010>>2016

Pos	Part Number	Description	Remark	Qty	Model
(5)	999 507 276 40	Line holder 11,8 / 23		1	CWBA, CWB, CWCA, CWC CGEA, CGE, CGFA

Model: 970 10

Model life 2010>>2016



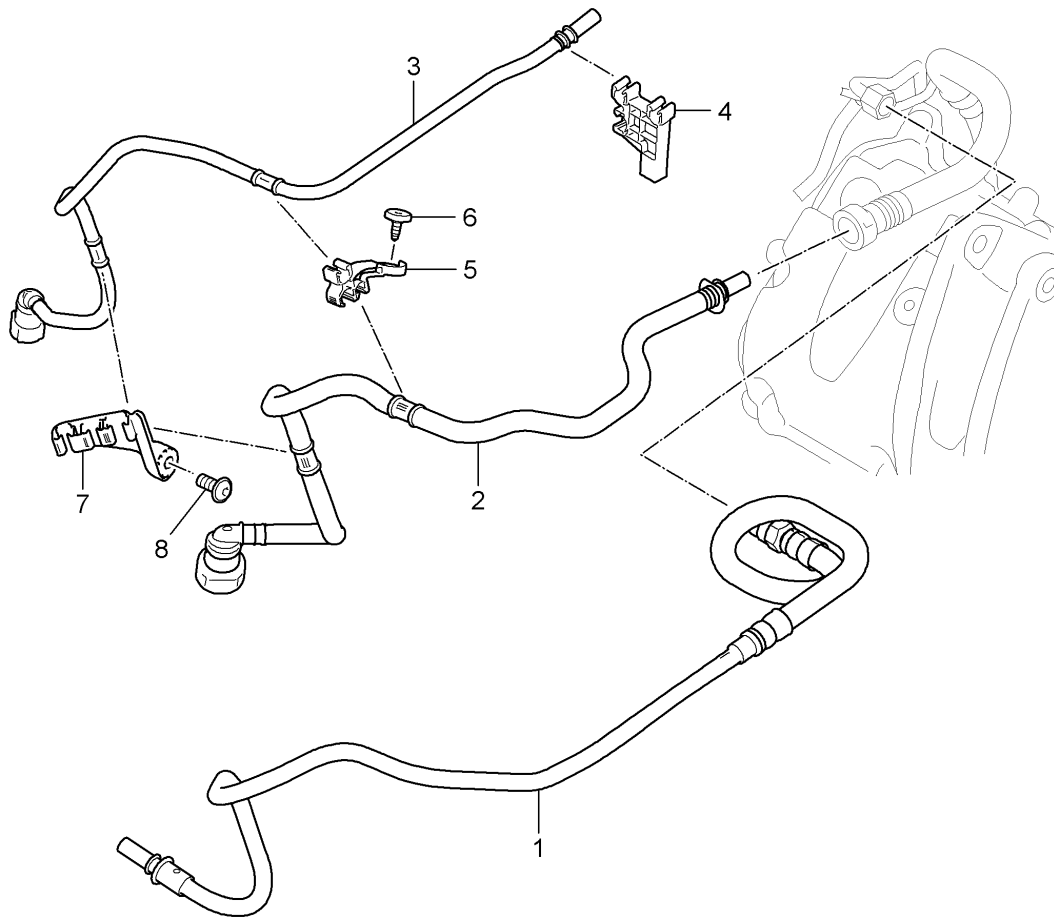
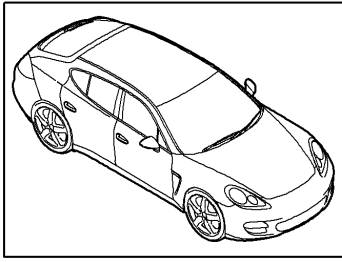
Model: 970 10

Model life 2010>>2016

Pos	Part Number	Description	Remark	Qty	Model
		Fuel system			CRCC, CRCB, CWJA
		Fuel line			
		Fuel filter			
		Underbody			
1	970 201 262 00	Fuel line		1	
		No longer use the part here			
(1)	970 201 262 01	Fuel line		1	
2	970 201 271 00	return line		1	
		No longer use the part here			
(2)	970 201 271 01	return line		1	
3	970 201 273 00	return line		1	
		No longer use the part here			
(3)	970 201 273 01	return line		1	
4	970 201 264 00	Fuel line		1	
5	999 651 417 40	Retainer for fuel line		9	
		8 / 10			
6	970 110 460 30	Retaining bracket		1	
7	999 049 007 40	Plastic nut		2	
		T5 / 22 X 10,5			
8	970 110 480 31	Bracket		1	
9	970 110 630 31	Damping		2	
		Not available			
		970.110.480.31			
		Use			
		No longer use the part here			
10	N 011 116 11	Hexagon nut		2	
		M 6			
11	970 110 370 32	Fuel filter		1	
		Discontinued part			
(11)	970 110 370 33	Fuel filter		1	

Model: 970 10

Model life 2010>>2016



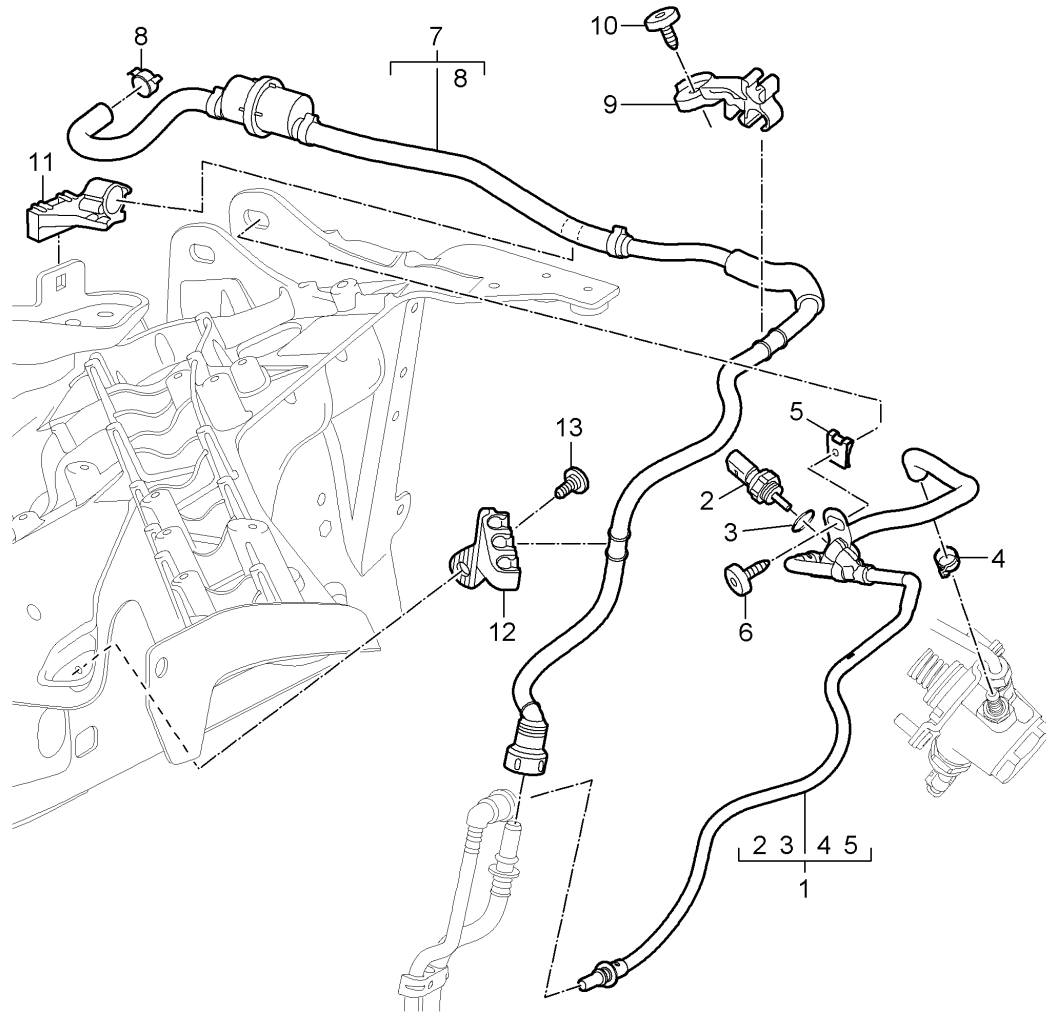
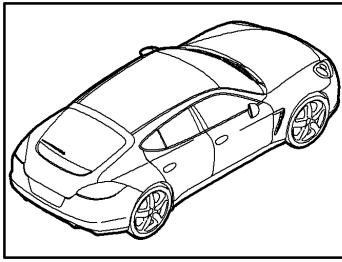
Model: 970 10

Model life 2010>>2016

Pos	Part Number	Description	Remark	Qty	Model
		Fuel system Fuel line Engine compartment			4620,4640, 4820,4840, 4870,CWAA, CXNA,CWDA, CWD,CWFA, CWF,CXPA, CXRA,CXR, CWBA,CWB, CWCA,CWC
1	970 110 330 04	Fuel line		1	4620,4640, 4820,4840, 4870,CWAA, CXNA,CXPA, CXRA,CXR, CWBA,CWB, CWCA,CWC
(1)	970 110 330 61	Fuel line		1	CWDA,CWD, CWFA,CWF
(1)	970 110 330 63	Fuel line No longer use the part here		1	CWDA,CWD, CWFA,CWF
-	N 909 865 01	Spring band clamp B 14,5 X 12 For attachment to:		1	CWDA,CWD, CWFA,CWF
2	970 110 345 02	Fuel line Purge-air line		1	
(3)	970 110 355 01	Vacuum line		1	4870,CWBA, CWB,CWCA,CWC
(3)	970 110 355 01	Vacuum line		1	PR:176,XLF
4	970 110 382 01	Retainer for fuel line	upper	1	
5	970 110 381 01	Retainer for fuel line	center	1	
6	999 073 484 01	flat round head bolt M 6 X 15		1	
7	970 110 380 01	Retainer for fuel line	lower	1	
8	N 907 884 02	Locating bolt M 6 X 16		1	

Model: 970 10

Model life 2010>>2016



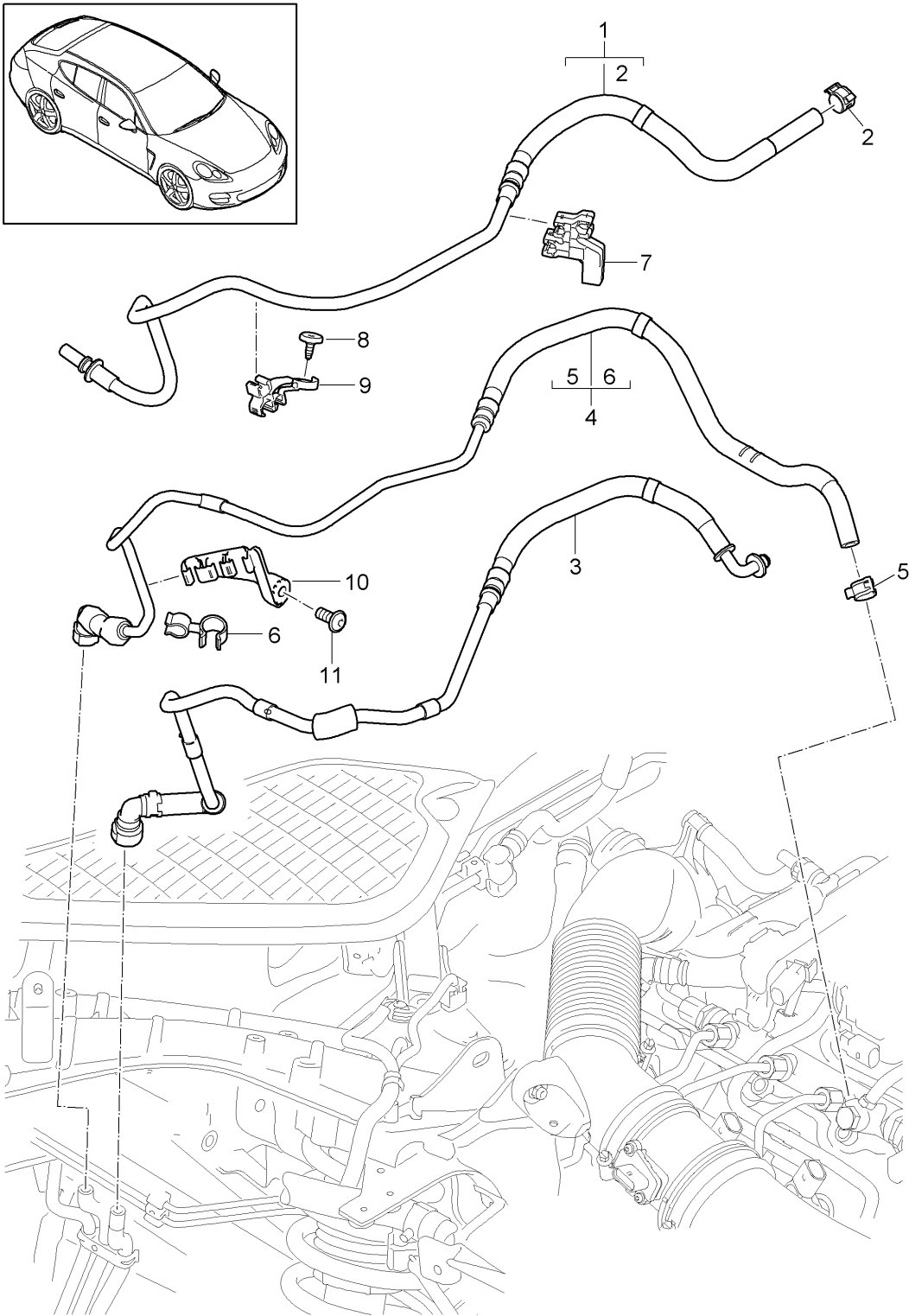
Model: 970 10

Model life 2010>>2016

Pos	Part Number	Description	Remark	Qty	Model
		Fuel system			CGEA, CGE, CGFA
		Fuel line			
		Engine compartment			
1	970 110 330 11	Fuel line		1	
2	958 606 221 10	Pressure sensor		1	
3	958 606 249 02	O-ring		1	
		8,2 X 1,5			
4	999 512 650 09	Hose clamp		1	
		B 14,5 X 12			
5	999 507 795 09	panel nut		1	
		ST 4,8			
6	999 073 231 09	panel screw		1	
		ST 4,8 X 16			
7	970 110 346 10	Purge-air line		1	
		Discontinued part			
(7)	970 110 346 11	Purge-air line		1	
8	N 906 867 01	Spring band clamp		1	
		B 14 X 12			
9	970 110 381 01	Retainer for fuel line		1	
10	999 073 484 01	flat round head bolt		1	
		M 6 X 15			
11	970 110 383 01	Bracket		1	
		Purge-air line			
12	970 110 380 01	Retainer for fuel line	lower	1	
13	N 907 884 02	Locating bolt		1	
		M 6 X 16			

Model: 970 10

Model life 2010>>2016



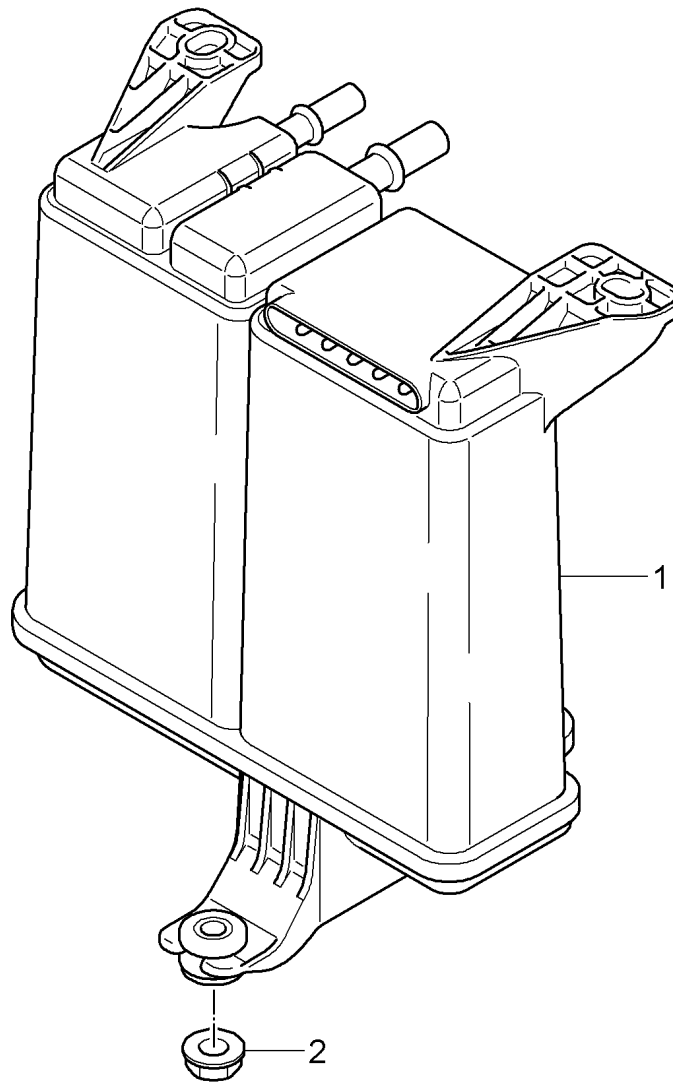
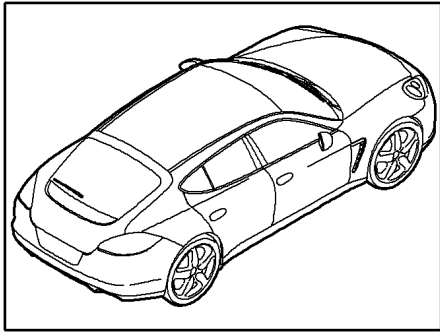
Model: 970 10

Model life 2010>>2016

Pos	Part Number	Description	Remark	Qty	Model
		Fuel system			CRCC, CRCB, CWJA
		Fuel line			
		Engine compartment			
1	970 110 335 31	Fuel line		1	
		Supply			
2	N 909 865 01	Spring band clamp		1	
		14,5 X 12			
3	970 110 330 31	Fuel line		1	
		Return line			
4	970 110 340 32	Fuel line		1	
		Return line			
		No longer use the part here			
(4)	970 110 340 33	Fuel line		1	
		Return line			
5	N 909 865 01	Spring band clamp		1	
		14,5 X 12			
6	999 507 288 40	Hose bracket		1	
		10 / 14			
7	970 110 382 30	Retainer for fuel line	upper	1	
8	999 073 484 01	flat round head bolt		1	
		M 6 X 15			
9	970 110 381 01	Retainer for fuel line	center	1	
10	970 110 380 01	Retainer for fuel line	lower	1	
11	N 907 884 02	Locating bolt		1	
		M 6 X 16			

Model: 970 10

Model life 2010>>2016



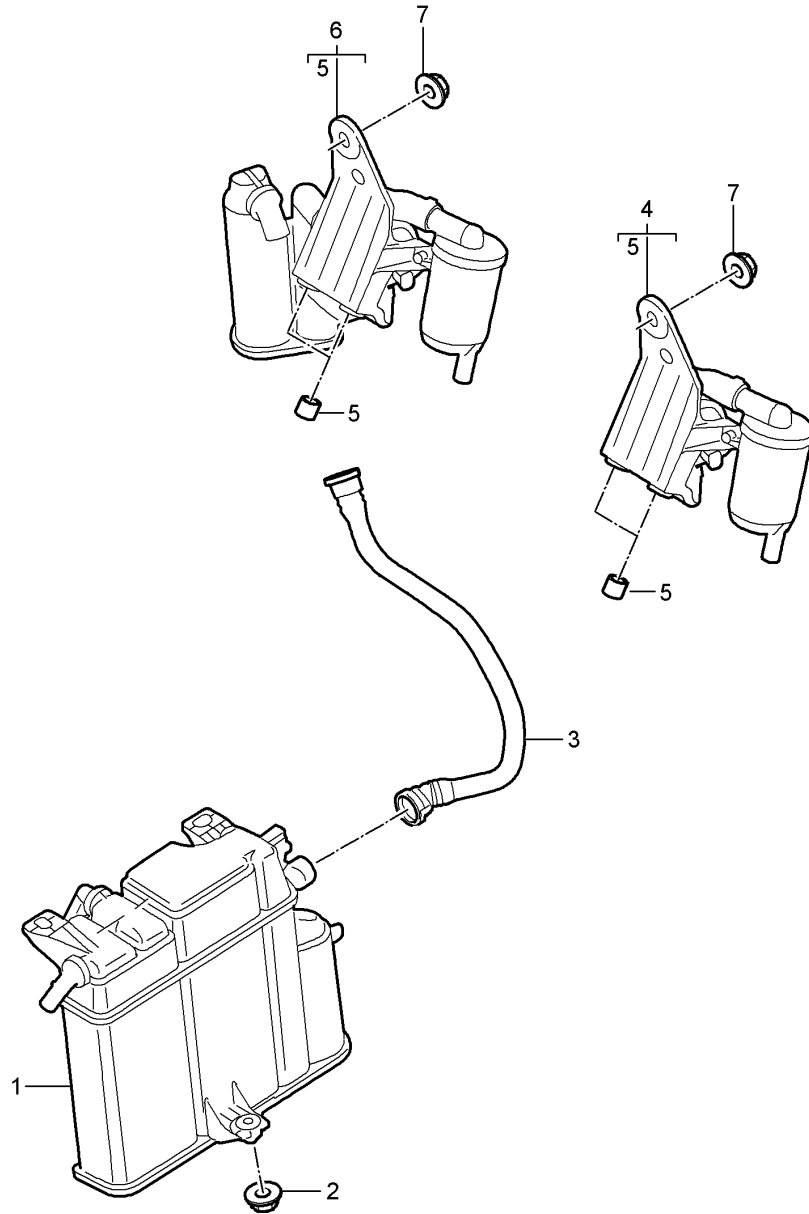
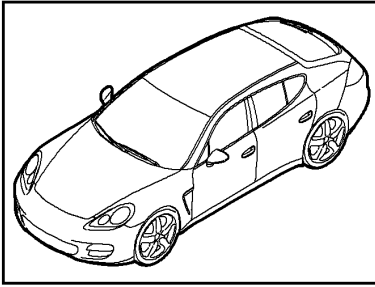
Model: 970 10

Model life 2010>>2016

Pos	Part Number	Description	Remark	Qty	Model
		Activated charcoal container			4620, 4640, 4820, 4840, 4870, CWAA, CXNA, CWDA, CWD, CWFA, CWF, CXPA, CXRA, CXR, CWBA, CWB, CWCA, CWC+ PR: -664
1	970 201 221 00	Activated charcoal container D >> - MJ 2013		1	
(1)	970 201 221 05	Activated charcoal container D - MJ 2014>>		1	
2	900 377 010 02	Hexagon nut M 6		3	
(2)	999 084 629 01	No longer use the part here Hexagon nut M 6		3	

Model: 970 10

Model life 2010>>2016



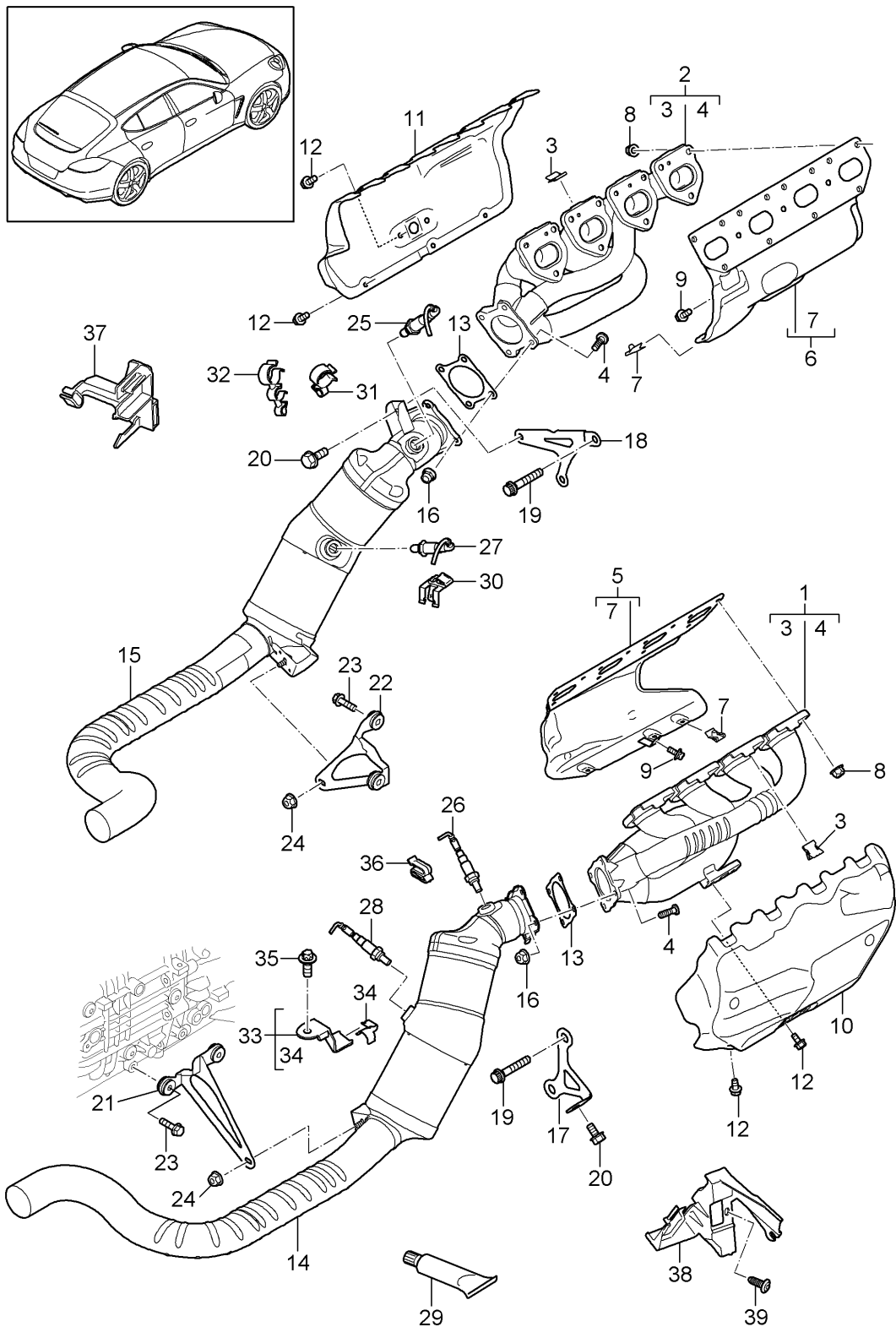
Model: 970 10

Model life 2010>>2016

Pos	Part Number	Description	Remark	Qty	Model
1	970 201 225 00	Activated charcoal container Air filter		1	CGEA, CGE, CGFA
(1)	970 201 227 00	Activated charcoal container D >> - MJ 2013		1	
2	999 084 629 01	Activated charcoal container D - MJ 2014>>		1	
3	970 201 381 01	Hexagon nut M 6		3	
(3)	970 201 381 00	Breather line D >> - MJ 2013		1	
4	970 201 278 00	Breather line D - MJ 2014>>		1	
(4)	970 201 278 01	Air filter D >> - MJ 2013		1	- "CN. "
(4)	970 201 278 02	Air filter D - MJ 2014>>		1	"CN. "
5	999 702 221 40	Air filter D - MJ 2014>>		1	
7	900 377 010 02	Grommet		2	
		Hexagon nut M 6		1	

Model: 970 10

Model life 2010>>2016



Model: 970 10 Model life 2010>>2016

Pos	Part Number	Description	Remark	Qty	Model
		exhaust system Exhaust manifolds Catalytic converter Lambda probe			4820,4840, CXPA,CXRA, CXR
1	948 111 130 21	Exhaust manifolds	Cylinders 1-4	1	
2	948 111 129 21	Exhaust manifolds	Cylinder 5-8	1	
3	948 111 213 00	Clip		8	
4	948 111 217 20	knurled screw M 8 X 25		8	
5	948 111 042 01	Guard plate Exhaust manifolds	Cylinders 1-4	1	
6	948 111 041 01	Guard plate Exhaust manifolds	Cylinder 5-8	1	
7	999 507 246 01	panel nut M 6		6	
8	999 084 642 02	Hexagon nut M 8		24	
9	900 385 041 02	Outer hexagon round screw BM 6 X 12		2	
(9)	900 385 041 01	No longer use the part here Torx screw BM 6 X 12		2	
10	970 111 038 03	Guard plate Exhaust manifolds	Cylinders 1-4	1	
11	970 111 037 03	Guard plate Exhaust manifolds	Cylinder 5-8	1	
12	900 378 036 01	Hexagon bolt M 6 X 12		10	
13	970 111 115 00	Seal		2	
14	970 113 350 03	Exhaust pipe with catalyst	Cylinders 1-4	1	
(14)	970 113 350 04	No longer use the part here Exhaust pipe with catalyst	Cylinders 1-4	1	
(14)	970 113 350 05	Discontinued part Exhaust pipe with catalyst	Cylinders 1-4	1	
(14)	970 113 350 06	Discontinued part Exhaust pipe with catalyst	Cylinders 1-4	1	
(14)	970 113 350 AX	D >> - MJ 2013 Exhaust pipe with catalyst	Cylinders 1-4	1	
(14)	970 113 350 08	D >> - MJ 2013 Exhaust pipe with catalyst	Cylinders 1-4	1	
(14)	970 113 350 09	D - MJ 2014>> Discontinued part Exhaust pipe with catalyst	Cylinders 1-4	1	
(14)	970 113 350 KX	D - MJ 2014>> Exhaust pipe with catalyst	Cylinders 1-4	1	
15	970 113 349 03	D - MJ 2014>> Exhaust pipe with catalyst	Cylinder 5-8	1	
		No longer use the part here			

Model: 970 10 Model life 2010>>2016

Pos	Part Number	Description	Remark	Qty	Model
(15)	970 113 349 04	Exhaust pipe with catalyst	Cylinder 5-8	1	
(15)	970 113 349 05	Discontinued part Exhaust pipe with catalyst	Cylinder 5-8	1	
(15)	970 113 349 06	Discontinued part Exhaust pipe with catalyst	Cylinder 5-8	1	
(15)	970 113 349 AX	D >> - MJ 2013 Exhaust pipe with catalyst	Cylinder 5-8	1	
(15)	970 113 349 08	D >> - MJ 2013 Exhaust pipe with catalyst	Cylinder 5-8	1	
(15)	970 113 349 09	D - MJ 2014>> Discontinued part Exhaust pipe with catalyst	Cylinder 5-8	1	
(15)	970 113 349 KX	D - MJ 2014>> Exhaust pipe with catalyst	Cylinder 5-8	1	
16	N 908 946 02	hexagon nut, self-locking M 8		8	
17	970 111 048 01	Support	upper Cylinders 1-4	1	4820
(17)	970 111 050 05	Support	upper Cylinders 1-4	1	4840, CXPA, CXRA, CXR
18	970 111 047 01	Support	upper Cylinder 5-8	1	4820+ PR:480
(18)	970 111 049 06	Support	upper Cylinder 5-8	1	4820, 4840, CXPA, CXRA, CXR+ PR:250
19		Fastening screw see illustration, item:	306-000,2	X	
20	900 378 074 01	Hexagon bolt M 8 X 16		2	
21	970 111 046 02	Support	lower Cylinders 1-4	1	4820+ PR:480
(21)	970 111 046 07	Support	lower Cylinders 1-4	1	4820, 4840, CXPA, CXRA, CXR+ PR:250
22	970 111 045 02	Support	lower Cylinder 5-8	1	4820+ PR:480
(22)	970 111 045 07	Support	lower Cylinder 5-8	1	4820, 4840, CXPA, CXRA, CXR+ PR:250
23	900 378 033 01	Hexagon bolt AM 8 X 30		4	4820+ PR:480
(23)	999 073 527 01	D >> - MJ 2010 fillister hd. bolt M 8 X 30		4	4820+ PR:480
(23)	900 378 033 01	D - MJ 2011>> Hexagon bolt AM 8 X 30		5	4820, 4840+ PR:250
		D >> - MJ 2010			

Model: 970 10

Model life 2010>>2016

Pos	Part Number	Description	Remark	Qty	Model
(23)	999 073 527 01	fillister hd. bolt M 8 X 30 D - MJ 2011>>		5	4820,4840, CXPA,CXRA, CXR+ PR:250
24	N 104 355 06	Hexagon collar nut self-locking M 8		2	
25	970 606 123 01	Lambda probe in front of Catalytic converter	left	1	
26	970 606 124 01	Lambda probe in front of Catalytic converter	Cylinder 5-8 right	1	
27	970 606 173 01	Lambda probe After Catalytic converter	Cylinders 1-4 left	1	
28	970 606 174 02	Lambda probe After Catalytic converter	Cylinder 5-8 right	1	PR:480
(28)	970 606 172 01	Lambda probe After Catalytic converter	Cylinders 1-4 right	1	PR:250
29	000 043 207 07	grease for oxygen sensor	Cylinders 1-4	1	
30	970 606 281 00	Holder for lambda probe Line After Catalytic converter		1	PR:250
31	999 507 174 40	Line holder 18,0 / 4,5 Lambda probe After Catalytic converter	Cylinder 5-8	1	
32	999 507 173 40	Line holder 18,0 / 11,0 / 4,5 Lines Lambda probe	Cylinder 5-8	1	
33	970 606 274 01	Holder for lambda probe Line After Catalytic converter		1	PR:480
34	999 651 392 07	Cable holder 9,5 - 10,5	Cylinders 1-4	1	PR:480
35	900 385 041 01	Torx screw BM 6 X 12		1	PR:480
36	999 651 399 40	Line holder 5,0 Lines Lambda probe		1	
37	970 606 159 02	Holder for lambda probe Engine bay Connection point Connector	left	1	
38	970 606 160 02	Holder for lambda probe Engine bay	right	1	

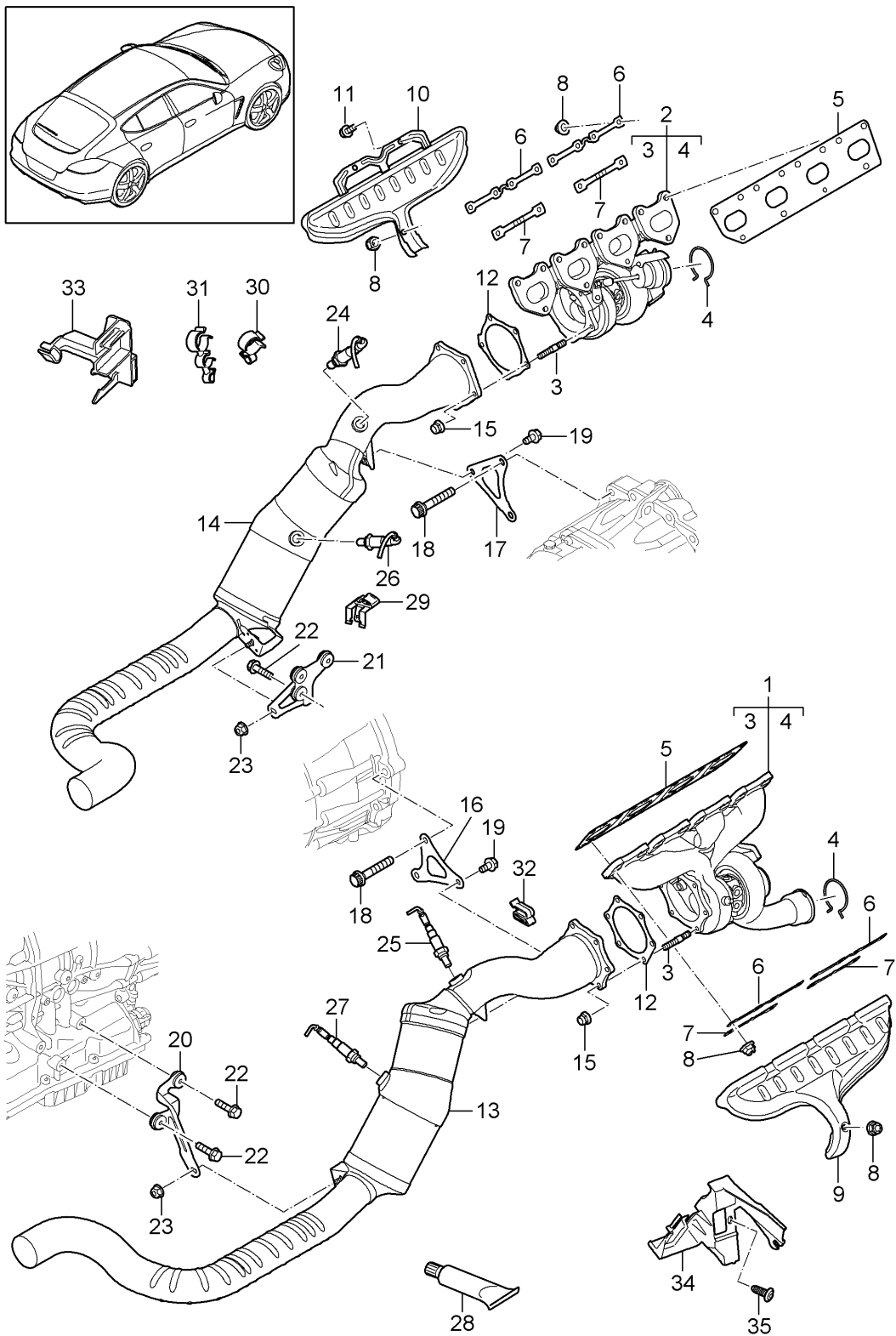
Model: 970 10

Model life 2010>>2016

Pos	Part Number	Description	Remark	Qty	Model
39	999 073 231 09	Connection point Connector panel screw ST 4,8 X 16		1	

Model: 970 10

Model life 2010>>2016



Model: 970 10 Model life 2010>>2016

Pos	Part Number	Description	Remark	Qty	Model
		exhaust system Exhaust gas turbocharger Catalytic converter Lambda probe			4870, CWBA, CWB, CWCA, CWC
1	948 123 025 70	Exhaust gas turbocharger Discontinued part	Cylinders 1-4	1	PR:-X80,-016
(1)	948 123 025 71	Exhaust gas turbocharger Discontinued part	Cylinders 1-4	1	PR:-X80,-016
(1)	948 123 025 72	Exhaust gas turbocharger	Cylinders 1-4	1	PR:-X80,-016
(1)	948 123 025 75	Exhaust gas turbocharger See technical information See main group 2 55/12 AC 04	Cylinders 1-4	1	PR:X80,016
(1)	948 123 025 76	No longer use the part here Exhaust gas turbocharger See technical information See main group 2 55/12 AC 04	Cylinders 1-4	1	PR:X80,016
(1)	948 123 025 72	No longer use the part here Exhaust gas turbocharger D >> - MJ 2013	Cylinders 1-4	1	PR:X80,016
(1)	948 123 025 78	Exhaust gas turbocharger D - MJ 2014>>	Cylinders 1-4	1	PR:016
2	948 123 026 70	Exhaust gas turbocharger Discontinued part	Cylinder 5-8	1	PR:-X80,-016
(2)	948 123 026 71	Exhaust gas turbocharger	Cylinder 5-8	1	PR:-X80,-016
(2)	948 123 026 75	Exhaust gas turbocharger See technical information See main group 2 55/12 AC 04	Cylinder 5-8	1	PR:X80,016
(2)	948 123 026 76	No longer use the part here Exhaust gas turbocharger See technical information See main group 2 55/12 AC 04	Cylinder 5-8	1	PR:X80,016
(2)	948 123 026 71	No longer use the part here Exhaust gas turbocharger D >> - MJ 2013	Cylinder 5-8	1	PR:X80,016
(2)	948 123 026 78	Exhaust gas turbocharger D - MJ 2014>>	Cylinder 5-8	1	PR:016
3	948 123 323 50	Threaded pin	M8X1,25	11	
4	948 123 324 50	retaining spring		2	
5	948 111 181 70	Seal Exhaust manifolds		2	
6	948 111 401 70	Retaining plate D >> - MJ 2013	upper	4	
(6)	948 111 401 71	Retaining plate D - MJ 2014>>	upper	4	
7	948 111 402 70	Retaining plate D >> - MJ 2013	lower	4	
7	948 111 402 71	Retaining plate D - MJ 2014>>	lower	4	
8	999 084 642 02	Hexagon nut	M8	26	
9	948 111 337 70	Guard plate	Cylinders 1-4	1	
10	948 111 338 70	Guard plate	Cylinder 5-8	1	
11	900 385 044 01	Torx screw	BM8X16	2	
12	970 111 115 70	Seal	left	1	
(12)	970 111 115 71	Seal	right	1	
13	970 113 350 73	Exhaust pipe with catalyst	Cylinders 1-4	1	

Model: 970 10 Model life 2010>>2016

Pos	Part Number	Description	Remark	Qty	Model
(13)	970 113 350 74	No longer use the part here Exhaust pipe with catalyst	Cylinders 1-4	1	
(13)	970 113 350 75	Discontinued part Exhaust pipe with catalyst	Cylinders 1-4	1	
(13)	970 113 350 EX	D >> - MJ 2013 Exhaust pipe with catalyst	Cylinders 1-4	1	
(13)	970 113 350 79	D >> - MJ 2013 Exhaust pipe with catalyst	Cylinders 1-4	1	
(13)	970 113 350 76	D - MJ 2014>> Discontinued part Exhaust pipe with catalyst	Cylinders 1-4	1	
(13)	970 113 350 LX	D - MJ 2014>> Exhaust pipe with catalyst	Cylinders 1-4	1	
14	970 113 349 73	D - MJ 2014>> Exhaust pipe with catalyst	Cylinder 5-8	1	
(14)	970 113 349 74	No longer use the part here Exhaust pipe with catalyst	Cylinder 5-8	1	
(14)	970 113 349 75	Discontinued part Exhaust pipe with catalyst	Cylinder 5-8	1	
(14)	970 113 349 HX	D >> - MJ 2013 Exhaust pipe with catalyst	Cylinder 5-8	1	
(14)	970 113 349 79	D >> - MJ 2013 Exhaust pipe with catalyst	Cylinder 5-8	1	
(14)	970 113 349 76	D - MJ 2014>> discontinued part Exhaust pipe with catalyst	Cylinder 5-8	1	
(14)	970 113 349 LX	D - MJ 2014>> Exhaust pipe with catalyst	Cylinder 5-8	1	
15	N 908 946 02	hexagon nut, self-locking	M8-B-	11	
16	970 111 048 05	Support	upper	1	
17	970 111 047 05	Support	Cylinders 1-4 upper	1	
18		Screw	Cylinder 5-8	X	
19	900 378 074 01	see illustration, item: Hexagon bolt	306-000,2 M8X16	2	
20	970 111 046 07	Support	lower	1	
21	970 111 045 07	Support	Cylinders 1-4 lower	1	
22	900 378 033 01	Hexagon bolt	Cylinder 5-8 AM8X30	5	
(22)	999 073 527 01	No longer use the part here fillister hd. bolt	M8X30	5	
23	N 104 355 06	Hexagon collar nut self-locking	M8	2	
24	970 606 123 01	Lambda probe (in front of catalyst)	left	1	
25	970 606 124 01	Lambda probe (in front of catalyst)	right	1	
26	970 606 173 01	Lambda probe (behind catalyst)	left	1	
27	970 606 172 01	Lambda probe (behind catalyst)	right	1	
28	000 043 207 07	grease for lambda probe		1	
28	000 043 305 37	discontinued part grease for lambda probe		1	
29	970 606 281 00	Holder for lambda probe (behind catalyst)	Cylinder 5-8	1	
30	999 507 174 40	Line holder Lambda probe	18/4,5	1	

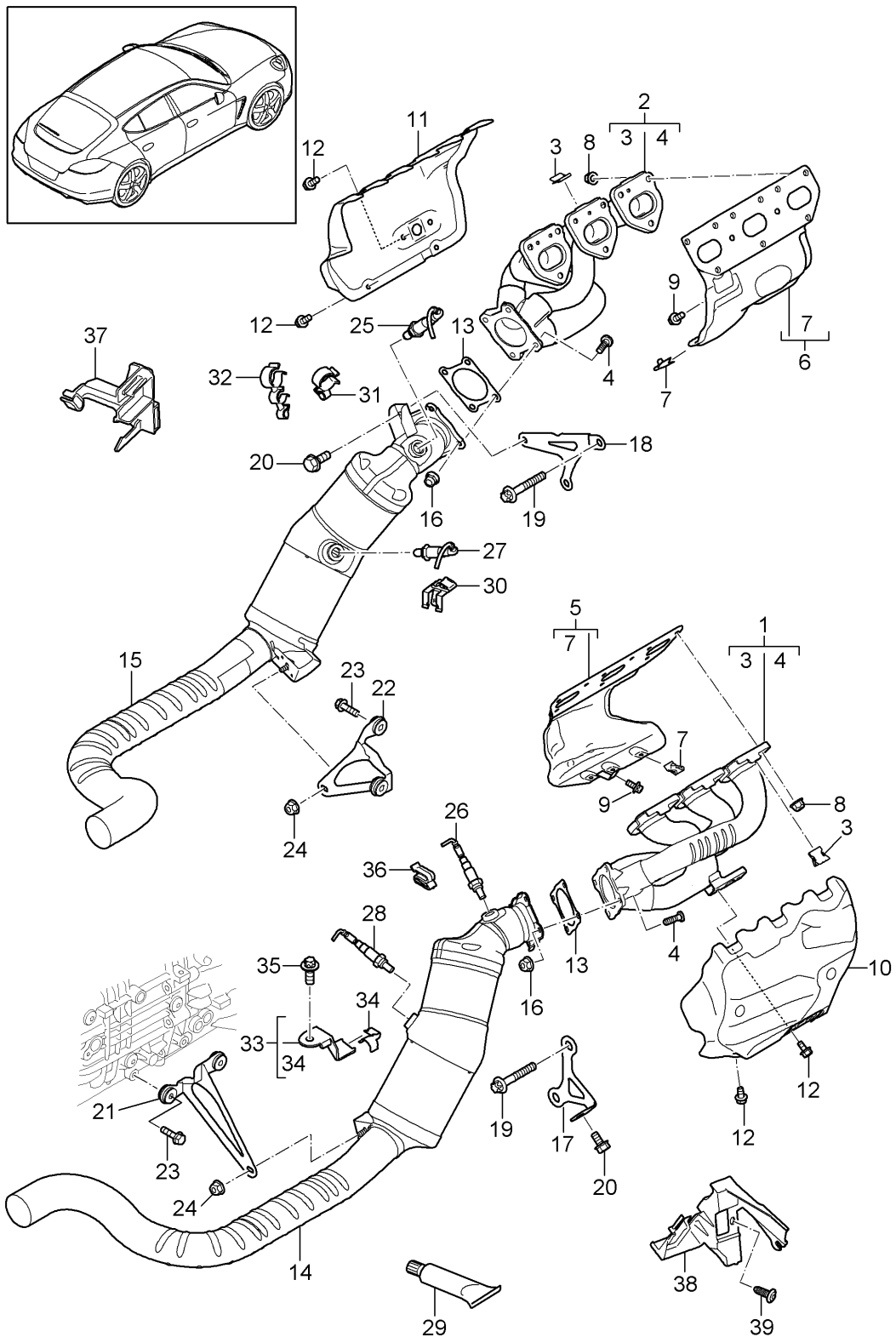
Model: 970 10

Model life 2010>>2016

Pos	Part Number	Description	Remark	Qty	Model
31	999 507 173 40	(behind catalyst) Line holder Lambda probe	Cylinder 5-8 18/11/4,5	1	
32	999 651 399 40	Line holder Lambda probe	5,0	1	
33	970 606 159 02	Holder for lambda probe	left	1	
34	970 606 160 02	Holder for lambda probe	right	1	
35	999 073 231 09	panel screw	ST4,8X16	1	

Model: 970 10

Model life 2010>>2016



Model: 970 10 Model life 2010>>2016

Pos	Part Number	Description	Remark	Qty	Model
		exhaust system Exhaust manifolds Catalytic converter Lambda probe			4620,4640, CWA, CXNA
1	946 111 130 01	Exhaust manifolds	cylinders 1-3	1	
2	946 111 129 01	Exhaust manifolds	cylinders 4-6	1	
3	948 111 213 00	Clip		6	
4	948 111 217 20	knurled screw	M8X25	8	
5	946 111 042 01	Guard plate	cylinders 1-3	1	
(5)	946 111 042 02	Exhaust manifolds Discontinued part Guard plate	cylinders 1-3	1	
(6)	946 111 041 02	Exhaust manifolds Guard plate	cylinders 4-6	1	
7	999 507 246 01	panel nut	M6	4	
8	999 084 642 02	Hexagon nut	M8	18	
9	900 385 041 01	Torx screw	BM6X12	2	
10	970 111 038 21	Guard plate	cylinders 1-3	1	
11	970 111 037 21	Exhaust manifolds Guard plate	cylinders 4-6	1	
12	900 378 036 01	Hexagon bolt	M6X12	8	
13	970 111 115 00	Seal		2	
14	970 113 350 22	Exhaust pipe with catalyst Discontinued part	cylinders 1-3	1	
(14)	970 113 350 23	Exhaust pipe with catalyst See workshop manual See main group 2 267619	cylinders 1-3	1	
(14)	970 113 350 24	Discontinued part Exhaust pipe with catalyst See workshop manual See main group 2 267619	cylinders 1-3	1	
(14)	970 113 350 26	Discontinued part Exhaust pipe with catalyst See workshop manual See main group 2 267619	cylinders 1-3	1	
(14)	970 113 350 DX	D >> - MJ 2013 Exhaust pipe with catalyst See workshop manual See main group 2 267619	cylinders 1-3	1	
(14)	970 113 350 27	D >> - MJ 2013 Exhaust pipe with catalyst	cylinders 1-3	1	
(14)	970 113 350 28	D - MJ 2014>> Discontinued part Exhaust pipe with catalyst	cylinders 1-3	1	
(14)	970 113 350 JX	D - MJ 2014>> Exhaust pipe with catalyst	cylinders 1-3	1	
15	970 113 349 22	D - MJ 2014>> Exhaust pipe with catalyst	cylinders 4-6	1	
(15)	970 113 349 23	Discontinued part Exhaust pipe with catalyst	cylinders 4-6	1	
(15)	970 113 349 26	Discontinued part Exhaust pipe with catalyst	cylinders 4-6	1	
(15)	970 113 349 DX	D >> - MJ 2013 Exhaust pipe with catalyst	cylinders 4-6	1	
(15)	970 113 349 27	D >> - MJ 2013 Exhaust pipe with catalyst	cylinders 4-6	1	
		D - MJ 2014>>			

Model: 970 10 Model life 2010>>2016

Pos	Part Number	Description	Remark	Qty	Model
(15)	970 113 349 EX	discontinued part Exhaust pipe with catalyst D - MJ 2014>>	cylinders 4-6	1	
(15)	970 113 349 28	Discontinued part Exhaust pipe with catalyst D - MJ 2014>>	cylinders 4-6	1	
(15)	970 113 349 JX	Exhaust pipe with catalyst D - MJ 2014>>	cylinders 4-6	1	
16	N 908 946 02	hexagon nut, self-locking	M8-B-	8	
17	970 111 048 01	Support	upper cylinders 1-3	1	4620
		See workshop manual See main group 2 267619 No longer use the part here			
(17)	970 111 050 05	Support	upper cylinders 1-3	1	4640
		See workshop manual See main group 2 267619 No longer use the part here			
18	970 111 047 01	Support	upper cylinders 4-6	1	4620+
(18)	970 111 049 06	Support	upper cylinders 4-6	1	PR:480 4620,4640, CWAA,CXNA+
19		Screw		X	PR:250
		see illustration, item:	306-000,2		
20	900 378 074 01	Hexagon bolt See workshop manual See main group 2 267619 No longer use the part here	M8X16	2	
(20)	900 378 074 01	Hexagon bolt	M8X16	1	
21	970 111 046 02	Support	lower cylinders 1-3	1	4620+
(21)	970 111 046 07	Support	lower cylinders 1-3	1	PR:480 4620,4640, CWAA,CXNA+
22	970 111 045 02	Support	lower cylinders 4-6	1	PR:250 4620+
(22)	970 111 045 07	Support	lower cylinders 4-6	1	PR:480 4620,4640, CWAA,CXNA+
23	999 073 527 01	fillister hd. bolt	M8X30	4	PR:250 4620+
(23)	999 073 527 01	fillister hd. bolt	M8X30	5	PR:480 4620,4640, CWAA,CXNA+
24	N 104 355 06	Hexagon collar nut self-locking	M8	2	PR:250
25	970 606 123 01	Lambda probe (Before starter catalyst)	left	1	
26	970 606 124 01	Lambda probe (Before starter catalyst)	right	1	
27	970 606 173 01	Lambda probe (behind the pre-catalyst)	left	1	
28	970 606 174 02	Lambda probe (behind the pre-catalyst)	right	1	PR:480
(28)	970 606 172 01	Lambda probe (behind the pre-catalyst)	right	1	PR:250
29	000 043 207 07	grease for lambda probe		1	

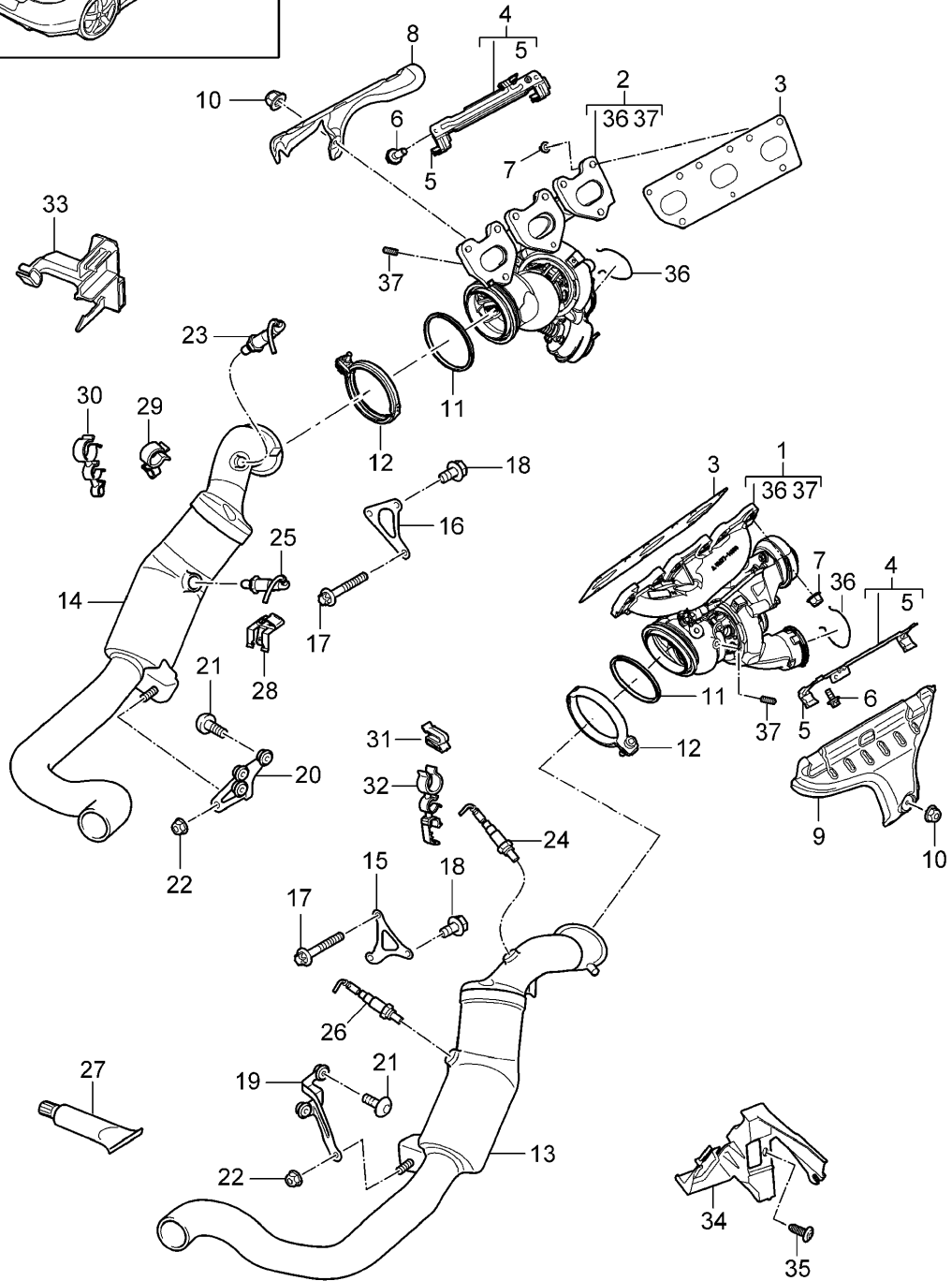
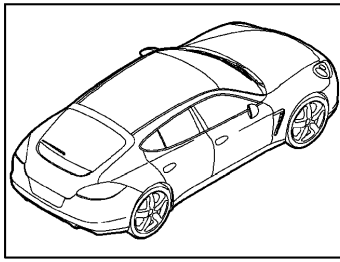
Model: 970 10

Model life 2010>>2016

Pos	Part Number	Description	Remark	Qty	Model
30	970 606 281 00	Holder for lambda probe (behind the pre-catalyst)	cylinders 4-6	1	PR:250
31	999 507 174 40	Line holder Lambda probe (behind the pre-catalyst)	18,0/4,5 cylinders 4-6	1	
32	999 507 173 40	Line holder Cable fastener Lambda probe	18/11/4,5	1	
33	970 606 274 01	Holder for lambda probe (behind the pre-catalyst)	cylinders 1-3	1	PR:480
34	999 651 392 07	Cable holder	9,5-10,5	1	PR:480
35	900 385 041 01	Torx screw	BM6X12	1	PR:480
36	999 651 399 40	Line holder Cable fastener Lambda probe	5,0	1	
37	970 606 159 02	Holder for lambda probe Engine bay	left	1	
38	970 606 160 02	Holder for lambda probe Engine bay	right	1	
39	999 073 231 09	panel screw	ST4,8X16	1	

Model: 970 10

Model life 2010>>2016



Model: 970 10

Model life 2010>>2016

Pos	Part Number	Description	Remark	Qty	Model
1	946 123 025 60	exhaust system Exhaust gas turbocharger Catalytic converter Lambda probe Exhaust gas turbocharger	cylinders 1-3	1	CWDA, CWD, CWFA, CWF
(1)	946 123 025 61	Discontinued part Exhaust gas turbocharger	cylinders 1-3	1	
2	946 123 026 60	Exhaust gas turbocharger	cylinders 4-6	1	
(2)	946 123 026 61	Discontinued part Exhaust gas turbocharger	cylinders 4-6	1	
3	946 111 181 75	Seal		2	
4	946 111 420 75	Exhaust manifolds bracket for shield No longer use the part here		2	
(4)	946 111 420 76	bracket for shield		2	
5	948 111 213 00	Clip		4	
6	900 385 041 01	Torx screw BM 6 X 12		4	
7	999 084 642 02	Hexagon nut M 8		18	
8	946 111 337 75	Guard plate	cylinders 1-3	1	
9	946 111 338 76	Guard plate	cylinders 4-6	1	
10	900 380 015 02	Hexagon nut M 6		2	
11	5Q0 253 115 B	Seal		2	
12	5Q0 253 725 A	Clamp No longer use the part here		2	
(12)	5Q0 253 725 C	Clamp		2	
13	970 113 350 62	Exhaust pipe with catalyst	cylinders 1-3	1	
(13)	970 113 350 63	Discontinued part Exhaust pipe with catalyst	cylinders 1-3	1	
(13)	970 113 350 64	Discontinued part Exhaust pipe with catalyst	cylinders 1-3	1	
(13)	970 113 350 MX	Exhaust pipe with catalyst	cylinders 1-3	1	
14	970 113 349 62	Exhaust pipe with catalyst	cylinders 4-6	1	
(14)	970 113 349 63	Discontinued part Exhaust pipe with catalyst	cylinders 4-6	1	
(14)	970 113 349 64	Discontinued part Exhaust pipe with catalyst	cylinders 4-6	1	
(14)	970 113 349 MX	Exhaust pipe with catalyst	cylinders 4-6	1	
15	970 111 048 60	Support	cylinders 4-6 upper	1	PR:338
(15)	970 111 048 05	Support	cylinders 1-3 upper	1	PR:339
16	970 111 047 05	Support	cylinders 1-3 upper	1	
17		Fastening screw see illustration, item:		X	
18	900 378 074 01	Hexagon bolt	306-000,2	2	

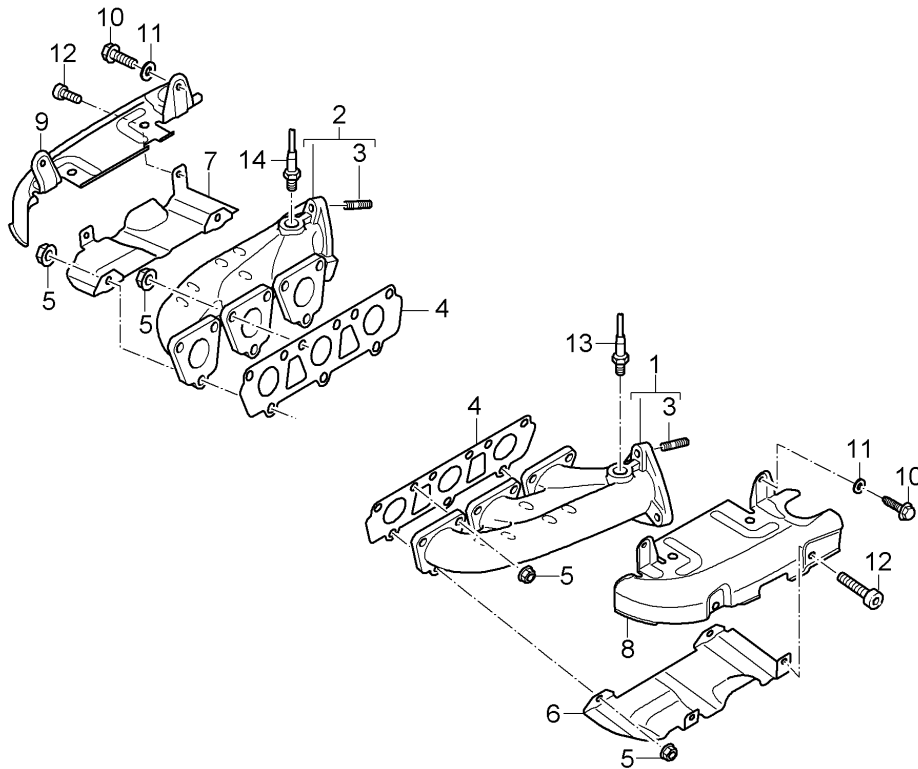
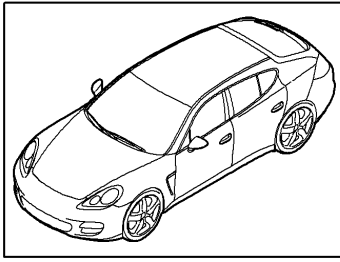
Model: 970 10

Model life 2010>>2016

Pos	Part Number	Description	Remark	Qty	Model
19	970 111 046 07	M 8 X 16 Support	lower cylinders 1-3	1	
20	970 111 045 07	Support	lower cylinders 4-6	1	
21	999 073 527 01	fillister hd. bolt M 8 X 30		5	
22	N 104 355 06	Hexagon collar nut self-locking M 8		2	
23	970 606 135 00	Lambda probe in front of Catalytic converter	left cylinders 4-6	1	
24	970 606 136 01	Lambda probe in front of Catalytic converter	right cylinders 1-3	1	
25	970 606 173 01	Lambda probe After Catalytic converter	left cylinders 4-6	1	
26	970 606 186 00	Lambda probe After Catalytic converter	right cylinders 1-3	1	
27	000 043 207 07	grease for oxygen sensor		1	
28	970 606 281 00	Holder for lambda probe Line After Catalytic converter		1	
29	999 507 174 40	Line holder 18,0 / 4,5 Lambda probe After Catalytic converter	cylinders 4-6	1	
30	999 507 173 40	Line holder 18,0 / 11,0 / 4,5 Lines Lambda probe	cylinders 4-6	1	
31	999 651 399 40	Line holder 5,0 Lines Lambda probe		1	
32	970 606 226 00	Line holder Lines Lambda probe		1	
33	970 606 159 02	Holder for lambda probe Engine bay Connection point Connector	left	1	
34	970 606 160 02	Holder for lambda probe Engine bay Connection point Connector	right	1	
35	999 073 231 09	panel screw ST 4,8 X 16		1	
36	948 123 324 50	retaining spring		2	
37	900 402 018 01	Threaded stud BM 6 X 18,5		2	

Model: 970 10

Model life 2010>>2016



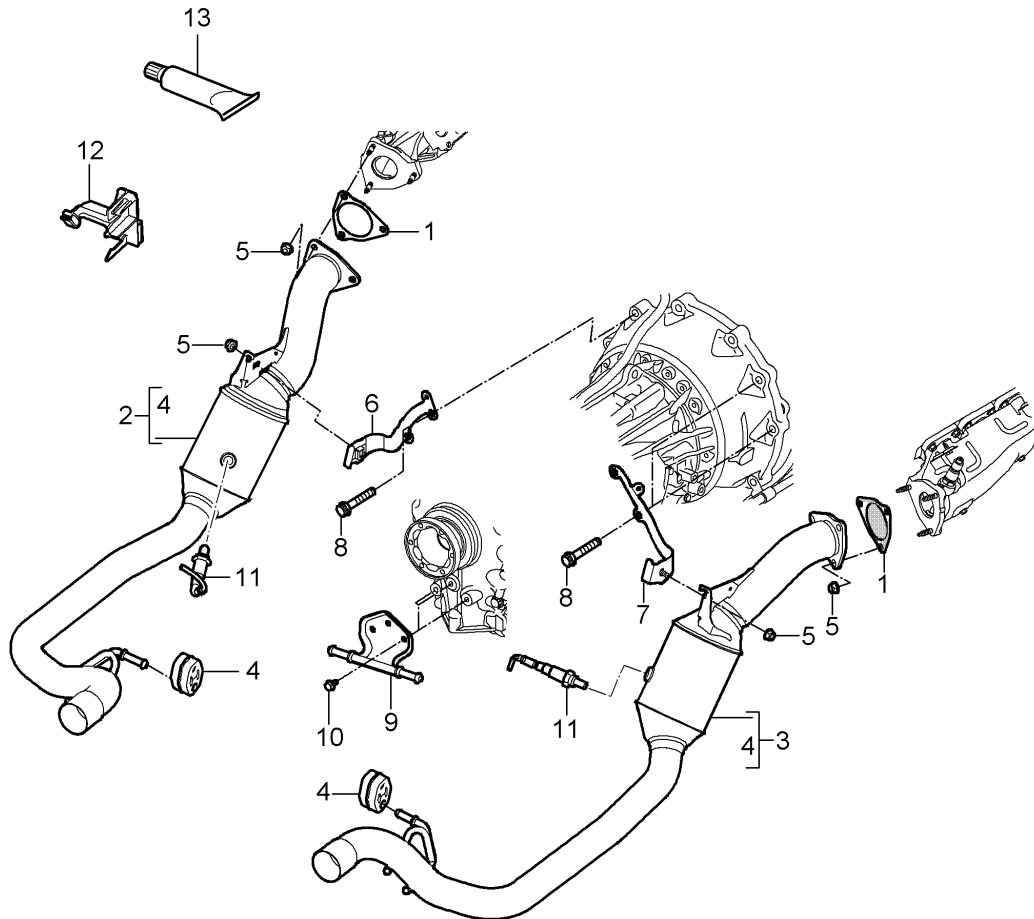
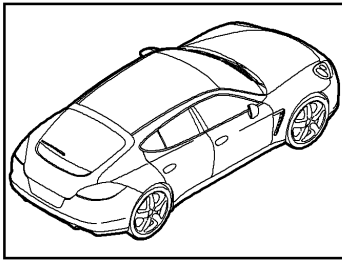
Model: 970 10

Model life 2010>>2016

Pos	Part Number	Description	Remark	Qty	Model
		exhaust system			CGEA, CGE, CGFA
(1)	958 111 129 11	Exhaust manifolds Exhaust manifolds Discontinued part	cylinders 4-6	1	
(1)	958 111 129 12	Exhaust manifolds	cylinders 4-6	1	
(2)	958 111 130 11	Exhaust manifolds Discontinued part	cylinders 1-3	1	
(2)	958 111 130 12	Exhaust manifolds	cylinders 1-3	1	
3	N 911 870 01	Threaded pin M 8 X 28		6	
4	958 111 181 10	Seal		2	
5	N 902 264 04	Hexagon collar nut self-locking M 8		18	
6	958 111 211 00	Guard plate Discontinued part	lower	1	
(6)	958 111 211 01	Guard plate	lower	1	
7	958 111 212 00	Guard plate Discontinued part	lower	1	
(7)	958 111 212 01	Guard plate	lower	1	
8	958 111 213 00	Guard plate Discontinued part	upper	1	
(8)	958 111 213 01	Guard plate	upper	1	
9	958 111 214 00	Guard plate Discontinued part	upper	1	
(9)	958 111 214 01	Guard plate	upper	1	
10	N 101 319 03	Hexagon bolt M 6 X 14		4	
11	WHT 000 286	Washer 6,4 X 15 X 1,5		4	
12	N 902 452 09	Hex collared bolt M 6 X 10		4	
13	958 606 133 00	Lambda probe (in front of catalyst)	left	1	PR:-164
(13)	958 606 133 20	Lambda probe (in front of catalyst)	left	1	PR:164
14	958 606 134 00	Lambda probe (in front of catalyst)	right	1	PR:-164
(14)	958 606 134 20	Lambda probe (in front of catalyst)	right	1	PR:164

Model: 970 10

Model life 2010>>2016

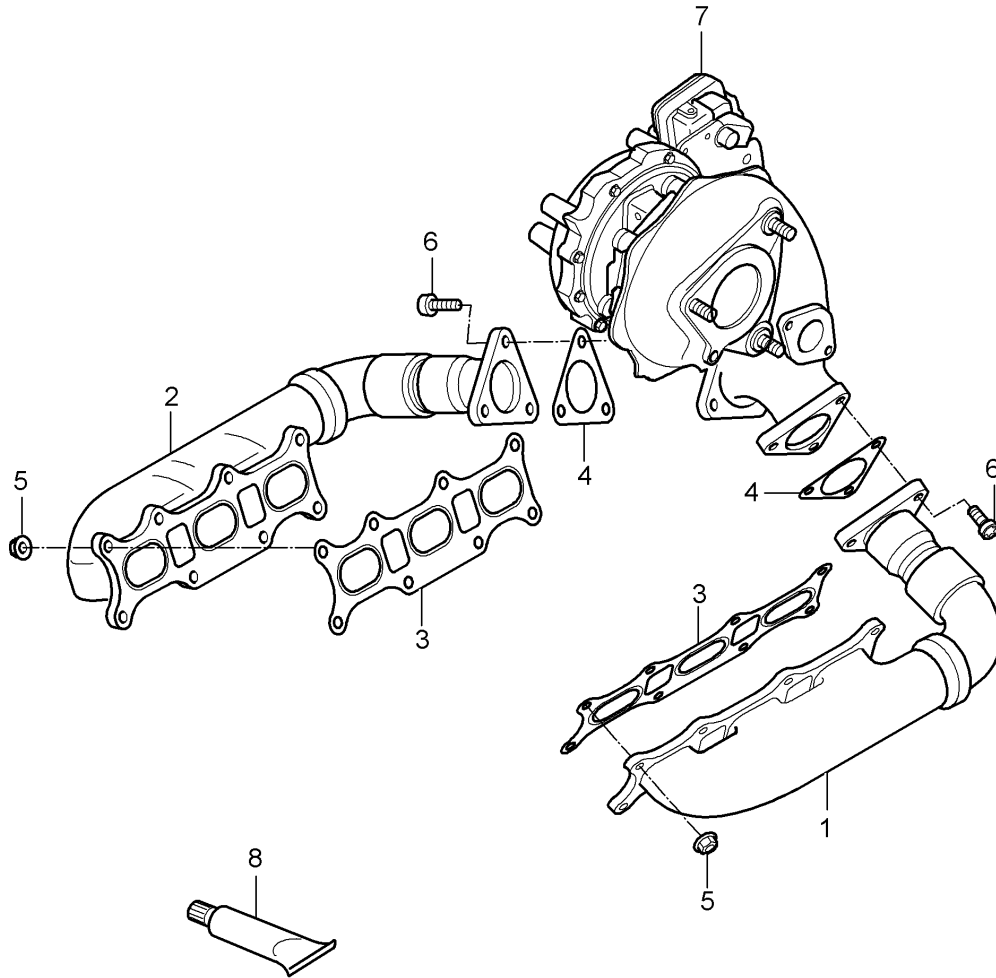
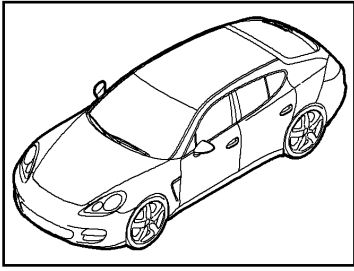


Model: 970 10 Model life 2010>>2016

Pos	Part Number	Description	Remark	Qty	Model
		exhaust system			CGEA, CGE, CGFA
1	958 111 113 10	Exhaust pipe with catalyst Seal		2	
2	970 113 349 12	Exhaust pipe with catalyst Discontinued part	cylinders 4-6	1	PR:-193
(2)	970 113 349 14	Exhaust pipe with catalyst Discontinued part	cylinders 4-6	1	PR:-193
(2)	970 113 349 16	Exhaust pipe with catalyst	cylinders 4-6	1	PR:-193
(2)	970 113 349 BX	Exhaust pipe with catalyst	cylinders 4-6	1	PR:-193
(2)	970 113 349 13	Exhaust pipe with catalyst Discontinued part	cylinders 4-6	1	PR:193
(2)	970 113 349 15	Exhaust pipe with catalyst Discontinued part	cylinders 4-6	1	PR:193
(2)	970 113 349 17	Exhaust pipe with catalyst	cylinders 4-6	1	PR:193
(2)	970 113 349 CX	Exhaust pipe with catalyst	cylinders 4-6	1	PR:193
3	970 113 350 12	Exhaust pipe with catalyst Discontinued part	cylinders 1-3	1	PR:-193
(3)	970 113 350 14	Exhaust pipe with catalyst Discontinued part	cylinders 1-3	1	PR:-193
(3)	970 113 350 16	Exhaust pipe with catalyst	cylinders 1-3	1	PR:-193
(3)	970 113 350 BX	Exhaust pipe with catalyst	cylinders 1-3	1	PR:-193
(3)	970 113 350 13	Exhaust pipe with catalyst Discontinued part	cylinders 1-3	1	PR:193
(3)	970 113 350 15	Exhaust pipe with catalyst Discontinued part	cylinders 1-3	1	PR:193
(3)	970 113 350 17	Exhaust pipe with catalyst	cylinders 1-3	1	PR:193
(3)	970 113 350 CX	Exhaust pipe with catalyst	cylinders 1-3	1	PR:193
4	970 111 331 00	hand strap		2	
5	N 908 946 02	hexagon nut, self-locking M 8		8	
6	970 111 047 15	Support		1	
7	970 111 050 15	Support		1	
8		dodecagonal head bolt see illustration, item:	306-010,1	X	
9	970 111 045 15	Gearbox support		1	
10	900 378 074 01	Hexagon bolt M 8 X 16		3	
11	970 606 176 00	Lambda probe (behind catalyst)		2	
12	970 606 159 02	Holder for lambda probe		1	
13	000 043 207 07	Engine bay grease		1	
(13)	000 043 305 37	for lambda probe discontinued part grease for lambda probe		1	

Model: 970 10

Model life 2010>>2016



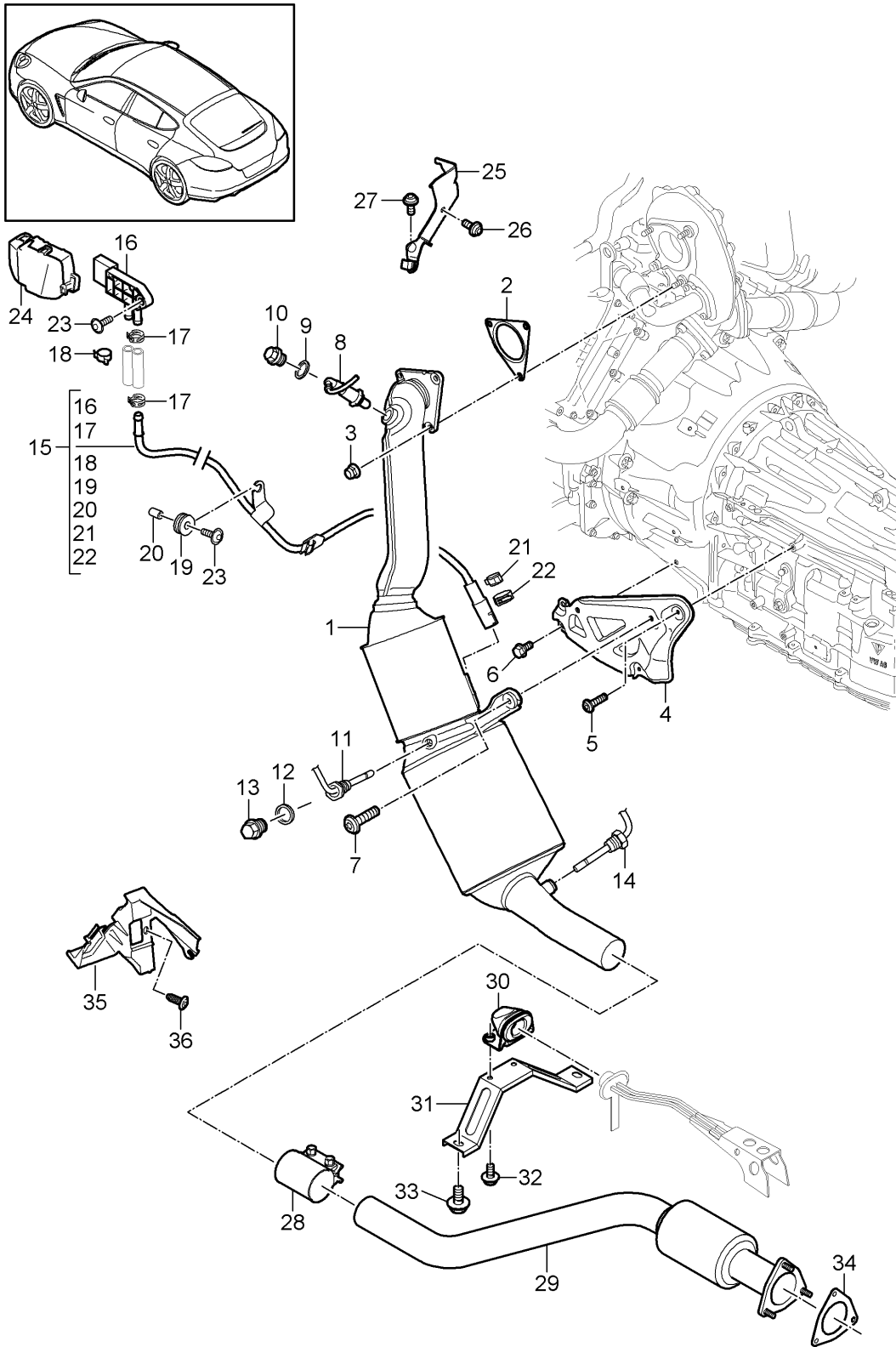
Model: 970 10

Model life 2010>>2016

Pos	Part Number	Description	Remark	Qty	Model
1	958 111 129 20	exhaust system Exhaust manifolds Exhaust manifolds Discontinued part	left	1	CRCC,CRCB, CWJA CRCC,CRCB
(1)	958 111 129 21	Exhaust manifolds	left	1	CRCC,CRCB
(1)	958 111 129 40	Exhaust manifolds	left	1	CWJA
2	958 111 130 20	Exhaust manifolds Discontinued part	right	1	CRCC,CRCB
(2)	958 111 130 21	Exhaust manifolds	right	1	CRCC,CRCB
(2)	958 111 130 40	Exhaust manifolds	right	1	CWJA
3	958 111 181 20	Seal		2	CRCC,CRCB
(3)	958 111 181 50	Seal		2	CWJA
4	958 111 113 30	Seal		2	
5	N 908 946 01	hexagon nut, self-locking M 8		16	CRCC,CRCB
(5)	N 908 946 01	hexagon nut, self-locking M 8		14	CWJA
6	N 911 878 01	Socket head bolt with inner multipoint head M 8 X 20		6	
7		Exhaust gas turbocharger see illustration, item:	202-097,1	1	
8	000 043 207 47	hot-bolt-paste 1 tube discontinued part	170 gram	1	
(8)	000 043 306 18	hot-bolt-paste 1 tube	170 gram	1	

Model: 970 10

Model life 2010>>2016



Model: 970 10 Model life 2010>>2016

Pos	Part Number	Description	Remark	Qty	Model
		exhaust system Exhaust pipe with catalyst Diesel particulate filter Control line Exhaust pipe		1	CRCC, CRCB, CWJA PR:165
1	970 113 349 30	with: Diesel particulate filter Exhaust pipe		1	PR:165
1	970 113 349 FX	with: Diesel particulate filter Exhaust pipe		1	PR:165
(1)	970 113 349 32	Exhaust pipe with catalyst		1	PR:161
(1)	970 113 349 GX	Exhaust pipe with catalyst		1	PR:161
(1)	970 113 349 32	Exhaust pipe with catalyst		1	PR:158
		also use:	N 029 704 2	1	
			N 029 701 4	1	
			N 013 832 6	1	
			N 013 814 9	1	
(1)	970 113 349 GX	seal ring Exhaust pipe with catalyst also use:	N 029 704 2	1	PR:158
			N 029 701 4	1	
			N 013 832 6	1	
			N 013 814 9	1	
2	958 111 113 20	seal ring Seal		1	
3	N 908 946 02	hexagon nut, self-locking M 8		3	
4	970 111 045 30	Gearbox support		1	
5	999 073 902 31	fillister hd. bolt aluminium M 6 X 16		2	
6	N 106 531 02	Hexagon bolt M 8 X 20		2	
7	999 073 527 01	fillister hd. bolt M 8 X 30		3	
8	970 606 179 00	Lambda probe (in front of catalyst)		1	PR:161,165
9	N 013 832 6	seal ring A 18 X 22		1	PR:158
10	N 029 704 2	sealing plug M 18 X 1,5		1	PR:158
11	970 606 253 00	Temperature sensor Diesel particulate filter		1	PR:165
12	N 013 814 9	seal ring A 14 X 18		1	PR:158,161
13	N 029 701 4	oil drain plug M 14 X 1,5		1	PR:158,161
14	970 606 255 00	Temperature sensor Diesel particulate filter		1	PR:165
15	970 605 197 00	Control line		1	PR:165
16	958 606 151 10	Pressure sensor		1	PR:165
17	958 111 483 10	clamp B 13,5 X 12		2	
18	955 111 483 00	clamp B 11,5 X 8,4		1	
19	999 703 479 40	Bonded rubber bush		1	
20	999 209 093 01	spacer sleeve		1	
21	N 906 867 01	Spring band clamp		1	

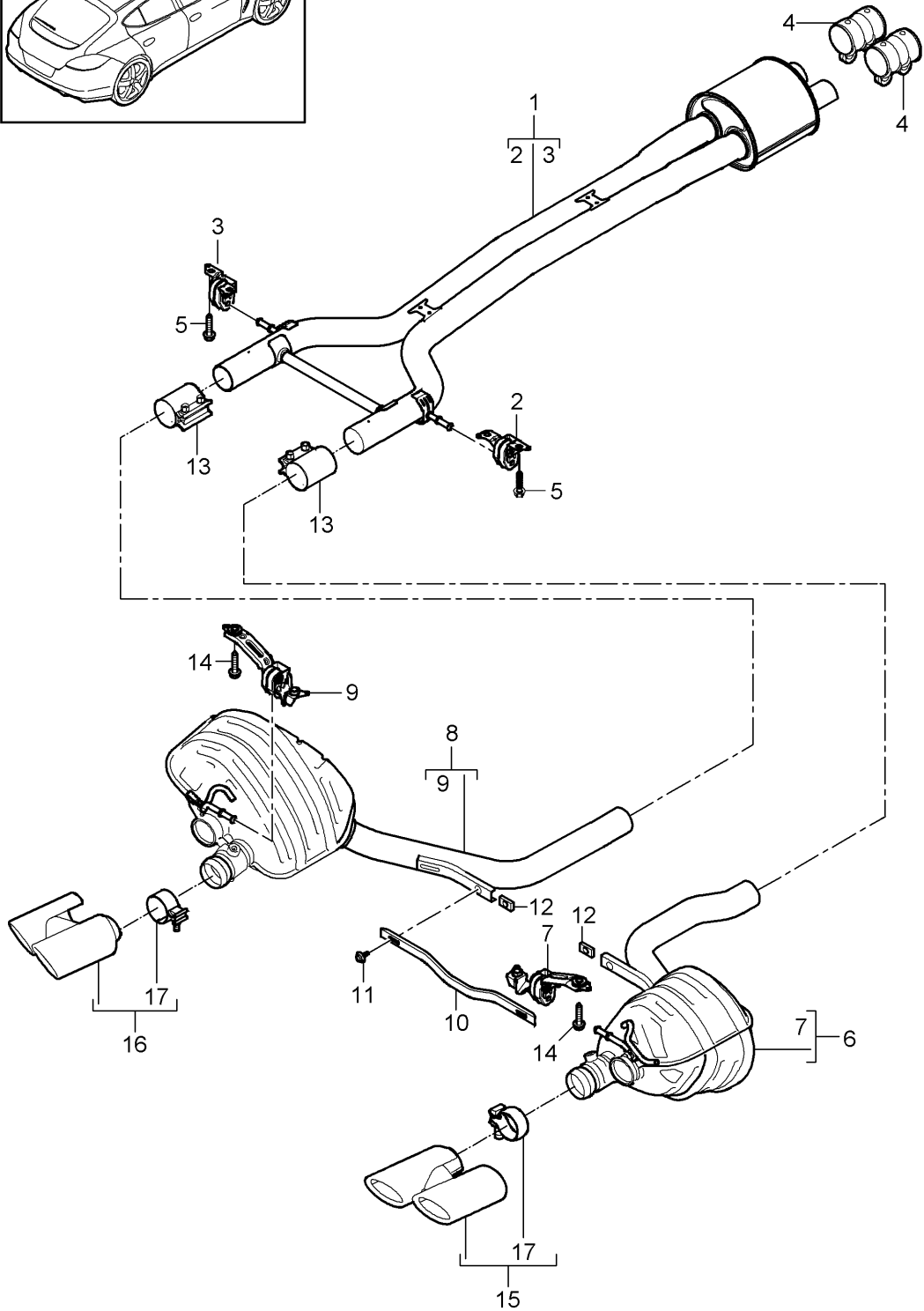
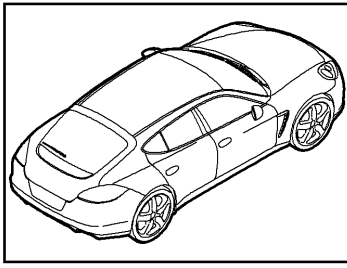
Model: 970 10

Model life 2010>>2016

Pos	Part Number	Description	Remark	Qty	Model
22	N 907 702 01	B 14 X 12 Spring band clamp		1	
23	999 073 344 01	B 17 X 12 flat round head bolt M 6 X 20		2	
24	970 605 397 00	Cover		1	
25	970 606 353 00	Holder for lambda probe		1	
26	N 103 352 06	Hexagon socket flat head bolt M 6 X 12		1	
27	999 919 246 01	fillister hd. bolt 6 X 18		1	
28	958 111 220 20	Clamping sleeve		1	
29	970 111 410 31	Exhaust pipe		1	
30	955 111 228 20	Bracket		1	
31	970 111 420 30	Transverse strut		1	
32	N 908 797 02	Hexagon bolt M 8 X 25		2	
33	900 378 309 01	Bolt with washer AM 10 X 30		2	
34	955 111 113 30	Seal		1	
35	970 606 160 02	Holder for lambda probe	right	1	
36	999 073 231 09	Engine bay panel screw ST 4,8 X 16		1	

Model: 970 10

Model life 2010>>2016



Model: 970 10

Model life 2010>>2016

Pos	Part Number	Description	Remark	Qty	Model
		exhaust system			4820,4840+
		Front silencer			PR:-176
		Rear silencer			
1	970 111 913 02	Front silencer		1	
		No longer use the part here			
(1)	970 111 913 03	Front silencer		1	
		No longer use the part here			
(1)	970 111 913 04	Front silencer		1	
		Discontinued part			
(1)	970 111 913 05	Front silencer		1	
2	970 111 152 01	Bracket	right	1	
		with:			
		hand strap			
3	970 111 153 01	Bracket	left	1	
		with:			
		hand strap			
4	955 111 220 12	Clamping sleeve		2	
5	N 105 703 02	Hex collared bolt		8	
		M 8 X 40			
		No longer use the part here			
(5)	N 909 210 02	Hexagon bolt		4	
		M 8 X 22			
6	970 111 912 03	Rear silencer	right	1	
		with:			
		Tailpipe			
		See workshop manual			
		See main group 2			
		26 34 19			
		Discontinued part			
(6)	970 111 912 04	Rear silencer	right	1	
		without:			
		Tailpipe			
		See workshop manual			
		See main group 2			
		26 34 19			
		Discontinued part			
(6)	970 111 912 05	Rear silencer	right	1	
		without:			
		Tailpipe			
		See workshop manual			
		See main group 2			
		26 34 19			
7	970 111 150 00	Bracket	right	1	
		with:			
		hand strap			
(8)	970 111 911 03	Rear silencer	left	1	
		with:			
		Tailpipe			
		See workshop manual			
		See main group 2			
		26 34 19			
		Discontinued part			
(8)	970 111 911 04	Rear silencer	left	1	
		without:			
		Tailpipe			
		See workshop manual			
		See main group 2			
		26 34 19			
		Discontinued part			
(8)	970 111 911 05	Rear silencer	left	1	
		without:			
		Tailpipe			
		See workshop manual			

Model: 970 10

Model life 2010>>2016

Pos	Part Number	Description	Remark	Qty	Model
9	970 111 151 00	See main group 2 26 34 19 Bracket with: hand strap	left	1	
10	970 111 221 01	Transverse strut		1	
11	N 908 797 02	Hexagon bolt M 8 X 25		2	
12	970 111 360 00	nut, square M 8		2	
13	958 111 220 00	Clamping sleeve		2	
14	N 909 686 02	Socket head bolt with inner multipoint head M 8 X 40		4	
15	970 111 932 00	Tailpipe See workshop manual See main group 2 26 34 19 D - MJ 2011>>	right	1	PR:-XLR
(15)	970 111 982 00	Tailpipe note: Tequipment Inst. & Conv. Instructions See main group 2 26 34	right	1	PR:XLR
16	970 111 931 00	Tailpipe See workshop manual See main group 2 26 34 19 D - MJ 2011>>	left	1	PR:-XLR
(16)	970 111 981 00	Tailpipe note: Tequipment Inst. & Conv. Instructions See main group 2 26 34	left	1	PR:XLR
17	997 111 240 30	Clamp See workshop manual See main group 2 26 34 19		2	PR:-XLR
(17)	997 111 240 30	Clamp note: Tequipment Inst. & Conv. Instructions See main group 2 26 34		2	PR:XLR

Model: 970 10 Model life 2010>>2016

Pos	Part Number	Description	Remark	Qty	Model
		exhaust system Front silencer Rear silencer			4870, CWBA, CWB, CWCA, CWC+ PR: -176, -186, -016
1	970 111 913 73	Front silencer No longer use the part here		1	
(1)	970 111 913 74	Front silencer No longer use the part here		1	
(1)	970 111 913 76	Front silencer Discontinued part		1	4870
(1)	970 111 913 77	Front silencer		1	4870
(1)	970 111 913 96	Front silencer D >> - MJ 2013		1	CWBA, CWB, CWCA, CWC+ PR: 0E1
(1)	970 111 913 97	Front silencer D - MJ 2014>> discontinued part		1	CWBA, CWB, CWCA, CWC+ PR: 0E1
(1)	970 111 913 98	Front silencer D - MJ 2014>>		1	CWBA, CWB, CWCA, CWC+ PR: 0E1
(1)	970 111 914 72	Front silencer D >> - MJ 2013		1	CWBA, CWB, CWCA, CWC+ PR: 0E2
(1)	970 111 914 73	Front silencer D - MJ 2014>> discontinued part		1	CWBA, CWB, CWCA, CWC+ PR: 0E2
(1)	970 111 914 74	Front silencer D - MJ 2014>>		1	CWBA, CWB, CWCA, CWC+ PR: 0E2
2	970 111 152 01	Bracket with: hand strap D >> - MJ 2013	right	1	
(2)	970 111 152 02	Bracket with: hand strap D - MJ 2014>>	right	1	
3	970 111 153 01	Bracket with: hand strap D >> - MJ 2013	left	1	
(3)	970 111 153 02	Bracket with: hand strap D - MJ 2014>>	left	1	
4	955 111 220 21	Clamping sleeve		2	
5	N 105 703 02	Hex collared bolt M 8 X 40		8	
(5)	N 909 210 02	No longer use the part here Hexagon bolt M 8 X 22		4	
(6)	970 111 912 74	Rear silencer with: Tailpipe See workshop manual See main group 2 26 34 19 modify in workshop Securing ring also use:	right	1	7PP 253 080
(6)	970 111 912 75	Discontinued part Rear silencer	right	1	

Model: 970 10 Model life 2010>>2016

Pos	Part Number	Description	Remark	Qty	Model
		without: Tailpipe See workshop manual See main group 2 26 34 19 modify in workshop Securing ring			
(6)	970 111 912 76	also use: Discontinued part Rear silencer	7PP 253 080 right	2 1	4870
		without: Tailpipe See workshop manual See main group 2 26 34 19 Discontinued part Rear silencer			
(6)	970 111 912 77		right	1	4870
		without: Tailpipe See workshop manual See main group 2 26 34 19 Rear silencer			
(6)	970 111 924 71		right	1	CWBA, CWB, CWCA, CWC
(6)	970 111 924 72	discontinued part Rear silencer	right	1	CWBA, CWB, CWCA, CWC
7	970 111 150 00	Bracket	right	1	
		with: hand strap Rear silencer			
(8)	970 111 911 74		left	1	
		with: Tailpipe See workshop manual See main group 2 26 34 19 modify in workshop Securing ring			
		also use: Discontinued part Rear silencer	7PP 253 080 left	2 1	
(8)	970 111 911 75	without: Tailpipe See workshop manual See main group 2 26 34 19 modify in workshop Securing ring			
		also use: Discontinued part Rear silencer	7PP 253 080 left	2 1	4870
		without: Tailpipe See workshop manual See main group 2 26 34 19 Discontinued part Rear silencer			
(8)	970 111 911 76		left	1	4870
		without: Tailpipe See workshop manual See main group 2 26 34 19 Rear silencer			
(8)	970 111 911 77		left	1	4870
		without: Tailpipe See workshop manual See main group 2 26 34 19			

Model: 970 10 Model life 2010>>2016

Pos	Part Number	Description	Remark	Qty	Model
(8)	970 111 923 71	Rear silencer Discontinued part	left	1	CWBA, CWB, CWCA, CWC
(8)	970 111 923 72	Rear silencer	left	1	CWBA, CWB, CWCA, CWC
9	970 111 151 00	Bracket	left	1	
		with: hand strap			
10	970 111 541 00	Retaining washer 4,0		2	
		No longer use the part here			
(10)	7PP 253 080	Securing ring 3,5		2	
11	970 111 221 01	Transverse strut		1	
12	N 908 797 02	Hexagon bolt M 8 X 25		2	
13	970 111 360 00	nut, square M 8		2	
14	958 111 220 10	Clamping sleeve		2	
15	970 111 509 00	Vacuum unit		2	
		Discontinued part			
(15)	970 111 509 01	Vacuum unit Discontinued part		2	
(15)	7PP 253 835	Vacuum unit		2	
16	970 111 547 00	Locknut M 6		4	
17	970 111 541 00	Retaining washer 4,0		2	
		No longer use the part here			
(17)	7PP 253 080	Securing ring 3,5		2	
18	N 909 686 02	Socket head bolt with inner multipoint head M 8 X 40		4	
19	970 111 952 70	Tailpipe	right outer	1	4870+ PR: -XLR
		See workshop manual See main group 2 26 34 19 D - MJ 2011>>			
(19)	970 111 982 70	Tailpipe	right outer	1	4870+ PR: XLR
		note: Tequipment Inst. & Conv. Instructions See main group 2 26 34			
20	970 111 954 70	Tailpipe	right inner	1	4870+ PR: -XLR
		See workshop manual See main group 2 26 34 19 D - MJ 2011>>			
(20)	970 111 984 70	Tailpipe	right inner	1	4870+ PR: XLR
		note: Tequipment Inst. & Conv. Instructions See main group 2 26 34			
21	970 111 951 70	Tailpipe	left outer	1	4870+ PR: -XLR
		See workshop manual See main group 2			

Model: 970 10 Model life 2010>>2016

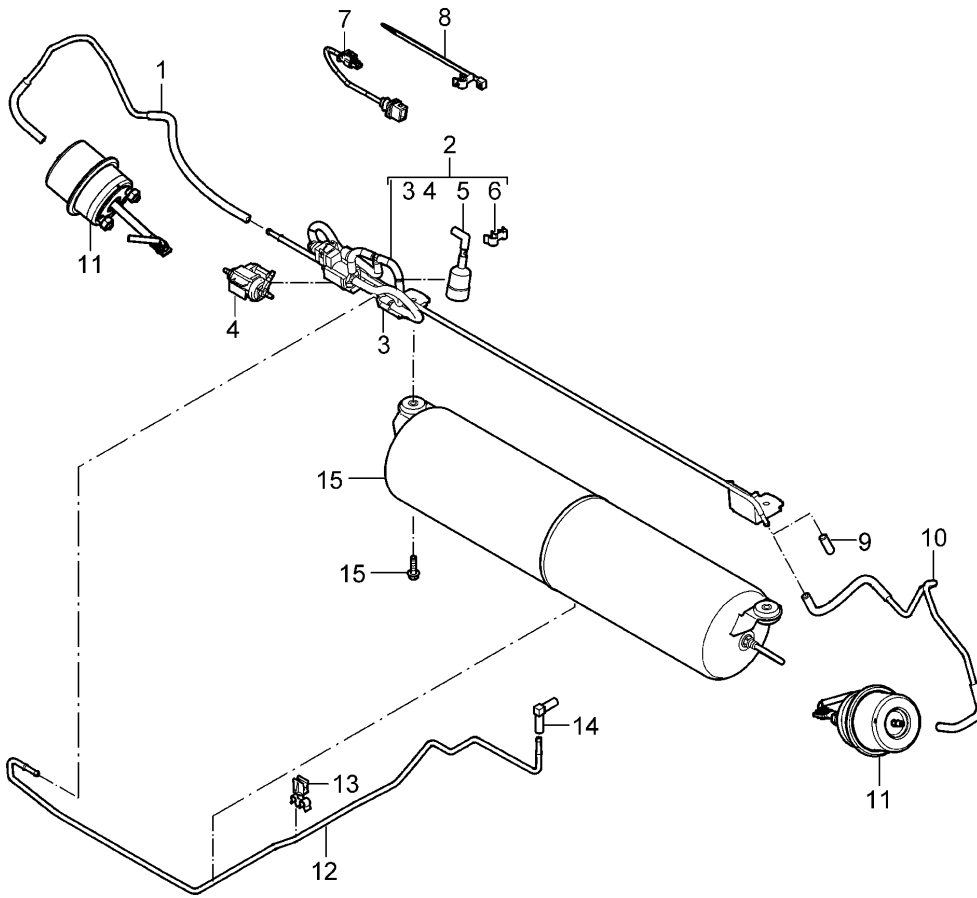
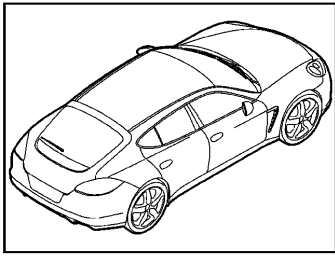
Pos	Part Number	Description	Remark	Qty	Model
(21)	970 111 981 70	26 34 19 D - MJ 2011>> Tailpipe note: Tequipment Inst. & Conv. Instructions See main group 2	left outer	1	4870+ PR: XLR
22	970 111 953 70	26 34 Tailpipe See workshop manual See main group 2	left inner	1	4870+ PR: -XLR
(22)	970 111 983 70	26 34 19 D - MJ 2011>> Tailpipe note: Tequipment Inst. & Conv. Instructions See main group 2	left inner	1	4870+ PR: XLR
23	997 111 240 30	26 34 Clamp See workshop manual See main group 2		4	4870+ PR: -XLR
(23)	997 111 240 30	26 34 19 Clamp note: Tequipment Inst. & Conv. Instructions See main group 2		4	4870+ PR: XLR
24	970 111 688 71	26 34 Tailpipe	right outer	1	CWBA, CWB, CWCA, CWC+ PR: -XLP, -XLR
(24)	970 111 688 72	D >> - MJ 2013 Tailpipe	right outer	1	CWBA, CWB, CWCA, CWC+ PR: -XLP, -XLR
(24)	970 111 984 00	D - MJ 2014>> Tailpipe	right outer	1	CWBA, CWB, CWCA, CWC+ PR: XLR
(24)	970 111 986 00	Tailpipe	right outer	1	CWBA, CWB, CWCA, CWC+ PR: XLP
25	970 111 686 71	Tailpipe	right inner	1	CWBA, CWB, CWCA, CWC+ PR: -XLP, -XLR
(25)	970 111 686 72	D >> - MJ 2013 Tailpipe	right inner	1	CWBA, CWB, CWCA, CWC+ PR: -XLP, -XLR
(25)	970 111 984 00	D - MJ 2014>> Tailpipe	right inner	1	CWBA, CWB, CWCA, CWC+ PR: XLR
(25)	970 111 986 00	Tailpipe	right inner	1	CWBA, CWB, CWCA, CWC+ PR: XLP
26	970 111 685 71	Tailpipe	left outer	1	CWBA, CWB, CWCA, CWC+ PR: -XLP, -XLR
(26)	970 111 685 72	D >> - MJ 2013 Tailpipe	left outer	1	CWBA, CWB, CWCA, CWC+ PR: -XLP, -XLR
(26)	970 111 983 00	D - MJ 2014>> Tailpipe	left	1	CWBA, CWB,

Model: 970 10 Model life 2010>>2016

Pos	Part Number	Description	Remark	Qty	Model
(26)	970 111 985 00	Tailpipe	outer left outer	1	CWCA, CWC+ PR: XLR CWBA, CWB, CWCA, CWC+ PR: XLP
27	970 111 687 71	Tailpipe	left inner	1	CWBA, CWB, CWCA, CWC+ PR: -XLP, -XLR
(27)	970 111 687 72	D >> - MJ 2013 Tailpipe	left inner	1	CWBA, CWB, CWCA, CWC+ PR: -XLP, -XLR
(27)	970 111 983 00	D - MJ 2014>> Tailpipe	left inner	1	CWBA, CWB, CWCA, CWC+ PR: XLR
(27)	970 111 985 00	Tailpipe	left inner	1	CWBA, CWB, CWCA, CWC+ PR: XLP
28	999 073 580 01	Oval-head screw M 6 X 12		4	CWBA, CWB, CWCA, CWC
(28)	999 073 594 01	D >> - MJ 2013 Oval-head screw M 6 X 12 D - MJ 2014>>		4	CWBA, CWB, CWCA, CWC

Model: 970 10

Model life 2010>>2016



Model: 970 10 Model life 2010>>2016

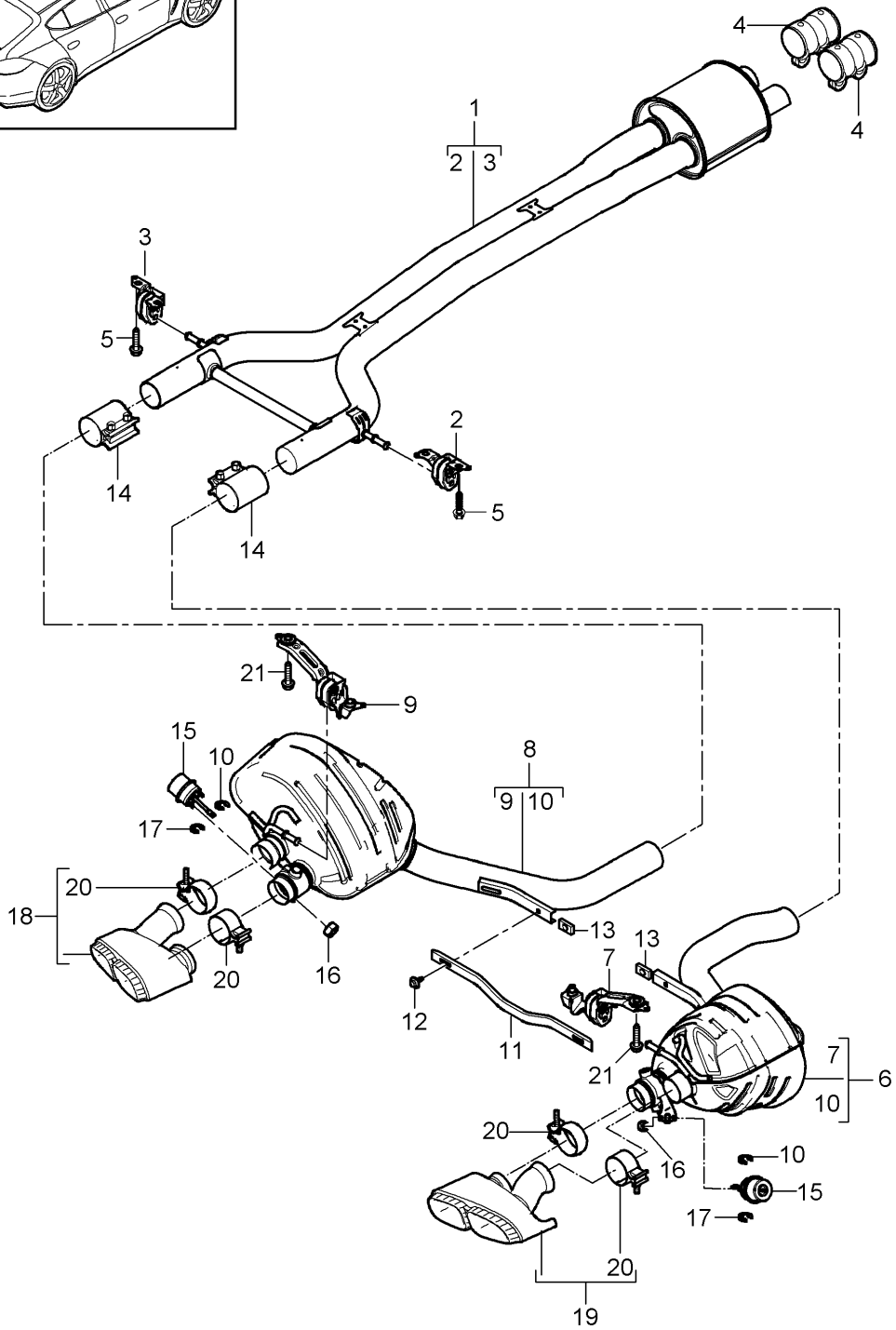
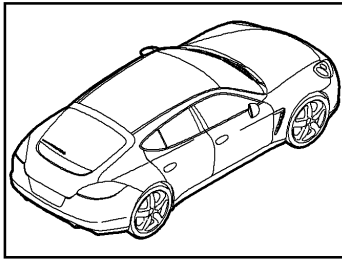
Pos	Part Number	Description	Remark	Qty	Model
		exhaust system Control line			4870, CWBA, CWB, CWDA, CWD, CWFA, CWF, CWCA, CWC+ PR: -176, -186, -016, -XLF
1	970 111 316 51	Control line	left	1	
2	970 111 312 51	Change-over valve		1	
		with:			
(2)	970 111 312 52	Control line Discontinued part Change-over valve		1	
		with:			
		Control line To Attention See technical information Service Group 2 Document 2637 88/16			
3	955 511 645 00	Clip		1	
4	7PP 906 283 F	Change-over valve		1	
		To Attention See technical information Service Group 2 Document 2637 88/16			
5	298 941 749	Filter		1	
		To Attention See technical information Service Group 2 Document 2637 88/16			
6	999 507 997 40	Bracket 6,0 / 9,5		1	
		To Attention See technical information Service Group 2 Document 2637 88/16			
7	991 612 944 00	Wire set Adapter		1	
		To Attention See technical information Service Group 2 Document 2637 88/16			
8	N 107 415 01	Cable ties A05-4.5 X 140 X C01-6		1	
		To Attention See technical information			

Model: 970 10 Model life 2010>>2016

Pos	Part Number	Description	Remark	Qty	Model
		Service Group 2 Document 2637 88/16			
9	970 110 727 00	Cap closure		1	CWDA, CWD+
10	970 111 317 51	Control line	right	1	PR:0E2 4870, CWBA, CWB, CWFA, CWF
(10)	970 111 317 51	Control line	right	1	CWDA, CWD+
11		Vacuum unit see illustration, item: and see illustration, item:	202-050,15 202-085,11	X	PR:0E1
12	970 111 313 52	Control line	center	1	
13	999 507 176 40	Line holder 6,0		1	
14	970 111 318 50	Elbow fitting		1	
15		Pressure accumulator see illustration:	606-000		

Model: 970 10

Model life 2010>>2016



Model: 970 10 Model life 2010>>2016

Pos	Part Number	Description	Remark	Qty	Model
		exhaust system Sport version Front silencer Rear silencer D >> - MJ 2013			PR:176,XLF
1	970 111 913 53	Front silencer No longer use the part here		1	4820,4840
(1)	970 111 913 54	Front silencer No longer use the part here		1	4820,4840+ PR:-015
(1)	970 111 913 56	Front silencer Discontinued part		1	4820,4840+ PR:-015
(1)	970 111 913 57	Front silencer		1	4820,4840+ PR:-015
(1)	970 111 913 62	Front silencer Discontinued part		1	4840+ PR:015
(1)	970 111 913 63	Front silencer		1	4840+ PR:015
(1)	970 111 913 92	Front silencer No longer use the part here		1	4870
(1)	970 111 913 93	Front silencer No longer use the part here		1	4870
(1)	970 111 913 95	Front silencer Discontinued part		1	4870
(1)	970 111 913 96	Front silencer		1	4870
(1)	970 111 919 20	Front silencer No longer use the part here		1	4620,4640
(1)	970 111 919 22	Front silencer Discontinued part		1	4620,4640
(1)	970 111 919 23	Front silencer		1	4620,4640
2	970 111 152 01	Bracket with:	right	1	
3	970 111 153 01	Rubber Bracket with:	left	1	
4	955 111 220 12	Rubber Clamping sleeve		2	4820,4840, 4620,4640
(4)	955 111 220 21	Clamping sleeve		2	4870
5	N 105 703 02	Hex collared bolt M 8 X 40 No longer use the part here		8	
(5)	N 909 210 02	Hexagon bolt M 8 X 22		4	
6	970 111 912 53	Rear silencer without:	right	1	4820,4840+ PR:-015
		Tailpipe modify in workshop Securing ring also use:	7PP 253 080	2	
(6)	970 111 912 54	Discontinued part Rear silencer without:	right	1	4820,4840+ PR:-015
(6)	970 111 912 55	Tailpipe Discontinued part Rear silencer without:	right	1	4820,4840+ PR:-015
(6)	970 111 912 61	Tailpipe Rear silencer without:	right	1	4840+ PR:015
(6)	970 111 912 62	Tailpipe Discontinued part Rear silencer without:	right	1	4840+ PR:015

Model: 970 10 Model life 2010>>2016

Pos	Part Number	Description	Remark	Qty	Model
(6)	970 111 912 92	Tailpipe Rear silencer without:	right	1	4870+ PR:-016
		Tailpipe modify in workshop Securing ring also use:	7PP 253 080	2	
(6)	970 111 912 93	Discontinued part Rear silencer without:	right	1	4870+ PR:-016
(6)	970 111 912 94	Tailpipe Discontinued part Rear silencer without:	right	1	4870+ PR:-016
(6)	970 111 918 90	Tailpipe Rear silencer without:	right	1	4870+ PR:016,-186
		Tailpipe See workshop manual Group 2 Document 26 34 19 modify in workshop Securing ring also use:	7PP 253 080	2	
(6)	970 111 918 91	Discontinued part Rear silencer without:	right	1	4870+ PR:016,-186
		Tailpipe See workshop manual Group 2 Document 26 34 19 Discontinued part			
(6)	970 111 918 92	Rear silencer without:	right	1	4870+ PR:016,-186
		Tailpipe See workshop manual Group 2 Document 26 34 19			
(6)	970 111 912 92	Rear silencer without:	right	1	4870+ PR:016,186
		Tailpipe modify in workshop Securing ring also use:	7PP 253 080	2	
(6)	970 111 912 93	Discontinued part Rear silencer without:	right	1	4870+ PR:016,186
(6)	970 111 912 94	Tailpipe Discontinued part Rear silencer without:	right	1	4870+ PR:016,186
(6)	970 111 918 21	Tailpipe Rear silencer without:	right	1	4620,4640
(6)	970 111 918 22	Tailpipe Discontinued part Rear silencer without:	right	1	4620,4640
7	970 111 150 00	Tailpipe Bracket	right	1	PR:-XLF

Model: 970 10

Model life 2010>>2016

Pos	Part Number	Description	Remark	Qty	Model
(7)	970 111 154 00	Rubber Bracket	with: right	1	PR: XLF
8	970 111 911 53	Rubber Rear silencer	with: left	1	4820,4840+ PR:-015
(8)	970 111 911 54	Tailpipe modify in workshop Discontinued part Rear silencer	without: also use: 7PP 253 080 left	2 1	4820,4840+ PR:-015
(8)	970 111 911 55	Tailpipe Discontinued part Rear silencer	without: left	1	4820,4840+ PR:-015
(8)	970 111 911 61	Tailpipe Rear silencer	without: left	1	4840+ PR:015
(8)	970 111 911 62	Tailpipe Discontinued part Rear silencer	without: left	1	4840+ PR:015
(8)	970 111 911 92	Tailpipe Rear silencer	without: left	1	4870+ PR:-016
(8)	970 111 911 93	Tailpipe modify in workshop Discontinued part Rear silencer	without: also use: 7PP 253 080 left	2 1	4870+ PR:-016
(8)	970 111 911 94	Tailpipe Discontinued part Rear silencer	without: left	1	4870+ PR:-016
(8)	970 111 917 90	Tailpipe Rear silencer	without: left	1	4870+ PR:016,-186
(8)	970 111 917 91	Tailpipe See workshop manual Group 2 Document 26 34 19 modify in workshop Discontinued part Rear silencer	without: also use: 7PP 253 080 left	2 1	4870+ PR:016,-186
(8)	970 111 917 92	Tailpipe See workshop manual Group 2 Document 26 34 19 Discontinued part Rear silencer	without: left	1	4870+ PR:016,-186

Model: 970 10

Model life 2010>>2016

Pos	Part Number	Description	Remark	Qty	Model
(8)	970 111 911 92	Group 2 Document 26 34 19 Rear silencer without: Tailpipe modify in workshop Securing ring	left	1	4870+ PR:016,186
(8)	970 111 911 93	Discontinued part Rear silencer without: Tailpipe Discontinued part	left	1	4870+ PR:016,186
(8)	970 111 911 94	Rear silencer without: Tailpipe	left	1	4870+ PR:016,186
(8)	970 111 917 21	Rear silencer without: Tailpipe	left	1	4620,4640
(8)	970 111 917 22	Discontinued part Rear silencer without: Tailpipe	left	1	4620,4640
9	970 111 151 00	Bracket with:	left	1	PR:-XLF
(9)	970 111 155 00	Rubber Bracket with:	left	1	PR:XLF
10	970 111 541 00	Rubber Retaining washer 4,0		2	
(10)	7PP 253 080	No longer use the part here Securing ring 3,5		2	
11	970 111 221 01	Transverse strut		1	
12	N 908 797 02	Hexagon bolt M 8 X 25		2	
13	970 111 360 00	nut, square M 8		2	
14	958 111 220 00	Clamping sleeve		2	4820,4840, 4620,4640+ PR:-015
(14)	958 111 220 10	Clamping sleeve		2	4840+ PR:015
(14)	958 111 220 10	Clamping sleeve		2	4870
15	970 111 509 00	Vacuum unit No longer use the part here		2	
(15)	970 111 509 01	Vacuum unit Discontinued part		2	
(15)	7PP 253 835	Vacuum unit		2	
16	970 111 547 00	Locknut M 6		4	
17	970 111 541 00	Retaining washer 4,0		2	
(17)	7PP 253 080	No longer use the part here Securing ring 3,5		2	
18	970 111 681 50	Tailpipe with:	left	1	
(18)	970 111 681 51	clamp No longer use the part here Tailpipe	left	1	PR:-016,-015

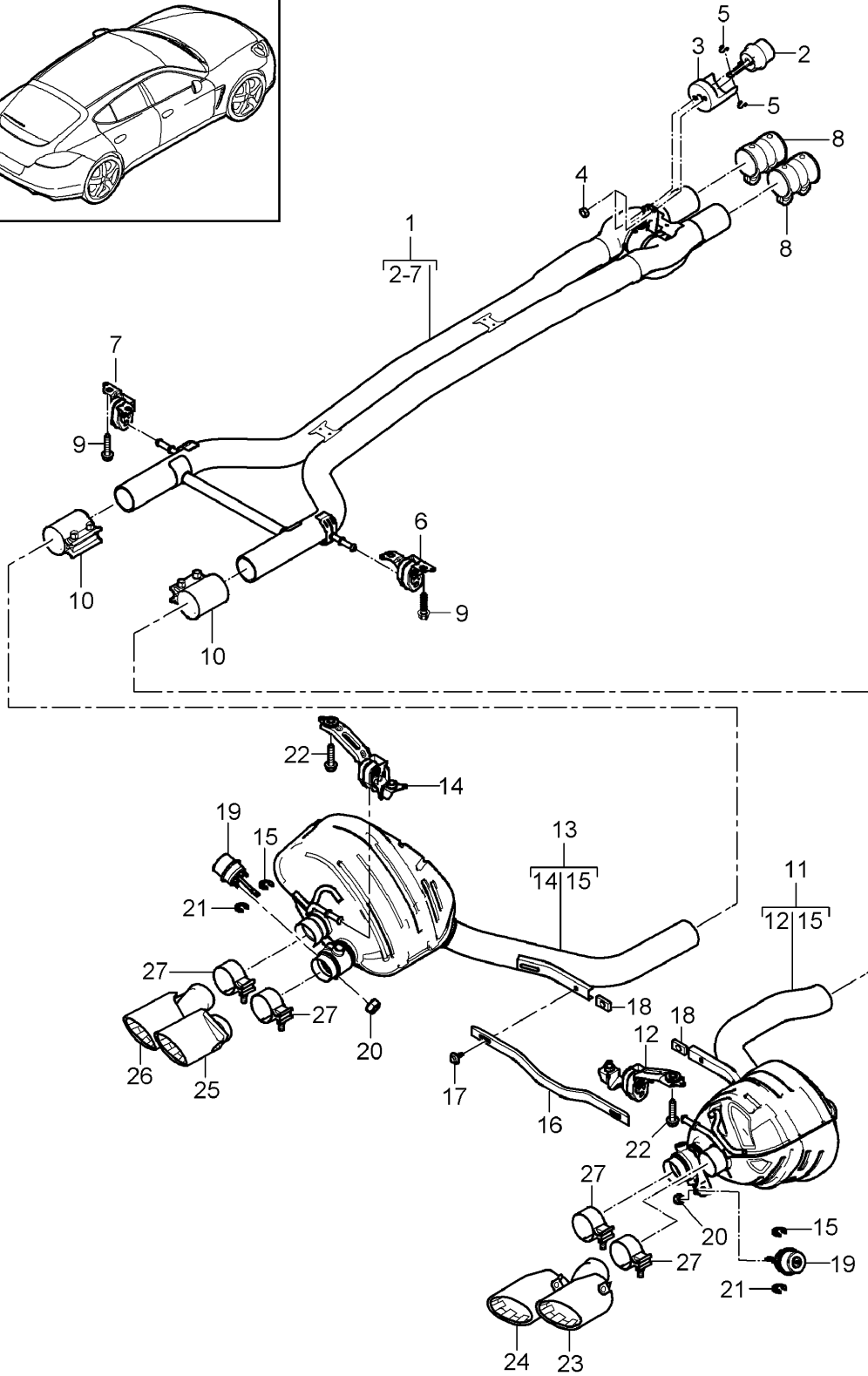
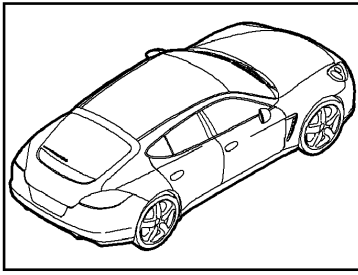
Model: 970 10

Model life 2010>>2016

Pos	Part Number	Description	Remark	Qty	Model
(18)	970 111 681 61	with: clamp Tailpipe	left	1	4840+ PR:015
(18)	970 111 951 70	with: clamp Tailpipe	left outer	1	PR:016,-186
(18)	970 111 953 70	See workshop manual Group 2 Document 26 34 19 Tailpipe	left inner	1	PR:016,-186
(18)	970 111 681 51	with: clamp Tailpipe	left	1	PR:016,186
19	970 111 682 50	with: clamp Tailpipe	right	1	
(19)	970 111 682 51	with: clamp No longer use the part here Tailpipe	right	1	PR:-016,-015
(19)	970 111 682 61	with: clamp Tailpipe	right	1	4840+ PR:015
(19)	970 111 952 70	with: clamp Tailpipe	right outer	1	PR:016,-186
(19)	970 111 954 70	See workshop manual Group 2 Document 26 34 19 Tailpipe	right inner	1	PR:016,-186
(19)	970 111 682 51	with: clamp Tailpipe	right	1	PR:016,186
20	958 111 240 00	clamp		4	PR:-016
(20)	997 111 240 30	Clamp		4	PR:016,-186
(20)	958 111 240 00	See workshop manual Group 2 Document 26 34 19 clamp		4	PR:016,186
21	N 909 686 02	Socket head bolt with inner multipoint head M 8 X 40		4	

Model: 970 10

Model life 2010>>2016



Model: 970 10 Model life 2010>>2016

Pos	Part Number	Description	Remark	Qty	Model
		exhaust system Sport version Front silencer Rear silencer D - MJ 2014>>			PR:176 ,XLF
1	970 111 913 64	Front silencer No longer use the part here		1	CXPA,CXRA, CXR
(1)	970 111 913 65	Front silencer		1	CXPA,CXRA, CXR
(1)	970 111 919 91	Front silencer Discontinued part		1	CWBA,CWB+ PR:0E1
(1)	970 111 919 92	Front silencer		1	CWBA,CWB, CWCA,CWC+ PR:0E1
(1)	970 111 914 92	Front silencer Discontinued part		1	CWBA,CWB+ PR:0E2
(1)	970 111 914 93	Front silencer		1	CWBA,CWB, CWCA,CWC+ PR:0E2
(1)	970 111 919 24	Front silencer		1	CWAA,CXNA
(1)	970 111 919 01	Front silencer Discontinued part		1	CWDA,CWD, CWFA,CWF
(1)	970 111 919 02	Front silencer No longer use the part here		1	CWDA,CWD, CWFA,CWF
(1)	970 111 919 03	Front silencer		1	CWDA,CWD, CWFA,CWF
2	000 043 302 81	Vacuum unit		1	CWBA,CWB, CWCA,CWC
3		Guard plate No replacement part		1	CWBA,CWB, CWCA,CWC
4	970 111 547 00	Locknut	Use item: 1 M6	2	CWBA,CWB, CWCA,CWC
5	7PP 253 080	Securing ring	3,5	2	CWBA,CWB, CWCA,CWC
6	970 111 152 02	Bracket	right	1	
7	970 111 153 02	Bracket	left	1	
8	955 111 220 12	Clamping sleeve	60X95	2	CWAA,CXNA, CXPA,CXR, CXRA
(8)	955 111 220 21	Clamping sleeve	65X95	2	CWBA,CWB, CWCA,CWC, CWDA,CWD, CWFA,CWF
9	N 909 210 02	Hexagon bolt	M8X22	4	
10	958 111 220 20	Clamping sleeve	55X88	2	CWAA,CXNA
(10)	958 111 220 10	Clamping sleeve	65X88	2	CXPA,CXRA, CXR,CWBA, CWB,CWCA, CWC,CWDA, CWD,CWFA,CWF
11	970 111 912 62	Rear silencer without: Tailpipe No longer use the part here	right	1	CXPA,CXRA, CXR
(11)	970 111 912 63	Rear silencer without: Tailpipe	right	1	CXPA,CXRA, CXR
(11)	970 111 912 94	Rear silencer without: Tailpipe	right	1	CWBA,CWB, CWCA,CWC
(11)	970 111 912 95	Rear silencer No longer use the part here	right	1	CWBA,CWB,

Model: 970 10 Model life 2010>>2016

Pos	Part Number	Description	Remark	Qty	Model
		without:			CWCA, CWC
(11)	970 111 918 22	Tailpipe Rear silencer	right	1	CWAA, CXNA
		without:			
(11)	970 111 918 23	Tailpipe No longer use the part here Rear silencer	right	1	CWAA, CXNA
		without:			
(11)	970 111 926 21	Tailpipe Rear silencer	right	1	CWAA, CXNA
		without:			
(11)	970 111 912 62	Tailpipe No longer use the part here Rear silencer	right	1	CWDA, CWD, CWFA, CWF
		without:			
(11)	970 111 912 63	Tailpipe No longer use the part here Rear silencer	right	1	CWDA, CWD, CWFA, CWF
		without:			
12	970 111 150 00	Bracket	right	1	PR: -XLF
(12)	970 111 154 00	Bracket	right	1	PR: XLF
13	970 111 911 62	Rear silencer	left	1	CXPA, CXRA, CXR
		without:			
(13)	970 111 911 63	Tailpipe No longer use the part here Rear silencer	left	1	CXPA, CXRA, CXR
		without:			
(13)	970 111 911 94	Tailpipe Rear silencer	left	1	CWBA, CWB, CWCA, CWC
		without:			
(13)	970 111 911 95	Tailpipe No longer use the part here Rear silencer	left	1	CWBA, CWB, CWCA, CWC
		without:			
(13)	970 111 917 22	Tailpipe Rear silencer	left	1	CWAA, CXNA
		without:			
(13)	970 111 917 23	Tailpipe No longer use the part here Rear silencer	left	1	CWAA, CXNA
		without:			
(13)	970 111 925 21	Tailpipe Rear silencer	left	1	CWAA, CXNA
		without:			
(13)	970 111 923 51	Tailpipe No longer use the part here Rear silencer	left	1	CWDA, CWD, CWFA, CWF
		without:			
(13)	970 111 923 52	Tailpipe D >> - MJ 2014 Rear silencer	left	1	CWDA, CWD, CWFA, CWF
		without:			
14	970 111 151 00	Tailpipe D - MJ 2015>> Bracket	left	1	PR: -XLF
(14)	970 111 155 00	Bracket	left	1	PR: XLF
15	7PP 253 080	Securing ring	3,5	2	
16	970 111 221 01	Transverse strut		1	
17	N 908 797 02	Hexagon bolt	M8X25	2	
18	970 111 360 00	nut, square	M8	2	
19	970 111 509 01	Vacuum unit Discontinued part		2	

Model: 970 10 Model life 2010>>2016

Pos	Part Number	Description	Remark	Qty	Model
(19)	7PP 253 835	Vacuum unit		2	
20	970 111 547 00	Locknut	M6	4	
21	7PP 253 080	Securing ring	3,5	2	
22	N 909 686 02	Socket head bolt with inner multipoint head	M8X40	4	
23	970 111 688 50	Tailpipe Discontinued part	right outer	1	CWAA, CXNA, CWDA, CWD, CWFA, CWF, CWBA, CWB, CWCA, CWC
(23)	970 111 688 51	Tailpipe	right outer	1	CWAA, CXNA, CWDA, CWD, CWFA, CWF, CWBA, CWB, CWCA, CWC
(23)	970 111 688 60	Tailpipe Discontinued part	right outer	1	CXPA, CXRA, CXR
(23)	970 111 688 61	Tailpipe	right outer	1	CXPA, CXRA, CXR
24	970 111 686 50	Tailpipe Discontinued part	right inner	1	CWAA, CXNA, CWDA, CWD, CWFA, CWF, CWBA, CWB, CWCA, CWC
(24)	970 111 686 51	Tailpipe	right inner	1	CWAA, CXNA, CWDA, CWD, CWFA, CWF, CWBA, CWB, CWCA, CWC
(24)	970 111 686 60	Tailpipe Discontinued part	right inner	1	CXPA, CXRA, CXR
(24)	970 111 686 61	Tailpipe	right inner	1	CXPA, CXRA, CXR
25	970 111 687 50	Tailpipe Discontinued part	left inner	1	CWAA, CXNA, CWDA, CWD, CWFA, CWF, CWBA, CWB, CWCA, CWC
(25)	970 111 687 51	Tailpipe	left inner	1	CWAA, CXNA, CWDA, CWD, CWFA, CWF, CWBA, CWB, CWCA, CWC
(25)	970 111 687 60	Tailpipe Discontinued part	left inner	1	CXPA, CXRA, CXR
(25)	970 111 687 61	Tailpipe	left inner	1	CXPA, CXRA, CXR
26	970 111 685 50	Tailpipe Discontinued part	left outer	1	CWAA, CXNA, CWDA, CWD, CWFA, CWF, CWBA, CWB, CWCA, CWC
(26)	970 111 685 51	Tailpipe	left outer	1	CWAA, CXNA, CWDA, CWD, CWFA, CWF, CWBA, CWB, CWCA, CWC
(26)	970 111 685 60	Tailpipe Discontinued part	left outer	1	CXPA, CXRA, CXR

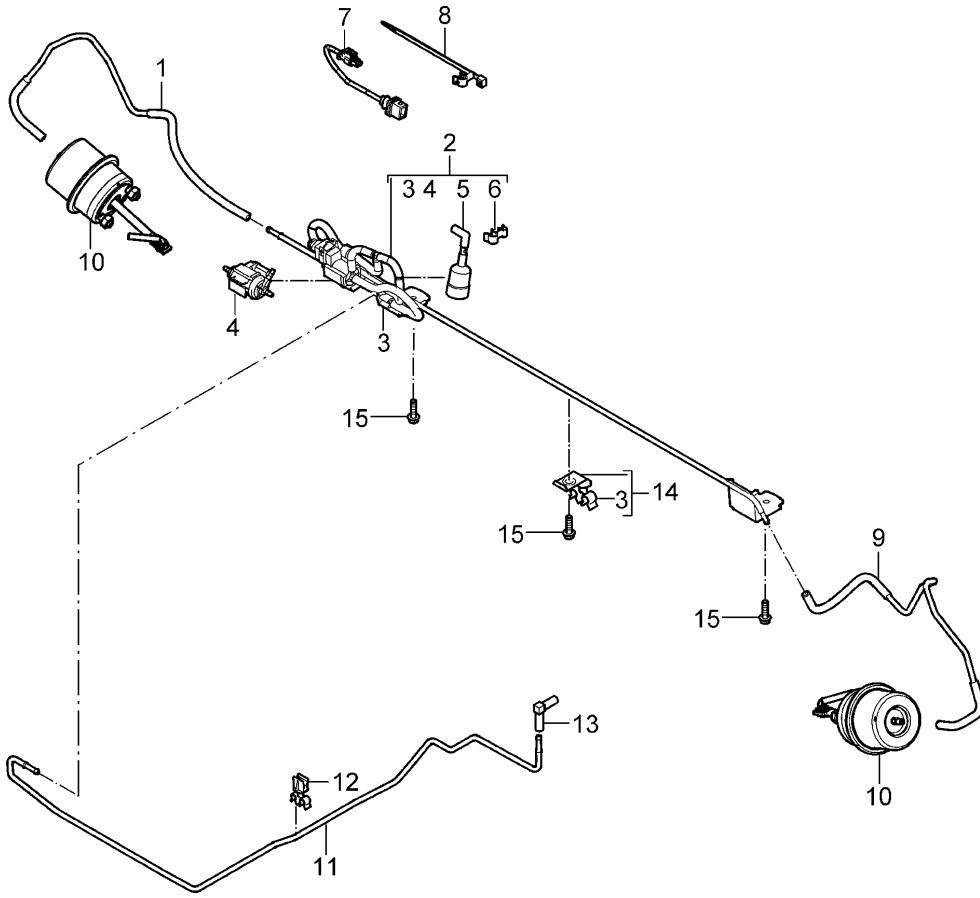
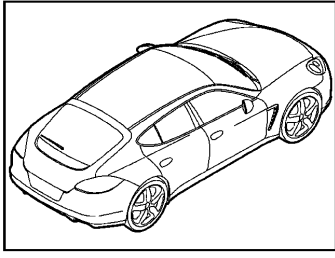
Model: 970 10

Model life 2010>>2016

Pos	Part Number	Description	Remark	Qty	Model
(26)	970 111 685 61	Tailpipe	left	1	CXPA, CXRA,
27	958 111 240 00	clamp	outer	4	CXR

Model: 970 10

Model life 2010>>2016



Model: 970 10

Model life 2010>>2016

Pos	Part Number	Description	Remark	Qty	Model
		exhaust system Sport version and Turbo S Control line			PR:176, XLF
1	970 111 316 51	Control line	left	1	
2	970 111 312 51	Change-over valve		1	
		with:			
(2)	970 111 312 52	Control line Discontinued part Change-over valve		1	
		with:			
		Control line To Attention See technical information Service Group 2 Document 2637 88/16			
3	955 511 645 00	Clip		1	
(3)	955 511 645 00	Clip		2	PR:475
4	7PP 906 283 F	Change-over valve		1	
		To Attention See technical information Service Group 2 Document 2637 88/16			
5	298 941 749	Filter		1	
		To Attention See technical information Service Group 2 Document 2637 88/16			
6	999 507 997 40	Bracket 6,0 / 9,5		1	
		To Attention See technical information Service Group 2 Document 2637 88/16			
7	991 612 944 00	Wire set Adapter		1	
		To Attention See technical information Service Group 2 Document 2637 88/16			
8	N 107 415 01	Cable ties A05-4.5 X 140 X C01-6		1	
		To Attention See technical information Service Group 2			

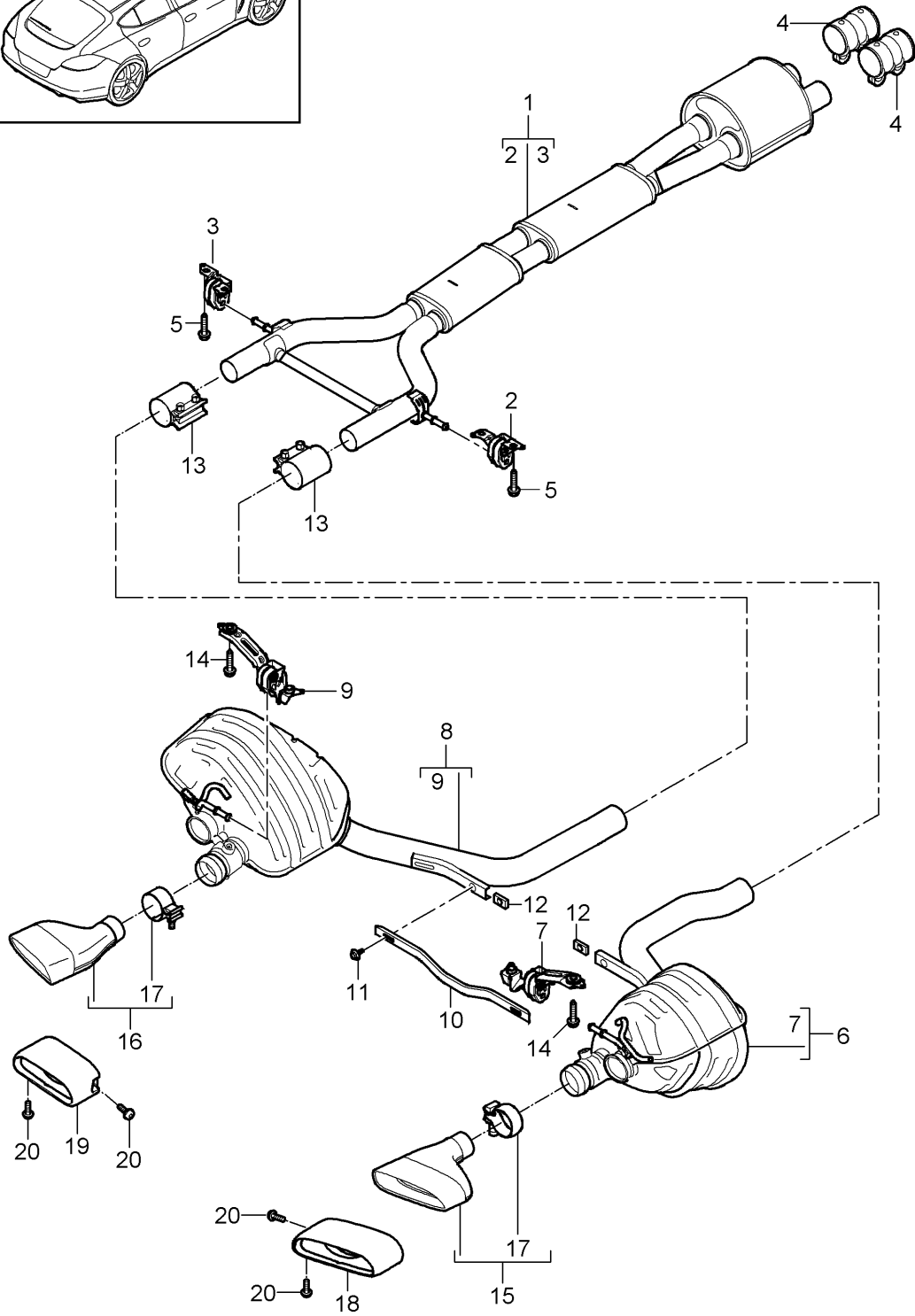
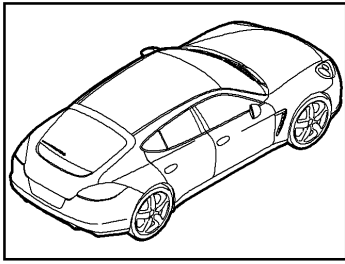
Model: 970 10

Model life 2010>>2016

Pos	Part Number	Description	Remark	Qty	Model
9	970 111 317 51	Document 2637 88/16 Control line	right	1	
10		Vacuum unit see illustration, item:	202-060,15	2	
11	970 111 313 52	Control line	center	1	
12	999 507 176 40	Line holder 6,0		1	
13	970 111 318 50	Elbow fitting		1	
14	970 111 315 50	Retaining bar		1	4820,4840, CXPA,CXRA, CXR,CWDA, CWD,CWFA, CWF+ PR:475
(14)	970 111 315 50	Retaining bar		1	4620,4640, CWAA,CXNA+ PR:029
(14)		Bracket Pressure accumulator see illustration:	606-000	1	PR:350,351
15	N 107 214 01	oval hd. self-tapp fitt. screw 6 X 16		3	PR:475
(15)		fillister hd. bolt 6 X 35 see illustration:	606-000	3	PR:350,351

Model: 970 10

Model life 2010>>2016



Model: 970 10 Model life 2010>>2016

Pos	Part Number	Description	Remark	Qty	Model
1	970 111 913 21	exhaust system Front silencer Rear silencer Front silencer No longer use the part here		1	4620,4640, CWAA,CXNA+ PR:-XLF
(1)	970 111 913 22	Front silencer No longer use the part here		1	
(1)	970 111 913 24	Front silencer Discontinued part		1	
(1)	970 111 913 25	Front silencer No longer use the part here		1	
(1)	970 111 913 28	Front silencer D >> - MJ 2013		1	
(1)	970 111 913 26	Front silencer No longer use the part here		1	
(1)	970 111 913 27	Front silencer D - MJ 2014>>		1	
2	970 111 152 01	Bracket with:	right rubber	1	
(2)	970 111 152 02	D >> - MJ 2013 Bracket with:	right rubber	1	
3	970 111 153 01	D - MJ 2014>> Bracket with:	left rubber	1	
(3)	970 111 153 02	D >> - MJ 2013 Bracket with:	left rubber	1	
4	955 111 220 12	D - MJ 2014>> Clamping sleeve		2	
5	N 909 210 02	Hexagon bolt M 8 X 22		4	
(6)	970 111 912 22	Rear silencer with:	right	1	
(6)	970 111 912 25	Tailpipe See workshop manual Group 2 Document 26 34 19 F >> 97-BL002 396 F >> 97-BL002 408 No longer use the part here Rear silencer without:	right	1	029,475 350,351 4620,4640+ PR:-XLR 4620,4640+ PR:-XLR
(6)	970 111 912 27	Tailpipe See workshop manual Group 2 Document 26 34 19 Discontinued part Rear silencer without:	right	1	4620,4640+ PR:-XLR
(6)	970 111 912 26	Tailpipe See workshop manual Group 2 Document 26 34 19 Rear silencer without:	right	1	4620,4640+ PR:XLR -"CN."
		Tailpipe see			

Model: 970 10 Model life 2010>>2016

Pos	Part Number	Description	Remark	Qty	Model
(6)	970 111 912 28	Tequipment Inst. & Conv. Instructions Group 2 Document 26 34 Rear silencer without:	right	1	4620,4640+ PR: XLR "CN."
		Tailpipe see Tequipment Inst. & Conv. Instructions Group 2 Document 26 34			
(6)	970 111 924 21	Rear silencer without:	right	1	CWAA, CXNA
		Tailpipe			
7	970 111 150 00	Bracket with:	right rubber	1	4620,4640+ PR: -XLR
(7)	970 111 154 00	Bracket with:	right rubber	1	4620,4640+ PR: XLR
(7)	970 111 150 00	Bracket with:	right rubber	1	CWAA, CXNA
(8)	970 111 911 22	Rear silencer with:	left	1	
		Tailpipe See workshop manual Group 2 Document 26 34 19 F >> 97-BL002 396 F >> 97-BL002 408 No longer use the part here		1	029,475 350,351
(8)	970 111 911 25	Rear silencer without:	left	1	4620,4640+ PR: -XLR 4620,4640+ PR: -XLR
		Tailpipe See workshop manual Group 2 Document 26 34 19		1	
(8)	970 111 911 27	Discontinued part Rear silencer without:	left	1	4620,4640+ PR: -XLR
		Tailpipe See workshop manual Group 2 Document 26 34 19		1	
(8)	970 111 911 26	Rear silencer without:	left	1	4620,4640+ PR: XLR
		Tailpipe see Tequipment Inst. & Conv. Instructions Group 2 Document 26 34			
(8)	970 111 911 28	Discontinued part Rear silencer without:	left	1	4620,4640+ PR: XLR
		Tailpipe			

Model: 970 10 Model life 2010>>2016

Pos	Part Number	Description	Remark	Qty	Model
		see Tequipment Inst. & Conv. Instructions Group 2 Document 26 34			
(8)	970 111 923 21	Rear silencer	left	1	CWAA, CXNA
			without:		
9	970 111 151 00	Tailpipe Bracket	left	1	4620,4640+ PR:-XLR
(9)	970 111 155 00	Bracket	with: left	1	4620,4640+ PR:XLR
(9)	970 111 151 00	Bracket	with: left	1	CWAA, CXNA
			with: rubber		
10	970 111 221 01	Transverse strut		1	
11	N 908 797 02	Hexagon bolt M 8 X 25		2	
12	970 111 360 00	nut, square M 8		2	
13	958 111 220 20	Clamping sleeve		2	
14	N 909 686 02	Socket head bolt with inner multipoint head M 8 X 40		4	
15	970 111 922 21	Tailpipe See workshop manual Group 2 Document 26 34 19 F 97-BL002 397>> F 97-BL002 409>>	right	1	029,475 350,351 4620,4640+ PR:-XLR 4620,4640+ PR:XLR
(15)	970 111 982 00	Tailpipe see Tequipment Inst. & Conv. Instructions Group 2 Document 26 34	right	1	
16	970 111 921 21	Tailpipe See workshop manual Group 2 Document 26 34 19 F 97-BL002 397>> F 97-BL002 409>>	left	1	029,475 350,351 4620,4640+ PR:-XLR 4620,4640+ PR:XLR
(16)	970 111 981 00	Tailpipe see Tequipment Inst. & Conv. Instructions Group 2 Document 26 34	left	1	
17	997 111 240 30	Clamp See workshop manual Group 2 Document 26 34 19		2	4620,4640+ PR:-XLR
(17)	997 111 240 30	Clamp see		2	4620,4640+ PR:XLR

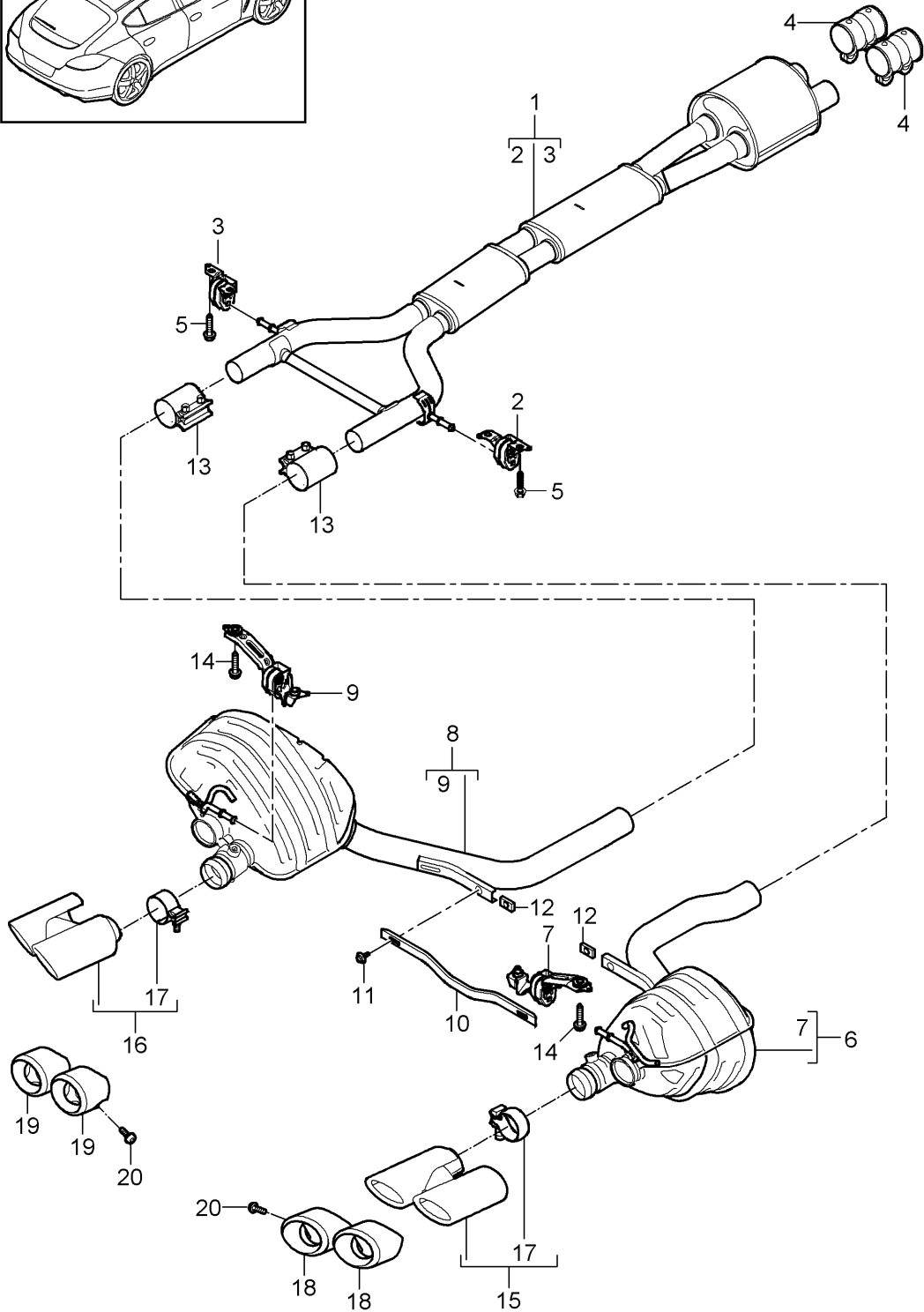
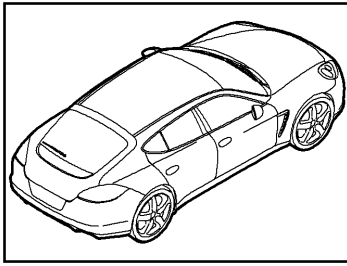
Model: 970 10

Model life 2010>>2016

Pos	Part Number	Description	Remark	Qty	Model
		Tequipment Inst. & Conv. Instructions Group 2 Document 26 34			
18	970 111 686 21	Tailpipe	right	1	CWAA, CXNA+ PR: -XLP, -XLR
(18)	970 111 984 20	Tailpipe	right	1	CWAA, CXNA+ PR: XLR
(18)	970 111 986 20	Tailpipe	right	1	CWAA, CXNA+ PR: XLP
19	970 111 685 21	Tailpipe	left	1	CWAA, CXNA+ PR: -XLP, -XLR
(19)	970 111 983 20	Tailpipe	left	1	CWAA, CXNA+ PR: XLR
(19)	970 111 985 20	Tailpipe	left	1	CWAA, CXNA+ PR: XLP
20	999 073 580 01	Oval-head screw M 6 X 12		4	CWAA, CXNA

Model: 970 10

Model life 2010>>2016



Model: 970 10 Model life 2010>>2016

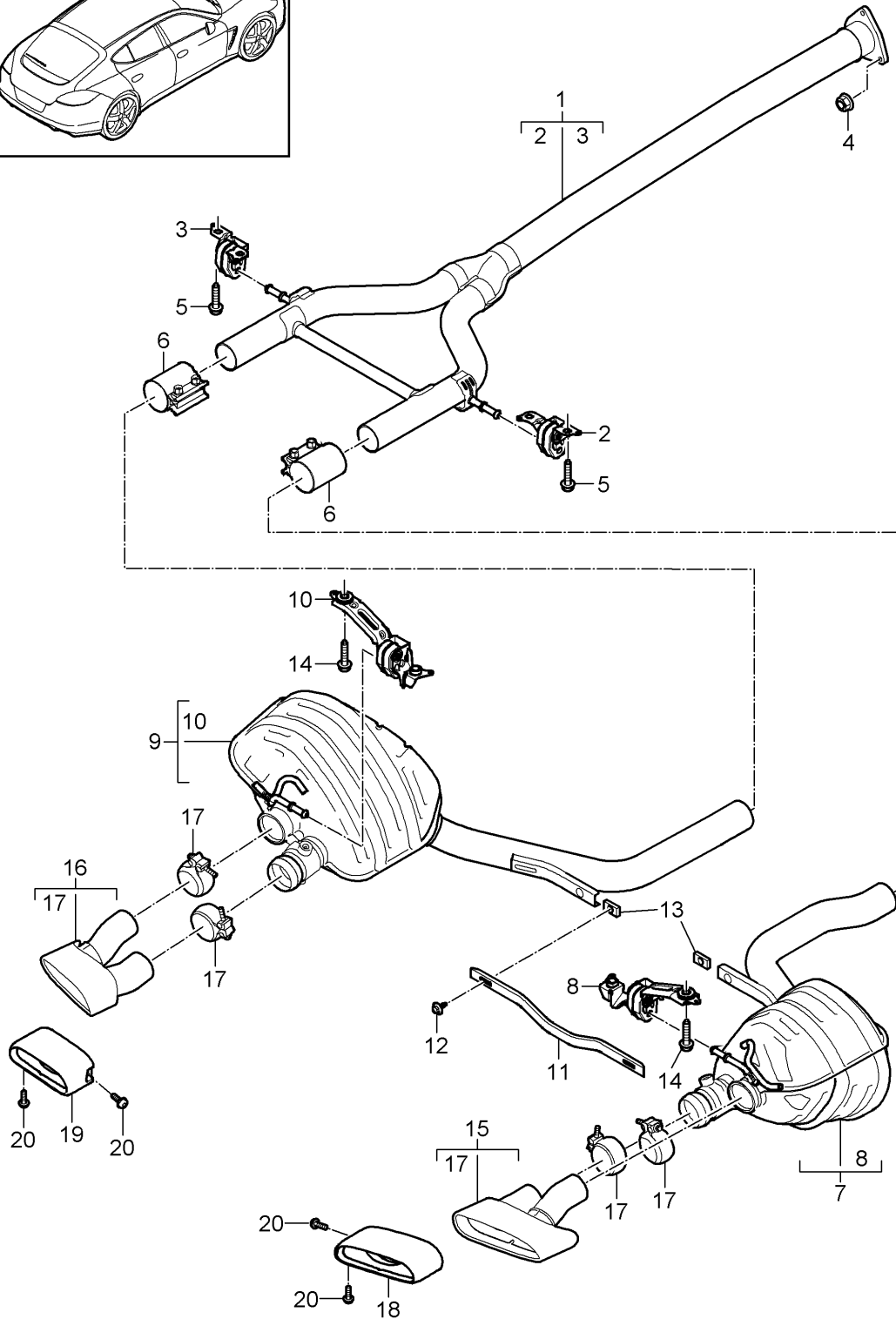
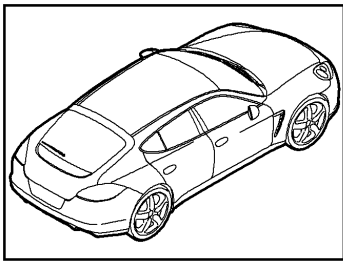
Pos	Part Number	Description	Remark	Qty	Model
1	970 111 913 22	exhaust system Front silencer Rear silencer Front silencer		1	CGEA, CGE, CGFA
(1)	970 111 913 24	No longer use the part here Front silencer Discontinued part		1	
(1)	970 111 913 25	Front silencer No longer use the part here		1	
(1)	970 111 913 28	Front silencer		1	
2	970 111 152 01	Bracket	right	1	
		with: Rubber			
3	970 111 153 01	Bracket	left	1	
		with: Rubber			
4	955 111 220 12	Clamping sleeve		2	
5	N 909 210 02	Hexagon bolt M 8 X 22		4	
6	970 111 912 11	Rear silencer	right	1	
		without: Tailpipe See workshop manual Group 2 Document 26 34 19			
(6)	970 111 912 12	Discontinued part Rear silencer	right	1	
		without: Tailpipe See workshop manual Group 2 Document 26 34 19			
(6)	970 111 924 12	D >> - MJ 2013 Rear silencer	right	1	
		without: Tailpipe D - MJ 2014>>			
7	970 111 150 00	Bracket	right	1	
		with: Rubber			
8	970 111 911 11	Rear silencer	left	1	
		without: Tailpipe See workshop manual Group 2 Document 26 34 19			
(8)	970 111 911 12	Discontinued part Rear silencer	left	1	
		without: Tailpipe See workshop manual Group 2 Document 26 34 19			
(8)	970 111 923 12	D >> - MJ 2013 Rear silencer	left	1	
		without: Tailpipe D - MJ 2014>>			
9	970 111 151 00	Bracket	left	1	

Model: 970 10 Model life 2010>>2016

Pos	Part Number	Description	Remark	Qty	Model
		with:			
10	970 111 221 01	Rubber Transverse strut		1	
11	N 908 797 02	Hexagon bolt M 8 X 25		2	
12	970 111 360 00	nut, square M 8		2	
13	958 111 220 20	Clamping sleeve		2	
14	N 909 686 02	Socket head bolt with inner multipoint head M 8 X 40		4	
15	970 111 932 00	Tailpipe See workshop manual Group 2 Document 26 34 19	right	1	
16	970 111 931 00	D >> - MJ 2013 Tailpipe See workshop manual Group 2 Document 26 34 19	left	1	
17	997 111 240 30	D >> - MJ 2013 Clamp See workshop manual Group 2 Document 26 34 19		2	
18	970 111 686 01	D >> - MJ 2013 Tailpipe	right	2	PR: -XLP, -XLR
(18)	970 111 984 00	D - MJ 2014>> Tailpipe	right	2	PR: XLR
(18)	970 111 986 00	D - MJ 2014>> Tailpipe	right	2	PR: XLP
19	970 111 685 01	D - MJ 2014>> Tailpipe	left	2	PR: -XLP, -XLR
(19)	970 111 983 00	D - MJ 2014>> Tailpipe	left	2	PR: XLR
(19)	970 111 985 00	D - MJ 2014>> Tailpipe	left	2	PR: XLP
20	999 073 580 01	Oval-head screw M 6 X 12 D - MJ 2014>>		4	

Model: 970 10

Model life 2010>>2016



Model: 970 10 Model life 2010>>2016

Pos	Part Number	Description	Remark	Qty	Model
		exhaust system			CRCC, CRCB, CWJA
1	970 111 913 31	Exhaust pipe		1	
2	970 111 152 01	Rear silencer		1	
		Exhaust pipe	right		
		Bracket			
		with:			
3	970 111 153 01	Rubber		1	
		Bracket	left		
		with:			
4	N 104 355 06	Rubber		3	
		Hexagon collar nut			
		self-locking			
		M 8			
5	N 909 210 02	Hexagon bolt		4	
		M 8 X 22			
6	958 111 220 20	Clamping sleeve		2	
7	970 111 912 31	Rear silencer	right	1	
		without:			
		Tailpipe			
		D >> - MJ 2013			
(7)	970 111 924 32	Rear silencer	right	1	
		without:			
		Tailpipe			
		D - MJ 2014>>			
8	970 111 150 00	Bracket	right	1	
		with:			
		Rubber			
9	970 111 911 31	Rear silencer	left	1	
		without:			
		Tailpipe			
		D >> - MJ 2013			
(9)	970 111 923 32	Rear silencer	left	1	
		without:			
		Tailpipe			
		D - MJ 2014>>			
10	970 111 151 00	Bracket	left	1	
		with:			
		Rubber			
11	970 111 221 01	Transverse strut		1	
12	N 908 797 02	Hexagon bolt		2	
		M 8 X 25			
13	970 111 360 00	nut, square		2	
		M 8			
14	N 909 686 02	Socket head bolt with inner		4	
		multipoint head			
		M 8 X 40			
15	970 111 682 31	Tailpipe	right	1	
		D >> - MJ 2013			
16	970 111 681 31	Tailpipe	left	1	
		D >> - MJ 2013			
17	958 111 240 00	clamp		4	
		D >> - MJ 2013			
18	970 111 686 21	Tailpipe	right	1	PR: -XLP, -XLR
		D - MJ 2014>>			
(18)	970 111 984 20	Tailpipe	right	1	PR: XLR
		D - MJ 2014>>			
(18)	970 111 986 20	Tailpipe	right	1	PR: XLP
		D - MJ 2014>>			
19	970 111 685 21	Tailpipe	left	1	PR: -XLP, -XLR
		D - MJ 2014>>			
(19)	970 111 983 20	Tailpipe	left	1	PR: XLR
		D - MJ 2014>>			
(19)	970 111 985 20	Tailpipe	left	1	PR: XLP

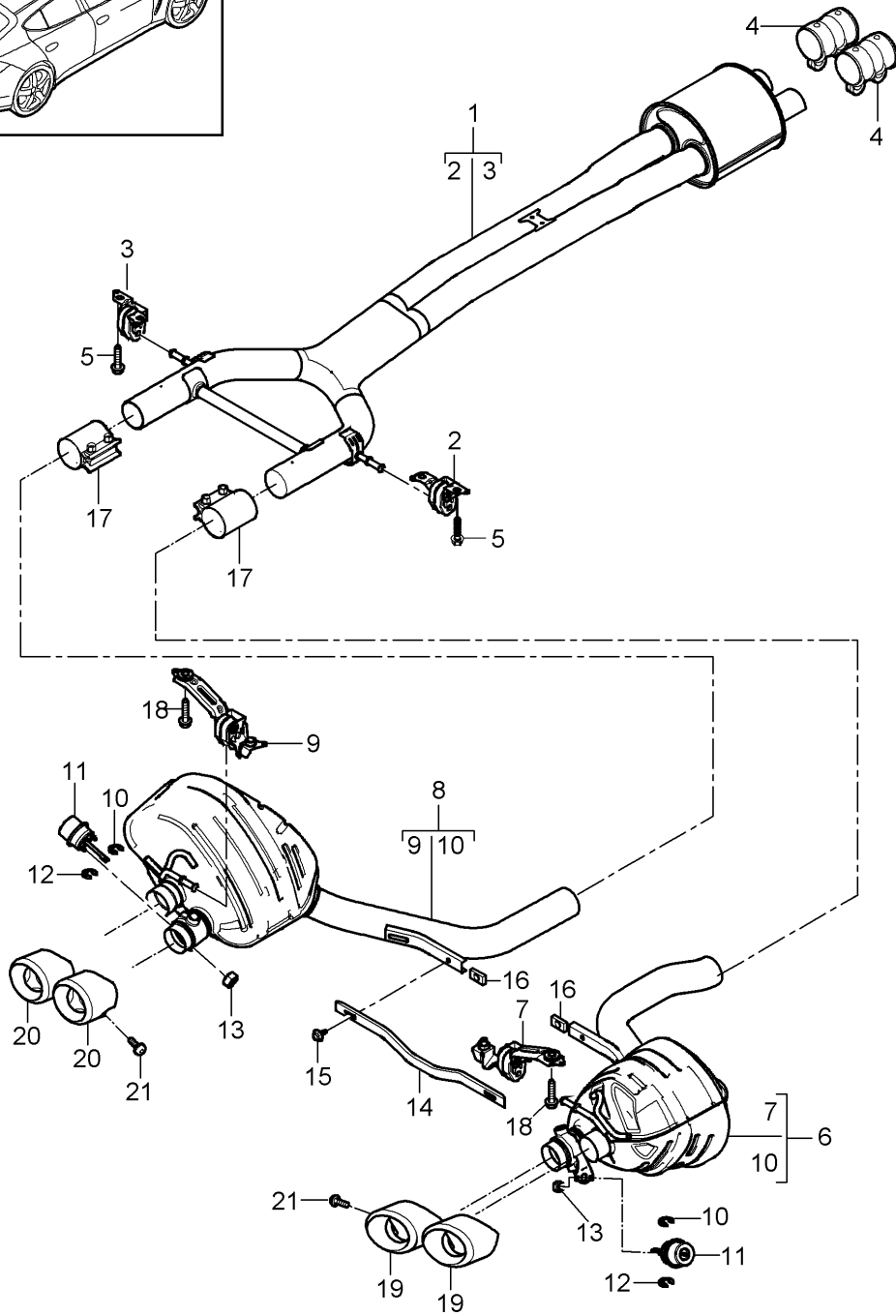
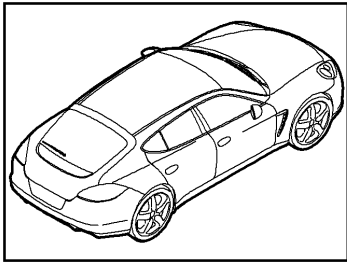
Model: 970 10

Model life 2010>>2016

Pos	Part Number	Description	Remark	Qty	Model
20	999 073 580 01	D - MJ 2014>> Oval-head screw M 6 X 12 D - MJ 2014>>		4	

Model: 970 10

Model life 2010>>2016



Model: 970 10 Model life 2010>>2016

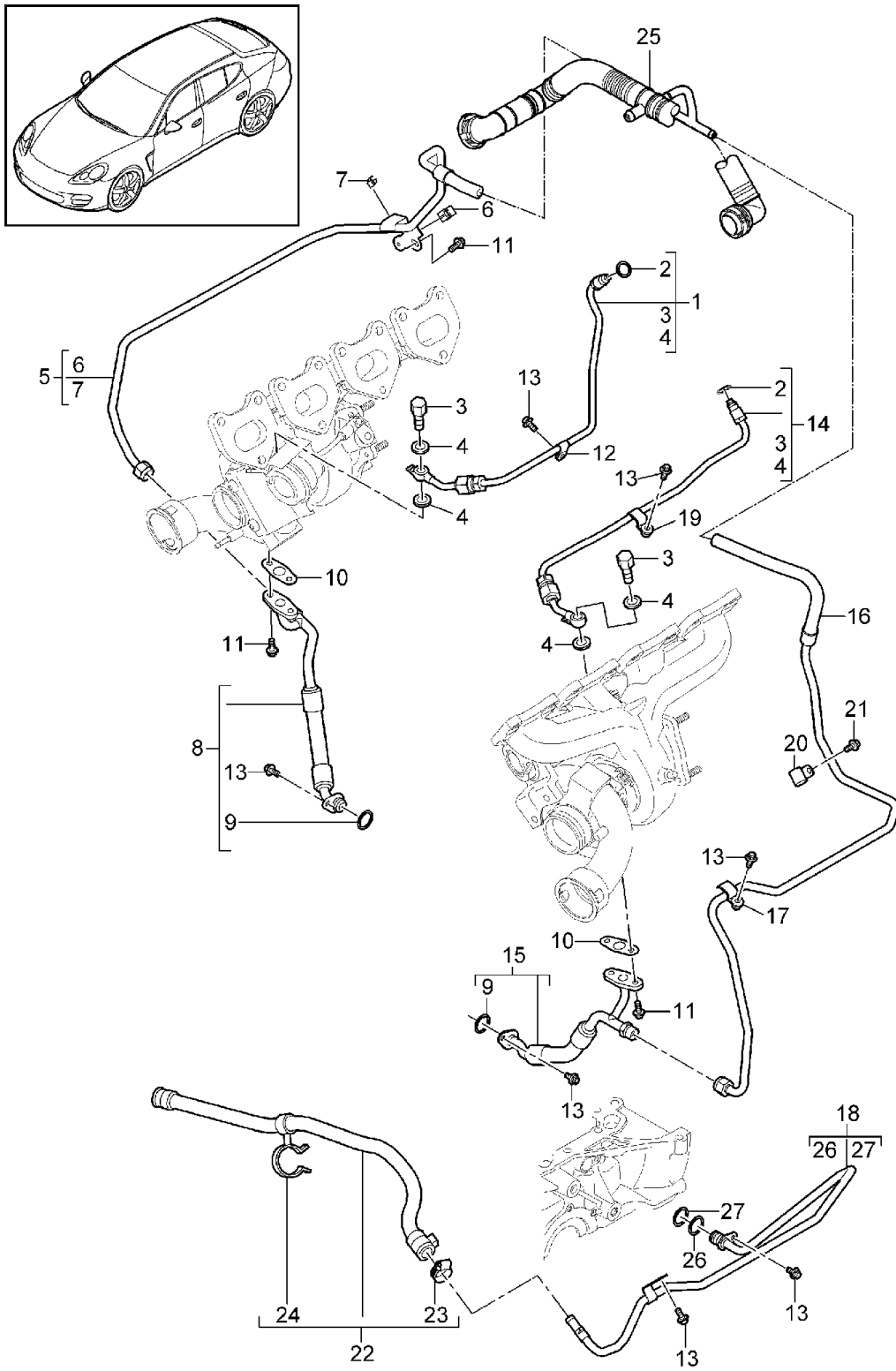
Pos	Part Number	Description	Remark	Qty	Model
1	970 111 919 01	exhaust system Front silencer Rear silencer Front silencer Discontinued part		1	CWDA, CWD, CWFA, CWF+ PR: -176, -XLF PR: 0E1
(1)	970 111 919 02	Front silencer		1	PR: 0E1
(1)	970 111 919 01	Front silencer Discontinued part		1	PR: 143
(1)	970 111 919 02	Front silencer		1	PR: 143
(1)	970 111 914 02	Front silencer Discontinued part		1	PR: 0E2
(1)	970 111 914 03	Front silencer		1	PR: 0E2
2	970 111 152 01	Bracket	right	1	
		with:			
3	970 111 153 01	Rubber Bracket	left	1	
		with:			
4	955 111 220 21	Rubber Clamping sleeve		2	
5	N 909 210 02	Hexagon bolt M 8 X 22		4	
(6)	970 111 924 03	Rear silencer	right	1	PR: 0E1, 144
		without:			
(6)	970 111 924 04	Tailpipe Discontinued part Rear silencer	right	1	PR: 0E1, 144
		without:			
(6)	970 111 926 01	Tailpipe Rear silencer	right	1	PR: 0E1, 143
		without:			
(6)	970 111 926 02	Tailpipe Discontinued part Rear silencer	right	1	PR: 0E1, 143
		without:			
(6)	970 111 924 60	Tailpipe Rear silencer	right	1	PR: 0E2
		without:			
(6)	970 111 924 61	Tailpipe Discontinued part Rear silencer	right	1	PR: 0E2
		without:			
(6)	970 111 924 62	Tailpipe Discontinued part Rear silencer	right	1	PR: 0E2
		without:			
7	970 111 150 00	Tailpipe Bracket	right	1	
		with:			
8	970 111 923 03	Rubber Rear silencer	left	1	PR: 0E1, 144
		without:			
(8)	970 111 923 04	Tailpipe Discontinued part Rear silencer	left	1	PR: 0E1, 144
		without:			
(8)	970 111 925 01	Tailpipe Rear silencer	left	1	PR: 0E1, 143
		without:			
(8)	970 111 925 02	Tailpipe Discontinued part Rear silencer	left	1	PR: 0E1, 143
		without:			
		Tailpipe			

Model: 970 10 Model life 2010>>2016

Pos	Part Number	Description	Remark	Qty	Model
(8)	970 111 923 03	Rear silencer without: Tailpipe Discontinued part	left	1	PR:0E2
(8)	970 111 923 04	Rear silencer without: Tailpipe	left	1	PR:0E2
9	970 111 151 00	Bracket with:	left	1	
10	7PP 253 080	Rubber Securing ring 3,5		2	PR:0E1,144
(10)	7PP 253 080	Securing ring 3,5		2	PR:143
(10)	7PP 253 080	Securing ring 3,5	left	1	PR:0E2,144
11	7PP 253 835	Vacuum unit		2	PR:0E1,144
(11)	7PP 253 835	Vacuum unit		2	PR:143
(11)	7PP 253 835	Vacuum unit	left	1	PR:0E2,144
12	7PP 253 080	Securing ring 3,5		2	PR:0E1,144
(12)	7PP 253 080	Securing ring 3,5		2	PR:143
(12)	7PP 253 080	Securing ring 3,5	left	1	PR:0E2,144
13	970 111 547 00	Locknut M 6		4	PR:0E1,144
(13)	970 111 547 00	Locknut M 6		4	PR:143
(13)	970 111 547 00	Locknut M 6	left	2	PR:0E2,144
14	970 111 221 01	Transverse strut		1	
15	N 908 797 02	Hexagon bolt M 8 X 25		2	
16	970 111 360 00	nut, square M 8		2	
17	958 111 220 10	Clamping sleeve		2	
18	N 909 686 02	Socket head bolt with inner multipoint head M 8 X 40		4	
(19)	970 111 686 21	Tailpipe	right	1	PR:-XLR,-XLP "CN."
19	970 111 686 01	Tailpipe	right	2	PR:-XLR,-XLP
(19)	970 111 984 00	Tailpipe	right	2	PR:XLR
(19)	970 111 986 00	Tailpipe	right	2	PR:XLP
(20)	970 111 685 21	Tailpipe	left	1	PR:-XLR,-XLP "CN."
20	970 111 685 01	Tailpipe	left	2	PR:-XLR,-XLP
(20)	970 111 983 00	Tailpipe	left	2	PR:XLR
(20)	970 111 985 00	Tailpipe	left	2	PR:XLP
21	999 073 580 01	Oval-head screw M 6 X 12		4	

Model: 970 10

Model life 2010>>2016



Model: 970 10 Model life 2010>>2016

Pos	Part Number	Description	Remark	Qty	Model
1	948 107 086 70	Oil pipe for Exhaust gas turbocharger Pressure line with:		1	4870 ,CWBA , CWB ,CWCA ,CWC
(1)	948 107 086 71	Non-return valve Cylinders 1 - 4 No longer use the part here Pressure line with:		1	
2	999 707 763 40	O-ring and Non-return valve Cylinders 1 - 4		2	
3	999 134 022 01	O-ring 5,8 X 1,7		2	
4	900 123 005 30	Banjo bolt M 12 X 1,5 seal ring A 12 X 16		4	
(4)	900 123 005 20	No longer use the part here seal ring A 12 X 16		4	
5	948 107 090 73	Breather line Cylinders 1 - 4		1	
(5)	948 107 092 70	M >> B 00769 Oil pipe Cylinders 1 - 4		1	
(5)	948 107 092 71	Discontinued part Oil pipe Cylinders 1 - 4		1	
6	999 651 394 40	M B 00770 >> Cable holder 6,0		1	
7	999 651 392 07	Cable holder 9,5 - 10,5		1	
8	948 107 088 70	Oil pipe Cylinders 1 - 4		1	
9	999 707 568 40	M >> B 00769 O-ring 12 X 3		2	
10	948 107 123 50	Seal		2	
11	900 385 009 01	Torx screw BM 6 X 16		5	
12	999 511 741 00	Clamp 8 X 15		1	
13	900 385 041 01	Torx screw BM 6 X 12		7	
14	948 107 087 70	Pressure line with:		1	
(14)	948 107 087 71	Non-return valve Cylinders 5 - 8 No longer use the part here Pressure line with:		1	
15	948 107 089 71	O-ring and Non-return valve Cylinders 5 - 8 Oil pipe Cylinders 5 - 8		1	
16	948 107 091 72	M >> B 00769 Breather line		1	

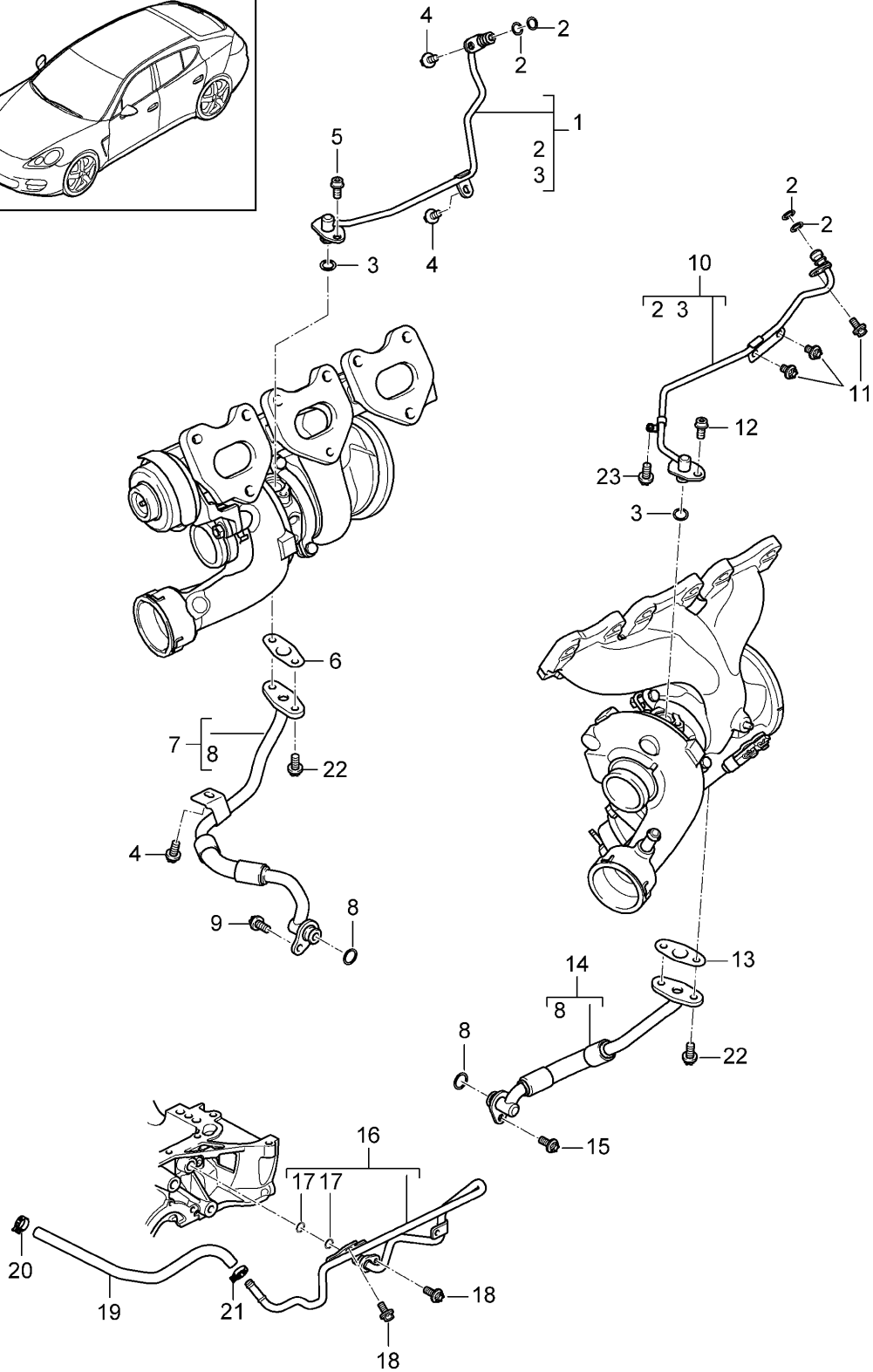
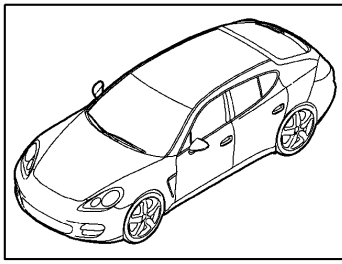
Model: 970 10

Model life 2010>>2016

Pos	Part Number	Description	Remark	Qty	Model
(16)	948 107 093 70	Cylinders 5 - 8 M >> B 00769 Oil pipe		1	
(16)	948 107 093 71	Cylinders 5 - 8 Discontinued part Oil pipe		1	
17	999 511 265 01	Cylinders 5 - 8 M B 00770 >> Clamp		1	
18	948 107 260 75	10 - 10 X 15 Ventilation pipe		1	
19	999 511 265 01	with: O-ring Clamp		1	
20	999 511 116 03	10 - 10 X 15 Clamp		1	
(20)	N 020 651 7	10 X 15 No longer use the part here Clamp		1	
21	900 378 036 01	10 X 15 Hexagon bolt		1	
22	970 110 259 71	M 6 X 12 Vent hose		1	
23	999 512 489 00	Hose clip		1	
24	999 507 175 40	15,7 - 18,5 Line holder		1	
25		11,5 / 20,0 Breather line		1	
26	999 707 711 40	see illustration, item: O-ring	107-015,5	1	
27	999 707 669 40	10 X 3 O-ring		1	
		10 X 3			

Model: 970 10

Model life 2010>>2016

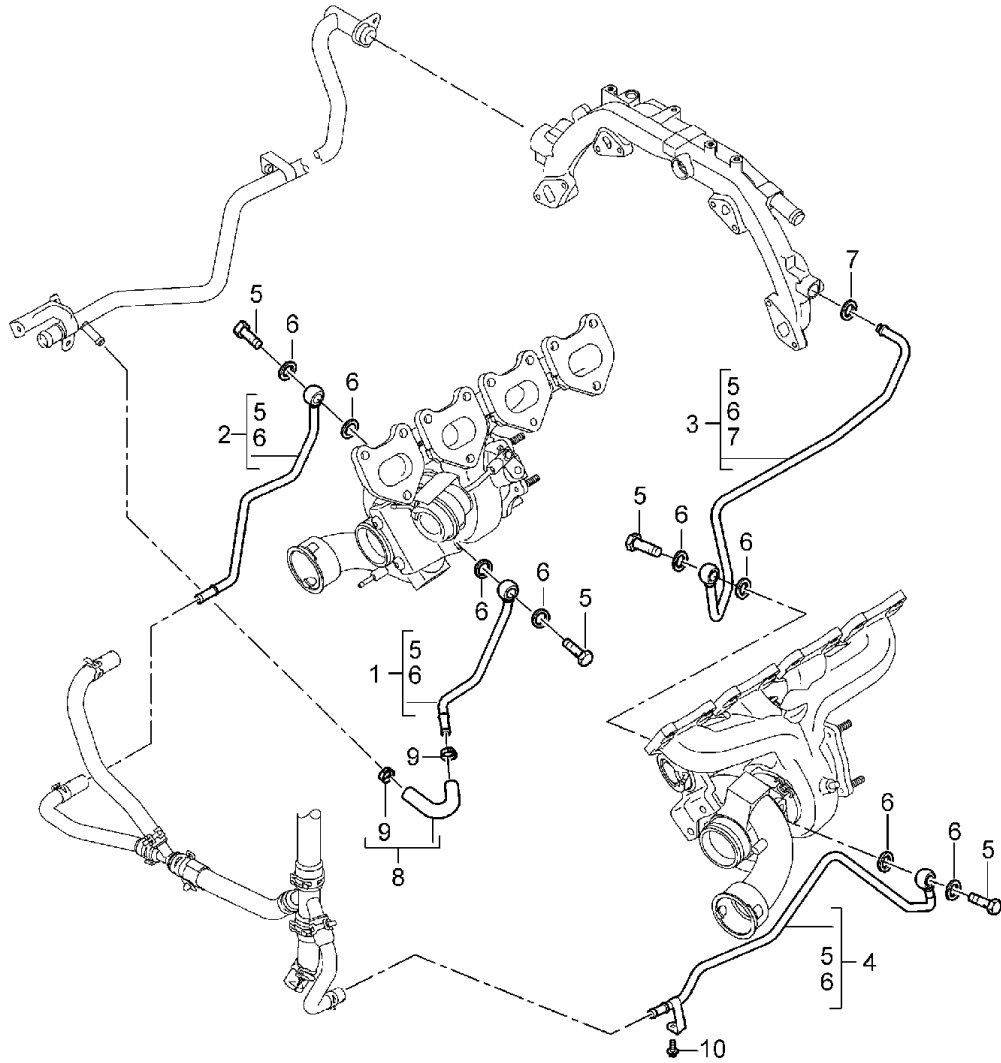
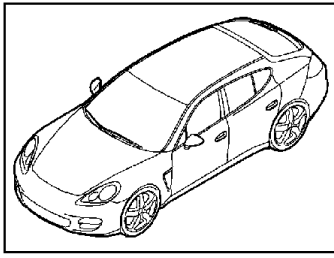


Model: 970 10 Model life 2010>>2016

Pos	Part Number	Description	Remark	Qty	Model
		Oil pipe for Exhaust gas turbocharger			CWDA, CWD, CWFA, CWF
1	946 107 086 60	Pressure line	cylinders 1-3	1	
2	999 707 613 40	O-ring	8,00X2,5	4	
		No longer use the part here			
(2)	999 707 613 41	O-ring	8,00X2,5	4	
3	999 707 603 40	O-ring	10X3-N-	2	
		No longer use the part here			
(3)	999 707 603 41	O-ring	10X3-N-	2	
4	900 385 041 01	Torx screw	BM6X12	3	
5	N 105 447 03	Socket head bolt with inner hex round head	M6X10	1	
6	948 107 123 50	Seal		1	
7	946 107 088 61	Oil pipe	cylinders 1-3	1	
		M >> CWD 005 189			
		M >> CWF 005 337			
(7)	946 107 088 63	Oil pipe	cylinders 1-3	1	
		M CWD 005 190>>			
		M CWF 005 338>>			
8	999 707 568 40	O-ring	12X3-N-	2	
9	900 385 009 01	Torx screw	BM6X16	1	
10	946 107 087 60	Pressure line	cylinders 4-6	1	
		M >> CWD 008 266			
(10)	946 107 087 62	Pressure line	cylinders 4-6	1	
		M CWD 008 267>>			
11	900 385 041 01	Torx screw	BM6X12	3	
12	N 105 447 03	Socket head bolt with inner hex round head	M6X10	1	
13	948 107 123 50	Seal		1	
14	946 107 089 60	Oil pipe	cylinders 4-6	1	
		discontinued part			
(14)	946 107 089 62	Oil pipe	cylinders 4-6	1	
15	900 385 009 01	Torx screw	BM6X16	1	
16	946 107 260 67	Ventilation pipe	cylinders 4-6	1	PR:339
(16)	946 107 260 61	Ventilation pipe	cylinders 1-3	1	PR:338
17	999 707 603 40	O-ring	10X3-N-	2	
18	900 385 041 01	Torx screw	BM6X12	2	
(18)	999 073 903 31	fillister hd. bolt	M6X20 aluminium	1	PR:338
19	970 110 259 60	Vent hose		1	PR:339
		No longer use the part here			
(19)	970 110 259 61	Vent hose		1	PR:339
(19)	970 110 259 65	Vent hose		1	PR:338
		No longer use the part here			
(19)	970 110 259 66	Vent hose		1	PR:338
20	999 512 489 00	Hose clip	15,3-18,5	1	
21	955 201 479 00	Hose clamp	B16X12	1	
22	900 385 041 01	Torx screw	BM6X12	4	
		M >> CWD 006 774			
		M >> CWF 008 840			
(22)	999 073 601 01	flat round head bolt	M6X14	4	
		M CWD 006 775>>			
		M CWF 008 841>>			
23	999 073 601 01	flat round head bolt	M6X14	1	

Model: 970 10

Model life 2010>>2016



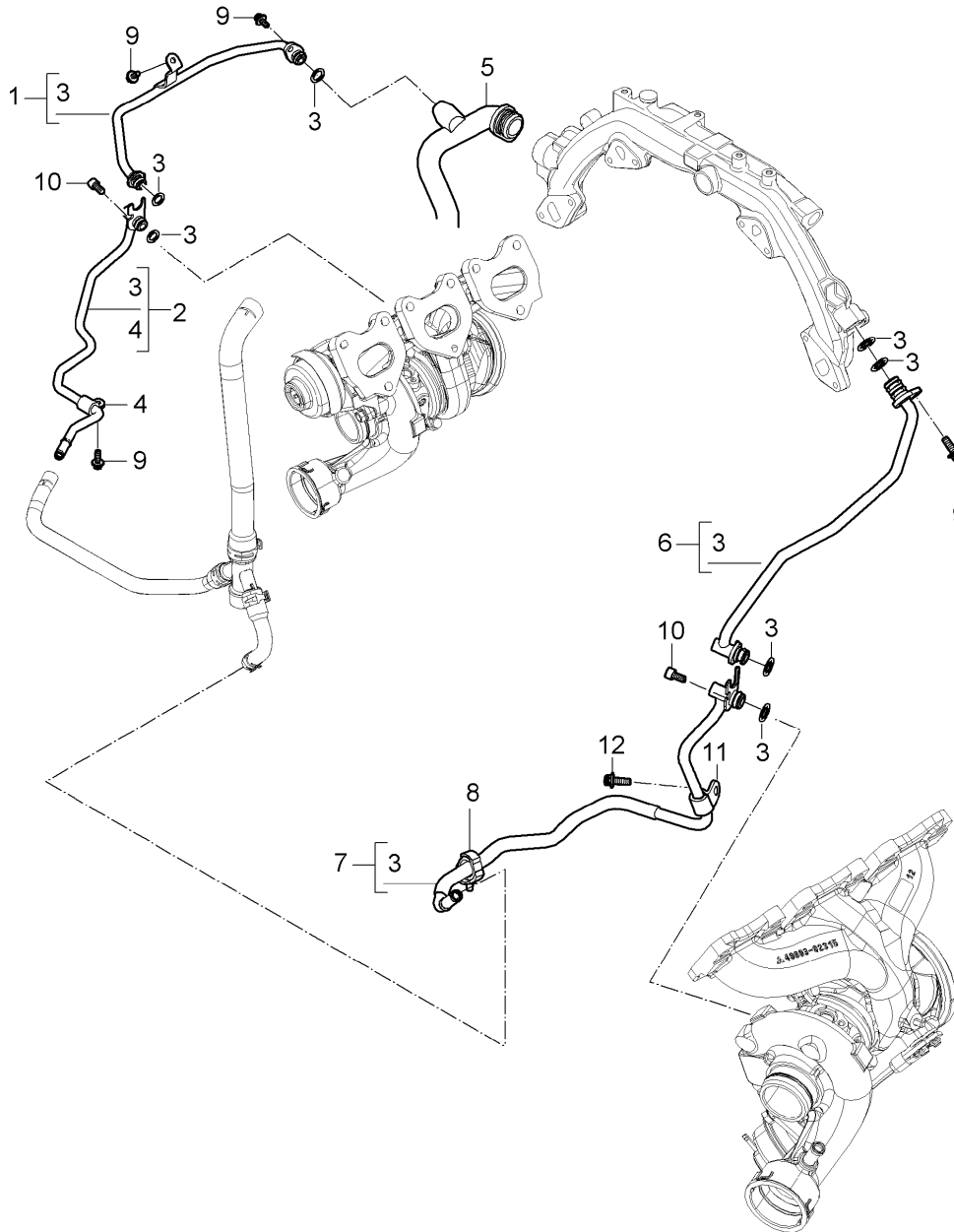
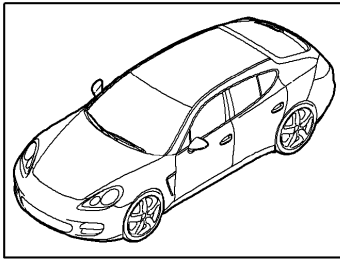
Model: 970 10

Model life 2010>>2016

Pos	Part Number	Description	Remark	Qty	Model
1	948 106 027 75	Coolant pipe for Exhaust gas turbocharger Coolant pipe Supply Cylinders 1 - 4 No longer use the part here		1	4870 ,CWBA , CWB ,CWCA ,CWC
(1)	948 106 027 76	Coolant pipe Supply Cylinders 1 - 4		1	
2	948 106 235 73	Coolant pipe Return line Cylinders 1 - 4 No longer use the part here		1	
(2)	948 106 235 74	Coolant pipe Return line Cylinders 1 - 4		1	
3	948 106 237 73	Coolant pipe with: seal ring Supply Cylinders 5 - 8 No longer use the part here		1	
(3)	948 106 237 74	Coolant pipe with: seal ring Supply Cylinders 5 - 8		1	
4	948 106 239 77	Coolant pipe Return line Cylinders 5 - 8 No longer use the part here		1	
(4)	948 106 239 78	Coolant pipe Return line Cylinders 5 - 8		1	
5	999 134 047 01	Banjo bolt M 12 X 1,25 X 24		4	
6	900 123 005 30	seal ring A 12 X 16 No longer use the part here		8	
(6)	900 123 005 20	seal ring A 12 X 16		8	
7	999 707 503 40	seal ring 7,8 X 1,7		1	
8	948 106 383 50	Water hose		1	
9	999 512 686 09	Hose clamp B 17 X 12		2	
10	900 385 009 01	Torx screw BM 6 X 16		1	

Model: 970 10

Model life 2010>>2016

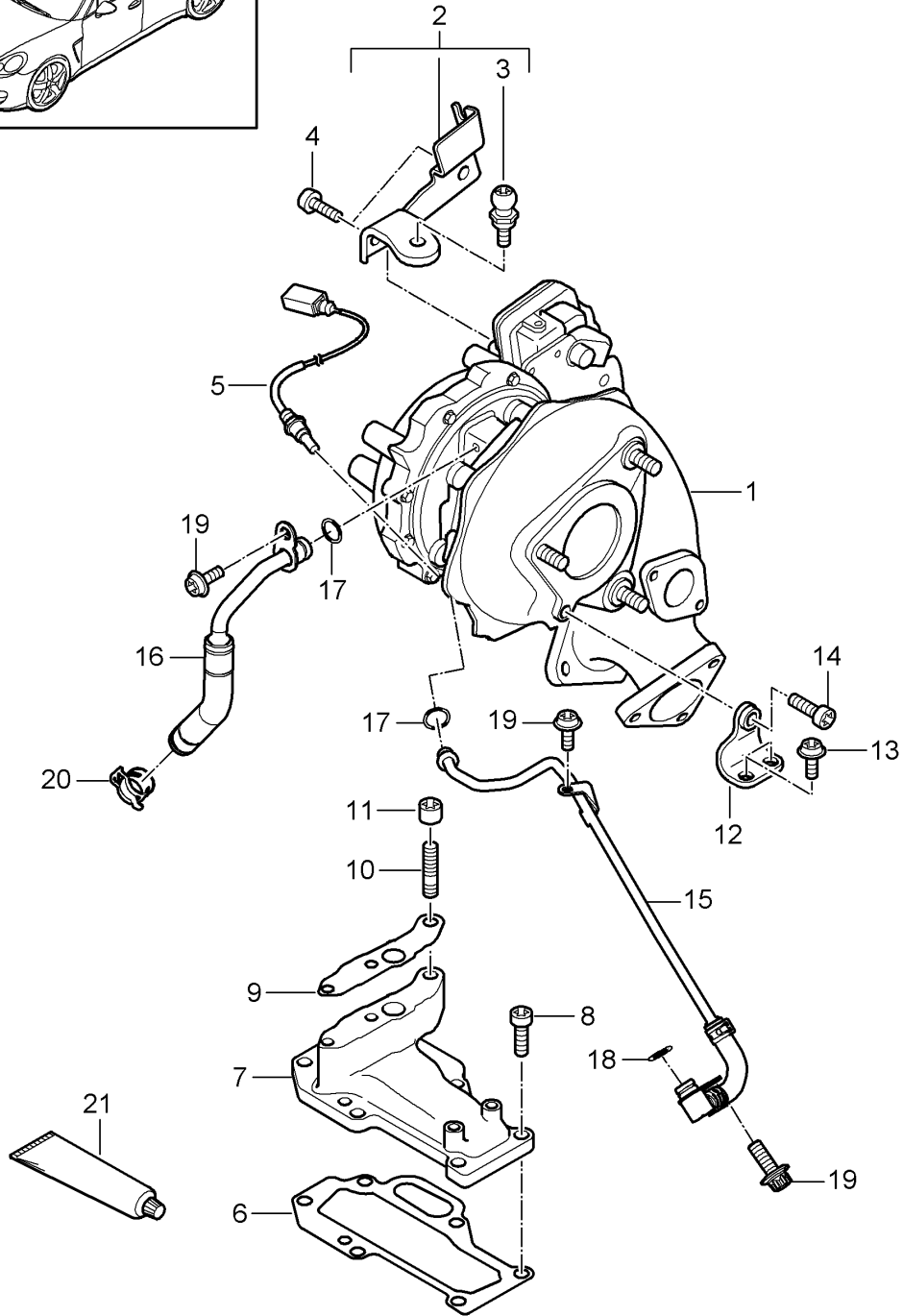
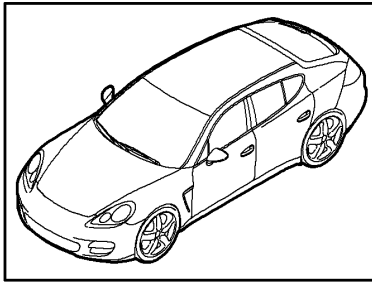


Model: 970 10 Model life 2010>>2016

Pos	Part Number	Description	Remark	Qty	Model
		Coolant pipe for Exhaust gas turbocharger			CWDA, CWD, CWFA, CWF
1	946 106 027 60	Coolant pipe	feed cylinders 1-3	1	
2	946 106 235 61	Coolant pipe	return cylinders 1-3	1	
3	999 707 670 40	O-ring	10X3N	4	
		to be used for item:	6,7		
(3)	999 707 670 41	O-ring	10X3	3	
		to be used for item:	1,2		
4	999 511 116 03	Clamp	D110X15	1	
5		Coolant pipe see illustration, item:	feed 105-032,1	1	
6	946 106 237 60	Coolant pipe	feed cylinders 4-6	1	
(6)	946 106 237 61	No longer use the part here Coolant pipe	feed cylinders 4-6	1	
(6)	946 106 237 62	No longer use the part here Coolant pipe	feed cylinders 4-6	1	
		use if required:	946 107 087 64	1	
			999 073 601 01	1	
7	946 106 239 60	Coolant pipe discontinued part	return cylinders 4-6	1	
(7)	946 106 239 61	Coolant pipe	return cylinders 4-6	1	
8	999 507 075 40	Cable holder	3,0-12,0	1	
9	900 385 041 01	Torx screw	BM6X12	4	
10	N 105 447 03	Socket head bolt with inner hex round head	M6X10	2	
11	999 511 116 03	Clamp	D110X15	1	
12	999 073 601 01	flat round head bolt	M6X14	1	

Model: 970 10

Model life 2010>>2016



Model: 970 10

Model life 2010>>2016

Pos	Part Number	Description	Remark	Qty	Model
		Exhaust gas turbocharger			CRCC ,CRCB , CWJA
1	958 123 025 10	Exhaust gas turbocharger		1	CRCC ,CRCB
(1)	958 123 025 11	Discontinued part Exhaust gas turbocharger		1	CRCC ,CRCB
(1)	958 123 025 12	Discontinued part Exhaust gas turbocharger		1	CRCC ,CRCB
(1)	958 123 025 40	Exhaust gas turbocharger		1	CWJA
-	N 044 509 3	Threaded pin M 8 X 22		3	
2	958 110 357 00	Bracket Engine cover		1	CRCC ,CRCB
3	WHT 000 351	Ball pin M 6		1	CRCC ,CRCB
(3)	WHT 000 351	Ball pin M 6		1	CWJA
4	N 104 056 04	Oval hexagon socket head bolt M 6 X 14		2	
5	958 606 688 30	Temperature sensor Exhaust gas turbocharger		1	CRCC ,CRCB
(5)	958 606 688 31	Discontinued part Temperature sensor		1	CRCC ,CRCB
(5)	958 606 688 70	Exhaust gas turbocharger Temperature sensor		1	CWJA
6	958 123 547 00	Exhaust gas turbocharger Seal		1	
7	958 123 121 00	Bracket Discontinued part		1	CRCC ,CRCB
(7)	958 123 121 01	Bracket		1	CRCC ,CRCB
(7)	958 123 121 10	Bracket No longer use the part here		1	CWJA
(7)	958 123 121 10	Bracket No longer use the part here		1	CWJA
(7)	958 123 121 11	Bracket Discontinued part		1	CWJA
(7)	958 123 121 12	Bracket		1	CWJA
8	N 910 059 02	Hexagon socket head bolt M 8 X 25		6	
9	958 123 557 00	Seal Discontinued part		1	
(9)	958 123 557 01	Seal		1	
10	N 044 511 3	Threaded pin M 8 X 18		2	
11	WHT 005 491	shouldered nut with multipoint socket head M 8		2	
12	958 123 122 00	Bracket		1	
13	N 104 056 04	Oval hexagon socket head bolt M 6 X 14		2	CRCC ,CRCB
(13)	N 104 514 08	Oval hexagon socket head bolt M 6 X 16		2	CWJA
14	N 910 461 01	Socket head collared bolt with inner multipoint head M 8 X 22		1	
15	958 106 027 01	Water line Supply No longer use the part here		1	CWJA
(15)	958 106 027 02	Water line Supply		1	CWJA
16	958 106 235 00	Water line Return line		1	CWJA
17	WHT 004 963	O-ring		2	CWJA

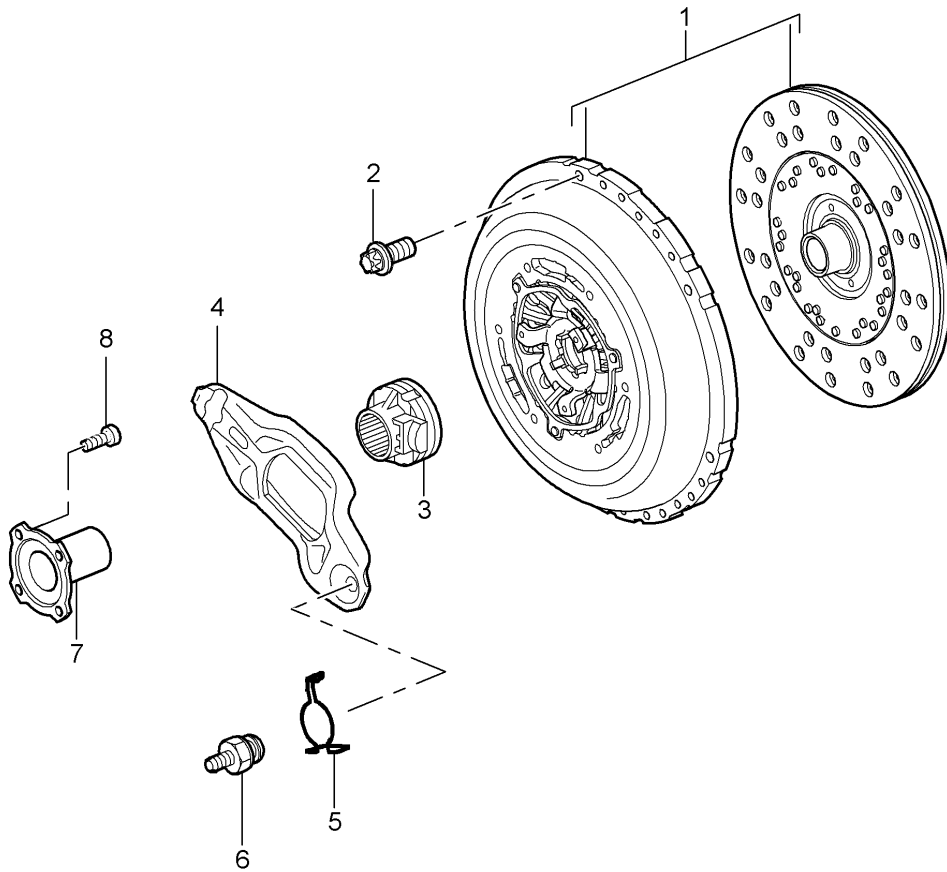
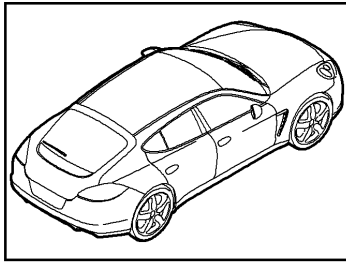
Model: 970 10

Model life 2010>>2016

Pos	Part Number	Description	Remark	Qty	Model
18	N 907 834 02	9,1 X 1,6 O-ring		1	CWJA
19	N 101 703 02	13,1 X 1,6 round hd. screw		3	CWJA
20	999 512 650 09	M 6 X 10 Hose clamp		1	CWJA
21	000 043 207 47	B 14 X 12 hot-bolt-paste 1 tube 170 GR.		X	

Model: 970 10

Model life 2010>>2016



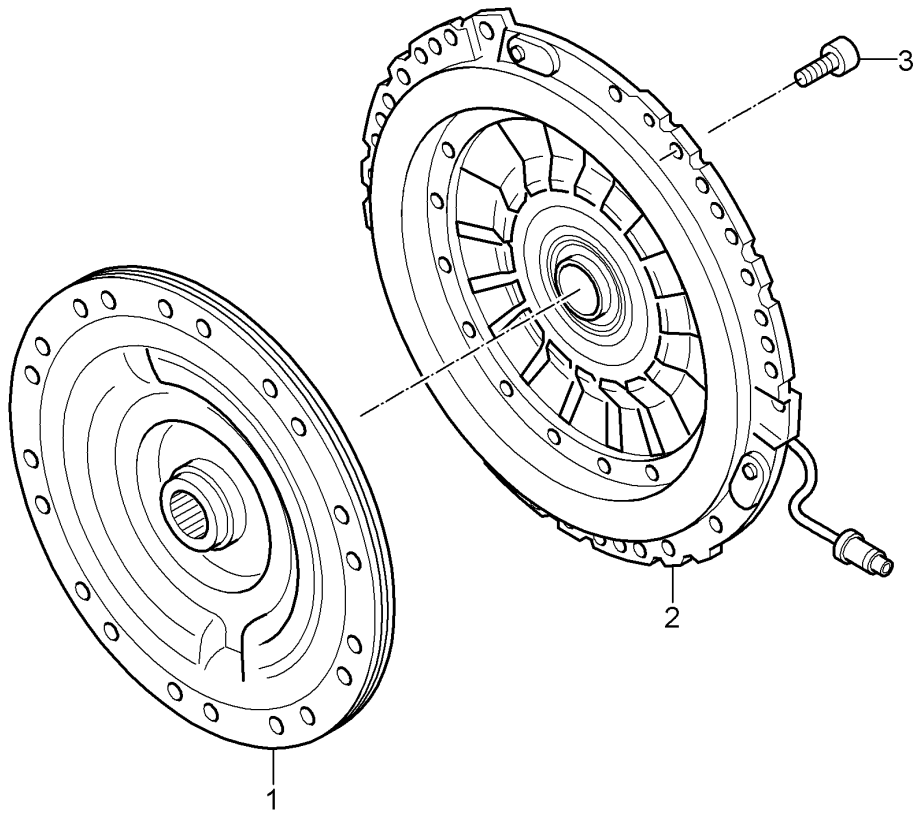
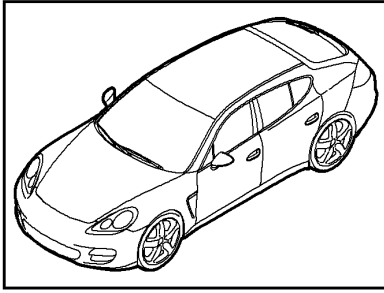
Model: 970 10

Model life 2010>>2016

Pos	Part Number	Description	Remark	Qty	Model
1	970 116 912 00	Coupling repair set		1	G7000
		Coupling comprising:			
		Clutch plate		1	
		Pressure plate		1	
		Discontinued part			
(1)	7PP 141 015	repair set		1	
		Coupling comprising:			
		Clutch plate		1	
		Pressure plate		1	
2	999 073 458 01	Screw BM 8 X 16		6	
		No longer use the part here			
(2)	WHT 005 505	Outer hexagon round screw BM 8 X 16		6	
3	955 116 080 00	release bearing		1	
4	955 116 719 00	clutch operating lever		1	
5	012 141 741	retaining spring		1	
6	955 116 716 00	Ball stud		1	
7	955 301 181 00	guide tube		1	
8	N 910 905 01	Hexagon socket head bolt M 6 X 12		4	

Model: 970 10

Model life 2010>>2016



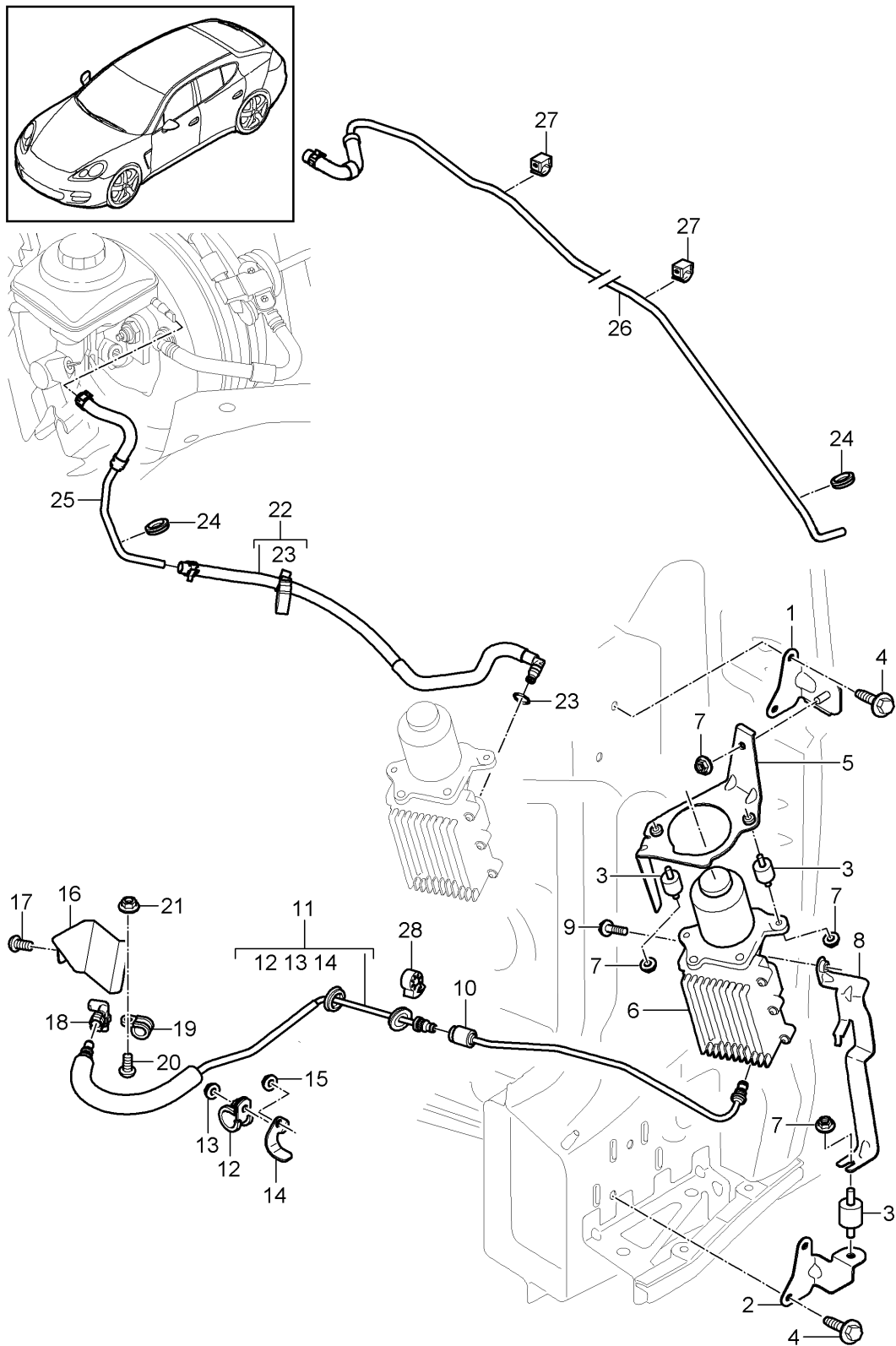
Model: 970 10

Model life 2010>>2016

Pos	Part Number	Description	Remark	Qty	Model
1	958 116 013 00	Coupling Hybrid		1	CGEA, CGE, CGFA
2	958 116 027 00	Clutch plate clutch pressure plate		1	
		with:			
3	N 911 361 02	Release module Socket head bolt with inner multipoint head M 8 X 14		9	

Model: 970 10

Model life 2010>>2016

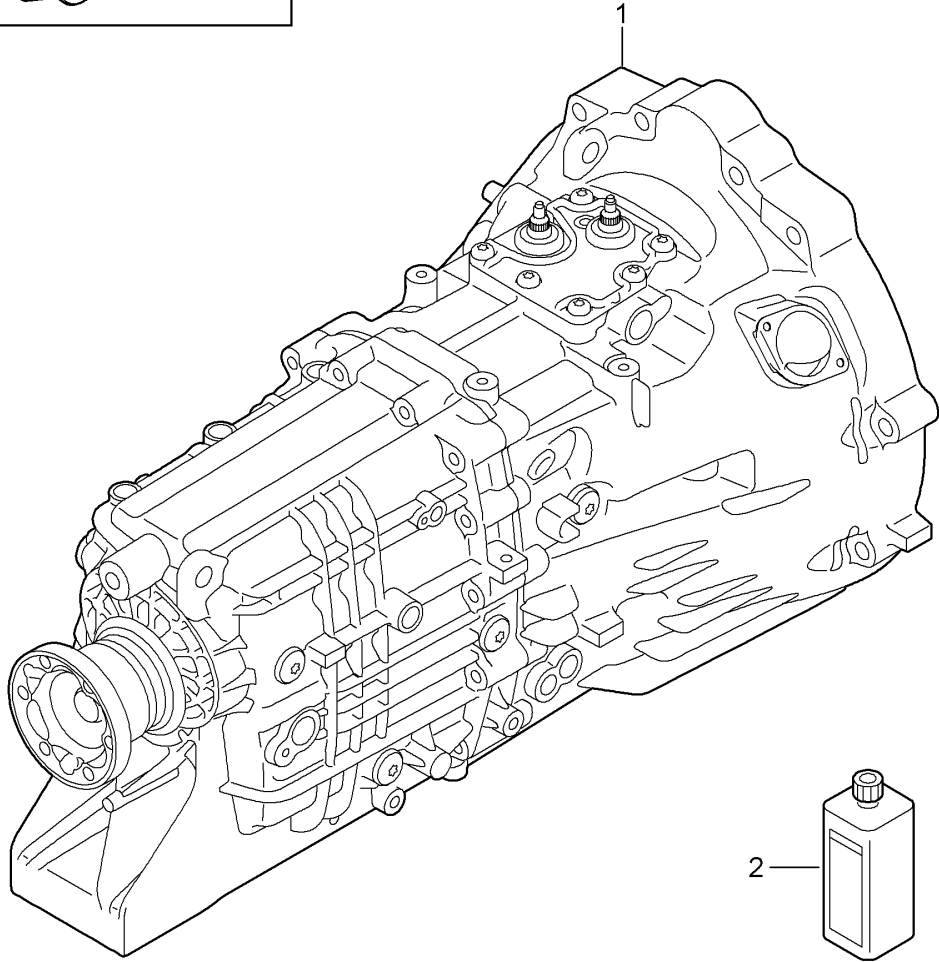
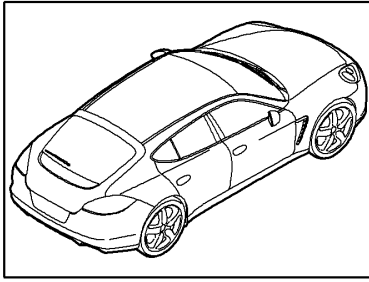


Model: 970 10 Model life 2010>>2016

Pos	Part Number	Description	Remark	Qty	Model
		Control mechanism Hydraulic Electric motor			CGEA, CGE, CGFA
1	970 605 153 00	Bracket		1	
2	970 605 151 01	Bracket		1	
3	999 703 273 01	Bonded rubber buffer M 6 20 X 20		3	
4	N 106 843 01	Hexagon bolt M 6 X 18		4	
5	970 605 143 01	Bracket		1	
6	958 116 060 AX	Control mechanism Hydraulic		1	
(6)	958 116 060 BX	Discontinued part Control mechanism Hydraulic		1	
7	999 076 078 01	Hexagon nut M 6		1	
8	970 605 145 00	Bracket		1	
9	900 378 030 01	Hexagon bolt M 6 X 20		1	
10	970 423 407 20	Pressure line		1	
11	970 423 409 21	Pressure line		1	
12	N 020 605 10	Clamp 19 X 15		1	
13	N 015 082 13	Hexagon collar nut M 6		1	
14	970 423 533 21	bracket for pressure line		1	
15	N 015 082 13	Hexagon collar nut M 6		1	
16	958 116 233 02	Bracket		1	
17	N 910 967 01	Oval hexagon socket head bolt M 6 X 16		2	
18	958 116 468 00	breather assy.		1	
19	N 020 626 7	Clamp 16 X 15		1	
20	N 911 914 01	Oval hexagon socket head bolt M 6 X 18		1	
21	N 015 082 10	Hexagon collar nut M 6		1	
22	970 423 432 22	Pipe assembly		1	
23	955 423 225 00	seal ring		1	
24	970 423 627 20	Grommet		1	
25	970 423 431 21	Pipe assembly	lhd	1	PR:098
26	970 423 433 22	Pipe assembly	rhd	1	PR:099
27	443 809 948	Clip	rhd	2	PR:099
28	999 511 748 40	Distance piece		1	

Model: 970 10

Model life 2010>>2016



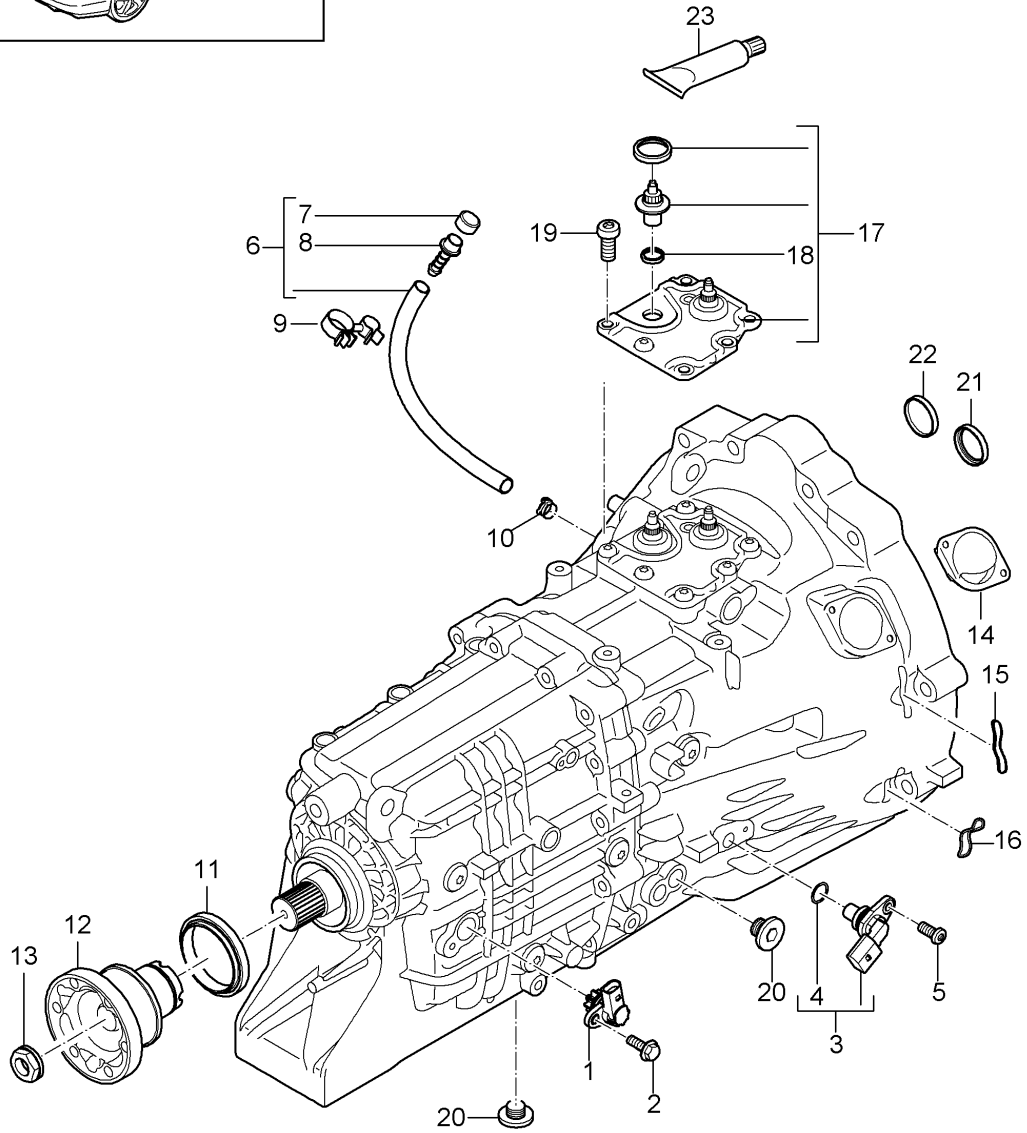
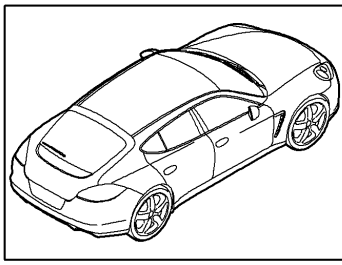
Model: 970 10

Model life 2010>>2016

Pos	Part Number	Description	Remark	Qty	Model
		Replacement transmission Manual gearbox Ready for installation			G7000
1	970 300 010 01	Replacement transmission		1	
(1)	970 300 010 AX	Replacement transmission		1	
2	000 043 300 38	Transmission fluid Container 1 LITER		X	

Model: 970 10

Model life 2010>>2016



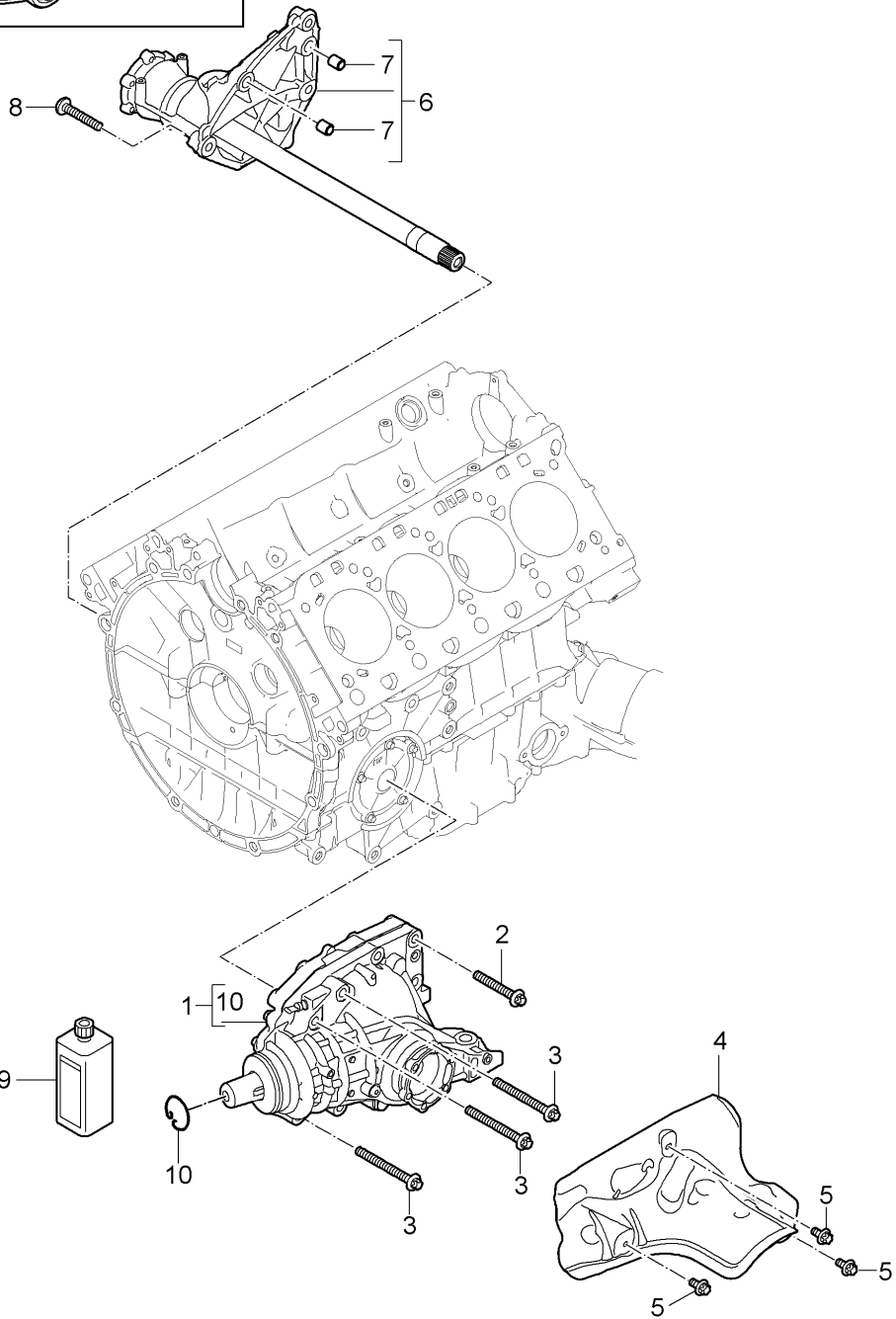
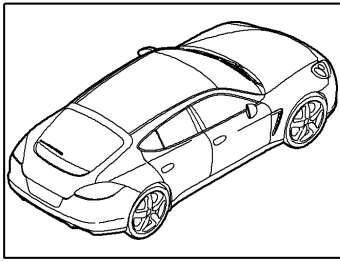
Model: 970 10

Model life 2010>>2016

Pos	Part Number	Description	Remark	Qty	Model
		Replacement transmission Manual gearbox Individual parts			G7000
1	955 606 420 00	Reverse light switch		1	
2	N 901 678 05	Hexagon bolt M 7 X 1,25 X 19		1	
3	955 606 601 05	impulse sender		1	
4	955 606 701 00	O-ring 18,1 X 1,6		1	
5	N 104 514 05	Oval hexagon socket head bolt M 6 X 16		1	
6	955 301 047 00	breather assy. 1360 MM modify in workshop 230 MM		1	
7	014 301 485	Cap for venting the gearbox		1	
8	955 301 090 00	ventilation union		1	
9	N 103 283 01	Bracket A01-13 X C05-25		1	
10	N 906 867 01	Spring band clamp B 14 X 12		1	
11	970 301 801 00	Shaft oil seal 50 X 62 X 9		1	
12	970 302 301 00	Output flange		1	
13	970 302 805 00	Hexagon nut M 27 X 1,5		1	
14	970 116 810 00	Cover cap		1	
15	970 301 802 00	Sealing cap		2	
16	970 301 803 00	Sealing cap		2	
17	955 301 230 10	Switching module		1	
18	955 301 227 00	Shaft oil seal 15 X 21 X 7		1	
19	N 910 903 01	Socket head collared bolt with inner multipoint head M 8 X 28		7	
20	WHT 000 514	sealing plug M 18 X 1,5		2	
21	955 301 109 00	radial shaft seal 39,9 X 70 X 9 for Input shaft		1	
22	955 301 125 00	End cap		1	
23	000 043 010 00	Loctite 574 50 ML. Surface sealing Switching module		X	

Model: 970 10

Model life 2010>>2016



Model: 970 10 Model life 2010>>2016

Pos	Part Number	Description	Remark	Qty	Model
		Front axle differential Engine brackets Ready for installation			4640,4840, 4870,CWAA, CXNA,CXPA, CXRA,CXR, CWBA,CWB, CWCA,CWC, CWDA,CWD, CWFA,CWF+ PR:339 4840
1	970 349 011 21	Front axle differential		1	4840
(1)	970 349 011 AX	D >> - MJ 2010 Front axle differential		1	4840
(1)	970 349 011 22	D >> - MJ 2010 Front axle differential Discontinued part		1	4840,CXPA, CXRA,CXR, CWDA,CWD, CWFA,CWF
(1)	970 349 011 CX	Front axle differential Discontinued part		1	4840,CXPA, CXRA,CXR, CWDA,CWD, CWFA,CWF
(1)	970 349 011 23	Front axle differential D - MJ 2011>>		1	4840,CXPA, CXRA,CXR, CWDA,CWD, CWFA,CWF
(1)	970 349 012 DX	Front axle differential D - MJ 2011>>		1	4840,CXPA, CXRA,CXR, CWDA,CWD, CWFA,CWF 4870
(1)	970 349 011 51	Front axle differential D >> - MJ 2010		1	4870
(1)	970 349 011 1X	Front axle differential D >> - MJ 2010		1	4870,CWBA, CWB,CWCA,CWC
(1)	970 349 011 52	Front axle differential Discontinued part		1	4870,CWBA, CWB,CWCA,CWC
(1)	970 349 011 2X	Front axle differential Discontinued part		1	4870,CWBA, CWB,CWCA,CWC
(1)	970 349 011 53	Front axle differential D - MJ 2011>>		1	4870,CWBA, CWB,CWCA,CWC
(1)	970 349 011 DX	Front axle differential D - MJ 2011>>		1	4870,CWBA, CWB,CWCA,CWC
(1)	970 349 011 02	Front axle differential Discontinued part		1	4640,CWAA, CXNA
(1)	970 349 011 BX	Front axle differential Discontinued part		1	4640,CWAA, CXNA
(1)	970 349 011 03	Front axle differential		1	4640,CWAA, CXNA
(1)	970 349 011 EX	Front axle differential		1	4640,CWAA, CXNA
2	900 385 119 01	Hexagon head bolt	BM10X70	5	
3	999 385 140 01	Hexagon head bolt	BM10X95	3	
4	970 349 451 01	Heat insulation		1	4870
(4)	970 349 451 02	Discontinued part Heat insulation		1	4870,CWBA, CWB,CWCA, CWC,CWDA, CWD,CWFA,CWF
5	900 385 279 01	Hexagon head bolt	BM6X12	3	4870,CWB, CWBA,CWC, CWCA,CWD, CWDA,CWF, CWFA
6	970 349 021 03	Engine brackets		1	4840,4870

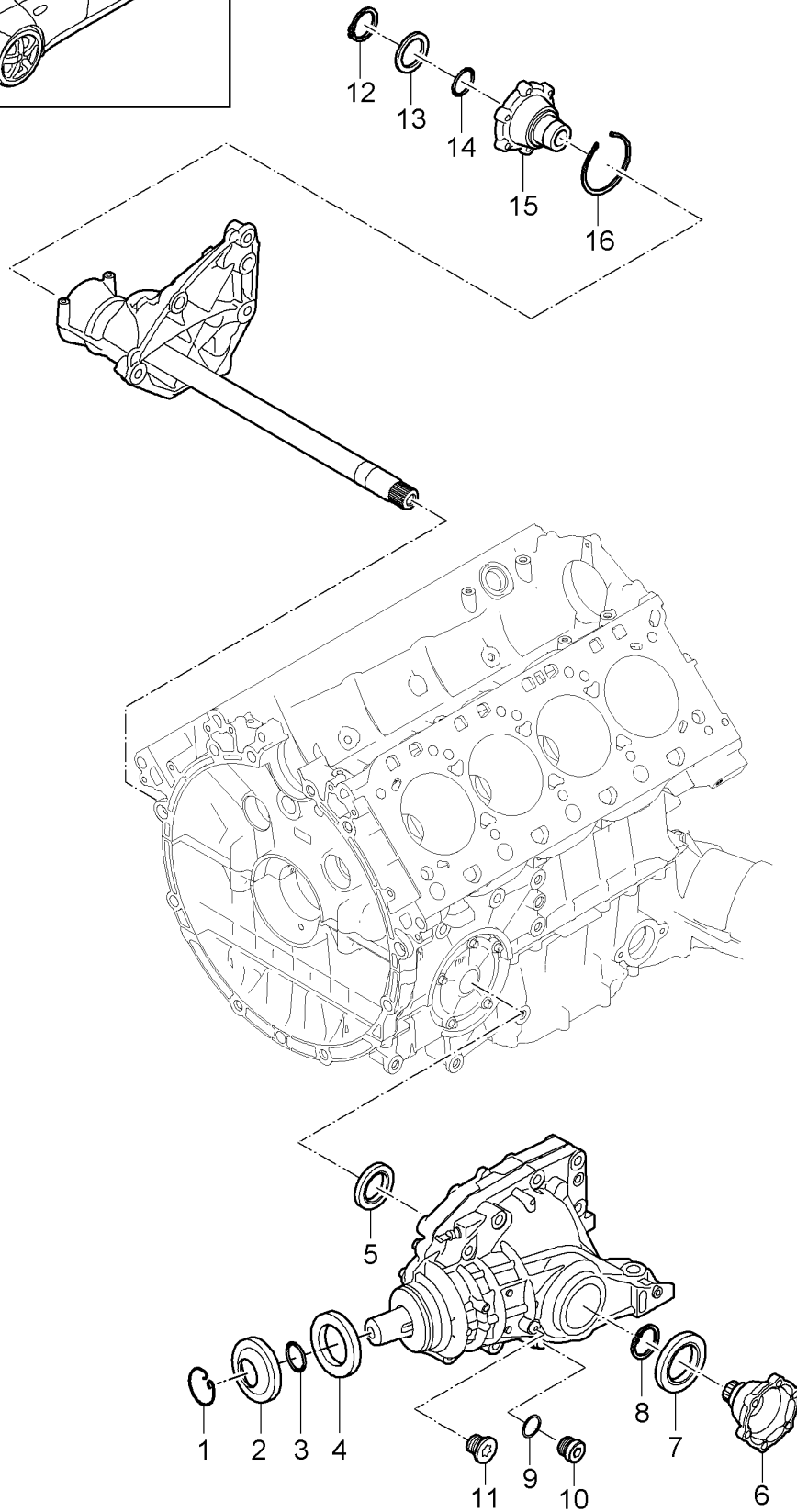
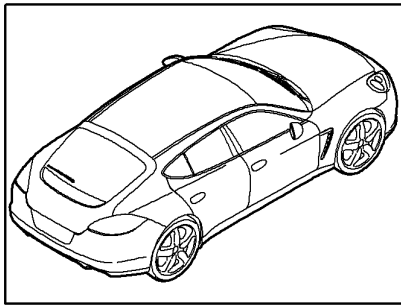
Model: 970 10

Model life 2010>>2016

Pos	Part Number	Description	Remark	Qty	Model
(6)	970 349 021 04	(complete) D >> - MJ 2010 Engine brackets (complete) Discontinued part		1	4840, 4870, CXPA, CXRA, CXR, CWBA, CWB, CWCA, CWC
(6)	970 349 021 05	Engine brackets (complete) D - MJ 2011>>		1	4840, 4870, CXPA, CXRA, CXR, CWBA, CWB, CWCA, CWC
(6)	970 349 051 02	Console for engine mounting (complete) Discontinued part		1	4640
(6)	970 349 051 03	Console for engine mounting (complete) Discontinued part		1	4640, CWAA, CXNA, CWDA, CWD, CWFA, CWF
(6)	970 349 051 04	Console for engine mounting (complete)		1	4640, CWAA, CXNA, CWDA, CWD, CWFA, CWF
7	999 095 066 00	dowel sleeve	14M6X15	2	
8	999 073 460 01	flat round head bolt	M10X45	5	4840, 4870, CXPA, CXRA, CXR, CWBA, CWB, CWCA, CWC
(8)	999 073 460 01	flat round head bolt	M10X45	9	4640, CWAA, CXNA, CWDA, CWD, CWFA, CWF
9	000 043 301 18	Transmission fluid Front axle differential Discontinued part	1.0 Ltr.	X	
(9)	000 043 305 34	Transmission fluid Front axle differential	1.0 Ltr.	X	
10	970 302 804 00	snap ring		1	

Model: 970 10

Model life 2010>>2016

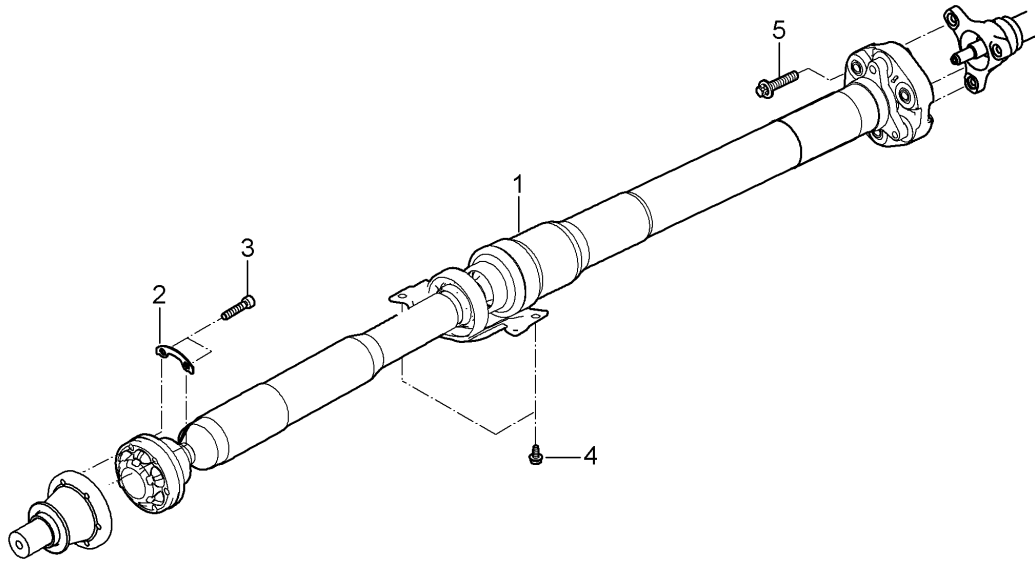
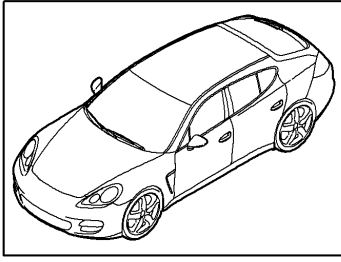


Model: 970 10 Model life 2010>>2016

Pos	Part Number	Description	Remark	Qty	Model
		Front axle differential Engine brackets Individual parts			4640, 4840, 4870, CWAA, CXNA, CXPA, CXRA, CXR, CWBA, CWB, CWCA, CWC, CWDA, CWD, CWFA, CWF+ PR: 339
1	970 302 804 00	snap ring		1	
2	970 302 803 00	Protective plate		1	
3	970 302 802 00	O-ring		1	
4	970 302 801 00	26,3 X 1,9 Shaft oil seal		1	
5	970 332 804 00	30 X 68 X 8 Shaft oil seal		1	
6	970 332 209 00	28,5 X 42 X 7 Drive flange		1	
(6)	970 332 209 30	D >> - MJ 2010 Drive flange		1	
7	970 332 803 00	D - MJ 2011>> Shaft oil seal		1	
8	970 332 808 00	40 X 54 X 8 Securing ring		1	
9	900 123 019 20	seal ring		1	
10	970 349 801 00	A 16 X 22 sealing plug with magnet		1	
11	N 902 818 02	M 16 X 1,5 Seal bolt (combination)	with:	1	
12	970 332 807 00	seal ring M 10 X 1 snap ring		1	
13	970 332 806 00	22 X 1,75 Washer		1	
14	970 332 805 00	32 X 22,2 X 2 O-ring		1	
15	970 332 210 00	21,5 X 2,62 Drive flange		1	
(15)	970 332 210 30	D >> - MJ 2010 Drive flange		1	
16	900 042 025 01	D - MJ 2011>> Securing ring		1	
		55 X 2			

Model: 970 10

Model life 2010>>2016



Model: 970 10 Model life 2010>>2016

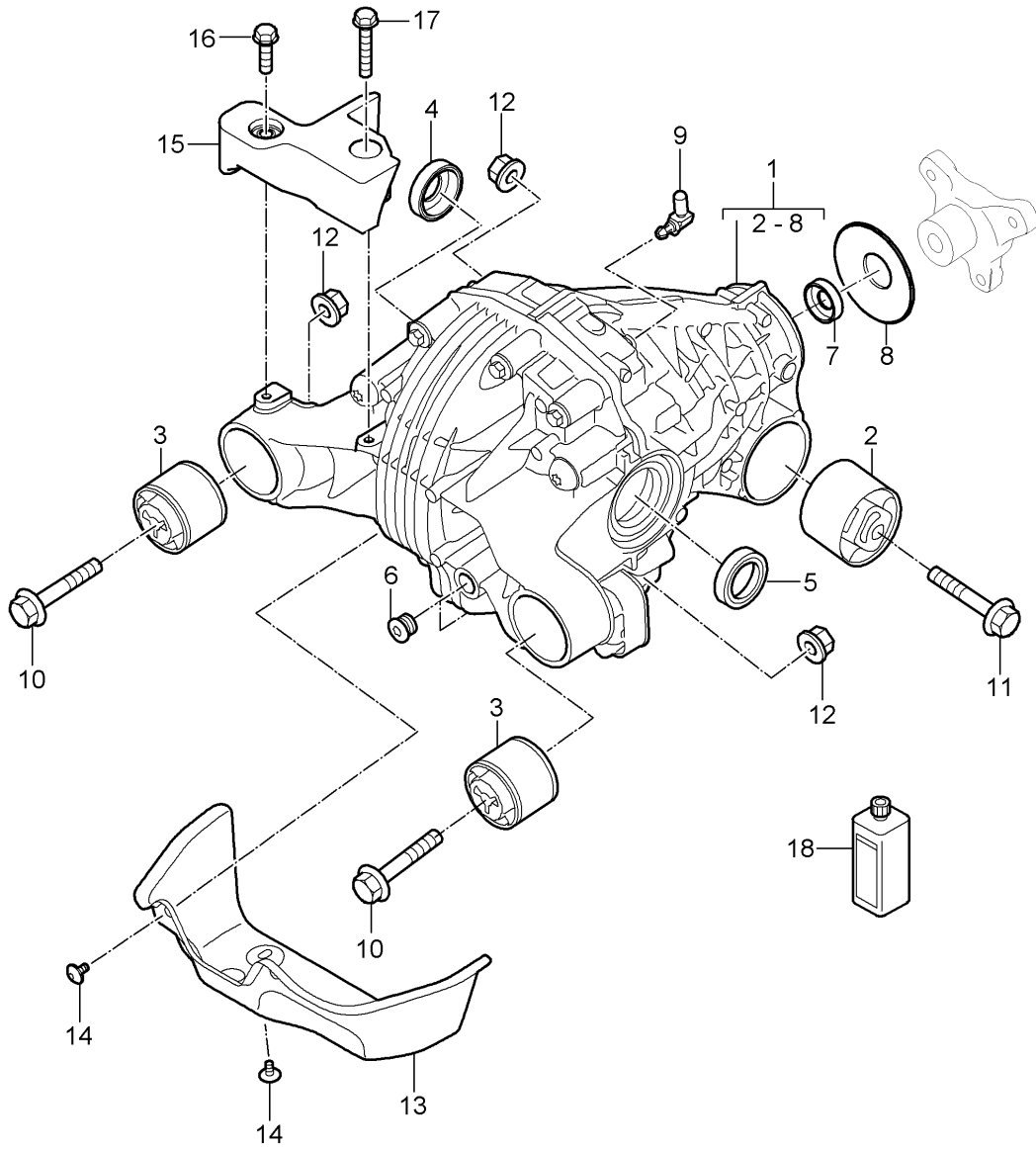
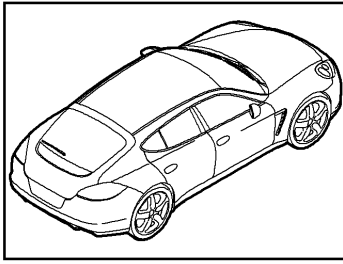
Pos	Part Number	Description	Remark	Qty	Model
1	970 421 010 02	Cardan shaft Cardan shaft		1	4820+ PR:480
(1)	970 421 010 10	Cardan shaft		1	4620+ PR:480
(1)	970 421 011 02	Cardan shaft Discontinued part		1	4820+ PR:250
(1)	970 421 011 04	Cardan shaft		1	4820+ PR:250
(1)	970 421 011 02	Cardan shaft Discontinued part		1	4620+ PR:250
(1)	970 421 011 04	Cardan shaft		1	4620+ PR:250
(1)	970 421 011 02	Cardan shaft Discontinued part		1	CWAA,CXNA+ PR:338
(1)	970 421 011 04	Cardan shaft		1	CWAA,CXNA+ PR:338
(1)	970 421 011 02	Cardan shaft Discontinued part		1	CWDA,CWD, CWFA,CWF+ PR:338,0E1
(1)	970 421 011 04	Cardan shaft		1	CWDA,CWD, CWFA,CWF+ PR:338,0E1
(1)	970 421 031 00	Cardan shaft Discontinued part		1	CWDA,CWD, CWFA,CWF+ PR:338,0E2
(1)	970 421 031 01	Cardan shaft		1	CWDA,CWD, CWFA,CWF+ PR:338,0E2
(1)	970 421 011 02	Cardan shaft Discontinued part		1	CGEA,CGE, CGFA
(1)	970 421 011 04	Cardan shaft		1	CGEA,CGE, CGFA
(1)	970 421 011 02	Cardan shaft Discontinued part		1	CRCC,CRCB
(1)	970 421 011 04	Cardan shaft		1	CRCC,CRCB
(1)	970 421 011 03	Cardan shaft Discontinued part		1	CWJA
(1)	970 421 011 05	Cardan shaft		1	CWJA
(1)	970 421 011 32	Cardan shaft Discontinued part		1	4840,CXPA, CXRA,CXR
(1)	970 421 011 33	Cardan shaft		1	4840,CXPA, CXRA,CXR
(1)	970 421 011 32	Cardan shaft Discontinued part		1	4640
(1)	970 421 011 33	Cardan shaft		1	4640
(1)	970 421 011 32	Cardan shaft Discontinued part		1	CWAA,CXNA+ PR:339
(1)	970 421 011 33	Cardan shaft		1	CWAA,CXNA+ PR:339
(1)	970 421 011 32	Cardan shaft Discontinued part		1	CWDA,CWD, CWFA,CWF+ PR:339,0E1
(1)	970 421 011 33	Cardan shaft		1	CWDA,CWD, CWFA,CWF+ PR:339,0E1
(1)	970 421 031 30	Cardan shaft Discontinued part		1	CWDA,CWD, CWFA,CWF+ PR:339,0E2
(1)	970 421 031 31	Cardan shaft		1	CWDA,CWD, CWFA,CWF+ PR:339,0E2
(1)	970 421 011 52	Cardan shaft		1	4870

Model: 970 10 Model life 2010>>2016

Pos	Part Number	Description	Remark	Qty	Model
(1)	970 421 011 53	No longer use the part here Cardan shaft Discontinued part		1	4870
(1)	970 421 011 54	Cardan shaft		1	4870
(1)	970 421 011 53	Cardan shaft Discontinued part		1	CWBA, CWB, CWCA, CWC+ PR:0E1
(1)	970 421 011 54	Cardan shaft		1	CWBA, CWB, CWCA, CWC+ PR:0E1
(1)	970 421 031 50	Cardan shaft Discontinued part		1	CWBA, CWB, CWCA, CWC+ PR:0E2
(1)	970 421 031 51	Cardan shaft		1	CWBA, CWB, CWCA, CWC+ PR:0E2
2	955 349 191 21	Spacer		3	4820, 4840
(2)	955 349 191 21	Spacer		3	4620, 4640
(2)	955 349 191 21	Spacer		3	CWAA, CXNA, CXPA, CXRA, CXR, CWDA, CWD, CWFA, CWF
(2)	955 349 191 21	Spacer		3	CGEA, CGE, CGFA
(2)	955 349 191 21	Spacer		3	CRCC, CRCB
(2)	970 421 347 02	Spacer		3	CWJA
(2)	970 421 347 01	Spacer discontinued part		3	4870
(2)	970 421 347 02	Spacer		3	4870, CWBA, CWB, CWCA, CWC
3	N 909 417 03	Socket head bolt with inner multipoint head	M10X45	6	
4	900 378 176 01	Hexagon bolt	M8X20	2	
5	900 385 282 03	Hexagon head bolt	BM12X1, 5X55	3	
(5)	900 385 282 04	No longer use the part here Hexagon head bolt	BM12X1, 5X55	3	

Model: 970 10

Model life 2010>>2016



Model: 970 10 Model life 2010>>2016

Pos	Part Number	Description	Remark	Qty	Model
1	970 350 010 01	rear axle differential rear axle differential Discontinued part		1	PR:219 4620+
(1)	970 350 010 AX	rear axle differential Discontinued part		1	PR:480 4620+
(1)	970 350 010 02	rear axle differential		1	PR:480 4620+
(1)	970 350 010 BX	rear axle differential		1	PR:480 4620+
(1)	970 350 010 01	rear axle differential Discontinued part		1	PR:480 CWAA, CXNA+
(1)	970 350 010 AX	rear axle differential Discontinued part		1	PR:338 CWAA, CXNA+
(1)	970 350 010 02	rear axle differential		1	PR:338 CWAA, CXNA+
(1)	970 350 010 BX	rear axle differential		1	PR:338 CWAA, CXNA+
(1)	970 350 011 01	rear axle differential Discontinued part		1	PR:250 4620+
(1)	970 350 011 AX	rear axle differential Discontinued part		1	PR:250 4620+
(1)	970 350 011 02	rear axle differential		1	PR:250 4620+
(1)	970 350 011 BX	rear axle differential		1	PR:250 4620+
(1)	970 350 011 01	rear axle differential Discontinued part		1	4640
(1)	970 350 011 AX	rear axle differential Discontinued part		1	4640
(1)	970 350 011 02	rear axle differential		1	4640
(1)	970 350 011 BX	rear axle differential		1	4640
(1)	970 350 011 01	rear axle differential Discontinued part		1	CWAA, CXNA+ PR:339
(1)	970 350 011 AX	rear axle differential Discontinued part		1	CWAA, CXNA+ PR:339
(1)	970 350 011 02	rear axle differential		1	CWAA, CXNA+ PR:339
(1)	970 350 011 BX	rear axle differential		1	CWAA, CXNA+ PR:339
(1)	970 350 010 06	rear axle differential Discontinued part		1	4820+ PR:480
(1)	970 350 010 FX	rear axle differential Discontinued part		1	4820+ PR:480
(1)	970 350 010 07	rear axle differential		1	4820+ PR:480
(1)	970 350 010 GX	rear axle differential		1	4820+ PR:480
(1)	970 350 011 06	rear axle differential Discontinued part		1	4820+ PR:250
(1)	970 350 011 FX	rear axle differential Discontinued part		1	4820+ PR:250
(1)	970 350 011 07	rear axle differential		1	4820+ PR:250
(1)	970 350 011 GX	rear axle differential		1	4820+ PR:250
(1)	970 350 011 06	rear axle differential Discontinued part		1	CWDA, CWD, CWFA, CWF+ PR:338
(1)	970 350 011 FX	rear axle differential Discontinued part		1	CWDA, CWD, CWFA, CWF+ PR:338
(1)	970 350 011 07	rear axle differential		1	CWDA, CWD, CWFA, CWF+

Model: 970 10 Model life 2010>>2016

Pos	Part Number	Description	Remark	Qty	Model
(1)	970 350 011 GX	rear axle differential		1	PR:338 CWDA,CWD, CWFA,CWF+ PR:338
(1)	970 350 011 11	rear axle differential Discontinued part		1	4840
(1)	970 350 011 LX	rear axle differential Discontinued part		1	4840
(1)	970 350 011 12	rear axle differential		1	4840
(1)	970 350 011 MX	rear axle differential		1	4840
(1)	970 350 011 11	rear axle differential Discontinued part		1	CWDA,CWD, CWFA,CWF, CXPA,CXRA, CXR+ PR:339
(1)	970 350 011 LX	rear axle differential Discontinued part		1	CWDA,CWD, CWFA,CWF, CXPA,CXRA, CXR+ PR:339
(1)	970 350 011 12	rear axle differential		1	CWDA,CWD, CWFA,CWF, CXPA,CXRA, CXR+ PR:339
(1)	970 350 011 MX	rear axle differential		1	CWDA,CWD, CWFA,CWF, CXPA,CXRA, CXR+ PR:339
(1)	970 350 011 51	rear axle differential Discontinued part		1	4870
(1)	970 350 011 1X	rear axle differential Discontinued part		1	4870
(1)	970 350 011 52	rear axle differential		1	4870
(1)	970 350 011 2X	rear axle differential		1	4870
(1)	970 350 011 51	rear axle differential Discontinued part		1	CWBA,CWB, CWCA,CWC
(1)	970 350 011 1X	rear axle differential Discontinued part		1	CWBA,CWB, CWCA,CWC
(1)	970 350 011 52	rear axle differential		1	CWBA,CWB, CWCA,CWC
(1)	970 350 011 2X	rear axle differential		1	CWBA,CWB, CWCA,CWC
(1)	970 350 012 02	rear axle differential D >> - MJ 2012 Discontinued part		1	CGEA,CGE, CGFA
(1)	970 350 012 BX	rear axle differential D >> - MJ 2012		1	CGEA,CGE, CGFA
(1)	970 350 012 01	rear axle differential D - MJ 2013>> - MJ 2013 Discontinued part		1	CGEA,CGE, CGFA
(1)	970 350 012 AX	rear axle differential D - MJ 2013>> - MJ 2013		1	CGEA,CGE, CGFA
(1)	970 350 012 03	rear axle differential D - MJ 2014>> - MJ 2014		1	CGEA,CGE, CGFA
(1)	970 350 012 CX	rear axle differential D - MJ 2014>> - MJ 2014		1	CGEA,CGE, CGFA
(1)	970 350 012 10	rear axle differential D - MJ 2015>>		1	CGEA,CGE, CGFA
(1)	970 350 012 KX	rear axle differential D - MJ 2015>>		1	CGEA,CGE, CGFA
(1)	970 350 012 10	rear axle differential		1	CRCC,CRCB

Model: 970 10 Model life 2010>>2016

Pos	Part Number	Description	Remark	Qty	Model
(1)	970 350 012 KX	rear axle differential		1	CRCC,CRCB
2	970 375 059 01	Rubber bush		1	
3	970 375 061 00	Rubber bush		2	
4	955 332 596 10	Shaft oil seal 50 X 72 X 9		1	
5	955 332 596 00	Shaft oil seal 50 X 82 X 9		1	
6	955 332 057 00	sealing plug M 16 X 1,5		2	
7	955 332 596 20	Shaft oil seal 55 X 80 X 8		1	
8	955 332 375 20	protective ring		1	
9	0BM 301 047	Bleed valve		1	
10	999 072 854 01	Hexagon bolt M 12 X 1,5 X 100		2	
11	999 072 852 01	Hexagon bolt M 12 X 1,5 X 90 Discontinued part		1	
(11)	9A7 008 209 00	Hexagon bolt M 12 X 1,5 X 90		1	
12	999 084 445 01	Locknut M 12 X 1,5		3	
13	970 350 830 01	Air guide plate No longer use the part here		1	4620,4820, 4870
(13)	970 350 830 02	Air guide plate D >> - MJ 2013		1	4620,4820, 4870,CGEA, CGE,CGFA, CRCC,CRCB
(13)	970 350 830 02	Air guide plate D - MJ 2014>> - MJ 2014		1	CWAA,CXNA, CWDA,CWD, CWFA,CWF, CGEA,CGE, CGFA,CRCC, CRCB+ PR:338
(13)	970 350 830 02	Air guide plate D - MJ 2015>>		1	CWAA,CXNA, CWDA,CWD, CWFA,CWF+ PR:338
(13)	970 350 830 02	Air guide plate D - MJ 2014>>		1	CWBA,CWB, CWCA,CWC
14	999 073 357 01	fillister hd. bolt M 6 X 12 D >> - MJ 2013		4	4620,4820, 4870,CGEA, CGE,CGFA, CRCC,CRCB
(14)	999 073 357 01	fillister hd. bolt M 6 X 12 D - MJ 2014>> - MJ 2014		4	CWAA,CXNA, CWDA,CWD, CWFA,CWF, CGEA,CGE, CGFA,CRCC, CRCB+ PR:338
(14)	999 073 357 01	fillister hd. bolt M 6 X 12 Mount Ground cable D - MJ 2015>>		1	CGEA,CGE, CGFA
(14)	999 073 357 01	fillister hd. bolt M 6 X 12 D - MJ 2015>>		4	CWAA,CXNA, CWDA,CWD, CWFA,CWF+ PR:338
14	999 073 357 01	fillister hd. bolt M 6 X 12		4	CWBA,CWB, CWCA,CWC

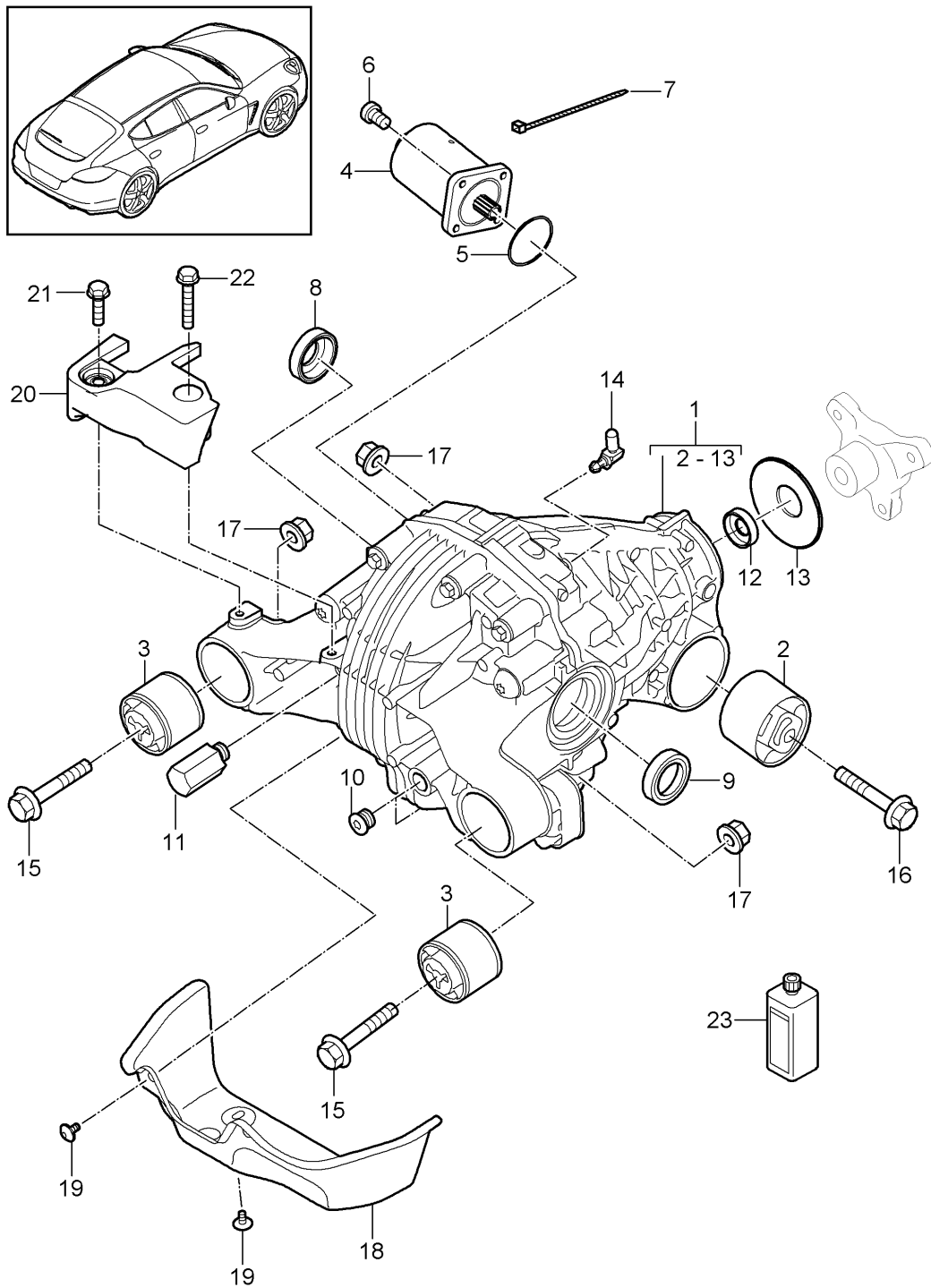
Model: 970 10

Model life 2010>>2016

Pos	Part Number	Description	Remark	Qty	Model
15	970 350 343 10	D - MJ 2014>> vibration damper		1	CRCC, CRCB
(15)	970 350 343 11	vibration damper		1	CWAA, CXNA, CWDA, CWD, CWFA, CWF
16	N 106 756 02	Hex collared bolt M 8 X 35		1	CRCC, CRCB
(16)	N 106 756 02	Hex collared bolt M 8 X 35		1	CWAA, CXNA, CWDA, CWD, CWFA, CWF
17	999 072 067 01	Hexagon bolt M 8 X 55		1	CRCC, CRCB
(17)	999 072 067 01	Hexagon bolt M 8 X 55		1	CWAA, CXNA, CWDA, CWD, CWFA, CWF
18	000 043 205 30	Transmission fluid 75 W 90 1 LITER Container		X	

Model: 970 10

Model life 2010>>2016



Model: 970 10 Model life 2010>>2016

Pos	Part Number	Description	Remark	Qty	Model
1	970 350 020 01	rear axle differential		1	PR:220,221 4620+
(1)	970 350 020 AX	rear axle differential		1	PR:480 4620+
(1)	970 350 020 01	rear axle differential		1	PR:480 CWAA,CXNA+
(1)	970 350 020 AX	rear axle differential		1	PR:338 CWAA,CXNA+
(1)	970 350 021 01	rear axle differential		1	PR:338 4620+
(1)	970 350 021 AX	rear axle differential		1	PR:250 4620+
(1)	970 350 021 01	rear axle differential		1	4640
(1)	970 350 021 AX	rear axle differential		1	4640
(1)	970 350 021 01	rear axle differential		1	CWAA,CXNA+
(1)	970 350 021 AX	rear axle differential		1	PR:339 CWAA,CXNA+
(1)	970 350 020 06	rear axle differential		1	PR:339 4820+
(1)	970 350 020 FX	rear axle differential		1	PR:480 4820+
(1)	970 350 021 06	rear axle differential		1	PR:480 4820+
(1)	970 350 021 FX	rear axle differential		1	PR:250 4820+
(1)	970 350 021 06	rear axle differential		1	PR:250 4840
(1)	970 350 021 FX	rear axle differential		1	4840
(1)	970 350 021 06	rear axle differential		1	CWDA,CWD, CWFA,CWF, CXPA,CXRA, CXR
(1)	970 350 021 FX	rear axle differential		1	CWDA,CWD, CWFA,CWF, CXPA,CXRA, CXR
(1)	970 350 021 51	rear axle differential		1	4870,CWBA, CWB,CWCA,CWC
(1)	970 350 021 1X	rear axle differential		1	4870,CWBA, CWB,CWCA,CWC
(1)	970 350 022 10	rear axle differential		1	CWJA
(1)	970 350 022 KX	No longer use the part here rear axle differential		1	CWJA
(1)	970 350 022 11	No longer use the part here rear axle differential		1	CWJA
(1)	970 350 022 LX	rear axle differential		1	CWJA
2	970 375 059 01	Rubber bush		1	
3	970 375 061 00	Rubber bush		2	
4	970 624 350 00	Servomotor		1	
		limited slip differential			
		also use:	955 332 649 00	1	
5	955 332 649 00	O-ring		1	
		25 X 2		1	
-	970 350 456 00	Bracket for flat connector housing		1	
		Cable plug			
6	955 332 147 00	Socket head bolt		4	
		M 6 X 30			
7	970 350 801 00	Cable ties		1	
8	955 332 596 30	Shaft oil seal		1	
		80 X 100 X 10			
9	955 332 596 00	Shaft oil seal		1	

Model: 970 10 Model life 2010>>2016

Pos	Part Number	Description	Remark	Qty	Model
10	955 332 057 00	50 X 82 X 9 sealing plug		2	
11	955 332 169 00	M 16 X 1,5 Damper		1	
12	955 332 596 20	Shaft oil seal 55 X 80 X 8		1	
13	955 332 375 20	protective ring		1	
14	0BM 301 047	Bleed valve		1	
15	999 072 854 01	Hexagon bolt M 12 X 1,5 X 100		2	
16	999 072 852 01	Hexagon bolt M 12 X 1,5 X 90		1	
(16)	9A7 008 209 00	Discontinued part Hexagon bolt M 12 X 1,5 X 90		1	
17	999 084 445 01	Locknut M 12 X 1,5		3	
18	970 350 830 01	Air guide plate No longer use the part here		1	4620,4820, 4870
(18)	970 350 830 02	Air guide plate D >> - MJ 2013		1	4620,4820, 4870,CGEA, CGE,CGFA, CRCC,CRCB
(18)	970 350 830 02	Air guide plate D - MJ 2014>> - MJ 2014		1	CWAA,CXNA, CWDA,CWD, CWFA,CWF, CGEA,CGE, CGFA,CRCC, CRCB,CWJA+ PR:338
(18)	970 350 830 02	Air guide plate D - MJ 2015>>		1	CWAA,CXNA, CWDA,CWD, CWFA,CWF+ PR:338
(18)	970 350 830 02	Air guide plate D - MJ 2014>>		1	CWBA,CWB, CWCA,CWC
19	999 073 357 01	fillister hd. bolt M 6 X 12		4	4620,4820, 4870,CGEA, CGE,CGFA, CRCC,CRCB
(19)	999 073 357 01	fillister hd. bolt M 6 X 12 D >> - MJ 2013		4	CWAA,CXNA, CWDA,CWD, CWFA,CWF, CGEA,CGE, CGFA,CRCC, CRCB,CWJA+ PR:338
(19)	999 073 357 01	fillister hd. bolt M 6 X 12 D - MJ 2014>> - MJ 2014		4	CWAA,CXNA, CWDA,CWD, CWFA,CWF+ PR:338
(19)	999 073 357 01	fillister hd. bolt D - MJ 2015>>		4	CWBA,CWB, CWCA,CWC
20	970 350 343 11	vibration damper		1	CWJA
(20)	970 350 343 11	vibration damper		1	CWDA,CWD+ PR:0E2,338
21	N 106 756 02	Hex collared bolt M 8 X 35		1	CWJA
21	N 106 756 02	Hex collared bolt M 8 X 35		1	CWDA,CWD+ PR:0E2,338
22	999 072 067 01	Hexagon bolt M 8 X 55		1	CWJA

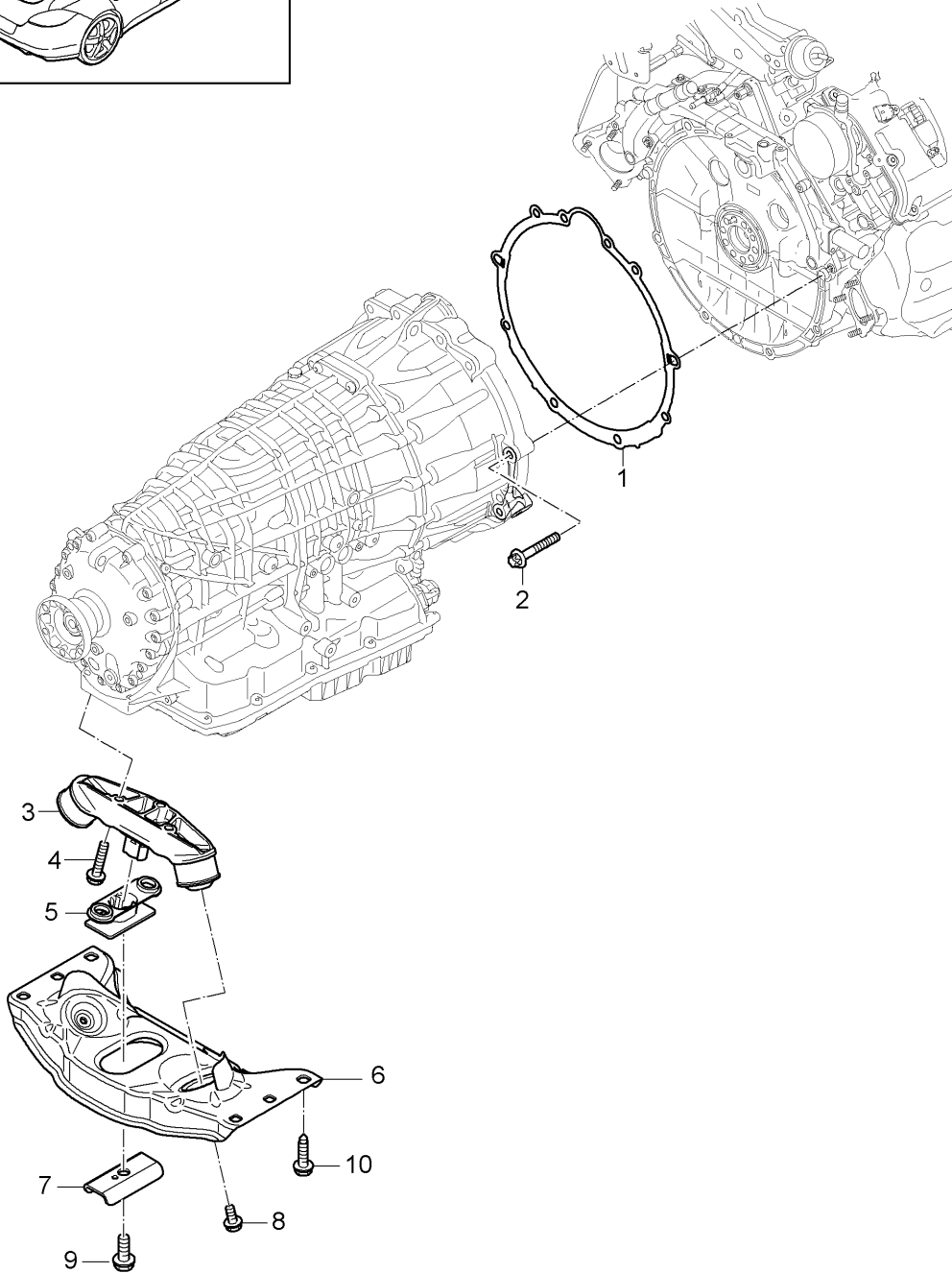
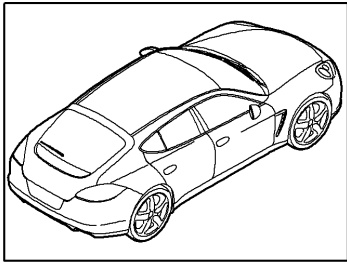
Model: 970 10

Model life 2010>>2016

Pos	Part Number	Description	Remark	Qty	Model
22	999 072 067 01	Hexagon bolt M 8 X 55		1	CWDA, CWD+
23	000 043 300 37	Transmission fluid 75 W 90 1 LITER Container		X	PR:0E2,338

Model: 970 10

Model life 2010>>2016



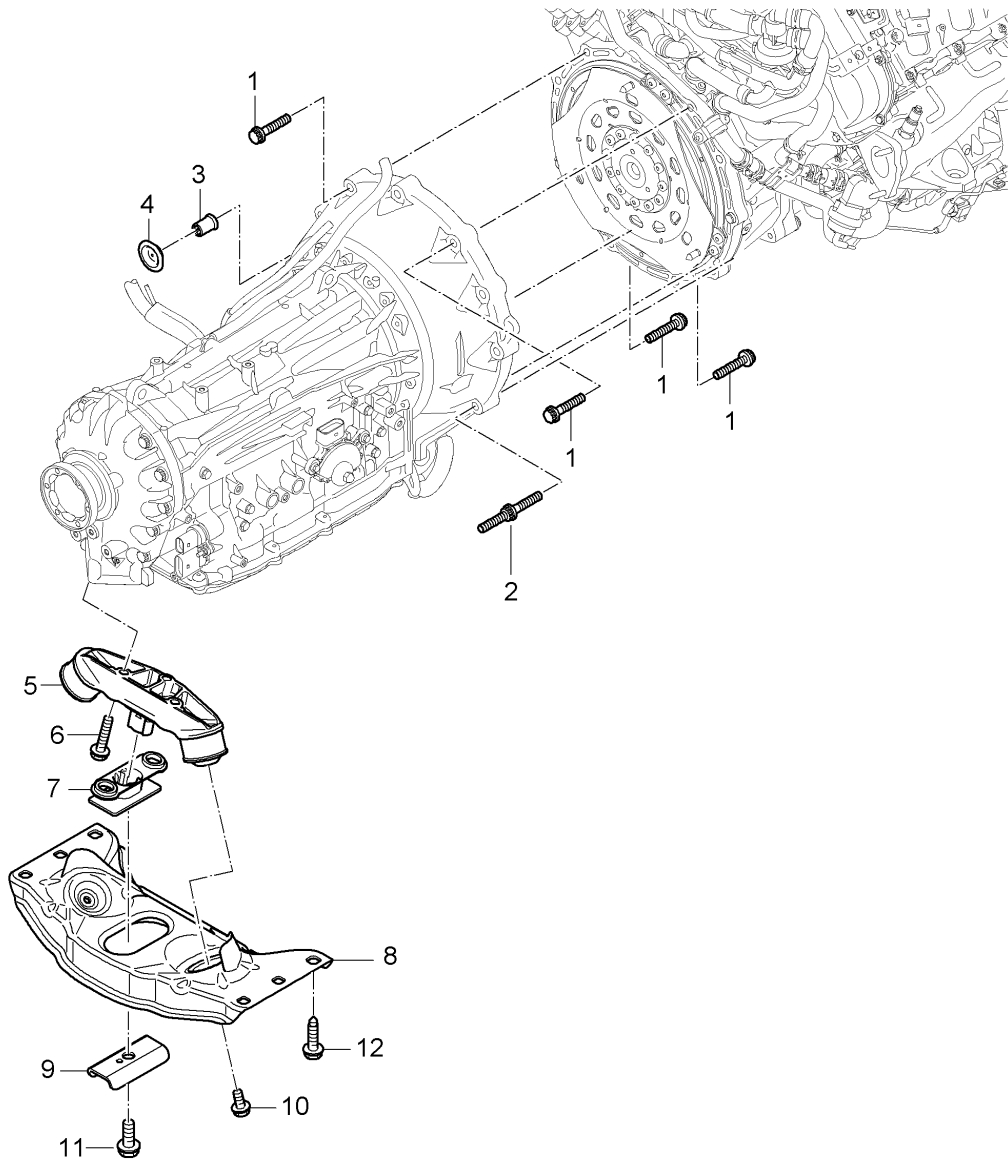
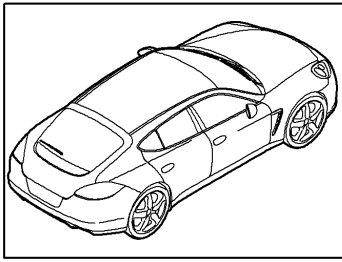
Model: 970 10

Model life 2010>>2016

Pos	Part Number	Description	Remark	Qty	Model
		mounting parts for engine and transmission			C7000,C7005, C7030,C7035, C7050,G7000, C7001,C7031, C7051
		transmission carrier			
1	7PP 399 307	Spacer plate		1	C7000,C7005, G7000,C7001
2	WHT 003 210	12-point head bolt M 12 X 1,5 X 70		10	
(2)	WHT 005 297	No longer use the part here Outer hexagon round screw M 12 X 1,5 X 70		10	
3	970 375 117 03	Console D >> - MJ 2010		1	
(3)	970 375 118 01	Console D - MJ 2011>>		1	
4	900 378 076 01	Hexagon bolt AM 10 X 50		3	
5	970 375 137 02	Rubber stop		1	
6	970 375 033 02	transmission carrier		1	
7	970 375 135 01	Stop		1	
8	900 378 017 01	Hexagon bolt M 8 X 20		2	
9	900 378 320 01	Hexagon bolt M 12 X 1,5 X 35		1	
10	900 378 309 01	Bolt with washer AM 10 X 30		6	

Model: 970 10

Model life 2010>>2016



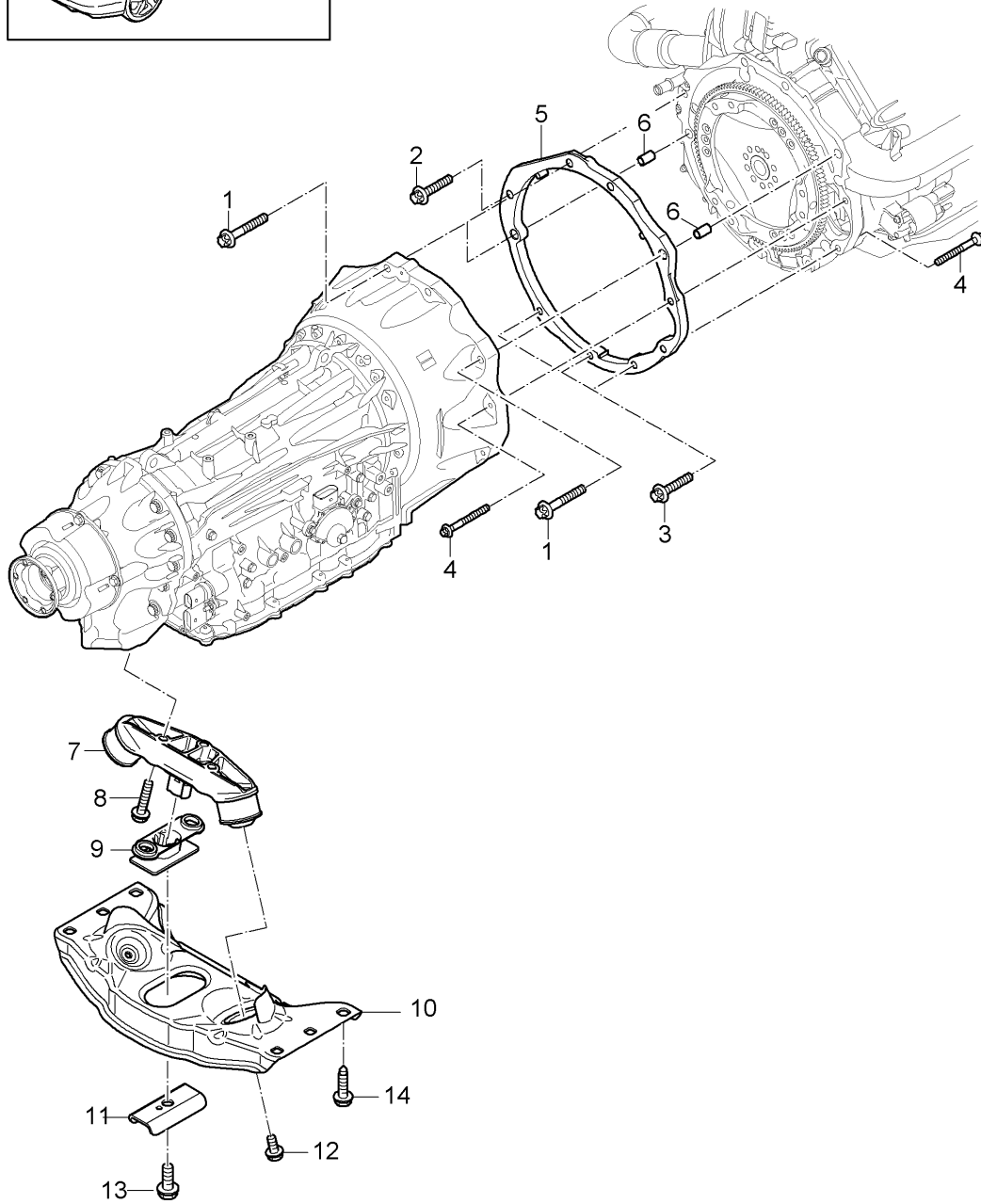
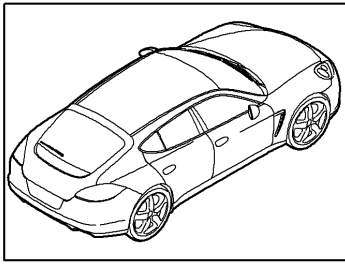
Model: 970 10

Model life 2010>>2016

Pos	Part Number	Description	Remark	Qty	Model
		mounting parts for engine and transmission			A7000
1	N 911 748 01	transmission carrier dodecagonal head bolt aluminium M 12 X 60		9	
(2)	N 911 748 01	dodecagonal head bolt aluminium M 12 X 60 only in conj. with:		1	
2	999 074 062 01	Bracket 970.116.436.00 Threaded pin M 12 X 60 / M 10 X 15 only in conj. with:		1	
3	WHT 003 271	Bracket 970.116.436.01 domed cap nut M 10 X 1		3	
4	958 301 495 10	Sealing cap		1	
5	970 375 118 01	Console		1	
6	900 378 076 01	Hexagon bolt AM 10 X 50		3	
7	970 375 137 02	Rubber stop		1	
8	970 375 033 02	transmission carrier		1	
9	970 375 135 01	Stop		1	
10	900 378 017 01	Hexagon bolt M 8 X 20		2	
11	900 378 320 01	Hexagon bolt M 12 X 1,5 X 35		1	
12	900 378 309 01	Bolt with washer AM 10 X 30		6	

Model: 970 10

Model life 2010>>2016



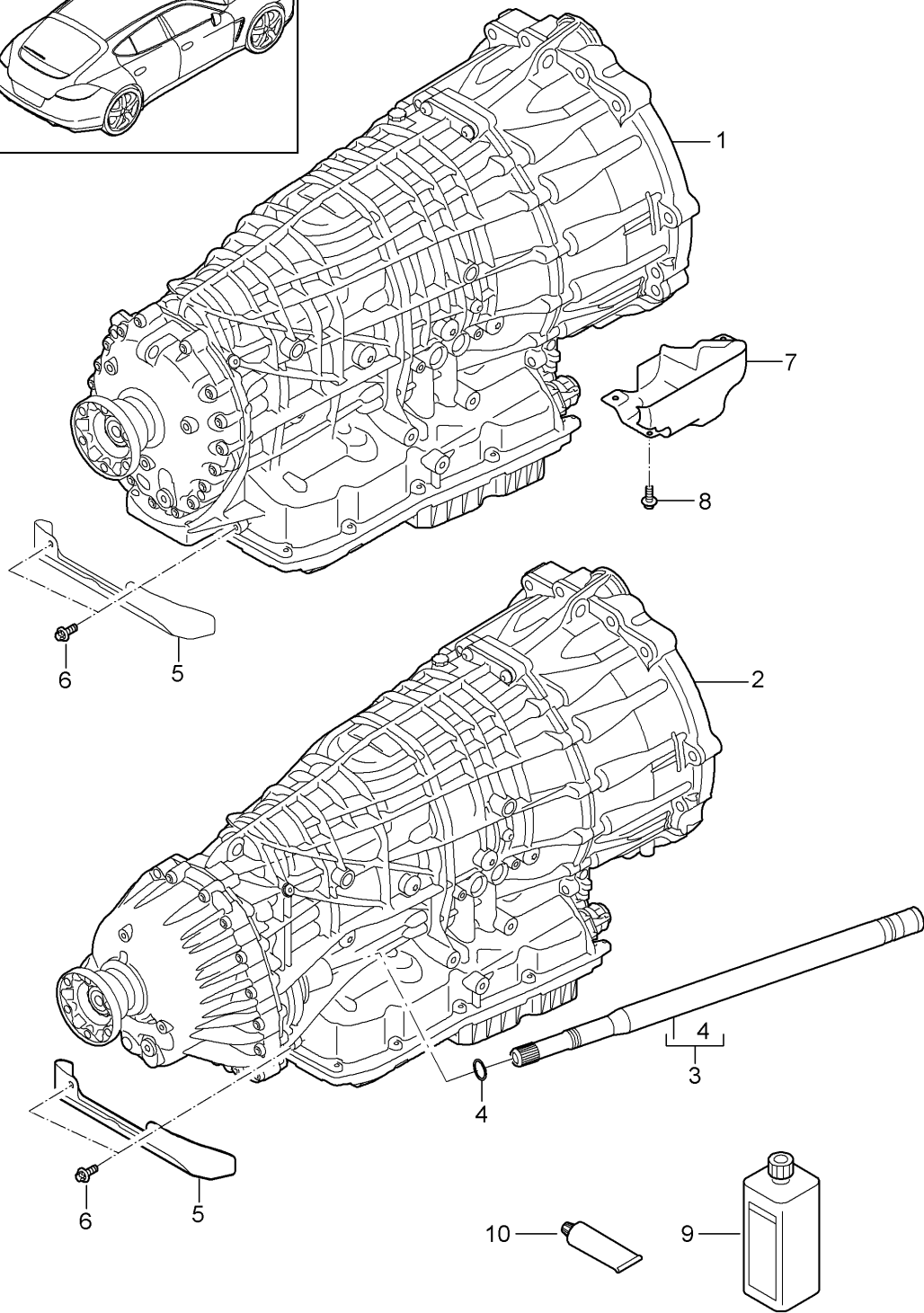
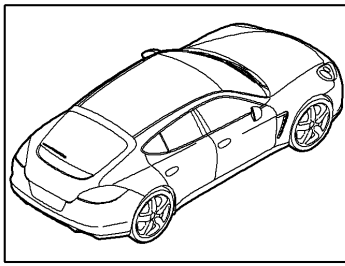
Model: 970 10

Model life 2010>>2016

Pos	Part Number	Description	Remark	Qty	Model
		mounting parts for engine and transmission transmission carrier			A7010,A7011
1	900 385 161 01	Outer hexagon round screw BM 12 X 98		4	
2	900 385 160 01	Outer hexagon round screw BM 12 X 90		1	
3	900 385 162 01	Outer hexagon round screw BM 10 X 90		3	
4	900 385 163 01	Outer hexagon round screw BM 10 X 110		2	
5	970 116 211 00	Intermediate flange		1	
6	999 095 077 01	dowel sleeve 16 X 30		2	
7	970 375 118 01	Console		1	
8	900 378 076 01	Hexagon bolt AM 10 X 50		3	
9	970 375 137 02	Rubber stop		1	
10	970 375 033 02	transmission carrier		1	
11	970 375 135 01	Stop		1	
12	900 378 017 01	Hexagon bolt M 8 X 20		2	
13	900 378 320 01	Hexagon bolt M 12 X 1,5 X 35		1	
14	900 378 309 01	Bolt with washer AM 10 X 30		6	

Model: 970 10

Model life 2010>>2016



Model: 970 10 Model life 2010>>2016

Pos	Part Number	Description	Remark	Qty	Model
		Replacement transmission - PDK -			C7000,C7005, C7030,C7035, C7050,C7001, C7031,C7051
1	970 300 011 01	Replacement transmission		1	C7000
(1)	970 300 011 X	Replacement transmission		1	C7000
(1)	970 300 011 10	Replacement transmission for vehicles with Engine MCWDA/MCWFA		1	C7001
		also use:	970 321 856 00	1	
(1)	970 300 011 KX	Sealing cap clutch housing Replacement transmission for vehicles with Engine MCWDA/MCWFA		1	C7001
		also use:	970 321 856 00	1	
(1)	970 300 011 06	Sealing cap clutch housing Replacement transmission		1	C7005
(1)	970 300 011 EX	Replacement transmission		1	C7005
2	970 300 011 31	Replacement transmission		1	C7030
(2)	970 300 011 15	Replacement transmission for vehicles with Engine MCWDA/MCWFA		1	C7031
		also use:	970 321 856 00	1	
(2)	970 300 011 QX	Sealing cap clutch housing Discontinued part Replacement transmission for vehicles with Engine MCWDA/MCWFA		1	C7031
		also use:	970 321 856 00	1	
(2)	970 300 011 16	Sealing cap clutch housing Discontinued part Replacement transmission for vehicles with Engine MCWDA/MCWFA		1	C7031
		also use:	970 321 856 00	1	
(2)	970 300 011 RX	Sealing cap clutch housing Replacement transmission for vehicles with Engine MCWDA/MCWFA		1	C7031
		also use:	970 321 856 00	1	
(2)	970 300 011 36	Sealing cap clutch housing Replacement transmission		1	C7035
(2)	970 300 011 FX	Replacement transmission		1	C7035
(2)	970 300 011 52	Replacement transmission		1	C7050
(2)	970 300 011 GX	Replacement transmission		1	C7050
(2)	970 300 011 60	Replacement transmission		1	C7051
		D >> - MJ 2014			
(2)	970 300 011 WX	Replacement transmission D >> - MJ 2014		1	C7051
(2)	970 300 011 61	Replacement transmission D - MJ 2015>>		1	C7051

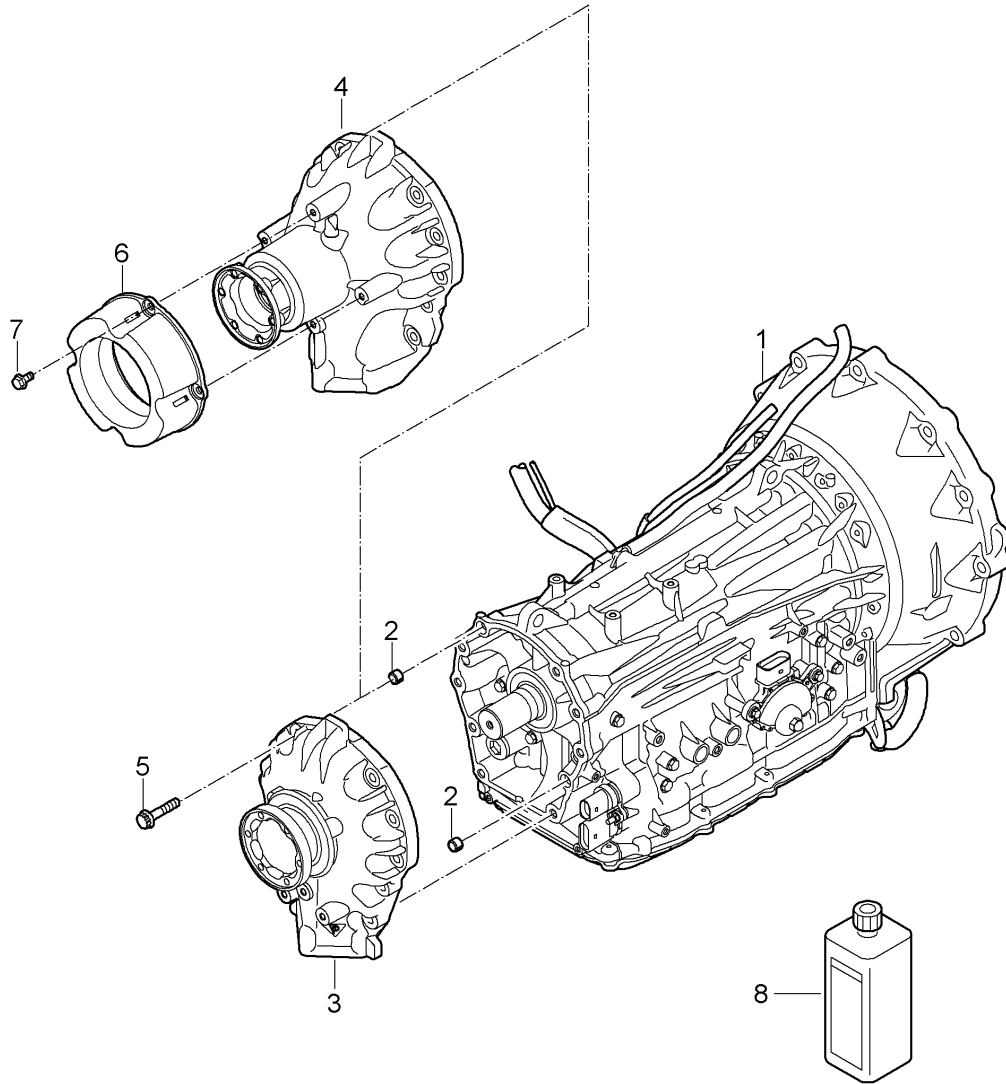
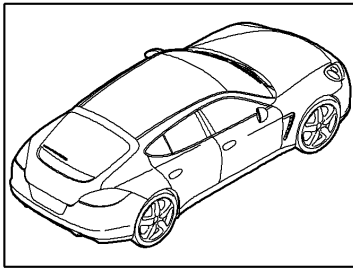
Model: 970 10

Model life 2010>>2016

Pos	Part Number	Description	Remark	Qty	Model
(2)	970 300 011 1X	Replacement transmission D - MJ 2015>>		1	C7051
3	970 349 041 00	Connecting shaft No longer use the part here		1	C7030,C7035, C7050
(3)	970 349 041 01	Connecting shaft		1	C7030,C7035, C7050,C7031, C7051
4	999 701 640 40	O-ring 23 X 2 No longer use the part here		1	C7030,C7035, C7050
(4)	999 701 640 41	O-ring 23 X 2		1	C7030,C7035, C7050,C7031, C7051
5	970 449 411 00	Guard plate		1	
6	900 385 001 01	Torx screw BM 8 X 20		2	
7	970 618 310 00	Guard plate push-on connector		1	
8	900 385 041 01	Torx screw BM 6 X 12		3	
9	000 043 207 29	Transmission fluid Pentosin FFL 3 1 LTR. Container		X	
(9)	000 043 207 30	Transmission fluid Pentosin FFL 3 20 LTR. Container		X	
10	000 043 024 00	Extreme-pressure grease 1 tube 80 GR.		X	
(10)	000 043 301 22	Assembly paste Metering gun 10 GR.		X	

Model: 970 10

Model life 2010>>2016



Model: 970 10 Model life 2010>>2016

Pos	Part Number	Description	Remark	Qty	Model
1	0C8 300 036 H	Replacement transmission Tiptronic Replacement transmission only in conj. with: Control unit 0C8.927.749.BG F >> 97-CL040 889 F >> 97-CL045 317		1	A7000,A7010, A7011 A7000
(1)	0C8 300 036 HX	Replacement transmission only in conj. with: Control unit 0C8.927.749.BG F >> 97-CL040 889 F >> 97-CL045 317		1	A7000
(1)	0C8 300 037 Q	Replacement transmission only in conj. with: Control unit 0C8.927.749.BG F >> 97-CL040 889 F >> 97-CL045 317		1	A7000
(1)	0C8 300 037 QX	Replacement transmission only in conj. with: Control unit 0C8.927.749.CF F 97-CL040 890>> F 97-CL045 318>> D >> - MJ 2013		1	A7000
(1)	0C8 300 037 Q	Replacement transmission See technical information Service Group 3 Document 3735 75/14 F >> 97-FL040 943 F >> 97-FL040 941 D - MJ 2014>>		1	A7000
(1)	0C8 300 037 QX	Replacement transmission See technical information Service Group 3 Document 3735 75/14 F >> 97-FL040 943 F >> 97-FL040 941 D - MJ 2014>>		1	A7000
(1)	0C8 300 035 A	Replacement transmission See technical information Service Group 3 Document 3735 75/14 F 97-FL040 944>> F 97-FL040 942>>		1	A7000
(1)	0C8 300 035 AX	Replacement transmission See technical information Service Group 3 Document 3735 75/14 F 97-FL040 944>> F 97-FL040 942>>		1	A7000
(1)	0C8 300 037 L	Replacement transmission		1	A7010

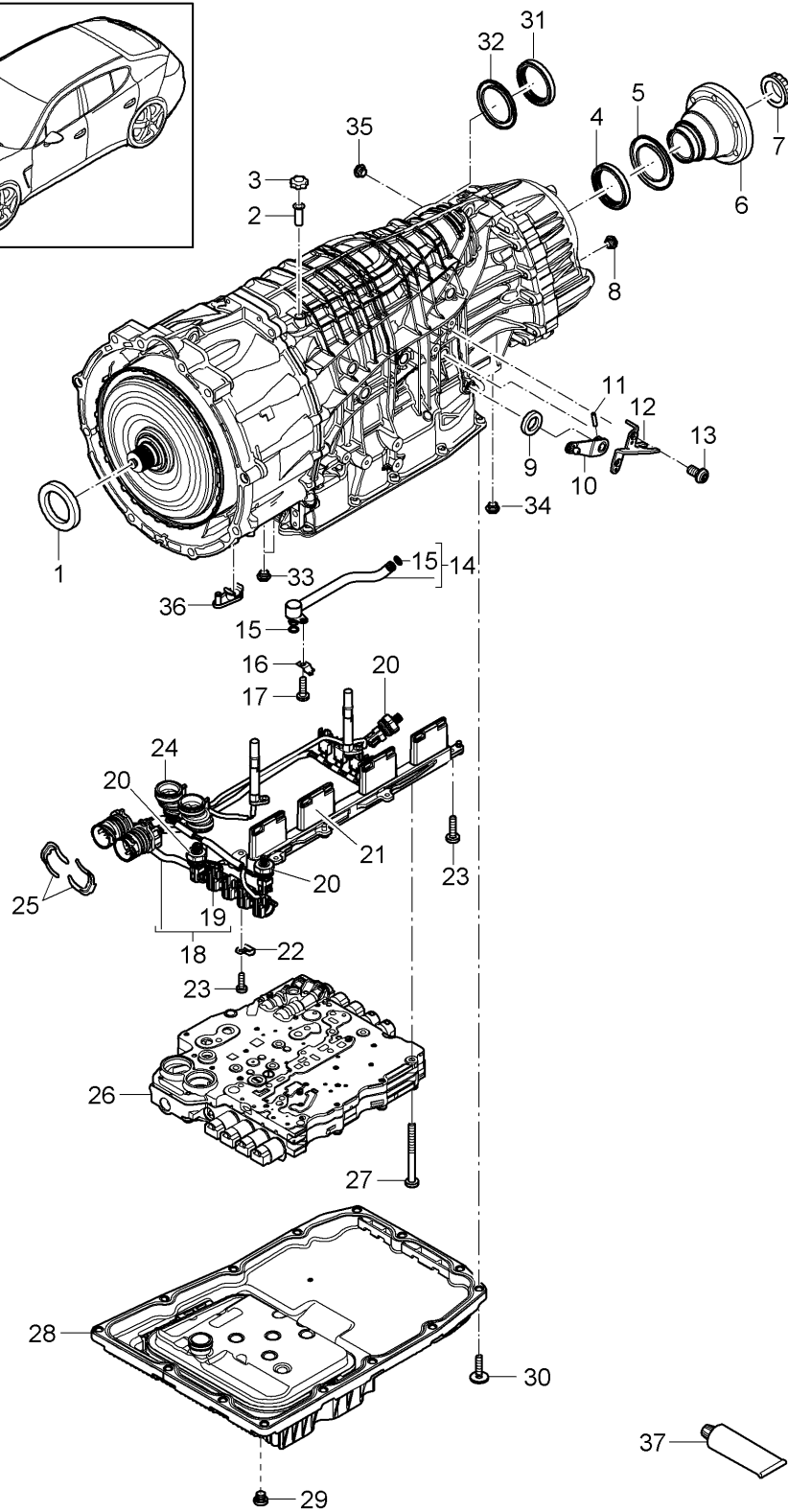
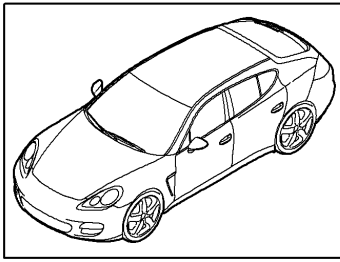
Model: 970 10

Model life 2010>>2016

Pos	Part Number	Description	Remark	Qty	Model
(1)	0C8 300 037 LX	Replacement transmission		1	A7010
(1)	0C8 300 038	Replacement transmission		1	A7011
(1)	0C8 300 038 X	Replacement transmission		1	A7011
2	955 341 139 01	Centre sleeve		2	
3	970 321 305 01	Gearbox cover		1	A7000
4	970 321 035 10	Gearbox cover		1	A7010
(4)	970 321 035 20	Gearbox cover		1	A7011
5	WHT 003 211	12-point head bolt aluminium M 10 X 50		10	
6	0AQ 301 307 E	vibration damper		1	A7010
(6)	970 321 345 11	vibration damper		1	A7011
7	N 900 639 05	Hex collared bolt M 8 X 18		4	A7010,A7011
8	958 300 540 00	Transmission fluid ATF 1 LITER Container		X	
(8)	000 043 306 24	Discontinued part Transmission fluid ATF 1 LITER Container		X	

Model: 970 10

Model life 2010>>2016



Model: 970 10

Model life 2010>>2016

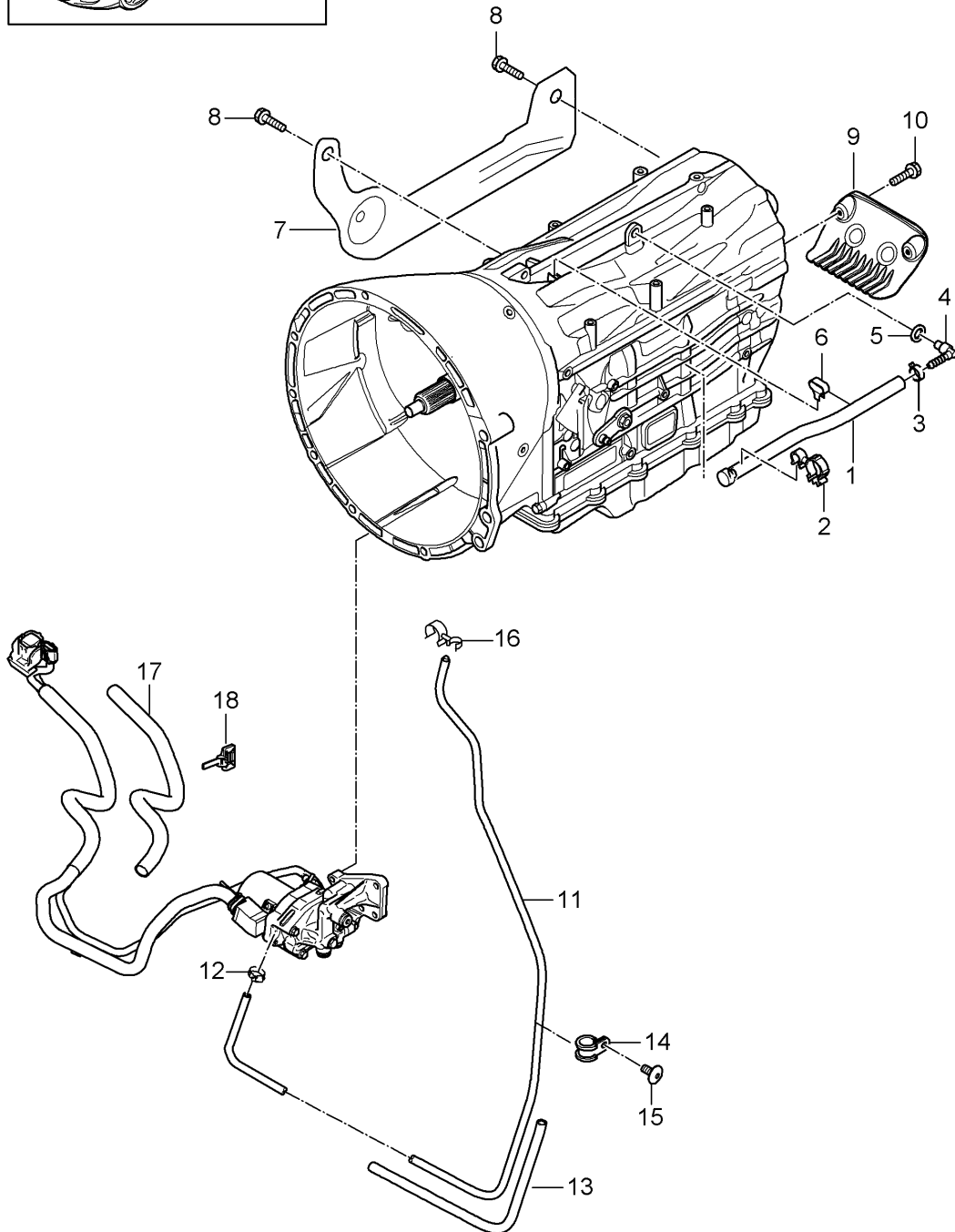
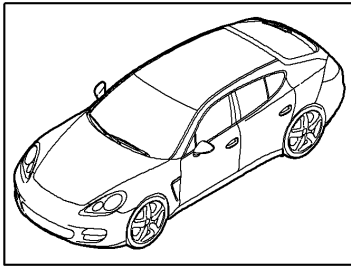
Pos	Part Number	Description	Remark	Qty	Model
		- PDK - Gearbox Individual parts			C7000,C7005, C7030,C7035, C7050,C7001, C7031,C7051
1	9G1 116 807 00	Shaft oil seal	40X57X6	1	
2	970 321 205 00	breather assy.		1	
3	9G1 321 215 00	Cap breather assy.		1	
4	970 321 807 00	Shaft oil seal	50X65X8	1	
5	970 321 865 00	Protective plate		1	
6	970 302 305 00	Output flange		1	C7000,C7005, C7030,C7035
(6)	970 302 305 01	Output flange		1	C7001,C7031
(6)	970 302 305 50	Output flange		1	C7050
(6)	970 302 305 51	Output flange		1	C7051
7	970 302 824 00	Double hexagon nut	M33X1,5	1	
8	970 321 805 00	Seal bolt with sealing ring	M18X1,5	1	
9	970 324 805 00	Shaft oil seal	10X18X5	1	
10	970 324 135 00	lever		1	
11	970 324 835 00	Spring pin		1	
12	970 426 211 00	abutment		1	
13	9G1 426 801 00	flat round head bolt	M8X20	2	
14	970 307 225 30	Pressure line		1	C7030,C7035, C7050,C7031, C7051
15		seal ring No replacement part		2	C7030,C7035, C7050,C7031, C7001
16	970 317 827 00	Retaining clip		1	C7030,C7035, C7050,C7031, C7051
17	970 317 815 00	Locating bolt	M6X20	1	C7030,C7035, C7050,C7031, C7051
18	970 317 615 00	Wire set Hydraulics control unit		1	C7000,C7005, C7001
(18)	970 317 615 30	Wire set Hydraulics control unit		1	C7030,C7035, C7050,C7031, C7051
19	9G1 317 698 00	Connector housing		8	C7000,C7005, C7001
(19)	9G1 317 698 00	Connector housing		9	C7030,C7035, C7050,C7031, C7051
(20)	9G1 307 385 00	Pressure sensor Discontinued part		2	C7000,C7005
(20)	9G1 307 385 05	Pressure sensor		2	C7000,C7005, C7001
20	9G1 307 385 00	Pressure sensor Discontinued part		3	C7030,C7035, C7050
(20)	9G1 307 385 05	Pressure sensor		3	C7030,C7035, C7050,C7031, C7051
21	970 317 085 00	Wiring set for hydraulics control unit with sensor unit		1	C7000,C7005, C7001
(21)	970 317 085 30	Wiring set for hydraulics control unit with sensor unit		1	C7030,C7035, C7050,C7031, C7051
22	970 317 891 00	cable terminal		1	
23	970 317 805 00	flat round head bolt	M5X16	6	
24	970 317 875 00	Adapter		1	

Model: 970 10 Model life 2010>>2016

Pos	Part Number	Description	Remark	Qty	Model
25	9G1 303 803 00	Retaining clip		2	
26	970 317 015 00	Hydraulics control unit	hydraulic	1	C7000,C7005, C7001
(26)	970 317 015 30	Hydraulics control unit	hydraulic	1	C7030,C7035, C7050,C7031, C7051
27	970 317 803 00	flat round head bolt	M6X70	17	
28	970 321 025 00	oil sump (complete)		1	
29	970 321 825 00	drain plug		1	
		with:			
30	970 321 809 00	seal ring flat round head bolt	M6X28,5	14	
31	970 302 885 00	Shaft oil seal Connecting shaft		1	C7030,C7035, C7050,C7031, C7051
32	970 302 391 00	Protective plate Connecting shaft		1	C7030,C7035, C7050,C7031, C7051
33	970 321 813 00	sealing plug	M12X1,5	2	
34	970 321 871 00	sealing plug	M10X1	1	C7030,C7035, C7050,C7031, C7051
35	970 321 871 00	sealing plug	M10X1	1	
36	970 321 856 00	End cap clutch housing		1	CWDA,CWD, CWFA,CWF
37	000 043 024 00	Extreme-pressure grease 1 tube	80 gram	X	
		to use for:			
		See workshop manual see main group 3 (gearbox) 383955	POS.31		

Model: 970 10

Model life 2010>>2016

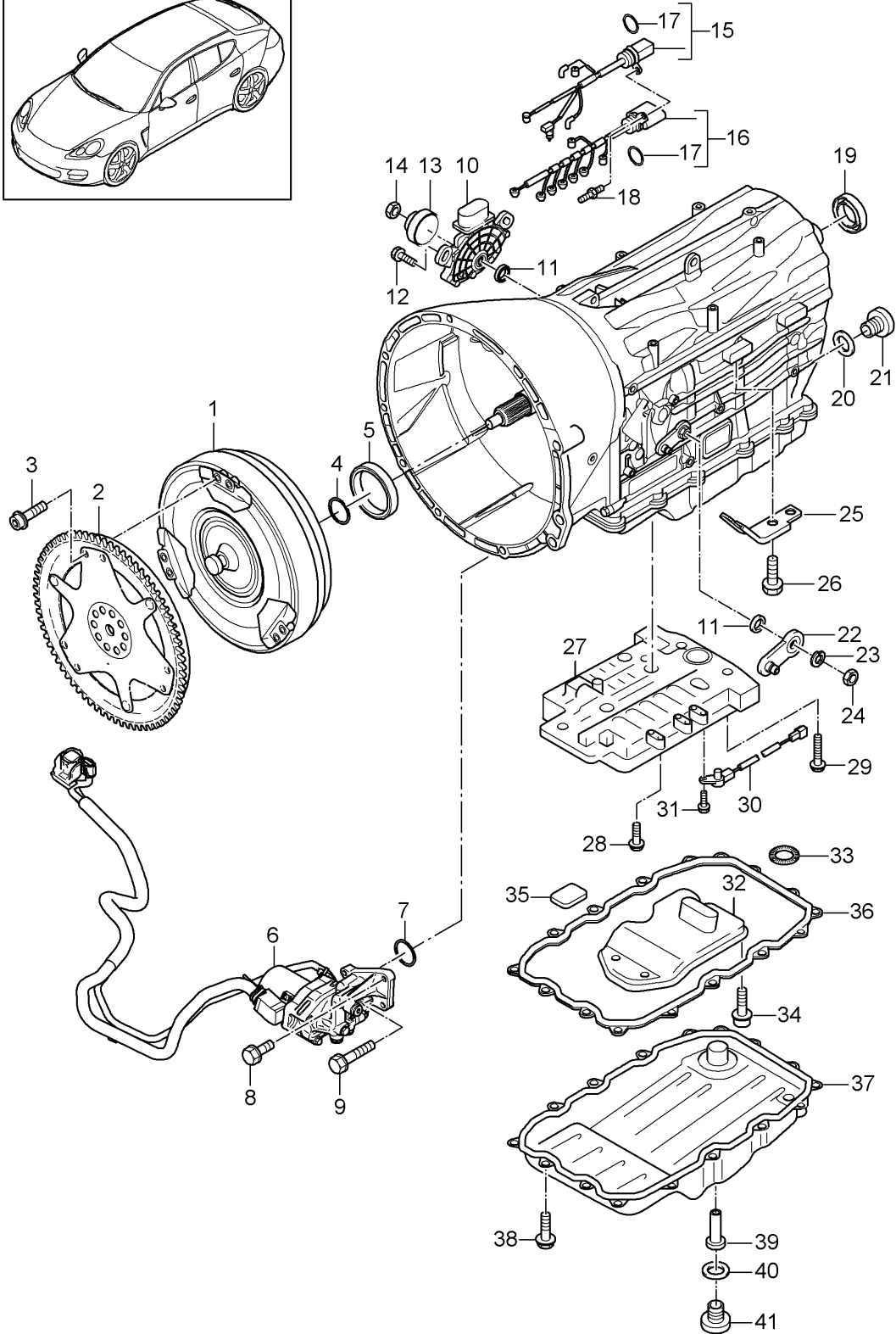
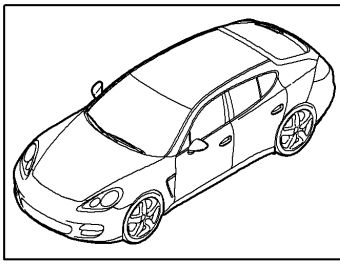


Model: 970 10 Model life 2010>>2016

Pos	Part Number	Description	Remark	Qty	Model
		Tiptronic Replacement transmission Accessories			A7000,A7010, A7011
1	958 301 547 50	Breather line 425 MM		1	A7000
(1)	0C8 301 047 H	Breather line 175 MM		1	A7010,A7011
2	999 507 198 40	Hose bracket 13 / 19		1	A7000
3	958 317 563 00	Clamp		1	
4	958 301 381 00	connection piece		1	
5	955 301 577 00	O-ring 8,2 X 1,9		1	
6	955 301 565 01	Clip		1	
7	970 321 451 05	Guard plate		1	A7000
8	N 100 829 11	hexagon head bolt (combi) M 6 X 16		3	A7000
9	958 301 307 00	Guard plate		1	
10	N 100 829 11	hexagon head bolt (combi) M 6 X 16		2	
11	958 301 547 60	Breather line 870 MM		1	A7000
		F >> 97-FL040 943			
		F >> 97-FL040 941			
(11)	958 301 547 70	Breather line 1220 MM		1	A7000
		F 97-FL040 944>>			
		F 97-FL040 942>>			
12	958 317 563 10	Clamp		1	A7000
13	958 301 821 00	Heat insulation		1	A7000
14	N 020 620 7	Breather line Clamp 13 X 15		1	A7000
15	N 106 320 03	Oval socket head bolt with hex drive M 6 X 16		1	A7000
16	N 104 278 01	Double clip A 01-10 X C01-16		1	A7000
		F >> 97-FL040 943			
		F >> 97-FL040 941			
(16)	N 104 585 02	Line holder A 01-18 X C01-9,5		1	A7000
		F 97-FL040 944>>			
		F 97-FL040 942>>			
(16)	8E0 971 818 B	Cable ties 4,5 X 210		1	A7000
		F 97-FL040 944>>			
		F 97-FL040 942>>			
17	970 660 612 00	Heat insulation Discontinued part		1	A7000
(17)	970 660 612 01	Heat insulation		1	A7000
18	999 591 142 01	Cable fastener		3	A7000

Model: 970 10

Model life 2010>>2016



Model: 970 10

Model life 2010>>2016

Pos	Part Number	Description	Remark	Qty	Model
		Replacement transmission Tiptronic Individual parts			A7000,A7010, A7011
1	958 316 001 20	Torque converter		1	A7000
(1)	0C8 323 571 K	Torque converter		1	A7010
(1)	0C8 323 571 M	Torque converter		1	A7011
2		Electric motor		1	A7000
		see illustration:	901-010		
(2)		Clutch plate		1	A7010,A7011
		see illustration:	102-020		
3		domed cap nut M 10 X 1		3	A7000
		see illustration:	306-010		
(3)	999 510 102 01	Socket head bolt M 10 X 1 X 40		6	A7010
(3)	N 906 916 01	Socket head bolt with hexagon socket head (combination) M 10 X 1 X 17		6	A7011
4	958 321 181 30	seal ring		1	A7000
5	958 321 243 00	radial shaft seal 42 X 66 X 8		1	
6	958 606 201 00	oil pump Electric		1	A7000
		F >> 97-FL040 943			
		F >> 97-FL040 941			
(6)	958 606 201 01	oil pump Electric		1	A7000
		F 97-FL040 944>>			
		F 97-FL040 942>>			
(6)	958 606 201 10	oil pump Electric		1	A7010,A7011
7	958 321 581 10	Seal for oil pump		1	
8	WHT 005 513	Hex collared bolt M 8 X 1,25 X 28		4	A7000
(8)	WHT 005 513	Hex collared bolt M 8 X 1,25 X 28		3	A7010,A7011
9	WHT 005 512	Hex collared bolt M 8 X 1,25 X 45		1	A7010,A7011
10	958 606 823 00	Selector switch		1	
11	955 321 199 30	radial shaft seal 11 X 22 X 7		2	
12	WHT 000 325 A	Hexagon bolt M 6 X 1 X 20		2	
13	958 606 401 00	Cover cap		1	
14	WHT 005 507	domed cap nut M 8 X 1,25		1	
15	958 612 363 10	Wire set 8-pole		1	
16	958 612 363 00	Wire set 14-pole		1	
17	955 325 364 00	seal ring 21,8 X 2,4		2	
18	N 910 573 02	12-point socket head bolt (combi) M 6 X 16 / M 6 X 10		1	
19	955 321 189 00	radial shaft seal 41 X 72 X 11		1	
20	955 321 379 00	seal ring		1	
21	WHT 000 323 A	sealing plug M 24 X 1,5 X 14		1	
22	0C8 713 343 A	selector lever		1	
23	WHT 005 508	Securing ring 8 X 16 X 2		1	

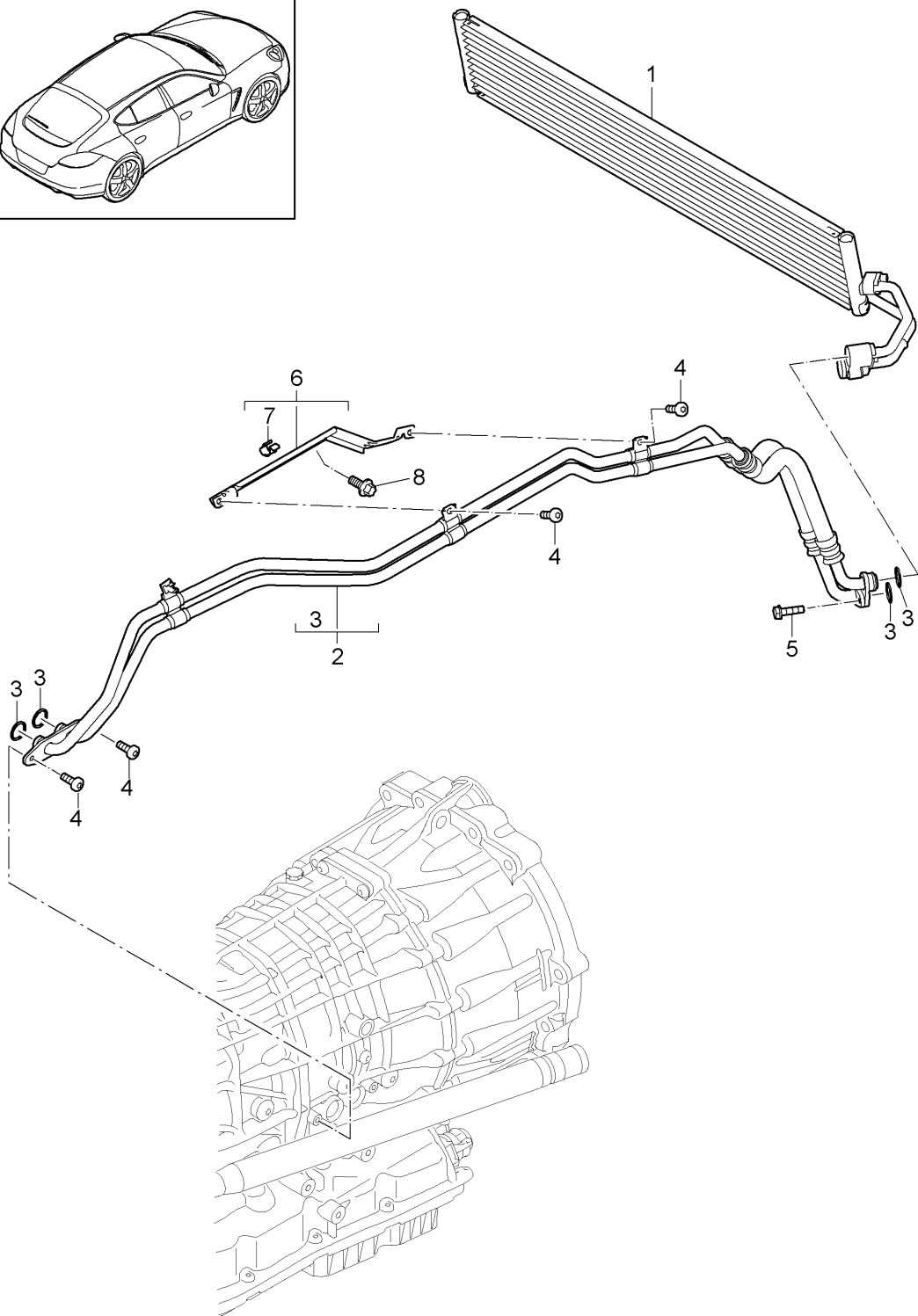
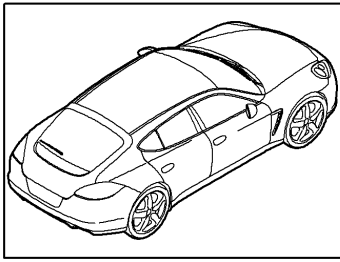
Model: 970 10

Model life 2010>>2016

Pos	Part Number	Description	Remark	Qty	Model
24	N 011 008 40	Hexagon nut M 8		1	
25	970 321 211 00	abutment		1	
26	900 378 173 01	Hexagon bolt M 6 X 20		2	
27	958 325 039 10	valve body		1	A7000
(27)	958 325 039 00	valve body		1	A7010
(27)	958 325 039 10	valve body		1	A7011
28	WHT 000 324	hexagon head bolt (combi) M 6 X 1 X 28		11	
29	WHT 000 321	hexagon head bolt (combi) M 6 X 1 X 40		3	
30	958 606 321 00	Inductive sensor Output speed		1	
31	WHT 000 322	hexagon head bolt (combi) M 6 X 1 X 12		2	
32	958 325 435 00	oil strainer		1	
33	958 325 443 00	Seal		1	
34	WHT 000 313	Hex collared bolt M 6 X 1 X 16		4	
35	955 321 368 00	Magnet for oil sump		4	
36	958 321 371 00	Oil sump gasket		1	
37	958 321 361 00	oil sump		1	
38	WHT 005 511	hexagon head bolt (combi) M 6 X 1 X 25		11	
39	0C8 301 437 B	oil pipe 28,5 MM Long		1	
40	958 321 581 00	seal ring		1	
41	WHT 005 510	drain plug M 10 X 1 X 9		1	

Model: 970 10

Model life 2010>>2016



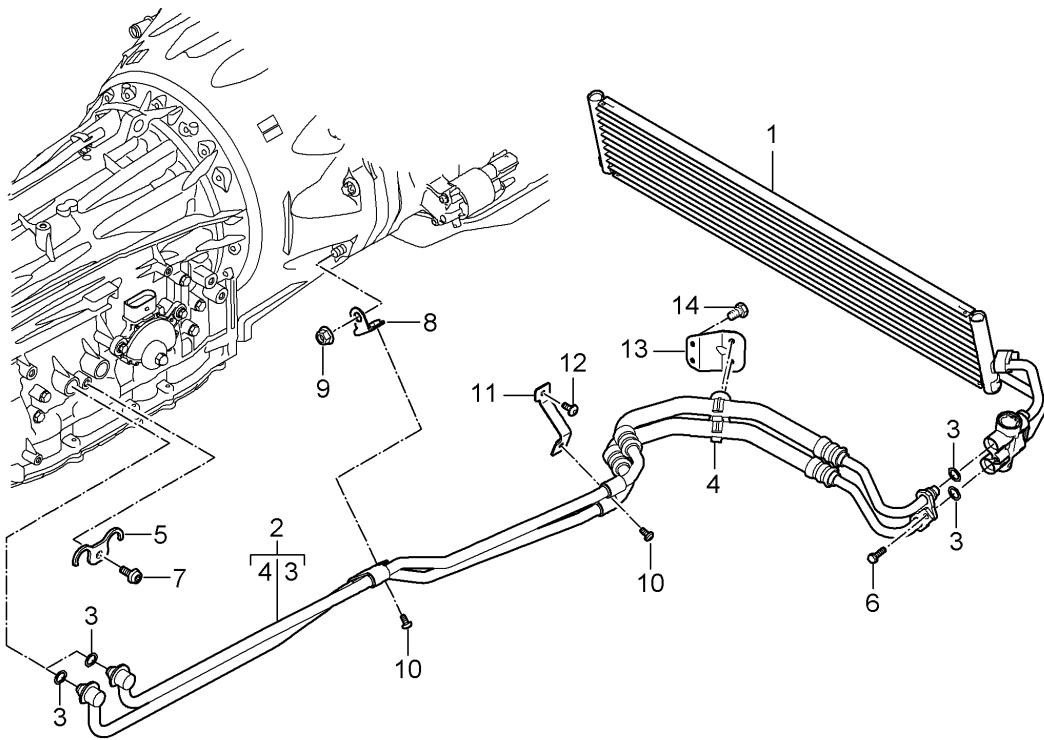
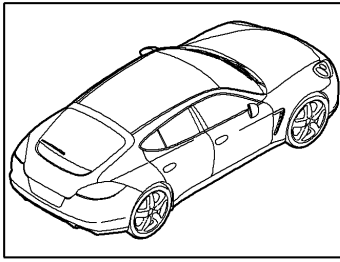
Model: 970 10

Model life 2010>>2016

Pos	Part Number	Description	Remark	Qty	Model
		- PDK - Gearbox Gear oil cooler Oil pipe			C7000,C7005, C7030,C7035, C7050,C7001, C7031,C7051
1	970 307 015 02	Gear oil cooler		1	
(1)	970 307 015 03	Discontinued part Gear oil cooler		1	
(1)	970 307 015 05	Discontinued part Gear oil cooler		1	
2	970 307 082 01	Oil pipe (complete)		1	
3	999 707 647 40	O-ring 15 X 3,6		4	
4	999 073 103 01	flat round head bolt M 6 X 16		4	
5	N 908 424 02	hexagon head bolt (combi) M 6 X 22		1	
6	970 106 416 00	Bracket		1	C7000,C7005, C7030,C7035, C7001,C7031
(6)	948 107 420 71	Bracket		1	C7050,C7051
7	948 111 213 00	Clip		3	C7050,C7051
8	900 385 044 01	Torx screw BM 8 X 16		2	

Model: 970 10

Model life 2010>>2016

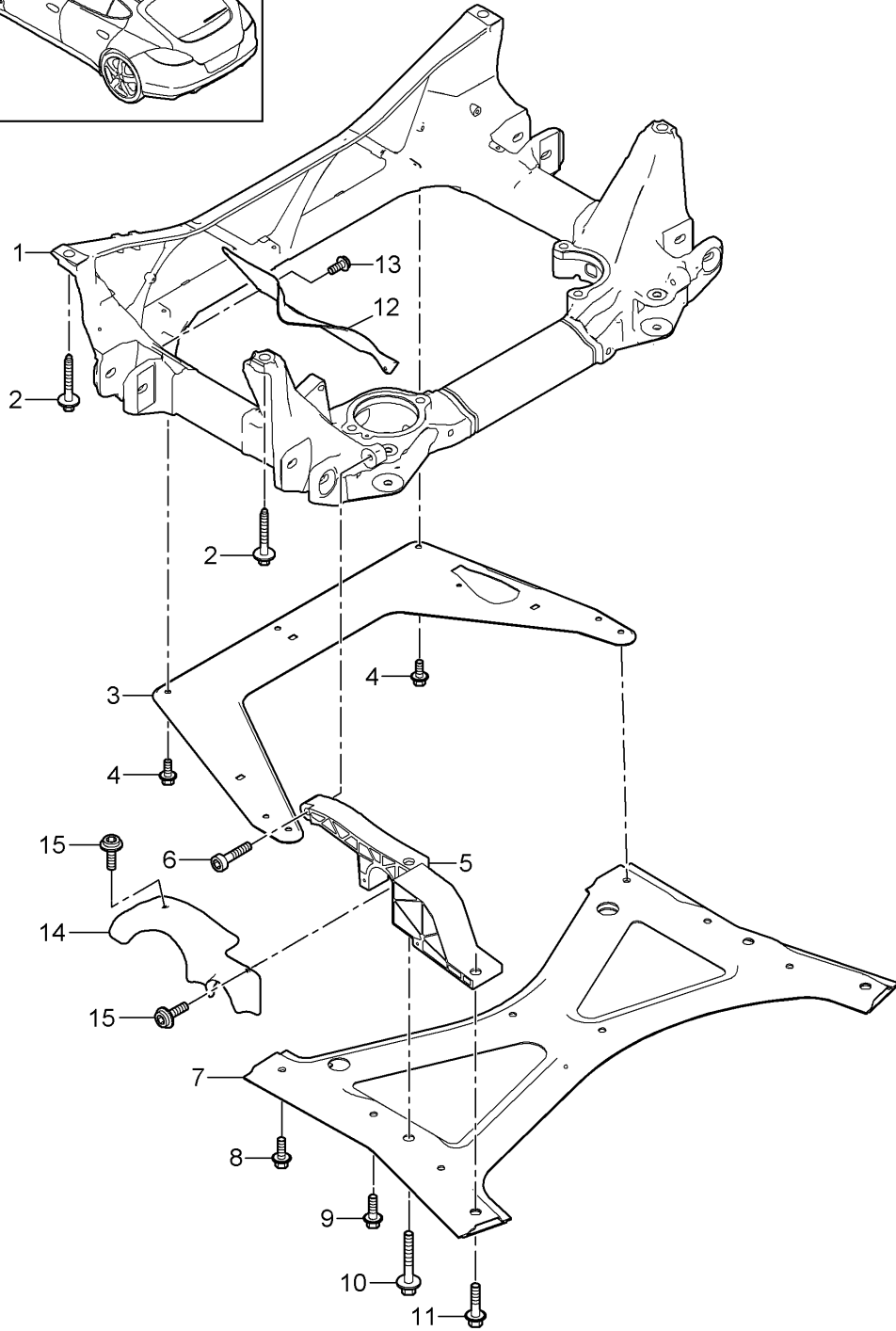
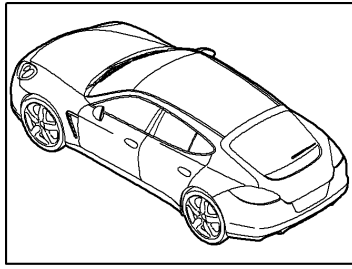


Model: 970 10 Model life 2010>>2016

Pos	Part Number	Description	Remark	Qty	Model
		Tiptronic Gear oil cooler Oil pipe			A7000,A7010, A7011
1	970 307 015 11	Gear oil cooler		1	
2	970 307 092 00	Oil pipe (complete)		1	A7000
(2)	970 307 092 05	D >> - MJ 2013 Oil pipe (complete)		1	A7000
(2)	970 307 092 10	D - MJ 2014>> Oil pipe (complete)		1	A7010,A7011
3	N 906 660 01	O-ring 11,5 X 3		4	
4	999 507 885 40	Line holder 20 - 25		2	
5	970 307 401 00	Bracket		1	
6	N 908 424 02	hexagon head bolt (combi) M 6 X 22		1	
7	N 106 648 01	Socket head collared bolt with inner multipoint head M 8 X 20		1	
8	970 116 436 00	Bracket		1	A7000
(8)	970 116 436 01	No longer use the part here Bracket		1	A7000
(8)	970 116 436 02	No longer use the part here Bracket		1	A7000
(8)	970 116 436 10	Bracket		1	A7010,A7011
9	900 380 021 01	Hexagon nut M 10		1	
(9)	N 102 861 10	No longer use the part here Hexagon collar nut self-locking M 10		1	
10	N 103 352 06	Hexagon socket flat head bolt M 6 X 12		2	
(11)		Bracket Change-over valve see illustration, item: D >> - MJ 2013	105-060,24	1	A7000
11	970 307 415 00	Bracket		1	A7010,A7011
(11)	970 307 415 05	Bracket D - MJ 2014>>		1	A7000
12	N 106 320 03	Oval socket head bolt with hex drive M 6 X 16		1	A7010,A7011
(12)	N 104 514 05	Oval hexagon socket head bolt M 6 X 16 D - MJ 2014>>		1	A7000
13	970 307 435 00	Bracket		1	
14	N 106 533 02	Hex collared bolt M 6 X 20		2	

Model: 970 10

Model life 2010>>2016



Model: 970 10 Model life 2010>>2016

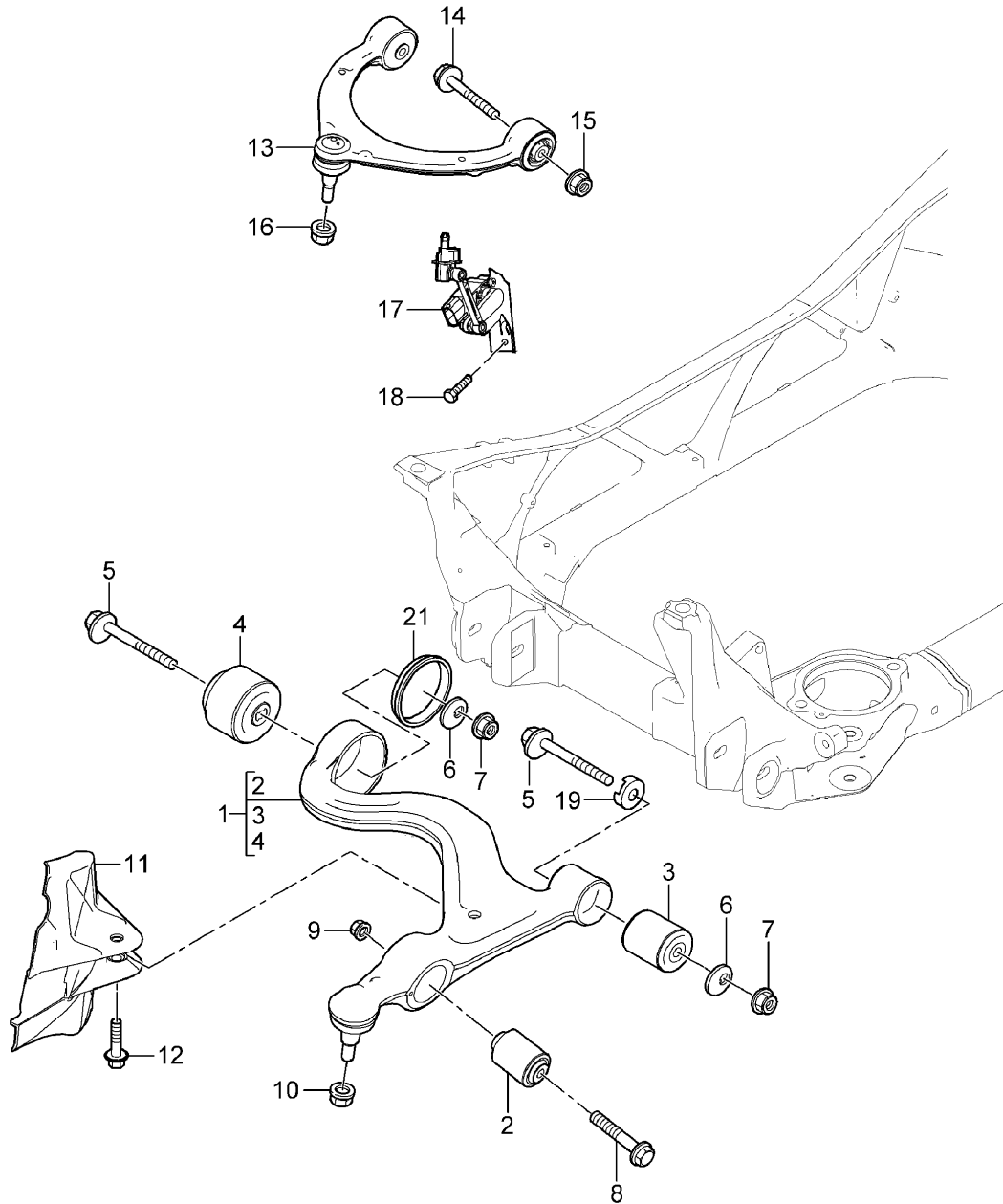
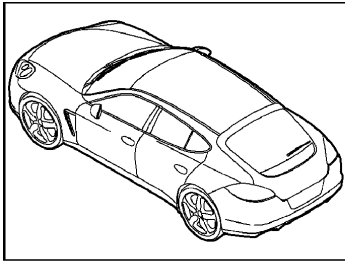
Pos	Part Number	Description	Remark	Qty	Model
1	970 341 101 07	Support frame Cross member Guard plate Support frame Front axle Discontinued part		1	
1	970 341 101 08	Support frame Front axle Discontinued part		1	
1	970 341 101 09	Support frame Front axle		1	
1	970 341 101 10	D >> - MJ 2011 Support frame Front axle see Technical information GR. 4 / NR. 105/11 KD-NR. 4006		1	
1	970 341 101 30	D - MJ 2012>> - MJ 2013 Support frame Front axle		1	
(1)	970 341 101 41	D - MJ 2014>> Support frame Front axle D - MJ 2012>> - MJ 2013		1	HYBRID DIESEL
(1)	970 341 101 42	Discontinued part Support frame Front axle D - MJ 2012>> - MJ 2013		1	HYBRID DIESEL
(1)	970 341 101 43	Discontinued part Support frame Front axle D - MJ 2012>> - MJ 2013		1	HYBRID DIESEL
(1)	970 341 101 52	D - MJ 2014>> Support frame Front axle Discontinued part		1	Hybrid DIESEL
(1)	970 341 101 53	D - MJ 2014>> Support frame Front axle		1	Hybrid DIESEL
2	999 072 871 01	Hexagon bolt M 12 X 1,5 X 75		4	
3	970 341 111 05	Reinforcement plate Support frame		1	
(3)	970 341 111 51	Reinforcement plate Support frame D - MJ 2014>>		1	Hybrid Diesel
4	999 072 801 01	Hexagon bolt M 8 X 20		7	
5	970 341 113 07	Support Cross member D >> - MJ 2010	left	1	
5	970 341 113 08	Support Cross member D - MJ 2011>> - MJ 2013	left	1	
5	970 341 113 10	Support Cross member D >> - MJ 2013	left	1	
5	970 341 113 20	Support Cross member D - MJ 2014>>	left	1	
(5)	970 341 114 07	Support Cross member	right	1	

Model: 970 10 Model life 2010>>2016

Pos	Part Number	Description	Remark	Qty	Model
(5)	970 341 114 08	D >> - MJ 2010 Support Cross member	right	1	
(5)	970 341 114 10	D - MJ 2011>> - MJ 2013 Support Cross member	right	1	
(5)	970 341 114 20	D >> - MJ 2013 Support Cross member	right	1	
-	999 911 043 40	D - MJ 2014>> Edge protection profile 1,0 - 4,0 Use 50 mm	Running meter	*	
6	999 073 475 01	Socket head bolt M 10 X 55		2	
7	970 341 261 05	Cross member		1	
7	970 341 261 06	D >> - MJ 2010 Cross member D - MJ 2011>>		1	
8	999 072 831 01	Hexagon bolt M 10 X 30		2	
9	999 072 840 01	Hexagon bolt M 10 X 35		4	
10	999 072 873 01	Hexagon bolt M 12 X 1,5 X 130		2	
11	999 072 859 01	Hexagon bolt M 12 X 1,5 X 58		2	
12	970 341 435 00	Guard plate Support frame	left	1	
12	970 341 435 20	D >> - MJ 2013 Guard plate Support frame D - MJ 2014>>	left	1	PR:143,015
(12)	970 341 436 00	Guard plate Support frame	right	1	
13	999 073 268 09	fillister hd. bolt M 5 X 12		6	
14	970 341 431 00	Guard plate Stabiliser mounting	left	1	PR:098
14	970 341 431 20	D >> - MJ 2013 Guard plate Stabiliser mounting EINS. OFFEN D - MJ 2014>>	left	1	PR:098
(14)	970 341 432 00	Guard plate Stabiliser mounting	right	1	PR:098
(14)	970 341 432 20	D >> - MJ 2013 Guard plate Stabiliser mounting EINS. OFFEN D - MJ 2014>>	right	1	PR:098
(14)	970 341 434 00	Guard plate Stabiliser mounting	right	1	PR:099
(14)	970 341 434 20	D >> - MJ 2013 Guard plate Stabiliser mounting D - MJ 2014>>	right	1	PR:099
15	999 073 268 09	fillister hd. bolt M 5 X 12		6	

Model: 970 10

Model life 2010>>2016



Model: 970 10 Model life 2010>>2016

Pos	Part Number	Description	Remark	Qty	Model
1	970 341 053 04	Wishbone Headlight range control Adaptive suspension Wishbone	left lower	1	
1	970 341 053 23	D >> - MJ 2013 Wishbone	left lower	1	
1	970 341 053 24	D - MJ 2014>> Discontinued part Wishbone	left lower	1	
(1)	970 341 054 04	D - MJ 2014>> Wishbone	right lower	1	
(1)	970 341 054 23	D >> - MJ 2013 Wishbone	right lower	1	
(1)	970 341 054 24	D - MJ 2014>> Discontinued part Wishbone	right lower	1	
2	970 341 243 01	D - MJ 2014>> Rubber bush		2	
3	970 341 241 01	Spring strut Link bearing		2	
3	970 341 241 21	D >> - MJ 2013 Link bearing		2	
4	970 341 245 02	D - MJ 2014>> hydro-mounting		2	
4	970 341 245 10	D >> - MJ 2013 hydro-mounting		2	PR:215,235
4	970 341 245 21	D - MJ 2014>> hydro-mounting		2	
5	970 341 217 00	Eccentric bolt M 12 X 1,5 X 97		4	
(5)	970 341 217 00	D >> - MJ 2013 Eccentric bolt	rear	2	
(5)	970 341 217 20	M 12 X 1,5 X 97 D - MJ 2014>> Eccentric bolt	front front	2	
6	996 331 219 00	M 12 X 1,5 X 117 D - MJ 2014>> eccentric washer		4	
7	999 084 445 01	Locknut M 12 X 1,5		4	
8	999 074 150 01	12-point head bolt M 12 X 1,5 X 95		2	
9	999 084 445 01	Locknut M 12 X 1,5		2	
10	999 084 652 01	Combined nut M 14 X 1,5		2	
10	WHT 003 949	D >> - MJ 2013 12 point socket shouldered nut self-locking M 14 X 1.5		2	
10	WHT 005 633	D >> - MJ 2013 12 point socket shouldered nut self-locking M 14 X 1.5 D - MJ 2014>>		2	

Model: 970 10 Model life 2010>>2016

Pos	Part Number	Description	Remark	Qty	Model
11	970 341 481 00	Spoiler Wishbone D >> - MJ 2010	left	1	4870+ PR:-450,-X80
(11)	970 341 481 01	Spoiler Wishbone D - MJ 2011>> - MJ 2013	left	1	4870+ PR:-450,-X80
(11)	970 341 481 01	Spoiler Wishbone D - MJ 2014>>	left	1	CXPA,CXRA, CXR,CWBA, CWB,CWCA, CWC+ PR:-450
(11)	970 341 482 00	Spoiler Wishbone D >> - MJ 2010	right	1	4870+ PR:-450,-X80
(11)	970 341 482 01	Spoiler Wishbone D - MJ 2011>> - MJ 2013	right	1	4870+ PR:-450,-X80
(11)	970 341 482 01	Spoiler Wishbone D - MJ 2014>>	right	1	CXPA,CXRA, CXR,CWBA, CWB,CWCA, CWC+ PR:-450
(11)	970 341 483 00	Spoiler Wishbone D >> - MJ 2011	left	1	4870+ PR:450
(11)	970 341 483 00	Spoiler Wishbone D >> - MJ 2011	left	1	4870+ PR:X80
(11)	970 341 483 01	Spoiler Wishbone D - MJ 2012>> - MJ 2013	left	1	4870+ PR:450,-X80, -016
(11)	970 341 483 01	Spoiler Wishbone D - MJ 2014>>	left	1	CXPA,CXRA, CXR,CWBA, CWB,CWCA, CWC+ PR:450,-016
(11)	970 341 483 01	Spoiler Wishbone D - MJ 2012>> - MJ 2013	left	1	4870+ PR:X80
(11)	970 341 483 01	Spoiler Wishbone D - MJ 2012>>	left	1	4870+ PR:016
(11)	970 341 484 00	Spoiler Wishbone D >> - MJ 2011	right	1	4870+ PR:450
(11)	970 341 484 00	Spoiler Wishbone D >> - MJ 2011	right	1	4870+ PR:X80
(11)	970 341 484 01	Spoiler Wishbone D - MJ 2012>> - MJ 2013	right	1	4870+ PR:450,-X80, -016
(11)	970 341 484 01	Spoiler Wishbone D - MJ 2014>>	right	1	CXPA,CXRA, CXR,CWBA, CWB,CWCA, CWC+ PR:450,-016
(11)	970 341 484 01	Spoiler Wishbone D - MJ 2012>> - MJ 2013	right	1	4870+ PR:X80
(11)	970 341 484 01	Spoiler Wishbone D - MJ 2012>>	right	1	4870+ PR:016
12	900 385 025 01	Torx screw		2	4870

Model: 970 10 Model life 2010>>2016

Pos	Part Number	Description	Remark	Qty	Model
12	900 385 070 01	M 6 X 40 D >> - MJ 2010 Torx screw		2	4870
-	N 102 058 02	M 6 X 50 also use: D - MJ 2011>> Hexagon collar nut self-locking M6		2	4870
13	970 341 051 03	D - MJ 2011>> Wishbone	upper	2	PR:-215,-325
13	970 341 051 10	D >> - MJ 2013 Wishbone	upper	2	PR:215,325
13	970 341 051 22	D >> - MJ 2013 Wishbone	upper	2	
14	N 102 902 06	D - MJ 2014>> Hex collared bolt M 10 X 70		4	
15	N 102 861 10	Hexagon collar nut self-locking M 10		4	
16	999 084 449 09	Locknut M 12 X 1,5		2	
17	970 343 021 03	Level sensor	left	1	
(17)	970 343 022 03	with: Poles Level sensor	right	1	
18	999 217 116 01	with: Poles Hexagon bolt M 6 X 16		2	
19	970 341 249 21	Upper part Link bearing		2	
20	970 341 281 00	D - MJ 2014>> Heat insulation Wishbone Upper part	left	2	PR:215,325
(20)	970 341 281 20	D >> - MJ 2013 Heat insulation Wishbone Upper part	left	2	PR:215,325
(20)	970 341 282 00	D - MJ 2014>> Heat insulation Wishbone Upper part	right	2	PR:215,325
(20)	970 341 282 20	D >> - MJ 2013 Heat insulation Wishbone Upper part	right	2	PR:215,325
(20)	970 341 283 00	D - MJ 2014>> Heat insulation Wishbone Lower part	left	2	PR:215,325
(20)	970 341 283 20	D >> - MJ 2013 Heat insulation Wishbone Lower part	left	2	PR:215,325
(20)	970 341 284 00	D - MJ 2014>> Heat insulation Wishbone Lower part	right	2	PR:215,325
(20)	970 341 284 20	D >> - MJ 2013 Heat insulation	right	2	PR:215,325

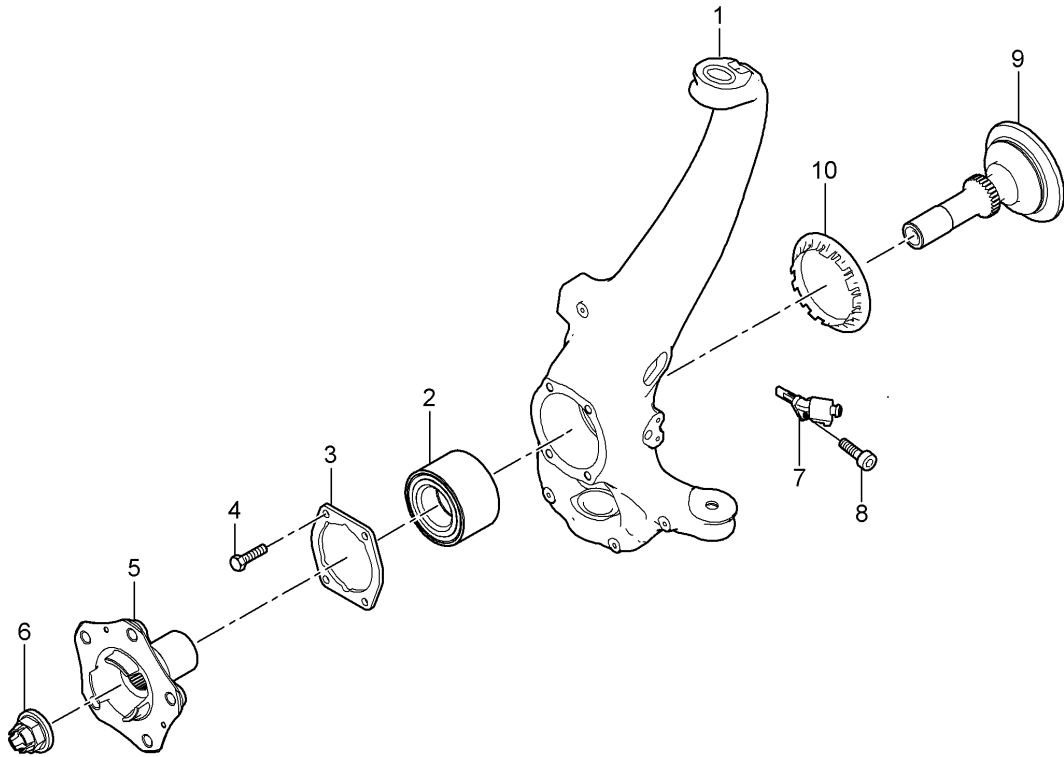
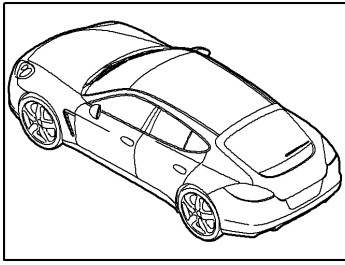
Model: 970 10

Model life 2010>>2016

Pos	Part Number	Description	Remark	Qty	Model
21	970 341 244 22	Wishbone Lower part D - MJ 2014>> Stop hydro-mounting Wishbone D - MJ 2014>>		2	

Model: 970 10

Model life 2010>>2016

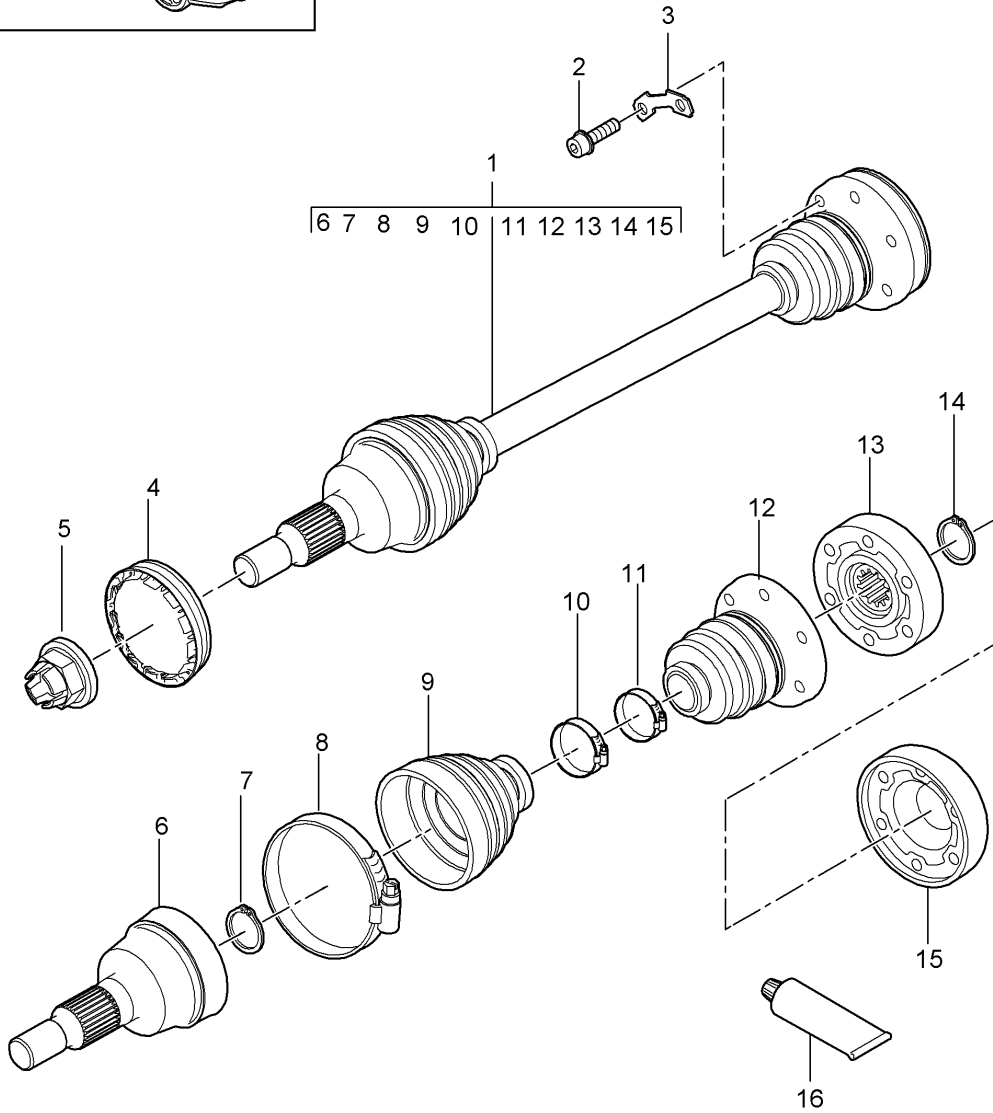
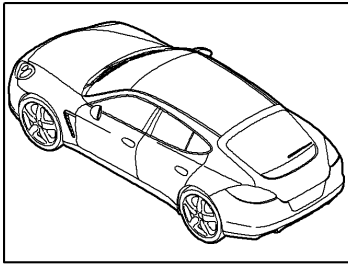


Model: 970 10 Model life 2010>>2016

Pos	Part Number	Description	Remark	Qty	Model
1	970 341 157 04	Wheel carrier		1	
(1)	970 341 158 04	Wheel hub		1	
2	999 053 057 01	Wheel carrier	left	1	
(2)	999 053 057 01	Wheel carrier	right	1	
(2)	298 407 621	angular ball bearing 47 X 85 X 52		2	
(2)	971 407 621	angular ball bearing 47 X 85 X 52		2	
3	970 331 661 00	Discontinued part angular ball bearing 47 X 85 X 52		2	
3	298 501 375	Securing plate angular ball bearing D >> - MJ 2013		2	
4	999 217 042 04	Securing plate angular ball bearing D - MJ 2014>>		2	
5	970 331 605 02	Hexagon bolt M 8 X 35		8	
5	991 331 605 03	Wheel hub		2	
6	999 084 650 01	Wheel hub D - MJ 2014>>		2	
6	999 084 135 02	Locknut M 22 X 1,5 D >> - MJ 2013		2	
7	970 606 407 01	Hexagon nut M 22 X 1,5 D - MJ 2014>>		2	
8	N 014 740 11	speed sensor		2	
9	970 341 231 00	Socket head bolt with hexagon socket head M 6 X 16		2	PR:338
9	298 407 313	retaining bolt RADLAGER D >> - MJ 2013		2	PR:338
10	970 341 235 01	retaining bolt RADLAGER D - MJ 2014>>		2	PR:338
10	298 407 475	protective ring retaining bolt D >> - MJ 2013		2	PR:338
10	298 407 475 A	protective ring retaining bolt D - MJ 2014>>		2	PR:339
-	997 361 605 92	Spacer ring 5 MM		2	PR:856

Model: 970 10

Model life 2010>>2016



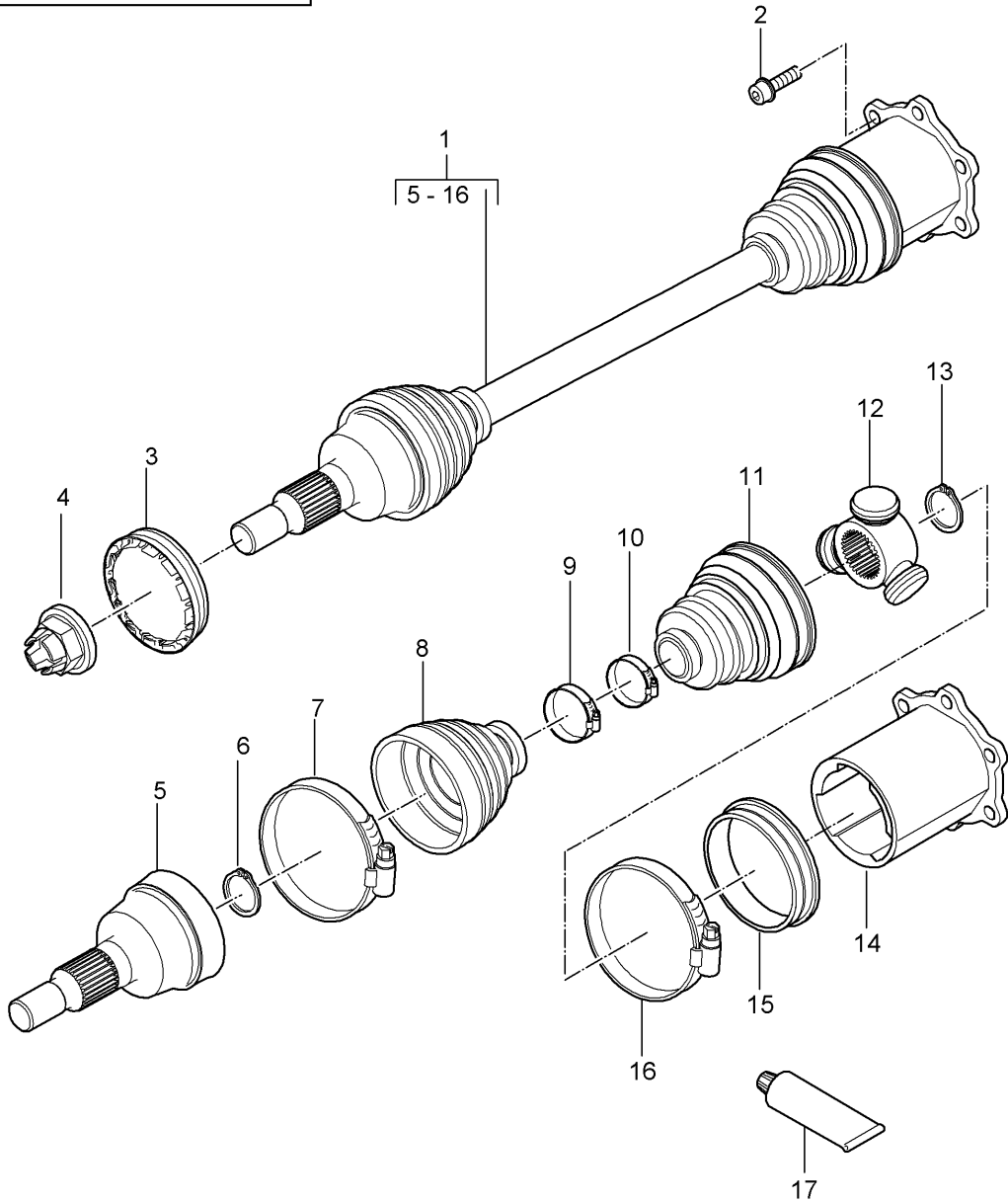
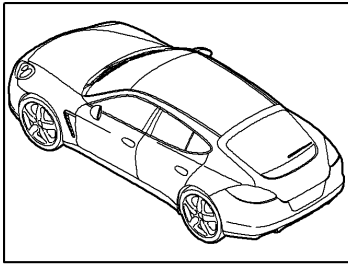
Model: 970 10

Model life 2010>>2016

Pos	Part Number	Description	Remark	Qty	Model
		Drive shaft D >> - MJ 2010			PR:339
1	970 349 038 02	Drive shaft		2	
2	900 067 424 01	Socket head bolt M 8 X 53		12	
3	1K0 407 357 B	Spacer		6	
4	970 349 271 01	protective ring		2	
5	999 084 650 01	Drive shaft Locknut M 22 X 1,5		2	
5	999 084 135 02	Hexagon nut M 22 X 1,5		2	
6	970 349 029 00	Joint	outer	2	
7	999 152 164 01	Securing ring	outer	2	
8	970 349 257 00	Joint Hose clip	outer	2	
9	970 349 291 00	Bellows	outer	2	
10	N 908 637 01	clamp	outer	2	
11	N 904 425 01	Bellows clamp	inner	2	
12	970 349 259 00	Bellows	inner	2	
13	970 349 031 00	Joint	inner	2	
14	999 041 049 01	Securing ring	inner	2	
15	970 349 267 00	Joint End cap	inner	2	
16	000 043 110 02	grease 1 Tube 100 Gr.		X	

Model: 970 10

Model life 2010>>2016



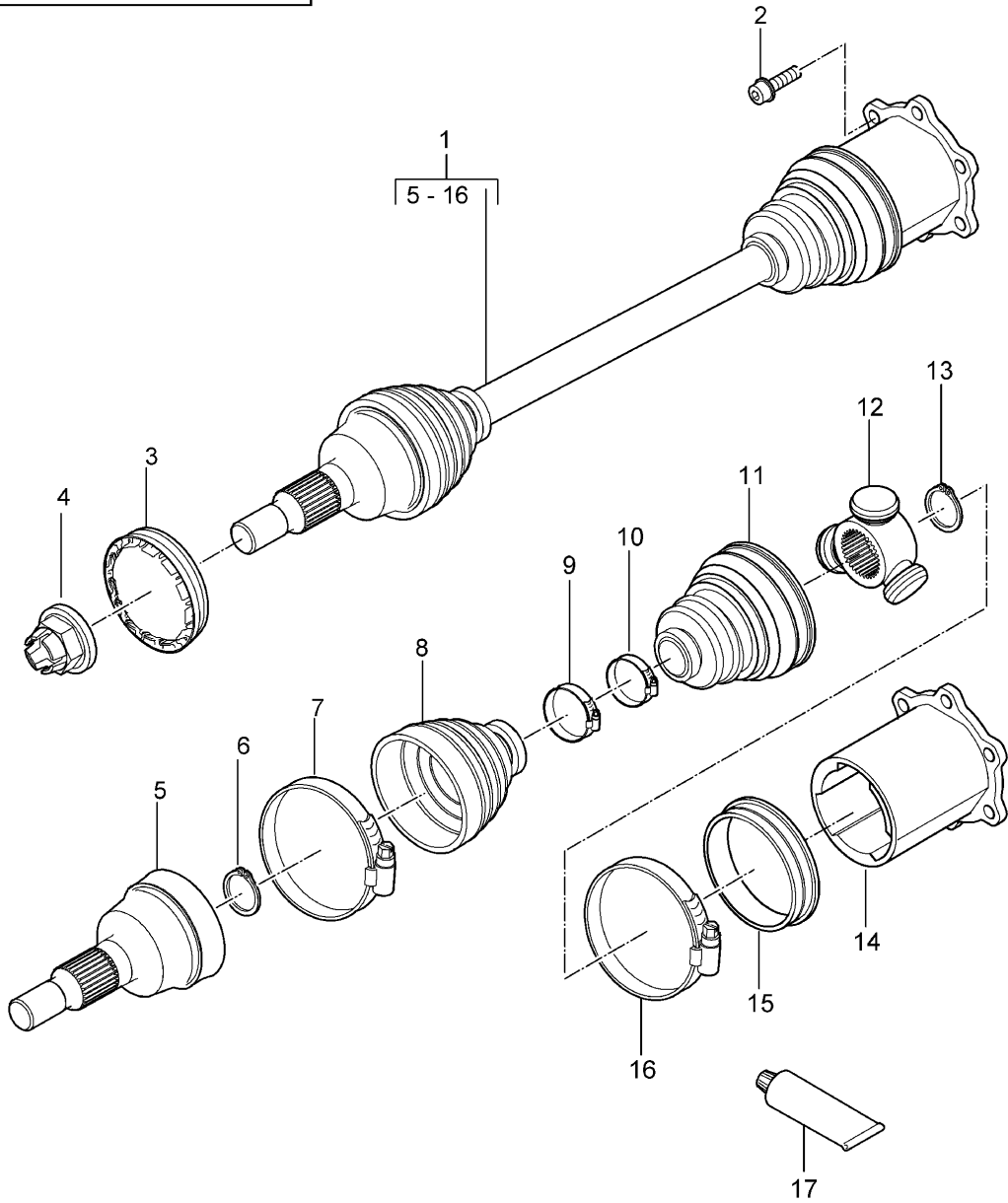
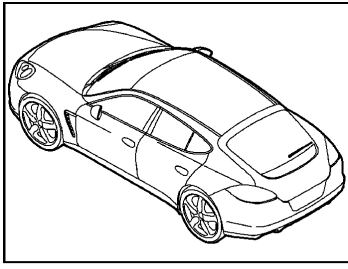
Model: 970 10

Model life 2010>>2016

Pos	Part Number	Description	Remark	Qty	Model
		Drive shaft D - MJ 2011>> - MJ 2013			PR:339
1	970 349 038 03	Drive shaft		2	
1	970 349 038 04	Drive shaft SPÄTER AUCH V6 EINZELTEILE NACH 2 JAHREN FREIGEBEN. BINDER BALG GEÄNDERT. A7 -4852/0. KEIN WERKZEUG IN DER HO DAFÜR (INFO HR. GAUDER).		2	
2	N 910 059 03	Hexagon socket head bolt M 8 X 25		12	
3	970 349 271 01	protective ring		2	
4	999 084 650 01	Drive shaft Locknut M 22 X 1,5		2	
4	999 084 135 02	Hexagon nut M 22 X 1,5		2	
5	970 349 029 00	Joint	outer	2	
6	999 152 164 01	Securing ring	outer	2	
7	970 349 257 00	Joint Hose clip	outer	2	
8	970 349 291 00	Bellows	outer	2	
9	N 908 637 01	clamp Bellows	outer	2	
10	970 349 261 00	Hose clip Bellows	inner	2	
11	970 349 292 00	Bellows	inner	2	
12	970 349 035 00	Joint	inner	2	
13	6Q0 407 298	Securing ring Joint	inner	2	
14	970 349 031 02	End cap Joint	inner	2	
15	970 349 282 00	Adapter Bellows	inner	2	
16	970 349 263 00	Securing ring Bellows	inner	2	
17	000 043 110 02	grease Joint	outer	X	
(17)	000 043 110 03	Tube 100 Gr. grease Joint Tube 110 Gr.	inner	X	

Model: 970 10

Model life 2010>>2016



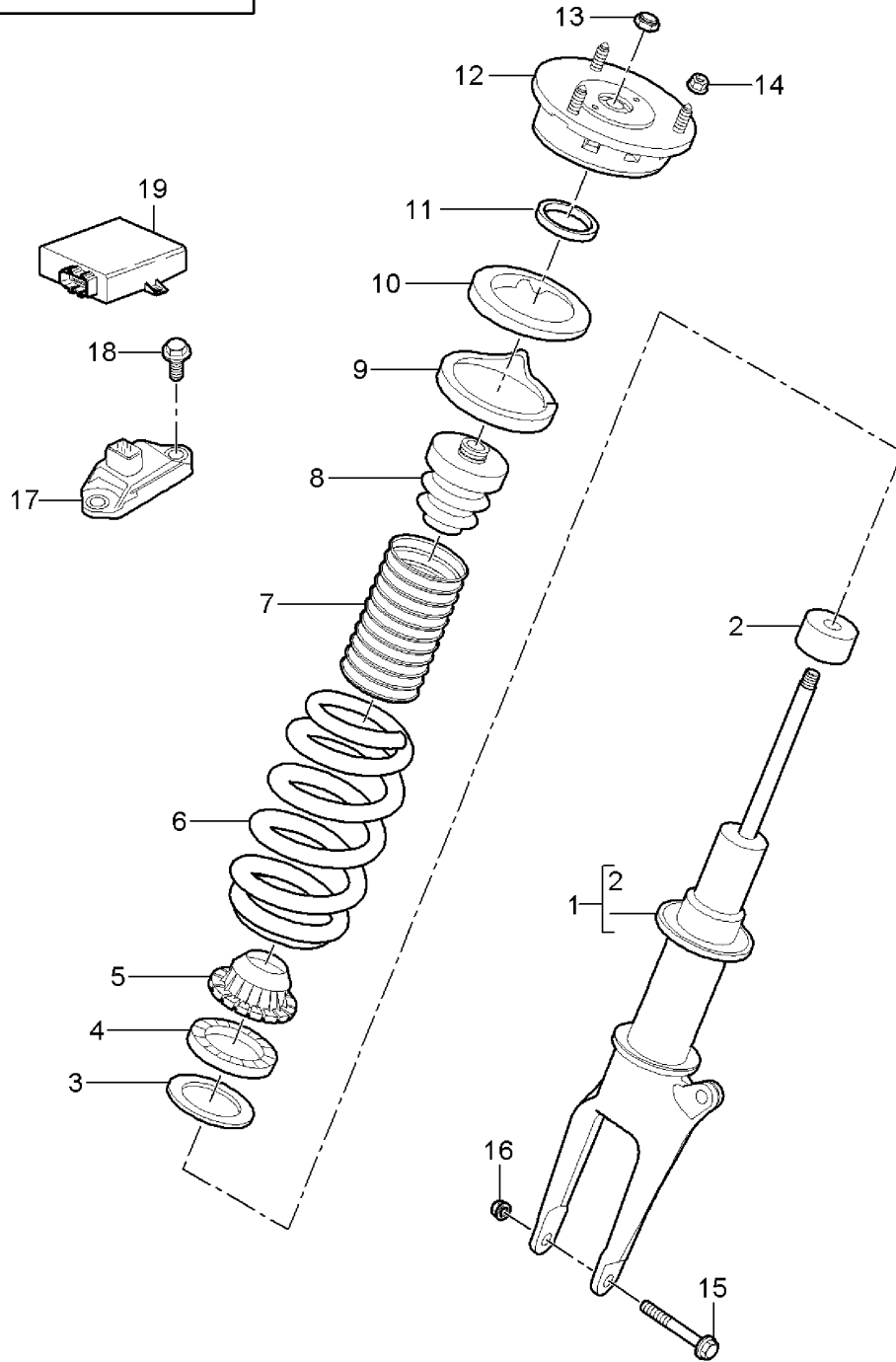
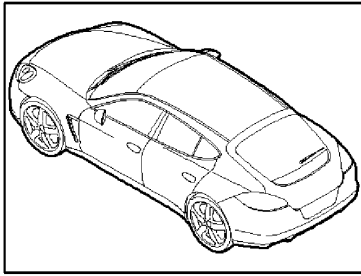
Model: 970 10

Model life 2010>>2016

Pos	Part Number	Description	Remark	Qty	Model
		Drive shaft D - MJ 2014>>			PR:339
1	970 349 038 04	Drive shaft		2	
2	N 910 059 03	Hexagon socket head bolt M 8 X 25		12	
3	298 407 475 A	protective ring		2	
4	999 084 135 02	Drive shaft Hexagon nut M 22 X 1,5		2	
5	970 349 029 00	Joint	outer	2	
6	999 152 164 01	Securing ring	outer	2	
7	970 349 257 00	Joint Hose clip	outer	2	
8	970 349 291 00	Bellows	outer	2	
9	N 908 637 01	clamp	outer	2	
10	970 349 261 00	Bellows Hose clip	inner	2	
11	970 349 292 00	Bellows	inner	2	
12	970 349 035 00	Joint	inner	2	
13	6Q0 407 298	Securing ring	inner	2	
14	970 349 031 02	Joint End cap	inner	2	
15	970 349 282 00	Adapter Bellows	inner	2	
16	970 349 263 01	Hose clip Bellows	inner	2	
17	000 043 110 02	grease Joint	outer	X	
(17)	000 043 110 03	TUBE 100 GR. grease Joint TUBE 110 GR.	inner	X	

Model: 970 10

Model life 2010>>2016



Model: 970 10 Model life 2010>>2016

Pos	Part Number	Description	Remark	Qty	Model
		suspension			PR:475
1	970 343 045 04	Shock absorber strut Shock absorbers		2	
1	970 343 045 05	No longer use the part here Shock absorbers		2	
		D >> - MJ 2013			
1	970 343 045 07	No longer use the part here Shock absorbers		2	
		D >> - MJ 2013			
1	970 343 045 08	No longer use the part here Shock absorbers		2	
		D >> - MJ 2013			
(1)	970 343 045 31	Shock absorbers		2	
		D - MJ 2014>>			
		Discontinued part			
(1)	970 343 045 32	Shock absorbers		2	
		D - MJ 2014>>			
2	970 343 941 00	Cap Shock absorbers		2	
		D >> - MJ 2013			
(2)	970 343 941 30	Cap Shock absorbers		2	
		D - MJ 2014>>			
3	970 343 515 01	compensation washer blue	lower	2	
		D >> - MJ 2013			
(3)	970 343 515 02	compensation washer Black	lower	2	
		D >> - MJ 2013			
(3)	970 343 515 30	compensation washer blue	lower	2	
		D - MJ 2014>>			
(3)	970 343 515 31	compensation washer Black	lower	2	
		D - MJ 2014>>			
4	970 343 513 04	compensation washer Black	lower	2	
		D >> - MJ 2011			
(4)	970 343 513 05	compensation washer blue	lower	2	
		D >> - MJ 2013			
(4)	970 343 513 06	compensation washer beige	lower	2	
		D >> - MJ 2013			
(4)	970 343 513 31	compensation washer blue	lower	2	
		D - MJ 2014>>			
(4)	970 343 513 32	compensation washer beige	lower	2	
		D - MJ 2014>>			
5	970 343 511 01	spring disc	lower	2	
		D >> - MJ 2013			
(5)	970 343 511 30	spring disc	lower	2	
		D - MJ 2014>>			
6	970 343 531 21	Coil spring 1 set		1	PR:70A,701
		D >> - MJ 2013			
	970 343 531 21 504	1 pair of springs Squirrel grey			
		Squirrel grey			
(6)	970 343 531 14	Coil spring 1 set		1	PR:-701,70A
	970 343 531 14 504	1 pair of springs			

Model: 970 10 Model life 2010>>2016

Pos	Part Number	Description	Remark	Qty	Model
(6)	970 343 531 14	White Green F >> A7-BL011 456 F >> 97-BL001 255 F >> A7-AL065 513 F >> 97-AL047 072 Coil spring 1 set		1	PR:70B
	970 343 531 14 504	1 pair of springs White Green F >> A7-BL011 456 F >> 97-BL001 255 F >> A7-AL065 513 F >> 97-AL047 072		1	PR:701,70C
(6)	970 343 531 18	Coil spring 1 set D >> - MJ 2013		1	PR:029,475, 70A,-701
	970 343 531 18 504	1 pair of springs Deer Brown Deer Brown F A7-BL011 457>> F 97-BL001 256>> F A7-AL065 514>> F 97-AL047 073>>		1	PR:029,475, 701,70C
(6)	970 343 531 15	Coil spring 1 set D >> - MJ 2013		1	PR:-701,70C
	970 343 531 15 504	1 pair of springs Pastel orange F >> A7-BL011 456 F >> 97-BL001 255 F >> A7-AL065 513 F >> 97-AL047 072		1	PR:70D
(6)	970 343 531 15	Coil spring 1 set D >> - MJ 2013		1	PR:70E,701
	970 343 531 15 504	1 pair of springs Pastel orange F >> A7-BL011 456 F >> 97-BL001 255		1	

Model: 970 10 Model life 2010>>2016

Pos	Part Number	Description	Remark	Qty	Model
(6)	970 343 531 19	F >> A7-AL065 513 F >> 97-AL047 072 Coil spring 1 set D >> - MJ 2013		1	PR:029,475, 70C,-701
	970 343 531 19 504	1 pair of springs Pastel orange Pastel orange F A7-BL011 457>> F 97-BL001 256>> F A7-AL065 514>> F 97-AL047 073>>			
(6)	970 343 531 19	Coil spring 1 set D >> - MJ 2013		1	PR:029,475, 70D
	970 343 531 19 504	1 pair of springs Pastel orange Pastel orange F A7-BL011 457>> F 97-BL001 256>> F A7-AL065 514>> F 97-AL047 073>>			
(6)	970 343 531 19	Coil spring 1 set D >> - MJ 2013		1	PR:029,475, 701,70E
	970 343 531 19 504	1 pair of springs Pastel orange Pastel orange F A7-BL011 457>> F 97-BL001 256>> F A7-AL065 514>> F 97-AL047 073>>			
(6)	970 343 531 16	Coil spring 1 set		1	PR:-701,70E
	970 343 531 16 504	1 pair of springs Blue Lilac F >> A7-BL011 456 F >> 97-BL001 255 F >> A7-AL065 513 F >> 97-AL047 072			
(6)	970 343 531 16	Coil spring 1 set		1	PR:70F,70G
	970 343 531 16 504	1 pair of springs Blue Lilac F >> A7-BL011 456 F >> 97-BL001 255 F >> A7-AL065 513 F >> 97-AL047 072			
(6)	970 343 531 20	Coil spring 1 set D >> - MJ 2013		1	PR:029,475, 70E,-701
	970 343 531 20 504	1 pair of springs Blue Lilac Blue Lilac F A7-BL011 457>> F 97-BL001 256>> F A7-AL065 514>> F 97-AL047 073>>			
(6)	970 343 531 20	Coil spring 1 set D >> - MJ 2013		1	PR:029,475, 70F,70G
	970 343 531 20 504	1 pair of springs Blue Lilac			

Model: 970 10 Model life 2010>>2016

Pos	Part Number	Description	Remark	Qty	Model
(6)	970 343 531 30	Blue Lilac F A7-BL011 457>> F 97-BL001 256>> F A7-AL065 514>> F 97-AL047 073>> Coil spring 1 set D - MJ 2014>>		1	PR:70A,70B, -701
	970 343 531 30 504	1 pair of springs yellow yellow			
(6)	970 343 531 31	Coil spring 1 set D - MJ 2014>>		1	PR:70C,70D, -701
	970 343 531 31 504	1 pair of springs White Green White Green White Green			
(6)	970 343 531 31	Coil spring 1 set D - MJ 2014>>		1	PR:475,701, 70E
	970 343 531 31 504	1 pair of springs White Green White Green White Green			
(6)	970 343 531 32	Coil spring 1 set D - MJ 2014>>		1	PR:70E,70F, -701
	970 343 531 32 504	1 pair of springs fire red fire red fire red			
(6)	970 343 531 33	Coil spring 1 set D - MJ 2014>>		1	PR:70A,701
	970 343 531 33 504	1 pair of springs pink pink			
7	970 343 341 00	Bellows D >> - MJ 2013		2	
(7)	970 343 341 01	Bellows D - MJ 2014>>		2	
8	970 343 301 03	helper spring D >> - MJ 2013		2	
(8)	970 343 301 31	helper spring D - MJ 2014>>		2	
9	955 333 504 00	spring disc	upper	2	
10	955 333 524 00	shelf	upper	2	
11	970 343 520 00	Shim		2	
12	970 343 017 04	Shock absorber bearing Shock absorber bearing Spring strut	left	1	
(12)	970 343 018 04	Shock absorber bearing Spring strut	right	1	
13	999 084 128 01	Hexagon nut M 14 X 1,5		2	
14	N 102 861 10	Hexagon collar nut self-locking M 10 X 1,5		6	
15	999 074 150 01	12-point head bolt M 12 X 1,5 X 95		2	
16	999 084 445 01	Locknut M 12 X 1,5		2	

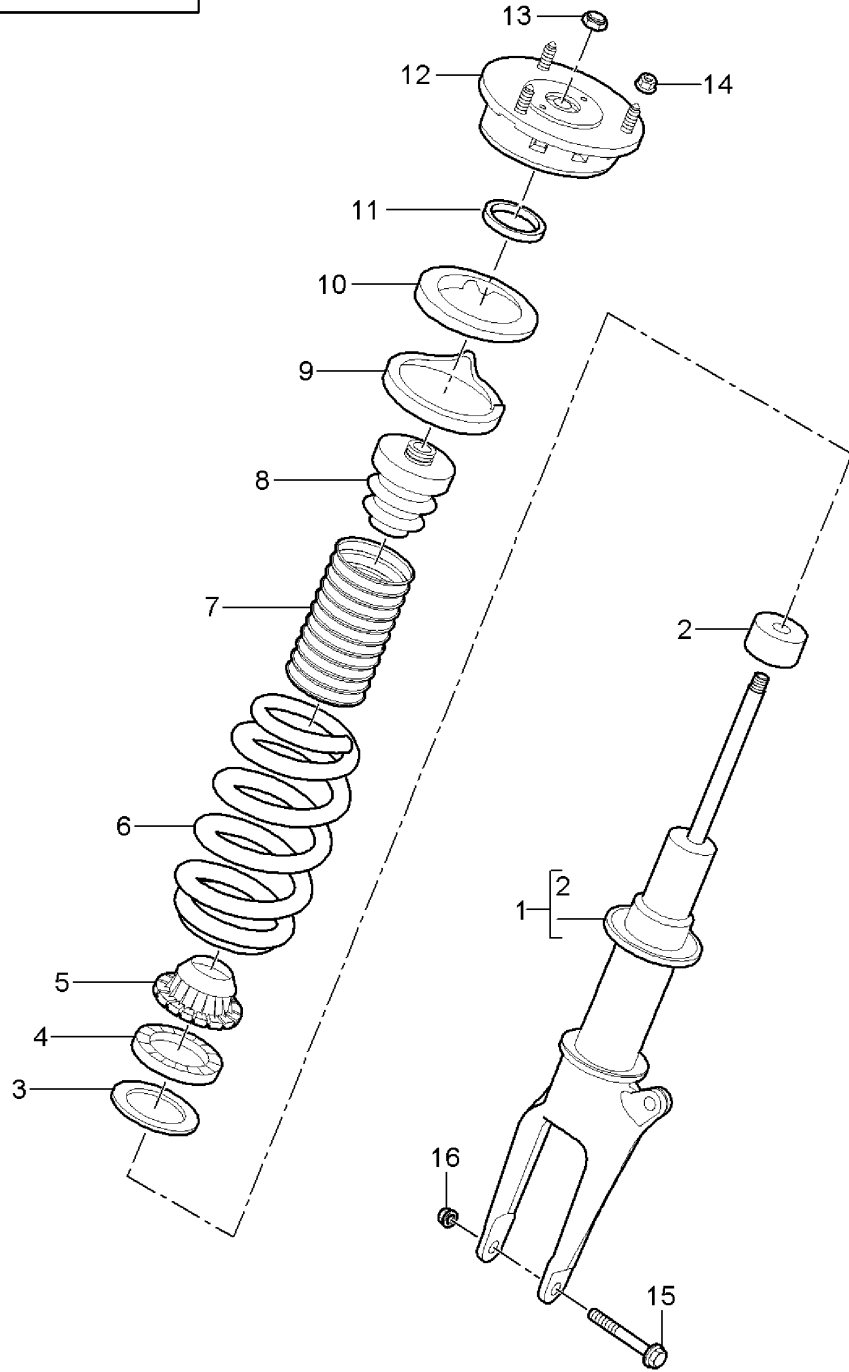
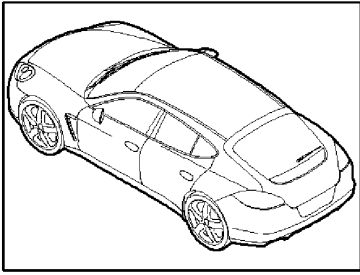
Model: 970 10

Model life 2010>>2016

Pos	Part Number	Description	Remark	Qty	Model
17	970 606 111 00	Accelerator sensor Body		3	
18	900 378 035 01	Hexagon bolt M 6 X 16		4	
19	970 618 105 04	Control unit D >> - MJ 2010		1	PR:475
19	970 618 105 13	Control unit D - MJ 2011>>		1	PR:475
19	970 618 105 25	Control unit D - MJ 2014>>		1	PR:475

Model: 970 10

Model life 2010>>2016



Model: 970 10 Model life 2010>>2016

Pos	Part Number	Description	Remark	Qty	Model
		suspension			PR:029
1	970 343 041 04	Shock absorber strut Shock absorbers		2	
		D >> - MJ 2013			
(1)	970 343 041 30	Shock absorbers		2	
		D - MJ 2014>> Discontinued part			
(1)	970 343 041 31	Shock absorbers		2	
		D - MJ 2014>>			
2	970 343 941 00	Cap		2	
		Shock absorbers			
		D >> - MJ 2013			
(2)	970 343 941 30	Cap		2	
		Shock absorbers			
		D - MJ 2014>>			
3	970 343 515 01	compensation washer blue	lower	2	
		D >> - MJ 2013			
(3)	970 343 515 02	compensation washer Black	lower	2	
		D >> - MJ 2013			
(3)	970 343 515 30	compensation washer blue	lower	2	
		D - MJ 2014>>			
(3)	970 343 515 31	compensation washer Black	lower	2	
		D - MJ 2014>>			
4	970 343 513 04	compensation washer Black	lower	2	
		D >> - MJ 2013			
(4)	970 343 513 05	compensation washer blue	lower	2	
		D >> - MJ 2013			
(4)	970 343 513 06	compensation washer beige	lower	2	
		D >> - MJ 2013			
(4)	970 343 513 31	compensation washer blue	lower	2	
		D - MJ 2014>>			
(4)	970 343 513 32	compensation washer beige	lower	2	
		D - MJ 2014>>			
5	970 343 511 01	spring disc Underlay	lower	2	
		D >> - MJ 2013			
(5)	970 343 514 30	spring disc Underlay	lower	2	
		D - MJ 2014>>			
6	970 343 531 21	Coil spring 1 set		1	PR:70A,701
		D >> - MJ 2013			
	970 343 531 21 504	1 pair of springs Squirrel grey			
		Squirrel grey			
(6)	970 343 531 14	Coil spring 1 set		1	PR:-701,70A
		D >> - MJ 2013			
	970 343 531 14 504	1 pair of springs White Green			
		F >> A7-BL011 456			
		F >> 97-BL001 255			
		F >> A7-AL065 513			
		F >> 97-AL047 072			
(6)	970 343 531 18	Coil spring		1	PR:-701,70A

Model: 970 10 Model life 2010>>2016

Pos	Part Number	Description	Remark	Qty	Model
		1 set D >> - MJ 2013			
	970 343 531 18 504	1 pair of springs Deer Brown Deer Brown F A7-BL011 457>> F 97-BL001 256>> F A7-AL065 514>> F 97-AL047 073>>			
(6)	970 343 531 14	Coil spring 1 set		1	PR:70B
	970 343 531 14 504	1 pair of springs White Green F >> A7-BL011 456 F >> 97-BL001 255 F >> A7-AL065 513 F >> 97-AL047 072			
(6)	970 343 531 18	Coil spring 1 set		1	PR:70B
	970 343 531 18 504	D >> - MJ 2013 1 pair of springs Deer Brown Deer Brown F A7-BL011 457>> F 97-BL001 256>> F A7-AL065 514>> F 97-AL047 073>>			
(6)	970 343 531 14	Coil spring 1 set		1	PR:70C,701
	970 343 531 14 504	1 pair of springs White Green F >> A7-BL011 456 F >> 97-BL001 255 F >> A7-AL065 513 F >> 97-AL047 072			
(6)	970 343 531 18	Coil spring 1 set		1	PR:70C,701
	970 343 531 18 504	D >> - MJ 2013 1 pair of springs Deer Brown Deer Brown F A7-BL011 457>> F 97-BL001 256>> F A7-AL065 514>> F 97-AL047 073>>			
(6)	970 343 531 15	Coil spring 1 set		1	PR:-701,70C
	970 343 531 15 504	1 pair of springs Pastel orange F >> A7-BL011 456 F >> 97-BL001 255 F >> A7-AL065 513 F >> 97-AL047 072			
(6)	970 343 531 19	Coil spring 1 set		1	PR:-701,70C
	970 343 531 19 504	D >> - MJ 2013 1 pair of springs Pastel orange Pastel orange F A7-BL011 457>> F 97-BL001 256>> F A7-AL065 514>> F 97-AL047 073>>			

Model: 970 10 Model life 2010>>2016

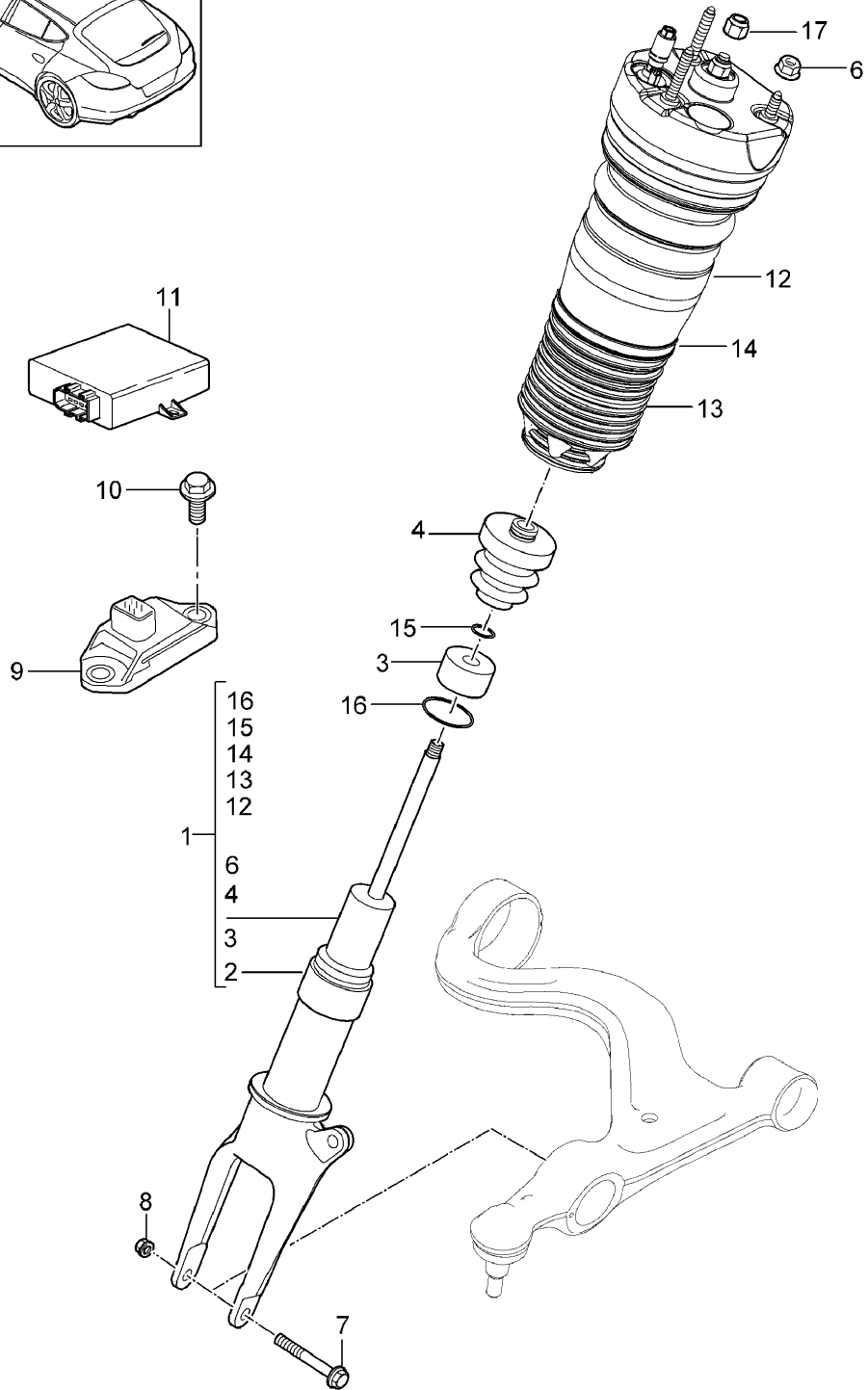
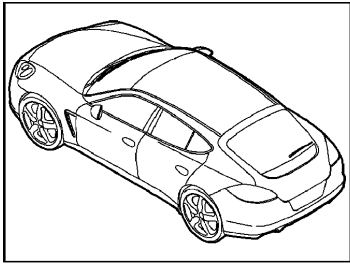
Pos	Part Number	Description	Remark	Qty	Model
(6)	970 343 531 15	Coil spring 1 set		1	PR:70D
	970 343 531 15 504	1 pair of springs Pastel orange F >> A7-BL011 456 F >> 97-BL001 255 F >> A7-AL065 513 F >> 97-AL047 072			
(6)	970 343 531 19	Coil spring 1 set		1	PR:70D
	970 343 531 19 504	D >> - MJ 2013 1 pair of springs Pastel orange Pastel orange F A7-BL011 457>> F 97-BL001 256>> F A7-AL065 514>> F 97-AL047 073>>			
(6)	970 343 531 15	Coil spring 1 set		1	PR:70E,701
	970 343 531 15 504	1 pair of springs Pastel orange F >> A7-BL011 456 F >> 97-BL001 255 F >> A7-AL065 513 F >> 97-AL047 072			
(6)	970 343 531 19	Coil spring 1 set		1	PR:70E,701
	970 343 531 19 504	D >> - MJ 2013 1 pair of springs Pastel orange Pastel orange F A7-BL011 457>> F 97-BL001 256>> F A7-AL065 514>> F 97-AL047 073>>			
(6)	970 343 531 16	Coil spring 1 set		1	PR:-701,70E
	970 343 531 16 504	1 pair of springs Blue Lilac F >> A7-BL011 456 F >> 97-BL001 255 F >> A7-AL065 513 F >> 97-AL047 072			
(6)	970 343 531 20	Coil spring 1 set		1	PR:-701,70E
	970 343 531 20 504	D >> - MJ 2013 1 pair of springs Blue Lilac Blue Lilac F A7-BL011 457>> F 97-BL001 256>> F A7-AL065 514>> F 97-AL047 073>>			
(6)	970 343 531 16	Coil spring		1	PR:70F,70G
	970 343 531 16 504	F >> A7-BL011 456 F >> 97-BL001 255 F >> A7-AL065 513 F >> 97-AL047 072 1 pair of springs Blue Lilac			
(6)	970 343 531 20	Coil spring		1	PR:70F,70G
		F A7-BL011 457>>			

Model: 970 10 Model life 2010>>2016

Pos	Part Number	Description	Remark	Qty	Model
		F 97-BL001 256>> F A7-AL065 514>> F 97-AL047 073>> D >> - MJ 2013			
	970 343 531 20 504	1 pair of springs Blue Lilac Blue Lilac			
(6)	970 343 531 30	Coil spring 1 set D - MJ 2014>>		1	PR:70A,70B, -701
	970 343 531 30 504	1 pair of springs yellow yellow			
(6)	970 343 531 31	Coil spring 1 set D - MJ 2014>>		1	PR:70C,70D, -701
	970 343 531 31 504	1 pair of springs White Green White Green White Green			
(6)	970 343 531 32	Coil spring D - MJ 2014>>		1	PR:70E, -701
	970 343 531 32 504	1 pair of springs fire red fire red fire red			
(6)	970 343 531 32	Coil spring D - MJ 2014>>		1	PR:70F,70G
	970 343 531 32 504	1 pair of springs fire red fire red fire red			
(6)	970 343 531 33	Coil spring 1 set D - MJ 2014>>		1	PR:70A,70I
	970 343 531 33 504	1 pair of springs pink pink			
7	970 343 341 01	Bellows		2	
8	970 343 301 03	helper spring		2	
9	955 333 524 00	shelf	upper	2	
10	955 333 504 00	spring disc	upper	2	
11	970 343 520 00	Shim		2	
		Shock absorber bearing			
12	970 343 017 05	Shock absorber bearing		2	
		Spring strut			
13	999 084 128 01	Hexagon nut M 14 X 1,5		2	
14	N 102 861 10	Hexagon collar nut self-locking M 10 X 1,5		6	
15	999 074 150 01	12-point head bolt M 12 X 1,5 X 95		2	
16	999 084 445 01	Locknut M 12 X 1,5		2	

Model: 970 10

Model life 2010>>2016



Model: 970 10 Model life 2010>>2016

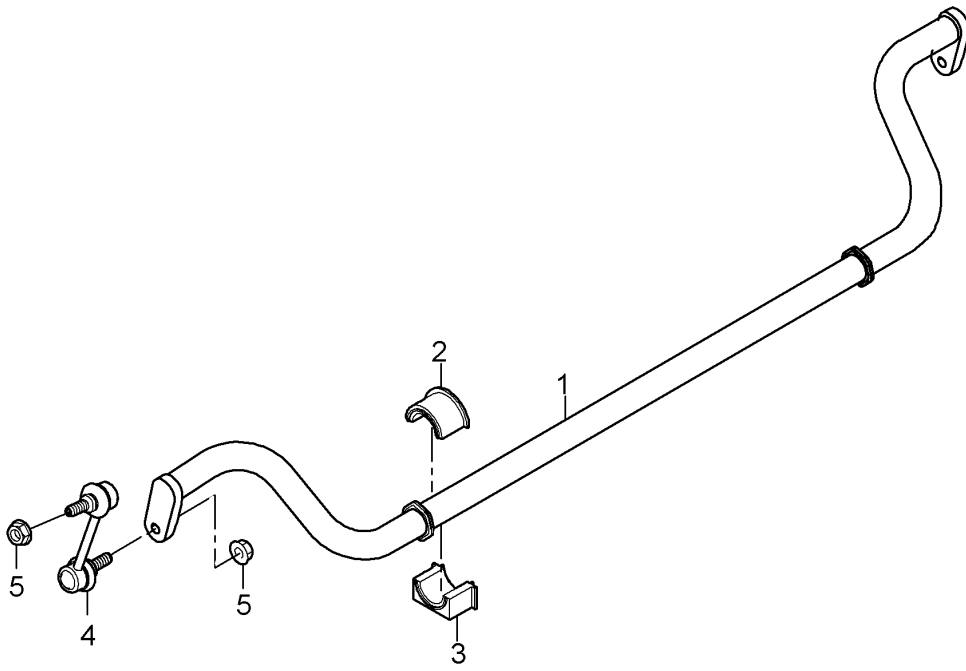
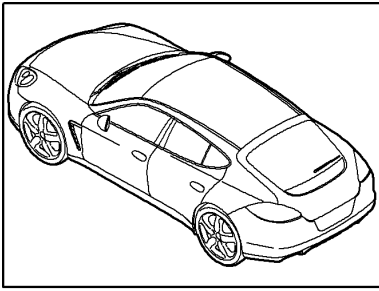
Pos	Part Number	Description	Remark	Qty	Model
(1)	970 343 051 17	suspension Spring strut air spring suspension strut complete D >> - MJ 2013 No longer use the part here	left	1	PR: 350, 351, 354, 355
(1)	970 343 051 22	suspension strut complete D >> - MJ 2013	left	1	
(1)	970 343 051 34	suspension strut complete D - MJ 2014>> Discontinued part	left	1	
(1)	970 343 051 35	suspension strut complete D - MJ 2014>>	left	1	
(1)	970 343 052 17	suspension strut complete D >> - MJ 2013 No longer use the part here	right	1	
(1)	970 343 052 22	suspension strut complete D >> - MJ 2013	right	1	
(1)	970 343 052 34	suspension strut complete D - MJ 2014>> Discontinued part	right	1	
(1)	970 343 052 35	suspension strut complete D - MJ 2014>>	right	1	
2	970 343 061 04	Shock absorbers No longer use the part here		2	
(2)	970 343 061 06	Shock absorbers D >> - MJ 2013 Discontinued part		2	
(2)	970 343 061 08	Shock absorbers D >> - MJ 2013 No longer use the part here		2	
(2)	970 343 061 09	Shock absorbers D >> - MJ 2013		2	
(2)	970 343 061 33	Shock absorbers D - MJ 2014>> Discontinued part		2	
(2)	970 343 061 34	Shock absorbers D - MJ 2014>>		2	
3	970 343 941 00	Cap Shock absorbers D >> - MJ 2013		2	
(3)	970 343 941 30	Cap Shock absorbers D - MJ 2014>>		2	
4	970 343 301 04	helper spring D >> - MJ 2013		2	
(4)	970 343 301 30	helper spring D - MJ 2014>>		2	
6	900 380 008 01	Hexagon nut M 10		6	
-	970 343 561 00	compensation washer Spring strut Support		2	
7	999 074 150 01	12-point head bolt M 12 X 1,5 X 95		2	
8	999 084 445 01	Locknut M 12 X 1,5		2	
9	970 606 111 00	Accelerator sensor Body		3	
10	900 378 035 01	Hexagon bolt M 6 X 16		4	
11	970 618 155 06	Control unit for air suspension system		1	PR: 350, 351

Model: 970 10 Model life 2010>>2016

Pos	Part Number	Description	Remark	Qty	Model
(11)	970 618 155 13	D >> - MJ 2010 Control unit for air suspension system		1	PR:350,351
(11)	970 618 155 15	D >> - MJ 2011 Control unit for air suspension system		1	PR:350,351
(11)	970 618 155 18	D - MJ 2012>> - MJ 2013 Control unit for air suspension system		1	PR:015,350,351
(11)	970 618 155 25	D - MJ 2013>> - MJ 2013 Control unit for air suspension system		1	PR:0E1,350,351
(11)	970 618 155 29	D - MJ 2014>> Control unit for air suspension system		1	PR:0E1,350,351,354,355
(11)	970 618 155 30	D - MJ 2014>> - MJ 2016 Discontinued part Control unit for air suspension system		1	PR:0E1,350,351,354,355
(11)	970 618 190 30	D - MJ 2016>> Control unit		1	PR:0E1,354,355,350,015,016,351
(11)	970 618 190 25	D - MJ 2014>> Control unit for air suspension system		1	PR:0E1,354,355
(11)	970 618 190 25	D - MJ 2014>> Control unit for air suspension system		1	PR:0E2,350,351,354,355
12	970 343 151 00	air spring	left	1	PR:350,351
(12)	970 343 151 33	D >> - MJ 2013 air spring	left	1	PR:350,351,354,355
(12)	970 343 152 00	D - MJ 2014>> air spring	right	1	PR:350,351
(12)	970 343 152 33	D >> - MJ 2013 air spring	right	1	PR:350,351,354,355
13	970 343 601 00	D - MJ 2014>> Bellows		2	
(13)	970 343 601 30	D >> - MJ 2013 Bellows		2	
14	970 343 603 00	D - MJ 2014>> Clamp		2	
(14)	970 343 603 30	D >> - MJ 2013 Clamp		2	
15	970 343 605 00	D - MJ 2014>> O-ring 11 X 2		2	
16	970 343 607 00	O-ring 57 X 3		2	
17	999 084 128 01	Hexagon nut M 14		2	

Model: 970 10

Model life 2010>>2016

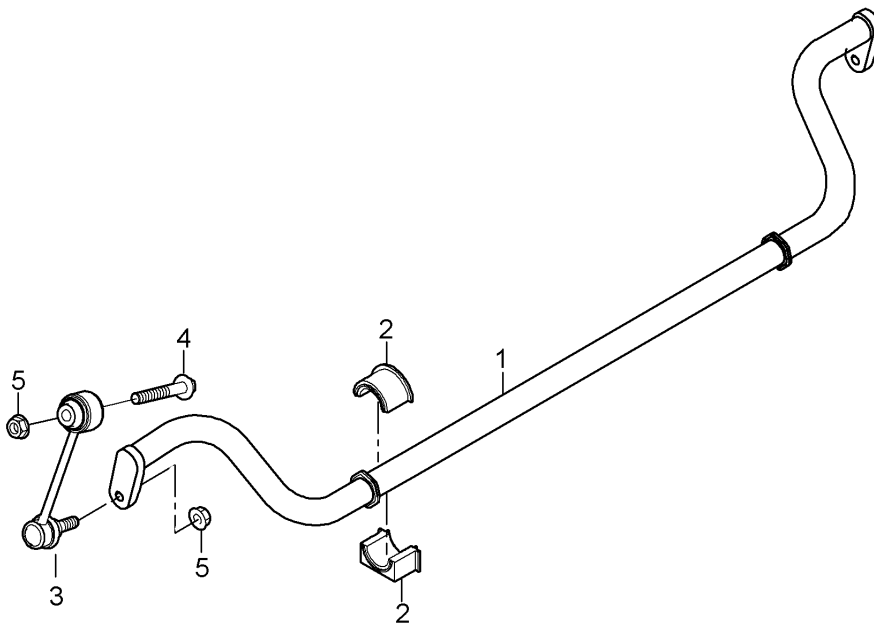
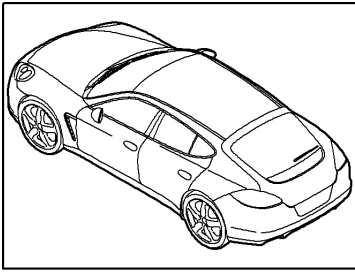


Model: 970 10 Model life 2010>>2016

Pos	Part Number	Description	Remark	Qty	Model
1	970 343 701 02	Anti-roll bar D >> - MJ 2013		1	PR:-351 4620,4640, PR:029,350, 475
(1)	970 343 701 01	Anti-roll bar		1	4870,CGEA, PR:350
(1)	970 343 701 40	Anti-roll bar		1	DIESEL PR:029,350, 475
2	970 343 792 05	anti-roll bar bearing bracket	upper	2	4620,4640, 4820,4840+ PR:029,350, 475
(2)	970 343 792 06	anti-roll bar bearing bracket	upper	2	4870,CRCB, CRCC,CGEA, CGE,CGFA+ PR:029,350, 475
3	970 343 793 05	anti-roll bar bearing bracket	lower	2	4620,4640, 4820,4840+ PR:029,350, 475
(3)	970 343 793 06	anti-roll bar bearing bracket	lower	2	4870,CRCB, CRCC,CGEA, CGE,CGFA+ PR:029,350, 475
4	970 343 069 01	Coupling rod F >> 97-BL003 176 F >> 97-BL050 956 F >> 97-BL080 443		2	PR:029,350, 475
4	970 343 069 02	Coupling rod F 97-BL003 177>> F 97-BL050 957>> F 97-BL080 444>> also use:		2	PR:029,350, 475
-	900 378 139 01	Hexagon bolt M 12		2	PR:029,350, 475
(4)	970 343 069 02	Coupling rod D - MJ 2012>>		2	CRCB,CRCC, CGFA+ PR:029,350, 475
(4)	970 343 069 03	Coupling rod D - MJ 2013>>		2	CRCB,CRCC, CGFA+ PR:029,350, 475
5	999 084 449 09	Locknut M 12 X 1,5		4	

Model: 970 10

Model life 2010>>2016

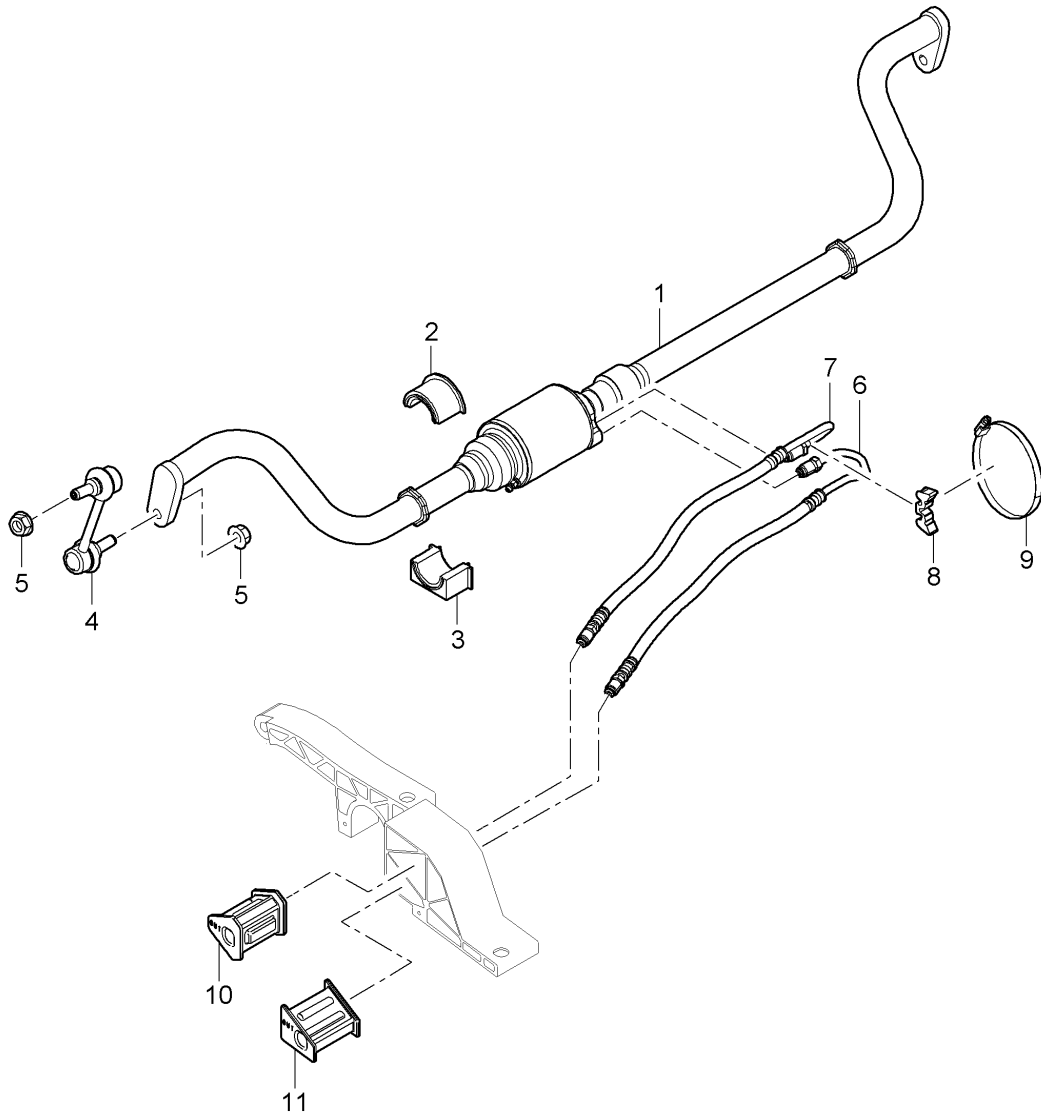
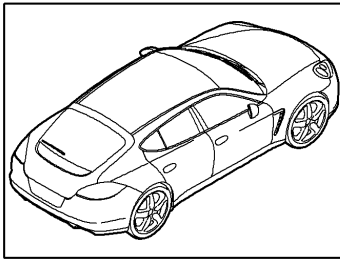


Model: 970 10 Model life 2010>>2016

Pos	Part Number	Description	Remark	Qty	Model
1	970 343 701 03	Anti-roll bar D - MJ 2014>> Anti-roll bar		1	PR:-351,-355 CWAA,CWFA, CWF,CWDA, CWD+
(1)	970 343 701 01	Anti-roll bar		1	PR:029,350, 354,475 CWBA,CWB+
(1)	970 343 701 50	Anti-roll bar		1	PR:350,354 CGEA,CGE, CGFA+
(1)	970 343 701 50	Anti-roll bar		1	PR:350,354 CXPA,CXRA, CXR+
(1)	970 343 701 40	Anti-roll bar		1	PR:015,350, 354 DIESEL
(1)	970 343 701 41	Anti-roll bar		1	CRCB,CRCC+ PR:354,475 DIESEL
2	970 343 794 00	anti-roll bar bearing bracket	upper	4	350,354,475 CWAA,CWFA, CWF,CRCB, CRCC+
(2)	970 343 794 00	anti-roll bar bearing bracket	upper	4	PR:029,350, 354,475 CWDA,CWD+
(2)	970 343 794 00	anti-roll bar bearing bracket	upper	4	PR:350,354, 475 CWBA,CWB, CGEA,CGE, CGFA,CXPA
3	970 343 069 03	Coupling rod		2	PR:350,354 PR:029,350, 354,475
4	900 378 139 01	Hexagon bolt M 12	also use:	2	PR:029,350, 354,475
5	999 084 449 09	Locknut M 12 X 1,5		4	

Model: 970 10

Model life 2010>>2016

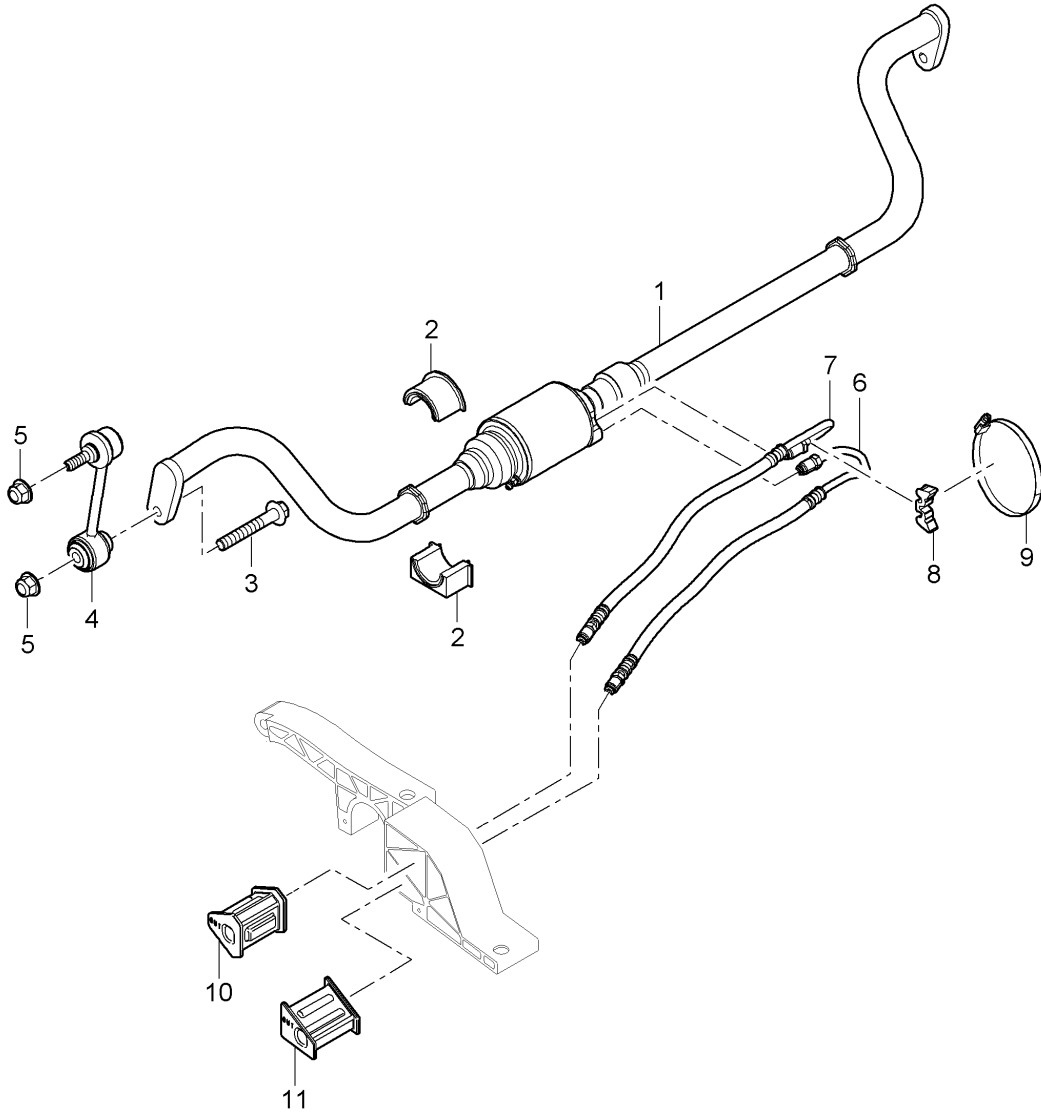
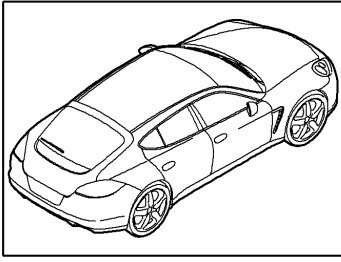


Model: 970 10 Model life 2010>>2016

Pos	Part Number	Description	Remark	Qty	Model
		Anti-roll bar D >> - MJ 2013			PR:351
1	970 359 701 04	Anti-roll bar		1	
-	970 359 959 00	Adapter		1	
-	970 359 961 00	Valve		2	
-	970 359 259 00	Vacuum line		2	
-	999 512 629 00	Hose clamp		1	
2	970 343 792 07	anti-roll bar bearing bracket	upper	2	
3	970 343 793 07	anti-roll bar bearing bracket	lower	2	
4	970 343 069 21	Coupling rod F >> 97-BL003 266 F >> 97-BL050 981 F >> 97-BL080 462		2	
(4)	970 343 069 22	Coupling rod F 97-BL003 267>> F 97-BL050 982>> F 97-BL080 463>>		2	
(4)	970 343 069 23	Coupling rod F 97-BL003 267>> F 97-BL050 982>> F 97-BL080 463>> also use:		2	
-	900 378 139 01	Hexagon bolt M 12		2	
5	999 084 449 09	Locknut M 12 X 1,5		4	
6	970 359 241 03	Pressure hose		1	
7	970 359 243 03	Pressure hose		1	
8	970 359 379 00	bracket for pressure line Pressure hose		1	
9	999 512 629 00	Hose clamp 90 - 110/9		1	
10	970 359 637 01	Rubber grommet D >> - MJ 2010	upper	1	
(10)	970 359 637 02	Rubber grommet D - MJ 2011>>	upper	1	
11	970 359 639 01	Rubber grommet	lower	1	

Model: 970 10

Model life 2010>>2016



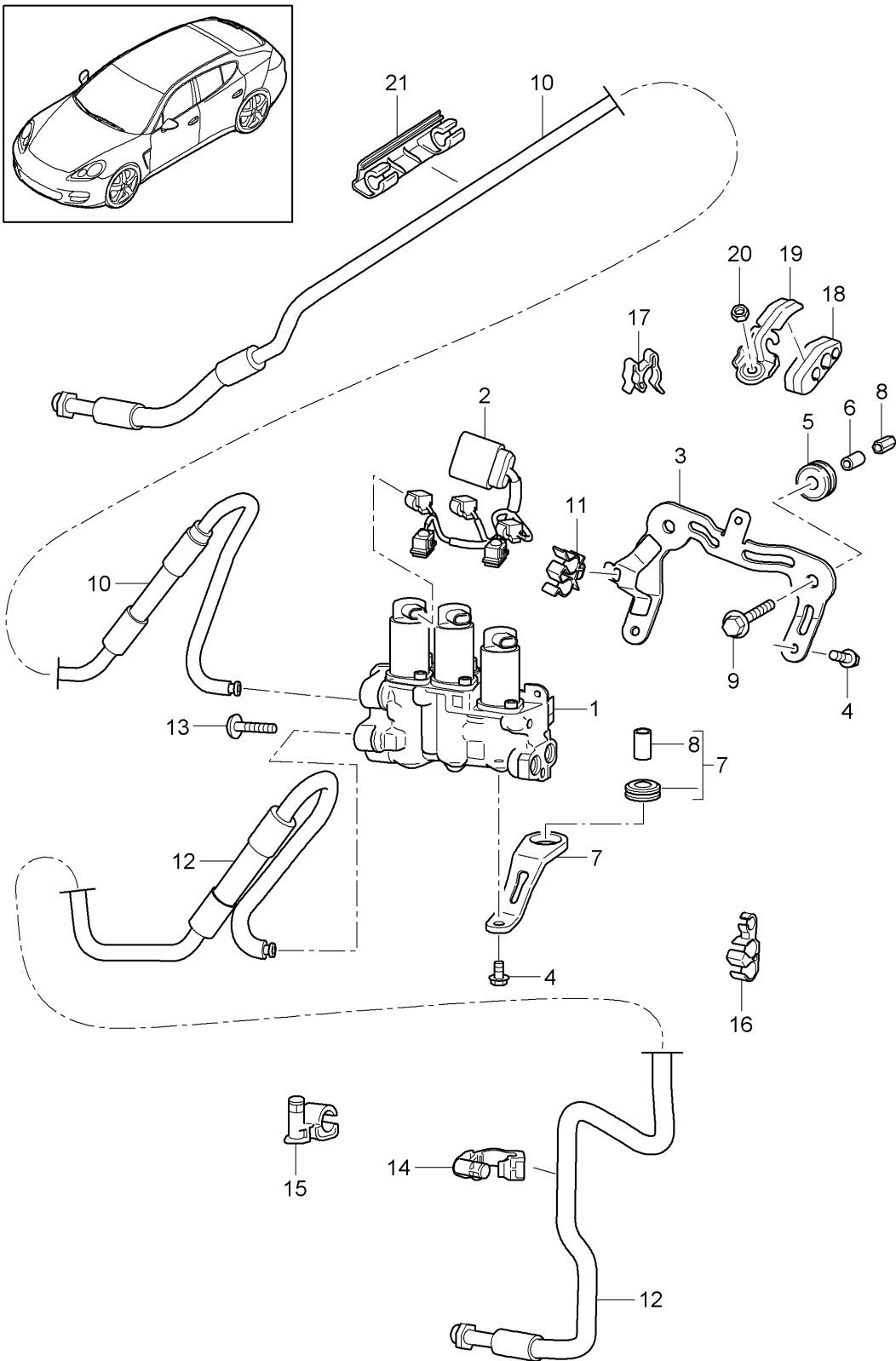
Model: 970 10

Model life 2010>>2016

Pos	Part Number	Description	Remark	Qty	Model
		Anti-roll bar D - MJ 2014>>			PR: 351,355
1	970 359 701 04	Anti-roll bar		1	
-	970 359 959 01	Adapter repair set comprising:	970.359.261.01 970.359.163.01	1	
-	970 359 961 00	Valve		2	
-	970 359 259 00	Vacuum line		2	
-	999 512 629 00	Hose clamp		1	
2	970 343 794 03	anti-roll bar bearing bracket	upper	4	
3	900 378 139 01	Hexagon bolt M 12		2	
4	970 343 069 23	Coupling rod		2	
		also use:			
5	999 084 449 09	Locknut M 12 X 1,5		4	
6	970 359 241 04	Pressure hose No longer use the part here		1	
(6)	970 359 241 05	Pressure hose		1	
7	970 359 243 04	Pressure hose No longer use the part here		1	
7	970 359 243 05	Pressure hose		1	
8	970 359 379 00	bracket for pressure line Pressure hose		1	
9	999 512 629 00	Hose clamp 90 - 110/9		1	
10	970 359 637 02	Rubber grommet	upper	1	
11	970 359 639 01	Rubber grommet	lower	1	

Model: 970 10

Model life 2010>>2016



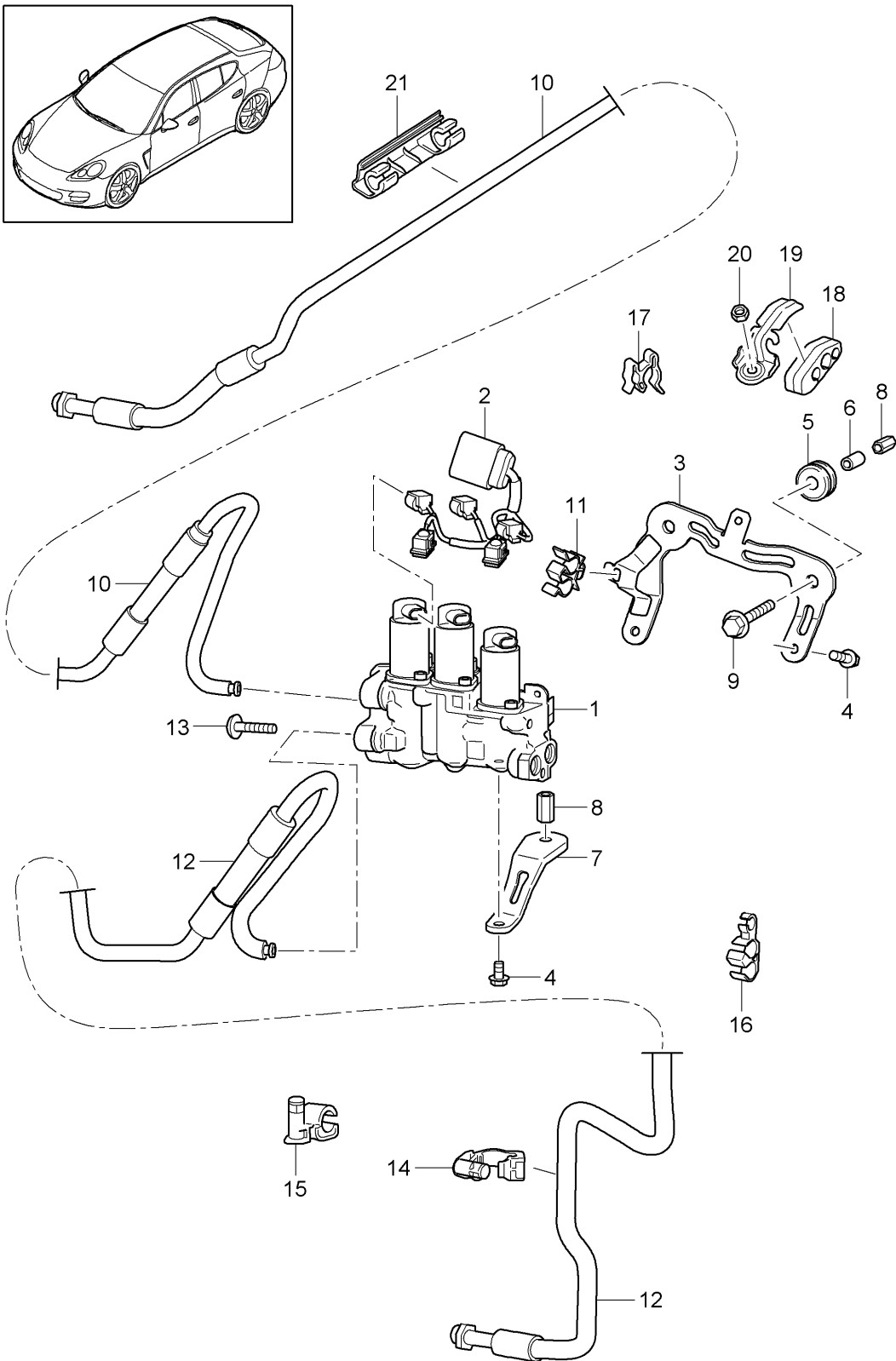
Model: 970 10

Model life 2010>>2016

Pos	Part Number	Description	Remark	Qty	Model
		Anti-roll bar Valve block Junction Pressure line D >> - MJ 2013			PR:351
1	970 359 075 04	Valve block Discontinued part		1	
1	970 359 075 06	Valve block		1	
2	970 612 898 00	Wire set		1	
		Valve block			
3	970 359 321 01	Bracket	upper	1	
4	900 378 036 01	Hexagon bolt M 6 X 12		3	
5	964 356 635 00	Rubber bush		2	
-	999 703 883 50	Rubber bush		1	
6	955 343 633 00	Bearing bush		3	
7	970 359 123 02	Bracket	lower	1	
8	999 500 066 01	rivetted cap nut M 6		3	
9	900 075 482 01	Hexagon bolt M 6 x 30		3	
10	970 359 235 04	Pressure line		1	
11	999 651 347 40	Bracket		1	
12	970 359 225 03	return line		1	
13	999 073 407 01	Screw M 8 X 25		1	
14	999 507 156 40	Bracket		3	
15	999 507 827 40	Hose bracket		4	
16	970 359 371 02	Clip		5	
17	999 507 868 40	Cable holder 8,0 / 12,0		1	
18	970 359 375 00	Rubber grommet		1	
19	970 359 327 00	Bracket D >> - MJ 2010		1	
19	970 359 327 01	Bracket D - MJ 2011>> Discontinued part		1	
19	970 359 327 02	Bracket PDCC		1	
20	999 049 031 01	Hexagon nut T 5		1	
21	970 359 363 00	bracket for pressure line		1	

Model: 970 10

Model life 2010>>2016

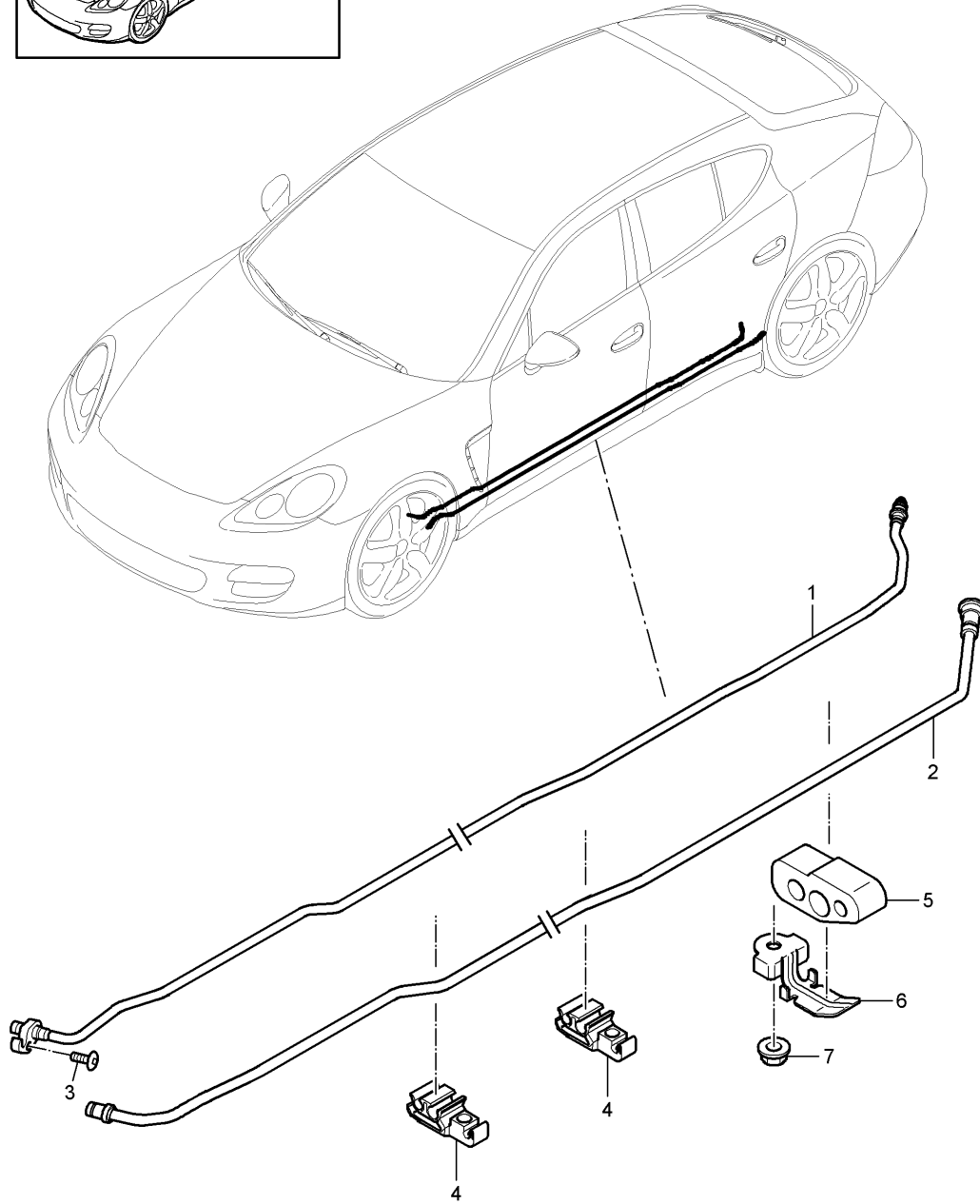
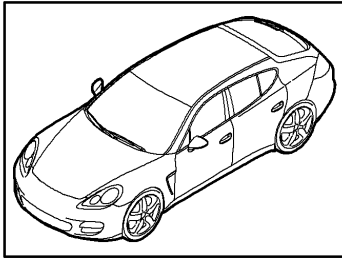


Model: 970 10 Model life 2010>>2016

Pos	Part Number	Description	Remark	Qty	Model
		Anti-roll bar Valve block Junction Pressure line D - MJ 2014>>			PR: 351, 355
1	970 359 075 06	Valve block		1	
2	970 612 898 00	Wire set		1	
		Valve block			
3	970 359 321 01	Bracket	upper	1	
4	900 378 036 01	Hexagon bolt M 6 X 12		3	
5	964 356 635 00	Rubber bush		2	
6	955 343 633 00	Bearing bush		3	
7	970 359 123 02	Bracket	lower	1	
8	999 500 066 01	rivetted cap nut M 6		3	
9	900 075 482 01	Hexagon bolt M 6 X 30		3	
10	970 359 235 05	Pressure line		1	
11	999 651 347 40	Bracket		1	
12	970 359 225 04	return line		1	
13	999 073 407 01	Screw M 8 X 25		1	
14	999 507 156 40	Bracket		3	
15	999 507 827 40	Hose bracket		1	
16	970 359 371 02	Clip		5	
17	999 507 868 40	Cable holder 8,0 / 12,0		1	
18	970 359 375 00	Rubber grommet		1	
19	970 359 327 02	Bracket PDCC		1	
20	999 049 031 01	Hexagon nut T 5		1	
21	970 359 363 00	bracket for pressure line		1	
22	999 703 883 50	Rubber bush		1	

Model: 970 10

Model life 2010>>2016



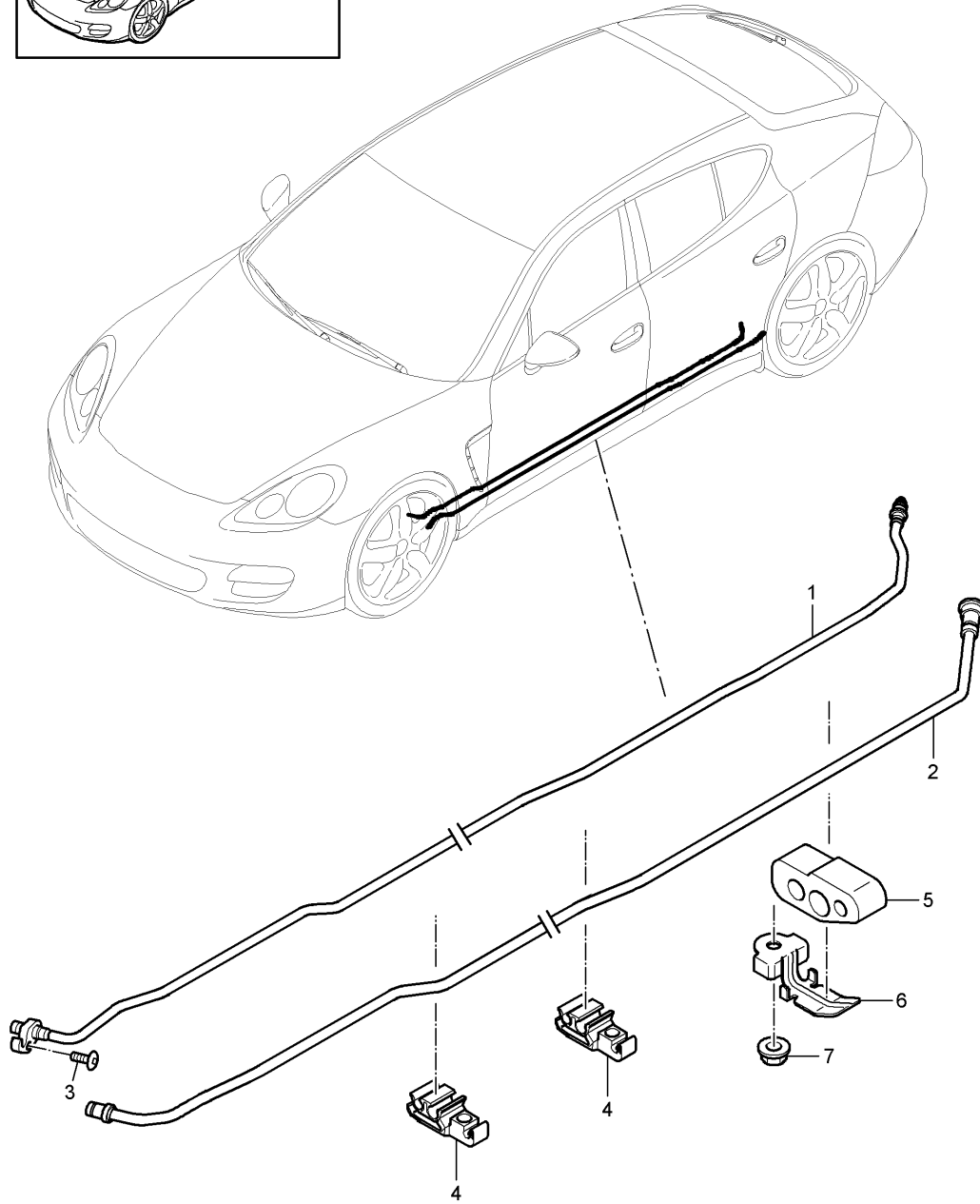
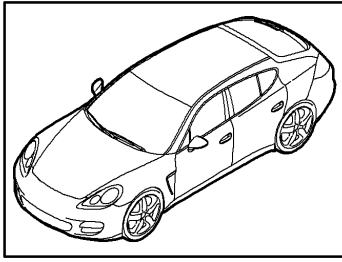
Model: 970 10

Model life 2010>>2016

Pos	Part Number	Description	Remark	Qty	Model
		Anti-roll bar Pressure line return line Underbody D >> - MJ 2013			PR:351
1	970 359 221 04	Pressure line		1	
2	970 359 223 04	return line		1	
(2)	970 359 223 05	Discontinued part return line No longer use the part here		1	
(2)	970 359 223 06	return line		1	
3	999 073 407 01	Screw M 8 X 25		1	
4	970 359 371 02	Clip		5	
5	970 359 375 00	Rubber grommet		1	
6	970 359 327 00	Bracket Discontinued part		1	
(6)	970 359 327 01	Bracket Discontinued part		1	
(6)	970 359 327 02	Bracket		1	
7	999 049 031 01	Hexagon nut T 5		1	

Model: 970 10

Model life 2010>>2016



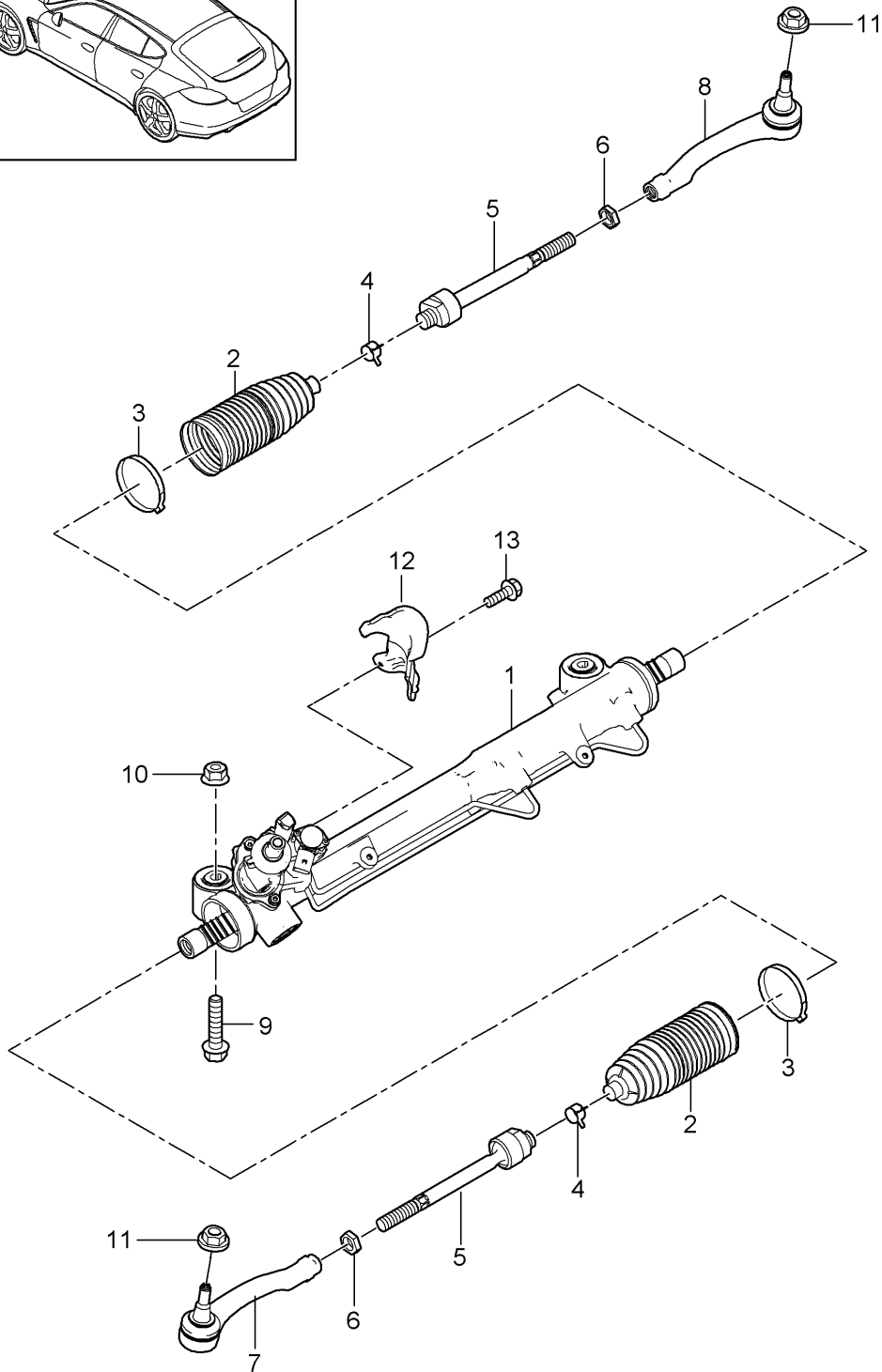
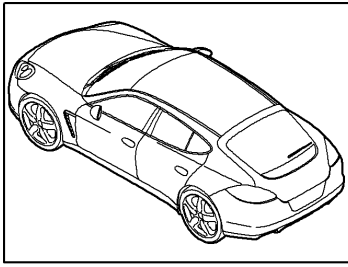
Model: 970 10

Model life 2010>>2016

Pos	Part Number	Description	Remark	Qty	Model
		Anti-roll bar Pressure line return line Underbody D - MJ 2014>>			PR:351,355
1	970 359 221 05	Pressure line		1	
(1)	970 359 221 10	Pressure line No longer use the part here		1	PR:0E2
(1)	970 359 221 11	Pressure line		1	PR:0E2
2	970 359 223 05	return line No longer use the part here		1	
(2)	970 359 223 06	return line		1	
(2)	970 359 223 10	return line No longer use the part here		1	PR:0E2
(2)	970 359 223 11	return line		1	PR:0E2
3	999 073 407 01	Screw M 8 X 25		1	
4	970 359 371 02	Clip		5	
5	970 359 375 00	Rubber grommet		1	
6	970 359 327 02	Bracket		1	
7	999 049 031 01	Hexagon nut T 5		1	

Model: 970 10

Model life 2010>>2016



Model: 970 10 Model life 2010>>2016

Pos	Part Number	Description	Remark	Qty	Model
1	970 347 011 02	Power steering Steering gear Steering parts D >> - MJ 2013 Steering gear		1	PR:657,098
1	970 347 011 BX	Power steering D >> - MJ 2010 Steering gear		1	PR:657,098
1	970 347 011 03	Power steering D >> - MJ 2010 Steering gear		1	PR:657,098
1	970 347 011 CX	Power steering D - MJ 2011>> Discontinued part Steering gear		1	PR:657,098
1	970 347 011 04	Power steering D - MJ 2011>> Discontinued part Steering gear		1	PR:657,098
1	970 347 011 DX	Power steering D - MJ 2011>> Steering gear		1	PR:657,098
(1)	970 347 011 12	Power steering D - MJ 2011>> Steering gear for vehicles with servotronic D >> - MJ 2010		1	PR:658,098
(1)	970 347 011 LX	Steering gear for vehicles with servotronic D >> - MJ 2010		1	PR:658,098
(1)	970 347 011 13	Steering gear for vehicles with servotronic D - MJ 2011>>		1	PR:658,098
(1)	970 347 011 MX	Steering gear for vehicles with servotronic D - MJ 2011>>		1	PR:658,098
(1)	970 347 011 22	Steering gear for vehicles with servotronic		1	HYBRID PR:658,098
(1)	970 347 011 PX	Steering gear for vehicles with servotronic		1	HYBRID PR:658,098
(1)	970 347 012 02	Steering gear Power steering D >> - MJ 2010		1	PR:657,099
(1)	970 347 012 BX	Steering gear Power steering D >> - MJ 2010		1	PR:657,099
(1)	970 347 012 03	Steering gear Power steering D - MJ 2011>>		1	PR:657,099
(1)	970 347 012 CX	Steering gear Power steering D - MJ 2011>>		1	PR:657,099
(1)	970 347 012 12	Steering gear for vehicles with servotronic D >> - MJ 2010		1	PR:658,099
(1)	970 347 012 LX	Steering gear for vehicles with servotronic D >> - MJ 2010		1	PR:658,099
(1)	970 347 012 13	Steering gear for vehicles with servotronic D - MJ 2011>>		1	PR:658,099
(1)	970 347 012 MX	Steering gear for vehicles with servotronic		1	PR:658,099

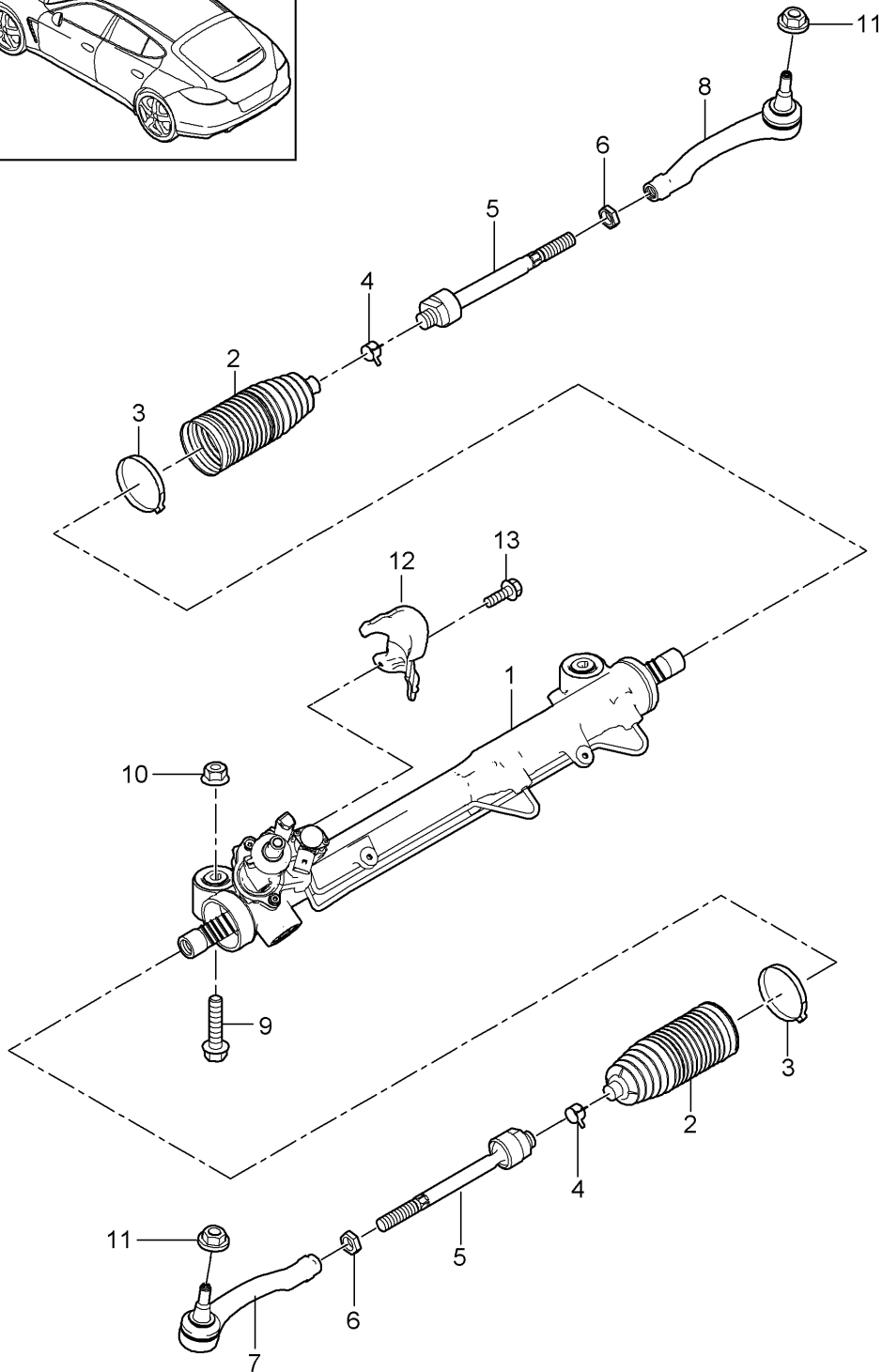
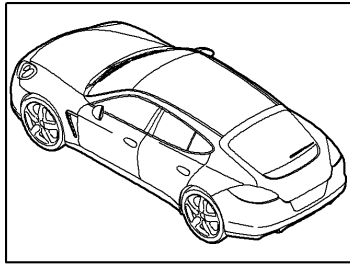
Model: 970 10

Model life 2010>>2016

Pos	Part Number	Description	Remark	Qty	Model
(1)	970 347 012 22	D - MJ 2011>> Steering gear for vehicles with servotronic		1	HYBRID PR:658,099
(1)	970 347 012 PX	Steering gear for vehicles with servotronic		1	HYBRID PR:658,099
2	970 347 191 00	Bellows		2	
3	999 512 115 01	Ear crimp hose clamp 66,3 - 69,5		2	
4	999 512 728 01	Clamp A 18 x 12		2	
5	970 347 133 00	Joint		2	
6	900 034 039 01	Hexagon flat nut M 14 X 1,5		2	
7	970 347 131 01	ball joint	left	1	
8	970 347 132 01	ball joint	right	1	
9	999 072 852 01	Hexagon bolt M 12 X 1,5 X 90 Discontinued part		2	
(9)	9A7 008 209 00	Hexagon bolt M 12 X 1,5 X 90		2	
10	999 084 445 01	Locknut M 12 X 1,5		2	
11	999 084 449 09	Locknut M 12 X 1,5		2	
12	970 347 331 02	Guard plate Heat insulation		1	PR:098
(12)	970 347 232 00	Guard plate Heat insulation		1	PR:099
13	900 378 036 01	Hexagon bolt M 6 X 12		2	

Model: 970 10

Model life 2010>>2016

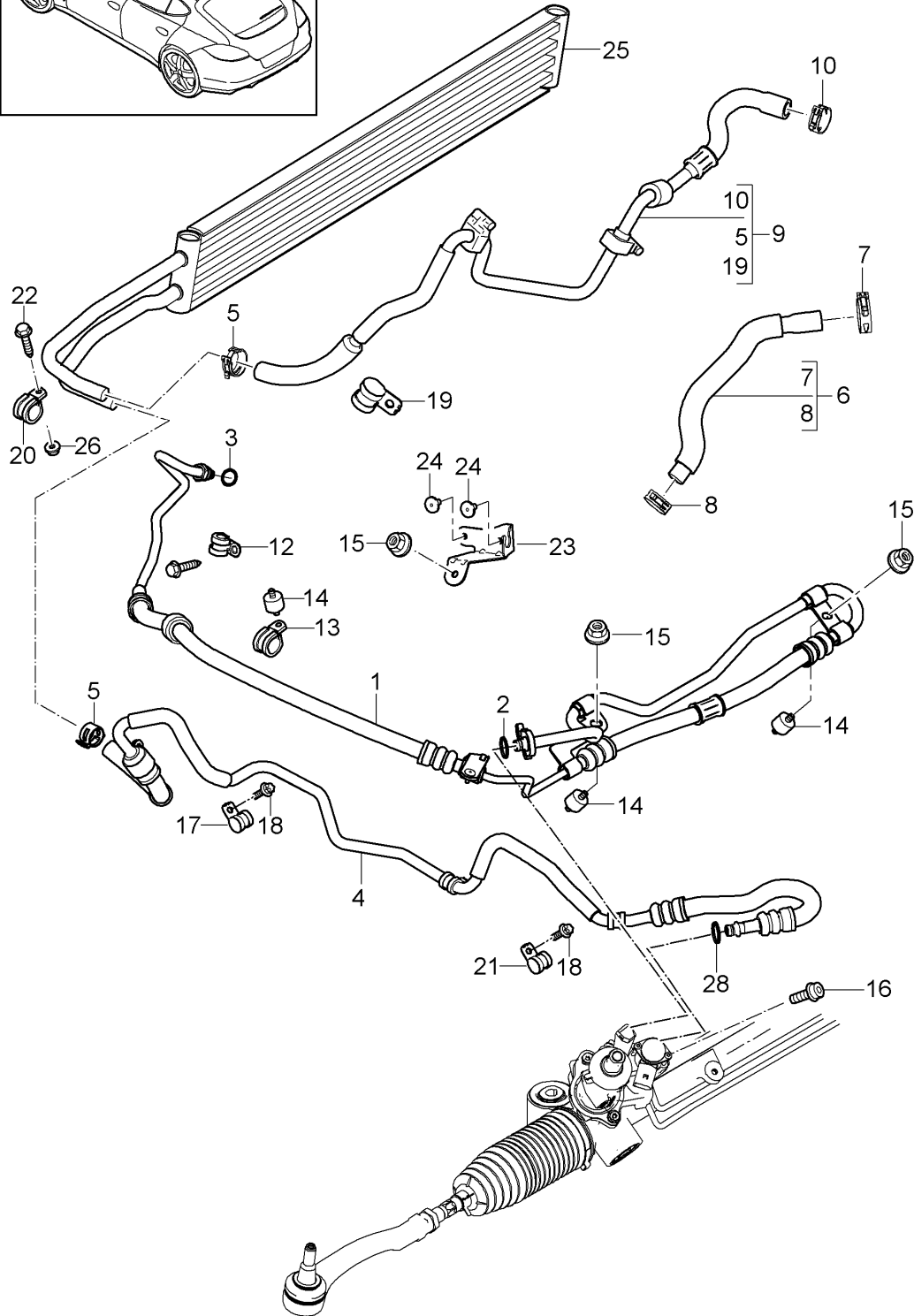
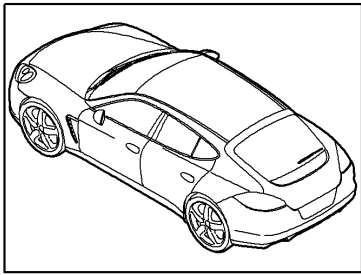


Model: 970 10 Model life 2010>>2016

Pos	Part Number	Description	Remark	Qty	Model
1	970 347 011 05	Power steering Steering gear Steering parts D - MJ 2014>> Steering gear		1	PR:657,098
(1)	970 347 011 EX	Power steering Steering gear		1	PR:657,098
(1)	970 347 011 15	Power steering Steering gear		1	PR:658,098
(1)	970 347 011 QX	for vehicles with servotronic Steering gear		1	PR:658,098
(1)	970 347 011 23	for vehicles with servotronic Steering gear		1	HYBRID PR:658,098
(1)	970 347 011 RX	for vehicles with servotronic Steering gear		1	HYBRID PR:658,098
(1)	970 347 012 05	for vehicles with servotronic Steering gear		1	PR:657,099
(1)	970 347 012 EX	Power steering Steering gear		1	PR:657,099
(1)	970 347 012 15	Power steering Steering gear		1	PR:658,099
(1)	970 347 012 QX	for vehicles with servotronic Steering gear		1	PR:658,099
(1)	970 347 012 23	for vehicles with servotronic Steering gear		1	HYBRID PR:658,099
(1)	970 347 012 RX	for vehicles with servotronic Steering gear		1	HYBRID PR:658,099
2	970 347 191 00	Bellows		2	
3	999 512 115 01	Ear crimp hose clamp 66,3 - 69,5		2	
4	999 512 728 01	Clamp A 18 X 12		2	
5	970 347 133 00	Joint		2	
6	900 034 039 01	Hexagon flat nut M 14 X 1,5		2	
7	970 347 131 01	ball joint	left	1	
8	970 347 132 01	ball joint	right	1	
9	999 072 852 01	Hexagon bolt M 12 X 1,5 X 90		2	
(9)	9A7 008 209 00	Discontinued part Hexagon bolt M 12 X 1,5 X 90		2	
10	999 084 445 01	Locknut M 12 X 1,5		2	
11	999 084 449 09	Locknut M 12 X 1,5		2	
12	970 347 331 02	Guard plate Heat insulation		1	PR:098
(12)	970 347 232 00	Guard plate Heat insulation		1	PR:099
13	900 378 036 01	Hexagon bolt M 6 X 12		2	

Model: 970 10

Model life 2010>>2016



Model: 970 10 Model life 2010>>2016

Pos	Part Number	Description	Remark	Qty	Model
		Power steering Lines Oil cooler D >> - MJ 2013			4620,4640, 4820,4840, 4870,CGEA, CGE,CGFA, CRCB,CRCC+ PR:-351
1	970 347 245 05	Pressure line Steering gear Power-steering pump No longer use the part here		1	4820,4840, 4870+ PR:098
1	970 347 245 08	Pressure line Steering gear Power-steering pump		1	4820,4840, 4870+ PR:098
1	970 347 245 09	Pressure line Steering gear Power-steering pump D - MJ 2012>>		1	4820,4840, 4870+ PR:098
1	970 347 243 05	Pressure line Steering gear Power-steering pump No longer use the part here		1	4620,4640+ PR:098
1	970 347 243 07	Pressure line Steering gear Power-steering pump		1	4620,4640+ PR:098
1	970 347 243 08	Pressure line Steering gear Power-steering pump D - MJ 2012>>		1	4620,4640+ PR:098
1	970 347 243 42	Pressure line Steering gear Power-steering pump No longer use the part here		1	DIESEL CRCB,CRCC+ PR:029,098, 350,475
1	970 347 243 44	Pressure line Steering gear Power-steering pump		1	DIESEL CRCB,CRCC+ PR:029,098, 350,475
(1)	970 347 246 04	Pressure line Steering gear Power-steering pump No longer use the part here		1	4820,4840, 4870+ PR:099
(1)	970 347 246 08	Pressure line Steering gear Power-steering pump		1	4820,4840, 4870+ PR:099
(1)	970 347 244 06	Pressure line Steering gear Power-steering pump No longer use the part here		1	4620,4640+ PR:099
(1)	970 347 244 08	Pressure line Steering gear Power-steering pump		1	4620,4640+ PR:099
(1)	970 347 244 09	Pressure line Steering gear Power-steering pump D - MJ 2012>>		1	4620,4640+ PR:099
(1)	970 347 244 41	Pressure line Steering gear Power-steering pump D - MJ 2012>>		1	DIESEL CRCB,CRCC+ PR:099,029
(1)	970 347 244 43	No longer use the part here Pressure line Steering gear Power-steering pump D - MJ 2012>>		1	DIESEL CRCB,CRCC+ PR:099,029, 350,475

Model: 970 10 Model life 2010>>2016

Pos	Part Number	Description	Remark	Qty	Model
2	999 701 252 40	O-ring 8,73 X 1,78 Pressure line Only Lines (complete) To Order No longer use the part here		1	
2	999 701 252 41	O-ring 8,73 X 1,78 Pressure line Only Lines (complete) To Order No longer use the part here		1	
3	999 701 253 40	O-ring 7,65 X 1,63		1	
(3)	WHT 005 161	O-ring 11 X 1,8 Pressure line D - MJ 2012>>		1	DIESEL CRCB,CRCC
4	970 347 237 07	return line Steering gear Oil cooler No longer use the part here		1	PR:098
4	970 347 237 08	return line Steering gear Oil cooler		1	PR:098
4	970 347 237 41	return line Steering gear Oil cooler D - MJ 2012>> No longer use the part here		1	DIESEL CRCB,CRCC+ PR:098
4	970 347 237 42	return line Steering gear Oil cooler D - MJ 2012>> No longer use the part here		1	DIESEL CRCB,CRCC+ PR:098
(4)	970 347 238 05	return line Steering gear Oil cooler No longer use the part here		1	PR:099
(4)	970 347 238 06	return line Steering gear Oil cooler		1	PR:099
(4)	970 347 238 41	return line Steering gear Oil cooler D - MJ 2012>> No longer use the part here		1	DIESEL CRCB,CRCC+ PR:099
(4)	970 347 238 42	return line Steering gear Oil cooler D - MJ 2012>> No longer use the part here		1	DIESEL CRCB,CRCC+ PR:099
5	999 512 652 09	Hose clamp 19 X 12 see Technical information Service Group 4 Document		2	

Model: 970 10 Model life 2010>>2016

Pos	Part Number	Description	Remark	Qty	Model
6	970 347 233 02	4895 81/12 suction line oil container Power-steering pump		1	4820,4840, 4870
6	970 347 231 02	suction line oil container Power-steering pump		1	4620,4640
6	970 347 231 40	suction line oil container Power-steering pump D - MJ 2012>>		1	DIESEL CRCB,CRCC+ PR:029,350, 475
7	999 512 658 09	Hose clamp 27 X 12		1	
8	999 512 656 09	Hose clamp 25 X 12		2	
9	970 347 241 02	return line oil container Oil cooler		1	
10	999 512 654 09	Hose clamp 21 X 12		1	
11	900 075 497 02	Hexagon bolt M 5 X 10 Mount Pressure line Power-steering pump		1	
12	999 511 116 03	Clamp 10 X 15		2	
13	999 511 258 01	Clamp 18 X 15		1	
14	955 343 638 10	Bonded rubber buffer		3	
15	900 377 010 01	Hexagon nut M 6		3	
16	900 067 063 03	Socket head bolt M 10 X 20		1	
17	999 511 114 01	Hose clamp 12 X 15		3	PR:098
(17)	999 511 114 01	Hose clamp 12 X 15		5	PR:099
18	900 378 036 01	Hexagon bolt M 6 X 12		3	PR:098
(18)	900 378 036 01	Hexagon bolt M 6 X 12		5	PR:098
19	999 511 080 02	Clamp 22 X 15		1	
20	999 511 080 02	Clamp 8 X 15		2	
21	999 511 258 01	Clamp 18 X 15		2	PR:099
22	900 378 035 01	Hexagon bolt M6 X 16		1	
23	970 347 263 03	Bracket		1	
(23)	970 347 541 40	Bracket Power steering D - MJ 2012>>		1	DIESEL CRCB,CRCC
24	999 190 414 01	Pop rivet		2	
25	970 347 239 02	Oil cooler		1	
		without: Bracket for Vehicle			
		with: PDCC D >> - MJ 2010			

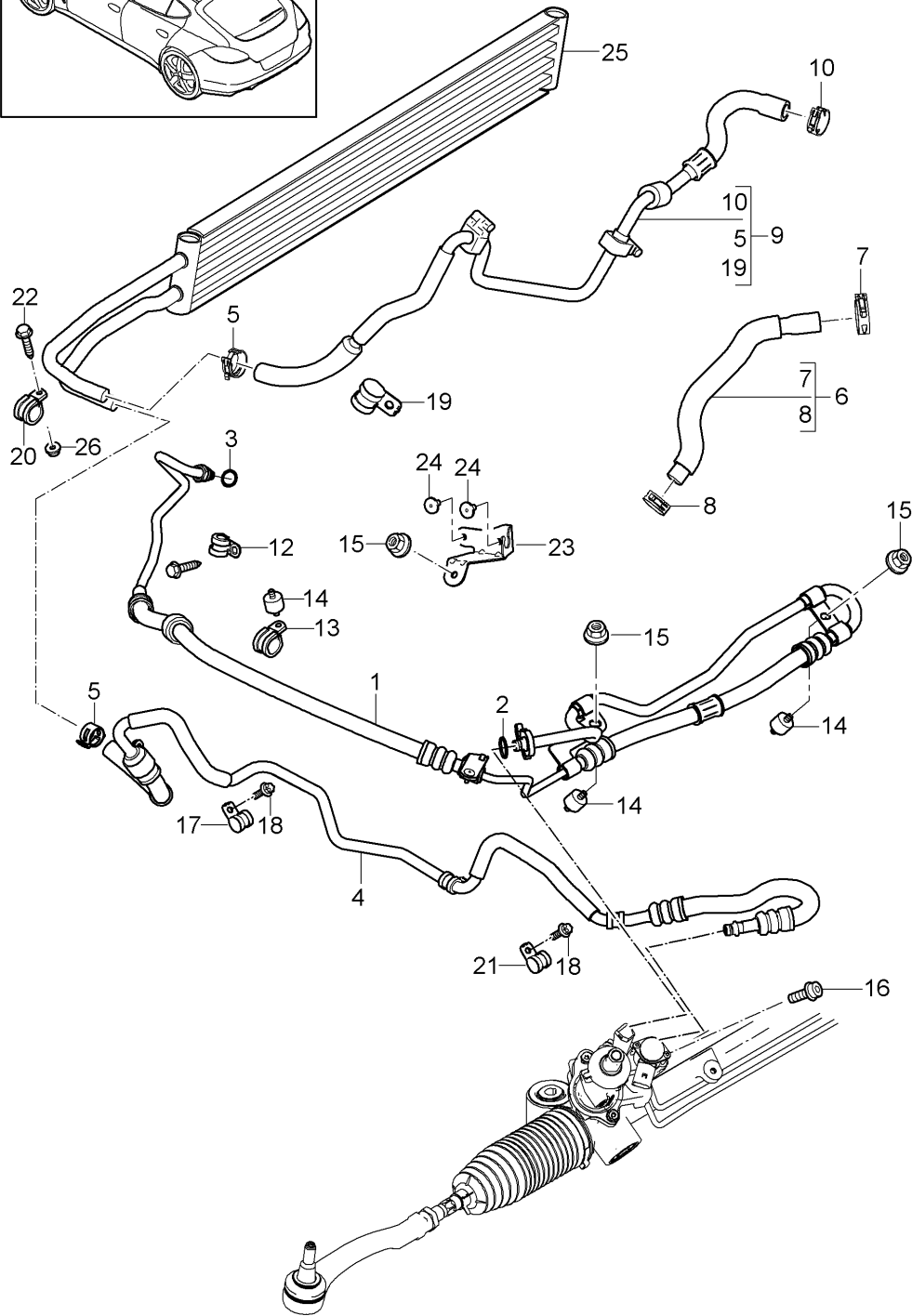
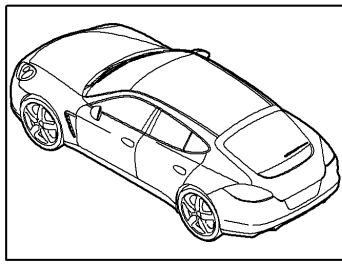
Model: 970 10

Model life 2010>>2016

Pos	Part Number	Description	Remark	Qty	Model
(25)	970 347 239 03	Discontinued part Oil cooler		1	
		D >> - MJ 2010			
(25)	970 347 239 50	Oil cooler with: Bracket for Vehicle without: PDCC		1	4620,4640, 4820,4840, CRCC
25	970 347 239 02	D - MJ 2011>> Oil cooler		1	4870
25	970 347 239 03	D - MJ 2011>> Oil cooler		1	4870
26	900 377 010 01	D - MJ 2011>> Hexagon nut M 6		1	
27	900 378 191 01	Hexagon bolt M 6 x 55		1	HYBRID CGEA, CGE, CGFA
28	999 701 256 40	O-ring 8,73 X 1,78		1	

Model: 970 10

Model life 2010>>2016



Model: 970 10 Model life 2010>>2016

Pos	Part Number	Description	Remark	Qty	Model
		Power steering Lines Oil cooler D - MJ 2014>>			CWAA, CWFA, CWF, CWDA, CWD, CRCB, CRCC, CGEA, CGE, CGFA, CWBA, CWB, CXPA, CXRA, CXR, CWJA+ PR: -351, -355
1	970 347 245 09	Pressure line Steering gear Power-steering pump		1	CXPA, CXRA, CXR+ PR: 015, 098, 350, 354, 475
(1)	970 347 245 09	Pressure line Steering gear Power-steering pump		1	CWBA, CWB+ PR: 098, 350, 354
(1)	970 347 243 08	Pressure line Steering gear Power-steering pump		1	CWAA+ PR: 029, 098, -143, 350, 354, 475
(1)	970 347 243 45	Pressure line Steering gear Power-steering pump		1	DIESEL CRCB, CRCC, CWJA+ PR: 029, 098, 350, 354, 475
(1)	970 347 247 03	Pressure line Steering gear Power-steering pump		1	CWFA, CWF+ PR: 029, 098, 143, 350, 354, 475
(1)	970 347 247 03	Pressure line Steering gear Power-steering pump		1	CWDA, CWD+ PR: 029, 098, -015, 350, 354, 475
(1)	970 347 246 09	Pressure line Steering gear Power-steering pump		1	CXPA, CXRA, CXR+ PR: 015, 099, 350, 354, 475
(1)	970 347 246 09	Pressure line Steering gear Power-steering pump		1	CWBA, CWB+ PR: 099, 350, 354
(1)	970 347 244 09	Pressure line Steering gear Power-steering pump		1	CWAA+ PR: 029, 099, -143, 350, 354, 475
(1)	970 347 244 44	Pressure line Steering gear Power-steering pump		1	DIESEL CRCB, CRCC, CWJA+ PR: 029, 099, 350, 354, 475
(1)	970 347 248 03	Pressure line Steering gear Power-steering pump		1	CWDA, CWD+ PR: 029, 099, -015, 350, 354, 475
2		O-ring 8,73 X 1,78 only in conj. with: Pressure line Position 1		1	
3	999 701 253 40	O-ring 7,65 X 1,63		1	
4	970 347 237 12	return line Steering gear		1	PR: 098

Model: 970 10

Model life 2010>>2016

Pos	Part Number	Description	Remark	Qty	Model
(4)	970 347 237 43	Oil cooler return line Steering gear Oil cooler		1	DIESEL CRCB, CRCC, CWJA+ PR:098
(4)	970 347 238 12	return line Steering gear Oil cooler		1	PR:099
(4)	970 347 238 43	return line Steering gear Oil cooler		1	DIESEL CRCB, CRCC, CWJA+ PR:099
5	999 512 652 09	Hose clamp 19 X 12 see Technical information Service Group 4 Document 4895 81/12		2	
6	970 347 233 02	suction line oil container Power-steering pump		1	CWBA, CWB+ PR:354
(6)	970 347 233 02	suction line oil container Power-steering pump		1	CXPA, CXRA, CXR+ PR:015, 354
(6)	970 347 231 02	suction line oil container Power-steering pump		1	CWAA, CWFA, CWF, CWDA, CWD+ PR:029, 350, 354, 475
(6)	970 347 231 40	suction line oil container Power-steering pump		1	DIESEL CRCB, CRCC, CWJA+ PR:029, 354, 475
7	999 512 658 09	Hose clamp 27 X 12		1	
8	999 512 656 09	Hose clamp 25 X 12		2	
9	970 347 241 03	return line oil container Oil cooler		1	
10	999 512 654 09	Hose clamp 21 X 12		1	
11	900 075 497 02	Hexagon bolt M 5 X 10 Mount Pressure line Power-steering pump		1	
12	999 511 116 03	Clamp 10 X 15		2	
13	999 511 258 01	Clamp 18 X 15		1	
14	955 343 638 10	Bonded rubber buffer		3	
15	900 377 010 01	Hexagon nut M 6		3	
16	900 067 063 03	Socket head bolt M 10 X 20		1	
17	999 511 114 01	Hose clamp 12 X 15		3	PR:098
(17)	999 511 114 01	Hose clamp 12 X 15		5	PR:099

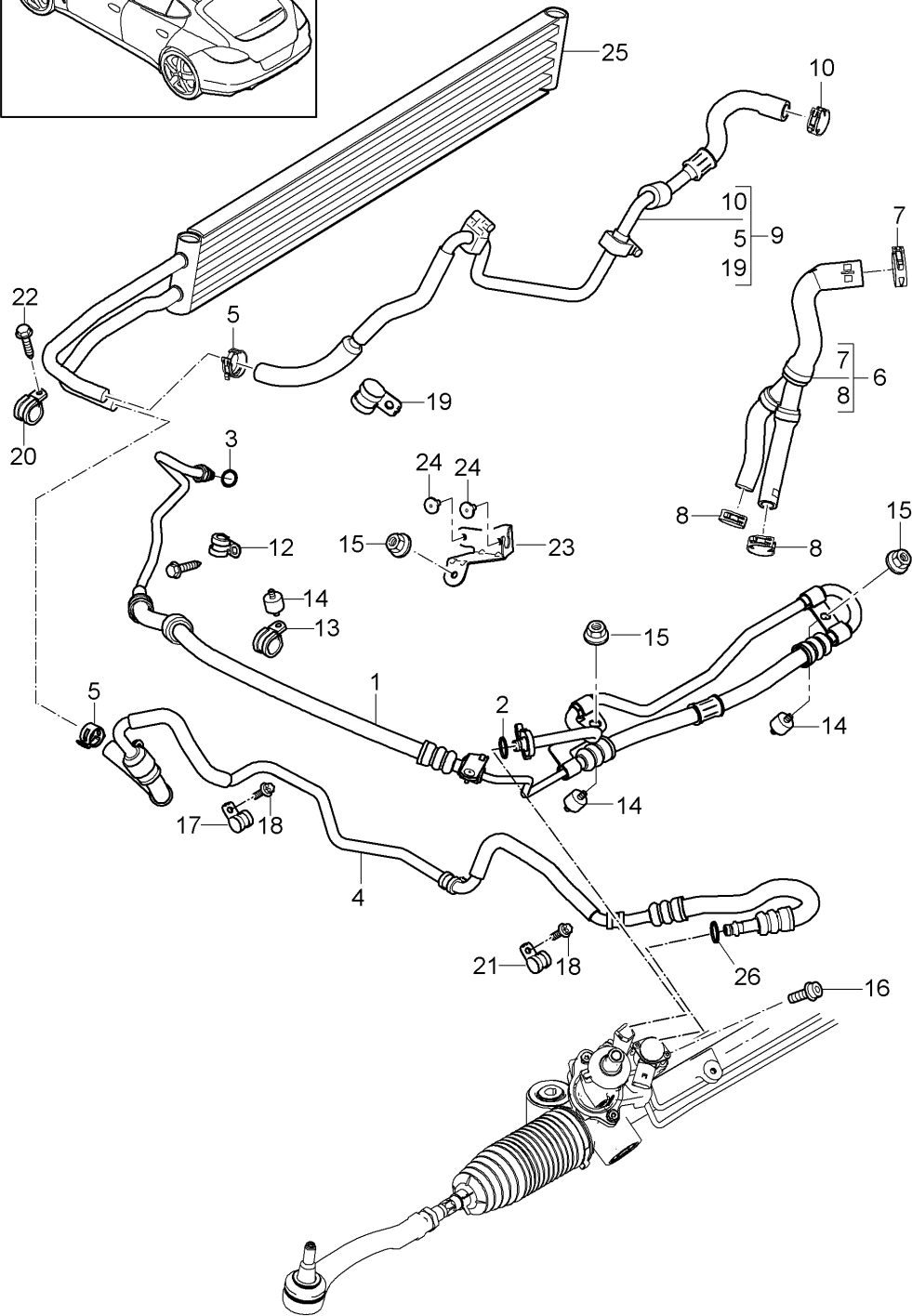
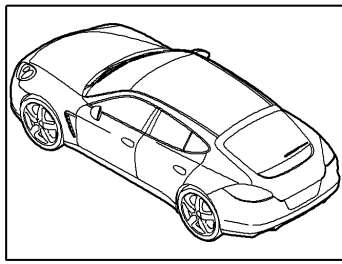
Model: 970 10

Model life 2010>>2016

Pos	Part Number	Description	Remark	Qty	Model
18	900 378 036 01	Hexagon bolt M 6 X 12		3	PR:098
(18)	900 378 036 01	Hexagon bolt M 6 X 12		5	PR:099
19	999 511 080 02	Clamp 22 X 15		1	
20	999 511 080 02	Clamp 8 X 15		2	
21	999 511 258 01	Clamp 18 X 15		2	PR:099
22	900 378 035 01	Hexagon bolt M6 X 16		1	
23	970 347 263 04	Bracket		1	
(23)	970 347 541 41	Bracket Power steering		1	DIESEL CRCB,CRCC
24	999 190 414 01	Pop rivet		2	
25	970 347 239 50	Oil cooler		1	PR:350,354, 475,029
(25)	970 347 239 02	Oil cooler Discontinued part		1	PR:350,354
(25)	970 347 239 03	Oil cooler		1	PR:350,354
26	900 377 010 01	Hexagon nut M 6		1	

Model: 970 10

Model life 2010>>2016



Model: 970 10 Model life 2010>>2016

Pos	Part Number	Description	Remark	Qty	Model
1	970 347 245 55	Power steering Lines Oil cooler D >> - MJ 2013 Pressure line Steering gear Power-steering pump Discontinued part		1	4620,4640, 4820,4840, 4870+ PR:351 4820,4840, 4870+ PR:098
1	970 347 243 55	Pressure line Steering gear Power-steering pump Discontinued part		1	4620,4640+ PR:098
1	970 347 243 57	Pressure line Steering gear Power-steering pump Discontinued part		1	4620,4640+ PR:098
1	970 347 243 58	Pressure line Steering gear Power-steering pump Discontinued part		1	4620,4640+ PR:098
(1)	970 347 246 55	Pressure line Steering gear Power-steering pump No longer use the part here		1	4820,4840, 4870+ PR:099
(1)	970 347 246 59	Pressure line Steering gear Power-steering pump No longer use the part here		1	4820,4840, 4870+ PR:099
(1)	970 347 246 60	Pressure line Steering gear Power-steering pump D - MJ 2012>> No longer use the part here		1	4820,4840, 4870+ PR:099
(1)	970 347 246 61	Pressure line Steering gear Power-steering pump D - MJ 2012>> No longer use the part here		1	4820,4840, 4870+ PR:099
(1)	970 347 244 56	Pressure line Steering gear Power-steering pump Discontinued part		1	4620,4640+ PR:099
(1)	970 347 244 58	Pressure line Steering gear Power-steering pump Discontinued part		1	4620,4640+ PR:099
(1)	970 347 244 59	Pressure line Steering gear Power-steering pump D - MJ 2012>>		1	4620,4640+ PR:099
2	999 701 252 40	O-ring 8,73 X 1,78 No longer use the part here		1	
2	999 701 252 41	O-ring 8,73 X 1,78 No longer use the part here		1	
3	999 701 253 40	O-ring 7,65 X 1,63		1	
4	970 347 237 08	return line Steering gear Oil cooler		1	PR:098
(4)	970 347 238 05	return line Steering gear Oil cooler		1	PR:099
5	999 512 652 09	Hose clamp 19 X 12 see Technical information Service		2	

Model: 970 10

Model life 2010>>2016

Pos	Part Number	Description	Remark	Qty	Model
6	970 359 231 11	Group 4 Document 4895 81/12 suction line oil container Tandem pump		1	4620,4640
(6)	970 359 231 20	suction line oil container Tandem pump		1	4820,4840
(6)	970 359 231 31	suction line oil container Tandem pump		1	4870
-	970 359 329 01	Bracket suction line		1	4820,4840, 4870
-	999 511 013 00	Clamp		1	4820,4840, 4870
-	900 067 070 01	Socket head bolt M 5 X 12		1	
-	970 359 351 01	Retaining plate suction line Tandem pump		1	4870
-	N 022 148 12	hexagon nut, self-locking		1	
7	N 906 871 01	Spring band clamp 32 X 12 No longer use the part here		1	
7	999 512 661 09	Hose clamp 30 X 12		1	
8	955 512 407 00	Clamp 25 X 12		2	4620,4640
(8)	N 022 148 12	hexagon nut, self-locking M 6		1	4820,4840, 4870
9	970 347 241 02	return line oil container Oil cooler		1	
-		return line Valve block oil container see illustration, item:	402-020,12		
10	999 512 654 09	Hose clamp 21 X 12		1	
11	900 075 497 01	Bolt with washer M 5 X 10 Mount Pressure line Tandem pump		1	4820,4840, 4870
(11)	N 022 148 12	hexagon nut, self-locking M 6 Mount Pressure line Tandem pump		1	4620,4640
12	999 511 116 03	Clamp 10 X 15		1	
13	999 511 258 01	Clamp 18 X 15		1	
14	955 343 638 10	Bonded rubber buffer		3	
15	900 377 010 01	Hexagon nut M 6		1	
16	900 067 063 03	Socket head bolt		1	
17	999 511 114 01	Hose clamp 12 X 15		3	PR:098
(17)	999 511 114 01	Hose clamp 12 X 15		5	PR:099
18	900 378 036 01	Hexagon bolt		3	

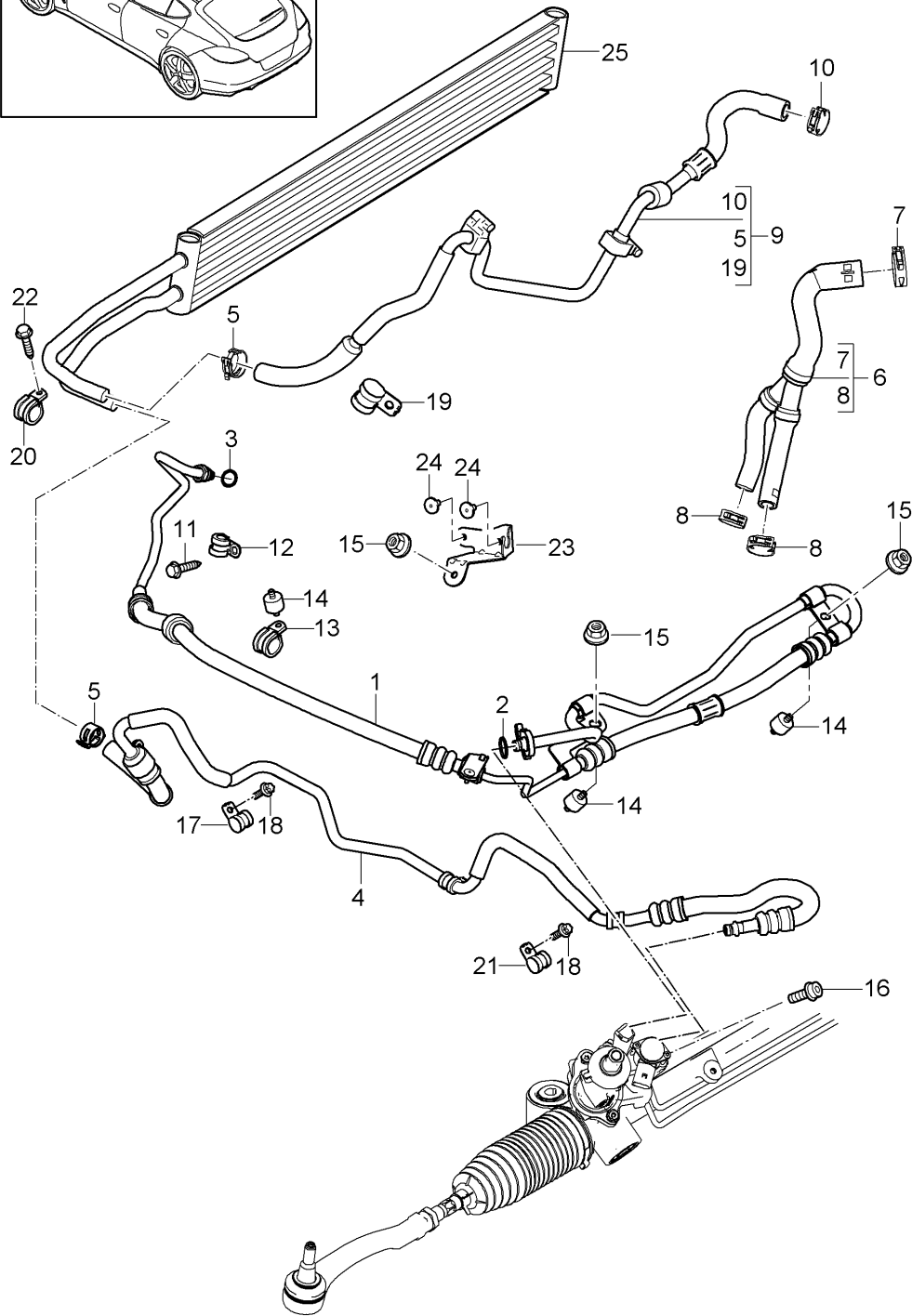
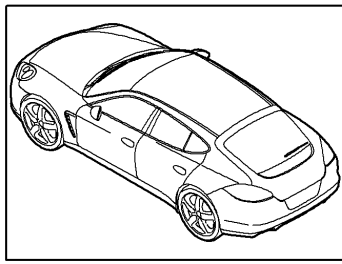
Model: 970 10

Model life 2010>>2016

Pos	Part Number	Description	Remark	Qty	Model
19	999 511 080 02	M 6 X 12 Clamp		1	
20	999 511 080 02	22 X 15 Clamp		2	
23	970 347 263 03	8 X 15 Bracket		1	
24	999 190 414 01	Pop rivet		2	
25	970 347 239 02	Oil cooler		1	
25	970 347 239 03	Oil cooler		1	
26	999 701 256 40	O-ring 8,73 X 1,78		1	

Model: 970 10

Model life 2010>>2016



Model: 970 10 Model life 2010>>2016

Pos	Part Number	Description	Remark	Qty	Model
		Power steering Lines Oil cooler D - MJ 2014>>			CWAA, CWFA, CWF, CWDA, CWD, CWBA, CWB, CGEA, CGE, CGFA, CRCB, CRCC, CXPA, CXRA, CXR, CWCA, CWC+ PR: 351, 355
1	970 347 245 59	Pressure line Steering gear Power-steering pump		1	CWBA, CWB, CWCA, CWC+ PR: 098
(1)	970 347 245 60	No longer use the part here Pressure line Steering gear Power-steering pump		1	PR: 098
(1)	970 347 245 59	Pressure line Steering gear Power-steering pump		1	CXPA, CXRA, CXR+ PR: 098, 015
(1)	970 347 245 60	No longer use the part here Pressure line Steering gear Power-steering pump		1	PR: 098, 015
1	970 347 243 58	Pressure line Steering gear Power-steering pump		1	CXPA, CXRA, CXR+ PR: 098, 015
1	970 347 247 53	Pressure line Steering gear Power-steering pump		1	CWAA+ PR: 098, -143
(1)	970 347 246 60	Pressure line Steering gear Power-steering pump No longer use the part here		1	CWDA, CWD, CWFA, CWF+ PR: 098, 143, -015
(1)	970 347 246 61	Pressure line Steering gear Power-steering pump		1	CWBA, CWB+ PR: 099
(1)	970 347 246 60	Pressure line Steering gear Power-steering pump		1	CWBA, CWB, CWCA, CWC+ PR: 099
(1)	970 347 246 61	Pressure line Steering gear Power-steering pump No longer use the part here		1	CXPA, CXRA, CXR+ PR: 099, 015
(1)	970 347 244 59	Pressure line Steering gear Power-steering pump		1	PR: 099, 015
(1)	970 347 248 53	Pressure line Steering gear Power-steering pump		1	CWAA+ PR: 099
3	999 701 253 40	O-ring		1	CWDA, CWD+ PR: 099
4	970 347 237 12	7,65 X 1,63 return line Steering gear		1	PR: 098
(4)	970 347 238 12	Oil cooler return line Steering gear		1	PR: 099
5	999 512 652 09	Hose clamp 19 X 12 see Technical information		2	

Model: 970 10 Model life 2010>>2016

Pos	Part Number	Description	Remark	Qty	Model
6	970 359 231 11	Service Group 4 Document 4895 81/12 suction line oil container Tandem pump		1	CWAA+ PR:-143
(6)	970 359 231 21	suction line oil container Tandem pump		1	CXPA, CXRA, CXR+ PR:015
(6)	970 359 231 25	suction line oil container Tandem pump		1	CWDA, CWD+ PR:-015
(6)	970 359 231 25	suction line oil container Tandem pump		1	CWFA, CWF+ PR:143
(6)	970 359 231 32	suction line oil container Tandem pump		1	CWBA, CWB, CWCA, CWC
-	970 359 329 01	Bracket suction line		1	CWDA, CWD, CWBA, CWB, CWCA, CWC
-	999 511 013 00	Clamp		1	CWDA, CWD, CWBA, CWB, CWCA, CWC
-	N 106 225 02	Socket head bolt with hexagon socket head M 5 X 12		1	
-	970 359 351 01	Retaining plate suction line Tandem pump		1	CWDA, CWD, CWBA, CWB, CWCA, CWC
-	N 022 148 12	hexagon nut, self-locking		1	
7	999 512 661 09	Hose clamp 30 X 12		1	
8	955 512 407 00	Clamp 25 X 12		2	CWAA, CWFA, CWF
(8)	N 022 148 12	hexagon nut, self-locking M 6		1	CWAA, CWFA, CWF, CWBA, CWB, CWCA, CWC
9	970 347 241 03	return line oil container Oil cooler		1	
-		return line Valve block oil container see illustration, item:	402-022,12		
10	999 512 654 09	Hose clamp 21 X 12		1	
11	900 075 497 01	Bolt with washer M 5 X 10 Mount		1	
(11)	N 022 148 12	Pressure line Tandem pump hexagon nut, self-locking M 6 Mount		1	CWAA
12	999 511 116 03	Pressure line Tandem pump Clamp 10 X 15		1	
13	999 511 258 01	Clamp 18 X 15		1	
14	955 343 638 10	Bonded rubber buffer		3	

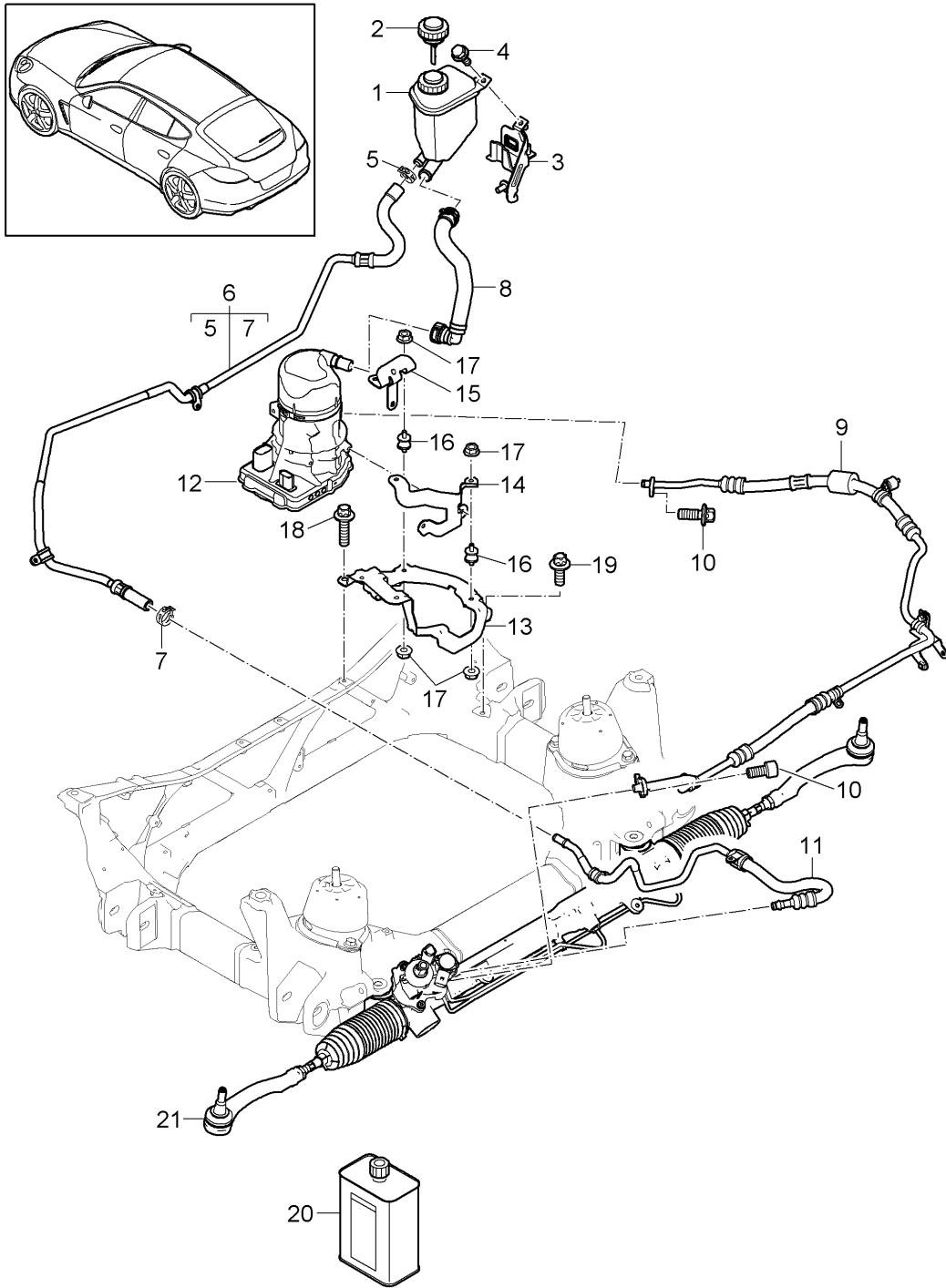
Model: 970 10

Model life 2010>>2016

Pos	Part Number	Description	Remark	Qty	Model
15	900 377 010 01	Hexagon nut M 6		1	
16	900 067 063 03	Socket head bolt		1	
17	999 511 114 01	Hose clamp 12 X 15		3	PR:098
(17)	999 511 114 01	Hose clamp 12 X 15		5	PR:099
18	900 378 036 01	Hexagon bolt M 6 X 12		3	
19	999 511 080 02	Clamp 22 X 15		1	
20	999 511 080 02	Clamp 8 X 15		2	
23	970 347 263 04	Bracket		1	
24	999 190 414 01	Pop rivet		2	
25	970 347 239 02	Oil cooler Discontinued part		1	
25	970 347 239 03	Oil cooler		1	

Model: 970 10

Model life 2010>>2016



Model: 970 10 Model life 2010>>2016

Pos	Part Number	Description	Remark	Qty	Model
		Power steering Lines Power-steering pump Electric D >> - MJ 2013			HYBRID
1	955 314 015 20	oil container		1	
2	955 314 145 00	Threaded cover oil container		1	
3	970 347 353 20	Bracket for fluid reservoir		1	
4	900 378 036 01	Hexagon bolt M 6 X 12		3	
5	999 512 654 09	Hose clamp		1	
6	970 347 241 22	return line Connection point oil container		1	
7	999 512 652 09	Hose clamp		1	
8	970 347 231 21	suction line oil container Power-steering pump		1	
9	970 347 243 22	Pressure line Steering gear Power-steering pump		1	PR:098
9	970 347 243 24	No longer use the part here Pressure line Steering gear Power-steering pump		1	PR:098
(9)	970 347 244 22	Pressure line Steering gear Power-steering pump		1	PR:099
(9)	970 347 244 24	No longer use the part here Pressure line Steering gear Power-steering pump		1	PR:099
10	900 385 001 01	Torx screw M 8 X 20		1	
(10)	900 067 063 03	Socket head bolt M 10 X 20		1	
11	970 347 237 22	return line Steering gear Oil cooler		1	PR:098
11	970 347 237 23	No longer use the part here return line Steering gear Oil cooler		1	PR:098
(11)	970 347 238 22	return line Steering gear Oil cooler		1	PR:099
(11)	970 347 238 23	No longer use the part here return line Steering gear Oil cooler		1	PR:099
12	958 314 155 02	Power-steering pump Electric		1	
13	970 347 671 22	Retaining frame		1	
14	970 347 673 20	Bracket	side	1	
15	970 347 675 20	Bracket	upper	1	
16	958 347 579 00	Bonded rubber buffer		4	
17	900 377 010 01	Hexagon nut M 6		8	
18	900 385 018 01	Torx screw BM 8 X 45		1	
19	900 385 001 01	Torx screw BM 8 X 20		2	

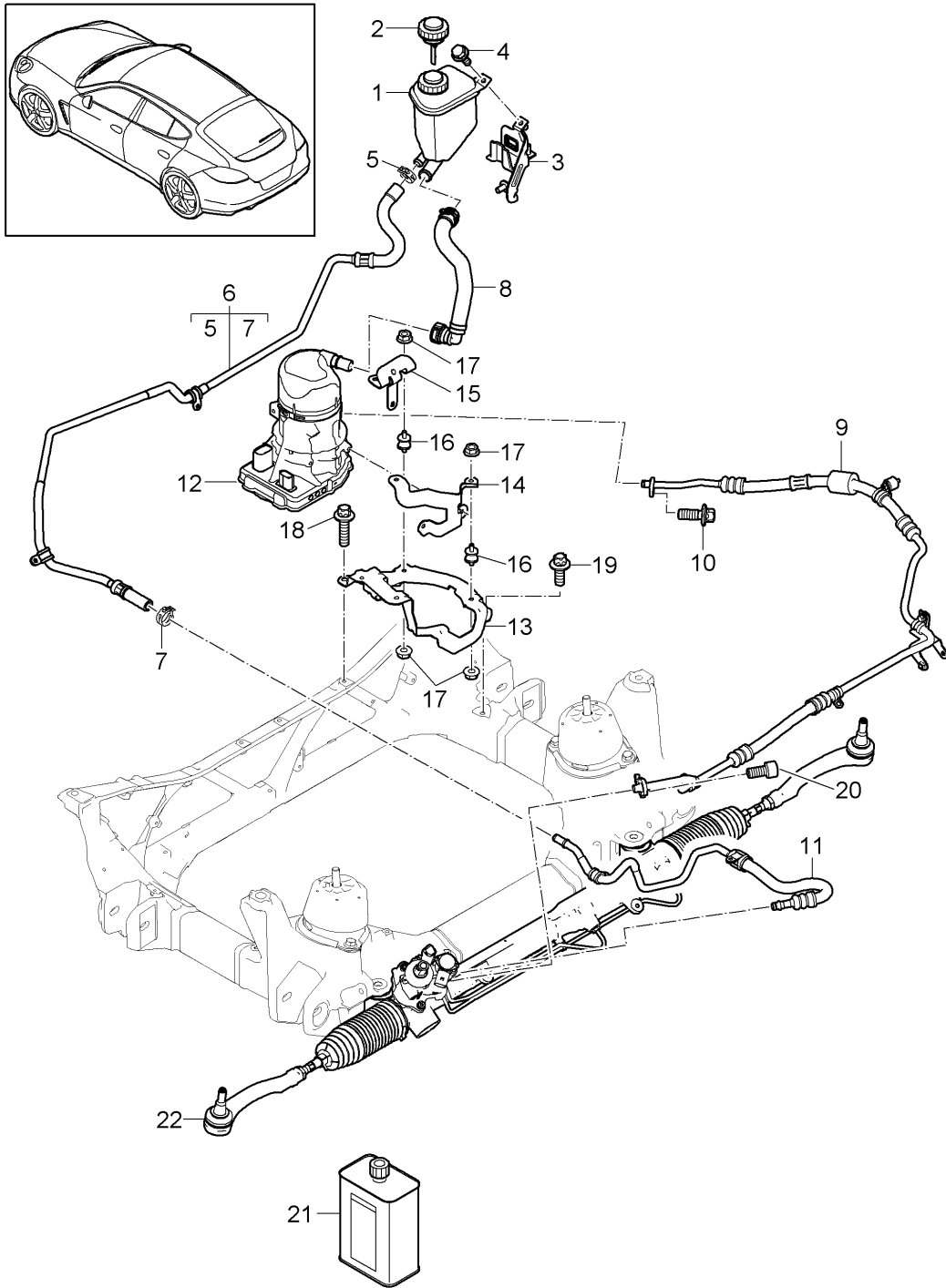
Model: 970 10

Model life 2010>>2016

Pos	Part Number	Description	Remark	Qty	Model
20	000 043 206 56	Pentosin	403-000	1	
21		Steering gear see illustration:		1	

Model: 970 10

Model life 2010>>2016

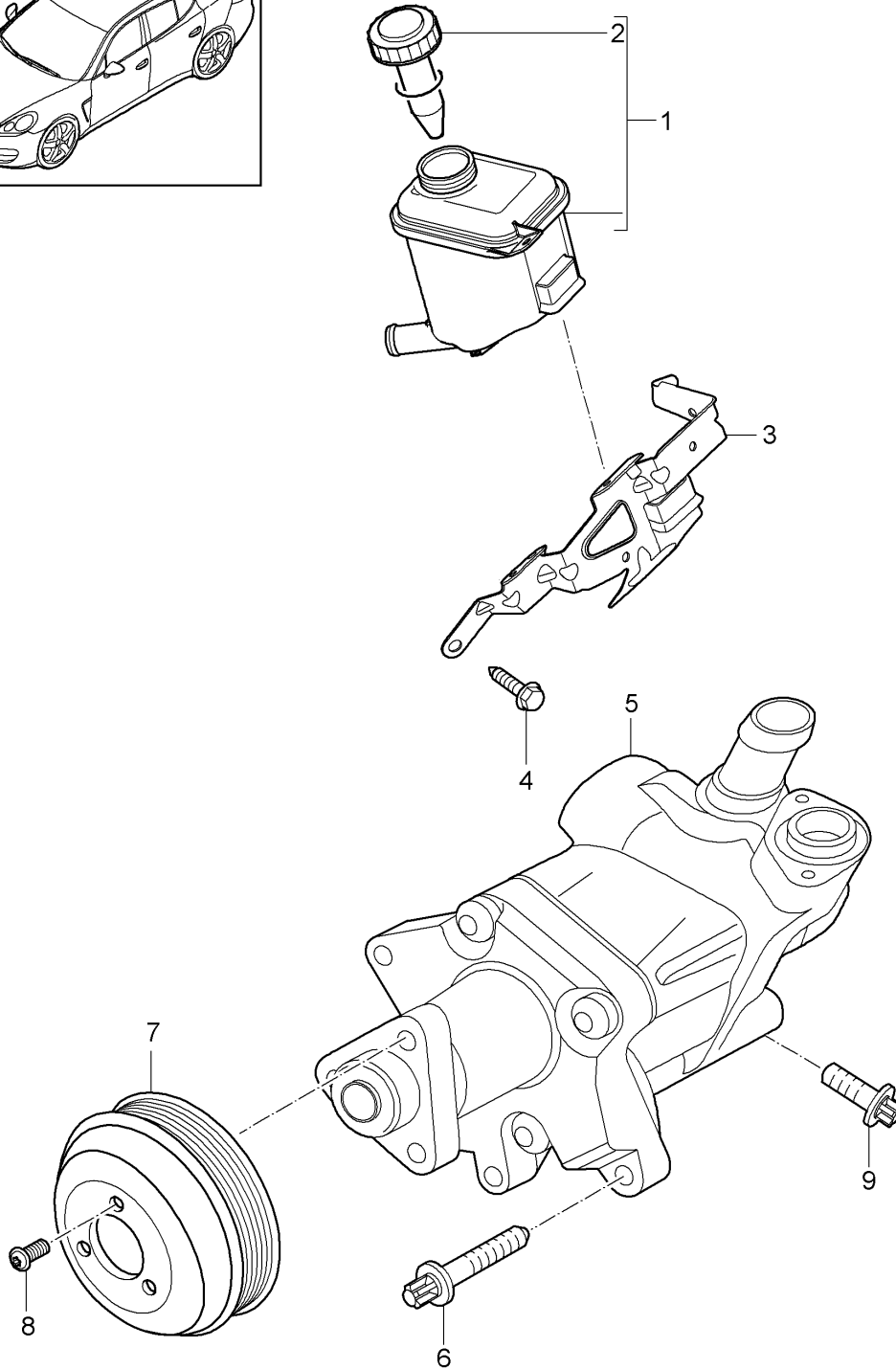
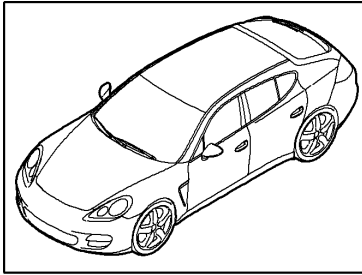


Model: 970 10 Model life 2010>>2016

Pos	Part Number	Description	Remark	Qty	Model
		Power steering Lines			HYBRID
		Power-steering pump Electric			
		D - MJ 2014>>			
1	955 314 015 20	oil container		1	
2	955 314 145 00	Threaded cover oil container		1	
3	970 347 353 20	Bracket for fluid reservoir		1	
4	900 378 036 01	Hexagon bolt M 6 X 12		3	
5	999 512 654 09	Hose clamp		1	
6	970 347 241 32	return line Connection point oil container		1	
7	999 512 652 09	Hose clamp		1	
8	970 347 231 21	suction line oil container		1	
9	970 347 243 31	Power-steering pump Pressure line Steering gear		1	PR:098
(9)	970 347 244 31	Power-steering pump Pressure line Steering gear		1	PR:099
10	900 385 001 01	Power-steering pump Torx screw M 8 X 20		1	
11	970 347 237 23	return line Steering gear		1	PR:098
(11)	970 347 238 23	Oil cooler return line Steering gear		1	PR:099
12	958 314 155 02	Oil cooler Power-steering pump		1	
13	970 347 671 22	Electric Retaining frame		1	
14	970 347 673 20	Bracket	side	1	
15	970 347 675 20	Bracket	upper	1	
16	958 347 579 00	Bonded rubber buffer		4	
17	900 377 010 01	Hexagon nut M 6		8	
18	999 073 116 01	fillister hd. bolt AM 8 X 55		1	
19	999 073 535 01	Torx screw BM 8 X 21		2	
20	900 067 063 03	Socket head bolt M 10 X 20		1	
21	000 043 206 56	Pentosin		1	
22		Steering gear see illustration:	403-002	1	

Model: 970 10

Model life 2010>>2016

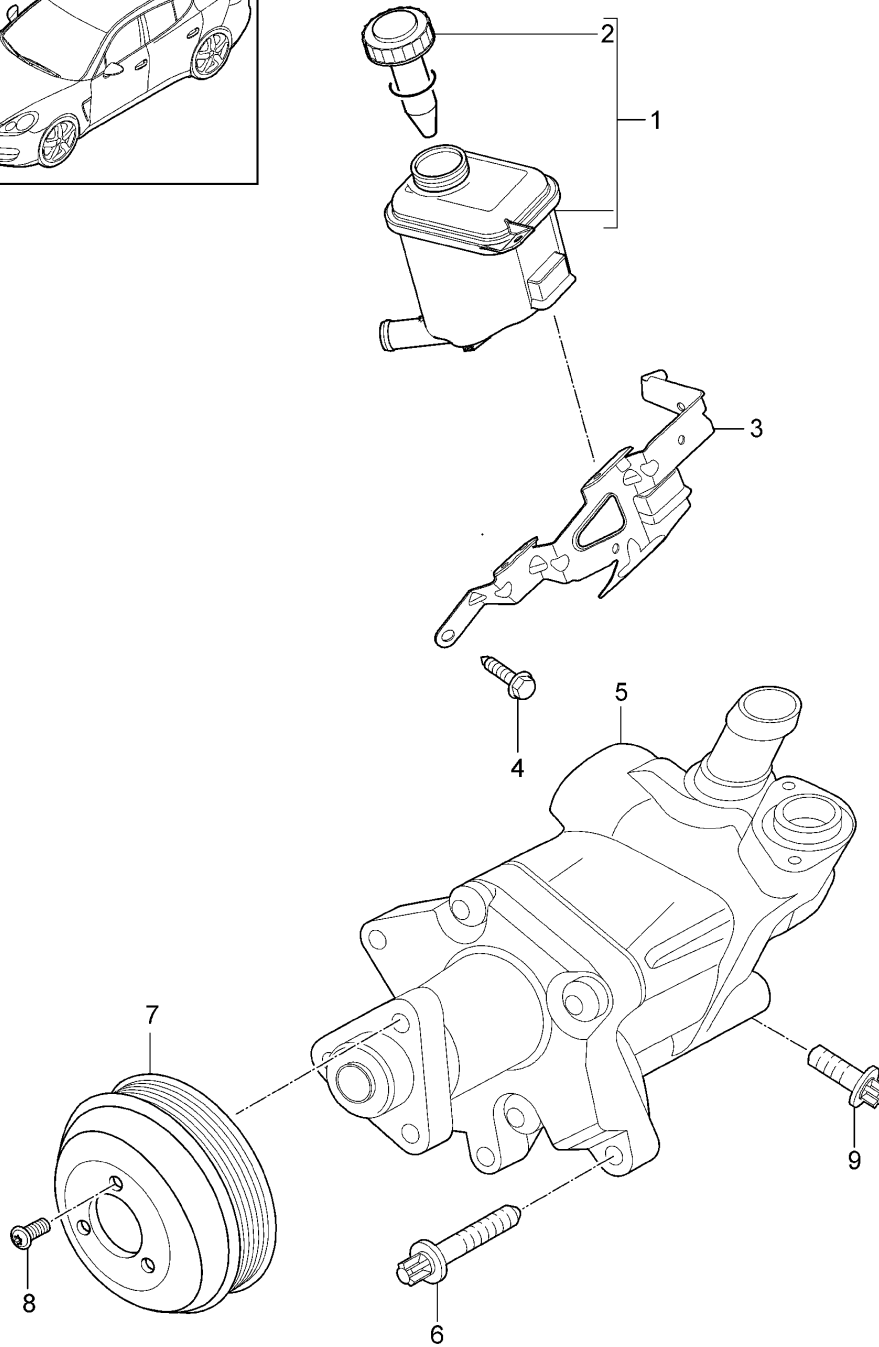
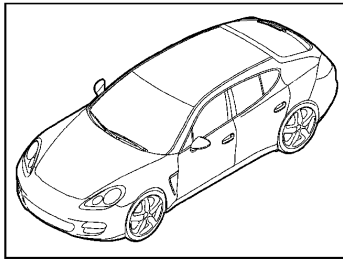


Model: 970 10 Model life 2010>>2016

Pos	Part Number	Description	Remark	Qty	Model
		Power steering Power-steering pump oil container D >> - MJ 2013			4620,4640, 4820,4840, 4870,CRCB, CRCC+ PR:-351,-352
1	955 314 015 00	oil container		1	
2	955 314 145 00	Power steering Threaded cover oil container		1	
3	970 347 351 04	Bracket for fluid reservoir		1	
(3)	970 347 353 20	Bracket for fluid reservoir		1	HYBRID
4	900 378 036 01	Hexagon bolt M 6 X 12		3	
(4)	900 378 035 01	Hexagon bolt M 6 X 16		1	
5	970 347 049 04	Power-steering pump No longer use the part here		1	
5	970 347 049 06	Power-steering pump		1	
5	970 347 049 AX	Power-steering pump		1	
5	970 347 049 25	Power-steering pump D - MJ 2012>>		1	CRCB,CRCC
5	970 347 049 BX	Power-steering pump D - MJ 2012>>		1	CRCB,CRCC
6	WHT 005 326	Torx screw M 8 X 30		3	
6	N 911 287 01	Socket head bolt with inner multipoint head M 8 X 32 D - MJ 2012>>		3	CRCB,CRCC
7	948 147 019 01	pulley No longer use the part here		1	
7	955 147 019 00	pulley		1	
7	955 147 219 20	pulley		1	PR:351
7	958 147 255 07	pulley D - MJ 2012>>		1	CRCB,CRCC
8	WHT 001 704	Screw M 8 X 20		3	
8	N 910 522 01	Hexagon socket head bolt M 8 x 12 D - MJ 2012>>		3	CRCB,CRCC
9	900 385 001 01	Torx screw M 8 X 20		3	
(9)	900 385 018 01	Torx screw BM 8 X 45		3	HYBRID PR:350
10	059 145 167 AM	Retainer for vane pump D - MJ 2012>>		1	DIESEL CRCB,CRCC
-	N 910 463 02	Socket head bolt with inner multipoint head (Kombi) M 8 X 28		3	
-	958 147 501 00	Centre sleeve D - MJ 2012>>		2	CRCB,CRCC
-	N 107 045 01	Oval hexagon socket head bolt M 6 X 35 D - MJ 2012>>		1	CRCB,CRCC
-	000 043 206 56	Pentosin		1	

Model: 970 10

Model life 2010>>2016

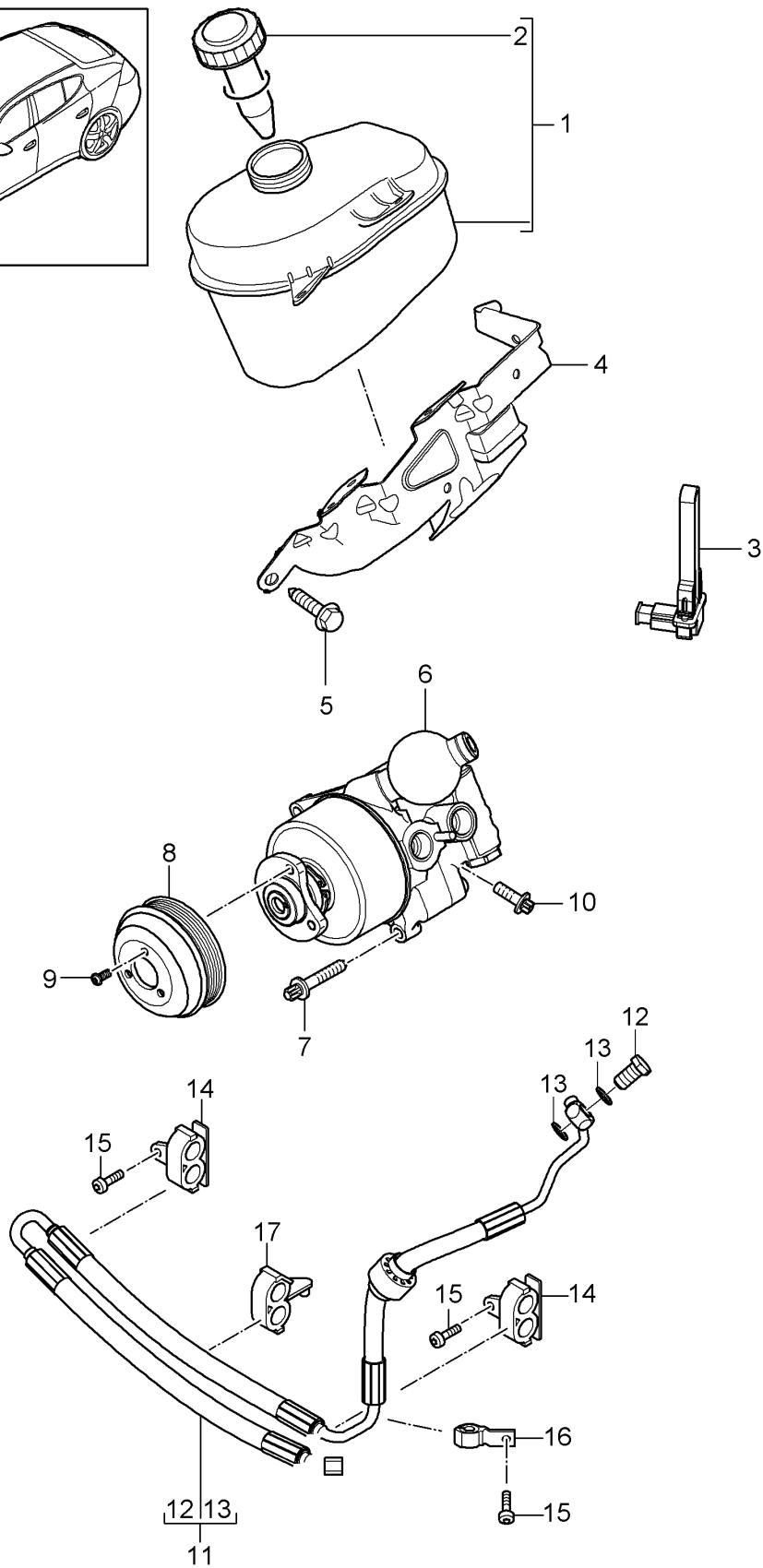
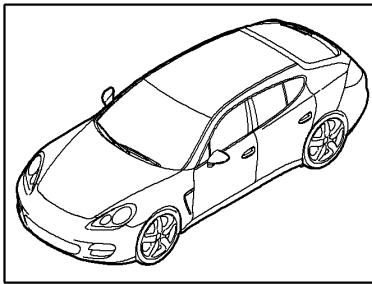


Model: 970 10 Model life 2010>>2016

Pos	Part Number	Description	Remark	Qty	Model
		Power steering Power-steering pump oil container D - MJ 2014>>			CWAA, CWFA, CWF, CWDA, CWD, CXPA, CXRA, CXR, CRCB, CRCC, CWBA, CWB, CWJA+ PR: -351, -352, -355
1	955 314 015 00	oil container		1	
2	955 314 145 00	Power steering Threaded cover		1	
3	970 347 351 05	oil container Bracket for fluid reservoir		1	
(3)	970 347 353 20	Bracket for fluid reservoir		1	HYBRID
4	900 378 036 01	Hexagon bolt M 6 X 12		3	
5	970 347 049 06	Power-steering pump		1	
5	970 347 049 AX	Power-steering pump		1	
5	970 347 049 25	Power-steering pump		1	CRCB, CRCC
5	970 347 049 BX	Power-steering pump		1	CRCB, CRCC
6	WHT 005 326	Torx screw M 8 X 30		3	
6	N 911 287 01	Socket head bolt with inner multipoint head M 8 X 32		3	CRCB, CRCC
7	948 147 019 01	pulley		1	
7	955 147 219 20	pulley		1	PR: 351
7	958 147 255 07	pulley		1	CRCB, CRCC
8	WHT 001 704	Screw M 8 X 20		3	
8	N 910 522 01	Hexagon socket head bolt M 8 X 12		3	CRCB, CRCC
9	900 385 001 01	Torx screw M 8 X 20		3	
(9)	900 385 018 01	Torx screw BM 8 X 45		3	HYBRID PR: 350
10	059 145 167 AM	Retainer for vane pump		1	DIESEL CRCB, CRCC
11	N 910 463 02	Socket head bolt with inner multipoint head (Kombi) M 8 X 28		3	
12	958 147 501 00	Centre sleeve		2	CRCB, CRCC
13	N 107 045 01	Oval hexagon socket head bolt M 6 X 35		1	CRCB, CRCC
-	000 043 206 56	Pentosin		1	

Model: 970 10

Model life 2010>>2016

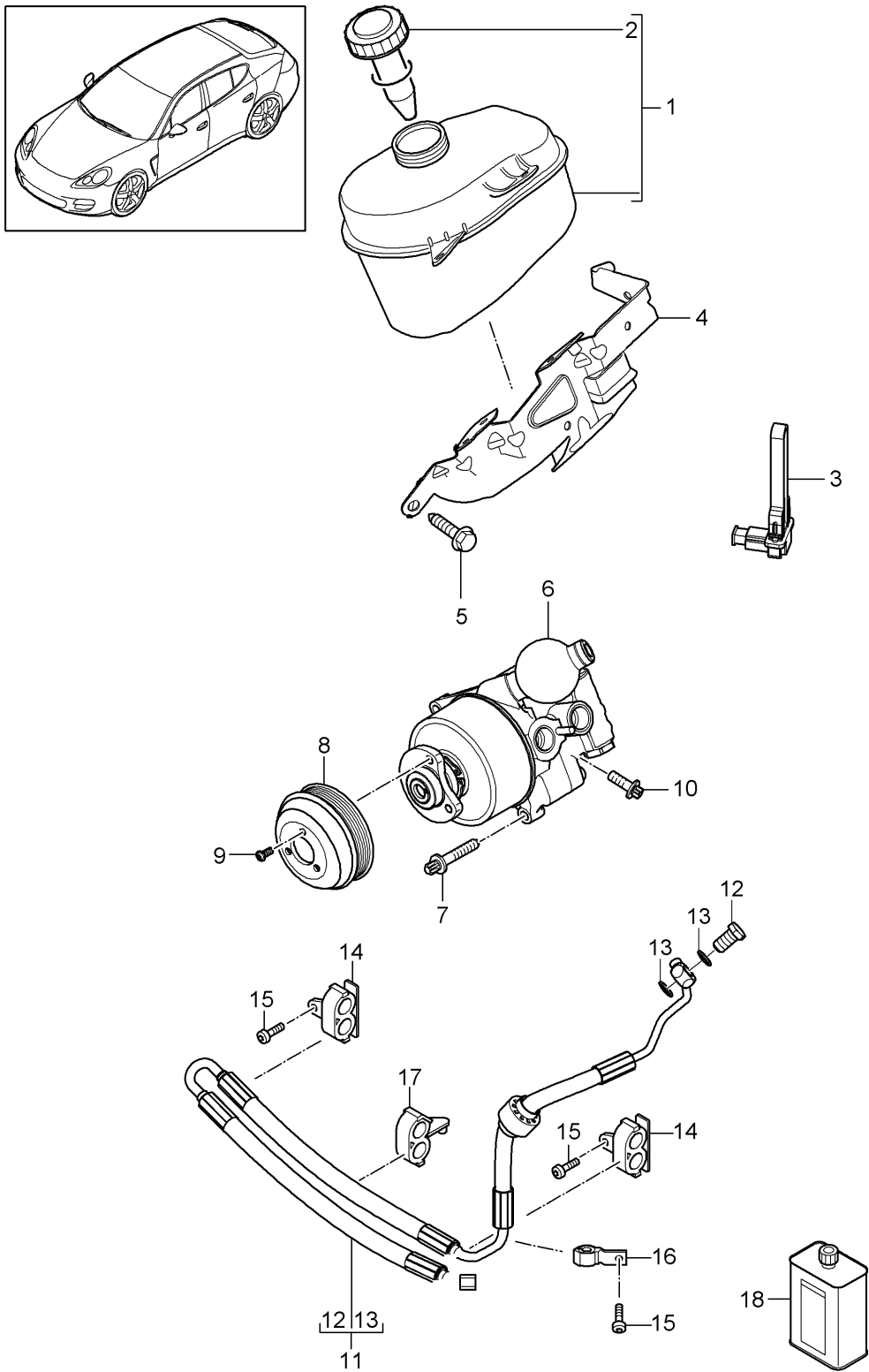


Model: 970 10 Model life 2010>>2016

Pos	Part Number	Description	Remark	Qty	Model
		Power steering Tandem pump oil container Pressure hose - PDCC - D >> - MJ 2013			4620,4640, 4820,4840, 4870+ PR:351
1	970 359 071 00	oil container		1	
(1)	970 359 071 01	Power steering No longer use the part here oil container		1	
2	970 359 173 00	Power steering Threaded cover oil container		1	
(2)	970 359 173 01	Discontinued part Threaded cover oil container		1	
(2)	970 359 173 02	No longer use the part here Threaded cover oil container		1	
3	970 606 217 00	oil level sensor		1	
4	970 347 351 04	Bracket for fluid reservoir		1	
5	900 378 036 01	Hexagon bolt		4	
6	970 359 051 01	M 6 X 12 Tandem pump Discontinued part		1	4820,4840, 4870
(6)	970 359 051 02	Tandem pump		1	4820,4840, 4870
6	970 359 051 51	Tandem pump		1	4620,4640
7	900 385 042 01	Torx screw M 8 X 35		3	
8	955 147 219 20	pulley		1	
9	999 073 104 01	Torx screw		3	
9	WHT 001 702	No longer use the part here Screw M 8 X 16		3	
10	900 385 001 01	Torx screw M 8 X 20		1	
11	970 359 237 02	Pressure hose		1	4820,4840, 4870
11	970 359 239 03	Pressure hose		1	4620,4640
12	N 021 074 7	Banjo bolt		1	
13	N 013 849 4	seal ring		2	
14	970 359 367 00	Bracket	outer	2	
15	999 073 152 09	Suspension sub-frame fillister hd. bolt M 6 X 18		3	
16	970 359 361 00	bracket for pressure line Pressure hose		1	
17	970 359 365 00	Bracket	center	1	
-	000 043 206 56	Pentosin		1	

Model: 970 10

Model life 2010>>2016

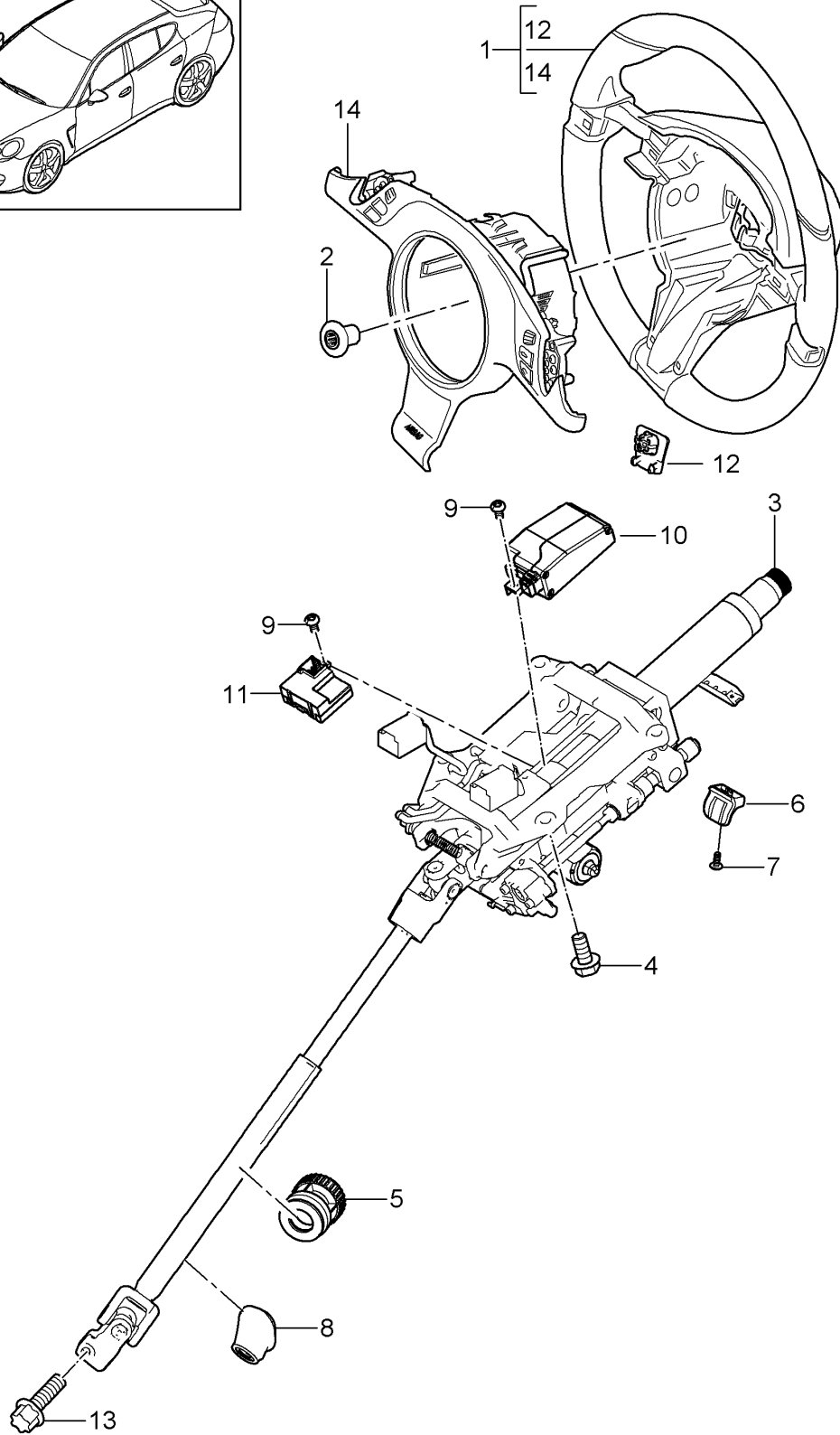
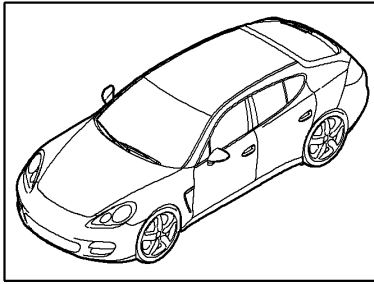


Model: 970 10 Model life 2010>>2016

Pos	Part Number	Description	Remark	Qty	Model
		Power steering Tandem pump oil container Pressure hose - PDCC - D - MJ 2014>>			CWAA, CXNA, CXPA, CXRA, CXR, CWBA, CWB, CWCA, CWC, CWDA, CWD, CWFA, CWF+ PR: 351, 355
1	970 359 071 00	oil container		1	
(1)	970 359 071 01	Power steering No longer use the part here oil container		1	
2	970 359 173 01	Power steering Threaded cover oil container		1	
(2)	970 359 173 02	No longer use the part here Threaded cover oil container		1	
3	970 606 217 00	oil level sensor		1	
4	970 347 351 05	Bracket for fluid reservoir		1	
5	900 378 036 01	Hexagon bolt M 6 X 12		4	
6	970 359 051 01	Tandem pump Discontinued part		1	CXPA, CXRA, CXR, CWBA, CWB, CWCA, CWC, CWDA, CWD, CWFA, CWF
(6)	970 359 051 02	Tandem pump		1	CXPA, CXRA, CXR, CWBA, CWB, CWCA, CWC, CWDA, CWD, CWFA, CWF
(6)	970 359 051 52	Tandem pump		1	CWAA, CXNA
7	WHT 001 703	Hexagon head bolt M 8 X 35		3	
8	955 147 219 20	pulley		1	CXPA, CXRA, CXR, CWBA, CWB, CWCA, CWC, CWAA, CXNA
(8)	7PP 145 285	pulley		1	CWDA, CWD, CWFA, CWF
9	WHT 001 702	Screw M 8 X 16		3	
10	WHT 001 704	Screw M 8 X 20		1	
11	970 359 237 03	Pressure hose		1	CXPA, CXRA, CXR, CWBA, CWB, CWCA, CWC
(11)	970 359 237 26	Pressure hose		1	CWDA, CWD, CWFA, CWF CWAA, CXNA
(11)	970 359 239 03	Pressure hose		1	
12	N 021 074 7	Banjo bolt		1	
13	N 013 849 4	seal ring		2	
14	970 359 367 00	Bracket Suspension sub-frame	outer	2	
15	999 073 152 09	fillister hd. bolt M 6 X 18		3	
16	970 359 361 00	bracket for pressure line Pressure hose		1	
17	970 359 365 00	Bracket	center	1	
18	000 043 206 56	Pentosin		1	

Model: 970 10

Model life 2010>>2016



Model: 970 10 Model life 2010>>2016

Pos	Part Number	Description	Remark	Qty	Model
-		Steering wheels Steering column Intermediate steering shaft D >> - MJ 2010			
		Steering wheels for			PR:480
1	7PP 419 091 R	Manual gearbox steering wheel Leather		1	PR:841,480, -345
	7PP 419 091 R A34	Black	-AB,AC,BB		
	7PP 419 091 R 8T3	Platinum Grey	-CB,CC		
	7PP 419 091 R 9J9	Luxor beige	-UB,UC,BC		
	7PP 419 091 R 7M9	yachting blue	-EC,BD		
	7PP 419 091 R 6H6	Espresso	-NA		
	7PP 419 091 R 7T1	Cognac	-NC,BN		
(1)	7PP 419 091 S	steering wheel Leather		1	PR:841,480, 345
	7PP 419 091 S A34	Black	-AB,AC,BB		
	7PP 419 091 S 8T3	Platinum Grey	-CB,CC		
	7PP 419 091 S 9J9	Luxor beige	-UB,UC,BC		
	7PP 419 091 S 7M9	yachting blue	-EC,BD		
	7PP 419 091 S 6H6	Espresso	-NA		
	7PP 419 091 S 7T1	Cognac	-NC,BN		
(1)	7PP 419 091 H	steering wheel Leather Multi-function		1	PR:-345,480, 844
	7PP 419 091 H A34	Black	-AB,AC,BB		
	7PP 419 091 H 8T3	Platinum Grey	-CB,CC		
	7PP 419 091 H 9J9	Luxor beige	-UB,UC,BC		
	7PP 419 091 H 7M9	yachting blue	-EC,BD		
	7PP 419 091 H 6H6	Espresso	-NA		
	7PP 419 091 H 7T1	Cognac	-NC,BN		
(1)	7PP 419 091 AA	steering wheel Leather Multi-function		1	PR:844,480, 345
	7PP 419 091 AA A34	Black	-AB,AC,BB		
	7PP 419 091 AA 8T3	Platinum Grey	-CB,CC		
	7PP 419 091 AA 9J9	Luxor beige	-UB,UC,BC		
	7PP 419 091 AA 7M9	yachting blue	-EC,BD		
	7PP 419 091 AA 6H6	Espresso	-NA		
	7PP 419 091 AA 7T1	Cognac	-NC,BN		
(1)	7PP 419 091 K	steering wheel Walnut, high-gloss Multi-function		1	PR:842,480, 345
	7PP 419 091 K A34	Black	-AB,AC,BB		
	7PP 419 091 K 8T3	Platinum Grey	-CB,CC		
	7PP 419 091 K 9J9	Luxor beige	-UB,UC,BC		
	7PP 419 091 K 7M9	yachting blue	-EC,BD		
	7PP 419 091 K 6H6	Espresso	-NA		
	7PP 419 091 K 7T1	Cognac	-NC,BN		
(1)	7PP 419 091 L	steering wheel Carbon Multi-function		1	PR:845,480, 345
	7PP 419 091 L A34	Black	-AB,AC,BB		
	7PP 419 091 L 8T3	Platinum Grey	-CB,CC		
	7PP 419 091 L 9J9	Luxor beige	-UB,UC,BC		
	7PP 419 091 L 7M9	yachting blue	-EC,BD		
	7PP 419 091 L 6H6	Espresso	-NA		
	7PP 419 091 L 7T1	Cognac	-NC,BN		
(1)	7PP 419 091 AQ	steering wheel Anthracite Birch Multi-function		1	PR:480,848, 345
	7PP 419 091 AQ A34	Black	-AB,AC,BB		

Model: 970 10 Model life 2010>>2016

Pos	Part Number	Description	Remark	Qty	Model
	7PP 419 091 AQ 8T3	Platinum Grey	-CB,CC		
	7PP 419 091 AQ 9J9	Luxor beige	-UB,UC,BC		
	7PP 419 091 AQ 7M9	yachting blue	-EC,BD		
	7PP 419 091 AQ 6H6	Espresso	-NA		
	7PP 419 091 AQ 7T1	Cognac	-NC,BN		
(1)	970 347 803 55	steering wheel Tineo Multi-function		1	PR:849,480, 345
	970 347 803 55 A34	Black	-AB,AC,BB		
	970 347 803 55 8T3	Platinum Grey	-CB,CC		
	970 347 803 55 9J9	Luxor beige	-UB,UC,BC		
	970 347 803 55 7M9	yachting blue	-EC,BD		
	970 347 803 55 6H6	Espresso	-NA		
	970 347 803 55 7T1	Cognac	-NC,BN		
(1)	970 347 980 00	steering wheel Mahogany Yachting Multi-function		1	PR:480,XZZ, 345
	970 347 980 00 A34	Black	-AB,AC,BB		
	970 347 980 00 8T3	Platinum Grey	-CB,CC		
	970 347 980 00 9J9	Luxor beige	-UB,UC,BC		
	970 347 980 00 7M9	yachting blue	-EC,BD		
	970 347 980 00 6H6	Espresso	-NA		
	970 347 980 00 7T1	Cognac	-NC,BN		
-		Steering wheels for - PDK -			PR:250
(1)	7PP 419 091 M	steering wheel Leather		1	PR:250,841, -345
	7PP 419 091 M A34	Black	-AB,AC,BB		
	7PP 419 091 M 8T3	Platinum Grey	-CB,CC		
	7PP 419 091 M 9J9	Luxor beige	-UB,UC,BC		
	7PP 419 091 M 7M9	yachting blue	-EC,BD		
	7PP 419 091 M 6H6	Espresso	-NA		
	7PP 419 091 M 7T1	Cognac	-NC,BN		
(1)	7PP 419 091 N	steering wheel Leather		1	PR:250,841, 345
	7PP 419 091 N A34	Black	-AB,AC,BB		
	7PP 419 091 N 8T3	Platinum Grey	-CB,CC		
	7PP 419 091 N 9J9	Luxor beige	-UB,UC,BC		
	7PP 419 091 N 7M9	yachting blue	-EC,BD		
	7PP 419 091 N 6H6	Espresso	-NA		
	7PP 419 091 N 7T1	Cognac	-NC,BN		
(1)	7PP 419 091 P	steering wheel Leather Multi-function		1	PR:250,844, -345
	7PP 419 091 P A34	Black	-AB,AC,BB		
	7PP 419 091 P 8T3	Platinum Grey	-CB,CC		
	7PP 419 091 P 9J9	Luxor beige	-UB,UC,BC		
	7PP 419 091 P 7M9	yachting blue	-EC,BD		
	7PP 419 091 P 6H6	Espresso	-NA		
	7PP 419 091 P 7T1	Cognac	-NC,BN		
(1)	7PP 419 091 Q	steering wheel Leather Multi-function		1	PR:250,844, 345
	7PP 419 091 Q A34	Black	-AB,AC,BB		
	7PP 419 091 Q 8T3	Platinum Grey	-CB,CC		
	7PP 419 091 Q 9J9	Luxor beige	-UB,UC,BC		
	7PP 419 091 Q 7M9	yachting blue	-EC,BD		
	7PP 419 091 Q 6H6	Espresso	-NA		
	7PP 419 091 Q 7T1	Cognac	-NC,BN		
(1)	7PP 419 091 AT	steering wheel Walnut, high-gloss Multi-function		1	PR:250,842, 345

Model: 970 10 Model life 2010>>2016

Pos	Part Number	Description	Remark	Qty	Model
	7PP 419 091 AT A34	Black	-AB,AC,BB		
	7PP 419 091 AT 8T3	Platinum Grey	-CB,CC		
	7PP 419 091 AT 9J9	Luxor beige	-UB,UC,BC		
	7PP 419 091 AT 7M9	yachting blue	-EC,BD		
	7PP 419 091 AT 6H6	Espresso	-NA		
	7PP 419 091 AT 7T1	Cognac	-NC,BN		
(1)	7PP 419 091 BA	steering wheel Carbon Multi-function		1	PR:250,845, 345
	7PP 419 091 BA A34	Black	-AB,AC,BB		
	7PP 419 091 BA 8T3	Platinum Grey	-CB,CC		
	7PP 419 091 BA 9J9	Luxor beige	-UB,UC,BC		
	7PP 419 091 BA 7M9	yachting blue	-EC,BD		
	7PP 419 091 BA 6H6	Espresso	-NA		
	7PP 419 091 BA 7T1	Cognac	-NC,BN		
(1)	7PP 419 091 AP	steering wheel Anthracite Birch Multi-function		1	PR:250,848, 345
	7PP 419 091 AP A34	Black	-AB,AC,BB		
	7PP 419 091 AP 8T3	Platinum Grey	-CB,CC		
	7PP 419 091 AP 9J9	Luxor beige	-UB,UC,BC		
	7PP 419 091 AP 7M9	yachting blue	-EC,BD		
	7PP 419 091 AP 6H6	Espresso	-NA		
	7PP 419 091 AP 7T1	Cognac	-NC,BN		
(1)	970 347 803 20	steering wheel Tineo Multi-function		1	PR:250,849, 345
	970 347 803 20 A34	Black	-AB,AC,BB		
	970 347 803 20 8T3	Platinum Grey	-CB,CC		
	970 347 803 20 9J9	Luxor beige	-UB,UC,BC		
	970 347 803 20 7M9	yachting blue	-EC,BD		
	970 347 803 20 6H6	Espresso	-NA		
	970 347 803 20 7T1	Cognac	-NC,BN		
(1)	970 347 981 00	steering wheel Mahogany Yachting Multi-function		1	PR:250,XZZ, 345
	970 347 981 00 A34	Black	-AB,AC,BB		
	970 347 981 00 8T3	Platinum Grey	-CB,CC		
	970 347 981 00 9J9	Luxor beige	-UB,UC,BC		
	970 347 981 00 7M9	yachting blue	-EC,BD		
	970 347 981 00 6H6	Espresso	-NA		
	970 347 981 00 7T1	Cognac	-NC,BN		
2	N 910 207 01	Screw with int. serrations M 18 X 1,5 X 26		1	
3	970 347 007 07	Steering column Mechanical	lhd	1	PR:655,098
		D >> - MJ 2010 Discontinued part			
(3)	970 347 007 08	Steering column Mechanical	lhd	1	PR:655,098
		D >> - MJ 2010			
(3)	970 347 008 07	Steering column Mechanical	rhd	1	PR:655,099
		Discontinued part			
(3)	970 347 008 08	Steering column Mechanical	rhd	1	PR:655,099
(3)	970 347 007 15	Steering column Electric	lhd	1	PR:656,098
		D >> - MJ 2010			
(3)	970 347 008 15	Steering column Electric	rhd	1	PR:656,099
4	900 378 220 01	Hexagon bolt M 8 X 30		4	

Model: 970 10 Model life 2010>>2016

Pos	Part Number	Description	Remark	Qty	Model
5	970 347 337 00	Sealing flange		1	
6	970 347 175 00	handle		1	PR:655
	970 347 175 00 1E0	Black			
7	N 104 066 02	Oval hexagon socket head bolt M 5 X 8		1	
8	970 347 037 01	Sealing sleeve	lhd	1	PR:098
(8)	970 347 038 01	Sealing sleeve	rhd	1	PR:099
9	8E0 035 413	Hexagon socket head bolt M5 X10		1	PR:655
9	8E0 035 413	Hexagon socket head bolt M5 X10		2	PR:656
10	7PP 905 852 B	Control unit Steering column Locking mechanism Discontinued part		1	
(10)	7PP 905 852 C	Control unit Steering column Locking mechanism		1	
11	4H0 907 705 F	Control unit for electrically adjustable steering column Discontinued part		1	PR:656
(11)	4H0 907 705 G	Control unit for electrically adjustable steering column Discontinued part		1	PR:656
(11)	4H0 907 705 H	Control unit for electrically adjustable steering column Discontinued part		1	PR:656
(11)	4H0 907 705 J	Control unit for electrically adjustable steering column Discontinued part		1	PR:656
(11)	4H0 907 705 K	Control unit for electrically adjustable steering column Discontinued part		1	PR:656
12	7PP 951 527	Switch heater steering wheel		1	
	7PP 951 527 A05	Black			PR:345
13	WHT 004 955	Torx screw Steering column Steering gear Discontinued part		1	
13	WHT 004 955 A	Torx socket head bolt Steering column Steering gear		1	
14	7PP 959 537 D	Module steering wheel		1	PR:480,841
	7PP 959 537 D 2S0	Cognac	-NC, BN		
	7PP 959 537 D 3T0	Espresso	-NA		
	7PP 959 537 D 4U0	Platinum Grey	-CB, CC, GC		
	7PP 959 537 D 5Q0	Black	-AB, AC, BB		
	7PP 959 537 D 6W0	Luxor beige	-UB, UC, BC		
	7PP 959 537 D 7X0	Marsala Red	-PC		
	7PP 959 537 D 8Y0	yachting blue	-EC, BD		
14	7PP 959 537 E	Module steering wheel		1	PR:250,840, 841
	7PP 959 537 E 2S0	Cognac	-NC, BN		
	7PP 959 537 E 3T0	Espresso	-NA		
	7PP 959 537 E 4U0	Platinum Grey	-CB, CC, GC		
	7PP 959 537 E 5Q0	Black	-AB, AC, BB		
	7PP 959 537 E 6W0	Luxor beige	-UB, UC, BC		
	7PP 959 537 E 7X0	Marsala Red	-PC		

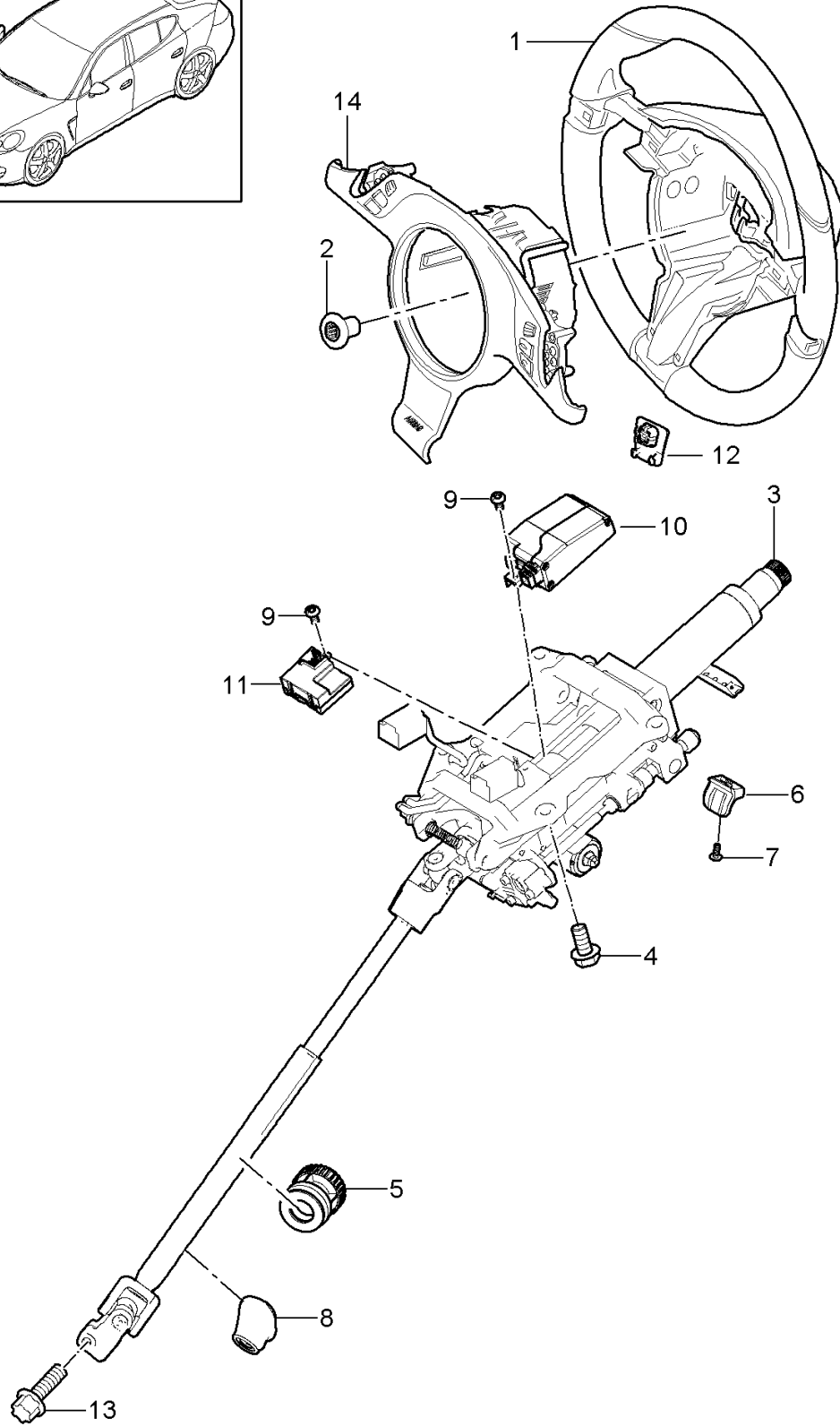
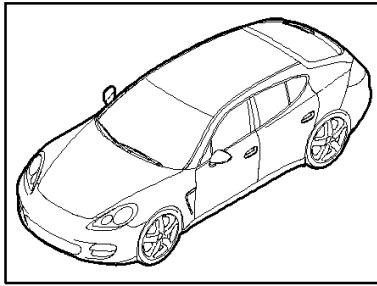
Model: 970 10

Model life 2010>>2016

Pos	Part Number	Description	Remark	Qty	Model
14	7PP 959 537 E 8Y0 7PP 959 537 K	yachting blue Module steering wheel	-EC, BD	1	PR: 480, 842, 844, 845, 848, 849, XZZ
	7PP 959 537 K 2S0 7PP 959 537 K 3T0 7PP 959 537 K 4U0 7PP 959 537 K 5Q0 7PP 959 537 K 6W0 7PP 959 537 K 7X0 7PP 959 537 K 8Y0	Cognac Espresso Platinum Grey Black Luxor beige Marsala Red yachting blue	-NC, BN -NA -CB, CC, GC -AB, AC, BB -UB, UC, BC -PC -EC, BD		
14	7PP 959 537 L	Module steering wheel		1	PR: 250, 842, 844, 845, 848, 849, XZZ
	7PP 959 537 L 2S0 7PP 959 537 L 3T0 7PP 959 537 L 4U0 7PP 959 537 L 5Q0 7PP 959 537 L 6W0 7PP 959 537 L 7X0 7PP 959 537 L 8Y0	Cognac Espresso Platinum Grey Black Luxor beige Marsala Red yachting blue	-NC, BN -NA -CB, CC, GC -AB, AC, BB -UB, UC, BC -PC -EC, BD		
-	000 043 207 48	Adhesive set steering wheel See technical manual suspension		1	
		Group: 48 12 19			
-	000 043 209 01	Discontinued part emulsion tube		X	
		only in conj. with: 000.043.209.00			
-	000 043 209 00	Adhesive set steering wheel		1	
		only in conj. with: 000.043.209.01 See technical manual suspension			
		Group: 48 12 19			
-	000 043 205 44	Grease 1 tube 10 GR.		X	

Model: 970 10

Model life 2010>>2016



Model: 970 10 Model life 2010>>2016

Pos	Part Number	Description	Remark	Qty	Model
-		Steering wheels Steering column Intermediate steering shaft D - MJ 2011>> - MJ 2013			PR:480
1	7PP 419 091 AH	Manual gearbox steering wheel Leather		1	PR:841,480, -345
	7PP 419 091 AH A34	Black	-AB,AC,BB,GK, GS,GA,DS,PK, PL		
	7PP 419 091 AH 8T3	Platinum Grey	-CB,CC,GC		
	7PP 419 091 AH 9J9	Luxor beige	-UB,UC,BC,GU		
	7PP 419 091 AH 7M9	yachting blue	-EC,BD,GE		
	7PP 419 091 AH 6H6	Espresso	-NA		
	7PP 419 091 AH 7T1	Cognac	-NC,BN		
	7PP 419 091 AH 8U7	Marsala Red	-PC,BE,GP		
(1)	7PP 419 091 AJ	steering wheel Leather		1	PR:841,480, 345
	7PP 419 091 AJ A34	Black	-AB,AC,BB,GK, GS,GA,DS,PK, PL		
	7PP 419 091 AJ 8T3	Platinum Grey	-CB,CC,GC		
	7PP 419 091 AJ 9J9	Luxor beige	-UB,UC,BC,GU		
	7PP 419 091 AJ 7M9	yachting blue	-EC,BD,GE		
	7PP 419 091 AJ 6H6	Espresso	-NA		
	7PP 419 091 AJ 7T1	Cognac	-NC,BN		
	7PP 419 091 AJ 8U7	Marsala Red	-PC,BE,GP		
(1)	7PP 419 091 AK	steering wheel Leather Multi-function		1	PR:-345,480, 844
	7PP 419 091 AK A34	Black	-AB,AC,BB,GK, GS,GA,DS,PK, PL		
	7PP 419 091 AK 8T3	Platinum Grey	-CB,CC,GC		
	7PP 419 091 AK 9J9	Luxor beige	-UB,UC,BC,GU		
	7PP 419 091 AK 7M9	yachting blue	-EC,BD,GE		
	7PP 419 091 AK 6H6	Espresso	-NA		
	7PP 419 091 AK 7T1	Cognac	-NC,BN		
	7PP 419 091 AK 8U7	Marsala Red	-PC,BE,GP		
(1)	7PP 419 091 AL	steering wheel Leather Multi-function		1	PR:345,480, 844
	7PP 419 091 AL A34	Black	-AB,AC,BB,GK, GS,GA,DS,PK, PL		
	7PP 419 091 AL 8T3	Platinum Grey	-CB,CC,GC		
	7PP 419 091 AL 9J9	Luxor beige	-UB,UC,BC,GU		
	7PP 419 091 AL 7M9	yachting blue	-EC,BD,GE		
	7PP 419 091 AL 6H6	Espresso	-NA		
	7PP 419 091 AL 7T1	Cognac	-NC,BN		
	7PP 419 091 AL 8U7	Marsala Red	-PC,BE,GP		
(1)	7PP 419 091 AM	steering wheel Walnut, high-gloss Multi-function		1	PR:345,480, 842
	7PP 419 091 AM A34	Black	-AB,AC,BB,GK, GS,GA,DS,PK, PL		
	7PP 419 091 AM 8T3	Platinum Grey	-CB,CC,GC		
	7PP 419 091 AM 9J9	Luxor beige	-UB,UC,BC,GU		
	7PP 419 091 AM 7M9	yachting blue	-EC,BD,GE		
	7PP 419 091 AM 6H6	Espresso	-NA		

Model: 970 10 Model life 2010>>2016

Pos	Part Number	Description	Remark	Qty	Model
(1)	7PP 419 091 AM 7T1	Cognac	-NC, BN	1	PR: 345, 480, 845
	7PP 419 091 AM 8U7	Marsala Red	-PC, BE, GP		
	7PP 419 091 AN	steering wheel Carbon Multi-function			
	7PP 419 091 AN A34	Black	-AB, AC, BB, GK, GS, GA, DS, PK, PL		
	7PP 419 091 AN 8T3	Platinum Grey	-CB, CC, GC		
	7PP 419 091 AN 9J9	Luxor beige	-UB, UC, BC, GU		
	7PP 419 091 AN 7M9	yachting blue	-EC, BD, GE		
(1)	7PP 419 091 AN 6H6	Espresso	-NA	1	PR: 345, 480, 848
	7PP 419 091 AN 7T1	Cognac	-NC, BN		
	7PP 419 091 AN 8U7	Marsala Red	-PC, BE, GP		
	7PP 419 091 AS	steering wheel Anthracite Birch Multi-function			
	7PP 419 091 AS A34	Black	-AB, AC, BB, GK, GS, GA, DS, PK, PL		
	7PP 419 091 AS 8T3	Platinum Grey	-CB, CC, GC		
	7PP 419 091 AS 9J9	Luxor beige	-UB, UC, BC, GU		
(1)	7PP 419 091 AS 7M9	yachting blue	-EC, BD, GE	1	PR: 345, 480, 849
	7PP 419 091 AS 6H6	Espresso	-NA		
	7PP 419 091 AS 7T1	Cognac	-NC, BN		
	7PP 419 091 AS 8U7	Marsala Red	-PC, BE, GP		
	970 347 803 60	steering wheel Tineo Multi-function			
	970 347 803 60 A34	Black	-AB, AC, BB, GK, GS, GA, DS, PK, PL		
	970 347 803 60 8T3	Platinum Grey	-CB, CC, GC		
(1)	970 347 803 60 9J9	Luxor beige	-UB, UC, BC, GU	1	PR: XXX, 345, 480
	970 347 803 60 7M9	yachting blue	-EC, BD, GE		
	970 347 803 60 6H6	Espresso	-NA		
	970 347 803 60 7T1	Cognac	-NC, BN		
	970 347 803 60 8U7	Marsala Red	-PC, BE, GP		
	970 347 980 01	steering wheel Mahogany Yachting Multi-function			
	970 347 980 01 A34	Black	-AB, AC, BB, GK, GS, GA, DS, PK, PL		
(1)	970 347 980 01 8T3	Platinum Grey	-CB, CC, GC	1	PR: 249, 250
	970 347 980 01 9J9	Luxor beige	-UB, UC, BC, GU		
	970 347 980 01 7M9	yachting blue	-EC, BD, GE		
	970 347 980 01 6H6	Espresso	-NA		
	970 347 980 01 7T1	Cognac	-NC, BN		
	970 347 980 01 8U7	Marsala Red	-PC, BE, GP		
	-	Steering wheels for - PDK - and Tiptronic			
(1)	7PP 419 091 BB	steering wheel (leather)		1	PR: -345, -639, -640, 249, 250, 840
	7PP 419 091 BB A34	Shifting paddle No longer use the part here Black	-AB, AC, BB, GK, GS, GA, DS, PK, PL		
	7PP 419 091 BB 8T3	Platinum Grey	-CB, CC, GC		

Model: 970 10 Model life 2010>>2016

Pos	Part Number	Description	Remark	Qty	Model
(1)	7PP 419 091 BB 9J9	Luxor beige	-UB,UC,BC,GU	1	PR:-345, -639,-640, 249,250,840
	7PP 419 091 BB 7M9	yachting blue	-EC,BD,GE		
	7PP 419 091 BB 6H6	Espresso	-NA		
	7PP 419 091 BB 7T1	Cognac	-NC,BN		
	7PP 419 091 BB 8U7	Marsala Red	-PC,BE,GP		
	7PP 419 091 BE	steering wheel (leather)			
		Shifting paddle			
	7PP 419 091 BE A34	Black	-AB,AC,BB,GK, GS,GA,DS,PK, PL		
	7PP 419 091 BE 8T3	Platinum Grey	-CB,CC,GC		
	7PP 419 091 BE 9J9	Luxor beige	-UB,UC,BC,GU		
(1)	7PP 419 091 BE 7M9	yachting blue	-EC,BD,GE	1	PR:-345, -639,-640, 249,250,840
	7PP 419 091 BE 6H6	Espresso	-NA		
	7PP 419 091 BE 7T1	Cognac	-NC,BN		
	7PP 419 091 BE 8U7	Marsala Red	-PC,BE,GP		
	7PP 419 091 CC	steering wheel (leather)			
		Shifting paddle			
		D - MJ 2012>>			
	7PP 419 091 CC OK6	saddle brown	-SB,GH		
	7PP 419 091 AB	steering wheel Leather			
	7PP 419 091 AB A34	Black	-AB,AC,BB,GK, GS,GA,DS,PK, PL		
(1)	7PP 419 091 AB 8T3	Platinum Grey	-CB,CC,GC	1	PR:-345, -639,-640, 249,250,841
	7PP 419 091 AB 9J9	Luxor beige	-UB,UC,BC,GU		
	7PP 419 091 AB 7M9	yachting blue	-EC,BD,GE		
	7PP 419 091 AB 6H6	Espresso	-NA		
	7PP 419 091 AB 7T1	Cognac	-NC,BN		
	7PP 419 091 AB 8U7	Marsala Red	-PC,BE,GP		
	7PP 419 091 AC	steering wheel Leather			
	7PP 419 091 AC A34	Black	-AB,AC,BB,GK, GS,GA,DS,PK, PL		
	7PP 419 091 AC 8T3	Platinum Grey	-CB,CC,GC		
	7PP 419 091 AC 9J9	Luxor beige	-UB,UC,BC,GU		
(1)	7PP 419 091 AC 7M9	yachting blue	-EC,BD,GE	1	PR:-345, -639,-640, 250,345,841
	7PP 419 091 AC 6H6	Espresso	-NA		
	7PP 419 091 AC 7T1	Cognac	-NC,BN		
	7PP 419 091 AC 8U7	Marsala Red	-PC,BE,GP		
	7PP 419 091 AD	steering wheel Leather Multi-function			
	7PP 419 091 AD A34	Black	-AB,AC,BB,GK, GS,GA,DS,PK, PL		
	7PP 419 091 AD 8T3	Platinum Grey	-CB,CC,GC		
	7PP 419 091 AD 9J9	Luxor beige	-UB,UC,BC,GU		
	7PP 419 091 AD 7M9	yachting blue	-EC,BD,GE		
	7PP 419 091 AD 6H6	Espresso	-NA		
(1)	7PP 419 091 AD 7T1	Cognac	-NC,BN	1	PR:-345,249, 844
	7PP 419 091 AD 8U7	Marsala Red	-PC,BE,GP		
	7PP 419 091 AD	steering wheel Leather Multi-function			
	7PP 419 091 AD A34	Black	-AB,AC,BB,GK, GS,GA,DS,PK, PL		
	7PP 419 091 AD 8T3	Platinum Grey	-CB,CC,GC		
	7PP 419 091 AD 9J9	Luxor beige	-UB,UC,BC,GU		
	7PP 419 091 AD 7M9	yachting blue	-EC,BD,GE		
	7PP 419 091 AD 6H6	Espresso	-NA		
	7PP 419 091 AD 7T1	Cognac	-NC,BN		
	7PP 419 091 AD 8U7	Marsala Red	-PC,BE,GP		

Model: 970 10 Model life 2010>>2016

Pos	Part Number	Description	Remark	Qty	Model
	7PP 419 091 AD 8T3	Platinum Grey	PL		
	7PP 419 091 AD 9J9	Luxor beige	-CB,CC,GC		
	7PP 419 091 AD 7M9	yachting blue	-UB,UC,BC,GU		
	7PP 419 091 AD 6H6	Espresso	-EC,BD,GE		
	7PP 419 091 AD 7T1	Cognac	-NA		
	7PP 419 091 AD 8U7	Marsala Red	-NC,BN		
(1)	7PP 419 091 AE	steering wheel Leather Multi-function	-PC,BE,GP	1	PR:-639, -640,249, 250,345,844
	7PP 419 091 AE A34	Black	-AB,AC,BB,GK, GS,GA,DS,PK, PL		
	7PP 419 091 AE 8T3	Platinum Grey	-CB,CC,GC		
	7PP 419 091 AE 9J9	Luxor beige	-UB,UC,BC,GU		
	7PP 419 091 AE 7M9	yachting blue	-EC,BD,GE		
	7PP 419 091 AE 6H6	Espresso	-NA		
	7PP 419 091 AE 7T1	Cognac	-NC,BN		
	7PP 419 091 AE 8U7	Marsala Red	-PC,BE,GP		
(1)	7PP 419 091 AF	steering wheel Walnut, high-gloss Multi-function		1	PR:-639, -640,249, 250,345,842
	7PP 419 091 AF A34	Highly polished walnut root/ black	-AB,AC,BB,GK, GS,GA,DS,PK, PL		
	7PP 419 091 AF 8T3	Highly polished walnut root/ platinum grey	-CB,CC,GC		
	7PP 419 091 AF 9J9	Highly polished walnut root/ luxor beige	-UB,UC,BC,GU		
	7PP 419 091 AF 7M9	Highly polished walnut root/ yachting blue	-EC,BD,GE		
	7PP 419 091 AF 6H6	Highly polished walnut root/ espresso	-NA		
	7PP 419 091 AF 7T1	Highly polished walnut root/ cognac	-NC,BN		
	7PP 419 091 AF 8U7	Highly polished walnut root/ marsala red	-PC,BE,GP		
(1)	7PP 419 091 AG	steering wheel Carbon Multi-function Discontinued part		1	PR:-639, -640,250, 345,845
	7PP 419 091 AG A34	Black	-AB,AC,BB,GK, GS,GA,DS,PK, PL		
	7PP 419 091 AG 8T3	Platinum Grey	-CB,CC,GC		
	7PP 419 091 AG 9J9	Luxor beige	-UB,UC,BC,GU		
	7PP 419 091 AG 7M9	yachting blue	-EC,BD,GE		
	7PP 419 091 AG 6H6	Espresso	-NA		
	7PP 419 091 AG 7T1	Cognac	-NC,BN		
	7PP 419 091 AG 8U7	Marsala Red	-PC,BE,GP		
(1)	7PP 419 091 BM	steering wheel Carbon Multi-function Discontinued part		1	PR:-639, -640,250, 345,845
	7PP 419 091 BM A34	Black	-AB,AC,BB,GK, GS,GA,DS,PK, PL		
	7PP 419 091 BM 8T3	Platinum Grey	-CB,CC,GC		
	7PP 419 091 BM 9J9	Luxor beige	-UB,UC,BC,GU		
	7PP 419 091 BM 7M9	yachting blue	-EC,BD,GE		
	7PP 419 091 BM 6H6	Espresso	-NA		
	7PP 419 091 BM 7T1	Cognac	-NC,BN		
	7PP 419 091 BM 8U7	Marsala Red	-PC,BE,GP		

Model: 970 10 Model life 2010>>2016

Pos	Part Number	Description	Remark	Qty	Model
(1)	7PP 419 091 BM DE1 7PP 419 091 CM 7PP 419 091 CM A34 7PP 419 091 CM 8T3 7PP 419 091 CM 9J9 7PP 419 091 CM 7M9 7PP 419 091 CM 6H6 7PP 419 091 CM 7T1 7PP 419 091 CM 8U7 7PP 419 091 CM DE1 7PP 419 091 CM OE5	Umber steering wheel Carbon Multi-function Black Platinum Grey Luxor beige yachting blue Espresso Cognac Marsala Red Umber agate grey		1	PR: -639, -640,250, 345,845
(1)	7PP 419 091 CM 7PP 419 091 CM A34 7PP 419 091 CM 8T3 7PP 419 091 CM 9J9 7PP 419 091 CM 7M9 7PP 419 091 CM 6H6 7PP 419 091 CM 7T1 7PP 419 091 CM 8U7	steering wheel Carbon Multi-function Black Platinum Grey Luxor beige yachting blue Espresso Cognac Marsala Red	-AB,AC,BB,GK, GS,GA,DS,PK, PL -CB,CC,GC -UB,UC,BC,GU -EC,BD,GE -NA -NC,BN -PC,BE,GP -DT	1	PR: 249,345, 845
(1)	7PP 419 091 AR 7PP 419 091 AR A34 7PP 419 091 AR 8T3 7PP 419 091 AR 9J9 7PP 419 091 AR 7M9 7PP 419 091 AR 6H6 7PP 419 091 AR 7T1 7PP 419 091 AR 8U7	steering wheel Anthracite Birch Multi-function Birch anthracite/black Birch anthracite/platinum grey Birch anthracite/luxor beige Birch anthracite/yachting blue Birch anthracite/espresso Birch anthracite/cognac Birch anthracite/marsala red	-AB,AC,BB,GK, GS,GA,DS,PK, PL -CB,CC,GC -UB,UC,BC,GU -EC,BD,GE -NA -NC,BN -PC,BE,GP	1	PR: -639, -640,249, 250,345,848
(1)	970 347 803 21 970 347 803 21 A34 970 347 803 21 8T3 970 347 803 21 9J9 970 347 803 21 7M9 970 347 803 21 6H6 970 347 803 21 7T1 970 347 803 21 8U7	steering wheel Tineo Multi-function Black Platinum Grey Luxor beige yachting blue Espresso Cognac Marsala Red	-AB,AC,BB,GK, GS,GA,DS,PK, PL -CB,CC,GC -UB,UC,BC,GU -EC,BD,GE -NA -NC,BN -PC,BE,GP	1	PR: -639, -640,249, 250,345,849
(1)	970 347 981 02 970 347 981 02 A34 970 347 981 02 8T3 970 347 981 02 9J9 970 347 981 02 7M9 970 347 981 02 6H6 970 347 981 02 7T1 970 347 981 02 8U7	steering wheel Mahogany Yachting Multi-function Black Platinum Grey Luxor beige yachting blue Espresso Cognac Marsala Red	-AB,AC,BB,GK, GS,GA,DS,PK, PL -CB,CC,GC -UB,UC,BC,GU -EC,BD,GE -NA -NC,BN -PC,BE,GP	1	PR: -639, -640,249, 250,345, XZZ

Model: 970 10 Model life 2010>>2016

Pos	Part Number	Description	Remark	Qty	Model
(1)	7PP 419 091 BE	steering wheel (leather) Mahogany Yachting Multi-function		1	PR:-345, -639,-640, 249,250,840
	7PP 419 091 BE A34	Black	-AB,AC,BB,GK, GS,GA,DS,PK, PL		
	7PP 419 091 BE 8T3	Platinum Grey	-CB,CC,GC		
	7PP 419 091 BE 9J9	Luxor beige	-UB,UC,BC,GU		
	7PP 419 091 BE 7M9	yachting blue	-EC,BD,GE		
	7PP 419 091 BE 6H6	Espresso	-NA		
	7PP 419 091 BE 7T1	Cognac	-NC,BN		
	7PP 419 091 BE 8U7	Marsala Red	-PC,BE,GP		
(1)	7PP 419 091 CC	steering wheel (leather) Multi-function D - MJ 2012>>		1	PR:-345, -639,-640, 249,250,840
	7PP 419 091 CC OK6	saddle brown	-SB,GH		
(1)	7PP 419 091 BF	steering wheel Alcantara Multi-function		1	PR:-345, -639,-640, 249,250,843
	7PP 419 091 BF 2W0	Black			
(1)	970 347 803 30	steering wheel (leather)		1	PR:250,-345, 639,640,840
		Shifting paddle No longer use the part here			
	970 347 803 30 A34	Black	-AB,AC,BB,GK, GS,GA,DS,PK, PL		
	970 347 803 30 8T3	Platinum Grey	-CB,CC,GC		
	970 347 803 30 9J9	Luxor beige	-UB,UC,BC,GU		
	970 347 803 30 7M9	yachting blue	-EC,BD,GE		
	970 347 803 30 6H6	Espresso	-NA		
	970 347 803 30 7T1	Cognac	-NC,BN		
	970 347 803 30 8U7	Marsala Red	-PC,BE,GP		
(1)	970 347 803 31	steering wheel (leather)		1	PR:-345,250, 639,640,840
		Shifting paddle			
		Display unit with:			
	970 347 803 31 A34	Black	-AB,AC,BB,GK, GS,GA,DS,PK, PL		
	970 347 803 31 8T3	Platinum Grey	-CB,CC,GC		
	970 347 803 31 9J9	Luxor beige	-UB,UC,BC,GU		
	970 347 803 31 7M9	yachting blue	-EC,BD,GE		
	970 347 803 31 6H6	Espresso	-NA		
	970 347 803 31 7T1	Cognac	-NC,BN		
	970 347 803 31 8U7	Marsala Red	-PC,BE,GP		
(1)	970 347 803 33	steering wheel (leather)		1	PR:-345,250, 639,640,840
		Shifting paddle			
		Display unit with:			
		D - MJ 2012>>			
	970 347 803 33 OK6	saddle brown	-SB,GH		
(1)	970 347 803 32	steering wheel Shifting paddle Alcantara		1	PR:-345,249, 250,639,640, 843
		Display unit with:			
	970 347 803 32 2W0	Black			
(1)	970 347 803 01	steering wheel (leather)		1	PR:-345,250, 639,640,841
		with:			

Model: 970 10 Model life 2010>>2016

Pos	Part Number	Description	Remark	Qty	Model
	970 347 803 01 A34	Display unit Black	-AB,AC,BB,GK, GS,GA,DS,PK, PL		
	970 347 803 01 8T3	Platinum Grey	-CB,CC,GC		
	970 347 803 01 9J9	Luxor beige	-UB,UC,BC,GU		
	970 347 803 01 7M9	yachting blue	-EC,BD,GE		
	970 347 803 01 6H6	Espresso	-NA		
	970 347 803 01 7T1	Cognac	-NC,BN		
	970 347 803 01 8U7	Marsala Red	-PC,BE,GP		
(1)	970 347 803 13	mult.steering wheel (leather)		1	PR:250,345, 639,640,841
		with:			
	970 347 803 13 A34	Display unit Black	-AB,AC,BB,GK, GS,GA,DS,PK, PL		
	970 347 803 13 8T3	Platinum Grey	-CB,CC,GC		
	970 347 803 13 9J9	Luxor beige	-UB,UC,BC,GU		
	970 347 803 13 7M9	yachting blue	-EC,BD,GE		
	970 347 803 13 6H6	Espresso	-NA		
	970 347 803 13 7T1	Cognac	-NC,BN		
	970 347 803 13 8U7	Marsala Red	-PC,BE,GP		
(1)	970 347 803 08	mult.steering wheel (leather)		1	PR:-345,250, 639,640,844
		with:			
	970 347 803 08 A34	Display unit Black	-AB,AC,BB,GK, GS,GA,DS,PK, PL		
	970 347 803 08 8T3	Platinum Grey	-CB,CC,GC		
	970 347 803 08 9J9	Luxor beige	-UB,UC,BC,GU		
	970 347 803 08 7M9	yachting blue	-EC,BD,GE		
	970 347 803 08 6H6	Espresso	-NA		
	970 347 803 08 7T1	Cognac	-NC,BN		
	970 347 803 08 8U7	Marsala Red	-PC,BE,GP		
(1)	970 347 803 12	mult.steering wheel (leather)		1	PR:250,345, 639,640,844
		with:			
	970 347 803 12 A34	Display unit Black	-AB,AC,BB,GK, GS,GA,DS,PK, PL		
	970 347 803 12 8T3	Platinum Grey	-CB,CC,GC		
	970 347 803 12 9J9	Luxor beige	-UB,UC,BC,GU		
	970 347 803 12 7M9	yachting blue	-EC,BD,GE		
	970 347 803 12 6H6	Espresso	-NA		
	970 347 803 12 7T1	Cognac	-NC,BN		
	970 347 803 12 8U7	Marsala Red	-PC,BE,GP		
(1)	970 347 803 15	steering wheel Walnut, high-gloss Multi-function		1	PR:250,345, 639,640,842
		with:			
	970 347 803 15 A34	Display unit Highly polished walnut root/ black	-AB,AC,BB,GK, GS,GA,DS,PK, PL		
	970 347 803 15 8T3	Highly polished walnut root/ platinum grey	-CB,CC,GC		
	970 347 803 15 9J9	Highly polished walnut root/ luxor beige	-UB,UC,BC,GU		
	970 347 803 15 7M9	Highly polished walnut root/ yachting blue	-EC,BD,GE		

Model: 970 10 Model life 2010>>2016

Pos	Part Number	Description	Remark	Qty	Model
	970 347 803 15 6H6	Highly polished walnut root/ espresso	-NA		
	970 347 803 15 7T1	Highly polished walnut root/ cognac	-NC, BN		
	970 347 803 15 8U7	Highly polished walnut root/ marsala red	-PC, BE, GP		
	970 347 803 15 OE5	Highly polished walnut root/ agate grey	-DT		
(1)	970 347 803 09	steering wheel Carbon Multi-function		1	PR: 250, 345, 639, 640, 845
		with:			
	970 347 803 09 A34	Display unit Black	-AB, AC, BB, GK, GS, GA, DS, PK, PL		
	970 347 803 09 8T3	Platinum Grey	-CB, CC, GC		
	970 347 803 09 9J9	Luxor beige	-UB, UC, BC, GU		
	970 347 803 09 7M9	yachting blue	-EC, BD, GE		
	970 347 803 09 6H6	Espresso	-NA		
	970 347 803 09 7T1	Cognac	-NC, BN		
	970 347 803 09 8U7	Marsala Red	-PC, BE, GP		
(1)	970 347 803 09 OE5	agate grey steering wheel Anthracite Birch Multi-function	-DT	1	PR: 250, 345, 639, 640, 848
		with:			
	970 347 803 17 A34	Display unit Birch anthracite/black	-AB, AC, BB, GK, GS, GA, DS, PK, PL		
	970 347 803 17 8T3	Birch anthracite/platinum grey	-CB, CC, GC		
	970 347 803 17 9J9	Birch anthracite/luxor beige	-UB, UC, BC, GU		
	970 347 803 17 7M9	Birch anthracite/yachting blue	-EC, BD, GE		
	970 347 803 17 6H6	Birch anthracite/espresso	-NA		
	970 347 803 17 7T1	Birch anthracite/cognac	-NC, BN		
	970 347 803 17 8U7	Birch anthracite/marsala red	-PC, BE, GP		
(1)	970 347 803 17 OE5	Birch anthracite/agate grey steering wheel Anthracite Birch Multi-function	-DT	1	PR: 250, 345, 639, 640, 848
		with:			
	970 347 803 67 A34	Display unit Birch anthracite/black	-AB, AC, BB, GK, GS, GA, DS, PK, PL		
	970 347 803 67 8T3	Birch anthracite/platinum grey	-CB, CC, GC		
	970 347 803 67 9J9	Birch anthracite/luxor beige	-UB, UC, BC, GU		
	970 347 803 67 7M9	Birch anthracite/yachting blue	-EC, BD, GE		
	970 347 803 67 6H6	Birch anthracite/espresso	-NA		
	970 347 803 67 7T1	Birch anthracite/cognac	-NC, BN		
	970 347 803 67 8U7	Birch anthracite/marsala red	-PC, BE, GP		
(1)	970 347 803 67 OE5	Birch anthracite/agate grey steering wheel Tineo Multi-function	-DT	1	PR: 250, 345, 639, 640, 849
		with:			
	970 347 803 19 A34	Display unit Highly pol. teneo/black	-AB, AC, BB, GK, GS, GA, DS, PK, PL		
	970 347 803 19 8T3	Highly pol. teneo/plat. grey	-CB, CC, GC		
	970 347 803 19 9J9	Highly pol. teneo/luxor beige	-UB, UC, BC, GU		

Model: 970 10 Model life 2010>>2016

Pos	Part Number	Description	Remark	Qty	Model
	970 347 803 19 7M9	Highly pol. teneo/ yachting blue	-EC, BD, GE		
	970 347 803 19 6H6	Highly pol. teneo/espresso	-NA		
	970 347 803 19 7T1	Highly pol. teneo/cognac	-NC, BN		
	970 347 803 19 8U7	Highly pol. teneo/marsala red	-PC, BE, GP		
	970 347 803 19 OE5	Highly pol. teneo/agate grey	-DT		
(1)	970 347 981 03	steering wheel Mahogany Yachting Multi-function		1	PR:250,345, 639,640,XZZ
		with:			
	970 347 981 03 A34	Display unit Black	-AB, AC, BB, GK, GS, GA, DS, PK, PL		
	970 347 981 03 8T3	Platinum Grey	-CB, CC, GC		
	970 347 981 03 9J9	Luxor beige	-UB, UC, BC, GU		
	970 347 981 03 7M9	yachting blue	-EC, BD, GE		
	970 347 981 03 6H6	Espresso	-NA		
	970 347 981 03 7T1	Cognac	-NC, BN		
	970 347 981 03 8U7	Marsala Red	-PC, BE, GP		
	970 347 981 03 OE5	agate grey	-DT		
2	N 910 207 01	Screw with int. serrations M 18 X 1,5 X 26		1	
(3)	970 347 007 09	Steering column Mechanical	lhd	1	PR:655,098
		D >> - MJ 2011			
(3)	970 347 007 22	Steering column Mechanical	lhd	1	PR:655,098
		D - MJ 2012>>			
(3)	970 347 008 09	Steering column Mechanical	rhd	1	PR:655,099
(3)	970 347 007 15	Steering column Electric	lhd	1	PR:656,098
		D >> - MJ 2011			
		Discontinued part			
(3)	970 347 007 16	Steering column Electric	lhd	1	PR:656,098
		D >> - MJ 2011			
		Discontinued part			
(3)	970 347 007 17	Steering column Electric	lhd	1	PR:656,098
		D >> - MJ 2011			
		Discontinued part			
(3)	970 347 007 30	Steering column Electric	lhd	1	PR:656,098
		D - MJ 2012>>			
		No longer use the part here			
(3)	970 347 007 32	Steering column Electric	lhd	1	PR:656,098
		D - MJ 2012>>			
(3)	970 347 008 15	Steering column Electric	rhd	1	PR:656,099
		Discontinued part			
(3)	970 347 008 16	Steering column Electric	rhd	1	PR:656,250, 099
		Discontinued part			
(3)	970 347 008 17	Steering column Electric	rhd	1	PR:656,250, 099
		Discontinued part			
(3)	970 347 008 18	Steering column Electric	rhd	1	PR:656,250, 099
4	900 378 220 01	Hexagon bolt M 8 X 30		4	

Model: 970 10 Model life 2010>>2016

Pos	Part Number	Description	Remark	Qty	Model
5	970 347 337 00	Sealing flange		1	
6	970 347 175 00	handle		1	PR:655,647
	970 347 175 00 1E0	Black			
7	N 104 066 02	Oval hexagon socket head bolt M 5 X 8		1	
8	970 347 037 01	Sealing sleeve	lhd	1	PR:098
(8)	970 347 038 01	Sealing sleeve	rhd	1	PR:099
9	8E0 035 413	Hexagon socket head bolt M5 X10		1	PR:655
9	8E0 035 413	Hexagon socket head bolt M5 X10		2	PR:656
10	7PP 905 852 B	Control unit Steering column Locking mechanism Discontinued part		1	
(10)	7PP 905 852 C	Control unit Steering column Locking mechanism		1	
11	4H0 907 705 F	Control unit for electrically adjustable steering column Discontinued part		1	PR:656
(11)	4H0 907 705 G	Control unit for electrically adjustable steering column Discontinued part		1	PR:656
(11)	4H0 907 705 H	Control unit for electrically adjustable steering column Discontinued part		1	PR:656
(11)	4H0 907 705 J	Control unit for electrically adjustable steering column Discontinued part		1	PR:648,656
(11)	4H0 907 705 K	Control unit for electrically adjustable steering column Discontinued part		1	PR:648,656
12	7PP 951 527	Switch heater steering wheel		1	
	7PP 951 527 A05	Black			PR:345
13	WHT 004 955	Torx screw Steering column Steering gear Discontinued part		1	
(13)	WHT 004 955 A	Torx socket head bolt Steering column Steering gear		1	
14	7PP 959 537 D	Module steering wheel Discontinued part		1	PR:480,841
	7PP 959 537 D 2S0	Cognac	-NC, BN		
	7PP 959 537 D 3T0	Espresso	-NA		
	7PP 959 537 D 4U0	Platinum Grey	-CB, CC, GC		
	7PP 959 537 D 5Q0	Black	-AB, AC, BB, GK, GS, GA, DS, PK, PL		
	7PP 959 537 D 6W0	Luxor beige	-UB, UC, BC, GU		
	7PP 959 537 D 7X0	Marsala Red	-PC, BE, GP		
	7PP 959 537 D 8Y0	yachting blue	-EC, BD, GE		
14	7PP 959 537 AC	Module steering wheel Discontinued part		1	PR:480,841
	7PP 959 537 AC 2S0	Cognac	-NC, BN		
	7PP 959 537 AC 3T0	Espresso	-NA		

Model: 970 10 Model life 2010>>2016

Pos	Part Number	Description	Remark	Qty	Model
14	7PP 959 537 AC 4U0	Platinum Grey	-CB,CC,GC	1	PR:480,841
	7PP 959 537 AC 5Q0	Black	-AB,AC,BB,GK, GS,GA,DS,PK, PL		
	7PP 959 537 AC 6W0	Luxor beige	-UB,UC,BC,GU		
	7PP 959 537 AC 7X0	Marsala Red	-PC,BE,GP		
	7PP 959 537 AC 8Y0	yachting blue	-EC,BD,GE		
	7PP 959 537 AN	Module steering wheel			
	7PP 959 537 AN 2S0	Cognac	-NC,BN		
	7PP 959 537 AN 3T0	Espresso	-NA		
	7PP 959 537 AN 4U0	Platinum Grey	-CB,CC,GC		
	7PP 959 537 AN 5Q0	Black	-AB,AC,BB,GK, GS,GA,DS,PK, PL		
14	7PP 959 537 AN 6W0	Luxor beige	-UB,UC,BC,GU	1	PR:-639, -640,249, 250,840,841, 843
	7PP 959 537 AN 7X0	Marsala Red	-PC,BE,GP		
	7PP 959 537 AN 8Y0	yachting blue	-EC,BD,GE		
	7PP 959 537 E	Module steering wheel			
		Display unit	without:		
	7PP 959 537 E 2S0	Cognac	-NC,BN		
	7PP 959 537 E 3T0	Espresso	-NA		
	7PP 959 537 E 4U0	Platinum Grey	-CB,CC,GC		
	7PP 959 537 E 5Q0	Black	-AB,AC,BB,GK, GS,GA,DS,PK, PL		
	7PP 959 537 E 6W0	Luxor beige	-UB,UC,BC,GU		
14	7PP 959 537 E 7X0	Marsala Red	-PC,BE,GP	1	PR:480,842, 844,845,848, 849,XZZ
	7PP 959 537 E 8Y0	yachting blue	-EC,BD,GE		
	7PP 959 537 K	Module steering wheel			
		Display unit	without:		
	7PP 959 537 K 2S0	Cognac	-NC,BN		
	7PP 959 537 K 3T0	Espresso	-NA		
	7PP 959 537 K 4U0	Platinum Grey	-CB,CC,GC		
	7PP 959 537 K 5Q0	Black	-AB,AC,BB,GK, GS,GA,DS,PK, PL		
	7PP 959 537 K 6W0	Luxor beige	-UB,UC,BC,GU		
	7PP 959 537 K 7X0	Marsala Red	-PC,BE,GP		
14	7PP 959 537 K 8Y0	yachting blue	-EC,BD,GE	1	PR:639,640, 249,250,842, 844,845,848, 849,XZZ
	7PP 959 537 L	Module steering wheel			
		Display unit	without:		
		Discontinued part			
	7PP 959 537 L 2S0	Cognac	-NC,BN		
	7PP 959 537 L 3T0	Espresso	-NA		
	7PP 959 537 L 4U0	Platinum Grey	-CB,CC,GC		
	7PP 959 537 L 5Q0	Black	-AB,AC,BB,GK, GS,GA,DS,PK, PL		
	7PP 959 537 L 6W0	Luxor beige	-UB,UC,BC,GU		
	7PP 959 537 L 7X0	Marsala Red	-PC,BE,GP		
14	7PP 959 537 L 8Y0	yachting blue	-EC,BD,GE	1	PR:639,640, 250,842,844, 845,848,849, XZZ,249
	7PP 959 537 T	Module steering wheel			
		Display unit	without:		
		Discontinued part			

Model: 970 10 Model life 2010>>2016

Pos	Part Number	Description	Remark	Qty	Model
14	7PP 959 537 T 2S0	Cognac	-NC, BN	1	PR: 250, 842, 844, 845, 848, 849, XZZ, 249
	7PP 959 537 T 3T0	Espresso	-NA		
	7PP 959 537 T 4U0	Platinum Grey	-CB, CC, GC		
	7PP 959 537 T 5Q0	Black	-AB, AC, BB, GK, GS, GA, DS, PK, PL		
	7PP 959 537 T 6W0	Luxor beige	-UB, UC, BC, GU		
	7PP 959 537 T 7X0	Marsala Red	-PC, BE, GP		
	7PP 959 537 T 8Y0	yachting blue	-EC, BD, GE		
	7PP 959 537 AK	Module steering wheel			
		without:			
		Display unit			
14	7PP 959 537 AK 2S0	Cognac	-NC, BN	1	PR: 249, 250, 639, 640, 840, 841, 843
	7PP 959 537 AK 3T0	Espresso	-NA		
	7PP 959 537 AK 4U0	Platinum Grey	-CB, CC, GC		
	7PP 959 537 AK 5Q0	Black	-AB, AC, BB, GK, GS, GA, DS, PK, PL		
	7PP 959 537 AK 6W0	Luxor beige	-UB, UC, BC, GU		
	7PP 959 537 AK 7X0	Marsala Red	-PC, BE, GP		
	7PP 959 537 AK 8Y0	yachting blue	-EC, BD, GE		
	7PP 959 537 M	Module steering wheel			
		with:			
		Display unit			
14	7PP 959 537 M 2S0	Cognac	-NC, BN	1	PR: 250, 639, 640, 842, 844, 845, 848, 849, XZZ, 249
	7PP 959 537 M 3T0	Espresso	-NA		
	7PP 959 537 M 4U0	Platinum Grey	-CB, CC, GC		
	7PP 959 537 M 5Q0	Black	-AB, AC, BB, GK, GS, GA, DS, PK, PL		
	7PP 959 537 M 6W0	Luxor beige	-UB, UC, BC, GU		
	7PP 959 537 M 7X0	Marsala Red	-PC, BE, GP		
	7PP 959 537 M 8Y0	yachting blue	-EC, BD, GE		
	7PP 959 537 N	Module steering wheel			
		with:			
		Display unit			
-	000 043 207 48	Adhesive set steering wheel See technical manual suspension		1	
		Group:			
		48 12 19			
		Discontinued part			
	000 043 209 01	emulsion tube only in conj. with: 000.043.209.00			
	000 043 209 00	Adhesive set steering wheel only in conj. with: 000.043.209.01 See technical manual			

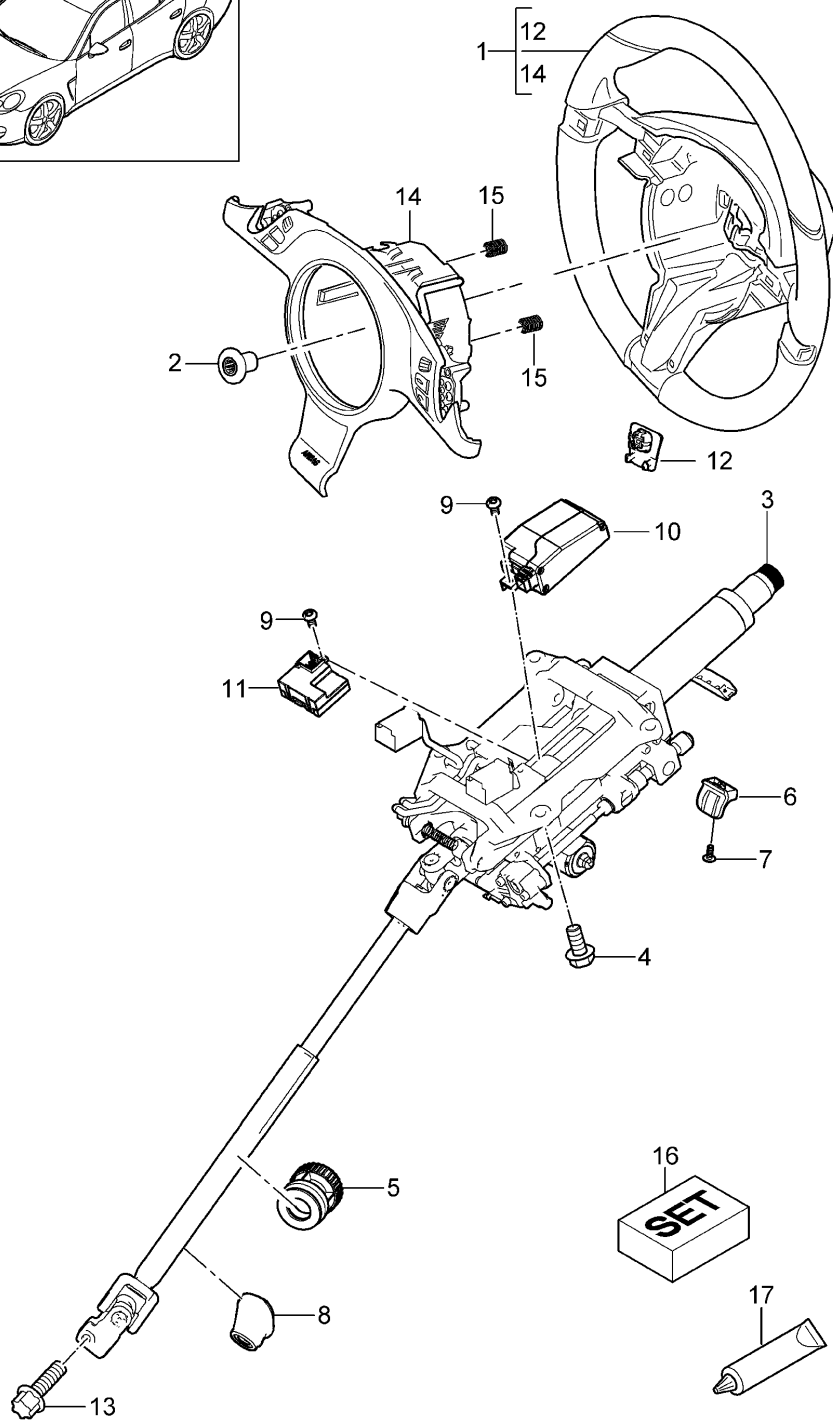
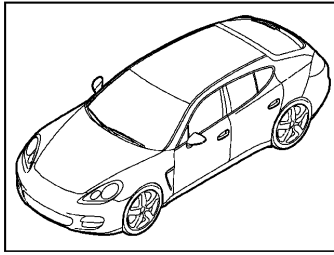
Model: 970 10

Model life 2010>>2016

Pos	Part Number	Description	Remark	Qty	Model
-	000 043 205 44	suspension Group: 48 12 19 Grease 1 tube 10 GR.		x	

Model: 970 10

Model life 2010>>2016



Model: 970 10 Model life 2010>>2016

Pos	Part Number	Description	Remark	Qty	Model
-		Steering wheels Steering column Intermediate steering shaft D - MJ 2014>> Steering wheels for - PDK - and Tiptronic			PR: 249, 250
(1)	7PP 419 091 CJ	steering wheel Leather Multi-function		1	PR: -345, -639, -640, 250, 844
	7PP 419 091 CJ A34	Black	-AB, AC, GK, GS, GA, PK, PL, DS, BF, DN		
	7PP 419 091 CJ 9J9	Luxor beige	-UB, UC, GU, BC		
	7PP 419 091 CJ 6H6	Espresso	-NA		
	7PP 419 091 CJ 7T1	Cognac	-NC, BN		
	7PP 419 091 CJ 8U7	Marsala Red	-PC, GP, BE		
	7PP 419 091 CJ OE5	agate grey	-DG, DL, GD, DT		
	7PP 419 091 CJ OK6	saddle brown	-SB, GH		
(1)	7PP 419 091 CJ	D - MJ 2015>> steering wheel Leather Multi-function		1	PR: -345, 249, 844
	7PP 419 091 CJ A34	Black	-AB, AC, GK, GS, GA, PK, PL, DS, BF, DN		
	7PP 419 091 CJ 9J9	Luxor beige	-UB, UC, GU, BC		
	7PP 419 091 CJ 6H6	Espresso	-NA		
	7PP 419 091 CJ 7T1	Cognac	-NC, BN		
	7PP 419 091 CJ 8U7	Marsala Red	-PC, GP, BE		
	7PP 419 091 CJ OE5	agate grey	-DG, DL, GD, DT		
	7PP 419 091 CJ OK6	saddle brown	-SB, GH		
(1)	7PP 419 091 CK	D - MJ 2015>> steering wheel Leather Multi-function		1	PR: -639, -640, 250, 345, 844
	7PP 419 091 CK A34	Black	-AB, AC, GK, GS, GA, PK, PL, DS, BF, DN		
	7PP 419 091 CK 9J9	Luxor beige	-UB, UC, GU, BC		
	7PP 419 091 CK 6H6	Espresso	-NA		
	7PP 419 091 CK 7T1	Cognac	-NC, BN		
	7PP 419 091 CK 8U7	Marsala Red	-PC, GP, BE		
	7PP 419 091 CK OE5	agate grey	-DG, DL, GD, DT		
	7PP 419 091 CK OK6	saddle brown	-SB, GH		
(1)	7PP 419 091 CK	D - MJ 2015>> steering wheel Leather Multi-function		1	PR: 249, 345, 844
	7PP 419 091 CK A34	Black	-AB, AC, GK, GS, GA, PK, PL, DS, BF, DN		
	7PP 419 091 CK 9J9	Luxor beige	-UB, UC, GU, BC		
	7PP 419 091 CK 6H6	Espresso	-NA		
	7PP 419 091 CK 7T1	Cognac	-NC, BN		
	7PP 419 091 CK 8U7	Marsala Red	-PC, GP, BE		
	7PP 419 091 CK OE5	agate grey	-DG, DL, GD, DT		
	7PP 419 091 CK OK6	saddle brown	-SB, GH		
(1)	7PP 419 091 CL	D - MJ 2015>> steering wheel Walnut, high-gloss		1	PR: -639, -640, 345,

Model: 970 10 Model life 2010>>2016

Pos	Part Number	Description	Remark	Qty	Model
	7PP 419 091 CL A34	Multi-function Highly polished walnut root/ black	-AB,AC,GK,GS, GA,PK,PL,DS, BF,DN		842,250,249
	7PP 419 091 CL 9J9	Highly polished walnut root/ luxor beige	-UB,UC,GU,BC		
	7PP 419 091 CL 6H6	Highly polished walnut root/ espresso	-NA		
	7PP 419 091 CL 7T1	Highly polished walnut root/ cognac	-NC,BN		
	7PP 419 091 CL 8U7	Highly polished walnut root/ marsala red	-PC,GP,BE		
	7PP 419 091 CL OE5	Highly polished walnut root/ agate grey	-DG,DL,GD,DT		
(1)	7PP 419 091 CM	steering wheel Carbon		1	PR:-639, -640,250, 345,845
	7PP 419 091 CM A34	Multi-function Black	-AB,AC,GK,GS, GA,PK,PL,DS, BF,DN		
	7PP 419 091 CM 9J9	Luxor beige	-UB,UC,GU,BC		
	7PP 419 091 CM 6H6	Espresso	-NA		
	7PP 419 091 CM 7T1	Cognac	-NC,BN		
	7PP 419 091 CM 8U7	Marsala Red	-PC,GP,BE		
	7PP 419 091 CM OE5	agate grey	-DG,DL,GD,DT		
	7PP 419 091 CM OK6	saddle brown D - MJ 2015>>	-SB,GH		
(1)	7PP 419 091 CM	steering wheel Carbon		1	PR:345,845, 249
	7PP 419 091 CM A34	Multi-function Black	-AB,AC,GK,GS, GA,PK,PL,DS, BF,DN		
	7PP 419 091 CM 9J9	Luxor beige	-UB,UC,GU,BC		
	7PP 419 091 CM 6H6	Espresso	-NA		
	7PP 419 091 CM 7T1	Cognac	-NC,BN		
	7PP 419 091 CM 8U7	Marsala Red	-PC,GP,BE		
	7PP 419 091 CM OE5	agate grey	-DG,DL,GD,DT		
	7PP 419 091 CM OK6	saddle brown D - MJ 2015>>	-SB,GH		
(1)	7PP 419 091 CN	steering wheel Anthracite Birch		1	PR:-639, -640,250, 345,848
	7PP 419 091 CN A34	Multi-function Birch anthracite/black	-AB,AC,GK,GS, GA,PK,PL,DS, BF,DN		
	7PP 419 091 CN 9J9	Birch anthracite/luxor beige	-UB,UC,GU,BC		
	7PP 419 091 CN 6H6	Birch anthracite/espresso	-NA		
	7PP 419 091 CN 7T1	Birch anthracite/cognac	-NC,BN		
	7PP 419 091 CN 8U7	Birch anthracite/marsala red	-PC,GP,BE		
	7PP 419 091 CN OE5	Birch anthracite/agate grey	-DG,DL,GD,DT		
	7PP 419 091 CN OK6	Birch anthracite/saddle brown D - MJ 2015>>	-SB,GH		
(1)	7PP 419 091 CN	steering wheel Anthracite Birch		1	PR:345,848, 249
	7PP 419 091 CN A34	Multi-function Birch anthracite/black	-AB,AC,GK,GS, GA,PK,PL,DS, BF,DN		
	7PP 419 091 CN 9J9	Birch anthracite/luxor beige	-UB,UC,GU,BC		
	7PP 419 091 CN 6H6	Birch anthracite/espresso	-NA		
	7PP 419 091 CN 7T1	Birch anthracite/cognac	-NC,BN		
	7PP 419 091 CN 8U7	Birch anthracite/marsala red	-PC,GP,BE		

Model: 970 10 Model life 2010>>2016

Pos	Part Number	Description	Remark	Qty	Model			
(1)	7PP 419 091 CN OE5	Birch anthracite/agate grey	-DG,DL,GD,DT	1	PR:-639, -640,250, 345,849			
	7PP 419 091 CN OK6	Birch anthracite/saddle brown	-SB,GH					
	970 347 803 35	D - MJ 2015>> steering wheel Tineo Multi-function						
	970 347 803 35 A34	Black	-AB,AC,GK,GS, GA,PK,PL,DS, BF,DN					
	970 347 803 35 9J9	Luxor beige	-UB,UC,GU,BC					
	970 347 803 35 6H6	Espresso	-NA					
	970 347 803 35 7T1	Cognac	-NC,BN					
	970 347 803 35 8U7	Marsala Red	-PC,GP,BE					
	970 347 803 35 OE5	agate grey	-DG,DL,GD,DT					
	970 347 803 35 OK6	saddle brown	-SB,GH					
(1)	970 347 803 35	D - MJ 2015>> steering wheel Tineo Multi-function		1	PR:249,345, 849			
	970 347 803 35 A34	Black	-AB,AC,GK,GS, GA,PK,PL,DS, BF,DN					
	970 347 803 35 9J9	Luxor beige	-UB,UC,GU,BC					
	970 347 803 35 6H6	Espresso	-NA					
	970 347 803 35 7T1	Cognac	-NC,BN					
	970 347 803 35 8U7	Marsala Red	-PC,GP,BE					
	970 347 803 35 OE5	agate grey	-DG,DL,GD,DT					
	970 347 803 35 OK6	saddle brown	-SB,GH					
	(1)	7PP 419 091 CP	D - MJ 2015>> steering wheel Mahogany Yachting Multi-function				1	PR:-639, -640,250, 345,XZZ
		7PP 419 091 CP A34	Black			-AB,AC,GK,GS, GA,PK,PL,DS, BF,DN		
7PP 419 091 CP 9J9		Luxor beige	-UB,UC,GU,BC					
7PP 419 091 CP 6H6		Espresso	-NA					
7PP 419 091 CP 7T1		Cognac	-NC,BN					
7PP 419 091 CP 8U7		Marsala Red	-PC,GP,BE					
7PP 419 091 CP OE5		agate grey	-DG,DL,GD,DT					
7PP 419 091 CP OK6		saddle brown	-SB,GH					
(1)		7PP 419 091 CP	D - MJ 2015>> steering wheel Mahogany Yachting Multi-function		1	PR:249,345, XZZ		
		7PP 419 091 CP A34	Black	-AB,AC,GK,GS, GA,PK,PL,DS, BF,DN				
	7PP 419 091 CP 9J9	Luxor beige	-UB,UC,GU,BC					
	7PP 419 091 CP 6H6	Espresso	-NA					
	7PP 419 091 CP 7T1	Cognac	-NC,BN					
	7PP 419 091 CP 8U7	Marsala Red	-PC,GP,BE					
	7PP 419 091 CP OE5	agate grey	-DG,DL,GD,DT					
	7PP 419 091 CP OK6	saddle brown	-SB,GH					
	(1)	7PP 419 091 CC	D - MJ 2015>> steering wheel (leather) Mahogany Yachting Multi-function				1	PR:-345, -639,-640, 250,840
		7PP 419 091 CC A34	Black	-AB,AC,GK,GS, GA,PK,PL,DS, BF,DN				
7PP 419 091 CC 9J9		Luxor beige	-UB,UC,GU,BC					
7PP 419 091 CC 6H6		Espresso	-NA					

Model: 970 10 Model life 2010>>2016

Pos	Part Number	Description	Remark	Qty	Model
	7PP 419 091 CC 7T1	Cognac	-NC, BN		
	7PP 419 091 CC 8U7	Marsala Red	-PC, GP, BE		
	7PP 419 091 CC OE5	agate grey	-DG, DL, GD, DT		
	7PP 419 091 CC OK6	saddle brown	-SB, GH		
		D - MJ 2015>>			
(1)	7PP 419 091 CC	steering wheel (leather) Mahogany Yachting Multi-function		1	PR: -345,249, 840
	7PP 419 091 CC A34	Black	-AB, AC, GK, GS, GA, PK, PL, DS, BF, DN		
	7PP 419 091 CC 9J9	Luxor beige	-UB, UC, GU, BC		
	7PP 419 091 CC 6H6	Espresso	-NA		
	7PP 419 091 CC 7T1	Cognac	-NC, BN		
	7PP 419 091 CC 8U7	Marsala Red	-PC, GP, BE		
	7PP 419 091 CC OE5	agate grey	-DG, DL, GD, DT		
	7PP 419 091 CC OK6	saddle brown	-SB, GH		
		D - MJ 2015>>			
(1)	7PP 419 091 CD	steering wheel Alcantara Multi-function		1	PR: -345, -639, -640, 250, 843
	7PP 419 091 CD 2W0	Black			
(1)	7PP 419 091 CD	steering wheel Alcantara Multi-function		1	PR: -345, 843, 249
	7PP 419 091 CD 2W0	Black			
(1)	970 347 803 33	steering wheel (leather)		1	PR: -345, 250, 639, 640, 840
		Shifting paddle			
		with:			
		Display unit			
	970 347 803 33 A34	Black	-AB, AC, GK, GS, GA, PK, PL, DS, BF, DN		
	970 347 803 33 9J9	Luxor beige	-UB, UC, GU, BC		
	970 347 803 33 6H6	Espresso	-NA		
	970 347 803 33 7T1	Cognac	-NC, BN		
	970 347 803 33 8U7	Marsala Red	-PC, GP, BE		
	970 347 803 33 OE5	agate grey	-DG, DL, GD, DT		
	970 347 803 33 OK6	saddle brown	-SB, GH		
		D - MJ 2015>>			
(1)	970 347 803 34	steering wheel Shifting paddle Alcantara		1	PR: -345, 250, 639, 640, 843
		with:			
		Display unit			
	970 347 803 34 2W0	Black			
(1)	970 347 803 38	mult.steering wheel (leather)		1	PR: -345, 250, 639, 640, 844
		with:			
		Display unit			
	970 347 803 38 A34	Black	-AB, AC, GK, GS, GA, PK, PL, DS, BF, DN		
	970 347 803 38 9J9	Luxor beige	-UB, UC, GU, BC		
	970 347 803 38 6H6	Espresso	-NA		
	970 347 803 38 7T1	Cognac	-NC, BN		
	970 347 803 38 8U7	Marsala Red	-PC, GP, BE		
	970 347 803 38 OE5	agate grey	-DG, DL, GD, DT		
	970 347 803 38 OK6	saddle brown	-SB, GH		
		D - MJ 2015>>			
(1)	970 347 803 39	mult.steering wheel (leather)		1	PR: 250, 345, 639, 640, 844

Model: 970 10 Model life 2010>>2016

Pos	Part Number	Description	Remark	Qty	Model
		with:			
	970 347 803 39 A34	Display unit Black	-AB,AC,GK,GS, GA,PK,PL,DS, BF, DN		
	970 347 803 39 9J9	Luxor beige	-UB,UC,GU,BC		
	970 347 803 39 6H6	Espresso	-NA		
	970 347 803 39 7T1	Cognac	-NC, BN		
	970 347 803 39 8U7	Marsala Red	-PC,GP, BE		
	970 347 803 39 OE5	agate grey	-DG,DL,GD,DT		
	970 347 803 39 OK6	saddle brown	-SB, GH		
(1)	970 347 803 40	D - MJ 2015>> steering wheel Walnut, high-gloss Multi-function		1	PR:250,345, 639,640,842
		with:			
	970 347 803 40 A34	Display unit Highly polished walnut root/ black	-AB,AC,GK,GS, GA,PK,PL,DS, BF, DN		
	970 347 803 40 9J9	Highly polished walnut root/ luxor beige	-UB,UC,GU,BC		
	970 347 803 40 6H6	Highly polished walnut root/ espresso	-NA		
	970 347 803 40 7T1	Highly polished walnut root/ cognac	-NC, BN		
	970 347 803 40 8U7	Highly polished walnut root/ marsala red	-PC,GP, BE		
	970 347 803 40 OE5	Highly polished walnut root/ agate grey	-DG,DL,GD,DT		
(1)	970 347 803 41	steering wheel Carbon Multi-function		1	PR:250,345, 639,640,845
		with:			
	970 347 803 41 A34	Display unit Black	-AB,AC,GK,GS, GA,PK,PL,DS, BF, DN		
	970 347 803 41 9J9	Luxor beige	-UB,UC,GU,BC		
	970 347 803 41 6H6	Espresso	-NA		
	970 347 803 41 7T1	Cognac	-NC, BN		
	970 347 803 41 8U7	Marsala Red	-PC,GP, BE		
	970 347 803 41 OE5	agate grey	-DG,DL,GD,DT		
	970 347 803 41 OK6	saddle brown	-SB, GH		
(1)	970 347 803 42	D - MJ 2015>> steering wheel Anthracite Birch Multi-function		1	PR:250,345, 639,640,848
		with:			
	970 347 803 42 A34	Display unit Birch anthracite/black	-AB,AC,GK,GS, GA,PK,PL,DS, BF, DN		
	970 347 803 42 9J9	Birch anthracite/luxor beige	-UB,UC,GU,BC		
	970 347 803 42 6H6	Birch anthracite/espresso	-NA		
	970 347 803 42 7T1	Birch anthracite/cognac	-NC, BN		
	970 347 803 42 8U7	Birch anthracite/marsala red	-PC,GP, BE		
	970 347 803 42 OE5	Birch anthracite/agate grey	-DG,DL,GD,DT		
	970 347 803 42 OK6	Birch anthracite/saddle brown	-SB, GH		
(1)	970 347 803 43	D - MJ 2015>> steering wheel Tineo Multi-function		1	PR:250,345, 639,640,849

Model: 970 10 Model life 2010>>2016

Pos	Part Number	Description	Remark	Qty	Model
		with:			
	970 347 803 43 A34	Display unit Highly pol. teneo/black	-AB,AC,GK,GS, GA,PK,PL,DS, BF, DN		
	970 347 803 43 9J9	Highly pol. teneo/luxor beige	-UB,UC,GU,BC		
	970 347 803 43 6H6	Highly pol. teneo/espresso	-NA		
	970 347 803 43 7T1	Highly pol. teneo/cognac	-NC, BN		
	970 347 803 43 8U7	Highly pol. teneo/marsala red	-PC,GP,BE		
	970 347 803 43 OE5	Highly pol. teneo/agate grey	-DG,DL,GD,DT		
	970 347 803 43 OK6	Highly pol. teneo/saddle brown	-SB,GH		
(1)	970 347 803 24	D - MJ 2015>> multifunction steering wheel - PDK -		1	PR:250,345, 639,837,640
	970 347 803 24 A34	Black	-AB,AC,GK,GS, GA,PK,PL,DS, BF, DN		
	970 347 803 24 9J9	Luxor beige	-UB,UC,GU,BC		
	970 347 803 24 6H6	Espresso	-NA		
	970 347 803 24 7T1	Cognac	-NC, BN		
	970 347 803 24 8U7	Marsala Red	-PC,GP,BE		
	970 347 803 24 OE5	agate grey	-DG,DL,GD,DT		
	970 347 803 24 OK6	saddle brown	-SB,GH		
(1)	970 347 803 23	D - MJ 2015>> multifunction steering wheel - PDK -		1	PR:250,345, -639,-640, 837
	970 347 803 23 A34	Black	-AB,AC,GK,GS, GA,PK,PL,DS, BF, DN		
	970 347 803 23 9J9	Luxor beige	-UB,UC,GU,BC		
	970 347 803 23 6H6	Espresso	-NA		
	970 347 803 23 7T1	Cognac	-NC, BN		
	970 347 803 23 8U7	Marsala Red	-PC,GP,BE		
	970 347 803 23 OE5	agate grey	-DG,DL,GD,DT		
	970 347 803 23 OK6	saddle brown	-SB,GH		
(1)	970 347 803 23	D - MJ 2015>> multifunction steering wheel - PDK -		1	PR:249,345, 837
	970 347 803 23 A34	Black	-AB,AC,GK,GS, GA,PK,PL,DS, BF, DN		
	970 347 803 23 9J9	Luxor beige	-UB,UC,GU,BC		
	970 347 803 23 6H6	Espresso	-NA		
	970 347 803 23 7T1	Cognac	-NC, BN		
	970 347 803 23 8U7	Marsala Red	-PC,GP,BE		
	970 347 803 23 OE5	agate grey	-DG,DL,GD,DT		
	970 347 803 23 OK6	saddle brown	-SB,GH		
(1)	970 347 981 06	D - MJ 2015>> steering wheel Mahogany Yachting Multi-function		1	PR:250,345, 639,640,XZZ
		with:			
	970 347 981 06 A34	Display unit Black	-AB,AC,GK,GS, GA,PK,PL,DS, BF, DN		
	970 347 981 06 9J9	Luxor beige	-UB,UC,GU,BC		
	970 347 981 06 6H6	Espresso	-NA		
	970 347 981 06 7T1	Cognac	-NC, BN		
	970 347 981 06 8U7	Marsala Red	-PC,GP,BE		
	970 347 981 06 OE5	agate grey	-DG,DL,GD,DT		
	970 347 981 06 OK6	saddle brown	-SB,GH		

Model: 970 10 Model life 2010>>2016

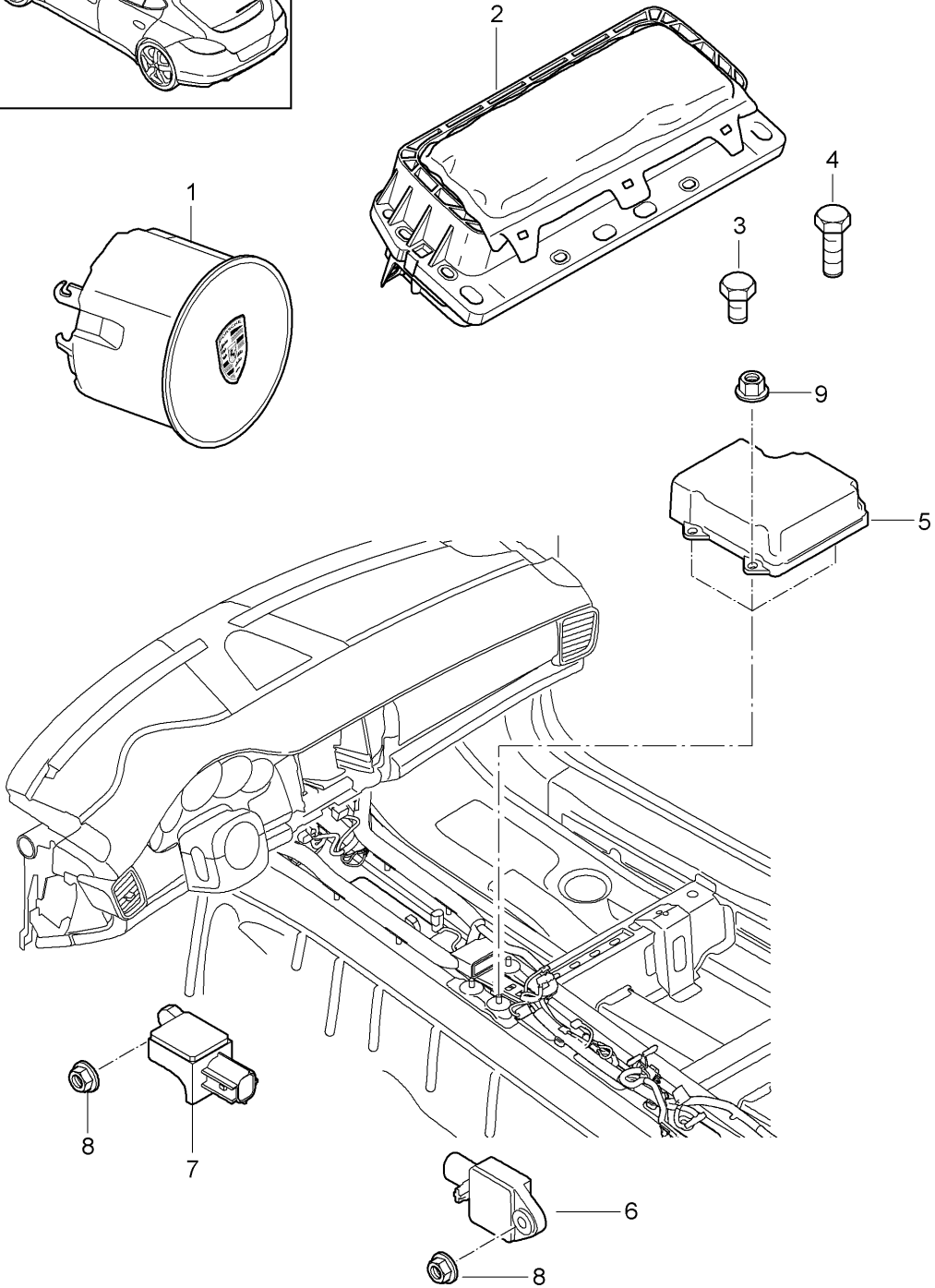
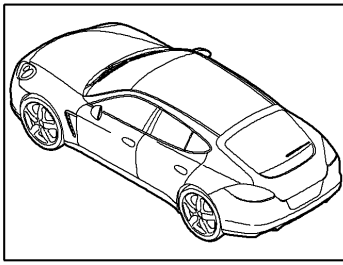
Pos	Part Number	Description	Remark	Qty	Model
2	N 910 207 01	D - MJ 2015>> Screw with int. serrations M 18 X 1,5 X 26		1	
(3)	970 347 007 22	Steering column Mechanical	lhd	1	PR:098,655
(3)	970 347 008 21	Steering column Mechanical	rhd	1	PR:099,655
(3)	970 347 007 32	Steering column Electric	lhd	1	PR:098,656
(3)	970 347 008 31	Steering column Electric	rhd	1	PR:099,656, 250
(3)	970 347 008 31	Steering column Electric	rhd	1	PR:099,656, 249
4	900 378 220 01	Hexagon bolt M 8 X 30		4	
5	970 347 337 00	Sealing flange		1	
6	970 347 175 00	handle		1	PR:655,647
	970 347 175 00 1E0	Black			
7	N 104 066 02	Oval hexagon socket head bolt M 5 X 8		1	
(8)	970 347 037 02	Sealing sleeve	lhd	1	PR:098
(8)	970 347 038 02	Sealing sleeve	rhd	1	PR:099
9	8E0 035 413	Hexagon socket head bolt M5 X10		1	PR:655
9	8E0 035 413	Hexagon socket head bolt M5 X10		2	PR:656
10	7PP 905 852 C	Control unit Steering column		1	
11	4H0 907 705 K	Control unit for electrically adjustable steering column		1	PR:648,656
12	7PP 951 527	Switch heater steering wheel		1	
	7PP 951 527 A05	Black			PR:345
13	WHT 004 955	Torx screw Steering column Steering gear Discontinued part		1	
(13)	WHT 004 955 A	Torx socket head bolt Steering column Steering gear		1	
14	7PP 959 537 AM	Module steering wheel		1	PR:-639, -640,250, 840,843,249
		without:			
	7PP 959 537 AM 2S0	Display unit Cognac	-NC		
	7PP 959 537 AM 3T0	Espresso	-NA		
	7PP 959 537 AM 5Q0	Black	-AB,AC,GK,GS, GA,PK,PL,DS, BF,DN		
	7PP 959 537 AM 6W0	Luxor beige	-UB,UC,GU,BC		
	7PP 959 537 AM 7X0	Marsala Red	-PC,GP,BE		
	7PP 959 537 AM OA6	agate grey	-DG,DL,GD,DT		
(14)	7PP 959 537 AK	Module steering wheel		1	PR:-639, -640,250, 842,844,845, 848,849,XZZ, 249
		without:			
		Display unit			
	7PP 959 537 AK 2S0	Cognac	-NC		
	7PP 959 537 AK 3T0	Espresso	-NA		

Model: 970 10 Model life 2010>>2016

Pos	Part Number	Description	Remark	Qty	Model
	7PP 959 537 AK 5Q0	Black	-AB, AC, GK, GS, GA, PK, PL, DS, BF, DN		
	7PP 959 537 AK 6W0	Luxor beige	-UB, UC, GU, BC		
	7PP 959 537 AK 7X0	Marsala Red	-PC, GP, BE		
	7PP 959 537 AK OA6	agate grey	-DG, DL, GD, DT		
(14)	7PP 959 537 AJ	Module steering wheel		1	PR: 250, 639, 640, 840, 843, 249
		with:			
		Display unit			
	7PP 959 537 AJ 2S0	Cognac	-NC		
	7PP 959 537 AJ 3T0	Espresso	-NA		
	7PP 959 537 AJ 5Q0	Black	-AB, AC, GK, GS, GA, PK, PL, DS, BF, DN		
	7PP 959 537 AJ 6W0	Luxor beige	-UB, UC, GU, BC		
	7PP 959 537 AJ 7X0	Marsala Red	-PC, GP, BE		
	7PP 959 537 AJ OA6	agate grey	-DG, DL, GD, DT		
(14)	7PP 959 537 AH	Module steering wheel		1	PR: 250, 639, 640, 842, 844, 845, 848, 849, XZZ, 249
		with:			
		Display unit			
	7PP 959 537 AH 2S0	Cognac	-NC		
	7PP 959 537 AH 3T0	Espresso	-NA		
	7PP 959 537 AH 5Q0	Black	-AB, AC, GK, GS, GA, PK, PL, DS, BF, DN		
	7PP 959 537 AH 6W0	Luxor beige	-UB, UC, GU, BC		
	7PP 959 537 AH 7X0	Marsala Red	-PC, GP, BE		
	7PP 959 537 AH OA6	agate grey	-DG, DL, GD, DT		
15	9P1 419 357	Spring		2	
16	000 043 207 48	Signal horn		1	
		Adhesive set steering wheel			
		See technical manual suspension			
		Group:			
		48 12 19			
-	000 043 209 01	Discontinued part emulsion tube		X	
		only in conj. with:			
		000.043.209.00			
-	000 043 209 00	Adhesive set steering wheel		1	
		only in conj. with:			
		000.043.209.01			
		See technical manual suspension			
		Group:			
		48 12 19			
17	000 043 205 44	Grease 1 tube 10 GR.		X	

Model: 970 10

Model life 2010>>2016



Model: 970 10 Model life 2010>>2016

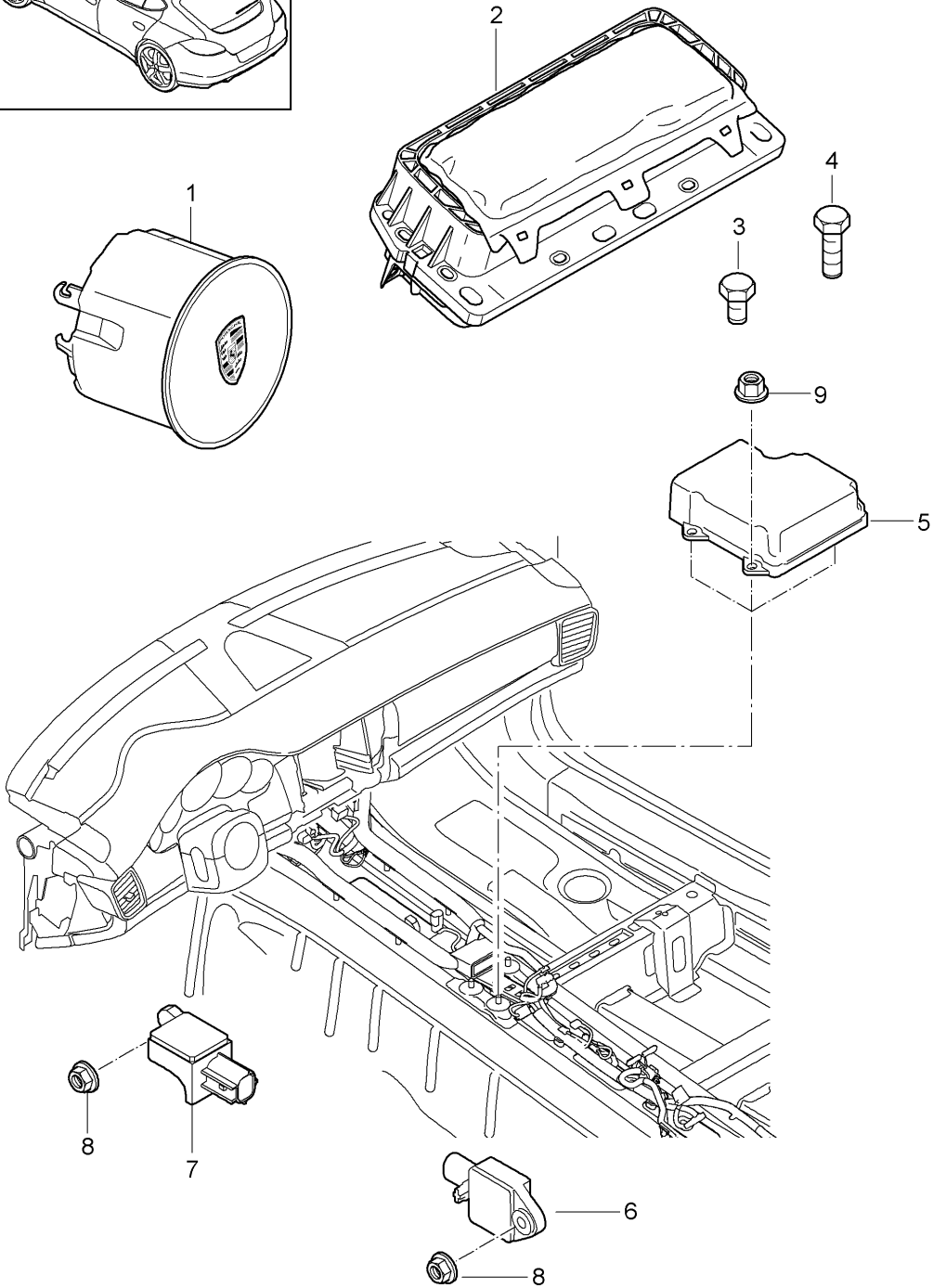
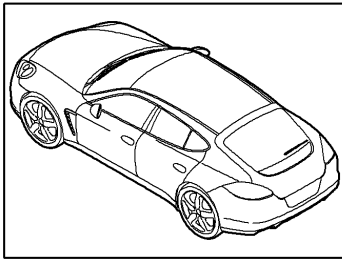
Pos	Part Number	Description	Remark	Qty	Model
1	970 803 089 02	Airbag D >> - MJ 2013 Airbag unit plastic		1	4820,4840+ PR:-991,-843
	970 803 089 02 5Q0	Black	-AB		
	970 803 089 02 4U0	Platinum Grey	-CB		
	970 803 089 02 6W0	Luxor beige	-UB		
(1)	970 803 089 04	Airbag unit plastic		1	4620,4640, CGEA,CGE, CGFA,CRCB, CRCC+ PR:-991
	970 803 089 04 5Q0	Black	-AB		
	970 803 089 04 4U0	Platinum Grey	-CB		
	970 803 089 04 6W0	Luxor beige	-UB		
(1)	970 803 089 03	Airbag unit Leather		1	4820,4840, 4870+ PR:991
	970 803 089 03 A34	Black	-AB,AC,BB,DS, PK,PL,GK,GS, GA		
	970 803 089 03 8T3	Platinum Grey	-CB,CC,GC		
	970 803 089 03 9J9	Luxor beige	-UB,UC,BC,GU		
	970 803 089 03 7M9	yachting blue	-EC,BD,GE		
	970 803 089 03 6H6	Espresso	-NA		
	970 803 089 03 7T1	Cognac	-NC,BN		
	970 803 089 03 8U7	Marsala Red	-PC,BE,GP		
(1)	970 803 089 05	Airbag unit Leather		1	4620,4640, CGEA,CGE, CGFA,CRCB, CRCC,CWDA, CWD+ PR:991
	970 803 089 05 A34	Black	-AB,AC,BB,GK, GS,GA		
	970 803 089 05 8T3	Platinum Grey	-CB,CC,GC		
	970 803 089 05 9J9	Luxor beige	-UB,UC,BC,GU		
	970 803 089 05 7M9	yachting blue	-EC,BD,GE		
	970 803 089 05 6H6	Espresso	-NA		
	970 803 089 05 7T1	Cognac	-NC,BN		
	970 803 089 05 8U7	Marsala Red	-PC,BE,GP		
2	970 803 071 07	Airbag unit (passenger side)		1	PR:098
(2)	970 803 071 06	Airbag unit (passenger side)		1	PR:099
3	N 908 204 01	bolt, hex. hd. (combi.) self-locking M 6 X 16		2	
4	N 911 087 01	Hexagon collared bolt with multi-point socket head (duo) M 6 X 25		6	
(5)	970 618 201 06	Control unit for airbag No longer use the part here		1	
(5)	970 618 201 23	Control unit for airbag		1	
(5)	970 618 201 24	D >> - MJ 2011 Control unit for airbag D - MJ 2012>>		1	
6	970 618 223 00	Accelerator sensor Airbag Front		2	
7	970 618 221 02	Accelerator sensor		4	
(7)	970 618 227 00	Side airbag unit Pressure sensor		4	

Model: 970 10 Model life 2010>>2016

Pos	Part Number	Description	Remark	Qty	Model
-	999 190 188 30	Side airbag unit Pop rivet 4,8 X 10		4	
8	999 084 629 01	Hexagon nut M 6		6	
9	999 516 032 01	Hexagon nut M 6 X 13		3	
-	970 803 061 04	Airbag unit dashboard Lower part	left	1	
	970 803 061 04 1R0	Cedar	-BN		
	970 803 061 04 2S0	Cognac	-NC		
	970 803 061 04 3T0	Espresso	-NA		
	970 803 061 04 4U0	Platinum Grey	-CB,CC,GC,BB		
	970 803 061 04 5Q0	Black	-AB,AC,GK,GS, GA		
	970 803 061 04 5V0	Cream	-BC,BD,BE,DS, DT		
	970 803 061 04 6W0	Luxor beige	-UB,UC,GU,PK, PL		
	970 803 061 04 7X0	Marsala Red	-PC,GP		
	970 803 061 04 8Y0	yachting blue	-EC,GE		
-	970 803 062 04	Airbag unit dashboard Lower part	right	1	
	970 803 062 04 1R0	Cedar	-BN		
	970 803 062 04 2S0	Cognac	-NC		
	970 803 062 04 3T0	Espresso	-NA		
	970 803 062 04 4U0	Platinum Grey	-CB,CC,GC,BB		
	970 803 062 04 5Q0	Black	-AB,AC,GK,GA		GS,
	970 803 062 04 5V0	Cream	-BC,BD,BE,DS, DT		
	970 803 062 04 6W0	Luxor beige	-UB,UC,GU,PK, PL		
	970 803 062 04 7X0	Marsala Red	-PC,GP		
	970 803 062 04 8Y0	yachting blue	-EC,GE		
-	999 073 512 01	fillister hd. bolt M5 X 16		3	

Model: 970 10

Model life 2010>>2016



Model: 970 10 Model life 2010>>2016

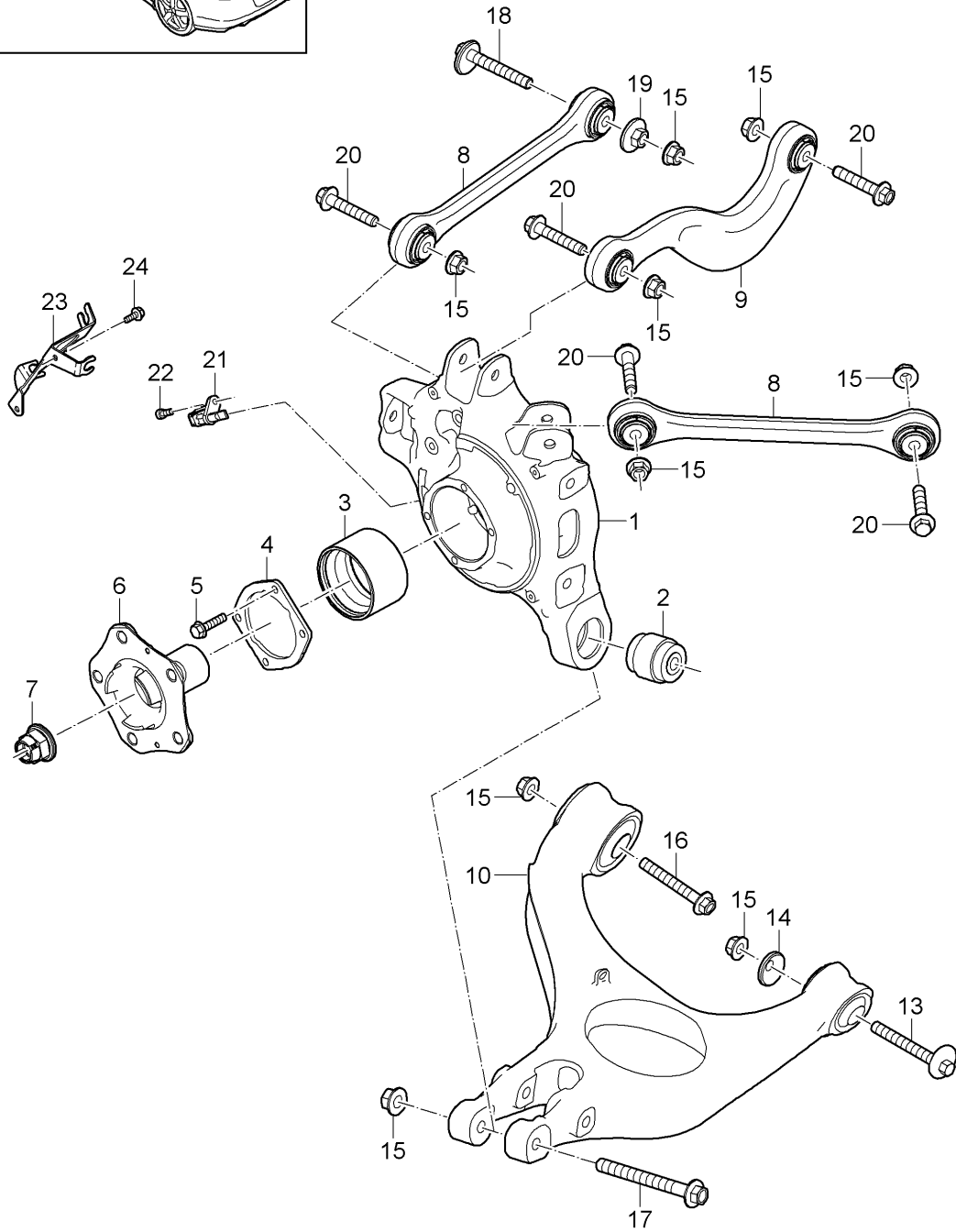
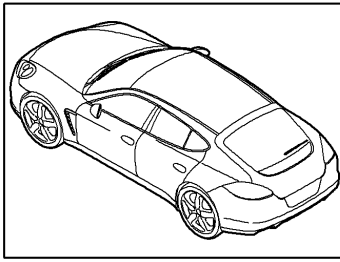
Pos	Part Number	Description	Remark	Qty	Model
1	970 803 089 04	Airbag D - MJ 2014>> Airbag unit plastic		1	CWAA, CWFA, CWF, CGEA, CGE, CGFA, CRCB, CRCC, CWDA, CWD+ PR: -843, -991
	970 803 089 04 5Q0	Black	-AB, AC, GK, GS, GA, PK, PL, DS, BF, DN, PF		
	970 803 089 04 OA6	agate grey	-DG, DL, GD, DT		
	970 803 089 04 6W0	Luxor beige	-UB, UC, BC, GU		
(1)	970 803 089 03	Airbag unit Leather		1	CWBA, CWB, CWCA, CWC+ PR: -843
	970 803 089 03 A34	Black	-AB, AC, GK, GS, GA, PK, PL, DS, BF, DN, PF		
	970 803 089 03 9J9	Luxor beige	-UB, UC, BC, GU		
	970 803 089 03 6H6	Espresso	-NA		
	970 803 089 03 7T1	Cognac	-NC		
	970 803 089 03 8U7	Marsala Red	-PC, BE, GP		
	970 803 089 03 OE5	agate grey	-DG, DL, GD, DT		
(1)	970 803 089 03	Airbag unit Leather		1	CWBA, CWB, CWCA, CWC+ PR: 843
	970 803 089 03 A34	Black			PR: 843
(1)	970 803 089 05	Airbag unit Leather		1	4620, 4640, CGEA, CGE, CGFA, CRCB, CRCC, CXPA, CXRA, CXR, CWDA, CWD, CWFA, CWF+ PR: 991, -843
	970 803 089 05 A34	Black	-AB, AC, GK, GS, GA, PK, PL, DS, BF, DN, PF		
	970 803 089 05 9J9	Luxor beige	-UB, UC, BC, GU		
	970 803 089 05 6H6	Espresso	-NA		
	970 803 089 05 7T1	Cognac	-NC, BN		
	970 803 089 05 8U7	Marsala Red	-PC, BE, GP		
	970 803 089 05 OE5	agate grey	-DG, DL, GD, DT		
	970 803 089 05 OK6	saddle brown	-SB, GH		
(1)	970 803 089 05	Airbag unit Leather		1	4620, 4640, CGEA, CGE, CGFA, CRCB, CRCC, CXPA, CXRA, CXR, CWDA, CWD, CWFA, CWF+ PR: 991, 843 PR: 843
	970 803 089 05 A34	Black			PR: 843
2	970 803 071 07	Airbag unit (passenger side)		1	PR: 098
(2)	970 803 071 06	Airbag unit (passenger side)		1	PR: 099
3	N 908 204 01	bolt, hex. hd. (combi.) self-locking		2	
		M 6 X 16			
4	N 911 087 01	Hexagon collared bolt with multi-point socket head (duo)		6	

Model: 970 10 Model life 2010>>2016

Pos	Part Number	Description	Remark	Qty	Model
5	970 618 201 27	M 6 X 25 Control unit for airbag		1	
6	970 618 223 00	Accelerator sensor Airbag Front		2	
7	970 618 221 02	Accelerator sensor Side airbag unit		4	
(7)	970 618 227 01	Pressure sensor Side airbag unit		4	
-	999 190 188 30	Pop rivet 4,8 X 10		4	
8	999 084 629 01	Hexagon nut M 6		6	
9	999 516 032 01	Hexagon nut M 6 X 13		3	
10	970 618 229 00	Accelerator sensor Airbag Front		1	
11	999 919 257 01	fillister hd. bolt 6 X 20		1	
-	970 803 061 04	Airbag unit dashboard Lower part	left	1	
	970 803 061 04 1R0	Cedar			
	970 803 061 04 2S0	Cognac	-NC		
	970 803 061 04 3T0	Espresso	-NA		
	970 803 061 04 5Q0	Black	-AB,AC,GK,GS, GA		
	970 803 061 04 5V0	Cream	-BC,BE,DS,DT		
	970 803 061 04 6W0	Luxor beige	-UB,UC,GU,PK, PL		
	970 803 061 04 7X0	Marsala Red	-PC,GP		
	970 803 061 04 OA6	agate grey	-DG,DL,GD		
	970 803 061 04 OE1	Carrera Red	-BF		
	970 803 061 04 OL7	saddle brown	-SB,GH,DN		
-	970 803 062 04	Airbag unit dashboard Lower part	right	1	
	970 803 062 04 1R0	Cedar			
	970 803 062 04 2S0	Cognac	-NC		
	970 803 062 04 3T0	Espresso	-NA		
	970 803 062 04 5Q0	Black	-AB,AC,GK,GS, GA		
	970 803 062 04 5V0	Cream	-BC,BE,DS,DT		
	970 803 062 04 6W0	Luxor beige	-UB,UC,GU,PK, PL		
	970 803 062 04 7X0	Marsala Red	-PC,GP		
	970 803 062 04 OA6	agate grey	-DG,DL,GD		
	970 803 062 04 OE1	Carrera Red	-BF		
	970 803 062 04 OL7	saddle brown	-SB,GH,DN		
-	999 073 512 01	fillister hd. bolt M5 X 16		3	

Model: 970 10

Model life 2010>>2016



Model: 970 10 Model life 2010>>2016

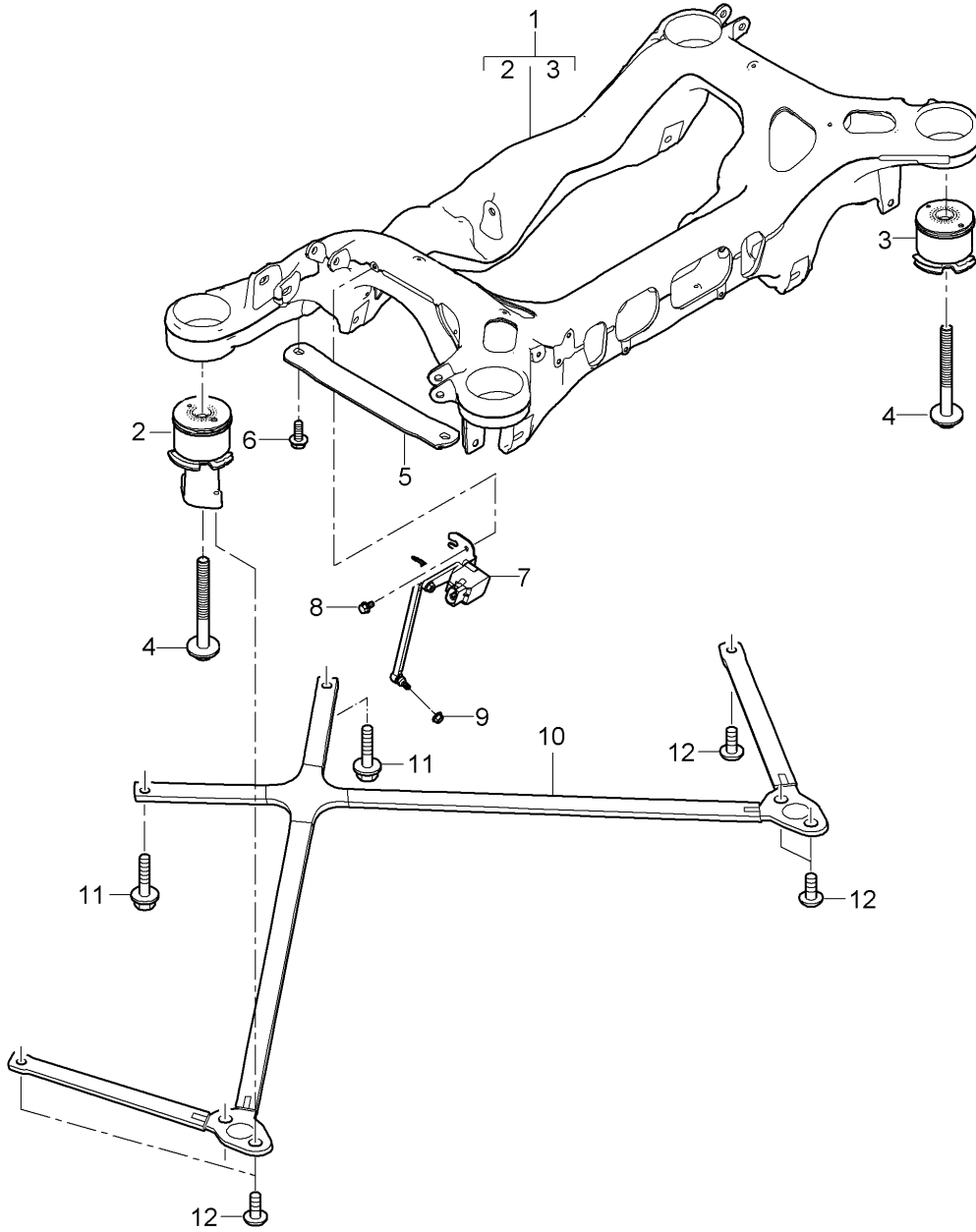
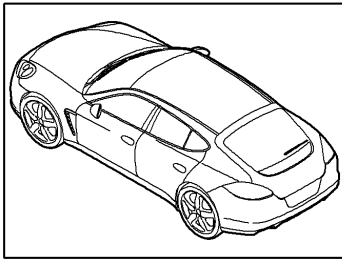
Pos	Part Number	Description	Remark	Qty	Model
-		Rear axle Wheel carrier Wishbone Track rod Wheel hub Stone chip guard Shim See technical manual 43/09			
1	970 331 611 02	Wheel carrier D >> - MJ 2013 Discontinued part	left	1	
1	970 331 611 03	Wheel carrier D - MJ 2013>>	left	1	
1	970 331 611 20	Wheel carrier D - MJ 2014>>	left	1	
(1)	970 331 612 02	Wheel carrier D >> - MJ 2013 Discontinued part	right	1	
(1)	970 331 612 03	Wheel carrier D - MJ 2013>>	right	1	
(1)	970 331 612 20	Wheel carrier D - MJ 2014>>	right	1	
2	970 331 244 00	Rubber bush Wheel carrier D >> - MJ 2013		2	
2	298 501 341	Bearing bush Wheel carrier D - MJ 2014>>		2	
3	999 053 057 01	angular ball bearing 47 X 85 X 52		2	
(3)	298 407 621	angular ball bearing 47 X 85 X 52 Discontinued part		2	
(3)	971 407 621	angular ball bearing 47 X 85 X 52		2	
4	970 331 661 00	Securing plate angular ball bearing D >> - MJ 2013		2	
4	298 501 375	Securing plate angular ball bearing D - MJ 2014>>		2	
5	999 217 042 04	Hexagon bolt M 8 X 35		8	
6	970 331 605 02	Wheel hub D >> - MJ 2013		2	
(6)	991 331 605 03	Wheel hub D - MJ 2014>>		2	
-	997 361 605 90	Spacer ring 5 mm D - MJ 2012>>		2	PR:856
7	999 084 650 01	Locknut M 22 X 1,5		2	
8	970 331 043 00	Wishbone	upper	4	
9	970 331 047 00	Wishbone	outer upper	2	
10	970 331 041 02	Wishbone	center left	1	
(10)	970 331 041 03	Discontinued part Wishbone	lower left	1	
(10)	970 331 042 02	Wishbone	lower right	1	

Model: 970 10 Model life 2010>>2016

Pos	Part Number	Description	Remark	Qty	Model
			lower		
(10)	970 331 042 03	Discontinued part Wishbone	right	1	
11	970 331 241 03	Link bearing	lower front	2	
12	970 341 241 01	Link bearing	rear	2	
13	970 341 217 00	Eccentric bolt M 12 X 1,5 X 97 Wishbone	lower	2	
14	996 331 219 00	eccentric washer Wishbone	lower	2	
15	999 084 445 01	Locknut M 12 X 1,5		18	
16	999 072 854 01	Hexagon bolt M 12 X 1,5 X 100 Wishbone	lower	2	
17	999 072 857 01	Hexagon bolt M 12 X 1,5 X 115 Wishbone	lower	2	
18	997 331 217 02	Wheel carrier Eccentric bolt M 12 X 1,5 X 83 Wishbone	upper	2	
19	970 331 219 00	eccentric washer		2	
20	999 072 851 01	Hexagon bolt M 12 X 1,5 X 70 Wishbone	upper	10	
21	970 606 407 01	speed sensor		2	
22	N 014 740 11	Socket head bolt with hexagon socket head M 6 X 16		2	
23	970 610 111 00	Bracket Wire set Level sensor	left	1	
(23)	970 610 112 00	Bracket Wire set Level sensor	right	1	
24	999 217 116 01	Hexagon bolt M 6 X 16		1	
25	970 331 481 00	Spoiler Wishbone D - MJ 2014>>	left	1	CWDA,CWD, CWFA,CWF, CWBA,CWB+ PR:-450
25	970 331 481 00	Spoiler Wishbone D - MJ 2014>>	left	1	CWDA,CWD, CWBA,CWB+ PR:450,0E2
(25)	970 331 482 00	Spoiler Wishbone D - MJ 2014>>	right	1	CWDA,CWD, CWBA,CWB+ PR:-450
(25)	970 331 482 00	Spoiler Wishbone D - MJ 2014>>	right	1	CWDA,CWD, CWBA,CWB+ PR:450,0E2
26	900 378 013 01	Hexagon bolt M 6 X 25		2	

Model: 970 10

Model life 2010>>2016

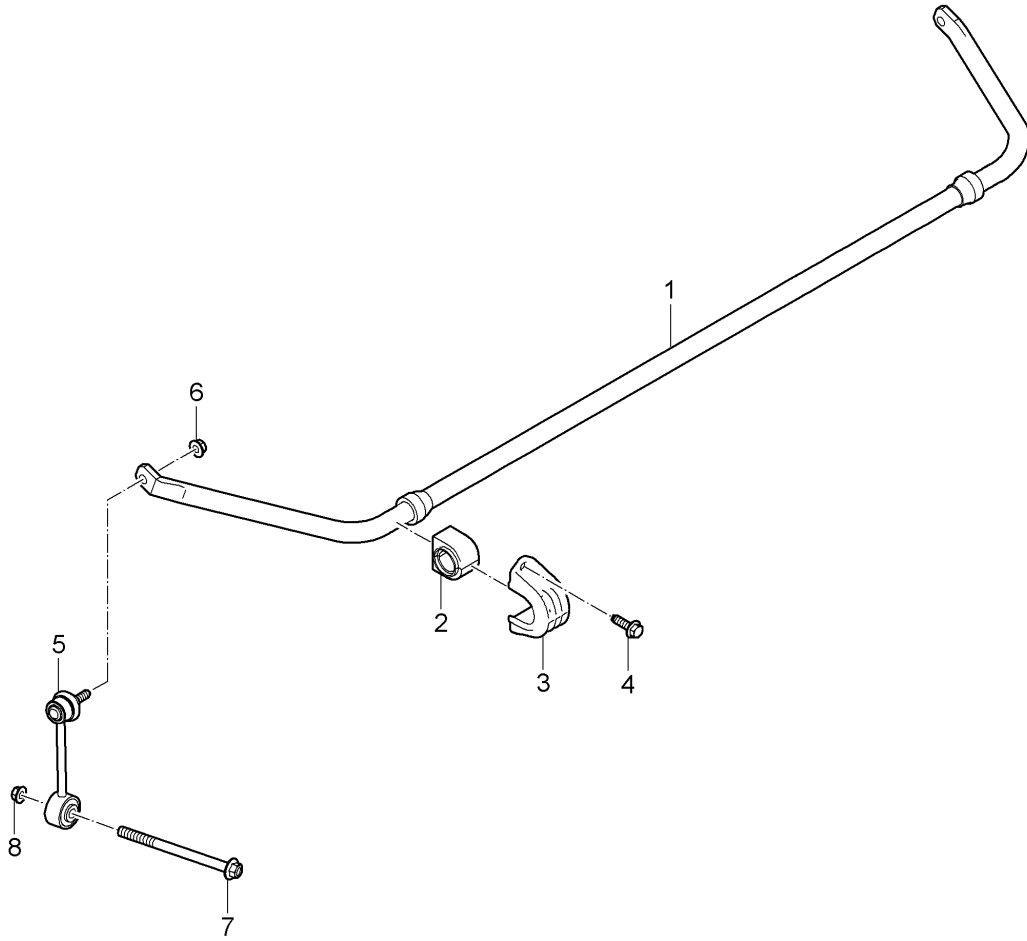
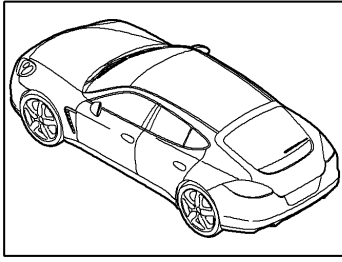


Model: 970 10 Model life 2010>>2016

Pos	Part Number	Description	Remark	Qty	Model
		Rear axle Suspension sub-frame Distance sensor			
1	970 331 051 05	Suspension sub-frame D >> - MJ 2013		1	
1	970 331 051 21	Suspension sub-frame D >> - MJ 2013		1	HYBRID
1	970 331 051 33	Suspension sub-frame D - MJ 2014>>		1	
2	970 331 257 02	Rubber bush Suspension sub-frame D >> - MJ 2013		2	
2	970 331 257 04	Rubber bush Suspension sub-frame D - MJ 2014>>		2	
3	970 331 259 02	Rubber bush Suspension sub-frame D >> - MJ 2013		2	
3	970 331 259 04	Rubber bush Suspension sub-frame D - MJ 2014>>		2	
4	999 072 872 01	Bolt with washer M 12 X 1,5 X 115		4	
5	970 331 181 02	Brace D >> - MJ 2013		2	
5	970 331 181 03	Brace D - MJ 2014>>		2	
6	999 072 802 01	Hexagon bolt M 8 X 28		4	
7	970 333 021 03	Distance sensor	left	1	
(7)	970 333 022 03	Distance sensor D >> - MJ 2013	right	1	PR:350,351, 475
(7)	970 333 022 04	Distance sensor D - MJ 2014>>	right	1	PR:350,351, 475
8	999 217 116 01	Hexagon bolt M 6 X 16		2	
9	900 380 015 01	Hexagon nut M 6		2	
10	970 504 281 01	Brace Rear end D >> - MJ 2013		1	
10	970 504 281 02	Brace Rear end D - MJ 2014>>		1	
11	999 217 169 01	Bolt with washer		8	
12	999 919 263 01	fillister hd. bolt		6	

Model: 970 10

Model life 2010>>2016



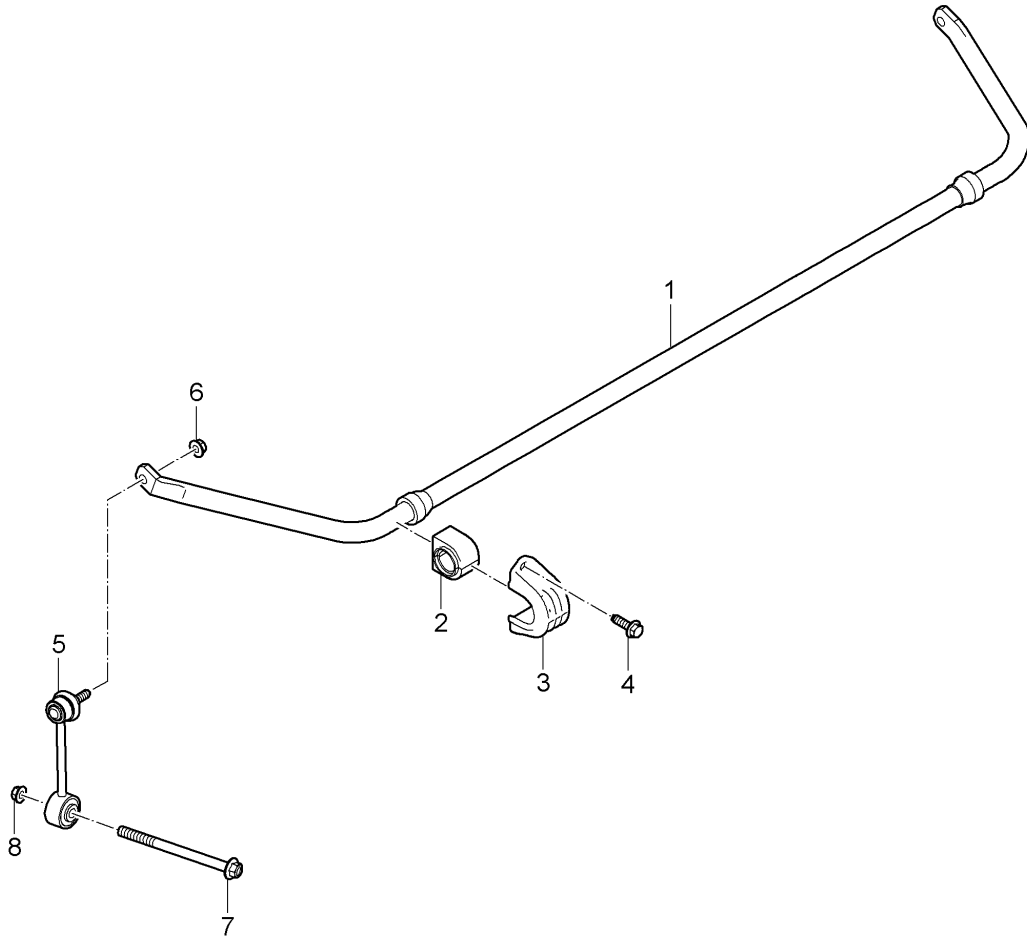
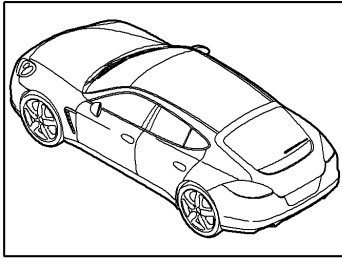
Model: 970 10

Model life 2010>>2016

Pos	Part Number	Description	Remark	Qty	Model
1	970 333 701 02	Anti-roll bar D >> - MJ 2013 Anti-roll bar		1	PR:-351,-355 4820,4840, 4620,4640+ PR:475,350, 029
(1)	970 333 701 03	Anti-roll bar		1	4840,4640+ PR:475,029
(1)	970 333 701 04	Anti-roll bar		1	4870+
2	970 333 792 06	anti-roll bar bearing bracket		2	4820,4840, 4620,4640+ PR:475,350, 029
(2)	970 333 792 07	anti-roll bar bearing bracket		2	4840,4870, 4640+ PR:475,350, 029
3	970 333 777 00	Clamp Stabiliser mounting		2	
4	N 106 978 01	Hex collared bolt M 10 X 30		4	
5	970 333 069 03	Coupling rod		2	
6	999 084 131 01	Hexagon nut M 10		2	PR:029,475
(6)	999 084 643 01	Hexagon nut M 10		2	PR:350
7	999 072 858 01	Hexagon bolt M 12 X 1,5 X 155		2	
8	999 084 445 01	Locknut M 12 X 1,5		2	

Model: 970 10

Model life 2010>>2016



Model: 970 10 Model life 2010>>2016

Pos	Part Number	Description	Remark	Qty	Model
1	970 333 701 05	Anti-roll bar D - MJ 2014>> Anti-roll bar		1	PR:-351,-355 CWAA,CWFA, CRCC+
(1)	970 333 701 05	Anti-roll bar		1	PR:029,338, -015 CWAA,CWFA, CWD,CRCB, CRCC+
(1)	970 333 701 06	Anti-roll bar		1	PR:388,475, -015 4840+
(1)	970 333 701 06	Anti-roll bar		1	CWAA,CWFA, CWD,CRCB, CRCC+
(1)	970 333 701 06	Anti-roll bar		1	PR:338,350, 354 CWAA,CWFA, CWD+
(1)	970 333 701 07	Anti-roll bar		1	PR:339,475 CWAA,CWFA, CWF+
(1)	970 333 701 07	Anti-roll bar		1	PR:339,350 CWDA,CWD+
(1)	970 333 701 07	Anti-roll bar		1	PR:339,350, 354 CWBA,CWB, CGEA,CGE, CGFA+
(1)	970 333 701 07	Anti-roll bar		1	PR:350,354 PR:DJ5,338
(1)	970 333 701 08	Anti-roll bar		1	CXPA,CXRA, CXR+
(1)	970 333 701 08	No longer use the part here		1	PR:339,350, 354
(1)	970 333 701 09	Anti-roll bar		1	CXPA,CXRA, CXR+
(1)	970 333 701 09	Anti-roll bar		1	PR:339,350, 354
(1)	970 333 701 08	Anti-roll bar		1	PR:338,DJ5
(1)	970 333 701 09	No longer use the part here		1	PR:338,DJ5
2	970 333 792 06	anti-roll bar bearing bracket		2	CWAA,CWFA, CWF,CRCB, CRCC+
(2)	970 333 792 06	anti-roll bar bearing bracket		2	PR:338 CWAA,CWFA, CWF,CWDA, CWD,CRCB, CRCC+
(2)	970 333 792 07	anti-roll bar bearing bracket		2	PR:338 CWAA,CWFA, CWF,CRCB, CRCC+
(2)	970 333 792 07	anti-roll bar bearing bracket		2	PR:029,339, 475,350,354 CWAA,CWFA, CWF,CWDA, CWD,CXPA, CXRA,CXR+

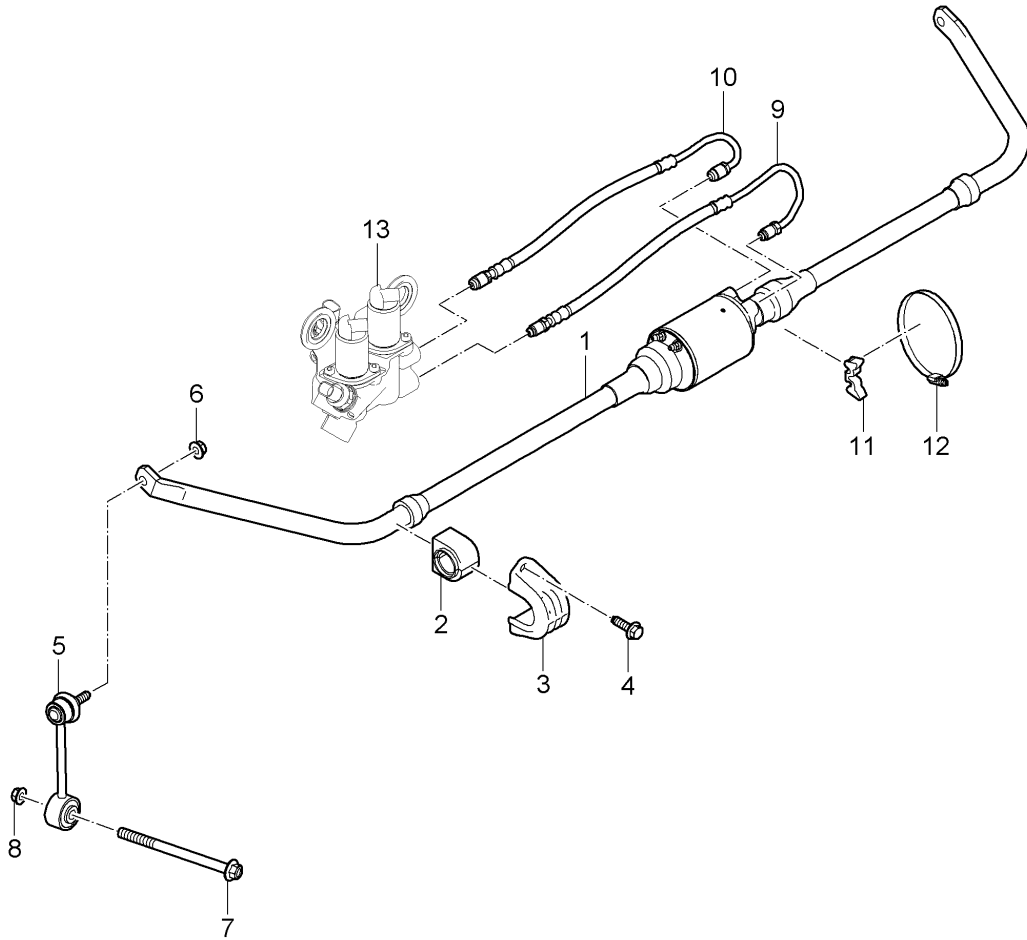
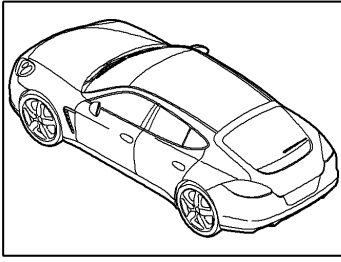
Model: 970 10

Model life 2010>>2016

Pos	Part Number	Description	Remark	Qty	Model
(2)	970 333 792 07	anti-roll bar bearing bracket		2	PR: 339, 350, 354, 475 CWAA, CWFA, CWF, CWBA, CWB, CGEA, CGE, CGFA+
(2)	970 333 792 07	anti-roll bar bearing bracket		2	PR: 350, 354
3	970 333 777 00	Clamp Stabiliser mounting		2	PR: 338, DJ5 PR: -DJ5
(3)	970 333 777 10	Clamp Stabiliser mounting		2	PR: DJ5
-	970 331 441 00	vibration damper Clamp		2	PR: DJ5
-	N 106 996 01	bolt, hex. hd. with shoul. (combi) M10 X 60		4	PR: DJ5
4	N 106 978 01	Hex collared bolt M 10 X 30		4	
5	970 333 069 05	Coupling rod		2	
6	999 084 131 01	Hexagon nut M 10		2	PR: 029, 475
(6)	999 084 643 01	Hexagon nut M 10		2	PR: 350
7	999 072 858 01	Hexagon bolt M 12 X 1,5 X 155		2	
8	999 084 445 01	Locknut M 12 X 1,5		2	

Model: 970 10

Model life 2010>>2016



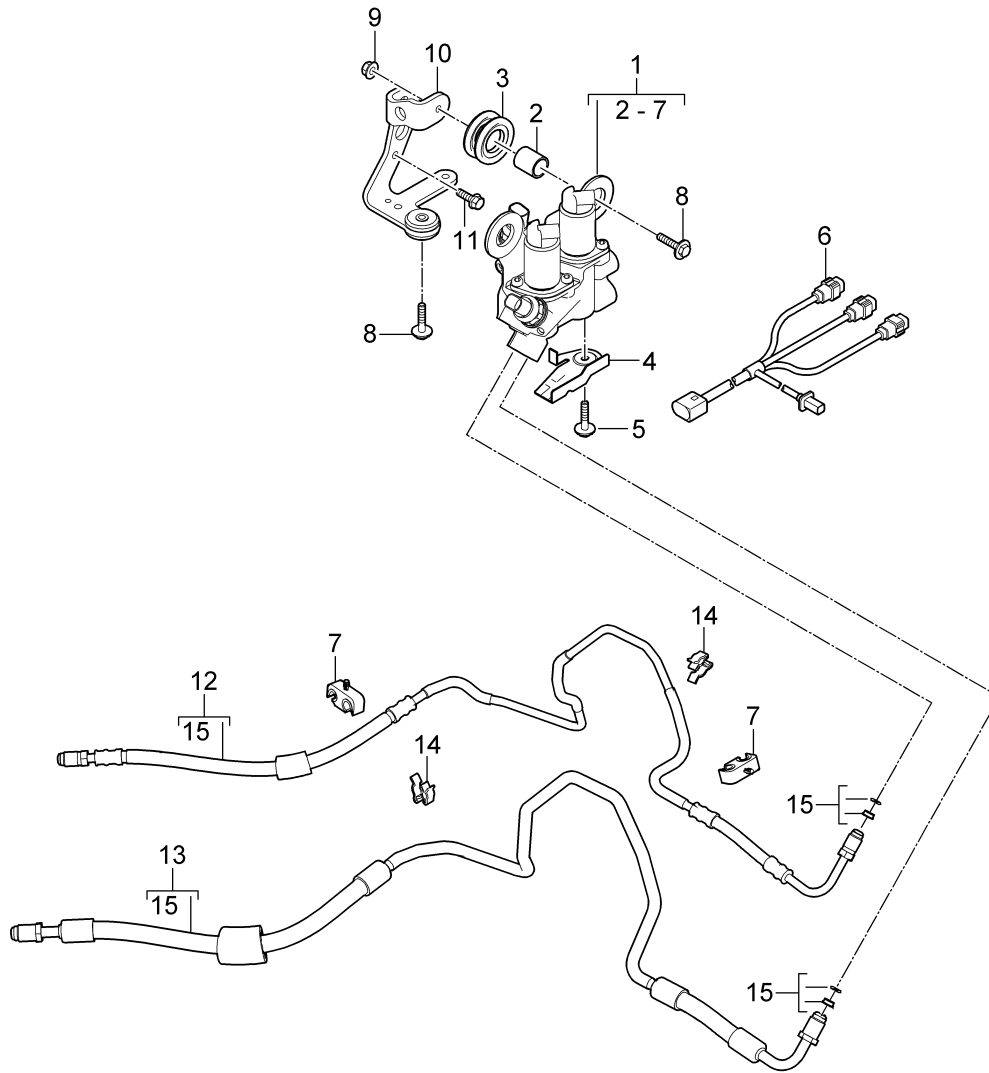
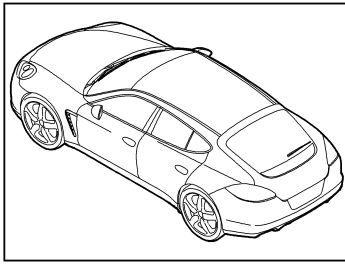
Model: 970 10

Model life 2010>>2016

Pos	Part Number	Description	Remark	Qty	Model
		Anti-roll bar Hose			PR: 351, 355
1	970 359 703 04	Anti-roll bar		1	
2	970 333 792 08	anti-roll bar bearing bracket		2	
3	970 333 777 00	Clamp		2	PR: -DJ5
(3)	970 333 777 10	Clamp		2	PR: DJ5
-	970 331 441 00	vibration damper Clamp		2	PR: DJ5
-	N 106 996 01	bolt, hex. hd. with shoul. (combi) M10 X 60		4	PR: DJ5
4	N 106 978 01	Hex collared bolt M 10 X 30		4	
5	970 333 069 03	Coupling rod		2	
5	970 333 069 05	Coupling rod D - MJ 2014>>		2	
6	999 084 643 01	Hexagon nut M 10		2	
7	999 072 858 01	Hexagon bolt M 12 X 1,5 X 155		2	
8	999 084 445 01	Locknut M 12 X 1,5		2	
9	970 359 245 01	Pressure hose D >> - MJ 2013		1	
9	970 359 245 02	Pressure hose D - MJ 2014>>		1	
10	970 359 247 01	Pressure hose D >> - MJ 2013		1	
10	970 359 247 02	Pressure hose D - MJ 2014>>		1	
11	970 359 379 00	bracket for pressure line Pressure hose		1	
12	999 512 629 00	Hose clamp 90 - 110/9		1	
13		Valve block see illustration:	501-030	1	

Model: 970 10

Model life 2010>>2016



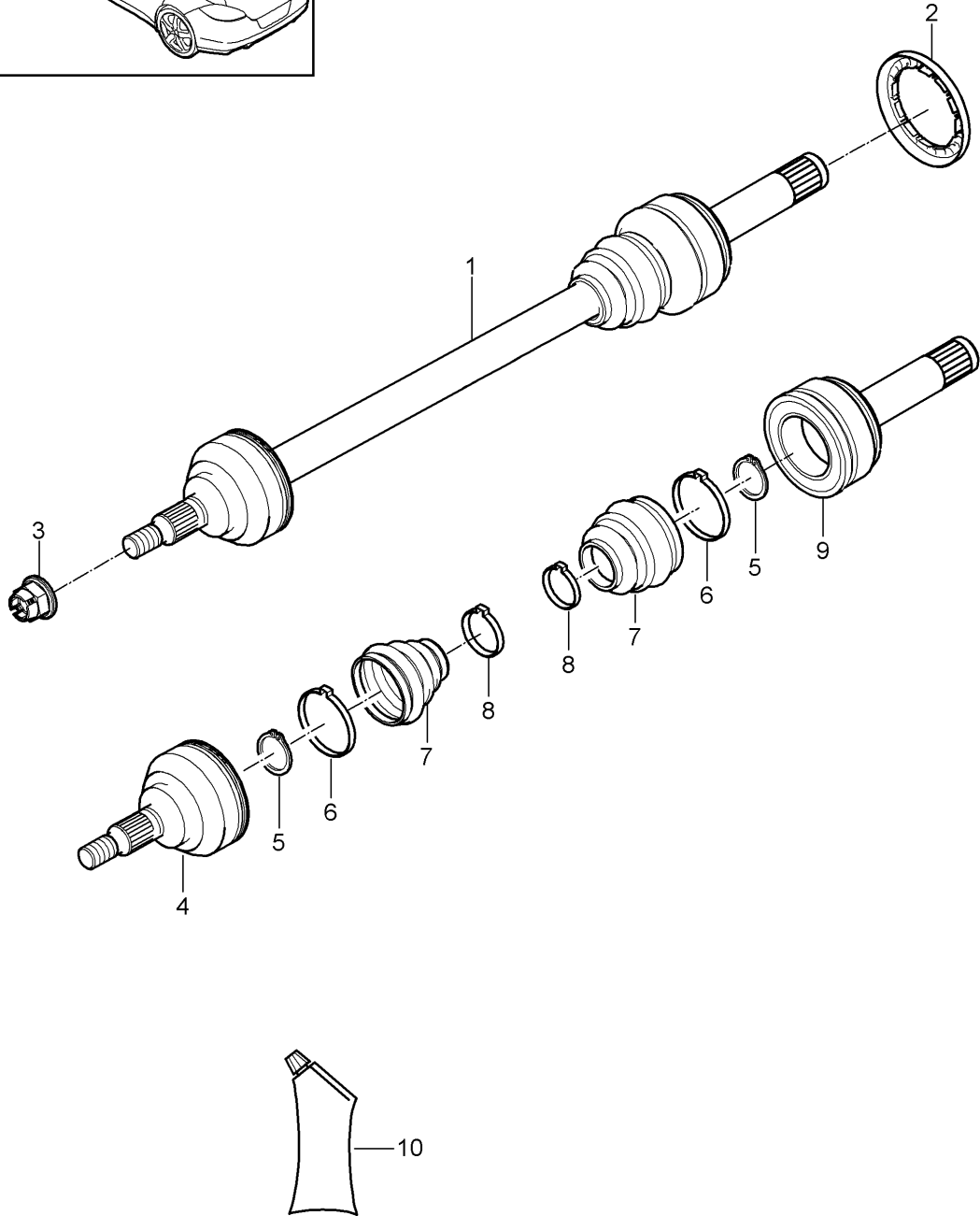
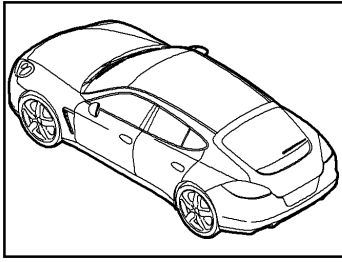
Model: 970 10

Model life 2010>>2016

Pos	Part Number	Description	Remark	Qty	Model
		Anti-roll bar			PR: 351, 355
		Valve block			
		Pressure line			
		return line			
1	970 359 077 04	Valve block		1	
2	955 343 633 00	Bearing bush		2	
3	999 703 883 50	Rubber bush		2	
4	970 359 357 00	Guard plate		1	
5	900 378 036 01	Hexagon bolt		1	
		M 6 X 12			
6	970 612 899 00	Wire set		1	
7	970 359 373 00	Bracket		4	
8	900 075 482 01	Hexagon bolt		3	
		M 6 X 30			
9	900 380 015 01	Hexagon nut		1	
		M 6			
10	970 359 125 02	Bracket		1	
		Valve block			
11	900 378 030 01	Hexagon bolt		2	
		M 6 X 20			
12	970 359 257 03	Pressure line		1	
		Valve block			
13	970 359 251 03	return line		1	
		Valve block			
		Discontinued part			
(13)	970 359 251 04	return line		1	
		Valve block			
		No longer use the part here			
(13)	970 359 251 05	return line		1	
		Valve block			
14	999 507 868 40	Cable holder		2	
15	997 347 945 00	repair set		X	
		comprising:			
		Spring			
		O-ring			

Model: 970 10

Model life 2010>>2016

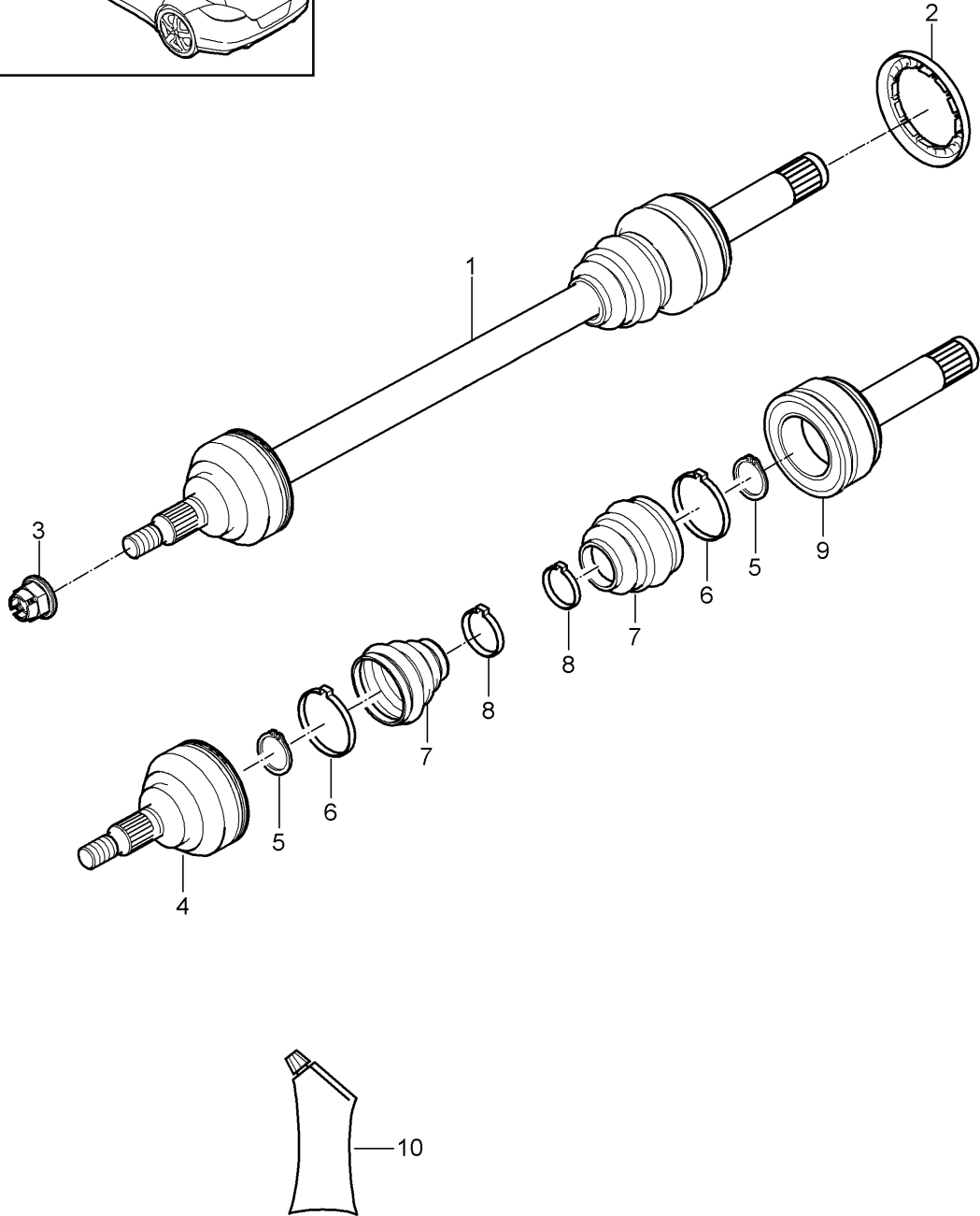
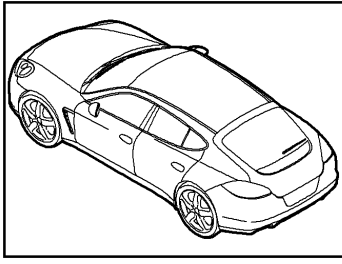


Model: 970 10 Model life 2010>>2016

Pos	Part Number	Description	Remark	Qty	Model
		Drive shaft			PR:219
1	970 332 024 00	D >> - MJ 2013 Drive shaft		2	4620,4640, 4820,4840
(1)	970 332 024 01	D >> - MJ 2011 Discontinued part Drive shaft		2	4620,4640, 4820,4840
(1)	970 332 024 01	D >> - MJ 2011 Drive shaft		2	4620,4640, 4820,4840, CGEA,CGE, CGFA,CRCB, CRCC
(1)	970 332 024 10	Drive shaft		2	4870
2	7PP 501 811	protective ring	inner	2	
-		Drive shaft			
-			also use:		
-	955 332 125 00	Securing ring		2	
3	999 084 650 01	Locknut		2	
		M 22 X 1,5			
4	970 332 031 00	Joint	outer	2	4620,4640, 4820,4840, CGEA,CGE, CGFA,CRCB, CRCC
(4)	970 332 031 10	Joint	outer	2	4870
5	N 910 924 01	Securing ring		4	4620,4640, 4820,4840, CGEA,CGE, CGFA,CRCB, CRCC
(5)	N 911 812 01	Securing ring		4	4870
6	999 512 783 01	Joint hose clip Large		4	4620,4640, 4820,4840, CGEA,CGE, CGFA,CRCB, CRCC
(6)	999 512 781 01	hose clip Large		4	4870
7	970 332 293 00	Bellows		4	4620,4640, 4820,4840, CGEA,CGE, CGFA,CRCB, CRCC
(7)	970 332 293 10	Bellows		4	4870
8	999 512 782 01	hose clip Small		4	
9	970 332 033 00	Joint	inner	2	4620,4640, 4820,4840, CGEA,CGE, CGFA,CRCB, CRCC
(9)	970 332 033 01	Joint	inner	2	4620,4640, 4820,4840, CGEA,CGE, CGFA,CRCB, CRCC
(9)	970 332 033 10	Joint	inner	2	4870
(9)	970 332 033 13	Joint	inner	2	4870
10	000 043 110 02	grease 100 Gramm		1	

Model: 970 10

Model life 2010>>2016

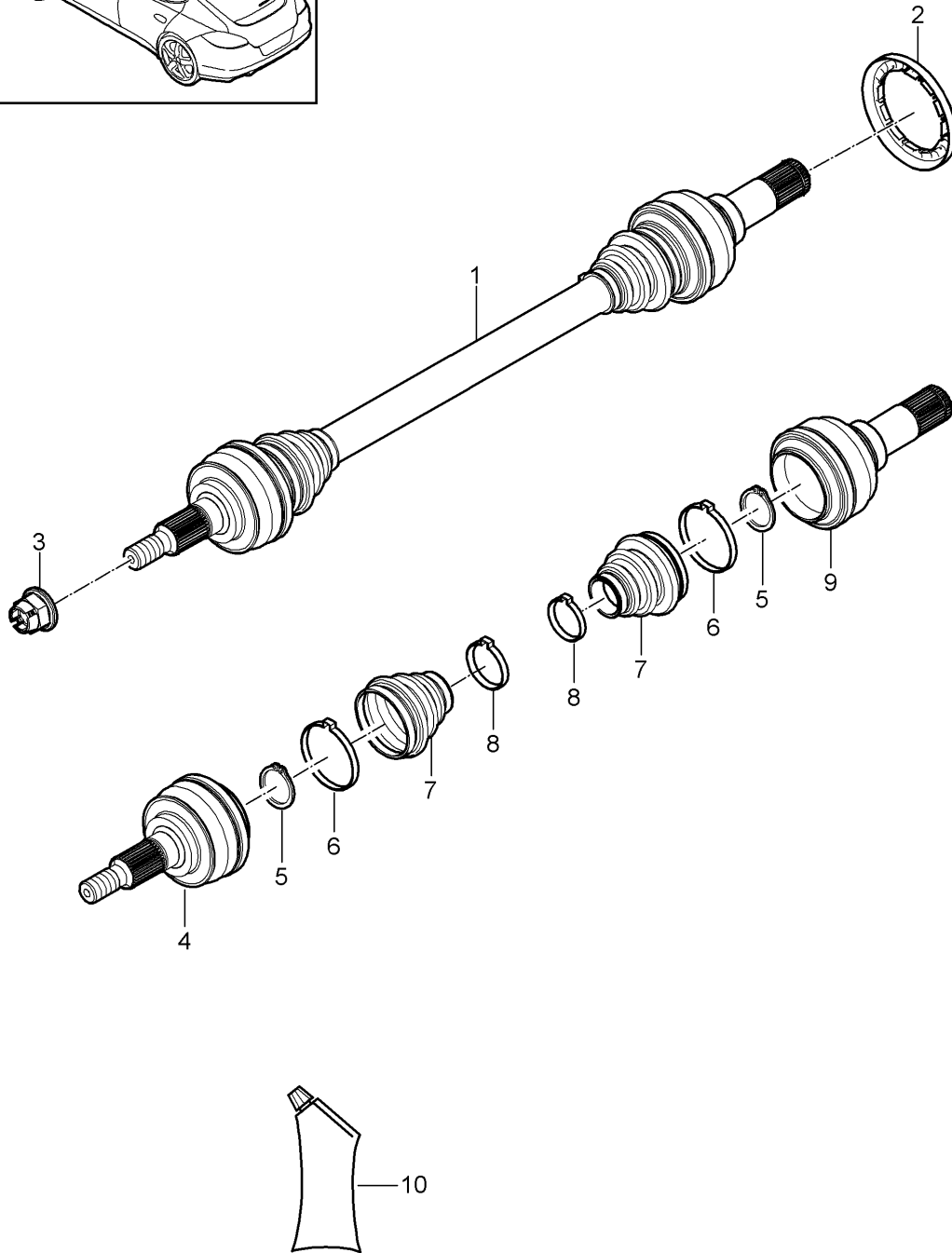
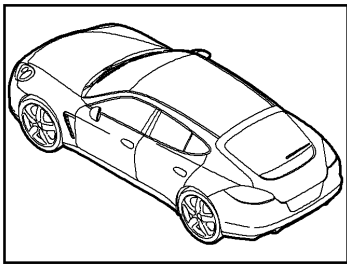


Model: 970 10 Model life 2010>>2016

Pos	Part Number	Description	Remark	Qty	Model
1	970 332 024 01	Drive shaft D - MJ 2014>> Drive shaft		2	PR:219 CWAA, CWFA, CWF, CWDA, CWD, CGEA, CGE, CGFA, CRCB, CRCC, CXPA, CXRA, CXR
(1)	970 332 024 13	Drive shaft		2	CWBA, CWB
2	7PP 501 811	protective ring Drive shaft	inner	2	
-			also use:		
-	955 332 125 00	Securing ring		2	
3	999 084 135 02	Hexagon nut M 22 X 1,5		2	
4	970 332 031 01	Joint	outer	2	CWAA, CWFA, CWF, CWDA, CWD, CGEA, CGE, CGFA, CRCB, CRCC, CXPA, CXRA, CXR
(4)	970 332 031 13	Joint	outer	2	CWBA, CWB
5	N 910 924 01	Securing ring Joint		4	CWAA, CWFA, CWF, CWDA, CWD, CGEA, CGE, CGFA, CRCB, CRCC, CXPA, CXRA, CXR
(5)	N 911 812 01	Securing ring Joint		4	CWBA, CWB
6	999 512 783 01	hose clip Large		4	4620, 4640, 4820, 4840, CGEA, CGE, CRCB, CRCC, CXPA, CXRA, CXR
(6)	999 512 781 01	hose clip Large		4	CWBA, CWB
7	970 332 293 00	Bellows		4	CWAA, CWFA, CWF, CWDA, CWD, CGEA, CGE, CGFA, CRCB, CRCC, CXPA, CXRA, CXR
(7)	970 332 293 10	Bellows		4	CWBA, CWB
8	999 512 782 01	hose clip Small		4	
9	970 332 033 01	Joint	inner	2	CWAA, CWFA, CWF, CWDA, CWD, CGEA, CGE, CGFA, CRCB, CRCC, CXPA, CXRA, CXR
(9)	970 332 033 13	Joint	inner	2	CWBA, CWB
10	000 043 110 02	grease 100 GRAMM		1	

Model: 970 10

Model life 2010>>2016

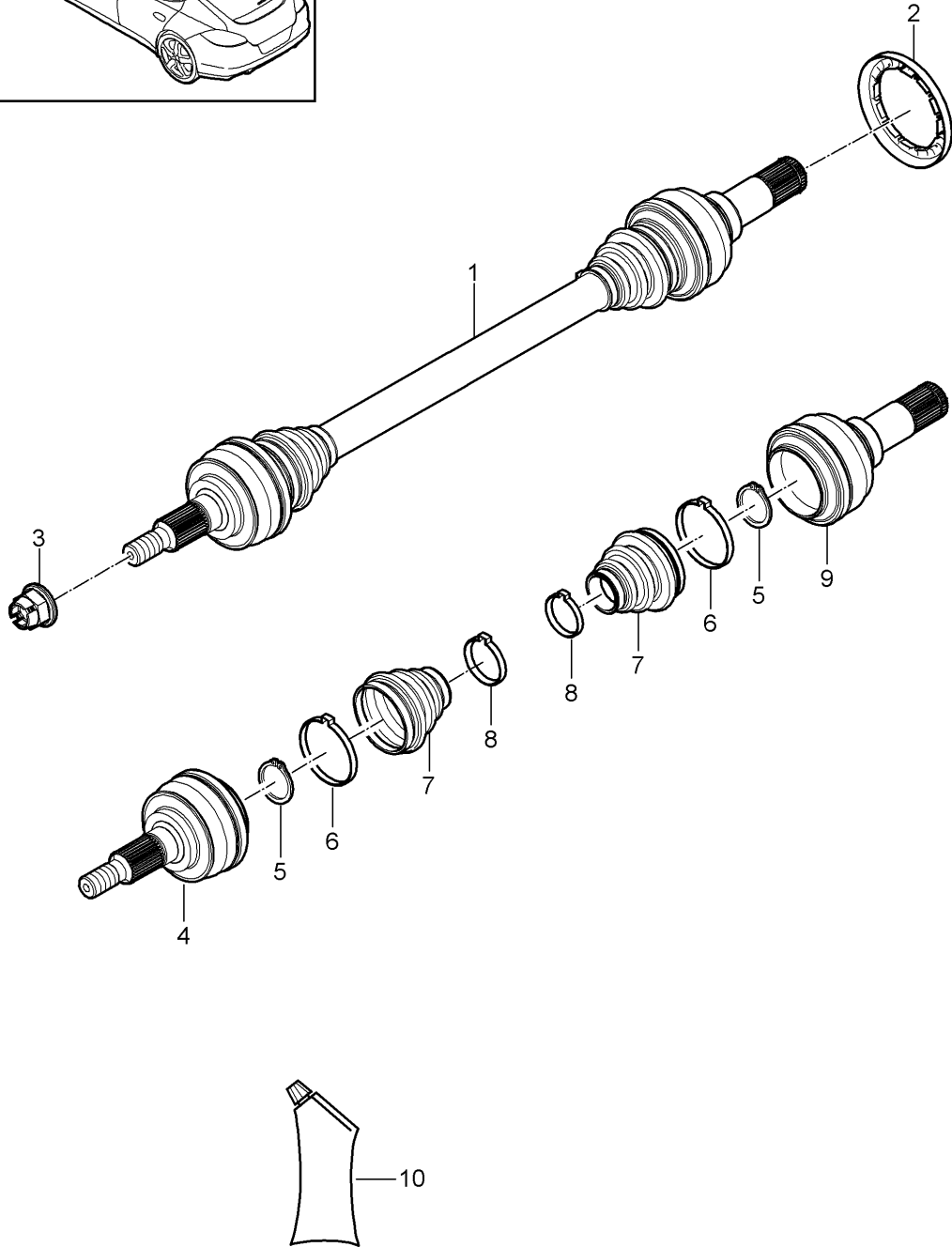
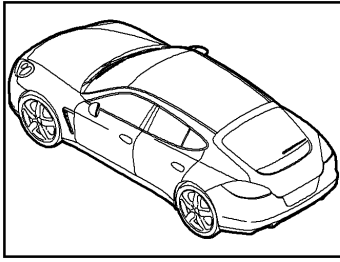


Model: 970 10 Model life 2010>>2016

Pos	Part Number	Description	Remark	Qty	Model
		Drive shaft D >> - MJ 2013			PR: 220, 221
1	970 332 024 11	Drive shaft	left	1	
		Discontinued part			
(1)	970 332 024 14	Drive shaft	left	1	
(1)	970 332 024 12	Drive shaft	right	1	
		Discontinued part			
(1)	970 332 024 15	Drive shaft	right	1	
2	7PP 501 811 A	protective ring	left	1	
		Drive shaft	inner		
(2)	7PP 501 811	protective ring	right	1	
		Drive shaft	inner		
-					
-	955 332 125 00	Securing ring		2	
3	999 084 650 01	Locknut		2	
		M 22 X 1,5			
4	970 332 031 10	Joint	outer	2	
5	N 911 812 01	Securing ring		4	
		Joint			
6	999 512 781 01	hose clip		4	
		Large			
7	970 332 293 10	Bellows		4	
8	999 512 782 01	hose clip		4	
		Small			
9	970 332 033 11	Joint	left	1	
			inner		
(9)	970 332 033 12	Joint	right	1	
			inner		
10	000 043 110 02	grease 110 Gramm		1	

Model: 970 10

Model life 2010>>2016

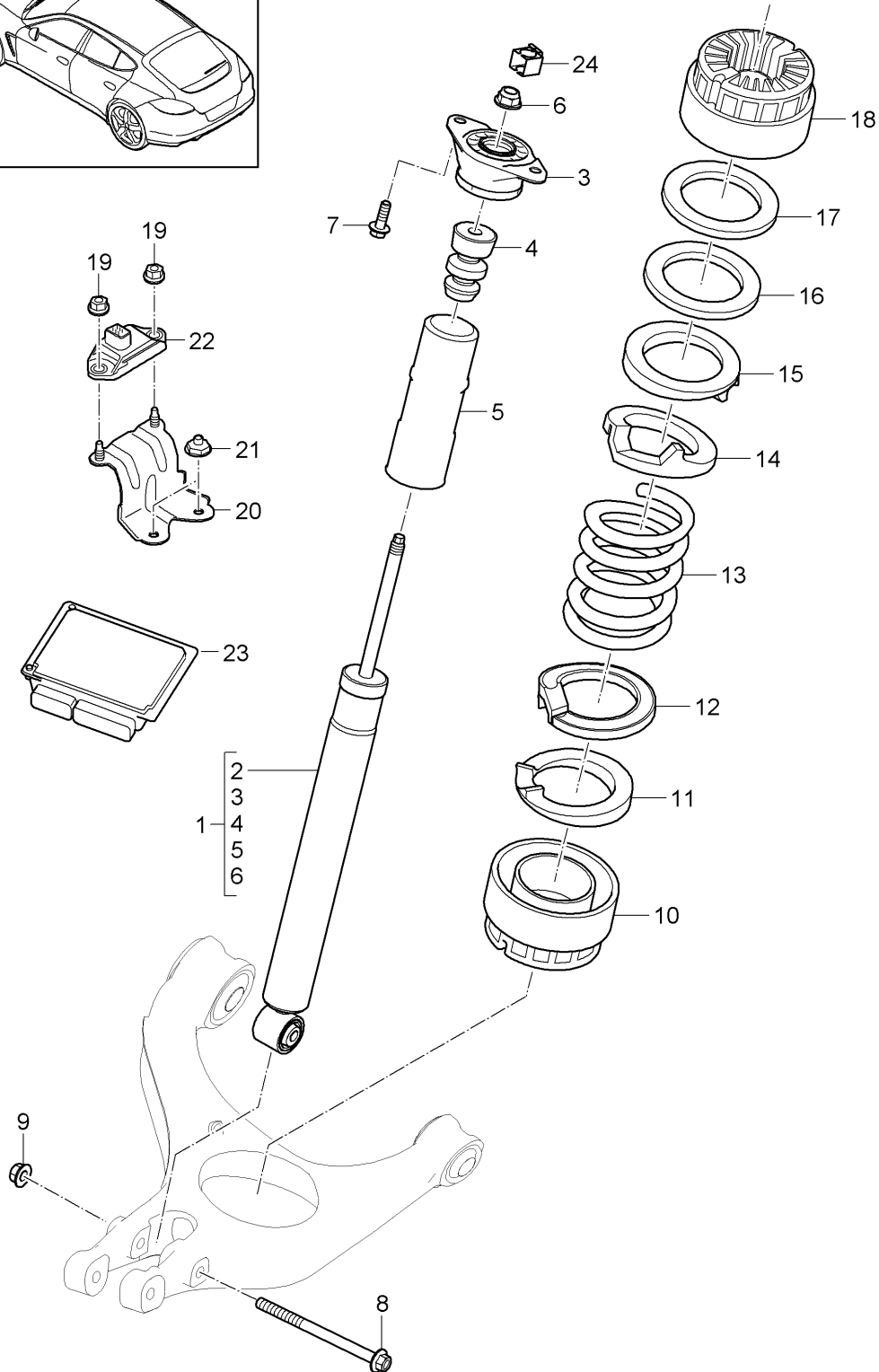
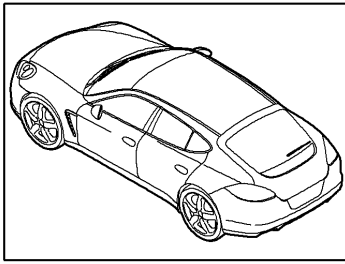


Model: 970 10 Model life 2010>>2016

Pos	Part Number	Description	Remark	Qty	Model
		Drive shaft D - MJ 2014>>			PR:221
1	970 332 024 14	Drive shaft	left	1	
		Discontinued part			
(1)	970 332 024 17	Drive shaft	left	1	
(1)	970 332 024 15	Drive shaft	right	1	
		Discontinued part			
(1)	970 332 024 18	Drive shaft	right	1	
2	7PP 501 811 A	protective ring	left	1	
		Drive shaft	inner		
(2)	7PP 501 811	protective ring	right	1	
		Drive shaft	inner		
-			also use:		
-	955 332 125 00	Securing ring		2	
3	999 084 135 02	Hexagon nut		2	
		M 22 X 1,5			
4	970 332 031 13	Joint	outer	2	
5	N 911 812 01	Securing ring		4	
		Joint			
6	999 512 781 01	hose clip		4	
		Large			
7	970 332 293 10	Bellows		4	
8	999 512 782 01	hose clip		4	
		Small			
9	970 332 033 14	Joint	left	1	
			inner		
(9)	970 332 033 15	Joint	right	1	
			inner		
10	000 043 110 02	grease		1	
		110 GRAMM			

Model: 970 10

Model life 2010>>2016



Model: 970 10

Model life 2010>>2016

Pos	Part Number	Description	Remark	Qty	Model
		suspension			PR:029,475
1	970 333 045 07	Shock absorber strut Shock absorbers (complete) D >> - MJ 2013 Discontinued part		2	PR:475
(1)	970 333 045 11	Shock absorbers (complete) D >> - MJ 2013		2	PR:475
(1)	970 333 045 32	Shock absorbers (complete) D - MJ 2014>> Discontinued part		2	PR:475
(1)	970 333 045 33	Shock absorbers (complete) D - MJ 2014>> Discontinued part		2	PR:475
(1)	970 333 041 05	Shock absorbers (complete) D >> - MJ 2013 Discontinued part		2	PR:029
(1)	970 333 041 31	Shock absorbers (complete) D >> - MJ 2013		2	PR:029
(1)	970 333 041 30	Shock absorbers (complete) D - MJ 2014>> Discontinued part		2	PR:029
(1)	970 333 041 31	Shock absorbers (complete) D - MJ 2014>> Discontinued part		2	PR:029
2	970 333 145 04	Shock absorbers D >> - MJ 2013 Discontinued part		2	PR:475
(2)	970 333 145 05	Shock absorbers D >> - MJ 2013 Discontinued part		2	PR:475
(2)	970 333 145 06	Shock absorbers D >> - MJ 2013		2	PR:475
(2)	970 333 145 32	Shock absorbers D - MJ 2014>> Discontinued part		2	PR:475
(2)	970 333 145 33	Shock absorbers D - MJ 2014>> Discontinued part		2	PR:475
(2)	970 333 141 03	Shock absorbers Discontinued part		2	PR:029
(2)	970 333 141 04	Shock absorbers		2	PR:029
3	970 333 015 05	Shock absorber bearing D >> - MJ 2013		2	PR:475
(3)	970 333 015 30	Shock absorber bearing D - MJ 2014>> Discontinued part		2	PR:475
(3)	970 333 015 06	Shock absorber bearing D >> - MJ 2013		2	PR:029
(3)	970 333 015 07	Shock absorber bearing D - MJ 2014>> Discontinued part		2	PR:029
4	970 333 105 06	helper spring		2	
5	970 333 107 01	protective pipe		2	
6	999 084 128 01	Hexagon nut M 14 X 1,5		2	
7	999 072 831 01	Hexagon bolt M 10 X 30		4	
8	999 072 858 01	Hexagon bolt M 12 X 1,5 X 155		2	
9	999 084 445 01	Locknut		2	

Model: 970 10 Model life 2010>>2016

Pos	Part Number	Description	Remark	Qty	Model
10	970 333 521 00	M 12 X 1,5 tolerance ring	lower	2	
11	970 333 503 01	Spring support	lower	2	
12	970 333 523 00	spring disc	lower	2	
13	970 333 531 11	Coil spring Set		1	PR:029,475, 701,71A
	970 333 531 11 504	1 pair of springs Opal Green F >> A7-BL011 456 F >> 97-BL001 255 F >> A7-AL065 513 F >> 97-AL047 072			
(13)	970 333 531 15	Coil spring Set		1	PR:029,475, 701,71A
	970 333 531 15 504	1 pair of springs Opal Green Opal Green F A7-BL011 457>> F 97-BL001 256>> F A7-AL065 514>> F 97-AL047 073>>			
(13)	970 333 531 15	Coil spring Set D - MJ 2012>>		1	PR:029,475, 701,71A
	970 333 531 15 504	1 pair of springs Opal Green Opal Green			
(13)	970 333 531 12	Coil spring Set		1	PR:-701,71A
	970 333 531 12 504	1 pair of springs pink F >> A7-BL011 456 F >> 97-BL001 255 F >> A7-AL065 513 F >> 97-AL047 072			
(13)	970 333 531 12	Coil spring Set		1	PR:71B,71C
	970 333 531 12 504	1 pair of springs pink F >> A7-BL011 456 F >> 97-BL001 255 F >> A7-AL065 513 F >> 97-AL047 072			
(13)	970 333 531 12	Coil spring Set		1	PR:71D,701
	970 333 531 12 504	1 pair of springs pink F >> A7-BL011 456 F >> 97-BL001 255 F >> A7-AL065 513 F >> 97-AL047 072			
(13)	970 333 531 16	Coil spring Set		1	PR:029,475, 71A,-701
	970 333 531 16 504	1 pair of springs pink pink F A7-BL011 457>> F 97-BL001 256>> F A7-AL065 514>> F 97-AL047 073>>			
(13)	970 333 531 16	Coil spring Set D - MJ 2012>>		1	PR:029,475, 71A,-701

Model: 970 10 Model life 2010>>2016

Pos	Part Number	Description	Remark	Qty	Model
	970 333 531 16 504	1 pair of springs pink			
(13)	970 333 531 16	Coil spring Set		1	PR:029,475, 71B,71C
	970 333 531 16 504	1 pair of springs pink			
		pink			
		F A7-BL011 457>>			
		F 97-BL001 256>>			
		F A7-AL065 514>>			
		F 97-AL047 073>>			
(13)	970 333 531 16	Coil spring Set		1	PR:029,475, 71B,71C
		D - MJ 2012>>			
	970 333 531 16 504	1 pair of springs pink			
		pink			
(13)	970 333 531 16	Coil spring Set		1	PR:029,475, 701,71D
	970 333 531 16 504	1 pair of springs pink			
		pink			
		F A7-BL011 457>>			
		F 97-BL001 256>>			
		F A7-AL065 514>>			
		F 97-AL047 073>>			
(13)	970 333 531 16	Coil spring Set		1	PR:029,475, 701,71D
		D - MJ 2012>>			
	970 333 531 16 504	1 pair of springs pink			
		pink			
(13)	970 333 531 13	Coil spring Set		1	PR:-701,71D, 029,475
	970 333 531 13 504	1 pair of springs yellow			
		F >> A7-BL011 456			
		F >> 97-BL001 255			
		F >> A7-AL065 513			
		F >> 97-AL047 072			
(13)	970 333 531 13	Coil spring Set		1	PR:71E,029, 475
	970 333 531 13 504	1 pair of springs yellow			
		F >> A7-BL011 456			
		F >> 97-BL001 255			
		F >> A7-AL065 513			
		F >> 97-AL047 072			
(13)	970 333 531 13	Coil spring Set		1	PR:71F,701, 029,475
	970 333 531 13 504	1 pair of springs yellow			
		F >> A7-BL011 456			
		F >> 97-BL001 255			
		F >> A7-AL065 513			
		F >> 97-AL047 072			
(13)	970 333 531 17	Coil spring Set		1	PR:029,475, 71D,-701
	970 333 531 17 504	1 pair of springs yellow			
		yellow			
		F A7-BL011 457>>			

Model: 970 10 Model life 2010>>2016

Pos	Part Number	Description	Remark	Qty	Model
(13)	970 333 531 17	F 97-BL001 256>> F A7-AL065 514>> F 97-AL047 073>> Coil spring Set D - MJ 2012>>		1	PR:029,475, 71D,-701
	970 333 531 17 504	1 pair of springs yellow yellow			
(13)	970 333 531 17	Coil spring Set D - MJ 2012>>		1	PR:029,475, 71E
	970 333 531 17 504	1 pair of springs yellow yellow			
(13)	970 333 531 17	F A7-BL011 457>> F 97-BL001 256>> F A7-AL065 514>> F 97-AL047 073>> Coil spring Set D - MJ 2012>>		1	PR:029,475, 71E
	970 333 531 17 504	1 pair of springs yellow yellow			
(13)	970 333 531 17	Coil spring Set D - MJ 2012>>		1	PR:029,475, 701,71F
	970 333 531 17 504	1 pair of springs yellow yellow			
(13)	970 333 531 17	F A7-BL011 457>> F 97-BL001 256>> F A7-AL065 514>> F 97-AL047 073>> Coil spring Set D - MJ 2012>>		1	PR:029,475, 701,71F
	970 333 531 17 504	1 pair of springs yellow yellow			
(13)	970 333 531 18	Coil spring Set D - MJ 2012>>		1	PR:029,475, 71F,71G,-701
	970 333 531 18 504	1 pair of springs White Green White Green			
(13)	970 333 531 18	F A7-BL011 457>> F 97-BL001 256>> F A7-AL065 514>> F 97-AL047 073>> Coil spring Set D - MJ 2012>>		1	PR:475,71G, 71F,-701
	970 333 531 18 504	1 pair of springs White Green White Green			
(13)	970 333 531 18	Coil spring Set D - MJ 2012>>		1	PR:029,475, 71F,71G,-701
	970 333 531 18 504	1 pair of springs White Green White Green			
14	970 333 523 00	spring disc	upper	2	
15	970 333 503 01	Spring support	upper	2	
16	970 333 517 00	Balancing plate blue		4	

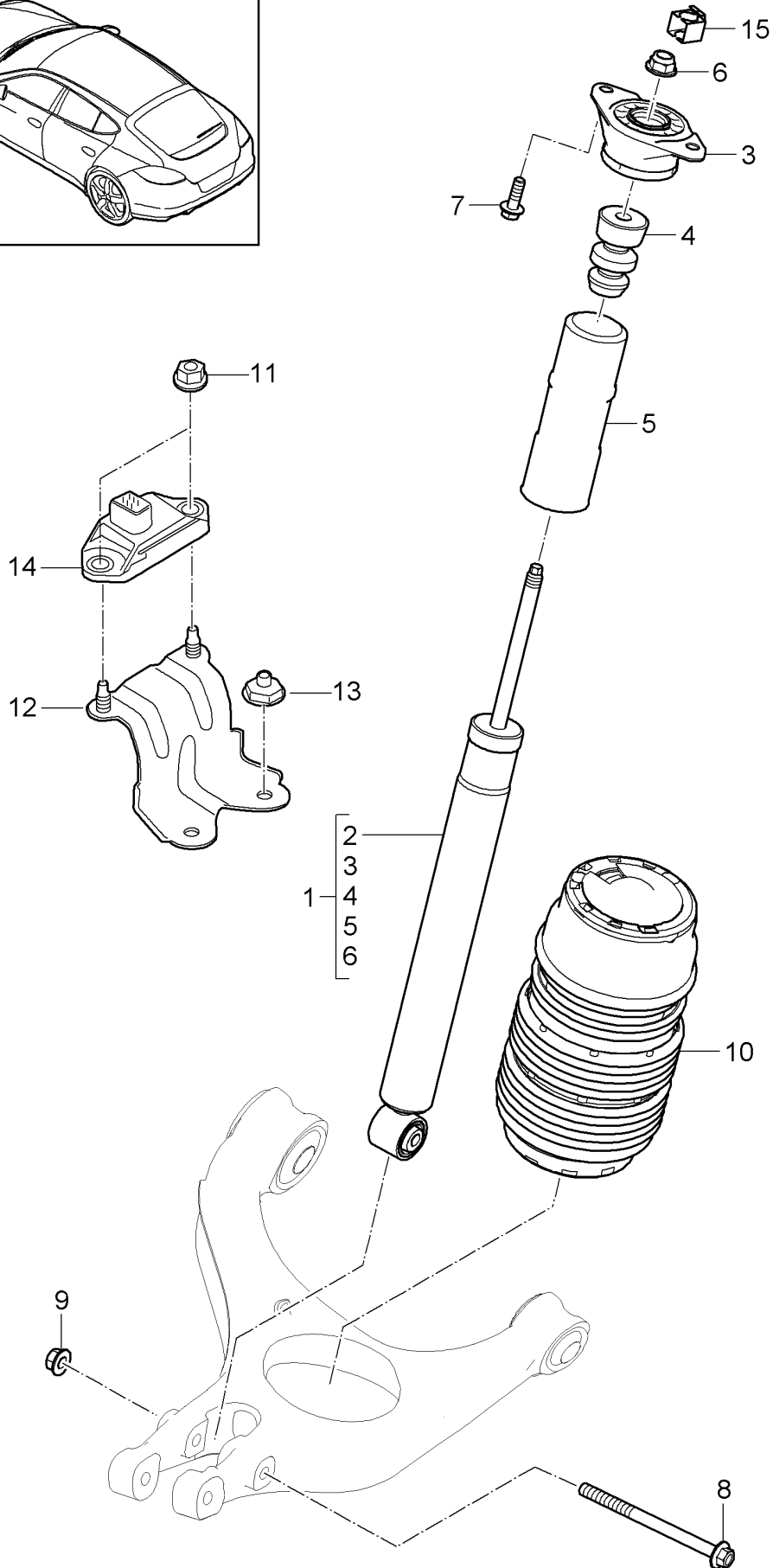
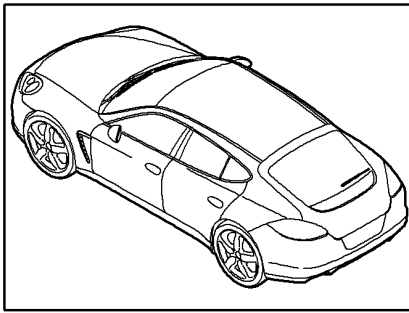
Model: 970 10

Model life 2010>>2016

Pos	Part Number	Description	Remark	Qty	Model
(16)	970 333 517 01	D >> - MJ 2011 Balancing plate Black		4	
17	970 333 519 00	Spring washer		2	
18	970 333 513 03	tolerance ring	upper	2	
19	900 377 010 01	Hexagon nut M 6		2	PR:475
20	970 606 214 01	Retainer for acceleration sensor		1	PR:475
21	999 049 025 09	Collar nut T 5		2	PR:475
22	970 606 111 00	Accelerator sensor		1	PR:475
23	970 618 105 04	Control unit		1	PR:475
23	970 618 105 13	D >> - MJ 2010 Control unit		1	PR:475
23	970 618 105 25	D - MJ 2011>> - MJ 2013 Control unit		1	PR:475
24	970 610 131 00	D - MJ 2014>> Retaining plate Connector PASM		1	

Model: 970 10

Model life 2010>>2016



Model: 970 10 Model life 2010>>2016

Pos	Part Number	Description	Remark	Qty	Model
(1)	970 333 061 07	suspension Spring strut Shock absorbers (complete) D >> - MJ 2013 No longer use the part here		2	PR: 350 , 351 , 354 , 355
(1)	970 333 061 09	Shock absorbers (complete) D >> - MJ 2013		2	
(1)	970 333 061 33	Shock absorbers (complete) Not available Individual parts Order D - MJ 2014>>		2	
2	970 333 161 04	Shock absorbers D >> - MJ 2013 Discontinued part		2	
(2)	970 333 161 08	Shock absorbers D >> - MJ 2013		2	
(2)	970 333 161 33	Shock absorbers D - MJ 2014>> Discontinued part		2	
(2)	970 333 161 34	Shock absorbers D - MJ 2014>>		2	
3	970 333 015 05	Shock absorber bearing D >> - MJ 2013		2	
(3)	970 333 015 31	Shock absorber bearing D - MJ 2014>>		2	
4	970 333 105 05	helper spring		2	
5	970 333 107 01	protective pipe		2	
6	999 084 128 01	Hexagon nut M 14 X 1,5		2	
7	999 072 831 01	Hexagon bolt M 10 X 30		4	
8	999 072 858 01	Hexagon bolt M 12 X 1,5 X 155		2	
9	999 084 445 01	Locknut M 12 X 1,5		2	
10	970 333 533 12	air spring D >> - MJ 2013 Discontinued part		2	
(10)	970 333 533 13	air spring D >> - MJ 2013 Discontinued part		2	
(10)	970 333 533 14	air spring D >> - MJ 2013 Discontinued part		2	
(10)	970 333 533 15	air spring D >> - MJ 2013 Discontinued part		2	
(10)	970 333 533 16	air spring D >> - MJ 2013 Discontinued part		2	
(10)	970 333 533 17	air spring D >> - MJ 2013 Discontinued part		2	
(10)	970 333 533 33	air spring D >> - MJ 2013		2	
(10)	970 333 533 31	air spring D - MJ 2014>> Discontinued part		2	
(10)	970 333 533 32	air spring		2	

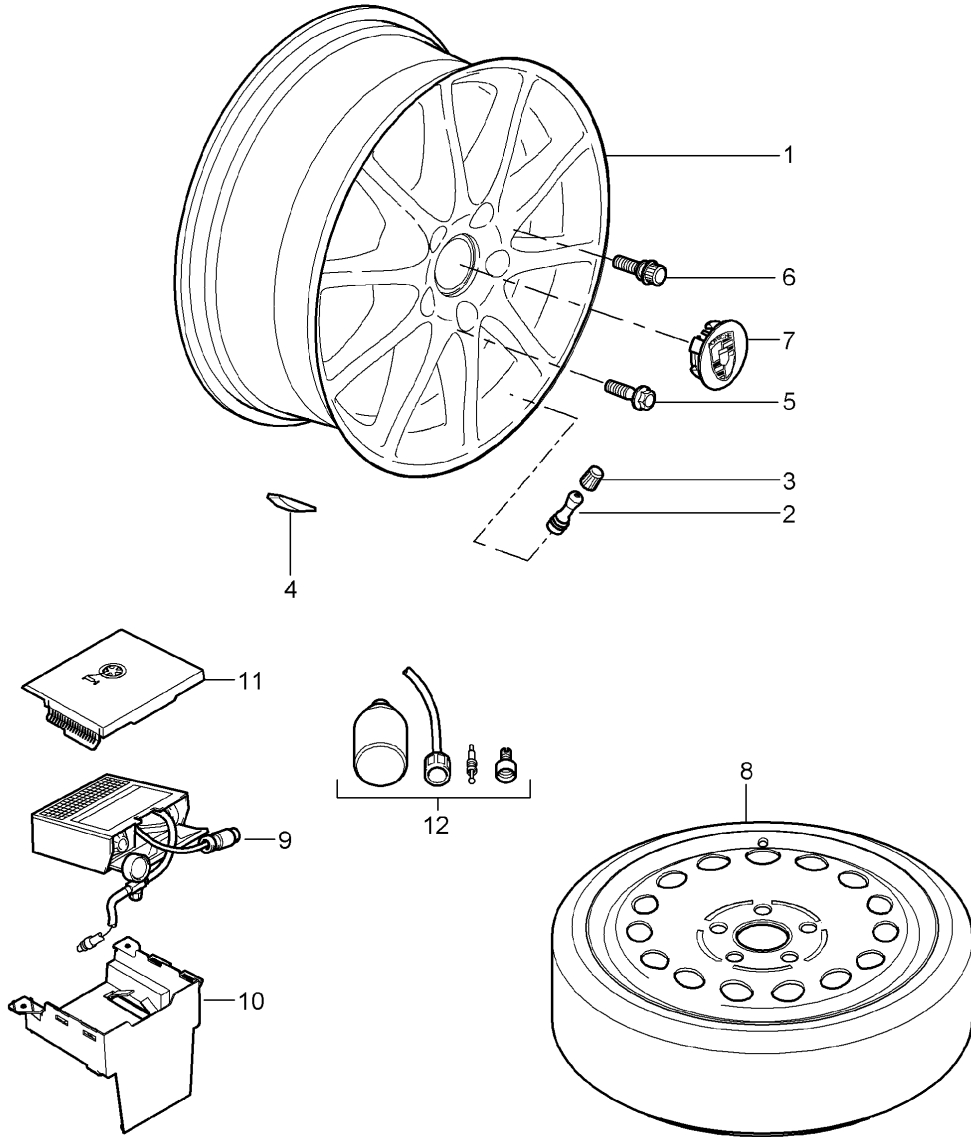
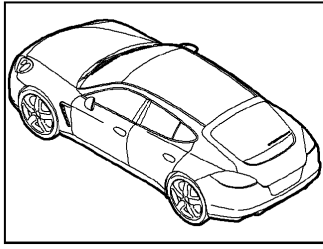
Model: 970 10

Model life 2010>>2016

Pos	Part Number	Description	Remark	Qty	Model
(10)	970 333 533 33	D - MJ 2014>> Discontinued part air spring		2	
11	900 377 010 01	D - MJ 2014>> Hexagon nut M 6		2	
12	970 606 214 01	Retainer for acceleration sensor		1	
13	999 049 025 09	Collar nut T 5		2	
14	970 606 111 00	Accelerator sensor		3	
15	970 610 131 00	Retaining plate Connector PASM		1	

Model: 970 10

Model life 2010>>2016



Model: 970 10 Model life 2010>>2016

Pos	Part Number	Description	Remark	Qty	Model
1	970 362 136 01	Wheels Alloy wheel 8 J X 18 ET 59	front	2	PR:413
1	970 362 136 03	Alloy wheel 8 J X 18 ET 59	front	2	PR:413
(1)	970 362 136 03 8Z8	Brilliant Silver			
(1)	970 362 158 00	Alloy wheel 9 J X 19 ET 60 D >> - MJ 2011 Discontinued part	front	2	PR:415
(1)	970 362 158 04	Alloy wheel 9 J X 19 ET 60 D >> - MJ 2011	front	2	PR:415
(1)	970 362 158 04 9A1	silver			
(1)	970 362 158 04	Alloy wheel 9 J X 19 ET 60 D - MJ 2012>>	front	2	PR:415
(1)	970 362 158 04 88Z	Brilliant chrome finish			
(1)	970 362 158 01	Alloy wheel 9 J X 19 ET 60 D >> - MJ 2011	front	2	PR:416
(1)	970 362 158 05	Alloy wheel 9 J X 19 ET 60 D >> - MJ 2011	front	2	PR:416
(1)	970 362 158 05 9A1	silver			
(1)	970 362 158 05	Alloy wheel 9 J X 19 ET 60 D - MJ 2012>> - MJ 2013	front	2	PR:416
(1)	970 362 158 05 88Z	Brilliant chrome finish			
(1)	970 362 158 06	Alloy wheel 9 J X 19 ET 60 D - MJ 2014>>	front	2	PR:471
(1)	970 362 158 06 88Z	Brilliant chrome finish			
(1)	970 362 158 07	Alloy wheel 9 J X 19 ET 60 D - MJ 2014>>	front	2	PR:472
(1)	970 362 158 07 88Z	Brilliant chrome finish			
(1)	970 362 158 08	Alloy wheel 9 J X 19 ET 60 D - MJ 2014>>	front	2	PR:436
(1)	970 362 158 08 OC6	Titanium			
(1)	970 362 178 05	Alloy wheel 9,5 J X 20 ET 65 D >> - MJ 2011 Discontinued part	front	2	PR:417
(1)	970 362 178 08	Alloy wheel 9,5 J X 20 ET 65 D >> - MJ 2011	front	2	PR:417
(1)	970 362 178 08 9A1	silver			
(1)	970 362 178 08	Alloy wheel	front	2	PR:417

Model: 970 10 Model life 2010>>2016

Pos	Part Number	Description	Remark	Qty	Model
(1)	970 362 178 08 88Z 970 362 178 06	9,5 J X 20 ET 65 D - MJ 2012>> Brilliant chrome finish Alloy wheel	front	2	PR:418
(1)	970 362 178 07 970 362 178 07 OC6	9,5 J X 20 ET 65 Alloy wheel 9,5 J X 20 ET 65 D - MJ 2014>> Titanium Dark	front	2	PR:429
(1)	970 362 980 00	Alloy wheel 9,5 J X 20 ET 65 D - MJ 2012>>	front	2	PR:XRW
(1)	970 362 980 05 970 362 980 05 M7Z	Alloy wheel 9,5 J X 20 ET 65 D - MJ 2014>> GT Silver Metallic	front	2	PR:XFY, XRW
(1)	970 362 980 00	Alloy wheel 9,5 J X 20 ET 65 modify in workshop Paint	front	2	PR:XRZ, XRY
(1)	970 362 980 03 970 362 980 03 M7Z	Alloy wheel 9,5 J X 20 ET 65 D - MJ 2014>> GT Silver Metallic	front	2	PR:XRZ
(1)	970 362 980 03 970 362 980 03	Alloy wheel 9,5 J X 20 ET 65 D - MJ 2014>> Black	front	2	PR:XRZ
(1)	970 362 980 03 970 362 980 03	Alloy wheel 9,5 J X 20 ET 65 D - MJ 2014>> Jet Black Metallic	front	2	PR:XRZ
(1)	970 362 980 03 C9X 970 362 980 05	Alloy wheel 9,5 J X 20 ET 65 D - MJ 2014>>	front	2	PR:XFY, XRW
(1)	970 362 980 05 OB5 970 362 980 06	Platinum satin-matt Alloy wheel 11,5 J X 20 ET 63 D - MJ 2014>>	front	2	PR:XFY, XRW
(1)	970 362 980 06 OB5 970 362 980 06	Platinum satin-matt Alloy wheel 11,5 J X 20 ET 63 D - MJ 2014>>	front	2	PR:XFY, XRW
(1)	970 362 980 06 M7Z 970 362 136 00	GT Silver Metallic Alloy wheel 8 J X 18 ET 59 D - MJ 2011>>	front	2	PR:410
(1)	970 362 136 02	Alloy wheel 8 J X 18 ET 59	front	2	PR:410

Model: 970 10

Model life 2010>>2016

Pos	Part Number	Description	Remark	Qty	Model
(1)	970 362 136 02 8Z8 970 362 138 01	D - MJ 2012>> silver Alloy wheel 9 J X 18 ET 53	rear	2	PR:413
(1)	970 362 138 03	D >> - MJ 2013 Alloy wheel 9 J X 18 ET 53	rear	2	PR:413
(1)	970 362 138 03 8Z8 970 362 138 05	D - MJ 2012>> - MJ 2013 silver Alloy wheel 9 J X 18 ET 53	rear	2	PR:413
(1)	970 362 138 05 8Z8 970 362 160 00	D - MJ 2014>> silver Alloy wheel 10 J X 19 ET 61	rear	2	PR:415
(1)	970 362 160 04	D >> - MJ 2011 Alloy wheel 10 J X 19 ET 61	rear	2	PR:415
(1)	970 362 160 04 9A1 970 362 160 06	D >> - MJ 2011 silver Alloy wheel 10 J X 19 ET 61	rear	2	PR:415
(1)	970 362 160 06 9A1 970 362 160 04	D >> - MJ 2011 silver Alloy wheel 10 J X 19 ET 61	rear	2	PR:415
(1)	970 362 160 04 88Z 970 362 160 06	D - MJ 2012>> - MJ 2013 Brilliant chrome finish Alloy wheel 10 J X 19 ET 61	rear	2	PR:415
(1)	970 362 160 06 88Z 970 362 160 01	D - MJ 2014>> Brilliant chrome finish Alloy wheel 10 J X 19 ET 61	rear	2	PR:416
(1)	970 362 160 05	D >> - MJ 2011 Alloy wheel 10 J X 19 ET 61	rear	2	PR:416
(1)	970 362 160 05 9A1 970 362 160 05	D >> - MJ 2011 silver Alloy wheel 10 J X 19 ET 61	rear	2	PR:416
(1)	970 362 160 05 88Z 970 362 160 08	D - MJ 2012>> - MJ 2013 Brilliant chrome finish Alloy wheel 10 J X 19 ET 61	rear	2	PR:471
(1)	970 362 160 08 88Z 970 362 160 09	D - MJ 2014>> Brilliant chrome finish Alloy wheel 10 J X 19 ET 61	rear	2	PR:472
		D - MJ 2014>>			

Model: 970 10 Model life 2010>>2016

Pos	Part Number	Description	Remark	Qty	Model
(1)	970 362 160 09 88Z 970 362 160 10	Brilliant chrome finish Alloy wheel 10 J X 19 ET 61 D - MJ 2014>>	rear	2	PR:436
(1)	970 362 160 10 OC6 970 362 192 00	Titanium Alloy wheel 11 J X 20 ET 68 D >> - MJ 2011	rear	2	PR:417
(1)	970 362 192 03 970 362 192 03 9A1	Alloy wheel 11 J X 20 ET 68 D >> - MJ 2011 silver	rear	2	PR:417
(1)	970 362 192 05 970 362 192 05 9A1	Alloy wheel 11 J X 20 ET 68 D >> - MJ 2011 silver	rear	2	PR:417
(1)	970 362 192 03 88Z 970 362 192 05	Alloy wheel 11 J X 20 ET 68 D - MJ 2012>> - MJ 2013 Brilliant chrome finish	rear	2	PR:417
(1)	970 362 192 05 88Z 970 362 192 01	Alloy wheel 11 J X 20 ET 68 D - MJ 2012>>	rear	2	PR:418
(1)	970 362 192 04 970 362 192 02	Alloy wheel 11 J X 20 ET 68 D - MJ 2014>>	rear	2	PR:418
(1)	970 362 192 02 970 362 192 02 OC6	Alloy wheel 11 J X 20 ET 68 D - MJ 2014>> Titanium Dark	rear	2	PR:429
(1)	970 362 190 05 970 362 190 06	Alloy wheel 10,5 J X 20 ET 65 D >> - MJ 2011	rear	2	PR:417
(1)	970 362 190 06 970 362 190 06 9A1	Alloy wheel 10,5 J X 20 ET 65 D >> - MJ 2011 silver	rear	2	PR:417
(1)	970 362 190 06 88Z 970 362 980 01	Alloy wheel 11,5 J X 20 ET 63 D - MJ 2012>> - MJ 2013 Brilliant chrome finish	rear	2	PR:XRW
(1)	970 362 980 02	Discontinued part Alloy wheel	rear	2	PR:XRW

Model: 970 10 Model life 2010>>2016

Pos	Part Number	Description	Remark	Qty	Model
(1)	970 362 980 06	11,5 J X 20 ET 63 D >> - MJ 2013 Alloy wheel	rear	2	PR:XRW
(1)	970 362 980 06 M7Z 970 362 980 06 OB5 970 362 980 01	11,5 J X 20 ET 63 D - MJ 2014>> GT Silver Metallic Platinum satin-matt Alloy wheel	rear	2	PR:XRZ,XRY
(1)	970 362 980 04	11,5 J X 20 ET 63 D - MJ 2014>> Alloy wheel	rear	2	PR:XRU
(1)	970 362 980 04 M7Z 970 362 980 04	GT Silver Metallic Alloy wheel	rear	2	PR:XRZ
(1)	970 362 980 04 041 970 362 980 04	11,5 J X 20 ET 63 D - MJ 2014>> Black Alloy wheel	rear	2	PR:XRZ
(1)	970 362 980 04 C9X 970 362 138 00	11,5 J X 20 ET 63 Jet Black Metallic Alloy wheel	rear	2	PR:410
(1)	970 362 138 02	9 J X 18 ET 53 D - MJ 2011>> - MJ 2013 Alloy wheel	rear	2	PR:410
(1)	970 362 138 02 8Z8 970 362 138 04	9 J X 18 ET 53 D - MJ 2012>> - MJ 2013 silver Alloy wheel	rear	2	PR:410
2	970 362 138 04 8Z8 900 265 001 50	silver Rubber valve		4	
2	900 265 001 51	Discontinued part Rubber valve		4	
2	311 601 361	Discontinued part Rubber valve		4	
-		Valve tyre pressure control system see illustration:	601-010		
3	955 361 163 00	Cap		4	
4	997 361 405 00	Balancer weight (self-adhesive) silver		X	
(4)	9P1 601 179	Balancer weight (self-adhesive) Black		X	
(4)	997 361 410 00	Balancer weight (self-adhesive) silver		X	
(4)	9P1 601 181	Balancer weight (self-adhesive)		X	

Model: 970 10 Model life 2010>>2016

Pos	Part Number	Description	Remark	Qty	Model
(4)	997 361 415 00	Black Balancer weight (self-adhesive) silver		X	
(4)	9P1 601 182	Black Balancer weight (self-adhesive)		X	
(4)	997 361 420 00	Black Balancer weight (self-adhesive) silver		X	
(4)	9P1 601 183	Black Balancer weight (self-adhesive)		X	
(4)	997 361 425 00	Black Balancer weight (self-adhesive) silver		X	
(4)	9P1 601 184	Black Balancer weight (self-adhesive)		X	
(4)	997 361 430 00	Black Balancer weight (self-adhesive) silver		X	
(4)	9P1 601 185	Black Balancer weight (self-adhesive)		X	
(4)	997 361 435 00	Black Balancer weight (self-adhesive) silver		X	
(4)	9P1 601 186	Black Balancer weight (self-adhesive)		X	
(4)	997 361 440 00	Black Balancer weight (self-adhesive) silver		X	
(4)	9P1 601 187	Black Balancer weight (self-adhesive)		X	
(4)	997 361 445 00	Black Balancer weight (self-adhesive) silver		X	
(4)	9P1 601 188	Black Balancer weight (self-adhesive)		X	
(4)	997 361 450 00	Black Balancer weight (self-adhesive) silver		X	
(4)	9P1 601 189	Black Balancer weight (self-adhesive)		X	
(4)	997 361 455 00	Black Balancer weight (self-adhesive) silver		X	
(4)	9P1 601 190	Black Balancer weight (self-adhesive)		X	
(4)	997 361 460 00	Black Balancer weight (self-adhesive) silver		X	
(4)	9P1 601 191	Black Balancer weight (self-adhesive)		X	
(4)	997 361 465 00	Black Balancer weight (self-adhesive)		X	

Model: 970 10 Model life 2010>>2016

Pos	Part Number	Description	Remark	Qty	Model
(4)	9P1 601 192	silver Balancer weight (self-adhesive)		X	
(4)	997 361 470 00	Black Balancer weight (self-adhesive)		X	
(4)	9P1 601 193	silver Balancer weight (self-adhesive)		X	
(4)	997 361 475 00	Black Balancer weight (self-adhesive)		X	
(4)	9P1 601 194	silver Balancer weight (self-adhesive)		X	
(4)	997 361 480 00	Black Balancer weight (self-adhesive)		X	
(4)	9P1 601 195	silver Balancer weight (self-adhesive)		X	
(4)	997 361 485 00	Black Balancer weight (self-adhesive)		X	
(4)	9P1 601 196	silver Balancer weight (self-adhesive)		X	
(4)	997 361 490 00	Black Balancer weight (self-adhesive)		X	
(4)	9P1 601 197	silver Balancer weight (self-adhesive)		X	
5	997 361 203 01	Black Wheel bolt silver		16	
5	997 361 203 02	Discontinued part Wheel bolt silver		16	
(5)	970 361 203 00	Black Wheel bolt		16	
(5)	WHT 004 676	Discontinued part Wheel bolt silver		16	PR:856
(5)	WHT 004 676 A	Black Wheel bolt		16	PR:856
6	970 361 057 00	1 set wheel studs, anti-theft silver	GB	1	PR:444
		comprising: Wheel bolts		4	
		Adapter		1	
(6)	970 361 057 01	Note coding Discontinued part 1 set wheel studs, anti-theft silver	GB	1	PR:444,-856
		comprising: Wheel bolts		4	
		Adapter		1	
(6)	WHT 006 980 A	Note coding 1 set wheel studs, anti-theft	GB	1	PR:444,-856

Model: 970 10

Model life 2010>>2016

Pos	Part Number	Description	Remark	Qty	Model
(6)	WHT 006 980 C	Black comprising: Wheel bolts Adapter Note coding Discontinued part 1 set wheel studs, anti-theft	GB	4 1 1	PR:444,-856
(6)	958 361 057 20	Black comprising: Wheel bolts Adapter Note coding 1 set wheel studs, anti-theft silver		4 1 1	PR:444,856
(6)	991 361 980 00	comprising: Wheel bolt Adapter Note coding 1 set wheel studs, anti-theft	GB	4 1 1	PR:444,856
(6)	991 361 980 02	Black comprising: Wheel bolt Adapter Note coding Discontinued part 1 set wheel studs, anti-theft	GB	4 1 1	PR:444,856
(6)	991 361 980 03	Black comprising: Wheel bolt Adapter Note coding Discontinued part 1 set wheel studs, anti-theft	GB	4 1 1	PR:444,856
(6)	997 361 057 02	Black comprising: Wheel bolt Adapter Note coding Set Anti-theft protection silver		4 1 1 1	PR:-444,-856
(6)	991 361 057 01	comprising: Wheel bolts Adapter Note coding 1 set wheel studs, anti-theft		4 1 1	PR:-444,-856
(6)	958 361 057 00	Black comprising: Wheel bolt Adapter Note coding Set Anti-theft protection silver comprising: Wheel bolts Adapter		4 1 1 1 4 1	PR:-444,856

Model: 970 10

Model life 2010>>2016

Pos	Part Number	Description	Remark	Qty	Model
(6)	991 361 980 01	Note coding 1 set wheel studs, anti-theft Black		1	PR:-444,856
		comprising:		4	
		Wheel bolts		1	
		Adapter			
7	955 361 303 00	Note coding Hub cap Round Concave Porsche crest Black		4	PR:-446
	955 361 303 00 9A1	silver			
(7)	955 361 303 20	Hub cap Round Concave Porsche crest Coloured		4	PR:446
	955 361 303 20 9A1	silver			
(7)	955 361 303 20	Hub cap Round Concave Porsche crest Coloured		4	PR:XRX
	955 361 303 20 9A1	silver modify in workshop			
(7)	7PP 601 149	Paint Hub cap Round Concave silver Porsche crest Black		4	PR:418
		silver			
(7)	7PP 601 149 A	Hub cap Round Concave silver Porsche crest Coloured		4	PR:418,446
		silver			
(7)	7PP 601 149 D	Hub cap Round Concave silver Porsche crest Coloured		4	PR:XRW
		D >> - MJ 2013			
(7)	7PP 601 149 E	Hub cap Round Concave		4	PR:XRY
(7)	7PP 601 149 F	Hub cap Round Concave Discontinued part		4	PR:-446,429
(7)	7PP 601 149 H	Hub cap Round Concave		4	PR:-446,429
(7)	7PP 601 149 G	Hub cap Round Concave D - MJ 2014>>		4	PR:446,429

Model: 970 10

Model life 2010>>2016

Pos	Part Number	Description	Remark	Qty	Model
(7)	7PP 601 150	Hub cap Round Concave Porsche crest black/silver D - MJ 2012>>		4	PR:-446
	7PP 601 150 88Z	Brilliant chrome finish			PR:415,417, 471,472
	7PP 601 150 8Z8	Brilliant Silver			PR:410,413
	7PP 601 150 OC6	Titanium Dark			PR:418,436
(7)	9P1 601 147	Hub cap Round Concave Porsche crest black/silver D - MJ 2014>>		4	PR:-446,XRW, 410,413,415, 417,418,436, 471,472
	9P1 601 147 8Z8	Brilliant Silver			
	9P1 601 147 88Z	Brilliant chrome finish			
	9P1 601 147 M7Z	GT Silver Metallic			
	9P1 601 147 EP8	Titanium metallic			
	9P1 601 147 OC6	Titanium Dark			
(7)	7PP 601 150 A	Hub cap Round Concave Porsche crest Coloured D - MJ 2012>>		4	PR:446
	7PP 601 150 A 8Z8	Brilliant Silver			PR:410,413
	7PP 601 150 A 88Z	Brilliant chrome finish			PR:415,417, 471,472
	7PP 601 150 A M7Z	GT Silver Metallic			PR:XRW
	7PP 601 150 A OC6	Titanium Dark			PR:418,436
(7)	9P1 601 147 A	Hub cap Round Concave Porsche crest Coloured D - MJ 2014>>		4	PR:446
	9P1 601 147 A 8Z8	Brilliant Silver			PR:410,413
	9P1 601 147 A 88Z	Brilliant chrome finish			PR:415,417, 471,472
	9P1 601 147 A M7Z	GT Silver Metallic			PR:XRW
	9P1 601 147 A OC6	Titanium Dark			PR:418,436
	9P1 601 147 A EP8	Titanium metallic			
(7)	7L5 601 151	Hub cap D - MJ 2014>>		4	PR:XFY
	7L5 601 151 OB5	Platinum satin-matt			
(7)	7PP 601 152 A	Hub cap Round Convex D - MJ 2014>>		4	PR:XRU,446
	7PP 601 152 A M7Z	GT Silver Metallic Porsche crest Coloured D - MJ 2014>>			
(7)	7P5 601 151	Hub cap		4	PR:XRV,446
	7P5 601 151 C9X	Jet Black Metallic			
8	970 362 050 00	Spare wheel 4 J X 19		1	4820,4840+ PR:447

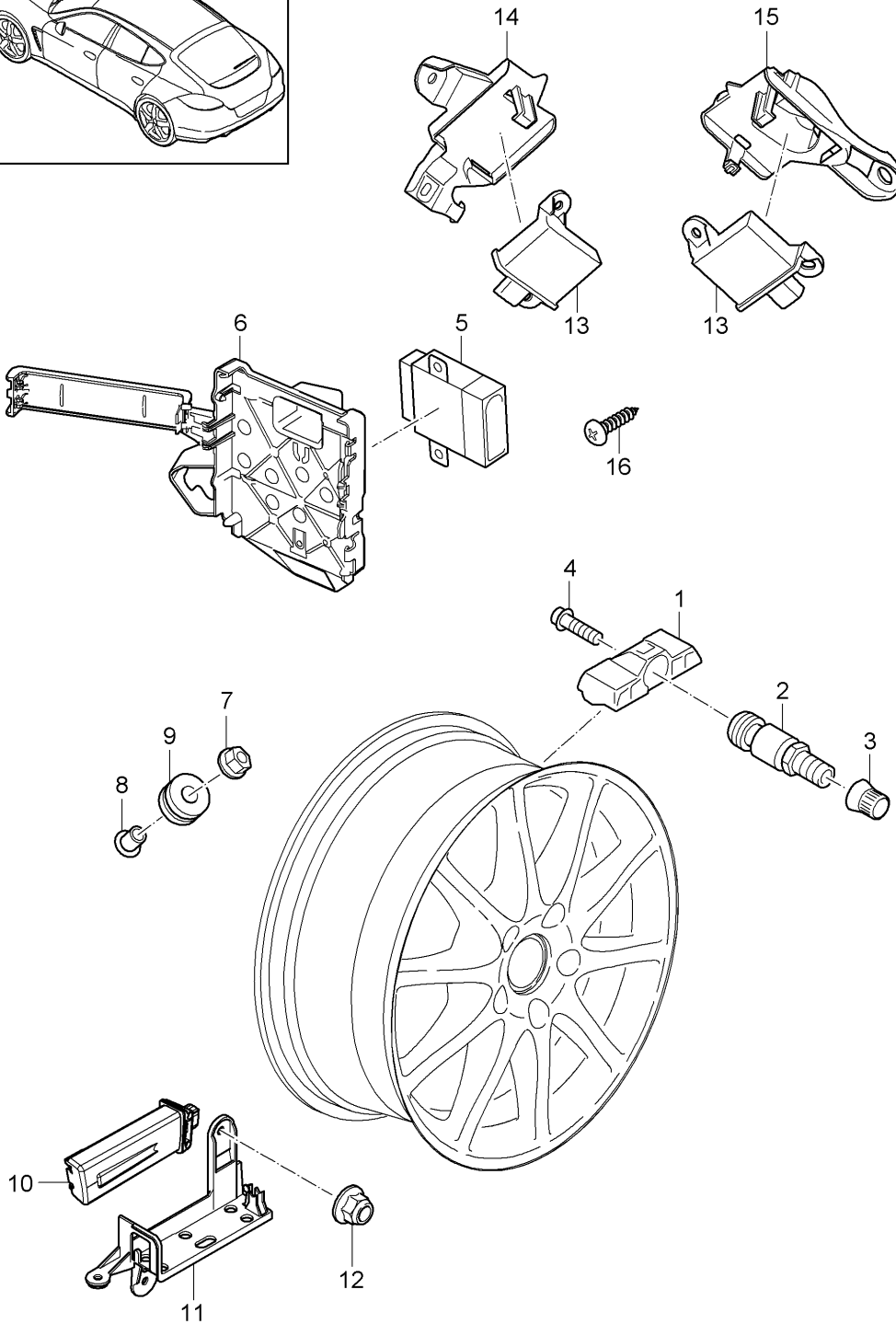
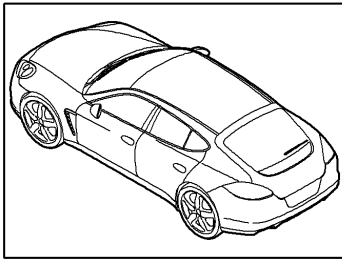
Model: 970 10

Model life 2010>>2016

Pos	Part Number	Description	Remark	Qty	Model
(8)	970 362 050 00	ET 7 Spare wheel 4 J X 19		1	4870+ PR: 447, -450
(8)	970 362 070 00	ET 7 Spare wheel 9,5 J X 20		1	4870+ PR: 450, 447
9	997 652 055 00	ET 65 Compressor for Spare wheel		1	
12	955 722 631 00	Compressed air bottle Discontinued part		1	
(12)	4L0 012 619 A	Tyre sealant D - MJ 2013>>		1	

Model: 970 10

Model life 2010>>2016



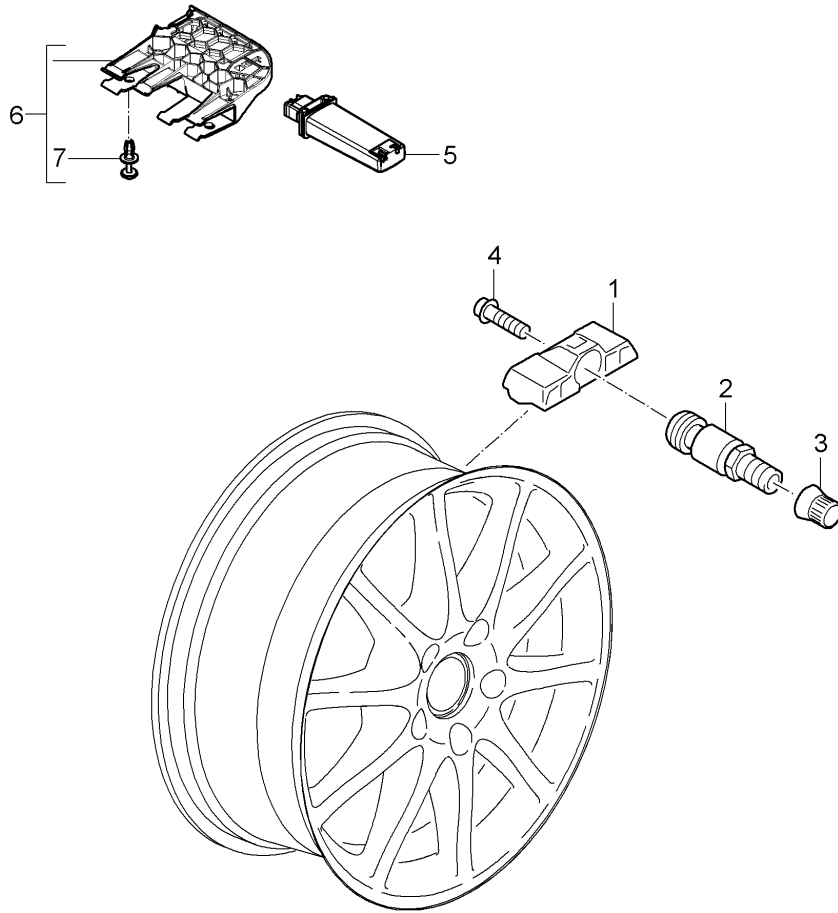
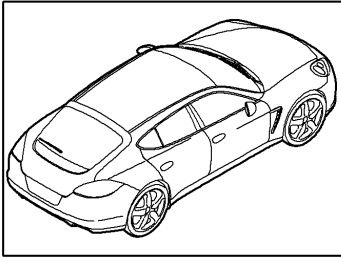
Model: 970 10

Model life 2010>>2016

Pos	Part Number	Description	Remark	Qty	Model
1	997 606 021 20	tyre pressure control system D >> - MJ 2013 Sensor		4	PR:482,483 PR:482
(1)	958 361 661 00	tyre pressure control system also use: Discontinued part Sensor	955 361 053 00	4	PR:482
(1)	7PP 907 275 F	tyre pressure control system also use: Discontinued part Tyre pressure sensor	955 361 053 00	4	PR:482
(1)	997 606 023 21	tyre pressure control system also use: Sensor	955 361 053 00	4	PR:483
2	955 361 053 00	tyre pressure control system also use: Valve	955 361 053 00	4	
(2)	9P1 601 361 A	tyre pressure control system silver Discontinued part Valve		4	
(2)	9P1 601 361	tyre pressure control system silver Valve		4	PR:UX7
3	N 908 729 01	tyre pressure control system Black Valve cap for valve unit		4	
(3)	WHT 006 913	Valve silver Valve cap for valve unit Black		4	PR:UX7
4	4D0 601 365	Hexagon socket head bolt, self-locking		4	
5	970 618 103 04	Control unit		1	
6	970 618 203 00	Support for reversing camera Control unit		1	
7	999 084 629 01	Hexagon nut M 6		3	
8	999 209 093 01	spacer sleeve 7,0 X 1,0 X 12		3	
9	999 703 479 40	Bonded rubber bush 9 X 14 X 1,5		3	
10	955 606 101 00	Aerial		1	PR:482
(10)	955 606 103 00	Aerial		1	PR:483
11	970 606 141 01	Retainer for aerial		1	
12	999 076 081 40	Hexagon plastic collar nut T 5 / 16 X 11,2		6	
13	7PP 907 283	Sender unit		4	
14	970 606 153 00	Bracket	left	1	
15	970 606 154 00	Bracket	right	1	
16	999 073 314 09	panel screw 4,8 X 16		4	

Model: 970 10

Model life 2010>>2016



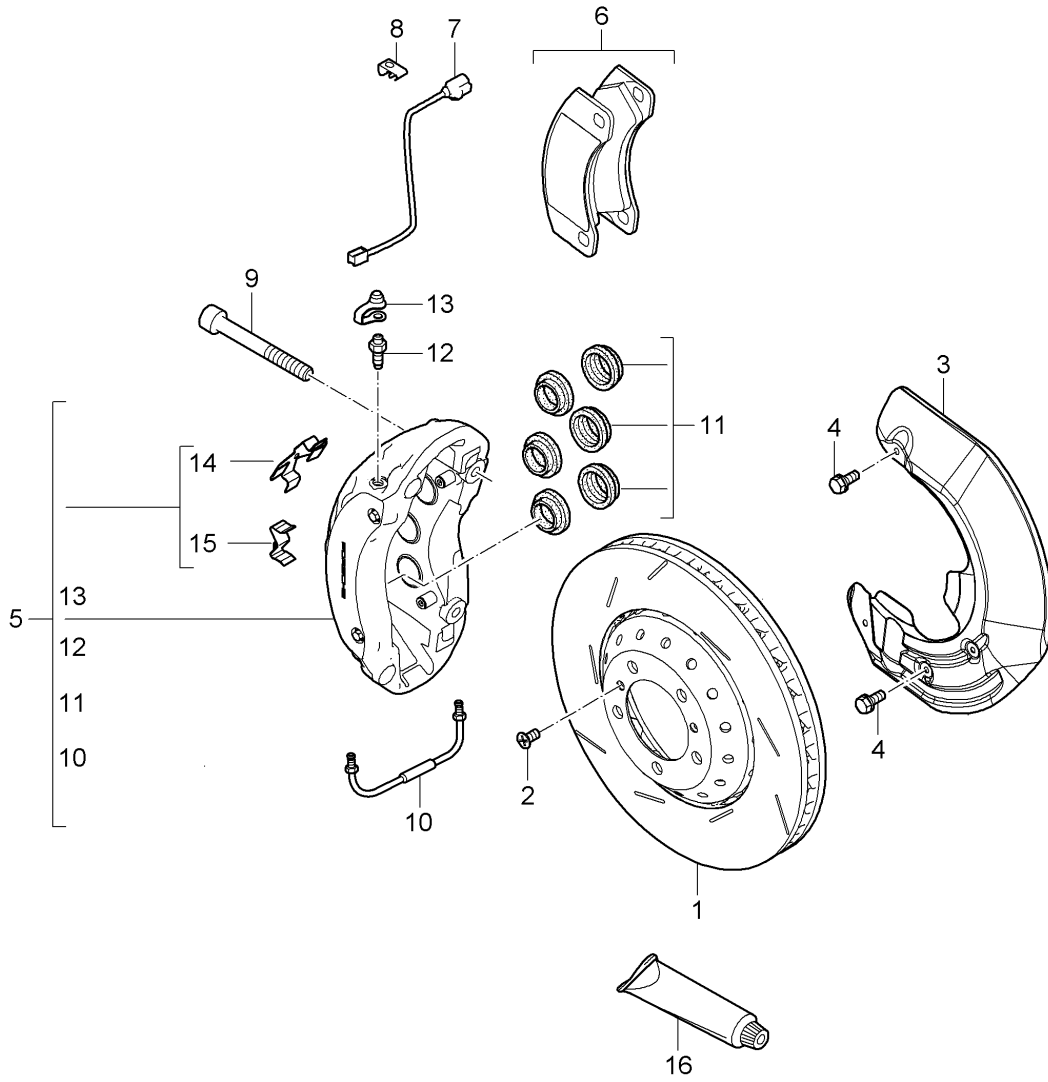
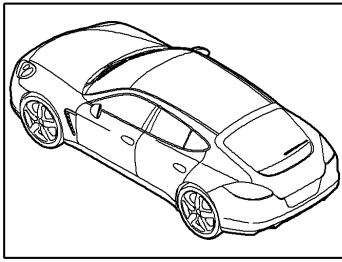
Model: 970 10

Model life 2010>>2016

Pos	Part Number	Description	Remark	Qty	Model
		tyre pressure control system D - MJ 2014>>			PR:482,483
1	5Q0 907 275	Tyre pressure sensor tyre pressure control system		4	PR:482
(1)	5Q0 907 275 A	also use: Tyre pressure sensor tyre pressure control system	955 361 053 00	4	PR:483
2	955 361 053 00	also use: Valve tyre pressure control system silver	955 361 053 00	4	PR:UX6
(2)	9P1 601 361 A	Discontinued part Valve tyre pressure control system silver		4	
(2)	9P1 601 361	Valve tyre pressure control system Black		4	PR:UX7
3	N 908 729 01	Valve cap for valve unit Valve silver		4	
(3)	WHT 006 913	Valve cap for valve unit Black		4	PR:UX7
4	4D0 601 365	Hexagon socket head bolt, self-locking		4	
5	7PP 907 273 B	Control unit for tyre pressure control		1	PR:482
(5)	7PP 907 273 D	Discontinued part Control unit for tyre pressure control		1	PR:482
(5)	7PP 907 273 H	Discontinued part Control unit for tyre pressure control		1	PR:482
(5)	7PP 907 273 C	Control unit for tyre pressure control		1	PR:483
(5)	7PP 907 273 E	Discontinued part Control unit for tyre pressure control		1	PR:483
(5)	9A7 907 273 00	Control unit for tyre pressure control		1	PR:483
6	970 618 217 00	Retainer for control units		1	
7	4D0 863 788	Spreader rivet		2	

Model: 970 10

Model life 2010>>2016



Model: 970 10 Model life 2010>>2016

Pos	Part Number	Description	Remark	Qty	Model
1	970 351 403 00	Disc brake Front axle D >> - MJ 2013 Brake disc	left front	1	4820,4840, CGFA,CGEA, CGE PR:-450,-015
1	970 351 403 01	Discontinued part Brake disc	left front	1	PR:-450,-015
1	298 615 301 B	Discontinued part Brake disc	left front	1	PR:-450,-015
(1)	970 351 404 00	Brake disc Discontinued part	right front	1	PR:-450,-015
(1)	970 351 404 01	Brake disc Discontinued part	right front	1	PR:-450,-015
(1)	298 615 302 B	Brake disc	right front	1	PR:-450,-015
1	970 351 405 00	Brake disc Discontinued part	left front	1	GTS PR:-450,015
1	298 615 301 C	Brake disc	left front	1	GTS PR:-450,015
(1)	970 351 406 00	Brake disc Discontinued part	right front	1	GTS PR:-450,015
(1)	298 615 302 C	Brake disc	right front	1	GTS PR:-450,015
(1)	970 351 405 31	Ceramic brake disc Discontinued part	left front	1	PR:450,-015
(1)	970 351 405 32	Ceramic brake disc Discontinued part	left front	1	PR:450,-015
(1)	298 615 301	Ceramic brake disc	left front	1	PR:450,-015
(1)	970 351 406 31	Ceramic brake disc Discontinued part	right front	1	PR:450,-015
(1)	970 351 406 32	Ceramic brake disc Discontinued part	right front	1	PR:450,-015
(1)	298 615 302	Ceramic brake disc	right front	1	PR:450,-015
(1)	970 351 407 32	Brake disc Discontinued part	left front	1	GTS PR:450,015
(1)	298 615 301 A	Brake disc	left front	1	GTS PR:450,015
(1)	970 351 408 32	Brake disc Discontinued part	right front	1	GTS PR:450,015
(1)	298 615 302 A	Brake disc	right front	1	GTS PR:450,015
2	900 269 047 01	countersunk bolt M 6 X 12		4	
(2)	900 269 047 03	D >> - MJ 2010 countersunk bolt M 6 X 12 D - MJ 2011>>		4	
3	970 351 801 00	Cover plate	left	1	
(3)	970 351 802 00	Cover plate	right	1	
(3)	970 351 805 31	Cover plate	left	1	PR:450
(3)	970 351 806 31	Cover plate	right	1	PR:450
4	999 217 116 01	Hexagon bolt M 6 X 16		8	
5	7PP 615 123 H	caliper without brake pads silver F >> 97-AL042 783	left	1	
(5)	7PP 615 123 P	F >> A7-AL061 415 caliper without brake pads silver F 97-AL042 784>> F A7-AL061 416>>	left	1	
(5)	7PP 615 149 R	caliper without brake pads silver F 97-AL042 784>> F A7-AL061 416>>	left	1	

Model: 970 10 Model life 2010>>2016

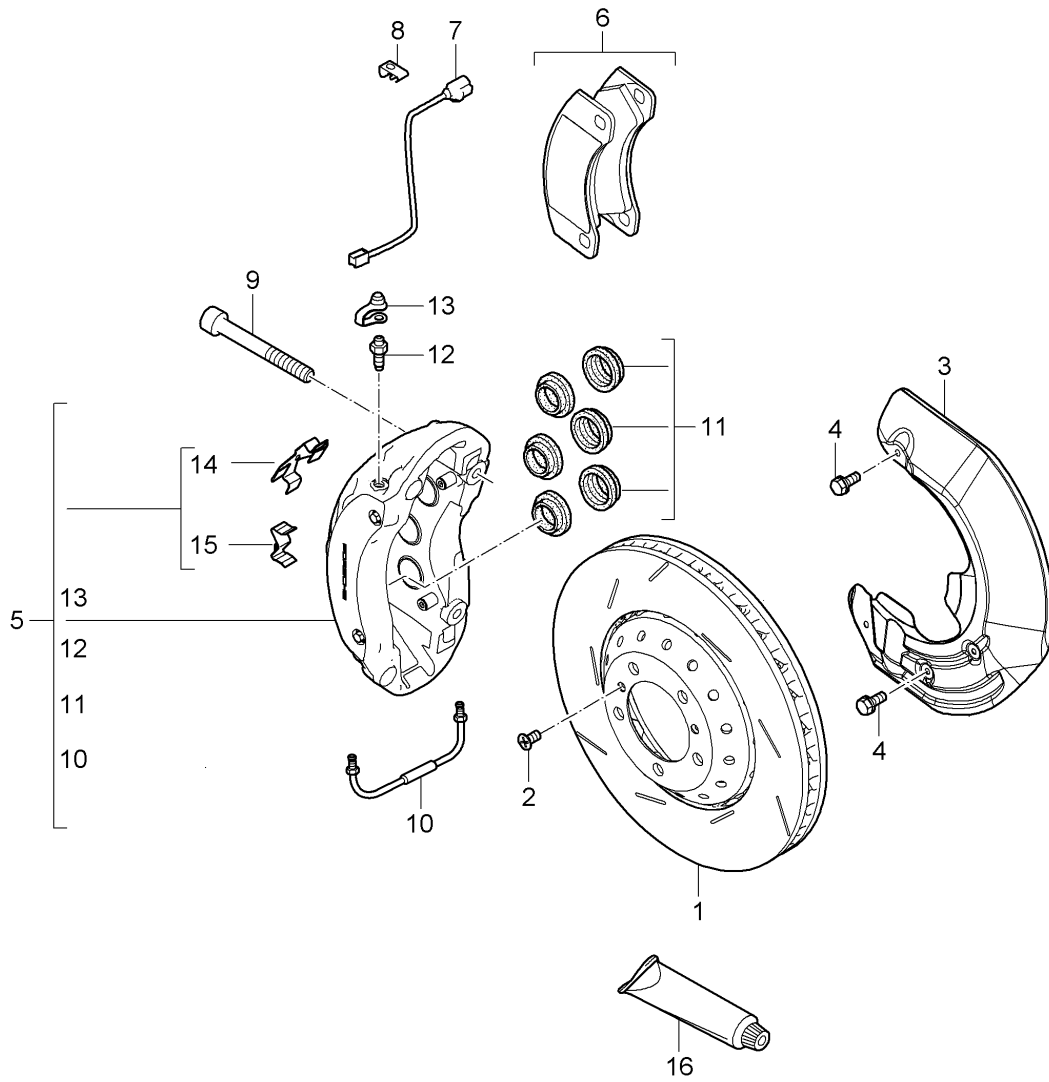
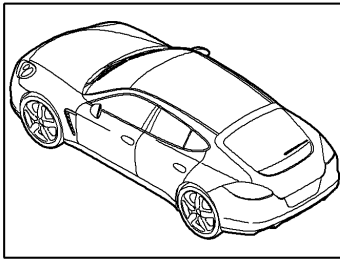
Pos	Part Number	Description	Remark	Qty	Model
(5)	7PP 615 149 AD	Discontinued part caliper without brake pads silver F 97-AL042 784>> F A7-AL061 416>>	left	1	
(5)	7PP 615 124 H	caliper without brake pads silver F >> 97-AL042 783 F >> A7-AL061 415	right	1	
(5)	7PP 615 124 P	caliper without brake pads silver F 97-AL042 784>> F A7-AL061 416>>	right	1	
(5)	7PP 615 150 R	caliper without brake pads silver F 97-AL042 784>> F A7-AL061 416>>	right	1	
(5)	7PP 615 150 AD	Discontinued part caliper without brake pads silver F 97-AL042 784>> F A7-AL061 416>>	right	1	
(5)	7PP 615 149 E	caliper without brake pads red	left	1	GTS PR:015,-450
(5)	7PP 615 150 E	caliper without brake pads red	right	1	GTS PR:015,-450
(5)	7PP 615 123 K	caliper without brake pads yellow	left	1	PR:450,-015
(5)	7PP 615 124 K	caliper without brake pads yellow	right	1	PR:450,-015
(5)	7PP 615 123 T	caliper without brake pads yellow	left	1	GTS PR:450,015
(5)	7PP 615 124 T	caliper without brake pads yellow	right	1	GTS PR:450,015
6	955 351 939 63	1 set of brake pads for disk brake comprising: Brake lining also use: Fasteners F >> A7-AL061 415	front	1 4	PR:-450
(6)	970 351 949 01	1 set of brake pads for disk brake comprising: Brake lining also use: Fasteners F A7-AL061 416>>	front	1 4	PR:-450
(6)	970 351 949 05	Discontinued part 1 set of brake pads for disk brake comprising: Brake lining also use: Fasteners F A7-AL061 416>>	front	1 4	PR:-450
(6)	958 351 939 10	Discontinued part 1 set of brake pads for disk brake comprising: Brake lining also use: Fasteners	front	1 4	PR:-450

Model: 970 10 Model life 2010>>2016

Pos	Part Number	Description	Remark	Qty	Model
(6)	970 351 948 02	F A7-AL061 416>> 1 set of brake pads for disk brake comprising: Brake lining also use: Fasteners	front	1 4	PR:450
(6)	970 351 948 03	1 set of brake pads for disk brake comprising: Brake lining also use: Fasteners	front	1 4	PR:450
7	970 609 143 00	F A7-AL062 701>> sender wire (pad wear indicator) D >> - MJ 2010		2	PR:-750
(7)	958 612 365 00	sender wire (pad wear indicator) D >> - MJ 2010		2	PR:750
(7)	958 612 365 00	sender wire (pad wear indicator) D - MJ 2011>>		2	
(7)	970 609 143 00	sender wire (pad wear indicator)		2	PR:450
8	944 612 627 00	Line holder Warning contact		2	
9	999 073 453 01	Socket head bolt M 14 X 1,5 X 115		4	PR:-450,-015
(9)	999 073 461 01	Socket head bolt M 14 X 1,5 X 135		4	PR:-450,015
(9)	999 073 461 01	Socket head bolt M 14 X 1,5 X 135		4	PR:450
10	970 351 961 00	Connecting line	left	1	PR:-450
(10)	970 351 962 00	Connecting line	right	1	PR:-450
(10)	970 351 961 10	Connecting line	left	1	PR:450
(10)	970 351 962 10	Connecting line	right	1	PR:450
11	955 351 915 20	repair set Protection caps 36 mm comprising: Protection caps for Fixed calliper		2 6 1	
12	8A0 615 273	Breather valve		4	
13	211 611 483	dust cap		4	
14	970 351 959 00	repair set Fasteners comprising: Spring for Fixed calliper		2 2 1	
15	955 351 933 00	Support Cable guide		2	
16	000 043 117 00	brake pad wear display brake cylinder paste 1 50-g tube		X	
(16)	000 043 020 00	Assembly paste 1 100-gramme tube		X	

Model: 970 10

Model life 2010>>2016



Model: 970 10 Model life 2010>>2016

Pos	Part Number	Description	Remark	Qty	Model
1	298 615 301 B	Disc brake Front axle D - MJ 2014>> Brake disc	left front	1	CWDA,CWD, CXPA,CXRA, CXR PR:-450,-015
		also use:	298 615 302 B	1	
(1)	298 615 302 B	Brake disc	right front	1	PR:-450,-015
		also use:	298 615 301 B	1	
(1)	298 615 301	Ceramic brake disc	left front	1	PR:450,-015
		also use:	298 615 302	1	
(1)	298 615 302	Ceramic brake disc	right front	1	PR:450,-015
		also use:	298 615 301	1	
(1)	298 615 301 C	Brake disc	left front	1	PR:-450,015
		also use:	298 615 302 C	1	
(1)	298 615 302 C	Brake disc	right front	1	PR:-450,015
		also use:	298 615 301 C	1	
(1)	298 615 301 A	Brake disc	left front	1	PR:450,015
		also use:	298 615 302 A	1	
(1)	298 615 302 A	Brake disc	right front	1	PR:450,015
		also use:	298 615 301 A	1	
2	900 269 047 03	countersunk bolt M 6 X 12		4	
3	970 351 801 00	Cover plate	left	1	PR:-450
(3)	970 351 805 32	Cover plate	left	1	PR:450
(3)	970 351 802 00	Cover plate	right	1	PR:-450
(3)	970 351 806 32	Cover plate	right	1	PR:450
4	999 217 116 01	Hexagon bolt M 6 X 16		8	
5	7PP 615 149 G	caliper without brake pads silver	left	1	CWDA,CWD+ PR:-450
		Discontinued part			
(5)	7PP 615 149 R	caliper without brake pads silver	left	1	CWDA,CWD+ PR:-450
		Discontinued part			
(5)	7PP 615 149 AD	caliper without brake pads silver	left	1	CWDA,CWD+ PR:-450
		Discontinued part			
(5)	7PP 615 149 E	caliper without brake pads red	left	1	CXPA,CXRA, CXR+ PR:-450
		Discontinued part			
(5)	7PP 615 150 G	caliper without brake pads silver	right	1	CWDA,CWD+ PR:-450
		Discontinued part			
(5)	7PP 615 150 R	caliper without brake pads silver	right	1	CWDA,CWD+ PR:-450
		Discontinued part			
(5)	7PP 615 150 AD	caliper without brake pads silver	right	1	CWDA,CWD+ PR:-450
		Discontinued part			
(5)	7PP 615 150 E	caliper without brake pads red	right	1	CXPA,CXRA, CXR+ PR:-450
		Discontinued part			
(5)	298 615 123	caliper without brake pads yellow	left	1	CWDA,CWD+ PR:450
		Discontinued part			
(5)	298 615 123 A	caliper without brake pads yellow	left	1	CXPA,CXRA, CXR+ PR:450
		Discontinued part			
(5)	298 615 124	caliper without brake pads	right	1	CWDA,CWD+

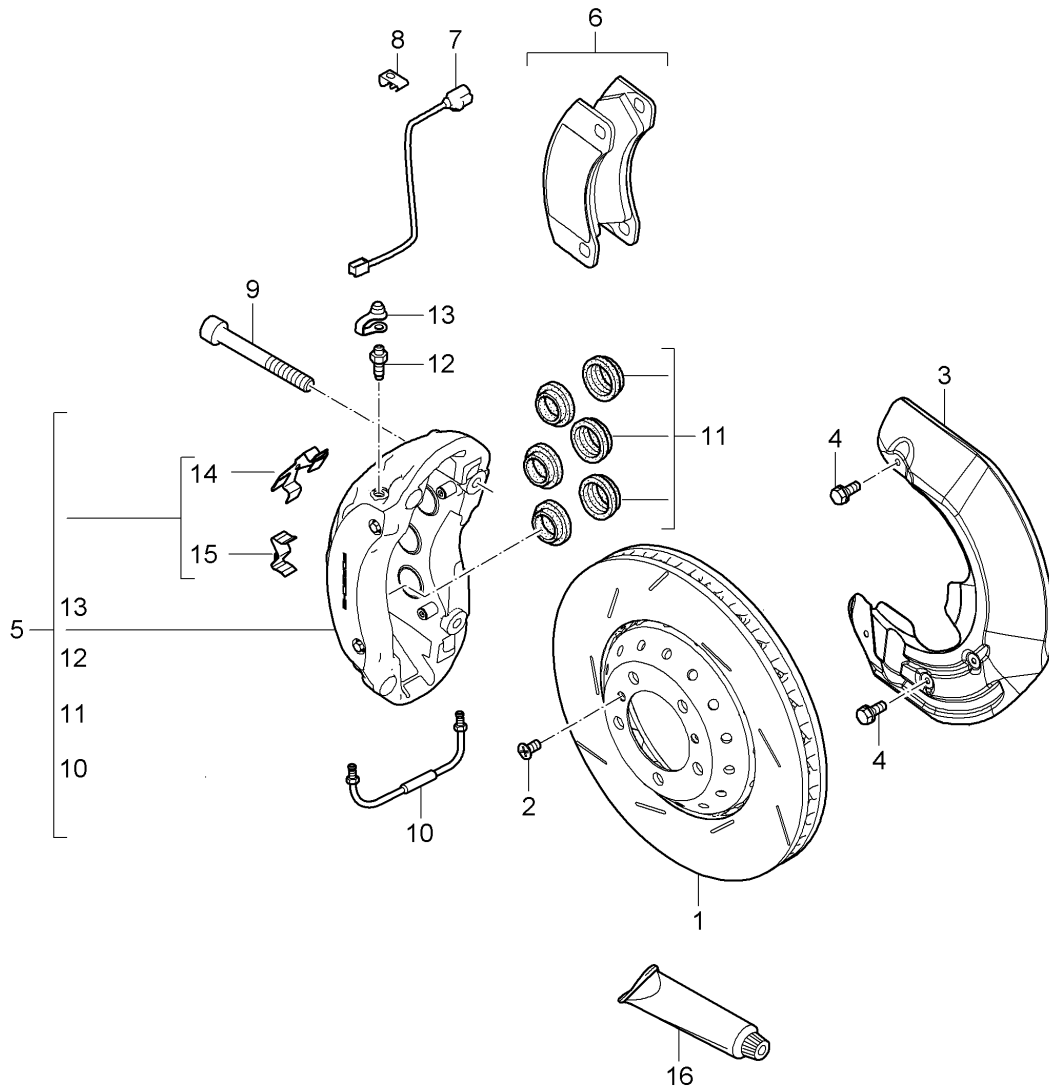
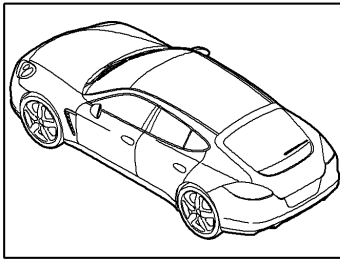
Model: 970 10

Model life 2010>>2016

Pos	Part Number	Description	Remark	Qty	Model
(5)	298 615 124 A	caliper without brake pads	right	1	PR:450 CXPA,CXRA, CXR+
6	970 351 949 06	1 set of brake pads for disk brake comprising: Brake lining	front	1 4	PR:-450
		also use: Fasteners			
(6)	970 351 948 03	1 set of brake pads for disk brake comprising: Brake lining	front	1 4	PR:450
		also use: Fasteners			
7	958 612 365 00	sender wire (pad wear indicator)		2	PR:-450
(7)	970 609 143 00	sender wire (pad wear indicator)		2	PR:450
8	944 612 627 00	Line holder Warning contact		2	
9	WHT 004 571	Socket head collared bolt with inner multipoint head M 14 X 1,5 X 115		4	PR:-450,-015
(9)	WHT 004 572	Socket head bolt with inner multipoint head M 14 X 1,5 X 135		4	PR:450
(9)	WHT 004 572	Socket head bolt with inner multipoint head M 14 X 1,5 X 135		4	PR:-450,015
10	970 351 961 00	Connecting line	left	1	PR:-450
(10)	970 351 962 00	Connecting line	right	1	PR:-450
(10)	970 351 961 10	Connecting line	left	1	PR:450
(10)	970 351 962 10	Connecting line	right	1	PR:450
11	955 351 915 20	repair set Protection caps 36 MM comprising: Protection caps for Fixed calliper Breather valve		2 6 1 4	
12	8A0 615 273	Breather valve		4	
13	211 611 483	dust cap		4	
14	970 351 959 01	Spring repair set comprising: Spring for Fixed calliper		2 2 1	
15	955 351 933 00	Support Cable guide brake pad wear display		2 2 X	
16	000 043 117 00	brake cylinder paste 1 50-g tube		X	
(16)	000 043 020 00	Assembly paste 1 100-gramme tube		X	

Model: 970 10

Model life 2010>>2016



Model: 970 10 Model life 2010>>2016

Pos	Part Number	Description	Remark	Qty	Model
		Disc brake Front axle D >> - MJ 2013			TURBO TURBO S 4870
1	970 351 405 00	Brake disc	left front	1	PR:-450
(1)	970 351 406 00	Brake disc	right front	1	PR:-450
(1)	970 351 407 31	Brake disc Discontinued part	left front	1	PR:450
(1)	970 351 407 32	Brake disc	left front	1	PR:450
(1)	970 351 408 31	Brake disc Discontinued part	right front	1	PR:450
(1)	970 351 408 32	Brake disc	right front	1	PR:450
2	900 269 047 01	countersunk bolt M 6 X 12 D >> - MJ 2010		4	
(2)	900 269 047 03	countersunk bolt M 6 X 12 D - MJ 2011>>		4	
3	970 351 801 00	Cover plate	left	1	
(3)	970 351 802 00	Cover plate	right	1	
(3)	970 351 805 31	Cover plate	left	1	PR:450
(3)	970 351 806 31	Cover plate	right	1	PR:450
4	999 217 116 01	Hexagon bolt M 6 X 16		8	
5	7PP 615 123 J	caliper without brake pads red F 97-AL080 061>> 97-AL089 999	left	1	
(5)	7PP 615 123 R	caliper without brake pads red F 97-AL090 061>> 97-AL090 415 F 97-BL080 061>> F 97-AL090 416>>	left	1	
(5)	7PP 615 149 E	Discontinued part caliper without brake pads red F 97-BL080 061>> F 97-AL090 416>>	left	1	
(5)	7PP 615 124 J	caliper without brake pads red F 97-BL080 061>> 97-AL089 999 F 97-AL090 061>> 97-AL090 415	right	1	
(5)	7PP 615 124 R	caliper without brake pads red F 97-BL080 061>> F 97-AL090 416>>	right	1	
(5)	7PP 615 150 E	Discontinued part caliper without brake pads red F 97-BL080 061>> F 97-AL090 416>>	right	1	
(5)	7PP 615 123 L	caliper without brake pads F >> 97-AL081 381 F >> A7-AL090 529	left	1	PR:450,-016
(5)	7PP 615 123 T	caliper without brake pads yellow F 97-AL081 382>> F A7-AL090 530>>	left	1	PR:450,-016
(5)	298 615 123 A	caliper without brake pads yellow F 97-AL081 382>> F A7-AL090 530>>	left	1	PR:450,-016
(5)	7PP 615 124 L	caliper without brake pads yellow F >> 97-AL081 381	right	1	PR:450,-016

Model: 970 10 Model life 2010>>2016

Pos	Part Number	Description	Remark	Qty	Model
(5)	7PP 615 124 T	F >> A7-AL090 529 caliper without brake pads yellow F 97-AL081 382>> F A7-AL090 530>>	right	1	PR:450,-016
(5)	298 615 123 B	caliper without brake pads	left	1	PR:450,016
(5)	298 615 124 B	caliper without brake pads	right	1	PR:450,016
6	955 351 939 63	1 set of brake pads for disk brake comprising: Brake lining also use: Fasteners F 97-AL090 061>> 97-AL090 415	front	1 4	
(6)	970 351 949 01	1 set of brake pads for disk brake comprising: Brake lining also use: Fasteners F 97-AL090 416>>	front	1 4	
(6)	970 351 948 02	1 set of brake pads for disk brake comprising: Brake lining also use: Fasteners F >> A7-AL090 529	front	1 4	PR:450
(6)	970 351 948 03	1 set of brake pads for disk brake comprising: Brake lining also use: Fasteners F A7-AL090 530>>	front	1 4	PR:450
7	970 609 143 00	sender wire (pad wear indicator) D >> - MJ 2010		2	PR:-750,-450
(7)	958 612 365 00	sender wire (pad wear indicator) D >> - MJ 2010		2	PR:750,-450
(7)	958 612 365 00	sender wire (pad wear indicator) D - MJ 2011>>		2	PR:-450
(7)	970 609 143 00	sender wire (pad wear indicator)		2	PR:450
8	944 612 627 00	Line holder sender wire (pad wear indicator)		2	
9	999 073 461 01	Socket head bolt M 14 X 1,5 X 135		4	
10	970 351 961 10	Connecting line	left	1	
(10)	970 351 962 10	Connecting line	right	1	
11	955 351 915 20	repair set Protection caps 36 mm comprising: Protection caps for Fixed calliper		2 6 1	
12	8A0 615 273	Breather valve		4	
13	211 611 483	dust cap		4	
14	970 351 959 00	repair set		2	

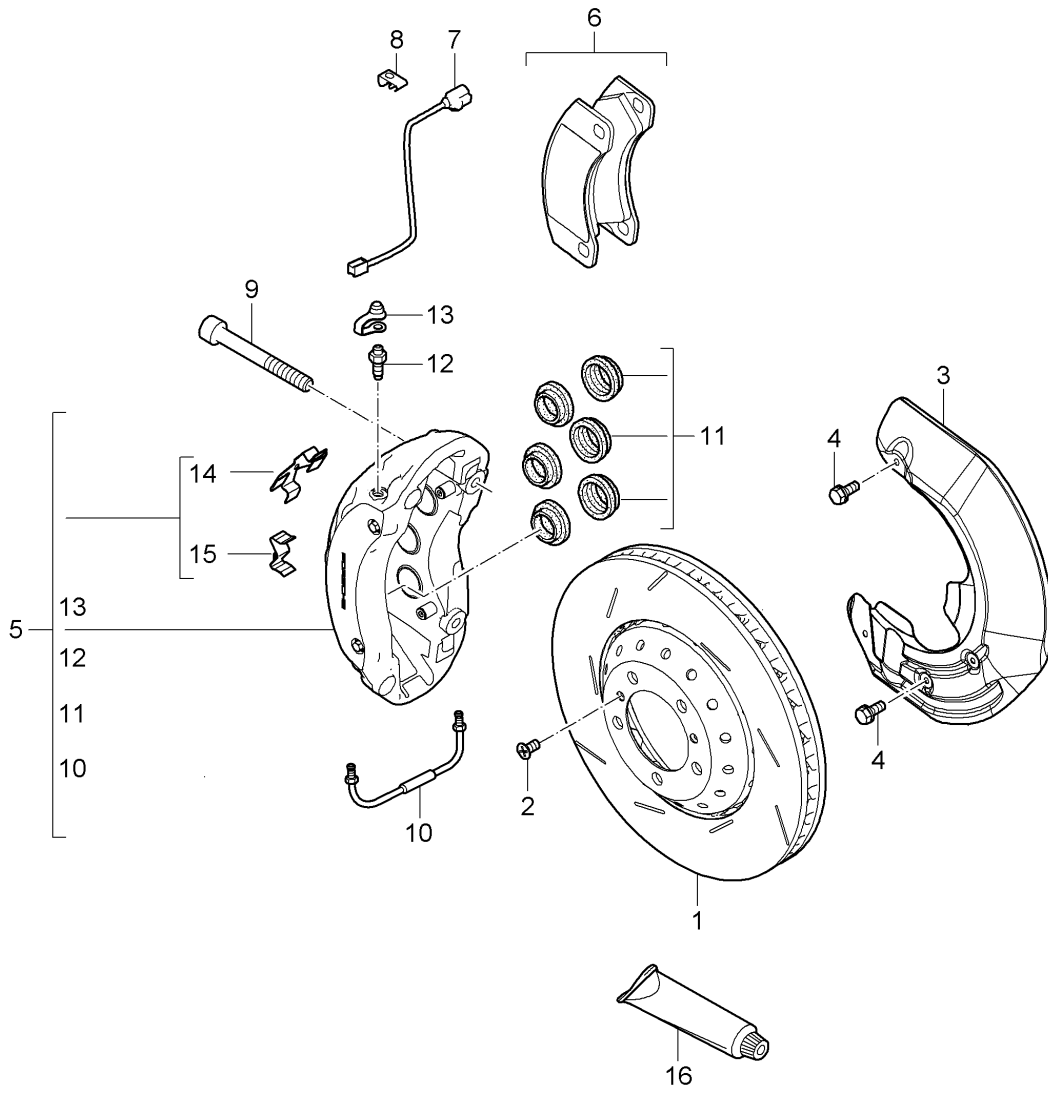
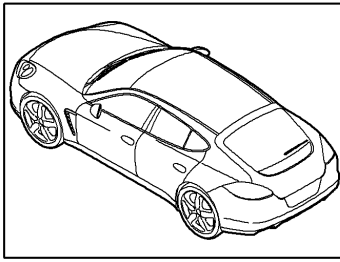
Model: 970 10

Model life 2010>>2016

Pos	Part Number	Description	Remark	Qty	Model
15	955 351 933 00	Fasteners comprising: Spring for Fixed calliper Support		2 1 2	
16	000 043 117 00	Cable guide brake pad wear display brake cylinder paste		X	
(16)	000 043 020 00	1 50-g tube Assembly paste 1 100-gramme tube		X	

Model: 970 10

Model life 2010>>2016



Model: 970 10 Model life 2010>>2016

Pos	Part Number	Description	Remark	Qty	Model
		Disc brake Front axle D - MJ 2014>>			TURBO TURBO S CWBA,CWB, CWCA,CWC PR:-450
1	298 615 301 C	Brake disc	left front	1	
		also use:	298 615 302 C	1	
(1)	298 615 302 C	Brake disc	right front	1	PR:-450
		also use:	298 615 301 C	1	
(1)	298 615 301 A	Brake disc	left front	1	PR:450,-016
		also use:	298 615 302 A	1	
(1)	298 615 302 A	Brake disc	right front	1	PR:450,-016
		also use:	298 615 301 A	1	
(1)	298 615 301 D	Brake disc	left front	1	PR:450,016
		also use:	298 615 302 D	1	
(1)	298 615 302 D	Brake disc	right front	1	PR:450,016
		also use:	298 615 301 D	1	
2	900 269 047 03	countersunk bolt M 6 X 12		4	
3	970 351 801 00	Cover plate	left	1	PR:-450
(3)	970 351 802 00	Cover plate	right	1	PR:-450
(3)	970 351 805 32	Cover plate	left	1	PR:450
(3)	970 351 806 32	Cover plate	right	1	PR:450
4	999 217 116 01	Hexagon bolt M 6 X 16		8	
5	7PP 615 149 E	caliper without brake pads red	left	1	
(5)	7PP 615 150 E	caliper without brake pads red	right	1	
(5)	298 615 123 A	caliper without brake pads yellow	left	1	PR:450,-016
(5)	298 615 123 B	caliper without brake pads yellow	left	1	PR:450,016
(5)	298 615 124 A	caliper without brake pads yellow	right	1	PR:450,-016
(5)	298 615 124 B	caliper without brake pads yellow	right	1	PR:450,016
6	970 351 949 06	1 set of brake pads for disk brake comprising: Brake lining	front	1	PR:-450
		also use:		4	
(6)	970 351 948 03	Fasteners 1 set of brake pads for disk brake comprising: Brake lining	front	1	PR:450
		also use:		4	
7	958 612 365 00	Fasteners sender wire (pad wear indicator)		2	PR:-450
(7)	970 609 143 00	sender wire (pad wear indicator)		2	PR:450
8	944 612 627 00	Line holder Warning contact		2	
9	WHT 004 572	Socket head bolt with inner multipoint head M 14 X 1,5 X 135		4	

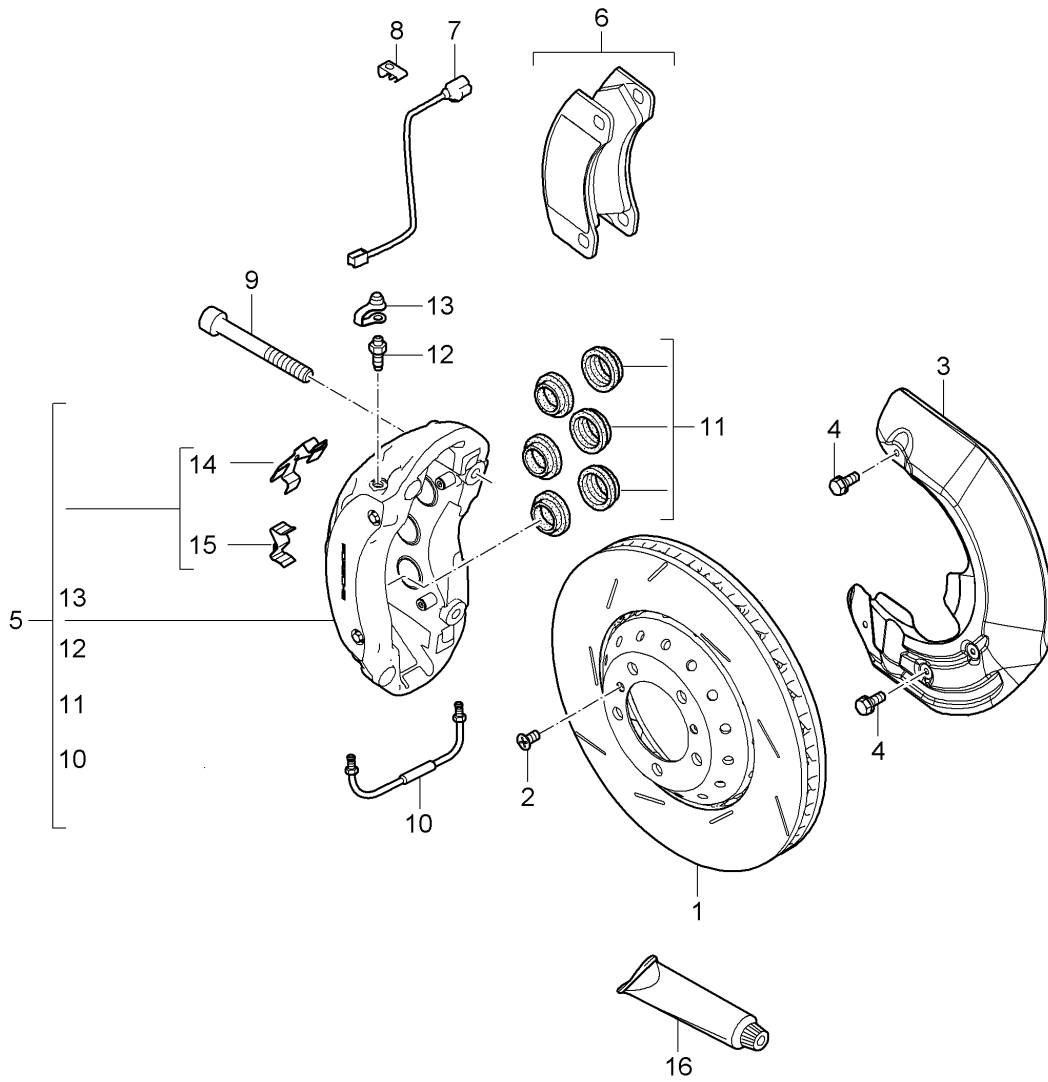
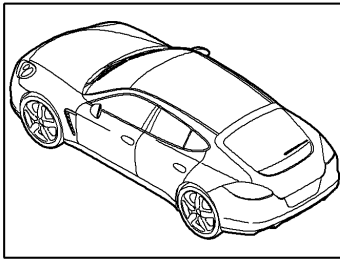
Model: 970 10

Model life 2010>>2016

Pos	Part Number	Description	Remark	Qty	Model
10	970 351 961 10	Connecting line	left	1	
(10)	970 351 962 10	Connecting line	right	1	
11	955 351 915 20	repair set		2	
		Protection caps 36 MM			
		comprising: Protection caps for		6	
		Fixed calliper		1	
12	8A0 615 273	Breather valve		4	
13	211 611 483	dust cap		4	
14	970 351 959 01	Spring		2	
		repair set			
		comprising: Spring		2	
		for			
		Fixed calliper		1	
15	955 351 933 00	Support		2	
		Cable guide			
		brake pad wear display			
16	000 043 117 00	brake cylinder paste		X	
		1 50-g tube			
(16)	000 043 020 00	Assembly paste		X	
		1 100-gramme tube			

Model: 970 10

Model life 2010>>2016



Model: 970 10 Model life 2010>>2016

Pos	Part Number	Description	Remark	Qty	Model
		Disc brake Front axle D >> - MJ 2013			4620,4640, CRCB,CRCC
1	970 351 403 00	Brake disc	left front	1	PR:-450
		Discontinued part			
(1)	970 351 403 01	Brake disc	left front	1	PR:-450
		Discontinued part			
(1)	298 615 301 B	Brake disc	left front	1	PR:-450
		also use:			
		298 615 302 B		1	
		958 351 939 10		1	
(1)	970 351 404 00	Brake disc	right front	1	PR:-450
		Discontinued part			
(1)	970 351 404 01	Brake disc	right front	1	PR:-450
		Discontinued part			
(1)	298 615 302 B	Brake disc	right front	1	PR:-450
		also use:			
		298 615 301 B		1	
		958 351 939 10		1	
(1)	970 351 405 32	Ceramic brake disc	left front	1	PR:450
		Discontinued part			
(1)	298 615 301	Ceramic brake disc	left front	1	PR:450
		also use:			
		298 615 302		1	
		970 351 948 03		1	
(1)	970 351 406 32	Ceramic brake disc	right front	1	PR:450
		Discontinued part			
(1)	298 615 302	Ceramic brake disc	right front	1	PR:450
		also use:			
		298 615 301		1	
		970 351 948 03		1	
2	900 269 047 03	countersunk bolt M 6 X 12		4	
3	970 351 801 00	Cover plate	left	1	PR:-450
(3)	970 351 802 00	Cover plate	right	1	PR:-450
(3)	970 351 805 32	Cover plate	left	1	PR:450
(3)	970 351 806 32	Cover plate	right	1	PR:450
4	999 217 116 01	Hexagon bolt M 6 X 16		8	
5	7PP 615 149	caliper without brake pads Black	left	1	PR:-450
		D >> - MJ 2011			
		Discontinued part			
(5)	7PP 615 149 F	caliper without brake pads Black	left	1	PR:-450
		Discontinued part			
(5)	7PP 615 149 AA	caliper without brake pads Black	left	1	PR:-450
		Discontinued part			
(5)	7PP 615 149 AC	caliper without brake pads Black	left	1	PR:-450
(5)	7PP 615 150	caliper without brake pads Black	right	1	PR:-450
		D >> - MJ 2011			
		Discontinued part			
(5)	7PP 615 150 F	caliper without brake pads Black	right	1	PR:-450
		Discontinued part			
(5)	7PP 615 150 AA	caliper without brake pads Black	right	1	PR:-450
		Discontinued part			
(5)	7PP 615 150 AC	caliper without brake pads Black	right	1	PR:-450
(5)	298 615 123	caliper without brake pads yellow	left	1	PR:450
(5)	298 615 124	caliper without brake pads yellow	right	1	PR:450

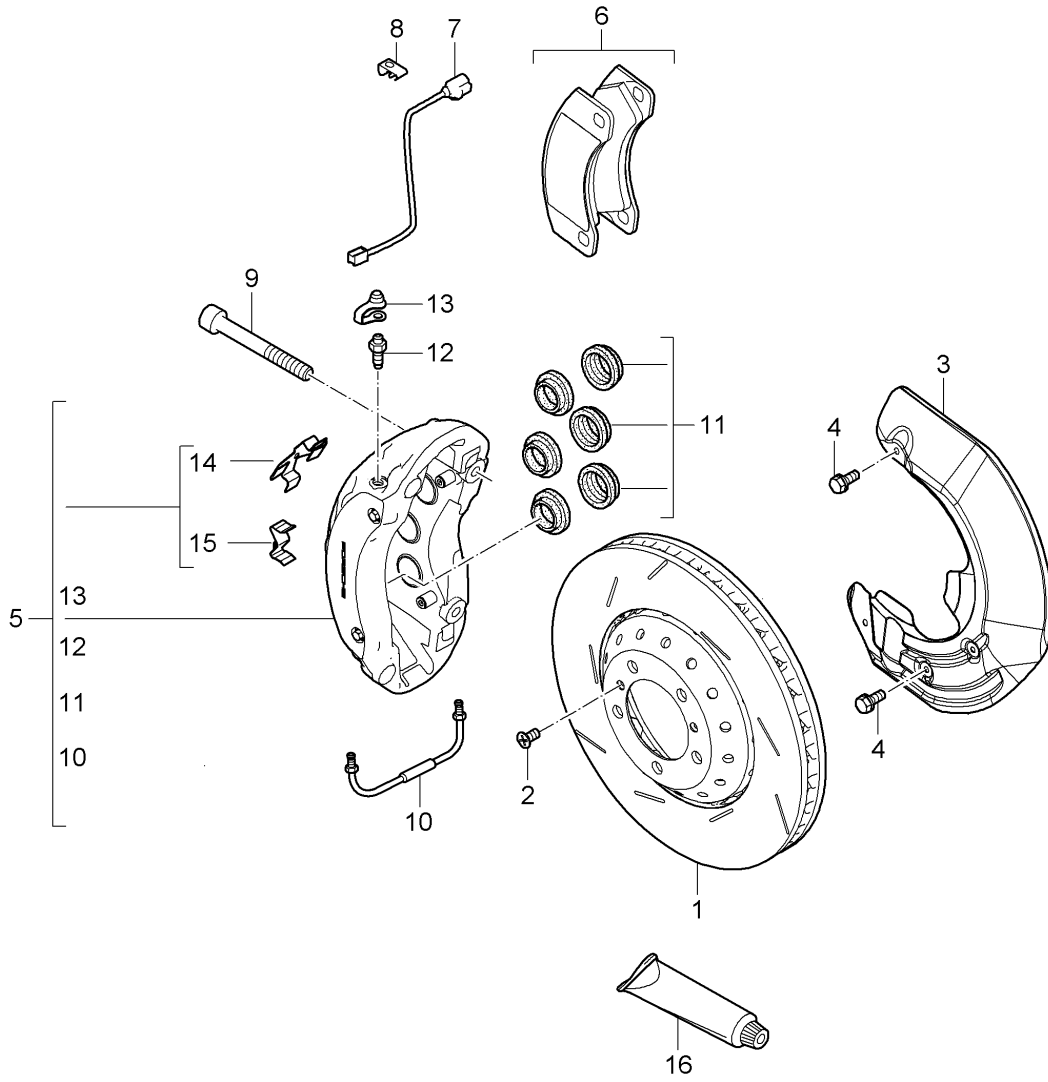
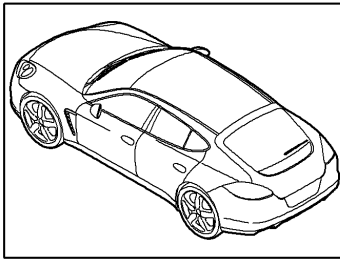
Model: 970 10

Model life 2010>>2016

Pos	Part Number	Description	Remark	Qty	Model
6	970 351 949 01	1 set of brake pads for disk brake comprising: Brake lining	front	1	PR:-450
		also use: Fasteners Discontinued part		4	
(6)	970 351 949 05	1 set of brake pads for disk brake comprising: Brake lining	front	1	PR:-450
		also use: Fasteners Discontinued part		4	
(6)	958 351 939 10	1 set of brake pads for disk brake comprising: Brake lining	front	1	PR:-450
		also use: Fasteners Discontinued part		4	
(6)	970 351 948 03	1 set of brake pads for disk brake comprising: Brake lining	front	1	PR:450
		also use: Fasteners		4	
7	970 609 143 00	sender wire (pad wear indicator)		2	PR:450
(7)	958 612 365 00	sender wire (pad wear indicator)		2	PR:-450
8	944 612 627 00	Line holder		2	
9	999 073 453 01	Warning contact		4	PR:-450
(9)	999 073 461 01	Socket head bolt M 14 X 1,5 X 115		4	PR:450
10	970 351 961 00	Socket head bolt M 14 X 1,5 X 135		4	PR:450
(10)	970 351 961 00	Connecting line	left	1	PR:-450
(10)	970 351 962 00	Connecting line	right	1	PR:-450
(10)	970 351 961 10	Connecting line	left	1	PR:450
(10)	970 351 962 10	Connecting line	right	1	PR:450
11	955 351 915 20	repair set		2	
		Protection caps 36 mm comprising: Protection caps for		6	
12	8A0 615 273	Fixed calliper		1	
13	211 611 483	Breather valve		4	
14	970 351 959 00	dust cap		4	
		repair set		2	
		Fasteners comprising: Spring for		2	
15	955 351 933 00	Fixed calliper		1	
		Support		2	
		Cable guide			
16	000 043 117 00	brake pad wear display			
		brake cylinder paste		X	
		1 50-g tube			
(16)	000 043 020 00	Assembly paste		X	
		1 100-gramme tube			

Model: 970 10

Model life 2010>>2016



Model: 970 10 Model life 2010>>2016

Pos	Part Number	Description	Remark	Qty	Model
		Disc brake Front axle D - MJ 2014>>			CWAA,CRCB, CRCC,CWFA, CWF,CWJA, CGEA,CGE, CGFA PR:-450
1	298 615 301 B	Brake disc	left front	1	
		also use:	298 615 302 B	1	
(1)	298 615 302 B	Brake disc	right front	1	PR:-450
		also use:	298 615 301 B	1	
(1)	298 615 301	Ceramic brake disc	left front	1	PR:450
		also use:	298 615 302	1	
(1)	298 615 302	Ceramic brake disc	right front	1	PR:450
		also use:	298 615 301	1	
			970 351 948 03	1	
2	900 269 047 03	countersunk bolt M 6 X 12		4	
3	970 351 801 00	Cover plate	left	1	PR:-450
(3)	970 351 802 00	Cover plate	right	1	PR:-450
(3)	970 351 805 32	Cover plate	left	1	PR:450
(3)	970 351 806 32	Cover plate	right	1	PR:450
4	999 217 116 01	Hexagon bolt M 6 X 16		8	
5	7PP 615 149 F	caliper without brake pads Black	left	1	CWAA,CWFA, CWF,CRCB, CRCC,CWJA+ PR:-450
5	7PP 615 149 AA	Discontinued part caliper without brake pads Black	left	1	CWAA,CWFA, CWF,CRCB, CRCC,CWJA+ PR:-450
5	7PP 615 149 AC	Discontinued part caliper without brake pads Black	left	1	CWAA,CWFA, CWF,CRCB, CRCC,CWJA+ PR:-450
(5)	7PP 615 149 M	caliper without brake pads green	left	1	CGEA,CGE, CGFA+ PR:-450
(5)	7PP 615 149 S	Discontinued part caliper without brake pads green	left	1	CGEA,CGE, CGFA+ PR:-450
(5)	7PP 615 149 AH	Discontinued part caliper without brake pads green	left	1	CGEA,CGE, CGFA+ PR:-450
(5)	7PP 615 150 F	caliper without brake pads Black	right	1	CWAA,CWFA, CWF,CRCB, CRCC,CWJA+ PR:-450
(5)	7PP 615 150 AA	Discontinued part caliper without brake pads Black	right	1	CWAA,CWFA, CWF,CRCB, CRCC,CWJA+ PR:-450
(5)	7PP 615 150 AC	Discontinued part caliper without brake pads Black	right	1	CWAA,CWFA, CWF,CRCB, CRCC,CWJA+ PR:-450
(5)	7PP 615 150 M	caliper without brake pads green	right	1	CGEA,CGE, CGFA+ PR:-450

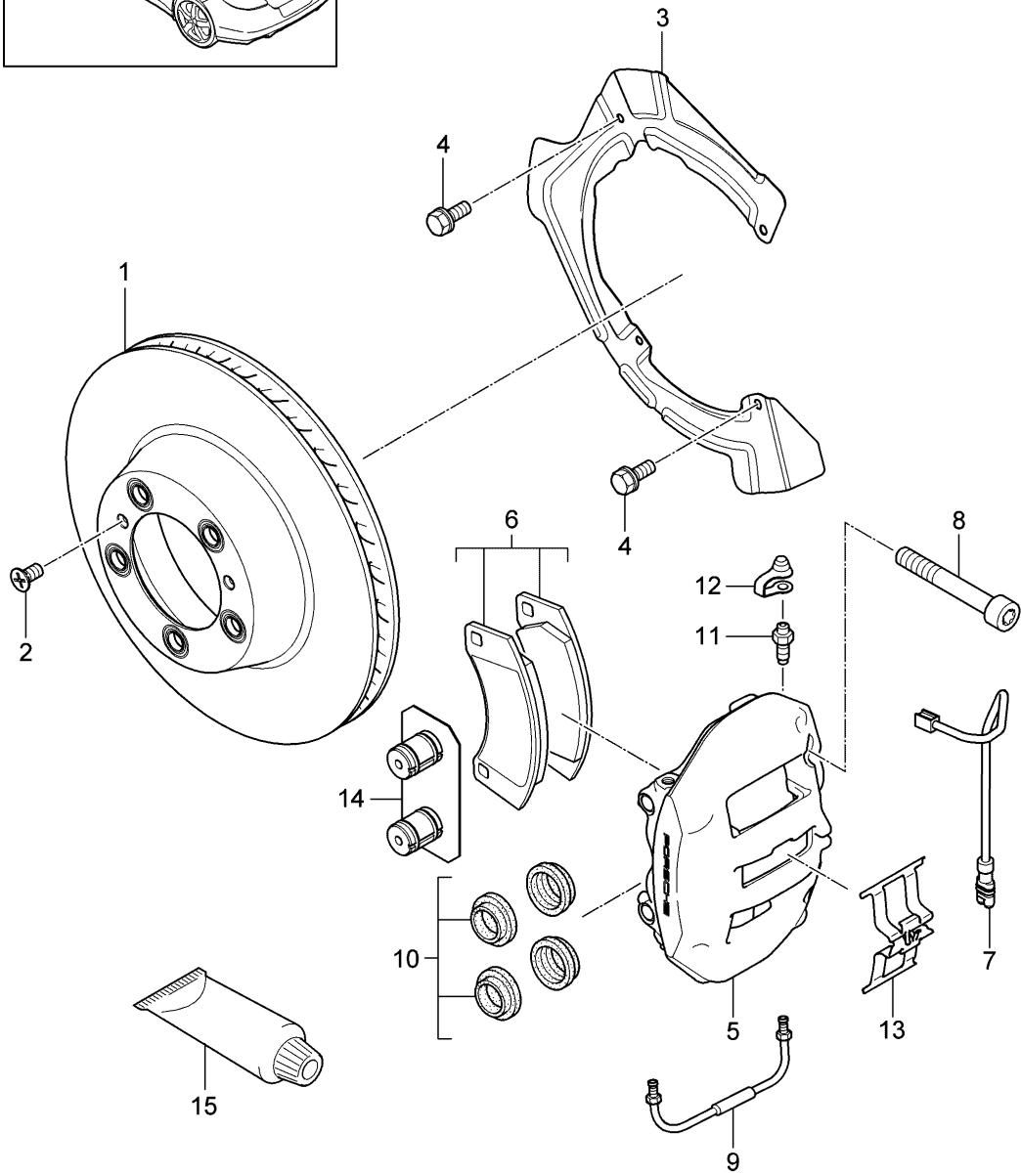
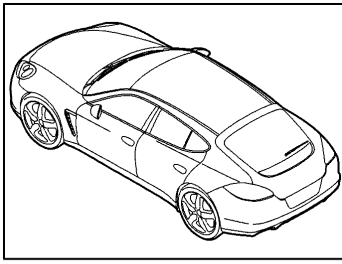
Model: 970 10

Model life 2010>>2016

Pos	Part Number	Description	Remark	Qty	Model
(5)	7PP 615 150 S	Discontinued part caliper without brake pads green	right	1	CGEA, CGE, CGFA+ PR: -450
(5)	7PP 615 150 AH	Discontinued part caliper without brake pads green	right	1	CGEA, CGE, CGFA+ PR: -450
(5)	298 615 123	caliper without brake pads yellow	left	1	PR: 450
(5)	298 615 124	caliper without brake pads yellow	right	1	PR: 450
6	970 351 949 06	1 set of brake pads for disk brake comprising: Brake lining	front	1 4	PR: -450
		also use:			
(6)	970 351 948 03	Fasteners 1 set of brake pads for disk brake comprising: Brake lining	front	1 4	PR: 450
		also use:			
7	970 609 143 00	Fasteners sender wire (pad wear indicator)		2	PR: 450
(7)	958 612 365 00	sender wire (pad wear indicator)		2	PR: -450
8	944 612 627 00	Line holder Warning contact		2	
9	WHT 004 571	Socket head collared bolt with inner multipoint head M 14 X 1,5 X 115		4	PR: -450
(9)	WHT 004 572	Socket head bolt with inner multipoint head M 14 X 1,5 X 135		4	PR: 450
10	970 351 961 00	Connecting line	left	1	PR: -450
(10)	970 351 962 00	Connecting line	right	1	PR: -450
(10)	970 351 961 10	Connecting line	left	1	PR: 450
(10)	970 351 962 10	Connecting line	right	1	PR: 450
11	955 351 915 20	repair set Protection caps 36 MM comprising: Protection caps for		2 6	
12	8A0 615 273	Fixed calliper		1	
13	211 611 483	Breather valve dust cap		4 4	
14	970 351 959 01	Spring repair set comprising: Spring for		2 2	
15	955 351 933 00	Fixed calliper Support Cable guide		1 2	
16	000 043 117 00	brake pad wear display brake cylinder paste 1 50-g tube		X	
(16)	000 043 020 00	Assembly paste 1 100-gramme tube		X	

Model: 970 10

Model life 2010>>2016



Model: 970 10 Model life 2010>>2016

Pos	Part Number	Description	Remark	Qty	Model
1	970 352 403 00	Disc brake Rear axle D >> - MJ 2013 Brake disc	left rear	1	4820,4840, CGEA,CGE, CGFA PR:-015,-450
(1)	298 615 601 A	Discontinued part Brake disc	left rear	1	PR:-015,-450
		also use:	298 615 602 A	1	
			970 352 949 05	1	
(1)	970 352 404 00	Brake disc	right rear	1	PR:-015,-450
(1)	298 615 602 A	Discontinued part Brake disc	right rear	1	PR:-015,-450
		also use:	298 615 601 A	1	
			970 352 949 05	1	
(1)	970 352 405 00	Brake disc	left rear	1	PR:015,-450
(1)	298 615 601 B	Discontinued part Brake disc	left rear	1	PR:015,-450
		also use:	298 615 602 B	1	
			970 352 949 05	1	
(1)	970 352 406 00	Brake disc	right rear	1	PR:015,-450
(1)	298 615 602 B	Discontinued part Brake disc	right rear	1	PR:015,-450
		also use:	298 615 601 B	1	
			970 352 949 05	1	
(1)	997 352 031 01	Brake disc	left rear	1	PR:450
(1)	298 615 601	Discontinued part Brake disc	left rear	1	PR:450
(1)	298 615 601 C	Discontinued part Brake disc	left rear	1	PR:450
		also use:	298 615 602 C	1	
			991 352 948 03	1	
(1)	997 352 032 01	Brake disc	right rear	1	PR:450
(1)	298 615 602	Discontinued part Brake disc	right rear	1	PR:450
(1)	298 615 602 C	Discontinued part Brake disc	right rear	1	PR:450
		also use:	298 615 601 C	1	
			991 352 948 03	1	
2	900 269 047 01	countersunk bolt M 6 X 12		4	
(2)	900 269 047 03	D >> - MJ 2010 countersunk bolt M 6 X 12 D - MJ 2011>>		4	
3	970 352 801 00	Cover plate	left	1	PR:-450
(3)	970 352 802 00	Cover plate	right	1	PR:-450
(3)	970 352 805 33	Cover plate	left	1	PR:450
(3)	970 352 806 33	Cover plate	right	1	PR:450
4	999 217 116 01	Hexagon bolt M 6 X 16		8	
5	000 043 110 37	Repair set for rear axle		1	Panamera S PR:-015, -450,-002
		Fixed calliper silver comprising:	left	1	
		Fixed calliper	right	1	
(5)	000 043 110 39	Fixed calliper Repair set for rear axle Fixed calliper red comprising:		1	PR:-450,015
		Fixed calliper	left	1	
			right	1	

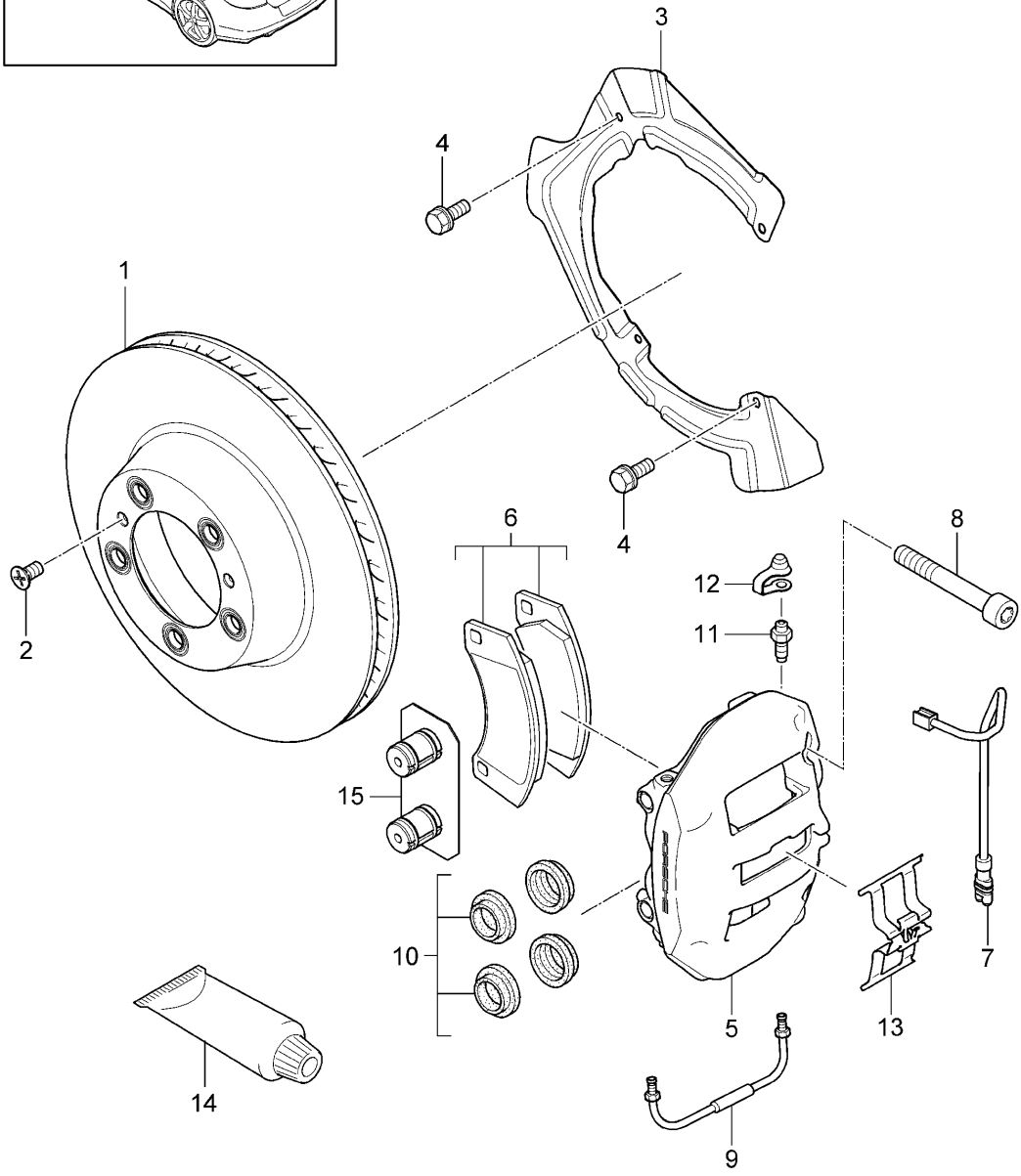
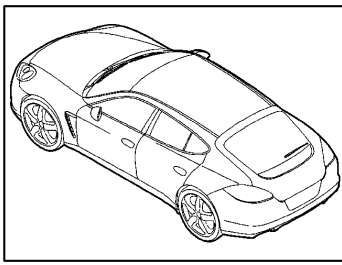
Model: 970 10

Model life 2010>>2016

Pos	Part Number	Description	Remark	Qty	Model
(5)	000 043 110 40	Fixed calliper Repair set for rear axle Fixed calliper yellow		1	PR:450
		comprising:	left	1	
		Fixed calliper	right	1	
6	970 352 949 04	Fixed calliper 1 set of brake pads for disk brake	rear	1	PR:-450
		comprising:		4	
		Brake lining			
		also use:			
		Fasteners			
		Discontinued part			
(6)	970 352 949 05	1 set of brake pads for disk brake	rear	1	PR:-450
		comprising:		4	
		Brake lining			
		also use:			
		Fasteners			
(6)	970 352 947 03	1 set of brake pads for disk brake	rear	1	PR:450
		comprising:		4	
		Brake lining			
		also use:			
		Fasteners			
		Discontinued part			
(6)	991 352 948 03	1 set of brake pads for disk brake	rear	1	PR:450
		comprising:		4	
		Brake lining			
		also use:			
		Fasteners			
7	970 609 145 00	sender wire (pad wear indicator)		2	PR:450
(7)	958 612 365 50	sender wire (pad wear indicator)		2	PR:-450
8	999 067 053 09	Socket head bolt M 12 X 1,5 X 85		4	PR:-015,-450
(8)	999 067 040 01	Socket head bolt M 12 X 1,5 X 95		4	PR:015,-450
(8)	999 067 040 01	Socket head bolt M 12 X 1,5 X 95		4	PR:450
9	970 352 961 00	Connecting line		2	
10	996 351 915 00	repair set Protection caps 32 mm		2	
		comprising:			
		Protection caps for		4	
		Fixed calliper		1	
11	8A0 615 273	Breather valve		4	
12	211 611 483	dust cap		4	
13	970 352 959 00	Spring		2	
14	970 352 086 00	Damping plate		4	
15	000 043 117 00	brake cylinder paste 1 50-g tube		X	
(15)	000 043 020 00	Assembly paste 1 100-gramme tube		X	

Model: 970 10

Model life 2010>>2016



Model: 970 10 Model life 2010>>2016

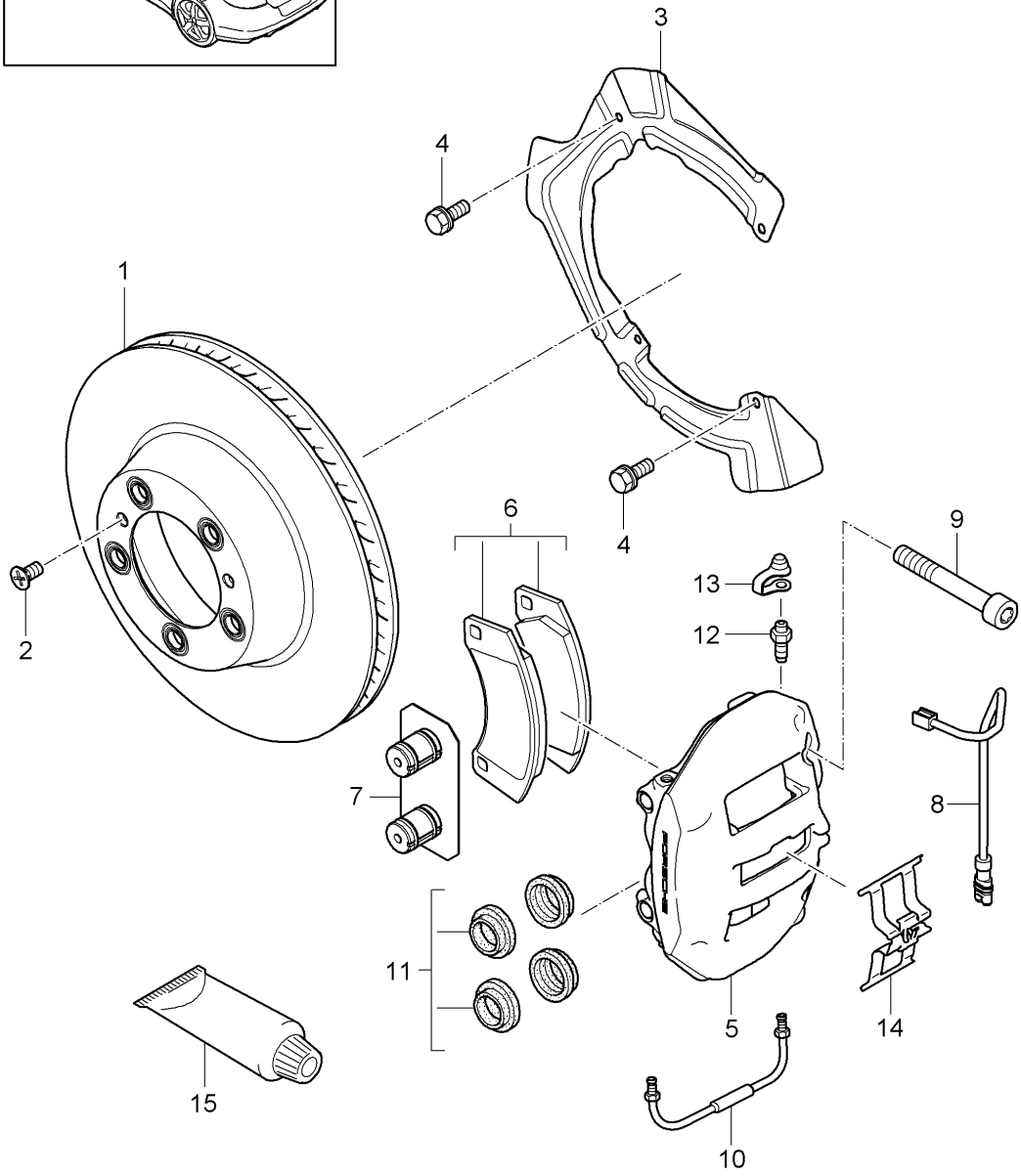
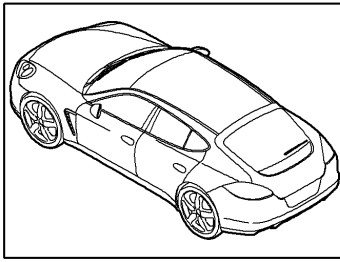
Pos	Part Number	Description	Remark	Qty	Model
1	298 615 601 A	Disc brake Rear axle D - MJ 2014>> Brake disc	left rear	1	CWDA,CWD, CXPA,CXRA, CXR CWDA,CWD+ PR:-450
		also use:	298 615 602 A	1	
(1)	298 615 602 A	Brake disc	right rear	1	CWDA,CWD+ PR:-450
		also use:	298 615 601 A	1	
(1)	298 615 601 B	Brake disc	left rear	1	CXPA,CXRA, CXR+ PR:-450
		also use:	298 615 602 B	1	
(1)	298 615 602 B	Brake disc	right rear	1	CXPA,CXRA, CXR+ PR:-450
		also use:	298 615 601 B	1	
(1)	298 615 601	Brake disc	left rear	1	PR:450
		also use:	298 615 602	1	
			991 352 948 03	1	
(1)	298 615 601 C	Discontinued part Brake disc	left rear	1	PR:450
		also use:	298 615 602 C	1	
(1)	298 615 602	Brake disc	right rear	1	PR:450
		also use:	298 615 601	1	
			991 352 948 03	1	
(1)	298 615 602 C	Discontinued part Brake disc	right rear	1	PR:450
		also use:	298 615 601 C	1	
			991 352 948 03	1	
2	900 269 047 03	countersunk bolt M 6 X 12		4	
3	970 352 801 01	Cover plate	left	1	PR:-450
(3)	970 352 802 01	Cover plate	right	1	PR:-450
(3)	970 352 805 33	Cover plate	left	1	PR:450
(3)	970 352 806 33	Cover plate	right	1	PR:450
4	999 217 116 01	Hexagon bolt M 6 X 16		8	
5	000 043 110 37	Repair set for rear axle		1	CWDA,CWD+ PR:-015,-450
		Fixed calliper silver comprising:	left	1	
		Fixed calliper	right	1	
(5)	298 615 149 A	Fixed calliper Fixed calliper silver	left	1	CWDA,CWD+ PR:-015,-450
(5)	000 043 110 39	F 97-EL051 018>> Repair set for rear axle		1	CXPA,CXRA, CXR+ PR:-450,015
		Fixed calliper red comprising:	left	1	
		Fixed calliper	right	1	
(5)	298 615 149 B	Fixed calliper Fixed calliper red	left	1	CXPA,CXRA, CXR+ PR:015,-450
(5)	298 615 150 A	F 97-EL080 185>> Fixed calliper silver	right	1	CWDA,CWD+ PR:-015,-450
(5)	298 615 150 B	F 97-EL051 018>> Fixed calliper	right	1	CXPA,CXRA,

Model: 970 10 Model life 2010>>2016

Pos	Part Number	Description	Remark	Qty	Model
(5)	000 043 110 40	red F 97-EL080 185>> Repair set for rear axle Fixed calliper yellow comprising:		1	CXR+ PR:-450,015 PR:450
		Fixed calliper	left	1	
		Fixed calliper	right	1	
(5)	970 352 425 34	caliper without brake pads yellow F 97-EL070 483>>	left	1	PR:450
(5)	970 352 426 34	caliper without brake pads yellow F 97-EL070 483>>	right	1	PR:450
6	970 352 949 05	1 set of brake pads for disk brake comprising: Brake lining	rear	1	PR:-450
		also use:		4	
(6)	970 352 947 03	Fasteners 1 set of brake pads for disk brake comprising: Brake lining	rear	1	PR:450
		also use:		4	
(6)	991 352 948 03	Fasteners Discontinued part 1 set of brake pads for disk brake comprising: Brake lining	rear	1	PR:450
		also use:		4	
7	958 612 365 50	Fasteners sender wire (pad wear indicator)		2	PR:-450
7	970 609 145 00	sender wire (pad wear indicator)		2	PR:450
8	999 067 053 09	Socket head bolt M 12 X 1,5 X 85		4	PR:-450,-015
(8)	999 067 040 01	Socket head bolt M 12 X 1,5 X 95		4	PR:015,-450
(8)	999 067 040 01	Socket head bolt M 12 X 1,5 X 95		4	PR:450
9	970 352 961 00	Connecting line		2	
10	996 351 915 00	repair set Protection caps 32 MM comprising: Protection caps for		2	
		Fixed calliper		4	
11	8A0 615 273	Breather valve		1	
12	211 611 483	dust cap		4	
13	970 352 959 00	Spring		2	
14	000 043 117 00	brake cylinder paste 1 50-g tube		X	
(14)	000 043 020 00	Assembly paste 1 100-gramme tube		X	
15	970 352 086 00	Damping plate		1	PR:015,-450

Model: 970 10

Model life 2010>>2016



Model: 970 10 Model life 2010>>2016

Pos	Part Number	Description	Remark	Qty	Model
1	970 352 405 00	Disc brake Rear axle D >> - MJ 2013	left rear	1	TURBO TURBO S 4870 PR:-450, -X80,-016
(1)	298 615 601 B	Discontinued part Brake disc	left rear	1	PR:-450, -X80,-016
		also use:	298 615 602 B	1	-X80,-016
(1)	970 352 406 00	Brake disc Discontinued part	right rear	1	PR:-450, -X80,-016
(1)	298 615 602 B	Brake disc	right rear	1	PR:-450, -X80,-016
		also use:	298 615 601 B	1	-X80,-016
(1)	970 352 405 20	Brake disc	left rear	1	PR:-450,X80, 016
		also use:	970 352 406 20	1	
(1)	970 352 406 20	Brake disc	right rear	1	PR:-450,X80, 016
		also use:	970 352 405 20	1	
(1)	997 352 031 01	Brake disc Discontinued part	left rear	1	PR:450
(1)	298 615 601	Brake disc Discontinued part	left rear	1	PR:450
(1)	298 615 601 C	Brake disc	left rear	1	PR:450
		also use:	298 615 602 C	1	
(1)	997 352 032 01	Brake disc Discontinued part	right rear	1	PR:450
(1)	298 615 602	Brake disc Discontinued part	right rear	1	PR:450
(1)	298 615 602 C	Brake disc	right rear	1	PR:450
		also use:	298 615 601 C	1	
2	900 269 047 01	countersunk bolt M 6 X 12		4	
		D >> - MJ 2010			
(2)	900 269 047 03	countersunk bolt M 6 X 12		4	
(2)	900 269 106 01	D - MJ 2011>> countersunk bolt M 6 X 16		4	PR:856
		D - MJ 2012>>			
3	970 352 801 00	Cover plate	left	1	
(3)	970 352 802 00	Cover plate	right	1	
(3)	970 352 805 33	Cover plate	left	1	PR:450
(3)	970 352 806 33	Cover plate	right	1	PR:450
4	999 217 116 01	Hexagon bolt M 6 X 16		8	
(5)	000 043 110 39	Repair set for rear axle Fixed calliper red		1	PR:-450
		comprising:	left	1	
		Fixed calliper	right	1	
(5)	000 043 110 40	Repair set for rear axle Fixed calliper yellow		1	PR:450
		comprising:	left	1	
		Fixed calliper	right	1	
6	970 352 949 04	Fixed calliper 1 set of brake pads for	rear	1	PR:-450,

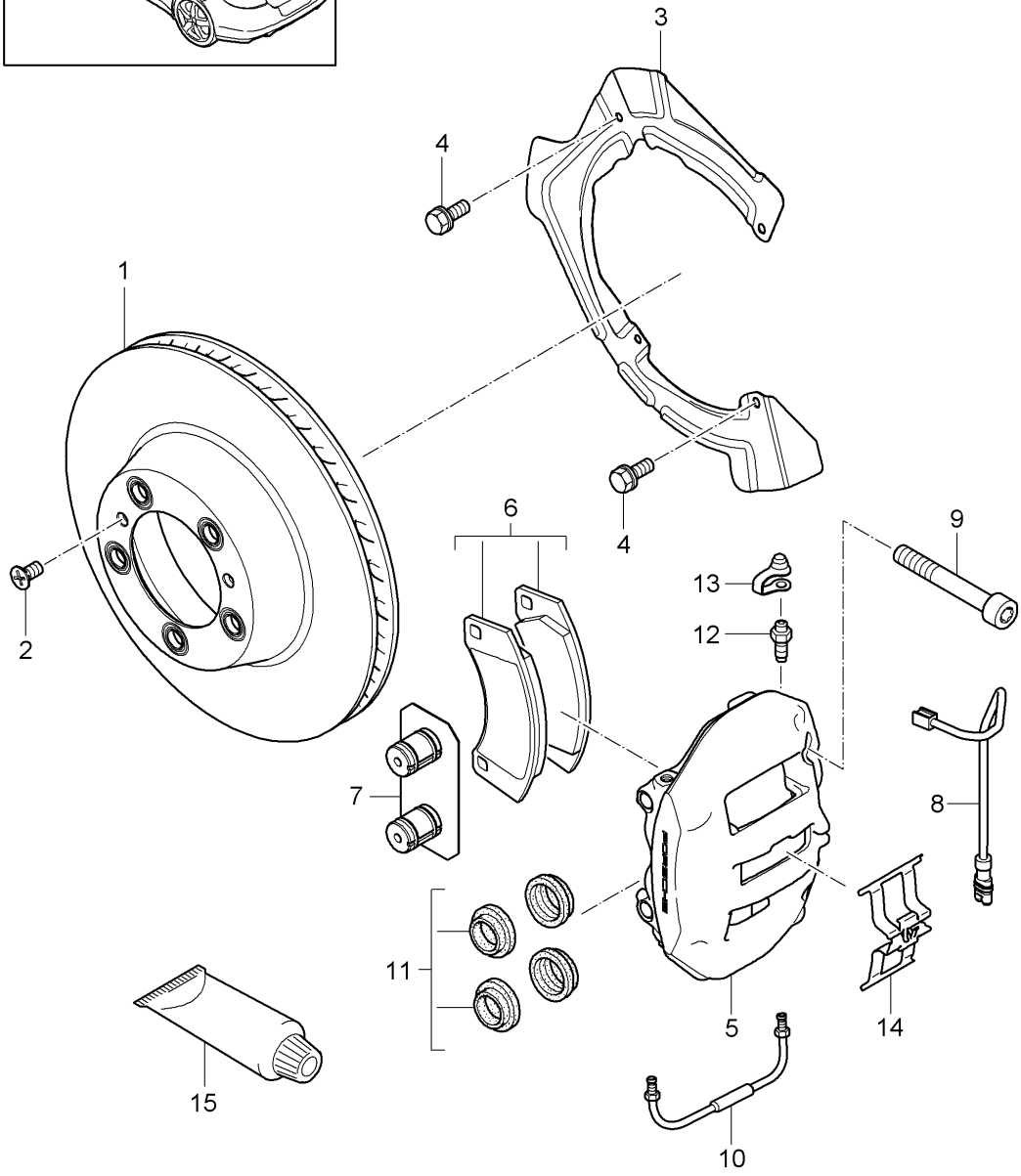
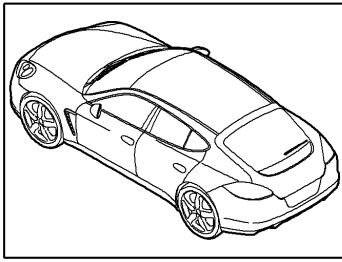
Model: 970 10

Model life 2010>>2016

Pos	Part Number	Description	Remark	Qty	Model
		disk brake comprising: Brake lining		4	-016,-X80
		also use: Fasteners Discontinued part			
(6)	970 352 949 05	1 set of brake pads for disk brake comprising:	rear	1	PR:-450, -016,-X80
		also use: Fasteners			
(6)	970 352 949 03	1 set of brake pads for disk brake	rear	1	PR:-450,016, X80
		Brake lining		4	
		also use: Fasteners			
(6)	970 352 949 03	1 set of brake pads for disk brake	rear	1	PR:-450,016,
		Brake lining		4	
		also use: Fasteners			
(6)	970 352 947 03	1 set of brake pads for disk brake comprising: Brake lining	rear	1	PR:450
		also use: Fasteners Discontinued part			
(6)	991 352 948 03	1 set of brake pads for disk brake comprising: Brake lining	rear	1	PR:450
		also use: Fasteners			
7	970 352 086 00	Damping plate		4	
8	970 609 145 00	sender wire (pad wear indicator)		2	
9	999 067 040 01	Socket head bolt M 12 X 1,5 X 95		4	
10	970 352 961 00	Connecting line		2	
11	996 351 915 00	repair set Protection caps 32 mm comprising: Protection caps for		2	
		Fixed calliper		4	
12	930 351 919 00	Breather valve		1	
		Discontinued part		4	
13	930 351 927 00	dust cap		4	
		Discontinued part			
14	970 352 959 00	Spring		2	
15	000 043 117 00	brake cylinder paste 1 50-g tube		X	
(15)	000 043 020 00	Assembly paste 1 100-gramme tube		X	

Model: 970 10

Model life 2010>>2016



Model: 970 10 Model life 2010>>2016

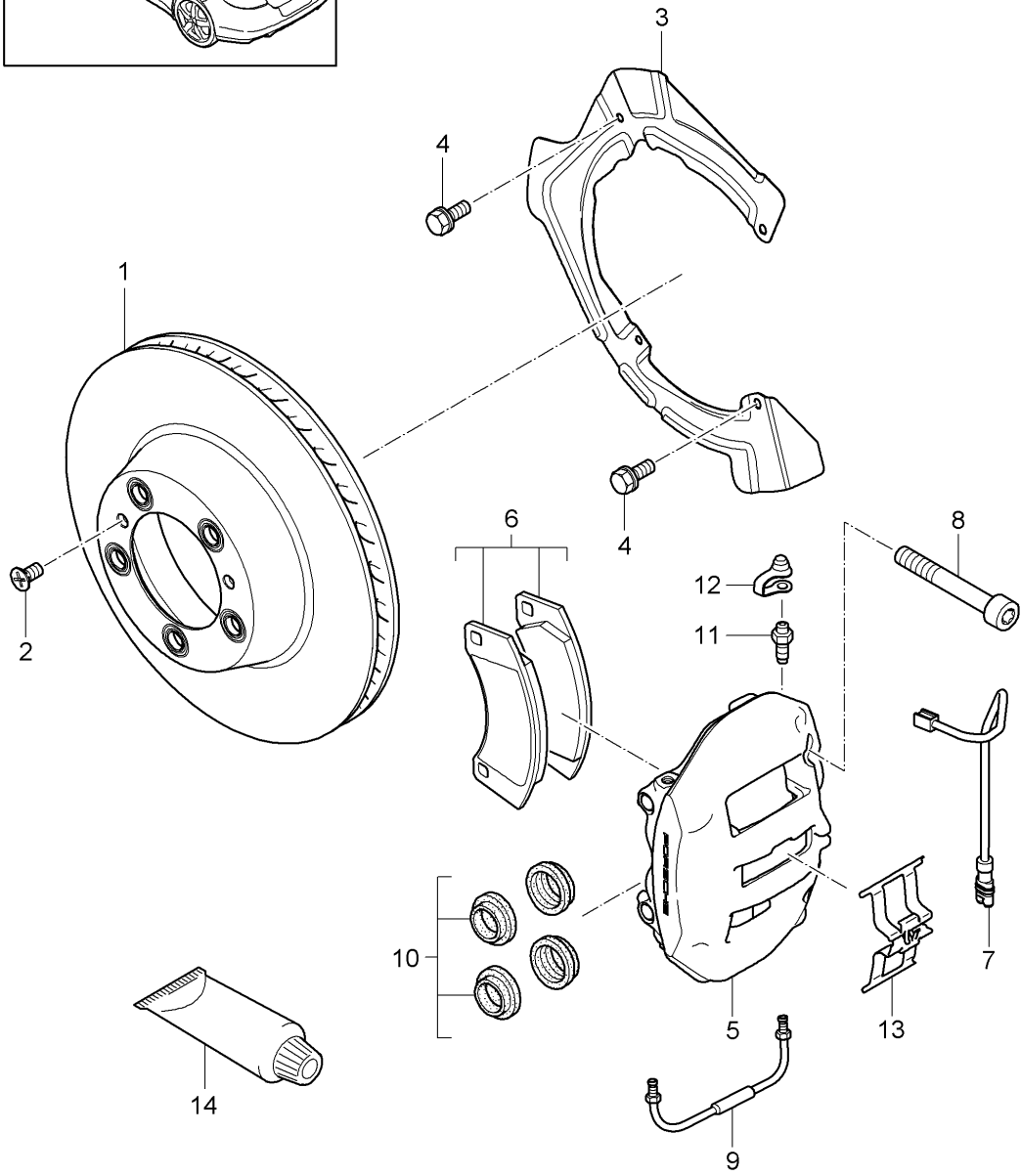
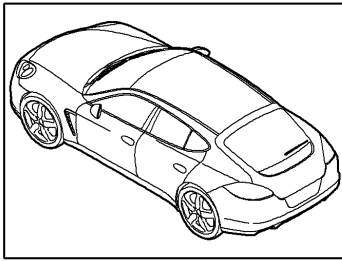
Pos	Part Number	Description	Remark	Qty	Model
		Disc brake Rear axle D - MJ 2014>>			TURBO TURBO S CWBA,CWB, CWCA,CWC PR:-450,-016
1	298 615 601 B	Brake disc	left rear	1	
		also use:	298 615 602 B	1	
(1)	298 615 602 B	Brake disc	right rear	1	PR:-450,-016
		also use:	298 615 601 B	1	
(1)	298 615 601	Brake disc	left rear	1	PR:450,-016
		also use:	298 615 602	1	
		also use:	991 352 948 03	1	
(1)	298 615 601 C	Discontinued part Brake disc	left rear	1	PR:450
		also use:	298 615 602 C	1	
		also use:	991 352 948 03	1	
(1)	298 615 602	Brake disc	right rear	1	PR:450,-016
		also use:	298 615 601	1	
		also use:	991 352 948 03	1	
(1)	298 615 602 C	Discontinued part Brake disc	right rear	1	PR:450
		also use:	298 615 601 C	1	
		also use:	991 352 948 03	1	
2	900 269 047 03	countersunk bolt M 6 X 12		4	
3	970 352 801 01	Cover plate	left	1	
(3)	970 352 802 01	Cover plate	right	1	
(3)	970 352 805 33	Cover plate	left	1	
(3)	970 352 806 33	Cover plate	right	1	PR:450
4	999 217 116 01	Hexagon bolt M 6 X 16		8	
(5)	000 043 110 39	Repair set for rear axle Fixed calliper red		1	PR:-450
		comprising:	left	1	
		Fixed calliper	right	1	
(5)	298 615 149 B	Fixed calliper red	left	1	PR:-450
(5)	000 043 110 40	F 97-EL080 185>> Repair set for rear axle Fixed calliper yellow		1	PR:450
		comprising:	left	1	
		Fixed calliper	right	1	
(5)	970 352 425 34	Fixed calliper caliper without brake pads yellow	left	1	PR:450
(5)	298 615 150 B	F 97-EL070 483>> Fixed calliper yellow	right	1	PR:-450
(5)	970 352 426 34	F 97-EL080 185>> caliper without brake pads yellow	right	1	PR:450
6	970 352 949 05	F 97-EL070 483>> 1 set of brake pads for disk brake comprising: Brake lining	rear	1	PR:-450,-016
		also use:		4	

Model: 970 10 Model life 2010>>2016

Pos	Part Number	Description	Remark	Qty	Model
(6)	970 352 947 03	Fasteners 1 set of brake pads for disk brake comprising: Brake lining	rear	1 4	PR:450
		also use:			
(6)	991 352 948 03	Fasteners Discontinued part 1 set of brake pads for disk brake comprising: Brake lining	rear	1 4	PR:450
		also use:			
7	970 352 086 00	Fasteners Damping plate		4	
8	958 612 365 50	sender wire (pad wear indicator)		2	PR:-450
8	970 609 145 00	sender wire (pad wear indicator)		2	PR:450
9	999 067 040 01	Socket head bolt M 12 X 1,5 X 95		4	
10	970 352 961 00	Connecting line		2	
11	996 351 915 00	repair set Protection caps 32 MM comprising: Protection caps for		2 4	
12	8A0 615 273	Fixed calliper		1	
13	211 611 483	Breather valve		4	
14	970 352 959 00	dust cap		4	
15	000 043 117 00	Spring		2	
		brake cylinder paste		X	
		1 50-g tube			
(15)	000 043 020 00	Assembly paste		X	
		1 100-gramme tube			

Model: 970 10

Model life 2010>>2016



Model: 970 10 Model life 2010>>2016

Pos	Part Number	Description	Remark	Qty	Model
		Disc brake Rear axle D >> - MJ 2013			4620,4640, CRCC,CRCB
1	970 352 403 00	Brake disc	left rear	1	PR:-450
(1)	298 615 601 A	Discontinued part Brake disc	left rear	1	PR:-450
		also use:	298 615 602 A	1	
			970 352 949 05	1	
(1)	970 352 404 00	Brake disc	right rear	1	PR:-450
(1)	298 615 602 A	Discontinued part Brake disc	right rear	1	PR:-450
		also use:	298 615 601 A	1	
			970 352 949 05	1	
(1)	997 352 031 01	Brake disc	left rear	1	PR:450
(1)	298 615 601	Discontinued part Brake disc	left rear	1	PR:450
(1)	298 615 601 C	Discontinued part Brake disc	left rear	1	PR:450
		also use:	298 615 602 C	1	
			991 352 948 03	1	
(1)	997 352 032 01	Brake disc	right rear	1	PR:450
(1)	298 615 602	Discontinued part Brake disc	right rear	1	PR:450
(1)	298 615 602 C	Discontinued part Brake disc	right rear	1	PR:450
		also use:	298 615 601 C	1	
			991 352 948 03	1	
2	900 269 047 03	countersunk bolt M 6 X 12		4	
3	970 352 801 00	Cover plate	left	1	
(3)	970 352 802 00	Cover plate	right	1	
(3)	970 352 805 33	Cover plate	left	1	PR:450
(3)	970 352 806 33	Cover plate	right	1	PR:450
4	999 217 116 01	Hexagon bolt M 6 X 16		8	
5	000 043 110 36	Repair set for rear axle Fixed calliper Black		1	PR:-450
		comprising:	left	1	
		Fixed calliper	right	1	
(5)	000 043 110 40	Repair set for rear axle Fixed calliper yellow		1	PR:450
		comprising:	left	1	
		Fixed calliper	right	1	
		Fixed calliper			
6	970 352 949 04	1 set of brake pads for disk brake	rear	1	PR:-450
		comprising:		4	
		Brake lining			
		also use:			
		Fasteners			
(6)	970 352 949 05	Discontinued part 1 set of brake pads for disk brake	rear	1	PR:-450
		comprising:		4	
		Brake lining			
		also use:			
		Fasteners			
(6)	970 352 947 03	1 set of brake pads for	rear	1	PR:450

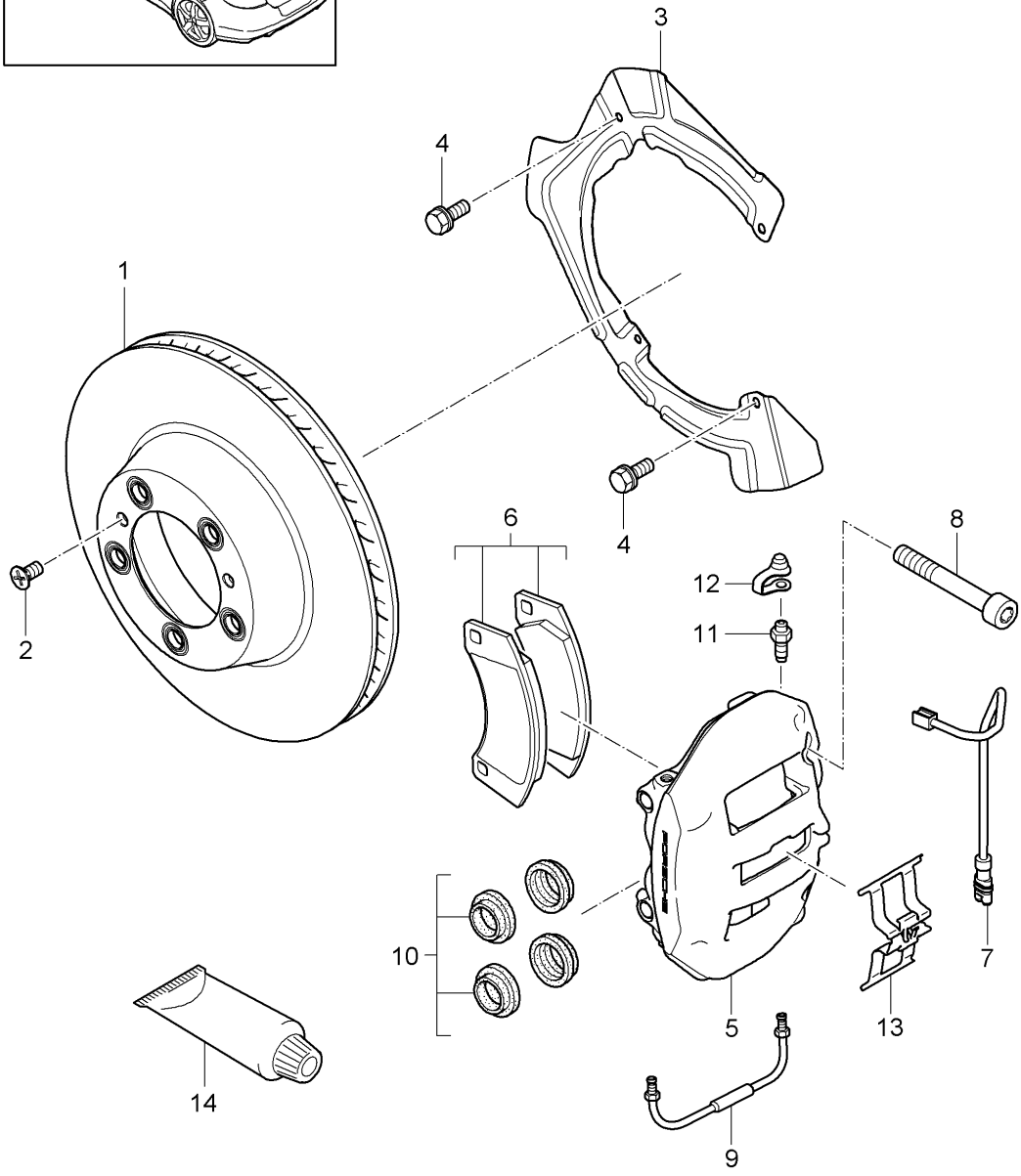
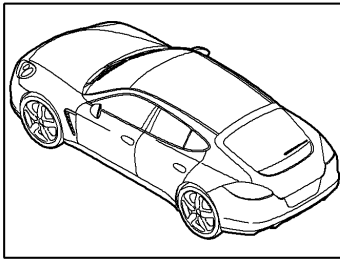
Model: 970 10

Model life 2010>>2016

Pos	Part Number	Description	Remark	Qty	Model
		disk brake comprising: Brake lining		4	
		also use: Fasteners			
(6)	991 352 948 03	Discontinued part 1 set of brake pads for disk brake	rear	1	PR:450
		comprising: Brake lining		4	
		also use: Fasteners			
7	970 609 145 00	sender wire (pad wear indicator)		2	PR:450
(7)	958 612 365 50	sender wire (pad wear indicator)		2	PR:-450
8	999 067 040 01	Socket head bolt M 12 X 1,5 X 95		4	PR:450
(8)	999 067 053 09	Socket head bolt M 12 X 1,5 X 85		4	PR:-450
9	970 352 961 00	Connecting line		2	
10	996 351 915 00	repair set Protection caps 32 mm for Fixed calliper		2	
11	930 351 919 00	Breather valve		1	
12	930 351 927 00	dust cap		4	
13	970 352 959 00	Spring		4	
14	000 043 117 00	brake cylinder paste 1 50-g tube		2	
(14)	000 043 020 00	Assembly paste 1 100-gramme tube		X	

Model: 970 10

Model life 2010>>2016



Model: 970 10 Model life 2010>>2016

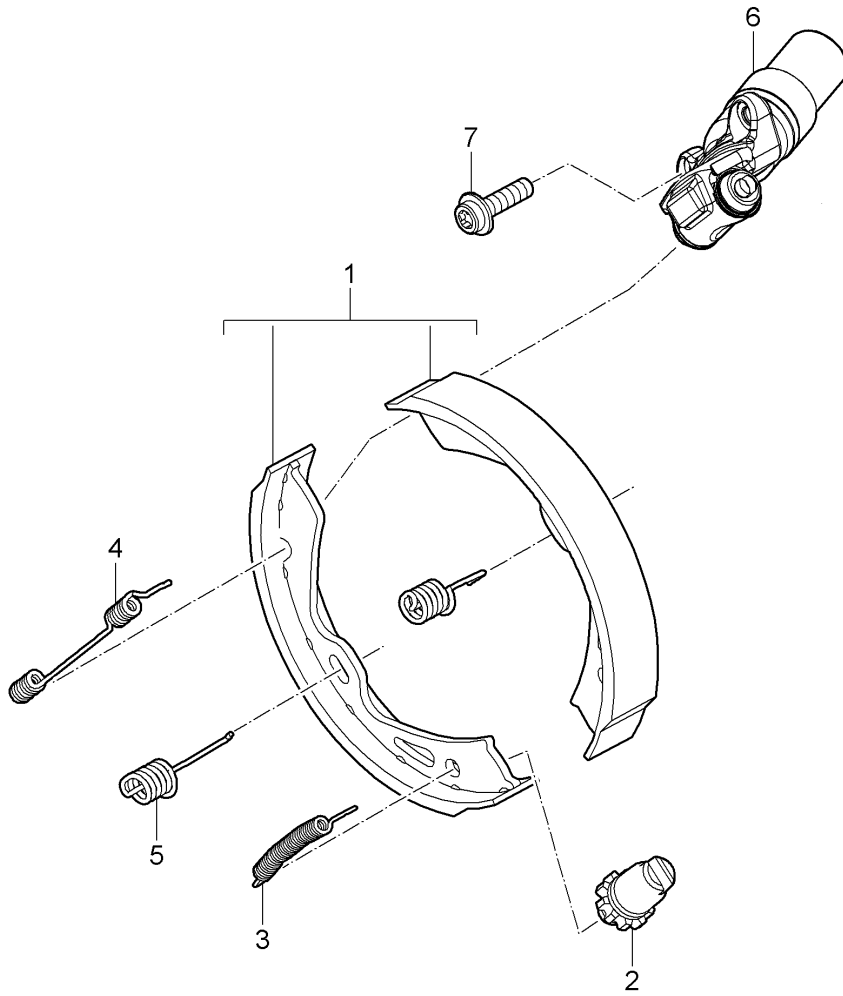
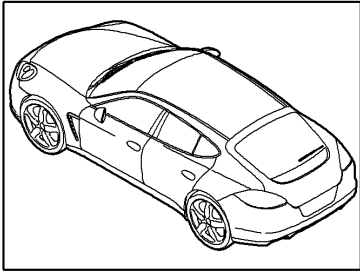
Pos	Part Number	Description	Remark	Qty	Model
		Disc brake Rear axle D - MJ 2014>>			CWAA, CWFA, CWF, CGEA, CGE, CGFA, CRCB, CRCC, CWJA PR: -450
1	298 615 601 A	Brake disc	left rear	1	
		also use:	298 615 602 A	1	
(1)	298 615 602 A	Brake disc	right rear	1	PR: -450
		also use:	298 615 601 A	1	
(1)	298 615 601	Brake disc	left rear	1	PR: 450
		also use:	298 615 602	1	
		Discontinued part	991 352 948 03	1	
(1)	298 615 601 C	Brake disc	left rear	1	PR: 450
		also use:	298 615 602 C	1	
(1)	298 615 602	Brake disc	right rear	1	PR: 450
		also use:	298 615 601	1	
		Discontinued part	991 352 948 03	1	
(1)	298 615 602 C	Brake disc	right rear	1	PR: 450
		also use:	298 615 601 C	1	
2	900 269 047 03	countersunk bolt M 6 X 12		4	
3	970 352 801 01	Cover plate	left	1	PR: -450
(3)	970 352 802 01	Cover plate	right	1	PR: -450
(3)	970 352 805 33	Cover plate	left	1	PR: 450
(3)	970 352 806 33	Cover plate	right	1	PR: 450
4	999 217 116 01	Hexagon bolt M 6 X 16		8	
5	000 043 110 36	Repair set for rear axle		1	CWAA, CWFA, CWF, CRCB, CRCC, CWJA+ PR: -450
		Fixed calliper Black comprising:	left	1	
		Fixed calliper	right	1	
(5)	298 615 149	Fixed calliper Fixed calliper Black F 97-EL000 323>>	left	1	CWAA, CWFA, CWF, CRCB, CRCC, CWJA+ PR: -450
(5)	000 043 110 38	Repair set for rear axle		1	CGEA, CGE, CGFA+ PR: -450
		Fixed calliper green comprising:	left	1	
		Fixed calliper	right	1	
(5)	298 615 149 C	Fixed calliper Fixed calliper green F A7-EL044 148>>	left	1	CGEA, CGE, CGFA
(5)	298 615 150	Fixed calliper Black F 97-EL000 323>>	right	1	CWAA, CWFA, CWF, CRCB, CRCC, CWJA+ PR: -450
(5)	298 615 150 C	Fixed calliper green F A7-EL044 148>>	right	1	CGEA, CGE, CGFA

Model: 970 10 Model life 2010>>2016

Pos	Part Number	Description	Remark	Qty	Model
(5)	000 043 110 40	Repair set for rear axle Fixed calliper yellow comprising:	left	1	PR:450
		Fixed calliper	right	1	
(5)	970 352 425 34	Fixed calliper caliper without brake pads yellow F 97-EL070 483>>	left	1	PR:450
(5)	970 352 426 34	caliper without brake pads yellow F 97-EL070 483>>	right	1	PR:450
6	970 352 949 05	1 set of brake pads for disk brake comprising: Brake lining	rear	1	PR:-450
		also use:		4	
(6)	970 352 947 03	Fasteners 1 set of brake pads for disk brake comprising: Brake lining	rear	1	PR:450
		also use:		4	
(6)	991 352 948 03	Fasteners Discontinued part 1 set of brake pads for disk brake comprising: Brake lining	rear	1	PR:450
		also use:		4	
7	958 612 365 50	Fasteners sender wire (pad wear indicator)		2	PR:-450
7	970 609 145 00	sender wire (pad wear indicator)		2	PR:450
8	999 067 040 01	Socket head bolt M 12 X 1,5 X 95		4	PR:450
(8)	999 067 053 09	Socket head bolt M 12 X 1,5 X 85		4	PR:-450
9	970 352 961 00	Connecting line		2	
10	996 351 915 00	repair set Protection caps 32 MM for		2	
11	930 351 919 00	Fixed calliper Breather valve		1	
12	930 351 927 00	dust cap		4	
13	970 352 959 00	Spring		2	
14	000 043 117 00	brake cylinder paste 1 50-g tube		X	
(14)	000 043 020 00	Assembly paste 1 100-gramme tube		X	

Model: 970 10

Model life 2010>>2016



Model: 970 10 Model life 2010>>2016

Pos	Part Number	Description	Remark	Qty	Model
1	970 352 993 00	Parking brake D >> - MJ 2013 Brake shoe repair set comprising: 4 X Brake shoe		1	
(1)	970 352 993 01	also use: Fasteners Discontinued part Brake shoe repair set comprising: 4 X Brake shoe		1	
(1)	970 352 993 02	also use: Fasteners Discontinued part Brake shoe repair set comprising: 4 X Brake shoe		1	
(1)	298 698 533	also use: Fasteners Discontinued part Brake shoe repair set comprising: 4 X Brake shoe		1	
2	993 352 071 00	Fasteners adjustment screw Discontinued part		2	
(2)	298 609 723	adjustment screw		2	
3	970 352 721 00	tension spring		2	
4	970 352 723 00	tension spring		2	
5	970 352 741 00	Pressure spring		4	
6	970 352 091 01	Servomotor F >> 97-AL041 134 F >> 97-AL080 550	left	1	
(6)	970 352 092 01	Servomotor F >> 97-AL041 134 F >> 97-AL080 550	right	1	4820,4840, 4870
(6)	970 352 091 02	Servomotor F 97-AL041 135>> F 97-AL080 551>> See technical information 46624 46854 D >> - MJ 2010	left	1	4820,4840, 4870
(6)	970 352 091 04	Servomotor F 97-AL041 135>> F 97-AL080 551>> See technical information 46624	left	1	4820,4840, 4870

Model: 970 10 Model life 2010>>2016

Pos	Part Number	Description	Remark	Qty	Model
(6)	970 352 091 05	46854 D >> - MJ 2011 Servomotor F 97-AL041 135>> F 97-AL080 551>> See technical information 46624 46854 D - MJ 2012>>	left	1	4820,4840, 4870
(6)	970 352 091 05	46624 46854 D - MJ 2012>> Servomotor F 97-AL041 135>> F 97-AL080 551>> See technical information 46624 46854 D - MJ 2012>>	left	1	4820,4840, 4870
(6)	970 352 092 02	46624 46854 D >> - MJ 2010 Servomotor F 97-AL041 135>> F 97-AL080 551>> See technical information 46624 46854 D >> - MJ 2010	right	1	4820,4840, 4870
(6)	970 352 092 04	46624 46854 D >> - MJ 2011 Servomotor F 97-AL041 135>> F 97-AL080 551>> See technical information 46624 46854 D >> - MJ 2011	right	1	4820,4840, 4870
(6)	970 352 092 05	46624 46854 D - MJ 2012>> Servomotor F 97-AL041 135>> F 97-AL080 551>> See technical information 46624 46854 D - MJ 2012>>	right	1	4820,4840, 4870
(6)	970 352 091 02	46624 46854 D >> - MJ 2010 Servomotor D >> - MJ 2010	left	1	4820,4840, 4870 4620,4640
(6)	970 352 091 04	46624 46854 D >> - MJ 2011 Servomotor D >> - MJ 2011	left	1	4620,4640
(6)	970 352 091 05	46624 46854 D - MJ 2012>> Servomotor D - MJ 2012>>	left	1	4620,4640, CGEA,CGE, CGFA,CRCB, CRCC
(6)	970 352 092 02	46624 46854 D >> - MJ 2010 Servomotor D >> - MJ 2010	right	1	4620,4640
(6)	970 352 092 04	46624 46854 D >> - MJ 2011 Servomotor D >> - MJ 2011	right	1	4620,4640
(6)	970 352 092 05	46624 46854 D >> - MJ 2011 Servomotor D >> - MJ 2011	right	1	4620,4640, CGEA,CGE,

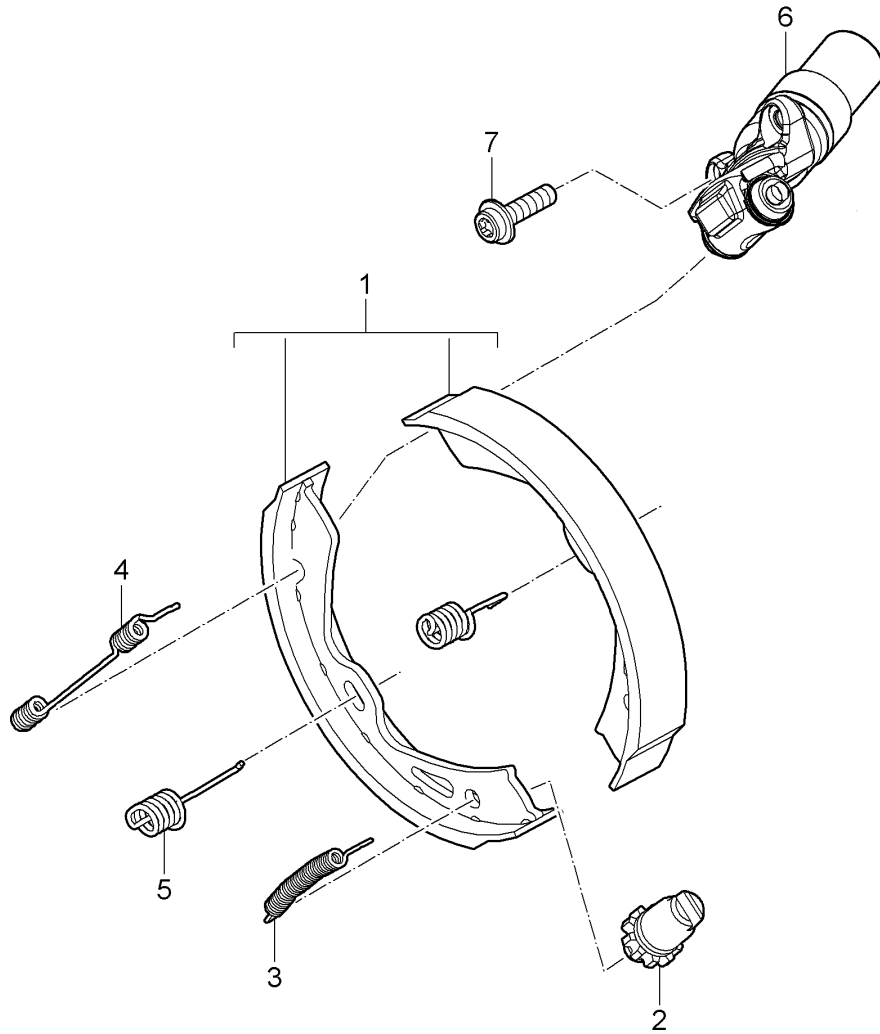
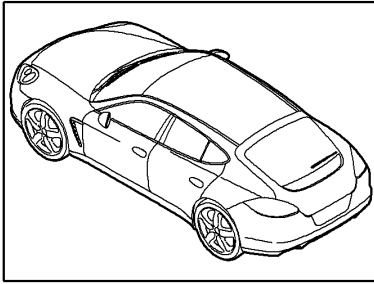
Model: 970 10

Model life 2010>>2016

Pos	Part Number	Description	Remark	Qty	Model
7	999 073 452 01	D - MJ 2012>> Screw M 8 X 38		4	CGFA, CRCB, CRCC

Model: 970 10

Model life 2010>>2016



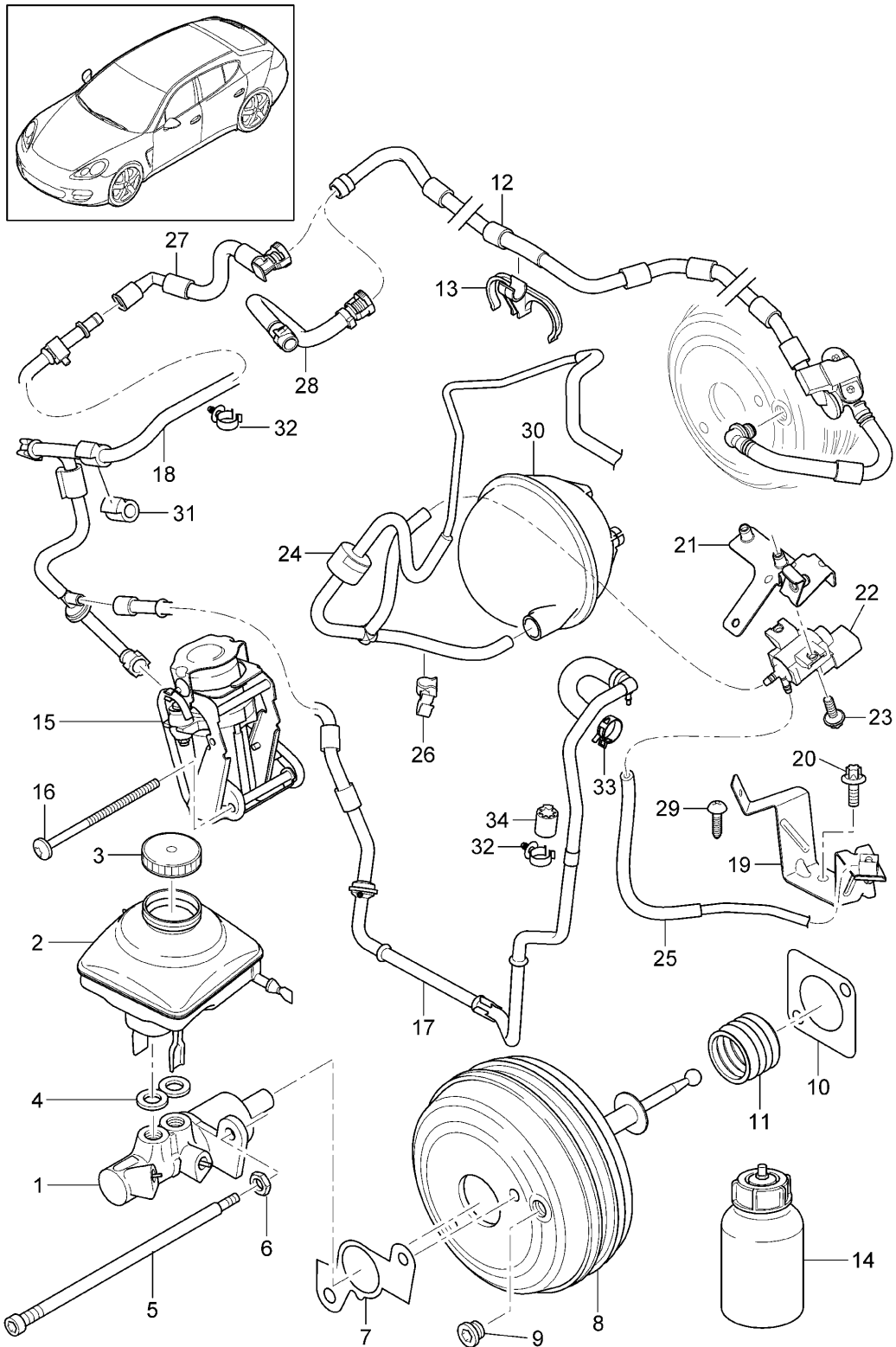
Model: 970 10

Model life 2010>>2016

Pos	Part Number	Description	Remark	Qty	Model
1	298 698 533	Parking brake D - MJ 2014>> Brake shoe repair set comprising: 4 X Brake shoe		1	
		also use:			
2	993 352 071 00	Fasteners adjustment screw Discontinued part		2	
(2)	298 609 723	adjustment screw		2	
3	298 609 715	tension spring		2	
4	298 609 717	tension spring		2	
5	298 609 583	Pressure spring		4	
6	970 352 091 05	Servomotor	left	1	
(6)	970 352 092 05	Servomotor	right	1	
7	999 073 452 01	Screw M 8 X 38		4	

Model: 970 10

Model life 2010>>2016



Model: 970 10 Model life 2010>>2016

Pos	Part Number	Description	Remark	Qty	Model
		Brake master cylinder			
		Brake servo			
		Vacuum line			
1	970 355 910 00	Brake master cylinder		1	
2	970 355 013 00	Reservoir		1	
3	970 355 119 00	catch		1	
		D >> - 15.09.2015			
		Discontinued part			
(3)	958 355 351 00	End cap		1	
		D >> - 15.09.2015			
(3)	5Q0 611 349 A	cap for expansion tank		1	PR:553
		D - 16.09.2015>>			
(3)	5Q0 611 349 B	cap for expansion tank		1	PR:-553
		D - 16.09.2015>>			
4	970 355 922 00	Seal		2	
5	970 355 927 00	Screw		2	
		M 8 X 191			
6	970 355 925 00	Nut		2	
		M 16			
7	993 355 212 00	Seal		1	
8	970 355 125 02	Brake servo		1	
(8)	970 355 125 20	Brake servo		1	HYBRID
		D >> - MJ 2013			
(8)	970 355 125 21	Brake servo		1	HYBRID
		D - MJ 2014>>			
9	999 702 182 40	Rubber bush		1	
10	996 355 901 01	Seal		1	
11	970 355 969 00	Bellows		1	
12	970 355 577 04	Vacuum line		1	PR:098
		without:			"CN."
		Non-return valve			
(12)	970 355 577 06	Vacuum line		1	PR:098
		without:			"CN."
		Non-return valve			
		D >> - MJ 2013			
(12)	970 355 577 06	Vacuum line		1	PR:098,0E2
		without:			
		Non-return valve			
		D - MJ 2014>>			
(12)	970 355 577 05	Vacuum line		1	PR:098,0E1
		without:			
		Non-return valve			
		D - MJ 2014>>			
(12)	970 355 577 05	Vacuum line		1	PR:098,143
		without:			
		Non-return valve			
		D - MJ 2014>>			
(12)	970 355 577 42	Vacuum line		1	PR:642,098
		with:			
		Non-return valve			
		D >> - MJ 2011			
(12)	970 355 577 20	Vacuum line		1	HYBRID
		with:			DIESEL
		Non-return valve			PR:098
					"CN."
(12)	970 355 577 21	Vacuum line		1	HYBRID
		with:			DIESEL
		Non-return valve			PR:098
					"CN."
(12)	970 355 578 02	Vacuum line		1	PR:099
		without:			

Model: 970 10 Model life 2010>>2016

Pos	Part Number	Description	Remark	Qty	Model
(12)	970 355 578 43	Non-return valve Vacuum line		1	PR:099
		with:			
		Non-return valve			
		D >> - MJ 2011			
(12)	970 355 578 03	Vacuum line		1	PR:099
		without:			
		Non-return valve			
		D >> - MJ 2013			
(12)	970 355 578 03	Vacuum line		1	PR:099,015
		without:			
		Non-return valve			
		D - MJ 2014>>			
(12)	970 355 578 04	Vacuum line		1	PR:099,-015, 176
		without:			
		Non-return valve			
		D - MJ 2014>>			
(12)	970 355 578 42	Vacuum line		1	PR:642,099
(12)	970 355 578 21	No longer use the part here Vacuum line		1	HYBRID DIESEL PR:099
-	958 355 051 07	Pressure sensor		1	HYBRID DIESEL PR:642
		D - MJ 2012>>			PR:098
13	970 355 510 01	Bracket		1	
14	000 043 210 82	brake fluid	1.0 Ltr.	1	
14	000 043 210 86	brake fluid	30ltr.	1	
15	958 355 215 01	Electric vacuum pump for brake (complete)		1	HYBRID
(15)	7P0 614 215 B	Electric vacuum pump for brake (complete)		1	
16	N 107 481 01	Hexagon socket flat head bolt BM6 X 95 X 70		2	HYBRID
		D - MJ 2012>>			
17	970 355 571 22	Vacuum line		1	HYBRID
		D - MJ 2012>>			- "CN."
(17)	970 355 571 23	Vacuum line		1	HYBRID
		D - MJ 2012>> - MJ 2013			
(17)	958 355 578 51	Vacuum line		1	HYBRID
		D - MJ 2014>>			
18	958 355 580 01	Vacuum line		1	HYBRID
		D - MJ 2012>> - MJ 2013			
(18)	958 355 580 02	Vacuum line		1	HYBRID
		D - MJ 2012>> - MJ 2013			
(18)	958 355 580 02	Vacuum line		1	HYBRID
		D - MJ 2014>>			
19	970 355 537 20	Retainer for pump		1	DIESEL
20	900 385 019 01	Torx screw M 6 X 20		2	DIESEL
21	970 355 539 00	Bracket		1	DIESEL
22	970 605 123 00	Change-over valve		1	DIESEL
23	999 073 269 09	fillister hd. bolt M 5 X 16		3	DIESEL
24	970 355 579 20	Vacuum line		1	DIESEL
25	970 355 580 20	Vacuum line		1	DIESEL
26	N 103 355 01	Double clip		2	DIESEL
27	970 355 575 20	Vacuum line		1	HYBRID
		D - MJ 2012>> - MJ 2013			- "CN."
(27)	970 355 575 22	Vacuum line		1	HYBRID

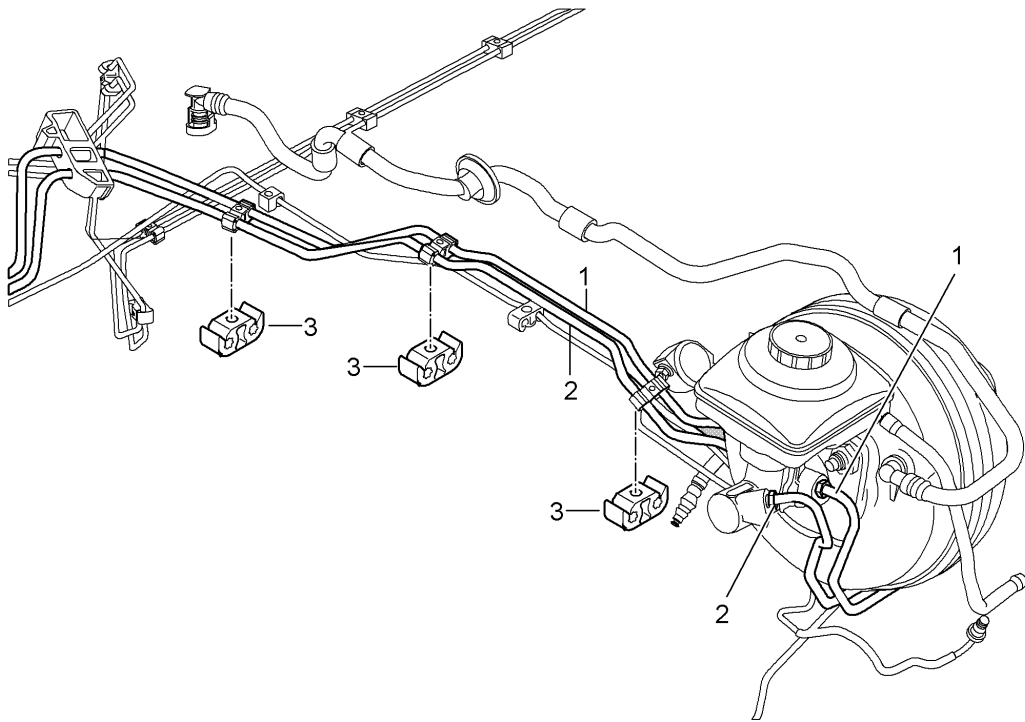
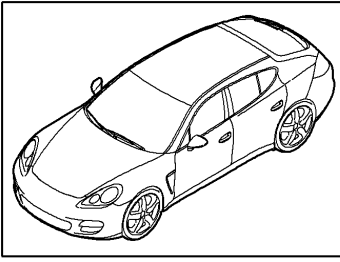
Model: 970 10

Model life 2010>>2016

Pos	Part Number	Description	Remark	Qty	Model
(27)	970 355 575 22	D - MJ 2012>> - MJ 2013 Vacuum line		1	HYBRID
28	970 355 575 42	D - MJ 2014>> Vacuum line		1	DIESEL
29	N 909 747 01	Hexagon socket head panel bolt M 5 X 16		4	DIESEL
30	958 110 807 00	Vacuum reservoir		1	DIESEL
31	N 107 784 01	D - MJ 2012>> toothed lock washer		1	HYBRID
32	N 909 435 01	D - MJ 2014>> Hose bracket		5	HYBRID
33	955 347 569 00	D - MJ 2014>> Hose clamp		1	HYBRID
34	955 110 722 30	D - MJ 2014>> Spacer ring		1	HYBRID

Model: 970 10

Model life 2010>>2016



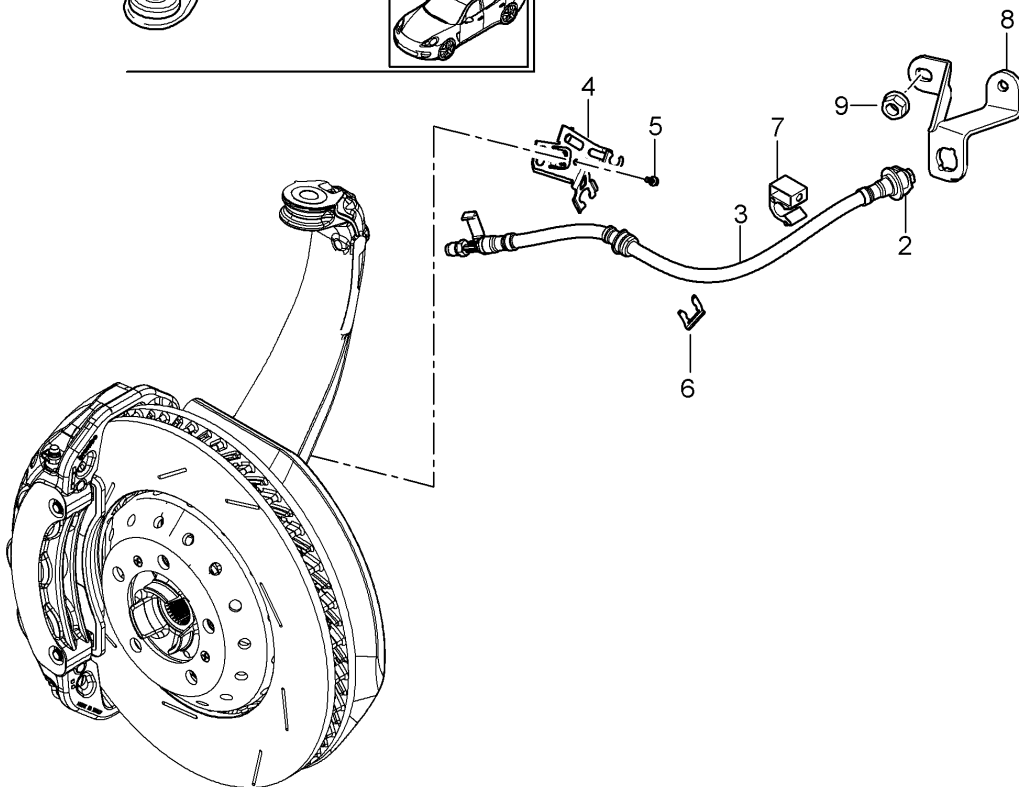
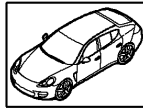
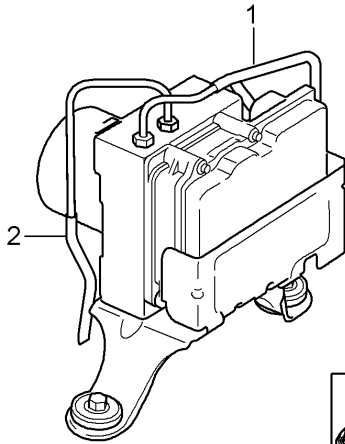
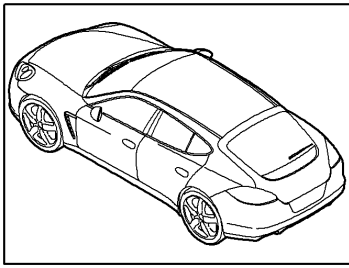
Model: 970 10

Model life 2010>>2016

Pos	Part Number	Description	Remark	Qty	Model
1	970 355 311 07	Brake lines Front end Brake line		1	PR:098
(1)	970 355 312 05	Brake master cylinder Hydraulic unit Brake line		1	PR:099
2	970 355 313 07	Brake master cylinder Hydraulic unit Brake line		1	PR:098
2	970 355 313 09	Brake master cylinder Hydraulic unit D >> - MJ 2013 Brake line		1	PR:098
(2)	970 355 314 05	Brake master cylinder Hydraulic unit D - MJ 2014>> Brake line		1	PR:099
3	8K0 611 797 B	Bracket		4	PR:098
(3)	8K0 611 797 B	Bracket		2	PR:099
-	999 651 601 40	Clip Mount Bracket		1	

Model: 970 10

Model life 2010>>2016



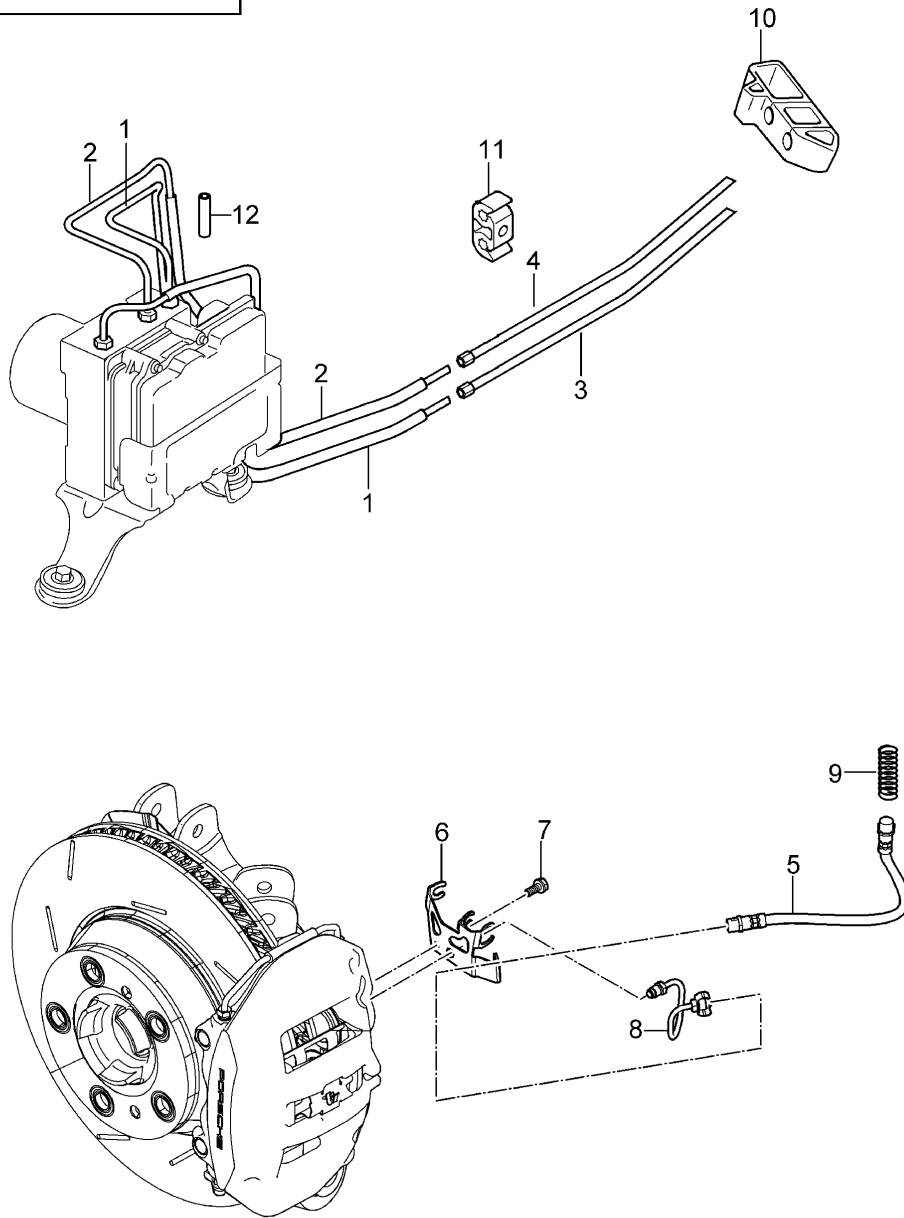
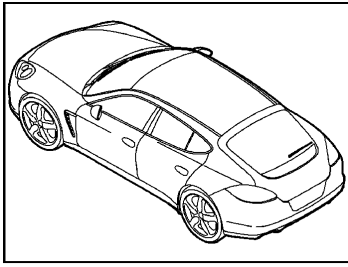
Model: 970 10

Model life 2010>>2016

Pos	Part Number	Description	Remark	Qty	Model
1	970 355 175 05	Brake lines Front axle Brake line Hydraulic unit Brake hose D >> - MJ 2013	left	1	
(1)	970 355 177 04	Brake line Hydraulic unit Brake hose	right	1	
2	993 355 321 00	retaining spring for		2	
3	970 355 139 00	Brake hose Brake hose D >> - MJ 2013		2	
(3)	970 355 139 02	Brake hose D - MJ 2014>>		2	
(3)	970 355 139 30	Brake hose D >> - MJ 2013		2	4870+
(3)	970 355 139 32	Brake hose D - MJ 2014>>		2	CXPA, CXRA, CXR, CWBA, CWB+ PR:450
4	970 355 503 00	Retainer for brake hose	left	1	
(4)	970 355 504 00	Retainer for brake hose	right	1	
5	999 217 116 01	Hexagon bolt M 6 X 16		2	
6	191 611 715	Hose bracket		2	
7	999 651 409 40	Cable holder		8	
8	970 355 501 00	Retainer for brake hose	left	1	
(8)	970 355 502 00	Retainer for brake hose	right	1	
9	900 380 015 01	Hexagon nut M 6		4	

Model: 970 10

Model life 2010>>2016



Model: 970 10 Model life 2010>>2016

Pos	Part Number	Description	Remark	Qty	Model
1	970 355 179 05	Brake line Underbody Rear axle Brake line Hydraulic unit Underbody D >> - MJ 2013		1	
(1)	970 355 179 07	Brake line Hydraulic unit Underbody D - MJ 2014>>		1	
2	970 355 181 05	Brake line Hydraulic unit Underbody D >> - MJ 2013		1	
(2)	970 355 181 07	Brake line Hydraulic unit Underbody D - MJ 2014>>		1	
3	970 355 189 05	Brake line Underbody Rear axle D >> - 16.02.2013 D >> - MJ 2013	left	1	
(3)	970 355 189 06	Brake line Underbody Rear axle D - 18.02.2013>> D - MJ 2014>>	left	1	PR:0E1
(3)	970 355 189 11	Brake line Underbody Rear axle D - MJ 2014>>	left	1	PR:0E2
(3)	970 355 189 21	Brake line Underbody Rear axle D >> - MJ 2013		1	
(3)	970 355 189 22	Brake line Underbody Rear axle D - MJ 2014>>		1	
4	970 355 191 05	Brake line Underbody Rear axle D >> - MJ 2013	right	1	
(4)	970 355 191 06	Brake line Underbody Rear axle D - MJ 2014>>	right	1	PR:0E1
(4)	970 355 191 11	Brake line Underbody Rear axle D - MJ 2014>>	right	1	PR:0E2
5	970 355 137 00	Brake hose D >> - MJ 2013		2	
(5)	991 355 137 01	Brake hose D - MJ 2014>>		2	
6	970 355 505 01	Retainer for brake hose	left	1	
(6)	970 355 506 01	Retainer for brake hose	right	1	
7	999 217 116 01	Hexagon bolt M 6 X 16		2	
8	970 355 585 02	Brake line Fixed calliper	left	1	

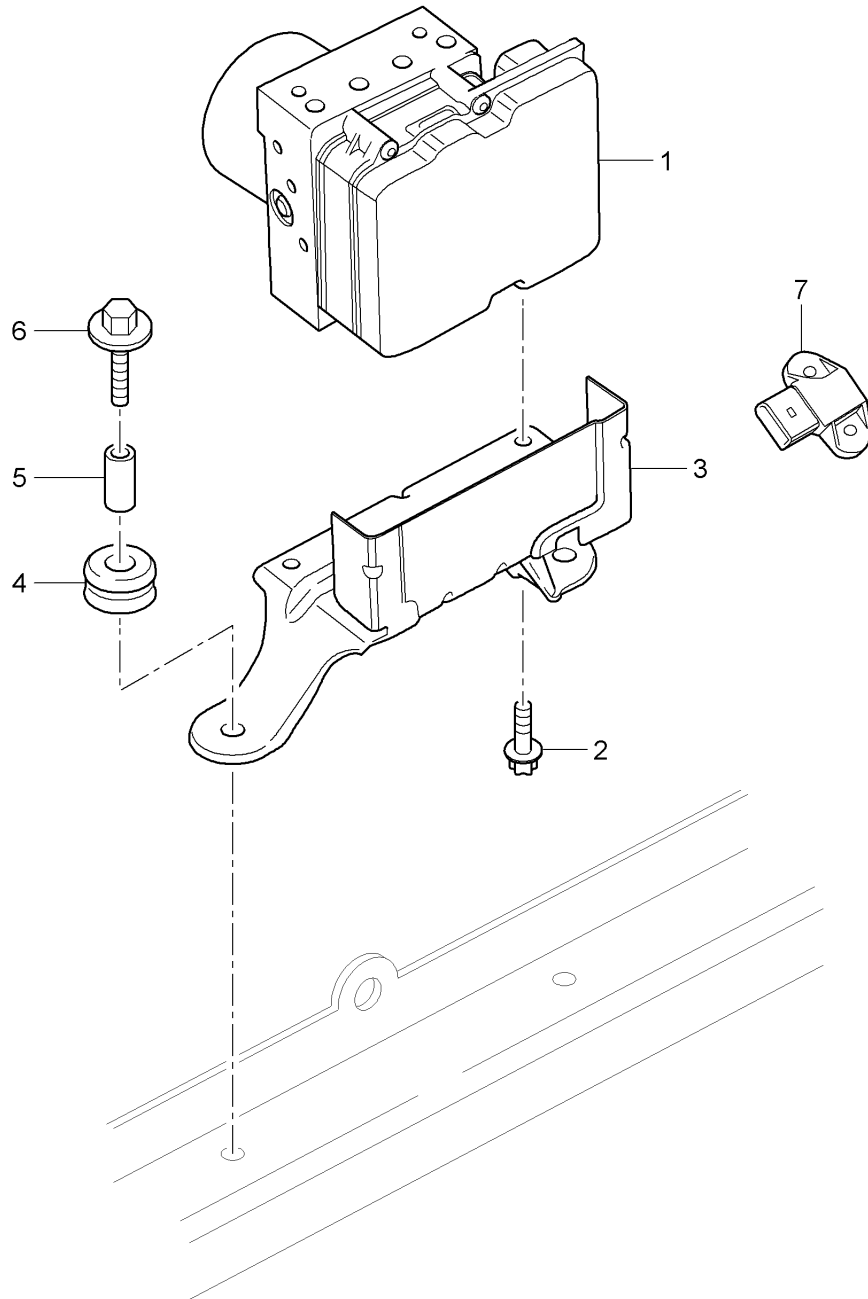
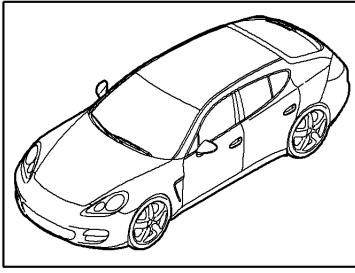
Model: 970 10

Model life 2010>>2016

Pos	Part Number	Description	Remark	Qty	Model
(8)	970 355 585 03	D >> - MJ 2013 Brake line Fixed calliper	left	1	
(8)	970 355 586 02	D - MJ 2014>> Brake line Fixed calliper	right	1	
(8)	970 355 586 03	D >> - MJ 2013 Brake line Fixed calliper	right	1	
9	997 355 331 01	D - MJ 2014>> retaining spring Brake hose		2	
10	970 355 540 01	Grommet		1	
11	8K0 611 797 D	Clip		14	PR:250
(11)	8K0 611 797 D	Clip		15	PR:480
12	4G0 611 853	Distance piece for Brake line		2	

Model: 970 10

Model life 2010>>2016

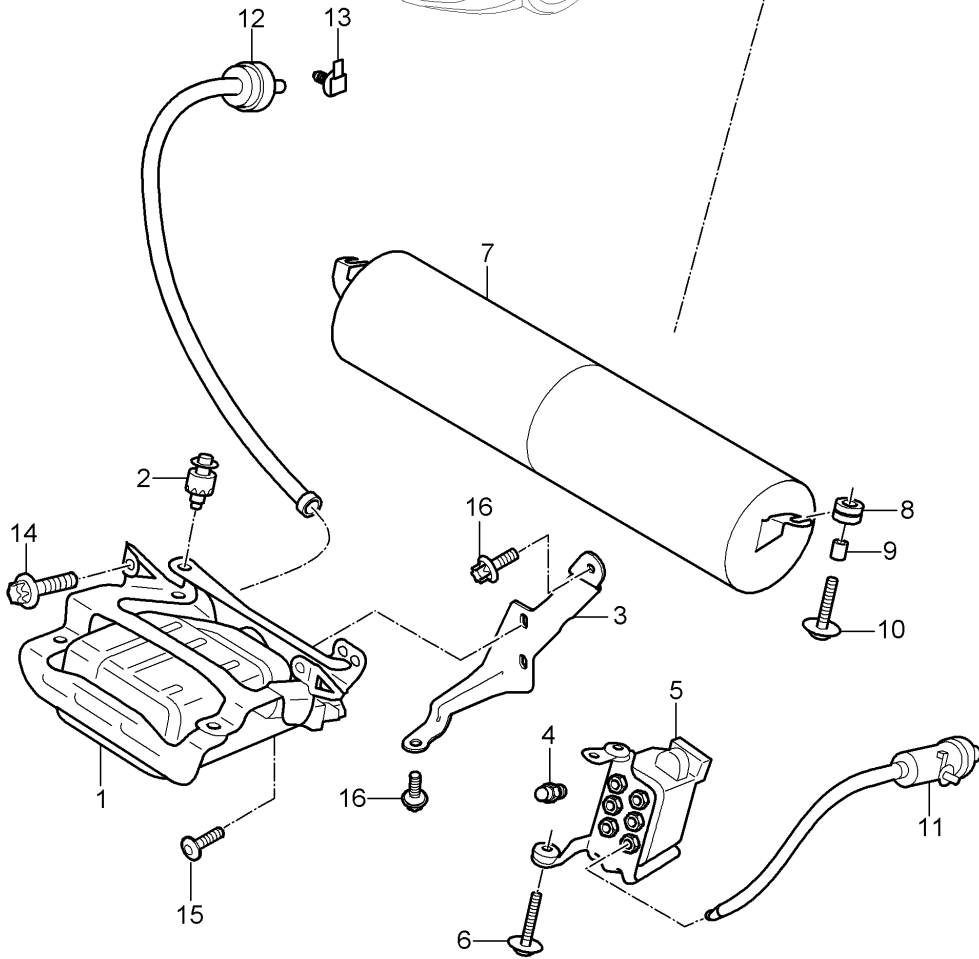
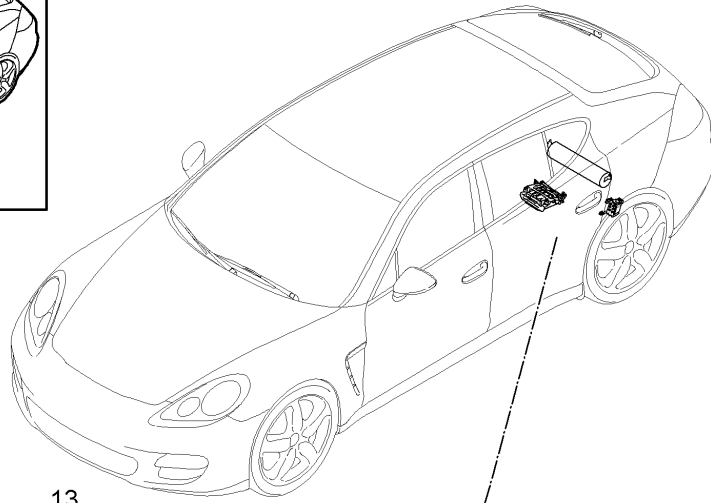
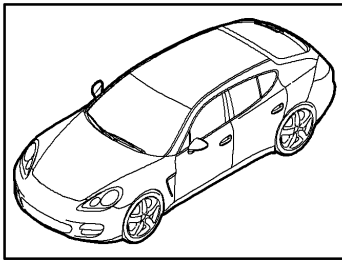


Model: 970 10 Model life 2010>>2016

Pos	Part Number	Description	Remark	Qty	Model
(1)	970 355 955 05	Hydraulic unit anti-locking brake syst. -abs- Control Hydraulic unit D >> - MJ 2013 Discontinued part		1	
(1)	970 355 955 13	Hydraulic unit D >> - MJ 2013 Discontinued part		1	
(1)	970 355 955 14	Hydraulic unit D >> - MJ 2013 Discontinued part		1	
(1)	970 355 955 31	Hydraulic unit D >> - MJ 2013 Discontinued part		1	
(1)	970 355 955 32	Hydraulic unit D >> - MJ 2013 Discontinued part		1	
(1)	970 355 955 23	Hydraulic unit D >> - MJ 2013 Discontinued part		1	HYBRID DIESEL
(1)	970 355 955 24	Hydraulic unit D >> - MJ 2013 Discontinued part		1	HYBRID DIESEL
(1)	970 355 955 27	Hydraulic unit D >> - MJ 2013 Discontinued part		1	HYBRID DIESEL
(1)	970 355 955 31	Hydraulic unit D >> - 26.05.2013 Discontinued part		1	GTS PR:015
(1)	970 355 955 32	Hydraulic unit D >> - 26.05.2013 Discontinued part		1	GTS PR:015
(1)	970 355 955 54	Hydraulic unit D - MJ 2014>> Discontinued part		1	
(1)	970 355 955 56	Hydraulic unit D - MJ 2014>> Discontinued part		1	
(1)	970 355 955 64	Hydraulic unit D - MJ 2014>> Discontinued part		1	HYBRID DIESEL
(1)	970 355 955 66	Hydraulic unit D - MJ 2014>> Discontinued part		1	HYBRID DIESEL
2	900 385 060 01	Screw M 6 X 10		3	
3	970 355 033 02	Bracket Hydraulic unit		1	
4	999 703 883 50	Rubber bush 10 X 22 X 5,0		3	
5	955 343 633 00	Bearing bush		3	
6	900 378 318 01	Bolt with washer M 6 X 30		3	
7	997 606 145 05	Sensor D >> - MJ 2011		1	
7	997 606 145 07	Sensor D - MJ 2012>> - MJ 2013		1	
7	997 606 145 08	Sensor D - MJ 2014>>		1	
-	900 378 035 01	Hexagon bolt M 6 X 16		1	

Model: 970 10

Model life 2010>>2016



Model: 970 10

Model life 2010>>2016

Pos	Part Number	Description	Remark	Qty	Model
1	970 358 151 07	Adaptive suspension Compressor Pressure accumulator Accelerator sensor Compressor (complete) use if required: Relay Adaptive suspension KATALOG35/90200/POS.8		1	PR:350,351, 354,355
(1)	970 358 151 08	Discontinued part Compressor (complete) use if required: Relay Adaptive suspension KATALOG 35/90200/POS.8		1	
(1)	970 358 151 09	Discontinued part Compressor (complete) use if required: Relay Adaptive suspension KATALOG 35/90200/POS.8		1	
(1)	970 358 151 10	Discontinued part Compressor (complete) use if required: Relay Adaptive suspension KATALOG 35/90200/POS.8		1	
(1)	970 358 151 11	Discontinued part Compressor (complete) use if required: Relay Adaptive suspension KATALOG 35/90200/POS.8		1	
(1)	970 358 151 12	D >> - MJ 2015 Compressor (complete) use if required: Relay Adaptive suspension KATALOG 35 /90200/POS.8		1	
(1)	970 358 151 22	D - MJ 2016>> Compressor (complete) use if required: Relay Adaptive suspension KATALOG 35/90200/POS.8		1	HYBRID PR:350
(1)	970 358 151 24	D >> - MJ 2013 Compressor (complete) use if required: Relay Adaptive suspension KATALOG 35/90200/POS.8		1	HYBRID PR:350
(1)	970 358 151 25	D - MJ 2014>> Discontinued part Compressor (complete)		1	HYBRID PR:350

Model: 970 10

Model life 2010>>2016

Pos	Part Number	Description	Remark	Qty	Model
		use if required:			
		Relay			
		Adaptive suspension			
		KATALOG 35/90200/POS.8			
		D - MJ 2014>>			
2	970 358 902 00	Set of fastening parts		1	
-	999 651 342 40	Compressor			
		Clip		2	
		Mount			
		Connector			
3	970 358 323 01	Bracket for compressor		1	
(3)	970 358 325 23	bracket - pressure accumulator		1	HYBRID
		D - MJ 2012>> - MJ 2013			PR:350
(3)	970 358 325 25	bracket - pressure accumulator		1	HYBRID
		D - MJ 2014>>			PR:350,354
4	955 358 541 00	push-on connector		4	
5	970 358 153 02	Control mechanism (complete)		1	
		Discontinued part			
5	970 358 153 03	Control mechanism (complete)		1	
(5)	970 358 153 22	Control mechanism (complete)		1	HYBRID
		D - MJ 2012>> - MJ 2013			PR:350
(5)	970 358 153 23	Control mechanism (complete)		1	HYBRID
		D - MJ 2014>>			PR:350,354
(5)	970 358 153 24	Discontinued part Control mechanism (complete)		1	HYBRID
		D - MJ 2014>>			PR:350,354
6	999 919 256 01	Bolt with washer 5 X 35		3	
7	970 358 155 03	Pressure accumulator		1	
(7)	970 358 155 23	Pressure accumulator D - MJ 2012>>		1	HYBRID
8	964 356 635 00	Rubber bush		3	
(8)	964 356 635 00	Rubber bush		4	HYBRID
9	955 343 633 00	Bearing bush		3	
(9)	955 343 633 00	Bearing bush		4	HYBRID
-	955 358 540 00	push-on connector		1	
-	999 507 799 40	Cable holder		1	
10	999 919 269 01	6,0 Bolt with washer		3	
(10)	900 378 318 01	6 X 35 Bolt with washer 6 X 30		4	HYBRID
11	970 358 273 03	Pressure line		1	
(11)	970 358 273 22	Pressure line D - MJ 2012>> - MJ 2013		1	HYBRID
(11)	970 358 273 26	Pressure line D - MJ 2014>>		1	HYBRID
-	999 591 623 40	Retaining clip		1	
12	970 358 271 03	suction line		1	PR:350,351,
		D >> - 11.09.2016			354,355
(12)	970 358 271 04	suction line D - 12.09.2016>>		1	PR:350,351,
		D - 12.09.2016>>			354,355
(12)	970 358 271 25	suction line		1	HYBRID
		D >> - 11.09.2016			PR:350,354
(12)	970 358 271 26	suction line D - 12.09.2016>>		1	HYBRID
		D - 12.09.2016>>			PR:350,354
13	955 358 521 00	Retaining clip		1	
-	N 105 840 01	Retaining clip		1	

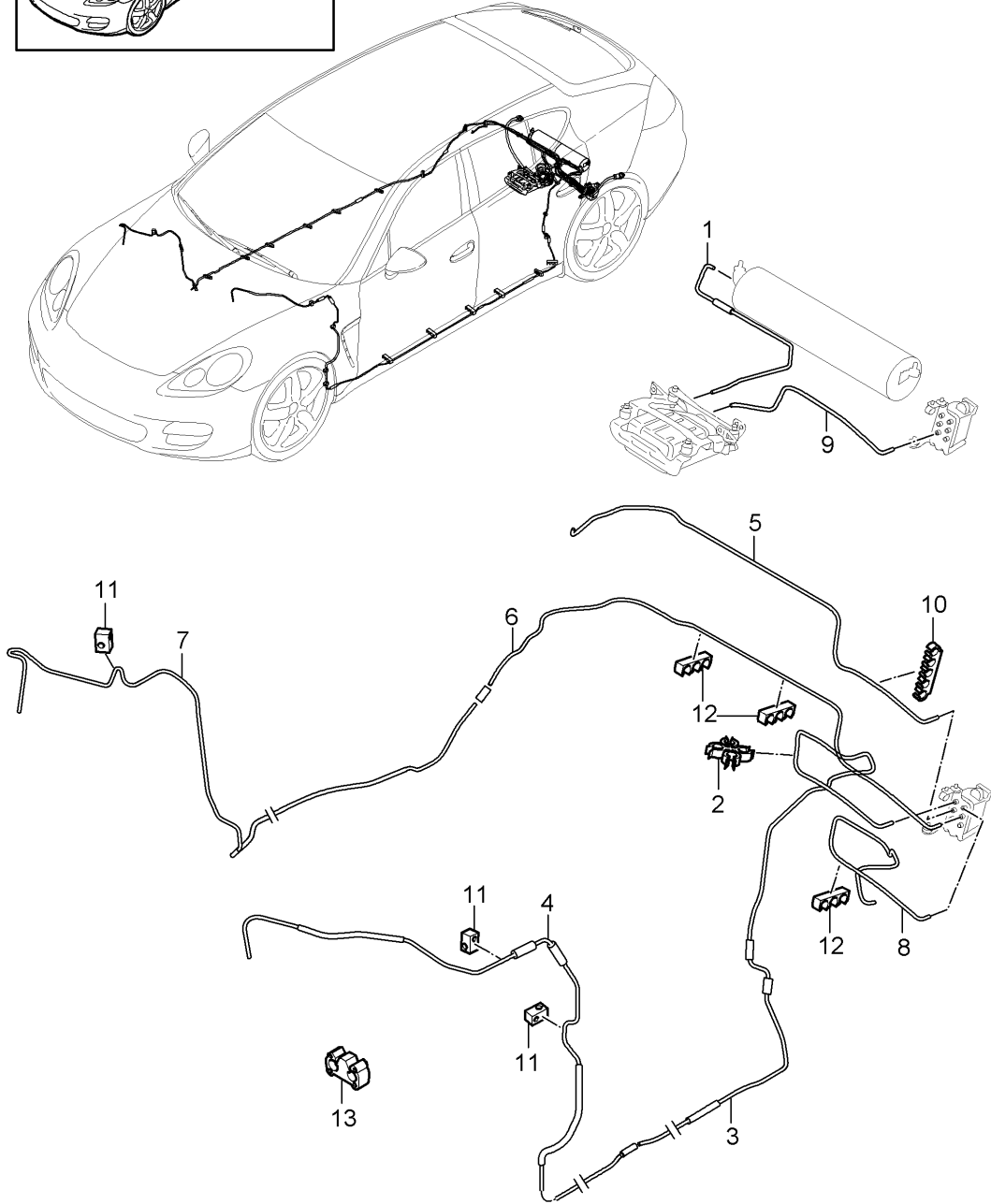
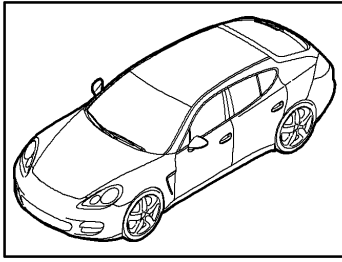
Model: 970 10

Model life 2010>>2016

Pos	Part Number	Description	Remark	Qty	Model
14	900 385 009 01	Compressor Cable D - MJ 2014>> Torx screw M 6 X 16		4	
15	N 910 343 01	self-tapping screw M 6 X 20		4	
16	N 911 182 01	Hex socket head bolt (combi) M 6 X 20		4	

Model: 970 10

Model life 2010>>2016

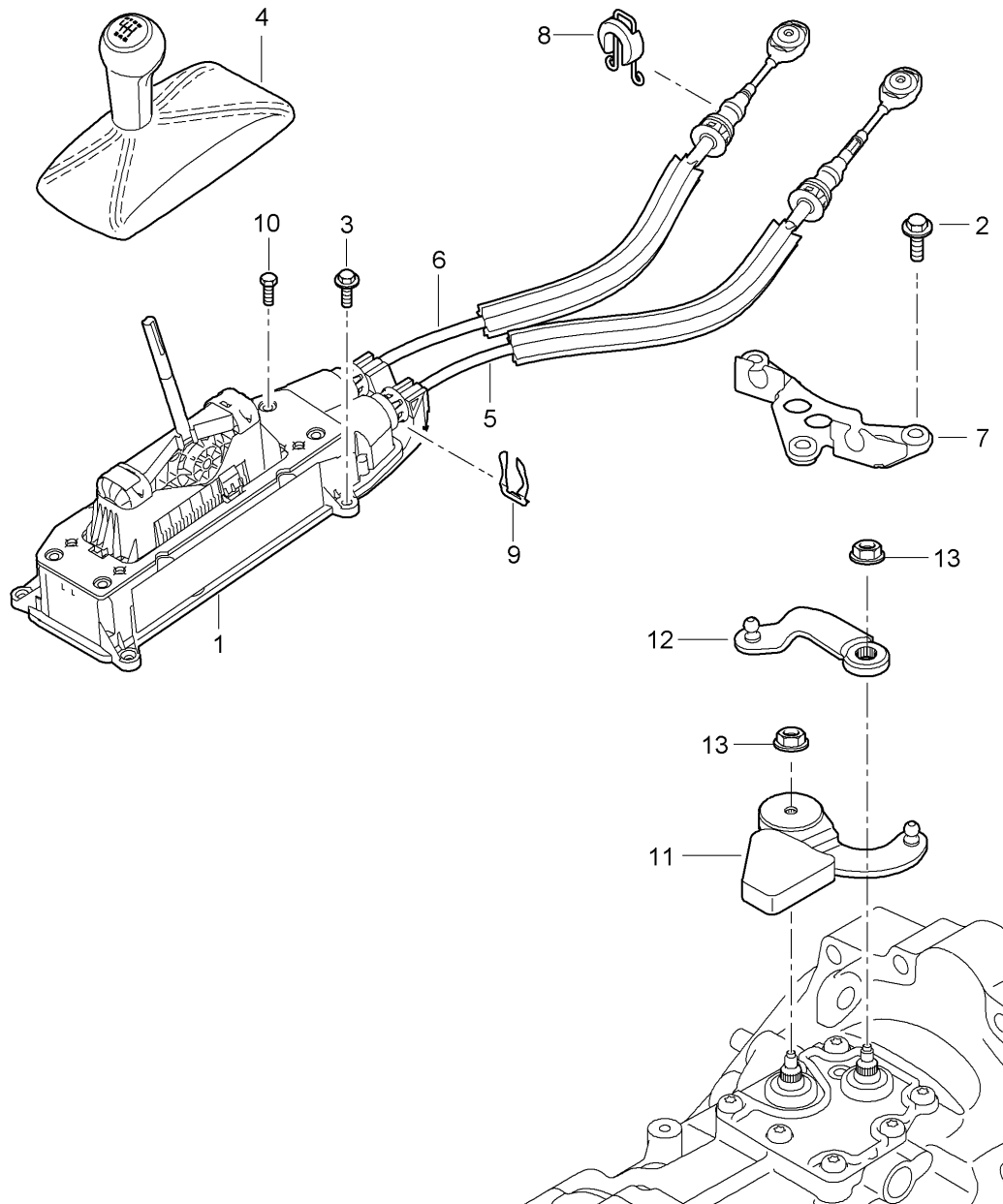
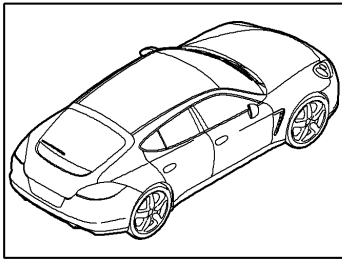


Model: 970 10 Model life 2010>>2016

Pos	Part Number	Description	Remark	Qty	Model
1	970 358 113 03	Adaptive suspension Lines Line		1	PR:350,351, 354,355
(1)	970 358 113 05	D >> - MJ 2013 Line		1	
(1)	970 358 113 23	D - MJ 2014>> Line		1	PR:350,354
2	999 507 421 40	D - MJ 2014>> Bracket 4,75 - 6,00		1	
3	970 358 175 05	Air line		1	
(3)	970 358 170 30	Air line		1	PR:0E2,354, 355
(3)	970 358 175 24	D - MJ 2014>> Air line		1	PR:350
(3)	970 358 175 25	D >> - MJ 2013 Air line		1	PR:350
(3)	970 358 175 26	D - MJ 2014>> Discontinued part Air line		1	PR:350
4	970 358 176 01	D - MJ 2014>> Air line		1	
5	970 358 181 04	Air line		1	
(5)	970 358 181 23	Air line		1	PR:350
(5)	970 358 181 24	D >> - MJ 2013 Air line		1	PR:350,354
6	970 358 177 04	D - MJ 2014>> Air line		1	
(6)	970 358 171 30	Air line		1	PR:0E2
(6)	970 358 177 23	D - MJ 2014>> Air line		1	PR:350
(6)	970 358 177 24	D >> - MJ 2013 Air line		1	PR:350,354
7	970 358 178 02	D - MJ 2014>> Air line		1	
(7)	970 358 178 03	D >> - MJ 2013 Air line		1	
8	970 358 179 04	D - MJ 2014>> Air line		1	
(8)	970 358 179 22	Air line		1	PR:350
(8)	970 358 179 23	D >> - MJ 2013 Air line		1	PR:350,354
9	970 358 111 03	D - MJ 2014>> Line		1	
(9)	970 358 111 26	Line		1	PR:350,354
10	999 507 268 40	D - MJ 2014>> Cable holder 5,0 - 6,0		1	
11	999 651 409 40	Cable holder 4,75 - 6,00		13	PR:350,354, 355
(11)	999 651 409 40	Cable holder 4,75 - 6,00		8	PR:351
12	8K0 611 797 E	Brake line bracket		16	
13	8K0 611 797 D	Clip		1	
-	999 507 997 40	Bracket Air line Fuel line		1	

Model: 970 10

Model life 2010>>2016



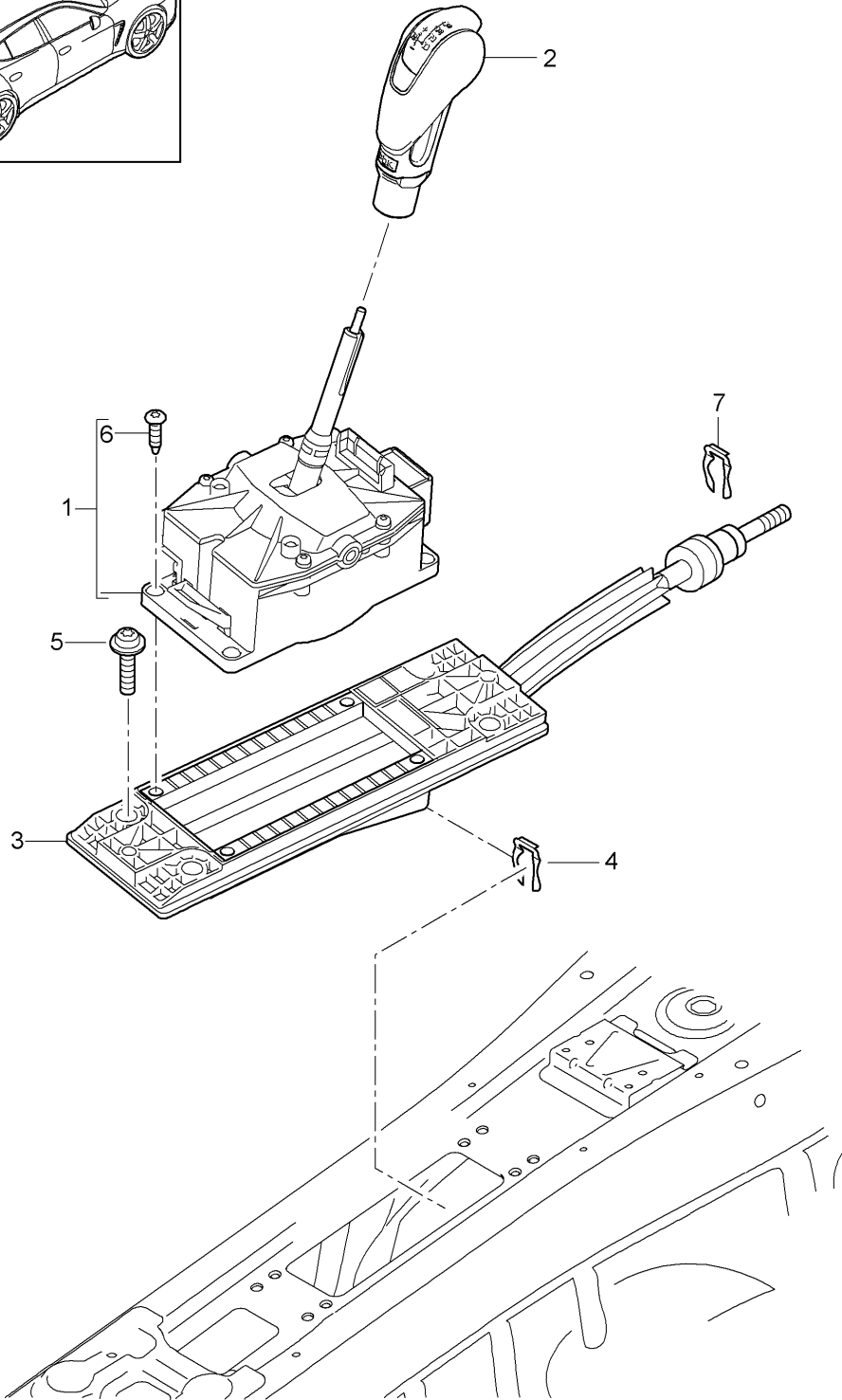
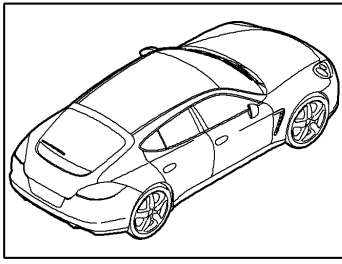
Model: 970 10

Model life 2010>>2016

Pos	Part Number	Description	Remark	Qty	Model
		Transmission control Manual gearbox D >> - MJ 2013			PR:480
1	970 424 110 00	ball housing - gearshift lever		1	
2	N 101 069 05	hexagon head bolt (combi) M 8 X 32		3	
3	900 378 173 01	Hexagon bolt M 6 X 20		4	
4	970 424 075 01	gearstick knob (leather) (complete)		1	
	970 424 075 01 DLL	Black/Galvano Silver	-AB,AC,BB,DS		
	970 424 075 01 DLM	Electropl. silver/platin. grey	-CB,CC		
	970 424 075 01 DLN	Electropl. silver/luxor beige	-UB,UC,BC		
	970 424 075 01 DLO	Electropl. silver/yachting blue	-EC		+BD
	970 424 075 01 DLP	Electropl. silver/marsala red	-PC,BE		
	970 424 075 01 DLR	Espresso Galvano silver	-NA		
	970 424 075 01 DLS	Electroplated silver/cognac	-NC,BN		
5	970 424 145 01	Shift cable		1	
6	970 424 146 00	Shift cable		1	
7	7PP 711 789	abutment		1	
8	1J0 711 280 C	Retaining washer		2	
9	999 166 091 01	fuse 18,5		2	
10	900 385 058 01	Screw M 6 X 20		4	
		No longer use the part here			
(10)	900 378 173 01	Hexagon bolt M 6 X 20		4	
11	7PP 711 051	gearshift lever	front	1	
12	7PP 711 202	relay lever		1	
13	N 907 611 03	Hexagon collar nut self-locking M 8		2	

Model: 970 10

Model life 2010>>2016



Model: 970 10 Model life 2010>>2016

Pos	Part Number	Description	Remark	Qty	Model
		selector lever			PR:249,250
1	970 426 960 00	- PDK - Tiptronic Gearbox Support Assembly kit D >> - MJ 2013 Discontinued part		1	PR:250
(1)	970 426 960 01	Support Assembly kit D >> - MJ 2013 Discontinued part		1	PR:250
(1)	970 426 911 00	Support Assembly kit D >> - MJ 2013		1	PR:250
(1)	970 426 911 00	Support Assembly kit D - MJ 2014>>		1	PR:250
(1)	970 426 911 05	Support Assembly kit F >> 97-CL040 213 F >> 97-CL045 099		1	HYBRID
(1)	970 426 911 06	Support Assembly kit F 97-CL040 214>> F 97-CL045 100>>		1	PR:249 HYBRID
(1)	970 426 911 06	Support Assembly kit See workshop manual Group 3 Document 371555 SY 0612		1	PR:249 DIESEL PR:249
2	9G1 426 069 00	Selector knob Discontinued part		1	PR:250,-XYA
	9G1 426 069 00 DNM	Black, embossed	-AB		
	9G1 426 069 00 DNN	Platinum Grey, embossed	-CB		
	9G1 426 069 00 DNO	Luxor Beige, embossed	-UB		
	9G1 426 069 00 DLC	Black/Matt Black	-AC,BB		
	9G1 426 069 00 DLD	Platinum Grey/Matt Black	-CC		
	9G1 426 069 00 DLE	Luxor Beige/Matt Black	-UC,BC		
	9G1 426 069 00 DLF	Yachting Blue/Matt Black	-EC,BD		
	9G1 426 069 00 DLJ	Espresso/Matt Black	-NA		
	9G1 426 069 00 DLK	Cognac/Matt Black	-NC,BN		
(2)	9G1 426 069 10	Selector knob Discontinued part		1	PR:250,-XYA
	9G1 426 069 10 DNM	Black, embossed	-AB		
	9G1 426 069 10 DNN	Platinum Grey, embossed	-CB		
	9G1 426 069 10 DNO	Luxor Beige, embossed	-UB		
	9G1 426 069 10 DLC	Black/Matt Black	-AC,BB		
	9G1 426 069 10 DLD	Platinum Grey/Matt Black	-CC		
	9G1 426 069 10 DLE	Luxor Beige/Matt Black	-UC,BC		
	9G1 426 069 10 DLF	Yachting Blue/Matt Black	-EC,BD		
	9G1 426 069 10 DLG	Marsala Red/Matt Black	-PC,BE		
	9G1 426 069 10 DLJ	Espresso/Matt Black	-NA		
	9G1 426 069 10 DLK	Cognac/Matt Black	-NC,BN		
(2)	9G1 426 069 20	Selector knob D >> - MJ 2013		1	PR:250,-XYA
	9G1 426 069 20 DNM	Black, embossed	-AB		
	9G1 426 069 20 DNN	Platinum Grey, embossed	-CB		
	9G1 426 069 20 DNO	Luxor Beige, embossed	-UB,PK		

Model: 970 10 Model life 2010>>2016

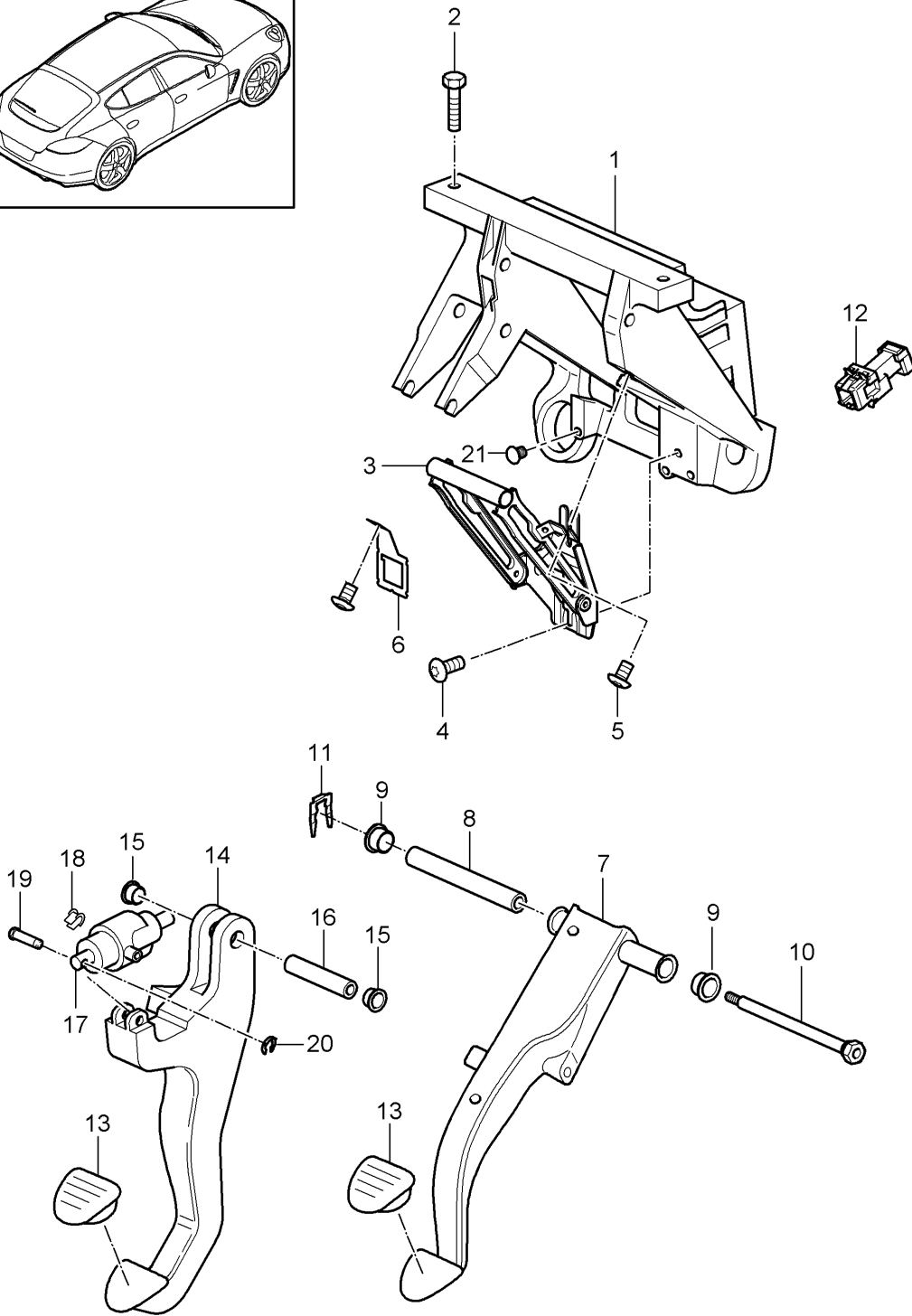
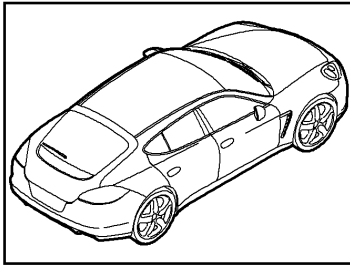
Pos	Part Number	Description	Remark	Qty	Model
	9G1 426 069 20 DLC	Black/Matt Black	-AC,GK,GS,GA, BB,DS		
	9G1 426 069 20 DLD	Platinum Grey/Matt Black	-CC,GC,GU,BC		
	9G1 426 069 20 DLE	Luxor Beige/Matt Black	-PL,UC		
	9G1 426 069 20 DLF	Yachting Blue/Matt Black	-EC,GE,BD		
	9G1 426 069 20 DLG	Marsala Red/Matt Black	-PC,GP,BE		
	9G1 426 069 20 DLJ	Espresso/Matt Black	-NA		
	9G1 426 069 20 DLK	Cognac/Matt Black	-BN		
(2)	9G1 426 069 20	Selector knob D - MJ 2014>>		1	PR:250,-XYA
	9G1 426 069 20 DLC	Black/Matt Black	-AB,AC,DN,DS, BF		
	9G1 426 069 20 DLE	Luxor Beige/Matt Black	-UB,PK,UC,BC, PL		
	9G1 426 069 20 DLG	Marsala Red/Matt Black	-PC,BE		
	9G1 426 069 20 DLJ	Espresso/Matt Black	-NA		
	9G1 426 069 20 DLK	Cognac/Matt Black	-NC		
(2)	9G1 426 069 20 GHF	Agate Grey/Matt Black	-DG,DL,DT	1	PR:250,XYA
	9G1 426 980 00	Selector knob			
	9G1 426 980 00 DLC	Black Galvano silver	-AB,AC,BB		
	9G1 426 980 00 7A0	Platinum Grey	-CB,CC		
	9G1 426 980 00 9H6	Luxor beige	-UB,UC,BC		
	9G1 426 980 00 6U7	yachting blue	-EC		
	9G1 426 980 00 8C0	Espresso	-NA		
(2)	9G1 426 980 00	Selector knob		1	PR:250,XYA
	9G1 426 980 00 8M8	Marsala Red	-PC,BE		
	9G1 426 980 00 9EF	Cognac	-BN		
(2)	9G1 426 980 01	Selector knob		1	PR:250,XYA
	9G1 426 980 01 DLC	Black Galvano silver	-AB,AC,BB		
	9G1 426 980 01 7A0	Platinum Grey	-CB,CC		
	9G1 426 980 01 9H6	Luxor beige	-UB,UC,BC		
	9G1 426 980 01 6U7	yachting blue	-EC		
	9G1 426 980 01 8C0	Espresso	-NA		
(2)	9G1 426 980 01	Selector knob		1	PR:250,XYA
	9G1 426 980 01 8M8	Marsala Red	-PC,BE		
	9G1 426 980 01 9EF	Cognac	-BN		
(2)	9G1 426 980 01	Selector knob		1	PR:250,XYA
	9G1 426 980 01 PL1	agate grey			
(2)	970 426 069 01	selector lever D >> - MJ 2013		1	HYBRID DIESEL PR:249
	970 426 069 01 DNM	Black, embossed	-AB		
	970 426 069 01 DNN	Platinum Grey, embossed	-CB		
	970 426 069 01 DNO	Luxor Beige, embossed	-UB,PK		
	970 426 069 01 DLC	Black/Matt Black	-AC,GK,GS,GA, BB,DS		
	970 426 069 01 DLD	Platinum Grey/Matt Black	-CC,GC,GU,BC		
	970 426 069 01 DLE	Luxor Beige/Matt Black	-PL,UC		
	970 426 069 01 DLF	Yachting Blue/Matt Black	-EC,GE,BD		
	970 426 069 01 DLG	Marsala Red/Matt Black	-PC,GP,BE		
	970 426 069 01 DLJ	Espresso/Matt Black	-NA		
	970 426 069 01 DLK	Cognac/Matt Black	-BN		
(2)	970 426 069 01	selector lever D - MJ 2014>>		1	HYBRID DIESEL PR:249
	970 426 069 01 DLC	Black/Matt Black	-AB,AC,DN,DS, BF		
	970 426 069 01 DLE	Luxor Beige/Matt Black	-UB,PK,UC,BC, PL		
	970 426 069 01 DLG	Marsala Red/Matt Black	-PC,BE		
	970 426 069 01 DLJ	Espresso/Matt Black	-NA		

Model: 970 10 Model life 2010>>2016

Pos	Part Number	Description	Remark	Qty	Model
3	970 426 069 01 DLK	Cognac/Matt Black	-NC	1	
	970 426 069 01 GHF	Agate Grey/Matt Black	-DG,DL,DT		
	970 426 970 00	Cable			
		Assembly kit			
		D >> - MJ 2013			
(3)	970 426 933 00	Cable		1	
		Assembly kit			
		D - MJ 2014>>			
(3)	970 426 933 05	Cable		1	HYBRID
		Assembly kit			
		F >> 97-CL040 213			
		F >> 97-CL045 099			
(3)	970 426 933 06	Cable		1	PR:249 HYBRID
		Assembly kit			
		F 97-CL040 214>>			
		F 97-CL045 100>>			
(3)	970 426 933 06	Cable		1	PR:249 HYBRID
		Assembly kit			PR:249
		D - MJ 2014>>			
(3)	970 426 933 10	Cable		1	DIESEL
		Assembly kit			PR:249
		No longer use the part here			
(3)	970 426 933 11	Cable		1	DIESEL
		Assembly kit			PR:249
4	999 166 091 01	fuse		1	
		18,5			
5	999 073 467 01	Bolt with washer		4	
		M 6 X 30			
6	999 919 272 01	Oval-head screw		4	
		M 5 X 20			
7	N 012 322 5	Retaining washer		1	PR:249
		abutment			

Model: 970 10

Model life 2010>>2016



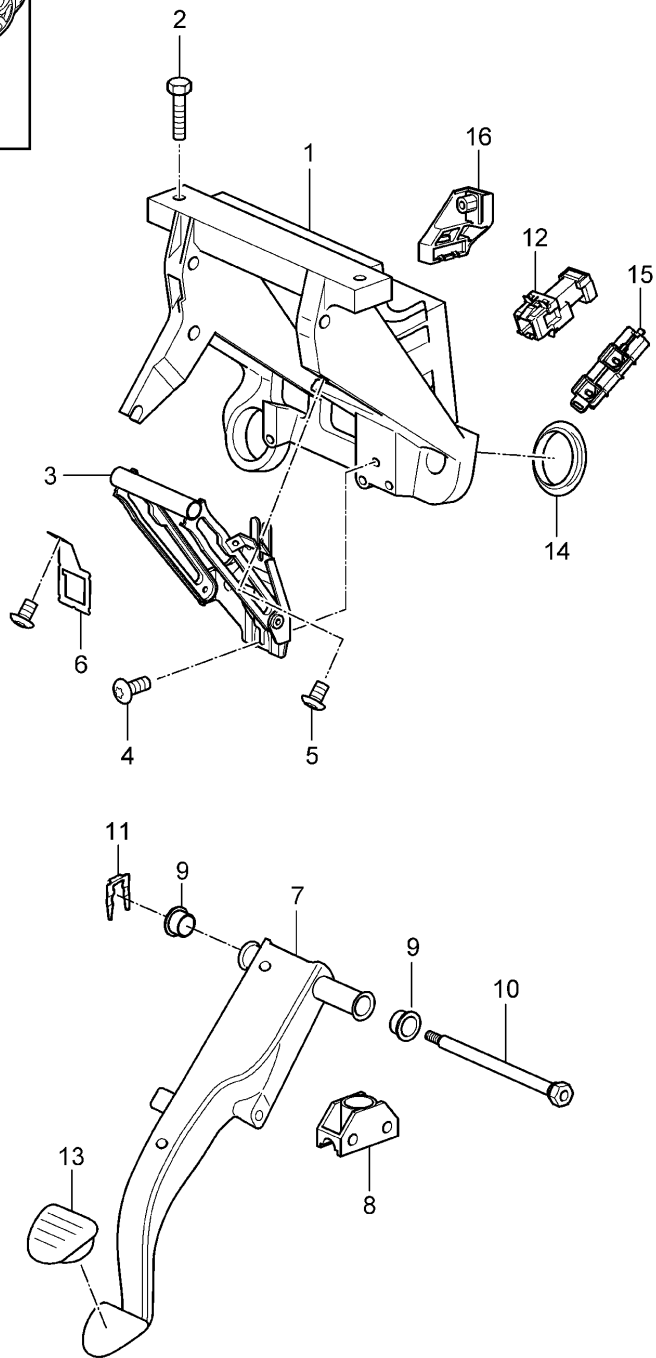
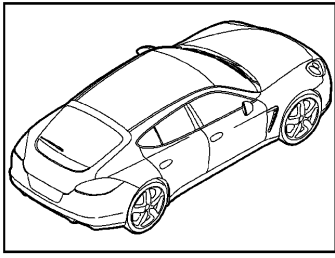
Model: 970 10

Model life 2010>>2016

Pos	Part Number	Description	Remark	Qty	Model
		Pedals			PR:480
		Manual gearbox			
		D >> - MJ 2013			
1	970 423 065 00	Bracket		1	
2	900 378 108 01	Hexagon bolt M 8 X 35		2	
3	970 423 251 00	Support		1	
4	999 919 164 09	fillister hd. bolt 5,0 X 12,0		1	
5	999 919 159 09	fillister hd. bolt 4,0 Xv 12,0		2	
6	970 423 531 00	Bracket Sensor		1	
7	970 423 091 00	brake pedal		1	PR:098
(7)	970 423 092 00	brake pedal		1	PR:099
8	1J0 721 165	Support		1	
9	970 423 587 00	Bearing bush		2	
10	970 423 283 00	bearing pin		1	
11	999 166 092 01	brake pedal Kl-lock KL 16		2	
12	970 606 451 00	Sensor		1	
13	997 423 910 00	brake pedal pad for brake and clutch pedals		2	
(13)	991 423 111 00	Pedal cap		2	PR:XXV
14	970 423 069 00	Clutch pedal		1	PR:098
(14)	970 423 070 00	Clutch pedal		1	PR:099
15	970 423 587 00	Bearing bush		2	
16	970 423 581 00	bearing pin Clutch pedal		1	
17	955 423 081 20	Servo spring		1	
18	955 423 581 00	bearing shell		2	
19	996 423 315 06	Pin		1	
20	999 166 022 01	Kl-lock KL 8		1	
21	955 423 720 00	Stop buffer		1	

Model: 970 10

Model life 2010>>2016

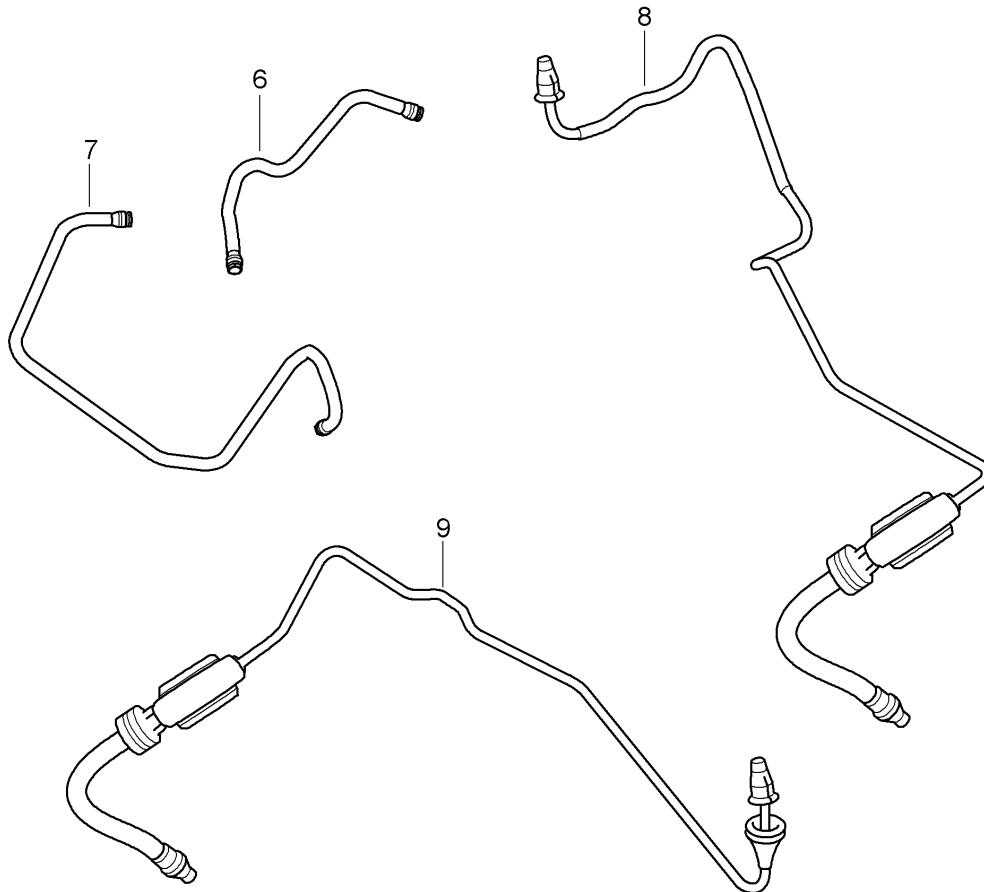
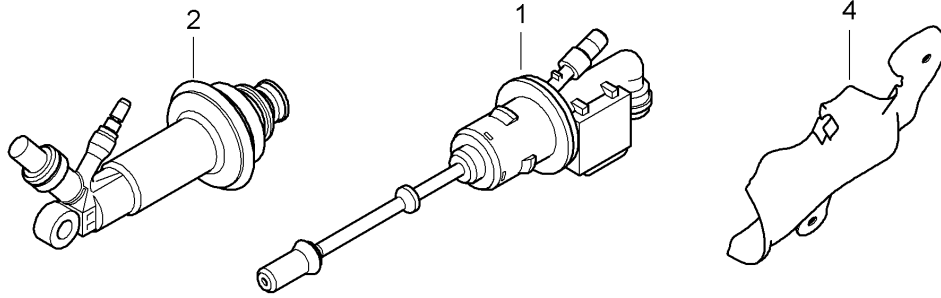
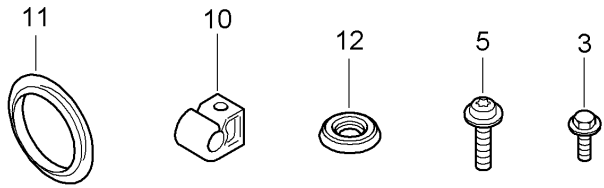
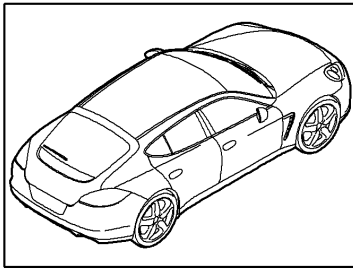


Model: 970 10 Model life 2010>>2016

Pos	Part Number	Description	Remark	Qty	Model
		Pedals - PDK - Tiptronic Gearbox			PR:249,250
1	970 423 065 01	Bracket		1	
2	900 378 108 01	Hexagon bolt M 8 X 35		2	
3	970 423 251 00	Support		1	
4	999 919 164 09	fillister hd. bolt 5,0 X 12,0		1	
5	999 919 159 09	fillister hd. bolt 4,0 X 12,0		2	
6	970 423 531 00	Bracket Sensor		1	
7	970 423 091 01	brake pedal brake pedal		1	PR:098
		with:			
(7)	970 423 091 20	Pedal cap brake pedal	lhd	1	HYBRID PR:098,249
		with:			
(7)	970 423 092 01	Pedal cap D - MJ 2012>> brake pedal		1	PR:099
		with:			
(7)	970 423 092 20	Pedal cap brake pedal	rhd	1	HYBRID PR:099,249
		with:			
8	1J0 721 165	Pedal cap D - MJ 2012>> Support		1	
9	970 423 587 00	Bearing bush		2	
10	970 423 283 00	bearing pin		1	
11	999 166 092 01	brake pedal Kl-lock KL 16		1	
12	970 606 451 00	Sensor		1	
(12)	958 423 810 00	brake pedal Distance sensor brake pedal		1	HYBRID
		D - MJ 2012>>			
13	997 423 912 00	Cap for foot brake pedal		1	
(13)	991 423 112 00	Pedal cap		1	PR:XXV
14	970 423 191 00	End cap		1	PR:098
(14)	970 423 191 00	End cap		2	PR:099
15	970 423 537 20	Adapter plate		1	HYBRID PR:249
		D - MJ 2012>>			
16	970 423 223 20	Bracket Distance sensor brake pedal D - MJ 2012>>		1	HYBRID

Model: 970 10

Model life 2010>>2016

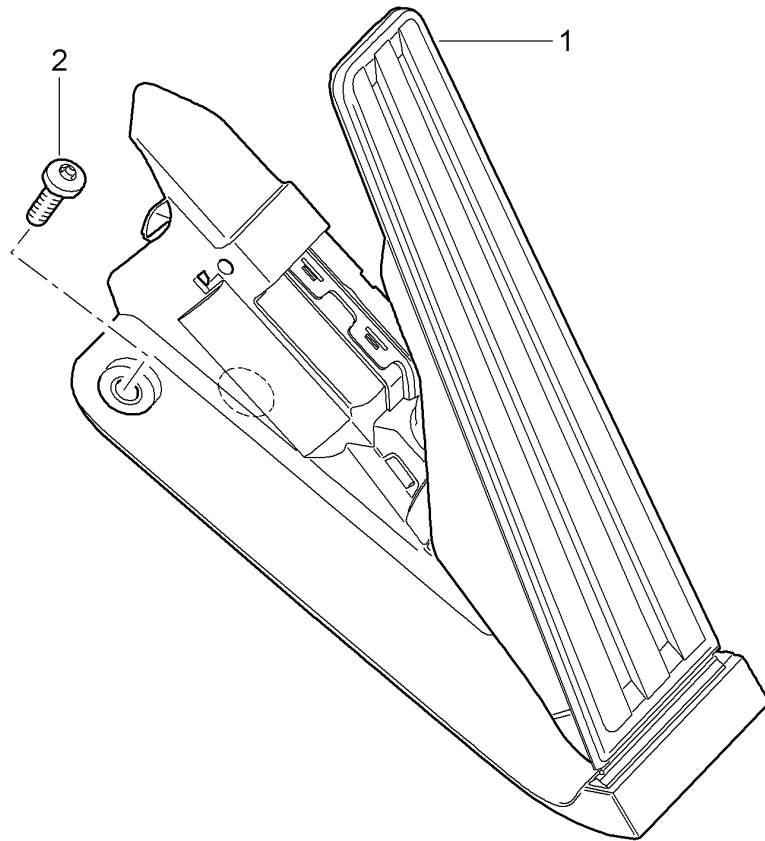
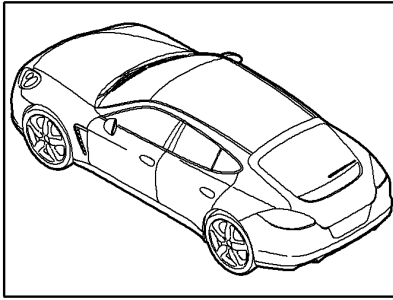


Model: 970 10 Model life 2010>>2016

Pos	Part Number	Description	Remark	Qty	Model
1	7PP 721 401	clutch actuation Clutch master cylinder Clutch tube Clutch master cylinder D >> - MJ 2013		1	PR:480
2	955 116 237 01	Clutch slave cylinder D >> - MJ 2013		1	PR:480
3	N 101 560 09	Hex collared bolt M 8 X 25 D >> - MJ 2013		1	PR:480
4	970 423 455 02	Heat insulation Clutch slave cylinder D >> - MJ 2013		1	PR:480
-	999 651 118 01	Cable holder 5,0 D >> - MJ 2013		1	PR:480
5	900 385 041 01	Torx screw M 6 X 12 D >> - MJ 2013		3	PR:480
6	970 423 137 01	Line D >> - MJ 2013		1	PR:480,098
7	970 423 138 00	Line D >> - MJ 2013		1	PR:480,099
8	970 423 107 04	Clutch tube D >> - MJ 2013		1	PR:480,098
9	970 423 108 02	Clutch tube D >> - MJ 2013		1	PR:480,099
10	999 651 409 40	Cable holder 4,75 - 6,00 D >> - MJ 2013		1	PR:480
11	970 423 191 00	End cap		1	PR:250,098
(11)	970 423 191 00	End cap		2	PR:250,099
12	803 803 583 A	Bungs		1	PR:250
(12)	999 703 196 40	Discontinued part End cap		1	PR:250

Model: 970 10

Model life 2010>>2016

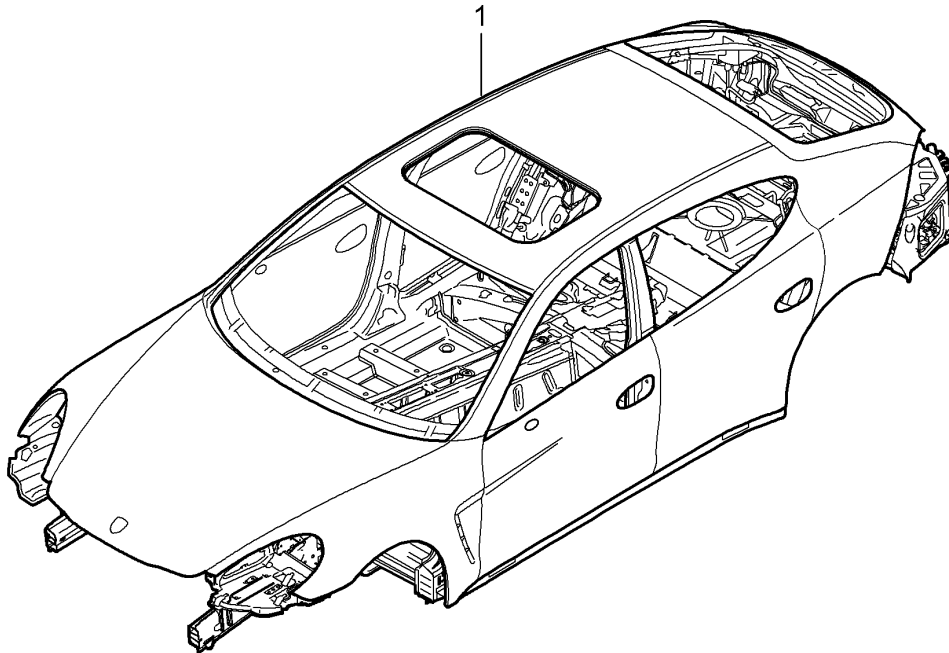
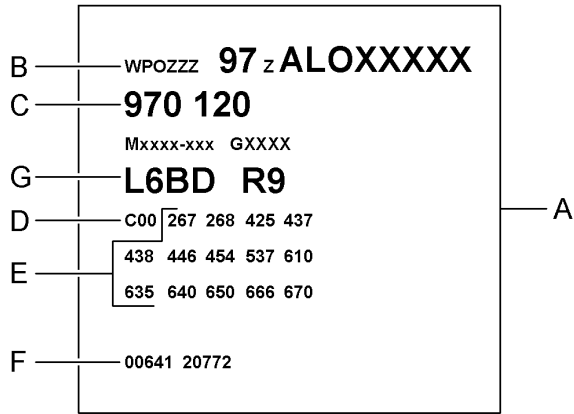


Model: 970 10 Model life 2010>>2016

Pos	Part Number	Description	Remark	Qty	Model
1	970 423 019 00	Pedals throttle control		1	PR:480
(1)	970 423 021 00	throttle control D >> - MJ 2013		1	PR:250
(1)	970 423 021 01	throttle control D - MJ 2012>>		1	PR:249,250, -XXV
(1)	991 423 022 01	throttle control		1	PR:249,250, XXV
(1)	298 721 507 A	D - MJ 2012>> throttle control for Hybrid		1	PR:249,-XXV
(1)	298 721 507 B	D - MJ 2014>> Discontinued part throttle control for Hybrid		1	PR:249,-XXV
(1)	298 721 507 F	D - MJ 2014>> Discontinued part throttle control for Hybrid		1	PR:249,-XXV
(1)	298 721 507 E	D - MJ 2014>> throttle control for Hybrid		1	PR:249,XXV
(1)	298 721 507 G	D - MJ 2014>> Discontinued part throttle control for Hybrid		1	PR:249,XXV
2	999 073 344 02	D - MJ 2014>> Oval-head screw M 6 X 20		1	

Model: 970 10

Model life 2010>>2016



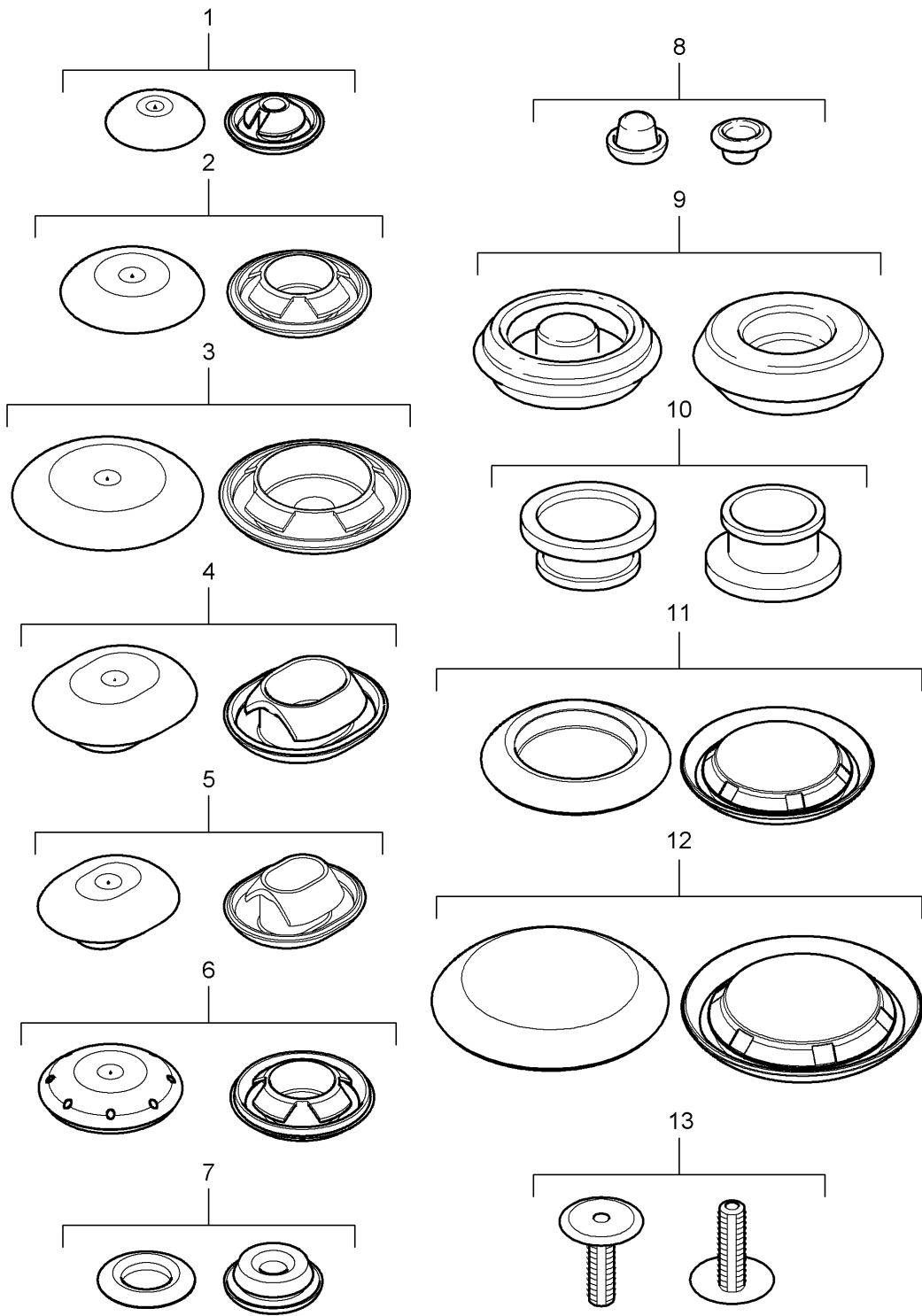
Model: 970 10

Model life 2010>>2016

Pos	Part Number	Description	Remark	Qty	Model
-		Car body primed Sealed			
		with: Underbody protection			
		with: Doors/lids/wings			
-		BodysHELLS can only only available from current Model year available			
-		The data required for your order Can be found on the Vehicle data carrier in Vehicle wallet Please indicate this data in your order Vehicle data carrier Vehicle Ident. No. Order type Country equipment Optional extras Additional applications Please state the colour			
A					
B					
C					
D					
E					
F					
G					
1	970 500 900 00 970 500 900 00 GRV	Car body primed		1	

Model: 970 10

Model life 2010>>2016



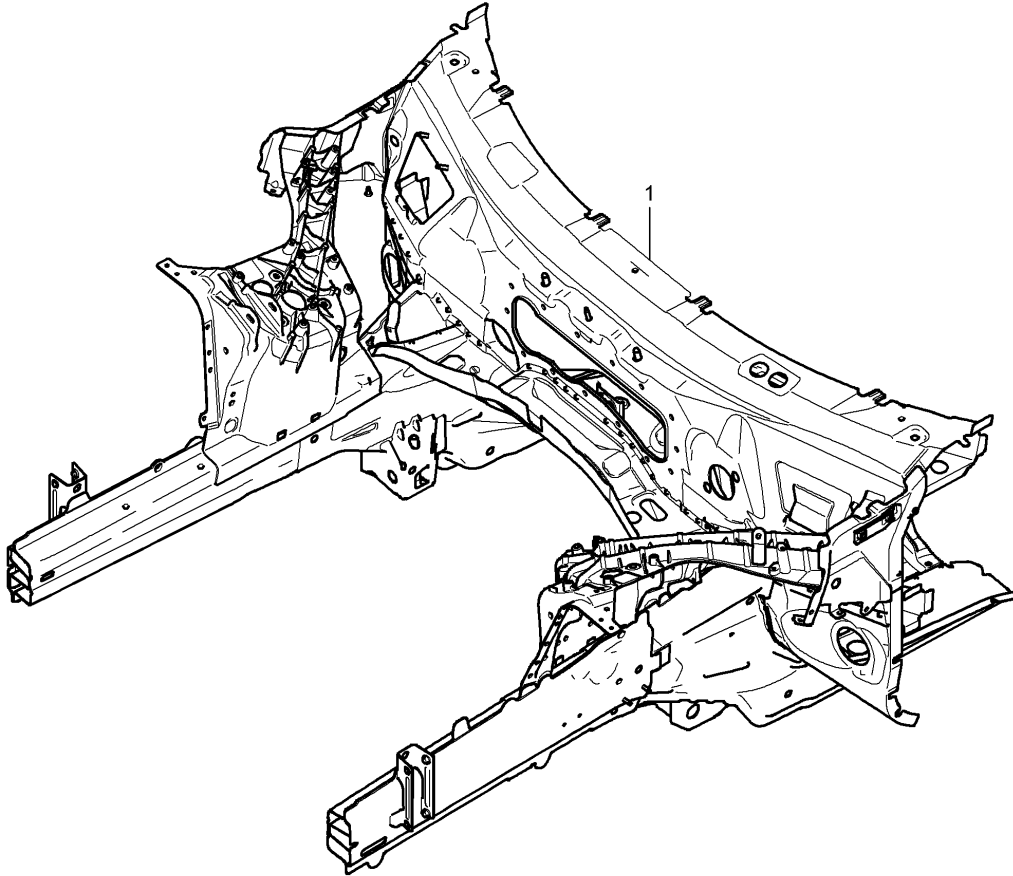
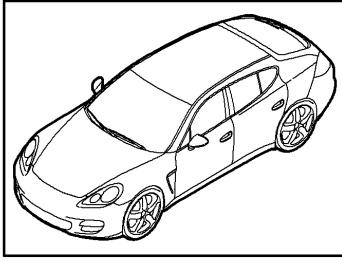
Model: 970 10

Model life 2010>>2016

Pos	Part Number	Description	Remark	Qty	Model
1	955 504 281 00	Bungs Bungs 10 MM		1	
2	955 504 182 00	Bungs 20 MM		1	
3	955 504 183 00	Bungs 30 MM		1	
4	955 504 184 00	Bungs 20 X 25		1	
5	955 504 185 00	Bungs 15 X 20		1	
6	955 504 187 00	Bungs 20 MM		1	
7	999 703 196 40	End cap 20 MM		1	
(7)	999 703 195 40	Rubber grommet 30 MM		1	
8	999 703 462 40	End cap 10 MM		1	
9	999 703 433 40	Bungs 30 X 42 MM		1	
10	999 703 420 40	Bungs 20 MM		1	
11	N 906 949 01	Bungs 40 MM		1	
(11)	6N0 419 044	Bungs 11 MM		1	
(11)	999 703 421 40	Grommet 15 MM		1	
12	7L0 899 191	Bungs 40 MM		1	
(12)	N 909 649 01	Sealing cap 40 MM		1	
(12)	999 703 435 40	End cap 15 MM		1	
(12)	999 703 466 40	Bungs 15 MM		1	
13	970 504 885 02	Cap closure 6 MM		1	

Model: 970 10

Model life 2010>>2016



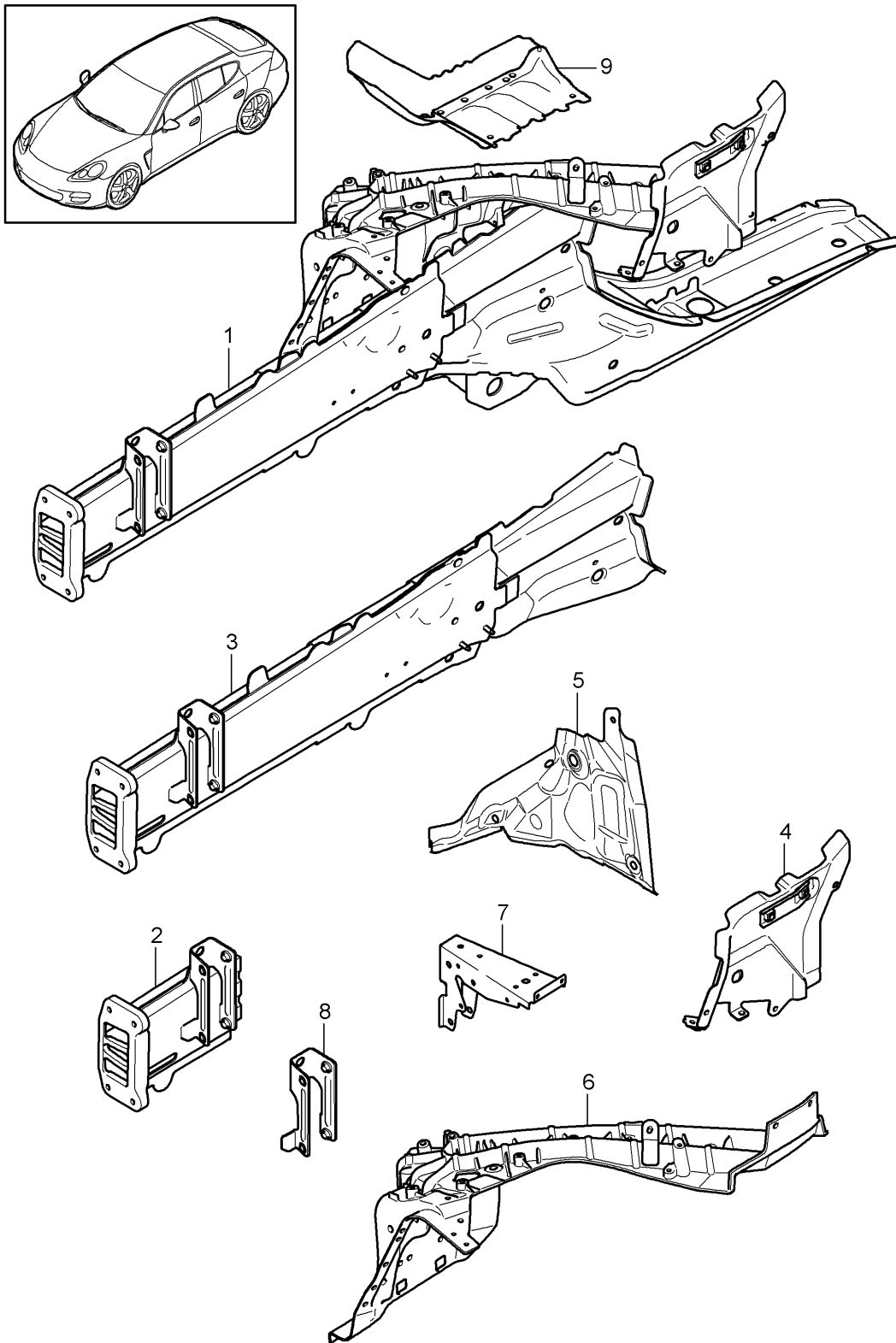
Model: 970 10

Model life 2010>>2016

Pos	Part Number	Description	Remark	Qty	Model
-		Front end also use: 8/01/10 POS. 10			
1	970 501 911 00	Front end	lhd	1	PR:098
	970 501 911 00 GRV	primed			
1	970 501 912 00	Front end	rhd	1	PR:099
	970 501 912 00 GRV	primed			
2	970 502 931 00	Firewall	lhd	1	PR:098
	970 502 931 00 GRV	primed			
(2)	970 502 932 00	Firewall	rhd	1	PR:099
	970 502 932 00 GRV	primed			
-		use if required:	rhd		PR:099
3	970 502 628 00	Bracket	rhd	1	PR:099
	970 502 628 00 GRV	primed			
5	000 043 206 29	Adhesive set		1	
6	000 043 305 41	adhesive		1	
7	000 043 206 31	Double cartridge gun		1	
8	000 043 206 32	emulsion tube		1	
9	000 043 305 31	activator		1	
10	000 043 305 51	cavity preservative agent		1	

Model: 970 10

Model life 2010>>2016



Model: 970 10 Model life 2010>>2016

Pos	Part Number	Description	Remark	Qty	Model
1	970 501 905 02	Front end Individual parts Side member Discontinued part	left	1	
	970 501 905 02 GRV	primed			
		also use:	970 501 375 01 (GRV) 970 501 921 00 (GRV) 000 043 305 41		
1	970 501 905 03	Side member	left	1	
	970 501 905 03 GRV	primed			
		also use:	970 501 375 01 (GRV) 970 501 921 00 (GRV) 000 043 305 41		
(1)	970 501 906 01	Side member Discontinued part	right	1	
	970 501 906 01 GRV	primed			
		also use:	970 501 376 01 (GRV) 970 501 922 00 (GRV) 000 043 305 41		
(1)	970 501 906 02	Side member	right	1	
	970 501 906 02 GRV	primed			
		also use:	970 501 376 01 (GRV) 970 501 922 00 (GRV) 000 043 305 41		
2	970 501 903 00	Sectional part - side member Discontinued part	left	1	
	970 501 903 00 GRV	primed Sub-part			
		also use:	000 043 305 41		
2	970 501 903 01	Sectional part - side member	left	1	
	970 501 903 01 GRV	primed Sub-part			
		also use:	000 043 305 41		
(2)	970 501 904 00	Sectional part - side member Discontinued part	right	1	
	970 501 904 00 GRV	primed Sub-part			
		also use:	000 043 305 41		
(2)	970 501 904 01	Sectional part - side member	right	1	
	970 501 904 01 GRV	primed Sub-part			
		also use:	000 043 305 41		
-		See workshop manual Group 5			
3	970 501 913 00	Sectional part - side member Discontinued part	left	1	
	970 501 913 00 GRV	primed Sub-part			
		also use:	000 043 305 41		
3	970 501 913 01	Sectional part - side member	left	1	
	970 501 913 01 GRV	primed Sub-part			
		also use:	000 043 305 41		
(3)	970 501 914 01	Sectional part - side member Discontinued part	right	1	

Model: 970 10 Model life 2010>>2016

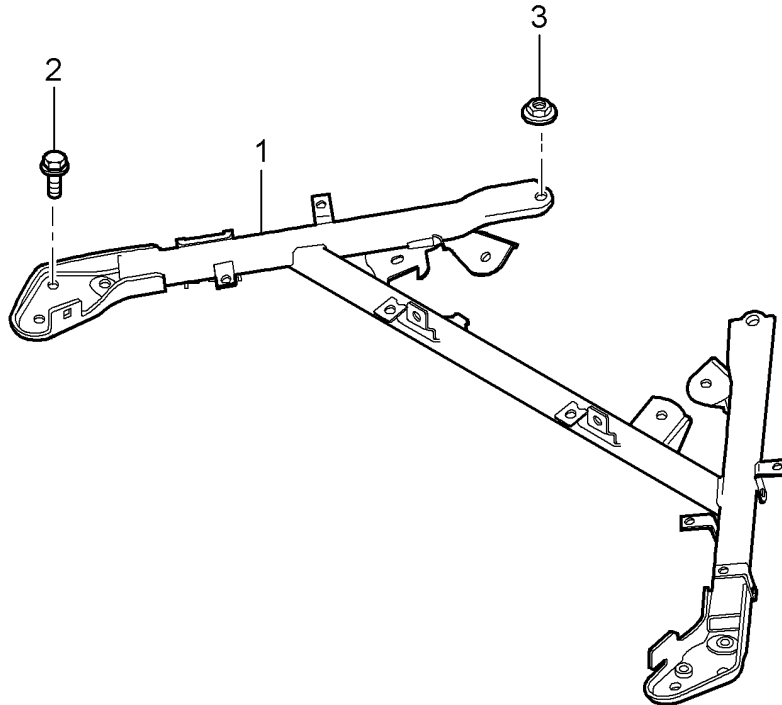
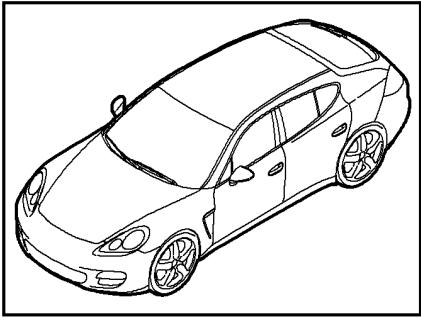
Pos	Part Number	Description	Remark	Qty	Model
	970 501 914 01 GRV	primed Sub-part			
(3)	970 501 914 03	Sectional part - side member	also use: 000 043 305 41	1	
	970 501 914 03 GRV	primed Sub-part	right		
-		also use: 000 043 305 41 See workshop manual Group 5			
4	970 501 143 02	Side member	left	1	
	970 501 143 02 GRV	primed	upper		
(4)	970 501 144 02	Side member	right	1	
	970 501 144 02 GRV	primed	upper		
5	970 501 935 00	Wheel housing Discontinued part	left	1	
	970 501 935 00 GRV	primed			
5	970 501 935 01	Wheel housing	left	1	
	970 501 935 01 GRV	primed			
(5)	970 501 936 00	Wheel housing Discontinued part	right	1	
	970 501 936 00 GRV	primed			
(5)	970 501 936 01	Wheel housing	right	1	
	970 501 936 01 GRV	primed			
6	970 501 927 00	Suspension strut mounting Discontinued part	left	1	
	970 501 927 00 GRV	primed Spring strut			
6	970 501 927 01	Suspension strut mounting	also use: 000 043 305 41 left	1	
	970 501 927 01 GRV	primed Spring strut			
(6)	970 501 928 00	Suspension strut mounting Discontinued part	also use: 000 043 305 41 right	1	
	970 501 928 00 GRV	primed Spring strut			
(6)	970 501 928 01	Suspension strut mounting	also use: 000 043 305 41 right	1	
	970 501 928 01 GRV	primed Spring strut			
-		also use: 000 043 305 41 See workshop manual Group 5			
7	970 504 355 02	Console D >> - MJ 2013 Discontinued part	left	1	
	970 504 355 02 GRV	primed Headlight recess			
7	970 504 355 03	Console D >> - MJ 2013 Discontinued part	left	1	
	970 504 355 03 GRV	primed Headlight recess			
7	970 504 355 04	Console D >> - MJ 2013	left	1	
	970 504 355 04 GRV	primed Headlight recess			
7	970 504 355 05	Console D - MJ 2014>>	left	1	
	970 504 355 05 GRV	primed Headlight recess			
(7)	970 504 356 02	Console D >> - MJ 2013	right	1	

Model: 970 10 Model life 2010>>2016

Pos	Part Number	Description	Remark	Qty	Model
	970 504 356 02 GRV	Discontinued part primed			
(7)	970 504 356 03	Headlight recess Console D >> - MJ 2013	right	1	
	970 504 356 03 GRV	Discontinued part primed			
(7)	970 504 356 04	Headlight recess Console D >> - MJ 2013	right	1	
	970 504 356 04 GRV	primed			
(7)	970 504 356 05	Headlight recess Console D - MJ 2014>>	right	1	
	970 504 356 05 GRV	primed			
8	970 501 541 01	Headlight recess Support		2	
	970 501 541 01 GRV	primed Wing			
9	970 501 375 01	Support	left	1	
	970 501 375 01 GRV	primed transmission carrier			
(9)	970 501 376 01	Support	right	1	
	970 501 376 01 GRV	primed transmission carrier			
10	970 501 921 00	Junction plate	left	1	
	970 501 921 00 GRV	primed			
(10)	970 501 922 00	Junction plate	right	1	
	970 501 922 00 GRV	primed			
11	970 501 921 01	Junction plate D - MJ 2014>>	left	1	PR:0E2
	970 501 921 01 GRV	primed			
(11)	970 501 922 01	Junction plate D - MJ 2014>>	right	1	PR:0E2
	970 501 922 01 GRV	primed			
12	970 507 785 00	Support	left front	1	PR:0E2
	970 507 785 00 GRV	D - MJ 2014>> primed			
(12)	970 507 786 00	Support	right front	1	PR:0E2
	970 507 786 00 GRV	D - MJ 2014>> primed			
13	970 504 679 02	Bracket	left	1	
14	900 378 036 01	suction line Hexagon bolt M6 X 16	left	2	
15	999 073 541 01	Torx screw M6X20		X	
16	999 190 229 01	Pop rivet KB 2-4,5		X	
17	999 190 227 01	Pop rivet KB 3-6,5		X	
18	999 500 069 01	rivetted cap nut M6-0,5-3		X	
19	000 043 206 29	Adhesive set Body		X	
20	000 043 206 30	comprising: adhesive		1	
21	000 043 206 31	Double cartridge gun		1	
22	000 043 206 32	emulsion tube		1	
23	000 043 207 70	activator		1	
24	000 043 305 51	cavity preservative agent		1	

Model: 970 10

Model life 2010>>2016



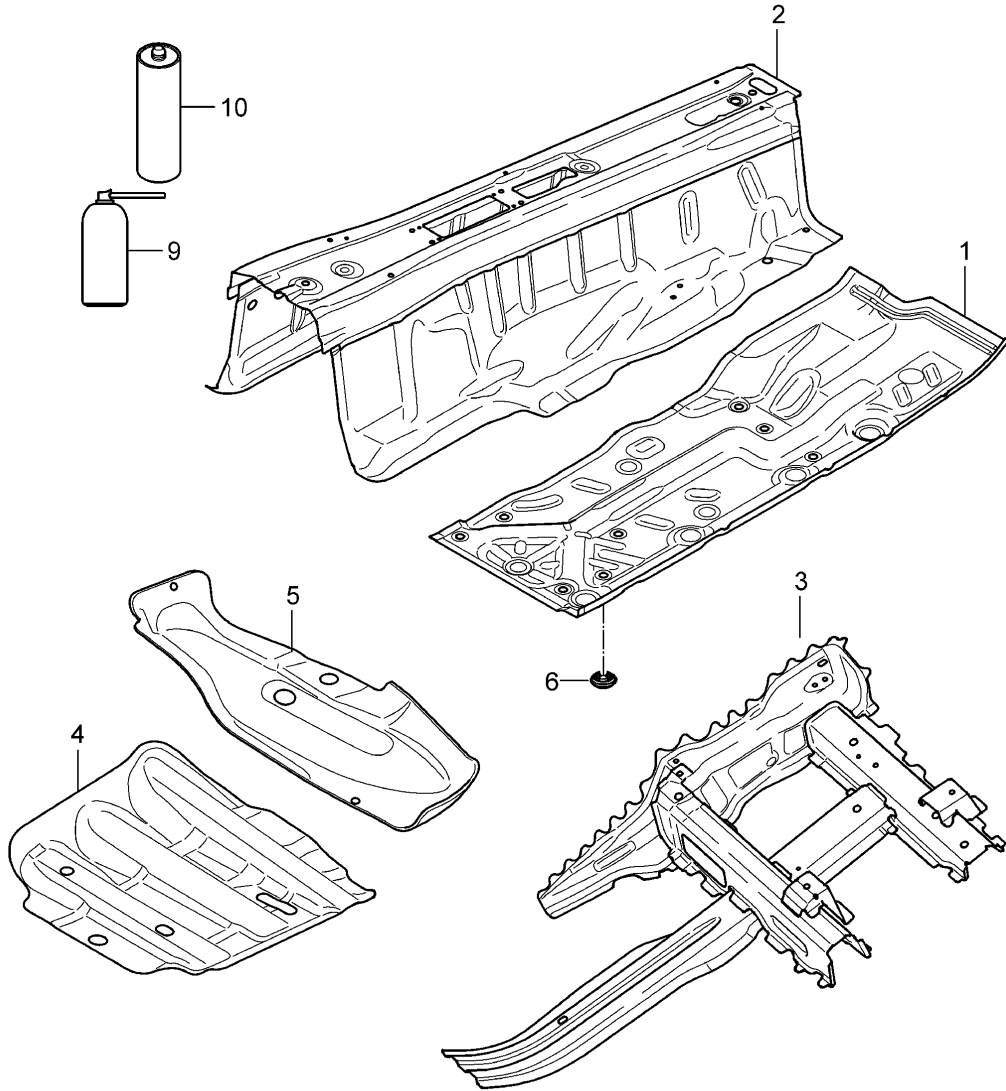
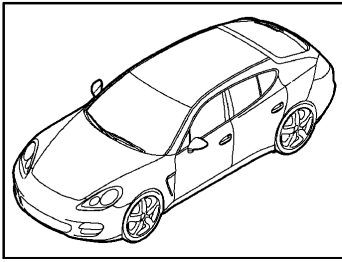
Model: 970 10

Model life 2010>>2016

Pos	Part Number	Description	Remark	Qty	Model
1	970 504 233 09	Dome strut Dome strut D - MJ 2014>>	lhd	1	PR:098
1	970 504 233 11	Dome strut also use: D >> - MJ 2013	lhd 970 572 415 02	1	PR:098
(1)	970 504 233 06	Dome strut D >> - MJ 2013	rhd	1	PR:099
(1)	970 504 233 10	Dome strut D - MJ 2014>>	rhd	1	PR:099
2	N 904 400 03	hexagon head bolt (combi) M8x35		4	
3	900 377 011 01	Hexagon nut M10		2	

Model: 970 10

Model life 2010>>2016



Model: 970 10 Model life 2010>>2016

Pos	Part Number	Description	Remark	Qty	Model
1	970 501 951 00	Floor Floor	left also use: 000 043 305 51 000 043 305 32	1 1 1	
		Discontinued part			
1	970 501 951 00 GRV 970 501 951 01	primed Floor	left also use: 000 043 305 51 000 043 305 32	1 1 1	
		Discontinued part			
1	970 501 951 01 GRV 970 501 951 02	primed Floor	left also use: 000 043 305 51 000 043 305 32	1 1 1	
		Discontinued part			
(1)	970 501 951 02 GRV 970 501 952 00	primed Floor	left also use: 000 043 305 51 000 043 305 32	1 1 1	
		Discontinued part			
(1)	970 501 952 00 GRV 970 501 952 02	primed Floor	right also use: 000 043 305 51 000 043 305 32	1 1 1	
		Discontinued part			
2	970 501 952 02 GRV 970 501 909 00	primed tunnel	right also use: 000 043 305 51 000 043 305 32	1 1 1	
		Discontinued part			
3	970 501 909 00 GRV 970 501 953 00	primed Seat support	left front also use: 000 043 305 51 000 043 305 32	1 1 1 1	
		Discontinued part			
(3)	970 501 953 00 GRV 970 501 954 00	primed Seat support	right front also use: 000 043 305 51 000 043 305 32	1 1 1 1	
		Discontinued part			
4	970 501 954 00 GRV 970 501 633 00	primed Reinforcement	left front also use: 000 043 305 51 000 043 305 32	1 1 1 1	
		Discontinued part			
(4)	970 501 633 00 GRV 970 501 634 00	primed Reinforcement	right front also use: 000 043 305 51 000 043 305 32	1 1 1 1	
		Discontinued part			
5	970 501 634 00 GRV 970 501 663 00	primed Reinforcement	left rear also use: 000 043 305 51 000 043 305 32	1 1 1 1	
		Discontinued part			
(5)	970 501 663 00 GRV 970 501 664 00	primed Reinforcement	right rear also use: 000 043 305 51 000 043 305 32	1 1 1 1	
		Discontinued part			
6	970 501 664 00 GRV N 909 649 01	primed Sealing cap 40 mm		X	
7	970 507 961 00 970 507 961 00 GRV	Extension Floor D - MJ 2014>> primed		1	PR:0E2

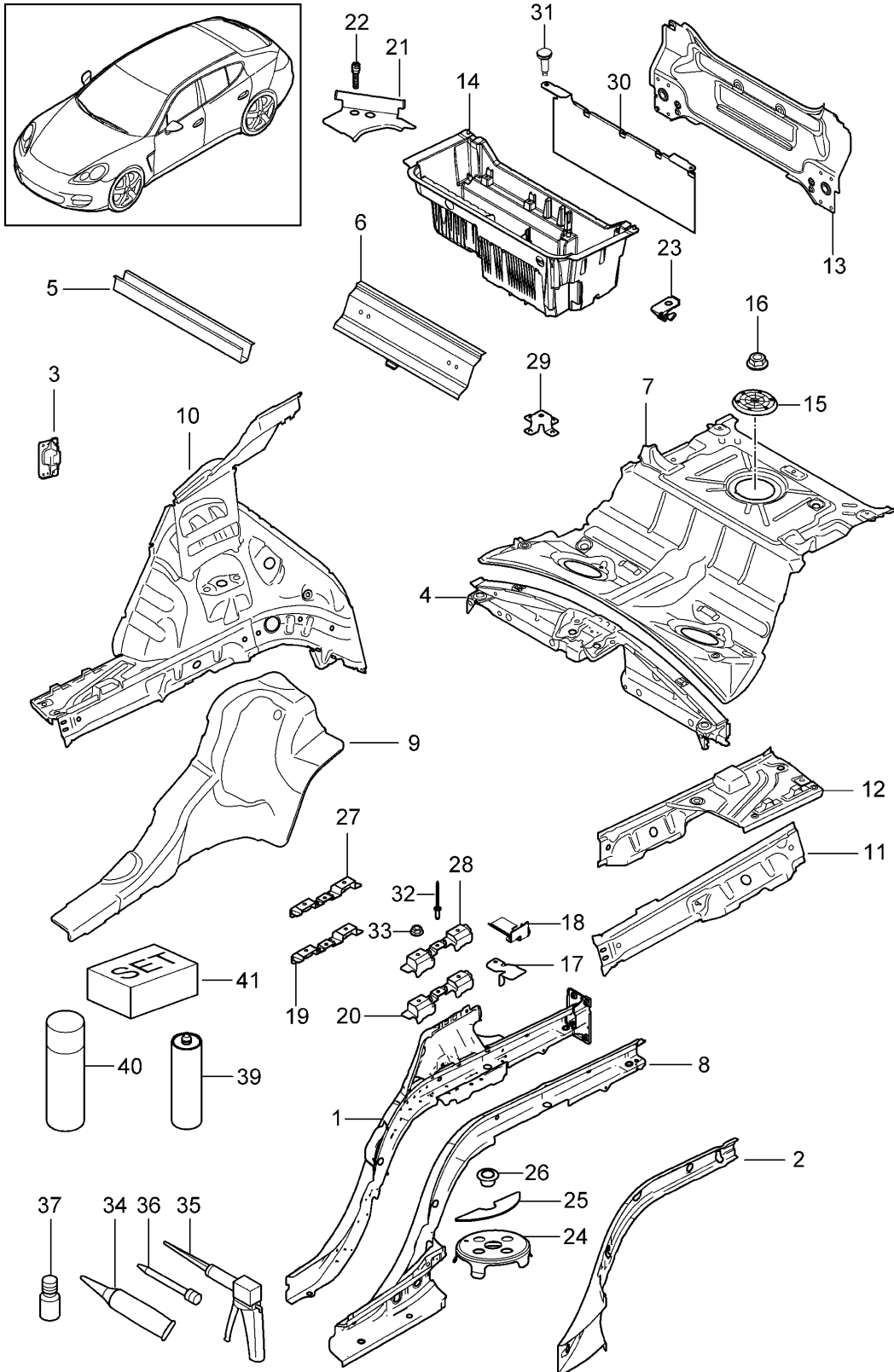
Model: 970 10

Model life 2010>>2016

Pos	Part Number	Description	Remark	Qty	Model
8	970 507 819 00	Reinforcement for tunnel Extension Floor D - MJ 2014>>		1	PR:0E2
	970 507 819 00 GRV	primed			
9	000 043 305 32	sealant		1	
10	000 043 204 85	cavity preservative agent		1	

Model: 970 10

Model life 2010>>2016



Model: 970 10 Model life 2010>>2016

Pos	Part Number	Description	Remark	Qty	Model
1	970 501 977 00	Rear end Side member	left	1	
	970 501 977 00 GRV	primed			
1	970 501 977 03	Side member	left	1	Hybrid
	970 501 977 03 GRV	primed			
(1)	970 501 978 00	Side member	right	1	
	970 501 978 00 GRV	primed			
(1)	970 501 978 03	Side member	right	1	Hybrid
	970 501 978 03 GRV	primed			
2	970 501 907 02	Sectional part - side member	left	1	
	970 501 907 02 GRV	primed Sub-part			
2	970 501 907 03	Sectional part - side member	left	1	Hybrid
	970 501 907 03 GRV	primed Sub-part			
(2)	970 501 908 02	Sectional part - side member	right	1	
	970 501 908 02 GRV	primed Sub-part			
(2)	970 501 908 03	Sectional part - side member	right	1	Hybrid
	970 501 908 03 GRV	primed Sub-part			
3	970 501 277 00	Shock absorber mounting	left	1	
	970 501 277 00 GRV	primed			
(3)	970 501 278 00	Shock absorber mounting	right	1	
	970 501 278 00 GRV	primed			
4	970 501 931 00	Heel plate		1	
	970 501 931 00 GRV	primed			
5	970 501 975 00	Cross member		1	
	970 501 975 00 GRV	primed Rear axle			
6	970 501 555 00	Cross member		1	
	970 501 555 00 GRV	primed Seat well			
7	970 501 949 00	Seat well		1	
	970 501 949 00 GRV	primed			
8	970 501 923 00	Reinforcement for side member	left	1	
	970 501 923 00 GRV	primed	inner		
(8)	970 501 924 00	Reinforcement for side member	right	1	
	970 501 924 00 GRV	primed	inner		
9	970 501 943 00	Support	left	1	
	970 501 943 00 GRV	primed Console			
(9)	970 501 944 00	Support	right	1	
	970 501 944 00 GRV	primed Console			
10	970 501 983 00	Wheel housing	left	1	
	970 501 983 00 GRV	primed	inner		
(10)	970 501 984 00	Wheel housing	right	1	
	970 501 984 00 GRV	primed	inner		
11	970 501 995 00	Carrier	left	1	
	970 501 995 00 GRV	primed	outer		
(11)	970 501 996 00	Carrier	right	1	
	970 501 996 00 GRV	primed	outer		
12	970 501 915 00	Floor section	left	1	
	970 501 915 00 GRV	primed			
12	970 501 915 01	Floor section	left	1	Hybrid
	970 501 915 01 GRV	primed			
(12)	970 501 916 00	Floor section	right	1	
	970 501 916 00 GRV	primed			
(12)	970 501 916 01	Floor section	right	1	Hybrid
		D >> - MJ 2013			

Model: 970 10 Model life 2010>>2016

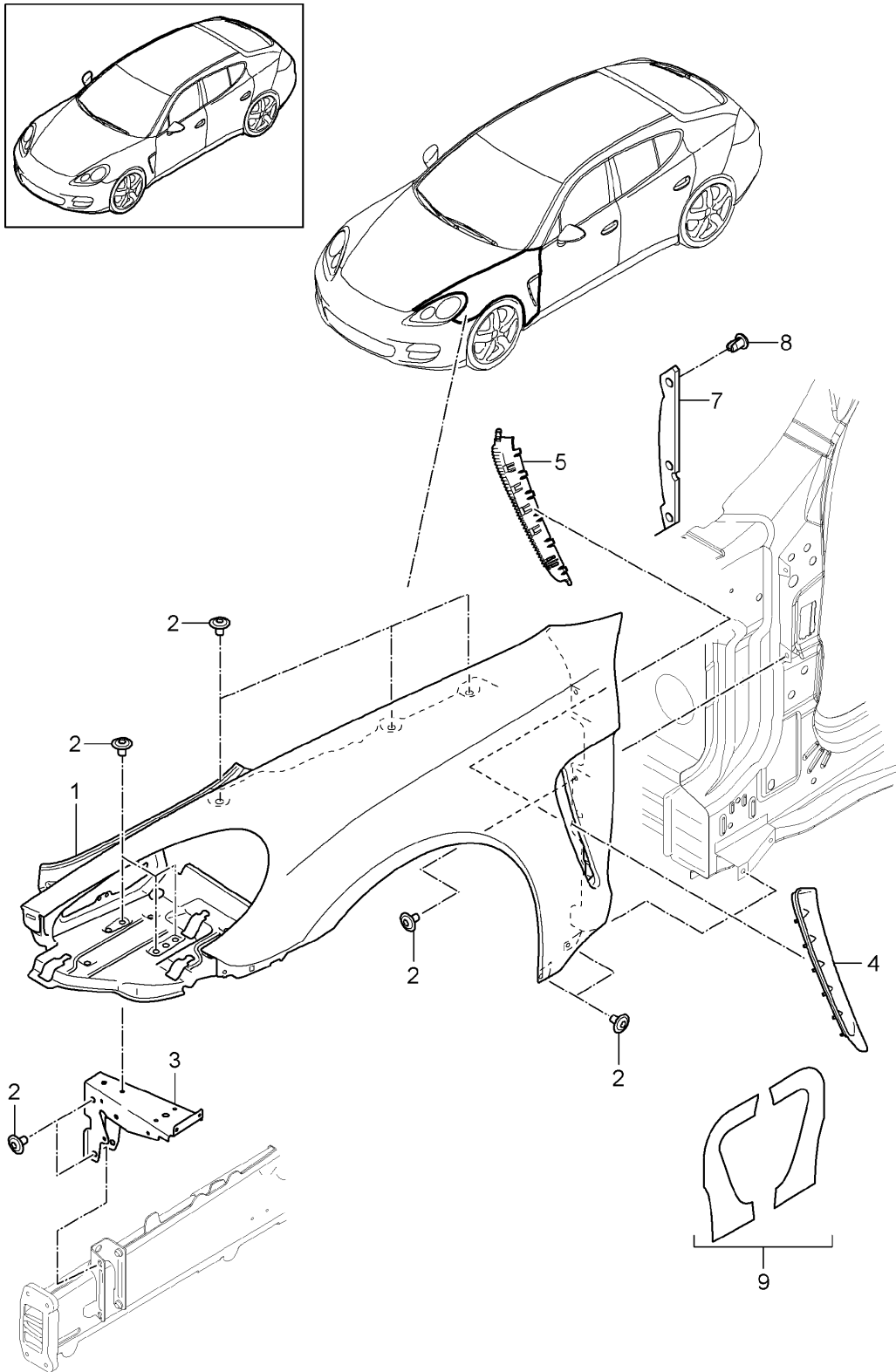
Pos	Part Number	Description	Remark	Qty	Model
(12)	970 501 916 01 GRV	primed			
	970 501 916 02	Floor section	right	1	Hybrid
		D - MJ 2014>>			
13	970 501 916 02 GRV	primed			
	970 501 973 02	Cross panel		1	
13	970 501 973 02 GRV	primed			
	970 501 973 01	Cross panel		1	Hybrid
	970 501 973 01 GRV	primed			
-		See workshop manual			
		Group 5			
14	970 504 079 02	Luggage compartment liner		1	Hybrid
		plastic			
		also use:	000 043 305 35		
		D >> - MJ 2013			
14	970 504 079 04	Luggage compartment liner		1	
		plastic			
		also use:	000 043 305 35		
14	970 504 079 07	Luggage compartment liner		1	Hybrid
		plastic			
		also use:	000 043 305 35		
15	970 201 623 01	D - MJ 2014>>		1	
		Cover			
16	999 084 629 01	Fuel pump		1	
		Hexagon nut			
		M6			
17	970 501 617 00	Securing bracket	left	1	
	970 501 617 00 GRV	primed			
		Luggage compartment liner			
17	970 501 618 00	Securing bracket	right	1	
	970 501 618 00 GRV	primed			
		Luggage compartment liner			
18	970 501 617 01	Securing bracket	left	1	Hybrid
	970 501 617 01 GRV	primed			
		Luggage compartment liner			
(18)	970 501 618 01	Securing bracket	right	1	Hybrid
	970 501 618 01 GRV	primed			
		Luggage compartment liner			
19	970 501 815 00	Brake line bracket		1	
	970 501 815 00 GRV	primed			
20	970 501 397 00	Battery console	left	1	Hybrid
		D >> - MJ 2013			
	970 501 397 00 GRV	primed			
		Battery			
(20)	970 501 398 00	Battery console	right	1	Hybrid
		D >> - MJ 2013			
	970 501 398 00 GRV	primed			
		Battery			
21	970 507 689 00	Closing element	left	1	Hybrid
		D >> - MJ 2013			
	970 507 689 00 GRV	primed			
		Console			
		Rear axle			
(21)	970 507 689 01	Closing element	left	1	Hybrid
		D - MJ 2014>>			
	970 507 689 01 GRV	primed			
		Console			
		Rear axle			
(21)	970 507 690 00	Closing element	right	1	Hybrid
		D >> - MJ 2013			
	970 507 690 00 GRV	primed			
		Console			
		Rear axle			
(21)	970 507 690 01	Closing element	right	1	Hybrid

Model: 970 10 Model life 2010>>2016

Pos	Part Number	Description	Remark	Qty	Model
	970 507 690 01 GRV	D - MJ 2014>> primed Console Rear axle			
22	999 919 290 01	Threaded pin T5X20 / M6		1	
23	970 507 549 01	Adapter		1	PR:0E2
	970 507 549 01 GRV	primed			
24	970 501 713 00	spring disc	left	1	
(24)	970 501 714 01	spring disc	right	1	
-		also use:			
25	970 501 910 00	Support spring disc		X	
26	999 703 022 40	Bungs 8,70X 8,0		2	Hybrid
27	970 501 697 01	Battery console	left	1	Hybrid
	970 501 697 01 GRV	primed Battery			
28	970 501 698 01	Battery console	right	1	Hybrid
	970 501 698 01 GRV	primed Battery			
29	970 507 693 00	Battery console		1	Hybrid
	970 507 693 00 GRV	primed	front		
30	970 504 311 01	Reinforcement Luggage compartment liner Hybrid		1	
31	999 503 502 02	Screw M6X20		X	
32	999 190 228 01	Pop rivet KB 3,8-5,8		X	
33	999 076 089 40	Hexagon nut T5. 0-23.3X19		X	
34	000 043 206 30	adhesive		1	
35	000 043 206 31	Double cartridge gun		1	
36	000 043 206 32	emulsion tube		1	
37	000 043 207 70	activator		1	
39	000 043 305 32	sealant		1	
40	000 043 204 85	cavity preservative agent		1	
41	000 043 305 35	2K pane adhesive set		1	

Model: 970 10

Model life 2010>>2016



Model: 970 10 Model life 2010>>2016

Pos	Part Number	Description	Remark	Qty	Model
1	970 503 031 01	Wing Wing D >> - MJ 2013 Discontinued part	left	1	
	970 503 031 01 GRV	primed			
1	970 503 031 02	Wing D >> - MJ 2013	left	1	
	970 503 031 02 GRV	primed			
1	970 503 031 03	Wing D - MJ 2014>>	left	1	
	970 503 031 03 GRV	primed			
(1)	970 503 032 01	Wing Discontinued part	right	1	
	970 503 032 01 GRV	primed			
(1)	970 503 032 02	Wing D >> - MJ 2013	right	1	
	970 503 032 02 GRV	primed			
(1)	970 503 032 03	Wing D - MJ 2014>>	right	1	
	970 503 032 03 GRV	primed			
2	900 075 510 01	Bolt with washer M6 X 20		28	
3	970 504 355 02	Console D >> - MJ 2013	left	1	
	970 504 355 02 GRV	primed			
3	970 504 355 05	Headlight recess Console D - MJ 2014>>	left	1	
	970 504 355 05 GRV	primed			
(3)	970 504 356 02	Headlight recess Console D >> - MJ 2013	right	1	
	970 504 356 02 GRV	primed			
(3)	970 504 356 05	Headlight recess Console D - MJ 2014>>	right	1	
	970 504 356 05 GRV	primed			
4	970 504 633 09	Headlight recess	left	1	S
	970 504 633 09 1E0	Black			
(4)	970 504 634 09	Trim	right	1	S
	970 504 634 09 1E0	Black			
(4)	970 504 633 01	Trim	left	1	Turbo
	970 504 633 01 V09	Aluminium look			
(4)	970 504 633 02	Trim	left	1	Turbo PR:806
	970 504 633 02 041	Black			
(4)	970 504 633 02	Trim	left	1	GTS PR:015
	970 504 633 02 041	Black			
4	970 504 633 08	Trim	left	1	PR:017
	970 504 633 08 M7T	Platinum Silver Metallic			
4	970 504 633 10	Trim	left	1	PR:0E2
	970 504 633 10 8Z8	Brilliant Silver			
(4)	970 504 634 01	Trim	right	1	Turbo
	970 504 634 01 V09	Aluminium look			
(4)	970 504 634 02	Trim	right	1	Turbo PR:806
	970 504 634 02 041	Black			
(4)	970 504 634 02	Trim	right	1	GTS PR:015
	970 504 634 02 041	Black			
(4)	970 504 634 08	Trim	right	1	PR:017

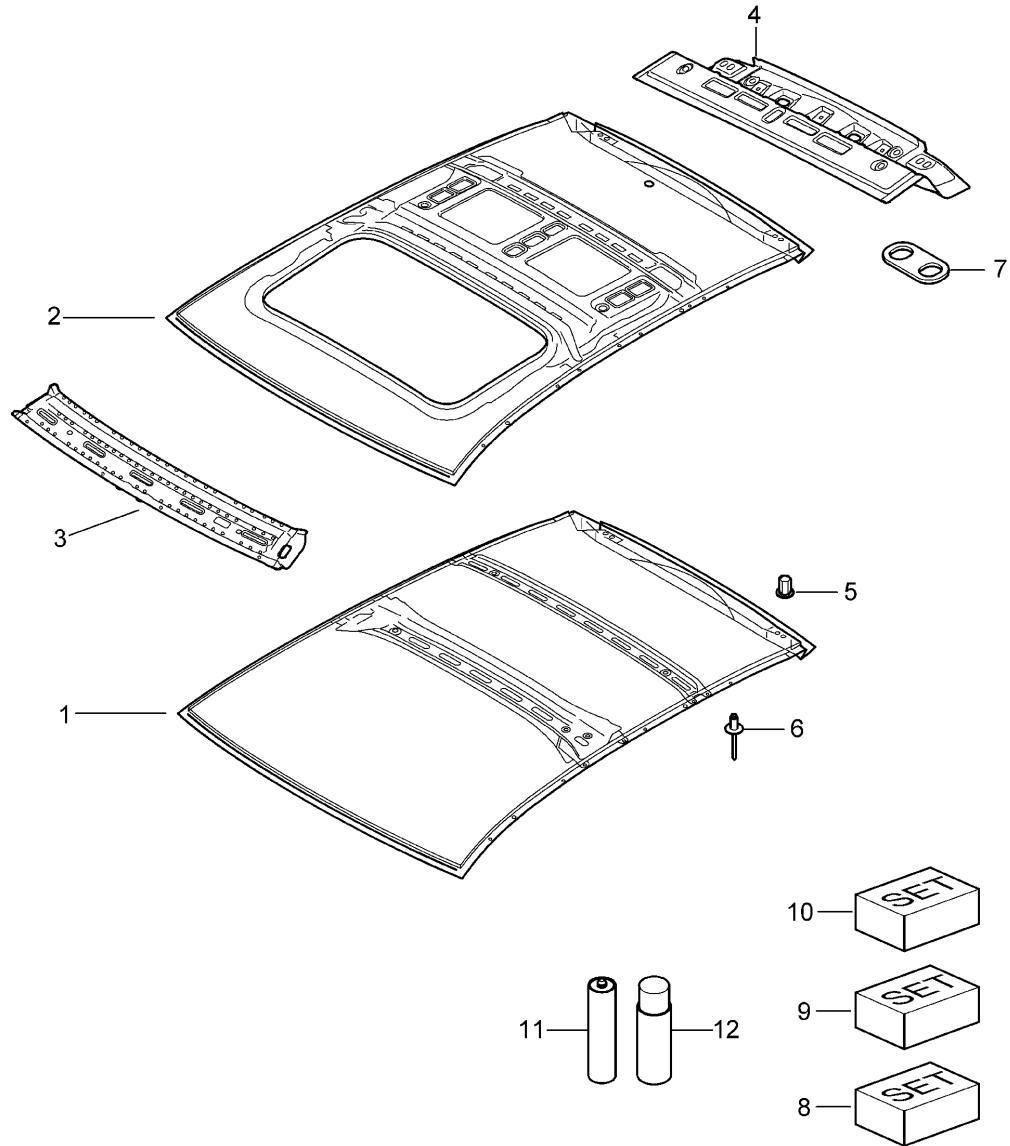
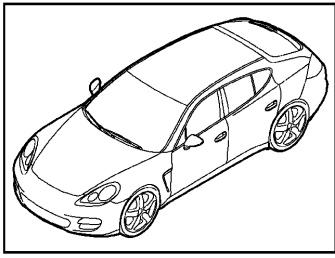
Model: 970 10

Model life 2010>>2016

Pos	Part Number	Description	Remark	Qty	Model
	970 504 634 08 M7T	Platinum Silver Metallic			
(4)	970 504 634 10	Trim	right	1	PR:0E2
	970 504 634 10 8Z8	Brilliant Silver			
5	970 504 353 00	Closing element	left	1	
	970 504 353 00 1E0	Black			
(5)	970 504 354 00	Closing element	right	1	
	970 504 354 00 1E0	Black			
7	970 504 641 01	trim for a-pillar	left	1	
	970 504 641 01 1E0	Black			
7	970 504 642 01	trim for a-pillar	right	1	
	970 504 642 01 1E0	Black			
8	999 591 712 40	Spreader rivet		3	
9	970 531 991 01	Paint template Wing	left	1	PR:020
10	970 502 647 00	bracket - fender		1	
	970 502 647 00 GRV	primed			

Model: 970 10

Model life 2010>>2016



Model: 970 10 Model life 2010>>2016

Pos	Part Number	Description	Remark	Qty	Model
1	970 503 087 00	Roof Scuttle Roof		1	PR:652
		also use:	000 043 305 65	1	
			000 043 305 35	1	
		Discontinued part			
	970 503 087 00 GRV	primed			
1	970 503 987 00	Roof		1	PR:652
		also use:	000 043 305 65	1	
			000 043 305 35	1	
	970 503 987 00 GRV	primed			
2	970 503 087 01	Roof		1	PR:650,-686, -690
		also use:	000 043 305 65	1	
			000 043 305 35	1	
		D >> - MJ 2013			
		Discontinued part			
	970 503 087 01 GRV	primed			
2	970 503 987 01	Roof		1	PR:650,-686, -690
		also use:	000 043 305 65	1	
			000 043 305 35	1	
		D >> - MJ 2013			
	970 503 987 01 GRV	primed			
2	970 503 987 07	Roof		1	PR:0E1,650, -686,-690
		also use:	000 043 305 65	1	
			000 043 305 35	1	
		D - MJ 2014>>			
	970 503 987 07 GRV	primed			
(2)	970 503 987 05	Roof		1	PR:0E2,650, -686,-690
		also use:	000 043 305 65	1	
			000 043 305 35	1	
		D - MJ 2014>>			
	970 503 987 05 GRV	primed			
(2)	970 503 087 04	Roof		1	PR:650,686, -690
		also use:	000 043 305 65	1	
			000 043 305 35	1	
		D >> - MJ 2013			
		Discontinued part			
	970 503 087 04 GRV	primed			
(2)	970 503 987 04	Roof		1	PR:650,686, -690
		also use:	000 043 305 65	1	
			000 043 305 35	1	
		D >> - MJ 2013			
	970 503 987 04 GRV	primed			
(2)	970 503 987 08	Roof		1	PR:0E1,650, 686,690
		also use:	000 043 305 65	1	
			000 043 305 35	1	
		D - MJ 2014>>			
	970 503 987 08 GRV	primed			
(2)	970 503 987 06	Roof		1	PR:0E2,650, 686,690
		also use:	000 043 305 65	1	
			000 043 305 35	1	
		D - MJ 2014>>			
	970 503 987 06 GRV	primed			
3	970 502 329 00	Scuttle		1	
		also use:	000 043 305 51	1	
	970 502 329 00 GRV	primed			
4	970 502 339 00	roof frame		1	
		also use:	000 043 305 51	1	
	970 502 339 00 GRV	primed			
5	999 500 165 01	rivetted cap nut for		4	
		Roof transport system			
6	N 902 876 01	Pop rivet		8	

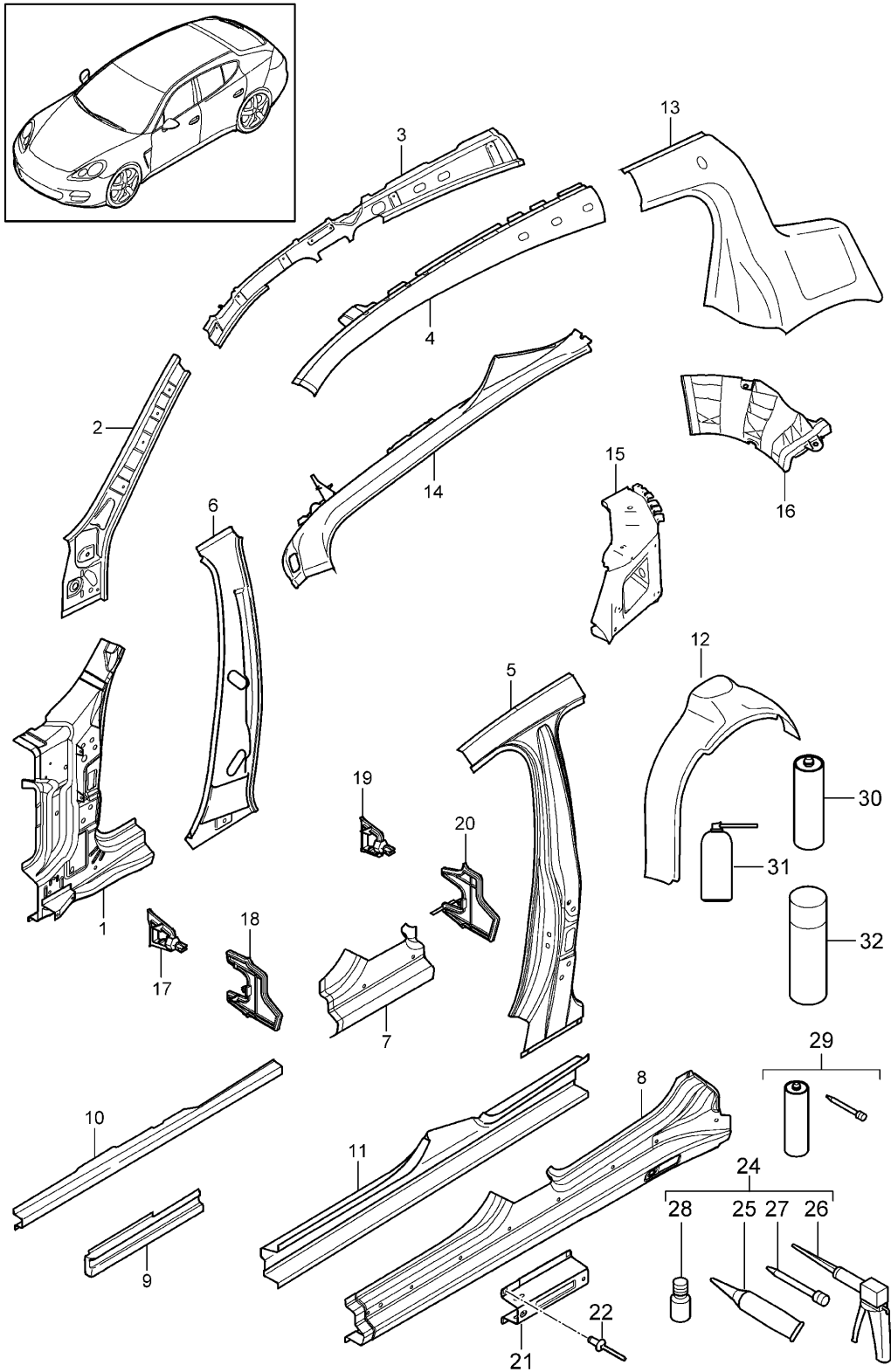
Model: 970 10

Model life 2010>>2016

Pos	Part Number	Description	Remark	Qty	Model
7	970 501 985 00	for roof frame reinforcement plate		1	
8	000 043 305 65	Adhesive set Roof See workshop manual		X	
		Group:			
9	000 043 305 35	51 2K pane adhesive set window glazing See workshop manual		1	
		Group:			
10	000 043 205 37	51 emulsion tube Set Supplement set		X	
11	000 043 305 32	sealant 310 ML		X	
12	000 043 204 85	cavity preservative agent 400 ML		X	

Model: 970 10

Model life 2010>>2016



Model: 970 10 Model life 2010>>2016

Pos	Part Number	Description	Remark	Qty	Model
1	970 502 135 03 970 502 135 03 GRV	Side part Hinge pillar primed	inner left	1	
(1)	970 502 136 04 970 502 136 04 GRV	Hinge pillar primed	also use: 000 043 206 30 right	1	
2	970 502 437 02 970 502 437 02 GRV	A-pillar Discontinued part primed	also use: 000 043 206 30 left	1	
(2)	970 502 437 03 970 502 437 03 GRV	A-pillar primed	left	1	
(2)	970 502 438 02 970 502 438 02 GRV	A-pillar Discontinued part primed	right	1	
(2)	970 502 438 03 970 502 438 03 GRV	A-pillar primed	right	1	
3	970 502 353 00 970 502 353 00 GRV	roof frame primed	left	1	PR:0E1
3	970 502 353 01 970 502 353 01 GRV	roof frame D - MJ 2014>> primed	also use: 000 043 206 30 left	1	PR:0E2
(3)	970 502 354 00 970 502 354 00 GRV	roof frame primed	also use: 000 043 206 30 right	1	PR:0E1
(3)	970 502 354 01 970 502 354 01 GRV	roof frame D - MJ 2014>> primed	also use: 000 043 206 30 right	1	PR:0E2
4	970 502 869 00 970 502 869 00 GRV	Reinforcement primed	also use: 000 043 206 30 left	1	PR:0E1
4	970 507 369 00 970 507 369 00 GRV	Reinforcement for side panel D - MJ 2014>> primed	also use: 000 043 206 30 left	1	PR:0E2
(4)	970 502 870 00 970 502 870 00 GRV	Reinforcement primed	also use: 000 043 206 30 right	1	PR:0E1
(4)	970 507 370 00 970 507 370 00 GRV	Reinforcement for side panel D - MJ 2014>> primed	also use: 000 043 206 30 right	1	PR:0E2
5	970 502 245 01 970 502 245 01 GRV	Reinforcement for B-pillar primed	also use: 970 507 369 00 left inner	1	
(5)	970 502 246 01 970 502 246 01 GRV	Reinforcement for B-pillar primed	also use: 000 043 206 30 right inner	1	
-		See workshop manual	also use: 000 043 206 30		
6	970 502 495 02 970 502 495 02 GRV	Group 5 B-pillar primed	left inner	1	
(6)	970 502 496 02 970 502 496 02 GRV	B-pillar primed	also use: 000 043 206 30 right inner	1	
7	970 501 937 00 970 501 937 00 GRV	Hinge pillar primed	also use: 000 043 206 30 left inner	1	
(7)	970 501 938 00	Hinge pillar	lower right	1	

Model: 970 10 Model life 2010>>2016

Pos	Part Number	Description	Remark	Qty	Model
	970 501 938 00 GRV	primed	inner		
8	970 502 163 00	Sill	lower	1	PR:0E1
	970 502 163 00 GRV	primed	left		
8	970 502 163 01	Sill	inner	1	PR:0E2
		also use:	000 043 206 30		
		D - MJ 2014>>	left		
	970 502 163 01 GRV	primed	inner		
(8)	970 502 164 00	Sill	000 043 206 30	1	PR:0E1
	970 502 164 00 GRV	primed	right		
		also use:	000 043 206 30		
(8)	970 502 164 01	Sill	inner	1	PR:0E2
		also use:	000 043 206 30		
		D - MJ 2014>>	right		
	970 502 164 01 GRV	primed	inner		
		also use:	000 043 206 30		
9	970 502 685 02	Reinforcement	left	1	
	970 502 685 02 GRV	primed			
(9)	970 502 686 02	Reinforcement	right	1	
	970 502 686 02 GRV	primed			
10	970 502 683 01	Reinforcement	left	1	
	970 502 683 01 GRV	primed			
(10)	970 502 684 01	Reinforcement	right	1	
	970 502 684 01 GRV	primed			
11	970 501 957 00	Side member	left	1	PR:0E1
	970 501 957 00 GRV	primed			
11	970 501 957 01	Side member	left	1	PR:0E2
		also use:	000 043 206 30		
		D - MJ 2014>>			
	970 501 957 01 GRV	primed			
(11)	970 501 958 00	Side member	right	1	PR:0E1
	970 501 958 00 GRV	primed			
(11)	970 501 958 01	Side member	right	1	PR:0E2
		also use:	000 043 206 30		
		D - MJ 2014>>			
	970 501 958 01 GRV	primed			
12	970 502 915 00	Wheel housing	left	1	
		Discontinued part			
	970 502 915 00 GRV	primed			
		also use:	000 043 206 30		
12	970 502 915 01	Wheel housing	left	1	
	970 502 915 01 GRV	primed			
		also use:	000 043 206 30		
12	970 502 917 00	Wheel housing	left	1	Hybrid
	970 502 917 00 GRV	primed			
		also use:	000 043 206 30		
(12)	970 502 916 00	Wheel housing	right	1	
		Discontinued part			
	970 502 916 00 GRV	primed			
		also use:	000 043 206 30		
(12)	970 502 916 01	Wheel housing	right	1	
	970 502 916 01 GRV	primed			
		also use:	000 043 206 30		
13	970 502 747 00	Reinforcement for C-pillar	left	1	
	970 502 747 00 GRV	primed			
		also use:	000 043 206 30		
(13)	970 502 748 00	Reinforcement for C-pillar	right	1	
	970 502 748 00 GRV	primed			
		also use:	000 043 206 30		
-	000 043 207 66	adhesive		1	
		See workshop manual			
14	970 502 365 00	Sealing channel	left	1	
	970 502 365 00 GRV	primed			
(14)	970 502 366 00	Sealing channel	right	1	
	970 502 366 00 GRV	primed			

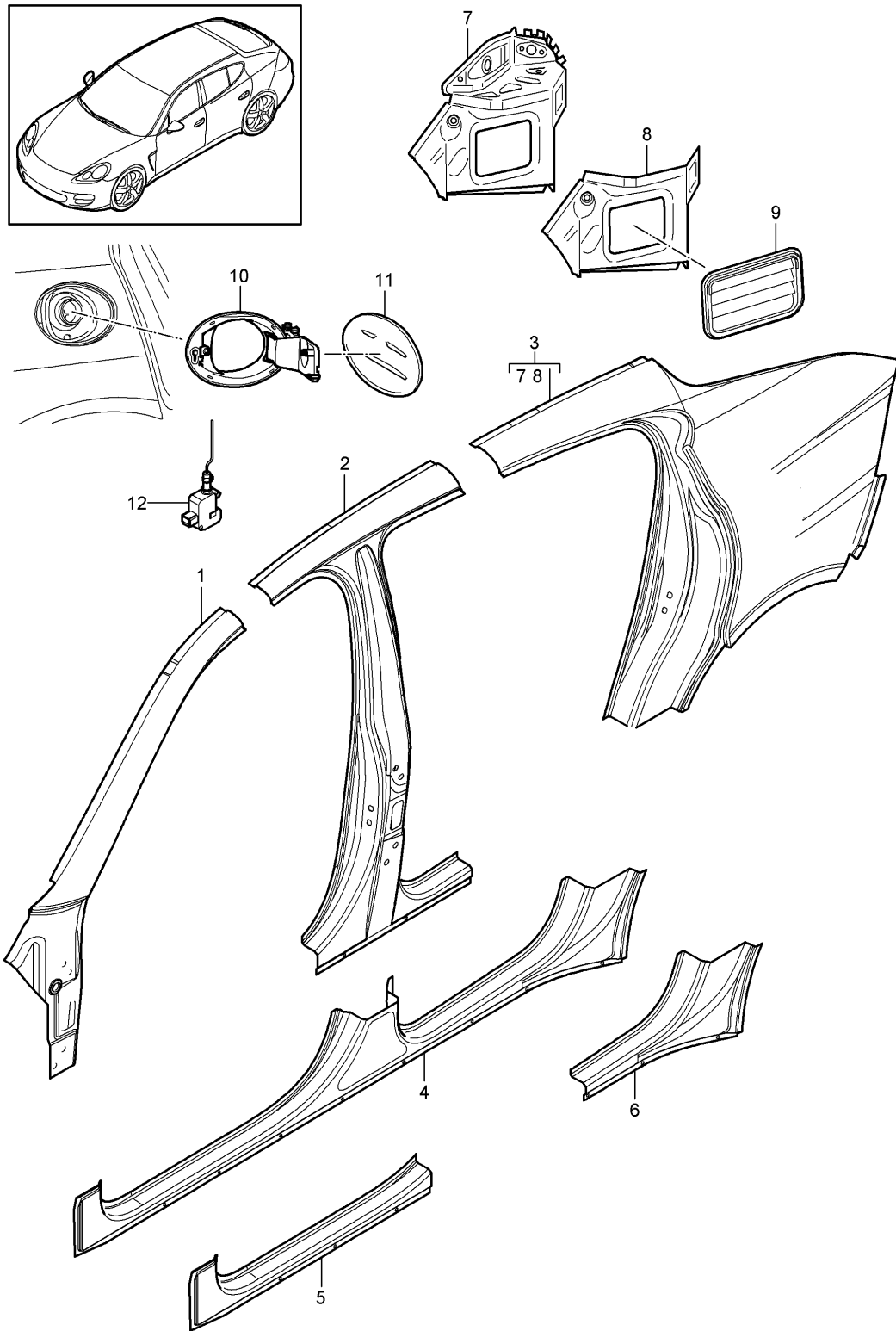
Model: 970 10

Model life 2010>>2016

Pos	Part Number	Description	Remark	Qty	Model
15		Frame see illustration:	801-055		
16	970 501 871 02	Filler piece c-pillar	left	1	
16	970 501 872 02	Filler piece c-pillar	right	1	
17	970 502 659 00	Sound absorber Carrier	left front	1	
(17)	970 502 660 00	Sound absorber Carrier	right front	1	
18	970 502 689 00	Sound absorber Carrier	left front	1	
(18)	970 502 690 00	Sound absorber Carrier	right front	1	
19	970 502 657 00	Sound absorber Carrier	rear	1	
20	970 502 691 00	Sound absorber Carrier	rear	1	
-		See workshop manual Group 5			
21	970 507 787 00	Extension for side part D - MJ 2014>>	left	1	PR:0E2
	970 507 787 00 GRV	primed			
(21)	970 507 788 00	Extension for side part D - MJ 2014>>	right	1	PR:0E2
	970 507 788 00 GRV	primed			
22	000 043 207 58	Pop rivet KB 3,0-6,5		X	
24	000 043 206 29	Adhesive set Body		X	
25	000 043 206 30	comprising: adhesive		1	
26	000 043 206 31	Double cartridge gun		1	
27	000 043 206 32	emulsion tube		1	
28	000 043 206 33	activator		1	
28	000 043 207 70	Discontinued part activator		1	
29	000 043 305 87	adhesive		1	
30	000 043 305 32	See workshop manual sealant		1	
31	000 043 305 59	sealant		1	
32	000 043 305 51	Acoustics cavity preservative agent Spraying can		1	

Model: 970 10

Model life 2010>>2016



Model: 970 10 Model life 2010>>2016

Pos	Part Number	Description	Remark	Qty	Model
1	970 503 961 00	Side part A-pillar	outer left	1	
			also use: 000 043 305 51	1	
(1)	970 503 961 00 GRV 970 503 962 00	primed A-pillar	right	1	
			also use: 000 043 305 51	1	
2	970 503 962 00 GRV 970 503 963 00	primed B-pillar	left	1	
			also use: 000 043 305 51	1	
(2)	970 503 963 00 GRV 970 503 964 00	primed B-pillar	right	1	
			also use: 000 043 305 51	1	
3	970 503 964 00 GRV 970 503 965 00	primed c-pillar	left	1	
			also use: 000 043 305 51 000 043 305 32	1 1	
		D >> - MJ 2013			
(3)	970 503 965 00 GRV 970 503 965 02	primed c-pillar	left	1	
			also use: 000 043 305 51 000 043 305 32	1 1	
		D - MJ 2014>>			
(3)	970 503 965 02 GRV 970 503 965 01	primed c-pillar	left	1	Hybrid
			also use: 000 043 305 51 000 043 305 32	1 1	
		D - MJ 2014>>			
(3)	970 503 965 01 GRV 970 503 966 00	primed c-pillar	right	1	
			also use: 000 043 305 51 000 043 305 32	1 1	
		D >> - MJ 2013			
(3)	970 503 966 00 GRV 970 503 966 01	primed c-pillar	right	1	
			also use: 000 043 305 51 000 043 305 32	1 1	
		D - MJ 2014>>			
4	970 503 966 01 GRV 970 503 967 00	primed Sill	left	1	
			also use: 000 043 305 51 000 043 305 32	1 1	
(4)	970 503 967 00 GRV 970 503 968 00	primed Sill	right	1	
			also use: 000 043 305 51 000 043 305 32	1 1	
5	970 503 968 00 GRV 970 503 969 00	primed Sill	left front	1	
			also use: 000 043 305 51 000 043 305 32	1 1	
(5)	970 503 969 00 GRV 970 503 970 00	primed Sill	right front	1	
			also use: 000 043 305 51 000 043 305 32	1 1	
6	970 503 970 00 GRV 970 503 971 00	primed Sill	left rear	1	
			also use: 000 043 305 51 000 043 305 32	1 1	
(6)	970 503 971 00 GRV 970 503 972 00	primed Sill	right rear	1	
			also use: 000 043 305 51 000 043 305 32	1 1	
7	970 503 972 00 GRV 970 502 961 00	primed Frame	left	1	

Model: 970 10 Model life 2010>>2016

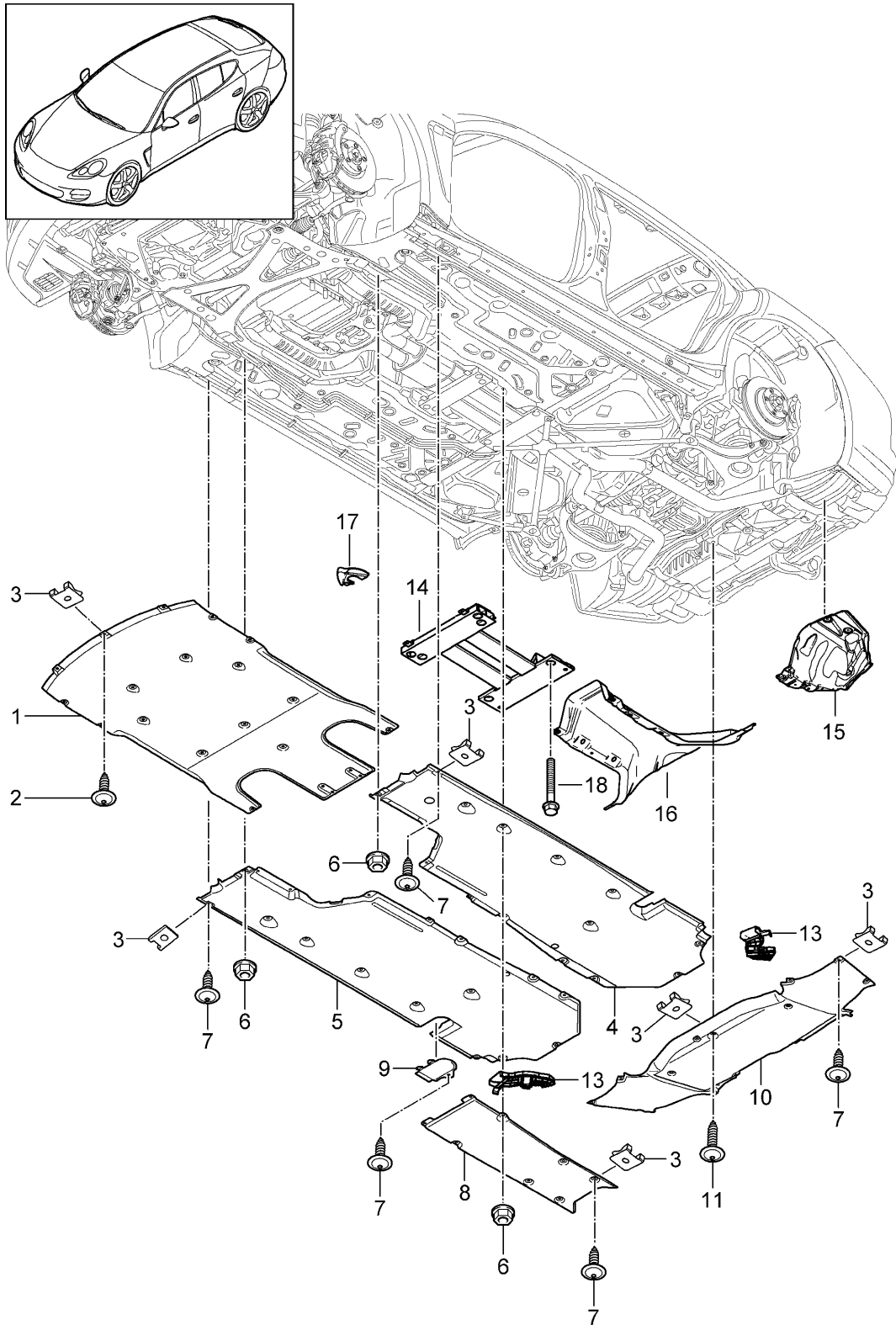
Pos	Part Number	Description	Remark	Qty	Model
			also use:	000 043 305 51	1
				000 043 305 32	1
7	970 502 961 00 GRV	D >> - MJ 2013 primed			
	970 502 961 01	Frame	left	1	
			also use:	000 043 305 51	1
				000 043 305 32	1
(7)	970 502 961 01 GRV	D - MJ 2014>> primed			
	970 502 962 01	Frame	right	1	
			also use:	000 043 305 51	1
				000 043 305 32	1
(7)	970 502 962 01 GRV	D >> - MJ 2013 primed			
	970 502 962 02	Frame	right	1	
			also use:	000 043 305 51	1
				000 043 305 32	1
8	970 502 962 02 GRV	D - MJ 2014>> primed			
	970 502 351 00	corner part Discontinued part	left	1	
8	970 502 351 00 GRV	primed			
	970 502 951 00	corner part	left	1	
-	970 502 951 00 GRV	primed			
	999 080 101 02	Blind rivet stud M 6 X 20	right	4	
(8)	970 502 352 00	corner part Discontinued part	right	1	
(8)	970 502 352 00 GRV	primed			
	970 502 952 00	corner part	right	1	
-	970 502 952 00 GRV	primed			
	999 080 101 02	Blind rivet stud M 6 X 20	right	6	
9	7PP 819 181	Vent trim Bleeding Discontinued part		2	
10	970 504 194 03	Cup	right	1	
		Fuel filler flap			
		D >> - MJ 2013			
(10)	970 504 194 04	Discontinued part Cup	right	1	
		Fuel filler flap			
		D >> - MJ 2013			
(10)	970 504 194 05	Discontinued part Cup	right	1	
		Fuel filler flap			
		D >> - MJ 2013			
(10)	970 504 194 06	Discontinued part Cup	right	1	
		Fuel filler flap			
		D >> - MJ 2013			
(10)	970 504 194 08	Discontinued part Cup	right	1	
		Fuel filler flap			
		D - MJ 2014>>			
(10)	970 504 194 09	Discontinued part Cup	right	1	
		Fuel filler flap			
		D - MJ 2014>>			
(10)	970 504 193 03	Cup		1	Hybrid
		Charging socket Discontinued part			
(10)	970 504 193 04	Cup	left	1	Hybrid
		Charging socket			

Model: 970 10 Model life 2010>>2016

Pos	Part Number	Description	Remark	Qty	Model
(10)	970 504 193 05	D >> - MJ 2013 Cup Charging socket	left	1	Hybrid
11	970 504 794 00	D - MJ 2014>> Fuel filler flap		1	
11	970 504 794 00 G2X	D >> - MJ 2013 primed		1	
11	970 504 794 01	Fuel filler flap		1	
11	970 504 794 01 G2X	D - MJ 2014>> primed		1	
(11)	970 504 793 01	Flap	left	1	Hybrid
12	970 504 793 01 G2X	primed		1	
12	955 624 773 02	throttle control element		1	
(12)		Fuel filler flap		1	
		D >> - MJ 2013 throttle control element		1	
		Fuel filler flap		1	
		Is a component of POS.(10)	left		Hybrid
		970.504.193....			
		POS.10	right		
		970.504.194....			
-	970 201 862 00	D - MJ 2014>> Emergency operation		1	
13		Fuel filler flap angle	left	1	
(13)		Is a component of POS. 7	right	1	
14	970 503 973 00	angle		1	
		Is a component of POS. (7)		1	
14	970 503 973 00	Side part	left	1	PR:0E2
		D - MJ 2014>> primed		1	
(14)	970 503 974 00	Side part	right	1	PR:0E2
		D - MJ 2014>> primed		1	
15	970 503 974 00 GRV	primed		1	
15	970 201 862 01	Emergency operation		1	Hybrid
16	999 507 178 40	Fuel filler flap		1	
		ball socket		1	Hybrid
		Emergency operation		1	

Model: 970 10

Model life 2010>>2016



Model: 970 10 Model life 2010>>2016

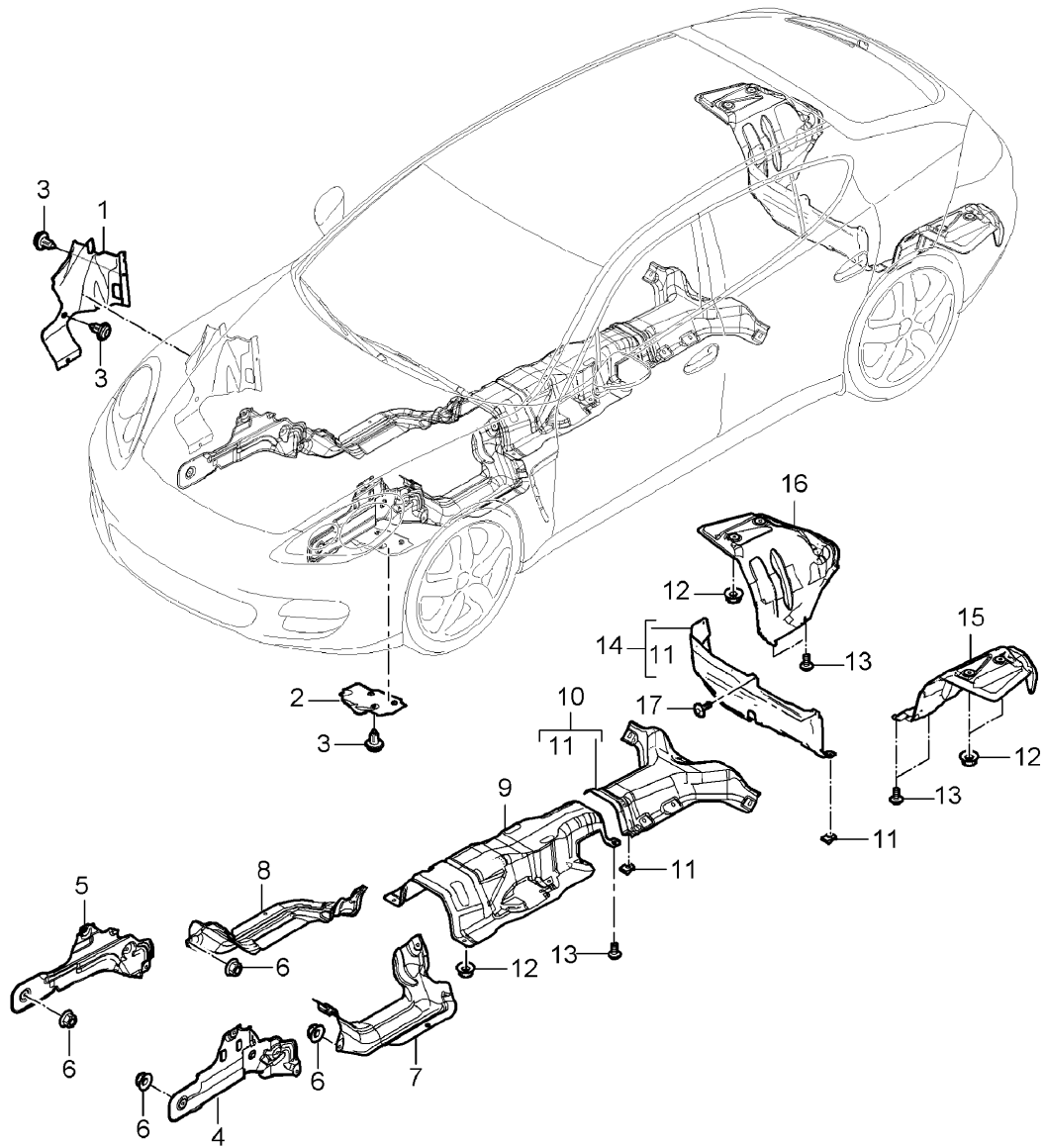
Pos	Part Number	Description	Remark	Qty	Model
1	970 504 117 05	Trim Underbody	front	1	PR:250
(1)	970 504 117 07	Trim D >> - MJ 2013	front	1	PR:480
(1)	970 504 117 06	Trim D >> - MJ 2013	front	1	PR:249
(1)	970 504 117 09	Trim D >> - MJ 2013	front	1	PR:075,250
(1)	970 504 117 09	Trim D >> - MJ 2013	front	1	PR:015,250
(1)	970 504 117 06	Trim D - MJ 2014>>	front	1	PR:249
(1)	970 504 117 09	Trim D - MJ 2014>>	front	1	PR:249
(1)	970 504 117 09	Trim D - MJ 2014>>	front	1	PR:250
(1)	970 504 117 11	Trim D - MJ 2014>>	front	1	PR:016,250, 215,325
2	999 073 491 01	panel screw St 4,8x18		19	
3	999 507 795 09	panel nut St 4,8		X	
4	970 504 921 00	Trim D >> - MJ 2013	left	1	
(4)	970 504 121 20	Trim D - MJ 2014>>	left	1	PR:-850,
(4)	970 504 121 20	Trim D - MJ 2014>>	left	1	PR:-850, -851,0E1
(4)	970 504 121 21	Trim D - MJ 2014>>	left	1	PR:850,851, 0E1
(4)	970 504 121 21	Trim D - MJ 2014>>	left	1	PR:850,851, 0E1
(4)	970 504 121 22	Trim D - MJ 2014>>	left	1	PR:-450,
(4)	970 504 121 23	Trim D - MJ 2014>>	left	1	PR:850,851,
(4)	970 504 121 06	Trim D - MJ 2014>>	left	1	PR:0E2,-850,
(4)	970 504 121 07	Trim D - MJ 2014>>	left	1	PR:0E2,850,
(5)	970 504 122 11	Trim D >> - MJ 2013	right	1	
(5)	970 504 122 12	Trim D - MJ 2014>>	right	1	PR:0E1
(5)	970 504 122 04	Trim D - MJ 2014>>	right	1	PR:0E2
6	999 049 007 40	Plastic nut T5		X	
7	999 073 231 09	panel screw St4,8x16		X	
(8)	970 504 335 05	Cover tunnel D >> - MJ 2013		1	
(8)	970 504 335 05	Cover tunnel D - MJ 2014>>		1	PR:0E1
(8)	970 504 335 06	Tunnel trim D - MJ 2014>>		1	PR:0E2
9	970 504 525 00	Cover	left	1	

Model: 970 10 Model life 2010>>2016

Pos	Part Number	Description	Remark	Qty	Model
(9)	970 504 526 00	Cover	right	1	
10	970 504 115 08	Trim	rear	1	PR:-206
		D >> - MJ 2013			
(10)	970 504 115 09	Trim	rear	1	PR:206
		D >> - MJ 2013			
(10)	970 504 115 11	Trim	rear	1	
		D >> - MJ 2013			
(10)	970 504 115 06	Trim	rear	1	PR:-206
		D - MJ 2014>> Discontinued part			
(10)	970 504 115 16	Trim	rear	1	PR:016,-206
		D - MJ 2014>>			
(10)	970 504 115 07	Trim	rear	1	PR:206
		D - MJ 2014>>			
(10)	970 504 115 17	Trim	rear	1	PR:016,206
		D - MJ 2014>>			
(10)	970 504 115 19	Trim	rear	1	
		D - MJ 2014>>			
11	N 910 343 01	self-tapping screw		3	
		M 6,0x20,0			
12	999 073 505 01	panel screw		10	
		ST 4,8x16			
13	970 504 223 00	Air guide	left	1	PR:0E1,-450
		Brake	rear		
		D - MJ 2014>>			
(13)	970 504 223 00	Air guide	left	1	PR:0E2
		Brake	rear		
		D - MJ 2014>>			
(13)	970 504 224 00	Air guide	right	1	PR:0E1
		Brake	rear		
		D - MJ 2014>>			
(13)	970 504 224 00	Air guide	right	1	
		Brake	rear		
		D - MJ 2014>>			
14	970 504 623 01	Reinforcement for tunnel		1	PR:0E1
		additionally to be used items:	18		
(14)	970 504 623 02	Reinforcement for tunnel		1	PR:0E2
		D - MJ 2014>>			
		additionally to be used items:	18		
15	970 504 557 02	Guard plate	left	1	
		Rear silencer			
(15)	970 504 558 02	Guard plate	right	1	
		Rear silencer			
16	970 504 563 00	Guard plate for fuel		1	
		tank			
17	970 504 591 00	Protective plate	center	1	
		Floor			
18	999 217 169 01	Bolt with washer		8	
		M 10 X 45			

Model: 970 10

Model life 2010>>2016



Model: 970 10 Model life 2010>>2016

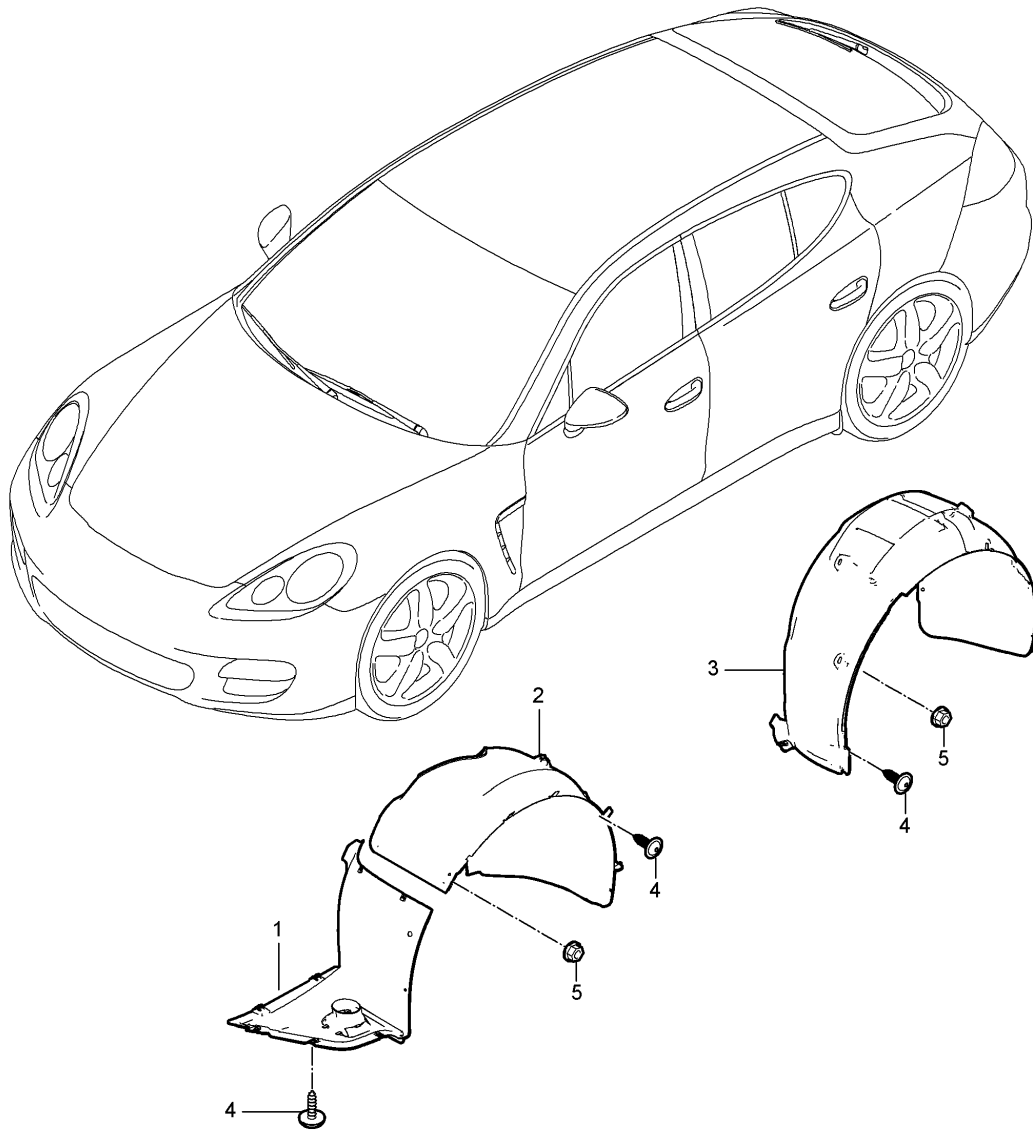
Pos	Part Number	Description	Remark	Qty	Model
1	970 504 544 02	Linings Heat protection Underbody Cover panel	right	1	
1	970 504 544 04	Engine bay Discontinued part Cover panel	right	1	
(1)	970 504 544 01	Engine bay Cover panel	right	1	
(1)	970 504 544 03	Engine bay Discontinued part Cover panel	right	1	
2	970 504 543 00	Engine bay Heat protection plate Discontinued part	left	1	
2	970 504 543 02	Heat protection plate Engine bay	left	1	
2	970 504 543 03	Heat protection plate Engine bay	left	1	PR:015
3	999 591 941 40	Spreader rivet St 4,2		X	
4	970 504 551 01	Heat shield for side member	left	1	
(4)	970 504 551 07	Heat shield for side member	left	1	
(4)	970 504 251 01	Heat shield for side member	left	1	
5	970 504 552 02	D - MJ 2012>> Heat shield for side member	right	1	
(5)	970 504 252 01	Heat shield for side member	right	1	
6	N 907 088 02	D - MJ 2012>> speed nut 5,0		X	
7	970 504 553 00	Guard plate tunnel	left	1	
(7)	970 504 553 01	Guard plate tunnel	left	1	
8	970 504 554 00	D - MJ 2012>> Guard plate tunnel	right	1	
9	970 504 561 01	Heat shield for tunnel		1	
(9)	970 504 561 02	Discontinued part Heat shield for tunnel		1	
(9)	970 504 461 01	D >> - MJ 2013 Discontinued part Heat shield for tunnel		1	
(9)	970 504 461 01	D >> - MJ 2013 Heat shield for tunnel		1	PR:0E1
(9)	970 504 461 02	D - MJ 2014>> Heat shield for tunnel		1	PR:0E2
10	970 504 563 00	D - MJ 2014>> Guard plate for fuel tank tunnel		1	
11	999 507 795 09	panel nut St 4,8		5	
12	N 906 431 01	speed nut 5,0		8	
13	999 073 505 01	panel screw ST 4,8X16		X	

Model: 970 10 Model life 2010>>2016

Pos	Part Number	Description	Remark	Qty	Model
14	970 504 565 07	Guard plate Luggage compartment liner		1	
(14)	970 504 565 04	Guard plate Luggage compartment liner D - MJ 2014>>		1	Hybrid
(14)	970 504 565 06	Guard plate Luggage compartment liner D - MJ 2014>>		1	Hybrid
15	970 504 557 02	Guard plate Rear silencer D - MJ 2013	left	1	
(15)	970 504 557 04	Guard plate Rear silencer D - MJ 2014>>	left	1	
(15)	970 504 557 03	Guard plate Rear silencer D - MJ 2013	left	1	Hybrid
(15)	970 504 557 05	Guard plate Rear silencer D - MJ 2014>>	left	1	Hybrid
(16)	970 504 558 02	Guard plate Rear silencer D - MJ 2013	right	1	
(16)	970 504 558 04	Guard plate Rear silencer D - MJ 2014>>	right	1	
(16)	970 504 558 03	Guard plate Rear silencer D - MJ 2013	right	1	Hybrid
(16)	970 504 558 06	Guard plate Rear silencer D - MJ 2014>>	right	1	Hybrid
17	N 910 343 01	self-tapping screw M6 X 20		7	
18	970 504 576 00	cover for engine compartment	rear	1	Diesel
19	970 504 573 00	cover for engine compartment	left	1	Diesel
(19)	970 504 574 00	cover for engine compartment	front right front	1	Diesel
20	970 504 578 00	cover for engine compartment D - MJ 2014>>		1	
21	970 504 251 01	Heat shield for side member Engine bay	left	1	Diesel
(21)	970 504 252 01	Heat shield for side member Engine bay	right	1	Diesel

Model: 970 10

Model life 2010>>2016



Model: 970 10 Model life 2010>>2016

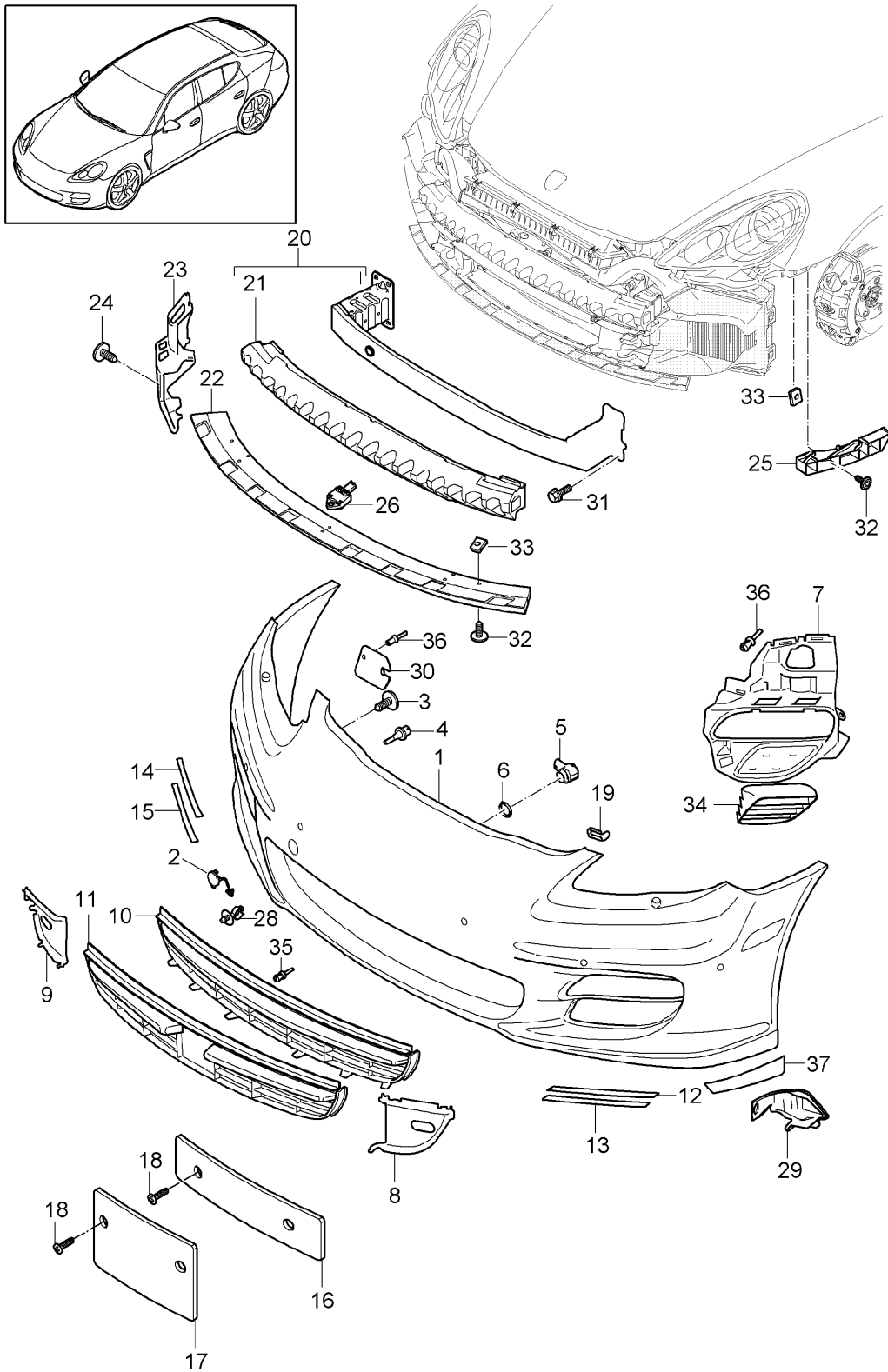
Pos	Part Number	Description	Remark	Qty	Model
1	970 504 123 20	Trim Wheel housing Wheel housing liner	left front front	1	
(1)	970 504 124 18	D >> - MJ 2013 Wheel housing liner	right front front	1	
(1)	970 504 123 18	D >> - MJ 2013 Wheel housing liner	left front front	1	GTS PR:015
(1)	970 504 123 18	D >> - MJ 2013 Wheel housing liner	left front front	1	Turbo PR:-450
(1)	970 504 123 18	D >> - MJ 2013 Wheel housing liner	left front front	1	Turbo S PR:-016,-450
(1)	970 504 123 23	D >> - MJ 2013 Wheel housing liner	left front front	1	PR:143
(1)	970 504 123 23	D - MJ 2014>> Wheel housing liner	left front front	1	PR:-015
(1)	970 504 124 20	D - MJ 2014>> Wheel housing liner	right front front	1	PR:143
(1)	970 504 124 20	D - MJ 2014>> Wheel housing liner	right front front	1	PR:-015
(1)	970 504 123 27	D - MJ 2014>> Wheel housing liner	left front front	1	GTS PR:015
(1)	970 504 124 23	Wheel housing liner	right front front	1	GTS PR:015
(1)	970 504 123 19	Wheel housing liner	left front front	1	Turbo PR:450,-016
(1)	970 504 123 19	D >> - MJ 2013 Wheel housing liner	left front front	1	Turbo S PR:016,450
(1)	970 504 123 19	D >> - MJ 2013 Wheel housing liner	left front front	1	Turbo S PR:016,-450
(1)	970 504 123 24	D >> - MJ 2013 Wheel housing liner	left front front	1	Turbo PR:-016
(1)	970 504 124 17	D - MJ 2014>> Wheel housing liner	right front front	1	Turbo PR:450,-016
(1)	970 504 124 17	D >> - MJ 2013 Wheel housing liner	right front front	1	Turbo S PR:016,450
(1)	970 504 124 17	D >> - MJ 2013 Wheel housing liner	right front front	1	Turbo S PR:016,-450
(1)	970 504 124 21	D >> - MJ 2013 Wheel housing liner	right front front	1	Turbo PR:-016
(1)	970 504 123 17	Wheel housing liner	left front front	1	Turbo S PR:016
(1)	970 504 123 25	D - MJ 2014>> - MJ 2014 Wheel housing liner	left front front	1	Turbo S PR:016
(1)	970 504 124 15	D - MJ 2015>> Wheel housing liner	right front	1	Turbo S

Model: 970 10 Model life 2010>>2016

Pos	Part Number	Description	Remark	Qty	Model
(1)	970 504 124 22	D - MJ 2014>> - MJ 2014 Wheel housing liner	front right front front	1	PR:016 Turbo S PR:016
(1)	970 504 123 26	D - MJ 2015>> Wheel housing liner	left front front	1	Hybrid
(1)	970 504 123 26	D >> - MJ 2013 Wheel housing liner	left front front	1	Hybrid
(1)	970 504 124 19	D - MJ 2014>> Wheel housing liner	right front front	1	Hybrid
(1)	970 504 123 21	D - MJ 2014>> Wheel housing liner	left front front	1	Diesel
(1)	970 504 124 19	Wheel housing liner	right front front	1	Diesel
2	970 504 125 01	Wheel housing liner	left rear front	1	PR:0E1
(2)	970 504 125 02	Wheel housing liner	left rear front	1	Diesel
(2)	970 504 125 03	Wheel housing liner	left rear front	1	
(2)	970 504 126 04	D - MJ 2014>> Wheel housing liner	right rear front	1	PR:0E1
(2)	970 504 126 05	Wheel housing liner	right rear front	1	Diesel
(2)	970 504 126 06	Wheel housing liner	right rear front	1	
3	970 504 133 04	D - MJ 2014>> Wheel housing liner	left rear	1	
(3)	970 504 133 03	D >> - MJ 2013 Wheel housing liner	left rear	1	
(3)	970 504 134 04	D - MJ 2014>> Wheel housing liner	right rear	1	
(3)	970 504 134 03	D >> - MJ 2013 Wheel housing liner	right rear	1	
4	999 073 231 09	D - MJ 2014>> panel screw ST 4,8X16-C		X	
5	999 049 007 40	Plastic nut T5		X	
6	970 504 421 01	Brace Wheel housing liner Sill	left	1	
(6)	970 504 422 01	Brace Wheel housing liner Sill	right	1	
7	900 378 320 01	Hexagon bolt M12X35 Mount Brace Wheel housing liner Sill		2	

Model: 970 10

Model life 2010>>2016



Model: 970 10 Model life 2010>>2016

Pos	Part Number	Description	Remark	Qty	Model
		bumper	front		PR: -XAP,
1	970 505 911 00	D >> - MJ 2013		1	
(1)	970 505 911 01	Trim		1	PR:288
		with:			
(1)	970 505 911 02	headlight washer system		1	PR:636,638
		Trim			
		with:			
(1)	970 505 911 03	Parking aid		1	PR:288,636,638
		Camera			
		Trim			
		with:			
(1)	970 505 911 08	headlight washer system		1	Turbo
		Parking aid			PR:288,636,638
		Camera			
		Trim			PR:015,288
(1)	970 505 911 21	Trim		1	
		primed			
(1)	970 505 911 23	Trim		1	PR:015,288,636,638
		primed			
2	970 505 703 00	cover for towing eye		1	
	970 505 703 00 G2L	primed			
3	999 073 448 01	Outer hexagon round screw		4	
		for			
		Trim			
4	958 505 535 00	Sensor		1	
		for			
		Ambient temperature gauge			
5	3C0 919 275 S	Sensor		6	
		Parking aid			
	3C0 919 275 S G2L	primed			
6	7PP 919 133	Seal		1	
		Sensor			
		Parking aid			
7	970 505 563 00	Retaining frame	left	1	
	970 505 563 00 1E0	Black			
(7)	970 505 564 00	Retaining frame	right	1	
	970 505 564 00 1E0	Black			
(7)	970 505 563 01	Retaining frame	left	1	
		Turbo			
	970 505 563 01 1E0	Black			
(7)	970 505 564 01	Retaining frame	right	1	
		Turbo			
	970 505 564 01 1E0	Black			
(7)	970 505 563 02	Retaining frame	left	1	
		Hybrid			
	970 505 563 02 1E0	Black			
(7)	970 505 563 02	Retaining frame	left	1	
		Diesel			
	970 505 563 02 1E0	Black			
(7)	970 505 564 02	Retaining frame	right	1	
		Hybrid			
	970 505 564 02 1E0	Black			
(7)	970 505 564 04	Retaining frame	right	1	
		Diesel			
	970 505 564 04 1E0	Black			
(7)	970 505 985 01	Retaining frame	left	1	PR:015
	970 505 985 01 1E0	Black			
(7)	970 505 986 01	Retaining frame	right	1	PR:015
	970 505 986 01 1E0	Black			
8	970 505 543 01	Trim	left	1	Hybrid

Model: 970 10 Model life 2010>>2016

Pos	Part Number	Description	Remark	Qty	Model
8	970 505 543 01 1E0	Retaining frame Black	left	1	
	970 505 543 02	Trim			
9	970 505 543 02 1E0	Retaining frame Black	right	1	
	970 505 544 02	Trim			
10	970 505 544 02 1E0	Retaining frame Black	center	1	
	970 505 541 00	Retaining frame			
(10)	970 505 541 00 1E0	Black	center	1	Turbo
	970 505 541 04	Retaining frame			
(10)	970 505 541 04 1E0	Black	center	1	PR:015
	970 505 982 02	Retaining frame			
11	970 505 982 02 1E0	Black	center	1	PR:456
	970 505 541 02	Retaining frame			
(11)	970 505 541 02 1E0	Black	center	1	Turbo PR:456
	970 505 541 05	Retaining frame			
(11)	970 505 541 05 1E0	Black	center	1	PR:017
	970 505 541 14	Retaining frame			
(11)	970 505 541 14 M7T	Platinum Silver Metallic	center	1	PR:017,456
	970 505 541 15	Retaining frame			
(11)	970 505 541 15 M7T	Platinum Silver Metallic	center	1	PR:015,456
	970 505 982 03	Retaining frame			
12	970 505 982 03 1E0	Black	left upper	1	PR:338
	970 505 573 00	Disc			
(12)	970 505 573 00 1E0	Black	left upper	1	PR:339
	970 505 573 01	Disc			
(12)	970 505 573 01 9B1	Titanium metallic	left upper	1	PR:338
	970 505 573 02	Disc			
(12)	970 505 573 02 1E0	Black	left upper	1	PR:017
	970 505 573 05	Disc			
(12)	970 505 573 05 M7T	Platinum Silver Metallic	left upper	1	PR:017
	970 505 573 06	Disc			
13	970 505 573 06 M7T	Platinum Silver Metallic	left lower	1	PR:338
	970 505 575 00	Disc			
(13)	970 505 575 00 1E0	Black	left lower	1	PR:339
	970 505 575 01	Disc			
(13)	970 505 575 01 9B1	Titanium metallic	left lower	1	PR:338
	970 505 575 02	Disc			
(13)	970 505 575 02 1E0	Black	left lower	1	PR:017
	970 505 575 05	Disc			
(13)	970 505 575 05 M7T	Platinum Silver Metallic	left lower	1	PR:017
	970 505 575 06	Disc			
14	970 505 575 06 M7T	Platinum Silver Metallic	right upper	1	PR:338
	970 505 574 00	Disc			
(14)	970 505 574 00 1E0	Black	right upper	1	PR:339
	970 505 574 01	Disc			
(14)	970 505 574 01 9B1	Titanium metallic	right upper	1	PR:338
	970 505 574 02	Disc			

Model: 970 10 Model life 2010>>2016

Pos	Part Number	Description	Remark	Qty	Model
(14)	970 505 574 02 1E0 970 505 574 05	Black Disc	right upper	1	PR:017
(14)	970 505 574 05 M7T 970 505 574 06	Platinum Silver Metallic Disc	right upper	1	PR:017
15	970 505 574 06 M7T 970 505 576 00	Platinum Silver Metallic Disc	right lower	1	PR:338
(15)	970 505 576 00 1E0 970 505 576 01	Black Disc	right lower	1	PR:339
(15)	970 505 576 01 9B1 970 505 576 02	Titanium metallic Disc	right lower	1	PR:338
(15)	970 505 576 02 1E0 970 505 576 05	Black Disc	right lower	1	PR:017
(15)	970 505 576 05 M7T 970 505 576 06	Platinum Silver Metallic Disc	right lower	1	PR:017
16	970 505 576 06 M7T 970 701 105 02	Platinum Silver Metallic Carrier		1	PR:210
(16)	970 701 105 02 1E0 970 701 105 00	Black Carrier		1	PR:211
(17)	970 701 105 00 1E0 970 701 075 00	Black Carrier		1	PR:209
(17)	970 701 075 00 1E0 970 701 075 01	Black Carrier		1	PR:209
(17)	970 701 075 01 1E0 970 701 075 02	Black Carrier		1	PR:075
18	970 701 075 02 1E0 999 919 243 01	Black Screw		2	
19	970 505 719 00	Mount Number plate		2	
20	970 505 041 02	Fixing for Front apron Bumper carrier		1	PR:071,193
(20)	970 505 041 03	with: Foam part Bumper carrier		1	
(20)	970 505 041 04	with: Foam part Bumper carrier		1	PR:071,193
(20)	970 505 041 05	with: Foam part Bumper carrier		1	
21	970 505 779 00	Foam part Foam part for Bumper carrier		1	PR:071
21	970 505 779 00	Foam part for Bumper carrier		1	PR:193
(21)	970 505 779 01	Foam part for		1	PR:-071,-193

Model: 970 10 Model life 2010>>2016

Pos	Part Number	Description	Remark	Qty	Model
22	970 505 451 00	Bumper carrier Bracket Front apron Reinforcement with: Reinforcement with: Foam part		1	PR:071
22	970 505 451 00	Bracket Front apron Reinforcement with: Reinforcement with: Foam part		1	PR:193
(23)	970 505 553 00	Bracket Front apron for cars without Reinforcement	left	1	PR:-071
(23)	970 505 553 00	Bracket Front apron for cars without Reinforcement	left	1	PR:-193
23	970 505 554 00	Bracket Front apron for cars without Reinforcement	right	1	PR:-071
23	970 505 554 00	Bracket Front apron for cars without Reinforcement	right	1	PR:-193
24	999 919 258 01	Screw 6 X 25		X	
25	970 505 535 00	retaining strip	left side	1	
(25)	970 505 535 02	Discontinued part retaining strip	left side	1	
(25)	970 505 536 00	retaining strip	right side	1	
(25)	970 505 536 02	Discontinued part retaining strip	right side	1	
26	970 618 225 00	Sensor Holders Bonnet		2	PR:071
26	970 618 225 00	Sensor Holders Bonnet		2	PR:193
28	999 507 998 40	Hose bracket Headlight washer system		2	
29	970 505 327 00	corner part	left	1	
(29)	970 505 328 00	corner part	right	1	
30	970 505 325 00	Retaining plate	left	1	
(30)	970 505 326 00	Retaining plate	right	1	
31	999 073 465 01	Screw for Mount Bumper carrier		8	
32	999 073 227 09	panel screw		4	
33	999 507 795 09	panel nut ST 4,8 for Securing strip		X	
34	970 505 555 04	Trim	side	1	Hybrid

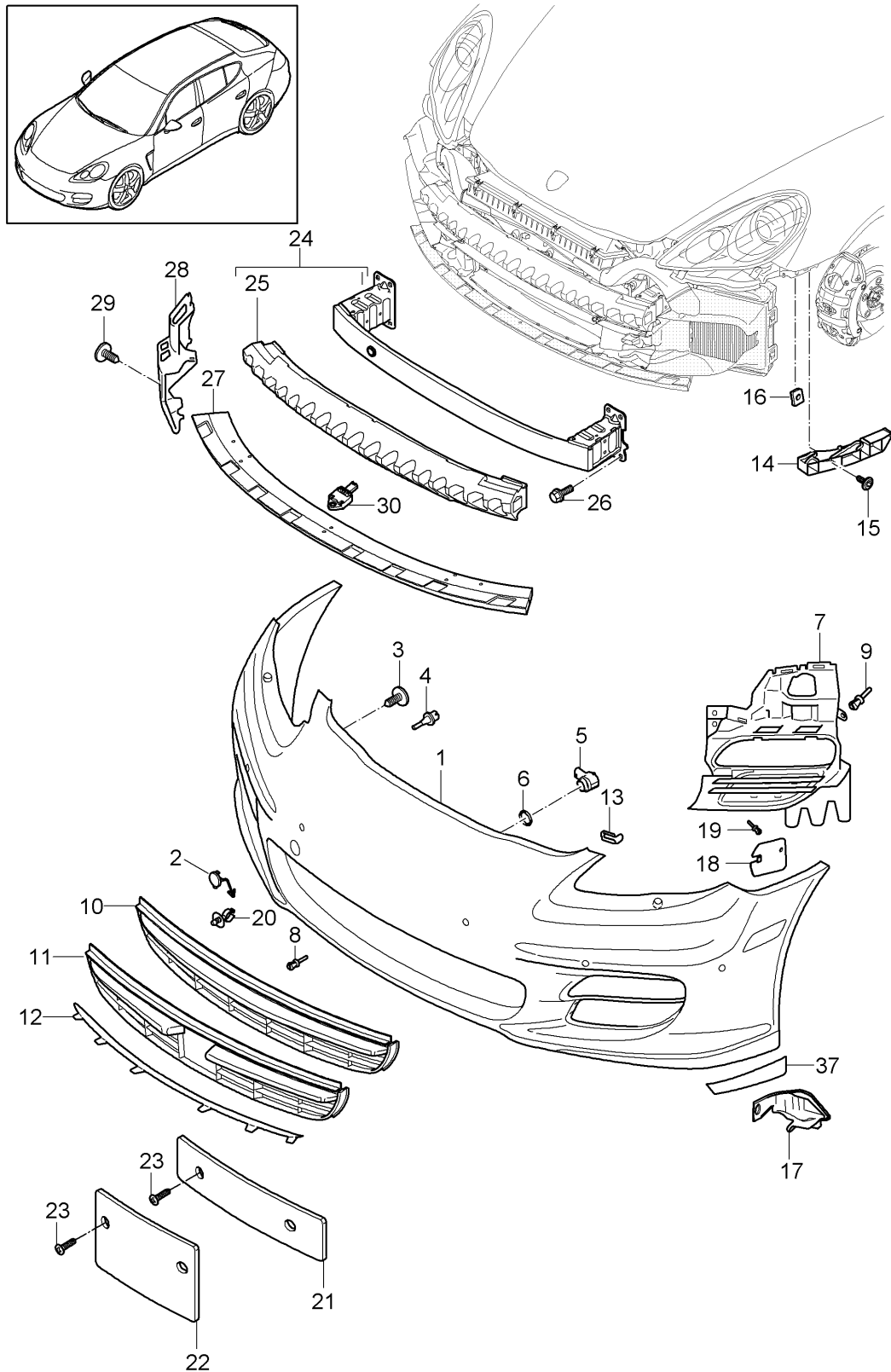
Model: 970 10

Model life 2010>>2016

Pos	Part Number	Description	Remark	Qty	Model
35	970 505 555 04 1E0 N 038 549 4	Retaining frame Black Spreader rivet 8,0 x 12,0		2	
36	999 190 104 30	Pop rivet A 3,2 X 7,9		2	
37		Decorative film GTS see illustration:	810-000	1	PR:015

Model: 970 10

Model life 2010>>2016



Model: 970 10 Model life 2010>>2016

Pos	Part Number	Description	Remark	Qty	Model
1	970 505 911 20	bumper D >> - MJ 2013 Trim primed	front	1	PR: XAP PR: -288, -634, -636, -638
(1)	970 505 911 21	Trim primed		1	PR: 288, -634, -636, -638
(1)	970 505 911 22	Trim primed		1	PR: 634, 636, 638, -288
(1)	970 505 911 23	Trim primed		1	PR: 288, 634, 636, 638
(1)	970 505 911 28	Trim primed		1	Turbo PR: 288, 636, 638
(1)	970 505 981 10	Trim	Japan	1	PR: 193
	970 505 981 10 G2X	primed			
(1)	970 505 981 11	Trim	Japan	1	PR: 193, 636, 638
	970 505 981 11 G2X	primed			
(1)	970 505 981 12	Trim	Japan	1	PR: 193, 288
	970 505 981 12 G2X	primed			
(1)	970 505 981 13	Trim	Japan	1	PR: 193, 288, 634, 636, 638
	970 505 981 13 G2X	primed			
2	970 505 703 00	cover for towing eye		1	
	970 505 703 00 G2L	primed			
3	999 073 448 01	Outer hexagon round screw for Trim		4	
4	958 505 535 00	Sensor for Ambient temperature gauge		1	
5	3C0 919 275 S	Sensor Parking aid		6	
	3C0 919 275 S G2L	primed			
6	7PP 919 133	Seal Sensor Parking aid		1	
7	970 505 985 01	Retaining frame	left	1	Turbo
	970 505 985 01 1E0	Black			
(7)	970 505 985 02	Retaining frame	left	1	
	970 505 985 02 1E0	Black			
(7)	970 505 985 04	Retaining frame	left	1	
	970 505 985 04 1E0	Black			
(7)	970 505 986 01	Retaining frame	right	1	Turbo
	970 505 986 01 1E0	Black			
(7)	970 505 986 02	Retaining frame	right	1	
	970 505 986 02 1E0	Black			
(7)	970 505 986 04	Retaining frame	right	1	
	970 505 986 04 1E0	Black			
8	N 038 549 4	Spreader rivet 8,0 x 12,0		2	
9	999 591 712 40	Spreader rivet 6,0x12,0		2	
10	970 505 982 00	Retaining frame	center	1	
	970 505 982 00 1E0	Black			
(10)	970 505 982 02	Retaining frame	center	1	Turbo
	970 505 982 02 1E0	Black			
11	970 505 982 01	Retaining frame	center	1	PR: 456
	970 505 982 01 1E0	Black			
(11)	970 505 982 03	Retaining frame	center	1	Turbo PR: 456
	970 505 982 03 1E0	Black			

Model: 970 10 Model life 2010>>2016

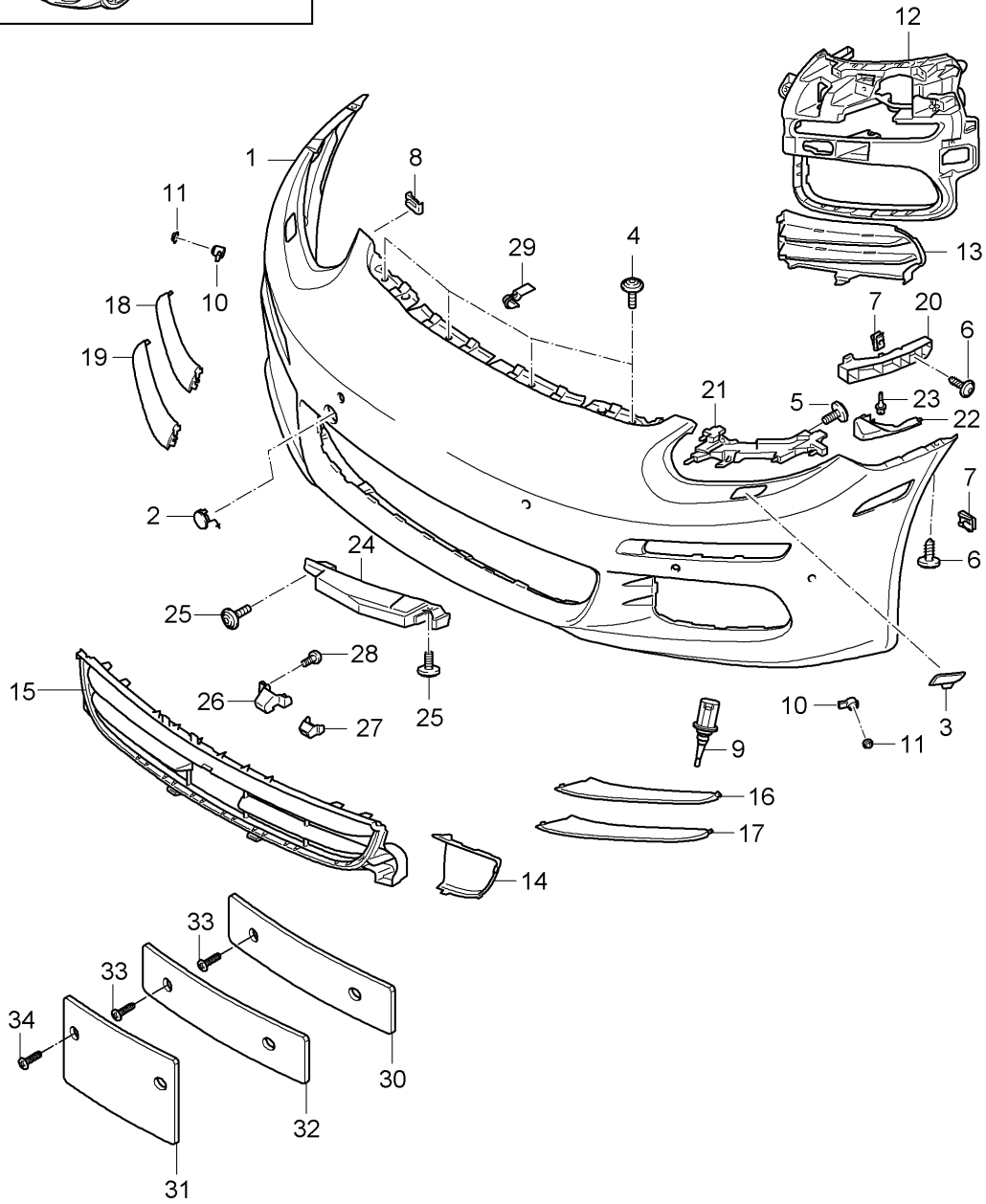
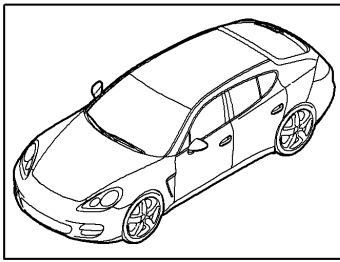
Pos	Part Number	Description	Remark	Qty	Model
12	970 505 977 00	Adapter Retaining frame		1	
13	970 505 719 00	Fixing for Front apron		2	
14	970 505 535 00	retaining strip	left side	1	
14	970 505 535 02	Discontinued part retaining strip	left side	1	
(14)	970 505 536 00	retaining strip	right side	1	
(14)	970 505 536 02	Discontinued part retaining strip	right side	1	
15	999 073 227 09	panel screw		6	
16	999 507 795 09	panel nut ST 4,8		6	
17	970 505 327 00	corner part	left	1	
(17)	970 505 328 00	corner part	right	1	
18	970 505 325 00	Retaining plate	left	1	
(18)	970 505 326 00	Retaining plate	right	1	
19	999 190 104 30	Pop rivet A 3,2 X 7,9		4	
20	999 507 998 40	Hose bracket Headlight washer system		2	
21	970 701 105 05	Carrier Number plate		1	PR:210
(21)	970 701 105 05 1E0	Black			
(21)	970 701 105 03	Carrier Number plate		1	PR:211
(21)	970 701 105 03 1E0	Black			
22	970 701 075 01	Carrier Number plate		1	PR:209
(22)	970 701 075 01 1E0	Black			
(22)	970 701 075 03	Carrier Number plate		1	PR:075
(22)	970 701 075 03 1E0	Black			
23	999 919 243 01	Screw Mount Number plate		2	
24	970 505 041 02	Bumper carrier	with:	1	PR:071
24	970 505 041 02	Foam part Bumper carrier	with:	1	PR:193
(24)	970 505 041 03	Foam part Bumper carrier	with:	1	PR:-071
(24)	970 505 041 03	Foam part Bumper carrier	with:	1	PR:-193
(24)	970 505 041 04	Foam part Bumper carrier	with:	1	PR:071
(24)	970 505 041 04	Foam part Bumper carrier	with:	1	PR:193
(24)	970 505 041 05	Foam part Bumper carrier	with:	1	PR:-071
(24)	970 505 041 05	Foam part Bumper carrier	with:	1	PR:-193

Model: 970 10 Model life 2010>>2016

Pos	Part Number	Description	Remark	Qty	Model
25	970 505 779 00	Foam part Foam part for Bumper carrier	with: 	1	PR:071
25	970 505 779 00	Foam part for Bumper carrier		1	PR:193
(25)	970 505 779 01	Foam part for Bumper carrier		1	PR:-071
(25)	970 505 779 01	Foam part for Bumper carrier		1	PR:-193
26	999 073 465 01	Screw for Mount Bumper carrier		8	
27	970 505 451 00	Bracket Front apron Reinforcement	with: 	1	PR:071
27	970 505 451 00	Foam part Bracket Front apron Reinforcement	with: 	1	PR:193
28	970 505 553 00	Foam part Bracket Front apron for cars without Reinforcement	left	1	PR:-071
28	970 505 553 00	Bracket Front apron for cars without Reinforcement	left	1	PR:-193
(28)	970 505 554 00	Bracket Front apron for cars without Reinforcement	right	1	PR:-071
(28)	970 505 554 00	Bracket Front apron for cars without Reinforcement	right	1	PR:-193
29	999 919 258 01	Screw 6 X 25		X	
30	970 618 225 00	Sensor Holders Bonnet		2	PR:071
30	970 618 225 00	Sensor Holders Bonnet		2	PR:193

Model: 970 10

Model life 2010>>2016



Model: 970 10 Model life 2010>>2016

Pos	Part Number	Description	Remark	Qty	Model
		bumper	front		V6 PR:0E1,0E2
1	970 505 911 30	Basic 2nd GENERATION D - MJ 2014>> Trim primed Basic		1	PR:-636, -638,-633
(1)	970 505 911 31	without: Parking aid Trim primed		1	PR:633,636, 638
2	970 505 703 01	with: Parking aid cover for towing eye		1	PR:-015
	970 505 703 01 G2X	primed			
3	970 505 731 00	Cover	left	1	PR:288
	970 505 731 00 G2X	Headlight washer system primed			
(3)	970 505 732 00	Cover	right	1	PR:288
	970 505 732 00 G2X	Headlight washer system primed			
4	999 073 448 01	Outer hexagon round screw for Trim		4	
5	999 073 981 30	fillister hd. bolt M 6X14 Mount retaining strip		4	
6	999 073 227 09	Headlights panel screw ST4,8X19-C		6	
7	999 507 795 09	panel nut ST 4,8		6	
8	970 505 719 00	Fixing for Front apron		2	
9	958 505 535 00	Sensor for Ambient temperature gauge		1	
10	5Q0 919 275	Sensor		4	
	5Q0 919 275 G2X	Parking aid primed			
11	5Q0 919 133	seal ring Sensor		1	
		Parking aid			
12	970 505 663 00	Retaining frame	left side	1	PR:-015
(12)	970 505 663 00 1E0	Black			
	970 505 664 00	Retaining frame	right side	1	PR:-015
	970 505 664 00 1E0	Black			
13	970 505 555 00	Trim Retaining frame	left side	1	PR:-143
	970 505 555 00 1E0	Black			
(13)	970 505 555 01	Trim Retaining frame	left side	1	PR:143
	970 505 555 01 1E0	Black			
(13)	970 505 555 01	Trim Retaining frame	left side	1	PR:-015
	970 505 555 01 1E0	Black			
(13)	970 505 555 01	Trim Retaining frame	left side	1	PR:DJ5

Model: 970 10 Model life 2010>>2016

Pos	Part Number	Description	Remark	Qty	Model
(13)	970 505 555 01 1E0 970 505 555 02	Black Trim Retaining frame	left side	1	Hybrid
(13)	970 505 555 02 1E0 970 505 555 03	Black Trim Retaining frame	left side	1	PR:D51
(13)	970 505 555 03 1E0 970 505 555 03	Black Trim Retaining frame	left side	1	PR:159
(13)	970 505 555 03 1E0 970 505 556 00	Black Trim Retaining frame	right side	1	PR:-143
(13)	970 505 556 00 1E0 970 505 556 01	Black Trim Retaining frame	right side	1	PR:143
(13)	970 505 556 01 1E0 970 505 556 01	Black Trim Retaining frame	right side	1	PR:-015
(13)	970 505 556 01 1E0 970 505 556 01	Black Trim Retaining frame	right side	1	PR:DJ5
(13)	970 505 556 01 1E0 970 505 556 01	Black Trim Retaining frame	right side	1	Hybrid
(13)	970 505 556 01 1E0 970 505 556 02	Black Trim Retaining frame	right side	1	PR:D51
(13)	970 505 556 02 1E0 970 505 556 02	Black Trim Retaining frame	right side	1	PR:159
14	970 505 556 02 1E0 970 505 543 03	Black Trim Retaining frame	left center	1	PR:-015
(14)	970 505 543 03 1E0 970 505 544 03	Black Trim Retaining frame	right center	1	PR:-015
15	970 505 544 03 1E0 970 505 541 06	Black Retaining frame	center	1	
(15)	970 505 541 06 1E0 970 505 541 07	Black Retaining frame	center	1	PR:456,-633, -015
(15)	970 505 541 07 1E0 970 505 541 10	Black Retaining frame	center	1	PR:633,-456, -015
(15)	970 505 541 10 1E0 970 505 541 11	Black Retaining frame	center	1	PR:633,456, -015
16	970 505 541 11 1E0 970 505 573 03	Black Disc Retaining frame	center left	1	PR:338
(16)	970 505 573 03 1E0 970 505 573 04	Black Disc Retaining frame	left upper left	1	PR:339
(16)	970 505 573 04 9B1 970 505 573 07	Titanium metallic Disc Retaining frame	left upper left	1	PR:0E2
17	970 505 573 07 8Z8 970 505 575 03	Brilliant Silver Disc Retaining frame	left upper left	1	PR:338

Model: 970 10 Model life 2010>>2016

Pos	Part Number	Description	Remark	Qty	Model
	970 505 575 03 1E0	Black	left		
(17)	970 505 575 04	Disc Retaining frame	lower left	1	PR:339
	970 505 575 04 9B1	Titanium metallic	left		
(17)	970 505 575 07	Disc Retaining frame	lower left	1	PR:0E2
	970 505 575 07 8Z8	D - MJ 2015>> Brilliant black	left		
18	970 505 574 03	Disc Retaining frame	lower right	1	PR:338
	970 505 574 03 1E0	Black	right		
(18)	970 505 574 04	Disc Retaining frame	upper right	1	PR:339
	970 505 574 04 9B1	Titanium metallic	right		
(18)	970 505 574 07	Disc Retaining frame	upper right	1	PR:0E2
	970 505 574 07 8Z8	D - MJ 2015>> Brilliant Silver	right		
19	970 505 576 03	Disc Retaining frame	upper right	1	PR:338
	970 505 576 03 1E0	Black	right		
(19)	970 505 576 04	Disc Retaining frame	lower right	1	PR:339
	970 505 576 04 9B1	Titanium metallic	right		
(19)	970 505 576 07	Disc Retaining frame	lower right	1	PR:0E2
	970 505 576 07 8Z8	D - MJ 2015>> Brilliant black	right		
20	970 505 535 03	retaining strip	lower left	1	
(20)	970 505 536 01	retaining strip	side right	1	
21	970 505 537 00	retaining strip	side left	1	
(21)	970 505 538 00	Headlight recess retaining strip	Headlight recess right	1	
22	970 505 327 00	corner part	left	1	
(22)	970 505 328 00	corner part	right	1	
23	999 190 104 30	Pop rivet A 3,2 X 7,9		2	
24	970 505 553 01	Bracket Front end cover	left lower	1	PR:-071
24	970 505 553 01	Bracket Front end cover	left lower	1	PR:-193
(24)	970 505 554 01	Bracket Front end cover	right lower	1	PR:-071
(24)	970 505 554 01	Bracket Front end cover	right lower	1	PR:-193
25	999 919 258 01	Screw 6,0X25,0		2	
26	970 505 735 00	housing Camera		1	PR:633
	970 505 735 00 1E0	Black			
27	970 505 745 00	Retaining plate		1	PR:633

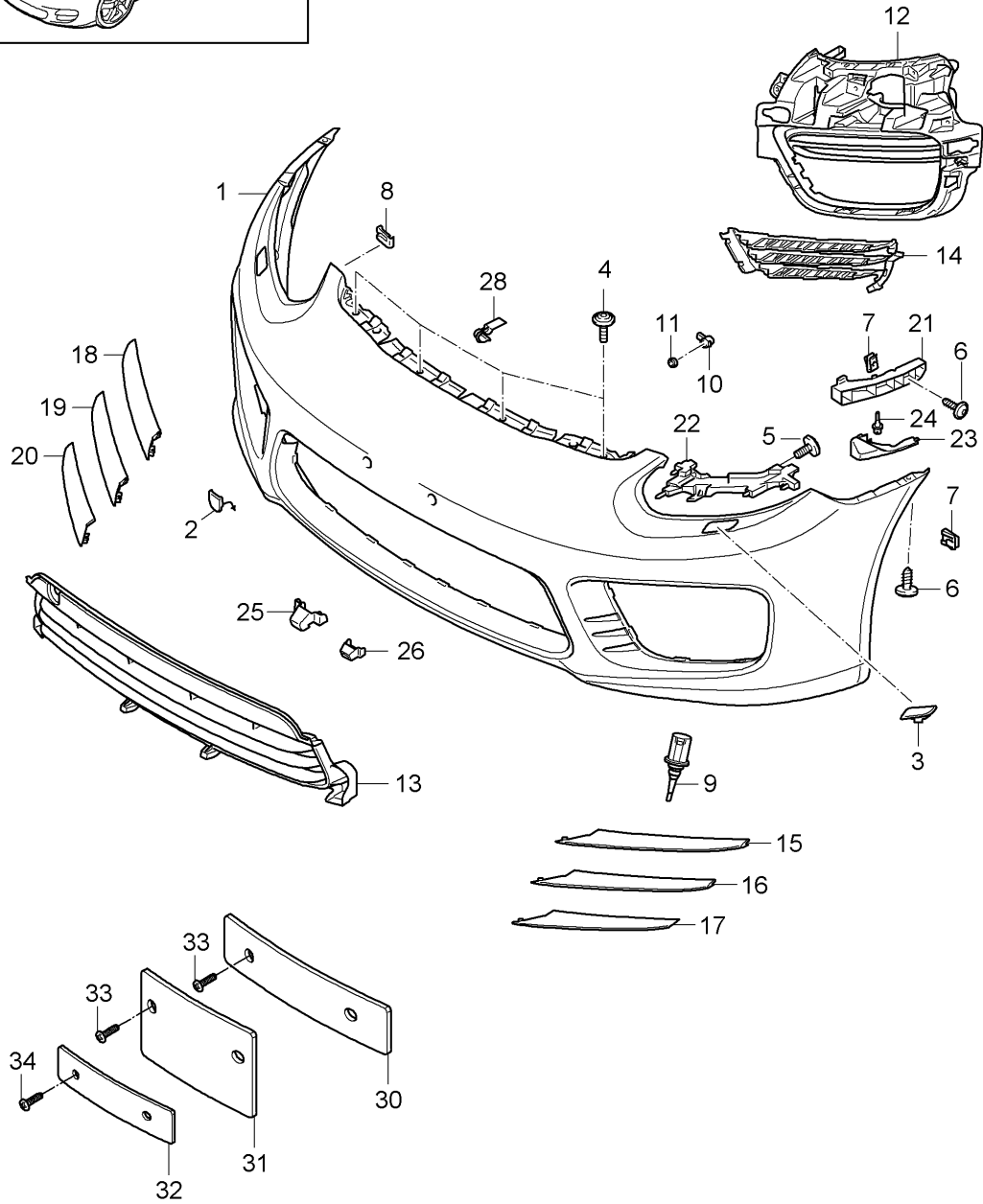
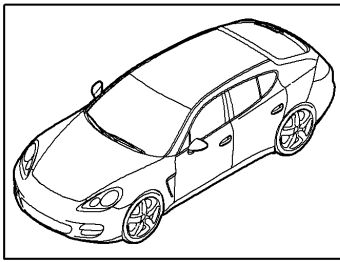
Model: 970 10

Model life 2010>>2016

Pos	Part Number	Description	Remark	Qty	Model
28	999 919 121 09	Camera fillister hd. bolt 5,0X16,0-Q		2	
29	999 507 278 40	Bracket for Hose Headlight washer system		4	
30	970 701 105 08	Carrier Number plate		1	PR:211
	970 701 105 08 1E0	Black			
(31)	970 701 075 04	Carrier Number plate		1	PR:209
	970 701 075 04 1E0	Black			
(31)	970 701 105 09	Carrier Number plate		1	PR:209,218
	970 701 105 09 1E0	Black			
31	970 701 075 05	Carrier Number plate		1	PR:075
	970 701 075 05 1E0	Black			
32	970 701 105 10	Carrier Number plate		1	PR:210
	970 701 105 10 1E0	Black			
33	999 919 243 01	Screw 5,0X13,0 Mount Number plate		X	
34	999 919 242 01	Screw 5,0X28,0 Mount Number plate		X	

Model: 970 10

Model life 2010>>2016



Model: 970 10 Model life 2010>>2016

Pos	Part Number	Description	Remark	Qty	Model
		bumper	front		V8 PR:0E1,0E2
(1)	970 505 911 34	Turbo and GTS 2nd GENERATION D - MJ 2014>> Trim primed with: Parking aid Camera		1	GTS PR:015,633, 636,638,-553
(1)	970 505 911 34	Trim primed with: Parking aid Camera		1	Turbo PR:-553
(1)	970 505 911 36	Trim primed		1	GTS PR:015,-633, -636,-638
(2)	970 505 703 02	cover for towing eye		1	
(2)	970 505 703 02 970 505 703 02 1E0	Black cover for towing eye Black		1	PR:015
3	970 505 731 00	Cover	left	1	PR:288
(3)	970 505 731 00 G2X 970 505 732 00	Headlight washer system primed Cover	right	1	PR:288
4	970 505 732 00 G2X 999 073 448 01	Headlight washer system primed Outer hexagon round screw for		4	
5	999 073 981 30	Trim fillister hd. bolt M 6X14 Mount retaining strip Headlights		4	
6	999 073 227 09	panel screw		X	
7	999 507 795 09	ST4,8X19-C panel nut		2	
8	970 505 719 00	ST 4,8 Fixing for		2	
9	958 505 535 00	Front apron Sensor for		1	
10	5Q0 919 275	Ambient temperature gauge Sensor		6	
11	5Q0 919 275 G2X 5Q0 919 133	Parking aid primed seal ring Sensor		1	
(12)	970 505 663 01	Parking aid Retaining frame	left side	1	PR:015
(12)	970 505 663 01 1E0 970 505 663 01	Black Retaining frame	left side	1	PR:-015
(12)	970 505 663 01 1E0 970 505 664 01	Black Retaining frame	right side	1	PR:015
	970 505 664 01 1E0	Black			

Model: 970 10 Model life 2010>>2016

Pos	Part Number	Description	Remark	Qty	Model
(12)	970 505 664 01	Retaining frame	right side	1	PR:-015
	970 505 664 01 1E0	Black			
13	970 505 541 08	Retaining frame		1	PR:015
	970 505 541 08 1E0	Black	center		
(13)	970 505 541 08	Retaining frame		1	
	970 505 541 08 1E0	Black	center		
(13)	970 505 541 09	Retaining frame		1	PR:015,456,-633
	970 505 541 09 1E0	Black	center		
(13)	970 505 541 09	Retaining frame		1	PR:456,-633
	970 505 541 09 1E0	Black	center		
(13)	970 505 541 12	Retaining frame		1	PR:015,633,-456
	970 505 541 12 1E0	Black	center		
(13)	970 505 541 12	Retaining frame		1	PR:633,-456
	970 505 541 12 1E0	Black	center		
(13)	970 505 541 13	Retaining frame		1	PR:015,456,633
	970 505 541 13 1E0	Black	center		
(13)	970 505 541 13	Retaining frame		1	PR:456,633
	970 505 541 13 1E0	Black	center		
14	970 505 571 00	Disc carrier	left side	1	
(14)	970 505 571 00	Disc carrier	left side	1	PR:015
(14)	970 505 572 00	Disc carrier	right side	1	
(14)	970 505 572 00	Disc carrier	right side	1	PR:015
15	970 505 513 00	Disc Retaining frame	left upper	1	
	970 505 513 00 1E0	Black			
(15)	970 505 513 01	Disc Retaining frame	left upper	1	PR:0E2
		D - MJ 2015>>			
(15)	970 505 513 01 8Z8	Brilliant Silver			
(15)	970 505 513 00	Disc Retaining frame	left upper	1	PR:015
	970 505 513 00 1E0	Black			
16	970 505 515 00	Disc Retaining frame	left center	1	
	970 505 515 00 1E0	Black			
(16)	970 505 515 01	Disc Retaining frame	left center	1	PR:0E2
		D - MJ 2015>>			
(16)	970 505 515 01 8Z8	Brilliant Silver			
(16)	970 505 515 00	Disc Retaining frame	left center	1	
	970 505 515 00 1E0	Black			
17	970 505 517 00	Disc Retaining frame	left lower	1	
	970 505 517 00 1E0	Black			
(17)	970 505 517 01	Disc Retaining frame	left lower	1	PR:0E2
		D - MJ 2015>>			
(17)	970 505 517 01 8Z8	Brilliant Silver			
(17)	970 505 517 00	Disc Retaining frame	left lower	1	
	970 505 517 00 1E0	Black			
18	970 505 514 00	Disc Retaining frame	right upper	1	

Model: 970 10 Model life 2010>>2016

Pos	Part Number	Description	Remark	Qty	Model
(18)	970 505 514 00 1E0 970 505 514 01	Black Disc Retaining frame D - MJ 2015>>	right upper	1	PR:0E2
(18)	970 505 514 01 8Z8 970 505 514 00	Brilliant Silver Disc Retaining frame	right upper	1	PR:015
19	970 505 514 00 1E0 970 505 516 00	Black Disc Retaining frame	right center	1	
(19)	970 505 516 00 1E0 970 505 516 01	Black Disc Retaining frame D - MJ 2015>>	right center	1	PR:0E2
(19)	970 505 516 01 8Z8 970 505 516 00	Brilliant Silver Disc Retaining frame	right center	1	
20	970 505 516 00 1E0 970 505 518 00	Black Disc Retaining frame	right lower	1	
(20)	970 505 518 00 1E0 970 505 518 01	Black Disc Retaining frame D - MJ 2015>>	right lower	1	PR:0E2
(20)	970 505 518 01 8Z8 970 505 518 00	Brilliant Silver Disc Retaining frame	right lower	1	
21	970 505 518 00 1E0 970 505 535 03	Black retaining strip	left side	1	
(21)	970 505 536 01	retaining strip	right side	1	
22	970 505 537 00	retaining strip	left	1	
(22)	970 505 538 00	Headlight recess retaining strip Headlight recess	right	1	
23	970 505 327 00	corner part	left	1	
(23)	970 505 328 00	corner part	right	1	
24	999 190 104 30	Pop rivet		2	
25	970 505 735 01	A 3,2 X 7,9 housing Camera		1	PR:633
(25)	970 505 735 01 1E0 970 505 735 01	Black housing Camera		1	PR:015,633
26	970 505 735 01 1E0 970 505 745 01	Black Retaining plate Camera		1	PR:633
(26)	970 505 745 01	Retaining plate Camera		1	PR:015,633
27	999 919 121 09	fillister hd. bolt		2	
28	999 507 278 40	5,0X16,0-Q Bracket for Hose		4	
30	970 701 051 10	Headlight washer system Carrier Number plate		1	
(30)	970 701 051 10 1E0 970 701 051 15	Black Carrier Number plate		1	PR:211
31	970 701 051 15 1E0 970 701 051 13	Black Carrier		1	PR:209

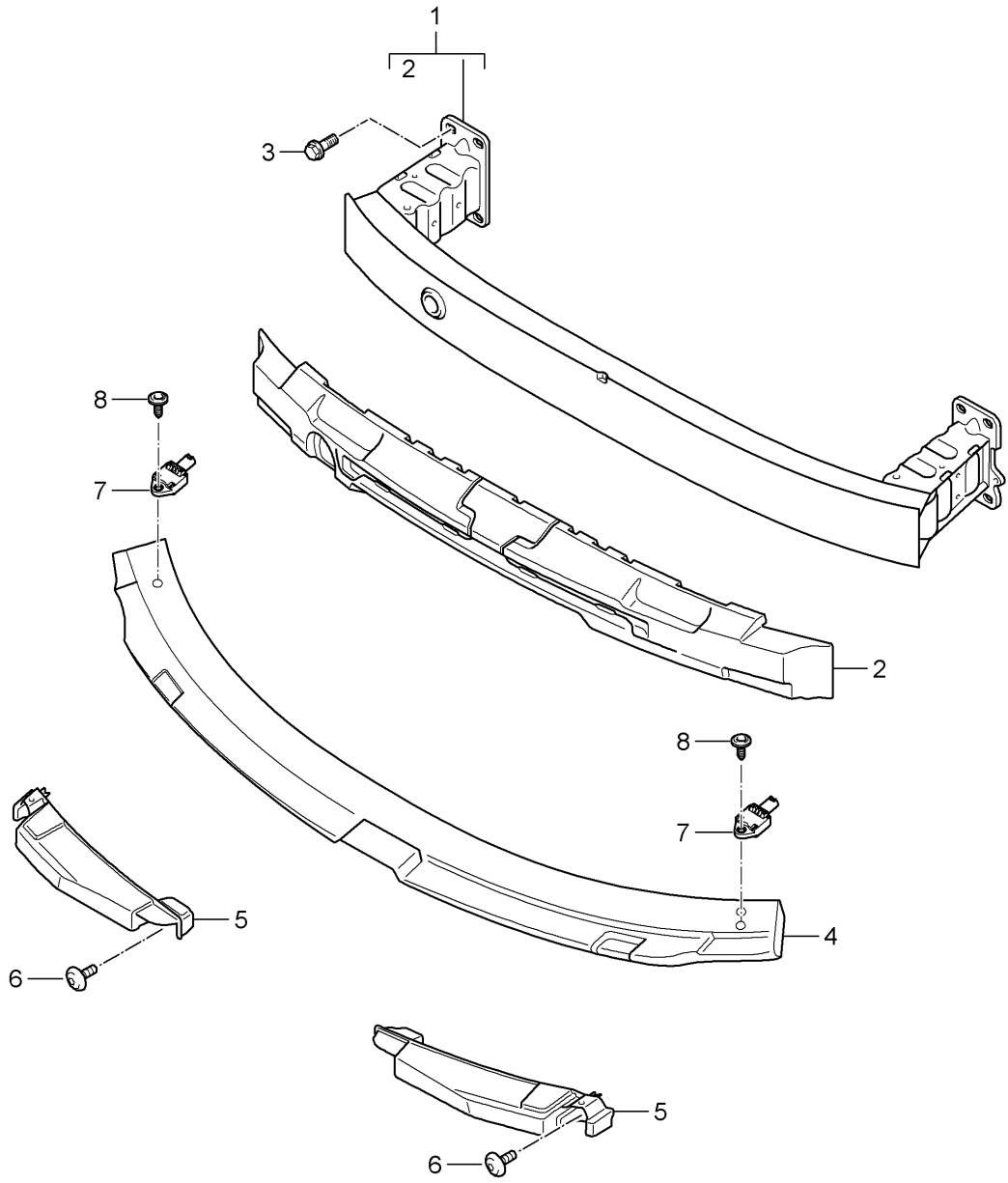
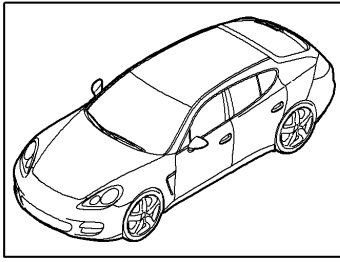
Model: 970 10

Model life 2010>>2016

Pos	Part Number	Description	Remark	Qty	Model
(31)	970 701 051 13 1E0	Number plate Black		1	PR:209
	970 701 051 18	Carrier Number plate			
31	970 701 051 18 1E0	Black		1	PR:075
	970 701 051 14	Carrier Number plate			
31	970 701 051 14 1E0	Black		1	PR:075
	970 701 051 19	Carrier Number plate			
32	970 701 051 19 1E0	Black		1	PR:210
	970 701 051 12	Carrier Number plate			
32	970 701 051 12 1E0	Black		1	PR:210
	970 701 051 17	Carrier Number plate			
33	970 701 051 17 1E0	Black		X	
	999 919 243 01	Screw 5,0X13,0 Mount			
34	999 919 242 01	Number plate		X	
		Screw 5,0X28,0 Mount Number plate			

Model: 970 10

Model life 2010>>2016

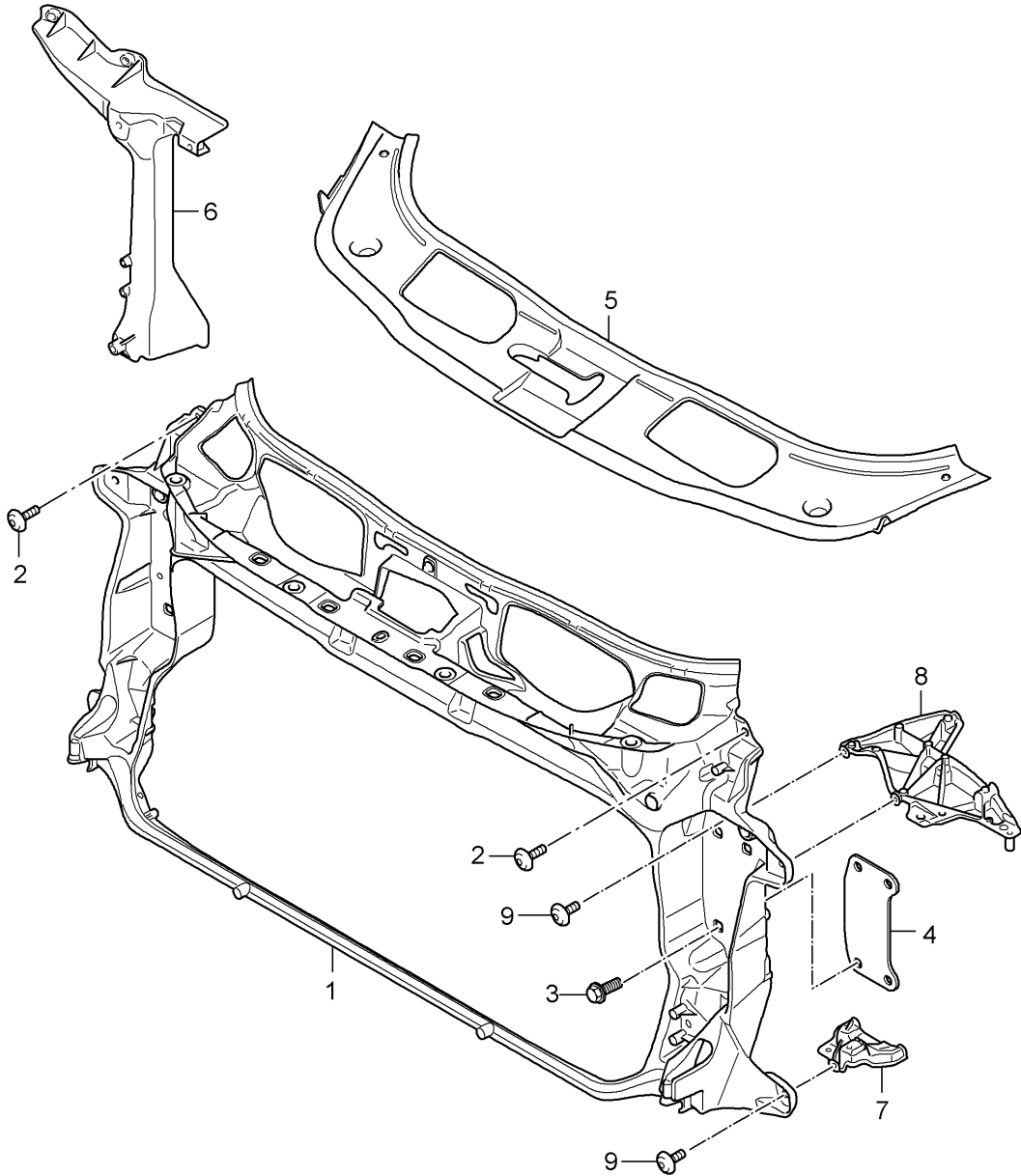
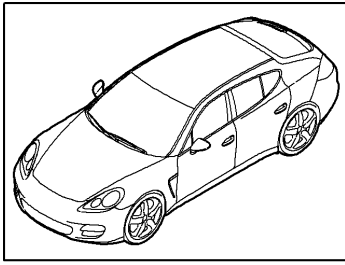


Model: 970 10 Model life 2010>>2016

Pos	Part Number	Description	Remark	Qty	Model
1	970 505 041 06	Bumper carrier 2nd GENERATION Bumper carrier	front	1	PR:0E1,0E2
(1)	970 505 041 08	Foam part Bumper carrier	with:	1	Turbo
(1)	970 505 041 08	Foam part Bumper carrier	with:	1	GTS PR:015
2	970 505 779 02	Foam part Foam part for Bumper carrier		1	PR:-553
3	999 073 465 01	Screw for Mount Bumper carrier		8	
4	970 505 451 01	Bracket Front apron Reinforcement	lower	1	PR:071
(4)	970 505 451 01	Foam part Bracket Front apron Reinforcement	with: lower	1	PR:193
5	970 505 553 01	Foam part Bracket Front apron for cars without Reinforcement	left	1	
(5)	970 505 554 01	Bracket Front apron for cars without Reinforcement	right	1	
6	999 919 258 01	Screw 6 X 25		X	
7	970 618 225 00	Sensor Accelerator sensor		2	
8	999 919 257 01	Pedestrian protection fillister hd. bolt 6 X 20		2	

Model: 970 10

Model life 2010>>2016



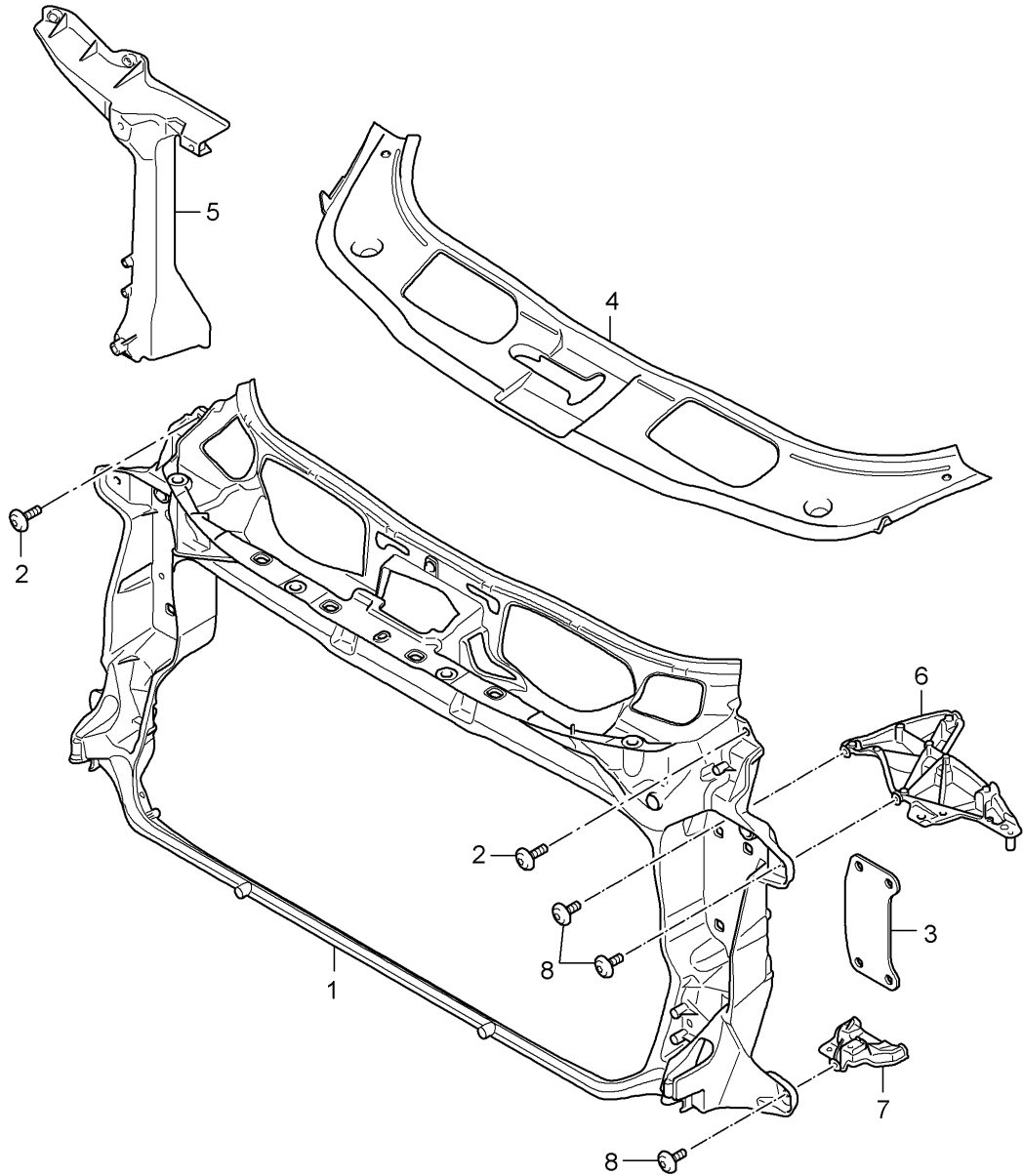
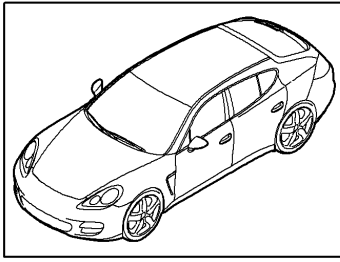
Model: 970 10

Model life 2010>>2016

Pos	Part Number	Description	Remark	Qty	Model
1	970 504 481 00	Carrier Radiator Assembly frame		1	
2	999 073 980 30	Radiator Screw 6 x 22		2	
3	999 073 465 01	Screw 10 x 40		8	
4	970 504 977 00	Balancing plate Between Side member and Assembly frame		X	
5		Trim see illustration, item:		1	
6	970 504 518 01	Console Radiator	807-070,9 side	1	
7	970 504 547 00	Console Lower part		1	Hybrid
8	970 504 537 02	Console Upper part		1	Hybrid
8	970 504 537 03	D >> - MJ 2013 bracket, upper part		1	Hybrid
9	999 073 981 30	D - MJ 2014>> fillister hd. bolt M 6X14		3	Hybrid

Model: 970 10

Model life 2010>>2016



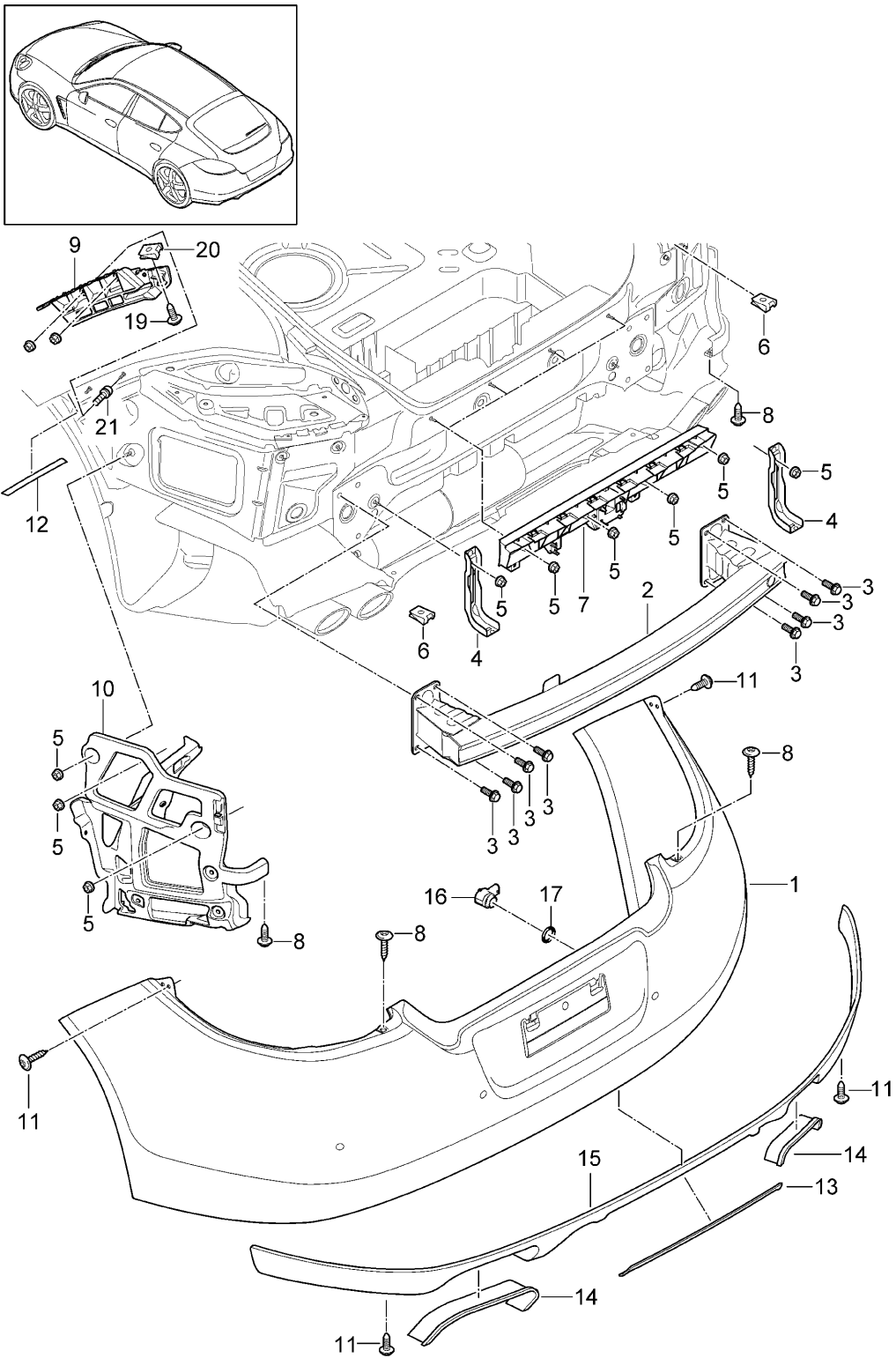
Model: 970 10

Model life 2010>>2016

Pos	Part Number	Description	Remark	Qty	Model
		Carrier Radiator 2nd GENERATION			PR:0E1,0E2
1	970 504 481 01	Assembly frame		1	
2	999 073 980 30	Radiator Screw 6 X 22		2	
3	970 504 977 00	Balancing plate Between Side member and Assembly frame		X	
4	970 504 811 01	Trim lock carrier	front	1	
5	970 504 811 01 1E0	Black			
5	970 504 518 01	Console Radiator	side	1	
6	970 504 537 01	bracket, upper part Discontinued part		1	Hybrid
7	970 504 547 01	Console Lower part		1	Hybrid
8	999 073 981 30	fillister hd. bolt M 6X14		3	Hybrid

Model: 970 10

Model life 2010>>2016



Model: 970 10 Model life 2010>>2016

Pos	Part Number	Description	Remark	Qty	Model
1	970 505 951 00	bumper D >> - MJ 2013 Trim primed	rear	1	
2	970 505 241 00	Bumper carrier	rear	1	
3	999 072 019 01	Hexagon bolt		8	
4	970 505 841 00	Bumper carrier Bracket for Trim		2	
5	999 076 078 01	Hexagon nut		X	
6	999 507 795 09	panel nut		X	
7	970 505 641 01	retaining strip	center	1	
8	999 073 231 09	panel screw		X	
9	970 505 635 00	Heat protection Securing strip	left	1	
(9)	970 505 636 00	Securing strip	right	1	
10	970 505 631 01	Bracket	left	1	
		with:			
(10)	970 505 632 01	Heat protection Bracket	right	1	
		with:			
11	999 073 227 09	Heat protection panel screw		4	
12	970 504 631 00	Protective film		2	
13	970 505 811 00	Trim	lower	1	PR:338,-XAP
	970 505 811 00 1E0	Black			
(13)	970 505 811 01	Trim	lower	1	PR:339,-XAP
	970 505 811 01 1E0	Black			
(13)	970 505 811 02	Trim	lower	1	PR:XAP,806
	970 505 811 02 9B1	Titanium			
(13)	970 505 811 04	Trim	lower	1	PR:017
	970 505 811 04 M7T	Platinum Silver Metallic			
(13)	970 505 993 01	Trim primed	lower	1	PR:XAP
14	970 505 351 00	Trim for exhaust tail pipe	left	1	PR:XLR
	970 505 351 00 1E0	Black			
(14)	970 505 351 01	Trim for exhaust tail pipe	left	1	PR:-XLR
	970 505 351 01 1E0	Black			
(14)	970 505 352 00	Trim for exhaust tail pipe	right	1	PR:XLR
	970 505 352 00 1E0	Black			
(14)	970 505 352 01	Trim for exhaust tail pipe	right	1	PR:-XLR
	970 505 352 01 1E0	Black			
15	970 505 611 00	Trim	lower	1	
	970 505 611 00 1E0	Black			
(15)	970 505 992 02	Trim primed	lower	1	
16	3C0 919 275 S	Sensor Parking aid		4	
	3C0 919 275 S G2L	primed			
17	7PP 919 133	Seal Sensor		1	
		Parking aid			
18	970 505 803 00	cover for towing eye		1	
	970 505 803 00 G2L	primed			
19	999 073 237 09	fillister hd. bolt M4 X 4,5 for		X	
		Securing strip			
20	999 507 795 09	panel nut ST 4,8 for Securing strip		X	

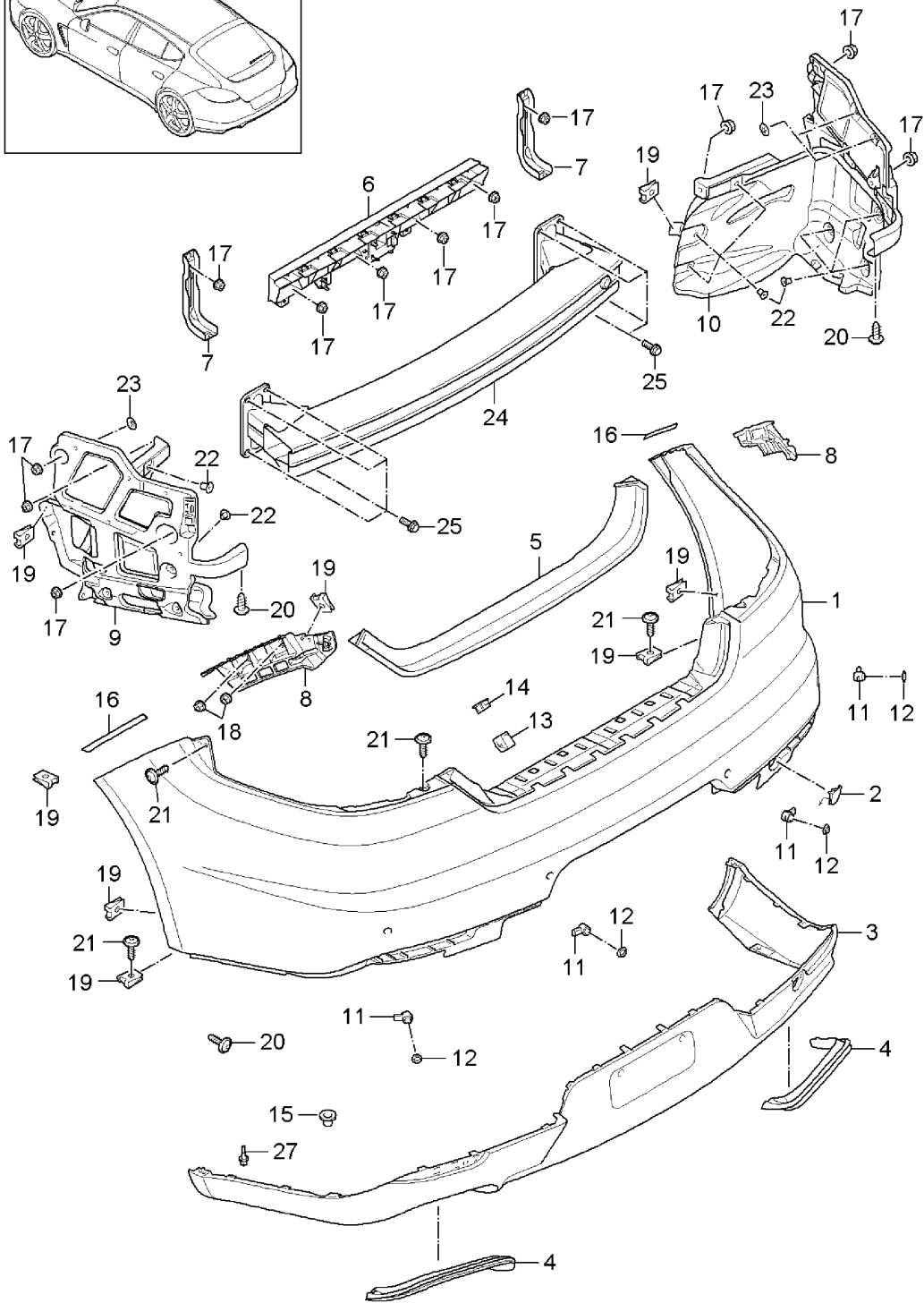
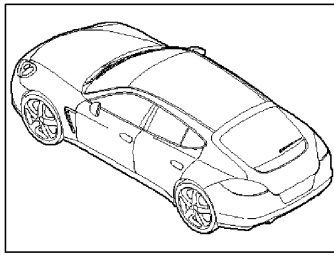
Model: 970 10

Model life 2010>>2016

Pos	Part Number	Description	Remark	Qty	Model
21	N 908 127 02	Blind rivet stud M6 X 20		2	

Model: 970 10

Model life 2010>>2016



Model: 970 10 Model life 2010>>2016

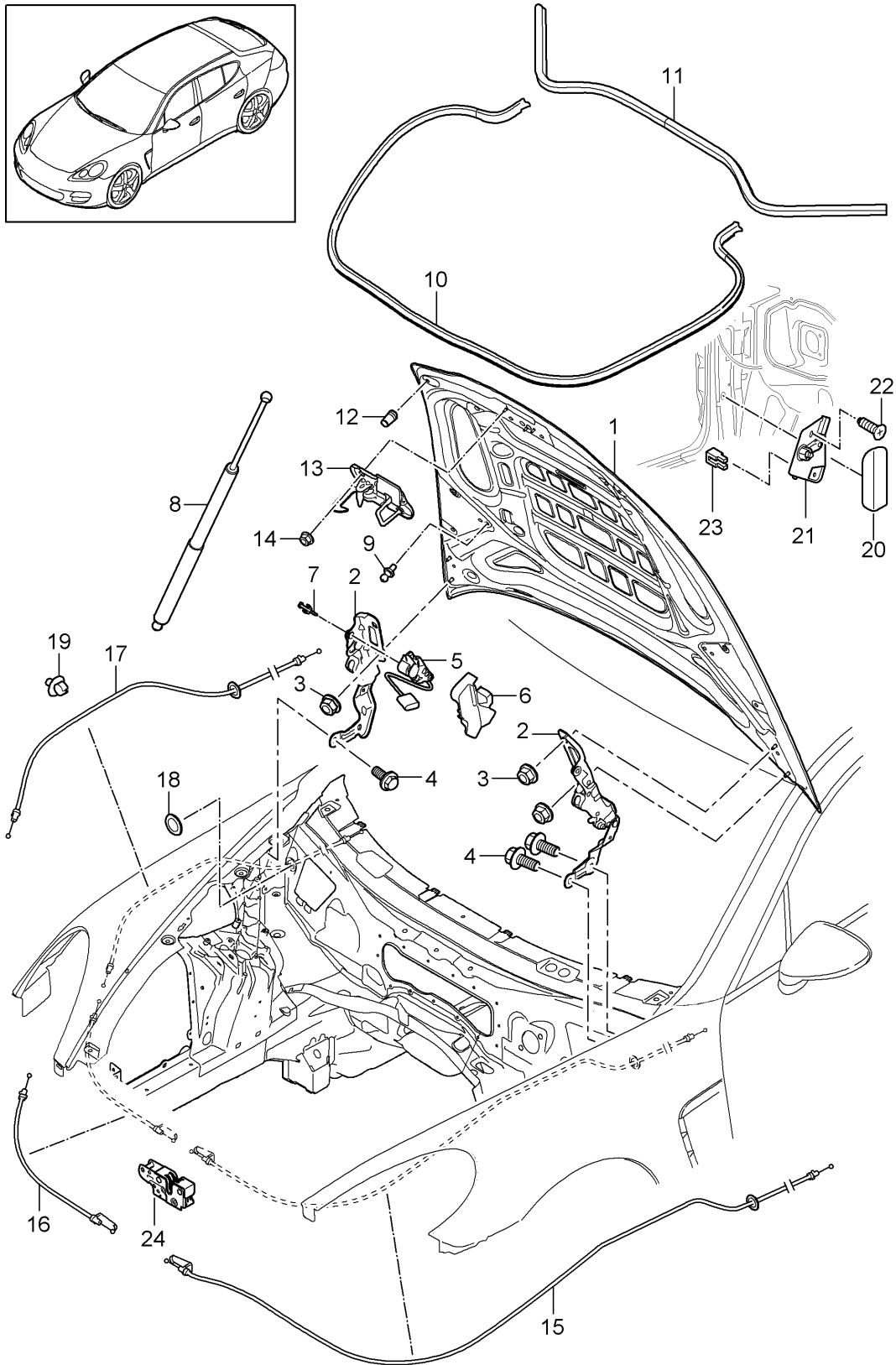
Pos	Part Number	Description	Remark	Qty	Model
		bumper 2nd GENERATION D - MJ 2014>>	rear		PR:0E1,0E2
1	970 505 951 02	Trim primed		1	PR:-633,-638
(1)	970 505 951 03	Trim primed		1	PR:633,638
(1)	970 505 951 04	Trim primed		1	PR:193
(1)	970 505 951 05	Trim primed		1	PR:193,633, 636,638
2	970 505 803 01	cover for towing eye		1	PR:-XUF,-XUL
	970 505 803 01 1E0	Black			
2	970 505 803 02	cover for towing eye		1	PR:XUF,XUL
	970 505 803 02 G2X	primed			
3	970 505 611 01	Trim	rear lower	1	PR:-XUF, -XUL,-193, -075
	970 505 611 01 1E0	Black			
3	970 505 611 02	Trim	rear lower	1	PR:193,-XUF, -XUL
	970 505 611 02 1E0	Black			
3	970 505 611 03	Trim	rear lower	1	PR:075,-XUF, -XUL
	970 505 611 03 1E0	Black			
3	970 505 951 09	Trim Sport Design package primed	rear lower	1	PR:XUL
3	970 505 951 09	Trim Sport Design package primed	rear lower	1	PR:XUF
4	970 505 837 00	Trim for exhaust tail pipe Tailpipe	left	1	
	970 505 837 00 1E0	Black			
4	970 505 994 00	Trim for exhaust tail pipe Tailpipe	left	1	PR:XUF
	970 505 994 00 1E0	Black			
4	970 505 994 00	Trim for exhaust tail pipe Tailpipe	left	1	PR:XUL
	970 505 994 00 1E0	Black			
4	970 505 838 00	Trim for exhaust tail pipe Tailpipe	right	1	
	970 505 838 00 1E0	Black			
4	970 505 995 00	Trim for exhaust tail pipe Tailpipe	right	1	PR:XUF
	970 505 995 00 1E0	Black			
4	970 505 995 00	Trim for exhaust tail pipe Tailpipe	right	1	PR:XUL
	970 505 995 00 1E0	Black			
5	970 505 715 00	Cover Loading sill		1	
	970 505 715 00 1E0	Black			
6	970 505 641 02	Securing strip Basic	center	1	
(6)	970 505 641 03	Securing strip Hybrid	center	1	
7	970 505 841 01	Bracket for trim	rear lower	2	
8	970 505 635 02	Securing strip	left side	1	
(8)	970 505 636 02	Securing strip	right side	1	
9	970 505 631 04	Bracket	left	1	

Model: 970 10 Model life 2010>>2016

Pos	Part Number	Description	Remark	Qty	Model
			side		
10	970 505 632 04	Heat protection Bracket	with: right side	1	
11	5Q0 919 275	Heat protection Sensor	with:	4	
12	5Q0 919 275 G2X 5Q0 919 133	Parking aid primed seal ring		4	
13	970 505 755 00	Sensor Parking aid housing Camera		1	PR:633
(13)	970 505 755 00 1E0 970 505 756 00	Black housing Camera		1	PR:638
(13)	970 505 756 00 1E0 970 505 756 02	D >> - MJ 2015 Black housing Camera		1	PR:638
14	970 505 756 02 1E0 970 505 785 00	D - MJ 2016>> Black Retaining plate Camera		1	PR:633
(14)	970 505 786 00	Retaining plate Camera		1	PR:638
15	999 703 022 40	Bungs 8,70X 8,0		2	Hybrid
16	970 504 631 00	Protective film	left	1	
(16)	970 504 632 00	Protective film	right	1	
17	999 076 042 01	Hexagon nut M6		6	
18	999 076 078 01	Hexagon nut		4	
19	999 507 795 09	panel nut ST 4,8		X	
20	999 073 231 09	panel screw Heat protection		2	
21	999 073 227 09	panel screw ST4,8X19-C		X	
22	999 190 115 30	Pop rivet A 6,4X10,0		12	
23	999 507 057 03	Clamping washer 8,0		12	
24	970 505 241 00	Bumper carrier	rear	1	
(24)	970 505 241 03	Bumper carrier	rear	1	Hybrid
25	999 072 019 01	Hexagon bolt Bumper carrier		8	
(26)	970 505 975 00	Mount Number plate		2	PR:XUF,XUL, 075
27	970 505 975 00 1E0 999 190 191 30	Black Pop rivet Retaining plate A 3,2X17,0		4	
28	999 080 059 01	Blind rivet stud M 6 X 20		X	

Model: 970 10

Model life 2010>>2016



Model: 970 10 Model life 2010>>2016

Pos	Part Number	Description	Remark	Qty	Model
1	970 511 011 00	Cover Cover	front	1	
		also use:	WHT 004 974	2	
			000 043 305 51	1	
		Discontinued part			
	970 511 011 00 GRV	primed			
1	970 511 011 01	Cover		1	
		also use:	WHT 004 974	2	
			000 043 305 51	1	
		Discontinued part			
	970 511 011 01 GRV	primed			
1	970 511 011 02	Cover		1	
		also use:	WHT 004 974	2	
			000 043 305 51	1	
		D >> - MJ 2013			
		Discontinued part			
	970 511 011 02 GRV	primed			
1	970 511 011 04	Cover		1	
		also use:	WHT 004 974	2	
			000 043 305 51	1	
		D >> - MJ 2013			
	970 511 011 04 GRV	primed			
1	970 511 011 03	Cover		1	
		also use:	WHT 004 974	2	
			000 043 305 51	1	
		D - MJ 2014>>			
		Discontinued part			
	970 511 011 03 GRV	primed			
1	970 511 011 05	Cover		1	
		also use:	WHT 004 974	2	
			000 043 305 51	1	
		D - MJ 2014>>			
	970 511 011 05 GRV	primed			
2	970 511 151 02	Hinge	left	1	
(2)	970 511 152 02	Hinge	right	1	
3	N 905 115 05	Hexagon collar nut self-locking M 8		4	
4	900 075 511 01	Bolt with washer M 8		4	
5	970 511 351 03	throttle control element	left	1	
(5)	970 511 352 03	throttle control element	right	1	
6	970 511 651 00	Cover	left	1	
	970 511 651 00 1E0	Black			
6	970 511 652 00	Cover	right	1	
	970 511 652 00 1E0	Black			
7	970 511 751 00	Clip		4	
8	970 511 571 00	Gas filled strut	left	1	
(8)	970 511 572 00	Gas filled strut	right	1	
9	895 827 439 D	Ball stud		2	
10	970 511 611 01	Seal		1	
		Engine bay			
11	970 511 612 00	seal for water box		1	
12	999 703 140 41	Rubber buffer		2	
13	1T0 823 480 A	Catch hook		1	
14	N 908 877 02	Hexagon flange nut, self-locking M 6		3	
15	970 511 219 02	Lid-release cable	lhd	1	PR:098
16	970 511 218 01	Lid-release cable	rhd	1	PR:099
17	970 511 220 01	Lid-release cable	rhd	1	PR:099
18	955 504 187 00	Bungs		X	
19	N 105 079 01	Cable holder		X	

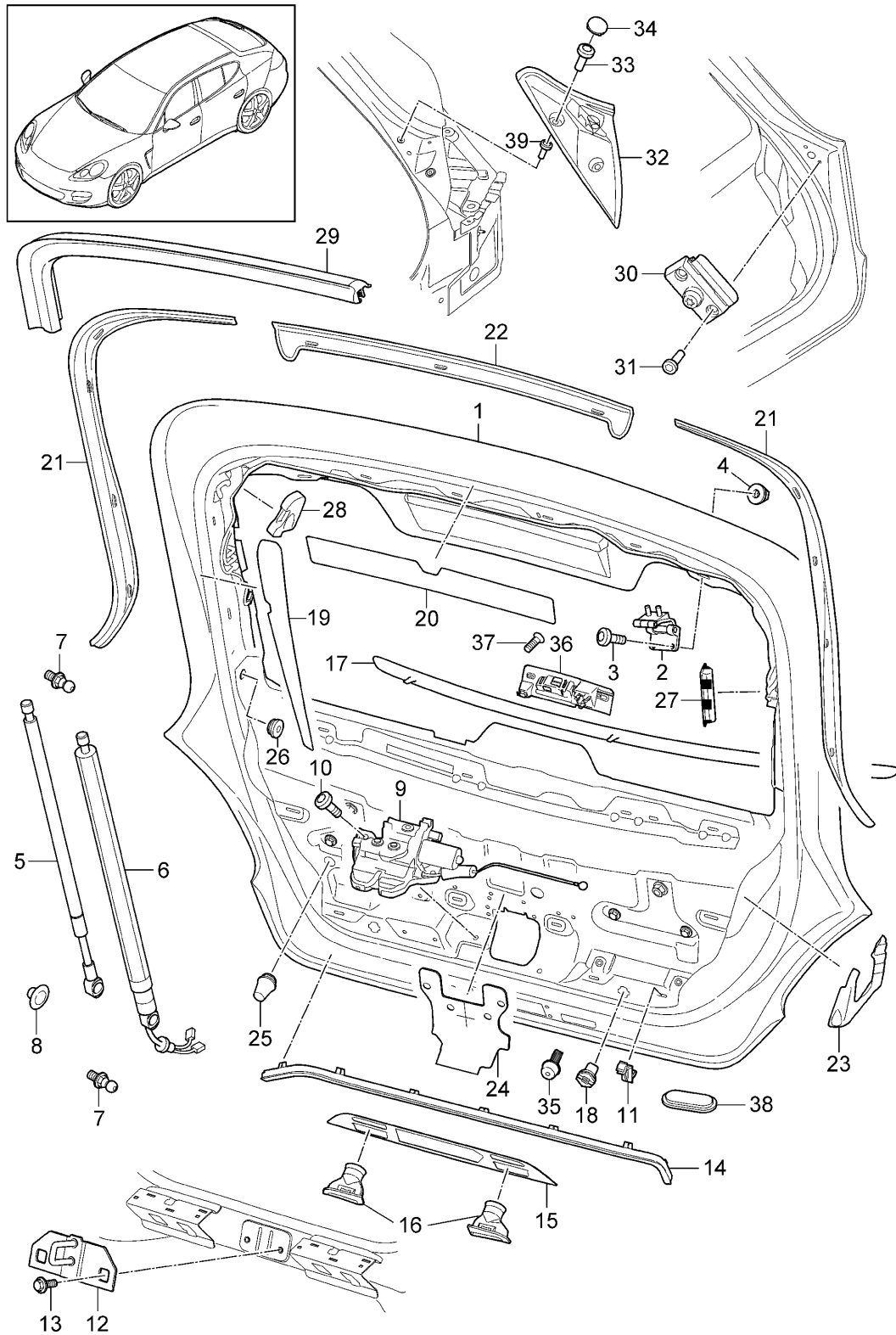
Model: 970 10

Model life 2010>>2016

Pos	Part Number	Description	Remark	Qty	Model
20	7L0 823 533 D	Grip for lid lock cable	lhd	1	PR:098
	7L0 823 533 D 1E0	Black			
	7L0 823 533 D 6L0	Platinum Grey			
	7L0 823 533 D 4H0	Luxor beige			
	7L0 823 533 D 2F0	yachting blue			
	7L0 823 533 D 5J0	Cream			
	7L0 823 533 D 7N0	Espresso			
	7L0 823 533 D 8P0	Cognac			
	7L0 823 533 D 9Q0	Cedar			
	7L0 823 533 D 3G0	Marsala Red			
20	7L0 823 533 E	Actuating lever	rhd	1	PR:099
	7L0 823 533 E 1E0	Black			
	7L0 823 533 E 6L0	Platinum Grey			
	7L0 823 533 E 4H0	Luxor beige			
	7L0 823 533 E 2F0	yachting blue			
	7L0 823 533 E 5J0	Cream			
	7L0 823 533 E 7N0	Espresso			
	7L0 823 533 E 8P0	Cognac			
	7L0 823 533 E 9Q0	Cedar			
	7L0 823 533 E 3G0	Marsala Red			
21	955 511 633 03	Bracket	lhd	1	PR:098
21	955 511 633 04	Bracket	rhd	1	PR:099
22	N 905 488 03	oval head panel screw ST 4,8 X 19		2	
23	N 909 946 01	expanding nut 4,8 X 10 Bracket		2	
24	1K1 823 509 E	bonnet lock-lower part		1	
25	999 507 903 01	Cable fastener Lid-release cable		1	

Model: 970 10

Model life 2010>>2016



Model: 970 10 Model life 2010>>2016

Pos	Part Number	Description	Remark	Qty	Model
1	970 512 011 04	Cover Cover	rear	1	PR:426
		also use:	970 512 841 01	1	
			970 512 842 01	1	
			970 512 843 01	1	
			970 512 621 01	1	
			970 512 627 00	1	
			970 512 847 01	1	
			000 043 305 51	1	
1	970 512 011 04 GRV 970 512 011 06	D >> - MJ 2013 primed Cover		1	PR:426
		also use:	970 512 841 01	1	
			970 512 842 01	1	
			970 512 843 01	1	
			970 512 621 02	1	
			970 512 627 00	1	
			970 512 847 01	1	
			000 043 305 51	1	
(1)	970 512 011 06 GRV 970 512 011 05	D - MJ 2014>> primed Cover		1	PR:425
		also use:	970 512 841 01	1	
			970 512 842 01	1	
			970 512 843 01	1	
			970 512 621 01	1	
			970 512 627 00	1	
			970 512 847 01	1	
			000 043 305 51	1	
(1)	970 512 011 05 GRV 970 512 011 07	D >> - MJ 2013 primed Cover		1	PR:425
		also use:	970 512 841 01	1	
			970 512 842 01	1	
			970 512 843 01	1	
			970 512 621 02	1	
			970 512 627 00	1	
			970 512 847 01	1	
			000 043 305 51	1	
2	970 512 011 07 GRV	D - MJ 2014>> primed			
2	970 512 151 02	Hinge		2	
3	999 073 094 01	Screw M8X20		4	
4	999 076 061 01	Nut M8		4	
5	970 512 571 00	throttle control element Damper		2	Turbo / S GTS PR:015,-867
5	970 512 571 01	throttle control element Damper		2	PR:-867
6	970 512 573 12	throttle control element Damper Electric		2	PR:867
(6)	970 512 573 12	D >> - MJ 2013 throttle control element Damper Electric		2	GTS PR:015,863, 867,868
(6)	970 512 573 12	D >> - MJ 2013 throttle control element Damper Electric		2	Turbo / S PR:863,867, 868
		D >> - MJ 2013			

Model: 970 10 Model life 2010>>2016

Pos	Part Number	Description	Remark	Qty	Model
(6)	970 512 573 14	throttle control element Damper Electric		2	PR:867
(6)	970 512 573 09	throttle control element Damper Electric		2	Turbo / S GTS PR:015,867, -863,-868
(6)	970 512 573 15	throttle control element Damper Electric		2	Turbo / S PR:867,-863, -868
(6)	970 512 573 15	throttle control element Damper Electric		2	GTS PR:015,867, 868,869
(6)	970 512 573 19	throttle control element Damper Electric		2	GTS PR:015,867, 868,869
7	970 512 511 01	Ball pin Discontinued part		2	
(7)	970 512 511 03	Ball pin		2	
8	999 703 020 40	End cap		2	
9	970 512 053 03	lock		1	
10	999 073 094 01	Screw M8X20		2	
11	999 651 172 41	Cable holder		2	
12	970 512 051 01	Striker		1	
13	999 075 081 01	Bolt with washer M8X20		2	
14	970 512 621 01	Water deflector strip D >> - MJ 2012		1	
14	970 512 621 02	Water deflector strip D - MJ 2013>>		1	
15	970 512 627 00	Decorative film		1	
16	970 512 623 02	drain tube	left	1	
(16)	970 512 624 02	drain tube	right	1	
17		Trim see illustration:	810-010	1	
18	970 512 787 00	Cover bracket		2	
21	970 512 841 01	Additional gasket	left	1	
(21)	970 512 842 01	Additional gasket	right	1	
22	970 512 843 01	Additional gasket	center	1	
23	970 512 845 01	Damping	left	1	
(23)	970 512 846 01	Damping	right	1	
24	970 512 847 01	Damping	center	1	
25	970 512 851 00	Damping		2	
26	970 512 853 00	Damping		2	
27	970 512 855 00	Damping		1	PR:440
28	970 512 857 00	Damping	left	1	
(28)	970 512 858 00	Damping	right	1	
29	970 512 611 01	Seal Discontinued part		1	
29	970 512 611 02	Seal		1	
30	970 512 871 02	throttle control element		2	
31	999 073 344 02	Oval-head screw M6X20		4	
32	970 512 881 04	Support D >> - MJ 2013	left	1	
32	970 512 881 06	Support D - MJ 2014>>	left	1	
(32)	970 512 882 04	Support D >> - MJ 2013	right	1	
(32)	970 512 882 06	Support D - MJ 2014>>	right	1	
33	999 073 103 01	flat round head bolt		6	

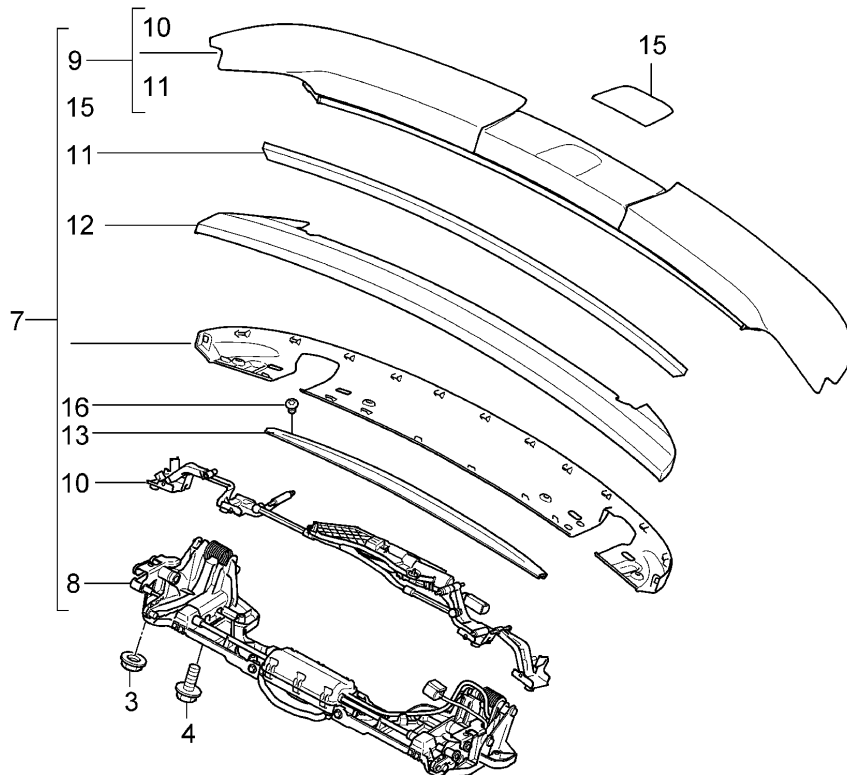
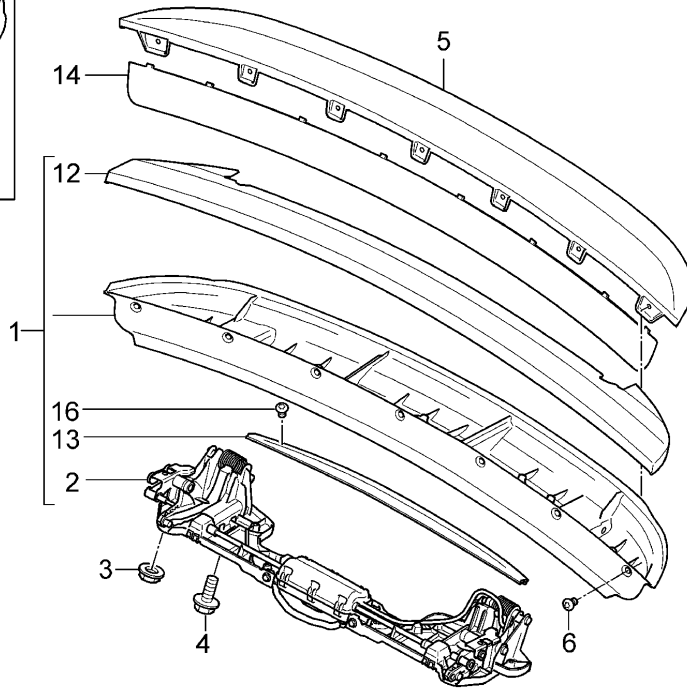
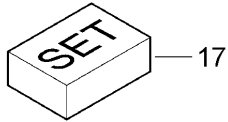
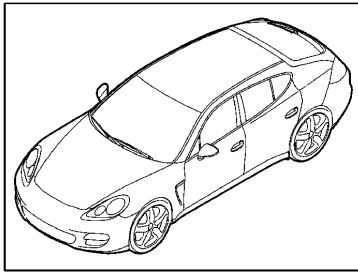
Model: 970 10

Model life 2010>>2016

Pos	Part Number	Description	Remark	Qty	Model
		M6X16			
34	970 512 891 00	Cover cap		4	
35	970 512 789 00	locking segment		2	
36	970 613 423 01	Frame		1	
		Tip switch			
		Rear lid			
	970 613 423 01 1E0	Black			
37	999 919 164 01	fillister hd. bolt 5,0X12,0		2	
38	970 512 675 00	Sealing cap for		1	
		Rear lid			
39	999 500 142 01	riveted cap nut M6 X 0,8-3		X	

Model: 970 10

Model life 2010>>2016



Model: 970 10 Model life 2010>>2016

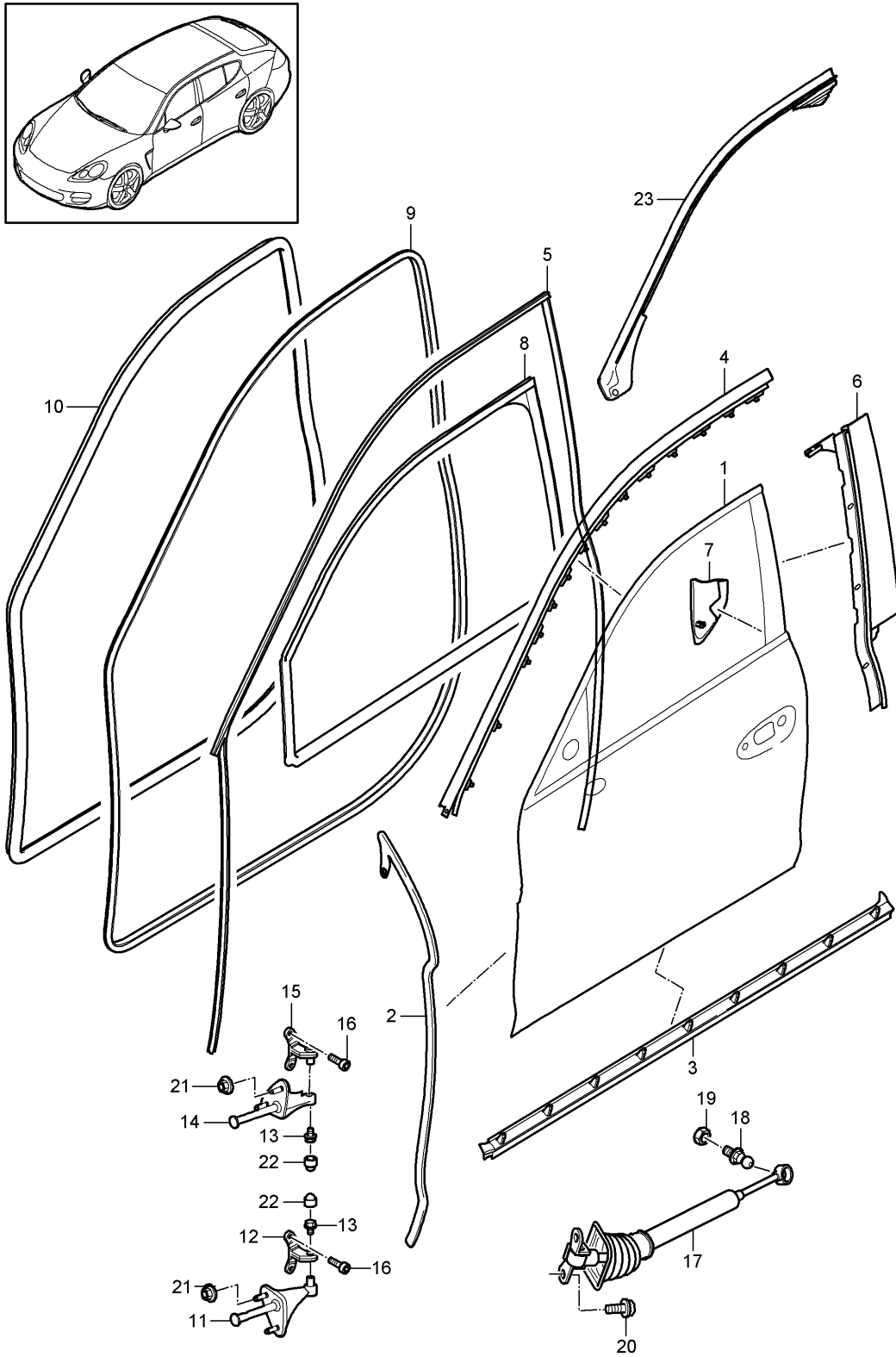
Pos	Part Number	Description	Remark	Qty	Model
1	970 512 201 00	Rear spoiler Rear spoiler Discontinued part		1	Panamera / S
1	970 512 201 02	Rear spoiler D >> - MJ 2013		1	Panamera / S
1	970 512 201 05	Rear spoiler D - MJ 2014>>		1	Panamera / S
2	970 512 109 04	Driving mechanism		1	Panamera / S
3	999 084 127 01	Hexagon nut M6		2	
4	900 075 466 01	Bolt with washer M6X16		6	
5	970 512 241 00	Upper part D >> - MJ 2013		1	Panamera / S
5	970 512 241 00 041	Black		1	Panamera / S
5	970 512 241 01	Upper part D - MJ 2014>>		1	Panamera / S
(5)	970 512 241 01 041	Black		1	Panamera / S
(5)	970 512 241 01	Upper part D - MJ 2015>>		1	Panamera / S
	970 512 241 01 8Z8	Brilliant Silver D - MJ 2015>>			PR:0E2
6	999 073 218 01	panel screw St4,2X16C		7	Panamera / S
7	970 512 201 01	Rear spoiler D >> - MJ 2013		1	Turbo
7	970 512 201 01 041	Black		1	Turbo / S
7	970 512 201 03	Rear spoiler D >> - MJ 2013		1	Turbo / S
7	970 512 201 03 041	Black		1	GTS
7	970 512 201 08	Rear spoiler D - MJ 2014>> Discontinued part		1	Turbo / S
	970 512 201 08 041	Black			GTS PR:015,016
7	970 512 201 10	Rear spoiler D - MJ 2014>>		1	Turbo / S
	970 512 201 10 041	Black			GTS PR:015,016
(7)	970 512 201 10	Rear spoiler D - MJ 2015>>		1	Turbo / S
	970 512 201 10 8Z8	Brilliant Silver			Executive PR:0E2
8	970 512 109 01	Driving mechanism Discontinued part		1	Turbo
8	970 512 109 03	Driving mechanism		1	Turbo / S GTS PR:015
9	970 512 209 00	Upper part		1	
	970 512 209 00 041	Black	with:		
		Driving mechanism D >> - MJ 2013			PR:015
9	970 512 209 01	Upper part D - MJ 2014>>		1	TURBO / S
	970 512 209 01 041	Black	with:		GTS PR:015
		Driving mechanism			
9	970 512 209 01	Upper part D - MJ 2014>>		1	Turbo / S
	970 512 209 01 G2X	primed	with:		Executive PR:0E2
		Driving mechanism			

Model: 970 10 Model life 2010>>2016

Pos	Part Number	Description	Remark	Qty	Model
10	970 512 309 00	Driving mechanism		1	Turbo / S GTS PR:015
11	970 512 223 01	Seal		1	Turbo / S GTS PR:015
12	970 512 231 00	Closing element Rear spoiler		1	
(12)	970 512 231 00	Closing element Rear spoiler		1	Turbo / S GTS PR:015
13	970 512 221 00	Cover Driving mechanism		1	
(13)	970 512 221 00	Cover Driving mechanism		1	Turbo / S GTS PR:015
14	970 512 541 00	Cover panel D - MJ 2014>>		1	
15	970 512 995 00	Protective film		1	
16	970 512 996 00	Spreader rivet		X	
17	970 512 375 00	Assembly kit Spoiler Driving mechanism		X	

Model: 970 10

Model life 2010>>2016



Model: 970 10 Model life 2010>>2016

Pos	Part Number	Description	Remark	Qty	Model
-	AKR 325 030	Door shell Gaskets Paint 1 LITER	front	1	
		also use:			
-	999 500 172 30	Position 1,11,12,14,15 rivetted cap nut M8		X	
-	N 106 185 01	rivetted cap nut M6		X	
-	N 909 596 02	rivetted cap nut M5		X	
1	970 531 011 00	Door shell	left	1	
		also use:			
			999 073 920 30	8	
			999 025 123 30	8	
			970 537 531 00	1	
			997 537 551 00	1	
			000 043 305 51	1	
			970 537 561 00	1	
			999 911 737 40	1	
	970 531 011 00 GRV	Discontinued part primed			
1	970 531 011 01	Door shell	left	1	
		also use:			
			999 073 920 30	8	
			999 025 123 30	8	
			970 537 531 00	1	
			997 537 551 00	1	
			000 043 305 51	1	
			970 537 561 00	1	
			999 911 737 40	1	
(1)	970 531 011 01 GRV	primed			
(1)	970 531 012 00	Door shell	right	1	
		also use:			
			999 073 920 30	8	
			999 025 123 30	8	
			970 537 532 00	1	
			997 537 551 00	1	
			000 043 305 51	1	
			970 537 562 00	1	
			999 911 737 40	1	
(1)	970 531 012 00 GRV	Discontinued part primed			
(1)	970 531 012 01	Door shell	right	1	
		also use:			
			999 073 920 30	8	
			999 025 123 30	8	
			970 537 532 00	1	
			997 537 551 00	1	
			000 043 305 51	1	
			970 537 562 00	1	
			999 911 737 40	1	
(1)	970 531 012 01 GRV	primed			
(1)	970 531 911 01	Door Lacquered Set	left front and rear	1	Panamera Exclusive Series PR:020
(1)	970 531 912 01	2-colour Jet Black Metallic Chestnut Brown Metallic Door Lacquered Set	right front and rear	1	Panamera Exclusive Series PR:020
		2-colour			

Model: 970 10 Model life 2010>>2016

Pos	Part Number	Description	Remark	Qty	Model
-	970 537 561 00	Jet Black Metallic Chestnut Brown Metallic sound absorber for door	left	1	
-	970 537 562 00	sound absorber for door	right	1	
-	997 537 551 00	sound absorber for door	lower		
-	999 911 737 40	Damping	upper	2	
2	970 537 531 00	Additional gasket	upper	4	
		A-pillar	left	1	
(2)	970 537 532 00	Additional gasket	right	1	
3	970 537 533 00	Additional gasket	A-pillar		
		Additional gasket	left	1	
			lower		
3	970 537 533 01	Discontinued part Additional gasket	left	1	
			lower		
(3)	970 537 534 00	Additional gasket	right	1	
			lower		
(3)	970 537 534 01	Discontinued part Additional gasket	right	1	
			lower		
4	970 537 481 03	Trim	left	1	
	970 537 481 03 V09	Aluminium look			
(4)	970 537 482 03	Trim	right	1	
	970 537 482 03 V09	Aluminium look			
4	970 537 481 04	Trim	left	1	
	970 537 481 04 A78	Matt black			
(4)	970 537 482 04	Trim	right	1	
	970 537 482 04 A78	Matt black			
4	970 537 481 05	Trim	left	1	PR:806,017
		Discontinued part			
	970 537 481 05 041	Black			
(4)	970 537 482 05	Trim	right	1	PR:806,017
		Discontinued part			
	970 537 482 05 041	Black			
-	999 190 177 31	Pop rivet		9	
		3,2X10			
5	970 537 575 01	seal on molding	left	1	
(5)	970 537 576 01	seal on molding	right	1	
6	970 537 381 02	trim for pillar b	left	1	
(6)	970 537 382 02	trim for pillar b	right	1	
7	970 537 535 00	cover for pillar b	left	1	
			inner		
(7)	970 537 536 00	cover for pillar b	right	1	
			inner		
8	970 537 295 00	Seal	left	1	
		Window guide			
(8)	970 537 296 00	Seal	right	1	
		Window guide			
9	970 537 275 00	Door seal	left	1	
(9)	970 537 276 00	Door seal	right	1	
10	970 537 265 01	Door seal	left	1	
			inner		
(10)	970 537 266 01	Door seal	right	1	
			inner		
11	970 531 629 01	Door hinge half-	left	1	
		Lower part	lower		
(11)	970 531 630 01	Door hinge half-	right	1	
		Lower part	lower		
12	970 531 719 01	hinge, lower part	left	1	
			lower		
(12)	970 531 720 01	Door hinge half-	right	1	

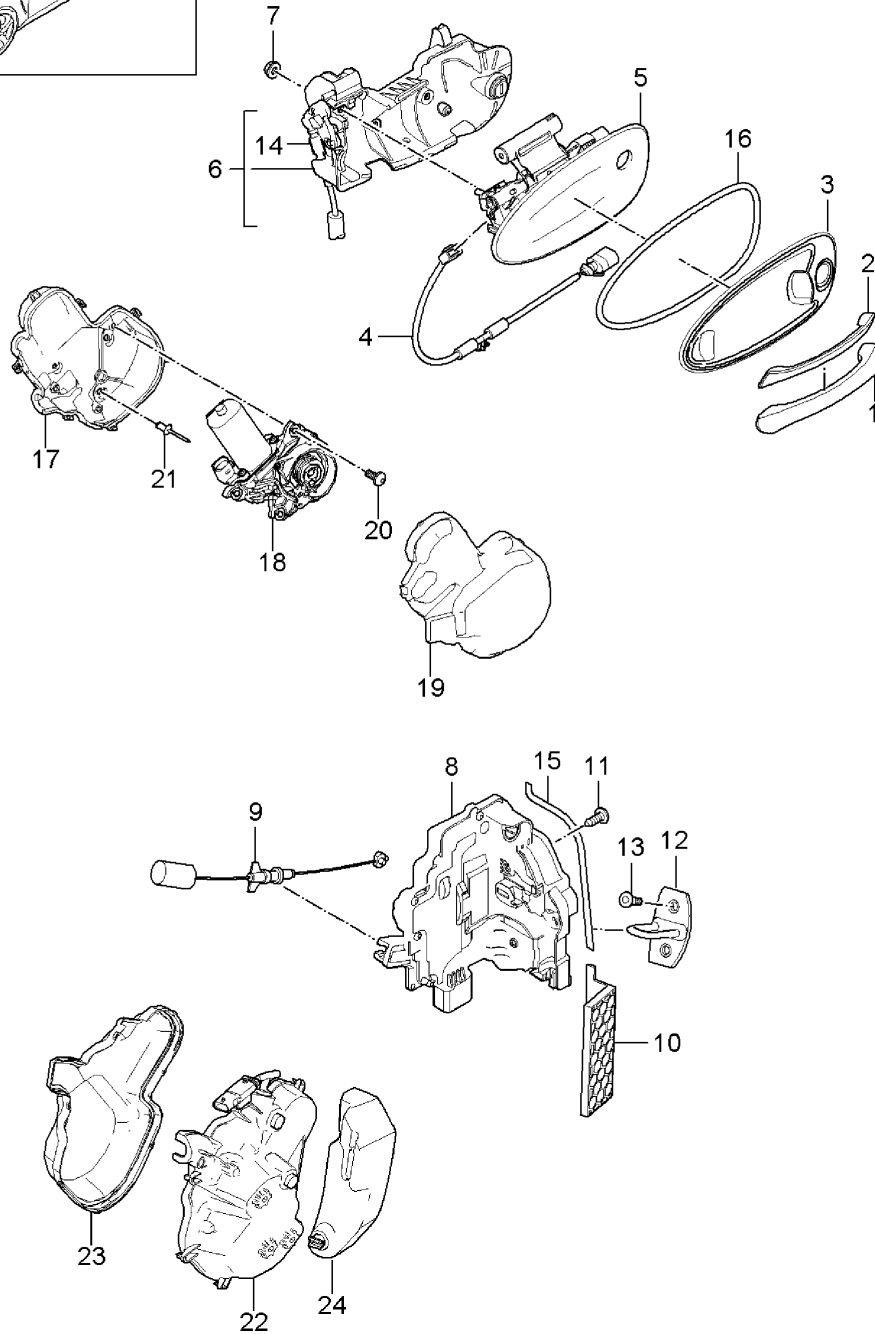
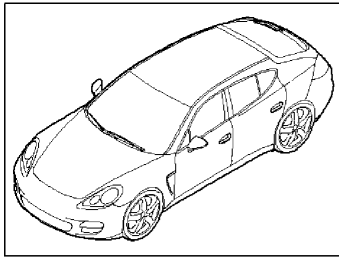
Model: 970 10

Model life 2010>>2016

Pos	Part Number	Description	Remark	Qty	Model
13	999 072 060 01	Lower part Hexagon bolt M8X12	lower	4	
14	970 531 631 01	Hinge	left	1	
(14)	970 531 632 01	Hinge	upper right	1	
15	970 531 731 00	Hinge	upper left	1	
(15)	970 531 732 00	Hinge	upper right	1	
16	999 073 364 02	Socket head bolt M8X25		8	
17	970 537 151 00	Door catch	left	1	
(17)	970 537 152 00	Door catch	right	1	
18	999 167 054 01	Ball stud		2	
19	900 380 008 01	Hexagon nut M10		2	
20	999 073 493 01	Hexagon bolt M8X32		4	
21	999 084 447 01	Discontinued part Hexagon nut M8		8	
21	PAF 003 923	Hexagon nut M8		8	
22	999 703 387 40	Cover cap		4	
23	970 537 555 01	seal on molding	left	1	
(23)	970 537 556 01	seal on molding	right	1	

Model: 970 10

Model life 2010>>2016



Model: 970 10 Model life 2010>>2016

Pos	Part Number	Description	Remark	Qty	Model
		Door handle	front and rear		
		Door lock			
1	970 537 613 00	Door handle	left	1	
	970 537 613 00 G2X	primed			
(1)	970 537 614 00	Door handle	right	1	
	970 537 614 00 G2X	primed			
(1)	970 537 961 00	Door handle	left	1	PR:625
		with:			
		Sensor			
	970 537 961 00 G2X	primed			
(1)	970 537 962 00	Door handle	right	1	PR:625
		with:			
		Sensor			
	970 537 962 00 G2X	primed			
2	970 537 723 00	strip	left	1	PR:625
		Discontinued part			
	970 537 723 00 V09	Aluminium look			
(2)	970 537 723 01	strip	left	1	PR:625
	970 537 723 01 V09	Aluminium look			
(2)	970 537 723 02	strip	left	1	PR:625,806
	970 537 723 02 041	Black			
(2)	970 537 724 00	strip	right	1	PR:625
		Discontinued part			
	970 537 724 00 V09	Aluminium look			
(2)	970 537 724 01	strip	right	1	PR:625
	970 537 724 01 V09	Aluminium look			
(2)	970 537 724 02	strip	right	1	PR:625,806
	970 537 724 02 041	Black			
3	997 537 645 00	Handle liner	left lhd	1	PR:098
	997 537 645 00 G2X	primed			
		Of			
(3)	997 537 646 00	Handle liner	right rhd	1	PR:099
	997 537 646 00 G2X	primed	front		
(3)	997 537 645 01	Handle liner	left rhd	1	PR:099
	997 537 645 01 G2X	primed	front		
(3)	997 537 646 01	Handle liner	right lhd	1	PR:098
	997 537 646 01 G2X	primed	front		
(3)	997 537 645 01	Handle liner	left	1	
	997 537 645 01 G2X	primed	rear		
(3)	997 537 646 01	Handle liner	right	1	
	997 537 646 01 G2X	primed	rear		
4	970 613 127 00	Micro switch		1	PR:625
5	970 537 445 00	Assembly kit	left	1	
		Accessories			
		Discontinued part			
5	970 537 445 01	Assembly kit	left	1	
		Accessories			
(5)	970 537 446 00	Assembly kit	right	1	
		Accessories			
		Discontinued part			
(5)	970 537 446 01	Assembly kit	right	1	
		Accessories			
6	970 537 063 04	Bracket	left	1	
		Without lock cylinder	front and rear		
(6)	970 537 064 04	Bracket	right	1	
		Without lock cylinder	front and rear		
(6)	970 538 911 04	Bracket	left lhd	1	PR:098
		with lock cylinder			
		with keys			
		with stipulated lock number			
		Chassis number			
		Indicate			
(6)	970 538 911 05	Bracket	right rhd	1	PR:099

Model: 970 10 Model life 2010>>2016

Pos	Part Number	Description	Remark	Qty	Model
		with lock cylinder with keys with stipulated lock number Chassis number Indicate			
7	999 084 629 01	Hexagon nut M6		12	
8	8J1 837 015 A	Door lock	left lhd front	1	PR:098,-885
8	8J1 837 015 C	D >> - MJ 2011 Door lock	left lhd front	1	PR:098,-885
(8)	4G1 837 015	D - MJ 2012>> - MJ 2013 Door lock	left lhd front	1	PR:098
(8)	4G1 837 015	D - MJ 2012>> Door lock	left lhd front	1	PR:098,-885
(8)	970 537 523 00	D - MJ 2014>> Door lock	left lhd front	1	PR:098,885
(8)	8J2 837 015 A	D - MJ 2013>> Door lock	left rhd front	1	PR:099,-885
(8)	8J2 837 015 C	D >> - MJ 2011 Door lock	left rhd front	1	PR:099,-885
(8)	970 537 523 02	D - MJ 2012>> Door lock	left rhd front	1	PR:099,885
(8)	8J1 837 016 A	D - MJ 2013>> Door lock	right lhd front	1	PR:098,-885
(8)	8J1 837 016 C	D >> - MJ 2011 Door lock	right lhd front	1	PR:098,-885
(8)	970 537 524 00	D - MJ 2012>> Door lock	right lhd front	1	PR:098,885
(8)	8J2 837 016 A	D - MJ 2013>> Door lock	right rhd front	1	PR:099,-885
(8)	8J2 837 016 C	D >> - MJ 2011 Door lock	right rhd front	1	PR:099,-885
(8)	4G2 837 016	D - MJ 2012>> Door lock	right rhd front	1	PR:099
(8)	4G2 837 016	D - MJ 2013>> Door lock	right rhd front	1	PR:099,-885
(8)	970 537 524 02	D - MJ 2014>> Door lock	right rhd front	1	PR:099,885
(8)	8K0 839 015	D - MJ 2013>> Door lock	left rear	1	PR:-885
(8)	8K0 839 015 C	D >> - MJ 2011 Door lock	left rear	1	PR:-885
(8)	970 536 523 00	D - MJ 2012>> Door lock	left rear	1	PR:885

Model: 970 10

Model life 2010>>2016

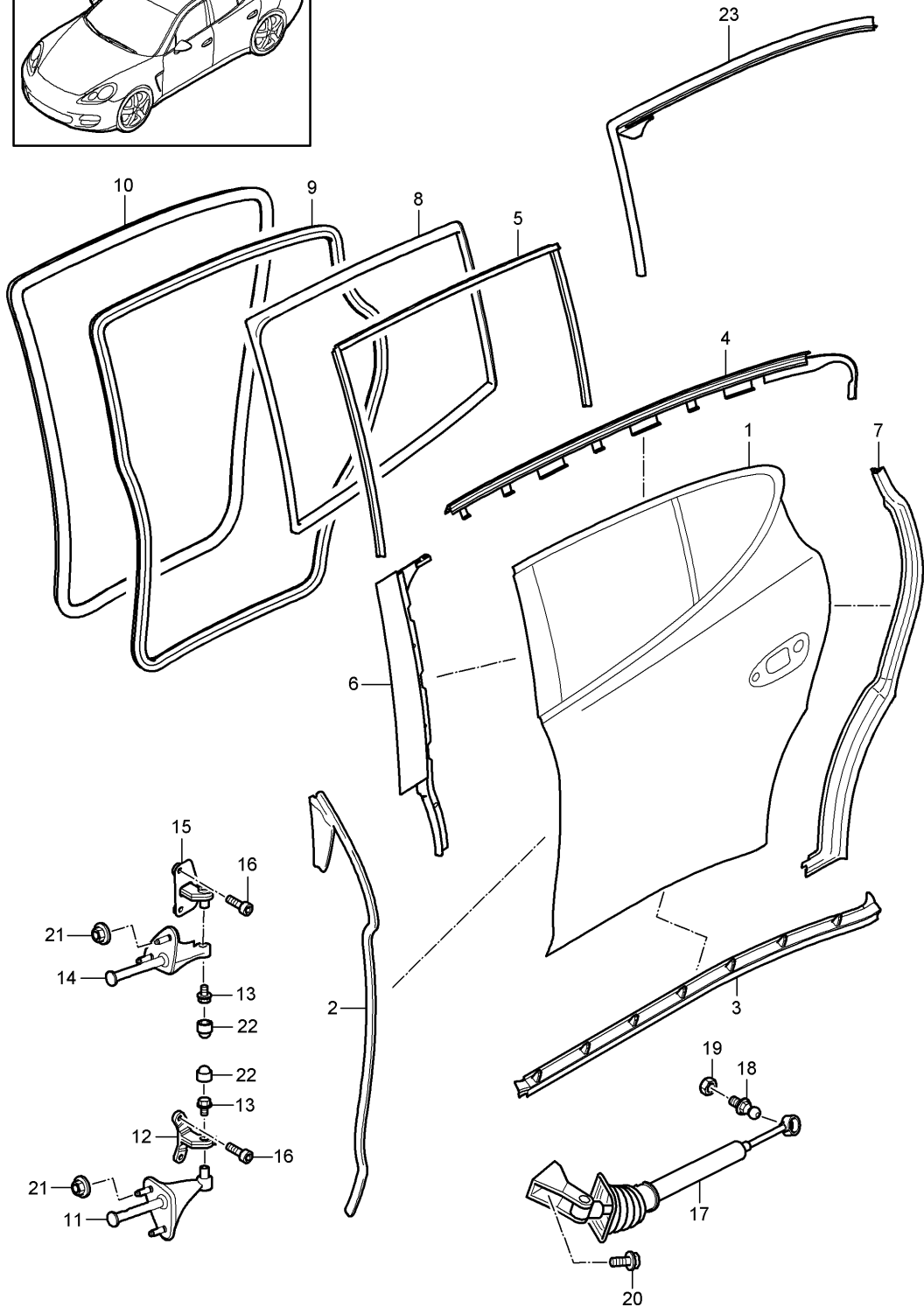
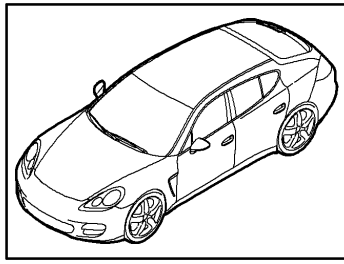
Pos	Part Number	Description	Remark	Qty	Model
(8)	8K0 839 016	D - MJ 2013>> Door lock	right rear	1	PR:-885
(8)	8K0 839 016 C	D >> - MJ 2011 Door lock	right rear	1	PR:-885
(8)	970 536 524 00	D - MJ 2012>> Door lock	right rear	1	PR:885
9	970 537 319 00	D - MJ 2013>> Bowden cable	front	1	
(9)	970 536 319 00	Bowden cable	rear	1	
(9)	970 536 319 00	Bowden cable	rear	1	PR:0E1
(9)	970 536 319 02	D - MJ 2014>> Bowden cable	rear	1	PR:0E2
10	970 537 519 01	D - MJ 2014>> door lock cover	left	1	
(10)	970 537 520 01	door lock cover	right	1	
11	WHT 003 688	fillister head bolt (combi.) M8X16		8	
12	8E0 837 033	Lock striker		4	
13	999 219 045 01	countersunk bolt M8X22	front	4	
13	N 910 174 01	countersunk multi-point socket head bolt M8X22	rear	4	
14	970 537 419 00	Bowden cable Door handle, exterior		4	
15	970 536 631 00	Seal Door lock	left front	1	
(15)	970 536 632 00	Seal Door lock	right front	1	
15	970 537 631 00	Seal Door lock	left rear	1	
(15)	970 537 632 00	Seal Door lock	right rear	1	
16	970 537 445 01	Assembly kit Accessories	left	1	
(16)	970 537 446 01	Assembly kit Accessories	right	1	
17	970 537 443 00	Cup Driving mechanism Door	left front	1	PR:885
(17)	970 537 444 00	D - MJ 2013>> Cup Driving mechanism Door	right front	1	PR:885
18	4F0 837 059	D - MJ 2013>> Drive unit Door	left front	1	PR:885
(18)	4F0 837 060	D - MJ 2013>> Drive unit Door	right front	1	PR:885
19	970 537 441 00	D - MJ 2013>> Cover Driving mechanism Door	left front	1	PR:885
(19)	970 537 442 00	D - MJ 2013>> Cover Driving mechanism Door	right front	1	PR:885
20	999 919 209 09	D - MJ 2013>> fillister hd. bolt		6	PR:885

Model: 970 10 Model life 2010>>2016

Pos	Part Number	Description	Remark	Qty	Model
21	999 190 188 30	5X22 Mount Driving mechanism D - MJ 2013>> Pop rivet 8 X 10		6	PR:885
22	970 536 451 00	Mount Bottom half D - MJ 2013>> Driving mechanism	with: left rear	1	PR:885
(22)	970 536 452 00	Bottom half Door D - MJ 2013>> Driving mechanism	with: right rear	1	PR:885
23	970 536 441 00	Bottom half Door D - MJ 2013>> Cover Driving mechanism	left	1	PR:885
(23)	970 536 442 00	D - MJ 2013>> Cover Driving mechanism	right	1	PR:885
24	970 537 661 00	D - MJ 2013>> Foam part Door lock	left	1	PR:885
(24)	970 537 662 00	Foam part Door lock	right	1	PR:885

Model: 970 10

Model life 2010>>2016



Model: 970 10 Model life 2010>>2016

Pos	Part Number	Description	Remark	Qty	Model
-	AKR 325 030	Door shell Gaskets Paint 1 Liter	rear	1	
		also use:			
1	970 532 011 00	Position 1,11,12,14,15 Door shell	left	1	
		also use:			
			999 073 920 30	8	
			999 025 123 30	8	
			970 536 531 00	1	
			997 537 551 00	1	
			000 043 305 51	1	
	970 532 011 00 GRV	Discontinued part primed			
1	970 532 011 01	Door shell	left	1	
		also use:			
			999 073 920 30	8	
			999 025 123 30	8	
			970 536 531 00	1	
			997 537 551 00	1	
			000 043 305 51	1	
	970 532 011 01 GRV	primed			
(1)	970 532 012 00	Door shell	right	1	
		also use:			
			999 073 920 30	8	
			999 025 123 30	8	
			970 536 532 00	1	
			997 537 551 00	1	
			000 043 305 51	1	
	970 532 012 00 GRV	Discontinued part primed			
(1)	970 532 012 01	Door shell	right	1	
		also use:			
			999 073 920 30	8	
			999 025 123 30	8	
			970 536 532 00	1	
			997 537 551 00	1	
			000 043 305 51	1	
	970 532 012 01 GRV	primed			
(1)	970 532 011 03	Door shell	left	1	PR:0E2
		also use:			
			999 073 920 30	8	
			999 025 123 30	8	
			970 536 531 00	1	
			997 537 551 00	1	
			000 043 305 51	1	
	970 532 011 03 GRV	D - MJ 2014>> primed			
(1)	970 532 012 03	Door shell	right	1	PR:0E2
		also use:			
			999 073 920 30	8	
			999 025 123 30	8	
			970 536 532 00	1	
			997 537 551 00	1	
			000 043 305 51	1	
	970 532 012 03 GRV	D - MJ 2014>> primed			
(1)		Door	left	1	Panamera Exclusive Series PR:020
		see illustration: 8/04/00			
(1)		Door	right	1	Panamera Exclusive Series PR:020
		see illustration: 8/04/00			
-	970 536 561 00	sound absorber for door	lower	2	
-	997 537 551 00	sound absorber for door	upper	2	

Model: 970 10 Model life 2010>>2016

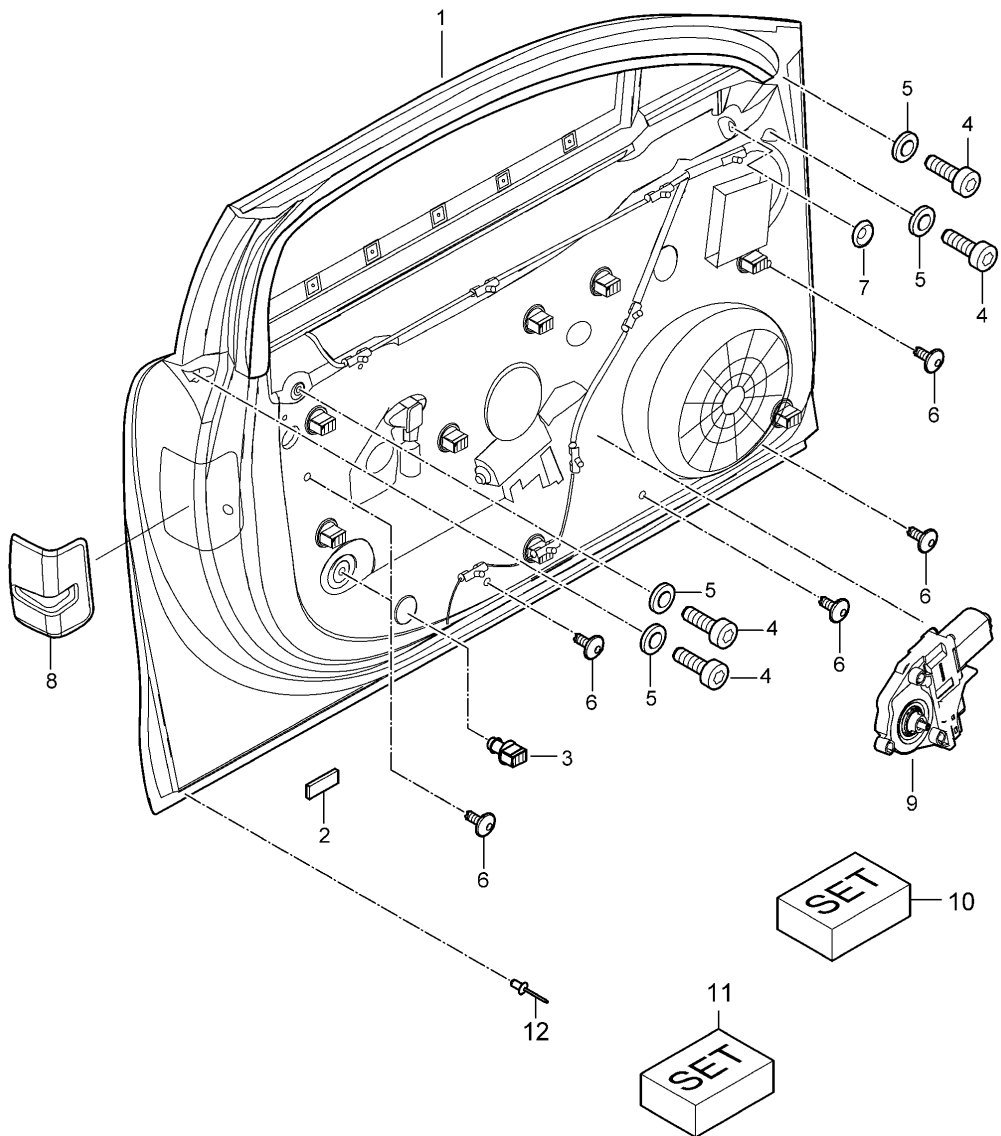
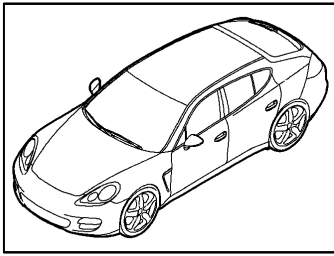
Pos	Part Number	Description	Remark	Qty	Model
2	970 536 531 00	Additional gasket A-pillar	left	1	
(2)	970 536 532 00	Additional gasket A-pillar	right	1	
3	970 536 533 00	Additional gasket	left	1	
(3)	970 536 534 00	Additional gasket	lower right	1	
(3)	970 536 533 01	Additional gasket	lower left	1	PR:0E2
(3)	970 536 534 01	D - MJ 2014>> Additional gasket	right lower	1	PR:0E2
4	970 536 481 06	Trim	left	1	
	970 536 481 06 V09	aluminium			
4	970 536 481 09	Trim	left	1	PR:0E2
		D - MJ 2014>>			
	970 536 481 09 V09	Aluminium look			
4	970 536 481 07	Trim	left	1	
	970 536 481 07 A78	Matt black			
4	970 536 481 08	Trim	left	1	PR:806
		Discontinued part			
	970 536 481 08 041	Black			
(4)	970 536 482 06	Trim	right	1	
	970 536 482 06 V09	aluminium			
(4)	970 536 482 09	Trim	right	1	PR:0E2
		D - MJ 2014>>			
	970 536 482 09 V09	Aluminium look			
(4)	970 536 482 07	Trim	right	1	
	970 536 482 07 A78	Matt black			
(4)	970 536 482 08	Trim	right	1	PR:806
		Discontinued part			
	970 536 482 08 041	Black			
-	999 190 177 31	Pop rivet		8	
5	970 536 575 01	seal on molding	left	1	
(5)	970 536 575 02	seal on molding	left	1	PR:0E2
		D - MJ 2014>>			
(5)	970 536 576 01	seal on molding	right	1	
(5)	970 536 576 02	seal on molding	right	1	PR:0E2
		D - MJ 2014>>			
6	970 536 381 01	trim for pillar b	left	1	
(6)	970 536 382 01	trim for pillar b	right	1	
7	970 536 535 01	Additional gasket c-pillar	left inner	1	
(7)	970 536 536 01	Additional gasket c-pillar	right inner	1	
-	999 591 534 40	Retaining clip for Additional gasket c-pillar		X	
8	970 536 295 00	Seal Window guide	left	1	
(8)	970 536 295 01	Seal Window guide	left	1	PR:0E2
		D - MJ 2014>>			
(8)	970 536 296 00	Seal Window guide	right	1	
(8)	970 536 296 01	Seal Window guide	right	1	PR:0E2
		D - MJ 2014>>			
9	970 536 275 00	Door seal	left	1	
(9)	970 536 276 00	Door seal	right	1	

Model: 970 10 Model life 2010>>2016

Pos	Part Number	Description	Remark	Qty	Model
9	970 536 275 02	Door seal	left	1	PR:0E2
(9)	970 536 276 02	Door seal	right	1	PR:0E2
10	970 536 265 01	Door seal	left inner	1	
10	970 536 265 03	Door seal	left inner	1	PR:0E2
(10)	970 536 266 01	D - MJ 2014>> Door seal	right inner	1	
(10)	970 536 266 03	Door seal	right inner	1	PR:0E2
11	970 531 619 00	D - MJ 2014>> Door hinge half-Lower part	left lower	1	
(11)	970 531 620 00	Door hinge half-Lower part	right lower	1	
12	970 531 719 01	hinge, lower part	left lower	1	
(12)	970 531 720 01	Door hinge half-Lower part	right lower	1	
13	999 072 060 01	Hexagon bolt M8X12		4	
14	970 531 621 00	Hinge	left upper	1	
(14)	970 531 622 00	Hinge	right upper	1	
15	970 531 731 00	Hinge	left upper	1	
(15)	970 531 732 00	Hinge	right upper	1	
16	999 073 364 02	Socket head bolt M8X25		8	
17	970 536 151 00	Door catch	left	1	
(17)	970 536 152 00	Door catch	right	1	
18	999 167 054 01	Ball stud		2	
19	900 380 008 01	Hexagon nut M10		2	
20	999 073 493 01	Hexagon bolt M8X32		4	
21	999 084 447 01	Hexagon nut M8		8	
21	PAF 003 923	Hexagon nut M8		8	
22	999 703 387 40	Cover cap		4	
23	970 536 555 01	seal on molding Discontinued part	left	1	
23	970 536 555 02	seal on molding	left	1	
23	970 536 555 03	seal on molding	left	1	PR:0E2
(23)	970 536 556 01	D - MJ 2014>> seal on molding Discontinued part	right	1	
(23)	970 536 556 02	seal on molding Discontinued part	right	1	
(23)	970 536 556 04	seal on molding	right	1	
(23)	970 536 556 03	seal on molding D - MJ 2014>>	right	1	PR:0E2

Model: 970 10

Model life 2010>>2016



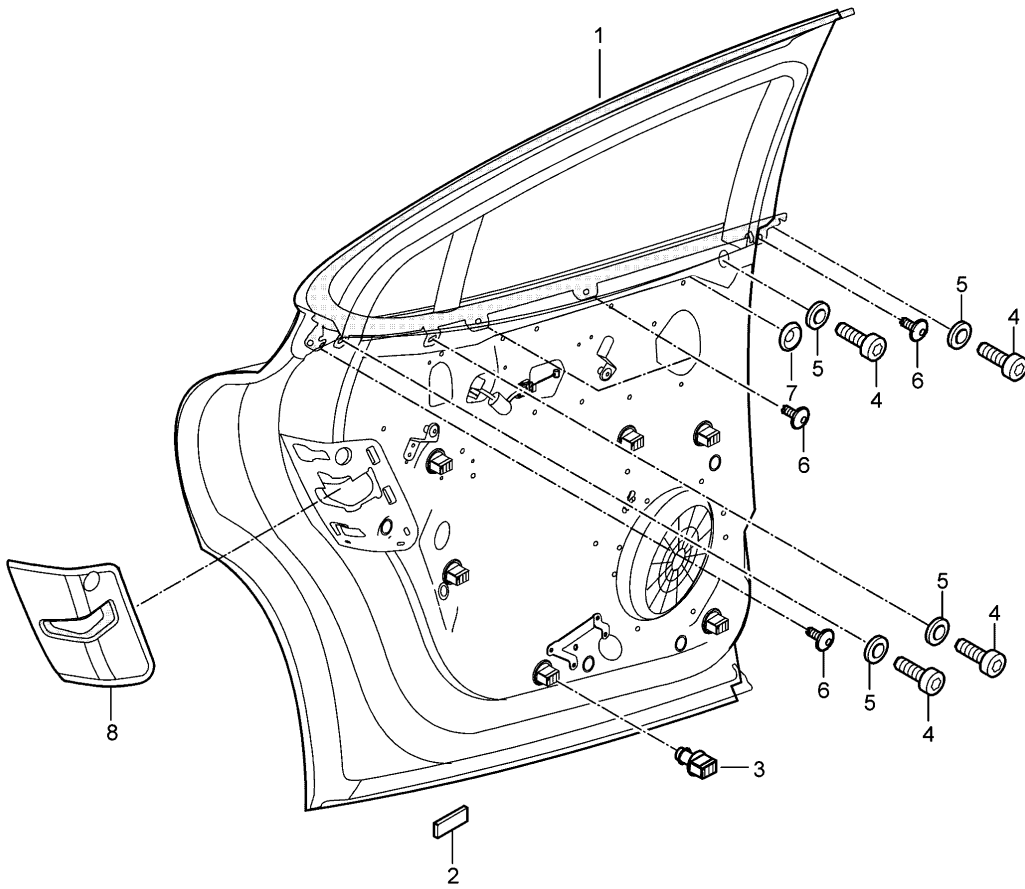
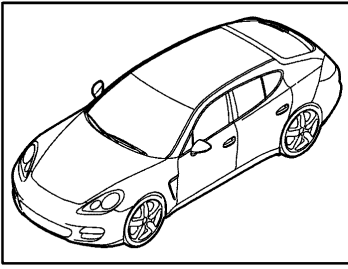
Model: 970 10

Model life 2010>>2016

Pos	Part Number	Description	Remark	Qty	Model
		Window regulator	front		
		Assembly carrier			
1	970 537 221 02	Assembly carrier	left	1	
(1)	970 537 222 02	Assembly carrier	right	1	
2	970 537 591 00	Rubber bush		6	
3	970 537 557 00	Bracket for door trim		14	
4	999 073 950 30	Bolt with washer M8X33-PA		8	
		Discontinued part			
4	999 073 920 30	fillister hd. bolt M8X33-PA		8	
5	999 025 123 30	Washer		8	
		9X22X3,5			
6	999 073 260 09	fillister hd. bolt M6X16-PA		12	
7	999 703 435 40	End cap 10x6,5		2	
8	970 537 581 00	Trim	left	1	
	970 537 581 00 1E0	Black			
(8)	970 537 582 00	Trim	right	1	
	970 537 582 00 1E0	Black			
9	970 624 101 01	Electric motor	left	1	
		Window regulator			
(9)	970 624 102 01	Electric motor	right	1	
		Window regulator			
(10)	970 542 901 00	Assembly kit	left	1	
		Cable	front		
		Window regulator			
(10)	970 542 902 00	Assembly kit	right	1	
		Cable	front		
		Window regulator			
11	970 542 903 00	Assembly kit	left	1	
		Guide rail	front		
		Window regulator			
(11)	970 542 904 00	Assembly kit	right	1	
		Guide rail	front		
		Window regulator			
12	999 190 188 30	Pop rivet 4,8 X 10		6	
		Mount			
		Bottom half			

Model: 970 10

Model life 2010>>2016

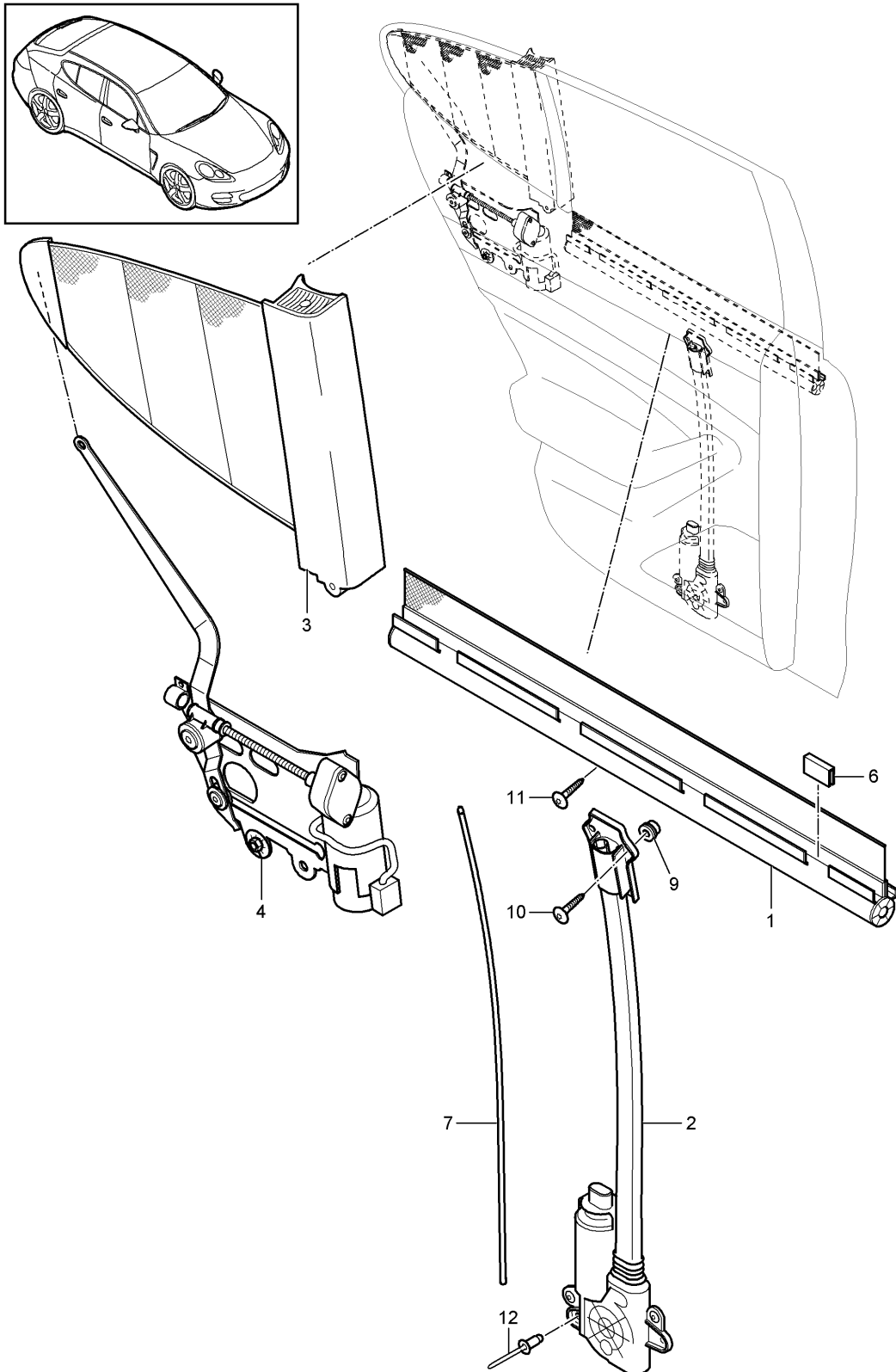


Model: 970 10 Model life 2010>>2016

Pos	Part Number	Description	Remark	Qty	Model
		Window regulator	rear		
		Assembly carrier			
1	970 536 221 01	Assembly carrier	left	1	
1	970 536 221 03	Assembly carrier	left	1	PR:0E2
		D - MJ 2014>>			
(1)	970 536 222 01	Assembly carrier	right	1	
(1)	970 536 222 03	Assembly carrier	right	1	PR:0E2
		D - MJ 2014>>			
2	970 537 591 00	Rubber bush		6	
3	970 537 557 00	Bracket for door trim		14	
4	999 073 950 30	Bolt with washer		8	
		M8X33-PA			
		Discontinued part			
4	999 073 920 30	fillister hd. bolt		8	
		M8X33-PA			
5	999 025 123 30	Washer		8	
		9X22X3,5			
6	999 073 260 09	fillister hd. bolt		12	
		M6X16-PA			
7	999 703 462 40	End cap		2	
		10x6,5			
8	970 536 581 00	Trim	left	1	
	970 536 581 00 1E0	Black			
8	970 536 581 01	Trim	left	1	PR:885
	970 536 581 01 1E0	Black			
(8)	970 536 582 00	Trim	right	1	
	970 536 582 00 1E0	Black			
(8)	970 536 582 01	Trim	right	1	PR:885
	970 536 582 01 1E0	Black			
9	970 624 101 01	Electric motor	right	1	
		Window regulator			
10	970 624 102 01	Electric motor	left	1	
		Window regulator			
11	970 544 901 00	Assembly kit	left	1	
		Cable	rear		
		Window regulator			
(11)	970 544 901 01	Assembly kit	left	1	PR:0E2
		Cable	rear		
		Window regulator			
12	970 544 902 00	Assembly kit	right	1	
		Cable	rear		
		Window regulator			
(12)	970 544 902 01	Assembly kit	right	1	PR:0E2
		Cable	rear		
		Window regulator			
13	970 544 903 00	Assembly kit	left	1	
		Guide rail	rear		
		Window regulator			
(13)	970 544 904 00	Assembly kit	right	1	
		Guide rail	rear		
		Window regulator			
14	999 919 276 01	Bolt with washer		2	
		M 6 X 15			
		Lift rail			
		Door window			

Model: 970 10

Model life 2010>>2016



Model: 970 10 Model life 2010>>2016

Pos	Part Number	Description	Remark	Qty	Model
		roller blind Door	rear		
1	970 536 411 00	roller blind Door window	left	1	
1	970 536 411 01	Discontinued part roller blind Door window	left	1	PR:861
(1)	970 536 411 01	D >> - MJ 2013 roller blind Door window	left	1	PR:0E1,861
(1)	970 536 411 02	D - MJ 2014>> roller blind Door window	left	1	PR:0E2,861
(1)	970 536 412 00	D - MJ 2014>> roller blind Door window	right	1	
(1)	970 536 412 01	Discontinued part roller blind Door window	right	1	PR:861
(1)	970 536 412 01	D >> - MJ 2013 roller blind Door window	right	1	PR:0E1,861
(1)	970 536 412 02	D - MJ 2014>> roller blind Door window	right	1	PR:0E2,861
2	970 536 375 00	Drive f. sunlight roller blind Door window	left	1	PR:861
(2)	970 536 375 00	D >> - MJ 2013 Drive f. sunlight roller blind Door window	left	1	PR:0E1,861
(2)	970 536 375 01	D - MJ 2014>> Drive f. sunlight roller blind Door window	left	1	PR:0E2,861
(2)	970 536 376 00	D - MJ 2014>> Drive f. sunlight roller blind Door window	right	1	PR:861
(2)	970 536 376 00	D >> - MJ 2013 Drive f. sunlight roller blind Door window	right	1	PR:0E1,861
(2)	970 536 376 01	D - MJ 2014>> Drive f. sunlight roller blind Door window	right	1	PR:0E2,861
3	970 536 321 00	roller blind Side window	left	1	
3	970 536 321 01	Discontinued part roller blind Side window	left	1	
(3)	970 536 322 00	roller blind Side window	right	1	
(3)	970 536 322 01	Discontinued part roller blind Side window	right	1	
4	970 536 585 00	Drive f. sunlight roller blind Side window	left	1	
(4)	970 536 586 00	Drive f. sunlight roller blind Side window	right	1	
5	970 536 697 00	Retaining bracket roller blind		2	
6	970 536 695 00	sound absorber piece		4	
7	970 536 475 00	slide rod Side window		2	

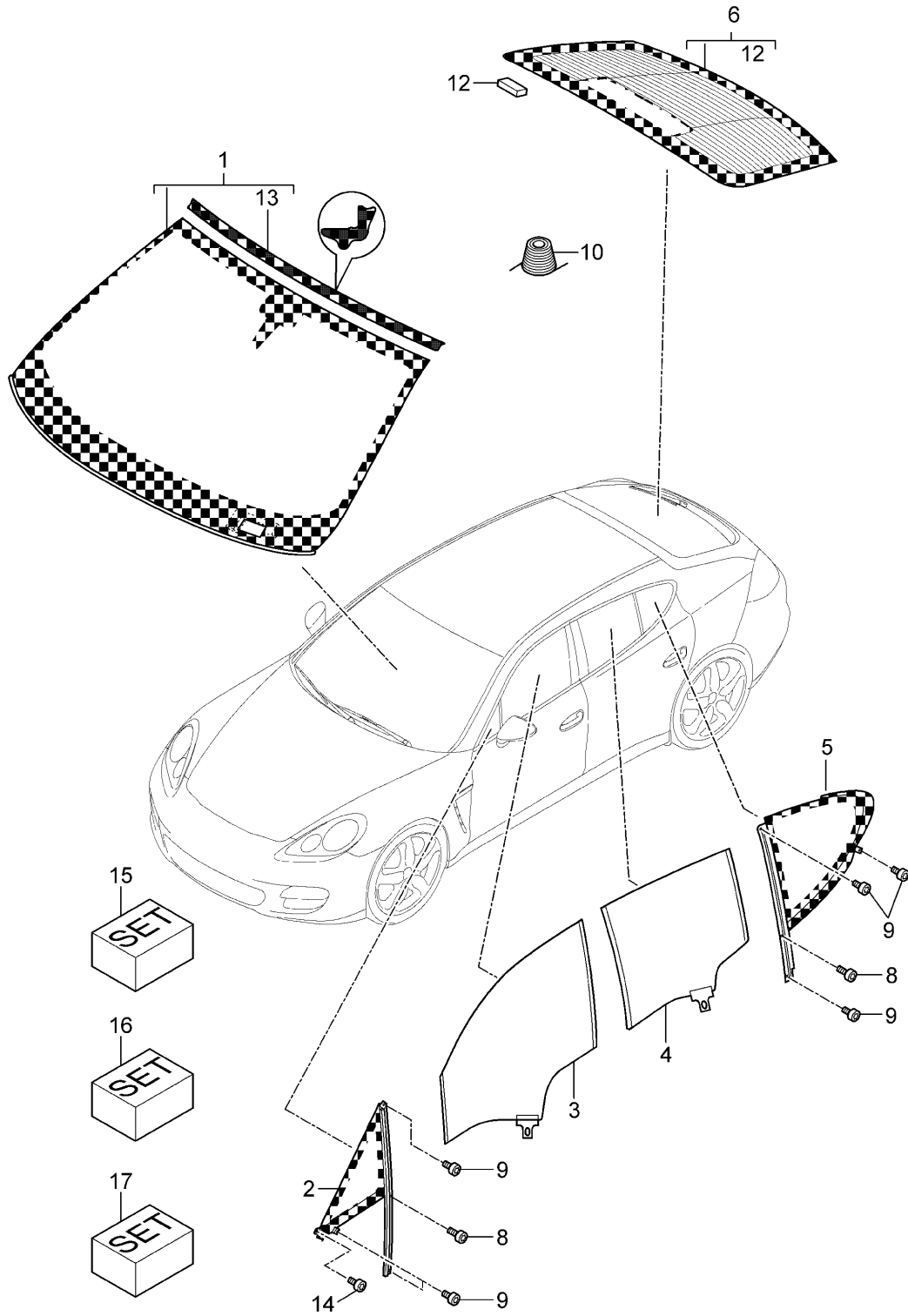
Model: 970 10

Model life 2010>>2016

Pos	Part Number	Description	Remark	Qty	Model
7	970 536 475 00	D >> - MJ 2013 slide rod Side window		2	PR:0E1
8	970 536 705 00	D - MJ 2014>> Retaining bracket	left	1	
(8)	970 536 706 00	Driving mechanism Retaining bracket	right	1	
9	999 500 167 00	Driving mechanism sound absorber piece		2	
10	999 073 345 09	roller blind Oval-head screw		2	
11	999 919 118 09	M5x18 fillister hd. bolt		2	
12	999 190 496 30	M4x12 Pop rivet 4,8x6,5		26	

Model: 970 10

Model life 2010>>2016



Model: 970 10 Model life 2010>>2016

Pos	Part Number	Description	Remark	Qty	Model
1	970 541 111 23	window glazing D >> - MJ 2013 Windscreen without: Camera		1	PR:863,866, -015,567
(1)	970 541 111 24	Windscreen without: Camera	also use: 000 043 305 35	1	PR:864,865, -015,-193, 567
(1)	970 541 111 19	Windscreen	also use: 000 043 305 35	1	PR:864,865, 193,-015,567
(1)	970 541 111 20	Windscreen D >> - MJ 2013	also use: 000 043 305 35	1	PR:864,865, 193,-015,567 "J.."
(1)	970 541 111 21	Windscreen D >> - MJ 2013	also use: 000 043 305 35	1	PR:015,864, 865,-193,567
(1)	970 541 111 16	Windscreen D >> - MJ 2013	also use: 000 043 305 35	1	PR:015,193, 567,864 "J.."
2		Triangular plate (drivers side) (passenger side)			
2	970 542 311 02	Side window	left	1	PR:863,866
(2)	970 542 312 02	Side window	right	1	PR:863,866
(2)	970 542 311 04	Side window	left	1	PR:864,865
(2)	970 542 312 04	Side window	right	1	PR:864,865
3		Side window doors	front		
3	970 542 511 00	Door window	left	1	PR:863,866
(3)	970 542 512 00	Door window	right	1	PR:863,866
(3)	970 542 511 02	Door window	left	1	PR:864,865
(3)	970 542 512 02	Door window	right	1	PR:864,865
4		Side window doors	rear		
4	970 544 511 00	Door window	left	1	PR:863
(4)	970 544 512 00	Door window	right	1	PR:863
(4)	970 544 511 03	Door window	left	1	PR:866
(4)	970 544 512 03	Door window	right	1	PR:866
(4)	970 544 511 04	Door window	left	1	PR:865
(4)	970 544 512 04	Door window	right	1	PR:865
(4)	970 544 511 05	Door window	left	1	PR:864
(4)	970 544 512 05	Door window	right	1	PR:864
5		Side window	left right		
5	970 544 311 08	Side window	left	1	PR:863,-861
(5)	970 544 312 08	Side window	right	1	PR:863,-861
(5)	970 544 311 09	Side window	left	1	PR:865,-861
(5)	970 544 312 09	Side window	right	1	PR:865,-861
(5)	970 544 311 10	Side window	left	1	PR:864,-861
(5)	970 544 312 10	Side window	right	1	PR:864,-861
(5)	970 544 311 11	Side window	left	1	PR:866,-861
(5)	970 544 312 11	Side window	right	1	PR:866,-861
(5)	970 544 311 12	Side window	left	1	PR:861,863
(5)	970 544 312 12	Adapter roller blind Side window with: Adapter roller blind	right	1	PR:861,863

Model: 970 10 Model life 2010>>2016

Pos	Part Number	Description	Remark	Qty	Model
(5)	970 544 311 13	Side window with: Adapter roller blind	left	1	PR:861,865
(5)	970 544 312 13	Side window with: Adapter roller blind	right	1	PR:861,865
(5)	970 544 311 14	Side window with: Adapter roller blind	left	1	PR:861,864
(5)	970 544 312 14	Side window with: Adapter roller blind	right	1	PR:861,864
(5)	970 544 311 15	Side window with: Adapter roller blind	left	1	PR:861,866
(5)	970 544 312 15	Side window with: Adapter roller blind	right	1	PR:861,866
6	970 545 111 36	Rear window		1	PR:426,696, 863
(6)	970 545 111 37	Rear window	also use: 000 043 305 30	1	PR:426,665, 675,863
(6)	970 545 111 22	Rear window	also use: 000 043 305 30	1	PR:425,696, 863
(6)	970 545 111 23	Rear window	also use: 000 043 305 30	1	PR:425,665, 675,863
(6)	970 545 111 38	Rear window	also use: 000 043 305 30	1	PR:426,696, 865
(6)	970 545 111 39	Rear window	also use: 000 043 305 30	1	PR:426,665, 675,865
(6)	970 545 111 34	Rear window	also use: 000 043 305 30	1	PR:425,696, 865
(6)	970 545 111 35	Rear window	also use: 000 043 305 30	1	PR:425,665, 675,865
(6)	970 545 111 42	Rear window	also use: 000 043 305 30	1	PR:426,696, 864,866
(6)	970 545 111 43	Rear window	also use: 000 043 305 30	1	PR:426,665, 675,864,866
(6)	970 545 111 44	Rear window	also use: 000 043 305 30	1	PR:425,696, 864,866
(6)	970 545 111 45	Rear window	also use: 000 043 305 30	1	PR:425,665, 675,864,866
8	999 073 524 01	Fastening screw M5x17		X	
9	999 073 523 01	Fastening screw M5x12		X	
10	000 043 300 96	Wire		1	
10	000 043 303 32	Discontinued part cutting wire for removing windows		1	
12	999 703 130 40	Stop buffer Rear window		8	
13	970 541 263 00	Seal for front window	upper	1	
14	999 073 525 01	Fastening screw Trim M4x12		1	

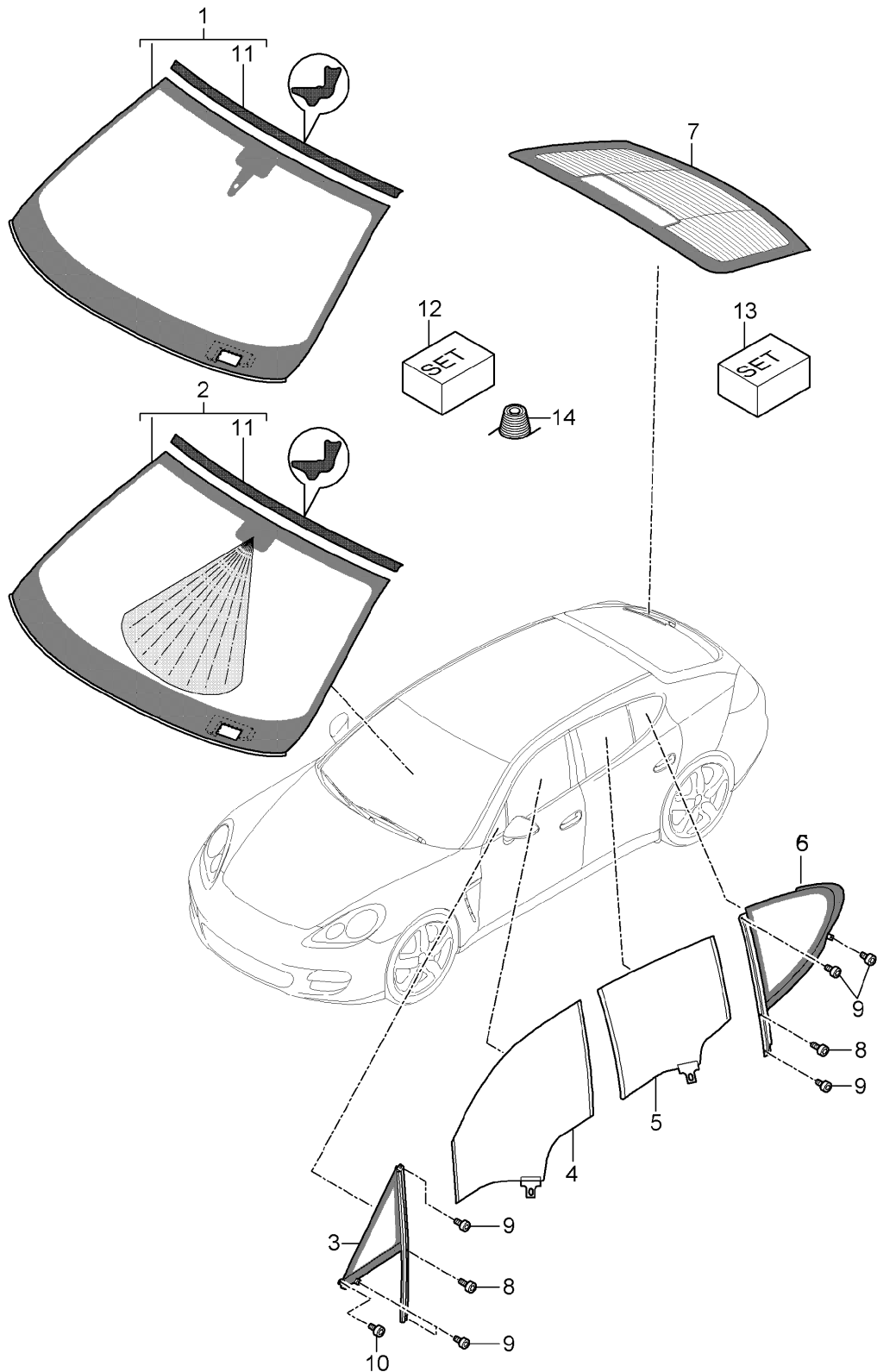
Model: 970 10

Model life 2010>>2016

Pos	Part Number	Description	Remark	Qty	Model
15	000 043 303 19	Adhesive set		1	
16	000 043 205 37	emulsion tube Supplement set		X	
17	000 043 206 47	Car care set Side window See technical manual		X	

Model: 970 10

Model life 2010>>2016



Model: 970 10 Model life 2010>>2016

Pos	Part Number	Description	Remark	Qty	Model
1	970 541 111 23	window glazing D - MJ 2014>> Windscreen without: Camera		1	PR:863,866, -015,-631, -632,-852
(1)	970 541 111 24	Windscreen without: Camera also use:	000 043 305 35	1	PR:864,865, -015,-193, -632,-631, -852
(1)	970 541 111 25	Windscreen without: Camera also use:	000 043 305 35	1	PR:864,865, 193,-015, -632,-631, -852
(1)	970 541 111 26	Windscreen without: Camera also use:	000 043 305 35	1	"J.." GTS PR:863,866, 015,-631, -632,-852
(1)	970 541 111 27	Windscreen without: Camera also use:	000 043 305 35	1	GTS PR:864,865, 015,-193, -632,-631, -852
(1)	970 541 111 28	Windscreen without: Camera also use:	000 043 305 35	1	GTS PR:015,193, 864,865, -632,-631, -852
2	970 541 111 29	Windscreen with: Camera also use:	000 043 305 35	1	"J.." PR:863,866, -015
(2)	970 541 111 30	Windscreen with: Camera also use:	000 043 305 35	1	PR:864,865, -015,-193
(2)	970 541 111 31	Windscreen with: Camera also use:	000 043 305 35	1	PR:864,865, 193,-015 "J.."
(2)	970 541 111 32	Windscreen with: Camera also use:	000 043 305 35	1	GTS PR:863,866, 015
(2)	970 541 111 33	Windscreen with: Camera also use:	000 043 305 35	1	GTS PR:864,865, 015,-193
(2)	970 541 111 34	Windscreen with: Camera also use:	000 043 305 35	1	GTS PR:864,865, 015,193 "J.."
3		Triangular plate (drivers side) (passenger side)			
3	970 542 311 02	Side window	left	1	PR:863,866
(3)	970 542 312 02	Side window	right	1	PR:863,866
(3)	970 542 311 04	Side window	left	1	PR:864,865
(3)	970 542 312 04	Side window	right	1	PR:864,865
4		Side window doors	front		

Model: 970 10 Model life 2010>>2016

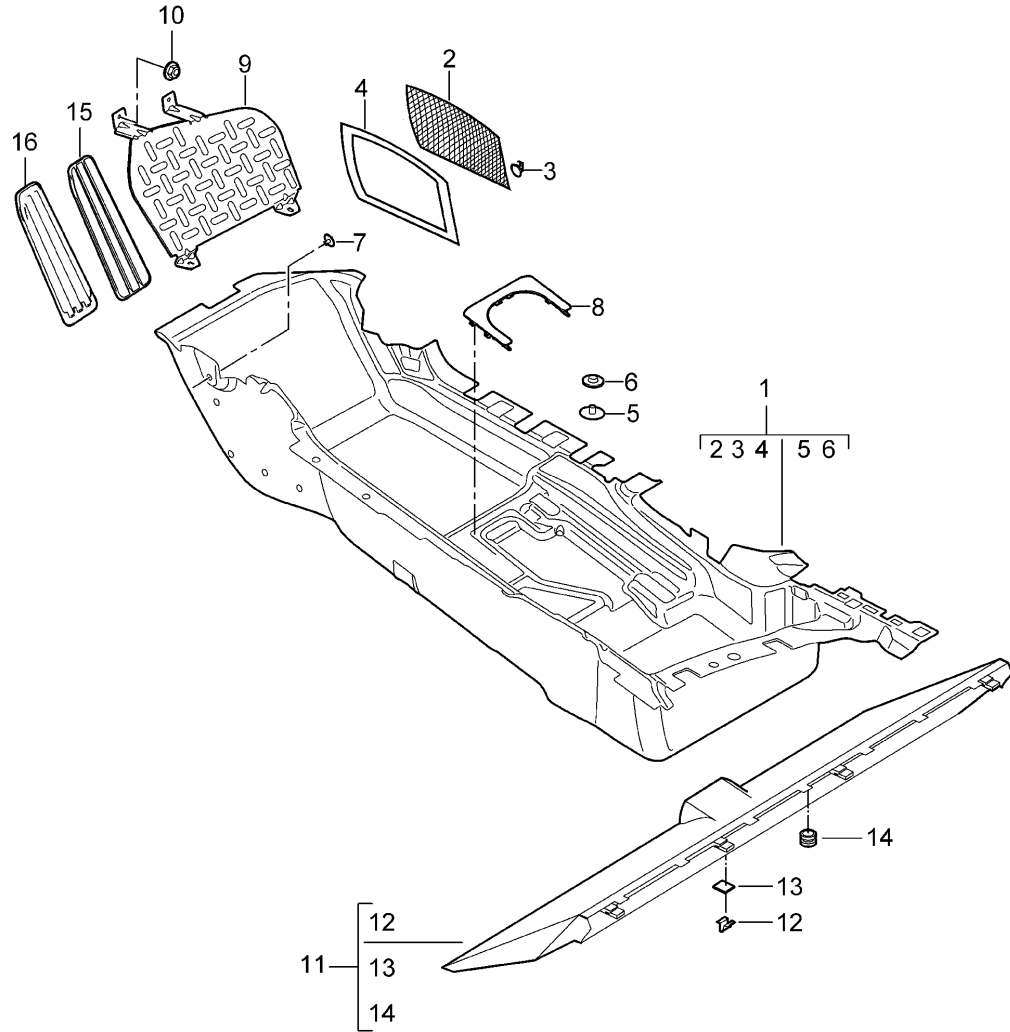
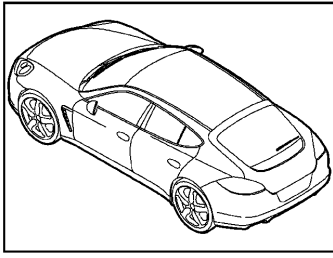
Pos	Part Number	Description	Remark	Qty	Model
4	970 542 511 03	Door window	left	1	PR:863,866
(4)	970 542 512 03	Door window	right	1	PR:863,866
(4)	970 542 511 04	Door window	left	1	PR:864,865
(4)	970 542 512 04	Door window	right	1	PR:864,865
5		Side window doors	rear		
5	970 544 511 06	Door window	left	1	PR:863,0E1
(5)	970 544 512 06	Door window	right	1	PR:863,0E1
(5)	970 544 511 07	Door window	left	1	PR:865,0E1
(5)	970 544 512 07	Door window	right	1	PR:865,0E1
(5)	970 544 511 08	Door window	left	1	PR:864,0E1
(5)	970 544 512 08	Door window	right	1	PR:864,0E1
(5)	970 544 511 09	Door window	left	1	PR:866,0E1
(5)	970 544 512 09	Door window	right	1	PR:866,0E1
(5)	970 544 511 11	Door window	left	1	PR:865,0E2
(5)	970 544 511 11	Door window	left	1	PR:865,0E2
(5)	970 544 512 11	Door window	right	1	PR:865,0E2
(5)	970 544 511 12	Door window	left	1	PR:864,0E2
(5)	970 544 512 12	Door window	right	1	PR:864,0E2
6		Side window	left		
6	970 544 311 08	Side window	left	1	PR:863,-861
(6)	970 544 312 08	Side window	right	1	PR:863,-861
(6)	970 544 311 09	Side window	left	1	PR:865,-861
(6)	970 544 311 09	Side window	left	1	PR:865,-861
(6)	970 544 312 09	Side window	right	1	PR:865,-861
(6)	970 544 311 10	Side window	left	1	PR:864,-861
(6)	970 544 312 10	Side window	right	1	PR:864,-861
(6)	970 544 311 11	Side window	left	1	PR:866,-861
(6)	970 544 312 11	Side window	right	1	PR:866,-861
(6)	970 544 311 12	Side window	left	1	PR:861,863
		with:			
		Adapter roller blind			
(6)	970 544 312 12	Side window	right	1	PR:861,863
		with:			
		Adapter roller blind			
(6)	970 544 311 13	Side window	left	1	PR:861,865
		with:			
		Adapter roller blind			
(6)	970 544 312 13	Side window	right	1	PR:861,865
		with:			
		Adapter roller blind			
(6)	970 544 311 14	Side window	left	1	PR:861,864
		with:			
		Adapter roller blind			
(6)	970 544 312 14	Side window	right	1	PR:861,864
		with:			
		Adapter roller blind			
(6)	970 544 311 15	Side window	left	1	PR:861,866
		with:			
		Adapter roller blind			
(6)	970 544 312 15	Side window	right	1	PR:861,866
		with:			
		Adapter roller blind			
7		Rear window			

Model: 970 10 Model life 2010>>2016

Pos	Part Number	Description	Remark	Qty	Model
7	970 545 111 46	Rear window		1	PR:426,863
		also use:	000 043 305 35	1	
(7)	970 545 111 47	Rear window		1	PR:425,863
		also use:	000 043 305 35	1	
(7)	970 545 111 48	Rear window		1	PR:426,866
		also use:	000 043 305 35	1	
(7)	970 545 111 49	Rear window		1	PR:425,866
		also use:	000 043 305 35	1	
(7)	970 545 111 50	Rear window		1	PR:426,865
		also use:	000 043 305 35	1	
(7)	970 545 111 51	Rear window		1	PR:425,865
		also use:	000 043 305 35	1	
(7)	970 545 111 52	Rear window		1	PR:426,864
		also use:	000 043 305 35	1	
(7)	970 545 111 53	Rear window		1	PR:425,864
		also use:	000 043 305 35	1	
8	999 073 524 01	Fastening screw M5X17		X	
9	999 073 523 01	Fastening screw M5X12		X	
10	999 073 525 01	Fastening screw Trim M4X12		1	
11	970 541 263 00	Seal for front window	upper	1	
(12)	000 043 305 35	2K pane adhesive set window glazing		1	
13	000 043 205 37	emulsion tube Supplement set		X	
14	000 043 303 32	cutting wire for removing windows		1	

Model: 970 10

Model life 2010>>2016



Model: 970 10 Model life 2010>>2016

Pos	Part Number	Description	Remark	Qty	Model
(1)	970 551 011 02	Flooring Flooring Discontinued part	left lhd	1	PR:098
	970 551 011 02 6B0	Black	-AB,AC,GK,GS, GA		
	970 551 011 02 8E0	Platinum Grey	-CB,CC,GC		
	970 551 011 02 7K0	Luxor beige	-UB,UC,GU		
	970 551 011 02 6D0	yachting blue	-EC,GE		
	970 551 011 02 DNT	Black/Platinum Grey	-BB		
	970 551 011 02 DNV	Luxor Beige/Cream	-BC		
	970 551 011 02 DNW	Yachting Blue/Cream	-BD		
	970 551 011 02 9D0	Espresso	-NA		
	970 551 011 02 9E0	Cognac	-NC		
	970 551 011 02 DNY	Cognac/Cedar	-BN		
(1)	970 551 011 06	Flooring D >> - MJ 2013	left lhd	1	PR:098
	970 551 011 06 6B0	Black	-AB,AC,GK,GS, GA		
	970 551 011 06 8E0	Platinum Grey	-CB,CC,GC		
	970 551 011 06 7K0	Luxor beige	-UB,UC,GU		
	970 551 011 06 6D0	yachting blue	-EC,GE		
	970 551 011 06 DNT	Black/Platinum Grey	-BB		
	970 551 011 06 DNV	Luxor Beige/Cream	-BC		
	970 551 011 06 DNW	Yachting Blue/Cream	-BD		
	970 551 011 06 9D0	Espresso	-NA		
	970 551 011 06 9E0	Cognac	-NC		
	970 551 011 06 DNY	Cognac/Cedar	-BN		
	970 551 011 06 7G0	Marsala Red	-PC,GP		
	970 551 011 06 DNX	Marsala Red/Cream	-BE		
1	970 551 012 02	Flooring Discontinued part	right lhd	1	PR:098
	970 551 012 02 6B0	Black	-AB,AC,GK,GS, GA		
	970 551 012 02 8E0	Platinum Grey	-CB,CC,GC		
	970 551 012 02 7K0	Luxor beige	-UB,UC,GU		
	970 551 012 02 6D0	yachting blue	-EC,GE		
	970 551 012 02 DNT	Black/Platinum Grey	-BB		
	970 551 012 02 DNV	Luxor Beige/Cream	-BC		
	970 551 012 02 DNW	Yachting Blue/Cream	-BD		
	970 551 012 02 9D0	Espresso	-NA		
	970 551 012 02 9E0	Cognac	-NC		
	970 551 012 02 DNY	Cognac/Cedar	-BN		
(1)	970 551 012 06	Flooring D >> - MJ 2013	right lhd	1	PR:098
	970 551 012 06 6B0	Black	-AB,AC,GK,GS, GA		
	970 551 012 06 8E0	Platinum Grey	-CB,CC,GC		
	970 551 012 06 7K0	Luxor beige	-UB,UC,GU		
	970 551 012 06 6D0	yachting blue	-EC,GE		
	970 551 012 06 DNT	Black/Platinum Grey	-BB		
	970 551 012 06 DNV	Luxor Beige/Cream	-BC		
	970 551 012 06 DNW	Yachting Blue/Cream	-BD		
	970 551 012 06 9D0	Espresso	-NA		
	970 551 012 06 9E0	Cognac	-NC		
	970 551 012 06 DNY	Cognac/Cedar	-BN		
	970 551 012 06 7G0	Marsala Red	-PC,GP		
	970 551 012 06 DNX	Marsala Red/Cream	-BE		
(1)	970 551 011 03	Flooring	left rhd	1	PR:099
	970 551 011 03 6B0	Black	-AB,AC,GK,GS, GA		
	970 551 011 03 8E0	Platinum Grey	-CB,CC,GC		
	970 551 011 03 7K0	Luxor beige	-UB,UC,GU		
	970 551 011 03 6D0	yachting blue	-EC,GE		

Model: 970 10 Model life 2010>>2016

Pos	Part Number	Description	Remark	Qty	Model
	970 551 011 03 DNT	Black/Platinum Grey	-BB		
	970 551 011 03 DNV	Luxor Beige/Cream	-BC		
	970 551 011 03 DNW	Yachting Blue/Cream	-BD		
	970 551 011 03 9D0	Espresso	-NA		
	970 551 011 03 9E0	Cognac	-NC		
	970 551 011 03 DNY	Cognac/Cedar	-BN		
	970 551 011 03 DNX	Marsala Red/Cream	-BE		
(1)	970 551 012 03	Flooring	right rhd	1	PR:099
	970 551 012 03 6B0	Black	-AB,AC,GK,GS, GA		
	970 551 012 03 8E0	Platinum Grey	-CB,CC,GC		
	970 551 012 03 7K0	Luxor beige	-UB,UC,GU		
	970 551 012 03 6D0	yachting blue	-EC,GE		
	970 551 012 03 DNT	Black/Platinum Grey	-BB		
	970 551 012 03 DNV	Luxor Beige/Cream	-BC		
	970 551 012 03 DNW	Yachting Blue/Cream	-BD		
	970 551 012 03 9D0	Espresso	-NA		
	970 551 012 03 9E0	Cognac	-NC		
	970 551 012 03 DNY	Cognac/Cedar	-BN		
	970 551 012 03 DNX	Marsala Red/Cream	-BE		
(1)	970 551 993 00	Flooring		1	PR:098,0E1, XXZ,015
		D - MJ 2014>>			
	970 551 993 00 6B0	Black	-AB,AC,GK,GS, GA		
	970 551 993 00 9C0	agate grey	-DG,DL,GD		
	970 551 993 00 7K0	Luxor beige	-UB,UC,GU		
	970 551 993 00 7G0	Marsala Red	-PC,GP		
	970 551 993 00 DNV	Luxor Beige/Cream	-BC		
	970 551 993 00 DNX	Marsala Red/Cream	-BE		
	970 551 993 00 9D0	Espresso	-NA		
	970 551 993 00 9E0	Cognac	-NC		
	970 551 993 00 DNY	Cognac/Cedar	-BN		
	970 551 993 00 BW3	saddle brown	-SB,GH		
	970 551 993 00 DUN	Black/Saddle Tan	-DN		
(1)	970 551 993 01	Flooring		1	PR:098,0E1, XXZ
		D - MJ 2014>>			
	970 551 993 01 6B0	Black	-AB,AC,GK,GS, GA		
	970 551 993 01 9C0	agate grey	-DG,DL,GD		
	970 551 993 01 7K0	Luxor beige	-UB,UC,GU		
	970 551 993 01 7G0	Marsala Red	-PC,GP		
	970 551 993 01 DNV	Luxor Beige/Cream	-BC		
	970 551 993 01 DNX	Marsala Red/Cream	-BE		
	970 551 993 01 9D0	Espresso	-NA		
	970 551 993 01 9E0	Cognac	-NC		
	970 551 993 01 DNY	Cognac/Cedar	-BN		
	970 551 993 01 BW3	saddle brown	-SB,GH		
	970 551 993 01 DUN	Black/Saddle Tan	-DN		
(1)	970 551 011 09	Flooring	left	1	PR:098,0E1, -015
		D - MJ 2014>>			
	970 551 011 09 6B0	Black	-AB,AC,GK,GS, GA		
	970 551 011 09 9C0	Black/agate grey	-DG,DL,GD		
	970 551 011 09 7K0	Luxor beige	-UB,UC,GU		
	970 551 011 09 7G0	Black/marsala red	-PC,GP		
	970 551 011 09 DNV	Black/luxor beige/crema	-BC		
	970 551 011 09 DNX	Black/marsala red/crema	-BE		
	970 551 011 09 9D0	Black/espresso	-NA		
	970 551 011 09 9E0	Black/cognac	-NC		
	970 551 011 09 DNY	Black/cognac/cedar	-BN		
(1)	970 551 012 09	Flooring	right	1	PR:098,0E1, -015
		D - MJ 2014>>			
	970 551 012 09 6B0	Black	-AB,AC,GK,GS,		

Model: 970 10 Model life 2010>>2016

Pos	Part Number	Description	Remark	Qty	Model
	970 551 012 09 9C0	Black/agate grey	GA -DG,DL,GD		
	970 551 012 09 7K0	Luxor beige	-UB,UC,GU		
	970 551 012 09 7G0	Black/marsala red	-PC,GP		
	970 551 012 09 DNV	Black/luxor beige/crema	-BC		
	970 551 012 09 DNX	Black/marsala red/crema	-BE		
	970 551 012 09 9D0	Black/espresso	-NA		
	970 551 012 09 9E0	Black/cognac	-NC		
	970 551 012 09 DNY	Black/cognac/cedar	-BN		
(1)	970 551 011 10	Flooring D - MJ 2014>>	left	1	PR:099,0E1
	970 551 011 10 6B0	Black	-AB,AC,GK,GS, GA		
	970 551 011 10 9C0	Black/agate grey	-DG,DL,GD		
	970 551 011 10 7K0	Luxor beige	-UB,UC,GU		
	970 551 011 10 7G0	Black/marsala red	-PC,GP		
	970 551 011 10 DNV	Black/luxor beige/crema	-BC		
	970 551 011 10 DNX	Black/marsala red/crema	-BE		
	970 551 011 10 9D0	Black/espresso	-NA		
	970 551 011 10 9E0	Black/cognac	-NC		
	970 551 011 10 DNY	Black/cognac/cedar	-BN		
(1)	970 551 012 10	Flooring D - MJ 2014>>	right	1	PR:099,0E1
	970 551 012 10 6B0	Black	-AB,AC,GK,GS, GA		
	970 551 012 10 9C0	agate grey	-DG,DL,GD		
	970 551 012 10 7K0	Luxor beige	-UB,UC,GU		
	970 551 012 10 7G0	Marsala Red	-PC,GP		
	970 551 012 10 DNV	Luxor Beige/Cream	-BC		
	970 551 012 10 DNX	Marsala Red/Cream	-BE		
	970 551 012 10 9D0	Espresso	-NA		
	970 551 012 10 9E0	Cognac	-NC		
	970 551 012 10 DNY	Cognac/Cedar	-BN		
(1)	970 551 011 11	Flooring D - MJ 2014>>	left	1	PR:098,0E1
	970 551 011 11 6B0	Black	-AB,AC,GK,GS, GA		
	970 551 011 11 9C0	agate grey	-DG,DL,GD		
	970 551 011 11 7K0	Luxor beige	-UB,UC,GU		
	970 551 011 11 7G0	Marsala Red	-PC,GP		
	970 551 011 11 DNV	Luxor Beige/Cream	-BC		
	970 551 011 11 DNX	Marsala Red/Cream	-BE		
	970 551 011 11 9D0	Espresso	-NA		
	970 551 011 11 9E0	Cognac	-NC		
	970 551 011 11 DNY	Cognac/Cedar	-BN		
	970 551 011 11 DUN	Black/Saddle Tan	-DN		
	970 551 011 11 BW3	saddle brown	-SB		
(1)	970 551 012 11	Flooring D - MJ 2014>>	right	1	PR:098,0E1
	970 551 012 11 6B0	Black	-AB,AC,GK,GS, GA		
	970 551 012 11 9C0	agate grey	-DG,DL,GD		
	970 551 012 11 7K0	Luxor beige	-UB,UC,GU		
	970 551 012 11 7G0	Marsala Red	-PC,GP		
	970 551 012 11 DNV	Luxor Beige/Cream	-BC		
	970 551 012 11 DNX	Marsala Red/Cream	-BE		
	970 551 012 11 9D0	Espresso	-NA		
	970 551 012 11 9E0	Cognac	-NC		
	970 551 012 11 DNY	Cognac/Cedar	-BN		
	970 551 012 11 DUN	Black/Saddle Tan	-DN		
	970 551 012 11 BW3	saddle brown	-SB		
(1)	970 551 011 12	Flooring D - MJ 2014>>	left	1	PR:099,0E1, 015

Model: 970 10 Model life 2010>>2016

Pos	Part Number	Description	Remark	Qty	Model
	970 551 011 12 6B0	Black	-AB, AC, GK, GS, GA		PR:0E1,099
		D - MJ 2014>>			
	970 551 011 12 9C0	agate grey	-DG, DL, GD		
	970 551 011 12 7K0	Luxor beige	-UB, UC, GU		
	970 551 011 12 7G0	Marsala Red	-PC, GP		
	970 551 011 12 DNV	Luxor Beige/Cream	-BC		
	970 551 011 12 DNX	Marsala Red/Cream	-BE		
	970 551 011 12 9D0	Espresso	-NA		
	970 551 011 12 9E0	Cognac	-NC		
	970 551 011 12 DNY	Cognac/Cedar	-BN		
(1)	970 551 012 12	Flooring	right	1	PR:099,0E1,015
		D - MJ 2014>>			PR:0E1,099
	970 551 012 12 6B0	Black	-AB, AC, GK, GS, GA		
		D - MJ 2014>>			
	970 551 012 12 9C0	agate grey	-DG, DL, GD		
	970 551 012 12 7K0	Luxor beige	-UB, UC, GU		
	970 551 012 12 7G0	Marsala Red	-PC, GP		
	970 551 012 12 DNV	Luxor Beige/Cream	-BC		
	970 551 012 12 DNX	Marsala Red/Cream	-BE		
	970 551 012 12 9D0	Espresso	-NA		
	970 551 012 12 9E0	Cognac	-NC		
	970 551 012 12 DNY	Cognac/Cedar	-BN		
2	970 551 706 00	Luggage net		1	
	970 551 706 00 DK4	Black	-AB, AC, GK, GS, GA, DS, PK, PL, BF		
	970 551 706 00 DJ6	Platinum Grey	-CB, CC, GC, BB		
	970 551 706 00 DM5	Luxor beige	-UB, UC, GU		
	970 551 706 00 DQ9	yachting blue	-EC, GE		
	970 551 706 00 DN7	Cream	-BC, BD, BE		
	970 551 706 00 DP8	Espresso	-NA		
	970 551 706 00 DS1	Cognac	-NC		
	970 551 706 00 DU3	Cedar	-BN		
3	970 551 725 00	Retaining hooks for Luggage net		6	
	970 551 725 00 1E0	Black	-AB, AC, GK, GS, GA, DS, PK, PL, BF		
	970 551 725 00 6L0	Platinum Grey	-CB, CC, GC, BB		
	970 551 725 00 4H0	Luxor beige	-UB, UC, GU		
	970 551 725 00 2F0	yachting blue	-EC, GE		
	970 551 725 00 5J0	Cream	-BC, BD, BE		
	970 551 725 00 7N0	Espresso	-NA		
	970 551 725 00 8P0	Cognac	-NC		
	970 551 725 00 9Q0	Cedar	-BN		
	970 551 725 00 3G0	Marsala Red	-PC, GP		
	970 551 725 00 OP1	agate grey	-DT		
(4)	970 551 715 00	Frame	rhd	1	PR:099
4	970 551 716 00	Luggage net	lhd	1	PR:098
5	955 551 227 02	Bracket		8	
6	8E0 864 229	Flooring		8	
	8E0 864 229 1E0	Cover cap			
		Flooring			
		Discontinued part			
	8E0 864 229 6L0	Black	-AB, AC, GK, GS, GA, DS, PK, PL, BF, DN, BB		
		Platinum Grey	-CB, CC, GC		

Model: 970 10 Model life 2010>>2016

Pos	Part Number	Description	Remark	Qty	Model			
7	8E0 864 229 4H0	Luxor beige	-UB,UC,GU	2				
	8E0 864 229 2F0	yachting blue	-EC,BD,GE					
	8E0 864 229 7N0	Espresso	-NA					
	8E0 864 229 8P0	Cognac	-NC,BN					
	8E0 864 229 3G0	Marsala Red	-PC,GP,BE					
999 049 030 40	Plastic nut 30 X 5,0 for Mount Flooring							
8	970 551 710 00	Cover relay plate		1				
	970 551 710 00 1E0	Black	-AB,AC,GK,GS, GA,DS,PK,PL, BF					
9	970 551 710 00 6L0	Platinum Grey	-CB,CC,GC,BB	1	PR:098			
	970 551 710 00 4H0	Luxor beige	-UB,UC,GU					
	970 551 710 00 2F0	yachting blue	-EC,GE					
	970 551 710 00 5J0	Cream	-BC,BD,BE					
	970 551 710 00 7N0	Espresso	-NA					
	970 551 710 00 8P0	Cognac	-NC					
	970 551 710 00 9Q0	Cedar	-BN					
	970 551 704 01	base plate Footwell (passenger side)	lhd					
	(9)	970 551 703 01	base plate Footwell (passenger side)				1	PR:099
	10	999 049 007 40	Plastic nut 22 X 10,5 Mount base plate				4	
11	970 551 033 04	Trim Seat well Carpet		1	PR:830,831, 832,833,834, 835			
	970 551 033 04 6B0	Black	-AB,AC,BB,GK, GS,GA,PK,PL, BF,DS,DN					
	970 551 033 04 8E0	Platinum Grey	-CB,CC,GC					
	970 551 033 04 7K0	Luxor beige	-UB,UC,BC,GU					
	970 551 033 04 6D0	yachting blue	-EC,GE,BD					
	970 551 033 04 9D0	Espresso	-NA					
	970 551 033 04 9E0	Cognac	-NC,BN					
	(11)	970 551 033 06	Trim Seat well Carpet				1	PR:836
	970 551 033 06 6B0	Black	-AB,AC,BB,GK, GS,GA,PK,PL, BF,DS,DN					
	970 551 033 06 8E0	Platinum Grey	-CB,CC,GC					
970 551 033 06 7K0	Luxor beige	-UB,UC,BC,GU						
970 551 033 06 6D0	yachting blue	-EC,GE,BD						
970 551 033 06 9D0	Espresso	-NA						
970 551 033 06 9E0	Cognac	-NC,BN						
12	999 507 839 01	Clip 3,5		4				
13	999 209 084 40	Distance piece 20 X 25 X 0,5		4				
14	997 555 857 00	Grommet		3				
15	970 551 611 00	Cover for footrest D - MJ 2014>>	lhd	1	PR:-XXZ,098			
	970 551 611 00 1E0	Black						
(15)	970 551 612 00	Cover for footrest	rhd	1	PR:-XXZ,099			

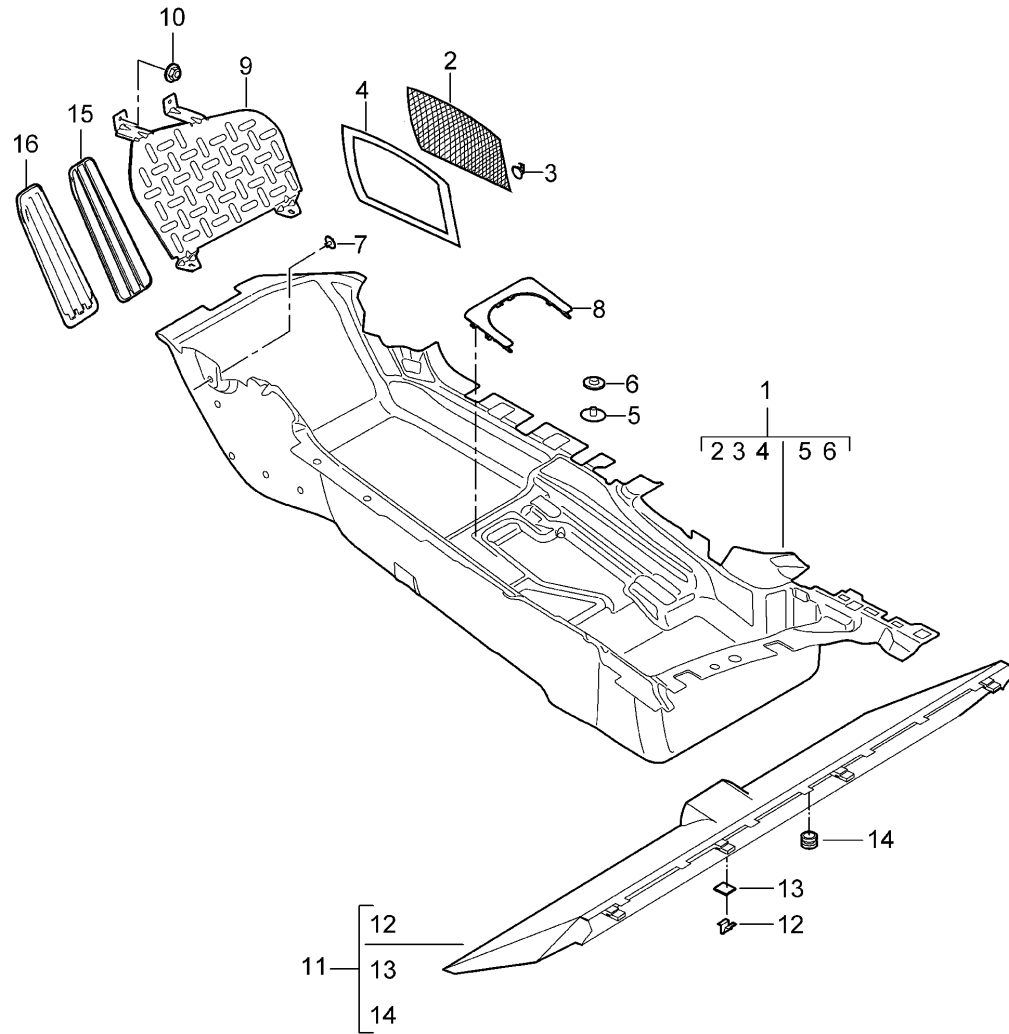
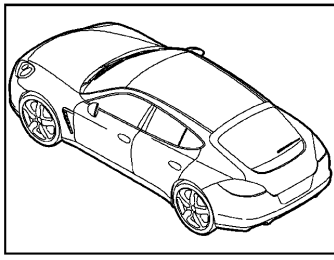
Model: 970 10

Model life 2010>>2016

Pos	Part Number	Description	Remark	Qty	Model
16	970 551 612 00 1E0 970 551 995 00	D - MJ 2014>> Black Cover for footrest D - MJ 2014>>		1	PR:XXZ,098

Model: 970 10

Model life 2010>>2016



Model: 970 10 Model life 2010>>2016

Pos	Part Number	Description	Remark	Qty	Model
		Flooring Long Version			PR:0E2
1	970 551 011 18	Flooring Long Version D >> - MJ 2014 Discontinued part	left lhd	1	PR:0E2,098
	970 551 011 18 6B0	Black	-AB,AC,GK,GS, GA,DS,PK,PL		
	970 551 011 18 9C0	agate grey	-DG,DL,GD,DT		
	970 551 011 18 7K0	Luxor beige	-UB,UC,GU		
	970 551 011 18 7G0	Marsala Red	-PC,GP		
	970 551 011 18 DNV	Luxor Beige/Cream	-BC		
	970 551 011 18 DNX	Marsala Red/Cream	-BE		
	970 551 011 18 9D0	Espresso	-NA		
	970 551 011 18 9E0	Cognac	-NC		
	970 551 011 18 DNY	Cognac/Cedar	-BN		
1	970 551 011 21	Flooring Long Version D - MJ 2015>>	left lhd	1	PR:0E2,098
	970 551 011 21 6B0	Black	-AB,AC,GK,GS, GA,DS,PK,PL, BF,PF		
	970 551 011 21 9C0	agate grey	-DG,DL,GD,DT		
	970 551 011 21 7K0	Luxor beige	-UB,UC,GU		
	970 551 011 21 7G0	Marsala Red	-PC,GP		
	970 551 011 21 DNV	Luxor Beige/Cream	-BC		
	970 551 011 21 DNX	Marsala Red/Cream	-BE		
	970 551 011 21 9D0	Espresso	-NA		
	970 551 011 21 9E0	Cognac	-NC		
	970 551 011 21 BW3	saddle brown	-SB,GH		
	970 551 011 21 DUN	Black/Saddle Tan	-DN		
1	970 551 012 18	Flooring Long Version D >> - MJ 2014 Discontinued part	right lhd	1	I0E2 PR:0E2,098
	970 551 012 18 6B0	Black	-AB,AC,GK,GS, GA,DS,PK,PL		
	970 551 012 18 9C0	agate grey	-DG,DL,GD,DT		
	970 551 012 18 7K0	Luxor beige	-UB,UC,GU		
	970 551 012 18 7G0	Marsala Red	-PC,GP		
	970 551 012 18 DNV	Luxor Beige/Cream	-BC		
	970 551 012 18 DNX	Marsala Red/Cream	-BE		
	970 551 012 18 9D0	Espresso	-NA		
	970 551 012 18 9E0	Cognac	-NC		
	970 551 012 18 DNY	Cognac/Cedar	-BN		
(1)	970 551 012 21	Flooring Long Version D - MJ 2015>>	right lhd	1	I0E2 PR:0E2,098
	970 551 012 21 6B0	Black	-AB,AC,GK,GS, GA,DS,PK,PL, BF,PF		
	970 551 012 21 9C0	agate grey	-DG,DL,GD,DT		
	970 551 012 21 7K0	Luxor beige	-UB,UC,GU		
	970 551 012 21 7G0	Marsala Red	-PC,GP		
	970 551 012 21 DNV	Luxor Beige/Cream	-BC		
	970 551 012 21 DNX	Marsala Red/Cream	-BE		
	970 551 012 21 9D0	Espresso	-NA		
	970 551 012 21 9E0	Cognac	-NC		

Model: 970 10 Model life 2010>>2016

Pos	Part Number	Description	Remark	Qty	Model
(1)	970 551 012 21 BW3	saddle brown	-SB,GH	1	I0E2 PR:0E2,098, XXZ
	970 551 012 21 DUN	Black/Saddle Tan	-DN		
	970 551 993 02	Flooring	lhd		
		Long			
		Version			
	970 551 993 02 6B0	Black	-AB,AC,GK,GS, GA,DS,PK,PL, BF,PF		
	970 551 993 02 9C0	agate grey	-DG,DL,GD,DT		
	970 551 993 02 7K0	Luxor beige	-UB,UC,GU		
	970 551 993 02 7G0	Marsala Red	-PC,GP		
	970 551 993 02 DNV	Luxor Beige/Cream	-BC		
970 551 993 02 DNX	Marsala Red/Cream	-BE			
970 551 993 02 9D0	Espresso	-NA			
970 551 993 02 9E0	Cognac	-NC			
970 551 993 02 BW3	saddle brown	-SB,GH	1		
970 551 993 02 DUN	Black/Saddle Tan	-DN			
2 970 551 706 00	Luggage net				
970 551 706 00 DK4	Black	-AB,AC,GK,GS, GA,DS,PK,PL, BF			
970 551 706 00 DJ6	Platinum Grey	-CB,CC,GC,BB			
970 551 706 00 DM5	Luxor beige	-UB,UC,GU			
970 551 706 00 DQ9	yachting blue	-EC,GE			
970 551 706 00 DN7	Cream	-BC,BD,BE			
970 551 706 00 DP8	Espresso	-NA			
970 551 706 00 DS1	Cognac	-NC			
970 551 706 00 DU3	Cedar	-BN	6		
3 970 551 725 00	Retaining hooks for Luggage net				
970 551 725 00 1E0	Black	-AB,AC,GK,GS, GA,DS,PK,PL, BF			
970 551 725 00 6L0	Platinum Grey	-CB,CC,GC,BB			
970 551 725 00 4H0	Luxor beige	-UB,UC,GU			
970 551 725 00 2F0	yachting blue	-EC,GE			
970 551 725 00 5J0	Cream	-BC,BD,BE			
970 551 725 00 7N0	Espresso	-NA			
970 551 725 00 8P0	Cognac	-NC			
970 551 725 00 9Q0	Cedar	-BN			
970 551 725 00 3G0	Marsala Red	-PC,GP	1	PR:099	
(4) 970 551 715 00	Frame Luggage net	rhd			
4 970 551 716 00	Frame Luggage net	lhd	1	PR:098	
5 955 551 227 02	Bracket Flooring		8		
6 8E0 864 229	Cover cap Flooring		8		
8E0 864 229 1E0	Discontinued part Black				
8E0 864 229 6L0	Platinum Grey	-AB,AC,GK,GS, GA,DS,PK,PL, BF,DN,BB			
8E0 864 229 4H0	Luxor beige	-CB,CC,GC			
8E0 864 229 2F0	yachting blue	-UB,UC,GU			
8E0 864 229 7N0	Espresso	-EC,BD,GE			
8E0 864 229 8P0	Cognac	-NA			
8E0 864 229 3G0	Marsala Red	-NC,BN			
7 999 049 030 40	Plastic nut 30 X 5,0 for	-PC,GP,BE	2		

Model: 970 10 Model life 2010>>2016

Pos	Part Number	Description	Remark	Qty	Model
8	970 551 710 00	Mount Flooring Cover		1	
	970 551 710 00 1E0	relay plate Black	-AB,AC,GK,GS, GA,DS,PK,PL, BF		
	970 551 710 00 6L0	Platinum Grey	-CB,CC,GC,BB		
	970 551 710 00 4H0	Luxor beige	-UB,UC,GU		
	970 551 710 00 2F0	yachting blue	-EC,GE		
	970 551 710 00 5J0	Cream	-BC,BD,BE		
	970 551 710 00 7N0	Espresso	-NA		
	970 551 710 00 8P0	Cognac	-NC		
	970 551 710 00 9Q0	Cedar	-BN		
9	970 551 704 02	base plate Footwell (passenger side)	lhd	1	PR:098
(9)	970 551 703 02	base plate Footwell (passenger side)		1	PR:099
10	999 049 007 40	Plastic nut 22 X 10,5 Mount		4	
11	970 551 033 07	base plate Trim Seat well Carpet		1	PR:830,831, 832,833,834, 835
	970 551 033 07 6B0	Black	-AB,AC,BB,GK, GS,GA,PK,PL, BF,DS,DN		
	970 551 033 07 8E0	Platinum Grey	-CB,CC,GC		
	970 551 033 07 7K0	Luxor beige	-UB,UC,BC,GU		
	970 551 033 07 6D0	yachting blue	-EC,GE,BD		
	970 551 033 07 9D0	Espresso	-NA		
	970 551 033 07 9E0	Cognac	-NC,BN		
	970 551 033 07 7G0	Marsala Red	-PC,BE,GP		
	970 551 033 07 9C0	agate grey	-DT,DG,DL,GD		
(11)	970 551 033 07 BW3	saddle brown	-GH	1	PR:836
	970 551 033 08	Trim Seat well			
	970 551 033 08 6B0	Black	-AB,AC,BB,GK, GS,GA,PK,PL, BF,DS,DN		
	970 551 033 08 8E0	Platinum Grey	-CB,CC,GC		
	970 551 033 08 7K0	Luxor beige	-UB,UC,BC,GU		
	970 551 033 08 6D0	yachting blue	-EC,GE,BD		
	970 551 033 08 9D0	Espresso	-NA		
	970 551 033 08 9E0	Cognac	-NC,BN		
	970 551 033 08 7G0	Marsala Red	-PC,BE,GP		
	970 551 033 08 9C0	agate grey	-DT,DG,DL,GD		
	970 551 033 08 BW3	saddle brown	-GH		
12	999 507 839 01	Clip 3,5		4	
13	999 209 084 40	Distance piece 20 X 25 X 0,5		4	
14	997 555 857 00	Grommet		3	
15	970 551 611 00	Cover for footrest D - MJ 2014>>	lhd	1	PR:-XXZ,098
	970 551 611 00 1E0	Black			
(15)	970 551 612 00	Cover for footrest D - MJ 2014>>	rhd	1	PR:-XXZ,099
	970 551 612 00 1E0	Black			
16	970 551 995 00	Cover for footrest		1	PR:XXZ,098

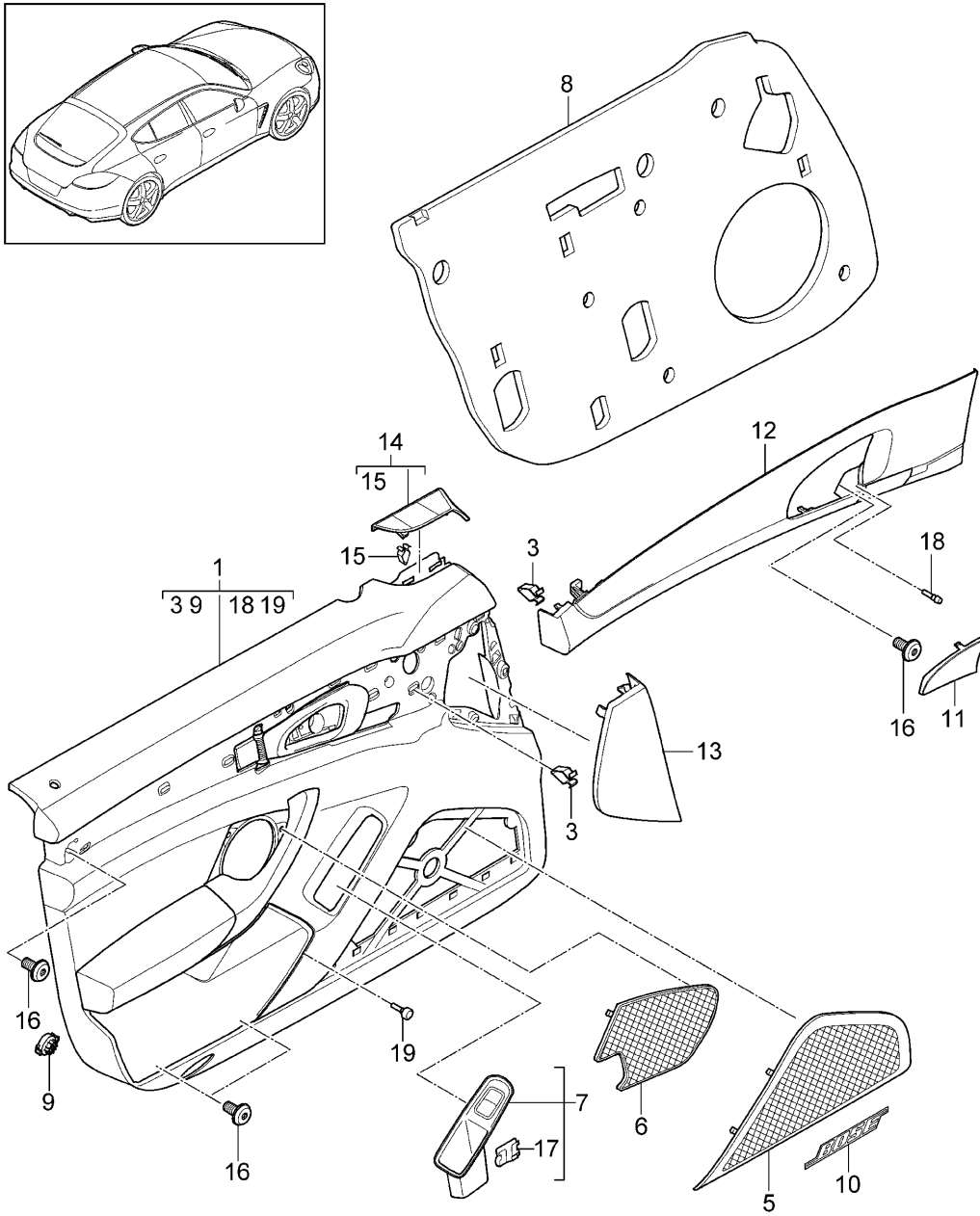
Model: 970 10

Model life 2010>>2016

Pos	Part Number	Description	Remark	Qty	Model
		D - MJ 2014>>			

Model: 970 10

Model life 2010>>2016



Model: 970 10 Model life 2010>>2016

Pos	Part Number	Description	Remark	Qty	Model
1	970 555 911 00	door panel D >> - MJ 2013 Door trim (leatherette) D >> - MJ 2012 Discontinued part	front left	1	
	970 555 911 00 7P8	Black	-AB		
	970 555 911 00 9PK	Platinum Grey	-CB		
	970 555 911 00 8ED	Luxor beige	-UB		
(1)	970 555 911 02	Door trim (leatherette) D - MJ 2013>> Discontinued part	left	1	
	970 555 911 02 7P8	Black	-AB		
	970 555 911 02 9PK	Platinum Grey	-CB		
	970 555 911 02 8ED	Luxor beige	-UB		
	970 555 911 02 DQZ	Black/Luxor Beige	-PK		
(1)	970 555 912 00	Door trim (leatherette) D >> - MJ 2012 Discontinued part	right	1	
	970 555 912 00 7P8	Black	-AB		
	970 555 912 00 9PK	Platinum Grey	-CB		
	970 555 912 00 8ED	Luxor beige	-UB		
(1)	970 555 912 02	Door trim (leatherette) D - MJ 2013>> Discontinued part	right	1	
	970 555 912 02 7P8	Black	-AB		
	970 555 912 02 9PK	Platinum Grey	-CB		
	970 555 912 02 8ED	Luxor beige	-UB		
	970 555 912 02 DQZ	Black/Luxor Beige	-PK		
(1)	970 555 911 01	Door panel trim (leather) D >> - MJ 2012 Discontinued part	left	1	PR:981
	970 555 911 01 A11	Black	-AC		
	970 555 911 01 9B0	Platinum Grey	-CC		
	970 555 911 01 7J0	Luxor beige	-UC		
	970 555 911 01 6A0	yachting blue	-EC		
	970 555 911 01 7H0	Marsala Red	-PC		
	970 555 911 01 DMF	Black/Platinum Grey	-BB		
	970 555 911 01 DMG	Luxor Beige/Cream	-BC		
	970 555 911 01 DMH	Yachting Blue/Cream	-BD		
	970 555 911 01 DMJ	Marsala Red/Cream	-BE		
	970 555 911 01 DQN	Black/Cream	-DS		
	970 555 911 01 DQO	Agate Grey/Cream	-DT		
	970 555 911 01 6J0	Espresso	-NA		
	970 555 911 01 7F0	Cognac	-NC		
	970 555 911 01 DMK	Cognac/Cedar	-BN		
(1)	970 555 911 05	Door panel trim (leather) D >> - MJ 2012	left	1	PR:981
	970 555 911 05 DTO	Black/Luxor Beige	-PL		
(1)	970 555 911 03	Door panel trim (leather) D - MJ 2013>> Discontinued part	left	1	PR:981
	970 555 911 03 A11	Black	-AC		
	970 555 911 03 9B0	Platinum Grey	-CC		
	970 555 911 03 7J0	Luxor beige	-UC		
	970 555 911 03 6A0	yachting blue	-EC		
	970 555 911 03 7H0	Marsala Red	-PC		
	970 555 911 03 6J0	Espresso	-NA		
	970 555 911 03 7F0	Cognac	-NC		
(1)	970 555 911 07	Door panel trim (leather) two-colour D - MJ 2013>>	left	1	PR:981

Model: 970 10 Model life 2010>>2016

Pos	Part Number	Description	Remark	Qty	Model
	970 555 911 07 DMF	Black/Platinum Grey	-BB		
	970 555 911 07 DMG	Luxor Beige/Cream	-BC		
	970 555 911 07 DMH	Yachting Blue/Cream	-BD		
	970 555 911 07 DMJ	Marsala Red/Cream	-BE		
	970 555 911 07 DMK	Cognac/Cedar	-BN		
	970 555 911 07 DQN	Black/Cream	-DS		
	970 555 911 07 DQO	Agate Grey/Cream	-DT		
	970 555 911 07 DTO	Black/Luxor Beige	-PL		
(1)	970 555 911 03	Door panel trim (leather) Leather Alcantara D - MJ 2013>> Discontinued part	left	1	PR:981
	970 555 911 03 DSP	Black	-GA		
	970 555 911 03 DSQ	Platinum Grey	-GC		
	970 555 911 03 DSR	Luxor beige	-GU		
	970 555 911 03 DSS	yachting blue	-GE		
	970 555 911 03 DST	Marsala Red	-GP		
(1)	970 555 911 03	Door panel trim (leather) Leather Alcantara Package D - MJ 2013>> Discontinued part	left	1	GTS PR:981
	970 555 911 03 DSN	Black/Carmine Red	-GK		
	970 555 911 03 DSO	black/silver	-GS		
(1)	970 555 912 01	Door panel trim (leather) D >> - MJ 2012 Discontinued part	right	1	PR:981
	970 555 912 01 A11	Black	-AC		
	970 555 912 01 9B0	Platinum Grey	-CC		
	970 555 912 01 7J0	Luxor beige	-UC		
	970 555 912 01 6A0	yachting blue	-EC		
	970 555 912 01 7H0	Marsala Red	-PC		
	970 555 912 01 DMF	Black/Platinum Grey	-BB		
	970 555 912 01 DMG	Luxor Beige/Cream	-BC		
	970 555 912 01 DMH	Yachting Blue/Cream	-BD		
	970 555 912 01 DMJ	Marsala Red/Cream D - MJ 2011>>	-BE		
	970 555 912 01 DQN	Black/Cream	-DS		
	970 555 912 01 DQO	Agate Grey/Cream	-DT		
	970 555 912 01 6J0	Espresso	-NA		
	970 555 912 01 7F0	Cognac	-NC		
	970 555 912 01 DMK	Cognac/Cedar	-BN		
(1)	970 555 912 05	Door panel trim (leather) D >> - MJ 2012	right	1	PR:981
	970 555 912 05 DTO	Black/Luxor Beige	-PL		
(1)	970 555 912 07	Door panel trim (leather) D - MJ 2013>>	right	1	PR:981
	970 555 912 07 A11	Black	-AC		
	970 555 912 07 9B0	Platinum Grey	-CC		
	970 555 912 07 7J0	Luxor beige	-UC		
	970 555 912 07 6A0	yachting blue	-EC		
	970 555 912 07 7H0	Marsala Red	-PC		
	970 555 912 07 6J0	Espresso	-NA		
	970 555 912 07 7F0	Cognac	-NC		
(1)	970 555 912 07	Door panel trim (leather) two-colour D - MJ 2013>>	right	1	PR:981
	970 555 912 07 DMF	Black/Platinum Grey	-BB		
	970 555 912 07 DMG	Luxor Beige/Cream	-BC		
	970 555 912 07 DMH	Yachting Blue/Cream	-BD		

Model: 970 10 Model life 2010>>2016

Pos	Part Number	Description	Remark	Qty	Model
	970 555 912 07 DMJ	Marsala Red/Cream	-BE		
	970 555 912 07 DMK	Cognac/Cedar	-BN		
	970 555 912 07 DQN	Black/Cream	-DS		
	970 555 912 07 DQO	Agate Grey/Cream	-DT		
	970 555 912 07 DTO	Black/Luxor Beige	-PL		
(1)	970 555 912 03	Door panel trim (leather) Leather D - MJ 2013>> Discontinued part	right	1	PR:981
	970 555 912 03 DMF	Black/Platinum Grey			
	970 555 912 03 DSP	Black	-GA		
	970 555 912 03 DSQ	Platinum Grey	-GC		
	970 555 912 03 DSR	Luxor beige	-GU		
	970 555 912 03 DSS	yachting blue	-GE		
	970 555 912 03 DST	Marsala Red	-GP		
(1)	970 555 912 03	Door panel trim (leather) Leather Alcantara Package D - MJ 2013>> Discontinued part	right	1	GTS PR:981
	970 555 912 03 DSN	Black/Carmine Red	-GK		
	970 555 912 03 DSO	black/silver	-GS		
3	955 552 107 00	Retaining clip		X	
5	970 555 551 00	Loudspeaker trim Low-pitched	left	1	PR:441,490, 680
	970 555 551 00 1E0	Black	-AB,AC,GK,GS, GA		
	970 555 551 00 6L0	Platinum Grey	-CB,CC,GC		
	970 555 551 00 4H0	Luxor beige	-UB,UC,GU		
	970 555 551 00 2F0	yachting blue	-EC,GE		
	970 555 551 00 3G0	Marsala Red	-PC,GP		
		D - MJ 2011>>			
	970 555 551 00 5J0	Cream	-BC,BE,DS,DT, BD		
	970 555 551 00 7N0	Espresso	-NA		
	970 555 551 00 8P0	Cognac	-NC		
	970 555 551 00 9Q0	Cedar	-BN		
5	970 555 552 00	Loudspeaker trim Low-pitched	right	1	PR:441,490, 680
	970 555 552 00 1E0	Black	-AB,AC,GK,GS, GA		
	970 555 552 00 6L0	Platinum Grey	-CB,CC,GC		
	970 555 552 00 4H0	Luxor beige	-UB,UC,GU		
	970 555 552 00 2F0	yachting blue	-EC,GE		
	970 555 552 00 3G0	Marsala Red	-PC,GP		
		D - MJ 2011>>			
	970 555 552 00 5J0	Cream	-BC,BE,DS,DT, BD		
	970 555 552 00 7N0	Espresso	-NA		
	970 555 552 00 8P0	Cognac	-NC		
	970 555 552 00 9Q0	Cedar	-BN		
(5)	970 555 551 01	Loudspeaker trim Low-pitched	left	1	PR:682
	970 555 551 01 1E0	Black	-AB,AC,GK,GS, GA		
	970 555 551 01 6L0	Platinum Grey	-CB,CC,GC		
	970 555 551 01 4H0	Luxor beige	-UB,UC,GU		
	970 555 551 01 2F0	yachting blue	-EC,GE		
	970 555 551 01 3G0	Marsala Red	-PC,GP		
		D - MJ 2011>>			
	970 555 551 01 5J0	Cream	-BC,BE,DS,DT, BD		

Model: 970 10 Model life 2010>>2016

Pos	Part Number	Description	Remark	Qty	Model
(5)	970 555 551 01 7N0	Espresso	-NA	1	PR:682
	970 555 551 01 8P0	Cognac	-NC		
	970 555 551 01 9Q0	Cedar	-BN		
	970 555 552 01	Loudspeaker trim Low-pitched	right		
	970 555 552 01 1E0	Black	-AB,AC,GK,GS, GA		
	970 555 552 01 6L0	Platinum Grey	-CB,CC,GC		
	970 555 552 01 4H0	Luxor beige	-UB,UC,GU		
	970 555 552 01 2F0	yachting blue	-EC,GE		
	970 555 552 01 3G0	Marsala Red	-PC,GP		
	970 555 552 01 5J0	D - MJ 2011>> Cream	-BC,BE,DS,DT, BD		
6	970 555 552 01 7N0	Espresso	-NA	1	PR:441,490, 680,682
	970 555 552 01 8P0	Cognac	-NC		
	970 555 552 01 9Q0	Cedar	-BN		
	970 555 553 00	Loudspeaker trim MID-RANGE speaker	left		
	970 555 553 00 1E0	Black	-AB,AC,GK,GS, GA		
	970 555 553 00 6L0	Platinum Grey	-CB,CC,GC		
	970 555 553 00 4H0	Luxor beige	-UB,UC,GU		
	970 555 553 00 2F0	yachting blue	-EC,GE		
	970 555 553 00 3G0	Marsala Red	-PC,GP		
	970 555 553 00 5J0	D - MJ 2011>> Cream	-BC,BE,DS,DT, BD		
6	970 555 553 00 7N0	Espresso	-NA	1	PR:441,490, 680,682
	970 555 553 00 8P0	Cognac	-NC		
	970 555 553 00 9Q0	Cedar	-BN		
	970 555 554 00	Loudspeaker trim MID-RANGE speaker	right		
	970 555 554 00 1E0	Black	-AB,AC,GK,GS, GA		
	970 555 554 00 6L0	Platinum Grey	-CB,CC,GC		
	970 555 554 00 4H0	Luxor beige	-UB,UC,GU		
	970 555 554 00 2F0	yachting blue	-EC,GE		
	970 555 554 00 3G0	Marsala Red	-PC,GP		
	970 555 554 00 5J0	D - MJ 2011>> Cream	-BC,BE,DS,DT, BD		
7	970 555 554 00 7N0	Espresso	-NA	1	PR:098
	970 555 554 00 8P0	Cognac	-NC		
	970 555 554 00 9Q0	Cedar	-BN		
	970 555 724 00	Mounting frame Switch			
(7)	970 555 724 00 A05	Matt black		1	PR:099
	970 555 723 00	Mounting frame Switch			
8	970 555 723 00 A05	Black		1	
	970 555 571 00	Damping mat			
9	970 555 949 00	door panel Damper		1	
10	7PP 945 699	Stowage compartment door panel inscription		1	PR:680
11	970 555 523 01	Bose Cover panel Inner actuator	left	1	
		D >> - MJ 2012			
	970 555 523 01 1E0	Black			
(11)	7P5 837 247 C	Cover panel	left	1	

Model: 970 10

Model life 2010>>2016

Pos	Part Number	Description	Remark	Qty	Model
(11)	7P5 837 247 C 5Q0 970 555 524 00	Inner actuator D - MJ 2013>> Black Cover panel	right	1	
(11)	970 555 524 00 1E0 7PP 837 248	Inner actuator Discontinued part Black Cover panel	right	1	
(11)	7PP 837 248 1E0 7P5 837 248 C	Inner actuator Black Cover panel	right	1	
12	7P5 837 248 C 5Q0 970 555 381 00	Inner actuator D - MJ 2013>> Black Trim for door	left front	1	PR:817
(12)	970 555 381 00 A61 970 555 382 00	Piano Black, high-gloss Trim for door	right front	1	PR:817
(12)	970 555 382 00 A61 970 555 381 01	Piano Black, high-gloss Trim for door	left front	1	PR:821
(12)	970 555 381 01 BG1 970 555 382 01	Walnut, high-gloss Trim for door	right front	1	PR:821
(12)	970 555 382 01 BG1 970 555 381 02	Walnut, high-gloss Trim for door	left front	1	PR:822
(12)	970 555 381 02 S64 970 555 382 02	Teneo high-gloss Trim for door	right front	1	PR:822
(12)	970 555 382 02 S64 970 555 381 03	Teneo high-gloss Trim for door	left front	1	PR:823
(12)	970 555 381 03 CK6 970 555 382 03	Swedish Birch Trim for door	right front	1	PR:823
(12)	970 555 382 03 CK6 970 555 381 04	Swedish Birch Trim for door	left front	1	PR:824
(12)	970 555 381 04 BT2 970 555 382 04	Olive Ash matt open-pored Trim for door	right front	1	PR:824
(12)	970 555 382 04 BT2 970 555 381 05	Olive Ash matt open-pored Trim for door	left front	1	PR:818
(12)	970 555 381 05 U03 970 555 382 05	Aluminium, brushed Trim for door	right front	1	PR:818
(12)	970 555 382 05 U03 970 555 381 06	Aluminium, brushed Trim for door	left front	1	PR:819
(12)	970 555 381 06 BX3 970 555 382 06	Carbon, fine high-gloss Trim for door	right front	1	PR:819
(12)	970 555 382 06 BX3 970 555 971 00	Carbon, fine high-gloss Trim for door	left front	1	PR:537,817
(12)	970 555 971 00 A61 970 555 972 00	Piano Black, high-gloss Trim for door	right front	1	PR:538,817
(12)	970 555 972 00 A61 970 555 971 01	Piano Black, high-gloss Trim for door	left	1	PR:537,821

Model: 970 10

Model life 2010>>2016

Pos	Part Number	Description	Remark	Qty	Model
			front		
(12)	970 555 971 01 BG1 970 555 972 01	Walnut, high-gloss Trim for door	right front	1	PR:538,821
(12)	970 555 972 01 BG1 970 555 971 02	Walnut, high-gloss Trim for door	left front	1	PR:537,822
(12)	970 555 971 02 S64 970 555 972 02	Teneo high-gloss Trim for door	right front	1	PR:538,822
(12)	970 555 972 02 S64 970 555 971 03	Teneo high-gloss Trim for door	left front	1	PR:537,823
(12)	970 555 971 03 CK6 970 555 972 03	Swedish Birch Trim for door	right front	1	PR:538,823
(12)	970 555 972 03 CK6 970 555 971 04	Swedish Birch Trim for door	left front	1	PR:537,824
(12)	970 555 971 04 BT2 970 555 972 04	Olive Ash matt open-pored Trim for door	right front	1	PR:538,824
(12)	970 555 972 04 BT2 970 555 971 05	Olive Ash matt open-pored Trim for door	left front	1	PR:537,818
(12)	970 555 971 05 U03 970 555 972 05	Aluminium, brushed Trim for door	right front	1	PR:538,818
(12)	970 555 972 05 U03 970 555 971 06	Aluminium, brushed Trim for door	left front	1	PR:537,819
(12)	970 555 971 06 BX3 970 555 972 06	Carbon, fine high-gloss Trim for door	right front	1	PR:538,819
(12)	970 555 972 06 BX3 970 555 981 00	Carbon, fine high-gloss Trim for door	left front	1	PR:XZY
(12)	970 555 981 00 GX1 970 555 982 00	Mahogany Yachting Trim for door	right front	1	PR:XZY
(12)	970 555 982 00 GX1 970 555 981 01	Mahogany Yachting Trim for door	left front	1	PR:XZY,537
(12)	970 555 981 01 GX1 970 555 982 01	Mahogany Yachting Trim for door	right front	1	PR:XZY,538
(12)	970 555 982 01 GX1 970 555 381 31	Mahogany Yachting Trim for door	left front	1	PR:827,537
(12)	970 555 381 31 OE9 970 555 382 31	American Walnut Trim for door	right front	1	PR:827,538
13	970 555 382 31 OE9 970 555 721 00 970 555 721 00 1E0	American Walnut Cover Black	left -AB,AC,GK,GS, GA,PF	1	
	970 555 721 00 6L0 970 555 721 00 4H0 970 555 721 00 2F0 970 555 721 00 3G0	Platinum Grey Luxor beige yachting blue Marsala Red	-CB,CC,GC -UB,UC,GU -EC,GE -PC,GP		
	970 555 721 00 5J0	D - MJ 2011>> Cream	-BC,BE,DS,DT, BD		

Model: 970 10 Model life 2010>>2016

Pos	Part Number	Description	Remark	Qty	Model
13	970 555 721 00 7N0	Espresso	-NA	1	
	970 555 721 00 8P0	Cognac	-NC		
	970 555 721 00 9Q0	Cedar	-BN		
	970 555 721 00	Cover	left		
	970 555 721 00 1E0	Black	-AB,AC,GK,GS, GA,PF		
	970 555 721 00 6L0	Platinum Grey	-CB,CC,GC		
	970 555 721 00 4H0	Luxor beige	-UB,UC,GU		
	970 555 721 00 2F0	yachting blue	-EC,GE		
	970 555 721 00 3G0	Marsala Red	-PC,GP		
	970 555 721 00 5J0	Cream	-BC,BE,DS,DT, BD		
13	970 555 721 00 7N0	Espresso	-NA	1	
	970 555 721 00 8P0	Cognac	-NC		
	970 555 721 00 9Q0	Cedar	-BN		
	970 555 722 00	Cover	right		
	970 555 722 00 1E0	Black	-AB,AC,GK,GS, GA,PF		
	970 555 722 00 6L0	Platinum Grey	-CB,CC,GC		
	970 555 722 00 4H0	Luxor beige	-UB,UC,GU		
	970 555 722 00 2F0	yachting blue	-EC,GE		
	970 555 722 00 3G0	Marsala Red	-PC,GP		
	970 555 722 00 5J0	Cream	-BC,BE,DS,DT, BD		
14	970 555 722 00 7N0	Espresso	-NA	1	
	970 555 722 00 8P0	Cognac	-NC		
	970 555 722 00 9Q0	Cedar	-BN		
	970 555 741 00	Cover	left		
	970 555 741 00 5Q0	Black	-AB,AC,BB,GK, GS,GA,DS,PK, PL,BF,PF,DN		
	970 555 741 00 4U0	Platinum Grey	-CB,CC,GC		
	970 555 741 00 6W0	Luxor beige	-UB,UC,GU,BC		
	970 555 741 00 8Y0	yachting blue	-EC,GE		
	970 555 741 00 7X0	Marsala Red	-PC,GP,BE		
	970 555 741 00 3T0	Espresso	-NA		
14	970 555 741 00 2S0	Cognac	-NC	1	
	970 555 742 00	Cover	right		
	970 555 742 00 5Q0	Black	-AB,AC,BB,GK, GS,GA,DS,PK, PL,BF,PF,DN		
	970 555 742 00 4U0	Platinum Grey	-CB,CC,GC		
	970 555 742 00 6W0	Luxor beige	-UB,UC,GU,BC		
	970 555 742 00 8Y0	yachting blue	-EC,GE		
	970 555 742 00 7X0	Marsala Red	-PC,GP,BE		
	970 555 742 00 3T0	Espresso	-NA		
	970 555 742 00 2S0	Cognac	-NC		
	15	999 507 130 01	U-clip		
16	999 073 130 01	fillister hd. bolt		4	
		M 6 X 16			
17	999 591 693 01	Mount		4	
		door panel			
		U-clip			
		1,2 - 2,2			
		for			
		Mount			
		Mounting frame			

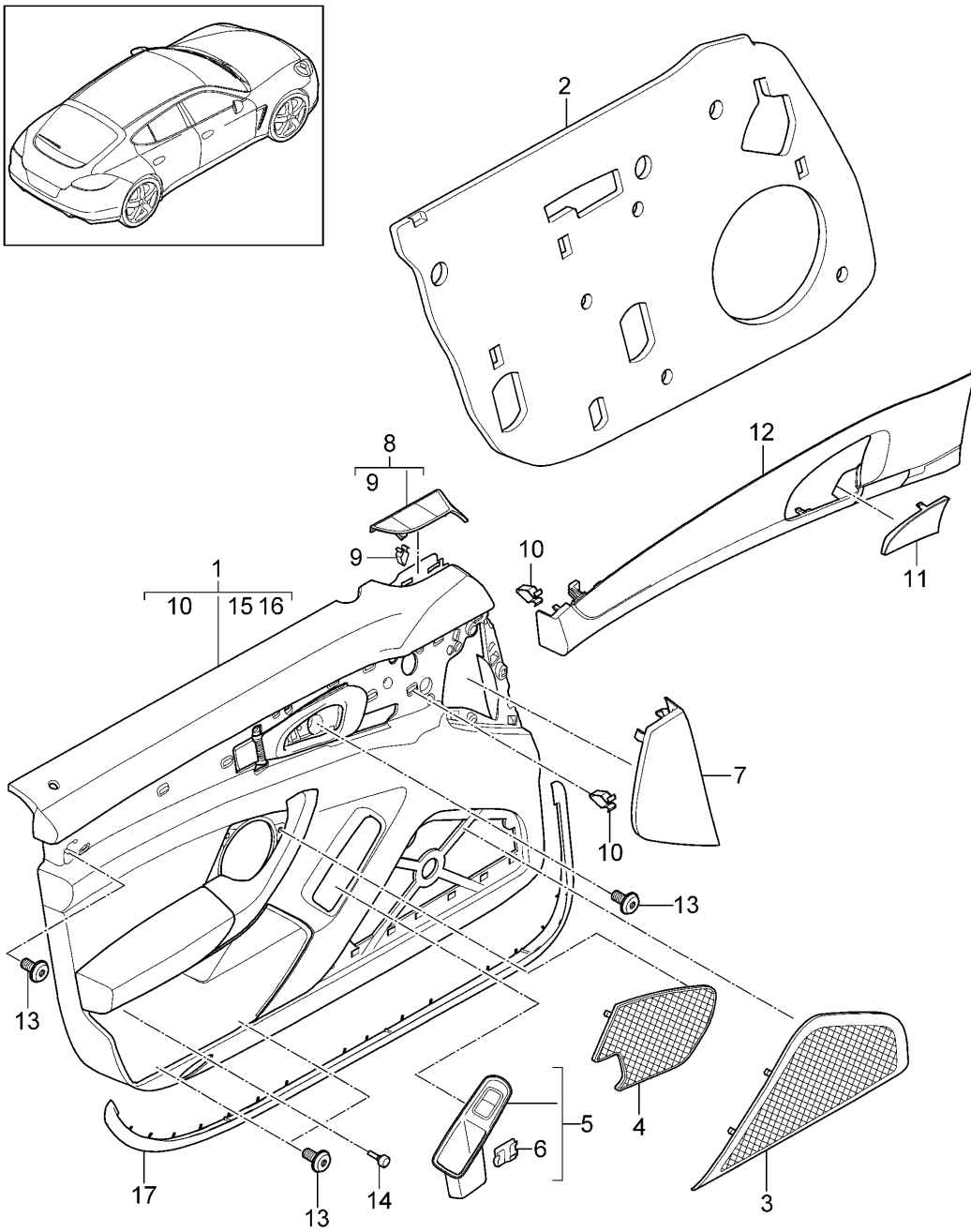
Model: 970 10

Model life 2010>>2016

Pos	Part Number	Description	Remark	Qty	Model
18	999 703 271 40	Switch Stop buffer Inner actuator 4,5 X 8 X 20,5		2	
19	999 703 272 40	Stop buffer Stowage compartment 5,0 X 8 X 13		X	

Model: 970 10

Model life 2010>>2016



Model: 970 10 Model life 2010>>2016

Pos	Part Number	Description	Remark	Qty	Model
		door panel 2nd GENERATION D - MJ 2014>>	front		PR:0E1,0E2
(1)	970 555 911 02	Door trim (leatherette) Discontinued part	left	1	
	970 555 911 02 7P8	Black	-AB		
	970 555 911 02 OK2	agate grey	-DG		
	970 555 911 02 8ED	Luxor beige	-UB		
(1)	970 555 911 02	Door trim (leatherette) two-colour Discontinued part	left	1	
	970 555 911 02 DQZ	Black/Luxor Beige	-PK		
(1)	970 555 911 03	Door panel trim (leather) Discontinued part	left	1	PR:981
	970 555 911 03 A11	Black	-AC		
	970 555 911 03 7J0	Luxor beige	-UC		
	970 555 911 03 7H0	Marsala Red	-PC		
	970 555 911 03 6J0	Espresso	-NA		
	970 555 911 03 7F0	Cognac	-NC		
	970 555 911 03 OA1	agate grey	-DL		
	970 555 911 03 OK6	saddle brown	-SB		
(1)	970 555 911 03	Door panel trim (leather) two-colour Discontinued part	left	1	PR:981
	970 555 911 03 DMG	Luxor Beige/Cream	-BC		
	970 555 911 03 DMJ	Marsala Red/Cream	-BE		
	970 555 911 03 DMK	Cognac/Cedar	-BN		
	970 555 911 03 DQN	Black/Cream	-DS		
	970 555 911 03 DQO	Agate Grey/Cream	-DT		
	970 555 911 03 DQW	Black/Carrera Red	-BF		
	970 555 911 03 HAD	Black/Saddle Tan	-DN		
	970 555 911 03 PFB	Black/Toffee Brown	-PF		
	970 555 911 03 DMF	Black/Platinum Grey	-BB		
	970 555 911 03 DTO	Black/Luxor Beige	-PL		
(1)	970 555 911 03	Door panel trim (leather) Leather Alcantara Package Discontinued part	left	1	GTS PR:981
	970 555 911 03 DSP	Black	-GA		
	970 555 911 03 DSR	Luxor beige	-GU		
	970 555 911 03 DST	Marsala Red	-GP		
	970 555 911 03 DVE	agate grey	-GD		
	970 555 911 03 DVF	saddle brown	-GH		
(1)	970 555 911 03	Door panel trim (leather) Passenger compartment Package GTS	left	1	GTS PR:981
		Decorative stitching Discontinued part	with:		
	970 555 911 03 DSN	Black/Carmine Red	-GK		
	970 555 911 03 DSO	black/silver	-GS		
(1)	970 555 912 02	Door trim (leatherette)	right	1	
	970 555 912 02 7P8	Black	-AB		
	970 555 912 02 OK2	agate grey	-DG		
	970 555 912 02 8ED	Luxor beige	-UB		
(1)	970 555 912 02	Door trim (leatherette) two-colour Discontinued part	right	1	
	970 555 912 02 DQZ	Black/Luxor Beige	-PK		
(1)	970 555 912 07	Door panel trim (leather)	right	1	PR:981
	970 555 912 07 A11	Black	-AC		

Model: 970 10 Model life 2010>>2016

Pos	Part Number	Description	Remark	Qty	Model
	970 555 912 07 7J0	Luxor beige	-UC		
	970 555 912 07 7H0	Marsala Red	-PC		
	970 555 912 07 6J0	Espresso	-NA		
	970 555 912 07 7F0	Cognac	-NC		
	970 555 912 07 OA1	agate grey	-DL		
	970 555 912 07 OK6	saddle brown	-SB		
(1)	970 555 912 03	Door panel trim (leather) two-colour Discontinued part	right	1	PR:981
	970 555 912 03 DMG	Luxor Beige/Cream	-BC		
	970 555 912 03 DMJ	Marsala Red/Cream	-BE		
	970 555 912 03 DMK	Cognac/Cedar	-BN		
	970 555 912 03 DQN	Black/Cream	-DS		
	970 555 912 03 DQO	Agate Grey/Cream	-DT		
	970 555 912 03 DQW	Black/Carrera Red	-BF		
	970 555 912 03 HAD	Black/Saddle Tan	-DN		
(1)	970 555 912 03 PFB	Black/Toffee Brown	-PF		
	970 555 912 03	Door panel trim (leather) Leather Alcantara Package Discontinued part	right	1	GTS PR:981
	970 555 912 03 DSP	Black	-GA		
	970 555 912 03 DSR	Luxor beige	-GU		
	970 555 912 03 DST	Marsala Red	-GP		
	970 555 912 03 DVE	agate grey	-GD		
	970 555 912 03 DVF	saddle brown	-GH		
(1)	970 555 912 03	Door panel trim (leather) Passenger compartment Package GTS	right	1	GTS PR:981
		with: Decorative stitching Discontinued part			
	970 555 912 03 DSN	Black/Carmine Red	-GK		
	970 555 912 03 DSO	black/silver	-GS		
2	970 555 571 00	Damping mat door panel		1	
3	970 555 551 00	Loudspeaker trim Low-pitched	left	1	PR:441,490, 680
	970 555 551 00 1E0	Black	-AB,AC,GK,GS, GA		
	970 555 551 00 OW5	Carrera Red	-BF		
	970 555 551 00 4H0	Luxor beige	-UB,UC,GU,PK, PL		
	970 555 551 00 3G0	Marsala Red	-PC,GP		
	970 555 551 00 5J0	Cream	-BC,BE,DS,DT		
	970 555 551 00 7N0	Espresso	-NA		
	970 555 551 00 8P0	Cognac	-NC		
	970 555 551 00 9Q0	Cedar	-BN		
	970 555 551 00 OP1	agate grey	-DG,DL,GD		
	970 555 551 00 OM8	saddle brown	-SB,GH,DN		
(3)	970 555 552 00	Loudspeaker trim Low-pitched	right	1	PR:441,490, 680
	970 555 552 00 1E0	Black	-AB,AC,GK,GS, GA		
	970 555 552 00 OW5	Carrera Red	-BF		
	970 555 552 00 4H0	Luxor beige	-UB,UC,GU,PK, PL		
	970 555 552 00 3G0	Marsala Red	-PC,GP		
	970 555 552 00 5J0	Cream	-BC,BE,DS,DT		
	970 555 552 00 7N0	Espresso	-NA		
	970 555 552 00 8P0	Cognac	-NC		

Model: 970 10 Model life 2010>>2016

Pos	Part Number	Description	Remark	Qty	Model			
(3)	970 555 552 00 9Q0	Cedar	-BN	1	PR:682			
	970 555 552 00 OP1	agate grey	-DG,DL,GD					
	970 555 552 00 OM8	saddle brown	-SB,GH,DN					
	970 555 551 01	Loudspeaker trim Low-pitched	left					
	970 555 551 01 1E0	Black	-AB,AC,GK,GS, GA					
	970 555 551 01 OW5	Carrera Red	-BF					
	970 555 551 01 4H0	Luxor beige	-UB,UC,GU,PK, PL					
	970 555 551 01 3G0	Marsala Red	-PC,GP					
	970 555 551 01 5J0	Cream	-BC,BE,DS,DT					
	970 555 551 01 7N0	Espresso	-NA					
(3)	970 555 551 01 8P0	Cognac	-NC	1	PR:682			
	970 555 551 01 9Q0	Cedar	-BN					
	970 555 551 01 OM8	saddle brown	-SB,GH,DN					
	970 555 551 01 OP1	agate grey	-DG,DL,GD					
	970 555 552 01	Loudspeaker trim Low-pitched	right					
	970 555 552 01 1E0	Black	-AB,AC,GK,GS, GA					
	970 555 552 01 OW5	Carrera Red	-BF					
	970 555 552 01 4H0	Luxor beige	-UB,UC,GU,PK, PL					
	970 555 552 01 3G0	Marsala Red	-PC,GP					
	970 555 552 01 5J0	Cream	-BC,BE,DS,DT					
(3)	970 555 552 01 7N0	Espresso	-NA	1	PR:020,680			
	970 555 552 01 8P0	Cognac	-NC					
	970 555 552 01 9Q0	Cedar	-BN					
	970 555 552 01 OM8	saddle brown	-SB,GH,DN					
	970 555 552 01 OP1	agate grey	-DG,DL,GD					
	970 555 551 02	Loudspeaker trim Low-pitched	left					
	970 555 551 02 OD2	Toffee Brown						
	(3)	970 555 552 02	Loudspeaker trim Low-pitched			right	1	PR:020,680
		970 555 552 02 OD2	Toffee Brown					
	(3)	970 555 551 03	Loudspeaker trim Low-pitched			left	1	PR:020,682
970 555 551 03 OD2		Toffee Brown						
(3)	970 555 552 03	Loudspeaker trim Low-pitched	right	1	PR:020,682			
	970 555 552 03 OD2	Toffee Brown						
4	970 555 553 00	Loudspeaker trim MID-RANGE speaker	left	1	PR:441,490, 680,682			
	970 555 553 00 1E0	Black	-AB,AC,GK,GS, GA					
	970 555 553 00 OW5	Carrera Red	-BF					
	970 555 553 00 4H0	Luxor beige	-UB,UC,GU,PK, PL					
	970 555 553 00 3G0	Marsala Red	-PC,GP					
	970 555 553 00 5J0	Cream	-BC,BE,DS,DT					
	970 555 553 00 7N0	Espresso	-NA					
	970 555 553 00 8P0	Cognac	-NC					
	970 555 553 00 9Q0	Cedar	-BN					
	970 555 553 00 OP1	agate grey	-DG,DL,GD					
4	970 555 553 00 OM8	saddle brown	-SB,GH,DN	1	PR:441,490, 680,682			
	970 555 554 00	Loudspeaker trim MID-RANGE speaker	right					
	970 555 554 00 1E0	Black	-AB,AC,GK,GS, GA					
	970 555 554 00 OW5	Carrera Red	-BF					
	970 555 554 00 4H0	Luxor beige	-UB,UC,GU,PK,					

Model: 970 10 Model life 2010>>2016

Pos	Part Number	Description	Remark	Qty	Model
	970 555 554 00 3G0	Marsala Red	PL -PC,GP		
	970 555 554 00 5J0	Cream	-BC,BE,DS,DT		
	970 555 554 00 7N0	Espresso	-NA		
	970 555 554 00 8P0	Cognac	-NC		
	970 555 554 00 9Q0	Cedar	-BN		
	970 555 554 00 OP1	agate grey	-DG,DL,GD		
	970 555 554 00 OM8	saddle brown	-SB,GH,DN		
(4)	970 555 553 01	Loudspeaker trim Low-pitched	left	1	PR:020,680, 682
(4)	970 555 553 01 OD2	Toffee Brown			
	970 555 554 01	Loudspeaker trim Low-pitched	right	1	PR:020,680, 682
	970 555 554 01 OD2	Toffee Brown			
5	970 555 724 00	Mounting frame Switch	lhd	1	PR:098
	970 555 724 00 A05	Matt black			
(5)	970 555 723 00	Mounting frame Switch	rhd	1	PR:099
	970 555 723 00 A05	Black			
6	999 591 693 01	U-clip 1,2 - 2,2 for Mount Mounting frame Switch		4	
7	970 555 721 00	Cover	left	1	
	970 555 721 00 1E0	Black	-AB,AC,GK,GS, GA,PF,BF		
	970 555 721 00 OP1	agate grey	-DG,DL,GD		
	970 555 721 00 4H0	Luxor beige	-UB,UC,GU,PK, PL		
	970 555 721 00 3G0	Marsala Red	-PC,GP		
	970 555 721 00 5J0	Cream	-BC,BE,DS,DT		
	970 555 721 00 7N0	Espresso	-NA		
	970 555 721 00 8P0	Cognac	-NC		
	970 555 721 00 9Q0	Cedar	-BN		
	970 555 721 00 OM8	saddle brown	-SB,GH,DN		
7	970 555 722 00	Cover	right	1	
	970 555 722 00 1E0	Black	-AB,AC,GK,GS, GA,PF,BF		
	970 555 722 00 OP1	agate grey	-DG,DL,GD		
	970 555 722 00 4H0	Luxor beige	-UB,UC,GU,PK, PL		
	970 555 722 00 3G0	Marsala Red	-PC,GP		
	970 555 722 00 5J0	Cream	-BC,BE,DS,DT		
	970 555 722 00 7N0	Espresso	-NA		
	970 555 722 00 8P0	Cognac	-NC		
	970 555 722 00 9Q0	Cedar	-BN		
	970 555 722 00 OM8	saddle brown	-SB,GH,DN		
8	970 555 741 00	Cover window frame	left	1	
	970 555 741 00 5Q0	Black	-AB,AC,GK,GS, GA,PK,PL,DS, BF,DN,PF		
	970 555 741 00 OA6	agate grey	-DG,DL,GD,DT		
	970 555 741 00 6W0	Luxor beige	-UB,UC,GU,BC		
	970 555 741 00 7X0	Marsala Red	-PC,GP,BE		
	970 555 741 00 3T0	Espresso	-NA		
	970 555 741 00 2S0	Cognac	-NC,BN		
	970 555 741 00 OL7	saddle brown	-SB,GH		
8	970 555 742 00	Cover window frame	right	1	

Model: 970 10 Model life 2010>>2016

Pos	Part Number	Description	Remark	Qty	Model
	970 555 742 00 5Q0	Black	-AB, AC, GK, GS, GA, PK, PL, DS, BF, DN, PF		
	970 555 742 00 OA6	agate grey	-DG, DL, GD, DT		
	970 555 742 00 6W0	Luxor beige	-UB, UC, GU, BC		
	970 555 742 00 7X0	Marsala Red	-PC, GP, BE		
	970 555 742 00 3T0	Espresso	-NA		
	970 555 742 00 2S0	Cognac	-NC, BN		
	970 555 742 00 OL7	saddle brown	-SB, GH		
9	999 507 130 01	U-clip Mount Cover window frame		2	
10	955 552 107 00	Retaining clip		13	
11	7PP 837 247	Cover panel Inner actuator	left	1	
(11)	7PP 837 247 1E0 7PP 837 248	Black Cover panel Inner actuator	right	1	
12	7PP 837 248 1E0 970 555 381 00	Black Trim for door	left front	1	PR:817,-537
(12)	970 555 381 00 A61 970 555 382 00	Piano Black, high-gloss Trim for door	right front	1	PR:817,-538
(12)	970 555 382 00 A61 970 555 381 01	Piano Black, high-gloss Trim for door	left front	1	PR:821,-537
(12)	970 555 381 01 BG1 970 555 382 01	Walnut, high-gloss Trim for door	right front	1	PR:821,-538
(12)	970 555 382 01 BG1 970 555 381 02	Walnut, high-gloss Trim for door	left front	1	PR:822,-537
(12)	970 555 381 02 S64 970 555 382 02	Teneo high-gloss Trim for door	right front	1	PR:822,-538
(12)	970 555 382 02 S64 970 555 381 03	Teneo high-gloss Trim for door	left front	1	PR:823,-537
(12)	970 555 381 03 CK6 970 555 382 03	Swedish Birch Trim for door	right front	1	PR:823,-538
(12)	970 555 382 03 CK6 970 555 381 04	Swedish Birch Trim for door	left front	1	PR:824,-537
(12)	970 555 381 04 BT2 970 555 382 04	Olive Ash matt open-pored Trim for door	right front	1	PR:824,-538
(12)	970 555 382 04 BT2 970 555 381 05	Olive Ash matt open-pored Trim for door	left front	1	PR:818,-537
(12)	970 555 381 05 U03 970 555 382 05	Aluminium, brushed Trim for door	right front	1	PR:818,-538
(12)	970 555 382 05 U03 970 555 381 06	Aluminium, brushed Trim for door	left front	1	PR:819,-537
(12)	970 555 381 06 BX3 970 555 382 06	Carbon, fine high-gloss Trim for door	right front	1	PR:819,-538
(12)	970 555 382 06 BX3 970 555 381 28	Carbon, fine high-gloss Trim for door	left	1	PR:826,0E1,

Model: 970 10

Model life 2010>>2016

Pos	Part Number	Description	Remark	Qty	Model
			front		-537
(12)	970 555 381 28 OE9 970 555 382 28	American Walnut Trim for door	right front	1	PR:826,0E1, -538
(12)	970 555 382 28 OE9 970 555 971 00	American Walnut Trim for door	left front	1	PR:537,817
(12)	970 555 971 00 A61 970 555 972 00	Piano Black, high-gloss Trim for door	right front	1	PR:538,817
(12)	970 555 972 00 A61 970 555 971 01	Piano Black, high-gloss Trim for door	left front	1	PR:537,821
(12)	970 555 971 01 BG1 970 555 972 01	Walnut, high-gloss Trim for door	right front	1	PR:538,821
(12)	970 555 972 01 BG1 970 555 971 02	Walnut, high-gloss Trim for door	left front	1	PR:537,822
(12)	970 555 971 02 S64 970 555 972 02	Teneo high-gloss Trim for door	right front	1	PR:538,822
(12)	970 555 972 02 S64 970 555 971 03	Teneo high-gloss Trim for door	left front	1	PR:537,823
(12)	970 555 971 03 CK6 970 555 972 03	Swedish Birch Trim for door	right front	1	PR:538,823
(12)	970 555 972 03 CK6 970 555 971 04	Swedish Birch Trim for door	left front	1	PR:537,824
(12)	970 555 971 04 BT2 970 555 972 04	Olive Ash matt open-pored Trim for door	right front	1	PR:538,824
(12)	970 555 972 04 BT2 970 555 971 05	Olive Ash matt open-pored Trim for door	left front	1	PR:537,818
(12)	970 555 971 05 U03 970 555 972 05	Aluminium, brushed Trim for door	right front	1	PR:538,818
(12)	970 555 972 05 U03 970 555 971 06	Aluminium, brushed Trim for door	left front	1	PR:537,819
(12)	970 555 971 06 BX3 970 555 972 06	Carbon, fine high-gloss Trim for door	right front	1	PR:538,819
(12)	970 555 972 06 BX3 970 555 971 08	Carbon, fine high-gloss Trim for door	left front	1	PR:537,826
(12)	970 555 971 08 OE9 970 555 972 07	American Walnut Trim for door	right front	1	PR:538,826
(12)	970 555 972 07 OE9 970 555 981 00	American Walnut Trim for door	left front	1	PR:XZY
(12)	970 555 981 00 GX1 970 555 982 00	Mahogany Yachting Trim for door	right front	1	PR:XZY
(12)	970 555 982 00 GX1 970 555 981 01	Mahogany Yachting Trim for door	left front	1	PR:XZY,537
(12)	970 555 981 01 GX1 970 555 982 01	Mahogany Yachting Trim for door	right	1	PR:XZY,538

Model: 970 10 Model life 2010>>2016

Pos	Part Number	Description	Remark	Qty	Model
			front		
(12)	970 555 982 01 GX1 970 555 982 01	Mahogany Yachting Trim for door	right front	1	PR:XZY,538
(12)	970 555 982 01 GX1 970 555 981 02	Mahogany Yachting Trim for door	left front	1	PR:XHA,-537
	970 555 981 02 A11	Leather Black	-AB,AC,GK,GS, GA,DS,PK,PL, BF,DN		
	970 555 981 02 OA1	agate grey	-DG,DL,DT,GD		
	970 555 981 02 7J0	Luxor beige	-UB,UC,GU,BC		
	970 555 981 02 7H0	Marsala Red	-PC,GP,BE		
	970 555 981 02 6J0	Espresso	-NA		
	970 555 981 02 7F0	Cognac	-NC,BN		
(12)	970 555 981 02 OK6 970 555 982 02	saddle brown Trim for door	-SB,GH right front	1	PR:XHA,-538
	970 555 982 02 A11	Leather Black	-AB,AC,GK,GS, GA,DS,PK,PL, BF,DN		
	970 555 982 02 OA1	agate grey	-DG,DL,DT,GD		
	970 555 982 02 7J0	Luxor beige	-UB,UC,GU,BC		
	970 555 982 02 7H0	Marsala Red	-PC,GP,BE		
	970 555 982 02 6J0	Espresso	-NA		
	970 555 982 02 7F0	Cognac	-NC,BN		
(12)	970 555 982 02 OK6 970 555 981 03	saddle brown Trim for door	-SB,GH left front	1	PR:XHA,537
	970 555 981 03 A11	Leather Black	-AB,AC,GK,GS, GA,DS,PK,PL, BF,DN		
	970 555 981 03 OA1	agate grey	-DG,DL,DT,GD		
	970 555 981 03 7J0	Luxor beige	-UB,UC,GU,BC		
	970 555 981 03 7H0	Marsala Red	-PC,GP,BE		
	970 555 981 03 6J0	Espresso	-NA		
	970 555 981 03 7F0	Cognac	-NC,BN		
(12)	970 555 981 03 OK6 970 555 982 03	saddle brown Trim for door	-SB,GH right front	1	PR:XHA,538
	970 555 982 03 A11	Leather Black	-AB,AC,GK,GS, GA,DS,PK,PL, BF,DN		
	970 555 982 03 OA1	agate grey	-DG,DL,DT,GD		
	970 555 982 03 7J0	Luxor beige	-UB,UC,GU,BC		
	970 555 982 03 7H0	Marsala Red	-PC,GP,BE		
	970 555 982 03 6J0	Espresso	-NA		
	970 555 982 03 7F0	Cognac	-NC,BN		
	970 555 982 03 OK6	saddle brown	-SB,GH		
13	N 910 423 01	Oval hexagon socket head bolt M 6 X 16 Mount door panel		3	
14	999 073 260 09	fillister hd. bolt M 6 X 16 Mount door panel		1	
15	999 703 271 40	Stop buffer Inner actuator		2	

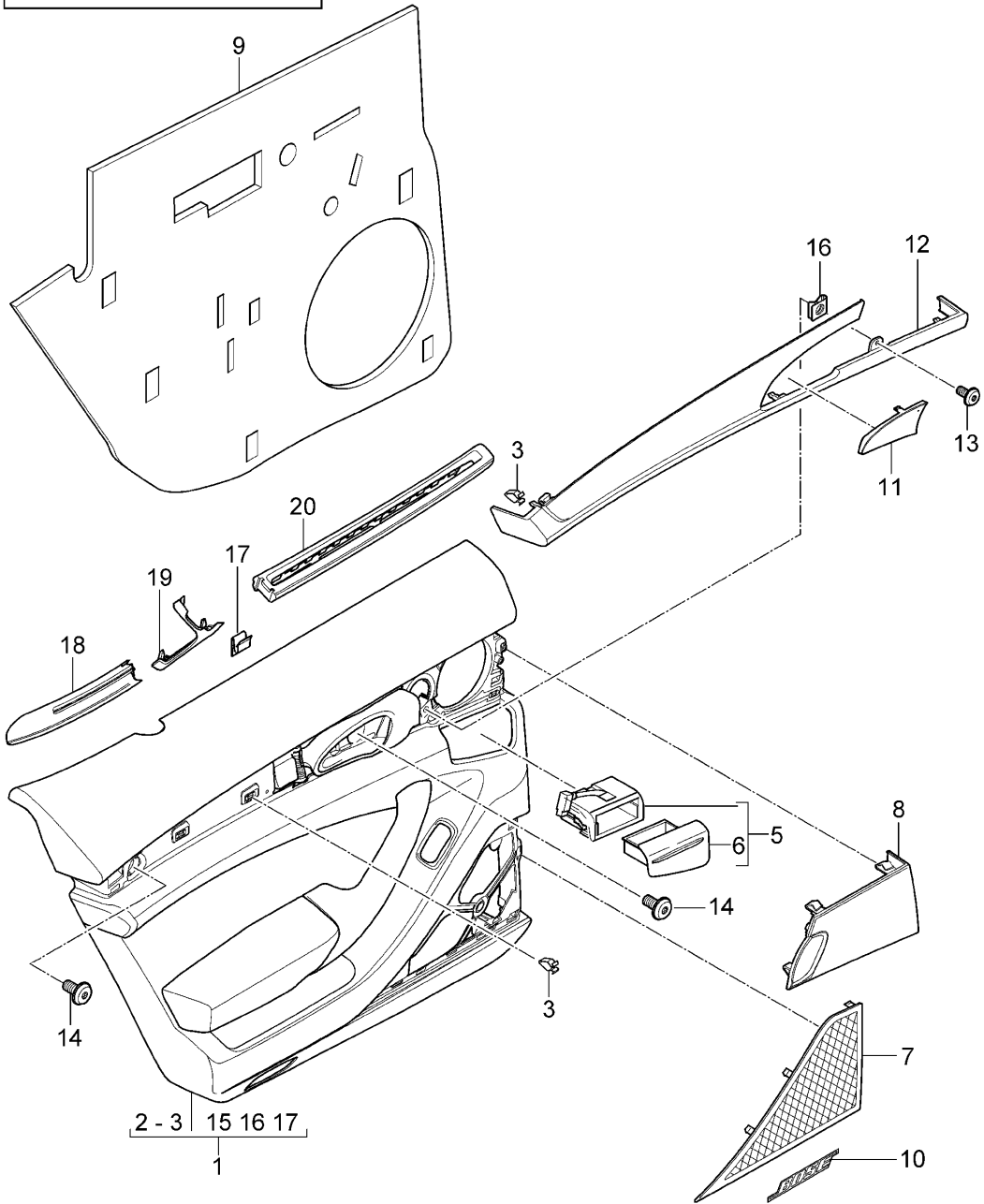
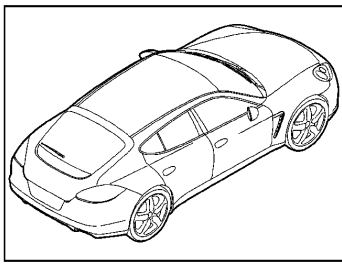
Model: 970 10

Model life 2010>>2016

Pos	Part Number	Description	Remark	Qty	Model
16	999 703 272 40	4,5 X 8 X 20,5 Stop buffer Stowage compartment		4	
17	970 537 537 00	5,0 X 8 X 13 Door seal Additional gasket	left	1	
(17)	970 537 538 00	Door seal Additional gasket	right	1	

Model: 970 10

Model life 2010>>2016



Model: 970 10 Model life 2010>>2016

Pos	Part Number	Description	Remark	Qty	Model
		door panel	rear		
		D >> - MJ 2013			
1	970 555 913 00	Door trim (leatherette)	left	1	
	970 555 913 00 7P8	Black	-AB		
	970 555 913 00 9PK	Platinum Grey	-CB		
	970 555 913 00 8ED	Luxor beige	-UB		
	970 555 913 00 DQZ	Black/Luxor Beige	-PK		
(1)	970 555 914 00	Door trim (leatherette)	right	1	
	970 555 914 00 7P8	Black	-AB		
	970 555 914 00 9PK	Platinum Grey	-CB		
	970 555 914 00 8ED	Luxor beige	-UB		
	970 555 914 00 DQZ	Black/Luxor Beige	-PK		
(1)	970 555 913 01	Door trim (leatherette)	left	1	PR:861
	970 555 913 01 7P8	Black	-AB		
	970 555 913 01 9PK	Platinum Grey	-CB		
	970 555 913 01 8ED	Luxor beige	-UB		
	970 555 913 01 DQZ	Black/Luxor Beige	-PK		
(1)	970 555 914 01	Door trim (leatherette)	right	1	PR:861
	970 555 914 01 7P8	Black	-AB		
	970 555 914 01 9PK	Platinum Grey	-CB		
	970 555 914 01 8ED	Luxor beige	-UB		
	970 555 914 01 DQZ	Black/Luxor Beige	-PK		
(1)	970 555 913 12	door panel	left	1	PR:981
		Leather			
	970 555 913 12 A11	Black	-AC		
	970 555 913 12 9B0	Platinum Grey	-CC		
	970 555 913 12 7J0	Luxor beige	-UC		
	970 555 913 12 6A0	yachting blue	-EC		
	970 555 913 12 7H0	Marsala Red	-PC		
		D - MJ 2011>>			
	970 555 913 12 DMF	Black/Platinum Grey	-BB		
	970 555 913 12 DMG	Luxor Beige/Cream	-BC		
	970 555 913 12 DMH	Yachting Blue/Cream	-BD		
	970 555 913 12 DMJ	Marsala Red/Cream	-BE		
		D - MJ 2011>>			
	970 555 913 12 DMK	Cognac/Cedar	-BN		
	970 555 913 12 6J0	Espresso	-NA		
	970 555 913 12 7F0	Cognac	-NC		
	970 555 913 12 DQN	Black/Cream	-DS		
	970 555 913 12 DQO	Agate Grey/Cream	-DT		
	970 555 913 12 DTO	Black/Luxor Beige	-PL		
	970 555 913 12 DSN	Black/Carmin Red	-GK		
	970 555 913 12 DSO	black/silver	-GS		
	970 555 913 12 DSP	Black	-GA		
	970 555 913 12 DSQ	Luxor beige	-GC		
	970 555 913 12 DSR	Luxor beige	-GU		
	970 555 913 12 DSS	yachting blue	-GE		
	970 555 913 12 DST	Marsala Red	-GP		
	970 555 913 12 DQW	Black/Carrera Red	-BF		
	970 555 913 12 DVE	agate grey	-GD		
	970 555 913 12 DVF	saddle brown	-GH		
	970 555 913 12 HAD	Black/Saddle Tan	-DN		
	970 555 913 12 OA1	agate grey	-DL		
(1)	970 555 914 02	Door panel trim (leather)	right	1	PR:981
	970 555 914 02 A11	Black	-AC		
	970 555 914 02 9B0	Platinum Grey	-CC		
	970 555 914 02 7J0	Luxor beige	-UC		
	970 555 914 02 6A0	yachting blue	-EC		
	970 555 914 02 7H0	Marsala Red	-PC		
		D - MJ 2011>>			
	970 555 914 02 DMF	Black/Platinum Grey	-BB		
	970 555 914 02 DMG	Luxor Beige/Cream	-BC		
	970 555 914 02 DMH	Yachting Blue/Cream	-BD		

Model: 970 10 Model life 2010>>2016

Pos	Part Number	Description	Remark	Qty	Model
	970 555 914 02 DMJ	Marsala Red/Cream D - MJ 2011>>	-BE		
	970 555 914 02 DMK	Cognac/Cedar	-BN		
	970 555 914 02 6J0	Espresso	-NA		
	970 555 914 02 7F0	Cognac	-NC		
	970 555 914 02 DQN	Black/Cream	-DS		
	970 555 914 02 DQO	Agate Grey/Cream	-DT		
	970 555 914 02 DTO	Black/Luxor Beige	-PL		
	970 555 914 02 DSN	Black/Carmine Red	-GK		
	970 555 914 02 DSO	black/silver	-GS		
	970 555 914 02 DSP	Black	-GA		
	970 555 914 02 DSQ	Luxor beige	-GC		
	970 555 914 02 DSR	Luxor beige	-GU		
	970 555 914 02 DSS	yachting blue	-GE		
	970 555 914 02 DST	Marsala Red	-GP		
(1)	970 555 913 03	Door panel trim (leather)	left	1	PR:861,981
	970 555 913 03 A11	Black	-AC		
	970 555 913 03 9B0	Platinum Grey	-CC		
	970 555 913 03 7J0	Luxor beige	-UC		
	970 555 913 03 6A0	yachting blue	-EC		
	970 555 913 03 7H0	Marsala Red D - MJ 2011>>	-PC		
	970 555 913 03 DMF	Black/Platinum Grey	-BB		
	970 555 913 03 DMG	Luxor Beige/Cream	-BC		
	970 555 913 03 DMH	Yachting Blue/Cream	-BD		
	970 555 913 03 DMJ	Marsala Red/Cream D - MJ 2011>>	-BE		
	970 555 913 03 DMK	Cognac/Cedar	-BN		
	970 555 913 03 6J0	Espresso	-NA		
	970 555 913 03 7F0	Cognac	-NC		
	970 555 913 03 DQN	Black/Cream	-DS		
	970 555 913 03 DQO	Agate Grey/Cream	-DT		
	970 555 913 03 DTO	Black/Luxor Beige	-PL		
	970 555 913 03 DSN	Black/Carmine Red	-GK		
	970 555 913 03 DSO	black/silver	-GS		
	970 555 913 03 DSP	Black	-GA		
	970 555 913 03 DSQ	Luxor beige	-GC		
	970 555 913 03 DSR	Luxor beige	-GU		
	970 555 913 03 DSS	yachting blue	-GE		
	970 555 913 03 DST	Marsala Red	-GP		
(1)	970 555 914 03	Door panel trim (leather)	right	1	PR:861,981
	970 555 914 03 A11	Black	-AC		
	970 555 914 03 9B0	Platinum Grey	-CC		
	970 555 914 03 7J0	Luxor beige	-UC		
	970 555 914 03 6A0	yachting blue	-EC		
	970 555 914 03 7H0	Marsala Red D - MJ 2011>>	-PC		
	970 555 914 03 DMF	Black/Platinum Grey	-BB		
	970 555 914 03 DMG	Luxor Beige/Cream	-BC		
	970 555 914 03 DMH	Yachting Blue/Cream	-BD		
	970 555 914 03 DMJ	Marsala Red/Cream D - MJ 2011>>	-BE		
	970 555 914 03 DMK	Cognac/Cedar	-BN		
	970 555 914 03 6J0	Espresso	-NA		
	970 555 914 03 7F0	Cognac	-NC		
	970 555 914 03 DQN	Black/Cream	-DS		
	970 555 914 03 DQO	Agate Grey/Cream	-DT		
	970 555 914 03 DTO	Black/Luxor Beige	-PL		
	970 555 914 03 DSN	Black/Carmine Red	-GK		
	970 555 914 03 DSO	black/silver	-GS		
	970 555 914 03 DSP	Black	-GA		
	970 555 914 03 DSQ	Luxor beige	-GC		
	970 555 914 03 DSR	Luxor beige	-GU		

Model: 970 10 Model life 2010>>2016

Pos	Part Number	Description	Remark	Qty	Model
(1)	970 555 914 03 DSS	yachting blue	-GE	1	PR:861,981
	970 555 914 03 DST	Marsala Red	-GP		
3	970 555 914 13	Door panel trim (leather)	right rear	X	
	970 555 914 13 A11	Black	-AC		
5	955 552 107 00	Retaining clip			
(5)	970 555 461 00	ashtray (complete)	left	1	
	970 555 461 00 7P8	Black	-AB	1	
	970 555 461 00 9PK	Platinum Grey	-CB		
	970 555 461 00 8ED	Luxor beige	-UB		
	970 555 462 00	ashtray (complete)	right		
970 555 462 00 7P8	Black	-AB			
(5)	970 555 462 00 9PK	Platinum Grey	-CB	1	PR:981
	970 555 462 00 8ED	Luxor beige	-UB		
	970 555 461 01	ashtray (complete)	left		
	970 555 461 01 A11	Black	-AC,GK,GS,GA		
	970 555 461 01 9B0	Platinum Grey	-CC,GC,BB		
(5)	970 555 461 01 7J0	Luxor beige	-UC,GU,PL	1	PR:981
	970 555 461 01 6A0	yachting blue	-EC,GE		
	970 555 461 01 7H0	Marsala Red	-PC,GP		
	970 555 461 01 8D0	D - MJ 2011>> Cream	-BC,BD,BE,DS, DT		
	970 555 461 01 6J0	Espresso	-NA		
	970 555 461 01 7F0	Cognac	-NC		
	970 555 461 01 8B0	Cedar	-BN		
	970 555 461 01 OA1	agate grey	-DL		
	970 555 461 01 OK6	saddle brown	-SB,GH,DN		
	970 555 462 01	ashtray (complete)	right		
	970 555 462 01 A11	Black	-AC,GK,GS,GA		
	970 555 462 01 9B0	Platinum Grey	-CC,GC,BB		
	970 555 462 01 7J0	Luxor beige	-UC,GU,PL		
	970 555 462 01 6A0	yachting blue	-EC,GE		
	970 555 462 01 7H0	Marsala Red	-PC,GP		
970 555 462 01 8D0	D - MJ 2011>> Cream	-BC,BD,BE,DS, DT			
970 555 462 01 6J0	Espresso	-NA			
970 555 462 01 7F0	Cognac	-NC			
970 555 462 01 8B0	Cedar	-BN			
970 555 462 01 OA1	agate grey	-DL			
970 555 462 01 OK6	saddle brown	-SB,GH,DN			
6	970 555 951 00	ashtray Pot	left	1	
(6)		Trim Discontinued part			
	970 555 951 00 7P8	Black	-AB	1	PR:981
	970 555 951 00 9PK	Platinum Grey	-CB		
	970 555 951 00 8ED	Luxor beige	-UB		
	970 555 952 00	ashtray Pot	right		
		Trim Discontinued part			
	970 555 952 00 7P8	Black	-AB		
	970 555 952 00 9PK	Platinum Grey	-CB		
	970 555 952 00 8ED	Luxor beige	-UB		
	970 555 951 01	ashtray Pot	left		
	Trim Discontinued part				

Model: 970 10 Model life 2010>>2016

Pos	Part Number	Description	Remark	Qty	Model
		with:			
		Trim			
		Discontinued part			
	970 555 951 01 A11	Black	-AC,GK,GS,GA		
	970 555 951 01 9B0	Platinum Grey	-CC,GC,BB		
	970 555 951 01 7J0	Luxor beige	-UC,GU,PL		
	970 555 951 01 6A0	yachting blue	-EC,GE		
	970 555 951 01 7H0	Marsala Red	-PC,GP		
		D - MJ 2011>>			
	970 555 951 01 8D0	Cream	-BC,BD,BE,DS, DT		
	970 555 951 01 6J0	Espresso	-NA		
	970 555 951 01 7F0	Cognac	-NC		
	970 555 951 01 8B0	Cedar	-BN		
(6)	970 555 952 01	ashtray	right	1	PR:981
		Pot			
		with:			
		Trim			
		Discontinued part			
	970 555 952 01 A11	Black	-AC,GK,GS,GA		
	970 555 952 01 9B0	Platinum Grey	-CC,GC,BB		
	970 555 952 01 7J0	Luxor beige	-UC,GU,PL		
	970 555 952 01 6A0	yachting blue	-EC,GE		
	970 555 952 01 7H0	Marsala Red	-PC,GP		
		D - MJ 2011>>			
	970 555 952 01 8D0	Cream	-BC,BD,BE,DS, DT		
	970 555 952 01 6J0	Espresso	-NA		
	970 555 952 01 7F0	Cognac	-NC		
	970 555 952 01 8B0	Cedar	-BN		
7	970 555 651 00	Loudspeaker trim	left	1	PR:441,490, 680
		Low-pitched			
	970 555 651 00 1E0	Black	-AB,AC,GK,GS, GA		
	970 555 651 00 6L0	Platinum Grey	-CB,CC,GC,BB		
	970 555 651 00 4H0	Luxor beige	-UB,UC,GU,PK, PL		
	970 555 651 00 2F0	yachting blue	-EC,GE		
	970 555 651 00 3G0	Marsala Red	-PC,GP		
		D - MJ 2011>>			
	970 555 651 00 5J0	Cream	-BC,BD,BE,DS, DT		
	970 555 651 00 7N0	Espresso	-NA		
	970 555 651 00 8P0	Cognac	-NC		
	970 555 651 00 9Q0	Cedar	-BN		
(7)	970 555 652 00	Loudspeaker trim	right	1	PR:441,490, 680
		Low-pitched			
	970 555 652 00 1E0	Black	-AB,AC,GK,GS, GA		
	970 555 652 00 6L0	Platinum Grey	-CB,CC,GC,BB		
	970 555 652 00 4H0	Luxor beige	-UB,UC,GU,PK, PL		
	970 555 652 00 2F0	yachting blue	-EC,GE		
	970 555 652 00 3G0	Marsala Red	-PC,GP		
		D - MJ 2011>>			
	970 555 652 00 5J0	Cream	-BC,BD,BE,DS, DT		
	970 555 652 00 7N0	Espresso	-NA		
	970 555 652 00 8P0	Cognac	-NC		
	970 555 652 00 9Q0	Cedar	-BN		
(7)	970 555 651 01	Loudspeaker trim	left	1	PR:682
		Low-pitched			
	970 555 651 01 1E0	Black	-AB,AC,GK,GS,		

Model: 970 10 Model life 2010>>2016

Pos	Part Number	Description	Remark	Qty	Model
	970 555 651 01 6L0	Platinum Grey	GA		
	970 555 651 01 4H0	Luxor beige	-CB,CC,GC,BB		
	970 555 651 01 2F0	yachting blue	-UB,UC,GU,PK,PL		
	970 555 651 01 3G0	Marsala Red	-EC,GE		
		D - MJ 2011>>	-PC,GP		
	970 555 651 01 5J0	Cream	-BC,BD,BE,DS,DT		
	970 555 651 01 7N0	Espresso	-NA		
	970 555 651 01 8P0	Cognac	-NC		
	970 555 651 01 9Q0	Cedar	-BN		
(7)	970 555 652 01	Loudspeaker trim	right	1	PR:682
		Low-pitched			
	970 555 652 01 1E0	Black	-AB,AC,GK,GS,GA		
	970 555 652 01 6L0	Platinum Grey	-CB,CC,GC,BB		
	970 555 652 01 4H0	Luxor beige	-UB,UC,GU,PK,PL		
	970 555 652 01 2F0	yachting blue	-EC,GE		
	970 555 652 01 3G0	Marsala Red	-PC,GP		
		D - MJ 2011>>			
	970 555 652 01 5J0	Cream	-BC,BD,BE,DS,DT		
	970 555 652 01 7N0	Espresso	-NA		
	970 555 652 01 8P0	Cognac	-NC		
	970 555 652 01 9Q0	Cedar	-BN		
8	970 555 653 00	Cover for	left	1	
		treble speaker			
	970 555 653 00 1E0	Black	-AB,AC,GK,GS,GA		
	970 555 653 00 6L0	Platinum Grey	-CB,CC,GC,BB		
	970 555 653 00 4H0	Luxor beige	-UB,UC,GU,PK,PL		
	970 555 653 00 2F0	yachting blue	-EC,GE		
	970 555 653 00 3G0	Marsala Red	-PC,GP		
		D - MJ 2011>>			
	970 555 653 00 5J0	Cream	-BC,BD,BE,DS,DT		
	970 555 653 00 7N0	Espresso	-NA		
	970 555 653 00 8P0	Cognac	-NC		
(8)	970 555 654 00	Cover for	right	1	
		treble speaker			
	970 555 654 00 1E0	Black	-AB,AC,GK,GS,GA		
	970 555 654 00 6L0	Platinum Grey	-CB,CC,GC,BB		
	970 555 654 00 4H0	Luxor beige	-UB,UC,GU,PK,PL		
	970 555 654 00 2F0	yachting blue	-EC,GE		
	970 555 654 00 3G0	Marsala Red	-PC,GP		
		D - MJ 2011>>			
	970 555 654 00 5J0	Cream	-BC,BD,BE,DS,DT		
	970 555 654 00 7N0	Espresso	-NA		
	970 555 654 00 8P0	Cognac	-NC		
9	970 555 671 00	Damping mat		1	
		door panel			
10	7PP 945 699	inscription		1	PR:680
		Bose			
11	970 555 523 01	Cover panel	left	1	
		Inner actuator			
	970 555 523 01 1E0	Black			
(11)	970 555 524 00	Cover panel	right	1	

Model: 970 10

Model life 2010>>2016

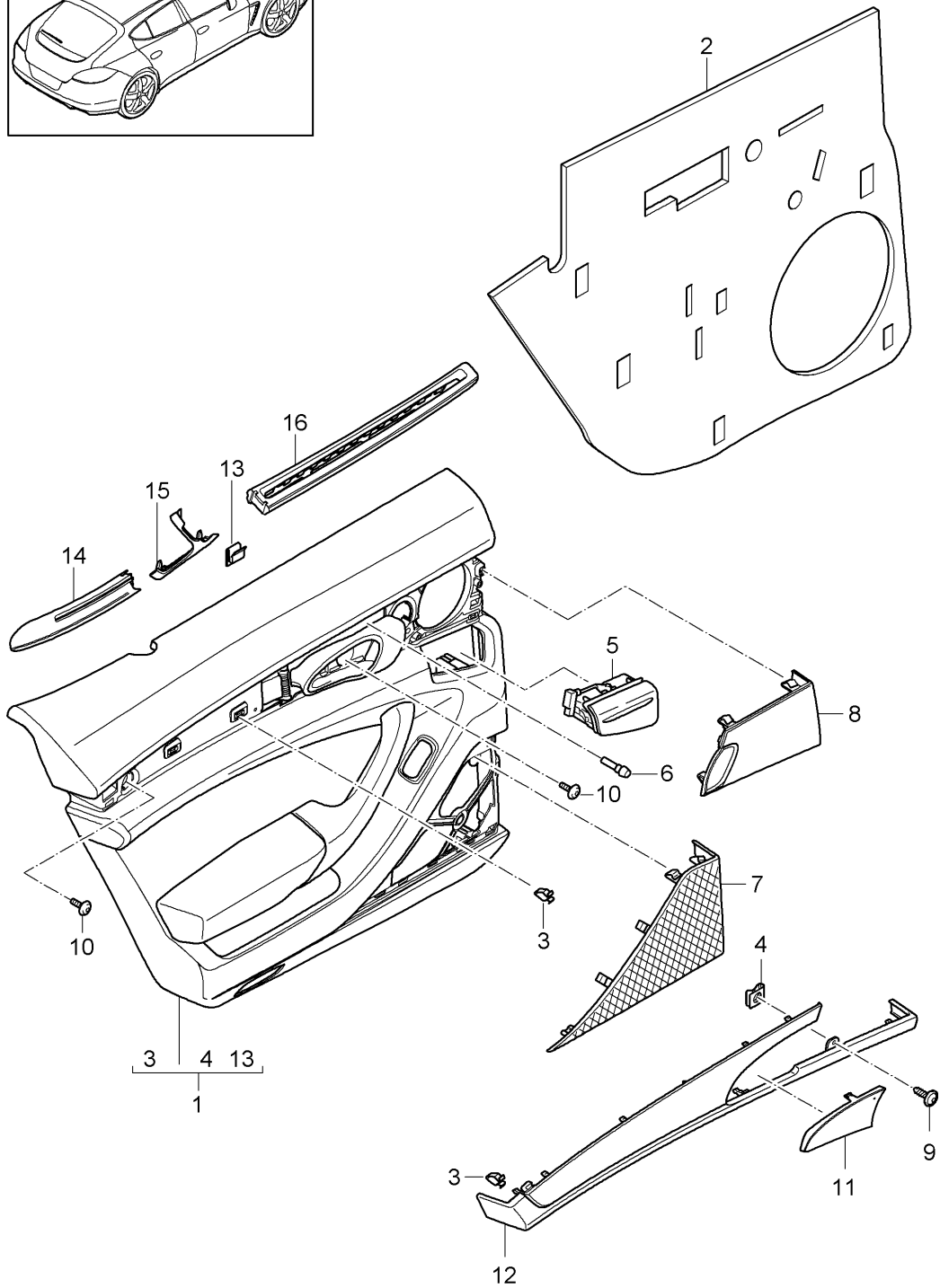
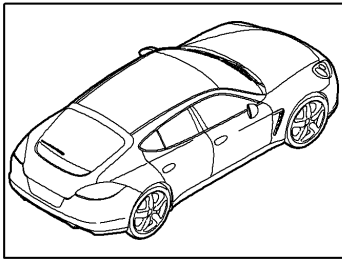
Pos	Part Number	Description	Remark	Qty	Model
(11)	970 555 524 00 1E0 7PP 837 248	Inner actuator Discontinued part Black Cover panel	right	1	
12	7PP 837 248 1E0 970 555 383 00	Inner actuator Black Trim for door	left rear	1	PR:817
(12)	970 555 383 00 A61 970 555 384 00	Piano Black, high-gloss Trim for door	right rear	1	PR:817
(12)	970 555 384 00 A61 970 555 383 01	Piano Black, high-gloss Trim for door	left rear	1	PR:821
(12)	970 555 383 01 BG1 970 555 384 01	Walnut, high-gloss Trim for door	right rear	1	PR:821
(12)	970 555 384 01 BG1 970 555 383 02	Walnut, high-gloss Trim for door	left rear	1	PR:822
(12)	970 555 383 02 S64 970 555 384 02	Teneo high-gloss Trim for door	right rear	1	PR:822
(12)	970 555 384 02 S64 970 555 383 03	Teneo high-gloss Trim for door	left rear	1	PR:823
(12)	970 555 383 03 CK6 970 555 384 03	Swedish Birch Trim for door	right rear	1	PR:823
(12)	970 555 384 03 CK6 970 555 383 04	Swedish Birch Trim for door	left rear	1	PR:824
(12)	970 555 383 04 BT2 970 555 384 04	Olive Ash matt open-pored Trim for door	right rear	1	PR:824
(12)	970 555 384 04 BT2 970 555 383 05	Olive Ash matt open-pored Trim for door	left rear	1	PR:818
(12)	970 555 383 05 U03 970 555 384 05	Aluminium, brushed Trim for door	right rear	1	PR:818
(12)	970 555 384 05 U03 970 555 383 06	Aluminium, brushed Trim for door	left rear	1	PR:819
(12)	970 555 383 06 BX3 970 555 384 06	Carbon, fine high-gloss Trim for door	right rear	1	PR:819
(12)	970 555 384 06 BX3 970 555 983 00	Carbon, fine high-gloss Trim for door	left rear	1	PR:XZY
(12)	970 555 983 00 GX1 970 555 984 00	Mahogany Yachting Trim for door	right rear	1	PR:XZY
13	970 555 984 00 GX1 999 919 121 09	Mahogany Yachting fillister hd. bolt 5 X 16		1	
14	999 073 130 01	fillister hd. bolt M 6 X 16 Mount		2	
15	999 703 271 40	door panel Stop buffer Inner actuator 4,5 X 8 X 18		2	

Model: 970 10 Model life 2010>>2016

Pos	Part Number	Description	Remark	Qty	Model
16	999 591 692 01	panel nut 5,0 for Mount Trim Door	rear	2	
17	999 591 322 02	U-clip 1,2 X 2,0 for Mount Trim roller blind		4	PR:861
18	970 555 639 01	Trim roller blind Side window	left	1	PR:861
(18)	970 555 639 01 1E0	Black			
	970 555 640 01	Trim roller blind Side window	right	1	PR:861
	970 555 640 01 1E0	Black			
19	970 555 637 01	Trim roller blind Window guide	left	1	PR:861
(19)	970 555 637 01 1E0	Black			
	970 555 638 01	Trim roller blind Window guide	right	1	PR:861
	970 555 638 01 1E0	Black			
20	970 555 635 01	Trim roller blind Door window	left	1	PR:861
(20)	970 555 635 01 1E0	Black			
	970 555 636 01	Trim roller blind Door window	right	1	PR:861
	970 555 636 01 1E0	Black			

Model: 970 10

Model life 2010>>2016



Model: 970 10 Model life 2010>>2016

Pos	Part Number	Description	Remark	Qty	Model
		door panel 2nd GENERATION D - MJ 2014>>	rear		PR:0E1
1	970 555 913 00	Door trim (leatherette)	left	1	PR:-861,-981
	970 555 913 00 7P8	Black	-AB		
	970 555 913 00 OK2	agate grey	-DG		
	970 555 913 00 8ED	Luxor beige	-UB		
1	970 555 913 00	Door trim (leatherette) two-colour	left	1	PR:-861,-981
	970 555 913 00 DQZ	Black/Luxor Beige	-PK		
(1)	970 555 913 01	Door trim (leatherette)	left	1	PR:861,-981
	970 555 913 01 7P8	Black	-AB		
	970 555 913 01 OK2	agate grey	-DG		
	970 555 913 01 8ED	Luxor beige	-UB		
(1)	970 555 913 01	Door trim (leatherette) two-colour	left	1	PR:861,-981
	970 555 913 01 DQZ	Black/Luxor Beige	-PK		
(1)	970 555 913 02	Door panel trim (leather)	left	1	PR:981,-861
	970 555 913 02 A11	Black	-AC		
	970 555 913 02 OA1	agate grey	-DL		
	970 555 913 02 OK6	saddle brown	-SB		
	970 555 913 02 7J0	Luxor beige	-UC		
	970 555 913 02 7H0	Marsala Red	-PC		
	970 555 913 02 6J0	Espresso	-NA		
	970 555 913 02 7F0	Cognac	-NC		
(1)	970 555 913 02	Door panel trim (leather) two-colour	left	1	PR:981,-861
	970 555 913 02 DMG	Luxor Beige/Cream	-BC		
	970 555 913 02 DMJ	Marsala Red/Cream	-BE		
	970 555 913 02 DMK	Cognac/Cedar	-BN		
	970 555 913 02 DQN	Black/Cream	-DS		
	970 555 913 02 DQO	Agate Grey/Cream	-DT		
	970 555 913 02 DQW	Black/Carrera Red	-BF		
	970 555 913 02 DTO	Black/Luxor Beige	-PL		
	970 555 913 02 HAD	Black/Saddle Tan	-DN		
(1)	970 555 913 02	Door panel trim (leather) Alcantara Leather package	left	1	GTS PR:981,-861
	970 555 913 02 DSP	Black	-GA		
	970 555 913 02 DVE	agate grey	-GD		
	970 555 913 02 DSR	Luxor beige	-GU		
	970 555 913 02 DVF	saddle brown	-GH		
	970 555 913 02 DST	Marsala Red	-GP		
(1)	970 555 913 02	Door panel trim (leather) GTS Alcantara Leather package	left	1	GTS PR:981,-861
		with:			
		With coloured stitching			
	970 555 913 02 DSN	Black/Carmin Red	-GK		
	970 555 913 02 DSO	black/silver	-GS		
(1)	970 555 913 03	Door panel trim (leather)	left	1	PR:981,861
	970 555 913 03 A11	Black	-AC		
	970 555 913 03 OA1	agate grey	-DL		
	970 555 913 03 OK6	saddle brown	-SB		
	970 555 913 03 7J0	Luxor beige	-UC		
	970 555 913 03 7H0	Marsala Red	-PC		
	970 555 913 03 6J0	Espresso	-NA		
	970 555 913 03 7F0	Cognac	-NC		
(1)	970 555 913 03	Door panel trim (leather) two-colour	left	1	PR:981,861
	970 555 913 03 DMG	Luxor Beige/Cream	-BC		
	970 555 913 03 DMJ	Marsala Red/Cream	-BE		

Model: 970 10 Model life 2010>>2016

Pos	Part Number	Description	Remark	Qty	Model
	970 555 913 03 DMK	Cognac/Cedar	-BN		
	970 555 913 03 DQN	Black/Cream	-DS		
	970 555 913 03 DQO	Agate Grey/Cream	-DT		
	970 555 913 03 DQW	Black/Carrera Red	-BF		
	970 555 913 03 DTO	Black/Luxor Beige	-PL		
	970 555 913 03 HAD	Black/Saddle Tan	-DN		
(1)	970 555 913 03	Door panel trim (leather) Alcantara Leather package	left	1	GTS PR:981,861
	970 555 913 03 DSP	Black	-GA		
	970 555 913 03 DVE	agate grey	-GD		
	970 555 913 03 DSR	Luxor beige	-GU		
	970 555 913 03 DVF	saddle brown	-GH		
	970 555 913 03 DST	Marsala Red	-GP		
(1)	970 555 913 03	Door panel trim (leather) GTS Leather Alcantara	left	1	GTS PR:981,861
		with:			
	970 555 913 03 DSN	Black/Carmin Red	-GK		
	970 555 913 03 DSO	black/silver	-GS		
(1)	970 555 914 00	Door trim (leatherette)	right	1	PR:-861,-981
	970 555 914 00 7P8	Black	-AB		
	970 555 914 00 OK2	agate grey	-DG		
	970 555 914 00 8ED	Luxor beige	-UB		
1	970 555 914 00	Door trim (leatherette) two-colour	right	1	PR:-861,-981
	970 555 914 00 DQZ	Black/Luxor Beige	-PK		
(1)	970 555 914 01	Door trim (leatherette)	right	1	PR:861,-981
	970 555 914 01 7P8	Black	-AB		
	970 555 914 01 OK2	agate grey	-DG		
	970 555 914 01 8ED	Luxor beige	-UB		
(1)	970 555 914 01	Door trim (leatherette) two-colour	right	1	PR:861,-981
	970 555 914 01 DQZ	Black/Luxor Beige	-PK		
(1)	970 555 914 02	Door panel trim (leather)	right	1	PR:981,-861
	970 555 914 02 A11	Black	-AC		
	970 555 914 02 OA1	agate grey	-DL		
	970 555 914 02 OK6	saddle brown	-SB		
	970 555 914 02 7J0	Luxor beige	-UC		
	970 555 914 02 7H0	Marsala Red	-PC		
	970 555 914 02 6J0	Espresso	-NA		
	970 555 914 02 7F0	Cognac	-NC		
(1)	970 555 914 02	Door panel trim (leather) two-colour	right	1	PR:981,-861
	970 555 914 02 DMG	Luxor Beige/Cream	-BC		
	970 555 914 02 DMJ	Marsala Red/Cream	-BE		
	970 555 914 02 DMK	Cognac/Cedar	-BN		
	970 555 914 02 DQN	Black/Cream	-DS		
	970 555 914 02 DQO	Agate Grey/Cream	-DT		
	970 555 914 02 DQW	Black/Carrera Red	-BF		
	970 555 914 02 DTO	Black/Luxor Beige	-PL		
	970 555 914 02 HAD	Black/Saddle Tan	-DN		
(1)	970 555 914 02	Door panel trim (leather) Leather Alcantara	right	1	GTS PR:981,-861
	970 555 914 02 DSP	Black	-GA		
	970 555 914 02 DVE	agate grey	-GD		
	970 555 914 02 DSR	Luxor beige	-GU		
	970 555 914 02 DVF	saddle brown	-GH		
	970 555 914 02 DST	Marsala Red	-GP		
(1)	970 555 914 02	Door panel trim (leather)	right	1	GTS

Model: 970 10 Model life 2010>>2016

Pos	Part Number	Description	Remark	Qty	Model
		GTS			PR:981,-861
		with:			
		With coloured stitching			
	970 555 914 02 DSN	Black/Carmine Red	-GK		
	970 555 914 02 DSO	black/silver	-GS		
(1)	970 555 914 03	Door panel trim (leather)	right	1	PR:981,861
	970 555 914 03 A11	Black	-AC		
	970 555 914 03 OA1	agate grey	-DL		
	970 555 914 03 OK6	saddle brown	-SB		
	970 555 914 03 7J0	Luxor beige	-UC		
	970 555 914 03 7H0	Marsala Red	-PC		
	970 555 914 03 6J0	Espresso	-NA		
	970 555 914 03 7F0	Cognac	-NC		
(1)	970 555 914 13	Door panel trim (leather)	right	1	PR:981,861
	970 555 914 13 A11	Black	-AC		
(1)	970 555 914 03	Door panel trim (leather)	right	1	PR:981,861
		two-colour			
	970 555 914 03 DMG	Luxor Beige/Cream	-BC		
	970 555 914 03 DMJ	Marsala Red/Cream	-BE		
	970 555 914 03 DMK	Cognac/Cedar	-BN		
	970 555 914 03 DQN	Black/Cream	-DS		
	970 555 914 03 DQO	Agate Grey/Cream	-DT		
	970 555 914 03 DQW	Black/Carrera Red	-BF		
	970 555 914 03 DTO	Black/Luxor Beige	-PL		
	970 555 914 03 HAD	Black/Saddle Tan	-DN		
(1)	970 555 914 03	Door panel trim (leather)	right	1	GTS PR:981,861
		Leather			
		Alcantara			
	970 555 914 03 DSP	Black	-GA		
	970 555 914 03 DVE	agate grey	-GD		
	970 555 914 03 DSR	Luxor beige	-GU		
	970 555 914 03 DVF	saddle brown	-GH		
	970 555 914 03 DST	Marsala Red	-GP		
(1)	970 555 914 13	Door panel trim (leather)	rear right	1	PR:861,981
	970 555 914 13 A11	Black	-AC		
(1)	970 555 914 03	Door panel trim (leather)	right	1	GTS PR:981,861
		GTS			
		with:			
		With coloured stitching			
	970 555 914 03 DSN	Black/Carmine Red	-GK		
	970 555 914 03 DSO	black/silver	-GS		
2	970 555 671 00	Damping mat door panel		1	
3	955 552 107 00	Retaining clip		11	
4	999 591 692 01	panel nut PT 5,0		1	
5	970 555 461 00	ashtray (complete)	left	1	PR:-981
		Leatherette			
	970 555 461 00 7P8	Black	-AB		
	970 555 461 00 OK2	agate grey	-DG		
	970 555 461 00 8ED	Luxor beige	-UB,PK		
(5)	970 555 462 00	ashtray (complete)	right	1	PR:-981
		Leatherette			
	970 555 462 00 7P8	Black	-AB		
	970 555 462 00 OK2	agate grey	-DG		
	970 555 462 00 8ED	Luxor beige	-UB,PK		
(5)	970 555 461 01	ashtray (complete)	left	1	PR:981
		Leather			
	970 555 461 01 A11	Black	-AC		

Model: 970 10 Model life 2010>>2016

Pos	Part Number	Description	Remark	Qty	Model
	970 555 461 01 OA1	agate grey	-DL		
	970 555 461 01 7J0	Luxor beige	-UC, PL		
	970 555 461 01 N12	Carrera Red	-BF		
	970 555 461 01 7H0	Marsala Red	-PC		
	970 555 461 01 8D0	Cream	-BC, BE, DS, DT		
	970 555 461 01 6J0	Espresso	-NA		
	970 555 461 01 7F0	Cognac	-NC		
	970 555 461 01 8B0	Cedar	-BN		
	970 555 461 01 OA1	agate grey	-DL		
	970 555 461 01 OK6	saddle brown	-DN		
(5)	970 555 462 01	ashtray (complete) Leather	right	1	PR:981
	970 555 462 01 A11	Black	-AC		
	970 555 462 01 OA1	agate grey	-DL		
	970 555 462 01 7J0	Luxor beige	-UC, PL		
	970 555 462 01 N12	Carrera Red	-BF		
	970 555 462 01 7H0	Marsala Red	-PC		
	970 555 462 01 8D0	Cream	-BC, BE, DS, DT		
	970 555 462 01 6J0	Espresso	-NA		
	970 555 462 01 7F0	Cognac	-NC		
	970 555 462 01 8B0	Cedar	-BN		
	970 555 462 01 OA1	agate grey	-DL		
	970 555 462 01 OK6	saddle brown	-DN		
6	999 703 271 40	Stop buffer Inner actuator 4,5 X 8 X 18		2	
7	970 555 651 00	Loudspeaker trim Low-pitched	left	1	PR:441, 490, 680
	970 555 651 00 1E0	Black	-AB, AC, GK, GS, GA		
	970 555 651 00 OP1	agate grey	-DG, DL, GD		
	970 555 651 00 4H0	Luxor beige	-UB, UC, GU, PK, PL		
	970 555 651 00 OW5	Carrera Red	-BF		
	970 555 651 00 3G0	Marsala Red	-PC, GP		
	970 555 651 00 5J0	Cream	-BC, BE, DS, DT		
	970 555 651 00 7N0	Espresso	-NA		
	970 555 651 00 8P0	Cognac	-NC		
	970 555 651 00 9Q0	Cedar	-BN		
	970 555 651 00 OM8	saddle brown	-SB, GH, DN		
(7)	970 555 651 01	Loudspeaker trim Low-pitched	left	1	PR:682
	970 555 651 01 1E0	Black	-AB, AC, GK, GS, GA		
	970 555 651 01 OP1	agate grey	-DG, DL, GD		
	970 555 651 01 4H0	Luxor beige	-UB, UC, GU, PK, PL		
	970 555 651 01 OW5	Carrera Red	-BF		
	970 555 651 01 3G0	Marsala Red	-PC, GP		
	970 555 651 01 5J0	Cream	-BC, BE, DS, DT		
	970 555 651 01 7N0	Espresso	-NA		
	970 555 651 01 8P0	Cognac	-NC		
	970 555 651 01 9Q0	Cedar	-BN		
	970 555 651 01 OM8	saddle brown	-SB, GH, DN		
(7)	970 555 652 00	Loudspeaker trim Low-pitched	right	1	PR:441, 490, 680
	970 555 652 00 1E0	Black	-AB, AC, GK, GS, GA		
	970 555 652 00 OP1	agate grey	-DG, DL, GD		
	970 555 652 00 4H0	Luxor beige	-UB, UC, GU, PK, PL		
	970 555 652 00 OW5	Carrera Red	-BF		

Model: 970 10 Model life 2010>>2016

Pos	Part Number	Description	Remark	Qty	Model
	970 555 652 00 3G0	Marsala Red	-PC,GP		
	970 555 652 00 5J0	Cream	-BC, BE, DS, DT		
	970 555 652 00 7N0	Espresso	-NA		
	970 555 652 00 8P0	Cognac	-NC		
	970 555 652 00 9Q0	Cedar	-BN		
	970 555 652 00 OM8	saddle brown	-SB,GH, DN		
(7)	970 555 652 01	Loudspeaker trim	right	1	PR:682
		Low-pitched			
	970 555 652 01 1E0	Black	-AB, AC, GK, GS, GA		
	970 555 652 01 OP1	agate grey	-DG, DL, GD		
	970 555 652 01 4H0	Luxor beige	-UB, UC, GU, PK, PL		
	970 555 652 01 OW5	Carrera Red	-BF		
	970 555 652 01 3G0	Marsala Red	-PC,GP		
	970 555 652 01 5J0	Cream	-BC, BE, DS, DT		
	970 555 652 01 7N0	Espresso	-NA		
	970 555 652 01 8P0	Cognac	-NC		
	970 555 652 01 9Q0	Cedar	-BN		
	970 555 652 01 OM8	saddle brown	-SB,GH, DN		
8	970 555 653 00	Cover for treble speaker	left	1	PR: XHA, XZY, 490, 680, 682, 441, 818, 822, 824
	970 555 653 00 1E0	Black	-AB, AC, GK, GS, GA, PK, PL, DS, BF, DN		
	970 555 653 00 OP1	agate grey	-DG, DL, GD, DT		
	970 555 653 00 4H0	Luxor beige	-UB, UC, GU, BC		
	970 555 653 00 3G0	Marsala Red	-PC, GP, BE		
	970 555 653 00 7N0	Espresso	-NA		
	970 555 653 00 8P0	Cognac	-NC		
	970 555 653 00 9Q0	Cedar	-BN		
	970 555 653 00 OM8	saddle brown	-SB, GH		
(8)	970 555 653 00	Cover for treble speaker	left	1	PR: 490, 680, 817, 819, 821, 823, 826, 682, 441
	970 555 653 00 1E0	Black			
(8)	970 555 654 00	Cover for treble speaker	right	1	PR: XHA, XZY, 490, 680, 682, 441, 818, 822, 824
	970 555 654 00 1E0	Black	-AB, AC, GK, GS, GA, PK, PL, DS, BF, DN		
	970 555 654 00 OP1	agate grey	-DG, DL, GD, DT		
	970 555 654 00 4H0	Luxor beige	-UB, UC, GU, BC		
	970 555 654 00 3G0	Marsala Red	-PC, GP, BE		
	970 555 654 00 7N0	Espresso	-NA		
	970 555 654 00 8P0	Cognac	-NC		
	970 555 654 00 9Q0	Cedar	-BN		
	970 555 654 00 OM8	saddle brown	-SB, GH		
(8)	970 555 654 00	Cover for treble speaker	left	1	PR: 490, 680, 817, 819, 821, 823, 826, 682, 441
	970 555 654 00 1E0	Black			
9	999 919 121 09	fillister hd. bolt 5 X 16		1	
10	N 910 423 01	Oval hexagon socket head bolt M 6 X 16 Mount		2	

Model: 970 10

Model life 2010>>2016

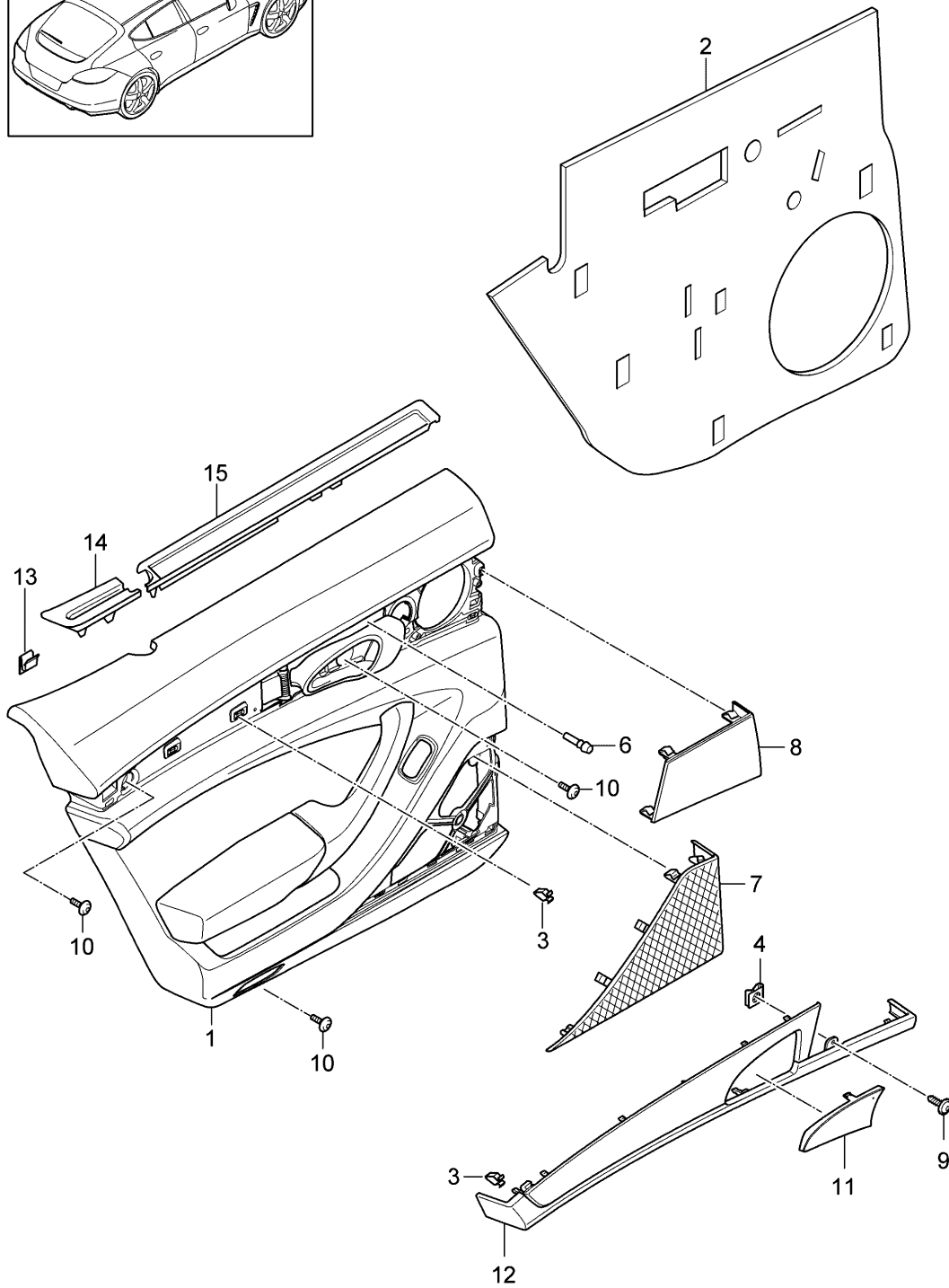
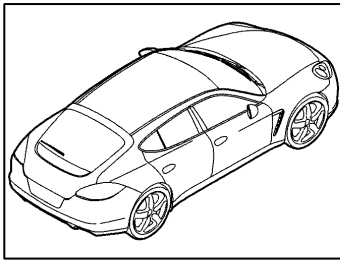
Pos	Part Number	Description	Remark	Qty	Model
11	7P5 839 247 C	door panel Cover panel	left	1	
	7P5 839 247 C 5Q0	Inner actuator Black			
(11)	7P5 839 248 C	door panel Cover panel	right	1	
	7P5 839 248 C 5Q0	Inner actuator Black			
12	970 555 383 00	Trim for door	left rear	1	PR:817
	970 555 383 00 A61	Piano Black, high-gloss			
(12)	970 555 384 00	Trim for door	right rear	1	PR:817
	970 555 384 00 A61	Piano Black, high-gloss			
(12)	970 555 383 01	Trim for door	left rear	1	PR:821
	970 555 383 01 BG1	Walnut, high-gloss			
(12)	970 555 384 01	Trim for door	right rear	1	PR:821
	970 555 384 01 BG1	Walnut, high-gloss			
(12)	970 555 383 02	Trim for door	left rear	1	PR:822
	970 555 383 02 S64	Teneo high-gloss			
(12)	970 555 384 02	Trim for door	right rear	1	PR:822
	970 555 384 02 S64	Teneo high-gloss			
(12)	970 555 383 03	Trim for door	left rear	1	PR:823
	970 555 383 03 CK6	Swedish Birch			
(12)	970 555 384 03	Trim for door	right rear	1	PR:823
	970 555 384 03 CK6	Swedish Birch			
(12)	970 555 383 04	Trim for door	left rear	1	PR:824
	970 555 383 04 BT2	Olive Ash matt open-pored			
(12)	970 555 384 04	Trim for door	right rear	1	PR:824
	970 555 384 04 BT2	Olive Ash matt open-pored			
(12)	970 555 383 05	Trim for door	left rear	1	PR:818
	970 555 383 05 U03	Aluminium, brushed			
(12)	970 555 384 05	Trim for door	right rear	1	PR:818
	970 555 384 05 U03	Aluminium, brushed			
(12)	970 555 383 06	Trim for door	left rear	1	PR:819
	970 555 383 06 BX3	Carbon, fine high-gloss			
(12)	970 555 384 06	Trim for door	right rear	1	PR:819
	970 555 384 06 BX3	Carbon, fine high-gloss			
(12)	970 555 383 15	Trim for door	left rear	1	PR:826
	970 555 383 15 OE9	American Walnut			
(12)	970 555 384 15	Trim for door	right rear	1	PR:826
	970 555 384 15 OE9	American Walnut			
(12)	970 555 983 00	Trim for door	left rear	1	PR:XZY
	970 555 983 00 GX1	Mahogany Yachting			
(12)	970 555 984 00	Trim for door	right rear	1	PR:XZY
	970 555 984 00 GX1	Mahogany Yachting			
(12)	970 555 983 01	Trim for door	left front	1	PR:XHA

Model: 970 10 Model life 2010>>2016

Pos	Part Number	Description	Remark	Qty	Model
	970 555 983 01 A11	Leather Black	-AB,AC,GK,GS, GA,DS,PK,PL, BF,DN		
	970 555 983 01 OA1	agate grey	-DG,DL,GD,DT		
	970 555 983 01 7J0	Luxor beige	-UB,UC,GU,BC		
	970 555 983 01 7H0	Marsala Red	-PC,GP,BE		
	970 555 983 01 6J0	Espresso	-NA		
	970 555 983 01 7F0	Cognac	-NC		
(12)	970 555 984 01	Trim for door	right front	1	PR:XHA
	970 555 984 01 A11	Leather Black	-AB,AC,GK,GS, GA,DS,PK,PL, BF,DN		
	970 555 984 01 OA1	agate grey	-DG,DL,GD,DT		
	970 555 984 01 7J0	Luxor beige	-UB,UC,GU,BC		
	970 555 984 01 7H0	Marsala Red	-PC,GP,BE		
	970 555 984 01 6J0	Espresso	-NA		
	970 555 984 01 7F0	Cognac	-NC		
13	999 591 322 02	U-clip 1,2 X 2,0 for Mount Trim		4	PR:861
	970 555 639 01	roller blind Trim	left	1	PR:861
	970 555 639 01 1E0	roller blind Side window Black			
(14)	970 555 640 01	Trim roller blind Side window	right	1	PR:861
	970 555 640 01 1E0	Black			
15	970 555 637 01	Trim roller blind Window guide	left	1	PR:861
	970 555 637 01 1E0	Black			
(15)	970 555 638 01	Trim roller blind Window guide	right	1	PR:861
	970 555 638 01 1E0	Black			
16	970 555 635 01	Trim roller blind Door window	left	1	PR:861
	970 555 635 01 1E0	Black			
(16)	970 555 636 01	Trim roller blind Door window	right	1	PR:861
	970 555 636 01 1E0	Black			

Model: 970 10

Model life 2010>>2016



Model: 970 10 Model life 2010>>2016

Pos	Part Number	Description	Remark	Qty	Model
		door panel 2nd GENERATION D - MJ 2014>>	rear		PR:0E2
1	970 555 913 08	Door trim (leatherette)	left	1	PR:-981,075, 861
	970 555 913 08 7P8	Black	-AB		
	970 555 913 08 OK2	agate grey	-DG		
	970 555 913 08 8ED	Luxor beige	-UB		
(1)	970 555 913 09	Door panel trim (leather)	left	1	PR:981,861
	970 555 913 09 A11	Black	-AC,GA		
	970 555 913 09 OA1	agate grey	-DL		
	970 555 913 09 7J0	Luxor beige	-UC		
	970 555 913 09 7H0	Marsala Red	-PC		
	970 555 913 09 6J0	Espresso	-NA		
	970 555 913 09 7F0	Cognac	-NC		
	970 555 913 09 OK6	saddle brown	-SB		
(1)	970 555 913 09	Door panel trim (leather) two-colour	left	1	PR:981,861
	970 555 913 09 DMG	Luxor Beige/Cream	-BC		
	970 555 913 09 DMJ	Marsala Red/Cream	-BE		
	970 555 913 09 DMK	Cognac/Cedar	-BN		
	970 555 913 09 DQN	Black/Cream	-DS		
	970 555 913 09 DQO	Agate Grey/Cream	-DT		
	970 555 913 09 DQW	Black/Carrera Red	-BF		
	970 555 913 09 PFB	Black/Toffee Brown	-PF		
	970 555 913 09 HAD	Black/Saddle Tan	-DN		
(1)	970 555 914 08	Door trim (leatherette)	right	1	PR:-981,075, 861
	970 555 914 08 7P8	Black	-AB		
	970 555 914 08 OK2	agate grey	-DG		
	970 555 914 08 8ED	Luxor beige	-UB		
(1)	970 555 914 09	Door panel trim (leather)	right	1	PR:981,861
	970 555 914 09 A11	Black	-AC		
	970 555 914 09 OA1	agate grey	-DL		
	970 555 914 09 7J0	Luxor beige	-UC		
	970 555 914 09 7H0	Marsala Red	-PC		
	970 555 914 09 6J0	Espresso	-NA		
	970 555 914 09 7F0	Cognac	-NC		
	970 555 914 09 OK6	saddle brown	-SB		
(1)	970 555 914 09	Door panel trim (leather) two-colour	right	1	PR:981,861
	970 555 914 09 DMG	Luxor Beige/Cream	-BC		
	970 555 914 09 DMJ	Marsala Red/Cream	-BE		
	970 555 914 09 DMK	Cognac/Cedar	-BN		
	970 555 914 09 DQN	Black/Cream	-DS		
	970 555 914 09 DQO	Agate Grey/Cream	-DT		
	970 555 914 09 DQW	Black/Carrera Red	-BF		
	970 555 914 09 PFB	Black/Toffee Brown	-PF		
	970 555 914 09 HAD	Black/Saddle Tan	-DN		
2	970 555 671 01	Damping mat door panel		1	
3	955 552 107 00	Retaining clip		11	
4	999 591 692 01	panel nut PT 5,0		1	
6	999 703 271 40	Stop buffer Inner actuator 4,5 X 8 X 18		2	
7	970 555 651 00	Loudspeaker trim Low-pitched	left	1	PR:441,490, 680
	970 555 651 00 1E0	Black	-AB,AC,GK,GS, GA		
	970 555 651 00 OP1	agate grey	-DG,DL,GD		
	970 555 651 00 4H0	Luxor beige	-UB,UC,GU		

Model: 970 10 Model life 2010>>2016

Pos	Part Number	Description	Remark	Qty	Model
	970 555 651 00 OW5	Carrera Red	-BF		
	970 555 651 00 3G0	Marsala Red	-PC,GP		
	970 555 651 00 5J0	Cream	-BC,BE,DS,DT		
	970 555 651 00 7N0	Espresso	-NA		
	970 555 651 00 8P0	Cognac	-NC		
	970 555 651 00 9Q0	Cedar	-BN		
(7)	970 555 651 01	Loudspeaker trim	left	1	PR:682
		Low-pitched			
	970 555 651 01 1E0	Black	-AB,AC,GK,GS, GA		
	970 555 651 01 OP1	agate grey	-DG,DL,GD		
	970 555 651 01 4H0	Luxor beige	-UB,UC,GU		
	970 555 651 01 OW5	Carrera Red	-BF		
	970 555 651 01 3G0	Marsala Red	-PC,GP		
	970 555 651 01 5J0	Cream	-BC,BE,DS,DT		
	970 555 651 01 7N0	Espresso	-NA		
	970 555 651 01 8P0	Cognac	-NC		
	970 555 651 01 9Q0	Cedar	-BN		
(3)	970 555 651 02	Loudspeaker trim	left	1	PR:020,680
		Low-pitched			
	970 555 651 02 OD2	Toffee Brown	-PF		
(3)	970 555 651 03	Loudspeaker trim	left	1	PR:020,682
		Low-pitched			
	970 555 651 03 OD2	Toffee Brown	-PF		
7	970 555 652 00	Loudspeaker trim	right	1	PR:441,490, 680
		Low-pitched			
	970 555 652 00 1E0	Black	-AB,AC,GK,GS, GA		
	970 555 652 00 OP1	agate grey	-DG,DL,GD		
	970 555 652 00 4H0	Luxor beige	-UB,UC,GU		
	970 555 652 00 OW5	Carrera Red	-BF		
	970 555 652 00 3G0	Marsala Red	-PC,GP		
	970 555 652 00 5J0	Cream	-BC,BE,DS,DT		
	970 555 652 00 7N0	Espresso	-NA		
	970 555 652 00 8P0	Cognac	-NC		
	970 555 652 00 9Q0	Cedar	-BN		
(7)	970 555 652 01	Loudspeaker trim	right	1	PR:682
		Low-pitched			
	970 555 652 01 1E0	Black	-AB,AC,GK,GS, GA		
	970 555 652 01 OP1	agate grey	-DG,DL,GD		
	970 555 652 01 4H0	Luxor beige	-UB,UC,GU		
	970 555 652 01 OW5	Carrera Red	-BF		
	970 555 652 01 3G0	Marsala Red	-PC,GP		
	970 555 652 01 5J0	Cream	-BC,BE,DS,DT		
	970 555 652 01 7N0	Espresso	-NA		
	970 555 652 01 8P0	Cognac	-NC		
	970 555 652 01 9Q0	Cedar	-BN		
(3)	970 555 652 02	Loudspeaker trim	right	1	PR:020,680
		Low-pitched			
	970 555 652 02 OD2	Toffee Brown	-PF		
(3)	970 555 652 03	Loudspeaker trim	right	1	PR:020,682
		Low-pitched			
	970 555 652 03 OD2	Toffee Brown	-PF		
8	970 555 653 01	Cover for treble speaker	left	1	PR:XHA,XZY, 490,680,682, 818,822,824
	970 555 653 01 1E0	Black	-AB,AC,GK,GS, GA,PK,PL,DS, BF,DN,PF		
	970 555 653 01 OP1	agate grey	-DG,DL,GD,DT		
	970 555 653 01 4H0	Luxor beige	-UB,UC,GU,BC		
	970 555 653 01 3G0	Marsala Red	-PC,GP,BE		

Model: 970 10 Model life 2010>>2016

Pos	Part Number	Description	Remark	Qty	Model
(8)	970 555 653 01 7N0	Espresso	-NA	1	PR:490,680, 817,819,821, 823,826,682
	970 555 653 01 8P0	Cognac	-NC,BN		
	970 555 653 01 OM8	saddle brown	-SB,GH,DN		
	970 555 653 01	Cover for treble speaker	left		
(8)	970 555 653 01 1E0	Black	left	1	PR:680,827
	970 555 653 01	Cover for treble speaker			
8	970 555 653 01 1E0	Black	right	1	PR:XHA,XZY, 490,680,682, 818,822,824
	970 555 654 01	Cover for treble speaker			
(8)	970 555 654 01 1E0	Black	-AB,AC,GK,GS, GA,PK,PL,DS, BF,DN,PF	1	PR:490,680, 817,819,821, 823,826,682
	970 555 654 01 OP1	agate grey	-DG,DL,GD,DT		
	970 555 654 01 4H0	Luxor beige	-UB,UC,GU,BC		
	970 555 654 01 3G0	Marsala Red	-PC,GP,BE		
	970 555 654 01 7N0	Espresso	-NA		
	970 555 654 01 8P0	Cognac	-NC,BN		
	970 555 654 01 OM8	saddle brown	-SB,GH,DN		
	970 555 654 01	Cover for treble speaker	left		
	970 555 654 01 1E0	Black	right		
	970 555 654 01	Cover for treble speaker			
9	999 919 121 09	fillister hd. bolt 5 X 16		1	
10	N 910 423 01	Oval hexagon socket head bolt M 6 X 16 Mount door panel		4	
11	7P5 839 247 C	Cover panel Inner actuator	left	1	
	7P5 839 247 C 5Q0	Black	right		
(11)	7P5 839 248 C	Cover panel Inner actuator		right	1
	7P5 839 248 C 5Q0	Black			
12	970 555 383 07	Trim for door	left rear	1	PR:817
(12)	970 555 383 07 A61	Piano Black, high-gloss	right rear	1	PR:817
	970 555 384 07	Trim for door			
(12)	970 555 384 07 A61	Piano Black, high-gloss	left rear	1	PR:821
	970 555 383 08	Trim for door			
(12)	970 555 383 08 BG1	Walnut, high-gloss	right rear	1	PR:821
	970 555 384 08	Trim for door			
(12)	970 555 384 08 BG1	Walnut, high-gloss	left rear	1	PR:822
	970 555 383 09	Trim for door			
(12)	970 555 383 09 S64	Teneo high-gloss	right rear	1	PR:822
	970 555 384 09	Trim for door			
(12)	970 555 384 09 S64	Teneo high-gloss	left rear	1	PR:823
	970 555 383 10	Trim for door			
(12)	970 555 383 10 CK6	Swedish Birch	right	1	PR:823
	970 555 384 10	Trim for door			

Model: 970 10 Model life 2010>>2016

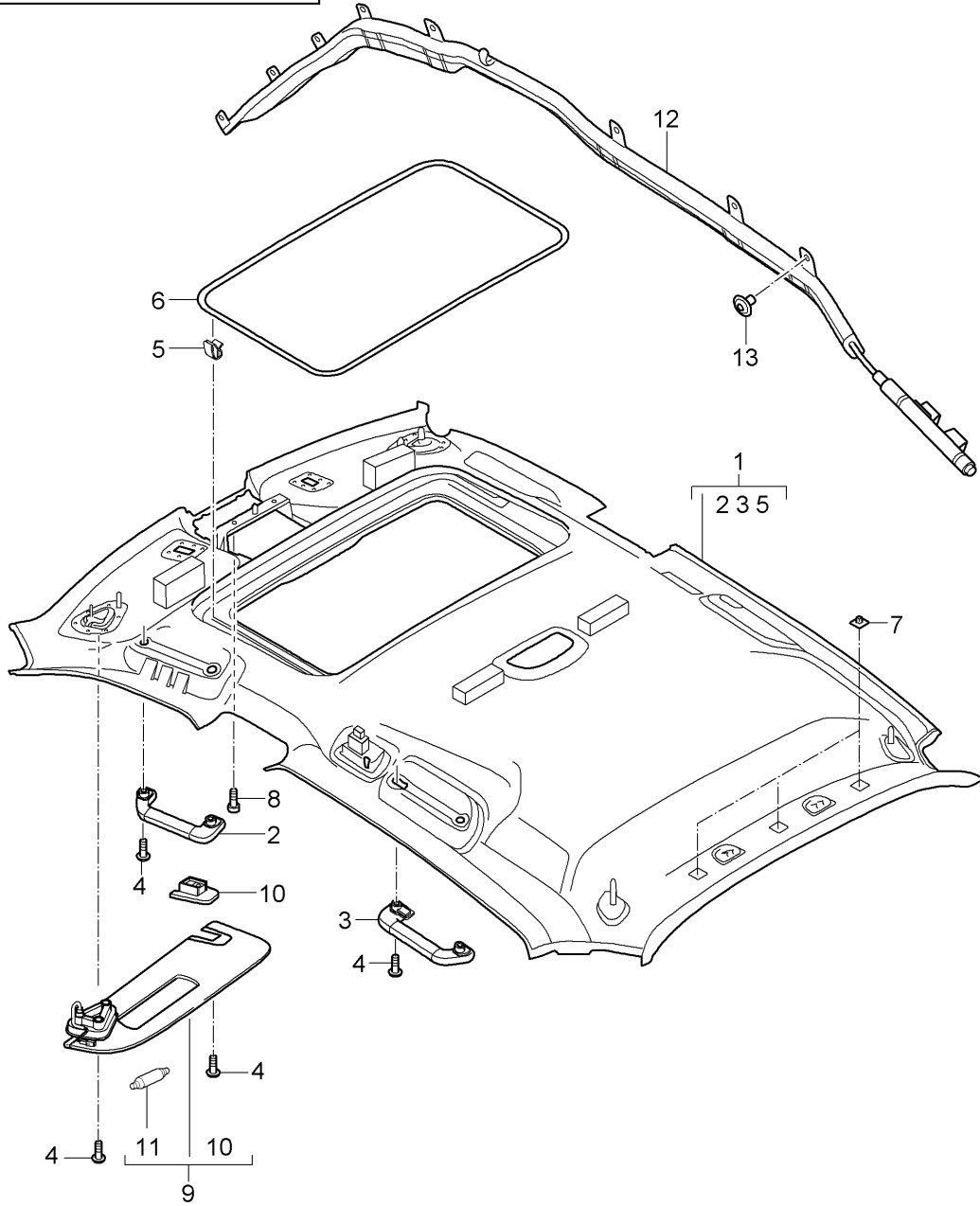
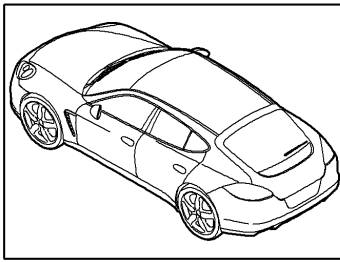
Pos	Part Number	Description	Remark	Qty	Model
	970 555 384 10 CK6	Swedish Birch	rear		
(12)	970 555 383 11	Trim for door	left rear	1	PR:824
	970 555 383 11 BT2	Olive Ash matt open-pored			
(12)	970 555 384 11	Trim for door	right rear	1	PR:824
	970 555 384 11 BT2	Olive Ash matt open-pored			
(12)	970 555 383 12	Trim for door	left rear	1	PR:818
	970 555 383 12 U03	Aluminium, brushed			
(12)	970 555 384 12	Trim for door	right rear	1	PR:818
	970 555 384 12 U03	Aluminium, brushed			
(12)	970 555 383 13	Trim for door	left rear	1	PR:819
	970 555 383 13 BX3	Carbon, fine high-gloss			
(12)	970 555 384 13	Trim for door	right rear	1	PR:819
	970 555 384 13 BX3	Carbon, fine high-gloss			
(12)	970 555 383 14	Trim for door	left rear	1	PR:826
	970 555 383 14 OE9	American Walnut			
(12)	970 555 384 14	Trim for door	right rear	1	PR:826
	970 555 384 14 OE9	American Walnut			
(12)	970 555 383 16	Trim for door	left rear	1	PR:827
	970 555 383 16 OE9	American Walnut			
(12)	970 555 384 16	Trim for door	right rear	1	PR:827
	970 555 384 16 OE9	American Walnut			
(12)	970 555 983 02	Trim for door	left rear	1	PR:XZY
	970 555 983 02 GX1	Mahogany Yachting			
(12)	970 555 984 02	Trim for door	right rear	1	PR:XZY
	970 555 984 02 GX1	Mahogany Yachting			
(12)	970 555 983 03	Trim for door	left front	1	PR:XHA
	970 555 983 03 A11	Leather Black	-AB,AC,DS,BF, DN,PF		
	970 555 983 03 OA1	agate grey	-DG,DL		
	970 555 983 03 7J0	Luxor beige	-UB,UC,BC		
	970 555 983 03 7H0	Marsala Red	-PC,BE		
	970 555 983 03 6J0	Espresso	-NA		
	970 555 983 03 7F0	Cognac	-NC,BN		
(12)	970 555 984 03	Trim for door	right front	1	PR:XHA
	970 555 984 03 A11	Leather Black	-AB,AC,DS,BF, DN,PF		
	970 555 984 03 OA1	agate grey	-DG,DL		
	970 555 984 03 7J0	Luxor beige	-UB,UC,BC		
	970 555 984 03 7H0	Marsala Red	-PC,BE		
	970 555 984 03 6J0	Espresso	-NA		
	970 555 984 03 7F0	Cognac	-NC,BN		
13	999 591 322 02	U-clip 1,2 X 2,0 for Mount Trim		4	PR:861

Model: 970 10 Model life 2010>>2016

Pos	Part Number	Description	Remark	Qty	Model
14	970 555 639 02	roller blind Trim	left	1	PR:861
	970 555 639 02 1E0	roller blind Triangular plate Black	-AB,AC,99,PL, DS,BF,DN,PF		
	970 555 639 02 OP1	agate grey	-DG,DL		
	970 555 639 02 4H0	Luxor beige	-UB,UC,BC		
	970 555 639 02 3G0	Marsala Red	-PC,BE		
	970 555 639 02 7N0	Espresso	-NA		
	970 555 639 02 8P0	Cognac	-NC,BN		
(14)	970 555 640 02	Trim	right	1	PR:861
	970 555 640 02 1E0	roller blind Triangular plate Black	-AB,AC,99,PL, DS,BF,DN,PF		
	970 555 640 02 OP1	agate grey	-DG,DL		
	970 555 640 02 4H0	Luxor beige	-UB,UC,BC		
	970 555 640 02 3G0	Marsala Red	-PC,BE		
	970 555 640 02 7N0	Espresso	-NA		
	970 555 640 02 8P0	Cognac	-NC,BN		
15	970 555 635 02	Trim	left	1	PR:861
	970 555 635 02 1E0	roller blind Side window Black	-AB,AC,DS,DN, PF,BF,99		
	970 555 635 02 OP1	agate grey	-DG,DL		
	970 555 635 02 4H0	Luxor beige	-UB,UC,BC		
	970 555 635 02 3G0	Marsala Red	-PC,BE		
	970 555 635 02 7N0	Espresso	-NA		
	970 555 635 02 8P0	Cognac	-NC,BN		
(15)	970 555 636 02	Trim	right	1	PR:861
	970 555 636 02 1E0	roller blind Side window Black	-AB,AC,DS,DN, PF,BF,99		
	970 555 636 02 OP1	agate grey	-DG,DL		
	970 555 636 02 4H0	Luxor beige	-UB,UC,BC		
	970 555 636 02 3G0	Marsala Red	-PC,BE		
	970 555 636 02 7N0	Espresso	-NA		
	970 555 636 02 8P0	Cognac	-NC,BN		

Model: 970 10

Model life 2010>>2016



Model: 970 10 Model life 2010>>2016

Pos	Part Number	Description	Remark	Qty	Model
1	970 555 197 24	roof trim Accessories sun vizors roof trim Cloth without: Wire set use if required: See catalogue 9/02/20 POS. 5 D >> - MJ 2013		1	PR:592,652, -630
	970 555 197 24 9F1	Platinum Grey	-AB,AC,EC,PC, BB,NA		
	970 555 197 24 7F3	Luxor beige	-UB,UC,PK,PL		
	970 555 197 24 8F4	Cream	-BC,BD,BE,DS, DT		
(1)	970 555 197 24 5F6	Cedar	-NC,BN	1	PR:592,652, -630,0E1
	970 555 197 24	roof trim Cloth without: Wire set use if required: See catalogue 9/02/20 POS. 5 D - MJ 2014>>			
	970 555 197 24 9F1	Platinum Grey	-AB,AC,DG,DL, PC,NA		
	970 555 197 24 7F3	Luxor beige	-UB,UC,PK,PL		
	970 555 197 24 8F4	Cream	-BC,BE,DS,DT		
	970 555 197 24 5F6	Cedar	-BN,NC		
	970 555 197 24 6F2	Black	-BF		
	970 555 197 24 CH6	saddle brown D - MJ 2015>>	-DN,SB		
(1)	970 555 197 26	roof trim Cloth without: Wire set use if required: See catalogue 9/02/20 POS. 5 D >> - MJ 2013		1	PR:592,652, 630
	970 555 197 26 9F1	Platinum Grey	-AB,AC,EC,PC, BB,NA		
	970 555 197 26 7F3	Luxor beige	-UB,UC,PK,PL		
	970 555 197 26 8F4	Cream	-BC,BE,BD,DS, DT		
(1)	970 555 197 26 5F6	Cedar	-BN,NC	1	PR:592,652, 630,0E1
	970 555 197 26	roof trim Cloth without: Wire set use if required: See catalogue 9/02/20 POS. 5 D - MJ 2014>>			
	970 555 197 26 9F1	Platinum Grey	-AB,AC,DG,DL, PC,NA		
	970 555 197 26 7F3	Luxor beige	-UB,UC,PK,PL		
	970 555 197 26 8F4	Cream	-BC,BE,DS,DT		

Model: 970 10 Model life 2010>>2016

Pos	Part Number	Description	Remark	Qty	Model
(1)	970 555 197 26 5F6	Cedar	-BN,NC	1	PR:594,652, -630
	970 555 197 26 6F2	Black	-BF		
	970 555 197 26 CH6	saddle brown	-DN,SB		
	970 555 197 25	D - MJ 2015>> roof trim Alcantara			
		without: Wire set			
		use if required: See catalogue			
		9/02/20 POS. 5			
		D >> - MJ 2013			
	970 555 197 25 2W0	Black	-AB,AC,GK,GS, GA		
	970 555 197 25 8U3	Platinum Grey	-CB,CC,GC,EC, GE,PC,GP,BB, NA		
970 555 197 25 9U1	Luxor beige	-UB,UC,GU,BC, PK,PL			
970 555 197 25 8U9	Cream	-BC,BD,BE,DS, DT			
(1)	970 555 197 25 8T5	Cedar	-NC,BN	1	PR:594,652, -630,0E1
	970 555 197 25	roof trim Alcantara			
		without: Wire set			
		use if required: See catalogue			
		9/02/20 POS. 5			
		D - MJ 2014>>			
	970 555 197 25 2W0	Black	-AB,AC,GK,GS, GA,BF,PF		
	970 555 197 25 8U3	Platinum Grey	-DG,DL,GD,PC, GP,NA		
	970 555 197 25 9U1	Luxor beige	-UB,UC,GU,PK, PL		
	970 555 197 25 8U9	Cream	-BC,BE,DS,DT		
(1)	970 555 197 25 OP2	Cedar	-NC,BN	1	PR:594,652, 630
	970 555 197 25	saddle brown	-SB,GH,DN		
	970 555 197 27	D - MJ 2015>> roof trim Alcantara			
		without: Wire set			
		use if required: See catalogue			
		9/02/20 POS. 5			
		D >> - MJ 2013			
	970 555 197 27 2W0	Black	-AB,AC,GK,GS, GA		
	970 555 197 27 8U3	Platinum Grey	-CB,CC,GC,EC, GE,PC,GP,BB, NA		
	970 555 197 27 9U1	Luxor beige	-UB,UC,GU,BC, PK,PL		
970 555 197 27 8U9	Cream	-BC,BD,BE,DS, DT			
(1)	970 555 197 27 8T5	Cedar	-NC,BN	1	PR:594,652, 630,0E1
	970 555 197 27	roof trim Alcantara			

Model: 970 10 Model life 2010>>2016

Pos	Part Number	Description	Remark	Qty	Model
		without: Wire set use if required: See catalogue 9/02/20 POS. 5 D - MJ 2014>>			
	970 555 197 27 2W0	Black	-AB,AC,GK,GS, GA,BF,PF		
	970 555 197 27 8U3	Platinum Grey	-DG,DL,GD,PC, GP,NA		
	970 555 197 27 9U1	Luxor beige	-UB,UC,GU,PK, PL		
	970 555 197 27 8U9	Cream	-BC,BE,DS,DT		
	970 555 197 27 8T5	Cedar	-NC,BN		
	970 555 197 27 OP2	saddle brown D - MJ 2015>>	-SB,GH,DN		
(1)	970 555 197 28	roof trim Cloth		1	PR:592,650, -630
		without: Wire set use if required: See catalogue 9/02/20 POS. 5 D >> - MJ 2013			
	970 555 197 28 9F1	Platinum Grey	-AB,AC,EC,PC, BB,NA		
	970 555 197 28 7F3	Luxor beige	-UB,UC,PK,PL		
	970 555 197 28 8F4	Cream	-BC,BE,BD		
	970 555 197 28 5F6	Cedar	-BN,NC		
(1)	970 555 197 28	roof trim Cloth		1	PR:592,650, -630,0E1
		without: Wire set use if required: See catalogue 9/02/20 POS. 5 D - MJ 2014>>			
	970 555 197 28 9F1	Platinum Grey	-AB,AC,DG,DL, PC,NA		
	970 555 197 28 7F3	Luxor beige	-UB,UC,PK,PL		
	970 555 197 28 8F4	Cream	-BC,BE,DS,DT		
	970 555 197 28 5F6	Cedar	-BN,NC		
	970 555 197 28 6F2	Black	-BF		
	970 555 197 28 CH6	saddle brown D - MJ 2015>>	-DN,SB		
(1)	970 555 197 30	roof trim Cloth		1	PR:592,650, 630
		without: Wire set use if required: See catalogue 9/02/20 POS. 5 D >> - MJ 2013			
	970 555 197 30 9F1	Platinum Grey	-AB,AC,EC,PC, BB,NA		
	970 555 197 30 7F3	Luxor beige	-UB,UC,PK,PL		
	970 555 197 30 8F4	Cream	-BC,BE,DS,DT		
	970 555 197 30 5F6	Cedar	-BN,NC		
(1)	970 555 197 30	roof trim		1	PR:592,650,

Model: 970 10 Model life 2010>>2016

Pos	Part Number	Description	Remark	Qty	Model
		Cloth without: Wire set use if required: See catalogue 9/02/20 POS. 5 D - MJ 2014>> 970 555 197 30 9F1 Platinum Grey	-AB,AC,DG,DL, PC,NA		630,0E1
	970 555 197 30 7F3	Luxor beige	-UB,UC,PK,PL		
	970 555 197 30 8F4	Cream	-BC,BE,DS,DT		
	970 555 197 30 5F6	Cedar	-BN,NC		
	970 555 197 30 6F2	Black	-BF		
	970 555 197 30 CH6	saddle brown D - MJ 2015>>	-DN,SB		
(1)	970 555 197 29	roof trim Alcantara without: Wire set use if required: See catalogue 9/02/20 POS. 5 D >> - MJ 2013		1	PR:594,650, -630
	970 555 197 29 2W0	Black	-AB,AC,GK,GS, GA		
	970 555 197 29 8U3	Platinum Grey	-CB,CC,GC,EC, GE,PC,GP,BB, NA		
	970 555 197 29 9U1	Luxor beige	-UB,UC,GU,BC, PK,PL		
	970 555 197 29 8U9	Cream	-BC,BD,BE,DS, DT		
(1)	970 555 197 29 8T5	Cedar	-NC,BN	1	PR:594,650, -630,0E1
	970 555 197 29	roof trim Alcantara without: Wire set use if required: See catalogue 9/02/20 POS. 5 D - MJ 2014>>			
	970 555 197 29 2W0	Black	-AB,AC,GK,GS, GA,BF,PF		
	970 555 197 29 8U3	Platinum Grey	-DG,DL,GD,PC, GP,NA		
	970 555 197 29 9U1	Luxor beige	-UB,UC,GU,PK, PL		
	970 555 197 29 8U9	Cream	-BC,BE,DS,DT		
	970 555 197 29 8T5	Cedar	-NC,BN		
	970 555 197 29 OP2	saddle brown D - MJ 2015>>	-SB,GH,DN		
(1)	970 555 197 31	roof trim Alcantara without: Wire set use if required: See catalogue 9/02/20 POS. 5 D >> - MJ 2013		1	PR:594,650, 630

Model: 970 10 Model life 2010>>2016

Pos	Part Number	Description	Remark	Qty	Model
(1)	970 555 197 31 2W0	Black	-AB, AC, GK, GS, GA	1	PR:594,650,630,0E1
	970 555 197 31 8U3	Platinum Grey	-CB, CC, GC, EC, GE, PC, GP, BB, NA		
	970 555 197 31 9U1	Luxor beige	-UB, UC, GU, BC, PK, PL		
	970 555 197 31 8U9	Cream	-BC, BD, BE, DS, DT		
	970 555 197 31 8T5	Cedar	-NC, BN		
	970 555 197 31	roof trim Alcantara			
		without: Wire set			
		use if required: See catalogue 9/02/20 POS. 5 D - MJ 2014>>			
	970 555 197 31 2W0	Black	-AB, AC, GK, GS, GA, BF, PF		
	970 555 197 31 8U3	Platinum Grey	-DG, DL, GD, PC, GP, NA		
(1)	970 555 197 31 9U1	Luxor beige	-UB, UC, GU, PK, PL	1	PR:592,650,630,0E2
	970 555 197 31 8U9	Cream	-BC, BE, DS, DT		
	970 555 197 31 8T5	Cedar	-NC, BN		
	970 555 197 31 OP2	saddle brown	-SB, GH, DN		
	970 555 197 40	roof trim Cloth			
		without: Wire set			
		use if required: See catalogue 9/02/20 POS. 5 D - MJ 2014>>			
	970 555 197 40 9F1	Platinum Grey	-AB, AC, DG, DL, PC, NA		
	970 555 197 40 7F3	Luxor beige	-UB, UC, PK, PL		
	970 555 197 40 8F4	Cream	-BC, BE, DS, DT		
(1)	970 555 197 40 6F2	Black	-BF	1	PR:594,650,630,0E2
	970 555 197 40 5F6	Cedar	-BN, NC		
	970 555 197 40 CH6	saddle brown	-DN, SB		
	970 555 197 41	roof trim Alcantara			
		without: Wire set			
		use if required: See catalogue 9/02/20 POS. 5 D - MJ 2014>>			
	970 555 197 41 2W0	Black	-AB, AC, GK, GS, GA, BF, PF		
	970 555 197 41 8U3	Platinum Grey	-DG, DL, GD, PC, GP, NA		
	970 555 197 41 9U1	Luxor beige	-UB, UC, GU, PK, PL		
	970 555 197 41 8U9	Cream	-BC, BE, DS, DT		
970 555 197 41 8T5	Cedar	-NC, BN			

Model: 970 10 Model life 2010>>2016

Pos	Part Number	Description	Remark	Qty	Model		
2	970 555 197 41 OP2	saddle brown D - MJ 2015>>	-SB,GH,DN	1	PR:592		
	970 555 607 00	Grab handle	left front				
	970 555 607 00 6L0	Platinum Grey	-AB,AC,DG,DL, PC,NA,CB,CC, EC,BB				
	970 555 607 00 4H0	Luxor beige	-UB,UC,PK,PL				
	970 555 607 00 5J0	Cream	-BC,BE,DS,DT				
	970 555 607 00 9Q0	Cedar	-BN,NC				
	970 555 607 00 OM8	saddle brown D - MJ 2015>>	-DN,SB				
(2)	970 555 607 00	Grab handle	left front	1	PR:594		
	970 555 607 00 1E0	Black	-AB,AC,GK,GS, GA,BF,PF	1	PR:592		
	970 555 607 00 6L0	Platinum Grey	-DG,DL,GD,CB, CC,EC,PC,GP, NA,BB,GC				
	970 555 607 00 4H0	Luxor beige	-UB,UC,GU,PK, PL				
	970 555 607 00 5J0	Cream	-BC,BE,DS,DT				
	970 555 607 00 9Q0	Cedar	-NC,BN				
	970 555 607 00 OM8	saddle brown D - MJ 2015>>	-SB,GH,DN				
(2)	970 555 608 00	Grab handle	right front			1	PR:592
	970 555 608 00 6L0	Platinum Grey	-AB,AC,DG,DL, PC,NA,CB,CC, EC,BB	1	PR:594		
	970 555 608 00 4H0	Luxor beige	-UB,UC,PK,PL				
	970 555 608 00 5J0	Cream	-BC,BE,DS,DT				
	970 555 608 00 9Q0	Cedar	-BN,NC				
	970 555 608 00 OM8	saddle brown D - MJ 2015>>	-DN,SB				
(2)	970 555 608 00	Grab handle	right front			1	PR:594
	970 555 608 00 1E0	Black	-AB,AC,GK,GS, GA,BF,PF			1	PR:592
	970 555 608 00 6L0	Platinum Grey	-DG,DL,GD,PC, GP,NA,CB,CC, EC,BB,GC				
	970 555 608 00 4H0	Luxor beige	-UB,UC,GU,PK, PL				
	970 555 608 00 5J0	Cream	-BC,BE,DS,DT				
	970 555 608 00 9Q0	Cedar	-NC,BN				
	970 555 608 00 OM8	saddle brown D - MJ 2015>>	-SB,GH,DN				
3	970 555 609 00	Grab handle	left rear	1	PR:592		
	970 555 609 00 6L0	Platinum Grey	-AB,AC,DG,DL, PC,NA,CB,CC, EC,BB	1	PR:594		
	970 555 609 00 4H0	Luxor beige	-UB,UC,PK,PL				
	970 555 609 00 5J0	Cream	-BC,BE,DS,DT				
	970 555 609 00 9Q0	Cedar	-BN,NC				
	970 555 609 00 OM8	saddle brown D - MJ 2015>>	-DN,SB				
(3)	970 555 609 00	Grab handle	left rear			1	PR:594
	970 555 609 00 1E0	Black	-AB,AC,GK,GS, GA,BF,PF			1	PR:592
	970 555 609 00 6L0	Platinum Grey	-DG,DL,GD,PC,				

Model: 970 10 Model life 2010>>2016

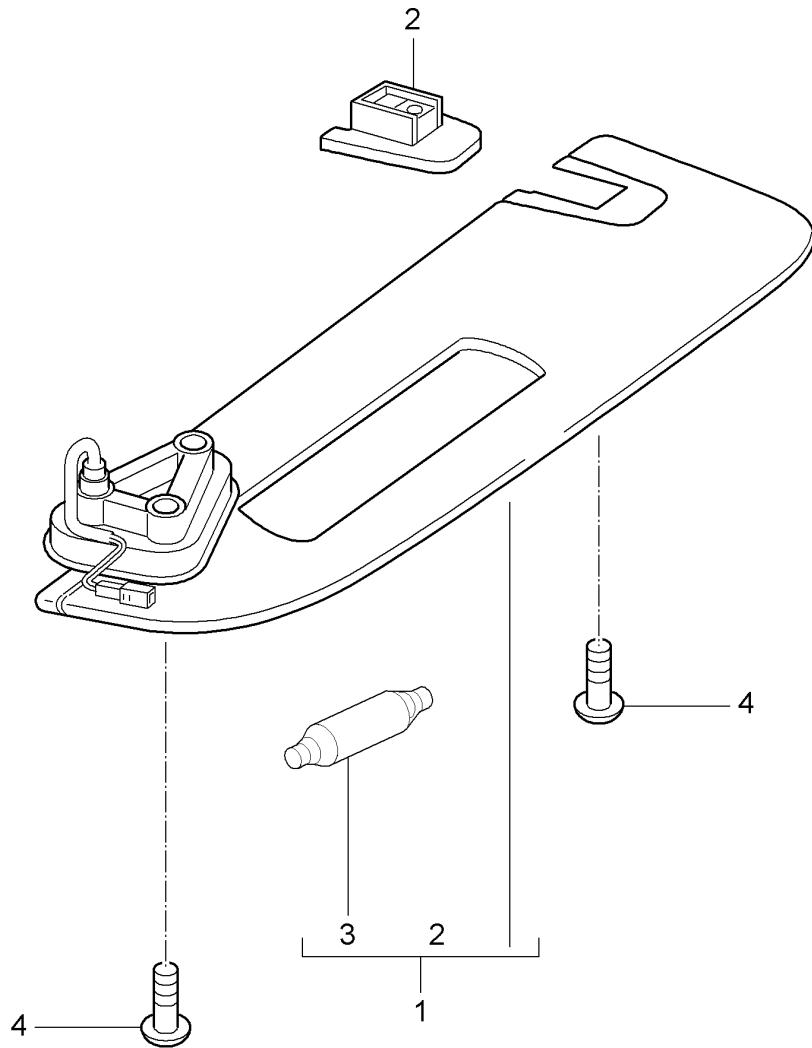
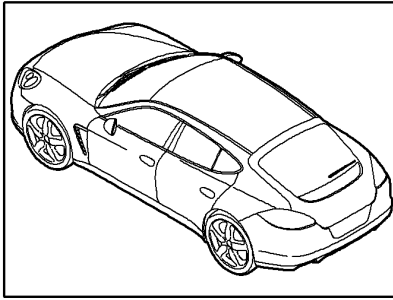
Pos	Part Number	Description	Remark	Qty	Model
	970 555 609 00 4H0	Luxor beige	GP,NA,CB,CC, EC,BB,GC -UB,UC,GU,PK, PL		
	970 555 609 00 5J0	Cream	-BC,BE,DS,DT		
	970 555 609 00 9Q0	Cedar	-NC,BN		
	970 555 609 00 OM8	saddle brown	-SB,GH,DN		
(3)	970 555 610 00	D - MJ 2015>> Grab handle	right rear	1	PR:592
	970 555 610 00 6L0	Platinum Grey	-AB,AC,DG,DL, PC,NA,CB,CC, EC,BB		
	970 555 610 00 4H0	Luxor beige	-UB,UC,PK,PL		
	970 555 610 00 5J0	Cream	-BC,BE,DS,DT		
	970 555 610 00 9Q0	Cedar	-BN,NC		
	970 555 610 00 OM8	saddle brown	-DN,SB		
(3)	970 555 610 00	D - MJ 2015>> Grab handle	right rear	1	PR:594
	970 555 610 00 1E0	Black	-AB,AC,GK,GS, GA,BF,PF		
	970 555 610 00 6L0	Platinum Grey	-DG,DL,GD,PC, GP,NA,CB,CC, EC,BB,GC		
	970 555 610 00 4H0	Luxor beige	-UB,UC,GU,PK, PL		
	970 555 610 00 5J0	Cream	-BC,BE,DS,DT		
	970 555 610 00 9Q0	Cedar	-NC,BN		
	970 555 610 00 OM8	saddle brown	-SB,GH,DN		
4	N 105 963 02	D - MJ 2015>> Oval hexagon socket head bolt M 5 X 25		X	
5	6X0 867 549	Clip 9 X 7 X 3,7 Mount Clamping strip		15	PR:650
6	5M0 867 525	Roof frame reinforcement Clamping strip		1	PR:650
(6)	5M0 867 525 A	Discontinued part Roof frame reinforcement Clamping strip		1	PR:650
(6)	970 555 527 00	D >> - MJ 2013 Frame Clamping strip D - MJ 2014>>		1	PR:650
7	7PP 867 300	Clip 25,4 X 25,4		3	
8	999 073 250 09	fillister hd. bolt M 5 X 15		2	
9		Sun visor		X	
10		see illustration: Support Sun visor	807-018	X	
11		see illustration: bulb for Lighting Sun visor	807-018	X	
12	970 803 091 01	see illustration: Head airbag unit D >> - MJ 2013	903-004 left	1	
(12)	970 803 091 01	Head airbag unit	left	1	PR:0E1

Model: 970 10 Model life 2010>>2016

Pos	Part Number	Description	Remark	Qty	Model
(12)	970 803 091 02	D - MJ 2014>> Head airbag unit	left	1	PR:0E2
(12)	970 803 092 01	D - MJ 2014>> Head airbag unit	right	1	
(12)	970 803 092 01	D >> - MJ 2013 Head airbag unit	right	1	PR:0E1
(12)	970 803 092 02	D - MJ 2014>> Head airbag unit	right	1	PR:0E2
13	N 908 074 07	D - MJ 2014>> Hex socket oval head collared M 5 X 18 for Mount		X	
14	4H4 858 563 A	Head airbag unit Make-up mirror, illuminated	rear	1	PR:0E2,592, 594
	4H4 858 563 A 5Q0	D - MJ 2014>> Black			
	4H4 858 563 A 4U0	Platinum Grey			
	4H4 858 563 A 6W0	Luxor beige			
	4H4 858 563 A 5V0	Cream			
	4H4 858 563 A 1R0	Cedar			
	4H4 858 563 A OL7	saddle brown			
		D - MJ 2015>>			

Model: 970 10

Model life 2010>>2016



Model: 970 10 Model life 2010>>2016

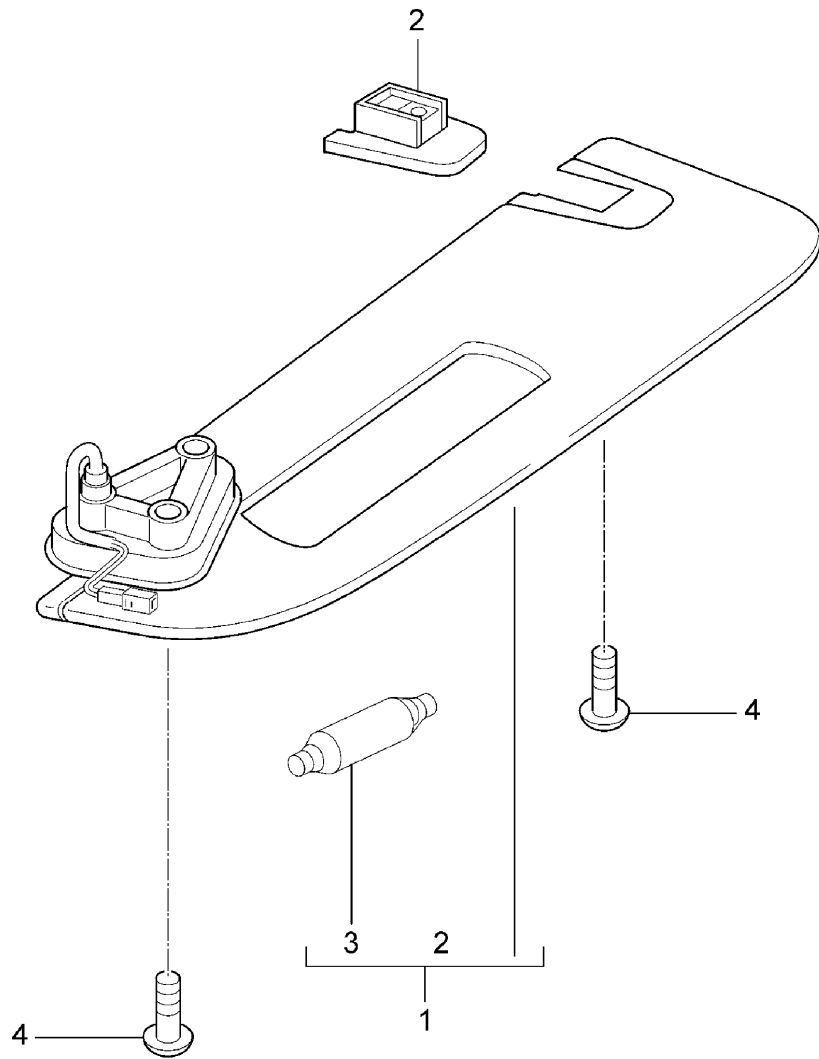
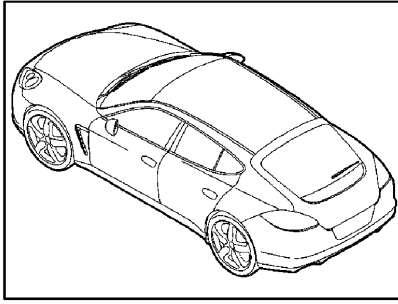
Pos	Part Number	Description	Remark	Qty	Model
1	970 731 031 10	sun vizors D >> - MJ 2014 Sun visor	left	1	PR:592
	970 731 031 10 BA3	Platinum Grey	-AB,AC,CB,CC, EC,PC,BB,NA, DG,DL		
	970 731 031 10 AZ2	Luxor beige	-UB,UC,PK,PL		
	970 731 031 10 BC4	Cream	-BC,BD,BE,DS, DT		
	970 731 031 10 AW3	Cedar	-NC,BN		
	970 731 031 10 AY1	Black	-BF		
(1)	970 731 032 10	Sun visor	right	1	PR:592
	970 731 032 10 BA3	Platinum Grey	-AB,AC,CB,CC, EC,PC,BB,NA, DG,DL		
	970 731 032 10 AZ2	Luxor beige	-UB,UC,PK,PL		
	970 731 032 10 BC4	Cream	-BC,BD,BE,DS, DT		
	970 731 032 10 AW3	Cedar	-NC,BN		
	970 731 032 10 AY1	Black	-BF		
(1)	970 731 031 11	Sun visor	left	1	PR:594
	970 731 031 11 2W0	Alcantara Black	-AB,AC,GK,GS, GA,BF		
	970 731 031 11 8U3	Platinum Grey	-CB,CC,GC,EC, GE,PC,GP,BB, NA,DG		
	970 731 031 11 9U1	Luxor beige	-UB,UC,GU,PK, PL		
	970 731 031 11 8U9	Cream	-BC,BD,BE,DS, DT		
	970 731 031 11 8T5	Cedar	-NC,BN		
(1)	970 731 032 11	Sun visor	right	1	PR:594
	970 731 032 11 2W0	Alcantara Black	-AB,AC,GK,GS, GA,BF		
	970 731 032 11 8U3	Platinum Grey	-CB,CC,GC,EC, GE,PC,GP,BB, NA		
	970 731 032 11 9U1	Luxor beige	-UB,UC,GU,PK, PL		
	970 731 032 11 8U9	Cream	-BC,BD,BE,DS, DT		
	970 731 032 11 8T5	Cedar	-NC,BN		
(1)	970 731 031 14	Sun visor	left	1	PR:592,0E2
	970 731 031 14 BA3	Platinum Grey	-AB,AC,CB,CC, EC,PC,BB,NA, DG,DL		
	970 731 031 14 AZ2	Luxor beige	-UB,UC,PK,PL		
	970 731 031 14 BC4	Cream	-BC,BD,BE,DS, DT		
	970 731 031 14 AW3	Cedar	-NC,BN		
	970 731 031 14 AY1	Black	-BF		
(1)	970 731 032 14	Sun visor	right	1	PR:592,0E2
	970 731 032 14 BA3	Platinum Grey	-AB,AC,CB,CC, EC,PC,BB,NA, DG,DL		
	970 731 032 14 AZ2	Luxor beige	-UB,UC,PK,PL		
	970 731 032 14 BC4	Cream	-BC,BD,BE,DS, DT		
	970 731 032 14 AW3	Cedar	-NC,BN		
	970 731 032 14 AY1	Black	-BF		
(1)	970 731 031 15	Sun visor	left	1	PR:594,0E2

Model: 970 10 Model life 2010>>2016

Pos	Part Number	Description	Remark	Qty	Model
	970 731 031 15 2W0	Alcantara Black	-AB,AC,GK,GS, GA,BF		
	970 731 031 15 8U3	Platinum Grey	-CB,CC,GC,EC, GE,PC,GP,BB, NA		
	970 731 031 15 9U1	Luxor beige	-UB,UC,GU,PK, PL		
	970 731 031 15 8U9	Cream	-BC,BD,BE,DS, DT		
(1)	970 731 031 15 8T5	Cedar	-NC,BN		
	970 731 032 15	Sun visor Alcantara	right	1	PR:594,0E2
	970 731 032 15 2W0	Black	-AB,AC,GK,GS, GA,BF		
	970 731 032 15 8U3	Platinum Grey	-CB,CC,GC,EC, GE,PC,GP,BB, NA		
	970 731 032 15 9U1	Luxor beige	-UB,UC,GU,PK, PL		
	970 731 032 15 8U9	Cream	-BC,BD,BE,DS, DT		
	970 731 032 15 8T5	Cedar	-NC,BN		
2	970 731 341 01	Support Sun visor		1	PR:592,594
	970 731 341 01 1E0	Black			
	970 731 341 01 6L0	Platinum Grey			
	970 731 341 01 4H0	Luxor beige			
	970 731 341 01 5J0	Cream			
	970 731 341 01 9Q0	Cedar			
3	970 731 341 01 OM8	saddle brown bulb 12V , 2W for Lighting Sun visor		4	PR:-630
(3)		see illustration: LED module for Lighting Sun visor	903-004	4	PR:0E2
4	N 105 963 02	see illustration: D - MJ 2014>> Oval hexagon socket head bolt M 5 X 25	903-004	X	

Model: 970 10

Model life 2010>>2016



Model: 970 10 Model life 2010>>2016

Pos	Part Number	Description	Remark	Qty	Model
1	970 731 031 17	sun vizors D - MJ 2015>> Sun visor	left lhd left	1	PR:0E1,098, 592
	970 731 031 17 BA3	Platinum Grey	-AB,AC,DG,DL, PC,NA		
	970 731 031 17 AZ2	Luxor beige	-UB,UC,PK,PL		
	970 731 031 17 BC4	Cream	-BC,BE,DS,DT		
	970 731 031 17 AW3	Cedar	-NC		
	970 731 031 17 AY1	Black	-BF		
	970 731 031 17 BP1	saddle brown	-SB,DN		
1	970 731 031 17	Sun visor	left lhd left	1	PR:0E1,098, 592,086
	970 731 031 17 BA3	Platinum Grey	-AB,AC,DG,DL, PC,NA		
	970 731 031 17 AZ2	Luxor beige	-UB,UC,PK,PL		
	970 731 031 17 BC4	Cream	-BC,BE,DS,DT		
	970 731 031 17 AW3	Cedar	-NC		
	970 731 031 17 AY1	Black	-BF		
	970 731 031 17 BP1	saddle brown	-SB,DN		
(1)	970 731 032 17	Sun visor	right rhd right	1	PR:0E1,099, 592
	970 731 032 17 BA3	Platinum Grey	-AB,AC,DG,DL, PC,NA		
	970 731 032 17 AZ2	Luxor beige	-UB,UC,PK,PL		
	970 731 032 17 BC4	Cream	-BC,BE,DS,DT		
	970 731 032 17 AW3	Cedar	-NC		
	970 731 032 17 AY1	Black	-BF		
	970 731 032 17 BP1	saddle brown	-SB,DN		
(1)	970 731 032 17	Sun visor	right lhd right	1	PR:0E1,098, 592,086
	970 731 032 17 BA3	Platinum Grey	-AB,AC,DG,DL, PC,NA		
	970 731 032 17 AZ2	Luxor beige	-UB,UC,PK,PL		
	970 731 032 17 BC4	Cream	-BC,BE,DS,DT		
	970 731 032 17 AW3	Cedar	-NC		
	970 731 032 17 AY1	Black	-BF		
	970 731 032 17 BP1	saddle brown	-SB,DN		
(1)	970 731 031 18	Sun visor	left lhd left	1	PR:0E1,098, 594
	970 731 031 18 2W0	Alcantara Black	-AB,AC,GK,GS, GA,BF,PF		
	970 731 031 18 8U3	Platinum Grey	-DG,DL,GD,PC, GP,NA		
	970 731 031 18 9U1	Luxor beige	-UB,UC,GU,PK, PL		
	970 731 031 18 8U9	Cream	-BC,BE,DS,DT		
	970 731 031 18 8T5	Cedar	-NC		
	970 731 031 18 OP2	saddle brown	-SB,GH,DN		
(1)	970 731 031 18	Sun visor	left lhd left	1	PR:0E1,098, 594,086
	970 731 031 18 2W0	Alcantara Black	-AB,AC,GK,GS, GA,BF,PF		
	970 731 031 18 8U3	Platinum Grey	-DG,DL,GD,PC, GP,NA		
	970 731 031 18 9U1	Luxor beige	-UB,UC,GU,PK, PL		
	970 731 031 18 8U9	Cream	-BC,BE,DS,DT		
	970 731 031 18 8T5	Cedar	-NC		
	970 731 031 18 OP2	saddle brown	-SB,GH,DN		
(1)	970 731 032 18	Sun visor	right rhd	1	PR:0E1,099,

Model: 970 10 Model life 2010>>2016

Pos	Part Number	Description	Remark	Qty	Model
		Alcantara	right		594
	970 731 032 18 2W0	Black	-AB,AC,GK,GS, GA,BF,PF		
	970 731 032 18 8U3	Platinum Grey	-DG,DL,GD,PC, GP,NA		
	970 731 032 18 9U1	Luxor beige	-UB,UC,GU,PK, PL		
	970 731 032 18 8U9	Cream	-BC,BE,DS,DT		
	970 731 032 18 8T5	Cedar	-NC		
	970 731 032 18 OP2	saddle brown	-SB,GH,DN		
(1)	970 731 032 18	Sun visor	right lhd right	1	PR:0E1,098, 594,086
		Alcantara			
	970 731 032 18 2W0	Black	-AB,AC,GK,GS, GA,BF,PF		
	970 731 032 18 8U3	Platinum Grey	-DG,DL,GD,PC, GP,NA		
	970 731 032 18 9U1	Luxor beige	-UB,UC,GU,PK, PL		
	970 731 032 18 8U9	Cream	-BC,BE,DS,DT		
	970 731 032 18 8T5	Cedar	-NC		
	970 731 032 18 OP2	saddle brown	-SB,GH,DN		
(1)	970 731 031 24	Sun visor	left rhd left	1	PR:0E1,099, 592
		Alcantara			
	970 731 031 24 BA3	Platinum Grey	-AB,AC,DG,DL, PC,NA		
	970 731 031 24 AZ2	Luxor beige	-UB,UC,PK,PL		
	970 731 031 24 BC4	Cream	-BC,BE,DS,DT		
	970 731 031 24 AW3	Cedar	-NC		
	970 731 031 24 AY1	Black	-BF		
	970 731 031 24 BP1	saddle brown	-SB,DN		
(1)	970 731 032 24	Sun visor	right lhd right	1	PR:0E1,098, 592
		Alcantara			
	970 731 032 24 BA3	Platinum Grey	-AB,AC,DG,DL, PC,NA		
	970 731 032 24 AZ2	Luxor beige	-UB,UC,PK,PL		
	970 731 032 24 BC4	Cream	-BC,BE,DS,DT		
	970 731 032 24 AW3	Cedar	-NC		
	970 731 032 24 AY1	Black	-BF		
	970 731 032 24 BP1	saddle brown	-SB,DN		
(1)	970 731 031 25	Sun visor	left rhd left	1	PR:0E1,099, 594
		Alcantara			
	970 731 031 25 2W0	Black	-AB,AC,GK,GS, GA,BF,PF		
	970 731 031 25 8U3	Platinum Grey	-DG,DL,GD,PC, GP,NA		
	970 731 031 25 9U1	Luxor beige	-UB,UC,GU,PK, PL		
	970 731 031 25 8U9	Cream	-BC,BE,DS,DT		
	970 731 031 25 8T5	Cedar	-NC		
	970 731 031 25 OP2	saddle brown	-SB,GH,DN		
(1)	970 731 032 25	Sun visor	right lhd right	1	PR:0E1,098, 594
		Alcantara			
	970 731 032 25 2W0	Black	-AB,AC,GK,GS, GA,BF,PF		
	970 731 032 25 8U3	Platinum Grey	-DG,DL,GD,PC, GP,NA		
	970 731 032 25 9U1	Luxor beige	-UB,UC,GU,PK, PL		
	970 731 032 25 8U9	Cream	-BC,BE,DS,DT		

Model: 970 10 Model life 2010>>2016

Pos	Part Number	Description	Remark	Qty	Model
(1)	970 731 032 25 8T5	Cedar	-NC	1	PR:0E2,098, 592
	970 731 032 25 OP2	saddle brown	-SB,GH,DN		
	970 731 031 21	Sun visor	left lhd left		
	970 731 031 21 BA3	Platinum Grey	-AB,AC,DG,DL, PC,NA		
	970 731 031 21 AZ2	Luxor beige	-UB,UC,PK,PL		
	970 731 031 21 BC4	Cream	-BC,BE,DS,DT		
	970 731 031 21 AW3	Cedar	-NC		
(1)	970 731 031 21 AY1	Black	-BF	1	PR:0E2,098, 592,086
	970 731 031 21 BP1	saddle brown	-SB,DN		
	970 731 031 21	Sun visor	left lhd left		
	970 731 031 21 BA3	Platinum Grey	-AB,AC,DG,DL, PC,NA		
	970 731 031 21 AZ2	Luxor beige	-UB,UC,PK,PL		
	970 731 031 21 BC4	Cream	-BC,BE,DS,DT		
	970 731 031 21 AW3	Cedar	-NC		
(1)	970 731 031 21 AY1	Black	-BF	1	PR:0E2,099, 592
	970 731 031 21 BP1	saddle brown	-SB,DN		
	970 731 032 21	Sun visor	right rhd right		
	970 731 032 21 BA3	Platinum Grey	-AB,AC,DG,DL, PC,NA		
	970 731 032 21 AZ2	Luxor beige	-UB,UC,PK,PL		
	970 731 032 21 BC4	Cream	-BC,BE,DS,DT		
	970 731 032 21 AW3	Cedar	-NC		
(1)	970 731 032 21 AY1	Black	-BF	1	PR:0E2,098, 592,086
	970 731 032 21 BP1	saddle brown	-SB,DN		
	970 731 032 21	Sun visor	right lhd right		
	970 731 032 21 BA3	Platinum Grey	-AB,AC,DG,DL, PC,NA		
	970 731 032 21 AZ2	Luxor beige	-UB,UC,PK,PL		
	970 731 032 21 BC4	Cream	-BC,BE,DS,DT		
	970 731 032 21 AW3	Cedar	-NC		
(1)	970 731 032 21 AY1	Black	-BF	1	PR:0E2,098, 594
	970 731 032 21 BP1	saddle brown	-SB,DN		
	970 731 031 22	Sun visor	left lhd left		
	970 731 031 22 2W0	Alcantara Black	-AB,AC,GK,GS, GA,BF,PF		
	970 731 031 22 8U3	Platinum Grey	-DG,DL,GD,PC, GP,NA		
	970 731 031 22 9U1	Luxor beige	-UB,UC,GU,PK, PL		
	970 731 031 22 8U9	Cream	-BC,BE,DS,DT		
(1)	970 731 031 22 8T5	Cedar	-NC	1	PR:0E2,098, 594,086
	970 731 031 22 OP2	saddle brown	-SB,GH,DN		
	970 731 031 22	Sun visor	left lhd left		
	970 731 031 22 2W0	Alcantara Black	-AB,AC,GK,GS, GA,BF,PF		
	970 731 031 22 8U3	Platinum Grey	-DG,DL,GD,PC, GP,NA		
	970 731 031 22 9U1	Luxor beige	-UB,UC,GU,PK, PL		
	970 731 031 22 8U9	Cream	-BC,BE,DS,DT		
(1)	970 731 031 22 8T5	Cedar	-NC	1	PR:0E2,099,
	970 731 031 22 OP2	saddle brown	-SB,GH,DN		
	970 731 032 22	Sun visor	right rhd		
	970 731 032 22	Sun visor	right rhd		

Model: 970 10 Model life 2010>>2016

Pos	Part Number	Description	Remark	Qty	Model
		Alcantara	right		594
	970 731 032 22 2W0	Black	-AB,AC,GK,GS, GA,BF,PF		
	970 731 032 22 8U3	Platinum Grey	-DG,DL,GD,PC, GP,NA		
	970 731 032 22 9U1	Luxor beige	-UB,UC,GU,PK, PL		
	970 731 032 22 8U9	Cream	-BC,BE,DS,DT		
	970 731 032 22 8T5	Cedar	-NC		
	970 731 032 22 OP2	saddle brown	-SB,GH,DN		
(1)	970 731 032 22	Sun visor	right lhd right	1	PR:0E2,098, 594,086
		Alcantara			
	970 731 032 22 2W0	Black	-AB,AC,GK,GS, GA,BF,PF		
	970 731 032 22 8U3	Platinum Grey	-DG,DL,GD,PC, GP,NA		
	970 731 032 22 9U1	Luxor beige	-UB,UC,GU,PK, PL		
	970 731 032 22 8U9	Cream	-BC,BE,DS,DT		
	970 731 032 22 8T5	Cedar	-NC		
	970 731 032 22 OP2	saddle brown	-SB,GH,DN		
(1)	970 731 031 26	Sun visor	left rhd left	1	PR:0E2,099, 592
	970 731 031 26 BA3	Platinum Grey	-AB,AC,DG,DL, PC,NA		
	970 731 031 26 AZ2	Luxor beige	-UB,UC,PK,PL		
	970 731 031 26 BC4	Cream	-BC,BE,DS,DT		
	970 731 031 26 AW3	Cedar	-NC		
	970 731 031 26 AY1	Black	-BF		
	970 731 031 26 BP1	saddle brown	-SB,DN		
(1)	970 731 032 26	Sun visor	right lhd right	1	PR:0E2,098, 592
	970 731 032 26 BA3	Platinum Grey	-AB,AC,DG,DL, PC,NA		
	970 731 032 26 AZ2	Luxor beige	-UB,UC,PK,PL		
	970 731 032 26 BC4	Cream	-BC,BE,DS,DT		
	970 731 032 26 AW3	Cedar	-NC		
	970 731 032 26 AY1	Black	-BF		
	970 731 032 26 BP1	saddle brown	-SB,DN		
(1)	970 731 031 27	Sun visor	left rhd left	1	PR:0E2,594, 099
		Alcantara			
	970 731 031 27 2W0	Black	-AB,AC,GK,GS, GA,BF,PF		
	970 731 031 27 8U3	Platinum Grey	-DG,DL,GD,PC, GP,NA		
	970 731 031 27 9U1	Luxor beige	-UB,UC,GU,PK, PL		
	970 731 031 27 8U9	Cream	-BC,BE,DS,DT		
	970 731 031 27 8T5	Cedar	-NC		
	970 731 031 27 OP2	saddle brown	-SB,GH,DN		
(1)	970 731 032 27	Sun visor	right lhd right	1	PR:0E2,594, 098
		Alcantara			
	970 731 032 27 2W0	Black	-AB,AC,GK,GS, GA,BF,PF		
	970 731 032 27 8U3	Platinum Grey	-DG,DL,GD,PC, GP,NA		
	970 731 032 27 9U1	Luxor beige	-UB,UC,GU,PK, PL		
	970 731 032 27 8U9	Cream	-BC,BE,DS,DT		

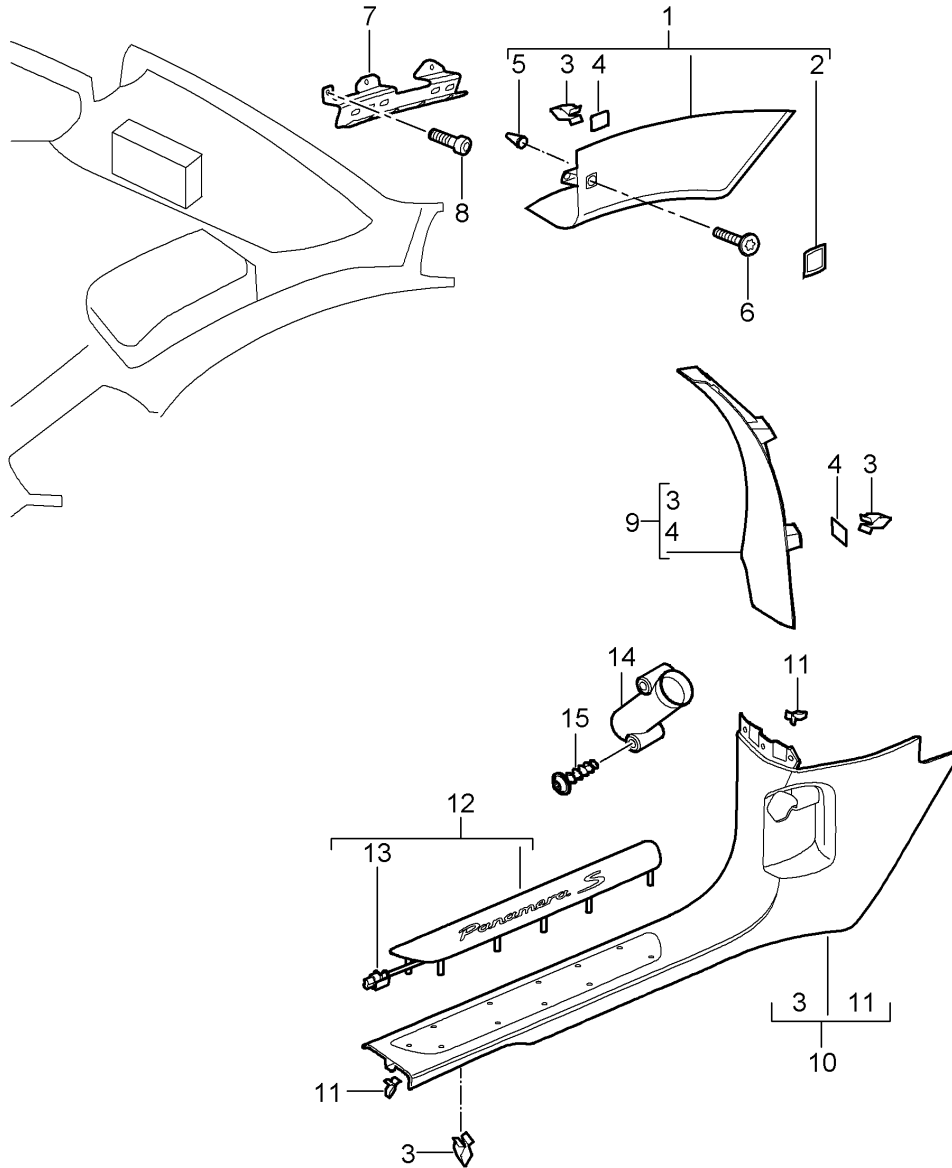
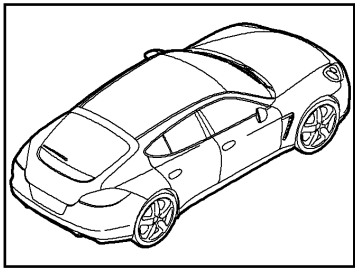
Model: 970 10

Model life 2010>>2016

Pos	Part Number	Description	Remark	Qty	Model
2	970 731 032 27 8T5	Cedar	-NC	1	PR:594,592
	970 731 032 27 OP2	saddle brown	-SB, GH, DN		
	970 731 341 01	Support			
		Sun visor			
	970 731 341 01 1E0	Black			
	970 731 341 01 6L0	Platinum Grey			
	970 731 341 01 4H0	Luxor beige			
	970 731 341 01 5J0	Cream			
3	970 731 341 01 9Q0	Cedar		4	PR:-630
	970 731 341 01 OM8	saddle brown			
		bulb			
		12V , 2W for Lighting Sun visor			
(3)		see illustration: LED module for Lighting Sun visor	903-004	4	PR:0E2
4	N 105 963 02	see illustration: Oval hexagon socket head bolt M 5 X 25	903-004	X	

Model: 970 10

Model life 2010>>2016



Model: 970 10 Model life 2010>>2016

Pos	Part Number	Description	Remark	Qty	Model
1	970 555 179 00	A-pillar Sill trim strip A-pillar trim	front upper	1	/L PR:592
		Cloth Discontinued part			
	970 555 179 00 9F1	Platinum Grey	-AB,AC,CB,CC, EC,PC,BB,NA		
	970 555 179 00 7F3	Luxor beige	-UB,UC,PK,PL		
	970 555 179 00 8F4	Cream	-BC,BE,DS,DT		
	970 555 179 00 5F6	Cedar	-NC,BN		
1	970 555 179 02	A-pillar trim	upper	1	/L PR:592
		Cloth			
		use if required:	000 043 207 63		
		see workshop manual XXXXXXX			
	970 555 179 02 9F1	Platinum Grey	-AB,AC,DG,DL, PC,NA		
	970 555 179 02 7F3	Luxor beige	-UB,UC,PK,PL		
	970 555 179 02 8F4	Cream	-BC,BE,DS,DT		
	970 555 179 02 5F6	Cedar	-NC		
	970 555 179 02 6F2	Black	-BF		
(1)	970 555 180 00	D - MJ 2014>> A-pillar trim	upper	1	/R PR:592
		Cloth Discontinued part			
	970 555 180 00 9F1	Platinum Grey	-AB,AC,CB,CC, EC,PC,BB,NA		
	970 555 180 00 7F3	Luxor beige	-UB,UC,PK,PL		
	970 555 180 00 8F4	Cream	-BC,BE,DS,DT		
	970 555 180 00 5F6	Cedar	-NC,BN		
(1)	970 555 180 02	A-pillar trim	upper	1	/R PR:592
		Cloth			
		use if required:	000 043 207 63		
		see workshop manual XXXXXXX			
	970 555 180 02 9F1	Platinum Grey	-AB,AC,DG,DL, PC,NA		
	970 555 180 02 7F3	Luxor beige	-UB,UC,PK,PL		
	970 555 180 02 8F4	Cream	-BC,BE,DS,DT		
	970 555 180 02 5F6	Cedar	-NC		
	970 555 180 02 6F2	Black	-BF		
(1)	970 555 179 03	D - MJ 2014>> A-pillar trim (Alcantara)	upper	1	/L PR:594
	970 555 179 03 2W0	Black	-AB,AC,GK,GS, GA,BF,PF		
	970 555 179 03 8U3	Platinum Grey	-CB,EC,GE,PC, GP,BB,NA,DG, DL,GD		
	970 555 179 03 9U1	Luxor beige	-UB,UC,GU,PK, PL		
	970 555 179 03 8U9	Cream	-BC,BD,BE,DS, DT		
	970 555 179 03 8T5	Cedar	-NC,BN		
	970 555 179 03 OP2	saddle brown	-SB,GH,DN		
		D - MJ 2014>>			

Model: 970 10 Model life 2010>>2016

Pos	Part Number	Description	Remark	Qty	Model
(1)	970 555 180 03	A-pillar trim (Alcantara)		1	/R PR:594
	970 555 180 03 2W0	Black	upper -AB,AC,GK,GS, GA,BF,PF		
	970 555 180 03 8U3	Platinum Grey	-CB,EC,GE,PC, GP,BB,NA,DG, DL,GD		
	970 555 180 03 9U1	Luxor beige	-UB,UC,GU,PK, PL		
	970 555 180 03 8U9	Cream	-BC,BD,BE,DS, DT		
	970 555 180 03 8T5	Cedar	-NC,BN		
	970 555 180 03 OP2	saddle brown	-SB,GH,DN		
		D - MJ 2014>>			
-	970 555 680 00	Pillar trim holder	upper	1	
-	970 555 679 00	Pillar trim holder	upper	1	
2	7L5 853 437	Sticker		2	PR:592
		Airbag			
	7L5 853 437 1E0	Black	-BF,PF		
		D - MJ 2014>>			
	7L5 853 437 6L0	Platinum Grey	-AB,AC,GK,CB, CC,GC,EC,GE, PC,GP,BB,NA, DG,DL,GD,GS, GA		
	7L5 853 437 4H0	Luxor beige	-UB,UC,GU,PK, PL		
	7L5 853 437 5J0	Cream	-BC,BD,BE,DS, DT		
	7L5 853 437 9Q0	Cedar	-NC,BN		
	7L5 853 437 OM8	saddle brown	-SB,GH,DN		
		D - MJ 2014>>			
2	7L5 853 437	Sticker		2	PR:594
		Airbag			
	7L5 853 437 1E0	Black	-AB,AC,GK,GS, GA,BF,PF		
	7L5 853 437 6L0	Platinum Grey	-CB,CC,GC,EC, GE,PC,GP,BB, NA,DG,DL,GD		
	7L5 853 437 4H0	Luxor beige	-UB,UC,GU,PK, PL		
	7L5 853 437 5J0	Cream	-BC,BD,BE,DS, DT		
	7L5 853 437 9Q0	Cedar	-NC,BN		
	7L5 853 437 OM8	saddle brown	-SB,GH,DN		
		D - MJ 2014>>			
3	999 507 839 01	Clip		X	
		3,5			
4	999 209 084 40	Distance piece		X	
		20 X 25 X 0,5			
5	997 555 857 00	Grommet		1	
6	N 106 768 01	Oval hexagon socket head bolt		2	
		M 5 X 25			
9	970 555 181 00	A-pillar trim	center	1	/L
	970 555 181 00 1E0	Black	-AB,AC,GK,GS, GA,BF,PF		
	970 555 181 00 6L0	Platinum Grey	-CB,CC,GC		
		D >> - MJ 2013			
	970 555 181 00 OP1	agate grey	-DG,DL,GD		
		D - MJ 2014>>			
	970 555 181 00 4H0	Luxor beige	-UB,UC,GU,PK, PL		

Model: 970 10 Model life 2010>>2016

Pos	Part Number	Description	Remark	Qty	Model
	970 555 181 00 2F0	yachting blue D >> - MJ 2013	-EC,GE		
	970 555 181 00 5J0	Cream	-BC,BD,BE,DS, DT		
	970 555 181 00 7N0	Espresso	-NA		
	970 555 181 00 8P0	Cognac	-NC		
	970 555 181 00 9Q0	Cedar	-BN		
	970 555 181 00 3G0	Marsala Red	-PC,GP		
	970 555 181 00 OM8	saddle brown D - MJ 2014>>	-SB,GH,DN		
(9)	970 555 182 00	A-pillar trim	center	1	/R
	970 555 182 00 1E0	Black	-AB,AC,GK,GS, GA,BF,PF		
	970 555 182 00 6L0	Platinum Grey D >> - MJ 2013	-CB,CC,GC		
	970 555 182 00 OP1	agate grey D - MJ 2014>>	-DG,DL,GD		
	970 555 182 00 4H0	Luxor beige	-UB,UC,GU,PK, PL		
	970 555 182 00 2F0	yachting blue D >> - MJ 2013	-EC,GE		
	970 555 182 00 5J0	Cream	-BC,BD,BE,DS, DT		
	970 555 182 00 7N0	Espresso	-NA		
	970 555 182 00 8P0	Cognac	-NC		
	970 555 182 00 9Q0	Cedar	-BN		
	970 555 182 00 3G0	Marsala Red	-PC,GP		
	970 555 182 00 OM8	saddle brown D - MJ 2014>>	-SB,GH,DN		
10	970 555 517 00	Trim	left lhd	1	PR:098
	970 555 517 00 1E0	Sill trim strip Black	front -AB,AC,GK,GS, GA,BF,PF		
	970 555 517 00 6L0	Platinum Grey D >> - MJ 2013	-CB,CC,GC		
	970 555 517 00 OP1	agate grey D - MJ 2014>>	-DG,DL,GD		
	970 555 517 00 4H0	Luxor beige	-UB,UC,GU,PK, PL		
	970 555 517 00 2F0	yachting blue D >> - MJ 2013	-EC,GE		
	970 555 517 00 5J0	Cream	-BC,BD,BE,DS, DT		
	970 555 517 00 7N0	Espresso	-NA		
	970 555 517 00 8P0	Cognac	-NC		
	970 555 517 00 9Q0	Cedar	-BN		
	970 555 517 00 3G0	Marsala Red	-PC,GP		
	970 555 517 00 OM8	saddle brown D - MJ 2014>>	-SB,GH,DN		
(10)	970 555 518 00	Trim	right lhd	1	PR:098
	970 555 518 00 1E0	Sill trim strip Black	front -AB,AC,GK,GS, GA,BF,PF		
	970 555 518 00 6L0	Platinum Grey D >> - MJ 2013	-CB,CC,GC		
	970 555 518 00 OP1	agate grey D - MJ 2014>>	-DG,DL,GD		
	970 555 518 00 4H0	Luxor beige	-UB,UC,GU,PK, PL		
	970 555 518 00 2F0	yachting blue D >> - MJ 2013	-EC,GE		
	970 555 518 00 5J0	Cream	-BC,BD,BE,DS, DT		

Model: 970 10 Model life 2010>>2016

Pos	Part Number	Description	Remark	Qty	Model
	970 555 518 00 7N0	Espresso	-NA		
	970 555 518 00 8P0	Cognac	-NC		
	970 555 518 00 9Q0	Cedar	-BN		
	970 555 518 00 3G0	Marsala Red	-PC,GP		
	970 555 518 00 OM8	saddle brown	-SB,GH,DN		
		D - MJ 2014>>			
(10)	970 555 517 01	Trim	left rhd	1	PR:099
		Sill trim strip	front		
	970 555 517 01 1E0	Black	-AB,AC,GK,GS, GA,BF,PF		
	970 555 517 01 6L0	Platinum Grey	-CB,CC,GC		
		D >> - MJ 2013			
	970 555 517 01 OP1	agate grey	-DG,DL,GD		
		D - MJ 2014>>			
	970 555 517 01 4H0	Luxor beige	-UB,UC,GU,PK, PL		
	970 555 517 01 2F0	yachting blue	-EC,GE		
		D >> - MJ 2013			
	970 555 517 01 5J0	Cream	-BC,BD,BE,DS, DT		
	970 555 517 01 7N0	Espresso	-NA		
	970 555 517 01 8P0	Cognac	-NC		
	970 555 517 01 9Q0	Cedar	-BN		
	970 555 517 01 3G0	Marsala Red	-PC,GP		
	970 555 517 01 OM8	saddle brown	-SB,GH,DN		
		D - MJ 2014>>			
(10)	970 555 518 01	Trim	right rhd	1	PR:099
		Sill trim strip	front		
	970 555 518 01 1E0	Black	-AB,AC,GK,GS, GA,BF,PF		
	970 555 518 01 6L0	Platinum Grey	-CB,CC,GC		
		D >> - MJ 2013			
	970 555 518 01 OP1	agate grey	-DG,DL,GD		
		D - MJ 2014>>			
	970 555 518 01 4H0	Luxor beige	-UB,UC,GU,PK, PL		
	970 555 518 01 2F0	yachting blue	-EC,GE		
		D >> - MJ 2013			
	970 555 518 01 5J0	Cream	-BC,BD,BE,DS, DT		
	970 555 518 01 7N0	Espresso	-NA		
	970 555 518 01 8P0	Cognac	-NC		
	970 555 518 01 9Q0	Cedar	-BN		
	970 555 518 01 3G0	Marsala Red	-PC,GP		
	970 555 518 01 OM8	saddle brown	-SB,GH,DN		
		D - MJ 2014>>			
11	999 507 584 02	Clamp		X	
		8,0 X 10,0 /2,0			
(12)	970 555 753 00	Insert		2	PANAMERA S PR:338,598
(12)	970 555 753 01	Insert		2	PANAMERA 4S PR:339,598
(12)	970 555 753 02	Insert		2	TURBO PR:339,598
(12)	970 555 753 03	Insert		2	PANAMERA PR:338,598
		D - MJ 2011>>			
(12)	970 555 753 04	Insert		2	PANAMERA 4 PR:339,598
		D - MJ 2011>>			
(12)	970 555 753 06	Insert		2	GTS PR:015,339, 598
		Aluminium, brushed			

Model: 970 10 Model life 2010>>2016

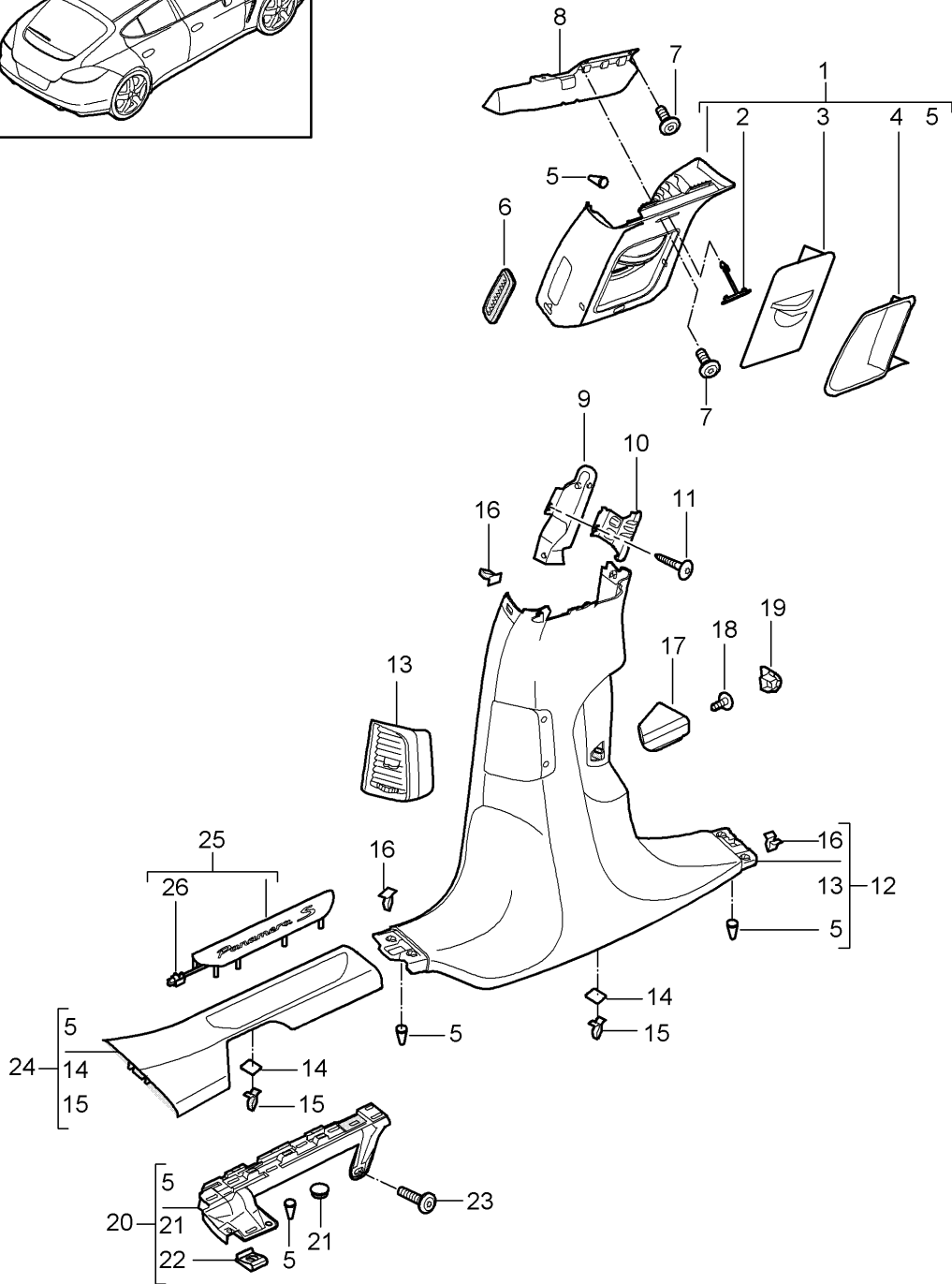
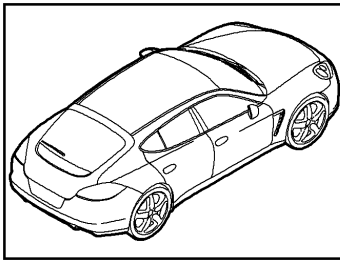
Pos	Part Number	Description	Remark	Qty	Model
(12)	970 555 753 07	Insert Aluminium, brushed		2	Turbo S PR:016,339, 598
(12)	970 555 753 08	Insert Aluminium, brushed		2	Platinum PR:017,598
(12)	970 555 753 09	Insert Aluminium, brushed		2	Edition PR:033,598
12	970 555 989 00	Insert aluminium	with:	2	PANAMERA S PR:XXC,338
(12)	970 555 989 01	Lighting Insert aluminium	with:	2	PANAMERA 4S PR:XXC,339
(12)	970 555 989 02	Lighting Insert aluminium	with:	2	TURBO PR:XXC,339
(12)	970 555 989 03	Lighting Insert aluminium	with:	2	PANAMERA PR:XXC,338
(12)	970 555 989 04	Lighting Insert aluminium	with:	2	PANAMERA 4 PR:XXC,339
(12)	970 555 989 15	Lighting Insert aluminium	with:	2	PANAMERA GTS PR:XXC,339, 015
(12)	970 555 989 16	Lighting Insert aluminium	with:	2	Turbo S PR:XXC,339, 016
(12)	970 555 989 21	Lighting Insert aluminium	with:	2	Hybrid PR:XXC,338
(12)	970 555 989 05	Lighting Insert Carbon		2	PANAMERA S PR:X69,338
(12)	970 555 989 06	Insert Carbon		2	PANAMERA 4S PR:X69,339
(12)	970 555 989 07	Insert Carbon		2	TURBO PR:X69,339
(12)	970 555 989 08	Insert Carbon		2	Panamera PR:X69,338
(12)	970 555 989 09	Insert Carbon		2	Panamera 4 PR:X69,339
(12)	970 555 989 17	Insert Carbon		2	Panamera GTS PR:X69,339, 015
(12)	970 555 989 18	Insert Carbon		2	Turbo S PR:X69,339, 016
(12)	970 555 989 23	Insert Carbon		2	Sport Editio PR:X69,010
(12)	970 555 989 10	Insert Carbon	with:	2	PANAMERA S PR:XXD,338
(12)	970 555 989 11	Lighting Insert Carbon		2	PANAMERA 4S PR:XXD,339

Model: 970 10 Model life 2010>>2016

Pos	Part Number	Description	Remark	Qty	Model
(12)	970 555 989 12	Lighting Insert Carbon	with:	2	Turbo PR:XXD,339
(12)	970 555 989 13	Lighting Insert Carbon	with:	2	Panamera PR:XXD,338
(12)	970 555 989 14	Lighting Insert Carbon	with:	2	Panamera 4 PR:XXD,339
(12)	970 555 989 19	Lighting Insert Carbon	with:	2	Panamera GTS PR:XXD,339, 015
(12)	970 555 989 20	Lighting Insert Carbon	with:	2	Turbo S PR:XXD,339, 016
(12)	970 555 989 22	Lighting Insert Carbon	with:	2	Hybrid PR:XXD,338
13	999 652 913 40	Lighting Pin connector socket 2-pole		2	PR:XXC,XXD
14	964 551 751 00	Bracket Warning light	rhd	1	PR:099,193
(14)	997 551 852 00	Bracket Warning light	lhd	1	PR:098,193
15	WHT 004 083	fillister hd. bolt 40 X 36,5		2	PR:193

Model: 970 10

Model life 2010>>2016



Model: 970 10 Model life 2010>>2016

Pos	Part Number	Description	Remark	Qty	Model
1	970 555 193 04	Trim B-pillar Sill trim strip B-pillar trim	rear left upper	1	PR:592
	970 555 193 04 9F1	Cloth Discontinued part Platinum Grey	-AB,AC,CB,CC, EC,PC,BB,NA		
	970 555 193 04 7F3	Luxor beige	-UB,UC,PK,PL		
	970 555 193 04 8F4	Cream	-BC,BD,BE,DS, DT		
1	970 555 193 04 5F6	Cedar	-NC,BN		
	970 555 193 06	B-pillar trim	left upper	1	PR:592
	970 555 193 06 9F1	Cloth Discontinued part Platinum Grey	-AB,AC,CB,CC, EC,PC,BB,NA		
	970 555 193 06 7F3	Luxor beige	-UB,UC,PK,PL		
	970 555 193 06 8F4	Cream	-BC,BD,BE,DS, DT		
1	970 555 193 06 5F6	Cedar	-NC,BN		
	970 555 193 08	B-pillar trim	left upper	1	PR:592
	970 555 193 08 6F2	Cloth Black D - MJ 2014>>	-BF		
	970 555 193 08 9F1	Platinum Grey	-AB,AC,CB,CC, EC,PC,BB,NA, DG,DL		
	970 555 193 08 7F3	Luxor beige	-UB,UC,PK,PL		
	970 555 193 08 8F4	Cream	-BC,BD,BE,DS, DT		
	970 555 193 08 5F6	Cedar	-NC,BN		
	970 555 193 08 CH6	saddle brown D - MJ 2014>>	-DN,SB		
(1)	970 555 194 04	B-pillar trim	right upper	1	PR:592
	970 555 194 04 9F1	Cloth Discontinued part Platinum Grey	-AB,AC,CB,CC, EC,PC,BB,NA		
	970 555 194 04 7F3	Luxor beige	-UB,UC,PK,PL		
	970 555 194 04 8F4	Cream	-BC,BD,BE,DS, DT		
	970 555 194 04 5F6	Cedar	-NC,BN		
(1)	970 555 194 06	B-pillar trim	right upper	1	PR:592
	970 555 194 06 9F1	Cloth Discontinued part Platinum Grey	-AB,AC,CB,CC, EC,PC,BB,NA		
	970 555 194 06 7F3	Luxor beige	-UB,UC,PK,PL		
	970 555 194 06 8F4	Cream	-BC,BD,BE,DS, DT		
	970 555 194 06 5F6	Cedar	-NC,BN		
(1)	970 555 194 08	B-pillar trim	right upper	1	PR:592
	970 555 194 08 6F2	Cloth Black D - MJ 2014>>	-BF		
	970 555 194 08 9F1	Platinum Grey	-AB,AC,CB,CC,		

Model: 970 10 Model life 2010>>2016

Pos	Part Number	Description	Remark	Qty	Model
	970 555 194 08 7F3	Luxor beige	EC,PC,BB,NA, DG,DL		
	970 555 194 08 8F4	Cream	-UB,UC,PK,PL -BC,BD,BE,DS, DT		
	970 555 194 08 5F6	Cedar	-NC,BN		
	970 555 194 08 CH6	saddle brown	-DN,SB		
(1)	970 555 193 05	D - MJ 2014>> B-pillar trim (Alcantara) Discontinued part	left upper	1	PR:594
	970 555 193 05 2W0	Black	-AB,AC,GK,GS, GA,BF,PF		
	970 555 193 05 8U3	Platinum Grey	-CB,CC,GC,EC, GE,PC,GP,BB, NA,DG,DL,GD		
	970 555 193 05 9U1	Luxor beige	-UB,UC,GU,PK, PL		
	970 555 193 05 8U9	Cream	-BD,BD,BE,DS, DT		
(1)	970 555 193 05 8T5	Cedar	-NC,BN		
	970 555 193 07	B-pillar trim (Alcantara) Discontinued part	left upper	1	PR:594
	970 555 193 07 2W0	Black	-AB,AC,GK,GS, GA,BF,PF		
	970 555 193 07 8U3	Platinum Grey	-CB,CC,GC,EC, GE,PC,GP,BB, NA,DG,DL,GD		
	970 555 193 07 9U1	Luxor beige	-UB,UC,GU,PK, PL		
	970 555 193 07 8U9	Cream	-BD,BD,BE,DS, DT		
(1)	970 555 193 07 8T5	Cedar	-NC,BN		
	970 555 193 09	B-pillar trim	left upper	1	PR:594
	970 555 193 09 2W0	Alcantara Black	-AB,AC,GK,GS, GA,BF,PF		
	970 555 193 09 8U3	Platinum Grey	-CB,CC,GC,EC, GE,PC,GP,BB, NA,DG,DL,GD		
	970 555 193 09 9U1	Luxor beige	-UB,UC,GU,PK, PL		
	970 555 193 09 8U9	Cream	-BD,BD,BE,DS, DT		
	970 555 193 09 8T5	Cedar	-NC,BN		
	970 555 193 09 OP2	saddle brown	-DN,SB,GH		
(1)	970 555 194 05	D - MJ 2014>> B-pillar trim (Alcantara)	right upper	1	PR:594
	970 555 194 05 2W0	D >> - MJ 2011 Black	-AB,AC		
	970 555 194 05 8U3	Platinum Grey	-CB,CC,EC,PC, BB,NA		
	970 555 194 05 9U1	Luxor beige	-UB,UC		
	970 555 194 05 8U9	Cream	-BC,BE		
	970 555 194 05 8T5	Cedar	-NC,BN		
(1)	970 555 194 07	B-pillar trim (Alcantara)	right upper	1	PR:594
	970 555 194 07 2W0	D - MJ 2012>> Black	-AB,AC,GK,GS, GA,BF,PF		

Model: 970 10 Model life 2010>>2016

Pos	Part Number	Description	Remark	Qty	Model		
(1)	970 555 194 07 8U3	Platinum Grey	-CB,CC,GC,EC, GE,PC,GP,BB, NA,DG,DL,GD	1	PR:594		
	970 555 194 07 9U1	Luxor beige	-UB,UC,GU,PK, PL				
	970 555 194 07 8U9	Cream	-BD,BD,BE,DS, DT				
	970 555 194 07 8T5	Cedar	-NC,BN				
	970 555 194 09	B-pillar trim	right upper				
		Alcantara D - MJ 2012>>					
	970 555 194 09 2W0	Black	-AB,AC,GK,GS, GA,BF,PF				
	970 555 194 09 8U3	Platinum Grey	-CB,CC,GC,EC, GE,PC,GP,BB, NA,DG,DL,GD				
	970 555 194 09 9U1	Luxor beige	-UB,UC,GU,PK, PL				
	970 555 194 09 8U9	Cream	-BD,BD,BE,DS, DT				
	970 555 194 09 8T5 Cedar	-NC,BN	2	PR:592			
	970 555 194 09 OP2 saddle brown	-DN,SB,GH					
	D - MJ 2014>>						
2	7L5 853 437	Sticker					
	Airbag						
	7L5 853 437 1E0	Black			-BF		
	D - MJ 2014>>						
	7L5 853 437 6L0	Platinum Grey			-AB,AC,CB,CC, EC,PC,BB,NA, DG,DL		
	7L5 853 437 4H0	Luxor beige			-UB,UC,PK,PL		
	7L5 853 437 5J0	Cream			-BC,BD,BE,DS, DT		
	7L5 853 437 9Q0	Cedar	-NC,BN	2	PR:594		
2	7L5 853 437	Sticker					
	Airbag						
	7L5 853 437 1E0	Black	-AB,AC,GK,GS, GA,BF,PF				
	7L5 853 437 6L0	Platinum Grey	-AB,AC,CB,CC, EC,PC,BB,NA, DG,DL				
	7L5 853 437 4H0	Luxor beige	-UB,UC,PK,PL				
	7L5 853 437 5J0	Cream	-BC,BD,BE,DS, DT				
	7L5 853 437 9Q0	Cedar	-NC,BN				
3	970 555 427 00	slide valve	left			1	PR:592
	Trim	upper					
	B-pillar						
	970 555 427 00 1E0	Black	-BF				
	D - MJ 2014>>						
	970 555 427 00 6L0	Platinum Grey	-AB,AC,CB,CC, EC,PC,BB,NA, DG,DL				
	970 555 427 00 4H0	Luxor beige	-UB,UC,PK,PL				
	970 555 427 00 5J0	Cream	-BC,BD,BE,DS, DT				
	970 555 427 00 9Q0	Cedar	-NC,BN,SB,DN				
3	970 555 427 00	slide valve	left	1	PR:594		
	Trim	upper					
	B-pillar						
	970 555 427 00 1E0	Black	-AB,AC,GK,GS, GA,BF,PF				

Model: 970 10 Model life 2010>>2016

Pos	Part Number	Description	Remark	Qty	Model
	970 555 427 00 6L0	Platinum Grey	-AB,AC,CB,CC, EC,PC,BB,NA, DG,DL		
	970 555 427 00 4H0	Luxor beige	-UB,UC,PK,PL		
	970 555 427 00 5J0	Cream	-BC,BD,BE,DS, DT		
(3)	970 555 427 00 9Q0	Cedar	-NC,BN,SB,GH,		
	970 555 428 00	slide valve	right	1	PR:592
		Trim	upper		
		B-pillar			
	970 555 428 00 1E0	Black	-BF		
		D - MJ 2014>>			
	970 555 428 00 6L0	Platinum Grey	-AB,AC,CB,CC, EC,PC,BB,NA, DG,DL		
	970 555 428 00 4H0	Luxor beige	-UB,UC,PK,PL		
	970 555 428 00 5J0	Cream	-BC,BD,BE,DS, DT		
	970 555 428 00 9Q0	Cedar	-NC,BN,SB,DN		
(3)	970 555 428 00	slide valve	right	1	PR:594
		Trim	upper		
		B-pillar			
	970 555 428 00 1E0	Black	-AB,AC,GK,GS, GA,BF,PF		
	970 555 428 00 6L0	Platinum Grey	-AB,AC,CB,CC, EC,PC,BB,NA, DG,DL		
	970 555 428 00 4H0	Luxor beige	-UB,UC,PK,PL		
	970 555 428 00 5J0	Cream	-BC,BD,BE,DS, DT		
	970 555 428 00 9Q0	Cedar	-NC,BN,SB,GH,		
4	970 555 703 00	Rosette	left	1	PR:592
		B-pillar			
	970 555 703 00 1E0	Black	-BF		
		D - MJ 2014>>			
	970 555 703 00 6L0	Platinum Grey	-AB,AC,CB,CC, EC,PC,BB,NA, DG,DL		
	970 555 703 00 4H0	Luxor beige	-UB,UC,PK,PL		
	970 555 703 00 5J0	Cream	-BC,BD,BE,DS, DT		
	970 555 703 00 9Q0	Cedar	-NC,BN,SB,DN		
4	970 555 703 00	Rosette	left	1	PR:594
		B-pillar			
	970 555 703 00 1E0	Black	-AB,AC,GK,GS, GA,BF,PF		
	970 555 703 00 6L0	Platinum Grey	-AB,AC,CB,CC, EC,PC,BB,NA, DG,DL		
	970 555 703 00 4H0	Luxor beige	-UB,UC,PK,PL		
	970 555 703 00 5J0	Cream	-BC,BD,BE,DS, DT		
	970 555 703 00 9Q0	Cedar	-NC,BN,SB,GH,		
(4)	970 555 704 00	Rosette	right	1	PR:592
		B-pillar			
	970 555 704 00 1E0	Black	-BF		
		D - MJ 2014>>			
	970 555 704 00 6L0	Platinum Grey	-AB,AC,CB,CC, EC,PC,BB,NA, DG,DL		
	970 555 704 00 4H0	Luxor beige	-UB,UC,PK,PL		
	970 555 704 00 5J0	Cream	-BC,BD,BE,DS, DT		

Model: 970 10 Model life 2010>>2016

Pos	Part Number	Description	Remark	Qty	Model
(4)	970 555 704 00 9Q0	Cedar	-NC, BN, SB, DN	1	PR:594
	970 555 704 00	Rosette	right		
	970 555 704 00 1E0	B-pillar Black	-AB, AC, GK, GS, GA, BF, PF		
	970 555 704 00 6L0	Platinum Grey	-AB, AC, CB, CC, EC, PC, BB, NA, DG, DL		
	970 555 704 00 4H0 970 555 704 00 5J0	Luxor beige Cream	-UB, UC, PK, PL -BC, BD, BE, DS, DT		
5	970 555 704 00 9Q0	Cedar	-NC, BN, SB, GH,	X	
	997 555 857 00	Grommet			
6	970 555 725 00	Defroster trim B-pillar	left upper	1	PR:592
	970 555 725 00 5Q0	Black			
6		D - MJ 2014>>		1	PR:594
	970 555 725 00 4U0	Platinum Grey	-AB, AC, CB, CC, EC, PC, BB, NA, DG, DL		
	970 555 725 00 6W0	Luxor beige	-UB, UC, PK, PL		
	970 555 725 00 5V0	Cream	-BC, BD, BE, DS, DT		
	970 555 725 00 1R0	Cedar	-NC, BN, SB, DN		
	970 555 725 00	Defroster trim B-pillar	left upper		
	970 555 725 00 5Q0	Black	-AB, AC, GK, GS, GA, BF, PF		
	970 555 725 00 4U0	Platinum Grey	-AB, AC, CB, CC, EC, PC, BB, NA, DG, DL		
	970 555 725 00 6W0	Luxor beige	-UB, UC, PK, PL		
	970 555 725 00 5V0	Cream	-BC, BD, BE, DS, DT		
(6)	970 555 725 00 1R0	Cedar	-NC, BN, SB, DN	1	PR:592
	970 555 726 00	Defroster trim B-pillar	right upper		
	970 555 726 00 5Q0	Black	-BF		
	970 555 726 00 4U0	Platinum Grey	-AB, AC, CB, CC, EC, PC, BB, NA, DG, DL		
	970 555 726 00 6W0 970 555 726 00 5V0	Luxor beige Cream	-UB, UC, PK, PL -BC, BD, BE, DS, DT		
(6)	970 555 726 00 1R0	Cedar	-NC, BN, SB, DN	1	PR:594
	970 555 726 00	Defroster trim B-pillar	right upper		
	970 555 726 00 5Q0	Black	-AB, AC, GK, GS, GA, BF, PF		
	970 555 726 00 4U0	Platinum Grey	-AB, AC, CB, CC, EC, PC, BB, NA, DG, DL		
	970 555 726 00 6W0 970 555 726 00 5V0	Luxor beige Cream	-UB, UC, PK, PL -BC, BD, BE, DS, DT		
7	970 555 726 00 1R0	Cedar	-NC, BN, SB, DN	X	
	999 073 459 01	fillister hd. bolt M 5 X 16			
7	999 073 547 01	Discontinued part fillister hd. bolt M 5 X 12		X	
8	970 555 645 02	Glide piece	left	1	

Model: 970 10 Model life 2010>>2016

Pos	Part Number	Description	Remark	Qty	Model
(8)	970 555 646 02	Airbag Glide piece	right	1	
9	970 555 715 00	Airbag Air guide Defroster B-pillar Discontinued part	left upper	1	
9	970 555 715 01	Air guide Defroster B-pillar	left upper	1	
(9)	970 555 716 00	Air guide Defroster B-pillar Discontinued part	right upper	1	
(9)	970 555 716 01	Air guide Defroster B-pillar	right upper	1	
12	970 555 183 00	B-pillar trim	left lower	1	
		D >> - MJ 2011 Discontinued part			
	970 555 183 00 1E0	Black	-AB,AC		
	970 555 183 00 6L0	Platinum Grey	-CB,CC,BB		
	970 555 183 00 4H0	Luxor beige	-UB,UC,BC		
	970 555 183 00 2F0	yachting blue	-EC		
	970 555 183 00 5J0	Cream	-BC,BD,BE		
	970 555 183 00 7N0	Espresso	-NA		
	970 555 183 00 8P0	Cognac	-NC		
	970 555 183 00 9Q0	Cedar	-BN		
12	970 555 183 02	B-pillar trim	left lower	1	
		D - MJ 2012>>			
	970 555 183 02 1E0	Black	-AB,AC,GK,GS, GA,BF,PF		
	970 555 183 02 6L0	Platinum Grey	-CB,CC,GC,BB		
		D >> - MJ 2013			
	970 555 183 02 OP1	agate grey	-DG,DL,GD		
		D - MJ 2014>>			
	970 555 183 02 4H0	Luxor beige	-UB,UC,GU,PK, PL		
	970 555 183 02 2F0	yachting blue	-EC,GE		
		D >> - MJ 2013			
	970 555 183 02 5J0	Cream	-BC,BD,BE,DS, DT		
	970 555 183 02 7N0	Espresso	-NA		
	970 555 183 02 8P0	Cognac	-NC		
	970 555 183 02 9Q0	Cedar	-BN		
	970 555 183 02 3G0	Marsala Red	-PC,GP		
	970 555 183 02 OM8	saddle brown	-SB,GH,DN		
		D - MJ 2014>>			
(12)	970 555 184 00	B-pillar trim	right lower	1	
		D >> - MJ 2011 Discontinued part			
	970 555 184 00 1E0	Black	-AB,AC		
	970 555 184 00 6L0	Platinum Grey	-CB,CC,BB		
	970 555 184 00 4H0	Luxor beige	-UB,UC,BC		
	970 555 184 00 2F0	yachting blue	-EC		
	970 555 184 00 5J0	Cream	-BC,BD,BE		
	970 555 184 00 7N0	Espresso	-NA		
	970 555 184 00 8P0	Cognac	-NC		
	970 555 184 00 9Q0	Cedar	-BN		
(12)	970 555 184 01	B-pillar trim	right	1	

Model: 970 10 Model life 2010>>2016

Pos	Part Number	Description	Remark	Qty	Model
		D - MJ 2012>> Black	lower -AB,AC,GK,GS, GA,BF,PF		
	970 555 184 01 1E0				
	970 555 184 01 6L0	Platinum Grey D >> - MJ 2013	-CB,CC,GC,BB		
	970 555 184 01 OP1	agate grey D - MJ 2014>>	-DG,DL,GD		
	970 555 184 01 4H0	Luxor beige	-UB,UC,GU,PK, PL		
	970 555 184 01 2F0	yachting blue D >> - MJ 2013	-EC,GE		
	970 555 184 01 5J0	Cream	-BC,BD,BE,DS, DT		
	970 555 184 01 7N0	Espresso	-NA		
	970 555 184 01 8P0	Cognac	-NC		
	970 555 184 01 9Q0	Cedar	-BN		
	970 555 184 01 3G0	Marsala Red	-PC,GP		
	970 555 184 01 OM8	saddle brown D - MJ 2014>>	-SB,GH,DN		
13	970 555 351 01	Air vent B-pillar	left lower	1	
(13)	970 555 351 01 DAP	Galvano silver			
	970 555 352 01	Air vent B-pillar	right lower	1	
	970 555 352 01 DAP	Galvano silver			
14	999 209 084 40	Distance piece 20 X 25 X 0,5		X	
15	999 507 839 01	Clip 3,5		X	
16	999 507 584 02	Clamp 8,0 X 10,0 /2,0		X	
17	970 555 495 01	Cover (leather) Armrest Leather Embossed	left	1	
	970 555 495 01 21U	Black	-AB		
	970 555 495 01 7EG	Platinum Grey	-CB		
	970 555 495 01 32X	Luxor beige	-UB,PK		
17	970 555 495 01	Cover (leather) Armrest	left	1	
	970 555 495 01 A11	Black	-AC		
	970 555 495 01 9B0	Platinum Grey D >> - MJ 2013	-CC,BB		
	970 555 495 01 OA1	agate grey D - MJ 2014>>	-DG,DL		
	970 555 495 01 7J0	Luxor beige	-UC		
	970 555 495 01 6A0	yachting blue D >> - MJ 2013	-EC		
	970 555 495 01 8D0	Cream	-BC,BD,BE,DS, DT		
	970 555 495 01 6J0	Espresso	-NA		
	970 555 495 01 7F0	Cognac	-NC		
	970 555 495 01 8B0	Cedar	-BN		
	970 555 495 01 N12	Carrera Red D - MJ 2014>>	-BF		
	970 555 495 01 7H0	Marsala Red	-PC		
	970 555 495 01 OK6	Black/Saddle Tan D - MJ 2014>>	-SB,DN		
(17)	970 555 495 01 OD2	Toffee Brown	-PF		
	970 555 496 01	Cover (leather) Armrest Leather	right	1	

Model: 970 10 Model life 2010>>2016

Pos	Part Number	Description	Remark	Qty	Model
		Embossed			
	970 555 496 01 21U	Black	-AB		
	970 555 496 01 7EG	Platinum Grey	-CB		
	970 555 496 01 32X	Luxor beige	-UB,PK		
(17)	970 555 496 01	Cover (leather)	right	1	
		Armrest			
	970 555 496 01 A11	Black	-AC		
	970 555 496 01 9B0	Platinum Grey	-CC,BB		
		D >> - MJ 2013			
	970 555 496 01 OA1	agate grey	-DG,DL		
		D - MJ 2014>>			
	970 555 496 01 7J0	Luxor beige	-UC		
	970 555 496 01 6A0	yachting blue	-EC		
		D >> - MJ 2013			
	970 555 496 01 8D0	Cream	-BC,BD,BE,DS,DT		
	970 555 496 01 6J0	Espresso	-NA		
	970 555 496 01 7F0	Cognac	-NC		
	970 555 496 01 8B0	Cedar	-BN		
	970 555 496 01 N12	Carrera Red	-BF		
		D - MJ 2014>>			
	970 555 496 01 7H0	Marsala Red	-PC		
	970 555 496 01 OK6	saddle brown	-SB,DN		
		D - MJ 2014>>			
(17)	970 555 496 01 OD2	Toffee Brown	-PF		
	970 555 495 02	cover for pillar b	left	1	GTS PR:975
		Armrest			
		Alcantara			
		D - MJ 2013>>			
	970 555 495 02 DSN	Black/Carmine Red	-GK		
	970 555 495 02 DSO	black/silver	-GS		
	970 555 495 02 DSP	Black	-GA		
	970 555 495 02 DSQ	Platinum Grey	-GC		
		D >> - MJ 2013			
	970 555 495 02 DSR	Luxor beige	-GU		
	970 555 495 02 DSS	yachting blue	-GE		
		D >> - MJ 2013			
(17)	970 555 495 02 DST	Marsala Red	-GP		
	970 555 496 02	cover for pillar b	right	1	GTS PR:975
		Armrest			
		Alcantara			
		D - MJ 2013>>			
	970 555 496 02 DSN	Black/Carmine Red	-GK		
	970 555 496 02 DSO	black/silver	-GS		
	970 555 496 02 DSP	Black	-GA		
	970 555 496 02 DSQ	Platinum Grey	-GC		
		D >> - MJ 2013			
	970 555 496 02 DSR	Luxor beige	-GU		
	970 555 496 02 DSS	yachting blue	-GE		
		D >> - MJ 2013			
	970 555 496 02 DST	Marsala Red	-GP		
18	999 073 369 09	fillister hd. bolt		2	
		M 5 X 18			
19	970 555 895 01	trim for pillar b	left	1	
		Armrest			
	970 555 895 01 1E0	Black	-AB,AC,GK,GS,GA		
	970 555 895 01 6L0	Platinum Grey	-CB,CC,GC		
		D >> - MJ 2013			
	970 555 895 01 OP1	agate grey	-DG,DL,GD		
		D - MJ 2014>>			
	970 555 895 01 4H0	Luxor beige	-UB,UC,GU,PK,PL		

Model: 970 10 Model life 2010>>2016

Pos	Part Number	Description	Remark	Qty	Model
	970 555 895 01 2F0	yachting blue D >> - MJ 2013	-EC,GE		
	970 555 895 01 5J0	Cream	-BC,BD,BE,DS		+DT
	970 555 895 01 7N0	Espresso	-NA		
	970 555 895 01 8P0	Cognac	-NC		
	970 555 895 01 9Q0	Cedar	-BN		
	970 555 895 01 3G0	Marsala Red	-PC,GP		
	970 555 895 01 OW5	Carrera Red D - MJ 2014>>	-BF,SB,GH,DN		
(19)	970 555 896 01	trim for pillar b Armrest	right	1	
	970 555 896 01 1E0	Black	-AB,AC,GK,GS, GA		
	970 555 896 01 6L0	Platinum Grey D >> - MJ 2013	-CB,CC,GC		
	970 555 896 01 OP1	agate grey D - MJ 2014>>	-DG,DL,GD		
	970 555 896 01 4H0	Luxor beige	-UB,UC,GU,PK, PL		
	970 555 896 01 2F0	yachting blue D >> - MJ 2013	-EC,GE		
	970 555 896 01 5J0	Cream	-BC,BD,BE,DS		+DT
	970 555 896 01 7N0	Espresso	-NA		
	970 555 896 01 8P0	Cognac	-NC		
	970 555 896 01 9Q0	Cedar	-BN		
	970 555 896 01 3G0	Marsala Red	-PC,GP		
	970 555 896 01 OW5	Carrera Red D - MJ 2014>>	-BF,SB,GH,DN		
20	970 555 691 00	Bracket Sill trim strip	left	1	
20	970 555 691 01	Bracket Sill trim strip	left	1	PR:0E2
(20)	970 555 692 00	Bracket Sill trim strip	right	1	
(20)	970 555 692 02	Bracket Sill trim strip	right	1	PR:0E2
21	999 209 095 01	spacer sleeve 9 X 0,7 X 3,7		X	
22	999 507 971 01	panel nut ST 4,2		1	
23	999 073 250 09	fillister hd. bolt M 5 X 15 Mount Bracket Sill trim strip		8	
24	970 555 519 00	Trim Sill trim strip	left rear	1	PR:0E1
	970 555 519 00 OM8	saddle brown	-DN		
	970 555 519 00 1E0	Black	-AB,AC,GK,GS, GA,BF,PF		
	970 555 519 00 6L0	Platinum Grey D >> - MJ 2013	-CB,CC,GC,BB		
	970 555 519 00 OP1	agate grey D - MJ 2014>>	-DG,DL,GD		
	970 555 519 00 4H0	Luxor beige	-UB,UC,GU,PK, PL		
	970 555 519 00 2F0	yachting blue D >> - MJ 2013	-EC,GE		
	970 555 519 00 5J0	Cream	-BC,BD,BE,DS, DT		
	970 555 519 00 7N0	Espresso	-NA		

Model: 970 10 Model life 2010>>2016

Pos	Part Number	Description	Remark	Qty	Model
24	970 555 519 00 8P0	Cognac	-NC	1	PR:0E2
	970 555 519 00 9Q0	Cedar	-BN		
	970 555 519 00 3G0	Marsala Red	-PC,GP,SB,GH,		
	970 555 519 01	Trim	left		
		Sill trim strip	rear		
		D - MJ 2014>>			
	970 555 519 01 OM8	saddle brown	-DN		
	970 555 519 01 1E0	Black	-AB,AC,GK,GS, GA,BF,PF		
	970 555 519 01 OP1	agate grey	-DG,DL,GD		
	970 555 519 01 4H0	Luxor beige	-UB,UC,GU,PK, PL		
970 555 519 01 5J0	Cream	-BC,BD,BE,DS, DT			
970 555 519 01 7N0	Espresso	-NA			
970 555 519 01 8P0	Cognac	-NC			
970 555 519 01 9Q0	Cedar	-BN			
(24)	970 555 519 01 3G0	Marsala Red	-PC,GP,SB,GH,	1	PR:0E1
	970 555 520 00	Trim	right		
		Sill trim strip	rear		
	970 555 520 00 OM8	saddle brown	-DN		
	970 555 520 00 1E0	Black	-AB,AC,GK,GS, GA,BF,PF		
	970 555 520 00 6L0	Platinum Grey	-CB,CC,GC,BB		
		D >> - MJ 2013			
	970 555 520 00 OP1	agate grey	-DG,DL,GD		
		D - MJ 2014>>			
	970 555 520 00 4H0	Luxor beige	-UB,UC,GU,PK, PL		
970 555 520 00 2F0	yachting blue	-EC,GE			
	D >> - MJ 2013				
970 555 520 00 5J0	Cream	-BC,BD,BE,DS, DT			
970 555 520 00 7N0	Espresso	-NA			
970 555 520 00 8P0	Cognac	-NC			
970 555 520 00 9Q0	Cedar	-BN			
(24)	970 555 520 00 3G0	Marsala Red	-PC,GP,SB,GH,	1	PR:0E2
	970 555 520 01	Trim	right		
		Sill trim strip	rear		
		D - MJ 2014>>			
	970 555 520 01 OM8	saddle brown	-DN		
	970 555 520 01 1E0	Black	-AB,AC,GK,GS, GA,BF,PF		
	970 555 520 01 OP1	agate grey	-DG,DL,GD		
	970 555 520 01 4H0	Luxor beige	-UB,UC,GU,PK, PL		
	970 555 520 01 5J0	Cream	-BC,BD,BE,DS, DT		
	970 555 520 01 7N0	Espresso	-NA		
970 555 520 01 8P0	Cognac	-NC			
970 555 520 01 9Q0	Cedar	-BN			
(25)	970 555 520 01 3G0	Marsala Red	-PC,GP,SB,GH,	2	PR:598
	970 555 763 00	Insert Aluminium, brushed			
25	970 555 991 00	Insert aluminium	with:	2	PANAMERA S PR:XXC,338
(25)	970 555 991 01	Lighting Insert aluminium	with:	2	PANAMERA 4S PR:XXC,339
(25)	970 555 991 02	Lighting Insert		2	TURBO

Model: 970 10 Model life 2010>>2016

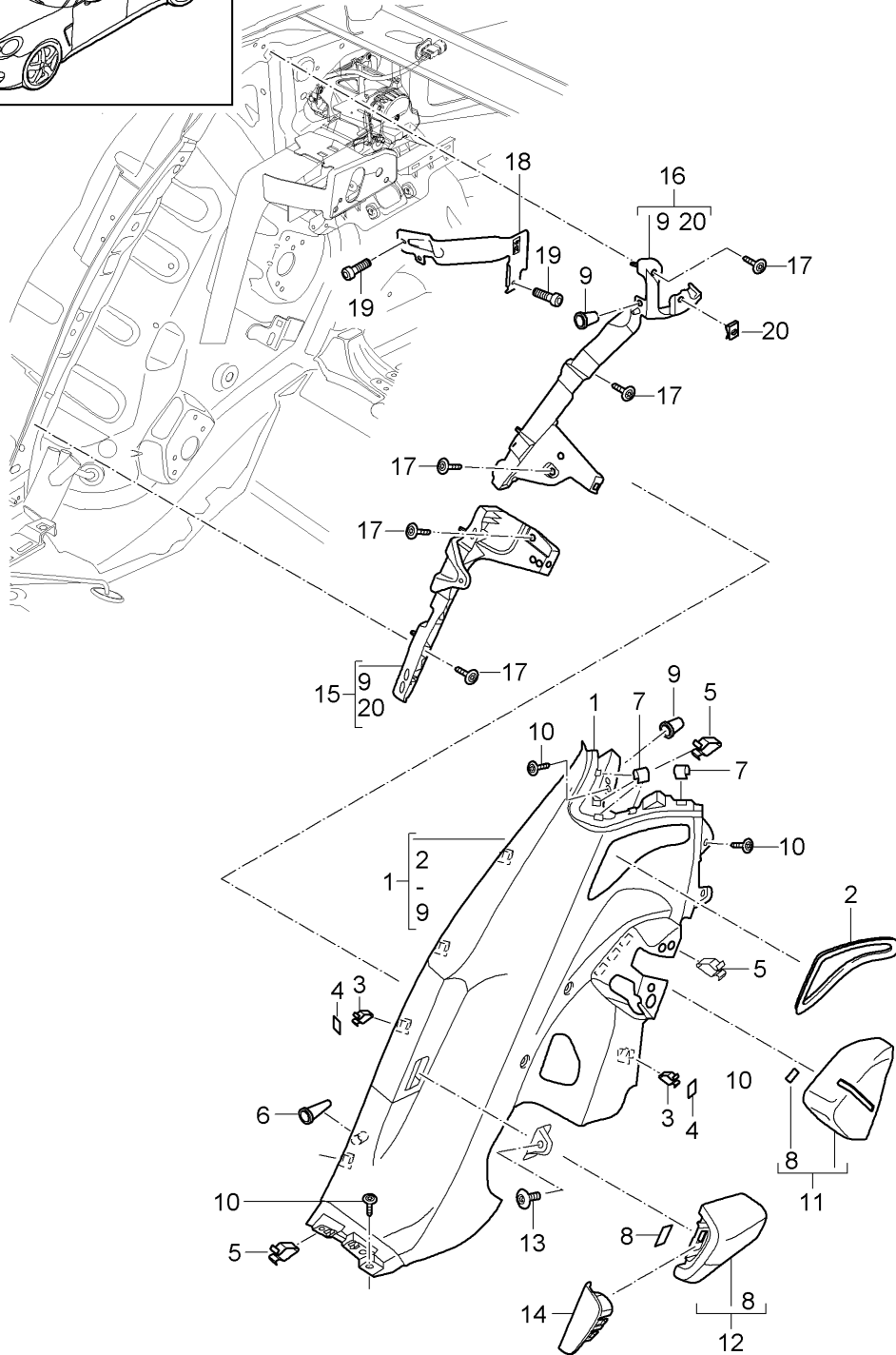
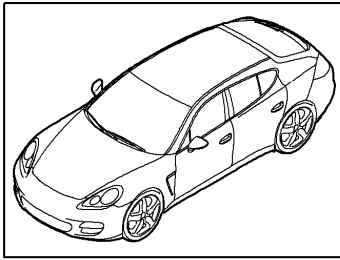
Pos	Part Number	Description	Remark	Qty	Model
		aluminium			PR:XXC,339
(25)	970 555 991 03	Lighting Insert aluminium	with:	2	PANAMERA PR:XXC,338
(25)	970 555 991 04	Lighting D - MJ 2011>> Insert aluminium	with:	2	PANAMERA 4 PR:XXC,339
(25)	970 555 991 15	Lighting D - MJ 2011>> Insert aluminium	with:	2	PANAMERA GTS PR:015,XXC, 339
(25)	970 555 991 16	Lighting Insert aluminium	with:	2	Turbo S PR:016,XXC, 339
(25)	970 555 991 05	Lighting Insert Carbon		2	PANAMERA S PR:X69,338
(25)	970 555 991 06	Insert Carbon		2	PANAMERA 4S PR:X69,339
(25)	970 555 991 07	Insert Carbon		2	TURBO PR:X69,339
(25)	970 555 991 08	Insert Carbon		2	PANAMERA PR:X69,338
(25)	970 555 991 09	D - MJ 2011>> Insert Carbon		2	PANAMERA 4 PR:X69,339
(25)	970 555 991 17	D - MJ 2011>> Insert Carbon		2	PANAMERA GTS PR:015,X69, 339
(25)	970 555 991 18	Insert Carbon		2	Turbo S PR:016,X69, 339
(25)	970 555 991 10	Insert Carbon		2	PANAMERA S PR:XXD,338
(25)	970 555 991 11	Lighting Insert Carbon	with:	2	PANAMERA 4S PR:XXD,339
(25)	970 555 991 12	Lighting Insert Carbon	with:	2	TURBO PR:XXD,339
(25)	970 555 991 13	Lighting Insert Carbon	with:	2	PANAMERA PR:XXD,338
(25)	970 555 991 14	Lighting D - MJ 2011>> Insert Carbon	with:	2	PANAMERA 4 PR:XXD,339
(25)	970 555 991 19	Lighting D - MJ 2011>> Insert Carbon		2	Panamera GTS PR:XXD,339,

Model: 970 10 Model life 2010>>2016

Pos	Part Number	Description	Remark	Qty	Model
		Lighting with:			015
(25)	970 555 991 20	Insert Carbon		2	TURBO S PR:XXD,339, 016
		Lighting with:			
(25)	970 555 991 21	D - MJ 2011>> Insert aluminium		2	Executive PR:XXC,0E2
		Lighting with:			
(25)	970 555 991 22	D - MJ 2014>> Insert Carbon		2	Executive PR:X69,0E2
		Lighting without:			
(25)	970 555 991 23	D - MJ 2014>> Insert Carbon		2	Executive PR:XXD,0E2
		Lighting with:			
(25)	970 555 991 24	D - MJ 2014>> Insert aluminium		2	PR:XXC,0E1, 338
		Lighting with:			
(25)	970 555 991 25	D - MJ 2014>> Insert Carbon		2	PR:XXD,0E1, 338
		Lighting with:			
(25)	970 555 763 02	D - MJ 2014>> Insert Aluminium, brushed		2	Executive PR:0E2,598
26	999 652 913 40	D - MJ 2014>> Pin connector socket 2-pole		2	PR:XXD
27	970 555 895 01	trim for pillar b Armrest		1	
	970 555 895 01 3G0	Marsala Red			

Model: 970 10

Model life 2010>>2016



Model: 970 10 Model life 2010>>2016

Pos	Part Number	Description	Remark	Qty	Model
1	970 555 195 00	Trim Wheel housing Wheel housing trim	left	1	
	970 555 195 00 7P8	Black	-AB		
	970 555 195 00 9PK	Platinum Grey	-CB		
		D >> - MJ 2013			
	970 555 195 00 OK2	agate grey	-DG		
		D - MJ 2014>>			
	970 555 195 00 8ED	Luxor beige	-UB		
	970 555 195 00 DUA	Luxor Beige/Black	-PK		
(1)	970 555 196 00	Wheel housing trim	right	1	
	970 555 196 00 7P8	Black	-AB		
	970 555 196 00 9PK	Platinum Grey	-CB		
		D >> - MJ 2013			
	970 555 196 00 OK2	agate grey	-DG		
		D - MJ 2014>>			
	970 555 196 00 8ED	Luxor beige	-UB		
	970 555 196 00 DUA	Luxor Beige/Black	-PK		
(1)	970 555 195 01	Wheel housing trim Leather	left	1	PR:981
	970 555 195 01 DUU	Black/Saddle Tan	-DN		
	970 555 195 01 A11	Black	-AB,AC,GA,GK, GS		
	970 555 195 01 9B0	Platinum Grey	-CB,CC,GC		
		D >> - MJ 2013			
	970 555 195 01 OA1	agate grey	-DG,DL,GD		
		D - MJ 2014>>			
	970 555 195 01 7J0	Luxor beige	-GU,UB,UC		
	970 555 195 01 6A0	yachting blue	-EC,GE		
		D >> - MJ 2013			
	970 555 195 01 DNZ	Black/Platinum Grey	-BB		
		D >> - MJ 2013			
	970 555 195 01 DPA	Luxor Beige/Cream	-BC		
	970 555 195 01 DPB	Yachting Blue/Cream	-BD		
		D >> - MJ 2013			
	970 555 195 01 DPC	Marsala Red/Cream	-BE		
	970 555 195 01 DQP	Black/Cream	-DS		
	970 555 195 01 DQQ	Agate Grey/Cream	-DT		
	970 555 195 01 6J0	Espresso	-NA		
	970 555 195 01 7F0	Cognac	-NC		
	970 555 195 01 DPD	Cognac/Cedar	-BN		
	970 555 195 01 7H0	Marsala Red	-GH,GP,PC,SB		
(1)	970 555 196 01	Wheel housing trim Leather	right	1	PR:981
	970 555 196 01 DUU	Black/Saddle Tan	-DN		
	970 555 196 01 A11	Black	-AB,AC,GA,GK, GS		
	970 555 196 01 9B0	Platinum Grey	-CB,CC,GC		
		D >> - MJ 2013			
	970 555 196 01 OA1	agate grey	-DG,DL,GD		
		D - MJ 2014>>			
	970 555 196 01 7J0	Luxor beige	-GU,UB,UC		
	970 555 196 01 6A0	yachting blue	-EC,GE		
		D >> - MJ 2013			
	970 555 196 01 DNZ	Black/Platinum Grey	-BB		
		D >> - MJ 2013			
	970 555 196 01 DPA	Luxor Beige/Cream	-BC		
	970 555 196 01 DPB	Yachting Blue/Cream	-BD		
		D >> - MJ 2013			
	970 555 196 01 DPC	Marsala Red/Cream	-BE		
	970 555 196 01 DQP	Black/Cream	-DS		
	970 555 196 01 DQQ	Agate Grey/Cream	-DT		
	970 555 196 01 6J0	Espresso	-NA		

Model: 970 10 Model life 2010>>2016

Pos	Part Number	Description	Remark	Qty	Model
2	970 555 196 01 7F0	Cognac	-NC	1	
	970 555 196 01 DPD	Cognac/Cedar	-BN		
	970 555 196 01 7H0	Marsala Red	-GH,GP,PC,SB		
	970 555 705 00	Rosette	left		
	970 555 705 00 1E0	Black	-AB,AC,BF,GA, GK,GS,PF		
	970 555 705 00 6L0	Platinum Grey	-BB,CB,CC,DG, DL,GC,GD		
		D >> - MJ 2013			
	970 555 705 00 4H0	Luxor beige	-GU,PK,PL,UB, UC		
	970 555 705 00 2F0	yachting blue	-EC,GE		
		D >> - MJ 2013			
	970 555 705 00 5J0	Cream	-BC,BD,BE,DS, DT		
	970 555 705 00 7N0	Espresso	-NA		
	970 555 705 00 8P0	Cognac	-NC		
	970 555 705 00 9Q0	Cedar	-BN		
(2)	970 555 705 00 3G0	Marsala Red	-GH,GP,PC,SB	1	
		D - MJ 2014>>			
	970 555 706 00	Rosette	right		
	970 555 706 00 1E0	Black	-AB,AC,BF,GA, GK,GS,PF		
	970 555 706 00 6L0	Platinum Grey	-BB,CB,CC,DG, DL,GC,GD		
		D >> - MJ 2013			
	970 555 706 00 4H0	Luxor beige	-GU,PK,PL,UB, UC		
	970 555 706 00 2F0	yachting blue	-EC,GE		
		D >> - MJ 2013			
	970 555 706 00 5J0	Cream	-BC,BD,BE,DS, DT		
	970 555 706 00 7N0	Espresso	-NA		
	970 555 706 00 8P0	Cognac	-NC		
	970 555 706 00 9Q0	Cedar	-BN		
	970 555 706 00 3G0	Marsala Red	-GH,GP,PC,SB		
	D - MJ 2014>>				
3	999 507 839 01	Clip		5	
		3,5			
4	999 209 084 40	Distance piece		5	
		20 X 25 X 0,5			
5	999 507 584 02	Clamp		6	
		8,0 X 10,0 / 2,0			
6	996 555 857 00	Grommet		1	
7	999 911 443 40	Tread		*	
		0,8 X 2,5			
8	999 703 547 40	Stop buffer		X	
		20 X 8 X 0,5			
9	997 555 857 00	Grommet		X	
10	999 073 372 01	panel screw		6	
		ST 4,2 X 16			
		for			
		Mount			
		Trim			
11	970 555 711 00	Wheel housing		1	
		Cover	left		
		Striker			
	970 555 711 00 OM8	saddle brown	-DN		
	970 555 711 00 1E0	Black	-AB,AC,BF,GA, GK,GS,PF		
970 555 711 00 6L0	Platinum Grey	-BB,CB,CC,GC			
	D >> - MJ 2013				
970 555 711 00 4H0	Luxor beige	-GU,PK,PL,UB,			

Model: 970 10 Model life 2010>>2016

Pos	Part Number	Description	Remark	Qty	Model
	970 555 711 00 2F0	yachting blue D >> - MJ 2013	UC -EC,GE		
	970 555 711 00 5J0	Cream	-BC,BD,BE,DS, DT		
	970 555 711 00 7N0	Espresso	-NA		
	970 555 711 00 8P0	Cognac	-NC		
	970 555 711 00 9Q0	Cedar	-BN		
	970 555 711 00 3G0	Marsala Red D - MJ 2014>>	-GH,GP,PC,SB		
(11)	970 555 712 00	Cover Striker	right	1	
	970 555 712 00 OM8	saddle brown	-DN		
	970 555 712 00 1E0	Black	-AB,AC,BF,GA, GK,GS,PF		
	970 555 712 00 6L0	Platinum Grey D >> - MJ 2013	-BB,CB,CC,GC		
	970 555 712 00 4H0	Luxor beige	-GU,PK,PL,UB, UC		
	970 555 712 00 2F0	yachting blue D >> - MJ 2013	-EC,GE		
	970 555 712 00 5J0	Cream	-BC,BD,BE,DS, DT		
	970 555 712 00 7N0	Espresso	-NA		
	970 555 712 00 8P0	Cognac	-NC		
	970 555 712 00 9Q0	Cedar	-BN		
	970 555 712 00 3G0	Marsala Red D - MJ 2014>>	-GH,GP,PC,SB		
12	970 555 497 01	Cover Armrest Wheel housing Leather Embossed	left	1	
	970 555 497 01 21U	Black	-AB		
	970 555 497 01 7EG	Platinum Grey D >> - MJ 2013	-CB		
	970 555 497 01 OF6	agate grey D - MJ 2014>>	-DG		
12	970 555 497 01 32X	Luxor beige Cover	-PK,UB left	1	
	970 555 497 01	Armrest Wheel housing Leather			
	970 555 497 01 A11	Black	-AC		
	970 555 497 01 9B0	Platinum Grey D >> - MJ 2013	-CC		
	970 555 497 01 OA1	agate grey D - MJ 2014>>	-DL		
	970 555 497 01 7J0	Luxor beige	-PL,UC		
	970 555 497 01 6A0	yachting blue D >> - MJ 2013	-EC		
	970 555 497 01 8D0	Cream	-BC,BD,BE,DS, DT		
	970 555 497 01 6J0	Espresso	-NA		
	970 555 497 01 7F0	Cognac	-NC		
	970 555 497 01 8B0	Cedar	-BN		
	970 555 497 01 N12	Carrera Red D - MJ 2014>>	-BF		
	970 555 497 01 7H0	Marsala Red	-PC		
	970 555 497 01 OK6	saddle brown D - MJ 2015>>	-DN,SB		
(12)	970 555 497 02	Cover Armrest	left	1	PR:975

Model: 970 10 Model life 2010>>2016

Pos	Part Number	Description	Remark	Qty	Model
		Wheel housing Alcantara D - MJ 2013>>			
	970 555 497 02 DSP	Black	-GA		
	970 555 497 02 DSO	black/silver	-GS		
	970 555 497 02 DSN	Black/Carmin Red	-GK		
	970 555 497 02 DSQ	Platinum Grey	-GC		
		D >> - MJ 2013			
	970 555 497 02 DSR	Luxor beige	-GU		
	970 555 497 02 DSS	yachting blue	-GE		
		D >> - MJ 2013			
	970 555 497 02 DST	Marsala Red	-GH,GP		
(12)	970 555 498 01	D - MJ 2014>> Cover Armrest Wheel housing Leather Embossed	right	1	
	970 555 498 01 21U	Black	-AB		
	970 555 498 01 7EG	Platinum Grey	-CB		
		D >> - MJ 2013			
	970 555 498 01 OF6	agate grey	-DG		
		D - MJ 2014>>			
(12)	970 555 498 01 32X	Luxor beige	-PK,UB		
	970 555 498 01	Cover Armrest Wheel housing Leather	right	1	
	970 555 498 01 A11	Black	-AC		
	970 555 498 01 9B0	Platinum Grey	-CC		
		D >> - MJ 2013			
	970 555 498 01 OA1	agate grey	-DL		
		D - MJ 2014>>			
	970 555 498 01 7J0	Luxor beige	-PL,UC		
	970 555 498 01 6A0	yachting blue	-EC		
		D >> - MJ 2013			
	970 555 498 01 8D0	Cream	-BC,BD,BE,DS, DT		
	970 555 498 01 6J0	Espresso	-NA		
	970 555 498 01 7F0	Cognac	-NC		
	970 555 498 01 8B0	Cedar	-BN		
	970 555 498 01 N12	Carrera Red	-BF		
		D - MJ 2014>>			
	970 555 498 01 7H0	Marsala Red	-PC		
	970 555 498 01 OK6	saddle brown	-DN,SB		
(12)	970 555 498 02	D - MJ 2015>> Cover Armrest Wheel housing Alcantara D - MJ 2013>>	right	1	PR:975
	970 555 498 02 DSP	Black	-GA		
	970 555 498 02 DSO	black/silver	-GS		
	970 555 498 02 DSN	Black/Carmin Red	-GK		
	970 555 498 02 DSQ	Platinum Grey	-GC		
		D >> - MJ 2013			
	970 555 498 02 DSR	Luxor beige	-GU		
	970 555 498 02 DSS	yachting blue	-GE		
		D >> - MJ 2013			
	970 555 498 02 DST	Marsala Red	-GH,GP		
13	999 073 369 09	D - MJ 2014>> fillister hd. bolt M 5 X 18		1	

Model: 970 10 Model life 2010>>2016

Pos	Part Number	Description	Remark	Qty	Model
14	970 555 897 01	for Mount Cover Armrest Trim for armrest	left	1	
	970 555 897 01 1E0	Wheel housing Black	-AB,AC,BF,GA, GK,GS,PF		
	970 555 897 01 6L0	Platinum Grey D >> - MJ 2013	-BB,CB,CC,GC		
	970 555 897 01 4H0	Luxor beige	-GU,PK,PL,UB, UC		
	970 555 897 01 2F0	yachting blue D >> - MJ 2013	-EC,GE		
	970 555 897 01 5J0	Cream	-BC,BD,BE,DS, DT		
	970 555 897 01 7N0	Espresso	-NA		
	970 555 897 01 8P0	Cognac	-NC		
	970 555 897 01 9Q0	Cedar	-BN		
	970 555 897 01 3G0	Marsala Red D - MJ 2014>>	-GP,PC		
(14)	970 555 897 01 OW5	Carrera Red			
	970 555 898 01	Trim for armrest	right	1	
	970 555 898 01 1E0	Wheel housing Black	-AB,AC,BF,GA, GK,GS,PF		
	970 555 898 01 6L0	Platinum Grey D >> - MJ 2013	-BB,CB,CC,GC		
	970 555 898 01 4H0	Luxor beige	-GU,PK,PL,UB, UC		
	970 555 898 01 2F0	yachting blue D >> - MJ 2013	-EC,GE		
	970 555 898 01 5J0	Cream	-BC,BD,BE,DS, DT		
	970 555 898 01 7N0	Espresso	-NA		
	970 555 898 01 8P0	Cognac	-NC		
	970 555 898 01 9Q0	Cedar	-BN		
	970 555 898 01 3G0	Marsala Red D - MJ 2014>>	-GP,PC		
	970 555 898 01 OW5	Carrera Red			
15	970 555 693 02	bracket for wheel housing	left	1	
(15)	970 555 694 02	bracket for wheel housing	right	1	
16	970 555 697 01	bracket for wheel housing	front	1	
(16)	970 555 698 01	bracket for wheel housing	left	1	
			rear	1	
17	999 073 250 09	fillister hd. bolt M 5 X 15 for Mount Bracket Wheel housing	right	X	
18	970 555 647 00	deformation element	left	1	
(18)	970 555 648 00	Wheel housing deformation element	right	1	
19	999 073 459 01	Wheel housing fillister hd. bolt M 5 X 16 for Mount deformation element		2	

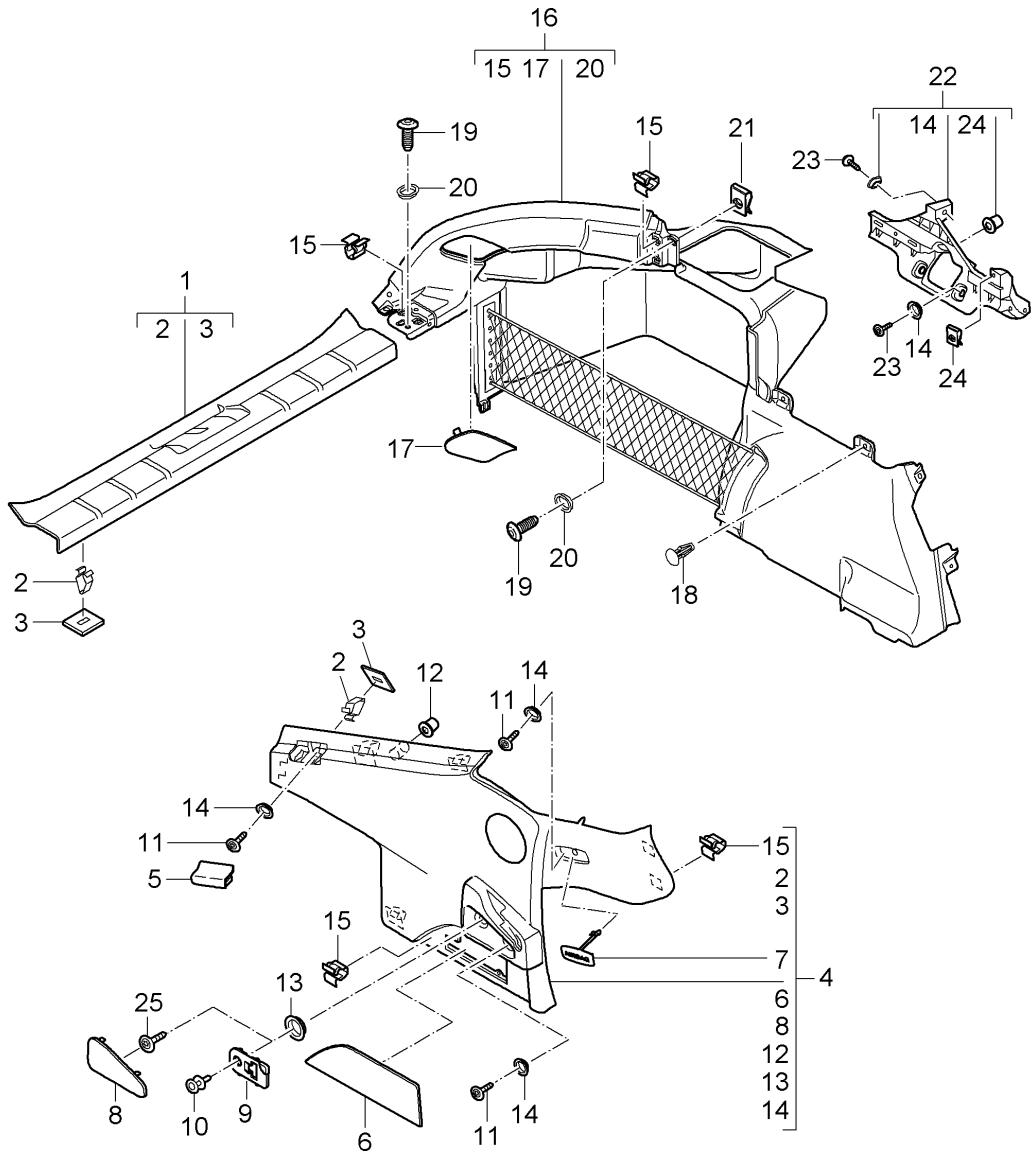
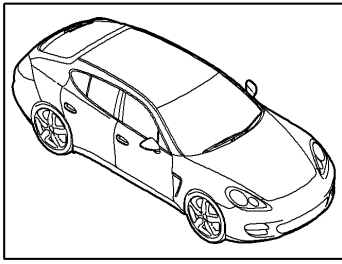
Model: 970 10

Model life 2010>>2016

Pos	Part Number	Description	Remark	Qty	Model
19	999 073 547 01	Wheel housing Discontinued part fillister hd. bolt M 5 X 12 for Mount deformation element		2	
20	999 507 971 01	Wheel housing panel nut ST 4,2		X	

Model: 970 10

Model life 2010>>2016



Model: 970 10 Model life 2010>>2016

Pos	Part Number	Description	Remark	Qty	Model
1	970 551 253 01	Linings Luggage compartment Trim	side	1	
	970 551 253 01 6M7	lock carrier stainless steel			
2	999 507 839 01	Clip		X	
3	999 209 084 40	Distance piece		X	
4	970 555 187 12	Side panel trim	left rear	1	PR:869,-862, -981
		with:			
		Carrier tray Hat			
	970 555 187 12 DLT	Black	-AB		
	970 555 187 12 DLU	Platinum Grey	-CB		
	970 555 187 12 DLV	Luxor beige	-UB,PK		
	970 555 187 12 DTW	agate grey	-DG		
(4)	970 555 188 12	Side panel trim	right rear left	1	PR:869,-862, -981
		with:			
		Carrier tray Hat			
	970 555 188 12 DLT	Black	-AB		
	970 555 188 12 DLU	Platinum Grey	-CB		
	970 555 188 12 DLV	Luxor beige	-UB,PK		
	970 555 188 12 DTW	agate grey	-DG		
(4)	970 555 187 13	Side panel trim (leather)	left rear	1	PR:869,981, -862
		with:			
		Carrier tray Hat			
	970 555 187 13 DLW	Black	-AC,GK,GS,GA, BF,PF		
	970 555 187 13 DLX	Platinum Grey	-CC,GC,BB		
	970 555 187 13 DLY	Luxor beige	-UC,GU,PL		
	970 555 187 13 DLZ	yachting blue	-EC,GE		
	970 555 187 13 DMB	Cream	-BC,BD,BE,DS, DT		
	970 555 187 13 DMC	Espresso	-NA		
	970 555 187 13 DMD	Cognac	-NC		
	970 555 187 13 DME	Cedar	-BN		
	970 555 187 13 DMA	Marsala Red	-PC,GP		
	970 555 187 13 DTX	agate grey	-DL,GD		
	970 555 187 13 DUS	saddle brown	-SB,GH		
(4)	970 555 188 13	Side panel trim (leather)	right rear left	1	PR:869,981, -862
		with:			
		Carrier tray Hat			
	970 555 188 13 DLW	Black	-AC,GK,GS,GA, BF,PF		
	970 555 188 13 DLX	Platinum Grey	-CC,GC,BB		
	970 555 188 13 DLY	Luxor beige	-UC,GU,PL		
	970 555 188 13 DLZ	yachting blue	-EC,GE		
	970 555 188 13 DMB	Cream	-BC,BD,BE,DS, DT		
	970 555 188 13 DMC	Espresso	-NA		
	970 555 188 13 DMD	Cognac	-NC		

Model: 970 10 Model life 2010>>2016

Pos	Part Number	Description	Remark	Qty	Model
(4)	970 555 188 13 DME	Cedar	-BN	1	PR:868,-981
	970 555 188 13 DMA	Marsala Red	-PC,GP		
	970 555 188 13 DTX	agate grey	-DL,GD		
	970 555 188 13 DUS	saddle brown	-SB,GH		
	970 555 187 00	Side panel trim	left		
(4)	970 555 187 00 DLT	Black	-AB	1	PR:868,-981
	970 555 187 00 DLU	Platinum Grey	-CB		
	970 555 187 00 DLV	Luxor beige	-UB,PK		
	970 555 187 00 DTW	agate grey	-DG		
	970 555 188 00	Side panel trim	right		
(4)	970 555 188 00 DLT	Black	-AB	1	PR:868,981
	970 555 188 00 DLU	Platinum Grey	-CB		
	970 555 188 00 DLV	Luxor beige	-UB,PK		
	970 555 188 00 DTW	agate grey	-DG		
	970 555 187 01	Side panel trim (leather)	left		
(4)	970 555 187 01 DLW	Black	-AC,GK,GS,GA, BF,PF	1	PR:868,981
	970 555 187 01 DLX	Platinum Grey	-CC,GC,BB		
	970 555 187 01 DLY	Luxor beige	-UC,GU,PL		
	970 555 187 01 DLZ	yachting blue	-EC,GE		
	970 555 187 01 DMB	Cream	-BC,BD,BE,DS, DT		
(4)	970 555 187 01 DMC	Espresso	-NA	1	PR:862,869, -981
	970 555 187 01 DMD	Cognac	-NC		
	970 555 187 01 DME	Cedar	-BN		
	970 555 187 01 DMA	Marsala Red	-PC,GP		
	970 555 187 01 DTX	agate grey	-DL,GD		
(4)	970 555 188 01	Side panel trim (leather)	-SB,GH,DN	1	PR:862,869, -981
	970 555 188 01 DLW	Black	-AC,GK,GS,GA, BF,PF		
	970 555 188 01 DLX	Platinum Grey	-CC,GC,BB		
	970 555 188 01 DLY	Luxor beige	-UC,GU,PL		
	970 555 188 01 DLZ	yachting blue	-EC,GE		
(4)	970 555 188 01 DMB	Cream	-BC,BD,BE,DS, DT	1	PR:862,869, -981
	970 555 188 01 DMC	Espresso	-NA		
	970 555 188 01 DMD	Cognac	-NC		
	970 555 188 01 DME	Cedar	-BN		
	970 555 188 01 DMA	Marsala Red	-PC,GP		
(4)	970 555 188 01 DTX	agate grey	-DL,GD	1	PR:862,869, -981
	970 555 188 01 DUS	saddle brown	-SB,GH,DN		
	970 555 187 09	Side panel trim	left		
	970 555 187 09 DLT	Black	-AB		
	970 555 187 09 DLU	Platinum Grey	-CB		
(4)	970 555 187 09 DLV	Luxor beige	-UB,PK	1	PR:862,869, -981
	970 555 187 09 DTW	agate grey	-DG		
	970 555 188 09	Side panel trim	right		
	970 555 188 09 DLT	Black	-AB		
	970 555 188 09 DLU	Platinum Grey	-CB		
(4)	970 555 188 09 DLV	Luxor beige	-UB,PK	1	PR:862,869, 981
	970 555 188 09 DTW	agate grey	-DG		
	970 555 187 10	Side panel trim (leather)	left		
	970 555 187 10 DLW	Black	-AC,GK,GS,GA, BF,PF		

Model: 970 10 Model life 2010>>2016

Pos	Part Number	Description	Remark	Qty	Model
	970 555 187 10 DLX	Platinum Grey	-CC,GC,BB		
	970 555 187 10 DLY	Luxor beige	-UC,GU,PL		
	970 555 187 10 DLZ	yachting blue	-EC,GE		
	970 555 187 10 DMB	Cream	-BC,BD,BE,DS,DT		
	970 555 187 10 DMC	Espresso	-NA		
	970 555 187 10 DMD	Cognac	-NC		
	970 555 187 10 DME	Cedar	-BN		
	970 555 187 10 DMA	Marsala Red	-PC,GP		
	970 555 187 10 DTX	agate grey	-DL,GD		
	970 555 187 10 DUS	saddle brown	-SB,GH		
(4)	970 555 188 10	Side panel trim (leather)	right rear left	1	PR:862,869,981
	970 555 188 10 DLW	Black	-AC,GK,GS,GA,BF,PF		
	970 555 188 10 DLX	Platinum Grey	-CC,GC,BB		
	970 555 188 10 DLY	Luxor beige	-UC,GU,PL		
	970 555 188 10 DLZ	yachting blue	-EC,GE		
	970 555 188 10 DMB	Cream	-BC,BD,BE,DS,DT		
	970 555 188 10 DMC	Espresso	-NA		
	970 555 188 10 DMD	Cognac	-NC		
	970 555 188 10 DME	Cedar	-BN		
	970 555 188 10 DMA	Marsala Red	-PC,GP		
	970 555 188 10 DTX	agate grey	-DL,GD		
	970 555 188 10 DUS	saddle brown	-SB,GH		
5	970 555 731 00	shelf tray Hat	left a. right	2	PR:869
	970 555 731 00 1E0	Black	-AB,AC,GK,GS,GA,BF,PF		
	970 555 731 00 6L0	Platinum Grey	-CB,CC,GC,BB		
	970 555 731 00 4H0	Luxor beige	-UB,UC,GU,PK,PL		
	970 555 731 00 2F0	yachting blue	-EC,GE		
	970 555 731 00 5J0	Cream	-BC,BD,BE,DS,DT		
	970 555 731 00 7N0	Espresso	-NA		
	970 555 731 00 8P0	Cognac	-NC		
	970 555 731 00 9Q0	Cedar	-BN		
	970 555 731 00 3G0	Marsala Red	-PC,GP		
	970 555 731 00 OP1	agate grey	-DG,DL,GD		
	970 555 731 00 OM8	saddle brown	-SB,GH		
6	970 555 583 00	Cover Side panel trim	left lower	1	
	970 555 583 00 1E0	Black	-AB,AC,GK,GS,GA,BF,PF		
	970 555 583 00 6L0	Platinum Grey	-CB,CC,GC,BB		
	970 555 583 00 4H0	Luxor beige	-UB,UC,GU,PK,PL		
	970 555 583 00 2F0	yachting blue	-EC,GE		
	970 555 583 00 5J0	Cream	-BC,BD,BE,DS,DT		
	970 555 583 00 7N0	Espresso	-NA		
	970 555 583 00 8P0	Cognac	-NC		
	970 555 583 00 9Q0	Cedar	-BN		
	970 555 583 00 3G0	Marsala Red	-PC,GP		
	970 555 583 00 OP1	agate grey	-DG,DL,GD		
	970 555 583 00 OM8	saddle brown	-SB,GH		
6	970 555 584 00	Cover Side panel trim	right lower left	1	

Model: 970 10 Model life 2010>>2016

Pos	Part Number	Description	Remark	Qty	Model
	970 555 584 00 1E0	Black	-AB, AC, GK, GS, GA, BF, PF		
	970 555 584 00 6L0	Platinum Grey	-CB, CC, GC, BB		
	970 555 584 00 4H0	Luxor beige	-UB, UC, GU, PK, PL		
	970 555 584 00 2F0	yachting blue	-EC, GE		
	970 555 584 00 5J0	Cream	-BC, BD, BE, DS, DT		
	970 555 584 00 7N0	Espresso	-NA		
	970 555 584 00 8P0	Cognac	-NC		
	970 555 584 00 9Q0	Cedar	-BN		
	970 555 584 00 3G0	Marsala Red	-PC, GP		
	970 555 584 00 OP1	agate grey	-DG, DL, GD		
	970 555 584 00 OM8	saddle brown	-SB, GH		
7	7L5 853 437	Sticker		2	
		Airbag			
		Side panel trim			
	7L5 853 437 1E0	Black	-AB, AC, GK, GS, GA, BF, PF		
	7L5 853 437 6L0	Platinum Grey	-CB, CC, GC, BB		
	7L5 853 437 4H0	Luxor beige	-UB, UC, GU, PK, PL		
	7L5 853 437 2F0	yachting blue	-EC, GE		
	7L5 853 437 5J0	Cream	-BC, BD, BE, DS, DT		
	7L5 853 437 7N0	Espresso	-NA		
	7L5 853 437 8P0	Cognac	-NC		
	7L5 853 437 9Q0	Cedar	-BN		
	7L5 853 437 3G0	Marsala Red	-PC, GP		
	7L5 853 437 OP1	agate grey	-DG, DL, GD		
	7L5 853 437 OM8	saddle brown	-SB, GH		
8	970 555 443 00	Cover	left	1	PR:869,-862
	970 555 443 00 1E0	Black	-AB, AC, GK, GS, GA, BF, PF		
	970 555 443 00 6L0	Platinum Grey	-CB, CC, GC, BB		
	970 555 443 00 4H0	Luxor beige	-UB, UC, GU, PK, PL		
	970 555 443 00 2F0	yachting blue	-EC, GE		
	970 555 443 00 5J0	Cream	-BC, BD, BE, DS, DT		
	970 555 443 00 7N0	Espresso	-NA		
	970 555 443 00 8P0	Cognac	-NC		
	970 555 443 00 9Q0	Cedar	-BN		
	970 555 443 00 3G0	Marsala Red	-PC, GP		
	970 555 443 00 OP1	agate grey	-DG, DL, GD		
	970 555 443 00 OM8	saddle brown	-SB, GH		
(8)	970 555 444 00	Cover	right	1	PR:869,-862
		left			
	970 555 444 00 1E0	Black	-AB, AC, GK, GS, GA, BF, PF		
	970 555 444 00 6L0	Platinum Grey	-CB, CC, GC, BB		
	970 555 444 00 4H0	Luxor beige	-UB, UC, GU, PK, PL		
	970 555 444 00 2F0	yachting blue	-EC, GE		
	970 555 444 00 5J0	Cream	-BC, BD, BE, DS, DT		
	970 555 444 00 7N0	Espresso	-NA		
	970 555 444 00 8P0	Cognac	-NC		
	970 555 444 00 9Q0	Cedar	-BN		
	970 555 444 00 3G0	Marsala Red	-PC, GP		
	970 555 444 00 OP1	agate grey	-DG, DL, GD		
	970 555 444 00 OM8	saddle brown	-SB, GH		
9	970 555 343 01	Cover	left	1	PR:862,868

Model: 970 10 Model life 2010>>2016

Pos	Part Number	Description	Remark	Qty	Model
	970 555 343 01 1E0	Support Black	-AB, AC, GK, GS, GA, BF, PF		
	970 555 343 01 6L0	Platinum Grey	-CB, CC, GC, BB		
	970 555 343 01 4H0	Luxor beige	-UB, UC, GU, PK, PL		
	970 555 343 01 2F0	yachting blue	-EC, GE		
	970 555 343 01 5J0	Cream	-BC, BD, BE, DS, DT		
	970 555 343 01 7N0	Espresso	-NA		
	970 555 343 01 8P0	Cognac	-NC		
	970 555 343 01 9Q0	Cedar	-BN		
	970 555 343 01 3G0	Marsala Red	-PC, GP		
	970 555 343 01 OP1	agate grey	-DG, DL, GD		
	970 555 343 01 OM8	saddle brown	-SB, GH		
(9)	970 555 343 00	Cover Support	left	1	PR:868, -862
	970 555 343 00 1E0	Black	-AB, AC, GK, GS, GA, BF, PF		
	970 555 343 00 6L0	Platinum Grey	-CB, CC, GC, BB		
	970 555 343 00 4H0	Luxor beige	-UB, UC, GU, PK, PL		
	970 555 343 00 2F0	yachting blue	-EC, GE		
	970 555 343 00 5J0	Cream	-BC, BD, BE, DS, DT		
	970 555 343 00 7N0	Espresso	-NA		
	970 555 343 00 8P0	Cognac	-NC		
	970 555 343 00 9Q0	Cedar	-BN		
	970 555 343 00 3G0	Marsala Red	-PC, GP		
	970 555 343 00 OP1	agate grey	-DG, DL, GD		
	970 555 343 00 OM8	saddle brown	-SB, GH		
(9)	970 555 344 00	Cover Support	right	1	PR:862, 868, 869
	970 555 344 00 1E0	Black	-AB, AC, GK, GS, GA, BF, PF		
	970 555 344 00 6L0	Platinum Grey	-CB, CC, GC, BB		
	970 555 344 00 4H0	Luxor beige	-UB, UC, GU, PK, PL		
	970 555 344 00 2F0	yachting blue	-EC, GE		
	970 555 344 00 5J0	Cream	-BC, BD, BE, DS, DT		
	970 555 344 00 7N0	Espresso	-NA		
	970 555 344 00 8P0	Cognac	-NC		
	970 555 344 00 9Q0	Cedar	-BN		
	970 555 344 00 3G0	Marsala Red	-PC, GP		
	970 555 344 00 OP1	agate grey	-DG, DL, GD		
	970 555 344 00 OM8	saddle brown	-SB, GH		
10	970 555 643 01	Screw bolt Locking mechanism		2	PR:862, 868
11	999 073 369 09	fillister hd. bolt M5x18		X	
12	996 555 857 00	Grommet		1	
13	999 209 107 01	Centring journal spacer sleeve		1	
		17,5x0,7x3,7			
14	999 209 094 01	spacer sleeve		X	
		9x0,7x5,2			
15	999 507 584 02	Clamp		X	
		8x10/2			
16	970 551 051 02	Side panel trim	left	1	
		with:			
		Luggage net			
	970 551 051 02 DAQ	Black	-AB, AC, GK, GS,		

Model: 970 10 Model life 2010>>2016

Pos	Part Number	Description	Remark	Qty	Model
	970 551 051 02 DAR	Platinum Grey	GA -CB,CC,GC		
	970 551 051 02 DAS	Luxor beige	-UB,UC,GU		
	970 551 051 02 DAT	yachting blue	-EC,GE		
	970 551 051 02 DAV	Black/Platinum Grey	-BB		
	970 551 051 02 DAW	Luxor Beige/Cream	-BC		
	970 551 051 02 DAX	Yachting Blue/Cream	-BD		
	970 551 051 02 DAZ	Espresso	-NA		
	970 551 051 02 DLA	Cognac	-NC		
	970 551 051 02 DLB	Cognac/Cedar	-BN		
	970 551 051 02 DAU	Marsala Red	-PC,GP		
	970 551 051 02 DAY	Marsala Red/Cream	-BE		
	970 551 051 02 DQH	Black/Cream	-DS		
	970 551 051 02 DQI	Agate Grey/Cream	-DT		
	970 551 051 02 DQX	Black/Luxor Beige	-PK,PL		
	970 551 051 02 DUO	saddle brown	-SB,GH		
	970 551 051 02 DUP	Black/Saddle Tan	-DN		
(16)	970 551 051 02 DTU	agate grey	-GD,DG,DL		
	970 551 051 03	Side panel trim	left	1	PR:630
		with:			
		Luggage net			
		D - MJ 2014>>			
	970 551 051 03 DAQ	Black	-AB,AC,GK,GS, GA		
	970 551 051 03 DTU	agate grey	-DG,DL,GD		
	970 551 051 03 DAS	Luxor beige	-UB,UC,GU		
	970 551 051 03 DAW	Luxor Beige/Cream	-BC		
	970 551 051 03 DAZ	Espresso	-NA		
	970 551 051 03 DLA	Cognac	-NC		
	970 551 051 03 DLB	Cognac/Cedar	-BN		
	970 551 051 03 DAU	Marsala Red	-PC,GP		
	970 551 051 03 DAY	Marsala Red/Cream	-BE		
	970 551 051 03 DQH	Black/Cream	-DS		
	970 551 051 03 DQI	Agate Grey/Cream	-DT		
	970 551 051 03 DUO	saddle brown	-SB,GH		
	970 551 051 03 DUP	Black/Saddle Tan	-DN		
(16)	970 551 051 03 DQX	Black/Luxor Beige	-PK,PL		
	970 551 052 04	Side panel trim	right	1	PR:-206
		with:			
		Luggage net			
	970 551 052 04 DAQ	Black	-AB,AC,GK,GS, GA		
	970 551 052 04 DAR	Platinum Grey	-CB,CC,GC		
	970 551 052 04 DAS	Luxor beige	-UB,UC,GU		
	970 551 052 04 DAT	yachting blue	-EC,GE		
	970 551 052 04 DAV	Black/Platinum Grey	-BB		
	970 551 052 04 DAW	Luxor Beige/Cream	-BC		
	970 551 052 04 DAX	Yachting Blue/Cream	-BD		
	970 551 052 04 DAZ	Espresso	-NA		
	970 551 052 04 DLA	Cognac	-NC		
	970 551 052 04 DLB	Cognac/Cedar	-BN		
	970 551 052 04 DAU	Marsala Red	-PC,GP		
	970 551 052 04 DAY	Marsala Red/Cream	-BE		
	970 551 052 04 DQH	Black/Cream	-DS		
	970 551 052 04 DQI	Agate Grey/Cream	-DT		
	970 551 052 04 DQX	Black/Luxor Beige	-PK,PL		
	970 551 052 04 DUO	saddle brown	-SB,GH		
	970 551 052 04 DUP	Black/Saddle Tan	-DN		
(16)	970 551 052 04 DTU	agate grey	-GD,DG,DL		
	970 551 052 06	Side panel trim	right	1	PR:-206,630
		with:			
		Luggage net			
		D - MJ 2014>>			

Model: 970 10 Model life 2010>>2016

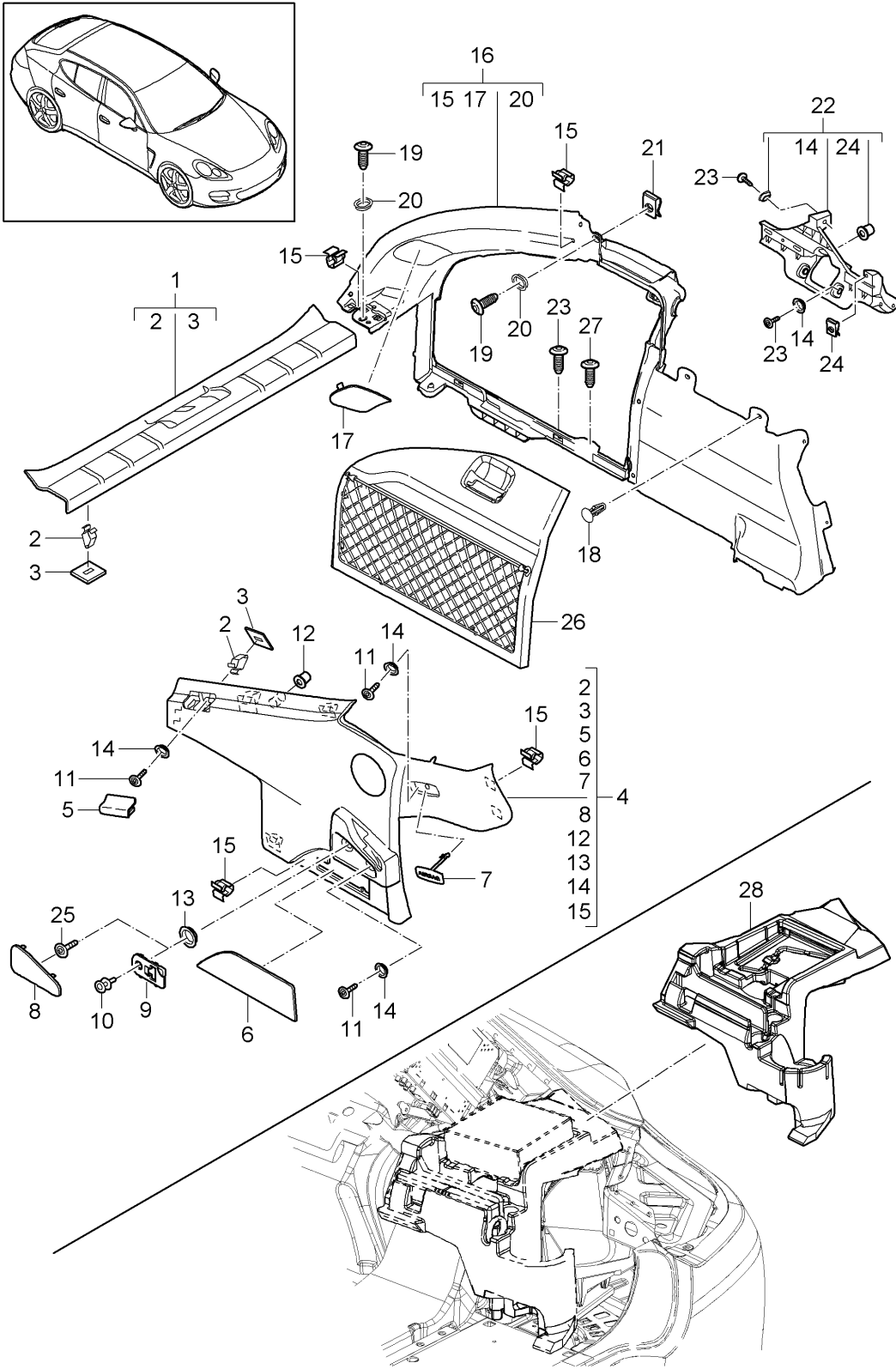
Pos	Part Number	Description	Remark	Qty	Model
	970 551 052 06 DAQ	Black	-AB, AC, GK, GS, GA		
	970 551 052 06 DTU	agate grey	-DG, DL, GD		
	970 551 052 06 DAS	Luxor beige	-UB, UC, GU		
	970 551 052 06 DAW	Luxor Beige/Cream	-BC		
	970 551 052 06 DAZ	Espresso	-NA		
	970 551 052 06 DLA	Cognac	-NC		
	970 551 052 06 DLB	Cognac/Cedar	-BN		
	970 551 052 06 DAU	Marsala Red	-PC, GP		
	970 551 052 06 DAY	Marsala Red/Cream	-BE		
	970 551 052 06 DQH	Black/Cream	-DS		
	970 551 052 06 DQI	Agate Grey/Cream	-DT		
	970 551 052 06 DUO	saddle brown	-SB, GH		
	970 551 052 06 DUP	Black/Saddle Tan	-DN		
	970 551 052 06 DQX	Black/Luxor Beige	-PK, PL		
(16)	970 551 052 05	Side panel trim	right	1	PR:206
		with:			
	970 551 052 05 DAQ	Luggage net Black	-AB, AC, GK, GS, GA		
	970 551 052 05 DAR	Platinum Grey	-CB, CC, GC		
	970 551 052 05 DAS	Luxor beige	-UB, UC, GU		
	970 551 052 05 DAT	yachting blue	-EC, GE		
	970 551 052 05 DAV	Black/Platinum Grey	-BB		
	970 551 052 05 DAW	Luxor Beige/Cream	-BC		
	970 551 052 05 DAX	Yachting Blue/Cream	-BD		
	970 551 052 05 DAZ	Espresso	-NA		
	970 551 052 05 DLA	Cognac	-NC		
	970 551 052 05 DLB	Cognac/Cedar	-BN		
	970 551 052 05 DAU	Marsala Red	-PC, GP		
	970 551 052 05 DAY	Marsala Red/Cream	-BE		
	970 551 052 05 DQH	Black/Cream	-DS		
	970 551 052 05 DQI	Agate Grey/Cream	-DT		
	970 551 052 05 DQX	Black/Luxor Beige	-PK, PL		
	970 551 052 05 DUO	saddle brown	-SB, GH		
	970 551 052 05 DUP	Black/Saddle Tan	-DN		
(16)	970 551 051 03	Side panel trim	right	1	PR:206,630
		with:			
		Luggage net D - MJ 2014>>			
	970 551 051 03 DAQ	Black	-AB, AC, GK, GS, GA		
	970 551 051 03 DTU	agate grey	-DG, DL, GD		
	970 551 051 03 DAS	Luxor beige	-UB, UC, GU		
	970 551 051 03 DAW	Luxor Beige/Cream	-BC		
	970 551 051 03 DAZ	Espresso	-NA		
	970 551 051 03 DLA	Cognac	-NC		
	970 551 051 03 DLB	Cognac/Cedar	-BN		
	970 551 051 03 DAU	Marsala Red	-PC, GP		
	970 551 051 03 DAY	Marsala Red/Cream	-BE		
	970 551 051 03 DQH	Black/Cream	-DS		
	970 551 051 03 DQI	Agate Grey/Cream	-DT		
	970 551 051 03 DUO	saddle brown	-SB, GH		
	970 551 051 03 DUP	Black/Saddle Tan	-DN		
17	970 551 719 00	End cap	left	1	
		Side panel trim			
	970 551 719 00 1E0	Black	-AB, AC, GK, GS, GA, BF, PF		
	970 551 719 00 6L0	Platinum Grey	-CB, CC, GC, BB		
	970 551 719 00 4H0	Luxor beige	-UB, UC, GU, PK, PL		
	970 551 719 00 2F0	yachting blue	-EC, GE		
	970 551 719 00 5J0	Cream	-BC, BD, BE, DS,		

Model: 970 10 Model life 2010>>2016

Pos	Part Number	Description	Remark	Qty	Model
	970 551 719 00 7N0	Espresso	DT -NA		
	970 551 719 00 8P0	Cognac	-NC		
	970 551 719 00 9Q0	Cedar	-BN		
	970 551 719 00 3G0	Marsala Red	-PC,GP		
	970 551 719 00 OP1	agate grey	-DG,DL,GD		
	970 551 719 00 OM8	saddle brown	-SB,GH		
(17)	970 551 720 00	End cap	right	1	
	970 551 720 00 1E0	Side panel trim Black	-AB,AC,GK,GS, GA,BF,PF		
	970 551 720 00 6L0	Platinum Grey	-CB,CC,GC,BB		
	970 551 720 00 4H0	Luxor beige	-UB,UC,GU,PK, PL		
	970 551 720 00 2F0	yachting blue	-EC,GE		
	970 551 720 00 5J0	Cream	-BC,BD,BE,DS, DT		
	970 551 720 00 7N0	Espresso	-NA		
	970 551 720 00 8P0	Cognac	-NC		
	970 551 720 00 9Q0	Cedar	-BN		
	970 551 720 00 3G0	Marsala Red	-PC,GP		
	970 551 720 00 OP1	agate grey	-DG,DL,GD		
	970 551 720 00 OM8	saddle brown	-SB,GH		
18	999 591 511 40	Spreader rivet		4	
19	999 073 372 01	panel screw 4,2x16		2	
20	999 209 083 02	spacer sleeve 4,5x0,7x5		2	
21	999 591 135 01	Cage nut		1	
22	970 555 477 00	Bracket c-pillar	left lower	1	
		with:			
		Sleeve		3	
		Grommets		2	
		panel nut		1	
(22)	970 555 478 00	Bracket c-pillar	right lower	1	
		with:			
		Sleeve		3	
		Grommets		2	
		panel nut		1	
23	999 073 250 09	fillister hd. bolt M5x15		3	
24	999 507 971 01	panel nut		1	
25	900 386 101 01	Bolt with washer M10x28		1	PR:869,-862

Model: 970 10

Model life 2010>>2016



Model: 970 10 Model life 2010>>2016

Pos	Part Number	Description	Remark	Qty	Model
		Linings	side		Hybrid
		Luggage compartment			
		Hybrid			
		D - MJ 2012>>			
1	970 551 253 01	Trim		1	
		lock carrier			
	970 551 253 01 6M7	stainless steel			
2	999 507 839 01	Clip		X	
3	999 209 084 40	Distance piece		X	
4		Side panel trim	rear	1	
		see illustration, item:	807-035,4		
5	970 555 731 00	shelf	left a. right	2	PR:869
		tray			
		Hat			
	970 555 731 00 1E0	Black	-AB,AC,GK,GS, GA,BF		
	970 555 731 00 6L0	Platinum Grey	-CB,CC,GC,BB		
	970 555 731 00 4H0	Luxor beige	-UB,UC,GU,PK, PL		
	970 555 731 00 2F0	yachting blue	-EC,GE		
	970 555 731 00 5J0	Cream	-BC,BD,BE,DS, DT		
	970 555 731 00 7N0	Espresso	-NA		
	970 555 731 00 8P0	Cognac	-NC		
	970 555 731 00 9Q0	Cedar	-BN		
	970 555 731 00 3G0	Marsala Red	-PC,GP		
	970 555 731 00 OP1	agate grey	-DG,DL,GD		
	970 555 731 00 OM8	saddle brown	-SB,GH,DN		
6	970 555 583 00	Cover	left	1	
		Side panel trim	lower		
	970 555 583 00 1E0	Black	-AB,AC,GK,GS, GA,BF		
	970 555 583 00 6L0	Platinum Grey	-CB,CC,GC,BB		
	970 555 583 00 4H0	Luxor beige	-UB,UC,GU,PK, PL		
	970 555 583 00 2F0	yachting blue	-EC,GE		
	970 555 583 00 5J0	Cream	-BC,BD,BE,DS, DT		
	970 555 583 00 7N0	Espresso	-NA		
	970 555 583 00 8P0	Cognac	-NC		
	970 555 583 00 9Q0	Cedar	-BN		
	970 555 583 00 3G0	Marsala Red	-PC,GP		
	970 555 583 00 OP1	agate grey	-DG,DL,GD		
	970 555 583 00 OM8	saddle brown	-SB,GH,DN		
(6)	970 555 584 00	Cover	right	1	
		Side panel trim	lower		
	970 555 584 00 1E0	Black	-AB,AC,GK,GS, GA,BF		
	970 555 584 00 6L0	Platinum Grey	-CB,CC,GC,BB		
	970 555 584 00 4H0	Luxor beige	-UB,UC,GU,PK, PL		
	970 555 584 00 2F0	yachting blue	-EC,GE		
	970 555 584 00 5J0	Cream	-BC,BD,BE,DS, DT		
	970 555 584 00 7N0	Espresso	-NA		
	970 555 584 00 8P0	Cognac	-NC		
	970 555 584 00 9Q0	Cedar	-BN		
	970 555 584 00 3G0	Marsala Red	-PC,GP		
	970 555 584 00 OP1	agate grey	-DG,DL,GD		
	970 555 584 00 OM8	saddle brown	-SB,GH,DN		
7	7L5 853 437	Sticker		2	
		Airbag			
		Side panel trim			

Model: 970 10 Model life 2010>>2016

Pos	Part Number	Description	Remark	Qty	Model
	7L5 853 437 1E0	Black	-AB, AC, GK, GS, GA, BF		
	7L5 853 437 6L0	Platinum Grey	-CB, CC, GC, BB		
	7L5 853 437 4H0	Luxor beige	-UB, UC, GU, PK, PL		
	7L5 853 437 2F0	yachting blue	-EC, GE		
	7L5 853 437 5J0	Cream	-BC, BD, BE, DS, DT		
	7L5 853 437 7N0	Espresso	-NA		
	7L5 853 437 8P0	Cognac	-NC		
	7L5 853 437 9Q0	Cedar	-BN		
	7L5 853 437 3G0	Marsala Red	-PC, GP		
	7L5 853 437 OP1	agate grey	-DG, DL, GD		
	7L5 853 437 OM8	saddle brown	-SB, GH, DN		
8	970 555 443 00	Cover	left	1	PR:869, -862
	970 555 443 00 1E0	Black	-AB, AC, GK, GS, GA, BF		
	970 555 443 00 6L0	Platinum Grey	-CB, CC, GC, BB		
	970 555 443 00 4H0	Luxor beige	-UB, UC, GU, PK, PL		
	970 555 443 00 2F0	yachting blue	-EC, GE		
	970 555 443 00 5J0	Cream	-BC, BD, BE, DS, DT		
	970 555 443 00 7N0	Espresso	-NA		
	970 555 443 00 8P0	Cognac	-NC		
	970 555 443 00 9Q0	Cedar	-BN		
	970 555 443 00 3G0	Marsala Red	-PC, GP		
	970 555 443 00 OP1	agate grey	-DG, DL, GD		
	970 555 443 00 OM8	saddle brown	-SB, GH, DN		
(8)	970 555 444 00	Cover	right	1	PR:869, -862
	970 555 444 00 1E0	Black	-AB, AC, GK, GS, GA, BF		
	970 555 444 00 6L0	Platinum Grey	-CB, CC, GC, BB		
	970 555 444 00 4H0	Luxor beige	-UB, UC, GU, PK, PL		
	970 555 444 00 2F0	yachting blue	-EC, GE		
	970 555 444 00 5J0	Cream	-BC, BD, BE, DS, DT		
	970 555 444 00 7N0	Espresso	-NA		
	970 555 444 00 8P0	Cognac	-NC		
	970 555 444 00 9Q0	Cedar	-BN		
	970 555 444 00 3G0	Marsala Red	-PC, GP		
	970 555 444 00 OP1	agate grey	-DG, DL, GD		
	970 555 444 00 OM8	saddle brown	-SB, GH, DN		
9	970 555 343 01	Cover	left	1	PR:862, 868
	970 555 343 01 1E0	Support	Black		
	970 555 343 01 6L0	Platinum Grey	-AB, AC, GK, GS, GA, BF		
	970 555 343 01 4H0	Luxor beige	-CB, CC, GC, BB		
	970 555 343 01 2F0	yachting blue	-UB, UC, GU, PK, PL		
	970 555 343 01 5J0	Cream	-EC, GE		
	970 555 343 01 7N0	Espresso	-BC, BD, BE, DS, DT		
	970 555 343 01 8P0	Cognac	-NA		
	970 555 343 01 9Q0	Cedar	-NC		
	970 555 343 01 3G0	Marsala Red	-BN		
	970 555 343 01 OP1	agate grey	-PC, GP		
	970 555 343 01 OM8	saddle brown	-DG, DL, GD		
(9)	970 555 343 00	Cover	left	1	PR:868, -862
	970 555 343 00 1E0	Support	Black		
	970 555 343 00 1E0	Black	-AB, AC, GK, GS,		

Model: 970 10 Model life 2010>>2016

Pos	Part Number	Description	Remark	Qty	Model
	970 555 343 00 6L0	Platinum Grey	GA, BF		
	970 555 343 00 4H0	Luxor beige	-CB, CC, GC, BB		
	970 555 343 00 2F0	yachting blue	-UB, UC, GU, PK, PL		
	970 555 343 00 5J0	Cream	-EC, GE		
	970 555 343 00 7N0	Espresso	-BC, BD, BE, DS, DT		
	970 555 343 00 8P0	Cognac	-NA		
	970 555 343 00 9Q0	Cedar	-NC		
	970 555 343 00 3G0	Marsala Red	-BN		
	970 555 343 00 OP1	agate grey	-PC, GP		
	970 555 343 00 OM8	saddle brown	-DG, DL, GD		
(9)	970 555 344 00	Cover	-SB, GH, DN	1	PR: 862, 868, 869
		Support	right		
	970 555 344 00 1E0	Black	-AB, AC, GK, GS, GA, BF		
	970 555 344 00 6L0	Platinum Grey	-CB, CC, GC, BB		
	970 555 344 00 4H0	Luxor beige	-UB, UC, GU, PK, PL		
	970 555 344 00 2F0	yachting blue	-EC, GE		
	970 555 344 00 5J0	Cream	-BC, BD, BE, DS, DT		
	970 555 344 00 7N0	Espresso	-NA		
	970 555 344 00 8P0	Cognac	-NC		
	970 555 344 00 9Q0	Cedar	-BN		
	970 555 344 00 3G0	Marsala Red	-PC, GP		
	970 555 344 00 OP1	agate grey	-DG, DL, GD		
	970 555 344 00 OM8	saddle brown	-SB, GH, DN		
10	970 555 643 01	Screw bolt		2	PR: 862, 868
		Locking mechanism			
11	999 073 369 09	fillister hd. bolt		X	
		M5x18			
12	996 555 857 00	Grommet		1	
		Centring journal			
13	999 209 107 01	spacer sleeve		1	
		17,5x0,7x3,7			
14	999 209 094 01	spacer sleeve		X	
		9x0,7x5,2			
15	999 507 584 02	Clamp		X	
		8x10/2			
16	970 551 061 00	Side panel trim	left	1	
	970 551 061 00 DAQ	Black	-AB, AC, GK, GS, GA		
	970 551 061 00 DAS	Luxor beige	-UB, UC, GU		
	970 551 061 00 DQH	Black/Cream	-DS		
16	970 551 061 04	Side panel trim	left	1	
	970 551 061 04 DAR	Platinum Grey	-CB, CC, GC		
	970 551 061 04 DAT	yachting blue	-EC, GE		
	970 551 061 04 DAV	Black/Platinum Grey	-BB		
	970 551 061 04 DAX	Yachting Blue/Cream	-BD		
	970 551 061 04 DLB	Cognac/Cedar	-BN		
16	970 551 061 06	Side panel trim	left	1	
	970 551 061 06 DAW	Luxor Beige/Cream	-BC		
	970 551 061 06 DAY	Marsala Red/Cream	-BE		
	970 551 061 06 DAZ	Espresso	-NA		
	970 551 061 06 DLA	Cognac	-NC		
	970 551 061 06 DQI	Agate Grey/Cream	-DT		
	970 551 061 06 DQX	Black/Luxor Beige	-PK, PL		
	970 551 061 06 DTU	agate grey	-DG, DL, GD		
	970 551 061 06 DUO	saddle brown	-SB, GH		
	970 551 061 06 DUR	Black/Saddle Tan	-DN		
	970 551 061 06 DAU	Marsala Red	-PC, GP		

Model: 970 10 Model life 2010>>2016

Pos	Part Number	Description	Remark	Qty	Model
16	970 551 061 01	Side panel trim D - MJ 2014>>	left	1	PR:630
	970 551 061 01 DAQ	Black	-AB,AC,GK,GS, GA		
	970 551 061 01 DTU	agate grey	-DG,DL,GD		
	970 551 061 01 DAS	Luxor beige	-UB,UC,GU		
	970 551 061 01 DAW	Luxor Beige/Cream	-BC		
	970 551 061 01 DAZ	Espresso	-NA		
	970 551 061 01 DLA	Cognac	-NC		
	970 551 061 01 DLB	Cognac/Cedar	-BN		
	970 551 061 01 DAU	Marsala Red	-PC,GP		
	970 551 061 01 DAY	Marsala Red/Cream	-BE		
	970 551 061 01 DQH	Black/Cream	-DS		
	970 551 061 01 DQI	Agate Grey/Cream	-DT		
(16)	970 551 061 03	Side panel trim D - MJ 2014>>	left	1	PR:630
	970 551 061 03 DTU	agate grey	-DG,DL,GD		
	970 551 061 03 DQX	Black/Luxor Beige	-PK,PL		
	970 551 061 03 DUO	saddle brown	-SB,GH		
	970 551 061 03 DUR	Black/Saddle Tan	-DN		
(16)	970 551 062 00	Side panel trim D >> - MJ 2013	right	1	
	970 551 062 00 DAQ	Black	-AB,AC,GK,GS, GA		
	970 551 062 00 DAR	Platinum Grey	-CB,CC,GC		
	970 551 062 00 DAS	Luxor beige	-UB,UC,GU		
	970 551 062 00 DAT	yachting blue	-EC,GE		
	970 551 062 00 DAV	Black/Platinum Grey	-BB		
	970 551 062 00 DAW	Luxor Beige/Cream	-BC		
	970 551 062 00 DAX	Yachting Blue/Cream	-BD		
	970 551 062 00 DAZ	Espresso	-NA		
	970 551 062 00 DLA	Cognac	-NC		
	970 551 062 00 DLB	Cognac/Cedar	-BN		
	970 551 062 00 DAU	Marsala Red	-PC,GP		
	970 551 062 00 DAY	Marsala Red/Cream	-BE		
	970 551 062 00 DQH	Black/Cream	-DS		
	970 551 062 00 DQI	Agate Grey/Cream	-DT		
(16)	970 551 062 01	Side panel trim D - MJ 2014>>	right	1	
	970 551 062 01 DAQ	Black	-AB,AC,GK,GS, GA		
	970 551 062 01 DTU	agate grey	-DG,DL,GD		
	970 551 062 01 DAS	Luxor beige	-UB,UC,GU		
	970 551 062 01 DAW	Luxor Beige/Cream	-BC		
	970 551 062 01 DAZ	Espresso	-NA		
	970 551 062 01 DLA	Cognac	-NC		
	970 551 062 01 DLB	Cognac/Cedar	-BN		
	970 551 062 01 DAU	Marsala Red	-PC,GP		
	970 551 062 01 DAY	Marsala Red/Cream	-BE		
	970 551 062 01 DQH	Black/Cream	-DS		
	970 551 062 01 DQI	Agate Grey/Cream	-DT		
(16)	970 551 062 04	Side panel trim D - MJ 2014>>	right	1	
	970 551 062 04 DTU	agate grey	-DG,DL,GD		
	970 551 062 04 DQX	Black/Luxor Beige	-PK,PL		
	970 551 062 04 DUO	saddle brown	-SB,GH		
	970 551 062 04 DUR	Black/Saddle Tan	-DN		
(16)	970 551 062 02	Side panel trim D - MJ 2014>>	right	1	PR:630
	970 551 062 02 DAQ	Black	-AB,AC,GK,GS, GA		
	970 551 062 02 DTU	agate grey	-DG,DL,GD		
	970 551 062 02 DAS	Luxor beige	-UB,UC,GU		

Model: 970 10 Model life 2010>>2016

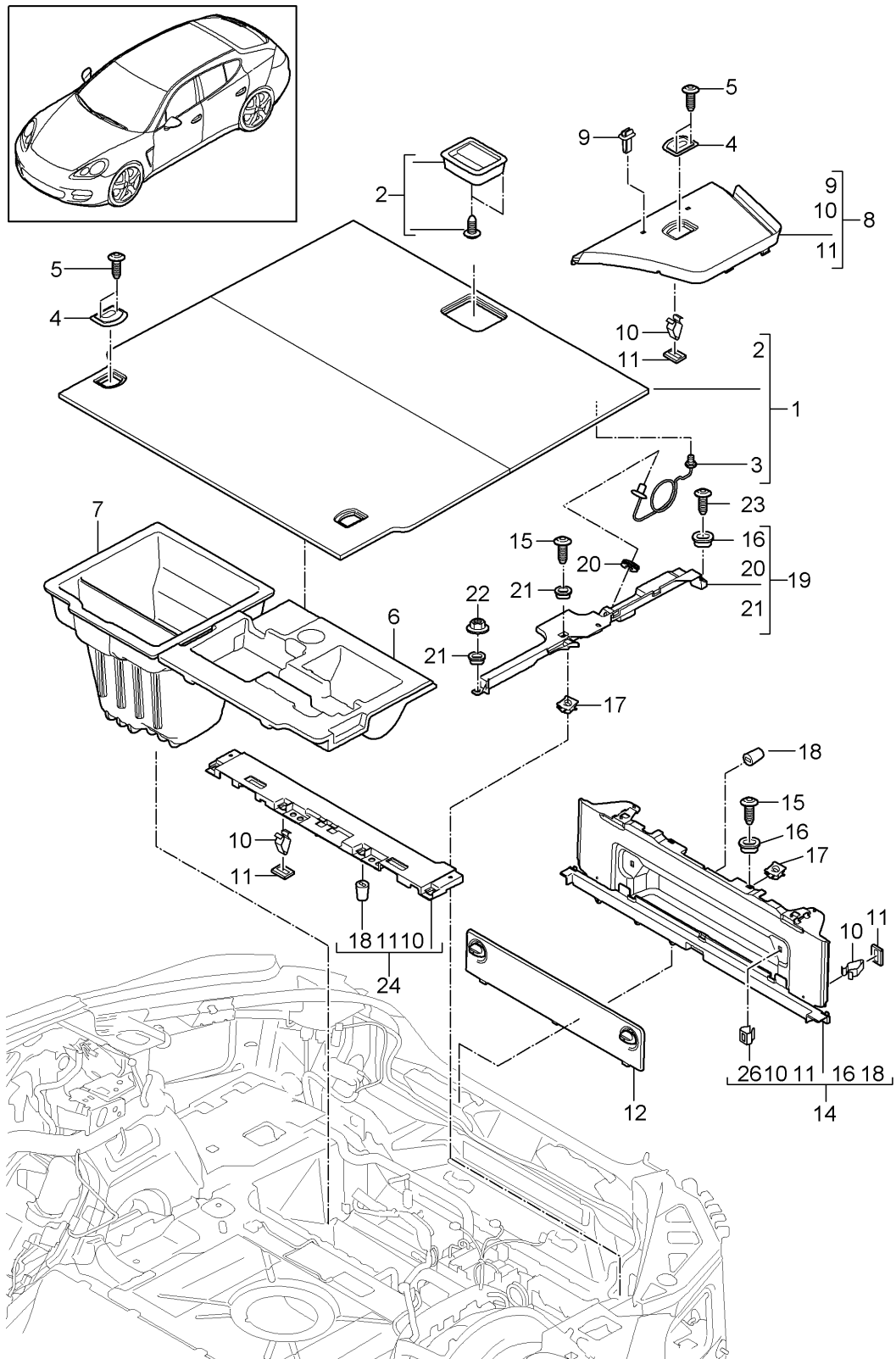
Pos	Part Number	Description	Remark	Qty	Model
	970 551 062 02 DAW	Luxor Beige/Cream	-BC		
	970 551 062 02 DAZ	Espresso	-NA		
	970 551 062 02 DLA	Cognac	-NC		
	970 551 062 02 DLB	Cognac/Cedar	-BN		
	970 551 062 02 DAU	Marsala Red	-PC,GP		
	970 551 062 02 DAY	Marsala Red/Cream	-BE		
	970 551 062 02 DQH	Black/Cream	-DS		
	970 551 062 02 DQI	Agate Grey/Cream	-DT		
(16)	970 551 062 05	Side panel trim D - MJ 2014>>	right	1	PR:630
	970 551 062 05 DTU	agate grey	-DG,DL,GD		
	970 551 062 05 DQX	Black/Luxor Beige	-PK,PL		
	970 551 062 05 DUO	saddle brown	-SB,GH		
17	970 551 062 05 DUR	Black/Saddle Tan	-DN		
	970 551 719 00	End cap Side panel trim	left	1	
	970 551 719 00 1E0	Black	-AB,AC,GK,GS, GA,BF		
	970 551 719 00 6L0	Platinum Grey	-CB,CC,GC,BB		
	970 551 719 00 4H0	Luxor beige	-UB,UC,GU,PK, PL		
	970 551 719 00 2F0	yachting blue	-EC,GE		
	970 551 719 00 5J0	Cream	-BC,BD,BE,DS, DT		
	970 551 719 00 7N0	Espresso	-NA		
	970 551 719 00 8P0	Cognac	-NC		
	970 551 719 00 9Q0	Cedar	-BN		
	970 551 719 00 3G0	Marsala Red	-PC,GP		
	970 551 719 00 OP1	agate grey	-DG,DL,GD		
	970 551 719 00 OM8	saddle brown	-SB,GH,DN		
(17)	970 551 720 00	End cap Side panel trim	right	1	
	970 551 720 00 1E0	Black	-AB,AC,GK,GS, GA,BF		
	970 551 720 00 6L0	Platinum Grey	-CB,CC,GC,BB		
	970 551 720 00 4H0	Luxor beige	-UB,UC,GU,PK, PL		
	970 551 720 00 2F0	yachting blue	-EC,GE		
	970 551 720 00 5J0	Cream	-BC,BD,BE,DS, DT		
	970 551 720 00 7N0	Espresso	-NA		
	970 551 720 00 8P0	Cognac	-NC		
	970 551 720 00 9Q0	Cedar	-BN		
	970 551 720 00 3G0	Marsala Red	-PC,GP		
	970 551 720 00 OP1	agate grey	-DG,DL,GD		
	970 551 720 00 OM8	saddle brown	-SB,GH,DN		
18	999 591 511 40	Spreader rivet		4	
19	999 073 372 01	panel screw 4,2x16		2	
20	999 209 083 02	spacer sleeve 4,5x0,7x5		2	
21	999 591 135 01	Cage nut		1	
22	970 555 477 00	Bracket c-pillar	left lower	1	
		with:			
		Sleeve		3	
		Grommets		2	
		panel nut		1	
(22)	970 555 478 00	Bracket c-pillar	right lower	1	
		with:			
		Sleeve		3	
		Grommets		2	

Model: 970 10 Model life 2010>>2016

Pos	Part Number	Description	Remark	Qty	Model
23	999 073 250 09	panel nut fillister hd. bolt M5x15		1 3	
24	999 507 971 01	panel nut		1	
25	900 386 101 01	Bolt with washer M10x28		1	PR:869,-862
26	970 551 357 00	Cover	left	1	
		with:			
	970 551 357 00 6B0	Net Black	-AB,AC,GK,GS, GA,BF		
	970 551 357 00 8E0	Platinum Grey	-CB,CC,GC,BB		
	970 551 357 00 7K0	Luxor beige	-UB,UC,GU,PK, PL		
	970 551 357 00 6D0	yachting blue	-EC,GE		
	970 551 357 00 7G0	Marsala Red	-PC,GP		
	970 551 357 00 9D0	Espresso	-NA		
	970 551 357 00 9E0	Cognac	-NC		
	970 551 357 00 9C0	agate grey	-DG,DL,GD		
	970 551 357 00 BW3	saddle brown	-SB,GH,DN		
(26)	970 551 358 00	Cover	right	1	
	970 551 358 00 6B0	Black	-AB,AC,GK,GS, GA,BF		
	970 551 358 00 8E0	Platinum Grey	-CB,CC,GC,BB		
	970 551 358 00 7K0	Luxor beige	-UB,UC,GU,PK, PL		
	970 551 358 00 6D0	yachting blue	-EC,GE		
	970 551 358 00 7G0	Marsala Red	-PC,GP		
	970 551 358 00 9D0	Espresso	-NA		
	970 551 358 00 9E0	Cognac	-NC		
	970 551 358 00 9C0	agate grey	-DG,DL,GD		
	970 551 358 00 BW3	saddle brown	-SB,GH,DN		
27	999 919 221 09	countersunk bolt 5,0x14 Mount Tape Cover		2	
28	970 551 414 03	Foam part Tool		1	
(28)	970 551 414 06	D >> - MJ 2013 Foam part Tool		1	
(28)	970 551 414 08	D - MJ 2014>> - MJ 2015 Foam part Tool D - MJ 2016>>		1	

Model: 970 10

Model life 2010>>2016



Model: 970 10 Model life 2010>>2016

Pos	Part Number	Description	Remark	Qty	Model
1	970 551 053 02	Linings Luggage compartment cover for luggage boot D >> - MJ 2010	lower	1	
	970 551 053 02 6B0	Black	-AB,AC		
	970 551 053 02 8E0	Platinum Grey	-CC,CB		
	970 551 053 02 7K0	Luxor beige	-UB,UC		
	970 551 053 02 6D0	yachting blue	-EC		
	970 551 053 02 9D0	Espresso	-NA		
	970 551 053 02 9E0	Cognac	-NC		
	970 551 053 02 7G0	Marsala Red	-PC		
1	970 551 053 04	cover for luggage boot D - MJ 2011>>		1	
	970 551 053 04 6B0	Black	-AB,AC,BB,GK, GS,GA,DS,PK, PL,BF,DN,PF		
	970 551 053 04 8E0	Platinum Grey	-CB,CC		.+GC
	970 551 053 04 7K0	Luxor beige	-UB,UC,GU,BC		
	970 551 053 04 6D0	yachting blue	-EC,GE,BD		
	970 551 053 04 9D0	Espresso	-NA		
	970 551 053 04 9E0	Cognac	-NC		
	970 551 053 04 7G0	Marsala Red	-PC,GP,BE		
	970 551 053 04 9C0	agate grey	-DG,DL,GD,DT		
	970 551 053 04 BW3	saddle brown	-SB,GH		
2	970 551 201 00	Handle shell (complete)		1	
		with:			
		Screw		4	
		D >> - MJ 2010			
	970 551 201 00 1E0	Black	-AB,AC		
	970 551 201 00 6L0	Platinum Grey	-CC,CB		
	970 551 201 00 4H0	Luxor beige	-UB,UC		
	970 551 201 00 2F0	yachting blue	-EC		
	970 551 201 00 7N0	Espresso	-NA		
	970 551 201 00 8P0	Cognac	-NC		
	970 551 201 00 3G0	Marsala Red	-PC		
2	970 551 201 01	Handle shell (complete)		1	
		with:			
		Screw		4	
		D - MJ 2011>>			
	970 551 201 01 1E0	Black	-AB,AC,BB,GK, GS,GA,DS,PK, PL,BF,DN,PF		
	970 551 201 01 6L0	Platinum Grey	-CB,CC		.+GC
	970 551 201 01 4H0	Luxor beige	-UB,UC,GU,BC		
	970 551 201 01 2F0	yachting blue	-EC,GE,BD		
	970 551 201 01 7N0	Espresso	-NA		
	970 551 201 01 8P0	Cognac	-NC		
	970 551 201 01 3G0	Marsala Red	-PC,GP,BE		
	970 551 201 01 OP1	agate grey	-DG,DL,GD,DT		
	970 551 201 01 OM8	saddle brown	-SB,GH		
3	970 551 713 00	Holding strap		1	
4	970 551 203 00	Eye		4	
		Luggage compartment D >> - MJ 2010			
(4)	970 551 203 00 V08	Galvano silver		4	
	1K0 864 203	Lashing eye without spring			
		Luggage compartment D - MJ 2011>>			
	1K0 864 203 2ZZ	chrome			
5	999 073 389 02	countersunk bolt Eye		8	

Model: 970 10 Model life 2010>>2016

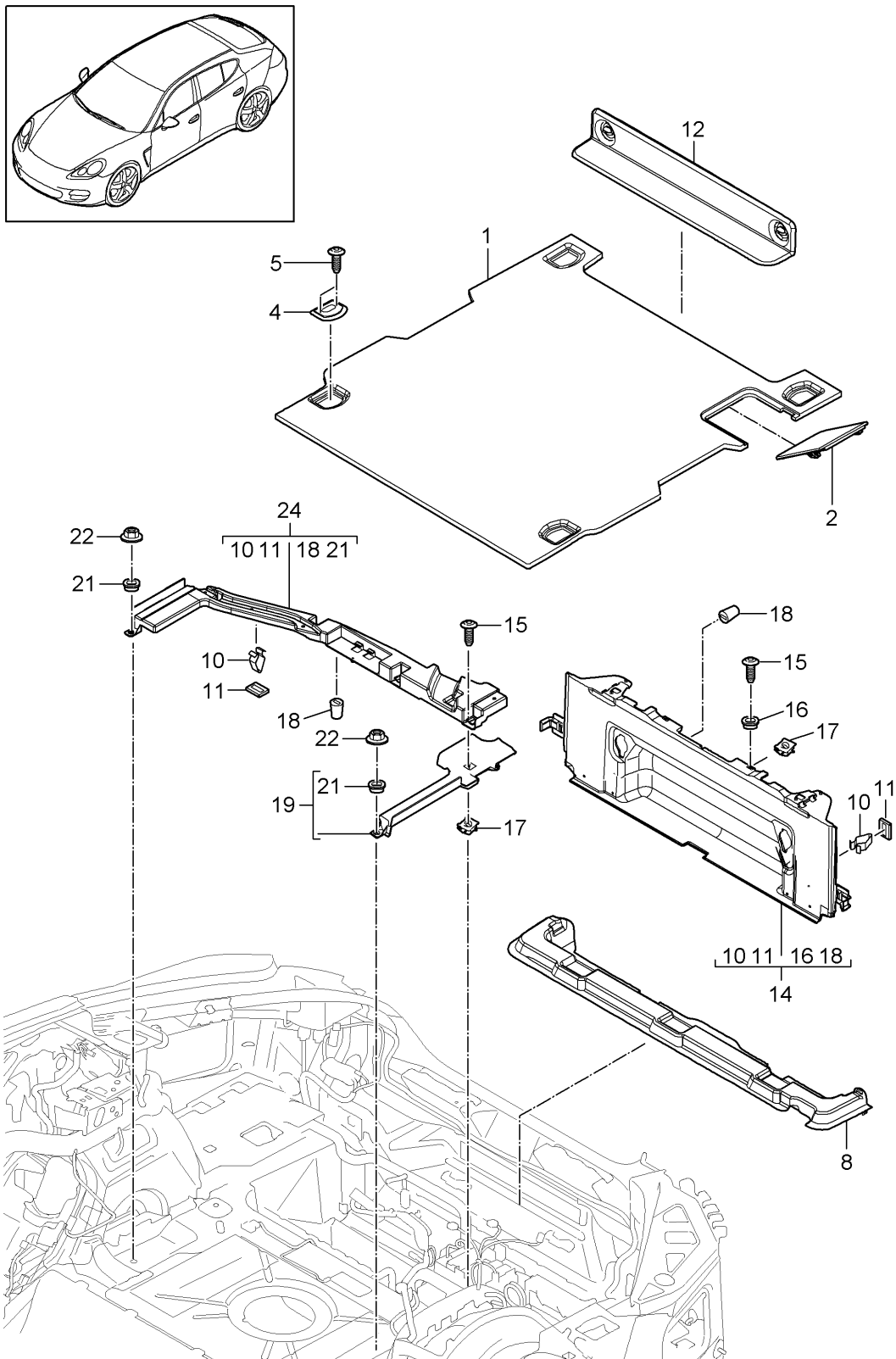
Pos	Part Number	Description	Remark	Qty	Model
6	970 551 414 00	Luggage compartment M6x20 Foam part Tool D >> - MJ 2012		1	
6	970 551 414 05	Foam part Tool D - MJ 2013>> - MJ 2013		1	
6	970 551 414 07	Foam part Tool D - MJ 2014>> - MJ 2015		1	
6	970 551 414 09	Foam part Tool D - MJ 2016>>		1	
(6)	970 551 414 06	Foam part Tool D >> - MJ 2015		1	Hybrid
(6)	970 551 414 08	Foam part Tool D - MJ 2016>>		1	Hybrid
7	970 551 412 01	Foam part Stowage compartment		1	PR:441,490
8	970 551 055 00	Floor section Luggage compartment	left side	1	
	970 551 055 00 6B0	Black	-AB,AC,BB,GK, GS,GA,DS,PK, PL,BF,DN,PF		
	970 551 055 00 8E0	Platinum Grey	-CB,CC		.+GC
	970 551 055 00 7K0	Luxor beige	-UB,UC,GU,BC		
	970 551 055 00 6D0	yachting blue	-EC,GE,BD		
	970 551 055 00 9D0	Espresso	-NA		
	970 551 055 00 9E0	Cognac	-NC		
	970 551 055 00 7G0	Marsala Red	-PC,GP,BE		
	970 551 055 00 9C0	agate grey	-DG,DL,GD,DT		
	970 551 055 00 BW3	saddle brown	-SB,GH		
(8)	970 551 056 00	Floor section Luggage compartment	right side	1	
	970 551 056 00 6B0	Black	left -AB,AC,BB,GK, GS,GA,DS,PK, PL,BF,DN,PF		
	970 551 056 00 8E0	Platinum Grey	-CB,CC		.+GC
	970 551 056 00 7K0	Luxor beige	-UB,UC,GU,BC		
	970 551 056 00 6D0	yachting blue	-EC,GE,BD		
	970 551 056 00 9D0	Espresso	-NA		
	970 551 056 00 9E0	Cognac	-NC		
	970 551 056 00 7G0	Marsala Red	-PC,GP,BE		
	970 551 056 00 9C0	agate grey	-DG,DL,GD,DT		
	970 551 056 00 BW3	saddle brown	-SB,GH		
9	970 551 755 00	Hooks Net		4	
	970 551 755 00 1E0	Black			
10	999 507 839 01	Clip		X	
11	999 209 084 40	Distance piece		X	
12	970 551 651 00	Cover cover - lock warning triangle		1	
		with:			
	970 551 651 00 6B0	Rot. knob Black	-AB,AC,BB,GK, GS,GA,DS,PK, PL,BF,DN,PF		
	970 551 651 00 8E0	Platinum Grey	-CB,CC		.+GC

Model: 970 10 Model life 2010>>2016

Pos	Part Number	Description	Remark	Qty	Model
	970 551 651 00 7K0	Luxor beige	-UB,UC,GU,BC		
	970 551 651 00 6D0	yachting blue	-EC,GE,BD		
	970 551 651 00 9D0	Espresso	-NA		
	970 551 651 00 9E0	Cognac	-NC		
	970 551 651 00 7G0	Marsala Red	-PC,GP,BE		
	970 551 651 00 9C0	agate grey	-DG,DL,GD,DT		
	970 551 651 00 BW3	saddle brown	-SB,GH		
14	970 551 251 04	cover - lock	rear	1	
			lower		
	970 551 251 04 6B0	Black	-AB,AC,BB,GK, GS,GA,DS,PK, PL,BF,DN,PF		
	970 551 251 04 8E0	Platinum Grey	-CB,CC		.+GC
	970 551 251 04 7K0	Luxor beige	-UB,UC,GU,BC		
	970 551 251 04 6D0	yachting blue	-EC,GE,BD		
	970 551 251 04 9D0	Espresso	-NA		
	970 551 251 04 9E0	Cognac	-NC		
	970 551 251 04 7G0	Marsala Red	-PC,GP,BE		
	970 551 251 04 9C0	agate grey	-DG,DL,GD,DT		
14	970 551 251 06	cover - lock	rear	1	
			lower		
	970 551 251 06 BW3	saddle brown	-SB,GH		
15	999 073 372 01	panel screw 4,2x16		2	
16	999 209 083 02	spacer sleeve 4,5x0,7x5		2	
17	999 591 135 01	Cage nut		6	
18	997 555 857 00	Grommet		4	
19	970 551 417 00	retaining strip	left	1	
		Luggage compartment	side		
			with:		
		Grommet for Holding strap			
(19)	970 551 417 00 1E0	Black			
	970 551 418 00	retaining strip	right	1	
		Luggage compartment	side		
	970 551 418 00 1E0	Black			
20	999 507 178 40	ball socket for Holding strap		1	
21	999 209 087 02	spacer sleeve 6,2x0,7x2		4	
22	900 377 018 09	Hexagon nut M6		2	
23	999 073 372 01	panel screw 4,2x16		2	
24	970 551 415 02	retaining strip	rear	1	
		Luggage compartment			
	970 551 415 02 1E0	Black			
26	999 590 083 01	Cams		2	

Model: 970 10

Model life 2010>>2016



Model: 970 10 Model life 2010>>2016

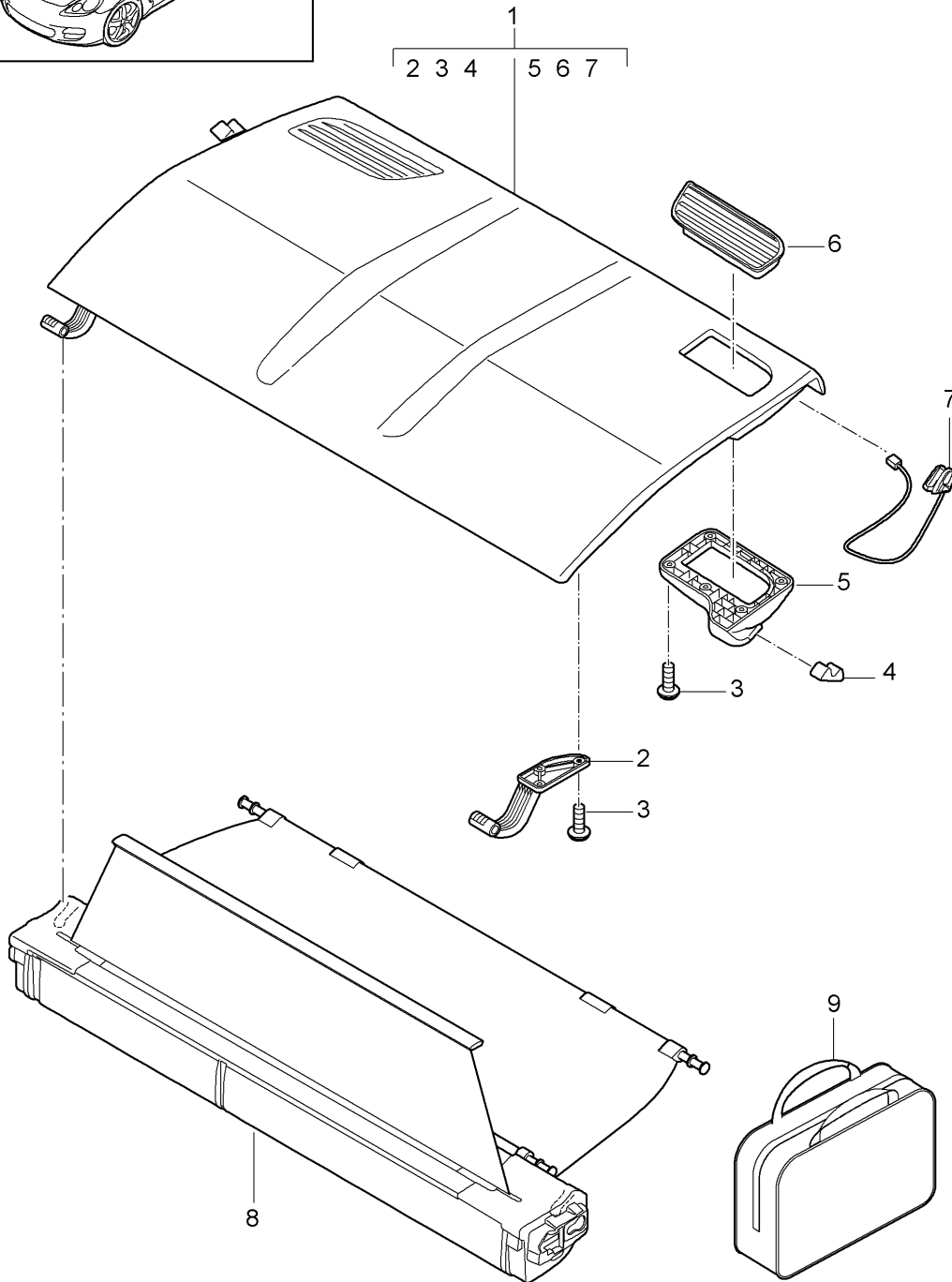
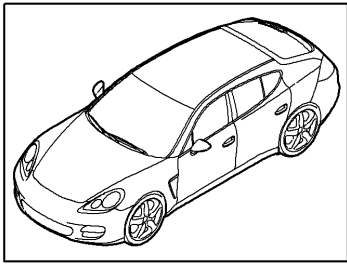
Pos	Part Number	Description	Remark	Qty	Model
		Linings Luggage compartment Hybrid	lower		Hybrid
1	970 551 053 01	D - MJ 2012>> base plate		1	PR:441,490
	970 551 053 01 6B0	D >> - MJ 2013 Black	-AB,AC,GK,GS, GA,BB,DS,PK, PL		
	970 551 053 01 6D0	yachting blue	-EC,GE,BD		
	970 551 053 01 7G0	Marsala Red	-PC,GP,BE		
	970 551 053 01 7K0	Luxor beige	-UB,UC,GU,BC		
	970 551 053 01 8E0	Platinum Grey	-CB,CC,GC		
	970 551 053 01 9D0	Espresso	-NA		
	970 551 053 01 9E0	Cognac	-NC		
	970 551 053 01 9C0	agate grey	-DT		
1	970 551 053 05	D - MJ 2014>> base plate		1	PR:441,490
	970 551 053 05 6B0	Black	-AB,AC,GK,GS, GA,PK,PL,DS, BF,DN		
	970 551 053 05 7G0	Marsala Red	-PC,GP,BE		
	970 551 053 05 7K0	Luxor beige	-UB,UC,GU		
	970 551 053 05 9D0	Espresso	-NA		
	970 551 053 05 9E0	Cognac	-NC		
	970 551 053 05 9C0	agate grey	-DG,DL,GD,DT		
(1)	970 551 053 05 BW3	saddle brown	-SB,GH	1	PR:680
	970 551 053 03	D >> - MJ 2013 base plate Subwoofer			
	970 551 053 03 6B0	Black	-AB,AC,GK,GS, GA,BB,DS,PK, PL		
	970 551 053 03 6D0	yachting blue	-EC,GE,BD		
	970 551 053 03 7G0	Marsala Red	-PC,GP,BE		
	970 551 053 03 7K0	Luxor beige	-UB,UC,GU,BC		
	970 551 053 03 8E0	Platinum Grey	-CB,CC,GC		
	970 551 053 03 9D0	Espresso	-NA		
	970 551 053 03 9E0	Cognac	-NC		
	970 551 053 03 9C0	agate grey	-DT		
(1)	970 551 053 06	D - MJ 2014>> base plate Subwoofer		1	PR:680
	970 551 053 06 6B0	Black	-AB,AC,GK,GS, GA,PK,PL,DS, BF,DN		
	970 551 053 06 7G0	Marsala Red	-PC,GP,BE		
	970 551 053 06 7K0	Luxor beige	-UB,UC,GU		
	970 551 053 06 9D0	Espresso	-NA		
	970 551 053 06 9E0	Cognac	-NC		
	970 551 053 06 9C0	agate grey	-DG,DL,GD,DT		
	970 551 053 06 BW3	saddle brown	-SB,GH		
2	970 551 617 00	Cover Emergency operation		1	
	970 551 617 00 6B0	Black	-AB,AC,GK,GS, GA,PK,PL,DS, BF,DN,BB		
	970 551 617 00 6D0	yachting blue	-EC,GE,BD		
	970 551 617 00 7G0	Marsala Red	-PC,GP,BE		
	970 551 617 00 7K0	Luxor beige	-UB,UC,GU		
	970 551 617 00 8E0	Platinum Grey	-CB,CC,GC		
	970 551 617 00 9D0	Espresso	-NA		
	970 551 617 00 9E0	Cognac	-NC		

Model: 970 10 Model life 2010>>2016

Pos	Part Number	Description	Remark	Qty	Model
2	970 551 617 00 9C0	agate grey	-DG,DL,GD,DT	1	
	970 551 617 01	Cover			
4	970 551 617 01 BW3	Emergency operation saddle brown	-SB,GH	4	
	1K0 864 203	Lashing eye without spring			
5	1K0 864 203 2ZZ	Luggage compartment chrome		4	
	999 073 389 02	countersunk bolt M6x20			
8	970 551 421 00	Cover	rear	1	PR:441,490
10	970 551 421 00 1E0	base plate Black		X	
	999 507 839 01	Clip			
11	999 209 084 40	Distance piece		X	
12	970 551 651 01	Cover		1	PR:441,490
		cover - lock			
		with:			
	970 551 651 01 6B0	Locking mechanism Black	-AB,AC,GK,GS, GA,PK,PL,DS, BF,DN,BB		
	970 551 651 01 6D0	yachting blue	-EC,GE,BD		
	970 551 651 01 7G0	Marsala Red	-PC,GP,BE		
	970 551 651 01 7K0	Luxor beige	-UB,UC,GU		
	970 551 651 01 8E0	Platinum Grey	-CB,CC,GC		
	970 551 651 01 9D0	Espresso	-NA		
	970 551 651 01 9E0	Cognac	-NC		
(12)	970 551 651 01 9C0	agate grey	-DG,DL,GD,DT	1	PR:441,490
	970 551 651 02	Cover			
		cover - lock			
		with:			
	970 551 651 02 BW3	Locking mechanism saddle brown	-SB,GH		
14	970 551 251 03	cover - lock	rear	1	PR:441,490
			lower		
	970 551 251 03 6B0	Black	-AB,AC,GK,GS, GA,PK,PL,DS, BF,DN,BB		
	970 551 251 03 6D0	yachting blue	-EC,GE,BD		
	970 551 251 03 7G0	Marsala Red	-PC,GP,BE		
	970 551 251 03 7K0	Luxor beige	-UB,UC,GU		
	970 551 251 03 8E0	Platinum Grey	-CB,CC,GC		
	970 551 251 03 9D0	Espresso	-NA		
	970 551 251 03 9E0	Cognac	-NC		
14	970 551 251 03 9C0	agate grey	-DG,DL,GD,DT	1	PR:441,490
	970 551 251 07	cover - lock	rear		
			lower		
	970 551 251 07 BW3	saddle brown	-SB,GH		
15	999 073 372 01	panel screw 4,2x16		X	
16	999 209 083 02	spacer sleeve 4,5x0,7x5		2	
17	999 591 135 01	Cage nut		X	
18	997 555 857 00	Grommet		4	
19	970 551 417 01	retaining strip	side	1	
		Luggage compartment			
22	900 377 018 09	Hexagon nut M6		2	
24	970 551 415 01	retaining strip Luggage compartment	rear	1	

Model: 970 10

Model life 2010>>2016



Model: 970 10 Model life 2010>>2016

Pos	Part Number	Description	Remark	Qty	Model
1	970 555 151 05	Cover tray Hat roller blind Ski bag tray Hat		1	PR:830,831, 832,833,834, 835,836,862, 869
	970 555 151 05 DK4	Black	-AB,AC,GK,GS, GA,BB,DS,PK, PL,BF,DN		
	970 555 151 05 DJ6	Platinum Grey	-CB,CC,GC		
	970 555 151 05 DM5	Luxor beige	-UB,UC,GU,BC		
	970 555 151 05 DQ9	yachting blue	-EC,GE,BD		
	970 555 151 05 DP8	Espresso	-NA		
	970 555 151 05 DS1	Cognac	-NC		
	970 555 151 05 DT2	Marsala Red	-PC,GP,BE		
	970 555 151 05 DR7	agate grey	-DG,DL,GD,DT		
1	970 555 151 06	tray Hat		1	PR:830,831, 832,833,834, 835,836,862, 869
(1)	970 555 151 06 CH6	saddle brown	-SB,GH		
	970 555 151 04	tray Hat		1	PR:830,831, 832,833,869, -862
	970 555 151 04 DK4	Black	-AB,AC,GK,GS, GA,BB,DS,PK, PL,BF,DN		
	970 555 151 04 DJ6	Platinum Grey	-CB,CC,GC		
	970 555 151 04 DM5	Luxor beige	-UB,UC,GU,BC		
	970 555 151 04 DQ9	yachting blue	-EC,GE,BD		
	970 555 151 04 DP8	Espresso	-NA		
	970 555 151 04 DS1	Cognac	-NC		
	970 555 151 04 DT2	Marsala Red	-PC,GP,BE		
	970 555 151 04 DR7	agate grey	-DG,DL,GD,DT		
(1)	970 555 151 07	tray Hat		1	PR:830,831, 832,833,869, -862
	970 555 151 07 CH6	saddle brown	-SB,GH		
2	970 555 585 01	Hinge	left	1	PR:862,869
(2)	970 555 585 01 1E0	Black			
	970 555 585 00	Hinge	left	1	PR:869,-862
	970 555 585 00 1E0	Black			
(2)	970 555 586 01	Hinge	right	1	PR:862,869
	970 555 586 01 1E0	Black			
(2)	970 555 586 00	Hinge	right	1	PR:869,-862
	970 555 586 00 1E0	Black			
3	999 919 274 01	Oval-head screw		16	
4	970 555 783 00	Stop buffer	left	1	PR:869
(4)	970 555 784 00	Stop buffer	right	1	PR:869
5	970 555 581 00	shelf	left	1	PR:869
	970 555 581 00 1E0	Black			
(5)	970 555 582 00	shelf	right	1	PR:869
	970 555 582 00 1E0	Black			
6	970 555 661 00	Grille	left	1	PR:869
	970 555 661 00 1E0	Black	-AB,AC,GK,GS, GA,BB,DS,PK, PL,BF,DN		
	970 555 661 00 6L0	Platinum Grey	-CB,CC,GC		
	970 555 661 00 4H0	Luxor beige	-UB,UC,GU,BC		
	970 555 661 00 2F0	yachting blue	-EC,GE,BD		

Model: 970 10 Model life 2010>>2016

Pos	Part Number	Description	Remark	Qty	Model
(6)	970 555 661 00 7N0	Espresso	-NA	1	PR:869
	970 555 661 00 8P0	Cognac	-NC		
	970 555 661 00 3G0	Marsala Red	-PC,GP,BE		
	970 555 661 00 OP1	agate grey	-DG,DL,GD,DT		
	970 555 661 00 OM8	saddle brown	-SB,GH		
	970 555 662 00	Grille	right		
	970 555 662 00 1E0	Black	-AB,AC,GK,GS, GA,BB,DS,PK, PL,BF,DN		
	970 555 662 00 6L0	Platinum Grey	-CB,CC,GC		
	970 555 662 00 4H0	Luxor beige	-UB,UC,GU,BC		
	970 555 662 00 2F0	yachting blue	-EC,GE,BD		
	970 555 662 00 7N0	Espresso	-NA		
	970 555 662 00 8P0	Cognac	-NC		
	970 555 662 00 3G0	Marsala Red	-PC,GP,BE		
	970 555 662 00 OP1	agate grey	-DG,DL,GD,DT		
970 555 662 00 OM8	saddle brown	-SB,GH			
7	970 555 673 01	Cord	left	1	PR:869
(7)	970 555 674 01	Cord	right	1	PR:869
8	970 555 171 04	cover for luggage boot		1	PR:830,831,
		with: Cover blind for luggage compartment Electric			832,833,834, 835,862,868
	970 555 171 04 DMQ	Platinum Grey	-CB,CC,GC	1	PR:830,831,
	970 555 171 04 DMS	yachting blue	-EC,GE,BD		
8	970 555 171 05	cover for luggage boot			
		with: Cover blind for luggage compartment Electric			
	970 555 171 05 DMP	Black	-AB,AC,GK,GS, GA,BB,DS,PK, PL,BF,DN	1	PR:830,831, 832,833,834, 835,862,869
	970 555 171 05 DMR	Luxor beige	-UB,UC,GU,BC		
	970 555 171 05 DMV	Espresso	-NA		
	970 555 171 05 DMW	Cognac	-NC		
	970 555 171 05 DMT	Marsala Red	-PC,GP,BE		
	970 555 171 05 DQR	agate grey	-DG,DL,GD,DT		
	970 555 171 05 DUT	saddle brown	-SB,GH		
(8)	970 555 177 02	roller blind Electric			
	970 555 177 02 1E0	Black	-AB,AC,GK,GS, GA,BB,DS,PK, PL,BF,DN		
	970 555 177 02 6L0	Platinum Grey	-CB,CC,GC		
	970 555 177 02 4H0	Luxor beige	-UB,UC,GU,BC		
	970 555 177 02 2F0	yachting blue	-EC,GE,BD		
	970 555 177 02 7N0	Espresso	-NA		
	970 555 177 02 8P0	Cognac	-NC		
	970 555 177 02 3G0	Marsala Red	-PC,GP,BE		
	970 555 177 02 OP1	agate grey	-DG,DL,GD,DT		
	970 555 177 02 OM8	saddle brown	-SB,GH		
(8)	970 555 177 03	roller blind Electric		1	PR:836,862, 869
	970 555 177 03 1E0	Black	-AB,AC,GK,GS, GA,BB,DS,PK, PL,BF,DN	1	PR:836,862, 869
	970 555 177 03 6L0	Platinum Grey	-CB,CC,GC		
	970 555 177 03 4H0	Luxor beige	-UB,UC,GU,BC		
	970 555 177 03 2F0	yachting blue	-EC,GE,BD		
	970 555 177 03 7N0	Espresso	-NA		
	970 555 177 03 7N0	Espresso	-NA		

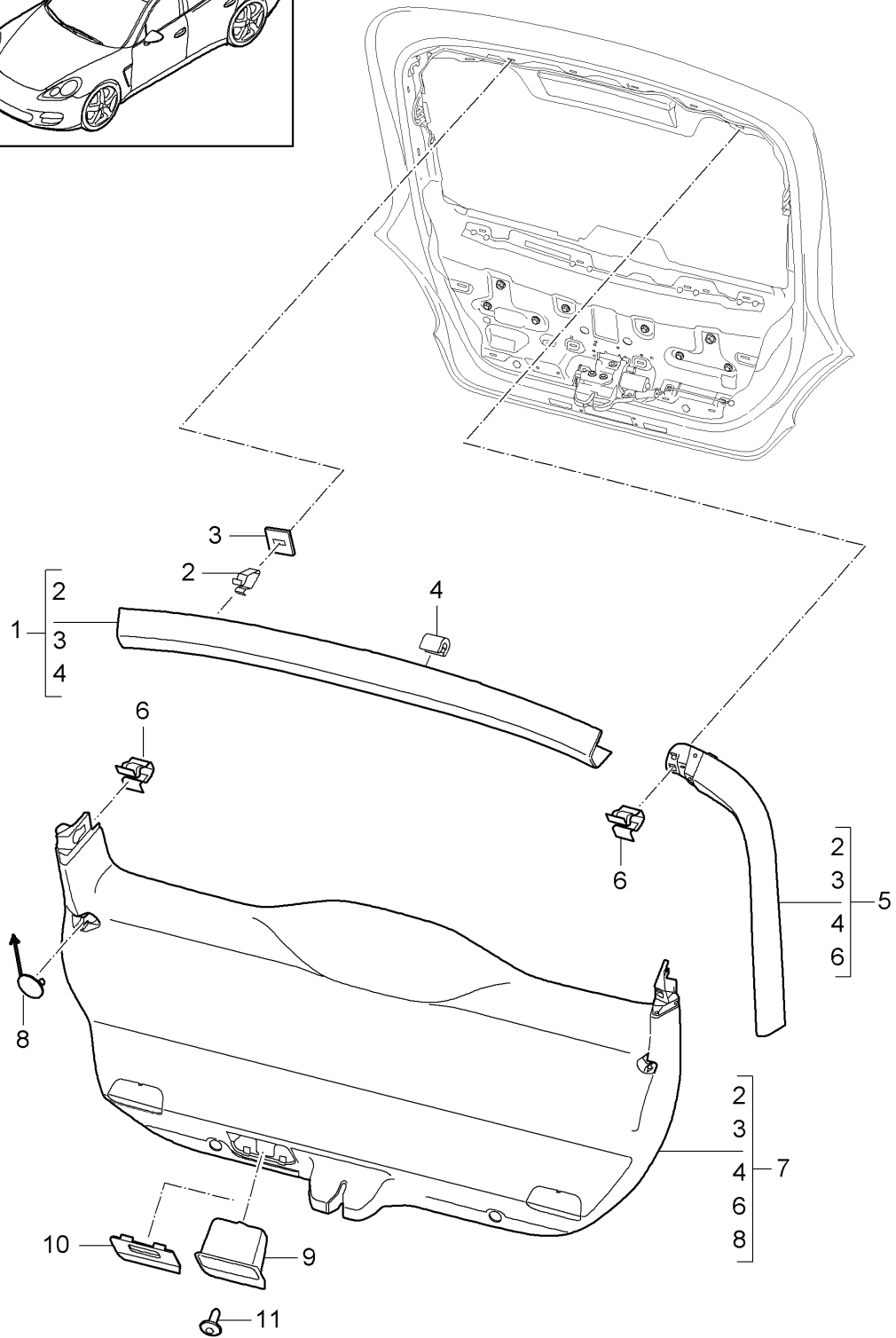
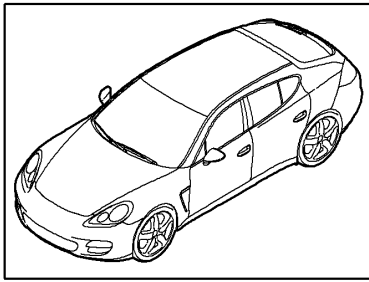
Model: 970 10

Model life 2010>>2016

Pos	Part Number	Description	Remark	Qty	Model
	970 555 177 03 8P0	Cognac	-NC		
	970 555 177 03 3G0	Marsala Red	-PC,GP,BE		
	970 555 177 03 OP1	agate grey	-DG,DL,GD,DT		
	970 555 177 03 OM8	saddle brown	-SB,GH		
(8)	970 555 171 00	cover for luggage boot		1	PR:830,831, 832,833,868, -862
	970 555 171 00 DMQ	Platinum Grey	-CB,CC,GC		
	970 555 171 00 DMS	yachting blue	-EC,GE,BD		
(8)	970 555 171 00	cover for luggage boot		1	PR:830,831, 832,833,868, -862
	970 555 171 00 DMP	Black	-AB,AC,GK,GS, GA,BB,DS,PK, PL,BF,DN		
	970 555 171 00 DMR	Luxor beige	-UB,UC,GU,BC		
	970 555 171 00 DMS	yachting blue	-EC,GE,BD		
	970 555 171 00 DMV	Espresso	-NA		
	970 555 171 00 DMW	Cognac	-NC		
	970 555 171 00 DMT	Marsala Red	-PC,GP,BE		
	970 555 171 00 DQR	agate grey	-DG,DL,GD,DT		
	970 555 171 00 DUT	saddle brown	-SB,GH		
-		part section wiring harness		1	PR:862
		roller blind			
		see illustration:	902-010		
9	970 551 701 00	Ski bag		1	PR:213
		Carrier bag	with:		

Model: 970 10

Model life 2010>>2016



Model: 970 10 Model life 2010>>2016

Pos	Part Number	Description	Remark	Qty	Model
1	970 555 243 01	Linings Rear lid Rear lid trim panel	upper	1	
		D >> - MJ 2013			
	970 555 243 01 1E0	Black	-AB,AC,GK,GS, GA		
	970 555 243 01 6L0	Platinum Grey	-CB,CC,GC,BB		
	970 555 243 01 4H0	Luxor beige	-UB,UC,GU,PK, PL		
	970 555 243 01 2F0	yachting blue	-EC,GE		
	970 555 243 01 5J0	Cream	-BC,BD,BE,DS, DT		
	970 555 243 01 7N0	Espresso	-NA		
	970 555 243 01 8P0	Cognac	-NC		
	970 555 243 01 9Q0	Cedar	-BN		
	970 555 243 01 3G0	Marsala Red	-PC,GP		
(1)	970 555 243 02	Rear lid trim panel	upper	1	
		D - MJ 2014>>			
	970 555 243 02 1E0	Black	-AB,AC,GK,GS, GA,BF,PF		
	970 555 243 02 4H0	Luxor beige	-UB,UC,GU,PK, PL		
	970 555 243 02 5J0	Cream	-BC,BE,DS,DT		
	970 555 243 02 7N0	Espresso	-NA		
	970 555 243 02 8P0	Cognac	-NC		
	970 555 243 02 9Q0	Cedar	-BN		
	970 555 243 02 3G0	Marsala Red	-PC,GP		
	970 555 243 02 OP1	agate grey	-DG,DL,GD		
	970 555 243 02 OM8	saddle brown	-SB,GH,DN		
2	999 507 839 01	Clip		X	
		D >> - MJ 2013			
(2)	8X0 867 276 A	Clip		X	
		D - MJ 2014>>			
3	999 209 084 40	Distance piece		X	
		D >> - MJ 2013			
4	999 911 443 40	Tread		*	
		D >> - MJ 2013			
(4)	8R0 867 492	Stop buffer		X	
		D - MJ 2014>>			
5	970 555 245 01	Rear lid trim panel	left	1	
		D >> - MJ 2013			
	970 555 245 01 1E0	Black	-AB,AC,GK,GS, GA		
	970 555 245 01 6L0	Platinum Grey	-CB,CC,GC,BB		
	970 555 245 01 4H0	Luxor beige	-UB,UC,GU,PK, PL		
	970 555 245 01 2F0	yachting blue	-EC,GE		
	970 555 245 01 5J0	Cream	-BC,BD,BE,DS, DT		
	970 555 245 01 7N0	Espresso	-NA		
	970 555 245 01 8P0	Cognac	-NC		
	970 555 245 01 9Q0	Cedar	-BN		
	970 555 245 01 3G0	Marsala Red	-PC,GP		
5	970 555 245 02	Rear lid trim panel	left	1	
		D - MJ 2014>>			
	970 555 245 02 1E0	Black	-AB,AC,GK,GS, GA,BF,PF		
	970 555 245 02 4H0	Luxor beige	-UB,UC,GU,PK, PL		
	970 555 245 02 5J0	Cream	-BC,BE,DS,DT		
	970 555 245 02 7N0	Espresso	-NA		
	970 555 245 02 8P0	Cognac	-NC		
	970 555 245 02 9Q0	Cedar	-BN		

Model: 970 10 Model life 2010>>2016

Pos	Part Number	Description	Remark	Qty	Model			
(5)	970 555 245 02 3G0	Marsala Red	-PC,GP	1				
	970 555 245 02 OP1	agate grey	-DG,DL,GD					
	970 555 245 02 OM8	saddle brown	-SB,GH,DN					
	970 555 246 01	Rear lid trim panel	right					
		D >> - MJ 2013						
	970 555 246 01 1E0	Black	-AB,AC,GK,GS,GA					
	970 555 246 01 6L0	Platinum Grey	-CB,CC,GC,BB					
	970 555 246 01 4H0	Luxor beige	-UB,UC,GU,PK,PL					
	970 555 246 01 2F0	yachting blue	-EC,GE					
	970 555 246 01 5J0	Cream	-BC,BD,BE,DS,DT					
(5)	970 555 246 01 7N0	Espresso	-NA	1				
	970 555 246 01 8P0	Cognac	-NC					
	970 555 246 01 9Q0	Cedar	-BN					
	970 555 246 01 3G0	Marsala Red	-PC,GP					
	970 555 246 02	Rear lid trim panel	right					
		D - MJ 2014>>						
	970 555 246 02 1E0	Black	-AB,AC,GK,GS,GA,BF,PF					
	970 555 246 02 4H0	Luxor beige	-UB,UC,GU,PK,PL					
	970 555 246 02 5J0	Cream	-BC,BE,DS,DT					
	970 555 246 02 7N0	Espresso	-NA					
6	970 555 246 02 8P0	Cognac	-NC	X				
	970 555 246 02 9Q0	Cedar	-BN					
	970 555 246 02 3G0	Marsala Red	-PC,GP					
	970 555 246 02 OP1	agate grey	-DG,DL,GD					
	970 555 246 02 OM8	saddle brown	-SB,GH,DN					
	999 507 584 02	Clamp						
	7	970 555 241 08	Rear lid trim panel			lower	1	PR:426
			D >> - MJ 2013					
		970 555 241 08 1E0	Black			-AB,AC,GK,GS,GA		
		970 555 241 08 6L0	Platinum Grey			-CB,CC,GC,BB		
970 555 241 08 4H0		Luxor beige	-UB,UC,GU,PK,PL					
970 555 241 08 2F0		yachting blue	-EC,GE					
970 555 241 08 5J0		Cream	-BC,BD,BE,DS,DT					
970 555 241 08 7N0		Espresso	-NA					
970 555 241 08 8P0		Cognac	-NC					
970 555 241 08 9Q0		Cedar	-BN					
7	970 555 241 08 3G0	Marsala Red	-PC,GP	1	PR:426			
	970 555 241 10	Rear lid trim panel	lower					
		D - MJ 2014>>						
	970 555 241 10 1E0	Black	-AB,AC,BF					
	970 555 241 10 4H0	Luxor beige	-UB,PK,UC					
	970 555 241 10 5J0	Cream	-BC,BE,DS,DT					
	970 555 241 10 7N0	Espresso	-NA					
	970 555 241 10 8P0	Cognac	-NC					
	970 555 241 10 9Q0	Cedar						
	970 555 241 10 3G0	Marsala Red	-PC					
(7)	970 555 241 10 OP1	agate grey	-DG,DC	1	PR:425			
	970 555 241 10 OM8	saddle brown	-SB,DN					
	970 555 241 09	Rear lid trim panel	lower					
		D >> - MJ 2013						
	970 555 241 09 1E0	Black	-AB,AC,GK,GS,GA					
970 555 241 09 6L0	Platinum Grey	-CB,CC,GC,BB						
970 555 241 09 4H0	Luxor beige	-UB,UC,GU,PK,PL						

Model: 970 10 Model life 2010>>2016

Pos	Part Number	Description	Remark	Qty	Model
	970 555 241 09 2F0	yachting blue	-EC,GE		
	970 555 241 09 5J0	Cream	-BC,BD,BE,DS,DT		
	970 555 241 09 7N0	Espresso	-NA		
	970 555 241 09 8P0	Cognac	-NC		
	970 555 241 09 9Q0	Cedar	-BN		
	970 555 241 09 3G0	Marsala Red	-PC,GP		
(7)	970 555 241 11	Rear lid trim panel D - MJ 2014>>	lower	1	PR:425
	970 555 241 11 1E0	Black	-AB,AC,GK,GS,GA,BF,PF		
	970 555 241 11 4H0	Luxor beige	-UB,UC,GU,PK,PL		
	970 555 241 11 5J0	Cream	-BC,BE,DS,DT		
	970 555 241 11 7N0	Espresso	-NA		
	970 555 241 11 8P0	Cognac	-NC		
	970 555 241 11 9Q0	Cedar	-BN		
	970 555 241 11 3G0	Marsala Red	-PC,GP		
	970 555 241 11 OP1	agate grey	-DG,DL,GD		
	970 555 241 11 OM8	saddle brown	-SB,GH,DN		
8	970 555 641 00	Cover cap D >> - MJ 2013	left a. right	2	
	970 555 641 00 1E0	Black	-AB,AC,GK,GS,GA		
	970 555 641 00 6L0	Platinum Grey	-CB,CC,GC,BB		
	970 555 641 00 4H0	Luxor beige	-UB,UC,GU,PK,PL		
	970 555 641 00 2F0	yachting blue	-EC,GE		
	970 555 641 00 5J0	Cream	-BC,BD,BE,DS,DT		
	970 555 641 00 7N0	Espresso	-NA		
	970 555 641 00 8P0	Cognac	-NC		
	970 555 641 00 9Q0	Cedar	-BN		
	970 555 641 00 3G0	Marsala Red	-PC,GP		
8	970 555 641 01	Cover cap D - MJ 2014>>	left a. right	2	
	970 555 641 01 1E0	Black	-AB,AC,GK,GS,GA,BF,PF		
	970 555 641 01 4H0	Luxor beige	-UB,UC,GU,PK,PL		
	970 555 641 01 5J0	Cream	-BC,BE,DS,DT		
	970 555 641 01 7N0	Espresso	-NA		
	970 555 641 01 8P0	Cognac	-NC		
	970 555 641 01 9Q0	Cedar	-BN		
	970 555 641 01 3G0	Marsala Red	-PC,GP		
	970 555 641 01 OP1	agate grey	-DG,DL,GD		
	970 555 641 01 OM8	saddle brown	-SB,GH,DN		
9	970 555 341 00	Handle shell with: Cover cap D >> - MJ 2013		1	PR:-867
	970 555 341 00 1E0	Black	-AB,AC,GK,GS,GA		
	970 555 341 00 6L0	Platinum Grey	-CB,CC,GC,BB		
	970 555 341 00 4H0	Luxor beige	-UB,UC,GU,PK,PL		
	970 555 341 00 2F0	yachting blue	-EC,GE		
	970 555 341 00 5J0	Cream	-BC,BD,BE,DS,DT		
	970 555 341 00 7N0	Espresso	-NA		
	970 555 341 00 8P0	Cognac	-NC		
	970 555 341 00 9Q0	Cedar	-BN		
	970 555 341 00 3G0	Marsala Red	-PC,GP		

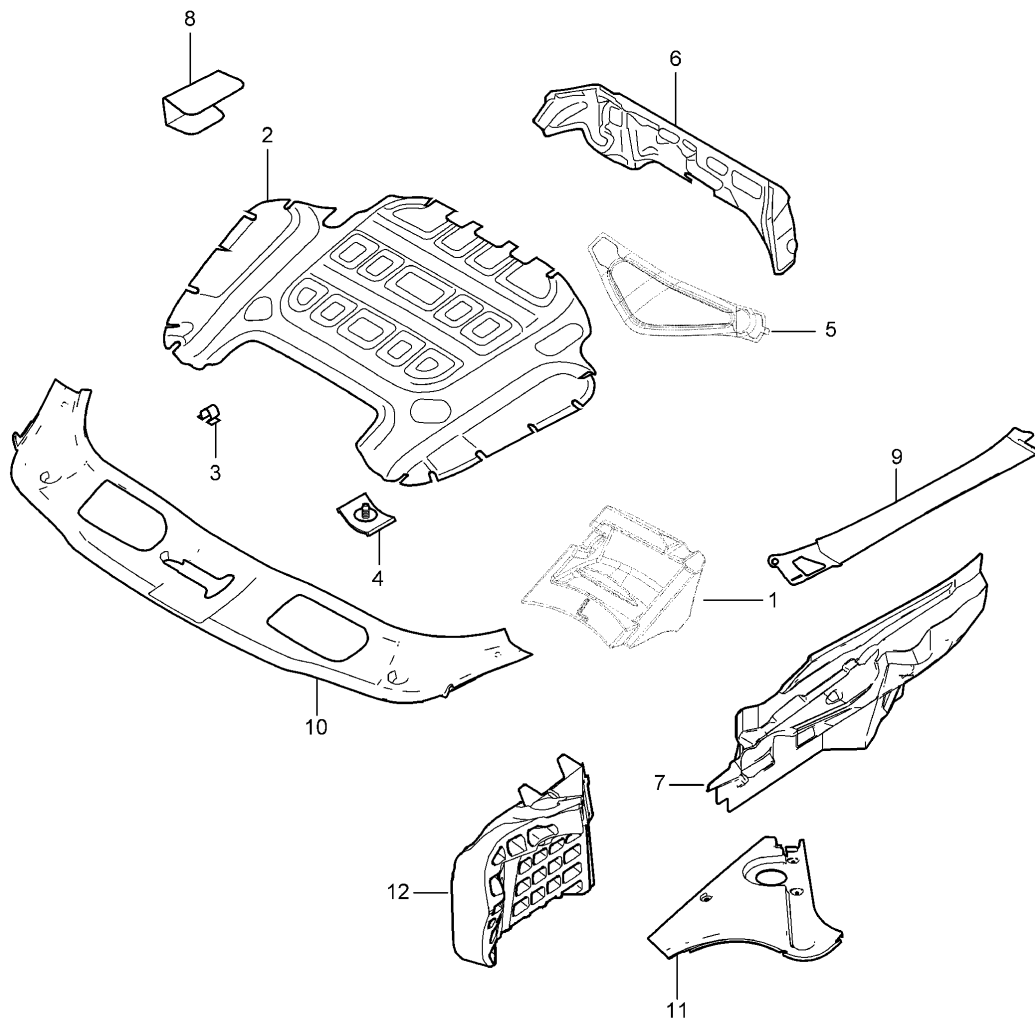
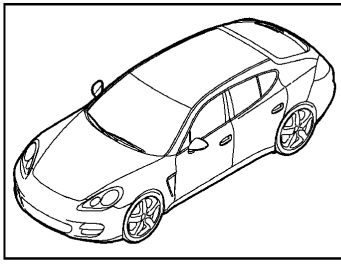
Model: 970 10

Model life 2010>>2016

Pos	Part Number	Description	Remark	Qty	Model
10	970 555 441 00	Trim		1	PR:867
		D >> - MJ 2013			
	970 555 441 00 1E0	Black	-AB,AC,GK,GS, GA		
	970 555 441 00 6L0	Platinum Grey	-CB,CC,GC,BB		
	970 555 441 00 4H0	Luxor beige	-UB,UC,GU,PK, PL		
	970 555 441 00 2F0	yachting blue	-EC,GE		
	970 555 441 00 5J0	Cream	-BC,BD,BE,DS, DT		
	970 555 441 00 7N0	Espresso	-NA		
	970 555 441 00 8P0	Cognac	-NC		
	970 555 441 00 9Q0	Cedar	-BN		
	970 555 441 00 3G0	Marsala Red	-PC,GP		
11	999 073 195 01	flat round head bolt M6X20		X	

Model: 970 10

Model life 2010>>2016



Model: 970 10 Model life 2010>>2016

Pos	Part Number	Description	Remark	Qty	Model
1	970 556 515 00	Sound absorber Engine bay Front end Cover panel sound absorb.for wheel housing	left front	1	
(1)	970 556 516 00	sound absorb.for wheel housing	right front	1	
2	970 556 101 00	sound abs. for engine bonnet Discontinued part		1	
(2)	970 556 101 02	sound abs. for engine bonnet		1	
3	999 591 371 40	Securing clip		9	
4	999 591 419 40	Clip		2	
5	970 556 701 00	Sound absorber Bonnet	left	1	
(5)	970 556 702 00	Sound absorber Bonnet	right	1	
6	970 556 201 01	Sound absorber water box Engine bay		1	
(6)	970 556 201 03	D >> - MJ 2013 Sound absorber water box Engine bay D - MJ 2014>>		1	
7	970 556 303 00	Sound absorber Engine bay	left	1	
(7)	970 556 304 00	Sound absorber Engine bay	right	1	
8	970 504 471 00	Sound absorber Engine bay	right	1	
(8)	970 504 471 00	Side member Sound absorber Engine bay Side member and D >> - MJ 2013	right left	2	
(8)	970 504 471 00	Sound absorber Engine bay Side member D - MJ 2014>>	right	1	
9	970 504 711 00	Cover panel Wing flange	left	1	
(9)	970 504 711 00 1E0	Black			
	970 504 712 00	Cover panel Wing flange	right	1	
	970 504 712 00 1E0	Black			
10	970 504 811 01	Trim lock Engine bay		1	
	970 504 811 01 1E0	Black			
11	970 504 534 00	Cover Wishbone Engine bay	right	1	
(11)	970 504 534 00 1E0	Black			
	970 504 533 00	Cover Wishbone Engine bay	left	1	
(11)	970 504 533 00 1E0	Black			
	970 504 533 03	cover for engine compartment Wishbone	left	1	Diesel

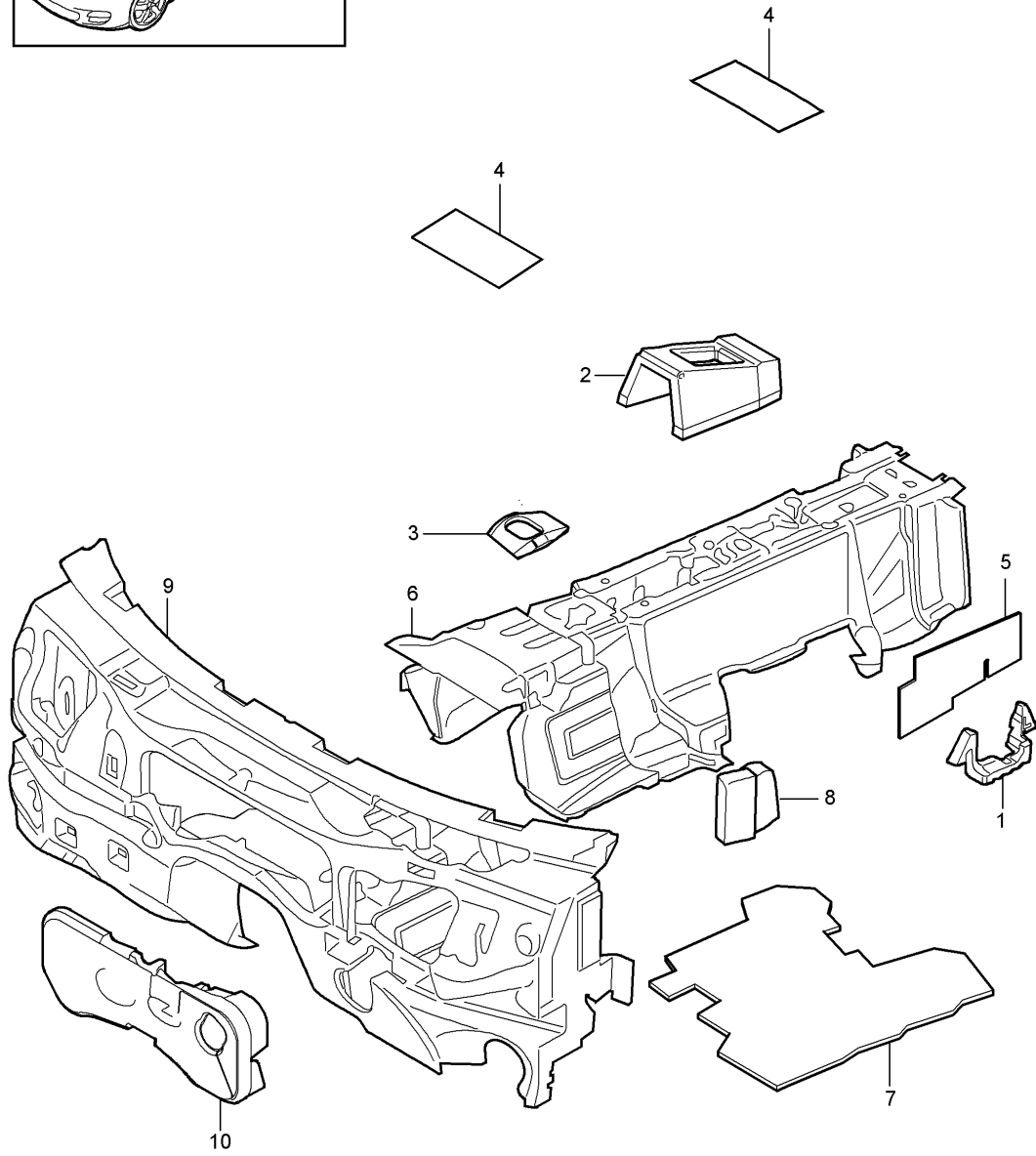
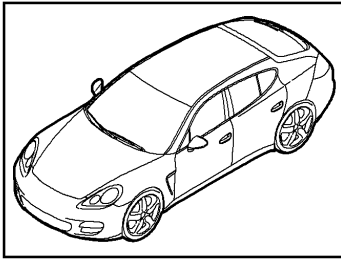
Model: 970 10

Model life 2010>>2016

Pos	Part Number	Description	Remark	Qty	Model
(11)	970 504 533 03 1E0 970 504 534 03	D - MJ 2014>> Black cover for engine compartment Wishbone	right	1	Diesel
12	970 504 534 03 1E0 970 504 587 00	D - MJ 2014>> Black Cover Support Spring strut	left	1	Diesel
(12)	970 504 588 00	Cover Support Spring strut	right	1	Diesel

Model: 970 10

Model life 2010>>2016

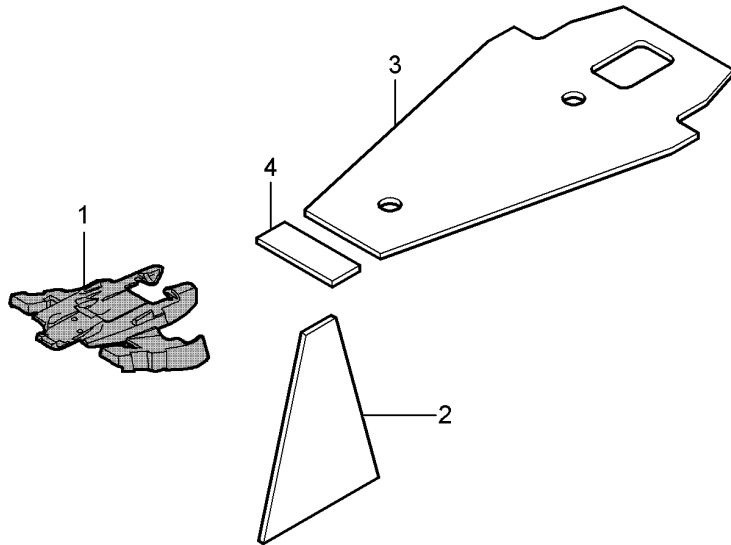
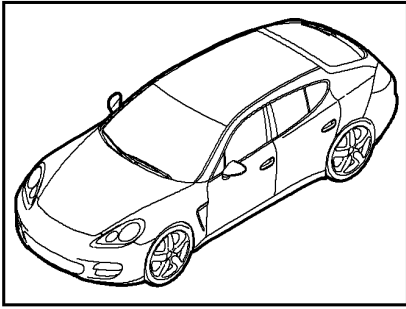


Model: 970 10 Model life 2010>>2016

Pos	Part Number	Description	Remark	Qty	Model
		Sound absorber Passenger compartment Front end Underbody			
1	970 556 556 01	Sound absorber B-pillar	right	1	
(1)	970 556 555 01	Sound absorber B-pillar	left	1	
2	970 556 561 00	Sound absorber ball housing - gearshift lever		1	PR:480
3	970 556 533 00	Sound absorber Centre console	front	1	PR:250
4	970 556 509 00	Sound absorber Roof		1	PR:650
		with:			
(4)	970 556 509 00	Sunroof Sound absorber Roof		2	PR:652
		without:			
5	970 556 505 01	Sunroof Damper for tunnel	left	1	
(5)	970 556 506 01	Damper for tunnel	right	1	
6	970 556 233 03	Sound absorber tunnel	inner	1	PR:0E1
(6)	970 556 233 02	Manual gearbox Sound absorber tunnel	inner	1	PR:0E2
(6)	970 556 253 00	Long Sound absorber tunnel	inner	1	PR:0E2
(6)	970 556 203 03	Short Tunnel trim	outer	1	
(6)	970 556 203 04	Cardan shaft Sound absorber tunnel	outer	1	Diesel
7	970 552 555 00	Cardan shaft Sound absorber Dashboard (drivers side)		1	
(7)	970 552 556 00	Sound absorber Dashboard (passenger side)		1	
8	970 556 573 00	Sound absorber Seat support		1	
9	970 556 231 03	Sound absorber Firewall		1	PR:098
9	970 556 231 04	Sound absorber Firewall		1	PR:099
10	970 556 703 00	Sound absorber Cover		1	PR:098
10	970 556 703 01	Firewall Sound absorber Cover Firewall		1	PR:099

Model: 970 10

Model life 2010>>2016



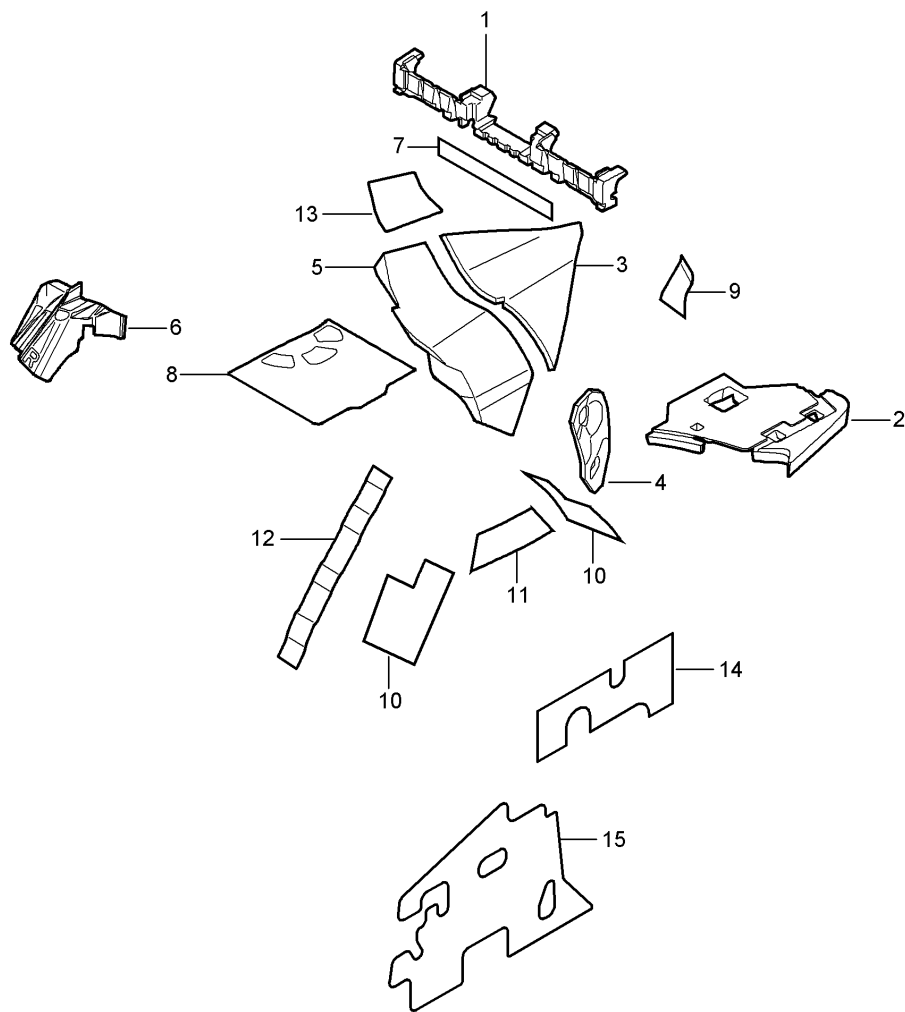
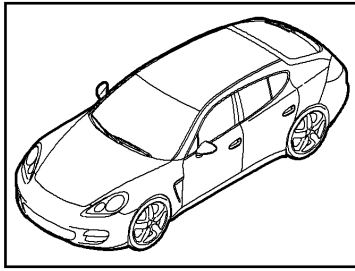
Model: 970 10

Model life 2010>>2016

Pos	Part Number	Description	Remark	Qty	Model
		Sound absorber Passenger compartment	rear		
1	970 556 535 00	Sound absorber Centre console	rear	1	
2	970 556 547 00	Sound absorber c-pillar	left a. right	2	
3	970 556 511 01	Damping Seat well	left a. right	1	
4	970 556 507 00	Damping Seat well	left a. right	2	

Model: 970 10

Model life 2010>>2016



Model: 970 10 Model life 2010>>2016

Pos	Part Number	Description	Remark	Qty	Model
1	970 556 537 00	Sound absorber Trim Luggage compartment Rear end		1	
2	970 556 540 00	Sound absorber Floor section Luggage compartment	right	1	
(2)	970 556 539 00	Sound absorber Floor section Luggage compartment	left	1	
3	970 556 521 00	Defroster nozzle for wind- screen corner part	left a. right	2	
4	970 556 525 00	sound absorber for side panel	left a. right rear	2	
5	970 556 517 00	sound absorb.for wheel housing	right rear	1	
(5)	970 556 518 00	sound absorb.for wheel housing	left rear	1	
6	970 556 558 00	Sound absorber Wheel housing	right rear	1	
(6)	970 556 557 00	Sound absorber Wheel housing	left rear	1	
7	970 556 543 00	Damping lock carrier	rear	1	
8	970 556 549 00	sound absorber for luggage compartment floor	left rear	1	
(8)	970 556 550 00	sound absorber for luggage compartment floor	right rear	1	
9	970 556 545 00	sound absorber for rear panel	left a. right rear	2	
10	970 556 551 00	sound absorb.for wheel housing	left rear outer	2	
(10)	970 556 552 00	sound absorb.for wheel housing	right rear outer	2	
11	970 556 553 00	sound absorb.for wheel housing	left a. right rear outer	2	
12	970 556 531 00	sound absorb.for wheel housing	left a. right rear front	2	
13	970 556 513 00	D - MJ 2010>> - MJ 2012 sound absorber for side panel	left a. right rear	2	
14	970 556 529 01	sound absorb.for wheel housing	left rear outer	1	
(14)	970 556 530 00	sound absorb.for wheel housing	right rear outer	1	
(14)	970 556 643 02	Sound absorber Wheel housing High voltage Line	left rear	1	Hybrid
(14)	970 556 644 02	Sound absorber Wheel housing Line	right rear	1	

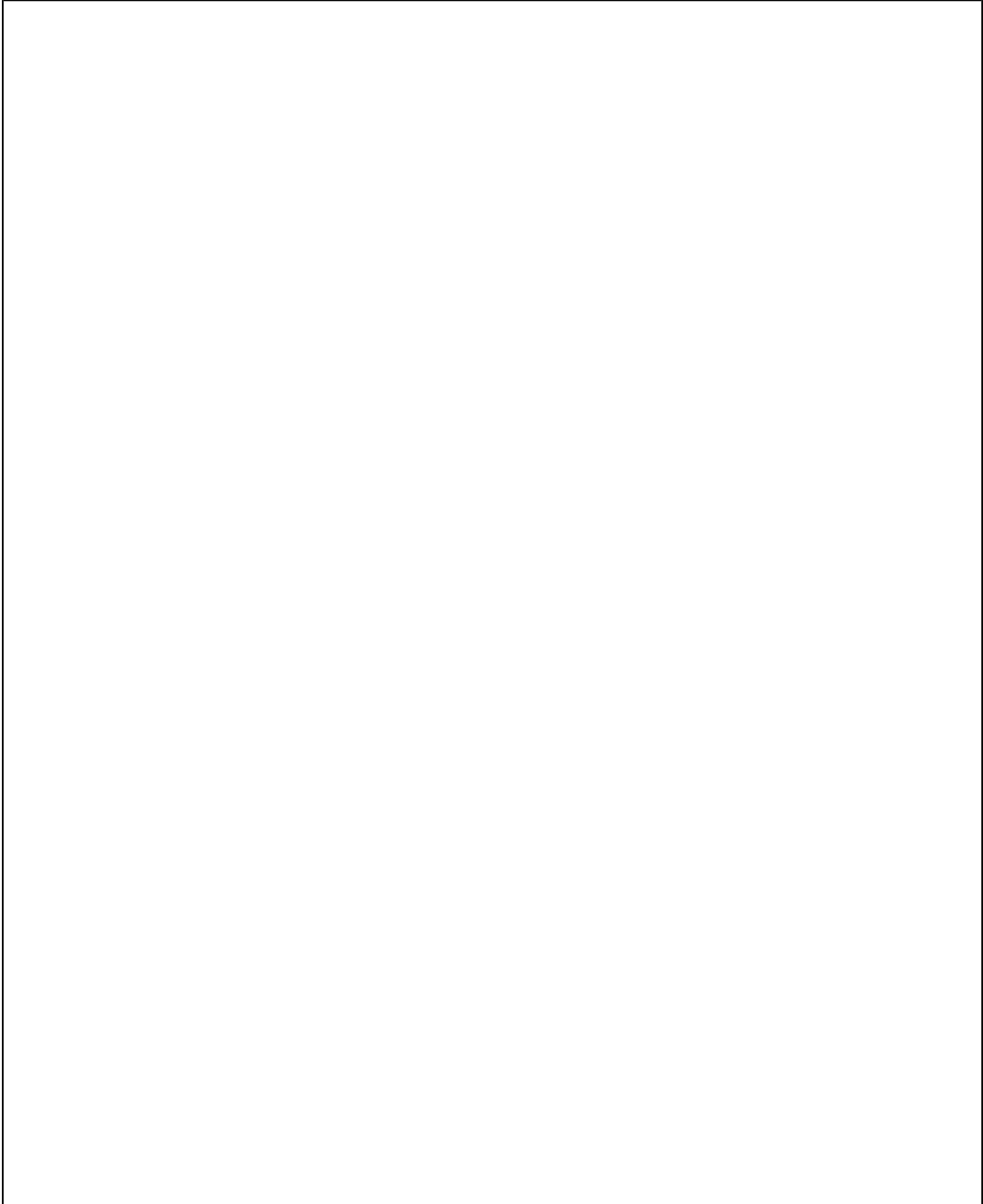
Model: 970 10

Model life 2010>>2016

Pos	Part Number	Description	Remark	Qty	Model
15	970 556 527 00	Input 'Keyless Entry (KESY)' sound absorber for luggage compartment floor	left rear outer	1	
(15)	970 556 527 02	D - MJ 2010>> - MJ 2011 Discontinued part sound absorber for luggage compartment floor	left rear outer	1	
(15)	970 556 528 01	D - MJ 2012>> sound absorber for luggage compartment floor	right rear outer	1	
(15)	970 556 528 02	D - MJ 2010>> - MJ 2011 Discontinued part sound absorber for luggage compartment floor	right rear outer	1	
16	970 556 591 00	D - MJ 2012>> Insulation for floor Bottom plate D - MJ 2012>>	left a. right	1	

Model: 970 10

Model life 2010>>2016



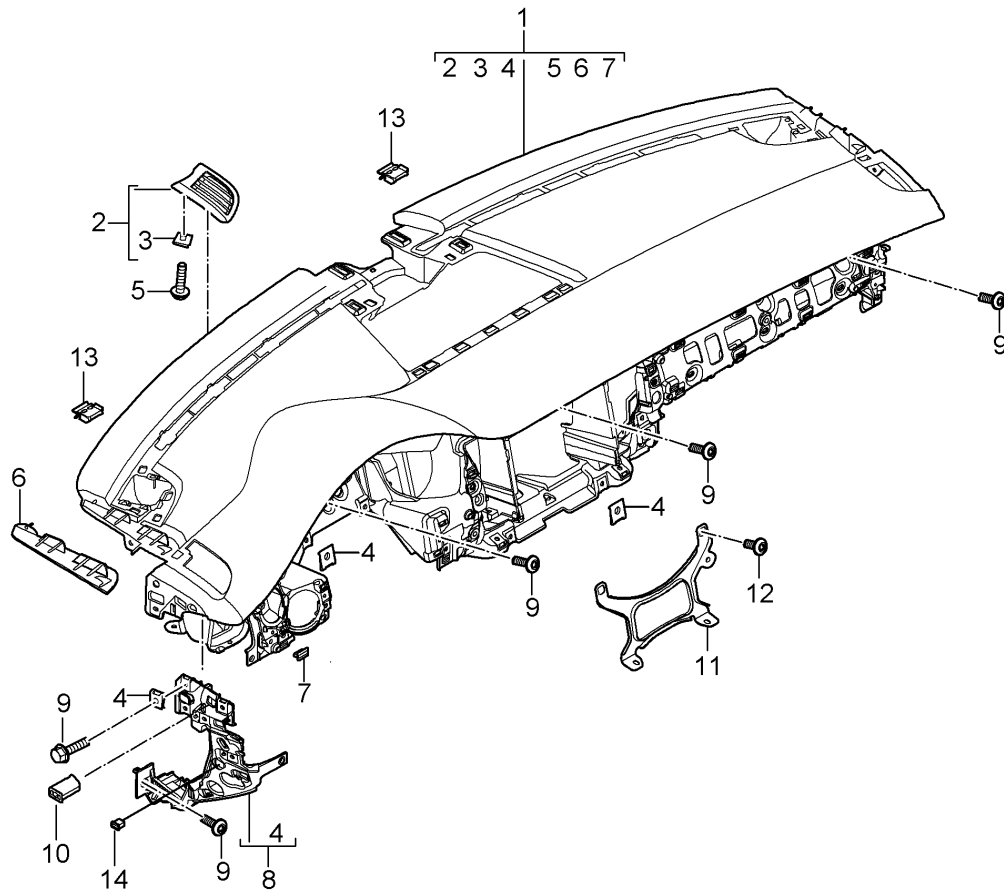
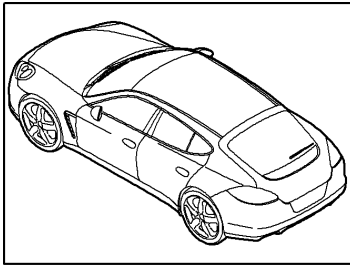
Model: 970 10

Model life 2010>>2016

Pos	Part Number	Description	Remark	Qty	Model
		Sound absorber Rear end Hybrid			
1	970 556 575 00	Sound absorber Rear end	left	1	
(1)	970 556 576 00	Sound absorber Rear end	right	1	
2	970 556 573 00	Sound absorber Seat support		2	
3	970 556 547 00	Sound absorber c-pillar		4	
4	970 556 539 01	Sound absorber Luggage compartment	left rear	1	
(4)	970 556 540 01	Sound absorber Luggage compartment	right rear	1	
5	970 556 643 03	Sound absorber Wheel housing	left rear	1	
(5)	970 556 643 02	Sound absorber Wheel housing Line	left rear	1	
(5)	970 556 644 02	High voltage Sound absorber Wheel housing	right rear	1	

Model: 970 10

Model life 2010>>2016



Model: 970 10 Model life 2010>>2016

Pos	Part Number	Description	Remark	Qty	Model
1	970 552 101 07	dashboard Upper part with: Fasteners dashboard Upper part Leatherette	lhd	1	PR:098
	970 552 101 07 7P8	Black	-AB,PK		
	970 552 101 07 9PK	Platinum Grey	-CB		
	970 552 101 07 8ED	Luxor beige	-UB		
	970 552 101 07 OK2	agate grey	-DG		
1	970 552 102 07	dashboard Upper part Leatherette	rhd	1	PR:099
	970 552 102 07 7P8	Black	-AB,PK		
	970 552 102 07 9PK	Platinum Grey	-CB		
	970 552 102 07 8ED	Luxor beige	-UB		
	970 552 102 07 OK2	agate grey	-DG		
(1)	970 552 101 08	dashboard Upper part Leather	lhd	1	PR:098,981
	970 552 101 08 A11	Black	-AC,GA		
	970 552 101 08 9B0	Platinum Grey	-CC		
	970 552 101 08 7J0	Luxor beige	-UC,GU		
	970 552 101 08 6A0	yachting blue	-EC,GE		
	970 552 101 08 DPE	Black/Platinum Grey	-BB		
	970 552 101 08 DPF	Luxor Beige/Cream	-BC		
	970 552 101 08 DPG	Yachting Blue/Cream	-BD		
	970 552 101 08 6J0	Espresso	-NA		
	970 552 101 08 7F0	Cognac	-NC		
	970 552 101 08 DPJ	Cognac/Cedar	-BN		
	970 552 101 08 7H0	Marsala Red	-PC,GP		
	970 552 101 08 DPH	Marsala Red/Cream	-BE		
	970 552 101 08 DSK	Black/Carmine Red	-GK		
	970 552 101 08 DSL	black/silver	-GS		
	970 552 101 08 DQJ	Black/Cream	-DS		
	970 552 101 08 DQK	Agate Grey/Cream	-DT		
	970 552 101 08 OA1	agate grey	-DL,GD		
	970 552 101 08 DQU	Black/Carrera Red	-BF		
(1)	970 552 101 11	dashboard Upper part Leather	lhd	1	PR:098,981
	970 552 101 11 OK6	saddle brown	-SB,GH		
	970 552 101 11 DUQ	Black/Saddle Tan	-DN		
	970 552 101 11 DTK	Black/Luxor Beige	-PK		
(1)	970 552 102 08	dashboard Upper part Leather	rhd	1	PR:099,981
	970 552 102 08 A11	Black	-AC,GA		
	970 552 102 08 9B0	Platinum Grey	-CC		
	970 552 102 08 7J0	Luxor beige	-UC,GU		
	970 552 102 08 6A0	yachting blue	-EC,GE		
	970 552 102 08 DPE	Black/Platinum Grey	-BB		
	970 552 102 08 DPF	Luxor Beige/Cream	-BC		
	970 552 102 08 DPG	Yachting Blue/Cream	-BD		
	970 552 102 08 6J0	Espresso	-NA		
	970 552 102 08 7F0	Cognac	-NC		
	970 552 102 08 DPJ	Cognac/Cedar	-BN		
	970 552 102 08 7H0	Marsala Red	-PC,GP		
	970 552 102 08 DPH	Marsala Red/Cream	-BE		
	970 552 102 08 DSK	Black/Carmine Red	-GK		
	970 552 102 08 DSL	black/silver	-GS		
	970 552 102 08 DQJ	Black/Cream	-DS		

Model: 970 10 Model life 2010>>2016

Pos	Part Number	Description	Remark	Qty	Model
	970 552 102 08 DQK	Agate Grey/Cream	-DT		
	970 552 102 08 OA1	agate grey	-DL, GD		
	970 552 102 08 DQU	Black/Carrera Red	-BF		
	970 552 102 08 DTK	Black/Luxor Beige	-PK		
	970 552 102 08 OK6	saddle brown	-SB		
(1)	970 552 101 09	dashboard Upper part Leather	lhd	1	PR:016,020, 098,981
	970 552 101 09 PFH	Black/Toffee Brown			
2	970 552 455 00	Cover Defroster	left	1	
	970 552 455 00 5Q0	Black	-AB, AC, GK, GS, GA, BB, PK, PL, DS, BF, DN		
	970 552 455 00 4U0	Platinum Grey	-CB, CC, GC		
	970 552 455 00 6W0	Luxor beige	-UB, UC, GU, BC		
	970 552 455 00 8Y0	yachting blue	-EC, GE, BD		
	970 552 455 00 3T0	Espresso	-NA		
	970 552 455 00 2S0	Cognac	-NC, BN		
	970 552 455 00 7X0	Marsala Red	-PC, GP, BE		
	970 552 455 00 OA6	agate grey	-DG, DL, GD, DT		
(2)	970 552 455 00 OL7	saddle brown	-SB		
	970 552 456 00	Cover Defroster	right	1	
	970 552 456 00 5Q0	Black	-AB, AC, GK, GS, GA, BB, PK, PL, DS, BF, DN		
	970 552 456 00 4U0	Platinum Grey	-CB, CC, GC		
	970 552 456 00 6W0	Luxor beige	-UB, UC, GU, BC		
	970 552 456 00 8Y0	yachting blue	-EC, GE, BD		
	970 552 456 00 3T0	Espresso	-NA		
	970 552 456 00 2S0	Cognac	-NC, BN		
	970 552 456 00 7X0	Marsala Red	-PC, GP, BE		
	970 552 456 00 OA6	agate grey	-DG, DL, GD, DT		
	970 552 456 00 OL7	saddle brown	-SB		
3	999 507 556 03	panel nut M 5		X	
4	999 507 556 01	panel nut M 5		x	
5	999 073 512 01	fillister hd. bolt M 5 X 16		x	
6	970 552 581 00	Insert A-pillar	left	1	
(6)	970 552 582 00	Insert A-pillar	right	1	
7	955 552 107 00	Retaining clip		x	
8	970 552 391 00	Insert dashboard Carrier	left	1	
(8)	970 552 392 00	Insert dashboard Carrier	right	1	
9	999 073 498 01	fillister hd. bolt M 5 X 20		X	
10	970 552 891 00	Fixing Insert dashboard	left	1	
(10)	970 552 892 00	Fixing Insert dashboard	right	1	
11	970 552 361 00	Support dashboard	center	1	
12	999 073 295 A2	fillister hd. bolt		4	

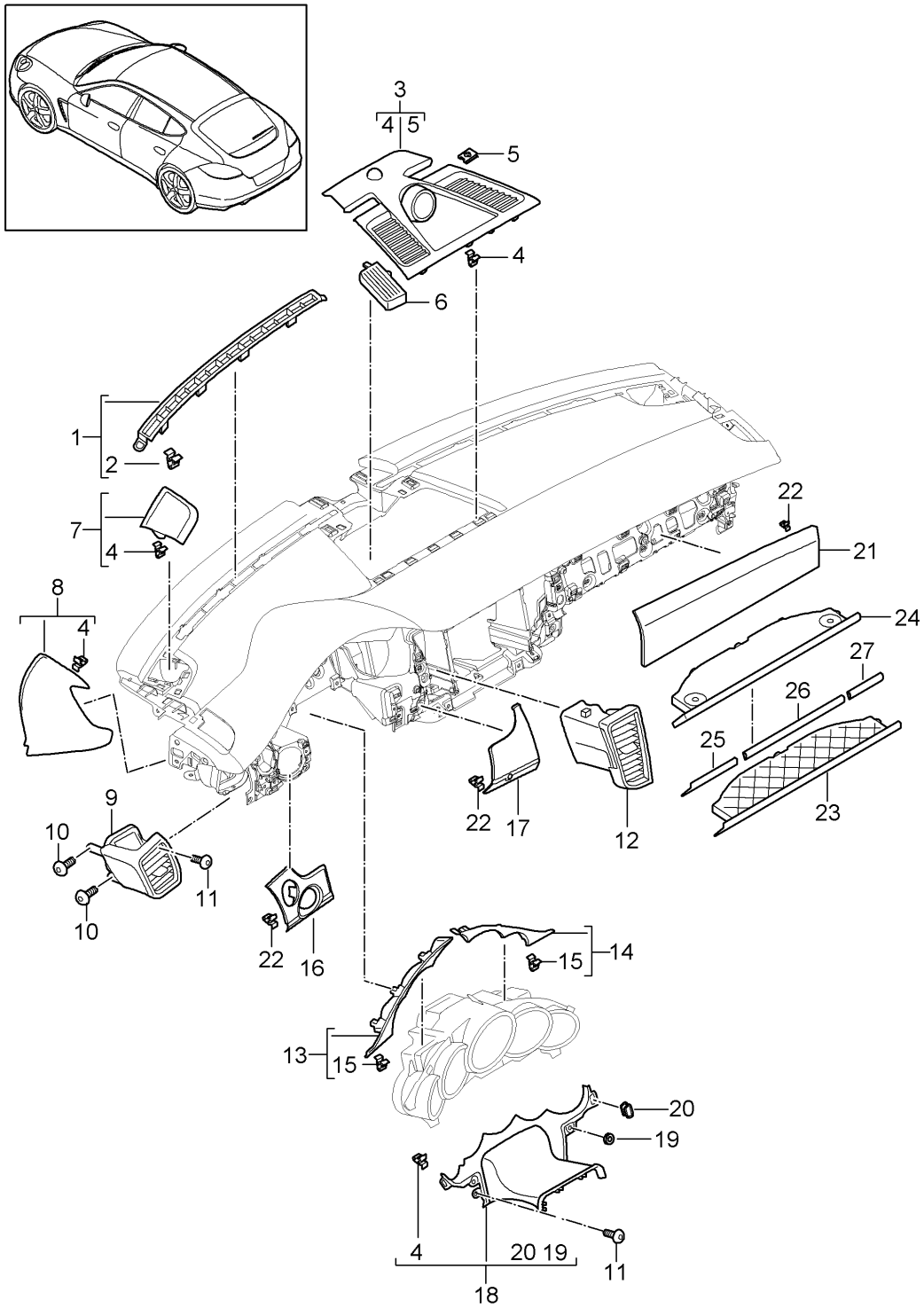
Model: 970 10

Model life 2010>>2016

Pos	Part Number	Description	Remark	Qty	Model
13	970 552 683 00	M 5 X 12 Mount Support dashboard Support dashboard		4	
14	970 552 893 00	Grommet		X	

Model: 970 10

Model life 2010>>2016



Model: 970 10 Model life 2010>>2016

Pos	Part Number	Description	Remark	Qty	Model
1	970 552 375 00 970 552 375 00 5Q0	Accessories dashboard Upper part Defroster trim Black	left -AB,AC,GK,GS, GA,BB,PK,PL, DS,BF,DN	1	
	970 552 375 00 4U0 970 552 375 00 6W0 970 552 375 00 8Y0 970 552 375 00 3T0 970 552 375 00 2S0 970 552 375 00 7X0 970 552 375 00 OA6 970 552 375 00 OL7	Platinum Grey Luxor beige yachting blue Espresso Cognac Marsala Red agate grey saddle brown	-CB,CC,GC -UB,UC,GU,BC -EC,GE,BD -NA -NC,BN -PC,GP,BE -DG,DL,GD,DT -SB		
(1)	970 552 376 00 970 552 376 00 5Q0	Defroster trim Black	right -AB,AC,GK,GS, GA,BB,PK,PL, DS,BF,DN	1	
	970 552 376 00 4U0 970 552 376 00 6W0 970 552 376 00 8Y0 970 552 376 00 3T0 970 552 376 00 2S0 970 552 376 00 7X0 970 552 376 00 OA6 970 552 376 00 OL7	Platinum Grey Luxor beige yachting blue Espresso Cognac Marsala Red agate grey saddle brown	-CB,CC,GC -UB,UC,GU,BC -EC,GE,BD -NA -NC,BN -PC,GP,BE -DG,DL,GD,DT -SB		
2	999 591 547 01	U-clip 1,6		8	
(3)	970 552 151 00 970 552 151 00 5Q0	Trim Black	center -AB,AC,GK,GS, GA,BB,PK,PL, DS,BF,DN	1	PR:-639, -640,-QR3
	970 552 151 00 4U0 970 552 151 00 6W0 970 552 151 00 8Y0 970 552 151 00 3T0 970 552 151 00 2S0 970 552 151 00 7X0 970 552 151 00 OA6 970 552 151 00 OL7	Platinum Grey Luxor beige yachting blue Espresso Cognac Marsala Red agate grey saddle brown	-CB,CC,GC -UB,UC,GU,BC -EC,GE,BD -NA -NC,BN -PC,GP,BE -DG,DL,GD,DT -SB,GH		
3	970 552 151 01 970 552 151 01 5Q0	Trim Black	center -AB,AC,GK,GS, GA,BB,PK,PL, DS,BF,DN	1	PR:639,640, QR3
	970 552 151 01 4U0 970 552 151 01 6W0 970 552 151 01 8Y0 970 552 151 01 3T0 970 552 151 01 2S0 970 552 151 01 7X0 970 552 151 01 OA6 970 552 151 01 OL7	Platinum Grey Luxor beige yachting blue Espresso Cognac Marsala Red agate grey saddle brown	-CB,CC,GC -UB,UC,GU,BC -EC,GE,BD -NA -NC,BN -PC,GP,BE -DG,DL,GD,DT -SB,GH		
4	999 507 130 01	U-clip 1,2 - 1,7		X	
5	999 507 556 01	panel nut M 5		2	PR:639,640
6	970 552 175 00	Centre nozzle	left	1	
(6)	970 552 176 00	Centre nozzle	upper right upper	1	

Model: 970 10 Model life 2010>>2016

Pos	Part Number	Description	Remark	Qty	Model
7	970 552 553 00	Cover for treble speaker	left	1	PR:441,490, 680
	970 552 553 00 5Q0	Black	-AB,AC,GK,GS, GA,BB,PK,PL, DS,BF,DN		
	970 552 553 00 4U0	Platinum Grey	-CB,CC,GC		
	970 552 553 00 6W0	Luxor beige	-UB,UC,GU,BC		
	970 552 553 00 8Y0	yachting blue	-EC,GE,BD		
	970 552 553 00 3T0	Espresso	-NA		
	970 552 553 00 2S0	Cognac	-NC,BN		
	970 552 553 00 7X0	Marsala Red	-PC,GP,BE		
	970 552 553 00 OA6	agate grey	-DG,DL,GD,DT		
	970 552 553 00 OL7	saddle brown	-SB		
(7)	970 552 554 00	Cover for treble speaker	right	1	PR:441,490, 680
	970 552 554 00 5Q0	Black	-AB,AC,GK,GS, GA,BB,PK,PL, DS,BF,DN		
	970 552 554 00 4U0	Platinum Grey	-CB,CC,GC		
	970 552 554 00 6W0	Luxor beige	-UB,UC,GU,BC		
	970 552 554 00 8Y0	yachting blue	-EC,GE,BD		
	970 552 554 00 3T0	Espresso	-NA		
	970 552 554 00 2S0	Cognac	-NC,BN		
	970 552 554 00 7X0	Marsala Red	-PC,GP,BE		
	970 552 554 00 OA6	agate grey	-DG,DL,GD,DT		
	970 552 554 00 OL7	saddle brown	-SB		
(7)	970 552 553 01	Cover for treble speaker	left	1	PR:682
	970 552 553 01 5Q0	Black	-AB,AC,GK,GS, GA,BB,PK,PL, DS,BF,DN		
	970 552 553 01 4U0	Platinum Grey	-CB,CC,GC		
	970 552 553 01 6W0	Luxor beige	-UB,UC,GU,BC		
	970 552 553 01 8Y0	yachting blue	-EC,GE,BD		
	970 552 553 01 3T0	Espresso	-NA		
	970 552 553 01 2S0	Cognac	-NC,BN		
	970 552 553 01 7X0	Marsala Red	-PC,GP,BE		
	970 552 553 01 OA6	agate grey	-DG,DL,GD,DT		
	970 552 553 01 OL7	saddle brown	-SB		
(7)	970 552 554 01	Cover for treble speaker	right	1	PR:682
	970 552 554 01 5Q0	Black	-AB,AC,GK,GS, GA,BB,PK,PL, DS,BF,DN		
	970 552 554 01 4U0	Platinum Grey	-CB,CC,GC		
	970 552 554 01 6W0	Luxor beige	-UB,UC,GU,BC		
	970 552 554 01 8Y0	yachting blue	-EC,GE,BD		
	970 552 554 01 3T0	Espresso	-NA		
	970 552 554 01 2S0	Cognac	-NC,BN		
	970 552 554 01 7X0	Marsala Red	-PC,GP,BE		
	970 552 554 01 OA6	agate grey	-DG,DL,GD,DT		
	970 552 554 01 OL7	saddle brown	-SB		
8	970 552 405 00	Closing element dashboard	left	1	
	970 552 405 00 5Q0	Black	-AB,AC,GK,GS, GA,BF		
	970 552 405 00 4U0	Platinum Grey	-CB,CC,BB		.+GC,
	970 552 405 00 6W0	Luxor beige	-UB,UC,GU,PK, PL		
	970 552 405 00 8Y0	yachting blue	-EC,GE		
	970 552 405 00 3T0	Espresso	-NA		
	970 552 405 00 2S0	Cognac	-NC		
	970 552 405 00 1R0	Cedar	-BN		

Model: 970 10 Model life 2010>>2016

Pos	Part Number	Description	Remark	Qty	Model
	970 552 405 00 7X0	Marsala Red	-PC,GP		
	970 552 405 00 5V0	Marsala Red/Cream	-BC,BD,BE,DS,DT		
	970 552 405 00 OA6	agate grey	-DG,DL		
	970 552 405 00 OL7	saddle brown	-SB,DN		
(8)	970 552 406 00	Closing element dashboard	right	1	
	970 552 406 00 5Q0	Black	-AB,AC,GK,GS,GA,BF		
	970 552 406 00 4U0	Platinum Grey	-CB,CC,BB		.+GC,
	970 552 406 00 6W0	Luxor beige	-UB,UC,GU,PK,PL		
	970 552 406 00 8Y0	yachting blue	-EC,GE		
	970 552 406 00 3T0	Espresso	-NA		
	970 552 406 00 2S0	Cognac	-NC		
	970 552 406 00 1R0	Cedar	-BN		
	970 552 406 00 7X0	Marsala Red	-PC,GP		
	970 552 406 00 5V0	Marsala Red/Cream	-BC,BD,BE,DS,DT		
	970 552 406 00 OA6	agate grey	-DG,DL		
	970 552 406 00 OL7	saddle brown	-SB,DN		
9	970 552 131 01	Vent	left	1	
	970 552 131 01 DAP	Galvano silver			
(9)	970 552 132 01	Vent	right	1	
	970 552 132 01 DAP	Galvano silver			
10	999 073 499 01	fillister hd. bolt M5 X 14		2	
11	999 919 260 01	fillister hd. bolt M4 X 16		X	
12	970 552 141 03	Centre nozzle	left lhd lower	1	PR:098
	970 552 141 03 DAP	Galvano silver			
(12)	970 552 142 03	Centre nozzle	right lhd lower	1	PR:098
	970 552 142 03 DAP	Galvano silver			
(12)	970 552 141 02	Centre nozzle	left rhd lower	1	PR:099
	970 552 141 02 DAP	Galvano silver			
(12)	970 552 142 02	Centre nozzle	right rhd lower	1	PR:099
	970 552 142 02 DAP	Galvano silver			
13	970 552 525 00	Trim Combi-instrument	left lhd	1	PR:098
	970 552 525 00 5Q0	Black	-AB,AC,GK,GS,GA,BB,PK,PL,DS,BF,DN		
	970 552 525 00 4U0	Platinum Grey	-CB,CC,GC		
	970 552 525 00 6W0	Luxor beige	-UB,UC,GU,BC		
	970 552 525 00 8Y0	yachting blue	-EC,GE,BD		
	970 552 525 00 3T0	Espresso	-NA		
	970 552 525 00 2S0	Cognac	-NC,BN		
	970 552 525 00 7X0	Marsala Red	-PC,GP,BE		
	970 552 525 00 OA6	agate grey	-DG,DL,GD,DT		
	970 552 525 00 OL7	saddle brown	-SB		
(13)	970 552 526 00	Trim Combi-instrument	left rhd	1	PR:099
	970 552 526 00 5Q0	Black	-AB,AC,GK,GS,GA,BB,PK,PL,DS,BF,DN		
	970 552 526 00 4U0	Platinum Grey	-CB,CC,GC		
	970 552 526 00 6W0	Luxor beige	-UB,UC,GU,BC		
	970 552 526 00 8Y0	yachting blue	-EC,GE,BD		
	970 552 526 00 3T0	Espresso	-NA		

Model: 970 10 Model life 2010>>2016

Pos	Part Number	Description	Remark	Qty	Model
	970 552 526 00 2S0	Cognac	-NC, BN		
	970 552 526 00 7X0	Marsala Red	-PC, GP, BE		
	970 552 526 00 OA6	agate grey	-DG, DL, GD, DT		
	970 552 526 00 OL7	saddle brown	-SB		
14	970 552 527 00	Trim	right lhd	1	PR:098
		Combi-instrument			
	970 552 527 00 5Q0	Black	-AB, AC, GK, GS, GA, BB, PK, PL, DS, BF, DN		
	970 552 527 00 4U0	Platinum Grey	-CB, CC, GC		
	970 552 527 00 6W0	Luxor beige	-UB, UC, GU, BC		
	970 552 527 00 8Y0	yachting blue	-EC, GE, BD		
	970 552 527 00 3T0	Espresso	-NA		
	970 552 527 00 2S0	Cognac	-NC, BN		
	970 552 527 00 7X0	Marsala Red	-PC, GP, BE		
	970 552 527 00 OA6	agate grey	-DG, DL, GD, DT		
	970 552 527 00 OL7	saddle brown	-SB		
(14)	970 552 528 00	Trim	right rhd	1	PR:099
		Combi-instrument			
	970 552 528 00 5Q0	Black	-AB, AC, GK, GS, GA, BB, PK, PL, DS, BF, DN		
	970 552 528 00 4U0	Platinum Grey	-CB, CC, GC		
	970 552 528 00 6W0	Luxor beige	-UB, UC, GU, BC		
	970 552 528 00 8Y0	yachting blue	-EC, GE, BD		
	970 552 528 00 3T0	Espresso	-NA		
	970 552 528 00 2S0	Cognac	-NC, BN		
	970 552 528 00 7X0	Marsala Red	-PC, GP, BE		
	970 552 528 00 OA6	agate grey	-DG, DL, GD, DT		
	970 552 528 00 OL7	saddle brown	-SB		
15	999 507 130 01	U-clip		X	
		1,2 X 1,7			
16	970 552 381 00	Trim	lhd	1	PR:098,817
		(drivers side)	outer		
	970 552 381 00 A61	Piano Black, high-gloss			
(16)	970 552 382 00	Trim	rhd	1	PR:099,817
		(drivers side)	outer		
	970 552 382 00 A61	Piano Black, high-gloss			
(16)	970 552 381 01	Trim	lhd	1	PR:098,821
		(drivers side)	outer		
	970 552 381 01 BG1	Walnut, high-gloss			
(16)	970 552 382 01	Trim	rhd	1	PR:099,821
		(drivers side)	outer		
	970 552 382 01 BG1	Walnut, high-gloss			
(16)	970 552 381 02	Trim	lhd	1	PR:098,822
		(drivers side)	outer		
	970 552 381 02 S64	Teneo high-gloss			
(16)	970 552 382 02	Trim	rhd	1	PR:099,822
		(drivers side)	outer		
	970 552 382 02 S64	Teneo high-gloss			
(16)	970 552 381 03	Trim	lhd	1	PR:098,823
		(drivers side)	outer		
	970 552 381 03 CK6	Swedish Birch			
(16)	970 552 382 03	Trim	rhd	1	PR:099,823
		(drivers side)	outer		
	970 552 382 03 CK6	Swedish Birch			
(16)	970 552 381 04	Trim	lhd	1	PR:098,824
		(drivers side)	outer		
	970 552 381 04 BT2	Olive Ash matt open-pored			
(16)	970 552 382 04	Trim	rhd	1	PR:099,824
		(drivers side)	outer		
	970 552 382 04 BT2	Olive Ash matt open-pored			
(16)	970 552 381 05	Trim	lhd	1	PR:098,818

Model: 970 10 Model life 2010>>2016

Pos	Part Number	Description	Remark	Qty	Model
		(drivers side)	outer		
	970 552 381 05 U03	Aluminium, brushed			
(16)	970 552 382 05	Trim	outer rhd	1	PR:099,818
		(drivers side)	outer		
	970 552 382 05 U03	Aluminium, brushed			
(16)	970 552 381 06	Trim	outer lhd	1	PR:098,819
		(drivers side)	outer		
	970 552 381 06 BX3	Carbon, fine high-gloss			
(16)	970 552 382 06	Trim	outer rhd	1	PR:099,819
		(drivers side)	outer		
	970 552 382 06 BX3	Carbon, fine high-gloss			
(16)	970 552 382 07	Trim	outer rhd	1	PR:099,826
		(drivers side)	outer		
	970 552 382 07 OE9	American Walnut			
(16)	970 552 381 07	Trim	outer lhd	1	PR:098,826
		(drivers side)	outer		
	970 552 381 07 OE9	American Walnut			
(16)	970 552 981 00	Trim	outer lhd	1	PR:XZY,098
		(drivers side)	outer		
	970 552 981 00 GX1	Mahogany Yachting			
(16)	970 552 982 00	Trim	outer rhd	1	PR:XZY,099
		(drivers side)	outer		
	970 552 982 00 GX1	Mahogany Yachting			
(16)	970 552 981 01	Trim	outer lhd	1	PR:XHA,098
		(drivers side)	outer		
	970 552 981 01 A11	Black	-AB,AC,GK,GS, GA,BB,PK,PL, DS,BF,DN		
	970 552 981 01 OA1	agate grey	-DG,DL,GD,DT		
	970 552 981 01 7J0	Luxor beige	-UB,UC,GU,BC		
	970 552 981 01 7H0	Marsala Red	-PC,GP,BE		
	970 552 981 01 6J0	Espresso	-NA		
	970 552 981 01 7F0	Cognac	-NC		
	970 552 981 01 9B0	Platinum Grey	-CB,CC,GC		
	970 552 981 01 6A0	yachting blue	-EC,GE,BD		
(16)	970 552 982 01	Trim	outer rhd	1	PR:XHA,099
		(drivers side)	outer		
	970 552 982 01 A11	Black	-AB,AC,GK,GS, GA,BB,PK,PL, DS,BF,DN		
	970 552 982 01 OA1	agate grey	-DG,DL,GD,DT		
	970 552 982 01 7J0	Luxor beige	-UB,UC,GU,BC		
	970 552 982 01 7H0	Marsala Red	-PC,GP,BE		
	970 552 982 01 6J0	Espresso	-NA		
	970 552 982 01 7F0	Cognac	-NC		
	970 552 982 01 9B0	Platinum Grey	-CB,CC,GC		
	970 552 982 01 6A0	yachting blue	-EC,GE,BD		
17	970 552 383 00	Trim	inner lhd	1	PR:098,817
		(drivers side)	inner		
	970 552 383 00 A61	Piano Black, high-gloss			
(17)	970 552 384 00	Trim	inner rhd	1	PR:099,817
		(drivers side)	inner		
	970 552 384 00 A61	Piano Black, high-gloss			
(17)	970 552 383 01	Trim	inner lhd	1	PR:098,821
		(drivers side)	inner		
	970 552 383 01 BG1	Walnut, high-gloss			
(17)	970 552 384 01	Trim	inner rhd	1	PR:099,821
		(drivers side)	inner		
	970 552 384 01 BG1	Walnut, high-gloss			
(17)	970 552 383 02	Trim	inner lhd	1	PR:098,822
		(drivers side)	inner		
	970 552 383 02 S64	Teneo high-gloss			
(17)	970 552 384 02	Trim	inner rhd	1	PR:099,822

Model: 970 10 Model life 2010>>2016

Pos	Part Number	Description	Remark	Qty	Model
		(drivers side)	inner		
	970 552 384 02 S64	Teneo high-gloss			
(17)	970 552 383 03	Trim	lhd	1	PR:098,823
		(drivers side)	inner		
	970 552 383 03 CK6	Swedish Birch			
(17)	970 552 384 03	Trim	rhd	1	PR:099,823
		(drivers side)	inner		
	970 552 384 03 CK6	Swedish Birch			
(17)	970 552 383 04	Trim	lhd	1	PR:098,824
		(drivers side)	inner		
	970 552 383 04 BT2	Olive Ash matt open-pored			
(17)	970 552 384 04	Trim	rhd	1	PR:099,824
		(drivers side)	inner		
	970 552 384 04 BT2	Olive Ash matt open-pored			
(17)	970 552 383 05	Trim	lhd	1	PR:098,818
		(drivers side)	inner		
	970 552 383 05 U03	Aluminium, brushed			
(17)	970 552 384 05	Trim	rhd	1	PR:099,818
		(drivers side)	inner		
	970 552 384 05 U03	Aluminium, brushed			
(17)	970 552 383 06	Trim	lhd	1	PR:098,819
		(drivers side)	inner		
	970 552 383 06 BX3	Carbon, fine high-gloss			
(17)	970 552 383 07	Trim	lhd	1	PR:098,826
		(drivers side)	inner		
	970 552 383 07 OE9	American Walnut			
(17)	970 552 384 06	Trim	rhd	1	PR:099,819
		(drivers side)	inner		
	970 552 384 06 BX3	Carbon, fine high-gloss			
(17)	970 552 384 07	Trim	rhd	1	PR:099,826
		(drivers side)	inner		
	970 552 384 07 OE9	American Walnut			
(17)	970 552 983 00	Trim	lhd	1	PR:XZY,098
		(drivers side)	inner		
	970 552 983 00 GX1	Mahogany Yachting			
(17)	970 552 984 00	Trim	rhd	1	PR:XZY,099
		(drivers side)	inner		
	970 552 984 00 GX1	Mahogany Yachting			
(17)	970 552 983 01	Trim	lhd	1	PR:XHA,098
		(drivers side)	inner		
	970 552 983 01 A11	Black			
			-AB,AC,GK,GS, GA,BB,PK,PL, DS,BF,DN		
	970 552 983 01 OA1	agate grey	-DG,DL,GD,DT		
	970 552 983 01 7J0	Luxor beige	-UB,UC,GU,BC		
	970 552 983 01 7H0	Marsala Red	-PC,GP,BE		
	970 552 983 01 6J0	Espresso	-NA		
	970 552 983 01 7F0	Cognac	-NC		
	970 552 983 01 9B0	Platinum Grey	-CB,CC,GC		
	970 552 983 01 6A0	yachting blue	-EC,GE,BD		
(17)	970 552 984 01	Trim	rhd	1	PR:XHA,099
		(drivers side)	inner		
	970 552 984 01 A11	Black			
			-AB,AC,GK,GS, GA,BB,PK,PL, DS,BF,DN		
	970 552 984 01 OA1	agate grey	-DG,DL,GD,DT		
	970 552 984 01 7J0	Luxor beige	-UB,UC,GU,BC		
	970 552 984 01 7H0	Marsala Red	-PC,GP,BE		
	970 552 984 01 6J0	Espresso	-NA		
	970 552 984 01 7F0	Cognac	-NC		
	970 552 984 01 9B0	Platinum Grey	-CB,CC,GC		
	970 552 984 01 6A0	yachting blue	-EC,GE,BD		
18	970 552 271 00	Trim	lhd	1	PR:098

Model: 970 10 Model life 2010>>2016

Pos	Part Number	Description	Remark	Qty	Model
	970 552 271 00 5Q0	Combi-instrument Black	-AB, AC, GK, GS, GA, BB, PK, PL, DS, BF, DN		
	970 552 271 00 4U0	Platinum Grey	-CB, CC, GC		
	970 552 271 00 6W0	Luxor beige	-UB, UC, GU, BC		
	970 552 271 00 8Y0	yachting blue	-EC, GE, BD		
	970 552 271 00 3T0	Espresso	-NA		
	970 552 271 00 2S0	Cognac	-NC, BN		
	970 552 271 00 7X0	Marsala Red	-PC, GP, BE		
	970 552 271 00 OA6	agate grey	-DG, DL, GD, DT		
	970 552 271 00 OL7	saddle brown	-SB		
(18)	970 552 272 00	Trim	rhd	1	PR:099
	970 552 272 00 5Q0	Combi-instrument Black	-AB, AC, GK, GS, GA, BB, PK, PL, DS, BF, DN		
	970 552 272 00 4U0	Platinum Grey	-CB, CC, GC		
	970 552 272 00 6W0	Luxor beige	-UB, UC, GU, BC		
	970 552 272 00 8Y0	yachting blue	-EC, GE, BD		
	970 552 272 00 3T0	Espresso	-NA		
	970 552 272 00 2S0	Cognac	-NC, BN		
	970 552 272 00 7X0	Marsala Red	-PC, GP, BE		
	970 552 272 00 OA6	agate grey	-DG, DL, GD, DT		
	970 552 272 00 OL7	saddle brown	-SB		
19	999 703 551 40	Grommet 8,7 X 16,5		2	
20	970 552 893 00	Grommet		2	
21	970 552 386 00	Trim (passenger side)	lhd	1	PR:098,817
(21)	970 552 386 00 A61	Piano Black, high-gloss			
	970 552 385 00	Trim (passenger side)	rhd	1	PR:099,817
(21)	970 552 385 00 A61	Piano Black, high-gloss			
	970 552 386 01	Trim (passenger side)	lhd	1	PR:098,821
(21)	970 552 386 01 BG1	Walnut, high-gloss			
	970 552 385 01	Trim (passenger side)	rhd	1	PR:099,821
(21)	970 552 385 01 BG1	Walnut, high-gloss			
	970 552 386 02	Trim (passenger side)	lhd	1	PR:098,822
(21)	970 552 386 02 S64	Teneo high-gloss			
	970 552 385 02	Trim (passenger side)	rhd	1	PR:099,822
(21)	970 552 385 02 S64	Teneo high-gloss			
	970 552 386 03	Trim (passenger side)	lhd	1	PR:098,823
(21)	970 552 386 03 CK6	Swedish Birch			
	970 552 385 03	Trim (passenger side)	rhd	1	PR:099,823
(21)	970 552 385 03 CK6	Swedish Birch			
	970 552 386 04	Trim (passenger side)	lhd	1	PR:098,824
(21)	970 552 386 04 BT2	Olive Ash matt open-pored			
	970 552 385 04	Trim (passenger side)	rhd	1	PR:099,824
(21)	970 552 385 04 BT2	Olive Ash matt open-pored			
	970 552 386 05	Trim (passenger side)	lhd	1	PR:098,818
(21)	970 552 386 05 U03	Aluminium, brushed			
	970 552 385 05	Trim (passenger side)	rhd	1	PR:099,818

Model: 970 10 Model life 2010>>2016

Pos	Part Number	Description	Remark	Qty	Model
(21)	970 552 385 05 U03	Aluminium, brushed			
	970 552 386 06	Trim	lhd	1	PR:098,819
		(passenger side)			
	970 552 386 06 BX3	Carbon, fine high-gloss			
(21)	970 552 385 06	Trim	rhd	1	PR:099,819
		(passenger side)			
	970 552 385 06 BX3	Carbon, fine high-gloss			
(21)	970 552 386 07	Trim	lhd	1	PR:098,826
		(passenger side)			
	970 552 386 07 OE9	American Walnut			
(21)	970 552 385 07	Trim	rhd	1	PR:099,826
		(passenger side)			
	970 552 385 07 OE9	American Walnut			
(21)	970 552 986 00	Trim	lhd	1	PR:XZY,098
		(passenger side)			
	970 552 986 00 GX1	Mahogany Yachting			
(21)	970 552 985 00	Trim	rhd	1	PR:XZY,099
		(passenger side)			
	970 552 985 00 GX1	Mahogany Yachting			
(21)	970 552 986 01	Trim	lhd	1	PR:XHA,098
		(passenger side)			
	970 552 986 01 A11	Black	-AB,AC,GK,GS, GA,BB,PK,PL, DS,BF,DN		
	970 552 986 01 OA1	agate grey	-DG,DL,GD,DT		
	970 552 986 01 7J0	Luxor beige	-UB,UC,GU,BC		
	970 552 986 01 7H0	Marsala Red	-PC,GP,BE		
	970 552 986 01 6J0	Espresso	-NA		
	970 552 986 01 7F0	Cognac	-NC		
	970 552 986 01 9B0	Platinum Grey	-CB,CC,GC		
	970 552 986 01 6A0	yachting blue	-EC,GE,BD		
(21)	970 552 985 01	Trim	rhd	1	PR:XHA,099
		(passenger side)			
	970 552 985 01 A11	Black	-AB,AC,GK,GS, GA,BB,PK,PL, DS,BF,DN		
	970 552 985 01 OA1	agate grey	-DG,DL,GD,DT		
	970 552 985 01 7J0	Luxor beige	-UB,UC,GU,BC		
	970 552 985 01 7H0	Marsala Red	-PC,GP,BE		
	970 552 985 01 6J0	Espresso	-NA		
	970 552 985 01 7F0	Cognac	-NC		
	970 552 985 01 9B0	Platinum Grey	-CB,CC,GC		
	970 552 985 01 6A0	yachting blue	-EC,GE,BD		
22	955 552 107 00	Retaining clip		X	
23	970 552 374 00	Trim		1	PR:098,-585
		(passenger side)			
	970 552 374 00 V08	Galvano silver			
24	970 552 394 00	Drinks holder		1	PR:098,585
(24)	970 552 393 00	Drinks holder		1	PR:099,585
25	970 552 596 00	Trim for drinks holder	left lhd	1	PR:098,585
	970 552 596 00 V08	Galvano silver			
(25)	970 552 595 00	Trim for drinks holder	left rhd	1	PR:099,585
	970 552 595 00 V08	Galvano silver			
26	970 552 598 00	Trim for drinks holder	center lhd	1	PR:098,585
	970 552 598 00 V08	Galvano silver			
(26)	970 552 597 00	Trim for drinks holder	center rhd	1	PR:099,585
	970 552 597 00 V08	Galvano silver			
27	970 552 594 00	Trim for drinks holder	right lhd	1	PR:098,585

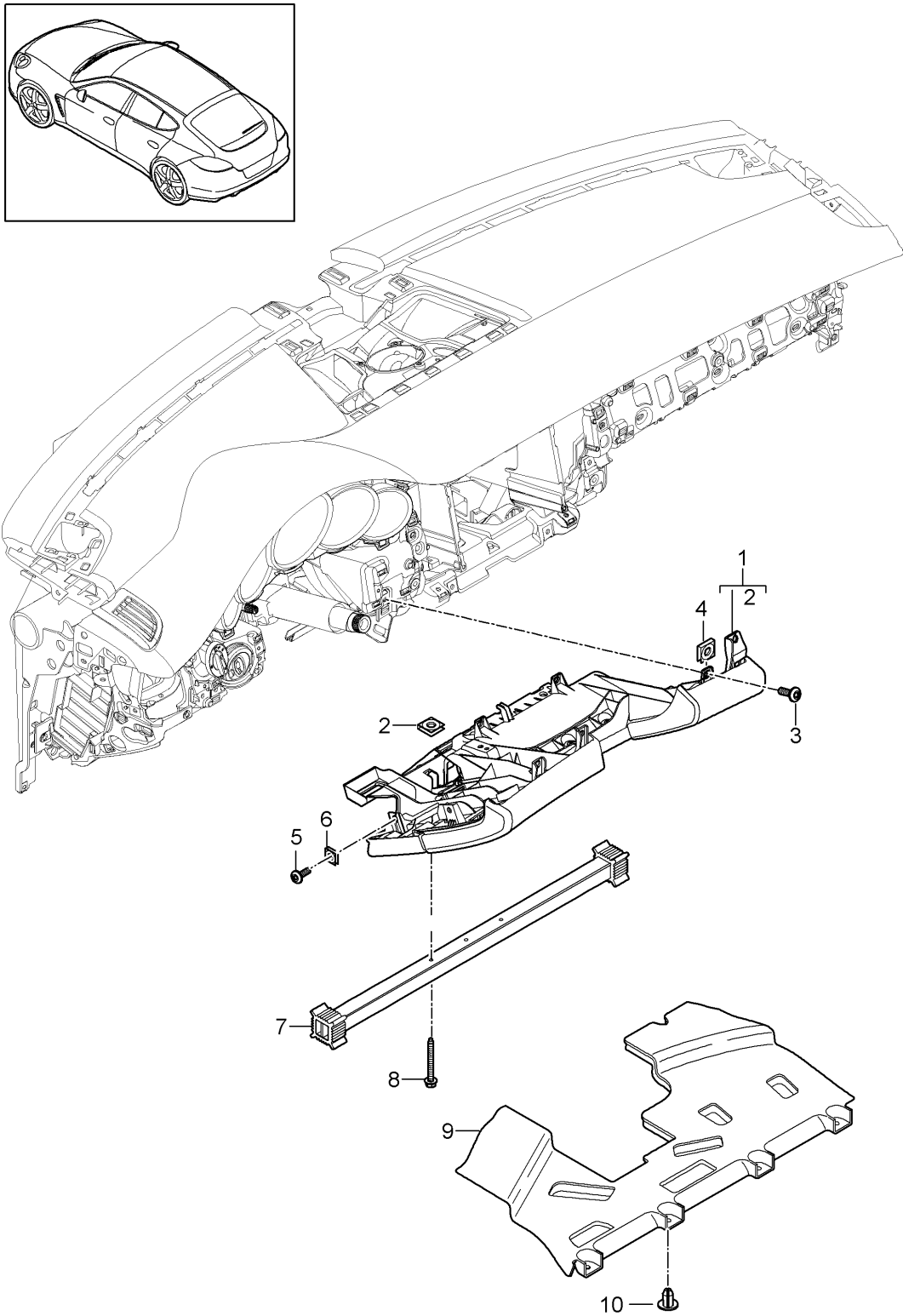
Model: 970 10

Model life 2010>>2016

Pos	Part Number	Description	Remark	Qty	Model
(27)	970 552 594 00 V08	Galvano silver			
	970 552 593 00	Trim for drinks holder	right rhd	1	PR:099,585
	970 552 593 00 V08	Galvano silver			

Model: 970 10

Model life 2010>>2016



Model: 970 10 Model life 2010>>2016

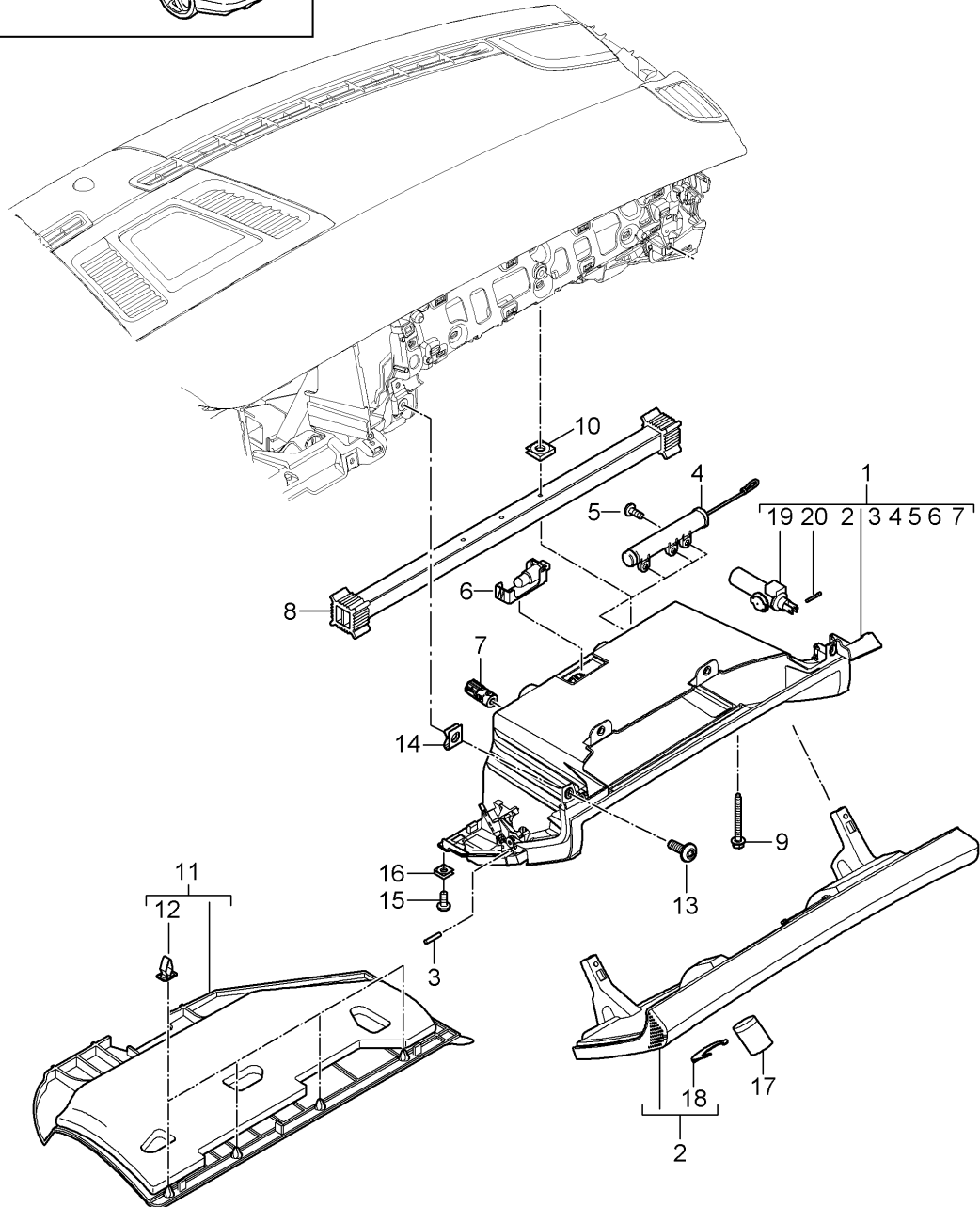
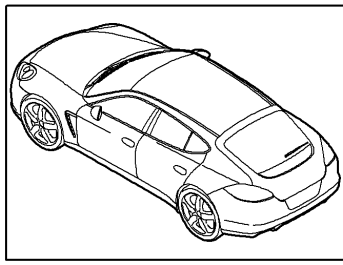
Pos	Part Number	Description	Remark	Qty	Model
1	970 552 201 03	Instrument panel trim (drivers side) dashboard Lower part	lower lhd	1	PR:098
	970 552 201 03 7P8	Black	-AB		
	970 552 201 03 9PK	Platinum Grey	-CB		
	970 552 201 03 8ED	Luxor beige	-UB,PK		
	970 552 201 03 OK2	agate grey	-DG		
(1)	970 552 202 03	dashboard Lower part	 rhd	1	PR:099
	970 552 202 03 7P8	Black	-AB		
	970 552 202 03 9PK	Platinum Grey	-CB		
	970 552 202 03 8ED	Luxor beige	-UB,PK		
	970 552 202 03 OK2	agate grey	-DG		
(1)	970 552 201 04	dashboard Lower part Leather	 lhd	1	PR:098,981
	970 552 201 04 A11	Black	-AC,GK,GS,GA		
	970 552 201 04 9B0	Platinum Grey	-CC,GC,BB		
	970 552 201 04 7J0	Luxor beige	-UC,GU,PL		
	970 552 201 04 6A0	yachting blue	-EC,GE		
	970 552 201 04 8D0	Cream	-BC,BD,BE,DS, DT		
	970 552 201 04 6J0	Espresso	-NA		
	970 552 201 04 7F0	Cognac	-NC		
	970 552 201 04 8B0	Cedar	-BN		
	970 552 201 04 7H0	Marsala Red	-PC,GP		
	970 552 201 04 OA1	agate grey	-DL		
	970 552 201 04 N12	Carrera Red	-BF		
	970 552 201 04 OK6	saddle brown	-SB,GH,DN		
(1)	970 552 202 04	dashboard Lower part Leather	 rhd	1	PR:099,981
	970 552 202 04 A11	Black	-AC,GK,GS,GA		
	970 552 202 04 9B0	Platinum Grey	-CC,GC,BB		
	970 552 202 04 7J0	Luxor beige	-UC,GU,PL		
	970 552 202 04 6A0	yachting blue	-EC,GE		
	970 552 202 04 8D0	Cream	-BC,BD,BE,DS, DT		
	970 552 202 04 6J0	Espresso	-NA		
	970 552 202 04 7F0	Cognac	-NC		
	970 552 202 04 8B0	Cedar	-BN		
	970 552 202 04 7H0	Marsala Red	-PC,GP		
	970 552 202 04 OA1	agate grey	-DL		
	970 552 202 04 N12	Carrera Red	-BF		
	970 552 202 04 OK6	saddle brown	-SB,GH,DN		
(1)	970 552 201 05	dashboard Lower part Leather	 lhd	1	PR:016,020, 098,981
	970 552 201 05 OD2	Toffee Brown	-PF		
3	999 073 498 01	fillister hd. bolt M 5 X 20		X	
4	999 507 556 01	panel nut M 5		X	
5	999 073 499 01	fillister hd. bolt M 5 X 14		1	
6	999 507 067 03	panel nut M 5		1	
7	970 552 291 00	Support		1	
8	900 378 321 01	Hexagon bolt M6 X 60		3	
9	970 552 411 00	Trim Footwell		1	PR:098,480

Model: 970 10 Model life 2010>>2016

Pos	Part Number	Description	Remark	Qty	Model
(9)	970 552 411 01	(drivers side) Manual gearbox Trim Footwell (drivers side) - PDK - Tiptronic		1	PR:098,250, 249
(9)	970 552 412 00	Trim Footwell (drivers side) Manual gearbox		1	PR:099,480
(9)	970 552 412 01	Trim Footwell (drivers side) - PDK - Tiptronic		1	PR:099,250, 249,-176
(9)	970 552 412 02	Trim Footwell (drivers side) - PDK - Tiptronic		1	PR:099,250, 176
10	999 507 616 40	expanding nut		4	

Model: 970 10

Model life 2010>>2016



Model: 970 10 Model life 2010>>2016

Pos	Part Number	Description	Remark	Qty	Model
1	970 552 204 08	Instrument panel trim (passenger side) Glove box (complete) D >> - MJ 2011	lower lhd	1	PR:098
	970 552 204 08 7P8	Black	-AB		
	970 552 204 08 9PK	Platinum Grey	-CB		
	970 552 204 08 8ED	Luxor beige	-UB,PK		
1	970 552 204 12	Glove box (complete) D - MJ 2012>>	 lhd	1	PR:098
	970 552 204 12 7P8	Black	-AB		
	970 552 204 12 9PK	Platinum Grey	-CB		
	970 552 204 12 8ED	Luxor beige	-UB,PK		
	970 552 204 12 OK2	agate grey	-DG		
(1)	970 552 203 08	Glove box (complete) D >> - MJ 2011	 rhd	1	PR:099
	970 552 203 08 7P8	Black	-AB		
	970 552 203 08 9PK	Platinum Grey	-CB		
	970 552 203 08 8ED	Luxor beige	-UB,PK		
(1)	970 552 203 12	Glove box (complete) D - MJ 2012>>	 rhd	1	PR:099
	970 552 203 12 7P8	Black	-AB		
	970 552 203 12 9PK	Platinum Grey	-CB		
	970 552 203 12 8ED	Luxor beige	-UB,PK		
	970 552 203 12 OK2	agate grey	-DG		
(1)	970 552 204 10	Glove box (complete) D >> - MJ 2011	 lhd	1	PR:098,899
	970 552 204 10 7P8	Black	-AB		
	970 552 204 10 9PK	Platinum Grey	-CB		
	970 552 204 10 8ED	Luxor beige	-UB,PK		
(1)	970 552 204 14	Glove box (complete) D - MJ 2012>>	 lhd	1	PR:098,899
	970 552 204 14 7P8	Black	-AB		
	970 552 204 14 9PK	Platinum Grey	-CB		
	970 552 204 14 8ED	Luxor beige	-UB		+PK
	970 552 204 14 OK2	agate grey	-DG		
(1)	970 552 203 10	Glove box (complete) D >> - MJ 2011	 rhd	1	PR:099,899
	970 552 203 10 7P8	Black	-AB		
	970 552 203 10 9PK	Platinum Grey	-CB		
	970 552 203 10 8ED	Luxor beige	-UB		+PK
(1)	970 552 203 14	Glove box (complete) D - MJ 2012>>	 rhd	1	PR:099,899
	970 552 203 14 7P8	Black	-AB		
	970 552 203 14 9PK	Platinum Grey	-CB		
	970 552 203 14 8ED	Luxor beige	-UB,PK		
	970 552 203 14 OK2	agate grey	-DG		
(1)	970 552 204 09	Glove box (complete) Leather D >> - MJ 2011	 lhd	1	PR:098,981
	970 552 204 09 A11	Black	-AC		
	970 552 204 09 9B0	Platinum Grey	-CC,BB		
	970 552 204 09 7J0	Luxor beige	-UC,PL		
	970 552 204 09 6A0	yachting blue	-EC		
	970 552 204 09 8D0	Cream	-BC,BD,BE,DS,		

Model: 970 10 Model life 2010>>2016

Pos	Part Number	Description	Remark	Qty	Model
(1)	970 552 204 09 6J0	Espresso	DT	1	PR:098,981
	970 552 204 09 7F0	Cognac	-NA		
	970 552 204 09 8B0	Cedar	-NC		
	970 552 204 09 7H0	Marsala Red	-BN		
	970 552 204 13	Glove box (complete) Leather	-PC		
		D - MJ 2012>>	lhd		
	970 552 204 13 A11	Black	-AC,GK,GS,GA		
	970 552 204 13 9B0	Platinum Grey	-CC,GC,BB		
	970 552 204 13 7J0	Luxor beige	-UC,GU,PL		
	970 552 204 13 6A0	yachting blue	-EC,GE		
970 552 204 13 8D0	Cream	-BC,BD,BE,DS, DT			
(1)	970 552 204 13 6J0	Espresso	-NA	1	PR:099,981
	970 552 204 13 7F0	Cognac	-NC		
	970 552 204 13 8B0	Cedar	-BN		
	970 552 204 13 7H0	Marsala Red	-PC,GP		
	970 552 204 13 OA1	agate grey	-DL,GD		
	970 552 204 13 N12	Carrera Red	-BF		
	970 552 204 13 OK6	saddle brown	-SB,GH,DN		
	970 552 203 09	Glove box (complete) Leather	rhd		
		D >> - MJ 2011			
	970 552 203 09 A11	Black	-AC		
970 552 203 09 9B0	Platinum Grey	-CC,BB			
970 552 203 09 7J0	Luxor beige	-UC,PL			
970 552 203 09 6A0	yachting blue	-EC			
970 552 203 09 8D0	Cream	-BC,BD,BE,DS, DT			
(1)	970 552 203 09 6J0	Espresso	-NA	1	PR:099,981
	970 552 203 09 7F0	Cognac	-NC		
	970 552 203 09 8B0	Cedar	-BN		
	970 552 203 09 7H0	Marsala Red	-PC		
	970 552 203 13	Glove box (complete) Leather	rhd		
		D - MJ 2012>>			
	970 552 203 13 A11	Black	-AC,GK,GS,GA		
	970 552 203 13 9B0	Platinum Grey	-CC,GC,BB		
	970 552 203 13 7J0	Luxor beige	-UC,GU,PL		
	970 552 203 13 6A0	yachting blue	-EC,GE		
970 552 203 13 8D0	Cream	-BC,BD,BE,DS, DT			
(1)	970 552 203 13 6J0	Espresso	-NA	1	PR:098,899, 981
	970 552 203 13 7F0	Cognac	-NC		
	970 552 203 13 8B0	Cedar	-BN		
	970 552 203 13 7H0	Marsala Red	-PC,GP		
	970 552 203 13 OA1	agate grey	-DL,GD		
	970 552 203 13 N12	Carrera Red	-BF		
	970 552 203 13 OK6	saddle brown	-SB,GH,DN		
	970 552 204 11	Glove box (complete) Leather	lhd		
		D >> - MJ 2011			
	970 552 204 11 A11	Black	-AC		
970 552 204 11 9B0	Platinum Grey	-CC,BB			
970 552 204 11 7J0	Luxor beige	-UC,PL			
970 552 204 11 6A0	yachting blue	-EC			
970 552 204 11 8D0	Cream	-BC,BD,BE,DS, DT			

Model: 970 10 Model life 2010>>2016

Pos	Part Number	Description	Remark	Qty	Model
(1)	970 552 204 11 6J0	Espresso	-NA	1	PR:098,899,981
	970 552 204 11 7F0	Cognac	-NC		
	970 552 204 11 8B0	Cedar	-BN		
	970 552 204 11 7H0	Marsala Red	-PC		
	970 552 204 15	Glove box (complete) Leather D - MJ 2012>>	lhd		
	970 552 204 15 A11	Black	-AC,GK,GS,GA		
	970 552 204 15 9B0	Platinum Grey	-CC,GC,BB		
	970 552 204 15 7J0	Luxor beige	-UC,GU,PL		
	970 552 204 15 6A0	yachting blue	-EC,GE		
	970 552 204 15 8D0	Cream	-BC,BD,BE,DS,DT		
(1)	970 552 204 15 6J0	Espresso	-NA	1	PR:099,899,981
	970 552 204 15 7F0	Cognac	-NC		
	970 552 204 15 8B0	Cedar	-BN		
	970 552 204 15 7H0	Marsala Red	-PC,GP		
	970 552 204 15 OA1	agate grey	-DL,GD		
	970 552 204 15 N12	Carrera Red	-BF		
	970 552 204 15 OK6	saddle brown	-SB,GH,DN		
	970 552 203 11	Glove box (complete) Leather D >> - MJ 2011	rhd		
	970 552 203 11 A11	Black	-AC		
	970 552 203 11 9B0	Platinum Grey	-CC,BB		
(1)	970 552 203 11 7J0	Luxor beige	-UC,PL	1	PR:099,899,981
	970 552 203 11 6A0	yachting blue	-EC		
	970 552 203 11 8D0	Cream	-BC,BD,BE,DS,DT		
	970 552 203 11 6J0	Espresso	-NA		
	970 552 203 11 7F0	Cognac	-NC		
	970 552 203 11 8B0	Cedar	-BN		
	970 552 203 11 7H0	Marsala Red	-PC		
	970 552 203 15	Glove box (complete) Leather D - MJ 2012>>	rhd		
	970 552 203 15 A11	Black	-AC,GK,GS,GA		
	970 552 203 15 9B0	Platinum Grey	-CC,GC,BB		
(1)	970 552 203 15 7J0	Luxor beige	-UC,GU,PL	1	PR:016,020,098,981
	970 552 203 15 6A0	yachting blue	-EC,GE		
	970 552 203 15 8D0	Cream	-BC,BD,BE,DS,DT		
	970 552 203 15 6J0	Espresso	-NA		
	970 552 203 15 7F0	Cognac	-NC		
	970 552 203 15 8B0	Cedar	-BN		
	970 552 203 15 7H0	Marsala Red	-PC,GP		
	970 552 203 15 OA1	agate grey	-DL,GD		
	970 552 203 15 N12	Carrera Red	-BF		
	970 552 203 15 OK6	saddle brown	-SB,GH,DN		
(1)	970 552 204 16	Glove box (complete) Leather	lhd	1	PR:016,020,098,981
	970 552 204 16 OD2	Toffee Brown	-PF		
2	970 552 204 17	Glove box (complete) Leather	lhd	1	PR:016,020,098,981,899
	970 552 204 17 OD2	Toffee Brown	-PF		
2	970 552 252 05	Glove compartment cover D >> - MJ 2011	lhd	1	PR:098
	970 552 252 05 7P8	Black	-AB		

Model: 970 10 Model life 2010>>2016

Pos	Part Number	Description	Remark	Qty	Model
2	970 552 252 05 9PK	Platinum Grey	-AC	1	PR:098
	970 552 252 05 8ED	Luxor beige	-UB,PK		
	970 552 252 07	Glove compartment cover D - MJ 2012>>	lhd		
	970 552 252 07 7P8	Black	-AB		
	970 552 252 07 9PK	Platinum Grey	-AC		
(2)	970 552 252 07 8ED	Luxor beige	-UB,PK	1	PR:099
	970 552 252 07 OK2	agate grey	-DG		
	970 552 251 05	Glove compartment cover D >> - MJ 2011	rhd		
	970 552 251 05 7P8	Black	-AB		
	970 552 251 05 9PK	Platinum Grey	-AC		
(2)	970 552 251 05 8ED	Luxor beige	-UB,PK	1	PR:099
	970 552 251 07	Glove compartment cover D - MJ 2012>>	rhd		
	970 552 251 07 7P8	Black	-AB		
	970 552 251 07 9PK	Platinum Grey	-AC		
	970 552 251 07 8ED	Luxor beige	-UB,PK		
(2)	970 552 251 07 OK2	agate grey	-DG	1	PR:098,981
	970 552 252 06	Glove compartment cover Leather D >> - MJ 2011	lhd		
	970 552 252 06 A11	Black	-AC		
	970 552 252 06 9B0	Platinum Grey	-CC,BB		
	970 552 252 06 7J0	Luxor beige	-UC,PL		
	970 552 252 06 6A0	yachting blue	-EC		
	970 552 252 06 8D0	Cream	-BC,BD,BE,DS, DT		
	970 552 252 06 6J0	Espresso	-NA		
	970 552 252 06 7F0	Cognac	-NC		
	970 552 252 06 8B0	Cedar	-BN		
	970 552 252 06 7H0	Marsala Red	-PC		
	970 552 252 08	Glove compartment cover Leather D - MJ 2012>>	lhd		
	970 552 252 08 A11	Black	-AC,GK,GS,GA		
	970 552 252 08 9B0	Platinum Grey	-CC,GC,BB		
	970 552 252 08 7J0	Luxor beige	-UC,GU,PL		
970 552 252 08 6A0	yachting blue	-EC,GE			
970 552 252 08 8D0	Cream	-BC,BD,BE,DS, DT			
970 552 252 08 6J0	Espresso	-NA			
970 552 252 08 7F0	Cognac	-NC			
970 552 252 08 8B0	Cedar	-BN			
970 552 252 08 7H0	Marsala Red	-PC,GP			
970 552 252 08 OA1	agate grey	-DL,GD			
970 552 252 08 N12	Carrera Red	-BF			
970 552 252 08 OK6	saddle brown	-SB,GH,DN			
(2)	970 552 251 06	Glove compartment cover Leather D >> - MJ 2011	rhd	1	PR:099,981
	970 552 251 06 A11	Black	-AC		
	970 552 251 06 9B0	Platinum Grey	-CC,BB		
	970 552 251 06 7J0	Luxor beige	-UC,PL		
	970 552 251 06 6A0	yachting blue	-EC		
	970 552 251 06 8D0	Cream	-BC,BD,BE,DS, DT		
	970 552 251 06 6J0	Espresso	-NA		
	970 552 251 06 7F0	Cognac	-NC		
	970 552 251 06 8B0	Cedar	-BN		
	970 552 251 06 7H0	Marsala Red	-PC		
	970 552 251 08	Glove compartment cover Leather	rhd		

Model: 970 10 Model life 2010>>2016

Pos	Part Number	Description	Remark	Qty	Model
		D - MJ 2012>>			
	970 552 251 08 A11	Black	-AC,GK,GS,GA		
	970 552 251 08 9B0	Platinum Grey	-CC,GC,BB		
	970 552 251 08 7J0	Luxor beige	-UC,GU,PL		
	970 552 251 08 6A0	yachting blue	-EC,GE		
	970 552 251 08 8D0	Cream	-BC,BD,BE,DS, DT		
	970 552 251 08 6J0	Espresso	-NA		
	970 552 251 08 7F0	Cognac	-NC		
	970 552 251 08 8B0	Cedar	-BN		
	970 552 251 08 7H0	Marsala Red	-PC,GP		
	970 552 251 08 OA1	agate grey	-DL,GD		
	970 552 251 08 N12	Carrera Red	-BF		
	970 552 251 08 OK6	saddle brown	-SB,GH,DN		
(2)	970 552 252 09	Glove compartment cover Leather		lhd 1	PR:016,020, 098,981
	970 552 252 09 OD2	Toffee Brown	-PF		
3	970 552 649 00	Hinge bolt Glove box		2	
4	970 552 484 00	Damper Glove box		1	
6		D >> - MJ 2011 Glove box light		1	
(6)	999 631 032 90	bulb 5 W	see illustration: 903-004	1	
7		Socket		1	
(7)		see illustration: clamping ring Socket	903-005	1	
8	970 552 291 00	Support	see illustration: 903-005	1	
9	900 378 321 01	Hexagon bolt M 6 X 60		3	
11	970 552 414 00	Trim Footwell (passenger side)		lhd 1	PR:098
(11)	970 552 413 00	Trim Footwell (passenger side)		rhd 1	PR:099
13	999 073 498 01	fillister hd. bolt M 5 X 20 Mount		X	
14	999 507 556 01	Glove box panel nut M 5 Mount		X	
15	999 073 499 01	Glove box fillister hd. bolt M 5 X 14 Mount		X	
16	999 507 067 03	Glove box Footwell outlet vent panel nut M 5 Mount		X	
17	996 552 915 01	Glove box Footwell outlet vent Lock cylinders		1	
18	970 552 751 00	Glove box Vehicle Ident. No. Indicate Clamp		1	

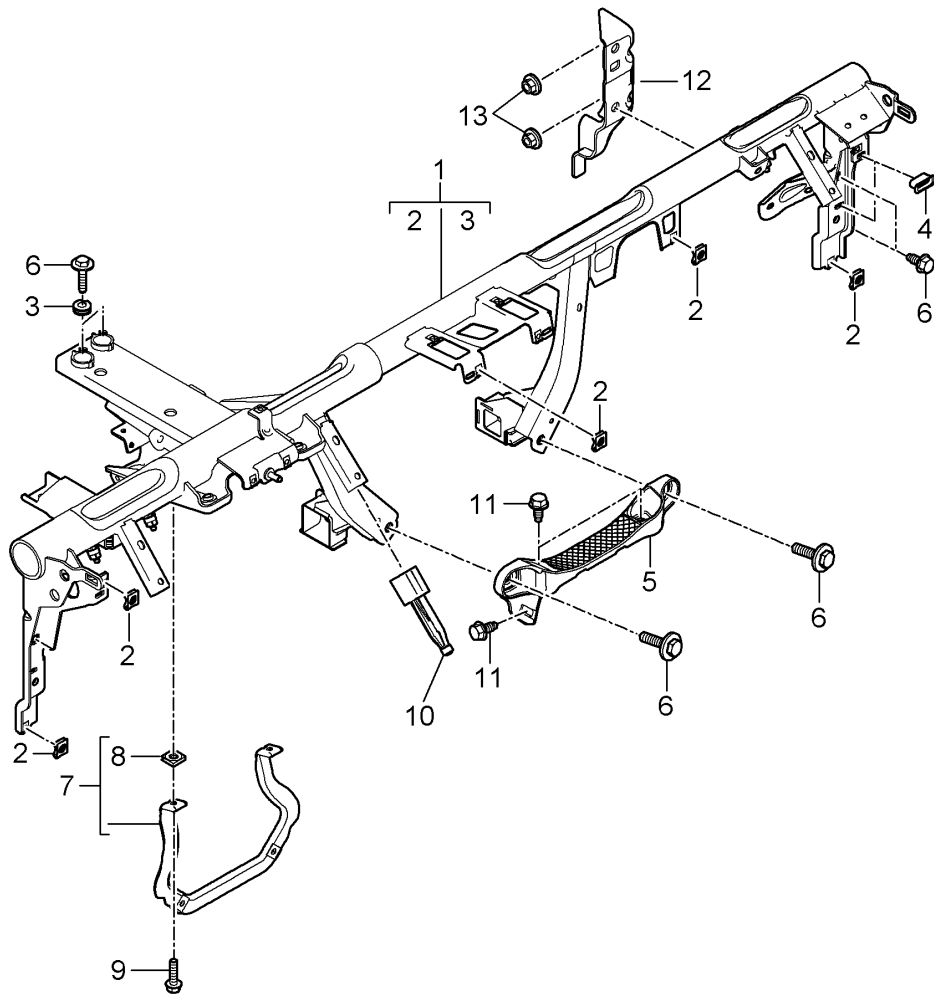
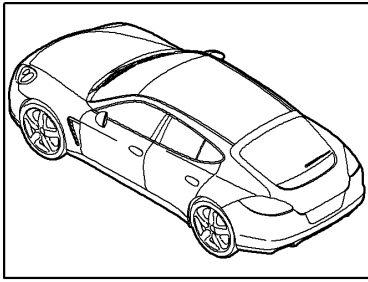
Model: 970 10

Model life 2010>>2016

Pos	Part Number	Description	Remark	Qty	Model
19	970 552 484 01	for Mount Lock cylinders Glove box Damper Glove box		1	
20	970 552 495 00	D - MJ 2012>> Pin D - MJ 2012>>		1	

Model: 970 10

Model life 2010>>2016



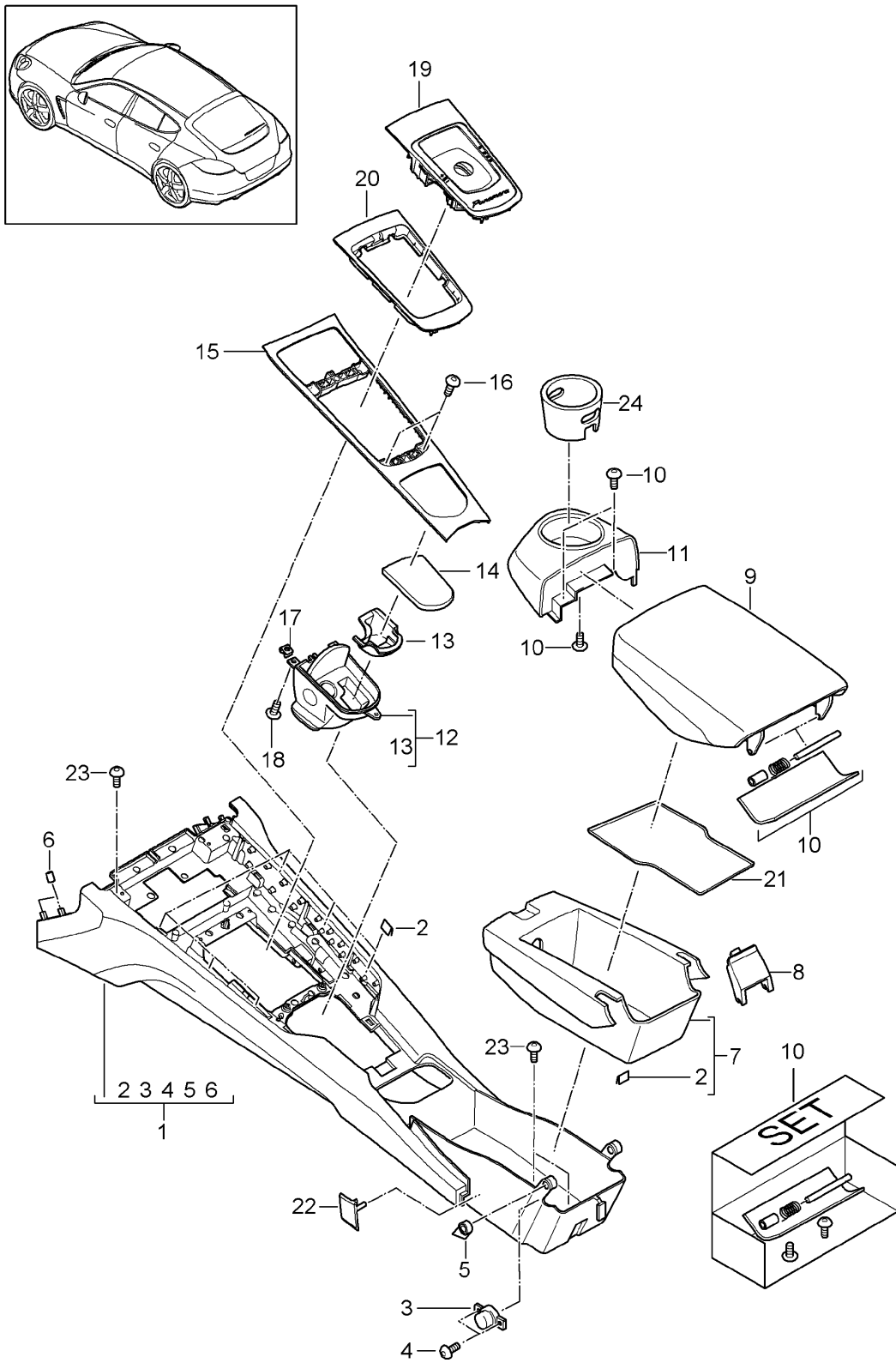
Model: 970 10

Model life 2010>>2016

Pos	Part Number	Description	Remark	Qty	Model
1	970 552 063 00	retaining frame dashboard			
(1)	970 552 063 03	retaining frame	lhd	1	PR:098
2	999 507 702 01	retaining frame	rhd	1	PR:099
		panel nut M5		X	
3	955 531 346 01	Compensating socket		2	
4	970 552 893 00	Grommet		6	
5	970 552 715 00	retaining frame Bracket	lhd	1	PR:098
(5)	970 552 715 01	tunnel Bracket	rhd	1	PR:099
6	900 075 479 01	tunnel Bolt with washer M 8 X 40		X	
7	970 552 481 00	Retaining plate dashboard		1	
		Lower part (drivers side)			
8	999 507 067 03	panel nut M5		2	
9	999 073 498 01	fillister hd. bolt M5 X 20		2	
11	900 385 001 01	Torx screw BM8 X 20		3	
12	970 552 407 01	bracket for dash panel A-pillar	left	1	
(12)	970 552 408 01	bracket for dash panel A-pillar	right	1	
13	999 076 065 02	Collar nut M8		4	
14	999 075 065 09	Hexagon bolt M8 X 35		2	

Model: 970 10

Model life 2010>>2016



Model: 970 10 Model life 2010>>2016

Pos	Part Number	Description	Remark	Qty	Model
1	970 553 311 00	Centre console Centre console Leatherette	front front	1	
	970 553 311 00 7P8	Black	-AB		
	970 553 311 00 9PK	Platinum Grey	-CB		
	970 553 311 00 8ED	Luxor beige	-UB,PK		
	970 553 311 00 OK2	agate grey	-DG		
(1)	970 553 311 01	Centre console Leather	front	1	PR:981
	970 553 311 01 A11	Black	-AC,GK,GS,GA		
	970 553 311 01 9B0	Platinum Grey	-CC,GC,BB		
	970 553 311 01 7J0	Luxor beige	-UC,GU,PL		
	970 553 311 01 6A0	yachting blue	-EC,GE		
	970 553 311 01 8D0	Cream	-BC,BD,BE,DS, DT		
	970 553 311 01 6J0	Espresso	-NA		
	970 553 311 01 7F0	Cognac	-NC		
	970 553 311 01 8B0	Cedar	-BN		
	970 553 311 01 7H0	Marsala Red	-PC,GP		
	970 553 311 01 OA1	agate grey	-DL,GD		
	970 553 311 01 N12	Carrera Red	-BF		
	970 553 311 01 OK6	saddle brown	-SB,GH,DN		
2	955 552 107 00	Retaining clip		X	
7	970 553 335 00	Stowage compartment Centre console	front	1	
8	970 553 775 00	Adapter Lighting		1	
9	970 553 325 00	Cover (leather) Centre console Leather Embossed	front	1	
	970 553 325 00 21U	Black	-AB		
	970 553 325 00 7EG	Platinum Grey	-CB		
	970 553 325 00 32X	Luxor beige	-UB,PK		
	970 553 325 00 OF6	agate grey	-DG		
9	970 553 325 00	Cover (leather) Centre console	front	1	
	970 553 325 00 A11	Black	-AC,GA		
	970 553 325 00 9B0	Platinum Grey	-CC,GC,BB		
	970 553 325 00 7J0	Luxor beige	-UC,GU,PL		
	970 553 325 00 6A0	yachting blue	-EC,GE		
	970 553 325 00 8D0	Cream	-BC,BD,BE,DS, DT		
	970 553 325 00 6J0	Espresso	-NA		
	970 553 325 00 7F0	Cognac	-NC		
	970 553 325 00 8B0	Cedar	-BN		
	970 553 325 00 7H0	Marsala Red	-PC		+GP
	970 553 325 00 OA1	agate grey	-DL,GD		
	970 553 325 00 N12	Carrera Red	-BF		
9	970 553 325 02	Cover (leather) Centre console	front	1	
	970 553 325 02 OK6	saddle brown	-SB,GH,DN		
	970 553 325 02 DSK	Black/Carmine Red	-GK		
	970 553 325 02 DSL	black/silver	-GS		
(9)	970 553 325 01	cover for center console Alcantara	front	1	PR:975
	970 553 325 01 DSN	Black/Carmine Red	-GK		
	970 553 325 01 DSO	black/silver	-GS		
	970 553 325 01 DSP	Black	-GA		
	970 553 325 01 DSQ	Platinum Grey	-GC		
	970 553 325 01 DSR	Luxor beige	-GU		
	970 553 325 01 DSS	yachting blue	-GE		
	970 553 325 01 DST	Marsala Red	-GP		

Model: 970 10 Model life 2010>>2016

Pos	Part Number	Description	Remark	Qty	Model
(9)	970 553 325 03	cover for center console Alcantara	front	1	PR:975
	970 553 325 03 DVE	agate grey	-GD		
	970 553 325 03 DVF	saddle brown	-GH		
(9)	970 553 990 00	Cover (leather) Centre console	front	1	PR:XYR,XYT
		with:			
		Porsche crest			
		Leather			
		Embossed			
		No longer use the part here			
	970 553 990 00 21U	Black	-AB		
	970 553 990 00 7EG	Platinum Grey	-CB		
	970 553 990 00 32X	Luxor beige	-UB,PK		
(9)	970 553 925 00	Cover (leather) Centre console	front	1	PR:XYR,XYT
		with:			
		Porsche crest			
		Leather			
		Embossed			
	970 553 925 00 21U	Black	-AB		
	970 553 925 00 7EG	Platinum Grey	-CB		
	970 553 925 00 32X	Luxor beige	-UB,PK		
	970 553 925 00 OF6	agate grey	-DG		
(9)	970 553 990 00	Cover (leather) Centre console	front	1	PR:XYR,XYT
		with:			
		Porsche crest			
		No longer use the part here			
	970 553 990 00 A11	Black	-AC,GA		
	970 553 990 00 9B0	Platinum Grey	-CC,GC,BB		
	970 553 990 00 7J0	Luxor beige	-UC,GU,PL		
	970 553 990 00 6A0	yachting blue	-EC,GE		
	970 553 990 00 8D0	Cream	-BC,BD,BE,DS, DT		
	970 553 990 00 6J0	Espresso	-NA		
	970 553 990 00 7F0	Cognac	-NC		
	970 553 990 00 8B0	Cedar	-BN		
	970 553 990 00 7H0	Marsala Red	-PC		;+GP
(9)	970 553 925 00	Cover (leather) Centre console	front	1	PR:XYR,XYT
		with:			
		Porsche crest			
	970 553 925 00 A11	Black	-AC,GA		
	970 553 925 00 9B0	Platinum Grey	-CC,GC,BB		
	970 553 925 00 7J0	Luxor beige	-UC,GU,PL		
	970 553 925 00 6A0	yachting blue	-EC,GE		
	970 553 925 00 8D0	Cream	-BC,BD,BE,DS, DT		
	970 553 925 00 6J0	Espresso	-NA		
	970 553 925 00 7F0	Cognac	-NC		
	970 553 925 00 8B0	Cedar	-BN		
	970 553 925 00 7H0	Marsala Red	-PC,GP		
	970 553 925 00 DSK	Black/Carmin Red	-GK		
	970 553 925 00 DSL	black/silver	-GS		
	970 553 925 00 OA1	agate grey	-DL,GD		
	970 553 925 00 N12	Carrera Red	-BF		
	970 553 925 00 OK6	saddle brown	-SB,GH,DN		
(9)	970 553 990 01	Cover (leather) Centre console	front	1	PR:XYR,XYT, 098,338
		with:			
		inscription			
		Panamera			

Model: 970 10

Model life 2010>>2016

Pos	Part Number	Description	Remark	Qty	Model
		Leather Embossed No longer use the part here			
	970 553 990 01 21U	Black	-AB		
	970 553 990 01 7EG	Platinum Grey	-CB		
	970 553 990 01 32X	Luxor beige	-UB,PK		
(9)	970 553 990 01	Cover (leather) Centre console	front	1	PR:XYX,XYU, 098,338
		with: inscription Panamera Leather Embossed No longer use the part here			
	970 553 990 01 21U	Black	-AB		
	970 553 990 01 7EG	Platinum Grey	-CB		
	970 553 990 01 32X	Luxor beige	-UB,PK		
	970 553 990 01 OF6	agate grey	-DG		
(9)	970 553 925 01	Cover (leather) Centre console	front	1	PR:XYX,XYU, 098,338
		with: inscription Panamera Leather Embossed No longer use the part here			
	970 553 925 01 21U	Black	-AB		
	970 553 925 01 7EG	Platinum Grey	-CB		
	970 553 925 01 32X	Luxor beige	-UB,PK		
	970 553 925 01 OF6	agate grey	-DG		
(9)	970 553 990 01	Cover (leather) Centre console	front	1	PR:XYX,XYU, 098,338
		with: inscription Panamera No longer use the part here			
	970 553 990 01 A11	Black	-AC,GA		
	970 553 990 01 9B0	Platinum Grey	-CC,GC,BB		
	970 553 990 01 7J0	Luxor beige	-UC,GU,PL		
	970 553 990 01 6A0	yachting blue	-EC,GE		
	970 553 990 01 8D0	Cream	-BC,BD,BE,DS, DT		
	970 553 990 01 6J0	Espresso	-NA		
	970 553 990 01 7F0	Cognac	-NC		
	970 553 990 01 8B0	Cedar	-BN		
	970 553 990 01 7H0	Marsala Red	-PC,GP		
(9)	970 553 925 01	Cover (leather) Centre console	front	1	PR:XYX,XYU, 098,338
		with: inscription Panamera No longer use the part here			
	970 553 925 01 A11	Black	-AC,GA		
	970 553 925 01 9B0	Platinum Grey	-CC,GC,BB		
	970 553 925 01 7J0	Luxor beige	-UC,GU,PL		
	970 553 925 01 6A0	yachting blue	-EC,GE		
	970 553 925 01 8D0	Cream	-BC,BD,BE,DS, DT		
	970 553 925 01 6J0	Espresso	-NA		
	970 553 925 01 7F0	Cognac	-NC		
	970 553 925 01 8B0	Cedar	-BN		
	970 553 925 01 7H0	Marsala Red	-PC,GP		
	970 553 925 01 OA1	agate grey	-DL,GD		
	970 553 925 01 N12	Carrera Red	-BF		
	970 553 925 01 OK6	saddle brown	-SB,GH,DN		

Model: 970 10 Model life 2010>>2016

Pos	Part Number	Description	Remark	Qty	Model
(9)	970 553 990 02	Cover (leather) Centre console with: inscription Panamera Leather Embossed No longer use the part here	front	1	PR: XYS, XYU, 099, 338
	970 553 990 02 21U	Black	-AB		
	970 553 990 02 7EG	Platinum Grey	-CB		
	970 553 990 02 32X	Luxor beige	-UB, PK		
(9)	970 553 925 02	Cover (leather) Centre console with: inscription Panamera Leather Embossed	front	1	PR: XYS, XYU, 099, 338
	970 553 925 02 21U	Black	-AB		
	970 553 925 02 7EG	Platinum Grey	-CB		
	970 553 925 02 32X	Luxor beige	-UB, PK		
	970 553 925 02 OF6	agate grey	-DG		
(9)	970 553 990 02	Cover (leather) Centre console with: inscription Panamera No longer use the part here	front	1	PR: XYS, XYU, 099, 338
	970 553 990 02 A11	Black	-AC, GA		
	970 553 990 02 9B0	Platinum Grey	-CC, GC, BB		
	970 553 990 02 7J0	Luxor beige	-UC, GU, PL		
	970 553 990 02 6A0	yachting blue	-EC, GE		
	970 553 990 02 8D0	Cream	-BC, BD, BE, DS, DT		
	970 553 990 02 6J0	Espresso	-NA		
	970 553 990 02 7F0	Cognac	-NC		
	970 553 990 02 8B0	Cedar	-BN		
	970 553 990 02 7H0	Marsala Red	-PC		
(9)	970 553 925 02	Cover (leather) Centre console with: inscription Panamera No longer use the part here	front	1	; +GP PR: XYS, XYU, 099, 338
	970 553 925 02 A11	Black	-AC, GA		
	970 553 925 02 9B0	Platinum Grey	-CC, GC, BB		
	970 553 925 02 7J0	Luxor beige	-UC, GU, PL		
	970 553 925 02 6A0	yachting blue	-EC, GE		
	970 553 925 02 8D0	Cream	-BC, BD, BE, DS, DT		
	970 553 925 02 6J0	Espresso	-NA		
	970 553 925 02 7F0	Cognac	-NC		
	970 553 925 02 8B0	Cedar	-BN		
	970 553 925 02 7H0	Marsala Red	-PC, GP		
	970 553 925 02 OA1	agate grey	-DL, GD		
	970 553 925 02 N12	Carrera Red	-BF		
	970 553 925 02 OK6	saddle brown	-SB, GH, DN		
(9)	970 553 990 03	Cover (leather) Centre console with: inscription Panamera 4 Leather Embossed	front	1	PR: XYS, XYU, 098, 339

Model: 970 10 Model life 2010>>2016

Pos	Part Number	Description	Remark	Qty	Model
(9)	970 553 990 03 21U	No longer use the part here Black	-AB	1	PR: XYS, XYU, 098, 339
	970 553 990 03 7EG	Platinum Grey	-CB		
	970 553 990 03 32X	Luxor beige	-UB, PK		
	970 553 925 03	Cover (leather) Centre console	front		
		with:			
		inscription Panamera 4 Leather Embossed			
(9)	970 553 925 03 21U	Black	-AB	1	PR: XYS, XYU, 098, 339
	970 553 925 03 7EG	Platinum Grey	-CB		
	970 553 925 03 32X	Luxor beige	-UB, PK		
	970 553 925 03 OF6	agate grey	-DG		
970 553 990 03	Cover (leather) Centre console	front			
		with:			
		inscription Panamera 4 No longer use the part here			
(9)	970 553 990 03 A11	Black	-AC, GA	1	PR: XYS, XYU, 098, 339
	970 553 990 03 9B0	Platinum Grey	-CC, GC, BB		
	970 553 990 03 7J0	Luxor beige	-UC, GU, PL		
	970 553 990 03 6A0	yachting blue	-EC, GE		
	970 553 990 03 8D0	Cream	-BC, BD, BE, DS, DT		
	970 553 990 03 6J0	Espresso	-NA		
	970 553 990 03 7F0	Cognac	-NC		
	970 553 990 03 8B0	Cedar	-BN		
	970 553 990 03 7H0	Marsala Red	-PC, GP		
	970 553 925 03	Cover (leather) Centre console	front		
		with:			
		inscription Panamera 4			
(9)	970 553 925 03 A11	Black	-AC, GA	1	PR: XYS, XYU, 099, 339
	970 553 925 03 9B0	Platinum Grey	-CC, GC, BB		
	970 553 925 03 7J0	Luxor beige	-UC, GU, PL		
	970 553 925 03 6A0	yachting blue	-EC, GE		
	970 553 925 03 8D0	Cream	-BC, BD, BE, DS, DT		
	970 553 925 03 6J0	Espresso	-NA		
	970 553 925 03 7F0	Cognac	-NC		
	970 553 925 03 8B0	Cedar	-BN		
	970 553 925 03 7H0	Marsala Red	-PC, GP		
	970 553 925 03 OA1	agate grey	-DL, GD		
970 553 925 03 N12	Carrera Red	-BF			
970 553 925 03 OK6	saddle brown	-SB, GH, DN			
970 553 990 04	Cover (leather) Centre console	front			
		with:			
		inscription Panamera 4 Leather Embossed No longer use the part here			
(9)	970 553 990 04 21U	Black	-AB	1	PR: XYS, XYU, 099, 339
	970 553 990 04 7EG	Platinum Grey	-CB		
	970 553 990 04 32X	Luxor beige	-UB, PK		
	970 553 925 04	Cover (leather) Centre console	front		
		with:			

Model: 970 10 Model life 2010>>2016

Pos	Part Number	Description	Remark	Qty	Model
		inscription Panamera 4 Leather Embossed			
	970 553 925 04 21U	Black	-AB		
	970 553 925 04 7EG	Platinum Grey	-CB		
	970 553 925 04 32X	Luxor beige	-UB,PK		
	970 553 925 04 OF6	agate grey	-DG		
(9)	970 553 990 04	Cover (leather) Centre console	front	1	PR:XYX,XYU, 099,339
		with:			
		inscription Panamera 4 No longer use the part here			
	970 553 990 04 A11	Black	-AC,GA		
	970 553 990 04 9B0	Platinum Grey	-CC,GC,BB		
	970 553 990 04 7J0	Luxor beige	-UC,GU,PL		
	970 553 990 04 6A0	yachting blue	-EC,GE		
	970 553 990 04 8D0	Cream	-BC,BD,BE,DS, DT		
	970 553 990 04 6J0	Espresso	-NA		
	970 553 990 04 7F0	Cognac	-NC		
	970 553 990 04 8B0	Cedar	-BN		
	970 553 990 04 7H0	Marsala Red	-PC,GP		
(9)	970 553 925 04	Cover (leather) Centre console	front	1	PR:XYX,XYU, 099,339
		with:			
		inscription Panamera 4			
	970 553 925 04 A11	Black	-AC,GA		
	970 553 925 04 9B0	Platinum Grey	-CC,GC,BB		
	970 553 925 04 7J0	Luxor beige	-UC,GU,PL		
	970 553 925 04 6A0	yachting blue	-EC,GE		
	970 553 925 04 8D0	Cream	-BC,BD,BE,DS, DT		
	970 553 925 04 6J0	Espresso	-NA		
	970 553 925 04 7F0	Cognac	-NC		
	970 553 925 04 8B0	Cedar	-BN		
	970 553 925 04 7H0	Marsala Red	-PC,GP		
	970 553 925 04 OA1	agate grey	-DL,GD		
	970 553 925 04 N12	Carrera Red	-BF		
	970 553 925 04 OK6	saddle brown	-SB,GH,DN		
(9)	970 553 990 05	Cover (leather) Centre console	front	1	PR:XYX,XYU, 098,338
		with:			
		inscription Panamera S Leather Embossed No longer use the part here			
	970 553 990 05 21U	Black	-AB		
	970 553 990 05 7EG	Platinum Grey	-CB		
	970 553 990 05 32X	Luxor beige	-UB,PK		
(9)	970 553 925 05	Cover (leather) Centre console	front	1	PR:XYX,XYU, 098,338
		with:			
		inscription Panamera S Leather Embossed			
	970 553 925 05 21U	Black	-AB		
	970 553 925 05 7EG	Platinum Grey	-CB		
	970 553 925 05 32X	Luxor beige	-UB,PK		

Model: 970 10 Model life 2010>>2016

Pos	Part Number	Description	Remark	Qty	Model
(9)	970 553 925 05 OF6 970 553 990 05	agate grey Cover (leather) Centre console with: inscription Panamera S No longer use the part here	-DG front	1	PR: XYS, XYU, 098, 338
	970 553 990 05 A11 970 553 990 05 9B0 970 553 990 05 7J0 970 553 990 05 6A0 970 553 990 05 8D0	Black Platinum Grey Luxor beige yachting blue Cream	-AC, GA -CC, GC, BB -UC, GU, PL -EC, GE -BC, BD, BE, DS, DT		
	970 553 990 05 6J0 970 553 990 05 7F0 970 553 990 05 8B0	Espresso Cognac Cedar	-NA -NC -BN		
(9)	970 553 990 05 7H0 970 553 925 05	Marsala Red Cover (leather) Centre console with: inscription Panamera S	-PC, GP front	1	PR: XYS, XYU, 098, 338
	970 553 925 05 A11 970 553 925 05 9B0 970 553 925 05 7J0 970 553 925 05 6A0 970 553 925 05 8D0	Black Platinum Grey Luxor beige yachting blue Cream	-AC, GA -CC, GC, BB -UC, GU, PL -EC, GE -BC, BD, BE, DS, DT		
	970 553 925 05 6J0 970 553 925 05 7F0 970 553 925 05 8B0	Espresso Cognac Cedar	-NA -NC -BN		
	970 553 925 05 7H0 970 553 925 05 OA1 970 553 925 05 N12 970 553 925 05 OK6	Marsala Red agate grey Carrera Red saddle brown	-PC, GP -DL, GD -BF -SB, GH, DN		
(9)	970 553 990 06	Cover (leather) Centre console with: inscription Panamera S Leather Embossed No longer use the part here	front	1	PR: XYS, XYU, 099, 338
	970 553 990 06 21U 970 553 990 06 7EG 970 553 990 06 32X	Black Platinum Grey Luxor beige	-AB -CB -UB, PK		
(9)	970 553 925 06	Cover (leather) Centre console with: inscription Panamera S Leather Embossed	front	1	PR: XYS, XYU, 099, 338
	970 553 925 06 21U 970 553 925 06 7EG 970 553 925 06 32X 970 553 925 06 OF6	Black Platinum Grey Luxor beige agate grey	-AB -CB -UB, PK -DG		
(9)	970 553 990 06	Cover (leather) Centre console with: inscription Panamera S No longer use the part here	front	1	PR: XYS, XYU, 099, 338

Model: 970 10 Model life 2010>>2016

Pos	Part Number	Description	Remark	Qty	Model
	970 553 990 06 A11	Black	-AC,GA		
	970 553 990 06 9B0	Platinum Grey	-CC,GC,BB		
	970 553 990 06 7J0	Luxor beige	-UC,GU,PL		
	970 553 990 06 6A0	yachting blue	-EC,GE		
	970 553 990 06 8D0	Cream	-BC,BD,BE,DS, DT		
	970 553 990 06 6J0	Espresso	-NA		
	970 553 990 06 7F0	Cognac	-NC		
	970 553 990 06 8B0	Cedar	-BN		
	970 553 990 06 7H0	Marsala Red	-PC,GP		
(9)	970 553 925 06	Cover (leather) Centre console	front	1	PR: XYS,XYU, 099,338
		with: inscription Panamera S			
	970 553 925 06 A11	Black	-AC,GA		
	970 553 925 06 9B0	Platinum Grey	-CC,GC,BB		
	970 553 925 06 7J0	Luxor beige	-UC,GU,PL		
	970 553 925 06 6A0	yachting blue	-EC,GE		
	970 553 925 06 8D0	Cream	-BC,BD,BE,DS, DT		
	970 553 925 06 6J0	Espresso	-NA		
	970 553 925 06 7F0	Cognac	-NC		
	970 553 925 06 8B0	Cedar	-BN		
	970 553 925 06 7H0	Marsala Red	-PC,GP		
	970 553 925 06 OA1	agate grey	-DL,GD		
	970 553 925 06 N12	Carrera Red	-BF		
	970 553 925 06 OK6	saddle brown	-SB,GH,DN		
(9)	970 553 990 07	Cover (leather) Centre console	front	1	PR: XYS,XYU, 098,339
		with: inscription Panamera 4S Leather Embossed No longer use the part here			
	970 553 990 07 21U	Black	-AB		
	970 553 990 07 7EG	Platinum Grey	-CB		
	970 553 990 07 32X	Luxor beige	-UB,PK		
(9)	970 553 925 07	Cover (leather) Centre console	front	1	PR: XYS,XYU, 098,339
		with: inscription Panamera 4S Leather Embossed			
	970 553 925 07 21U	Black	-AB		
	970 553 925 07 7EG	Platinum Grey	-CB		
	970 553 925 07 32X	Luxor beige	-UB,PK		
	970 553 925 07 OF6	agate grey	-DG		
(9)	970 553 990 07	Cover (leather) Centre console	front	1	PR: XYS,XYU, 098,339
		with: inscription Panamera 4S No longer use the part here			
	970 553 990 07 A11	Black	-AC,GA		
	970 553 990 07 9B0	Platinum Grey	-CC,GC,BB		
	970 553 990 07 7J0	Luxor beige	-UC,GU,PL		
	970 553 990 07 6A0	yachting blue	-EC,GE		
	970 553 990 07 8D0	Cream	-BC,BD,BE,DS, DT		
	970 553 990 07 6J0	Espresso	-NA		

Model: 970 10 Model life 2010>>2016

Pos	Part Number	Description	Remark	Qty	Model			
(9)	970 553 990 07 7F0	Cognac	-NC	1	PR: XYS, XYU, 098, 339			
	970 553 990 07 8B0	Cedar	-BN					
	970 553 990 07 7H0	Marsala Red	-PC, GP					
	970 553 925 07	Cover (leather) Centre console	front					
		with:						
		inscription Panamera 4S						
	970 553 925 07 A11	Black	-AC, GA					
	970 553 925 07 9B0	Platinum Grey	-CC, GC, BB					
	970 553 925 07 7J0	Luxor beige	-UC, GU, PL					
	970 553 925 07 6A0	yachting blue	-EC, GE					
970 553 925 07 8D0	Cream	-BC, BD, BE, DS, DT						
970 553 925 07 6J0	Espresso	-NA						
970 553 925 07 7F0	Cognac	-NC						
970 553 925 07 8B0	Cedar	-BN						
970 553 925 07 7H0	Marsala Red	-PC, GP						
970 553 925 07 OA1	agate grey	-DL, GD						
970 553 925 07 N12	Carrera Red	-BF						
970 553 925 07 OK6	saddle brown	-SB, GH, DN						
(9)	970 553 990 08	Cover (leather) Centre console	front	1	PR: XYS, XYU, 099, 339			
		with:						
		inscription Panamera 4S						
		Leather Embossed						
		No longer use the part here						
	970 553 990 08 21U	Black	-AB					
	970 553 990 08 7EG	Platinum Grey	-CB					
	970 553 990 08 32X	Luxor beige	-UB, PK					
	(9)	970 553 925 08	Cover (leather) Centre console			front	1	PR: XYS, XYU, 099, 339
			with:					
		inscription Panamera 4S						
		Leather Embossed						
		No longer use the part here						
970 553 925 08 21U		Black	-AB					
970 553 925 08 7EG		Platinum Grey	-CB					
970 553 925 08 32X		Luxor beige	-UB, PK					
970 553 925 08 OF6		agate grey	-DG					
(9)		970 553 990 08	Cover (leather) Centre console	front	1	PR: XYS, XYU, 099, 339		
		with:						
		inscription Panamera 4S						
		No longer use the part here						
	970 553 990 08 A11	Black	-AC, GA					
	970 553 990 08 9B0	Platinum Grey	-CC, GC, BB					
	970 553 990 08 7J0	Luxor beige	-UC, GU, PL					
	970 553 990 08 6A0	yachting blue	-EC, GE					
	970 553 990 08 8D0	Cream	-BC, BD, BE, DS, DT					
	970 553 990 08 6J0	Espresso	-NA					
970 553 990 08 7F0	Cognac	-NC						
970 553 990 08 8B0	Cedar	-BN						
970 553 990 08 7H0	Marsala Red	-PC, GP						
(9)	970 553 925 08	Cover (leather) Centre console	front	1	PR: XYS, XYU, 099, 339			
		with:						
	inscription							

Model: 970 10 Model life 2010>>2016

Pos	Part Number	Description	Remark	Qty	Model
		Panamera 4S			
	970 553 925 08 A11	Black	-AC,GA		
	970 553 925 08 9B0	Platinum Grey	-CC,GC,BB		
	970 553 925 08 7J0	Luxor beige	-UC,GU,PL		
	970 553 925 08 6A0	yachting blue	-EC,GE		
	970 553 925 08 8D0	Cream	-BC,BD,BE,DS, DT		
	970 553 925 08 6J0	Espresso	-NA		
	970 553 925 08 7F0	Cognac	-NC		
	970 553 925 08 8B0	Cedar	-BN		
	970 553 925 08 7H0	Marsala Red	-PC,GP		
	970 553 925 08 OA1	agate grey	-DL,GD		
	970 553 925 08 N12	Carrera Red	-BF		
	970 553 925 08 OK6	saddle brown	-SB,GH,DN		
(9)	970 553 990 09	Cover (leather) Centre console	front	1	PR: XYS,XYU, 098
		with: inscription Turbo Leather Embossed No longer use the part here			
	970 553 990 09 21U	Black	-AB		
	970 553 990 09 7EG	Platinum Grey	-CB		
	970 553 990 09 32X	Luxor beige	-UB,PK		
(9)	970 553 925 09	Cover (leather) Centre console	front	1	PR: XYS,XYU, 098
		with: inscription Turbo Leather Embossed			
	970 553 925 09 21U	Black	-AB		
	970 553 925 09 7EG	Platinum Grey	-CB		
	970 553 925 09 32X	Luxor beige	-UB,PK		
	970 553 925 09 OF6	agate grey	-DG		
(9)	970 553 990 09	Cover (leather) Centre console	front	1	PR: XYS,XYU, 098
		with: inscription Turbo No longer use the part here			
	970 553 990 09 A11	Black	-AC,GA		
	970 553 990 09 9B0	Platinum Grey	-CC,GC,BB		
	970 553 990 09 7J0	Luxor beige	-UC,GU,PL		
	970 553 990 09 6A0	yachting blue	-EC,GE		
	970 553 990 09 8D0	Cream	-BC,BD,BE,DS, DT		
	970 553 990 09 6J0	Espresso	-NA		
	970 553 990 09 7F0	Cognac	-NC		
	970 553 990 09 8B0	Cedar	-BN		
	970 553 990 09 7H0	Marsala Red	-PC,GP		
(9)	970 553 925 09	Cover (leather) Centre console	front	1	PR: XYS,XYU, 098
		with: inscription Turbo			
	970 553 925 09 A11	Black	-AC,GA		
	970 553 925 09 9B0	Platinum Grey	-CC,GC,BB		
	970 553 925 09 7J0	Luxor beige	-UC,GU,PL		
	970 553 925 09 6A0	yachting blue	-EC,GE		
	970 553 925 09 8D0	Cream	-BC,BD,BE,DS, DT		

Model: 970 10 Model life 2010>>2016

Pos	Part Number	Description	Remark	Qty	Model
	970 553 925 09 6J0	Espresso	-NA		
	970 553 925 09 7F0	Cognac	-NC		
	970 553 925 09 8B0	Cedar	-BN		
	970 553 925 09 7H0	Marsala Red	-PC,GP		
	970 553 925 09 0A1	agate grey	-DL,GD		
	970 553 925 09 N12	Carrera Red	-BF		
	970 553 925 09 OK6	saddle brown	-SB,GH,DN		
(9)	970 553 990 10	Cover (leather) Centre console with: inscription Turbo Leather Embossed No longer use the part here	front	1	PR:XY5,XYU, 099
	970 553 990 10 21U	Black	-AB		
	970 553 990 10 7EG	Platinum Grey	-CB		
	970 553 990 10 32X	Luxor beige	-UB,PK		
(9)	970 553 925 10	Cover (leather) Centre console with: inscription Turbo Leather Embossed	front	1	PR:XY5,XYU, 099
	970 553 925 10 21U	Black	-AB		
	970 553 925 10 7EG	Platinum Grey	-CB		
	970 553 925 10 32X	Luxor beige	-UB,PK		
	970 553 925 10 OF6	agate grey	-DG		
(9)	970 553 990 10	Cover (leather) Centre console with: inscription Turbo No longer use the part here	front	1	PR:XY5,XYU, 099
	970 553 990 10 A11	Black	-AC,GA		
	970 553 990 10 9B0	Platinum Grey	-CC,GC,BB		
	970 553 990 10 7J0	Luxor beige	-UC,GU,PL		
	970 553 990 10 6A0	yachting blue	-EC,GE		
	970 553 990 10 8D0	Cream	-BC,BD,BE,DS, DT		
	970 553 990 10 6J0	Espresso	-NA		
	970 553 990 10 7F0	Cognac	-NC		
	970 553 990 10 8B0	Cedar	-BN		
	970 553 990 10 7H0	Marsala Red	-PC,GP		
(9)	970 553 925 10	Cover (leather) Centre console with: inscription Turbo	front	1	PR:XY5,XYU, 099
	970 553 925 10 A11	Black	-AC,GA		
	970 553 925 10 9B0	Platinum Grey	-CC,GC,BB		
	970 553 925 10 7J0	Luxor beige	-UC,GU,PL		
	970 553 925 10 6A0	yachting blue	-EC,GE		
	970 553 925 10 8D0	Cream	-BC,BD,BE,DS, DT		
	970 553 925 10 6J0	Espresso	-NA		
	970 553 925 10 7F0	Cognac	-NC		
	970 553 925 10 8B0	Cedar	-BN		
	970 553 925 10 7H0	Marsala Red	-PC,GP		
	970 553 925 10 0A1	agate grey	-DL,GD		
	970 553 925 10 N12	Carrera Red	-BF		
	970 553 925 10 OK6	saddle brown	-SB,GH,DN		

Model: 970 10 Model life 2010>>2016

Pos	Part Number	Description	Remark	Qty	Model
(9)	970 553 925 13	Cover (leather) Centre console	front	1	PR: XYS, XYU, 098, 016
		with: inscription Turbo S			
	970 553 925 13 A11	Black	-AC, GA		
	970 553 925 13 9B0	Platinum Grey	-CC, GC, BB		
	970 553 925 13 7J0	Luxor beige	-UC, GU, PL		
	970 553 925 13 6A0	yachting blue	-EC, GE		
	970 553 925 13 8D0	Cream	-BC, BD, BE, DS, DT		
	970 553 925 13 6J0	Espresso	-NA		
	970 553 925 13 7F0	Cognac	-NC		
	970 553 925 13 8B0	Cedar	-BN		
	970 553 925 13 7H0	Marsala Red	-PC, GP		
	970 553 925 13 OA1	agate grey	-DL, GD		
	970 553 925 13 N12	Carrera Red	-BF		
	970 553 925 13 OK6	saddle brown	-SB, GH, DN		
(9)	970 553 925 14	Cover (leather) Centre console	front	1	PR: XYS, XYU, 099, 016
		with: inscription Turbo S			
	970 553 925 14 A11	Black	-AC, GA		
	970 553 925 14 9B0	Platinum Grey	-CC, GC, BB		
	970 553 925 14 7J0	Luxor beige	-UC, GU, PL		
	970 553 925 14 6A0	yachting blue	-EC, GE		
	970 553 925 14 8D0	Cream	-BC, BD, BE, DS, DT		
	970 553 925 14 6J0	Espresso	-NA		
	970 553 925 14 7F0	Cognac	-NC		
	970 553 925 14 8B0	Cedar	-BN		
	970 553 925 14 7H0	Marsala Red	-PC, GP		
	970 553 925 14 OA1	agate grey	-DL, GD		
	970 553 925 14 N12	Carrera Red	-BF		
	970 553 925 14 OK6	saddle brown	-SB, GH, DN		
(9)	970 553 925 11	Cover (leather) Centre console	front	1	PR: XYS, XYU, 098, 015
		with: inscription Panamera GTS			
	970 553 925 11 A11	Black	-AC, GA		
	970 553 925 11 9B0	Platinum Grey	-CC, GC, BB		
	970 553 925 11 7J0	Luxor beige	-UC, GU, PL		
	970 553 925 11 6A0	yachting blue	-EC, GE		
	970 553 925 11 8D0	Cream	-BC, BD, BE, DS, DT		
	970 553 925 11 6J0	Espresso	-NA		
	970 553 925 11 7F0	Cognac	-NC		
	970 553 925 11 8B0	Cedar	-BN		
	970 553 925 11 7H0	Marsala Red	-PC, GP		
	970 553 925 11 DSK	Black/Carmine Red	-GK		
	970 553 925 11 DSL	black/silver	-GS		
	970 553 925 11 OA1	agate grey	-DL, GD		
	970 553 925 11 N12	Carrera Red	-BF		
	970 553 925 11 OK6	saddle brown	-SB, GH, DN		
(9)	970 553 925 12	Cover (leather) Centre console	front	1	PR: XYS, XYU, 099, 015
		with: inscription Panamera GTS			

Model: 970 10 Model life 2010>>2016

Pos	Part Number	Description	Remark	Qty	Model
	970 553 925 12 A11	Black	-AC,GA		
	970 553 925 12 9B0	Platinum Grey	-CC,GC,BB		
	970 553 925 12 7J0	Luxor beige	-UC,GU,PL		
	970 553 925 12 6A0	yachting blue	-EC,GE		
	970 553 925 12 8D0	Cream	-BC,BD,BE,DS, DT		
	970 553 925 12 6J0	Espresso	-NA		
	970 553 925 12 7F0	Cognac	-NC		
	970 553 925 12 8B0	Cedar	-BN		
	970 553 925 12 7H0	Marsala Red	-PC,GP		
	970 553 925 12 DSK	Black/Carmine Red	-GK		
	970 553 925 12 DSL	black/silver	-GS		
	970 553 925 12 OA1	agate grey	-DL,GD		
	970 553 925 12 N12	Carrera Red	-BF		
	970 553 925 12 OK6	saddle brown	-SB,GH,DN		
10	970 553 923 00	Fasteners		1	
		Hinge			
11	970 553 381 00	Drinks holder		1	PR:098
		Leather			
		Embossed			
	970 553 381 00 21U	Black	-AB		
	970 553 381 00 7EG	Platinum Grey	-CB		
	970 553 381 00 32X	Luxor beige	-UB,PK		
	970 553 381 00 OF6	agate grey	-DG		
11	970 553 381 00	Drinks holder		1	PR:098
		Leather			
	970 553 381 00 A11	Black	-AC,GA		
	970 553 381 00 9B0	Platinum Grey	-CC,GC,BB		
	970 553 381 00 7J0	Luxor beige	-UC,GU,PL		
	970 553 381 00 6A0	yachting blue	-EC,GE		
	970 553 381 00 8D0	Cream	-BC,BD,BE,DS, DT		
	970 553 381 00 6J0	Espresso	-NA		
	970 553 381 00 7F0	Cognac	-NC		
	970 553 381 00 8B0	Cedar	-BN		
	970 553 381 00 7H0	Marsala Red	-PC,GP		
	970 553 381 00 DSK	Black/Carmine Red	-GK		
	970 553 381 00 DSL	black/silver	-GS		
	970 553 381 00 OA1	agate grey	-DL,GD		
	970 553 381 00 N12	Carrera Red	-BF		
	970 553 381 00 OK6	saddle brown	-SB,GH,DN		
11	970 553 381 01	Drinks holder		1	PR:099
		Leather			
		Embossed			
	970 553 381 01 21U	Black	-AB		
	970 553 381 01 7EG	Platinum Grey	-CB		
	970 553 381 01 32X	Luxor beige	-UB,PK		
	970 553 381 01 OF6	agate grey	-DG		
(11)	970 553 381 01	Drinks holder		1	PR:099
		Leather			
	970 553 381 01 A11	Black	-AC,GA		
	970 553 381 01 9B0	Platinum Grey	-CC,GC,BB		
	970 553 381 01 7J0	Luxor beige	-UC,GU,PL		
	970 553 381 01 6A0	yachting blue	-EC,GE		
	970 553 381 01 8D0	Cream	-BC,BD,BE,DS, DT		
	970 553 381 01 6J0	Espresso	-NA		
	970 553 381 01 7F0	Cognac	-NC		
	970 553 381 01 8B0	Cedar	-BN		
	970 553 381 01 7H0	Marsala Red	-PC,GP		
	970 553 381 01 DSK	Black/Carmine Red	-GK		
	970 553 381 01 DSL	black/silver	-GS		
	970 553 381 01 OA1	agate grey	-DL,GD		

Model: 970 10 Model life 2010>>2016

Pos	Part Number	Description	Remark	Qty	Model
(11)	970 553 381 01 N12	Carrera Red	-BF	1	PR:098,975
	970 553 381 01 OK6	saddle brown	-SB, GH, DN		
	970 553 381 02	Drinks holder Alcantara			
	970 553 381 02 DSN	Black/Carmine Red	-GK		
	970 553 381 02 DSO	black/silver	-GS		
	970 553 381 02 DSP	Black	-GA		
	970 553 381 02 DSQ	Platinum Grey	-GC		
	970 553 381 02 DSR	Luxor beige	-GU		
	970 553 381 02 DSS	yachting blue	-GE		
	970 553 381 02 DST	Marsala Red	-GP		
(11)	970 553 381 02 DVE	agate grey	-GD	1	PR:099,975
	970 553 381 02 DVF	saddle brown	-GH		
	970 553 381 03	Drinks holder Alcantara			
	970 553 381 03 DSN	Black/Carmine Red	-GK		
	970 553 381 03 DSO	black/silver	-GS		
	970 553 381 03 DSP	Black	-GA		
	970 553 381 03 DSQ	Platinum Grey	-GC		
	970 553 381 03 DSR	Luxor beige	-GU		
	970 553 381 03 DSS	yachting blue	-GE		
	970 553 381 03 DST	Marsala Red	-GP		
12	970 553 381 03 DVE	agate grey	-GD	1	
	970 553 381 03 DVF	saddle brown	-GH		
14	970 553 351 00	ashtray		1	
(14)	970 553 373 00	cover for center console ashtray		1	PR:817
	970 553 373 00 A61	Piano Black, high-gloss		1	PR:821
	970 553 373 01	cover for center console ashtray			
	970 553 373 01 BG1	Walnut, high-gloss			
	970 553 373 02	cover for center console ashtray			
	970 553 373 02 S64	Teneo high-gloss			
	970 553 373 03	cover for center console ashtray			
	970 553 373 03 CK6	Swedish Birch			
	970 553 373 04	cover for center console ashtray			
	970 553 373 04 BT2	Olive Ash matt open-pored			
	970 553 373 05	cover for center console ashtray			
	970 553 373 05 U03	Aluminium, brushed			
	970 553 373 06	cover for center console ashtray			
	970 553 373 06 BX3	Carbon, fine high-gloss			
970 553 373 07	cover for center console ashtray				
970 553 373 07 OE9	American Walnut				
(14)	970 553 992 00	cover for center console ashtray		1	PR:XZY
	970 553 992 00 GX1	Mahogany Yachting			
15	970 553 371 00	Trim for centre console	front	1	PR:817
(15)	970 553 371 00 A61	Piano Black, high-gloss		1	PR:821
	970 553 371 01	Trim for centre console	front		
(15)	970 553 371 01 BG1	Walnut, high-gloss		1	PR:822
	970 553 371 02	Trim for centre console	front		
(15)	970 553 371 02 S64	Teneo high-gloss		1	PR:823
	970 553 371 03	Trim for centre console	front		
(15)	970 553 371 03 CK6	Swedish Birch		1	PR:824
	970 553 371 04	Trim for centre console	front		
(15)	970 553 371 04 BT2	Olive Ash matt open-pored		1	PR:818
	970 553 371 05	Trim for centre console	front		

Model: 970 10

Model life 2010>>2016

Pos	Part Number	Description	Remark	Qty	Model
	970 553 371 05 U03	Aluminium, brushed			
(15)	970 553 371 06	Trim for centre console	front	1	PR:819
	970 553 371 06 BX3	Carbon, fine high-gloss			
(15)	970 553 371 07	Trim for centre console	front	1	PR:826
	970 553 371 07 OE9	American Walnut			
(15)	970 553 991 00	Trim for centre console	front	1	PR:XZY
	970 553 991 00 GX1	Mahogany Yachting			
16	999 919 260 01	fillister hd. bolt 4 X 16 for Mount Trim		X	
19	970 553 161 00	Cover for centre console		1	PR:250,249
	970 553 161 00 DMN	Galvano silver			
(19)	970 553 161 01	Cover for centre console		1	PR:250,016, 020
	970 553 161 01 DAP	Galvano silver			
20	970 553 755 00	decorative frame		1	PR:480
	970 553 755 00 D20	silver grey			
21	970 553 745 00	Insert Stowage compartment Centre console	front	1	PR:-669
21	970 553 745 02	Insert Stowage compartment Centre console	front	1	PR:669
22	970 553 733 00	Cover panel Centre console	front	1	/L
	970 553 733 00 5Q0	Black	-AB,AC,GK,GS, GA		
	970 553 733 00 4U0	Platinum Grey	-CB,CC,GC,BB		
	970 553 733 00 6W0	Luxor beige	-UB,UC,GU,PK, PL		
	970 553 733 00 8Y0	yachting blue	-EC,GE		
	970 553 733 00 5V0	Cream	-BC,BD,BE,DS, DT		
	970 553 733 00 3T0	Espresso	-NA		
	970 553 733 00 2S0	Cognac	-NC		
	970 553 733 00 1R0	Cedar	-BN		
	970 553 733 00 7H0	Marsala Red	-PC,GP		
	970 553 733 00 OA6	agate grey	-DG,DL,GD		
	970 553 733 00 OE1	Carrera Red	-BF		
	970 553 733 00 OL7	saddle brown	-SB,GH,DN		
(22)	970 553 734 00	Cover panel Centre console	front	1	/R
	970 553 734 00 5Q0	Black	-AB,AC,GK,GS, GA		
	970 553 734 00 4U0	Platinum Grey	-CB,CC,GC,BB		
	970 553 734 00 6W0	Luxor beige	-UB,UC,GU,PK, PL		
	970 553 734 00 8Y0	yachting blue	-EC,GE		
	970 553 734 00 5V0	Cream	-BC,BD,BE,DS, DT		
	970 553 734 00 3T0	Espresso	-NA		
	970 553 734 00 2S0	Cognac	-NC		
	970 553 734 00 1R0	Cedar	-BN		
	970 553 734 00 7H0	Marsala Red	-PC,GP		
	970 553 734 00 OA6	agate grey	-DG,DL,GD		
	970 553 734 00 OE1	Carrera Red	-BF		
	970 553 734 00 OL7	saddle brown	-SB,GH,DN		
(22)	970 553 733 01	Cover panel Centre console	front	1	/L PR:020,838
	970 553 733 01 OD2	Toffee Brown	-PF		
(22)	970 553 734 01	Cover panel	front	1	/R

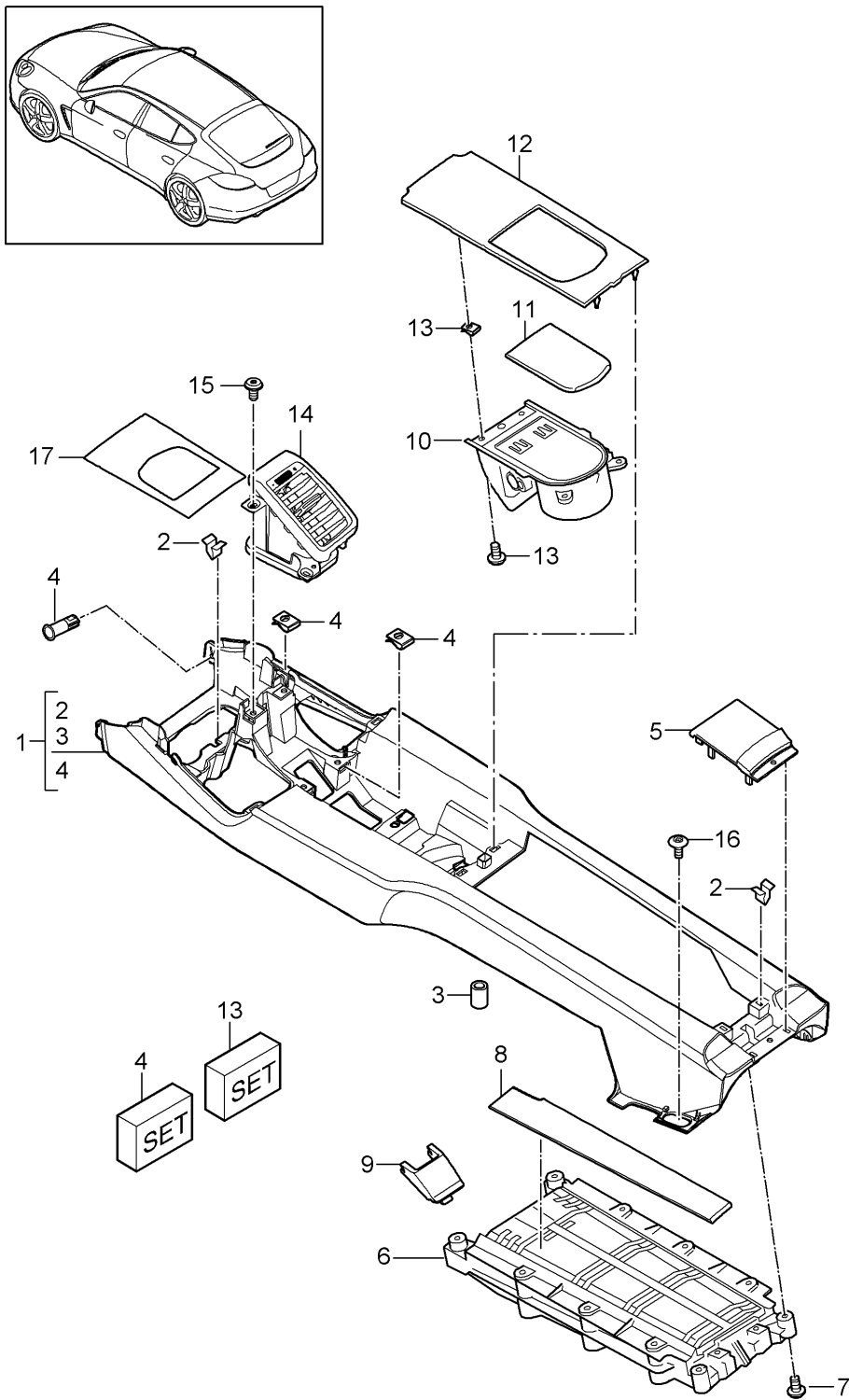
Model: 970 10

Model life 2010>>2016

Pos	Part Number	Description	Remark	Qty	Model
23	970 553 734 01 OD2 999 073 269 09	Centre console Toffee Brown fillister hd. bolt M 5 X 16 for Mount	-PF	X	PR:020,838
(23)	999 073 142 09	Centre console panel screw 4,2 X 16 for Mount		X	
24	970 553 383 00	Centre console Insert for cupholder		1	

Model: 970 10

Model life 2010>>2016



Model: 970 10

Model life 2010>>2016

Pos	Part Number	Description	Remark	Qty	Model
1	970 553 411 00	Centre console Centre console Leatherette	rear rear	1	PR:-838 PR:573
	970 553 411 00 7P8	Black	-AB		
	970 553 411 00 9PK	Platinum Grey	-CB		
	970 553 411 00 8ED	Luxor beige	-UB,PK		
	970 553 411 00 OK2	agate grey	-DG		
1	970 553 411 01	Centre console Leather	rear	1	PR:573,981
	970 553 411 01 A11	Black	-AC,GK,GS,GA		
	970 553 411 01 9B0	Platinum Grey	-CC,GC,BB		
	970 553 411 01 7J0	Luxor beige	-UB,UC,GU		
	970 553 411 01 6A0	yachting blue	-EC,GE		
	970 553 411 01 8D0	Cream	-BC,BD,BE,DS, DT		
	970 553 411 01 6J0	Espresso	-NA		
	970 553 411 01 7F0	Cognac	-NC		
	970 553 411 01 8B0	Cedar	-BN		
	970 553 411 01 7H0	Marsala Red	-PC,GP		
	970 553 411 01 OA1	agate grey	-DL,GD		
	970 553 411 01 N12	Carrera Red	-BF		
	970 553 411 01 OK6	saddle brown	-SB,GH,DN		
(1)	970 553 413 00	Centre console Leatherette	rear	1	PR:576
	970 553 413 00 7P8	Black	-AB		
	970 553 413 00 9PK	Platinum Grey	-CB		
	970 553 413 00 8ED	Luxor beige	-UB,PK		
	970 553 413 00 OK2	agate grey	-DG		
1	970 553 413 01	Centre console Leather	rear	1	PR:576,981
	970 553 413 01 A11	Black	-AC,GK,GS,GA		
	970 553 413 01 9B0	Platinum Grey	-CC,GC,BB		
	970 553 413 01 7J0	Luxor beige	-UB,UC,GU		
	970 553 413 01 6A0	yachting blue	-EC,GE		
	970 553 413 01 8D0	Cream	-BC,BD,BE,DS, DT		
	970 553 413 01 6J0	Espresso	-NA		
	970 553 413 01 7F0	Cognac	-NC		
	970 553 413 01 8B0	Cedar	-BN		
	970 553 413 01 7H0	Marsala Red	-PC,GP		
	970 553 413 01 OA1	agate grey	-DL,GD		
	970 553 413 01 N12	Carrera Red	-BF		
	970 553 413 01 OK6	saddle brown	-SB,GH,DN		
2	955 552 107 00	Retaining clip		X	
3	999 504 644 01	bush M 4,2 X 1,41		10	
(4)	970 553 941 00	Fasteners Centre console	rear	1	
5	970 553 457 00	Trim for centre console		1	PR:817
(5)	970 553 457 00 A61	Piano Black, high-gloss		1	PR:821
(5)	970 553 457 01	Trim for centre console		1	PR:822
(5)	970 553 457 01 BG1	Walnut, high-gloss		1	PR:822
(5)	970 553 457 02	Trim for centre console		1	PR:823
(5)	970 553 457 02 S64	Teneo high-gloss		1	PR:823
(5)	970 553 457 03	Trim for centre console		1	PR:824
(5)	970 553 457 03 CK6	Swedish Birch		1	PR:824
(5)	970 553 457 04	Trim for centre console		1	PR:818
(5)	970 553 457 04 BT2	Olive Ash matt open-pored		1	PR:818
(5)	970 553 457 05	Trim for centre console		1	PR:819
(5)	970 553 457 05 U03	Aluminium, brushed		1	PR:819
(5)	970 553 457 06	Trim for centre console		1	PR:826
(5)	970 553 457 06 BX3	Carbon, fine high-gloss		1	PR:826
(5)	970 553 457 07	Trim for centre console		1	PR:826

Model: 970 10 Model life 2010>>2016

Pos	Part Number	Description	Remark	Qty	Model
	970 553 457 07 OE9	American Walnut			
(5)	970 553 997 00	Trim for centre console		1	PR:XZY
	970 553 997 00 GX1	Mahogany Yachting			
(5)	970 553 997 01	Trim for centre console		1	PR:XHA
	970 553 997 01 A11	Black	-AB,AC,GK,GS, GA		
	970 553 997 01 OA1	agate grey	-DG,DL,GD		
	970 553 997 01 7J0	Luxor beige	-UB,UC,GU		
	970 553 997 01 7H0	Marsala Red	-PC,GP		
	970 553 997 01 6J0	Espresso	-NA		
	970 553 997 01 7F0	Cognac	-NC		
	970 553 997 01 9B0	Platinum Grey	-CB,CC,GC,BB		
	970 553 997 01 6A0	yachting blue	-EC,GE		
	970 553 997 01 N12	Carrera Red	-BF		
	970 553 997 01 8D0	Cream	-BC,BD,BE,DS, DT		
	970 553 997 01 8B0	Cedar	-BN		
	970 553 997 01 OK6	saddle brown	-SB,GH,DN		
6	970 553 435 00	Stowage compartment Centre console	rear	1	
7	970 553 911 00	Fasteners panel screw 4,2 X 13 for Mount Stowage compartment		1	
8	970 553 455 00	Trim Stowage compartment	left	1	PR:817
	970 553 455 00 A61	Piano Black, high-gloss			
(8)	970 553 456 00	Trim Stowage compartment	right	1	PR:817
	970 553 456 00 A61	Piano Black, high-gloss			
8	970 553 455 01	Trim Stowage compartment	left	1	PR:821
	970 553 455 01 BG1	Walnut, high-gloss			
(8)	970 553 456 01	Trim Stowage compartment	right	1	PR:821
	970 553 456 01 BG1	Walnut, high-gloss			
8	970 553 455 02	Trim Stowage compartment	left	1	PR:822
	970 553 455 02 S64	Teneo high-gloss			
(8)	970 553 456 02	Trim Stowage compartment	right	1	PR:822
	970 553 456 02 S64	Teneo high-gloss			
8	970 553 455 03	Trim Stowage compartment	left	1	PR:823
	970 553 455 03 CK6	Swedish Birch			
(8)	970 553 456 03	Trim Stowage compartment	right	1	PR:823
	970 553 456 03 CK6	Swedish Birch			
8	970 553 455 04	Trim Stowage compartment	left	1	PR:824
	970 553 455 04 BT2	Olive Ash matt open-pored			
(8)	970 553 456 04	Trim Stowage compartment	right	1	PR:824
	970 553 456 04 BT2	Olive Ash matt open-pored			
8	970 553 455 05	Trim Stowage compartment	left	1	PR:818
	970 553 455 05 U03	Aluminium, brushed			
(8)	970 553 456 05	Trim Stowage compartment	right	1	PR:818
	970 553 456 05 U03	Aluminium, brushed			
8	970 553 455 06	Trim	left	1	PR:819

Model: 970 10 Model life 2010>>2016

Pos	Part Number	Description	Remark	Qty	Model
(8)	970 553 455 06 BX3	Stowage compartment Carbon, fine high-gloss			
	970 553 455 07	Trim	left	1	PR:826
	970 553 455 07 OE9	Stowage compartment American Walnut			
(8)	970 553 456 06	Trim	right	1	PR:819
	970 553 456 06 BX3	Stowage compartment Carbon, fine high-gloss			
(8)	970 553 456 07	Trim	right	1	PR:826
	970 553 456 07 OE9	Stowage compartment American Walnut			
8	970 553 995 00	Trim	left	1	PR:XZY
	970 553 995 00 GX1	Stowage compartment Mahogany Yachting			
(8)	970 553 996 00	Trim	right	1	PR:XZY
	970 553 996 00 GX1	Stowage compartment Mahogany Yachting			
(8)	970 553 995 01	Trim	left	1	PR:XHA
	970 553 995 01 A11	Stowage compartment Black			
	970 553 995 01 OA1	agate grey	-AB,AC,GK,GS, GA		
	970 553 995 01 7J0	Luxor beige	-DG,DL,GD		
	970 553 995 01 7H0	Marsala Red	-UB,UC,GU		
	970 553 995 01 6J0	Espresso	-PC,GP		
	970 553 995 01 7F0	Cognac	-NA		
	970 553 995 01 9B0	Platinum Grey	-NC		
	970 553 995 01 6A0	yachting blue	-CB,CC,GC,BB		
	970 553 995 01 N12	Carrera Red	-EC,GE		
	970 553 995 01 8D0	Cream	-BF		
	970 553 995 01 8B0	Cedar	-BC,BD,BE,DS, DT		
	970 553 995 01 OK6	saddle brown	-BN		
(8)	970 553 996 01	Trim	right	1	PR:XHA
	970 553 996 01 A11	Stowage compartment Black			
	970 553 996 01 OA1	agate grey	-AB,AC,GK,GS, GA		
	970 553 996 01 7J0	Luxor beige	-DG,DL,GD		
	970 553 996 01 7H0	Marsala Red	-UB,UC,GU		
	970 553 996 01 6J0	Espresso	-PC,GP		
	970 553 996 01 7F0	Cognac	-NA		
	970 553 996 01 9B0	Platinum Grey	-NC		
	970 553 996 01 6A0	yachting blue	-CB,CC,GC,BB		
	970 553 996 01 N12	Carrera Red	-EC,GE		
	970 553 996 01 8D0	Cream	-BF		
	970 553 996 01 8B0	Cedar	-BC,BD,BE,DS, DT		
	970 553 996 01 OK6	saddle brown	-BN		
9	970 553 775 00	Adapter Lighting	-SB,GH,DN	1	
10	970 553 481 00	Retainer for centre console Drinks holder		1	
11	970 553 453 00	Trim for drinks holder		1	PR:817
	970 553 453 00 A61	Piano Black, high-gloss			
(11)	970 553 453 01	Trim for drinks holder		1	PR:821
	970 553 453 01 BG1	Walnut, high-gloss			
(11)	970 553 453 02	Trim for drinks holder		1	PR:822
	970 553 453 02 S64	Teneo high-gloss			
(11)	970 553 453 03	Trim for drinks		1	PR:823

Model: 970 10 Model life 2010>>2016

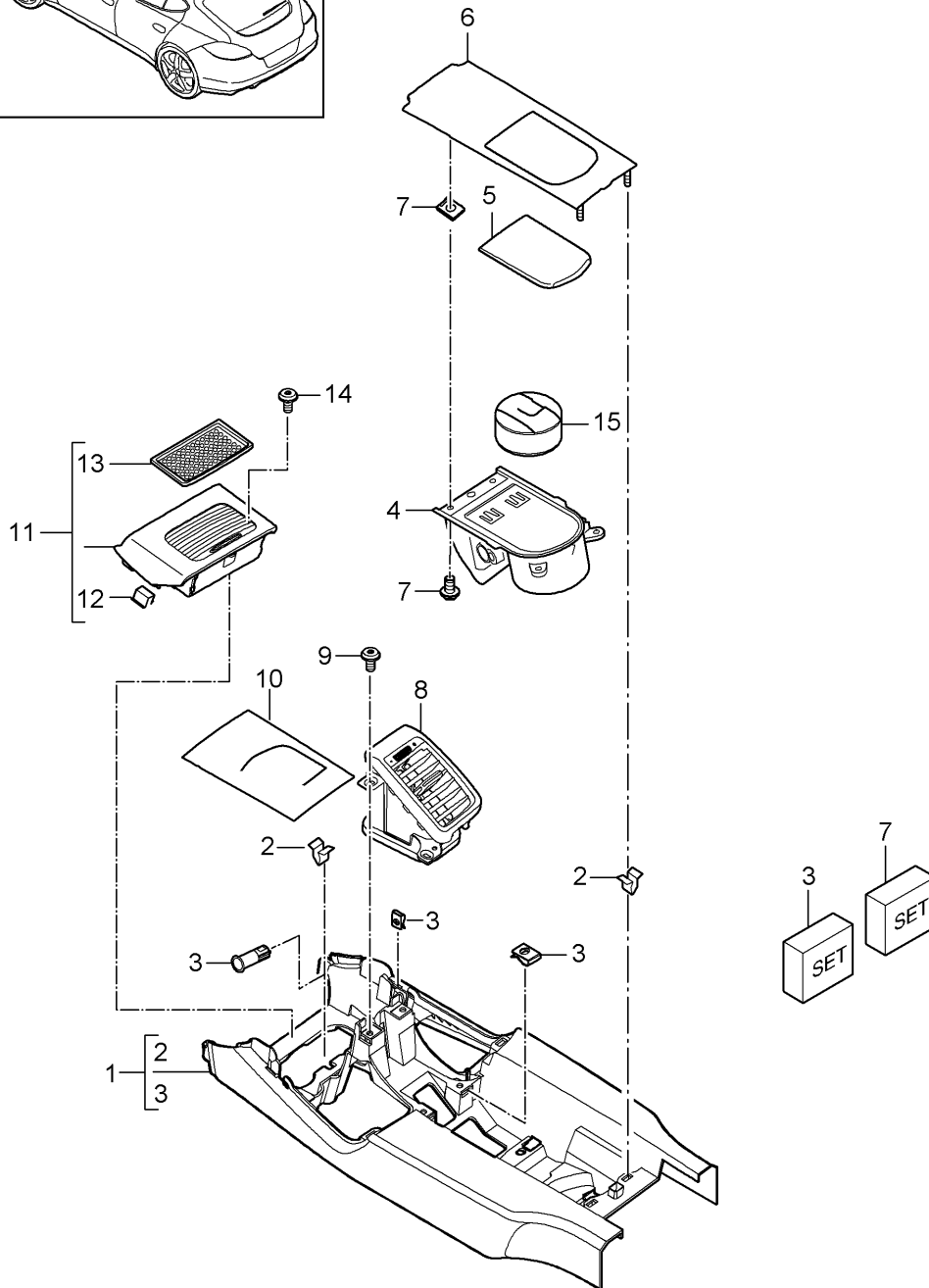
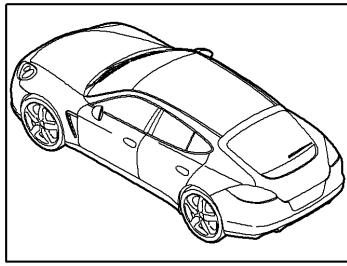
Pos	Part Number	Description	Remark	Qty	Model
(11)	970 553 453 03 CK6	holder Swedish Birch		1	PR:824
	970 553 453 04	Trim for drinks holder			
(11)	970 553 453 04 BT2	Olive Ash matt open-pored		1	PR:818
	970 553 453 05	Trim for drinks holder			
(11)	970 553 453 05 U03	Aluminium, brushed		1	PR:819
	970 553 453 06	Trim for drinks holder			
(11)	970 553 453 06 BX3	Carbon, fine high-gloss		1	PR:826
	970 553 453 07	Trim for drinks holder			
(11)	970 553 453 07 OE9	American Walnut		1	PR:XZY
	970 553 994 00	Trim for drinks holder			
(11)	970 553 994 00 GX1	Mahogany Yachting		1	PR:XHA
	970 553 994 01	Trim for drinks holder			
	970 553 994 01 A11	Black	-AB, AC, GK, GS, GA		
	970 553 994 01 OA1	agate grey	-DG, DL, GD		
	970 553 994 01 7J0	Luxor beige	-UB, UC, GU		
	970 553 994 01 7H0	Marsala Red	-PC, GP		
	970 553 994 01 6J0	Espresso	-NA		
	970 553 994 01 7F0	Cognac	-NC		
	970 553 994 01 9B0	Platinum Grey	-CB, CC, GC, BB		
	970 553 994 01 6A0	yachting blue	-EC, GE		
	970 553 994 01 N12	Carrera Red	-BF		
	970 553 994 01 8D0	Cream	-BC, BD, BE, DS, DT		
	970 553 994 01 8B0	Cedar	-BN		
	970 553 994 01 OK6	saddle brown	-SB, GH, DN		
12	970 553 451 00	Trim for centre console		1	PR:817
	970 553 451 00 A61	Piano Black, high-gloss			
(12)	970 553 451 01	Trim for centre console		1	PR:821
	970 553 451 01 BG1	Walnut, high-gloss			
(12)	970 553 451 02	Trim for centre console		1	PR:822
	970 553 451 02 S64	Teneo high-gloss			
(12)	970 553 451 03	Trim for centre console		1	PR:823
	970 553 451 03 CK6	Swedish Birch			
(12)	970 553 451 04	Trim for centre console		1	PR:824
	970 553 451 04 BT2	Olive Ash matt open-pored			
(12)	970 553 451 05	Trim for centre console		1	PR:818
	970 553 451 05 U03	Aluminium, brushed			
(12)	970 553 451 06	Trim for centre console		1	PR:819
	970 553 451 06 BX3	Carbon, fine high-gloss			
(12)	970 553 451 07	Trim for centre console		1	PR:826
	970 553 451 07 OE9	American Walnut			
(12)	970 553 993 00	Trim for centre console		1	PR:XZY
	970 553 993 00 GX1	Mahogany Yachting			
(12)	970 553 993 01	Trim for centre console		1	PR:XHA
	970 553 993 01 A11	Black	-AB, AC, GK, GS, GA		
	970 553 993 01 OA1	agate grey	-DG, DL, GD		
	970 553 993 01 7J0	Luxor beige	-UB, UC, GU		
	970 553 993 01 7H0	Marsala Red	-PC, GP		
	970 553 993 01 6J0	Espresso	-NA		
	970 553 993 01 7F0	Cognac	-NC		
	970 553 993 01 9B0	Platinum Grey	-CB, CC, GC, BB		
	970 553 993 01 6A0	yachting blue	-EC, GE		
	970 553 993 01 N12	Carrera Red	-BF		
	970 553 993 01 8D0	Cream	-BC, BD, BE, DS,		

Model: 970 10 Model life 2010>>2016

Pos	Part Number	Description	Remark	Qty	Model
13	970 553 993 01 8B0	Cedar	DT	1	
	970 553 993 01 OK6	saddle brown	-BN		
	970 553 957 00	Fasteners for Bracket Beverages	-SB,GH, DN		
14	970 553 171 01	Air vent	left	1	
14	970 553 171 01 DAP	Galvano silver		1	PR:0E2
	970 553 171 03	Air vent	left		
(14)	970 553 171 03 DAP	Galvano silver		1	
	970 553 172 01	Air vent	right		
(14)	970 553 172 01 DAP	Galvano silver		1	PR:0E2
	970 553 172 03	Air vent	right		
15	970 553 172 03 DAP	Galvano silver		X	
	999 073 142 09	panel screw 4,2 X 16 Mount			
16	999 073 269 09	Air vent		X	
		fillister hd. bolt Mount			
17	970 653 551 02	Centre console		1	PR:573
		Trim			
(17)	970 653 551 02 D20	Control panel silver grey		1	PR:573,862
	970 653 553 02	Trim			
(17)	970 653 553 02 D20	Control panel silver grey		1	PR:576
	970 653 553 02	Trim			
(17)	970 653 553 02 D20	Control panel silver grey		1	PR:343,573,644,862
	970 653 555 02	Trim			
(17)	970 653 555 02 D20	Control panel silver grey		1	PR:343,573,644
	970 653 555 02	Trim			
(17)	970 653 555 02 D20	Control panel silver grey		1	PR:343,542,573,644,862
	970 653 557 02	Trim			
(17)	970 653 557 02 D20	Control panel silver grey		1	PR:343,542,573,644
	970 653 557 02	Trim			
(17)	970 653 557 02 D20	Control panel silver grey		1	PR:576,645
	970 653 557 02	Trim			
(17)	970 653 557 02 D20	Control panel silver grey		1	PR:576,645,0E2
	970 653 559 00	Trim			
	970 653 559 00 D20	Control panel silver grey		1	

Model: 970 10

Model life 2010>>2016



Model: 970 10 Model life 2010>>2016

Pos	Part Number	Description	Remark	Qty	Model
		Centre console Business	center		PR:838
1	970 553 417 00	Centre console Leatherette	center	1	PR:573,838
	970 553 417 00 7P8	Black	-AB		
	970 553 417 00 9PK	Platinum Grey	-CB		
	970 553 417 00 8ED	Luxor beige	-UB,PK		
(1)	970 553 417 01	Centre console	center	1	PR:573,838, 981
		Leather			
	970 553 417 01 A11	Black	-AC,GK,GS,GA		
	970 553 417 01 9B0	Platinum Grey	-CC,GC,BB		
	970 553 417 01 7J0	Luxor beige	-UC,GU,PL		
	970 553 417 01 6A0	yachting blue	-EC,GE		
	970 553 417 01 8D0	Cream	-BC,BD,BE,DS, DT		
	970 553 417 01 6J0	Espresso	-NA		
	970 553 417 01 7F0	Cognac	-NC		
	970 553 417 01 8B0	Cedar	-BN		
	970 553 417 01 7H0	Marsala Red	-PC,GP		
	970 553 417 01 OA1	agate grey	-DL,GD		
	970 553 417 01 N12	Carrera Red	-BF		
	970 553 417 01 OK6	saddle brown	-SB,GH,DN		
(1)	970 553 419 00	Centre console	center	1	PR:576,838
		Leatherette			
	970 553 419 00 7P8	Black	-AB		
	970 553 419 00 9PK	Platinum Grey	-CB		
	970 553 419 00 8ED	Luxor beige	-UB,PK		
(1)	970 553 419 01	Centre console	center	1	PR:576,838, 981
		Leather			
	970 553 419 01 A11	Black	-AC,GK,GS,GA		
	970 553 419 01 9B0	Platinum Grey	-CC,GC,BB		
	970 553 419 01 7J0	Luxor beige	-UC,GU,PL		
	970 553 419 01 6A0	yachting blue	-EC,GE		
	970 553 419 01 8D0	Cream	-BC,BD,BE,DS, DT		
	970 553 419 01 6J0	Espresso	-NA		
	970 553 419 01 7F0	Cognac	-NC		
	970 553 419 01 8B0	Cedar	-BN		
	970 553 419 01 7H0	Marsala Red	-PC,GP		
	970 553 419 01 OA1	agate grey	-DL,GD		
	970 553 419 01 N12	Carrera Red	-BF		
	970 553 419 01 OK6	saddle brown	-SB,GH,DN		
(1)	970 553 429 00	Centre console	center	1	PR:0E2,075, 576,838
		Leatherette			
		D - MJ 2014>>			
	970 553 429 00 7P8	Black	-AB		
	970 553 429 00 8ED	Luxor beige	-CB		
	970 553 429 00 OK2	agate grey	-UB,PK		
(1)	970 553 429 01	Centre console	center	1	PR:0E2,576, 838,981
		Leather			
		D - MJ 2014>>			
	970 553 429 01 A11	Black	-AC,GK,GS,GA		
	970 553 429 01 7J0	Luxor beige	-UC,GU,PL		
	970 553 429 01 8D0	Cream	-BC,BD,BE,DS, DT		
	970 553 429 01 6J0	Espresso	-NA		
	970 553 429 01 7F0	Cognac	-NC		
	970 553 429 01 8B0	Cedar	-BN		
	970 553 429 01 7H0	Marsala Red	-PC,GP		

Model: 970 10

Model life 2010>>2016

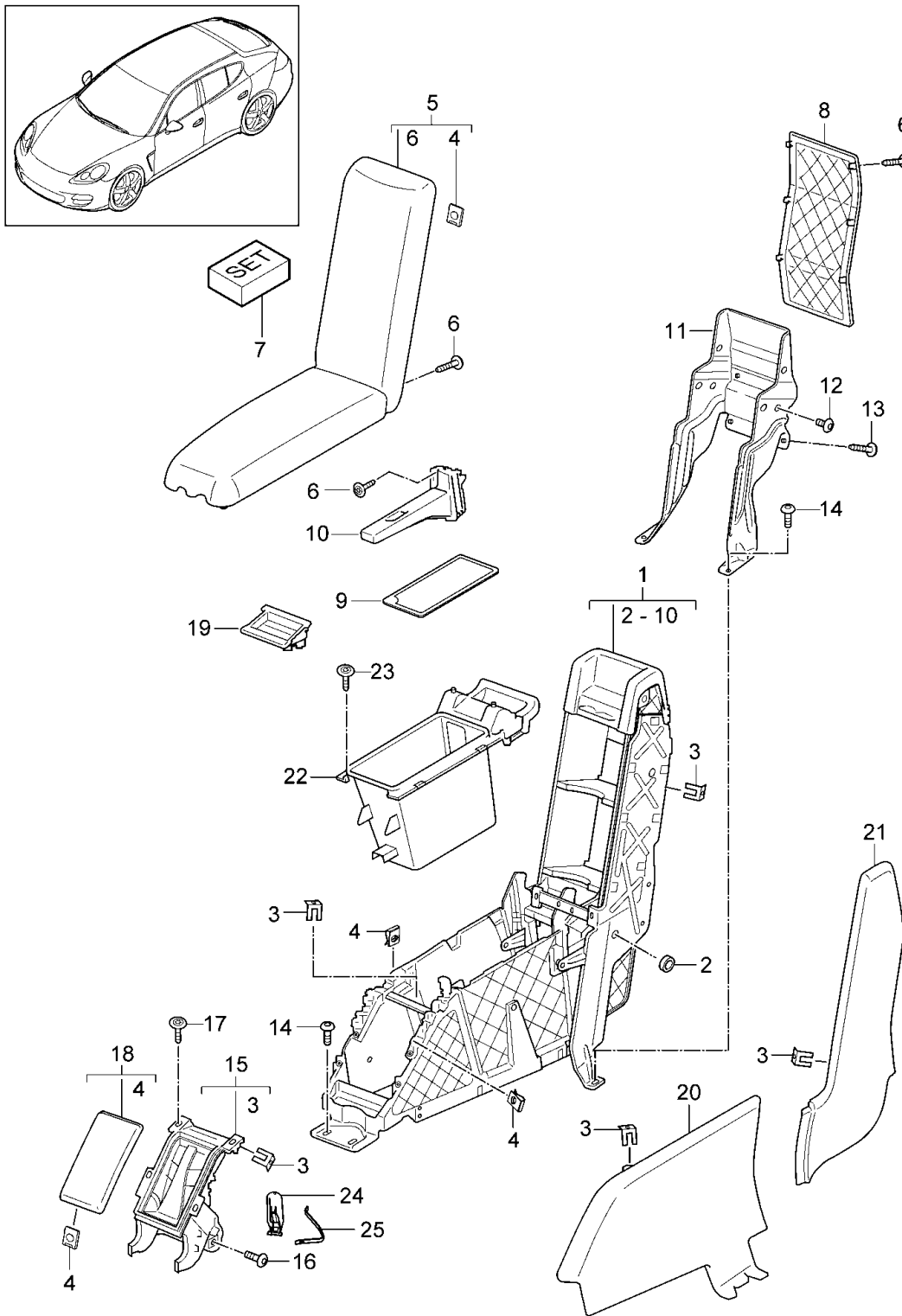
Pos	Part Number	Description	Remark	Qty	Model
	970 553 429 01 OA1	agate grey	-DL,GD		
	970 553 429 01 N12	Carrera Red	-BF		
	970 553 429 01 OK6	saddle brown	-SB,GH,DN		
2	955 552 107 00	Retaining clip		X	
(3)	970 553 941 00	Fasteners Centre console	center	1	
4	970 553 481 00	Retainer for centre console Beverages		1	
5	970 553 453 00	Trim for drinks holder		1	PR:817
	970 553 453 00 A61	Piano Black, high-gloss			
(5)	970 553 453 01	Trim for drinks holder		1	PR:821
	970 553 453 01 BG1	Walnut, high-gloss			
(5)	970 553 453 02	Trim for drinks holder		1	PR:822
	970 553 453 02 S64	Teneo high-gloss			
(5)	970 553 453 03	Trim for drinks holder		1	PR:823
	970 553 453 03 CK6	Swedish Birch			
(5)	970 553 453 04	Trim for drinks holder		1	PR:824
	970 553 453 04 BT2	Olive Ash matt open-pored			
(5)	970 553 453 05	Trim for drinks holder		1	PR:818
	970 553 453 05 U03	Aluminium, brushed			
(5)	970 553 453 06	Trim for drinks holder		1	PR:819
	970 553 453 06 BX3	Carbon, fine high-gloss			
(5)	970 553 453 07	Trim for drinks holder		1	PR:826
	970 553 453 07 OE9	American Walnut			
(5)	970 553 994 00	Trim for drinks holder		1	PR:XZY
	970 553 994 00 GX1	Mahogany Yachting			
6	970 553 451 00	Trim for centre console		1	PR:817
	970 553 451 00 A61	Piano Black, high-gloss			
(6)	970 553 451 01	Trim for centre console		1	PR:821
	970 553 451 01 BG1	Walnut, high-gloss			
(6)	970 553 451 02	Trim for centre console		1	PR:822
	970 553 451 02 S64	Teneo high-gloss			
(6)	970 553 451 03	Trim for centre console		1	PR:823
	970 553 451 03 CK6	Swedish Birch			
(6)	970 553 451 04	Trim for centre console		1	PR:824
	970 553 451 04 BT2	Olive Ash matt open-pored			
(6)	970 553 451 05	Trim for centre console		1	PR:818
	970 553 451 05 U03	Aluminium, brushed			
(6)	970 553 451 06	Trim for centre console		1	PR:819
	970 553 451 06 BX3	Carbon, fine high-gloss			
(6)	970 553 451 07	Trim for centre console		1	PR:826
	970 553 451 07 OE9	American Walnut			
(6)	970 553 993 00	Trim for centre console		1	PR:XZY
	970 553 993 00 GX1	Mahogany Yachting			
7	970 553 957 00	Fasteners for Bracket Beverages		1	
8	970 553 171 01	Air vent	left	1	
	970 553 171 01 DAP	Galvano silver			
(8)	970 553 172 01	Air vent	right	1	
	970 553 172 01 DAP	Galvano silver			
9	999 073 142 09	panel screw 4,2 X 16		X	

Model: 970 10 Model life 2010>>2016

Pos	Part Number	Description	Remark	Qty	Model
10	970 653 551 02	Trim Control panel		1	PR:573
	970 653 551 02 D20	silver grey			
(10)	970 653 553 02	Trim Control panel		1	PR:573,862
	970 653 553 02 D20	silver grey			
(10)	970 653 553 02	Trim Control panel		1	PR:576
	970 653 553 02 D20	silver grey			
(10)	970 653 555 02	Trim Control panel		1	PR:343,573, 644,862
	970 653 555 02 D20	silver grey			
(10)	970 653 555 02	Trim Control panel		1	PR:343,573, 644
	970 653 555 02 D20	silver grey			
(10)	970 653 557 02	Trim Control panel		1	PR:343,542, 573,644,862
	970 653 557 02 D20	silver grey			
(10)	970 653 557 02	Trim Control panel		1	PR:343,542, 573,644
	970 653 557 02 D20	silver grey			
(10)	970 653 557 02	Trim Control panel		1	PR:576,645
	970 653 557 02 D20	silver grey			
(10)	970 653 559 00	Trim Control panel		1	PR:576,645, 0E2
	970 653 559 00 D20	silver grey			
11	970 553 225 00	Extension D - MJ 2014>>		1	PR:0E2
	970 553 225 00 A11	Black	-AB,AC,GK,GS, GA		
	970 553 225 00 OA1	agate grey	-DG,DL,GD		
	970 553 225 00 7J0	Luxor beige	-UB,UC,GU,PK, PL		
	970 553 225 00 7H0	Marsala Red	-PC,GP		
	970 553 225 00 8D0	Cream	-BC,BD,BE,DS, DT		
	970 553 225 00 N12	Carrera Red	-BF		
	970 553 225 00 6J0	Espresso	-NA		
	970 553 225 00 7F0	Cognac	-NC		
	970 553 225 00 8B0	Cedar	-BN		
	970 553 225 00 OK6	saddle brown	-SB,GH,DN		
(11)	970 553 225 01	Extension		1	PR:020,098
	970 553 225 01 OD2	Toffee Brown	-PF		
12	999 507 130 01	U-clip D - MJ 2014>>		4	
13	970 553 465 00	Insert D - MJ 2014>>		1	PR:0E2
14	999 073 269 09	fillister hd. bolt M5X16 D - MJ 2014>>		2	
15	970 553 235 00	ashtray D - MJ 2014>>		1	PR:0E2

Model: 970 10

Model life 2010>>2016



Model: 970 10 Model life 2010>>2016

Pos	Part Number	Description	Remark	Qty	Model
		Centre console Business	rear		PR:838
1	970 553 305 00	D >> - MJ 2013 Centre console	rear	1	PR:838
	970 553 305 00 DMZ	D >> - MJ 2013 Black	-AB,AC,GK,GS, GA		
	970 553 305 00 DNA	Platinum Grey	-CB,CC,GC		
	970 553 305 00 DNB	Luxor beige	-UB,UC,GU		
	970 553 305 00 DNC	yachting blue	-EC,GE		
	970 553 305 00 DNE	Black/Platinum Grey	-BB		
	970 553 305 00 DNF	Luxor Beige/Cream	-UB,UC,GU		
	970 553 305 00 DNG	Yachting Blue/Cream	-BD		
	970 553 305 00 DNJ	Espresso	-NA		
	970 553 305 00 DNK	Cognac	-NC		
	970 553 305 00 DNL	Cognac/Cedar	-BN		
	970 553 305 00 DND	Marsala Red	-PC,GP		
	970 553 305 00 DNH	Marsala Red/Cream	-BE		
	970 553 305 00 DQL	Black/Cream	-DS		
	970 553 305 00 DQM	Agate Grey/Cream	-DT		
(1)	970 553 305 01	Centre console	rear	1	PR:625,838
	970 553 305 01 DMZ	D >> - MJ 2013 Black	-AB,AC,GK,GS, GA		
	970 553 305 01 DNA	Platinum Grey	-CB,CC,GC		
	970 553 305 01 DNB	Luxor beige	-UB,UC,GU		
	970 553 305 01 DNC	yachting blue	-EC,GE		
	970 553 305 01 DNE	Black/Platinum Grey	-BB		
	970 553 305 01 DNF	Luxor Beige/Cream	-UB,UC,GU		
	970 553 305 01 DNG	Yachting Blue/Cream	-BD		
	970 553 305 01 DNJ	Espresso	-NA		
	970 553 305 01 DNK	Cognac	-NC		
	970 553 305 01 DNL	Cognac/Cedar	-BN		
	970 553 305 01 DND	Marsala Red	-PC,GP		
	970 553 305 01 DNH	Marsala Red/Cream	-BE		
	970 553 305 01 DQL	Black/Cream	-DS		
	970 553 305 01 DQM	Agate Grey/Cream	-DT		
(1)	970 553 305 02	Centre console	rear	1	PR:669,838
	970 553 305 02 DMZ	D >> - MJ 2013 Black	-AB,AC,GK,GS, GA		
	970 553 305 02 DNA	Platinum Grey	-CB,CC,GC		
	970 553 305 02 DNB	Luxor beige	-UB,UC,GU		
	970 553 305 02 DNC	yachting blue	-EC,GE		
	970 553 305 02 DNE	Black/Platinum Grey	-BB		
	970 553 305 02 DNF	Luxor Beige/Cream	-UB,UC,GU		
	970 553 305 02 DNG	Yachting Blue/Cream	-BD		
	970 553 305 02 DNJ	Espresso	-NA		
	970 553 305 02 DNK	Cognac	-NC		
	970 553 305 02 DNL	Cognac/Cedar	-BN		
	970 553 305 02 DND	Marsala Red	-PC,GP		
	970 553 305 02 DNH	Marsala Red/Cream	-BE		
	970 553 305 02 DQL	Black/Cream	-DS		
	970 553 305 02 DQM	Agate Grey/Cream	-DT		
(1)	970 553 305 03	Centre console	rear	1	PR:625,669, 838
	970 553 305 03 DMZ	D >> - MJ 2013 Black	-AB,AC,GK,GS, GA		
	970 553 305 03 DNA	Platinum Grey	-CB,CC,GC		
	970 553 305 03 DNB	Luxor beige	-UB,UC,GU		
	970 553 305 03 DNC	yachting blue	-EC,GE		
	970 553 305 03 DNE	Black/Platinum Grey	-BB		

Model: 970 10 Model life 2010>>2016

Pos	Part Number	Description	Remark	Qty	Model
	970 553 305 03 DNF	Luxor Beige/Cream	-UB,UC,GU		
	970 553 305 03 DNG	Yachting Blue/Cream	-BD		
	970 553 305 03 DNJ	Espresso	-NA		
	970 553 305 03 DNK	Cognac	-NC		
	970 553 305 03 DNL	Cognac/Cedar	-BN		
	970 553 305 03 DND	Marsala Red	-PC,GP		
	970 553 305 03 DNH	Marsala Red/Cream	-BE		
	970 553 305 03 DQL	Black/Cream	-DS		
	970 553 305 03 DQM	Agate Grey/Cream	-DT		
(1)	970 553 305 04	Centre console	rear	1	PR:XET,838
		D >> - MJ 2013			
	970 553 305 04 A11	Black	-AB,AC,GK,GS,GA		
	970 553 305 04 9B0	Platinum Grey	-CB,CC,GC,BB		
	970 553 305 04 7J0	Luxor beige	-UB,UC,GU,PK,PL		
	970 553 305 04 6A0	yachting blue	-EC,GE		
	970 553 305 04 8D0	Cream	-BC,BD,BE		
	970 553 305 04 6J0	Espresso	-NA		
	970 553 305 04 7F0	Cognac	-NC		
	970 553 305 04 8B0	Cedar	-BN		
	970 553 305 04 7H0	Marsala Red	-PC,GP		
(1)	970 553 305 05	Centre console	rear	1	PR:XET,625,838
		D >> - MJ 2013			
	970 553 305 05 A11	Black	-AB,AC,GK,GS,GA		
	970 553 305 05 9B0	Platinum Grey	-CB,CC,GC,BB		
	970 553 305 05 7J0	Luxor beige	-UB,UC,GU,PK,PL		
	970 553 305 05 6A0	yachting blue	-EC,GE		
	970 553 305 05 8D0	Cream	-BC,BD,BE		
	970 553 305 05 6J0	Espresso	-NA		
	970 553 305 05 7F0	Cognac	-NC		
	970 553 305 05 8B0	Cedar	-BN		
	970 553 305 05 7H0	Marsala Red	-PC,GP		
(1)	970 553 305 06	Centre console	rear	1	PR:XET,669,838
		D >> - MJ 2013			
	970 553 305 06 A11	Black	-AB,AC,GK,GS,GA		
	970 553 305 06 9B0	Platinum Grey	-CB,CC,GC,BB		
	970 553 305 06 7J0	Luxor beige	-UB,UC,GU,PK,PL		
	970 553 305 06 6A0	yachting blue	-EC,GE		
	970 553 305 06 8D0	Cream	-BC,BD,BE		
	970 553 305 06 6J0	Espresso	-NA		
	970 553 305 06 7F0	Cognac	-NC		
	970 553 305 06 8B0	Cedar	-BN		
	970 553 305 06 7H0	Marsala Red	-PC,GP		
(1)	970 553 305 07	Centre console	rear	1	PR:XET,625,669,838
		D >> - MJ 2013			
	970 553 305 07 A11	Black	-AB,AC,GK,GS,GA		
	970 553 305 07 9B0	Platinum Grey	-CB,CC,GC,BB		
	970 553 305 07 7J0	Luxor beige	-UB,UC,GU,PK,PL		
	970 553 305 07 6A0	yachting blue	-EC,GE		
	970 553 305 07 8D0	Cream	-BC,BD,BE		
	970 553 305 07 6J0	Espresso	-NA		
	970 553 305 07 7F0	Cognac	-NC		
	970 553 305 07 8B0	Cedar	-BN		

Model: 970 10 Model life 2010>>2016

Pos	Part Number	Description	Remark	Qty	Model
2	970 553 305 07 7H0	Marsala Red	-PC,GP		
	999 504 644 01	bush		X	PR:838
3	999 507 533 02	M 4,2 X 1,41			
		Clamp		X	PR:838
4	999 591 772 01	8,0 X 10,0 / 2,5			
		panel nut		X	PR:838
5	970 553 421 00	ST 4,2			
		Cover (leather)	rear	1	PR:838
		Centre console			
	970 553 421 00 A11	Black	-AB,AC,GK,GS,GA		
	970 553 421 00 9B0	Platinum Grey	-CB,CC,GC,BB		
	970 553 421 00 7J0	Luxor beige	-UB,UC,GU,PK,PL		
	970 553 421 00 6A0	yachting blue	-EC,GE		
	970 553 421 00 8D0	Cream	-BC,BD,BE		
	970 553 421 00 6J0	Espresso	-NA		
	970 553 421 00 7F0	Cognac	-NC		
	970 553 421 00 8B0	Cedar	-BN		
(5)	970 553 421 00 7H0	Marsala Red	-PC,GP		
		Cover (leather)	rear	1	PR:XET,838
		Centre console			
	970 553 421 01 A11	Black	-AB,AC,GK,GS,GA		
	970 553 421 01 9B0	Platinum Grey	-CB,CC,GC,BB		
	970 553 421 01 7J0	Luxor beige	-UB,UC,GU,PK,PL		
	970 553 421 01 6A0	yachting blue	-EC,GE		
	970 553 421 01 8D0	Cream	-BC,BD,BE		
	970 553 421 01 6J0	Espresso	-NA		
	970 553 421 01 7F0	Cognac	-NC		
	970 553 421 01 8B0	Cedar	-BN		
(5)	970 553 421 01 7H0	Marsala Red	-PC,GP		
		Cover (leather)	rear	1	PR:XYT,838
		Centre console			
		with:			
		Porsche crest			
	970 553 931 00 A11	Black	-AC		
	970 553 931 00 9B0	Platinum Grey	-CB,CC,BB		
	970 553 931 00 7J0	Luxor beige	-UC,PL		
	970 553 931 00 6A0	yachting blue	-EC		
	970 553 931 00 8D0	Cream	-BC,BD,BE,DS,DT		
	970 553 931 00 6J0	Espresso	-NA		
	970 553 931 00 7F0	Cognac	-NC		
	970 553 931 00 8B0	Cedar	-BN		
(5)	970 553 931 00 7H0	Marsala Red	-PC		
		Cover (leather)	rear	1	PR:XYU,098,338,838
		Centre console			
		with:			
		inscription			
		Panamera			
	970 553 931 01 A11	Black	-AC		
	970 553 931 01 9B0	Platinum Grey	-CB,CC,BB		
	970 553 931 01 7J0	Luxor beige	-UC,PL		
	970 553 931 01 6A0	yachting blue	-EC		
	970 553 931 01 8D0	Cream	-BC,BD,BE,DS,DT		
	970 553 931 01 6J0	Espresso	-NA		
	970 553 931 01 7F0	Cognac	-NC		
	970 553 931 01 8B0	Cedar	-BN		
(5)	970 553 931 01 7H0	Marsala Red	-PC		
		Cover (leather)	rear	1	PR:XYU,099,

Model: 970 10 Model life 2010>>2016

Pos	Part Number	Description	Remark	Qty	Model
		Centre console			338,838
		with:			
		inscription			
		Panamera			
	970 553 931 02 A11	Black	-AC		
	970 553 931 02 9B0	Platinum Grey	-CB,CC,BB		
	970 553 931 02 7J0	Luxor beige	-UC,PL		
	970 553 931 02 6A0	yachting blue	-EC		
	970 553 931 02 8D0	Cream	-BC,BD,BE,DS,DT		
	970 553 931 02 6J0	Espresso	-NA		
	970 553 931 02 7F0	Cognac	-NC		
	970 553 931 02 8B0	Cedar	-BN		
	970 553 931 02 7H0	Marsala Red	-PC		
(5)	970 553 931 03	Cover (leather)	rear	1	PR:XYU,098,339,838
		Centre console			
		with:			
		inscription			
		Panamera 4			
	970 553 931 03 A11	Black	-AC		
	970 553 931 03 9B0	Platinum Grey	-CB,CC,BB		
	970 553 931 03 7J0	Luxor beige	-UC,PL		
	970 553 931 03 6A0	yachting blue	-EC		
	970 553 931 03 8D0	Cream	-BC,BD,BE,DS,DT		
	970 553 931 03 6J0	Espresso	-NA		
	970 553 931 03 7F0	Cognac	-NC		
	970 553 931 03 8B0	Cedar	-BN		
	970 553 931 03 7H0	Marsala Red	-PC		
(5)	970 553 931 04	Cover (leather)	rear	1	PR:XYU,099,339,838
		Centre console			
		with:			
		inscription			
		Panamera 4			
	970 553 931 04 A11	Black	-AC		
	970 553 931 04 9B0	Platinum Grey	-CB,CC,BB		
	970 553 931 04 7J0	Luxor beige	-UC,PL		
	970 553 931 04 6A0	yachting blue	-EC		
	970 553 931 04 8D0	Cream	-BC,BD,BE,DS,DT		
	970 553 931 04 6J0	Espresso	-NA		
	970 553 931 04 7F0	Cognac	-NC		
	970 553 931 04 8B0	Cedar	-BN		
	970 553 931 04 7H0	Marsala Red	-PC		
(5)	970 553 931 05	Cover (leather)	rear	1	PR:XYU,098,338,838
		Centre console			
		with:			
		inscription			
		Panamera S			
	970 553 931 05 A11	Black	-AC		
	970 553 931 05 9B0	Platinum Grey	-CC,BB		
	970 553 931 05 7J0	Luxor beige	-UC,PL		
	970 553 931 05 6A0	yachting blue	-EC		
	970 553 931 05 8D0	Cream	-BC,BD,BE,DS,DT		
	970 553 931 05 6J0	Espresso	-NA		
	970 553 931 05 7F0	Cognac	-NC		
	970 553 931 05 8B0	Cedar	-BN		
	970 553 931 05 7H0	Marsala Red	-PC		
(5)	970 553 931 06	Cover (leather)	rear	1	PR:XYU,099,338,838
		Centre console			
		with:			
		inscription			

Model: 970 10 Model life 2010>>2016

Pos	Part Number	Description	Remark	Qty	Model
		Panamera S			
	970 553 931 06 A11	Black	-AC		
	970 553 931 06 9B0	Platinum Grey	-CC, BB		
	970 553 931 06 7J0	Luxor beige	-UC, PL		
	970 553 931 06 6A0	yachting blue	-EC		
	970 553 931 06 8D0	Cream	-BC, BD, BE, DS, DT		
	970 553 931 06 6J0	Espresso	-NA		
	970 553 931 06 7F0	Cognac	-NC		
	970 553 931 06 8B0	Cedar	-BN		
	970 553 931 06 7H0	Marsala Red	-PC		
(5)	970 553 931 07	Cover (leather) Centre console	rear	1	PR:XYU,098, 339,838
		with: inscription Panamera 4S			
	970 553 931 07 A11	Black	-AC		
	970 553 931 07 9B0	Platinum Grey	-CB, CC, BB		
	970 553 931 07 7J0	Luxor beige	-UC, PL		
	970 553 931 07 6A0	yachting blue	-EC		
	970 553 931 07 8D0	Cream	-BC, BD, BE, DS, DT		
	970 553 931 07 6J0	Espresso	-NA		
	970 553 931 07 7F0	Cognac	-NC		
	970 553 931 07 8B0	Cedar	-BN		
	970 553 931 07 7H0	Marsala Red	-PC		
(5)	970 553 931 08	Cover (leather) Centre console	rear	1	PR:XYU,099, 339,838
		with: inscription Panamera 4S			
	970 553 931 08 A11	Black	-AC		
	970 553 931 08 9B0	Platinum Grey	-CB, CC, BB		
	970 553 931 08 7J0	Luxor beige	-UC, PL		
	970 553 931 08 6A0	yachting blue	-EC		
	970 553 931 08 8D0	Cream	-BC, BD, BE, DS, DT		
	970 553 931 08 6J0	Espresso	-NA		
	970 553 931 08 7F0	Cognac	-NC		
	970 553 931 08 8B0	Cedar	-BN		
	970 553 931 08 7H0	Marsala Red	-PC		
(5)	970 553 931 09	Cover (leather) Centre console	rear	1	PR:XYU,098, 838
		with: inscription Turbo			
	970 553 931 09 A11	Black	-AC		
	970 553 931 09 9B0	Platinum Grey	-CC, BB		
	970 553 931 09 7J0	Luxor beige	-UC, PL		
	970 553 931 09 6A0	yachting blue	-EC		
	970 553 931 09 8D0	Cream	-BC, BD, BE, DS, DT		
	970 553 931 09 6J0	Espresso	-NA		
	970 553 931 09 7F0	Cognac	-NC		
	970 553 931 09 8B0	Cedar	-BN		
	970 553 931 09 7H0	Marsala Red	-PC		
(5)	970 553 931 10	Cover (leather) Centre console	rear	1	PR:XYU,099, 838
		with: inscription Turbo			
	970 553 931 10 A11	Black	-AC		
	970 553 931 10 9B0	Platinum Grey	-CC, BB		

Model: 970 10 Model life 2010>>2016

Pos	Part Number	Description	Remark	Qty	Model
(5)	970 553 931 10 7J0	Luxor beige	-UC,PL	1	PR:XYU,098, 339,838,015
	970 553 931 10 6A0	yachting blue	-EC		
	970 553 931 10 8D0	Cream	-BC,BD,BE,DS, DT		
	970 553 931 10 6J0	Espresso	-NA		
	970 553 931 10 7F0	Cognac	-NC		
	970 553 931 10 8B0	Cedar	-BN		
	970 553 931 10 7H0	Marsala Red	-PC		
	970 553 931 11	Cover (leather) Centre console	rear		
		with: inscription Panamera GTS			
	970 553 931 11 A11	Black	-AC		
970 553 931 11 9B0	Platinum Grey	-CC,BB			
970 553 931 11 7J0	Luxor beige	-UC,PL			
970 553 931 11 6A0	yachting blue	-EC			
970 553 931 11 8D0	Cream	-BC,BD,BE,DS, DT			
(5)	970 553 931 11 6J0	Espresso	-NA	1	PR:XYU,099, 339,838,015
	970 553 931 11 7F0	Cognac	-NC		
	970 553 931 11 8B0	Cedar	-BN		
	970 553 931 11 7H0	Marsala Red	-PC		
	970 553 931 12	Cover (leather) Centre console	rear		
		with: inscription Panamera GTS			
	970 553 931 12 A11	Black	-AC		
	970 553 931 12 9B0	Platinum Grey	-CC,BB		
	970 553 931 12 7J0	Luxor beige	-UC,PL		
	970 553 931 12 6A0	yachting blue	-EC		
970 553 931 12 8D0	Cream	-BC,BD,BE,DS, DT			
(5)	970 553 931 12 6J0	Espresso	-NA	1	PR:XYU,098, 838,016
	970 553 931 12 7F0	Cognac	-NC		
	970 553 931 12 8B0	Cedar	-BN		
	970 553 931 12 7H0	Marsala Red	-PC		
	970 553 931 13	Cover (leather) Centre console	rear		
		with: inscription Turbo S			
	970 553 931 13 A11	Black	-AC		
	970 553 931 13 9B0	Platinum Grey	-CC,BB		
	970 553 931 13 7J0	Luxor beige	-UC,PL		
	970 553 931 13 6A0	yachting blue	-EC		
970 553 931 13 8D0	Cream	-BC,BD,BE,DS, DT			
(5)	970 553 931 13 6J0	Espresso	-NA	1	PR:XYU,099, 838,016
	970 553 931 13 7F0	Cognac	-NC		
	970 553 931 13 8B0	Cedar	-BN		
	970 553 931 13 7H0	Marsala Red	-PC		
	970 553 931 14	Cover (leather) Centre console	rear		
		with: inscription Turbo S			
	970 553 931 14 A11	Black	-AC		
	970 553 931 14 9B0	Platinum Grey	-CC,BB		
	970 553 931 14 7J0	Luxor beige	-UC,PL		

Model: 970 10 Model life 2010>>2016

Pos	Part Number	Description	Remark	Qty	Model
	970 553 931 14 6A0	yachting blue	-EC		
	970 553 931 14 8D0	Cream	-BC, BD, BE, DS, DT		
	970 553 931 14 6J0	Espresso	-NA		
	970 553 931 14 7F0	Cognac	-NC		
	970 553 931 14 8B0	Cedar	-BN		
	970 553 931 14 7H0	Marsala Red	-PC		
6	900 187 503 01	panel screw ST 4,2 X 13		X	PR:838
8	970 553 675 00	Cover for centre console	rear	1	PR:838
	970 553 675 00 6B0	Black	-AB, AC, GK, GS, GA, BB, DS, PK, PL, BF, DN		
	970 553 675 00 8E0	Platinum Grey	-CB, CC, GC		
	970 553 675 00 7K0	Luxor beige	-UB, UC, GU, BC		
	970 553 675 00 6D0	yachting blue	-EC, GE, BD		
	970 553 675 00 9D0	Espresso	-NA		
	970 553 675 00 9E0	Cognac	-NC, BN		
	970 553 675 00 7G0	Marsala Red	-PC, GP, BE		
9	970 553 663 00	Insert Stowage compartment Centre console	rear	1	PR:838
10	970 553 683 00	Retainer for centre console Telephone		1	PR:669,838
11	970 553 691 00	Retaining bracket Centre console	rear	1	PR:838
(11)	970 553 691 01	Retaining bracket Centre console	rear	1	PR:XET,838
12	999 073 432 01	fillister hd. bolt M 5 X 8		X	PR:838
13	N 907 870 03	Socket head bolt with inner multipoint head (Kombi) M 8 X22		X	PR:838
14	999 073 269 09	fillister hd. bolt M 5 X16		X	PR:838
15	970 553 475 00	Retainer for centre console Beverages		1	PR:838
16	900 073 506 01	panel screw ST 4,2 X 9,5		X	PR:838
17	999 073 142 09	panel screw 4,2 X 16 Mount Bracket Beverages		4	PR:838
18	970 553 459 00	Trim for drinks holder		1	PR:817,838
(18)	970 553 459 00 A61	Piano Black, high-gloss			
	970 553 459 01	Trim for drinks holder		1	PR:821,838
(18)	970 553 459 01 BG1	Walnut, high-gloss			
	970 553 459 02	Trim for drinks holder		1	PR:822,838
(18)	970 553 459 02 S64	Teneo high-gloss			
	970 553 459 03	Trim for drinks holder		1	PR:823,838
(18)	970 553 459 03 CK6	Swedish Birch			
	970 553 459 04	Trim for drinks holder		1	PR:824,838
(18)	970 553 459 04 BT2	Olive Ash matt open-pored			
	970 553 459 05	Trim for drinks holder		1	PR:818,838
(18)	970 553 459 05 U03	Aluminium, brushed			
	970 553 459 06	Trim for drinks		1	PR:819,838

Model: 970 10 Model life 2010>>2016

Pos	Part Number	Description	Remark	Qty	Model
(18)	970 553 459 06 BX3 970 553 459 07	holder Carbon, fine high-gloss Trim for drinks holder		1	PR:826,838
(18)	970 553 459 07 OE9 970 553 984 00	American Walnut Trim for drinks holder		1	PR:XZY,838
19	970 553 984 00 GX1 970 553 473 00 970 553 473 00 5Q0 970 553 473 00 4U0 970 553 473 00 6W0 970 553 473 00 8Y0 970 553 473 00 5V0	Mahogany Yachting Trim for centre console Black Platinum Grey Luxor beige yachting blue Cream	-AB,AC -CB,CC,BB -UB,CC,PK,PL -EC -BC,BD,BE,DS, DT	1	PR:838
20	970 553 473 00 3T0 970 553 473 00 2S0 970 553 473 00 1R0 970 553 473 00 7X0 970 553 471 00 970 553 471 00 A11 970 553 471 00 9B0 970 553 471 00 7J0 970 553 471 00 6A0 970 553 471 00 8D0	Espresso Cognac Cedar Marsala Red side panel for center console Black Platinum Grey Luxor beige yachting blue Cream	-NA -NC -BN -PC left rear -AB,AC -CB,CC,BB -UB,UC,PK,PL -EC -BC,BD,BE,DS, DT	1	PR:838
20	970 553 471 00 6J0 970 553 471 00 7F0 970 553 471 00 8B0 970 553 471 00 7H0 970 553 472 00 970 553 472 00 A11 970 553 472 00 9B0 970 553 472 00 7J0 970 553 472 00 6A0 970 553 472 00 8D0	Espresso Cognac Cedar Marsala Red side panel for center console Black Platinum Grey Luxor beige yachting blue Cream	-NA -NC -BN -PC right rear -AB,AC -CB,CC,BB -UB,UC,PK,PL -EC -BC,BD,BE,DS, DT	1	PR:838
21	970 553 472 00 6J0 970 553 472 00 7F0 970 553 472 00 8B0 970 553 472 00 7H0 970 553 483 00 970 553 483 00 5Q0 970 553 483 00 4U0 970 553 483 00 6W0 970 553 483 00 8Y0 970 553 483 00 5V0	Espresso Cognac Cedar Marsala Red Side panel trim for centre console Black Platinum Grey Luxor beige yachting blue Cream	-NA -NC -BN -PC left rear -AB,AC -CB,CC,BB -UB,UC,PK,PL -EC -BC,BD,BE,DS, DT	1	PR:838
(21)	970 553 483 00 3T0 970 553 483 00 2S0 970 553 483 00 1R0 970 553 483 00 7X0 970 553 484 00 970 553 484 00 5Q0 970 553 484 00 4U0 970 553 484 00 6W0 970 553 484 00 8Y0 970 553 484 00 5V0	Espresso Cognac Cedar Marsala Red Side panel trim for centre console Black Platinum Grey Luxor beige yachting blue Cream	-NA -NC -BN -PC left rear -AB,AC -CB,CC,BB -UB,UC,PK,PL -EC -BC,BD,BE,DS, DT	1	PR:838

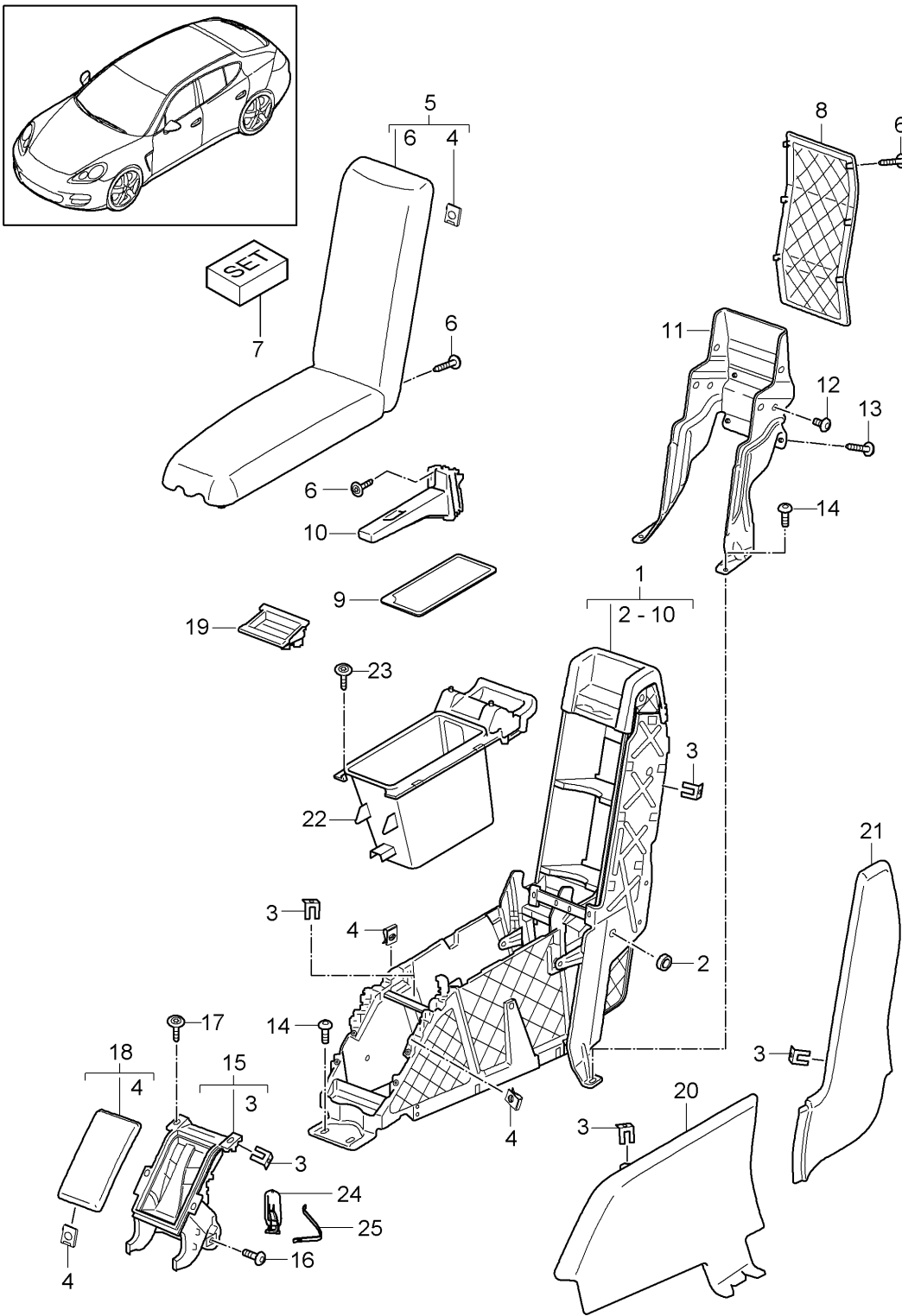
Model: 970 10

Model life 2010>>2016

Pos	Part Number	Description	Remark	Qty	Model
	970 553 484 00 3T0	Espresso	-NA		
	970 553 484 00 2S0	Cognac	-NC		
	970 553 484 00 1R0	Cedar	-BN		
	970 553 484 00 7X0	Marsala Red	-PC		
22	970 553 423 00	Stowage compartment Centre console	rear	1	PR:838
(22)	970 553 423 01	Stowage compartment Centre console	rear	1	PR:838,626
23	999 073 218 01	panel screw 4,2x16		6	
24	970 553 477 00	Flap Bracket Beverages		2	PR:838
25	970 553 479 00	Spring Flap		2	PR:838

Model: 970 10

Model life 2010>>2016



Model: 970 10 Model life 2010>>2016

Pos	Part Number	Description	Remark	Qty	Model
		Centre console Business	rear		PR:838
(1)	970 553 305 16	D - MJ 2014>> Centre console Leatherette	rear	1	PR:838,9Z3
	970 553 305 16 21U	Black	-AB		
	970 553 305 16 32X	Luxor beige	-UB		
	970 553 305 16 OF6	agate grey	-DG		
(1)	970 553 305 16	Centre console Leather	rear	1	PR:838,9Z3
	970 553 305 16 A11	Black	-AC		
	970 553 305 16 OA1	agate grey	-DL		
	970 553 305 16 7J0	Luxor beige	-UC		
	970 553 305 16 7H0	Marsala Red	-PC		
	970 553 305 16 DNF	Luxor Beige/Cream	-BC		
	970 553 305 16 DNH	Marsala Red/Cream	-BE		
	970 553 305 16 DQL	Black/Cream	-DS		
	970 553 305 16 DQM	Agate Grey/Cream	-DT		
	970 553 305 16 DQV	Black/Carrera Red	-BF		
	970 553 305 16 6J0	Espresso	-NA		
	970 553 305 16 7F0	Cognac	-NC		
	970 553 305 16 DNL	Cognac/Cedar	-BN		
	970 553 305 16 OK6	saddle brown	-SB		
	970 553 305 16 DUR	Black/Saddle Tan	-DN		
(1)	970 553 305 17	Centre console Leatherette	rear	1	PR:838,9Z3, 625
	970 553 305 17 21U	Black	-AB		
	970 553 305 17 32X	Luxor beige	-UB		
	970 553 305 17 OF6	agate grey	-DG		
(1)	970 553 305 17	Centre console Leather	rear	1	PR:838,9Z3, 625
	970 553 305 17 A11	Black	-AC		
	970 553 305 17 OA1	agate grey	-DL		
	970 553 305 17 7J0	Luxor beige	-UC		
	970 553 305 17 7H0	Marsala Red	-PC		
	970 553 305 17 DNF	Luxor Beige/Cream	-BC		
	970 553 305 17 DNH	Marsala Red/Cream	-BE		
	970 553 305 17 DQL	Black/Cream	-DS		
	970 553 305 17 DQM	Agate Grey/Cream	-DT		
	970 553 305 17 DQV	Black/Carrera Red	-BF		
	970 553 305 17 6J0	Espresso	-NA		
	970 553 305 17 7F0	Cognac	-NC		
	970 553 305 17 DNL	Cognac/Cedar	-BN		
	970 553 305 17 OK6	saddle brown	-SB		
	970 553 305 17 DUR	Black/Saddle Tan	-DN		
(1)	970 553 305 18	Centre console Leatherette	rear	1	PR:838,9Z3, 626
	970 553 305 18 21U	Black	-AB		
	970 553 305 18 32X	Luxor beige	-UB		
	970 553 305 18 OF6	agate grey	-DG		
(1)	970 553 305 18	Centre console Leather	rear	1	PR:838,9Z3, 626
	970 553 305 18 A11	Black	-AC		
	970 553 305 18 OA1	agate grey	-DL		
	970 553 305 18 7J0	Luxor beige	-UC		
	970 553 305 18 7H0	Marsala Red	-PC		
	970 553 305 18 DNF	Luxor Beige/Cream	-BC		
	970 553 305 18 DNH	Marsala Red/Cream	-BE		
	970 553 305 18 DQL	Black/Cream	-DS		

Model: 970 10 Model life 2010>>2016

Pos	Part Number	Description	Remark	Qty	Model
	970 553 305 18 DQM	Agate Grey/Cream	-DT		
	970 553 305 18 DQV	Black/Carrera Red	-BF		
	970 553 305 18 6J0	Espresso	-NA		
	970 553 305 18 7F0	Cognac	-NC		
	970 553 305 18 DNL	Cognac/Cedar	-BN		
	970 553 305 18 OK6	saddle brown	-SB		
	970 553 305 18 DUR	Black/Saddle Tan	-DN		
(1)	970 553 305 19	Centre console	rear	1	PR:838,9Z3, 625,626
		Leatherette			
	970 553 305 19 21U	Black	-AB		
	970 553 305 19 32X	Luxor beige	-UB		
	970 553 305 19 OF6	agate grey	-DG		
(1)	970 553 305 19	Centre console	rear	1	PR:838,9Z3, 625,626
		Leather			
	970 553 305 19 A11	Black	-AC		
	970 553 305 19 OA1	agate grey	-DL		
	970 553 305 19 7J0	Luxor beige	-UC		
	970 553 305 19 7H0	Marsala Red	-PC		
	970 553 305 19 DNF	Luxor Beige/Cream	-BC		
	970 553 305 19 DNH	Marsala Red/Cream	-BE		
	970 553 305 19 DQL	Black/Cream	-DS		
	970 553 305 19 DQM	Agate Grey/Cream	-DT		
	970 553 305 19 DQV	Black/Carrera Red	-BF		
	970 553 305 19 6J0	Espresso	-NA		
	970 553 305 19 7F0	Cognac	-NC		
	970 553 305 19 DNL	Cognac/Cedar	-BN		
	970 553 305 19 OK6	saddle brown	-SB		
	970 553 305 19 DUR	Black/Saddle Tan	-DN		
(1)	970 553 305 20	Centre console	rear	1	PR:838,9Z3, XET
		Leatherette			
	970 553 305 20 21U	Black	-AB		
	970 553 305 20 32X	Luxor beige	-UB		
	970 553 305 20 OF6	agate grey	-DG		
(1)	970 553 305 20	Centre console	rear	1	PR:838,9Z3, XET
		Leather			
	970 553 305 20 A11	Black	-AC		
	970 553 305 20 OA1	agate grey	-DL		
	970 553 305 20 7J0	Luxor beige	-UC,PL		
	970 553 305 20 7H0	Marsala Red	-PC		
	970 553 305 20 8D0	Cream	-BC,BE,DS,DT		
	970 553 305 20 8B0	Cedar	-BN		
	970 553 305 20 N12	Carrera Red	-BF		
	970 553 305 20 6J0	Espresso	-NA		
	970 553 305 20 7F0	Cognac	-NC		
	970 553 305 20 OK6	saddle brown	-SB,DN		
(1)	970 553 305 21	Centre console	rear	1	PR:838,9Z3, XET,625
		Leatherette			
	970 553 305 21 21U	Black	-AB		
	970 553 305 21 32X	Luxor beige	-UB		
	970 553 305 21 OF6	agate grey	-DG		
(1)	970 553 305 21	Centre console	rear	1	PR:838,9Z3, XET,625
		Leather			
	970 553 305 21 A11	Black	-AC		
	970 553 305 21 OA1	agate grey	-DL		
	970 553 305 21 7J0	Luxor beige	-UC,PL		
	970 553 305 21 7H0	Marsala Red	-PC		
	970 553 305 21 8D0	Cream	-BC,BE,DS,DT		

Model: 970 10

Model life 2010>>2016

Pos	Part Number	Description	Remark	Qty	Model
	970 553 305 21 8B0	Cedar	-BN		
	970 553 305 21 N12	Carrera Red	-BF		
	970 553 305 21 6J0	Espresso	-NA		
	970 553 305 21 7F0	Cognac	-NC		
	970 553 305 21 OK6	saddle brown	-SB, DN		
(1)	970 553 305 22	Centre console	rear	1	PR:838,9Z3, XET,626
		Leatherette			
	970 553 305 22 21U	Black	-AB		
	970 553 305 22 32X	Luxor beige	-UB		
	970 553 305 22 OF6	agate grey	-DG		
(1)	970 553 305 22	Centre console	rear	1	PR:838,9Z3, XET,626
		Leather			
	970 553 305 22 A11	Black	-AC		
	970 553 305 22 OA1	agate grey	-DL		
	970 553 305 22 7J0	Luxor beige	-UC, PL		
	970 553 305 22 7H0	Marsala Red	-PC		
	970 553 305 22 8B0	Cedar	-BN		
	970 553 305 22 N12	Carrera Red	-BF		
	970 553 305 22 6J0	Espresso	-NA		
	970 553 305 22 7F0	Cognac	-NC		
	970 553 305 22 8D0	Cream	-BC, BE, DS, DT		
	970 553 305 22 OK6	saddle brown	-SB, DN		
(1)	970 553 305 23	Centre console	rear	1	PR:838,9Z3, XET,625,626
		Leatherette			
	970 553 305 23 21U	Black	-AB		
	970 553 305 23 32X	Luxor beige	-UB		
	970 553 305 23 OF6	agate grey	-DG		
(1)	970 553 305 23	Centre console	rear	1	PR:838,9Z3, XET,625,626
		Leather			
	970 553 305 23 A11	Black	-AC		
	970 553 305 23 OA1	agate grey	-DL		
	970 553 305 23 7J0	Luxor beige	-UC, PL		
	970 553 305 23 7H0	Marsala Red	-PC		
	970 553 305 23 8B0	Cedar	-BN		
	970 553 305 23 N12	Carrera Red	-BF		
	970 553 305 23 6J0	Espresso	-NA		
	970 553 305 23 7F0	Cognac	-NC		
	970 553 305 23 8D0	Cream	-BC, BE, DS, DT		
	970 553 305 23 OK6	saddle brown	-SB, DN		
(1)	970 553 305 24	Centre console	rear	1	PR:838,9Z4 "J.."
		Leatherette			
	970 553 305 24 21U	Black	-AB		
	970 553 305 24 32X	Luxor beige	-UB		
	970 553 305 24 OF6	agate grey	-DG		
(1)	970 553 305 24	Centre console	rear	1	PR:838,9Z4 "J.."
		Leather			
	970 553 305 24 A11	Black	-AC		
	970 553 305 24 OA1	agate grey	-DL		
	970 553 305 24 7J0	Luxor beige	-UC		
	970 553 305 24 7H0	Marsala Red	-PC		
	970 553 305 24 DNF	Luxor Beige/Cream	-BC		
	970 553 305 24 DNH	Marsala Red/Cream	-BE		
	970 553 305 24 DQL	Black/Cream	-DS		
	970 553 305 24 DQM	Agate Grey/Cream	-DT		
	970 553 305 24 DQV	Black/Carrera Red	-BF		
	970 553 305 24 6J0	Espresso	-NA		
	970 553 305 24 7F0	Cognac	-NC		

Model: 970 10 Model life 2010>>2016

Pos	Part Number	Description	Remark	Qty	Model
(1)	970 553 305 24 DNL	Cognac/Cedar	-BN	1	PR:838,9Z4, 625 "J.."
	970 553 305 24 OK6	saddle brown	-SB		
	970 553 305 24 DUR	Black/Saddle Tan	-DN		
	970 553 305 25	Centre console	rear		
(1)		Leatherette		1	PR:838,9Z4, 625 "J.."
	970 553 305 25 21U	Black	-AB		
	970 553 305 25 32X	Luxor beige	-UB		
	970 553 305 25 OF6	agate grey	-DG		
	970 553 305 25	Centre console	rear		
		Leather			
	970 553 305 25 A11	Black	-AC		
	970 553 305 25 OA1	agate grey	-DL		
	970 553 305 25 7J0	Luxor beige	-UC		
	970 553 305 25 7H0	Marsala Red	-PC		
	970 553 305 25 DNF	Luxor Beige/Cream	-BC		
	970 553 305 25 DNH	Marsala Red/Cream	-BE		
	970 553 305 25 DQL	Black/Cream	-DS		
	970 553 305 25 DQM	Agate Grey/Cream	-DT		
	970 553 305 25 DQV	Black/Carrera Red	-BF		
	970 553 305 25 6J0	Espresso	-NA		
	970 553 305 25 7F0	Cognac	-NC		
970 553 305 25 DNL	Cognac/Cedar	-BN			
970 553 305 25 OK6	saddle brown	-SB			
970 553 305 25 DUR	Black/Saddle Tan	-DN			
(1)	970 553 305 26	Centre console	rear	1	PR:838,9Z4, 626 "J.."
(1)		Leatherette		1	PR:838,9Z4, 625 "J.."
	970 553 305 26 21U	Black	-AB		
	970 553 305 26 32X	Luxor beige	-UB		
	970 553 305 26 OF6	agate grey	-DG		
	970 553 305 26	Centre console	rear		
		Leather			
	970 553 305 26 A11	Black	-AC		
	970 553 305 26 OA1	agate grey	-DL		
	970 553 305 26 7J0	Luxor beige	-UC		
	970 553 305 26 7H0	Marsala Red	-PC		
	970 553 305 26 DNF	Luxor Beige/Cream	-BC		
	970 553 305 26 DNH	Marsala Red/Cream	-BE		
	970 553 305 26 DQL	Black/Cream	-DS		
	970 553 305 26 DQM	Agate Grey/Cream	-DT		
	970 553 305 26 DQV	Black/Carrera Red	-BF		
	970 553 305 26 6J0	Espresso	-NA		
	970 553 305 26 7F0	Cognac	-NC		
970 553 305 26 DNL	Cognac/Cedar	-BN			
970 553 305 26 OK6	saddle brown	-SB			
970 553 305 26 DUR	Black/Saddle Tan	-DN			
(1)	970 553 305 27	Centre console	rear	1	PR:838,9Z4, 625,626 "J.."
(1)		Leatherette		1	PR:838,9Z4, 625,626 "J.."
	970 553 305 27 21U	Black	-AB		
	970 553 305 27 32X	Luxor beige	-UB		
	970 553 305 27 OF6	agate grey	-DG		
	970 553 305 27	Centre console	rear		
		Leather			
	970 553 305 27 A11	Black	-AC		
	970 553 305 27 OA1	agate grey	-DL		
	970 553 305 27 7J0	Luxor beige	-UC		
	970 553 305 27 7H0	Marsala Red	-PC		
	970 553 305 27 DNF	Luxor Beige/Cream	-BC		

Model: 970 10 Model life 2010>>2016

Pos	Part Number	Description	Remark	Qty	Model
	970 553 305 27 DNH	Marsala Red/Cream	-BE		
	970 553 305 27 DQL	Black/Cream	-DS		
	970 553 305 27 DQM	Agate Grey/Cream	-DT		
	970 553 305 27 DQV	Black/Carrera Red	-BF		
	970 553 305 27 6J0	Espresso	-NA		
	970 553 305 27 7F0	Cognac	-NC		
	970 553 305 27 DNL	Cognac/Cedar	-BN		
	970 553 305 27 OK6	saddle brown	-SB		
	970 553 305 27 DUR	Black/Saddle Tan	-DN		
(1)	970 553 305 28	Centre console	rear	1	PR:838,9Z4, XET "J.."
		Leatherette			
	970 553 305 28 21U	Black	-AB		
	970 553 305 28 32X	Luxor beige	-UB		
	970 553 305 28 OF6	agate grey	-DG		
(1)	970 553 305 28	Centre console	rear	1	PR:838,9Z4, XET "J.."
		Leather			
	970 553 305 28 A11	Black	-AC		
	970 553 305 28 OA1	agate grey	-DL		
	970 553 305 28 7J0	Luxor beige	-UC,PL		
	970 553 305 28 7H0	Marsala Red	-PC		
	970 553 305 28 8D0	Cream	-BC,BE,DS,DT		
	970 553 305 28 8B0	Cedar	-BN		
	970 553 305 28 N12	Carrera Red	-BF		
	970 553 305 28 6J0	Espresso	-NA		
	970 553 305 28 7F0	Cognac	-NC		
	970 553 305 28 OK6	saddle brown	-SB, DN		
(1)	970 553 305 29	Centre console	rear	1	PR:838,9Z4, XET,625 "J.."
		Leatherette			
	970 553 305 29 21U	Black	-AB		
	970 553 305 29 32X	Luxor beige	-UB		
	970 553 305 29 OF6	agate grey	-DG		
(1)	970 553 305 29	Centre console	rear	1	PR:838,9Z4, XET,625 "J.."
		Leather			
	970 553 305 29 A11	Black	-AC		
	970 553 305 29 OA1	agate grey	-DL		
	970 553 305 29 7J0	Luxor beige	-UC,PL		
	970 553 305 29 7H0	Marsala Red	-PC		
	970 553 305 29 8D0	Cream	-BC,BE,DS,DT		
	970 553 305 29 8B0	Cedar	-BN		
	970 553 305 29 N12	Carrera Red	-BF		
	970 553 305 29 6J0	Espresso	-NA		
	970 553 305 29 7F0	Cognac	-NC		
	970 553 305 29 OK6	saddle brown	-SB, DN		
(1)	970 553 305 30	Centre console	rear	1	PR:838,9Z4, XET,626 "J.."
		Leatherette			
	970 553 305 30 21U	Black	-AB		
	970 553 305 30 32X	Luxor beige	-UB		
	970 553 305 30 OF6	agate grey	-DG		
(1)	970 553 305 28	Centre console	rear	1	PR:838,9Z4, XET,626 "J.."
		Leather			
	970 553 305 28 A11	Black	-AC		
	970 553 305 28 OA1	agate grey	-DL		
	970 553 305 28 7J0	Luxor beige	-UC,PL		
	970 553 305 28 7H0	Marsala Red	-PC		
	970 553 305 28 8D0	Cream	-BC,BE,DS,DT		
	970 553 305 28 8B0	Cedar	-BN		
	970 553 305 28 N12	Carrera Red	-BF		

Model: 970 10 Model life 2010>>2016

Pos	Part Number	Description	Remark	Qty	Model			
(1)	970 553 305 28 6J0	Espresso	-NA	1	PR:838,9Z4, XET,625,626 "J.."			
	970 553 305 28 7F0	Cognac	-NC					
	970 553 305 28 OK6	saddle brown	-SB, DN					
	970 553 305 31	Centre console	rear					
(1)		Leatherette		1	PR:838,9Z4, XET,625,626 "J.."			
	970 553 305 31 21U	Black	-AB					
	970 553 305 31 32X	Luxor beige	-UB					
	970 553 305 31 OF6	agate grey	-DG					
	970 553 305 28	Centre console	rear					
		Leather						
	970 553 305 28 A11	Black	-AC					
	970 553 305 28 OA1	agate grey	-DL					
	970 553 305 28 7J0	Luxor beige	-UC, PL					
	970 553 305 28 7H0	Marsala Red	-PC					
	970 553 305 28 8D0	Cream	-BC, BE, DS, DT					
	970 553 305 28 8B0	Cedar	-BN					
	970 553 305 28 N12	Carrera Red	-BF					
(1)	970 553 305 28 6J0	Espresso	-NA	1	PR:020,625, 838,9Z3			
	970 553 305 28 7F0	Cognac	-NC					
	970 553 305 28 OK6	saddle brown	-SB, DN					
	970 553 305 36	Centre console	rear					
		Leather						
	970 553 305 36 PFD	Black/Toffee Brown	-PF					
	(1)	970 553 305 37	Centre console			rear	1	PR:020,625, 838,9Z3,626
			Leather					
	(1)	970 553 305 37 PFD	Black/Toffee Brown			-PF	1	PR:020,625, 838,9Z3,XET
		970 553 305 38	Centre console			rear		
(1)	970 553 305 38 PFD	Black/Toffee Brown	-PF	1	PR:020,625, 838,9Z3,XET, 626			
	970 553 305 39	Centre console	rear					
(1)	970 553 305 39 PFD	Black/Toffee Brown	-PF	1	PR:020,625, 838,9Z4			
	970 553 305 40	Centre console	rear					
(1)	970 553 305 40 PFD	Black/Toffee Brown	-PF	1	PR:020,625, 838,9Z4,626 "J.."			
	970 553 305 41	Centre console	rear					
(1)	970 553 305 41 PFD	Black/Toffee Brown	-PF	1	PR:020,625, 838,9Z2,XET "USA"			
	970 553 305 42	Centre console	rear					
(1)	970 553 305 42 PFD	Black/Toffee Brown	-PF	1	PR:020,625, 838,9Z4,XET, 626 "J.."			
	970 553 305 43	Centre console	rear					
2	970 553 305 43 PFD	Black/Toffee Brown	-PF	X	PR:838			
3	999 504 644 01	bush M 4,2 X 1,41		X	PR:838			
4	999 507 533 02	Clamp 8,0 X 10,0 / 2,5		X	PR:838			
5	999 591 772 01	panel nut ST 4,2		X	PR:838			
5	970 553 421 00	Cover (leather) Centre console	rear	1	PR:838			

Model: 970 10 Model life 2010>>2016

Pos	Part Number	Description	Remark	Qty	Model
	970 553 421 00 A11	Black	-AB,AC		
	970 553 421 00 OA1	agate grey	-DG,DL		
	970 553 421 00 7J0	Luxor beige	-UC,UB,PK,PL		
	970 553 421 00 8D0	Cream	-BC,BE,DS,DT		
	970 553 421 00 6J0	Espresso	-NA		
	970 553 421 00 7F0	Cognac	-NC		
	970 553 421 00 8B0	Cedar	-BN		
	970 553 421 00 7H0	Marsala Red	-PC		
	970 553 421 00 N12	Carrera Red	-BF		
	970 553 421 00 OK6	saddle brown	-SB,DN		
(5)	970 553 421 01	Cover (leather) Centre console	rear	1	PR:XET,838
	970 553 421 01 A11	Black	-AB,AC		
	970 553 421 01 OA1	agate grey	-DG,DL		
	970 553 421 01 7J0	Luxor beige	-UC,UB,PK,PL		
	970 553 421 01 8D0	Cream	-BC,BE,DS,DT		
	970 553 421 01 6J0	Espresso	-NA		
	970 553 421 01 7F0	Cognac	-NC		
	970 553 421 01 8B0	Cedar	-BN		
	970 553 421 01 7H0	Marsala Red	-PC		
	970 553 421 01 N12	Carrera Red	-BF		
	970 553 421 01 OK6	saddle brown	-SB,DN		
(5)	970 553 931 00	Cover (leather) Centre console	rear	1	PR:XYT,838
		with: Porsche crest			
	970 553 931 00 A11	Black	-AB,AC		
	970 553 931 00 OA1	agate grey	-DG,DL		
	970 553 931 00 7J0	Luxor beige	-UC,UB,PK,PL		
	970 553 931 00 8D0	Cream	-BC,BE,DS,DT		
	970 553 931 00 6J0	Espresso	-NA		
	970 553 931 00 7F0	Cognac	-NC		
	970 553 931 00 8B0	Cedar	-BN		
	970 553 931 00 7H0	Marsala Red	-PC		
	970 553 931 00 N12	Carrera Red	-BF		
	970 553 931 00 OK6	saddle brown	-SB,DN		
(5)	970 553 931 01	Cover (leather) Centre console	rear	1	PR:XYU,098, 338,838
		with: inscription Panamera			
	970 553 931 01 A11	Black	-AC		
	970 553 931 01 OA1	agate grey	-DL		
	970 553 931 01 7J0	Luxor beige	-UC,PL		
	970 553 931 01 8D0	Cream	-BC,BE,DS,DT		
	970 553 931 01 6J0	Espresso	-NA		
	970 553 931 01 7F0	Cognac	-NC		
	970 553 931 01 8B0	Cedar	-BN		
	970 553 931 01 7H0	Marsala Red	-PC		
	970 553 931 01 N12	Carrera Red	-BF		
	970 553 931 01 OK6	saddle brown	-SB,DN		
(5)	970 553 931 02	Cover (leather) Centre console	rear	1	PR:XYU,099, 338,838
		with: inscription Panamera			
	970 553 931 02 A11	Black	-AC		
	970 553 931 02 OA1	agate grey	-DL		
	970 553 931 02 7J0	Luxor beige	-UC,PL		
	970 553 931 02 8D0	Cream	-BC,BE,DS,DT		
	970 553 931 02 6J0	Espresso	-NA		
	970 553 931 02 7F0	Cognac	-NC		
	970 553 931 02 8B0	Cedar	-BN		

Model: 970 10 Model life 2010>>2016

Pos	Part Number	Description	Remark	Qty	Model
(5)	970 553 931 02 7H0	Marsala Red	-PC	1	PR:XYU,098, 339,838
	970 553 931 02 N12	Carrera Red	-BF		
	970 553 931 02 OK6	saddle brown	-SB, DN		
	970 553 931 03	Cover (leather) Centre console	rear		
		with:			
		inscription Panamera 4			
	970 553 931 03 A11	Black	-AC		
	970 553 931 03 OA1	agate grey	-DL		
	970 553 931 03 7J0	Luxor beige	-UC, PL		
	970 553 931 03 8D0	Cream	-BC, BE, DS, DT		
970 553 931 03 6J0	Espresso	-NA			
970 553 931 03 7F0	Cognac	-NC			
970 553 931 03 8B0	Cedar	-BN			
970 553 931 03 7H0	Marsala Red	-PC			
970 553 931 03 N12	Carrera Red	-BF			
970 553 931 03 OK6	saddle brown	-SB, DN			
(5)	970 553 931 04	Cover (leather) Centre console	rear	1	PR:XYU,099, 339,838
	with:				
	inscription Panamera 4				
970 553 931 04 A11	Black	-AC			
970 553 931 04 OA1	agate grey	-DL			
970 553 931 04 7J0	Luxor beige	-UC, PL			
970 553 931 04 8D0	Cream	-BC, BE, DS, DT			
970 553 931 04 6J0	Espresso	-NA			
970 553 931 04 7F0	Cognac	-NC			
970 553 931 04 8B0	Cedar	-BN			
970 553 931 04 7H0	Marsala Red	-PC			
970 553 931 04 N12	Carrera Red	-BF			
970 553 931 04 OK6	saddle brown	-SB, DN			
(5)	970 553 931 05	Cover (leather) Centre console	rear	1	PR:XYU,098, 338,838
	with:				
	inscription Panamera S				
970 553 931 05 A11	Black	-AB, AC			
970 553 931 05 OA1	agate grey	-DG, DL			
970 553 931 05 7J0	Luxor beige	-UB, UC, PL			
970 553 931 05 8D0	Cream	-BC, BE, DS, DT			
970 553 931 05 6J0	Espresso	-NA			
970 553 931 05 7F0	Cognac	-NC			
970 553 931 05 8B0	Cedar	-BN			
970 553 931 05 7H0	Marsala Red	-PC			
970 553 931 05 N12	Carrera Red	-BF			
970 553 931 05 OK6	saddle brown	-SB, DN			
(5)	970 553 931 06	Cover (leather) Centre console	rear	1	PR:XYU,099, 338,838
	with:				
	inscription Panamera S				
970 553 931 06 A11	Black	-AB, AC			
970 553 931 06 OA1	agate grey	-DG, DL			
970 553 931 06 7J0	Luxor beige	-UB, UC, PL			
970 553 931 06 8D0	Cream	-BC, BE, DS, DT			
970 553 931 06 6J0	Espresso	-NA			
970 553 931 06 7F0	Cognac	-NC			
970 553 931 06 8B0	Cedar	-BN			
970 553 931 06 7H0	Marsala Red	-PC			
970 553 931 06 N12	Carrera Red	-BF			
970 553 931 06 OK6	saddle brown	-SB, DN			

Model: 970 10 Model life 2010>>2016

Pos	Part Number	Description	Remark	Qty	Model
(5)	970 553 931 07	Cover (leather) Centre console	rear	1	PR:XYU,098, 339,838
		with:			
		inscription			
		Panamera 4S			
	970 553 931 07 A11	Black	-AB,AC		
	970 553 931 07 OA1	agate grey	-DG,DL		
	970 553 931 07 7J0	Luxor beige	-UB,UC,PL		
	970 553 931 07 8D0	Cream	-BC,BE,DS,DT		
	970 553 931 07 6J0	Espresso	-NA		
	970 553 931 07 7F0	Cognac	-NC		
	970 553 931 07 8B0	Cedar	-BN		
	970 553 931 07 7H0	Marsala Red	-PC		
	970 553 931 07 N12	Carrera Red	-BF		
	970 553 931 07 OK6	saddle brown	-SB,DN		
(5)	970 553 931 08	Cover (leather) Centre console	rear	1	PR:XYU,099, 339,838
		with:			
		inscription			
		Panamera 4S			
	970 553 931 08 A11	Black	-AB,AC		
	970 553 931 08 OA1	agate grey	-DG,DL		
	970 553 931 08 7J0	Luxor beige	-UB,UC,PL		
	970 553 931 08 6A0	yachting blue			
	970 553 931 08 8D0	Cream	-BC,BE,DS,DT		
	970 553 931 08 6J0	Espresso	-NA		
	970 553 931 08 7F0	Cognac	-NC		
	970 553 931 08 8B0	Cedar	-BN		
	970 553 931 08 7H0	Marsala Red	-PC		
	970 553 931 08 N12	Carrera Red	-BF		
	970 553 931 08 OK6	saddle brown	-SB,DN		
(5)	970 553 931 09	Cover (leather) Centre console	rear	1	PR:XYU,098, 838
		with:			
		inscription			
		Turbo			
	970 553 931 09 A11	Black	-AC		
	970 553 931 09 OA1	agate grey	-DL		
	970 553 931 09 7J0	Luxor beige	-UC		
	970 553 931 09 6A0	yachting blue			
	970 553 931 09 8D0	Cream	-BC,BE,DS,DT		
	970 553 931 09 6J0	Espresso	-NA		
	970 553 931 09 7F0	Cognac	-NC		
	970 553 931 09 8B0	Cedar	-BN		
	970 553 931 09 7H0	Marsala Red	-PC		
	970 553 931 09 N12	Carrera Red	-BF		
	970 553 931 09 OK6	saddle brown	-SB,DN		
(5)	970 553 931 10	Cover (leather) Centre console	rear	1	PR:XYU,099, 838
		with:			
		inscription			
		Turbo			
	970 553 931 10 A11	Black	-AC		
	970 553 931 10 OA1	agate grey	-DL		
	970 553 931 10 7J0	Luxor beige	-UC		
	970 553 931 10 6A0	yachting blue			
	970 553 931 10 8D0	Cream	-BC,BE,DS,DT		
	970 553 931 10 6J0	Espresso	-NA		
	970 553 931 10 7F0	Cognac	-NC		
	970 553 931 10 8B0	Cedar	-BN		
	970 553 931 10 7H0	Marsala Red	-PC		
	970 553 931 10 N12	Carrera Red	-BF		
	970 553 931 10 OK6	saddle brown	-SB,DN		

Model: 970 10 Model life 2010>>2016

Pos	Part Number	Description	Remark	Qty	Model
(5)	970 553 931 11	Cover (leather) Centre console with: inscription Panamera GTS	rear	1	PR:XYU,098, 339,838,015
	970 553 931 11 A11	Black	-AC		
	970 553 931 11 OA1	agate grey	-DL		
	970 553 931 11 7J0	Luxor beige	-UC		
	970 553 931 11 6A0	yachting blue			
	970 553 931 11 8D0	Cream	-BC, BE, DS, DT		
	970 553 931 11 6J0	Espresso	-NA		
	970 553 931 11 7F0	Cognac	-NC		
	970 553 931 11 8B0	Cedar	-BN		
	970 553 931 11 7H0	Marsala Red	-PC		
	970 553 931 11 N12	Carrera Red	-BF		
	970 553 931 11 OK6	saddle brown	-SB, DN		
(5)	970 553 931 12	Cover (leather) Centre console with: inscription Panamera GTS	rear	1	PR:XYU,099, 339,838,015
	970 553 931 12 A11	Black	-AC		
	970 553 931 12 OA1	agate grey	-DL		
	970 553 931 12 7J0	Luxor beige	-UC		
	970 553 931 12 6A0	yachting blue			
	970 553 931 12 8D0	Cream	-BC, BE, DS, DT		
	970 553 931 12 6J0	Espresso	-NA		
	970 553 931 12 7F0	Cognac	-NC		
	970 553 931 12 8B0	Cedar	-BN		
	970 553 931 12 7H0	Marsala Red	-PC		
	970 553 931 12 N12	Carrera Red	-BF		
	970 553 931 12 OK6	saddle brown	-SB, DN		
(5)	970 553 931 13	Cover (leather) Centre console with: inscription Turbo S	rear	1	PR:XYU,098, 838,016
	970 553 931 13 A11	Black	-AC		
	970 553 931 13 OA1	agate grey	-DL		
	970 553 931 13 7J0	Luxor beige	-UC		
	970 553 931 13 6A0	yachting blue			
	970 553 931 13 8D0	Cream	-BC, BE, DS, DT		
	970 553 931 13 6J0	Espresso	-NA		
	970 553 931 13 7F0	Cognac	-NC		
	970 553 931 13 8B0	Cedar	-BN		
	970 553 931 13 7H0	Marsala Red	-PC		
	970 553 931 13 N12	Carrera Red	-BF		
	970 553 931 13 OK6	saddle brown	-SB, DN		
(5)	970 553 931 14	Cover (leather) Centre console with: inscription Turbo S	rear	1	PR:XYU,099, 838,016
	970 553 931 14 A11	Black	-AC		
	970 553 931 14 OA1	agate grey	-DL		
	970 553 931 14 7J0	Luxor beige	-UC		
	970 553 931 14 6A0	yachting blue			
	970 553 931 14 8D0	Cream	-BC, BE, DS, DT		
	970 553 931 14 6J0	Espresso	-NA		
	970 553 931 14 7F0	Cognac	-NC		
	970 553 931 14 8B0	Cedar	-BN		

Model: 970 10 Model life 2010>>2016

Pos	Part Number	Description	Remark	Qty	Model
	970 553 931 14 7H0	Marsala Red	-PC		
	970 553 931 14 N12	Carrera Red	-BF		
	970 553 931 14 OK6	saddle brown	-SB, DN		
(5)	970 553 421 02	Cover (leather) Centre console	rear	1	PR:XET, 020, 838
	970 553 421 02 PFB	Black/Toffee Brown	-PF		
	970 553 421 02 OD2	Toffee Brown	-PF		
(5)	970 553 421 03	Cover (leather) Centre console	rear	1	PR:020, 838
	970 553 421 03 PFB	Black/Toffee Brown	-PF		
	970 553 421 03 OD2	Toffee Brown	-PF		
6	900 187 503 01	panel screw ST 4,2 X 13		X	PR:838
8	970 553 675 00	Cover for centre console	rear	1	PR:838
	970 553 675 00 6B0	Black	-AB, AC, BF, PK, PL, DN, DS		
	970 553 675 00 9C0	agate grey	-DG, DL, DT		
	970 553 675 00 7K0	Luxor beige	-UB, UC, BC		
	970 553 675 00 6D0	yachting blue			
	970 553 675 00 9D0	Espresso	-NA		
	970 553 675 00 9E0	Cognac	-NC		
	970 553 675 00 7G0	Marsala Red	-BE		PC,
	970 553 675 00 BW3	saddle brown	-SB		
9	970 553 663 00	Insert Stowage compartment Centre console	rear	1	PR:838
10	970 553 683 00	Retainer for centre console Telephone		1	PR:669, 838
11	970 553 691 00	Retaining bracket Centre console	rear	1	PR:838
(11)	970 553 691 01	Retaining bracket Centre console	rear	1	PR:XET, 838
12	999 073 432 01	fillister hd. bolt M 5 X 8		X	PR:838
13	N 907 870 03	Socket head bolt with inner multipoint head (Kombi) M 8 X22		X	PR:838
14	999 073 269 09	fillister hd. bolt M 5 X16		X	PR:838
15	970 553 475 00	Retainer for centre console Drinks holder		1	PR:838
16	900 073 506 01	panel screw ST 4,2 X 9,5		X	PR:838
17	999 073 142 09	panel screw 4,2 X 16 Mount Drinks holder		4	PR:838
18	970 553 459 00	Trim for drinks holder		1	PR:817, 838
(18)	970 553 459 00 A61	Piano Black, high-gloss			
	970 553 459 01	Trim for drinks holder		1	PR:821, 838
(18)	970 553 459 01 BG1	Walnut, high-gloss			
	970 553 459 02	Trim for drinks holder		1	PR:822, 838
(18)	970 553 459 02 S64	Teneo high-gloss			
	970 553 459 03	Trim for drinks holder		1	PR:823, 838
(18)	970 553 459 03 CK6	Swedish Birch			
	970 553 459 04	Trim for drinks holder		1	PR:824, 838
(18)	970 553 459 04 BT2	Olive Ash matt open-pored			
	970 553 459 05	Trim for drinks		1	PR:818, 838

Model: 970 10 Model life 2010>>2016

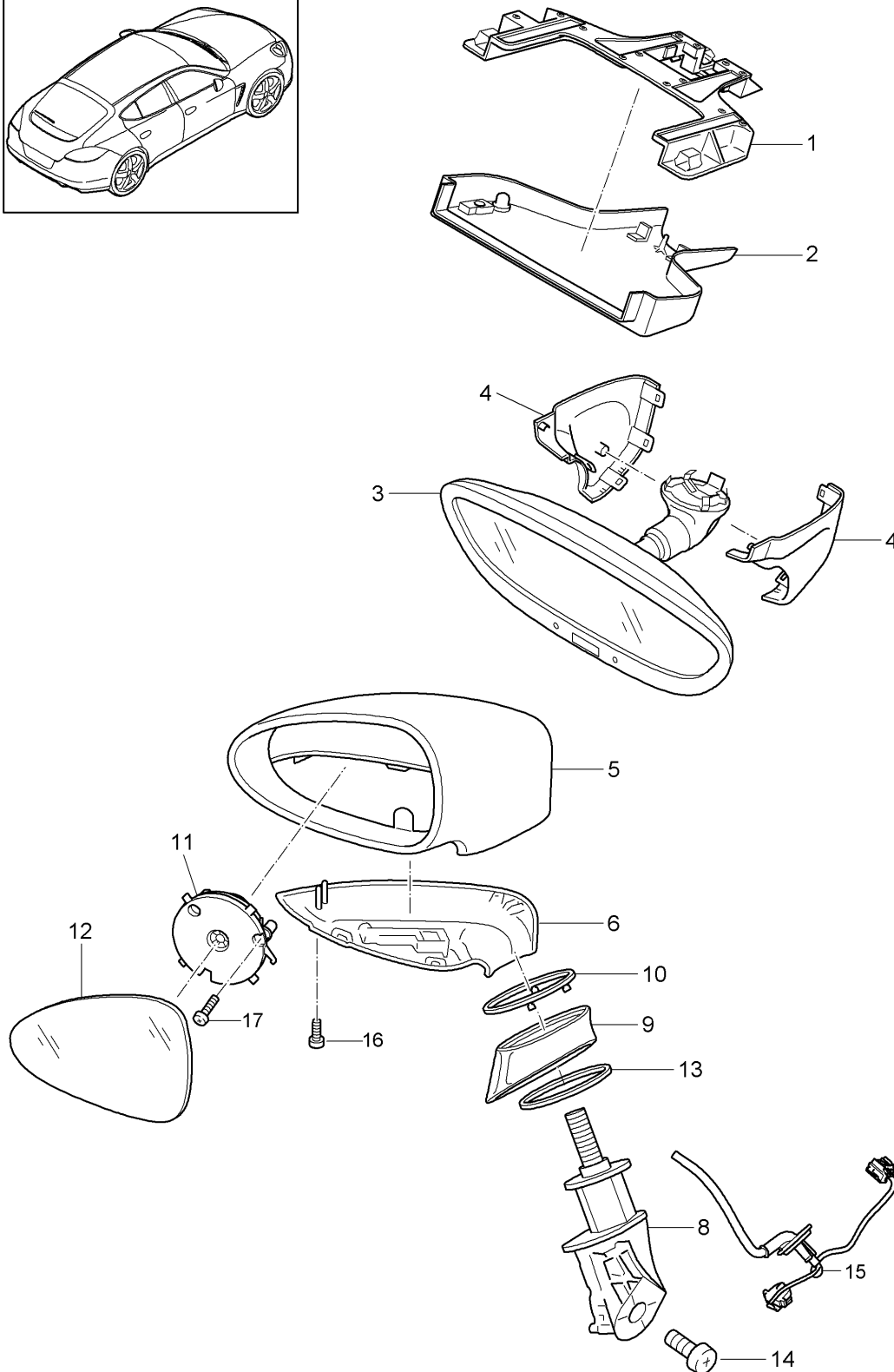
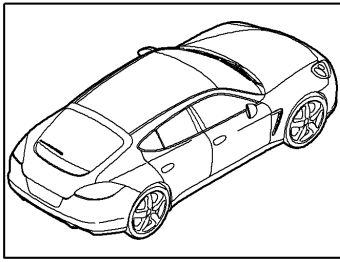
Pos	Part Number	Description	Remark	Qty	Model
(18)	970 553 459 05 U03	holder Aluminium, brushed		1	PR:819,838
	970 553 459 06	Trim for drinks holder		1	PR:826,838
(18)	970 553 459 06 BX3	Carbon, fine high-gloss		1	PR:XZY,838
	970 553 459 07	Trim for drinks holder		1	PR:XHA,838
(18)	970 553 459 07 OE9	American Walnut		1	
	970 553 984 00	Trim for drinks holder		1	
(18)	970 553 984 00 GX1	Mahogany Yachting		1	
	970 553 984 01	Trim for drinks holder		1	
	970 553 984 01 A11	Black	-AB,AC,GK,GS, GA		
	970 553 984 01 OA1	agate grey	-DG,DL,GD		
	970 553 984 01 7J0	Luxor beige	-UB,UC,GU		
	970 553 984 01 8D0	Cream	-BC,BE,DS,DT		
	970 553 984 01 6J0	Espresso	-NA		
	970 553 984 01 7F0	Cognac	-NC		
	970 553 984 01 8B0	Cedar	-BN		
	970 553 984 01 7H0	Marsala Red	-PC,GP		
	970 553 984 01 N12	Carrera Red	-BF		
	970 553 984 01 OK6	saddle brown	-SB,GH,DN		
19	970 553 473 00	Trim for centre console		1	PR:838
	970 553 473 00 5Q0	Black	-AB,AC,GK,GS, GA		
	970 553 473 00 OA6	agate grey	-DG,DL,GD		
	970 553 473 00 6W0	Luxor beige	-UB,UC,GU		
	970 553 473 00 5V0	Cream	-BC,BE,DS,DT		
	970 553 473 00 3T0	Espresso	-NA		
	970 553 473 00 2S0	Cognac	-NC		
	970 553 473 00 1R0	Cedar	-BN		
	970 553 473 00 7X0	Marsala Red	-PC,GP		
	970 553 473 00 OE1	Carrera Red	-BF		
	970 553 473 00 OL7	saddle brown	-SB,GH,DN		
(19)	970 553 473 01	Trim for centre console		1	PR:020,838
	970 553 473 01 OD2	Toffee Brown	-PF		
20	970 553 471 00	side panel for center console	left	1	PR:838
			rear		
	970 553 471 00 A11	Black	-AC		
	970 553 471 00 OA1	agate grey	-DL		
	970 553 471 00 7J0	Luxor beige	-UC		
	970 553 471 00 8D0	Cream	-BC,BE,DS,DT		
	970 553 471 00 6J0	Espresso	-NA		
	970 553 471 00 7F0	Cognac	-NC		
	970 553 471 00 8B0	Cedar	-BN		
	970 553 471 00 7H0	Marsala Red	-PC		
	970 553 471 00 N12	Carrera Red	-BF		
	970 553 471 00 OK6	saddle brown	-SB,DN		
(20)	970 553 472 00	side panel for center console	right	1	PR:838
			rear		
	970 553 472 00 A11	Black	-AC		
	970 553 472 00 OA1	agate grey	-DL		
	970 553 472 00 7J0	Luxor beige	-UC		
	970 553 472 00 8D0	Cream	-BC,BE,DS,DT		
	970 553 472 00 6J0	Espresso	-NA		
	970 553 472 00 7F0	Cognac	-NC		
	970 553 472 00 8B0	Cedar	-BN		
	970 553 472 00 7H0	Marsala Red	-PC		
	970 553 472 00 N12	Carrera Red	-BF		
	970 553 472 00 OK6	saddle brown	-SB,DN		
21	970 553 483 00	Side panel trim for	left	1	PR:838

Model: 970 10 Model life 2010>>2016

Pos	Part Number	Description	Remark	Qty	Model
	970 553 483 00 5Q0	centre console Black	rear -AB,AC		
	970 553 483 00 OA6	agate grey	-DG,DL		
	970 553 483 00 6W0	Luxor beige	-UB,UC		
	970 553 483 00 5V0	Cream	-BC,BE,DS,DT		
	970 553 483 00 3T0	Espresso	-NA		
	970 553 483 00 2S0	Cognac	-NC		
	970 553 483 00 1R0	Cedar	-BN		
	970 553 483 00 7X0	Marsala Red	-PC		
	970 553 483 00 OE1	Carrera Red	-BF		
21	970 553 483 01	Side panel trim for centre console	left rear	1	PR:838
	970 553 483 01 OL7	saddle brown	-SB		
(21)	970 553 484 00	Side panel trim for centre console	right rear	1	PR:838
	970 553 484 00 5Q0	Black	-AB,AC		
	970 553 484 00 OA6	agate grey	-DG,DL		
	970 553 484 00 6W0	Luxor beige	-UB,UC		
	970 553 484 00 5V0	Cream	-BC,BE,DS,DT		
	970 553 484 00 3T0	Espresso	-NA		
	970 553 484 00 2S0	Cognac	-NC		
	970 553 484 00 1R0	Cedar	-BN		
	970 553 484 00 7X0	Marsala Red	-PC		
	970 553 484 00 OE1	Carrera Red	-BF		
(21)	970 553 484 01	Side panel trim for centre console	right rear	1	PR:838
	970 553 484 01 OL7	saddle brown	-SB		
(22)	970 553 423 04	Stowage compartment Centre console	rear	1	PR:838,9Z3
(22)	970 553 423 05	Stowage compartment Centre console	rear	1	PR:838,9Z3, 626
(22)	970 553 423 06	Stowage compartment Centre console	rear	1	PR:838,9Z4
(22)	970 553 423 07	Stowage compartment Centre console	rear	1	"J.." PR:838,9Z4, 626 "J.."
23	999 073 218 01	panel screw 4,2X16		6	
24	970 553 477 00	Flap Bracket		2	PR:838
25	970 553 479 00	Beverages Spring Flap		2	PR:838

Model: 970 10

Model life 2010>>2016



Model: 970 10

Model life 2010>>2016

Pos	Part Number	Description	Remark	Qty	Model
1	7PP 858 327	Rear-view mirror Exterior mirror Accessories basic plate for Mirror base Interior mirror POS. 1 8/05/00 Use		1	
2	7PP 863 081 7PP 863 081 1E0	No longer use the part here Cover Satin black for basic plate Mirror base Interior mirror		1	
(2)	7PP 863 081 A	Cover for basic plate Mirror base Interior mirror Discontinued part		1	PR:458,631, 632,852
(2)	7PP 863 081 A 1E0 7PP 863 081 D	Satin black Cover for basic plate Mirror base Interior mirror D - MJ 2014>>		1	PR:458,631, 632,852
3	7PP 863 081 D 1E0 7PP 857 511 E 7PP 857 511 E 1E0	Satin black Interior mirror, anti-dazzle Satin black Manually Dimmable Satin black	V6	1	PR:275
(3)	7PP 857 511 B 7PP 857 511 B 1E0	Interior mirror Discontinued part Satin black Dimmable Automatic		1	PR:276
(3)	7PP 857 511 D 7PP 857 511 D 1E0	Interior mirror, automatic anti-dazzle Discontinued part Satin black Dimmable Automatic		1	PR:276
(3)	7PP 857 511 F 7PP 857 511 F 1E0	Interior mirror, automatic anti-dazzle Discontinued part Satin black Dimmable Automatic		1	PR:276
(3)	7PP 857 511 G 7PP 857 511 G 1E0	Interior mirror, automatic anti-dazzle Discontinued part Satin black Dimmable Automatic		1	PR:276
(3)	7PP 857 511 H 7PP 857 511 H 1E0	Interior mirror, automatic anti-dazzle Satin black		1	PR:276

Model: 970 10 Model life 2010>>2016

Pos	Part Number	Description	Remark	Qty	Model
4	7PP 858 547 7PP 858 547 1E0	Dimmable Automatic Cover cap Satin black Rear-view mirror	left left	1	
(4)	7PP 858 548 7PP 858 548 1E0	Cover cap Satin black Rear-view mirror	right right	1	
-		Rain sensor Rear-view mirror		1	
5	970 731 619 00	see illustration: Mirror housing Rear-view mirror	904-000 left lhd outer left	1	PR:098,258, 259,260,261
		D >> - MJ 2013			
(5)	970 731 619 00 G2L 970 731 619 04	primed Mirror housing Rear-view mirror	left lhd outer left	1	PR:098,258, 259,260,261
		D - MJ 2014>>			
(5)	970 731 619 04 G2L 970 731 619 02	primed Mirror housing Rear-view mirror	left lhd outer left	1	PR:098,258, 259,260,261, 457
		D - MJ 2011>> - MJ 2013			
(5)	970 731 619 02 G2L 970 731 619 06	primed Mirror housing Rear-view mirror	left lhd outer left	1	PR:098,258, 259,260,261, 457
		D - MJ 2014>>			
(5)	970 731 619 06 G2L 970 731 620 00	primed Mirror housing Rear-view mirror	right lhd outer right	1	PR:098,258, 259,260,261
		D >> - MJ 2013			
(5)	970 731 620 00 G2L 970 731 620 04	primed Mirror housing Rear-view mirror	right lhd outer right	1	PR:098,258, 259,260,261
		D - MJ 2014>>			
(5)	970 731 620 04 G2L 970 731 620 02	primed Mirror housing Rear-view mirror	right lhd outer right	1	PR:457,098, 258,259,260, 261
		D >> - MJ 2013			
(5)	970 731 620 02 G2L 970 731 620 06	primed Mirror housing Rear-view mirror	right lhd outer right	1	PR:457,098, 258,259,260, 261
		D - MJ 2014>>			
(5)	970 731 620 06 G2L 970 731 619 01	primed Mirror housing Rear-view mirror	left rhd outer left	1	PR:099,258, 259,260,261
		D >> - MJ 2013			
(5)	970 731 619 01 G2L 970 731 619 05	primed Mirror housing Rear-view mirror	left rhd outer left	1	PR:099,258, 259,260,261
		D - MJ 2014>>			
(5)	970 731 619 05 G2L 970 731 619 03	primed Mirror housing Rear-view mirror	left rhd outer	1	PR:099,258, 259,260,261,

Model: 970 10 Model life 2010>>2016

Pos	Part Number	Description	Remark	Qty	Model
		D >> - MJ 2013 primed	left		457
(5)	970 731 619 03 G2L 970 731 619 07	Mirror housing Rear-view mirror	left rhd outer left	1	PR:099,258, 259,260,261, 457
(5)	970 731 619 07 G2L 970 731 620 01	D - MJ 2014>> primed Mirror housing Rear-view mirror	right rhd outer right	1	PR:099,258, 259,260,261
(5)	970 731 620 01 G2L 970 731 620 05	D >> - MJ 2013 primed Mirror housing Rear-view mirror	right rhd outer right	1	PR:099,258, 259,260,261
(5)	970 731 620 05 G2L 970 731 620 03	D - MJ 2014>> primed Mirror housing Rear-view mirror	right rhd outer right	1	PR:099,258, 259,260,261, 457
(5)	970 731 620 03 G2L 970 731 620 07	D >> - MJ 2013 primed Mirror housing Rear-view mirror	right rhd outer right	1	PR:099,258, 259,260,261, 457
6	970 731 620 07 G2L 970 731 719 00	D - MJ 2014>> primed Trim	left lhd lower	1	PR:098,258, 260
(6)	970 731 719 04	primed Trim	left lhd lower	1	PR:098,259, 261
(6)	970 731 719 06	for Light primed Trim	left lhd lower	1	PR:098,258, 260,633
(6)	970 731 719 08	Camera D - MJ 2014>> Trim	left lhd lower	1	PR:098,259, 261,633
(6)	970 731 720 00	Camera and Light D - MJ 2014>> Trim	right lhd lower	1	PR:098,260, 258
(6)	970 731 720 04	primed Trim	right lhd lower	1	PR:098,259, 261
(6)	970 731 720 06	for Light primed Trim	right lhd lower	1	PR:098,258, 260,633
(6)	970 731 720 08	Camera D - MJ 2014>> Trim	right lhd lower	1	PR:098,259, 261,633
		Camera and Light			

Model: 970 10 Model life 2010>>2016

Pos	Part Number	Description	Remark	Qty	Model
(6)	970 731 719 01	D - MJ 2014>> Trim	left rhd lower	1	PR:099,260, 258
(6)	970 731 719 05	primed Trim	left rhd lower	1	PR:099,259, 261
(6)	970 731 719 07	for Light primed Trim	left rhd lower	1	PR:099,258, 260,633
(6)	970 731 719 09	Camera D - MJ 2014>> Trim	left rhd lower	1	PR:099,259, 261,633
(6)	970 731 720 01	Camera and Light D - MJ 2014>> Trim	right rhd lower	1	PR:099,260, 258
(6)	970 731 720 05	primed Trim	right rhd lower	1	PR:099,259, 261
(6)	970 731 720 07	for Light primed Trim	right rhd lower	1	PR:099,258, 260,633
(6)	970 731 720 09	Camera D - MJ 2014>> Trim	right rhd lower	1	PR:099,259, 261,633
(6)	970 731 719 10	Camera and Light D - MJ 2014>> Trim	left lhd lower	1	PR:098,017, 260
(6)	970 731 719 10 M7T 970 731 719 00	Discontinued part Platinum Silver Metallic Trim	left lhd lower	1	PR:098,260, 017
(6)	970 731 719 00 G2L 970 731 720 10	D >> - MJ 2013 primed Trim	right lhd lower	1	PR:098,017, 260
(6)	970 731 720 10 M7T 970 731 720 00	Discontinued part Platinum Silver Metallic Trim	right lhd lower	1	PR:098,260, 017
(6)	970 731 720 00 G2L 970 731 719 11	D >> - MJ 2013 primed Trim	left rhd lower	1	PR:099,017, 260
(6)	970 731 719 11 M7T 970 731 719 01	Discontinued part Platinum Silver Metallic Trim	left rhd lower	1	PR:099,017, 260
(6)	970 731 719 01 G2L 970 731 720 11	D >> - MJ 2013 primed Trim	right rhd lower	1	PR:099,017, 260

Model: 970 10 Model life 2010>>2016

Pos	Part Number	Description	Remark	Qty	Model
(6)	970 731 720 11 M7T 970 731 720 01	Discontinued part Platinum Silver Metallic Trim D >> - MJ 2013	right lower rhd	1	PR:099,017, 260
(6)	970 731 720 01 G2L 970 731 719 12	primed Trim for Light Discontinued part	left lower lhd	1	PR:098,017, 261
(6)	970 731 719 12 M7T 970 731 719 04	Platinum Silver Metallic Trim for Light D >> - MJ 2013	left lower lhd	1	PR:098,017, 261
(6)	970 731 719 04 G2L 970 731 720 12	orange Trim for Light Discontinued part	right lower lhd	1	PR:098,017, 261
(6)	970 731 720 12 M7T 970 731 720 04	Platinum Silver Metallic Trim for Light D >> - MJ 2013	right lower lhd	1	PR:098,017, 261
(6)	970 731 720 04 G2L 970 731 719 13	orange Trim for Light Discontinued part	left lower rhd	1	PR:099,017, 261
(6)	970 731 719 13 M7T 970 731 719 05	Platinum Silver Metallic Trim for Light D >> - MJ 2013	left lower rhd	1	PR:099,017, 261
(6)	970 731 719 05 G2L 970 731 720 13	orange Trim for Light Discontinued part	right lower rhd	1	PR:099,017, 261
(6)	970 731 720 13 M7T 970 731 720 05	Platinum Silver Metallic Trim for Light D >> - MJ 2013	right lower rhd	1	PR:099,017, 261
8	970 731 720 05 G2L 970 731 219 00	orange Mirror base D >> - MJ 2013	left left	1	PR:258,259, 260,261
8	970 731 219 02	Mirror base D - MJ 2014>>	left right	1	PR:258,259, 260,261
(8)	970 731 220 00	Mirror base D >> - MJ 2013	right right	1	PR:258,259, 260,261

Model: 970 10 Model life 2010>>2016

Pos	Part Number	Description	Remark	Qty	Model
(8)	970 731 220 02	Mirror base	right	1	PR:258,259,260,261
9	970 731 819 00	D - MJ 2014>> Cover Mirror base	left	1	PR:258,259,260,261
(9)	970 731 819 00 G2L	primed			
	970 731 820 00	Cover	right	1	PR:258,259,260,261
	970 731 820 00 G2L	Mirror base primed			
-		Combined lights		1	
10	970 731 821 00	Seal Mirror base	903-004 upper left	1	PR:258,259,260,261
(10)	970 731 822 00	Seal Mirror base	upper right	1	PR:258,259,260,261
11	997 624 047 00	Adjusting motor Exterior mirror		1	PR:258,260
		without:			
		Memory			
		D >> - MJ 2013			
11	997 624 047 01	Discontinued part Adjusting motor Exterior mirror		1	PR:258,260
		without:			
		Memory			
		D >> - MJ 2013			
11	7PP 959 578 D	Adjusting motor Exterior mirror		1	PR:258,260
		without:			
		Memory			
		D - MJ 2014>>			
(11)	997 624 048 00	Adjusting motor Exterior mirror		1	PR:259,261
		with:			
		Memory			
		D >> - MJ 2013			
(11)	997 624 048 01	Discontinued part Adjusting motor Exterior mirror		1	PR:259,261
		with:			
		Memory			
		D >> - MJ 2013			
(11)	7PP 959 578 E	Adjusting motor Exterior mirror		1	PR:259,261
		with:			
		Memory			
		D - MJ 2014>>			
12	970 731 035 00	Mirror glass (flat)	left lhd	1	PR:260,261,263,098
		D >> - MJ 2013			
(12)	970 731 035 06	Mirror glass (flat)	left lhd	1	PR:260,261,263,098
(12)	970 731 035 01	Mirror (aspherical) Aspherical	left lhd	1	PR:260,261,265,098
		Discontinued part			
(12)	970 731 035 04	Mirror (aspherical) Aspherical	left lhd	1	PR:260,261,265,098
		D >> - MJ 2013			
		Discontinued part			
(12)	970 731 035 08	Mirror (aspherical) Aspherical	left lhd	1	PR:260,261,265,098
(12)	970 731 036 00	Mirror (aspherical) Aspherical	right rhd	1	PR:260,261,285,099

Model: 970 10 Model life 2010>>2016

Pos	Part Number	Description	Remark	Qty	Model
(12)	970 731 036 02	Discontinued part Mirror (aspherical) Aspherical D >> - MJ 2013	right rhd	1	PR:260,261, 285,099
(12)	970 731 036 04	Mirror (aspherical) Aspherical	right rhd	1	PR:260,261, 285,099
(12)	970 731 038 00	Mirror glass (convex) D >> - MJ 2013	right lhd	1	PR:260,261, 284,098
(12)	970 731 038 06	Discontinued part Mirror glass (convex)	right lhd	1	PR:260,261, 284,098
(12)	970 731 037 00	Mirror glass (convex) D >> - MJ 2013	left rhd	1	PR:260,261, 264,099
(12)	970 731 037 02	Mirror glass (convex)	left rhd	1	PR:260,261, 264,099
(12)	970 731 035 02	Mirror glass (flat) D >> - MJ 2013	left lhd	1	PR:258,259, 263,098
12	970 731 035 07	Mirror glass (flat)	left lhd	1	PR:258,259, 263,098
(12)	970 731 035 03	Mirror (aspherical) Aspherical Discontinued part	left lhd	1	PR:258,259, 265,098
(12)	970 731 035 05	Mirror (aspherical) Aspherical D >> - MJ 2013	left lhd	1	PR:258,259, 265,098
(12)	970 731 035 09	Mirror (aspherical) Aspherical	left lhd	1	PR:258,259, 265,098
(12)	970 731 036 03	Mirror (aspherical) Aspherical D >> - MJ 2013	right rhd	1	PR:258,259, 285,099
(12)	970 731 036 05	Mirror (aspherical) Aspherical	right rhd	1	PR:258,259, 285,099
(12)	970 731 038 03	Mirror glass (convex) D >> - MJ 2013	right lhd	1	PR:258,259, 284,098
(12)	970 731 038 09	Mirror glass (convex)	right lhd	1	PR:258,259, 284,098
(12)	970 731 037 01	Mirror glass (convex) D >> - MJ 2013	left rhd	1	PR:258,259, 264,099
(12)	970 731 037 03	Mirror glass (convex)	left rhd	1	PR:258,259, 264,099
(12)	970 731 038 02	Mirror glass (convex) D >> - MJ 2013	right lhd	1	PR:260,284, 261,215,098
(12)	970 731 038 08	Mirror glass (convex)	right lhd	1	PR:260,284, 261,215,098
(12)	970 731 038 05	Mirror glass (convex) D >> - MJ 2013	right lhd	1	PR:215,259, 258,284,098
(12)	970 731 038 11	Mirror glass (convex)	right lhd	1	PR:215,259, 258,284,098
13	970 731 823 00	Seal D >> - MJ 2013	lower left	1	PR:258,259, 260,261
13	970 731 823 01	Discontinued part Seal	lower left	1	PR:258,259, 260,261
(13)	970 731 824 00	Seal	lower right	1	PR:258,259, 260,261

Model: 970 10 Model life 2010>>2016

Pos	Part Number	Description	Remark	Qty	Model
(13)	970 731 824 01	Discontinued part Seal	lower right	1	PR:258,259, 260,261
14	999 073 364 02	Socket head bolt M8 X 25 for Mount Mirror base		1	
15	970 612 666 00	Wire set D >> - MJ 2013		1	PR:258,-457
15	970 612 667 00	Wire set D >> - MJ 2013		1	PR:259,-457
15	970 612 668 00	Wire set D >> - MJ 2013		1	PR:260,-457
15	970 612 669 00	Wire set D >> - MJ 2013		1	PR:261,-457
15	970 612 666 50	Wire set D >> - MJ 2013		1	PR:258,457
15	970 612 667 50	Wire set D >> - MJ 2013		1	PR:259,457
15	970 612 668 50	Wire set D >> - MJ 2013		1	PR:260,457
15	970 612 669 50	Wire set D >> - MJ 2013		1	PR:261,457
(15)	970 612 629 52	Wire set D - MJ 2014>>		1	PR:633,457,
15	970 612 629 02	Wire set D - MJ 2014>>		1	PR:261,633,
(15)	970 612 669 56	Wire set D - MJ 2014>>		1	PR:261,-633,
(15)	970 612 669 21	Wire set D - MJ 2014>>		1	PR:261,-457,
(15)	970 612 627 52	Wire set AB MJ E (G1II)		1	PR:259
(15)	970 612 628 51	Wire set D - MJ 2014>>		1	PR:633,260,
(15)	970 612 668 55	Wire set D - MJ 2014>>		1	PR:260,-633,
(15)	970 612 668 20	Wire set AB MJ E (G1II) D - MJ 2014>>		1	PR:260,-457, -633
(15)	970 612 626 51	Wire set D - MJ 2014>>		1	PR:258
16	999 919 234 09	fillister hd. bolt 3X12		X	
17	999 141 043 02	fillister hd. bolt M 3 X 14		3	
18	970 731 721 00	Retaining bar Camera D - MJ 2014>>	left lhd	1	PR:098
(18)	970 731 722 00	Retaining bar Camera D - MJ 2014>>	right lhd	1	PR:098
(18)	970 731 721 01	Retaining bar Camera D - MJ 2014>>	left rhd	1	PR:099
(18)	970 731 722 01	Retaining bar Camera D - MJ 2014>>	right rhd	1	PR:099
19	999 919 178 09	fillister hd. bolt 3X10 D - MJ 2014>>		2	
20	7PP 857 959	Spring clip		1	

Model: 970 10

Model life 2010>>2016

Pos	Part Number	Description	Remark	Qty	Model
21	999 919 301 01	Interior mirror fillister hd. bolt 3,0X38,0 Mount POS11		1	

Model: 970 10

Model life 2010>>2016

4—P O R S C H E

5—Panamera

6—S

8—4

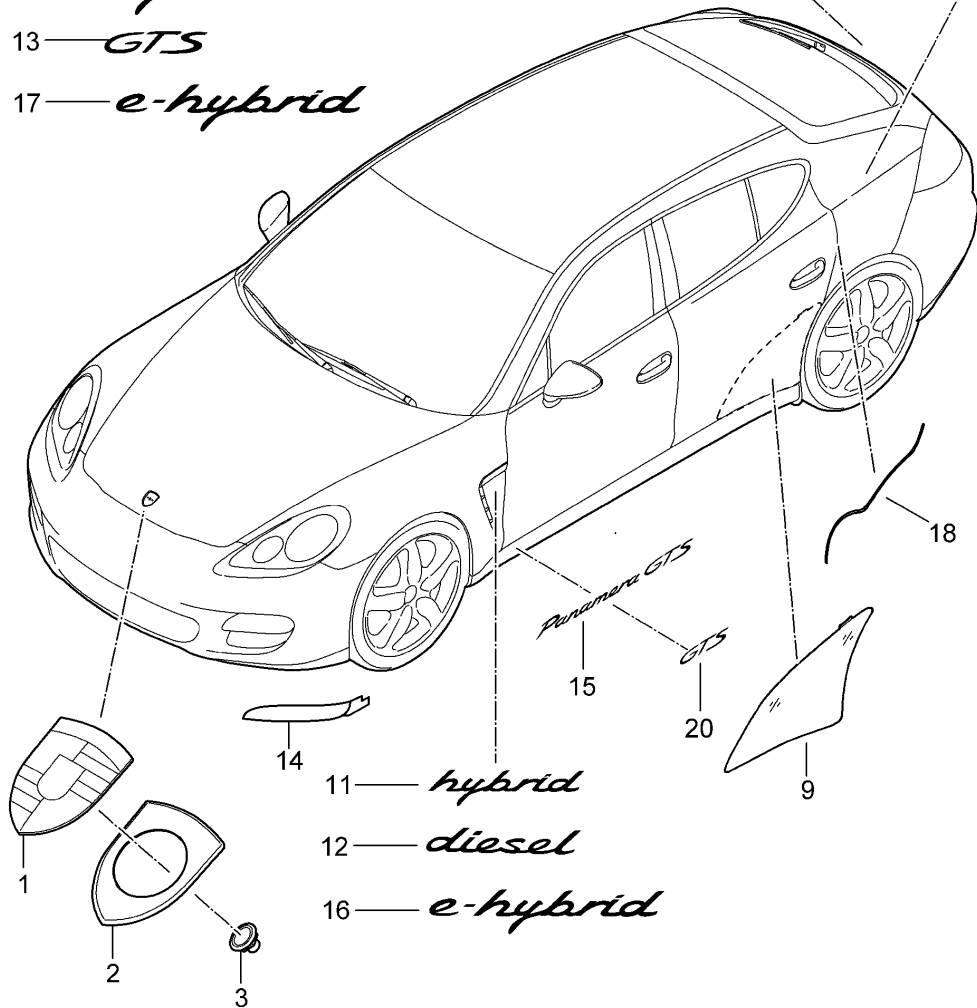
7—Turbo

10—hybrid

13—GTS

17—e-hybrid

19 executive



Model: 970 10 Model life 2010>>2016

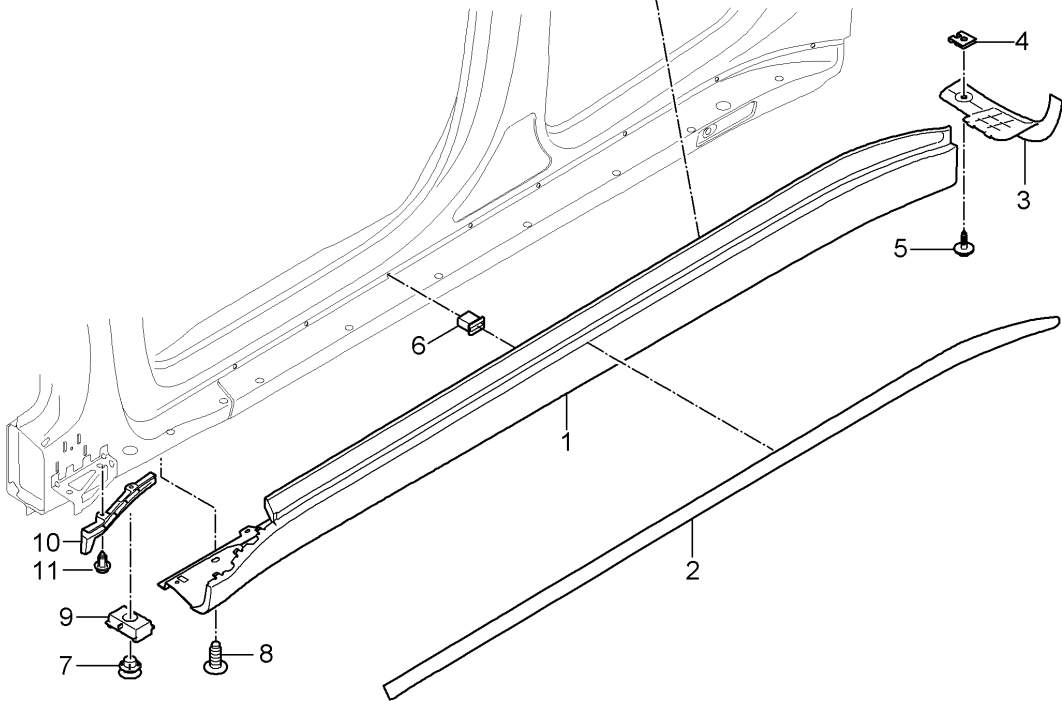
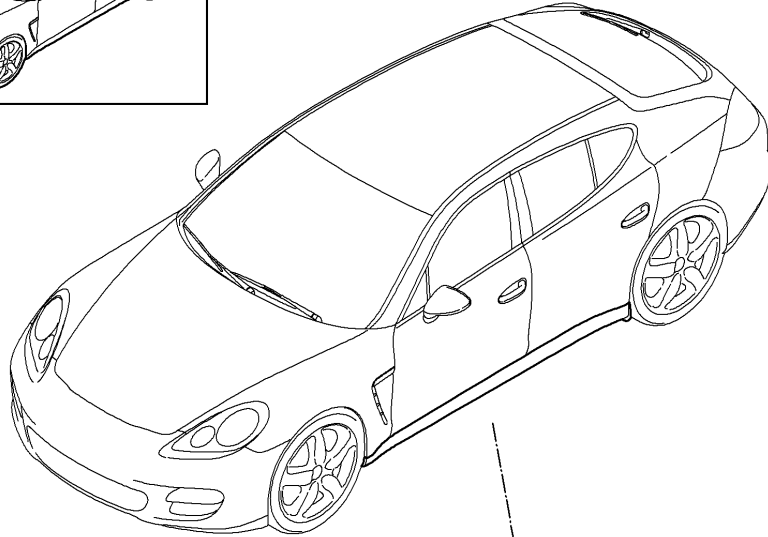
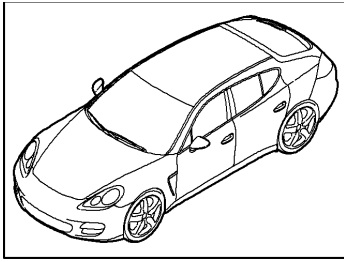
Pos	Part Number	Description	Remark	Qty	Model
1	997 559 211 00	inscriptions/lettering Stone guard film Porsche crest Bonnet Discontinued part		1	
1	997 559 211 02	Porsche crest Bonnet		1	
1	991 559 211 00	D >> - MJ 2013 Porsche crest Bonnet		1	
2	7L5 853 611 B	D - MJ 2014>> Underlay for Porsche crest		1	
(2)	991 559 215 01	D >> - MJ 2013 Underlay for Porsche crest		1	
(2)	991 559 215 02	D - MJ 2013>> - MJ 2013 Underlay for Porsche crest		1	
3	999 591 423 03	D - MJ 2014>> Tapping nut for Porsche crest		2	
4	970 559 235 01	inscription Porsche chromed		1	
5	970 559 237 08	inscription Panamera chromed		1	
6	970 559 243 03	inscription *S* chromed		1	
7	970 559 247 00	inscription Turbo chromed		1	
8	970 559 241 04	inscription *4* chromed		1	
9	970 532 825 03	Stone guard film doors	left rear	1	
(9)	970 532 925 00	Stone guard film doors Long	left rear	1	
9	970 532 826 03	Stone guard film doors	right rear	1	
(9)	970 532 926 00	Stone guard film doors Long	right rear	1	
10	970 559 265 00	inscription Hybrid Rear end chromed		1	
11	970 559 245 00	D >> - MJ 2013 inscription Hybrid Door chromed		1	
12	970 559 255 00	D >> - MJ 2013 inscription Diesel		1	

Model: 970 10 Model life 2010>>2016

Pos	Part Number	Description	Remark	Qty	Model
13	970 559 239 00	Door chromed inscription GTS		1	PR:015
14	970 505 721 00	chromed Decorative film	left	1	PR:015
(14)	970 505 721 00 A72	Matt black			
(14)	970 505 722 00	Decorative film	right	1	PR:015
(14)	970 505 722 00 A72	Matt black			
15	970 559 443 01	Decorative film for door *PANAMERA GTS*		2	PR:516
		D >> - MJ 2013			
	970 559 443 01 A72	Matt black			
	970 559 443 01 9R7	silver			
15	970 559 443 02	Decorative film for door *PANAMERA GTS*		2	PR:516
		D - MJ 2014>> - MJ 2014			
	970 559 443 02 OD8	Matt black			
	970 559 443 02 M7Z	silver			
16	970 559 245 01	inscription E-HYBRID	left	1	
		Door D - MJ 2014>>			
(16)	970 559 246 01	inscription E-HYBRID	right	1	
		Door D - MJ 2014>>			
17	970 559 237 09	inscription Panamera S E-HYBRID		1	
		Rear end D - MJ 2014>>			
18	970 536 283 00	Protective film	left	1	
		Door	rear		
(18)	970 536 284 00	Protective film	right	1	
		Door	rear		
19	970 559 275 00	inscription EXECUTIVE d-pillar	left	1	PR:0E2
		D - MJ 2015>>			
(19)	970 559 276 00	inscription EXECUTIVE d-pillar	right	1	PR:0E2
		D - MJ 2015>>			
20	970 559 443 03	Decorative film for door *PANAMERA GTS*		2	PR:015
		D - MJ 2015>>			
	970 559 443 03 OD8	Matt black			
	970 559 443 03 M7Z	silver			

Model: 970 10

Model life 2010>>2016



Model: 970 10 Model life 2010>>2016

Pos	Part Number	Description	Remark	Qty	Model
1	970 559 201 03	Side member trim Side member trim D >> - MJ 2013	left	1	PR:597
(1)	970 559 201 03 G2L 970 559 201 03	primed Side member trim D >> - MJ 2013	left	1	PR:015,597
(1)	970 559 201 03 G2L 970 559 202 03	primed Side member trim D >> - MJ 2013	right	1	PR:597
(1)	970 559 202 03 G2L 970 559 202 03	primed Side member trim D >> - MJ 2013	right	1	PR:597,015
(1)	970 559 202 03 G2L 970 559 201 02	primed Side member trim D >> - MJ 2013	left	1	PR:-XAR
(1)	970 559 201 02 G2L 970 559 201 02	primed Side member trim D >> - MJ 2013	left	1	PR:015,-XAR
(1)	970 559 201 02 G2L 970 559 202 02	primed Side member trim D >> - MJ 2013	right	1	PR:-XAR
(1)	970 559 202 02 G2L 970 559 202 02	primed Side member trim D >> - MJ 2013	right	1	PR:015,-XAR
(1)	970 559 202 02 G2L 970 559 201 04	primed Side member trim without:	left	1	PR:0E1
(1)	970 559 201 04 G2L 970 559 201 04	Sill trim strip D - MJ 2014>> primed Side member trim without:	left	1	PR:0E1,015
(1)	970 559 201 04 G2L 970 559 202 04	Sill trim strip D - MJ 2014>> primed Side member trim without:	right	1	PR:0E1
(1)	970 559 202 04 G2L 970 559 202 04	Sill trim strip D - MJ 2014>> primed Side member trim without:	right	1	PR:0E1,015
(1)	970 559 202 04 G2L 970 559 201 05	Sill trim strip D - MJ 2014>> primed Side member trim with:	left	1	PR:0E1,597
(1)	970 559 201 05 G2L 970 559 202 05	Sill trim strip D - MJ 2014>> primed Side member trim with:	right	1	PR:0E1,597
(1)	970 559 202 05 G2L 970 559 201 06	Sill trim strip D - MJ 2014>> primed Side member trim without:	left	1	PR:0E2
(1)	970 559 201 06 G2L 970 559 202 06	Sill trim strip D - MJ 2014>> primed Side member trim without:	right	1	PR:0E2
		Sill trim strip			

Model: 970 10 Model life 2010>>2016

Pos	Part Number	Description	Remark	Qty	Model
(1)	970 559 202 06 G2L 970 559 201 07	D - MJ 2014>> primed Side member trim with:	left	1	PR:0E2,597
(1)	970 559 201 07 G2L 970 559 202 07	D - MJ 2014>> primed Side member trim with:	right	1	PR:0E2,597
(1)	970 559 202 07 G2L 970 559 980 02	D - MJ 2014>> primed Side member trim without:	left	1	PR:XAR
(1)	970 559 980 02	D >> - MJ 2013 Side member trim without:	left	1	PR:0E1,XAR
(1)	970 559 981 02	D - MJ 2014>> Side member trim without:	right	1	PR:XAR
(1)	970 559 981 02	D >> - MJ 2013 Side member trim without:	right	1	PR:0E1,XAR
(1)	970 559 980 03	D - MJ 2014>> Side member trim with:	left	1	PR:XAR,597
(1)	970 559 980 03	D >> - MJ 2013 Side member trim with:	left	1	PR:0E1,XAR, 597
(1)	970 559 981 03	D - MJ 2014>> Side member trim with:	right	1	PR:XAR,597
(1)	970 559 981 03	D >> - MJ 2013 Side member trim with:	right	1	PR:0E1,XAR, 597
2	970 559 723 00	D - MJ 2014>> Sill trim strip Aluminium, brushed	left	1	PR:597
2	970 559 723 00	D >> - MJ 2013 Sill trim strip Aluminium, brushed	left	1	PR:0E1,597
2	970 559 723 01	D - MJ 2014>> Sill trim strip Aluminium, brushed	left	1	PR:0E2,597
(2)	970 559 724 00	D - MJ 2014>> Sill trim strip Aluminium, brushed	right	1	PR:597

Model: 970 10

Model life 2010>>2016

Pos	Part Number	Description	Remark	Qty	Model
(2)	970 559 724 00	D >> - MJ 2013 Sill trim strip Aluminium, brushed	right	1	PR:0E1,597
(2)	970 559 724 01	D - MJ 2014>> Sill trim strip Aluminium, brushed	right	1	PR:0E2,597
3	970 559 601 00	D - MJ 2014>> Rubber lip Side member trim in Wheel housing	left rear	1	
(3)	970 559 601 00 1E0 970 559 601 01	D >> - MJ 2013 Black Rubber lip Side member trim in Wheel housing	left rear	1	
(3)	970 559 601 01 1E0 970 559 602 00	D - MJ 2014>> Black Rubber lip Side member trim in Wheel housing	right rear	1	
(3)	970 559 602 00 1E0 970 559 602 01	D >> - MJ 2013 Black Rubber lip Side member trim in Wheel housing	right rear	1	
4	970 559 602 01 1E0 999 507 795 09	D - MJ 2014>> Black panel nut St. 4,8		2	
5	999 073 231 09	panel screw St. 4,8 X 16		2	
6	999 507 995 40	Plug-in part for Side member trim		18	
(6)	999 507 911 40	D >> - MJ 2013 Plug-in part for Side member trim		X	
7	999 507 132 40	D - MJ 2014>> Distance piece for Side member trim	lower	18	
(7)	999 507 132 40	D >> - MJ 2013 Distance piece for Side member trim	lower	X	
8	999 507 133 40	D - MJ 2014>> clinch pin for Side member trim	lower	18	
(8)	999 507 133 40	D >> - MJ 2013 clinch pin for Side member trim	lower	X	
9	970 504 585 00	D - MJ 2014>> socket - jack Discontinued part		4	
9	970 504 585 01	socket - jack		4	
10	970 504 801 00	retaining strip	left	1	

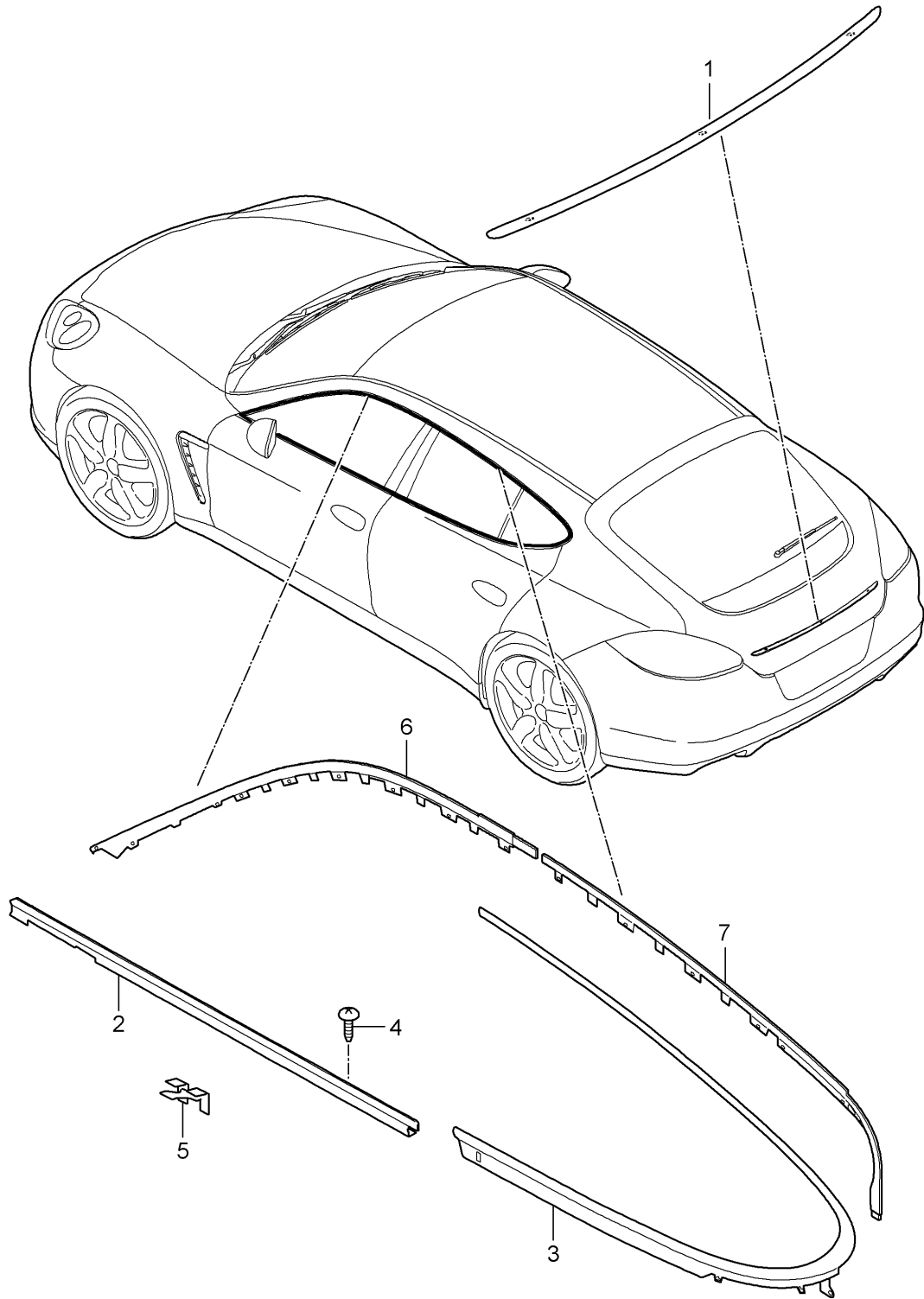
Model: 970 10

Model life 2010>>2016

Pos	Part Number	Description	Remark	Qty	Model
(10)	970 504 802 00	for Side member trim retaining strip	right	1	
11	999 591 941 40	for Side member trim Spreader rivet ST 4,2		4	

Model: 970 10

Model life 2010>>2016



Model: 970 10 Model life 2010>>2016

Pos	Part Number	Description	Remark	Qty	Model
1	970 512 370 03	Decorative fittings Trim strip for tailgate chromed	center	1	
(1)	970 512 370 04	D >> - MJ 2013 Trim strip for tailgate Black	center	1	PR:806
(1)	970 512 370 05	D >> - MJ 2013 Trim strip for tailgate	center	1	PR:017
2	970 512 370 05 M7T 970 537 155 00	D >> - MJ 2013 Platinum Silver Metallic Trim Door channel	left front	1	
(2)	970 537 155 00 V09 970 537 155 01	with: Seal aluminium Trim Door channel	left front	1	PR:-806
(2)	970 537 155 01 A78 970 537 155 02	with: Seal Matt black Trim Door channel	left front	1	PR:806
(2)	970 537 155 02 041 970 537 155 02	with: Seal High gloss Discontinued part Black Trim Door channel	left front	1	PR:017
(2)	970 537 155 02 041 970 537 156 00	with: Seal High gloss D >> - MJ 2013 Discontinued part Black Trim Door channel	right front	1	
(2)	970 537 156 00 V09 970 537 156 01	aluminium Trim Door channel	right front	1	PR:-806
(2)	970 537 156 01 A78 970 537 156 02	Matt black Trim Door channel	right front	1	PR:806
(2)	970 537 156 02 041 970 537 156 02	High gloss Discontinued part Black Trim Door channel	right front	1	PR:017
3	970 537 156 02 041 970 536 155 18	High gloss Discontinued part Black Trim Door channel	left rear	1	PR:-806
(3)	970 536 155 18 V09 970 536 155 18	with: Seal D >> - MJ 2013 aluminium Trim Door channel	left rear	1	PR:0E1,-806
		with: Seal D >> - MJ 2014			

Model: 970 10 Model life 2010>>2016

Pos	Part Number	Description	Remark	Qty	Model
(3)	970 536 155 18 V09 970 536 155 24	aluminium Trim Door channel with: Seal D - MJ 2015>>	left rear	1	PR:0E1,-806
3	970 536 155 24 V09 970 536 155 19	aluminium Trim Door channel with: Seal D >> - MJ 2013	left rear	1	PR:-017,-806
3	970 536 155 19 A78 970 536 155 19	Matt black Trim Door channel with: Seal D >> - MJ 2014	left rear	1	PR:0E1,-806
(3)	970 536 155 19 A78 970 536 155 25	Matt black Trim Door channel with: Seal Matt black D - MJ 2015>>	left rear	1	PR:0E1,-806
(3)	970 536 155 25 03C 970 536 155 20	Rally black Trim Door channel with: Seal High gloss D >> - MJ 2013	left rear	1	PR:806
(3)	970 536 155 20 041 970 536 155 20	Black Trim Door channel with: Seal High gloss D >> - MJ 2013	left rear	1	PR:017
(3)	970 536 155 20 041 970 536 155 20	Black Trim Door channel with: Seal High gloss D >> - MJ 2014	left rear	1	PR:0E1,806
(3)	970 536 155 20 041 970 536 155 26	Black Trim Door channel with: Seal High gloss D - MJ 2015>> Discontinued part	left rear	1	PR:0E1,806
(3)	970 536 155 26 041 970 536 155 15	Black Trim Door channel with: Seal D - MJ 2014>>	left rear	1	PR:0E2
(3)	970 536 155 15 V09 970 536 156 18	Alushine Trim Door channel	right rear	1	PR:-806

Model: 970 10 Model life 2010>>2016

Pos	Part Number	Description	Remark	Qty	Model
(3)	970 536 156 18 V09 970 536 156 18	with: Seal D >> - MJ 2013 aluminium Trim Door channel	right rear	1	PR:0E1,-806
(3)	970 536 156 18 V09 970 536 156 24	with: Seal D >> - MJ 2014 aluminium Trim Door channel	right rear	1	PR:0E1,-806
(3)	970 536 156 24 V09 970 536 156 19	with: Seal D - MJ 2015>> aluminium Trim Door channel	right rear	1	PR:-017,-806
(3)	970 536 156 19 A78 970 536 156 19	with: Seal D >> - MJ 2013 Matt black Trim Door channel	right rear	1	PR:0E1,-806
(3)	970 536 156 19 A78 970 536 156 25	with: Seal D >> - MJ 2014 Matt black Trim Door channel	right rear	1	PR:0E1,-806
(3)	970 536 156 25 03C 970 536 156 20	with: Seal Matt black D - MJ 2015>> Rally black Trim Door channel	right rear	1	PR:806
(3)	970 536 156 20 041 970 536 156 20	with: Seal High gloss D >> - MJ 2013 Black Trim Door channel	right rear	1	PR:017
(3)	970 536 156 20 041 970 536 156 20	with: Seal High gloss D >> - MJ 2013 Black Trim Door channel	right rear	1	PR:0E1,806
(3)	970 536 156 20 041 970 536 156 26	with: Seal High gloss D >> - MJ 2014 Black Trim Door channel	right rear	1	PR:0E1,806
		with: Seal High gloss D - MJ 2015>> Discontinued part			

Model: 970 10 Model life 2010>>2016

Pos	Part Number	Description	Remark	Qty	Model
(3)	970 536 156 26 041 970 536 156 15	Black Trim Door channel	right left rear	1	PR:0E2
		with: Seal D - MJ 2014>>			
4	970 536 156 15 V09 999 073 455 01	Alushine Screw for Trim Door channel		6	
5	999 507 887 01	Clip for Trim Door channel	outer	8	
6	970 537 481 03	Trim roof frame	left front inner	1	
		D - MJ 2010>> - MJ 2010			
(6)	970 537 481 03 V09 970 537 481 03	Aluminium look Trim roof frame	left front inner	1	PR:-806
		D - MJ 2011>>			
(6)	970 537 481 03 V09 970 537 481 04	Aluminium look Trim roof frame	left front	1	PR:-806
(6)	970 537 481 04 A78 970 537 481 05	Matt black Trim roof frame High gloss Discontinued part	left front	1	PR:806
(6)	970 537 481 05 041 970 537 481 05	Black Trim roof frame High gloss Discontinued part	left front	1	PR:017
		D - MJ 2013>> - MJ 2013			
(6)	970 537 481 05 041 970 537 482 03	Black Trim roof frame	right front	1	
		D - MJ 2010>> - MJ 2010			
(6)	970 537 482 03 V09 970 537 482 03	Aluminium look Trim roof frame	right front	1	PR:-806
		D - MJ 2011>>			
(6)	970 537 482 03 V09 970 537 482 04	Aluminium look Trim roof frame	right front	1	PR:-806
(6)	970 537 482 04 A78 970 537 482 05	Matt black Trim roof frame High gloss Discontinued part	right front	1	PR:806
(6)	970 537 482 05 041 970 537 482 05	Black Trim roof frame High gloss Discontinued part	right front	1	PR:017
		D - MJ 2013>> - MJ 2013			
7	970 537 482 05 041 970 536 481 06	Black Trim roof frame D >> - MJ 2013	left rear	1	

Model: 970 10 Model life 2010>>2016

Pos	Part Number	Description	Remark	Qty	Model
(7)	970 536 481 06 V09 970 536 481 06	aluminium Trim roof frame D - MJ 2014>>	left rear	1	PR:0E1
(7)	970 536 481 06 V09 970 536 481 07	aluminium Trim roof frame D >> - MJ 2013	left rear	1	
(7)	970 536 481 07 A78 970 536 481 07	Matt black Trim roof frame D - MJ 2014>>	left rear	1	PR:0E1
(7)	970 536 481 07 A78 970 536 481 08	Matt black Trim roof frame High gloss D >> - MJ 2013 Discontinued part	left rear	1	PR:806
(7)	970 536 481 08 041 970 536 481 08	Black Trim roof frame High gloss D >> - MJ 2013 Discontinued part	left rear	1	PR:017
(7)	970 536 481 08 041 970 536 481 08	Black Trim roof frame High gloss D - MJ 2014>> Discontinued part	left rear	1	PR:0E1,806
(7)	970 536 481 08 041 970 536 481 09	Black Trim roof frame D - MJ 2014>>	left rear	1	PR:0E2
(7)	970 536 481 09 V09 970 536 482 06	Aluminium look Trim roof frame D >> - MJ 2013	right rear left	1	
(7)	970 536 482 06 V09 970 536 482 06	aluminium Trim roof frame D - MJ 2014>>	right rear left	1	PR:0E1
(7)	970 536 482 06 V09 970 536 482 07	aluminium Trim roof frame D >> - MJ 2013	right rear left	1	
(7)	970 536 482 07 A78 970 536 482 07	Matt black Trim roof frame D - MJ 2014>>	right rear left	1	PR:0E1
(7)	970 536 482 07 A78 970 536 482 08	Matt black Trim roof frame High gloss D >> - MJ 2013 Discontinued part	right rear left	1	PR:806
(7)	970 536 482 08 041 970 536 482 08	Black Trim	right	1	PR:017

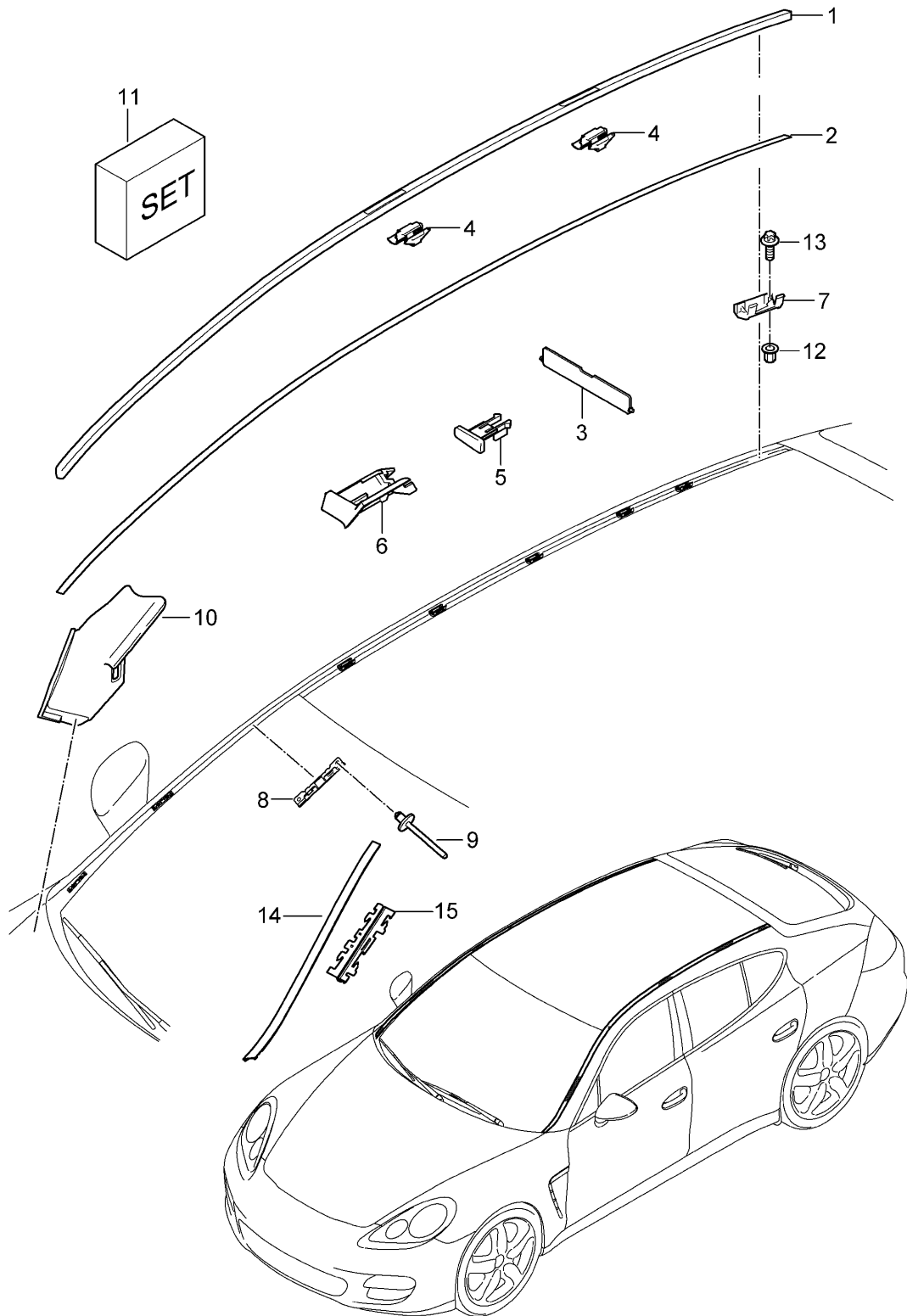
Model: 970 10

Model life 2010>>2016

Pos	Part Number	Description	Remark	Qty	Model
		roof frame	rear left		
		High gloss			
		D >> - MJ 2013			
		Discontinued part			
(7)	970 536 482 08 041	Black			
	970 536 482 08	Trim	right	1	PR:0E1,806
		roof frame	rear left		
		High gloss			
		D - MJ 2014>>			
		Discontinued part			
	970 536 482 08 041	Black			
(7)	970 536 482 09	Trim	right	1	PR:0E2
		roof frame	rear left		
		D - MJ 2014>>			
	970 536 482 09 V09	Aluminium look			
8	999 073 524 01	Fastening screw	center	1	
9	999 073 523 01	Fastening screw		3	
10	999 190 177 31	Pop rivet		9	
		for Trim			

Model: 970 10

Model life 2010>>2016



Model: 970 10 Model life 2010>>2016

Pos	Part Number	Description	Remark	Qty	Model
1	970 559 401 00	Roof edge strip	left	1	
		Roof edge strip			
		D >> - MJ 2013			
	970 559 401 00 GRV	primed			
(1)	970 559 401 00	Roof edge strip	left	1	PR:0E1
		D - MJ 2014>>			
	970 559 401 00 GRV	primed			
(1)	970 559 401 01	Roof edge strip	left	1	PR:0E2
		D - MJ 2014>>			
	970 559 401 01 GRV	primed			
(1)	970 559 402 00	Roof edge strip	right	1	
		D >> - MJ 2013			
	970 559 402 00 GRV	primed			
(1)	970 559 402 00	Roof edge strip	right	1	PR:0E1
		D - MJ 2014>>			
	970 559 402 00 GRV	primed			
(1)	970 559 402 01	Roof edge strip	right	1	PR:0E2
		D - MJ 2014>>			
	970 559 402 01 GRV	primed			
2	970 559 405 00	Seal		1	
		Roof edge strip			
		D >> - MJ 2013			
(2)	970 559 405 00	Seal		1	PR:0E1
		Roof edge strip			
		D - MJ 2014>>			
(2)	970 559 405 01	Seal		1	PR:0E2
		Roof edge strip			
		D - MJ 2014>>			
(3)	970 559 613 00	Flap	rear	2	
	970 559 613 00 G2L	primed			
(3)	970 559 611 00	Flap	front	2	
	970 559 611 00 G2L	primed			
4	970 559 729 00	Carrier		4	
		Flap			
		Roof edge strip			
5	970 559 836 00	Cover	rear	1	
			right		
	970 559 836 00 G2L	primed			
(5)	970 559 835 00	Cover	rear	1	
			left		
	970 559 835 00 G2L	primed			
6	970 559 736 00	Cover	right	1	
		vorne			
(6)	970 559 735 00	Cover	left	1	
		vorne			
7	970 559 711 01	Bracket	outer	4	
		Roof edge strip			
		Black			
7	970 559 711 03	Bracket	center	4	
		Roof edge strip			
		white			
8	3D5 853 707 B	Retaining clip		6	
		Bracket			
		Roof edge strip			
9	N 907 878 02	cup rivet		12	
		for			
		Retaining clip			
10	970 559 745 00	lining for fender	side	1	
			left		
(10)	970 559 746 00	lining for fender	side	1	
			right		
11	000 043 207 62	Set		1	
		Adhesive films			

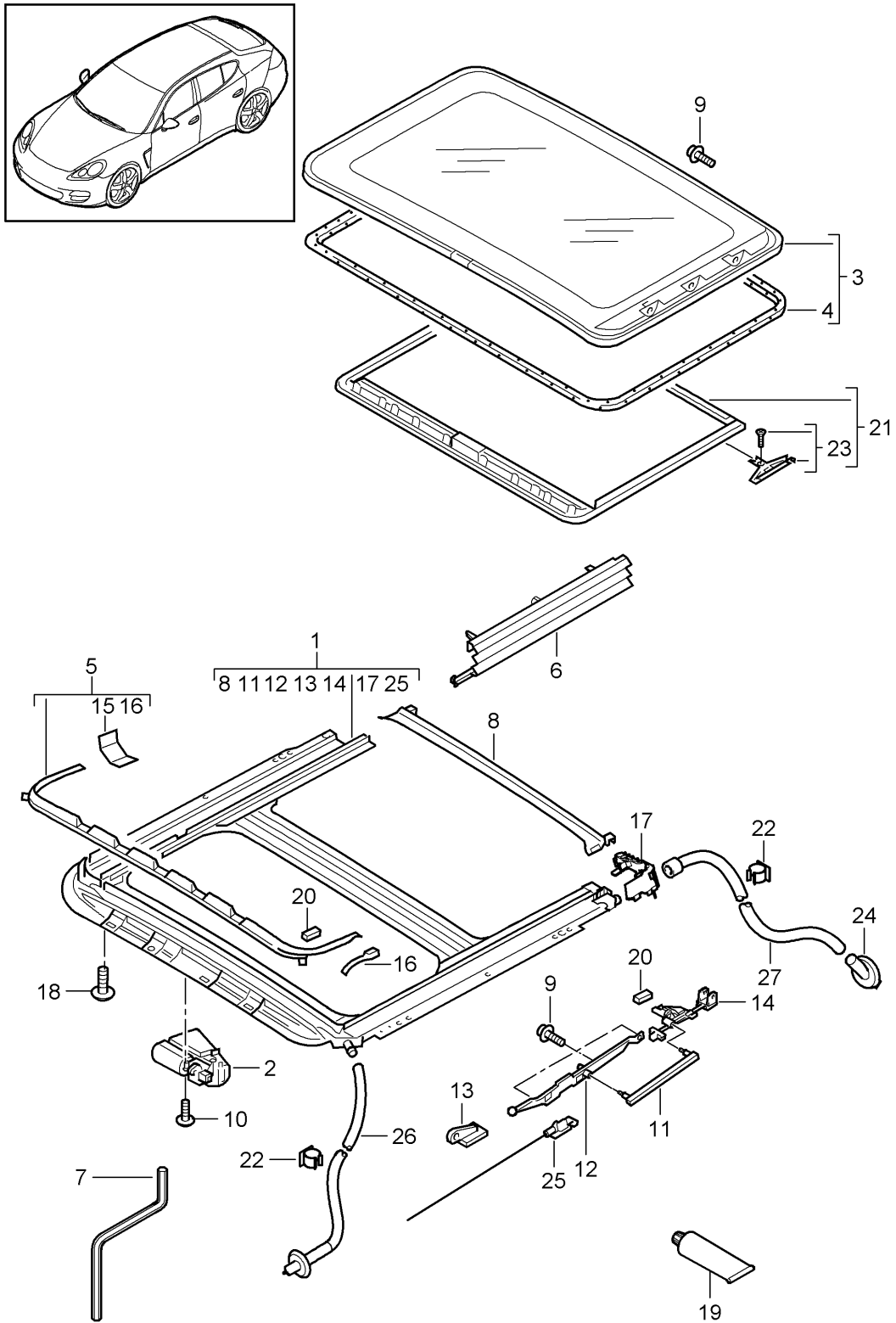
Model: 970 10

Model life 2010>>2016

Pos	Part Number	Description	Remark	Qty	Model
12	999 500 142 01	for Repair Paint Roof edge strip rivetted cap nut Luggage rack BT-NT-MU M6/0,8-3		4	
13	970 504 885 01	Cap closure Support Roof transport system		4	
-	N 014 032 5	t-bolt 3x5,35		4	
14	970 559 403 00	Roof edge strip	left front	1	PR:0E2
		D - MJ 2014>> primed			
(14)	970 559 403 00 GRV 970 559 404 00	Roof edge strip	right front	1	PR:0E2
		D - MJ 2014>> primed			
15	970 559 404 00 GRV 970 559 407 00	Clip Roof edge strip	left	1	PR:0E2
		D - MJ 2014>>			
(15)	970 559 408 00	Clip Roof edge strip	right	1	PR:0E2
		D - MJ 2014>>			

Model: 970 10

Model life 2010>>2016



Model: 970 10 Model life 2010>>2016

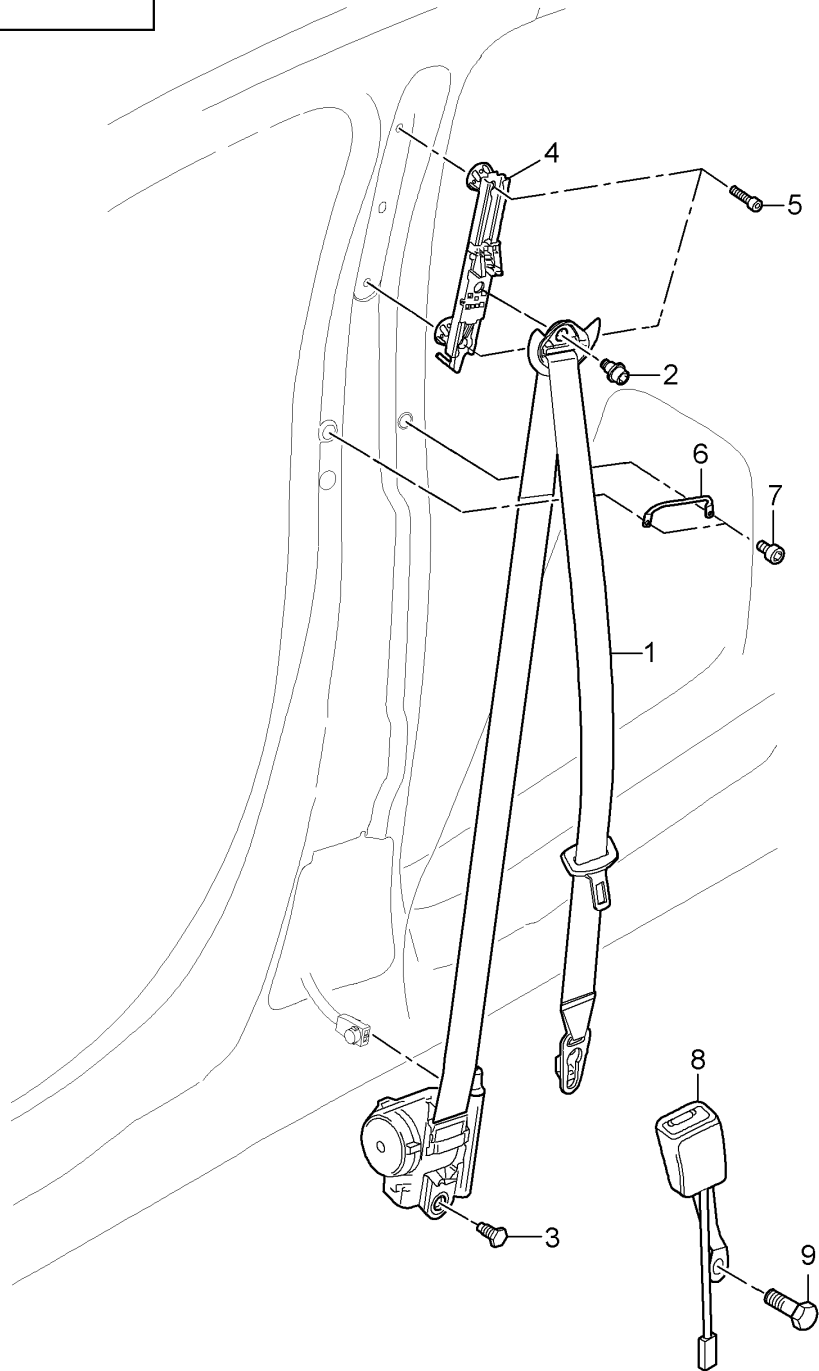
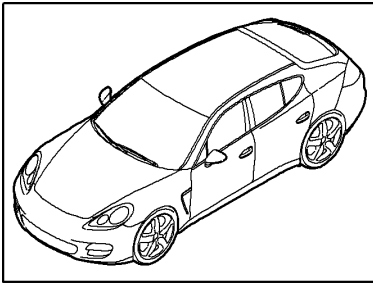
Pos	Part Number	Description	Remark	Qty	Model
1	970 564 081 00	Sunroof Frame (complete)		1	PR:650
2	970 624 211 04	Driving mechanism		1	
3	970 564 211 00	Glass roof		1	
		with:			
4	970 564 215 00	Seal		1	
5	970 564 161 00	Seal wind deflector (complete)		1	
6	955 564 005 00	Bellows	left	1	
(6)	955 564 006 00	Bellows	right	1	
7		Tool Emergency operation see illustration:	001-000	1	
8	970 564 721 00	Water deflector strip (complete)		1	
9	955 564 009 10	Socket head bolt Glass roof M5		6	
10	955 564 010 00	Fastening screw Driving mechanism		1	
11	955 564 011 00	Distance piece		2	
12	955 564 012 10	gate guide	right	1	
(12)	955 564 013 10	gate guide	left	1	
13	955 564 014 00	Guide	right	1	
(13)	955 564 015 00	Guide	front left	1	
14	955 564 016 00	locking segment	front right	1	
(14)	955 564 017 00	locking segment	rear left	1	
15	955 564 018 00	Parts kit Mounting for wind deflector		1 2	
16	955 564 019 00	leaf spring		2	
17	970 564 621 00	Cover	left	1	
(17)	970 564 622 00	Corner piece Cover	right	1	
18	999 073 279 02	Corner piece fillister hd. bolt Mount		10	
19	000 043 207 56	Frame Grease 50 ml Polylub GLY 151		1	
20	955 564 023 01	Damper Set		1	
21	970 564 341 00	Roofliner frame Cloth		1	PR:592
	970 564 341 00 6F2	Black	-BF		
	970 564 341 00 9F1	Platinum Grey	-AB,AC,DG,DL, PC,NA,CB,CC, EC,BB		
	970 564 341 00 7F3	Luxor beige	-UB,UC,PK,PL		
	970 564 341 00 8F4	Cream	-BC,BD,BE,DS, DT		
	970 564 341 00 5F6	Cedar	-NC,BN		
	970 564 341 00 CH6	saddle brown	-SB,DN		
(21)	970 564 341 01	Roofliner frame Alcantara		1	PR:594

Model: 970 10 Model life 2010>>2016

Pos	Part Number	Description	Remark	Qty	Model
	970 564 341 01 2W0	Black	-AB, AC, GK, GS, GA, NA, BF		
	970 564 341 01 8U3	Platinum Grey	-DG, DL, GD, PC, GP, NA		
	970 564 341 01 9U1	Luxor beige	-UB, UC, GU, PK, PL		
	970 564 341 01 8U9	Cream	-BC, BD, BE, DS, DT		
	970 564 341 01 8T5	Cedar	-NC, BN		
	970 564 341 01 OP2	saddle brown	-SB, GH, DN		
22	970 564 701 00	Hose bracket		14	
		Water drainage hose			
23	970 564 911 00	Glide piece		1	
		Set			
		comprising:			
		Sliding piece		4	
		Screw		4	
24	955 564 035 00	drain tube		2	
25	955 564 029 00	pull cable guide		2	
		with:			
26	970 564 301 02	Water drainage hose	front	2	
27	970 564 303 01	Water drainage hose	rear	2	

Model: 970 10

Model life 2010>>2016

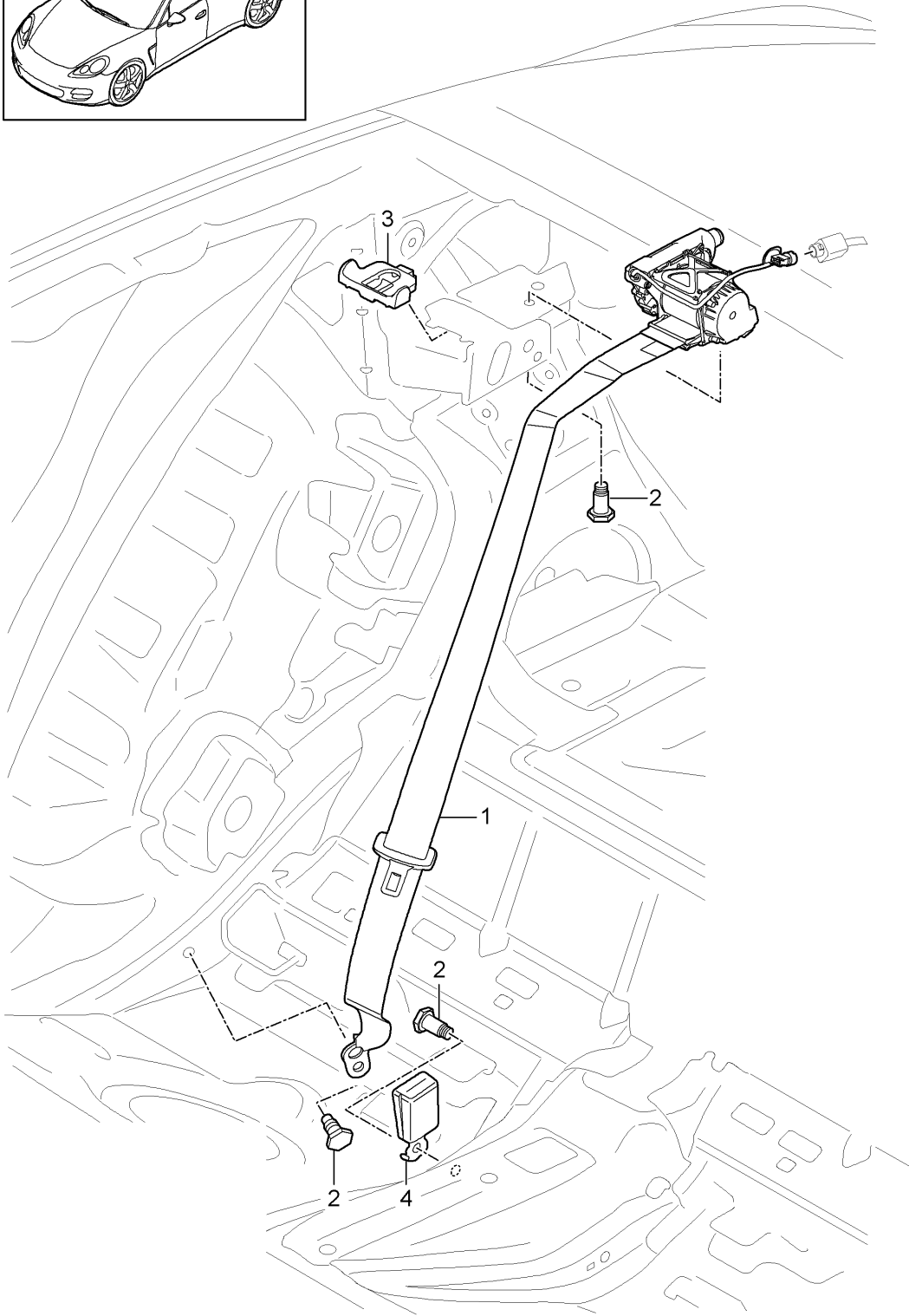
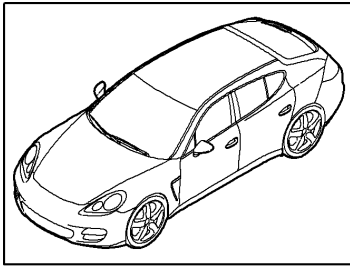


Model: 970 10 Model life 2010>>2016

Pos	Part Number	Description	Remark	Qty	Model
1	970 803 034 00	Seat belt	front	1	
		Seat belt with	right		
		belt tensioner unit			
	970 803 034 00 A23	Black			PR:556
	970 803 034 00 62S	Luxor beige			PR:556
	970 803 034 00 2L0	yachting blue			PR:556
	970 803 034 00 1P0	Cognac			PR:556
	970 803 034 00 3M0	Marsala Red			PR:556
	970 803 034 00 U01	silver			PR:XSH
	970 803 034 00 N13	guards red (Porsche)			PR:XSX
	970 803 034 00 OR1	agate grey			PR:556
	970 803 034 00 M3C	Carmine red			PR:556
1	970 803 034 03	Seat belt with	right	1	
		belt tensioner unit			
	970 803 034 03 OP2	saddle brown			PR:556
	970 803 034 03 OG4	Black/Carmine Red			PR:556
	970 803 034 03 OG5	black/silver			PR:556
(1)	970 803 033 00	Seat belt with	left	1	
		belt tensioner unit			
	970 803 033 00 A23	Black			PR:556
	970 803 033 00 62S	Luxor beige			PR:556
	970 803 033 00 2L0	yachting blue			PR:556
	970 803 033 00 1P0	Cognac			PR:556
	970 803 033 00 3M0	Marsala Red			PR:556
	970 803 033 00 U01	silver			PR:XSH
	970 803 033 00 N13	guards red (Porsche)			PR:XSX
	970 803 033 00 OR1	agate grey			PR:556
	970 803 033 00 M3C	Carmine red			PR:556
(1)	970 803 033 03	Seat belt with	left	1	
		belt tensioner unit			
	970 803 033 03 OP2	saddle brown			PR:556
	970 803 033 03 OG4	Black/Carmine Red			PR:556
	970 803 033 03 OG5	black/silver			PR:556
2	970 803 831 00	Socket head bolt		1	
		with:			
		spacer sleeve			
3	999 075 070 09	Hexagon bolt		1	
4	970 803 231 00	Seat belt height adjuster		2	
5	N 014 717 6	Socket head bolt with		2	
		hex. socket head, self-locking			
		M8x40			
6	970 803 825 00	arm		2	
7	900 067 051 03	Socket head bolt		2	
		M5x10			
8	970 803 184 04	Belt latch	right	1	
		Black			
-	971 857 758	felt strip		1	
		Belt latch			
(8)	970 803 183 01	Belt latch	left	1	
		Black			
9	999 218 101 02	Hexagon bolt		1	

Model: 970 10

Model life 2010>>2016



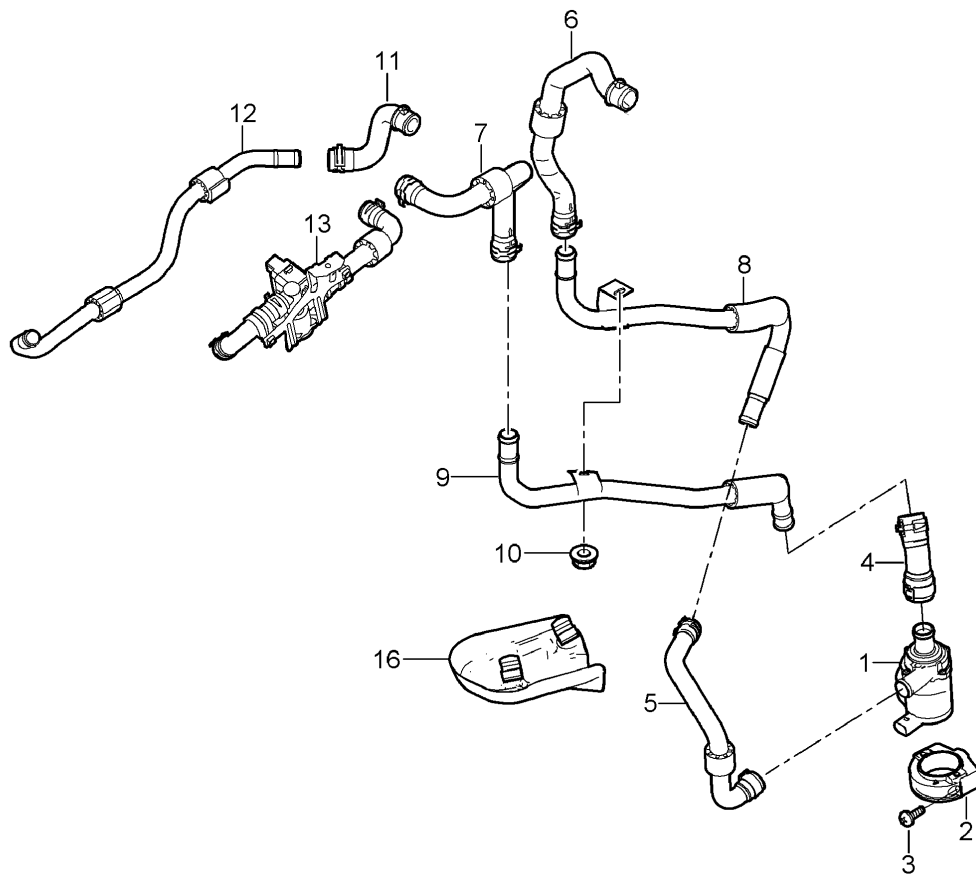
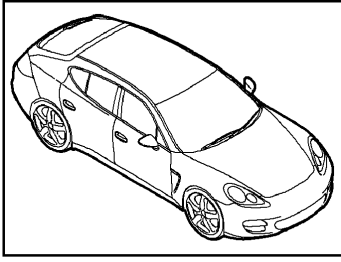
Model: 970 10

Model life 2010>>2016

Pos	Part Number	Description	Remark	Qty	Model
1	970 803 035 00	Seat belt	rear	2	
	970 803 035 00 A23	Seat belt with belt tensioner unit Black			PR:556
	970 803 035 00 62S	Luxor beige			PR:556
	970 803 035 00 2L0	yachting blue			PR:556
	970 803 035 00 1P0	Cognac			PR:556
	970 803 035 00 3M0	Marsala Red			PR:556
	970 803 035 00 U01	silver			PR:XSH
	970 803 035 00 N13	guards red (Porsche)			PR:XSX
	970 803 035 00 OR1	agate grey			PR:556
	970 803 035 00 M3C	Carmine red			PR:556
1	970 803 035 02	Seat belt with belt tensioner unit		2	PR:556
	970 803 035 02 OP2	saddle brown			
	970 803 035 02 OG4	Black/Carmine Red			
	970 803 035 02 OG5	black/silver			
2	999 075 070 09	Hexagon bolt		6	
3	970 803 837 00	Guide		2	
4	970 803 186 00	Belt latch Black	right	1	
(4)	970 803 185 00	Belt latch Black	left	1	
(4)	970 803 186 02	Belt latch Black	right	1	PR:0E2
(4)	970 803 185 02	D - MJ 2014>> Belt latch Black D - MJ 2014>>	left	1	PR:0E2

Model: 970 10

Model life 2010>>2016



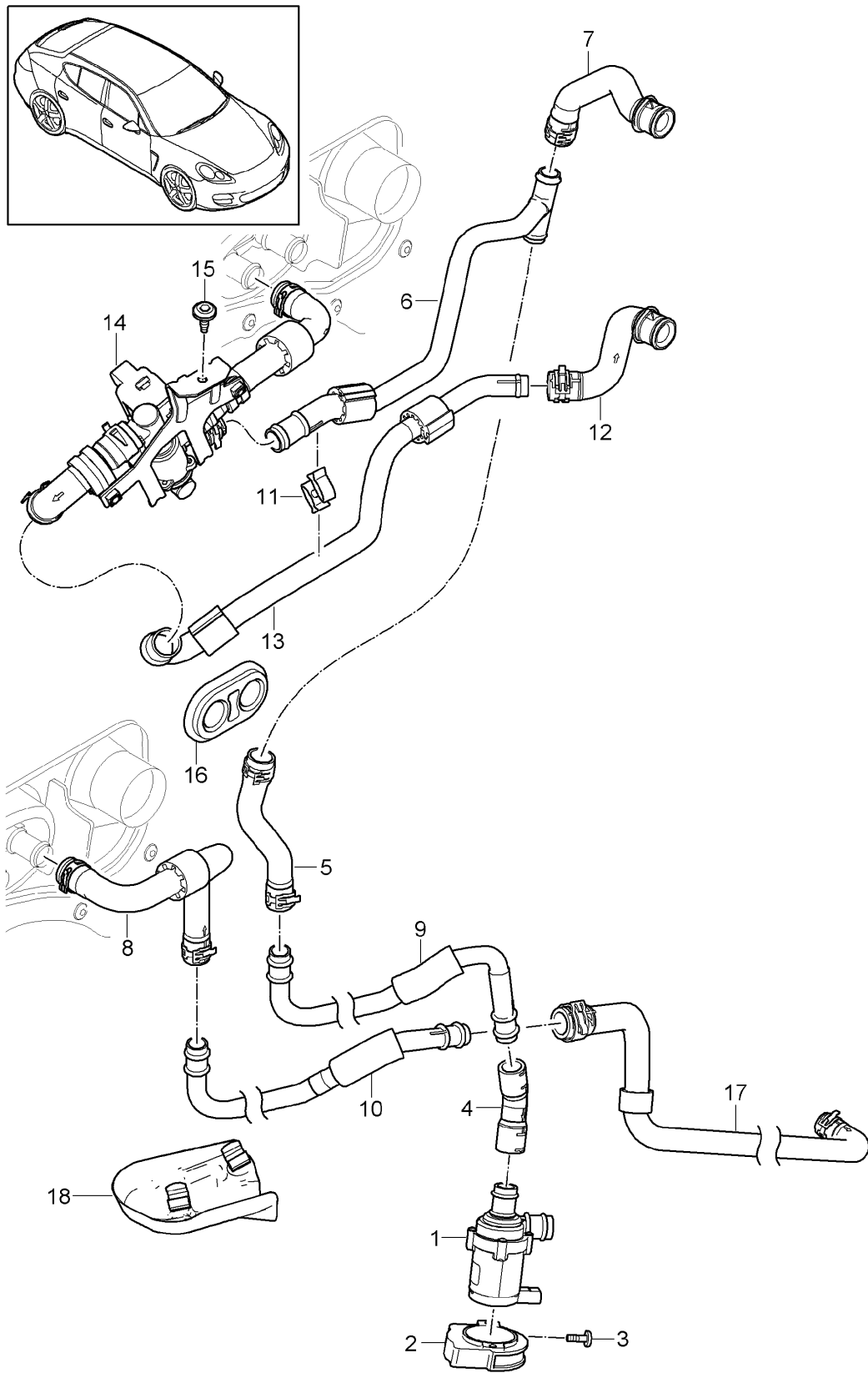
Model: 970 10

Model life 2010>>2016

Pos	Part Number	Description	Remark	Qty	Model
		Hot air line			
		Supply			
		Return line			
1	955 106 561 10	Coolant pump		1	
2	970 572 551 00	Clamp		1	
3	999 073 344 01	flat round head bolt		1	
		M6x20			
4	970 572 581 00	Heating hose		1	
		Supply			
5	970 572 583 00	Heating hose		1	
		Supply			
6	970 572 584 00	Heating hose		1	
		Supply			
7	970 572 585 00	Heating hose		1	
		Supply			
8	970 572 572 01	Heater pipeline		1	
		Supply			
9	970 572 573 01	Heater pipeline		1	
		Supply			
10	999 076 080 40	Plastic nut		1	
		T5/18x11			
11	970 572 586 00	Heating hose		1	
		Return line			
12	970 572 571 00	Heater pipeline		1	
		Return line			
		Discontinued part			
(12)	970 572 571 04	Hot air duct		1	
		Return line			
13	970 572 225 00	Valve		1	
		Discontinued part			
(13)	970 572 225 01	Valve		1	
14	970 572 584 01	Heating hose		1	
		Supply			
		Umwälzpumpe			
15	970 572 765 01	Grommet		1	
16	970 113 361 30	Guard plate		1	

Model: 970 10

Model life 2010>>2016



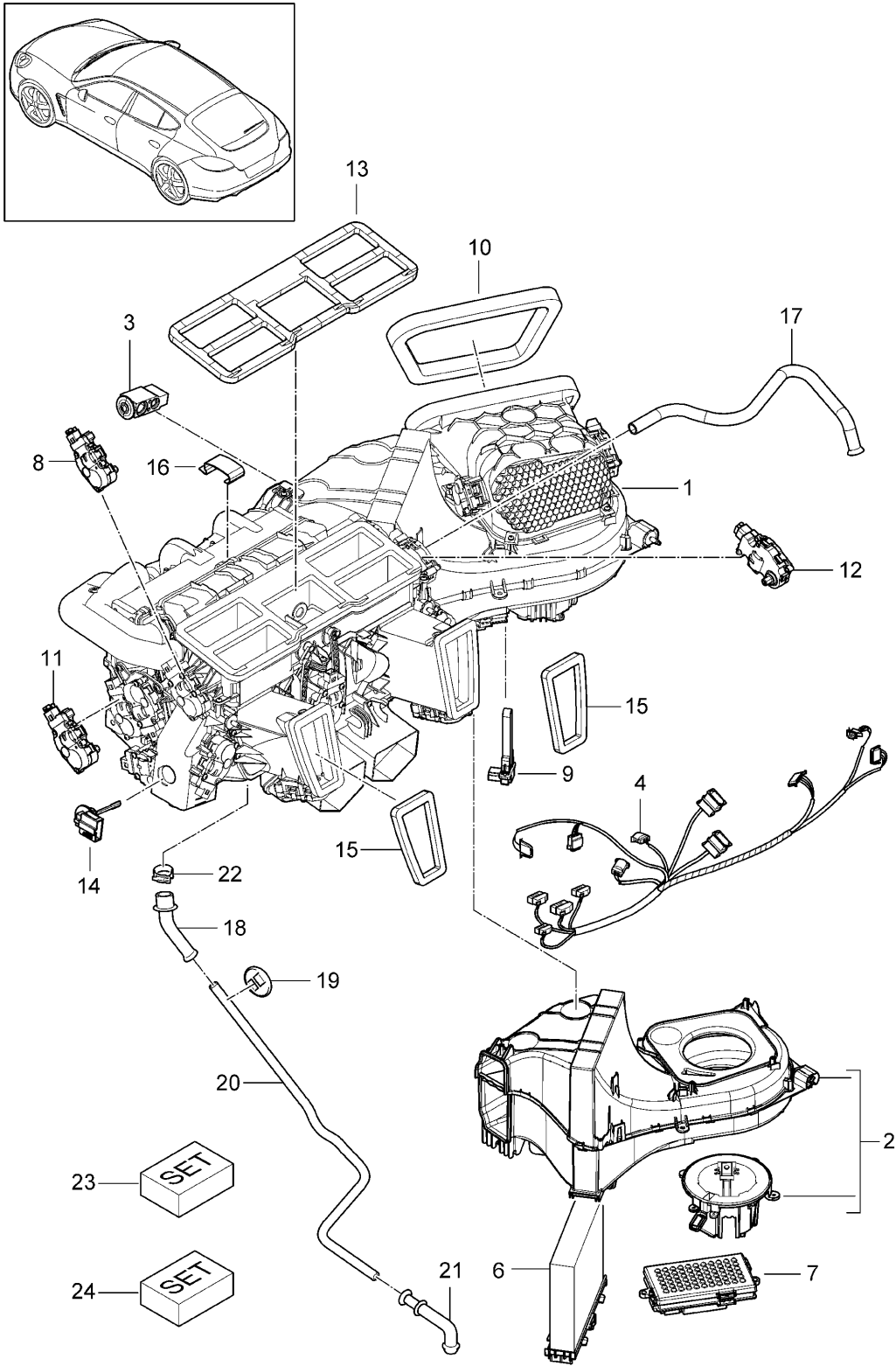
Model: 970 10

Model life 2010>>2016

Pos	Part Number	Description	Remark	Qty	Model
		Hot air line Supply Return line water box Auxiliary heater			PR:850,851
1	955 106 561 10	Coolant pump		1	
2	970 572 551 00	Clamp		1	
3	999 073 344 01	flat round head bolt M6x20		1	
4	970 572 581 00	Heating hose Supply		1	
5	970 572 599 00	Heating hose		1	
6	970 572 578 04	Change-over valve Heater pipeline		1	
7	970 572 593 00	Change-over valve Heating hose		1	
8	970 572 585 00	Change-over valve Heating hose Supply		1	
9	970 572 572 01	Heater pipeline Supply		1	
10	970 572 573 01	Heater pipeline Supply		1	
11	N 104 711 01	Bracket 18,0/18,0		1	
12	970 572 586 00	Heating hose Return line		1	
13	970 572 571 04	Hot air duct Return line		1	
14	970 572 207 04	Change-over valve Auxiliary heater		1	
15	999 073 260 09	fillister hd. bolt M6x16		1	
16	970 572 765 01	Grommet		1	
17	970 572 591 01	Heating hose		1	
18	970 113 361 30	see illustration, item: Guard plate	813-080,1	1	

Model: 970 10

Model life 2010>>2016



Model: 970 10 Model life 2010>>2016

Pos	Part Number	Description	Remark	Qty	Model
1	970 573 914 00	Air conditioner Distributor housing	lhd	1	PR:573,098
1	970 573 914 04	Discontinued part Distributor housing	lhd	1	Diesel Hybrid PR:573,098
(1)	970 573 915 00	Discontinued part Distributor housing	rhd	1	PR:573,099
(1)	970 573 915 04	Discontinued part Distributor housing	rhd	1	Diesel Hybrid PR:573,099
1	970 573 914 01	Discontinued part Distributor housing	lhd	1	PR:576,098
1	970 573 914 05	Discontinued part Distributor housing	lhd	1	Diesel Hybrid PR:576,098
(1)	970 573 915 01	Discontinued part Distributor housing	rhd	1	PR:576,099
(1)	970 573 915 05	Discontinued part Distributor housing	rhd	1	Diesel Hybrid PR:576,099
2	970 573 912 01	Discontinued part blower housing	lhd	1	PR:573,576, 098
(2)	970 573 911 00	Discontinued part blower housing	rhd	1	PR:573,576, 099
-	970 573 922 00	Fan	lhd	1	PR:573,576, 098
-	970 573 921 00	Fan	rhd	1	PR:573,576, 099
3	970 573 621 00	Expansion valve		1	
4	970 612 855 00	Wire set 2-zone	lhd	1	PR:573,098
(4)	970 612 856 00	Wire set 4-zone	lhd	1	PR:576,098
(4)	970 612 855 50	Wire set 2-zone	rhd	1	PR:573,099
(4)	970 612 856 50	Wire set 4-zone	rhd	1	PR:576,099
6	970 573 623 00	Dust and pollen filter insert		1	
7	970 624 423 01	governor Fan		1	
(7)	970 624 423 02	D >> - MJ 2011 governor Fan		1	
8	970 624 425 00	D - MJ 2012>> Servomotor		X	
9	970 653 257 00	Temperature sensor for evaporator		1	
10	970 573 850 00	Seal	lhd	1	PR:098
10	970 573 849 00	Seal	rhd	1	PR:099
11	970 573 841 00	Retaining plate Servomotor	left	1	
12	970 573 842 00	Retaining plate Servomotor	right	1	
13	970 573 853 00	Seal		1	
14	970 653 253 00	Temperature sensor		4	
15	970 573 855 00	Seal	left	1	
15	970 573 856 00	Seal	right	1	
16	970 573 857 00	Tensioning spring		X	
17	970 573 833 00	air hose	lhd	1	PR:098
17	970 573 833 01	air hose	rhd	1	PR:099

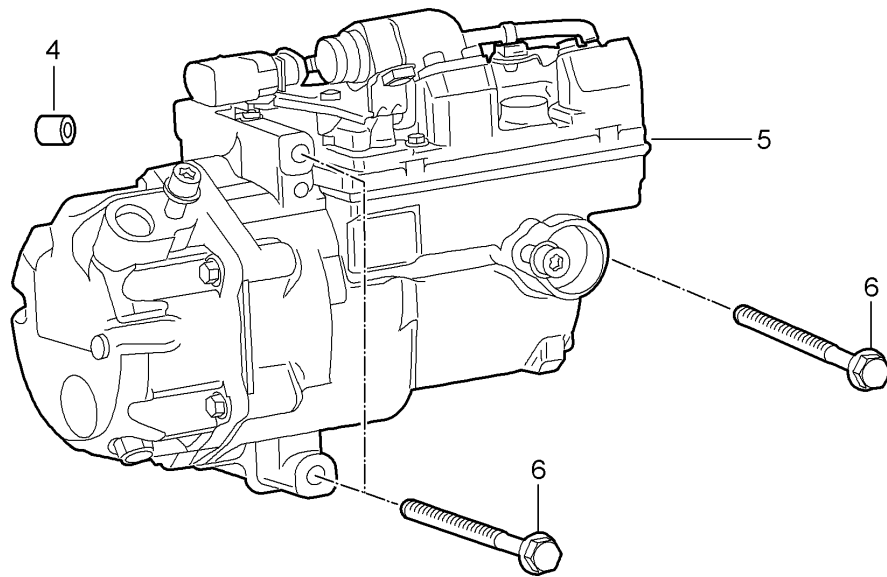
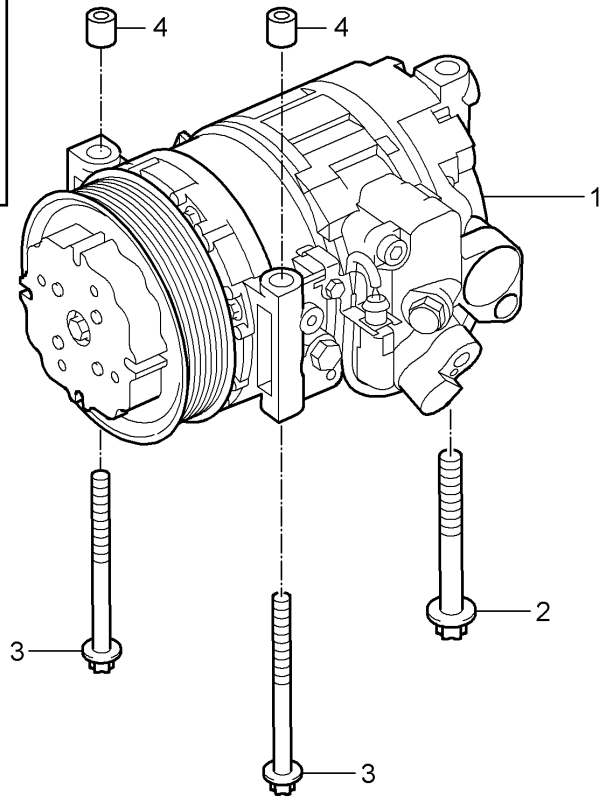
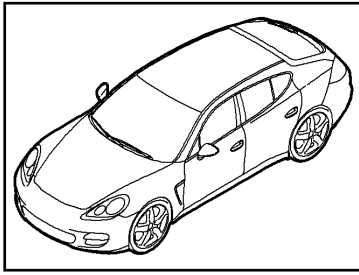
Model: 970 10

Model life 2010>>2016

Pos	Part Number	Description	Remark	Qty	Model
18	970 573 793 01	drain tube D >> - MJ 2011	left	1	
(18)	970 573 794 01	drain tube D >> - MJ 2011	right	1	
(18)	970 573 743 00	drain tube D - MJ 2012>>	left	1	
(18)	970 573 744 00	drain tube D - MJ 2012>>	right	1	
19	970 573 773 00	Bungs drain tube D - MJ 2012>>		2	
20	970 573 293 00	water drain pipe D - MJ 2012>>	left	1	
(20)	970 573 294 00	water drain pipe D - MJ 2012>>	right	1	
21	8K0 260 113 C	Water drainage hose D - MJ 2012>>		2	
22	999 512 490 40	Hose clamp 25,3-27,3		X	
23	8K0 898 540	1 set securing bolts		1	
24	8K0 820 261	Gasket set		1	

Model: 970 10

Model life 2010>>2016

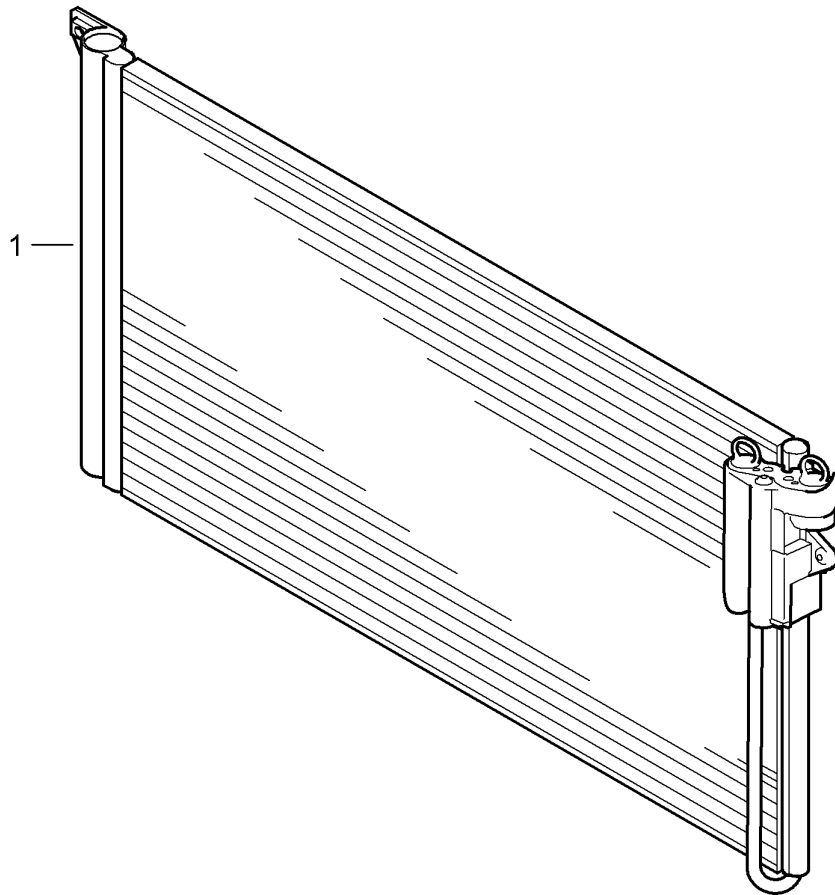
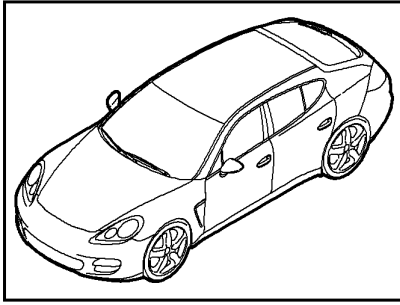


Model: 970 10 Model life 2010>>2016

Pos	Part Number	Description	Remark	Qty	Model
1	948 126 011 03	Compressor Compressor D >> - MJ 2013		1	4620,4640, 4820,4840, 4870+ PR:573,576
(1)	970 126 011 00	Compressor for diesel		1	PR:573,576
(1)	970 126 011 05	Compressor D - MJ 2014>>		1	PR:573,576, -143
(1)	970 126 011 02	Compressor Turbo V8 D - MJ 2014>>		1	PR:573,576
(1)	970 126 011 02	Compressor GTS D - MJ 2014>>		1	PR:573,576, 015
(1)	970 126 011 03	Compressor D - MJ 2014>>		1	V6 PR:573,576, -015
(1)	970 126 011 03	Compressor D - MJ 2014>>		1	V6 PR:573,576, 143
2	N 106 727 01	Hex collared bolt M10X100		1	
3	N 907 075 02	hexagon head bolt (combi) M8X100		2	
4	7L5 145 416	dowel sleeve		2	
5	958 126 011 01	Compressor D >> - MJ 2013	Hybrid	1	
(5)	7PP 820 803 B	Compressor D - MJ 2014>>	Hybrid	1	
(5)	7PP 820 803 BX	Compressor 7PP.820.803.B D - MJ 2014>>	Hybrid	1	
6	N 106 366 01	bolt,hex.hd.with shoul.(combi) Bm8x110x80		3	
-	000 043 200 04	Compressor oil 250 ML		1	

Model: 970 10

Model life 2010>>2016



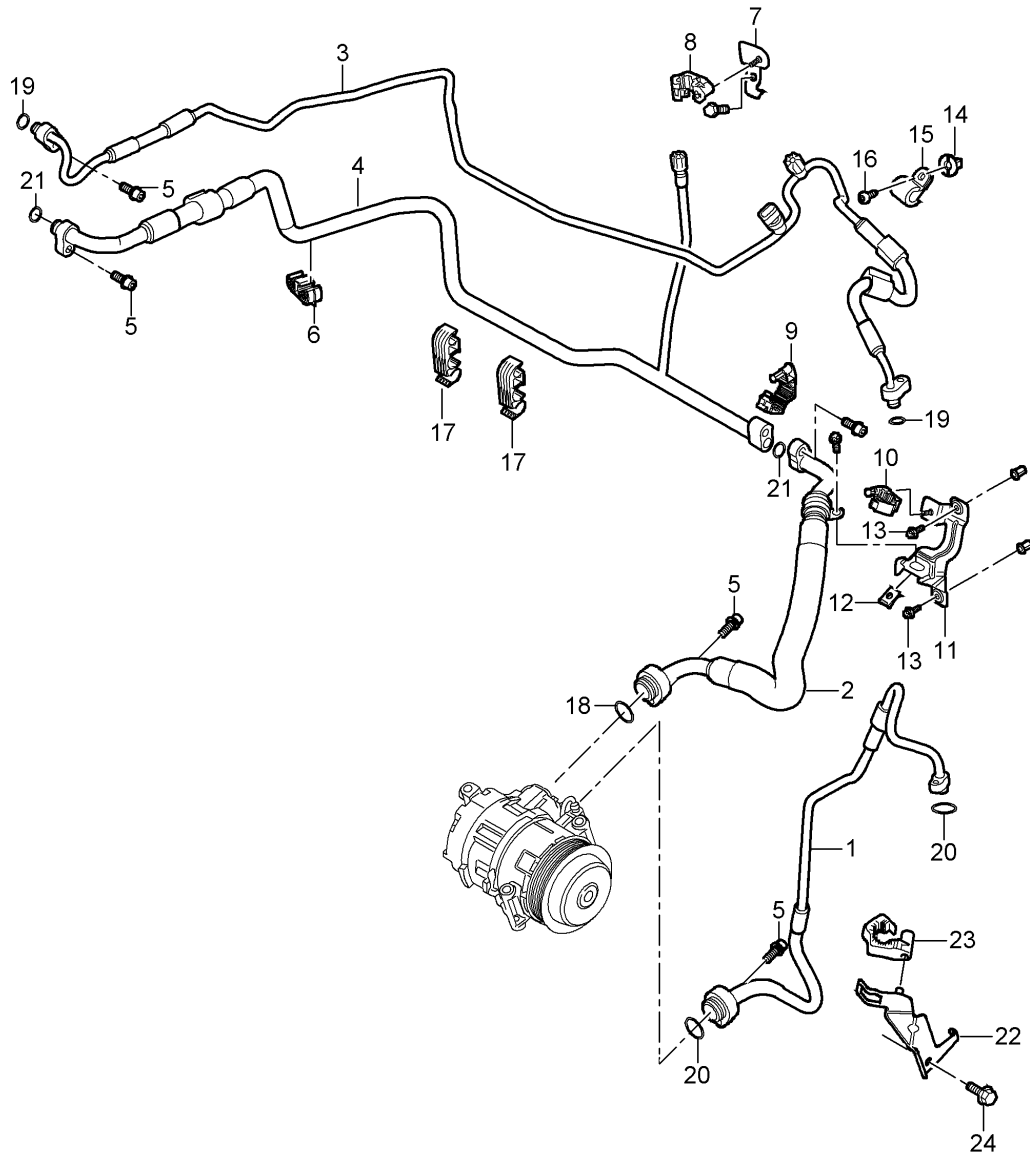
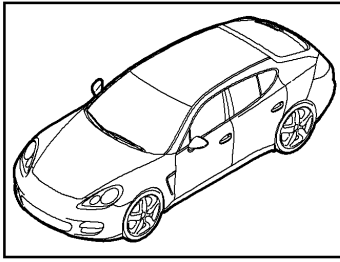
Model: 970 10

Model life 2010>>2016

Pos	Part Number	Description	Remark	Qty	Model
1	970 573 111 00	Condenser		1	
1	970 573 641 00	Condenser Drier repair set		1	PR:573,576

Model: 970 10

Model life 2010>>2016



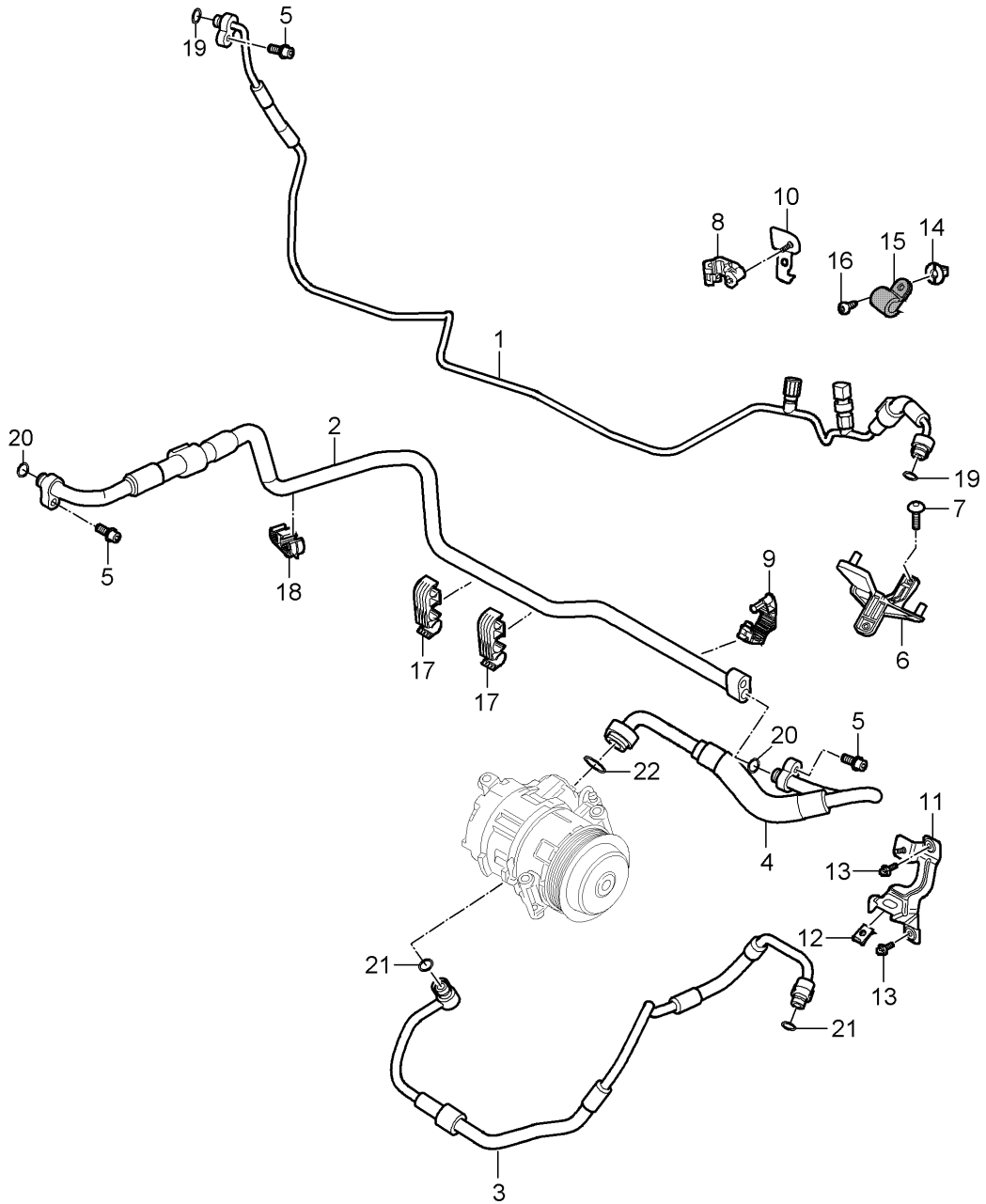
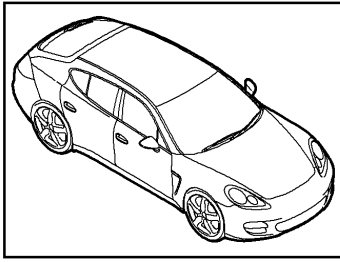
Model: 970 10

Model life 2010>>2016

Pos	Part Number	Description	Remark	Qty	Model
		refrigerant circuit			
1	970 573 097 00	Pressure line		1	
(1)	970 573 097 01	Pressure line		1	
2	970 573 099 00	suction line		1	
(2)	970 573 099 06	suction line		1	
(2)	970 573 099 09	suction line		1	PR:573,576, 143,-015
		D - MJ 2014>>			
3	970 573 105 02	Pressure line		1	
		Discontinued part			
(3)	970 573 105 05	Pressure line		1	
4	970 573 093 00	suction line		1	
5	N 104 144 02	Socket head bolt with hexagon socket head M 8 X 28		2	
6	8E0 260 759 AD	bracket for refrigerant hose		1	
7	970 573 603 00	Bracket		1	
8	999 507 827 40	Hose bracket		1	
9	999 507 152 40	Cable holder		1	
10	999 507 144 40	Cable holder		1	
11	970 573 609 00	Bracket		1	
12	999 507 766 02	panel nut		1	
13	900 385 019 02	Screw M6x20		2	
14	171 809 966	expanding nut		1	
15	999 511 251 01	Clamp		1	
16	999 073 169 01	panel screw		1	
17	970 573 601 00	Bracket for coolant line		2	
18	999 707 439 41	O-ring 23,80 X 2,4		1	
19	999 707 556 41	O-ring 9,50 X 2,50		X	
20	999 707 557 41	O-ring 11,00 X 2,50		X	
21	999 707 558 41	O-ring 13,7 X 2,50		X	
22	970 573 605 00	Bracket for coolant line		1	
23	999 651 144 40	Cable holder 12.0 - 14.0		1	
24	900 378 035 01	Hexagon bolt M6 X 16		1	
25	955 613 137 03	Pressure sensor		1	

Model: 970 10

Model life 2010>>2016



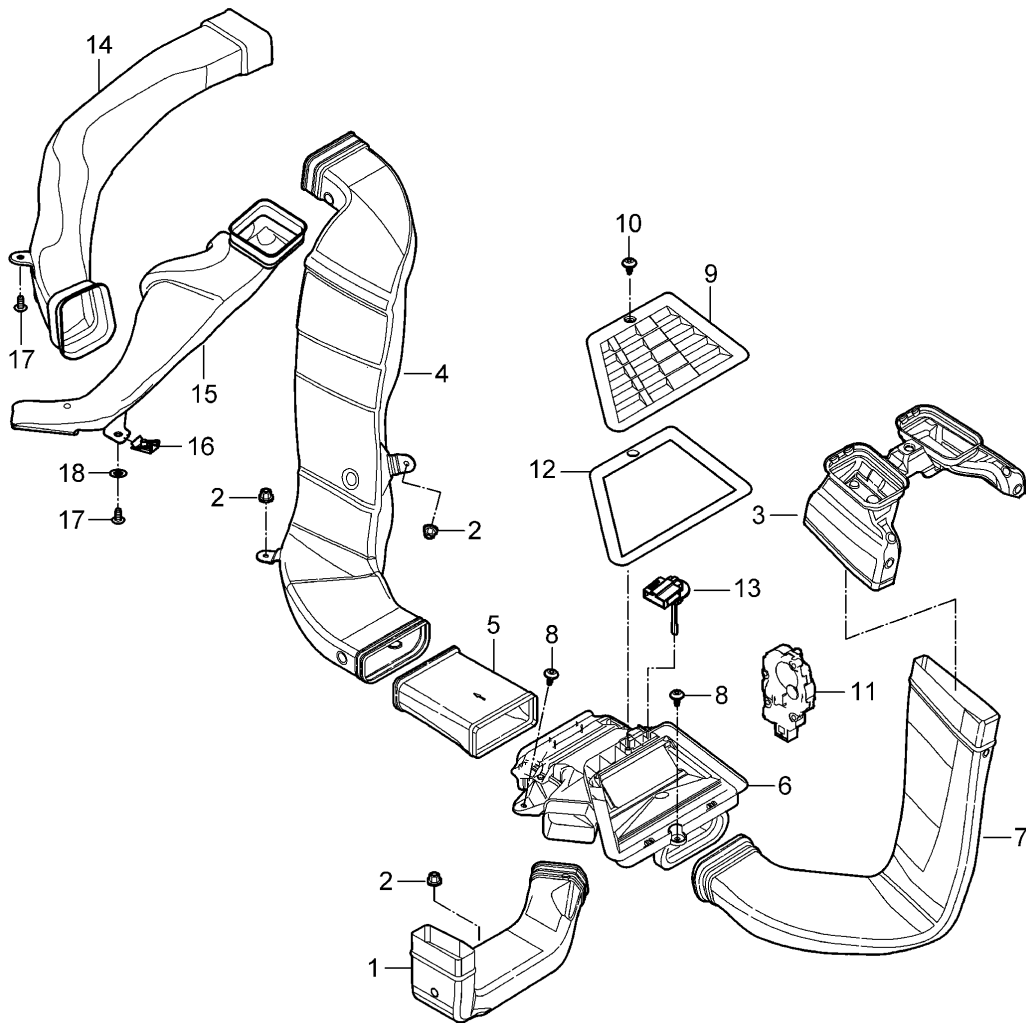
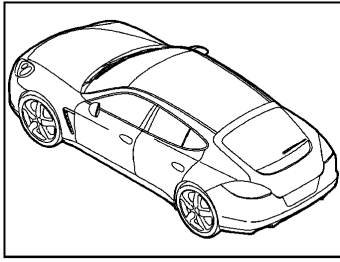
Model: 970 10

Model life 2010>>2016

Pos	Part Number	Description	Remark	Qty	Model
		refrigerant circuit			
		Diesel			
1	970 573 105 04	Pressure line		1	
		Condenser			
2	970 573 093 00	suction line		1	
3	970 573 097 06	Pressure line		1	
		Compressor			
4	970 573 099 11	suction line		1	
		Compressor			
		Discontinued part			
4	970 573 099 12	suction line		1	
		Compressor			
5	N 104 144 02	Socket head bolt with hexagon socket head M 8 X 28		2	
6	970 573 615 03	Line holder		1	
		Lines			
7	N 910 717 01	Hexagon socket flat head bolt M6x25		2	
8	999 507 827 40	Hose bracket		1	
9	999 507 152 40	Cable holder		1	
10	970 573 603 00	Bracket		1	
11	970 573 609 00	Bracket		1	
12	999 507 766 02	panel nut		1	
13	900 385 019 02	Screw M6x20		2	
14	171 809 966	expanding nut		1	
15	999 511 251 01	Clamp		1	
16	999 073 169 01	panel screw		1	
17	970 573 601 00	Bracket for coolant line		2	
18	8E0 260 759 AD	bracket for refrigerant hose		1	
19	999 707 556 41	O-ring 9,5x2,5		2	
20	999 707 558 41	O-ring 13,7x2,5		1	
21	999 707 557 41	O-ring 11x2,5		2	
22	999 707 439 41	O-ring 23,8x2,4		1	
-		Compressor see illustration:	813-015		

Model: 970 10

Model life 2010>>2016



Model: 970 10 Model life 2010>>2016

Pos	Part Number	Description	Remark	Qty	Model
1	970 572 431 00	Air guide	left	1	
(1)	970 572 432 00	Air guide B-pillar	lower right	1	
2	999 076 081 40	Hexagon plastic collar nut		X	
3	970 572 453 00	Air guide Centre console Discontinued part	rear	1	
3	970 572 453 01	Air guide Centre console	rear	1	
3	970 572 453 04	Air guide Centre console	rear	1	PR:0E1
3	970 572 453 05	Air guide Centre console	rear	1	PR:0E2
4	970 572 421 00	Air guide	left front	1	
(4)	970 572 422 00	After Air guide	rear right front	1	
5	970 572 425 00	After Air guide	rear	2	
6	970 572 211 02	Air distributor	left	1	PR:573
(6)	970 572 212 02	Air distributor	rear right	1	PR:573
(6)	970 572 211 03	Air distributor	rear left	1	PR:576
(6)	970 572 212 03	Air distributor	rear right	1	PR:576
7	970 572 451 00	Air guide Centre console	left	1	
(7)	970 572 451 03	Air guide Centre console	left	1	PR:0E2
(7)	970 572 452 00	Air guide Centre console	right	1	
(7)	970 572 452 03	Air guide Centre console	right	1	PR:0E2
8	999 073 260 09	fillister hd. bolt		4	
9	970 572 441 01	Ventilation grille Air exhaust	left	1	
(9)	970 572 442 01	Ventilation grille Air exhaust	right	1	
10	999 919 159 09	fillister hd. bolt 4,0x12,0		1	
11	970 624 425 00	Servomotor Discontinued part		X	
11	991 624 425 00	Servomotor Discontinued part		X	
11	991 624 425 02	Servomotor		X	
(11)	991 624 425 01	Servomotor		X	PR:572
12	970 572 859 00	Seal Air distributor		1	
13	970 653 253 00	Temperature sensor Temperature sensor		1	PR:576
14	970 572 463 02	Air guide	left side front	1	
(14)	970 572 464 02	Air guide	right side front	1	
15	970 572 493 02	Footwell outlet vent	left front	1	

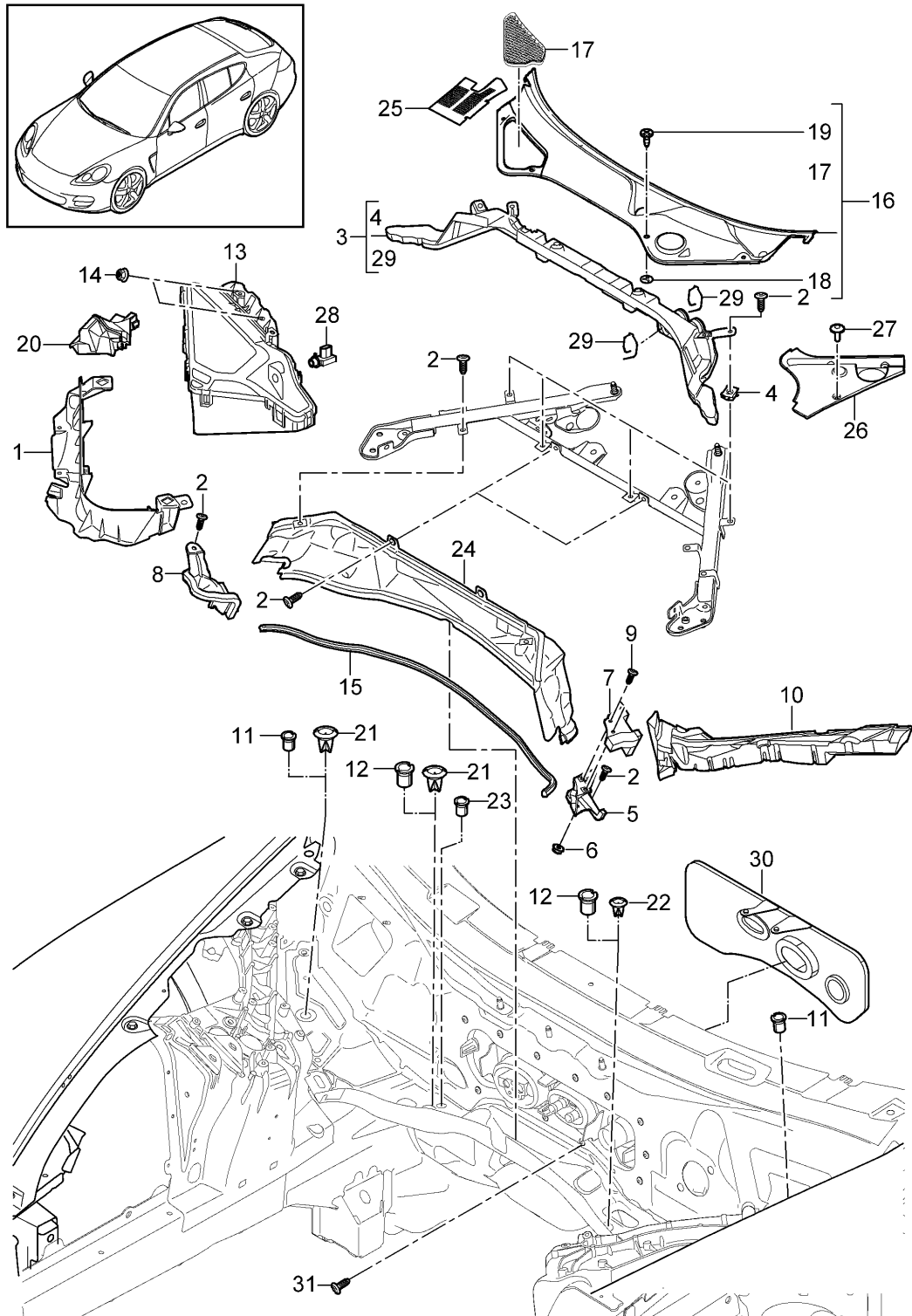
Model: 970 10

Model life 2010>>2016

Pos	Part Number	Description	Remark	Qty	Model
(15)	970 572 494 00	Footwell outlet vent	right lhd front	1	PR:098
(15)	970 572 494 03	Footwell outlet vent	right rhd front	1	PR:099
16	999 507 067 03	panel nut M5		1	
17	999 073 459 01	fillister hd. bolt M5X16		1	
18	999 591 676 01	Clamping washer 7,0		1	

Model: 970 10

Model life 2010>>2016



Model: 970 10 Model life 2010>>2016

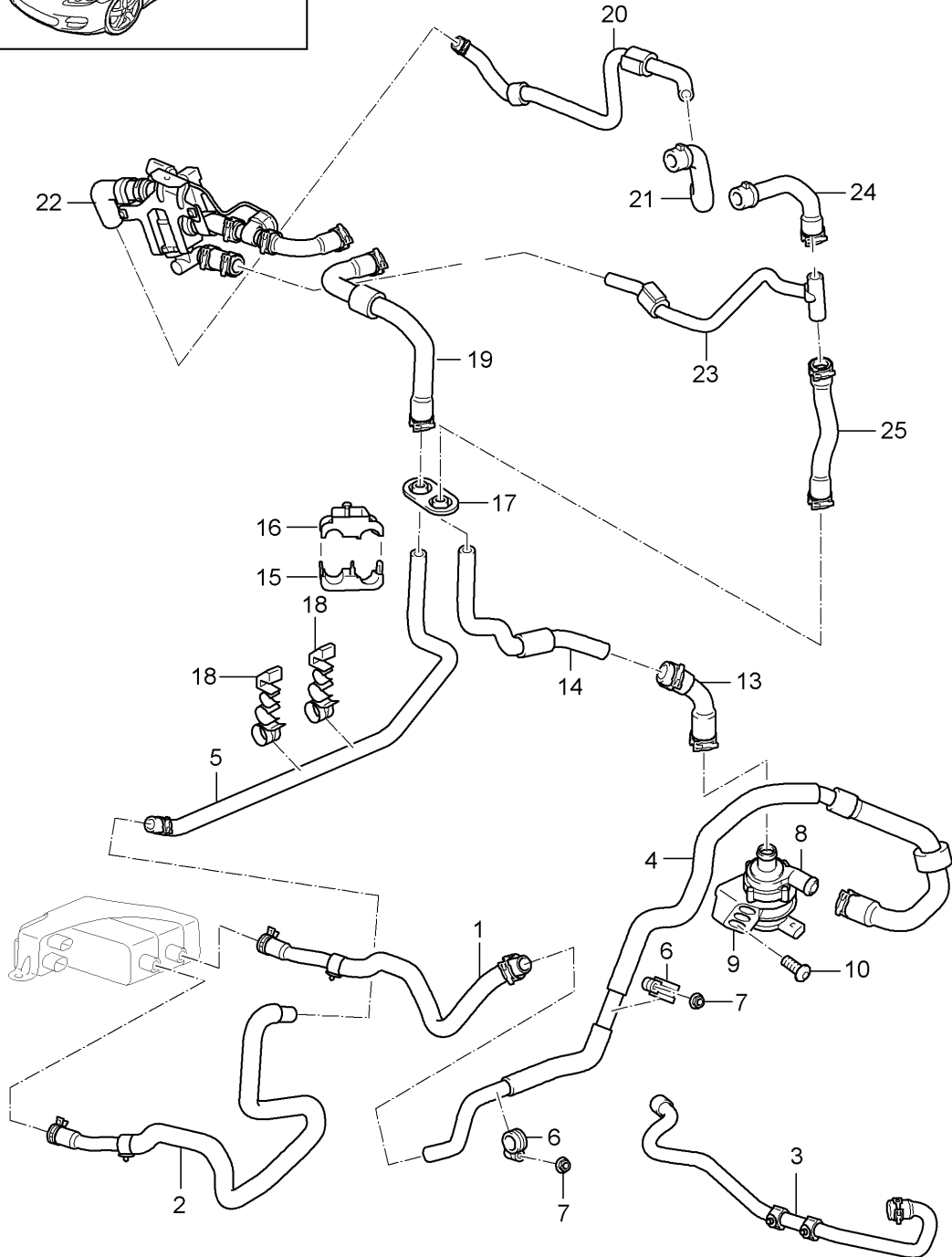
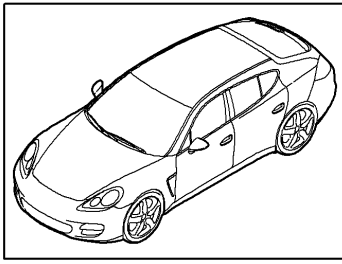
Pos	Part Number	Description	Remark	Qty	Model
(1)	970 572 413 00	water box	left	1	
1	970 572 414 01	water box	right	1	
2	999 073 260 09	fillister hd. bolt M6x16		X	
3	970 572 415 01	water box	upper	1	
(3)	970 572 415 02	water box	upper	1	PR:015,016
		mitte			
4	999 507 766 02	panel nut		6	
5	970 572 403 00	Closing element		1	
		D >> - MJ 2013			
5	970 572 403 01	Closing element		1	
		water box			
		D - MJ 2014>>			
6	900 380 015 01	Hexagon nut		X	
		M6			
7	970 572 531 00	Closing element	left	1	
		water box			
		D >> - MJ 2013			
7	970 572 531 01	Closing element	left	1	
		water box			
		D - MJ 2014>>			
8	970 572 532 00	Closing element	right	1	
		water box			
		D >> - MJ 2013			
8	970 572 532 01	Closing element	right	1	
		water box			
		D - MJ 2014>>			
9	999 073 339 09	panel screw		1	
		4,2x13			
10	970 572 527 00	Foam part	left	1	
(10)	970 572 528 00	Foam part	right	1	
11	970 572 853 01	Grommet		3	
		20 mm			
		D >> - MJ 2009			
12	970 572 851 01	Grommet		2	
		30 mm			
		D >> - MJ 2009			
13	970 572 071 01	Intake housing	left rhd	1	PR:099
(13)	970 572 072 03	Intake housing	right lhd	1	PR:098
14	999 084 629 01	Hexagon nut		4	
		M6			
15	970 572 831 00	Seal		1	
		water box			
16	970 555 063 02	Cowl panel covering		1	PR:098
	970 555 063 02 1E0	Black			
(16)	970 555 063 01	Cowl panel covering		1	PR:099
	970 555 063 01 1E0	Black			
17	970 555 264 00	Cover		1	PR:098
	970 555 264 00 1E0	Black			
(17)	970 555 263 00	Cover		1	PR:099
	970 555 263 00 1E0	Black			
18	999 590 001 40	Washer		X	
19	999 590 002 40	Locking bolt		X	
20	970 572 541 00	Foam part	left	1	
(20)	970 572 542 00	Foam part	right	1	
21	970 572 857 00	drain tube		2	
		36 mm			
		D - MJ 2010>>			
22	970 572 855 00	drain tube		1	
		30 mm			
		D - MJ 2010>>			

Model: 970 10 Model life 2010>>2016

Pos	Part Number	Description	Remark	Qty	Model
23	970 572 853 01	Grommet 20 mm		3	PR:098
23	970 572 853 01	D - MJ 2010>> Grommet 20 mm		3	PR:099,250
24	970 572 411 01	D - MJ 2010>> water box	center lower	1	
25	970 572 555 00	protective grille Water drip pan		1	
26	970 504 533 00	Cover Wishbone Cooling water socket	left	1	
(26)	970 504 533 00 1E0	Black			
	970 504 534 00	Cover Wishbone Cooling water socket	right	1	
	970 504 534 00 1E0	Black			
27	999 073 231 09	panel screw Cover Wishbone Cooling water socket	left a. right	1	
28	8K0 907 659	Air quality sensor Air inlet Discontinued part		1	
28	958 572 659 00	Air quality sensor Air inlet		1	
29	997 106 802 04	Spring clip		4	
30	970 572 471 02	Cover Firewall	lhd	1	PR:098
31	999 073 502 01	fillister hd. bolt M6X16 MK-PA		14	

Model: 970 10

Model life 2010>>2016



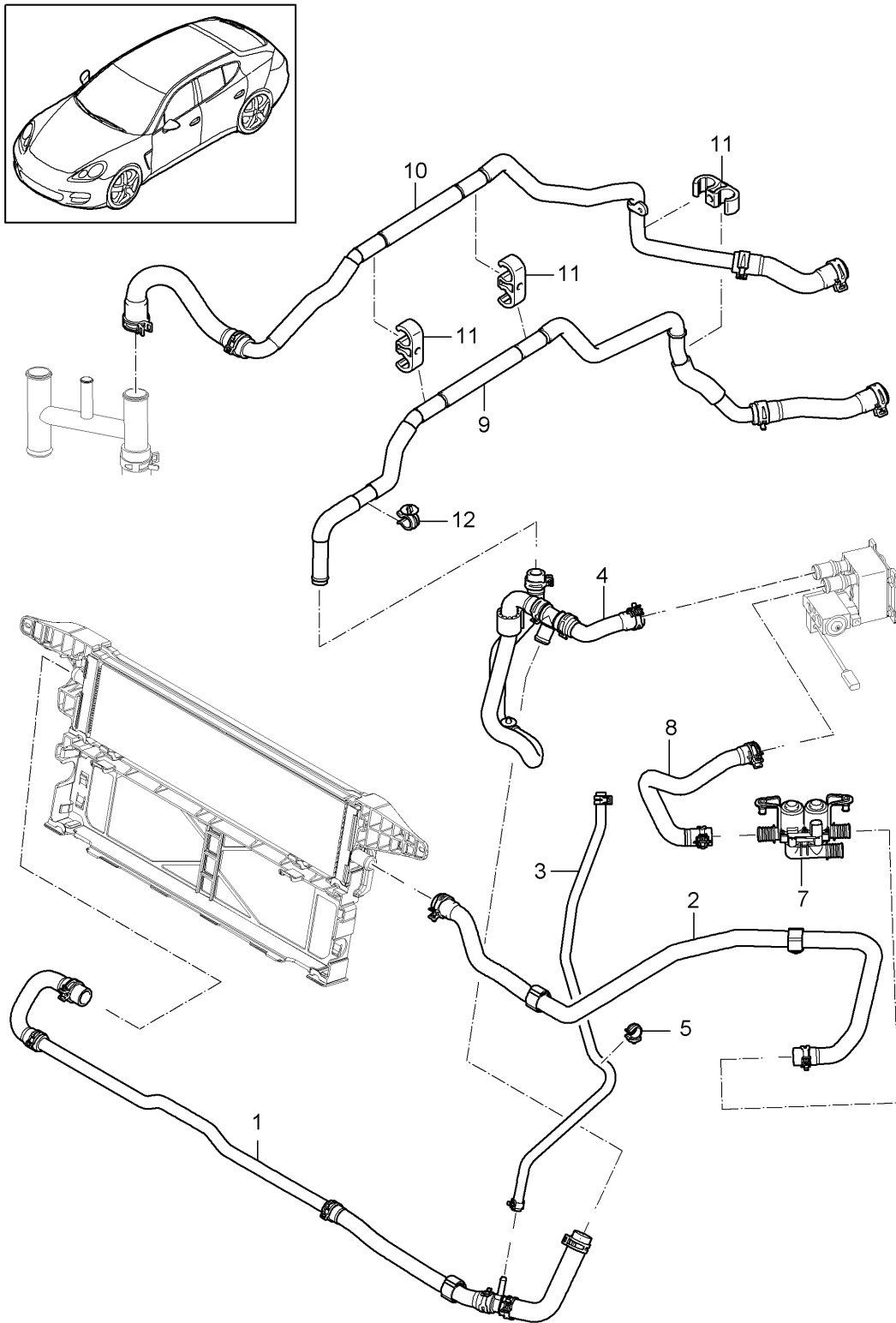
Model: 970 10

Model life 2010>>2016

Pos	Part Number	Description	Remark	Qty	Model
		Hybrid Heater pipeline Auxiliary heater D - MJ 2014>>	front		
1	970 572 693 01	Heating hose Supply		1	
2	970 572 695 01	Heating hose Return line		1	
3	970 572 511 02	Heating hose Valve Battery Cooling		1	
4	970 572 691 00	Heating hose Supply		1	
5	970 572 697 01	Heater pipeline Return line		1	
6	N 020 640 6	Clamp D1 18X15		2	
7	999 076 081 40	Hexagon plastic collar nut T5/16X11,2		2	
8	955 106 561 10	Coolant pump		1	
9	970 572 551 01	Clamp Coolant pump		1	
10	999 073 344 01	flat round head bolt M 6X20		1	
11	955 572 055 01	Clip D=19/19		1	
12	900 387 023 01	Socket head bolt M 6X30		1	
13	970 572 581 02	Heating hose Supply Coolant pump		1	
14	970 572 472 00	Hot air duct Supply Coolant pump		1	
15	970 572 609 00	Bracket Hot air duct	lower	1	
16	970 572 611 00	Bracket Hot air duct	upper	1	
17	970 572 765 00	Grommet Hot air duct		1	
18	970 573 683 03	Bracket Hot air duct Return line		2	
19	970 572 585 00	Heating hose Supply heat exchanger		1	
20	970 572 571 04	Hot air duct Return line Valve		1	
21	970 572 586 00	Heating hose Return line Engine		1	
22	970 572 207 08	Change-over valve Auxiliary heater		1	
23	970 572 578 04	Heater pipeline Change-over valve		1	
24	970 572 593 00	Heating hose Change-over valve		1	
25	970 572 599 00	Heating hose Change-over valve		1	
26	999 073 260 09	fillister hd. bolt M 6X16		1	

Model: 970 10

Model life 2010>>2016



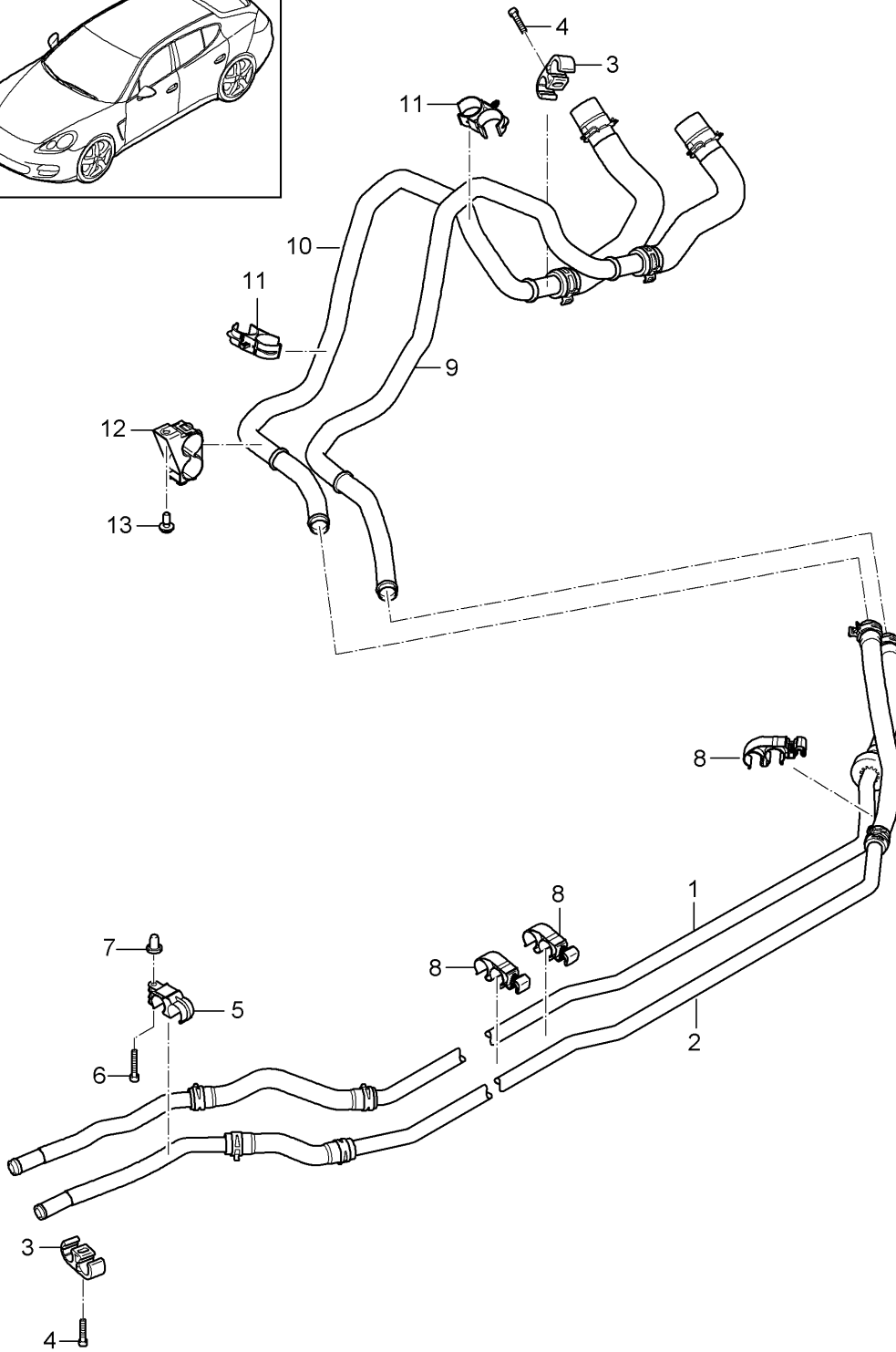
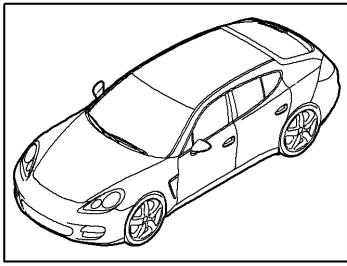
Model: 970 10

Model life 2010>>2016

Pos	Part Number	Description	Remark	Qty	Model
		Hybrid Water cooling Battery Cooling D - MJ 2014>>	front		
1	970 572 515 01	Water line ZUSATZKÜHLER		1	
2	970 572 513 01	Water hose ZUSATZKÜHLER		1	
3	970 572 505 00	Water hose Bleeding		1	
4	970 572 519 01	Water hose evaporator		1	
5	N 106 811 01	Hose bracket 14,0/ 6,5		1	
6	999 507 219 40	Bracket 16,0		1	
7	970 572 501 00	Change-over valve		1	
8	970 572 517 01	Water hose evaporator Change-over valve		1	
9	970 572 711 01	Water line Supply	front	1	
10	970 572 713 02	Water line Return line	front	1	
11	955 572 055 03	Clip D=19/19		3	
12	N 106 491 01	Hose bracket B17,50		1	

Model: 970 10

Model life 2010>>2016



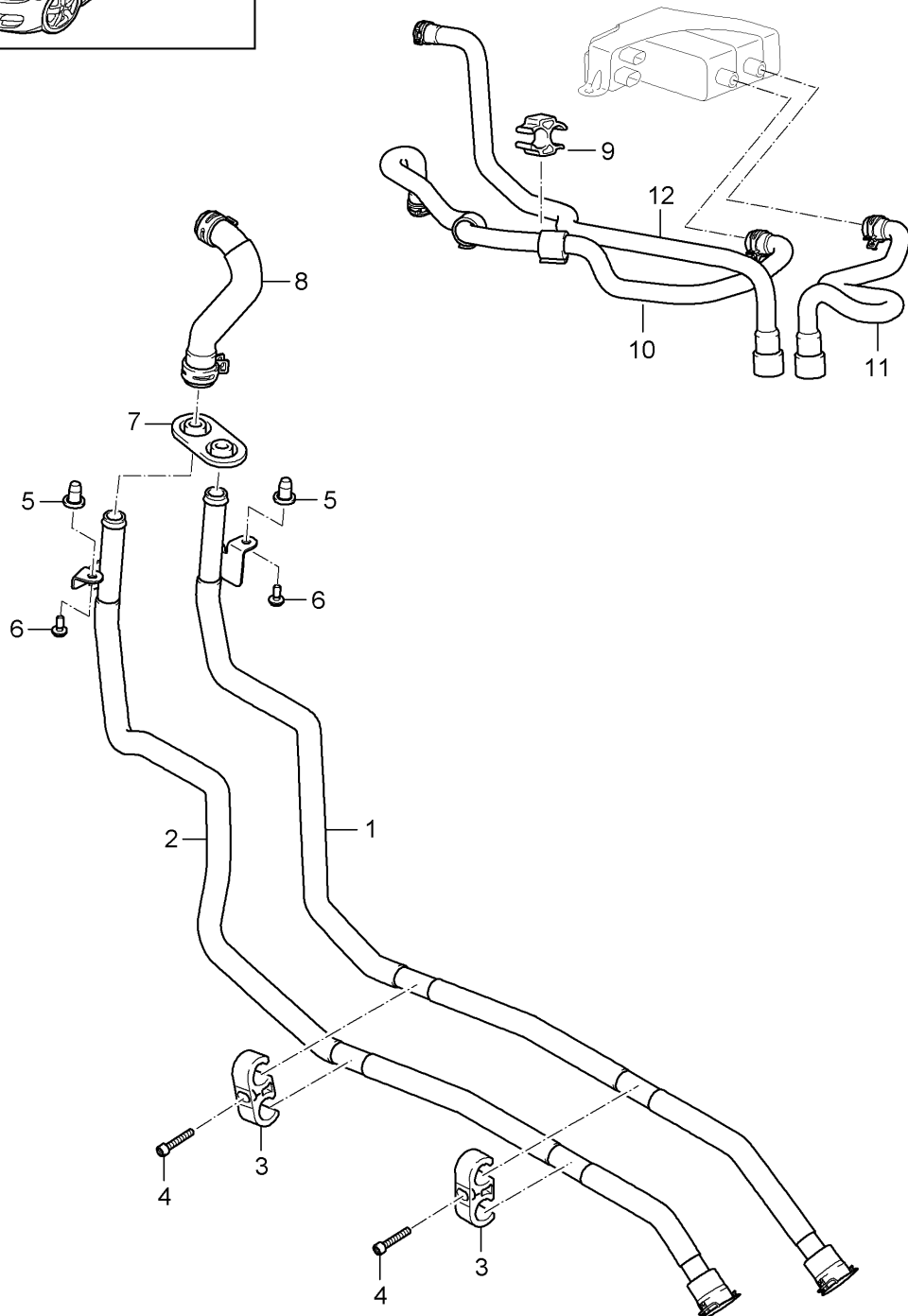
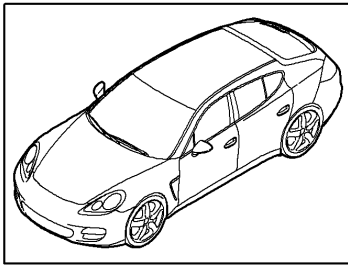
Model: 970 10

Model life 2010>>2016

Pos	Part Number	Description	Remark	Qty	Model
		Hybrid Water cooling Battery Cooling and Suspension sub-frame D - MJ 2014>>	center		
1	970 572 715 01	Water line Supply	center	1	
2	970 572 717 01	Water line Return line	center	1	
3	955 572 055 01	Clip		1	
4	900 387 023 01	D=19/19 Socket head bolt M 6X30		2	
5	970 573 685 01	Bracket		1	
6	N 105 103 01	Hexagon socket head bolt M 6X35		1	
7	999 500 109 01	rivetted cap nut M 6/0,6-3		1	
8	970 573 681 03	Clip		5	
9	970 572 719 00	Water line Supply		1	
10	970 572 721 01	Suspension sub-frame Water line Return line Suspension sub-frame		1	
11	970 573 687 01	Clip		2	
12	970 573 689 01	Bracket		1	
13	N 911 261 01	Hexagon socket flat head bolt M 6X14		1	
14	N 010 221 7	Hexagon bolt M 6X35		1	

Model: 970 10

Model life 2010>>2016



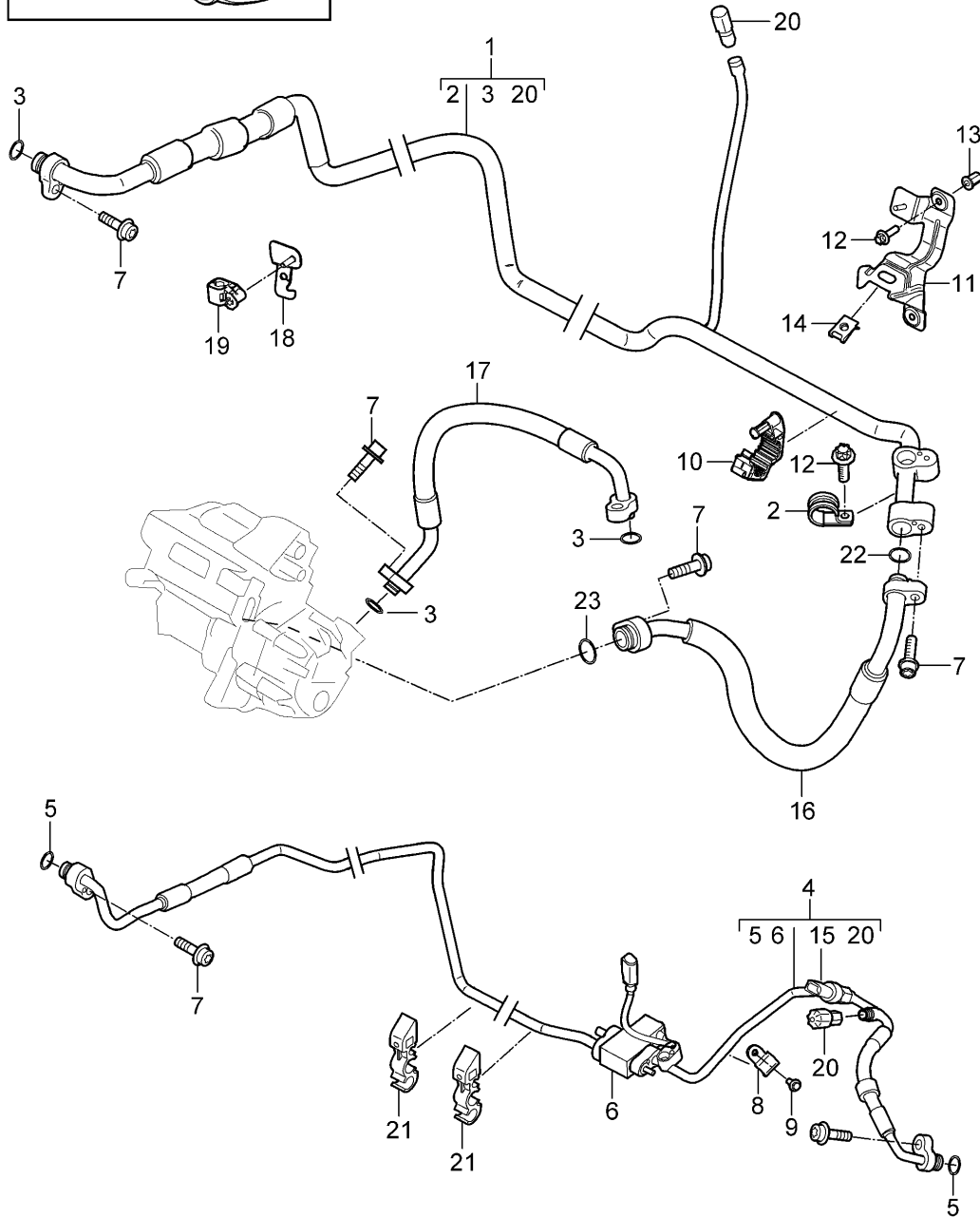
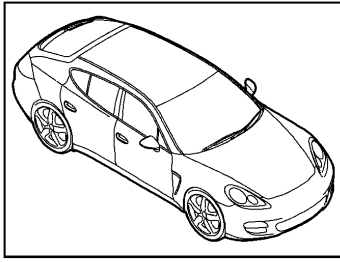
Model: 970 10

Model life 2010>>2016

Pos	Part Number	Description	Remark	Qty	Model
		Hybrid Water cooling Battery Cooling D - MJ 2014>>	rear		
1	970 572 723 00	Water pipe Supply		1	
2	970 572 725 00	Water pipe Return line		1	
3	955 572 055 01	Clip D=19/19		2	
4	900 387 023 01	Socket head bolt M 6X30		2	
5	999 500 109 01	rivetted cap nut M 6/0,6-3		2	
6	999 073 189 01	flat round head bolt M 6X12		2	
7	970 572 765 00	Grommet Heater pipeline		1	
8	970 572 738 00	Water hose Return line Charger		1	
9	970 572 707 00	spacer sleeve Line		1	
10	970 572 732 00	Water hose Auxiliary heater		1	
11	970 572 734 00	Water hose Battery		1	
12	970 572 736 00	Water hose Charger		1	
13	999 507 793 40	Hose bracket 23,0-C		1	

Model: 970 10

Model life 2010>>2016



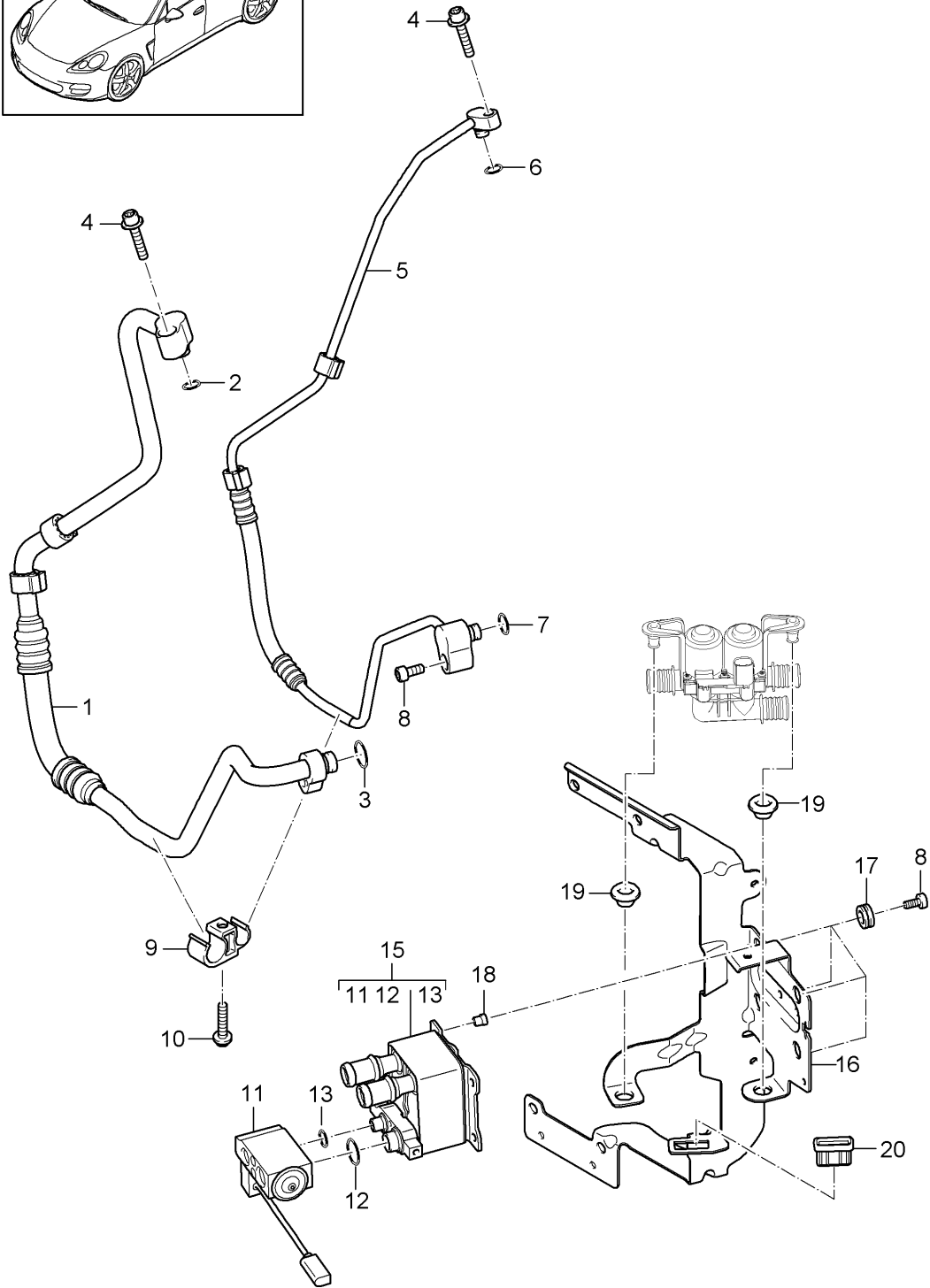
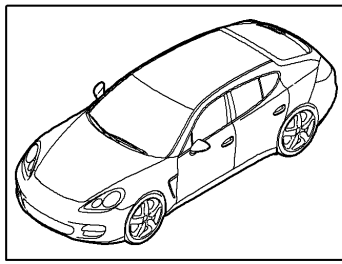
Model: 970 10

Model life 2010>>2016

Pos	Part Number	Description	Remark	Qty	Model
1	970 573 093 01	Hybrid refrigerant circuit suction line		1	
2	999 511 008 00	Expansion valve Clamp 26x15		1	
3	999 707 557 41	O-ring suction line 13,7x2,5		1	
4	970 573 105 06	Pressure line Condenser		1	
4	970 573 105 11	D >> - MJ 2013 Pressure line Condenser		1	
5	999 707 556 41	D - MJ 2014>> O-ring Pressure line 9,5x2,5		X	
6	970 573 160 01	Shut-off valve		1	
7	N 104 144 02	Socket head bolt with hexagon socket head M 8 X 28		X	
8	999 511 251 01	Clamp 10x15		1	
9	N 106 320 03	Oval socket head bolt with hex drive M6x16		1	
10	999 507 152 40	Cable holder		1	
11	970 573 609 00	Bracket Refrigerant line		1	
12	N 910 717 01	Hexagon socket flat head bolt M6X25		2	
13	999 500 069 01	rivetted cap nut M6		2	
14	999 507 766 02	panel nut M6		1	
15	955 613 137 03	Pressure sensor		1	
16	970 573 099 02	suction line Compressor		1	
17	970 573 097 02	Pressure line Compressor		1	
18	970 573 603 00	Bracket Refrigerant line		1	
19	999 507 827 40	Hose bracket 10,0-B		1	
20	3C0 820 231	Protective cap Valve		1	
21	970 573 683 00	Bracket		2	
22	999 707 558 41	O-ring 13,7x2,5		1	
23	999 707 439 41	O-ring 23,8x2,4		1	

Model: 970 10

Model life 2010>>2016



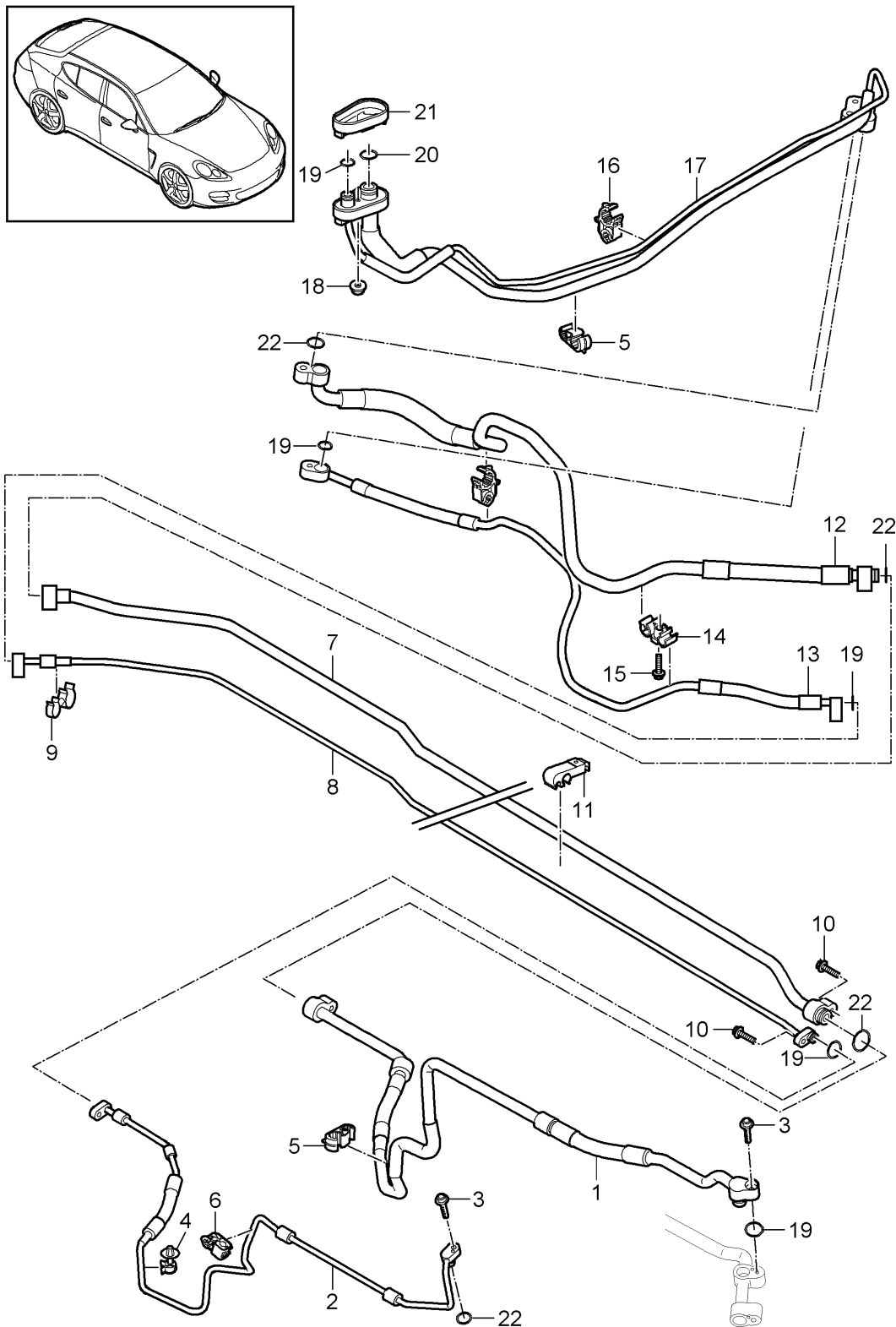
Model: 970 10

Model life 2010>>2016

Pos	Part Number	Description	Remark	Qty	Model
		Hybrid Battery Cooling refrigerant circuit evaporator D - MJ 2014>>	front		
1	970 573 521 01	suction line evaporator		1	
2	999 707 557 41	O-ring suction line 13,7X2,5		1	
3	999 707 558 41	O-ring 13,7X2,5		1	
4	900 387 337 01	Bolt with washer M6X30		2	
5	970 573 511 00	Pressure line evaporator		1	
6	999 707 531 41	O-ring Pressure line 7,5X2,0		1	
7	999 707 433 40	O-ring Pressure line 9,5X2,6		1	
8	N 911 687 01	Hexalobular flange screw M6X18		5	
9	WHT 006 919	Bracket 10,0/16,0		1	
10	N 107 214 01	oval hd. self-tapp fitt. screw		1	
11	970 573 477 00	Expansion valve evaporator		1	
12	955 572 325 00	O-ring Expansion valve Discontinued part		1	
12	955 573 749 10	O-ring Expansion valve		1	
13	955 573 749 06	O-ring Expansion valve		1	
15	970 573 481 00	evaporator		1	
16	970 573 515 01	Bracket evaporator		1	
17	955 572 095 00	Rubber grommet		4	
18	1T0 805 179 A	Sleeve 7,5X1,5-A		4	
19	970 573 811 00	Guide piece Disengageable		2	
20	970 573 813 00	Guide piece Disengageable		1	

Model: 970 10

Model life 2010>>2016



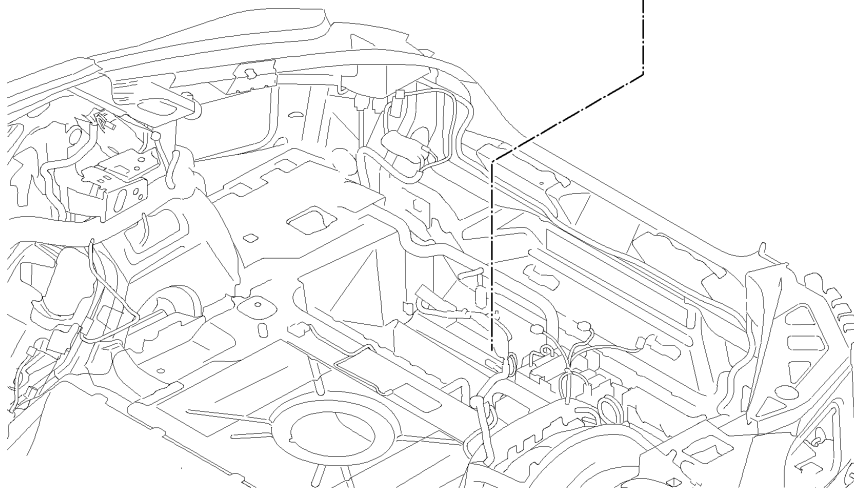
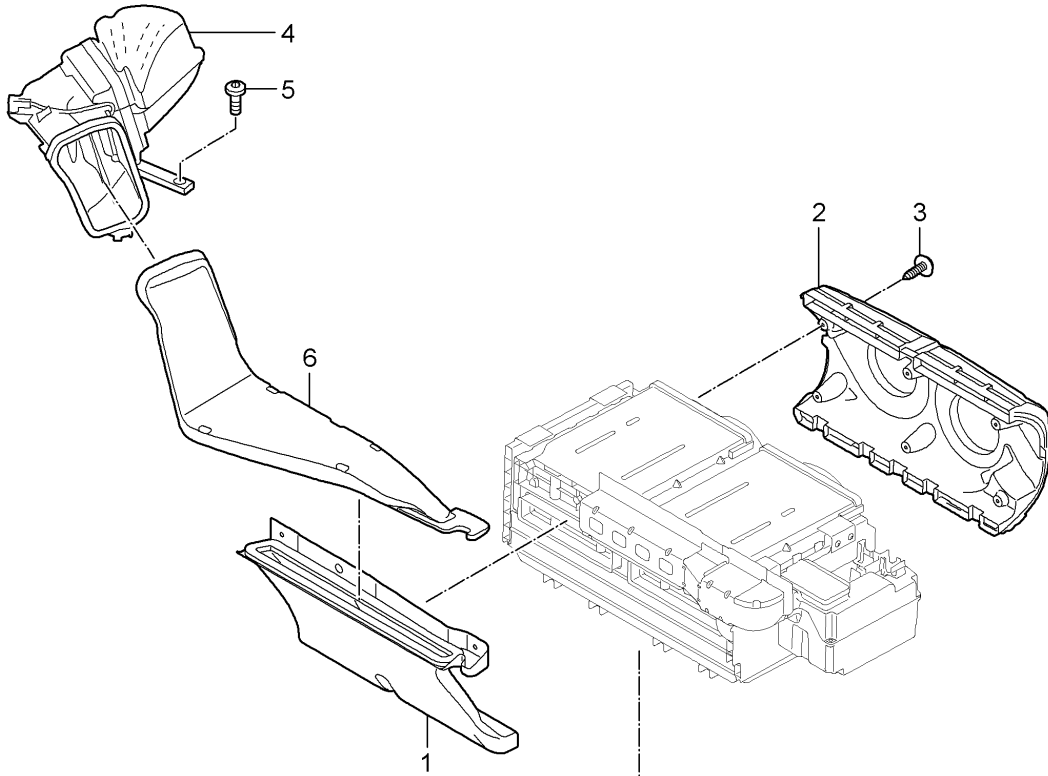
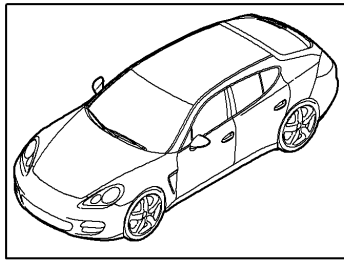
Model: 970 10

Model life 2010>>2016

Pos	Part Number	Description	Remark	Qty	Model
1	970 573 131 01	Refrigerant line Hybrid Wheel housing and Underbody suction line	rear	1	
2	970 573 121 00	Wheel housing Until Underbody Pressure line	rear	1	
3	900 387 337 01	Wheel housing Until Underbody Bolt with washer M6x30		4	
4	6U0 971 739	Clip		1	
5	8E0 260 759 AD	bracket for refrigerant hose		2	
6	999 507 901 40	Hose bracket 8,0--B		1	
7	970 573 137 01	suction line Sill		1	
8	970 573 127 00	Pressure line Sill		1	
9	N 104 278 01	Double clip 10-16,0		1	
10	900 387 337 01	Bolt with washer M6x30		2	
11	970 573 681 00	Clip		5	
12	970 573 133 01	suction line Suspension sub-frame		1	
13	970 573 123 01	Pressure line Suspension sub-frame		1	
14	955 572 180 00	dual clip		2	
15	900 387 023 01	Socket head bolt M6x30		2	
16	999 507 199 40	Cable holder 8.0 - 16.0		2	
17	970 573 135 01	suction line Suspension sub-frame		1	
18	900 377 010 01	Hexagon nut M6		1	
19	999 707 531 41	O-ring 7,5x2		1	
20	999 707 650 40	O-ring 13,7x2,1		1	
21	970 573 674 00	Grommet		1	
22	999 707 557 41	O-ring suction line 13,7x2,5		1	

Model: 970 10

Model life 2010>>2016



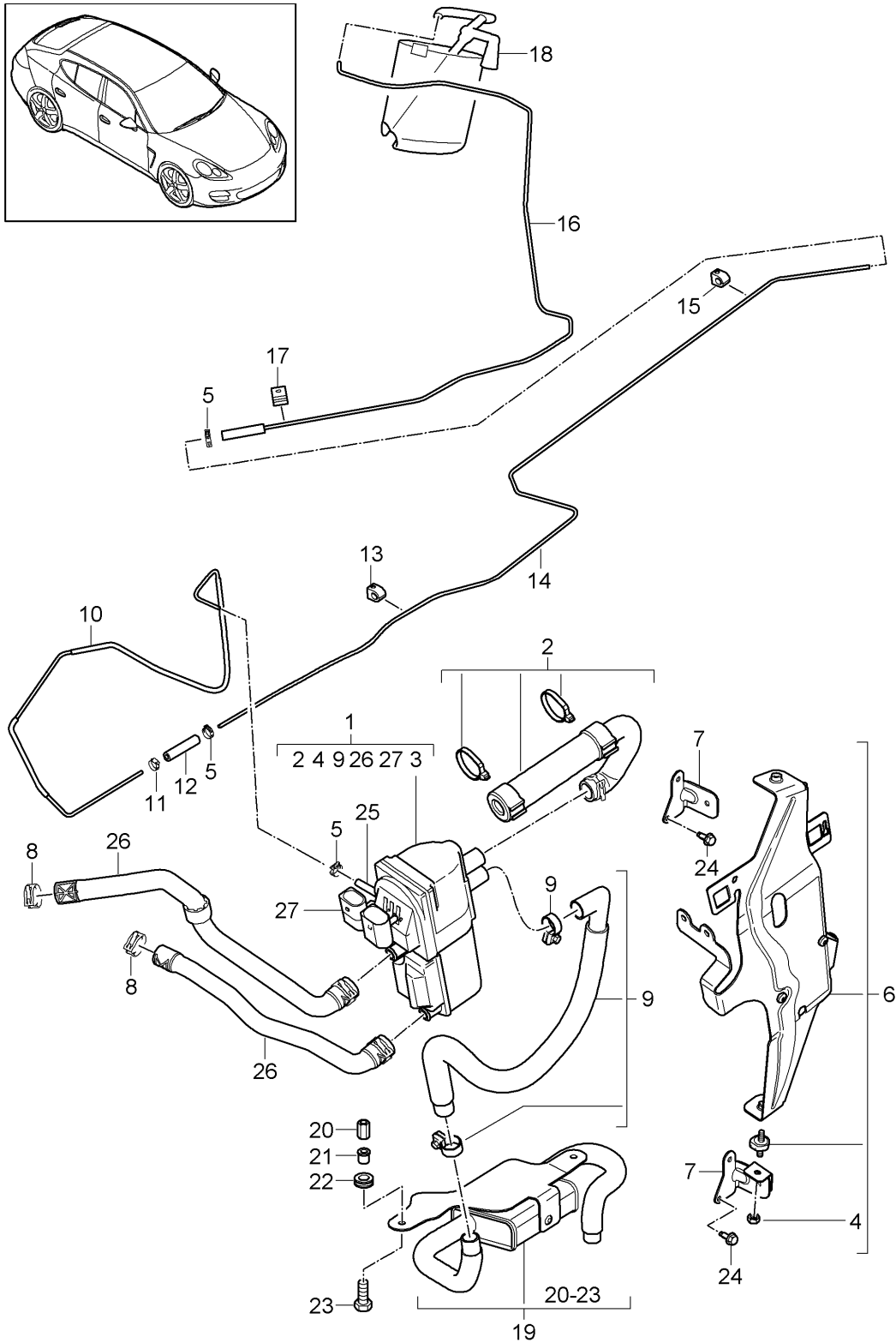
Model: 970 10

Model life 2010>>2016

Pos	Part Number	Description	Remark	Qty	Model
1	970 572 447 01	Air guide Battery and evaporator		1	
2	958 572 024 00	Air guide Battery housing		1	
3	N 907 809 04	Oval hexagon socket head bolt M6x16		6	
4	970 573 322 00	evaporator Battery		1	
4	970 573 322 01	Discontinued part evaporator Battery		1	
5	999 073 103 01	flat round head bolt M6x16		1	
6	970 572 784 01	Air guide evaporator		1	

Model: 970 10

Model life 2010>>2016



Model: 970 10 Model life 2010>>2016

Pos	Part Number	Description	Remark	Qty	Model
		Auxiliary heater			PR:850,851
(1)	970 572 205 16	Auxiliary heater		1	
(1)	970 572 205 17	Auxiliary heater		1	
2	970 572 905 00	Diesel Silencer intake manifold Kit Included Silencer Cable ties Clamp		1	
(3)	970 572 605 20	heater for additional heater		1	
(3)	970 572 605 21	heater for additional heater Diesel D - MJ 2011>>		1	
4	900 377 010 01	Hexagon nut M 6		2	
5	999 512 746 01	Hose clamp		X	
6	970 572 901 00	Bracket Auxiliary heater Set Included Bracket Bracket Nut Buffer Buffer		1	
7	970 572 755 00	Bracket D >> - MJ 2011		2	
(7)	970 605 153 00	Bracket Hybrid D - MJ 2012>>		2	
8	999 512 589 09	Hose clamp 25 X 12		2	
9	970 572 907 00	Exhaust pipe Kit Included Exhaust pipe Clamp		1	
10	970 572 685 01	Fuel line After heater unit		1	
11	N 102 035 01	Clamp		X	
12	970 572 677 00	Fuel line		1	
13	999 651 331 40	Cable holder		1	
14	970 572 683 02	Fuel line Floor	front	1	
15	999 651 409 40	Cable holder Mount		6	
16	970 572 681 01	Fuel line Fuel line Floor D >> - MJ 2012	rear	1	
16	970 572 681 01	Fuel line Floor D - MJ 2013>>	rear	1	PR:0E1,850, 851
16	970 572 681 02	Fuel line Floor D - MJ 2013>>	rear	1	PR:0E2,850, 851
17	999 651 387 40	Cable holder Mount		3	
18	970 572 209 02	Fuel line Pump		1	

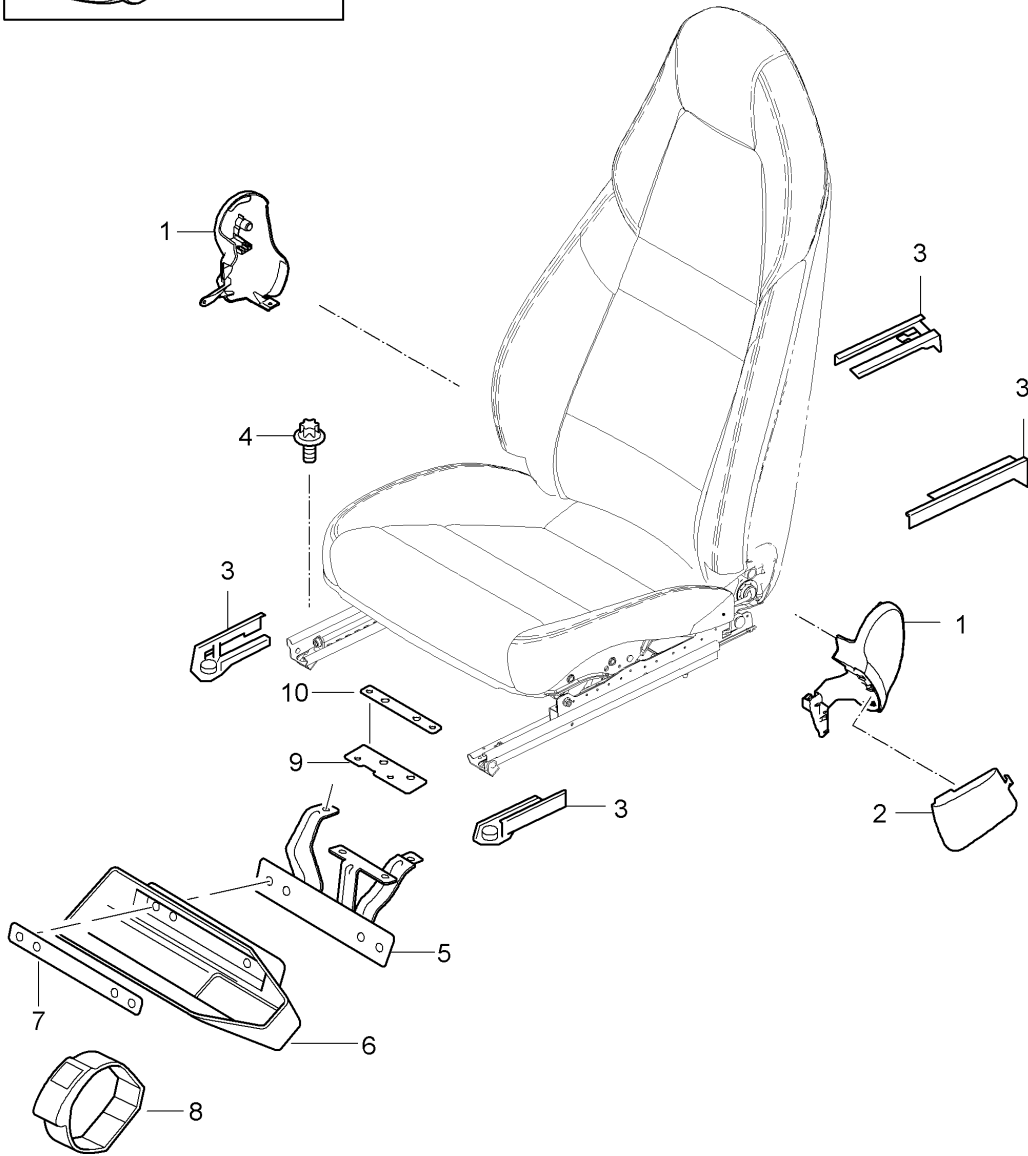
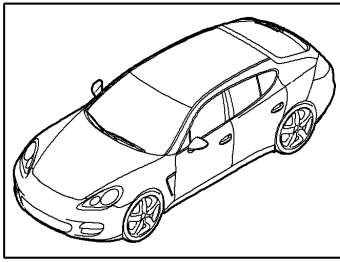
Model: 970 10

Model life 2010>>2016

Pos	Part Number	Description	Remark	Qty	Model
19	970 572 213 01	Auxiliary heater Silencer Auxiliary heater D >> - MJ 2013 Discontinued part		1	
19	970 572 213 03	Silencer Auxiliary heater also use: see illustration, item: D - MJ 2013>>	801-070,4	1	PR:850,851
19	970 572 213 03	Silencer Auxiliary heater D - MJ 2014>>		1	PR:0E1,850, 851
19	970 572 213 04	Silencer Auxiliary heater D - MJ 2014>>		1	PR:0E2,850, 851
20	999 500 109 01	riveted cap nut M 6 / 0,8-3		X	
21	955 572 827 01	bush		2	
22	955 572 828 00	Mounting		2	
23	900 378 030 01	Hexagon bolt M6 x 20		2	
24	N 106 843 01	Hexagon bolt M 6x18		4	
25	970 572 909 00	Fuel hose Kit heater unit Included Fuel hose Clamp		1	
26	970 572 903 00	Water hose Kit heater unit Included Clamp		1	
27	958 572 830 00	Clip Connector		1	
28	970 572 911 00	Type label Auxiliary heater "BENZIN"		1	
(28)	970 572 912 00	Type label Auxiliary heater "DIESEL"		1	

Model: 970 10

Model life 2010>>2016



Model: 970 10 Model life 2010>>2016

Pos	Part Number	Description	Remark	Qty	Model
1	970 521 317 00	Front seat (complete) Not available Comfort seat Cover panel Mounting component	left inner	1	PR:367,379, 390
	970 521 317 00 5Q0	Black	-AB,AC,GK,GS, GA,PK,PL		
	970 521 317 00 4U0	Platinum Grey D >> - MJ 2013	-CB,CC,GC,BB		
	970 521 317 00 OA6	agate grey D - MJ 2014>>	-DG,DL,GD		
	970 521 317 00 6W0	Luxor beige	-UB,UC,GU		
	970 521 317 00 8Y0	yachting blue D >> - MJ 2013	-EC,GE		
	970 521 317 00 5V0	Cream	-BC,BD,BE,DS, DT		
	970 521 317 00 3T0	Espresso	-NA		
	970 521 317 00 2S0	Cognac	-NC		
	970 521 317 00 1R0	Cedar	-BN		
	970 521 317 00 7X0	Marsala Red	-PC,GP		
	970 521 317 00 OE1	Carrera Red D - MJ 2014>>	-BF		
(1)	970 521 317 00 OL7	saddle brown	-SB,GH	1	PR:368,380, 391
	970 521 318 00	Cover panel Mounting component	right inner		
	970 521 318 00 5Q0	Black	-AB,AC,GK,GS, GA,PK,PL		
	970 521 318 00 4U0	Cover panel D >> - MJ 2013	-CB,CC,GC,BB		
	970 521 318 00 OA6	agate grey D - MJ 2014>>	-DG,DL,GD		
	970 521 318 00 6W0	Luxor beige	-UB,UC,GU		
	970 521 318 00 8Y0	yachting blue D >> - MJ 2013	-EC,GE		
	970 521 318 00 5V0	Cream	-BC,BD,BE,DS, DT		
	970 521 318 00 3T0	Espresso	-NA		
	970 521 318 00 2S0	Cognac	-NC		
	970 521 318 00 1R0	Cedar	-BN		
	970 521 318 00 7X0	Marsala Red	-PC,GP		
	970 521 318 00 OE1	Carrera Red D - MJ 2014>>	-BF		
(1)	970 521 315 00	Cover panel Mounting component	left outer	1	PR:367,379, 390
	970 521 315 00 5Q0	Black	-AB,AC,GK,GS, GA,PK,PL		
	970 521 315 00 4U0	Cover panel D >> - MJ 2013	-CB,CC,GC,BB		
	970 521 315 00 OA6	agate grey D - MJ 2014>>	-DG,DL,GD		
	970 521 315 00 6W0	Luxor beige	-UB,UC,GU		
	970 521 315 00 8Y0	yachting blue D >> - MJ 2013	-EC,GE		
	970 521 315 00 5V0	Cream	-BC,BD,BE,DS, DT		
	970 521 315 00 3T0	Espresso	-NA		
	970 521 315 00 2S0	Cognac	-NC		
	970 521 315 00 1R0	Cedar	-BN		
	970 521 315 00 7X0	Marsala Red	-PC,GP		
	970 521 315 00 OE1	Carrera Red D - MJ 2014>>	-BF		
(1)	970 521 316 00	Cover panel	right	1	PR:368,380,

Model: 970 10 Model life 2010>>2016

Pos	Part Number	Description	Remark	Qty	Model
	970 521 316 00 5Q0	Mounting component Black	outer -AB,AC,GK,GS, GA,PK,PL		391
	970 521 316 00 4U0	Cover panel D >> - MJ 2013	-CB,CC,GC,BB		
	970 521 316 00 OA6	agate grey D - MJ 2014>>	-DG,DL,GD		
	970 521 316 00 6W0	Luxor beige	-UB,UC,GU		
	970 521 316 00 8Y0	yachting blue D >> - MJ 2013	-EC,GE		
	970 521 316 00 5V0	Cream	-BC,BD,BE,DS, DT		
	970 521 316 00 3T0	Espresso	-NA		
	970 521 316 00 2S0	Cognac	-NC		
	970 521 316 00 1R0	Cedar	-BN		
	970 521 316 00 7X0	Marsala Red	-PC,GP		
	970 521 316 00 OE1	Carrera Red D - MJ 2014>>	-BF		
-	970 521 617 00	Clip		1	
2	970 521 323 01	Cover panel Mounting component Cover panel Mounting component Support for seatbelt	left	1	PR:367,379, 390
	970 521 323 01 5Q0	Black	-AB,AC,GK,GS, GA,PK,PL		
	970 521 323 01 4U0	Platinum Grey D >> - MJ 2013	-CB,CC,GC,BB		
	970 521 323 01 OA6	agate grey D - MJ 2014>>	-DG,DL,GD		
	970 521 323 01 6W0	Luxor beige	-UB,UC,GU		
	970 521 323 01 8Y0	yachting blue D >> - MJ 2013	-EC,GE		
	970 521 323 01 5V0	Cream	-BC,BD,BE,DS, DT		
	970 521 323 01 3T0	Espresso	-NA		
	970 521 323 01 2S0	Cognac	-NC		
	970 521 323 01 1R0	Cedar	-BN		
	970 521 323 01 7X0	Marsala Red	-PC,GP		
	970 521 323 01 OE1	Carrera Red D - MJ 2014>>	-BF		
(2)	970 521 324 01	Cover panel Mounting component Support for seatbelt	right	1	PR:368,380, 391
	970 521 324 01 5Q0	Black	-AB,AC,GK,GS, GA,PK,PL		
	970 521 324 01 4U0	Platinum Grey D >> - MJ 2013	-CB,CC,GC,BB		
	970 521 324 01 OA6	agate grey D - MJ 2014>>	-DG,DL,GD		
	970 521 324 01 6W0	Luxor beige	-UB,UC,GU		
	970 521 324 01 8Y0	yachting blue D >> - MJ 2013	-EC,GE		
	970 521 324 01 5V0	Cream	-BC,BD,BE,DS, DT		
	970 521 324 01 3T0	Espresso	-NA		
	970 521 324 01 2S0	Cognac	-NC		
	970 521 324 01 1R0	Cedar	-BN		
	970 521 324 01 7X0	Marsala Red	-PC,GP		
	970 521 324 01 OE1	Carrera Red D - MJ 2014>>	-BF		
3	970 521 359 00	Rail Seat rail	left front	1	PR:367,368, 379,380,390,

Model: 970 10 Model life 2010>>2016

Pos	Part Number	Description	Remark	Qty	Model
	970 521 359 00 1E0	Black	-AB,AC,GK,GS, GA,PK,PL,DS, BF, DN		391
	970 521 359 00 6L0	Platinum Grey D >> - MJ 2013	-CB,CC,GC,BB		
	970 521 359 00 OA6	agate grey D - MJ 2014>>	-DG,DL,GD,DT		
	970 521 359 00 4H0	Luxor beige	-UB,UC,GU		
	970 521 359 00 2F0	yachting blue D >> - MJ 2013	-EC,GE		
	970 521 359 00 5J0	Cream	-BC,BD,BE		
	970 521 359 00 7N0	Espresso	-NA		
	970 521 359 00 8P0	Cognac	-NC		
	970 521 359 00 9Q0	Cedar	-BN		
	970 521 359 00 3G0	Marsala Red	-PC,GP		
(3)	970 521 360 00	Rail Seat rail	right front	1	PR:367,368, 379,380,390, 391
	970 521 360 00 1E0	Black	-AB,AC,GK,GS, GA,PK,PL,DS, BF, DN		
	970 521 360 00 6L0	Platinum Grey D >> - MJ 2013	-CB,CC,GC,BB		
	970 521 360 00 OA6	agate grey D - MJ 2014>>	-DG,DL,GD,DT		
	970 521 360 00 4H0	Luxor beige	-UB,UC,GU		
	970 521 360 00 2F0	yachting blue D >> - MJ 2013	-EC,GE		
	970 521 360 00 5J0	Cream	-BC,BD,BE		
	970 521 360 00 7N0	Espresso	-NA		
	970 521 360 00 8P0	Cognac	-NC		
	970 521 360 00 9Q0	Cedar	-BN		
	970 521 360 00 3G0	Marsala Red	-PC,GP		
	970 521 360 00 OE1	Carrera Red D - MJ 2014>>			
(3)	970 521 361 00	Rail Seat rail	left rear	1	PR:367,379, 390
	970 521 361 00 1E0	Black	-AB,AC,GK,GS, GA,PK,PL,DS, BF, DN		
	970 521 361 00 6L0	Platinum Grey D >> - MJ 2013	-CB,CC,GC,BB		
	970 521 361 00 OA6	agate grey D - MJ 2014>>	-DG,DL,GD,DT		
	970 521 361 00 4H0	Luxor beige	-UB,UC,GU		
	970 521 361 00 2F0	yachting blue D >> - MJ 2013	-EC,GE		
	970 521 361 00 5J0	Cream	-BC,BD,BE		
	970 521 361 00 7N0	Espresso	-NA		
	970 521 361 00 8P0	Cognac	-NC		
	970 521 361 00 9Q0	Cedar	-BN		
	970 521 361 00 3G0	Marsala Red	-PC,GP		
	970 521 361 00 OE1	Carrera Red D - MJ 2014>>			
(3)	970 521 362 00	Rail Seat rail	right rear	1	PR:368,380, 391
	970 521 362 00 1E0	Black	-AB,AC,GK,GS, GA,PK,PL,DS, BF, DN		
	970 521 362 00 6L0	Platinum Grey D >> - MJ 2013	-CB,CC,GC,BB		
	970 521 362 00 OA6	agate grey	-DG,DL,GD,DT		

Model: 970 10

Model life 2010>>2016

Pos	Part Number	Description	Remark	Qty	Model
		D - MJ 2014>>			
	970 521 362 00 4H0	Luxor beige	-UB,UC,GU		
	970 521 362 00 2F0	yachting blue	-EC,GE		
		D >> - MJ 2013			
	970 521 362 00 5J0	Cream	-BC,BD,BE		
	970 521 362 00 7N0	Espresso	-NA		
	970 521 362 00 8P0	Cognac	-NC		
	970 521 362 00 9Q0	Cedar	-BN		
	970 521 362 00 3G0	Marsala Red	-PC,GP		
	970 521 362 00 OE1	Carrera Red			
		D - MJ 2014>>			
(3)	970 521 363 00	Rail	left	1	PR:368,380,
		Seat rail	rear		391
	970 521 363 00 1E0	Black	-AB,AC,GK,GS, GA,PK,PL,DS, BF, DN		
	970 521 363 00 6L0	Platinum Grey	-CB,CC,GC,BB		
		D >> - MJ 2013			
	970 521 363 00 OA6	agate grey	-DG,DL,GD,DT		
		D - MJ 2014>>			
	970 521 363 00 4H0	Luxor beige	-UB,UC,GU		
	970 521 363 00 2F0	yachting blue	-EC,GE		
		D >> - MJ 2013			
	970 521 363 00 5J0	Cream	-BC,BD,BE		
	970 521 363 00 7N0	Espresso	-NA		
	970 521 363 00 8P0	Cognac	-NC		
	970 521 363 00 9Q0	Cedar	-BN		
	970 521 363 00 3G0	Marsala Red	-PC,GP		
	970 521 363 00 OE1	Carrera Red			
		D - MJ 2014>>			
(3)	970 521 364 00	Rail	right	1	PR:367,379,
		Seat rail	rear		390
	970 521 364 00 1E0	Black	-AB,AC,GK,GS, GA,PK,PL,DS, BF, DN		
	970 521 364 00 6L0	Platinum Grey	-CB,CC,GC,BB		
		D >> - MJ 2013			
	970 521 364 00 OA6	agate grey	-DG,DL,GD,DT		
		D - MJ 2014>>			
	970 521 364 00 4H0	Luxor beige	-UB,UC,GU		
	970 521 364 00 2F0	yachting blue	-EC,GE		
		D >> - MJ 2013			
	970 521 364 00 5J0	Cream	-BC,BD,BE		
	970 521 364 00 7N0	Espresso	-NA		
	970 521 364 00 8P0	Cognac	-NC		
	970 521 364 00 9Q0	Cedar	-BN		
	970 521 364 00 3G0	Marsala Red	-PC,GP		
	970 521 364 00 OE1	Carrera Red			
		D - MJ 2014>>			
4	999 141 047 01	Torx screw		4	
		Mount			
		Seat rail			
5	997 521 251 00	Holder for fire extinguisher		1	PR:509
6	7PP 882 650	Cup		1	PR:509
		Fire extinguishers			
7	7PP 882 649	Insert		1	PR:509
		Cup			
		Fire extinguishers			
8	7PP 882 645	tensioning strap		1	PR:509
		Cup			
		Fire extinguishers			
9	997 521 841 00	Reinforcement	front	1	PR:509
		Fire extinguishers			

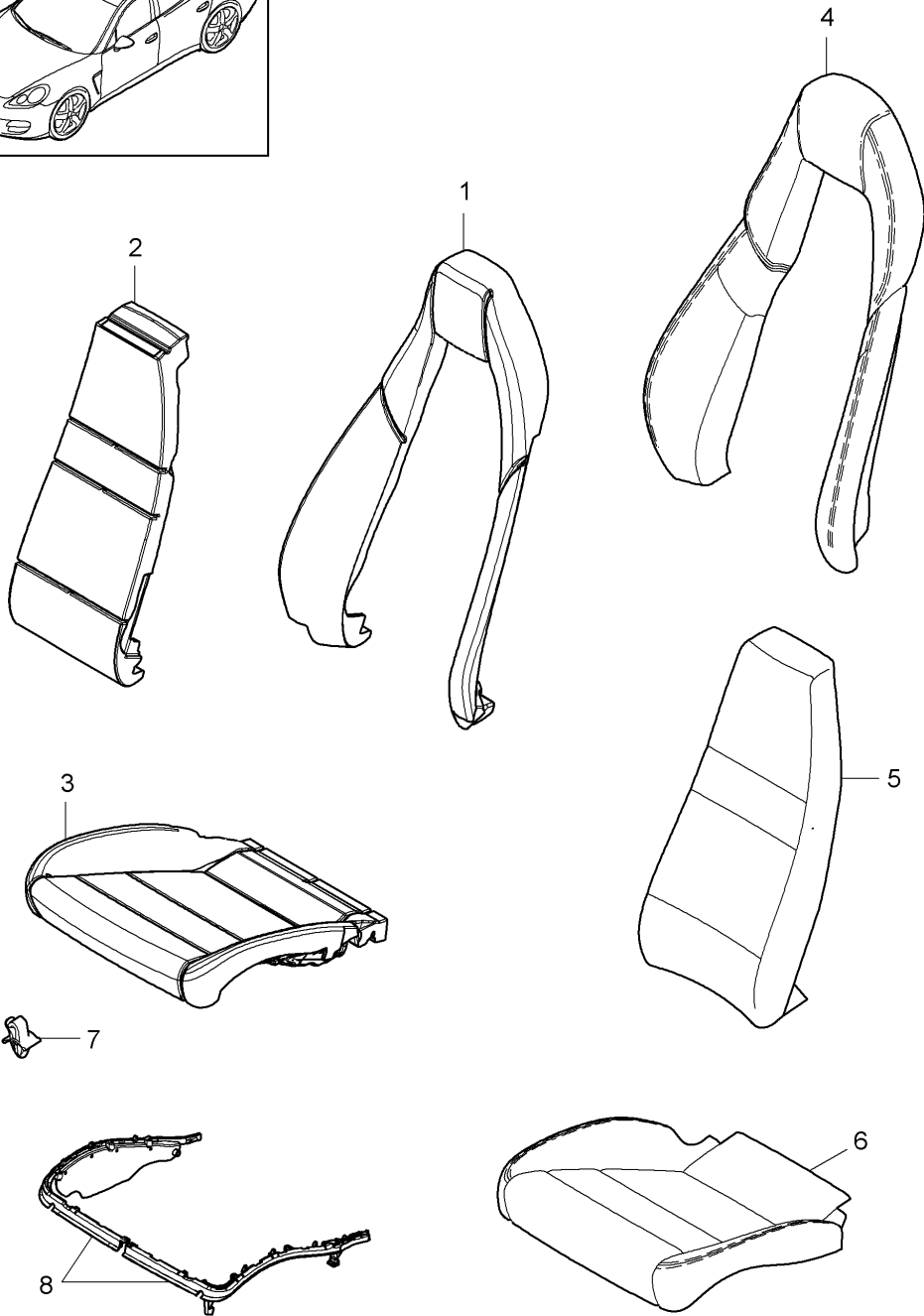
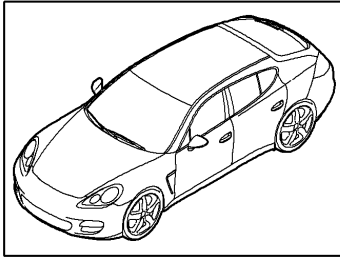
Model: 970 10

Model life 2010>>2016

Pos	Part Number	Description	Remark	Qty	Model
10	997 521 843 00	Reinforcement Fire extinguishers	rear	1	PR:509
11	970 521 601 00	Cable clip Seat rail Front seat		1	PR:367,368, 560,379,380, 390,391
12	970 521 614 00	Cable holder Wire set Front seat		1	PR:368,380, 391

Model: 970 10

Model life 2010>>2016



Model: 970 10 Model life 2010>>2016

Pos	Part Number	Description	Remark	Qty	Model
1	970 521 535 00	Foam part Cover Standard seat Comfort seat		1	PR:367,368, 379,380
2	970 521 581 00	Foam part backrest Outer part	center	1	PR:367,368, 379,380
(2)	970 521 581 02	Foam part backrest	left a. right center	1	PR:367,368, 379,380,541, 542
(2)	970 521 581 05	D - MJ 2010>> - MJ 2014 Foam part backrest	left a. right center	1	PR:367,368, 379,380,541, 542,381,382
(2)	970 521 581 04	D - MJ 2014>> Foam part backrest	left a. right center	1	PR:367,368, 379,380,382, 383
3	970 521 571 00	D - MJ 2014>> Foam part Seat cushion		1	PR:367,381, -541,-542
(3)	970 521 571 03	Foam part Seat cushion		1	PR:379,380, -541,-542
(3)	970 521 571 07	Foam part Seat cushion		1	PR:379,380, 382,383, -541,-542
(3)	970 521 571 04	D - MJ 2014>> Foam part Seat cushion		1	PR:379,380, 541,542,381
4	970 521 141 06	Backrest cover Outer part		1	PR:367,541, 946,542,368, 379,380
		with: heater			
	970 521 141 06 DAA	Black	-AB		
	970 521 141 06 DAB	Platinum Grey	-CB		
	970 521 141 06 DAC	Luxor beige	-UB		
		D >> - 24.01.2011			
(4)	970 521 141 21	Backrest cover Outer part		1	PR:367,541, 946,542,368, 379,380,381
		with: heater			
		D >> - MJ 2013			
	970 521 141 21 DAA	Black	-AB		
	970 521 141 21 DAB	Platinum Grey	-CB		
	970 521 141 21 DAC	Luxor beige	-UB		
		D - 25.01.2011>>			
(4)	970 521 141 21	Backrest cover Outer part		1	PR:367,541, 946,542,368, 379,380,381
		with: heater			
		D - MJ 2014>>			
	970 521 141 21 DAA	Black	-AB		
	970 521 141 21 GHB	agate grey	-DG		
	970 521 141 21 DAC	Luxor beige	-UB		
(4)	970 521 141 38	Backrest cover Outer part		1	PR:367,541, 946,542,368, 379,382,383
		with: heater			
		D - MJ 2014>>			
	970 521 141 38 DAA	Black	-AB		
	970 521 141 38 GHB	agate grey	-DG		
	970 521 141 38 DAC	Luxor beige	-UB		

Model: 970 10 Model life 2010>>2016

Pos	Part Number	Description	Remark	Qty	Model
(4)	970 521 141 00	Backrest cover Outer part without heating		1	PR:367,368, 379,380,381, 946,947
	970 521 141 00 DAA	Black	-AB		
	970 521 141 00 DAB	Platinum Grey	-CB		
	970 521 141 00 DAC	Luxor beige	-UB		
		D >> - 24.01.2011			
(4)	970 521 141 15	Backrest cover Outer part without heating		1	PR:367,368, 379,380,381, 946,947
		D >> - MJ 2013			
	970 521 141 15 DAA	Black	-AB		
	970 521 141 15 DAB	Platinum Grey	-CB		
	970 521 141 15 DAC	Luxor beige	-UB		
		D - 25.11.2011>>			
(4)	970 521 141 15	Backrest cover Outer part without heating		1	PR:367,368, 379,380,381, 946,947
		D - MJ 2014>>			
	970 521 141 15 DAA	Black	-AB		
	970 521 141 15 GHB	agate grey	-DG		
	970 521 141 15 DAC	Luxor beige	-UB		
(4)	970 521 141 35	Backrest cover Outer part without heating		1	PR:367,368, 379,380,382, 383,946
		D - MJ 2014>>			
	970 521 141 35 DAA	Black	-AB		
	970 521 141 35 GHB	agate grey	-DG		
	970 521 141 35 DAC	Luxor beige	-UB		
(4)	970 521 141 02	Backrest cover Outer part without heating		1	PR:367,368, 379,380,381, 982,983
		D >> - 24.01.2011			
	970 521 141 02 DAF	Black	-AC		
	970 521 141 02 DAG	Platinum Grey	-CC, BB		
	970 521 141 02 DAH	Luxor beige	-UC		
	970 521 141 02 DAJ	yachting blue	-EC		
	970 521 141 02 DAL	Cream	-BC, BD, BE		
		D >> - 24.01.2011			
(4)	970 521 141 17	Backrest cover Outer part without heating		1	PR:367,368, 379,380,381, 982,983
		D >> - MJ 2013			
	970 521 141 17 DAF	Black	-AC		
	970 521 141 17 DAG	Platinum Grey	-CC, BB		
	970 521 141 17 DAH	Luxor beige	-UC		
	970 521 141 17 DAJ	yachting blue	-EC		
	970 521 141 17 DAK	Marsala Red	-PC		
	970 521 141 17 DAL	Cream	-BC, BD, BE, DS, DT		
		D - 25.01.2011>>			
(4)	970 521 141 17	Backrest cover Outer part without heating		1	PR:367,368, 379,380,381, 982,983
		D - MJ 2014>>			
	970 521 141 17 DAF	Black	-AC		
	970 521 141 17 GHC	agate grey	-DL		
	970 521 141 17 DAH	Luxor beige	-UC		
	970 521 141 17 DAK	Marsala Red	-PC		
	970 521 141 17 DAL	Cream	-BC, BD, BE, DS, DT		
		D - 25.01.2011>>			
(4)	970 521 141 17 GLC	Carrera Red	-BF	1	PR:367,368, 379,380,382,
(4)	970 521 141 36	Backrest cover Outer part		1	PR:367,368, 379,380,382,

Model: 970 10 Model life 2010>>2016

Pos	Part Number	Description	Remark	Qty	Model
		without heating D - MJ 2014>>			383,983
	970 521 141 36 DAF	Black	-AC		
	970 521 141 36 GHC	agate grey	-DL		
	970 521 141 36 DAK	Marsala Red	-PC		
	970 521 141 36 DAL	Cream	-BC, BD, BE, DS, DT		
(4)	970 521 141 36 GLC	Carrera Red	-BF	1	PR: 367,368, 379,380,382, 383,983
	970 521 141 36	Backrest cover Outer part without heating D - MJ 2015>>			
(4)	970 521 141 36 DUE	saddle brown	-SB, DN	1	PR: 367,541, 983,542,368, 379,380
	970 521 141 07	Backrest cover Outer part			
		with: heater			
	970 521 141 07 DAF	Black	-AC		
	970 521 141 07 DAG	Platinum Grey	-CC, BB		
	970 521 141 07 DAH	Luxor beige	-UC		
	970 521 141 07 DAJ	yachting blue	-EC		
	970 521 141 07 DAL	Cream	-BC, BD, BE		
(4)	970 521 141 22	D >> - 24.01.2011 Backrest cover Outer part		1	PR: 367,368, 379,380,541, 542,381,983
		with: heater			
	970 521 141 22 DAF	Black	-AC		
	970 521 141 22 DAG	Platinum Grey	-CC, BB		
	970 521 141 22 DAH	Luxor beige	-UC, PL		
	970 521 141 22 DAJ	yachting blue	-EC		
	970 521 141 22 DAL	Cream	-BC, BD, BE, DS, DT		
(4)	970 521 141 22 DAK	Marsala Red D - 25.01.2011>> Backrest cover Outer part	-PC	1	PR: 367,368, 379,380,541, 542,381,983
		with: heater			
	970 521 141 22 DAF	D - MJ 2014>> Black	-AC		
	970 521 141 22 GHC	agate grey	-DL		
	970 521 141 22 DAH	Luxor beige	-UC, PL		
	970 521 141 22 DAL	Cream	-BC, BD, BE, DS, DT		
	970 521 141 22 DAK	Marsala Red	-PC		
(4)	970 521 141 22 GLC	Carrera Red	-BF	1	PR: 367,368, 379,380,382, 383,541,542, 983
	970 521 141 39	Backrest cover Outer part			
		with: heater			
	970 521 141 39 DAF	D - MJ 2014>> - MJ 2014 Black	-AC		
	970 521 141 39 GHC	agate grey	-DL		
	970 521 141 39 DAL	Cream	-BC, BD, BE, DS, DT		
	970 521 141 39 DAK	Marsala Red	-PC		
(4)	970 521 141 39 GLC	Carrera Red	-BF	1	PR: 367,368, 379,380,382, 383,541,542, 983
	970 521 141 39	Backrest cover Outer part			
		with: heater			

Model: 970 10 Model life 2010>>2016

Pos	Part Number	Description	Remark	Qty	Model
(4)	970 521 141 39 DUE	D - MJ 2015>> saddle brown	-SB, DN	1	PR: 367, 541, 983, 998, 542, 368, 379, 380
	970 521 141 08	Backrest cover Outer part			
		with: heater			
	970 521 141 08 DAM	Espresso	-NA		
	970 521 141 08 DAN	Cognac	-NC		
	970 521 141 08 DAO	Cedar	-BN		
(4)	970 521 141 23	D - 24.01.2011>> Backrest cover Outer part		1	PR: 367, 368, 379, 380, 381, 541, 542, 983, 998
		with: heater			
	970 521 141 23 DAM	Espresso	-NA		
	970 521 141 23 DAN	Cognac	-NC		
	970 521 141 23 DAO	Cedar	-BN		
(4)	970 521 141 40	D - 25.01.2011>> Backrest cover Outer part		1	PR: 367, 368, 379, 380, 382, 383, 541, 542, 983, 998
		with: heater			
	970 521 141 40 DAM	Espresso	-NA		
	970 521 141 40 DAN	Cognac	-NC		
	970 521 141 40 DAO	Cedar	-BN		
(4)	970 521 141 04	Backrest cover Outer part without heating		1	PR: 367, 379, 981, 982, 983, 998
	970 521 141 04 DAM	Espresso	-NA		
	970 521 141 04 DAN	Cognac	-NC		
	970 521 141 04 DAO	Cedar	-BN		
(4)	970 521 141 19	D >> - 24.01.2011 Backrest cover Outer part without heating		1	PR: 367, 379, 380, 381, 981, 982, 983, 998
	970 521 141 19 DAM	Espresso	-NA		
	970 521 141 19 DAN	Cognac	-NC		
	970 521 141 19 DAO	Cedar	-BN		
(4)	970 521 141 37	D - 25.01.2011>> Backrest cover Outer part without heating		1	PR: 367, 368, 379, 380, 382, 383, 983, 998
	970 521 141 37 DAM	Espresso	-NA		
	970 521 141 37 DAN	Cognac	-NC		
	970 521 141 37 DAO	Cedar	-BN		
(4)	970 521 141 09	Backrest cover Outer part with heating		1	PR: 342, 343, 367, 946, 947, 368, 379, 380
	970 521 141 09 DAA	Black	-AB		
	970 521 141 09 DAB	Platinum Grey	-CB		
	970 521 141 09 DAC	Luxor beige	-UB		
(4)	970 521 141 24	D >> - 24.01.2011 Backrest cover Outer part with heating		1	PR: 367, 368, 379, 380, 381, 342, 343, 946, 947
	970 521 141 24 DAA	Black	-AB		
	970 521 141 24 DAB	Platinum Grey	-CB		
	970 521 141 24 DAC	Luxor beige	-UB, PK		
(4)	970 521 141 24	D - 25.01.2011>> Backrest cover Outer part		1	PR: 367, 368, 379, 380, 381,

Model: 970 10 Model life 2010>>2016

Pos	Part Number	Description	Remark	Qty	Model
		with heating D - MJ 2014>>			342,343,946, 947
(4)	970 521 141 24 DAA	Black	-AB	1	PR:367,368, 379,380,382, 383,342,343, 946
	970 521 141 24 GHB	agate grey	-DG		
	970 521 141 24 DAC	Luxor beige	-UB,PK		
	970 521 141 41	Backrest cover Outer part with heating D - MJ 2014>>			
(4)	970 521 141 41 DAA	Black	-AB	1	PR:342,343, 367,982,983, 368,379,380
	970 521 141 41 GHB	agate grey	-DG		
	970 521 141 41 DAC	Luxor beige	-UB,PK		
	970 521 141 11	Backrest cover Outer part with heating			
	970 521 141 11 DAF	Black	-AC	1	PR:367,368, 379,380,381, 342,343,982, 983
	970 521 141 11 DAG	Platinum Grey	-CB		
	970 521 141 11 DAH	Luxor beige	-UC		
	970 521 141 11 DAJ	yachting blue	-EC		
	970 521 141 11 DAL	Cream	-BC,BD,BE		
	970 521 141 26	D >> - 24.01.2011 Backrest cover Outer part with heating D >> - MJ 2013			
(4)	970 521 141 26 DAF	Black	-AC	1	PR:367,368, 379,380,381, 342,343,982, 983
	970 521 141 26 DAG	Platinum Grey	-CC,BB		
	970 521 141 26 DAH	Luxor beige	-UC,PL		
	970 521 141 26 DAJ	yachting blue	-EC		
	970 521 141 26 DAL	Cream	-BC,BD,BE,DS, DT		
	970 521 141 26 DAK	Marsala Red D - 25.01.2011>>	-PC		
(4)	970 521 141 26	Backrest cover Outer part with heating D - MJ 2014>>		1	PR:367,368, 379,380,381, 342,343,982, 983
	970 521 141 26 DAF	Black	-AC		
	970 521 141 26 GHC	agate grey	-DL		
	970 521 141 26 DAH	Luxor beige	-UC,PL		
	970 521 141 26 DAL	Cream	-BC,BD,BE,DS, DT	1	PR:367,368, 379,380,381, 342,343,982, 983
	970 521 141 26 DAK	Marsala Red	-PC		
	970 521 141 26 GLC	Carrera Red	-BF	1	PR:367,368, 379,380,381, 342,343,982, 983
(4)	970 521 141 26	Backrest cover Outer part with heating D - MJ 2015>>			
	970 521 141 26 DUE	saddle brown	-SB,DN		
	970 521 141 42	Backrest cover Outer part with heating D - MJ 2014>>			
	970 521 141 42 DAF	Black	-AC	1	PR:367,368, 379,380,381, 342,343,982, 983
	970 521 141 42 GHC	agate grey	-DL		
	970 521 141 42 DAL	Cream	-BC,BD,BE,DS, DT		
	970 521 141 42 DAK	Marsala Red	-PC	1	PR:367,368, 379,380,381, 342,343,982, 983
(4)	970 521 141 42 GLC	Carrera Red	-BF		
	970 521 141 42	Backrest cover Outer part with heating D - MJ 2015>>			

Model: 970 10 Model life 2010>>2016

Pos	Part Number	Description	Remark	Qty	Model
(4)	970 521 141 42 DUE 970 521 141 13	saddle brown Backrest cover Outer part with heating	-SB, DN	1	PR:342,343, 367,982,998, 983,368,379, 380
	970 521 141 13 DAM 970 521 141 13 DAN 970 521 141 13 DAO	Espresso Cognac Cedar	-NA -NC -BN		
(4)	970 521 141 28	D >> - 24.01.2011 Backrest cover Outer part with heating		1	PR:342,343, 367,982,998, 983,368,379, 380,381
	970 521 141 28 DAM 970 521 141 28 DAN 970 521 141 28 DAO	Espresso Cognac Cedar	-NA -NC -BN		
(4)	970 521 141 43	D - 25.01.2011>> Backrest cover Outer part with heating D - MJ 2014>>		1	PR:342,343, 367,982,998, 983,368,379, 380,382
	970 521 141 43 DAM 970 521 141 43 DAN 970 521 141 43 DAO	Espresso Cognac Cedar	-NA -NC -BN		
(4)	970 521 141 44	Backrest cover Outer part Vented		1	PR:020,998, 983,379,380, 381,542
(4)	970 521 141 44 PFA 970 521 901 00	Toffee Brown Backrest cover Outer part without heating	-PF	1	PR:367,946, 947,368,379, XYV,380,XYW
	970 521 901 00 DAA 970 521 901 00 DAB 970 521 901 00 DAC	Black Platinum Grey Luxor beige	-AB -CB -UB		
(4)	970 521 901 15	D >> - 24.01.2011 Backrest cover Outer part without heating D >> - MJ 2013		1	PR:367,946, 947,368,379, XYV,380
	970 521 901 15 DAA 970 521 901 15 DAB 970 521 901 15 DAC	Black Platinum Grey Luxor beige	-AB -CB -UB,PK		
(4)	970 521 901 15	D - 25.01.2011>> Backrest cover Outer part without heating D - MJ 2014>>		1	PR:367,946, 947,368,379, XYV,380
	970 521 901 15 DAA 970 521 901 15 GHB 970 521 901 15 DAC	Black agate grey Luxor beige	-AB -DG -UB,PK		
(4)	970 521 901 02	Backrest cover Outer part without heating		1	PR:367,982, XYV,983,368, 379
	970 521 901 02 DAH 970 521 901 02 DAJ 970 521 901 02 DAG 970 521 901 02 DAL 970 521 901 02 DAF 970 521 901 02 DAK	Luxor beige yachting blue Platinum Grey Cream Black Marsala Red	-UC -EC -CC,BB -BC,BD,BE -AC -PC		
(4)	970 521 901 17	D >> - 24.01.2011 Backrest cover Outer part without heating		1	PR:367,379, XYV,982,983, 368

Model: 970 10 Model life 2010>>2016

Pos	Part Number	Description	Remark	Qty	Model
		D >> - MJ 2013			
	970 521 901 17 DAF	Black	-AC		
	970 521 901 17 DAG	Platinum Grey	-CC, BB		
	970 521 901 17 DAH	Luxor beige	-UC, PL		
	970 521 901 17 DAJ	yachting blue	-EC		
	970 521 901 17 DAL	Cream	-BC, BD, BE, DS, DT		
	970 521 901 17 DAK	Marsala Red	-PC		
(4)	970 521 901 17	D - 25.01.2011>> Backrest cover Outer part without heating D - MJ 2014>>		1	PR:367,379, XYV,381,368, 982,983
	970 521 901 17 DAF	Black	-AC		
	970 521 901 17 GHC	agate grey	-DL		
	970 521 901 17 DAH	Luxor beige	-UC, PL		
	970 521 901 17 DAL	Cream	-BC, BD, BE, DS, DT		
	970 521 901 17 DAK	Marsala Red	-PC		
(4)	970 521 901 17 GLC	Carrera Red	-BF	1	PR:367,379, XYV,982,983, 368
	970 521 901 17	Backrest cover Outer part without heating D - MJ 2015>>			
(4)	970 521 901 17 DUE	saddle brown	-SB, DN	1	PR:367,982, XYV,983,998, 368,379,380
	970 521 901 04	Backrest cover Outer part without heating			
	970 521 901 04 DAM	Espresso	-NA		
	970 521 901 04 DAN	Cognac	-NC		
	970 521 901 04 DAO	Cedar	-BN		
(4)	970 521 901 19	D >> - 24.01.2011 Backrest cover Outer part without heating		1	PR:367,982, XYV,983,998, 368,379,380, XYW,381
	970 521 901 19 DAM	Espresso	-NA		
	970 521 901 19 DAN	Cognac	-NC		
	970 521 901 19 DAO	Cedar	-BN		
(4)	970 521 901 06	D - 25.01.2011>> Backrest cover Outer part with: heater		1	PR:367,XYV, 541,946,368, 379,380,542
	970 521 901 06 DAA	Black	-AB		
	970 521 901 06 DAB	Platinum Grey	-CB		
	970 521 901 06 DAC	Luxor beige	-UB		
(4)	970 521 901 21	D >> - 24.01.2011 Backrest cover Outer part with: heater D >> - MJ 2013		1	PR:XYV,XYW, 541,542,367, 368,379,380, 946
	970 521 901 21 DAA	Black	-AB		
	970 521 901 21 DAB	Platinum Grey	-CB		
	970 521 901 21 DAC	Luxor beige	-UB, PK		
(4)	970 521 901 21	D - 25.01.2011>> Backrest cover Outer part with: heater D - MJ 2014>>		1	PR:XYV,XYW, 541,542,367, 368,379,380, 946,381
	970 521 901 21 DAA	Black	-AB		

Model: 970 10 Model life 2010>>2016

Pos	Part Number	Description	Remark	Qty	Model
(4)	970 521 901 21 GHB	agate grey	-DG	1	PR:367,541, 983,XYV
	970 521 901 21 DAC	Luxor beige	-UB,PK		
	970 521 901 07	Backrest cover Outer part			
		with: heater			
	970 521 901 07 DAF	Black	-AC		
	970 521 901 07 DAG	Platinum Grey	-CC,BB		
	970 521 901 07 DAH	Luxor beige	-UC,PL		
(4)	970 521 901 07 DAJ	yachting blue	-EC	1	PR:367,541, 983,XYW,379, 542,380,XYV
	970 521 901 07 DAL	Cream	-BC,BD,BE,DS, DT		
	970 521 901 07 DAK	Marsala Red D >> - 24.01.2011	-PC		
	970 521 901 22	Backrest cover Outer part			
		with: heater			
	970 521 901 22 DAF	Black	-AC		
	970 521 901 22 DAG	Platinum Grey	-CC,BB		
(4)	970 521 901 22 DAH	Luxor beige	-UC,PL	1	PR:367,541, 983,XYW,379, 542,380,XYV
	970 521 901 22 DAJ	yachting blue	-EC		
	970 521 901 22 DAL	Cream	-BC,BD,BE,DS, DT		
	970 521 901 22 DAK	Marsala Red D - 25.01.2011>>	-PC		
	970 521 901 22	Backrest cover Outer part			
		with: heater			
	970 521 901 22 DAF	Black	-AC		
(4)	970 521 901 22 DAF	Black	-AC	1	PR:367,541, 983,XYW,379, 542,380,XYV, 381
	970 521 901 22 GHC	agate grey	-DL		
	970 521 901 22 DAH	Luxor beige	-UC,PL		
	970 521 901 22 DAL	Cream	-BC,BD,BE,DS, DT		
	970 521 901 22 DAK	Marsala Red	-PC		
	970 521 901 22 GLC	Carrera Red	-BF		
	970 521 901 22	Backrest cover Outer part			
(4)	970 521 901 22 DUE	saddle brown	-SB,DN	1	PR:367,379, 541,542,983, 998,XYV,XYW
	970 521 901 08	Backrest cover Outer part			
		with: heater			
	970 521 901 08 DAM	Espresso	-NA		
	970 521 901 08 DAN	Cognac	-NC		
	970 521 901 08 DAO	Cedar	-BN		
	970 521 901 23	Backrest cover Outer part			
(4)	970 521 901 23	Backrest cover Outer part		1	PR:367,379, 541,542,983, 998,XYV,380, XYW
		with: heater			
	970 521 901 23 DAM	Espresso	-NA		
	970 521 901 23 DAN	Cognac	-NC		
	970 521 901 23 DAO	Cedar	-BN		
	970 521 901 23	Backrest cover			
	970 521 901 23	Backrest cover			

Model: 970 10 Model life 2010>>2016

Pos	Part Number	Description	Remark	Qty	Model
		Outer part with: heater D - MJ 2014>>			541,542,983, 998,XYV,380, XYW,381
(4)	970 521 901 23 DAM	Espresso	-NA		
	970 521 901 23 DAN	Cognac	-NC		
	970 521 901 23 DAO	Cedar	-BN		
(4)	970 521 901 09	Backrest cover Outer part with heating		1	PR:342,343, 367,379,946, 947,XYV
	970 521 901 09 DAA	Black	-AB		
	970 521 901 09 DAB	Platinum Grey	-CB		
	970 521 901 09 DAC	Luxor beige	-UB		
(4)	970 521 901 24	D >> - 24.01.2011 Backrest cover Outer part with heating		1	PR:342,343, 367,379,946, 947,XYV,XYW
	970 521 901 24 DAA	D >> - MJ 2013 Black	-AB		
	970 521 901 24 DAB	Platinum Grey	-CB		
	970 521 901 24 DAC	Luxor beige	-UB,PK		
(4)	970 521 901 24	D - 25.01.2011>> Backrest cover Outer part with heating		1	PR:342,343, 367,379,381, 946,947,XYV, XYW
	970 521 901 24 DAA	Black	-AB		
	970 521 901 24 GHB	agate grey	-DG		
	970 521 901 24 DAC	Luxor beige	-UB,PK		
(4)	970 521 901 11	Backrest cover Outer part with heating		1	PR:342,343, 367,379,982, 983,XYV,XYW, 380
	970 521 901 11 DAF	Black	-AC		
	970 521 901 11 DAG	Platinum Grey	-CC,BB		
	970 521 901 11 DAH	Luxor beige	-UC		
	970 521 901 11 DAJ	yachting blue	-EC		
	970 521 901 11 DAL	Cream	-BC,BD,BE		
	970 521 901 11 DAK	Marsala Red	-PC		
(4)	970 521 901 26	D >> - 24.01.2011 Backrest cover Outer part with heating		1	PR:342,343, 367,379,982, 983,XYV,XYW, 380
	970 521 901 26 DAF	D >> - MJ 2013 Black	-AC		
	970 521 901 26 DAG	Platinum Grey	-CC,BB		
	970 521 901 26 DAH	Luxor beige	-UC,PL		
	970 521 901 26 DAJ	yachting blue	-EC		
	970 521 901 26 DAL	Cream	-BC,BD,BE,DS, DT		
	970 521 901 26 DAK	Marsala Red	-PC		
(4)	970 521 901 26	D - 25.01.2011>> Backrest cover Outer part with heating		1	PR:342,343, 367,379,380, 382,982,983, XYV,XYW,383
	970 521 901 26 DAF	D - MJ 2014>> Black	-AC		
	970 521 901 26 GHC	agate grey	-DL		
	970 521 901 26 DAH	Luxor beige	-UC,PL		
	970 521 901 26 DAL	Cream	-BC,BD,BE,DS, DT		
	970 521 901 26 DAK	Marsala Red	-PC		
	970 521 901 26 GLC	Carrera Red	-BF		

Model: 970 10 Model life 2010>>2016

Pos	Part Number	Description	Remark	Qty	Model
(4)	970 521 901 26	Backrest cover Outer part with heating D - MJ 2015>>		1	PR:342,343, 367,379,380, 382,982,983, XYV,XYW,383
	970 521 901 26 DUE	saddle brown	-SB, DN		
(4)	970 521 901 13	Backrest cover Outer part with heating		1	PR:342,343, 379,983,998, XYV,XYW,380
	970 521 901 13 DAM	Espresso	-NA		
	970 521 901 13 DAN	Cognac	-NC		
	970 521 901 13 DAO	Cedar	-BN		
		D >> - 24.01.2011			
(4)	970 521 901 28	Backrest cover Outer part with heating D >> - MJ 2013		1	PR:342,343, 367,368,379, 380,983,998, XYV,XYW
	970 521 901 28 DAM	Espresso	-NA		
	970 521 901 28 DAN	Cognac	-NC		
	970 521 901 28 DAO	Cedar	-BN		
		D - 25.01.2011>>			
(4)	970 521 901 28	Backrest cover Outer part with heating D - MJ 2014>>		1	PR:342,343, 367,368,379, 381,983,998, XYV,XYW,380
	970 521 901 28 DAM	Espresso	-NA		
	970 521 901 28 DAN	Cognac	-NC		
	970 521 901 28 DAO	Cedar	-BN		
5	970 521 151 06	Backrest cover Centre part with heating		1	PR:381,376, 368,379,380, 946,342,343, -541,-542
	970 521 151 06 DAA	Black	-AB		
	970 521 151 06 DAB	Platinum Grey	-CB		
		D >> - MJ 2013			
	970 521 151 06 GHB	agate grey	-DG		
		D - MJ 2014>>			
	970 521 151 06 DAC	Luxor beige	-UB, PK		
(5)	970 521 151 08	Backrest cover Centre part with heating		1	PR:342,343, 367,368,379, 380,983,998
	970 521 151 08 DAM	Espresso	-NA		
	970 521 151 08 DAN	Cognac	-NC		
	970 521 151 08 DAO	Cedar	-BN		
(5)	970 521 151 10	Backrest cover Centre part with heating		1	PR:342,343, 367,368,379, 380,947
	970 521 151 10 DAA	Black	-AB		
	970 521 151 10 DAB	Platinum Grey	-CB		
		D >> - MJ 2013			
	970 521 151 10 GHB	agate grey	-DG		
		D - MJ 2014>>			
	970 521 151 10 DAC	Luxor beige	-UB, PK		
(5)	970 521 151 11	Backrest cover Centre part with heating		1	PR:342,343, 367,368,379, 380,982,998
	970 521 151 11 DAM	Espresso	-NA		
	970 521 151 11 DAN	Cognac	-NC		
	970 521 151 11 DAO	Cedar	-BN		
(5)	970 521 151 12	Backrest cover Centre part Vented		1	PR:367,368, 379,380,541, 542,946
	970 521 151 12 DAA	Black	-AB		
	970 521 151 12 DAB	Platinum Grey	-CB		

Model: 970 10 Model life 2010>>2016

Pos	Part Number	Description	Remark	Qty	Model
	970 521 151 12 DAC	Luxor beige D >> - 05.07.2013	-UB		
(5)	970 521 151 29	Backrest cover Centre part Vented		1	PR:367,368, 379,380,541, 542,946,381
	970 521 151 29 DAA	Black	-AB		
	970 521 151 29 GHB	agate grey	-DG		
	970 521 151 29 DAC	Luxor beige D - 06.07.2013>>	-UB,PK		
(5)	970 521 151 13	Backrest cover Centre part with: heater		1	PR:367,368, 379,380,541, 542,983,998
	970 521 151 13 DAM	Espresso	-NA		
	970 521 151 13 DAN	Cognac	-NC		
	970 521 151 13 DAO	Cedar	-BN		
(5)	970 521 151 17	Backrest cover Centre part with heating		1	PR:367,368, 379,380,983, 342,343,381
	970 521 151 17 DAF	Black	-AC		
	970 521 151 17 DAG	Platinum Grey D >> - MJ 2013	-CC,BB		
	970 521 151 17 GHC	agate grey D - MJ 2014>>	-DL		
	970 521 151 17 DAH	Luxor beige	-UC,PL		
	970 521 151 17 DAJ	yachting blue D >> - MJ 2013	-EC		
	970 521 151 17 DAL	Cream	-BC,BD,BE,DS, DT		
	970 521 151 17 DAK	Marsala Red D - MJ 2011>>	-PC		
	970 521 151 17 GLC	Carrera Red D - MJ 2014>>	-BF		
	970 521 151 17 DUE	saddle brown D - MJ 2015>>	-SB,DN		
(5)	970 521 151 19	Backrest cover Centre part with heating		1	PR:367,368, 379,380,982, 342,343
	970 521 151 19 DAF	Black	-AC		
	970 521 151 19 DAG	Platinum Grey D >> - MJ 2013	-CC,BB		
	970 521 151 19 GHC	agate grey D - MJ 2014>>	-DL		
	970 521 151 19 DAH	Luxor beige	-UC,PL		
	970 521 151 19 DAJ	yachting blue D >> - MJ 2013	-EC		
	970 521 151 19 DAL	Cream	-BC,BD,BE,DS, DT		
	970 521 151 19 DAK	Marsala Red D - MJ 2011>>	-PC		
	970 521 151 19 GLC	Carrera Red D - MJ 2014>>	-BF		
	970 521 151 19 DUE	saddle brown D - MJ 2015>>	-SB,DN		
(5)	970 521 151 20	Backrest cover Centre part Vented		1	PR:367,368, 379,380,983, 541,-998
	970 521 151 20 DAF	Black	-AC		
	970 521 151 20 DAG	Platinum Grey D >> - MJ 2013	-CC,BB		
	970 521 151 20 GHC	agate grey D - MJ 2014>>	-DL		
	970 521 151 20 DAH	Luxor beige	-UC,PL		

Model: 970 10 Model life 2010>>2016

Pos	Part Number	Description	Remark	Qty	Model
	970 521 151 20 DAJ	yachting blue D >> - MJ 2013	-EC		
	970 521 151 20 DAL	Cream	-BC, BD, BE, DS, DT		
	970 521 151 20 DAK	Marsala Red D - MJ 2011>>	-PC		
	970 521 151 20 GLC	Carrera Red D >> - 05.07.2013 D - MJ 2014>>	-BF		
(5)	970 521 151 33	Backrest cover Centre part Vented with: heater		1	PR:367,368, 379,380,983, 541,542,381
	970 521 151 33 DAF	Black	-AC		
	970 521 151 33 DAG	Platinum Grey D >> - MJ 2013 No longer use the part here	-CC, BB		
	970 521 151 33 GHC	agate grey D - MJ 2014>>	-DL		
	970 521 151 33 DAH	Luxor beige	-UC, PL		
	970 521 151 33 DAJ	yachting blue D >> - MJ 2013 No longer use the part here	-EC		
	970 521 151 33 DAL	Cream	-BC, BD, BE, DS, DT		
	970 521 151 33 DAK	Marsala Red D - MJ 2011>>	-PC		
	970 521 151 33 GLC	Carrera Red D - MJ 2014>>	-BF		
	970 521 151 33 DUE	saddle brown D - MJ 2015>>	-SB, DN		
(5)	970 521 151 34	Backrest cover Centre part D - MJ 2016>>		1	PR:020,379, 381,542,983, 998
	970 521 151 34 PFA	Toffee Brown	-PF		
(5)	970 521 151 32	Cover for backrest		1	PR-382,383, 367,368,379, 380,983,342, 343,-541, -542,-998
	970 521 151 32 DAF	Black	-AC		
	970 521 151 32 DAK	Marsala Red	-PC		
	970 521 151 32 DAL	Cream	-BC, BE, DS, DT		
	970 521 151 32 DUE	saddle brown	-SB, DN		
	970 521 151 32 GHC	agate grey	-DL		
	970 521 151 32 GLC	Carrera Red	-BF		
6	970 521 161 09	Seat cover with heating D >> - MJ 2010	left	1	PR:367,342, 343,946
	970 521 161 09 DAA	Black	-AB		
	970 521 161 09 DAB	Platinum Grey	-CB		
	970 521 161 09 DAC	Luxor beige	-UB		
(6)	970 521 161 45	Seat cover with heating D - MJ 2011>>	left	1	PR:367,342, 343,946, -541,-542
	970 521 161 45 DAA	Black	-AB		
	970 521 161 45 DAB	Platinum Grey D >> - MJ 2013	-CB		
	970 521 161 45 GHB	agate grey D - MJ 2014>>	-DG		
	970 521 161 45 DAC	Luxor beige	-UB, PK		
(6)	970 521 161 40	Seat cover	left	1	PR:367,983,

Model: 970 10 Model life 2010>>2016

Pos	Part Number	Description	Remark	Qty	Model
		without heating			998
	970 521 161 40 DAM	Espresso	-NA		
	970 521 161 40 DAN	Cognac	-NC		
	970 521 161 40 DAO	Cedar	-BN		
(6)	970 521 161 11	Seat cover with heating	left	1	PR:367,342, 343,983
		D >> - MJ 2010			
	970 521 161 11 DAF	Black	-AC		
	970 521 161 11 DAG	Platinum Grey	-CC, BB		
	970 521 161 11 DAH	Luxor beige	-UC		
	970 521 161 11 DAJ	yachting blue	-EC		
	970 521 161 11 DAL	Cream	-BC, BD, BE		
(6)	970 521 161 47	Seat cover with heating	left	1	PR:367,342, 343,983, -541,-542
		D - MJ 2011>>			
	970 521 161 47 DAF	Black	-AC		
	970 521 161 47 DAG	Platinum Grey	-CC, BB		
		D >> - MJ 2013			
	970 521 161 47 GHC	agate grey	-DL		
		D - MJ 2014>>			
	970 521 161 47 DAH	Luxor beige	-UC, PL		
	970 521 161 47 DAJ	yachting blue	-EC		
		D >> - MJ 2013			
	970 521 161 47 DAL	Cream	-BC, BD, BE, DS, DT		
	970 521 161 47 DAK	Marsala Red	-PC		
		D - MJ 2011>>			
	970 521 161 47 GLC	Carrera Red	-BF		
		D - MJ 2014>>			
	970 521 161 47 DUE	saddle brown	-SB, DN		
		D - MJ 2015>>			
(6)	970 521 161 42	Seat cover without heating	left	1	PR:367,982
		D >> - MJ 2013			
	970 521 161 42 DAF	Black	-AC		
	970 521 161 42 DAG	Platinum Grey	-CC, BB		
		D >> - MJ 2013			
	970 521 161 42 GHC	agate grey	-DL		
		D - MJ 2014>>			
	970 521 161 42 DAH	Luxor beige	-UC, PL		
	970 521 161 42 DAJ	yachting blue	-EC		
		D >> - MJ 2013			
	970 521 161 42 DAL	Cream	-BC, BD, BE, DS, DT		
	970 521 161 42 DAK	Marsala Red	-PC		
		D - MJ 2011>>			
	970 521 161 42 GLC	Carrera Red	-BF		
		D - MJ 2014>>			
	970 521 161 42 DUE	saddle brown	-SB, DN		
		D - MJ 2015>>			
(6)	970 521 161 13	Seat cover with heating	left	1	PR:367,342, 983,998,343, -541,-542
		D >> - MJ 2010			
	970 521 161 13 DAM	Espresso	-NA		
	970 521 161 13 DAN	Cognac	-NC		
	970 521 161 13 DAO	Cedar	-BN		
(6)	970 521 161 49	Seat cover with heating	left	1	PR:367,342, 983,998,343, -541,-542
		D - MJ 2011>>			
	970 521 161 49 DAM	Espresso	-NA		
	970 521 161 49 DAN	Cognac	-NC		
	970 521 161 49 DAO	Cedar	-BN		
(6)	970 521 161 15	Seat cover	left	1	PR:342,343, 367,982
		D >> - MJ 2010			

Model: 970 10 Model life 2010>>2016

Pos	Part Number	Description	Remark	Qty	Model
	970 521 161 15 DAF	Black	-AC		
	970 521 161 15 DAG	Platinum Grey	-CC, BB		
	970 521 161 15 DAH	Luxor beige	-UC		
	970 521 161 15 DAJ	yachting blue	-EC		
	970 521 161 15 DAL	Cream	-BC, BD, BE		
(6)	970 521 161 51	Seat cover with heating D - MJ 2011>>	left	1	PR: 342, 343, 367, 982
	970 521 161 51 DAF	Black	-AC		
	970 521 161 51 DAG	Platinum Grey D >> - MJ 2013	-CC, BB		
	970 521 161 51 GHC	agate grey D - MJ 2014>>	-DL		
	970 521 161 51 DAH	Luxor beige	-UC, PL		
	970 521 161 51 DAJ	yachting blue D >> - MJ 2013	-EC		
	970 521 161 51 DAL	Cream	-BC, BD, BE, DS, DT		
	970 521 161 51 DAK	Marsala Red D - MJ 2011>>	-PC		
	970 521 161 51 GLC	Carrera Red D - MJ 2014>>	-BF		
	970 521 161 51 DUE	saddle brown D - MJ 2015>>	-SB, DN		
(6)	970 521 161 16	Seat cover with heating D >> - MJ 2010	left	1	PR: 342, 343, 367, 982, 998
	970 521 161 16 DAM	Espresso	-NA		
	970 521 161 16 DAN	Cognac	-NC		
	970 521 161 16 DAO	Cedar	-BN		
(6)	970 521 161 52	Seat cover with heating D - MJ 2011>>	left	1	PR: 342, 343, 367, 982, 998
	970 521 161 52 DAM	Espresso	-NA		
	970 521 161 52 DAN	Cognac	-NC		
	970 521 161 52 DAO	Cedar	-BN		
(6)	970 521 161 17	Seat cover with heating D >> - MJ 2010	left	1	PR: 342, 343, 367, 947
	970 521 161 17 DAA	Black	-AB		
	970 521 161 17 DAB	Platinum Grey	-CB		
	970 521 161 17 DAC	Luxor beige	-UB		
(6)	970 521 161 53	Seat cover with heating D - MJ 2011>>	left	1	PR: 342, 343, 367, 947
	970 521 161 53 DAA	Black	-AB		
	970 521 161 53 DAB	Platinum Grey D >> - MJ 2013	-CB		
	970 521 161 53 GHB	agate grey D - MJ 2014>>	-DG		
	970 521 161 53 DAC	Luxor beige	-UB, PK		
(6)	970 521 161 44	Seat cover without heating	left	1	PR: 367, 947
	970 521 161 44 DAA	Black	-AB		
	970 521 161 44 DAB	Platinum Grey D >> - MJ 2013	-CB		
	970 521 161 44 GHB	agate grey D - MJ 2014>>	-DG		
	970 521 161 44 DAC	Luxor beige	-UB, PK		
(6)	970 521 161 18	Seat cover with: heater D >> - MJ 2010	left	1	PR: 541, 542, 367, 946

Model: 970 10 Model life 2010>>2016

Pos	Part Number	Description	Remark	Qty	Model	
(6)	970 521 161 18 DAA	Black	-AB	1	PR:541,542, 367,946	
	970 521 161 18 DAB	Platinum Grey	-CB			
	970 521 161 18 DAC	Luxor beige	-UB			
	970 521 161 54	Seat cover	left			
		with:				
		heater				
		D - MJ 2011>>				
	970 521 161 54 DAA	Black	-AB	1	PR:541,542, 367,983,-998	
	970 521 161 54 DAB	Platinum Grey	-CB			
		D >> - MJ 2013				
	970 521 161 54 GHB	agate grey	-DG			
		D - MJ 2014>>				
(6)	970 521 161 54 DAC	Luxor beige	-UB,PK	1	PR:541,542, 367,983,-998	
	970 521 161 19	Seat cover	left			
		with:				
		heater				
		D >> - MJ 2010				
(6)	970 521 161 19 DAF	Black	-AC	1	PR:541,542, 367,983,-998	
	970 521 161 19 DAG	Platinum Grey	-CC,BB			
	970 521 161 19 DAH	Luxor beige	-UC			
	970 521 161 19 DAJ	yachting blue	-EC			
	970 521 161 19 DAL	Cream	-BC,BD,BE			
	970 521 161 55	Seat cover	left			
			with:			
			heater			
			D - MJ 2011>>			
		970 521 161 55 DAF	Black			-AC
	970 521 161 55 DAG	Platinum Grey	-CC,BB			
		D >> - MJ 2013				
	970 521 161 55 GHC	agate grey	-DL			
		D - MJ 2014>>				
	970 521 161 55 DAH	Luxor beige	-UC,PL			
	970 521 161 55 DAJ	yachting blue	-EC			
		D >> - MJ 2013				
	970 521 161 55 DAL	Cream	-BC,BD,BE,DS, DT			
	970 521 161 55 DAK	Marsala Red	-PC			
		D - MJ 2011>>				
	970 521 161 55 GLC	Carrera Red	-BF			
		D - MJ 2014>>				
	970 521 161 55 DUE	saddle brown	-SB,DN			
		D - MJ 2015>>				
(6)	970 521 161 20	Seat cover	left	1	PR:541,542, 367,983,998	
			with:			
		heater				
		D >> - MJ 2010				
(6)	970 521 161 20 DAM	Espresso	-NA	1	PR:541,542, 367,983,998	
	970 521 161 20 DAN	Cognac	-NC			
	970 521 161 20 DAO	Cedar	-BN			
	970 521 161 56	Seat cover	left			
		with:				
		heater				
		D - MJ 2011>>				
(6)	970 521 161 56 DAM	Espresso	-NA	1	PR:379,381, 946	
	970 521 161 56 DAN	Cognac	-NC			
	970 521 161 56 DAO	Cedar	-BN			
	970 521 161 57	Seat cover	left			
		without heating				
		D - MJ 2011>>				
	970 521 161 57 DAA	Black	-AB	1	PR:379,381, 946	
	970 521 161 57 DAB	Platinum Grey	-CB			
		D >> - MJ 2013				
	970 521 161 57 GHB	agate grey	-DG			

Model: 970 10 Model life 2010>>2016

Pos	Part Number	Description	Remark	Qty	Model
(6)	970 521 161 57 DAC	D - MJ 2014>> Luxor beige	-UB,PK	1	PR:342,343, 379,946
	970 521 161 27	Seat cover with heating	left		
		D >> - MJ 2010			
(6)	970 521 161 27 DAA	Black	-AB	1	PR:342,343, 379,381,946
	970 521 161 27 DAB	Platinum Grey	-CB		
	970 521 161 27 DAC	Luxor beige	-UB		
(6)	970 521 161 63	Seat cover with heating	left	1	PR:342,343, 379,983
		D - MJ 2011>>			
	970 521 161 63 DAA	Black	-AB		
(6)	970 521 161 63 DAB	Platinum Grey	-CB	1	PR:342,343, 379,983
		D >> - MJ 2013			
	970 521 161 63 GHB	agate grey	-DG		
(6)	970 521 161 63 DAC	D - MJ 2014>> Luxor beige	-UB,PK	1	PR:342,343, 379,983
	970 521 161 28	Seat cover with heating	left		
		D >> - MJ 2010			
(6)	970 521 161 28 DAF	Black	-AC	1	PR:381,379, 983,-998, 342,343, -541,-542
	970 521 161 28 DAG	Platinum Grey	-CC,BB		
	970 521 161 28 DAH	Luxor beige	-UC		
(6)	970 521 161 28 DAJ	yachting blue	-EC	1	PR:381,379, 983,-998, 342,343, -541,-542
	970 521 161 28 DAL	Cream	-BC,BD,BE		
	970 521 161 64	Seat cover with heating	left		
(6)		D - MJ 2011>>		1	PR:381,379, 983,-998, 342,343, -541,-542
	970 521 161 64 DAF	Black	-AC		
	970 521 161 64 DAG	Platinum Grey	-CC,BB		
(6)		D >> - MJ 2013		1	PR:381,379, 983,-998, 342,343, -541,-542
	970 521 161 64 GHC	agate grey	-DL		
	970 521 161 64 DAH	D - MJ 2014>> Luxor beige	-UC,PL		
(6)	970 521 161 64 DAJ	yachting blue	-EC	1	PR:381,379, 983,-998, 342,343, -541,-542
		D >> - MJ 2013			
	970 521 161 64 DAL	Cream	-BC,BD,BE,DS, DT		
(6)	970 521 161 64 DAK	Marsala Red	-PC	1	PR:381,379, 983,-998, 342,343, -541,-542
		D - MJ 2011>>			
	970 521 161 64 GLC	Carrera Red	-BF		
(6)		D - MJ 2014>>		1	PR:381,379, 983,-998, 342,343, -541,-542
	970 521 161 64 DUE	saddle brown	-SB,DN		
		D - MJ 2015>>			
(6)	970 521 161 29	Seat cover with heating	left	1	PR:342,343, 379,983,998
		D >> - MJ 2010			
	970 521 161 29 DAM	Espresso	-NA		
(6)	970 521 161 29 DAN	Cognac	-NC	1	PR:342,343, 379,983,998
	970 521 161 29 DAO	Cedar	-BN		
	970 521 161 65	Seat cover with heating	left		
(6)		D - MJ 2011>>		1	PR:342,343, 379,982
	970 521 161 65 DAM	Espresso	-NA		
	970 521 161 65 DAN	Cognac	-NC		
(6)	970 521 161 65 DAO	Cedar	-BN	1	PR:342,343, 379,982
	970 521 161 30	Seat cover with heating	left		
		D >> - MJ 2010			
(6)	970 521 161 30 DAF	Black	-AC	1	PR:342,343, 379,982
	970 521 161 30 DAG	Platinum Grey	-CC,BB		
	970 521 161 30 DAH	Luxor beige	-UC		

Model: 970 10 Model life 2010>>2016

Pos	Part Number	Description	Remark	Qty	Model
(6)	970 521 161 30 DAJ	yachting blue	-EC	1	PR:342,343, 379,982
	970 521 161 30 DAL	Cream	-BC,BD,BE		
	970 521 161 66	Seat cover with heating D - MJ 2011>>	left		
	970 521 161 66 DAF	Black	-AC		
	970 521 161 66 DAG	Platinum Grey	-CC,BB		
		D >> - MJ 2013			
	970 521 161 66 GHC	agate grey	-DL		
		D - MJ 2014>>			
	970 521 161 66 DAH	Luxor beige	-UC,PL		
	970 521 161 66 DAJ	yachting blue	-EC		
		D >> - MJ 2013			
	970 521 161 66 DAL	Cream	-BC,BD,BE,DS, DT		
	970 521 161 66 DAK	Marsala Red	-PC		
	D - MJ 2011>>				
970 521 161 66 GLC	Carrera Red	-BF			
	D - MJ 2014>>				
970 521 161 66 DUE	saddle brown	-SB,DN			
	D - MJ 2015>>				
(6)	970 521 161 31	Seat cover with heating D >> - MJ 2010	left	1	PR:342,343, 379,982,998
	970 521 161 31 DAM	Espresso	-NA		
	970 521 161 31 DAN	Cognac	-NC		
(6)	970 521 161 31 DAO	Cedar	-BN	1	PR:342,343, 379,982,998
	970 521 161 67	Seat cover with heating D - MJ 2011>>	left		
	970 521 161 67 DAM	Espresso	-NA		
	970 521 161 67 DAN	Cognac	-NC		
	970 521 161 67 DAO	Cedar	-BN		
(6)	970 521 161 43	Seat cover without heating	left	1	PR:367,982, 998
	970 521 161 43 DAM	Espresso	-NA		
	970 521 161 43 DAN	Cognac	-NC		
	970 521 161 43 DAO	Cedar	-BN		
(6)	970 521 161 59	Seat cover without heating	left	1	PR:379,983, 998
	970 521 161 59 DAM	Espresso	-NA		
	970 521 161 59 DAN	Cognac	-NC		
	970 521 161 59 DAO	Cedar	-BN		
(6)	970 521 161 61	Seat cover without heating	left	1	PR:379,982, 998
	970 521 161 61 DAM	Espresso	-NA		
	970 521 161 61 DAN	Cognac	-NC		
	970 521 161 61 DAO	Cedar	-BN		
(6)	970 521 161 32	Seat cover with heating D >> - MJ 2010	left	1	PR:342,343, 379,947
	970 521 161 32 DAA	Black	-AB		
	970 521 161 32 DAB	Platinum Grey	-CB		
	970 521 161 32 DAC	Luxor beige	-UB		
(6)	970 521 161 62	Seat cover without heating	left	1	PR:379,947
	970 521 161 62 DAA	Black	-AB		
	970 521 161 62 DAB	Platinum Grey	-CB		
		D >> - MJ 2013			
	970 521 161 62 GHB	agate grey	-DG		
		D - MJ 2014>>			
	970 521 161 62 DAC	Luxor beige	-UB,PK		
(6)	970 521 161 33	Seat cover	left	1	PR:379,541,

Model: 970 10 Model life 2010>>2016

Pos	Part Number	Description	Remark	Qty	Model
		with: heater D >> - MJ 2010			542,946
	970 521 161 33 DAA	Black	-AB		
	970 521 161 33 DAB	Platinum Grey	-CB		
	970 521 161 33 DAC	Luxor beige	-UB		
(6)	970 521 161 69	Seat cover	left	1	PR:379,541,542,946
		with: heater D - MJ 2011>>			
	970 521 161 69 DAA	Black	-AB		
	970 521 161 69 DAB	Platinum Grey	-CB		
		D >> - MJ 2013			
	970 521 161 69 GHB	agate grey	-DG		
		D - MJ 2014>>			
(6)	970 521 161 69 DAC	Luxor beige	-UB,PK		
	970 521 161 34	Seat cover	left	1	PR:379,541,542,983
		with: heater D >> - MJ 2010			
	970 521 161 34 DAF	Black	-AC		
	970 521 161 34 DAG	Platinum Grey	-CC,BB		
	970 521 161 34 DAH	Luxor beige	-UC		
	970 521 161 34 DAJ	yachting blue	-EC		
	970 521 161 34 DAL	Cream	-BC,BD,BE		
(6)	970 521 161 70	Seat cover	left	1	PR:379,983,-998,541,542
		with: heater D - MJ 2011>>			
	970 521 161 70 DAF	Black	-AC		
	970 521 161 70 DAG	Platinum Grey	-CC,BB		
		D >> - MJ 2013			
	970 521 161 70 GHC	agate grey	-DL		
		D - MJ 2014>>			
	970 521 161 70 DAH	Luxor beige	-UC,PL		
	970 521 161 70 DAJ	yachting blue	-EC		
		D >> - MJ 2013			
	970 521 161 70 DAL	Cream	-BC,BD,BE,DS,DT		
	970 521 161 70 DAK	Marsala Red	-PC		
		D - MJ 2011>>			
	970 521 161 70 GLC	Carrera Red	-BF		
		D - MJ 2014>>			
	970 521 161 70 DUE	saddle brown	-SB,DN		
		D - MJ 2015>>			
(6)	970 521 161 89	Seat cover	left	1	PR:379,383,541,983,-998,542,382
		with: heater D - MJ 2014>>			
	970 521 161 89 DAF	Black	-AC		
	970 521 161 89 GHC	agate grey	-DL		
	970 521 161 89 DAH	Luxor beige	-UC,PL		
	970 521 161 89 DAL	Cream	-BC,BD,BE,DS,DT		
	970 521 161 89 DAK	Marsala Red	-PC		
	970 521 161 89 GLC	Carrera Red	-BF		
(6)	970 521 161 60	Seat cover	left	1	PR:379,982
		without heating			
	970 521 161 60 DAF	Black	-AC		
	970 521 161 60 DAG	Platinum Grey	-CC,BB		
		D >> - MJ 2013			
	970 521 161 60 GHC	agate grey	-DL		
		D - MJ 2014>>			

Model: 970 10 Model life 2010>>2016

Pos	Part Number	Description	Remark	Qty	Model
	970 521 161 60 DAH	Luxor beige	-UC,PL		
	970 521 161 60 DAJ	yachting blue	-EC		
		D >> - MJ 2013			
	970 521 161 60 DAL	Cream	-BC,BD,BE,DS, DT		
	970 521 161 60 DAK	Marsala Red	-PC		
		D - MJ 2011>>			
	970 521 161 60 GLC	Carrera Red	-BF		
		D - MJ 2014>>			
	970 521 161 60 DUE	saddle brown	-SB, DN		
		D - MJ 2015>>			
(6)	970 521 161 35	Seat cover	left	1	PR:379,541, 542,983,998
		with:			
		heater			
		D >> - MJ 2010			
	970 521 161 35 DAM	Espresso	-NA		
	970 521 161 35 DAN	Cognac	-NC		
	970 521 161 35 DAO	Cedar	-BN		
(6)	970 521 161 71	Seat cover	left	1	PR:379,541, 542,983,998
		with:			
		heater			
		D - MJ 2011>>			
	970 521 161 71 DAM	Espresso	-NA		
	970 521 161 71 DAN	Cognac	-NC		
	970 521 161 71 DAO	Cedar	-BN		
(6)	970 521 161 36	Seat cover	left	1	PR:367,946, -342,-343, -541,-542
		without heating			
	970 521 161 36 DAA	Black	-AB		
	970 521 161 36 DAB	Luxor beige/platinum grey	-CB		
		D >> - MJ 2013			
	970 521 161 36 GHB	Luxor beige/agate grey	-DG		
		D - MJ 2014>>			
	970 521 161 36 DAC	Luxor beige	-UB,PK		
(6)	970 521 161 38	Seat cover	left	1	PR:367,381, 983,-998, -342,-343, -541,-542
		without heating			
		D - MJ 2011>>			
	970 521 161 38 DAF	Black	-AC		
	970 521 161 38 DAG	Platinum Grey	-CC, BB		
		D >> - MJ 2013			
	970 521 161 38 GHC	agate grey	-DL		
		D - MJ 2014>>			
	970 521 161 38 DAH	Luxor beige	-UC, PL		
	970 521 161 38 DAJ	yachting blue	-EC		
		D >> - MJ 2013			
	970 521 161 38 DAL	Cream	-BC,BD,BE,DS, DT		
	970 521 161 38 DAK	Marsala Red	-PC		
		D - MJ 2011>>			
	970 521 161 38 GLC	Carrera Red	-BF		
		D - MJ 2014>>			
	970 521 161 38 DUE	saddle brown	-SB, DN		
		D - MJ 2015>>			
(6)	970 521 161 58	Seat cover	left	1	PR:381,379, 983,-998, -342,-343, -541,-542
		without heating			
	970 521 161 58 DAF	Black	-AC		
	970 521 161 58 DAG	Platinum Grey	-CC, BB		
		D >> - MJ 2013			
	970 521 161 58 GHC	agate grey	-DL		
		D - MJ 2014>>			

Model: 970 10 Model life 2010>>2016

Pos	Part Number	Description	Remark	Qty	Model
	970 521 161 58 DAH	Luxor beige	-UC,PL		
	970 521 161 58 DAJ	yachting blue	-EC		
	970 521 161 58 DAL	D >> - MJ 2013 Cream	-BC,BD,BE,DS, DT		
	970 521 161 58 DAK	Marsala Red	-PC		
	970 521 161 58 GLC	Carrera Red	-BF		
	970 521 161 58 DUE	D - MJ 2014>> saddle brown	-SB, DN		
(6)	970 521 161 86	D - MJ 2015>> Seat cover with heating	left	1	PR:342,343, 380,983,383, 382,-998, -541,-542
	970 521 161 86 DAF	Black	-AC		
	970 521 161 86 GHC	agate grey	-DL		
	970 521 161 86 DAH	Luxor beige	-UC,PL		
	970 521 161 86 DAK	Marsala Red	-PC		
	970 521 161 86 DAL	Cream	-BC,BD,BE,DS, DT		
	970 521 161 86 GLC	Carrera Red	-BF		
	970 521 161 86 DUE	saddle brown	-SB, DN		
(6)	970 521 161 88	D - MJ 2015>> Seat cover	left	1	PR-382,383, 379,946,541, 542
	970 521 161 88 DAC	Luxor beige	-UB		
	970 521 161 88 DAA	Black	-AB		
	970 521 161 88 GHB	agate grey	-DG		
(6)	970 521 162 09	Seat cover with heating	right	1	PR:368,342, 343,946
	D >> - MJ 2010				
	970 521 162 09 DAA	Black	-AB		
	970 521 162 09 DAB	Platinum Grey	-CB		
	970 521 162 09 DAC	Luxor beige	-UB		
(6)	970 521 162 45	Seat cover with heating	right	1	PR:368,342, 343,946, -541,-542
	D - MJ 2011>>				
	970 521 162 45 DAA	Black	-AB		
	970 521 162 45 DAB	Platinum Grey	-CB		
	D >> - MJ 2013				
	970 521 162 45 GHB	agate grey	-DG		
	D - MJ 2014>>				
(6)	970 521 162 45 DAC	Luxor beige	-UB,PK		
	970 521 162 36	Seat cover without heating	right	1	PR:368,946, -342,-343, -541,-542
	970 521 162 36 DAA	Black	-AB		
	970 521 162 36 DAB	Luxor beige/platinum grey	-CB		
	970 521 162 36 DAC	Luxor beige	-UB		
(6)	970 521 162 11	Seat cover with heating	right	1	PR:368,342, 343,983
	D >> - MJ 2010				
	970 521 162 11 DAF	Black	-AC		
	970 521 162 11 DAG	Platinum Grey	-CC,BB		
	970 521 162 11 DAH	Luxor beige	-UC		
	970 521 162 11 DAJ	yachting blue	-EC		
	970 521 162 11 DAL	Cream	-BC,BD,BE		
(6)	970 521 162 47	Seat cover with heating	right	1	PR:368,342, 343,381,983, -541,-542
	D - MJ 2011>>				
	970 521 162 47 DAF	Black	-AC		
	970 521 162 47 DAG	Platinum Grey	-CC,BB		

Model: 970 10 Model life 2010>>2016

Pos	Part Number	Description	Remark	Qty	Model
		D >> - MJ 2013			
	970 521 162 47 GHC	agate grey	-DL		
		D - MJ 2014>>			
	970 521 162 47 DAH	Luxor beige	-UC,PL		
	970 521 162 47 DAJ	yachting blue	-EC		
		D >> - MJ 2013			
	970 521 162 47 DAL	Cream	-BC,BD,BE,DS,DT		
	970 521 162 47 DAK	Marsala Red	-PC		
		D - MJ 2011>>			
	970 521 162 47 GLC	Carrera Red	-BF		
		D - MJ 2014>>			
	970 521 162 47 DUE	saddle brown	-SB, DN		
		D - MJ 2015>>			
(6)	970 521 162 42	Seat cover without heating	right	1	PR:368,982
	970 521 162 42 DAF	Black	-AC		
	970 521 162 42 DAG	Platinum Grey	-CC,BB		
		D >> - MJ 2013			
	970 521 162 42 GHC	agate grey	-DL		
		D - MJ 2014>>			
	970 521 162 42 DAH	Luxor beige	-UC,PL		
	970 521 162 42 DAJ	yachting blue	-EC		
		D >> - MJ 2013			
	970 521 162 42 DAL	Cream	-BC,BD,BE,DS,DT		
	970 521 162 42 DAK	Marsala Red	-PC		
		D - MJ 2011>>			
	970 521 162 42 GLC	Carrera Red	-BF		
		D - MJ 2014>>			
	970 521 162 42 DUE	saddle brown	-SB, DN		
		D - MJ 2015>>			
(6)	970 521 162 60	Seat cover without heating	right	1	PR:380,982
	970 521 162 60 DAF	Black	-AC		
	970 521 162 60 DAG	Platinum Grey	-CC,BB		
		D >> - MJ 2013			
	970 521 162 60 GHC	agate grey	-DL		
		D - MJ 2014>>			
	970 521 162 60 DAH	Luxor beige	-UC,PL		
	970 521 162 60 DAJ	yachting blue	-EC		
		D >> - MJ 2013			
	970 521 162 60 DAL	Cream	-BC,BD,BE,DS,DT		
	970 521 162 60 DAK	Marsala Red	-PC		
		D - MJ 2011>>			
	970 521 162 60 GLC	Carrera Red	-BF		
		D - MJ 2014>>			
	970 521 162 60 DUE	saddle brown	-SB, DN		
		D - MJ 2015>>			
(6)	970 521 162 13	Seat cover with heating	right	1	PR:368,342,343,983,998
		D >> - MJ 2010			
	970 521 162 13 DAM	Espresso	-NA		
	970 521 162 13 DAN	Cognac	-NC		
	970 521 162 13 DAO	Cedar	-BN		
(6)	970 521 162 40	Seat cover without heating	right	1	PR:368,983,998
	970 521 162 40 DAM	Espresso	-NA		
	970 521 162 40 DAN	Cognac	-NC		
	970 521 162 40 DAO	Cedar	-BN		
(6)	970 521 162 49	Seat cover with heating	right	1	PR:368,342,343,983,998

Model: 970 10 Model life 2010>>2016

Pos	Part Number	Description	Remark	Qty	Model
		D - MJ 2011>>			
	970 521 162 49 DAM	Espresso	-NA		
	970 521 162 49 DAN	Cognac	-NC		
	970 521 162 49 DAO	Cedar	-BN		
(6)	970 521 162 15	Seat cover with heating	right	1	PR:368,342, 343,982
		D >> - MJ 2010			
	970 521 162 15 DAF	Black	-AC		
	970 521 162 15 DAG	Platinum Grey	-CC,BB		
	970 521 162 15 DAH	Luxor beige	-UC		
	970 521 162 15 DAJ	yachting blue	-EC		
	970 521 162 15 DAL	Cream	-BC,BD,BE		
(6)	970 521 162 51	Seat cover with heating	right	1	PR:368,342, 343,982
		D - MJ 2011>>			
	970 521 162 51 DAF	Black	-AC		
	970 521 162 51 DAG	Platinum Grey	-CC,BB		
		D >> - MJ 2013			
	970 521 162 51 GHC	agate grey	-DL		
		D - MJ 2014>>			
	970 521 162 51 DAH	Luxor beige	-UC,PL		
	970 521 162 51 DAJ	yachting blue	-EC		
		D >> - MJ 2013			
	970 521 162 51 DAL	Cream	-BC,BD,BE,DS, DT		
	970 521 162 51 DAK	Marsala Red	-PC		
		D - MJ 2011>>			
	970 521 162 51 GLC	Carrera Red	-BF		
		D - MJ 2014>>			
	970 521 162 51 DUE	saddle brown	-SB,DN		
		D - MJ 2015>>			
(6)	970 521 162 16	Seat cover with heating	right	1	PR:368,342, 343,982,998
		D >> - MJ 2010			
	970 521 162 16 DAM	Espresso	-NA		
	970 521 162 16 DAN	Cognac	-NC		
	970 521 162 16 DAO	Cedar	-BN		
(6)	970 521 162 52	Seat cover with heating	right	1	PR:368,342, 343,982,998
		D - MJ 2011>>			
	970 521 162 52 DAM	Espresso	-NA		
	970 521 162 52 DAN	Cognac	-NC		
	970 521 162 52 DAO	Cedar	-BN		
(6)	970 521 162 43	Seat cover without heating	right	1	PR:368,982, 998
		D - MJ 2011>>			
	970 521 162 43 DAM	Espresso	-NA		
	970 521 162 43 DAN	Cognac	-NC		
	970 521 162 43 DAO	Cedar	-BN		
(6)	970 521 162 61	Seat cover without heating	right	1	PR:380,982, 998
		D - MJ 2011>>			
	970 521 162 61 DAM	Espresso	-NA		
	970 521 162 61 DAN	Cognac	-NC		
	970 521 162 61 DAO	Cedar	-BN		
(6)	970 521 162 17	Seat cover with heating	right	1	PR:368,342, 343,947
		D >> - MJ 2010			
	970 521 162 17 DAA	Black	-AB		
	970 521 162 17 DAB	Platinum Grey	-CB		
	970 521 162 17 DAC	Luxor beige	-UB		
(6)	970 521 162 53	Seat cover with heating	right	1	PR:368,342, 343,947
		D - MJ 2011>>			

Model: 970 10 Model life 2010>>2016

Pos	Part Number	Description	Remark	Qty	Model
	970 521 162 53 DAA	Black	-AB		
	970 521 162 53 DAB	Platinum Grey	-CB		
		D >> - MJ 2013			
	970 521 162 53 GHB	agate grey	-DG		
		D - MJ 2014>>			
(6)	970 521 162 53 DAC	Luxor beige	-UB,PK		
	970 521 162 44	Seat cover	right	1	PR:368,947
		without heating			
	970 521 162 44 DAA	Black	-AB		
	970 521 162 44 DAB	Platinum Grey	-CB		
		D >> - MJ 2013			
	970 521 162 44 GHB	agate grey	-DG		
		D - MJ 2014>>			
(6)	970 521 162 44 DAC	Luxor beige	-UB,PK		
	970 521 162 18	Seat cover	right	1	PR:368,541, 542,946
		with: heater			
		D >> - MJ 2010			
	970 521 162 18 DAA	Black	-AB		
	970 521 162 18 DAB	Platinum Grey	-CB		
	970 521 162 18 DAC	Luxor beige	-UB		
(6)	970 521 162 54	Seat cover	right	1	PR:368,541, 542,946
		with: heater			
		D - MJ 2011>>			
	970 521 162 54 DAA	Black	-AB		
	970 521 162 54 DAB	Platinum Grey	-CB		
		D >> - MJ 2013			
	970 521 162 54 GHB	agate grey	-DG		
		D - MJ 2014>>			
(6)	970 521 162 54 DAC	Luxor beige	-UB,PK		
	970 521 162 62	Seat cover	right	1	PR:380,947
		without heating			
	970 521 162 62 DAA	Black	-AB		
	970 521 162 62 DAB	Platinum Grey	-CB		
		D >> - MJ 2013			
	970 521 162 62 GHB	agate grey	-DG		
		D - MJ 2014>>			
(6)	970 521 162 62 DAC	Luxor beige	-UB,PK		
	970 521 162 19	Seat cover	right	1	PR:368,541, 542,983
		with: heater			
		D >> - MJ 2010			
	970 521 162 19 DAF	Black	-AC		
	970 521 162 19 DAG	Platinum Grey	-CC,BB		
	970 521 162 19 DAH	Luxor beige	-UC		
	970 521 162 19 DAJ	yachting blue	-EC		
	970 521 162 19 DAL	Cream	-BC,BD,BE		
(6)	970 521 162 55	Seat cover	right	1	PR:368,541, 542,983
		with: heater			
		D - MJ 2011>>			
	970 521 162 55 DAF	Black	-AC		
	970 521 162 55 DAG	Platinum Grey	-CC,BB		
		D >> - MJ 2013			
	970 521 162 55 GHC	agate grey	-DL		
		D - MJ 2014>>			
	970 521 162 55 DAH	Luxor beige	-UC,PL		
	970 521 162 55 DAJ	yachting blue	-EC		
		D >> - MJ 2013			
	970 521 162 55 DAL	Cream	-BC,BD,BE,DS, DT		
	970 521 162 55 DAK	Marsala Red	-PC		

Model: 970 10 Model life 2010>>2016

Pos	Part Number	Description	Remark	Qty	Model
	970 521 162 55 GLC	D - MJ 2011>> Carrera Red	-BF		
	970 521 162 55 DUE	D - MJ 2014>> saddle brown	-SB, DN		
(6)	970 521 162 20	D - MJ 2015>> Seat cover	right	1	PR:368,541, 542,983,998
		with: heater			
		D >> - MJ 2010			
	970 521 162 20 DAM	Espresso	-NA		
	970 521 162 20 DAN	Cognac	-NC		
	970 521 162 20 DAO	Cedar	-BN		
(6)	970 521 162 56	Seat cover	right	1	PR:368,541, 542,983,998
		with: heater			
		D - MJ 2011>>			
	970 521 162 56 DAM	Espresso	-NA		
	970 521 162 56 DAN	Cognac	-NC		
	970 521 162 56 DAO	Cedar	-BN		
(6)	970 521 162 59	Seat cover	right	1	PR:380,983, 998
		without heating			
	970 521 162 59 DAM	Espresso	-NA		
	970 521 162 59 DAN	Cognac	-NC		
	970 521 162 59 DAO	Cedar	-BN		
(6)	970 521 162 57	Seat cover	right	1	PR:380,381, 946
		without heating			
		D - MJ 2011>>			
	970 521 162 57 DAA	Black	-AB		
	970 521 162 57 DAB	Platinum Grey	-CB		
		D >> - MJ 2013			
	970 521 162 57 GHB	agate grey	-DG		
		D - MJ 2014>>			
	970 521 162 57 DAC	Luxor beige	-UB, PK		
(6)	970 521 162 27	Seat cover	right	1	PR:380,342, 343,946
		with heating			
		D >> - MJ 2010			
	970 521 162 27 DAA	Black	-AB		
	970 521 162 27 DAB	Platinum Grey	-CB		
	970 521 162 27 DAC	Luxor beige	-UB		
(6)	970 521 162 63	Seat cover	right	1	PR:380,342, 343,946, -541,-542
		with heating			
		D - MJ 2011>>			
	970 521 162 63 DAA	Black	-AB		
	970 521 162 63 DAB	Platinum Grey	-CB		
		D >> - MJ 2013			
	970 521 162 63 GHB	agate grey	-DG		
		D - MJ 2014>>			
	970 521 162 63 DAC	Luxor beige	-UB, PK		
(6)	970 521 162 28	Seat cover	right	1	PR:380,342, 343,983
		with heating			
		D >> - MJ 2010			
	970 521 162 28 DAF	Black	-AC		
	970 521 162 28 DAG	Platinum Grey	-CC, BB		
	970 521 162 28 DAH	Luxor beige	-UC		
	970 521 162 28 DAJ	yachting blue	-EC		
	970 521 162 28 DAL	Cream	-BC, BD, BE		
(6)	970 521 162 64	Seat cover	right	1	PR:381,380, 983,-998, 342,343, -541,-542
		with heating			
		D - MJ 2011>>			
	970 521 162 64 DAF	Black	-AC		
	970 521 162 64 DAG	Platinum Grey	-CC, BB		
		D >> - MJ 2013			

Model: 970 10 Model life 2010>>2016

Pos	Part Number	Description	Remark	Qty	Model
	970 521 162 64 GHC	agate grey D - MJ 2014>>	-DL		
	970 521 162 64 DAH	Luxor beige	-UC,PL		
	970 521 162 64 DAJ	yachting blue D >> - MJ 2013	-EC		
	970 521 162 64 DAL	Cream	-BC,BD,BE,DS, DT		
	970 521 162 64 DAK	Marsala Red D - MJ 2011>>	-PC		
	970 521 162 64 GLC	Carrera Red D - MJ 2014>>	-BF		
	970 521 162 64 DUE	saddle brown D - MJ 2015>>	-SB,DN		
(6)	970 521 162 58	Seat cover without heating	right	1	PR:381,380, 983,-998, -342,-343, -541,-542
	970 521 162 58 DAF	Black	-AC		
	970 521 162 58 DAG	Platinum Grey D >> - MJ 2013	-CC,BB		
	970 521 162 58 GHC	agate grey D - MJ 2014>>	-DL		
	970 521 162 58 DAH	Luxor beige	-UC,PL		
	970 521 162 58 DAJ	yachting blue D >> - MJ 2013	-EC		
	970 521 162 58 DAL	Cream	-BC,BD,BE,DS, DT		
	970 521 162 58 DAK	Marsala Red	-PC		
	970 521 162 58 GLC	Carrera Red D - MJ 2014>>	-BF		
	970 521 162 58 DUE	saddle brown D - MJ 2015>>	-SB,DN		
(6)	970 521 162 29	Seat cover with heating D >> - MJ 2010	right	1	PR:380,342, 343,983,998
	970 521 162 29 DAM	Espresso	-NA		
	970 521 162 29 DAN	Cognac	-NC		
	970 521 162 29 DAO	Cedar	-BN		
(6)	970 521 162 65	Seat cover with heating D - MJ 2011>>	right	1	PR:380,342, 343,983,998
	970 521 162 65 DAM	Espresso	-NA		
	970 521 162 65 DAN	Cognac	-NC		
	970 521 162 65 DAO	Cedar	-BN		
(6)	970 521 162 30	Seat cover with heating D >> - MJ 2010	right	1	PR:380,342, 343,982
	970 521 162 30 DAF	Black	-AC		
	970 521 162 30 DAG	Platinum Grey	-CC,BB		
	970 521 162 30 DAH	Luxor beige	-UC		
	970 521 162 30 DAJ	yachting blue	-EC		
	970 521 162 30 DAL	Cream	-BC,BD,BE		
(6)	970 521 162 66	Seat cover with heating D - MJ 2011>>	right	1	PR:380,342, 343,982
	970 521 162 66 DAF	Black	-AC		
	970 521 162 66 DAG	Platinum Grey D >> - MJ 2013	-CC,BB		
	970 521 162 66 GHC	agate grey D - MJ 2014>>	-DL		
	970 521 162 66 DAH	Luxor beige	-UC,PL		
	970 521 162 66 DAJ	yachting blue D >> - MJ 2013	-EC		

Model: 970 10 Model life 2010>>2016

Pos	Part Number	Description	Remark	Qty	Model
	970 521 162 66 DAL	Cream	-BC, BD, BE, DS, DT		
	970 521 162 66 DAK	Marsala Red	-PC		
	970 521 162 66 GLC	Carrera Red	-BF		
		D - MJ 2014>>			
	970 521 162 66 DUE	saddle brown	-SB, DN		
		D - MJ 2015>>			
(6)	970 521 162 31	Seat cover with heating	right	1	PR:380,342,343,982,998
		D >> - MJ 2010			
	970 521 162 31 DAM	Espresso	-NA		
	970 521 162 31 DAN	Cognac	-NC		
	970 521 162 31 DAO	Cedar	-BN		
(6)	970 521 162 67	Seat cover with heating	right	1	PR:380,342,343,982,998
		D - MJ 2011>>			
	970 521 162 67 DAM	Espresso	-NA		
	970 521 162 67 DAN	Cognac	-NC		
	970 521 162 67 DAO	Cedar	-BN		
(6)	970 521 162 32	Seat cover with heating	right	1	PR:380,342,343,947
		D >> - MJ 2010			
	970 521 162 32 DAA	Black	-AB		
	970 521 162 32 DAB	Platinum Grey	-CB		
	970 521 162 32 DAC	Luxor beige	-UB		
(6)	970 521 162 68	Seat cover with heating	right	1	PR:380,342,343,947
		D - MJ 2011>>			
	970 521 162 68 DAA	Black	-AB		
	970 521 162 68 DAB	Platinum Grey	-CB		
		D >> - MJ 2013			
	970 521 162 68 GHB	agate grey	-DG		
		D - MJ 2014>>			
(6)	970 521 162 68 DAC	Luxor beige	-UB, PK	1	PR:380,541,542,946
	970 521 162 33	Seat cover with heater	right	1	PR:380,541,542,946
		D >> - MJ 2010			
	970 521 162 33 DAA	Black	-AB		
	970 521 162 33 DAB	Platinum Grey	-CB		
	970 521 162 33 DAC	Luxor beige	-UB		
(6)	970 521 162 69	Seat cover with heater	right	1	PR:380,541,542,946
		D - MJ 2011>>			
	970 521 162 69 DAA	Black	-AB		
	970 521 162 69 DAB	Platinum Grey	-CB		
		D >> - MJ 2013			
	970 521 162 69 GHB	agate grey	-DG		
		D - MJ 2014>>			
(6)	970 521 162 69 DAC	Luxor beige	-UB, PK	1	PR:380,541,542,983
	970 521 162 34	Seat cover with heater	right	1	PR:380,541,542,983
		D >> - MJ 2010			
	970 521 162 34 DAF	Black	-AC		
	970 521 162 34 DAG	Platinum Grey	-CC, BB		
	970 521 162 34 DAH	Luxor beige	-UC		
	970 521 162 34 DAJ	yachting blue	-EC		
	970 521 162 34 DAL	Cream	-BC, BD, BE		
(6)	970 521 162 70	Seat cover with heater	right	1	PR:380,983,998,541,542,342,343

Model: 970 10 Model life 2010>>2016

Pos	Part Number	Description	Remark	Qty	Model
		D - MJ 2011>>			
	970 521 162 70 DAF	Black	-AC		
	970 521 162 70 DAG	Platinum Grey	-CC,BB		
		D >> - MJ 2013			
	970 521 162 70 GHC	agate grey	-DL		
		D - MJ 2014>>			
	970 521 162 70 DAH	Luxor beige	-UC,PL		
	970 521 162 70 DAJ	yachting blue	-EC		
		D >> - MJ 2013			
	970 521 162 70 DAL	Cream	-BC,BD,BE,DS,DT		
	970 521 162 70 DAK	Marsala Red	-PC		
	970 521 162 70 GLC	Carrera Red	-BF		
		D - MJ 2014>>			
	970 521 162 70 DUE	saddle brown	-SB,DN		
		D - MJ 2015>>			
(6)	970 521 162 35	Seat cover	right	1	PR:380,541,542,983,998
		with: heater			
		D >> - MJ 2010			
	970 521 162 35 DAM	Espresso	-NA		
	970 521 162 35 DAN	Cognac	-NC		
	970 521 162 35 DAO	Cedar	-BN		
(6)	970 521 162 71	Seat cover	right	1	PR:380,541,542,983,998
		with: heater			
		D - MJ 2011>>			
	970 521 162 71 DAM	Espresso	-NA		
	970 521 162 71 DAN	Cognac	-NC		
	970 521 162 71 DAO	Cedar	-BN		
(6)	970 521 162 38	Seat cover	right	1	PR:368,381,983,-342,-343,-541,-542
		without heating			
		D - MJ 2011>>			
	970 521 162 38 DAF	Black	-AC		
	970 521 162 38 DAG	Platinum Grey	-CC,BB		
		D >> - MJ 2013			
	970 521 162 38 GHC	agate grey	-DL		
		D - MJ 2014>>			
	970 521 162 38 DAH	Luxor beige	-UC,PL		
	970 521 162 38 DAJ	yachting blue	-EC		
		D >> - MJ 2013			
	970 521 162 38 DAK	Marsala Red	-PC		
	970 521 162 38 DAL	Cream	-BC,BD,BE,DS,DT		
	970 521 162 38 GLC	Carrera Red	-BF		
		D - MJ 2014>>			
	970 521 162 38 DUE	saddle brown	-SB,DN		
		D - MJ 2015>>			
(6)	970 521 162 79	Seat cover	right	1	PR:342,343,368,946,382,383
		with heating			
		D - MJ 2014>>			
	970 521 162 79 DAA	Black	-AB		
	970 521 162 79 GHB	agate grey	-DG		
	970 521 162 79 DAC	Luxor beige	-UB		
(6)	970 521 162 80	Seat cover	right	1	PR:342,343,368,983,382,383
		with heating			
		D - MJ 2014>>			
	970 521 162 80 DAF	Black	-AC		
	970 521 162 80 GHC	agate grey	-DL		
	970 521 162 80 DAH	Luxor beige	-UC,PL		
	970 521 162 80 DAK	Marsala Red	-PC		
	970 521 162 80 DAL	Cream	-BC,BD,BE,DS,		

Model: 970 10 Model life 2010>>2016

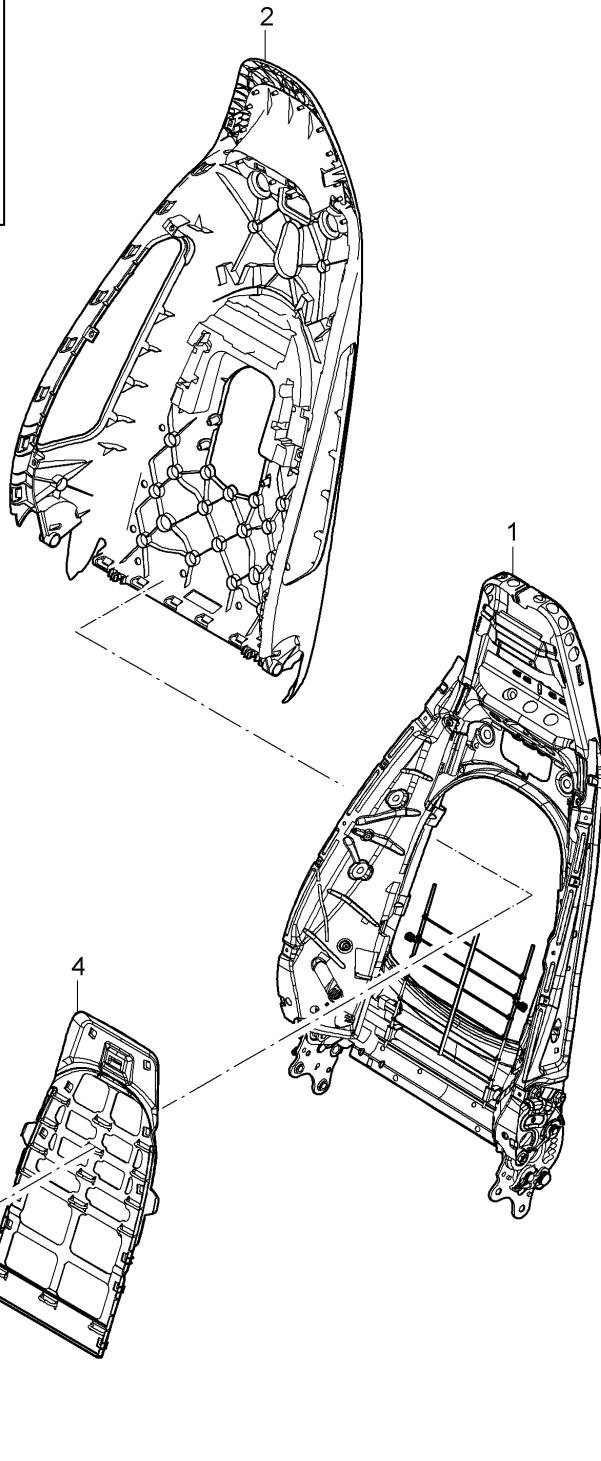
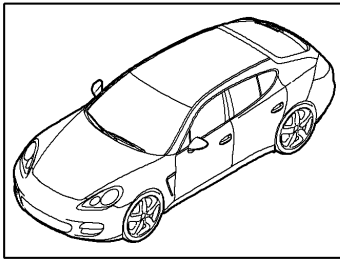
Pos	Part Number	Description	Remark	Qty	Model
	970 521 162 80 GLC	Carrera Red	DT		
	970 521 162 80 DUE	saddle brown	-BF		
		D - MJ 2015>>	-SB, DN		
(6)	970 521 162 81	Seat cover	right	1	PR:342,343, 368,983,382, 383,998
		with heating			
		D - MJ 2014>>			
	970 521 162 81 DAM	Espresso	-NA		
	970 521 162 81 DAN	Cognac	-NC		
	970 521 162 81 DAO	Cedar	-BN		
(6)	970 521 162 85	Seat cover	right	1	PR-342,343, 380,382,383, 946,-541,- 542
		with heating			
		D - MJ 2014>>			
	970 521 162 85 DAA	Black	-AB		
	970 521 162 85 GHB	agate grey	-DG		
	970 521 162 85 DAC	Luxor beige	-UB		
(6)	970 521 162 86	Seat cover	right	1	PR:342,343, 380,983,383, 382,-998, -541,-542
		with heating			
		D - MJ 2014>>			
	970 521 162 86 DAF	Black	-AC		
	970 521 162 86 GHC	agate grey	-DL		
	970 521 162 86 DAH	Luxor beige	-UC, PL		
	970 521 162 86 DAK	Marsala Red	-PC		
	970 521 162 86 DAL	Cream	-BC, BD, BE, DS, DT		
	970 521 162 86 GLC	Carrera Red	-BF		
	970 521 162 86 DUE	saddle brown	-SB, DN		
		D - MJ 2015>>			
(6)	970 521 162 87	Seat cover	right	1	PR:342,343, 380,382,383, 983,998
		with heating			
		D - MJ 2014>>			
	970 521 162 87 DAM	Espresso	-NA		
	970 521 162 87 DAN	Cognac	-NC		
	970 521 162 87 DAO	Cedar	-BN		
(6)	970 521 162 88	Seat cover	right	1	PR:380,382, 383,541,542, 946
		with: heater			
		D - MJ 2014>>			
	970 521 162 88 DAA	Black	-AB		
	970 521 162 88 GHB	agate grey	-DG		
	970 521 162 88 DAC	Luxor beige	-UB		
(6)	970 521 162 89	Seat cover	right	1	PR:380,382, 383,541,542, 983,-998, 342,343
		with: heater			
		D - MJ 2014>>			
	970 521 162 89 DAF	Black	-AC		
	970 521 162 89 GHC	agate grey	-DL		
	970 521 162 89 DAH	Luxor beige	-UC, PL		
	970 521 162 89 DAK	Marsala Red	-PC		
	970 521 162 89 DAL	Cream	-BC, BD, BE, DS, DT		
	970 521 162 89 GLC	Carrera Red	-BF		
	970 521 162 89 DUE	saddle brown	-SB, DN		
		D - MJ 2015>>			
(6)	970 521 162 90	Seat cover	right	1	PR:380,382, 383,541,542, 983,998
		with: heater			
		D - MJ 2014>>			
	970 521 162 90 DAN	Cognac	-NC		
	970 521 162 90 DAO	Cedar	-BN		
	970 521 162 90 DAM	Espresso	-NA		

Model: 970 10 Model life 2010>>2016

Pos	Part Number	Description	Remark	Qty	Model
(6)	970 521 161 A7	Seat cover D - MJ 2016>>	left	1	PR:020,379, 381,542,983, 998
	970 521 161 A7 PFA	Toffee Brown	-PF		
(6)	970 521 162 A7	Seat cover D - MJ 2016>>	right	1	PR:020,380, 381,542,983, 998
	970 521 162 A7 PFA	Toffee Brown	-PF		
7	997 521 837 00	Clip Padding Seat cushion		3	
8	997 521 548 00	Frame Cushioning Seat cushion	right inner	1	
(8)	997 521 547 00	Frame Cushioning Seat cushion	left inner	1	
(8)	970 521 545 00	Frame Cushioning Seat cushion	left outer	1	PR:367,379, 390
(8)	970 521 546 00	Frame Cushioning Seat cushion	right outer	1	PR:368,380, 391

Model: 970 10

Model life 2010>>2016



Model: 970 10 Model life 2010>>2016

Pos	Part Number	Description	Remark	Qty	Model
1	970 521 329 00	Backrest shell Backrest frame Comfort seat Standard seat backrest frame		1	PR:367,368
		without:			
1	298 881 045	Memory D >> - 23.11.2014 backrest frame		1	PR:367,368
		without:			
(1)	970 521 329 01	Memory D - 24.11.2014>> backrest frame		1	PR:367,368, 379,380,390, 391,537,538
		with:			
(1)	298 881 045 A	Memory D >> - 23.11.2014 backrest frame		1	PR:367,368, 379,380,390, 391,537,538
		with:			
2	970 521 303 00	Backrest shell	left	1	PR:367,982, 983,379
	970 521 303 00 8YR	Black	-AC,PL		
	970 521 303 00 7A0	Platinum Grey	-CC,BB		
	970 521 303 00 9H6	Luxor beige	-UC		
	970 521 303 00 6U7	yachting blue	-EC		
	970 521 303 00 6G0	Cream	-BC,BD,BE,DS, DT		
	970 521 303 00 8C0	Espresso	-NA		
	970 521 303 00 9EF	Cognac	-NC		
	970 521 303 00 7MP	Cedar	-BN		
	970 521 303 00 8M8	Marsala Red	-PC		
	970 521 303 00 PL1	agate grey	-DL		
		D - MJ 2014>>			
	970 521 303 00 N11	Carrera Red	-BF		
		D - MJ 2014>>			
	970 521 303 00 OK6	saddle brown	-SB, DN		
		D - MJ 2015>>			
(2)	970 521 304 00	Backrest shell	right	1	PR:368,982, 983,380
	970 521 304 00 8YR	Black	-AC,PL		
	970 521 304 00 7A0	Platinum Grey	-CC,BB		
	970 521 304 00 9H6	Luxor beige	-UC		
	970 521 304 00 6U7	yachting blue	-EC		
	970 521 304 00 6G0	Cream	-BC,BD,BE,DS, DT		
	970 521 304 00 8C0	Espresso	-NA		
	970 521 304 00 9EF	Cognac	-NC		
	970 521 304 00 7MP	Cedar	-BN		
	970 521 304 00 8M8	Marsala Red	-PC		
	970 521 304 00 PL1	agate grey	-DL		
		D - MJ 2014>>			
	970 521 304 00 N11	Carrera Red	-BF		
		D - MJ 2014>>			
	970 521 304 00 OK6	saddle brown	-SB, DN		
		D - MJ 2015>>			
(2)	970 521 303 01	Backrest shell	left	1	PR:367,946, 947,379
	970 521 303 01 1D0	Black	-AB,PK		
	970 521 303 01 3F0	Platinum Grey	-CB		
	970 521 303 01 2E0	Luxor beige	-UB		
	970 521 303 01 OW7	agate grey	-DG		
		D - MJ 2014>>			

Model: 970 10 Model life 2010>>2016

Pos	Part Number	Description	Remark	Qty	Model
(2)	970 521 304 01	Backrest shell	right	1	PR:368,946, 947,380
	970 521 304 01 1D0	Black	-AB,PK		
	970 521 304 01 3F0	Platinum Grey	-CB		
	970 521 304 01 2E0	Luxor beige	-UB		
	970 521 304 01 OW7	agate grey	-DG		
		D - MJ 2014>>			
(2)	970 521 303 02	Backrest shell	left	1	PR:367,630, 982,983,379
	970 521 303 02 8YR	Black	-AC,PL		
	970 521 303 02 7A0	Platinum Grey	-CC,BB		
	970 521 303 02 9H6	Luxor beige	-UC		
	970 521 303 02 6U7	yachting blue	-EC		
	970 521 303 02 6G0	Cream	-BC,BD,BE,DS, DT		
	970 521 303 02 8C0	Espresso	-NA		
	970 521 303 02 9EF	Cognac	-NC		
	970 521 303 02 7MP	Cedar	-BN		
	970 521 303 02 8M8	Marsala Red	-PC		
	970 521 303 02 PL1	agate grey	-DL		
		D - MJ 2014>>			
	970 521 303 02 N11	Carrera Red	-BF		
		D - MJ 2014>>			
	970 521 303 02 OK6	saddle brown	-SB,DN		
		D - MJ 2015>>			
(2)	970 521 304 02	Backrest shell	right	1	PR:368,630, 982,983,380
	970 521 304 02 8YR	Black	-AC,PL		
	970 521 304 02 7A0	Platinum Grey	-CC,BB		
	970 521 304 02 9H6	Luxor beige	-UC		
	970 521 304 02 6U7	yachting blue	-EC		
	970 521 304 02 6G0	Cream	-BC,BD,BE,DS, DT		
	970 521 304 02 8C0	Espresso	-NA		
	970 521 304 02 9EF	Cognac	-NC		
	970 521 304 02 7MP	Cedar	-BN		
	970 521 304 02 8M8	Marsala Red	-PC		
	970 521 304 02 PL1	agate grey	-DL		
		D - MJ 2014>>			
	970 521 304 02 N11	Carrera Red	-BF		
		D - MJ 2014>>			
	970 521 304 02 OK6	saddle brown	-SB,DN		
		D - MJ 2015>>			
(2)	970 521 303 03	Backrest shell	left	1	PR:367,630, 946,947,379
	970 521 303 03 1D0	Black	-AB,PK		
	970 521 303 03 3F0	Platinum Grey	-CB		
	970 521 303 03 2E0	Luxor beige	-UB		
	970 521 303 03 OW7	agate grey	-DG		
		D - MJ 2014>>			
(2)	970 521 304 03	Backrest shell	right	1	PR:368,630, 946,947,380
	970 521 304 03 1D0	Black	-AB,PK		
	970 521 304 03 3F0	Platinum Grey	-CB		
	970 521 304 03 2E0	Luxor beige	-UB		
	970 521 304 03 OW7	agate grey	-DG		
		D - MJ 2014>>			
(2)	970 521 303 04	Backrest shell	left	1	PR:XEP,367, 982,983,379
	970 521 303 04 8YR	Black	-AC,PL		
	970 521 303 04 7A0	Platinum Grey	-CC,BB		
	970 521 303 04 9H6	Luxor beige	-UC		
	970 521 303 04 6U7	yachting blue	-EC		

Model: 970 10 Model life 2010>>2016

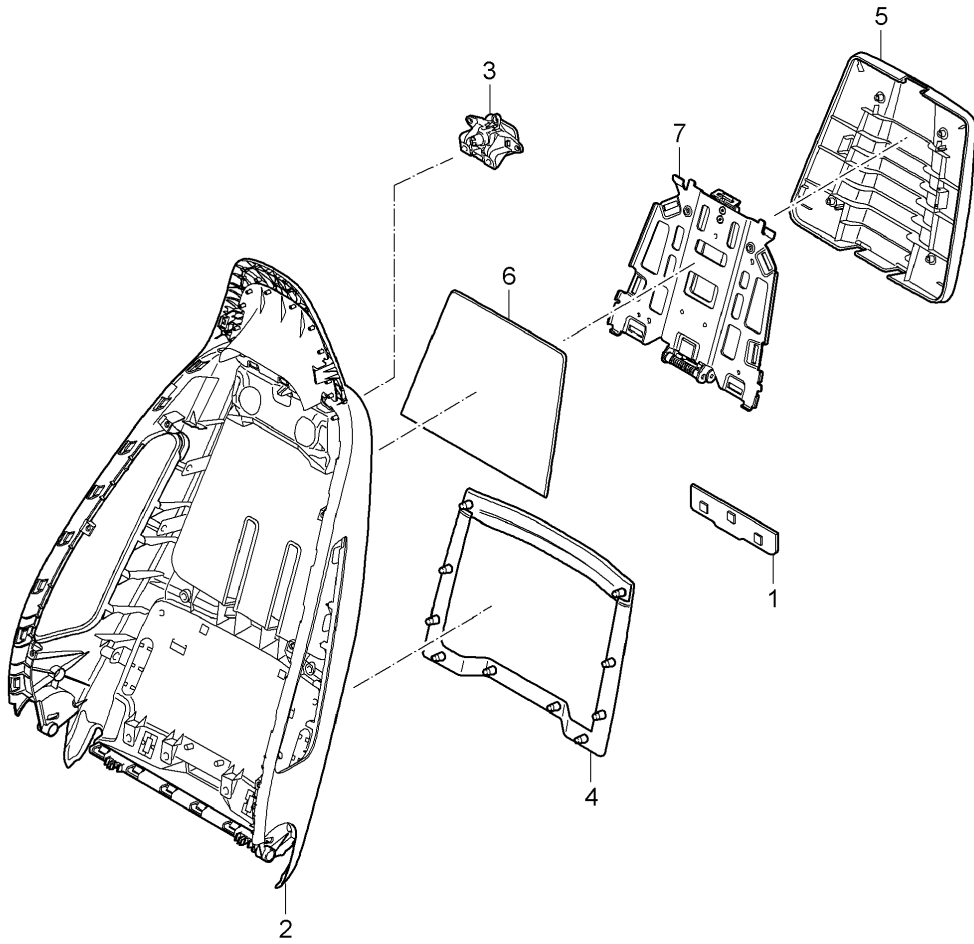
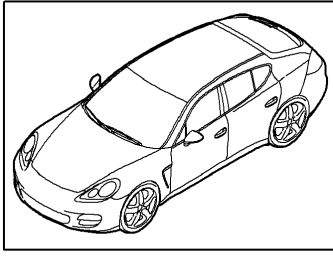
Pos	Part Number	Description	Remark	Qty	Model
	970 521 303 04 6G0	Cream	-BC, BD, BE, DS, DT		
	970 521 303 04 8C0	Espresso	-NA		
	970 521 303 04 9EF	Cognac	-NC		
	970 521 303 04 7MP	Cedar	-BN		
	970 521 303 04 8M8	Marsala Red	-PC		
	970 521 303 04 PL1	agate grey	-DL		
		D - MJ 2014>>			
	970 521 303 04 N11	Carrera Red	-BF		
		D - MJ 2014>>			
	970 521 303 04 OK6	saddle brown	-SB, DN		
		D - MJ 2015>>			
(2)	970 521 304 04	Backrest shell	right	1	PR: XEP, 368, 982, 983, 380
	970 521 304 04 8YR	Black	-AC, PL		
	970 521 304 04 7A0	Platinum Grey	-CC, BB		
	970 521 304 04 9H6	Luxor beige	-UC		
	970 521 304 04 6U7	yachting blue	-EC		
	970 521 304 04 6G0	Cream	-BC, BD, BE, DS, DT		
	970 521 304 04 8C0	Espresso	-NA		
	970 521 304 04 9EF	Cognac	-NC		
	970 521 304 04 7MP	Cedar	-BN		
	970 521 304 04 8M8	Marsala Red	-PC		
	970 521 304 04 PL1	agate grey	-DL		
		D - MJ 2014>>			
	970 521 304 04 N11	Carrera Red	-BF		
		D - MJ 2014>>			
	970 521 304 04 OK6	saddle brown	-SB, DN		
		D - MJ 2015>>			
(2)	970 521 303 05	Backrest shell	left	1	PR: XEP, 367, 946, 947, 379
	970 521 303 05 1D0	Black	-AB, PK		
	970 521 303 05 3F0	Platinum Grey	-CB		
	970 521 303 05 2E0	Luxor beige	-UB		
	970 521 303 05 OW7	agate grey	-DG		
		D - MJ 2014>>			
(2)	970 521 304 05	Backrest shell	right	1	PR: XEP, 368, 946, 947, 380
	970 521 304 05 1D0	Black	-AB, PK		
	970 521 304 05 3F0	Platinum Grey	-CB		
	970 521 304 05 2E0	Luxor beige	-UB		
	970 521 304 05 OW7	agate grey	-DG		
		D - MJ 2014>>			
(2)	970 521 303 06	Backrest shell	left	1	PR: XEP, 367, 630, 982, 983, 379
	970 521 303 06 8YR	Black	-AC, PL		
	970 521 303 06 7A0	Platinum Grey	-CC, BB		
	970 521 303 06 9H6	Luxor beige	-UC		
	970 521 303 06 6U7	yachting blue	-EC		
	970 521 303 06 6G0	Cream	-BC, BD, BE, DS, DT		
	970 521 303 06 8C0	Espresso	-NA		
	970 521 303 06 9EF	Cognac	-NC		
	970 521 303 06 7MP	Cedar	-BN		
	970 521 303 06 8M8	Marsala Red	-PC		
	970 521 303 06 PL1	agate grey	-DL		
		D - MJ 2014>>			
	970 521 303 06 N11	Carrera Red	-BF		
		D - MJ 2014>>			
	970 521 303 06 OK6	saddle brown	-SB, DN		
		D - MJ 2015>>			

Model: 970 10 Model life 2010>>2016

Pos	Part Number	Description	Remark	Qty	Model
(2)	970 521 304 06	Backrest shell	right	1	PR:XEP,368, 630,982,983, 380
	970 521 304 06 8YR	Black	-AC,PL		
	970 521 304 06 7A0	Platinum Grey	-CC,BB		
	970 521 304 06 9H6	Luxor beige	-UC		
	970 521 304 06 6U7	yachting blue	-EC		
	970 521 304 06 6G0	Cream	-BC,BD,BE,DS, DT		
	970 521 304 06 8C0	Espresso	-NA		
	970 521 304 06 9EF	Cognac	-NC		
	970 521 304 06 7MP	Cedar	-BN		
	970 521 304 06 8M8	Marsala Red	-PC		
	970 521 304 06 PL1	agate grey	-DL		
		D - MJ 2014>>			
	970 521 304 06 N11	Carrera Red	-BF		
		D - MJ 2014>>			
	970 521 304 06 OK6	saddle brown	-SB,DN		
		D - MJ 2015>>			
(2)	970 521 303 07	Backrest shell	left	1	PR:XEP,367, 630,946,947, 379
	970 521 303 07 1D0	Black	-AB,PK		
	970 521 303 07 3F0	Platinum Grey	-CB		
	970 521 303 07 2E0	Luxor beige	-UB		
	970 521 303 07 OW7	agate grey	-DG		
		D - MJ 2014>>			
(2)	970 521 304 07	Backrest shell	right	1	PR:XEP,368, 630,946,947, 380
	970 521 304 07 1D0	Black	-AB,PK		
	970 521 304 07 3F0	Platinum Grey	-CB		
	970 521 304 07 2E0	Luxor beige	-UB		
	970 521 304 07 OW7	agate grey	-DG		
		D - MJ 2014>>			
(2)	970 521 303 24	Backrest shell	left	1	PR:XEP,020, 379,630,983
		D - MJ 2016>>			
	970 521 303 24 OD2	Toffee Brown	-PF		
(2)	970 521 304 24	Backrest shell	right	1	PR:XEP,020, 379,630,983
		D - MJ 2016>>			
	970 521 304 24 OD2	Toffee Brown	-PF		
(2)	970 521 303 25	Backrest shell	left	1	PR:XEP,020, 379,630,890, 983
		D - MJ 2016>>			
	970 521 303 25 OD2	Toffee Brown	-PF		
(2)	970 521 304 25	Backrest shell	right	1	PR:XEP,020, 379,630,891, 983
		D - MJ 2016>>			
	970 521 304 25 OD2	Toffee Brown	-PF		
4	970 521 551 00	Backrest-padding support part		1	PR:367,368, 379,380,390, 391
5	970 521 709 00	Airbag Lumbar support		1	PR:379,380, 390,391
6	970 521 809 00	Air line Lumbar support		1	PR:379,380
7	999 073 538 01	fillister hd. bolt A 10 X 13		4	

Model: 970 10

Model life 2010>>2016



Model: 970 10 Model life 2010>>2016

Pos	Part Number	Description	Remark	Qty	Model
1	970 521 411 00	Backrest frame Backrest shell with: Folding table Trim		1	PR:817,890, 891
(1)	970 521 411 00 A61	Piano Black, high-gloss		1	PR:818,890, 891
(1)	970 521 411 01	Trim Folding table		1	PR:819,890, 891
(1)	970 521 411 01 U03	Aluminium, brushed		1	PR:821,890, 891
(1)	970 521 411 02	Trim Folding table		1	PR:822,890, 891
(1)	970 521 411 02 BX3	Carbon, fine high-gloss		1	PR:823,890, 891
(1)	970 521 411 03	Trim Folding table		1	PR:824,890, 891
(1)	970 521 411 03 BG1	Walnut, high-gloss		1	PR:XZY,890, 891
(1)	970 521 411 04	Trim Folding table		1	PR:826,890, 891
(1)	970 521 411 04 S64	Tineo/highly polished teneo		1	PR:367,379, 890,982,983
(1)	970 521 411 05	Trim Folding table		1	
(1)	970 521 411 05 CK6	Anthracite Birch		1	
(1)	970 521 411 06	Trim Folding table		1	
(1)	970 521 411 06 BT2	Natural Olive		1	
(1)	970 521 411 07	Trim Folding table		1	
(1)	970 521 411 07 GX1	Mahogany Yachting		1	
(1)	970 521 411 08	Trim Folding table		1	
2	970 521 411 08 OE9	American Walnut		1	
	970 521 303 16	Backrest shell Folding table		1	
	970 521 303 16 8YR	Black	-AC,PL		
	970 521 303 16 PL1	agate grey	-DL		
	970 521 303 16 9H6	Luxor beige	-UC		
	970 521 303 16 8M8	Marsala Red	-PC		
	970 521 303 16 6G0	Cream	-BC,BD,BE,DS, DT		
	970 521 303 16 N11	Carrera Red	-BF		
	970 521 303 16 8C0	Espresso	-NA		
	970 521 303 16 9EF	Cognac	-NC		
	970 521 303 16 7MP	Cedar	-BN		
(2)	970 521 303 16 OK6	saddle brown	-SB, DN	1	PR:368,380, 891,982,983
	970 521 304 16	Backrest shell Folding table		1	
	970 521 304 16 8YR	Black	-AC,PL		
	970 521 304 16 PL1	agate grey	-DL		
	970 521 304 16 9H6	Luxor beige	-UC		
	970 521 304 16 8M8	Marsala Red	-PC		
	970 521 304 16 6G0	Cream	-BC,BD,BE,DS, DT		
	970 521 304 16 N11	Carrera Red	-BF		
	970 521 304 16 8C0	Espresso	-NA		
	970 521 304 16 9EF	Cognac	-NC		
	970 521 304 16 7MP	Cedar	-BN		
(2)	970 521 304 16 OK6	saddle brown	-SB, DN	1	PR:367,379, 890,946,947
	970 521 303 17	Backrest shell Folding table		1	
	970 521 303 17 1D0	Black	-AB,PK		
	970 521 303 17 OW7	agate grey	-DG		
	970 521 303 17 2E0	Luxor beige	-UB		

Model: 970 10 Model life 2010>>2016

Pos	Part Number	Description	Remark	Qty	Model
(2)	970 521 304 17	Backrest shell Folding table		1	PR:368,380, 891,946,947
	970 521 304 17 1D0	Black	-AB,PK		
	970 521 304 17 OW7	agate grey	-DG		
	970 521 304 17 2E0	Luxor beige	-UB		
(2)	970 521 303 18	Backrest shell Folding table		1	PR:367,630, 890,982,983, 379
	970 521 303 18 8YR	Black	-AC,PL		
	970 521 303 18 PL1	agate grey	-DL		
	970 521 303 18 9H6	Luxor beige	-UC		
	970 521 303 18 8M8	Marsala Red	-PC		
	970 521 303 18 6G0	Cream	-BC,BD,BE,DS, DT		
	970 521 303 18 N11	Carrera Red	-BF		
	970 521 303 18 8C0	Espresso	-NA		
	970 521 303 18 9EF	Cognac	-NC		
	970 521 303 18 7MP	Cedar	-BN		
	970 521 303 18 OK6	saddle brown	-SB,DN		
(2)	970 521 304 18	Backrest shell Folding table		1	PR:368,630, 891,982,983, 380
	970 521 304 18 8YR	Black	-AC,PL		
	970 521 304 18 PL1	agate grey	-DL		
	970 521 304 18 9H6	Luxor beige	-UC		
	970 521 304 18 8M8	Marsala Red	-PC		
	970 521 304 18 6G0	Cream	-BC,BD,BE,DS, DT		
	970 521 304 18 N11	Carrera Red	-BF		
	970 521 304 18 8C0	Espresso	-NA		
	970 521 304 18 9EF	Cognac	-NC		
	970 521 304 18 7MP	Cedar	-BN		
	970 521 304 18 OK6	saddle brown	-SB,DN		
(2)	970 521 303 19	Backrest shell Folding table		1	PR:367,379, 630,890,946, 947
	970 521 303 19 1D0	Black	-AB,PK		
	970 521 303 19 OW7	agate grey	-DG		
	970 521 303 19 2E0	Luxor beige	-UB		
(2)	970 521 304 19	Backrest shell Folding table		1	PR:368,630, 891,380,946, 947
	970 521 304 19 1D0	Black	-AB,PK		
	970 521 304 19 OW7	agate grey	-DG		
	970 521 304 19 2E0	Luxor beige	-UB		
(2)	970 521 303 20	Backrest shell Folding table		1	PR:XEP,367, 379,890,982, 983
	970 521 303 20 8YR	Black	-AC,PL		
	970 521 303 20 PL1	agate grey	-DL		
	970 521 303 20 9H6	Luxor beige	-UC		
	970 521 303 20 8M8	Marsala Red	-PC		
	970 521 303 20 6G0	Cream	-BC,BD,BE,DS, DT		
	970 521 303 20 N11	Carrera Red	-BF		
	970 521 303 20 8C0	Espresso	-NA		
	970 521 303 20 9EF	Cognac	-NC		
	970 521 303 20 7MP	Cedar	-BN		
	970 521 303 20 OK6	saddle brown	-SB,DN		
(2)	970 521 304 20	Backrest shell Folding table		1	PR:XEP,368, 380,891,982, 983
	970 521 304 20 8YR	Black	-AC,PL		

Model: 970 10 Model life 2010>>2016

Pos	Part Number	Description	Remark	Qty	Model
	970 521 304 20 PL1	agate grey	-DL		
	970 521 304 20 9H6	Luxor beige	-UC		
	970 521 304 20 8M8	Marsala Red	-PC		
	970 521 304 20 6G0	Cream	-BC, BD, BE, DS, DT		
	970 521 304 20 N11	Carrera Red	-BF		
	970 521 304 20 8C0	Espresso	-NA		
	970 521 304 20 9EF	Cognac	-NC		
	970 521 304 20 7MP	Cedar	-BN		
	970 521 304 20 OK6	saddle brown	-SB, DN		
(2)	970 521 303 21	Backrest shell Folding table		1	PR: XEP, 367, 379, 890, 946, 947
	970 521 303 21 1D0	Black	-AB, PK		
	970 521 303 21 OW7	agate grey	-DG		
	970 521 303 21 2E0	Luxor beige	-UB		
(2)	970 521 304 21	Backrest shell Folding table		1	PR: XEP, 368, 380, 891, 946, 947
	970 521 304 21 1D0	Black	-AB, PK		
	970 521 304 21 OW7	agate grey	-DG		
	970 521 304 21 2E0	Luxor beige	-UB		
(2)	970 521 303 22	Backrest shell Folding table		1	PR: XEP, 367, 379, 630, 890, 982, 983
	970 521 303 22 8YR	Black	-AC, PL		
	970 521 303 22 PL1	agate grey	-DL		
	970 521 303 22 9H6	Luxor beige	-UC		
	970 521 303 22 8M8	Marsala Red	-PC		
	970 521 303 22 6G0	Cream	-BC, BD, BE, DS, DT		
	970 521 303 22 N11	Carrera Red	-BF		
	970 521 303 22 8C0	Espresso	-NA		
	970 521 303 22 9EF	Cognac	-NC		
	970 521 303 22 7MP	Cedar	-BN		
	970 521 303 22 OK6	saddle brown	-SB, DN		
(2)	970 521 304 22	Backrest shell Folding table		1	PR: XEP, 368, 380, 630, 891, 982, 983
	970 521 304 22 8YR	Black	-AC, PL		
	970 521 304 22 PL1	agate grey	-DL		
	970 521 304 22 9H6	Luxor beige	-UC		
	970 521 304 22 8M8	Marsala Red	-PC		
	970 521 304 22 6G0	Cream	-BC, BD, BE, DS, DT		
	970 521 304 22 N11	Carrera Red	-BF		
	970 521 304 22 8C0	Espresso	-NA		
	970 521 304 22 9EF	Cognac	-NC		
	970 521 304 22 7MP	Cedar	-BN		
	970 521 304 22 OK6	saddle brown	-SB, DN		
(2)	970 521 303 23	Backrest shell Folding table		1	PR: XEP, 367, 379, 630, 890, 946, 947
	970 521 303 23 1D0	Black	-AB, PK		
	970 521 303 23 OW7	agate grey	-DG		
	970 521 303 23 2E0	Luxor beige	-UB		
(2)	970 521 304 23	Backrest shell Folding table		1	PR: XEP, 368, 380, 630, 891, 946, 947
	970 521 304 23 1D0	Black	-AB, PK		
	970 521 304 23 OW7	agate grey	-DG		
	970 521 304 23 2E0	Luxor beige	-UB		
3	970 521 703 00	Release		1	PR: 367, 368,

Model: 970 10 Model life 2010>>2016

Pos	Part Number	Description	Remark	Qty	Model
		Key			379,380,890,891
		Folding table			
	970 521 703 00 1E0	Black	-AB,AC,PK,PL		
	970 521 703 00 OP1	agate grey	-DG,DL		
	970 521 703 00 4H0	Luxor beige	-UB,UC		
	970 521 703 00 3G0	Marsala Red	-PC		
	970 521 703 00 5J0	Cream	-BC,BD,BE,DS,DT		
	970 521 703 00 OW5	Carrera Red	-BF		
	970 521 703 00 7N0	Espresso	-NA		
	970 521 703 00 8P0	Cognac	-NC		
	970 521 703 00 9Q0	Cedar	-BN		
	970 521 703 00 OM8	saddle brown	-SB,DN		
4	970 521 313 02	Pocket		1	PR:367,379,890,946,947
		Backrest shell			
		Folding table			
	970 521 313 02 1D0	Black	-AB,PK		
	970 521 313 02 OW7	agate grey	-DG		
	970 521 313 02 2E0	Luxor beige	-UB		
(4)	970 521 313 03	Pocket		1	PR:367,379,890,982,983
		Backrest shell			
		Folding table			
	970 521 313 03 8YR	Black	-AC,PL		
	970 521 313 03 PL1	agate grey	-DL		
	970 521 313 03 9H6	Luxor beige	-UC		
	970 521 313 03 8M8	Marsala Red	-PC		
	970 521 313 03 6G0	Cream	-BC,BD,BE,DS,DT		
	970 521 313 03 N11	Carrera Red	-BF		
	970 521 313 03 8C0	Espresso	-NA		
	970 521 313 03 9EF	Cognac	-NC		
	970 521 313 03 7MP	Cedar	-BN		
	970 521 313 03 OK6	saddle brown	-SB,DN		
(4)	970 521 313 04	Pocket		1	PR:367,379,390,946,947
		Backrest shell			
		Folding table			
	970 521 313 04 1D0	Black	-AB,PK		
	970 521 313 04 OW7	agate grey	-DG		
	970 521 313 04 2E0	Luxor beige	-UB		
(4)	970 521 313 05	Pocket		1	PR:367,379,390,982,983,951
		Backrest shell			
		Folding table			
	970 521 313 05 8YR	Black	-AC,PL,GK,GS,GA		
	970 521 313 05 PL1	agate grey	-DL,GD		
	970 521 313 05 9H6	Luxor beige	-UC,GU		
	970 521 313 05 8M8	Marsala Red	-PC,GP		
	970 521 313 05 6G0	Cream	-BC,BD,BE,DS,DT		
	970 521 313 05 N11	Carrera Red	-BF		
	970 521 313 05 8C0	Espresso	-NA		
	970 521 313 05 9EF	Cognac	-NC		
	970 521 313 05 7MP	Cedar	-BN		
	970 521 313 05 OK6	saddle brown	-SB,GH,DN		
5	970 521 403 00	Trim		1	PR:367,368,890,891,946,947,379,380
		Folding table			
	970 521 403 00 1D0	Black	-AB,PK		
	970 521 403 00 OW7	agate grey	-DG		
	970 521 403 00 2E0	Luxor beige	-UB		
(5)	970 521 403 01	Trim		1	PR:367,368,890,981,982,983,379,380
		Folding table			

Model: 970 10 Model life 2010>>2016

Pos	Part Number	Description	Remark	Qty	Model
6	970 521 403 01 8YR	Black	-AC, PL	1	PR:367,379, 890,946,947
	970 521 403 01 PL1	agate grey	-DL		
	970 521 403 01 9H6	Luxor beige	-UC		
	970 521 403 01 8M8	Marsala Red	-PC		
	970 521 403 01 6G0	Cream	-BC, BD, BE, DS, DT		
	970 521 403 01 N11	Carrera Red	-BF		
	970 521 403 01 8C0	Espresso	-NA		
	970 521 403 01 9EF	Cognac	-NC		
	970 521 403 01 7MP	Cedar	-BN		
	970 521 403 01 OK6	saddle brown	-SB, GH, DN		
(6)	970 521 409 00	Shelf table plate Folding table		1	PR:367,379, 890,982,983
	970 521 409 00 1D0	Black	-AB, PK		
	970 521 409 00 OW7	agate grey	-DG		
	970 521 409 00 2E0	Luxor beige	-UB		
	970 521 409 01	Shelf table plate Folding table			
	970 521 409 01 8YR	Black	-AC, PL		
	970 521 409 01 PL1	agate grey	-DL		
	970 521 409 01 9H6	Luxor beige	-UC		
	970 521 409 01 8M8	Marsala Red	-PC		
	970 521 409 01 6G0	Cream	-BC, BD, BE, DS, DT		
7	970 521 409 01 N11	Carrera Red	-BF	1	PR:367,379, 890
	970 521 409 01 8C0	Espresso	-NA		
	970 521 409 01 9EF	Cognac	-NC		
	970 521 409 01 7MP	Cedar	-BN		
	970 521 409 01 OK6	saddle brown	-SB, DN		
	970 521 405 00	Carrier plate plate Folding table			
	970 521 405 00 1E0	Black	-AB, AC, PK, PL		
	970 521 405 00 OP1	agate grey	-DG, DL		
	970 521 405 00 4H0	Luxor beige	-UB, UC		
	970 521 405 00 3G0	Marsala Red	-PC		
970 521 405 00 5J0	Cream	-BC, BD, BE, DS, DT			
8	970 521 405 00 OW5	Carrera Red	-BF	1	PR:367,379, 890,982,983
	970 521 405 00 7N0	Espresso	-NA		
	970 521 405 00 8P0	Cognac	-NC		
	970 521 405 00 9Q0	Cedar	-BN		
	970 521 405 00 OM8	saddle brown	-SB, DN		
	970 521 033 30	Backrest shell Module			
		Folding table	with:		
	970 521 033 30 8YR	Black	-AC, PL		
	970 521 033 30 PL1	agate grey	-DL		
	970 521 033 30 9H6	Luxor beige	-UC		
970 521 033 30 8M8	Marsala Red	-PC			
970 521 033 30 6G0	Cream	-BC, BD, BE, DS, DT			
8	970 521 033 30 N11	Carrera Red	-BF	1	PR:368,380, 891,982,983
	970 521 033 30 8C0	Espresso	-NA		
	970 521 033 30 9EF	Cognac	-NC		
	970 521 033 30 7MP	Cedar	-BN		
	970 521 033 30 OK6	saddle brown	-SB, DN		
	970 521 034 30	Backrest shell Module			
		Folding table	with:		
	970 521 033 30 8YR	Black	-AC, PL		
	970 521 033 30 PL1	agate grey	-DL		
	970 521 033 30 9H6	Luxor beige	-UC		
970 521 033 30 8M8	Marsala Red	-PC			
970 521 033 30 6G0	Cream	-BC, BD, BE, DS, DT			

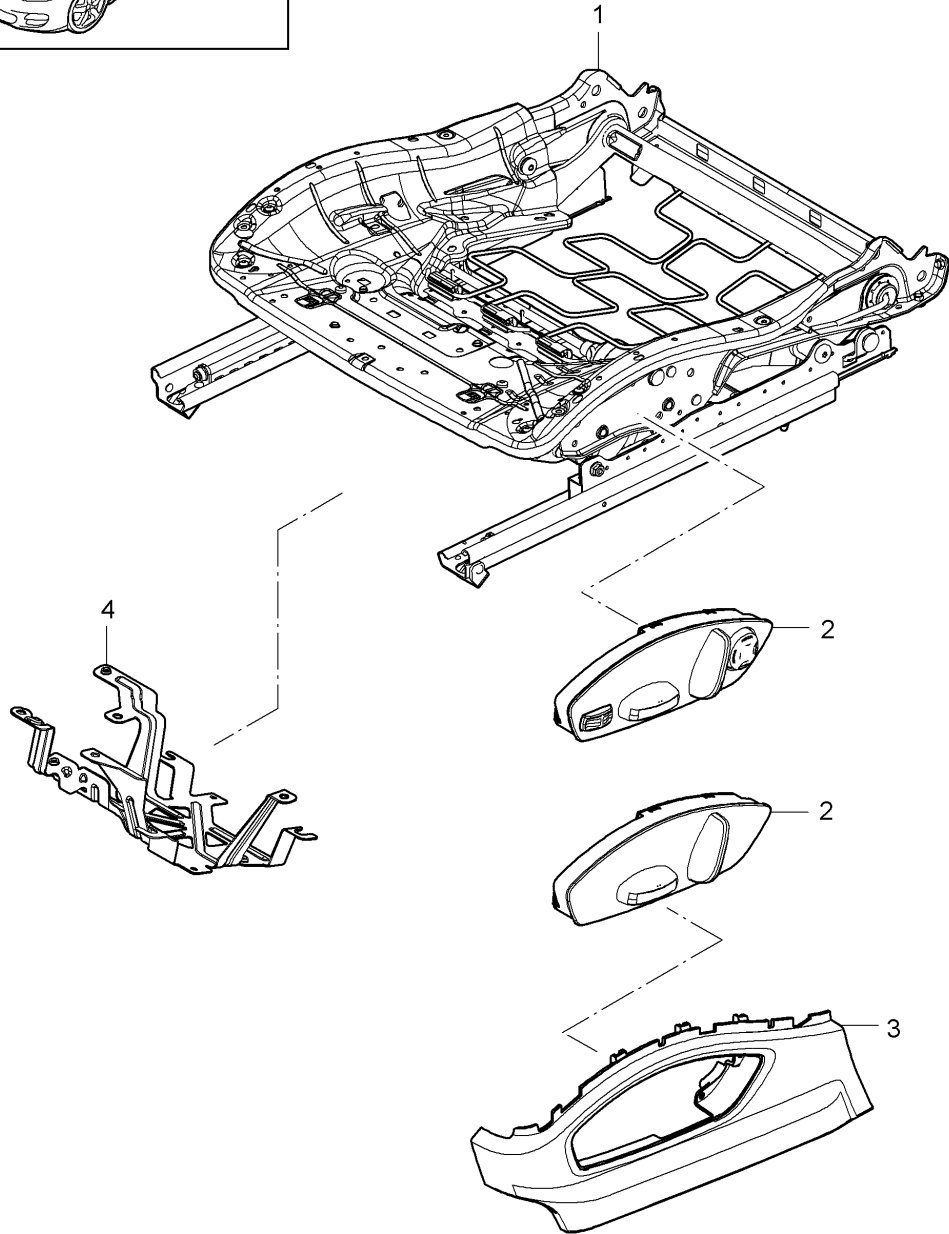
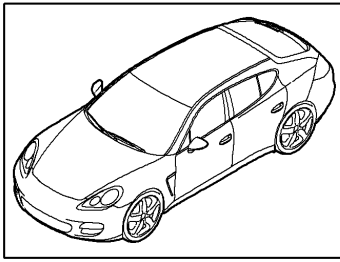
Model: 970 10

Model life 2010>>2016

Pos	Part Number	Description	Remark	Qty	Model
		Folding table			
	970 521 034 30 8YR	Black	-AC, PL		
	970 521 034 30 PL1	agate grey	-DL		
	970 521 034 30 9H6	Luxor beige	-UC		
	970 521 034 30 8M8	Marsala Red	-PC		
	970 521 034 30 6G0	Cream	-BC, BD, BE, DS, DT		
	970 521 034 30 N11	Carrera Red	-BF		
	970 521 034 30 8C0	Espresso	-NA		
	970 521 034 30 9EF	Cognac	-NC		
	970 521 034 30 7MP	Cedar	-BN		
	970 521 034 30 OK6	saddle brown	-SB, DN		

Model: 970 10

Model life 2010>>2016



Model: 970 10 Model life 2010>>2016

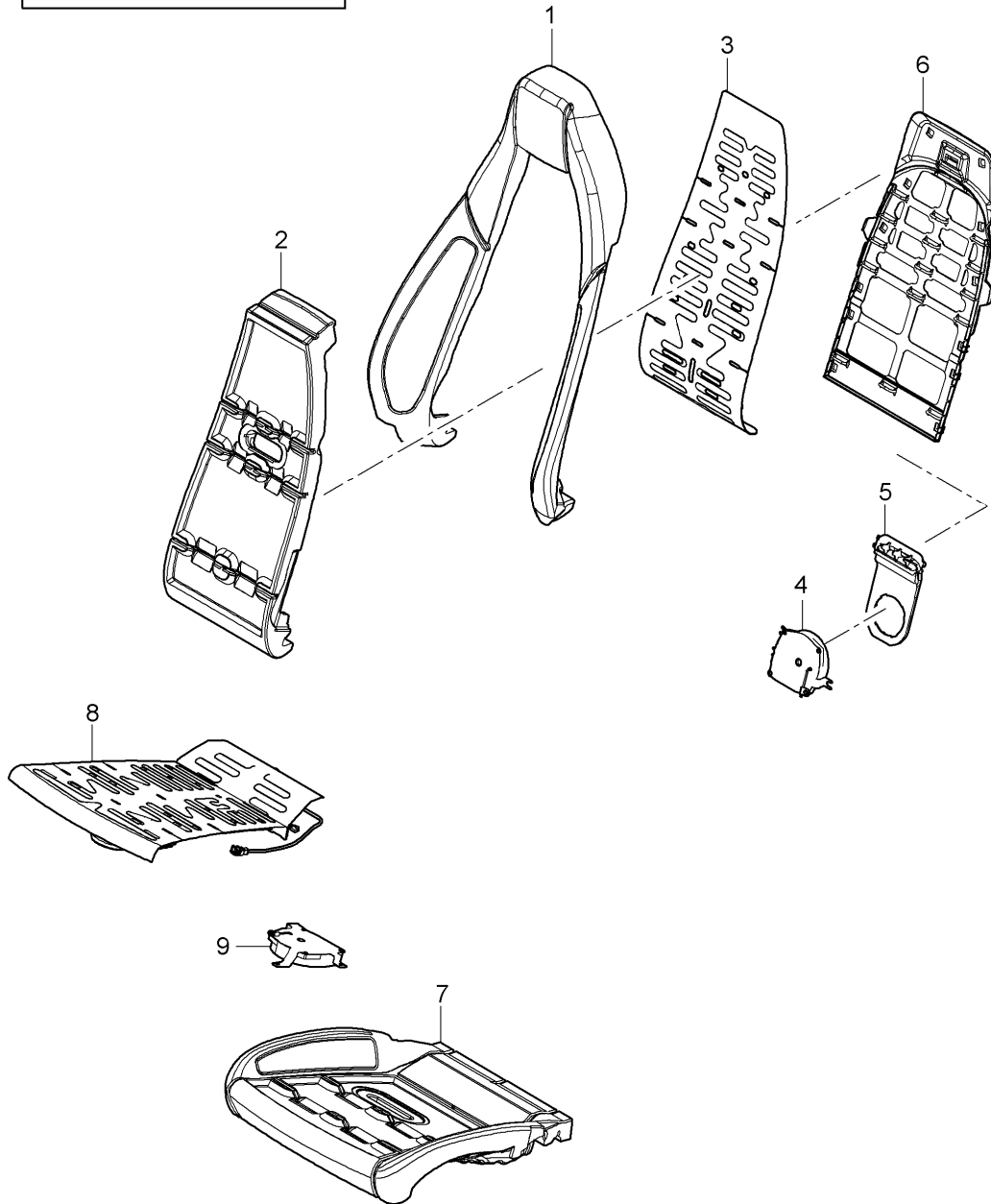
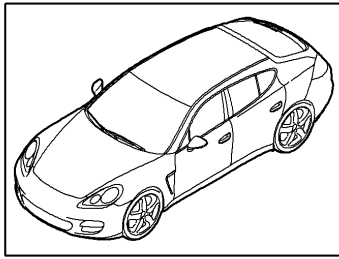
Pos	Part Number	Description	Remark	Qty	Model
1	970 521 201 02	Seat frame Comfort seat Standard seat see Technical information GR. 7 NR. 7209 (49/16) Seat frame	left	1	PR:367
(1)	970 521 202 02	Memory Seat frame without:	right	1	PR:368
(1)	970 521 201 03	Memory Seat frame with:	left	1	PR:367,537, 379,390
(1)	970 521 202 03	Memory Seat frame with:	right	1	PR:368,538, 380,391
2	7PP 959 747 K	Memory Switch insert Module Seat frame	left	1	PR:379
2	7PP 959 747 K DMN 7PP 959 747 P	Galvano silver Switch module for seat Module Seat frame	left	1	PR:379
(2)	7PP 959 747 P DMN 7PP 959 748 K	Galvano silver Switch insert Module Seat frame	right	1	PR:380
(2)	7PP 959 748 K DMN 7PP 959 748 P	Galvano silver Switch module for seat Module Seat frame	right	1	PR:380
(2)	7PP 959 748 P DMN 7PP 959 747 J	Galvano silver Switch insert Module Seat frame	left	1	PR:367,537
(2)	7PP 959 747 J DMN 7PP 959 747 N	Galvano silver Switch module for seat Module Seat frame	left	1	PR:367,537
(2)	7PP 959 747 N DMN 7PP 959 748 J	Galvano silver Switch insert Module Seat frame	right	1	PR:368,538
(2)	7PP 959 748 J DMN 7PP 959 748 N	Galvano silver Switch module for seat Module Seat frame	right	1	PR:368,538
(2)	7PP 959 748 N DMN 7PP 959 748 H	Galvano silver Switch insert Module Seat frame	right	1	PR:368
(2)	7PP 959 748 H DMN 7PP 959 748 M	Galvano silver Switch module for seat Module Seat frame	right	1	PR:368
(2)	7PP 959 748 M DMN 7PP 959 747 H	Galvano silver Switch insert Module Seat frame	left	1	PR:367
(2)	7PP 959 747 H DMN 7PP 959 747 M	Galvano silver Switch module for seat	left	1	PR:367

Model: 970 10 Model life 2010>>2016

Pos	Part Number	Description	Remark	Qty	Model	
3	7PP 959 747 M DMN	Module				
	970 521 325 00	Seat frame				
		Galvano silver				
		Trim for switch	left	1	PR:367,379, 390	
		Module				
		Seat frame				
	970 521 325 00 5Q0	Black	-AB,AC,GK,GS, GA,PK,PL			
	970 521 325 00 4U0	Platinum Grey	-AB,CC,GC,BB			
	970 521 325 00 6W0	Luxor beige	-UB,UC,GU			
	970 521 325 00 8Y0	yachting blue	-EC,GE			
	970 521 325 00 5V0	Cream	-BC,BD,BE,DS, DT			
	970 521 325 00 3T0	Espresso	-NA			
	970 521 325 00 2S0	Cognac	-NC			
	970 521 325 00 1R0	Cedar	-BN			
3	970 521 325 00 7X0	Marsala Red	-PC,GP			
	970 521 325 00 OA6	agate grey	-DG,DL,GD			
	970 521 325 00 OE1	Carrera Red	-BF			
	970 521 325 00 OL7	saddle brown	-SB,GH			
	3	970 521 326 00	Trim for switch	right	1	PR:368,380, 391
		Module				
		Seat frame				
	970 521 326 00 5Q0	Black	-AB,AC,GK,GS, GA,PK,PL			
	970 521 326 00 4U0	Trim for switch	-AB,CC,GC,BB			
	970 521 326 00 6W0	Luxor beige	-UB,UC,GU			
	970 521 326 00 8Y0	yachting blue	-EC,GE			
	970 521 326 00 5V0	Cream	-BC,BD,BE,DS, DT			
	970 521 326 00 3T0	Espresso	-NA			
	970 521 326 00 2S0	Cognac	-NC			
970 521 326 00 1R0	Cedar	-BN				
4	970 521 326 00 7X0	Marsala Red	-PC,GP			
	970 521 326 00 OA6	agate grey	-DG,DL,GD			
	970 521 326 00 OE1	Carrera Red	-BF			
	970 521 326 00 OL7	saddle brown	-SB,GH			
	4	970 521 643 00	Retainer for control units		1	PR:367,368, 379,380,390, 391
	5	997 521 961 01	Comfort seat			
1 set attachment parts				1	PR:098,099, 899	
6	997 521 061 01	Retainer plate				
		child seat		1	PR:098,099, 899	

Model: 970 10

Model life 2010>>2016



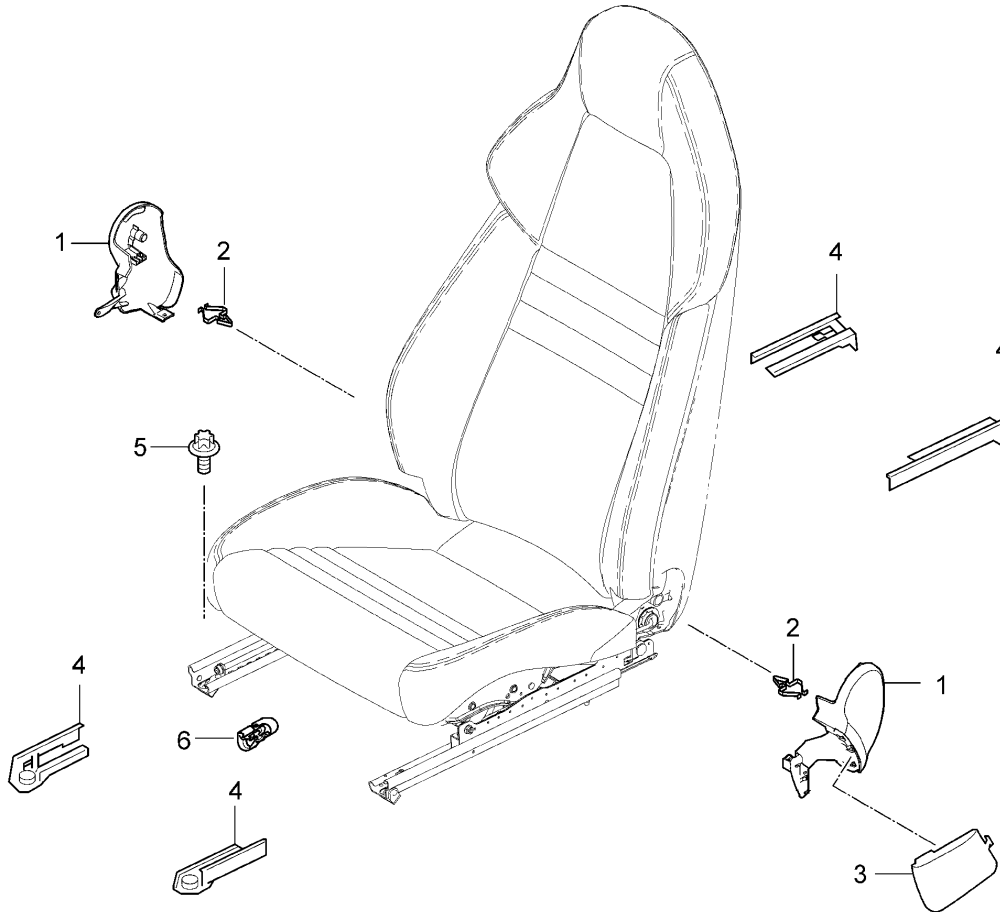
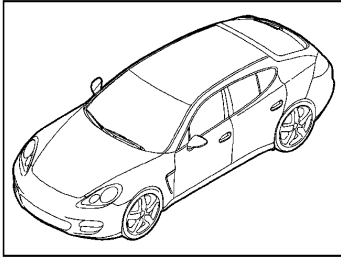
Model: 970 10

Model life 2010>>2016

Pos	Part Number	Description	Remark	Qty	Model
1	970 521 535 02	Seat and backrest surface Vented Cooling air control Standard seat Comfort seat Foam part backrest	left a. right	1	PR:367,368, 379,380,541, 542
2	970 521 581 02	Outer part Foam part backrest	left a. right	1	PR:367,368, 379,380,541, 542
3	970 521 731 00	Centre part Airbag backrest	left a. right	1	PR:541,542
		with: Heater element in Airbag D >> - 05.07.2013			
(3)	970 521 731 02	Airbag backrest	left a. right	1	PR:541,542
		with: Heater element in Seat cover D - 06.07.2013>>			
4	970 624 333 00	Electric motor Vented backrest	left a. right	1	PR:541,542
(4)	970 624 343 00	Electric motor Vented backrest	left	1	PR:542
5	997 521 733 00	Air guide channel Vented backrest	left a. right	1	PR:367,368, 379,380,541, 542
6	970 521 551 01	Backrest-padding support part Vented	left a. right	1	PR:367,368, 379,380,541, 542
7	970 521 571 02	Foam part Seat cushion Vented		1	PR:367,368, 541,542
8	970 521 721 00	Airbag Seat cushion Vented	left a. right	1	PR:367,368, 541,542
(8)	970 521 721 01	Airbag Seat cushion Vented	left a. right	1	PR:379,380, 541,542
(8)	970 521 721 02	Airbag Seat cushion Vented	left a. right	1	PR:390,391, 541,542
9	997 624 335 00	Electric motor Seat cushion Vented	left a. right	1	PR:541,542

Model: 970 10

Model life 2010>>2016



Model: 970 10 Model life 2010>>2016

Pos	Part Number	Description	Remark	Qty	Model
1	970 521 317 00	Front seat sports seat (complete) Not available			
	970 521 317 00 5Q0	Cover panel Mounting component Black	left inner -AB,AC,GK,GS, GA,PK,PL	1	PR:390
	970 521 317 00 4U0	Platinum Grey	-CB,CC,GC,BB		
	970 521 317 00 6W0	Luxor beige	-UB,UC,GU		
	970 521 317 00 8Y0	yachting blue	-EC,GE		
	970 521 317 00 5V0	Cream	-BC,BD,BE,DS, DT		
	970 521 317 00 3T0	Espresso	-NA		
	970 521 317 00 2S0	Cognac	-NC		
	970 521 317 00 1R0	Cedar	-BN		
	970 521 317 00 7X0	Marsala Red	-PC,GP		
	970 521 317 00 OA6	agate grey	-DG,DL,GD		
	970 521 317 00 OE1	Carrera Red	-BF		
	970 521 317 00 OL7	saddle brown	-SB,GH,DN		
(1)	970 521 318 00	Cover panel Mounting component	right inner	1	PR:391
	970 521 318 00 5Q0	Black	-AB,AC,GK,GS, GA,PK,PL		
	970 521 318 00 4U0	Cover panel	-CB,CC,GC,BB		
	970 521 318 00 6W0	Luxor beige	-UB,UC,GU		
	970 521 318 00 8Y0	yachting blue	-EC,GE		
	970 521 318 00 5V0	Cream	-BC,BD,BE,DS, DT		
	970 521 318 00 3T0	Espresso	-NA		
	970 521 318 00 2S0	Cognac	-NC		
	970 521 318 00 1R0	Cedar	-BN		
	970 521 318 00 7X0	Marsala Red	-PC,GP		
	970 521 318 00 OA6	agate grey	-DG,DL,GD		
	970 521 318 00 OE1	Carrera Red	-BF		
	970 521 318 00 OL7	saddle brown	-SB,GH,DN		
(1)	970 521 315 00	Cover panel Mounting component	left outer	1	PR:390
	970 521 315 00 5Q0	Black	-AB,AC,GK,GS, GA,PK,PL		
	970 521 315 00 4U0	Cover panel	-CB,CC,GC,BB		
	970 521 315 00 6W0	Luxor beige	-UB,UC,GU		
	970 521 315 00 8Y0	yachting blue	-EC,GE		
	970 521 315 00 5V0	Cream	-BC,BD,BE,DS, DT		
	970 521 315 00 3T0	Espresso	-NA		
	970 521 315 00 2S0	Cognac	-NC		
	970 521 315 00 1R0	Cedar	-BN		
	970 521 315 00 7X0	Marsala Red	-PC,GP		
	970 521 315 00 OA6	agate grey	-DG,DL,GD		
	970 521 315 00 OE1	Carrera Red	-BF		
	970 521 315 00 OL7	saddle brown	-SB,GH,DN		
(1)	970 521 316 00	Cover panel Mounting component	right outer	1	PR:391
	970 521 316 00 5Q0	Black	-AB,AC,GK,GS, GA,PK,PL		
	970 521 316 00 4U0	Cover panel	-CB,CC,GC,BB		
	970 521 316 00 6W0	Luxor beige	-UB,UC,GU		
	970 521 316 00 8Y0	yachting blue	-EC,GE		
	970 521 316 00 5V0	Cream	-BC,BD,BE,DS, DT		
	970 521 316 00 3T0	Espresso	-NA		
	970 521 316 00 2S0	Cognac	-NC		

Model: 970 10 Model life 2010>>2016

Pos	Part Number	Description	Remark	Qty	Model
2	970 521 316 00 1R0	Cedar	-BN	1	PR:391
	970 521 316 00 7X0	Marsala Red	-PC,GP		
	970 521 316 00 OA6	agate grey	-DG,DL,GD		
	970 521 316 00 OE1	Carrera Red	-BF		
	970 521 316 00 OL7	saddle brown	-SB,GH,DN		
	970 521 617 00	Clip Cover panel	inner		
	3	970 521 323 01	Mounting component Cover panel		
		Mounting component			
		Support for seatbelt			
970 521 323 01 5Q0		Black	-AB,AC,GK,GS, GA,PK,PL		
970 521 323 01 4U0		Platinum Grey	-CB,CC,GC,BB		
970 521 323 01 6W0		Luxor beige	-UB,UC,GU		
970 521 323 01 8Y0		yachting blue	-EC,GE		
970 521 323 01 5V0		Cream	-BC,BD,BE,DS, DT		
970 521 323 01 3T0		Espresso	-NA		
970 521 323 01 2S0		Cognac	-NC		
970 521 323 01 1R0		Cedar	-BN		
(3)	970 521 323 01 7X0	Marsala Red	-PC,GP	1	PR:391
	970 521 323 01 OA6	agate grey	-DG,DL,GD		
	970 521 323 01 OE1	Carrera Red	-BF		
	970 521 323 01 OL7	saddle brown	-SB,GH,DN		
	970 521 324 01	Cover panel	right		
		Mounting component			
		Support for seatbelt			
	970 521 324 01 5Q0	Black	-AB,AC,GK,GS, GA,PK,PL		
	970 521 324 01 4U0	Platinum Grey	-CB,CC,GC,BB		
	970 521 324 01 6W0	Luxor beige	-UB,UC,GU		
	970 521 324 01 8Y0	yachting blue	-EC,GE		
	970 521 324 01 5V0	Cream	-BC,BD,BE,DS, DT		
	970 521 324 01 3T0	Espresso	-NA		
	970 521 324 01 2S0	Cognac	-NC		
	970 521 324 01 1R0	Cedar	-BN		
	970 521 324 01 7X0	Marsala Red	-PC,GP		
	970 521 324 01 OA6	agate grey	-DG,DL,GD		
	970 521 324 01 OE1	Carrera Red	-BF		
	970 521 324 01 OL7	saddle brown	-SB,GH,DN		
4	970 521 359 00	Rail	left	1	PR:390,391
		Seat rail	front		
	970 521 359 00 1E0	Black	-AB,AC,GK,GS, GA,PK,PL,DS, BF		
	970 521 359 00 6L0	Platinum Grey	-CB,CC,GC,BB		
	970 521 359 00 4H0	Luxor beige	-UB,UC,GU		
	970 521 359 00 2F0	yachting blue	-EC,GE		
	970 521 359 00 5J0	Cream	-BC,BD,BE		
	970 521 359 00 7N0	Espresso	-NA		
	970 521 359 00 8P0	Cognac	-NC		
	970 521 359 00 9Q0	Cedar	-BN		
	970 521 359 00 3G0	Marsala Red	-PC,GP		
	970 521 359 00 OP1	agate grey	-DG,DL,GD,DT		
	970 521 359 00 OM8	saddle brown	-SB,GH,DN		
	(4)	970 521 360 00	Rail		
		Seat rail	front		
970 521 360 00 1E0		Black	-AB,AC,GK,GS, GA,PK,PL,DS, BF		
	970 521 360 00 6L0	Platinum Grey	-CB,CC,GC,BB		

Model: 970 10 Model life 2010>>2016

Pos	Part Number	Description	Remark	Qty	Model
(4)	970 521 360 00 4H0	Luxor beige	-UB,UC,GU	1	PR:390
	970 521 360 00 2F0	yachting blue	-EC,GE		
	970 521 360 00 5J0	Cream	-BC,BD,BE		
	970 521 360 00 7N0	Espresso	-NA		
	970 521 360 00 8P0	Cognac	-NC		
	970 521 360 00 9Q0	Cedar	-BN		
	970 521 360 00 3G0	Marsala Red	-PC,GP		
	970 521 360 00 OP1	agate grey	-DG,DL,GD,DT		
	970 521 360 00 OM8	saddle brown	-SB,GH,DN		
	970 521 361 00	Rail	left		
	Seat rail	rear			
	970 521 361 00 1E0	Black	-AB,AC,GK,GS, GA,PK,PL,DS, BF		
	970 521 361 00 6L0	Platinum Grey	-CB,CC,GC,BB		
(4)	970 521 361 00 4H0	Luxor beige	-UB,UC,GU	1	PR:391
	970 521 361 00 2F0	yachting blue	-EC,GE		
	970 521 361 00 5J0	Cream	-BC,BD,BE		
	970 521 361 00 7N0	Espresso	-NA		
	970 521 361 00 8P0	Cognac	-NC		
	970 521 361 00 9Q0	Cedar	-BN		
	970 521 361 00 3G0	Marsala Red	-PC,GP		
	970 521 361 00 OP1	agate grey	-DG,DL,GD,DT		
	970 521 361 00 OM8	saddle brown	-SB,GH,DN		
	970 521 362 00	Rail	right		
	Seat rail	rear			
	970 521 362 00 1E0	Black	-AB,AC,GK,GS, GA,PK,PL,DS, BF		
	970 521 362 00 6L0	Platinum Grey	-CB,CC,GC,BB		
(4)	970 521 362 00 4H0	Luxor beige	-UB,UC,GU	1	PR:391
	970 521 362 00 2F0	yachting blue	-EC,GE		
	970 521 362 00 5J0	Cream	-BC,BD,BE		
	970 521 362 00 7N0	Espresso	-NA		
	970 521 362 00 8P0	Cognac	-NC		
	970 521 362 00 9Q0	Cedar	-BN		
	970 521 362 00 3G0	Marsala Red	-PC,GP		
	970 521 362 00 OP1	agate grey	-DG,DL,GD,DT		
	970 521 362 00 OM8	saddle brown	-SB,GH,DN		
	970 521 363 00	Rail	left		
	Seat rail	rear			
	970 521 363 00 1E0	Black	-AB,AC,GK,GS, GA,PK,PL,DS, BF		
	970 521 363 00 6L0	Platinum Grey	-CB,CC,GC,BB		
(4)	970 521 363 00 4H0	Luxor beige	-UB,UC,GU	1	PR:390
	970 521 363 00 2F0	yachting blue	-EC,GE		
	970 521 363 00 5J0	Cream	-BC,BD,BE		
	970 521 363 00 7N0	Espresso	-NA		
	970 521 363 00 8P0	Cognac	-NC		
	970 521 363 00 9Q0	Cedar	-BN		
	970 521 363 00 3G0	Marsala Red	-PC,GP		
	970 521 363 00 OP1	agate grey	-DG,DL,GD,DT		
	970 521 363 00 OM8	saddle brown	-SB,GH,DN		
	970 521 364 00	Rail	right		
	Seat rail	rear			
	970 521 364 00 1E0	Black	-AB,AC,GK,GS, GA,PK,PL,DS, BF		
	970 521 364 00 6L0	Platinum Grey	-CB,CC,GC,BB		
	970 521 364 00 4H0	Luxor beige	-UB,UC,GU		
	970 521 364 00 2F0	yachting blue	-EC,GE		
	970 521 364 00 5J0	Cream	-BC,BD,BE		

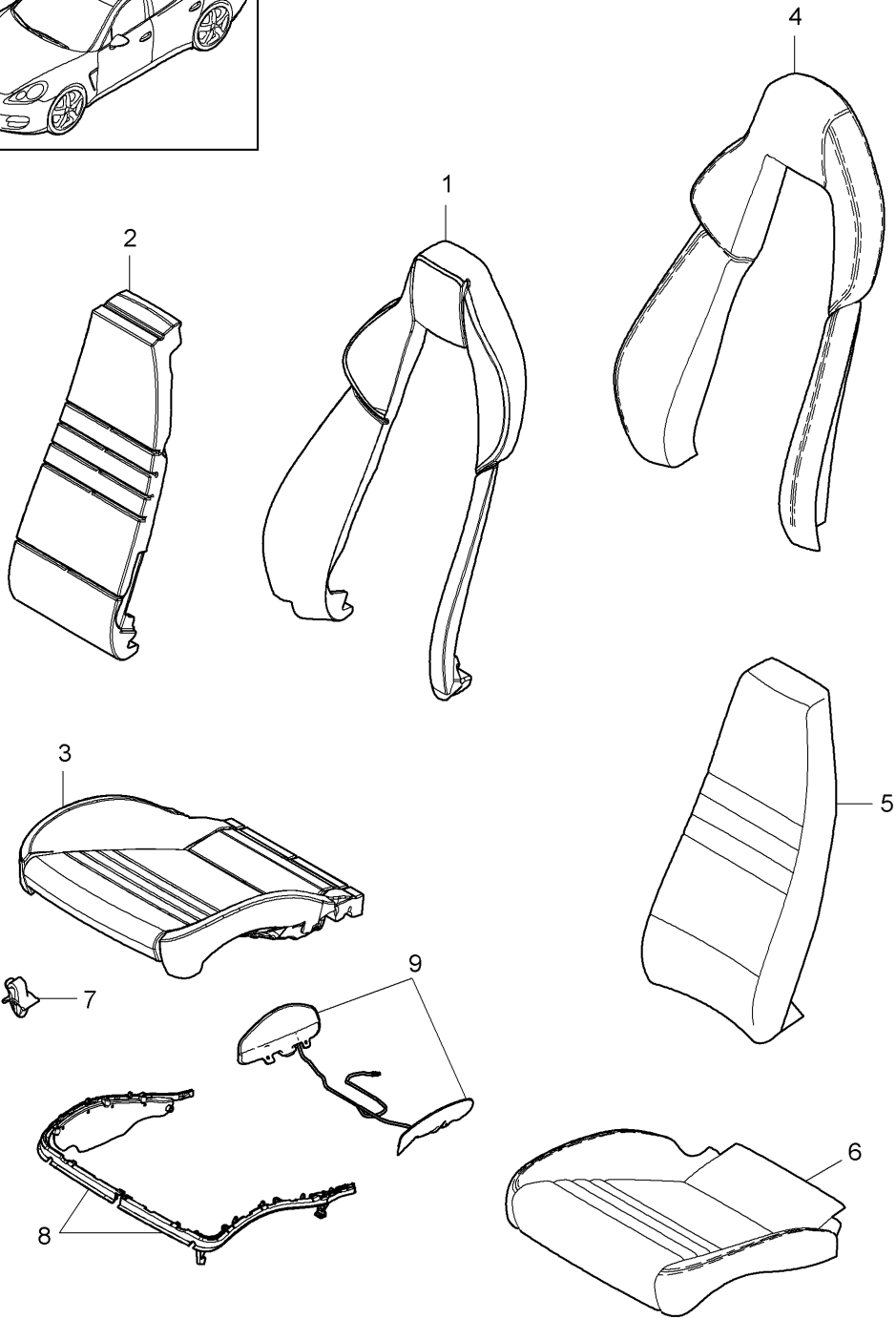
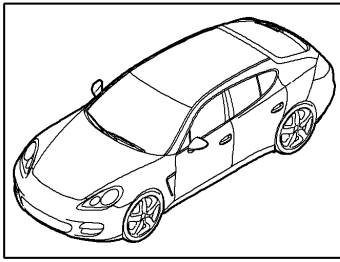
Model: 970 10

Model life 2010>>2016

Pos	Part Number	Description	Remark	Qty	Model
	970 521 364 00 7N0	Espresso	-NA		
	970 521 364 00 8P0	Cognac	-NC		
	970 521 364 00 9Q0	Cedar	-BN		
	970 521 364 00 3G0	Marsala Red	-PC,GP		
	970 521 364 00 OP1	agate grey	-DG,DL,GD,DT		
	970 521 364 00 OM8	saddle brown	-SB,GH,DN		
5	999 141 047 01	Torx screw Mount		4	PR:390,391
6	970 521 614 00	Seat rail Cable holder Wire set Front seat		1	PR:391

Model: 970 10

Model life 2010>>2016



Model: 970 10 Model life 2010>>2016

Pos	Part Number	Description	Remark	Qty	Model
1	970 521 535 01	Foam part Cover sports seat		1	PR:390,391
(1)	970 521 535 03	Foam part backrest Outer part		1	PR:390,391, 541,542
2	970 521 581 01	Foam part backrest	center	1	PR:390,391
(2)	970 521 581 03	Foam part backrest	center	1	PR:390,391, 541,542
3	970 521 571 01	Foam part Seat cushion		1	PR:390,391
(3)	970 521 571 05	without: For vehicles with 'Advanced' airbag Foam part Seat cushion		1	PR:390,391, 541,542
4	970 521 141 10	without: For vehicles with 'Advanced' airbag Backrest cover Outer part with heating		1	PR:342,343, 390,391,946
	970 521 141 10 DAA	Black	-AB		
	970 521 141 10 DAB	Platinum Grey	-CB		
	970 521 141 10 DAC	Luxor beige	-UB		
(4)	970 521 141 25	D >> - 24.01.2011 Backrest cover Outer part with heating		1	PR:342,343, 390,391,946
	970 521 141 25 DAA	Black	-AB		
	970 521 141 25 DAB	Platinum Grey	-CB		
	970 521 141 25 DAC	Luxor beige	-UB		
(4)	970 521 141 25	D - 25.01.2011>> Backrest cover Outer part with heating		1	PR:342,343, 390,391,946
	970 521 141 25 DAA	Black	-AB		
	970 521 141 25 DAC	Luxor beige	-UB		
(4)	970 521 141 01	D - MJ 2014>> Backrest cover Outer part without heating		1	PR:390,946, 391
	970 521 141 01 DAA	Black	-AB		
	970 521 141 01 DAB	Platinum Grey	-CB		
	970 521 141 01 DAC	Luxor beige	-UB		
(4)	970 521 141 16	D >> - 24.01.2011 Backrest cover Outer part without heating		1	PR:390,946, 391
	970 521 141 16 DAA	Black	-AB		
	970 521 141 16 DAB	Platinum Grey	-CB		
	970 521 141 16 DAC	Luxor beige	-UB		
(4)	970 521 141 16	D - 25.01.2011>> Backrest cover Outer part without heating		1	PR:390,946, 391
	970 521 141 16 DAA	Black	-AB		
	970 521 141 16 DAB	Platinum Grey	-CB		
	970 521 141 16 DAC	Luxor beige	-UB		
(4)	970 521 141 16	D - MJ 2014>> Backrest cover Outer part without heating		1	PR:390,946, 391
	970 521 141 16 DAA	Black	-AB		
	970 521 141 16 DAB	Platinum Grey	-CB		
	970 521 141 16 DAC	Luxor beige	-UB		

Model: 970 10 Model life 2010>>2016

Pos	Part Number	Description	Remark	Qty	Model
(4)	970 521 141 16 DAA	Black	-AB	1	PR:342,343, 390,391,983
	970 521 141 16 GHB	agate grey	-DG		
	970 521 141 16 DAC	Luxor beige	-UB		
	970 521 141 12	Backrest cover Outer part with heating			
	970 521 141 12 DAF	Black	-AC		
	970 521 141 12 DAG	Platinum Grey	-CC, BB		
	970 521 141 12 DAH	Luxor beige	-UC		
	970 521 141 12 DAJ	Black/yachting blue	-EC		
(4)	970 521 141 12 DAL	Cream	-BC, BD, BE	1	PR:342,343, 390,391,983
	D	>> - 24.01.2011			
	970 521 141 27	Backrest cover Outer part with heating			
	D	>> - MJ 2013			
	970 521 141 27 DAF	Black	-AC		
	970 521 141 27 DAG	Platinum Grey	-CC, BB		
	970 521 141 27 DAH	Luxor beige	-UC, PL		
	970 521 141 27 DAJ	yachting blue	-EC		
(4)	970 521 141 27 DAL	Cream	-BC, BD, BE, DS, DT	1	PR:342,343, 390,391,983
	970 521 141 27 DAK	Marsala Red	-PC		
	D - 25.01.2011>>				
	970 521 141 27	Backrest cover Outer part with heating			
	D - MJ 2014>>				
	970 521 141 27 DAF	Black	-AC		
	970 521 141 27 DAH	Luxor beige	-UC, PL		
	970 521 141 27 DAJ	yachting blue	-EC		
(4)	970 521 141 27 DAL	Cream	-BC, BD, BE, DS, DT	1	PR:390,983, 391
	970 521 141 27 GHC	agate grey	-DL		
	970 521 141 27 GLC	Carrera Red	-BF		
	970 521 141 27 DUE	saddle brown	-SB, DN		
	D - MJ 2015>>				
	970 521 141 03	Backrest cover Outer part without heating			
	970 521 141 03 DAF	Black	-AC		
	970 521 141 03 DAG	Platinum Grey	-CC, BB		
(4)	970 521 141 03 DAH	Luxor beige	-UC, PL	1	PR:390,983, 391
	970 521 141 03 DAJ	yachting blue	-EC		
	970 521 141 03 DAL	Cream	-BC, BD, BE, DS, DT		
	970 521 141 03 DAK	Marsala Red	-PC		
	D	>> - 24.01.2011			
	970 521 141 18	Backrest cover Outer part without heating			
	D	>> - MJ 2013			
	970 521 141 18 DAF	Black	-AC		
(4)	970 521 141 18 DAG	Platinum Grey	-CC, BB	1	PR:390,983, 391
	970 521 141 18 DAH	Luxor beige	-UC, PL		
	970 521 141 18 DAJ	yachting blue	-EC		
	970 521 141 18 DAL	Cream	-BC, BD, BE, DS, DT		
	970 521 141 18 DAK	Marsala Red	-PC		
	D - 25.01.2011>>				
	970 521 141 18	Backrest cover Outer part without heating			

Model: 970 10 Model life 2010>>2016

Pos	Part Number	Description	Remark	Qty	Model
		D - MJ 2014>>			
	970 521 141 18 DAF	Black	-AC		
	970 521 141 18 DAL	Cream	-BC, BD, BE, DS, DT		
	970 521 141 18 DAK	Marsala Red	-PC		
	970 521 141 18 GHC	agate grey	-DL		
	970 521 141 18 GLC	Carrera Red	-BF		
	970 521 141 18 DUE	saddle brown	-SB, DN		
(4)	970 521 141 14	D - MJ 2015>> Backrest cover Outer part with heating		1	PR:342,343, 390,391,983, 998
	970 521 141 14 DAM	Espresso	-NA		
	970 521 141 14 DAN	Cognac	-NC		
	970 521 141 14 DAO	Cedar	-BN		
(4)	970 521 141 29	D >> - 24.01.2011 Backrest cover Outer part with heating		1	PR:342,343, 390,391,983, 998
	970 521 141 29 DAM	Espresso	-NA		
	970 521 141 29 DAN	Cognac	-NC		
	970 521 141 29 DAO	Cedar	-BN		
(4)	970 521 141 05	D - 25.01.2011>> Backrest cover Outer part without heating		1	PR:390,983, 998,391
	970 521 141 05 DAM	Espresso	-NA		
	970 521 141 05 DAN	Cognac	-NC		
	970 521 141 05 DAO	Cedar	-BN		
(4)	970 521 141 20	D >> - 24.01.2011 Backrest cover Outer part without heating		1	PR:390,983, 998,391
	970 521 141 20 DAM	Espresso	-NA		
	970 521 141 20 DAN	Cognac	-NC		
	970 521 141 20 DAO	Cedar	-BN		
(4)	970 521 141 32	D - 25.01.2011>> Backrest cover Outer part with heating with ventilation		1	PR:390,391, 541,542,946
	970 521 141 32 DAA	D - MJ 2014>> Black	-AB		
	970 521 141 32 DAC	Luxor beige	-UB		
	970 521 141 32 GHB	agate grey	-DG		
(4)	970 521 141 33	Backrest cover Outer part with heating with ventilation		1	PR:390,391, 541,542,983, -998
	970 521 141 33 DAF	D - MJ 2014>> Black	-AC		
	970 521 141 33 DAL	Cream	-BC, BD, BE, DS, DT		
	970 521 141 33 DAK	Marsala Red	-PC		
	970 521 141 33 GHC	agate grey	-DL		
	970 521 141 33 GLC	Carrera Red	-BF		
	970 521 141 33 DUE	saddle brown	-SB, DN		
(4)	970 521 141 34	D - MJ 2015>> Backrest cover Outer part with heating with ventilation		1	PR:390,391, 541,542,983, 998
		D - MJ 2014>>			

Model: 970 10 Model life 2010>>2016

Pos	Part Number	Description	Remark	Qty	Model
(4)	970 521 141 34 DAM	Espresso	-NA	1	PR:390,391, 946,XYV
	970 521 141 34 DAN	Cognac	-NC		
	970 521 141 34 DAO	Cedar	-BN		
	970 521 901 01	Backrest cover Outer part without heating			
(4)	970 521 901 01 DAA	Black	-AB	1	PR:390,391, 946,XYV
	970 521 901 01 DAB	Platinum Grey	-CB		
	970 521 901 01 DAC	Luxor beige	-UB		
	D	>> - 24.01.2011			
(4)	970 521 901 16	Backrest cover Outer part without heating		1	PR:390,391, 946,XYV
	D	>> - MJ 2013			
	970 521 901 16 DAA	Black	-AB		
	970 521 901 16 DAB	Platinum Grey	-CB		
(4)	970 521 901 16 DAC	Luxor beige	-UB	1	PR:390,391, 946,XYV
	D - 25.01.2011>>				
	970 521 901 16 DAA	Black	-AB		
	970 521 901 16 DAC	Luxor beige	-UB		
(4)	970 521 901 03 GHB	agate grey	-DG	1	PR:390,391, 983,XYV,XYW
	970 521 901 03	Backrest cover Outer part without heating			
	970 521 901 03 DAF	Black	-AC		
	970 521 901 03 DAG	Platinum Grey	-CC,BB		
	970 521 901 03 DAH	Luxor beige	-UC		
	970 521 901 03 DAJ	yachting blue	-EC		
	970 521 901 03 DAL	Cream	-BC,BD,BE		
	970 521 901 03 DAK	Marsala Red	-PC		
(4)	970 521 901 18	Backrest cover Outer part without heating		1	PR:390,391, 983,XYV,XYW
	D - MJ 2011>> - MJ 2013				
	970 521 901 18 DAF	Black	-AC		
	970 521 901 18 DAG	Platinum Grey	-CC,BB		
	970 521 901 18 DAH	Luxor beige	-UC,PL		
	970 521 901 18 DAJ	yachting blue	-EC		
	970 521 901 18 DAL	Cream	-BC,BD,BE,DS, DT		
	970 521 901 18 DAK	Marsala Red	-PC		
(4)	970 521 901 18	Backrest cover Outer part without heating		1	PR:390,391, 983,XYV,XYW
	D - MJ 2014>>				
	970 521 901 18 DAF	Black	-AC		
	970 521 901 18 DAH	Luxor beige	-UC,PL		
	970 521 901 18 DAL	Cream	-BC,BD,BE,DS, DT		
	970 521 901 18 DAK	Marsala Red	-PC		
	970 521 901 18 GHC	agate grey	-DL		
	970 521 901 18 GLC	Carrera Red	-BF		
(4)	970 521 901 18 DUE	saddle brown	-SB,DN	1	PR:390,391, 983,XYV,XYW, 998
	D - MJ 2015>>				
	970 521 901 05	Backrest cover Outer part without heating			

Model: 970 10 Model life 2010>>2016

Pos	Part Number	Description	Remark	Qty	Model
	970 521 901 05 DAM	Espresso	-NA		
	970 521 901 05 DAN	Cognac	-NC		
	970 521 901 05 DAO	Cedar	-BN		
(4)	970 521 901 20	D >> - 24.01.2011 Backrest cover Outer part without heating		1	PR: 390, 391, 983, XYV, XYW, 998
	970 521 901 20 DAM	Espresso	-NA		
	970 521 901 20 DAN	Cognac	-NC		
	970 521 901 20 DAO	Cedar	-BN		
(4)	970 521 901 10	D - 25.01.2011>> Backrest cover Outer part with heating		1	PR: 342, 343, 390, XYV, XYW, 946, 391
	970 521 901 10 DAA	Black	-AB		
	970 521 901 10 DAB	Platinum Grey	-CB		
	970 521 901 10 DAC	Luxor beige	-UB		
(4)	970 521 901 25	D >> - 24.01.2011 Backrest cover Outer part with heating		1	PR: 342, 343, 390, XYV, XYW, 946, 391
	970 521 901 25 DAA	Black	-AB		
	970 521 901 25 DAB	Platinum Grey	-CB		
	970 521 901 25 DAC	Luxor beige	-UB		
(4)	970 521 901 25	D - 25.01.2011>> Backrest cover Outer part with heating		1	PR: 342, 343, 390, XYV, XYW, 946, 391
	970 521 901 25 DAA	Black	-AB		
	970 521 901 25 DAC	Luxor beige	-UB		
	970 521 901 25 GHB	agate grey	-DG		
(4)	970 521 901 12	D - MJ 2014>> Backrest cover Outer part with heating		1	PR: 342, 343, 390, XYV, XYW, 983, 391
	970 521 901 12 DAF	Black	-AC		
	970 521 901 12 DAG	Platinum Grey	-CC, BB		
	970 521 901 12 DAH	Luxor beige	-UC		
	970 521 901 12 DAJ	yachting blue	-EC		
	970 521 901 12 DAL	Cream	-BC, BD, BE		
(4)	970 521 901 27	D >> - 24.01.2011 Backrest cover Outer part with heating		1	PR: 342, 343, 390, XYV, XYW, 983, 391
	970 521 901 27 DAF	Black	-AC		
	970 521 901 27 DAG	Platinum Grey	-CC, BB		
	970 521 901 27 DAH	Luxor beige	-UC, PL		
	970 521 901 27 DAJ	yachting blue	-EC		
	970 521 901 27 DAL	Cream	-BC, BD, BE, DS, DT		
	970 521 901 27 DAK	Marsala Red	-PC		
(4)	970 521 901 27	D - 25.01.2011>> Backrest cover Outer part with heating		1	PR: 342, 343, 390, XYV, XYW, 983, 391
	970 521 901 27 DAF	Black	-AC		
	970 521 901 27 DAH	Luxor beige	-UC, PL		
	970 521 901 27 DAL	Cream	-BC, BD, BE, DS, DT		
	970 521 901 27 DAK	Marsala Red	-PC		
	970 521 901 27 GHC	agate grey	-DL		

Model: 970 10 Model life 2010>>2016

Pos	Part Number	Description	Remark	Qty	Model
	970 521 901 27 GLC	Carrera Red	-BF		
	970 521 901 27 DUE	saddle brown	-SB, DN		
(4)	970 521 901 14	D - MJ 2015>> Backrest cover Outer part with heating		1	PR: 342, 343, 390, XYV, XYW, 983, 998, 391
	970 521 901 14 DAM	Espresso	-NA		
	970 521 901 14 DAN	Cognac	-NC		
	970 521 901 14 DAO	Cedar	-BN		
(4)	970 521 901 29	D >> - 24.01.2011 Backrest cover Outer part with heating		1	PR: 342, 343, 390, XYV, XYW, 983, 998, 391
	970 521 901 29 DAM	Espresso	-NA		
	970 521 901 29 DAN	Cognac	-NC		
	970 521 901 29 DAO	Cedar	-BN		
(4)	970 521 141 30	D - 25.01.2011>> Backrest cover Outer part with heating		1	PR: 015, 342, 343, 390, 391, 951
	970 521 141 30 DSY	Black/Carmine Red	-GK		
	970 521 141 30 DSZ	black/silver	-GS		
	970 521 141 30 DSI	Black	-GA		
	970 521 141 30 DTG	Platinum Grey	-GC		
	970 521 141 30 DTH	Luxor beige	-GU		
	970 521 141 30 DTI	yachting blue	-GE		
	970 521 141 30 DTJ	Marsala Red	-GP		
	970 521 141 30 DVC	agate grey	-GD		
	970 521 141 30 DVD	D - MJ 2014>> saddle brown	-GH		
5	970 521 151 07	D - MJ 2015>> Backrest cover Central section version: with heating		1	PR: 390, 391, 342, 343, 946
	970 521 151 07 DAA	Black	-AB		
	970 521 151 07 DAB	Platinum Grey	-CB		
	970 521 151 07 DAC	Luxor beige	-UB		
	970 521 151 07 GHB	Black/agate grey	-DG		
(5)	970 521 151 09	D - MJ 2014>> Backrest cover Central section version: with heating		1	PR: 390, 391, 342, 343, 983, 998
	970 521 151 09 DAM	Espresso	-NA		
	970 521 151 09 DAN	Cognac	-NC		
	970 521 151 09 DAO	Cedar	-BN		
(5)	970 521 151 18	Backrest cover Central section version: with heating		1	PR: 390, 391, 342, 343, 983
	970 521 151 18 DAF	Black	-AC		
	970 521 151 18 DAG	Platinum Grey	-CC, BB		
	970 521 151 18 DAH	Luxor beige	-UC, PL		
	970 521 151 18 DAJ	yachting blue	-EC		
	970 521 151 18 DAL	Cream	-BC, BD, BE, DS, DT		
	970 521 151 18 GHC	agate grey	-DL		
	970 521 151 18 GLC	Carrera Red	-BF		
	970 521 151 18 DUE	saddle brown	-SB, DN		
(5)	970 521 151 21	Backrest cover Central section version: with heating		1	PR: 015, 342, 343, 390, 391, 951, 010
	970 521 151 21 2W0	D - MJ 2013>> Black	-GS, GA		

Model: 970 10 Model life 2010>>2016

Pos	Part Number	Description	Remark	Qty	Model
	970 521 151 21 8U3	Platinum Grey	-GC		
	970 521 151 21 9U1	Luxor beige	-GU		
	970 521 151 21 BD2	yachting blue	-GE		
	970 521 151 21 BE3	Marsala Red	-GP		
	970 521 151 21 OU5	agate grey	-GD		
		D - MJ 2014>>			
	970 521 151 21 OP2	saddle brown	-GH		
		D - MJ 2015>>			
(5)	970 521 151 23	Backrest cover Central section version: with: heater D - MJ 2014>>		1	PR:390,391, 541,542,983
	970 521 151 23 DAF	Black	-AC		
	970 521 151 23 DAH	Luxor beige	-UC,PL		
	970 521 151 23 DAK	Marsala Red	-PC		
	970 521 151 23 DAL	Cream	-BC,BD,BE,DS, DT		
	970 521 151 23 GHC	agate grey	-DL		
	970 521 151 23 GLC	Carrera Red	-BF		
	970 521 151 23 DUE	saddle brown	-SB,DN		
		D - MJ 2015>>			
(5)	970 521 151 24	Backrest cover Central section version: with: heater D - MJ 2014>>		1	PR:390,391, 541,542,983, 998
	970 521 151 24 DAM	Espresso	-NA		
	970 521 151 24 DAN	Cognac	-NC		
	970 521 151 24 DAO	Cedar	-BN		
6	970 521 161 10	Cover Seat cover with heating D >> - MJ 2010		1	PR:342,343, 390,946
	970 521 161 10 DAA	Black	-AB		
	970 521 161 10 DAB	Platinum Grey	-CB		
	970 521 161 10 DAC	Luxor beige	-UB		
(6)	970 521 161 46	Cover Seat cover with heating D - MJ 2011>>		1	PR:342,343, 390,946
	970 521 161 46 DAA	Black	-AB		
	970 521 161 46 DAB	Platinum Grey	-CB		
	970 521 161 46 DAC	Luxor beige	-UB		
	970 521 161 46 GHB	agate grey	-DG		
(6)	970 521 161 37	Seat cover Cover without heating	left	1	PR:390,946
	970 521 161 37 DAA	Black	-AB		
	970 521 161 37 DAB	Platinum Grey	-CB		
	970 521 161 37 DAC	Luxor beige	-UB		
	970 521 161 37 GHB	agate grey	-DG		
(6)	970 521 161 12	Cover Seat cover with heating D >> - MJ 2010		1	PR:342,343, 390,983
	970 521 161 12 DAF	Black	-AC		
	970 521 161 12 DAG	Platinum Grey	-CC,BB		
	970 521 161 12 DAH	Luxor beige	-UC		
	970 521 161 12 DAJ	yachting blue	-EC		
	970 521 161 12 DAL	Cream	-BC,BD,BE		
(6)	970 521 161 39	Seat cover Cover		1	PR:390,983

Model: 970 10 Model life 2010>>2016

Pos	Part Number	Description	Remark	Qty	Model
		without heating			
	970 521 161 39 DAF	Black	-AC		
	970 521 161 39 DAG	Platinum Grey	-CC, BB		
	970 521 161 39 DAH	Luxor beige	-UC, PL		
	970 521 161 39 DAJ	yachting blue	-EC		
	970 521 161 39 DAK	Marsala Red	-PC		
	970 521 161 39 DAL	Cream	-BC, BD, BE, DS, DT		
	970 521 161 39 GHC	agate grey	-DL		
	970 521 161 39 GLC	Carrera Red	-BF		
	970 521 161 39 DUE	saddle brown	-SB, DN		
(6)	970 521 161 48	Cover Seat cover with heating D - MJ 2011>>		1	PR:342,343, 390,983
	970 521 161 48 DAF	Black	-AC		
	970 521 161 48 DAG	Platinum Grey	-CC, BB		
	970 521 161 48 DAH	Luxor beige	-UC, PL		
	970 521 161 48 DAJ	yachting blue	-EC		
	970 521 161 48 DAL	Cream	-BC, BD, BE, DS, DT		
	970 521 161 48 DAK	Marsala Red	-PC		
	970 521 161 48 GHC	agate grey	-DL		
	970 521 161 48 GLC	Carrera Red	-BF		
	970 521 161 48 DUE	saddle brown	-SB, DN		
(6)	970 521 161 14	Seat cover Cover with heating D >> - MJ 2010		1	PR:342,343, 390,983,998
	970 521 161 14 DAM	Espresso	-NA		
	970 521 161 14 DAN	Cognac	-NC		
	970 521 161 14 DAO	Cedar	-BN		
(6)	970 521 161 50	Cover Seat cover with heating D - MJ 2011>>		1	PR:342,343, 390,983,998
	970 521 161 50 DAM	Espresso	-NA		
	970 521 161 50 DAN	Cognac	-NC		
	970 521 161 50 DAO	Cedar	-BN		
(6)	970 521 161 A6	Cover Seat cover with heating D - MJ 2013>>		1	PR:015,342, 390,951,343
	970 521 161 A6 DSA	Black/Carmine Red	-GK		
	970 521 161 A6 DSB	black/silver	-GS		
	970 521 161 A6 DSJ	Black	-GA		
	970 521 161 A6 DSE	Platinum Grey	-GC		
	970 521 161 A6 DSF	Luxor beige	-GU		
	970 521 161 A6 DSG	yachting blue	-GE		
	970 521 161 A6 DSH	Marsala Red	-GP		
	970 521 161 A6 DVA	agate grey	-GD		
	970 521 161 A6 DVB	saddle brown	-GH		
(6)	970 521 161 73	Seat cover Seat cover with: heater D - MJ 2014>>		1	PR:390,541, 542,946
	970 521 161 73 DAA	Black	-AB		
	970 521 161 73 GHB	agate grey	-DG		
	970 521 161 73 DAC	Luxor beige	-UB		
(6)	970 521 161 74	Seat cover Seat cover with:		1	PR:390,541, 542,983

Model: 970 10 Model life 2010>>2016

Pos	Part Number	Description	Remark	Qty	Model
		heater			
		D - MJ 2014>>			
	970 521 161 74 DAF	Black	-AC		
	970 521 161 74 GHC	agate grey	-DL		
	970 521 161 74 DAH	Luxor beige	-UC,PL		
	970 521 161 74 DAK	Marsala Red	-PC		
	970 521 161 74 DAL	Cream	-BC,BD,BE,DS,DT		
	970 521 161 74 GLC	Carrera Red	-BF		
	970 521 161 74 DUE	saddle brown	-SB,DN		
(6)	970 521 161 41	Seat cover Cover without heating		1	PR:390,983,998
	970 521 161 41 DAM	Espresso	-NA		
	970 521 161 41 DAN	Cognac	-NC		
	970 521 161 41 DAO	Cedar	-BN		
(6)	970 521 161 75	Seat cover Cover	left	1	PR:390,983,998,542,541
		with:			
		heater			
	970 521 161 75 DAM	Espresso	-NA		
	970 521 161 75 DAN	Cognac	-NC		
	970 521 161 75 DAO	Cedar	-BN		
(6)	970 521 162 10	Cover Seat cover with heating		1	PR:342,343,391,946
		D >> - MJ 2010			
	970 521 162 10 DAA	Black	-AB		
	970 521 162 10 DAB	Platinum Grey	-CB		
	970 521 162 10 DAC	Luxor beige	-UB		
(6)	970 521 162 37	Seat cover Cover without heating		1	PR:391,946
	970 521 162 37 DAA	Black	-AB		
	970 521 162 37 DAB	Platinum Grey	-CB		
	970 521 162 37 DAC	Luxor beige	-UB		
	970 521 162 37 GHB	agate grey	-DG		
(6)	970 521 162 46	Cover Seat cover with heating		1	PR:342,343,391,946
		D - MJ 2011>>			
	970 521 162 46 DAA	Black	-AB		
	970 521 162 46 DAB	Platinum Grey	-CB		
	970 521 162 46 DAC	Luxor beige	-UB		
	970 521 162 46 GHB	agate grey	-DG		
(6)	970 521 162 12	Cover Seat cover with heating		1	PR:342,343,391,983
		D >> - MJ 2010			
	970 521 162 12 DAF	Black	-AC		
	970 521 162 12 DAG	Platinum Grey	-CC,BB		
	970 521 162 12 DAH	Luxor beige	-UC		
	970 521 162 12 DAJ	yachting blue	-EC		
	970 521 162 12 DAL	Cream	-BC,BD,BE		
(6)	970 521 162 39	Seat cover Cover without heating		1	PR:391,983
	970 521 162 39 DAF	Black	-AC		
	970 521 162 39 DAG	Platinum Grey	-CC,BB		
	970 521 162 39 DAH	Luxor beige	-UC,PL		
	970 521 162 39 DAJ	yachting blue	-EC		
	970 521 162 39 DAL	Cream	-BC,BD,BE,DS,DT		

Model: 970 10 Model life 2010>>2016

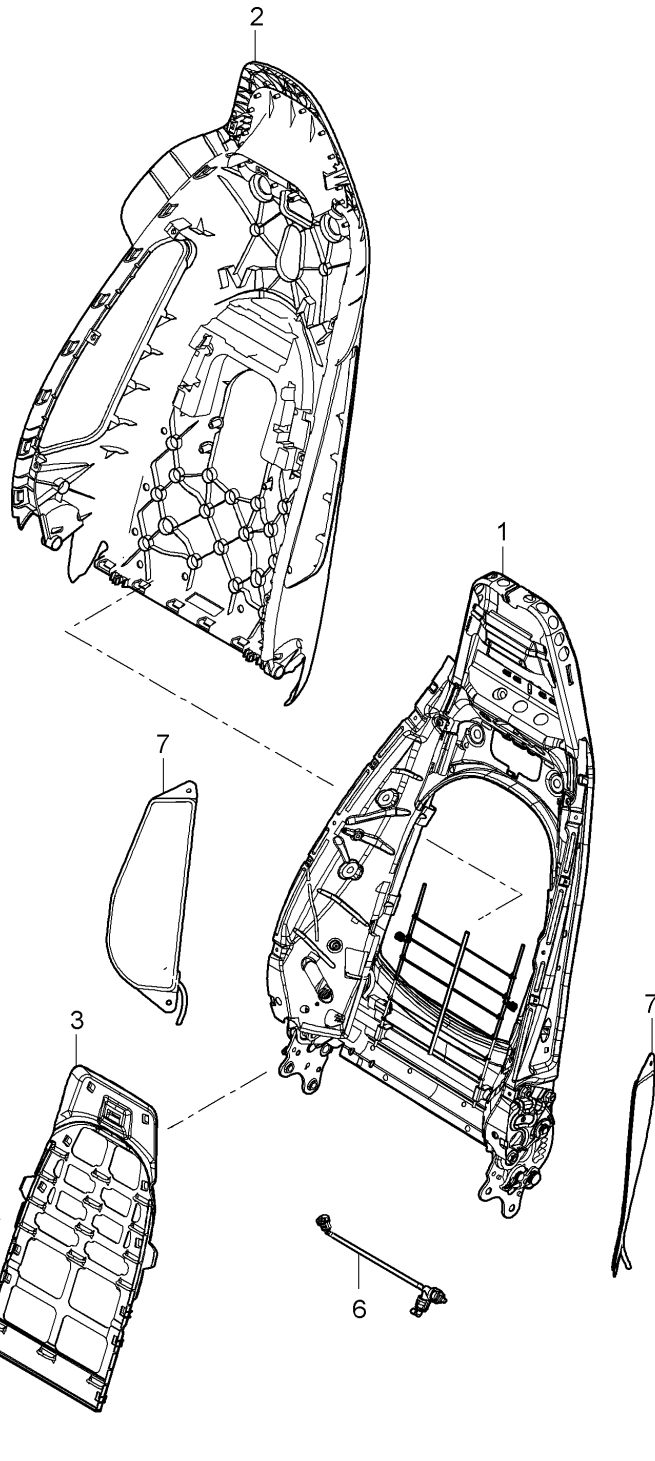
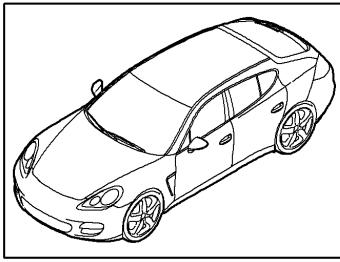
Pos	Part Number	Description	Remark	Qty	Model			
(6)	970 521 162 39 DAK	Marsala Red	-PC	1	PR:342,343, 391,983			
	970 521 162 39 GHC	agate grey	-DL					
	970 521 162 39 GLC	Carrera Red	-BF					
	970 521 162 39 DUE	saddle brown	-SB, DN					
	970 521 162 48	Cover						
		Seat cover with heating						
		D - MJ 2011>>						
	970 521 162 48 DAF	Black	-AC					
	970 521 162 48 DAG	Platinum Grey	-CC, BB					
	970 521 162 48 DAH	Luxor beige	-UC, PL					
970 521 162 48 DAJ	yachting blue	-EC						
970 521 162 48 DAL	Cream	-BC, BD, BE, DS, DT						
(6)	970 521 162 48 DAK	Marsala Red	-PC	1	PR:342,343, 391,983,998			
	970 521 162 48 GHC	agate grey	-DL					
	970 521 162 48 GLC	Carrera Red	-BF					
	970 521 162 48 DUE	saddle brown	-SB, DN					
	970 521 162 14	Cover						
		Seat cover with heating						
		D >> - MJ 2010						
	970 521 162 14 DAM	Espresso	-NA					
	970 521 162 14 DAN	Cognac	-NC					
	970 521 162 14 DAO	Cedar	-BN					
(6)	970 521 162 41	Seat cover		1	PR:391,983, 998			
		Cover						
		without heating						
	970 521 162 41 DAM	Espresso	-NA					
	970 521 162 41 DAN	Cognac	-NC					
	970 521 162 41 DAO	Cedar	-BN					
	(6)	970 521 162 50	Cover				1	PR:342,343, 391,983,998
			Seat cover with heating					
			D - MJ 2011>>					
		970 521 162 50 DAM	Espresso			-NA		
970 521 162 50 DAN		Cognac	-NC					
970 521 162 50 DAO		Cedar	-BN					
(6)		970 521 162 A6	Cover		1	PR:015,343, 391,951,342, 010		
			Seat cover with heating					
			D - MJ 2013>>					
		970 521 162 A6 DSA	Black/Carmine Red	-GK				
	970 521 162 A6 DSB	black/silver	-GS					
	970 521 162 A6 DSJ	Black	-GA					
	970 521 162 A6 DSE	Platinum Grey	-GC					
	970 521 162 A6 DSF	Luxor beige	-GU					
	970 521 162 A6 DSG	yachting blue	-GE					
	970 521 162 A6 DSH	Marsala Red	-GP					
970 521 162 A6 DVA	agate grey	-GD						
970 521 162 A6 DVB	saddle brown	-GH						
(6)	970 521 162 73	Seat cover		1	PR:391,541, 542,946			
		Cover						
		with: heater						
		D - MJ 2014>>						
	970 521 162 73 DAA	Black	-AB					
	970 521 162 73 GHB	agate grey	-DG					
	970 521 162 73 DAC	Luxor beige	-UB					
	(6)	970 521 162 74	Seat cover				1	PR:391,541, 542,983
			Cover					
			with: heater					

Model: 970 10 Model life 2010>>2016

Pos	Part Number	Description	Remark	Qty	Model
		D - MJ 2014>>			
	970 521 162 74 DAF	Black	-AC		
	970 521 162 74 GHC	agate grey	-DL		
	970 521 162 74 DAH	Luxor beige	-UC,PL		
	970 521 162 74 DAK	Marsala Red	-PC		
	970 521 162 74 DAL	Cream	-BC,BD,BE,DS,DT		
	970 521 162 74 GLC	Carrera Red	-BF		
	970 521 162 74 DUE	saddle brown	-SB,DN		
(6)	970 521 162 75	Seat cover Cover	right	1	PR:391,541, 542,998,983
		with:			
		heater			
		D - MJ 2014>>			
	970 521 162 75 DAM	Espresso	-NA		
	970 521 162 75 DAN	Cognac	-NC		
	970 521 162 75 DAO	Cedar	-BN		
7	997 521 837 00	Clip Padding Seat cushion		1	PR:390,391
8	997 521 548 00	Frame Cushioning Seat cushion	right inner	1	PR:390
(8)	997 521 547 00	Frame Cushioning Seat cushion	left inner	1	PR:391
(8)	970 521 546 00	Frame Cushioning Seat cushion	right outer	1	PR:391
(8)	970 521 545 00	Frame Cushioning Seat cushion	right outer	1	PR:390
9	970 521 713 00	Airbag Seat cushion Lumbar	right	1	PR:390,391

Model: 970 10

Model life 2010>>2016



Model: 970 10 Model life 2010>>2016

Pos	Part Number	Description	Remark	Qty	Model
1	970 521 329 01	Backrest shell Backrest frame sports seat backrest frame		1	PR:390,391, 537,538
		with:			
2	970 521 303 08	Memory Backrest shell	left	1	PR:390,983
	970 521 303 08 8YR	Black	-AC		
	970 521 303 08 7A0	Platinum Grey	-CC,BB		
	970 521 303 08 PL1	agate grey	-DL		
	970 521 303 08 9H6	Luxor beige	-UC		
	970 521 303 08 6U7	yachting blue	-EC		
	970 521 303 08 6G0	Cream	-BC,BD,BE,DS, DT		
	970 521 303 08 8C0	Espresso	-NA		
	970 521 303 08 9EF	Cognac	-NC		
	970 521 303 08 7MP	Cedar	-BN		
	970 521 303 08 8M8	Marsala Red	-PC		
	970 521 303 08 N11	Carrera Red	-BF		
	970 521 303 08 OK6	saddle brown	-SB, DN		
(2)	970 521 304 08	Backrest shell	right	1	PR:391,983
	970 521 304 08 8YR	Black	-AC		
	970 521 304 08 7A0	Platinum Grey	-CC,BB		
	970 521 304 08 PL1	agate grey	-DL		
	970 521 304 08 9H6	Luxor beige	-UC		
	970 521 304 08 6U7	yachting blue	-EC		
	970 521 304 08 6G0	Cream	-BC,BD,BE,DS, DT		
	970 521 304 08 8C0	Espresso	-NA		
	970 521 304 08 9EF	Cognac	-NC		
	970 521 304 08 7MP	Cedar	-BN		
	970 521 304 08 8M8	Marsala Red	-PC		
	970 521 304 08 N11	Carrera Red	-BF		
	970 521 304 08 OK6	saddle brown	-SB, DN		
(2)	970 521 303 09	Backrest shell	left	1	PR:390,946
	970 521 303 09 1D0	Black	-AB		
	970 521 303 09 3F0	Platinum Grey	-CB		
	970 521 303 09 OW7	agate grey	-DG		
	970 521 303 09 2E0	Luxor beige	-UB		
(2)	970 521 304 09	Backrest shell	right	1	PR:391,946
	970 521 304 09 1D0	Black	-AB		
	970 521 304 09 3F0	Platinum Grey	-CB		
	970 521 304 09 OW7	agate grey	-DG		
	970 521 304 09 2E0	Luxor beige	-UB		
(2)	970 521 303 10	Backrest shell	left	1	PR:390,630, 983
	970 521 303 10 8YR	Black	-AC		
	970 521 303 10 7A0	Platinum Grey	-CC,BB		
	970 521 303 10 PL1	agate grey	-DL		
	970 521 303 10 9H6	Luxor beige	-UC		
	970 521 303 10 6U7	yachting blue	-EC		
	970 521 303 10 6G0	Cream	-BC,BD,BE,DS, DT		
	970 521 303 10 8C0	Espresso	-NA		
	970 521 303 10 9EF	Cognac	-NC		
	970 521 303 10 7MP	Cedar	-BN		
	970 521 303 10 8M8	Marsala Red	-PC		
	970 521 303 10 N11	Carrera Red	-BF		
	970 521 303 10 OK6	saddle brown	-SB, DN		
(2)	970 521 304 10	Backrest shell	right	1	PR:391,630, 983
	970 521 304 10 8YR	Black	-AC		
	970 521 304 10 7A0	Platinum Grey	-CC,BB		

Model: 970 10 Model life 2010>>2016

Pos	Part Number	Description	Remark	Qty	Model
	970 521 304 10 PL1	agate grey	-DL		
	970 521 304 10 9H6	Luxor beige	-UC		
	970 521 304 10 6U7	yachting blue	-EC		
	970 521 304 10 6G0	Cream	-BC, BD, BE, DS, DT		
	970 521 304 10 8C0	Espresso	-NA		
	970 521 304 10 9EF	Cognac	-NC		
	970 521 304 10 7MP	Cedar	-BN		
	970 521 304 10 8M8	Marsala Red	-PC		
	970 521 304 10 N11	Carrera Red	-BF		
	970 521 304 10 OK6	saddle brown	-SB, DN		
(2)	970 521 303 11	Backrest shell	left	1	PR:390,630,946
	970 521 303 11 1D0	Black	-AB		
	970 521 303 11 3F0	Platinum Grey	-CB		
	970 521 303 11 OW7	agate grey	-DG		
	970 521 303 11 2E0	Luxor beige	-UB		
(2)	970 521 304 11	Backrest shell	right	1	PR:391,630,946
	970 521 304 11 1D0	Black	-AB		
	970 521 304 11 3F0	Platinum Grey	-CB		
	970 521 304 11 OW7	agate grey	-DG		
	970 521 304 11 2E0	Luxor beige	-UB		
(2)	970 521 303 12	Backrest shell	left	1	PR:XEP,390,983
	970 521 303 12 8YR	Black	-AC		
	970 521 303 12 7A0	Platinum Grey	-CC, BB		
	970 521 303 12 PL1	agate grey	-DL		
	970 521 303 12 9H6	Luxor beige	-UC		
	970 521 303 12 6U7	yachting blue	-EC		
	970 521 303 12 6G0	Cream	-BC, BD, BE, DS, DT		
	970 521 303 12 8C0	Espresso	-NA		
	970 521 303 12 9EF	Cognac	-NC		
	970 521 303 12 7MP	Cedar	-BN		
	970 521 303 12 8M8	Marsala Red	-PC		
	970 521 303 12 N11	Carrera Red	-BF		
	970 521 303 12 OK6	saddle brown	-SB, DN		
(2)	970 521 304 12	Backrest shell	right	1	PR:XEP,391,983
	970 521 304 12 8YR	Black	-AC		
	970 521 304 12 7A0	Platinum Grey	-CC, BB		
	970 521 304 12 PL1	agate grey	-DL		
	970 521 304 12 9H6	Luxor beige	-UC		
	970 521 304 12 6U7	yachting blue	-EC		
	970 521 304 12 6G0	Cream	-BC, BD, BE, DS, DT		
	970 521 304 12 8C0	Espresso	-NA		
	970 521 304 12 9EF	Cognac	-NC		
	970 521 304 12 7MP	Cedar	-BN		
	970 521 304 12 8M8	Marsala Red	-PC		
	970 521 304 12 N11	Carrera Red	-BF		
	970 521 304 12 OK6	saddle brown	-SB, DN		
(2)	970 521 303 13	Backrest shell	left	1	PR:XEP,390,946
	970 521 303 13 1D0	Black	-AB		
	970 521 303 13 3F0	Platinum Grey	-CB		
	970 521 303 13 OW7	agate grey	-DG		
	970 521 303 13 2E0	Luxor beige	-UB		
(2)	970 521 304 13	Backrest shell	right	1	PR:XEP,391,946
	970 521 304 13 1D0	Black	-AB		
	970 521 304 13 3F0	Platinum Grey	-CB		

Model: 970 10 Model life 2010>>2016

Pos	Part Number	Description	Remark	Qty	Model
(2)	970 521 304 13 OW7	agate grey	-DG	1	PR:XEP, 390, 630,983
	970 521 304 13 2E0	Luxor beige	-UB		
	970 521 303 14	Backrest shell	left		
	970 521 303 14 8YR	Black	-AC		
	970 521 303 14 7A0	Platinum Grey	-CC, BB		
	970 521 303 14 PL1	Black/agate grey	-DL		
	970 521 303 14 9H6	Luxor beige	-UC		
	970 521 303 14 6U7	Black/yachting blue	-EC		
	970 521 303 14 6G0	Cream	-BC, BD, BE, DS, DT		
	970 521 303 14 8C0	Black/espresso	-NA		
970 521 303 14 9EF	Black/cognac	-NC			
970 521 303 14 7MP	Black/cedar	-BN			
970 521 303 14 8M8	Black/marsala red	-PC			
970 521 303 14 N11	Carrera Red	-BF			
970 521 303 14 OK6	saddle brown	-SB, DN			
(2)	970 521 304 12	Backrest shell	right	1	PR:XEP, 391, 630,983
(2)	970 521 304 12 8YR	Black	-AC	1	PR:XEP, 390, 630,946
	970 521 304 12 7A0	Platinum Grey	-CC, BB		
	970 521 304 12 PL1	agate grey	-DL		
	970 521 304 12 9H6	Luxor beige	-UC		
	970 521 304 12 6U7	yachting blue	-EC		
	970 521 304 12 6G0	Cream	-BC, BD, BE, DS, DT		
	970 521 304 12 8C0	Espresso	-NA		
	970 521 304 12 9EF	Cognac	-NC		
	970 521 304 12 7MP	Cedar	-BN		
	970 521 304 12 8M8	Marsala Red	-PC		
970 521 304 12 N11	Carrera Red	-BF			
970 521 304 12 OK6	saddle brown	-SB, DN			
(2)	970 521 303 15	Backrest shell	left	1	PR:XEP, 390, 630,946
(2)	970 521 303 15 1D0	Black	-AB	1	PR:XEP, 391, 630,946
	970 521 303 15 3F0	Platinum Grey	-CB		
	970 521 303 15 OW7	Black/agate grey	-DG		
	970 521 303 15 2E0	Luxor beige	-UB		
	970 521 304 15	Backrest shell	right		
	970 521 304 15 1D0	Black	-AB		
	970 521 304 15 3F0	Platinum Grey	-CB		
	970 521 304 15 OW7	Black/agate grey	-DG		
	970 521 304 15 2E0	Luxor beige	-UB		
	970 521 313 01	Pocket Backrest shell	left a. right		
(3)	970 521 313 01 8YR	Black	-AC	1	PR:390,391, 983,982,379, 380
	970 521 313 01 7A0	Platinum Grey	-CC, BB		
	970 521 313 01 PL1	agate grey	-DL		
	970 521 313 01 9H6	Luxor beige	-UC		
	970 521 313 01 6U7	yachting blue	-EC		
	970 521 313 01 6G0	Cream	-BC, BD, BE, DS, DT		
	970 521 313 01 8C0	Espresso	-NA		
	970 521 313 01 9EF	Cognac	-NC		
	970 521 313 01 7MP	Cedar	-BN		
	970 521 313 01 8M8	Marsala Red	-PC		
970 521 313 01 N11	Carrera Red	-BF			
970 521 313 01 OK6	saddle brown	-SB, DN			
4	970 521 551 00	Backrest-padding support part	left a. right	1	PR:390,391
5	970 521 709 00	Airbag Lumbar support	left a. right	1	PR:390,391

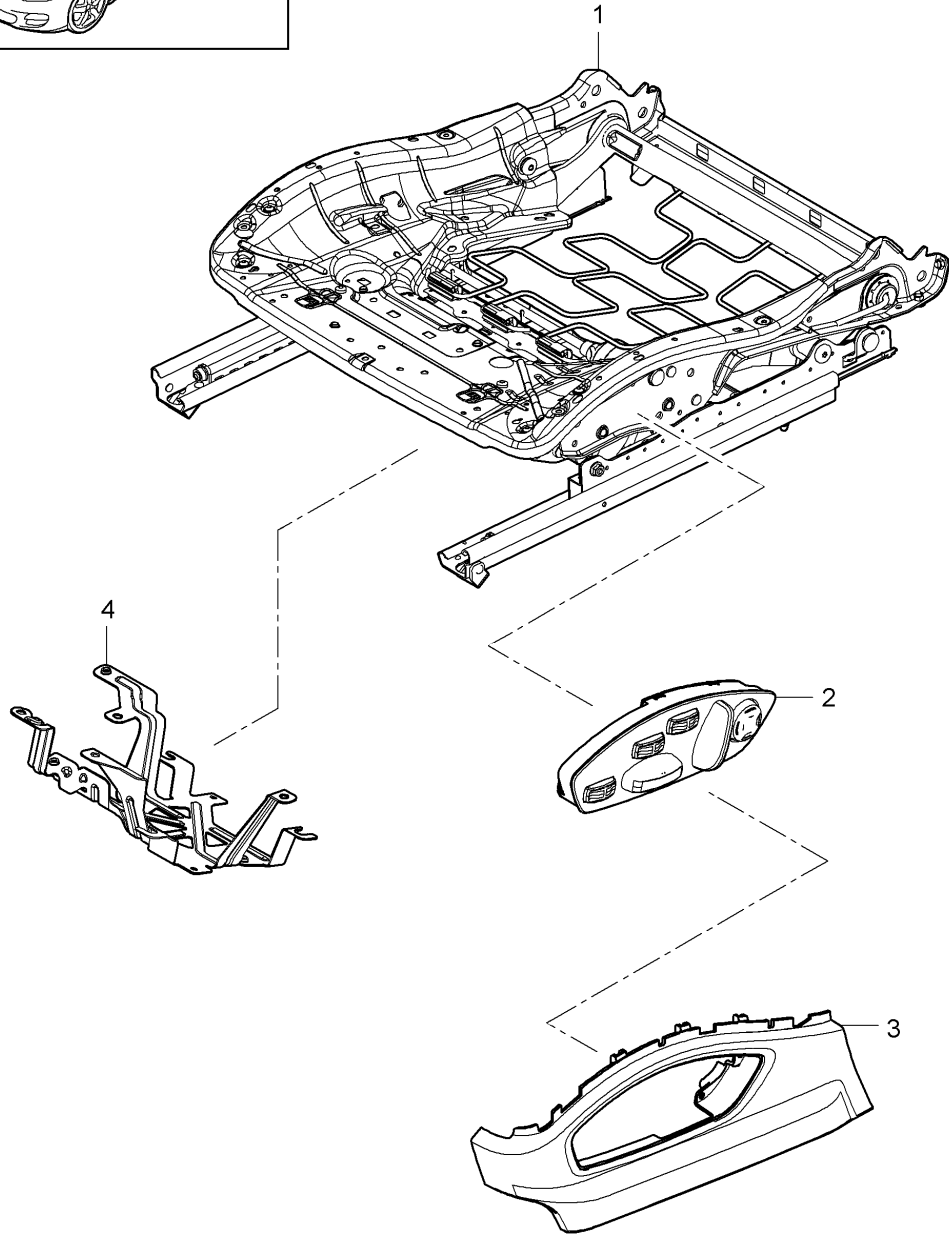
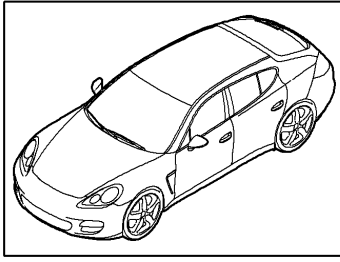
Model: 970 10

Model life 2010>>2016

Pos	Part Number	Description	Remark	Qty	Model
6	970 521 809 01	Air line Lumbar support	left a. right	1	PR:390,391
7	970 521 811 00	Air line Lumbar support backrest	left a. right	1	PR:390,391
8	970 521 711 00	Airbag Lumbar support backrest	left	1	PR:390,391
(8)	970 521 712 00	Airbag Lumbar support backrest	right	1	PR:390,391
9	999 073 538 01	fillister hd. bolt A 10 X 13		4	

Model: 970 10

Model life 2010>>2016

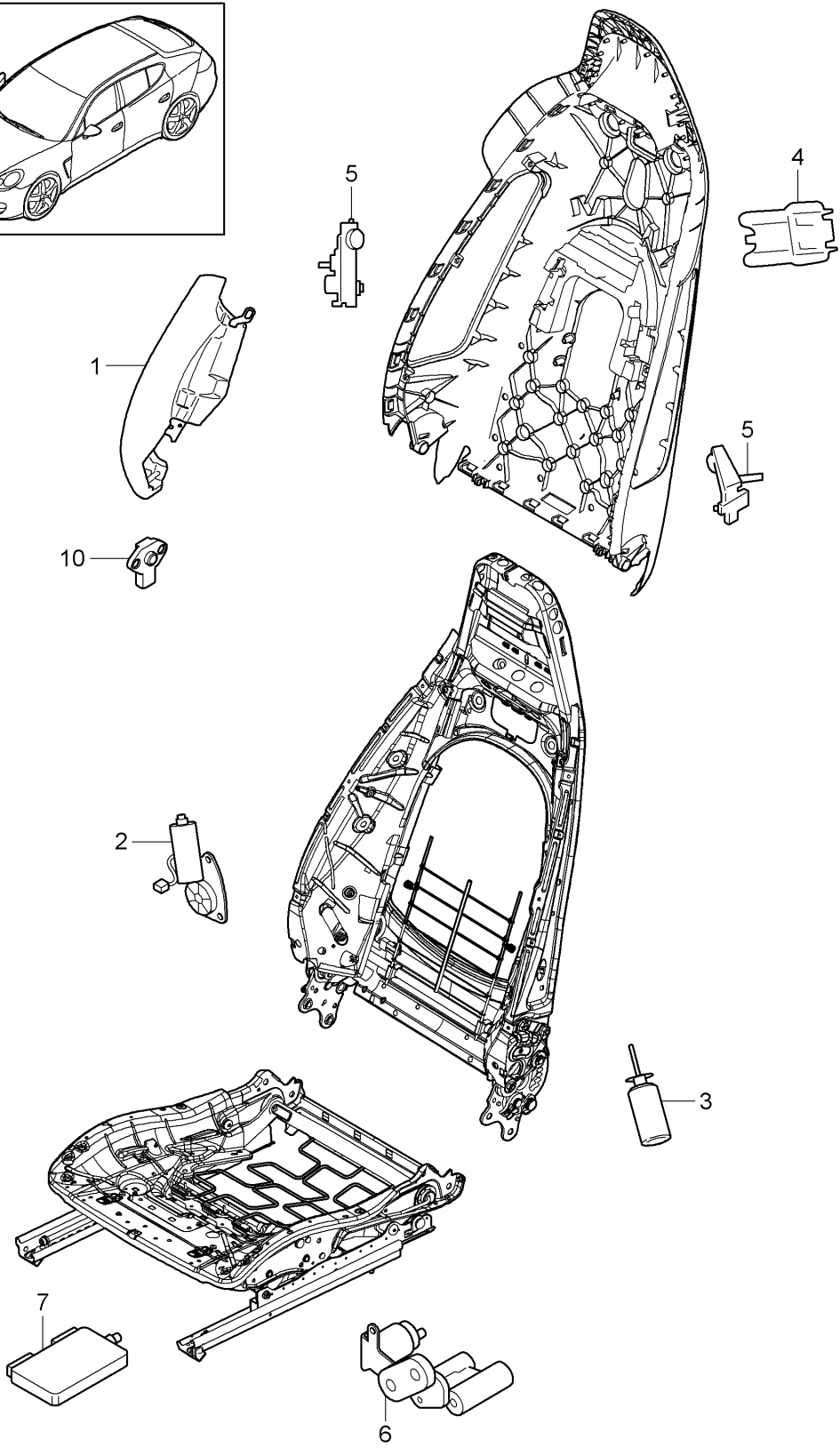
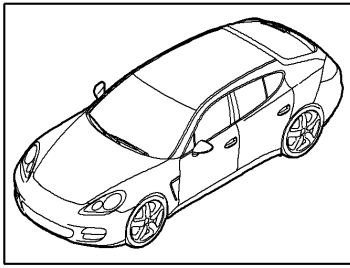


Model: 970 10 Model life 2010>>2016

Pos	Part Number	Description	Remark	Qty	Model
		Seat frame sports seat see Technical information GR. 7 NR. 7209 (49/16)			
1	970 521 201 03	Seat frame sports seat	left	1	PR:390
1	298 881 105 A	Seat frame sports seat	left	1	PR:390,379, 367,537
(1)	970 521 202 03	Seat frame sports seat	right	1	PR:391
(1)	298 881 106 A	Seat frame sports seat	right	1	PR:391
2	7PP 959 747 L	Switch insert Module Seat frame	left	1	PR:390
(2)	7PP 959 747 L DMN	Galvano silver			
	7PP 959 748 L	Switch insert Module Seat frame	right	1	PR:391
3	7PP 959 748 L DMN	Galvano silver			
	970 521 325 00	Trim for switch Module Seat frame	left	1	PR:390
	970 521 325 00 5Q0	Black	-AB,AC,GK,GS, GA,PK,PL		
	970 521 325 00 4U0	Platinum Grey	-CB,CC,GC,BB		
	970 521 325 00 6W0	Luxor beige	-UB,UC,GU		
	970 521 325 00 8Y0	yachting blue	-EC,GE		
	970 521 325 00 5V0	Cream	-BC,BD,BE,DS, DT		
	970 521 325 00 3T0	Espresso	-NA		
	970 521 325 00 2S0	Cognac	-NC		
	970 521 325 00 1R0	Cedar	-BN		
	970 521 325 00 7X0	Marsala Red	-PC,GP		
	970 521 325 00 OA6	agate grey	-DG,DL,GD		
	970 521 325 00 OE1	Carrera Red	-BF		
	970 521 325 00 OL7	saddle brown	-SB,GH,DN		
(3)	970 521 326 00	D - MJ 2015>> Trim for switch Module Seat frame	right	1	PR:391
	970 521 326 00 5Q0	Black	-AB,AC,GK,GS, GA,PK,PL		
	970 521 326 00 4U0	Trim for switch	-CB,CC,GC,BB		
	970 521 326 00 6W0	Luxor beige	-UB,UC,GU		
	970 521 326 00 8Y0	yachting blue	-EC,GE		
	970 521 326 00 5V0	Cream	-BC,BD,BE,DS, DT		
	970 521 326 00 3T0	Espresso	-NA		
	970 521 326 00 2S0	Cognac	-NC		
	970 521 326 00 1R0	Cedar	-BN		
	970 521 326 00 7X0	Marsala Red	-PC,GP		
	970 521 326 00 OA6	agate grey	-DG,DL,GD		
	970 521 326 00 OE1	Carrera Red	-BF		
	970 521 326 00 OL7	saddle brown	-SB,GH,DN		
4	970 521 643 00	D - MJ 2015>> Retainer for control units	left a. right	1	PR:390,391

Model: 970 10

Model life 2010>>2016



Model: 970 10 Model life 2010>>2016

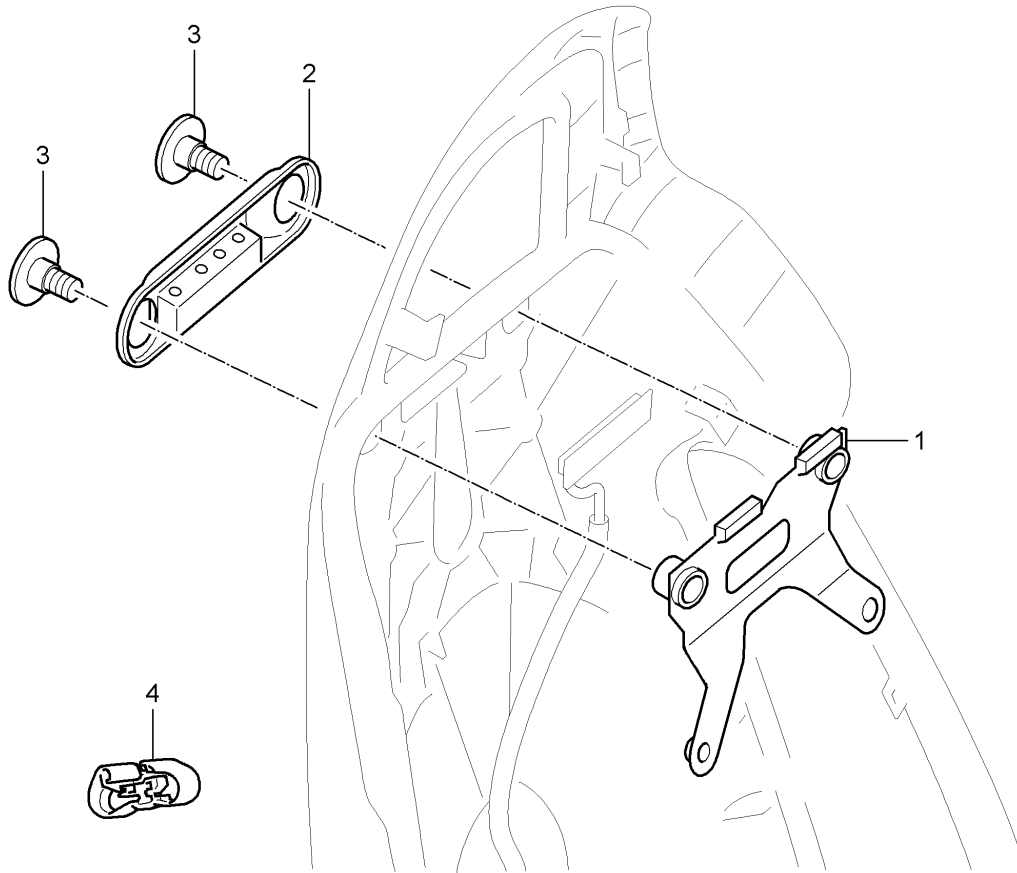
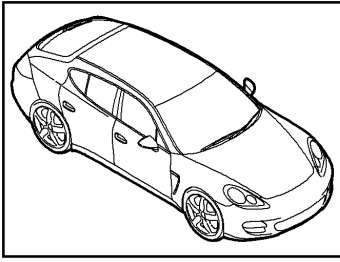
Pos	Part Number	Description	Remark	Qty	Model
1	970 803 081 01	electrical components Front seat Side airbag unit	left	1	PR:367,379, 390
	970 803 081 01 5Q0	Black	-AB,AC,GK,GS, GA,PK,PL		
	970 803 081 01 4U0	Platinum Grey	-CB,CC,GC,BB		
	970 803 081 01 OA6	agate grey	-DG,DL,GD		
	970 803 081 01 6W0	Luxor beige	-UB,UC,GU		
	970 803 081 01 8Y0	yachting blue	-EC,GE		
	970 803 081 01 5V0	Cream	-BC,BD,BE,DS, DT		
	970 803 081 01 3T0	Espresso	-NA		
	970 803 081 01 2S0	Cognac	-NC		
	970 803 081 01 1R0	Cedar	-BN		
	970 803 081 01 7X0	Marsala Red	-PC,GP		
	970 803 081 01 OE1	Carrera Red	-BF		
	970 803 081 01 OL7	saddle brown	-SB,GH,DN		
	970 803 081 01 OD2	Toffee Brown	-PF		
(1)	970 803 082 01	Side airbag unit Front seat	right	1	PR:368,380, 391
	970 803 082 01 5Q0	Black	-AB,AC,GK,GS, GA,PK,PL		
	970 803 082 01 4U0	Platinum Grey	-CB,CC,GC,BB		
	970 803 082 01 OA6	agate grey	-DG,DL,GD		
	970 803 082 01 6W0	Luxor beige	-UB,UC,GU		
	970 803 082 01 8Y0	yachting blue	-EC,GE		
	970 803 082 01 5V0	Cream	-BC,BD,BE,DS, DT		
	970 803 082 01 3T0	Espresso	-NA		
	970 803 082 01 2S0	Cognac	-NC		
	970 803 082 01 1R0	Cedar	-BN		
	970 803 082 01 7X0	Marsala Red	-PC,GP		
	970 803 082 01 OE1	Carrera Red	-BF		
	970 803 082 01 OL7	saddle brown	-SB,GH,DN		
	970 803 082 01 OD2	Toffee Brown	-PF		
2	997 624 321 00	Electric motor Backrest frame		1	PR:367,368
		without: Memory D >> - 23.11.2014			
2	997 624 321 01	Electric motor Backrest frame		1	PR:367,368
		without: Memory D - 24.11.2014>>			
(2)	997 624 331 00	Electric motor Backrest frame		1	PR:367,368, 379,380,390, 391,537,538
		with: Memory D >> - 23.11.2014 D >> - MJ 2014			
(2)	997 624 331 01	Electric motor Backrest frame		1	PR:367,368, 379,380,390, 391,537,538
		with: Memory D - 24.11.2014>>			
3	970 620 725 00	Compressor Lumbar support backrest		1	PR:379,380, 390,391
4	970 617 726 00	Valve Lumbar support backrest		1	PR:379,380, 390,391

Model: 970 10 Model life 2010>>2016

Pos	Part Number	Description	Remark	Qty	Model
5	970 617 727 00	Memory Valve for Seat width adjustment		1	PR:390,391
6	997 624 322 00	Electric motor Seat adjuster Lengthways and Height adjustment		1	PR:367,368
(6)	997 624 323 00	without: Memory Electric motor Seat adjuster Tilt angle		1	PR:367,368
(6)	997 624 332 00	without: Memory Electric motor Seat adjuster Lengthways Height adjustment		1	PR:367,368, 379,380,390, 391,537,538
(6)	997 624 333 00	with: Memory Electric motor Seat adjuster backrest Vented		1	PR:541,542
7	970 618 537 08	Control unit Seating position control Memory		1	PR:367,368, 379,380,390, 391,537,538
8	970 606 521 00	Sensor Seating position control		1	
9	970 613 501 00	Magnet Seating position control		1	
10		Sensor Side airbag unit see illustration:	403-060	1	

Model: 970 10

Model life 2010>>2016

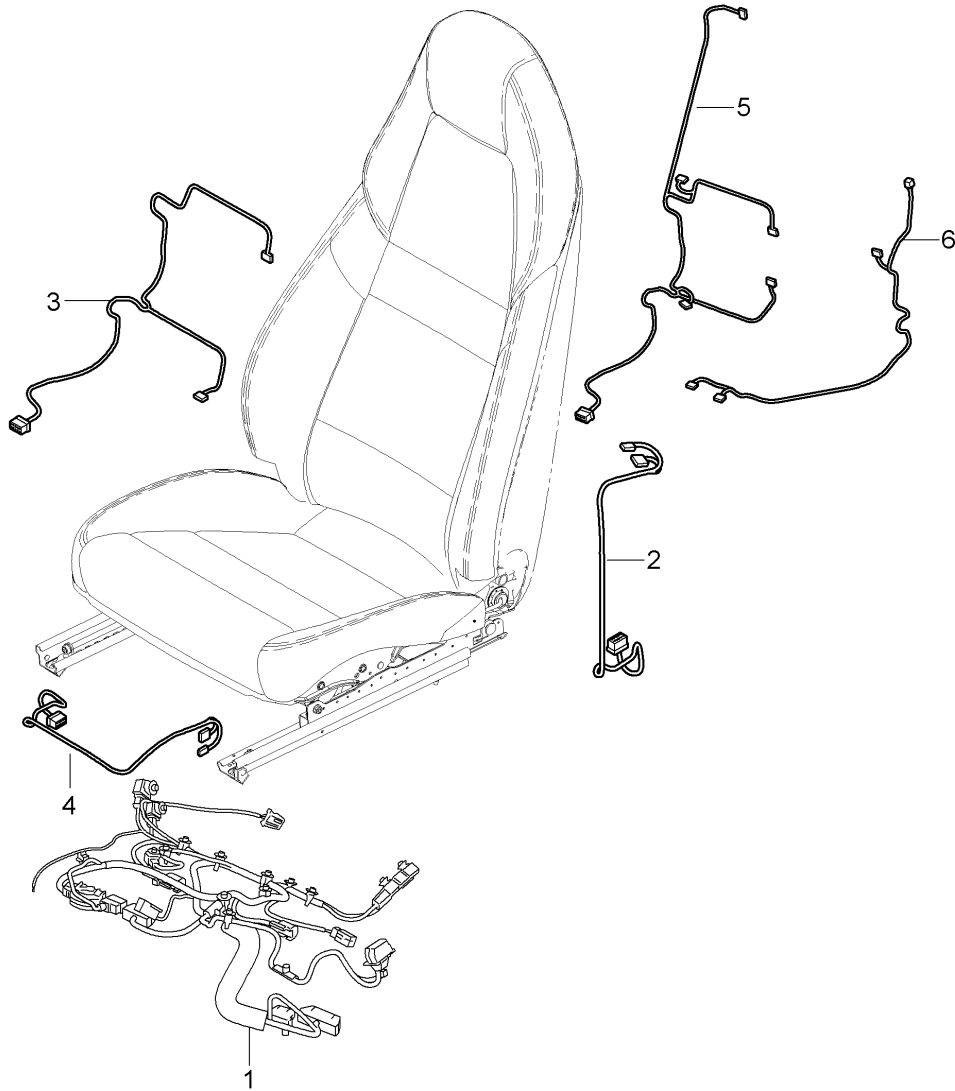
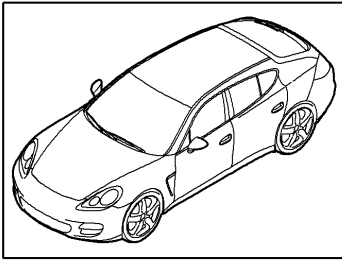


Model: 970 10 Model life 2010>>2016

Pos	Part Number	Description	Remark	Qty	Model
1	970 521 621 00	Screen Rear Seat Entertainment Fasteners Bracket		1	PR:XEP,367, 368,379,380, 390,391
2	970 521 321 00	Screen Screen trim REAR SEAT ENTERTAINMENT		1	PR:XEP,367, 368,379,380, 390,391
	970 521 321 00 5Q0	Black	-AB,AC,GK,GS, GA,PK,PL		
	970 521 321 00 4U0	Platinum Grey	-CB,CC,GC,BB		
	970 521 321 00 6W0	Luxor beige	-UB,UC,GU		
	970 521 321 00 8Y0	yachting blue	-EC,GE		
	970 521 321 00 5V0	Cream	-BC,BD,BE,DS, DT		
	970 521 321 00 3T0	Espresso	-NA		
	970 521 321 00 2S0	Cognac	-NC		
	970 521 321 00 1R0	Cedar	-BN		
	970 521 321 00 7X0	Marsala Red	-PC,GP		
	970 521 321 00 OA6	agate grey	-DG,DL,GD		
	970 521 321 00 OE1	Carrera Red	-BF		
	970 521 321 00 OL7	saddle brown	-SB,GH,DN		
3	970 521 821 00	guide sleeve REAR SEAT ENTERTAINMENT		2	PR:XEP,367, 368,379,380, 390,391
	970 521 821 00 5Q0	Black	-AB,AC,GK,GS, GA,PK,PL		
	970 521 821 00 4U0	Platinum Grey	-CB,CC,GC,BB		
	970 521 821 00 6W0	Luxor beige	-UB,UC,GU		
	970 521 821 00 8Y0	yachting blue	-EC,GE		
	970 521 821 00 5V0	Cream	-BC,BD,BE,DS, DT		
	970 521 821 00 3T0	Espresso	-NA		
	970 521 821 00 2S0	Cognac	-NC		
	970 521 821 00 1R0	Cedar	-BN		
	970 521 821 00 7X0	Marsala Red	-PC,GP		
	970 521 821 00 OA6	agate grey	-DG,DL,GD		
	970 521 821 00 OE1	Carrera Red	-BF		
	970 521 821 00 OL7	saddle brown	-SB,GH,DN		
4	970 521 616 00	Cable holder Rear Seat Entertainment		1	PR:XEP,368, 380,391

Model: 970 10

Model life 2010>>2016



Model: 970 10 Model life 2010>>2016

Pos	Part Number	Description	Remark	Qty	Model
1	970 622 605 00	Wiring looms Front seat Standard seat Comfort seat sports seat Airbag Lumbar Vented Wire set		1	PR:342,343, 367
(1)	970 622 607 00	Front seat Standard seat Left seat heater Wire set		1	PR:342,343, 367,630
(1)	970 622 613 00	Front seat Standard seat Left seat heater interior light Wire set		1	PR:342,343, 367
(1)	970 622 613 01	Front seat Standard seat Left seat heater D >> - MJ 2014 Discontinued part		1	PR:342,343, 367
(1)	970 622 615 00	Wire set Front seat Standard seat Left seat heater D - MJ 2015>>		1	PR:342,343, 367,630
(1)	970 622 615 01	Interior lights D >> - MJ 2014 Discontinued part Wire set		1	PR:342,343, 367,630
(1)	970 622 604 00	Front seat Standard seat Left seat heater Interior lights D - MJ 2015>>		1	PR:342,343, 368
(1)	970 622 608 00	Right seat heater Wire set Front seat Standard seat Right seat heater		1	PR:342,343, 368,560
(1)	970 622 608 01	For vehicles with 'Advanced' airbag D >> - MJ 2014 Discontinued part Wire set Front seat		1	PR:342,343, 368,560

Model: 970 10 Model life 2010>>2016

Pos	Part Number	Description	Remark	Qty	Model
(1)	970 622 625 00	Standard seat Right seat heater For vehicles with 'Advanced' airbag D - MJ 2015>> Wire set Front seat Memory		1	PR:342,343, 537
(1)	970 622 627 00	Left seat heater Wire set Front seat Memory		1	PR:342,343, 537,630
(1)	970 622 633 00	Left seat heater interior light Wire set Front seat Memory		1	PR:342,343, 537
(1)	970 622 633 01	Left seat heater D >> - MJ 2014 Discontinued part Wire set Front seat Memory		1	PR:342,343, 367,537
(1)	970 622 635 00	Left seat heater D - MJ 2015>> Wire set Front seat Memory		1	PR:342,343, 537,630
(1)	970 622 635 01	Left seat heater interior light D >> - MJ 2014 Discontinued part Wire set Front seat Memory		1	PR:342,343, 537,630,367
(1)	970 622 624 00	Left seat heater interior light D - MJ 2015>> Wire set Front seat Memory		1	PR:342,343, 538
(1)	970 622 645 00	Right seat heater Wire set Front seat Sport Comfort seat		1	PR:098,342, 343,379,390
(1)	970 622 647 00	Left seat heater Wire set Front seat Sport Comfort seat		1	PR:098,342, 343,379,390, 537,630
		Left seat heater interior light			

Model: 970 10 Model life 2010>>2016

Pos	Part Number	Description	Remark	Qty	Model
(1)	970 622 653 00	Memory Wire set Front seat Sport Comfort seat Left seat heater Memory D >> - MJ 2014		1	PR:342,343, 379,537,560, 390
(1)	970 622 653 01	Discontinued part Wire set Front seat Sport Comfort seat Left seat heater Memory		1	PR:098,342, 379,343,390
(1)	970 622 655 00	D - MJ 2015>> Wire set Front seat Sport Comfort seat Left seat heater Memory		1	PR:342,343, 379,537,560, 630,390
(1)	970 622 655 01	For vehicles with 'Advanced' airbag interior light Discontinued part Wire set Front seat Sport Comfort seat Left seat heater Memory		1	PR:098,342, 379,630,343, 390
(1)	970 622 661 00	For vehicles with 'Advanced' airbag interior light Wire set Front seat Sport Comfort seat Left seat heater		1	PR:099,342, 343,379,390
(1)	970 622 663 00	Wire set Front seat Sport Comfort seat Left seat heater interior light		1	PR:099,342, 343,379,390, 630
(1)	970 622 644 00	Wire set Front seat Sport Comfort seat Right seat heater		1	PR:098,342, 343,380,391, 538
(1)	970 622 648 00	Wire set Front seat Sport Comfort seat Right seat		1	PR:098,342, 343,380,391, 560,538

Model: 970 10 Model life 2010>>2016

Pos	Part Number	Description	Remark	Qty	Model
(1)	970 622 648 01	heater For vehicles with 'Advanced' airbag Memory Discontinued part Wire set Front seat Sport Comfort seat Right seat heater For vehicles with 'Advanced' airbag Memory Wire set Front seat Sport Comfort seat Right seat heater Memory Wire set Standard seat Airbag D >> - MJ 2014 Discontinued part		1	PR:098,342, 343,380,391, 560,538
(1)	970 622 652 00	Wire set Front seat Sport Comfort seat Right seat heater Memory Wire set Standard seat Airbag D - 07.07.2014>> - 23.11.2014 Discontinued part		1	PR:099,342, 343,380,391, 538
2	970 622 671 00	Wire set Standard seat Airbag D >> - MJ 2014 Discontinued part		1	PR:367
2	970 622 671 01	Wire set Standard seat Adjustment backrest Airbag D - 07.07.2014>> - 23.11.2014		1	PR:367
2	970 622 671 02	Wire set Standard seat Adjustment backrest Airbag D - 24.11.2014>>		1	PR:367
(2)	970 622 673 00	Wire set Comfort seat sports seat Airbag Memory D >> - MJ 2014 Discontinued part		1	PR:379,390, 537
(2)	970 622 673 01	Wire set Comfort seat sports seat Airbag Memory D - 07.07.2014>> - 23.11.2014		1	PR:379,390, 537,367
(2)	970 622 673 02	Wire set Comfort seat sports seat Airbag Memory D - 24.11.2014>>		1	PR:379,390, 537,367
(2)	970 622 672 00	Wire set Standard seat Airbag D >> - MJ 2014 Discontinued part		1	PR:368
(2)	970 622 672 01	Wire set		1	PR:368

Model: 970 10

Model life 2010>>2016

Pos	Part Number	Description	Remark	Qty	Model
(2)	970 622 672 02	Standard seat Airbag D - 07.07.2014>> - 23.11.2014 Wire set		1	PR:368
(2)	970 622 674 00	Standard seat Airbag D - 24.11.2014>> Wire set Comfort seat sports seat Memory Airbag		1	PR:380,391, 538
(2)	970 622 674 01	D >> - MJ 2014 Discontinued part Wire set Comfort seat sports seat Memory Airbag		1	PR:380,391, 538,368
(2)	970 622 674 02	D - 07.07.2014>> - 23.11.2014 Wire set Comfort seat sports seat Memory Airbag		1	PR:380,391, 538,368
3	970 622 677 00	D - 24.11.2014>> Wire set Ventilation component Standard seat Comfort seat		1	PR:367,541, 542,379
3	970 622 677 01	D >> - MJ 2014 Discontinued part Wire set Ventilation component Standard seat Comfort seat		1	PR:367,541, 542,379,390
(3)	970 622 678 00	D >> - MJ 2014 Wire set Ventilation component Standard seat Comfort seat		1	PR:368,541, 542,379,380
(3)	970 622 678 01	D >> - MJ 2014 Discontinued part Wire set Ventilation component Standard seat Comfort seat		1	PR:368,541, 542,379,380, 391
4	970 622 681 00	D - MJ 2015>> Wire set interior light Footwell Comfort seat Standard seat sports seat		1	PR:367,379, 390,630
(4)	970 622 682 00	Wire set interior light Footwell Comfort seat Standard seat sports seat		1	PR:368,380, 391,630
5	970 622 685 00	Wire set Lumbar support adjustment sports seat		1	PR:390,391

Model: 970 10 Model life 2010>>2016

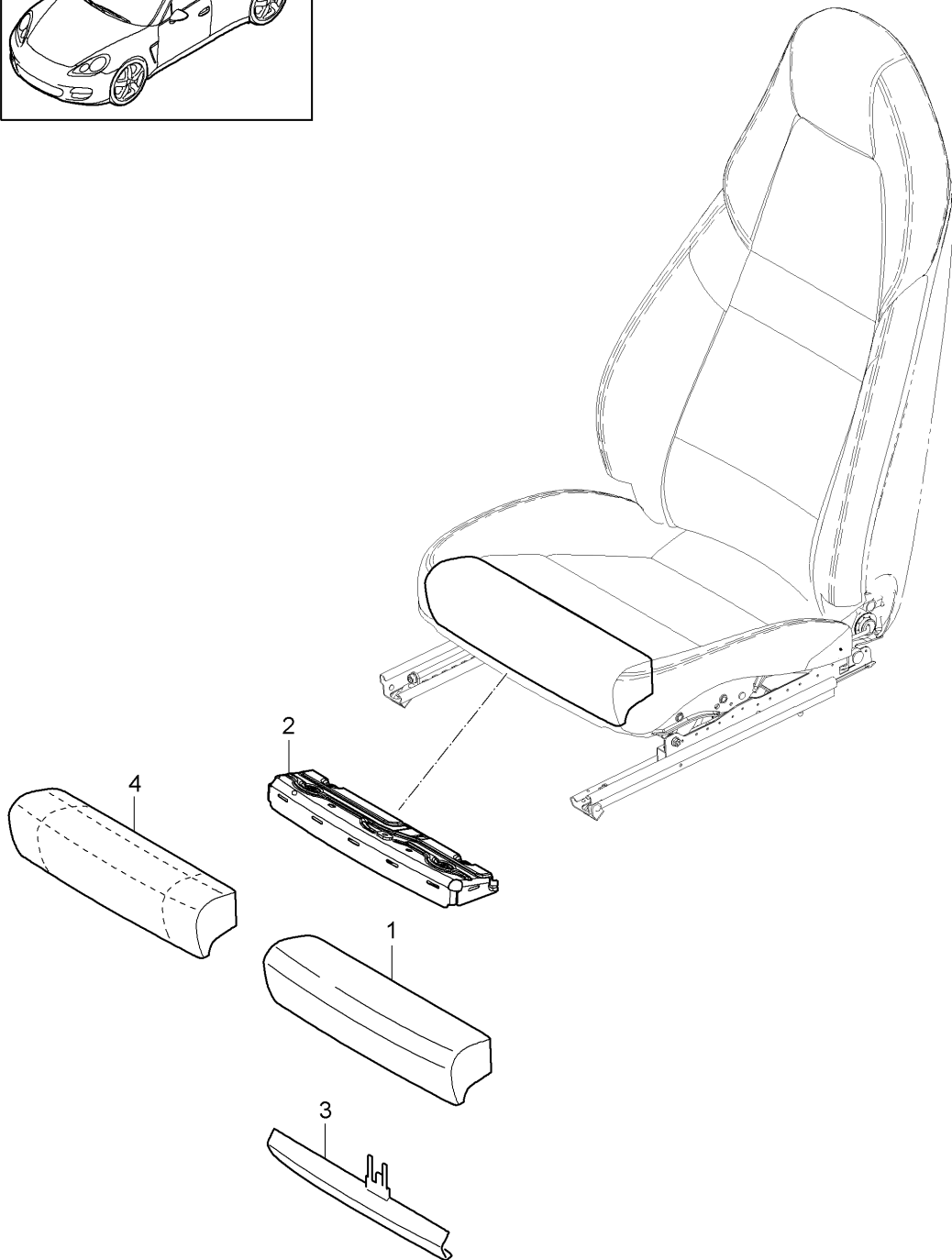
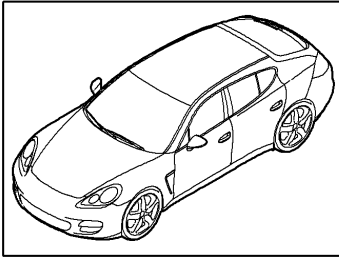
Pos	Part Number	Description	Remark	Qty	Model
5	970 622 685 01	D >> - MJ 2014 Discontinued part Wire set Lumbar support adjustment sports seat		1	PR:390,391
(5)	970 622 687 00	D - MJ 2015>> Wire set Lumbar support adjustment Comfort seat		1	PR:379,380
(5)	970 622 687 01	D >> - MJ 2014 Discontinued part Wire set Lumbar support adjustment Comfort seat		1	PR:379,380
6	970 622 689 00	D - MJ 2015>> Wire set Rear Seat Entertainment Standard seat Comfort seat sports seat		1	PR:367,379,390,XEP
6	970 622 689 01	No longer use the part here Wire set Rear Seat Entertainment Standard seat Comfort seat sports seat		1	PR:367,379,390,XEP
(6)	970 622 690 00	Wire set Rear Seat Entertainment Standard seat Comfort seat sports seat		1	PR:368,380,391,XEP
(6)	970 622 690 01	No longer use the part here Wire set Rear Seat Entertainment Standard seat Comfort seat sports seat		1	PR:368,380,391,XEP
-	970 622 609 01	Wire set Standard seat	left	1	PR:367
-	970 622 611 01	D - MJ 2015>> Wire set Standard seat	left	1	PR:367,630
-	970 622 602 21	D - MJ 2015>> Wire set Standard seat	right	1	PR:368
-	970 622 604 21	D - MJ 2015>> Wire set Standard seat	right	1	PR:368,342,343
-	970 622 606 01	D - MJ 2015>> Wire set Standard seat	right	1	PR:368,560
-	970 622 688 01	D - MJ 2015>> Wire set Comfort seat Lumbar		1	PR:379,890,380,891
-	970 622 682 06	D - MJ 2015>> Wire set Comfort seat interior light Package		1	PR:368,630,380,391
-	970 622 642 21	D - MJ 2015>> Wire set Comfort seat		1	PR:098,380,538,391

Model: 970 10 Model life 2010>>2016

Pos	Part Number	Description	Remark	Qty	Model
-	970 622 644 21	Memory D - MJ 2015>> Wire set Comfort seat sports seat Memory		1	PR:098,342, 380,538,343, 391
-	970 622 646 01	Memory D - MJ 2015>> Wire set Comfort seat sports seat seat occupied recognition Memory		1	PR:098,380, 538,560,391
-	970 622 652 21	Memory D - MJ 2015>> Wire set Comfort seat sports seat Memory		1	PR:099,342, 380,538,391
-	970 622 649 01	Memory D - MJ 2015>> Wire set Comfort seat sports seat		1	PR:098,379, 390
-	970 622 651 01	Memory D - MJ 2015>> Wire set Comfort seat sports seat		1	PR:098,379, 630,390
-	970 622 657 21	Memory D - MJ 2015>> Wire set Comfort seat sports seat		1	PR:099,379, 390
-	970 622 659 21	Memory D - MJ 2015>> Wire set Comfort seat sports seat		1	PR:099,379, 630,390
-	970 622 661 21	Memory D - MJ 2015>> Wire set Comfort seat sports seat		1	PR:099,342, 379,343,390
-	970 622 663 21	Memory D - MJ 2015>> Wire set Comfort seat sports seat		1	PR:099,342, 379,343,390, 630
-	970 622 622 21	Memory D - MJ 2015>> Wire set Standard seat Memory		1	PR:368,538
-	970 622 624 21	Memory D - MJ 2015>> Wire set Standard seat Memory		1	PR:368,538, 342,343
-	970 622 629 01	Memory D - MJ 2015>> Wire set Standard seat Memory		1	PR:367,537
-	970 622 631 01	Memory D - MJ 2015>> Wire set Standard seat Memory		1	PR:367,537, 630

Model: 970 10

Model life 2010>>2016



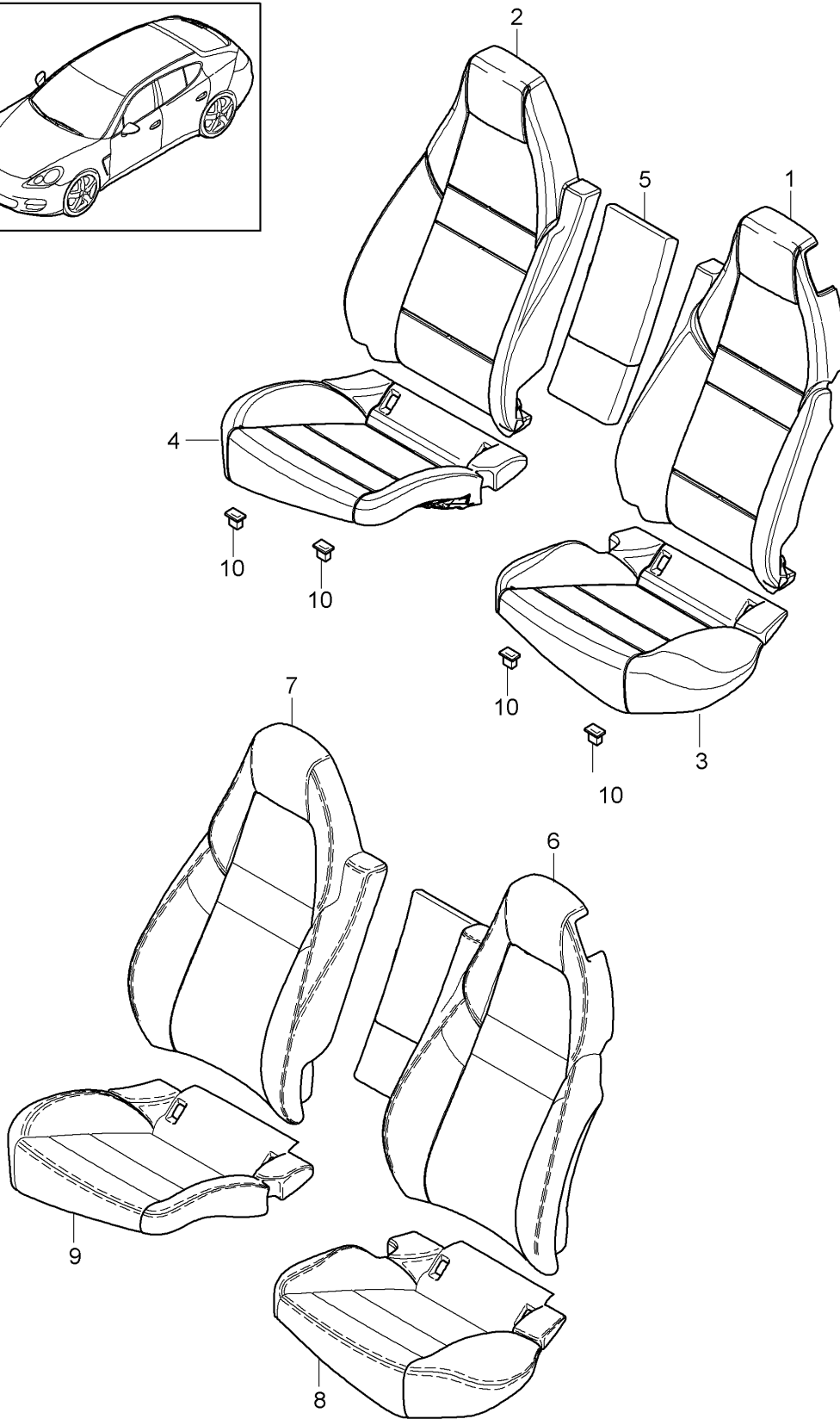
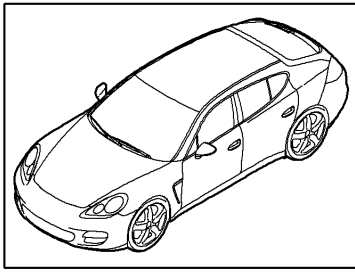
Model: 970 10

Model life 2010>>2016

Pos	Part Number	Description	Remark	Qty	Model
1	970 521 749 00	Seat cushion Front vertical adjustment Trim Accessories Cushion carrier Electric drive Front vertical adjustment		1	PR:379,380, 390,391
2	970 521 549 00	Seat cushion (complete) Foam part Electric drive	front	1	PR:379,380, 390,391
3	970 521 349 00	Seat cushion Trim Electric drive Seat cushion	front	1	PR:379,380, 390,391
4	970 521 349 00 5Q0 970 521 539 00	Black Foam part Electric drive Seat cushion	front	1	PR:379,380, 390,391
(4)	970 521 539 01	Foam part Electric drive Seat cushion	front	1	PR:379,380, 541,542
5	970 653 141 00	Heating element Electric drive Seat cushion	front	1	

Model: 970 10

Model life 2010>>2016



Model: 970 10 Model life 2010>>2016

Pos	Part Number	Description	Remark	Qty	Model
1	970 522 531 11	Cover Foam part Standard seat Comfort seat	rear		
(1)	970 522 531 12	Foam part backrest Standard seat Comfort seat	left	1	PR:830
2	970 522 532 06	Foam part backrest Standard seat Comfort seat	left	1	PR:830,542
(2)	970 522 532 08	Foam part backrest Premium Comfort seat	right	1	PR:830
3	970 522 571 06	Foam part Seat cushion Standard seat Comfort seat	right	1	PR:830,542
(3)	970 522 571 06	D >> - MJ 2013 Foam part Seat cushion Standard seat Comfort seat	left	1	PR:830,832,-542
(3)	970 522 571 06	D - MJ 2014>> Foam part Seat cushion Standard seat Comfort seat	left	1	PR:830,832,381,-542
(3)	970 522 571 14	D - MJ 2014>> Foam part Seat cushion Standard seat Comfort seat	left	1	PR:830,832,383,-542
(3)	970 522 571 07	D - MJ 2014>> Foam part Seat cushion Standard seat Comfort seat Premium	left	1	PR:830,382
4	970 522 572 06	Foam part Seat cushion Standard seat Comfort seat	right	1	PR:542,830
(4)	970 522 572 06	D >> - MJ 2013 Foam part Seat cushion Standard seat Comfort seat	right	1	PR:830,832,-542
(4)	970 522 572 06	D - MJ 2014>> Foam part Seat cushion Standard seat Comfort seat	right	1	PR:830,381,832,-542
(4)	970 522 572 14	D - MJ 2014>> Foam part Seat cushion Standard seat	right	1	PR:830,383,832,-542
(4)	970 522 572 14	D - MJ 2014>> Foam part Seat cushion Standard seat	right	1	PR:830,382

Model: 970 10 Model life 2010>>2016

Pos	Part Number	Description	Remark	Qty	Model
(4)	970 522 572 07	Comfort seat D - MJ 2014>> Foam part Seat cushion Standard seat	right	1	PR:542,830
5	970 522 561 00	Comfort seat Premium Foam part backrest Centre part Standard seat		1	PR:830
(6)	970 522 901 00	Comfort seat Backrest cover D >> - 24.01.2011	left	1	PR:830,938, XYW,-343, -542
	970 522 901 00 DAA	Black	-AB		
	970 522 901 00 DAB	Platinum Grey	-CB		
	970 522 901 00 DAC	Luxor beige	-UB		
(6)	970 522 901 57	Backrest cover D - 25.01.2011>>	left	1	PR:381,830, 938,XYW, -343,-541
	970 522 901 57 DAA	Black	-AB		
	970 522 901 57 DAB	Platinum Grey	-CB		
	970 522 901 57 DAC	Luxor beige	-UB		+PK
	970 522 901 57 GHB	agate grey	-DG		
(6)	970 522 901 01	Backrest cover D >> - 24.01.2011	left	1	PR:830,940, XYW,-343
	970 522 901 01 DAA	Black	-AB		
	970 522 901 01 DAB	Platinum Grey	-CB		
	970 522 901 01 DAC	Luxor beige	-UB,PK		
(6)	970 522 901 58	Backrest cover D - 25.01.2011>>	left	1	PR:830,940, XYW,-343
	970 522 901 58 DAA	Black	-AB		
	970 522 901 58 DAB	Platinum Grey	-CB		
	970 522 901 58 DAC	Luxor beige	-UB,PK		
	970 522 901 58 GHB	agate grey	-DG		
(6)	970 522 901 02	Backrest cover D >> - 24.01.2011	left	1	PR:830,941, XYW,-343, -998
	970 522 901 02 DAF	Black	-AC		
	970 522 901 02 DAG	Platinum Grey	-CC,BB		
	970 522 901 02 DAH	Luxor beige	-UC		
	970 522 901 02 DAJ	yachting blue	-EC		
	970 522 901 02 DAL	Cream	-BC,BD,BE		
	970 522 901 02 DAK	Marsala Red	-PC		
(6)	970 522 901 59	Backrest cover D - 25.01.2011>>	left	1	PR:830,941, XYW,-343, -998
	970 522 901 59 DAF	Black	-AC		
	970 522 901 59 DAG	Platinum Grey	-CC,BB		
	970 522 901 59 DAH	Luxor beige	-UC,PL		
	970 522 901 59 DAJ	yachting blue	-EC		
	970 522 901 59 DAL	Cream	-BC,BD,BE,DS, DT		
	970 522 901 59 DAK	Marsala Red	-PC		
	970 522 901 59 GHC	agate grey	-DL		
	970 522 901 59 GLC	Carrera Red	-BF		
	970 522 901 59 DUE	saddle brown	-SB,DN		
(6)	970 522 901 03	Backrest cover D >> - 24.01.2011	left	1	PR:830,943, XYW,-343, -542,-998
	970 522 901 03 DAF	Black	-AC		
	970 522 901 03 DAG	Platinum Grey	-CC,BB		

Model: 970 10 Model life 2010>>2016

Pos	Part Number	Description	Remark	Qty	Model
(6)	970 522 901 03 DAH	Luxor beige	-UC	1	PR:381,830, 943,XYW, -343,-542, -998
	970 522 901 03 DAJ	yachting blue	-EC		
	970 522 901 03 DAL	Cream	-BC,BD,BE		
	970 522 901 03 DAK	Marsala Red	-PC		
	970 522 901 60	Backrest cover D - 25.01.2011>>	left		
	970 522 901 60 DAF	Black	-AC		
	970 522 901 60 DAG	Platinum Grey	-CC,BB		
	970 522 901 60 DAH	Luxor beige	-UC,PL		
	970 522 901 60 DAJ	yachting blue	-EC		
	970 522 901 60 DAL	Cream	-BC,BD,BE,DS, DT		
(6)	970 522 901 60 DAK	Marsala Red	-PC	1	PR:830,943, 998,XYW, -343,-542
	970 522 901 60 GHC	agate grey	-DL		
	970 522 901 60 GLC	Carrera Red	-BF		
	970 522 901 60 DUE	saddle brown	-SB,DN		
	970 522 901 04	Backrest cover D >> - 24.01.2011	left		
	970 522 901 04 DAM	Espresso	-NA		
	970 522 901 04 DAN	Cognac	-NC		
	970 522 901 04 DAO	Cedar	-BN		
	970 522 901 61	Backrest cover D - 25.01.2011>>	left		
	970 522 901 61 DAM	Espresso	-NA		
(6)	970 522 901 61 DAN	Cognac	-NC	1	PR:381,830, 943,998,XYW, -343,-542
	970 522 901 61 DAO	Cedar	-BN		
	970 522 901 05	Backrest cover D >> - 24.01.2011	left		
	970 522 901 05 DAM	Espresso	-NA		
	970 522 901 05 DAN	Cognac	-NC		
	970 522 901 05 DAO	Cedar	-BN		
	970 522 901 62	Backrest cover D - 25.01.2011>>	left		
	970 522 901 62 DAM	Espresso	-NA		
	970 522 901 62 DAN	Cognac	-NC		
	970 522 901 62 DAO	Cedar	-BN		
(6)	970 522 901 09	Backrest cover D >> - 24.01.2011	left	1	PR:830,343, 938,XYW,-542
	970 522 901 09 DAA	Black	-AB		
	970 522 901 09 DAB	Platinum Grey	-CB		
	970 522 901 09 DAC	Luxor beige	-UB,PK		
	970 522 901 66	Backrest cover D - 25.01.2011>>	left		
	970 522 901 66 DAA	Black	-AB		
	970 522 901 66 DAB	Platinum Grey	-CB		
	970 522 901 66 DAC	Luxor beige	-UB,PK		
	970 522 901 66 GHB	agate grey	-DG		
	970 522 901 10	Backrest cover D >> - 24.01.2011	left		
(6)	970 522 901 10 DAA	Black	-AB	1	PR:830,343, 940,XYW
	970 522 901 10 DAB	Platinum Grey	-CB		
	970 522 901 10 DAC	Luxor beige	-UB		
	970 522 901 67	Backrest cover D - 25.01.2011>>	left		
	970 522 901 67 DAA	Black	-AB		
	970 522 901 67 DAB	Platinum Grey	-CB		
	970 522 901 67 DAC	Luxor beige	-UB,PK		
	970 522 901 67 GHB	agate grey	-DG		

Model: 970 10

Model life 2010>>2016

Pos	Part Number	Description	Remark	Qty	Model
(6)	970 522 901 11	Backrest cover D >> - 24.01.2011	left	1	PR:830,343, 941,XYW,-998
	970 522 901 11 DAF	Black	-AC		
	970 522 901 11 DAG	Platinum Grey	-CC,BB		
	970 522 901 11 DAH	Luxor beige	-UC		
	970 522 901 11 DAJ	yachting blue	-EC		
	970 522 901 11 DAL	Cream	-BC,BD,BE		
	970 522 901 11 DAK	Marsala Red	-PC		
(6)	970 522 901 68	Backrest cover D - 25.01.2011>>	left	1	PR:830,343, 941,XYW,-998
	970 522 901 68 DAF	Black	-AC		
	970 522 901 68 DAG	Platinum Grey	-CC,BB		
	970 522 901 68 DAH	Luxor beige	-UC,PL		
	970 522 901 68 DAJ	yachting blue	-EC		
	970 522 901 68 DAL	Cream	-BC,BD,BE,DS, DT		
	970 522 901 68 DAK	Marsala Red	-PC		
	970 522 901 68 GHC	agate grey	-DL		
	970 522 901 68 GLC	Carrera Red	-BF		
	970 522 901 68 DUE	saddle brown	-SB,DN		
(6)	970 522 901 12	Backrest cover D >> - 24.01.2011	left	1	PR:830,343, 943,XYW, -542,-998
	970 522 901 12 DAF	Black	-AC		
	970 522 901 12 DAG	Platinum Grey	-CC,BB		
	970 522 901 12 DAH	Luxor beige	-UC		
	970 522 901 12 DAJ	yachting blue	-EC		
	970 522 901 12 DAL	Cream	-BC,BD,BE		
	970 522 901 12 DAK	Marsala Red	-Pc		
(6)	970 522 901 69	Backrest cover D - 25.01.2011>>	left	1	PR:381,830, 343,943,XYW, -541,-542, -998
	970 522 901 69 DAF	Black	-AC		
	970 522 901 69 DAG	Platinum Grey	-CC,BB		
	970 522 901 69 DAH	Luxor beige	-UC,PL		
	970 522 901 69 DAJ	yachting blue	-EC		
	970 522 901 69 DAL	Cream	-BC,BD,BE,DS, DT		
	970 522 901 69 DAK	Marsala Red	-PC		
	970 522 901 69 GHC	agate grey	-DL		
	970 522 901 69 GLC	Carrera Red	-BF		
	970 522 901 69 DUE	saddle brown	-SB,DN		
(6)	970 522 901 13	Backrest cover D >> - 24.01.2011	left	1	PR:830,343, 943,998,XYW, -542
	970 522 901 13 DAM	Espresso	-NA		
	970 522 901 13 DAN	Cognac	-NC		
	970 522 901 13 DAO	Cedar	-BN		
(6)	970 522 901 70	Backrest cover D - 25.01.2011>>	left	1	PR:381,830, 343,943,998, XYW,-541, -542
	970 522 901 70 DAM	Espresso	-NA		
	970 522 901 70 DAN	Cognac	-NC		
	970 522 901 70 DAO	Cedar	-BN		
(6)	970 522 901 14	Backrest cover D >> - 24.01.2011	left	1	PR:830,343, 941,998,XYW
	970 522 901 14 DAM	Espresso	-NA		
	970 522 901 14 DAN	Cognac	-NC		
	970 522 901 14 DAO	Cedar	-BN		
(6)	970 522 901 71	Backrest cover D - 25.01.2011>>	left	1	PR:830,343, 941,998,XYW

Model: 970 10 Model life 2010>>2016

Pos	Part Number	Description	Remark	Qty	Model
		D - MJ 2011>>			
	970 522 901 71 DAM	Espresso	-NA		
	970 522 901 71 DAN	Cognac	-NC		
	970 522 901 71 DAO	Cedar	-BN		
(6)	970 522 901 18	Backrest cover	left	1	PR:830,542, 938,XYW
		D >> - 24.01.2011			
	970 522 901 18 DAA	Black	-AB		
	970 522 901 18 DAB	Platinum Grey	-CB		
	970 522 901 18 DAC	Luxor beige	-UB		
(6)	970 522 901 75	Backrest cover	left	1	PR:830,542, 938,XYW
		D - 25.01.2011>>			
	970 522 901 75 DAA	Black	-AB		
	970 522 901 75 DAB	Platinum Grey	-CB		
	970 522 901 75 DAC	Luxor beige	-UB,PK		
	970 522 901 75 GHB	agate grey	-DG		
(6)	970 522 901 19	Backrest cover	left	1	PR:830,542, 943,XYW,-998
		D - 25.01.2011>>			
	970 522 901 19 DAF	Black	-AC		
	970 522 901 19 DAG	Platinum Grey	-CC,BB		
	970 522 901 19 DAH	Luxor beige	-UC		
	970 522 901 19 DAJ	yachting blue	-EC		
	970 522 901 19 DAL	Cream	-BC,BD,BE		
	970 522 901 19 DAK	Marsala Red	-PC		
(6)	970 522 901 76	Backrest cover	left	1	PR:830,542, 943,XYW,-998
		D - 25.01.2011>>			
	970 522 901 76 DAF	Black	-AC		
	970 522 901 76 DAG	Platinum Grey	-CC,BB		
	970 522 901 76 DAH	Luxor beige	-UC,PL		
	970 522 901 76 DAJ	yachting blue	-EC		
	970 522 901 76 DAL	Cream	-BC,BD,BE,DS, DT		
	970 522 901 76 DAK	Marsala Red	-PC		
	970 522 901 76 GHC	agate grey	-DL		
	970 522 901 76 GLC	Carrera Red	-BF		
	970 522 901 76 DUE	saddle brown	-SB,DN		
(6)	970 522 901 20	Backrest cover	left	1	PR:830,542, 943,998,XYW
		D >> - 24.01.2011			
	970 522 901 20 DAM	Espresso	-NA		
	970 522 901 20 DAN	Cognac	-NC		
	970 522 901 20 DAO	Cedar	-BN		
(6)	970 522 901 77	Backrest cover	left	1	PR:830,542, 943,998,XYW
		D - 25.01.2011>>			
	970 522 901 77 DAM	Espresso	-NA		
	970 522 901 77 DAN	Cognac	-NC		
	970 522 901 77 DAO	Cedar	-BN		
(6)	970 522 901 B6	Backrest cover	left	1	PR:381,830, 938,541,XYW, -343
		D - 25.01.2011>>			
	970 522 901 B6 DAA	Black	-AB		
	970 522 901 B6 DAB	Platinum Grey	-CB		
	970 522 901 B6 DAC	Luxor beige	-UB,PK		
(6)	970 522 901 B7	Backrest cover	left	1	PR:381,830, 541,943,XYW, -343,-998
		D - 25.01.2011>>			
	970 522 901 B7 DAF	Black	-AC		
	970 522 901 B7 DAG	Platinum Grey	-CC		
	970 522 901 B7 DAH	Luxor beige	-UC,PL		
	970 522 901 B7 DAJ	yachting blue	-EC		
	970 522 901 B7 DAL	Cream	-BC,BD,BE,DS, DT		
	970 522 901 B7 DAK	Marsala Red	-PC		
	970 522 901 B7 GHC	agate grey	-DL		
	970 522 901 B7 GLC	Carrera Red	-BF		

Model: 970 10 Model life 2010>>2016

Pos	Part Number	Description	Remark	Qty	Model
(6)	970 522 901 B7 DUE 970 522 901 B8	saddle brown Backrest cover D - 25.01.2011>>	-SB, DN left	1	PR:381,830, 541,943,998, XYW,-343
(6)	970 522 901 B8 DAM 970 522 901 B8 DAN 970 522 901 B8 DAO 970 522 901 B9	Espresso Cognac Cedar Backrest cover	-NA -NC -BN left	1	PR:381,830, XYW
(6)	970 522 901 B9 DAA 970 522 901 B9 GHB 970 522 901 B9 DAC 970 522 901 C1	Black agate grey Luxor beige Backrest cover	-AB -DG -UB, PK left	1	PR:830,343, -998
(6)	970 522 901 C1 DAF 970 522 901 C1 DAG 970 522 901 C1 DAH 970 522 901 C1 DAJ 970 522 901 C1 DAL	Black Platinum Grey Luxor beige yachting blue Cream	-AC -CC -UC, PL -EC -BC, BD, BE, DS, DT		
(6)	970 522 901 C1 DAK 970 522 901 C1 GHC 970 522 901 C1 GLC 970 522 901 C1 DUE 970 522 901 C2	Marsala Red agate grey Carrera Red saddle brown Backrest cover	-PC -DL -BF -SB, DN left	1	PR:381,830, XYW,-343
(6)	970 522 901 C2 DAM 970 522 901 C2 DAN 970 522 901 C2 DAO 970 522 141 00	Espresso Cognac Cedar Backrest cover D >> - 24.01.2011	-NA -NC -BN left	1	PR:830,938, -343,-541
(6)	970 522 141 00 DAA 970 522 141 00 DAB 970 522 141 00 DAC 970 522 141 81	Black Platinum Grey Luxor beige Backrest cover D - 25.01.2011>>	-AB -CB -UB left	1	PR:381,830, 938,-343, -541
(6)	970 522 141 81 DAA 970 522 141 81 DAB 970 522 141 81 DAC 970 522 141 81 GHB 970 522 141 K4	Black Platinum Grey Luxor beige agate grey Backrest cover D - MJ 2014>>	-AB -CB -UB, PK -DG left	1	PR:382,830, 938,-343, -541
(6)	970 522 141 K4 DAA 970 522 141 K4 DAC 970 522 141 K4 GHB 970 522 141 01	Black Luxor beige agate grey Cover D >> - 24.01.2011 backrest	-AB -UB, PK -DG left	1	PR:830,940, -343
(6)	970 522 141 01 DAA 970 522 141 01 DAB 970 522 141 01 DAC 970 522 141 82	Black Platinum Grey Luxor beige Backrest cover D - 25.01.2011>>	-AB -CB -UB left	1	PR:830,940, -343
(6)	970 522 141 82 DAA 970 522 141 82 DAB 970 522 141 82 DAC 970 522 141 82 GHB 970 522 141 02	Black Platinum Grey Luxor beige agate grey Cover D >> - 24.01.2011 backrest	-AB -CB -UB, PK -DG left	1	PR:830,941, -343,-998
	970 522 141 02 DAF	Black	-AC		

Model: 970 10

Model life 2010>>2016

Pos	Part Number	Description	Remark	Qty	Model
	970 522 141 02 DAG	Platinum Grey	-CC, BB		
	970 522 141 02 DAH	Luxor beige	-UC		
	970 522 141 02 DAJ	Black/yachting blue	-EC		
	970 522 141 02 DAL	Cream	-BC, BD, BE		
	970 522 141 02 DAK	Marsala Red	-PC		
(6)	970 522 141 83	Backrest cover D - 25.01.2011>>	left	1	PR:830,941, -343,-998
	970 522 141 83 DAF	Black	-AC		
	970 522 141 83 DAG	Platinum Grey	-CC, BB		
	970 522 141 83 DAH	Luxor beige	-UC, PL		
	970 522 141 83 DAJ	yachting blue	-EC		
	970 522 141 83 DAL	Cream	-BC, BD, BE, DS, DT		
	970 522 141 83 DAK	Marsala Red	-PC		
	970 522 141 83 GHC	agate grey	-DL		
	970 522 141 83 GLC	Carrera Red	-BF		
	970 522 141 83 DUE	saddle brown	-SB, DN		
(6)	970 522 141 03	Backrest cover D >> - 24.01.2011	left	1	PR:830,943, -343,-541, -998
	970 522 141 03 DAF	Black	-AC		
	970 522 141 03 DAG	Platinum Grey	-CC, BB		
	970 522 141 03 DAH	Luxor beige	-UC		
	970 522 141 03 DAJ	Black/yachting blue	-EC		
	970 522 141 03 DAL	Cream	-BC, BD, BE		
	970 522 141 03 DAK	Marsala Red	-PC		
(6)	970 522 141 84	Backrest cover D - 25.01.2011>>	left	1	PR:381,830, 943,-343, -541,-998
	970 522 141 84 DAF	Black	-AC		
	970 522 141 84 DAG	Platinum Grey	-CC, BB		
	970 522 141 84 DAH	Luxor beige	-UC, PL		
	970 522 141 84 DAJ	yachting blue	-EC		
	970 522 141 84 DAL	Cream	-BC, BD, BE, DS, DT		
	970 522 141 84 DAK	Marsala Red	-PC		
	970 522 141 84 GHC	agate grey	-DL		
	970 522 141 84 GLC	Carrera Red	-BF		
	970 522 141 84 DUE	saddle brown	-SB, DN		
(6)	970 522 141 K5	Backrest cover D - MJ 2014>>	left	1	PR:382,830, 943,-343, -541,-998
	970 522 141 K5 DAF	Black	-AC, UC, PL		
	970 522 141 K5 DAL	Cream	-BC, BD, BE, DS, DT		
	970 522 141 K5 DAK	Marsala Red	-PC		
	970 522 141 K5 GHC	agate grey	-DL		
	970 522 141 K5 GLC	Carrera Red	-BF		
	970 522 141 K5 DUE	saddle brown	-SB, DN		
(6)	970 522 141 04	Cover D >> - 24.01.2011	left	1	PR:830,943, 998,-343, -541
	970 522 141 04 DAM	Espresso	-NA		
	970 522 141 04 DAN	Cognac	-NC		
	970 522 141 04 DAO	Espresso/cedar	-BN		
(6)	970 522 141 85	Backrest cover D - 25.01.2011>>	left	1	PR:381,830, 943,998, -343,-541
	970 522 141 85 DAM	Espresso	-NA		
	970 522 141 85 DAN	Cognac	-NC		
	970 522 141 85 DAO	Cedar	-BN		
(6)	970 522 141 K6	Backrest cover	left	1	PR:382,830, 943,998,

Model: 970 10 Model life 2010>>2016

Pos	Part Number	Description	Remark	Qty	Model
		D - MJ 2014>>			-343,-541
	970 522 141 K6 DAM	Espresso	-NA		
	970 522 141 K6 DAN	Cognac	-NC		
	970 522 141 K6 DAO	Cedar	-BN		
(6)	970 522 141 05	Cover	left	1	PR:830,941, 998,-343
		D >> - 24.01.2011			
		backrest			
	970 522 141 05 DAM	Espresso	-NA		
	970 522 141 05 DAN	Cognac	-NC		
	970 522 141 05 DAO	Espresso/cedar	-BN		
(6)	970 522 141 86	Backrest cover	left	1	PR:830,941, 998,-343
		D - 25.01.2011>>			
	970 522 141 86 DAM	Espresso	-NA		
	970 522 141 86 DAN	Cognac	-NC		
	970 522 141 86 DAO	Cedar	-BN		
(6)	970 522 141 09	Cover	left	1	PR:343,830, 938,-541, -542
		D >> - 24.01.2011			
		backrest			
	970 522 141 09 DAA	Black	-AB		
	970 522 141 09 DAB	Platinum Grey	-CB		
	970 522 141 09 DAC	Luxor beige	-UB		
(6)	970 522 141 90	Backrest cover	left	1	PR:381,343, 830,938, -541,-542
		D - 25.01.2011>>			
	970 522 141 90 DAA	Black	-AB		
	970 522 141 90 DAB	Platinum Grey	-CB		
	970 522 141 90 DAC	Luxor beige	-UB,PK		
	970 522 141 90 GHB	agate grey	-DG		
(6)	970 522 141 K7	Backrest cover	left	1	PR:382,343, 830,938, -541,-542
		D - MJ 2014>>			
	970 522 141 K7 DAA	Black	-AB		
	970 522 141 K7 DAC	Luxor beige	-UB,PK		
	970 522 141 K7 GHB	agate grey	-DG		
(6)	970 522 141 10	Cover	left	1	PR:343,830, 940
		D >> - 24.01.2011			
		backrest			
	970 522 141 10 DAA	Black	-AB		
	970 522 141 10 DAB	Platinum Grey	-CB		
	970 522 141 10 DAC	Luxor beige	-UB		
(6)	970 522 141 91	Backrest cover	left	1	PR:343,830, 940
		D - 25.01.2011>>			
		D - MJ 2014>>			
	970 522 141 91 DAA	Black	-AB		
	970 522 141 91 DAB	Platinum Grey	-CB		
	970 522 141 91 DAC	Luxor beige	-UB,PK		
	970 522 141 91 GHB	agate grey	-DG		
(6)	970 522 141 11	Cover	left	1	PR:343,830, 941,-998
		D >> - 24.01.2011			
		backrest			
	970 522 141 11 DAF	Black	-AC		
	970 522 141 11 DAG	Platinum Grey	-CC,BB		
	970 522 141 11 DAH	Luxor beige	-UC		
	970 522 141 11 DAJ	yachting blue	-EC		
	970 522 141 11 DAL	Cream	-BC,BD,BE		
	970 522 141 11 DAK	Marsala Red	-PC		
(6)	970 522 141 92	Backrest cover	left	1	PR:343,830, 941,-998
		D - 25.01.2011>>			
	970 522 141 92 DAF	Black	-AC		
	970 522 141 92 DAG	Platinum Grey	-CC,BB		
	970 522 141 92 DAH	Luxor beige	-UC,PL		
	970 522 141 92 DAJ	yachting blue	-EC		
	970 522 141 92 DAL	Cream	-BC,BD,BE,DS,		

Model: 970 10 Model life 2010>>2016

Pos	Part Number	Description	Remark	Qty	Model
(6)	970 522 141 92 DAK	Marsala Red	DT -PC	1	PR:343,830, 943,-541, -542,-998
	970 522 141 92 GHC	agate grey	-DL		
	970 522 141 92 GLC	Carrera Red	-BF		
	970 522 141 92 DUE	saddle brown	-SB, DN		
	970 522 141 12	Cover	left		
		D >> - 24.01.2011			
(6)	970 522 141 12 DAF	Black	-AC	1	PR:343,381, 830,943, -541,-542, -998
	970 522 141 12 DAG	Platinum Grey	-CC, BB		
	970 522 141 12 DAH	Luxor beige	-UC		
	970 522 141 12 DAJ	yachting blue	-EC		
	970 522 141 12 DAL	Cream	-BC, BD, BE		
	970 522 141 12 DAK	Marsala Red	-PC		
(6)	970 522 141 93	Backrest cover	left	1	PR:343,382, 830,943, -541,-542, -998
		D - 25.01.2011>>			
	970 522 141 93 DAF	Black	-AC		
	970 522 141 93 DAG	Platinum Grey	-CC, BB		
	970 522 141 93 DAH	Luxor beige	-UC, PL		
	970 522 141 93 DAJ	yachting blue	-EC		
(6)	970 522 141 93 DAL	Cream	-BC, BD, BE, DS, DT	1	PR:343,382, 830,943, -541,-542, -998
	970 522 141 93 DAK	Marsala Red	-PC		
	970 522 141 93 GHC	agate grey	-DL		
	970 522 141 93 GLC	Carrera Red	-BF		
	970 522 141 93 DUE	saddle brown	-SB, DN		
	970 522 141 K8	Backrest cover	left		
(6)		D - MJ 2014>>		1	PR:343,830, 943,998, -541,-542
	970 522 141 K8 DAF	Black	-AC, UC, PL		
	970 522 141 K8 DAL	Cream	-BC, BD, BE, DS, DT		
	970 522 141 K8 DAK	Marsala Red	-PC		
	970 522 141 K8 GHC	agate grey	-DL		
	970 522 141 K8 GLC	Carrera Red	-BF		
(6)	970 522 141 K8 DUE	saddle brown	-SB, DN	1	PR:343,381, 830,943,998, -541,-542
	970 522 141 13	Cover	left		
		D >> - 24.01.2011			
	970 522 141 13 DAM	Espresso	-NA		
	970 522 141 13 DAN	Cognac	-NC		
	970 522 141 13 DAO	Cedar	-BN		
(6)	970 522 141 94	Backrest cover	left	1	PR:343,382, 830,943,998, -541,-542
		D - 25.01.2011>>			
	970 522 141 94 DAM	Espresso	-NA		
	970 522 141 94 DAN	Cognac	-NC		
	970 522 141 94 DAO	Cedar	-BN		
	970 522 141 K9	Backrest cover	left		
(6)		D - MJ 2014>>		1	PR:343,830, 941,998
	970 522 141 K9 DAM	Espresso	-NA		
	970 522 141 K9 DAN	Cognac	-NC		
	970 522 141 K9 DAO	Cedar	-BN		
	970 522 141 14	Cover	left		
		D >> - 24.01.2011			
(6)	970 522 141 14 DAM	Espresso	-NA	1	PR:343,830, 941,998
	970 522 141 14 DAN	Cognac	-NC		
	970 522 141 14 DAO	Cedar	-BN		

Model: 970 10 Model life 2010>>2016

Pos	Part Number	Description	Remark	Qty	Model
(6)	970 522 141 95	Backrest cover D - 25.01.2011>>	left	1	PR:343,830, 941,998
	970 522 141 95 DAM	Espresso	-NA		
	970 522 141 95 DAN	Cognac	-NC		
	970 522 141 95 DAO	Cedar	-BN		
(6)	970 522 141 18	Cover D >> - 24.01.2011	left	1	PR:542,830, 938
		backrest			
	970 522 141 18 DAA	Black	-AB		
	970 522 141 18 DAB	Platinum Grey	-CB		
	970 522 141 18 DAC	Luxor beige	-UB		
(6)	970 522 141 99	Backrest cover D - 25.01.2011>> D - MJ 2014>>	left	1	PR:542,830, 938
	970 522 141 99 DAA	Black	-AB		
	970 522 141 99 DAB	Platinum Grey	-CB		
	970 522 141 99 DAC	Luxor beige	-UB,PK		
	970 522 141 99 GHB	agate grey	-DG		
(6)	970 522 141 19	Cover D >> - 24.01.2011	left	1	PR:542,830, 943,-998
		backrest			
	970 522 141 19 DAF	Black	-AC		
	970 522 141 19 DAG	Platinum Grey	-CC,BB		
	970 522 141 19 DAH	Luxor beige	-UC		
	970 522 141 19 DAJ	yachting blue	-EC		
	970 522 141 19 DAL	Cream	-BC,BD,BE		
	970 522 141 19 DAK	Marsala Red	-PC		
(6)	970 522 141 A1	Backrest cover D - 25.01.2011>>	left	1	PR:542,830, 943,-998
	970 522 141 A1 DAF	Black	-AC		
	970 522 141 A1 DAG	Platinum Grey	-CC,BB		
	970 522 141 A1 DAH	Luxor beige	-UC,PL		
	970 522 141 A1 DAJ	yachting blue	-EC		
	970 522 141 A1 DAL	Cream	-BC,BD,BE,DS, DT		
	970 522 141 A1 DAK	Marsala Red	-PC		
	970 522 141 A1 GHC	agate grey	-DL		
	970 522 141 A1 GLC	Carrera Red	-BF		
	970 522 141 A1 DUE	saddle brown	-SB,DN		
(6)	970 522 141 20	Cover D >> - 24.01.2011	left	1	PR:542,830, 943,998
		backrest			
	970 522 141 20 DAM	Espresso	-NA		
	970 522 141 20 DAN	Cognac	-NC		
	970 522 141 20 DAO	Cedar	-BN		
(6)	970 522 141 A2	Backrest cover D - 25.01.2011>>	left	1	PR:542,830, 943,998
	970 522 141 A2 DAM	Espresso	-NA		
	970 522 141 A2 DAN	Cognac	-NC		
	970 522 141 A2 DAO	Cedar	-BN		
(6)	970 522 141 57	Cover D >> - 24.01.2011	left	1	PR:830,541, 938,-343
		backrest			
	970 522 141 57 DAA	Black	-AB		
	970 522 141 57 DAB	Platinum Grey	-CB		
	970 522 141 57 DAC	Luxor beige	-UB		
(6)	970 522 141 D7	Backrest cover D - 25.01.2011>>	left	1	PR:381,830, 541,938,-343
	970 522 141 D7 DAA	Black	-AB		
	970 522 141 D7 DAB	Platinum Grey	-CB		
	970 522 141 D7 DAC	Luxor beige	-UB,PK		
	970 522 141 D7 GHB	agate grey	-DG		
(6)	970 522 141 Q8	Backrest cover	left	1	PR:382,830,

Model: 970 10 Model life 2010>>2016

Pos	Part Number	Description	Remark	Qty	Model
		D - MJ 2014>>			541,938,-343
	970 522 141 Q8 DAA	Black	-AB		
	970 522 141 Q8 DAC	Luxor beige	-UB,PK		
	970 522 141 Q8 GHB	agate grey	-DG		
(6)	970 522 141 58	Cover	left	1	PR:830,541,943,-343,-998
		D >> - 24.01.2011			
		backrest			
	970 522 141 58 DAF	Black	-AC		
	970 522 141 58 DAG	Platinum Grey	-CC,BB		
	970 522 141 58 DAH	Luxor beige	-UC		
	970 522 141 58 DAJ	yachting blue	-EC		
	970 522 141 58 DAL	Cream	-BC,BD,BE		
	970 522 141 58 DAK	Marsala Red	-PC		
(6)	970 522 141 D8	Backrest cover	left	1	PR:381,830,541,943,-343,-998
	970 522 141 D8 DAF	Black	-AC		
	970 522 141 D8 DAG	Platinum Grey	-CC,BB		
	970 522 141 D8 DAH	Luxor beige	-UC,PL		
	970 522 141 D8 DAJ	yachting blue	-EC		
	970 522 141 D8 DAL	Cream	-BC,BD,BE,DS,DT		
	970 522 141 D8 DAK	Marsala Red	-PC		
	970 522 141 D8 GHC	agate grey	-DL		
	970 522 141 D8 GLC	Carrera Red	-BF		
	970 522 141 D8 DUE	saddle brown	-SB,DN		
(6)	970 522 141 Q9	Backrest cover	left	1	PR:382,830,541,943,-343,-998
		D - MJ 2014>>			
	970 522 141 Q9 DAF	Black	-AC,UC,PL		
	970 522 141 Q9 DAL	Cream	-BC,BD,BE,DS,DT		
	970 522 141 Q9 DAK	Marsala Red	-PC		
	970 522 141 Q9 GHC	agate grey	-DL		
	970 522 141 Q9 GLC	Carrera Red	-BF		
	970 522 141 Q9 DUE	saddle brown	-SB,DN		
(6)	970 522 141 59	Cover	left	1	PR:830,541,943,998,-343
		D >> - 24.01.2011			
		backrest			
	970 522 141 59 DAM	Espresso	-NA		
	970 522 141 59 DAN	Cognac	-NC		
	970 522 141 59 DAO	Cedar	-BN		
(6)	970 522 141 D9	Backrest cover	left	1	PR:381,830,541,943,998,-343
		D - 25.01.2011>>			
	970 522 141 D9 DAM	Espresso	-NA		
	970 522 141 D9 DAN	Cognac	-NC		
	970 522 141 D9 DAO	Cedar	-BN		
(6)	970 522 141 R1	Backrest cover	left	1	PR:382,830,541,943,998,-343
		D - MJ 2014>>			
	970 522 141 R1 DAM	Espresso	-NA		
	970 522 141 R1 DAN	Cognac	-NC		
	970 522 141 R1 DAO	Cedar	-BN		
(6)	970 522 141 60	Cover	left	1	PR:830,343,541,938
		D >> - 24.01.2011			
		backrest			
	970 522 141 60 DAA	Black	-AB		
	970 522 141 60 DAB	Platinum Grey	-CB		
	970 522 141 60 DAC	Luxor beige	-UB		
(6)	970 522 141 E1	Backrest cover	left	1	PR:381,830,343,541,938
		D - 25.01.2011>>			

Model: 970 10 Model life 2010>>2016

Pos	Part Number	Description	Remark	Qty	Model	
(6)	970 522 141 E1 DAA	Black	-AB	1	PR:382,343, 541,830,938	
	970 522 141 E1 DAB	Platinum Grey	-CB			
	970 522 141 E1 DAC	Luxor beige	-UB,PK			
	970 522 141 E1 GHB	agate grey	-DG			
	970 522 141 R2	Backrest cover	left			
		D - MJ 2014>>				
(6)	970 522 141 R2 DAA	Black	-AB	1	PR:830,343, 541,943,-998	
	970 522 141 R2 DAC	Luxor beige	-UB,PK			
	970 522 141 R2 GHB	agate grey	-DG			
	970 522 141 61	Cover	left			
			D >> - 24.01.2011			
		backrest				
(6)	970 522 141 61 DAF	Black	-AC	1	PR:381,830, 343,541,943, -998	
	970 522 141 61 DAG	Platinum Grey	-CC,BB			
	970 522 141 61 DAH	Luxor beige	-UC			
	970 522 141 61 DAJ	yachting blue	-EC			
	970 522 141 61 DAL	Cream	-BC,BD,BE			
	970 522 141 61 DAK	Marsala Red	-PC			
	970 522 141 E2	Cover	left			
			D - 25.01.2011>>			
			backrest			
(6)	970 522 141 E2 DAF	Black	-AC	1	PR:382,830, 343,541,943, -998	
	970 522 141 E2 DAG	Platinum Grey	-CC,BB			
	970 522 141 E2 DAH	Luxor beige	-UC,PL			
	970 522 141 E2 DAJ	yachting blue	-EC			
	970 522 141 E2 DAL	Cream	-BC,BD,BE,DS, DT			
	970 522 141 E2 DAK	Marsala Red	-PC			
	970 522 141 E2 GHC	agate grey	-DL			
	970 522 141 E2 GLC	Carrera Red	-BF			
	970 522 141 E2 DUE	saddle brown	-SB,DN			
	970 522 141 R3	Cover	left			
		D - MJ 2014>>				
(6)	970 522 141 R3 DAF	Black	-AC,UC,PL	1	PR:830,541, 343,943,998	
	970 522 141 R3 DAL	Cream	-BC,BD,BE,DS, DT			
	970 522 141 R3 DAK	Marsala Red	-PC			
	970 522 141 R3 GHC	agate grey	-DL			
	970 522 141 R3 GLC	Carrera Red	-BF			
	970 522 141 R3 DUE	saddle brown	-SB,DN			
	970 522 141 62	Seat cover (leather)	left			
			D >> - 24.01.2011			
			backrest			
(6)	970 522 141 62 DAM	Espresso	-NA	1	PR:381,830, 343,541,943, 998	
	970 522 141 62 DAN	Cognac	-NC			
	970 522 141 62 DAO	Cedar	-BN			
	970 522 141 E3	Seat cover (leather)	left			
			D - 25.01.2011>>			
		backrest				
(6)	970 522 141 E3 DAM	Espresso	-NA	1	PR:382,830, 343,541,943, 998	
	970 522 141 E3 DAN	Cognac	-NC			
	970 522 141 E3 DAO	Cedar	-BN			
	970 522 141 R4	Seat cover (leather)	left			
			backrest			
(7)	970 522 141 R4 DAM	Espresso	-NA	1	PR:830,938, XYW,-343, -542	
	970 522 141 R4 DAN	Cognac	-NC			
	970 522 141 R4 DAO	Cedar	-BN			
	970 522 902 00	Backrest cover	right			
			D >> - 24.01.2011			

Model: 970 10 Model life 2010>>2016

Pos	Part Number	Description	Remark	Qty	Model
(7)	970 522 902 00 DAA	Black	-AB	1	PR:381,830, 938,-343, -541,XYW
	970 522 902 00 DAB	Platinum Grey	-CB		
	970 522 902 00 DAC	Luxor beige	-UB		
	970 522 902 21	Backrest cover D - 25.01.2011>>	right		
(7)	970 522 902 21 DAA	Black	-AB	1	PR:830,940, XYW,-343
	970 522 902 21 DAB	Platinum Grey	-CB		
	970 522 902 21 DAC	Luxor beige	-UB,PK		
	970 522 902 21 GHB	agate grey	-DG		
(7)	970 522 902 01	Backrest cover D >> - 24.01.2011	right	1	PR:830,940, XYW,-343
(7)	970 522 902 01 DAA	Black	-AB	1	PR:830,940, XYW,-343
	970 522 902 01 DAB	Platinum Grey	-CB		
	970 522 902 01 DAC	Luxor beige	-UB		
	970 522 902 22	Backrest cover D - 25.01.2011>>	right		
(7)	970 522 902 22 DAA	Black	-AB	1	PR:830,941, XYW,-343, -998
	970 522 902 22 DAB	Platinum Grey	-CB		
	970 522 902 22 DAC	Luxor beige	-UB,PK		
	970 522 902 22 GHB	agate grey	-DG		
(7)	970 522 902 02	Backrest cover D >> - 24.01.2011	right	1	PR:830,941, XYW,-343, -998
(7)	970 522 902 02 DAF	Black	-AC	1	PR:830,941, XYW,-343, -998
	970 522 902 02 DAG	Platinum Grey	-CC,BB		
	970 522 902 02 DAH	Luxor beige	-UC		
	970 522 902 02 DAJ	yachting blue	-EC		
	970 522 902 02 DAL	Cream	-BC,BD,BE		
	970 522 902 02 DAK	Marsala Red	-PC		
	970 522 902 23	Backrest cover D - 25.01.2011>>	right		
	970 522 902 23 DAF	Black	-AC		
	970 522 902 23 DAG	Platinum Grey	-CC,BB		
	970 522 902 23 DAH	Luxor beige	-UC,PL		
(7)	970 522 902 23 DAJ	yachting blue	-EC	1	PR:830,943, XYW,-343, -542,-998
	970 522 902 23 DAL	Cream	-BC,BD,BE,DS, DT		
	970 522 902 23 DAK	Marsala Red	-PC		
	970 522 902 23 GHC	agate grey	-DL		
	970 522 902 23 GLC	Carrera Red	-BF		
	970 522 902 23 DUE	saddle brown	-SB,DN		
	970 522 902 03	Backrest cover D >> - 24.01.2011	right		
	970 522 902 03 DAF	Black	-AC		
	970 522 902 03 DAG	Platinum Grey	-CC,BB		
	970 522 902 03 DAH	Luxor beige	-UC		
(7)	970 522 902 03 DAJ	yachting blue	-EC	1	PR:830,943, XYW,-343, -542,-998
	970 522 902 03 DAL	Cream	-BC,BD,BE		
	970 522 902 03 DAK	Marsala Red	-PC		
	970 522 902 24	Backrest cover D - 25.01.2011>>	right		
	970 522 902 24 DAF	Black	-AC		
	970 522 902 24 DAG	Platinum Grey	-CC,BB		
	970 522 902 24 DAH	Luxor beige	-UC,PL		
	970 522 902 24 DAJ	yachting blue	-EC		
	970 522 902 24 DAL	Cream	-BC,BD,BE,DS, DT		
	970 522 902 24 DAK	Marsala Red	-PC		
970 522 902 24 GHC	agate grey	-DL			

Model: 970 10 Model life 2010>>2016

Pos	Part Number	Description	Remark	Qty	Model
(7)	970 522 902 24 GLC	Carrera Red	-BF	1	PR:830,943, 998,XYW, -343,-541
	970 522 902 24 DUE	saddle brown	-SB, DN		
	970 522 902 04	Backrest cover D >> - 24.01.2011	right		
(7)	970 522 902 04 DAM	Espresso	-NA	1	PR:830,943, 998,XYW, -343,-541
	970 522 902 04 DAN	Cognac	-NC		
	970 522 902 04 DAO	Cedar	-BN		
(7)	970 522 902 25	Backrest cover D - 25.01.2011>>	right	1	PR:830,941, 998,XYW,-343
	970 522 902 25 DAM	Espresso	-NA		
	970 522 902 25 DAN	Cognac	-NC		
(7)	970 522 902 25 DAO	Cedar	-BN	1	PR:830,941, 998,XYW,-343
	970 522 902 05	Backrest cover D >> - 24.01.2011	right		
	970 522 902 05 DAM	Espresso	-NA		
(7)	970 522 902 05 DAN	Cognac	-NC	1	PR:830,941, 998,XYW,-343
	970 522 902 05 DAO	Cedar	-BN		
	970 522 902 26	Backrest cover D - 25.01.2011>>	right		
(7)	970 522 902 26 DAM	Espresso	-NA	1	PR:830,941, 998,XYW,-343
	970 522 902 26 DAN	Cognac	-NC		
	970 522 902 26 DAO	Cedar	-BN		
(7)	970 522 902 09	Backrest cover D >> - 24.01.2011	right	1	PR:830,343, 938,XYW,-542
	970 522 902 09 DAA	Black	-AB		
	970 522 902 09 DAB	Platinum Grey	-CB		
(7)	970 522 902 09 DAC	Luxor beige	-UB	1	PR:381,830, 343,938,XYW, -542
	970 522 902 30	Backrest cover D - 25.01.2011>>	right		
	970 522 902 30 DAA	Black	-AB		
(7)	970 522 902 30 DAB	Platinum Grey	-CB	1	PR:830,343, 940,XYW
	970 522 902 30 DAC	Luxor beige	-UB, PK		
	970 522 902 30 GHB	agate grey	-DG		
(7)	970 522 902 10	Backrest cover D >> - 24.01.2011	right	1	PR:830,343, 940,XYW
	970 522 902 10 DAA	Black	-AB		
	970 522 902 10 DAB	Platinum Grey	-CB		
(7)	970 522 902 10 DAC	Luxor beige	-UB	1	PR:830,343, 940,XYW
	970 522 902 31	Backrest cover D - 25.01.2011>>	right		
	970 522 902 31 DAA	Black	-AB		
(7)	970 522 902 31 DAB	Platinum Grey	-CB	1	PR:830,343, 941,XYW,-998
	970 522 902 31 DAC	Luxor beige	-UB, PK		
	970 522 902 31 GHB	agate grey	-DG		
(7)	970 522 902 11	Backrest cover D >> - 24.01.2011	right	1	PR:830,343, 941,XYW,-998
	970 522 902 11 DAF	Black	-AC		
	970 522 902 11 DAG	Platinum Grey	-CC, BB		
(7)	970 522 902 11 DAH	Luxor beige	-UC	1	PR:830,343, 941,XYW,-998
	970 522 902 11 DAJ	yachting blue	-EC		
	970 522 902 11 DAL	Cream	-BC, BD, BE		
(7)	970 522 902 11 DAK	Marsala Red	-PC	1	PR:830,343, 941,XYW,-998
	970 522 902 32	Backrest cover D - 25.01.2011>>	right		
	970 522 902 32 DAF	Black	-AC		
(7)	970 522 902 32 DAG	Platinum Grey	-CC, BB	1	PR:830,343, 941,XYW,-998
	970 522 902 32 DAH	Luxor beige	-UC, PL		
	970 522 902 32 DAJ	yachting blue	-EC		
(7)	970 522 902 32 DAL	Cream	-BC, BD, BE, DS, DT	1	PR:830,343, 941,XYW,-998

Model: 970 10 Model life 2010>>2016

Pos	Part Number	Description	Remark	Qty	Model
(7)	970 522 902 32 DAK	Marsala Red	-PC	1	PR:830,343, 943,XYW, -542,-998
	970 522 902 32 GHC	agate grey	-DL		
	970 522 902 32 GLC	Carrera Red	-BF		
	970 522 902 32 DUE	saddle brown	-SB, DN		
	970 522 902 12	Backrest cover D >> - 24.01.2011	right		
(7)	970 522 902 12 DAF	Black	-AC	1	PR:381,830, 343,943,XYW, -542,-998
	970 522 902 12 DAG	Platinum Grey	-CC, BB		
	970 522 902 12 DAH	Luxor beige	-UC		
	970 522 902 12 DAJ	yachting blue	-EC		
	970 522 902 12 DAL	Cream	-BC, BD, BE		
(7)	970 522 902 12 DAK	Marsala Red	-PC	1	PR:830,343, 943,998,XYW, -542
	970 522 902 33	Backrest cover D - 25.01.2011>>	right		
	970 522 902 33 DAF	Black	-AC		
	970 522 902 33 DAG	Platinum Grey	-CC, BB		
	970 522 902 33 DAH	Luxor beige	-UC, PL		
(7)	970 522 902 33 DAJ	yachting blue	-EC	1	PR:381,830, 343,943,998, XYW, -542
	970 522 902 33 DAL	Cream	-BC, BD, BE, DS, DT		
	970 522 902 33 DAK	Marsala Red	-PC		
	970 522 902 33 GHC	agate grey	-DL		
	970 522 902 33 GLC	Carrera Red	-BF		
(7)	970 522 902 33 DUE	saddle brown	-SB, DN	1	PR:830,343, 941,998,XYW
	970 522 902 13	Backrest cover D >> - 24.01.2011	right		
	970 522 902 13 DAM	Espresso	-NA		
	970 522 902 13 DAN	Cognac	-NC		
	970 522 902 13 DAO	Cedar	-BN		
(7)	970 522 902 34	Backrest cover D - 25.01.2011>>	right	1	PR:830,343, 941,998,XYW
	970 522 902 34 DAM	Espresso	-NA		
	970 522 902 34 DAN	Cognac	-NC		
	970 522 902 34 DAO	Cedar	-BN		
	970 522 902 14	Backrest cover D >> - 24.01.2011	right		
(7)	970 522 902 14 DAM	Espresso	-NA	1	PR:830,343, 941,998,XYW
	970 522 902 14 DAN	Cognac	-NC		
	970 522 902 14 DAO	Cedar	-BN		
	970 522 902 35	Backrest cover D - 25.01.2011>>	right		
	970 522 902 35 DAM	Espresso	-NA		
(7)	970 522 902 35 DAN	Cognac	-NC	1	PR:830,542, 938,XYW
	970 522 902 35 DAO	Cedar	-BN		
	970 522 902 18	Backrest cover D >> - 24.01.2011	right		
	970 522 902 18 DAA	Black	-AB		
	970 522 902 18 DAB	Platinum Grey	-CB		
(7)	970 522 902 18 DAC	Luxor beige	-UB	1	PR:830,542, 938,XYW
	970 522 902 39	Backrest cover D - 25.01.2011>>	right		
	970 522 902 39 DAA	Black	-AB		
	970 522 902 39 DAB	Platinum Grey	-CB		
	970 522 902 39 DAC	Luxor beige	-UB, PK		
(7)	970 522 902 39 GHB	agate grey	-DG	1	PR:830,542, 943,XYW
	970 522 902 19	Backrest cover D >> - 24.01.2011	right		
	970 522 902 19 DAF	Black	-AC		
	970 522 902 19 DAG	Platinum Grey	-CC, BB		

Model: 970 10 Model life 2010>>2016

Pos	Part Number	Description	Remark	Qty	Model
(7)	970 522 902 19 DAH	Luxor beige	-UC	1	PR:830,542, 943,XYW
	970 522 902 19 DAJ	yachting blue	-EC		
	970 522 902 19 DAL	Cream	-BC,BD,BE		
	970 522 902 19 DAK	Marsala Red	-PC		
	970 522 902 40	Backrest cover D - 25.01.2011>>	right		
	970 522 902 40 DAF	Black	-AC		
	970 522 902 40 DAG	Platinum Grey	-CC,BB		
	970 522 902 40 DAH	Luxor beige	-UC,PL		
	970 522 902 40 DAJ	yachting blue	-EC		
(7)	970 522 902 40 DAL	Cream	-BC,BD,BE,DS, DT	1	PR:830,542, 943,998,XYW
	970 522 902 40 DAK	Marsala Red	-PC		
	970 522 902 40 GHC	agate grey	-DL		
	970 522 902 40 GLC	Carrera Red	-BF		
	970 522 902 40 DUE	saddle brown	-SB,DN		
	970 522 902 20	Backrest cover D >> - 24.01.2011	right		
	970 522 902 20 DAM	Espresso	-NA		
	970 522 902 20 DAN	Cognac	-NC		
	970 522 902 20 DAO	Cedar	-BN		
(7)	970 522 902 41	Backrest cover D - 25.01.2011>>	right	1	PR:830,542, 943,998,XYW
	970 522 902 41 DAM	Espresso	-NA		
	970 522 902 41 DAN	Cognac	-NC		
(7)	970 522 902 41 DAO	Cedar	-BN	1	PR:381,830, 541,938,XYW, -343
	970 522 902 42	Backrest cover D - 25.01.2011>>	right		
	970 522 902 42 DAA	Black	-AB		
(7)	970 522 902 42 DAB	Platinum Grey	-CB	1	PR:381,830, 541,943,XYW, -343
	970 522 902 42 GHB	agate grey	-DG		
	970 522 902 42 DAC	Luxor beige	-UB,PK		
	970 522 902 43	Backrest cover D - 25.01.2011>>	right		
	970 522 902 43 DAF	Black	-AC		
	970 522 902 43 DAG	Platinum Grey	-CC,BB		
	970 522 902 43 DAH	Luxor beige	-UC,PL		
	970 522 902 43 DAJ	yachting blue	-EC		
	970 522 902 43 DAL	Cream	-BC,BD,BE,DS, DT		
(7)	970 522 902 43 DAK	Marsala Red	-PC	1	PR:381,830, 541,943,998, XYW,-343
	970 522 902 43 GHC	agate grey	-DL		
	970 522 902 43 GLC	Carrera Red	-BF		
	970 522 902 43 DUE	saddle brown	-SB,DN		
	970 522 902 44	Backrest cover D - 25.01.2011>>	right		
	970 522 902 44 DAM	Espresso	-NA		
	970 522 902 44 DAN	Cognac	-NC		
	970 522 902 44 DAO	Cedar	-BN		
	970 522 902 45	Backrest cover D - 25.01.2011>>	right		
(7)	970 522 902 45 DAA	Black	-AB	1	PR:381,830, 343,541,938, XYW
	970 522 902 45 DAB	Platinum Grey	-CB		
	970 522 902 45 GHB	agate grey	-DG		
	970 522 902 45 DAC	Luxor beige	-UB,PK		
	970 522 902 46	Backrest cover D - 25.01.2011>>	right		
	970 522 902 46 DAF	Black	-AC		

Model: 970 10 Model life 2010>>2016

Pos	Part Number	Description	Remark	Qty	Model
	970 522 902 46 DAG	Platinum Grey	-CC, BB		
	970 522 902 46 DAH	Luxor beige	-UC, PL		
	970 522 902 46 DAJ	yachting blue	-EC		
	970 522 902 46 DAL	Cream	-BC, BD, BE, DS, DT		
	970 522 902 46 DAK	Marsala Red	-PC		
	970 522 902 46 GHC	agate grey	-DL		
	970 522 902 46 GLC	Carrera Red	-BF		
	970 522 902 46 DUE	saddle brown	-SB, DN		
(7)	970 522 902 47	Backrest cover	right	1	PR:343,830, 541,943,998, XYW
		D - MJ 2012>>			
	970 522 902 47 DAM	Espresso	-NA		
	970 522 902 47 DAN	Cognac	-NC		
	970 522 902 47 DAO	Cedar	-BN		
(7)	970 522 142 00	Backrest cover	right	1	PR:830,938, -343,-541
		D >> - 24.01.2011			
	970 522 142 00 DAA	Black	-AB		
	970 522 142 00 DAB	Platinum Grey	-CB		
	970 522 142 00 DAC	Luxor beige	-UB		
(7)	970 522 142 30	Backrest cover	right	1	PR:381,830, 938,-343, -541
		D - 25.01.2011>>			
	970 522 142 30 DAA	Black	-AB		
	970 522 142 30 DAB	Platinum Grey	-CB		
	970 522 142 30 DAC	Luxor beige	-UB, PK		
	970 522 142 30 GHB	agate grey	-DG		
(7)	970 522 142 91	Backrest cover	right	1	PR:382,830, 938,-343, -541
		D - MJ 2014>>			
	970 522 142 91 DAA	Black	-AB		
	970 522 142 91 DAC	Luxor beige	-UB, PK		
	970 522 142 91 GHB	agate grey	-DG		
(7)	970 522 142 01	Cover	right	1	PR:830,940, -343
		D >> - 24.01.2011			
		backrest			
	970 522 142 01 DAA	Black	-AB		
	970 522 142 01 DAB	Platinum Grey	-CB		
	970 522 142 01 DAC	Luxor beige	-UB		
(7)	970 522 142 31	Backrest cover	right	1	PR:830,940, -343
		D - 25.01.2011>>			
	970 522 142 31 DAA	Black	-AB		
	970 522 142 31 DAB	Platinum Grey	-CB		
	970 522 142 31 DAC	Luxor beige	-UB, PK		
	970 522 142 31 GHB	agate grey	-DG		
(7)	970 522 142 02	Cover	right	1	PR:830,941, -343,-998
		D >> - 24.01.2011			
		backrest			
	970 522 142 02 DAF	Black	-AC		
	970 522 142 02 DAG	Platinum Grey	-CC, BB		
	970 522 142 02 DAH	Luxor beige	-UC, PL		
	970 522 142 02 DAJ	Black/yachting blue	-EC		
	970 522 142 02 DAL	Cream	-BC, BD, BE		
	970 522 142 02 DAK	Marsala Red	-PC		
(7)	970 522 142 32	Backrest cover	right	1	PR:830,941, -343,-998
		D - 25.01.2011>>			
	970 522 142 32 DAF	Black	-AC		
	970 522 142 32 DAG	Platinum Grey	-CC, BB		
	970 522 142 32 DAH	Luxor beige	-UC, PL		
	970 522 142 32 DAJ	yachting blue	-EC		
	970 522 142 32 DAL	Cream	-BC, BD, BE, DS, DT		
	970 522 142 32 DAK	Marsala Red	-PC		

Model: 970 10 Model life 2010>>2016

Pos	Part Number	Description	Remark	Qty	Model
(7)	970 522 142 32	GHC agate grey	-DL	1	PR:830,943, -343,-541, -998
	970 522 142 32	GLC Carrera Red	-BF		
	970 522 142 32	DUE saddle brown	-SB, DN		
	970 522 142 03	Cover	right		
		D >> - 24.01.2011			
		backrest			
	970 522 142 03	DAF Black	-AC		
	970 522 142 03	DAG Platinum Grey	-CC, BB		
	970 522 142 03	DAH Luxor beige	-UC		
	970 522 142 03	DAJ Black/yachting blue	-EC		
(7)	970 522 142 03	DAL Cream	-BC, BD, BE	1	PR:381,830, 943,-343, -541,-998
	970 522 142 03	DAK Marsala Red	-PC		
	970 522 142 33	Backrest cover	right		
		D - 25.01.2011>>			
	970 522 142 33	DAF Black	-AC		
	970 522 142 33	DAG Platinum Grey	-CC, BB		
	970 522 142 33	DAH Luxor beige	-UC, PL		
	970 522 142 33	DAJ yachting blue	-EC		
	970 522 142 33	DAL Cream	-BC, BD, BE		
	970 522 142 33	DAK Marsala Red	-PC		
(7)	970 522 142 33	GHC agate grey	-DL	1	PR:382,830, 943,-343, -541,-998
	970 522 142 33	GLC Carrera Red	-BF		
	970 522 142 33	DUE saddle brown	-SB, DN		
	970 522 142 92	Backrest cover	right		
		D - MJ 2014>>			
	970 522 142 92	DAF Black	-AC		
	970 522 142 92	DAL Cream	-BC, BD, BE		
	970 522 142 92	DAK Marsala Red	-PC		
	970 522 142 92	GHC agate grey	-DL		
	970 522 142 92	GLC Carrera Red	-BF		
(7)	970 522 142 92	DUE saddle brown	-SB, DN	1	PR:830,943, 998,-343, -541
	970 522 142 04	Cover	right		
		D >> - 24.01.2011			
		backrest			
	970 522 142 04	DAM Espresso	-NA		
	970 522 142 04	DAN Cognac	-NC		
	970 522 142 04	DAO Espresso/cedar	-BN		
	970 522 142 34	Backrest cover	right		
		D - 25.01.2011>>			
	970 522 142 34	DAM Espresso	-NA		
(7)	970 522 142 34	DAN Cognac	-NC	1	PR:381,830, 943,998
	970 522 142 34	DAO Cedar	-BN		
	970 522 142 93	Backrest cover	right		
		D - MJ 2014>>			
	970 522 142 93	DAM Espresso	-NA		
	970 522 142 93	DAN Cognac	-NC		
	970 522 142 93	DAO Cedar	-BN		
	970 522 142 05	Cover	right		
		D >> - 24.01.2011			
		backrest			
(7)	970 522 142 05	DAM Espresso	-NA	1	PR:830,941, 998,-343
	970 522 142 05	DAN Cognac	-NC		
	970 522 142 05	DAO Espresso/cedar	-BN		
	970 522 142 35	Backrest cover	right		
		D - 25.01.2011>>			
	970 522 142 35	DAM Espresso	-NA		
	970 522 142 35	DAN Cognac	-NC		
	970 522 142 35	DAO Cedar	-BN		
	970 522 142 09	Cover	right		
		D >> - 24.01.2011			

Model: 970 10 Model life 2010>>2016

Pos	Part Number	Description	Remark	Qty	Model
		backrest			-542
	970 522 142 09 DAA	Black	-AB		
	970 522 142 09 DAB	Platinum Grey	-CB		
	970 522 142 09 DAC	Luxor beige	-UB		
(7)	970 522 142 39	Backrest cover D - 25.01.2011>>	right	1	PR:381,343, 830,938, -541,-542
	970 522 142 39 DAA	Black	-AB		
	970 522 142 39 DAB	Platinum Grey	-CB		
	970 522 142 39 DAC	Luxor beige	-UB,PK		
	970 522 142 39 GHB	agate grey	-DG		
(7)	970 522 142 94	Backrest cover D - MJ 2014>>	right	1	PR:382,343, 830,938, -541,-542
	970 522 142 94 DAA	Black	-AB		
	970 522 142 94 DAC	Luxor beige	-UB,PK		
	970 522 142 94 GHB	agate grey	-DG		
(7)	970 522 142 10	Cover D >> - 24.01.2011	right	1	PR:343,830, 940
	970 522 142 10 DAA	Black	-AB		
	970 522 142 10 DAB	Platinum Grey	-CB		
	970 522 142 10 DAC	Luxor beige	-UB		
(7)	970 522 142 40	Backrest cover D - 25.01.2011>>	right	1	PR:343,830, 940
	970 522 142 40 DAA	Black	-UB		
	970 522 142 40 DAB	Platinum Grey	-CB		
	970 522 142 40 DAC	Luxor beige	-UB,PK		
	970 522 142 40 GHB	agate grey	-DG		
(7)	970 522 142 11	Cover D >> - 24.01.2011	right	1	PR:343,830, 941,-998
	970 522 142 11 DAF	Black	-AC		
	970 522 142 11 DAG	Platinum Grey	-CC,BB		
	970 522 142 11 DAH	Luxor beige	-UC		
	970 522 142 11 DAJ	yachting blue	-EC		
	970 522 142 11 DAL	Cream	-BC,BD,BE		
	970 522 142 11 DAK	Marsala Red	-PC		
(7)	970 522 142 41	Backrest cover D - 25.01.2011>>	right	1	PR:343,830, 941,-998
	970 522 142 41 DAF	Black	-AC		
	970 522 142 41 DAG	Platinum Grey	-CC,BB		
	970 522 142 41 DAH	Luxor beige	-UC,PL		
	970 522 142 41 DAJ	yachting blue	-EC		
	970 522 142 41 DAL	Cream	-BC,BD,BE,DS, DT		
	970 522 142 41 DAK	Marsala Red	-PC		
	970 522 142 41 GHC	agate grey	-DL		
	970 522 142 41 GLC	Carrera Red	-BF		
	970 522 142 41 DUE	saddle brown	-SB,DN		
(7)	970 522 142 12	Cover D >> - 24.01.2011	right	1	PR:343,830, 943,-541, -542,-998
	970 522 142 12 DAF	Black	-AC		
	970 522 142 12 DAG	Platinum Grey	-CC,BB		
	970 522 142 12 DAH	Luxor beige	-UC		
	970 522 142 12 DAJ	Black/yachting blue	-EC		
	970 522 142 12 DAL	Cream	-BC,BD,BE		
	970 522 142 12 DAK	Marsala Red	-PC		
(7)	970 522 142 42	Backrest cover D - 25.01.2011>>	right	1	PR:381,343, 830,943, -541,-542, -998

Model: 970 10 Model life 2010>>2016

Pos	Part Number	Description	Remark	Qty	Model
	970 522 142 42 DAF	Black	-AC		
	970 522 142 42 DAG	Platinum Grey	-CC,BB		
	970 522 142 42 DAH	Luxor beige	-UC,PL		
	970 522 142 42 DAJ	yachting blue	-EC		
	970 522 142 42 DAL	Cream	-BC,BD,BE,DS, DT		
	970 522 142 42 DAK	Marsala Red	-PC		
	970 522 142 42 GHC	agate grey	-DL		
	970 522 142 42 GLC	Carrera Red	-BF		
	970 522 142 42 DUE	saddle brown	-SB,DN		
(7)	970 522 142 95	Backrest cover	right	1	PR:382,343, 830,943, -541,-542, -998
		D - MJ 2014>>			
	970 522 142 95 DAF	Black	-AC		
	970 522 142 95 DAL	Cream	-BC,BD,BE,DS, DT		
	970 522 142 95 DAK	Marsala Red	-PC		
	970 522 142 95 GHC	agate grey	-DL		
	970 522 142 95 GLC	Carrera Red	-BF		
	970 522 142 95 DUE	saddle brown	-SB,DN		
(7)	970 522 142 13	Cover	right	1	PR:343,830, 943,998, -541,-542
		D >> - 24.01.2011			
	970 522 142 13 DAM	Espresso	-NA		
	970 522 142 13 DAN	Cognac	-NC		
	970 522 142 13 DAO	Cedar	-BN		
(7)	970 522 142 43	Backrest cover	right	1	PR:381,343, 830,943,998, -541,-542
		D - 25.01.2011>>			
	970 522 142 43 DAM	Espresso	-NA		
	970 522 142 43 DAN	Cognac	-NC		
	970 522 142 43 DAO	Cedar	-BN		
(7)	970 522 142 96	Backrest cover	right	1	PR:382,343, 830,943,998, -541,-542
		D - MJ 2014>>			
	970 522 142 96 DAM	Espresso	-NA		
	970 522 142 96 DAN	Cognac	-NC		
	970 522 142 96 DAO	Cedar	-BN		
(7)	970 522 142 14	Cover	right	1	PR:343,830, 941,998
		D >> - 24.01.2011			
	970 522 142 14 DAM	Espresso	-NA		
	970 522 142 14 DAN	Cognac	-NC		
	970 522 142 14 DAO	Espresso/cedar	-BN		
(7)	970 522 142 44	Backrest cover	right	1	PR:343,830, 941,998
		D - 25.01.2011>>			
	970 522 142 44 DAM	Espresso	-NA		
	970 522 142 44 DAN	Cognac	-NC		
	970 522 142 44 DAO	Cedar	-BN		
(7)	970 522 142 18	Cover	right	1	PR:542,830, 938
		D >> - 24.01.2011			
	970 522 142 18 DAA	Black	-AB		
	970 522 142 18 DAB	Platinum Grey	-CB		
	970 522 142 18 DAC	Luxor beige	-UB		
(7)	970 522 142 48	Backrest cover	right	1	PR:542,830, 938
		D - 25.01.2011>>			
	970 522 142 48 DAA	Black	-AB		
	970 522 142 48 DAB	Platinum Grey	-CB		
	970 522 142 48 DAC	Luxor beige	-UB,PK		
	970 522 142 48 GHB	agate grey	-DG		
(7)	970 522 142 19	Cover	right	1	PR:542,830,

Model: 970 10 Model life 2010>>2016

Pos	Part Number	Description	Remark	Qty	Model
		D >> - 24.01.2011 backrest			943,-998
	970 522 142 19 DAF	Black	-AC		
	970 522 142 19 DAG	Platinum Grey	-CC,BB		
	970 522 142 19 DAH	Luxor beige	-UC		
	970 522 142 19 DAJ	yachting blue	-EC		
	970 522 142 19 DAL	Cream	-BC,BD,BE		
	970 522 142 19 DAK	Marsala Red	-PC		
(7)	970 522 142 49	Backrest cover D - 25.01.2011>>	right	1	PR:542,830, 943,-998
	970 522 142 49 DAF	Black	-AC		
	970 522 142 49 DAG	Platinum Grey	-CC,BB		
	970 522 142 49 DAH	Luxor beige	-UC,PL		
	970 522 142 49 DAJ	yachting blue	-EC		
	970 522 142 49 DAL	Cream	-BC,BD,BE,DS, DT		
	970 522 142 49 DAK	Marsala Red	-PC		
	970 522 142 49 GHC	agate grey	-DL		
	970 522 142 49 GLC	Carrera Red	-BF		
	970 522 142 49 DUE	saddle brown	-SB,DN		
(7)	970 522 142 20	Cover D >> - 24.01.2011 backrest	right	1	PR:830,542, 943,998
	970 522 142 20 DAM	Espresso	-NA		
	970 522 142 20 DAN	Cognac	-NC		
	970 522 142 20 DAO	Cedar	-BN		
(7)	970 522 142 50	Backrest cover D - 25.01.2011>>	right	1	PR:830,542, 943,998
	970 522 142 50 DAM	Espresso	-NA		
	970 522 142 50 DAN	Cognac	-NC		
	970 522 142 50 DAO	Cedar	-BN		
(7)	970 522 142 21	Cover D >> - 24.01.2011 backrest	right	1	PR:830,541, 938,-343
	970 522 142 21 DAA	Black	-AB		
	970 522 142 21 DAB	Platinum Grey	-CB		
	970 522 142 21 DAC	Luxor beige	-UB		
(7)	970 522 142 51	Backrest cover D - 25.01.2011>>	right	1	PR:381,830, 541,938,-343
	970 522 142 51 DAA	Black	-AB		
	970 522 142 51 DAB	Platinum Grey	-CB		
	970 522 142 51 DAC	Luxor beige	-UB,PK		
	970 522 142 51 GHB	agate grey	-DG		
(7)	970 522 142 97	Backrest cover D - MJ 2014>>	right	1	PR:382,830, 541,938,-343
	970 522 142 97 DAA	Black	-AB		
	970 522 142 97 DAC	Luxor beige	-UB,PK		
	970 522 142 97 GHB	agate grey	-DG		
(7)	970 522 142 22	Cover D >> - 24.01.2011 backrest	right	1	PR:830,541, 943,-343, -998
	970 522 142 22 DAF	Black	-AC		
	970 522 142 22 DAG	Platinum Grey	-CC,BB		
	970 522 142 22 DAH	Luxor beige	-UC		
	970 522 142 22 DAJ	yachting blue	-EC		
	970 522 142 22 DAK	Marsala Red	-PC		
	970 522 142 22 DAL	Cream	-BC,BD,BE		
(7)	970 522 142 52	Backrest cover D - 25.01.2011>>	right	1	PR:381,830, 541,943, -343,-998
	970 522 142 52 DAF	Black	-AC		
	970 522 142 52 DAG	Platinum Grey	-CC,BB		

Model: 970 10 Model life 2010>>2016

Pos	Part Number	Description	Remark	Qty	Model
	970 522 142 52 DAH	Luxor beige	-UC,PL		
	970 522 142 52 DAJ	yachting blue	-EC		
	970 522 142 52 DAK	Marsala Red	-PC		
	970 522 142 52 DAL	Cream	-BC,BD,BE,DS,DT		
	970 522 142 52 GHC	agate grey	-DL		
	970 522 142 52 GLC	Carrera Red	-BF		
	970 522 142 52 DUE	saddle brown	-SB,DN		
(7)	970 522 142 98	Backrest cover	right	1	PR:382,830,541,943,-343,-998
		D - MJ 2014>>			
	970 522 142 98 DAF	Black	-AC		
	970 522 142 98 DAL	Cream	-BC,BD,BE,DS,DT		
	970 522 142 98 DAK	Marsala Red	-PC		
	970 522 142 98 GHC	agate grey	-DL		
	970 522 142 98 GLC	Carrera Red	-BF		
	970 522 142 98 DUE	saddle brown	-SB,DN		
(7)	970 522 142 23	Cover	right	1	PR:830,541,943,998,-343
		D >> - 24.01.2011			
	970 522 142 23 DAM	Espresso	-NA		
	970 522 142 23 DAN	Cognac	-NC		
	970 522 142 23 DAO	Cedar	-BN		
(7)	970 522 142 53	Backrest cover	right	1	PR:381,830,541,943,998,-343
		D - 25.01.2011>>			
	970 522 142 53 DAM	Espresso	-NA		
	970 522 142 53 DAN	Cognac	-NC		
	970 522 142 53 DAO	Cedar	-BN		
(7)	970 522 142 99	Backrest cover	right	1	PR:382,830,943,541,998,-343
		D - MJ 2014>>			
	970 522 142 99 DAM	Espresso	-NA		
	970 522 142 99 DAN	Cognac	-NC		
	970 522 142 99 DAO	Cedar	-BN		
(7)	970 522 142 24	Backrest cover	right	1	PR:830,343,541,938
		D >> - 24.01.2011			
	970 522 142 24 DAA	Black	-AB		
	970 522 142 24 DAB	Platinum Grey	-CB		
	970 522 142 24 DAC	Luxor beige	-UB		
(7)	970 522 142 54	Backrest cover	right	1	PR:381,830,343,541,938
		D - 25.01.2011>>			
	970 522 142 54 DAA	Black	-AB		
	970 522 142 54 DAB	Platinum Grey	-CB		
	970 522 142 54 DAC	Luxor beige	-UB,PK		
	970 522 142 54 GHB	agate grey	-DG		
(7)	970 522 142 A1	Backrest cover	right	1	PR:382,830,343,541,938
		D - MJ 2014>>			
	970 522 142 A1 DAA	Black	-AB		
	970 522 142 A1 DAC	Luxor beige	-UB,PK		
	970 522 142 A1 GHB	agate grey	-DG		
(7)	970 522 142 25	Backrest cover	right	1	PR:830,343,541,943,-998
		D >> - 24.01.2011			
	970 522 142 25 DAF	Black	-AC		
	970 522 142 25 DAG	Platinum Grey	-CC,BB		
	970 522 142 25 DAH	Luxor beige	-UC		
	970 522 142 25 DAJ	yachting blue	-EC		
	970 522 142 25 DAK	Marsala Red	-PC		
	970 522 142 25 DAL	Cream	-BC,BD,BE		
(7)	970 522 142 55	Backrest cover	right	1	PR:381,830,343,541,943,
		D - 25.01.2011>>			

Model: 970 10 Model life 2010>>2016

Pos	Part Number	Description	Remark	Qty	Model
	970 522 142 55 DAF	Black	-AC		-998
	970 522 142 55 DAG	Platinum Grey	-CC,BB		
	970 522 142 55 DAH	Luxor beige	-UC,PL		
	970 522 142 55 DAJ	yachting blue	-EC		
	970 522 142 55 DAK	Marsala Red	-PC		
	970 522 142 55 DAL	Cream	-BC,BD,BE,DS,DT		
	970 522 142 55 GHC	agate grey	-DL		
	970 522 142 55 GLC	Carrera Red	-BF		
	970 522 142 55 DUE	saddle brown	-SB,DN		
(7)	970 522 142 A2	Backrest cover D - MJ 2014>>	right	1	PR:382,830, 343,541,943, -998
	970 522 142 A2 DAF	Black	-AC		
	970 522 142 A2 DAK	Marsala Red	-PC		
	970 522 142 A2 DAL	Cream	-BC,BD,BE,DS,DT		
	970 522 142 A2 GHC	agate grey	-DL		
	970 522 142 A2 GLC	Carrera Red	-BF		
	970 522 142 A2 DUE	saddle brown	-SB,DN		
(7)	970 522 142 26	Cover D >> - 24.01.2011	right	1	PR:830,343, 541,943,998
	970 522 142 26 DAM	Espresso	-NA		
	970 522 142 26 DAN	Cognac	-NC		
	970 522 142 26 DAO	Cedar	-BN		
(7)	970 522 142 56	Backrest cover D - 25.01.2011>>	right	1	PR:381,830, 343,541,943, 998
	970 522 142 56 DAM	Espresso	-NA		
	970 522 142 56 DAN	Cognac	-NC		
	970 522 142 56 DAO	Cedar	-BN		
(7)	970 522 142 A3	Backrest cover D - MJ 2014>>	right	1	PR:382,830, 343,541,943, 998
	970 522 142 A3 DAM	Espresso	-NA		
	970 522 142 A3 DAN	Cognac	-NC		
	970 522 142 A3 DAO	Cedar	-BN		
8	970 522 161 54	Cover Seat cushion D >> - MJ 2010	left	1	PR:830,938, 832,-343, -541
	970 522 161 54 DAA	Black	-AB		
	970 522 161 54 DAB	Platinum Grey	-CB		
	970 522 161 54 DAC	Luxor beige	-UB		
(8)	970 522 161 A8	Cover Seat cushion D - MJ 2011>>	left	1	PR:830,938, 832,-343, -541
	970 522 161 A8 DAA	Black	-AB		
	970 522 161 A8 DAB	Platinum Grey	-CB		
	970 522 161 A8 DAC	Luxor beige	-UB,PK		
	970 522 161 A8 GHB	agate grey	-DG		
(8)	970 522 161 55	Cover Seat cushion D >> - MJ 2010	left	1	PR:830,940, 832,-343, -541,-542
	970 522 161 55 DAA	Black	-AB		
	970 522 161 55 DAB	Platinum Grey	-CB		
	970 522 161 55 DAC	Luxor beige	-UB		
(8)	970 522 161 A9	Cover Seat cushion D - MJ 2011>>	left	1	PR:830,940, 832,-343, -541,-542
	970 522 161 A9 DAA	Black	-AB		

Model: 970 10 Model life 2010>>2016

Pos	Part Number	Description	Remark	Qty	Model
(8)	970 522 161 A9 DAB	Platinum Grey	-CB	1	PR:830,941, 832,-343, -541,-542, -998
	970 522 161 A9 DAC	Luxor beige	-UB,PK		
	970 522 161 A9 GHB	agate grey	-DG		
	970 522 161 56	Cover	left		
		Seat cushion	D >> - MJ 2010		
(8)	970 522 161 56 DAF	Black	-AC	1	PR:830,941, 832,-343, -541,-542, -998
	970 522 161 56 DAG	Platinum Grey	-CC,BB		
	970 522 161 56 DAH	Luxor beige	-UC		
	970 522 161 56 DAJ	Black/yachting blue	-EC		
	970 522 161 56 DAL	Cream	-BC,BD,BE		
(8)	970 522 161 B1	Cover	left	1	PR:830,941, 832,-343, -541,-542, -998
		Seat cushion	D - MJ 2011>>		
	970 522 161 B1 DAF	Black	-AC		
	970 522 161 B1 DAG	Platinum Grey	-CC,BB		
	970 522 161 B1 DAH	Luxor beige	-UC,PL		
(8)	970 522 161 B1 DAJ	yachting blue	-EC	1	PR:830,943, 832,-343, -541,-998
	970 522 161 B1 DAL	Cream	-BC,BD,BE,DS, DT		
	970 522 161 B1 DAK	Marsala Red	-PC		
	970 522 161 B1 GHC	agate grey	-DL		
	970 522 161 B1 GLC	Carrera Red	-BF		
(8)	970 522 161 B1 DUE	saddle brown	-SB,DN	1	PR:830,943, 832,-343, -541,-998
	970 522 161 57	Cover	left		
		Seat cushion	D >> - MJ 2010		
	970 522 161 57 DAF	Black	-AC		
	970 522 161 57 DAG	Platinum Grey	-CC,BB		
(8)	970 522 161 57 DAH	Luxor beige	-UC	1	PR:830,943, 832,-343, -541,-998
	970 522 161 57 DAJ	yachting blue	-EC		
	970 522 161 57 DAL	Cream	-BC,BD,BE		
	970 522 161 B2	Cover	left		
		Seat cushion	D - MJ 2011>>		
(8)	970 522 161 B2 DAF	Black	-AC	1	PR:830,943, 998,832, -343,-541
	970 522 161 B2 DAG	Platinum Grey	-CC,BB		
	970 522 161 B2 DAH	Luxor beige	-UC,PL		
	970 522 161 B2 DAJ	yachting blue	-EC		
	970 522 161 B2 DAL	Cream	-BC,BD,BE,DS, DT		
(8)	970 522 161 B2 DAK	Marsala Red	-PC	1	PR:830,943, 998,832, -343,-541
	970 522 161 B2 GHC	agate grey	-DL		
	970 522 161 B2 GLC	Carrera Red	-BF		
	970 522 161 B2 DUE	saddle brown	-SB,DN		
	970 522 161 58	Cover	left		
(8)		Seat cushion	D >> - MJ 2010	1	PR:830,943, 998,832, -343,-541
	970 522 161 58 DAM	Espresso	-NA		
	970 522 161 58 DAN	Cognac	-NC		
	970 522 161 58 DAO	Espresso/cedar	-BN		
	970 522 161 B3	Cover	left		
(8)		Seat cushion	D - MJ 2011>>	1	PR:830,941, 998,832, -343,-541
	970 522 161 B3 DAM	Espresso	-NA		
	970 522 161 B3 DAN	Cognac	-NC		
	970 522 161 B3 DAO	Espresso/cedar	-BN		
	970 522 161 59	Cover	left		
(8)		Seat cushion	D >> - MJ 2010	1	PR:830,941, 998,832, -343,-541, -542
		Seat cushion	D >> - MJ 2010		

Model: 970 10 Model life 2010>>2016

Pos	Part Number	Description	Remark	Qty	Model
(8)	970 522 161 59 DAM	Espresso	-NA	1	PR:830,941, 998,832, -343,-541, -542
	970 522 161 59 DAN	Cognac	-NC		
	970 522 161 59 DAO	Cedar	-BN		
	970 522 161 B4	Cover Seat cushion D - MJ 2011>>	left		
(8)	970 522 161 B4 DAM	Espresso	-NA	1	PR:830,343, 938,832, -541,-542
	970 522 161 B4 DAN	Cognac	-NC		
	970 522 161 B4 DAO	Cedar	-BN		
	970 522 161 63	Cover Seat cushion D >> - MJ 2010	left		
(8)	970 522 161 63 DAA	Black	-AB	1	PR:830,343, 938,832, -541,-542
	970 522 161 63 DAB	Platinum Grey	-CB		
	970 522 161 63 DAC	Luxor beige	-UB		
	970 522 161 B8	Cover Seat cushion D - MJ 2011>>	left		
(8)	970 522 161 B8 DAA	Black	-AB	1	PR:830,343, 940,832, -541,-542
	970 522 161 B8 DAB	Platinum Grey	-CB		
	970 522 161 B8 DAC	Luxor beige	-UB,PK		
	970 522 161 B8 GHB	agate grey	-DG		
(8)	970 522 161 64	Cover Seat cushion D >> - MJ 2010	left	1	PR:830,343, 940,832, -541,-542
	970 522 161 64 DAA	Black	-AB		
	970 522 161 64 DAB	Platinum Grey	-CB		
	970 522 161 64 DAC	Luxor beige	-UB		
(8)	970 522 161 B9	Cover Seat cushion D - MJ 2011>>	left	1	PR:830,343, 940,832, -541,-542
	970 522 161 B9 DAA	Black	-AB		
	970 522 161 B9 DAB	Platinum Grey	-CB		
	970 522 161 B9 DAC	Luxor beige	-UB,PK		
(8)	970 522 161 B9 GHB	agate grey	-DG	1	PR:830,343, 941,832, -541,-542, -998
	970 522 161 65	Cover Seat cushion D >> - MJ 2010	left		
	970 522 161 65 DAF	Black	-AC		
	970 522 161 65 DAG	Platinum Grey	-CC,BB		
(8)	970 522 161 65 DAH	Luxor beige	-UC	1	PR:830,343, 941,832, -541,-542, -998
	970 522 161 65 DAJ	yachting blue	-EC		
	970 522 161 65 DAL	Cream	-BC,BD,BE		
	970 522 161 C1	Cover Seat cushion D - MJ 2011>>	left		
(8)	970 522 161 C1 DAF	Black	-AC	1	PR:830,343, 943,832, -541,-542, -998
	970 522 161 C1 DAG	Platinum Grey	-CC,BB		
	970 522 161 C1 DAH	Luxor beige	-UC,PL		
	970 522 161 C1 DAJ	yachting blue	-EC		
	970 522 161 C1 DAL	Cream	-BC,BD,BE		
	970 522 161 C1 DAK	Marsala Red	-PC		
	970 522 161 C1 GHC	agate grey	-DL		
	970 522 161 C1 GLC	Carrera Red	-BF		
	970 522 161 C1 DUE	saddle brown	-SB,DN		
	970 522 161 66	Cover Seat cushion D >> - MJ 2010	left		
	970 522 161 66 DAF	Black	-AC		

Model: 970 10 Model life 2010>>2016

Pos	Part Number	Description	Remark	Qty	Model
(8)	970 522 161 66 DAG	Platinum Grey	-CC, BB	1	PR: 830, 343, 943, 832, -541, -542, -998
	970 522 161 66 DAH	Luxor beige	-UC		
	970 522 161 66 DAJ	yachting blue	-EC		
	970 522 161 66 DAL	Cream	-BC, BD, BE		
	970 522 161 C2	Cover	left		
		Seat cushion			
		D - MJ 2011>>			
	970 522 161 C2 DAF	Black	-AC		
	970 522 161 C2 DAG	Platinum Grey	-CC, BB		
	970 522 161 C2 DAH	Luxor beige	-UC, PL		
(8)	970 522 161 C2 DAJ	yachting blue	-EC	1	PR: 830, 343, 943, 998, 832, -541, -542
	970 522 161 C2 DAL	Cream	-BC, BD, BE, DS, DT		
	970 522 161 C2 DAK	Marsala Red	-PC		
	970 522 161 C2 GHC	agate grey	-DL		
	970 522 161 C2 GLC	Carrera Red	-BF		
	970 522 161 C2 DUE	saddle brown	-SB, DN		
	970 522 161 67	Cover	left		
		Seat cushion			
		D >> - MJ 2010			
	970 522 161 67 DAM	Espresso	-NA		
(8)	970 522 161 67 DAN	Cognac	-NC	1	PR: 830, 343, 943, 998, 832, -541, -542
	970 522 161 67 DAO	Cedar	-BN		
	970 522 161 C3	Cover	left		
		Seat cushion			
		D - MJ 2011>>			
	970 522 161 C3 DAM	Espresso	-NA		
	970 522 161 C3 DAN	Cognac	-NC		
	970 522 161 C3 DAO	Cedar	-BN		
	970 522 161 68	Cover	left		
		Seat cushion			
(8)	970 522 161 68 DAM	Espresso	-NA	1	PR: 830, 343, 941, 998, -541, -542, 832
	970 522 161 68 DAN	Cognac	-NC		
	970 522 161 68 DAO	Espresso/cedar	-BN		
	970 522 161 C4	Cover	left		
		Seat cushion			
		D - MJ 2011>>			
	970 522 161 C4 DAM	Espresso	-NA		
	970 522 161 C4 DAN	Cognac	-NC		
	970 522 161 C4 DAO	Espresso/cedar	-BN		
	970 522 161 72	Cover	left		
(8)	970 522 161 72 DAM	Espresso	-NA	1	PR: 830, 542, 938, 343, 832
	970 522 161 72 DAN	Cognac	-NC		
	970 522 161 72 DAC	Espresso/cedar	-BN		
	970 522 161 C8	Cover	left		
		Seat cushion			
		D >> - MJ 2010			
	970 522 161 72 DAA	Black	-AB		
	970 522 161 72 DAB	Platinum Grey	-CB		
	970 522 161 72 DAC	Luxor beige	-UB		
	970 522 161 C8	Cover	left		
(8)	970 522 161 C8 DAA	Black	-AB	1	PR: 830, 542, 938, 343, 832
	970 522 161 C8 DAB	Platinum Grey	-CB		
	970 522 161 C8 DAC	Luxor beige	-UB, PK		
	970 522 161 C8 GHB	agate grey	-DG		
	970 522 161 73	Cover	left		
		Seat cushion			
		D >> - MJ 2010			
	970 522 161 73 DAF	Black	-AC		
	970 522 161 73 DAG	Platinum Grey	-CC, BB		
	970 522 161 73 DAH	Luxor beige	-UC		
970 522 161 73 DAJ	yachting blue	-EC			

Model: 970 10 Model life 2010>>2016

Pos	Part Number	Description	Remark	Qty	Model
(8)	970 522 161 73 DAL	Cream	-BC, BD, BE	1	PR:830,542, 943,832,343, -998
	970 522 161 C9	Cover	left		
		Seat cushion			
		D - MJ 2011>>			
	970 522 161 C9 DAF	Black	-AC		
	970 522 161 C9 DAG	Platinum Grey	-CC, BB		
	970 522 161 C9 DAH	Luxor beige	-UC, PL		
	970 522 161 C9 DAJ	yachting blue	-EC		
	970 522 161 C9 DAL	Cream	-BC, BD, BE, DS, DT		
	970 522 161 C9 DAK	Marsala Red	-PC		
	970 522 161 C9 GHC	agate grey	-DL		
	970 522 161 C9 GLC	Carrera Red	-BF		
	970 522 161 C9 DUE	saddle brown	-SB, DN		
(8)	970 522 161 74	Cover	left	1	PR:830,542, 943,998,832, 343
		Seat cushion			
		D >> - MJ 2010			
	970 522 161 74 DAM	Espresso	-NA		
	970 522 161 74 DAN	Cognac	-NC		
	970 522 161 74 DAO	Espresso/cedar	-BN		
(8)	970 522 161 D1	Cover	left	1	PR:830,542, 943,998,832, 343
		Seat cushion			
		D - MJ 2011>>			
	970 522 161 D1 DAM	Espresso	-NA		
	970 522 161 D1 DAN	Cognac	-NC		
	970 522 161 D1 DAO	Espresso/cedar	-BN		
(8)	970 522 161 96	Cover	left	1	PR:830,541, 938,832,-343
		Seat cushion			
		D >> - MJ 2010			
	970 522 161 96 DAA	Black	-AB		
	970 522 161 96 DAB	Platinum Grey	-CB		
	970 522 161 96 DAC	Luxor beige	-UB		
(8)	970 522 161 F5	Cover	left	1	PR:830,541, 938,832,-343
		Seat cushion			
		D - MJ 2011>>			
	970 522 161 F5 DAA	Black	-AB		
	970 522 161 F5 DAB	Platinum Grey	-CB		
	970 522 161 F5 DAC	Luxor beige	-UB, PK		
	970 522 161 F5 GHB	agate grey	-DG		
(8)	970 522 161 97	Cover	left	1	PR:830,541, 943,832, -343,-998
		Seat cushion			
		D >> - MJ 2010			
	970 522 161 97 DAF	Black	-AC		
	970 522 161 97 DAG	Platinum Grey	-CC, BB		
	970 522 161 97 DAH	Luxor beige	-UC		
	970 522 161 97 DAJ	yachting blue	-EC		
	970 522 161 97 DAL	Cream	-BC, BD, BE		
(8)	970 522 161 F6	Cover	left	1	PR:830,541, 943,832, -343,-998
		Seat cushion			
		D - MJ 2011>>			
	970 522 161 F6 DAF	Black	-AC		
	970 522 161 F6 DAG	Platinum Grey	-CC, BB		
	970 522 161 F6 DAH	Luxor beige	-UC, PL		
	970 522 161 F6 DAJ	yachting blue	-EC		
	970 522 161 F6 DAL	Cream	-BC, BD, BE, DS, DT		
	970 522 161 F6 DAK	Marsala Red	-PC		
	970 522 161 F6 GHC	agate grey	-DL		
	970 522 161 F6 GLC	Carrera Red	-BF		
	970 522 161 F6 DUE	saddle brown	-SB, DN		
(8)	970 522 161 98	Cover	left	1	PR:830,541, 943,998,832, -343
		Seat cushion			
		D >> - MJ 2010			

Model: 970 10 Model life 2010>>2016

Pos	Part Number	Description	Remark	Qty	Model
(8)	970 522 161 98 DAM	Espresso	-NA	1	PR:830,541, 943,998,832, -343
	970 522 161 98 DAN	Cognac	-NC		
	970 522 161 98 DAO	Cedar	-BN		
	970 522 161 F7	Cover Seat cushion D - MJ 2011>>	left		
(8)	970 522 161 F7 DAM	Espresso	-NA	1	PR:830,541, 343,938,832
	970 522 161 F7 DAN	Cognac	-NC		
	970 522 161 F7 DAO	Cedar	-BN		
	970 522 161 99	Cover Seat cushion D >> - MJ 2010	left		
(8)	970 522 161 99 DAA	Black	-AB	1	PR:830,541, 343,938,832
	970 522 161 99 DAB	Platinum Grey	-CB		
	970 522 161 99 DAC	Luxor beige	-UB		
	970 522 161 F8	Cover Seat cushion D - MJ 2011>>	left		
(8)	970 522 161 F8 DAA	Black	-AB	1	PR:382,830, 943,-343, -541,-998
	970 522 161 F8 DAB	Platinum Grey	-CB		
	970 522 161 F8 DAC	Luxor beige	-UB,PK		
	970 522 161 F8 GHB	agate grey	-DG		
	970 522 161 K6	Cover Seat cushion D - MJ 2014>>	left		
	970 522 161 K6 DAF	Black	-AC		
	970 522 161 K6 GHC	agate grey	-DL		
	970 522 161 K6 DAH	Luxor beige	-UC,PL		
	970 522 161 K6 DAK	Marsala Red	-PC		
	970 522 161 K6 DAL	Cream	-BC,BE,DS,DT		
	970 522 161 K6 GLC	Carrera Red	-BF		
	970 522 161 K6 DUE	saddle brown	-SB,DN		
(8)	970 522 161 A1	Cover Seat cushion D >> - MJ 2010	left	1	PR:830,541, 343,943,998, 832
	970 522 161 A1 DAM	Espresso	-NA		
	970 522 161 A1 DAN	Cognac	-NC		
	970 522 161 A1 DAO	Cedar	-BN		
(8)	970 522 161 G1	Cover Seat cushion D - MJ 2011>>	left	1	PR:830,541, 343,943,998, 832
	970 522 161 G1 DAM	Espresso	-NA		
	970 522 161 G1 DAN	Cognac	-NC		
	970 522 161 G1 DAO	Cedar	-BN		
(8)	970 522 161 A0	Cover Seat cushion D >> - MJ 2010	left	1	PR:343,541, 830,943,832, -998
	970 522 161 A0 DAF	Black	-AC		
	970 522 161 A0 DAG	Platinum Grey	-CC,BB		
	970 522 161 A0 DAH	Luxor beige	-UC		
	970 522 161 A0 DAJ	yachting blue	-EC		
	970 522 161 A0 DAL	Cream	-BC,BD,BE		
	970 522 161 F9	Cover Seat cushion D - MJ 2011>>	left		
	970 522 161 F9 DAF	Black	-AC		
	970 522 161 F9 DAG	Platinum Grey	-CC,BB		
	970 522 161 F9 DAH	Luxor beige	-UC,PL		
	970 522 161 F9 DAJ	yachting blue	-EC		
	970 522 161 F9 DAL	Cream	-BC,BD,BE,DS, DT		
970 522 161 F9 DAK	Marsala Red	-PC			
970 522 161 F9 GHC	agate grey	-DL			

Model: 970 10 Model life 2010>>2016

Pos	Part Number	Description	Remark	Qty	Model	
(8)	970 522 161 F9 GLC	Carrera Red	-BF	1	PR:343,541, 831,943,833, -998	
	970 522 161 F9 DUE	saddle brown	-SB, DN			
	970 522 161 J4	Cover	left			
		Seat cushion				
		D - MJ 2014>>				
		970 522 161 J4 DAF	Black			-AC
(8)	970 522 161 J4 DAH	Luxor beige	-UC, PL	1	PR:542,831, 943,833,-998	
	970 522 161 J4 DAL	Cream	-BC, BD, BE, DS, DT			
	970 522 161 J4 DAK	Marsala Red	-PC			
	970 522 161 J4 GHC	agate grey	-DL			
	970 522 161 J4 GLC	Carrera Red	-BF			
	970 522 161 J4 DUE	saddle brown	-SB, DN			
	970 522 161 H4	Cover	left			
		Seat cushion				
		Vented				
		and				
		heater				
	9	970 522 161 H4 DAF	Black			-AC
970 522 161 H4 DAL		Cream	-BC, BE, DS, DT			
970 522 161 H4 DAK		Marsala Red	-PC			
970 522 161 H4 GHC		agate grey	-DL			
970 522 161 H4 GLC		Carrera Red	-BF			
970 522 162 54		Cover	right			
		Seat cushion				
		D >> - MJ 2010				
		970 522 162 54 DAA	Black	-AB		
		970 522 162 54 DAB	Platinum Grey	-CB		
		970 522 162 54 DAC	Luxor beige	-UB		
(9)		970 522 162 A8	Cover	right	1	PR:830,938, 832,-343, -541
		Seat cushion				
		D - MJ 2011>>				
		970 522 162 A8 DAA	Black	-AB		
		970 522 162 A8 DAB	Platinum Grey	-CB		
		970 522 162 A8 DAC	Luxor beige	-UB, PK		
(9)	970 522 162 A8 GHB	agate grey	-DG	1	PR:830,940, 832,-343, -541	
	970 522 162 55	Cover	right			
		Seat cushion				
		D >> - MJ 2010				
		970 522 162 55 DAA	Black			-AB
		970 522 162 55 DAB	Platinum Grey			-CB
(9)	970 522 162 55 DAC	Luxor beige	-UB	1	PR:830,940, 832,-343, -541	
	970 522 162 A9	Cover	right			
		Seat cushion				
		D - MJ 2011>>				
		970 522 162 A9 DAA	Black			-AB
		970 522 162 A9 DAB	Platinum Grey			-CB
(9)	970 522 162 A9 DAC	Luxor beige	-UB, PK	1	PR:830,941, -343,-541, -998	
	970 522 162 A9 GHB	agate grey	-DG			
	970 522 162 56	Cover	right			
		Seat cushion				
		D >> - MJ 2010				
		970 522 162 56 DAF	Black			-AC
(9)	970 522 162 56 DAG	Platinum Grey	-CC, BB	1	PR:830,941, 832,-343, -541,-998	
	970 522 162 56 DAH	Luxor beige	-UC			
	970 522 162 56 DAJ	yachting blue	-EC			
	970 522 162 56 DAL	Cream	-BC, BD, BE			
	970 522 162 B1	Cover	right			
		Seat cushion				
	D - MJ 2011>>					
	970 522 162 B1 DAF	Black	-AC			
	970 522 162 B1 DAG	Platinum Grey	-CC, BB			
	970 522 162 B1 DAH	Luxor beige	-UC, PL			

Model: 970 10 Model life 2010>>2016

Pos	Part Number	Description	Remark	Qty	Model
	970 522 162 B1 DAJ	yachting blue	-EC		
	970 522 162 B1 DAL	Cream	-BC,BD,BE,DS,DT		
	970 522 162 B1 DAK	Marsala Red	-PC		
	970 522 162 B1 GHC	agate grey	-DL,PC,NA		
	970 522 162 B1 GLC	Carrera Red	-BF		
	970 522 162 B1 DUE	saddle brown	-SB,DN		
(9)	970 522 162 57	Cover	right	1	PR:830,943,832,-343,-541,-998
		Seat cushion			
	D	>> - MJ 2010			
	970 522 162 57 DAF	Black	-AC		
	970 522 162 57 DAG	Platinum Grey	-CC,BB		
	970 522 162 57 DAH	Luxor beige	-UC		
	970 522 162 57 DAJ	yachting blue	-EC		
	970 522 162 57 DAL	Cream	-BC,BD,BE		
(9)	970 522 162 B2	Cover	right	1	PR:830,943,832,-343,-541,-998
		Seat cushion			
	D -	MJ 2011>>			
	970 522 162 B2 DAF	Black	-AC		
	970 522 162 B2 DAG	Platinum Grey	-CC,BB		
	970 522 162 B2 DAH	Luxor beige	-UC,PL		
	970 522 162 B2 DAJ	yachting blue	-EC		
	970 522 162 B2 DAL	Cream	-BC,BD,BE,DS,DT		
	970 522 162 B2 DAK	Marsala Red	-PC		
	970 522 162 B2 GHC	agate grey	-DL		
	970 522 162 B2 GLC	Carrera Red	-BF		
	970 522 162 B2 DUE	saddle brown	-SB,DN		
(9)	970 522 162 58	Cover	right	1	PR:830,943,998,832,-343,-541
		Seat cushion			
	D	>> - MJ 2010			
	970 522 162 58 DAM	Espresso	-NA		
	970 522 162 58 DAN	Cognac	-NC		
	970 522 162 58 DAO	Cedar	-BN		
(9)	970 522 162 B3	Cover	right	1	PR:830,943,998,832,-343,-541
		Seat cushion			
	D -	MJ 2011>>			
	970 522 162 B3 DAM	Espresso	-NA		
	970 522 162 B3 DAN	Cognac	-NC		
	970 522 162 B3 DAO	Espresso/cedar	-BN		
(9)	970 522 162 59	Cover	right	1	PR:830,941,998,832,-343,-541
		Seat cushion			
	D	>> - MJ 2010			
	970 522 162 59 DAM	Espresso	-NA		
	970 522 162 59 DAN	Cognac	-NC		
	970 522 162 59 DAO	Cedar	-BN		
(9)	970 522 162 B4	Cover	right	1	PR:830,941,998,832,-343,-541
		Seat cushion			
	D -	MJ 2011>>			
	970 522 162 B4 DAM	Espresso	-NA		
	970 522 162 B4 DAN	Cognac	-NC		
	970 522 162 B4 DAO	Cedar	-BN		
(9)	970 522 162 63	Cover	right	1	PR:830,343,938,832,-541,-542
		Seat cushion			
	D	>> - MJ 2010			
	970 522 162 63 DAA	Black	-AB		
	970 522 162 63 DAB	Platinum Grey	-CB		
	970 522 162 63 DAC	Luxor beige	-UB		
(9)	970 522 162 B8	Cover	right	1	PR:830,343,938,832,-541,-542
		Seat cushion			
	D -	MJ 2011>>			
	970 522 162 B8 DAA	Black	-AB		
	970 522 162 B8 DAB	Platinum Grey	-CB		

Model: 970 10 Model life 2010>>2016

Pos	Part Number	Description	Remark	Qty	Model
(9)	970 522 162 B8 DAC	Luxor beige	-UB,PK	1	PR:830,343, 940,-541, -542,832
	970 522 162 B8 GHB	agate grey	-DG		
	970 522 162 64	Cover	right		
		Seat cushion			
		D >> - MJ 2010			
(9)	970 522 162 64 DAA	Black	-AB	1	PR:830,343, 940,-541, -542,832
	970 522 162 64 DAB	Platinum Grey	-CB		
	970 522 162 64 DAC	Luxor beige	-UB		
	970 522 162 B9	Cover	right		
		Seat cushion			
(9)	970 522 162 B9 DAA	Black	-AB	1	PR:830,343, 941,832, -541,-542, -998
	970 522 162 B9 DAB	Platinum Grey	-CB		
	970 522 162 B9 DAC	Luxor beige	-UB,PK		
	970 522 162 B9 GHB	agate grey	-DG		
	970 522 162 65	Cover	right		
(9)	970 522 162 65	Seat cushion		1	PR:830,343, 941,832, -541,-542, -998
		D >> - MJ 2010			
	970 522 162 65 DAF	Black	-AC		
	970 522 162 65 DAG	Platinum Grey	-CC,BB		
	970 522 162 65 DAH	Luxor beige	-UC		
(9)	970 522 162 65 DAJ	yachting blue	-EC	1	PR:830,343, 941,832, -541,-542, -998
	970 522 162 65 DAL	Cream	-BC,BD,BE		
	970 522 162 C1	Cover	right		
		Seat cushion			
		D - MJ 2011>>			
(9)	970 522 162 C1 DAF	Black	-AC	1	PR:830,343, 943,832, -541,-542, -998
	970 522 162 C1 DAG	Platinum Grey	-CC,BB		
	970 522 162 C1 DAH	Luxor beige	-UC,PL		
	970 522 162 C1 DAJ	yachting blue	-EC		
	970 522 162 C1 DAL	Cream	-BC,BD,BE,DS, DT		
(9)	970 522 162 C1 DAK	Marsala Red	-PC	1	PR:830,343, 943,832, -541,-542, -998
	970 522 162 C1 GHC	agate grey	-DL		
	970 522 162 C1 GLC	Carrera Red	-BF		
	970 522 162 C1 DUE	saddle brown	-SB,DN		
	970 522 162 66	Cover	right		
(9)	970 522 162 66	Seat cushion		1	PR:830,343, 943,832, -541,-542, -998
		D >> - MJ 2010			
	970 522 162 66 DAF	Black	-AC		
	970 522 162 66 DAG	Platinum Grey	-CC,BB		
	970 522 162 66 DAH	Luxor beige	-UC,PL		
(9)	970 522 162 66 DAJ	yachting blue	-EC	1	PR:830,343, 943,832, -541,-542, -998
	970 522 162 66 DAL	Cream	-BC,BD,BE		
	970 522 162 C2	Cover	right		
		Seat cushion			
		D - MJ 2011>>			
(9)	970 522 162 C2 DAF	Black	-AC	1	PR:830,343, 943,998,832,
	970 522 162 C2 DAG	Platinum Grey	-CC,BB		
	970 522 162 C2 DAH	Luxor beige	-UC,PL		
	970 522 162 C2 DAJ	yachting blue	-EC		
	970 522 162 C2 DAL	Cream	-BC,BD,BE,DS, DT		
(9)	970 522 162 C2 DAK	Marsala Red	-PC	1	PR:830,343, 943,998,832,
	970 522 162 C2 GHC	agate grey	-DL		
	970 522 162 C2 GLC	Carrera Red	-BF		
	970 522 162 C2 DUE	saddle brown	-SB,DN		
	970 522 162 67	Cover	right		
	Seat cushion				

Model: 970 10 Model life 2010>>2016

Pos	Part Number	Description	Remark	Qty	Model
		D >> - MJ 2010			-541,-542
	970 522 162 67 DAM	Espresso	-NA		
	970 522 162 67 DAN	Cognac	-NC		
	970 522 162 67 DAO	Cedar	-BN		
(9)	970 522 162 C3	Cover	right	1	PR:830,343, 943,998,832, -541,-542
		Seat cushion			
		D - MJ 2011>>			
	970 522 162 C3 DAM	Espresso	-NA		
	970 522 162 C3 DAN	Cognac	-NC		
	970 522 162 C3 DAO	Cedar	-BN		
(9)	970 522 162 68	Cover	right	1	PR:830,343, 941,998,832, -541,-542
		Seat cushion			
		D >> - MJ 2010			
	970 522 162 68 DAM	Espresso	-NA		
	970 522 162 68 DAN	Cognac	-NC		
	970 522 162 68 DAO	Cedar	-BN		
(9)	970 522 162 C4	Cover	right	1	PR:830,343, 941,998,832, -541,-542
		Seat cushion			
		D - MJ 2011>>			
	970 522 162 C4 DAM	Espresso	-NA		
	970 522 162 C4 DAN	Cognac	-NC		
	970 522 162 C4 DAO	Espresso/cedar	-BN		
(9)	970 522 162 72	Cover	right	1	PR:830,542, 938,832,343
		Seat cushion			
		D >> - MJ 2010			
	970 522 162 72 DAA	Black	-AB		
	970 522 162 72 DAB	Platinum Grey	-CB		
	970 522 162 72 DAC	Luxor beige	-UB		
(9)	970 522 162 C8	Cover	right	1	PR:830,542, 938,832,343
		Seat cushion			
		D - MJ 2011>>			
	970 522 162 C8 DAA	Black	-AB		
	970 522 162 C8 DAB	Platinum Grey	-CB		
	970 522 162 C8 DAC	Luxor beige	-UB,PK		
	970 522 162 C8 GHB	agate grey	-DG		
(9)	970 522 162 73	Cover	right	1	PR:830,542, 943,832,343, -998
		Seat cushion			
		D >> - MJ 2010			
	970 522 162 73 DAF	Black	-AC		
	970 522 162 73 DAG	Platinum Grey	-CC,BB		
	970 522 162 73 DAH	Luxor beige	-UC		
	970 522 162 73 DAJ	yachting blue	-EC		
	970 522 162 73 DAL	Cream	-BC,BD,BE		
(9)	970 522 162 C9	Cover	right	1	PR:830,542, 943,832,343, -998
		Seat cushion			
		D - MJ 2011>>			
	970 522 162 C9 DAF	Black	-AC		
	970 522 162 C9 DAG	Platinum Grey	-CC,BB		
	970 522 162 C9 DAH	Luxor beige	-UC,PL		
	970 522 162 C9 DAJ	yachting blue	-EC		
	970 522 162 C9 DAL	Cream	-BC,BD,BE,DS, DT		
	970 522 162 C9 DAK	Marsala Red	-PC		
	970 522 162 C9 GHC	agate grey	-DL		
	970 522 162 C9 GLC	Carrera Red	-BF		
	970 522 162 C9 DUE	saddle brown	-SB,DN		
(9)	970 522 162 74	Cover	right	1	PR:830,542, 943,998,832, 343
		Seat cushion			
		D >> - MJ 2010			
	970 522 162 74 DAM	Espresso	-NA		
	970 522 162 74 DAN	Cognac	-NC		
	970 522 162 74 DAO	Espresso/cedar	-BN		
(9)	970 522 162 D1	Cover	right	1	PR:830,542,

Model: 970 10 Model life 2010>>2016

Pos	Part Number	Description	Remark	Qty	Model
		Seat cushion D - MJ 2011>>			943,998,832, 343
	970 522 162 D1 DAM	Espresso	-NA		
	970 522 162 D1 DAN	Cognac	-NC		
	970 522 162 D1 DAO	Espresso/cedar	-BN		
(9)	970 522 162 96	Cover Seat cushion D >> - MJ 2010	right	1	PR:830,541, 938,832,-343
	970 522 162 96 DAA	Black	-AB		
	970 522 162 96 DAB	Platinum Grey	-CB		
	970 522 162 96 DAC	Luxor beige	-UB		
(9)	970 522 162 F5	Cover Seat cushion D - MJ 2011>>	right	1	PR:830,541, 938,832,-343
	970 522 162 F5 DAA	Black	-AB		
	970 522 162 F5 DAB	Platinum Grey	-CB		
	970 522 162 F5 DAC	Luxor beige	-UB,PK		
	970 522 162 F5 GHB	agate grey	-DG		
(9)	970 522 162 97	Cover Seat cushion D >> - MJ 2010	right	1	PR:830,541, 943,832, -343,-998
	970 522 162 97 DAF	Black	-AC		
	970 522 162 97 DAG	Platinum Grey	-CC,BB		
	970 522 162 97 DAH	Luxor beige	-UC		
	970 522 162 97 DAJ	yachting blue	-EC		
	970 522 162 97 DAL	Cream	-BC,BD,BE		
(9)	970 522 162 F6	Cover Seat cushion D - MJ 2011>>	right	1	PR:830,541, 943,832, -343,-998
	970 522 162 F6 DAF	Black	-AC		
	970 522 162 F6 DAG	Platinum Grey	-CC,BB		
	970 522 162 F6 DAH	Luxor beige	-UC,PL		
	970 522 162 F6 DAJ	yachting blue	-EC		
	970 522 162 F6 DAL	Cream	-BC,BD,BE,DS, DT		
	970 522 162 F6 DAK	Marsala Red	-PC		
	970 522 162 F6 GHC	agate grey	-DL		
	970 522 162 F6 GLC	Carrera Red	-BF		
	970 522 162 F6 DUE	saddle brown	-SB,DN		
(9)	970 522 162 98	Cover Seat cushion D >> - MJ 2010	right	1	PR:830,541, 943,998,832, -343
	970 522 162 98 DAM	Espresso	-NA		
	970 522 162 98 DAN	Cognac	-NC		
	970 522 162 98 DAO	Cedar	-BN		
(9)	970 522 162 F7	Cover Seat cushion D - MJ 2011>>	right	1	PR:830,541, 943,998,832, -343
	970 522 162 F7 DAM	Espresso	-NA		
	970 522 162 F7 DAN	Cognac	-NC		
	970 522 162 F7 DAO	Cedar	-BN		
(9)	970 522 162 99	Cover Seat cushion D >> - MJ 2010	right	1	PR:830,541, 343,938,832
	970 522 162 99 DAA	Black	-AB		
	970 522 162 99 DAB	Platinum Grey	-CB		
	970 522 162 99 DAC	Luxor beige	-UB		
(9)	970 522 162 F8	Cover Seat cushion D - MJ 2011>>	right	1	PR:830,541, 343,938,832
	970 522 162 F8 DAA	Black	-AB		
	970 522 162 F8 DAB	Platinum Grey	-CB		
	970 522 162 F8 DAC	Luxor beige	-UB,PK		

Model: 970 10 Model life 2010>>2016

Pos	Part Number	Description	Remark	Qty	Model
(9)	970 522 162 F8 GHB 970 522 162 K6	agate grey Cover Seat cushion D - MJ 2014>>	-DG right	1	PR:382,830, 943,-343, -541,-998
	970 522 162 K6 DAF	Black	-AC		
	970 522 162 K6 GHC	agate grey	-DL		
	970 522 162 K6 DAH	Luxor beige	-UC,PL		
	970 522 162 K6 DAK	Marsala Red	-PC		
	970 522 162 K6 DAL	Cream	-BC,BD,DS,DT		
	970 522 162 K6 GLC	Carrera Red	-BF		
	970 522 162 K6 DUE	saddle brown	-SB,DN		
(9)	970 522 162 A1	Cover Seat cushion D >> - MJ 2010	right	1	PR:830,541, 343,943,998, 832
	970 522 162 A1 DAM	Espresso	-NA		
	970 522 162 A1 DAN	Cognac	-NC		
	970 522 162 A1 DAO	Cedar	-BN		
(9)	970 522 162 G1	Cover Seat cushion D - MJ 2011>>	right	1	PR:830,541, 343,943,998, 832
	970 522 162 G1 DAM	Espresso	-NA		
	970 522 162 G1 DAN	Cognac	-NC		
	970 522 162 G1 DAO	Cedar	-BN		
(9)	970 522 162 A0	Cover Seat cushion D >> - MJ 2010	right	1	PR:343,541, 830,943,832, -998
	970 522 162 A0 DAF	Black	-AC		
	970 522 162 A0 DAG	Platinum Grey	-CC,BB		
	970 522 162 A0 DAH	Luxor beige	-UC,PL		
	970 522 162 A0 DAJ	yachting blue	-EC		
	970 522 162 A0 DAL	Cream	-BC,BD,BE		
(9)	970 522 162 F9	Cover Seat cushion D - MJ 2011>>	right	1	PR:343,541, 830,943,832, -998
	970 522 162 F9 DAF	Black	-AC		
	970 522 162 F9 DAG	Platinum Grey	-CC,BB		
	970 522 162 F9 DAH	Luxor beige	-UC,PL		
	970 522 162 F9 DAJ	yachting blue	-EC		
	970 522 162 F9 DAL	Cream	-BC,BD,BE,DS, DT		
	970 522 162 F9 DAK	Marsala Red	-PC		
	970 522 162 F9 GHC	agate grey	-DL		
	970 522 162 F9 GLC	Carrera Red	-BF		
	970 522 162 F9 DUE	saddle brown	-SB,DN		
(9)	970 522 162 J4	Cover Seat cushion D - MJ 2014>>	right	1	PR:343,541, 831,943,833, -998
	970 522 162 J4 DAF	Black	-AC		
	970 522 162 J4 DAH	Luxor beige	-UC,PL		
	970 522 162 J4 DAL	Cream	-BC,BD,BE,DS, DT		
	970 522 162 J4 DAK	Marsala Red	-PC		
	970 522 162 J4 GHC	agate grey	-DL		
	970 522 162 J4 GLC	Carrera Red	-BF		
	970 522 162 J4 DUE	saddle brown	-SB,DN		
(9)	970 522 162 H4	Cover Seat cushion Vented and heater	left	1	PR:542,831, 943,833,-998
	970 522 162 H4 DAF	Black	-AC		
	970 522 162 H4 DAL	Cream	-BC,BE,DS,DT		
	970 522 162 H4 DAK	Marsala Red	-PC		

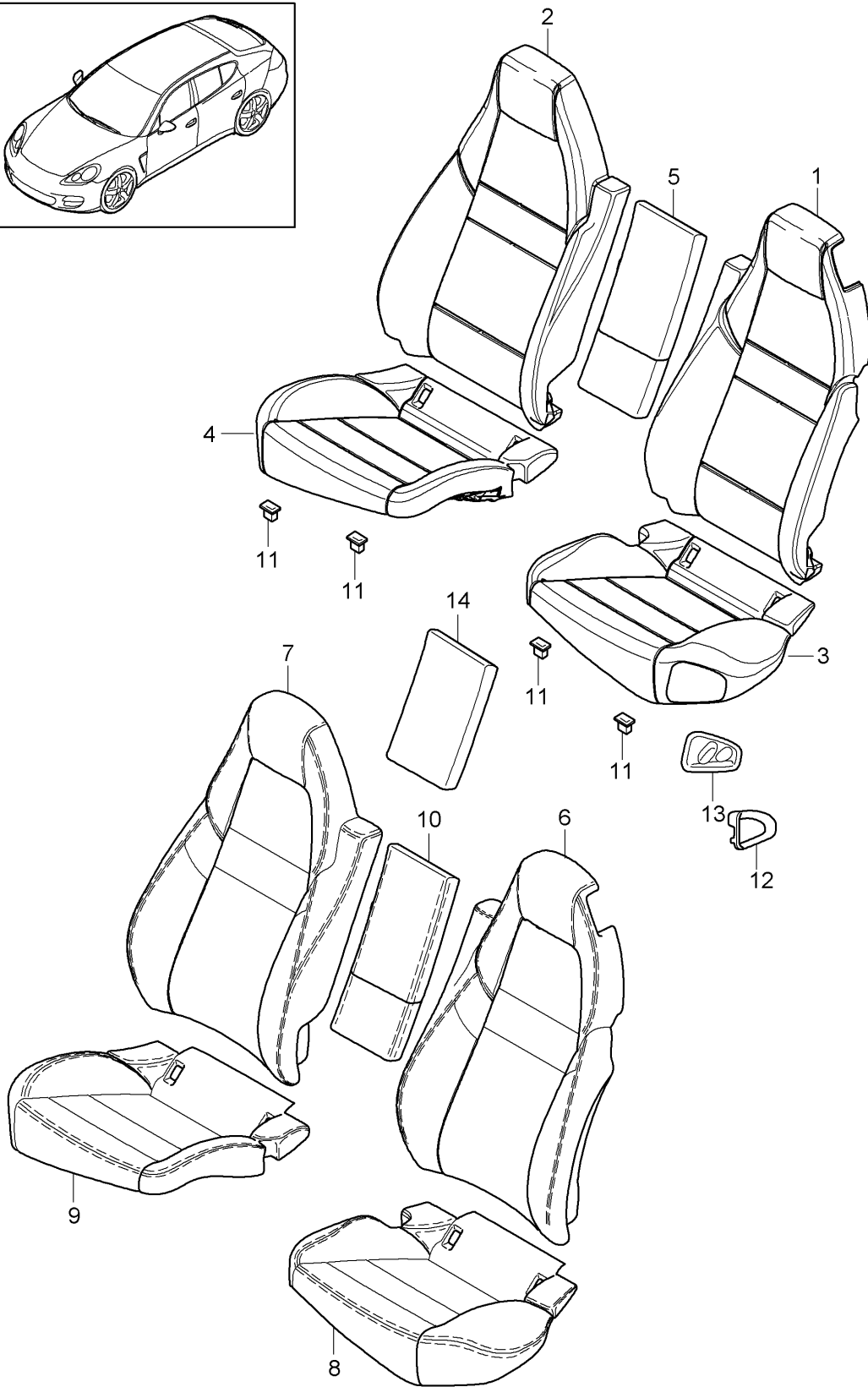
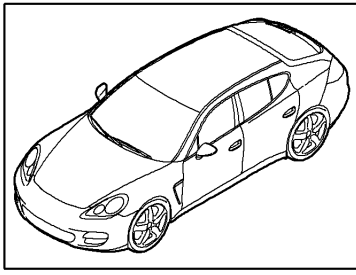
Model: 970 10

Model life 2010>>2016

Pos	Part Number	Description	Remark	Qty	Model
10	970 522 162 H4 GHC 970 522 162 H4 GLC 970 522 861 00	agate grey Carrera Red Clip Seat cushion	-DL -BF	4	PR:830

Model: 970 10

Model life 2010>>2016



Model: 970 10 Model life 2010>>2016

Pos	Part Number	Description	Remark	Qty	Model
		Cover			
		Foam part			
		Premium			
		Comfort seat			
1	970 522 531 13	Foam part	left	1	PR:832
		backrest			
(1)	970 522 531 14	Foam part	left	1	PR:834
		backrest			
(1)	970 522 531 15	Foam part	left	1	PR:832,542
		backrest			
(1)	970 522 531 21	Foam part	left	1	PR:834,542
		backrest			
2	970 522 532 06	Foam part	right	1	PR:832
		backrest			
(2)	970 522 532 07	Foam part	right	1	PR:834
		backrest			
(2)	970 522 532 08	Foam part	right	1	PR:832,542
		backrest			
(2)	970 522 532 11	Foam part	right	1	PR:834,542
		backrest			
3	970 522 571 06	Foam part	left	1	PR:832,830,
		Seat cushion			381,383
		D >> - MJ 2013			
3	970 522 571 14	Foam part	left	1	PR:830,382
		Seat cushion			
		Standard seat			
		Comfort seat			
		D - MJ 2014>>			
(3)	970 522 571 02	Foam part	left	1	PR:834
		Seat cushion			
(3)	970 522 571 07	Foam part	left	1	PR:832,542
		Seat cushion			
(3)	970 522 571 03	Foam part	left	1	PR:834,542
		Seat cushion			
4	970 522 572 06	Foam part	right	1	PR:832
		Seat cushion			
(4)	970 522 572 02	Foam part	right	1	PR:834
		Seat cushion			
(4)	970 522 572 07	Foam part	right	1	PR:832,542
		Seat cushion			
(4)	970 522 572 03	Foam part	right	1	PR:834,542
		Seat cushion			
5	970 522 551 00	Foam part		1	PR:832,834
		backrest			
		Centre part			
6	970 522 901 21	Backrest cover	left	1	PR:832,834,
		D >> - 24.01.2011			938,XYW,
					-343,-541
	970 522 901 21 DAA	Black	-AB		
	970 522 901 21 DAB	Platinum Grey	-CB		
	970 522 901 21 DAC	Luxor beige	-UB		
(6)	970 522 901 78	Backrest cover	left	1	PR:381,832,
		D - 25.01.2011>>			834,938,XYW,
					-343,-541
	970 522 901 78 DAA	Black	-AB		
	970 522 901 78 DAB	Platinum Grey	-CB		
	970 522 901 78 DAC	Luxor beige	-UB,PK		
	970 522 901 78 GHB	agate grey	-DG		
(6)	970 522 901 22	Backrest cover	left	1	PR:832,834,
		D >> - 24.01.2011			940,XYW,-343
	970 522 901 22 DAA	Black	-AB		
	970 522 901 22 DAB	Platinum Grey	-CB		
	970 522 901 22 DAC	Luxor beige	-UB		

Model: 970 10

Model life 2010>>2016

Pos	Part Number	Description	Remark	Qty	Model
(6)	970 522 901 79	Backrest cover D - 25.01.2011>>	left	1	PR:832,834, 940,XYW,-343
	970 522 901 79 DAA	Black	-AB		
	970 522 901 79 DAB	Platinum Grey	-CB		
	970 522 901 79 DAC	Luxor beige	-UB,PK		
	970 522 901 79 GHB	agate grey	-DG		
(6)	970 522 901 23	Backrest cover D >> - 24.01.2011	left	1	PR:832,834, 941,XYW, -343,-998
	970 522 901 23 DAF	Black	-AC		
	970 522 901 23 DAG	Platinum Grey	-CC,BB		
	970 522 901 23 DAH	Luxor beige	-UC		
	970 522 901 23 DAJ	yachting blue	-EC		
	970 522 901 23 DAL	Cream	-BC,BD,BE		
	970 522 901 23 DAK	Marsala Red	-PC		
(6)	970 522 901 80	Backrest cover D - 25.01.2011>>	left	1	PR:832,834, 941,XYW, -343,-998
	970 522 901 80 DAF	Black	-AC		
	970 522 901 80 DAG	Platinum Grey	-CC,BB		
	970 522 901 80 DAH	Luxor beige	-UC,PL		
	970 522 901 80 DAJ	yachting blue	-EC		
	970 522 901 80 DAL	Cream	-BC,BD,BE,DS, DT		
	970 522 901 80 DAK	Marsala Red	-PC		
	970 522 901 80 GHC	agate grey	-DL		
	970 522 901 80 GLC	Carrera Red	-BF		
	970 522 901 80 DUE	saddle brown	-SB,DN		
(6)	970 522 901 24	Backrest cover D >> - 24.01.2011	left	1	PR:832,834, 943,XYW, -343,-542, -998
	970 522 901 24 DAF	Black	-AC		
	970 522 901 24 DAG	Platinum Grey	-CC,BB		
	970 522 901 24 DAH	Luxor beige	-UC		
	970 522 901 24 DAJ	yachting blue	-EC		
	970 522 901 24 DAL	Cream	-BC,BD,BE		
	970 522 901 24 DAK	Marsala Red	-PC		
(6)	970 522 901 81	Backrest cover D - 25.01.2011>>	left	1	PR:381,832, 834,943,XYW, -343,-542, -998
	970 522 901 81 DAF	Black	-AC		
	970 522 901 81 DAG	Platinum Grey	-CC,BB		
	970 522 901 81 DAH	Luxor beige	-UC,PL		
	970 522 901 81 DAJ	yachting blue	-EC		
	970 522 901 81 DAL	Cream	-BC,BD,BE,DS, DT		
	970 522 901 81 DAK	Marsala Red	-PC		
	970 522 901 81 GHC	agate grey	-DL		
	970 522 901 81 GLC	Carrera Red	-BF		
	970 522 901 81 DUE	saddle brown	-SB,DN		
(6)	970 522 901 25	Backrest cover D >> - 24.01.2011	left	1	PR:832,834, 943,998,XYW, -343,-542
	970 522 901 25 DAM	Espresso	-NA		
	970 522 901 25 DAN	Cognac	-NC		
	970 522 901 25 DAO	Cedar	-BN		
(6)	970 522 901 82	Backrest cover D - 25.01.2011>>	left	1	PR:381,832, 834,943,998, XYW,-343, -542
	970 522 901 82 DAM	Espresso	-NA		

Model: 970 10 Model life 2010>>2016

Pos	Part Number	Description	Remark	Qty	Model
(6)	970 522 901 82 DAN	Cognac	-NC	1	PR:832,834, 941,998,XYW, -343
	970 522 901 82 DAO	Cedar	-BN		
	970 522 901 26	Backrest cover D >> - 24.01.2011	left		
(6)	970 522 901 26 DAM	Espresso	-NA	1	PR:832,834, 941,998,XYW, -343
	970 522 901 26 DAN	Cognac	-NC		
	970 522 901 26 DAO	Cedar	-BN		
(6)	970 522 901 83	Backrest cover D - 25.01.2011>>	left	1	PR:832,834, 941,998,XYW, -343
	970 522 901 83 DAM	Espresso	-NA		
	970 522 901 83 DAN	Cognac	-NC		
(6)	970 522 901 83 DAO	Cedar	-BN	1	PR:832,834, 343,938,XYW, -542
	970 522 901 30	Backrest cover D >> - 24.01.2011	left		
	970 522 901 30 DAA	Black	-AB		
(6)	970 522 901 30 DAB	Platinum Grey	-CB	1	PR:381,832, 834,343,938, XYW,-542
	970 522 901 30 DAC	Luxor beige	-UB		
	970 522 901 87	Backrest cover D - 25.01.2011>>	left		
(6)	970 522 901 87 DAA	Black	-AB	1	PR:832,834, 343,940,XYW
	970 522 901 87 DAB	Platinum Grey	-CB		
	970 522 901 87 DAC	Luxor beige	-UB,PK		
(6)	970 522 901 87 GHB	agate grey	-DG	1	PR:832,834, 343,940,XYW
	970 522 901 31	Backrest cover D >> - 24.01.2011	left		
	970 522 901 31 DAA	Black	-AB		
(6)	970 522 901 31 DAB	Platinum Grey	-CB	1	PR:832,834, 343,940,XYW
	970 522 901 31 DAC	Luxor beige	-UB		
	970 522 901 88	Backrest cover D - 25.01.2011>>	left		
(6)	970 522 901 88 DAA	Black	-AB	1	PR:832,834, 343,941,XYW, -998
	970 522 901 88 DAB	Platinum Grey	-CB		
	970 522 901 88 DAC	Luxor beige	-UB,PK		
(6)	970 522 901 88 GHB	agate grey	-DG	1	PR:832,834, 343,941,XYW, -998
	970 522 901 32	Backrest cover D >> - 24.01.2011	left		
	970 522 901 32 DAF	Black	-AC		
(6)	970 522 901 32 DAG	Platinum Grey	-CC,BB	1	PR:832,834, 343,941,XYW, -998
	970 522 901 32 DAH	Luxor beige	-UC		
	970 522 901 32 DAJ	yachting blue	-EC		
(6)	970 522 901 32 DAL	Cream	-BC,BD,BE	1	PR:832,834, 343,941,XYW, -998
	970 522 901 32 DAK	Marsala Red	-PC		
	970 522 901 89	Backrest cover D - 25.01.2011>>	left		
(6)	970 522 901 89 DAF	Black	-AC	1	PR:832,834, 343,941,XYW, -998
	970 522 901 89 DAG	Platinum Grey	-CC,BB		
	970 522 901 89 DAH	Luxor beige	-UC,PL		
(6)	970 522 901 89 DAJ	yachting blue	-EC	1	PR:832,834, 343,943,XYW, -542,-998
	970 522 901 89 DAL	Cream	-BC,BD,BE,DS, DT		
	970 522 901 89 DAK	Marsala Red	-PC		
(6)	970 522 901 89 GHC	agate grey	-DL	1	PR:832,834, 343,943,XYW, -542,-998
	970 522 901 89 GLC	Carrera Red	-BF		
	970 522 901 89 DUE	saddle brown	-SB,DN		
(6)	970 522 901 33	Backrest cover D >> - 24.01.2011	left	1	PR:832,834, 343,943,XYW, -542,-998

Model: 970 10 Model life 2010>>2016

Pos	Part Number	Description	Remark	Qty	Model
	970 522 901 33 DAF	Black	-AC		
	970 522 901 33 DAG	Platinum Grey	-CC, BB		
	970 522 901 33 DAH	Luxor beige	-UC, PL		
	970 522 901 33 DAJ	yachting blue	-EC		
	970 522 901 33 DAL	Cream	-BC, BD, BE		
	970 522 901 33 DAK	Marsala Red	-PC		
(6)	970 522 901 90	Backrest cover D - 25.01.2011>>	left	1	PR:381,832, 834,343,943, XYW,-542, -998
	970 522 901 90 DAF	Black	-AC		
	970 522 901 90 DAG	Platinum Grey	-CC, BB		
	970 522 901 90 DAH	Luxor beige	-UC, PL		
	970 522 901 90 DAJ	yachting blue	-EC		
	970 522 901 90 DAL	Cream	-BC, BD, BE, DS, DT		
	970 522 901 90 DAK	Marsala Red	-PC		
	970 522 901 90 GHC	agate grey	-DL		
	970 522 901 90 GLC	Carrera Red	-BF		
	970 522 901 90 DUE	saddle brown	-SB, DN		
(6)	970 522 901 34	Backrest cover D >> - 24.01.2011	left	1	PR:832,834, 343,943,998, XYW,-542
	970 522 901 34 DAM	Espresso	-NA		
	970 522 901 34 DAN	Cognac	-NC		
	970 522 901 34 DAO	Cedar	-BN		
(6)	970 522 901 91	Backrest cover D - 25.01.2011>>	left	1	PR:381,832, 834,343,943, 998,XYW,-542
	970 522 901 91 DAM	Espresso	-NA		
	970 522 901 91 DAN	Cognac	-NC		
	970 522 901 91 DAO	Cedar	-BN		
(6)	970 522 901 35	Backrest cover D >> - 24.01.2011	left	1	PR:832,834, 343,941,998, XYW
	970 522 901 35 DAM	Espresso	-NA		
	970 522 901 35 DAN	Cognac	-NC		
	970 522 901 35 DAO	Cedar	-BN		
(6)	970 522 901 92	Backrest cover D - 25.01.2011>>	left	1	PR:832,834, 343,941,998, XYW
	970 522 901 92 DAM	Espresso	-NA		
	970 522 901 92 DAN	Cognac	-NC		
	970 522 901 92 DAO	Cedar	-BN		
(6)	970 522 901 39	Backrest cover D >> - 24.01.2011	left	1	PR:832,542, 938,XYW
	970 522 901 39 DAA	Black	-AB		
	970 522 901 39 DAB	Platinum Grey	-CB		
	970 522 901 39 DAC	Luxor beige	-UB		
(6)	970 522 901 96	Backrest cover D - 25.01.2011>>	left	1	PR:832,542, 938,XYW
	970 522 901 96 DAA	Black	-AB		
	970 522 901 96 DAB	Platinum Grey	-CB		
	970 522 901 96 DAC	Luxor beige	-UB, PK		
(6)	970 522 901 40	Backrest cover D >> - 24.01.2011	left	1	PR:832,542, 943,XYW,-998
	970 522 901 40 DAF	Black	-AC		
	970 522 901 40 DAG	Platinum Grey	-CC, BB		
	970 522 901 40 DAH	Luxor beige	-UC		
	970 522 901 40 DAJ	yachting blue	-EC		
	970 522 901 40 DAL	Cream	-BC, BD, BE		
	970 522 901 40 DAK	Marsala Red	-PC		
(6)	970 522 901 97	Backrest cover	left	1	PR:832,542,

Model: 970 10 Model life 2010>>2016

Pos	Part Number	Description	Remark	Qty	Model
		D - 25.01.2011>>			943,XYW,-998
	970 522 901 97 DAF	Black	-AC		
	970 522 901 97 DAG	Platinum Grey	-CC,BB		
	970 522 901 97 DAH	Luxor beige	-UC,PL		
	970 522 901 97 DAJ	yachting blue	-EC		
	970 522 901 97 DAL	Cream	-BC,BD,BE,DS, DT		
	970 522 901 97 DAK	Marsala Red	-PC		
	970 522 901 97 GHC	agate grey	-DL		
	970 522 901 97 GLC	Carrera Red	-BF		
	970 522 901 97 DUE	saddle brown	-SB,DN		
(6)	970 522 901 41	Backrest cover D >> - 24.01.2011	left	1	PR:832,542, 943,998,XYW
	970 522 901 41 DAM	Espresso	-NA		
	970 522 901 41 DAN	Cognac	-NC		
	970 522 901 41 DAO	Cedar	-BN		
(6)	970 522 901 98	Backrest cover D - 25.01.2011>>	left	1	PR:832,542, 943,998,XYW
	970 522 901 98 DAM	Espresso	-NA		
	970 522 901 98 DAN	Cognac	-NC		
	970 522 901 98 DAO	Cedar	-BN		
(6)	970 522 901 C3	Backrest cover D - 25.01.2011>>	left	1	PR:381,832, 834,541,938, XYW,-343
	970 522 901 C3 DAA	Black	-AB		
	970 522 901 C3 DAB	Platinum Grey	-CB		
	970 522 901 C3 DAC	Luxor beige	-UB,PK		
	970 522 901 C3 GHB	agate grey	-DG		
(6)	970 522 901 C4	Backrest cover D - 25.01.2011>>	left	1	PR:381,832, 834,541,943, XYW,-343, -998
	970 522 901 C4 DAF	Black	-AC		
	970 522 901 C4 DAG	Platinum Grey	-CC,BB		
	970 522 901 C4 DAH	Luxor beige	-UC,PL		
	970 522 901 C4 DAJ	yachting blue	-EC		
	970 522 901 C4 DAL	Cream	-BC,BD,BE,DS, DT		
	970 522 901 C4 DAK	Marsala Red	-PC		
	970 522 901 C4 GHC	agate grey	-DL		
	970 522 901 C4 GLC	Carrera Red	-BF		
	970 522 901 C4 DUE	saddle brown	-SB,DN		
(6)	970 522 901 C5	Backrest cover D - 25.01.2011>>	left	1	PR:381,832, 834,541,943, 998,XYW,-343
	970 522 901 C5 DAM	Espresso	-NA		
	970 522 901 C5 DAN	Cognac	-NC		
	970 522 901 C5 DAO	Cedar	-BN		
(6)	970 522 901 C6	Backrest cover D - 25.01.2011>>	left	1	PR:832,834, 541,938,XYW
	970 522 901 C6 DAA	Black	-AB		
	970 522 901 C6 DAB	Platinum Grey	-CB		
	970 522 901 C6 DAC	Luxor beige	-UB,PK		
	970 522 901 C6 GHB	agate grey	-DG		
(6)	970 522 901 C7	Backrest cover D - 25.01.2011>>	left	1	PR:381,832, 834,541,943, XYW,-998
	970 522 901 C7 DAF	Black	-AC		
	970 522 901 C7 DAG	Platinum Grey	-CC,BB		
	970 522 901 C7 DAH	Luxor beige	-UC,PL		
	970 522 901 C7 DAJ	yachting blue	-EC		
	970 522 901 C7 DAL	Cream	-BC,BD,BE,DS, DT		

Model: 970 10 Model life 2010>>2016

Pos	Part Number	Description	Remark	Qty	Model
(6)	970 522 901 C7 DAK	Marsala Red	-PC	1	PR:381,832, 834,343,541, 943,998,XYW
	970 522 901 C7 GHC	agate grey	-DL		
	970 522 901 C7 GLC	Carrera Red	-BF		
	970 522 901 C7 DUE	saddle brown	-SB, DN		
	970 522 901 C8	Backrest cover D - 25.01.2011>>	left		
(6)	970 522 901 C8 DAM	Espresso	-NA	1	PR:381,834, 542,938,XYW
	970 522 901 C8 DAN	Cognac	-NC		
	970 522 901 C8 DAO	Cedar	-BN		
	970 522 901 D4	Backrest cover D - 25.01.2011>>	left		
	970 522 901 D4 DAA	Black	-AB		
(6)	970 522 901 D4 DAB	Platinum Grey	-CB	1	PR:381,834, 542,943,XYW, -998
	970 522 901 D4 DAC	Luxor beige	-UB, PK		
	970 522 901 D4 GHB	agate grey	-DG		
	970 522 901 D5	Backrest cover D - 25.01.2011>>	left		
	970 522 901 D5 DAF	Black	-AC		
(6)	970 522 901 D5 DAG	Platinum Grey	-CC, BB	1	PR:381,834, 542,943,998, XYW
	970 522 901 D5 DAH	Luxor beige	-UC, PL		
	970 522 901 D5 DAJ	yachting blue	-EC		
	970 522 901 D5 DAL	Cream	-BC, BD, BE, DS, DT		
	970 522 901 D5 DAK	Marsala Red	-PC		
(6)	970 522 901 D5 GHC	agate grey	-DL	1	PR:381,834, 542,943,998, XYW
	970 522 901 D5 GLC	Carrera Red	-BF		
	970 522 901 D5 DUE	saddle brown	-SB, DN		
	970 522 901 D6	Backrest cover D - 25.01.2011>>	left		
	970 522 901 D6 DAM	Espresso	-NA		
(6)	970 522 901 D6 DAN	Cognac	-NC	1	PR:832,834, 938,-343, -541
	970 522 901 D6 DAO	Cedar	-BN		
	970 522 141 21	Cover D >> - 24.01.2011	left		
	970 522 141 21 DAA	backrest Black	-AB		
	970 522 141 21 DAB	Platinum Grey	-CB		
(6)	970 522 141 21 DAC	Luxor beige	-UB	1	PR:381,832, 834,938, -343,-541
	970 522 141 A3	Backrest cover D - 25.01.2011>>	left		
	970 522 141 A3 DAA	Black	-AB		
	970 522 141 A3 DAB	Platinum Grey	-CB		
	970 522 141 A3 DAC	Luxor beige	-UB, PK		
(6)	970 522 141 A3 GHB	agate grey	-DG	1	PR:382,832, 834,938, -343,-541
	970 522 141 M1	Backrest cover D - MJ 2014>>	left		
	970 522 141 M1 DAA	Black	-AB		
	970 522 141 M1 DAC	Luxor beige	-UB, PK		
	970 522 141 M1 GHB	agate grey	-DG		
(6)	970 522 141 22	Backrest cover D >> - 24.01.2011	left	1	PR:832,834, 940,-343, -541,-542
	970 522 141 22 DAA	Black	-AB		
	970 522 141 22 DAB	Platinum Grey	-CB		
	970 522 141 22 DAC	Luxor beige	-UB		
	970 522 141 A4	Backrest cover D - 25.01.2011>>	left		

Model: 970 10 Model life 2010>>2016

Pos	Part Number	Description	Remark	Qty	Model
(6)	970 522 141 A4 DAA	Black	-AB	1	PR:832,834, 941,-343, -998
	970 522 141 A4 DAB	Platinum Grey	-CB		
	970 522 141 A4 DAC	Luxor beige	-UB,PK		
	970 522 141 A4 GHB	agate grey	-DG		
	970 522 141 23	Backrest cover D >> - 24.01.2011	left		
	970 522 141 23 DAF	Black	-AC		
(6)	970 522 141 23 DAG	Platinum Grey	-CC,BB	1	PR:832,834, 941,-343, -998
	970 522 141 23 DAH	Luxor beige	-UC		
	970 522 141 23 DAJ	yachting blue	-EC		
	970 522 141 23 DAL	Cream	-BC,BD,BE		
	970 522 141 23 DAK	Marsala Red	-PC		
	970 522 141 A5	Backrest cover D - 25.01.2011>>	left		
(6)	970 522 141 A5 DAF	Black	-AC	1	PR:832,834, 943,-343, -541,-998
	970 522 141 A5 DAG	Platinum Grey	-CC,BB		
	970 522 141 A5 DAH	Luxor beige	-UC,PL		
	970 522 141 A5 DAJ	yachting blue	-EC		
	970 522 141 A5 DAL	Cream	-BC,BD,BE,DS, DT		
	970 522 141 A5 DAK	Marsala Red	-PC		
(6)	970 522 141 A5 GHC	agate grey	-DL	1	PR:832,834, 943,-343, -541,-998
	970 522 141 A5 GLC	Carrera Red	-BF		
	970 522 141 A5 DUE	saddle brown	-SB,DN		
	970 522 141 24	Backrest cover D >> - 24.01.2011	left		
	970 522 141 24 DAF	Black	-AC		
	970 522 141 24 DAG	Platinum Grey	-CC,BB		
(6)	970 522 141 24 DAH	Luxor beige	-UC,PL	1	PR:381,832, 834,943, -343,-541, -998
	970 522 141 24 DAJ	yachting blue	-EC		
	970 522 141 24 DAL	Cream	-BC,BD,BE		
	970 522 141 24 DAK	Marsala Red	-PC		
	970 522 141 A6	Backrest cover D - 25.01.2011>>	left		
	970 522 141 A6 DAF	Black	-AC		
(6)	970 522 141 A6 DAG	Platinum Grey	-CC,BB	1	PR:382,832, 834,943, -343,-541, -998
	970 522 141 A6 DAH	Luxor beige	-UC,PL		
	970 522 141 A6 DAJ	yachting blue	-EC		
	970 522 141 A6 DAL	Cream	-BC,BD,BE,DS, DT		
	970 522 141 A6 DAK	Marsala Red	-PC		
	970 522 141 A6 GHC	agate grey	-DL		
(6)	970 522 141 A6 GLC	Carrera Red	-BF	1	PR:832,834, 943,998,
	970 522 141 A6 DUE	saddle brown	-SB,DN		
	970 522 141 M2	Backrest cover D - MJ 2014>>	left		
	970 522 141 M2 DAF	Black	-AC		
	970 522 141 M2 DAH	Luxor beige	-UC,PL		
	970 522 141 M2 DAL	Cream	-BC,BD,BE,DS, DT		
(6)	970 522 141 M2 DAK	Marsala Red	-PC	1	PR:832,834, 943,998,
	970 522 141 M2 GHC	agate grey	-DL		
	970 522 141 M2 GLC	Carrera Red	-BF		
	970 522 141 M2 DUE	saddle brown	-SB,DN		
	970 522 141 25	Backrest cover D >> - 24.01.2011	left		
	970 522 141 25 DAF	Black	-AC		

Model: 970 10 Model life 2010>>2016

Pos	Part Number	Description	Remark	Qty	Model
	970 522 141 25 DAM	Espresso	-NA		-343,-541
	970 522 141 25 DAN	Cognac	-NC		
	970 522 141 25 DAO	Cedar	-BN		
(6)	970 522 141 A7	Backrest cover D - 25.01.2011>>	left	1	PR:381,832, 834,943,998, -343,-541
	970 522 141 A7 DAM	Espresso	-NA		
	970 522 141 A7 DAN	Cognac	-NC		
	970 522 141 A7 DAO	Cedar	-BN		
(6)	970 522 141 M3	Backrest cover D - MJ 2014>>	left	1	PR:382,832, 834,943,998, -343,-541
	970 522 141 M3 DAM	Espresso	-NA		
	970 522 141 M3 DAN	Cognac	-NC		
	970 522 141 M3 DAO	Cedar	-BN		
(6)	970 522 141 26	Backrest cover D >> - 24.01.2011	left	1	PR:832,834, 941,998,-343
	970 522 141 26 DAM	Espresso	-NA		
	970 522 141 26 DAN	Cognac	-NC		
	970 522 141 26 DAO	Cedar	-BN		
(6)	970 522 141 A8	Backrest cover D - 25.01.2011>>	left	1	PR:832,834, 941,998,-343
	970 522 141 A8 DAM	Espresso	-NA		
	970 522 141 A8 DAN	Cognac	-NC		
	970 522 141 A8 DAO	Cedar	-BN		
(6)	970 522 141 30	Backrest cover D >> - 24.01.2011	left	1	PR:832,834, 343,938, -541,-542
	970 522 141 30 DAA	Black	-AB		
	970 522 141 30 DAB	Platinum Grey	-CB		
	970 522 141 30 DAC	Luxor beige	-UB		
(6)	970 522 141 B3	Backrest cover D - 25.01.2011>>	left	1	PR:381,832, 834,343,938, -541,-542
	970 522 141 B3 DAA	Black	-AB		
	970 522 141 B3 DAB	Platinum Grey	-CB		
	970 522 141 B3 DAC	Luxor beige	-UB,PK		
	970 522 141 B3 GHB	agate grey	-DG		
(6)	970 522 141 M4	Backrest cover D - MJ 2014>>	left	1	PR:382,832, 834,343,938, -541,-542
	970 522 141 M4 DAA	Black	-AB		
	970 522 141 M4 DAC	Luxor beige	-UB,PK		
	970 522 141 M4 GHB	agate grey	-DG		
(6)	970 522 141 31	Backrest cover D >> - 24.01.2011	left	1	PR:832,834, 343,940
	970 522 141 31 DAA	Black	-AB		
	970 522 141 31 DAB	Platinum Grey	-CB		
	970 522 141 31 DAC	Luxor beige	-UB		
(6)	970 522 141 B4	Backrest cover D - 25.01.2011>>	left	1	PR:832,834, 343,940
	970 522 141 B4 DAA	Black	-AB		
	970 522 141 B4 DAB	Platinum Grey	-CB		
	970 522 141 B4 DAC	Luxor beige	-UB,PK		
	970 522 141 B4 GHB	agate grey	-DG		
(6)	970 522 141 32	Backrest cover D >> - 24.01.2011	left	1	PR:832,834, 343,941,-998
	970 522 141 32 DAF	Black	-AC		
	970 522 141 32 DAG	Platinum Grey	-CC,BB		
	970 522 141 32 DAH	Luxor beige	-UC		
	970 522 141 32 DAJ	yachting blue	-EC		
	970 522 141 32 DAL	Cream	-BC,BD,BE		

Model: 970 10 Model life 2010>>2016

Pos	Part Number	Description	Remark	Qty	Model
(6)	970 522 141 32 DAK 970 522 141 B5	Marsala Red Backrest cover D - 25.01.2011>>	-PC left	1	PR:832,834, 343,941,-998
	970 522 141 B5 DAF	Black	-AC		
	970 522 141 B5 DAG	Platinum Grey	-CC,BB		
	970 522 141 B5 DAH	Luxor beige	-UC,PL		
	970 522 141 B5 DAJ	yachting blue	-EC		
	970 522 141 B5 DAL	Cream	-BC,BD,BE,DS, DT		
	970 522 141 B5 DAK	Marsala Red	-PC		
	970 522 141 B5 GHC	agate grey	-DL		
	970 522 141 B5 GLC	Carrera Red	-BF		
	970 522 141 B5 DUE	saddle brown	-SB,DN		
(6)	970 522 141 33	Backrest cover D >> - 24.01.2011	left	1	PR:832,834, 343,943, -541,-542, -998
	970 522 141 33 DAF	Black	-AC		
	970 522 141 33 DAG	Platinum Grey	-CC,BB		
	970 522 141 33 DAH	Luxor beige	-UC		
	970 522 141 33 DAJ	yachting blue	-EC		
	970 522 141 33 DAL	Cream	-BC,BD,BE		
	970 522 141 33 DAK	Marsala Red	-PC		
(6)	970 522 141 B6	Backrest cover D - 25.01.2011>>	left	1	PR:381,832, 834,343,943, -541,-542, -998
	970 522 141 B6 DAF	Black	-AC		
	970 522 141 B6 DAG	Platinum Grey	-CC,BB		
	970 522 141 B6 DAH	Luxor beige	-UC,PL		
	970 522 141 B6 DAJ	yachting blue	-EC		
	970 522 141 B6 DAL	Cream	-BC,BD,BE,DS, DT		
	970 522 141 B6 DAK	Marsala Red	-PC		
	970 522 141 B6 GHC	agate grey	-DL		
	970 522 141 B6 GLC	Carrera Red	-BF		
	970 522 141 B6 DUE	saddle brown	-SB,DN		
(6)	970 522 141 M5	Backrest cover D - MJ 2014>>	left	1	PR:382,832, 834,343,943, -541,-542, -998
	970 522 141 M5 DAF	Black	-AC,UC,PL		
	970 522 141 M5 DAL	Cream	-BC,BD,BE,DS, DT		
	970 522 141 M5 DAK	Marsala Red	-PC		
	970 522 141 M5 GHC	agate grey	-DL		
	970 522 141 M5 GLC	Carrera Red	-BF		
	970 522 141 M5 DUE	saddle brown	-SB,DN		
(6)	970 522 141 34	Backrest cover D >> - 24.01.2011	left	1	PR:832,834, 343,943,998, -541,-542
	970 522 141 34 DAM	Espresso	-NA		
	970 522 141 34 DAN	Cognac	-NC		
	970 522 141 34 DAO	Cedar	-BN		
(6)	970 522 141 B7	Backrest cover D - 25.01.2011>>	left	1	PR:381,832, 834,343,943, 998,-541, -542
	970 522 141 B7 DAM	Espresso	-NA		
	970 522 141 B7 DAN	Cognac	-NC		
	970 522 141 B7 DAO	Cedar	-BN		
(6)	970 522 141 M6	Backrest cover	left	1	PR:382,832, 834,343,943,

Model: 970 10 Model life 2010>>2016

Pos	Part Number	Description	Remark	Qty	Model
		D - MJ 2014>>			998,-541, -542
	970 522 141 M6 DAM	Espresso	-NA		
	970 522 141 M6 DAN	Cognac	-NC		
	970 522 141 M6 DAO	Cedar	-BN		
(6)	970 522 141 35	Backrest cover	left	1	PR:832,834, 343,941,998
		D >> - 24.01.2011			
	970 522 141 35 DAM	Espresso	-NA		
	970 522 141 35 DAN	Cognac	-NC		
	970 522 141 35 DAO	Espresso/cedar	-BN		
(6)	970 522 141 B8	Backrest cover	left	1	PR:832,834, 343,941,998
		D - 25.01.2011>>			
	970 522 141 B8 DAM	Espresso	-NA		
	970 522 141 B8 DAN	Cognac	-NC		
	970 522 141 B8 DAO	Espresso/cedar	-BN		
(6)	970 522 141 39	Backrest cover	left	1	PR:832,542, 938
		D >> - 24.01.2011			
	970 522 141 39 DAA	Black	-AB		
	970 522 141 39 DAB	Platinum Grey	-CB		
	970 522 141 39 DAC	Luxor beige	-UB		
(6)	970 522 141 C3	Backrest cover	left	1	PR:381,832, 542,938
		D - 25.01.2011>>			
	970 522 141 C3 DAA	Black	-AB		
	970 522 141 C3 DAB	Platinum Grey	-CB		
	970 522 141 C3 DAC	Luxor beige	-UB,PK		
	970 522 141 C3 GHB	agate grey	-DG		
(6)	970 522 141 40	Backrest cover	left	1	PR:832,542, 943,-998
		D >> - 24.01.2011			
	970 522 141 40 DAF	Black	-AC		
	970 522 141 40 DAG	Platinum Grey	-CC,BB		
	970 522 141 40 DAH	Luxor beige	-UC		
	970 522 141 40 DAJ	Black/yachting blue	-EC		
	970 522 141 40 DAL	Cream	-BC,BD,BE		
	970 522 141 40 DAK	Black/marsala red	-PC		
(6)	970 522 141 40	Backrest cover	left	1	PR:832,542, 943,-998
		D >> - 24.01.2011			
	970 522 141 40 DAF	Black	-AC		
	970 522 141 40 DAG	Platinum Grey	-CC,BB		
	970 522 141 40 DAH	Luxor beige	-UC		
	970 522 141 40 DAJ	Black/yachting blue	-EC		
	970 522 141 40 DAL	Cream	-BC,BD,BE		
	970 522 141 40 DAK	Black/marsala red	-PC		
(6)	970 522 141 C4	Backrest cover	left	1	PR:832,542, 943,-998
		D - 25.01.2011>>			
	970 522 141 C4 DAF	Black	-AC		
	970 522 141 C4 DAG	Platinum Grey	-CC,BB		
	970 522 141 C4 DAH	Luxor beige	-UC,PL		
	970 522 141 C4 DAJ	Black/yachting blue	-EC		
	970 522 141 C4 DAL	Cream	-BC,BD,BE,DS, DT		
	970 522 141 C4 DAK	Black/marsala red	-PC		
	970 522 141 C4 GHC	agate grey	-DL		
	970 522 141 C4 GLC	Carrera Red	-BF		
	970 522 141 C4 DUE	saddle brown	-SB,DN		
(6)	970 522 141 41	Backrest cover	left	1	PR:832,542, 943,998
		D >> - 24.01.2011			
	970 522 141 41 DAM	Espresso	-NA		
	970 522 141 41 DAN	Cognac	-NC		
	970 522 141 41 DAO	Espresso/cedar	-BN		
(6)	970 522 141 C5	Backrest cover	left	1	PR:832,542, 943,998
		D - 25.01.2011>>			
	970 522 141 C5 DAM	Espresso	-NA		
	970 522 141 C5 DAN	Cognac	-NC		

Model: 970 10 Model life 2010>>2016

Pos	Part Number	Description	Remark	Qty	Model
(6)	970 522 141 C5 DAO	Espresso/cedar	-BN	1	PR:832,834, 541,938,-343
	970 522 141 63	Backrest cover D >> - 24.01.2011	left		
(6)	970 522 141 63 DAA	Black	-AB	1	PR:381,832, 834,541,938, -343
	970 522 141 63 DAB	Platinum Grey	-CB		
	970 522 141 63 DAC	Luxor beige	-UB		
	970 522 141 E4	Backrest cover D - 25.01.2011>>	left		
(6)	970 522 141 E4 DAA	Black	-AB	1	PR:382,832, 834,541,938, -343
	970 522 141 E4 DAB	Platinum Grey	-CB		
	970 522 141 E4 DAC	Luxor beige	-UB,PK		
	970 522 141 E4 GHB	agate grey	-DG		
(6)	970 522 141 N4	Backrest cover D - MJ 2014>>	left	1	PR:832,834, 541,943, -343,-998
	970 522 141 N4 DAA	Black	-AB		
(6)	970 522 141 N4 DAC	Luxor beige	-UB,PK	1	PR:381,832, 834,541,943, -343,-998
	970 522 141 N4 GHB	agate grey	-DG		
	970 522 141 64	Backrest cover D >> - 24.01.2011	left		
	970 522 141 64 DAF	Black	-AC		
	970 522 141 64 DAG	Platinum Grey	-CC,BB		
	970 522 141 64 DAH	Luxor beige	-UC		
	970 522 141 64 DAJ	yachting blue	-EC		
	970 522 141 64 DAL	Cream	-BC,BD,BE		
(6)	970 522 141 64 DAK	Marsala Red	-PC	1	PR:381,832, 834,541,943, -343,-998
	970 522 141 E5	Backrest cover D - 25.01.2011>>	left		
	970 522 141 E5 DAF	Black	-AC		
	970 522 141 E5 DAG	Platinum Grey	-CC,BB		
	970 522 141 E5 DAH	Luxor beige	-UC,PL		
	970 522 141 E5 DAJ	yachting blue	-EC		
	970 522 141 E5 DAL	Cream	-BC,BD,BE,DS, DT		
	970 522 141 E5 DAK	Marsala Red	-PC		
	970 522 141 E5 GHC	agate grey	-DL		
	970 522 141 E5 GLC	Carrera Red	-BF		
(6)	970 522 141 E5 DUE	saddle brown	-SB,DN	1	PR:382,832, 834,541,943, -343,-998
	970 522 141 N5	Backrest cover D - MJ 2014>>	left		
(6)	970 522 141 N5 DAF	Black	-AC,UC,PL	1	PR:832,834, 541,943,998, -343
	970 522 141 N5 DAL	Cream	-BC,BD,BE,DS, DT		
(6)	970 522 141 N5 DAK	Marsala Red	-PC	1	PR:381,832, 834,541,943, 998,-343
	970 522 141 N5 GHC	agate grey	-DL		
	970 522 141 N5 GLC	Carrera Red	-BF		
	970 522 141 N5 DUE	saddle brown	-SB,DN		
	970 522 141 65	Backrest cover D >> - 24.01.2011	left		
	970 522 141 65 DAM	Espresso	-NA		
(6)	970 522 141 65 DAN	Cognac	-NC	1	PR:381,832, 834,541,943, 998,-343
	970 522 141 65 DAO	Cedar	-BN		
	970 522 141 E6	Backrest cover D - 25.01.2011>>	left		
(6)	970 522 141 E6 DAM	Espresso	-NA	1	PR:381,832, 834,541,943, 998,-343
	970 522 141 E6 DAN	Cognac	-NC		
	970 522 141 E6 DAO	Cedar	-BN		

Model: 970 10 Model life 2010>>2016

Pos	Part Number	Description	Remark	Qty	Model
(6)	970 522 141 N6	Backrest cover	left	1	PR:381,832, 834,541,943, 998,-343
	970 522 141 N6 DAM	Espresso	-NA		
	970 522 141 N6 DAN	Cognac	-NC		
	970 522 141 N6 DAO	Cedar	-BN		
(6)	970 522 141 66	Backrest cover	left	1	PR:832,834, 343,541,938
		D >> - 24.01.2011			
	970 522 141 66 DAA	Black	-AB		
	970 522 141 66 DAB	Platinum Grey	-CB		
	970 522 141 66 DAC	Luxor beige	-UB		
(6)	970 522 141 E7	Backrest cover	left	1	PR:381,832, 834,343,541, 938
		D - 25.01.2011>>			
	970 522 141 E7 DAA	Black	-AB		
	970 522 141 E7 DAB	Platinum Grey	-CB		
	970 522 141 E7 DAC	Luxor beige	-UB,PK		
	970 522 141 E7 GHB	Luxor beige	-DG		
(6)	970 522 141 N7	Backrest cover	left	1	PR:382,832, 834,343,541, 938
		D - MJ 2014>>			
	970 522 141 N7 DAA	Black	-AB		
	970 522 141 N7 DAC	Luxor beige	-UB,PK		
	970 522 141 N7 GHB	Luxor beige	-DG		
(6)	970 522 141 67	Backrest cover	left	1	PR:832,834, 541,343,943, -998
		D >> - 24.01.2011			
	970 522 141 67 DAF	Black	-AC		
	970 522 141 67 DAG	Platinum Grey	-CC,BB		
	970 522 141 67 DAH	Luxor beige	-UC		
	970 522 141 67 DAJ	Black/yachting blue	-EC		
	970 522 141 67 DAL	Cream	-BC,BD,BE		
	970 522 141 67 DAK	Black/marsala red	-PC		
(6)	970 522 141 E8	Backrest cover	left	1	PR:381,832, 834,541,343, 943,-998
		D - 25.01.2011>>			
	970 522 141 E8 DAF	Black	-AC		
	970 522 141 E8 DAG	Platinum Grey	-CC,BB		
	970 522 141 E8 DAH	Luxor beige	-UC,PL		
	970 522 141 E8 DAJ	Black/yachting blue	-EC		
	970 522 141 E8 DAL	Cream	-BC,BD,BE,DS, DT		
	970 522 141 E8 DAK	Black/marsala red	-PC		
	970 522 141 E8 GHC	agate grey	-DL		
	970 522 141 E8 GLC	Carrera Red	-BF		
	970 522 141 E8 DUE	saddle brown	-SB,DN		
(6)	970 522 141 N8	Backrest cover	left	1	PR:382,832, 834,541,343, 943,-998
		D - MJ 2014>>			
	970 522 141 N8 DAF	Black	-AC,UC,PL		
	970 522 141 N8 DAL	Cream	-BC,BD,BE,DS, DT		
	970 522 141 N8 DAK	Marsala Red	-PC		
	970 522 141 N8 GHC	agate grey	-DL		
	970 522 141 N8 GLC	Carrera Red	-BF		
	970 522 141 N8 DUE	saddle brown	-SB,DN		
(6)	970 522 141 68	Backrest cover	left	1	PR:832,834, 343,541,943, 998
		D >> - 24.01.2011			
	970 522 141 68 DAM	Espresso	-NA		
	970 522 141 68 DAN	Cognac	-NC		
	970 522 141 68 DAO	Cedar	-BN		
(6)	970 522 141 E9	Backrest cover	left	1	PR:381,832,

Model: 970 10 Model life 2010>>2016

Pos	Part Number	Description	Remark	Qty	Model
		D - 25.01.2011>>			834,343,541, 943,998
	970 522 141 E9 DAM	Espresso	-NA		
	970 522 141 E9 DAN	Cognac	-NC		
	970 522 141 E9 DAO	Cedar	-BN		
(6)	970 522 141 N9	Backrest cover	left	1	PR:382,832, 834,343,541, 943,998
		D - MJ 2014>>			
	970 522 141 N9 DAM	Espresso	-NA		
	970 522 141 N9 DAN	Cognac	-NC		
	970 522 141 N9 DAO	Cedar	-BN		
(6)	970 522 141 75	Backrest cover	left	1	PR:834,542, 938
		D >> - 24.01.2011			
	970 522 141 75 DAA	Black	-AB		
	970 522 141 75 DAB	Platinum Grey	-CB		
	970 522 141 75 DAC	Luxor beige	-UB		
(6)	970 522 141 F5	Backrest cover	left	1	PR:381,834, 542,938
		D - 25.01.2011>>			
	970 522 141 F5 DAA	Black	-AB		
	970 522 141 F5 DAB	Platinum Grey	-CB		
	970 522 141 F5 DAC	Luxor beige	-UB,PK		
	970 522 141 F5 GHB	agate grey	-DG		
(6)	970 522 141 Q5	Backrest cover	left	1	PR:382,834, 542,938
		D - MJ 2014>>			
	970 522 141 Q5 DAA	Black	-AB		
	970 522 141 Q5 DAC	Luxor beige	-UB,PK		
	970 522 141 Q5 GHB	agate grey	-DG		
(6)	970 522 141 76	Backrest cover	left	1	PR:834,542, 943,-998
		D >> - 24.01.2011			
	970 522 141 76 DAF	Black	-AC		
	970 522 141 76 DAG	Platinum Grey	-CC,BB		
	970 522 141 76 DAH	Luxor beige	-UC		
	970 522 141 76 DAJ	yachting blue	-EC		
	970 522 141 76 DAL	Cream	-BC,BD,BE		
	970 522 141 76 DAK	Marsala Red	-PC		
(6)	970 522 141 F6	Backrest cover	left	1	PR:381,834, 542,943,-998
		D - 25.01.2011>>			
	970 522 141 F6 DAF	Black	-AC		
	970 522 141 F6 DAG	Platinum Grey	-CC,BB		
	970 522 141 F6 DAH	Luxor beige	-UC,PL		
	970 522 141 F6 DAJ	yachting blue	-EC		
	970 522 141 F6 DAL	Cream	-BC,BD,BE,DS, DT		
	970 522 141 F6 DAK	Marsala Red	-PC		
	970 522 141 F6 GHC	agate grey	-DL		
	970 522 141 F6 GLC	Carrera Red	-BF		
	970 522 141 F6 DUE	saddle brown	-SB,DN		
(6)	970 522 141 Q6	Backrest cover	left	1	PR:382,834, 542,943,-998
		D - MJ 2014>>			
	970 522 141 Q6 DAF	Black	-AC,UC,PL		
	970 522 141 Q6 DAL	Cream	-BC,BD,BE,DS, DT		
	970 522 141 Q6 DAK	Marsala Red	-PC		
	970 522 141 Q6 GHC	agate grey	-DL		
	970 522 141 Q6 GLC	Carrera Red	-BF		
	970 522 141 Q6 DUE	saddle brown	-SB,DN		
(6)	970 522 141 77	Cover	left	1	PR:834,542, 943,998
		D >> - 24.01.2011			
		backrest			
	970 522 141 77 DAM	Espresso	-NA		
	970 522 141 77 DAN	Cognac	-NC		

Model: 970 10 Model life 2010>>2016

Pos	Part Number	Description	Remark	Qty	Model
(6)	970 522 141 77 DAO 970 522 141 F7	Cedar Cover D - 25.01.2011>> backrest	-BN left	1	PR:381,834, 542,943,998
(6)	970 522 141 F7 DAM 970 522 141 F7 DAN 970 522 141 F7 DAO 970 522 141 Q7	Espresso Cognac Cedar Cover backrest D - MJ 2014>>	-NA -NC -BN left	1	PR:382,834, 542,943,998
7	970 522 141 Q7 DAM 970 522 141 Q7 DAN 970 522 141 Q7 DAO 970 522 902 00	Espresso Cognac Cedar Backrest cover D >> - 24.01.2011	-NA -NC -BN right	1	PR:832,834, 938,XYW, -343,-542
(7)	970 522 902 00 DAA 970 522 902 00 DAB 970 522 902 00 DAC 970 522 902 21	Black Platinum Grey Luxor beige Backrest cover D - 25.01.2011>>	-AB -CB -UB right	1	PR:381,832, 834,938,XYW
(7)	970 522 902 21 DAA 970 522 902 21 DAB 970 522 902 21 DAC 970 522 902 21 GHB 970 522 902 01	Black Platinum Grey Luxor beige agate grey Backrest cover D >> - 24.01.2011	-AB -CB -UB,PK -DG right	1	PR:832,834, 940,XYW,-343
(7)	970 522 902 01 DAA 970 522 902 01 DAB 970 522 902 01 DAC 970 522 902 22	Black Platinum Grey Luxor beige Backrest cover D - 25.01.2011>>	-AB -CB -UB right	1	PR:832,834, 940,XYW,-343
(7)	970 522 902 22 DAA 970 522 902 22 DAB 970 522 902 22 DAC 970 522 902 22 GHB 970 522 902 02	Black Platinum Grey Luxor beige agate grey Backrest cover D >> - 24.01.2011	-AB -CB -UB,PK -DG right	1	PR:832,834, 941,XYW, -343,-998
(7)	970 522 902 02 DAF 970 522 902 02 DAG 970 522 902 02 DAH 970 522 902 02 DAJ 970 522 902 02 DAL 970 522 902 02 DAK 970 522 902 23	Black Platinum Grey Luxor beige yachting blue Cream Marsala Red Backrest cover D - 25.01.2011>>	-AC -CC,BB -UC -EC -BC,BD,BE -PC right	1	PR:832,834, 941,XYW, -343,-998
(7)	970 522 902 23 DAF 970 522 902 23 DAG 970 522 902 23 DAH 970 522 902 23 DAJ 970 522 902 23 DAL 970 522 902 23 DAK 970 522 902 23 GHC 970 522 902 23 GLC 970 522 902 23 DUE 970 522 902 03	Black Platinum Grey Luxor beige yachting blue Cream Marsala Red agate grey Carrera Red saddle brown Backrest cover D >> - 24.01.2011	-AC -CC,BB -UC,PL -EC -BC,BD,BE,DS, DT -PC -DL -BF -SB,DN right	1	PR:832,834, 943,XYW, -343,-542, -998
	970 522 902 03 DAF	Black	-AC		

Model: 970 10 Model life 2010>>2016

Pos	Part Number	Description	Remark	Qty	Model
	970 522 902 03 DAG	Platinum Grey	-CC,BB		
	970 522 902 03 DAH	Luxor beige	-UC		
	970 522 902 03 DAJ	yachting blue	-EC		
	970 522 902 03 DAL	Cream	-BC,BD,BE		
	970 522 902 03 DAK	Marsala Red	-PC		
(7)	970 522 902 24	Backrest cover D - 25.01.2011>>	right	1	PR:381,832, 834,943,XYW, -343,-541, -998
	970 522 902 24 DAF	Black	-AC		
	970 522 902 24 DAG	Platinum Grey	-CC,BB		
	970 522 902 24 DAH	Luxor beige	-UC,PL		
	970 522 902 24 DAJ	yachting blue	-EC		
	970 522 902 24 DAL	Cream	-BC,BD,BE,DS, DT		
	970 522 902 24 DAK	Marsala Red	-PC		
	970 522 902 24 GHC	agate grey	-DL		
	970 522 902 24 GLC	Carrera Red	-BF		
	970 522 902 24 DUE	saddle brown	-SB,DN		
(7)	970 522 902 04	Backrest cover D >> - 24.01.2011	right	1	PR:832,834, 943,998,XYW, -343,-542
	970 522 902 04 DAM	Espresso	-NA		
	970 522 902 04 DAN	Cognac	-NC		
	970 522 902 04 DAO	Cedar	-BN		
(7)	970 522 902 25	Backrest cover D - 25.01.2011>>	right	1	PR:381,832, 834,943,998, XYW,-343, -541
	970 522 902 25 DAM	Espresso	-NA		
	970 522 902 25 DAN	Cognac	-NC		
	970 522 902 25 DAO	Cedar	-BN		
(7)	970 522 902 05	Backrest cover D >> - 24.01.2011	right	1	PR:832,834, 941,998,XYW, -343
	970 522 902 05 DAM	Espresso	-NA		
	970 522 902 05 DAN	Cognac	-NC		
	970 522 902 05 DAO	Cedar	-BN		
(7)	970 522 902 26	Backrest cover D - 25.01.2011>>	right	1	PR:832,834, 941,998,XYW, -343
	970 522 902 26 DAM	Espresso	-NA		
	970 522 902 26 DAN	Cognac	-NC		
	970 522 902 26 DAO	Cedar	-BN		
(7)	970 522 902 09	Backrest cover D >> - 24.01.2011	right	1	PR:832,834, 938,XYW,343, -542
	970 522 902 09 DAA	Black	-AB		
	970 522 902 09 DAB	Platinum Grey	-CB		
	970 522 902 09 DAC	Luxor beige	-UB		
(7)	970 522 902 30	Backrest cover D - 25.01.2011>>	right	1	PR:381,832, 834,938,XYW, 343,-542
	970 522 902 30 DAA	Black	-AB		
	970 522 902 30 DAB	Platinum Grey	-CB		
	970 522 902 30 DAC	Luxor beige	-UB,PK		
	970 522 902 30 GHB	agate grey	-DG		
(7)	970 522 902 10	Backrest cover D >> - 24.01.2011	right	1	PR:832,834, 343,940,XYW
	970 522 902 10 DAA	Black	-AB		
	970 522 902 10 DAB	Platinum Grey	-CB		
	970 522 902 10 DAC	Luxor beige	-UB		
(7)	970 522 902 31	Backrest cover	right	1	PR:832,834,

Model: 970 10 Model life 2010>>2016

Pos	Part Number	Description	Remark	Qty	Model
		D - 25.01.2011>>			343,940,XYW
	970 522 902 31 DAA	Black	-AB		
	970 522 902 31 DAB	Platinum Grey	-CB		
	970 522 902 31 DAC	Luxor beige	-UB,PK		
	970 522 902 31 GHB	agate grey	-DG		
(7)	970 522 902 11	Backrest cover D >> - 24.01.2011	right	1	PR:832,834, 343,941,XYW, -998
	970 522 902 11 DAF	Black	-AC		
	970 522 902 11 DAG	Platinum Grey	-CC,BB		
	970 522 902 11 DAH	Luxor beige	-UC		
	970 522 902 11 DAJ	yachting blue	-EC		
	970 522 902 11 DAL	Cream	-BC,BD,BE		
	970 522 902 11 DAK	Marsala Red	-PC		
(7)	970 522 902 32	Backrest cover D - 25.01.2011>>	right	1	PR:832,834, 343,941,XYW, -998
	970 522 902 32 DAF	Black	-AC		
	970 522 902 32 DAG	Platinum Grey	-CC,BB		
	970 522 902 32 DAH	Luxor beige	-UC,PL		
	970 522 902 32 DAJ	yachting blue	-EC		
	970 522 902 32 DAL	Cream	-BC,BD,BE,DS, DT		
	970 522 902 32 DAK	Marsala Red	-PC		
	970 522 902 32 GHC	agate grey	-DL		
	970 522 902 32 GLC	Carrera Red	-BF		
	970 522 902 32 DUE	saddle brown	-SB,DN		
(7)	970 522 902 12	Backrest cover D >> - 24.01.2011	right	1	PR:832,834, 343,943,XYW, -542,-998
	970 522 902 12 DAF	Black	-AC		
	970 522 902 12 DAG	Platinum Grey	-CC,BB		
	970 522 902 12 DAH	Luxor beige	-UC		
	970 522 902 12 DAJ	yachting blue	-EC		
	970 522 902 12 DAL	Cream	-BC,BD,BE		
	970 522 902 12 DAK	Marsala Red	-PC		
(7)	970 522 902 33	Backrest cover D - 25.01.2011>>	right	1	PR:381,832, 834,343,943, XYW,-542, -998
	970 522 902 33 DAF	Black	-AC		
	970 522 902 33 DAG	Platinum Grey	-CC,BB		
	970 522 902 33 DAH	Luxor beige	-UC,PL		
	970 522 902 33 DAJ	yachting blue	-EC		
	970 522 902 33 DAL	Cream	-BC,BD,BE,DS, DT		
	970 522 902 33 DAK	Marsala Red	-PC		
	970 522 902 33 GHC	agate grey	-DL		
	970 522 902 33 GLC	Carrera Red	-BF		
	970 522 902 33 DUE	saddle brown	-SB,DN		
(7)	970 522 902 13	Backrest cover D >> - 24.01.2011	right	1	PR:832,834, 343,943,998, XYW,-542
	970 522 902 13 DAM	Espresso	-NA		
	970 522 902 13 DAN	Cognac	-NC		
	970 522 902 13 DAO	Cedar	-BN		
(7)	970 522 902 34	Backrest cover D - 25.01.2011>>	right	1	PR:381,832, 834,343,943, 998,XYW,-542
	970 522 902 34 DAM	Espresso	-NA		
	970 522 902 34 DAN	Cognac	-NC		
	970 522 902 34 DAO	Cedar	-BN		
(7)	970 522 902 14	Backrest cover	right	1	PR:832,834,

Model: 970 10 Model life 2010>>2016

Pos	Part Number	Description	Remark	Qty	Model
		D >> - 24.01.2011			343,941,998, XYW
	970 522 902 14 DAM	Espresso	-NA		
	970 522 902 14 DAN	Cognac	-NC		
	970 522 902 14 DAO	Cedar	-BN		
(7)	970 522 902 35	Backrest cover D - 25.01.2011>>	right	1	PR:834,832, 343,941,998, XYW
	970 522 902 35 DAM	Espresso	-NA		
	970 522 902 35 DAN	Cognac	-NC		
	970 522 902 35 DAO	Cedar	-BN		
(7)	970 522 902 18	Backrest cover D >> - 24.01.2011	right	1	PR:832,542, 938,XYW
	970 522 902 18 DAA	Black	-AB		
	970 522 902 18 DAB	Platinum Grey	-CB		
	970 522 902 18 DAC	Luxor beige	-UB		
(7)	970 522 902 39	Backrest cover D - 25.01.2011>>	right	1	PR:832,542, 938,XYW
	970 522 902 39 DAA	Black	-AB		
	970 522 902 39 DAB	Platinum Grey	-CB		
	970 522 902 39 DAC	Luxor beige	-UB,PK		
	970 522 902 39 GHB	agate grey	-DG		
(7)	970 522 902 19	Backrest cover D >> - 24.01.2011	right	1	PR:832,542, 943,XYW,-998
	970 522 902 19 DAF	Black	-AC		
	970 522 902 19 DAG	Platinum Grey	-CC,BB		
	970 522 902 19 DAH	Luxor beige	-UC		
	970 522 902 19 DAJ	yachting blue	-EC		
	970 522 902 19 DAL	Cream	-BC,BD,BE		
	970 522 902 19 DAK	Marsala Red	-PC		
(7)	970 522 902 40	Backrest cover D - 25.01.2011>>	right	1	PR:832,542, 943,XYW,-998
	970 522 902 40 DAF	Black	-AC		
	970 522 902 40 DAG	Platinum Grey	-CC,BB		
	970 522 902 40 DAH	Luxor beige	-UC,PL		
	970 522 902 40 DAJ	yachting blue	-EC		
	970 522 902 40 DAL	Cream	-BC,BD,BE,DS, DT		
	970 522 902 40 DAK	Marsala Red	-PC		
	970 522 902 40 GHC	agate grey	-DL		
	970 522 902 40 GLC	Carrera Red	-BF		
	970 522 902 40 DUE	saddle brown	-SB,DN		
(7)	970 522 902 20	Backrest cover D >> - 24.01.2011	right	1	PR:832,542, 943,998,XYW
	970 522 902 20 DAM	Espresso	-NA		
	970 522 902 20 DAN	Cognac	-NC		
	970 522 902 20 DAO	Cedar	-BN		
(7)	970 522 902 41	Backrest cover D - 25.01.2011>>	right	1	PR:832,542, 943,998,XYW
	970 522 902 41 DAM	Espresso	-NA		
	970 522 902 41 DAN	Cognac	-NC		
	970 522 902 41 DAO	Cedar	-BN		
(7)	970 522 902 42	Backrest cover D - 25.01.2011>>	right	1	PR:381,832, 834,541,938, XYW
	970 522 902 42 DAA	Black	-AB		
	970 522 902 42 DAB	Platinum Grey	-CB		
	970 522 902 42 DAC	Luxor beige	-UB,PK		
	970 522 902 42 GHB	agate grey	-DG		
(7)	970 522 902 43	Backrest cover D - 25.01.2011>>	right	1	PR:381,832, 834,541,943, XYW,-343
	970 522 902 43 DAF	Black	-AC		

Model: 970 10 Model life 2010>>2016

Pos	Part Number	Description	Remark	Qty	Model
	970 522 902 43 DAG	Platinum Grey	-CC,BB		
	970 522 902 43 DAH	Luxor beige	-UC,PL		
	970 522 902 43 DAJ	yachting blue	-EC		
	970 522 902 43 DAL	Cream	-BC,BD,BE,DS, DT		
	970 522 902 43 DAK	Marsala Red	-PC		
	970 522 902 43 GHC	agate grey	-DL		
	970 522 902 43 GLC	Carrera Red	-BF		
	970 522 902 43 DUE	saddle brown	-SB,DN		
(7)	970 522 902 44	Backrest cover D - 25.01.2011>>	right	1	PR:381,832, 834,541,943, 998,XYW,-343
	970 522 902 44 DAM	Espresso	-NA		
	970 522 902 44 DAN	Cognac	-NC		
	970 522 902 44 DAO	Cedar	-BN		
(7)	970 522 902 45	Backrest cover D - 25.01.2011>>	right	1	PR:381,832, 834,343,541, 938,XYW
	970 522 902 45 DAA	Black	-AB		
	970 522 902 45 DAB	Platinum Grey	-CB		
	970 522 902 45 DAC	Luxor beige	-UB,PK		
	970 522 902 45 GHB	agate grey	-DG		
(7)	970 522 902 46	Backrest cover D - 25.01.2011>>	right	1	PR:381,832, 834,541,943, XYW,-998
	970 522 902 46 DAF	Black	-AC		
	970 522 902 46 DAG	Platinum Grey	-CC,BB		
	970 522 902 46 DAH	Luxor beige	-UC,PL		
	970 522 902 46 DAJ	yachting blue	-EC		
	970 522 902 46 DAL	Cream	-BC,BD,BE,DS, DT		
	970 522 902 46 DAK	Marsala Red	-PC		
	970 522 902 46 GHC	agate grey	-DL		
	970 522 902 46 GLC	Carrera Red	-BF		
	970 522 902 46 DUE	saddle brown	-SB,DN		
(7)	970 522 902 47	Backrest cover D - MJ 2013>>	right	1	PR:381,832, 834,343,541, 943,998,XYW
	970 522 902 47 DAM	Espresso	-NA		
	970 522 902 47 DAN	Cognac	-NC		
	970 522 902 47 DAO	Cedar	-BN		
(7)	970 522 902 48	Backrest cover D - 25.01.2011>>	right	1	PR:381,834, 542,938,XYW
	970 522 902 48 DAA	Black	-AB		
	970 522 902 48 DAB	Platinum Grey	-CB		
	970 522 902 48 DAC	Luxor beige	-UB,PK		
	970 522 902 48 GHB	agate grey	-DG		
(7)	970 522 902 49	Backrest cover D - 25.01.2011>>	right	1	PR:381,834, 542,943,XYW, -998
	970 522 902 49 DAF	Black	-AC		
	970 522 902 49 DAG	Platinum Grey	-CC,BB		
	970 522 902 49 DAH	Luxor beige	-UC,PL		
	970 522 902 49 DAJ	yachting blue	-EC		
	970 522 902 49 DAL	Cream	-BC,BD,BE,DS, DT		
	970 522 902 49 DAK	Marsala Red	-PC		
	970 522 902 49 GHC	agate grey	-DL		
	970 522 902 49 GLC	Carrera Red	-BF		
	970 522 902 49 DUE	saddle brown	-SB,DN		
(7)	970 522 902 50	Backrest cover D - 25.01.2011>>	right	1	PR:381,834, 542,943,998, XYW

Model: 970 10 Model life 2010>>2016

Pos	Part Number	Description	Remark	Qty	Model
(7)	970 522 902 50 DAM	Espresso	-NA	1	PR:832,834, 938,-343, -541
	970 522 902 50 DAN	Cognac	-NC		
	970 522 902 50 DAO	Cedar	-BN		
	970 522 142 00	Backrest cover D >> - 24.01.2011	right		
(7)	970 522 142 00 DAA	Black	-AB	1	PR:381,832, 834,938, -343,-541
	970 522 142 00 DAB	Platinum Grey	-CB		
	970 522 142 00 DAC	Luxor beige	-UB		
	970 522 142 30	Backrest cover D - 25.01.2011>>	right		
(7)	970 522 142 30 DAA	Black	-AB	1	PR:382,832, 834,938, -343,-541
	970 522 142 30 DAB	Platinum Grey	-CB		
	970 522 142 30 DAC	Luxor beige	-UB,PK		
	970 522 142 30 GHB	agate grey	-DG		
(7)	970 522 142 91	Backrest cover D - MJ 2014>>	right	1	PR:832,834, 940,-343
	970 522 142 91 DAA	Black	-AB		
	970 522 142 91 DAC	Luxor beige	-UB,PK		
	970 522 142 91 GHB	agate grey	-DG		
(7)	970 522 142 01	Cover D >> - 24.01.2011	right	1	PR:832,834, 940,-343
	970 522 142 01 DAA	Black	-AB		
	970 522 142 01 DAB	Platinum Grey	-CB		
	970 522 142 01 DAC	Luxor beige	-UB		
(7)	970 522 142 31	Backrest cover D - 25.01.2011>>	right	1	PR:832,834, 940,-343
	970 522 142 31 DAA	Black	-AB		
	970 522 142 31 DAB	Platinum Grey	-CB		
	970 522 142 31 DAC	Luxor beige	-UB,PK		
(7)	970 522 142 31 GHB	agate grey	-DG	1	PR:832,834, 941,-343, -998
	970 522 142 02	Cover D >> - 24.01.2011	right		
	970 522 142 02 DAF	Black	-AC		
	970 522 142 02 DAG	Platinum Grey	-CC,BB		
(7)	970 522 142 02 DAH	Luxor beige	-UC	1	PR:832,834, 941,-343, -998
	970 522 142 02 DAJ	Black/yachting blue	-EC		
	970 522 142 02 DAL	Cream	-BC,BD,BE		
	970 522 142 02 DAK	Marsala Red	-PC		
(7)	970 522 142 32	Backrest cover D - 25.01.2011>>	right	1	PR:832,834, 941,-343, -998
	970 522 142 32 DAF	Black	-AC		
	970 522 142 32 DAG	Platinum Grey	-CC,BB		
	970 522 142 32 DAH	Luxor beige	-UC,PL		
(7)	970 522 142 32 DAJ	yachting blue	-EC	1	PR:832,834, 943,-343, -541,-998
	970 522 142 32 DAL	Cream	-BC,BD,BE,DS, DT		
	970 522 142 32 DAK	Marsala Red	-PC		
	970 522 142 32 GHC	agate grey	-DL		
(7)	970 522 142 32 GLC	Carrera Red	-BF	1	PR:832,834, 943,-343, -541,-998
	970 522 142 32 DUE	saddle brown	-SB,DN		
	970 522 142 03	Cover D >> - 24.01.2011	right		
	970 522 142 03 DAF	Black	-AC		
(7)	970 522 142 03 DAG	Platinum Grey	-CC,BB	1	PR:832,834, 943,-343, -541,-998
	970 522 142 03 DAH	Luxor beige	-UC		
	970 522 142 03 DAJ	Black/yachting blue	-EC		

Model: 970 10 Model life 2010>>2016

Pos	Part Number	Description	Remark	Qty	Model
(7)	970 522 142 03 DAL	Cream	-BC,BD,BE	1	PR:381,832, 834,943, -343,-541, -998
	970 522 142 03 DAK	Marsala Red	-PC		
	970 522 142 33	Backrest cover D - 25.01.2011>>	right		
	970 522 142 33 DAF	Black	-AC		
	970 522 142 33 DAG	Platinum Grey	-CC,BB		
	970 522 142 33 DAH	Luxor beige	-UC,PL		
	970 522 142 33 DAJ	yachting blue	-EC		
(7)	970 522 142 33 DAL	Cream	-BC,BD,BE,DS, DT	1	PR:382,832, 834,943, -343,-541, -998
	970 522 142 33 DAK	Marsala Red	-PC		
	970 522 142 33 GHC	agate grey	-DL		
	970 522 142 33 GLC	Carrera Red	-BF		
	970 522 142 33 DUE	saddle brown	-SB,DN		
	970 522 142 92	Backrest cover D - MJ 2014>>	right		
	970 522 142 92 DAF	Black	-AC		
(7)	970 522 142 92 DAL	Cream	-BC,BD,BE,DS, DT	1	PR:832,834, 943,998, -343,-541
	970 522 142 92 DAK	Marsala Red	-PC		
	970 522 142 92 GHC	agate grey	-DL		
	970 522 142 92 GLC	Carrera Red	-BF		
	970 522 142 92 DUE	saddle brown	-SB,DN		
	970 522 142 04	Cover D >> - 24.01.2011 backrest	right		
	970 522 142 04 DAM	Espresso	-NA		
(7)	970 522 142 04 DAN	Cognac	-NC	1	PR:381,832, 834,943,998, -343,-541
	970 522 142 04 DAO	Espresso/cedar	-BN		
	970 522 142 34	Backrest cover D - 25.01.2011>>	right		
(7)	970 522 142 34 DAM	Espresso	-NA	1	PR:382,832, 834,943,998, -343,-541
	970 522 142 34 DAN	Cognac	-NC		
	970 522 142 34 DAO	Cedar	-BN		
(7)	970 522 142 93	Backrest cover D - MJ 2014>>	right	1	PR:832,834, 941,998,-343
	970 522 142 93 DAM	Espresso	-NA		
	970 522 142 93 DAN	Cognac	-NC		
(7)	970 522 142 93 DAO	Cedar	-BN	1	PR:832,834, 941,998,-343
	970 522 142 05	Cover D >> - 24.01.2011 backrest	right		
	970 522 142 05 DAM	Espresso	-NA		
(7)	970 522 142 05 DAN	Cognac	-NC	1	PR:832,834, 941,998,-343
	970 522 142 05 DAO	Espresso/cedar	-BN		
	970 522 142 35	Backrest cover D - 25.01.2011>>	right		
(7)	970 522 142 35 DAM	Espresso	-NA	1	PR:832,834, 343,938, -541,-542
	970 522 142 35 DAN	Cognac	-NC		
	970 522 142 35 DAO	Cedar	-BN		
(7)	970 522 142 09	Cover D >> - 24.01.2011 backrest	right	1	PR:381,832,
	970 522 142 09 DAA	Black	-AB		
	970 522 142 09 DAB	Platinum Grey	-CB		
	970 522 142 09 DAC	Luxor beige	-UB		
	970 522 142 39	Backrest cover	right	1	PR:381,832,

Model: 970 10 Model life 2010>>2016

Pos	Part Number	Description	Remark	Qty	Model
		D - 25.01.2011>>			834,343,938, -541,-542
	970 522 142 39 DAA	Black	-AB		
	970 522 142 39 DAB	Platinum Grey	-CB		
	970 522 142 39 DAC	Luxor beige	-UB,PK		
	970 522 142 39 GHB	agate grey	-DG		
(7)	970 522 142 94	Backrest cover	right	1	PR:382,832, 834,343,938, -541,-542
		D - MJ 2014>>			
	970 522 142 94 DAA	Black	-AB		
	970 522 142 94 DAC	Luxor beige	-UB,PK		
	970 522 142 94 GHB	agate grey	-DG		
(7)	970 522 142 10	Cover	right	1	PR:832,834, 343,940
		D >> - 24.01.2011			
		backrest			
	970 522 142 10 DAA	Black	-AB		
	970 522 142 10 DAB	Platinum Grey	-CB		
	970 522 142 10 DAC	Luxor beige	-UB		
(7)	970 522 142 40	Backrest cover	right	1	PR:832,834, 343,940
		D - 25.01.2011>>			
	970 522 142 40 DAA	Black	-AB		
	970 522 142 40 DAB	Platinum Grey	-CB		
	970 522 142 40 DAC	Luxor beige	-UB,PK		
	970 522 142 40 GHB	agate grey	-DG		
(7)	970 522 142 11	Cover	right	1	PR:832,834, 343,941,-998
		D >> - 24.01.2011			
		backrest			
	970 522 142 11 DAF	Black	-AC		
	970 522 142 11 DAG	Platinum Grey	-CC,BB		
	970 522 142 11 DAH	Luxor beige	-UC		
	970 522 142 11 DAJ	yachting blue	-EC		
	970 522 142 11 DAL	Cream	-BC,BD,BE		
	970 522 142 11 DAK	Marsala Red	-PC		
(7)	970 522 142 41	Backrest cover	right	1	PR:832,834, 343,941,-998
		D - 25.01.2011>>			
	970 522 142 41 DAF	Black	-AC		
	970 522 142 41 DAG	Platinum Grey	-CC,BB		
	970 522 142 41 DAH	Luxor beige	-UC,PL		
	970 522 142 41 DAJ	yachting blue	-EC		
	970 522 142 41 DAL	Cream	-BC,BD,BE,DS, DT		
	970 522 142 41 DAK	Marsala Red	-PC		
	970 522 142 41 GHC	agate grey	-DL		
	970 522 142 41 GLC	Carrera Red	-BF		
	970 522 142 41 DUE	saddle brown	-SB,DN		
(7)	970 522 142 12	Cover	right	1	PR:832,834, 343,943, -541,-542, -998
		D >> - 24.01.2011			
		backrest			
	970 522 142 12 DAF	Black	-AC		
	970 522 142 12 DAG	Platinum Grey	-CC,BB		
	970 522 142 12 DAH	Luxor beige	-UC		
	970 522 142 12 DAJ	Black/yachting blue	-EC		
	970 522 142 12 DAL	Cream	-BC,BD,BE		
	970 522 142 12 DAK	Marsala Red	-PC		
(7)	970 522 142 42	Backrest cover	right	1	PR:381,832, 834,343,943, -541,-542, -998
		D >> - 24.01.2011			
	970 522 142 42 DAF	Black	-AC		
	970 522 142 42 DAG	Platinum Grey	-CC,BB		
	970 522 142 42 DAH	Luxor beige	-UC,PL		
	970 522 142 42 DAJ	yachting blue	-EC		

Model: 970 10 Model life 2010>>2016

Pos	Part Number	Description	Remark	Qty	Model
	970 522 142 42 DAL	Cream	-BC,BD,BE,DS, DT		
	970 522 142 42 DAK	Marsala Red	-PC		
	970 522 142 42 GHC	agate grey	-DL		
	970 522 142 42 GLC	Carrera Red	-BF		
	970 522 142 42 DUE	saddle brown	-SB, DN		
(7)	970 522 142 95	Backrest cover	right	1	PR:382,832, 834,343,943, -541,-542, -998
		D - MJ 2014>>			
	970 522 142 95 DAF	Black	-AC		
	970 522 142 95 DAL	Cream	-BC,BD,BE,DS, DT		
	970 522 142 95 DAK	Marsala Red	-PC		
	970 522 142 95 GHC	agate grey	-DL		
	970 522 142 95 GLC	Carrera Red	-BF		
	970 522 142 95 DUE	saddle brown	-SB, DN		
(7)	970 522 142 13	Cover	right	1	PR:832,834, 343,943,998, -541,-542
		D >> - 24.01.2011			
		backrest			
	970 522 142 13 DAM	Espresso	-NA		
	970 522 142 13 DAN	Cognac	-NC		
	970 522 142 13 DAO	Cedar	-BN		
(7)	970 522 142 43	Backrest cover	right	1	PR:381,832, 834,343,943, 998,-541, -542
		D - 25.01.2011>>			
	970 522 142 43 DAM	Espresso	-NA		
	970 522 142 43 DAN	Cognac	-NC		
	970 522 142 43 DAO	Cedar	-BN		
(7)	970 522 142 96	Backrest cover	right	1	PR:382,832, 834,343,943, 998,-541, -542
		D - MJ 2014>>			
	970 522 142 96 DAM	Espresso	-NA		
	970 522 142 96 DAN	Cognac	-NC		
	970 522 142 96 DAO	Cedar	-BN		
(7)	970 522 142 14	Cover	right	1	PR:832,834, 343,941,998
		D >> - 24.01.2011			
		backrest			
	970 522 142 14 DAM	Espresso	-NA		
	970 522 142 14 DAN	Cognac	-NC		
	970 522 142 14 DAO	Espresso/cedar	-BN		
(7)	970 522 142 44	Backrest cover	right	1	PR:832,834, 343,941,998
		D - 25.01.2011>>			
	970 522 142 44 DAM	Espresso	-NA		
	970 522 142 44 DAN	Cognac	-NC		
	970 522 142 44 DAO	Cedar	-BN		
(7)	970 522 142 18	Cover	right	1	PR:832,542, 938
		D >> - 24.01.2011			
		backrest			
	970 522 142 18 DAA	Black	-AB		
	970 522 142 18 DAB	Platinum Grey	-CB		
	970 522 142 18 DAC	Luxor beige	-UB		
(7)	970 522 142 48	Backrest cover	right	1	PR:832,542, 938
		D - 25.01.2011>>			
	970 522 142 48 DAA	Black	-AB		
	970 522 142 48 DAB	Platinum Grey	-CB		
	970 522 142 48 DAC	Luxor beige	-UB, PK		
	970 522 142 48 GHB	agate grey	-DG		
(7)	970 522 142 19	Cover	right	1	PR:832,542, 943
		D >> - 24.01.2011			
		backrest			

Model: 970 10 Model life 2010>>2016

Pos	Part Number	Description	Remark	Qty	Model
	970 522 142 19 DAF	Black	-AC		
	970 522 142 19 DAG	Platinum Grey	-CC, BB		
	970 522 142 19 DAH	Luxor beige	-UC		
	970 522 142 19 DAJ	yachting blue	-EC		
	970 522 142 19 DAL	Cream	-BC, BD, BE		
	970 522 142 19 DAK	Marsala Red	-PC		
(7)	970 522 142 49	Backrest cover D - 25.01.2011>>	right	1	PR:832,542, 943,-998
	970 522 142 49 DAF	Black	-AC		
	970 522 142 49 DAG	Platinum Grey	-CC, BB		
	970 522 142 49 DAH	Luxor beige	-UC, PL		
	970 522 142 49 DAJ	yachting blue	-EC		
	970 522 142 49 DAL	Cream	-BC, BD, BE, DS, DT		
	970 522 142 49 DAK	Marsala Red	-PC		
	970 522 142 49 GHC	agate grey	-DL		
	970 522 142 49 GLC	Carrera Red	-BF		
(7)	970 522 142 49 DUE	saddle brown	-SB, DN		
	970 522 142 20	Cover D >> - 24.01.2011	right	1	PR:832,542, 943,998
	970 522 142 20 DAM	Espresso	-NA		
	970 522 142 20 DAN	Cognac	-NC		
	970 522 142 20 DAO	Cedar	-BN		
(7)	970 522 142 50	Backrest cover D - 25.01.2011>>	right	1	PR:832,542, 943,998
	970 522 142 50 DAM	Espresso	-NA		
	970 522 142 50 DAN	Cognac	-NC		
	970 522 142 50 DAO	Cedar	-BN		
(7)	970 522 142 21	Cover D >> - 24.01.2011	right	1	PR:832,834, 541,938,-343
	970 522 142 21 DAA	Black	-AB		
	970 522 142 21 DAB	Platinum Grey	-CB		
	970 522 142 21 DAC	Luxor beige	-UB		
(7)	970 522 142 51	Backrest cover D - 25.01.2011>>	right	1	PR:381,832, 834,541,938, -343
	970 522 142 51 DAA	Black	-AB		
	970 522 142 51 DAB	Platinum Grey	-CB		
	970 522 142 51 DAC	Luxor beige	-UB, PK		
	970 522 142 51 GHB	agate grey	-DG		
(7)	970 522 142 97	Backrest cover D - MJ 2014>>	right	1	PR:382,832, 834,541,938, -343
	970 522 142 97 DAA	Black	-AB		
	970 522 142 97 DAC	Luxor beige	-UB, PK		
	970 522 142 97 GHB	agate grey	-DG		
(7)	970 522 142 22	Cover D >> - 24.01.2011	right	1	PR:832,834, 541,943, -343,-998
	970 522 142 22 DAF	Black	-AC		
	970 522 142 22 DAG	Platinum Grey	-CC, BB		
	970 522 142 22 DAH	Luxor beige	-UC		
	970 522 142 22 DAJ	yachting blue	-EC		
	970 522 142 22 DAL	Cream	-BC, BD, BE		
	970 522 142 22 DAK	Marsala Red	-PC		
(7)	970 522 142 52	Backrest cover D - 25.01.2011>>	right	1	PR:381,832, 834,541,943, -343,-998
	970 522 142 52 DAF	Black	-AC		
	970 522 142 52 DAG	Platinum Grey	-CC, BB		
	970 522 142 52 DAH	Luxor beige	-UC, PL		

Model: 970 10 Model life 2010>>2016

Pos	Part Number	Description	Remark	Qty	Model
	970 522 142 52 DAJ	yachting blue	-EC		
	970 522 142 52 DAL	Cream	-BC, BD, BE, DS, DT		
	970 522 142 52 DAK	Marsala Red	-PC		
	970 522 142 52 GHC	agate grey	-DL		
	970 522 142 52 GLC	Carrera Red	-BF		
	970 522 142 52 DUE	saddle brown	-SB, DN		
(7)	970 522 142 98	Backrest cover	right	1	PR:382,832, 834,541,943, -343,-998
		D - MJ 2014>>			
	970 522 142 98 DAF	Black	-AC		
	970 522 142 98 DAL	Cream	-BC, BD, BE, DS, DT		
	970 522 142 98 DAK	Marsala Red	-PC		
	970 522 142 98 GHC	agate grey	-DL		
	970 522 142 98 GLC	Carrera Red	-BF		
	970 522 142 98 DUE	saddle brown	-SB, DN		
(7)	970 522 142 23	Cover	right	1	PR:832,834, 943,541,998, -343
		D >> - 24.01.2011			
		backrest			
	970 522 142 23 DAM	Espresso	-NA		
	970 522 142 23 DAN	Cognac	-NC		
	970 522 142 23 DAO	Cedar	-BN		
(7)	970 522 142 53	Backrest cover	right	1	PR:381,832, 834,943,541, 998,-343
		D - 25.01.2011>>			
	970 522 142 53 DAM	Espresso	-NA		
	970 522 142 53 DAN	Cognac	-NC		
	970 522 142 53 DAO	Cedar	-BN		
(7)	970 522 142 99	Backrest cover	right	1	PR:382,832, 834,943,541, 998,-343
		D - MJ 2014>>			
	970 522 142 99 DAM	Espresso	-NA		
	970 522 142 99 DAN	Cognac	-NC		
	970 522 142 99 DAO	Cedar	-BN		
(7)	970 522 142 24	Backrest cover	right	1	PR:832,834, 343,541,938
		D >> - 24.01.2011			
	970 522 142 24 DAA	Black	-AB		
	970 522 142 24 DAB	Platinum Grey	-CB		
	970 522 142 24 DAC	Luxor beige	-UB		
(7)	970 522 142 54	Backrest cover	right	1	PR:381,832, 834,343,541, 938
		D - 25.01.2011>>			
	970 522 142 54 DAA	Black	-AB		
	970 522 142 54 DAB	Platinum Grey	-CB		
	970 522 142 54 DAC	Luxor beige	-UB, PK		
	970 522 142 54 GHB	agate grey	-DG		
(7)	970 522 142 A1	Backrest cover	right	1	PR:382,832, 834,343,541, 938
		D - MJ 2014>>			
	970 522 142 A1 DAA	Black	-AB		
	970 522 142 A1 DAC	Luxor beige	-UB, PK		
	970 522 142 A1 GHB	agate grey	-DG		
(7)	970 522 142 25	Backrest cover	right	1	PR:832,834, 343,541,943, -998
		D >> - 24.01.2011			
	970 522 142 25 DAF	Black	-AC		
	970 522 142 25 DAG	Platinum Grey	-CC, BB		
	970 522 142 25 DAH	Luxor beige	-UC		
	970 522 142 25 DAJ	yachting blue	-EC		
	970 522 142 25 DAL	Cream	-BC, BD, BE		
(7)	970 522 142 55	Backrest cover	right	1	PR:381,832, 834,343,541,
		D - 25.01.2011>>			

Model: 970 10 Model life 2010>>2016

Pos	Part Number	Description	Remark	Qty	Model
	970 522 142 55 DAF	Black	-AC		943
	970 522 142 55 DAG	Platinum Grey	-CC,BB		
	970 522 142 55 DAH	Luxor beige	-UC,PL		
	970 522 142 55 DAJ	yachting blue	-EC		
	970 522 142 55 DAL	Cream	-BC,BD,BE,DS, DT		
	970 522 142 55 DAK	Marsala Red	-PC		
	970 522 142 55 GHC	agate grey	-DL		
	970 522 142 55 GLC	Carrera Red	-BF		
	970 522 142 55 DUE	saddle brown	-SB,DN		
(7)	970 522 142 A2	Backrest cover D - MJ 2014>>	right	1	PR:382,832, 834,343,541, 943
	970 522 142 A2 DAF	Black	-AC,UC,PL		
	970 522 142 A2 DAL	Cream	-BC,BD,BE,DS, DT		
	970 522 142 A2 DAK	Marsala Red	-PC		
	970 522 142 A2 GHC	agate grey	-DL		
	970 522 142 A2 GLC	Carrera Red	-BF		
	970 522 142 A2 DUE	saddle brown	-SB,DN		
(7)	970 522 142 26	Cover D >> - 24.01.2011	right	1	PR:832,834, 343,541,943, 998
	970 522 142 26 DAM	Espresso	-NA		
	970 522 142 26 DAN	Cognac	-NC		
	970 522 142 26 DAO	Cedar	-BN		
(7)	970 522 142 56	Backrest cover D - 25.01.2011>>	right	1	PR:381,832, 834,343,541, 943,998
	970 522 142 56 DAM	Espresso	-NA		
	970 522 142 56 DAN	Cognac	-NC		
	970 522 142 56 DAO	Cedar	-BN		
(7)	970 522 142 A3	Backrest cover D - MJ 2014>>	right	1	PR:382,832, 834,343,541, 943,998
	970 522 142 A3 DAM	Espresso	-NA		
	970 522 142 A3 DAN	Cognac	-NC		
	970 522 142 A3 DAO	Cedar	-BN		
(7)	970 522 142 27	Backrest cover D >> - 24.01.2011	right	1	PR:834,542, 938
	970 522 142 27 DAA	Black	-AB		
	970 522 142 27 DAB	Platinum Grey	-CB		
	970 522 142 27 DAC	Luxor beige	-UB		
(7)	970 522 142 57	Backrest cover D - 25.01.2011>>	right	1	PR:381,834, 542,938
	970 522 142 57 DAA	Black	-AB		
	970 522 142 57 DAB	Platinum Grey	-CB		
	970 522 142 57 DAC	Luxor beige	-UB,PK		
	970 522 142 57 GHB	agate grey	-DG		
(7)	970 522 142 A4	Backrest cover D - MJ 2014>>	right	1	PR:382,834, 542,938
	970 522 142 A4 DAA	Black	-AB		
	970 522 142 A4 DAC	Luxor beige	-UB,PK		
	970 522 142 A4 GHB	agate grey	-DG		
(7)	970 522 142 28	Backrest cover D >> - 24.01.2011	right	1	PR:834,542, 943,-998
	970 522 142 28 DAF	Black	-AC		
	970 522 142 28 DAG	Platinum Grey	-CC,BB		
	970 522 142 28 DAH	Luxor beige	-UC		
	970 522 142 28 DAJ	yachting blue	-EC		
	970 522 142 28 DAL	Cream	-BC,BD,BE		

Model: 970 10 Model life 2010>>2016

Pos	Part Number	Description	Remark	Qty	Model
(7)	970 522 142 28 DAK 970 522 142 58	Marsala Red Backrest cover D - 25.01.2011>>	-PC right	1	PR:381,834, 542,943,-998
	970 522 142 58 DAF 970 522 142 58 DAG 970 522 142 58 DAH 970 522 142 58 DAJ 970 522 142 58 DAL	Black Platinum Grey Luxor beige yachting blue Cream	-AC -CC,BB -UC,PL -EC -BC,BD,BE,DS, DT		
(7)	970 522 142 58 DAK 970 522 142 58 GHC 970 522 142 58 GLC 970 522 142 58 DUE 970 522 142 A5	Marsala Red agate grey Carrera Red saddle brown Backrest cover D - MJ 2014>>	-PC -DL -BF -SB,DN right	1	PR:382,834, 542,943,-998
	970 522 142 A5 DAF 970 522 142 A5 DAL	Black Cream	-AC,UC,PL -BC,BD,BE,DS, DT		
(7)	970 522 142 A5 DAK 970 522 142 A5 GHC 970 522 142 A5 GLC 970 522 142 A5 DUE 970 522 142 29	Marsala Red agate grey Carrera Red saddle brown Cover D >> - 24.01.2011	-PC -DL -BF -SB,DN right	1	PR:834,542, 943,998
	970 522 142 29 DAM 970 522 142 29 DAN 970 522 142 29 DAO	Espresso Cognac Cedar Cover D - 25.01.2011>>	-NA -NC -BN right	1	PR:381,834, 542,943,998
(7)	970 522 142 59 DAM 970 522 142 59 DAN 970 522 142 59 DAO 970 522 142 A6	Espresso Cognac Cedar Cover backrest D - MJ 2014>>	-NA -NC -BN right	1	PR:382,834, 542,943,998
8	970 522 142 A6 DAM 970 522 142 A6 DAN 970 522 142 A6 DAO 970 522 161 54	Espresso Cognac Cedar Cover Seat cushion D >> - MJ 2010	-NA -NC -BN left	1	PR:832,938, 830,-343, -541
	970 522 161 54 DAA 970 522 161 54 DAB 970 522 161 54 DAC	Black Platinum Grey Luxor beige Cover Seat cushion D - MJ 2011>>	-AB -CB -UB left	1	PR:832,938, 830,-343, -541
(8)	970 522 161 A8 DAA 970 522 161 A8 DAB 970 522 161 A8 DAC 970 522 161 A8 GHB 970 522 161 55	Black Platinum Grey Luxor beige agate grey Cover Seat cushion D >> - MJ 2010	-AB -CB -UB,PK -DG left	1	PR:832,940, 830,-343, -541
	970 522 161 55 DAA 970 522 161 55 DAB 970 522 161 55 DAC	Black Platinum Grey Luxor beige Cover Seat cushion D - MJ 2011>>	-AB -CB -UB left	1	PR:832,940, 830,-343, -541
(8)	970 522 161 A9	Cover Seat cushion D - MJ 2011>>	left	1	PR:832,940, 830,-343, -541

Model: 970 10 Model life 2010>>2016

Pos	Part Number	Description	Remark	Qty	Model
(8)	970 522 161 A9 DAA	Black	-AB	1	PR:832,941, 830,-343, -541
	970 522 161 A9 DAB	Platinum Grey	-CB		
	970 522 161 A9 DAC	Luxor beige	-UB,PK		
	970 522 161 A9 GHB	agate grey	-DG		
	970 522 161 56	Cover Seat cushion D >> - MJ 2010	left		
(8)	970 522 161 56 DAF	Black	-AC	1	PR:832,941, 830,-343, -541
	970 522 161 56 DAG	Platinum Grey	-CC,BB		
	970 522 161 56 DAH	Luxor beige	-UC		
	970 522 161 56 DAJ	Black/yachting blue	-EC		
	970 522 161 56 DAL	Cream	-BC,BD,BE		
(8)	970 522 161 B1	Cover Seat cushion D - MJ 2011>>	left	1	PR:832,941, 830,-343, -541
	970 522 161 B1 DAF	Black	-AC		
	970 522 161 B1 DAG	Platinum Grey	-CC,BB		
	970 522 161 B1 DAH	Luxor beige	-UC,PL		
	970 522 161 B1 DAJ	yachting blue	-EC		
(8)	970 522 161 B1 DAL	Cream	-BC,BD,BE,DS, DT	1	PR:832,943, 830,-343, -541,-998
	970 522 161 B1 DAK	Marsala Red	-PC		
	970 522 161 B1 GHC	agate grey	-DL		
	970 522 161 B1 GLC	Carrera Red	-BF		
	970 522 161 B1 DUE	saddle brown	-SB,DN		
(8)	970 522 161 57	Cover Seat cushion D >> - MJ 2010	left	1	PR:832,943, 830,-343, -541,-998
	970 522 161 57 DAF	Black	-AC		
	970 522 161 57 DAG	Platinum Grey	-CC,BB		
	970 522 161 57 DAH	Luxor beige	-UC		
	970 522 161 57 DAJ	yachting blue	-EC		
(8)	970 522 161 57 DAL	Cream	-BC,BD,BE	1	PR:832,943, 830,-343, -541,-998
	970 522 161 B2	Cover Seat cushion D - MJ 2011>>	left		
	970 522 161 B2 DAF	Black	-AC		
	970 522 161 B2 DAG	Platinum Grey	-CC,BB		
	970 522 161 B2 DAH	Luxor beige	-UC		
(8)	970 522 161 B2 DAJ	yachting blue	-EC	1	PR:832,943, 998,830, -343,-541
	970 522 161 B2 DAL	Cream	-BC,BD,BE,DS, DT		
	970 522 161 B2 DAK	Marsala Red	-PC		
	970 522 161 B2 GHC	agate grey	-DL		
	970 522 161 B2 GLC	Carrera Red	-BF		
(8)	970 522 161 B2 DUE	saddle brown	-SB,DN	1	PR:832,943, 998,830, -343,-541
	970 522 161 58	Cover Seat cushion D >> - MJ 2010	left		
	970 522 161 58 DAM	Espresso	-NA		
	970 522 161 58 DAN	Cognac	-NC		
	970 522 161 58 DAO	Espresso/cedar	-BN		
(8)	970 522 161 B3	Cover Seat cushion D - MJ 2011>>	left	1	PR:832,941, 998,830, -343,-541
	970 522 161 B3 DAM	Espresso	-NA		
	970 522 161 B3 DAN	Cognac	-NC		
	970 522 161 B3 DAO	Espresso/cedar	-BN		
	970 522 161 59	Cover Seat cushion D >> - MJ 2010	left		
(8)	970 522 161 59 DAM	Espresso	-NA	1	PR:832,941, 998,830, -343,-541, -542

Model: 970 10 Model life 2010>>2016

Pos	Part Number	Description	Remark	Qty	Model
(8)	970 522 161 59 DAN	Cognac	-NC	1	PR:832,941, 998,830, -343,-541, -542
	970 522 161 59 DAO	Cedar	-BN		
	970 522 161 B4	Cover Seat cushion D - MJ 2011>>	left		
(8)	970 522 161 B4 DAM	Espresso	-NA	1	PR:832,343, 938,830, -541,-542
	970 522 161 B4 DAN	Cognac	-NC		
	970 522 161 B4 DAO	Cedar	-BN		
(8)	970 522 161 63	Cover Seat cushion D >> - MJ 2010	left	1	PR:832,343, 938,830, -541,-542
	970 522 161 63 DAA	Black	-AB		
	970 522 161 63 DAB	Platinum Grey	-CB		
(8)	970 522 161 63 DAC	Luxor beige	-UB	1	PR:832,343, 938,830, -541,-542
	970 522 161 B8	Cover Seat cushion D - MJ 2011>>	left		
	970 522 161 B8 DAA	Black	-AB		
(8)	970 522 161 B8 DAB	Platinum Grey	-CB	1	PR:832,343, 940,830, -541,-542
	970 522 161 B8 DAC	Luxor beige	-UB,PK		
	970 522 161 B8 GHB	agate grey	-DG		
(8)	970 522 161 64	Cover Seat cushion D >> - MJ 2010	left	1	PR:832,343, 940,830, -541,-542
	970 522 161 64 DAA	Black	-AB		
	970 522 161 64 DAB	Platinum Grey	-CB		
(8)	970 522 161 64 DAC	Luxor beige	-UB	1	PR:832,343, 940,830, -541,-542
	970 522 161 B9	Cover Seat cushion D - MJ 2011>>	left		
	970 522 161 B9 DAA	Black	-AB		
(8)	970 522 161 B9 DAB	Platinum Grey	-CB	1	PR:832,343, 941,830, -541,-542, -998
	970 522 161 B9 DAC	Luxor beige	-UB,PK		
	970 522 161 B9 GHB	agate grey	-DG		
(8)	970 522 161 65	Cover Seat cushion D >> - MJ 2010	left	1	PR:832,343, 941,830, -541,-542, -998
	970 522 161 65 DAF	Black	-AC		
	970 522 161 65 DAG	Platinum Grey	-CC,BB		
(8)	970 522 161 65 DAH	Luxor beige	-UC	1	PR:832,343, 941,830, -541,-542, -998
	970 522 161 65 DAJ	yachting blue	-EC		
	970 522 161 65 DAL	Cream	-BC,BD,BE		
(8)	970 522 161 C1	Cover Seat cushion D - MJ 2011>>	left	1	PR:832,343, 941,830, -541,-542, -998
	970 522 161 C1 DAF	Black	-AC		
	970 522 161 C1 DAG	Platinum Grey	-CC,BB		
(8)	970 522 161 C1 DAH	Luxor beige	-UC,PL	1	PR:832,343, 943,830, -541,-542, -998
	970 522 161 C1 DAJ	yachting blue	-EC		
	970 522 161 C1 DAL	Cream	-BC,BD,BE,DS, DT		
(8)	970 522 161 C1 DAK	Marsala Red	-PC	1	PR:832,343, 943,830, -541,-542, -998
	970 522 161 C1 GHC	agate grey	-DL		
	970 522 161 C1 GLC	Carrera Red	-BF		
(8)	970 522 161 C1 DUE	saddle brown	-SB,DN	1	PR:832,343, 943,830, -541,-542, -998
	970 522 161 66	Cover Seat cushion D >> - MJ 2010	left		
	970 522 161 66 DAF	Black	-AC		

Model: 970 10 Model life 2010>>2016

Pos	Part Number	Description	Remark	Qty	Model
(8)	970 522 161 66 DAG	Platinum Grey	-CC,BB	1	PR:832,343, 943,830, -541,-542, -998
	970 522 161 66 DAH	Luxor beige	-UC		
	970 522 161 66 DAJ	yachting blue	-EC		
	970 522 161 66 DAL	Cream	-BC,BD,BE		
	970 522 161 C2	Cover	left		
		Seat cushion			
		D - MJ 2011>>			
	970 522 161 C2 DAF	Black	-AC		
	970 522 161 C2 DAG	Platinum Grey	-CC,BB		
	970 522 161 C2 DAH	Luxor beige	-UC,PL		
(8)	970 522 161 C2 DAJ	yachting blue	-EC	1	PR:832,343, 943,998,830, -541,-542
	970 522 161 C2 DAL	Cream	-BC,BD,BE,DS, DT		
	970 522 161 C2 DAK	Marsala Red	-PC		
	970 522 161 C2 GHC	agate grey	-DL		
	970 522 161 C2 GLC	Carrera Red	-BF		
	970 522 161 C2 DUE	saddle brown	-SB,DN		
	970 522 161 67	Cover	left		
		Seat cushion			
		D >> - MJ 2010			
	970 522 161 67 DAM	Espresso	-NA		
(8)	970 522 161 67 DAN	Cognac	-NC	1	PR:832,343, 943,998,830, -541,-542
	970 522 161 67 DAO	Cedar	-BN		
	970 522 161 C3	Cover	left		
		Seat cushion			
		D - MJ 2011>>			
	970 522 161 C3 DAM	Espresso	-NA		
	970 522 161 C3 DAN	Cognac	-NC		
	970 522 161 C3 DAO	Cedar	-BN		
	970 522 161 68	Cover	left		
		Seat cushion			
(8)	970 522 161 68 DAM	Espresso	-NA	1	PR:832,343, 941,998,830, -541,-542
	970 522 161 68 DAN	Cognac	-NC		
	970 522 161 68 DAO	Espresso/cedar	-BN		
	970 522 161 C4	Cover	left		
		Seat cushion			
		D - MJ 2011>>			
	970 522 161 C4 DAM	Espresso	-NA		
	970 522 161 C4 DAN	Cognac	-NC		
	970 522 161 C4 DAO	Espresso/cedar	-BN		
	970 522 161 72	Cover	left		
(8)	970 522 161 72	Seat cushion		1	PR:832,542, 938,830,343
		D >> - MJ 2010			
	970 522 161 72 DAA	Black	-AB		
	970 522 161 72 DAB	Platinum Grey	-CB		
	970 522 161 72 DAC	Luxor beige	-UB		
	970 522 161 C8	Cover	left		
		Seat cushion			
		D - MJ 2011>>			
	970 522 161 C8 DAA	Black	-AB		
	(8)	970 522 161 C8 DAB	Platinum Grey		
970 522 161 C8 DAC		Luxor beige	-UB,PK		
970 522 161 C8 GHB		agate grey	-DG		
970 522 161 73		Cover	left		
		Seat cushion			
		D >> - MJ 2010			
970 522 161 73 DAF		Black	-AC		
970 522 161 73 DAG		Platinum Grey	-CC,BB		
970 522 161 73 DAH		Luxor beige	-UC,PL		
970 522 161 73 DAJ		yachting blue	-EC		
970 522 161 73 DAL	Cream	-BC,BD,BE			

Model: 970 10 Model life 2010>>2016

Pos	Part Number	Description	Remark	Qty	Model
(8)	970 522 161 C9	Cover Seat cushion D - MJ 2011>>	left	1	PR:832,542, 943,830,343, -998
	970 522 161 C9 DAF	Black	-AC		
	970 522 161 C9 DAG	Platinum Grey	-CC,BB		
	970 522 161 C9 DAH	Luxor beige	-UC,PL		
	970 522 161 C9 DAJ	yachting blue	-EC		
	970 522 161 C9 DAL	Cream	-BC,BD,BE,DS, DT		
	970 522 161 C9 DAK	Marsala Red	-PC		
	970 522 161 C9 GHC	agate grey	-DL		
	970 522 161 C9 GLC	Carrera Red	-BF		
	970 522 161 C9 DUE	saddle brown	-SB,DN		
(8)	970 522 161 74	Cover Seat cushion D >> - MJ 2010	left	1	PR:832,542, 943,998,830, 343
	970 522 161 74 DAM	Espresso	-NA		
	970 522 161 74 DAN	Cognac	-NC		
	970 522 161 74 DAO	Espresso/cedar	-BN		
(8)	970 522 161 D1	Cover Seat cushion D - MJ 2011>>	left	1	PR:832,542, 943,998,830, 343
	970 522 161 D1 DAM	Espresso	-NA		
	970 522 161 D1 DAN	Cognac	-NC		
	970 522 161 D1 DAO	Espresso/cedar	-BN		
(8)	970 522 161 75	Cover Seat cushion D >> - MJ 2010	left	1	PR:834,938, -343,-541
	970 522 161 75 DAA	Black	-AB		
	970 522 161 75 DAB	Platinum Grey	-CB		
	970 522 161 75 DAC	Luxor beige	-UB		
(8)	970 522 161 D2	Cover Seat cushion D - MJ 2011>>	left	1	PR:834,938, -343,-541
	970 522 161 D2 DAA	Black	-AB		
	970 522 161 D2 DAB	Platinum Grey	-CB		
	970 522 161 D2 DAC	Luxor beige	-UB,PK		
	970 522 161 D2 GHB	agate grey	-DG		
(8)	970 522 161 76	Cover Seat cushion D >> - MJ 2010	left	1	PR:834,940, -343,-541, -542
	970 522 161 76 DAA	Black	-AB		
	970 522 161 76 DAB	Platinum Grey	-CB		
	970 522 161 76 DAC	Luxor beige	-UB		
(8)	970 522 161 D3	Cover Seat cushion D - MJ 2011>>	left	1	PR:834,940, -343,-541, -542
	970 522 161 D3 DAA	Black	-AB		
	970 522 161 D3 DAB	Platinum Grey	-CB		
	970 522 161 D3 DAC	Luxor beige	-UB,PK		
	970 522 161 D3 GHB	agate grey	-DG		
(8)	970 522 161 77	Cover Seat cushion D >> - MJ 2010	left	1	PR:834,941, 836,-343, -541,-542, -998
	970 522 161 77 DAF	Black	-AC		
	970 522 161 77 DAG	Platinum Grey	-CC,BB		
	970 522 161 77 DAH	Luxor beige	-UC		
	970 522 161 77 DAJ	yachting blue	-EC		
	970 522 161 77 DAL	Cream	-BC,BD,BE		
(8)	970 522 161 D4	Cover Seat cushion D - MJ 2011>>	left	1	PR:834,941, 836,-343, -541,-542,

Model: 970 10 Model life 2010>>2016

Pos	Part Number	Description	Remark	Qty	Model
					-998
	970 522 161 D4 DAF	Black	-AC		
	970 522 161 D4 DAG	Platinum Grey	-CC,BB		
	970 522 161 D4 DAH	Luxor beige	-UC,PL		
	970 522 161 D4 DAJ	yachting blue	-EC		
	970 522 161 D4 DAL	Cream	-BC,BD,BE		
	970 522 161 D4 DAK	Marsala Red	-PC		
	970 522 161 D4 GHC	agate grey	-DL		
	970 522 161 D4 GLC	Carrera Red	-BF		
	970 522 161 D4 DUE	saddle brown	-SB,DN		
(8)	970 522 161 78	Cover Seat cushion D >> - MJ 2010	left	1	PR:834,943, 836,-343, -541,-998
	970 522 161 78 DAF	Black	-AC		
	970 522 161 78 DAG	Platinum Grey	-CC,BB		
	970 522 161 78 DAH	Luxor beige	-UC		
	970 522 161 78 DAJ	yachting blue	-EC		
	970 522 161 78 DAL	Cream	-BC,BD,BE		
(8)	970 522 161 D5	Cover Seat cushion D - MJ 2011>>	left	1	PR:834,943, 836,-343, -541,-998
	970 522 161 D5 DAF	Black	-AC		
	970 522 161 D5 DAG	Platinum Grey	-CC,BB		
	970 522 161 D5 DAH	Luxor beige	-UC,PL		
	970 522 161 D5 DAJ	yachting blue	-EC		
	970 522 161 D5 DAL	Cream	-BC,BD,BE		
	970 522 161 D5 DAK	Marsala Red	-PC		
	970 522 161 D5 GHC	agate grey	-DL		
	970 522 161 D5 GLC	Carrera Red	-BF		
	970 522 161 D5 DUE	saddle brown	-SB,DN		
(8)	970 522 161 79	Cover Seat cushion D >> - MJ 2010	left	1	PR:834,943, 998,836, -343,-541
	970 522 161 79 DAM	Espresso	-NA		
	970 522 161 79 DAN	Cognac	-NC		
	970 522 161 79 DAO	Cedar	-BN		
(8)	970 522 161 D6	Cover Seat cushion D - MJ 2011>>	left	1	PR:834,943, 998,836, -343,-541
	970 522 161 D6 DAM	Espresso	-NA		
	970 522 161 D6 DAN	Cognac	-NC		
	970 522 161 D6 DAO	Cedar	-BN		
(8)	970 522 161 80	Cover Seat cushion D >> - MJ 2010	left	1	PR:834,941, 998,836, -343,-541, -542
	970 522 161 80 DAM	Espresso	-NA		
	970 522 161 80 DAN	Cognac	-NC		
	970 522 161 80 DAO	Cedar	-BN		
(8)	970 522 161 D7	Cover Seat cushion D - MJ 2011>>	left	1	PR:834,941, 998,836, -343,-541, -542
	970 522 161 D7 DAM	Espresso	-NA		
	970 522 161 D7 DAN	Cognac	-NC		
	970 522 161 D7 DAO	Cedar	-BN		
(8)	970 522 161 84	Cover Seat cushion D >> - MJ 2010	left	1	PR:834,343, 938,-541, -542
	970 522 161 84 DAA	Black	-AB		
	970 522 161 84 DAB	Platinum Grey	-CB		
	970 522 161 84 DAC	Luxor beige	-UB		
(8)	970 522 161 E2	Cover	left	1	PR:834,343,

Model: 970 10 Model life 2010>>2016

Pos	Part Number	Description	Remark	Qty	Model
		Seat cushion D - MJ 2011>>			938,-541, -542
	970 522 161 E2 DAA	Black	-AB		
	970 522 161 E2 DAB	Platinum Grey	-CB		
	970 522 161 E2 DAC	Luxor beige	-UB,PK		
	970 522 161 E2 GHB	agate grey	-DG		
(8)	970 522 161 85	Cover Seat cushion D >> - MJ 2010	left	1	PR:834,343, 940,-541, -542
	970 522 161 85 DAA	Black	-AB		
	970 522 161 85 DAB	Platinum Grey	-CB		
	970 522 161 85 DAC	Luxor beige	-UB		
(8)	970 522 161 E3	Cover Seat cushion D - MJ 2011>>	left	1	PR:834,343, 940,-541, -542
	970 522 161 E3 DAA	Black	-AB		
	970 522 161 E3 DAB	Platinum Grey	-CB		
	970 522 161 E3 DAC	Luxor beige	-UB,PK		
	970 522 161 E3 GHB	agate grey	-DG		
(8)	970 522 161 86	Cover Seat cushion D >> - MJ 2010	left	1	PR:834,343, 941,836, -541,-542, -998
	970 522 161 86 DAF	Black	-AC		
	970 522 161 86 DAG	Platinum Grey	-CC,BB		
	970 522 161 86 DAH	Luxor beige	-UC		
	970 522 161 86 DAJ	yachting blue	-EC		
	970 522 161 86 DAL	Cream	-BC,BD,BE		
(8)	970 522 161 E4	Cover Seat cushion D - MJ 2011>>	left	1	PR:834,343, 941,836, -541,-542, -998
	970 522 161 E4 DAF	Black	-AC		
	970 522 161 E4 DAG	Platinum Grey	-CC,BB		
	970 522 161 E4 DAH	Luxor beige	-UC,PL		
	970 522 161 E4 DAJ	yachting blue	-EC		
	970 522 161 E4 DAL	Cream	-BC,BD,BE		
	970 522 161 E4 DAK	Marsala Red	-PC		
	970 522 161 E4 GHC	agate grey	-DL		
	970 522 161 E4 GLC	Carrera Red	-BF		
(8)	970 522 161 87	Cover Seat cushion D >> - MJ 2010	left	1	PR:834,343, 943,836, -541,-542, -998
	970 522 161 87 DAF	Black	-AC		
	970 522 161 87 DAG	Platinum Grey	-CC,BB		
	970 522 161 87 DAH	Luxor beige	-UC		
	970 522 161 87 DAJ	yachting blue	-EC		
	970 522 161 87 DAL	Cream	-BC,BD,BE		
(8)	970 522 161 E5	Cover Seat cushion D - MJ 2011>>	left	1	PR:834,343, 943,836, -541,-542, -998
	970 522 161 E5 DAF	Black	-AC		
	970 522 161 E5 DAG	Platinum Grey	-CC,BB		
	970 522 161 E5 DAH	Luxor beige	-UC,PL		
	970 522 161 E5 DAJ	yachting blue	-EC		
	970 522 161 E5 DAL	Cream	-BC,BD,BE,DS, DT		
	970 522 161 E5 DAK	Marsala Red	-PC		
	970 522 161 E5 GHC	agate grey	-DL		
	970 522 161 E5 GLC	Carrera Red	-BF		

Model: 970 10 Model life 2010>>2016

Pos	Part Number	Description	Remark	Qty	Model
(8)	970 522 161 E5 DUE 970 522 161 88	saddle brown Cover Seat cushion D >> - MJ 2010	-SB, DN left	1	PR:834,343, 943,998,836, -541,-542
(8)	970 522 161 88 DAM 970 522 161 88 DAN 970 522 161 88 DAO 970 522 161 E6	Espresso Cognac Cedar Cover Seat cushion D - MJ 2011>>	-NA -NC -BN left	1	PR:834,343, 943,998,836, -541,-542
(8)	970 522 161 E6 DAM 970 522 161 E6 DAN 970 522 161 E6 DAO 970 522 161 89	Espresso Cognac Cedar Cover Seat cushion D >> - MJ 2010	-NA -NC -BN left	1	PR:834,343, 941,998,836, -541,-542
(8)	970 522 161 89 DAM 970 522 161 89 DAN 970 522 161 89 DAO 970 522 161 E7	Espresso Cognac Cedar Cover Seat cushion D - MJ 2011>>	-NA -NC -BN left	1	PR:834,343, 941,998,836, -541,-542
(8)	970 522 161 E7 DAM 970 522 161 E7 DAN 970 522 161 E7 DAO 970 522 161 93	Espresso Cognac Cedar Cover Seat cushion D >> - MJ 2010	-NA -NC -BN left	1	PR:834,542, 938,343
(8)	970 522 161 93 DAA 970 522 161 93 DAB 970 522 161 93 DAC 970 522 161 F2	Black Platinum Grey Luxor beige Cover Seat cushion D - MJ 2011>>	-AB -CB -UB left	1	PR:834,542, 938,343
(8)	970 522 161 F2 DAA 970 522 161 F2 DAB 970 522 161 F2 DAC 970 522 161 F2 GHB 970 522 161 94	Black Platinum Grey Luxor beige agate grey Cover Seat cushion D >> - MJ 2010	-AB -CB -UB, PK -DG left	1	PR:834,542, 943,836,343, -998
(8)	970 522 161 94 DAF 970 522 161 94 DAG 970 522 161 94 DAH 970 522 161 94 DAJ 970 522 161 94 DAL 970 522 161 F3	Black Platinum Grey Luxor beige yachting blue Cream Cover Seat cushion D - MJ 2011>>	-AC -CC, BB -UC -EC -BC, BD, BE left	1	PR:834,542, 943,836,343, -998
(8)	970 522 161 F3 DAF 970 522 161 F3 DAG 970 522 161 F3 DAH 970 522 161 F3 DAJ 970 522 161 F3 DAL 970 522 161 F3 DAK 970 522 161 F3 GHC 970 522 161 F3 GLC 970 522 161 F3 DUE 970 522 161 95 970 522 161 95 DAM	Black Platinum Grey Luxor beige yachting blue Cream Marsala Red agate grey Carrera Red saddle brown Cover Seat cushion D >> - MJ 2010 Espresso	-AC -CC, BB -UC, PL -EC -BC, BD, BE, DS, DT -PC -DL -BF -SB, DN left -NA	1	PR:834,542, 943,998,836, 343

Model: 970 10 Model life 2010>>2016

Pos	Part Number	Description	Remark	Qty	Model
(8)	970 522 161 95 DAN	Cognac	-NC	1	PR:834,542, 943,998,836, 343
	970 522 161 95 DAO	Espresso/cedar	-BN		
	970 522 161 F4	Cover	left		
		Seat cushion D - MJ 2011>>			
(8)	970 522 161 F4 DAM	Espresso	-NA	1	PR:832,541, 943,938,830, -343
	970 522 161 F4 DAN	Cognac	-NC		
	970 522 161 F4 DAO	Espresso/cedar	-BN		
	970 522 161 96	Cover	left		
(8)		Seat cushion D >> - MJ 2010		1	PR:832,541, 943,938,830, -343
	970 522 161 96 DAA	Black	-AB		
	970 522 161 96 DAB	Platinum Grey	-CB		
	970 522 161 96 DAC	Luxor beige	-UB		
(8)	970 522 161 F5	Cover	left	1	PR:832,541, 943,938,830, -343
		Seat cushion D - MJ 2011>>			
	970 522 161 F5 DAA	Black	-AB		
	970 522 161 F5 DAB	Platinum Grey	-CB		
(8)	970 522 161 F5 DAC	Luxor beige	-UB,PK	1	PR:832,541, 943,830, -343,-998
	970 522 161 F5 GHB	agate grey	-DG		
	970 522 161 97	Cover	left		
		Seat cushion D >> - MJ 2010			
(8)	970 522 161 97 DAF	Black	-AC	1	PR:832,541, 943,830, -343,-998
	970 522 161 97 DAG	Platinum Grey	-CC,BB		
	970 522 161 97 DAH	Luxor beige	-UC		
	970 522 161 97 DAJ	yachting blue	-EC		
(8)	970 522 161 97 DAL	Cream	-BC,BD,BE	1	PR:832,541, 943,830, -343,-998
	970 522 161 F6	Cover	left		
		Seat cushion D - MJ 2011>>			
	970 522 161 F6 DAF	Black	-AC		
(8)	970 522 161 F6 DAG	Platinum Grey	-CC,BB	1	PR:832,541, 943,998,830, -343
	970 522 161 F6 DAH	Luxor beige	-UC		
	970 522 161 F6 DAJ	yachting blue	-EC		
	970 522 161 F6 DAL	Cream	-BC,BD,BE,DS, DT		
(8)	970 522 161 F6 DAK	Marsala Red	-PC	1	PR:832,541, 943,998,830, -343
	970 522 161 F6 GHC	agate grey	-DL		
	970 522 161 F6 GLC	Carrera Red	-BF		
	970 522 161 F6 DUE	saddle brown	-SB,DN		
(8)	970 522 161 98	Cover	left	1	PR:832,541, 943,998,830, -343
		Seat cushion D >> - MJ 2010			
	970 522 161 98 DAM	Espresso	-NA		
	970 522 161 98 DAN	Cognac	-NC		
(8)	970 522 161 98 DAO	Cedar	-BN	1	PR:832,541, 943,998,830, -343
	970 522 161 F7	Cover	left		
		Seat cushion D - MJ 2011>>			
	970 522 161 F7 DAM	Espresso	-NA		
(8)	970 522 161 F7 DAN	Cognac	-NC	1	PR:832,541, 343,938,830
	970 522 161 F7 DAO	Cedar	-BN		
	970 522 161 99	Cover	left		
		Seat cushion D >> - MJ 2010			
(8)	970 522 161 99 DAA	Black	-AB	1	PR:832,541, 343,938,830
	970 522 161 99 DAB	Platinum Grey	-CB		
	970 522 161 99 DAC	Luxor beige	-UB		
	970 522 161 F8	Cover	left		
	Seat cushion D - MJ 2011>>				

Model: 970 10 Model life 2010>>2016

Pos	Part Number	Description	Remark	Qty	Model
(8)	970 522 161 F8 DAA	Black	-AB	1	PR:832,541, 343,998,943, 830
	970 522 161 F8 DAB	Platinum Grey	-CB		
	970 522 161 F8 DAC	Luxor beige	-UB,PK		
	970 522 161 F8 GHB	agate grey	-DG		
	970 522 161 A1	Cover Seat cushion D >> - MJ 2010	left		
(8)	970 522 161 A1 DAM	Espresso	-NA	1	PR:832,541, 343,998,943, 830
	970 522 161 A1 DAN	Cognac	-NC		
	970 522 161 A1 DAO	Cedar	-BN		
	970 522 161 G1	Cover Seat cushion D - MJ 2011>>	left		
	970 522 161 G1 DAM	Espresso	-NA		
(8)	970 522 161 G1 DAN	Cognac	-NC	1	PR:343,541, 832,943,830, -998
	970 522 161 G1 DAO	Cedar	-BN		
	970 522 161 A0	Cover Seat cushion D >> - MJ 2010	left		
	970 522 161 A0 DAF	Black	-AC		
	970 522 161 A0 DAG	Platinum Grey	-CC,BB		
(8)	970 522 161 A0 DAH	Luxor beige	-UC	1	PR:343,541, 832,943,830, -998
	970 522 161 A0 DAJ	yachting blue	-EC		
	970 522 161 A0 DAL	Cream	-BC,BD,BE		
	970 522 161 F9	Cover Seat cushion D - MJ 2011>>	left		
	970 522 161 F9 DAF	Black	-AC		
	970 522 161 F9 DAG	Platinum Grey	-CC,BB		
	970 522 161 F9 DAH	Luxor beige	-UC,PL		
	970 522 161 F9 DAJ	yachting blue	-EC		
	970 522 161 F9 DAL	Cream	-BC,BD,BE,DS, DT		
	970 522 161 F9 DAK	Marsala Red	-PC		
(8)	970 522 161 F9 GHC	agate grey	-DL	1	PR:938,541, 834,-343
	970 522 161 F9 GLC	Carrera Red	-BF		
	970 522 161 F9 DUE	saddle brown	-SB,DN		
	970 522 161 A2	Cover Seat cushion D >> - MJ 2010	left		
	970 522 161 A2 DAA	Black	-AB		
	970 522 161 A2 DAB	Platinum Grey	-CB		
	970 522 161 A2 DAC	Luxor beige	-UB		
	970 522 161 G2	Cover Seat cushion D - MJ 2011>>	left		
	970 522 161 G2 DAA	Black	-AB		
	970 522 161 G2 DAB	Platinum Grey	-CB		
(8)	970 522 161 G2 DAC	Luxor beige	-UB,PK	1	PR:541,834, 943,836, -343,-998
	970 522 161 G2 GHB	agate grey	-DG		
	970 522 161 A3	Cover Seat cushion D >> - MJ 2010	left		
	970 522 161 A3 DAF	Black	-AC		
	970 522 161 A3 DAG	Platinum Grey	-CC,BB		
	970 522 161 A3 DAH	Luxor beige	-UC		
	970 522 161 A3 DAJ	yachting blue	-EC		
	970 522 161 A3 DAL	Cream	-BC,BD,BE		
	970 522 161 G3	Cover Seat cushion D - MJ 2011>>	left		
	970 522 161 G3 DAF	Black	-AC		
970 522 161 G3 DAG	Platinum Grey	-CC,BB			

Model: 970 10 Model life 2010>>2016

Pos	Part Number	Description	Remark	Qty	Model
	970 522 161 G3 DAH	Luxor beige	-UC		
	970 522 161 G3 DAJ	yachting blue	-EC		
	970 522 161 G3 DAL	Cream	-BC, BD, BE, DS, DT		
	970 522 161 G3 DAK	Marsala Red	-PC		
	970 522 161 G3 GHC	agate grey	-DL		
	970 522 161 G3 GLC	Carrera Red	-BF		
	970 522 161 G3 DUE	saddle brown	-SB, DN		
(8)	970 522 161 A4	Cover Seat cushion D >> - MJ 2010	left	1	PR:541,834, 943,998,836, -343
	970 522 161 A4 DAM	Espresso	-NA		
	970 522 161 A4 DAN	Cognac	-NC		
	970 522 161 A4 DAO	Cedar	-BN		
(8)	970 522 161 G4	Cover Seat cushion D - MJ 2011>>	left	1	PR:541,834, 943,998,836, -343
	970 522 161 G4 DAM	Espresso	-NA		
	970 522 161 G4 DAN	Cognac	-NC		
	970 522 161 G4 DAO	Cedar	-BN		
(8)	970 522 161 A5	Cover Seat cushion D >> - MJ 2010	left	1	PR:541,343, 834,938
	970 522 161 A5 DAA	Black	-AB		
	970 522 161 A5 DAB	Platinum Grey	-CB		
	970 522 161 A5 DAC	Luxor beige	-UB		
(8)	970 522 161 G5	Cover Seat cushion D - MJ 2011>>	left	1	PR:541,343, 834,938,381
	970 522 161 G5 DAA	Black	-AB		
	970 522 161 G5 DAB	Platinum Grey	-CB		
	970 522 161 G5 DAC	Luxor beige	-UB, PK		
	970 522 161 G5 GHB	agate grey	-DG		
(8)	970 522 161 N5	Cover Seat cushion D - MJ 2014>>	left	1	PR:541,343, 834,938,382, 836
	970 522 161 N5 DAA	Black	-AB		
	970 522 161 N5 DAC	Luxor beige	-UB, PK		
	970 522 161 N5 GHB	agate grey	-DG		
(8)	970 522 161 A6	Cover Seat cushion D >> - MJ 2010	left	1	PR:541,343, 834,943,836, -998
	970 522 161 A6 DAF	Black	-AC		
	970 522 161 A6 DAG	Platinum Grey	-CC, BB		
	970 522 161 A6 DAH	Luxor beige	-UC		
	970 522 161 A6 DAJ	yachting blue	-EC		
	970 522 161 A6 DAL	Cream	-BC, BD, BE		
(8)	970 522 161 G6	Cover Seat cushion D - MJ 2011>>	left	1	PR:541,343, 834,943,836, -998
	970 522 161 G6 DAF	Black	-AC		
	970 522 161 G6 DAG	Platinum Grey	-CC, BB		
	970 522 161 G6 DAH	Luxor beige	-UC, PL		
	970 522 161 G6 DAJ	yachting blue	-EC		
	970 522 161 G6 DAL	Cream	-BC, BD, BE, DS, DT		
	970 522 161 G6 DAK	Marsala Red	-PC		
	970 522 161 G6 GHC	agate grey	-DL		
	970 522 161 G6 GLC	Carrera Red	-BF		
	970 522 161 G6 DUE	saddle brown	-SB, DN		
(8)	970 522 161 A7	Cover Seat cushion D >> - MJ 2010	left	1	PR:541,343, 834,943,998, 836

Model: 970 10 Model life 2010>>2016

Pos	Part Number	Description	Remark	Qty	Model
(8)	970 522 161 A7 DAM	Espresso	-NA	1	PR:541,343, 834,943,998, 836
	970 522 161 A7 DAN	Cognac	-NC		
	970 522 161 A7 DAO	Cedar	-BN		
	970 522 161 G7	Cover Seat cushion D - MJ 2011>>	left		
9	970 522 161 G7 DAM	Espresso	-NA	1	PR:832,938
	970 522 161 G7 DAN	Cognac	-NC		
	970 522 161 G7 DAO	Cedar	-BN		
	970 522 162 54	Cover Seat cushion D >> - MJ 2010	right		
(9)	970 522 162 54 DAA	Black	-AB	1	PR:832,938
	970 522 162 54 DAB	Platinum Grey	-CB		
	970 522 162 54 DAC	Luxor beige	-UB		
	970 522 162 A8	Cover Seat cushion D - MJ 2011>>	right		
(9)	970 522 162 A8 DAA	Black	-AB	1	PR:832,940
	970 522 162 A8 DAB	Platinum Grey	-CB		
	970 522 162 A8 DAC	Luxor beige	-UB,PK		
	970 522 162 A8 GHB	agate grey	-DG		
(9)	970 522 162 55	Cover Seat cushion D >> - MJ 2010	right	1	PR:832,940
	970 522 162 55 DAA	Black	-AB		
	970 522 162 55 DAB	Platinum Grey	-CB		
	970 522 162 55 DAC	Luxor beige	-UB		
(9)	970 522 162 A9	Cover Seat cushion D - MJ 2011>>	right	1	PR:832,940
	970 522 162 A9 DAA	Black	-UB		
	970 522 162 A9 DAB	Platinum Grey	-CB		
	970 522 162 A9 DAC	Luxor beige	-UB,PK		
(9)	970 522 162 A9 GHB	agate grey	-DG	1	PR:832,941
	970 522 162 56	Cover Seat cushion D >> - MJ 2010	right		
	970 522 162 56 DAF	Black	-AC		
	970 522 162 56 DAG	Platinum Grey	-CC,BB		
(9)	970 522 162 56 DAH	Luxor beige	-UC	1	PR:832,941
	970 522 162 56 DAJ	yachting blue	-EC		
	970 522 162 56 DAL	Cream	-BC,BD,BE		
	970 522 162 B1	Cover Seat cushion D - MJ 2011>>	right		
(9)	970 522 162 B1 DAF	Black	-AC	1	PR:832,943
	970 522 162 B1 DAG	Platinum Grey	-CC,BB		
	970 522 162 B1 DAH	Luxor beige	-UC,PL		
	970 522 162 B1 DAJ	yachting blue	-EC		
(9)	970 522 162 B1 DAL	Cream	-BC,BD,BE,DS, DT	1	PR:832,943
	970 522 162 B1 DAK	Marsala Red	-PC		
	970 522 162 B1 GHC	agate grey	-DL		
	970 522 162 B1 GLC	Carrera Red	-BF		
(9)	970 522 162 B1 DUE	saddle brown	-SB,DN	1	PR:832,943
	970 522 162 57	Cover Seat cushion D >> - MJ 2010	right		
	970 522 162 57 DAF	Black	-AC		
	970 522 162 57 DAG	Platinum Grey	-CC,BB		
(9)	970 522 162 57 DAH	Luxor beige	-UC	1	PR:832,943
	970 522 162 57 DAJ	yachting blue	-EC		

Model: 970 10 Model life 2010>>2016

Pos	Part Number	Description	Remark	Qty	Model
(9)	970 522 162 57 DAL	Cream	-BC, BD, BE	1	PR:832,943
	970 522 162 B2	Cover	right		
		Seat cushion			
		D - MJ 2011>>			
	970 522 162 B2 DAF	Black	-AC		
	970 522 162 B2 DAG	Platinum Grey	-CC, BB		
	970 522 162 B2 DAH	Luxor beige	-UC, PL		
	970 522 162 B2 DAJ	yachting blue	-EC		
	970 522 162 B2 DAL	Cream	-BC, BD, BE, DS, DT		
	970 522 162 B2 DAK	Marsala Red	-PC		
	970 522 162 B2 GHC	agate grey	-DL		
	970 522 162 B2 GLC	Carrera Red	-BF		
	970 522 162 B2 DUE	saddle brown	-SB, DN		
(9)	970 522 162 58	Cover	right	1	PR:832,943, 998
		Seat cushion			
		D >> - MJ 2010			
	970 522 162 58 DAM	Espresso	-NA		
	970 522 162 58 DAN	Cognac	-NC		
	970 522 162 58 DAO	Cedar	-BN		
(9)	970 522 162 B3	Cover	right		
		Seat cushion			
		D - MJ 2011>>			
	970 522 162 B3 DAM	Espresso	-NA		
	970 522 162 B3 DAN	Cognac	-NC		
	970 522 162 B3 DAO	Espresso/cedar	-BN		
(9)	970 522 162 59	Cover	right	1	PR:832,941, 998
		Seat cushion			
		D >> - MJ 2010			
	970 522 162 59 DAM	Espresso	-NA		
	970 522 162 59 DAN	Cognac	-NC		
	970 522 162 59 DAO	Cedar	-BN		
(9)	970 522 162 B4	Cover	right		
		Seat cushion			
		D - MJ 2011>>			
	970 522 162 B4 DAM	Espresso	-NA		
	970 522 162 B4 DAN	Cognac	-NC		
	970 522 162 B4 DAO	Cedar	-BN		
(9)	970 522 162 63	Cover	right	1	PR:832,343, 938
		Seat cushion			
		D >> - MJ 2010			
	970 522 162 63 DAA	Black	-AB		
	970 522 162 63 DAB	Platinum Grey	-CB		
	970 522 162 63 DAC	Luxor beige	-UB		
(9)	970 522 162 B8	Cover	right		
		Seat cushion			
		D - MJ 2011>>			
	970 522 162 B8 DAA	Black	-AB		
	970 522 162 B8 DAB	Platinum Grey	-CB		
	970 522 162 B8 DAC	Luxor beige	-UB, PK		
	970 522 162 B8 GHB	agate grey	-DG		
(9)	970 522 162 64	Cover	right	1	PR:832,343, 940
		Seat cushion			
		D >> - MJ 2010			
	970 522 162 64 DAA	Black	-AB		
	970 522 162 64 DAB	Platinum Grey	-CB		
	970 522 162 64 DAC	Luxor beige	-UB		
(9)	970 522 162 B9	Cover	right		
		Seat cushion			
		D - MJ 2011>>			
	970 522 162 B9 DAA	Black	-AB		
	970 522 162 B9 DAB	Platinum Grey	-CB		
	970 522 162 B9 DAC	Luxor beige	-UB		

Model: 970 10 Model life 2010>>2016

Pos	Part Number	Description	Remark	Qty	Model
(9)	970 522 162 B9 GHB	agate grey	-DG		
	970 522 162 65	Cover	right	1	PR:832,343,941
		Seat cushion			
		D >> - MJ 2010			
	970 522 162 65 DAF	Black	-AC		
	970 522 162 65 DAG	Platinum Grey	-CC,BB		
	970 522 162 65 DAH	Luxor beige	-UC		
	970 522 162 65 DAJ	yachting blue	-EC		
	970 522 162 65 DAL	Cream	-BC,BD,BE		
(9)	970 522 162 C1	Cover	right	1	PR:832,343,941
		Seat cushion			
		D - MJ 2011>>			
	970 522 162 C1 DAF	Black	-AC		
	970 522 162 C1 DAG	Platinum Grey	-CC,BB		
	970 522 162 C1 DAH	Luxor beige	-UC,PL		
	970 522 162 C1 DAJ	yachting blue	-EC		
	970 522 162 C1 DAL	Cream	-BC,BD,BE,DS,DT		
	970 522 162 C1 DAK	Marsala Red	-PC		
	970 522 162 C1 GHC	agate grey	-DL		
	970 522 162 C1 GLC	Carrera Red	-BF		
	970 522 162 C1 DUE	saddle brown	-SB,DN		
(9)	970 522 162 66	Cover	right	1	PR:832,343,943
		Seat cushion			
		D >> - MJ 2010			
	970 522 162 66 DAF	Black	-AC		
	970 522 162 66 DAG	Platinum Grey	-CC,BB		
	970 522 162 66 DAH	Luxor beige	-UC		
	970 522 162 66 DAJ	yachting blue	-EC		
	970 522 162 66 DAL	Cream	-BC,BD,BE		
(9)	970 522 162 C2	Cover	right	1	PR:832,343,943
		Seat cushion			
		D - MJ 2011>>			
	970 522 162 C2 DAF	Black	-AC		
	970 522 162 C2 DAG	Platinum Grey	-CC,BB		
	970 522 162 C2 DAH	Luxor beige	-UC,PL		
	970 522 162 C2 DAJ	yachting blue	-EC		
	970 522 162 C2 DAL	Cream	-BC,BD,BE,DS,DT		
	970 522 162 C2 DAK	Marsala Red	-PC		
	970 522 162 C2 GLC	Carrera Red	-BF		
	970 522 162 C2 DUE	saddle brown	-SB,DN		
	970 522 162 C2 GHC	agate grey	-DL		
(9)	970 522 162 67	Cover	right	1	PR:832,343,943,998
		Seat cushion			
		D >> - MJ 2010			
	970 522 162 67 DAM	Espresso	-NA		
	970 522 162 67 DAN	Cognac	-NC		
	970 522 162 67 DAO	Cedar	-BN		
(9)	970 522 162 C3	Cover	right	1	PR:832,343,943,998
		Seat cushion			
		D - MJ 2011>>			
	970 522 162 C3 DAM	Espresso	-NA		
	970 522 162 C3 DAN	Cognac	-NC		
	970 522 162 C3 DAO	Cedar	-BN		
(9)	970 522 162 68	Cover	right	1	PR:832,343,941,998
		Seat cushion			
		D >> - MJ 2010			
	970 522 162 68 DAM	Espresso	-NA		
	970 522 162 68 DAN	Cognac	-NC		
	970 522 162 68 DAO	Cedar	-BN		
(9)	970 522 162 C4	Cover	right	1	PR:832,343,941,998
		Seat cushion			

Model: 970 10 Model life 2010>>2016

Pos	Part Number	Description	Remark	Qty	Model
		D - MJ 2011>>			
	970 522 162 C4 DAM	Espresso	-NA		
	970 522 162 C4 DAN	Cognac	-NC		
	970 522 162 C4 DAO	Espresso/cedar	-BN		
(9)	970 522 162 72	Cover	right	1	PR:832,542,938
		Seat cushion			
		D >> - MJ 2010			
	970 522 162 72 DAA	Black	-AB		
	970 522 162 72 DAB	Platinum Grey	-CB		
	970 522 162 72 DAC	Luxor beige	-UB		
(9)	970 522 162 C8	Cover	right	1	PR:832,542,938
		Seat cushion			
		D - MJ 2011>>			
	970 522 162 C8 DAA	Black	-AB		
	970 522 162 C8 DAB	Platinum Grey	-CB		
	970 522 162 C8 DAC	Luxor beige	-UB,PK		
	970 522 162 C8 GHB	agate grey	-DG		
(9)	970 522 162 73	Cover	right	1	PR:832,542,943
		Seat cushion			
		D >> - MJ 2010			
	970 522 162 73 DAF	Black	-AC		
	970 522 162 73 DAG	Platinum Grey	-CC,BB		
	970 522 162 73 DAH	Luxor beige	-UC,PL		
	970 522 162 73 DAJ	yachting blue	-EC		
	970 522 162 73 DAL	Cream	-BC,BD,BE		
(9)	970 522 162 C9	Cover	right	1	PR:832,542,943
		Seat cushion			
		D - MJ 2011>>			
	970 522 162 C9 DAF	Black	-AC		
	970 522 162 C9 DAG	Platinum Grey	-CC,BB		
	970 522 162 C9 DAH	Luxor beige	-UC,PL		
	970 522 162 C9 DAJ	yachting blue	-EC		
	970 522 162 C9 DAL	Cream	-BC,BD,BE,DS,DT		
	970 522 162 C9 DAK	Marsala Red	-PC		
	970 522 162 C9 GHC	agate grey	-DL		
	970 522 162 C9 GLC	Carrera Red	-BF		
	970 522 162 C9 DUE	saddle brown	-SB,DN		
(9)	970 522 162 74	Cover	right	1	PR:832,542,943,998
		Seat cushion			
		D >> - MJ 2010			
	970 522 162 74 DAM	Espresso	-NA		
	970 522 162 74 DAN	Cognac	-NC		
	970 522 162 74 DAO	Espresso/cedar	-BN		
(9)	970 522 162 D1	Cover	right	1	PR:832,542,943,998
		Seat cushion			
		D - MJ 2011>>			
	970 522 162 D1 DAM	Espresso	-NA		
	970 522 162 D1 DAN	Cognac	-NC		
	970 522 162 D1 DAO	Espresso/cedar	-BN		
(9)	970 522 162 75	Cover	right	1	PR:834,938
		Seat cushion			
		D >> - MJ 2010			
	970 522 162 75 DAA	Black	-AB		
	970 522 162 75 DAB	Platinum Grey	-CB		
	970 522 162 75 DAC	Luxor beige	-UB		
(9)	970 522 162 D2	Cover	right	1	PR:834,938
		Seat cushion			
		D - MJ 2011>>			
	970 522 162 D2 DAA	Black	-AB		
	970 522 162 D2 DAB	Platinum Grey	-CB		
	970 522 162 D2 DAC	Luxor beige	-UB,PK		
	970 522 162 D2 GHB	agate grey	-DG		

Model: 970 10 Model life 2010>>2016

Pos	Part Number	Description	Remark	Qty	Model
(9)	970 522 162 76	Cover Seat cushion D >> - MJ 2010	right	1	PR:834,940
	970 522 162 76 DAA	Black	-AB		
	970 522 162 76 DAB	Platinum Grey	-CB		
	970 522 162 76 DAC	Luxor beige	-UB		
(9)	970 522 162 D3	Cover Seat cushion D - MJ 2011>>	right	1	PR:834,940
	970 522 162 D3 DAA	Black	-AB		
	970 522 162 D3 DAB	Platinum Grey	-CB		
	970 522 162 D3 DAC	Luxor beige	-UB,PK		
	970 522 162 D3 GHB	agate grey	-DG		
(9)	970 522 162 77	Cover Seat cushion D >> - MJ 2010	right	1	PR:834,941
	970 522 162 77 DAF	Black	-AC		
	970 522 162 77 DAG	Platinum Grey	-CC,BB		
	970 522 162 77 DAH	Luxor beige	-UC		
	970 522 162 77 DAJ	yachting blue	-EC		
	970 522 162 77 DAL	Cream	-BC,BD,BE		
(9)	970 522 162 D4	Cover Seat cushion D - MJ 2011>>	right	1	PR:834,941
	970 522 162 D4 DAF	Black	-AC		
	970 522 162 D4 DAG	Platinum Grey	-CC,BB		
	970 522 162 D4 DAH	Luxor beige	-UC,PL		
	970 522 162 D4 DAJ	yachting blue	-EC		
	970 522 162 D4 DAL	Cream	-BC,BD,BE,DS, DT		
	970 522 162 D4 DAK	Marsala Red	-PC		
	970 522 162 D4 GHC	agate grey	-DL		
	970 522 162 D4 GLC	Carrera Red	-BF		
	970 522 162 D4 DUE	Carrera Red	-SB,DN		
(9)	970 522 162 78	Cover Seat cushion D >> - MJ 2010	right	1	PR:834,943
	970 522 162 78 DAF	Black	-AC		
	970 522 162 78 DAG	Platinum Grey	-CC,BB		
	970 522 162 78 DAH	Luxor beige	-UC		
	970 522 162 78 DAJ	yachting blue	-EC		
	970 522 162 78 DAL	Cream	-BC,BD,BE		
(9)	970 522 162 D5	Cover Seat cushion D - MJ 2011>>	right	1	PR:834,943
	970 522 162 D5 DAF	Black	-AC		
	970 522 162 D5 DAG	Platinum Grey	-CC,BB		
	970 522 162 D5 DAH	Luxor beige	-UC,PL		
	970 522 162 D5 DAJ	yachting blue	-EC		
	970 522 162 D5 DAL	Cream	-BC,BD,BE,DS, DT		
	970 522 162 D5 DAK	Marsala Red	-PC		
	970 522 162 D5 GHC	agate grey	-DL		
	970 522 162 D5 GLC	Carrera Red	-BF		
	970 522 162 D5 DUE	saddle brown	-SB,DN		
(9)	970 522 162 79	Cover Seat cushion D >> - MJ 2010	right	1	PR:834,943, 998
	970 522 162 79 DAM	Espresso	-NA		
	970 522 162 79 DAN	Cognac	-NC		
	970 522 162 79 DAO	Cedar	-BN		
(9)	970 522 162 D6	Cover Seat cushion	right	1	PR:834,943, 998

Model: 970 10 Model life 2010>>2016

Pos	Part Number	Description	Remark	Qty	Model
		D - MJ 2011>>			
	970 522 162 D6 DAM	Espresso	-NA		
	970 522 162 D6 DAN	Cognac	-NC		
	970 522 162 D6 DAO	Cedar	-BN		
(9)	970 522 162 80	Cover	right	1	PR:834,941,998
		Seat cushion			
		D >> - MJ 2010			
	970 522 162 80 DAM	Espresso	-NA		
	970 522 162 80 DAN	Cognac	-NC		
	970 522 162 80 DAO	Espresso/cedar	-BN		
(9)	970 522 162 D7	Cover	right	1	PR:834,941,998
		Seat cushion			
		D - MJ 2011>>			
	970 522 162 D7 DAM	Espresso	-NA		
	970 522 162 D7 DAN	Cognac	-NC		
	970 522 162 D7 DAO	Espresso/cedar	-BN		
(9)	970 522 162 84	Cover	right	1	PR:834,343,938
		Seat cushion			
		D >> - MJ 2010			
	970 522 162 84 DAA	Black	-AB		
	970 522 162 84 DAB	Platinum Grey	-CB		
	970 522 162 84 DAC	Luxor beige	-UB		
(9)	970 522 162 E2	Cover	right	1	PR:834,343,938
		Seat cushion			
		D - MJ 2011>>			
	970 522 162 E2 DAA	Black	-AB		
	970 522 162 E2 DAB	Platinum Grey	-CB		
	970 522 162 E2 DAC	Luxor beige	-UB,PK		
	970 522 162 E2 GHB	agate grey	-DG		
(9)	970 522 162 85	Cover	right	1	PR:834,343,940
		Seat cushion			
		D >> - MJ 2010			
	970 522 162 85 DAA	Black	-AB		
	970 522 162 85 DAB	Platinum Grey	-CB		
	970 522 162 85 DAC	Luxor beige	-UB		
(9)	970 522 162 E3	Cover	right	1	PR:834,343,940
		Seat cushion			
		D - MJ 2011>>			
	970 522 162 E3 DAA	Black	-AB		
	970 522 162 E3 DAB	Platinum Grey	-CB		
	970 522 162 E3 DAC	Luxor beige	-UB,PK		
	970 522 162 E3 GHB	Luxor beige	-DG		
(9)	970 522 162 86	Cover	right	1	PR:834,343,941
		Seat cushion			
		D >> - MJ 2010			
	970 522 162 86 DAF	Black	-AC		
	970 522 162 86 DAG	Platinum Grey	-CC,BB		
	970 522 162 86 DAH	Luxor beige	-UC		
	970 522 162 86 DAJ	yachting blue	-EC		
	970 522 162 86 DAL	Cream	-BC,BD,BE		
(9)	970 522 162 E4	Cover	right	1	PR:834,343,941
		Seat cushion			
		D - MJ 2011>>			
	970 522 162 E4 DAF	Black	-AC		
	970 522 162 E4 DAG	Platinum Grey	-CC,BB		
	970 522 162 E4 DAH	Luxor beige	-UC,PL		
	970 522 162 E4 DAJ	yachting blue	-EC		
	970 522 162 E4 DAL	Cream	-BC,BD,BE,DS,DT		
	970 522 162 E4 DAK	Marsala Red	-PC		
	970 522 162 E4 GHC	agate grey	-DL		
	970 522 162 E4 GLC	Carrera Red	-BF		
	970 522 162 E4 DUE	saddle brown	-SB,DN		

Model: 970 10 Model life 2010>>2016

Pos	Part Number	Description	Remark	Qty	Model
(9)	970 522 162 87	Cover Seat cushion D >> - MJ 2010	right	1	PR:834,343, 943
	970 522 162 87 DAF	Black	-AC		
	970 522 162 87 DAG	Platinum Grey	-CC,BB		
	970 522 162 87 DAH	Luxor beige	-UC		
	970 522 162 87 DAJ	yachting blue	-EC		
	970 522 162 87 DAL	Cream	-BC,BD,BE		
(9)	970 522 162 E5	Cover Seat cushion D - MJ 2011>>	right	1	PR:834,343, 943
	970 522 162 E5 DAF	Black	-AC		
	970 522 162 E5 DAG	Platinum Grey	-CC,BB		
	970 522 162 E5 DAH	Luxor beige	-UC,PL		
	970 522 162 E5 DAJ	yachting blue	-EC		
	970 522 162 E5 DAL	Cream	-BC,BD,BE,DS, DT		
	970 522 162 E5 DAK	Marsala Red	-PC		
	970 522 162 E5 GHC	agate grey	-DL		
	970 522 162 E5 GLC	Carrera Red	-BF		
	970 522 162 E5 DUE	saddle brown	-SB,DN		
(9)	970 522 162 88	Cover Seat cushion D >> - MJ 2010	right	1	PR:834,343, 943,998
	970 522 162 88 DAM	Espresso	-NA		
	970 522 162 88 DAN	Cognac	-NC		
	970 522 162 88 DAO	Cedar	-BN		
(9)	970 522 162 E6	Cover Seat cushion D - MJ 2011>>	right	1	PR:834,343, 943,998
	970 522 162 E6 DAM	Espresso	-NA		
	970 522 162 E6 DAN	Cognac	-NC		
	970 522 162 E6 DAO	Cedar	-BN		
(9)	970 522 162 89	Cover Seat cushion D >> - MJ 2010	right	1	PR:834,343, 941,998
	970 522 162 89 DAM	Espresso	-NA		
	970 522 162 89 DAN	Cognac	-NC		
	970 522 162 89 DAO	Cedar	-BN		
(9)	970 522 162 E7	Cover Seat cushion D - MJ 2011>>	right	1	PR:834,343, 941,998
	970 522 162 E7 DAM	Espresso	-NA		
	970 522 162 E7 DAN	Cognac	-NC		
	970 522 162 E7 DAO	Cedar	-BN		
(9)	970 522 162 93	Cover Seat cushion D >> - MJ 2010	right	1	PR:834,542, 938
	970 522 162 93 DAA	Black	-AB		
	970 522 162 93 DAB	Platinum Grey	-CB		
	970 522 162 93 DAC	Luxor beige	-UB		
(9)	970 522 162 F2	Cover Seat cushion D - MJ 2011>>	right	1	PR:834,542, 938
	970 522 162 F2 DAA	Black	-AB		
	970 522 162 F2 DAB	Platinum Grey	-CB		
	970 522 162 F2 DAC	Luxor beige	-UB,PK		
	970 522 162 F2 GHB	agate grey	-DG		
(9)	970 522 162 94	Cover Seat cushion D >> - MJ 2010	right	1	PR:834,542, 943
	970 522 162 94 DAF	Black	-AC		
	970 522 162 94 DAG	Platinum Grey	-CC,BB		

Model: 970 10 Model life 2010>>2016

Pos	Part Number	Description	Remark	Qty	Model
(9)	970 522 162 94 DAH	Luxor beige	-UC	1	PR:834,542, 943
	970 522 162 94 DAJ	yachting blue	-EC		
	970 522 162 94 DAL	Cream	-BC,BD,BE		
	970 522 162 F3	Cover	right		
		Seat cushion			
		D - MJ 2011>>			
	970 522 162 F3 DAF	Black	-AC		
	970 522 162 F3 DAG	Platinum Grey	-CC,BB		
	970 522 162 F3 DAH	Luxor beige	-UC,PL		
(9)	970 522 162 F3 DAJ	yachting blue	-EC	1	PR:834,542, 943,998
	970 522 162 F3 DAL	Cream	-BC,BD,BE,DS, DT		
	970 522 162 F3 DAK	Marsala Red	-PC		
	970 522 162 F3 GHC	agate grey	-DL		
	970 522 162 F3 GLC	Carrera Red	-BF		
	970 522 162 F3 DUE	saddle brown	-SB,DN		
	970 522 162 95	Cover	right		
		Seat cushion			
		D >> - MJ 2010			
(9)	970 522 162 95 DAM	Espresso	-NA	1	PR:834,542, 943,998
	970 522 162 95 DAN	Cognac	-NC		
	970 522 162 95 DAO	Cedar	-BN		
	970 522 162 F4	Cover	right		
		Seat cushion			
		D - MJ 2011>>			
	970 522 162 F4 DAM	Espresso	-NA		
	970 522 162 F4 DAN	Cognac	-NC		
	970 522 162 F4 DAO	Cedar	-BN		
(9)	970 522 162 96	Cover	right	1	PR:832,541, 943,938
		Seat cushion			
		D >> - MJ 2010			
	970 522 162 96 DAA	Black	-AB		
	970 522 162 96 DAB	Platinum Grey	-CB		
	970 522 162 96 DAC	Luxor beige	-UB		
	970 522 162 F5	Cover	right		
		Seat cushion			
		D - MJ 2011>>			
(9)	970 522 162 F5 DAA	Black	-AB	1	PR:832,541, 943
	970 522 162 F5 DAB	Platinum Grey	-CB		
	970 522 162 F5 DAC	Luxor beige	-UB,PK		
	970 522 162 F5 GHB	agate grey	-DG		
	970 522 162 97	Cover	right		
		Seat cushion			
		D >> - MJ 2010			
	970 522 162 97 DAF	Black	-AC		
	970 522 162 97 DAG	Platinum Grey	-CC,BB		
(9)	970 522 162 97 DAH	Luxor beige	-UC	1	PR:832,541, 943
	970 522 162 97 DAJ	yachting blue	-EC		
	970 522 162 97 DAL	Cream	-BC,BD,BE		
	970 522 162 F6	Cover	right		
		Seat cushion			
		D - MJ 2010>> - MJ 2011			
	970 522 162 F6 DAF	Black	-AC		
	970 522 162 F6 DAG	Platinum Grey	-CC,BB		
	970 522 162 F6 DAH	Luxor beige	-UC,PL		
(9)	970 522 162 F6 DAJ	yachting blue	-EC	1	PR:832,541, 943
	970 522 162 F6 DAL	Cream	-BC,BD,BE,DS, DT		
	970 522 162 F6 DAK	Marsala Red	-PC		
	970 522 162 F6 GHC	agate grey	-DL		
	970 522 162 F6 GLC	Carrera Red	-BF		
	970 522 162 F6 DUE	saddle brown	-SB,DN		
	970 522 162 98	Cover	right		

Model: 970 10 Model life 2010>>2016

Pos	Part Number	Description	Remark	Qty	Model
		Seat cushion D >> - MJ 2010			943,998
	970 522 162 98 DAM	Espresso	-NA		
	970 522 162 98 DAN	Cognac	-NC		
	970 522 162 98 DAO	Cedar	-BN		
(9)	970 522 162 F7	Cover Seat cushion D - MJ 2011>>	right	1	PR:832,541, 943,998
	970 522 162 F7 DAM	Espresso	-NA		
	970 522 162 F7 DAN	Cognac	-NC		
	970 522 162 F7 DAO	Cedar	-BN		
(9)	970 522 162 99	Cover Seat cushion D >> - MJ 2010	right	1	PR:832,541, 343,938
	970 522 162 99 DAA	Black	-AB		
	970 522 162 99 DAB	Platinum Grey	-CB		
	970 522 162 99 DAC	Luxor beige	-UB		
(9)	970 522 162 F8	Cover Seat cushion D - MJ 2011>>	right	1	PR:832,541, 343,938
	970 522 162 F8 DAA	Black	-AB		
	970 522 162 F8 DAB	Platinum Grey	-CB		
	970 522 162 F8 DAC	Luxor beige	-UB,PK		
	970 522 162 F8 GHB	agate grey	-DG		
(9)	970 522 162 A1	Cover Seat cushion D >> - MJ 2010	right	1	PR:832,541, 343,998,943
	970 522 162 A1 DAM	Espresso	-NA		
	970 522 162 A1 DAN	Cognac	-NC		
	970 522 162 A1 DAO	Cedar	-BN		
(9)	970 522 162 G1	Cover Seat cushion D - MJ 2011>>	right	1	PR:832,541, 343,998,943
	970 522 162 G1 DAM	Espresso	-NA		
	970 522 162 G1 DAN	Cognac	-NC		
	970 522 162 G1 DAO	Cedar	-BN		
(9)	970 522 162 A0	Cover Seat cushion D >> - MJ 2010	right	1	PR:343,541, 832,943
	970 522 162 A0 DAF	Black	-AC		
	970 522 162 A0 DAG	Platinum Grey	-CC,BB		
	970 522 162 A0 DAH	Luxor beige	-UC		
	970 522 162 A0 DAJ	yachting blue	-EC		
	970 522 162 A0 DAL	Cream	-BC,BD,BE		
(9)	970 522 162 F9	Cover Seat cushion D - MJ 2011>>	right	1	PR:343,541, 832,943
	970 522 162 F9 DAF	Black	-AC		
	970 522 162 F9 DAG	Platinum Grey	-CC,BB		
	970 522 162 F9 DAH	Luxor beige	-UC,PL		
	970 522 162 F9 DAJ	yachting blue	-EC		
	970 522 162 F9 DAL	Cream	-BC,BD,BE,DS, DT		
	970 522 162 F9 DAK	Marsala Red	-PC		
	970 522 162 F9 GHC	agate grey	-DL		
	970 522 162 F9 GLC	Carrera Red	-BF		
	970 522 162 F9 DUE	saddle brown	-SB,DN		
(9)	970 522 162 A2	Cover Seat cushion D >> - MJ 2010	right	1	PR:938,541, 834
	970 522 162 A2 DAA	Black	-AB		
	970 522 162 A2 DAB	Platinum Grey	-CB		
	970 522 162 A2 DAC	Luxor beige	-UB		

Model: 970 10 Model life 2010>>2016

Pos	Part Number	Description	Remark	Qty	Model
(9)	970 522 162 G2	Cover Seat cushion D - MJ 2011>>	right	1	PR:938,541,834
	970 522 162 G2 DAA	Black	-AB		
	970 522 162 G2 DAB	Platinum Grey	-CB		
	970 522 162 G2 DAC	Luxor beige	-UB,PK		
	970 522 162 G2 GHB	agate grey	-DG		
(9)	970 522 162 A3	Cover Seat cushion D >> - MJ 2010	right	1	PR:541,834,943
	970 522 162 A3 DAF	Black	-AC		
	970 522 162 A3 DAG	Platinum Grey	-CC,BB		
	970 522 162 A3 DAH	Luxor beige	-UC		
	970 522 162 A3 DAJ	yachting blue	-EC		
	970 522 162 A3 DAL	Cream	-BC,BD,BE		
(9)	970 522 162 G3	Cover Seat cushion D - MJ 2011>>	right	1	PR:541,834,943
	970 522 162 G3 DAF	Black	-AC		
	970 522 162 G3 DAG	Platinum Grey	-CC,BB		
	970 522 162 G3 DAH	Luxor beige	-UC,PL		
	970 522 162 G3 DAJ	yachting blue	-EC		
	970 522 162 G3 DAL	Cream	-BC,BD,BE,DS,DT		
	970 522 162 G3 DAK	Marsala Red	-PC		
	970 522 162 G3 GHC	agate grey	-DL		
	970 522 162 G3 GLC	Carrera Red	-BF		
	970 522 162 G3 DUE	saddle brown	-SB,DN		
(9)	970 522 162 A4	Cover Seat cushion D >> - MJ 2010	right	1	PR:541,834,943,998
	970 522 162 A4 DAM	Espresso	-NA		
	970 522 162 A4 DAN	Cognac	-NC		
	970 522 162 A4 DAO	Cedar	-BN		
(9)	970 522 162 G4	Cover Seat cushion D - MJ 2011>>	right	1	PR:541,834,943,998
	970 522 162 G4 DAM	Espresso	-NA		
	970 522 162 G4 DAN	Cognac	-NC		
	970 522 162 G4 DAO	Cedar	-BN		
(9)	970 522 162 A5	Cover Seat cushion D >> - MJ 2010	right	1	PR:541,343,834,938
	970 522 162 A5 DAA	Black	-AB		
	970 522 162 A5 DAB	Platinum Grey	-CB		
	970 522 162 A5 DAC	Luxor beige	-UB		
(9)	970 522 162 G5	Cover Seat cushion D - MJ 2011>>	right	1	PR:541,343,834,938,381
	970 522 162 G5 DAA	Black	-AB		
	970 522 162 G5 DAB	Platinum Grey	-CB		
	970 522 162 G5 DAC	Luxor beige	-UB,PK		
	970 522 162 G5 GHB	agate grey	-DG		
(9)	970 522 162 N5	Cover Seat cushion D - MJ 2014>>	left	1	PR:541,343,834,938,382,836
	970 522 162 N5 DAA	Black	-AB		
	970 522 162 N5 DAC	Luxor beige	-UB,PK		
	970 522 162 N5 GHB	agate grey	-DG		
(9)	970 522 162 A6	Cover Seat cushion D >> - MJ 2010	right	1	PR:541,343,834,943
	970 522 162 A6 DAF	Black	-AC		

Model: 970 10 Model life 2010>>2016

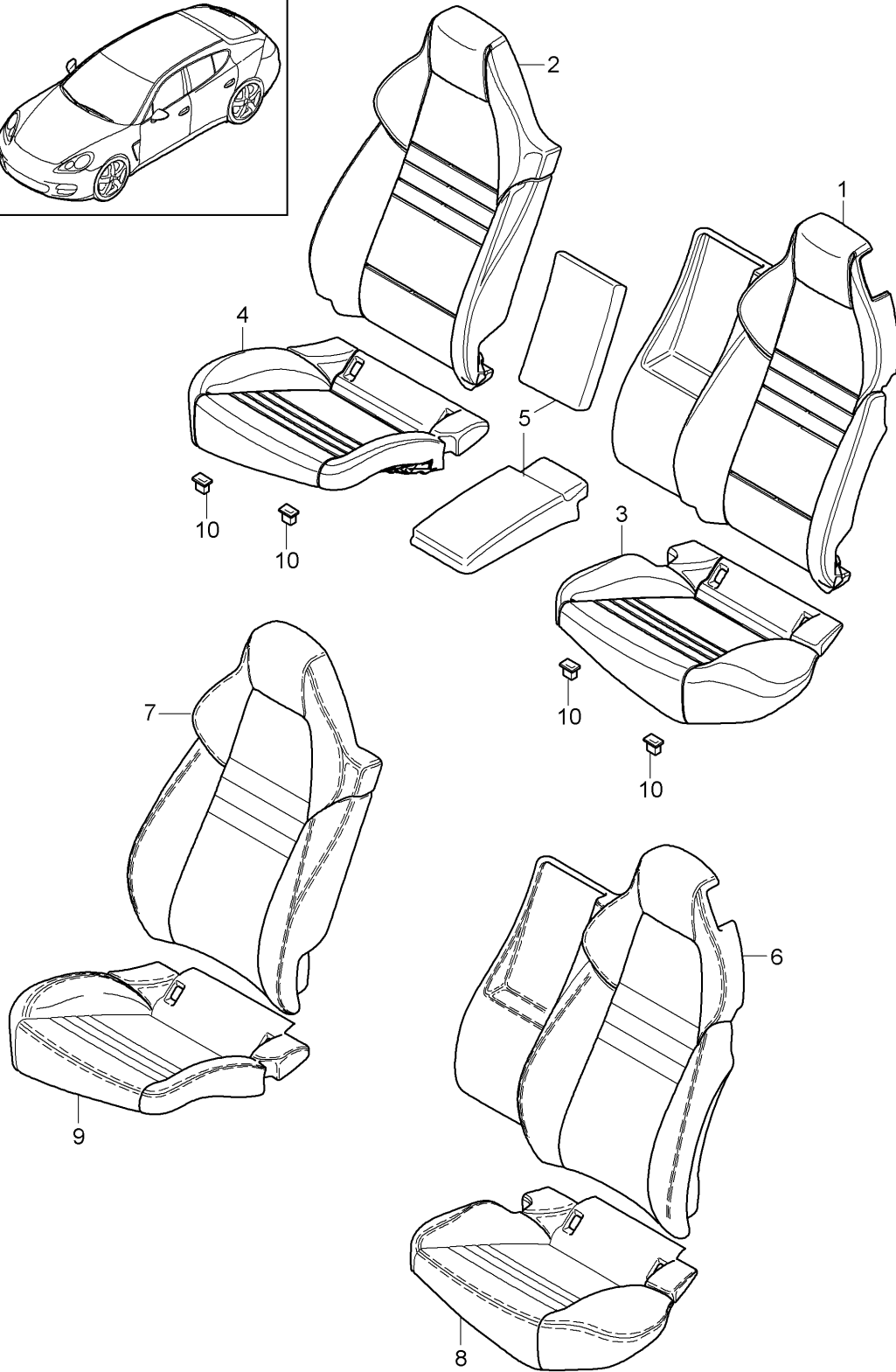
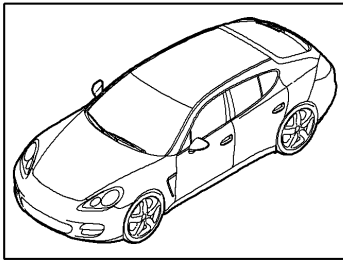
Pos	Part Number	Description	Remark	Qty	Model
(9)	970 522 162 A6 DAG	Platinum Grey	-CC,BB	1	PR:541,343, 834,943
	970 522 162 A6 DAH	Luxor beige	-UC		
	970 522 162 A6 DAJ	yachting blue	-EC		
	970 522 162 A6 DAL	Cream	-BC,BD,BE		
	970 522 162 G6	Cover	right		
		Seat cushion			
		D - MJ 2011>>			
	970 522 162 G6 DAF	Black	-AC		
	970 522 162 G6 DAG	Platinum Grey	-CC,BB		
	970 522 162 G6 DAH	Luxor beige	-UC,PL		
970 522 162 G6 DAJ	yachting blue	-EC			
970 522 162 G6 DAL	Cream	-BC,BD,BE,DS, DT			
970 522 162 G6 DAK	Marsala Red	-PC			
970 522 162 G6 GHC	agate grey	-DL			
970 522 162 G6 GLC	Carrera Red	-BF			
970 522 162 G6 DUE	saddle brown	-SB,DN			
(9)	970 522 162 A7	Cover	right	1	PR:541,343, 834,943,998
	Seat cushion				
	D >> - MJ 2010				
970 522 162 A7 DAM	Espresso	-NA			
970 522 162 A7 DAN	Cognac	-NC			
970 522 162 A7 DAO	Cedar	-BN			
(9)	970 522 162 G7	Cover	right	1	PR:541,343, 834,943,998
	Seat cushion				
	D - MJ 2011>>				
970 522 162 G7 DAM	Espresso	-NA			
970 522 162 G7 DAN	Cognac	-NC			
970 522 162 G7 DAO	Cedar	-BN			
10	970 522 171 00	Backrest centre part w. cover		1	PR:832,834, 938,940
	D >> - MJ 2010				
970 522 171 00 DAA	Black	-AB			
970 522 171 00 DAB	Platinum Grey	-CB			
970 522 171 00 DAC	Luxor beige	-UB			
(10)	970 522 171 03	Backrest centre part w. cover		1	PR:832,834, 938,940
	D - MJ 2011>>				
970 522 171 03 DAA	Black	-AB			
970 522 171 03 DAB	Platinum Grey	-CB			
970 522 171 03 DAC	Luxor beige	-UB,PK			
970 522 171 03 GHB	agate grey	-DG			
(10)	970 522 171 01	Backrest centre part w. cover		1	PR:832,834, 943,941
	D >> - MJ 2010				
970 522 171 01 DAF	Black	-AC			
970 522 171 01 DAG	Platinum Grey	-CC,BB			
970 522 171 01 DAH	Luxor beige	-UC			
970 522 171 01 DAJ	yachting blue	-EC			
970 522 171 01 DAL	Cream	-BC,BD,BE			
(10)	970 522 171 04	Backrest centre part w. cover		1	PR:832,834, 943,941,010
	D - MJ 2011>>				
970 522 171 04 DAF	Black	-AC			
970 522 171 04 DAG	Platinum Grey	-CC,BB			
970 522 171 04 DAH	Luxor beige	-UC,PL			
970 522 171 04 DAJ	yachting blue	-EC			
970 522 171 04 DAL	Cream	-BC,BD,BE,DS, DT			
970 522 171 04 DAK	Marsala Red	-PC			
970 522 171 04 GHC	agate grey	-DL			
970 522 171 04 GLC	Carrera Red	-BF			
970 522 171 04 DUE	saddle brown	-SB,DN			

Model: 970 10 Model life 2010>>2016

Pos	Part Number	Description	Remark	Qty	Model
(10)	970 522 171 02	Backrest centre part w. cover		1	PR:832,834, 941,943,998
		D >> - MJ 2010			
	970 522 171 02 DAM	Espresso	-NA		
	970 522 171 02 DAN	Cognac	-NC		
	970 522 171 02 DAO	Cedar	-BN		
(10)	970 522 171 05	Backrest centre part w. cover		1	PR:832,834, 941,943,998
		D - MJ 2011>>			
	970 522 171 05 DAM	Espresso	-NA		
	970 522 171 05 DAN	Cognac	-NC		
	970 522 171 05 DAO	Cedar	-BN		
11	970 522 861 00	Clip Seat cushion		4	PR:830,831, 832,833
(11)	970 522 861 01	Clip Seat cushion		4	PR:834,835, 836
12	970 522 731 00	Frame Switch Module Seat cushion	left	1	PR:834
(12)	970 522 732 00	Frame Switch Module Seat cushion	right	1	PR:834
13	970 613 721 01	switch for seat adjustment Module Seat cushion	left	1	PR:834
	970 613 721 01 DMN	Galvano silver			
(13)	970 613 722 01	Switch Module Seat cushion	right	1	PR:834
	970 613 722 01 DMN	Galvano silver			
14	970 522 451 00	Cushion carrier Ski bag		1	PR:832,834

Model: 970 10

Model life 2010>>2016



Model: 970 10 Model life 2010>>2016

Pos	Part Number	Description	Remark	Qty	Model
1	970 522 531 16	Cover Foam part sports seat Standard seat Foam part backrest	left	1	PR:831
2	970 522 532 09	sports seat Standard seat Foam part backrest	right	1	PR:831
3	970 522 571 08	sports seat Foam part Seat cushion	left	1	PR:831
4	970 522 572 08	sports seat Foam part Seat cushion	right	1	PR:831
5	970 522 561 00	sports seat Foam part backrest		1	PR:831
6	970 522 901 06	Centre part sports seat Backrest cover D >> - 24.01.2011	left	1	PR:831,938, XYW,-343
	970 522 901 06 DAA	Black	-AB		
	970 522 901 06 DAB	Platinum Grey	-CB		
	970 522 901 06 DAC	Luxor beige	-UB		
(6)	970 522 901 63	Backrest cover D - 25.01.2011>>	left	1	PR:831,938, XYW,-343, -541,-542
	970 522 901 63 DAA	Black	-AB		
	970 522 901 63 DAB	Platinum Grey	-CB		
	970 522 901 63 DAC	Luxor beige	-UB,PK		
	970 522 901 63 GHB	agate grey	-DG		
(6)	970 522 901 07	Backrest cover D >> - 24.01.2011	left	1	PR:831,943, XYW,-343, -998
	970 522 901 07 DAF	Black	-AC		
	970 522 901 07 DAG	Platinum Grey	-CC,BB		
	970 522 901 07 DAH	Luxor beige	-UC		
	970 522 901 07 DAJ	yachting blue	-EC		
	970 522 901 07 DAL	Cream	-BC,BD,BE		
	970 522 901 07 DAK	Marsala Red	-PC		
(6)	970 522 901 64	Backrest cover D - 25.01.2011>>	left	1	PR:831,943, XYW,-343, -998,-541, -542
	970 522 901 64 DAF	Black	-AC		
	970 522 901 64 DAG	Platinum Grey	-CC,BB		
	970 522 901 64 DAH	Luxor beige	-UC,PL		
	970 522 901 64 DAJ	yachting blue	-EC		
	970 522 901 64 DAL	Cream	-BC,BD,BE,DS, DT		
	970 522 901 64 DAK	Marsala Red	-PC		
	970 522 901 64 GHC	agate grey	-DL		
	970 522 901 64 GLC	Carrera Red	-BF		
	970 522 901 64 DUE	saddle brown	-SB,DN		
(6)	970 522 901 08	Backrest cover D >> - 24.01.2011	left	1	PR:831,943, 998,XYW,-343
	970 522 901 08 DAM	Espresso	-NA		
	970 522 901 08 DAN	Cognac	-NC		
	970 522 901 08 DAO	Cedar	-BN		
(6)	970 522 901 65	Backrest cover D - 25.01.2011>>	left	1	PR:831,943, 998,XYW,

Model: 970 10 Model life 2010>>2016

Pos	Part Number	Description	Remark	Qty	Model
					-343,-541, -542
	970 522 901 65 DAM	Espresso	-NA		
	970 522 901 65 DAN	Cognac	-NC		
	970 522 901 65 DAO	Cedar	-BN		
(6)	970 522 901 15	Backrest cover D >> - 24.01.2011	left	1	PR:831,938, 343,XYW, -541,-542
	970 522 901 15 DAA	Black	-AB		
	970 522 901 15 DAB	Platinum Grey	-CB		
	970 522 901 15 DAC	Luxor beige	-UB		
(6)	970 522 901 72	Backrest cover D - 25.01.2011>>	left	1	PR:831,938, 343,XYW
	970 522 901 72 DAA	Black	-AB		
	970 522 901 72 DAB	Platinum Grey	-CB		
	970 522 901 72 DAC	Luxor beige	-UB,PK		
	970 522 901 72 GHB	agate grey	-DG		
(6)	970 522 901 16	Backrest cover D >> - 24.01.2011	left	1	PR:831,943, XYW,343
	970 522 901 16 DAF	Black	-AC		
	970 522 901 16 DAG	Platinum Grey	-CC,BB		
	970 522 901 16 DAH	Luxor beige	-UC		
	970 522 901 16 DAJ	yachting blue	-EC		
	970 522 901 16 DAL	Cream	-BC,BD,BE		
	970 522 901 16 DAK	Marsala Red	-PC		
(6)	970 522 901 73	Backrest cover D - 25.01.2011>>	left	1	PR:831,943, 343,XYW, -541,-542, -998
	970 522 901 73 DAF	Black	-AC		
	970 522 901 73 DAG	Platinum Grey	-CC,BB		
	970 522 901 73 DAH	Luxor beige	-UC,PL		
	970 522 901 73 DAJ	yachting blue	-EC		
	970 522 901 73 DAL	Cream	-BC,BD,BE,DS, DT		
	970 522 901 73 DAK	Marsala Red	-PC		
	970 522 901 73 GHC	agate grey	-DL		
	970 522 901 73 GLC	Carrera Red	-BF		
	970 522 901 73 DUE	saddle brown	-SB,DN		
(6)	970 522 901 17	Backrest cover D >> - 24.01.2011	left	1	PR:831,943, 343,998,XYW
	970 522 901 17 DAM	Espresso	-NA		
	970 522 901 17 DAN	Cognac	-NC		
	970 522 901 17 DAO	Cedar	-BN		
(6)	970 522 901 74	Backrest cover D - 25.01.2011>>	left	1	PR:831,943, 343,998,XYW, -541,-542
	970 522 901 74 DAM	Espresso	-NA		
	970 522 901 74 DAN	Cognac	-NC		
	970 522 901 74 DAO	Cedar	-BN		
(6)	970 522 141 06	Backrest cover D >> - 24.01.2011	left	1	PR:831,938, -343
	970 522 141 06 DAA	Black	-AB		
	970 522 141 06 DAB	Platinum Grey	-CB		
	970 522 141 06 DAC	Luxor beige	-UB		
(6)	970 522 141 87	Backrest cover D - 25.01.2011>>	left	1	PR:831,938, -343,-541, -542
	970 522 141 87 DAA	Black	-AB		
	970 522 141 87 DAB	Platinum Grey	-CB		
	970 522 141 87 DAC	Luxor beige	-UB,PK		
	970 522 141 87 GHB	agate grey	-DG		
(6)	970 522 141 H5	Backrest cover	left	1	PR:831,541,

Model: 970 10 Model life 2010>>2016

Pos	Part Number	Description	Remark	Qty	Model
		D - MJ 2014>>			938,-343
	970 522 141 H5 DAA	Black	-AB		
	970 522 141 H5 DAC	Luxor beige	-UB,PK		
	970 522 141 H5 GHB	agate grey	-DG		
(6)	970 522 141 07	Backrest cover	left	1	PR:831,943, -343,-998
		D >> - 24.01.2011			
	970 522 141 07 DAF	Black	-AC		
	970 522 141 07 DAG	Platinum Grey	-CC,BB		
	970 522 141 07 DAH	Luxor beige	-UC		
	970 522 141 07 DAJ	yachting blue	-EC		
	970 522 141 07 DAL	Cream	-BC,BD,BE		
(6)	970 522 141 88	Backrest cover	left	1	PR:831,943, -343,-541, -542,-998
		D - 25.01.2011>>			
	970 522 141 88 DAF	Black	-AC		
	970 522 141 88 DAG	Platinum Grey	-CC,BB		
	970 522 141 88 DAH	Luxor beige	-UC,PL		
	970 522 141 88 DAJ	yachting blue	-EC		
	970 522 141 88 DAL	Cream	-BC,BD,BE,PC		
	970 522 141 88 DAK	Marsala Red	-PC		
	970 522 141 88 GHC	agate grey	-DL		
	970 522 141 88 GLC	Carrera Red	-BF		
	970 522 141 88 DUE	saddle brown	-SB,DN		
(6)	970 522 141 H6	Backrest cover	left	1	PR:831,943, 541,-343, -998
		D - MJ 2014>>			
	970 522 141 H6 DAF	Black	-AC,UC,PL		
	970 522 141 H6 DAL	Cream	-BC,BD,BE,PC		
	970 522 141 H6 DAK	Marsala Red	-PC		
	970 522 141 H6 GHC	agate grey	-DL		
	970 522 141 H6 GLC	Carrera Red	-BF		
	970 522 141 H6 DUE	saddle brown	-SB,DN		
(6)	970 522 141 08	Backrest cover	left	1	PR:831,943, 998,-343
		D >> - 24.01.2011			
	970 522 141 08 DAM	Espresso	-NA		
	970 522 141 08 DAN	Cognac	-NC		
	970 522 141 08 DAO	Espresso/cedar	-BN		
(6)	970 522 141 89	Backrest cover	left	1	PR:831,943, 998,-343, -541,-542
		D - 25.01.2011>>			
	970 522 141 89 DAM	Espresso	-NA		
	970 522 141 89 DAN	Cognac	-NC		
	970 522 141 89 DAO	Espresso/cedar	-BN		
(6)	970 522 141 H7	Backrest cover	left	1	PR:831,943, 998,541,-343
		D - MJ 2014>>			
	970 522 141 H7 DAM	Espresso	-NA		
	970 522 141 H7 DAN	Cognac	-NC		
	970 522 141 H7 DAO	Cedar	-BN		
(6)	970 522 141 15	Backrest cover	left	1	PR:831,343, 938
		D >> - 24.01.2011			
	970 522 141 15 DAA	Black	-AB		
	970 522 141 15 DAB	Platinum Grey	-CB		
	970 522 141 15 DAC	Luxor beige	-UB		
(6)	970 522 141 96	Backrest cover	left	1	PR:831,343, 938,-541, -542
		D - 25.01.2011>>			
	970 522 141 96 DAA	Black	-AB		
	970 522 141 96 DAB	Platinum Grey	-CB		
	970 522 141 96 DAC	Luxor beige	-UB,PK		
	970 522 141 96 GHB	agate grey	-DG		
(6)	970 522 141 H8	Backrest cover	left	1	PR:831,343,

Model: 970 10 Model life 2010>>2016

Pos	Part Number	Description	Remark	Qty	Model
	970 522 141 H8 DAA	Black	-AB		541,938
	970 522 141 H8 DAC	Luxor beige	-UB,PK		
	970 522 141 H8 GHB	agate grey	-DG		
(6)	970 522 141 16	Backrest cover D >> - 24.01.2011	left	1	PR:831,343, 943,-998
	970 522 141 16 DAF	Black	-AC		
	970 522 141 16 DAG	Platinum Grey	-CC,BB		
	970 522 141 16 DAH	Luxor beige	-UC		
	970 522 141 16 DAJ	yachting blue	-EC		
	970 522 141 16 DAL	Cream	-BC,BD,BE		
(6)	970 522 141 16 DAK	Marsala Red	-PC		
	970 522 141 97	Backrest cover D - 25.01.2011>>	left	1	PR:831,343, 943,-541, -542,-998
	970 522 141 97 DAF	Black	-AC		
	970 522 141 97 DAG	Platinum Grey	-CC,BB		
	970 522 141 97 DAH	Luxor beige	-UC,PL		
	970 522 141 97 DAJ	yachting blue	-EC		
	970 522 141 97 DAL	Cream	-BC,BD,BE,DS, DT		
	970 522 141 97 DAK	Marsala Red	-PC		
	970 522 141 97 GHC	agate grey	-DL		
	970 522 141 97 GLC	Carrera Red	-BF		
	970 522 141 97 DUE	saddle brown	-SB,DN		
(6)	970 522 141 H9	Backrest cover D - MJ 2014>>	left	1	PR:831,343, 943,541,-998
	970 522 141 H9 DAF	Black	-AC		
	970 522 141 H9 DAL	Cream	-BC,BD,BE,DS, DT		
	970 522 141 H9 DAK	Marsala Red	-PC		
	970 522 141 H9 GHC	agate grey	-DL		
	970 522 141 H9 GLC	Carrera Red	-BF		
	970 522 141 H9 DUE	saddle brown	-SB,DN		
(6)	970 522 141 17	Backrest cover D >> - 24.01.2011	left	1	PR:831,343, 943,998
	970 522 141 17 DAM	Espresso	-NA		
	970 522 141 17 DAN	Cognac	-NC		
	970 522 141 17 DAO	Cedar	-BN		
(6)	970 522 141 98	Backrest cover D - 25.01.2011>>	left	1	PR:831,343, 943,998, -541,-542
	970 522 141 98 DAM	Espresso	-NA		
	970 522 141 98 DAN	Cognac	-NC		
	970 522 141 98 DAO	Cedar	-BN		
(6)	970 522 141 J1	Backrest cover D - MJ 2014>>	left	1	PR:831,343, 541,943,998
	970 522 141 J1 DAM	Espresso	-NA		
	970 522 141 J1 DAN	Cognac	-NC		
	970 522 141 J1 DAO	Cedar	-BN		
(6)	970 522 141 F8	Backrest cover D - MJ 2013>>	left	1	PR:015,831, 932
	970 522 141 F8 DSA	Black/Carmin Red	-GK		
	970 522 141 F8 DSB	black/silver	-GS		
	970 522 141 F8 DSD	Black	-GA		
	970 522 141 F8 DSE	Platinum Grey	-GC		
	970 522 141 F8 DSF	Luxor beige	-GU		
	970 522 141 F8 DSG	yachting blue	-GE		
	970 522 141 F8 DSH	Marsala Red	-GP		
	970 522 141 F8 DVA	agate grey	-GD		

Model: 970 10 Model life 2010>>2016

Pos	Part Number	Description	Remark	Qty	Model
(6)	970 522 141 F8 DVB 970 522 141 F9	saddle brown Backrest cover	-GH left	1	PR:015,343, 831,932
		D - MJ 2013>>			
	970 522 141 F9 DSA	Black/Carmin Red	-GK		
	970 522 141 F9 DSB	black/silver	-GS		
	970 522 141 F9 DSD	Black	-GA		
	970 522 141 F9 DSE	Platinum Grey	-GC		
	970 522 141 F9 DSF	Luxor beige	-GU		
	970 522 141 F9 DSG	yachting blue	-GE		
	970 522 141 F9 DSH	Marsala Red	-GP		
	970 522 141 F9 DVA	agate grey	-GD		
(6)	970 522 141 F9 DVB 970 522 141 J9	saddle brown Backrest cover	-GH left	1	PR:343,541, 833,943,-998
	970 522 141 J9 DAF	Black	-AC		
	970 522 141 J9 GHC	agate grey	-DL		
	970 522 141 J9 DUE	saddle brown	-SB, DN		
	970 522 141 J9 DAH	Luxor beige	-UC		
	970 522 141 J9 DAK	Marsala Red	-PC		
	970 522 141 J9 DAL	Cream	-BC, BE, DS, DT		
	970 522 141 J9 GLC	Carrera Red	-BF		
(6)	970 522 141 U5	Backrest cover	left	1	PR:010,831, 932
		D - MJ 2015>>			
	970 522 141 U5 DSA	Black/Carmin Red	-GK		
	970 522 141 U5 DSB	black/silver	-GS		
	970 522 141 U5 DSD	Black	-GA		
	970 522 141 U5 DSF	Luxor beige	-GU		
	970 522 141 U5 DSH	Marsala Red	-GP		
	970 522 141 U5 DVA	agate grey	-GD		
(6)	970 522 141 U5 DVB 970 522 141 U6	saddle brown Backrest cover	-GH left	1	PR:010,343, 831,932
		D - MJ 2015>>			
	970 522 141 U6 DSA	Black/Carmin Red	-GK		
	970 522 141 U6 DSB	black/silver	-GS		
	970 522 141 U6 DSD	Black	-GA		
	970 522 141 U6 DSF	Luxor beige	-GU		
	970 522 141 U6 DSH	Marsala Red	-GP		
	970 522 141 U6 DVA	agate grey	-GD		
(6)	970 522 141 U6 DVB 970 522 141 H2	saddle brown Backrest cover	-GH left	1	PR:831,542, 938
		D - MJ 2014>>			
	970 522 141 H2 DAA	Black	-AB		
	970 522 141 H2 DAC	Luxor beige	-UB, PK		
	970 522 141 H2 GHB	agate grey	-DG		
(6)	970 522 141 H3	Backrest cover	left	1	PR:831,943, 542,-343, -998
		D - MJ 2014>>			
	970 522 141 H3 DAF	Black	-AC, UC, PL		
	970 522 141 H3 DAL	Cream	-BC, BD, BE, PC		
	970 522 141 H3 DAK	Marsala Red	-PC		
	970 522 141 H3 GHC	agate grey	-DL		
	970 522 141 H3 GLC	Carrera Red	-BF		
	970 522 141 H3 DUE	saddle brown	-SB, DN		
(6)	970 522 141 H4	Backrest cover	left	1	PR:831,943, 998,542
		D - MJ 2014>>			
	970 522 141 H4 DAM	Espresso	-NA		
	970 522 141 H4 DAN	Cognac	-NC		
	970 522 141 H4 DAO	Cedar	-BN		

Model: 970 10 Model life 2010>>2016

Pos	Part Number	Description	Remark	Qty	Model
7	970 522 902 06	Backrest cover D >> - 24.01.2011	right	1	PR:831,938, XYW,-343
	970 522 902 06 DAA	Black	-AB		
	970 522 902 06 DAB	Platinum Grey	-CB		
	970 522 902 06 DAC	Luxor beige	-UB		
(7)	970 522 902 27	Backrest cover D - 25.01.2011>>	right	1	PR:831,938, XYW,-343, -541,-542
	970 522 902 27 DAA	Black	-AB		
	970 522 902 27 DAB	Platinum Grey	-CB		
	970 522 902 27 DAC	Luxor beige	-UB,PK		
	970 522 902 27 GHB	agate grey	-DG		
(7)	970 522 902 07	Backrest cover D >> - 24.01.2011	right	1	PR:831,943, XYW,-343, -998
	970 522 902 07 DAF	Black	-AC		
	970 522 902 07 DAG	Platinum Grey	-CC,BB		
	970 522 902 07 DAH	Luxor beige	-UC		
	970 522 902 07 DAJ	yachting blue	-EC		
	970 522 902 07 DAL	Cream	-BC,BD,BE		
	970 522 902 07 DAK	Marsala Red	-PC		
(7)	970 522 902 28	Backrest cover D - 25.01.2011>>	right	1	PR:831,943, XYW,-343, -541,-542, -998
	970 522 902 28 DAF	Black	-AC		
	970 522 902 28 DAG	Platinum Grey	-CC,BB		
	970 522 902 28 DAH	Luxor beige	-UC,PL		
	970 522 902 28 DAJ	yachting blue	-EC		
	970 522 902 28 DAL	Cream	-BC,BD,BE,DS, DT		
	970 522 902 28 DAK	Marsala Red	-PC		
	970 522 902 28 GHC	agate grey	-DL		
	970 522 902 28 GLC	Carrera Red	-BF		
	970 522 902 28 DUE	saddle brown	-SB,DN		
(7)	970 522 902 08	Backrest cover D >> - 24.01.2011	right	1	PR:831,943, 998,XYW,-343
	970 522 902 08 DAM	Espresso	-NA		
	970 522 902 08 DAN	Cognac	-NC		
	970 522 902 08 DAO	Cedar	-BN		
(7)	970 522 902 29	Backrest cover D - 25.01.2011>>	right	1	PR:831,943, 998,XYW, -343,-541, -542
	970 522 902 29 DAM	Espresso	-NA		
	970 522 902 29 DAN	Cognac	-NC		
	970 522 902 29 DAO	Cedar	-BN		
(7)	970 522 902 15	Backrest cover D >> - 24.01.2011	right	1	PR:831,343, 938,XYW
	970 522 902 15 DAA	Black	-AB		
	970 522 902 15 DAB	Platinum Grey	-CB		
	970 522 902 15 DAC	Luxor beige	-UB		
(7)	970 522 902 36	Backrest cover D - 25.01.2011>>	right	1	PR:831,343, 938,XYW, -541,-542
	970 522 902 36 DAA	Black	-AB		
	970 522 902 36 DAB	Platinum Grey	-CB		
	970 522 902 36 DAC	Luxor beige	-UB,PK		
	970 522 902 36 GHB	Luxor beige	-DG		
(7)	970 522 902 16	Backrest cover D >> - 24.01.2011	right	1	PR:831,343, 943,XYW,-998
	970 522 902 16 DAF	Black	-AC		
	970 522 902 16 DAG	Platinum Grey	-CC,BB		

Model: 970 10 Model life 2010>>2016

Pos	Part Number	Description	Remark	Qty	Model
(7)	970 522 902 16 DAH	Luxor beige	-UC	1	PR:831,343, 943,XYW, -541,-542
	970 522 902 16 DAJ	yachting blue	-EC		
	970 522 902 16 DAL	Cream	-BC,BD,BE		
	970 522 902 16 DAK	Marsala Red	-PC		
	970 522 902 37	Backrest cover D - 25.01.2011>>	right		
	970 522 902 37 DAF	Black	-AC		
	970 522 902 37 DAG	Platinum Grey	-CC,BB		
	970 522 902 37 DAH	Luxor beige	-UC,PL		
	970 522 902 37 DAJ	yachting blue	-EC		
	970 522 902 37 DAL	Cream	-BC,BD,BE,DS, DT		
(7)	970 522 902 37 DAK	Marsala Red	-PC	1	PR:831,343, 943,998,XYW
	970 522 902 37 GHC	agate grey	-DL		
	970 522 902 37 GLC	Carrera Red	-BF		
	970 522 902 37 DUE	saddle brown	-SB,DN		
	970 522 902 17	Backrest cover D >> - 24.01.2011	right		
(7)	970 522 902 17 DAM	Espresso	-NA	1	PR:831,343, 943,998,XYW
	970 522 902 17 DAN	Cognac	-NC		
	970 522 902 17 DAO	Cedar	-BN		
(7)	970 522 902 38	Backrest cover D - 25.01.2011>>	right	1	PR:831,343, 943,998,XYW, -541,-542
	970 522 902 38 DAM	Espresso	-NA		
	970 522 902 38 DAN	Cognac	-NC		
	970 522 902 38 DAO	Cedar	-BN		
(7)	970 522 142 06	Backrest cover D >> - 24.01.2011	right	1	PR:831,938, -343
	970 522 142 06 DAA	Black	-AB		
	970 522 142 06 DAB	Platinum Grey	-CB		
(7)	970 522 142 06 DAC	Luxor beige	-UB	1	PR:831,938, -343,-541, -542
	970 522 142 36	Backrest cover D - 25.01.2011>>	right		
(7)	970 522 142 36 DAA	Black	-AB	1	PR:831,938, 541,-343
	970 522 142 36 DAB	Platinum Grey	-CB		
	970 522 142 36 DAC	Luxor beige	-UB,PK		
	970 522 142 36 GHB	agate grey	-DG		
	970 522 142 83	Backrest cover D - MJ 2014>>	right		
(7)	970 522 142 83 DAA	Black	-AB	1	PR:831,943, -343,-998
	970 522 142 83 DAC	Luxor beige	-UB,PK		
	970 522 142 83 GHB	agate grey	-DG		
	970 522 142 07	Backrest cover D >> - 24.01.2011	right		
(7)	970 522 142 07 DAF	Black	-AC	1	PR:831,943, -343,-541, -542,-998
	970 522 142 07 DAG	Platinum Grey	-CC,BB		
	970 522 142 07 DAH	Luxor beige	-UC		
	970 522 142 07 DAJ	yachting blue	-EC		
	970 522 142 07 DAL	Cream	-BC,BD,BE		
	970 522 142 07 DAK	Marsala Red	-PC		
	970 522 142 37	Backrest cover D - 25.01.2011>>	right		
	970 522 142 37 DAF	Black	-AC		
970 522 142 37 DAG	Platinum Grey	-CC,BB			
970 522 142 37 DAH	Luxor beige	-UC,PL			
970 522 142 37 DAJ	yachting blue	-EC			
970 522 142 37 DAL	Cream	-BC,BD,BE,DS, DT			

Model: 970 10 Model life 2010>>2016

Pos	Part Number	Description	Remark	Qty	Model
(7)	970 522 142 37 DAK	Marsala Red	-PC	1	PR:831,943, -343,-541, -542,-998
	970 522 142 37 GHC	agate grey	-DL		
	970 522 142 37 GLC	Carrera Red	-BF		
	970 522 142 37 DUE	saddle brown	-SB, DN		
	970 522 142 84	Backrest cover	right		
		D - MJ 2014>>			
	970 522 142 84 DAF	Black	-AC, UC, PL		
	970 522 142 84 DAL	Cream	-BC, BD, BE, DS, DT		
	970 522 142 84 DAK	Marsala Red	-PC		
	970 522 142 84 GHC	agate grey	-DL		
	970 522 142 84 GLC	Carrera Red	-BF		
	970 522 142 84 DUE	saddle brown	-SB, DN		
(7)	970 522 142 08	Backrest cover	right	1	PR:831,943, 998,-343
		D >> - 24.01.2011			
	970 522 142 08 DAM	Espresso	-NA		
	970 522 142 08 DAN	Cognac	-NC		
	970 522 142 08 DAO	Espresso/cedar	-BN		
(7)	970 522 142 38	Backrest cover	right	1	PR:831,943, 998,-343, -541,-542
		D - 25.01.2011>>			
	970 522 142 38 DAM	Espresso	-NA		
	970 522 142 38 DAN	Cognac	-NC		
	970 522 142 38 DAO	Espresso/cedar	-BN		
(7)	970 522 142 85	Backrest cover	right	1	PR:831,541, 943,998,-343
		D - MJ 2014>>			
	970 522 142 85 DAM	Espresso	-NA		
	970 522 142 85 DAN	Cognac	-NC		
	970 522 142 85 DAO	Cedar	-BN		
(7)	970 522 142 15	Backrest cover	right	1	PR:831,343, 938
		D >> - 24.01.2011			
	970 522 142 15 DAA	Black	-AB		
	970 522 142 15 DAB	Platinum Grey	-CB		
	970 522 142 15 DAC	Luxor beige	-UB		
(7)	970 522 142 45	Backrest cover	right	1	PR:831,343, 938,-541, -542
		D - 25.01.2011>>			
	970 522 142 45 DAA	Black	-AB		
	970 522 142 45 DAB	Platinum Grey	-CB		
	970 522 142 45 DAC	Luxor beige	-UB, PK		
	970 522 142 45 GHB	agate grey	-DG		
(7)	970 522 142 86	Backrest cover	right	1	PR:831,343, 541,938
		D - MJ 2014>>			
	970 522 142 86 DAA	Black	-AB		
	970 522 142 86 DAC	Luxor beige	-UB, PK		
	970 522 142 86 GHB	agate grey	-DG		
(7)	970 522 142 16	Backrest cover	right	1	PR:831,343, 943,-998
		D >> - 24.01.2011			
	970 522 142 16 DAF	Black	-AC		
	970 522 142 16 DAG	Platinum Grey	-CC, BB		
	970 522 142 16 DAH	Luxor beige	-UC		
	970 522 142 16 DAJ	Black/yachting blue	-EC		
	970 522 142 16 DAL	Cream	-BC, BD, BE		
	970 522 142 16 DAK	Black/marsala red	-PC		
(7)	970 522 142 46	Backrest cover	right	1	PR:831,343, 943,-541, -542,-998
		D - 25.01.2011>>			
	970 522 142 46 DAF	Black	-AC		
	970 522 142 46 DAG	Platinum Grey	-CC, BB		
	970 522 142 46 DAH	Luxor beige	-UC, PL		

Model: 970 10 Model life 2010>>2016

Pos	Part Number	Description	Remark	Qty	Model
	970 522 142 46 DAJ	Black/yachting blue	-EC		
	970 522 142 46 DAL	Cream	-BC, BD, BE, DS, DT		
	970 522 142 46 DAK	Black/marsala red	-PC		
	970 522 142 46 GHC	agate grey	-DL		
	970 522 142 46 GLC	Carrera Red	-BF		
	970 522 142 46 DUE	saddle brown	-SB, DN		
(7)	970 522 142 87	Backrest cover	right	1	PR:831,343,541,943,-998
		D - MJ 2014>>			
	970 522 142 87 DAF	Black	-AC		
	970 522 142 87 DAL	Cream	-BC, BD, BE, DS, DT		
	970 522 142 87 DAK	Marsala Red	-PC		
	970 522 142 87 GHC	agate grey	-DL		
	970 522 142 87 GLC	Carrera Red	-BF		
	970 522 142 87 DUE	saddle brown	-SB, DN		
(7)	970 522 142 17	Backrest cover	right	1	PR:831,343,943,998
		D >> - 24.01.2011			
	970 522 142 17 DAM	Espresso	-NA		
	970 522 142 17 DAN	Cognac	-NC		
	970 522 142 17 DAO	Cedar	-BN		
(7)	970 522 142 47	Backrest cover	right	1	PR:831,343,943,998,-541,-542
		D - 25.01.2011>>			
	970 522 142 47 DAM	Espresso	-NA		
	970 522 142 47 DAN	Cognac	-NC		
	970 522 142 47 DAO	Cedar	-BN		
(7)	970 522 142 88	Backrest cover	right	1	PR:831,343,541,943,998
		D - MJ 2014>>			
	970 522 142 88 DAM	Espresso	-NA		
	970 522 142 88 DAN	Cognac	-NC		
	970 522 142 88 DAO	Cedar	-BN		
(7)	970 522 142 74	Backrest cover	right	1	PR:015,831,932
		D - MJ 2013>>			
	970 522 142 74 DSA	Black/Carmin Red	-GK		
	970 522 142 74 DSB	black/silver	-GS		
	970 522 142 74 DSD	Black	-GA		
	970 522 142 74 DSE	Platinum Grey	-GC		
	970 522 142 74 DSF	Luxor beige	-GU		
	970 522 142 74 DSG	yachting blue	-GE		
	970 522 142 74 DSH	Marsala Red	-GP		
	970 522 142 74 DVA	agate grey	-GD		
	970 522 142 74 DVB	saddle brown	-GH		
(7)	970 522 142 75	Backrest cover	right	1	PR:015,343,831,932
		D - MJ 2013>>			
	970 522 142 75 DSA	Black/Carmin Red	-GK		
	970 522 142 75 DSB	black/silver	-GS		
	970 522 142 75 DSD	Black	-GA		
	970 522 142 75 DSE	Platinum Grey	-GC		
	970 522 142 75 DSF	Luxor beige	-GU		
	970 522 142 75 DSG	yachting blue	-GE		
	970 522 142 75 DSH	Marsala Red	-GP		
	970 522 142 75 DVA	agate grey	-GD		
	970 522 142 75 DVB	saddle brown	-GH		
(7)	970 522 142 D3	Backrest cover	right	1	PR:010,831,932
		D - MJ 2015>>			
	970 522 142 D3 DSA	Black/Carmin Red	-GK		
	970 522 142 D3 DSB	black/silver	-GS		

Model: 970 10 Model life 2010>>2016

Pos	Part Number	Description	Remark	Qty	Model
(7)	970 522 142 D3 DSD	Black	-GA	1	PR:010,343, 831,932
	970 522 142 D3 DSF	Luxor beige	-GU		
	970 522 142 D3 DSH	Marsala Red	-GP		
	970 522 142 D3 DVA	agate grey	-GD		
	970 522 142 D3 DVB	saddle brown	-GH		
	970 522 142 D4	Backrest cover	right		
		D - MJ 2015>>			
	970 522 142 D4 DSA	Black/Carmin Red	-GK		
	970 522 142 D4 DSB	black/silver	-GS		
	970 522 142 D4 DSD	Black	-GA		
(7)	970 522 142 D4 DSF	Luxor beige	-GU	1	PR:831,542, 938
	970 522 142 D4 DSH	Marsala Red	-GP		
	970 522 142 D4 DVA	agate grey	-GD		
	970 522 142 D4 DVB	saddle brown	-GH		
	970 522 142 80	Backrest cover	right		
		D - MJ 2014>>			
	970 522 142 80 DAA	Black	-AB		
	970 522 142 80 DAC	Luxor beige	-UB,PK		
	970 522 142 80 GHB	agate grey	-DG		
	(7) 970 522 142 81	Backrest cover	right		
(7)		D - MJ 2014>>		1	PR:831,943, 542,-998
	970 522 142 81 DAF	Black	-AC,UC,PL		
	970 522 142 81 DAL	Cream	-BC,BD,BE,DS, DT		
	970 522 142 81 DAK	Marsala Red	-PC		
	970 522 142 81 GHC	agate grey	-DL		
	970 522 142 81 GLC	Carrera Red	-BF		
	970 522 142 81 DUE	saddle brown	-SB,DN		
	(7) 970 522 142 82	Backrest cover	right		
		D - MJ 2014>>			
	970 522 142 82 DAM	Espresso	-NA		
8	970 522 142 82 DAN	Cognac	-NC	1	PR:833,938, -343,-541
	970 522 142 82 DAO	Cedar	-BN		
	970 522 161 60	Cover	left		
		Seat cushion			
		D >> - MJ 2010			
	970 522 161 60 DAA	Black	-AB		
	970 522 161 60 DAB	Platinum Grey	-CB		
	970 522 161 60 DAC	Luxor beige	-UB		
	(8) 970 522 161 B5	Cover	left		
		Seat cushion			
(8)		D - MJ 2011>>		1	PR:831,833, 943, -343,-541, -998
	970 522 161 B5 DAA	Black	-AB		
	970 522 161 B5 DAB	Platinum Grey	-CB		
	970 522 161 B5 DAC	Luxor beige	-UB,PK		
	970 522 161 B5 GHB	agate grey	-DG		
	(8) 970 522 161 61	Cover	left		
		Seat cushion			
		D >> - MJ 2010			
	970 522 161 61 DAF	Black	-AC		
	(8)	970 522 161 61 DAG	Platinum Grey		
970 522 161 61 DAH		Luxor beige	-UC		
970 522 161 61 DAJ		yachting blue	-EC		
970 522 161 61 DAL		Cream	-BC,BD,BE		
(8) 970 522 161 B6		Cover	left		
		Seat cushion			
		D - MJ 2011>>			

Model: 970 10 Model life 2010>>2016

Pos	Part Number	Description	Remark	Qty	Model
	970 522 161 B6 DAF	Black	-AC		
	970 522 161 B6 DAG	Platinum Grey	-CC, BB		
	970 522 161 B6 DAH	Luxor beige	-UC, PL		
	970 522 161 B6 DAJ	yachting blue	-EC		
	970 522 161 B6 DAL	Cream	-BC, BD, BE, DS, DT		
	970 522 161 B6 DAK	Marsala Red	-PC		
	970 522 161 B6 GHC	agate grey	-DL		
	970 522 161 B6 GLC	Carrera Red	-BF		
	970 522 161 B6 DUE	saddle brown	-SB, DN		
(8)	970 522 161 62	Cover Seat cushion D >> - MJ 2010	left	1	PR:833,943, 998,-343, -541
	970 522 161 62 DAM	Espresso	-NA		
	970 522 161 62 DAN	Cognac	-NC		
	970 522 161 62 DAO	Cedar	-BN		
(8)	970 522 161 B7	Cover Seat cushion D - MJ 2011>>	left	1	PR:833,943, 998,-343, -541
	970 522 161 B7 DAM	Espresso	-NA		
	970 522 161 B7 DAN	Cognac	-NC		
	970 522 161 B7 DAO	Cedar	-BN		
(8)	970 522 161 69	Cover Seat cushion D >> - MJ 2010	left	1	PR:833,343, 938,-541, -542
	970 522 161 69 DAA	Black	-AB		
	970 522 161 69 DAB	Platinum Grey	-CB		
	970 522 161 69 DAC	Luxor beige	-UB		
(8)	970 522 161 C5	Cover Seat cushion D - MJ 2011>>	left	1	PR:833,343, 938,-541, -542
	970 522 161 C5 DAA	Black	-AB		
	970 522 161 C5 DAB	Platinum Grey	-CB		
	970 522 161 C5 DAC	Luxor beige	-UB, PK		
	970 522 161 C5 GHB	agate grey	-DG		
(8)	970 522 161 70	Cover Seat cushion D >> - MJ 2010	left	1	PR:833,343, 943,-541, -542,-998
	970 522 161 70 DAF	Black	-AC		
	970 522 161 70 DAG	Platinum Grey	-CC, BB		
	970 522 161 70 DAH	Luxor beige	-UC		
	970 522 161 70 DAJ	yachting blue	-EC		
	970 522 161 70 DAL	Cream	-BC, BD, BE		
(8)	970 522 161 C6	Cover Seat cushion D - MJ 2011>>	left	1	PR:833,343, 943,-541, -542,-998
	970 522 161 C6 DAF	Black	-AC		
	970 522 161 C6 DAG	Platinum Grey	-CC, BB		
	970 522 161 C6 DAH	Luxor beige	-UC		
	970 522 161 C6 DAJ	yachting blue	-EC		
	970 522 161 C6 DAL	Cream	-BC, BD, BE, DS, DT		
	970 522 161 C6 DAK	Marsala Red	-PC		
	970 522 161 C6 GHC	agate grey	-DL		
	970 522 161 C6 GLC	Carrera Red	-BF		
	970 522 161 C6 DUE	saddle brown	-SB, DN		
(8)	970 522 161 71	Cover Seat cushion D >> - MJ 2010	left	1	PR:833,343, 943,998, -541,-542
	970 522 161 71 DAM	Espresso	-NA		
	970 522 161 71 DAN	Cognac	-NC		
	970 522 161 71 DAO	Cedar	-BN		
(8)	970 522 161 C7	Cover	left	1	PR:833,343,

Model: 970 10 Model life 2010>>2016

Pos	Part Number	Description	Remark	Qty	Model
		Seat cushion D - MJ 2011>>			943,998, -541,-542
	970 522 161 C7 DAM	Espresso	-NA		
	970 522 161 C7 DAN	Cognac	-NC		
	970 522 161 C7 DAO	Cedar	-BN		
(8)	970 522 161 J5	Cover Seat cushion D - MJ 2013>>	right	1	PR:831,343, 943,998,541
	970 522 161 J5 DAM	Espresso	-NA		
	970 522 161 J5 DAN	Cognac	-NC		
	970 522 161 J5 DAO	Cedar	-BN		
(8)	970 522 161 G8	Seat cover Seat cushion D - MJ 2013>>	left	1	PR:015,833, 932,-343, -541,-542
	970 522 161 G8 DSA	Black/Carmine Red	-GK		
	970 522 161 G8 DSB	black/silver	-GS		
	970 522 161 G8 DSJ	Black	-GA		
	970 522 161 G8 DSE	Platinum Grey	-GC		
	970 522 161 G8 DSF	Luxor beige	-GU		
	970 522 161 G8 DSG	yachting blue	-GE		
	970 522 161 G8 DSH	Marsala Red	-GP		
	970 522 161 G8 DVA	agate grey	-GD		
	970 522 161 G8 DVB	saddle brown	-GH		
(8)	970 522 161 G8	Seat cover Seat cushion D - MJ 2015>>	left	1	PR:010,932, -343,-541, -542
	970 522 161 G8 DSA	Black/Carmine Red	-GK		
	970 522 161 G8 DSB	black/silver	-GS		
	970 522 161 G8 DSJ	Black	-GA		
	970 522 161 G8 DSE	Platinum Grey	-GC		
	970 522 161 G8 DSF	Luxor beige	-GU		
	970 522 161 G8 DSG	yachting blue	-GE		
	970 522 161 G8 DSH	Marsala Red	-GP		
	970 522 161 G8 DVA	agate grey	-GD		
	970 522 161 G8 DVB	saddle brown	-GH		
(8)	970 522 161 G9	Seat cover Seat cushion D - MJ 2013>>	left	1	PR:015,343, 833,932, -541,-542
	970 522 161 G9 DSA	Black/Carmine Red	-GK		
	970 522 161 G9 DSB	black/silver	-GS		
	970 522 161 G9 DSJ	Black	-GA		
	970 522 161 G9 DSE	Platinum Grey	-GC		
	970 522 161 G9 DSF	Luxor beige	-GU		
	970 522 161 G9 DSG	yachting blue	-GE		
	970 522 161 G9 DSH	Marsala Red	-GP		
	970 522 161 G9 DVA	agate grey	-GD		
	970 522 161 G9 DVB	saddle brown	-GH		
9	970 522 162 60	Cover Seat cushion D >> - MJ 2010	right	1	PR:833,938, -343,-541
	970 522 162 60 DAA	Black	-AB		
	970 522 162 60 DAB	Platinum Grey	-CB		
	970 522 162 60 DAC	Luxor beige	-UB		
(9)	970 522 162 B5	Cover Seat cushion D - MJ 2011>>	right	1	PR:833,938, -343,-541
	970 522 162 B5 DAA	Black	-AB		
	970 522 162 B5 DAB	Platinum Grey	-CB		
	970 522 162 B5 DAC	Luxor beige	-UB,PK		
	970 522 162 B5 GHB	agate grey	-DG		
(9)	970 522 162 61	Cover Seat cushion D >> - MJ 2010	right	1	PR:831,833, 943, -343,-998,

Model: 970 10 Model life 2010>>2016

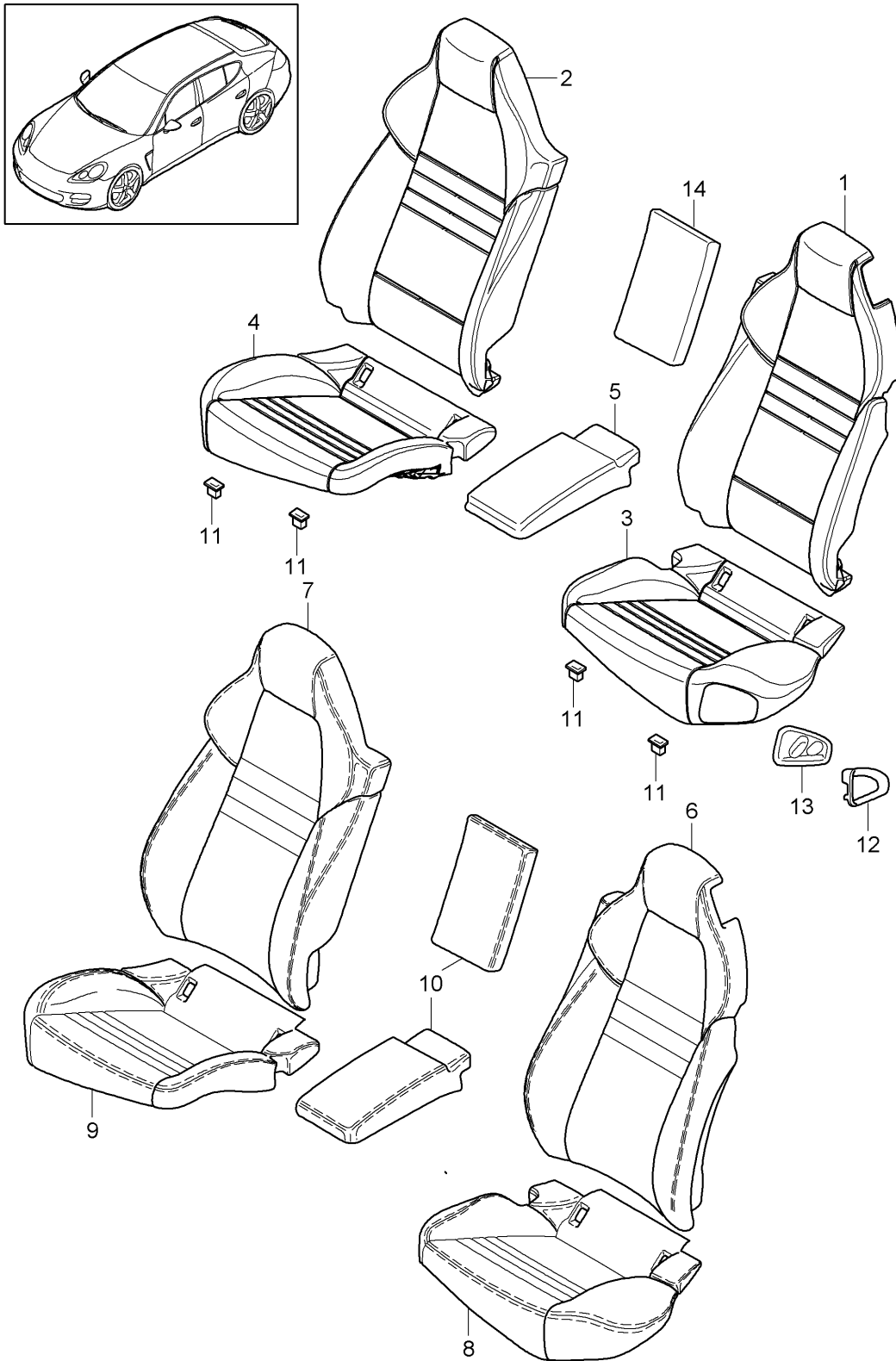
Pos	Part Number	Description	Remark	Qty	Model
	970 522 162 61 DAF	Black	-AC		-541
	970 522 162 61 DAG	Platinum Grey	-CC,BB		
	970 522 162 61 DAH	Luxor beige	-UC		
	970 522 162 61 DAJ	yachting blue	-EC		
	970 522 162 61 DAL	Cream	-BC,BD,BE		
(9)	970 522 162 B6	Cover Seat cushion D - MJ 2011>>	right	1	PR:831,833, 943, -998,-541, -343
	970 522 162 B6 DAF	Black	-AC		
	970 522 162 B6 DAG	Platinum Grey	-CC,BB		
	970 522 162 B6 DAH	Luxor beige	-UC,PL		
	970 522 162 B6 DAJ	yachting blue	-EC		
	970 522 162 B6 DAL	Cream	-BC,BD,BE,DS, DT		
	970 522 162 B6 DAK	Marsala Red	-PC		
	970 522 162 B6 GHC	agate grey	-DL		
	970 522 162 B6 GLC	Carrera Red	-BF		
	970 522 162 B6 DUE	saddle brown	-SB,DN		
(9)	970 522 162 62	Cover Seat cushion D >> - MJ 2010	right	1	PR:833,943, 998,-343, -541
	970 522 162 62 DAM	Espresso	-NA		
	970 522 162 62 DAN	Cognac	-NC		
	970 522 162 62 DAO	Cedar	-BN		
(9)	970 522 162 B7	Cover Seat cushion D - MJ 2011>>	right	1	PR:833,943, 998,-343, -541
	970 522 162 B7 DAM	Espresso	-NA		
	970 522 162 B7 DAN	Cognac	-NC		
	970 522 162 B7 DAO	Cedar	-BN		
(9)	970 522 162 69	Cover Seat cushion D >> - MJ 2010	right	1	PR:833,343, 938,-541, -542
	970 522 162 69 DAA	Black	-AB		
	970 522 162 69 DAB	Platinum Grey	-CB		
	970 522 162 69 DAC	Luxor beige	-UB		
(9)	970 522 162 C5	Cover Seat cushion D - MJ 2011>>	right	1	PR:833,343, 938,-541, -542
	970 522 162 C5 DAA	Black	-AB		
	970 522 162 C5 DAB	Platinum Grey	-CB		
	970 522 162 C5 DAC	Luxor beige	-UB,PK		
	970 522 162 C5 GHB	agate grey	-DG		
(9)	970 522 162 70	Cover Seat cushion D >> - MJ 2010	right	1	PR:833,343, 943,-541, -542,-998
	970 522 162 70 DAF	Black	-AC		
	970 522 162 70 DAG	Platinum Grey	-CC,BB		
	970 522 162 70 DAH	Luxor beige	-UC		
	970 522 162 70 DAJ	yachting blue	-EC		
	970 522 162 70 DAL	Cream	-BC,BD,BE		
(9)	970 522 162 C6	Cover Seat cushion D - MJ 2011>>	right	1	PR:833,343, 943,-541, -542,-998
	970 522 162 C6 DAF	Black	-AC		
	970 522 162 C6 DAG	Platinum Grey	-CC,BB		
	970 522 162 C6 DAH	Luxor beige	-UC,PL		
	970 522 162 C6 DAJ	yachting blue	-EC		
	970 522 162 C6 DAL	Cream	-BC,BD,BE,DS, DT		
	970 522 162 C6 DAK	Marsala Red	-PC		

Model: 970 10 Model life 2010>>2016

Pos	Part Number	Description	Remark	Qty	Model
(9)	970 522 162 C6 GHC	agate grey	-DL	1	PR:833,343, 943,998, -541,-542
	970 522 162 C6 GLC	Carrera Red	-BF		
	970 522 162 C6 DUE	saddle brown	-SB, DN		
	970 522 162 71	Cover Seat cushion D >> - MJ 2010	right		
(9)	970 522 162 71 DAM	Espresso	-NA	1	PR:833,343, 943,998, -541,-542
	970 522 162 71 DAN	Cognac	-NC		
	970 522 162 71 DAO	Espresso/cedar	-BN		
	970 522 162 C7	Cover Seat cushion D - MJ 2011>>	right		
(9)	970 522 162 C7 DAM	Espresso	-NA	1	PR:831,343, 943,998,541
	970 522 162 C7 DAN	Cognac	-NC		
	970 522 162 C7 DAO	Espresso/cedar	-BN		
	970 522 162 J5	Cover Seat cushion D - MJ 2013>>	right		
(9)	970 522 162 J5 DAM	Espresso	-NA	1	PR:833,932, -343,-541, -542,831
	970 522 162 J5 DAN	Cognac	-NC		
	970 522 162 J5 DAO	Cedar	-BN		
	970 522 162 G8	Seat cover Seat cushion D - MJ 2013>>	right		
	970 522 162 G8 DSA	Black/Carmine Red	-GK		
	970 522 162 G8 DSB	black/silver	-GS		
	970 522 162 G8 DSJ	Black	-GA		
	970 522 162 G8 DSE	Platinum Grey	-GC		
	970 522 162 G8 DSF	Luxor beige	-GU		
	970 522 162 G8 DSG	yachting blue	-GE		
	970 522 162 G8 DSH	Marsala Red	-GP		
	970 522 162 G8 DVA	agate grey	-GD		
	970 522 162 G8 DVB	Carrera Red	-GH		
	970 522 162 G9	Seat cover Seat cushion D - MJ 2013>>	right		
	970 522 162 G9 DSA	Black/Carmine Red	-GK		
	970 522 162 G9 DSB	black/silver	-GS		
970 522 162 G9 DSJ	Black	-GA			
970 522 162 G9 DSE	Platinum Grey	-GC			
970 522 162 G9 DSF	Luxor beige	-GU			
970 522 162 G9 DSG	yachting blue	-GE			
970 522 162 G9 DSH	Marsala Red	-GP			
970 522 162 G9 DVA	agate grey	-GD			
970 522 162 G9 DVB	saddle brown	-GH			
10	970 522 861 00	Clip Seat cushion		4	PR:831

Model: 970 10

Model life 2010>>2016



Model: 970 10 Model life 2010>>2016

Pos	Part Number	Description	Remark	Qty	Model
1	970 522 531 17	Cover Foam part Premium sports seat			
(1)	970 522 531 18	Foam part backrest	left	1	PR:833
2	970 522 532 09	Foam part backrest	left	1	PR:835
(2)	970 522 532 10	Foam part backrest	right	1	PR:833
3	970 522 571 05	Foam part Seat cushion	right	1	PR:835
(3)	970 522 571 05	Foam part Seat cushion	left	1	PR:835
4	970 522 572 05	Foam part Seat cushion	left	1	PR:835
(4)	970 522 572 08	Foam part Seat cushion	right	1	PR:835
5	970 522 551 00	Foam part backrest		1	PR:833,835
6	970 522 901 27	Centre part Backrest cover D >> - 24.01.2011	left	1	PR:833,835, 938,XYW,-343
	970 522 901 27 DAA	Black	-AB		
	970 522 901 27 DAB	Platinum Grey	-CB		
	970 522 901 27 DAC	Luxor beige	-UB		
(6)	970 522 901 84	Backrest cover D - 25.01.2011>>	left	1	PR:833,835, 938,XYW, -343,-541, -542
	970 522 901 84 DAA	Black	-AB		
	970 522 901 84 DAB	Platinum Grey	-CB		
	970 522 901 84 DAC	Luxor beige	-UB,PK		
	970 522 901 84 GHB	agate grey	-DG		
(6)	970 522 901 28	Backrest cover D >> - 24.01.2011	left	1	PR:833,835, 943,XYW, -343,-998
	970 522 901 28 DAF	Black	-AC		
	970 522 901 28 DAG	Platinum Grey	-CC,BB		
	970 522 901 28 DAH	Luxor beige	-UC		
	970 522 901 28 DAJ	yachting blue	-EC		
	970 522 901 28 DAL	Cream	-BC,BD,BE		
	970 522 901 28 DAK	Marsala Red	-PC		
(6)	970 522 901 85	Backrest cover D - 25.01.2011>>	left	1	PR:833,835, 943,XYW, -343,-541, -542,-998
	970 522 901 85 DAF	Black	-AC		
	970 522 901 85 DAG	Platinum Grey	-CC,BB		
	970 522 901 85 DAH	Luxor beige	-UC,PL		
	970 522 901 85 DAJ	yachting blue	-EC		
	970 522 901 85 DAL	Cream	-BC,BD,BE,DS, DT		
	970 522 901 85 DAK	Marsala Red	-PC		
	970 522 901 85 GHC	agate grey	-DL		
	970 522 901 85 GLC	Carrera Red	-BF		
	970 522 901 85 DUE	saddle brown	-SB,DN		
(6)	970 522 901 29	Backrest cover D >> - 24.01.2011	left	1	PR:833,835, 943,998,XYW, -343
	970 522 901 29 DAM	Espresso	-NA		

Model: 970 10 Model life 2010>>2016

Pos	Part Number	Description	Remark	Qty	Model
(6)	970 522 901 29 DAN	Cognac	-NC	1	PR:833,835, 541,943,998, XYW,-343
	970 522 901 29 DAO	Cedar	-BN		
	970 522 901 86	Backrest cover D - 25.01.2011>>	left		
(6)	970 522 901 86 DAM	Espresso	-NA	1	PR:833,835, 343,938,XYW
	970 522 901 86 DAN	Cognac	-NC		
	970 522 901 86 DAO	Cedar	-BN		
(6)	970 522 901 36	Backrest cover D >> - 24.01.2011	left	1	PR:833,835, 343,938,XYW
	970 522 901 36 DAA	Black	-AB		
	970 522 901 36 DAB	Platinum Grey	-CB		
(6)	970 522 901 36 DAC	Luxor beige	-UB	1	PR:833,835, 343,938,XYW, -541,-542
	970 522 901 93	Backrest cover D - 25.01.2011>>	left		
	970 522 901 93 DAA	Black	-AB		
(6)	970 522 901 93 DAB	Platinum Grey	-CB	1	PR:833,835, 343,943,XYW, -998
	970 522 901 93 DAC	Luxor beige	-UB,PK		
	970 522 901 93 GHB	agate grey	-DG		
(6)	970 522 901 37	Backrest cover D >> - 24.01.2011	left	1	PR:833,835, 343,943,XYW, -998
	970 522 901 37 DAF	Black	-AC		
	970 522 901 37 DAG	Platinum Grey	-CC,BB		
(6)	970 522 901 37 DAH	Luxor beige	-UC	1	PR:833,835, 343,943,XYW, -541,-542, -998
	970 522 901 37 DAJ	yachting blue	-EC		
	970 522 901 37 DAL	Cream	-BC,BD,BE		
(6)	970 522 901 37 DAK	Marsala Red	-PC	1	PR:833,835, 343,943,XYW, -541,-542, -998
	970 522 901 94	Backrest cover D - 25.01.2011>>	left		
	970 522 901 94 DAF	Black	-AC		
(6)	970 522 901 94 DAG	Platinum Grey	-CC,BB	1	PR:833,835, 343,943,998, XYW
	970 522 901 94 DAH	Luxor beige	-UC,PL		
	970 522 901 94 DAJ	yachting blue	-EC		
(6)	970 522 901 94 DAL	Cream	-BC,BD,BE,DS, DT	1	PR:833,835, 343,943,998, XYW
	970 522 901 94 DAK	Marsala Red	-PC		
	970 522 901 94 GHC	agate grey	-DL		
(6)	970 522 901 94 GLC	Carrera Red	-BF	1	PR:833,835, 343,541,943, 998,XYW
	970 522 901 94 DUE	saddle brown	-SB,DN		
	970 522 901 38	Backrest cover D >> - 24.01.2011	left		
(6)	970 522 901 38 DAM	Espresso	-NA	1	PR:833,835, 343,541,943, 998,XYW
	970 522 901 38 DAN	Cognac	-NC		
	970 522 901 38 DAO	Cedar	-BN		
(6)	970 522 901 95	Backrest cover D - 25.01.2011>>	left	1	PR:833,835, 938,-343
	970 522 901 95 DAM	Espresso	-NA		
	970 522 901 95 DAN	Cognac	-NC		
(6)	970 522 901 95 DAO	Cedar	-BN	1	PR:833,835, 938,-343
	970 522 141 27	Backrest cover D >> - 24.01.2011	left		
	970 522 141 27 DAA	Black	-AB		
(6)	970 522 141 27 DAB	Platinum Grey	-CB	1	PR:833,835, 938,-343, -541,-542
	970 522 141 27 DAC	Luxor beige	-UB		
	970 522 141 A9	Backrest cover D - 25.01.2011>>	left		

Model: 970 10 Model life 2010>>2016

Pos	Part Number	Description	Remark	Qty	Model	
(6)	970 522 141 A9 DAA	Black	-AB	1	PR:833,835, 541,938,-343	
	970 522 141 A9 DAB	Platinum Grey	-CB			
	970 522 141 A9 DAC	Luxor beige	-UB,PK			
	970 522 141 A9 GHB	agate grey	-DG			
	970 522 141 J5	Backrest cover	left			
		D - MJ 2014>>				
(6)	970 522 141 J5 DAA	Black	-AB	1	PR:833,835, 943,-343, -998	
	970 522 141 J5 DAC	Luxor beige	-UB,PK			
	970 522 141 J5 GHB	agate grey	-DG			
	970 522 141 28	Backrest cover	left			
			D >> - 24.01.2011			
(6)	970 522 141 28 DAF	Black	-AC	1	PR:833,835, 541,943, -343,-998	
	970 522 141 28 DAG	Platinum Grey	-CC,BB			
	970 522 141 28 DAH	Luxor beige	-UC			
	970 522 141 28 DAJ	Black/yachting blue	-EC			
	970 522 141 28 DAL	Cream	-BC,BD,BE			
	970 522 141 28 DAK	Black/marsala red	-PC			
	970 522 141 B1	Backrest cover	left			
			D - 25.01.2011>>			
	970 522 141 B1 DAF	Black	-AC			
	970 522 141 B1 DAG	Platinum Grey	-CC,BB			
970 522 141 B1 DAH	Luxor beige	-UC,PL				
970 522 141 B1 DAJ	Black/yachting blue	-EC				
970 522 141 B1 DAL	Cream	-BC,BD,BE,DS, DT				
(6)	970 522 141 B1 DAK	Black/marsala red	-PC	1	PR:833,835, 541,943, -343,-998	
	970 522 141 B1 GHC	agate grey	-DL			
	970 522 141 B1 GLC	Carrera Red	-BF			
	970 522 141 B1 DUE	saddle brown	-SB,DN			
	970 522 141 J6	Backrest cover	left			
			D - MJ 2014>>			
	970 522 141 J6 DAF	Black	-AC,UC,PL			
	970 522 141 J6 DAL	Cream	-BC,BD,BE,DS, DT			
	970 522 141 J6 DAK	Marsala Red	-PC			
	970 522 141 J6 GHC	agate grey	-DL			
970 522 141 J6 GLC	Carrera Red	-BF				
970 522 141 J6 DUE	saddle brown	-SB,DN				
(6)	970 522 141 29	Backrest cover	left	1	PR:833,835, 943,998,-343	
			D >> - 24.01.2011			
	970 522 141 29 DAM	Espresso	-NA			
	970 522 141 29 DAN	Cognac	-NC			
	970 522 141 29 DAO	Espresso/cedar	-BN			
(6)	970 522 141 B2	Backrest cover	left	1	PR:833,835, 943,998, -343,-541, -542	
			D - 25.01.2011>>			
	970 522 141 B2 DAM	Espresso	-NA			
	970 522 141 B2 DAN	Cognac	-NC			
	970 522 141 B2 DAO	Espresso/cedar	-BN			
(6)	970 522 141 J7	Backrest cover	left	1	PR:833,835, 541,943,998, -343	
			D - MJ 2014>>			
	970 522 141 J7 DAM	Espresso	-NA			
	970 522 141 J7 DAN	Cognac	-NC			
	970 522 141 J7 DAO	Cedar	-BN			
(6)	970 522 141 36	Backrest cover	left	1	PR:833,835, 343,938	
			D >> - 24.01.2011			
	970 522 141 36 DAA	Black	-AB			

Model: 970 10 Model life 2010>>2016

Pos	Part Number	Description	Remark	Qty	Model
(6)	970 522 141 36 DAB	Platinum Grey	-CB	1	PR:833,835, 343,938, -541,-542
	970 522 141 36 DAC	Luxor beige	-UB		
	970 522 141 B9	Backrest cover D - 25.01.2011>>	left		
(6)	970 522 141 B9 DAA	Black	-AB	1	PR:833,835, 343,541,938
	970 522 141 B9 DAB	Platinum Grey	-CB		
	970 522 141 B9 DAC	Luxor beige	-UB,PK		
	970 522 141 B9 GHB	agate grey	-DG		
	970 522 141 J8	Backrest cover D - MJ 2014>>	left		
(6)	970 522 141 J8 DAA	Black	-AB	1	PR:833,835, 343,943,-998
	970 522 141 J8 DAC	Luxor beige	-UB,PK		
	970 522 141 J8 GHB	agate grey	-DG		
	970 522 141 37	Backrest cover D >> - 24.01.2011	left		
	970 522 141 37 DAF	Black	-AC		
	970 522 141 37 DAG	Platinum Grey	-CC,BB		
	970 522 141 37 DAH	Luxor beige	-UC		
	970 522 141 37 DAJ	yachting blue	-EC		
	970 522 141 37 DAL	Cream	-BC,BD,BE		
	970 522 141 37 DAK	Marsala Red	-PC		
(6)	970 522 141 C1	Backrest cover D - 25.01.2011>>	left	1	PR:833,835, 343,943, -541,-542, -998
	970 522 141 C1 DAF	Black	-AC		
	970 522 141 C1 DAG	Platinum Grey	-CC,BB		
	970 522 141 C1 DAH	Luxor beige	-UC,PL		
	970 522 141 C1 DAJ	yachting blue	-EC		
	970 522 141 C1 DAL	Cream	-BC,BD,BE,DS, DT		
	970 522 141 C1 DAK	Marsala Red	-PC		
	970 522 141 C1 GHC	agate grey	-DL		
	970 522 141 C1 GLC	Carrera Red	-BF		
	970 522 141 C1 DUE	saddle brown	-SB,DN		
	970 522 141 J9	Backrest cover D - MJ 2014>>	left		
	970 522 141 J9 DAF	Black	-AC		
	970 522 141 J9 DAL	Cream	-BC,BD,BE,DS, DT		
	970 522 141 J9 DAK	Marsala Red	-PC		
	970 522 141 J9 GHC	agate grey	-DL		
970 522 141 J9 GLC	Carrera Red	-BF			
970 522 141 J9 DUE	saddle brown	-SB,DN			
(6)	970 522 141 38	Backrest cover D >> - 24.01.2011	left	1	PR:833,835, 343,943,998
	970 522 141 38 DAM	Espresso	-NA		
	970 522 141 38 DAN	Cognac	-NC		
(6)	970 522 141 38 DAO	Cedar	-BN	1	PR:833,835, 343,943,998, -541,-542
	970 522 141 C2	Backrest cover D - 25.01.2011>>	left		
	970 522 141 C2 DAM	Espresso	-NA		
(6)	970 522 141 C2 DAN	Cognac	-NC	1	PR:833,835, 343,541,943, 998
	970 522 141 C2 DAO	Cedar	-BN		
	970 522 141 K1	Backrest cover D - MJ 2014>>	left		
	970 522 141 K1 DAM	Espresso	-NA		
	970 522 141 K1 DAN	Cognac	-NC		

Model: 970 10 Model life 2010>>2016

Pos	Part Number	Description	Remark	Qty	Model
(6)	970 522 141 K1 DAO	Cedar	-BN		
	970 522 141 G1	Backrest cover	left	1	PR:015,833,835,932
		D - MJ 2013>>			
	970 522 141 G1 DSA	Black/Carmine Red	-GK		
	970 522 141 G1 DSB	black/silver	-GS		
	970 522 141 G1 DSD	Black	-GA		
	970 522 141 G1 DSE	Platinum Grey	-GC		
	970 522 141 G1 DSF	Luxor beige	-GU		
	970 522 141 G1 DSG	yachting blue	-GE		
	970 522 141 G1 DSH	Marsala Red	-GP		
	970 522 141 G1 DVA	agate grey	-GD		
	970 522 141 G1 DVB	saddle brown	-GH		
(6)	970 522 141 G2	Backrest cover	left	1	PR:015,343,833,835,932
		D - MJ 2013>>			
	970 522 141 G2 DSA	Black/Carmine Red	-GK		
	970 522 141 G2 DSB	black/silver	-GS		
	970 522 141 G2 DSD	Black	-GA		
	970 522 141 G2 DSE	Platinum Grey	-GC		
	970 522 141 G2 DSF	Luxor beige	-GU		
	970 522 141 G2 DSG	yachting blue	-GE		
	970 522 141 G2 DSH	Marsala Red	-GP		
	970 522 141 G2 DVA	agate grey	-GD		
	970 522 141 G2 DVB	saddle brown	-GH		
(6)	970 522 141 U7	Backrest cover	left	1	PR:010,833,932,835
		D - MJ 2015>>			
	970 522 141 U7 DSA	Black/Carmine Red	-GK		
	970 522 141 U7 DSB	black/silver	-GS		
	970 522 141 U7 DSD	Black	-GA		
	970 522 141 U7 DSF	Luxor beige	-GU		
	970 522 141 U7 DSH	Marsala Red	-GP		
	970 522 141 U7 DVA	agate grey	-GD		
	970 522 141 U7 DVB	saddle brown	-GH		
(6)	970 522 141 U8	Backrest cover	left	1	PR:010,833,343,932,835
		D - MJ 2015>>			
	970 522 141 U8 DSA	Black/Carmine Red	-GK		
	970 522 141 U8 DSB	black/silver	-GS		
	970 522 141 U8 DSD	Black	-GA		
	970 522 141 U8 DSF	Luxor beige	-GU		
	970 522 141 U8 DSH	Marsala Red	-GP		
	970 522 141 U8 DVA	agate grey	-GD		
	970 522 141 U8 DVB	saddle brown	-GH		
(6)	970 522 141 J2	Backrest cover	left	1	PR:833,835,542,938
		D - MJ 2014>>			
	970 522 141 J2 DAA	Black	-AB		
	970 522 141 J2 DAC	Luxor beige	-UB,PK		
	970 522 141 J2 GHB	agate grey	-DG		
(6)	970 522 141 J3	Backrest cover	left	1	PR:833,835,542,943,-998
		D - MJ 2014>>			
	970 522 141 J3 DAF	Black	-AC,UC,PL		
	970 522 141 J3 DAL	Cream	-BC,BD,BE,DS,DT		
	970 522 141 J3 DAK	Marsala Red	-PC		
	970 522 141 J3 GHC	agate grey	-DL		
	970 522 141 J3 GLC	Carrera Red	-BF		
	970 522 141 J3 DUE	saddle brown	-SB,DN		
(6)	970 522 141 J4	Backrest cover	left	1	PR:833,835,542,943,998

Model: 970 10 Model life 2010>>2016

Pos	Part Number	Description	Remark	Qty	Model
		D - MJ 2014>>			
	970 522 141 J4 DAM	Espresso	-NA		
	970 522 141 J4 DAN	Cognac	-NC		
	970 522 141 J4 DAO	Cedar	-BN		
7	970 522 902 06	Backrest cover D >> - 24.01.2011	right	1	PR:833,835, 938,XYW,-343
	970 522 902 06 DAA	Black	-AB		
	970 522 902 06 DAB	Platinum Grey	-CB		
	970 522 902 06 DAC	Luxor beige	-UB		
(7)	970 522 902 27	Backrest cover D - 25.01.2011>>	right	1	PR:833,835, 938,XYW, -343,-541, -542
	970 522 902 27 DAA	Black	-AB		
	970 522 902 27 DAB	Platinum Grey	-CB		
	970 522 902 27 DAC	Luxor beige	-UB,PK		
	970 522 902 27 GHB	agate grey	-DG		
(7)	970 522 902 07	Backrest cover D >> - 24.01.2011	right	1	PR:833,835, 943,XYW, -343,-998
	970 522 902 07 DAF	Black	-AC		
	970 522 902 07 DAG	Platinum Grey	-CC,BB		
	970 522 902 07 DAH	Luxor beige	-UC		
	970 522 902 07 DAJ	yachting blue	-EC		
	970 522 902 07 DAL	Cream	-BC,BD,BE		
	970 522 902 07 DAK	Marsala Red	-PC		
(7)	970 522 902 28	Backrest cover D - 25.01.2011>>	right	1	PR:833,835, 943,XYW, -343,-541, -542,-998
	970 522 902 28 DAF	Black	-AC		
	970 522 902 28 DAG	Platinum Grey	-CC,BB		
	970 522 902 28 DAH	Luxor beige	-UC,PL		
	970 522 902 28 DAJ	yachting blue	-EC		
	970 522 902 28 DAL	Cream	-BC,BD,BE,DS, DT		
	970 522 902 28 DAK	Marsala Red	-PC		
	970 522 902 28 GHC	agate grey	-DL		
	970 522 902 28 GLC	Carrera Red	-BF		
	970 522 902 28 DUE	saddle brown	-SB,DN		
(7)	970 522 902 08	Backrest cover D >> - 24.01.2011	right	1	PR:833,835, 943,998,XYW, -343
	970 522 902 08 DAM	Espresso	-NA		
	970 522 902 08 DAN	Cognac	-NC		
	970 522 902 08 DAO	Cedar	-BN		
(7)	970 522 902 29	Backrest cover D - 25.01.2011>>	right	1	PR:833,835, 943,998,XYW, -343,-541, -542
	970 522 902 29 DAM	Espresso	-NA		
	970 522 902 29 DAN	Cognac	-NC		
	970 522 902 29 DAO	Cedar	-BN		
(7)	970 522 902 15	Backrest cover D >> - 24.01.2011	right	1	PR:833,835, 343,938,XYW
	970 522 902 15 DAA	Black	-AB		
	970 522 902 15 DAB	Platinum Grey	-CB		
	970 522 902 15 DAC	Luxor beige	-UB		
(7)	970 522 902 36	Backrest cover D - 25.01.2011>>	right	1	PR:833,835, 343,938,XYW, -541,-542
	970 522 902 36 DAA	Black	-AB		
	970 522 902 36 DAB	Platinum Grey	-CB		

Model: 970 10 Model life 2010>>2016

Pos	Part Number	Description	Remark	Qty	Model
(7)	970 522 902 36 DAC	Luxor beige	-UB,PK	1	PR:833,835, 943,343,XYW, -998
	970 522 902 36 GHB	Luxor beige	-DG		
	970 522 902 16	Backrest cover D >> - 24.01.2011	right		
	970 522 902 16 DAF	Black	-AC		
	970 522 902 16 DAG	Platinum Grey	-CC,BB		
	970 522 902 16 DAH	Luxor beige	-UC		
	970 522 902 16 DAJ	yachting blue	-EC		
(7)	970 522 902 16 DAL	Cream	-BC,BD,BE	1	PR:833,835, 943,343,XYW, -541,-542, -998
	970 522 902 16 DAK	Marsala Red	-PC		
	970 522 902 37	Backrest cover D - 25.01.2011>>	right		
	970 522 902 37 DAF	Black	-AC		
	970 522 902 37 DAG	Platinum Grey	-CC,BB		
	970 522 902 37 DAH	Luxor beige	-UC,PL		
	970 522 902 37 DAJ	yachting blue	-EC		
(7)	970 522 902 37 DAL	Cream	-BC,BD,BE,DS, DT	1	PR:833,835, 343,943,998, XYW
	970 522 902 37 DAK	Marsala Red	-PC		
	970 522 902 37 GHC	agate grey	-DL		
	970 522 902 37 GLC	Carrera Red	-BF		
	970 522 902 37 DUE	saddle brown	-SB,DN		
	970 522 902 17	Backrest cover D >> - 24.01.2011	right		
	970 522 902 17 DAM	Espresso	-NA		
(7)	970 522 902 17 DAN	Cognac	-NC	1	PR:833,835, 343,943,998, XYW,-541, -542
	970 522 902 17 DAO	Cedar	-BN		
	970 522 902 38	Backrest cover D - 25.01.2011>>	right		
(7)	970 522 902 38 DAM	Espresso	-NA	1	PR:833,835, 938,-343
	970 522 902 38 DAN	Cognac	-NC		
	970 522 902 38 DAO	Cedar	-BN		
(7)	970 522 142 06	Backrest cover D >> - 24.01.2011	right	1	PR:833,835, 938,-343, -541,-542
	970 522 142 06 DAA	Black	-AB		
	970 522 142 06 DAB	Platinum Grey	-CB		
(7)	970 522 142 06 DAC	Luxor beige	-UB	1	PR:833,835, 938,-343, -541,-542
	970 522 142 36	Backrest cover D - 25.01.2011>>	right		
	970 522 142 36 DAA	Black	-AB		
(7)	970 522 142 36 DAB	Platinum Grey	-CB	1	PR:833,835, 541,938,-343
	970 522 142 36 DAC	Luxor beige	-UB,PK		
	970 522 142 36 GHB	agate grey	-DG		
(7)	970 522 142 83	Backrest cover D - MJ 2014>>	right	1	PR:833,943, -343,-998
	970 522 142 83 DAA	Black	-AB		
	970 522 142 83 DAC	Luxor beige	-UB,PK		
(7)	970 522 142 83 GHB	agate grey	-DG	1	PR:833,943, -343,-998
	970 522 142 07	Backrest cover D >> - 24.01.2011	right		
	970 522 142 07 DAF	Black	-AC		
(7)	970 522 142 07 DAG	Platinum Grey	-CC,BB	1	PR:833,943, -343,-998
	970 522 142 07 DAH	Luxor beige	-UC		
	970 522 142 07 DAJ	yachting blue	-EC		
	970 522 142 07 DAL	Cream	-BC,BD,BE		

Model: 970 10 Model life 2010>>2016

Pos	Part Number	Description	Remark	Qty	Model
(7)	970 522 142 07 DAK 970 522 142 37	Marsala Red Backrest cover D - 25.01.2011>>	-PC right	1	PR:833,943, -343,-541, -542,-998
	970 522 142 37 DAF 970 522 142 37 DAG 970 522 142 37 DAH 970 522 142 37 DAJ 970 522 142 37 DAL	Black Platinum Grey Luxor beige yachting blue Cream	-AC -CC,BB -UC,PL -EC -BC,BD,BE,DS, DT		
(7)	970 522 142 37 DAK 970 522 142 37 GHC 970 522 142 37 GLC 970 522 142 37 DUE 970 522 142 84	Marsala Red agate grey Carrera Red saddle brown Backrest cover	-PC -DL -BF -SB,DN right	1	PR:833,541, 943,-343, -998
	970 522 142 84 DAF 970 522 142 84 DAL	D - MJ 2014>> Black Cream	-AC,UC,PL -BC,BD,BE,DS, DT		
(7)	970 522 142 84 DAK 970 522 142 84 GHC 970 522 142 84 GLC 970 522 142 84 DUE 970 522 142 08	Marsala Red agate grey Carrera Red saddle brown Backrest cover	-PC -DL -BF -SB,DN right	1	PR:833,835, 943,998,-343
	970 522 142 08 DAM 970 522 142 08 DAN 970 522 142 08 DAO	D >> - 24.01.2011 Espresso Cognac Espresso/cedar	-NA -NC -BN		
(7)	970 522 142 38	Backrest cover D - 25.01.2011>>	right	1	PR:833,835, 943,998, -343,-541, -542
	970 522 142 38 DAM 970 522 142 38 DAN 970 522 142 38 DAO	Espresso Cognac Espresso/cedar	-NA -NC -BN		
(7)	970 522 142 85	Backrest cover D - MJ 2014>>	right	1	PR:833,835, 541,943,998, -343
	970 522 142 85 DAM 970 522 142 85 DAN 970 522 142 85 DAO	Espresso Cognac Cedar	-NA -NC -BN		
(7)	970 522 142 15	Backrest cover D >> - 24.01.2011	right	1	PR:833,835, 343,938
	970 522 142 15 DAA 970 522 142 15 DAB 970 522 142 15 DAC	Black Platinum Grey Luxor beige	-AB -CB -UB		
(7)	970 522 142 45	Backrest cover D - 25.01.2011>>	right	1	PR:833,835, 343,938, -541,-542
	970 522 142 45 DAA 970 522 142 45 DAB 970 522 142 45 DAC 970 522 142 45 GHB	Black Platinum Grey Luxor beige agate grey	-AB -CB -UB,PK -DG		
(7)	970 522 142 86	Backrest cover D - MJ 2014>>	right	1	PR:833,835, 343,541,938
	970 522 142 86 DAA 970 522 142 86 DAC 970 522 142 86 GHB	Black Luxor beige agate grey	-AB -UB,PK -DG		
(7)	970 522 142 16	Backrest cover D >> - 24.01.2011	right	1	PR:833,835, 343,943,-998
	970 522 142 16 DAF	Black	-AC		

Model: 970 10 Model life 2010>>2016

Pos	Part Number	Description	Remark	Qty	Model
	970 522 142 16 DAG	Platinum Grey	-CC,BB		
	970 522 142 16 DAH	Luxor beige	-UC		
	970 522 142 16 DAJ	Black/yachting blue	-EC		
	970 522 142 16 DAL	Cream	-BC,BD,BE		
	970 522 142 16 DAK	Black/marsala red	-PC		
(7)	970 522 142 46	Backrest cover D - 25.01.2011>>	right	1	PR:833,835, 343,943, -541,-542, -998
	970 522 142 46 DAF	Black	-AC		
	970 522 142 46 DAG	Platinum Grey	-CC,BB		
	970 522 142 46 DAH	Luxor beige	-UC,PL		
	970 522 142 46 DAJ	Black/yachting blue	-EC		
	970 522 142 46 DAL	Cream	-BC,BD,BE,DS, DT		
	970 522 142 46 DAK	Black/marsala red	-PC		
	970 522 142 46 GHC	agate grey	-DL		
	970 522 142 46 GLC	Carrera Red	-BF		
	970 522 142 46 DUE	saddle brown	-SB,DN		
(7)	970 522 142 87	Backrest cover D - MJ 2014>>	right	1	PR:833,835, 343,541,943, -998
	970 522 142 87 DAF	Black	-AC		
	970 522 142 87 DAL	Cream	-BC,BD,BE,DS, DT		
	970 522 142 87 DAK	Marsala Red	-PC		
	970 522 142 87 GHC	agate grey	-DL		
	970 522 142 87 GLC	Carrera Red	-BF		
	970 522 142 87 DUE	saddle brown	-SB,DN		
(7)	970 522 142 17	Backrest cover D >> - 24.01.2011	right	1	PR:833,835, 343,943,998
	970 522 142 17 DAM	Espresso	-NA		
	970 522 142 17 DAN	Cognac	-NC		
	970 522 142 17 DAO	Cedar	-BN		
(7)	970 522 142 47	Backrest cover D - 25.01.2011>>	right	1	PR:833,835, 343,943,998, -541,-542
	970 522 142 47 DAM	Espresso	-NA		
	970 522 142 47 DAN	Cognac	-NC		
	970 522 142 47 DAO	Cedar	-BN		
(7)	970 522 142 88	Backrest cover	right	1	PR:833,835, 343,541,943, 998
	970 522 142 88 DAM	Espresso	-NA		
	970 522 142 88 DAN	Cognac	-NC		
	970 522 142 88 DAO	Cedar	-BN		
(7)	970 522 142 74	Backrest cover D - MJ 2013>>	right	1	PR:015,833, 835,932,-343
	970 522 142 74 DSA	Black/Carmin Red	-GK		
	970 522 142 74 DSB	black/silver	-GS		
	970 522 142 74 DSD	Black	-GA		
	970 522 142 74 DSE	Platinum Grey	-GC		
	970 522 142 74 DSF	Luxor beige	-GU		
	970 522 142 74 DSG	yachting blue	-GE		
	970 522 142 74 DSH	Marsala Red	-GP		
	970 522 142 74 DVA	agate grey	-GD		
	970 522 142 74 DVB	saddle brown	-GH		
(7)	970 522 142 75	Backrest cover D - MJ 2013>>	right	1	PR:015,833, 835,343,932
	970 522 142 75 DSA	Black/Carmin Red	-GK		
	970 522 142 75 DSB	black/silver	-GS		

Model: 970 10 Model life 2010>>2016

Pos	Part Number	Description	Remark	Qty	Model
	970 522 142 75 DSD	Black	-GA		
	970 522 142 75 DSE	Platinum Grey	-GC		
	970 522 142 75 DSF	Luxor beige	-GU		
	970 522 142 75 DSG	yachting blue	-GE		
	970 522 142 75 DSH	Marsala Red	-GP		
	970 522 142 75 DVA	agate grey	-GD		
	970 522 142 75 DVB	saddle brown	-GH		
(7)	970 522 142 D3	Backrest cover	right	1	PR:010,833, 835,932,-343
		D - MJ 2015>>			
	970 522 142 D3 DSA	Black/Carmine Red	-GK		
	970 522 142 D3 DSB	black/silver	-GS		
	970 522 142 D3 DSD	Black	-GA		
	970 522 142 D3 DSF	Luxor beige	-GU		
	970 522 142 D3 DSH	Marsala Red	-GP		
	970 522 142 D3 DVA	agate grey	-GD		
	970 522 142 D3 DVB	saddle brown	-GH		
(7)	970 522 142 D4	Backrest cover	right	1	PR:010,833, 835,932,343
		D - MJ 2015>>			
	970 522 142 D4 DSA	Black/Carmine Red	-GK		
	970 522 142 D4 DSB	black/silver	-GS		
	970 522 142 D4 DSD	Black	-GA		
	970 522 142 D4 DSF	Luxor beige	-GU		
	970 522 142 D4 DSH	Marsala Red	-GP		
	970 522 142 D4 DVA	agate grey	-GD		
	970 522 142 D4 DVB	saddle brown	-GH		
(7)	970 522 142 80	Backrest cover	right	1	PR:833,835, 542,938
		D - MJ 2014>>			
	970 522 142 80 DAA	Black	-AB		
	970 522 142 80 DAC	Luxor beige	-UB,PK		
	970 522 142 80 GHB	agate grey	-DG		
(7)	970 522 142 81	Backrest cover	right	1	PR:833,835, 542,943,-998
		D - MJ 2014>>			
	970 522 142 81 DAF	Black	-AC,UC,PL		
	970 522 142 81 DAL	Cream	-BC,BD,BE,DS, DT		
	970 522 142 81 DAK	Marsala Red	-PC		
	970 522 142 81 GHC	agate grey	-DL		
	970 522 142 81 GLC	Carrera Red	-BF		
	970 522 142 81 DUE	saddle brown	-SB,DN		
(7)	970 522 142 82	Backrest cover	right	1	PR:833,835, 542,943,998
		D - MJ 2014>>			
	970 522 142 82 DAM	Espresso	-NA		
	970 522 142 82 DAN	Cognac	-NC		
	970 522 142 82 DAO	Cedar	-BN		
8	970 522 161 60	Cover	left	1	PR:833,938, -343,-541
		Seat cushion			
		D >> - MJ 2010			
	970 522 161 60 DAA	Black	-AB		
	970 522 161 60 DAB	Platinum Grey	-CB		
	970 522 161 60 DAC	Luxor beige	-UB		
(8)	970 522 161 B5	Cover	left	1	PR:833,938, -343,-541
		Seat cushion			
		D - MJ 2011>>			
	970 522 161 B5 DAA	Black	-AB		
	970 522 161 B5 DAB	Platinum Grey	-CB		
	970 522 161 B5 DAC	Luxor beige	-UB,PK		
	970 522 161 B5 GHB	agate grey	-DG		
		D - MJ 2014>>			

Model: 970 10 Model life 2010>>2016

Pos	Part Number	Description	Remark	Qty	Model
(8)	970 522 161 61	Cover Seat cushion D >> - MJ 2010	left	1	PR:833,943, -343,-541, -998
	970 522 161 61 DAF	Black	-AC		
	970 522 161 61 DAG	Platinum Grey	-CC,BB		
	970 522 161 61 DAH	Luxor beige	-UC		
	970 522 161 61 DAJ	yachting blue	-EC		
	970 522 161 61 DAL	Cream	-BC,BD,BE		
(8)	970 522 161 B6	Cover Seat cushion D - MJ 2011>>	left	1	PR:833,943, -343,-541, -998
	970 522 161 B6 DAF	Black	-AC		
	970 522 161 B6 DAG	Platinum Grey	-CC,BB		
	970 522 161 B6 DAH	Luxor beige	-UC,PL		
	970 522 161 B6 DAJ	yachting blue	-EC		
	970 522 161 B6 DAL	Cream	-BC,BD,BE,DS, DT		
	970 522 161 B6 DAK	Marsala Red	-PC		
	970 522 161 B6 GHC	agate grey	-DL		
	970 522 161 B6 GLC	Carrera Red	-BF		
	970 522 161 B6 DUE	saddle brown	-SB,DN		
(8)	970 522 161 62	Cover Seat cushion D >> - MJ 2010	left	1	PR:833,943, 998,-343, -541
	970 522 161 62 DAM	Espresso	-NA		
	970 522 161 62 DAN	Cognac	-NC		
	970 522 161 62 DAO	Cedar	-BN		
(8)	970 522 161 B7	Cover Seat cushion D - MJ 2011>>	left	1	PR:833,943, 998,-343, -541
	970 522 161 B7 DAM	Espresso	-NA		
	970 522 161 B7 DAN	Cognac	-NC		
	970 522 161 B7 DAO	Cedar	-BN		
(8)	970 522 161 69	Cover Seat cushion D >> - MJ 2010	left	1	PR:833,343, 938,-541, -542
	970 522 161 69 DAA	Black	-AB		
	970 522 161 69 DAB	Platinum Grey	-CB		
	970 522 161 69 DAC	Luxor beige	-UB		
(8)	970 522 161 C5	Cover Seat cushion D - MJ 2011>>	left	1	PR:833,343, 938,-541, -542
	970 522 161 C5 DAA	Black	-AB		
	970 522 161 C5 DAB	Platinum Grey	-CB		
	970 522 161 C5 DAC	Luxor beige	-UB,PK		
	970 522 161 C5 GHB	agate grey	-DG		
(8)	970 522 161 70	Cover Seat cushion D >> - MJ 2010	left	1	PR:833,343, 943,-541, -542,-998
	970 522 161 70 DAF	Black	-AC		
	970 522 161 70 DAG	Platinum Grey	-CC,BB		
	970 522 161 70 DAH	Luxor beige	-UC		
	970 522 161 70 DAJ	yachting blue	-EC		
	970 522 161 70 DAL	Cream	-BC,BD,BE		
(8)	970 522 161 C6	Cover Seat cushion D - MJ 2011>>	left	1	PR:833,343, 943,-541, -542,-998
	970 522 161 C6 DAF	Black	-AC		
	970 522 161 C6 DAG	Platinum Grey	-CC,BB		
	970 522 161 C6 DAH	Luxor beige	-UC,PL		
	970 522 161 C6 DAJ	yachting blue	-EC		
	970 522 161 C6 DAL	Cream	-BC,BD,BE,DS, DT		

Model: 970 10 Model life 2010>>2016

Pos	Part Number	Description	Remark	Qty	Model
(8)	970 522 161 C6 DAK	Marsala Red	-PC	1	PR:833,343, 943,998, -541,-542
	970 522 161 C6 GHC	agate grey	-DL		
	970 522 161 C6 GLC	Carrera Red	-BF		
	970 522 161 C6 DUE	saddle brown	-SB, DN		
	970 522 161 71	Cover	left		
(8)		Seat cushion		1	PR:833,343, 943,998, -541,-542
		D >> - MJ 2010			
	970 522 161 71 DAM	Espresso	-NA		
	970 522 161 71 DAN	Cognac	-NC		
	970 522 161 71 DAO	Cedar	-BN		
(8)	970 522 161 C7	Cover	left	1	PR:835,938, -343,-541
		Seat cushion			
		D - MJ 2011>>			
	970 522 161 C7 DAM	Espresso	-NA		
	970 522 161 C7 DAN	Cognac	-NC		
(8)	970 522 161 C7 DAO	Cedar	-BN	1	PR:835,938, -343,-541
	970 522 161 81	Cover	left		
		Seat cushion			
		D >> - MJ 2010			
	970 522 161 81 DAA	Black	-AB		
(8)	970 522 161 81 DAB	Platinum Grey	-CB	1	PR:835,938, -343,-541
	970 522 161 81 DAC	Luxor beige	-UB		
	970 522 161 D8	Cover	left		
		Seat cushion			
		D - MJ 2011>>			
(8)	970 522 161 D8 DAA	Black	-AB	1	PR:835,943, -343,-541, -998
	970 522 161 D8 DAB	Platinum Grey	-CB		
	970 522 161 D8 DAC	Luxor beige	-UB, PK		
	970 522 161 D8 GHB	agate grey	-DG		
	970 522 161 82	Cover	left		
(8)		Seat cushion		1	PR:835,943, -343,-541, -998
		D >> - MJ 2010			
	970 522 161 82 DAF	Black	-AC		
	970 522 161 82 DAG	Platinum Grey	-CC, BB		
	970 522 161 82 DAH	Luxor beige	-UC		
(8)	970 522 161 82 DAJ	yachting blue	-EC	1	PR:835,943, -343,-541, -998
	970 522 161 82 DAL	Cream	-BC, BD, BE		
	970 522 161 D9	Cover	left		
		Seat cushion			
		D - MJ 2011>>			
(8)	970 522 161 D9 DAF	Black	-AC	1	PR:835,943, 998,-343, -541
	970 522 161 D9 DAG	Platinum Grey	-CC, BB		
	970 522 161 D9 DAH	Luxor beige	-UC, PL		
	970 522 161 D9 DAJ	yachting blue	-EC		
	970 522 161 D9 DAL	Cream	-BC, BD, BE, DS, DT		
(8)	970 522 161 D9 DAK	Marsala Red	-PC	1	PR:835,943, 998,-343, -541
	970 522 161 D9 GHC	agate grey	-DL		
	970 522 161 D9 GLC	Carrera Red	-BF		
	970 522 161 D9 DUE	saddle brown	-SB, DN		
	970 522 161 83	Cover	left		
(8)		Seat cushion		1	PR:835,943, 998,-343, -541
		D >> - MJ 2010			
	970 522 161 83 DAM	Espresso	-NA		
	970 522 161 83 DAN	Cognac	-NC		
	970 522 161 83 DAO	Cedar	-BN		
(8)	970 522 161 E1	Cover	left	1	PR:835,943, 998,-343, -541
		Seat cushion			
		D - MJ 2011>>			
	970 522 161 E1 DAM	Espresso	-NA		
	970 522 161 E1 DAN	Cognac	-NC		
(8)	970 522 161 E1 DAO	Cedar	-BN	1	PR:835,343,
	970 522 161 90	Cover	left		

Model: 970 10 Model life 2010>>2016

Pos	Part Number	Description	Remark	Qty	Model
		Seat cushion D >> - MJ 2010			938,-541, -542
(8)	970 522 161 90 DAA	Black	-AB		
	970 522 161 90 DAB	Platinum Grey	-CB		
	970 522 161 90 DAC	Luxor beige	-UB		
	970 522 161 E8	Cover	left	1	PR:835,343, 938,-541, -542
		Seat cushion D - MJ 2011>>			
	970 522 161 E8 DAA	Black	-AB		
	970 522 161 E8 DAB	Platinum Grey	-CB		
	970 522 161 E8 DAC	Luxor beige	-UB,PK		
	970 522 161 E8 GHB	agate grey	-DG		
(8)	970 522 161 91	Cover	left	1	PR:835,343, 943,-541, -542,-998
		Seat cushion D >> - MJ 2010			
	970 522 161 91 DAF	Black	-AC		
	970 522 161 91 DAG	Platinum Grey	-CC,BB		
	970 522 161 91 DAH	Luxor beige	-UC		
	970 522 161 91 DAJ	yachting blue	-EC		
	970 522 161 91 DAL	Cream	-BC,BD,BE		
(8)	970 522 161 E9	Cover	left	1	PR:835,343, 943,-541, -542,-998
		Seat cushion D - MJ 2011>>			
	970 522 161 E9 DAF	Black	-AC		
	970 522 161 E9 DAG	Platinum Grey	-CC,BB		
	970 522 161 E9 DAH	Luxor beige	-UC,PL		
	970 522 161 E9 DAJ	yachting blue	-EC		
	970 522 161 E9 DAL	Cream	-BC,BD,BE,DS, DT		
	970 522 161 E9 DAK	Marsala Red	-PC		
	970 522 161 E9 GHC	agate grey	-DL		
	970 522 161 E9 GLC	Carrera Red	-BF		
	970 522 161 E9 DUE	saddle brown	-SB,DN		
(8)	970 522 161 92	Cover	left	1	PR:835,343, 943,998, -541,-542
		Seat cushion D >> - MJ 2010			
	970 522 161 92 DAM	Espresso	-NA		
	970 522 161 92 DAN	Cognac	-NC		
	970 522 161 92 DAO	Cedar	-BN		
(8)	970 522 161 F1	Cover	left	1	PR:835,343, 943,998, -541,-542
		Seat cushion D - MJ 2011>>			
	970 522 161 F1 DAM	Espresso	-NA		
	970 522 161 F1 DAN	Cognac	-NC		
	970 522 161 F1 DAO	Cedar	-BN		
(8)	970 522 161 G8	Seat cover	left	1	PR:015,833, 932,-343, -541,-542
		Seat cushion D - MJ 2013>>			
	970 522 161 G8 DSA	Black/Carmine Red	-GK		
	970 522 161 G8 DSB	black/silver	-GS		
	970 522 161 G8 DSJ	Black	-GA		
	970 522 161 G8 DSE	Platinum Grey	-GC		
	970 522 161 G8 DSF	Luxor beige	-GU		
	970 522 161 G8 DSG	yachting blue	-GE		
	970 522 161 G8 DSH	Marsala Red	-GP		
	970 522 161 G8 DVA	agate grey	-GD		
	970 522 161 G8 DVB	saddle brown	-GH		
(8)	970 522 161 G8	Seat cover		1	PR:010,932, -343,-541, -542,833
		Seat cushion D - MJ 2015>>			
	970 522 161 G8 DSA	Black/Carmine Red	-GK		
	970 522 161 G8 DSB	black/silver	-GS		
	970 522 161 G8 DSJ	Black	-GA		

Model: 970 10 Model life 2010>>2016

Pos	Part Number	Description	Remark	Qty	Model
(8)	970 522 161 G8 DSE	Platinum Grey	-GC	1	PR:015,343, 833,932, -541,-542
	970 522 161 G8 DSF	Luxor beige	-GU		
	970 522 161 G8 DSG	yachting blue	-GE		
	970 522 161 G8 DSH	Marsala Red	-GP		
	970 522 161 G8 DVA	agate grey	-GD		
	970 522 161 G8 DVB	saddle brown	-GH		
	970 522 161 G9	Seat cover	left		
		Seat cushion			
		D - MJ 2013>>			
		Black/Carmine Red	-GK		
(8)	970 522 161 G9 DSA	Black/Carmine Red	-GK	1	PR:010,932, 833,343, -541,-542
	970 522 161 G9 DSB	black/silver	-GS		
	970 522 161 G9 DSJ	Black	-GA		
	970 522 161 G9 DSE	Platinum Grey	-GC		
	970 522 161 G9 DSF	Luxor beige	-GU		
	970 522 161 G9 DSG	yachting blue	-GE		
	970 522 161 G9 DSH	Marsala Red	-GP		
	970 522 161 G9 DVA	agate grey	-GD		
	970 522 161 G9 DVB	saddle brown	-GH		
	970 522 161 G9	Seat cover			
(8)	970 522 161 H1	Seat cushion		1	PR:015,835, 932,-343, -541,-542
		D - MJ 2013>>			
	970 522 161 H1 DSA	Black/Carmine Red	-GK		
	970 522 161 H1 DSB	black/silver	-GS		
	970 522 161 H1 DSJ	Black	-GA		
	970 522 161 H1 DSE	Platinum Grey	-GC		
	970 522 161 H1 DSF	Luxor beige	-GU		
	970 522 161 H1 DSG	yachting blue	-GE		
	970 522 161 H1 DSH	Marsala Red	-GP		
	970 522 161 H1 DVA	agate grey	-GD		
(8)	970 522 161 H1 DVB	saddle brown	-GH	1	PR:010,932, 835,-343, -541,-542
	970 522 161 H1	Seat cover			
		Seat cushion			
		D - MJ 2015>>			
	970 522 161 H1 DSA	Black/Carmine Red	-GK		
	970 522 161 H1 DSB	black/silver	-GS		
	970 522 161 H1 DSJ	Black	-GA		
	970 522 161 H1 DSE	Platinum Grey	-GC		
	970 522 161 H1 DSF	Luxor beige	-GU		
	970 522 161 H1 DSG	yachting blue	-GE		
(8)	970 522 161 H1 DSH	Marsala Red	-GP	1	PR:015,343, 835,932, -541,-542
	970 522 161 H1 DVA	agate grey	-GD		
	970 522 161 H1 DVB	saddle brown	-GH		
	970 522 161 H2	Seat cover	left		
		Seat cushion			
		D - MJ 2013>>			
	970 522 161 H2 DSA	Black/Carmine Red	-GK		
	970 522 161 H2 DSB	black/silver	-GS		
	970 522 161 H2 DSJ	Black	-GA		
	970 522 161 H2 DSE	Platinum Grey	-GC		
970 522 161 H2 DSF	Luxor beige	-GU			
970 522 161 H2 DSG	yachting blue	-GE			

Model: 970 10 Model life 2010>>2016

Pos	Part Number	Description	Remark	Qty	Model			
(8)	970 522 161 H2 DSH	Marsala Red	-GP	1	PR:010,932, 835,343, -541,-542			
	970 522 161 H2 DVA	agate grey	-GD					
	970 522 161 H2 DVB	saddle brown	-GH					
	970 522 161 H2	Seat cover						
		Seat cushion						
		D - MJ 2015>>						
	970 522 161 H2 DSA	Black/Carmin Red	-GK					
	970 522 161 H2 DSB	black/silver	-GS					
	970 522 161 H2 DSJ	Black	-GA					
	970 522 161 H2 DSE	Platinum Grey	-GC					
9	970 522 161 H2 DSF	Luxor beige	-GU	1	PR:833,938, -343,-541			
	970 522 161 H2 DSG	yachting blue	-GE					
	970 522 161 H2 DSH	Marsala Red	-GP					
	970 522 161 H2 DVA	agate grey	-GD					
	970 522 161 H2 DVB	saddle brown	-GH					
	970 522 162 60	Cover	right					
		Seat cushion						
		D >> - MJ 2010						
	970 522 162 60 DAA	Black	-AB					
	970 522 162 60 DAB	Platinum Grey	-CB					
(9)	970 522 162 60 DAC	Luxor beige	-UB	1	PR:833,938, -343,-541			
	970 522 162 B5	Cover	right					
		Seat cushion						
		D - MJ 2011>>						
	970 522 162 B5 DAA	Black	-AB					
	970 522 162 B5 DAB	Platinum Grey	-CB					
	970 522 162 B5 DAC	Luxor beige	-UB,PK					
	970 522 162 B5 GHB	agate grey	-DG					
	(9)	970 522 162 61	Cover			right	1	PR:833,943, -343,-541, -998
			Seat cushion					
		D >> - MJ 2010						
970 522 162 61 DAF		Black	-AC					
970 522 162 61 DAG		Platinum Grey	-CC,BB					
970 522 162 61 DAH		Luxor beige	-UC					
970 522 162 61 DAJ		yachting blue	-EC					
970 522 162 61 DAL		Cream	-BC,BD,BE					
(9)		970 522 162 B6	Cover	right	1	PR:833,943, -343,-541, -998		
			Seat cushion					
		D - MJ 2011>>						
	970 522 162 B6 DAF	Black	-AC					
	970 522 162 B6 DAG	Platinum Grey	-CC,BB					
	970 522 162 B6 DAH	Luxor beige	-UC,PL					
	970 522 162 B6 DAJ	yachting blue	-EC					
	970 522 162 B6 DAL	Cream	-BC,BD,BE,DS, DT					
	(9)	970 522 162 B6 DAK	Marsala Red	-PC			1	PR:833,943, 998,-343, -541
		970 522 162 B6 GHC	agate grey	-DL				
970 522 162 B6 GLC		Carrera Red	-BF					
970 522 162 B6 DUE		saddle brown	-SB,DN					
970 522 162 62		Cover	right					
		Seat cushion						
		D >> - MJ 2010						
970 522 162 62 DAM		Espresso	-NA					
970 522 162 62 DAN		Cognac	-NC					
(9)		970 522 162 62 DAO	Cedar	-BN	1	PR:833,943, 998,-343, -541		
	970 522 162 B7	Cover	right					
		Seat cushion						
		D - MJ 2011>>						
	970 522 162 B7 DAM	Espresso	-NA					
	970 522 162 B7 DAN	Cognac	-NC					
	970 522 162 B7 DAO	Cedar	-BN					
	(9)	970 522 162 69	Cover	right			1	PR:833,343, 938,-541,
			Seat cushion					

Model: 970 10 Model life 2010>>2016

Pos	Part Number	Description	Remark	Qty	Model
		D >> - MJ 2010			-542
	970 522 162 69 DAA	Black	-AB		
	970 522 162 69 DAB	Platinum Grey	-CB		
	970 522 162 69 DAC	Luxor beige	-UB		
(9)	970 522 162 C5	Cover	right	1	PR:833,343, 938,-541, -542
		Seat cushion			
		D - MJ 2011>>			
	970 522 162 C5 DAA	Black	-AB		
	970 522 162 C5 DAB	Platinum Grey	-CB		
	970 522 162 C5 DAC	Luxor beige	-UB,PK		
	970 522 162 C5 GHB	agate grey	-DG		
(9)	970 522 162 70	Cover	right	1	PR:833,343, 943,-541, -542,-998
		Seat cushion			
		D >> - MJ 2010			
	970 522 162 70 DAF	Black	-AC		
	970 522 162 70 DAG	Platinum Grey	-CC,BB		
	970 522 162 70 DAH	Luxor beige	-UC		
	970 522 162 70 DAJ	yachting blue	-EC		
	970 522 162 70 DAL	Cream	-BC,BD,BE		
(9)	970 522 162 C6	Cover	right	1	PR:833,343, 943,-541, -542,-998
		Seat cushion			
		D - MJ 2011>>			
	970 522 162 C6 DAF	Black	-AC		
	970 522 162 C6 DAG	Platinum Grey	-CC,BB		
	970 522 162 C6 DAH	Luxor beige	-UC,PL		
	970 522 162 C6 DAJ	yachting blue	-EC		
	970 522 162 C6 DAL	Cream	-BC,BD,BE,DS, DT		
	970 522 162 C6 DAK	Marsala Red	-PC		
	970 522 162 C6 GHC	agate grey	-DL		
	970 522 162 C6 GLC	Carrera Red	-BF		
	970 522 162 C6 DUE	saddle brown	-SB,DN		
(9)	970 522 162 71	Cover	right	1	PR:833,343, 943,998, -541,-542
		Seat cushion			
		D >> - MJ 2010			
	970 522 162 71 DAM	Espresso	-NA		
	970 522 162 71 DAN	Cognac	-NC		
	970 522 162 71 DAO	Espresso/cedar	-BN		
(9)	970 522 162 C7	Cover	right	1	PR:833,343, 943,998, -541,-542
		Seat cushion			
		D - MJ 2011>>			
	970 522 162 C7 DAM	Espresso	-NA		
	970 522 162 C7 DAN	Cognac	-NC		
	970 522 162 C7 DAO	Espresso/cedar	-BN		
(9)	970 522 162 81	Cover	right	1	PR:835,938, -343,-541
		Seat cushion			
		D >> - MJ 2010			
	970 522 162 81 DAA	Black	-AB		
	970 522 162 81 DAB	Platinum Grey	-CB		
	970 522 162 81 DAC	Luxor beige	-UB		
(9)	970 522 162 D8	Cover	right	1	PR:835,938, -343,-541
		Seat cushion			
		D - MJ 2011>>			
	970 522 162 D8 DAA	Black	-AB		
	970 522 162 D8 DAB	Platinum Grey	-CB		
	970 522 162 D8 DAC	Luxor beige	-UB,PK		
	970 522 162 D8 GHB	agate grey	-DG		
(9)	970 522 162 82	Cover	right	1	PR:835,943, -343,-541, -998
		Seat cushion			
		D >> - MJ 2010			
	970 522 162 82 DAF	Black	-AC		
	970 522 162 82 DAG	Platinum Grey	-CC,BB		
	970 522 162 82 DAH	Luxor beige	-UC		

Model: 970 10 Model life 2010>>2016

Pos	Part Number	Description	Remark	Qty	Model
(9)	970 522 162 82 DAJ	yachting blue	-EC	1	PR:835,943, -343,-541, -998
	970 522 162 82 DAL	Cream	-BC,BD,BE		
	970 522 162 D9	Cover	right		
		Seat cushion			
		D - MJ 2011>>			
	970 522 162 D9 DAF	Black	-AC		
	970 522 162 D9 DAG	Platinum Grey	-CC,BB		
(9)	970 522 162 D9 DAH	Luxor beige	-UC,PL	1	PR:835,943, 998,-343, -541
	970 522 162 D9 DAJ	yachting blue	-EC		
	970 522 162 D9 DAL	Cream	-BC,BD,BE,DS, DT		
	970 522 162 D9 DAK	Marsala Red	-PC		
	970 522 162 D9 GHC	agate grey	-DL		
	970 522 162 D9 GLC	Carrera Red	-BF		
	970 522 162 D9 DUE	saddle brown	-SB,DN		
(9)	970 522 162 83	Cover	right	1	PR:835,943, 998,-343, -541
		Seat cushion			
		D >> - MJ 2010			
	970 522 162 83 DAM	Espresso	-NA		
	970 522 162 83 DAN	Cognac	-NC		
	970 522 162 83 DAO	Espresso/cedar	-BN		
	970 522 162 E1	Cover	right		
(9)		Seat cushion		1	PR:835,943, 998,-343, -541
		D - MJ 2011>>			
	970 522 162 E1 DAM	Espresso	-NA		
	970 522 162 E1 DAN	Cognac	-NC		
	970 522 162 E1 DAO	Espresso/cedar	-BN		
	970 522 162 90	Cover	right		
		Seat cushion			
(9)		D >> - MJ 2010		1	PR:835,343, 938,-541, -542
	970 522 162 90 DAA	Black	-AB		
	970 522 162 90 DAB	Platinum Grey	-CB		
	970 522 162 90 DAC	Luxor beige	-UB		
	970 522 162 E8	Cover	right		
		Seat cushion			
		D - MJ 2011>>			
(9)	970 522 162 E8 DAA	Black	-AB	1	PR:835,343, 943,-541, -542,-998
	970 522 162 E8 DAB	Platinum Grey	-CB		
	970 522 162 E8 DAC	Luxor beige	-UB,PK		
	970 522 162 E8 GHB	agate grey	-DG		
	970 522 162 91	Cover	right		
		Seat cushion			
		D >> - MJ 2010			
(9)	970 522 162 91 DAF	Black	-AC	1	PR:835,343, 943,-541, -542,-998
	970 522 162 91 DAG	Platinum Grey	-CC,BB		
	970 522 162 91 DAH	Luxor beige	-UC		
	970 522 162 91 DAJ	yachting blue	-EC		
	970 522 162 91 DAL	Cream	-BC,BD,BE		
	970 522 162 E9	Cover	right		
		Seat cushion			
(9)		D - MJ 2011>>		1	PR:835,343, 943,-541, -542,-998
	970 522 162 E9 DAF	Black	-AC		
	970 522 162 E9 DAG	Platinum Grey	-CC,BB		
	970 522 162 E9 DAH	Luxor beige	-UC,PL		
	970 522 162 E9 DAJ	yachting blue	-EC		
	970 522 162 E9 DAL	Cream	-BC,BD,BE,DS, DT		
	970 522 162 E9 DAK	Marsala Red	-PC		
(9)	970 522 162 E9 GHC	agate grey	-DL	1	PR:835,343, 943,998,
	970 522 162 E9 GLC	Carrera Red	-BF		
	970 522 162 E9 DUE	saddle brown	-SB,DN		
	970 522 162 92	Cover	right		
		Seat cushion			

Model: 970 10 Model life 2010>>2016

Pos	Part Number	Description	Remark	Qty	Model
		D >> - MJ 2010			-541,-542
	970 522 162 92 DAM	Espresso	-NA		
	970 522 162 92 DAN	Cognac	-NC		
	970 522 162 92 DAO	Cedar	-BN		
(9)	970 522 162 F1	Cover Seat cushion D - MJ 2011>>	right	1	PR:835,343, 943,998, -541,-542
	970 522 162 F1 DAM	Espresso	-NA		
	970 522 162 F1 DAN	Cognac	-NC		
	970 522 162 F1 DAO	Cedar	-BN		
(9)	970 522 162 G8	Seat cover Seat cushion D - MJ 2013>>	right	1	PR:015,833, 932,-343, -541,-542
	970 522 162 G8 DSA	Black/Carmine Red	-GK		
	970 522 162 G8 DSB	black/silver	-GS		
	970 522 162 G8 DSJ	Black	-GA		
	970 522 162 G8 DSE	Platinum Grey	-GC		
	970 522 162 G8 DSF	Luxor beige	-GU		
	970 522 162 G8 DSG	yachting blue	-GE		
	970 522 162 G8 DSH	Marsala Red	-GP		
	970 522 162 G8 DVA	agate grey	-GD		
	970 522 162 G8 DVB	Carrera Red	-GH		
(9)	970 522 162 G8	Seat cover Seat cushion D - MJ 2015>>		1	PR:010,833, 932,-343, -541,-542
	970 522 162 G8 DSA	Black/Carmine Red	-GK		
	970 522 162 G8 DSB	black/silver	-GS		
	970 522 162 G8 DSJ	Black	-GA		
	970 522 162 G8 DSE	Platinum Grey	-GC		
	970 522 162 G8 DSF	Luxor beige	-GU		
	970 522 162 G8 DSG	yachting blue	-GE		
	970 522 162 G8 DSH	Marsala Red	-GP		
	970 522 162 G8 DVA	agate grey	-GD		
	970 522 162 G8 DVB	Carrera Red	-GH		
(9)	970 522 162 G9	Seat cover Seat cushion D - MJ 2013>>	right	1	PR:015,343, 833,932, -541,-542
	970 522 162 G9 DSA	Black/Carmine Red	-GK		
	970 522 162 G9 DSB	black/silver	-GS		
	970 522 162 G9 DSJ	Black	-GA		
	970 522 162 G9 DSE	Platinum Grey	-GC		
	970 522 162 G9 DSF	Luxor beige	-GU		
	970 522 162 G9 DSG	yachting blue	-GE		
	970 522 162 G9 DSH	Marsala Red	-GP		
	970 522 162 G9 DVA	agate grey	-GD		
	970 522 162 G9 DVB	saddle brown	-GH		
(9)	970 522 162 G9	Seat cover Seat cushion D - MJ 2015>>		1	PR:010,343, 833,932, -541,-542
	970 522 162 G9 DSA	Black/Carmine Red	-GK		
	970 522 162 G9 DSB	black/silver	-GS		
	970 522 162 G9 DSJ	Black	-GA		
	970 522 162 G9 DSE	Platinum Grey	-GC		
	970 522 162 G9 DSF	Luxor beige	-GU		
	970 522 162 G9 DSG	yachting blue	-GE		
	970 522 162 G9 DSH	Marsala Red	-GP		
	970 522 162 G9 DVA	agate grey	-GD		
	970 522 162 G9 DVB	saddle brown	-GH		
(9)	970 522 162 H1	Seat cover Seat cushion D - MJ 2013>>	right	1	PR:015,835, 932,-343, -541,-542
	970 522 162 H1 DSA	Black/Carmine Red	-GK		
	970 522 162 H1 DSB	black/silver	-GS		

Model: 970 10 Model life 2010>>2016

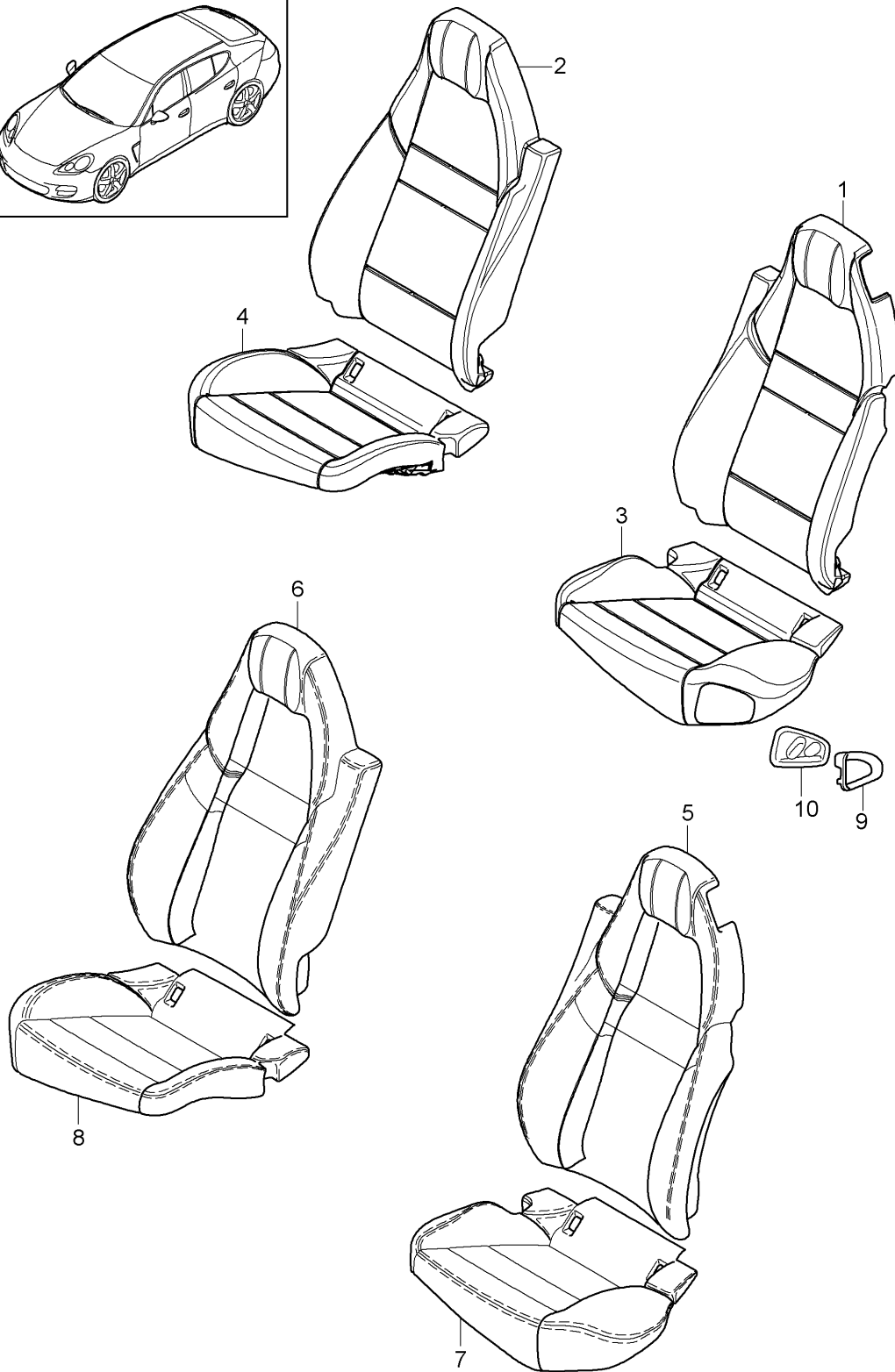
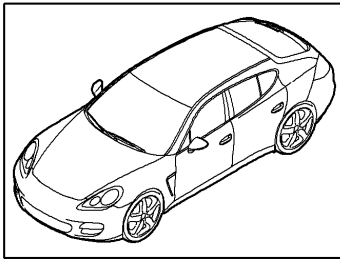
Pos	Part Number	Description	Remark	Qty	Model
	970 522 162 H1 DSJ	Black	-GA		
	970 522 162 H1 DSE	Platinum Grey	-GC		
	970 522 162 H1 DSF	Luxor beige	-GU		
	970 522 162 H1 DSG	yachting blue	-GE		
	970 522 162 H1 DSH	Marsala Red	-GP		
	970 522 162 H1 DVA	agate grey	-GD		
	970 522 162 H1 DVB	saddle brown	-GH		
(9)	970 522 162 H1	Seat cover		1	PR:010,835,
		Seat cushion			932,-343,
		D - MJ 2015>>			-541,-542
	970 522 162 H1 DSA	Black/Carmine Red	-GK		
	970 522 162 H1 DSB	black/silver	-GS		
	970 522 162 H1 DSJ	Black	-GA		
	970 522 162 H1 DSE	Platinum Grey	-GC		
	970 522 162 H1 DSF	Luxor beige	-GU		
	970 522 162 H1 DSG	yachting blue	-GE		
	970 522 162 H1 DSH	Marsala Red	-GP		
	970 522 162 H1 DVA	agate grey	-GD		
	970 522 162 H1 DVB	saddle brown	-GH		
(9)	970 522 162 H2	Seat cover	right	1	PR:015,343,
		Seat cushion			835,932,
		D - MJ 2013>>			-541,-542
	970 522 162 H2 DSA	Black/Carmine Red	-GK		
	970 522 162 H2 DSB	black/silver	-GS		
	970 522 162 H2 DSJ	Black	-GA		
	970 522 162 H2 DSE	Platinum Grey	-GC		
	970 522 162 H2 DSF	Luxor beige	-GU		
	970 522 162 H2 DSG	yachting blue	-GE		
	970 522 162 H2 DSH	Marsala Red	-GP		
	970 522 162 H2 DVA	agate grey	-GD		
	970 522 162 H2 DVB	saddle brown	-GH		
(9)	970 522 162 H2	Seat cover		1	PR:010,835,
		Seat cushion			932,343,
		D - MJ 2015>>			-541,-542
	970 522 162 H2 DSA	Black/Carmine Red	-GK		
	970 522 162 H2 DSB	black/silver	-GS		
	970 522 162 H2 DSJ	Black	-GA		
	970 522 162 H2 DSE	Platinum Grey	-GC		
	970 522 162 H2 DSF	Luxor beige	-GU		
	970 522 162 H2 DSG	yachting blue	-GE		
	970 522 162 H2 DSH	Marsala Red	-GP		
	970 522 162 H2 DVA	agate grey	-GD		
	970 522 162 H2 DVB	saddle brown	-GH		
10	970 522 171 00	Backrest centre part w. cover		1	PR:833,835,
		D >> - MJ 2010			938,940
	970 522 171 00 DAA	Black	-AB		
	970 522 171 00 DAB	Platinum Grey	-CB		
	970 522 171 00 DAC	Luxor beige	-UB		
(10)	970 522 171 03	Backrest centre part w. cover		1	PR:833,835,
		D - MJ 2011>>			938,940
	970 522 171 03 DAA	Black	-AB		
	970 522 171 03 DAB	Platinum Grey	-CB		
	970 522 171 03 DAC	Luxor beige	-UB,PK		
	970 522 171 03 GHB	agate grey	-DG		
(10)	970 522 171 01	Backrest centre part w. cover		1	PR:833,835,
		D >> - MJ 2010			941,943
	970 522 171 01 DAF	Black	-AC		
	970 522 171 01 DAG	Platinum Grey	-CC,BB		
	970 522 171 01 DAH	Luxor beige	-UC		
	970 522 171 01 DAJ	yachting blue	-EC		

Model: 970 10 Model life 2010>>2016

Pos	Part Number	Description	Remark	Qty	Model
(10)	970 522 171 01 DAL	Cream	-BC, BD, BE	1	PR:833,835, 941,943,010
	970 522 171 04	Backrest centre part w. cover			
		D - MJ 2011>>			
	970 522 171 04 DAF	Black	-AC		
	970 522 171 04 DAG	Platinum Grey	-CC, BB		
	970 522 171 04 DAH	Luxor beige	-UC, PL		
	970 522 171 04 DAJ	yachting blue	-EC		
	970 522 171 04 DAL	Cream	-BC, BD, BE, DS, DT		
	970 522 171 04 DAK	Marsala Red	-PC, GP		
	970 522 171 04 GHC	agate grey	-DL		
	970 522 171 04 GLC	Carrera Red	-BF		
	970 522 171 04 DUE	saddle brown	-SB, DN		
(10)	970 522 171 02	Backrest centre part w. cover		1	PR:833,835, 943,941,998
		D >> - MJ 2010			
	970 522 171 02 DAM	Espresso	-NA		
	970 522 171 02 DAN	Cognac	-NC		
	970 522 171 02 DAO	Cedar	-BN		
(10)	970 522 171 05	Backrest centre part w. cover		1	PR:833,835, 943,941,998
		D - MJ 2011>>			
	970 522 171 05 DAM	Espresso	-NA		
	970 522 171 05 DAN	Cognac	-NC		
	970 522 171 05 DAO	Cedar	-BN		
11	970 522 861 00	Clip		4	PR:833
		Seat cushion			
12	970 522 731 00	Frame	left	1	PR:835
		Switch			
		Seat cushion			
(12)	970 522 732 00	Frame	right	1	PR:835
		Switch			
		Seat cushion			
13	970 613 721 01	switch for seat adjustment	left	1	PR:835
		Module			
		Seat cushion			
(13)	970 613 721 01 DMN	Galvano silver		1	PR:835
	970 613 722 01	Switch	right		
		Module			
		Seat cushion			
	970 613 722 01 DMN	Galvano silver		1	PR:835
14	970 522 451 00	Cushion carrier			
		Ski bag			

Model: 970 10

Model life 2010>>2016



Model: 970 10 Model life 2010>>2016

Pos	Part Number	Description	Remark	Qty	Model
1	970 522 531 19	Cover Foam part Premium Business Foam part backrest	left	1	PR:836
(1)	970 522 531 22	Foam part backrest	left	1	PR:836,542
2	970 522 532 07	Foam part backrest	right	1	PR:836
(2)	970 522 532 11	Foam part backrest	right	1	PR:836,542
3	970 522 571 02	Foam part Seat cushion	left	1	PR:836
(3)	970 522 571 03	Foam part Seat cushion	left	1	PR:836,542
4	970 522 572 02	Foam part Seat cushion	right	1	PR:836
(4)	970 522 572 03	Foam part Seat cushion	right	1	PR:836,542
5	970 522 901 42	Backrest cover D >> - 24.01.2011	left	1	PR:836,938, XYW,-343, -542
	970 522 901 42 DAA	Black	-AB		
	970 522 901 42 DAB	Platinum Grey	-CB		
	970 522 901 42 DAC	Luxor beige	-UB		
(5)	970 522 901 99	Backrest cover D - 25.01.2011>>	left	1	PR:836,938, XYW,-343, -542
	970 522 901 99 DAA	Black	-AB		
	970 522 901 99 DAB	Platinum Grey	-CB		
	970 522 901 99 DAC	Luxor beige	-UB		
(5)	970 522 901 43	Backrest cover D >> - 24.01.2011	left	1	PR:836,940, XYW,-343
	970 522 901 43 DAA	Black	-AB		
	970 522 901 43 DAB	Platinum Grey	-CB		
	970 522 901 43 DAC	Luxor beige	-UB		
(5)	970 522 901 A1	Backrest cover D - 25.01.2011>>	left	1	PR:836,940, XYW,-343
	970 522 901 A1 DAA	Black	-AB		
	970 522 901 A1 DAB	Platinum Grey	-CB		
	970 522 901 A1 DAC	Luxor beige	-UB		
(5)	970 522 901 44	Backrest cover D >> - 24.01.2011	left	1	PR:836,941, XYW,-343, -998
	970 522 901 44 DAF	Black	-AC		
	970 522 901 44 DAG	Platinum Grey	-CC,BB		
	970 522 901 44 DAH	Luxor beige	-UC		
	970 522 901 44 DAJ	Black/yachting blue	-EC		
	970 522 901 44 DAL	Cream	-BC,BD,BE		
	970 522 901 44 DAK	Black/marsala red	-PC		
(5)	970 522 901 A2	Backrest cover D - 25.01.2011>>	left	1	PR:836,941, XYW,-343, -998
	970 522 901 A2 DAF	Black	-AC		
	970 522 901 A2 DAG	Platinum Grey	-CC,BB		
	970 522 901 A2 DAH	Luxor beige	-UC,PL		
	970 522 901 A2 DAJ	Black/yachting blue	-EC		
	970 522 901 A2 DAL	Cream	-BC,BD,BE,DS, DT		
	970 522 901 A2 DAK	Black/marsala red	-PC		
	970 522 901 A2 GHC	agate grey	-DL		
	970 522 901 A2 GLC	Carrera Red	-BF		

Model: 970 10 Model life 2010>>2016

Pos	Part Number	Description	Remark	Qty	Model
(5)	970 522 901 A2 DUE	saddle brown	-SB, DN		
	970 522 901 45	Backrest cover	left	1	PR:836,943, XYW,-343, -542,-998
		D >> - 24.01.2011			
	970 522 901 45 DAF	Black	-AC		
	970 522 901 45 DAG	Platinum Grey	-CC, BB		
	970 522 901 45 DAH	Luxor beige	-UC		
	970 522 901 45 DAJ	Black/yachting blue	-EC		
	970 522 901 45 DAL	Cream	-BC, BD, BE		
	970 522 901 45 DAK	Marsala Red	-PC		
(5)	970 522 901 A3	Backrest cover	left	1	PR:-381,836, 943,XYW, -343,-542, -998
		D - 25.01.2011>>			
	970 522 901 A3 DAF	Black	-AC		
	970 522 901 A3 DAG	Platinum Grey	-CC, BB		
	970 522 901 A3 DAH	Luxor beige	-UC, PL		
	970 522 901 A3 DAJ	Black/yachting blue	-EC		
	970 522 901 A3 DAL	Cream	-BC, BD, BE, DS, DT		
	970 522 901 A3 DAK	Black/marsala red	-PC		
	970 522 901 A3 GHC	agate grey	-DL		
	970 522 901 A3 GLC	Carrera Red	-BF		
	970 522 901 A3 DUE	saddle brown	-SB, DN		
(5)	970 522 901 A3	Backrest cover	left	1	PR:381,836, 943,XYW, -343,-542, -998
		D - 25.01.2011>>			
	970 522 901 A3 DAF	Black	-AC		
	970 522 901 A3 DAG	Platinum Grey	-CC, BB		
	970 522 901 A3 DAH	Luxor beige	-UC, PL		
	970 522 901 A3 DAJ	Black/yachting blue	-EC		
	970 522 901 A3 DAL	Cream	-BC, BD, BE, DS, DT		
	970 522 901 A3 DAK	Black/marsala red	-PC		
	970 522 901 A3 GHC	agate grey	-DL		
	970 522 901 A3 GLC	Carrera Red	-BF		
	970 522 901 A3 DUE	saddle brown	-SB, DN		
(5)	970 522 901 46	Backrest cover	left	1	PR:836,943, 998,XYW, -343,-542
		D >> - 24.01.2011			
	970 522 901 46 DAM	Espresso	-NA		
	970 522 901 46 DAN	Cognac	-NC		
	970 522 901 46 DAO	Espresso/cedar	-BN		
(5)	970 522 901 A4	Backrest cover	left	1	PR:381,836, 943,998,XYW, -343,-542
		D - 25.01.2011>>			
	970 522 901 A4 DAM	Espresso	-NA		
	970 522 901 A4 DAN	Cognac	-NC		
	970 522 901 A4 DAO	Espresso/cedar	-BN		
(5)	970 522 901 47	Backrest cover	left	1	PR:836,941, 998,XYW,-343
		D >> - 24.01.2011			
	970 522 901 47 DAM	Espresso	-NA		
	970 522 901 47 DAN	Cognac	-NC		
	970 522 901 47 DAO	Espresso/cedar	-BN		
(5)	970 522 901 A5	Backrest cover	left	1	PR:836,941, 998,XYW,-343
		D - 25.01.2011>>			
	970 522 901 A5 DAM	Espresso	-NA		
	970 522 901 A5 DAN	Cognac	-NC		
	970 522 901 A5 DAO	Espresso/cedar	-BN		
(5)	970 522 901 48	Backrest cover	left	1	PR:836,343, 938,XYW,-542
		D >> - 24.01.2011			
	970 522 901 48 DAA	Black	-AB		

Model: 970 10 Model life 2010>>2016

Pos	Part Number	Description	Remark	Qty	Model
(5)	970 522 901 48 DAB	Platinum Grey	-CB	1	PR:836,343, 938,XYW,-542
	970 522 901 48 DAC	Luxor beige	-UB		
	970 522 901 A6	Backrest cover D - 25.01.2011>>	left		
	970 522 901 A6 DAA	Black	-AB		
	970 522 901 A6 DAB	Platinum Grey	-CB		
(5)	970 522 901 A6 DAC	Luxor beige	-UB,PK	1	PR:836,XYW, 343,940
	970 522 901 A6 GHB	agate grey	-DG		
	970 522 901 49	Backrest cover D >> - 24.01.2011	left		
	970 522 901 49 DAA	Black	-AB		
	970 522 901 49 DAB	Platinum Grey	-CB		
(5)	970 522 901 49 DAC	Luxor beige	-UB	1	PR:836,XYW, 343,940
	970 522 901 A7	Backrest cover D - 25.01.2011>>	left		
	970 522 901 A7 DAA	Black	-AB		
	970 522 901 A7 DAB	Platinum Grey	-CB		
	970 522 901 A7 DAC	Luxor beige	-UB,PK		
(5)	970 522 901 A7 GHB	agate grey	-DG	1	PR:836,343, 941,XYW,-998
	970 522 901 50	Backrest cover D >> - 24.01.2011	left		
	970 522 901 50 DAF	Black	-AC		
	970 522 901 50 DAG	Platinum Grey	-CC,BB		
	970 522 901 50 DAH	Luxor beige	-UC		
(5)	970 522 901 50 DAJ	Black/yachting blue	-EC	1	PR:836,XYW, 343,941,-998
	970 522 901 50 DAL	Cream	-BC,BD,BE		
	970 522 901 50 DAK	Black/marsala red	-PC		
	970 522 901 A8	Backrest cover D - 25.01.2011>>	left		
	970 522 901 A8 DAF	Black	-AC		
(5)	970 522 901 A8 DAG	Platinum Grey	-CC,BB	1	PR:836,343, 943,XYW, -541,-542, -998
	970 522 901 A8 DAH	Luxor beige	-UC,PL		
	970 522 901 A8 DAJ	Black/yachting blue	-EC		
	970 522 901 A8 DAL	Cream	-BC,BD,BE,DS, DT		
	970 522 901 A8 DAK	Black/marsala red	-PC		
(5)	970 522 901 A8 GHC	agate grey	-DL	1	PR:836,343, 943,XYW, -541,-542, -998
	970 522 901 A8 GLC	Carrera Red	-BF		
	970 522 901 A8 DUE	saddle brown	-SB,DN		
	970 522 901 51	Backrest cover D >> - 24.01.2011	left		
	970 522 901 51 DAF	Black	-AC		
(5)	970 522 901 51 DAG	Platinum Grey	-CC,BB	1	PR:381,836, 343,943,XYW, -541,-542, -998
	970 522 901 51 DAH	Luxor beige	-UC		
	970 522 901 51 DAJ	Black/yachting blue	-EC		
	970 522 901 51 DAL	Cream	-BC,BD,BE		
	970 522 901 51 DAK	Black/marsala red	-PC		
(5)	970 522 901 A9	Backrest cover D - 25.01.2011>>	left	1	PR:381,836, 343,943,XYW, -541,-542, -998
	970 522 901 A9 DAF	Black	-AC		
	970 522 901 A9 DAG	Platinum Grey	-CC,BB		
	970 522 901 A9 DAH	Luxor beige	-UC,PL		
	970 522 901 A9 DAJ	Black/yachting blue	-EC		
(5)	970 522 901 A9 DAL	Cream	-BC,BD,BE,DS, DT	1	PR:381,836, 343,943,XYW, -541,-542, -998
	970 522 901 A9 DAK	Black/marsala red	-PC		
	970 522 901 A9 GHC	agate grey	-DL		
	970 522 901 A9 GLC	Carrera Red	-BF		
	970 522 901 A9 DUE	saddle brown	-SB,DN		

Model: 970 10 Model life 2010>>2016

Pos	Part Number	Description	Remark	Qty	Model
(5)	970 522 901 52	Backrest cover D >> - 24.01.2011	left	1	PR:836,343, 943,998,XYW, -542
	970 522 901 52 DAM	Espresso	-NA		
	970 522 901 52 DAN	Cognac	-NC		
	970 522 901 52 DAO	Espresso/cedar	-BN		
(5)	970 522 901 B1	Backrest cover D - 25.01.2011>>	left	1	PR:381,836, 343,943,998, XYW,-542
	970 522 901 B1 DAM	Espresso	-NA		
	970 522 901 B1 DAN	Cognac	-NC		
	970 522 901 B1 DAO	Espresso/cedar	-BN		
(5)	970 522 901 53	Backrest cover D >> - 24.01.2011	left	1	PR:836,343, 941,998,XYW
	970 522 901 53 DAM	Espresso	-NA		
	970 522 901 53 DAN	Cognac	-NC		
	970 522 901 53 DAO	Espresso/cedar	-BN		
(5)	970 522 901 B2	Backrest cover D - 25.01.2011>>	left	1	PR:836,343, 941,998,XYW
	970 522 901 B2 DAM	Espresso	-NA		
	970 522 901 B2 DAN	Cognac	-NC		
	970 522 901 B2 DAO	Espresso/cedar	-BN		
(5)	970 522 901 54	Backrest cover D >> - 24.01.2011	left	1	PR:836,542, 938,XYW
	970 522 901 54 DAA	Black	-AB		
	970 522 901 54 DAB	Platinum Grey	-CB		
	970 522 901 54 DAC	Luxor beige	-UB		
(5)	970 522 901 B3	Backrest cover D - 25.01.2011>>	left	1	PR:836,542, 938,XYW
	970 522 901 B3 DAA	Black	-AB		
	970 522 901 B3 DAB	Platinum Grey	-CB		
	970 522 901 B3 DAC	Luxor beige	-UB		
(5)	970 522 901 55	Backrest cover D >> - 24.01.2011	left	1	PR:836,542, 943,XYW,-998
	970 522 901 55 DAF	Black	-AC		
	970 522 901 55 DAG	Platinum Grey	-CC,BB		
	970 522 901 55 DAH	Luxor beige	-UC		
	970 522 901 55 DAJ	Black/yachting blue	-EC		
	970 522 901 55 DAL	Cream	-BC,BD,BE		
	970 522 901 55 DAK	Marsala Red	-PC		
(5)	970 522 901 B4	Backrest cover D - 25.01.2011>>	left	1	PR:381,836, 542,943,XYW
	970 522 901 B4 DAF	Black	-AC		
	970 522 901 B4 DAG	Platinum Grey	-CC,BB		
	970 522 901 B4 DAH	Luxor beige	-UC,PL		
	970 522 901 B4 DAJ	Black/yachting blue	-EC		
	970 522 901 B4 DAL	Cream	-BC,BD,BE,DS, DT		
	970 522 901 B4 DAK	Black/marsala red	-PC		
	970 522 901 B4 GHC	agate grey	-DL		
	970 522 901 B4 GLC	Carrera Red	-BF		
	970 522 901 B4 DUE	saddle brown	-SB,DN		
(5)	970 522 901 56	Backrest cover D >> - 24.01.2011	left	1	PR:836,542, 943,998,XYW
	970 522 901 56 DAM	Espresso	-NA		
	970 522 901 56 DAN	Cognac	-NC		
	970 522 901 56 DAO	Espresso/cedar	-BN		
(5)	970 522 901 B5	Backrest cover D - 25.01.2011>>	left	1	PR:381,836, 542,943,998, XYW
	970 522 901 B5 DAM	Espresso	-NA		
	970 522 901 B5 DAN	Cognac	-NC		
	970 522 901 B5 DAO	Espresso/cedar	-BN		

Model: 970 10 Model life 2010>>2016

Pos	Part Number	Description	Remark	Qty	Model
(5)	970 522 901 C9	Backrest cover D - 25.01.2011>>	left	1	PR:381,836, -541,943, XYW,-343, -998
	970 522 901 C9 DAF	Black	-AC		
	970 522 901 C9 DAG	Platinum Grey	-CC,BB		
	970 522 901 C9 DAH	Luxor beige	-UC,PL		
	970 522 901 C9 DAJ	yachting blue	-EC		
	970 522 901 C9 DAL	Cream	-BC,BD,BE,DS, DT		
	970 522 901 C9 DAK	Marsala Red	-PC		
	970 522 901 C9 GHC	agate grey	-DL		
	970 522 901 C9 GLC	Carrera Red	-BF		
	970 522 901 C9 DUE	saddle brown	-SB,DN		
(5)	970 522 901 D1	Backrest cover D - MJ 2014>>	left	1	PR:381,836, 541,943,998, XYW,-343
	970 522 901 D1 DAM	Espresso	-NA		
	970 522 901 D1 DAN	Cognac	-NC		
	970 522 901 D1 DAO	Cedar	-BN		
(5)	970 522 901 D2	Backrest cover D - 25.01.2011>>	left	1	PR:381,836, 343,541,943, XYW,-998
	970 522 901 D2 DAF	Black	-AC		
	970 522 901 D2 DAG	Platinum Grey	-CC,BB		
	970 522 901 D2 DAH	Luxor beige	-UC,PL		
	970 522 901 D2 DAJ	yachting blue	-EC		
	970 522 901 D2 DAL	Cream	-BC,BD,BE,DS, DT		
	970 522 901 D2 DAK	Marsala Red	-PC		
	970 522 901 D2 GHC	agate grey	-DL		
	970 522 901 D2 GLC	Carrera Red	-BF		
	970 522 901 D2 DUE	saddle brown	-SB,DN		
(5)	970 522 901 D3	Backrest cover D - 25.01.2011>>	left	1	PR:381,836, 343,541,943, 998,XYW
	970 522 901 D3 DAM	Espresso	-NA		
	970 522 901 D3 DAN	Cognac	-NC		
	970 522 901 D3 DAO	Cedar	-BN		
(5)	970 522 141 42	Backrest cover D - MJ 2010>>	left	1	PR:836,938, -343,-541
	970 522 141 42 DAA	Black	-AB		
	970 522 141 42 DAB	Platinum Grey	-CB		
	970 522 141 42 DAC	Luxor beige	-UB		
(5)	970 522 141 43	Backrest cover D - MJ 2010>>	left	1	PR:836,940, -343,-541, -542
	970 522 141 43 DAA	Black	-AB		
	970 522 141 43 DAB	Platinum Grey	-CB		
	970 522 141 43 DAC	Luxor beige	-UB		
(5)	970 522 141 44	Backrest cover D >> - 24.01.2011	left	1	PR:836,941, -343,-998
	970 522 141 44 DAF	Black	-AC		
	970 522 141 44 DAG	Platinum Grey	-CC,BB		
	970 522 141 44 DAH	Luxor beige	-UC		
	970 522 141 44 DAL	Cream	-BC,BD,BE		
	970 522 141 44 DAJ	yachting blue	-EC		
	970 522 141 44 DAK	Marsala Red	-PC		
(5)	970 522 141 C6	Backrest cover D - 25.01.2011>>	left	1	PR:836,941, -343,-998
	970 522 141 C6 DAF	Black	-AC		
	970 522 141 C6 DAG	Platinum Grey	-CC,BB		

Model: 970 10 Model life 2010>>2016

Pos	Part Number	Description	Remark	Qty	Model
	970 522 141 C6 DAH	Luxor beige	-UC,PL		
	970 522 141 C6 DAL	Cream	-BC,BD,BE,DS,DT		
	970 522 141 C6 DAJ	yachting blue	-EC		
	970 522 141 C6 DAK	Marsala Red	-PC		
	970 522 141 C6 GHC	agate grey	-DL		
	970 522 141 C6 GLC	Carrera Red	-BF		
(5)	970 522 141 C6 DUE	saddle brown	-SB,DN		
	970 522 141 45	Backrest cover	left	1	PR:836,943,-343,-541,-998
		D >> - 24.01.2011			
	970 522 141 45 DAF	Black	-AC		
	970 522 141 45 DAG	Platinum Grey	-CC,BB		
	970 522 141 45 DAH	Luxor beige	-UC		
	970 522 141 45 DAJ	Black/yachting blue	-EC		
	970 522 141 45 DAL	Cream	-BC,BD,BE		
(5)	970 522 141 45 DAK	Black/marsala red	-PC		
	970 522 141 C7	Backrest cover	left	1	PR:381,836,943,-343,-541,-998
		D - 25.01.2011>>			
	970 522 141 C7 DAF	Black	-AC		
	970 522 141 C7 DAG	Platinum Grey	-CC,BB		
	970 522 141 C7 DAH	Luxor beige	-UC,PL		
	970 522 141 C7 DAJ	Black/yachting blue	-EC		
	970 522 141 C7 DAL	Cream	-BC,BD,BE,DS,DT		
	970 522 141 C7 DAK	Black/marsala red	-PC		
	970 522 141 C7 GHC	agate grey	-DL		
	970 522 141 C7 GLC	Carrera Red	-BF		
	970 522 141 C7 DUE	saddle brown	-SB,DN		
(5)	970 522 141 M7	Backrest cover	left	1	PR:381,836,943,-343,-541,-998
		D - MJ 2014>>			
	970 522 141 M7 DAF	Black	-AC,UC,PL		
	970 522 141 M7 DAL	Cream	-BC,BD,BE,DS,DT		
	970 522 141 M7 DAK	Marsala Red	-PC		
	970 522 141 M7 GHC	agate grey	-DL		
	970 522 141 M7 GLC	Carrera Red	-BF		
	970 522 141 M7 DUE	saddle brown	-SB,DN		
(5)	970 522 141 46	Backrest cover	left	1	PR:836,943,998,-343,-541
		D >> - 24.01.2011			
	970 522 141 46 DAM	Espresso	-NA		
	970 522 141 46 DAN	Cognac	-NC		
	970 522 141 46 DAO	Espresso/cedar	-BN		
(5)	970 522 141 C8	Backrest cover	left	1	PR:381,836,943,998
		D - 25.01.2011>>			
	970 522 141 C8 DAM	Espresso	-NA		
	970 522 141 C8 DAN	Cognac	-NC		
	970 522 141 C8 DAO	Espresso/cedar	-BN		
(5)	970 522 141 M8	Backrest cover	left	1	PR:382,836,943,998
		D - MJ 2014>>			
	970 522 141 M8 DAM	Espresso	-NA		
	970 522 141 M8 DAN	Cognac	-NC		
	970 522 141 M8 DAO	Cedar	-BN		
(5)	970 522 141 47	Backrest cover	left	1	PR:836,941,998,-343
		D >> - 24.01.2011			
	970 522 141 47 DAM	Espresso	-NA		
	970 522 141 47 DAN	Cognac	-NC		
	970 522 141 47 DAO	Espresso/cedar	-BN		
(5)	970 522 141 C9	Backrest cover	left	1	PR:836,941,

Model: 970 10 Model life 2010>>2016

Pos	Part Number	Description	Remark	Qty	Model
		D - 25.01.2011>>			998,-343
	970 522 141 C9 DAM	Espresso	-NA		
	970 522 141 C9 DAN	Cognac	-NC		
	970 522 141 C9 DAO	Espresso/cedar	-BN		
(5)	970 522 141 48	Backrest cover	left	1	PR:836,343, 938,-541, -542
		D - MJ 2010>>			
	970 522 141 48 DAA	Espresso	-AB		
	970 522 141 48 DAB	Platinum Grey	-CB		
	970 522 141 48 DAC	Luxor beige	-UB		
(5)	970 522 141 49	Backrest cover	left	1	PR:836,343, 940
		D - MJ 2010>>			
	970 522 141 49 DAA	Black	-AB		
	970 522 141 49 DAB	Platinum Grey	-CB		
	970 522 141 49 DAC	Luxor beige	-UB		
(5)	970 522 141 50	Backrest cover	left	1	PR:836,343, 941,-998
		D >> - 24.01.2011			
	970 522 141 50 DAF	Black	-AC		
	970 522 141 50 DAG	Platinum Grey	-CC,BB		
	970 522 141 50 DAH	Luxor beige	-UC		
	970 522 141 50 DAJ	yachting blue	-EC		
	970 522 141 50 DAL	Cream	-BC,BD,BE		
	970 522 141 50 DAK	Marsala Red	-PC		
(5)	970 522 141 D1	Backrest cover	left	1	PR:836,343, 941,-998
		D - 25.01.2011>>			
	970 522 141 D1 DAF	Black	-AC		
	970 522 141 D1 DAG	Platinum Grey	-CC,BB		
	970 522 141 D1 DAH	Luxor beige	-UC,PL		
	970 522 141 D1 DAJ	yachting blue	-EC		
	970 522 141 D1 DAL	Cream	-BC,BD,BE,DS, DT		
	970 522 141 D1 DAK	Marsala Red	-PC		
	970 522 141 D1 GHC	agate grey	-DL		
	970 522 141 D1 GLC	Carrera Red	-BF		
	970 522 141 D1 DUE	saddle brown	-SB,DN		
(5)	970 522 141 51	Backrest cover	left	1	PR:381,836, 343,943, -541,-542, -998
		D >> - 24.01.2011			
	970 522 141 51 DAF	Black	-AC		
	970 522 141 51 DAG	Platinum Grey	-CC,BB		
	970 522 141 51 DAH	Luxor beige	-UC		
	970 522 141 51 DAJ	Black/yachting blue	-EC		
	970 522 141 51 DAL	Cream	-BC,BD,BE		
	970 522 141 51 DAK	Black/marsala red	-PC		
(5)	970 522 141 D2	Backrest cover	left	1	PR:381,836, 343,943, -541,-542, -998
		D - 25.01.2011>>			
	970 522 141 D2 DAF	Black	-AC		
	970 522 141 D2 DAG	Platinum Grey	-CC,BB		
	970 522 141 D2 DAH	Luxor beige	-UC,PL		
	970 522 141 D2 DAJ	Black/yachting blue	-EC		
	970 522 141 D2 DAL	Cream	-BC,BD,BE,DS, DT		
	970 522 141 D2 DAK	Black/marsala red	-PC		
	970 522 141 D2 GHC	agate grey	-DL		
	970 522 141 D2 GLC	Carrera Red	-BF		
	970 522 141 D2 DUE	saddle brown	-SB,DN		
(5)	970 522 141 M9	Backrest cover	left	1	PR:381,836, 343,943, -541,-542,
		D - MJ 2014>>			

Model: 970 10 Model life 2010>>2016

Pos	Part Number	Description	Remark	Qty	Model
	970 522 141 M9 DAF	Black	-AC,UC,PL		-998
	970 522 141 M9 DAL	Cream	-BC,BD,BE,DS,DT		
	970 522 141 M9 DAK	Marsala Red	-PC		
	970 522 141 M9 GHC	agate grey	-DL		
	970 522 141 M9 GLC	Carrera Red	-BF		
(5)	970 522 141 M9 DUE	saddle brown	-SB,DN		
	970 522 141 52	Backrest cover	left	1	PR:836,343,943,998,-541,-542
		D >> - 24.01.2011			
	970 522 141 52 DAM	Espresso	-NA		
	970 522 141 52 DAN	Cognac	-NC		
	970 522 141 52 DAO	Cedar	-BN		
(5)	970 522 141 D3	Backrest cover	left	1	PR:381,836,343,943,998,-541,-542
		D - 25.01.2011>>			
	970 522 141 D3 DAM	Espresso	-NA		
	970 522 141 D3 DAN	Cognac	-NC		
	970 522 141 D3 DAO	Cedar	-BN		
(5)	970 522 141 N1	Backrest cover	left	1	PR:382,836,343,943,998,-541,-542
		D - MJ 2014>>			
	970 522 141 N1 DAM	Espresso	-NA		
	970 522 141 N1 DAN	Cognac	-NC		
	970 522 141 N1 DAO	Cedar	-BN		
(5)	970 522 141 53	Backrest cover	left	1	PR:836,343,941,998
		D >> - 24.01.2011			
	970 522 141 53 DAM	Espresso	-NA		
	970 522 141 53 DAN	Cognac	-NC		
	970 522 141 53 DAO	Cedar	-BN		
(5)	970 522 141 D4	Backrest cover	left	1	PR:836,343,941,998
		D - 25.01.2011>>			
	970 522 141 D4 DAM	Espresso	-NA		
	970 522 141 D4 DAN	Cognac	-NC		
	970 522 141 D4 DAO	Cedar	-BN		
(5)	970 522 141 69	Backrest cover	left	1	PR:836,541,938,-343
		D - MJ 2010>>			
	970 522 141 69 DAA	Black	-AB		
	970 522 141 69 DAB	Platinum Grey	-CB		
	970 522 141 69 DAC	Luxor beige	-UB		
(5)	970 522 141 70	Backrest cover	left	1	PR:836,541,943,-343,-998
		D >> - 24.01.2011			
	970 522 141 70 DAF	Black	-AC		
	970 522 141 70 DAG	Platinum Grey	-CC,BB		
	970 522 141 70 DAH	Luxor beige	-UC		
	970 522 141 70 DAJ	Black/yachting blue	-EC		
	970 522 141 70 DAL	Cream	-BC,BD,BE		
	970 522 141 70 DAK	Marsala Red	-PC		
(5)	970 522 141 F1	Backrest cover	left	1	PR:381,836,541,943,-343,-998
		D - 25.01.2011>>			
	970 522 141 F1 DAF	Black	-AC		
	970 522 141 F1 DAG	Platinum Grey	-CC,BB		
	970 522 141 F1 DAH	Luxor beige	-UC		
	970 522 141 F1 DAJ	Black/yachting blue	-EC		
	970 522 141 F1 DAL	Cream	-BC,BD,BE,DS,DT		
	970 522 141 F1 DAK	Black/marsala red	-PC		
	970 522 141 F1 GHC	agate grey	-DL		
	970 522 141 F1 GLC	Carrera Red	-BF		

Model: 970 10 Model life 2010>>2016

Pos	Part Number	Description	Remark	Qty	Model
(5)	970 522 141 F1 DUE	saddle brown	-SB, DN	1	PR:382,836, 541,943, -343,-998
	970 522 141 Q1	Backrest cover	left		
		D - MJ 2014>>			
	970 522 141 Q1 DAF	Black	-AC, UC		
	970 522 141 Q1 DAL	Cream	-BC, BD, BE, DS, DT		
(5)	970 522 141 Q1 DAK	Marsala Red	-PC	1	PR:836,541, 943,998,-343
	970 522 141 Q1 GHC	agate grey	-DL		
	970 522 141 Q1 GLC	Carrera Red	-BF		
	970 522 141 Q1 DUE	saddle brown	-SB, DN		
	970 522 141 71	Backrest cover	left		
	D >> - 24.01.2011				
(5)	970 522 141 71 DAM	Espresso	-NA	1	PR:381,836, 541,943,998, -343
	970 522 141 71 DAN	Cognac	-NC		
	970 522 141 71 DAO	Cedar	-BN		
	970 522 141 F2	Backrest cover	left		
		D - 25.01.2011>>			
(5)	970 522 141 F2 DAM	Espresso	-NA	1	PR:382,836, 541,943,998, -343
	970 522 141 F2 DAN	Cognac	-NC		
	970 522 141 F2 DAO	Cedar	-BN		
	970 522 141 Q2	Backrest cover	left		
		D - MJ 2014>>			
(5)	970 522 141 Q2 DAM	Espresso	-NA	1	PR:836,541, 343,938
	970 522 141 Q2 DAN	Cognac	-NC		
	970 522 141 Q2 DAO	Cedar	-BN		
	970 522 141 72	Backrest cover	left		
		D - MJ 2010>>			
(5)	970 522 141 72 DAA	Black	-AB	1	PR:836,541, 343,943,-998
	970 522 141 72 DAB	Platinum Grey	-CB		
	970 522 141 72 DAC	Luxor beige	-UB		
	970 522 141 73	Backrest cover	left		
		D >> - 24.01.2011			
(5)	970 522 141 73 DAF	Black	-AC	1	PR:381,836, 343,541,943, -998
	970 522 141 73 DAG	Platinum Grey	-CC, BB		
	970 522 141 73 DAH	Luxor beige	-UC		
	970 522 141 73 DAJ	yachting blue	-EC		
	970 522 141 73 DAL	Cream	-BC, BD, BE		
(5)	970 522 141 73 DAK	Marsala Red	-PC	1	PR:381,836, 343,541,943, -998
	970 522 141 F3	Backrest cover	left		
		D - 25.01.2011>>			
	970 522 141 F3 DAF	Black	-AC		
	970 522 141 F3 DAG	Platinum Grey	-CC, BB		
(5)	970 522 141 F3 DAH	Luxor beige	-UC, PL	1	PR:381,836, 343,541,943, -998
	970 522 141 F3 DAJ	yachting blue	-EC		
	970 522 141 F3 DAL	Cream	-BC, BD, BE, DS, DT		
	970 522 141 F3 DAK	Marsala Red	-PC		
	970 522 141 F3 GHC	agate grey	-DL		
(5)	970 522 141 F3 GLC	Carrera Red	-BF	1	PR:381,836, 343,541,943, -998
	970 522 141 F3 DUE	saddle brown	-SB, DN		
	970 522 141 Q3	Backrest cover	left		
		D - MJ 2014>>			
	970 522 141 Q3 DAF	Black	-AC, UC, PL		
(5)	970 522 141 Q3 DAL	Cream	-BC, BD, BE, DS, DT	1	PR:381,836, 343,541,943, -998
	970 522 141 Q3 DAK	Marsala Red	-PC		
	970 522 141 Q3 GHC	agate grey	-DL		

Model: 970 10 Model life 2010>>2016

Pos	Part Number	Description	Remark	Qty	Model
(5)	970 522 141 Q3 GLC	Carrera Red	-BF	1	PR:836,343, 541,943,998
	970 522 141 Q3 DUE	saddle brown	-SB, DN		
	970 522 141 74	Backrest cover D >> - 24.01.2011	left		
(5)	970 522 141 74 DAM	Espresso	-NA	1	PR:381,836, 343,541,943, 998
	970 522 141 74 DAN	Cognac	-NC		
	970 522 141 74 DAO	Espresso/cedar	-BN		
(5)	970 522 141 F4	Backrest cover D - 25.01.2011>>	left	1	PR:381,836, 343,541,943, 998
	970 522 141 F4 DAM	Espresso	-NA		
	970 522 141 F4 DAN	Cognac	-NC		
(5)	970 522 141 F4 DAO	Espresso/cedar	-BN	1	PR:381,836, 343,541,943, 998
	970 522 141 Q4	Backrest cover D - MJ 2014>>	left		
	970 522 141 Q4 DAM	Espresso	-NA		
(5)	970 522 141 Q4 DAN	Cognac	-NC	1	PR:836,542, 938
	970 522 141 Q4 DAO	Cedar	-BN		
	970 522 141 78	Backrest cover D - MJ 2010>>	left		
(5)	970 522 141 78 DAA	Black	-AB	1	PR:836,542, 943,-998
	970 522 141 78 DAB	Platinum Grey	-CB		
	970 522 141 78 DAC	Luxor beige	-UB		
(5)	970 522 141 79	Cover D >> - 24.01.2011	left	1	PR:381,836, 542,943,-998
	970 522 141 79 DAF	Black	-AC		
	970 522 141 79 DAG	Platinum Grey	-CC, BB		
(5)	970 522 141 79 DAJ	yachting blue	-EC	1	PR:381,836, 542,943,-998
	970 522 141 79 DAH	Luxor beige	-UC		
	970 522 141 79 DAL	Cream	-BC, BD, BE		
(5)	970 522 141 79 DAK	Marsala Red	-PC	1	PR:381,836, 542,943,-998
	970 522 141 D5	Backrest cover D - 25.01.2011>>	left		
	970 522 141 D5 DAF	Black	-AC		
(5)	970 522 141 D5 DAG	Platinum Grey	-CC, BB	1	PR:382,836, 542,943,-998
	970 522 141 D5 DAH	Luxor beige	-UC, PL		
	970 522 141 D5 DAJ	yachting blue	-EC		
(5)	970 522 141 D5 DAL	Cream	-BC, BD, BE, DS, DT	1	PR:381,836, 542,943,-998
	970 522 141 D5 DAK	Marsala Red	-PC		
	970 522 141 D5 GHC	agate grey	-DL		
(5)	970 522 141 D5 GLC	Carrera Red	-BF	1	PR:381,836, 542,943,-998
	970 522 141 D5 DUE	saddle brown	-SB, DN		
	970 522 141 N2	Backrest cover D - MJ 2014>>	left		
(5)	970 522 141 N2 DAF	Black	-AC, UC, PL	1	PR:381,836, 542,943,-998
	970 522 141 N2 DAL	Cream	-BC, BD, BE, DS, DT		
	970 522 141 N2 DAK	Marsala Red	-PC		
(5)	970 522 141 N2 GHC	agate grey	-DL	1	PR:381,836, 542,943,-998
	970 522 141 N2 GLC	Carrera Red	-BF		
	970 522 141 N2 DUE	saddle brown	-SB, DN		
(5)	970 522 141 80	Backrest cover D >> - 24.01.2011	left	1	PR:381,836, 542,943,998
	970 522 141 80 DAM	Espresso	-NA		
	970 522 141 80 DAN	Cognac	-NC		
(5)	970 522 141 80 DAO	Cedar	-BN	1	PR:381,836, 542,943,998
	970 522 141 D6	Backrest cover D - 25.01.2011>>	left		

Model: 970 10 Model life 2010>>2016

Pos	Part Number	Description	Remark	Qty	Model
(5)	970 522 141 D6 DAM	Espresso	-NA	1	PR:382,836, 542,943,998
	970 522 141 D6 DAN	Cognac	-NC		
	970 522 141 D6 DAO	Cedar	-BN		
	970 522 141 N3	Backrest cover	left		
		D - MJ 2014>>			
(6)	970 522 141 N3 DAM	Espresso	-NA	1	PR:836,938, XYW,-343, -542
	970 522 141 N3 DAN	Cognac	-NC		
	970 522 141 N3 DAO	Cedar	-BN		
	970 522 902 00	Backrest cover	right		
		D >> - 24.01.2011			
(6)	970 522 902 00 DAA	Black	-AB	1	PR:381,836, 938,-343, -541,XYW
	970 522 902 00 DAB	Platinum Grey	-CB		
	970 522 902 00 DAC	Luxor beige	-UB		
	970 522 902 21	Backrest cover	right		
		D - 25.01.2011>>			
(6)	970 522 902 21 DAA	Black	-AB	1	PR:836,940, XYW,-343
	970 522 902 21 DAB	Platinum Grey	-CB		
	970 522 902 21 DAC	Luxor beige	-UB,PK		
	970 522 902 21 GHB	agate grey	-DG		
(6)	970 522 902 01	Backrest cover	right		
		D >> - 24.01.2011			
(6)	970 522 902 01 DAA	Black	-AB	1	PR:836,940, XYW,-343
	970 522 902 01 DAB	Platinum Grey	-CB		
	970 522 902 01 DAC	Luxor beige	-UB		
	970 522 902 22	Backrest cover	right		
		D - 25.01.2011>>			
(6)	970 522 902 22 DAA	Black	-AB	1	PR:836,941, XYW,-343, -998
	970 522 902 22 DAB	Platinum Grey	-CB		
	970 522 902 22 DAC	Luxor beige	-UB,PK		
	970 522 902 22 GHB	agate grey	-DG		
(6)	970 522 902 02	Backrest cover	right		
		D >> - 24.01.2011			
(6)	970 522 902 02 DAF	Black	-AC	1	PR:836,941, XYW,-343, -998
	970 522 902 02 DAG	Platinum Grey	-CC,BB		
	970 522 902 02 DAH	Luxor beige	-UC		
	970 522 902 02 DAJ	yachting blue	-EC		
		970 522 902 02 DAL	Cream	-BC,BD,BE	
		970 522 902 02 DAK	Marsala Red	-PC	
(6)	970 522 902 23	Backrest cover	right		
		D - 25.01.2011>>			
(6)	970 522 902 23 DAF	Black	-AC	1	PR:836,943, XYW,-343, -542,-998
	970 522 902 23 DAG	Platinum Grey	-CC,BB		
	970 522 902 23 DAH	Luxor beige	-UC,PL		
	970 522 902 23 DAJ	yachting blue	-EC		
		970 522 902 23 DAL	Cream	-BC,BD,BE,DS, DT	
		970 522 902 23 DAK	Marsala Red	-PC	
		970 522 902 23 GHC	agate grey	-DL	
		970 522 902 23 GLC	Carrera Red	-BF	
		970 522 902 23 DUE	saddle brown	-SB,DN	
(6)	970 522 902 03	Backrest cover	right		
		D >> - 24.01.2011			
(6)	970 522 902 03 DAF	Black	-AC	1	PR:836,943, XYW,-343, -542,-998
	970 522 902 03 DAG	Platinum Grey	-CC,BB		
	970 522 902 03 DAH	Luxor beige	-UC		
	970 522 902 03 DAJ	yachting blue	-EC		
		970 522 902 03 DAL	Cream	-BC,BD,BE	

Model: 970 10 Model life 2010>>2016

Pos	Part Number	Description	Remark	Qty	Model
(6)	970 522 902 03 DAK 970 522 902 24	Marsala Red Backrest cover D - 25.01.2011>>	-PC right	1	PR:836,943, XYW,-343, -542,-998
	970 522 902 24 DAF 970 522 902 24 DAG 970 522 902 24 DAH 970 522 902 24 DAJ 970 522 902 24 DAL	Black Platinum Grey Luxor beige yachting blue Cream	-AC -CC,BB -UC,PL -EC -BC,BD,BE,DS, DT		
(6)	970 522 902 24 DAK 970 522 902 24 GHC 970 522 902 24 GLC 970 522 902 24 DUE 970 522 902 04	Marsala Red agate grey Carrera Red saddle brown Backrest cover D >> - 24.01.2011	-PC -DL -BF -SB,DN right	1	PR:836,943, 998,XYW, -343,-541
(6)	970 522 902 04 DAM 970 522 902 04 DAN 970 522 902 04 DAO 970 522 902 25	Espresso Cognac Cedar Backrest cover D - 25.01.2011>>	-NA -NC -BN right	1	PR:836,943, 998,XYW, -343,-541
(6)	970 522 902 25 DAM 970 522 902 25 DAN 970 522 902 25 DAO 970 522 902 05	Espresso Cognac Cedar Backrest cover D >> - 24.01.2011	-NA -NC -BN right	1	PR:836,941, 998,XYW,-343
(6)	970 522 902 05 DAM 970 522 902 05 DAN 970 522 902 05 DAO 970 522 902 26	Espresso Cognac Cedar Backrest cover D - 25.01.2011>>	-NA -NC -BN right	1	PR:836,941, 998,XYW,-343
(6)	970 522 902 26 DAM 970 522 902 26 DAN 970 522 902 26 DAO 970 522 902 09	Espresso Cognac Cedar Backrest cover D >> - 24.01.2011	-NA -NC -BN right	1	PR:836,343, 938,XYW,-542
(6)	970 522 902 09 DAA 970 522 902 09 DAB 970 522 902 09 DAC 970 522 902 30	Black Platinum Grey Luxor beige Backrest cover D - 25.01.2011>>	-AB -CB -UB right	1	PR:381,836, 343,938,XYW, -542
(6)	970 522 902 30 DAA 970 522 902 30 DAB 970 522 902 30 DAC 970 522 902 30 GHB 970 522 902 10	Black Platinum Grey Luxor beige agate grey Backrest cover D >> - 24.01.2011	-AB -CB -UB,PK -DG right	1	PR:836,343, 940,XYW
(6)	970 522 902 10 DAA 970 522 902 10 DAB 970 522 902 10 DAC 970 522 902 31	Black Platinum Grey Luxor beige Backrest cover D - 25.01.2011>>	-AB -CB -UB right	1	PR:836,343, 940,XYW
(6)	970 522 902 31 DAA 970 522 902 31 DAB 970 522 902 31 DAC 970 522 902 31 GHB 970 522 902 11 970 522 902 11 DAF 970 522 902 11 DAG	Black Platinum Grey Luxor beige agate grey Backrest cover D >> - 24.01.2011 Black Platinum Grey	-AB -CB -UB,PK -DG right -AC -CC,BB	1	PR:836,343, 941,XYW,-998

Model: 970 10 Model life 2010>>2016

Pos	Part Number	Description	Remark	Qty	Model
(6)	970 522 902 11 DAH	Luxor beige	-UC	1	PR:836,343, 941,XYW,-998
	970 522 902 11 DAJ	yachting blue	-EC		
	970 522 902 11 DAL	Cream	-BC,BD,BE		
	970 522 902 11 DAK	Marsala Red	-PC		
	970 522 902 32	Backrest cover D - 25.01.2011>>	right		
	970 522 902 32 DAF	Black	-AC		
	970 522 902 32 DAG	Platinum Grey	-CC,BB		
	970 522 902 32 DAH	Luxor beige	-UC,PL		
	970 522 902 32 DAJ	yachting blue	-EC		
(6)	970 522 902 32 DAL	Cream	-BC,BD,BE,DS, DT	1	PR:836,343, 943,XYW, -542,-998
	970 522 902 32 DAK	Marsala Red	-PC		
	970 522 902 32 GHC	agate grey	-DL		
	970 522 902 32 GLC	Carrera Red	-BF		
	970 522 902 32 DUE	saddle brown	-SB,DN		
	970 522 902 12	Backrest cover D >> - 24.01.2011	right		
	970 522 902 12 DAF	Black	-AC		
	970 522 902 12 DAG	Platinum Grey	-CC,BB		
	970 522 902 12 DAH	Luxor beige	-UC		
(6)	970 522 902 12 DAJ	yachting blue	-EC	1	PR:381,836, 343,943,XYW, -542,-998
	970 522 902 12 DAL	Cream	-BC,BD,BE		
	970 522 902 12 DAK	Marsala Red	-PC		
	970 522 902 33	Backrest cover D - 25.01.2011>>	right		
	970 522 902 33 DAF	Black	-AC		
	970 522 902 33 DAG	Platinum Grey	-CC,BB		
	970 522 902 33 DAH	Luxor beige	-UC,PL		
	970 522 902 33 DAJ	yachting blue	-EC		
	970 522 902 33 DAL	Cream	-BC,BD,BE,DS, DT		
(6)	970 522 902 33 DAK	Marsala Red	-PC	1	PR:836,343, 943,998,XYW, -542
	970 522 902 33 GHC	agate grey	-DL		
	970 522 902 33 GLC	Carrera Red	-BF		
	970 522 902 33 DUE	saddle brown	-SB,DN		
	970 522 902 13	Backrest cover D >> - 24.01.2011	right		
	970 522 902 13 DAM	Espresso	-NA		
	970 522 902 13 DAN	Cognac	-NC		
	970 522 902 13 DAO	Cedar	-BN		
	970 522 902 34	Backrest cover D - 25.01.2011>>	right		
(6)	970 522 902 34 DAM	Espresso	-NA	1	PR:381,836, 343,943,998, XYW,-542
	970 522 902 34 DAN	Cognac	-NC		
	970 522 902 34 DAO	Cedar	-BN		
	970 522 902 14	Backrest cover D >> - 24.01.2011	right		
	970 522 902 14 DAM	Espresso	-NA		
	970 522 902 14 DAN	Cognac	-NC		
	970 522 902 14 DAO	Cedar	-BN		
	970 522 902 35	Backrest cover	right		
	(6)	970 522 902 35 DAM	Espresso		
970 522 902 35 DAN		Cognac	-NC		
970 522 902 35 DAO		Cedar	-BN		
970 522 902 18		Backrest cover D - 25.01.2011>>	right		
970 522 902 18		Backrest cover D >> - 24.01.2011	right		

Model: 970 10 Model life 2010>>2016

Pos	Part Number	Description	Remark	Qty	Model
(6)	970 522 902 18 DAA	Black	-AB	1	PR:830,542, 938,XYW
	970 522 902 18 DAB	Platinum Grey	-CB		
	970 522 902 18 DAC	Luxor beige	-UB		
	970 522 902 39	Backrest cover D - 25.01.2011>>	right		
	970 522 902 39 DAA	Black	-AB		
(6)	970 522 902 39 DAB	Platinum Grey	-CB	1	PR:836,542, 943,XYW
	970 522 902 39 DAC	Luxor beige	-UB,PK		
	970 522 902 39 GHB	agate grey	-DG		
	970 522 902 19	Backrest cover D >> - 24.01.2011	right		
	970 522 902 19 DAF	Black	-AC		
(6)	970 522 902 19 DAG	Platinum Grey	-CC,BB	1	PR:836,542, 943,XYW
	970 522 902 19 DAH	Luxor beige	-UC		
	970 522 902 19 DAJ	yachting blue	-EC		
	970 522 902 19 DAL	Cream	-BC,BD,BE		
	970 522 902 19 DAK	Marsala Red	-PC		
(6)	970 522 902 40	Backrest cover D - 25.01.2011>>	right	1	PR:836,542, 943,XYW
	970 522 902 40 DAF	Black	-AC		
	970 522 902 40 DAG	Platinum Grey	-CC,BB		
	970 522 902 40 DAH	Luxor beige	-UC,PL		
	970 522 902 40 DAJ	yachting blue	-EC		
(6)	970 522 902 40 DAL	Cream	-BC,BD,BE,DS, DT	1	PR:836,542, 943,998,XYW
	970 522 902 40 DAK	Marsala Red	-PC		
	970 522 902 40 GHC	agate grey	-DL		
	970 522 902 40 GLC	Carrera Red	-BF		
	970 522 902 40 DUE	saddle brown	-SB,DN		
(6)	970 522 902 20	Backrest cover D >> - 24.01.2011	right	1	PR:836,542, 943,998,XYW
	970 522 902 20 DAM	Espresso	-NA		
	970 522 902 20 DAN	Cognac	-NC		
	970 522 902 20 DAO	Cedar	-BN		
	970 522 902 41	Backrest cover D - 25.01.2011>>	right		
(6)	970 522 902 41 DAM	Espresso	-NA	1	PR:836,542, 943,998,XYW
	970 522 902 41 DAN	Cognac	-NC		
	970 522 902 41 DAO	Cedar	-BN		
	970 522 902 51	Backrest cover D - 25.01.2011>>	right		
	970 522 902 51 DAF	Black	-AC		
(6)	970 522 902 51 DAG	Platinum Grey	-CC,BB	1	PR:836,941, XYW,-343, -998
	970 522 902 51 DAH	Luxor beige	-UC,PL		
	970 522 902 51 DAJ	yachting blue	-EC		
	970 522 902 51 DAL	Cream	-BC,BD,BE,DS, DT		
	970 522 902 51 DAK	Marsala Red	-PC		
(6)	970 522 902 51 GHC	agate grey	-DL	1	PR:836,943, XYW,-343, -541,-998
	970 522 902 51 GLC	Carrera Red	-BF		
	970 522 902 51 DUE	saddle brown	-SB,DN		
	970 522 902 52	Backrest cover D - 25.01.2011>>	right		
	970 522 902 52 DAF	Black	-AC		
(6)	970 522 902 52 DAG	Platinum Grey	-CC,BB	1	PR:836,943, XYW,-343, -541,-998
	970 522 902 52 DAH	Luxor beige	-UC,PL		
	970 522 902 52 DAJ	yachting blue	-EC		
	970 522 902 52 DAL	Cream	-BC,BD,BE,DS, DT		
	970 522 902 52 DAK	Marsala Red	-PC		
	970 522 902 52 GHC	agate grey	-DL		

Model: 970 10 Model life 2010>>2016

Pos	Part Number	Description	Remark	Qty	Model
(6)	970 522 902 52 GLC	Carrera Red	-BF	1	PR:836,943, 998,XYW, -343,-541
	970 522 902 52 DUE	saddle brown	-SB, DN		
	970 522 902 53	Backrest cover D - 25.01.2011>>	right		
(6)	970 522 902 53 DAM	Espresso	-NA	1	PR:836,941, 998,XYW,-343
	970 522 902 53 DAN	Cognac	-NC		
	970 522 902 53 DAO	Cedar	-BN		
(6)	970 522 902 54	Backrest cover D - 25.01.2011>>	right	1	PR:836,343, 941,XYW,-998
	970 522 902 54 DAM	Espresso	-NA		
	970 522 902 54 DAN	Cognac	-NC		
(6)	970 522 902 54 DAO	Cedar	-BN	1	PR:836,343, 941,XYW,-998
	970 522 902 55	Backrest cover D - 25.01.2011>>	right		
	970 522 902 55 DAF	Black	-AC		
(6)	970 522 902 55 DAG	Platinum Grey	-CC, BB	1	PR:836,343, 943,XYW, -541,-542, -998
	970 522 902 55 DAH	Luxor beige	-UC, PL		
	970 522 902 55 DAJ	yachting blue	-EC		
(6)	970 522 902 55 DAL	Cream	-BC, BD, BE, DS, DT	1	PR:836,343, 943,XYW, -541,-542, -998
	970 522 902 55 DAK	Marsala Red	-PC		
	970 522 902 55 GHC	agate grey	-DL		
(6)	970 522 902 55 GLC	Carrera Red	-BF	1	PR:836,343, 943,998,XYW, -541,-542
	970 522 902 55 DUE	saddle brown	-SB, DN		
	970 522 902 56	Backrest cover D - 25.01.2011>>	right		
(6)	970 522 902 56 DAF	Black	-AC	1	PR:836,343, 943,998,XYW, -541,-542
	970 522 902 56 DAG	Platinum Grey	-CC, BB		
	970 522 902 56 DAH	Luxor beige	-UC, PL		
(6)	970 522 902 56 DAJ	yachting blue	-EC	1	PR:836,343, 943,998,XYW, -541,-542
	970 522 902 56 DAL	Cream	-BC, BD, BE, DS, DT		
	970 522 902 56 DAK	Marsala Red	-PC		
(6)	970 522 902 56 GHC	agate grey	-DL	1	PR:836,343, 943,998,XYW, -541,-542
	970 522 902 56 GLC	Carrera Red	-BF		
	970 522 902 56 DUE	saddle brown	-SB, DN		
(6)	970 522 902 57	Backrest cover D - 25.01.2011>>	right	1	PR:836,343, 943,998,XYW, -541,-542
	970 522 902 57 DAM	Espresso	-NA		
	970 522 902 57 DAN	Cognac	-NC		
(6)	970 522 902 57 DAO	Cedar	-BN	1	PR:836,343, 941,998,XYW
	970 522 902 58	Backrest cover D - 25.01.2011>>	right		
	970 522 902 58 DAM	Espresso	-NA		
(6)	970 522 902 58 DAN	Cognac	-NC	1	PR:836,541, 943,XYW, -343,-998
	970 522 902 58 DAO	Cedar	-BN		
	970 522 902 59	Backrest cover D - 25.01.2011>>	right		
(6)	970 522 902 59 DAF	Black	-AC	1	PR:836,541, 943,XYW, -343,-998
	970 522 902 59 DAG	Platinum Grey	-CC, BB		
	970 522 902 59 DAH	Luxor beige	-UC, PL		
(6)	970 522 902 59 DAJ	yachting blue	-EC	1	PR:836,541, 943,XYW, -343,-998
	970 522 902 59 DAL	Cream	-BC, BD, BE, DS, DT		
	970 522 902 59 DAK	Marsala Red	-PC		
(6)	970 522 902 59 GHC	agate grey	-DL	1	PR:836,541, 943,XYW, -343,-998
	970 522 902 59 GLC	Carrera Red	-BF		
	970 522 902 59 DUE	saddle brown	-SB, DN		

Model: 970 10 Model life 2010>>2016

Pos	Part Number	Description	Remark	Qty	Model
(6)	970 522 902 60	Backrest cover D - 25.01.2011>>	right	1	PR:836,541, 943,998,XYW, -343
	970 522 902 60 DAM	Espresso	-NA		
	970 522 902 60 DAN	Cognac	-NC		
	970 522 902 60 DAO	Cedar	-BN		
(6)	970 522 902 61	Backrest cover D - 25.01.2011>>	right	1	PR:836,343, 541,943,XYW, -998
	970 522 902 61 DAF	Black	-AC		
	970 522 902 61 DAG	Platinum Grey	-CC,BB		
	970 522 902 61 DAH	Luxor beige	-UC,PL		
	970 522 902 61 DAJ	yachting blue	-EC		
	970 522 902 61 DAL	Cream	-BC,BD,BE,DS, DT		
	970 522 902 61 DAK	Marsala Red	-PC		
	970 522 902 61 GHC	agate grey	-DL		
	970 522 902 61 GLC	Carrera Red	-BF		
	970 522 902 61 DUE	saddle brown	-SB,DN		
(6)	970 522 902 62	Backrest cover D - 25.01.2011>>	right	1	PR:836,343, 541,943,998, XYW
	970 522 902 62 DAM	Espresso	-NA		
	970 522 902 62 DAN	Cognac	-NC		
	970 522 902 62 DAO	Cedar	-BN		
(6)	970 522 902 63	Backrest cover D - 25.01.2011>>	right	1	PR:836,542, 943,XYW,-998
	970 522 902 63 DAF	Black	-AC		
	970 522 902 63 DAG	Platinum Grey	-CC,BB		
	970 522 902 63 DAH	Luxor beige	-UC,PL		
	970 522 902 63 DAJ	yachting blue	-EC		
	970 522 902 63 DAL	Cream	-BC,BD,BE,DS, DT		
	970 522 902 63 DAK	Marsala Red	-PC		
	970 522 902 63 GHC	agate grey	-DL		
	970 522 902 63 GLC	Carrera Red	-BF		
	970 522 902 63 DUE	saddle brown	-SB,DN		
(6)	970 522 902 64	Backrest cover D - 25.01.2011>>	right	1	PR:836,542, 943,998,XYW, -343
	970 522 902 64 DAM	Espresso	-NA		
	970 522 902 64 DAN	Cognac	-NC		
	970 522 902 64 DAO	Cedar	-BN		
(6)	970 522 902 48	Backrest cover D - 25.01.2011>>	right	1	PR:381,836, 542,938,XYW
	970 522 902 48 DAA	Black	-AB		
	970 522 902 48 DAB	Platinum Grey	-CB		
	970 522 902 48 DAC	Luxor beige	-UB,PK		
	970 522 902 48 GHB	agate grey	-DG		
(6)	970 522 902 49	Backrest cover D - 25.01.2011>>	right	1	PR:381,836, 542,943,XYW, -998
	970 522 902 49 DAF	Black	-AC		
	970 522 902 49 DAG	Platinum Grey	-CC,BB		
	970 522 902 49 DAH	Luxor beige	-UC,PL		
	970 522 902 49 DAJ	yachting blue	-EC		
	970 522 902 49 DAL	Cream	-BC,BD,BE,DS, DT		
	970 522 902 49 DAK	Marsala Red	-PC		
	970 522 902 49 GHC	agate grey	-DL		
	970 522 902 49 GLC	Carrera Red	-BF		
	970 522 902 49 DUE	saddle brown	-SB,DN		
(6)	970 522 902 50	Backrest cover	right	1	PR:381,836,

Model: 970 10 Model life 2010>>2016

Pos	Part Number	Description	Remark	Qty	Model
		D - 25.01.2011>>			542,943,998, XYW
	970 522 902 50 DAM	Espresso	-NA		
	970 522 902 50 DAN	Cognac	-NC		
	970 522 902 50 DAO	Cedar	-BN		
(6)	970 522 142 00	Backrest cover D >> - 24.01.2011	right	1	PR:836,938, -343,-541
	970 522 142 00 DAA	Black	-AB		
	970 522 142 00 DAB	Platinum Grey	-CB		
	970 522 142 00 DAC	Luxor beige	-UB		
(6)	970 522 142 30	Backrest cover D - 25.01.2011>>	right	1	PR:381,836, 938,-343, -541
	970 522 142 30 DAA	Black	-AB		
	970 522 142 30 DAB	Platinum Grey	-CB		
	970 522 142 30 DAC	Luxor beige	-UB,PK		
	970 522 142 30 GHB	agate grey	-DG		
(6)	970 522 142 91	Backrest cover	right	1	PR:382,836, 938,-343, -541
		D - MJ 2014>>			
	970 522 142 91 DAA	Black	-AB		
	970 522 142 91 DAC	Luxor beige	-UB,PK		
	970 522 142 91 GHB	agate grey	-DG		
(6)	970 522 142 01	Cover D >> - 24.01.2011	right	1	PR:836,940, -343
		backrest			
	970 522 142 01 DAA	Black	-AB		
	970 522 142 01 DAB	Platinum Grey	-CB		
	970 522 142 01 DAC	Luxor beige	-UB		
(6)	970 522 142 31	Backrest cover	right	1	PR:836,940, -343
	970 522 142 31 DAA	Black	-AB		
	970 522 142 31 DAB	Platinum Grey	-CB		
	970 522 142 31 DAC	Luxor beige	-UB,PK		
	970 522 142 31 GHB	agate grey	-DG		
(6)	970 522 142 02	Cover D >> - 24.01.2011	right	1	PR:836,941, -343,-998
		backrest			
	970 522 142 02 DAF	Black	-AC		
	970 522 142 02 DAG	Platinum Grey	-CC,BB		
	970 522 142 02 DAH	Luxor beige	-UC,PL		
	970 522 142 02 DAJ	Black/yachting blue	-EC		
	970 522 142 02 DAL	Cream	-BC,BD,BE		
	970 522 142 02 DAK	Marsala Red	-PC		
(6)	970 522 142 32	Backrest cover D - 25.01.2011>>	right	1	PR:836,941, -343,-998
		D >> - MJ 2013			
	970 522 142 32 DAF	Black	-AC		
	970 522 142 32 DAG	Platinum Grey	-CC,BB		
	970 522 142 32 DAH	Luxor beige	-UC,PL		
	970 522 142 32 DAJ	yachting blue	-EC		
	970 522 142 32 DAL	Cream	-BC,BD,BE,DS, DT		
	970 522 142 32 DAK	Marsala Red	-PC		
(6)	970 522 142 60	Backrest cover	right	1	PR:836,941, -343,-998
		D - MJ 2014>>			
	970 522 142 60 DAF	Black	-AC,UC,PL		
	970 522 142 60 DAL	Cream	-BC,BD,BE,DS, DT		
	970 522 142 60 DAK	Marsala Red	-PC		
	970 522 142 60 GHC	agate grey	-DL		
	970 522 142 60 GLC	Carrera Red	-BF		

Model: 970 10 Model life 2010>>2016

Pos	Part Number	Description	Remark	Qty	Model
(6)	970 522 142 60 DUE 970 522 142 03	saddle brown Cover D >> - 24.01.2011 backrest	-SB, DN right	1	PR:836,943, -343,-541, -998
	970 522 142 03 DAF	Black	-AC		
	970 522 142 03 DAG	Platinum Grey	-CC, BB		
	970 522 142 03 DAH	Luxor beige	-UC		
	970 522 142 03 DAJ	Black/yachting blue	-EC		
	970 522 142 03 DAL	Cream	-BC, BD, BE		
	970 522 142 03 DAK	Marsala Red	-PC		
(6)	970 522 142 33	Backrest cover D - 25.01.2011>> D >> - MJ 2013	right	1	PR:381,836, 943,-343, -541,-998
	970 522 142 33 DAF	Black	-AC		
	970 522 142 33 DAG	Platinum Grey	-CC, BB		
	970 522 142 33 DAH	Luxor beige	-UC, PL		
	970 522 142 33 DAJ	yachting blue	-EC		
	970 522 142 33 DAL	Cream	-BC, BD, BE		
	970 522 142 33 DAK	Marsala Red	-PC		
(6)	970 522 142 61	Backrest cover D - MJ 2014>>	right	1	PR:381,836, 943,-343, -541,-998
	970 522 142 61 DAF	Black	-AC		
	970 522 142 61 DAL	Cream	-BC, BD, BE		
	970 522 142 61 DAK	Marsala Red	-PC		
	970 522 142 61 GHC	agate grey	-DL		
	970 522 142 61 GLC	Carrera Red	-BF		
(6)	970 522 142 61 DUE 970 522 142 92	saddle brown Backrest cover D - MJ 2014>>	-SB, DN right	1	PR:382,836, 943,-343, -541,-998
	970 522 142 92 DAF	Black	-AC		
	970 522 142 92 DAL	Cream	-BC, BD, BE		
	970 522 142 92 DAK	Marsala Red	-PC		
	970 522 142 92 GHC	agate grey	-DL		
	970 522 142 92 GLC	Carrera Red	-BF		
(6)	970 522 142 92 DUE 970 522 142 04	saddle brown Cover D >> - 24.01.2011 backrest	-SB, DN right	1	PR:836,943, 998,-343, -541
	970 522 142 04 DAM	Espresso	-NA		
	970 522 142 04 DAN	Cognac	-NC		
	970 522 142 04 DAO	Espresso/cedar	-BN		
(6)	970 522 142 34	Backrest cover D - 25.01.2011>> D >> - MJ 2013	right	1	PR:381,836, 943,998
	970 522 142 34 DAM	Espresso	-NA		
	970 522 142 34 DAN	Cognac	-NC		
	970 522 142 34 DAO	Cedar	-BN		
(6)	970 522 142 62	Backrest cover D - MJ 2014>>	right	1	PR:381,836, 943,998
	970 522 142 62 DAM	Espresso	-NA		
	970 522 142 62 DAN	Cognac	-NC		
	970 522 142 62 DAO	Cedar	-BN		
(6)	970 522 142 93	Backrest cover D - MJ 2014>>	right	1	PR:382,836, 943,998
	970 522 142 93 DAM	Espresso	-NA		
	970 522 142 93 DAN	Cognac	-NC		
	970 522 142 93 DAO	Cedar	-BN		
(6)	970 522 142 05	Cover	right	1	PR:836,941,

Model: 970 10 Model life 2010>>2016

Pos	Part Number	Description	Remark	Qty	Model
		D >> - 24.01.2011 backrest			998,-343
	970 522 142 05 DAM	Espresso	-NA		
	970 522 142 05 DAN	Cognac	-NC		
	970 522 142 05 DAO	Espresso/cedar	-BN		
(6)	970 522 142 35	Backrest cover D - 25.01.2011>>	right	1	PR:836,941, 998,-343
		D >> - MJ 2013			
	970 522 142 35 DAM	Espresso	-NA		
	970 522 142 35 DAN	Cognac	-NC		
	970 522 142 35 DAO	Cedar	-BN		
(6)	970 522 142 63	Backrest cover D - MJ 2014>>	right	1	PR:836,941, 998,-343
	970 522 142 63 DAM	Espresso	-NA		
	970 522 142 63 DAN	Cognac	-NC		
	970 522 142 63 DAO	Cedar	-BN		
(6)	970 522 142 09	Cover D >> - 24.01.2011	right	1	PR:836,343, 938,-541, -542
		backrest			
	970 522 142 09 DAA	Black	-AB		
	970 522 142 09 DAB	Platinum Grey	-CB		
	970 522 142 09 DAC	Luxor beige	-UB		
(6)	970 522 142 39	Backrest cover D - 25.01.2011>>	right	1	PR:381,836, 343,938, -541,-542
	970 522 142 39 DAA	Black	-AB		
	970 522 142 39 DAB	Platinum Grey	-CB		
	970 522 142 39 DAC	Luxor beige	-UB,PK		
	970 522 142 39 GHB	agate grey	-DG		
(6)	970 522 142 94	Backrest cover D - MJ 2014>>	right	1	PR:382,836, 343,938, -541,-542
	970 522 142 94 DAA	Black	-AB		
	970 522 142 94 DAC	Luxor beige	-UB,PK		
	970 522 142 94 GHB	agate grey	-DG		
(6)	970 522 142 10	Cover D >> - 24.01.2011	right	1	PR:836,343, 940
		backrest			
	970 522 142 10 DAA	Black	-AB		
	970 522 142 10 DAB	Platinum Grey	-CB		
	970 522 142 10 DAC	Luxor beige	-UB		
(6)	970 522 142 40	Backrest cover D - 25.01.2011>>	right	1	PR:836,343, 940
	970 522 142 40 DAA	Black	-UB		
	970 522 142 40 DAB	Platinum Grey	-CB		
	970 522 142 40 DAC	Luxor beige	-UB,PK		
	970 522 142 40 GHB	agate grey	-DG		
(6)	970 522 142 11	Cover D >> - 24.01.2011	right	1	PR:836,343, 941,-998
		backrest			
	970 522 142 11 DAF	Black	-AC		
	970 522 142 11 DAG	Platinum Grey	-CC,BB		
	970 522 142 11 DAH	Luxor beige	-UC		
	970 522 142 11 DAJ	yachting blue	-EC		
	970 522 142 11 DAL	Cream	-BC,BD,BE		
	970 522 142 11 DAK	Marsala Red	-PC		
(6)	970 522 142 41	Backrest cover D - 25.01.2011>>	right	1	PR:836,343, 941,-998
		D >> - MJ 2013			
	970 522 142 41 DAF	Black	-AC		
	970 522 142 41 DAG	Platinum Grey	-CC,BB		
	970 522 142 41 DAH	Luxor beige	-UC,PL		

Model: 970 10 Model life 2010>>2016

Pos	Part Number	Description	Remark	Qty	Model
(6)	970 522 142 41 DAJ	yachting blue	-EC	1	PR:836,343, 941,-998
	970 522 142 41 DAL	Cream	-BC,BD,BE,DS, DT		
	970 522 142 41 DAK	Marsala Red	-PC		
	970 522 142 64	Backrest cover	right		
		D - MJ 2014>>			
(6)	970 522 142 64 DAF	Black	-AC,UC,PL	1	PR:836,343, 943,-541, -542,-998
	970 522 142 64 DAL	Cream	-BC,BD,BE,DS, DT		
	970 522 142 64 DAK	Marsala Red	-PC		
	970 522 142 64 GHC	agate grey	-DL		
	970 522 142 64 GLC	Carrera Red	-BF		
	970 522 142 64 DUE	saddle brown	-SB,DN		
	970 522 142 12	Cover	right		
		D >> - 24.01.2011			
		backrest			
(6)	970 522 142 12 DAF	Black	-AC	1	PR:381,836, 343,943, -541,-542, -998
	970 522 142 12 DAG	Platinum Grey	-CC,BB		
	970 522 142 12 DAH	Luxor beige	-UC		
	970 522 142 12 DAJ	Black/yachting blue	-EC		
	970 522 142 12 DAL	Cream	-BC,BD,BE		
	970 522 142 12 DAK	Marsala Red	-PC		
	970 522 142 42	Backrest cover	right		
		D - 25.01.2011>>			
		D >> - MJ 2013			
(6)	970 522 142 42 DAF	Black	-AC	1	PR:381,836, 343,943, -541,-542, -998
	970 522 142 42 DAG	Platinum Grey	-CC,BB		
	970 522 142 42 DAH	Luxor beige	-UC,PL		
	970 522 142 42 DAJ	yachting blue	-EC		
	970 522 142 42 DAL	Cream	-BC,BD,BE,DS, DT		
	970 522 142 42 DAK	Marsala Red	-PC		
	970 522 142 65	Backrest cover	right		
		D - MJ 2014>>			
(6)	970 522 142 65 DAF	Black	-AC,UC,PL	1	PR:382,836, 343,943, -541,-542, -998
	970 522 142 65 DAL	Cream	-BC,BD,BE,DS, DT		
	970 522 142 65 DAK	Marsala Red	-PC		
	970 522 142 65 GHC	agate grey	-DL		
	970 522 142 65 GLC	Carrera Red	-BF		
	970 522 142 65 DUE	saddle brown	-SB,DN		
	970 522 142 95	Backrest cover	right		
(6)	970 522 142 95 DAF	Black	-AC	1	PR:836,343, 943,998, -541,-542
	970 522 142 95 DAL	Cream	-BC,BD,BE,DS, DT		
	970 522 142 95 DAK	Marsala Red	-PC		
	970 522 142 95 GHC	agate grey	-DL		
	970 522 142 95 GLC	Carrera Red	-BF		
	970 522 142 95 DUE	saddle brown	-SB,DN		
	970 522 142 13	Cover	right		
		D >> - 24.01.2011			
		backrest			
(6)	970 522 142 13 DAM	Espresso	-NA	1	PR:381,836,
	970 522 142 13 DAN	Cognac	-NC		
	970 522 142 13 DAO	Cedar	-BN		
	970 522 142 43	Backrest cover	right		

Model: 970 10 Model life 2010>>2016

Pos	Part Number	Description	Remark	Qty	Model
		D - 25.01.2011>>			343,943,998, -541,-542
		D >> - MJ 2013			
	970 522 142 43 DAM	Espresso	-NA		
	970 522 142 43 DAN	Cognac	-NC		
	970 522 142 43 DAO	Cedar	-BN		
(6)	970 522 142 66	Backrest cover	right	1	PR:381,836, 343,943,998, -541,-542
		D - MJ 2014>>			
	970 522 142 66 DAM	Espresso	-NA		
	970 522 142 66 DAN	Cognac	-NC		
	970 522 142 66 DAO	Cedar	-BN		
(6)	970 522 142 96	Backrest cover	right	1	PR:382,836, 343,943,998, -541,-542
		D - MJ 2014>>			
	970 522 142 96 DAM	Espresso	-NA		
	970 522 142 96 DAN	Cognac	-NC		
	970 522 142 96 DAO	Cedar	-BN		
(6)	970 522 142 14	Cover	right	1	PR:836,343, 941,998
		D >> - 24.01.2011			
		backrest			
	970 522 142 14 DAM	Espresso	-NA		
	970 522 142 14 DAN	Cognac	-NC		
	970 522 142 14 DAO	Espresso/cedar	-BN		
(6)	970 522 142 44	Backrest cover	right	1	PR:836,343, 941,998
		D - 25.01.2011>>			
		D >> - MJ 2013			
	970 522 142 44 DAM	Espresso	-NA		
	970 522 142 44 DAN	Cognac	-NC		
	970 522 142 44 DAO	Cedar	-BN		
(6)	970 522 142 67	Backrest cover	right	1	PR:836,343, 941,998
		D - MJ 2014>>			
	970 522 142 67 DAM	Espresso	-NA		
	970 522 142 67 DAN	Cognac	-NC		
	970 522 142 67 DAO	Cedar	-BN		
(6)	970 522 142 21	Cover	right	1	PR:836,541, 938,-343
		D >> - 24.01.2011			
		backrest			
	970 522 142 21 DAA	Black	-AB		
	970 522 142 21 DAB	Platinum Grey	-CB		
	970 522 142 21 DAC	Luxor beige	-UB		
(6)	970 522 142 51	Backrest cover	right	1	PR:381,836, 541,938,-343
		D - 25.01.2011>>			
	970 522 142 51 DAA	Black	-AB		
	970 522 142 51 DAB	Platinum Grey	-CB		
	970 522 142 51 DAC	Luxor beige	-UB,PK		
	970 522 142 51 GHB	agate grey	-DG		
(6)	970 522 142 97	Backrest cover	right	1	PR:382,836, 541,938,-343
		D - MJ 2014>>			
	970 522 142 97 DAA	Black	-AB		
	970 522 142 97 DAC	Luxor beige	-UB,PK		
	970 522 142 97 GHB	agate grey	-DG		
(6)	970 522 142 22	Cover	right	1	PR:836,541, 943,-343, -998
		D >> - 24.01.2011			
		backrest			
	970 522 142 22 DAF	Black	-AC		
	970 522 142 22 DAG	Platinum Grey	-CC,BB		
	970 522 142 22 DAH	Luxor beige	-UC		
	970 522 142 22 DAJ	yachting blue	-EC		
	970 522 142 22 DAK	Marsala Red	-PC		
	970 522 142 22 DAL	Cream	-BC,BD,BE		

Model: 970 10 Model life 2010>>2016

Pos	Part Number	Description	Remark	Qty	Model
(6)	970 522 142 52	Backrest cover D - 25.01.2011>> D >> - MJ 2013	right	1	PR:381,836, 541,943, -343,-998
	970 522 142 52 DAF	Black	-AC		
	970 522 142 52 DAG	Platinum Grey	-CC,BB		
	970 522 142 52 DAH	Luxor beige	-UC,PL		
	970 522 142 52 DAJ	yachting blue	-EC		
	970 522 142 52 DAK	Marsala Red	-PC		
	970 522 142 52 DAL	Cream	-BC,BD,BE,DS, DT		
(6)	970 522 142 68	Backrest cover D - MJ 2014>>	right	1	PR:381,836, 541,943, -343,-998
	970 522 142 68 DAF	Black	-AC		
	970 522 142 68 DAK	Marsala Red	-PC		
	970 522 142 68 DAL	Cream	-BC,BD,BE,DS, DT		
	970 522 142 68 GHC	agate grey	-DL		
	970 522 142 68 GLC	Carrera Red	-BF		
	970 522 142 68 DUE	saddle brown	-SB,DN		
(6)	970 522 142 98	Backrest cover D - MJ 2014>>	right	1	PR:382,836, 541,943, -343,-998
	970 522 142 98 DAF	Black	-AC		
	970 522 142 98 DAL	Cream	-BC,BD,BE,DS, DT		
	970 522 142 98 DAK	Marsala Red	-PC		
	970 522 142 98 GHC	agate grey	-DL		
	970 522 142 98 GLC	Carrera Red	-BF		
	970 522 142 98 DUE	saddle brown	-SB,DN		
(6)	970 522 142 23	Cover D >> - 24.01.2011	right	1	PR:836,541, 943,998,-343
	970 522 142 23 DAM	Espresso	-NA		
	970 522 142 23 DAN	Cognac	-NC		
	970 522 142 23 DAO	Cedar	-BN		
(6)	970 522 142 53	Backrest cover D - 25.01.2011>> D >> - MJ 2013	right	1	PR:381,836, 541,943,998, -343
	970 522 142 53 DAM	Espresso	-NA		
	970 522 142 53 DAN	Cognac	-NC		
	970 522 142 53 DAO	Cedar	-BN		
(6)	970 522 142 69	Backrest cover D - MJ 2014>>	right	1	PR:381,836, 541,943,998, -343
	970 522 142 69 DAM	Espresso	-NA		
	970 522 142 69 DAN	Cognac	-NC		
	970 522 142 69 DAO	Cedar	-BN		
(6)	970 522 142 99	Backrest cover D - MJ 2014>>	right	1	PR:382,836, 943,541,998, -343
	970 522 142 99 DAM	Espresso	-NA		
	970 522 142 99 DAN	Cognac	-NC		
	970 522 142 99 DAO	Cedar	-BN		
(6)	970 522 142 24	Backrest cover D >> - 24.01.2011	right	1	PR:836,343, 541,938
	970 522 142 24 DAA	Black	-AB		
	970 522 142 24 DAB	Platinum Grey	-CB		
	970 522 142 24 DAC	Luxor beige	-UB		
(6)	970 522 142 54	Backrest cover D - 25.01.2011>>	right	1	PR:381,836, 343,541,938

Model: 970 10 Model life 2010>>2016

Pos	Part Number	Description	Remark	Qty	Model	
(6)	970 522 142 54 DAA	Black	-AB	1	PR:382,836, 343,541,938	
	970 522 142 54 DAB	Platinum Grey	-CB			
	970 522 142 54 DAC	Luxor beige	-UB,PK			
	970 522 142 54 GHB	agate grey	-DG			
	970 522 142 A1	Backrest cover	right			
		D - MJ 2014>>				
(6)	970 522 142 A1 DAA	Black	-AB	1	PR:836,343, 541,943,-998	
	970 522 142 A1 DAC	Luxor beige	-UB,PK			
	970 522 142 A1 GHB	agate grey	-DG			
	970 522 142 25	Backrest cover	right			
			D >> - 24.01.2011			
(6)	970 522 142 25 DAF	Black	-AC	1	PR:381,836, 343,541,943, -998	
	970 522 142 25 DAG	Platinum Grey	-CC,BB			
	970 522 142 25 DAH	Luxor beige	-UC			
	970 522 142 25 DAJ	yachting blue	-EC			
	970 522 142 25 DAK	Marsala Red	-PC			
	970 522 142 25 DAL	Cream	-BC,BD,BE			
	970 522 142 55	Backrest cover	right			
			D - 25.01.2011>>			
			D >> - MJ 2013			
	970 522 142 55 DAF	Black	-AC			
970 522 142 55 DAG	Platinum Grey	-CC,BB				
970 522 142 55 DAH	Luxor beige	-UC,PL				
970 522 142 55 DAJ	yachting blue	-EC				
970 522 142 55 DAK	Marsala Red	-PC				
970 522 142 55 DAL	Cream	-BC,BD,BE,DS, DT				
(6)	970 522 142 70	Backrest cover	right	1	PR:381,836, 343,541,943, -998	
		D - MJ 2014>>				
970 522 142 70 DAF	Black	-AC,UC,PL	1	PR:382,836, 343,541,943, -998		
970 522 142 70 DAK	Marsala Red	-PC				
970 522 142 70 DAL	Cream	-BC,BD,BE,DS, DT				
970 522 142 70 GHC	agate grey	-DL				
970 522 142 70 GLC	Carrera Red	-BF				
970 522 142 70 DUE	saddle brown	-SB,DN				
(6)	970 522 142 A2	Backrest cover			right	
		D - MJ 2014>>				
970 522 142 A2 DAF	Black	-AC				
970 522 142 A2 DAK	Marsala Red	-PC				
970 522 142 A2 DAL	Cream	-BC,BD,BE,DS, DT				
970 522 142 A2 GHC	agate grey	-DL				
970 522 142 A2 GLC	Carrera Red	-BF				
970 522 142 A2 DUE	saddle brown	-SB,DN				
(6)	970 522 142 26	Cover	right	1	PR:836,343, 541,943,998	
		D >> - 24.01.2011				
		backrest				
970 522 142 26 DAM	Espresso	-NA	1	PR:381,836, 343,541,943, 998		
970 522 142 26 DAN	Cognac	-NC				
970 522 142 26 DAO	Cedar	-BN				
(6)	970 522 142 56	Backrest cover			right	
		D - 25.01.2011>>				
		D >> - MJ 2013				
970 522 142 56 DAM	Espresso	-NA	1	PR:381,836,		
970 522 142 56 DAN	Cognac	-NC				
970 522 142 56 DAO	Cedar	-BN				
(6)	970 522 142 71	Backrest cover			right	

Model: 970 10 Model life 2010>>2016

Pos	Part Number	Description	Remark	Qty	Model
		D - MJ 2014>>			343,541,943,998
	970 522 142 71 DAM	Espresso	-NA		
	970 522 142 71 DAN	Cognac	-NC		
	970 522 142 71 DAO	Cedar	-BN		
(6)	970 522 142 A3	Backrest cover	right	1	PR:382,836,343,541,943,998
		D - MJ 2014>>			
	970 522 142 A3 DAM	Espresso	-NA		
	970 522 142 A3 DAN	Cognac	-NC		
	970 522 142 A3 DAO	Cedar	-BN		
(6)	970 522 142 27	Backrest cover	right	1	PR:836,542,938
		D >> - 24.01.2011			
	970 522 142 27 DAA	Black	-AB		
	970 522 142 27 DAB	Platinum Grey	-CB		
	970 522 142 27 DAC	Luxor beige	-UB		
(6)	970 522 142 57	Backrest cover	right	1	PR:381,836,542,938
		D - 25.01.2011>>			
	970 522 142 57 DAA	Black	-AB		
	970 522 142 57 DAB	Platinum Grey	-CB		
	970 522 142 57 DAC	Luxor beige	-UB,PK		
	970 522 142 57 GHB	agate grey	-DG		
(6)	970 522 142 A4	Backrest cover	right	1	PR:382,836,542,938
		D - MJ 2014>>			
	970 522 142 A4 DAA	Black	-AB		
	970 522 142 A4 DAC	Luxor beige	-UB,PK		
	970 522 142 A4 GHB	agate grey	-DG		
(6)	970 522 142 28	Backrest cover	right	1	PR:836,542,943,-998
		D >> - 24.01.2011			
	970 522 142 28 DAF	Black	-AC		
	970 522 142 28 DAG	Platinum Grey	-CC,BB		
	970 522 142 28 DAH	Luxor beige	-UC		
	970 522 142 28 DAJ	yachting blue	-EC		
	970 522 142 28 DAL	Cream	-BC,BD,BE		
	970 522 142 28 DAK	Marsala Red	-PC		
(6)	970 522 142 58	Backrest cover	right	1	PR:381,836,542,943,-998
		D - 25.01.2011>>			
	970 522 142 58 DAF	Black	-AC		
	970 522 142 58 DAG	Platinum Grey	-CC,BB		
	970 522 142 58 DAH	Luxor beige	-UC,PL		
	970 522 142 58 DAJ	yachting blue	-EC		
	970 522 142 58 DAL	Cream	-BC,BD,BE,DS,DT		
	970 522 142 58 DAK	Marsala Red	-PC		
	970 522 142 58 GHC	agate grey	-DL		
	970 522 142 58 GLC	Carrera Red	-BF		
	970 522 142 58 DUE	saddle brown	-SB,DN		
(6)	970 522 142 A5	Backrest cover	right	1	PR:382,836,542,943,-998
		D - MJ 2014>>			
	970 522 142 A5 DAF	Black	-AC,UC,PL		
	970 522 142 A5 DAL	Cream	-BC,BD,BE,DS,DT		
	970 522 142 A5 DAK	Marsala Red	-PC		
	970 522 142 A5 GHC	agate grey	-DL		
	970 522 142 A5 GLC	Carrera Red	-BF		
	970 522 142 A5 DUE	saddle brown	-SB,DN		
(6)	970 522 142 29	Cover	right	1	PR:836,542,943,998
		D >> - 24.01.2011			
		backrest			
	970 522 142 29 DAM	Espresso	-NA		
	970 522 142 29 DAN	Cognac	-NC		

Model: 970 10 Model life 2010>>2016

Pos	Part Number	Description	Remark	Qty	Model
(6)	970 522 142 29 DAO 970 522 142 59	Cedar Cover D - 25.01.2011>> backrest	-BN right	1	PR:381,836, 542,943,998
(6)	970 522 142 59 DAM 970 522 142 59 DAN 970 522 142 59 DAO 970 522 142 A6	Espresso Cognac Cedar Cover backrest D - MJ 2014>>	-NA -NC -BN right	1	PR:382,836, 542,943,998
7	970 522 142 A6 DAM 970 522 142 A6 DAN 970 522 142 A6 DAO 970 522 161 75	Espresso Cognac Cedar Cover Seat cushion D >> - MJ 2010	-NA -NC -BN left	1	PR:836,938
(7)	970 522 161 75 DAA 970 522 161 75 DAB 970 522 161 75 DAC 970 522 161 D2	Black Platinum Grey Luxor beige Cover Seat cushion D - MJ 2011>>	-AB -CB -UB left	1	PR:836,938
(7)	970 522 161 D2 DAA 970 522 161 D2 DAB 970 522 161 D2 DAC 970 522 161 D2 GHB 970 522 161 76	Black Platinum Grey Luxor beige agate grey Cover Seat cushion D >> - MJ 2010	-AB -CB -UB,PK -DG left	1	PR:836,940
(7)	970 522 161 76 DAA 970 522 161 76 DAB 970 522 161 76 DAC 970 522 161 D3	Black Platinum Grey Luxor beige Cover Seat cushion D - MJ 2011>>	-AB -CB -UB left	1	PR:836,940
(7)	970 522 161 D3 DAA 970 522 161 D3 DAB 970 522 161 D3 DAC 970 522 161 D3 GHB 970 522 161 77	Black Platinum Grey Luxor beige agate grey Cover Seat cushion D >> - MJ 2010	-AB -CB -UB,PK -DG left	1	PR:836,941
(7)	970 522 161 77 DAF 970 522 161 77 DAG 970 522 161 77 DAH 970 522 161 77 DAJ 970 522 161 77 DAL 970 522 161 D4	Black Platinum Grey Luxor beige yachting blue Cream Cover Seat cushion D - MJ 2011>>	-AC -CC,BB -UC -EC -BC,BD,BE left	1	PR:836,941
(7)	970 522 161 D4 DAF 970 522 161 D4 DAG 970 522 161 D4 DAH 970 522 161 D4 DAJ 970 522 161 D4 DAL 970 522 161 D4 DAK 970 522 161 D4 GHC 970 522 161 D4 GLC 970 522 161 D4 DUE 970 522 161 78	Black Platinum Grey Luxor beige yachting blue Cream Marsala Red agate grey Carrera Red saddle brown Cover Seat cushion D >> - MJ 2010	-AC -CC,BB -UC,PL -EC -BC,BD,BE,DS, DT -PC -DL -BF -SB,DN left	1	PR:836,943

Model: 970 10 Model life 2010>>2016

Pos	Part Number	Description	Remark	Qty	Model
(7)	970 522 161 78 DAF	Black	-AC	1	PR:836,943
	970 522 161 78 DAG	Platinum Grey	-CC,BB		
	970 522 161 78 DAH	Luxor beige	-UC		
	970 522 161 78 DAJ	yachting blue	-EC		
	970 522 161 78 DAL	Cream	-BC,BD,BE		
	970 522 161 D5	Cover	left		
		Seat cushion			
		D - MJ 2011>>			
	970 522 161 D5 DAF	Black	-AC		
	970 522 161 D5 DAG	Platinum Grey	-CC,BB		
970 522 161 D5 DAH	Luxor beige	-UC,PL			
970 522 161 D5 DAJ	yachting blue	-EC			
970 522 161 D5 DAL	Cream	-BC,BD,BE			
970 522 161 D5 DAK	Marsala Red	-PC			
970 522 161 D5 GHC	agate grey	-DL			
970 522 161 D5 GLC	Carrera Red	-BF			
970 522 161 D5 DUE	saddle brown	-SB,DN			
(7)	970 522 161 79	Cover	left	1	PR:836,943,998
	Seat cushion				
	D >> - MJ 2010				
970 522 161 79 DAM	Espresso	-NA			
970 522 161 79 DAN	Cognac	-NC			
970 522 161 79 DAO	Cedar	-BN			
(7)	970 522 161 D6	Cover	left	1	PR:836,943,998
	Seat cushion				
	D - MJ 2011>>				
970 522 161 D6 DAM	Espresso	-NA			
970 522 161 D6 DAN	Cognac	-NC			
970 522 161 D6 DAO	Cedar	-BN			
(7)	970 522 161 80	Cover	left	1	PR:836,941,998
	Seat cushion				
	D >> - MJ 2010				
970 522 161 80 DAM	Espresso	-NA			
970 522 161 80 DAN	Cognac	-NC			
970 522 161 80 DAO	Cedar	-BN			
(7)	970 522 161 D7	Cover	left	1	PR:836,941,998
	Seat cushion				
	D - MJ 2011>>				
970 522 161 D7 DAM	Espresso	-NA			
970 522 161 D7 DAN	Cognac	-NC			
970 522 161 D7 DAO	Cedar	-BN			
(7)	970 522 161 85	Cover	left	1	PR:836,343,940
	Seat cushion				
	D >> - MJ 2010				
970 522 161 85 DAA	Black	-AB			
970 522 161 85 DAB	Platinum Grey	-CB			
970 522 161 85 DAC	Luxor beige	-UB			
(7)	970 522 161 E3	Cover	left	1	PR:836,343,940
	Seat cushion				
	D - MJ 2011>>				
970 522 161 E3 DAA	Black	-AB			
970 522 161 E3 DAB	Platinum Grey	-CB			
970 522 161 E3 DAC	Luxor beige	-UB,PK			
970 522 161 E3 GHB	agate grey	-DG			
(7)	970 522 161 84	Cover	left	1	PR:836,343,938
	Seat cushion				
	D >> - MJ 2010				
970 522 161 84 DAA	Black	-AB			
970 522 161 84 DAB	Platinum Grey	-CB			
970 522 161 84 DAC	Luxor beige	-UB			
(7)	970 522 161 E2	Cover	left	1	PR:836,343,938
	Seat cushion				
	D - MJ 2011>>				

Model: 970 10 Model life 2010>>2016

Pos	Part Number	Description	Remark	Qty	Model
(7)	970 522 161 E2 DAA	Black	-AB	1	PR:836,343,941
	970 522 161 E2 DAB	Platinum Grey	-CB		
	970 522 161 E2 DAC	Luxor beige	-UB,PK		
	970 522 161 E2 GHB	agate grey	-DG		
	970 522 161 86	Cover Seat cushion D >> - MJ 2010	left		
(7)	970 522 161 86 DAF	Black	-AC	1	PR:836,343,941
	970 522 161 86 DAG	Platinum Grey	-CC,BB		
	970 522 161 86 DAH	Luxor beige	-UC		
	970 522 161 86 DAJ	yachting blue	-EC		
	970 522 161 86 DAL	Cream	-BC,BD,BE		
(7)	970 522 161 E4	Cover Seat cushion D - MJ 2011>>	left	1	PR:836,343,941
	970 522 161 E4 DAF	Black	-AC		
	970 522 161 E4 DAG	Platinum Grey	-CC,BB		
	970 522 161 E4 DAH	Luxor beige	-UC,PL		
	970 522 161 E4 DAJ	yachting blue	-EC		
(7)	970 522 161 E4 DAL	Cream	-BC,BD,BE,DS,DT	1	PR:836,343,943
	970 522 161 E4 DAK	Marsala Red	-PC		
	970 522 161 E4 GHC	agate grey	-DL		
	970 522 161 E4 GLC	Carrera Red	-BF		
	970 522 161 E4 DUE	saddle brown	-SB,DN		
(7)	970 522 161 87	Cover Seat cushion D >> - MJ 2010	left	1	PR:836,343,943
	970 522 161 87 DAF	Black	-AC		
	970 522 161 87 DAG	Platinum Grey	-CC,BB		
	970 522 161 87 DAH	Luxor beige	-UC		
	970 522 161 87 DAJ	yachting blue	-EC		
(7)	970 522 161 87 DAL	Cream	-BC,BD,BE	1	PR:836,343,943
	970 522 161 E5	Cover Seat cushion D - MJ 2011>>	left		
	970 522 161 E5 DAF	Black	-AC		
	970 522 161 E5 DAG	Platinum Grey	-CC,BB		
	970 522 161 E5 DAH	Luxor beige	-UC,PL		
(7)	970 522 161 E5 DAJ	yachting blue	-EC	1	PR:836,343,943,998
	970 522 161 E5 DAL	Cream	-BC,BD,BE,DS,DT		
	970 522 161 E5 DAK	Marsala Red	-PC		
	970 522 161 E5 GHC	agate grey	-DL		
	970 522 161 E5 GLC	Carrera Red	-BF		
(7)	970 522 161 E5 DUE	saddle brown	-SB,DN	1	PR:836,343,943,998
	970 522 161 88	Cover Seat cushion D >> - MJ 2010	left		
	970 522 161 88 DAM	Espresso	-NA		
	970 522 161 88 DAN	Cognac	-NC		
	970 522 161 88 DAO	Cedar	-BN		
(7)	970 522 161 E6	Cover Seat cushion D - MJ 2011>>	left	1	PR:836,343,943,998
	970 522 161 E6 DAM	Espresso	-NA		
	970 522 161 E6 DAN	Cognac	-NC		
	970 522 161 E6 DAO	Cedar	-BN		
	970 522 161 89	Cover Seat cushion D >> - MJ 2010	left		
(7)	970 522 161 89 DAM	Espresso	-NA	1	PR:836,343,941,998
	970 522 161 89 DAN	Cognac	-NC		

Model: 970 10 Model life 2010>>2016

Pos	Part Number	Description	Remark	Qty	Model
(7)	970 522 161 89 DAO 970 522 161 E7	Cedar Cover Seat cushion D - MJ 2011>>	-BN left	1	PR:836,343, 941,998
(7)	970 522 161 E7 DAM 970 522 161 E7 DAN 970 522 161 E7 DAO 970 522 161 93	Espresso Cognac Cedar Cover Seat cushion D >> - MJ 2010	-NA -NC -BN left	1	PR:836,542, 938
(7)	970 522 161 93 DAA 970 522 161 93 DAB 970 522 161 93 DAC 970 522 161 F2	Black Platinum Grey Luxor beige Cover Seat cushion D - MJ 2011>>	-AB -CB -UB left	1	PR:836,542, 938
(7)	970 522 161 F2 DAA 970 522 161 F2 DAB 970 522 161 F2 DAC 970 522 161 F2 GHB 970 522 161 94	Black Platinum Grey Luxor beige agate grey Cover Seat cushion D >> - MJ 2010	-AB -CB -UB,PK -DG left	1	PR:836,542, 943
(7)	970 522 161 94 DAF 970 522 161 94 DAG 970 522 161 94 DAH 970 522 161 94 DAJ 970 522 161 94 DAL 970 522 161 F3	Black Platinum Grey Luxor beige yachting blue Cream Cover Seat cushion D - MJ 2011>>	-AC -CC,BB -UC -EC -BC,BD,BE left	1	PR:836,542, 943
(7)	970 522 161 F3 DAF 970 522 161 F3 DAG 970 522 161 F3 DAH 970 522 161 F3 DAJ 970 522 161 F3 DAL 970 522 161 F3 DAK 970 522 161 F3 GHC 970 522 161 F3 GLC 970 522 161 F3 DUE 970 522 161 95	Black Platinum Grey Luxor beige yachting blue Cream Marsala Red agate grey Carrera Red saddle brown Cover Seat cushion D >> - MJ 2010	-AC -CC,BB -UC,PL -EC -BC,BD,BE,DS, DT -PC -DL -BF -SB,DN left	1	PR:836,542, 943,998
(7)	970 522 161 95 DAM 970 522 161 95 DAN 970 522 161 95 DAO 970 522 161 F4	Espresso Cognac Espresso/cedar Cover Seat cushion D - MJ 2011>>	-NA -NC -BN left	1	PR:836,542, 943,998
(7)	970 522 161 F4 DAM 970 522 161 F4 DAN 970 522 161 F4 DAO 970 522 161 A2	Espresso Cognac Espresso/cedar Cover Seat cushion D >> - MJ 2010	-NA -NC -BN left	1	PR:836,541, 938
(7)	970 522 161 A2 DAA 970 522 161 A2 DAB 970 522 161 A2 DAC 970 522 161 G2 970 522 161 G2 DAA	Black Platinum Grey Luxor beige Cover Seat cushion D - MJ 2011>> Black	-AB -CB -UB left -AB	1	PR:836,541, 938

Model: 970 10 Model life 2010>>2016

Pos	Part Number	Description	Remark	Qty	Model	
(7)	970 522 161 G2 DAB	Platinum Grey	-CB	1	PR:836,541,943	
	970 522 161 G2 DAC	Luxor beige	-UB,PK			
	970 522 161 G2 GHB	agate grey	-DG			
	970 522 161 A3	Cover	left			
		Seat cushion				
		D >> - MJ 2010				
		970 522 161 A3 DAF	Black			-AC
(7)	970 522 161 A3 DAG	Platinum Grey	-CC,BB	1	PR:836,541,943	
	970 522 161 A3 DAH	Luxor beige	-UC			
	970 522 161 A3 DAJ	yachting blue	-EC			
	970 522 161 A3 DAL	Cream	-BC,BD,BE			
	970 522 161 G3	Cover	left			
		Seat cushion				
		D - MJ 2011>>				
(7)	970 522 161 G3 DAF	Black	-AC	1	PR:836,541,943,998	
	970 522 161 G3 DAG	Platinum Grey	-CC,BB			
	970 522 161 G3 DAH	Luxor beige	-UC,PL			
	970 522 161 G3 DAJ	yachting blue	-EC			
	970 522 161 G3 DAL	Cream	-BC,BD,BE,DS,DT			
		Seat cushion				
		D - MJ 2011>>				
(7)	970 522 161 G3 DAK	Marsala Red	-PC	1	PR:836,541,943,998	
	970 522 161 G3 GHC	agate grey	-DL			
	970 522 161 G3 GLC	Carrera Red	-BF			
	970 522 161 G3 DUE	saddle brown	-SB,DN			
	970 522 161 A4	Cover	left			
		Seat cushion				
		D >> - MJ 2010				
(7)	970 522 161 A4 DAM	Espresso	-NA	1	PR:836,541,943,998	
	970 522 161 A4 DAN	Cognac	-NC			
	970 522 161 A4 DAO	Cedar	-BN			
	970 522 161 G4	Cover	left			
		Seat cushion				
		D - MJ 2011>>				
		970 522 161 G4 DAM	Espresso			-NA
(7)	970 522 161 G4 DAN	Cognac	-NC	1	PR:836,541,343,938	
	970 522 161 G4 DAO	Cedar	-BN			
	970 522 161 A5	Cover	left			
		Seat cushion				
		D >> - MJ 2010				
		970 522 161 A5 DAA	Black			-AB
		970 522 161 A5 DAB	Platinum Grey			-CB
(7)	970 522 161 A5 DAC	Luxor beige	-UB	1	PR:836,541,343,938	
	970 522 161 G5	Cover	left			
		Seat cushion				
		D - MJ 2011>>				
		970 522 161 G5 DAA	Black			-AB
		970 522 161 G5 DAB	Platinum Grey			-CB
		970 522 161 G5 DAC	Luxor beige			-UB,PK
(7)	970 522 161 G5 GHB	agate grey	-DG	1	PR:836,541,343,943	
	970 522 161 A6	Cover	left			
		Seat cushion				
		D >> - MJ 2010				
		970 522 161 A6 DAF	Black			-AC
		970 522 161 A6 DAG	Platinum Grey			-CC,BB
		970 522 161 A6 DAH	Luxor beige			-UC
(7)	970 522 161 A6 DAJ	yachting blue	-EC	1	PR:836,541,343,943	
	970 522 161 A6 DAL	Cream	-BC,BD,BE			
	970 522 161 G6	Cover	left			
		Seat cushion				
		D - MJ 2011>>				
		970 522 161 G6 DAF	Black			-AC
		970 522 161 G6 DAG	Platinum Grey			-CC,BB
	970 522 161 G6 DAH	Luxor beige	-UC,PL			

Model: 970 10 Model life 2010>>2016

Pos	Part Number	Description	Remark	Qty	Model	
(7)	970 522 161 G6 DAJ	yachting blue	-EC	1	PR:836,541, 343,943,998	
	970 522 161 G6 DAL	Cream	-BC,BD,BE,DS, DT			
	970 522 161 G6 DAK	Marsala Red	-PC			
	970 522 161 G6 GHC	agate grey	-DL			
	970 522 161 G6 GLC	Carrera Red	-BF			
	970 522 161 G6 DUE	saddle brown	-SB,DN			
	970 522 161 A7	Cover	left			
		Seat cushion				
		D >> - MJ 2010				
		970 522 161 A7 DAM	Espresso			-NA
(7)	970 522 161 A7 DAN	Cognac	-NC	1	PR:836,541, 343,943,998	
	970 522 161 A7 DAO	Cedar	-BN			
	970 522 161 G7	Cover	left			
		Seat cushion				
	D - MJ 2011>>					
8	970 522 161 G7 DAM	Espresso	-NA	1	PR:836,938	
	970 522 161 G7 DAN	Cognac	-NC			
	970 522 161 G7 DAO	Cedar	-BN			
	970 522 162 75	Cover	right			
	Seat cushion					
	D >> - MJ 2010					
(8)	970 522 162 75 DAA	Black	-AB	1	PR:836,938	
	970 522 162 75 DAB	Platinum Grey	-CB			
	970 522 162 75 DAC	Luxor beige	-UB			
	970 522 162 D2	Cover	right			
	Seat cushion					
	D - MJ 2011>>					
(8)	970 522 162 D2 DAA	Black	-AB	1	PR:836,940	
	970 522 162 D2 DAB	Platinum Grey	-CB			
	970 522 162 D2 DAC	Luxor beige	-UB,PK			
	970 522 162 D2 GHB	agate grey	-DG			
970 522 162 76	Cover	right				
	Seat cushion					
	D >> - MJ 2010					
(8)	970 522 162 76 DAA	Black	-AB	1	PR:836,940	
	970 522 162 76 DAB	Platinum Grey	-CB			
	970 522 162 76 DAC	Luxor beige	-UB			
	970 522 162 D3	Cover	right			
	Seat cushion					
	D - MJ 2011>>					
(8)	970 522 162 D3 DAA	Black	-AB	1	PR:836,941	
	970 522 162 D3 DAB	Platinum Grey	-CB			
	970 522 162 D3 DAC	Luxor beige	-UB,PK			
	970 522 162 D3 GHB	agate grey	-DG			
970 522 162 77	Cover	right				
	Seat cushion					
	D >> - MJ 2010					
(8)	970 522 162 77 DAF	Black	-AC	1	PR:836,941	
	970 522 162 77 DAG	Platinum Grey	-CC,BB			
	970 522 162 77 DAH	Luxor beige	-UC			
	970 522 162 77 DAJ	yachting blue	-EC			
	970 522 162 77 DAL	Cream	-BC,BD,BE			
	970 522 162 D4	Cover	right			
		Seat cushion				
		D - MJ 2011>>				
		970 522 162 D4 DAF	Black			-AC
	970 522 162 D4 DAG	Platinum Grey	-CC,BB			
970 522 162 D4 DAH	Luxor beige	-UC,PL				
970 522 162 D4 DAJ	yachting blue	-EC				
970 522 162 D4 DAL	Cream	-BC,BD,BE,DS, DT				
970 522 162 D4 DAK	Marsala Red	-PC				

Model: 970 10 Model life 2010>>2016

Pos	Part Number	Description	Remark	Qty	Model
(8)	970 522 162 D4 GHC	agate grey	-DL	1	PR:836,943
	970 522 162 D4 GLC	Carrera Red	-BF		
	970 522 162 D4 DUE	Carrera Red	-SB, DN		
	970 522 162 78	Cover	right		
		Seat cushion			
		D >> - MJ 2010			
	970 522 162 78 DAF	Black	-AC		
	970 522 162 78 DAG	Platinum Grey	-CC, BB		
(8)	970 522 162 78 DAH	Luxor beige	-UC	1	PR:836,943
	970 522 162 78 DAJ	yachting blue	-EC		
	970 522 162 78 DAL	Cream	-BC, BD, BE		
	970 522 162 D5	Cover	right		
		Seat cushion			
		D - MJ 2011>>			
	970 522 162 D5 DAF	Black	-AC		
	970 522 162 D5 DAG	Platinum Grey	-CC, BB		
(8)	970 522 162 D5 DAH	Luxor beige	-UC, PL	1	PR:836,943, 998
	970 522 162 D5 DAJ	yachting blue	-EC		
	970 522 162 D5 DAL	Cream	-BC, BD, BE, DS, DT		
	970 522 162 D5 DAK	Marsala Red	-PC		
	970 522 162 D5 GHC	agate grey	-DL		
	970 522 162 D5 GLC	Carrera Red	-BF		
	970 522 162 D5 DUE	saddle brown	-SB, DN		
	970 522 162 79	Cover	right		
(8)		Seat cushion		1	PR:836,943, 998
		D >> - MJ 2010			
	970 522 162 79 DAM	Espresso	-NA		
	970 522 162 79 DAN	Cognac	-NC		
	970 522 162 79 DAO	Cedar	-BN		
	970 522 162 D6	Cover	right		
		Seat cushion			
		D - MJ 2011>>			
(8)	970 522 162 D6 DAM	Espresso	-NA	1	PR:836,941, 998
	970 522 162 D6 DAN	Cognac	-NC		
	970 522 162 D6 DAO	Cedar	-BN		
	970 522 162 80	Cover	right		
		Seat cushion			
		D >> - MJ 2010			
	970 522 162 80 DAM	Espresso	-NA		
	970 522 162 80 DAN	Cognac	-NC		
(8)	970 522 162 80 DAO	Espresso/cedar	-BN	1	PR:836,941, 998
	970 522 162 D7	Cover	right		
		Seat cushion			
		D - MJ 2011>>			
	970 522 162 D7 DAM	Espresso	-NA		
	970 522 162 D7 DAN	Cognac	-NC		
	970 522 162 D7 DAO	Espresso/cedar	-BN		
	970 522 162 84	Cover	right		
(8)		Seat cushion		1	PR:836,343, 938
		D >> - MJ 2010			
	970 522 162 84 DAA	Black	-AB		
	970 522 162 84 DAB	Platinum Grey	-CB		
	970 522 162 84 DAC	Luxor beige	-UB		
	970 522 162 E2	Cover	right		
		Seat cushion			
		D - MJ 2011>>			
(8)	970 522 162 E2 DAA	Black	-AB	1	PR:836,343, 940
	970 522 162 E2 DAB	Platinum Grey	-CB		
	970 522 162 E2 DAC	Luxor beige	-UB, PK		
	970 522 162 E2 GHB	agate grey	-DG		
	970 522 162 85	Cover	right		
		Seat cushion			

Model: 970 10 Model life 2010>>2016

Pos	Part Number	Description	Remark	Qty	Model
		D >> - MJ 2010			
(8)	970 522 162 85 DAA	Black	-AB		
	970 522 162 85 DAB	Platinum Grey	-CB		
	970 522 162 85 DAC	Luxor beige	-UB		
	970 522 162 E3	Cover	right	1	PR:836,343,940
		Seat cushion			
		D - MJ 2011>>			
	970 522 162 E3 DAA	Black	-AB		
	970 522 162 E3 DAB	Platinum Grey	-CB		
	970 522 162 E3 DAC	Luxor beige	-UB,PK		
	970 522 162 E3 GHB	Luxor beige	-DG		
(8)	970 522 162 86	Cover	right	1	PR:836,343,941
		Seat cushion			
		D >> - MJ 2010			
	970 522 162 86 DAF	Black	-AC		
	970 522 162 86 DAG	Platinum Grey	-CC,BB		
	970 522 162 86 DAH	Luxor beige	-UC		
	970 522 162 86 DAJ	yachting blue	-EC		
	970 522 162 86 DAL	Cream	-BC,BD,BE		
(8)	970 522 162 E4	Cover	right	1	PR:836,343,941
		Seat cushion			
		D - MJ 2011>>			
	970 522 162 E4 DAF	Black	-AC		
	970 522 162 E4 DAG	Platinum Grey	-CC,BB		
	970 522 162 E4 DAH	Luxor beige	-UC,PL		
	970 522 162 E4 DAJ	yachting blue	-EC		
	970 522 162 E4 DAL	Cream	-BC,BD,BE,DS,DT		
	970 522 162 E4 DAK	Marsala Red	-PC		
	970 522 162 E4 GHC	agate grey	-DL		
	970 522 162 E4 GLC	Carrera Red	-BF		
	970 522 162 E4 DUE	saddle brown	-SB,DN		
(8)	970 522 162 87	Cover	right	1	PR:836,343,943
		Seat cushion			
		D >> - MJ 2010			
	970 522 162 87 DAF	Black	-AC		
	970 522 162 87 DAG	Platinum Grey	-CC,BB		
	970 522 162 87 DAH	Luxor beige	-UC		
	970 522 162 87 DAJ	yachting blue	-EC		
	970 522 162 87 DAL	Cream	-BC,BD,BE		
(8)	970 522 162 E5	Cover	right	1	PR:836,343,943
		Seat cushion			
		D - MJ 2011>>			
	970 522 162 E5 DAF	Black	-AC		
	970 522 162 E5 DAG	Platinum Grey	-CC,BB		
	970 522 162 E5 DAH	Luxor beige	-UC,PL		
	970 522 162 E5 DAJ	yachting blue	-EC		
	970 522 162 E5 DAL	Cream	-BC,BD,BE,DS,DT		
	970 522 162 E5 DAK	Marsala Red	-PC		
	970 522 162 E5 GHC	agate grey	-DL		
	970 522 162 E5 GLC	Carrera Red	-BF		
	970 522 162 E5 DUE	saddle brown	-SB,DN		
(8)	970 522 162 88	Cover	right	1	PR:836,343,943,998
		Seat cushion			
		D >> - MJ 2010			
	970 522 162 88 DAM	Espresso	-NA		
	970 522 162 88 DAN	Cognac	-NC		
	970 522 162 88 DAO	Cedar	-BN		
(8)	970 522 162 E6	Cover	right	1	PR:836,343,943,998
		Seat cushion			
		D - MJ 2011>>			
	970 522 162 E6 DAM	Espresso	-NA		

Model: 970 10 Model life 2010>>2016

Pos	Part Number	Description	Remark	Qty	Model
(8)	970 522 162 E6 DAN	Cognac	-NC	1	PR:836,343, 941,998
	970 522 162 E6 DAO	Cedar	-BN		
	970 522 162 89	Cover Seat cushion D >> - MJ 2010	right		
	970 522 162 89 DAM	Espresso	-NA		
(8)	970 522 162 89 DAN	Cognac	-NC	1	PR:836,343, 941,998
	970 522 162 89 DAO	Cedar	-BN		
	970 522 162 E7	Cover Seat cushion D - MJ 2011>>	right		
	970 522 162 E7 DAM	Espresso	-NA		
(8)	970 522 162 E7 DAN	Cognac	-NC	1	PR:836,542, 938
	970 522 162 E7 DAO	Cedar	-BN		
	970 522 162 93	Cover Seat cushion D >> - MJ 2010	right		
	970 522 162 93 DAA	Black	-AB		
(8)	970 522 162 93 DAB	Platinum Grey	-CB	1	PR:836,542, 938
	970 522 162 93 DAC	Luxor beige	-UB		
	970 522 162 F2	Cover Seat cushion D - MJ 2011>>	right		
	970 522 162 F2 DAA	Black	-AB		
(8)	970 522 162 F2 DAB	Platinum Grey	-CB	1	PR:836,542, 943
	970 522 162 F2 DAC	Luxor beige	-UB,PK		
	970 522 162 F2 GHB	agate grey	-DG		
	970 522 162 94	Cover Seat cushion D >> - MJ 2010	right		
(8)	970 522 162 94 DAF	Black	-AC	1	PR:836,542, 943
	970 522 162 94 DAG	Platinum Grey	-CC,BB		
	970 522 162 94 DAH	Luxor beige	-UC		
	970 522 162 94 DAJ	yachting blue	-EC		
(8)	970 522 162 94 DAL	Cream	-BC,BD,BE	1	PR:836,542, 943
	970 522 162 F3	Cover Seat cushion D - MJ 2011>>	right		
	970 522 162 F3 DAF	Black	-AC		
	970 522 162 F3 DAG	Platinum Grey	-CC,BB		
(8)	970 522 162 F3 DAH	Luxor beige	-UC,PL	1	PR:836,542, 943,998
	970 522 162 F3 DAJ	yachting blue	-EC		
	970 522 162 F3 DAL	Cream	-BC,BD,BE,DS, DT		
	970 522 162 F3 DAK	Marsala Red	-PC		
(8)	970 522 162 F3 GHC	agate grey	-DL	1	PR:836,542, 943,998
	970 522 162 F3 GLC	Carrera Red	-BF		
	970 522 162 F3 DUE	saddle brown	-SB,DN		
	970 522 162 95	Cover Seat cushion D >> - MJ 2010	right		
(8)	970 522 162 95 DAM	Espresso	-NA	1	PR:836,542, 943,998
	970 522 162 95 DAN	Cognac	-NC		
	970 522 162 95 DAO	Cedar	-BN		
	970 522 162 F4	Cover Seat cushion D - MJ 2011>>	right		
(8)	970 522 162 F4 DAM	Espresso	-NA	1	PR:836,541, 938
	970 522 162 F4 DAN	Cognac	-NC		
	970 522 162 F4 DAO	Cedar	-BN		
	970 522 162 A2	Cover Seat cushion D >> - MJ 2010	right		

Model: 970 10 Model life 2010>>2016

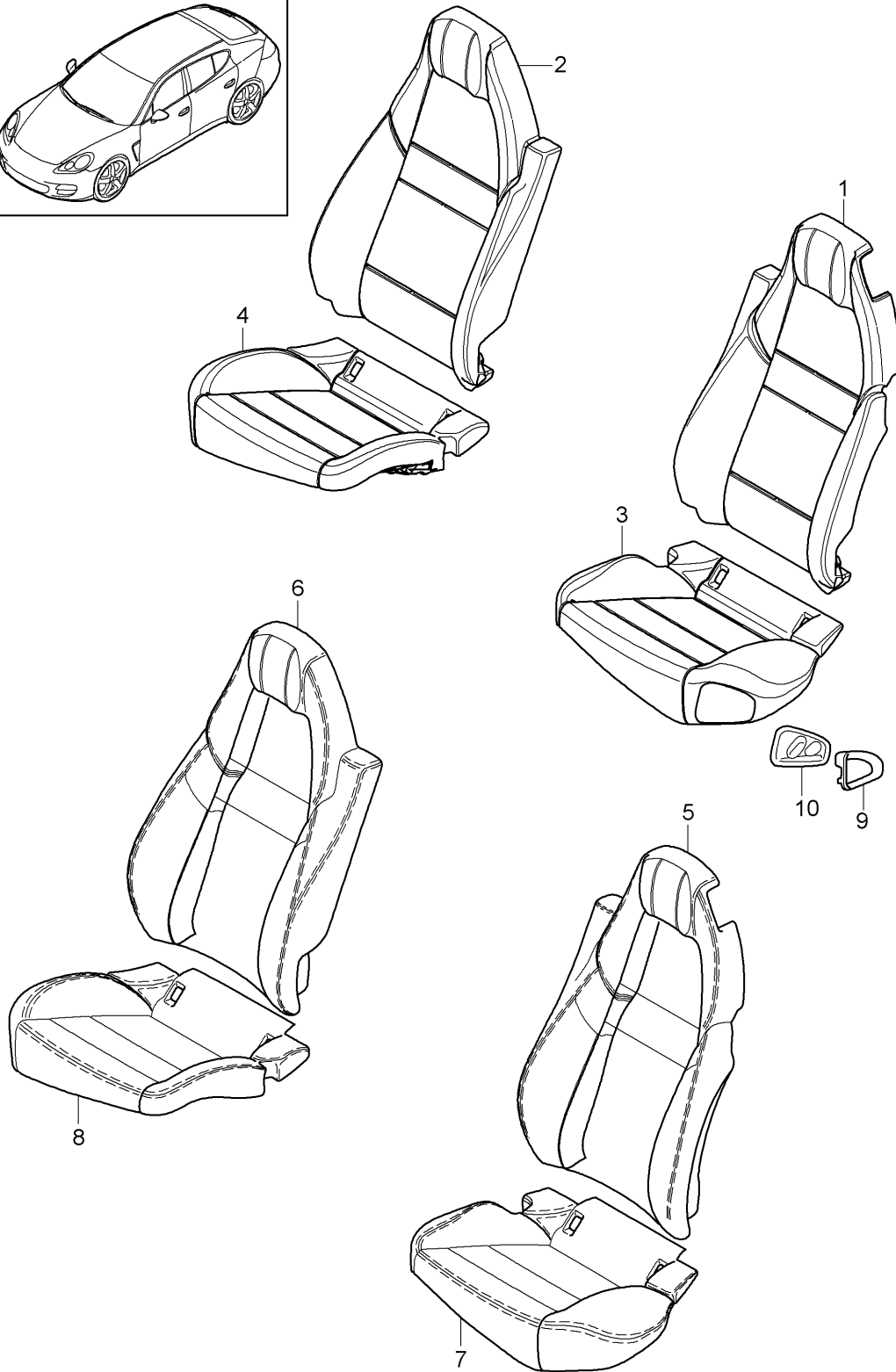
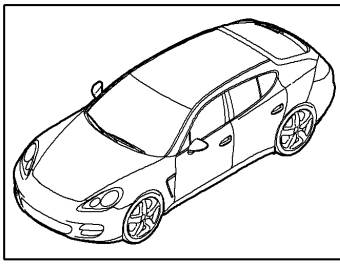
Pos	Part Number	Description	Remark	Qty	Model
(8)	970 522 162 A2 DAA	Black	-AB	1	PR:836,541,938
	970 522 162 A2 DAB	Platinum Grey	-CB		
	970 522 162 A2 DAC	Luxor beige	-UB		
	970 522 162 G2	Cover Seat cushion D - MJ 2011>>	right		
(8)	970 522 162 G2 DAA	Black	-AB	1	PR:836,541,943
	970 522 162 G2 DAB	Platinum Grey	-CB		
	970 522 162 G2 DAC	Luxor beige	-UB,PK		
	970 522 162 G2 GHB	agate grey	-DG		
(8)	970 522 162 A3	Cover Seat cushion D >> - MJ 2010	right	1	PR:836,541,943
	970 522 162 A3 DAF	Black	-AC		
	970 522 162 A3 DAG	Platinum Grey	-CC,BB		
	970 522 162 A3 DAH	Luxor beige	-UC		
(8)	970 522 162 A3 DAJ	yachting blue	-EC	1	PR:836,541,943
	970 522 162 A3 DAL	Cream	-BC,BD,BE		
	970 522 162 G3	Cover Seat cushion D - MJ 2011>>	right		
	970 522 162 G3 DAF	Black	-AC		
(8)	970 522 162 G3 DAG	Platinum Grey	-CC,BB	1	PR:836,541,943,998
	970 522 162 G3 DAH	Luxor beige	-UC,PL		
	970 522 162 G3 DAJ	yachting blue	-EC		
	970 522 162 G3 DAL	Cream	-BC,BD,BE,DS,DT		
(8)	970 522 162 G3 DAK	Marsala Red	-PC	1	PR:836,541,943,998
	970 522 162 G3 GHC	agate grey	-DL		
	970 522 162 G3 GLC	Carrera Red	-BF		
	970 522 162 G3 DUE	saddle brown	-SB,DN		
(8)	970 522 162 A4	Cover Seat cushion D >> - MJ 2010	right	1	PR:836,541,943,998
	970 522 162 A4 DAM	Espresso	-NA		
	970 522 162 A4 DAN	Cognac	-NC		
	970 522 162 A4 DAO	Cedar	-BN		
(8)	970 522 162 G4	Cover Seat cushion D - MJ 2011>>	right	1	PR:836,541,943,998
	970 522 162 G4 DAM	Espresso	-NA		
	970 522 162 G4 DAN	Cognac	-NC		
	970 522 162 G4 DAO	Cedar	-BN		
(8)	970 522 162 A5	Cover Seat cushion D >> - MJ 2010	right	1	PR:836,541,343,938
	970 522 162 A5 DAA	Black	-AB		
	970 522 162 A5 DAB	Platinum Grey	-CB		
	970 522 162 A5 DAC	Luxor beige	-UB		
(8)	970 522 162 G5	Cover Seat cushion D - MJ 2011>>	right	1	PR:836,541,343,938
	970 522 162 G5 DAA	Black	-AB		
	970 522 162 G5 DAB	Platinum Grey	-CB		
	970 522 162 G5 DAC	Luxor beige	-UB,PK		
(8)	970 522 162 G5 GHB	agate grey	-DL	1	PR:836,541,343,943
	970 522 162 A6	Cover Seat cushion D >> - MJ 2010	right		
	970 522 162 A6 DAF	Black	-AC		
	970 522 162 A6 DAG	Platinum Grey	-CC,BB		
(8)	970 522 162 A6 DAH	Luxor beige	-UC	1	PR:836,541,343,943
	970 522 162 A6 DAJ	yachting blue	-EC		

Model: 970 10 Model life 2010>>2016

Pos	Part Number	Description	Remark	Qty	Model
(8)	970 522 162 A6 DAL	Cream	-BC,BD,BE	1	PR:836,541, 343,943
	970 522 162 G6	Cover	right		
		Seat cushion			
		D - MJ 2011>>			
	970 522 162 G6 DAF	Black	-AC		
	970 522 162 G6 DAG	Platinum Grey	-CC,BB		
	970 522 162 G6 DAH	Luxor beige	-UC,PL		
	970 522 162 G6 DAJ	yachting blue	-EC		
	970 522 162 G6 DAL	Cream	-BC,BD,BE,DS, DT		
	970 522 162 G6 DAK	Marsala Red	-PC		
970 522 162 G6 GHC	agate grey	-DL			
970 522 162 G6 GLC	Carrera Red	-BF			
970 522 162 G6 DUE	saddle brown	-SB,DN			
(8)	970 522 162 A7	Cover	right	1	PR:836,541, 343,943,998
		Seat cushion			
		D >> - MJ 2010			
	970 522 162 A7 DAM	Espresso	-NA		
970 522 162 A7 DAN	Cognac	-NC			
970 522 162 A7 DAO	Cedar	-BN			
(8)	970 522 162 G7	Cover	right	1	PR:836,541, 343,943,998
		Seat cushion			
		D - MJ 2011>>			
	970 522 162 G7 DAM	Espresso	-NA		
970 522 162 G7 DAN	Cognac	-NC			
970 522 162 G7 DAO	Cedar	-BN			
9	970 522 731 00	Frame	left	1	PR:836
		Switch			
		Seat cushion			
(9)	970 522 732 00	Frame	right	1	PR:836
		Switch			
		Seat cushion			
10	970 613 721 01	switch for seat adjustment	left	1	PR:836
		Module			
		Seat cushion			
(10)	970 613 721 01 DMN	Galvano silver		1	PR:836
	970 613 722 01	Switch	right		
		Module			
		Seat cushion			
	970 613 722 01 DMN	Galvano silver			

Model: 970 10

Model life 2010>>2016



Model: 970 10 Model life 2010>>2016

Pos	Part Number	Description	Remark	Qty	Model
		Foam part Cover Premium Business Long			PR:0E2
1	970 522 531 25	Foam part backrest	left	1	PR:542,836
2	970 522 532 13	Foam part backrest	right	1	PR:542,836
3	970 522 571 11	Foam part Seat cushion	left	1	PR:542,836
(3)	970 522 539 02	Foam part Seat cushion Deep Adjustable	left	1	PR:542,836
4	970 522 572 11	Foam part Seat cushion	right	1	PR:542,836
(4)	970 522 540 02	Foam part Seat cushion Deep Adjustable	right	1	PR:542,836
5	970 522 141 G3	Backrest cover	left	1	PR:542,836, 938
	970 522 141 G3 DAA	Black	-AB		
	970 522 141 G3 DAC	Luxor beige	-UB		
	970 522 141 G3 GHB	agate grey	-DG		
(5)	970 522 141 K2	Backrest cover	left	1	PR:542,836, 943
	970 522 141 K2 DAF	Black	-AC		
	970 522 141 K2 DAH	Luxor beige	-UC		
	970 522 141 K2 DAK	Marsala Red	-PC		
	970 522 141 K2 DAL	Cream	-BC, BE, DS, DT		
	970 522 141 K2 GHC	agate grey	-DL		
	970 522 141 K2 GLC	Carrera Red	-BF		
	970 522 141 K2 DUE	saddle brown	-SB, DN		
(5)	970 522 141 K3	Backrest cover	left	1	PR:542,836, 943,998
	970 522 141 K3 DAM	Espresso	-NA		
	970 522 141 K3 DAN	Cognac	-NC		
	970 522 141 K3 DAO	Cedar	-BN		
(5)	970 522 141 R5	Backrest cover	left	1	PR:020,542, 836,943,998
		D - MJ 2016>>			
	970 522 141 R5 PFA	Toffee Brown	-PF		
6	970 522 142 B8	Backrest cover	right	1	PR:542,836, 938
	970 522 142 B8 DAA	Black	-AB		
	970 522 142 B8 DAC	Luxor beige	-UB		
	970 522 142 B8 GHB	agate grey	-DG		
(6)	970 522 142 89	Backrest cover	right	1	PR:542,836, 943
	970 522 142 89 DAF	Black	-AC		
	970 522 142 89 DAH	Luxor beige	-UC		
	970 522 142 89 DAK	Marsala Red	-PC		
	970 522 142 89 DAL	Cream	-BC, BE, DS, DT		
	970 522 142 89 GHC	agate grey	-DL		
	970 522 142 89 GLC	Carrera Red	-BF		
	970 522 142 89 DUE	saddle brown	-SB, DN		
(6)	970 522 142 90	Backrest cover	right	1	PR:542,836, 943,998
	970 522 142 90 DAM	Espresso	-NA		
	970 522 142 90 DAN	Cognac	-NC		
	970 522 142 90 DAO	Cedar	-BN		

Model: 970 10 Model life 2010>>2016

Pos	Part Number	Description	Remark	Qty	Model
(6)	970 522 142 B9	Backrest cover	right	1	PR:020,542,836,943,998
		D - MJ 2016>>			
	970 522 142 B9 PFA	Toffee Brown	-PF		
7	970 522 161 N8	Cover	left	1	PR:542,836,938
		Seat cushion			
	970 522 161 N8 DAA	Black	-AB		
	970 522 161 N8 DAC	Luxor beige	-UB		
	970 522 161 N8 GHB	agate grey	-DG		
(7)	970 522 161 K3	Cover	left	1	PR:542,836,943
		Seat cushion			
	970 522 161 K3 DAF	Black	-AC		
	970 522 161 K3 DAH	Luxor beige	-UC		
	970 522 161 K3 DAK	Marsala Red	-PC		
	970 522 161 K3 DAL	Cream	-BC, BE, DS, DT		
	970 522 161 K3 GHC	agate grey	-DL		
	970 522 161 K3 GLC	Carrera Red	-BF		
	970 522 161 K3 DUE	saddle brown	-SB, DN		
(7)	970 522 161 K4	Cover	left	1	PR:542,836,943,998
		Seat cushion			
	970 522 161 K4 DAM	Espresso	-NA		
	970 522 161 K4 DAN	Cognac	-NC		
	970 522 161 K4 DAO	Cedar	-BN		
(7)	970 522 161 Q6	Cover	left	1	PR:020,542,836,943,998
		Seat cushion			
		D - MJ 2016>>			
	970 522 161 Q6 PFA	Toffee Brown	-PF		
8	970 522 162 N8	Cover	right	1	PR:542,836,938
		Seat cushion			
	970 522 162 N8 DAA	Black	-AB		
	970 522 162 N8 DAC	Luxor beige	-UB		
	970 522 162 N8 GHB	agate grey	-DG		
(8)	970 522 162 K3	Cover	right	1	PR:542,836,943
		Seat cushion			
	970 522 162 K3 DAF	Black	-AC		
	970 522 162 K3 DAH	Luxor beige	-UC		
	970 522 162 K3 DAK	Marsala Red	-PC		
	970 522 162 K3 DAL	Cream	-BC, BE, DS, DT		
	970 522 162 K3 GHC	agate grey	-DL		
	970 522 162 K3 GLC	Carrera Red	-BF		
	970 522 162 K3 DUE	saddle brown	-SB, DN		
(8)	970 522 162 K4	Cover	right	1	PR:542,836,943,998
		Seat cushion			
	970 522 162 K4 DAM	Espresso	-NA		
	970 522 162 K4 DAN	Cognac	-NC		
	970 522 162 K4 DAO	Cedar	-BN		
(8)	970 522 162 Q6	Cover	right	1	PR:020,542,836,943,998
		Seat cushion			
		D - MJ 2016>>			
	970 522 162 Q6 PFA	Toffee Brown	-PF		
9	970 522 731 00	Frame	left	1	PR:836
		Switch			
		Seat cushion			
(9)	970 522 732 00	Frame	right	1	PR:836
		Switch			
		Seat cushion			
10	970 613 721 01	switch for seat adjustment	left	1	PR:836
		Module			
		Seat cushion			
	970 613 721 01 DMN	Galvano silver			
(10)	970 613 722 01	Switch	right	1	PR:836
		Module			
		Seat cushion			

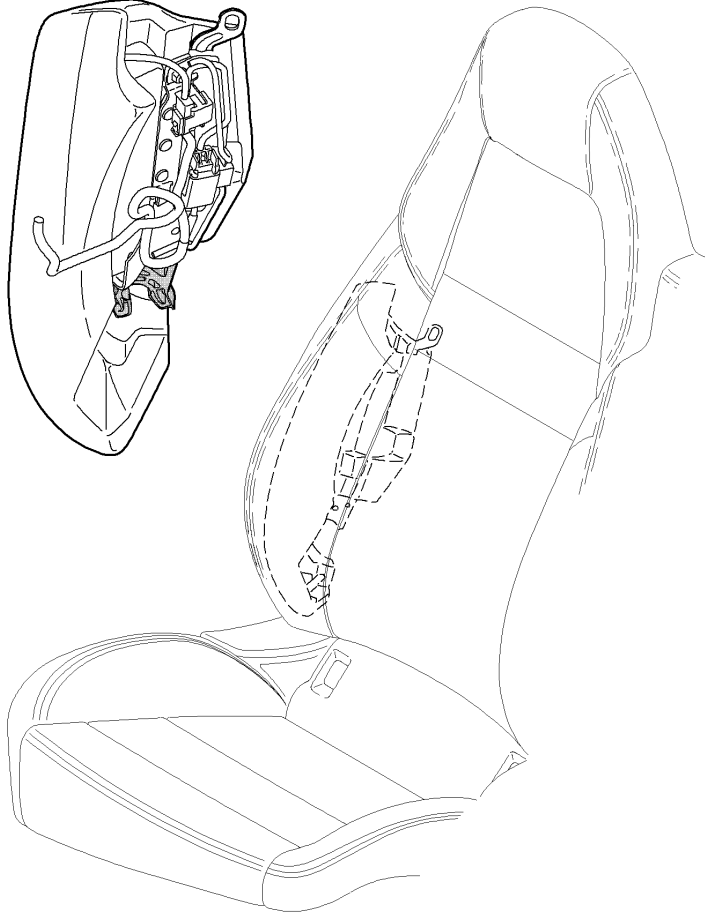
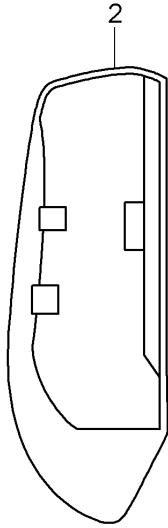
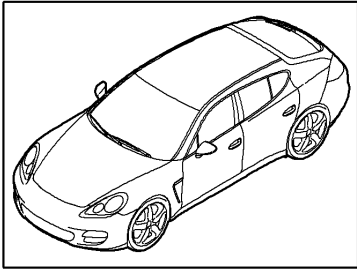
Model: 970 10

Model life 2010>>2016

Pos	Part Number	Description	Remark	Qty	Model
	970 613 722 01 DMN	Galvano silver			

Model: 970 10

Model life 2010>>2016



Model: 970 10 Model life 2010>>2016

Pos	Part Number	Description	Remark	Qty	Model
1	970 522 061 30	Side part Padded upholstery Side part Module	rear left rear	1	PR-830,832, 834,836,381, 383,-542, -565
(1)	970 522 061 31	Side part Module	left rear	1	PR-830,832, 834,836,381, 383,565,-542
(1)	970 522 061 32	Side part Module	left rear	1	PR-830,832, 834,836,381, 383,542,-565
(1)	970 522 061 33	Side part Module	left rear	1	PR-830,832, 834,836,542, 565,381,383
(1)	970 522 061 34	Side part Module	left rear	1	PR:831,833, 835
(1)	970 522 061 35	Side part Module	left rear	1	PR:831,833, 835,565
(1)	970 522 061 38	Side part	rear left	1	PR-0E2,836, 542,565
(1)	970 522 061 40	Side part	left	1	PR-382,830, 834,836,565, -542
(1)	970 522 062 30	Side part Module	right rear	1	PR-830,832, 834,836,381, 383,-542, -565
(1)	970 522 062 31	Side part Module	right rear	1	PR-830,832, 834,836,381, 383,565,-542
(1)	970 522 062 32	Side part Module	right rear	1	PR-830,832, 834,836,381, 383,542,-565
(1)	970 522 062 33	Side part Module	right rear	1	PR-830,832, 834,836,542, 565,381,383
(1)	970 522 062 34	Side part Module	right rear	1	PR:831,833, 835
(1)	970 522 062 35	Side part Module	right rear	1	PR:831,833, 835,565
(1)	970 522 062 38	Side part	rear right	1	PR-0E2,542, 565,836
(1)	970 522 062 40	Side part	right	1	PR-382,830, 834,836,565, -542
2	970 522 151 00	Cover Side part	left rear	1	PR:830,832, 834,836,938, 940
		D >> - MJ 2010			
	970 522 151 00 DAA	Black	-AB		
	970 522 151 00 DAB	Platinum Grey	-CB		
	970 522 151 00 DAC	Luxor beige	-UB		
(2)	970 522 151 42	Cover Side part	left rear	1	PR:830,832, 834,836,938, 940
		D - MJ 2011>>			
	970 522 151 42 DAA	Black	-AB		
	970 522 151 42 DAB	Platinum Grey	-CB		
	970 522 151 42 DAC	Luxor beige	-UB,PK		
	970 522 151 42 GHB	agate grey	-DG		
		D - MJ 2014>>			
(2)	970 522 151 01	Cover	left	1	PR:830,832,

Model: 970 10 Model life 2010>>2016

Pos	Part Number	Description	Remark	Qty	Model
		Side part	rear		834,836,938, 940,565
		D >> - MJ 2010			
	970 522 151 01 DAA	Black	-AB		
	970 522 151 01 DAB	Platinum Grey	-CB		
	970 522 151 01 DAC	Luxor beige	-UB		
(2)	970 522 151 43	Cover	left	1	PR:830,832, 834,836,938, 940,565
		Side part	rear		
		D - MJ 2011>> - MJ 2013			
	970 522 151 43 DAA	Black	-AB		
	970 522 151 43 DAB	Platinum Grey	-CB		
	970 522 151 43 DAC	Luxor beige	-UB,PK		
	970 522 151 43 GHB	agate grey	-DG		
		D - MJ 2014>>			
(2)	970 522 151 D9	Cover	left	1	PR:830,832, 834,836,938, 940,565
		Side part	rear		
		D - MJ 2014>>			
	970 522 151 D9 DAA	Black	-AB		
	970 522 151 D9 DAC	Luxor beige	-UB,PK		
	970 522 151 D9 GHB	agate grey	-DG		
(2)	970 522 151 02	Cover	left	1	PR:830,832, 834,836,941, 943
		Side part	rear		
		D >> - MJ 2010			
	970 522 151 02 DAF	Black	-AC		
	970 522 151 02 DAG	Platinum Grey	-CC,BB		
	970 522 151 02 DAH	Luxor beige	-UC		
	970 522 151 02 DAJ	yachting blue	-EC		
	970 522 151 02 DAL	Cream	-BC,BD,BE		
(2)	970 522 151 44	Cover	left	1	PR:830,832, 834,836,941, 943
		Side part	rear		
		D - MJ 2011>>			
	970 522 151 44 DAF	Black	-AC		
	970 522 151 44 DAG	Platinum Grey	-CC,BB		
	970 522 151 44 DAH	Luxor beige	-UC,PL		
	970 522 151 44 DAJ	yachting blue	-EC		
	970 522 151 44 DAL	Cream	-BC,BD,BE,DS, DT		
	970 522 151 44 DAK	Marsala Red	-PC		
	970 522 151 44 GHC	agate grey	-DL		
		D - MJ 2014>>			
	970 522 151 44 GLC	Carrera Red	-BF		
		D - MJ 2014>>			
	970 522 151 44 DUE	saddle brown	-SB,DN		
		D - MJ 2015>>			
(2)	970 522 151 03	Cover	left	1	PR:830,832, 834,836,941, 565,943
		Side part	rear		
		D >> - MJ 2010			
	970 522 151 03 DAF	Black	-AC		
	970 522 151 03 DAG	Platinum Grey	-CC,BB		
	970 522 151 03 DAH	Luxor beige	-UC		
	970 522 151 03 DAJ	yachting blue	-EC		
	970 522 151 03 DAL	Cream	-BC,BD,BE		
(2)	970 522 151 45	Cover	left	1	PR:830,832, 834,836,941, 565,943
		Side part	rear		
		D - MJ 2011>> - MJ 2013			
	970 522 151 45 DAF	Black	-AC		
	970 522 151 45 DAG	Platinum Grey	-CC,BB		

Model: 970 10 Model life 2010>>2016

Pos	Part Number	Description	Remark	Qty	Model
(2)	970 522 151 45 DAH	Luxor beige	-UC,PL	1	PR:830,832, 834,836,941, 565,943
	970 522 151 45 DAJ	yachting blue	-EC		
	970 522 151 45 DAL	Cream	-BC,BD,BE,DS, DT		
	970 522 151 45 DAK	Marsala Red	-PC		
	970 522 151 E1	Cover	left		
		Side part	rear		
		D - MJ 2014>>			
	970 522 151 E1 DAF	Black	-AC		
	970 522 151 E1 DAH	Luxor beige	-UC,PL		
	970 522 151 E1 DAL	Cream	-BC,BE,DS,DT		
(2)	970 522 151 E1 DAK	Marsala Red	-PC	1	PR:830,832, 834,836,941, 943,998
	970 522 151 E1 GHC	agate grey	-DL		
	970 522 151 E1 GLC	Carrera Red	-BF		
	970 522 151 E1 DUE	saddle brown	-SB,DN		
	970 522 151 04	Cover	left		
		Side part	rear		
		D >> - MJ 2010			
	970 522 151 04 DAM	Espresso	-NA		
	970 522 151 04 DAN	Cognac	-NC		
	970 522 151 04 DAO	Cedar	-BN		
(2)	970 522 151 46	Cover	left	1	PR:830,832, 834,836,941, 943,998
		Side part	rear		
		D - MJ 2011>>			
	970 522 151 46 DAM	Espresso	-NA		
	970 522 151 46 DAN	Cognac	-NC		
	970 522 151 46 DAO	Cedar	-BN		
	970 522 151 05	Cover	left		
		Side part	rear		
		D >> - MJ 2010			
	970 522 151 05 DAM	Espresso	-NA		
970 522 151 05 DAN	Cognac	-NC			
970 522 151 05 DAO	Cedar	-BN			
(2)	970 522 151 47	Cover	left	1	PR:830,832, 834,836,941, 943,998,565
		Side part	rear		
		D - MJ 2011>> - MJ 2013			
	970 522 151 47 DAM	Espresso	-NA		
	970 522 151 47 DAN	Cognac	-NC		
	970 522 151 47 DAO	Cedar	-BN		
	970 522 151 E2	Cover	left		
		Side part	rear		
		D - MJ 2014>>			
	970 522 151 E2 DAM	Espresso	-NA		
970 522 151 E2 DAN	Cognac	-NC			
970 522 151 E2 DAO	Cedar	-BN			
(2)	970 522 151 06	Cover	left	1	PR:831,833, 835,938
		Side part	rear		
		D >> - MJ 2010			
	970 522 151 06 DAA	Black	-AB		
	970 522 151 06 DAB	Platinum Grey	-CB		
	970 522 151 06 DAC	Luxor beige	-UB		
	970 522 151 48	Cover	left		
		Side part	rear		
		D - MJ 2011>>			
	970 522 151 48 DAA	Black	-AB		
970 522 151 48 DAB	Platinum Grey	-CB			

Model: 970 10 Model life 2010>>2016

Pos	Part Number	Description	Remark	Qty	Model
	970 522 151 48 DAC	Luxor beige	-UB		
	970 522 151 48 GHB	agate grey	-DG		
(2)	970 522 151 07	D - MJ 2014>> Cover Side part D >> - MJ 2010	left rear	1	PR:831,833, 835,565,938
	970 522 151 07 DAA	Black	-AB		
	970 522 151 07 DAB	Platinum Grey	-DG		
(2)	970 522 151 07 DAC	Luxor beige	-UB		
970 522 151 49	Cover Side part D - MJ 2011>> - MJ 2013	left rear	1		
	970 522 151 49 DAA	Black	-AB		
	970 522 151 49 DAB	Platinum Grey	-CB		
	970 522 151 49 DAC	Luxor beige	-UB		
	970 522 151 49 GHB	agate grey	-DG		
(2)	970 522 151 E3	Cover Side part D - MJ 2014>>	left rear	1	PR:831,833, 835,565,938
	970 522 151 E3 DAA	Black	-AB		
	970 522 151 E3 DAC	Luxor beige	-UB		
	970 522 151 E3 GHB	agate grey	-DG		
	970 522 151 08	Cover Side part D >> - MJ 2010	left rear		
	970 522 151 08 DAF	Black	-AC		
	970 522 151 08 DAG	Platinum Grey	-CC,BB		
	970 522 151 08 DAH	Luxor beige	-UC		
	970 522 151 08 DAJ	yachting blue	-EC		
	970 522 151 08 DAL	Cream	-BC,BD,BE		
	970 522 151 50	Cover Side part D - MJ 2011>>	left rear		
	970 522 151 50 DAF	Black	-AC,GA		
	970 522 151 50 DAG	Platinum Grey	-CB,GC		
	970 522 151 50 DAH	Luxor beige	-UC,GU		
	970 522 151 50 DAJ	yachting blue	-EC,GE		
	970 522 151 50 DAL	Cream	-BC,BD,BE,DS, DT		
	970 522 151 50 DAK	Marsala Red	-PC,GP		
	970 522 151 50 DUE	saddle brown	-SB,DN,GH		
	970 522 151 50 DSY	Black/Carmine Red	-GK		
	970 522 151 50 DSZ	black/silver	-GS		
	970 522 151 50 GHC	agate grey	-DG,GD		
	970 522 151 50 GLC	Carrera Red	-BF		
	970 522 151 09	Cover Side part D >> - MJ 2010	left rear		
	970 522 151 09 DAF	Black	-AC		
	970 522 151 09 DAG	Platinum Grey	-CC,BB		
	970 522 151 09 DAH	Luxor beige	-UC		
	970 522 151 09 DAJ	yachting blue	-EC		
	970 522 151 09 DAL	Cream	-BC,BD,BE		
	970 522 151 51	Cover Side part D - MJ 2011>> - MJ 2013	left rear		
	970 522 151 51 DAF	Black	-AC,GA		
	970 522 151 51 DAG	Platinum Grey	-CC,BB,GC		
	970 522 151 51 DAH	Luxor beige	-UC,PL,GU		
	970 522 151 51 DAJ	yachting blue	-EC,GE		
	970 522 151 51 DAL	Cream	-BC,BD,BE,DS, DT		

Model: 970 10 Model life 2010>>2016

Pos	Part Number	Description	Remark	Qty	Model
	970 522 151 51 DAK	Marsala Red	-PC,GP		
	970 522 151 51 DSY	Black/Carmine Red	-GK		
	970 522 151 51 DSZ	black/silver	-GS		
	970 522 151 51 GHC	agate grey	-DL,GD		
	970 522 151 51 GLC	Carrera Red	-BF		
(2)	970 522 151 E4	Cover Side part	left rear	1	PR:831,833, 835,943,565, 010,932
		D - MJ 2014>>			
	970 522 151 E4 DAF	Black	-AC,GA		
	970 522 151 E4 DAH	Luxor beige	-UC,PL,GU		
	970 522 151 E4 DAL	Cream	-BC,BE,DS,DT		
	970 522 151 E4 DAK	Marsala Red	-PC		
	970 522 151 E4 DUE	saddle brown	-SB,DN,GH		
	970 522 151 E4 DSY	Black/Carmine Red	-GK		
	970 522 151 E4 DSZ	black/silver	-GS		
	970 522 151 E4 GHC	agate grey	-DL,GD		
	970 522 151 E4 GLC	Carrera Red	-BF		
(2)	970 522 151 10	Cover Side part	left rear	1	PR:831,833, 835,943,998
		D >> - MJ 2010			
	970 522 151 10 DAM	Espresso	-NA		
	970 522 151 10 DAN	Cognac	-NC		
	970 522 151 10 DAO	Cedar	-BN		
(2)	970 522 151 52	Cover Side part	left rear	1	PR:831,833, 835,943,998
		D - MJ 2011>>			
	970 522 151 52 DAM	Espresso	-NA		
	970 522 151 52 DAN	Cognac	-NC		
	970 522 151 52 DAO	Cedar	-BN		
(2)	970 522 151 11	Cover Side part	left rear	1	PR:831,833, 835,943,998, 565
		D >> - MJ 2010			
	970 522 151 11 DAM	Espresso	-NA		
	970 522 151 11 DAN	Cognac	-NC		
	970 522 151 11 DAO	Cedar	-BN		
(2)	970 522 151 53	Cover Side part	left rear	1	PR:831,833, 835,943,998, 565
		D - MJ 2011>> - MJ 2013			
	970 522 151 53 DAM	Espresso	-NA		
	970 522 151 53 DAN	Cognac	-NC		
	970 522 151 53 DAO	Cedar	-BN		
(2)	970 522 151 E5	Cover Side part	left rear	1	PR:831,833, 835,943,998, 565
		D - MJ 2014>>			
	970 522 151 E5 DAM	Espresso	-NA		
	970 522 151 E5 DAN	Cognac	-NC		
	970 522 151 E5 DAO	Cedar	-BN		
(2)	970 522 151 12	Cover Side part	left rear	1	PR:830,832, 834,836,542, 938
		D >> - MJ 2010			
	970 522 151 12 DAA	Black	-AB		
	970 522 151 12 DAB	Platinum Grey	-CB		
	970 522 151 12 DAC	Luxor beige	-UB		
(2)	970 522 151 54	Cover Side part	left rear	1	PR:830,832, 834,836,542, 938
		D - MJ 2011>>			
	970 522 151 54 DAA	Black	-AB		

Model: 970 10 Model life 2010>>2016

Pos	Part Number	Description	Remark	Qty	Model
	970 522 151 54 DAB	Platinum Grey	-CB		
	970 522 151 54 DAC	Luxor beige	-UB,PK		
	970 522 151 54 GHB	agate grey	-DG		
(2)	970 522 151 13	D - MJ 2014>> Cover Side part	left rear	1	PR:830,832, 834,836,542, 938,565
		D >> - MJ 2010			
	970 522 151 13 DAA	Black	-AB		
	970 522 151 13 DAB	Platinum Grey	-CB		
	970 522 151 13 DAC	Luxor beige	-UB		
(2)	970 522 151 55	Cover Side part	left rear	1	PR:830,832, 834,836,542, 938,565
		D - MJ 2011>> - MJ 2013			
	970 522 151 55 DAA	Black	-AB		
	970 522 151 55 DAB	Platinum Grey	-CB		
	970 522 151 55 DAC	Luxor beige	-UB,PK		
	970 522 151 55 GHB	agate grey	-DG		
(2)	970 522 151 E6	Cover Side part	left rear	1	PR:830,832, 834,836,542, 938,565
		D - MJ 2014>>			
	970 522 151 E6 DAA	Black	-AB		
	970 522 151 E6 DAB	Platinum Grey	-CB		
	970 522 151 E6 DAC	Luxor beige	-UB,PK		
	970 522 151 E6 GHB	agate grey	-DG		
(2)	970 522 151 14	Cover Side part	left rear	1	PR:830,832, 834,836,542, 943
		D >> - MJ 2010			
	970 522 151 14 DAF	Black	-AC		
	970 522 151 14 DAG	Platinum Grey	-CC,BB		
	970 522 151 14 DAH	Luxor beige	-UC		
	970 522 151 14 DAJ	yachting blue	-EC		
	970 522 151 14 DAL	Cream	-BC,BD,BE		
(2)	970 522 151 56	Cover Side part	left rear	1	PR:830,832, 834,836,542, 943
		D - MJ 2011>>			
	970 522 151 56 DAF	Black	-AC		
	970 522 151 56 DAG	Platinum Grey	-CC,BB		
	970 522 151 56 DAH	Luxor beige	-UC,PL		
	970 522 151 56 DAJ	yachting blue	-EC		
	970 522 151 56 DAL	Cream	-BC,BD,BE,DS, DT		
	970 522 151 56 DAK	Marsala Red	-PC		
	970 522 151 56 GHC	agate grey	-DL		
		D - MJ 2014>>			
	970 522 151 56 GLC	Carrera Red	-BF		
		D - MJ 2014>>			
	970 522 151 56 DUE	saddle brown	-SB,DN		
		D - MJ 2015>>			
(2)	970 522 151 15	Cover Side part	left rear	1	PR:830,832, 834,836,542, 943,565
		D >> - MJ 2010			
	970 522 151 15 DAF	Black	-AC		
	970 522 151 15 DAG	Platinum Grey	-CC,BB		
	970 522 151 15 DAH	Luxor beige	-UC		
	970 522 151 15 DAJ	yachting blue	-EC		
	970 522 151 15 DAL	Cream	-BC,BD,BE		
(2)	970 522 151 57	Cover	left	1	PR:830,832,

Model: 970 10 Model life 2010>>2016

Pos	Part Number	Description	Remark	Qty	Model
		Side part	rear		834,836,542, 943,565
		D - MJ 2011>> - MJ 2013			
	970 522 151 57 DAF	Black	-AC		
	970 522 151 57 DAG	Platinum Grey	-CC,BB		
	970 522 151 57 DAH	Luxor beige	-UC,PL		
	970 522 151 57 DAJ	yachting blue	-EC		
	970 522 151 57 DAL	Cream	-BC,BD,BE,DS, DT		
	970 522 151 57 DAK	Marsala Red	-PC		
	970 522 151 57 GHC	agate grey	-DL		
	970 522 151 57 GLC	Carrera Red	-BF		
(2)	970 522 151 E7	Cover	left	1	PR:830,832, 834,836,542, 943,565
		Side part	rear		
		D - MJ 2014>>			
	970 522 151 E7 DAF	Black	-AC		
	970 522 151 E7 DAH	Luxor beige	-UC,PL		
	970 522 151 E7 DAL	Cream	-BC,BD,BE,DS, DT		
	970 522 151 E7 DAK	Marsala Red	-PC		
	970 522 151 E7 GHC	agate grey	-DL		
	970 522 151 E7 GLC	Carrera Red	-BF		
	970 522 151 E7 DUE	saddle brown	-SB,DN		
(2)	970 522 151 16	D - MJ 2015>>			
		Cover	left	1	PR:830,832, 834,836,542, 943,998
		Side part	rear		
		D >> - MJ 2010			
	970 522 151 16 DAM	Espresso	-NA		
	970 522 151 16 DAN	Cognac	-NC		
	970 522 151 16 DAO	Cedar	-BN		
(2)	970 522 151 58	Cover	left	1	PR:830,832, 834,836,542, 943,998
		Side part	rear		
		D - MJ 2011>>			
	970 522 151 58 DAM	Espresso	-NA		
	970 522 151 58 DAN	Cognac	-NC		
	970 522 151 58 DAO	Cedar	-BN		
(2)	970 522 151 17	Cover	left	1	PR:830,832, 834,836,542, 943,998,565
		Side part	rear		
		D >> - MJ 2010			
	970 522 151 17 DAM	Espresso	-NA		
	970 522 151 17 DAN	Cognac	-NC		
	970 522 151 17 DAO	Cedar	-BN		
(2)	970 522 151 59	Cover	left	1	PR:830,832, 834,836,542, 943,998,565
		Side part	rear		
		D - MJ 2011>> - MJ 2013			
	970 522 151 59 DAM	Espresso	-NA		
	970 522 151 59 DAN	Cognac	-NC		
	970 522 151 59 DAO	Cedar	-BN		
(2)	970 522 151 E8	Cover	left	1	PR:830,832, 834,836,542, 943,998,565
		Side part	rear		
		D - MJ 2014>>			
	970 522 151 E8 DAM	Espresso	-NA		
	970 522 151 E8 DAN	Cognac	-NC		
	970 522 151 E8 DAO	Cedar	-BN		
(2)	970 522 151 18	Cover	left	1	PR:830,832, 834,836,343, 938,940
		Side part	rear		

Model: 970 10 Model life 2010>>2016

Pos	Part Number	Description	Remark	Qty	Model
		D >> - MJ 2010			
	970 522 151 18 DAA	Black	-AB		
	970 522 151 18 DAB	Platinum Grey	-CB		
	970 522 151 18 DAC	Luxor beige	-UB		
(2)	970 522 151 60	Cover Side part	left rear	1	PR:830,832, 834,836,343, 938,940
		D - MJ 2011>>			
	970 522 151 60 DAA	Black	-AB		
	970 522 151 60 DAB	Platinum Grey	-CB		
	970 522 151 60 DAC	Luxor beige	-UB,PK		
	970 522 151 60 GHB	agate grey	-DG		
(2)	970 522 151 19	D - MJ 2014>> Cover Side part	left rear	1	PR:830,832, 834,836,343, 565,938,940
		D >> - MJ 2010			
	970 522 151 19 DAA	Black	-AB		
	970 522 151 19 DAB	Platinum Grey	-CB		
	970 522 151 19 DAC	Luxor beige	-UB		
(2)	970 522 151 61	Cover Side part	left rear	1	PR:830,832, 834,836,343, 565,938,940
		D - MJ 2011>> - MJ 2013			
	970 522 151 61 DAA	Black	-AB		
	970 522 151 61 DAB	Platinum Grey	-CB		
	970 522 151 61 DAC	Luxor beige	-UB,PK		
	970 522 151 61 GHB	agate grey	-DG		
(2)	970 522 151 E9	Cover Side part	left rear	1	PR:830,832, 834,836,343, 565,938,940
		D - MJ 2014>>			
	970 522 151 E9 DAA	Black	-AB		
	970 522 151 E9 DAC	Luxor beige	-CB		
	970 522 151 E9 GHB	agate grey	-DG		
(2)	970 522 151 20	Cover Side part	left rear	1	PR:830,832, 834,836,343, 941,943
		D >> - MJ 2010			
	970 522 151 20 DAF	Black	-AC		
	970 522 151 20 DAG	Platinum Grey	-CC,BB		
	970 522 151 20 DAH	Luxor beige	-UC		
	970 522 151 20 DAJ	yachting blue	-EC		
	970 522 151 20 DAL	Cream	-BC,BD,BE		
(2)	970 522 151 62	Cover Side part	left rear	1	PR:830,832, 834,836,343, 941,943
		D - MJ 2011>>			
	970 522 151 62 DAF	Black	-AC		
	970 522 151 62 DAG	Platinum Grey	-CC,BB		
	970 522 151 62 DAH	Luxor beige	-UC,PL		
	970 522 151 62 DAJ	yachting blue	-EC		
	970 522 151 62 DAL	Cream	-BC,BD,BE,DS, DT		
	970 522 151 62 DAK	Marsala Red	-PC		
	970 522 151 62 GHC	agate grey	-DL		
		D - MJ 2014>>			
	970 522 151 62 GLC	Carrera Red	-BF		
		D - MJ 2014>>			
	970 522 151 62 DUE	saddle brown	-SB,DN		
(2)	970 522 151 21	D - MJ 2015>> Cover Side part	left rear	1	PR:830,832, 834,836,343,

Model: 970 10 Model life 2010>>2016

Pos	Part Number	Description	Remark	Qty	Model
		D >> - MJ 2010			941,565,943
	970 522 151 21 DAF	Black	-AC		
	970 522 151 21 DAG	Platinum Grey	-CC,BB		
	970 522 151 21 DAH	Luxor beige	-UC		
	970 522 151 21 DAJ	yachting blue	-EC		
	970 522 151 21 DAL	Cream	-BC,BD,BE		
(2)	970 522 151 63	Cover Side part	left rear	1	PR:830,832, 834,836,343, 941,565,943
		D - MJ 2011>> - MJ 2013			
	970 522 151 63 DAF	Black	-AC		
	970 522 151 63 DAG	Platinum Grey	-CC,BB		
	970 522 151 63 DAH	Luxor beige	-UC,PL		
	970 522 151 63 DAJ	yachting blue	-EC		
	970 522 151 63 DAL	Cream	-BC,BD,BE,DS, DT		
	970 522 151 63 DAK	Marsala Red	-PC		
	970 522 151 63 GHC	agate grey	-DL		
	970 522 151 63 GLC	Carrera Red	-BF		
(2)	970 522 151 F1	Cover Side part	left rear	1	PR:830,832, 834,836,343, 941,565,943
		D - MJ 2014>>			
	970 522 151 F1 DAF	Black	-AC		
	970 522 151 F1 DAH	Luxor beige	-UC,PL		
	970 522 151 F1 DAL	Cream	-BC,BD,BE,DS, DT		
	970 522 151 F1 DAK	Marsala Red	-PC		
	970 522 151 F1 GHC	agate grey	-DL		
	970 522 151 F1 GLC	Carrera Red	-BF		
	970 522 151 F1 DUE	saddle brown	-SB,DN		
(2)	970 522 151 22	D - MJ 2015>> Cover Side part	left rear	1	PR:830,832, 834,836,343, 941,943,998
		D >> - MJ 2010			
	970 522 151 22 DAM	Espresso	-NA		
	970 522 151 22 DAN	Cognac	-NC		
	970 522 151 22 DAO	Cedar	-BN		
(2)	970 522 151 64	Cover Side part	left rear	1	PR:830,832, 834,836,343, 941,943,998
		D - MJ 2011>>			
	970 522 151 64 DAM	Espresso	-NA		
	970 522 151 64 DAN	Cognac	-NC		
	970 522 151 64 DAO	Cedar	-BN		
(2)	970 522 151 23	Cover Side part	left rear	1	PR:830,832, 834,836,343, 941,943,565, 998
		D >> - MJ 2010			
	970 522 151 23 DAM	Espresso	-NA		
	970 522 151 23 DAN	Cognac	-NC		
	970 522 151 23 DAO	Cedar	-BN		
(2)	970 522 151 65	Cover Side part	left rear	1	PR:830,832, 834,836,343, 941,943,565, 998
		D - MJ 2011>> - MJ 2013			
	970 522 151 65 DAM	Espresso	-NA		
	970 522 151 65 DAN	Cognac	-NC		
	970 522 151 65 DAO	Cedar	-BN		
(2)	970 522 151 F2	Cover Side part	left rear	1	PR:830,832, 834,836,343,

Model: 970 10 Model life 2010>>2016

Pos	Part Number	Description	Remark	Qty	Model
		D - MJ 2014>>			941,943,565,998
	970 522 151 F2 DAM	Espresso	-NA		
	970 522 151 F2 DAN	Cognac	-NC		
	970 522 151 F2 DAO	Cedar	-BN		
(2)	970 522 151 24	Cover	left	1	PR:831,833,835,343,938
		Side part	rear		
		D >> - MJ 2010			
	970 522 151 24 DAA	Black	-AB		
	970 522 151 24 DAB	Platinum Grey	-CB		
	970 522 151 24 DAC	Luxor beige	-UB		
(2)	970 522 151 66	Cover	left	1	PR:831,833,835,343,938
		Side part	rear		
		D - MJ 2011>>			
	970 522 151 66 DAA	Black	-AB		
	970 522 151 66 DAB	Platinum Grey	-CB		
	970 522 151 66 DAC	Luxor beige	-UB,PK		
	970 522 151 66 GHB	agate grey	-DG		
(2)	970 522 151 25	D - MJ 2014>>	left	1	PR:831,833,835,343,938,565
		Cover	rear		
		Side part			
		D >> - MJ 2010			
	970 522 151 25 DAA	Black	-AB		
	970 522 151 25 DAB	Platinum Grey	-CB		
	970 522 151 25 DAC	Luxor beige	-UB		
(2)	970 522 151 67	Cover	left	1	PR:831,833,835,343,938,565
		Side part	rear		
		D - MJ 2011>> - MJ 2013			
	970 522 151 67 DAA	Black	-AB		
	970 522 151 67 DAB	Platinum Grey	-CB		
	970 522 151 67 DAC	Luxor beige	-UB,PK		
	970 522 151 67 GHB	agate grey	-DG		
(2)	970 522 151 F3	Cover	left	1	PR:831,833,835,343,938,565
		Side part	rear		
		D - MJ 2014>>			
	970 522 151 F3 DAA	Black	-AB		
	970 522 151 F3 DAC	Luxor beige	-UB		
	970 522 151 F3 GHB	agate grey	-DG		
(2)	970 522 151 26	Cover	left	1	PR:831,833,835,343,943
		Side part	rear		
		D >> - MJ 2010			
	970 522 151 26 DAF	Black	-AC		
	970 522 151 26 DAG	Platinum Grey	-CC,BB		
	970 522 151 26 DAH	Luxor beige	-UC		
	970 522 151 26 DAJ	yachting blue	-EC		
	970 522 151 26 DAL	Cream	-BC,BD,BE		
(2)	970 522 151 68	Cover	left	1	PR:831,833,835,343,943
		Side part	rear		
		D - MJ 2011>>			
	970 522 151 68 DAF	Black	-AC		
	970 522 151 68 DAG	Platinum Grey	-CC,BB		
	970 522 151 68 DAH	Luxor beige	-UC,PL		
	970 522 151 68 DAJ	yachting blue	-EC		
	970 522 151 68 DAL	Cream	-BC,BD,BE,DS,DT		
	970 522 151 68 DAK	Marsala Red	-PC		
	970 522 151 68 DUE	saddle brown	-SB,DN		
		D - MJ 2015>>			
	970 522 151 68 GHC	agate grey	-DL		
		D - MJ 2015>>			

Model: 970 10 Model life 2010>>2016

Pos	Part Number	Description	Remark	Qty	Model
(2)	970 522 151 68	Cover Side part D - MJ 2013>>	left rear	1	PR:831,833, 835,343,943, 015,010,932
	970 522 151 68 DAF	Black	-AC,GA		
	970 522 151 68 DAG	Platinum Grey	-CC,BB,GC		
	970 522 151 68 DAH	Luxor beige	-UC,PL,GU		
	970 522 151 68 DAL	Cream	-BC,BD,BE,DS, DT		
	970 522 151 68 DAK	Marsala Red	-PC,GP		
	970 522 151 68 DSY	Black/Carmine Red	-GK		
	970 522 151 68 DSZ	black/silver	-GS		
	970 522 151 68 DUE	saddle brown	-SB,DN,GH		
	970 522 151 68 GHC	agate grey	-DL,GD		
(2)	970 522 151 27	Cover Side part D >> - MJ 2010	left rear	1	PR:831,833, 835,343,943, 565
	970 522 151 27 DAF	Black	-AC		
	970 522 151 27 DAG	Platinum Grey	-CC,BB		
	970 522 151 27 DAH	Luxor beige	-UC		
	970 522 151 27 DAJ	yachting blue	-EC		
	970 522 151 27 DAL	Cream	-BC,BD,BE		
(2)	970 522 151 69	Cover Side part D - MJ 2011>> - MJ 2013	left rear	1	PR:831,833, 835,343,943, 565,932
	970 522 151 69 DAF	Black	-AC		
	970 522 151 69 DAG	Platinum Grey	-CC,BB		
	970 522 151 69 DAH	Luxor beige	-UC,PL		
	970 522 151 69 DAJ	yachting blue	-EC		
	970 522 151 69 DAL	Cream	-BC,BD,BE,DS, DT		
	970 522 151 69 DAK	Marsala Red	-PC		
	970 522 151 69 GHC	agate grey	-DL		
	970 522 151 69 GLC	Carrera Red D - MJ 2014>>	-BF		
(2)	970 522 151 69	Cover Side part D - MJ 2014>>	left rear	1	PR:831,833, 835,343,943, 565,015,932
	970 522 151 69 DAF	Black	-AC,GA		
	970 522 151 69 DAG	Platinum Grey	-CC,BB,GC		
	970 522 151 69 DAH	Luxor beige	-UC,PL,GU		
	970 522 151 69 DAJ	yachting blue	-EC		
	970 522 151 69 DAL	Cream	-BC,BD,BE,DS, DT		
	970 522 151 69 DAK	Marsala Red	-PC		
	970 522 151 69 DSY	Black/Carmine Red	-GK		
	970 522 151 69 DSZ	black/silver	-GS		
	970 522 151 69 GHC	agate grey	-DL,GD		
	970 522 151 69 GLC	Carrera Red	-BF		
(2)	970 522 151 F4	Cover Side part D - MJ 2014>>	left rear	1	PR:831,833, 835,343,943, 565,932
	970 522 151 F4 DAF	Black	-AC		
	970 522 151 F4 DAH	Luxor beige	-UC,PL		
	970 522 151 F4 DAL	Cream	-BC,BE,DS,DT		
	970 522 151 F4 DAK	Marsala Red	-PC		
	970 522 151 F4 GHC	agate grey	-DL		
	970 522 151 F4 GLC	Carrera Red	-BF		

Model: 970 10 Model life 2010>>2016

Pos	Part Number	Description	Remark	Qty	Model
(2)	970 522 151 F4 DUE 970 522 151 F4	saddle brown Cover Side part D - MJ 2014>>	-SB, DN left rear	1	PR:831,833, 835,343,943, 565,932,015, 010
	970 522 151 F4 DAF 970 522 151 F4 DAH 970 522 151 F4 DAL	Black Luxor beige Cream	-AC, GA -UC, PL, GU -BC, BD, BE, DS, DT		
	970 522 151 F4 DAK 970 522 151 F4 DSY 970 522 151 F4 DSZ 970 522 151 F4 GHC 970 522 151 F4 GLC	Marsala Red Black/Carmine Red black/silver agate grey Carrera Red	-PC, GP -GK -GA -DL, GD -BF		
(2)	970 522 151 F4 DUE 970 522 151 28	saddle brown Cover Side part D >> - MJ 2010	-SB, GH, DN left rear	1	PR:831,833, 835,343,943, 998
	970 522 151 28 DAM 970 522 151 28 DAN 970 522 151 28 DAO	Espresso Cognac Cedar	-NA -NC -BN		
(2)	970 522 151 70	Cover Side part D - MJ 2011>>	left rear	1	PR:831,833, 835,343,943, 998
	970 522 151 70 DAM 970 522 151 70 DAN 970 522 151 70 DAO	Espresso Cognac Cedar	-NA -NC -BN		
(2)	970 522 151 29	Cover Side part D >> - MJ 2010	left rear	1	PR:831,833, 835,343,943, 998,565
	970 522 151 29 DAM 970 522 151 29 DAN 970 522 151 29 DAO	Espresso Cognac Cedar	-NA -NC -BN		
(2)	970 522 151 71	Cover Side part D - MJ 2011>> - MJ 2013	left rear	1	PR:831,833, 835,343,943, 998,565
	970 522 151 71 DAM 970 522 151 71 DAN 970 522 151 71 DAO	Espresso Cognac Cedar	-NA -NC -BN		
(2)	970 522 151 F5	Cover Side part D - MJ 2014>>	left rear	1	PR:831,833, 835,343,943, 998,565
	970 522 151 F5 DAM 970 522 151 F5 DAN 970 522 151 F5 DAO	Espresso Cognac Cedar	-NA -NC -BN		
(2)	970 522 151 30	Cover Side part D >> - MJ 2010	left rear	1	PR:830,832, 834,836,541, 938
	970 522 151 30 DAA 970 522 151 30 DAB 970 522 151 30 DAC	Black Platinum Grey Luxor beige	-AB -CB -UB		
(2)	970 522 151 72	Cover Side part D - MJ 2011>>	left rear	1	PR:830,832, 834,836,541, 938
	970 522 151 72 DAA 970 522 151 72 DAB	Black Platinum Grey	-AB -CB		

Model: 970 10 Model life 2010>>2016

Pos	Part Number	Description	Remark	Qty	Model
	970 522 151 72 DAC	Luxor beige	-UB,PK		
	970 522 151 72 GHB	agate grey	-DG		
(2)	970 522 151 31	D - MJ 2014>> Cover Side part	left rear	1	PR:830,832, 834,836,541, 565,938
		D >> - MJ 2010			
	970 522 151 31 DAA	Black	-AB		
	970 522 151 31 DAB	Platinum Grey	-CB		
	970 522 151 31 DAC	Luxor beige	-UB		
(2)	970 522 151 73	Cover Side part	left rear	1	PR:830,832, 834,836,541, 565,938
		D - MJ 2011>> - MJ 2013			
	970 522 151 73 DAA	Black	-AB		
	970 522 151 73 DAB	Platinum Grey	-CB		
	970 522 151 73 DAC	Luxor beige	-UB,PK		
	970 522 151 73 GHB	agate grey	-DG		
(2)	970 522 151 F6	Cover Side part	left rear	1	PR:830,832, 834,836,541, 565,938
		D - MJ 2014>>			
	970 522 151 F6 DAA	Black	-AB		
	970 522 151 F6 DAC	Luxor beige	-CB		
	970 522 151 F6 GHB	agate grey	-UB		
(2)	970 522 151 32	Cover Side part	left rear	1	PR:830,832, 834,836,541, 943
		D >> - MJ 2010			
	970 522 151 32 DAF	Black	-AC		
	970 522 151 32 DAG	Platinum Grey	-CC,BB		
	970 522 151 32 DAH	Luxor beige	-UC		
	970 522 151 32 DAJ	yachting blue	-EC		
	970 522 151 32 DAL	Cream	-BC,BD,BE		
(2)	970 522 151 74	Cover Side part	left rear	1	PR:830,832, 834,836,541, 943
		D - MJ 2011>>			
	970 522 151 74 DAF	Black	-AC		
	970 522 151 74 DAG	Platinum Grey	-CC,BB		
	970 522 151 74 DAH	Luxor beige	-UC,PL		
	970 522 151 74 DAJ	yachting blue	-EC		
	970 522 151 74 DAL	Cream	-BC,BD,BE,DS, DT		
	970 522 151 74 DAK	Marsala Red	-PC		
	970 522 151 74 GHC	agate grey	-DL		
		D - MJ 2014>>			
	970 522 151 74 GLC	Carrera Red	-BF		
		D - MJ 2014>>			
	970 522 151 74 DUE	saddle brown	-SB,DN		
		D - MJ 2015>>			
(2)	970 522 151 33	Cover Side part	left rear	1	PR:830,832, 834,836,541, 565,943
		D >> - MJ 2010			
	970 522 151 33 DAF	Black	-AC		
	970 522 151 33 DAG	Platinum Grey	-CC,BB		
	970 522 151 33 DAH	Luxor beige	-UC		
	970 522 151 33 DAJ	yachting blue	-EC		
	970 522 151 33 DAL	Cream	-BC,BD,BE		
(2)	970 522 151 75	Cover Side part	left rear	1	PR:830,832, 834,836,541, 565,943

Model: 970 10 Model life 2010>>2016

Pos	Part Number	Description	Remark	Qty	Model
		D - MJ 2011>> - MJ 2013			
	970 522 151 75 DAF	Black	-AC		
	970 522 151 75 DAG	Platinum Grey	-CC,BB		
	970 522 151 75 DAH	Luxor beige	-UC,PL		
	970 522 151 75 DAJ	yachting blue	-EC		
	970 522 151 75 DAL	Cream	-BC,BD,BE,DS,DT		
	970 522 151 75 DAK	Marsala Red	-PC		
	970 522 151 75 GHC	agate grey	-DL		
	970 522 151 75 GLC	Carrera Red	-BF		
(2)	970 522 151 F7	Cover Side part	left rear	1	PR:830,832, 834,836,541, 565,943
		D - MJ 2014>>			
	970 522 151 F7 DAF	Black	-AC		
	970 522 151 F7 DAH	Luxor beige	-UC,PL		
	970 522 151 F7 DAL	Cream	-BC,BE,DS,DT		
	970 522 151 F7 DAK	Marsala Red	-PC		
	970 522 151 F7 GHC	agate grey	-DL		
	970 522 151 F7 GLC	Carrera Red	-BF		
	970 522 151 F7 DUE	saddle brown	-SB,DN		
(2)	970 522 151 34	D - MJ 2015>> Cover Side part	left rear	1	PR:830,832, 834,836,541, 998,943
		D >> - MJ 2010			
	970 522 151 34 DAM	Espresso	-NA		
	970 522 151 34 DAN	Cognac	-NC		
	970 522 151 34 DAO	Cedar	-BN		
(2)	970 522 151 76	Cover Side part	left rear	1	PR:830,832, 834,836,541, 998,943
		D - MJ 2011>>			
	970 522 151 76 DAM	Espresso	-NA		
	970 522 151 76 DAN	Cognac	-NC		
	970 522 151 76 DAO	Cedar	-BN		
(2)	970 522 151 35	Cover Side part	left rear	1	PR:830,832, 834,836,541, 998,943,565
		D >> - MJ 2010			
	970 522 151 35 DAM	Espresso	-NA		
	970 522 151 35 DAN	Cognac	-NC		
	970 522 151 35 DAO	Cedar	-BN		
(2)	970 522 151 77	Cover Side part	left rear	1	PR:830,832, 834,836,541, 998,943,565
		D - MJ 2011>> - MJ 2013			
	970 522 151 77 DAM	Espresso	-NA		
	970 522 151 77 DAN	Cognac	-NC		
	970 522 151 77 DAO	Cedar	-BN		
(2)	970 522 151 F8	Cover Side part	left rear	1	PR:830,832, 834,836,541, 998,943,565
		D - MJ 2014>>			
	970 522 151 F8 DAM	Espresso	-NA		
	970 522 151 F8 DAN	Cognac	-NC		
	970 522 151 F8 DAO	Cedar	-BN		
(2)	970 522 151 36	Cover Side part	left rear	1	PR:830,832, 834,836,343, 541,938
		D >> - MJ 2010			
	970 522 151 36 DAA	Black	-AB		
	970 522 151 36 DAB	Platinum Grey	-CB		

Model: 970 10 Model life 2010>>2016

Pos	Part Number	Description	Remark	Qty	Model
(2)	970 522 151 36 DAC 970 522 151 78	Luxor beige Cover Side part D - MJ 2011>>	-UB left rear	1	PR:830,832, 834,836,343, 541,938
	970 522 151 78 DAA 970 522 151 78 DAB 970 522 151 78 DAC 970 522 151 78 GHB	Black Platinum Grey Luxor beige agate grey D - MJ 2014>>	-AB -CB -UB,PK -DL		
(2)	970 522 151 D3	Padded upholstery Side part	rear	1	PR-343,382, 541,565,830, 938,834
	970 522 151 D3 DAA 970 522 151 D3 DAC 970 522 151 D3 GHB	Black Luxor beige agate grey	-AB -PK,UB -DG		
(2)	970 522 151 37	Cover Side part D >> - MJ 2010	left rear	1	PR:830,832, 834,836,343, 541,938,565
	970 522 151 37 DAA 970 522 151 37 DAB 970 522 151 37 DAC	Black Platinum Grey Luxor beige	-AB -DG -UB		
(2)	970 522 151 79	Cover Side part D - MJ 2011>> - MJ 2013	left rear	1	PR:830,832, 834,836,343, 541,938,565
	970 522 151 79 DAA 970 522 151 79 DAB 970 522 151 79 DAC 970 522 151 79 GHB	Black Platinum Grey Luxor beige agate grey	-AB -CB -UB,PK -DG		
(2)	970 522 151 F9	Cover Side part D - MJ 2014>>	left rear	1	PR:830,832, 834,381,343, 541,938,565
	970 522 151 F9 DAA 970 522 151 F9 DAC 970 522 151 F9 GHB	Black Luxor beige agate grey	-AB -UB,PK -DG		
(2)	970 522 151 38	Cover Side part D >> - MJ 2010	left rear	1	PR:830,832, 834,836,343, 541,943
	970 522 151 38 DAF 970 522 151 38 DAG 970 522 151 38 DAH 970 522 151 38 DAJ 970 522 151 38 DAL	Black Platinum Grey Luxor beige yachting blue Cream	-AC -CC,BB -UC -EC -BC,BD,BE		
(2)	970 522 151 80	Cover Side part D - MJ 2011>>	left rear	1	PR:830,832, 834,836,343, 541,943
	970 522 151 80 DAF 970 522 151 80 DAG 970 522 151 80 DAH 970 522 151 80 DAJ 970 522 151 80 DAL	Black Platinum Grey Luxor beige yachting blue Cream	-AC -CC,BB -UC,PL -EC -BC,BD,BE,DS, DT		
	970 522 151 80 DAK 970 522 151 80 GHC	Marsala Red agate grey D - MJ 2014>>	-PC -DL		
	970 522 151 80 GLC	Carrera Red D - MJ 2014>>	-BF		
	970 522 151 80 DUE	saddle brown	-SB,DN		

Model: 970 10 Model life 2010>>2016

Pos	Part Number	Description	Remark	Qty	Model
(2)	970 522 151 39	D - MJ 2015>> Cover Side part	left rear	1	PR:830,832, 834,836,343, 541,943,565
		D >> - MJ 2010			
	970 522 151 39 DAF	Black	-AC		
	970 522 151 39 DAG	Platinum Grey	-CC,BB		
	970 522 151 39 DAH	Luxor beige	-UC		
	970 522 151 39 DAJ	yachting blue	-EC		
	970 522 151 39 DAL	Cream	-BC,BD,BE		
(2)	970 522 151 81	Cover Side part	left rear	1	PR:830,832, 834,836,343, 541,943,565
		D - MJ 2011>> - MJ 2013			
	970 522 151 81 DAF	Black	-AC		
	970 522 151 81 DAG	Platinum Grey	-CC,BB		
	970 522 151 81 DAH	Luxor beige	-UC,PL		
	970 522 151 81 DAJ	yachting blue	-EC		
	970 522 151 81 DAL	Cream	-BC,BD,BE,DS, DT		
	970 522 151 81 DAK	Marsala Red	-PC		
	970 522 151 81 GHC	agate grey	-DL		
	970 522 151 81 GLC	Carrera Red	-SB,DN		
(2)	970 522 151 G1	Cover Side part	left rear	1	PR:830,832, 834,836,343, 541,943,565
		D - MJ 2014>>			
	970 522 151 G1 DAF	Black	-AC		
	970 522 151 G1 DAG	Platinum Grey	-CC,BB		
	970 522 151 G1 DAH	Luxor beige	-UC,PL		
	970 522 151 G1 DAJ	yachting blue	-EC		
	970 522 151 G1 DAL	Cream	-BC,BD,BE,DS, DT		
	970 522 151 G1 DAK	Marsala Red	-PC		
	970 522 151 G1 GHC	agate grey	-DL		
	970 522 151 G1 GLC	Carrera Red	-BF		
	970 522 151 G1 DUE	saddle brown	-SB,DN		
(2)	970 522 151 40	D - MJ 2015>> Cover Side part	left rear	1	PR:830,832, 834,836,343, 541,943,998
		D >> - MJ 2010			
	970 522 151 40 DAM	Espresso	-NA		
	970 522 151 40 DAN	Cognac	-NC		
	970 522 151 40 DAO	Cedar	-BN		
(2)	970 522 151 82	Cover Side part	left rear	1	PR:830,832, 834,836,343, 541,943,998
		D - MJ 2011>>			
	970 522 151 82 DAM	Espresso	-NA		
	970 522 151 82 DAN	Cognac	-NC		
	970 522 151 82 DAO	Cedar	-BN		
(2)	970 522 151 41	Cover Side part	left rear	1	PR:830,832, 834,836,343, 541,943,998, 565
		D >> - MJ 2010			
	970 522 151 41 DAM	Espresso	-NA		
	970 522 151 41 DAN	Cognac	-NC		
	970 522 151 41 DAO	Cedar	-BN		
(2)	970 522 151 83	Cover Side part	left rear	1	PR:830,832, 834,836,343, 541,943,998, 565
		D - MJ 2011>> - MJ 2013			

Model: 970 10 Model life 2010>>2016

Pos	Part Number	Description	Remark	Qty	Model
(2)	970 522 151 83 DAM	Espresso	-NA	1	PR:830,832, 834,836,343, 541,943,998, 565
	970 522 151 83 DAN	Cognac	-NC		
	970 522 151 83 DAO	Cedar	-BN		
	970 522 151 G2	Cover Side part	left rear		
(2)		D - MJ 2014>>		1	PR:831,833, 835,010,932
	970 522 151 G2 DAM	Espresso	-NA		
	970 522 151 G2 DAN	Cognac	-NC		
	970 522 151 G2 DAO	Cedar	-BN		
	970 522 151 G4	Cover Side part	rear		
		D - MJ 2015>>			
		Discontinued part			
	970 522 151 G4 DSY	Black/Carmine Red	-GK		
	970 522 151 G4 DSZ	black/silver	-GS		
	970 522 151 G4 DAF	Black	-GA		
	970 522 151 G4 GHC	agate grey	-GD		
	970 522 151 G4 DAH	Luxor beige	-GU		
	970 522 151 G4 DUE	saddle brown	-GH		
970 522 151 G4 DAK	Marsala Red	-GP			
(2)	970 522 152 00	Cover Side part	right rear	1	PR:830,832, 834,836,938, 940
		D >> - MJ 2010			
	970 522 152 00 DAA	Black	-AB		
	970 522 152 00 DAB	Platinum Grey	-CB		
	970 522 152 00 DAC	Luxor beige	-UB		
	970 522 152 42	Cover Side part	right rear		
		D - MJ 2011>>			
	970 522 152 42 DAA	Black	-AB		
	970 522 152 42 DAB	Platinum Grey	-CB		
	970 522 152 42 DAC	Luxor beige	-UB,PK		
(2)	970 522 152 42 GHB	agate grey	-DG	1	PR:830,832, 834,836,938, 940,565
		D - MJ 2014>>			
	970 522 152 01	Cover Side part	right rear		
		D >> - MJ 2010			
	970 522 152 01 DAA	Black	-AB		
(2)	970 522 152 01 DAB	Platinum Grey	-CB	1	PR:830,832, 834,836,938, 940,565
	970 522 152 01 DAC	Luxor beige	-UB		
	970 522 152 01	Cover Side part	right rear		
		D >> - MJ 2010			
(2)	970 522 152 01 DAA	Black	-AB	1	PR:830,832, 834,836,938, 940,565
	970 522 152 01 DAB	Platinum Grey	-CB		
	970 522 152 01 DAC	Luxor beige	-UB		
	970 522 152 43	Cover Side part	right rear		
		D - MJ 2011>> - MJ 2013			
(2)	970 522 152 43 DAA	Black	-AB	1	PR:830,832, 834,836,938, 940,565
	970 522 152 43 DAB	Platinum Grey	-CB		
	970 522 152 43 DAC	Luxor beige	-UB,PK		
	970 522 152 43 GHB	agate grey	-DG		
	970 522 152 D9	Cover Side part	right rear		
	D - MJ 2014>>				

Model: 970 10 Model life 2010>>2016

Pos	Part Number	Description	Remark	Qty	Model	
(2)	970 522 152 D9 DAA	Black	-AB	1	PR:830,832, 834,836,941, 943	
	970 522 152 D9 DAC	Luxor beige	-UB			
	970 522 152 D9 GHB	agate grey	-DG			
	970 522 152 02	Cover	right			
		Side part	rear			
		D >> - MJ 2010				
(2)	970 522 152 02 DAF	Black	-AC	1	PR:830,832, 834,836,941, 943	
	970 522 152 02 DAG	Platinum Grey	-CC,BB			
	970 522 152 02 DAH	Luxor beige	-UC			
	970 522 152 02 DAJ	yachting blue	-EC			
	970 522 152 02 DAL	Cream	-BC,BD,BE			
	970 522 152 44	Cover	right			
		Side part	rear			
			D - MJ 2011>>			
	970 522 152 44 DAF	Black	-AC			
	970 522 152 44 DAG	Platinum Grey	-CC,BB			
970 522 152 44 DAH	Luxor beige	-UC,PL				
970 522 152 44 DAJ	yachting blue	-EC				
970 522 152 44 DAL	Cream	-BC,BD,BE,DS, DT				
970 522 152 44 DAK	Marsala Red	-PC				
970 522 152 44 GHC	agate grey	-DL				
970 522 152 44 GLC	Carrera Red	-BF				
970 522 152 44 DUE	saddle brown	-SB,DN				
(2)	970 522 152 03	Cover	right	1	PR:830,832, 834,836,941, 565,943	
		Side part	rear			
		D >> - MJ 2010				
(2)	970 522 152 03 DAF	Black	-AC	1	PR:830,832, 834,836,941, 565,943	
	970 522 152 03 DAG	Platinum Grey	-CC,BB			
	970 522 152 03 DAH	Luxor beige	-UC			
	970 522 152 03 DAJ	yachting blue	-EC			
	970 522 152 03 DAL	Cream	-BC,BD,BE			
970 522 152 45	Cover	right				
		Side part	rear			
		D - MJ 2011>> - MJ 2013				
(2)	970 522 152 45 DAF	Black	-AC	1	PR:830,832, 834,836,941, 565,943	
	970 522 152 45 DAG	Platinum Grey	-CC,BB			
	970 522 152 45 DAH	Luxor beige	-UC,PL			
	970 522 152 45 DAJ	yachting blue	-EC			
	970 522 152 45 DAL	Cream	-BC,BD,BE,DS, DT			
	970 522 152 45 DAK	Marsala Red	-PC			
	970 522 152 45 GHC	agate grey	-DL			
	970 522 152 45 GLC	Carrera Red	-BF			
	970 522 152 E1	Cover	right			
		Side part	rear			
		D - MJ 2014>>				
970 522 152 E1 DAF	Black	-AC				
970 522 152 E1 DAH	Luxor beige	-UC				
970 522 152 E1 DAL	Cream	-BC,BE,DS,DT				
970 522 152 E1 DAK	Marsala Red	-PC				
970 522 152 E1 GHC	agate grey	-DL				
970 522 152 E1 GLC	Carrera Red	-BF				
970 522 152 E1 DUE	saddle brown	-SB,DN				
		D - MJ 2015>>				

Model: 970 10 Model life 2010>>2016

Pos	Part Number	Description	Remark	Qty	Model
(2)	970 522 152 04	Cover Side part D >> - MJ 2010	right rear	1	PR:830,832, 834,836,941, 943,998
	970 522 152 04 DAM	Espresso			
	970 522 152 04 DAN	Cognac			
	970 522 152 04 DAO	Cedar			
(2)	970 522 152 46	Cover Side part D - MJ 2011>>	right rear	1	PR:830,832, 834,836,941, 943,998
	970 522 152 46 DAM	Espresso	-NA		
	970 522 152 46 DAN	Cognac	-NC		
	970 522 152 46 DAO	Cedar	-BN		
(2)	970 522 152 05	Cover Side part D >> - MJ 2010	right rear	1	PR:830,832, 834,836,941, 943,998,565
	970 522 152 05 DAM	Espresso	-NA		
	970 522 152 05 DAN	Cognac	-NC		
	970 522 152 05 DAO	Cedar	-BN		
(2)	970 522 152 47	Cover Side part D - MJ 2011>> - MJ 2013	right rear	1	PR:830,832, 834,836,941, 943,998,565
	970 522 152 47 DAM	Espresso	-NA		
	970 522 152 47 DAN	Cognac	-NC		
	970 522 152 47 DAO	Cedar	-BN		
(2)	970 522 152 E2	Cover Side part D - MJ 2014>>	right rear	1	PR:830,832, 834,836,941, 943,998,565
	970 522 152 E2 DAM	Espresso	-NA		
	970 522 152 E2 DAN	Cognac	-NC		
	970 522 152 E2 DAO	Cedar	-BN		
(2)	970 522 152 06	Cover Side part D >> - MJ 2010	right rear	1	PR:831,833, 835,938
	970 522 152 06 DAA	Black	-AB		
	970 522 152 06 DAB	Platinum Grey	-CB		
	970 522 152 06 DAC	Luxor beige	-UB		
(2)	970 522 152 48	Cover Side part D - MJ 2011>>	right rear	1	PR:831,833, 835,938
	970 522 152 48 DAA	Black	-AB		
	970 522 152 48 DAB	Platinum Grey	-CB		
	970 522 152 48 DAC	Luxor beige	-UB		
	970 522 152 48 GHB	agate grey	-DG		
(2)	970 522 152 07	Cover Side part D >> - MJ 2010	right rear	1	PR:831,833, 835,565,938
	970 522 152 07 DAA	Black	-AB		
	970 522 152 07 DAB	Platinum Grey	-CB		
	970 522 152 07 DAC	Luxor beige	-UB		
(2)	970 522 152 49	Cover Side part D - MJ 2011>> - MJ 2013	right rear	1	PR:831,833, 835,565,938
	970 522 152 49 DAA	Black	-AB		
	970 522 152 49 DAB	Platinum Grey	-CB		
	970 522 152 49 DAC	Luxor beige	-UB,PK		
	970 522 152 49 GHB	agate grey	-DG		
(2)	970 522 152 E3	Cover	right	1	PR:831,833,

Model: 970 10 Model life 2010>>2016

Pos	Part Number	Description	Remark	Qty	Model
		Side part	rear		835,565,938
		D - MJ 2014>>			
	970 522 152 E3 DAA	Black	-AB		
	970 522 152 E3 DAC	Luxor beige	-UB		
	970 522 152 E3 GHB	agate grey	-DG		
(2)	970 522 152 08	Cover	right	1	PR:831,833,835,943
		Side part	rear		
		D >> - MJ 2010			
	970 522 152 08 DAF	Black	-AC		
	970 522 152 08 DAG	Platinum Grey	-CC,BB		
	970 522 152 08 DAH	Luxor beige	-UC		
	970 522 152 08 DAJ	yachting blue	-EC		
	970 522 152 08 DAL	Cream	-BC,BD,BE		
(2)	970 522 152 50	Cover	right	1	PR:831,833,835,943,010,932
		Side part	rear		
		D - MJ 2011>>			
	970 522 152 50 DAF	Black	-AC,GA		
	970 522 152 50 DAG	Platinum Grey	-CC,BB,GC		
	970 522 152 50 DAH	Luxor beige	-UC,PL,GU		
	970 522 152 50 DAJ	yachting blue	-EC,GE		
	970 522 152 50 DAL	Cream	-BC,BD,BE,DS,DT		
	970 522 152 50 DAK	Marsala Red	-PC,GP		
	970 522 152 50 DSY	Black/Carmin Red	-GK		
		D - MJ 2014>>			
	970 522 152 50 DSZ	black/silver	-GS		
		D - MJ 2014>>			
	970 522 152 50 GHC	agate grey	-DL,GD		
		D - MJ 2014>>			
	970 522 152 50 GLC	Carrera Red	-BF		
		D - MJ 2014>>			
	970 522 152 50 DUE	saddle brown	-SB,DN,GH		
		D - MJ 2015>>			
(2)	970 522 152 09	Cover	right	1	PR:831,833,835,943,565
		Side part	rear		
		D >> - MJ 2010			
	970 522 152 09 DAF	Black	-AC		
	970 522 152 09 DAG	Platinum Grey	-CC,BB		
	970 522 152 09 DAH	Luxor beige	-UC		
	970 522 152 09 DAJ	yachting blue	-EC		
	970 522 152 09 DAL	Cream	-BC,BD,BE		
(2)	970 522 152 51	Cover	right	1	PR:831,833,835,943,565
		Side part	rear		
		D - MJ 2011>> - MJ 2013			
	970 522 152 51 DAF	Black	-AC,GA		
	970 522 152 51 DAG	Platinum Grey	-CC,BB,GC		
	970 522 152 51 DAH	Luxor beige	-UC,PL,GU		
	970 522 152 51 DAJ	yachting blue	-EC,GE		
	970 522 152 51 DAL	Cream	-BC,BD,BE,DS,DT		
	970 522 152 51 DAK	Marsala Red	-PC,GP		
	970 522 152 51 GHC	agate grey	-DL,GD		
	970 522 152 51 GLC	Carrera Red	-BF		
	970 522 152 51 DSY	Black/Carmin Red	-GK		
	970 522 152 51 DSZ	black/silver	-GS		
(2)	970 522 152 E4	Cover	right	1	PR:831,833,835,943,565,010,932
		Side part	rear		
		D - MJ 2014>>			
	970 522 152 E4 DAF	Black	-AC,GA		
	970 522 152 E4 DAH	Luxor beige	-UC,PL,GU		
	970 522 152 E4 DAL	Cream	-BC,BD,BE,DS,		

Model: 970 10 Model life 2010>>2016

Pos	Part Number	Description	Remark	Qty	Model
	970 522 152 E4 DAK	Marsala Red	DT		
	970 522 152 E4 GHC	agate grey	-PC,GP		
	970 522 152 E4 GLC	Carrera Red	-DL,GD		
	970 522 152 E4 DUE	saddle brown	-BF		
		D - MJ 2015>>	-SB, DN		
	970 522 152 E4 DSY	Black/Carmin Red	-GK		
		D - MJ 2015>>			
	970 522 152 E4 DSZ	black/silver	-GS		
		D - MJ 2015>>			
(2)	970 522 152 10	Cover	right	1	PR:831,833,
		Side part	rear		835,943,998
		D >> - MJ 2010			
	970 522 152 10 DAM	Espresso	-NA		
	970 522 152 10 DAN	Cognac	-NC		
	970 522 152 10 DAO	Cedar	-BN		
(2)	970 522 152 52	Cover	right	1	PR:831,833,
		Side part	rear		835,943,998
		D - MJ 2011>>			
	970 522 152 52 DAM	Espresso	-NA		
	970 522 152 52 DAN	Cognac	-NC		
	970 522 152 52 DAO	Cedar	-BN		
(2)	970 522 152 11	Cover	right	1	PR:831,833,
		Side part	rear		835,943,998,
		D >> - MJ 2010			565
	970 522 152 11 DAM	Espresso	-NA		
	970 522 152 11 DAN	Cognac	-NC		
	970 522 152 11 DAO	Cedar	-BN		
(2)	970 522 152 53	Cover	right	1	PR:831,833,
		Side part	rear		835,943,998,
		D - MJ 2011>> - MJ 2013			565
	970 522 152 53 DAM	Espresso	-NA		
	970 522 152 53 DAN	Cognac	-NC		
	970 522 152 53 DAO	Cedar	-BN		
(2)	970 522 152 E5	Cover	right	1	PR:831,833,
		Side part	rear		835,943,998,
		D - MJ 2014>>			565
	970 522 152 E5 DAM	Espresso	-NA		
	970 522 152 E5 DAN	Cognac	-NC		
	970 522 152 E5 DAO	Cedar	-BN		
(2)	970 522 152 12	Cover	right	1	PR:830,832,
		Side part	rear		834,836,542,
		D >> - MJ 2010			938
	970 522 152 12 DAA	Black	-AB		
	970 522 152 12 DAB	Platinum Grey	-CB		
	970 522 152 12 DAC	Luxor beige	-UB		
(2)	970 522 152 54	Cover	right	1	PR:830,832,
		Side part	rear		834,836,542,
		D - MJ 2011>>			938
	970 522 152 54 DAA	Black	-AB		
	970 522 152 54 DAB	Platinum Grey	-CB		
	970 522 152 54 DAC	Luxor beige	-UB,PK		
	970 522 152 54 GHB	agate grey	-DG		
		D - MJ 2014>>			
(2)	970 522 152 13	Cover	right	1	PR:830,832,
		Side part	rear		834,836,542,
		D >> - MJ 2010			938,565

Model: 970 10 Model life 2010>>2016

Pos	Part Number	Description	Remark	Qty	Model
(2)	970 522 152 13 DAA	Black	-AB	1	PR:830,832, 834,836,542, 938,565
	970 522 152 13 DAB	Platinum Grey	-CB		
	970 522 152 13 DAC	Luxor beige	-UB		
	970 522 152 55	Cover Side part	right rear		
		D - MJ 2011>> - MJ 2013			
(2)	970 522 152 55 DAA	Black	-AB	1	PR:830,832, 834,836,542, 938,565
	970 522 152 55 DAB	Platinum Grey	-CB		
	970 522 152 55 DAC	Luxor beige	-UB,PK		
	970 522 152 55 GHB	agate grey	-DG		
970 522 152 E6	Cover Side part	right rear			
		D - MJ 2014>>			
(2)	970 522 152 E6 DAA	Black	-AB	1	PR:830,832, 834,836,542, 943
	970 522 152 E6 DAC	Luxor beige	-UB		
	970 522 152 E6 GHB	agate grey	-DG		
	970 522 152 14	Cover Side part	right rear		
		D >> - MJ 2010			
(2)	970 522 152 14 DAF	Black	-AC	1	PR:830,832, 834,836,542, 943
	970 522 152 14 DAG	Platinum Grey	-CC,BB		
	970 522 152 14 DAH	Luxor beige	-UC		
	970 522 152 14 DAJ	yachting blue	-EC		
970 522 152 14 DAL	Cream	-BC,BD,BE			
970 522 152 56	Cover Side part	right rear			
		D - MJ 2011>>			
(2)	970 522 152 56 DAF	Black	-AC	1	PR:830,832, 834,836,542, 943,565
	970 522 152 56 DAG	Platinum Grey	-CC,BB		
	970 522 152 56 DAH	Luxor beige	-UC,PL		
	970 522 152 56 DAJ	yachting blue	-EC		
970 522 152 56 DAL	Cream	-BC,BD,BE,DS, DT			
970 522 152 56 DAK	Marsala Red	-PC			
970 522 152 56 GHC	agate grey	-DL			
		D - MJ 2014>>			
970 522 152 56 GLC	Carrera Red	-BF			
		D - MJ 2014>>			
970 522 152 56 DUE	saddle brown	-SB,DN			
		D - MJ 2015>>			
(2)	970 522 152 15	Cover Side part	right rear	1	PR:830,832, 834,836,542, 943,565
			D >> - MJ 2010		
	970 522 152 15 DAF	Black	-AC		
	970 522 152 15 DAG	Platinum Grey	-CC,BB		
970 522 152 15 DAH	Luxor beige	-UC			
970 522 152 15 DAJ	yachting blue	-EC			
970 522 152 15 DAL	Cream	-BC,BD,BE			
970 522 152 57	Cover Side part	right rear			
		D - MJ 2011>> - MJ 2013			
(2)	970 522 152 57 DAF	Black	-AC	1	PR:830,832, 834,836,542, 943,565
	970 522 152 57 DAG	Platinum Grey	-CC,BB		
	970 522 152 57 DAH	Luxor beige	-UC,PL		
	970 522 152 57 DAJ	yachting blue	-EC		
970 522 152 57 DAL	Cream	-BC,BD,BE,DS, DT			

Model: 970 10 Model life 2010>>2016

Pos	Part Number	Description	Remark	Qty	Model
(2)	970 522 152 57 DAK	Marsala Red	-PC	1	PR:830,832, 834,836,542, 943,565
	970 522 152 57 GHC	agate grey	-DL		
	970 522 152 57 GLC	Carrera Red	-BF		
	970 522 152 E7	Cover	right		
		Side part	rear		
		D - MJ 2014>>			
	970 522 152 E7 DAF	Black	-AC		
	970 522 152 E7 DAH	Luxor beige	-CC,BB		
	970 522 152 E7 DAL	Cream	-BC,BE,DS,DT		
	970 522 152 E7 DAK	Marsala Red	-PC		
970 522 152 E7 GHC	agate grey	-DL			
970 522 152 E7 GLC	Carrera Red	-BF			
970 522 152 E7 DUE	saddle brown	-SB,DN			
(2)	970 522 152 16	Cover	right	1	PR:830,832, 834,836,542, 943,998
		Side part	rear		
		D >> - MJ 2010			
	970 522 152 16 DAM	Espresso	-NA		
	970 522 152 16 DAN	Cognac	-NC		
	970 522 152 16 DAO	Cedar	-BN		
	970 522 152 58	Cover	right		
		Side part	rear		
		D - MJ 2011>>			
	970 522 152 58 DAM	Espresso	-NA		
970 522 152 58 DAN	Cognac	-NC			
970 522 152 58 DAO	Cedar	-BN			
(2)	970 522 152 17	Cover	right	1	PR:830,832, 834,836,542, 943,998,565
		Side part	rear		
		D >> - MJ 2010			
	970 522 152 17 DAM	Espresso	-NA		
	970 522 152 17 DAN	Cognac	-NC		
	970 522 152 17 DAO	Cedar	-BN		
	970 522 152 59	Cover	right		
		Side part	rear		
		D - MJ 2011>> - MJ 2013			
	970 522 152 59 DAM	Espresso	-NA		
970 522 152 59 DAN	Cognac	-NC			
970 522 152 59 DAO	Cedar	-BN			
(2)	970 522 152 E8	Cover	right	1	PR:830,832, 834,836,542, 943,998,565
		Side part	rear		
		D - MJ 2014>>			
	970 522 152 E8 DAM	Espresso	-NA		
	970 522 152 E8 DAN	Cognac	-NC		
	970 522 152 E8 DAO	Cedar	-BN		
	970 522 152 18	Cover	right		
		Side part	rear		
		D >> - MJ 2010			
	970 522 152 18 DAA	Black	-AB		
970 522 152 18 DAB	Platinum Grey	-CB			
970 522 152 18 DAC	Luxor beige	-UB			
(2)	970 522 152 60	Cover	right	1	PR:830,832, 834,836,343, 938,940
		Side part	rear		
		D - MJ 2011>>			
	970 522 152 60 DAA	Black	-AB		
	970 522 152 60 DAB	Platinum Grey	-CB		

Model: 970 10 Model life 2010>>2016

Pos	Part Number	Description	Remark	Qty	Model
	970 522 152 60 DAC	Luxor beige	-UB,PK		
	970 522 152 60 GHB	agate grey	-DG		
(2)	970 522 152 19	D - MJ 2014>> Cover Side part	right rear	1	PR:830,832, 834,836,343, 565,938,940
		D >> - MJ 2010			
	970 522 152 19 DAA	Black	-AB		
	970 522 152 19 DAB	Platinum Grey	-CB		
	970 522 152 19 DAC	Luxor beige	-UB		
(2)	970 522 152 61	Cover Side part	right rear	1	PR:830,832, 834,836,343, 565,938,940
		D - MJ 2011>> - MJ 2013			
	970 522 152 61 DAA	Black	-AB		
	970 522 152 61 DAB	Platinum Grey	-CB		
	970 522 152 61 DAC	Luxor beige	-UB,PK		
(2)	970 522 152 61 GHB	agate grey	-DG		
970 522 152 E9	Cover Side part	right rear			
		D - MJ 2014>>			
	970 522 152 E9 DAA	Black	-AB		
	970 522 152 E9 DAC	Luxor beige	-UB,PK		
	970 522 152 E9 GHB	agate grey	-DG		
(2)	970 522 152 20	Cover Side part	right rear	1	PR:830,832, 834,836,343, 941,943
		D >> - MJ 2010			
	970 522 152 20 DAF	Black	-AC		
	970 522 152 20 DAG	Platinum Grey	-CC,BB		
	970 522 152 20 DAH	Luxor beige	-UC		
	970 522 152 20 DAJ	yachting blue	-EC		
	970 522 152 20 DAL	Cream	-BC,BD,BE		
	(2)	970 522 152 62	Cover Side part		
		D - MJ 2011>>			
	970 522 152 62 DAF	Black	-AC		
	970 522 152 62 DAG	Platinum Grey	-CC,BB		
	970 522 152 62 DAH	Luxor beige	-UC,PL		
	970 522 152 62 DAJ	yachting blue	-EC		
	970 522 152 62 DAL	Cream	-BC,BD,BE,DS, DT		
	970 522 152 62 DAK	Marsala Red	-PC		
	970 522 152 62 GHC	agate grey	-DL		
	970 522 152 62 GLC	Carrera Red	-BF		
	970 522 152 62 DUE	D - MJ 2014>> saddle brown	-SB,DN		
(2)	970 522 152 21	D - MJ 2015>> Cover Side part	right rear	1	PR:830,832, 834,836,343, 941,565,943
		D >> - MJ 2010			
	970 522 152 21 DAF	Black	-AC		
	970 522 152 21 DAG	Platinum Grey	-CC,BB		
	970 522 152 21 DAH	Luxor beige	-UC		
	970 522 152 21 DAJ	yachting blue	-EC		
	970 522 152 21 DAL	Cream	-BC,BD,BE		
(2)	970 522 152 63	Cover Side part	right rear	1	PR:830,832, 834,836,343, 941,565,943

Model: 970 10 Model life 2010>>2016

Pos	Part Number	Description	Remark	Qty	Model
		D - MJ 2011>> - MJ 2013			
	970 522 152 63 DAF	Black	-AC		
	970 522 152 63 DAG	Platinum Grey	-CC,BB		
	970 522 152 63 DAH	Luxor beige	-UC,PL		
	970 522 152 63 DAJ	yachting blue	-EC		
	970 522 152 63 DAL	Cream	-BC,BD,BE,DS,DT		
	970 522 152 63 DAK	Marsala Red	-PC		
	970 522 152 63 GHC	agate grey	-DL		
	970 522 152 63 GLC	Carrera Red	-BF		
(2)	970 522 152 F1	Cover Side part	right rear	1	PR:830,832, 834,836,343, 941,565,943
		D - MJ 2014>>			
	970 522 152 F1 DAF	Black	-AC		
	970 522 152 F1 DAH	Luxor beige	-UC,PL		
	970 522 152 F1 DAL	Cream	-BC,BE,DS,DS		
	970 522 152 F1 DAK	Marsala Red	-PC		
	970 522 152 F1 GHC	agate grey	-DL		
	970 522 152 F1 GLC	Carrera Red	-BF		
	970 522 152 F1 DUE	saddle brown	-SB,DN		
(2)	970 522 152 22	D - MJ 2015>> Cover Side part	right rear	1	PR:830,832, 834,836,343, 941,943,998
		D >> - MJ 2010			
	970 522 152 22 DAM	Espresso	-NA		
	970 522 152 22 DAN	Cognac	-NC		
	970 522 152 22 DAO	Cedar	-BN		
(2)	970 522 152 64	Cover Side part	right rear	1	PR:830,832, 834,836,343, 941,943,998
		D - MJ 2011>>			
	970 522 152 64 DAM	Espresso	-NA		
	970 522 152 64 DAN	Cognac	-NC		
	970 522 152 64 DAO	Cedar	-BN		
(2)	970 522 152 23	Cover Side part	right rear	1	PR:830,832, 834,836,343, 941,943,565, 998
		D >> - MJ 2010			
	970 522 152 23 DAM	Espresso	-NA		
	970 522 152 23 DAN	Cognac	-NC		
	970 522 152 23 DAO	Cedar	-BN		
(2)	970 522 152 65	Cover Side part	right rear	1	PR:830,832, 834,836,343, 941,943,565, 998
		D - MJ 2011>> - MJ 2013			
	970 522 152 65 DAM	Espresso	-NA		
	970 522 152 65 DAN	Cognac	-NC		
	970 522 152 65 DAO	Cedar	-BN		
(2)	970 522 152 F2	Cover Side part	right rear	1	PR:830,832, 834,836,343, 941,943,565, 998
		D - MJ 2014>>			
	970 522 152 F2 DAM	Espresso	-NA		
	970 522 152 F2 DAN	Cognac	-NC		
	970 522 152 F2 DAO	Cedar	-BN		
(2)	970 522 152 24	Cover Side part	right rear	1	PR:831,833, 835,343,938
		D >> - MJ 2010			
	970 522 152 24 DAA	Black	-AB		
	970 522 152 24 DAB	Platinum Grey	-CB		
	970 522 152 24 DAC	Luxor beige	-UB		

Model: 970 10 Model life 2010>>2016

Pos	Part Number	Description	Remark	Qty	Model
(2)	970 522 152 66	Cover Side part D - MJ 2011>>	right rear	1	PR:831,833, 835,343,938
	970 522 152 66 DAA	Black	-AB		
	970 522 152 66 DAB	Platinum Grey	-CB		
	970 522 152 66 DAC	Luxor beige	-UB,PK		
	970 522 152 66 GHB	agate grey	-DG		
(2)	970 522 152 25	Cover Side part D >> - MJ 2010	right rear	1	PR:831,833, 835,343,938, 565
	970 522 152 25 DAA	Black	-AB		
	970 522 152 25 DAB	Platinum Grey	-CB		
	970 522 152 25 DAC	Luxor beige	-UB		
(2)	970 522 152 67	Cover Side part D - MJ 2011>> - MJ 2013	right rear	1	PR:831,833, 835,343,938, 565
	970 522 152 67 DAA	Black	-AB		
	970 522 152 67 DAB	Platinum Grey	-CB		
	970 522 152 67 DAC	Luxor beige	-UB,PK		
	970 522 152 67 GHB	agate grey	-DG		
(2)	970 522 152 F3	Cover Side part D - MJ 2014>>	right rear	1	PR:831,833, 835,343,938, 565
	970 522 152 F3 DAA	Black	-AB		
	970 522 152 F3 DAC	Luxor beige	-UB		
	970 522 152 F3 GHB	agate grey	-DG		
(2)	970 522 152 26	Cover Side part D >> - MJ 2010	right rear	1	PR:831,833, 835,343,943
	970 522 152 26 DAF	Black	-AC		
	970 522 152 26 DAG	Platinum Grey	-CC,BB		
	970 522 152 26 DAH	Luxor beige	-UC		
	970 522 152 26 DAJ	yachting blue	-EC		
	970 522 152 26 DAL	Cream	-BC,BD,BE		
(2)	970 522 152 68	Cover Side part D - MJ 2011>>	right rear	1	PR:831,833, 835,343,943
	970 522 152 68 DAF	Black	-AC		
	970 522 152 68 DAG	Platinum Grey	-CC,BB		
	970 522 152 68 DAH	Luxor beige	-UC,PL		
	970 522 152 68 DAJ	yachting blue	-EC		
	970 522 152 68 DAL	Cream	-BC,BD,BE,DS, DT		
	970 522 152 68 DAK	Marsala Red	-PC		
	970 522 152 68 GHC	agate grey	-DL		
	970 522 152 68 GLC	Carrera Red D - MJ 2014>>	-BF		
	970 522 152 68 DUE	saddle brown D - MJ 2014>>	-SB,DN		
(2)	970 522 152 68	Cover Side part D - MJ 2015>>	right rear	1	PR:831,833, 835,343,943, 015,932,010
	970 522 152 68 DAF	Black	-AC,GA		
	970 522 152 68 DAG	Platinum Grey	-CC,BB,GC		
	970 522 152 68 DAH	Luxor beige	-UC,PL,GU		
	970 522 152 68 DAJ	yachting blue	-EC,GE		
	970 522 152 68 DAL	Cream	-BC,BD,BE,DS,		

Model: 970 10 Model life 2010>>2016

Pos	Part Number	Description	Remark	Qty	Model
(2)	970 522 152 68 DAK	Marsala Red	DT -PC,GP	1	PR:831,833, 835,343,943, 565
	970 522 152 68 DSY	Black/Carmine Red	-GK		
	970 522 152 68 DSZ	black/silver	-GS		
	970 522 152 68 DUE	saddle brown	-SB, DN, GH		
	970 522 152 68 GHC	agate grey	-DL, GD		
	970 522 152 27	Cover Side part	right rear		
	D >> - MJ 2010				
	970 522 152 27 DAF	Black	-AC		
	970 522 152 27 DAG	Platinum Grey	-CC, BB		
	970 522 152 27 DAH	Luxor beige	-UC		
(2)	970 522 152 27 DAJ	yachting blue	-EC, GE	1	PR:831,833, 835,343,943, 565
	970 522 152 27 DAL	Cream	-BC, BD, BE		
	970 522 152 69	Cover Side part	right rear		
	D - MJ 2011>> - MJ 2013				
	970 522 152 69 DAF	Black	-AC		
	970 522 152 69 DAG	Platinum Grey	-CC, BB		
	970 522 152 69 DAH	Luxor beige	-UC, PL		
	970 522 152 69 DAJ	yachting blue	-EC		
	970 522 152 69 DAL	Cream	-BC, BD, BE, DS, DT		
	(2)	970 522 152 69 DAK	Marsala Red		
970 522 152 69 GHC		agate grey	-DL		
970 522 152 69 GLC		Carrera Red	-BF		
970 522 152 69		Cover Side part	right rear		
D - MJ 2013>>					
970 522 152 69 DAF		Black	-AC, GA		
970 522 152 69 DAG		Platinum Grey	-CC, BB, GC		
970 522 152 69 DAH		Luxor beige	-UC, PL, GU		
970 522 152 69 DAJ		yachting blue	-EC, GE		
970 522 152 69 DAL		Cream	-BC, BD, BE, DS, DT		
(2)	970 522 152 69 DAK	Marsala Red	-PC	1	PR:831,833, 835,343,943, 565
	970 522 152 69 DSY	Black/Carmine Red	-GK		
	970 522 152 69 DSZ	black/silver	-GS		
	970 522 152 69 DUE	saddle brown	-SB, DN, GH		
	970 522 152 69 GHC	agate grey	-DL, GD		
	970 522 152 F4	Cover Side part	right rear		
	D - MJ 2014>>				
	970 522 152 F4 DAF	Black	-AC		
	970 522 152 F4 DAH	Luxor beige	-UC, PL		
	970 522 152 F4 DAL	Cream	-BC, BE, DS, DT		
(2)	970 522 152 F4 DAK	Marsala Red	-PC	1	PR:831,833, 835,343,943, 565,015,010, 932
	970 522 152 F4 DUE	saddle brown	-SB, DN		
	970 522 152 F4 GHC	agate grey	-DL		
	970 522 152 F4 GLC	Carrera Red	-BF		
	970 522 152 F4	Cover Side part	right rear		
	D - MJ 2014>>				
	970 522 152 F4 DAF	Black	-AC, GA		
	970 522 152 F4 DAH	Luxor beige	-UC, PL, GU		
	970 522 152 F4 DAL	Cream	-BC, BE, DS, DT		
	970 522 152 F4 DAK	Marsala Red	-PC, GP		
970 522 152 F4 DSY	Black/Carmine Red	-GK			

Model: 970 10 Model life 2010>>2016

Pos	Part Number	Description	Remark	Qty	Model
(2)	970 522 152 F4 DSZ	black/silver	-GS	1	PR:831,833, 835,343,943, 998
	970 522 152 F4 DUE	saddle brown	-SB, DN, GH		
	970 522 152 F4 GHC	agate grey	-DL, GD		
	970 522 152 28	Cover Side part	right rear		
		D >> - MJ 2010			
(2)	970 522 152 28 DAM	Espresso	-NA	1	PR:831,833, 835,343,943, 998
	970 522 152 28 DAN	Cognac	-NC		
	970 522 152 28 DAO	Cedar	-BN		
	970 522 152 70	Cover Side part	right rear		
		D - MJ 2011>>			
(2)	970 522 152 70 DAM	Espresso	-NA	1	PR:831,833, 835,343,943, 998,565
	970 522 152 70 DAN	Cognac	-NC		
	970 522 152 70 DAO	Cedar	-BN		
	970 522 152 29	Cover Side part	right rear		
		D >> - MJ 2010			
(2)	970 522 152 29 DAM	Espresso	-NA	1	PR:831,833, 835,343,943, 998,565
	970 522 152 29 DAN	Cognac	-NC		
	970 522 152 29 DAO	Cedar	-BN		
	970 522 152 71	Cover Side part	right rear		
		D - MJ 2011>> - MJ 2013			
(2)	970 522 152 71 DAM	Espresso	-NA	1	PR:831,833, 835,343,943, 998,565
	970 522 152 71 DAN	Cognac	-NC		
	970 522 152 71 DAO	Cedar	-BN		
	970 522 152 F5	Cover Side part	right rear		
		D - MJ 2014>>			
(2)	970 522 152 F5 DAM	Espresso	-NA	1	PR:830,832, 834,836,541, 938
	970 522 152 F5 DAN	Cognac	-NC		
	970 522 152 F5 DAO	Cedar	-BN		
	970 522 152 30	Cover Side part	right rear		
		D >> - MJ 2010			
(2)	970 522 152 30 DAA	Black	-AB	1	PR:830,832, 834,836,541, 938
	970 522 152 30 DAB	Platinum Grey	-CB		
	970 522 152 30 DAC	Luxor beige	-UB		
	970 522 152 72	Cover Side part	right rear		
		D - MJ 2011>>			
(2)	970 522 152 72 DAA	Black	-AB	1	PR:830,832, 834,836,541, 565,938
	970 522 152 72 DAB	Platinum Grey	-CB		
	970 522 152 72 DAC	Luxor beige	-UB, PK		
	970 522 152 72 GHB	agate grey	-DG		
		D - MJ 2014>>			
(2)	970 522 152 31	Cover Side part	right rear	1	PR:830,832, 834,836,541, 565,938
		D >> - MJ 2010			
(2)	970 522 152 31 DAA	Black	-AB	1	PR:830,832, 834,836,541,
	970 522 152 31 DAB	Platinum Grey	-CB		
	970 522 152 31 DAC	Luxor beige	-UB		
	970 522 152 73	Cover Side part	right rear		

Model: 970 10 Model life 2010>>2016

Pos	Part Number	Description	Remark	Qty	Model
		D - MJ 2011>> - MJ 2013			565,938
	970 522 152 73 DAA	Black	-AB		
	970 522 152 73 DAB	Platinum Grey	-CB		
	970 522 152 73 DAC	Luxor beige	-UB,PK		
	970 522 152 73 GHB	agate grey	-DG		
(2)	970 522 152 F6	Cover Side part	right rear	1	PR:830,832, 834,836,541, 565,938
		D - MJ 2014>>			
	970 522 152 F6 DAA	Black	-AB		
	970 522 152 F6 DAC	Luxor beige	-UB		
	970 522 152 F6 GHB	agate grey	-DG		
(2)	970 522 152 32	Cover Side part	right rear	1	PR:830,832, 834,836,541, 943
		D >> - MJ 2010			
	970 522 152 32 DAF	Black	-AC		
	970 522 152 32 DAG	Platinum Grey	-CC,BB		
	970 522 152 32 DAH	Luxor beige	-UC		
	970 522 152 32 DAJ	yachting blue	-EC		
	970 522 152 32 DAL	Cream	-BC,BD,BE		
(2)	970 522 152 74	Cover Side part	right rear	1	PR:830,832, 834,836,541, 943
		D - MJ 2011>>			
	970 522 152 74 DAF	Black	-AC		
	970 522 152 74 DAG	Platinum Grey	-CC,BB		
	970 522 152 74 DAH	Luxor beige	-UC,PL		
	970 522 152 74 DAJ	yachting blue	-EC		
	970 522 152 74 DAL	Cream	-BC,BD,BE,DS, DT		
	970 522 152 74 DAK	Marsala Red	-PC		
	970 522 152 74 GHC	agate grey	-DL		
		D - MJ 2014>>			
	970 522 152 74 GLC	Carrera Red	-BF		
		D - MJ 2014>>			
	970 522 152 74 DUE	saddle brown	-SB,DN		
(2)	970 522 152 33	Cover Side part	right rear	1	PR:830,832, 834,836,541, 565,943
		D >> - MJ 2010			
	970 522 152 33 DAF	Black	-AC		
	970 522 152 33 DAG	Platinum Grey	-CC,BB		
	970 522 152 33 DAH	Luxor beige	-UC		
	970 522 152 33 DAJ	yachting blue	-EC		
	970 522 152 33 DAL	Cream	-BC,BD,BE		
(2)	970 522 152 75	Cover Side part	right rear	1	PR:830,832, 834,836,541, 565,943
		D - MJ 2011>> - MJ 2013			
	970 522 152 75 DAF	Black	-AC		
	970 522 152 75 DAG	Platinum Grey	-BC		
	970 522 152 75 DAH	Luxor beige	-UC,PL		
	970 522 152 75 DAJ	yachting blue	-EC		
	970 522 152 75 DAL	Cream	-BC,BD,BE,DS, DT		
	970 522 152 75 DAK	Marsala Red	-PC		
	970 522 152 75 GHC	agate grey	-DL		
	970 522 152 75 GLC	Carrera Red	-BF		
(2)	970 522 152 F7	Cover Side part	right rear	1	PR:830,832, 834,836,541,

Model: 970 10 Model life 2010>>2016

Pos	Part Number	Description	Remark	Qty	Model
		D - MJ 2014>>			565,943
	970 522 152 F7 DAF	Black	-AC		
	970 522 152 F7 DAH	Luxor beige	-UC,PL		
	970 522 152 F7 DAL	Cream	-BC,BD,BE,DS, DT		
	970 522 152 F7 DAK	Marsala Red	-PC		
	970 522 152 F7 GHC	agate grey	-DL		
	970 522 152 F7 GLC	Carrera Red	-BF		
	970 522 152 F7 DUE	saddle brown	-SB,DN		
(2)	970 522 152 34	D - MJ 2015>> Cover Side part	right rear	1	PR:830,832, 834,836,541, 998,943
		D >> - MJ 2010			
	970 522 152 34 DAM	Espresso	-NA		
	970 522 152 34 DAN	Cognac	-NC		
	970 522 152 34 DAO	Cedar	-BN		
(2)	970 522 152 76	Cover Side part	right rear	1	PR:830,832, 834,836,541, 998,943
		D - MJ 2011>>			
	970 522 152 76 DAM	Espresso	-NA		
	970 522 152 76 DAN	Cognac	-NC		
	970 522 152 76 DAO	Cedar	-BN		
(2)	970 522 152 35	Cover Side part	right rear	1	PR:830,832, 834,836,541, 998,943,565
		D >> - MJ 2010			
	970 522 152 35 DAM	Espresso	-NA		
	970 522 152 35 DAN	Cognac	-NC		
	970 522 152 35 DAO	Cedar	-BN		
(2)	970 522 152 77	Cover Side part	right rear	1	PR:830,832, 834,836,541, 998,943,565
		D - MJ 2011>> - MJ 2013			
	970 522 152 77 DAM	Espresso	-NA		
	970 522 152 77 DAN	Cognac	-NC		
	970 522 152 77 DAO	Cedar	-BN		
(2)	970 522 152 F8	Cover Side part	right rear	1	PR:830,832, 834,836,541, 998,943,565
		D - MJ 2014>>			
	970 522 152 F8 DAM	Espresso	-NA		
	970 522 152 F8 DAN	Cognac	-NC		
	970 522 152 F8 DAO	Cedar	-BN		
(2)	970 522 152 36	Cover Side part	right rear	1	PR:830,832, 834,836,343, 541,938
		D >> - MJ 2010			
	970 522 152 36 DAA	Black	-AB		
	970 522 152 36 DAB	Platinum Grey	-CB		
	970 522 152 36 DAC	Luxor beige	-UB		
(2)	970 522 152 78	Cover Side part	right rear	1	PR:830,832, 834,836,343, 541,938
		D - MJ 2011>>			
	970 522 152 78 DAA	Black	-AB		
	970 522 152 78 DAB	Platinum Grey	-CB		
	970 522 152 78 DAC	Luxor beige	-UB,PK		
	970 522 152 78 GHB	agate grey	-DG		
(2)	970 522 152 D3	D - MJ 2014>> Padded upholstery	rear	1	PR-343,382,

Model: 970 10 Model life 2010>>2016

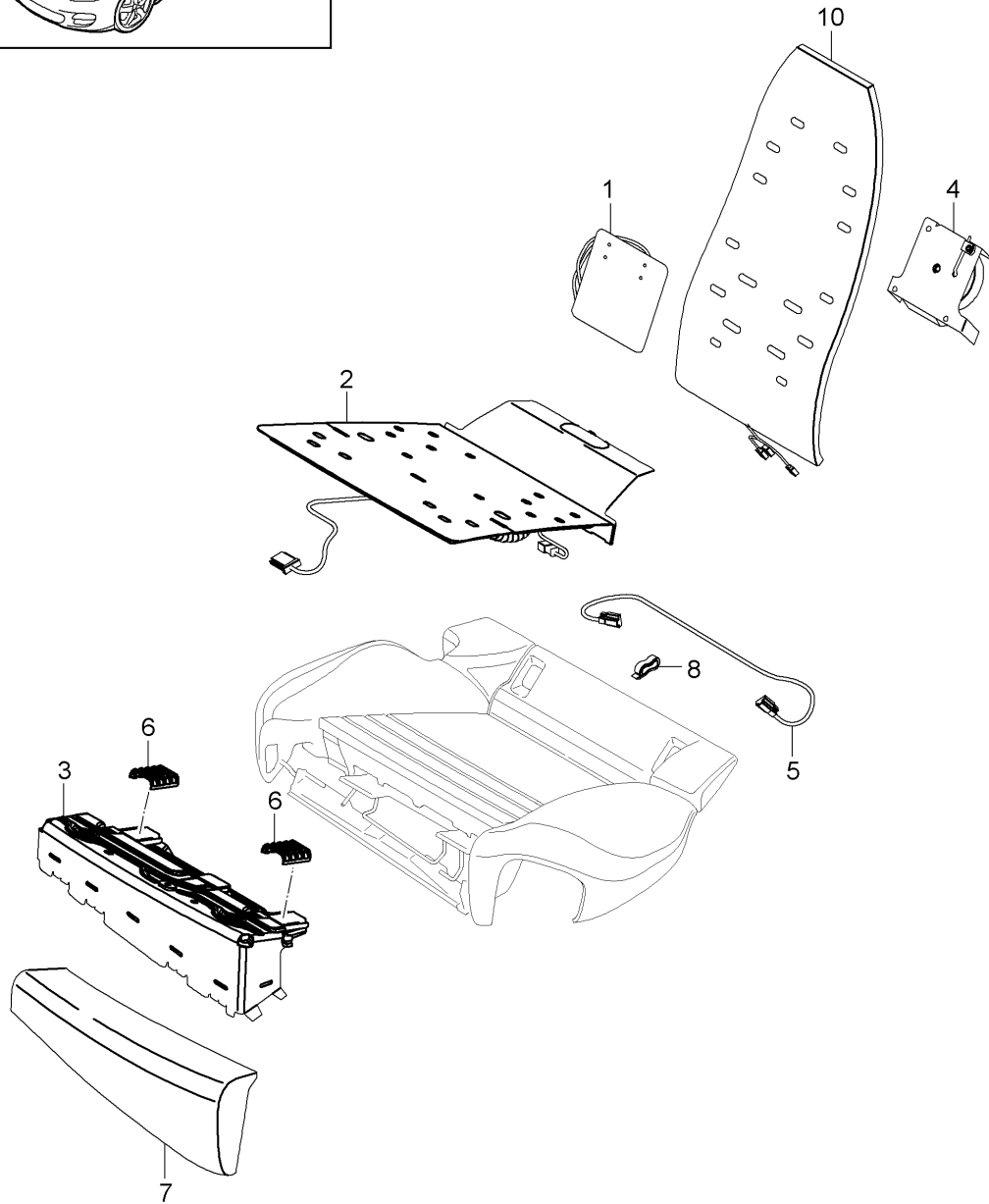
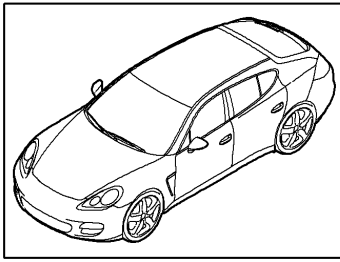
Pos	Part Number	Description	Remark	Qty	Model
		Side part	right		541,565,830, 938,834
	970 522 152 D3 DAA	Black	-AB		
	970 522 152 D3 DAC	Luxor beige	-PK,UB		
	970 522 152 D3 GHB	agate grey	-DG		
(2)	970 522 152 37	Cover	right	1	PR:830,832, 834,836,343, 541,938,565
		Side part	rear		
		D >> - MJ 2010			
	970 522 152 37 DAA	Black	-AB		
	970 522 152 37 DAB	Platinum Grey	-CB		
	970 522 152 37 DAC	Luxor beige	-UB		
(2)	970 522 152 79	Cover	right	1	PR:830,832, 834,836,343, 541,938,565
		Side part	rear		
		D - MJ 2011>> - MJ 2013			
	970 522 152 79 DAA	Black	-AB		
	970 522 152 79 DAB	Platinum Grey	-CB		
	970 522 152 79 DAC	Luxor beige	-UB,PK		
	970 522 152 79 GHB	agate grey	-DG		
(2)	970 522 152 F9	Cover	right	1	PR:830,832, 834,381,343, 541,938,565
		Side part	rear		
		D - MJ 2014>>			
	970 522 152 F9 DAA	Black	-AB		
	970 522 152 F9 DAC	Luxor beige	-UB,PK		
	970 522 152 F9 GHB	agate grey	-DG		
(2)	970 522 152 38	Cover	right	1	PR:830,832, 834,836,343, 541,943
		Side part	rear		
		D >> - MJ 2010			
	970 522 152 38 DAF	Black	-AC		
	970 522 152 38 DAG	Platinum Grey	-CC,BB		
	970 522 152 38 DAH	Luxor beige	-UC		
	970 522 152 38 DAJ	yachting blue	-EC		
	970 522 152 38 DAL	Cream	-BC,BD,BE		
(2)	970 522 152 80	Cover	right	1	PR:830,832, 834,836,343, 541,943
		Side part	rear		
		D - MJ 2011>>			
	970 522 152 80 DAF	Black	-AC		
	970 522 152 80 DAG	Platinum Grey	-CC,BB		
	970 522 152 80 DAH	Luxor beige	-UC,PL		
	970 522 152 80 DAJ	yachting blue	-EC		
	970 522 152 80 DAL	Cream	-BC,BD,BE,DS, DT		
	970 522 152 80 DAK	Marsala Red	-PC		
	970 522 152 80 GHC	agate grey	-DL		
		D - MJ 2014>>			
	970 522 152 80 GLC	Carrera Red	-BF		
		D - MJ 2014>>			
	970 522 152 80 DUE	saddle brown	-SB,DN		
		D - MJ 2015>>			
(2)	970 522 152 39	Cover	right	1	PR:830,832, 834,836,343, 541,943,565
		Side part	rear		
		D >> - MJ 2010			
	970 522 152 39 DAF	Black	-AC		
	970 522 152 39 DAG	Platinum Grey	-CC,BB		
	970 522 152 39 DAH	Luxor beige	-UC		
	970 522 152 39 DAJ	yachting blue	-EC		
	970 522 152 39 DAL	Cream	-BC,BD,BE		
(2)	970 522 152 81	Cover	right	1	PR:830,832,

Model: 970 10 Model life 2010>>2016

Pos	Part Number	Description	Remark	Qty	Model
		Side part	rear		834,836,343, 541,943,565
		D - MJ 2011>> - MJ 2013			
	970 522 152 81 DAF	Black	-AC		
	970 522 152 81 DAG	Platinum Grey	-CC,BB		
	970 522 152 81 DAH	Luxor beige	-UC,PL		
	970 522 152 81 DAJ	yachting blue	-EC		
	970 522 152 81 DAL	Cream	-BC,BD,BE,DS, DT		
	970 522 152 81 DAK	Marsala Red	-PC		
	970 522 152 81 GHC	agate grey	-DL		
	970 522 152 81 GLC	Carrera Red	-BF		
(2)	970 522 152 G1	Cover	right	1	PR:830,832, 834,836,343, 541,943,565
		Side part	rear		
		D - MJ 2014>>			
	970 522 152 G1 DAF	Black	-AC		
	970 522 152 G1 DAH	Luxor beige	-UC,PL		
	970 522 152 G1 DAL	Cream	-BC,BD,BE,DS, DT		
	970 522 152 G1 DAK	Marsala Red	-PC		
	970 522 152 G1 GHC	agate grey	-DL		
	970 522 152 G1 GLC	Carrera Red	-BF		
	970 522 152 G1 DUE	saddle brown	-SB,DN		
(2)	970 522 152 40	D - MJ 2015>> Cover	right	1	PR:830,832, 834,836,343, 541,943,998
		Side part	rear		
		D >> - MJ 2010			
	970 522 152 40 DAM	Espresso	-NA		
	970 522 152 40 DAN	Cognac	-NC		
	970 522 152 40 DAO	Cedar	-BN		
(2)	970 522 152 82	Cover	right	1	PR:830,832, 834,836,343, 541,943,998
		Side part	rear		
		D - MJ 2011>>			
	970 522 152 82 DAM	Espresso	-NA		
	970 522 152 82 DAN	Cognac	-NC		
	970 522 152 82 DAO	Cedar	-BN		
(2)	970 522 152 41	Cover	right	1	PR:830,832, 834,836,343, 541,943,998, 565
		Side part	rear		
		D >> - MJ 2010			
	970 522 152 41 DAM	Espresso	-NA		
	970 522 152 41 DAN	Cognac	-NC		
	970 522 152 41 DAO	Cedar	-BN		
(2)	970 522 152 83	Cover	right	1	PR:830,832, 834,836,343, 541,943,998, 565
		Side part	rear		
		D - MJ 2011>> - MJ 2013			
	970 522 152 83 DAM	Espresso	-NA		
	970 522 152 83 DAN	Cognac	-NC		
	970 522 152 83 DAO	Cedar	-BN		
(2)	970 522 152 G2	Cover	right	1	PR:830,832, 834,836,343, 541,943,998, 565
		Side part	rear		
		D - MJ 2014>>			
	970 522 152 G2 DAM	Espresso	-NA		
	970 522 152 G2 DAN	Cognac	-NC		
	970 522 152 G2 DAO	Cedar	-BN		

Model: 970 10

Model life 2010>>2016



Model: 970 10

Model life 2010>>2016

Pos	Part Number	Description	Remark	Qty	Model
1	970 522 709 01	Lumbar support adjustment Back seat backrest Accessories Control mechanism Electric drive Seat cushion Airbag Lumbar support backrest		1	PR:834,835, 836
		with:			
(1)	970 522 710 01	Valve Airbag Lumbar support backrest		1	PR:834,835, 836
		with:			
-	970 617 725 00	Valve Valve Lumbar support No longer use the part here		1	PR:834,835, 836
-		Valve Lumbar support Position 1 Order		1	PR:834,835, 836
2	970 522 671 02	Airbag Lumbar support Seat cushion		1	PR:542,830, 832
(2)	970 522 671 03	Airbag Lumbar support Seat cushion		1	PR:542,834, 836
(2)	970 522 709 02	Airbag Lumbar support	left	1	PR:0E2,834, 836
(2)	970 522 710 02	Airbag Lumbar support	right	1	PR:0E2,834, 836
3	970 522 749 00	Electric drive Seat cushion		1	PR:834,835, 836
(3)	970 522 750 00	Electric drive Seat cushion		1	PR:834,835, 836
4	970 624 341 00	Electric motor Ventilation component Seat cushion		1	PR:542
5	970 612 675 00	Wire set Electric motor Ventilation component Seat cushion		1	PR:834,835, 836
6	970 521 347 00	Cover for guide rail	rear	2	PR:834,835, 836
7	970 522 539 00	Foam part Electric drive Seat cushion	left	1	PR:834,835, 836
(7)	970 522 539 01	Foam part Electric drive Seat cushion	left	1	PR:834,836, 542
(7)	970 522 540 00	Foam part Electric drive Seat cushion	right	1	PR:834,835, 836
(7)	970 522 540 01	Foam part Electric drive Seat cushion	right	1	PR:834,836, 542
8	970 521 857 00	Clip Cushioning Seat cushion Vented		6	PR:830,832, 834,836,542
9	970 620 727 00	Compressor		1	PR:834,835,

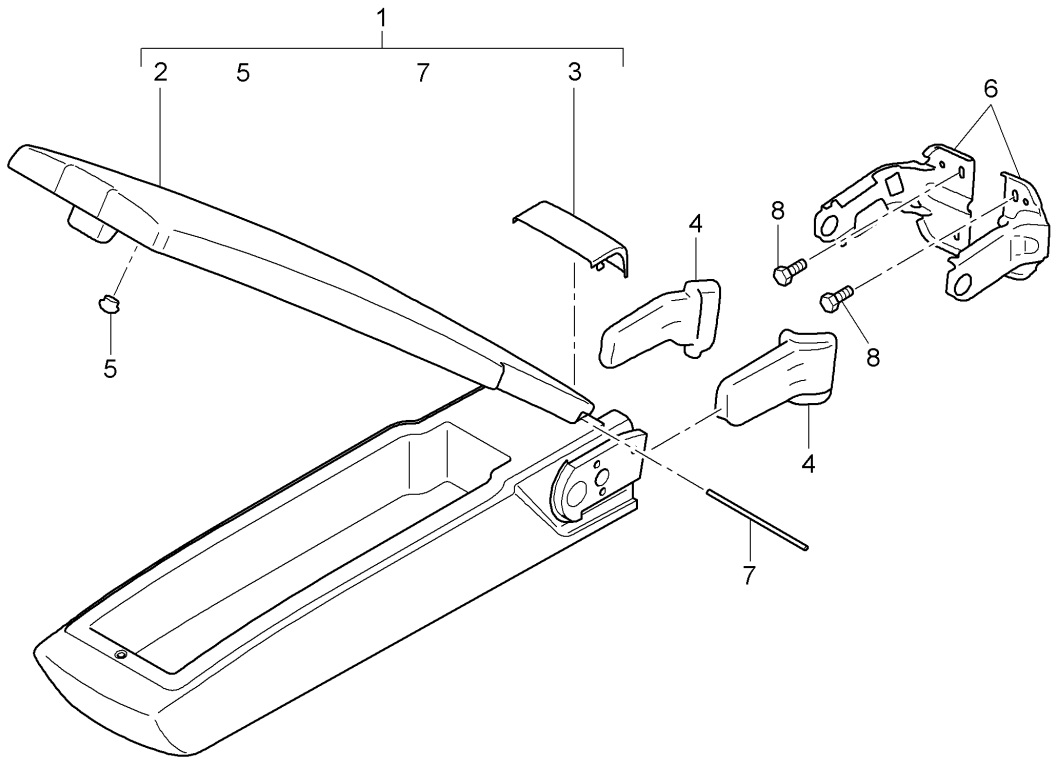
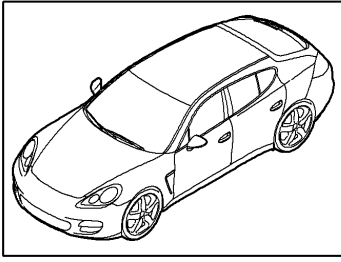
Model: 970 10

Model life 2010>>2016

Pos	Part Number	Description	Remark	Qty	Model
10	970 522 635 00	Lumbar support Airbag		1	836 PR:830,832, 834,836,542
(10)	970 522 635 02	Lumbar support backrest Airbag backrest		1	PR:0E2,542, 836
-	970 612 691 00	Wire set Seat heater		1	PR:830,831, 832,833

Model: 970 10

Model life 2010>>2016



Model: 970 10 Model life 2010>>2016

Pos	Part Number	Description	Remark	Qty	Model				
1	970 522 601 00	Armrest	center	1	PR:830,831, 832,833,834, 835,938,940				
		Back seat backrest							
		Armrest	center						
		Back seat backrest (complete)							
		970 522 601 00 1D0	Black			-AB			
		970 522 601 00 3F0	Platinum Grey			-CB			
		970 522 601 00 2E0	Luxor beige			-UB,PK			
(1)	970 522 601 01	agate grey	-DG	1	PR:830,831, 832,833,834, 835,941,943, -998,932				
		D - MJ 2014>>							
		Armrest	center						
		Back seat backrest (complete)							
		970 522 601 01 8YR	Black			-AC,GA,GS,GK			
		970 522 601 01 7A0	Platinum Grey			-CC,BB,GC			
		970 522 601 01 9H6	Luxor beige			-UC,PL,GU			
		970 522 601 01 6U7	yachting blue			-EC,GE			
		970 522 601 01 6G0	Cream			-BC,BE,DS,DS, DT			
		970 522 601 01 8M8	Marsala Red			-PC,GP			
		D - MJ 2011>>							
		970 522 601 01 PL1	agate grey			-DL,GD			
		D - MJ 2014>>							
		970 522 601 01 N11	Carrera Red			-BF			
D - MJ 2014>>									
970 522 601 01 OK6	saddle brown	-SB,GH,DN							
D - MJ 2015>>									
(1)	970 522 601 02	Armrest	center	1	PR:830,831, 832,833,834, 835,941,943, 998				
		Back seat backrest (complete)							
		970 522 601 02 8C0	Espresso			-NA			
		970 522 601 02 9EF	Cognac			-NC			
		970 522 601 02 7MP	Cedar			-BN			
		2	970 522 611 00			Cover		1	PR:830,831, 832,833,834, 835,938,940
						Armrest			
Back seat backrest									
970 522 611 00 21U	Black			-AB					
970 522 611 00 7EG	Platinum Grey			-CB					
970 522 611 00 32X	Luxor beige			-UB,PK					
970 522 611 00 OF7	Black			-DG					
(2)	970 522 611 01	Cover		1	PR:830,831, 832,833,834, 835,941,943				
		Armrest							
		Back seat backrest							
		970 522 611 01 8YR	Black			-AC,GA,GS,GK			
		970 522 611 01 7A0	Platinum Grey			-CC,BB,GC			
		970 522 611 01 9H6	Luxor beige			-UC,PL,GU			
		970 522 611 01 6U7	yachting blue			-EC,GE			
		970 522 611 01 6G0	Cream			-BC,BD,BE,DS, DT			
		970 522 611 01 8M8	Marsala Red			-PC,GP			
		D - MJ 2011>>							
		970 522 611 01 PL1	agate grey			-DL,GD			
		D - MJ 2014>>							
		970 522 611 01 N11	Carrera Red			-BF			
		D - MJ 2014>>							
970 522 611 01 OK6	saddle brown	-SB, DN, GH							
D - MJ 2015>>									
(2)	970 522 611 02	Cover		1	PR:830,831, 832,833,834, 835,941,943,				
		Armrest							
		Back seat backrest							

Model: 970 10 Model life 2010>>2016

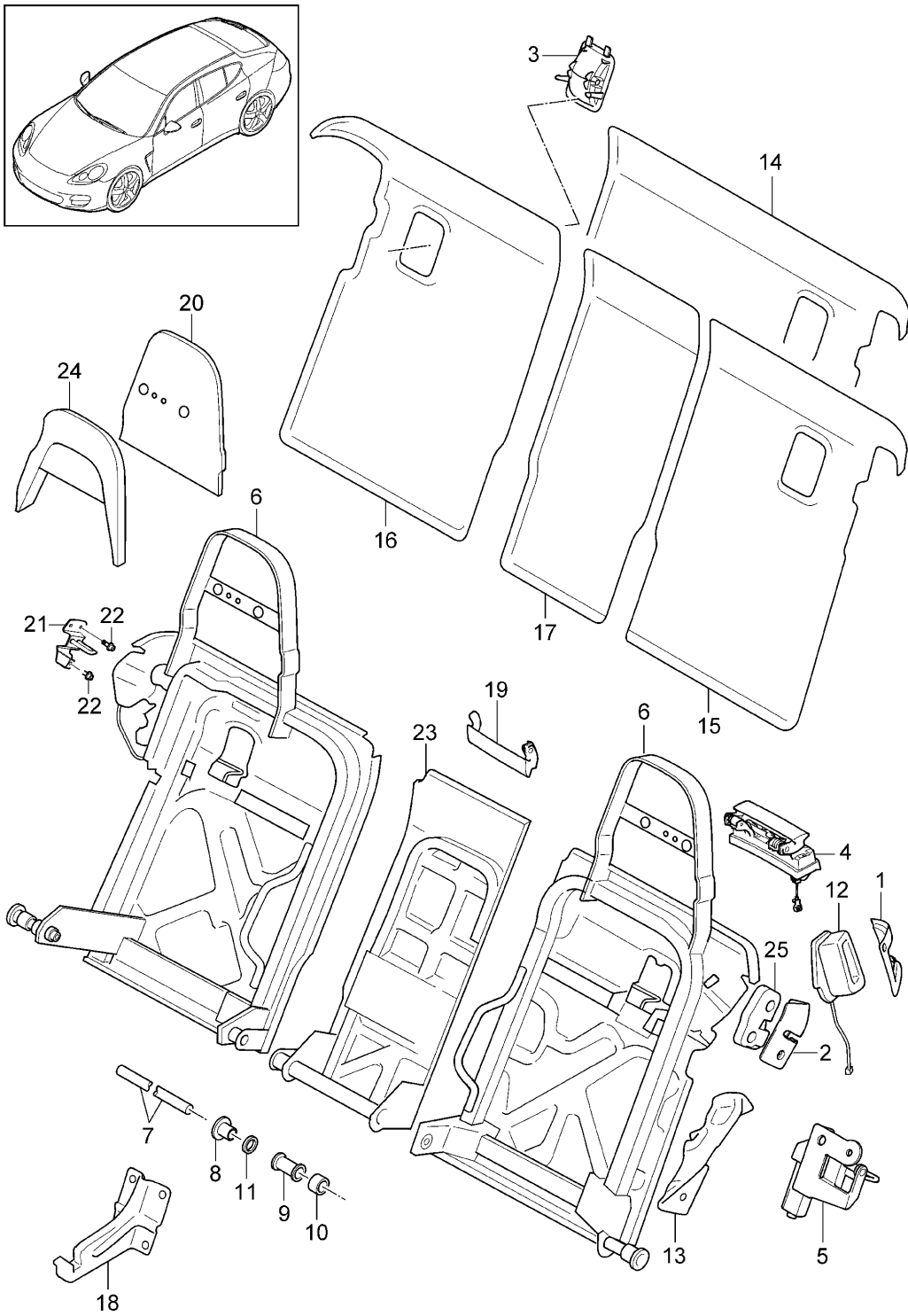
Pos	Part Number	Description	Remark	Qty	Model
	970 522 611 02 8C0	Espresso	-NA		998
	970 522 611 02 9EF	Cognac	-NC		
	970 522 611 02 7MP	Cedar	-BN		
3	970 522 621 00	Trim for armrest		1	PR:830,831, 832,833,834, 835
	970 522 621 00 1E0	Back seat backrest Black	-AB,AC,GK,GS, GA		
	970 522 621 00 6L0	Platinum Grey	-CB,CC,BB,GC		
	970 522 621 00 4H0	Luxor beige	-UB,UC,GU,PK, PL		
	970 522 621 00 2F0	yachting blue	-EC,GE		
	970 522 621 00 5J0	Cream	-BC,BD,BE,DS, DT		
	970 522 621 00 7N0	Espresso	-NA		
	970 522 621 00 8P0	Cognac	-NC		
	970 522 621 00 9Q0	Cedar	-BN		
	970 522 621 00 3G0	Marsala Red	-PC,GP		
	970 522 621 00 OP1	D - MJ 2011>> agate grey	-DG,DL,GD		
	970 522 621 00 OW5	D - MJ 2014>> Carrera Red	-BF		
	970 522 621 00 OM8	D - MJ 2014>> saddle brown	-SB,GH,DN		
4	970 522 341 00	Trim for armrest Bracket	left	1	PR:830,831, 832,833,834, 835
	970 522 341 00 1E0	Back seat backrest Black	-AB,AC,GK,GS, GA		
	970 522 341 00 6L0	Platinum Grey	-CB,CC,BB,GC		
	970 522 341 00 4H0	Luxor beige	-UB,UC,GU,PK, PL		
	970 522 341 00 2F0	yachting blue	-EC,GE		
	970 522 341 00 5J0	Cream	-BC,BD,BE,DS, DT		
	970 522 341 00 7N0	Espresso	-NA		
	970 522 341 00 8P0	Cognac	-NC		
	970 522 341 00 9Q0	Cedar	-BN		
	970 522 341 00 3G0	Marsala Red	-PC		
	970 522 341 00 OP1	D - MJ 2011>> agate grey	-DG,DL,GD		
	970 522 341 00 OW5	D - MJ 2014>> Carrera Red	-BF		
	970 522 341 00 OM8	D - MJ 2014>> saddle brown	-SB,GH,DN		
4	970 522 342 00	Trim for armrest Bracket	right	1	PR:830,831, 832,833,834, 835
	970 522 342 00 1E0	Back seat backrest Black	-AB,AC,GK,GS, GA		
	970 522 342 00 6L0	Platinum Grey	-CB,CC,BB,GC		
	970 522 342 00 4H0	Luxor beige	-UB,UC,GU,PK, PL		
	970 522 342 00 2F0	yachting blue	-EC,GE		
	970 522 342 00 5J0	Cream	-BC,BD,BE,DS, DT		
	970 522 342 00 7N0	Espresso	-NA		
	970 522 342 00 8P0	Cognac	-NC		

Model: 970 10 Model life 2010>>2016

Pos	Part Number	Description	Remark	Qty	Model
	970 522 342 00 9Q0	Cedar	-BN		
	970 522 342 00 3G0	Marsala Red	-PC		
		D - MJ 2011>>			
	970 522 342 00 OP1	agate grey	-DG,DL,GD		
		D - MJ 2014>>			
	970 522 342 00 OW5	Carrera Red	-BF		
		D - MJ 2014>>			
	970 522 342 00 OM8	saddle brown	-SB,GH,DN		
		D - MJ 2015>>			
5	999 703 491 50	Stop buffer Cover Armrest		2	PR:830,831, 832,833,834, 835
6	970 522 651 00	Back seat backrest Bracket Console Armrest	left	1	PR:830,831, 832,833,834, 835
(6)	970 522 652 00	Back seat backrest Bracket Console Armrest	right	1	PR:830,831, 832,833,834, 835
7	970 522 641 00	Back seat backrest Pin Cover Armrest		1	PR:830,831, 832,833,834, 835
8		Back seat backrest Screw Bracket Armrest		4	
		Back seat backrest part number in Preparation			

Model: 970 10

Model life 2010>>2016



Model: 970 10 Model life 2010>>2016

Pos	Part Number	Description	Remark	Qty	Model
1	970 522 331 00	Back seat backrest Trim Accessories Trim for backrest release mechanism	left	1	PR:830,831, 832,833,834, 835,836
	970 522 331 00 5Q0	Black	-AB,AC,GK,GS, GA		
	970 522 331 00 4U0	Platinum Grey	-CB,CC,GC		
	970 522 331 00 6W0	Luxor beige	-UB,UC,GU,PK, PL		
	970 522 331 00 8Y0	yachting blue	-EC,GE		
	970 522 331 00 5V0	Cream	-BC,BD,BE,DS, DT		
	970 522 331 00 3T0	Espresso	-NA		
	970 522 331 00 2S0	Cognac	-NC		
	970 522 331 00 1R0	Cedar	-BN		
	970 522 331 00 7X0	Marsala Red D - MJ 2011>>	-PC,GP		
	970 522 331 00 OA6	agate grey D - MJ 2014>>	-DG,DL,GD		
	970 522 331 00 OE1	Carrera Red D - MJ 2014>>	-BF		
	970 522 331 00 OL7	saddle brown D - MJ 2015>>	-SB,GH,DN		
1	970 522 332 00	Trim for backrest release mechanism	right	1	PR:830,831, 832,833,834, 835,836
	970 522 332 00 5Q0	Black	-AB,AC,GK,GS, GA		
	970 522 332 00 4U0	Platinum Grey	-CB,CC,GC		
	970 522 332 00 6W0	Luxor beige	-UB,UC,GU,PK, PL		
	970 522 332 00 8Y0	yachting blue	-EC,GE		
	970 522 332 00 5V0	Cream	-BC,BD,BE,DS, DT		
	970 522 332 00 3T0	Espresso	-NA		
	970 522 332 00 2S0	Cognac	-NC		
	970 522 332 00 1R0	Cedar	-BN		
	970 522 332 00 7X0	Marsala Red D - MJ 2011>>	-PC,GP		
	970 522 332 00 OA6	agate grey D - MJ 2014>>	-DG,DL,GD		
	970 522 332 00 OE1	Carrera Red D - MJ 2014>>	-BF		
	970 522 332 00 OL7	saddle brown D - MJ 2015>>	-SB,GH,DN		
2	970 522 339 00	Trim Ski bag backrest		1	PR:832,833, 834,835
	970 522 339 00 1E0	Black	-AB,AC,GK,GS, GA,BF,PK,PL, BB,DS,DN		
	970 522 339 00 6L0	Platinum Grey	-CB,CC		.+GC
	970 522 339 00 4H0	Luxor beige	-UB,UC,GU,BC		
	970 522 339 00 2F0	yachting blue	-EC,GE,BD		
	970 522 339 00 7N0	Espresso	-NA		
	970 522 339 00 8P0	Cognac	-NC		
	970 522 339 00 3G0	Marsala Red D - MJ 2011>>	-PC,GP,BE		
	970 522 339 00 OP1	agate grey D - MJ 2014>>	-DG,DL,GD,DT		
	970 522 339 00 OM8	saddle brown	-SB,GH		

Model: 970 10 Model life 2010>>2016

Pos	Part Number	Description	Remark	Qty	Model
3	970 522 315 00	D - MJ 2015>> Trim Carpet Backrest		1	PR:830,831, 832,833,834, 835
	970 522 315 00 1E0	Black	-AB,AC,GK,GS, GA,BF,PK,PL, BB,DS,DN		
	970 522 315 00 6L0	Platinum Grey	-CB,CC		.+GC
	970 522 315 00 4H0	Luxor beige	-UB,UC,GU,BC		
	970 522 315 00 2F0	yachting blue	-EC,GE,BD		
	970 522 315 00 7N0	Espresso	-NA		
	970 522 315 00 8P0	Cognac	-NC		
	970 522 315 00 3G0	Marsala Red	-PC,GP,BE		
		D - MJ 2011>>			
	970 522 315 00 OP1	agate grey	-DG,DL,GD,DT		
		D - MJ 2014>>			
	970 522 315 00 OM8	saddle brown	-SB,GH		
4	970 522 725 00	D - MJ 2015>> Backrest release (complete)		1	PR:830,831, 832,833,834, 835
		Ski bag			
	970 522 725 00 V08	Galvano silver			
5	970 522 415 01	Electric motor Seat adjuster Discontinued part	left	1	PR:834,835, 836
5	970 522 415 02	Electric motor Seat adjuster Adjusting mechanism (complete)	left	1	PR:834,835, 836
(5)	970 522 416 01	Electric motor Seat adjuster Discontinued part	right	1	PR:834,835, 836
(5)	970 522 416 02	Electric motor Seat adjuster Adjusting mechanism (complete)	right	1	PR:834,835, 836
(5)	970 624 361 00	Electric motor Backrest frame Adjustment Individual parts	left	1	PR:834,835, 836
(5)	970 624 362 00	Electric motor Backrest frame Adjustment	right	1	PR:834,835, 836
6	970 522 201 00	backrest frame (complete) backrest	left	1	PR:830,831
(6)	970 522 201 01	backrest frame (complete) backrest	left	1	PR:832,833, 834,835
(6)	970 522 201 02	backrest frame (complete) backrest	left	1	PR:836
(6)	970 522 202 00	backrest frame (complete) backrest	right	1	
7	970 522 845 00	bearing pin Loadspace system backrest		1	PR:832,833, 834,835
8	970 522 853 00	Sleeve Mounting Loadspace system backrest		1	PR:830,831, 832,833,834, 835,836

Model: 970 10 Model life 2010>>2016

Pos	Part Number	Description	Remark	Qty	Model
9	970 522 855 00	Sleeve Mounting Loadspace system backrest		1	PR:832,833, 834,835
10	970 522 865 00	rubber ring Mounting Loadspace system backrest		1	PR:832,833, 834,835
11	970 522 893 00	Washer Mounting Loadspace system backrest		1	
12	970 522 711 00	Release Back seat backrest (complete)		1	PR:830,831, 832,833,834, 835,836
(12)	970 522 711 00 V08	Galvano silver			
	970 522 712 00	Release Back seat backrest (complete)		1	PR:830,831, 832,833,834, 835,836
	970 522 712 00 V08	Galvano silver			
13	970 522 311 00	Trim for lock Release		1	
	970 522 311 00 1E0	Black	-AB,AC,GK,GS, GA,BF,PK,PL, BB,DS,DN		
	970 522 311 00 6L0	Platinum Grey	-CB,CC		.+GC
	970 522 311 00 4H0	Luxor beige	-UB,UC,GU,BC		
	970 522 311 00 2F0	Black/yachting blue	-EC,GE,BD		
	970 522 311 00 7N0	Black/espresso	-NA		
	970 522 311 00 8P0	Black/cognac	-NC		
	970 522 311 00 3G0	Marsala Red D - MJ 2011>>	-PC,GP,BE		
	970 522 311 00 OP1	agate grey D - MJ 2014>>	-DG,DL,GD,DT		
	970 522 311 00 OM8	saddle brown D - MJ 2015>>	-SB,GH		
(13)	970 522 312 00	Trim for lock Release		1	
	970 522 312 00 1E0	Black	-AB,AC,GK,GS, GA,BF,PK,PL, BB,DS,DN		
	970 522 312 00 6L0	Platinum Grey	-CB,CC		.+GC
	970 522 312 00 4H0	Luxor beige	-UB,UC,GU,BC		
	970 522 312 00 2F0	Black/yachting blue	-EC,GE,BD		
	970 522 312 00 7N0	Black/espresso	-NA		
	970 522 312 00 8P0	Black/cognac	-NC		
	970 522 312 00 3G0	Marsala Red D - MJ 2011>>	-PC,GP,BE		
	970 522 312 00 OP1	agate grey D - MJ 2014>>	-DG,DL,GD,DT		
	970 522 312 00 OM8	saddle brown D - MJ 2015>>	-SB,GH		
14	970 522 401 00	Carpet cover Back seat backrest		1	PR:830,831
	970 522 401 00 6B0	Black	-AB,AC,GK,GS, GA,BF,PK,PL, BB,DS,DN		
	970 522 401 00 8E0	Platinum Grey	-CB,CC,GC		
	970 522 401 00 7K0	Luxor beige	-UB,UC,GU,BC		
	970 522 401 00 6D0	yachting blue	-EC,GE,BD		
	970 522 401 00 9D0	Espresso	-NA		
	970 522 401 00 9E0	Cognac	-NC		
	970 522 401 00 7G0	Marsala Red	-PC,GP,BE		

Model: 970 10 Model life 2010>>2016

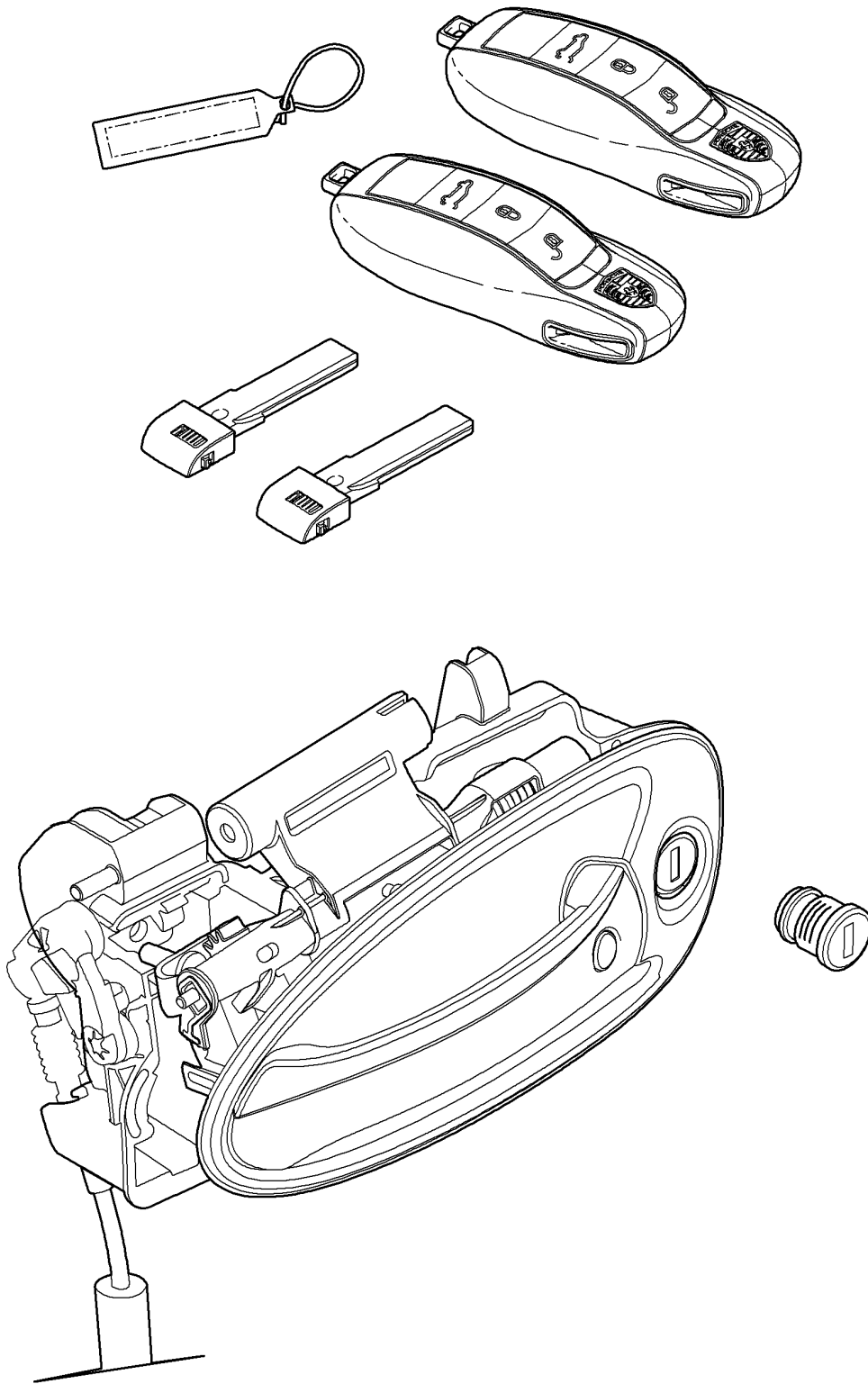
Pos	Part Number	Description	Remark	Qty	Model
15	970 522 401 00 9C0	D - MJ 2011>> agate grey	-DG,DL,GD,DT	1	PR:832,833, 834,835,836
	970 522 401 00 BW3	D - MJ 2014>> saddle brown	-SB,GH		
	970 522 401 01	D - MJ 2015>> Carpet cover			
		Back seat backrest			
	970 522 401 01 6B0	Black	-AB,AC,GK,GS, GA,BF,PK,PL, BB,DS,DN		
	970 522 401 01 8E0	Platinum Grey	-CB,CC,GC		
	970 522 401 01 7K0	Luxor beige	-UB,UC,GU,BC		
	970 522 401 01 6D0	yachting blue	-EC,GE,BD		
	970 522 401 01 9D0	Espresso	-NA		
	970 522 401 01 9E0	Cognac	-NC		
970 522 401 01 7G0	Marsala Red	-PC,GP,BE			
16	970 522 401 01 9C0	D - MJ 2011>> agate grey	-DG,DL,GD,DT	1	
	970 522 401 01 BW3	D - MJ 2014>> saddle brown	-SB,GH		
	970 522 402 00	D - MJ 2015>> Carpet cover			
		Back seat backrest			
	970 522 402 00 6B0	Black	-AB,AC,GK,GS, GA,BF,PK,PL, BB,DS,DN		
	970 522 402 00 8E0	Platinum Grey	-CB,CC,GC		
	970 522 402 00 7K0	Luxor beige	-UB,UC,GU,BC		
	970 522 402 00 6D0	Black/yachting blue	-EC,GE,BD		
	970 522 402 00 9D0	Espresso	-NA		
	970 522 402 00 9E0	Black/cognac	-NC		
970 522 402 00 7G0	Marsala Red	-PC,GP,BE			
17	970 522 402 00 9C0	D - MJ 2011>> agate grey	-DG,DL,GD,DT	1	PR:832,833, 834,835
	970 522 402 00 BW3	D - MJ 2014>> saddle brown	-SB,GH		
	970 522 431 00	D - MJ 2015>> Carpet cover			
		Back seat backrest			
	970 522 431 00 6B0	Black	-AB,AC,GK,GS, GA,BF,PK,PL, BB,DS,DN		
	970 522 431 00 8E0	Platinum Grey	-CB,CC,GC		
	970 522 431 00 7K0	Luxor beige	-UB,UC,GU,BC		
	970 522 431 00 6D0	yachting blue	-EC,GE,BD		
	970 522 431 00 9D0	Espresso	-NA		
	970 522 431 00 9E0	Cognac	-NC		
970 522 431 00 7G0	Marsala Red	-PC,GP,BE			
(17)	970 522 431 00 9C0	D - MJ 2011>> agate grey	-DG,DL,GD,DT	1	PR:836,838
	970 522 431 00 BW3	D - MJ 2014>> saddle brown	-SB,GH		
		D - MJ 2015>> Cover Centre console	rear		
18	970 522 215 00	see illustration: Mounting Back seat backrest	809-043 center	1	PR:830,831, 832,833,834, 835,836
19	970 522 337 00	Trim Release Ski bag		1	PR:832,833, 834,835
	970 522 337 00 5Q0	Black	-AB,AC,GK,GS,		

Model: 970 10 Model life 2010>>2016

Pos	Part Number	Description	Remark	Qty	Model
	970 522 337 00 4U0	Platinum Grey	GA		
	970 522 337 00 6W0	Luxor beige	-CB,CC,GC		
	970 522 337 00 8Y0	yachting blue	-UB,UC,GU,PK, PL		
	970 522 337 00 5V0	Cream	-EC,GE		
	970 522 337 00 3T0	Espresso	-BC,BD,BE,DS, DT		
	970 522 337 00 2S0	Cognac	-NA		
	970 522 337 00 1R0	Cedar	-NC		
	970 522 337 00 7X0	Marsala Red	-BN		
		D - MJ 2011>>	-PC,GP		
	970 522 337 00 OA6	agate grey	-DG,DL,GD		
		D - MJ 2014>>			
	970 522 337 00 OE1	Carrera Red	-BF		
		D - MJ 2014>>			
	970 522 337 00 OL7	saddle brown	-SB,GH,DN		
		D - MJ 2015>>			
20	970 522 471 01	Foam part	left a. right	1	PR:830,831, 832,833,834, 835,836
		Head restraint			
		Back seat backrest			
21	970 522 411 00	Striker	left	1	PR:830,831, 832,833
		Back seat backrest			
(21)	970 522 412 00	Striker	right	1	PR:830,831, 832,833
		Back seat backrest			
22	N 907 870 03	Socket head bolt with inner multipoint head (Kombi)	left a. right	1	PR:830,831, 832,833,834, 835,836
		Striker			
		Back seat backrest			
23	970 522 205 00	backrest frame	center	1	PR:832,833, 834,835
24	970 522 475 00	Headrest frame	left	1	PR:830,831, 832,833,834, 835,836
(24)	970 522 476 00	Headrest frame	right	1	PR:830,831, 832,833,834, 835,836
25	970 522 811 00	lock Release	left	1	
		Back seat backrest			
(25)	970 522 812 00	lock Release	right	1	
		Back seat backrest			

Model: 970 10

Model life 2010>>2016



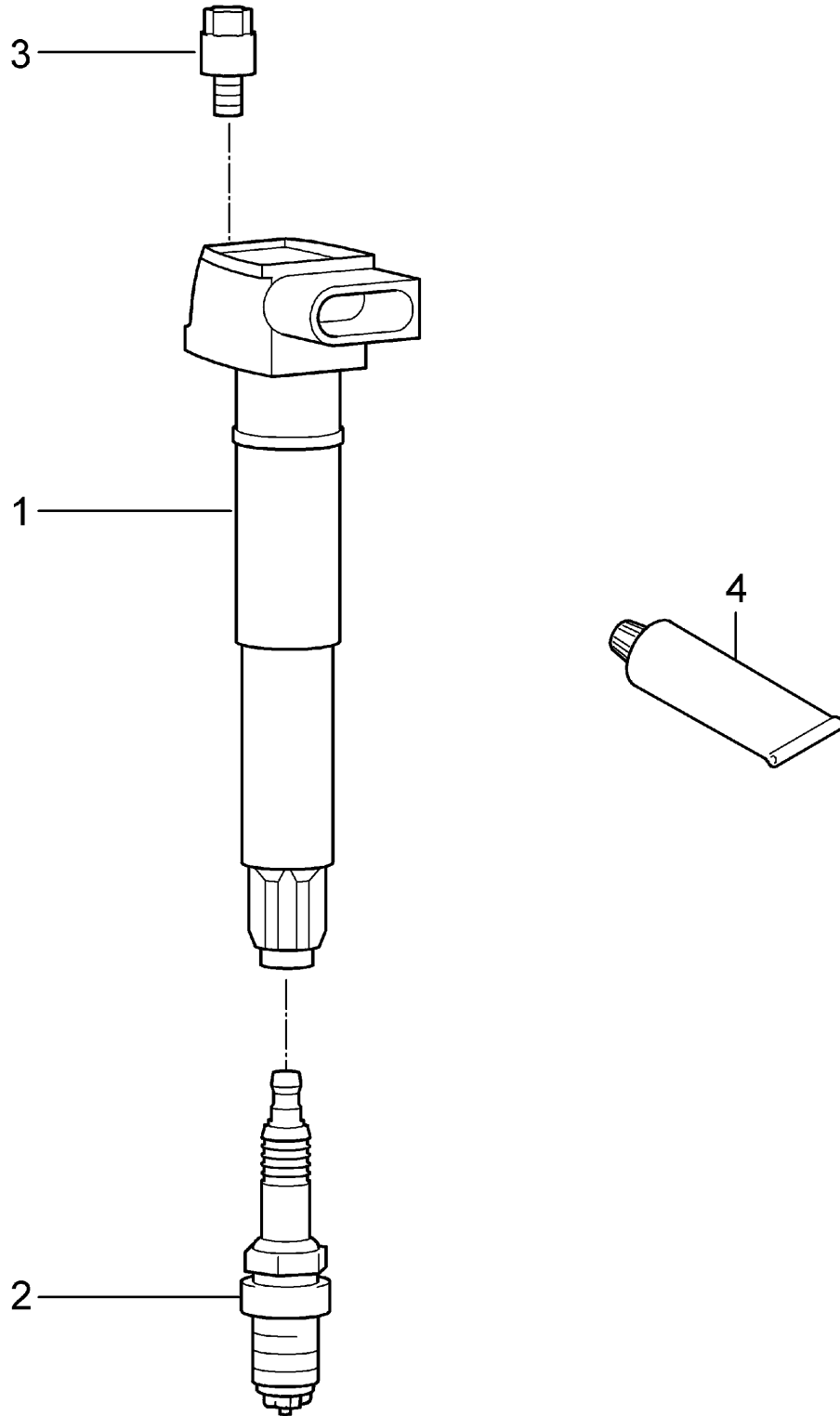
Model: 970 10

Model life 2010>>2016

Pos	Part Number	Description	Remark	Qty	Model
		Set of locks comprising: Glove compartment lock Bracket Door handle, exterior emergency key Handheld transmitter			
-	970 538 901 06	1 set of lock cylinders with handheld trans. & emerg. key Discontinued part	lhd	1	PR:524,098
-	970 538 901 12	1 set of lock cylinders with handheld trans. & emerg. key	lhd	1	PR:524,625, 098
-	970 538 901 07	1 set of lock cylinders with handheld trans. & emerg. key Discontinued part	rhd	1	PR:524,099
-	970 538 901 13	1 set of lock cylinders with handheld trans. & emerg. key	rhd	1	PR:524,625, 099
-	970 538 901 09	1 set of lock cylinders with handheld trans. & emerg. key Discontinued part	rhd	1	PR:525,-193, 099
-	970 538 901 15	1 set of lock cylinders with handheld trans. & emerg. key	rhd	1	PR:525,625, -193,099
-	970 538 901 10	1 set of lock cylinders with handheld trans. & emerg. key Discontinued part	lhd	1	PR:193,525, 098
-	970 538 901 16	1 set of lock cylinders with handheld trans. & emerg. key	lhd	1	PR:193,525, 625,098
-	970 538 901 11	1 set of lock cylinders with handheld trans. & emerg. key Discontinued part	rhd	1	PR:193,525, 099
-	970 538 901 17	1 set of lock cylinders with handheld trans. & emerg. key	rhd	1	PR:193,525, 625,099
-	970 538 901 18	1 set of lock cylinders with handheld trans. & emerg. key	lhd	1	PR:523,098
-	970 538 901 19	1 set of lock cylinders with handheld trans. & emerg. key	rhd	1	PR:523,099
-	970 538 901 18	1 set of lock cylinders with handheld trans. & emerg. key	lhd	1	PR:523,098
-	970 538 901 19	1 set of lock cylinders with handheld trans. & emerg. key	rhd	1	PR:523,099

Model: 970 10

Model life 2010>>2016

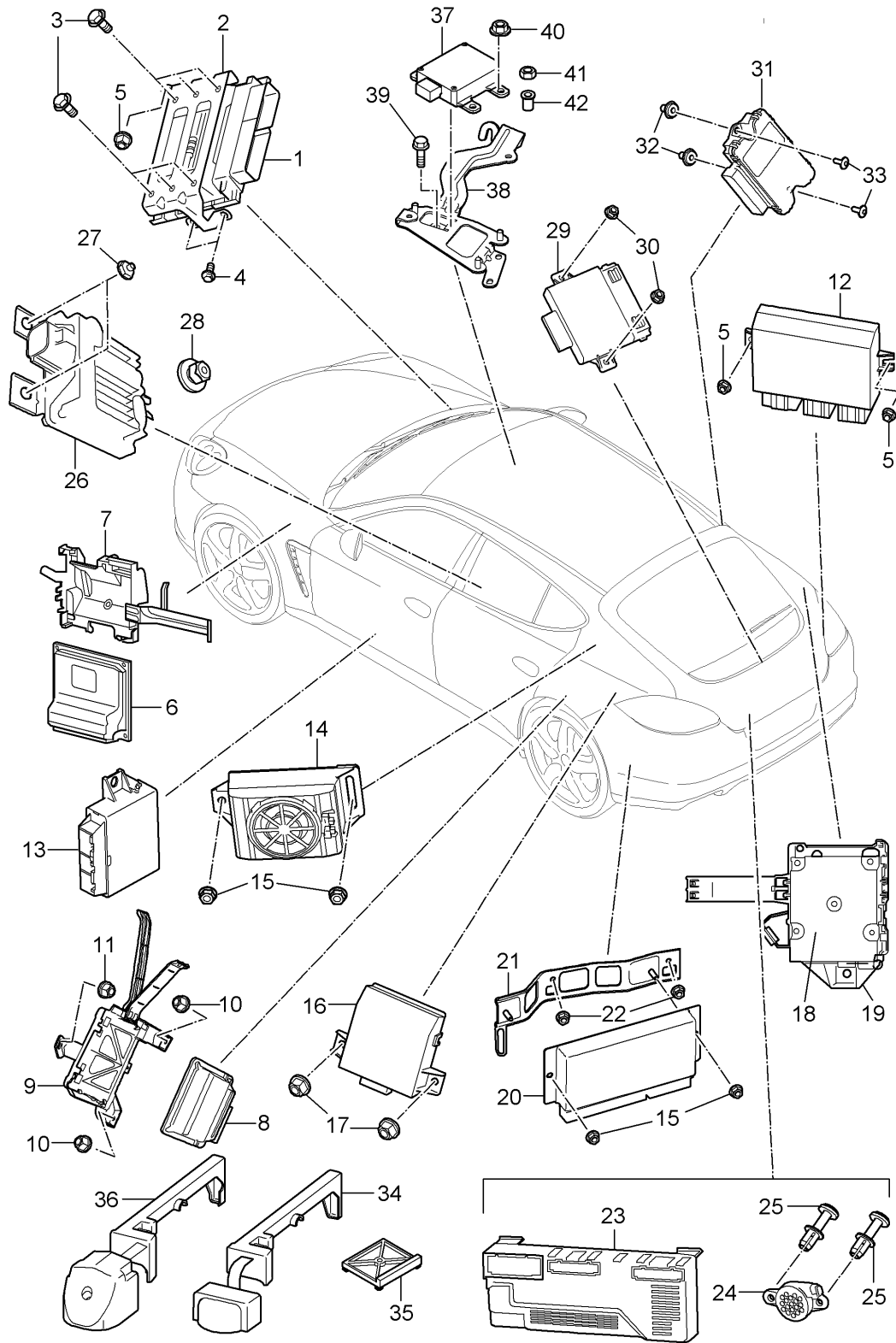


Model: 970 10 Model life 2010>>2016

Pos	Part Number	Description	Remark	Qty	Model
1	948 602 104 04	Ignition system Ignition coil		X 8	4820,4840, 4870,4620,
		also use:	948 105 146 00		
(1)	948 602 104 10	Discontinued part Ignition coil		X 8 6	4820,4840, 4870,4620, 4640
		also use:	948 105 146 00		
(1)	948 602 104 11	Discontinued part Ignition coil		X 8 6	4820,4840, 4870,4620, 4640
		also use:	948 105 146 00		
(1)	948 602 104 12	Discontinued part Ignition coil		X 8 6	4820,4840, 4870,4620, 4640,CWAA
(1)	948 602 104 13	Discontinued part Ignition coil		X 8 6 8	4820,4840, CXPA,CXRA, CXR,4620, 4640,CXNA, CWAA,4870, CWBA,CWB, CWCA,CWC
(1)	946 602 104 00	Ignition coil		X 6	CWDA,CWD, CWFA,CWF
(1)	958 602 102 00	Ignition coil		6	HYBRID CGEA,CGE, CGFA
2	999 170 130 90	Spark plug FGR 5NQE		8	4820,4840, CXPA
(2)	999 170 130 90	Spark plug FGR 5NQE		6	4620,4640, CWAA
(2)	999 170 228 90	Spark plug FR6 NPP		8	4870,CWBA, CWB,CWCA,CWC
(2)	958 170 221 90	Spark plug T40109S		6	HYBRID CGEA,CGE, CGFA
		also use:	000 043 210 83	X	
(2)	958 170 320 90	Glow plug D - MJ 2012>>		6	DIESEL
(2)	958 170 320 91	Glow plug D - MJ 2014>>		6	DIESEL
(2)	999 170 233 90	Spark plug FR5 NPP D - MJ 2014>>		6	CWDA,CWD, CWFA,CWF
3	948 105 146 00	Screw aluminium		8	4820,4840, 4870
(3)	948 105 146 00	Screw aluminium		6	4620,4640
(3)	999 073 703 01	flat round head bolt M 6 X 46,5		6	CWDA,CWD, CWFA,CWF
4	000 043 210 83	grease for Ignition coil 958.602.102.00/01		1	CGEA,CGE, CGFA

Model: 970 10

Model life 2010>>2016



Model: 970 10 Model life 2010>>2016

Pos	Part Number	Description	Remark	Qty	Model
1	970 618 601 02	Control units Engine and transmission Lock control Tow hitch Parking aid Gateway -PDCC- Rear lid Fuel pump Start/Stop Electric parking brake Control unit - dme - F >> 97-BL051 267 F >> 97-BL017 268 F >> 97-BL080 603 D >> - MJ 2013		1	
(1)	970 618 601 02	Discontinued part Control unit - dme - F >> 97-BL051 267 D >> - MJ 2013		1	"CN."
(1)	970 618 601 03	Discontinued part Control unit - dme - F 97-BL051 268>> F 97-BL017 269>> F 97-BL080 604>>		1	
(1)	970 618 601 03	Control unit - dme - F 97-BL017 269>>		1	"CN."
(1)	970 618 602 01	Control unit - dme - D >> - MJ 2013		1	
(1)	970 618 197 00	Control unit - dme - D >> - MJ 2013		1	HYBRID
(1)	298 907 401	Control unit - dme - D - MJ 2012>> - MJ 2012		1	DIESEL PR:165,-159
(1)	298 907 401 A	Discontinued part Control unit - dme - D - MJ 2012>>		1	DIESEL PR:161
(1)	298 907 401 B	Discontinued part Control unit - dme - D - MJ 2012>>		1	DIESEL PR:159,165
(1)	298 907 401 C	Discontinued part Control unit - dme - D - MJ 2012>>		1	DIESEL PR:158
(1)	298 907 401 D	Discontinued part Control unit - dme - D - MJ 2012>> - MJ 2013		1	DIESEL PR:158,161, 165,-159
(1)	970 618 603 00	Discontinued part Control unit - dme - D - MJ 2014>>		1	CWDA,CWD, CWFA,CWF
(1)	970 618 602 02	Control unit - dme - D - MJ 2014>>		1	CWAA,CXNA

Model: 970 10 Model life 2010>>2016

Pos	Part Number	Description	Remark	Qty	Model
(1)	970 618 601 04	Control unit - dme - D - MJ 2014>>		1	TURBO CWBA,CWB
(1)	970 618 604 00	Control unit - dme - D - MJ 2014>>		1	Turbo S CWCA,CWC
(1)	970 618 601 03	Control unit - dme - D - MJ 2014>>		1	GTS CXPA,CXRA, CXR+ PR:015,145, 161,164,165, 170,172,250
(1)	970 618 198 01	Control unit - dme - D - MJ 2014>>		1	Hybrid PR:160,161, 164,165,167, 168,170,172, 7MM
(1)	298 907 401 E	Control unit - dme - D - MJ 2014>>		1	DIESEL PR:D51
(1)	298 907 401 F	Control unit - dme - D - MJ 2014>>		1	DIESEL PR:DJ5
2	970 618 129 01	Retainer for control units		1	
(2)	970 618 179 00	Retainer for control units D - MJ 2012>>		1	HYBRID DIESEL
(2)	970 618 127 00	Retainer for control units D - MJ 2014>>		1	PR:143
3	999 141 044 09	fillister hd. bolt M 6 X 16		6	
4	900 378 252 01	Hexagon bolt M 6 X 16		2	
5	999 084 629 01	Hexagon nut M 6		1	
6	970 618 270 05	Control unit - PDK - No longer use the part here		1	PR:250
(6)	970 618 270 06	Control unit - PDK - D >> - MJ 2010 Discontinued part		1	PR:250
(6)	970 618 270 22	Control unit - PDK - D >> - MJ 2011 Discontinued part		1	PR:250
(6)	970 618 270 32	Control unit - PDK - D >> - MJ 2012 Discontinued part		1	PR:250
(6)	970 618 270 35	Control unit - PDK - D - MJ 2013>> - MJ 2013		1	PR:250
(6)	970 618 271 05	Control unit - PDK - D - MJ 2014>> Discontinued part		1	PR:250
(6)	970 618 271 06	Control unit - PDK - D - MJ 2014>>		1	PR:250
(6)	0C8 927 749 BG	Control unit Tiptronic only in conj. with:		1	HYBRID

Model: 970 10 Model life 2010>>2016

Pos	Part Number	Description	Remark	Qty	Model
(6)	0C8 927 749 CF	Replacement transmission 0C8.300.036.H 0C8.300.036.HX F >> 97-CL040 889 F >> 97-CL045 317 D - MJ 2012>> - MJ 2013 Control unit Tiptronic only in conj. with: Replacement transmission 0C8.300.037.Q 0C8.300.037.QX F 97-CL040 890>> F 97-CL045 318>> D - MJ 2012>> - MJ 2013		1	PR:249 HYBRID
(6)	0C8 927 749 GA	Control unit Tiptronic Up to transmission number 13LJ317498 See technical information Service Group 3 Document 3735 75/14 F >> 97-EL041 381 F >> 97-EL044 743 D - MJ 2014>>		1	PR:249 Hybrid
(6)	0C8 927 749 GD	Control unit Tiptronic From transmission no. 13LJ317499 See technical information Service Group 3 Document 3735 75/14 F 97-EL041 382>> F 97-EL044 744>> D - MJ 2014>>		1	PR:249 "CH.", "BR." Hybrid
(6)	0C8 927 749 FS	Control unit Tiptronic D - MJ 2012>> - MJ 2013		1	PR:249 "CH.", "BR." DIESEL PR:249,-159
(6)	0C8 927 749 GF	Control unit Tiptronic D - MJ 2014>>		1	DIESEL PR:249,-159, D51
(6)	0C8 927 749 FT	Control unit F 97-CL023 032>> F 97-CL030 049>> D - MJ 2012>> - MJ 2013		1	DIESEL PR:249,159, D51
(6)	0C8 927 749 GE	Control unit Tiptronic D - MJ 2014>>		1	DIESEL PR:249,159, D51
(6)	0C8 927 749 GB	Control unit Tiptronic D - MJ 2014>>		1	DIESEL PR:249,DJ5
(6)	0C8 927 749 GG	Discontinued part Control unit		1	DIESEL

Model: 970 10 Model life 2010>>2016

Pos	Part Number	Description	Remark	Qty	Model
-	999 507 172 01	Tiptronic D - MJ 2014>> U-clip		2	PR:249 ,DJ5
7	970 618 263 01	Retainer for control units		1	PR:250
(7)	970 618 273 00	Retainer for control units		1	HYBRID DIESEL PR:249
-	999 919 099 01	fillister hd. bolt 5 X 20		2	HYBRID DIESEL PR:249
8	970 618 171 03	Control unit Lock control Transverse D >> - MJ 2010 Discontinued part		1	PR:220 ,338
(8)	970 618 171 05	Control unit Lock control Transverse D - MJ 2011>>		1	PR:220 ,338
(8)	970 618 181 03	Control unit Lock control Transverse D >> - MJ 2010 Discontinued part		1	PR:220 ,339
(8)	970 618 181 04	Control unit Lock control Transverse D >> - MJ 2010 Discontinued part		1	PR:220 ,339
(8)	970 618 181 05	Control unit Lock control Transverse D >> - MJ 2010 Discontinued part		1	PR:220 ,339
(8)	970 618 303 02	Control unit Lock control Transverse D - MJ 2014>>		1	PR:221
9	970 618 205 01	Retainer for control units with:	PASM	1	
10	999 084 629 01	Hexagon nut M 6		4	
11	999 084 633 01	Hexagon nut M 6		1	
12	7P0 907 383 D	Control unit Tow hitch No longer use the part here		1	PR:206
(12)	7P0 907 383 E	Control unit Tow hitch D >> - MJ 2010 Discontinued part		1	PR:206
12	7P0 907 383 C	Control unit for trailer detection Tow hitch Discontinued part		1	PR:206
(12)	7P0 907 383 J	Control unit for trailer detection Tow hitch		1	PR:206
13	970 618 183 04	Control unit for parking aid D >> - MJ 2010 Discontinued part		1	PR:636 ,638
(13)	970 618 183 05	Control unit for parking aid D >> - MJ 2011 Discontinued part		1	PR:636 ,638

Model: 970 10 Model life 2010>>2016

Pos	Part Number	Description	Remark	Qty	Model
(13)	970 618 183 06	Control unit for parking aid D - MJ 2010>> - MJ 2013		1	PR:636,638
(13)	970 618 185 02	Control unit for parking aid D >> - MJ 2010 Discontinued part		1	PR:635,637
(13)	970 618 185 03	Control unit for parking aid D >> - MJ 2010 Discontinued part		1	PR:635,637
(13)	970 618 185 04	Control unit for parking aid D >> - MJ 2011 Discontinued part		1	PR:635,637
(13)	970 618 185 05	Control unit for parking aid D - MJ 2010>> - MJ 2013		1	PR:635,637
(13)	970 618 183 52	Control unit for parking aid D - MJ 2014>>		1	PR:635,637
14	7PP 035 709 A	Loudspeaker Parking aid	rear	1	PR:636,638
15	900 377 018 09	Hexagon nut M 6		5	
-		Loudspeaker Parking aid Is a component of Combi-instrument	front		
16	970 618 115 04	Control unit for gateway No longer use the part here		1	
(16)	970 618 115 05	Control unit for gateway Discontinued part		1	
(16)	970 618 115 11	Control unit for gateway Discontinued part		1	
(16)	970 618 115 15	Control unit for gateway D - MJ 2012>> No longer use the part here		1	
(16)	970 618 115 17	Control unit for gateway D >> - MJ 2013		1	
(16)	970 618 115 32	Control unit for gateway Gateway D - MJ 2014>>		1	
(16)	970 618 116 03	Control unit for gateway HYBRID/DIESEL D >> - MJ 2013 Discontinued part		1	HYBRID
(16)	970 618 116 04	Control unit for gateway D >> - MJ 2013 Discontinued part		1	HYBRID
(16)	970 618 116 05	Control unit for gateway D >> - MJ 2013		1	HYBRID
(16)	970 618 116 22	Control unit for gateway D - MJ 2014>> Discontinued part		1	DIESEL
(16)	970 618 116 23	Control unit for gateway D - MJ 2014>> Discontinued part		1	
(16)	970 618 116 24	Control unit for gateway D - MJ 2014>>		1	
17	999 076 081 40	Hexagon plastic collar nut T 5		5	PR:482,483, 637,638
(17)	999 076 081 40	Hexagon plastic collar nut T 5		2	PR:-482, -483,637,638
(17)	999 084 629 01	Hexagon nut M 6		3	PR:-482, -483,637,638
18	970 618 733 02	Control unit for reversing camera system D >> - MJ 2013		1	PR:637,638

Model: 970 10 Model life 2010>>2016

Pos	Part Number	Description	Remark	Qty	Model
(18)	7PP 907 171	Control unit for reversing camera system D >> - MJ 2013		1	PR:634
(18)	970 618 733 51	Control unit for reversing camera system D - MJ 2014>> - MJ 2015		1	PR:638
(18)	970 618 733 60	Control unit for reversing camera system D - MJ 2016>>		1	PR:638
(18)	7PP 907 441 B	Control unit for camera Overview D - MJ 2014>>	outer	1	PR:633
19	970 618 203 00	Support for reversing camera Control unit and tyre pressure control system D >> - MJ 2013		1	
(19)	970 618 217 00	Retainer for control units tyre pressure control system D - MJ 2014>>		1	PR:482,483
-	4D0 863 788	Spreader rivet D - MJ 2014>>		1	PR:482,483
(19)	970 618 243 01	Support for reversing camera Control unit and Camera Overview D - MJ 2014>>	outer	1	PR:633,638
-	999 084 629 01	Hexagon nut M 6 D - MJ 2014>>		2	PR:633,638
-		Mount Bracket Pos 17			
-	999 209 093 01	spacer sleeve		1	PR:-482, -483,637,638
-	999 703 479 40	Bonded rubber bush		1	PR:-482, -483,637,638
20	970 618 107 03	Control unit - PDCC - D >> - MJ 2010		1	PR:351
(20)	970 618 107 10	Discontinued part Control unit - PDCC - D - MJ 2011>> - MJ 2013		1	PR:351
(20)	970 618 107 11	Discontinued part Control unit - PDCC - D - MJ 2011>> - MJ 2013		1	PR:351
(20)	970 618 107 23	Control unit - PDCC - D - MJ 2014>>		1	PR:351,355
20	970 618 107 24	Discontinued part Control unit - PDCC - D - MJ 2014>>		1	PR:351,355
21	970 618 207 00	Retainer for control units		1	PR:351
22	999 084 633 01	Hexagon nut M 6		2	
23	4H0 959 107 G	Control unit Rear lid Included Clip		1	PR:867

Model: 970 10 Model life 2010>>2016

Pos	Part Number	Description	Remark	Qty	Model
(23)	4H0 959 107 K	Discontinued part Control unit Rear lid Included Clip No longer use the part here		1	PR:867
(23)	4H0 959 107 N	Control unit Rear lid Included Clip		1	PR:867
(23)	4H0 959 107 S	Discontinued part Control unit Rear lid Included Clip		1	PR:867
(23)	4H0 959 107 T	Discontinued part Control unit Rear lid Included Clip		1	PR:867
23	4H0 959 107 AD	Discontinued part Control unit Rear lid Included Clip		1	PR:867
(23)	4H0 959 107 AA	Discontinued part Control unit Rear lid Included Clip		1	PR:867
24	8E0 919 279	Warning buzzer		1	PR:867
(24)	9A7 919 279 00	Discontinued part Loudspeaker		1	PR:867
25	999 507 706 40	expanding nut		2	PR:867
-		Control unit Door			
26	970 618 151 02	Control unit for fuel pump F >> 97-AL046 495 F >> 97-AL083 331 See technical information KD. GR. 2070	902-015	1	
(26)	958 618 151 00	Control unit for fuel pump F 97-AL046 496>> F 97-AL083 332>>		1	
(26)	7P0 906 093 A	No longer use the part here Control unit for fuel pump F 97-AL046 496>> F 97-AL083 332>>		1	
(26)	7P0 906 093 A	Control unit for fuel pump		1	
(26)	7P0 906 093 B	D >> - MJ 2013 Control unit for fuel pump D - MJ 2014>>		1	
27	999 049 025 09	Collar nut T5		2	
28	970 618 377 00	Support section		1	
29	7PP 959 663	Voltage converter Start/Stop		1	PR:642

Model: 970 10

Model life 2010>>2016

Pos	Part Number	Description	Remark	Qty	Model
(29)	7PP 959 663 B	Discontinued part Voltage stabiliser Start/Stop		1	PR:642
(29)	7PP 959 663 E	Discontinued part Voltage stabiliser Start/Stop		1	PR:642
(29)	7PP 959 663 D	Voltage converter Start/Stop D - MJ 2012>>		1	DIESEL
30	999 084 633 01	Hexagon nut M 6		2	
-	N 100 988 08	Hex collared bolt M 6 X 16		2	DIESEL
31	970 618 109 07	Control unit for electro- mechanical parking brake Electronic parking brake See technical information 46854 D - MJ 2010		1	
(31)	970 618 109 08	Discontinued part Control unit for electro- mechanical parking brake Electronic parking brake See technical information 46854 D - MJ 2010		1	
(31)	970 618 109 09	Discontinued part Control unit for electro- mechanical parking brake Electronic parking brake See technical information 46854 D - MJ 2011>>		1	
32	970 618 209 00	expanding nut		2	
33	999 073 418 01	panel screw 4,8 X 19		2	
34	970 618 063 00	Cover for control unit - dme - D - MJ 2012>>	upper	1	HYBRID
(34)	970 618 063 01	Discontinued part Cover for control unit - dme - D - MJ 2012>>	upper	1	HYBRID
35	970 618 061 00	Cover for control unit - dme - D - MJ 2012>>	side	1	HYBRID DIESEL
36	970 618 065 00	Cover for control unit - dme - D - MJ 2012>>		1	DIESEL
(36)	970 618 065 01	Discontinued part Cover for control unit - dme - D - MJ 2012>>		1	DIESEL
37	958 618 601 00	Control unit oil pump D - MJ 2012>>		1	DIESEL PR:249
(37)	7P0 927 601 B	Control unit oil pump D - MJ 2012>>		1	DIESEL PR:249
(37)	958 618 601 10	Control unit oil pump D - MJ 2012>>		1	HYBRID PR:249

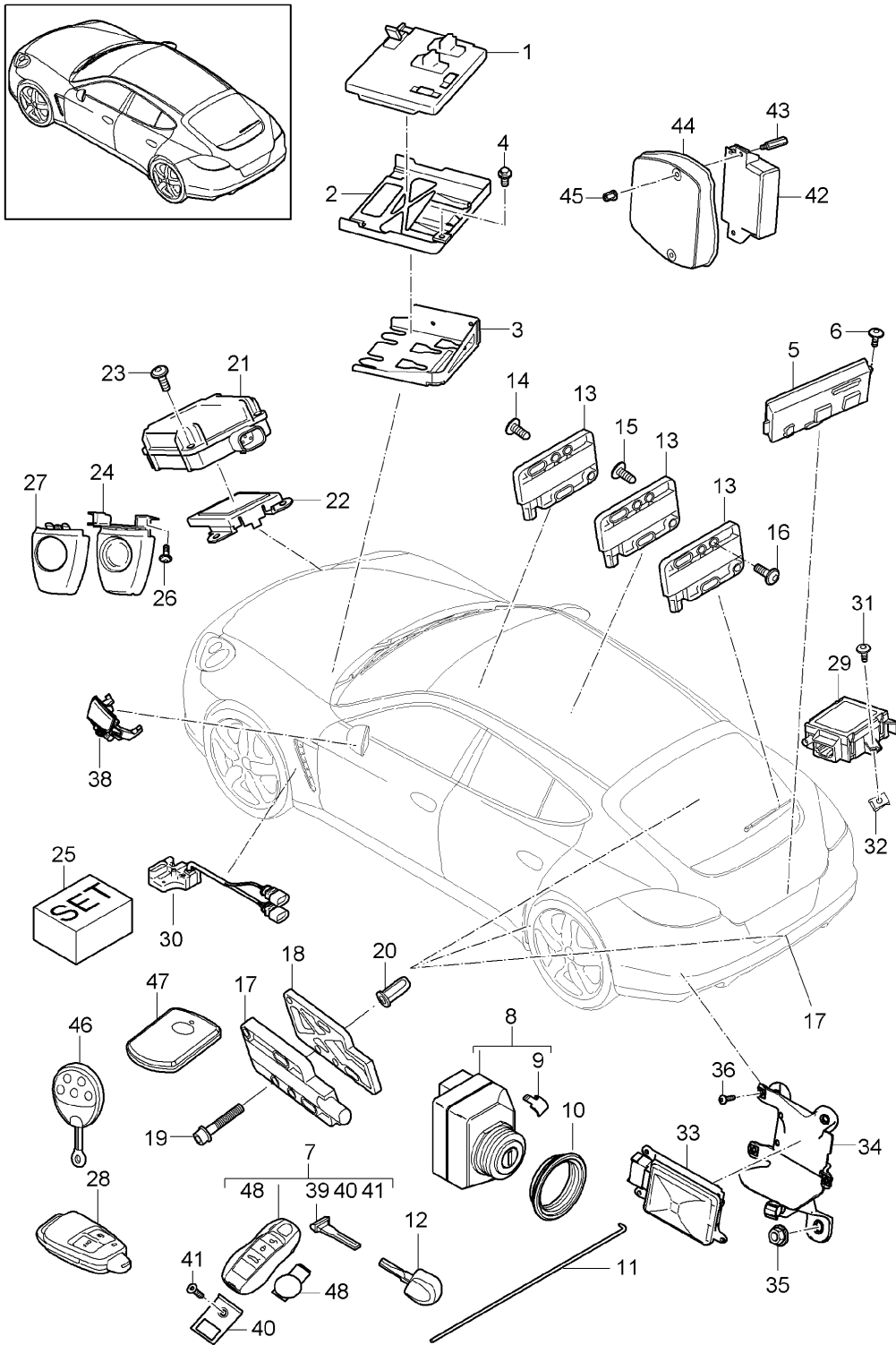
Model: 970 10

Model life 2010>>2016

Pos	Part Number	Description	Remark	Qty	Model
38	970 605 167 00	Retainer for control units D - MJ 2012>>		1	DIESEL
(38)	970 605 165 00	Retainer for control units D - MJ 2012>>		1	HYBRID
39	900 075 510 01	Bolt with washer M 6 X 20 D - MJ 2012>>		2	DIESEL PR:249
(39)	900 075 482 01	Hexagon bolt M 6 X 30 D - MJ 2012>>		3	HYBRID PR:249
40	999 076 081 40	Hexagon plastic collar nut D - MJ 2012>>		1	DIESEL PR:249
41	999 084 633 01	Hexagon nut M 6 D - MJ 2012>>		3	DIESEL PR:249
42	999 500 066 01	rivetted cap nut M 6 D - MJ 2012>>		3	DIESEL PR:249

Model: 970 10

Model life 2010>>2016



Model: 970 10 Model life 2010>>2016

Pos	Part Number	Description	Remark	Qty	Model
1	7PP 907 064 GH	Control units Electronics Front end Rear end Ignition/starter switch Handheld transmitter Garage door opener Receiving part Auxiliary heater Aerial Distance sensor Lane Change Assistant Control unit Electronics Front end		1	PR:525,-750
(1)	7PP 907 064 GK	D - MJ 2010>> - MJ 2010 Control unit Electronics Front end See technical information GR. 9 NR. 30/12 KD. GR. 9449		1	PR:525,750
(1)	7PP 907 064 GK	D - MJ 2010>> - MJ 2010 Control unit Electronics Front end		1	PR:525
(1)	7PP 907 064 EA	D - MJ 2011>> - MJ 2011 Control unit Electronics Front end		1	PR:525
(1)	7PP 907 064 EJ	D - MJ 2012>> - MJ 2012 Discontinued part Control unit Electronics Front end		1	PR:525
(1)	7PP 907 064 FG	D - MJ 2012>> - MJ 2012 Discontinued part Control unit Electronics Front end		1	PR:525
(1)	7PP 907 064 GM	D - MJ 2012>> - MJ 2012 Discontinued part Control unit Electronics Front end		1	PR:525
(1)	7PP 907 064 EP	D - MJ 2012>> - MJ 2012 Control unit Electronics Front end		1	PR:525
(1)	7PP 907 064 GF	D - MJ 2013>> - MJ 2013 Discontinued part Control unit Electronics Front end		1	PR:525
(1)	7PP 907 064 HH	D - MJ 2013>> - MJ 2013 Discontinued part Control unit (BCM) for conv. system & OB power supply Electric		1	PR:525
(1)	7PP 907 064 HP	D - MJ 2013>> - MJ 2013 Discontinued part Control unit (BCM) for conv. system & OB power supply		1	PR:525

Model: 970 10

Model life 2010>>2016

Pos	Part Number	Description	Remark	Qty	Model
(1)	7PP 907 064 GG	Electric D - MJ 2013>> Control unit Electronics Front end		1	PR:524,-750
(1)	7PP 907 064 DF	D - MJ 2010>> - MJ 2010 Control unit Electronics Front end		1	PR:524,750
(1)	7PP 907 064 DF	D - MJ 2010>> - MJ 2010 Control unit Electronics Front end		1	PR:524
(1)	7PP 907 064 DT	D - MJ 2011>> - MJ 2011 Control unit Electronics Front end		1	PR:524
(1)	7PP 907 064 EH	D - MJ 2012>> - MJ 2012 Discontinued part Control unit Electronics Front end		1	PR:524
(1)	7PP 907 064 FF	D - MJ 2012>> Discontinued part Control unit Electronics Front end		1	PR:524
(1)	7PP 907 064 GL	D - MJ 2012>> Discontinued part Control unit Electronics Front end		1	PR:524
(1)	7PP 907 064 ES	D - MJ 2012>> - MJ 2012 Control unit Electronics Front end		1	PR:524
(1)	7PP 907 064 GE	D - MJ 2013>> - MJ 2013 Discontinued part Control unit Electronics Front end		1	PR:524
(1)	7PP 907 064 HG	D - MJ 2013>> - MJ 2013 Discontinued part Control unit (BCM) for conv. system & OB power supply Electric		1	PR:524
(1)	7PP 907 064 HN	D - MJ 2013>> - MJ 2013 Discontinued part Control unit (BCM) for conv. system & OB power supply Electric		1	PR:524
(1)	7PP 907 064 EN	D - MJ 2013>> - MJ 2014 Control unit Electronics Front end		1	PR:523
(1)	7PP 907 064 GD	D >> - MJ 2013 Discontinued part Control unit Electronics Front end		1	PR:523
(1)	7PP 907 064 HF	D - MJ 2013>> - MJ 2013 Discontinued part Control unit		1	PR:523

Model: 970 10

Model life 2010>>2016

Pos	Part Number	Description	Remark	Qty	Model
(1)	7PP 907 064 HM	Electronics Front end D - MJ 2014>> Discontinued part Control unit		1	PR:523
(1)	7PP 907 064 HT	Electronics Front end D - MJ 2014>> Discontinued part Control unit		1	PR:523
(1)	7PP 907 064 JJ	Electronics Front end D - MJ 2014>> Discontinued part Control unit		1	PR:523,625
(1)	7PP 907 064 HE	Electronics Front end D - MJ 2016>> Control unit		1	PR:525,-625
(1)	7PP 907 064 HL	Electronics Front end D - MJ 2013>> Discontinued part Control unit		1	PR:525,-625
(1)	7PP 907 064 HS	Electronics Front end D - MJ 2013>> Discontinued part Control unit		1	PR:525,-625
(1)	7PP 907 064 HD	Electronics Front end D - MJ 2013>> Control unit		1	PR:524,-625
(1)	7PP 907 064 HK	Electronics Front end D - MJ 2013>> Discontinued part Control unit		1	PR:524,-625
(1)	7PP 907 064 HC	Electronics Front end D - MJ 2013>> Control unit		1	PR:523,-625
(1)	7PP 907 064 HJ	Electronics Front end D - MJ 2013>> Discontinued part Control unit (BCM) for conv. system & OB power supply		1	PR:523,-625
2	7PP 907 348 A	Retainer for control units Discontinued part		1	
(2)	7PP 907 348 B	Retainer for control units		1	
3	970 618 533 01	Retainer for control units		1	
(3)	970 618 529 00	D >> - MJ 2013 Retainer for control units		1	PR:098
(3)	970 618 530 00	D - MJ 2014>> Retainer for control units		1	PR:099
-	999 507 172 01	D - MJ 2014>> U-clip		2	
4	N 908 204 01	self-locking bolt, hex. hd. (combi.) M 6 X 16		2	
5	7PP 907 279 J	Control unit Electronics Rear end		1	PR:-750

Model: 970 10 Model life 2010>>2016

Pos	Part Number	Description	Remark	Qty	Model
(5)	7PP 907 279 P	D >> - MJ 2010 Discontinued part Control unit Electronics Rear end		1	PR:-750
(5)	7PP 907 279 M	D >> - MJ 2010 Control unit Electronics Rear end		1	PR:750
(5)	7PP 907 279 S	D >> - MJ 2010 Discontinued part Control unit Electronics Rear end		1	PR:750
(5)	7PP 907 279 M	D >> - MJ 2010 Control unit Electronics Rear end		1	
(5)	7PP 907 279 S	D - MJ 2011>> - MJ 2011 Discontinued part Control unit Electronics Rear end		1	
(5)	7PP 907 279 AE	D - MJ 2011>> - MJ 2011 Control unit Electronics Rear end		1	
(5)	7PP 907 279 AM	D - MJ 2012>> - MJ 2012 Discontinued part Control unit Electronics Rear end		1	
(5)	7PP 907 279 BQ	D - MJ 2012>> - MJ 2012 Discontinued part Control unit Electronics Rear end		1	
(5)	7PP 907 279 AH	D - MJ 2012>> - MJ 2012 Control unit Electronics Rear end		1	
(5)	7PP 907 279 AR	D - MJ 2013>> No longer use the part here Control unit Electronics Rear end		1	
(5)	7PP 907 279 BD	D - MJ 2013>> No longer use the part here Control unit Electronics Rear end		1	
(5)	7PP 907 279 BF	D - MJ 2014>> No longer use the part here Control unit Electronics Rear end		1	
(5)	7PP 907 279 BS	D - MJ 2013>> Discontinued part Control unit Electronics Rear end		1	
-	970 618 631 01	D - MJ 2013>> Retainer for control units		1	HYBRID

Model: 970 10 Model life 2010>>2016

Pos	Part Number	Description	Remark	Qty	Model
-	970 618 631 02	Electronics Rear end D - MJ 2012>> Discontinued part Retainer for control units		1	HYBRID
6	999 919 099 01	Electronics Rear end D - MJ 2012>> fillister hd. bolt 5,0 X 20		1	
(7)		Handheld transmitter Key cover See technical information Service Group 5 Document 5708 31/12		1	
7	970 637 947 03	Handheld transmitter Key cover Vehicle Ident. No. Indicate D >> - MJ 2011		1	PR:525,072, 553
(7)	970 637 947 04	Discontinued part Handheld transmitter Key cover Vehicle Ident. No. Indicate D >> - MJ 2011		1	PR:525,072, 553
(7)	970 637 947 05	No longer use the part here Handheld transmitter Key cover Vehicle Ident. No. Indicate D - MJ 2012>>		1	PR:525,072, 553
(7)	970 637 947 06	No longer use the part here Handheld transmitter Key cover Vehicle Ident. No. Indicate		1	PR:525,072, 553
(7)	970 637 948 03	Handheld transmitter Key cover Vehicle Ident. No. Indicate D >> - MJ 2011		1	PR:525,-072, -553
(7)	970 637 948 04	Discontinued part Handheld transmitter Key cover Vehicle Ident. No. Indicate		1	PR:525,-072, -553
(7)	970 637 948 05	No longer use the part here Handheld transmitter Key cover Vehicle Ident. No. Indicate		1	PR:525,-072, -553
(7)	970 637 948 06	No longer use the part here Handheld transmitter Key cover Vehicle Ident. No. Indicate		1	PR:525,-072, -553
(7)	970 637 946 02	Handheld transmitter Key cover Vehicle Ident. No. Indicate		1	PR:524

Model: 970 10 Model life 2010>>2016

Pos	Part Number	Description	Remark	Qty	Model
(7)	970 637 946 04	D >> - MJ 2011 Discontinued part Handheld transmitter Key cover Vehicle Ident. No. Indicate No longer use the part here		1	PR:524
(7)	970 637 946 05	Handheld transmitter Key cover Vehicle Ident. No. Indicate No longer use the part here		1	PR:524
(7)	970 637 946 06	Handheld transmitter Key cover Vehicle Ident. No. Indicate		1	PR:524
(7)	970 637 950 06	Handheld transmitter Key cover Vehicle Ident. No. Indicate		1	PR:523
-	958 538 916 00	D - MJ 2013>> emergency key with stipulated lock number Vehicle Ident. No. Indicate		1	
-	999 611 108 00	Battery for hand sender		1	
8	7PP 905 865 B	Control unit Ignition/starter switch		1	PR:-625
(8)	7PP 905 865 C	D >> - MJ 2010 Discontinued part Control unit Ignition/starter switch		1	PR:625,-750
(8)	7PP 905 865 D	D >> - MJ 2010 Control unit Ignition/starter switch		1	PR:625,750
(8)	7PP 905 865 B	D >> - MJ 2010 Discontinued part Control unit Ignition/starter switch		1	
(8)	7PP 905 865 D	D >> - MJ 2011 Discontinued part Control unit Ignition/starter switch		1	
(8)	7PP 905 865 E	D >> - MJ 2011 Discontinued part Control unit Ignition/starter switch		1	
(8)	7PP 905 865 F	D - MJ 2012>> Discontinued part Control unit Ignition/starter switch		1	
9	970 618 959 00	D - MJ 2011>> Cover Release Handheld transmitter		1	
10	7PP 911 094	Nut		1	
11	970 618 761 00	Emergency operation Release Ignition/starter switch		1	
(11)	7PP 907 256	Discontinued part Emergency operation Release Ignition/starter switch		1	

Model: 970 10 Model life 2010>>2016

Pos	Part Number	Description	Remark	Qty	Model
12	7PP 919 157	Control panel		1	PR:625
13	7PP 962 132 A	Aerial	inner	3	PR:625
14	999 073 139 01	fillister hd. bolt M 5 X 25 Discontinued part		2	
(14)	N 106 768 01	Oval hexagon socket head bolt M 5 X 25		2	
15	999 919 264 01	fillister hd. bolt 3,0 X 8,0		2	
16	999 073 372 01	panel screw 4,2 X 16		1	
17	7PP 962 132	Aerial	outer	3	PR:625
18	970 637 331 01	Retainer for aerial		2	PR:625
19	999 073 321 09	fillister hd. bolt M 6 X 25		4	
20	999 500 123 02	riveted cap nut M 6		4	
21	997 618 225 03	Control unit for opening garage door D >> - MJ 2010 Discontinued part		1	PR:608
(21)	8K0 907 410	Control unit for opening garage door D - MJ 2011>>		1	PR:608
(21)	997 618 227 02	Control unit for opening garage door D >> - MJ 2010 Discontinued part		1	PR:607
(21)	8K0 907 410 C	Control unit for opening garage door D - MJ 2011>>		1	PR:607
22	970 618 257 00	Bracket		1	
23	999 919 134 09	fillister hd. bolt 6,0 X 16,0		3	
24	970 605 085 04	Control unit for distance regulation D >> - MJ 2010 Discontinued part		1	PR:456
(24)	970 605 085 08	Control unit for distance regulation D - MJ 2011>>		1	PR:456
(24)	970 605 095 02	Control unit for distance regulation D - MJ 2012>> - MJ 2013		1	HYBRID DIESEL PR:456
(24)	970 605 185 51	Control unit for distance regulation D - MJ 2014>>		1	PR:456
-	970 605 285 00	Retainer for control units Control unit for distance regulation D >> - MJ 2013		1	PR:456
-	970 605 285 50	Retainer for control units Control unit for distance regulation D - MJ 2014>>		1	PR:456
25	970 605 901 00	repair set comprising: Clip adjusting screw Screw		1 3 2 1	PR:456
26	999 919 257 01	Clip fillister hd. bolt 6,0 X 20,0		3 2	PR:456

Model: 970 10 Model life 2010>>2016

Pos	Part Number	Description	Remark	Qty	Model
27	970 605 186 00	Cover panel D >> - MJ 2013		1	PR:456
(27)	970 605 186 00 1E0 991 605 186 00	Black Cover panel D - MJ 2014>>	front	1	PR:456
(27)	991 605 186 00 1E0 991 605 188 00	Black Cover panel D - MJ 2014>>	rear	1	PR:456
-	991 605 188 00 1E0 999 919 257 01	Black fillister hd. bolt 6 X 20 D - MJ 2014>>		2	PR:456
28	7PP 963 511 A	Handheld transmitter Auxiliary heater Discontinued part		1	PR:851
(28)	7PP 963 511 B	Handheld transmitter Auxiliary heater		1	PR:851
29	8K0 963 271	Control and receiver unit for radio-controlled aux. heater Receiving part Auxiliary heater		1	PR:851
30	970 618 572 10	Control unit for auxiliary heating		1	PR:850,851
31	999 073 340 09	panel screw 3,5 X 11		2	PR:851
32	999 591 725 03	panel nut 3,5		2	PR:851
33	970 618 770 02	Control unit for lane change assist D >> - MJ 2013	left	1	PR:457
(33)	970 618 770 51	Control unit for lane change assist	left	1	PR:457,-IY2
		also use: 970 618 775 52			
(33)	970 618 770 52	No longer use the part here Control unit for lane change assist D - MJ 2014>>	left	1	PR:457,IY2
(33)	970 618 775 02	Control unit for lane change assist D >> - MJ 2013	right	1	PR:457
(33)	970 618 775 51	Control unit for lane change assist	right	1	PR:457,-IY2
		also use: 970 618 770 52			
(33)	970 618 775 52	No longer use the part here Control unit for lane change assist D - MJ 2014>>	right	1	PR:457,IY2
34	970 618 870 01	Bracket D >> - MJ 2013	left	1	PR:457
(34)	970 618 870 02	Discontinued part Bracket D >> - MJ 2013	left	1	PR:457
(34)	970 618 870 52	Bracket D - MJ 2014>>	left	1	PR:457
(34)	970 618 875 01	Bracket D >> - MJ 2013	right	1	PR:457
(34)	970 618 875 02	Discontinued part Bracket D >> - MJ 2013	right	1	PR:457
(34)	970 618 875 52	Bracket D - MJ 2014>>	right	1	PR:457

Model: 970 10 Model life 2010>>2016

Pos	Part Number	Description	Remark	Qty	Model
35	N 905 708 03	hex. nut with washer M 6		6	PR:457
36	999 073 255 09	Bolt with washer M 5 X 14		6	PR:457
38	970 641 401 00	Warning light For vehicles with lane change assist Exterior mirror	left lhd	1	PR:098,457
(38)	970 641 402 00	Warning light For vehicles with lane change assist Exterior mirror	right lhd	1	PR:098,457
(38)	970 641 403 00	Warning light For vehicles with lane change assist Exterior mirror	left rhd	1	PR:099,457
(38)	970 641 404 00	Warning light For vehicles with lane change assist Exterior mirror	right rhd	1	PR:099,457
39	958 538 916 00	emergency key with stipulated lock number * Part number must be ordered * manually by indicating * vehicle ID number.		1	
40	991 637 301 00	Eye		1	
41	991 637 303 00	countersunk bolt		1	
42	7PP 035 620 F	Control unit VTS vehicle tracking D - MJ 2014>> Discontinued part		1	PR:7I2
(42)	7PP 035 620 J	Control unit VTS vehicle tracking D - MJ 2014>> Discontinued part		1	PR:7I2
(42)	7PP 035 620 AE	Control unit VTS vehicle tracking D - MJ 2014>> Discontinued part		1	PR:7I2
43	7PP 971 952	Distance piece M 6 D - MJ 2014>>		2	PR:7I2
44	970 618 276 00	Cover D - MJ 2014>>		1	PR:-206
(44)	970 618 278 00	Cover D - MJ 2014>>		1	PR:206
45	999 084 635 01	Pull-off nut D - MJ 2014>> Discontinued part		2	PR:7I2
(45)	WHT 006 947	Pull-off nut M 6 - SB D - MJ 2014>>		5	PR:7I2
46	7PP 862 423	Handheld transmitter D - MJ 2014>>		1	PR:063,225
47	7PP 862 077	Driver Card Card VTS vehicle tracking D - MJ 2014>>		1	PR:7I2,-063, -225
48	970 637 925 00	Cover Handheld transmitter Key cover		1	
-		Aerial amplifier Auxiliary heater see illustration:	911-010		

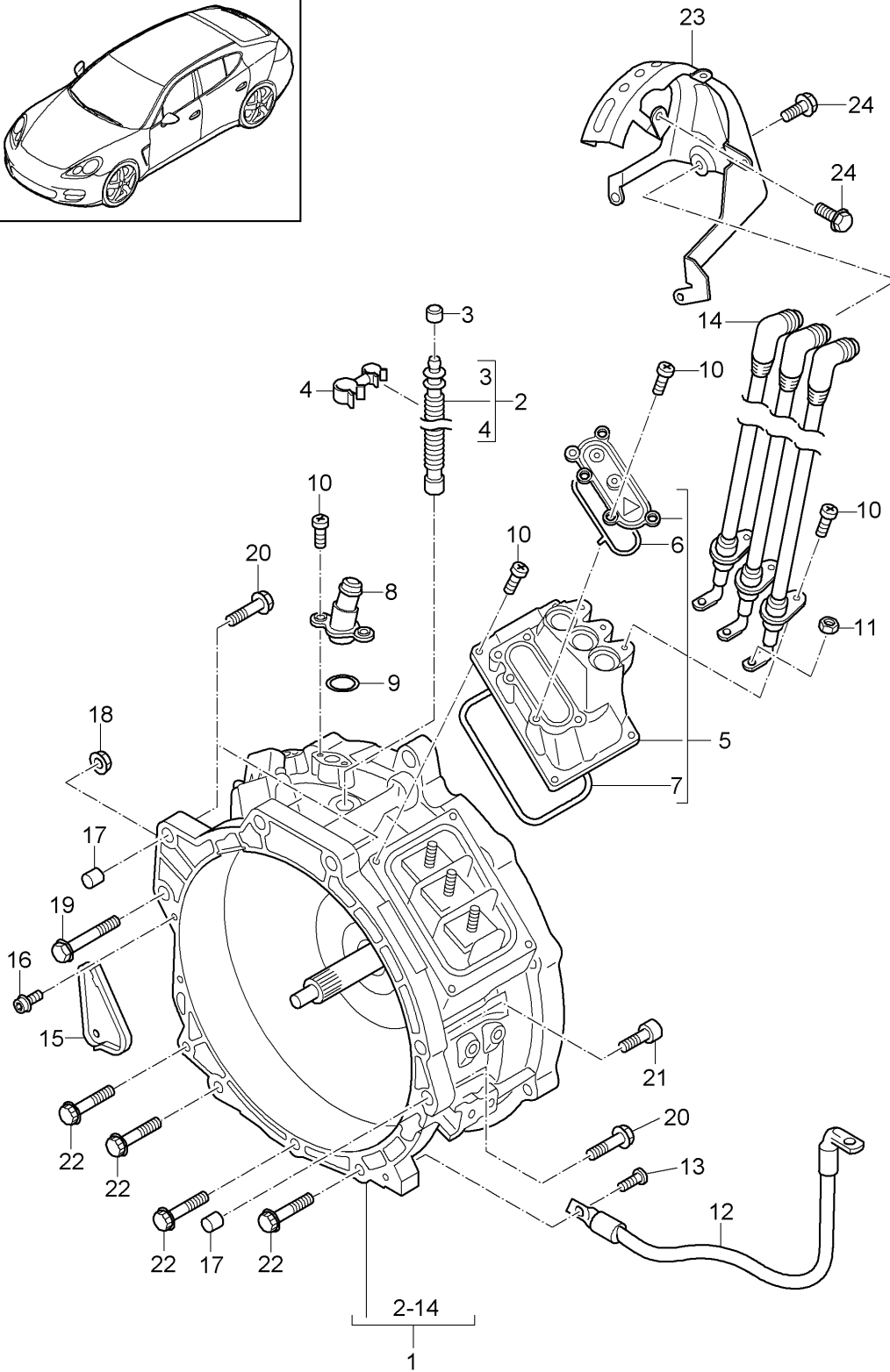
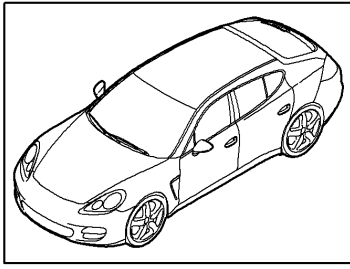
Model: 970 10

Model life 2010>>2016

Pos	Part Number	Description	Remark	Qty	Model
-		Alarm horn Control unit Tilt angle sensor see illustration:	903-000		

Model: 970 10

Model life 2010>>2016



Model: 970 10 Model life 2010>>2016

Pos	Part Number	Description	Remark	Qty	Model
1	970 117 010 X	Hybrid Electric motor for Driving mechanism		1	
1	970 117 010 AX	Electric motor for Driving mechanism F >> 97-CL041 051		1	
1	970 117 010 DX	Electric motor for Driving mechanism F 97-CL041 052>>		1	
2	958 301 647 00	D - MJ 2014>> Breather line		1	
3	014 301 485	Cap for venting the gearbox		1	
4	N 105 638 01	Bracket		1	
5	958 624 152 50	repair set Connection box		1	
6	958 624 111 00	Seal	upper	1	
7	958 624 112 00	Seal	lower	1	
8	958 624 623 00	Cooling water socket		2	
9	958 624 447 00	O-ring		2	
10	N 101 243 06	Oval hexagon socket head bolt M 6 X 20		X	
11	N 106 092 01	Hexagon collar nut M 8		3	
12	970 611 319 02	Earth line		1	
(12)	970 611 319 40	Earth line D - MJ 2014>>		1	
13	N 911 896 01	Flat head multi-point socket bolt M 8 X 18		1	
14		Wire set		1	
(14)		see illustration: D >> - MJ 2013 Wire set	901-030	1	
15	958 101 648 00	D - MJ 2014>> Cover	901-031	1	
16	N 911 266 01	Oval hexagon socket head bolt M 6 X 16		2	
16	N 910 967 01	Oval hexagon socket head bolt M 6 X 16		2	
17	955 101 139 01	dowel sleeve		2	
18	N 910 955 01	Hexagon collar nut M 10		1	
19	N 911 056 01	Hex collared bolt M 10 X 85		1	
20	N 910 301 02	multi-point socket head bolt with collar AM 12 X 70		4	
21	N 105 651 02	Socket head bolt with hexagon socket head M 12 X 60		1	
22	N 911 507 01	12-edge flange screw M 10 X 60		4	
23	970 610 267 01	Cable cover		1	
24	999 217 116 01	Hexagon bolt M 8 X 20		X	
25	958 701 697 10	Warning sign for hybrid		1	

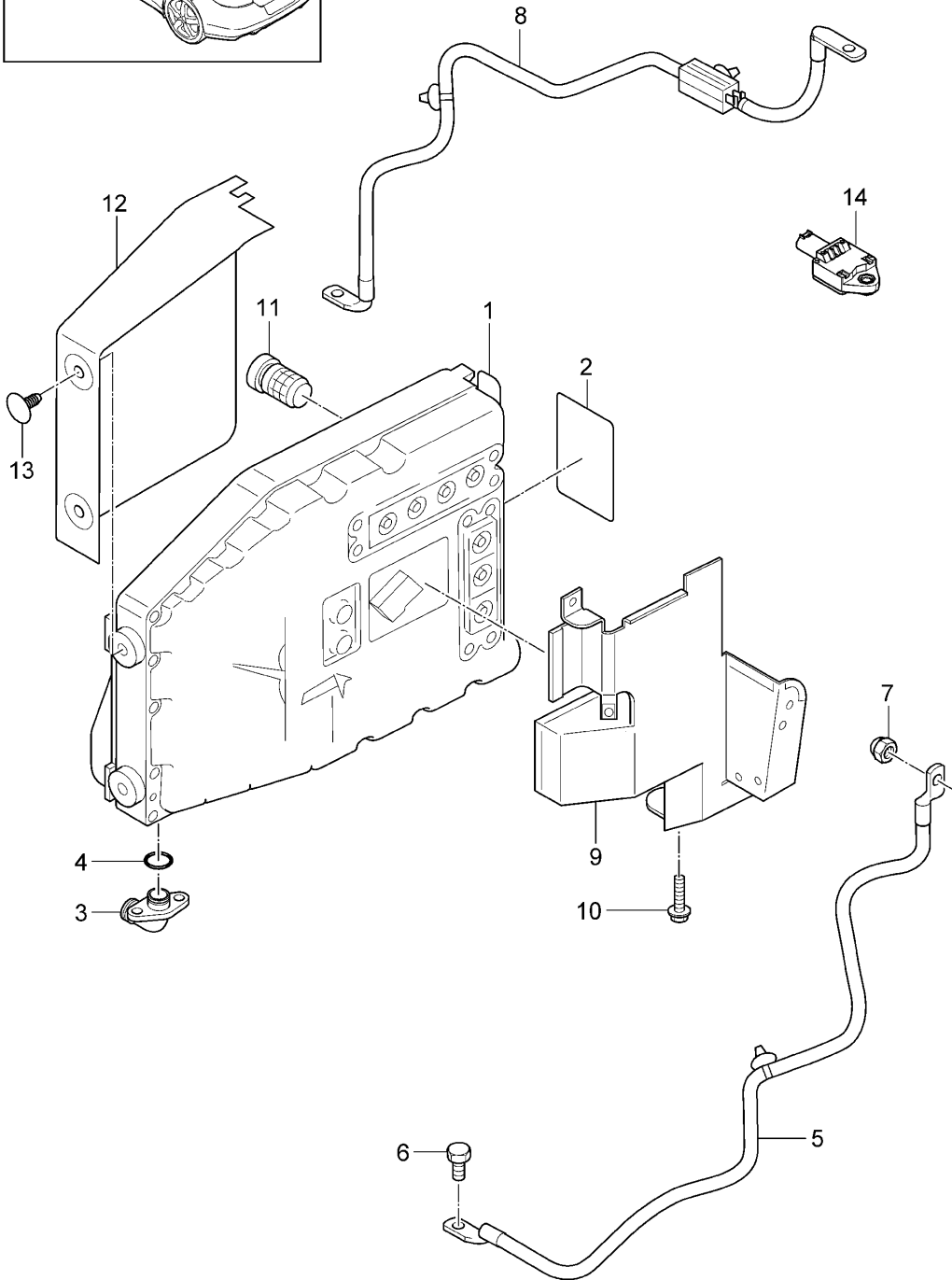
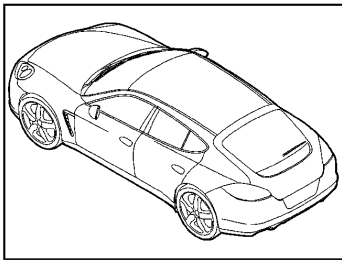
Model: 970 10

Model life 2010>>2016

Pos	Part Number	Description	Remark	Qty	Model
		vehicles High voltage			

Model: 970 10

Model life 2010>>2016

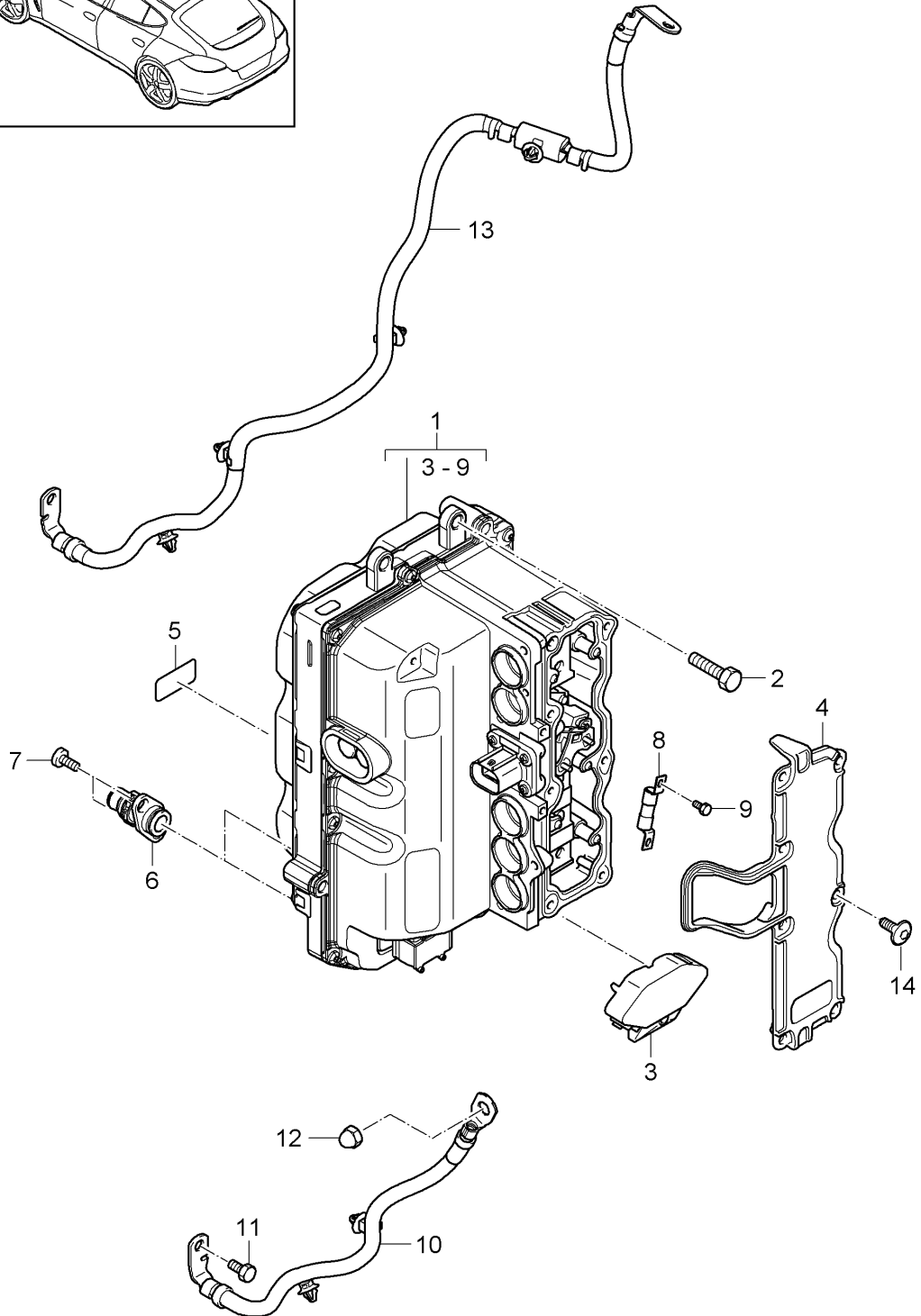
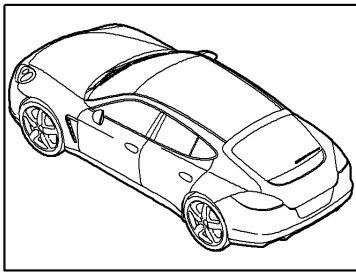


Model: 970 10 Model life 2010>>2016

Pos	Part Number	Description	Remark	Qty	Model
		Hybrid Power and control electronics- for electric drive			
1	7P5 907 080 X	D >> - MJ 2013 Power and control electronics- for electric drive		1	
1	970 608 050 AX	F >> 97-CL041 051 Power and control electronics- for electric drive		1	
-	900 378 035 01	F 97-CL041 052>> Hexagon bolt		4	
2	958 701 697 00	M 6 X 16 Warning sign for hybrid vehicles		1	- "J..", - "PME", - "CN.", - "BR.", - "RUS"
(2)	958 701 697 10	High voltage Warning sign for hybrid vehicles		1	"J..", "PME", "CN.", "BR.",
3	958 106 133 00	High voltage Cooling water socket		2	
4	958 106 134 00	O-ring		2	
5	970 611 317 01	Earth line		1	
(5)	970 611 329 01	Power and control electronics- for electric drive Body Earth line Voltage converter Body		1	
6	900 378 036 01	Hexagon bolt		1	
7	900 377 003 03	M 6 X 12 Hexagon nut		2	
(7)	999 084 951 01	M 8 Hexagon nut		2	
8	970 611 303 02	M 10 Cable		1	
9	970 608 150 02	Power and control electronics- for electric drive Connection point Engine bay Protective plate		1	
10	999 217 116 01	Power and control electronics- for electric drive Hexagon bolt		1	
11	958 618 061 00	M 6 X 16 Safety connector		1	
12	970 504 583 00	Protective plate	front	1	
13	N 909 113 01	Clip		2	
14	970 618 229 00	6,5 X 15,8 Accelerator sensor Power and control electronics- for electric drive		1	

Model: 970 10

Model life 2010>>2016



Model: 970 10 Model life 2010>>2016

Pos	Part Number	Description	Remark	Qty	Model
1	970 608 060 X	Power and control electronics- for electric drive D - MJ 2014>> Power and control electronics- for electric drive Discontinued part		1	
1	970 608 060 AX	Power and control electronics- for electric drive Discontinued part		1	
1	970 608 060 GX	Power and control electronics- for electric drive		1	
2	N 102 400 03	Hex collared bolt M 8 X 32		4	
3	7PP 907 299	Cover Ground cable		1	
4	7PP 907 300	Cover Wire set Electric motor		1	
5	958 701 697 00	D >> - MJ 2014 Warning sign for hybrid vehicles High voltage		1	- "J..", - "PME", - "CN.", - "BR.", - "RUS"
(5)	958 701 697 10	Warning sign for hybrid vehicles High voltage		1	"J..", "PME", "CN.", "BR.",
6	5C0 121 133 A	Coolant connection		2	
7	N 104 514 05	Oval hexagon socket head bolt M 6 X 16		4	
8	5C0 915 463	fuse for Compressor Air conditioning		1	
9	WHT 006 421	hexagon head bolt (combi) M 4 X 10		2	
10	970 611 317 41	Earth line Power and control electronics- for electric drive		1	
(10)	970 611 329 40	Body Earth line Voltage converter Body		1	
11	900 378 036 01	Hexagon bolt M 6 X 12		1	
12	900 377 003 03	Hexagon nut M 8		2	
13	970 611 303 40	Cable Power and control electronics- for electric drive FREMDSTARTPUNKT Engine bay Discontinued part		1	
(13)	970 611 303 41	Cable Power and control electronics- for electric drive FREMDSTARTPUNKT Engine bay		1	
14	N 104 514 05	Oval hexagon socket head bolt M 6 X 16		7	
15	970 608 160 02	Protective plate		1	

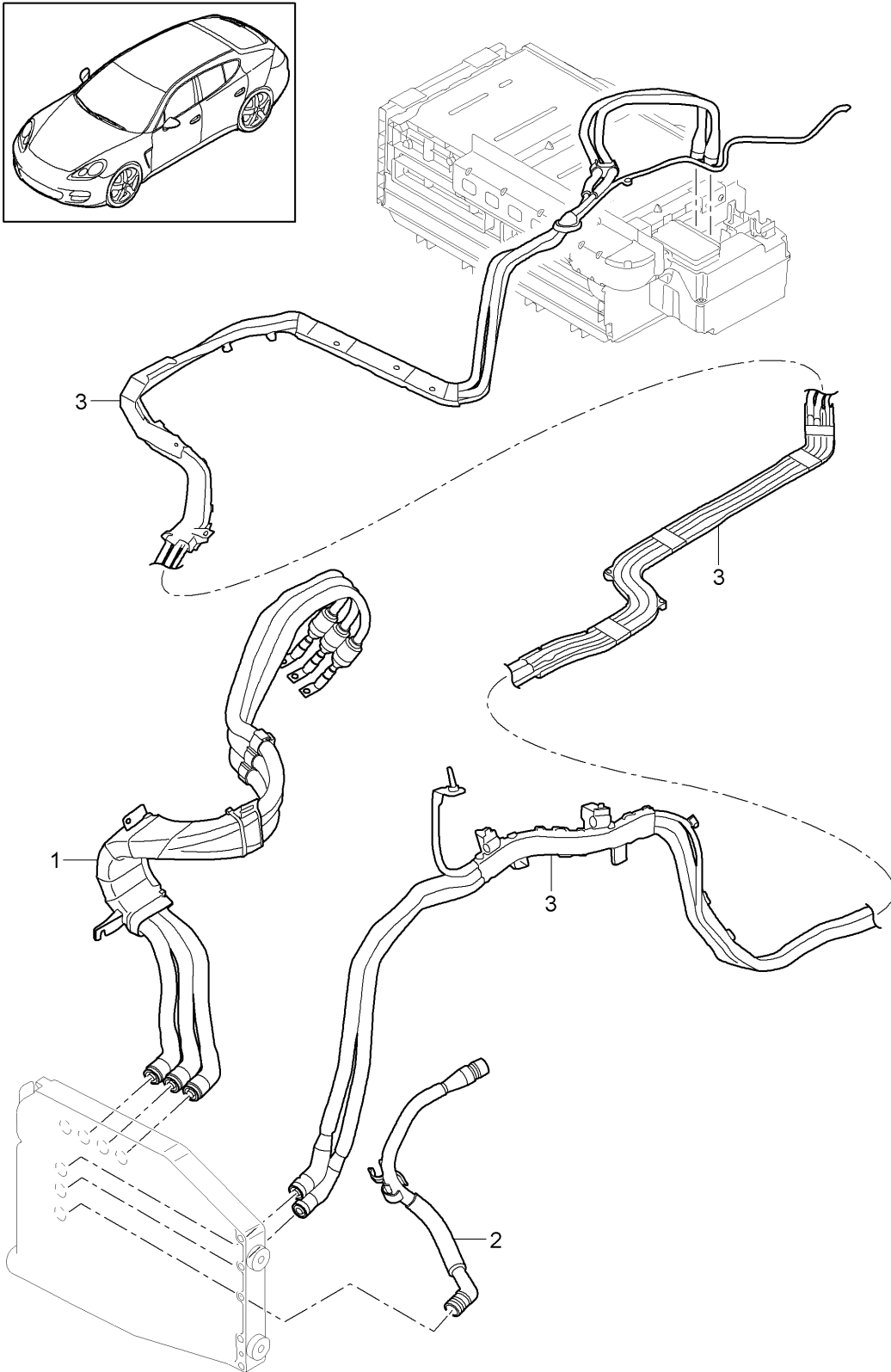
Model: 970 10

Model life 2010>>2016

Pos	Part Number	Description	Remark	Qty	Model
16	970 608 160 20	Power and control electronics- for electric drive Lower part Protective plate Power and control electronics- for electric drive Upper part		1	
17	999 073 378 02	flat round head bolt M 6 X 20		2	
18	999 084 629 01	Hexagon nut M 6		1	

Model: 970 10

Model life 2010>>2016



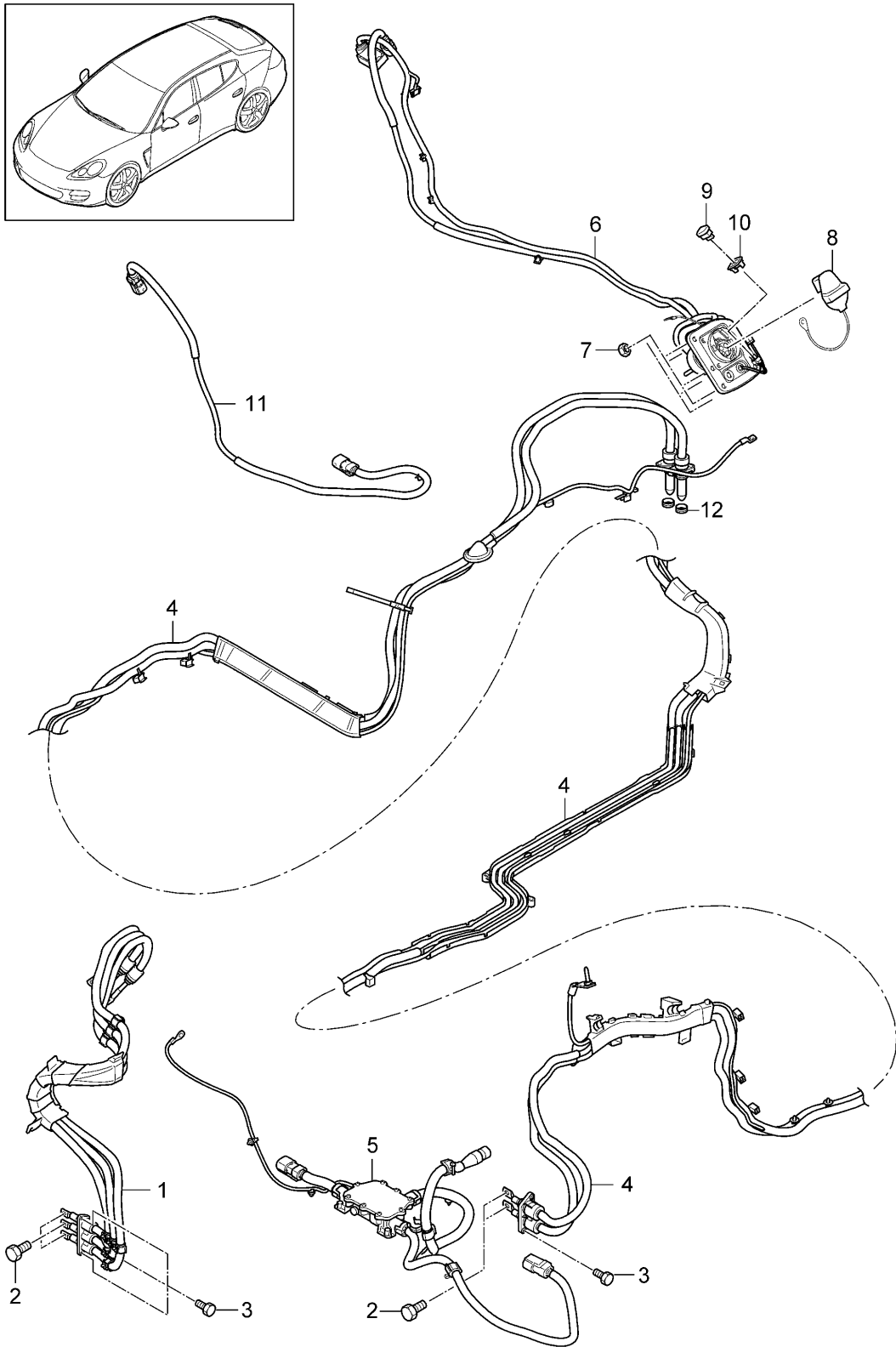
Model: 970 10

Model life 2010>>2016

Pos	Part Number	Description	Remark	Qty	Model
1	970 611 305 00	Hybrid Wiring looms D >> - MJ 2013 Wire set Power and control electronics- for electric drive		1	
1	970 611 305 01	Electric motor Wire set Power and control electronics- for electric drive		1	
2	970 611 311 00	Electric motor Connection cable Power and control electronics- for electric drive		1	
2	970 611 311 02	Compressor Air conditioning Cable Power and control electronics- for electric drive		1	
-	999 656 111 40	Compressor Air conditioning Cable holder for Pressure line		1	
3	970 611 301 02	Wire set Power and control electronics- for electric drive		1	
3	970 611 301 03	Battery Wire set Power and control electronics- for electric drive Battery		1	

Model: 970 10

Model life 2010>>2016



Model: 970 10

Model life 2010>>2016

Pos	Part Number	Description	Remark	Qty	Model
1	970 611 305 41	Wiring looms Hybrid D - MJ 2014>> Wire set Power electronics		1	
2	N 106 531 01	Electric motor Hexagon flange screw M 8 X 20		X	
3	N 910 696 01	Hexagon socket flat head bolt M 6 X 22		X	
4	970 611 301 40	Wire set Power electronics Battery 12 V Battery		1	
5	970 611 511 41	High voltage Wire set Power electronics Compressor High voltage Junction Included High voltage Junction		1	
6	970 611 369 41	Wire set Charger High voltage Charging socket No longer use the part here		1	PR:ES1
(6)	970 611 369 42	Wire set Charger High voltage Charging socket D >> - 28.08.2014 Discontinued part		1	PR:ES1
(6)	970 611 369 44	Wire set Charger High voltage Charging socket		1	PR:ES1,IY2
(6)	970 611 369 45	also use: D >> - 28.08.2014 Wire set Charger High voltage Charging socket D - 29.08.2014>>	970 504 193 06	1	PR:ES1,KB1
(6)	970 611 349 41	Wire set Charger High voltage Charging socket D >> - 28.08.2014		1	PR:ES3
(6)	970 611 349 42	D - MJ 2015>> - MJ 2015 Wire set Charger High voltage Charging socket		1	PR:ES3
(6)	970 611 349 43	also use: D >> - 28.08.2014 Wire set Charger High voltage Charging socket	970 504 193 06	1	PR:ES3,KB1

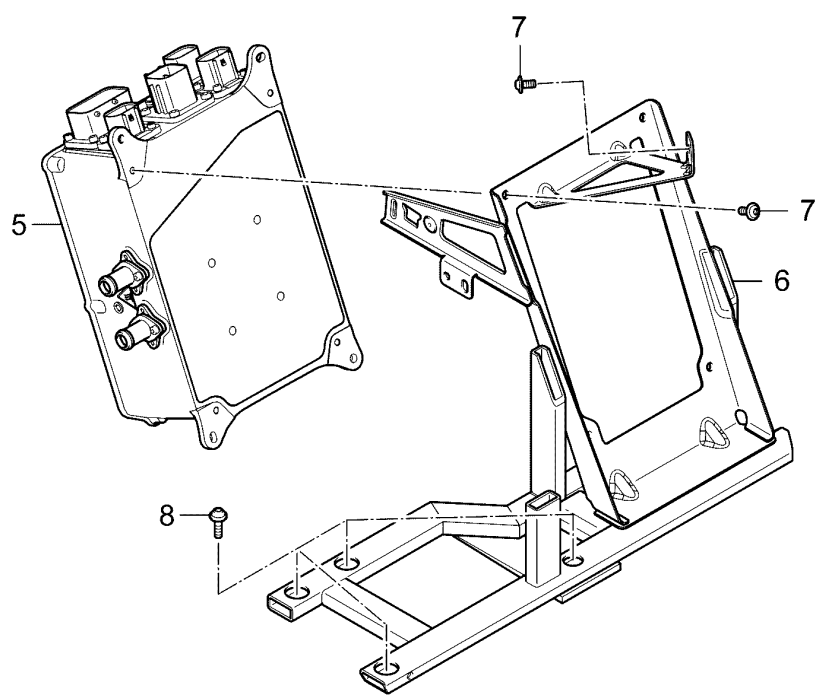
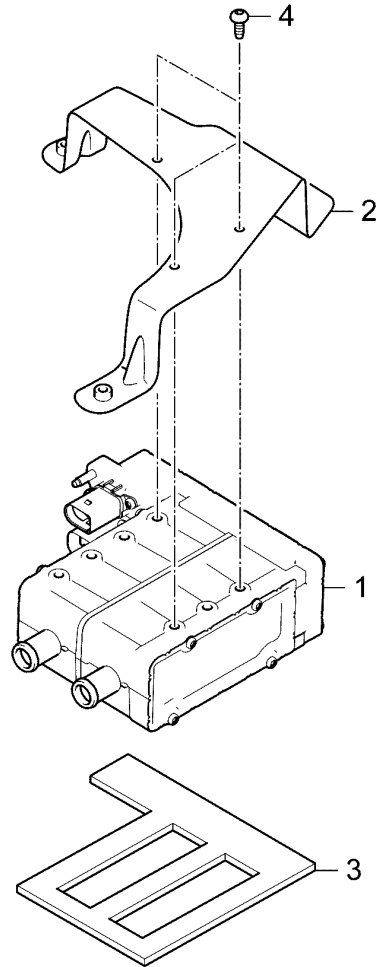
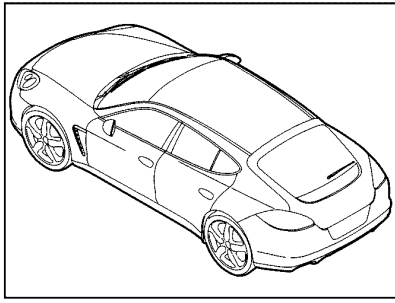
Model: 970 10

Model life 2010>>2016

Pos	Part Number	Description	Remark	Qty	Model
(6)	970 611 379 40	D - 29.08.2014>> Wire set Charger High voltage Charging socket 7,2 KW		1	PR:ES3,KB2
(6)	970 611 389 40	Wire set Charger High voltage Charging socket 7,2 KW		1	PR:ES1,KB2
7	N 102 058 02	Hexagon collar nut self-locking M 6		6	
8	7PP 971 904	Bungs Charging socket TYP 1 Discontinued part		1	PR:ES1
(8)	7PP 971 904 C	Bungs Charging socket TYP 1		1	PR:ES1
(8)	7PP 971 904 A	Bungs Charging socket TYP 2		1	PR:ES3
9	7PP 915 210	Switch Charging control indicator		1	
	7PP 915 210 1E0	Black			
10	970 613 181 02	Rosette		1	
	970 613 181 02 1E0	Black			
11	970 611 359 40	Wire set Charger heater unit Battery		1	
12	7PP 971 203	seal ring Line Battery		1	
13	970 611 337 41	Earth line High voltage Junction		1	
14	970 611 357 40	Wire set High voltage HV-LADER Battery		1	
15	970 610 265 01	Cable guide High voltage Battery		1	
16	970 610 245 00	Cable guide High voltage Cable		1	

Model: 970 10

Model life 2010>>2016



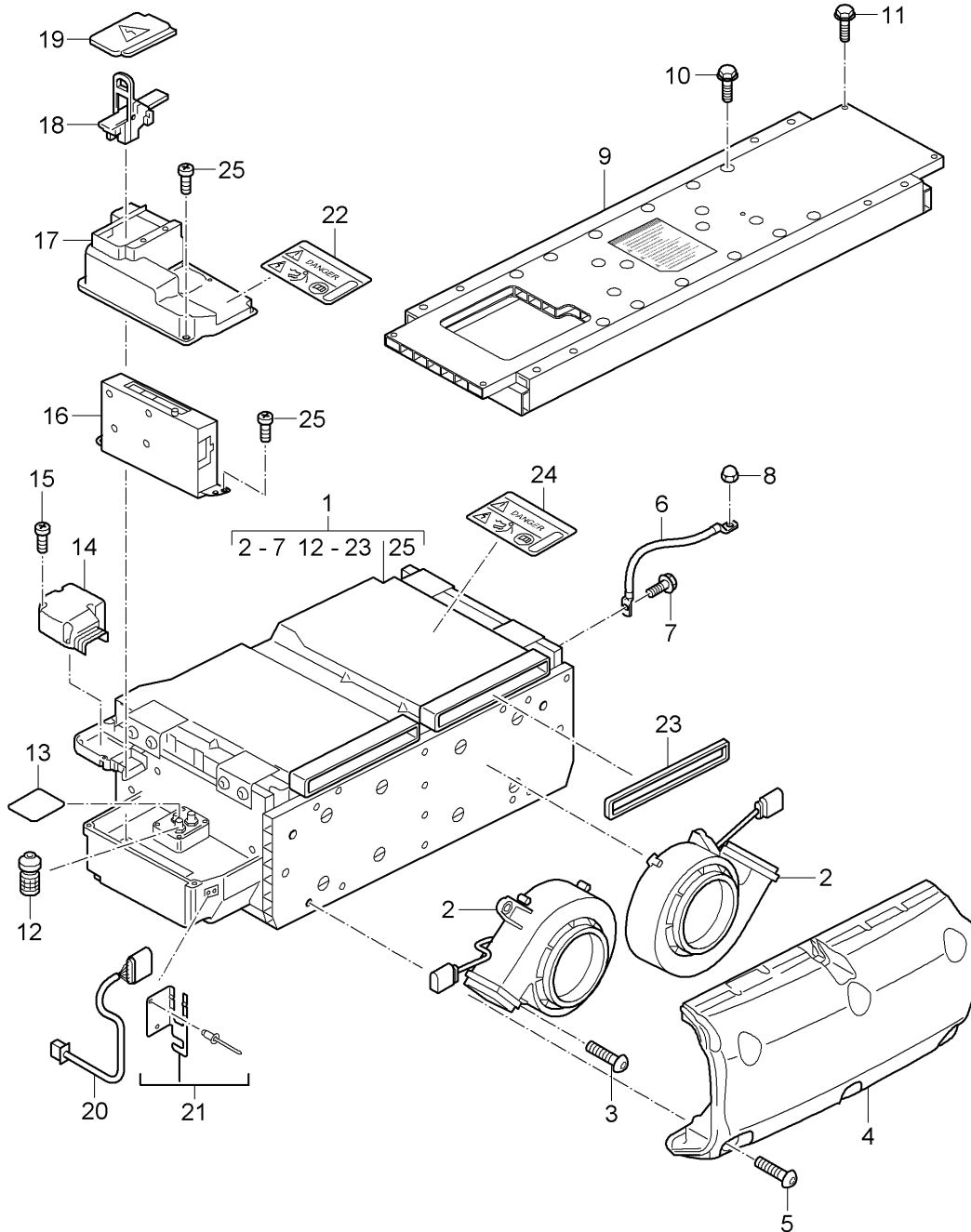
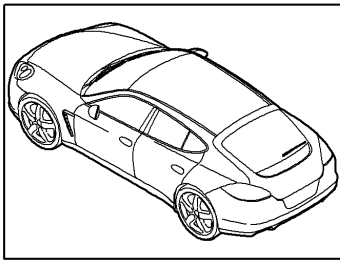
Model: 970 10

Model life 2010>>2016

Pos	Part Number	Description	Remark	Qty	Model
1	12E 963 231 A	heater unit Battery Passenger compartment Charger Battery D - MJ 2014>> heat exchanger and Battery	inner	2	
1	12E 963 231 B	Discontinued part Heater element and Battery	inner	2	
2	970 573 563 00	Retainer for battery		1	
3	970 573 565 00	Foam part		1	
4	999 919 205 09	heater unit Battery Torx screw M 6 X 12		6	
5	5QE 915 682 H	Battery charger 3,6 KW		1	PR:KB1
(5)	5QE 915 681 H	Battery charger 7,2 KW		1	PR:KB2
6	970 611 291 01	Bracket		1	
7	N 104 065 04	Oval hexagon socket head bolt M 6 X 12		5	
8	N 910 327 02	Round-head screw with inner hexagon socket head M 6 X 20		4	

Model: 970 10

Model life 2010>>2016



Model: 970 10 Model life 2010>>2016

Pos	Part Number	Description	Remark	Qty	Model
1	970 611 035 X	Hybrid Battery D >> - MJ 2013 Hybrid battery Included		1	
2	958 624 463 00	Cross member Fan motor		2	
3	N 106 444 04	Hexagon socket flat head bolt M 6 X 22		6	
4	958 572 024 00	housing Fan motor		1	
-		Air guide see illustration:	901-050		
5	N 907 809 04	Oval hexagon socket head bolt M 6 X 16		1	
6	970 611 323 01	Earth line Battery Body		1	
7	N 908 479 03	hexagon head bolt (combi) M 6 X 15		1	
8	955 618 419 21	domed cap nut M 6		1	
9	970 504 351 01	Cross member Battery		1	
10	N 905 238 02	hexagon head bolt (combi) M 6 X 25		X	
11	900 385 157 01	Outer hexagon round screw BM 12 X 32		4	
12	958 618 061 00	Safety connector		1	
13	958 611 433 00	Seal		1	
14	958 611 443 00	Cable cover		1	
15	958 611 182 10	Set Fastening screw		1	
16	7P0 915 182 X	Control unit Battery		1	
17	958 611 431 00	Cover Control unit Battery		1	
18	958 611 423 00	Connector Maintenance with:		1	
19	958 611 441 00	fuse Cover Connector Maintenance		1	
20	958 612 059 00	Wire set Diagnostic		1	
21	958 611 345 00	Bracket Wire set Diagnostic		1	
22	958 701 697 00	Warning sign for hybrid vehicles High voltage		2	- "J..", - "PME", - "CN.", - "BR.", - "RUS"
(22)	958 701 697 10	Warning sign for hybrid vehicles High voltage		1	"J..", "PME", "CN.", "BR.", "RUS"
23	958 611 191 00	Gasket set modify in workshop		1	

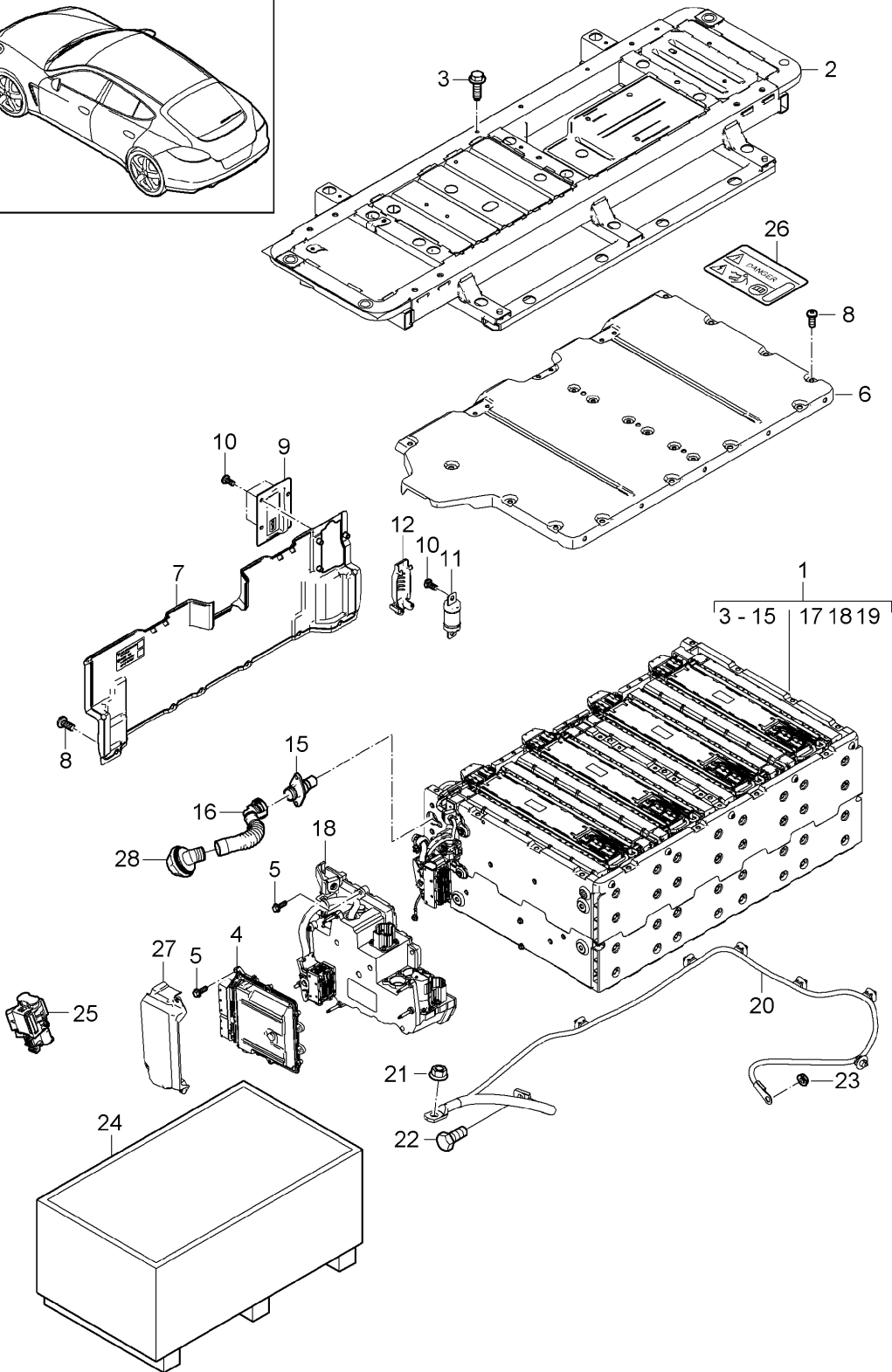
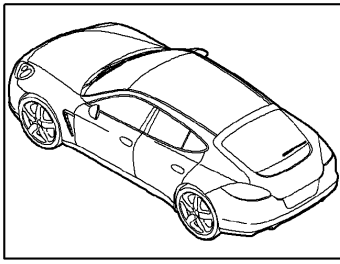
Model: 970 10

Model life 2010>>2016

Pos	Part Number	Description	Remark	Qty	Model
24		Warning sign see illustration:	001-005		

Model: 970 10

Model life 2010>>2016



Model: 970 10 Model life 2010>>2016

Pos	Part Number	Description	Remark	Qty	Model
1	7PP 915 590 B	Battery Hybrid D - MJ 2014>> Battery		1	
(1)	7PP 915 590 X	D >> - MJ 2014 No longer use the part here Battery		1	
(1)	7PP 915 590 C	D >> - MJ 2014 No longer use the part here Battery		1	
(1)	7PP 915 590 AX	D - MJ 2015>> Discontinued part Battery		1	
(1)	7PP 915 590 H	D - MJ 2015>> Discontinued part Battery		1	
(1)	7PP 915 590 HX	D - MJ 2015>> Discontinued part Battery		1	
2	970 504 351 05	Cross member Battery		1	
3	N 905 238 02	hexagon head bolt (combi) M 6 X 25		14	
4	7PP 915 022	Control unit Battery		1	
(4)	7PP 915 022 D	No longer use the part here Control unit Battery		1	
(4)	7PP 915 022 F	No longer use the part here Control unit Battery		1	
5	970 611 901 07	Set Screw Control unit		1	
6	7PP 915 465 A	Cover plate Battery	upper	1	
7	7PP 915 151	Cover plate Battery	side	1	
(7)	000 043 209 34	Discontinued part Cover plate Battery	side	1	
		without:			
8	970 611 901 02	Cover Fuse box Set		1	
9	970 611 901 03	Screw Cover Fuse box		1	
10	970 611 901 04	Battery Set Screw		1	
11	7PP 915 463	fuse fuse		1	
12	7PP 915 442	D >> - MJ 2014 Cover fuse		1	
(12)	970 611 901 05	D >> - MJ 2014 Cover		1	
		with:			
15	7PP 905 290	fuse D - MJ 2015>> Non-return valve Battery		1	

Model: 970 10 Model life 2010>>2016

Pos	Part Number	Description	Remark	Qty	Model
16	970 611 189 00	D - MJ 2014>> - MJ 2014 Breather line		1	
28	970 611 289 00	D - MJ 2014>> - MJ 2014 End cap Breather line Battery		1	
17	970 611 901 06	D - MJ 2014>> - MJ 2014 Set Screw		1	
18	7PP 915 251 A	relay plate Battery		1	
19	970 611 901 08	fuse		1	
20	970 611 323 40	Earth line Body Battery		1	
21	999 516 035 01	Weld screw M 8 X 13		1	
22	N 010 239 29	Hexagon bolt M 8 X 18		1	
23	N 015 082 10	Hexagon collar nut M 6		1	
24	970 611 901 01	Transport box Battery		1	
-	999 703 296 40	Bungs Coolant pipe Hybrid Battery		1	
(24)	12E 998 020	Recycling box for lithium-ion battery Hybrid Battery Module Defect		1	
25	4J0 973 704	Maintenance connector for high voltage system Maintenance		1	
26	8R0 010 539	Warning sign for hybrid vehicles English		1	
(26)	8R0 010 539 A	Warning sign for hybrid vehicles German		1	
(26)	8R0 010 539 B	Warning sign for hybrid vehicles French		1	
(26)	8R0 010 539 C	Warning sign for hybrid vehicles Spanish		1	
(26)	8R0 010 539 D	Warning sign for hybrid vehicles Italian		1	
(26)	8R0 010 539 E	Warning sign for hybrid vehicles Russian		1	
(26)	8R0 010 539 F	Warning sign for hybrid vehicles Chinese		1	
(26)	8R0 010 539 G	Warning sign for hybrid vehicles Japanese		1	
(26)	7PP 010 849 L	Warning sign ENTSORGUNG Battery		1	

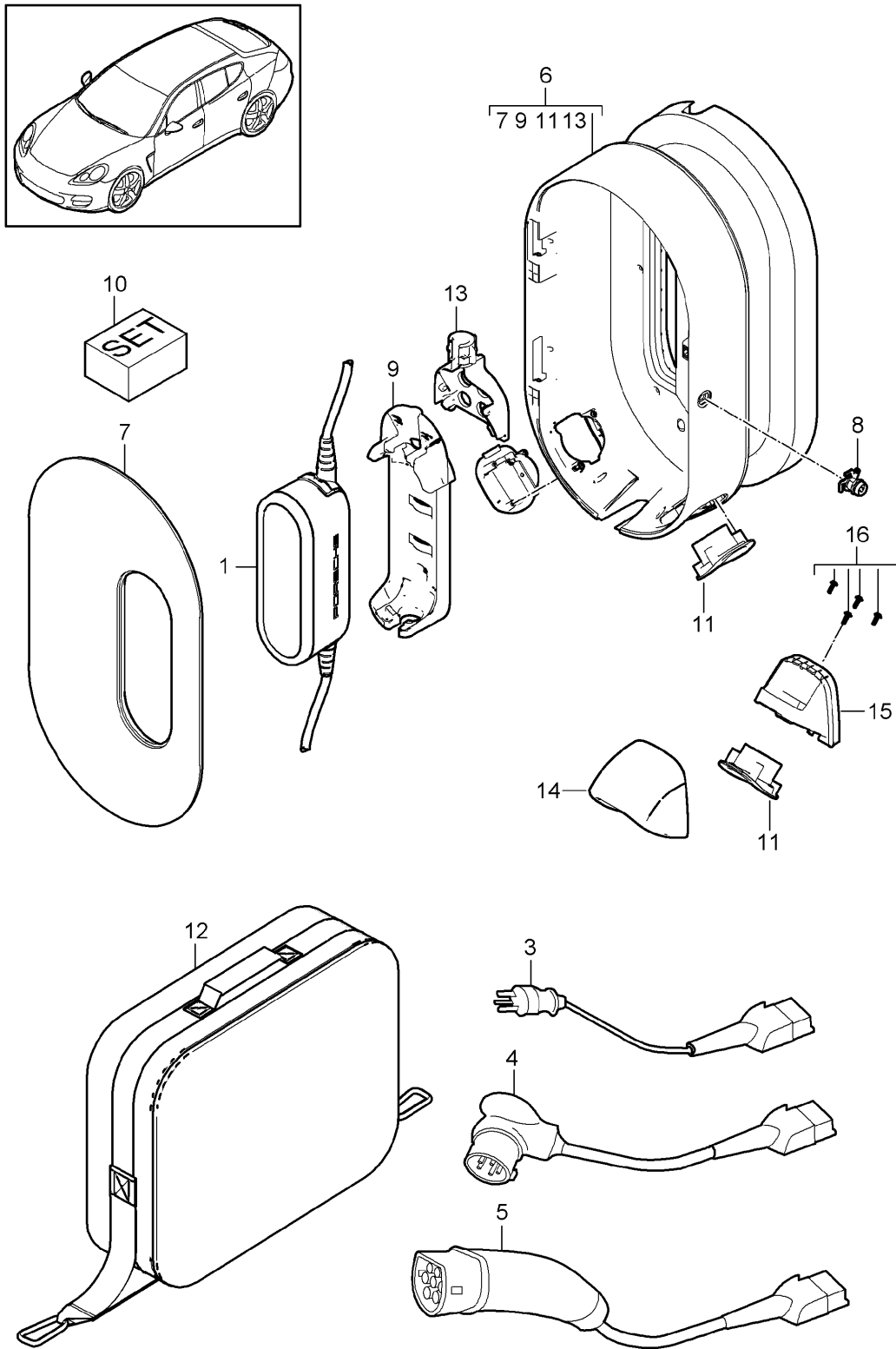
Model: 970 10

Model life 2010>>2016

Pos	Part Number	Description	Remark	Qty	Model
(26)	958 701 739 00	Warning sign for hybrid vehicles yellow Cover Fuse box Warning sign		1	
-		see illustration:	001-005		
27	7PP 915 151 B	Battery cover Control unit		1	

Model: 970 10

Model life 2010>>2016



Model: 970 10

Model life 2010>>2016

Pos	Part Number	Description	Remark	Qty	Model
1	7PP 971 675	Electronic unit Charger Universal Charging Dock D - MJ 2014>> Electronic unit Charger Universal 3,6 KW Discontinued part		1	PR:ES3 - "J..", - "MEX", - "AUS", - "PLA", - "OTH", - "PME", - "IND", - "RUS", - "PAP"
1	7PP 971 675	Electronic unit Charger Universal 3,6 KW Discontinued part		1	PR:ES3 "CN."
(1)	7PP 971 675 B	Electronic unit Charger Universal 3,6 KW		1	PR:ES1,ES3 "J..", "MEX", "AUS", "PLA", "OTH", "PME", "IND", "RUS", "PAP"
(1)	7PP 971 675 B	Electronic unit Charger Universal 3,6 KW		1	PR:ES1,ES3 - "CN."
(1)	7PP 971 675 C	Electronic unit Charger Universal 7,2 KW		1	PR:KB2
-	7PP 919 839	Fixing set Set Electronic unit Charger		1	
3	7PP 971 678	Charge cable for mains socket Power supply 220 V TYP E/F		1	PR:EV1
(3)	7PP 971 678 A	Charge cable for mains socket Power supply 100 V TYP B		1	PR:EV2 "J.."
(3)	7PP 971 678 B	Charge cable for mains socket Power supply Type j		1	PR:EV3 "CH."
(3)	7PP 971 678 C	Charge cable for mains socket Power supply TYP G		1	PR:EV4
(3)	7PP 971 678 D	Charge cable for mains socket Power supply TYP B		1	PR:EV5
(3)	7PP 971 678 G	Charge cable for mains socket Power supply Type k		1	PR:EV6 "DK."
(3)	7PP 971 678 H	Charge cable for mains socket Power supply Type i		1	PR:EV7
(3)	7PP 971 678 E	Discontinued part Charge cable for mains socket		1	PR:EV7

Model: 970 10

Model life 2010>>2016

Pos	Part Number	Description	Remark	Qty	Model
(3)	7PP 971 678 J	Power supply Type i Charge cable for mains socket		1	PR:EV8
(3)	7PP 971 678 L	Power supply TYP M Charge cable for mains socket		1	PR:70L
(3)	7PP 971 678 M	Power supply TYP N Charge cable for mains socket		1	PR:EV9 "CN."
(3)	7PP 971 678 N	Power supply Type i Charge cable for mains socket		1	PR:ET0 "I.."
(3)	7PP 971 678 P	Power supply Type l Charge cable for mains socket		1	PR:70H "BR."
(3)	7PP 971 678 Q	Power supply TYP N Charge cable for mains socket		1	PR:73K
(3)	7PP 971 678 R	Power supply NEMA 5-20 Charge cable for mains socket		1	PR:73H
(3)	7PP 971 678 AD	Power supply CEE 1P 32A Charge cable for mains socket		1	PR:73D
4	7PP 971 678 T	Power supply NEMA L14-30 Charge cable for mains socket		1	PR:73B
(4)	7PP 971 678 AA	Power supply NEMA 6-30 Charge cable for mains socket		1	PR:73C
(4)	7PP 971 678 AB	Power supply NEMA 6-50 Charge cable for mains socket		1	PR:73D
(4)	7PP 971 678 AC	Power supply NEMA 14-30 Charge cable for mains socket		1	PR:73E
4	7PP 971 678 AE	Power supply NEMA 14-50 Charge cable for mains socket		1	PR:73J
(4)	7PP 971 678 AF	Power supply CEE 3P 16A Charge cable for mains socket		1	PR:73K
(4)	7PP 971 678 AG	Power supply CEE 3P 32A Charge cable for mains socket		1	PR:73G
(4)	7PP 971 678 AH	Power supply CEE 1P 16A Charge cable for mains socket		1	PR:73H
(4)	7PP 971 678 AJ	Power supply CEE 1P 32A Charge cable for mains socket		1	PR:73F "J.."
5	7PP 971 676	YP-41 200 V Charging cable for vehicle Vehicle		1	PR:EH1,ES3, KB1
(5)	7PP 971 676 A	TYP 2 2,5 M Charging cable for vehicle Vehicle		1	PR:EH2,ES3, KB1
(5)	7PP 971 676 K	TYP 2 7,5 M Charging cable for vehicle Vehicle		1	PR:EH1,KB2, 072

Model: 970 10 Model life 2010>>2016

Pos	Part Number	Description	Remark	Qty	Model
(5)	7PP 971 676 L	TYP 1 7,5 KW 2,5 M Charging cable for vehicle Vehicle		1	"MEX" PR:EH2,KB2, 072 "MEX"
(5)	7PP 971 676 M	TYP 1 7,2 KW 7,5 M Charging cable for vehicle Vehicle		1	PR:EH1,KB2
(5)	7PP 971 676 N	TYP 1 2,5 M Charging cable for vehicle Vehicle		1	PR:EH2,KB2
(5)	7PP 971 676 P	TYP 1 7,5 M Charging cable for vehicle Vehicle		1	PR:EH1,ES1 -"USA", -"MEX", -"CDN"
(5)	7PP 971 676 AG	TYP 1 IEC 3,6 KW 2,5 M Charging cable for vehicle Vehicle		1	PR:EH1,ES1 -"USA", -"MEX", -"CDN"
(5)	7PP 971 676 Q	TYP 1 IEC 3,6 KW 2,5 M Charging cable for vehicle Vehicle		1	PR:EH2,ES1 -"USA", -"MEX", -"CDN"
(5)	7PP 971 676 R	TYP 1 IEC 7,2 KW 7,5 M Charging cable for vehicle Vehicle		1	PR:EH1,ES1
(5)	7PP 971 676 S	TYP 1 IEC 7,2 KW 2,5 M Charging cable for vehicle Vehicle		1	PR:EH2,ES1
(5)	7PP 971 676 AD	TYP 1 IEC 7,2 KW 7,5 M Charging cable for vehicle Vehicle		1	PR:EH1,ES4
(5)	7PP 971 676 AE	GB 7,2 KW 2,5 M Charging cable for vehicle Vehicle		1	PR:EH2,ES4
6	7PP 957 787	GB 7,5 KW 7,5 M Charging Dock Discontinued part		1	
(6)	7PP 915 706	Charging Dock Electronic unit Charger TYP 1		1	PR:ES1 "USA", "J..", "PAP", "AUS", "MEX", "PLA", "CDN", "ROK", "SGP", "KAR"
(6)	7PP 915 706 A	Charging Dock Electronic unit Charger TYP 2 Operating instructions see Intranet		1	PR:ES3 -"USA", -"J..", -"AUS", -"MEX", -"CDN", -"ROK", -"SGP", -"KAR"
(6)	7PP 915 706 A	Charging Dock Electronic unit Charger TYP 2		1	PR:ES3 "PAP", "PLA"

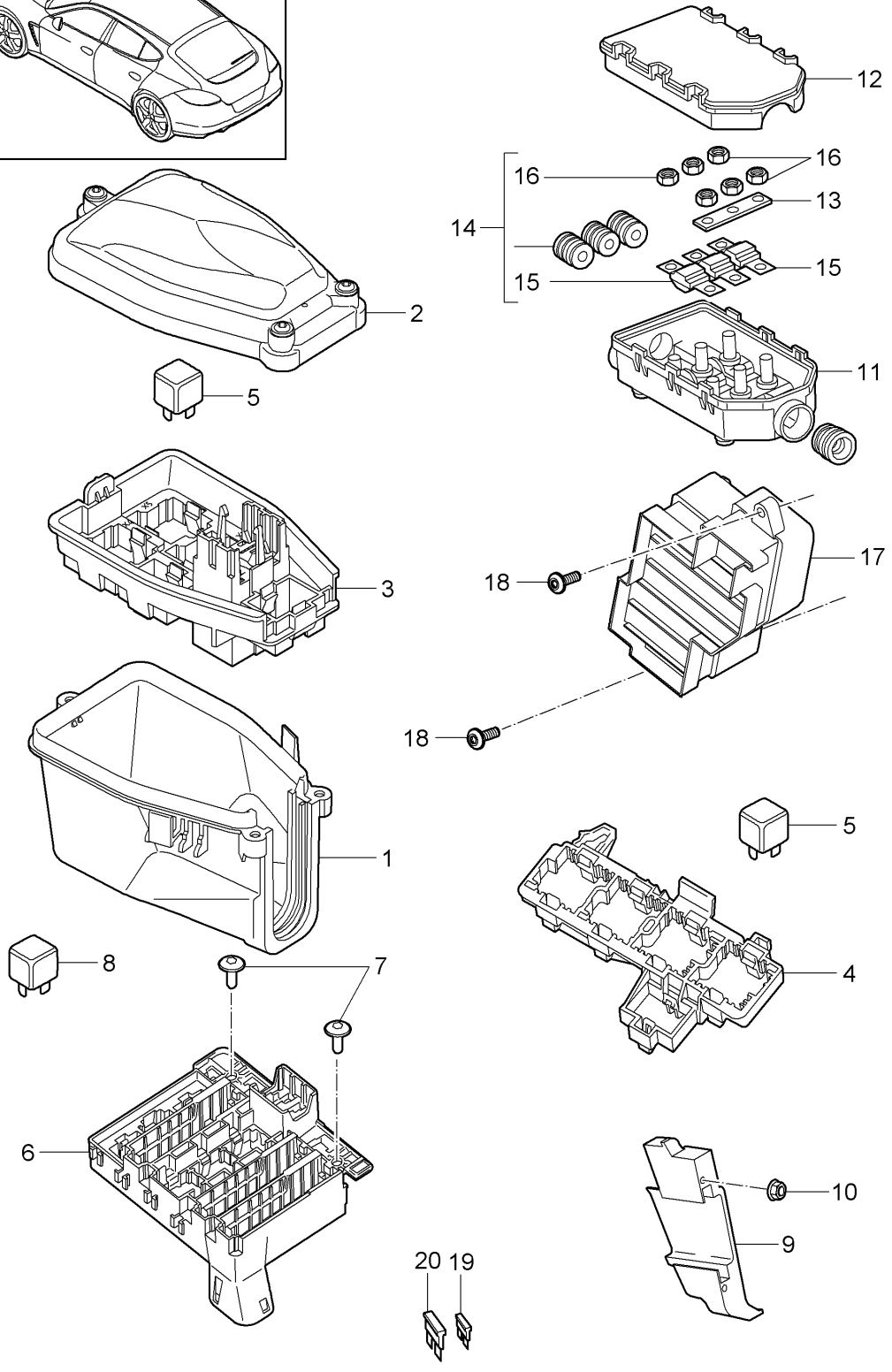
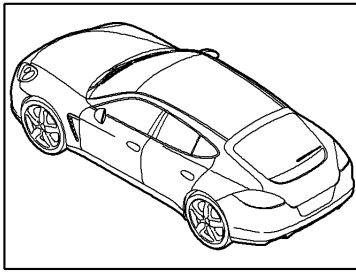
Model: 970 10

Model life 2010>>2016

Pos	Part Number	Description	Remark	Qty	Model
		Operating instructions see Intranet			
7	7PP 886 337 A	Door (complete)		1	
8	7PP 837 012 A	Door lock Included key		1	
9	7PP 943 109	Bracket Small		1	
10	7PP 909 991 A	Assembly kit Bracket		1	
(11)	7PP 957 547 C	Bracket Connector TYP 2 No longer use the part here		1	PR:ES3,NJ1, NJ2
(11)	9A7 957 547 02	Bracket Connector TYP 2		1	PR:ES3,NJ1, NJ2
(11)	7PP 957 547 D	Bracket Connector TYP 1		1	PR:ES1,NJ1, NJ2
12	970 551 711 01	Pocket Connection line		1	
13	7PP 971 605	Cable guide Bracket Small		1	PR:NJ2
14	7PP 915 736	Trim Bracket Connector		1	PR:NJ2
15	7PP 937 559	Carrier plate Bracket Connector		1	PR:NJ2

Model: 970 10

Model life 2010>>2016



Model: 970 10 Model life 2010>>2016

Pos	Part Number	Description	Remark	Qty	Model
1	970 610 441 00	central electrics Fuse box housing lower part central electrics		1	
2	970 610 443 00	water box Cover central electrics		1	
3	970 610 445 00	Included Seal and Screw set Relay carrier 1		1	
4	970 610 343 00	central electrics Relay carrier 2 central electrics		1	
5		Seat		X	
(5)	999 657 014 90	Relay Relay Coolant pump		1	
(5)	999 657 014 90	relay location/code no.: Relay Getriebe Ölpumpe	S1/3	1	DIESEL
(5)	8D0 951 253	relay location/code no.: D - MJ 2012>> Relay	S2/3	1	
(5)	955 615 027 00	relay location/code no.: Relay	S3/3	1	
(5)	955 615 027 00	relay location/code no.: Relay	S4/3	1	DIESEL
(5)	955 615 027 00	relay location/code no.: D - MJ 2012>> Relay	S4/3	1	
(5)	955 615 027 00	relay location/code no.: Relay	S5/3	1	HYBRID
(5)	955 615 027 00	relay location/code no.: D - MJ 2012>> Relay	S5/3	1	HYBRID
(5)	955 615 008 00	Relay VAKUUMPUMPE		1	HYBRID
(5)	958 615 008 01	relay location/code no.: D - MJ 2012>> Discontinued part Relay VAKUUMPUMPE	S4/4	1	HYBRID
(5)	958 615 010 00	relay location/code no.: D - MJ 2012>> Relay Fanfaren	S4/4	1	HYBRID
(5)	955 615 027 00	relay location/code no.: D - MJ 2012>> Relay GETRIEBE ÖLPUMPE	S5/4	1	
6	970 610 349 00	relay location/code no.: Fuse box Luggage compartment		1	
7	999 919 121 09	fillister hd. bolt Fuse box Luggage compartment		2	
8		Relay		X	
(8)	999 657 015 90	Relay Rear window heating		1	
(8)	955 615 005 00	relay location/code no.: Relay Water cooling	S1/6	1	HYBRID

Model: 970 10 Model life 2010>>2016

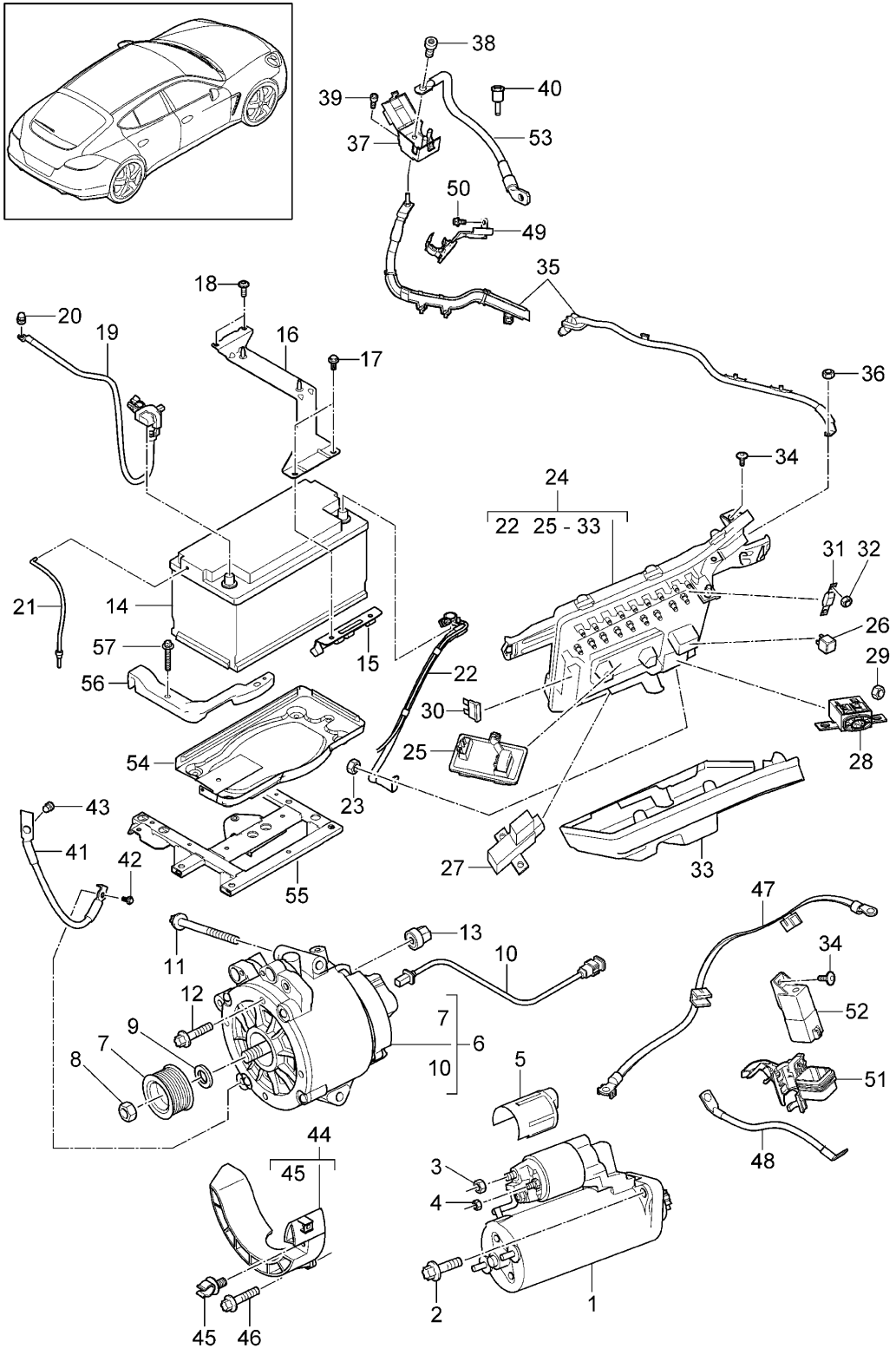
Pos	Part Number	Description	Remark	Qty	Model
(8)	955 615 005 00	relay location/code no.: D - MJ 2012>> Relay Spoiler	S2/6	2	
(8)	955 615 005 00	relay location/code no.: Relay Battery Fan	S3/6	2	HYBRID
(8)	955 615 005 00	relay location/code no.: D - MJ 2012>> Relay Spoiler	S4/6	2	
(8)	955 615 005 00	relay location/code no.: Relay Battery Cooling	S5/6	2	HYBRID
(8)	955 615 010 01	relay location/code no.: D - MJ 2012>> Relay Compressor	S6/6	1	
(8)	065 919 376	relay location/code no.: Relay Adaptive suspension	S7/6	1	HYBRID
9	970 610 145 01	relay location/code no.: D - MJ 2012>> Bracket Fuse box	SX/6	1	HYBRID
10	999 076 081 40	Hexagon plastic collar nut T 5		2	
11	999 650 241 90	D - MJ 2012>> housing fuse Double		1	PR:165
11	999 650 241 91	D - MJ 2010>> - MJ 2010 housing fuse Double		1	PR:165
11	999 650 682 90	D - MJ 2011>> - MJ 2011 housing fuse Simple		1	PR:-165
11	999 650 682 91	D - MJ 2010>> - MJ 2010 housing fuse Simple		1	PR:-165
(11)	999 650 239 91	D - MJ 2011>> housing fuse Triple		1	HYBRID
12	999 650 349 40	D - MJ 2012>> Cover Discontinued part		1	
12	999 650 349 41	Cover		1	
-	000 043 209 38	sealant Housing cover fuse see		1	
13	999 650 681 22	Technical information GR. 9 NR. 21/14 Bridge Double		1	
15	999 607 105 00	fuse		1	

Model: 970 10 Model life 2010>>2016

Pos	Part Number	Description	Remark	Qty	Model
(15)	999 607 107 00	60 A also use: Position 14 fuse 80 A		1	S, 4S
(15)	999 607 109 00	also use: Position 14 fuse 150 A		1	Turbo
16	900 084 122 02	also use: Position 14 Hexagon nut M 5		6	
17	955 610 211 10	Fuse box Included Cover	left	1	
-	970 610 361 00	Sticker Assignment sticker	left	1	
-	970 610 365 00	Fuse box Tool for fuse		2	
(17)	955 610 212 00	Fuse box Included Cover	right	1	
-	970 610 362 00	Sticker Assignment sticker	right	1	
18	999 073 498 01	Fuse box fillister hd. bolt M 5 X 20 Mount Sicherungsträger dashboard		4	
19	999 607 082 00	fuse 5 A		X	
(19)	999 607 083 00	fuse 7,5 A		X	
(19)	999 607 084 00	fuse 10 A		X	
(19)	999 607 085 00	fuse 15 A		X	
(19)	N 017 131 13	flat fuse 20 A	19/2x5	X	
(19)	999 607 087 00	fuse 25 A		X	
(19)	999 607 088 00	fuse 30 A		X	
20	999 607 073 00	fuse E40 A		X	
(20)	999 607 077 00	fuse E60 A		X	

Model: 970 10

Model life 2010>>2016



Model: 970 10 Model life 2010>>2016

Pos	Part Number	Description	Remark	Qty	Model
1	948 604 208 00	Starter Alternator Battery Power distributor Starter		1	4820,4840, 4870,4620, 4640+
1	948 604 208 X	Starter		1	PR:-642 4820,4840, 4870,4620, 4640+
1	948 604 210 01	Starter		1	PR:-642 CWAA,CXNA, CGEA,CGE, CGFA,CXPA, CXRA,CXR, CWF,CWDA, CWD,CWBA, CWB,CWCA, CWC,4820, 4840,4870, 4620,4640+
1	948 604 210 X	Starter		1	PR:642 CWAA,CXNA, CGEA,CGE, CGFA,CXPA, CXRA,CXR, CWF,CWDA, CWD,CWBA, CWB,CWCA, CWC,4820, 4840,4870, 4620,4640+
(1)	958 604 109 00	Starter		1	DIESEL
(1)	958 604 109 X	Starter		1	DIESEL
2	900 385 011 01	Torx screw BM 10 X 45		2	
3	900 377 003 01	Hexagon nut M 8		1	
4	900 377 010 02	Hexagon nut M 6		1	
5	948 604 119 00	Heat insulation Magnet Switch		1	
6	948 603 023 01	Alternator No longer use the part here		1	4820,4840
(6)	948 603 023 X	Alternator No longer use the part here		1	4820,4840
(6)	948 603 023 02	Alternator Discontinued part		1	4820,4840
(6)	948 603 023 BX	Alternator Discontinued part		1	4820,4840
(6)	948 603 023 03	Alternator		1	4820,4840, CXPA,CXRA, CXR
(6)	948 603 023 CX	Alternator		1	4820,4840, CXPA,CXRA, CXR
6	948 603 023 04	Alternator Discontinued part		1	4820,4840, CXPA,CXRA, CXR
6	948 603 023 05	Alternator		1	4820,4840,

Model: 970 10 Model life 2010>>2016

Pos	Part Number	Description	Remark	Qty	Model
(6)	948 603 027 01	Alternator No longer use the part here		1	CXR 4870
(6)	948 603 027 X	Alternator No longer use the part here		1	4870
(6)	948 603 027 02	Alternator Discontinued part		1	4870
(6)	948 603 027 BX	Alternator Discontinued part		1	4870
(6)	948 603 027 03	Alternator		1	4870, CWBA, CWB, CWCA, CWC
(6)	948 603 027 CX	Alternator		1	4870, CWBA, CWB, CWCA, CWC
(6)	948 603 027 04	Alternator Discontinued part		1	4870, CWBA, CWB, CWCA, CWC
(6)	948 603 027 05	Alternator		1	4870, CWBA, CWB, CWCA, CWC
(6)	948 603 029 02	Alternator Discontinued part		1	4620, 4640
(6)	948 603 029 BX	Alternator Discontinued part		1	4620, 4640
(6)	948 603 029 03	Alternator Discontinued part		1	4620, 4640, CWAA, CXNA
(6)	948 603 029 CX	Alternator		1	4620, 4640, CWAA, CXNA
(6)	948 603 029 04	Alternator		1	4620, 4640, CWAA, CXNA
(6)	059 903 023 L	Alternator D - MJ 2012>> Discontinued part		1	DIESEL PR:9G1
(6)	059 903 023 X	3-phase alternator (water-cooled) D - MJ 2012>>		1	PR:9G1
(6)	059 903 023 N	Alternator D - MJ 2012>>		1	DIESEL
(6)	7PP 903 016 B	Alternator D - MJ 2014>>		1	CWDA, CWD, PR:9G1
(6)	7PP 903 016 X	Alternator D - MJ 2014>>		1	CWDA, CWD,
-	970 111 040 20	Guard plate Alternator		1	4820, 4840
-	970 111 040 22	Guard plate Alternator		1	4620, 4640
-	900 378 036 01	Hexagon bolt M 6 X 12 Mount Guard plate		3	
7	948 603 125 00	pulley Discontinued part		1	4820, 4840, 4870
(7)	948 603 125 01	pulley		1	4820, 4840,
(7)	948 603 135 00	pulley		1	4620, 4640
8	948 603 127 00	Hexagon nut M 16 X 1,5		1	4820, 4840, 4870
9	948 603 129 00	Shim		1	4820, 4840, 4870
(9)	948 603 123 00	Shim Freewheel		1	4620, 4640
-	948 603 163 00	Cover disc		1	4820, 4840, 4870
10	948 603 070 00	Wire set Alternator		1	
11	900 385 014 01	Torx screw BM 8 X 95		2	

Model: 970 10 Model life 2010>>2016

Pos	Part Number	Description	Remark	Qty	Model
(11)	N 106 100 01	Hex collared bolt AM 8 X 90 D - MJ 2012>>		2	DIESEL
12	900 385 042 01	Torx screw BM 8 X 35		1	
13	999 070 016 00	domed cap nut M 8		1	
14	7PP 915 105	Battery 95 Ah		1	
(14)	5GM 915 105 AC	Battery with country-specific certification 92AH		1	PR:B1D,J0B
(14)	958 611 105 20	Battery 105 AH Discontinued part		1	"BR." PR:201
(14)	958 611 105 21	Battery 105 AH		1	PR:201
(14)	5GM 915 105 AD	Battery 105 AH		1	PR:201 "BR."
(14)	958 611 075 21	Battery 75AH		1	PR:197
(14)	5GM 915 105 AB	Battery with country-specific certification 75AH		1	PR:197 "BR."
15	970 611 025 00	Rail Battery		1	
16	970 611 026 00	Retainer for battery D >> - MJ 2010 Discontinued part		1	
(16)	970 611 026 01	Retainer for battery D - MJ 2011>> Discontinued part		1	
(16)	970 611 026 02	Retainer for battery D - MJ 2011>>		1	
(16)	970 611 026 20	Retaining bar Control unit Voltage converter D - MJ 2012>>		1	DIESEL
17	900 385 156 01	Outer hexagon round screw BM 8 X 20		2	
18	999 073 189 01	flat round head bolt M 6 X 12		2	
19	970 611 043 03	Earth line Battery Body Sensor D >> - MJ 2010 Discontinued part		1	
(19)	970 611 043 04	Earth line Battery Body Sensor D >> - MJ 2013		1	
(19)	970 611 043 10	Earth line Battery Body Sensor D - MJ 2014>>		1	
-	999 507 194 40	Retaining clip Ground cable D - MJ 2012>>		1	HYBRID
20	999 070 015 02	domed cap nut Ground cable		1	

Model: 970 10 Model life 2010>>2016

Pos	Part Number	Description	Remark	Qty	Model
21	970 611 023 01	Vent hose Discontinued part		1	
(21)	970 611 023 00	Vent hose		1	
(21)	3W0 915 531 A	Vent hose D - MJ 2012>>		1	HYBRID
22	970 611 013 00	Wire set Battery Power distributor		1	
(22)	970 611 313 00	Wire set Battery Power distributor D - MJ 2012>>		1	HYBRID
23	900 084 123 02	Hexagon nut M 8		1	
-		Power distributor			
24	970 610 303 00	Power distributor Lower part Included Relay and fuse D >> - MJ 2010		1	PR:-750
(24)	970 610 303 01	Discontinued part Power distributor Lower part Included Relay and fuse modify in workshop see TI XXX D >> - MJ 2010		1	PR:-750
(24)	970 610 303 01	Power distributor Lower part Included Relay and fuse D >> - MJ 2010		1	PR:750
(24)	970 610 303 01	Power distributor Lower part Included Relay and fuse D - MJ 2011>>		1	HYBRID
-	970 610 143 03	Bracket Power distributor Lower part D - MJ 2012>>		1	
25	970 618 075 00	Control unit Power distributor Discontinued part		1	
(25)	970 618 075 01	Control unit Power distributor		1	
26	8D0 951 253	Relay also use:		1	
27	999 657 020 90	Pos. 29 Relay also use:		2	
28	999 607 096 90	Pos. 29 Switch unit		1	

Model: 970 10 Model life 2010>>2016

Pos	Part Number	Description	Remark	Qty	Model
28	955 611 205 00	Battery main switch also use: POS. 29 Discontinued part Battery isolator Battery main switch		1	
29	900 084 123 02	Hexagon nut M 8		5	
30	999 607 082 00	fuse 5 A		1	
31	999 607 099 00	Pos. 32 fuse 40 A / M 5		1	
(31)	999 607 092 00	Pos. 32 fuse 60 A / M 5		2	
(31)	999 607 095 00	Pos. 32 fuse 80 A / M 5		2	
(31)	999 607 093 00	Pos. 32 fuse 100 A / M 5		4	
32	900 084 122 02	Pos. 32 Hexagon nut M 5		18	
33	970 610 305 00	Cover		1	
34	999 919 121 09	Power distributor fillister hd. bolt 5,0 X 16,0		1	
-	970 610 123 00	Separator for mounting Luggage compartment liner		1	
-	999 919 121 09	fillister hd. bolt 5,0 X 16		2	
35	970 611 015 03	Wire set Power distributor Connection point Engine bay F >> 97-AL043 975 F 97AL0 43988 F 97AL0 43990 F 97AL0 43991 F 97AL0 44095		1	
(35)	970 611 015 04	F >> 97-AL082 038 Wire set Power distributor Connection point Engine bay F 97-AL043 976>> F 97-AL082 038>>		1	PR:0E1
(35)	970 611 015 05	Discontinued part Wire set Power distributor Connection point Engine bay F 97-AL043 976>> F 97-AL082 038>>		1	PR:0E1

Model: 970 10 Model life 2010>>2016

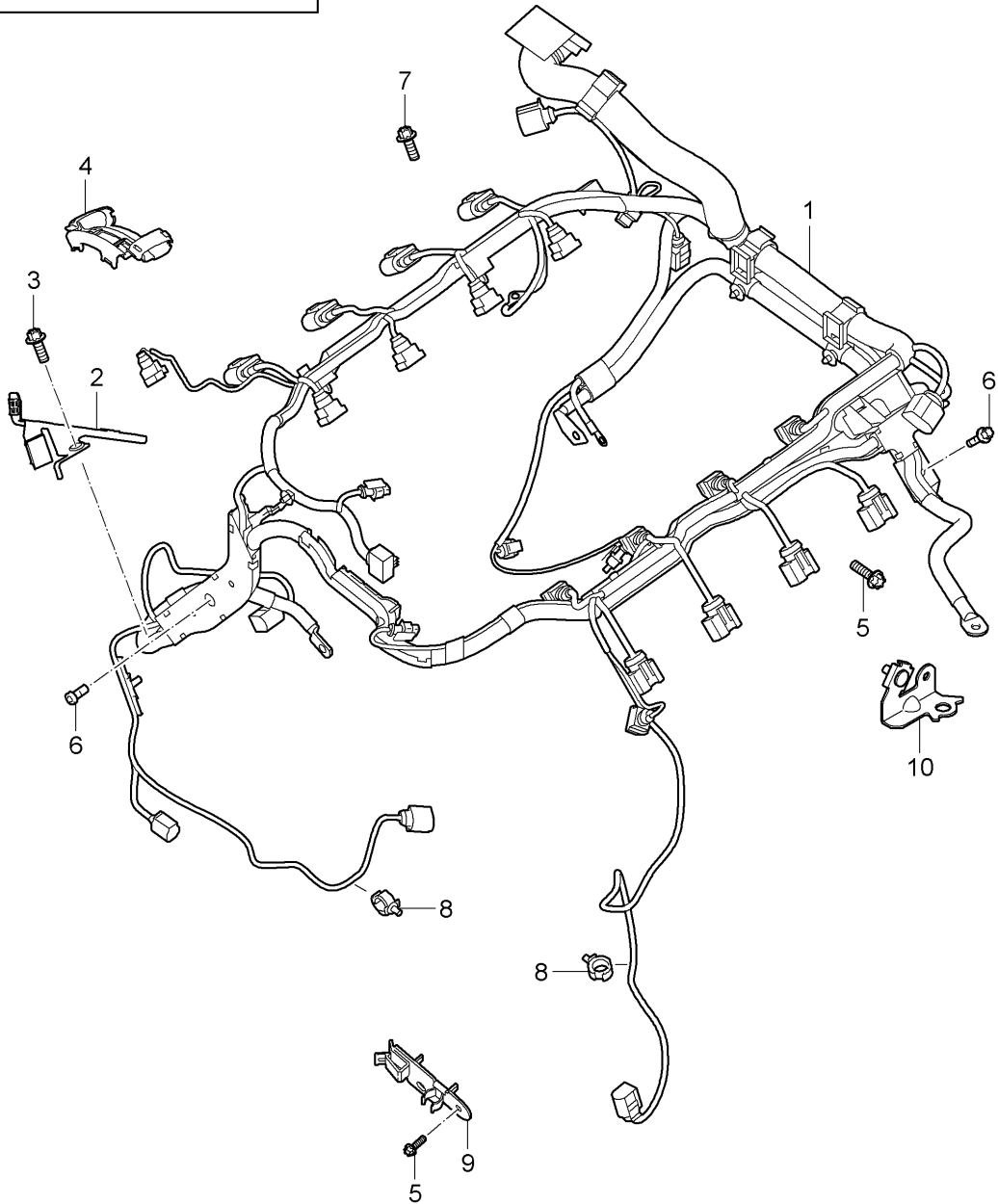
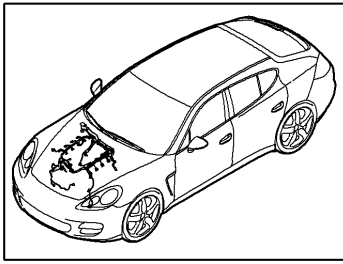
Pos	Part Number	Description	Remark	Qty	Model
(35)	970 611 065 01	Wire set Power distributor Connection point Engine bay		1	PR:0E2
(35)	970 611 315 01	Wire set Power distributor Connection point Engine bay D - MJ 2012>>		1	HYBRID
36	900 377 003 03	Hexagon nut M 8		1	
37	955 611 202 10	Connection point Cable Engine bay		1	
38	999 044 501 01	Nut M 8		1	
39	900 387 006 01	Socket head bolt M 6 X 20		1	
40	999 141 301 01	Screw Terminal clamp Emergency starting M 8		1	
41	970 611 021 01	Earth line Alternator Body Discontinued part		1	4620,4640, 4820,4840, 4870,CXPA, CXRA,CXR, CWBA,CWB, CWCA,CWC
(41)	970 611 021 02	Earth line Alternator Body		1	4620,4640, 4820,4840, 4870,CXPA, CXRA,CXR, CWBA,CWB, CWCA,CWC
(41)	970 611 029 01	Earth line D - MJ 2012>>		1	DIESEL
(41)	970 611 045 00	Earth line D - MJ 2014>>		1	CWFA,CWF,
42	900 378 180 01	Hexagon bolt M 8 X 25 Discontinued part		1	
(42)	900 378 180 01	Hexagon bolt M 8 X 25 Discontinued part		1	
(42)	900 385 098 01	Torx screw BM 8 X 25		1	
(42)	N 106 531 02	Hexagon bolt M 8 X 20 D - MJ 2012>>		1	HYBRID DIESEL
43	999 516 043 30	domed cap nut M 10		1	
44	948 115 024 20	Support Alternator Discontinued part		1	
(44)	948 115 024 21	Support Alternator		1	
45	999 507 930 40	Hose bracket 23,0		1	
46	999 073 908 30	fillister hd. bolt M8 X 35		2	
(46)	999 073 908 31	No longer use the part here fillister hd. bolt M8 X 35		2	

Model: 970 10 Model life 2010>>2016

Pos	Part Number	Description	Remark	Qty	Model
47	970 611 321 01	Earth line Engine Body only in conj. with: Engine support 958 115 201 00 D - MJ 2012>>		1	HYBRID
(47)	970 611 321 02	Earth line Engine Body only in conj. with: Engine support 958 115 201 51 D - MJ 2012>>		1	HYBRID
48	970 611 347 01	Earth line rear axle differential D - MJ 2012>>		1	HYBRID
49	970 610 149 00	Bracket Connection point D - MJ 2012>>		1	HYBRID DIESEL
(49)	970 605 140 00	Bracket D - MJ 2012>>		1	DIESEL
50	999 073 533 01	Screw M 5 x 12 D - MJ 2012>>		1	HYBRID DIESEL
(50)	900 378 036 01	Hexagon bolt M 6 x 12 D - MJ 2012>>		1	DIESEL
51	970 618 247 00	Bracket Control unit Glow plug D - MJ 2012>>		1	DIESEL
52	970 618 147 01	Control unit for glow plug D - MJ 2012>>		1	DIESEL
53	970 608 040 00	Wire set Starter D - MJ 2012>> Discontinued part		1	DIESEL
(53)	970 608 040 01	Wire set Starter D - MJ 2012>>		1	DIESEL
(53)	948 607 083 01	Wire set Starter		1	4620,4840, 4870
54	970 504 151 00	Securing plate Battery D - MJ 2014>>		1	
	970 504 151 00 GRV	primed			
55	970 504 381 00	Assembly frame Securing plate Battery D - MJ 2014>>	left	1	
(55)	970 504 382 00	Retaining frame Eye D - MJ 2014>>	left right	1	
56	970 504 671 01	angled bracket Battery		1	Hybrid
57	900 385 018 01	Torx screw M 8 X 45		2	Hybrid

Model: 970 10

Model life 2010>>2016



Model: 970 10 Model life 2010>>2016

Pos	Part Number	Description	Remark	Qty	Model
1	948 607 005 02	Wiring looms Engine Wire set Engine M >> B 01909 M >> V B 04106 Discontinued part		1	4820,4840
1	948 607 905 00	Wire set Engine M >> B 01909 M >> V B 04106		1	4820,4840
1	948 607 005 06	Wire set Engine M B 01910 >> M V B 04106 >> Discontinued part		1	4820,4840, CXPA
(1)	948 607 005 07	Wire set Engine M B 01910 >> M V B 04106 >>		1	4820,4840, CXPA,CXRA, CXR
(1)	948 607 005 72	Wire set Engine M >> B 02644		1	4870
(1)	948 607 005 73	Discontinued part Wire set Engine M >> B 02644		1	4870
(1)	948 607 005 74	Discontinued part Wire set Engine M >> B 02644		1	4870
(1)	948 607 005 75	Discontinued part Wire set Engine M >> B 02644		1	4870
(1)	948 607 905 70	Discontinued part Wire set Engine M >> B 02644		1	4870
(1)	948 607 005 76	Wire set Engine M B 02645 >>		1	4870
(1)	948 607 005 79	Wire set Engine M B 02645 >>		1	CWBA,CWB, CWCA,CWC
(1)	946 607 005 01	Wire set Engine Discontinued part		1	4620,4640
(1)	946 607 005 02	Wire set Engine Discontinued part		1	4620,4640
(1)	946 607 005 03	Wire set Engine D >> - MJ 2013		1	4620,4640
(1)	946 607 005 04	Discontinued part Wire set Engine D >> - MJ 2013		1	4620,4640
(1)	946 607 005 04	Wire set Engine D - MJ 2014>>		1	CWAA,CXNA
(1)	970 608 010 00	Wire set Engine		1	HYBRID CGEA,CGE,

Model: 970 10 Model life 2010>>2016

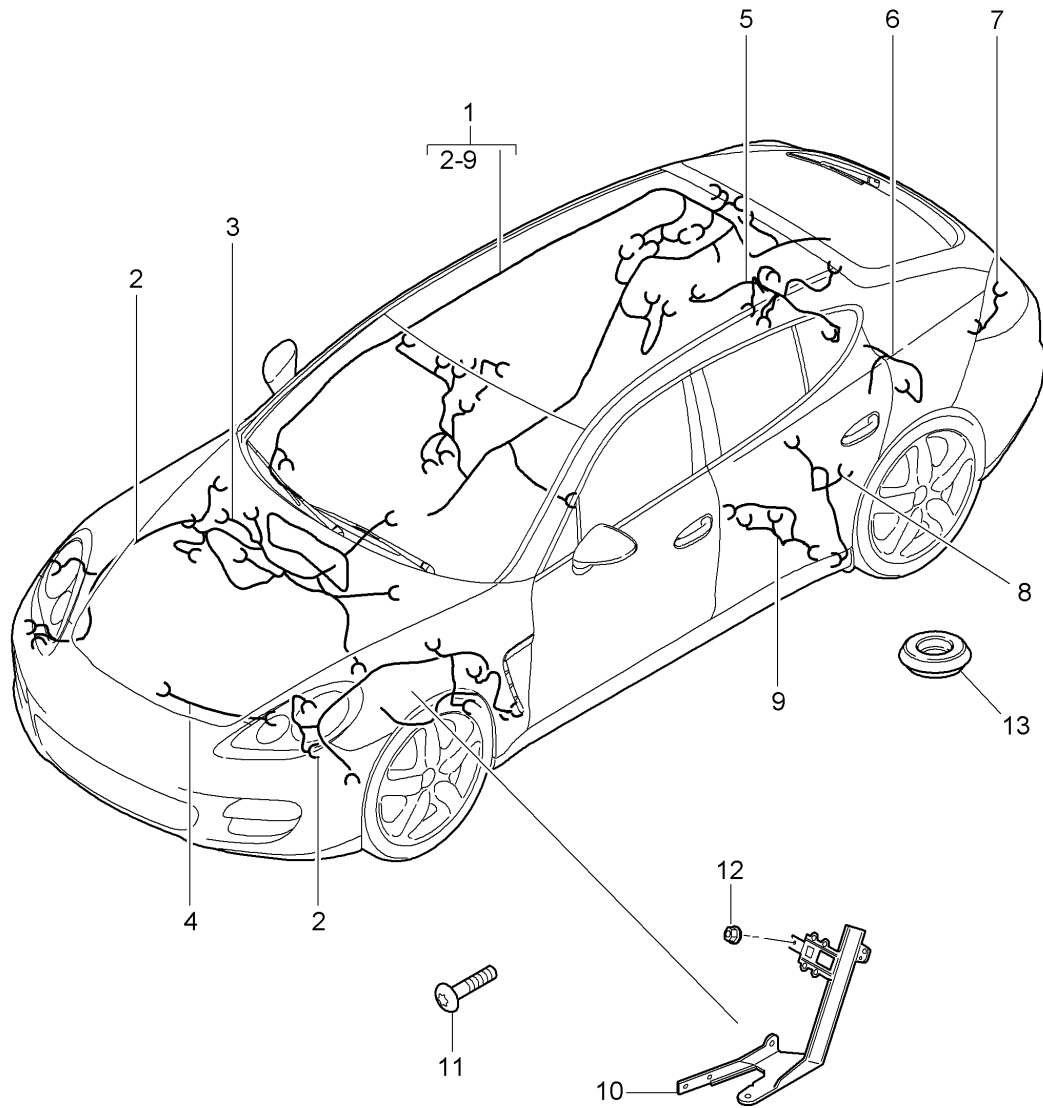
Pos	Part Number	Description	Remark	Qty	Model
		Discontinued part			CGFA+ PR:164
(1)	970 608 010 01	Wire set Engine		1	HYBRID CGEA, CGE, CGFA+ PR:164
(1)	970 608 012 00	Wire set Engine		1	CGEA, CGE, CGFA+ PR:164
(1)	970 608 010 50	D - MJ 2014>> Wire set Engine Discontinued part		1	HYBRID CGEA, CGE, CGFA+ PR:160,161, 165,167
(1)	970 608 010 51	Wire set Engine Discontinued part		1	HYBRID CGEA, CGE, CGFA+ PR:160,161, 165,167
(1)	970 608 010 52	Wire set Engine		1	HYBRID CGEA, CGE, CGFA+ PR:160,161, 165,167
(1)	970 608 012 50	Wire set Engine D - MJ 2014>>		1	CGEA, CGE, CGFA+ PR:160,161, 165,167,168, 7MM
(1)	970 608 030 00	Wire set Engine D - MJ 2012>> - MJ 2013 Discontinued part		1	DIESEL CRCB, CRCC+ PR:165
(1)	970 608 030 02	Wire set Engine D - MJ 2012>>		1	DIESEL CRCB, CRCC+ PR:165
(1)	970 608 030 50	Wire set Engine D - MJ 2012>> - MJ 2013		1	DIESEL CRCB, CRCC+ PR:158,161
(1)	970 608 030 52	Wire set Engine D - MJ 2014>>		1	DIESEL CRCB, CRCC+ PR:158,161
(1)	946 607 008 01	Wire set Engine D - MJ 2014>>		1	CWDA, CWD, CWFA, CWF
(1)	970 608 030 03	Wire set Engine D - MJ 2014>>		1	DIESEL CRCC+
(1)	970 608 030 10	Wire set Engine D - MJ 2014>>		1	DIESEL CWJA+ PR:DJ5,165
-	970 605 305 00	Grommet		1	PR:165
-	7PP 972 487	Secondary pump Cap closure		1	PR:-165
-	970 612 917 00	Secondary pump Wire set Ground cable see SY 978755		1	
-	948 607 901 00	repair set Ground cable see SY 975249		1	4820,4840, 4870

Model: 970 10 Model life 2010>>2016

Pos	Part Number	Description	Remark	Qty	Model
2	948 607 145 00	Heat insulation Cable Alternator		1	4620,4640, 4820,4840
(2)	948 607 147 02	Heat insulation Cable Alternator		1	4870
3	999 073 103 01	flat round head bolt M6 X 16		1	
4	970 606 271 02	Bracket Wire set Engine Brake servo		1	PR:099
4	970 610 241 00	D >> - MJ 2011 Bracket Wire set Engine Brake servo D - MJ 2012>> Discontinued part		1	PR:099
4	970 610 241 01	Bracket Wire set Engine Brake servo D - MJ 2012>>		1	PR:099
5	900 385 041 01	Torx screw BM 6 X 12 Mount Ground cable Valve cover Cable holder		X 4 1	
6	999 073 902 30	fillister hd. bolt M6 X 16 Mount Cable guide Control box Cylinder head Discontinued part		X 1 2	
6	999 073 902 31	fillister hd. bolt M6 X 16 Mount Cable guide Control box Cylinder head		X 1 2	
7	900 385 009 01	Torx screw BM 6 X 16 Mount Cable guide Cylinder head Intake manifold		X 4 2	
8	999 507 075 40	Cable holder		2	
9	948 607 271 01	Bracket		1	
10	970 608 340 00	Bracket D - MJ 2012>>		1	DIESEL
-	970 608 301 00	Wire set Control unit oil pump To Gearbox oil pump		1	CRCB,CRCC

Model: 970 10

Model life 2010>>2016



Model: 970 10 Model life 2010>>2016

Pos	Part Number	Description	Remark	Qty	Model
1	970 612 901 00	Wiring looms Passenger compartment and part section wiring harness Wire set Passenger compartment * Part number must be ordered * manually by indicating * vehicle ID number.		1	
2	970 612 913 00	Wire set part section wiring harness modify in workshop D >> - MJ 2013	left front	1	
2	970 612 913 40	Wire set part section wiring harness modify in workshop D - MJ 2014>>	left front	1	
(2)	970 623 913 00	Wire set part section wiring harness modify in workshop D >> - MJ 2013	left front	1	HYBRD
(2)	970 623 913 40	Wire set part section wiring harness modify in workshop D - MJ 2014>>	left front	1	HYBRD
(2)	970 612 933 00	Wire set part section wiring harness modify in workshop D >> - MJ 2013	left front	1	DIESEL
(2)	970 612 933 40	Wire set part section wiring harness modify in workshop D - MJ 2014>>	left front	1	DIESEL
(2)	970 612 914 00	Wire set part section wiring harness modify in workshop D >> - MJ 2012	right front	1	
(2)	970 612 914 01	Discontinued part Wire set part section wiring harness modify in workshop D >> - MJ 2013	right front	1	
(2)	970 612 914 40	Wire set part section wiring harness modify in workshop D - MJ 2014>>	right front	1	
-	970 623 710 00	Wire set switch - brake light and Distance sensor modify in workshop		1	
3	970 612 919 00	Wire set part section wiring harness Engine bay modify in workshop D >> - MJ 2013		1	PR:098
3	970 612 919 40	Wire set part section wiring harness Engine bay modify in workshop D - MJ 2014>>		1	PR:098
(3)	970 623 919 00	Wire set part section wiring harness		1	HYBRID PR:098

Model: 970 10 Model life 2010>>2016

Pos	Part Number	Description	Remark	Qty	Model
(3)	970 623 919 40	Engine bay modify in workshop D >> - MJ 2013 Wire set part section wiring harness		1	HYBRID PR:098
(3)	970 612 931 00	Engine bay modify in workshop D - MJ 2014>> Wire set part section wiring harness		1	DIESEL PR:098
(3)	970 612 931 40	Engine bay modify in workshop D >> - MJ 2013 Wire set part section wiring harness		1	DIESEL PR:098
(3)	970 612 919 50	Engine bay modify in workshop D - MJ 2014>> Wire set part section wiring harness		1	PR:099
(3)	970 612 919 70	Engine bay modify in workshop D >> - MJ 2013 Wire set part section wiring harness		1	PR:099
(3)	970 623 919 50	Engine bay modify in workshop D - MJ 2014>> Wire set part section wiring harness		1	HYBRID PR:099
(3)	970 623 919 70	Engine bay modify in workshop D >> - MJ 2013 Wire set part section wiring harness		1	HYBRID PR:099
(3)	970 612 931 50	Engine bay modify in workshop D - MJ 2014>> Wire set part section wiring harness		1	DIESEL PR:099
(3)	970 612 931 70	Engine bay modify in workshop D >> - MJ 2013 Wire set part section wiring harness		1	DIESEL PR:099
4	970 612 915 00	Engine bay modify in workshop D - MJ 2014>> Wire set part section wiring harness Fan		1	
4	970 612 915 40	Engine bay modify in workshop D >> - MJ 2013 Wire set part section wiring harness Fan		1	
(4)	970 612 915 10	Engine bay modify in workshop D - MJ 2014>> Wire set part section wiring harness Fan		1	TURBO
		Engine bay modify in workshop D >> - MJ 2013			

Model: 970 10

Model life 2010>>2016

Pos	Part Number	Description	Remark	Qty	Model
(4)	970 612 915 50	Wire set part section wiring harness Fan modify in workshop D - MJ 2014>>		1	TURBO
5	970 612 916 00	Wire set part section wiring harness Underbody modify in workshop D >> - MJ 2013		1	
5	970 612 916 40	Wire set part section wiring harness Underbody modify in workshop D - MJ 2014>>		1	
(5)	970 612 916 10	Wire set part section wiring harness Underbody modify in workshop D - MJ 2012>> - MJ 2013		1	HYBRID
(5)	970 612 916 50	Wire set part section wiring harness Underbody modify in workshop D - MJ 2014>>		1	HYBRID
6	970 612 918 00	Wire set part section wiring harness Underbody PASM modify in workshop		1	
6	970 612 918 10	Wire set part section wiring harness Underbody PASM modify in workshop D - MJ 2012>> - MJ 2013		1	HYBRID
6	970 612 918 40	Wire set part section wiring harness Underbody PASM modify in workshop D - MJ 2014>>		1	HYBRID
-	970 610 131 00	Retaining plate Connector PASM		1	
7	970 612 923 00	Wire set part section wiring harness modify in workshop D >> - MJ 2013	left a. right rear	2	
7	970 612 923 10	Wire set part section wiring harness modify in workshop D - MJ 2014>>	left a. right rear	2	
8	970 612 925 00	Wire set part section wiring harness Wheel housing tyre pressure control system modify in workshop	left	1	
(8)	970 612 920 00	Wire set part section wiring harness Wheel housing tyre pressure control system modify in workshop	right	1	

Model: 970 10

Model life 2010>>2016

Pos	Part Number	Description	Remark	Qty	Model
(8)	970 612 920 40	D >> - MJ 2013 Wire set part section wiring harness Wheel housing tyre pressure control system modify in workshop D - MJ 2014>>	right	1	
9	970 612 921 00	Wire set part section wiring harness Wheel housing Tank gauge Fuel modify in workshop D >> - MJ 2013	left	1	
9	970 612 921 40	Wire set part section wiring harness Wheel housing Tank gauge Fuel modify in workshop D - MJ 2014>>	left	1	
(9)	970 612 922 00	Wire set part section wiring harness Wheel housing modify in workshop See technical information GR. 2 NR. 19/13 KD. GR. 2070 D >> - MJ 2010	right	1	
(9)	970 612 922 01	Wire set part section wiring harness Wheel housing modify in workshop D - MJ 2011>>	right	1	
-	970 612 957 00	Wire set part section wiring harness Lane Change Assistant Aerial 'Keyless Entry (KESSEY)'	rear	1	
-	970 612 937 00	Wire set part section wiring harness Camera D - MJ 2014>>	rear	1	PR:633,638
10	970 610 201 02	Carrier Wheel housing Included panel nut Discontinued part	left	1	
10	970 610 201 03	Carrier Wheel housing Included panel nut D >> - MJ 2013	left	1	
10	970 610 201 04	Carrier Wheel housing Included panel nut D - MJ 2014>>	left	1	
(10)	970 610 202 00	Carrier Wheel housing Included panel nut D >> - MJ 2013	right	1	

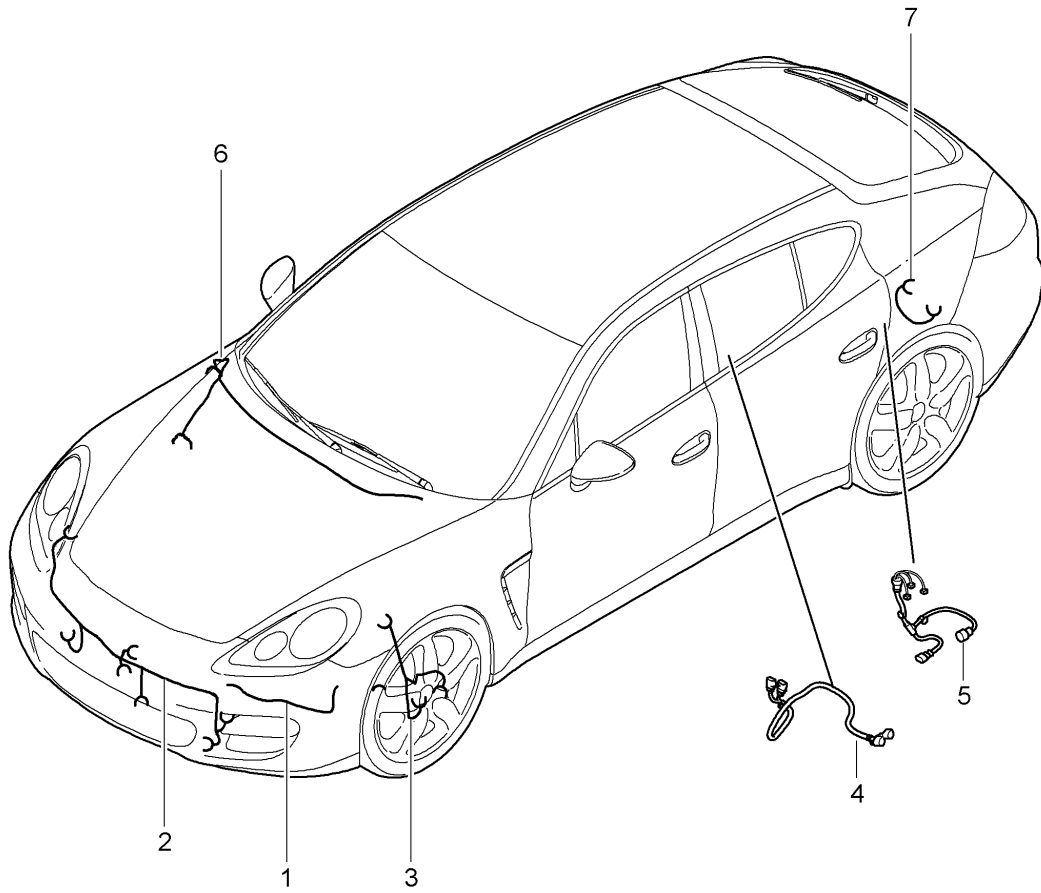
Model: 970 10

Model life 2010>>2016

Pos	Part Number	Description	Remark	Qty	Model
(10)	970 610 202 01	Carrier Wheel housing Included panel nut D - MJ 2014>>	right	1	
11	999 073 357 01	fillister hd. bolt		6	
12	999 076 081 40	Hexagon plastic collar nut t5 / 16 X 11,2 Cable guide Seat	rear	X	
13	999 703 433 40	Bungs Wheel housing	rear	2	
-		Cable ties for Repair work			
-	N 906 661 01	Cable ties 4,6 X 200		X	
-	N 904 449 01	Cable ties 5 X 230		X	
-	955 612 931 00	Cable clamp 193 X 4 - 45		X	
-	955 612 932 00	Cable holder Flat		X	
-	955 612 933 00	Cable holder High		X	
-	970 612 164 00	Wire set part section wiring harness roller blind		1	PR:862

Model: 970 10

Model life 2010>>2016



Model: 970 10 Model life 2010>>2016

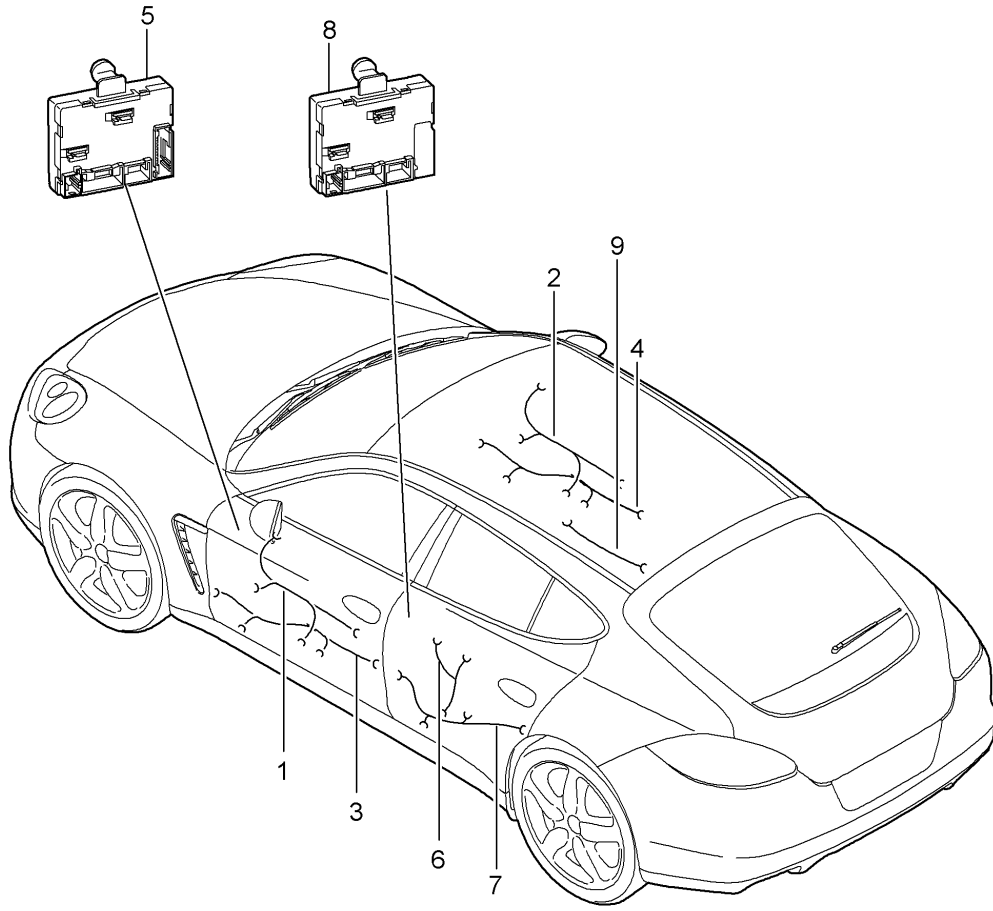
Pos	Part Number	Description	Remark	Qty	Model
		Wiring looms bumper FRONT luggage compartment Bonnet anti-locking brake syst. -abs- brake pad wear display Front axle Lock control PDCC Rear axle			
1	970 612 503 01	Wire set bumper	front	2	PR:605,-636, -638
(1)	970 612 505 01	D >> - MJ 2013 Wire set bumper	front	2	PR:605,636, 638
1	970 612 503 20	D >> - MJ 2013 Wire set bumper	front left	2	PR:605,-633, -636,-638
(1)	970 612 505 20	D - MJ 2014>> Wire set bumper	front left	2	PR:605,633, 636,638
(1)	970 612 506 20	D - MJ 2014>> Wire set bumper	front right	2	PR:605,633
(1)	970 622 501 00	D - MJ 2014>> Wire set bumper	front	2	TURBO GTS PR:605,636, 638,015
(1)	970 622 501 20	Wire set bumper	front	2	TURBO GTS PR:015,605, 633,636,638
(1)	970 622 502 20	D - MJ 2014>> Wire set bumper	front	2	TURBO GTS PR:015,605, 635
(1)	970 622 506 20	D - MJ 2014>> Wire set bumper	front right	2	TURBO GTS PR:015,605, 633
2	970 612 556 01	D - MJ 2014>> Wire set		1	PR:-456
2	970 612 556 20	FRONT luggage compartment Wire set		1	PR:-456
(2)	970 612 557 01	FRONT luggage compartment D - MJ 2014>> Wire set bumper		1	PR:456
(2)	970 612 557 20	D >> - MJ 2013 Wire set		1	PR:456
(2)	970 612 566 00	FRONT luggage compartment D - MJ 2014>> Wire set		1	PR:-456,674, 7G9,7I2
(2)	970 612 567 00	FRONT luggage compartment D - MJ 2014>> Wire set		1	PR:456,674, 7G9,7I2
-		Wiring looms anti-locking brake syst. -abs- brake pad wear display Front axle			

Model: 970 10 Model life 2010>>2016

Pos	Part Number	Description	Remark	Qty	Model
3	970 612 733 00	Wire set Front axle Discontinued part		2	
3	970 612 733 01	Wire set Front axle		2	
-		Wiring looms Rear axle			
4	970 612 704 01	Wire set Lock control Transverse Rear axle		1	PR:220
5	970 612 899 00	Wire set PDCC Rear axle		1	PR:351
-		Wire set anti-locking brake syst. -abs- see illustration:	902-020		
6	970 612 540 00	Wire set Bonnet with: Hose for Windscreen washer system F >> 97-AL045 695 F >> 97-AL082 886 D >> - MJ 2010		1	
(6)	970 612 540 01	Wire set Bonnet with: Hose for Windscreen washer system F 97-AL045 695>> F 97-AL082 886>> D >> - MJ 2010		1	
(6)	970 612 540 01	Wire set Bonnet with: Hose for Windscreen washer system D - MJ 2011>>		1	
(6)	970 612 540 20	Wire set Bonnet with: Hose for Windscreen washer system D - MJ 2014>>		1	
7	970 612 896 00	Wire set Ground strap connection piece Fuel tank		1	

Model: 970 10

Model life 2010>>2016



Model: 970 10 Model life 2010>>2016

Pos	Part Number	Description	Remark	Qty	Model
-		Wiring looms doors Centre console Control units Door			
1	970 622 751 50	doors Wire set door panel (drivers side) D >> - MJ 2012	front	1	PR:441,-457
(1)	970 622 751 51	Wire set door panel (drivers side) D >> - MJ 2012		1	PR:441,457
(1)	970 622 751 52	Wire set door panel (drivers side) D - MJ 2013>>		1	PR:441,457
(1)	970 622 753 50	Wire set door panel (drivers side) D >> - MJ 2012		1	PR:490,-457
(1)	970 622 753 51	Wire set door panel (drivers side) D >> - MJ 2012		1	PR:490,457
(1)	970 622 753 52	Wire set door panel (drivers side) D - MJ 2013>>		1	PR:490,457
(1)	970 622 755 50	Wire set door panel (drivers side) D >> - MJ 2012		1	PR:680,-457
(1)	970 622 755 51	Wire set door panel (drivers side) D >> - MJ 2012		1	PR:680,457
(1)	970 622 755 52	Wire set door panel (drivers side) D - MJ 2013>>		1	PR:680
(1)	970 622 757 50	Wire set door panel (drivers side) D >> - MJ 2012		1	PR:682,-457
(1)	970 622 757 51	Wire set door panel (drivers side) D >> - MJ 2012		1	PR:682,457
(1)	970 622 757 52	Wire set door panel (drivers side) D - MJ 2013>>		1	PR:682
2	970 622 752 50	Wire set door panel (passenger side) D >> - MJ 2012		1	PR:441
(2)	970 612 652 51	Wire set door panel (passenger side) D - MJ 2013>>		1	PR:441
(2)	970 622 754 50	Wire set		1	PR:490

Model: 970 10 Model life 2010>>2016

Pos	Part Number	Description	Remark	Qty	Model
(2)	970 612 654 51	door panel (passenger side) D >> - MJ 2012 Wire set		1	PR:490
(2)	970 622 756 50	door panel (passenger side) D - MJ 2013>> Wire set		1	PR:680
(2)	970 612 656 51	door panel (passenger side) D >> - MJ 2012 Wire set		1	PR:680
(2)	970 622 758 50	door panel (passenger side) D - MJ 2013>> Wire set		1	PR:682
(2)	970 612 658 51	door panel (passenger side) D >> - MJ 2012 Wire set		1	PR:682
3	970 622 705 00	door panel (passenger side) D - MJ 2013>> Wire set Assembly frame (drivers side) Door lock 10-pole		1	PR:441,-457
(3)	970 622 705 01	D >> - MJ 2011 Wire set Assembly frame (drivers side) Connector housing Door lock 8-pole		1	PR:441,457
(3)	970 622 705 02	D - MJ 2012>> - MJ 2012 Wire set Assembly frame (drivers side) D - MJ 2013>>		1	PR:441,457
(3)	970 623 705 00	Wire set Assembly frame (drivers side)		1	PR:441,457, 625
(3)	970 622 705 20	Wire set Assembly frame (drivers side) D - MJ 2013>>		1	PR:441,457, 885
(3)	970 622 706 00	Wire set Assembly frame (drivers side) Connector housing Door lock 10-pole		1	PR:490,-457
(3)	970 622 706 01	D >> - MJ 2011 Wire set Assembly frame (drivers side) Connector housing Door lock 8-pole		1	PR:490,457
(3)	970 622 706 02	D - MJ 2012>> - MJ 2012 Wire set Assembly frame		1	PR:490,-885

Model: 970 10 Model life 2010>>2016

Pos	Part Number	Description	Remark	Qty	Model
(3)	970 622 706 20	(drivers side) D - MJ 2013>> Wire set Assembly frame (drivers side)		1	PR:490,885
(3)	970 623 706 00	D - MJ 2013>> Wire set Assembly frame (drivers side)		1	PR:457,490,625
(3)	970 622 707 00	Wire set Assembly frame (drivers side) Connector housing Door lock 10-pole		1	PR:680,-457,625
(3)	970 622 707 01	D >> - MJ 2011 Wire set Assembly frame (drivers side) Connector housing Door lock 8-pole		1	PR:680,457,625
(3)	970 622 707 02	D - MJ 2012>> - MJ 2012 Wire set Assembly frame (drivers side)		1	PR:680,457
(3)	970 623 707 00	D - MJ 2013>> Wire set Assembly frame (drivers side)		1	PR:457,625,680
(3)	970 622 707 20	Wire set Assembly frame (drivers side)		1	PR:680,457,885
(3)	970 622 708 00	Wire set Assembly frame (drivers side)		1	PR:682
(3)	970 622 708 01	No longer use the part here Wire set Assembly frame (drivers side) Connector housing Door lock		1	PR:682,-457
(3)	970 622 708 02	D >> - MJ 2011 Wire set Assembly frame (drivers side) Connector housing Door lock 8-pole		1	PR:682,457
(3)	970 622 708 03	D - MJ 2012>> - MJ 2012 Wire set Assembly frame (drivers side)		1	PR:682,457
(3)	970 622 708 20	D - MJ 2013>> Wire set Assembly frame (drivers side)		1	PR:682,457,885
(3)	970 622 705 05	Wire set Assembly frame (drivers side)		1	PR:441,-633,-885
(3)	970 622 706 05	D - MJ 2014>> Wire set Assembly frame		1	PR:490,-633,-885

Model: 970 10

Model life 2010>>2016

Pos	Part Number	Description	Remark	Qty	Model
(3)	970 622 707 05	(drivers side) D - MJ 2014>> Wire set Assembly frame (drivers side)		1	PR:680,-633, -885
(3)	970 622 708 05	(drivers side) D - MJ 2014>> Wire set Assembly frame (drivers side)		1	PR:682,-633, -885
(3)	970 622 705 25	D - MJ 2014>> Wire set Assembly frame (drivers side)		1	PR:441,885, -633
(3)	970 622 706 25	D - MJ 2014>> Wire set Assembly frame (drivers side)		1	PR:490,885, -633
(3)	970 622 707 25	D - MJ 2014>> Wire set Assembly frame (drivers side)		1	PR:680,885, -633
(3)	970 622 708 25	D - MJ 2014>> Wire set Assembly frame (drivers side)		1	PR:682,885, -633
(3)	970 622 705 40	D - MJ 2014>> Wire set Assembly frame (drivers side)		1	PR:441,633, -885
(3)	970 622 706 40	D - MJ 2014>> Wire set Assembly frame (drivers side)		1	PR:490,633, -885
(3)	970 622 707 40	D - MJ 2014>> Wire set Assembly frame (drivers side)		1	PR:680,633, -885
(3)	970 622 708 40	D - MJ 2014>> Wire set Assembly frame (drivers side)		1	PR:682,633, -885
(3)	970 612 765 00	D - MJ 2014>> Wire set Assembly frame (drivers side)		1	PR:441,633, 885
(3)	970 612 766 00	D - MJ 2014>> Wire set Assembly frame (drivers side)		1	PR:490,633, 885
(3)	970 612 767 00	D - MJ 2014>> Wire set Assembly frame (drivers side)		1	PR:680,633, 885
(3)	970 612 768 00	D - MJ 2014>> Wire set Assembly frame (drivers side)		1	PR:682,633, 885
4	970 622 713 00	D - MJ 2014>> Wire set Assembly frame (passenger side)		1	PR:441,-457
(4)	970 622 713 01	Wire set Assembly frame		1	PR:441,457

Model: 970 10 Model life 2010>>2016

Pos	Part Number	Description	Remark	Qty	Model
(4)	970 622 713 02	(passenger side) D >> - MJ 2012 Wire set Assembly frame (passenger side)		1	PR:441,457
(4)	970 622 713 20	D - MJ 2013>> - MJ 2013 Wire set Assembly frame (passenger side)		1	PR:441,457,885
(4)	970 622 714 00	Wire set Assembly frame (passenger side)		1	PR:490,-457
(4)	970 622 714 01	Wire set Assembly frame (passenger side)		1	PR:490,457
(4)	970 622 714 02	D >> - MJ 2012 Wire set Assembly frame (passenger side)		1	PR:490,457
(4)	970 622 714 20	D - MJ 2013>> - MJ 2013 Wire set Assembly frame (passenger side)		1	PR:490,457,885
(4)	970 622 715 00	Wire set Assembly frame (passenger side)		1	PR:680
(4)	970 622 715 01	D >> - MJ 2011 Wire set Assembly frame (passenger side)		1	PR:680
(4)	970 622 715 02	D - MJ 2012>> - MJ 2012 Wire set Assembly frame (passenger side)		1	PR:680
(4)	970 622 715 20	D - MJ 2013>> - MJ 2013 Wire set Assembly frame (passenger side)		1	PR:680,885
(4)	970 622 716 00	Wire set Assembly frame (passenger side)		1	PR:682
(4)	970 622 716 01	No longer use the part here Wire set Assembly frame (passenger side)		1	PR:682,-457
(4)	970 622 716 02	Wire set Assembly frame (passenger side)		1	PR:682,457
(4)	970 622 716 03	D >> - MJ 2012 Wire set Assembly frame (passenger side)		1	PR:682,457
(4)	970 622 716 20	D - MJ 2013>> - MJ 2013 Wire set Assembly frame (passenger side)		1	PR:682,457,885
(4)	970 622 713 05	Wire set Assembly frame (passenger side)		1	PR:441,-633,-885
(4)	970 622 714 05	D - MJ 2014>> Wire set Assembly frame (passenger side)		1	PR:490,-633,-885

Model: 970 10 Model life 2010>>2016

Pos	Part Number	Description	Remark	Qty	Model
(4)	970 622 715 05	D - MJ 2014>> Wire set Assembly frame (passenger side)		1	PR:680,-633, -885
(4)	970 622 716 05	D - MJ 2014>> Wire set Assembly frame (passenger side)		1	PR:682,-633, -885
(4)	970 622 713 25	D - MJ 2014>> Wire set Assembly frame (passenger side)		1	PR:441,885, -633
(4)	970 622 714 25	D - MJ 2014>> Wire set Assembly frame (passenger side)		1	PR:490,885, -633
(4)	970 622 715 25	D - MJ 2014>> Wire set Assembly frame (passenger side)		1	PR:680,885, -633
(4)	970 622 716 25	D - MJ 2014>> Wire set Assembly frame (passenger side)		1	PR:682,885, -633
(4)	970 622 713 40	D - MJ 2014>> Wire set Assembly frame (passenger side)		1	PR:441,633, -885
(4)	970 622 714 40	D - MJ 2014>> Wire set Assembly frame (passenger side)		1	PR:490,633, -885
(4)	970 622 715 40	D - MJ 2014>> Wire set Assembly frame (passenger side)		1	PR:680,633, -885
(4)	970 622 716 40	D - MJ 2014>> Wire set Assembly frame (passenger side)		1	PR:682,633, -885
(4)	970 612 775 00	D - MJ 2014>> Wire set Assembly frame (passenger side)		1	PR:441,633, 885
(4)	970 612 776 00	D - MJ 2014>> Wire set Assembly frame (passenger side)		1	PR:490,633, 885
(4)	970 612 777 00	D - MJ 2014>> Wire set Assembly frame (passenger side)		1	PR:680,633, 885
(4)	970 612 778 00	D - MJ 2014>> Wire set Assembly frame (passenger side)		1	PR:682,633, 885
5	7PP 959 793 D	Door control unit (drivers side)	front lhd	1	PR:098
5	7PP 959 793 J	D >> - MJ 2012 Door control unit	front rhd	1	PR:099

Model: 970 10 Model life 2010>>2016

Pos	Part Number	Description	Remark	Qty	Model
		(drivers side)			
5	4H0 959 793 Q	D >> - MJ 2012 Door control unit (drivers side)	front	1	
5	4H0 959 793 T	D - MJ 2013>> - MJ 2013 Door control unit (drivers side)	front	1	
(5)	7PP 959 792 D	D - MJ 2014>> Door control unit (passenger side)	front	1	
(5)	4H0 959 792 N	D >> - MJ 2012 Door control unit (passenger side)	front	1	
(5)	4H0 959 792 P	D - MJ 2013>> - MJ 2013 Door control unit (passenger side)	front	1	
-		D - MJ 2014>> doors	rear		
6	970 622 730 00	Wire set door panel	rear	2	PR:-630,XES
(6)	970 612 630 01	Wire set door panel	rear	2	PR:-630
(6)	970 622 731 00	Wire set door panel	rear	2	PR:630,XES
(6)	970 612 631 01	Wire set door panel	rear	2	PR:630
(6)	970 612 624 00	Wire set door panel	rear	2	PR:0E2,630
7	970 622 747 01	D - MJ 2014>> Wire set Assembly frame	rear	2	PR:441,490
(7)	970 612 647 02	D >> - MJ 2011 Wire set Assembly frame	rear	2	PR:441,490
(7)	970 612 647 21	D - MJ 2012>> - MJ 2012 Wire set Assembly frame	rear	2	PR:441,490, 861,885
(7)	970 612 647 22	D - MJ 2013>> - MJ 2014 Wire set Assembly frame	rear	2	PR:441,490, 861,885
(7)	970 622 749 01	D - MJ 2015>> Wire set Assembly frame	rear	2	PR:680
(7)	970 612 649 02	D >> - MJ 2011 Wire set Assembly frame	rear	2	PR:680
(7)	970 612 649 21	D - MJ 2012>> - MJ 2012 Wire set Assembly frame	rear	2	PR:680,861, 885
(7)	970 612 649 22	D - MJ 2013>> - MJ 2014 Wire set Assembly frame	rear	2	PR:680,861, 885
(7)	970 622 750 01	D - MJ 2015>> Wire set Assembly frame	rear	2	PR:682
(7)	970 622 750 02	No longer use the part here Wire set Assembly frame	rear	2	PR:682
(7)	970 612 650 03	D >> - MJ 2011 Wire set Assembly frame	rear	2	PR:682
(7)	970 612 650 21	D - MJ 2012>> - MJ 2012 Wire set	rear	2	PR:682,861,

Model: 970 10 Model life 2010>>2016

Pos	Part Number	Description	Remark	Qty	Model
(7)	970 612 650 22	Assembly frame D - MJ 2013>> - MJ 2014 Wire set	rear	2	885 PR:682,861,885
(7)	970 612 647 03	Assembly frame D - MJ 2015>> Wire set	rear	2	PR:441,490,861,-885
(7)	970 612 649 03	Assembly frame D - MJ 2014>> Wire set	rear	2	PR:680,861,-885
(7)	970 612 650 04	Assembly frame D - MJ 2014>> Wire set	rear	2	PR:682,861,-885
(7)	970 612 647 21	Assembly frame D - MJ 2014>> Wire set	rear	2	PR:441,490,861,885
(7)	970 612 649 21	Assembly frame D - MJ 2014>> Wire set	rear	2	PR:680,861,885
(7)	970 612 659 22	Assembly frame D - MJ 2014>> Wire set	rear	2	PR:0E2,441,490,861,885
(7)	970 612 661 22	Assembly frame D - MJ 2014>> Wire set	rear	2	PR:0E2,680,861,885
(7)	970 612 662 22	Assembly frame D - MJ 2014>> Wire set	rear	2	PR:0E2,682,861,885
-	970 610 235 00	Bracket Wire set		2	
8	7PP 959 795 H	Assembly frame Door control unit Rear end D >> - MJ 2012		2	PR:-861
(8)	7PP 959 795 J	Discontinued part Door control unit Rear end D >> - MJ 2012		2	PR:861
(8)	4H0 959 795 K	Door control unit Rear end		2	
(8)	4H0 959 795 L	D - MJ 2013>> Door control unit Rear end D - MJ 2014>>		2	
-	970 610 119 00	Bracket Connection point Door		X	
-	7PP 937 545	B-pillar Bracket Connection point Door		2 X	
9	970 612 579 00	B-pillar Wire set	rear	1	PR:-630
(9)	970 612 583 00	Centre console Wire set	rear	1	PR:630
-	970 612 586 00	Centre console Wire set		1	PR:626
-	970 612 770 00	Centre console Wire set Adapter Pull handle	rear	1	PR:885

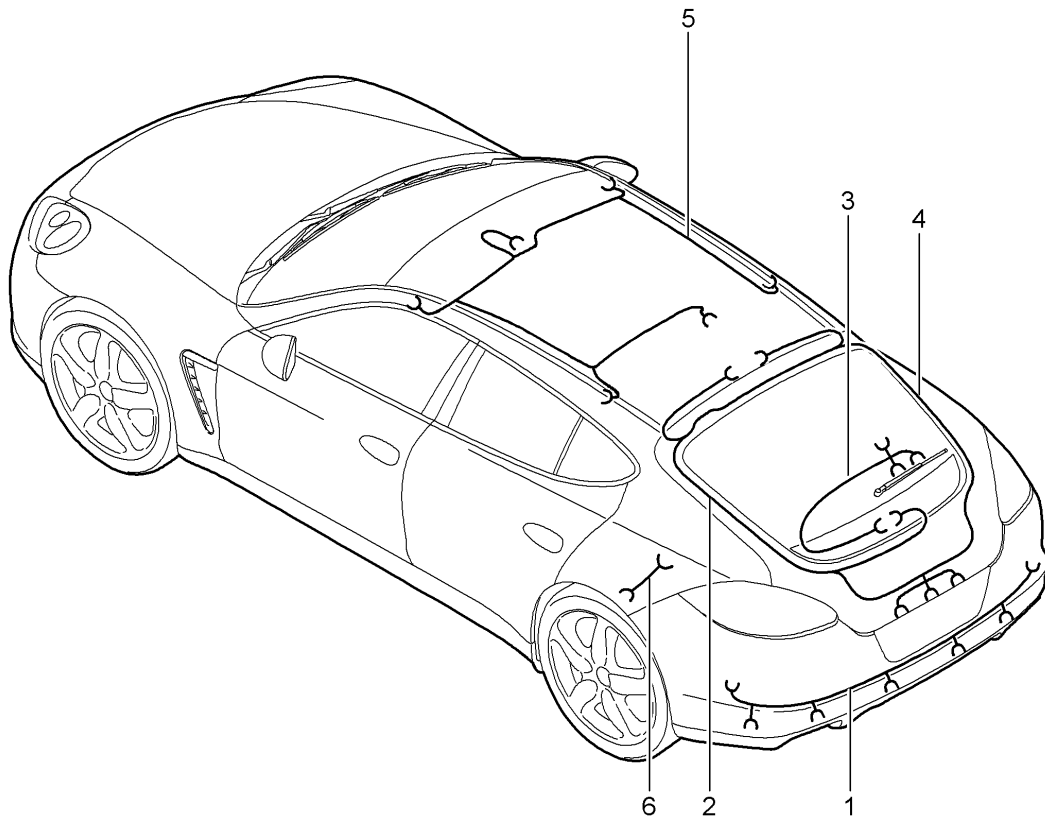
Model: 970 10

Model life 2010>>2016

Pos	Part Number	Description	Remark	Qty	Model
-		Cable ties for Repair work see illustration:	902-010		

Model: 970 10

Model life 2010>>2016



Model: 970 10 Model life 2010>>2016

Pos	Part Number	Description	Remark	Qty	Model
1	970 612 801 00	Wiring looms Rear end roof trim Rear lid anti-locking brake syst. -abs- brake pad wear display Rear axle Wire set bumper D >> - MJ 2013	rear	1	PR:634,635, 636,637,638
(1)	970 612 801 20	Wire set bumper D - MJ 2014>>	rear	1	PR:635,636, -193
(1)	970 612 802 00	Wire set bumper D - MJ 2014>>	rear	1	PR:638,-193
(1)	970 612 803 00	Wire set bumper D - MJ 2014>>	rear	1	PR:633,-193
(1)	970 612 803 01	Discontinued part Wire set bumper D - MJ 2014>>	rear	1	PR:633,-193
(1)	970 612 804 00	Wire set bumper D - MJ 2014>>	rear	1	PR:193,635, 636
2	970 612 911 00	Wire set Rear lid D >> - MJ 2013	left	1	PR:-675,-676
(2)	970 612 911 01	Wire set Rear lid D - MJ 2014>>	left	1	PR:-675, -676,-691
(2)	970 612 911 10	Wire set Rear lid D >> - MJ 2013	left	1	PR:676
(2)	970 612 911 11	Wire set Rear lid D - MJ 2014>>	left	1	PR:676,-691
(2)	970 612 911 20	Wire set Rear lid D >> - MJ 2013	left	1	PR:675 "J.."
(2)	970 612 911 21	Wire set Rear lid D - MJ 2014>>	left	1	PR:675 "J.."
(2)	970 612 911 30	Wire set Rear lid D - MJ 2014>>	left	1	PR:691,-675, -676
(2)	970 612 911 40	Wire set Rear lid D - MJ 2014>>	left	1	PR:676,691, -675
3	970 612 719 00	Wire set Control unit Rear lid Powerlift		1	PR:867
4	970 612 725 00	Wire set Rear lid D >> - MJ 2013	right	1	PR:524,696
(4)	970 612 712 50	Wire set Rear lid D >> - MJ 2013	right	1	PR:525,696
(4)	970 612 732 00	Wire set Rear lid D >> - MJ 2013	right	1	PR:524,665

Model: 970 10 Model life 2010>>2016

Pos	Part Number	Description	Remark	Qty	Model
(4)	970 612 731 50	Wire set Rear lid D >> - MJ 2013	right	1	PR:525,665, 675
(4)	970 623 712 00	Wire set Rear lid D >> - MJ 2013	right	1	HYBRID PR:524,696
(4)	970 623 712 50	Wire set Rear lid D >> - MJ 2013	right	1	HYBRID PR:525,696
(4)	970 623 731 00	Wire set Rear lid D >> - MJ 2013	right	1	HYBRID PR:524,634, 637,638,665, 675
(4)	970 623 731 50	Wire set Rear lid D >> - MJ 2013	right	1	HYBRID PR:525,634, 637,638,665, 675
(4)	970 612 713 20	Wire set Rear lid D - MJ 2014>>	right	1	PR:525,696, -851
(4)	970 612 757 20	Wire set Rear lid D - MJ 2014>>	right	1	PR:525,665, -851
(4)	970 612 755 10	Wire set Rear lid D - MJ 2014>>	right	1	PR:-525,851
(4)	970 612 760 10	Wire set Rear lid D - MJ 2014>>	right	1	PR:-525,665, -851
5	970 612 705 00	Wire set Roofliner		1	PR:-630
(5)	970 612 706 00	Wire set Roofliner		1	PR:630
(5)	970 612 715 02	Wire set Roofliner D - MJ 2014>>		1	PR:630,0E2
-		Wiring looms anti-locking brake syst. -abs- brake pad wear display			
6	970 612 739 00	Wire set Rear axle Discontinued part	left	1	
(6)	970 612 739 01	Wire set Rear axle Discontinued part	left	1	
(6)	970 612 739 02	Wire set Rear axle EINS. OFFEN	left	1	
(6)	970 612 738 00	Wire set Rear axle Discontinued part	right	1	PR:029
(6)	970 612 738 01	Wire set Rear axle Discontinued part	right	1	PR:029
(6)	970 612 738 02	Wire set Rear axle EINS. OFFEN	right	1	PR:029
(6)	970 612 740 00	Wire set Rear axle Discontinued part	right	1	PR:350,351, 475
(6)	970 612 740 01	Wire set Rear axle	right	1	PR:350,351, 475

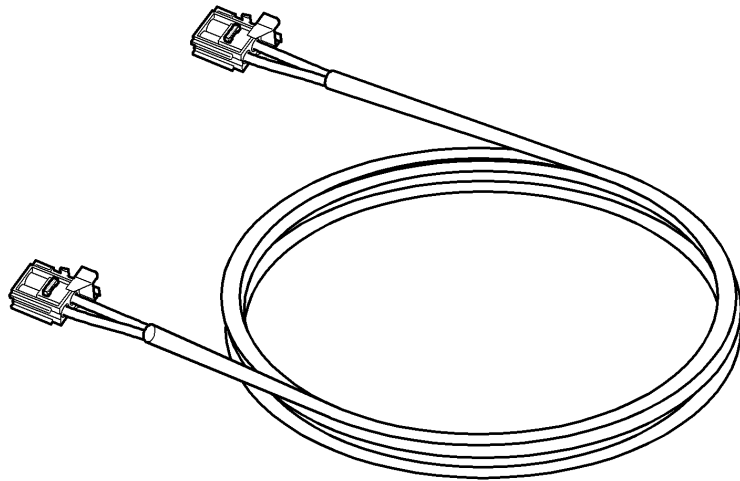
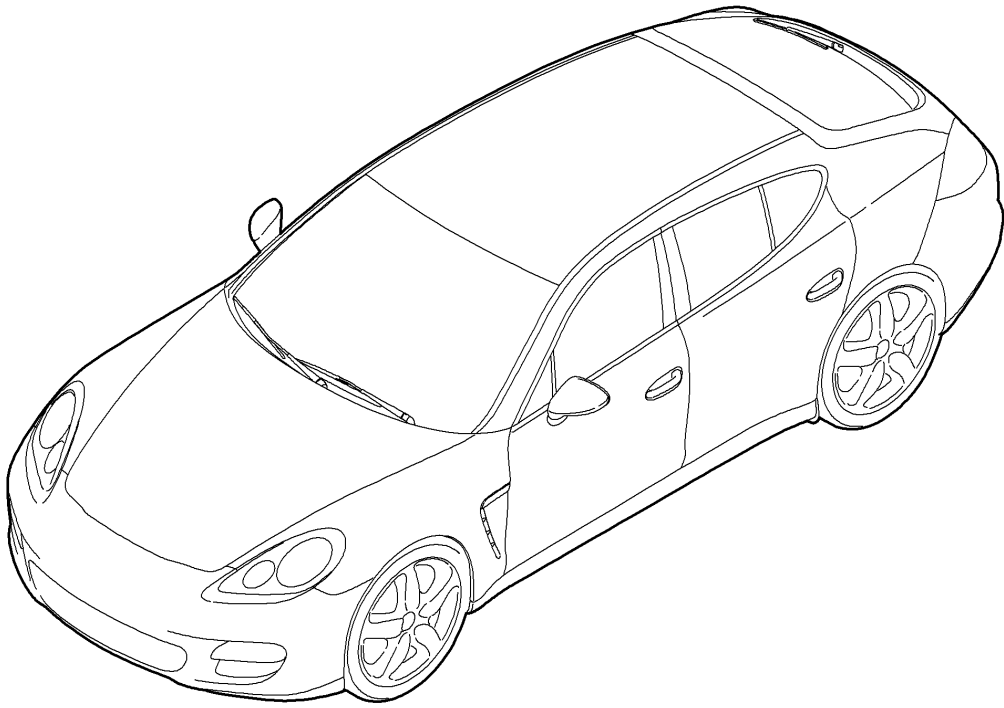
Model: 970 10

Model life 2010>>2016

Pos	Part Number	Description	Remark	Qty	Model
(6)	970 612 740 02	Discontinued part Wire set Rear axle EINS. OFFEN	right	1	PR:350,351, 475
-	970 610 111 00	Bracket Wire set	left	1	
-	970 610 112 00	Bracket Wire set see illustration:	501-000 right	1	
-	999 217 116 01	Hexagon bolt M 6 X 16	see illustration: 501-000	2	
-	970 610 113 00	Bracket Connection point Anti-roll bar	left	1	
-	970 610 114 00	Bracket Connection point Anti-roll bar	right	1	
-		Cable ties for Repair work See group 9/02/10			

Model: 970 10

Model life 2010>>2016



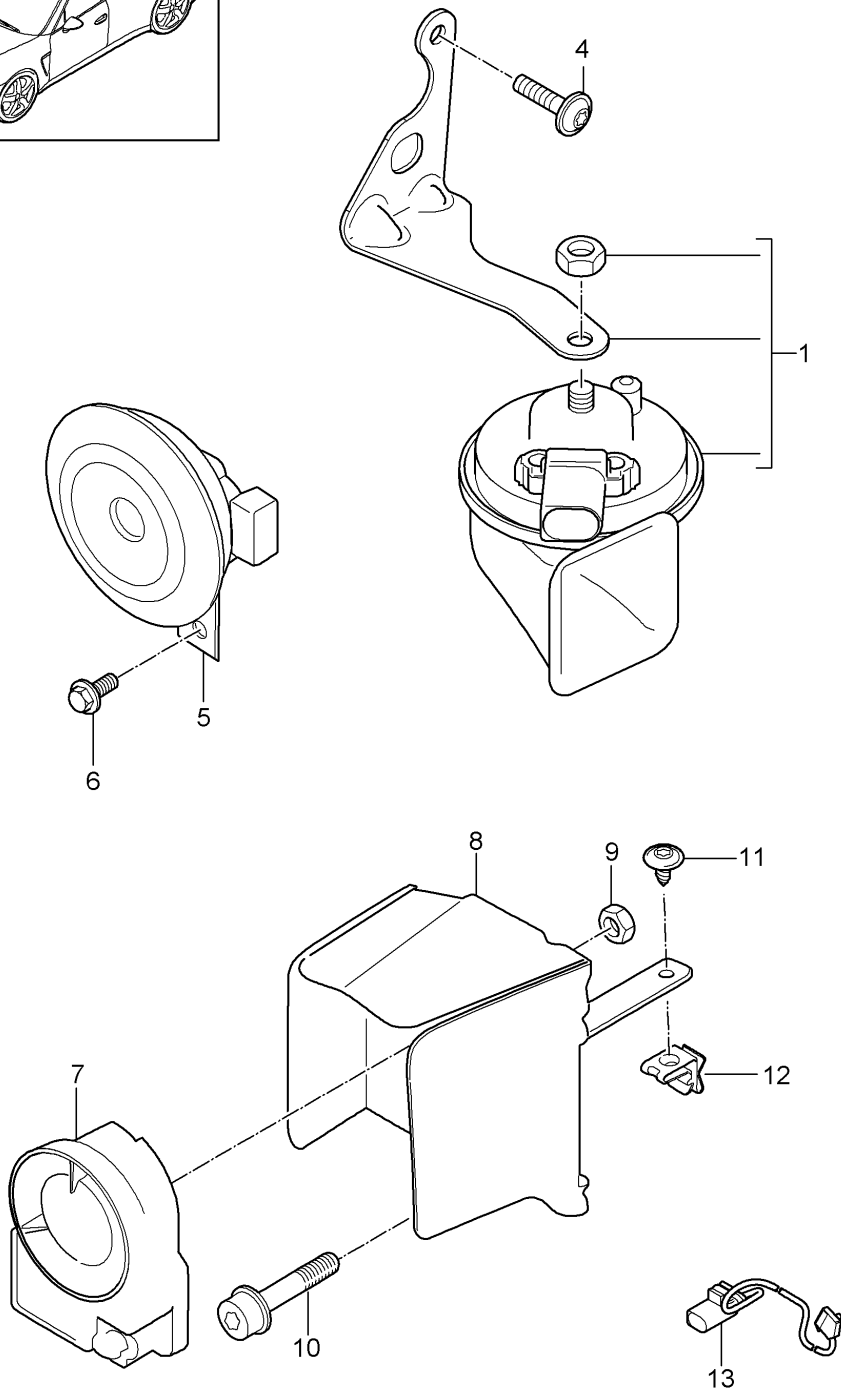
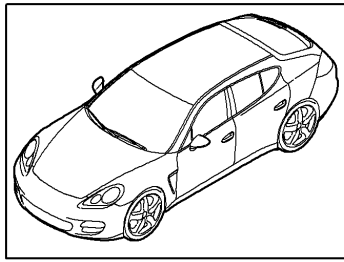
Model: 970 10

Model life 2010>>2016

Pos	Part Number	Description	Remark	Qty	Model
-	970 622 701 50	fibre optic wave conductor fibre optic wave conductor PCM Radio unit		1	PR:-676,680, 682
-	970 622 702 00	fibre optic wave conductor PCM TV Discontinued part	lhd	1	PR:098,665, 676,680,682
-	970 622 702 01	fibre optic wave conductor PCM TV	lhd	1	PR:098,665, 676,680,682
-	970 622 702 03	fibre optic wave conductor PCM TV		1	PR:0E2,665, 676,680,682
-	970 622 702 50	D - MJ 2014>> fibre optic wave conductor PCM TV Discontinued part	rhd	1	PR:099,665, 676,680,682
-	970 622 702 51	fibre optic wave conductor PCM TV	rhd	1	PR:099,665, 676,680,682
-	970 622 703 03	fibre optic wave conductor PCM TV D - MJ 2014>>		1	PR:0E2,490, 665,676
-	970 622 703 50	fibre optic wave conductor PCM TV Discontinued part		1	PR:490,665, 676
-	970 622 703 51	fibre optic wave conductor PCM TV		1	PR:490,665, 676
-	999 650 039 40	Connector housing		X	
-	999 650 091 40	fibre optic wave conductor Plug inserts fibre optic wave conductor		X	

Model: 970 10

Model life 2010>>2016



Model: 970 10 Model life 2010>>2016

Pos	Part Number	Description	Remark	Qty	Model
1	970 635 125 00	Fanfare Signal horn Alarm horn Fanfare	left low tone	1	
(1)	970 635 021 00	D >> - MJ 2010 No longer use the part here Fanfare	left	1	PR:-874
(1)	970 635 021 01	with: Bracket D >> - MJ 2013 Discontinued part Fanfare	left low tone	1	PR:874
-	970 612 935 00	with: Bracket See technical information GR.9 NR.100/13 KD-NR.9050 D >> - MJ 2013 Adapter cable See technical information GR.9 NR.100/13 KD-NR.9050	left	1	
(1)	970 635 025 00	D >> - MJ 2013 Fanfare	left high tone	1	PR:-874
(1)	970 635 025 01	with: Bracket D - MJ 2014>> Discontinued part Fanfare	left high tone	1	PR:-874
(1)	970 635 027 00	with: Bracket D - MJ 2014>> Fanfare	left	1	PR:874
(1)	970 635 027 01	with: Bracket D - MJ 2014>> Discontinued part Bracket for fanfare	left high tone	1	PR:874
(1)	970 635 126 00	with: Bracket D - MJ 2014>> Fanfare	right high tone	1	
(1)	970 635 022 00	D >> - MJ 2010 No longer use the part here Fanfare	right high tone	1	PR:-874
(1)	970 635 022 01	with: Bracket D >> - MJ 2013 Discontinued part Fanfare	right high tone	1	PR:874
-	970 612 935 00	with: Bracket See technical information GR.9 NR.100/13 KD-NR.9050 D >> - MJ 2013 Adapter cable	left	1	

Model: 970 10 Model life 2010>>2016

Pos	Part Number	Description	Remark	Qty	Model
(1)	970 635 024 00	See technical information GR.9 NR.100/13 KD-NR.9050 D >> - MJ 2013 Fanfare	right high tone	1	
		with:			
(1)	970 635 026 00	Bracket Fanfare	right low tone	1	PR:-874
		with:			
(1)	970 635 026 01	Bracket D - MJ 2014>> Discontinued part Fanfare	right low tone	1	PR:-874
		with:			
(1)	970 635 028 00	Bracket D - MJ 2014>> Fanfare	right low tone	1	PR:874
		with:			
(1)	970 635 028 01	Bracket D - MJ 2014>> Discontinued part Fanfare	right low tone	1	PR:874
		with:			
-	970 635 115 00	Bracket D - MJ 2014>> Bracket for fanfare	left low tone	1	
		D >> - MJ 2010 No longer use the part here			
-	970 635 116 00	Bracket for fanfare	right high tone	1	
		D >> - MJ 2010 No longer use the part here			
-	N 022 148 12	hexagon nut, self-locking M 6		2	
		D >> - MJ 2010 No longer use the part here			
4	999 919 257 01	fillister hd. bolt 6,0 X 20,0		1	
		D >> - MJ 2013			
(4)	999 075 081 01	Bolt with washer 8,0 X 20,0		1	
		D - MJ 2014>>			
5	970 637 117 00	Signal horn alarm system		1	
		Discontinued part			
(5)	970 637 117 01	Signal horn alarm system		1	
		D >> - MJ 2015			
(5)	95B 951 101 G	Signal horn alarm system		1	
		use if required:	9P1 998 003 A		
6	999 218 113 01	D - MJ 2016>> Socket head bolt M 6 X 23		1	
7	1K8 951 605	Alarm horn Discontinued part		1	PR:536
(7)	1K8 951 605 A	Alarm horn Discontinued part		1	PR:536

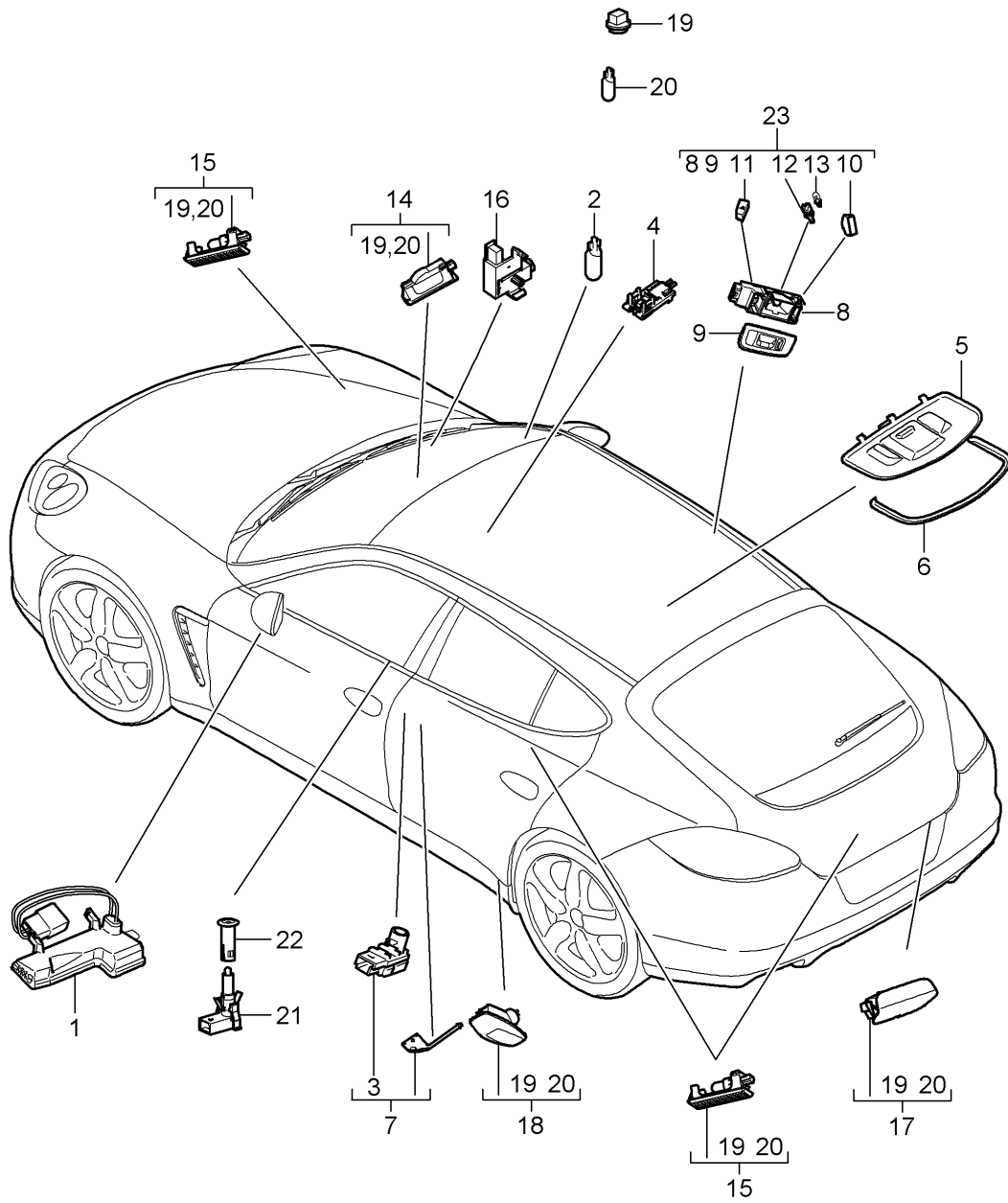
Model: 970 10

Model life 2010>>2016

Pos	Part Number	Description	Remark	Qty	Model
(7)	1K8 951 605 B	Alarm horn		1	PR:536
8	970 637 419 02	Bracket		1	PR:536
9	N 902 955 02	Hexagon collar nut M 8		1	PR:536
10	999 218 113 01	Socket head bolt M 6		1	PR:536
11	999 073 231 09	panel screw ST 4,8 X 16		1	PR:536
12	999 591 809 01	panel nut ST 4,8		1	PR:536
13	1K0 953 236 D	Contact switch Anti-theft protection	front	1	

Model: 970 10

Model life 2010>>2016



Model: 970 10 Model life 2010>>2016

Pos	Part Number	Description	Remark	Qty	Model
		Interior lights Luggage compartment lamp Door warning light Footwell light Light Exterior mirror			
1	970 631 611 02	Light	left	1	PR:098,259,261
(1)	970 631 612 02	Light	right	1	PR:098,259,261
(1)	970 631 613 02	Light	left	1	PR:099,259,261
(1)	970 631 614 02	Light	right	1	PR:099,259,261
2	900 631 026 90	Exterior mirror bulb 12 V, 2 W for Lighting Sun visor		4	
3	7PP 947 101	Light Ignition/starter switch Centre console Centre console Business	rear	X 1 1 1 1	
4	970 632 193 01	LED module Centre console doors		X 4 8	
(4)	970 632 193 02	Discontinued part LED module Centre console doors		X 4 8	
-		Reading light	rear		
5	970 632 169 00	Light		1	PR:630
		without:			
(5)	970 632 065 01	Trim No longer use the part here Light		1	PR:630
		with:			
	970 632 065 01 4U0	Platinum Grey	-AB,AC,CB,CC, GC,EC,GE,PC, GP,BB,NA,DG, DN,GD		
	970 632 065 01 5Q0	Black	-GK,GS,GA,BF		
	970 632 065 01 6W0	Luxor beige	-UB,UC,GU,PK, PL		
	970 632 065 01 5V0	Cream	-BC,BD,BE,DS, DT		
	970 632 065 01 1R0	Cedar	-NC,BN		
6	970 632 155 00	Trim Discontinued part		1	PR:630
	970 632 155 00 4U0	Platinum Grey	-AB,AC,CB,CC, GC,EC,GE,PC, GP,BB,NA,DG, DN,GD		
	970 632 155 00 5Q0	Black	-GK,GS,GA,BF		
	970 632 155 00 6W0	Luxor beige	-UB,UC,GU,PK, PL		
	970 632 155 00 5V0	Cream	-BC,BD,BE,DS, DT		
	970 632 155 00 1R0	Cedar POS. (5) Use	-NC,BN		

Model: 970 10

Model life 2010>>2016

Pos	Part Number	Description	Remark	Qty	Model
7	970 632 085 00	Set LED module for ashtray	left rear	1	
(7)	970 632 086 00	Set LED module for ashtray	right rear	1	
8	7PP 947 119 B	housing Reading light No longer use the part here	left	1	PR:-630
(8)	7PP 947 407 A	housing Reading light LED module No longer use the part here	left	1	PR:630
(8)	7PP 947 120	housing Reading light No longer use the part here	right	1	PR:-630
(8)	7PP 947 408 C	housing Reading light LED module No longer use the part here	right	1	PR:630
9	970 632 141 02	Trim No longer use the part here	left	1	
	970 632 141 02 4U0	Platinum Grey	-AB,AC,CB,CC, GC,EC,GE,PC, GP,BB,NA,DG, DN,GD		
	970 632 141 02 A05	Black	-GK,GS,GA,BF		
	970 632 141 02 6W0	Luxor beige	-UB,UC,GU,PK, PL		
	970 632 141 02 5V0	Cream	-BC,BD,BE,DS, DT		
	970 632 141 02 1R0	Cedar	-NC,BN		
(9)	970 632 142 02	Trim No longer use the part here	right	1	
	970 632 142 02 4U0	Platinum Grey	-AB,AC,CB,CC, GC,EC,GE,PC, GP,BB,NA,DG, DN,GD		
	970 632 142 02 A05	Black	-GK,GS,GA,BF		
	970 632 142 02 6W0	Luxor beige	-UB,UC,GU,PK, PL		
	970 632 142 02 5V0	Cream	-BC,BD,BE,DS, DT		
	970 632 142 02 1R0	Cedar	-NC,BN		
10	7PP 947 133	Reflector cover Reading light No longer use the part here		2	
11	970 613 173 01	Switch Reading light No longer use the part here	left	1	
(11)	970 613 174 01	Switch Reading light No longer use the part here	right	1	
12	N 017 753 5	bulb 'longlife' 12 V, 5 W		2	
13	7PP 919 244	Bulb holder		2	
14	970 632 024 00	Light Included bulb	front	2	
(14)	991 632 133 00	Footwell Footwell light	front	2	PR:630

Model: 970 10 Model life 2010>>2016

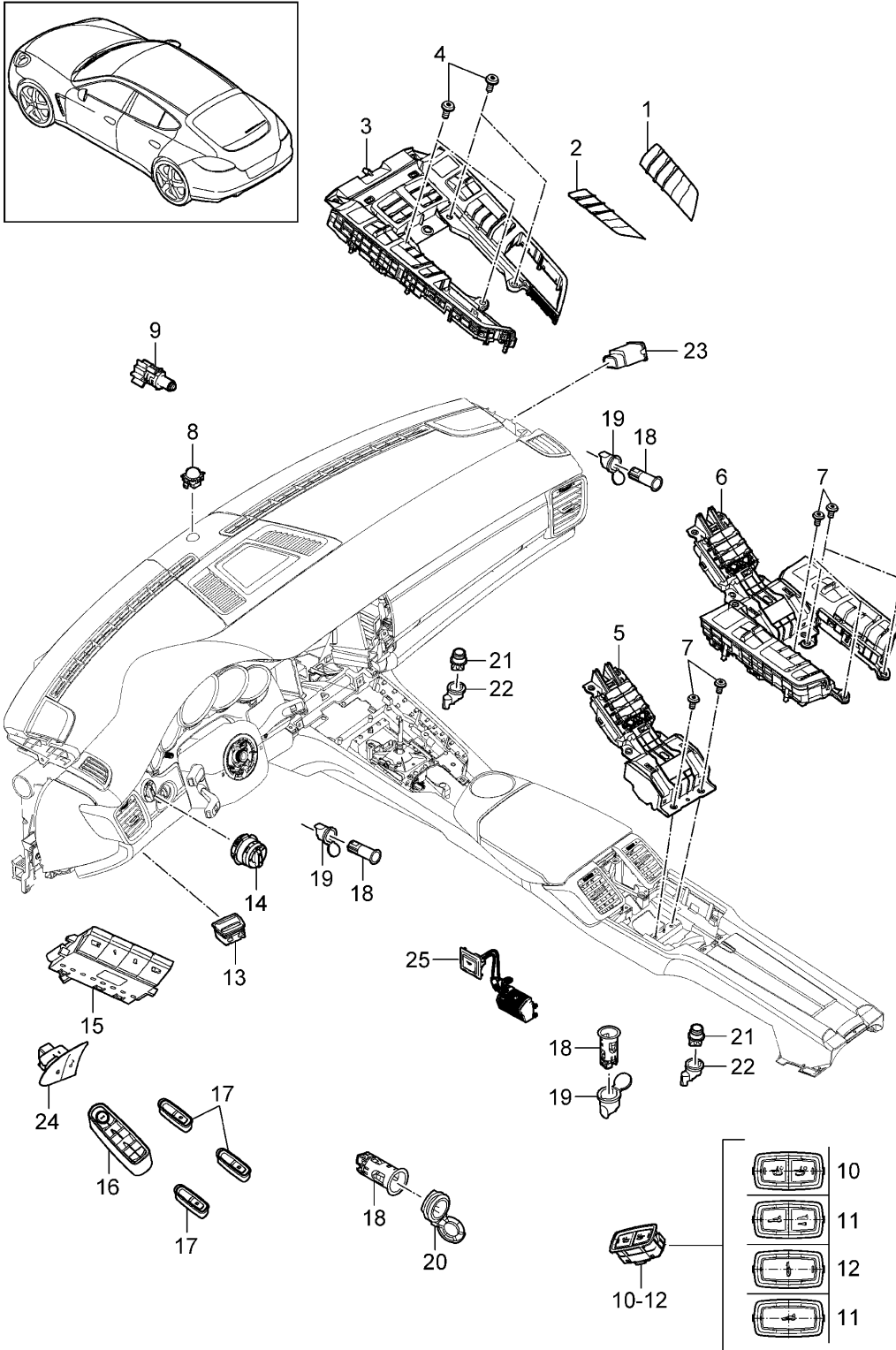
Pos	Part Number	Description	Remark	Qty	Model
15	970 632 020 00	Included LED module Footwell D - MJ 2014>> Light	rear	X	
(15)	991 632 137 00	Included bulb Footwell Glove box Engine bay Light		2 1 1 1	PR:630
(15)	991 632 133 00	Included LED module Glove box D - MJ 2014>> Footwell light	rear	2	PR:630
(15)	970 632 024 00	Included LED module Footwell D - MJ 2014>> Light		2	
16	955 613 601 00	Included bulb Luggage compartment Contact switch		1	
17	970 632 135 00	Glove box Door warning light Rear lid		2	
(17)	970 632 135 01	Discontinued part Door warning light Rear lid		2	
18	970 632 132 00	Door warning light		4	
19	970 632 187 00	Bulb holder		12	
20	999 631 032 90	bulb		12	
21	7PP 919 238	12 V, 5 W warning lamp		2	
(21)	7PP 919 238 A	Immobiliser Discontinued part warning lamp		2	
22	970 616 117 00	Sleeve		2	
	970 616 117 00 OP1	agate grey	-DG,DL,GU,DT		
	970 616 117 00 1E0	Black	-AB,AC,GK,GS, GA,DS,BF,DN, BB,PK,PL		
	970 616 117 00 2F0	yachting blue	-EC,GE,BD		
	970 616 117 00 3G0	Marsala Red	-PC,GP,BE		
	970 616 117 00 4H0	Luxor beige	-UN,UC,GU		
	970 616 117 00 6L0	Platinum Grey	-CB,CC,GC		
	970 616 117 00 7N0	Espresso	-NA		
(22)	970 616 117 01	Cognac	-NC,BN		
	970 616 117 01	Sleeve		2	
	970 616 117 01 OP1	agate grey	-DG,DL,GU,DT		
	970 616 117 01 1E0	Black	-AB,AC,GK,GS, GA,DS,BF,DN, BB,PK,PL		
	970 616 117 01 2F0	yachting blue	-EC,GE,BD		
	D >> - MJ 2013				
	970 616 117 01 3G0	Marsala Red	-PC,GP,BE		
	970 616 117 01 4H0	Luxor beige	-UN,UC,GU		
	970 616 117 01 6L0	Platinum Grey	-CB,CC,GC		
	D >> - MJ 2013				
	970 616 117 01 7N0	Espresso	-NA		

Model: 970 10 Model life 2010>>2016

Pos	Part Number	Description	Remark	Qty	Model
	970 616 117 01 8P0	Cognac	-NC, BN		
	970 616 117 01 OM8	saddle brown	-SB, GH		
23	970 632 061 02	D - MJ 2015>> Reading light	left	1	PR:-630
	970 632 061 02 4U0	Platinum Grey	-AB, AC, CB, CC, GC, EC, GE, PC, GP, BB, NA, DG, DN, GD		
	970 632 061 02 A05	Black	-GK, GS, GA, BF		
	970 632 061 02 6W0	Luxor beige	-UB, UC, GU, PK, PL		
	970 632 061 02 5V0	Cream	-BC, BD, BE, DS, DT		
(23)	970 632 061 02 1R0	Cedar	-NC, BN		
	970 632 061 03	Reading light	left	1	PR:-630
	970 632 061 03 OL7	saddle brown	-SB, GH		
		D - MJ 2015>>			
(23)	970 632 062 02	Reading light	right	1	PR:-630
	970 632 062 02 4U0	Platinum Grey	-AB, AC, CB, CC, GC, EC, GE, PC, GP, BB, NA, DG, DN, GD		
	970 632 062 02 A05	Black	-GK, GS, GA, BF		
	970 632 062 02 6W0	Luxor beige	-UB, UC, GU, PK, PL		
	970 632 062 02 5V0	Cream	-BC, BD, BE, DS, DT		
	970 632 062 02 1R0	Cedar	-NC, BN		
(23)	970 632 062 03	Reading light	right	1	PR:-630
	970 632 062 03 OL7	saddle brown	-SB, GH		
		D - MJ 2015>>			
(23)	970 632 063 02	Reading light	left	1	PR:630
	970 632 063 02 4U0	Platinum Grey	-AB, AC, CB, CC, GC, EC, GE, PC, GP, BB, NA, DG, DN, GD		
	970 632 063 02 A05	Black	-GK, GS, GA, BF		
	970 632 063 02 6W0	Luxor beige	-UB, UC, GU, PK, PL		
	970 632 063 02 5V0	Cream	-BC, BD, BE, DS, DT		
	970 632 063 02 1R0	Cedar	-NC, BN		
(23)	970 632 063 03	Reading light	left	1	PR:630
	970 632 063 03 OL7	saddle brown	-SB, GH		
		D - MJ 2015>>			
(23)	970 632 064 02	Reading light	right	1	PR:630
	970 632 064 02 4U0	Platinum Grey	-AB, AC, CB, CC, GC, EC, GE, PC, GP, BB, NA, DG, DN, GD		
	970 632 064 02 A05	Black	-GK, GS, GA, BF		
	970 632 064 02 6W0	Luxor beige	-UB, UC, GU, PK, PL		
	970 632 064 02 5V0	Cream	-BC, BD, BE, DS, DT		
	970 632 064 02 1R0	Cedar	-NC, BN		
(23)	970 632 064 03	Reading light	right	1	PR:630
	970 632 064 03 OL7	saddle brown	-SB, GH		
		D - MJ 2015>>			

Model: 970 10

Model life 2010>>2016



Model: 970 10 Model life 2010>>2016

Pos	Part Number	Description	Remark	Qty	Model
-		Combined switch Control panel Air conditioning Control switch Combined switch Centre console	right		
1	970 613 426 02	Control panel with pushbuttons D >> - MJ 2011 Discontinued part		1	PR:-642, -850,-851, -862
(1)	970 613 426 02 DML	Matt Black/hi-gloss chrome		1	PR:-642, -850,-851, -862,-176
(1)	970 613 426 03	Control panel with pushbuttons D >> - MJ 2011 Discontinued part		1	PR:-XLF PR:-642,850, 851
(1)	970 613 428 02	Control panel with pushbuttons D >> - MJ 2011 Discontinued part		1	PR:-XLF PR:-642,850, 851
(1)	970 613 428 02 DML	Matt Black/hi-gloss chrome		1	PR:850,851,
(1)	970 613 428 03	Control panel with pushbuttons D >> - MJ 2011 Discontinued part		1	PR:-642, -850,-851, 862
(1)	970 613 428 03 DML	Matt Black/hi-gloss chrome		1	PR:-XLF
(1)	970 613 430 02	Control panel with pushbuttons D >> - MJ 2011 Discontinued part		1	PR:-642, -850,-851, 862
(1)	970 613 430 02 DML	Matt Black/hi-gloss chrome		1	PR:-642, -850,-851, 862
(1)	970 613 430 03	Control panel with pushbuttons D >> - MJ 2011 Discontinued part		1	PR:-XLF PR:176,-642, -850,-851
(1)	970 613 430 03 DML	Matt Black/hi-gloss chrome		1	PR:-XLF
(1)	970 613 432 02	Control panel with pushbuttons D >> - MJ 2011 Discontinued part		1	PR:176,-642, -862
(1)	970 613 432 02 DML	Matt Black/hi-gloss chrome		1	PR:XLF
(1)	970 613 432 03	Control panel with pushbuttons D >> - MJ 2011 Discontinued part		1	PR:-642,850, 851,862
(1)	970 613 432 03 DML	Matt Black/hi-gloss chrome		1	PR:-642,850, 851,862
(1)	970 613 434 02	Control panel with pushbuttons D >> - MJ 2011 Discontinued part		1	PR:-XLF PR:176,850, 851
(1)	970 613 434 02 DML	Matt Black/hi-gloss chrome		1	PR:-XLF
(1)	970 613 434 03	Control panel with pushbuttons D >> - MJ 2011 Discontinued part		1	PR:-642,850, 851,862
(1)	970 613 434 03 DML	Matt Black/hi-gloss chrome		1	PR:-XLF
(1)	970 613 436 02	Control panel with pushbuttons D >> - MJ 2011 Discontinued part		1	PR:176,850, 851
(1)	970 613 436 02 DML	Matt Black/hi-gloss chrome		1	PR:176,850, -862
(1)	970 613 436 03	Control panel with pushbuttons D >> - MJ 2011 Discontinued part		1	PR:XLF PR:176,-642, -850,-851, 862
(1)	970 613 436 03 DML	Matt Black/hi-gloss chrome		1	PR:XLF
(1)	970 613 438 02	Control panel with pushbuttons D >> - MJ 2011 Discontinued part		1	PR:176,-642, 862
(1)	970 613 438 02 DML	Matt Black/hi-gloss chrome		1	PR:176,-642, 862
(1)	970 613 438 03	Control panel with pushbuttons D >> - MJ 2011 Discontinued part		1	PR:XLF PR:176,-642, 850,851,862
(1)	970 613 438 03 DML	Matt Black/hi-gloss chrome		1	PR:XLF
(1)	970 613 440 02	Control panel with pushbuttons D >> - MJ 2011 Discontinued part		1	PR:176,-642, 850,851,862
(1)	970 613 440 02 DML	Matt Black/hi-gloss chrome		1	PR:176,-642, 850,851,862
(1)	970 613 440 03	Control panel with pushbuttons D >> - MJ 2011 Discontinued part		1	PR:176,-642, 850,851,862
(1)	970 613 440 03 DML	Matt Black/hi-gloss chrome		1	PR:176,-642, 850,851,862
(1)	970 613 470 02	Control panel with pushbuttons		1	PR:642,-850,

Model: 970 10 Model life 2010>>2016

Pos	Part Number	Description	Remark	Qty	Model
		D - MJ 2012>> - MJ 2013 Discontinued part			-851,-862
(1)	970 613 470 02 DML	Matt Black/hi-gloss chrome			
	970 613 470 03	Control panel with pushbuttons		1	PR:642,-850, -851,-862
		D - MJ 2012>> - MJ 2013			
(1)	970 613 470 03 DML	Matt Black/hi-gloss chrome			
	970 613 472 02	Control panel with pushbuttons		1	PR:642,850, 851
		D >> - MJ 2011 Discontinued part			
(1)	970 613 472 02 DML	Matt Black/hi-gloss chrome			
	970 613 472 03	Control panel with pushbuttons		1	PR:642,850, 851
		D >> - MJ 2011 Discontinued part			
(1)	970 613 472 03 DML	Matt Black/hi-gloss chrome			PR:-XLF
	970 613 474 02	Control panel with pushbuttons		1	PR:176,642, -850,-851
		D >> - MJ 2011 Discontinued part			
(1)	970 613 474 02 DML	Matt Black/hi-gloss chrome			
	970 613 474 03	Control panel with pushbuttons		1	PR:176,642, PR:XLF
		D >> - MJ 2011 Discontinued part			
(1)	970 613 474 03 DML	Matt Black/hi-gloss chrome			
	970 613 476 02	Control panel with pushbuttons		1	PR:642,-850, -851,862, -176,-XLF
		D - MJ 2012>> - MJ 2013 Discontinued part			
(1)	970 613 476 02 DML	Matt Black/hi-gloss chrome			
	970 613 476 03	Control panel with pushbuttons		1	PR:642,-850, -851,862
		D >> - MJ 2011 Discontinued part			
(1)	970 613 476 03 DML	Matt Black/hi-gloss chrome			PR:-XLF
	970 613 478 02	Control panel with pushbuttons		1	PR:642,850, 851,862
		D >> - MJ 2011 Discontinued part			
(1)	970 613 478 02 DML	Matt Black/hi-gloss chrome			
	970 613 478 03	Control panel with pushbuttons		1	PR:642,850, 851,862
		D >> - MJ 2011 Discontinued part			
(1)	970 613 478 03 DML	Matt Black/hi-gloss chrome			PR:-XLF
	970 613 480 02	Control panel with pushbuttons		1	PR:176,642, 850,851
		D >> - MJ 2011 Discontinued part			
(1)	970 613 480 02 DML	Matt Black/hi-gloss chrome			
	970 613 480 03	Control panel with pushbuttons		1	PR:176,642, PR:XLF
		D >> - MJ 2011 Discontinued part			
(1)	970 613 480 03 DML	Matt Black/hi-gloss chrome			
	970 613 482 02	Control panel with pushbuttons		1	PR:176,642, -850,-851, 862
		D >> - MJ 2011 Discontinued part			
(1)	970 613 482 02 DML	Matt Black/hi-gloss chrome			
	970 613 482 03	Control panel with pushbuttons		1	PR:176,642, PR:XLF
		D >> - MJ 2011 Discontinued part			
(1)	970 613 482 03 DML	Matt Black/hi-gloss chrome			
	970 613 484 02	Control panel with pushbuttons		1	PR:176,642, 682,850,851, 862
		D >> - MJ 2011 Discontinued part			
(1)	970 613 484 02 DML	Matt Black/hi-gloss chrome			
	970 613 484 03	Control panel with pushbuttons		1	PR:176,642, 862
		D >> - MJ 2011 Discontinued part			
(1)	970 613 484 03 DML	Matt Black/hi-gloss chrome			PR:XLF
	970 613 406 03	Control panel with pushbuttons		1	HYBRID PR:-862
		D - MJ 2011>> - MJ 2013			
(1)	970 613 406 03 DML	Matt Black/hi-gloss chrome			
	970 613 410 03	Control panel with pushbuttons		1	HYBRID PR:862
		D - MJ 2011>> - MJ 2013			
(1)	970 613 410 03 DML	Matt Black/hi-gloss chrome			
	970 613 416 00	Control panel with pushbuttons		1	HYBRID PR:-458,-862
		D - MJ 2014>>			
(1)	970 613 416 00 DML	Matt Black/hi-gloss chrome			
	970 613 418 00	Control panel with pushbuttons		1	HYBRID PR:-458,862
		D - MJ 2014>>			

Model: 970 10

Model life 2010>>2016

Pos	Part Number	Description	Remark	Qty	Model
(1)	970 613 418 00 DML 970 613 420 01	Matt Black/hi-gloss chrome Control panel with pushbuttons D - MJ 2014>>		1	HYBRID PR:458,-862
(1)	970 613 420 01 DML 970 613 422 01	Matt Black/hi-gloss chrome Control panel with pushbuttons D - MJ 2014>>		1	HYBRID PR:458,862
(1)	970 613 422 01 DML 970 613 640 00	Matt Black/hi-gloss chrome Control panel with pushbuttons D - MJ 2014>>		1	DIESEL PR:-458, -642,-862
(1)	970 613 640 00 DML 970 613 642 00	Matt Black/hi-gloss chrome Control panel with pushbuttons D - MJ 2014>>		1	DIESEL PR:-458, -642,862
(1)	970 613 642 00 DML 970 613 644 00	Matt Black/hi-gloss chrome Control panel with pushbuttons D - MJ 2014>>		1	PR:-458,642, -862,-XLF, -176
(1)	970 613 644 00 DML 970 613 646 01	Matt Black/hi-gloss chrome Control panel with pushbuttons D - MJ 2014>>		1	DIESEL PR:458,-642, -862
(1)	970 613 646 01 DML 970 613 648 00	Matt Black/hi-gloss chrome Control panel with pushbuttons D - MJ 2014>>		1	PR:-458,642, -862,XLF,176
(1)	970 613 648 00 DML 970 613 650 00	Matt Black/hi-gloss chrome Control panel with pushbuttons D - MJ 2014>>		1	PR:-458,642, 862,-XLF, -176
(1)	970 613 650 00 DML 970 613 652 01	Matt Black/hi-gloss chrome Control panel with pushbuttons D - MJ 2014>>		1	DIESEL PR:458,-642, 862
(1)	970 613 652 01 DML 970 613 654 01	Matt Black/hi-gloss chrome Control panel with pushbuttons D - MJ 2014>>		1	PR:458,642, -862,-XLF, -176
(1)	970 613 654 01 DML 970 613 656 00	Matt Black/hi-gloss chrome Control panel with pushbuttons D - MJ 2014>>		1	PR:-458,642, 862,XLF,176
(1)	970 613 656 00 DML 970 613 658 01	Matt Black/hi-gloss chrome Control panel with pushbuttons D - MJ 2014>>		1	PR:458,642, 862,-XLF, -176
(1)	970 613 658 01 DML 970 613 660 01	Matt Black/hi-gloss chrome Control panel with pushbuttons D - MJ 2014>>		1	PR:458,642, -862,XLF,176
(1)	970 613 660 01 DML 970 613 662 01	Matt Black/hi-gloss chrome Control panel with pushbuttons D - MJ 2014>>		1	PR:458,642, 862,XLF,176
-	970 613 662 01 DML	Matt Black/hi-gloss chrome Combined switch Centre console	left		
2	970 613 427 02	Control panel with pushbuttons D >> - MJ 2013 Discontinued part		1	PR:029,-639, -640
(2)	970 613 427 02 DML 970 613 427 03	Matt Black/hi-gloss chrome Control panel with pushbuttons D >> - MJ 2013		1	PR:029,-639, -640
(2)	970 613 427 03 DML 970 613 427 04	Matt Black/hi-gloss chrome Control panel with pushbuttons D - MJ 2014>>		1	PR:029,-639, -640
	970 613 427 04 DML	Matt Black/hi-gloss chrome			

Model: 970 10 Model life 2010>>2016

Pos	Part Number	Description	Remark	Qty	Model
(2)	970 613 429 02	Control panel with pushbuttons D >> - MJ 2013 Discontinued part		1	PR:029,639, 640
(2)	970 613 429 02 DML 970 613 429 03	Matt Black/hi-gloss chrome Control panel with pushbuttons D >> - MJ 2013		1	PR:029,639, 640
(2)	970 613 429 03 DML 970 613 429 04	Matt Black/hi-gloss chrome Control panel with pushbuttons D - MJ 2014>>		1	PR:029,639, 640
2	970 613 429 04 DML 970 613 431 02	Matt Black/hi-gloss chrome Control panel with pushbuttons D >> - MJ 2013 Discontinued part		1	PR:475,-639, -640
(2)	970 613 431 02 DML 970 613 431 03	Matt Black/hi-gloss chrome Control panel with pushbuttons D >> - MJ 2013		1	PR:475,-639, -640
2	970 613 431 03 DML 970 613 431 04	Matt Black/hi-gloss chrome Control panel with pushbuttons D - MJ 2014>>		1	PR:475,-639, -640
(2)	970 613 431 04 DML 970 613 433 02	Matt Black/hi-gloss chrome Control panel with pushbuttons D >> - MJ 2013 Discontinued part		1	PR:475,639, 640
(2)	970 613 433 02 DML 970 613 433 03	Matt Black/hi-gloss chrome Control panel with pushbuttons D >> - MJ 2013		1	PR:475,639, 640
(2)	970 613 433 03 DML 970 613 433 04	Matt Black/hi-gloss chrome Control panel with pushbuttons D - MJ 2014>>		1	PR:475,639, 640
(2)	970 613 433 04 DML 970 613 435 02	Matt Black/hi-gloss chrome Control panel with pushbuttons D >> - MJ 2013 Discontinued part		1	PR:350,351, -639,-640
(2)	970 613 435 02 DML 970 613 435 03	Matt Black/hi-gloss chrome Control panel with pushbuttons D >> - MJ 2013		1	PR:350,351, -639,-640
(2)	970 613 435 03 DML 970 613 435 04	Matt Black/hi-gloss chrome Control panel with pushbuttons D - MJ 2014>>		1	PR:350,351, 354,355, -639,-640
(2)	970 613 435 04 DML 970 613 437 02	Matt Black/hi-gloss chrome Control panel with pushbuttons D >> - MJ 2013 Discontinued part		1	PR:350,351, 639,640
(2)	970 613 437 02 DML 970 613 437 03	Matt Black/hi-gloss chrome Control panel with pushbuttons D >> - MJ 2013		1	PR:350,351, 639,640
(2)	970 613 437 03 DML 970 613 437 04	Matt Black/hi-gloss chrome Control panel with pushbuttons D - MJ 2014>>		1	PR:350,351, 354,355,639, 640
-	970 613 437 04 DML	Matt Black/hi-gloss chrome Control panel	front		
3	970 653 201 09	Air conditioning Control panel Air conditioning D >> - MJ 2011 Discontinued part		1	PR:573
3	970 653 201 09 DMO 970 653 201 99	black/silver grey Control panel Air conditioning D >> - MJ 2011 Discontinued part		1	PR:573

Model: 970 10 Model life 2010>>2016

Pos	Part Number	Description	Remark	Qty	Model
3	970 653 201 99 DMO 970 653 201 32	black/silver grey Control panel Air conditioning D - MJ 2012>> Discontinued part		1	PR:573
3	970 653 201 32 DMO 970 653 201 33	black/silver grey Control panel Air conditioning D - MJ 2012>> Discontinued part		1	PR:573
(3)	970 653 201 33 DMO 970 653 201 34	black/silver grey Control panel Air conditioning D >> - MJ 2013		1	PR:573
(3)	970 653 201 34 DMO 970 653 201 54	black/silver grey Control panel Air conditioning D - MJ 2014>> Discontinued part		1	PR:573
(3)	970 653 201 54 DMO 970 653 201 55	black/silver grey Control panel Air conditioning D - MJ 2014>>		1	PR:573
(3)	970 653 201 55 DMO 970 653 203 04	black/silver grey Control panel Air conditioning D >> - MJ 2010 Discontinued part		1	PR:342,343, 573
(3)	970 653 203 04 DMO 970 653 203 06	black/silver grey Control panel Air conditioning D >> - MJ 2010 Discontinued part		1	PR:342,343, 573
(3)	970 653 203 06 DMO 970 653 203 09	black/silver grey Control panel Air conditioning D >> - MJ 2011 Discontinued part		1	PR:342,343, 573
(3)	970 653 203 09 DMO 970 653 203 99	black/silver grey Control panel Air conditioning D >> - MJ 2011 Discontinued part		1	PR:342,343, 573
(3)	970 653 203 99 DMO 970 653 203 32	black/silver grey Control panel Air conditioning D - MJ 2012>> Discontinued part		1	PR:342,343, 573
(3)	970 653 203 32 DMO 970 653 203 33	black/silver grey Control panel Air conditioning D - MJ 2012>> Discontinued part		1	PR:342,343, 573
(3)	970 653 203 33 DMO 970 653 203 34	black/silver grey Control panel Air conditioning D >> - MJ 2013		1	PR:342,343, 573
(3)	970 653 203 34 DMO 970 653 203 54	black/silver grey Control panel Air conditioning D - MJ 2014>> Discontinued part		1	PR:342,343, 573
	970 653 203 54 DMO	black/silver grey			

Model: 970 10 Model life 2010>>2016

Pos	Part Number	Description	Remark	Qty	Model
(3)	970 653 203 55	Control panel Air conditioning D - MJ 2014>>		1	PR:342,343, 573
(3)	970 653 203 55 DMO 970 653 205 04	black/silver grey Control panel Air conditioning D >> - MJ 2010		1	PR:342,343, 541,542,573
(3)	970 653 205 04 DMO 970 653 205 06	Discontinued part black/silver grey Control panel Air conditioning D >> - MJ 2010		1	PR:342,343, 541,542,573
(3)	970 653 205 06 DMO 970 653 205 09	black/silver grey Control panel Air conditioning D >> - MJ 2011		1	PR:342,343, 541,542,573
(3)	970 653 205 09 DMO 970 653 205 99	black/silver grey Control panel Air conditioning D >> - MJ 2011		1	PR:342,343, 541,542,573
(3)	970 653 205 99 DMO 970 653 205 32	black/silver grey Control panel Air conditioning D - MJ 2012>>		1	PR:342,343, 541,542,573
(3)	970 653 205 32 DMO 970 653 205 33	Discontinued part black/silver grey Control panel Air conditioning D - MJ 2012>>		1	PR:342,343, 541,542,573
(3)	970 653 205 33 DMO 970 653 205 34	black/silver grey Control panel Air conditioning D >> - MJ 2013		1	PR:342,343, 541,542,573
(3)	970 653 205 34 DMO 970 653 205 54	black/silver grey Control panel Air conditioning D - MJ 2014>>		1	PR:342,343, 541,542,573
(3)	970 653 205 54 DMO 970 653 205 55	Discontinued part black/silver grey Control panel Air conditioning D - MJ 2014>>		1	PR:342,343, 541,542,573
(3)	970 653 205 55 DMO 970 653 301 09	black/silver grey Control panel Air conditioning D >> - MJ 2011		1	PR:576
(3)	970 653 301 09 DMO 970 653 301 99	Discontinued part black/silver grey Control panel Air conditioning D >> - MJ 2011		1	PR:576
(3)	970 653 301 99 DMO 970 653 301 32	black/silver grey Control panel Air conditioning D - MJ 2012>>		1	PR:576
(3)	970 653 301 32 DMO 970 653 301 33	Discontinued part black/silver grey Control panel		1	PR:576

Model: 970 10 Model life 2010>>2016

Pos	Part Number	Description	Remark	Qty	Model
(3)	970 653 301 33 DMO 970 653 301 34	Air conditioning D - MJ 2012>> Discontinued part black/silver grey Control panel		1	PR:576
(3)	970 653 301 34 DMO 970 653 301 54	Air conditioning D >> - MJ 2013 black/silver grey Control panel		1	PR:576
(3)	970 653 301 54 DMO 970 653 301 55	Air conditioning D - MJ 2014>> Discontinued part black/silver grey Control panel		1	PR:576
(3)	970 653 301 55 DMO 970 653 303 04	Air conditioning D - MJ 2014>> black/silver grey Control panel		1	PR:342,343, 576
(3)	970 653 303 04 DMO 970 653 303 06	Air conditioning D >> - MJ 2010 Discontinued part black/silver grey Control panel		1	PR:342,343, 576
(3)	970 653 303 06 DMO 970 653 303 09	Air conditioning D >> - MJ 2010 Discontinued part black/silver grey Control panel		1	PR:342,343, 576
(3)	970 653 303 09 DMO 970 653 303 99	Air conditioning D >> - MJ 2011 Discontinued part black/silver grey Control panel		1	PR:342,343, 576
(3)	970 653 303 99 DMO 970 653 303 32	Air conditioning D >> - MJ 2011 Discontinued part black/silver grey Control panel		1	PR:342,343, 576
(3)	970 653 303 32 DMO 970 653 303 33	Air conditioning D - MJ 2012>> Discontinued part black/silver grey Control panel		1	PR:342,343, 576
(3)	970 653 303 33 DMO 970 653 303 34	Air conditioning D - MJ 2012>> Discontinued part black/silver grey Control panel		1	PR:342,343, 576
(3)	970 653 303 34 DMO 970 653 303 54	Air conditioning D >> - MJ 2013 black/silver grey Control panel		1	PR:342,343, 576
(3)	970 653 303 54 DMO 970 653 303 55	Air conditioning D - MJ 2014>> Discontinued part black/silver grey Control panel		1	PR:342,343, 576
(3)	970 653 303 55 DMO 970 653 305 04	Air conditioning D - MJ 2014>> black/silver grey Control panel		1	PR:342,343, 576
(3)	970 653 305 04	Air conditioning D >> - MJ 2010		1	PR:342,343, 541,542,576

Model: 970 10 Model life 2010>>2016

Pos	Part Number	Description	Remark	Qty	Model
(3)	970 653 305 04 DMO 970 653 305 06	Discontinued part black/silver grey Control panel Air conditioning D >> - MJ 2010		1	PR:342,343, 541,542,576
(3)	970 653 305 06 DMO 970 653 305 09	Discontinued part black/silver grey Control panel Air conditioning D >> - MJ 2011		1	PR:342,343, 541,542,576
(3)	970 653 305 09 DMO 970 653 305 99	Discontinued part black/silver grey Control panel Air conditioning D >> - MJ 2011		1	PR:342,343, 541,542,576
(3)	970 653 305 99 DMO 970 653 305 32	Discontinued part black/silver grey Control panel Air conditioning D - MJ 2012>>		1	PR:342,343, 541,542,576
(3)	970 653 305 32 DMO 970 653 305 33	Discontinued part black/silver grey Control panel Air conditioning D - MJ 2012>>		1	PR:342,343, 541,542,576
(3)	970 653 305 33 DMO 970 653 305 34	Discontinued part black/silver grey Control panel Air conditioning D >> - MJ 2013		1	PR:342,343, 541,542,576
(3)	970 653 305 34 DMO 970 653 305 54	black/silver grey Control panel Air conditioning D - MJ 2014>>		1	PR:342,343, 541,542,576
(3)	970 653 305 54 DMO 970 653 305 55	Discontinued part black/silver grey Control panel Air conditioning D - MJ 2014>>		1	PR:342,343, 541,542,576
4	970 653 305 55 DMO 999 919 260 01	black/silver grey fillister hd. bolt 4,0 X 16,0		2	PR:573,576
-		Air conditioning	rear		
5	970 653 401 02	Control panel Air conditioning D >> - MJ 2013		1	PR:573
(5)	970 653 401 02 DML 970 653 401 03	Discontinued part Matt Black/hi-gloss chrome Control panel Air conditioning D >> - MJ 2013		1	PR:573
(5)	970 653 401 03 DML 970 653 401 50	Discontinued part Matt Black/hi-gloss chrome Control panel Air conditioning D - MJ 2014>>		1	PR:573
(5)	970 653 401 50 DML 970 653 403 02	Discontinued part Matt Black/hi-gloss chrome Control panel Air conditioning D >> - MJ 2013		1	PR:573,862
(5)	970 653 403 02 DML 970 653 403 03	Discontinued part Matt Black/hi-gloss chrome Control panel Air conditioning		1	PR:573,862

Model: 970 10 Model life 2010>>2016

Pos	Part Number	Description	Remark	Qty	Model
(5)	970 653 403 03 DML 970 653 403 50	D >> - MJ 2013 Matt Black/hi-gloss chrome Control panel Air conditioning D - MJ 2014>>		1	PR:573,862
(5)	970 653 403 50 DML 970 653 405 02	Matt Black/hi-gloss chrome Control panel Air conditioning D >> - MJ 2013 Discontinued part		1	PR:343,573,644,-862
(5)	970 653 405 02 DML 970 653 405 03	Matt Black/hi-gloss chrome Control panel Air conditioning D >> - MJ 2013		1	PR:343,573,644,-862
(5)	970 653 405 03 DML 970 653 405 50	Matt Black/hi-gloss chrome Control panel Air conditioning D - MJ 2014>>		1	PR:343,573,644,-862
(5)	970 653 405 50 DML 970 653 407 02	Matt Black/hi-gloss chrome Control panel Air conditioning D >> - MJ 2013		1	PR:343,573,644,862
(5)	970 653 407 02 DML 970 653 407 50	Matt Black/hi-gloss chrome Control panel Air conditioning D - MJ 2014>>		1	PR:343,573,644,862
(5)	970 653 407 50 DML 970 653 409 02	Matt Black/hi-gloss chrome Control panel Air conditioning D >> - MJ 2013 Discontinued part		1	PR:343,542,573,644,-862
(5)	970 653 409 02 DML 970 653 409 03	Matt Black/hi-gloss chrome Control panel Air conditioning D >> - MJ 2013		1	PR:343,542,573,644,-862
(5)	970 653 409 03 DML 970 653 409 50	Matt Black/hi-gloss chrome Control panel Air conditioning D - MJ 2014>>		1	PR:343,542,573,644,-862
(5)	970 653 409 50 DML 970 653 411 02	Matt Black/hi-gloss chrome Control panel Air conditioning D >> - MJ 2013 Discontinued part		1	PR:343,542,573,644,862
(5)	970 653 411 02 DML 970 653 411 03	Matt Black/hi-gloss chrome Control panel Air conditioning D >> - MJ 2013		1	PR:343,542,573,644,862
(5)	970 653 411 03 DML 970 653 411 50	Matt Black/hi-gloss chrome Control panel Air conditioning D - MJ 2014>>		1	PR:343,542,573,644,862
6	970 653 411 50 DML 970 653 501 99	Matt Black/hi-gloss chrome Control panel Air conditioning D >> - MJ 2011 Discontinued part		1	PR:-343,-542,-645,
(6)	970 653 501 99 DML 970 653 501 02	Matt Black/hi-gloss chrome Control panel Air conditioning D >> - MJ 2013 Discontinued part		1	PR:-343,-542,-645,
	970 653 501 02 DML	Matt Black/hi-gloss chrome			

Model: 970 10 Model life 2010>>2016

Pos	Part Number	Description	Remark	Qty	Model
(6)	970 653 501 03	Control panel Air conditioning D >> - MJ 2013		1	PR:-343, -542,-645,
(6)	970 653 501 03 DML 970 653 501 50	Matt Black/hi-gloss chrome Control panel Air conditioning D - MJ 2014>>		1	PR:-343, -542,-645,
(6)	970 653 501 50 DML 970 653 503 99	Matt Black/hi-gloss chrome Control panel Air conditioning D >> - MJ 2011		1	PR:343,-542, -645,-862
(6)	970 653 503 99 DML 970 653 503 02	Matt Black/hi-gloss chrome Control panel Air conditioning D >> - MJ 2013		1	PR:343,-542, -645,-862
(6)	970 653 503 02 DML 970 653 503 03	Matt Black/hi-gloss chrome Control panel Air conditioning D >> - MJ 2013		1	PR:343,-542, -645,-862
(6)	970 653 503 03 DML 970 653 503 50	Matt Black/hi-gloss chrome Control panel Air conditioning D - MJ 2014>>		1	PR:343,-542, -645,-862
(6)	970 653 503 50 DML 970 653 505 99	Matt Black/hi-gloss chrome Control panel Air conditioning D >> - MJ 2011		1	PR:343,542, 576,644, -645,-862
(6)	970 653 505 99 DML 970 653 505 02	Matt Black/hi-gloss chrome Control panel Air conditioning D - MJ 2012>> - MJ 2013		1	PR:343,542, 576,644, -645,-862
(6)	970 653 505 02 DML 970 653 505 03	Matt Black/hi-gloss chrome Control panel Air conditioning D >> - MJ 2013		1	PR:343,542, -645,-862
(6)	970 653 505 03 DML 970 653 505 50	Matt Black/hi-gloss chrome Control panel Air conditioning D - MJ 2014>>		1	PR:343,542, 576,644, -645,-862
(6)	970 653 505 50 DML 970 653 507 99	Matt Black/hi-gloss chrome Control panel Air conditioning D >> - MJ 2011		1	PR:-343, -542,576, 644,-645,862
(6)	970 653 507 99 DML 970 653 507 02	Matt Black/hi-gloss chrome Control panel Air conditioning D - MJ 2012>> - MJ 2013		1	PR:-343, -542,576, 644,-645,862
(6)	970 653 507 02 DML 970 653 507 03	Matt Black/hi-gloss chrome Control panel Air conditioning D >> - MJ 2013		1	PR:-343, -542,-645, 862
(6)	970 653 507 03 DML 970 653 507 50	Matt Black/hi-gloss chrome Control panel Air conditioning D - MJ 2014>>		1	PR:-343, -542,-645, 862
(6)	970 653 507 50 DML 970 653 509 99	Matt Black/hi-gloss chrome Control panel		1	PR:343,-542,

Model: 970 10 Model life 2010>>2016

Pos	Part Number	Description	Remark	Qty	Model
		Air conditioning D >> - MJ 2011 Discontinued part			576,644, -645,862
(6)	970 653 509 99 DML 970 653 509 02	Matt Black/hi-gloss chrome Control panel		1	PR:343,-542, 576,644, -645,862
		Air conditioning D - MJ 2012>> - MJ 2013 Discontinued part			
(6)	970 653 509 02 DML 970 653 509 03	Matt Black/hi-gloss chrome Control panel		1	PR:343,-542, -645,862
		Air conditioning D >> - MJ 2013			
(6)	970 653 509 03 DML 970 653 509 50	Matt Black/hi-gloss chrome Control panel		1	PR:343,-542, -645,862
		Air conditioning D - MJ 2014>>			
(6)	970 653 509 50 DML 970 653 511 99	Matt Black/hi-gloss chrome Control panel		1	PR:343,542, 576,644, -645,862
		Air conditioning D >> - MJ 2011 Discontinued part			
(6)	970 653 511 99 DML 970 653 511 02	Matt Black/hi-gloss chrome Control panel		1	PR:343,542, 576,644, -645,862
		Air conditioning D - MJ 2012>> - MJ 2013 Discontinued part			
(6)	970 653 511 02 DML 970 653 511 03	Matt Black/hi-gloss chrome Control panel		1	PR:343,542, -645,862
		Air conditioning D >> - MJ 2013			
(6)	970 653 511 03 DML 970 653 511 50	Matt Black/hi-gloss chrome Control panel		1	PR:343,542, -645,862
		Air conditioning D - MJ 2014>>			
(6)	970 653 511 50 DML 970 653 513 99	Matt Black/hi-gloss chrome Control panel		1	PR:-343, -542,576, 644,645,-862
		Air conditioning D >> - MJ 2011 Discontinued part			
(6)	970 653 513 99 DML 970 653 513 02	Matt Black/hi-gloss chrome Control panel		1	PR:-343, -542,576, 644,645,-862
		Air conditioning D - MJ 2012>> - MJ 2013 Discontinued part			
(6)	970 653 513 02 DML 970 653 513 03	Matt Black/hi-gloss chrome Control panel		1	PR:-343, -542,645, -862
		Air conditioning D >> - MJ 2013			
(6)	970 653 513 03 DML 970 653 513 50	Matt Black/hi-gloss chrome Control panel		1	PR:-343, -542,645, -862
		Air conditioning D - MJ 2014>>			
(6)	970 653 513 50 DML 970 653 515 99	Matt Black/hi-gloss chrome Control panel		1	PR:343,-542, 576,644,645, -862
		Air conditioning D >> - MJ 2011 Discontinued part			
(6)	970 653 515 99 DML 970 653 515 02	Matt Black/hi-gloss chrome Control panel		1	PR:343,-542, 576,644,645, -862
		Air conditioning D - MJ 2012>> - MJ 2013 Discontinued part			
	970 653 515 02 DML	Matt Black/hi-gloss chrome			

Model: 970 10 Model life 2010>>2016

Pos	Part Number	Description	Remark	Qty	Model
(6)	970 653 515 03	Control panel Air conditioning D >> - MJ 2013		1	PR:343,-542, 645,-862
(6)	970 653 515 03 DML 970 653 515 50	Matt Black/hi-gloss chrome Control panel Air conditioning D - MJ 2014>>		1	PR:343,-542, 645,-862
(6)	970 653 515 50 DML 970 653 517 99	Matt Black/hi-gloss chrome Control panel Air conditioning D >> - MJ 2011		1	PR:343,542, 576,644,645, -862
(6)	970 653 517 99 DML 970 653 517 02	Matt Black/hi-gloss chrome Control panel Air conditioning D - MJ 2012>> - MJ 2013		1	PR:343,542, 576,644,645, -862
(6)	970 653 517 02 DML 970 653 517 03	Matt Black/hi-gloss chrome Control panel Air conditioning D >> - MJ 2013		1	PR:343,542, 645,-862
(6)	970 653 517 03 DML 970 653 517 50	Matt Black/hi-gloss chrome Control panel Air conditioning D - MJ 2014>>		1	PR:343,542, 645,-862
(6)	970 653 517 50 DML 970 653 519 99	Matt Black/hi-gloss chrome Control panel Air conditioning D >> - MJ 2011		1	PR:-343, -542,576, 644,645,862
(6)	970 653 519 99 DML 970 653 519 02	Matt Black/hi-gloss chrome Control panel Air conditioning D - MJ 2012>> - MJ 2013		1	PR:-343, -542,576, 644,645,862
(6)	970 653 519 02 DML 970 653 519 03	Matt Black/hi-gloss chrome Control panel Air conditioning D >> - MJ 2013		1	PR:-343, -542,645,862
(6)	970 653 519 03 DML 970 653 519 50	Matt Black/hi-gloss chrome Control panel Air conditioning D - MJ 2014>>		1	PR:-343, -542,645,862
(6)	970 653 519 50 DML 970 653 521 99	Matt Black/hi-gloss chrome Control panel Air conditioning D >> - MJ 2011		1	PR:343,-542, 576,644,645, 862
(6)	970 653 521 99 DML 970 653 521 02	Matt Black/hi-gloss chrome Control panel Air conditioning D - MJ 2012>> - MJ 2013		1	PR:343,-542, 576,644,645, 862
(6)	970 653 521 02 DML 970 653 521 03	Matt Black/hi-gloss chrome Control panel Air conditioning D - MJ 2012>> - MJ 2013		1	PR:343,-542, 645,862
(6)	970 653 521 03 DML 970 653 521 50	Matt Black/hi-gloss chrome Control panel Air conditioning D - MJ 2014>>		1	PR:343,-542, 645,862
(6)	970 653 521 50 DML 970 653 523 99	Matt Black/hi-gloss chrome Control panel		1	PR:343,542,

Model: 970 10 Model life 2010>>2016

Pos	Part Number	Description	Remark	Qty	Model
		Air conditioning D >> - MJ 2011 Discontinued part			576,644,645, 862
(6)	970 653 523 99 DML 970 653 523 02	Matt Black/hi-gloss chrome Control panel		1	PR:343,542, 576,644,645, 862
		Air conditioning D - MJ 2012>> - MJ 2013 Discontinued part			
(6)	970 653 523 02 DML 970 653 523 03	Matt Black/hi-gloss chrome Control panel		1	PR:343,542, 645,862
		Air conditioning D >> - MJ 2013 Discontinued part			
(6)	970 653 523 03 DML 970 653 523 50	Matt Black/hi-gloss chrome Control panel		1	PR:343,542, 645,862,0E1
		Air conditioning D - MJ 2014>>			
(6)	970 653 523 50 DML 970 653 525 51	Matt Black/hi-gloss chrome Control panel		1	PR:343,542, 645,862,0E2
		Air conditioning D - MJ 2014>>			
7	970 653 525 51 DML 999 073 226 09	Matt Black/hi-gloss chrome panel screw ST 4,2 X 16		X 2 4	PR:573,576
8	7PP 907 539 A	Sensor		1	PR:573,576
9	7PP 907 527 A	Air conditioning Temperature sensor		1	PR:573,576
10	7PP 959 511 B	Switch		1	PR:206
		Tow hitch Discontinued part			
(10)	7PP 959 511 B A05 7PP 959 511 D	Matt black Switch		1	PR:206
		Tow hitch			
11	7PP 959 511 D A05 7PP 959 832 D	Matt black Switch for rear lid release		1	PR:-625,867
		Discontinued part			
11	7PP 959 832 D A05 7PP 959 832 F	Matt black Switch for rear lid release		1	PR:-625,867
		Discontinued part			
11	7PP 959 832 F A05 7PP 959 832 H	Matt black Switch for rear lid release		1	PR:-625,867
		Discontinued part			
(11)	7PP 959 832 H IVI 7PP 959 832 E	Matt black Switch for rear lid release		1	PR:625,867
		Discontinued part			
(11)	7PP 959 832 E A05 7PP 959 832 G	Matt black Switch for rear lid release		1	PR:625,867
		Discontinued part			
(11)	7PP 959 832 G A05 7PP 959 832 J	Matt black Switch for rear lid release		1	PR:625,867
		Discontinued part			
13	7PP 959 832 J IVI 970 613 251 02	Matt black Switch		1	
		Electric parking brake Black	-AB,AC,GK,GA, GS		
	970 613 251 02 5Q0				
	970 613 251 02 4U0	Platinum Grey	-CB,CC,GC,BB		
	970 613 251 02 6W0	Luxor beige	-UB,UC,GU,PK, PL		

Model: 970 10 Model life 2010>>2016

Pos	Part Number	Description	Remark	Qty	Model
	970 613 251 02 8Y0	yachting blue	-EC,GE		
	970 613 251 02 5V0	Cream	-BC, BD, BE, DS, DT		
	970 613 251 02 3T0	Espresso	-NA		
	970 613 251 02 2S0	Cognac	-NC		
	970 613 251 02 1R0	Cedar	-BN		
	970 613 251 02 7X0	Marsala Red	-PC,GP		
	970 613 251 02 OE1	Carrera Red	-BF		
	970 613 251 02 OA6	agate grey	-DG,DL,GD		
(14)	970 613 533 03	switch for lighting Discontinued part		1	
(14)	970 613 533 03 DML	Matt Black/hi-gloss chrome			
(14)	970 613 533 04	switch for lighting Discontinued part		1	
(14)	970 613 533 04 DML	Matt Black/hi-gloss chrome			
(14)	970 613 533 05	switch for lighting Discontinued part		1	
(14)	970 613 533 05 DML	Matt Black/hi-gloss chrome			
(14)	970 613 533 06	switch for lighting Discontinued part		1	
(14)	970 613 533 06 DML	Matt Black/hi-gloss chrome			
(14)	970 613 533 07	switch for lighting		1	
(14)	970 613 533 07 DML	Matt Black/hi-gloss chrome			
15	970 613 103 02	Switch Memory	left	1	PR:537
(15)	970 613 103 02 DML	Matt Black/hi-gloss chrome			
(15)	970 613 103 50	Memory switch Memory	left	1	PR:098,537, -IY2
		D - MJ 2013>> - MJ 2014			
(15)	970 613 103 50 DML	Matt Black/hi-gloss chrome			
(15)	970 613 103 51	Memory switch Memory	left	1	PR:098,537, IY2
		D - MJ 2014>>			
(15)	970 613 103 51 DML	Matt Black/hi-gloss chrome			
(15)	970 613 105 50	Switch Memory	left	1	PR:099,537
		D - MJ 2013>>			
(15)	970 613 105 50 DML	Matt Black/hi-gloss chrome			
(15)	970 613 104 02	Switch Memory	right	1	PR:538
(15)	970 613 104 02 DML	Matt Black/hi-gloss chrome			
(15)	970 613 104 50	Memory switch Memory	right	1	PR:099,538, -IY2
		D - MJ 2013>> - MJ 2014			
(15)	970 613 104 50 DML	Matt Black/hi-gloss chrome			
(15)	970 613 104 51	Memory switch Memory	right	1	PR:099,538, IY2
		D - MJ 2014>>			
(15)	970 613 104 51 DML	Matt Black/hi-gloss chrome			
(15)	970 613 106 50	Switch Memory	right	1	PR:098,538
		D - MJ 2013>>			
-	970 613 106 50 DML	Matt Black/hi-gloss chrome			
-	999 919 159 09	fillister hd. bolt for Switch Memory		4	
16	7PP 959 858 H	Switch for electric window regulator Exterior mirror Luggage compartment (drivers side) Discontinued part		1	PR:-457

Model: 970 10 Model life 2010>>2016

Pos	Part Number	Description	Remark	Qty	Model
(16)	7PP 959 858 H DML 7PP 959 858 K	Matt Black/hi-gloss chrome Switch for electric window regulator Exterior mirror Luggage compartment (drivers side)		1	PR:-457
(16)	7PP 959 858 K DML 7PP 959 858 R	Matt Black/hi-gloss chrome Switch for electric window regulator Exterior mirror Luggage compartment (drivers side)		1	PR:-457
(16)	7PP 959 858 R DML 7PP 959 858 M	Matt Black/hi-gloss chrome Switch for electric window regulator Exterior mirror Luggage compartment (drivers side)		1	PR:457
(16)	7PP 959 858 M DML 7PP 959 858 Q	Matt Black/hi-gloss chrome Switch for electric window regulator Exterior mirror Luggage compartment (drivers side)		1	PR:457
17	7PP 959 858 Q DML 7PP 959 855 B	Matt Black/hi-gloss chrome Switch for electric window regulator Discontinued part		3	
(17)	7PP 959 855 B DML 7PP 959 855 C	Matt Black/hi-gloss chrome Switch for electric window regulator		3	
18	7PP 959 855 C DML 970 652 105 00	Matt Black/hi-gloss chrome Socket Luggage compartment		X 1	
(18)	955 652 107 00	Centre console Socket Glove box Console Business		2 X 1 2	
19	997 652 104 00	clamping ring Socket Centre console Glove box Console Business		X 2 1 2	
20	997 652 103 00	clamping ring Socket Luggage compartment		1	
21	970 652 101 00	Cigarette lighter		2	
22	970 652 101 00 A05 7PP 919 341	Matt black Spring pin Headlight unit		2 2	
-	970 553 345 00	Trim for centre console Included Socket	front	1	
23	955 613 165 02	Switch Airbag Discontinued part		1	
(23)	955 613 165 02 9B9 955 613 165 03	Satin black Switch Airbag		1	
24	955 613 165 03 9B9 7PP 962 107 B	Satin black Switch	left	1	

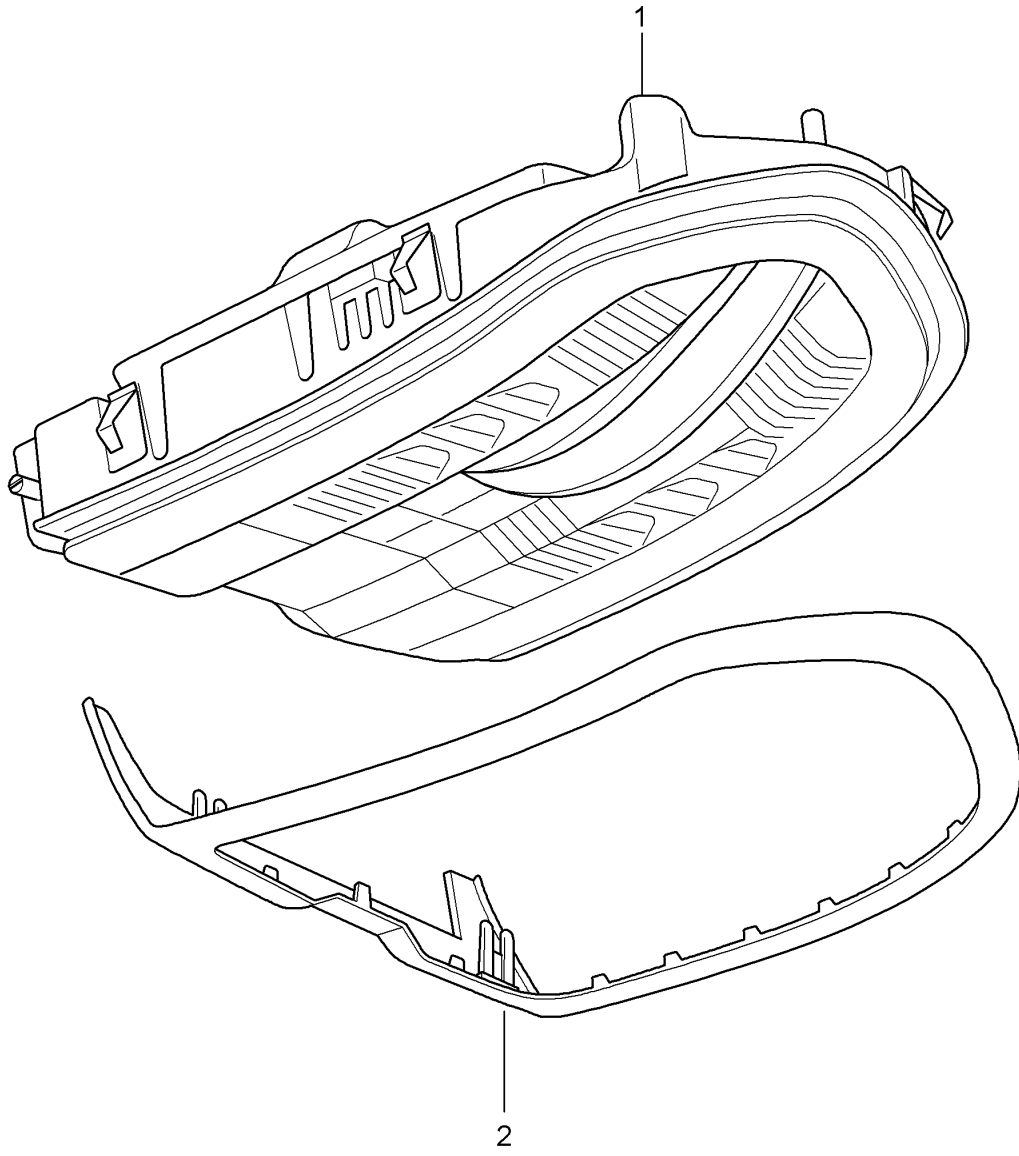
Model: 970 10

Model life 2010>>2016

Pos	Part Number	Description	Remark	Qty	Model
(24)	7PP 962 107 B IVI 7PP 962 107 D	Central locking system Inner actuator Door handle Discontinued part Matt black Switch	left	1	
(24)	7PP 962 107 D IVI 7PP 962 107 C	Central locking system Inner actuator Door handle Matt black Switch	right	1	
(24)	7PP 962 107 C IVI 7PP 962 107 E	Central locking system Inner actuator Door handle Discontinued part Matt black Switch	right	1	
25	7PP 962 107 E IVI 9A7 907 155 00	Central locking system Inner actuator Door handle Matt black Voltage converter		1	PR:9Z3
(25)	9A7 907 155 02	Voltage converter		1	PR:9Z4

Model: 970 10

Model life 2010>>2016



Model: 970 10 Model life 2010>>2016

Pos	Part Number	Description	Remark	Qty	Model
		Console Roof workshop manual Attention			PR:-193
1	7PP 868 404 R	Roof console D >> - MJ 2011 Discontinued part		1	
1	7PP 868 404 FD	Roof console D - MJ 2012>> - MJ 2013		1	PR:-607, -608,-650,
1	7PP 868 404 HR	Roof console D - MJ 2012>> - MJ 2013		1	PR:IY2
1	7PP 868 404 LK	Roof console D - MJ 2014>>		1	PR:652,-607, -608,-633, -636,-638
(1)	7PP 868 404 S	Roof console D >> - MJ 2011		1	PR:650
(1)	7PP 868 404 FE	Roof console D - MJ 2012>> - MJ 2013		1	PR:650,-607, -608,-IY2
(1)	7PP 868 404 HS	Roof console D - MJ 2012>> - MJ 2013		1	PR:650,IY2
(1)	7PP 868 404 LL	Roof console D - MJ 2014>>		1	PR:650,-630, -633,-636,
(1)	7PP 868 404 T	Roof console D >> - MJ 2011 Discontinued part		1	PR:636,638
(1)	7PP 868 404 FF	Roof console D - MJ 2012>> - MJ 2013		1	PR:636,638, -IY2
(1)	7PP 868 404 HT	Roof console D - MJ 2012>> - MJ 2013		1	PR:636,638, IY2
(1)	7PP 868 404 LM	Roof console D - MJ 2014>>		1	PR:633,636, 638,652,
(1)	7PP 868 404 AA	Roof console D >> - MJ 2011		1	PR:607,608
(1)	7PP 868 404 FG	Roof console D - MJ 2012>> - MJ 2013		1	PR:607,608, -650,-IY2
(1)	7PP 868 404 JA	Roof console D - MJ 2012>> - MJ 2013		1	PR:607,608, IY2
(1)	7PP 868 404 LN	Roof console D - MJ 2014>>		1	PR:607,608, 652,-633, -636,-638
(1)	7PP 868 404 AB	Roof console D >> - MJ 2011		1	PR:636,638, 650
(1)	7PP 868 404 FH	Roof console D - MJ 2012>> - MJ 2013		1	PR:636,638, 650,-IY2
(1)	7PP 868 404 JB	Roof console D - MJ 2012>> - MJ 2013		1	PR:636,638, 650,IY2
(1)	7PP 868 404 LP	Roof console D - MJ 2014>>		1	PR:633,636, 638,650,-630
(1)	7PP 868 404 AC	Roof console D >> - MJ 2011		1	PR:607,608, 636,638

Model: 970 10 Model life 2010>>2016

Pos	Part Number	Description	Remark	Qty	Model
(1)	7PP 868 404 FJ	Roof console		1	PR:607,608, 636,638,-IY2
(1)	7PP 868 404 JC	D - MJ 2012>> - MJ 2013 Roof console		1	PR:607,608, 636,638,IY2
(1)	7PP 868 404 LQ	D - MJ 2012>> - MJ 2013 Roof console		1	PR:607,608, 633,636,638, 652
(1)	7PP 868 404 AD	D - MJ 2014>> Roof console		1	PR:607,608, 650
(1)	7PP 868 404 FK	D >> - MJ 2011 Roof console		1	PR:607,608, 650,-IY2
(1)	7PP 868 404 JD	D - MJ 2012>> - MJ 2013 Roof console		1	PR:607,608, 650,IY2
(1)	7PP 868 404 LR	D - MJ 2012>> - MJ 2013 Roof console		1	PR:607,608, 650
(1)	7PP 868 404 AE	D - MJ 2014>> Roof console		1	PR:607,608, 636,638,650
(1)	7PP 868 404 FL	D >> - MJ 2011 Roof console		1	PR:607,608, 636,638,650, -IY2
(1)	7PP 868 404 JE	D - MJ 2012>> - MJ 2013 Roof console		1	PR:607,608, 636,638,650, IY2
(1)	7PP 868 404 LS	D - MJ 2012>> - MJ 2013 Roof console		1	PR:607,608, 633,636,638, 650
(1)	7PP 868 404 AP	D - MJ 2014>> Roof console		1	PR:630
(1)	7PP 868 404 GB	D >> - MJ 2011 Roof console		1	PR:630,-IY2
(1)	7PP 868 404 JP	D - MJ 2012>> - MJ 2013 Roof console		1	PR:630,IY2
(1)	7PP 868 404 MH	D - MJ 2012>> - MJ 2013 Roof console		1	PR:630,652
(1)	7PP 868 404 AQ	D - MJ 2014>> Roof console		1	PR:630,650
(1)	7PP 868 404 GC	D >> - MJ 2011 Roof console		1	PR:630,650, -IY2
(1)	7PP 868 404 JQ	D - MJ 2012>> - MJ 2013 Roof console		1	PR:630,650, IY2
(1)	7PP 868 404 MJ	D - MJ 2012>> - MJ 2013 Roof console		1	PR:630,650, -636,-638, -633
(1)	7PP 868 404 AR	D - MJ 2014>> Roof console		1	PR:630,636, 638
(1)	7PP 868 404 GD	D >> - MJ 2011 Roof console		1	PR:630,636, 638,-IY2
(1)	7PP 868 404 JR	D - MJ 2012>> - MJ 2013 Roof console		1	PR:630,636, 638,IY2
(1)	7PP 868 404 MK	D - MJ 2012>> - MJ 2013 Roof console		1	PR:630,633, 636,638,652

Model: 970 10 Model life 2010>>2016

Pos	Part Number	Description	Remark	Qty	Model
(1)	7PP 868 404 AS	D - MJ 2014>> Roof console		1	PR:607,608, 630
(1)	7PP 868 404 GE	D >> - MJ 2011 Roof console		1	PR:607,608, 630,-IY2
(1)	7PP 868 404 JS	D - MJ 2012>> - MJ 2013 Roof console		1	PR:607,608, 630,IY2
(1)	7PP 868 404 ML	D - MJ 2012>> - MJ 2013 Roof console		1	PR:607,608, 630,652
(1)	7PP 868 404 AT	D - MJ 2014>> Roof console		1	PR:630,636, 638,650
(1)	7PP 868 404 GF	D >> - MJ 2011 Roof console		1	PR:630,636, 638,650,-IY2
(1)	7PP 868 404 JT	D - MJ 2012>> - MJ 2013 Roof console		1	PR:630,636, 638,650,IY2
(1)	7PP 868 404 MM	D - MJ 2012>> - MJ 2013 Roof console		1	PR:630,633, 636,638,650
(1)	7PP 868 404 BA	D - MJ 2014>> Roof console		1	PR:607,608, 630,636,638
(1)	7PP 868 404 GG	D >> - MJ 2011 Roof console		1	PR:607,608, 630,636,638, -IY2
(1)	7PP 868 404 KA	D - MJ 2012>> - MJ 2013 Roof console		1	PR:607,608, 630,636,638, IY2
(1)	7PP 868 404 MN	D - MJ 2012>> - MJ 2013 Roof console		1	PR:607,608, 630,633,636, 638,652
(1)	7PP 868 404 BB	D - MJ 2014>> Roof console		1	PR:607,608, 630,650
(1)	7PP 868 404 GH	D >> - MJ 2011 Roof console		1	PR:607,608, 630,650,-IY2
(1)	7PP 868 404 KB	D - MJ 2012>> - MJ 2013 Roof console		1	PR:607,608, 630,650,IY2
(1)	7PP 868 404 MP	D - MJ 2012>> - MJ 2013 Roof console		1	PR:607,608, 630,650
(1)	7PP 868 404 BC	D - MJ 2014>> Roof console		1	PR:607,608, 630,636,638, 650
(1)	7PP 868 404 GJ	D >> - MJ 2011 Roof console		1	PR:607,608, 630,636,638, 650,-IY2
(1)	7PP 868 404 KC	D - MJ 2012>> - MJ 2013 Roof console		1	PR:607,608, 630,636,638, 650,IY2
(1)	7PP 868 404 MQ	D - MJ 2012>> - MJ 2013 Roof console		1	PR:607,608, 630,633,636, 638,650
2	7PP 919 317	D - MJ 2014>> Trim Console		1	

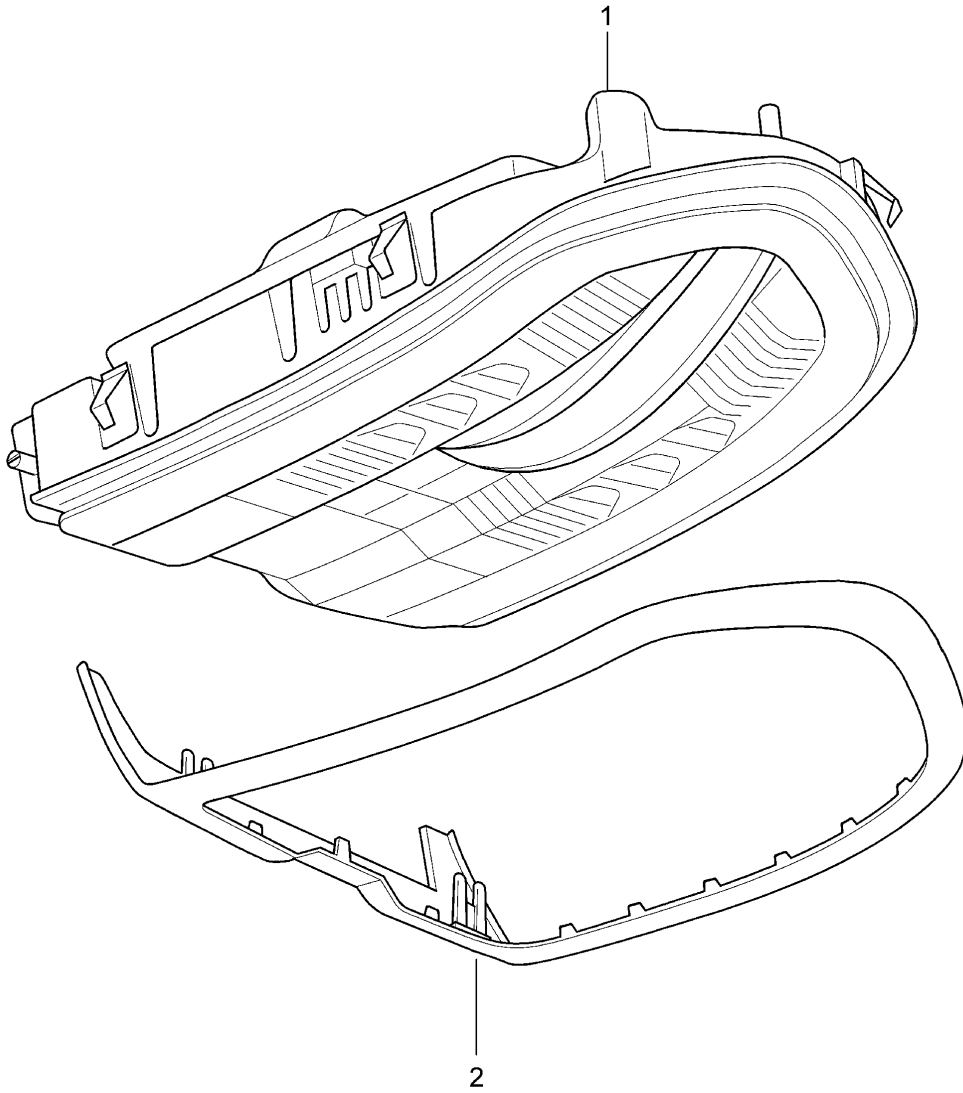
Model: 970 10

Model life 2010>>2016

Pos	Part Number	Description	Remark	Qty	Model
	7PP 919 317 6W0	Roof Luxor beige	-UB,UC,GU,PK, PL		
	7PP 919 317 5V0	Cream	-BC,BD,BE,DS, DT		
	7PP 919 317 4U0	Platinum Grey	-AB,AC,CB,CC, GC,EC,GE,PC, GP,BB,NA		
	7PP 919 317 5Q0	Black	-GK,GS,GA		
	7PP 919 317 1R0	Cedar	-NC,BN		
-	999 631 032 90	bulb W5W		X	
-	95B 868 771	Spring clip		X	

Model: 970 10

Model life 2010>>2016



Model: 970 10 Model life 2010>>2016

Pos	Part Number	Description	Remark	Qty	Model
		Console Roof workshop manual Attention			PR:193
(1)	7PP 868 404 AF	Roof console		1	PR:193
(1)	7PP 868 404 FM	Roof console		1	PR:193,-IY2
		D - MJ 2012>> - MJ 2013			
(1)	7PP 868 404 JF	Roof console		1	PR:193,IY2
		D - MJ 2012>> - MJ 2013			
(1)	7PP 868 404 LT	Roof console		1	PR:193,652
		D - MJ 2014>>			
(1)	7PP 868 404 AG	Roof console		1	PR:193,650
		D >> - MJ 2011			
(1)	7PP 868 404 FN	Roof console		1	PR:193,650,-IY2
		D - MJ 2012>> - MJ 2013			
(1)	7PP 868 404 JG	Roof console		1	PR:193,650,IY2
		D - MJ 2012>> - MJ 2013			
(1)	7PP 868 404 MA	Roof console		1	PR:193,650
		D - MJ 2014>>			
(1)	7PP 868 404 AH	Roof console		1	PR:193,636,638
		D >> - MJ 2011			
(1)	7PP 868 404 FP	Roof console		1	PR:193,636,638,-IY2
		D - MJ 2012>> - MJ 2013			
(1)	7PP 868 404 JH	Roof console		1	PR:193,636,638,IY2
		D - MJ 2012>> - MJ 2013			
(1)	7PP 868 404 MB	Roof console		1	PR:193,633,636,638,652
		D - MJ 2014>>			
(1)	7PP 868 404 AJ	Roof console		1	PR:193,607,608
		D >> - MJ 2011			
(1)	7PP 868 404 FQ	Roof console		1	PR:193,607,608,-IY2
		D - MJ 2012>> - MJ 2013			
(1)	7PP 868 404 JJ	Roof console		1	PR:193,607,608,IY2
		D - MJ 2012>> - MJ 2013			
(1)	7PP 868 404 AK	Roof console		1	PR:193,636,638,650
		D >> - MJ 2011			
(1)	7PP 868 404 FR	Roof console		1	PR:193,636,638,650,-IY2
		D - MJ 2012>> - MJ 2013			
(1)	7PP 868 404 JK	Roof console		1	PR:193,636,638,650,IY2
		D - MJ 2012>> - MJ 2013			
(1)	7PP 868 404 MD	Roof console		1	PR:193,633,636,638,650
		D - MJ 2014>>			
(1)	7PP 868 404 AL	Roof console		1	PR:193,607,608,636,638
		D >> - MJ 2011			
(1)	7PP 868 404 FS	Roof console		1	PR:193,607,608,636,638,
		D - MJ 2012>> - MJ 2013			
(1)	7PP 868 404 JL	Roof console		1	PR:193,607,608,636,638,
		D - MJ 2012>> - MJ 2013			

Model: 970 10 Model life 2010>>2016

Pos	Part Number	Description	Remark	Qty	Model
(1)	7PP 868 404 ME	Roof console		1	PR:193,607, 608,633,636,
(1)	7PP 868 404 AM	D - MJ 2014>> Roof console		1	PR:193,607, 608,650
(1)	7PP 868 404 FT	D >> - MJ 2011 Roof console		1	PR:193,607, 608,650,-IY2
(1)	7PP 868 404 JM	D - MJ 2012>> - MJ 2013 Roof console		1	PR:193,607, 608,650,IY2
(1)	7PP 868 404 MF	D - MJ 2012>> - MJ 2013 Roof console		1	PR:193,607, 608,650
(1)	7PP 868 404 AN	D - MJ 2014>> Roof console		1	PR:193,607, 608,636,638, 650
(1)	7PP 868 404 GA	D >> - MJ 2011 Roof console		1	PR:193,607, 608,636,638,
(1)	7PP 868 404 JN	D - MJ 2012>> - MJ 2013 Roof console		1	PR:193,607, 608,636,638,
(1)	7PP 868 404 MG	D - MJ 2012>> - MJ 2013 Roof console		1	PR:193,607, 608,633,636,
(1)	7PP 868 404 BD	D - MJ 2014>> Roof console		1	PR:193,630
(1)	7PP 868 404 GK	D >> - MJ 2011 Roof console		1	PR:193,630, -IY2
(1)	7PP 868 404 KD	D - MJ 2012>> - MJ 2013 Roof console		1	PR:193,630, IY2
(1)	7PP 868 404 MR	D - MJ 2012>> - MJ 2013 Roof console		1	PR:193,630, 652
(1)	7PP 868 404 BE	D - MJ 2014>> Roof console		1	PR:193,630, 650
(1)	7PP 868 404 GL	D >> - MJ 2011 Roof console		1	PR:193,630, 650,-IY2
(1)	7PP 868 404 KE	D - MJ 2012>> - MJ 2013 Roof console		1	PR:193,630, 650,IY2
(1)	7PP 868 404 MS	D - MJ 2012>> - MJ 2013 Roof console		1	PR:193,630, 650
(1)	7PP 868 404 BF	D - MJ 2014>> Roof console		1	PR:193,630, 636,638
(1)	7PP 868 404 GM	D >> - MJ 2011 Roof console		1	PR:193,630, 636,638,-IY2
(1)	7PP 868 404 KF	D - MJ 2012>> - MJ 2013 Roof console		1	PR:193,630, 636,638,IY2
(1)	7PP 868 404 MT	D - MJ 2012>> - MJ 2013 Roof console		1	PR:193,630, 633,636,638,
(1)	7PP 868 404 BG	D - MJ 2014>> Roof console		1	PR:193,607,

Model: 970 10 Model life 2010>>2016

Pos	Part Number	Description	Remark	Qty	Model
(1)	7PP 868 404 GN	D >> - MJ 2011 Roof console		1	608,630 PR:193,607, 608,630,-IY2
(1)	7PP 868 404 KG	D - MJ 2012>> - MJ 2013 Roof console		1	PR:193,607, 608,630,IY2
(1)	7PP 868 404 NA	D - MJ 2012>> - MJ 2013 Roof console		1	PR:193,607, 608,630,652
(1)	7PP 868 404 BH	D - MJ 2014>> Roof console		1	PR:193,630, 636,638,650
(1)	7PP 868 404 GP	D >> - MJ 2011 Roof console		1	PR:193,630, 636,638,650,
(1)	7PP 868 404 KH	D - MJ 2012>> - MJ 2013 Roof console		1	PR:193,630, 636,638,650, IY2
(1)	7PP 868 404 NB	D - MJ 2012>> - MJ 2013 Roof console		1	PR:193,630, 633,636,638, 650
(1)	7PP 868 404 BJ	D - MJ 2014>> Roof console		1	PR:193,607, 608,630,636, 638
(1)	7PP 868 404 GQ	D >> - MJ 2011 Roof console		1	PR:193,607, 608,630,636,
(1)	7PP 868 404 KJ	D - MJ 2012>> - MJ 2013 Roof console		1	PR:193,607, 608,630,636, 638,IY2
(1)	7PP 868 404 NC	D - MJ 2012>> - MJ 2013 Roof console		1	PR:193,607, 608,630,633, 636,638,652
(1)	7PP 868 404 BK	D - MJ 2014>> Roof console		1	PR:193,607, 608,630,650
(1)	7PP 868 404 GR	D >> - MJ 2011 Roof console		1	PR:193,607, 608,630,650,
(1)	7PP 868 404 KK	D - MJ 2012>> - MJ 2013 Roof console		1	PR:193,607, 608,630,650, IY2
(1)	7PP 868 404 ND	D - MJ 2012>> - MJ 2013 Roof console		1	PR:193,607, 608,630,650
(1)	7PP 868 404 BL	D - MJ 2014>> Roof console		1	PR:193,607, 608,630,636, 638,650
(1)	7PP 868 404 GS	D >> - MJ 2011 Roof console		1	PR:193,607, 608,630,636,
(1)	7PP 868 404 KL	D - MJ 2012>> - MJ 2013 Roof console		1	PR:193,607, 608,630,636, 638,650,IY2
(1)	7PP 868 404 NE	D - MJ 2012>> - MJ 2013 Roof console		1	PR:193,607, 608,630,633, 636,638,650
2	7PP 919 317	D - MJ 2014>> Trim Console Roof		1	
	7PP 919 317 6W0	Luxor beige	-UB,UC,GU,PK,		

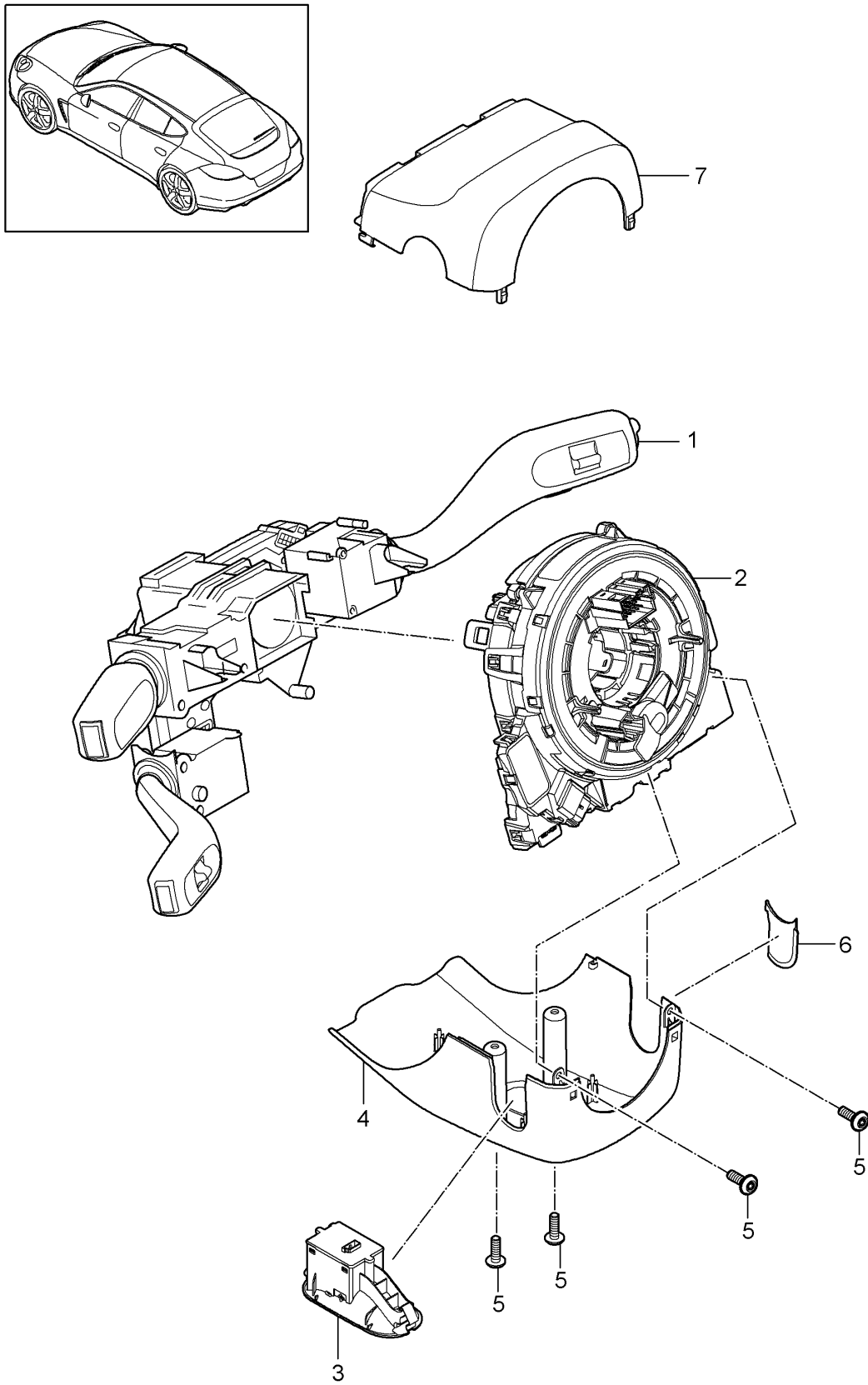
Model: 970 10

Model life 2010>>2016

Pos	Part Number	Description	Remark	Qty	Model
	7PP 919 317 5V0	Cream	PL -BC, BD, BE, DS, DT		
	7PP 919 317 4U0	Platinum Grey	-AB, AC, CB, CC, GC, EC, GE, PC, GP, BB, NA		
	7PP 919 317 5Q0	Black	-GK, GS, GA		
	7PP 919 317 1R0	Cedar	-NC, BN		
-	999 631 032 90	bulb W5W		X	
-	95B 868 771	Spring clip		X	

Model: 970 10

Model life 2010>>2016



Model: 970 10 Model life 2010>>2016

Pos	Part Number	Description	Remark	Qty	Model
1	970 613 043 01	Steering column switch Steering column switch		1	PR:288,426, 454,840,841, 843
1	970 613 043 01 1E0 970 613 043 50	Black Steering column switch D - MJ 2014>>		1	PR:288,426, 454,840,841, 843
(1)	970 613 043 50 1E0 970 613 045 01	Black Steering column switch		1	PR:288,426, 454,842,844, 845,848,849, XZZ
(1)	970 613 045 01 1E0 970 613 045 50	Black Steering column switch D - MJ 2014>>		1	PR:288,426, 454,842,844, 845,848,849, XZZ,837
(1)	970 613 045 50 1E0 970 613 047 01	Black Steering column switch		1	PR:288,426, 456,840,841, 843
(1)	970 613 047 01 1E0 970 613 047 50	Black Steering column switch D - MJ 2014>>		1	PR:288,426, 456,840,841, 843
(1)	970 613 047 50 1E0 970 613 049 01	Black Steering column switch		1	PR:288,426, 456,842,844, 845,848,849, XZZ
(1)	970 613 049 01 1E0 970 613 049 50	Black Steering column switch D - MJ 2014>>		1	PR:288,426, 456,842,844, 845,848,849, XZZ,837
(1)	970 613 049 50 1E0 970 613 051 01	Black Steering column switch		1	PR:288,426, 454,671,840, 841,843
(1)	970 613 051 01 1E0 970 613 051 50	Black Steering column switch D - MJ 2014>>		1	PR:288,426, 454,671,840, 841,843
(1)	970 613 051 50 1E0 970 613 053 01	Black Steering column switch		1	PR:288,426, 454,671,842, 844,845,848, 849,XZZ
(1)	970 613 053 01 1E0 970 613 053 50	Black Steering column switch D - MJ 2014>>		1	PR:288,426, 454,671,842, 844,845,848, 849,XZZ
(1)	970 613 053 50 1E0 970 613 055 01	Black Steering column switch		1	PR:837 PR:288,426, 456,671,840, 841,843
(1)	970 613 055 01 1E0 970 613 055 50	Black Steering column switch D - MJ 2014>>		1	PR:288,426, 456,671,840, 841,843
	970 613 055 50 1E0	Black			

Model: 970 10 Model life 2010>>2016

Pos	Part Number	Description	Remark	Qty	Model
(1)	970 613 057 01	Steering column switch		1	PR:288,426, 456,671,842, 844,845,848, 849,XZZ
(1)	970 613 057 01 1E0 970 613 057 50	Black Steering column switch D - MJ 2014>>		1	PR:288,426, 456,671,842, 844,845,848, 849,XZZ
(1)	970 613 057 50 1E0 970 613 059 01	Black Steering column switch		1	PR:837 PR:288,425, 454,840,841, 843
(1)	970 613 059 01 1E0 970 613 059 50	Black Steering column switch D - MJ 2014>>		1	PR:288,425, 454,840,841, 843
(1)	970 613 059 50 1E0 970 613 061 01	Black Steering column switch		1	PR:288,425, 454,842,844, 845,848,849, XZZ
(1)	970 613 061 01 1E0 970 613 061 50	Black Steering column switch D - MJ 2014>>		1	PR:288,425, 454,842,844, 845,848,849, XZZ,837
(1)	970 613 061 50 1E0 970 613 063 01	Black Steering column switch		1	PR:288,425, 456,840,841, 843
(1)	970 613 063 01 1E0 970 613 063 50	Black Steering column switch D - MJ 2014>>		1	PR:288,425, 456,840,841, 843
(1)	970 613 063 50 1E0 970 613 065 01	Black Steering column switch		1	PR:288,425, 456,842,844, 845,848,849, XZZ
(1)	970 613 065 01 1E0 970 613 065 50	Black Steering column switch D - MJ 2014>>		1	PR:288,425, 456,842,844, 845,848,849, XZZ,837
(1)	970 613 065 50 1E0 970 613 067 01	Black Steering column switch		1	PR:288,425, 454,671,840, 841,843
(1)	970 613 067 01 1E0 970 613 067 50	Black Steering column switch D - MJ 2014>>		1	PR:288,425, 454,671,840, 841,843
(1)	970 613 067 50 1E0 970 613 069 01	Black Steering column switch		1	PR:288,425, 454,671,842, 844,845,848, 849,XZZ
(1)	970 613 069 01 1E0 970 613 069 50	Black Steering column switch D - MJ 2014>>		1	PR:288,425, 454,671,842, 844,845,848, 849,XZZ

Model: 970 10 Model life 2010>>2016

Pos	Part Number	Description	Remark	Qty	Model
(1)	970 613 069 50 1E0 970 613 071 01	Black Steering column switch		1	PR:837 PR:288,425, 456,671,840, 841,843
(1)	970 613 071 01 1E0 970 613 071 50	Black Steering column switch D - MJ 2014>>		1	PR:288,425, 456,671,840, 841,843
(1)	970 613 071 50 1E0 970 613 073 01	Black Steering column switch		1	PR:288,425, 456,671,842, 844,845,848, 849,XZZ
(1)	970 613 073 01 1E0 970 613 073 50	Black Steering column switch D - MJ 2014>>		1	PR:288,425, 456,671,842, 844,845,848, 849,XZZ
(1)	970 613 073 50 1E0 970 613 011 01	Black Steering column switch		1	PR:837 PR:426,454, 840,841,843, -288
(1)	970 613 011 01 1E0 970 613 011 50	Black Steering column switch D - MJ 2014>>		1	PR:426,454, 840,841,843, -288
(1)	970 613 011 50 1E0 970 613 013 01	Black Steering column switch		1	PR:426,454, 842,844,845, 848,849,XZZ, -288
(1)	970 613 013 01 1E0 970 613 013 50	Black Steering column switch D - MJ 2014>>		1	PR:426,454, 842,844,845, 848,849,XZZ, 837,-288
(1)	970 613 013 50 1E0 970 613 015 01	Black Steering column switch		1	PR:426,456, 840,841,843, -288
(1)	970 613 015 01 1E0 970 613 015 50	Black Steering column switch D - MJ 2014>>		1	PR:426,456, 840,841,843, -288
(1)	970 613 015 50 1E0 970 613 017 01	Black Steering column switch		1	PR:426,456, 842,844,845, 848,849,XZZ, -288
(1)	970 613 017 01 1E0 970 613 017 50	Black Steering column switch D - MJ 2014>>		1	PR:426,456, 842,844,845, 848,849,XZZ, 837
(1)	970 613 017 50 1E0 970 613 019 01	Black Steering column switch		1	PR:426,454, 671,840,841, 843,-288
(1)	970 613 019 01 1E0 970 613 019 50	Black Steering column switch D - MJ 2014>>		1	PR:426,454, 671,840,841, 843,-288
	970 613 019 50 1E0	Black			

Model: 970 10 Model life 2010>>2016

Pos	Part Number	Description	Remark	Qty	Model
(1)	970 613 021 01	Steering column switch		1	PR:426,454, 671,842,844, 845,848,849, XZZ,-288
	970 613 021 01 1E0	Black			
(1)	970 613 021 50	Steering column switch D - MJ 2014>>		1	PR:426,454, 671,842,844, 845,848,849, XZZ,837
	970 613 021 50 1E0	Black			PR:-288
(1)	970 613 023 01	Steering column switch		1	PR:426,456, 671,840,841, 843,-288
	970 613 023 01 1E0	Black			
(1)	970 613 023 50	Steering column switch D - MJ 2014>>		1	PR:426,456, 671,840,841, 843,-288
	970 613 023 50 1E0	Black			
(1)	970 613 025 01	Steering column switch		1	PR:426,456, 671,842,844, 845,848,849, XZZ,-288
	970 613 025 01 1E0	Black			
(1)	970 613 025 50	Steering column switch D - MJ 2014>>		1	PR:426,456, 671,842,844, 845,848,849, XZZ,837
	970 613 025 50 1E0	Black			PR:-288
(1)	970 613 027 01	Steering column switch		1	PR:425,454, 840,841,843, -288
	970 613 027 01 1E0	Black			
(1)	970 613 027 50	Steering column switch D - MJ 2014>>		1	PR:425,454, 840,841,843, -288
	970 613 027 50 1E0	Black			
(1)	970 613 029 01	Steering column switch		1	PR:425,454, 842,844,845, 848,849,XZZ, -288
	970 613 029 01 1E0	Black			
(1)	970 613 029 50	Steering column switch D - MJ 2014>>		1	PR:425,454, 842,844,845, 848,849,XZZ, 837
	970 613 029 50 1E0	Black			PR:-288
(1)	970 613 031 01	Steering column switch		1	PR:425,456, 840,841,843, -288
	970 613 031 01 1E0	Black			
(1)	970 613 031 50	Steering column switch D - MJ 2014>>		1	PR:425,456, 840,841,843, -288
	970 613 031 50 1E0	Black			
(1)	970 613 033 01	Steering column switch		1	PR:425,456, 842,844,845, 848,849,XZZ, -288
	970 613 033 01 1E0	Black			
(1)	970 613 033 50	Steering column switch D - MJ 2014>>		1	PR:425,456, 842,844,845, 848,849,XZZ, 837,-288

Model: 970 10 Model life 2010>>2016

Pos	Part Number	Description	Remark	Qty	Model
(1)	970 613 033 50 1E0 970 613 035 01	Black Steering column switch		1	PR:425,454, 671,840,841, 843,-288
(1)	970 613 035 01 1E0 970 613 035 50	Black Steering column switch D - MJ 2014>>		1	PR:425,454, 671,840,841, 843,-288
(1)	970 613 035 50 1E0 970 613 037 01	Black Steering column switch		1	PR:425,454, 671,842,845, 848,849,XZZ, -288
(1)	970 613 037 01 1E0 970 613 037 50	Black Steering column switch D - MJ 2014>>		1	PR:425,454, 671,842,845, 848,849,XZZ, 837,-288
(1)	970 613 037 50 1E0 970 613 039 01	Black Steering column switch		1	PR:425,456, 671,840,841, 843,-288
(1)	970 613 039 01 1E0 970 613 039 50	Black Steering column switch D - MJ 2014>>		1	PR:425,456, 671,840,841, 843,-288
(1)	970 613 039 50 1E0 970 613 041 01	Black Steering column switch		1	PR:425,456, 671,842,844, 845,848,849, XZZ,-288
(1)	970 613 041 01 1E0 970 613 041 50	Black Steering column switch D - MJ 2014>>		1	PR:425,456, 671,842,844, 845,848,849, XZZ,837
2	970 613 041 50 1E0 7PP 953 568 H	Black Control unit Steering column switch	with:	1	PR:-288 PR:840,842, 844,845,848, 849,-345
(2)	7PP 953 568 R	Spring steering sensor Discontinued part Control unit Steering column switch	with:	1	PR:840,842, 844,845,848, 849,-345
2	7PP 953 568 AF	Spring steering sensor Discontinued part Control unit Steering column switch	with:	1	PR:639,640, 840,841,843, 844,-345
2	7PP 953 568 AT	Spring steering sensor Discontinued part Control unit Steering column switch	with:	1	PR:639,640, 840,841,843, 844,-345
(2)	7PP 953 568 J	Spring steering sensor Control unit Steering column switch	with:	1	PR:345,842, 844,845,848, 849

Model: 970 10 Model life 2010>>2016

Pos	Part Number	Description	Remark	Qty	Model
(2)	7PP 953 568 S	Spring steering sensor Discontinued part Control unit Steering column switch with:		1	PR:345,842, 844,845,848, 849
(2)	7PP 953 568 AG	Spring steering sensor Discontinued part Control unit Steering column switch with:		1	PR:XZZ,345, 639,640,841, 842,844,845, 848,849
(2)	7PP 953 568 BA	Spring steering sensor Discontinued part Control unit Steering column switch with:		1	PR:XZZ,345, 639,640,841, 842,844,845, 848,849
(2)	7PP 953 568 K	Spring steering sensor Control unit Steering column switch with:		1	PR:841
(2)	7PP 953 568 T	Spring steering sensor Discontinued part Control unit Steering column switch with:		1	PR:841
(2)	7PP 953 568 AH	Spring steering sensor Discontinued part Control unit Steering column switch with:		1	PR:480,840, 841,843
(2)	7PP 953 568 BB	Spring steering sensor Discontinued part Control unit Steering column switch with:		1	PR:480,840, 841,843
(2)	7PP 953 568 BK	Spring steering sensor Discontinued part Control unit Steering column switch with:		1	PR:480,840, 841,843
(2)	7PP 953 568 L	Spring steering sensor Control unit Steering column switch with:		1	PR:345,841
(2)	7PP 953 568 AA	Spring steering sensor Discontinued part Control unit Steering column switch with:		1	PR:345,841
(2)	7PP 953 568 AJ	Spring steering sensor Discontinued part Control unit Steering column switch		1	PR:345,480, 841

Model: 970 10 Model life 2010>>2016

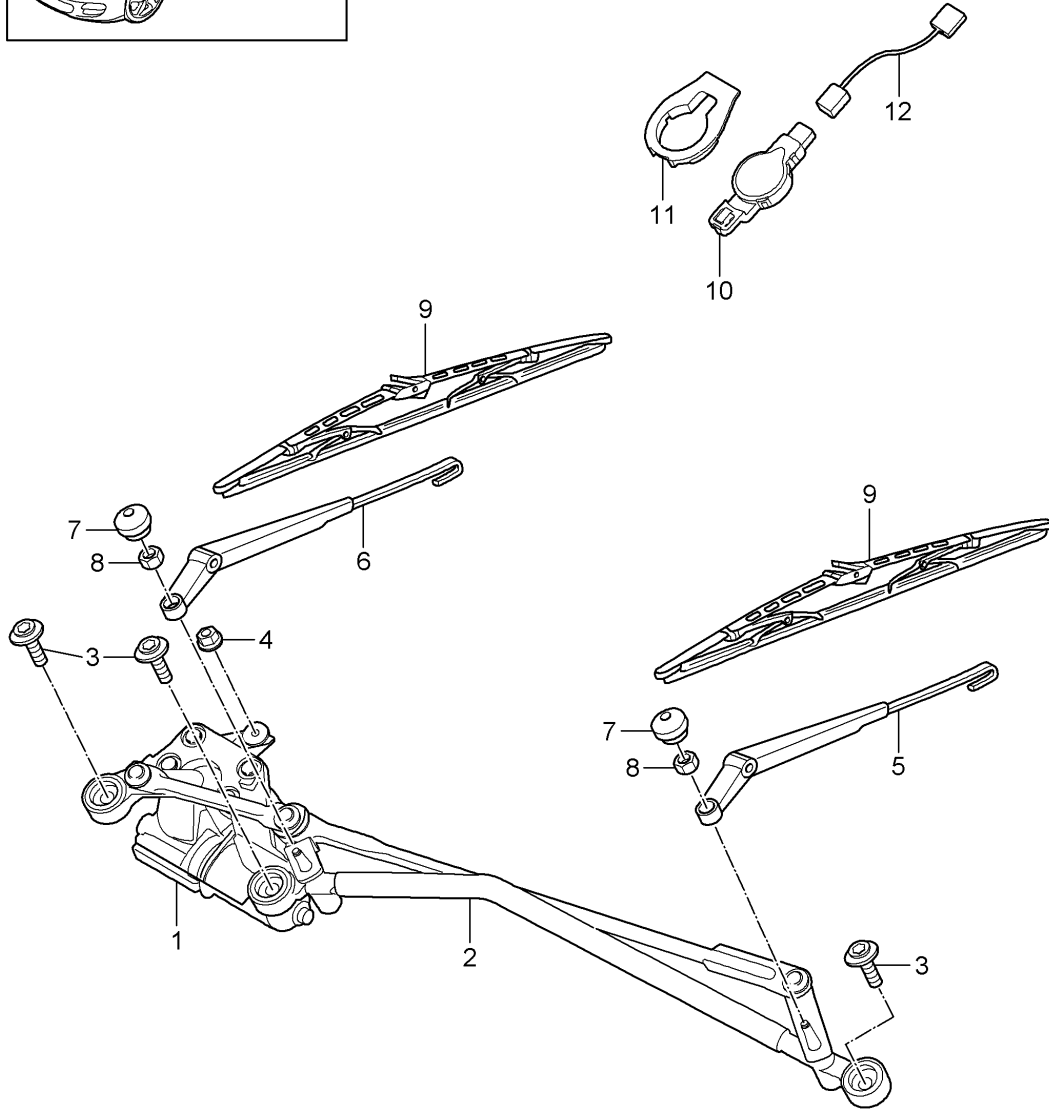
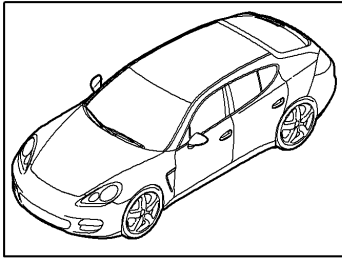
Pos	Part Number	Description	Remark	Qty	Model
(2)	7PP 953 568 BC	with: Spring steering sensor D >> - MJ 2013 Discontinued part Control unit Steering column switch		1	PR:345,480,841
3	7PP 953 519 B	with: Spring steering sensor D - MJ 2014>> Switch Adjustment Steering column Discontinued part		1	PR:656
(3)	7PP 953 519 B A05 7PP 953 519 C	Matt black Switch Adjustment Steering column		1	PR:648,656
(3)	7PP 953 519 C A05 7PP 953 519 D	D >> - MJ 2013 Discontinued part Matt black Switch for steering column adjustment		1	PR:648,656
(3)	7PP 953 519 D IVI 7PP 953 519 E	D - MJ 2014>> - MJ 2014 Discontinued part Matt black Switch for steering column adjustment		1	PR:648,656
4	7PP 953 519 E IVI 970 552 475 00 970 552 475 00 5Q0	Matt black Switch housing Black	lower -AB,AC,GK,GS, GA,BB,DS,PK, PL,BF,DN	1	PR:647,655
	970 552 475 00 4U0 970 552 475 00 6W0 970 552 475 00 8Y0 970 552 475 00 7X0 970 552 475 00 3T0 970 552 475 00 2S0 970 552 475 00 OA6	Platinum Grey Luxor beige yachting blue Marsala Red Espresso Cognac agate grey	-CB,CC,GC -UB,UC,GU,BC -EC,GE,BD -PC,GP,BE -NA -NC,BN -DG,DL,GD,DT		
	970 552 475 00 MJ 2014>> 970 552 475 00 OL7	saddle brown	-AB,DG,UB,PK, AC,DL,SB,PC, BC,DN,BE,DS, DT,BF,PL,NA, NC		
(4)	970 552 475 01 970 552 475 01 5Q0	D - MJ 2014>> Switch housing Black	lower -AB,AC,GK,GS, GA,BB,DS,PK, PL,BF,DN	1	PR:648,656
	970 552 475 01 4U0 970 552 475 01 6W0 970 552 475 01 8Y0 970 552 475 01 7X0 970 552 475 01 3T0 970 552 475 01 2S0 970 552 475 01 OA6	Platinum Grey Luxor beige yachting blue Marsala Red Espresso Cognac agate grey	-CB,CC,GC -UB,UC,GU,BC -EC,GE,BD -PC,GP,BE -NA -NC,BN -DG,DL,GD,DT		
	970 552 475 01 MJ 2014>> 970 552 475 01 OL7	saddle brown	-AB,DG,UB,PK, AC,DL,SB,PC,		

Model: 970 10 Model life 2010>>2016

Pos	Part Number	Description	Remark	Qty	Model
			BC, DN, BE, DS, DT, BF, PL, NA, NC		
5	999 073 226 09	D - MJ 2014>> panel screw ST 4,2 X 16		4	
6	970 552 675 00	Cover		1	PR:842,844, 845,848,849
	970 552 675 00 2S0	Cognac	-NC, BN		
	970 552 675 00 3T0	Espresso	-NA		
	970 552 675 00 4U0	Platinum Grey	-CB, CC, GC		
	970 552 675 00 5Q0	Black	-AB, AC, GK, GS, GA, BB, DS, PK, PL, BF, DN		
	970 552 675 00 6W0	Luxor beige	-UB, UC, GU, BC		
	970 552 675 00 7X0	Marsala Red	-PC, GP, BE		
	970 552 675 00 8Y0	yachting blue	-EC, GE, BD		
	970 552 675 00 OA6	agate grey	-DG, DL, GD, DT		
	970 552 675 00 OL7	D - MJ 2014>> saddle brown	-AB, DG, UB, PK, AC, DL, SB, PC, BC, DN, BE, DS, DT, BF, PL, NA, NC		
7	970 552 473 00	D - MJ 2014>> Switch housing	upper	1	
	970 552 473 00 5Q0	Black	-AB, AC, GK, GS, GA, BB, DS, PK, PL, BF, DN		
	970 552 473 00 4U0	Platinum Grey	-CB, CC, GC		
	970 552 473 00 6W0	Luxor beige	-UB, UC, GU, BC		
	970 552 473 00 8Y0	yachting blue	-EC, GE, BD		
	970 552 473 00 7X0	Marsala Red	-PC, GP, BE		
	970 552 473 00 3T0	Espresso	-NA		
	970 552 473 00 2S0	Cognac	-NC, BN		
	970 552 473 00 OA6	agate grey	-DG, DL, GD, DT		
	970 552 473 00 OL7	D - MJ 2014>> saddle brown	-AB, DG, UB, PK, AC, DL, SB, PC, BC, DN, BE, DS, DT, BF, PL, NA, NC		
		D - MJ 2014>>			

Model: 970 10

Model life 2010>>2016



Model: 970 10 Model life 2010>>2016

Pos	Part Number	Description	Remark	Qty	Model
1	970 624 105 01	Windscreen wiper system, compl Rain sensor Wiper motor Included Fasteners Discontinued part	lhd	1	PR:098
(1)	970 624 105 02	Wiper motor Included Fasteners Discontinued part	lhd	1	PR:098
(1)	970 624 105 03	Wiper motor Included Fasteners	lhd	1	PR:098
(1)	970 624 105 05	D >> - MJ 2013 Wiper motor Included Fasteners D - MJ 2014>>	lhd	1	PR:098
(1)	970 624 106 01	Wiper motor Discontinued part	rhd	1	PR:099
(1)	970 624 106 03	Wiper motor	rhd	1	PR:099
(1)	970 624 106 05	Wiper motor D - MJ 2014>>	rhd	1	PR:099
2	970 628 235 01	Crank drive Discontinued part	lhd	1	PR:098
2	970 628 235 03	Crank drive	lhd	1	PR:098
(2)	970 628 236 00	Crank drive Discontinued part	rhd	1	PR:099
(2)	970 628 236 03	Crank drive	rhd	1	PR:099
3	N 105 355 02	Hexagon socket head bolt (combi) M 6 X 30		4	
4	999 076 078 01	Hexagon nut M 6		1	
5	970 628 027 01	Wiper arm (drivers side) Discontinued part	lhd	1	PR:098
(5)	970 628 027 02	Wiper arm (drivers side)	lhd	1	PR:098
(5)	970 628 028 01	Wiper arm (drivers side)	rhd	1	PR:099
(5)	970 628 151 01	Wiper arm (drivers side) D - MJ 2014>>	lhd	1	PR:098
(5)	970 628 152 01	Wiper arm (drivers side) D - MJ 2014>>	rhd	1	PR:099
6	970 628 029 00	Wiper arm (passenger side)	lhd	1	PR:098
(6)	970 628 029 01	Wiper arm (passenger side)	lhd	1	PR:098
(6)	970 628 030 00	Wiper arm (passenger side)	rhd	1	PR:099
(6)	970 628 161 01	Wiper arm (passenger side) D - MJ 2014>>	lhd	1	PR:098
(6)	970 628 162 01	Wiper arm (passenger side) D - MJ 2014>>	rhd	1	PR:099
7	970 628 305 00	Cap		2	
8	N 102 613 11	Hexagon nut M 10		2	
9	970 628 901 00	1 set: wiper blades	front	1	

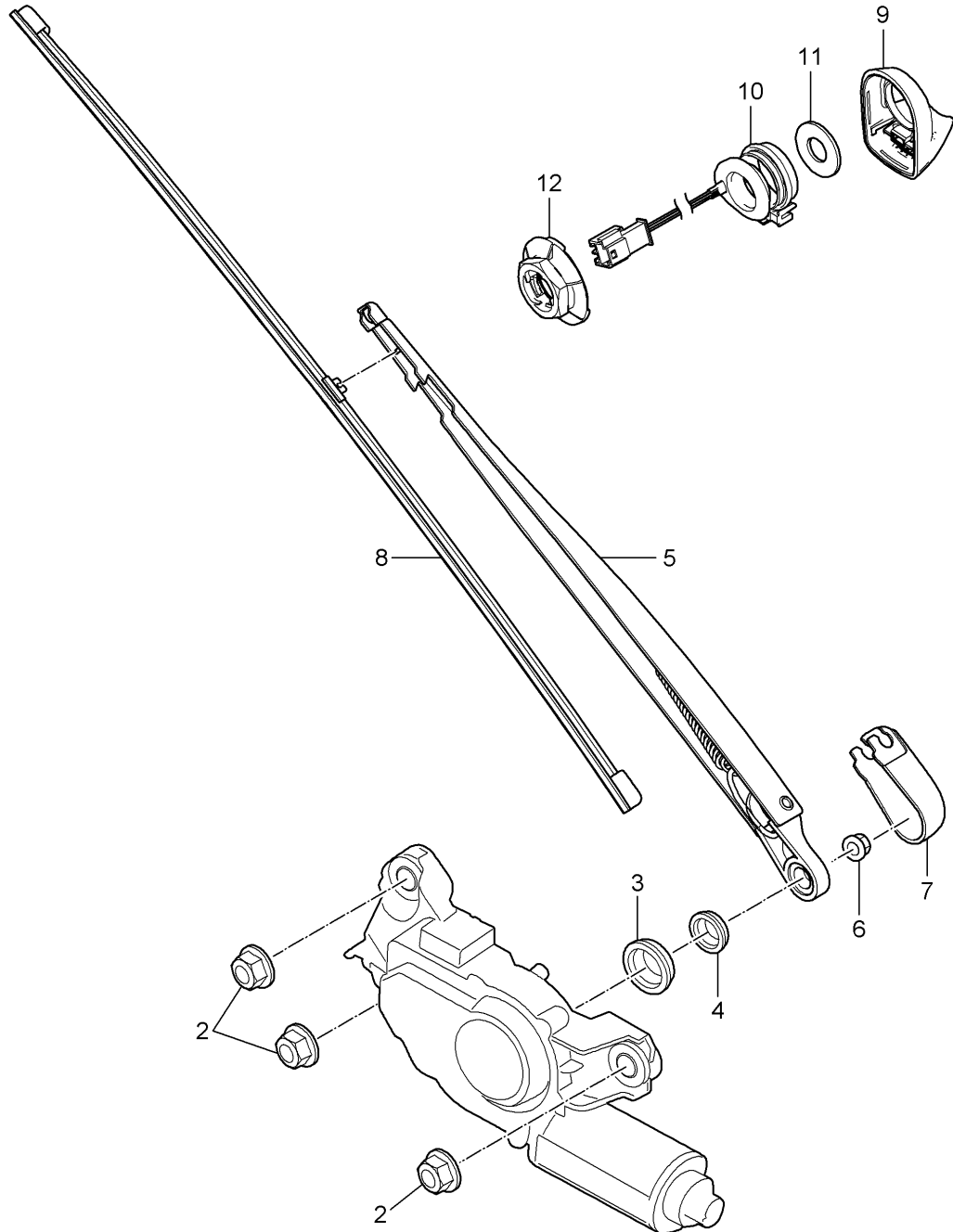
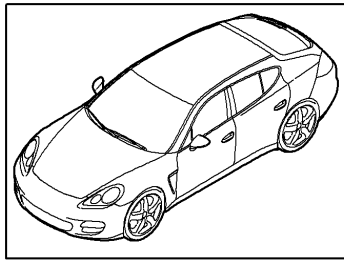
Model: 970 10

Model life 2010>>2016

Pos	Part Number	Description	Remark	Qty	Model
(9)	970 628 903 00	(drivers side) (passenger side) 1 set: wiper blades	front LHD	1	PR:098
(9)	970 628 904 00	(drivers side) D - MJ 2014>> 1 set: wiper blades	front RHD	1	PR:099
10	7P0 955 559 B	(drivers side) D - MJ 2014>> Rain sensor		1	PR:268
(10)	7P0 955 559 D	Discontinued part Rain and humidity sensor		1	PR:268
(10)	7P0 955 559 E	Discontinued part Rain and humidity sensor		1	PR:268
11		Sticky pad		1	PR:268
-	000 043 207 65	Is a component of Windscreen Adhesive film		1	PR:268
-	4E0 955 609	Rain sensor Discontinued part Gel foil for rain sensor (self-adhesive)		1	PR:268
12	970 612 708 00	Rain sensor Wire set		1	PR:268
(12)	970 612 708 50	Rain sensor Wire set Rain sensor D - MJ 2014>>		1	PR:268,631, 632,852

Model: 970 10

Model life 2010>>2016



Model: 970 10 Model life 2010>>2016

Pos	Part Number	Description	Remark	Qty	Model
1	970 628 080 00	Rear window wiper Wiper motor		1	
(1)	970 628 080 02	Discontinued part Wiper motor		1	
2	999 076 078 01	Hexagon nut M 6		3	
3	970 512 625 01	Grommet		1	
4	970 628 273 00	Grommet		1	
5	970 628 169 00	Wiper arm Discontinued part		1	
(5)	970 628 169 01	Wiper arm Discontinued part		1	
(5)	970 628 169 02	Wiper arm		1	
6	900 377 003 03	Hexagon nut M 8		1	
7	970 628 122 00	Cover cap D >> - MJ 2013		1	
(7)	970 628 123 00	Cover cap D - MJ 2014>>		1	
8	970 628 189 00	wiper blade Discontinued part	rear	1	
(8)	970 628 189 02	wiper blade	rear	1	
9	298 927 235 B	Tip switch Rear lid D - MJ 2014>> No longer use the part here		1	PR:425
(9)	298 927 235 E	Cover Tip switch Rear lid D - MJ 2014>>		1	PR:425
(9)	298 927 235 D	Cover Tip switch Rear lid D - MJ 2014>> Discontinued part		1	PR:426
(9)	298 927 235 F	Cover Tip switch Rear lid D - MJ 2014>>		1	PR:426
10	298 927 709	contact plate with:		1	PR:425
(10)	298 927 709 A	Tip switch Rear lid D - MJ 2014>> No longer use the part here contact plate with:		1	PR:425
-	95B 998 030	Tip switch Rear lid 4-pole Connector housing also use: D - MJ 2014>> - MJ 2014 No longer use the part here	95B 998 030	1	PR:425
(10)	298 927 709 B	Adapter cable Tip switch Rear lid contact plate with:		1	PR:425
		Tip switch Rear lid 2-pole Connector housing			

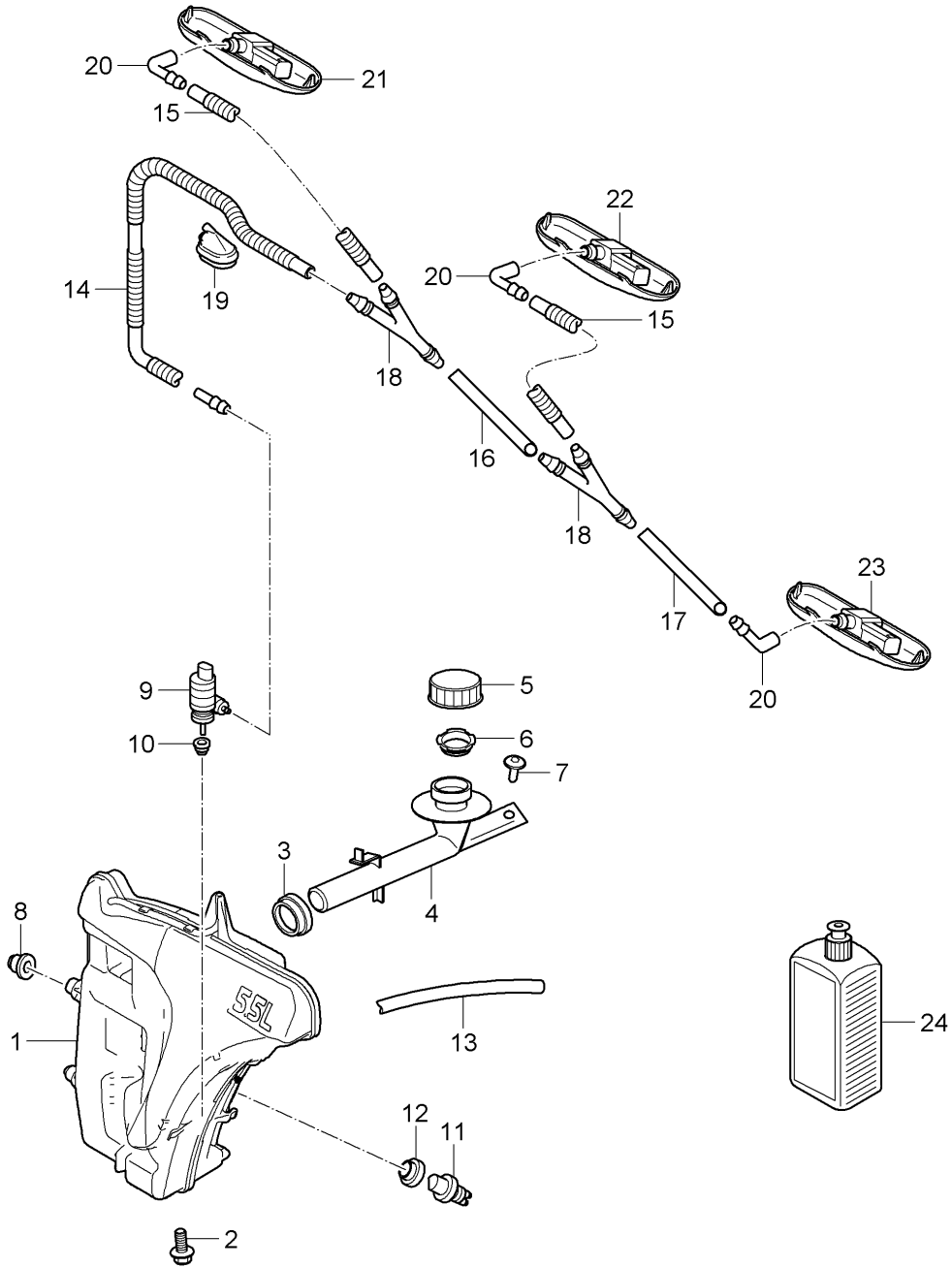
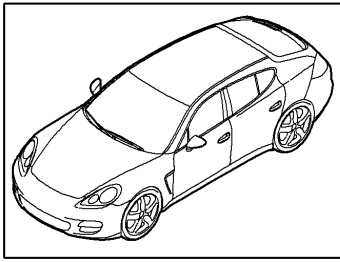
Model: 970 10

Model life 2010>>2016

Pos	Part Number	Description	Remark	Qty	Model
(10)	298 927 709 C	D - MJ 2015>> No longer use the part here contact plate with: Tip switch Rear lid 2-pole Connector housing		1	PR:425
(10)	298 927 709 D	D - MJ 2015>> No longer use the part here contact plate with: Tip switch Rear lid 2-pole Connector housing		1	PR:425
11	298 927 523	D - MJ 2015>> Seal Tip switch Rear lid		1	PR:426
12	298 927 129 A	D - MJ 2014>> Locknut Tip switch Rear lid D - MJ 2014>>		1	PR:426

Model: 970 10

Model life 2010>>2016

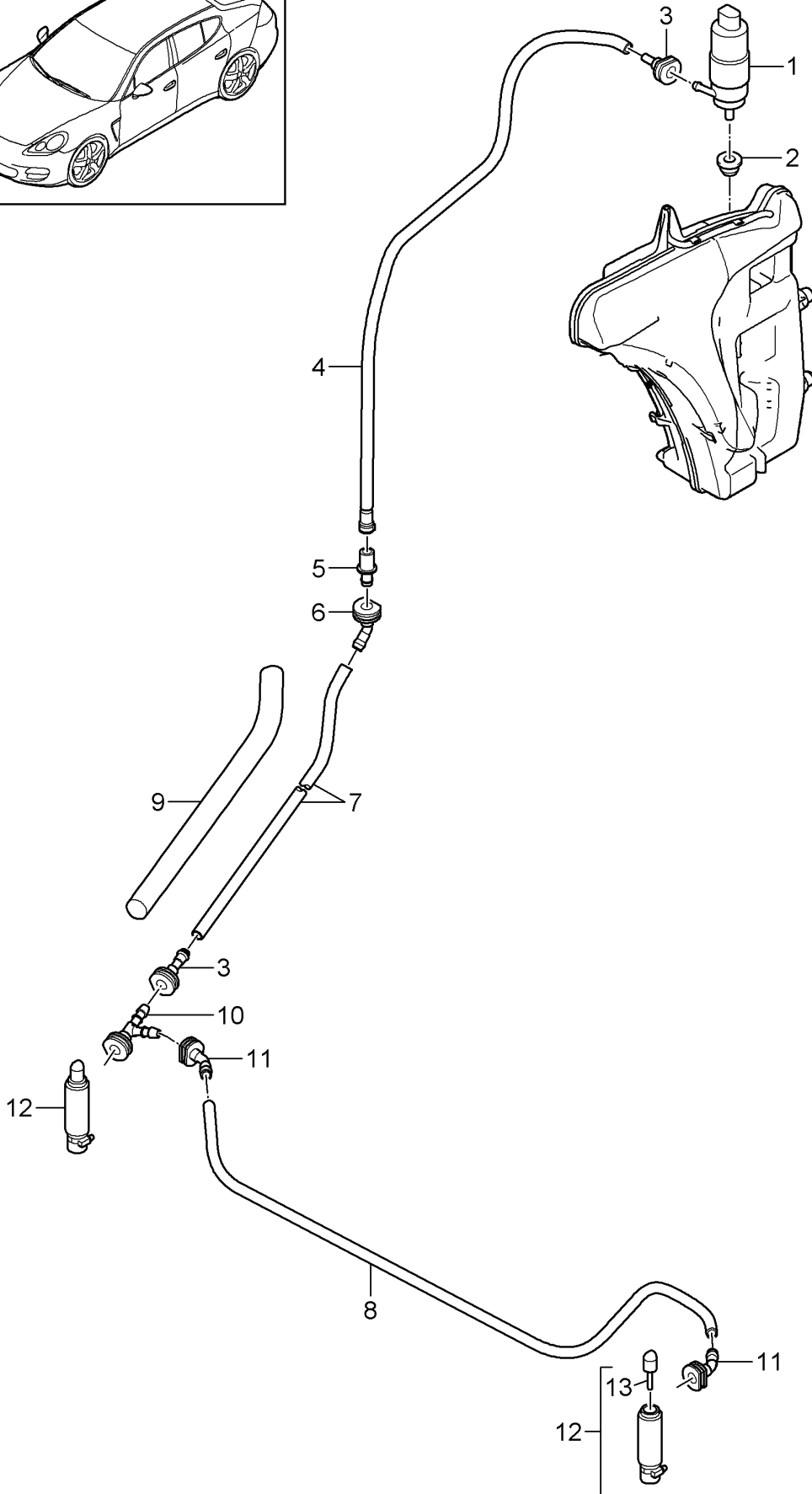
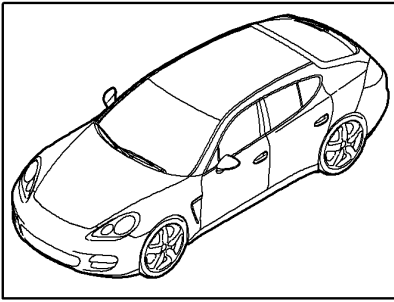


Model: 970 10 Model life 2010>>2016

Pos	Part Number	Description	Remark	Qty	Model
1	970 528 701 00	Windscreen washer system		1	PR:288
(1)	970 528 701 01	Water reservoir		1	PR:-288
-	970 612 742 00	Wire set		1	PR:288
-	970 612 741 00	Water reservoir		1	PR:-288
-	970 612 741 05	Wire set		1	PR:-288
-	970 612 742 05	Water reservoir D - MJ 2014>>		1	PR:288
2	900 378 017 01	Hexagon bolt M 8 X 20		1	
3	996 528 711 00	Seal		1	
4	970 528 605 00	fuel filler neck Discontinued part		1	
4	970 528 605 01	fuel filler neck		1	
5	996 528 607 00	Cover		1	
6	997 528 621 00	strainer		1	
7	999 073 484 01	flat round head bolt M 6 X 15		1	
8	999 702 221 40	Grommet		2	
9	997 628 182 00	Windscreen washer system pump		1	
10	431 955 465 B	seal ring		1	
11	955 628 105 00	Water level switch		1	
12	999 702 010 40	Seal		1	
13	999 181 048 40	Hose 248 MM		*	
-		Hose (complete)			
		with:			
		Wire set			
		see illustration:	902-012		
-	999 181 815 40	Hose 5,0 X 2,5		*	
14		shorten to:	1370 MM	1	
15		shorten to:	120 MM	2	
-	999 181 048 40	Hose 4,0 X 2,0		*	
16		shorten to:	395 MM	1	
17		shorten to:	260 MM	1	
18	999 137 005 40	t-piece No longer use the part here		2	
18	955 628 210 00	Distributor		2	
19	6Q0 955 998	Grommet		1	
20	955 628 200 01	Elbow fitting		3	
21	970 628 073 00	jet	left	1	
22	970 628 075 00	jet	center	1	
23	970 628 077 00	jet	right	1	
24	999 901 017 42	Window cleaning solution 250 ML Summer		X	
(24)	999 901 033 40	Window cleaning solution 1000 ML Winter		X	

Model: 970 10

Model life 2010>>2016



Model: 970 10 Model life 2010>>2016

Pos	Part Number	Description	Remark	Qty	Model
1	970 624 502 00	Headlight washer system Pump for headlight- washer system		1	PR:288
2	999 702 009 40	Seal		1	
3	997 628 204 00	Coupling		2	
-	000 043 204 79	Hose 8 X 3		*	
4			shorten to: 1045 MM	1	
5	997 628 208 00	Hose connector		1	
6	1J0 955 665 E	Elbow fitting		1	
-	999 181 760 40	Hose 10 X 3		*	
7			shorten to: also use: 290 MM		Turbo
7		Pos 9	shorten to: also use: 290 MM		PR:XAP
8			shorten to: 1960 MM		
(8)			shorten to: 2820 MM		Turbo
(8)			shorten to: 2820 MM		PR:XAP
(8)	970 628 351 51	Hose (complete)		1	
9	970 628 381 00	D - MJ 2014>> Protective hose 290 MM		1	Turbo
9	970 628 381 00	Protective hose 290 MM		1	PR:XAP
10	997 628 207 00	t-piece		1	
11	997 628 205 00	Coupling		2	PR:XAP
		Coupling		1	Turbo
		Coupling		1	
(11)	1J0 955 665 E	Elbow fitting		1	Turbo
(11)	1J0 955 665 E	Elbow fitting		1	PR:XAP
12	970 628 133 00	jet chrome Included		2	
(12)	970 628 153 00	Nozzle head jet Black Included		2	PR:806
(12)	970 628 143 00	Nozzle head jet		2	PR:017
(12)	970 628 233 50	Cap jet	without:	2	
13	997 628 263 00	Cap D - MJ 2014>> Nozzle head chrome		2	
(13)	970 628 251 00	Nozzle head Black		2	PR:806
(13)	970 628 251 00	Nozzle head Black		2	PR:806
(13)	970 628 251 00	Nozzle head Black		2	PR:806
(13)	997 628 981 02	Cap GRUNDIERT		2	PR:017
(13)	997 628 981 02	Cap GRUNDIERT		2	PR:017
(13)	970 628 251 50	Nozzle head D - MJ 2014>>	left	1	

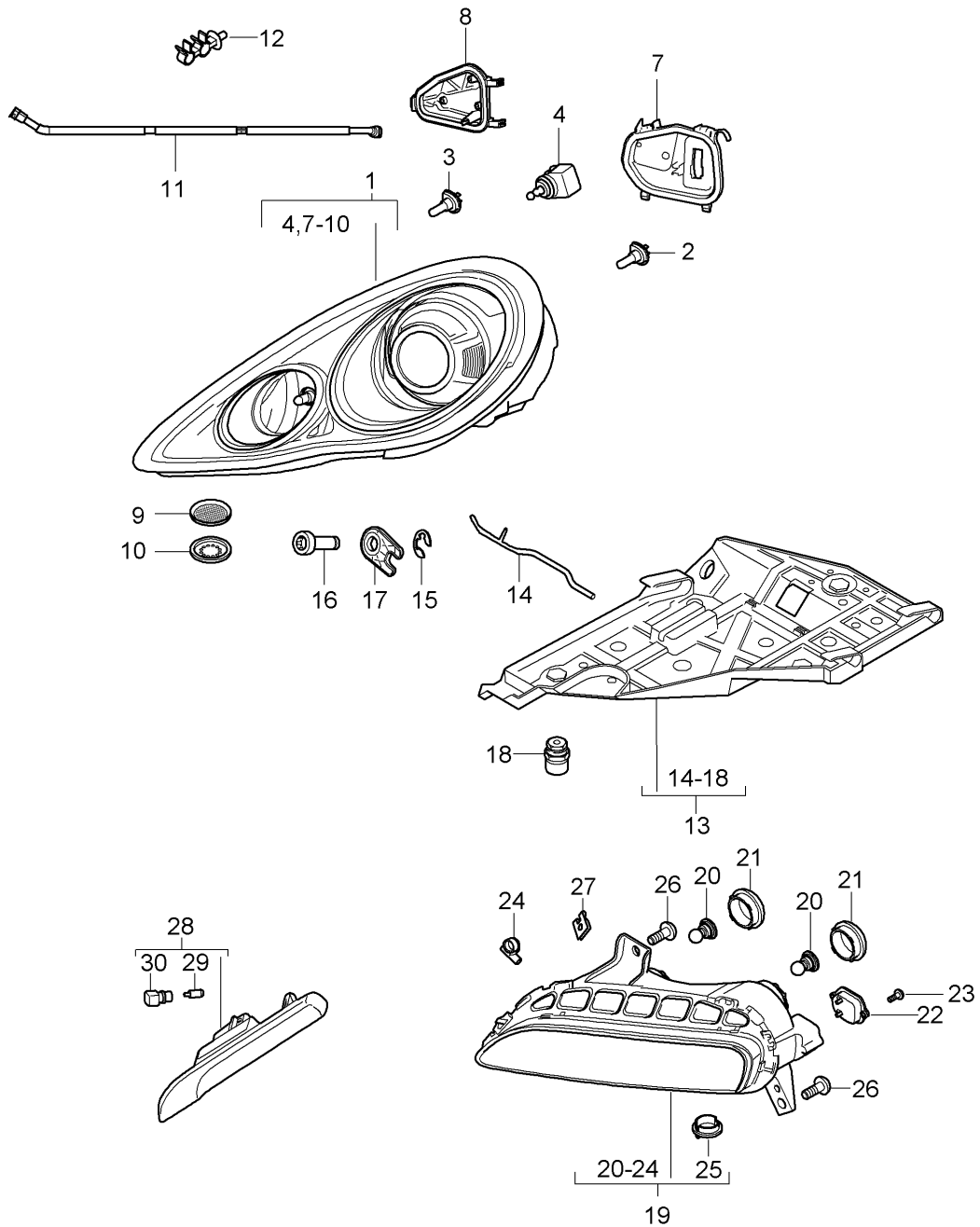
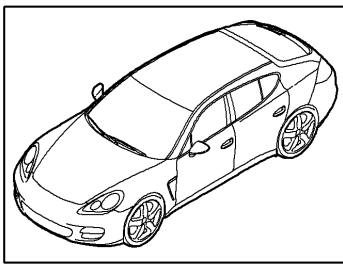
Model: 970 10

Model life 2010>>2016

Pos	Part Number	Description	Remark	Qty	Model
(13)	970 628 252 50	Nozzle head D - MJ 2014>>	right	1	

Model: 970 10

Model life 2010>>2016



Model: 970 10 Model life 2010>>2016

Pos	Part Number	Description	Remark	Qty	Model
-		Headlights Turn signal repeater Fog lights			PR:-601, -603,-604, -620
-		Headlights Control unit and Halogen bulb without:			
1	970 631 163 05	Headlights	left	1	
(1)	970 631 164 05	Headlights	right	1	
(1)	970 631 163 15	Headlights	left	1	PR:492
(1)	970 631 164 15	Headlights	right	1	PR:492
2	999 631 133 91	Halogen bulb H 7		2	
3	999 631 133 91	Halogen bulb H 7		2	
4	955 624 219 00	Adjusting motor Headlight range control		2	
7	970 631 101 00	Protective hood	left	1	
(7)	970 631 102 00	Protective hood	right	1	
8	970 631 103 00	Cover cap for main beam	left side	1	
(8)	970 631 104 00	Cover cap for main beam	right side	1	
9	955 631 254 00	filter element		2	
10	955 631 255 00	Ventilation component		2	
11	970 631 129 02	Vent hose	left	1	
(11)	970 631 130 02	Vent hose	right	1	
12	999 507 168 40	Hose bracket		1	
(12)	999 507 167 40	Hose bracket		1	
13	970 631 073 02	Mounting for main beam headl.	left	1	
(13)	970 631 074 02	Mounting for main beam headl.	right	1	
15	900 116 004 09	Retaining washer		2	
16	970 631 175 00	Bracket for headlight Pos. 13 verwenden		2	
17	970 631 177 00	Lever Pos. 13 verwenden		2	
18	970 631 194 00	adjuster for headlight adjustment No longer use the part here		6	
-		Additional headlight			
19	970 631 081 02	Additional headlight Discontinued part	left	1	
(19)	970 631 081 03	Additional headlight	left	1	
(19)	970 631 081 03	Additional headlight	left	1	DIESEL PR:XAP
(19)	970 631 087 01	Additional headlight	left	1	HYBRID
(19)	970 631 087 01	Additional headlight	left	1	DIESEL PR:-XAP
(19)	970 631 082 02	Additional headlight Discontinued part	right	1	
(19)	970 631 082 03	Additional headlight	right	1	
(19)	970 631 082 03	Additional headlight	right	1	DIESEL PR:XAP
(19)	970 631 088 01	Additional headlight	right	1	HYBRID
(19)	970 631 088 01	Additional headlight	right	1	DIESEL PR:-XAP
20	999 631 253 91	bulb Turn signal indicator		4	
21	997 631 271 00	Cover cap		4	

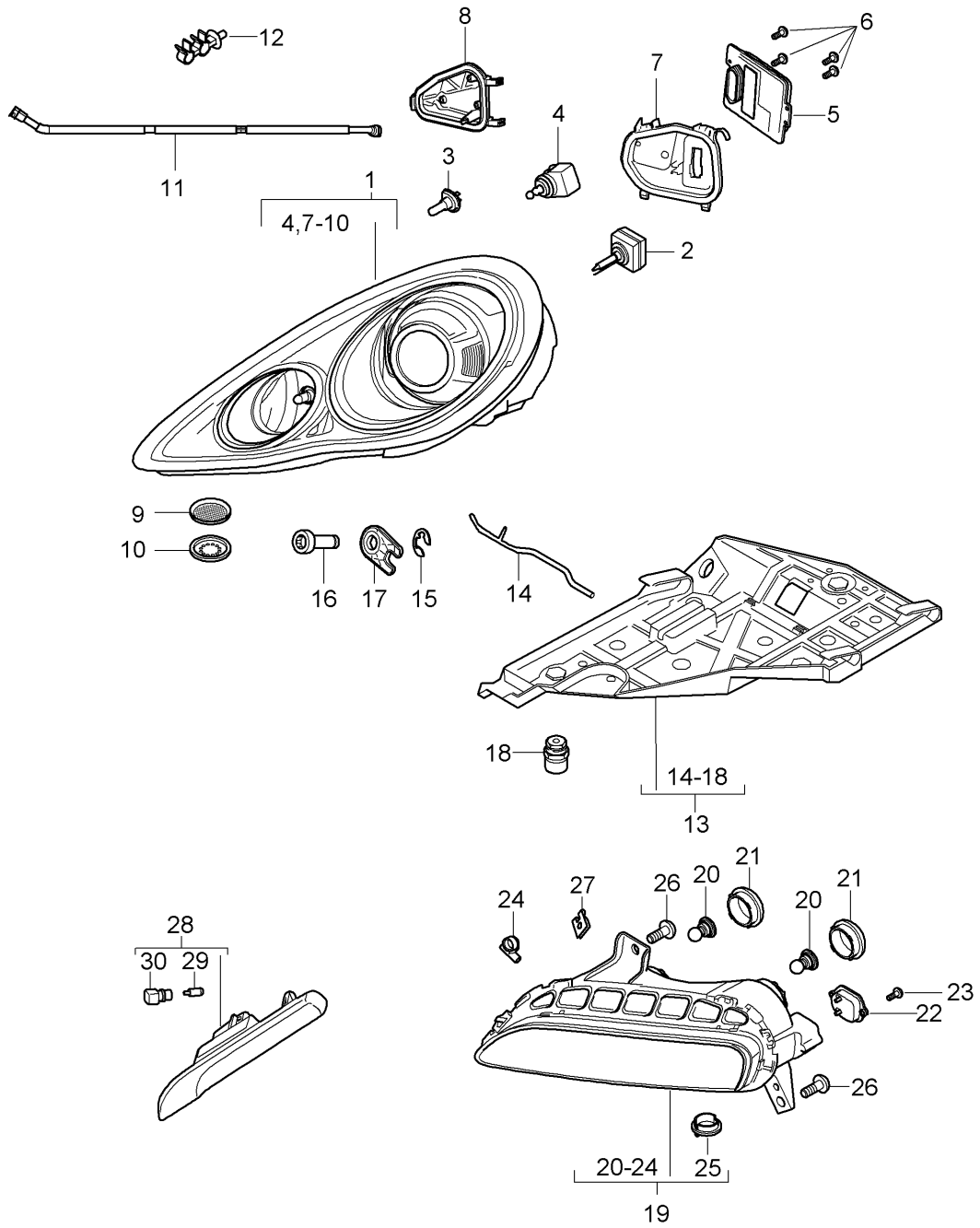
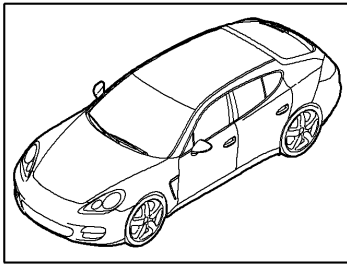
Model: 970 10

Model life 2010>>2016

Pos	Part Number	Description	Remark	Qty	Model
22	997 631 241 00	Turn signal indicator LED module Position light		2	
23	997 631 297 00	Screw		8	
24	997 631 247 00	ventilation union		2	
25	997 631 267 01	ventilation valve		2	
26	999 073 227 09	panel screw 4,8 X 19		6	
27	999 507 795 09	panel nut 4,8		6	
-		Turn signal repeater			
28	970 631 033 02	Turn signal repeater	left	1	
(28)	970 631 043 01	Turn signal repeater D - MJ 2014>>	left	1	
(28)	970 631 034 02	Turn signal repeater	right	1	
(28)	970 631 044 01	Turn signal repeater D - MJ 2014>>	left	1	
29	999 631 138 90	bulb 5 W yellow		2	
30	970 631 133 00	Bulb holder		2	

Model: 970 10

Model life 2010>>2016



Model: 970 10 Model life 2010>>2016

Pos	Part Number	Description	Remark	Qty	Model
-		Headlights Turn signal repeater Fog lights Headlights without: Control unit and bulb			
1	970 631 157 02	Headlights	left	1	PR:601
(1)	970 631 157 04	Discontinued part Headlights	left	1	PR:601
(1)	970 631 157 05	Discontinued part Headlights	left	1	"CN." PR:601
(1)	970 631 155 53	Headlights	left	1	PR:627
(1)	970 631 157 53	D - MJ 2014>> Headlights	left	1	PR:601
(1)	970 631 158 02	D - MJ 2014>> Headlights	right	1	PR:601
(1)	970 631 158 04	Discontinued part Headlights	right	1	PR:601
(1)	970 631 158 05	Discontinued part Headlights	right	1	"CN." PR:601
(1)	970 631 156 53	Headlights	right	1	PR:627
(1)	970 631 158 53	D - MJ 2014>> Headlights	right	1	PR:601
(1)	970 631 157 12	D - MJ 2014>> Headlights	left	1	PR:492,601
(1)	970 631 157 14	Discontinued part Headlights	left	1	PR:492,601
(1)	970 631 157 15	Discontinued part Headlights	left	1	PR:492,601
(1)	970 631 155 63	Headlights	left	1	PR:492,627
(1)	970 631 157 63	D - MJ 2014>> Headlights	left	1	PR:492,601
(1)	970 631 158 12	D - MJ 2014>> Headlights	right	1	PR:492,601
(1)	970 631 158 14	Discontinued part Headlights	right	1	PR:492,601
(1)	970 631 158 15	Discontinued part Headlights	right	1	PR:492,601
(1)	970 631 156 63	Headlights	right	1	PR:492,627
(1)	970 631 158 63	D - MJ 2014>> Headlights	right	1	PR:492,601
2	N 105 661 01	D - MJ 2014>> Gas discharge lamp		2	
-	955 631 199 00	D1S retaining ring for bulb		2	
3	999 631 133 91	D1S Halogen bulb		4	
4	970 631 141 00	H 7 Adjusting motor		2	
(4)	970 631 151 00	Headlight range control Adjusting motor		2	PR:627
(4)	970 631 153 00	Headlight range control D - MJ 2014>>		2	PR:-627
5	970 618 143 01	Adjusting motor Headlight range control D - MJ 2014>> Control unit		2	
		F >> 97-AL045 686			
		F >> 97-AL082 884			
		D >> - MJ 2010			
		Discontinued part			

Model: 970 10 Model life 2010>>2016

Pos	Part Number	Description	Remark	Qty	Model
(5)	970 618 143 02	Control unit F 97-AL045 686>> F 97-AL082 884>> D >> - MJ 2010		2	
(5)	970 618 143 02	Control unit D - MJ 2011>> - MJ 2013		2	
(5)	7PP 941 597	Control unit D - MJ 2014>>		2	PR:601,627
-	7PP 941 329 M	Power module for cornering light D - MJ 2014>>		2	PR:601
6	970 631 199 00	Screw		6	
7	970 631 105 00	Protective hood	left	1	
(7)	970 631 111 00	Protective hood D - MJ 2014>>	left	1	
(7)	970 631 106 00	Protective hood	right	1	
(7)	970 631 112 00	Protective hood D - MJ 2014>>	right	1	
8	970 631 103 00	Cover cap for main beam	left side	1	
(8)	970 631 104 00	Cover cap for main beam	right side	1	
(8)	970 631 107 00	Cap High beam Control unit D >> - MJ 2013	left side	1	
(8)	970 631 108 00	Cap High beam Control unit D - MJ 2014>>	right side	1	
(8)	970 631 108 01	Cap High beam Control unit D >> - MJ 2013	right side	1	
9	955 631 254 00	filter element		2	
10	955 631 255 00	Ventilation component		2	
11	970 631 129 02	Vent hose Included Bracket Position 12	left	1	
(11)	970 631 130 02	Vent hose Included Bracket Position 12	right	1	
12	999 507 168 40	Hose bracket	left	1	
(12)	999 507 167 40	Hose bracket	right	1	
13	970 631 073 01	Mounting for main beam headl. Discontinued part	left	1	
(13)	970 631 073 02	Mounting for main beam headl.	left	1	

Model: 970 10 Model life 2010>>2016

Pos	Part Number	Description	Remark	Qty	Model
(13)	970 631 073 50	D >> - MJ 2013 Mounting for main beam headl.	left	1	
(13)	970 631 073 51	D - MJ 2014>> Discontinued part Mounting for main beam headl.	left	1	
(13)	970 631 074 01	D - MJ 2014>> Mounting for main beam headl.	right	1	
(13)	970 631 074 02	Discontinued part Mounting for main beam headl.	right	1	
(13)	970 631 074 50	D >> - MJ 2013 Mounting for main beam headl.	right	1	
(13)	970 631 074 51	D - MJ 2014>> Discontinued part Mounting for main beam headl.	right	1	
15	900 116 004 09	Retaining washer		2	
16	970 631 175 00	Bracket for headlight Pos. 13 verwenden		2	
17	970 631 177 00	Lever Pos. 13 verwenden		2	
18	970 631 194 00	adjuster for headlight adjustment		6	
-		No longer use the part here			
19	970 631 081 02	Additional headlight Additional headlight	left	1	PR:605
(19)	970 631 081 03	D >> - MJ 2013 Discontinued part Additional headlight	left	1	PR:605
(19)	970 631 081 03	D >> - MJ 2013 Discontinued part Additional headlight	left	1	PR:605
(19)	970 631 087 01	D >> - MJ 2013 Additional headlight	left	1	HYBRID DIESEL PR:-XAP
(19)	970 631 087 01	D >> - MJ 2013 Additional headlight	left	1	
(19)	970 631 081 52	D >> - MJ 2013 Additional headlight	left	1	PR:-015,605
(19)	970 631 081 53	D - MJ 2014>> Discontinued part Additional headlight	left	1	PR:-015,605
(19)	970 631 082 02	D - MJ 2014>> Additional headlight	right	1	PR:605
(19)	970 631 082 03	D >> - MJ 2013 Discontinued part Additional headlight	right	1	PR:605
(19)	970 631 082 03	D >> - MJ 2013 Discontinued part Additional headlight	right	1	PR:605
(19)	970 631 088 01	D >> - MJ 2013 Additional headlight	right	1	HYBRID DIESEL PR:-XAP
(19)	970 631 088 01	D >> - MJ 2013 Additional headlight	right	1	
(19)	970 631 082 52	D >> - MJ 2013 Additional headlight	right	1	PR:-015,605
(19)	970 631 082 53	D - MJ 2014>> Discontinued part Additional headlight	right	1	PR:-015,605
20	999 631 253 91	D - MJ 2014>> bulb		4	

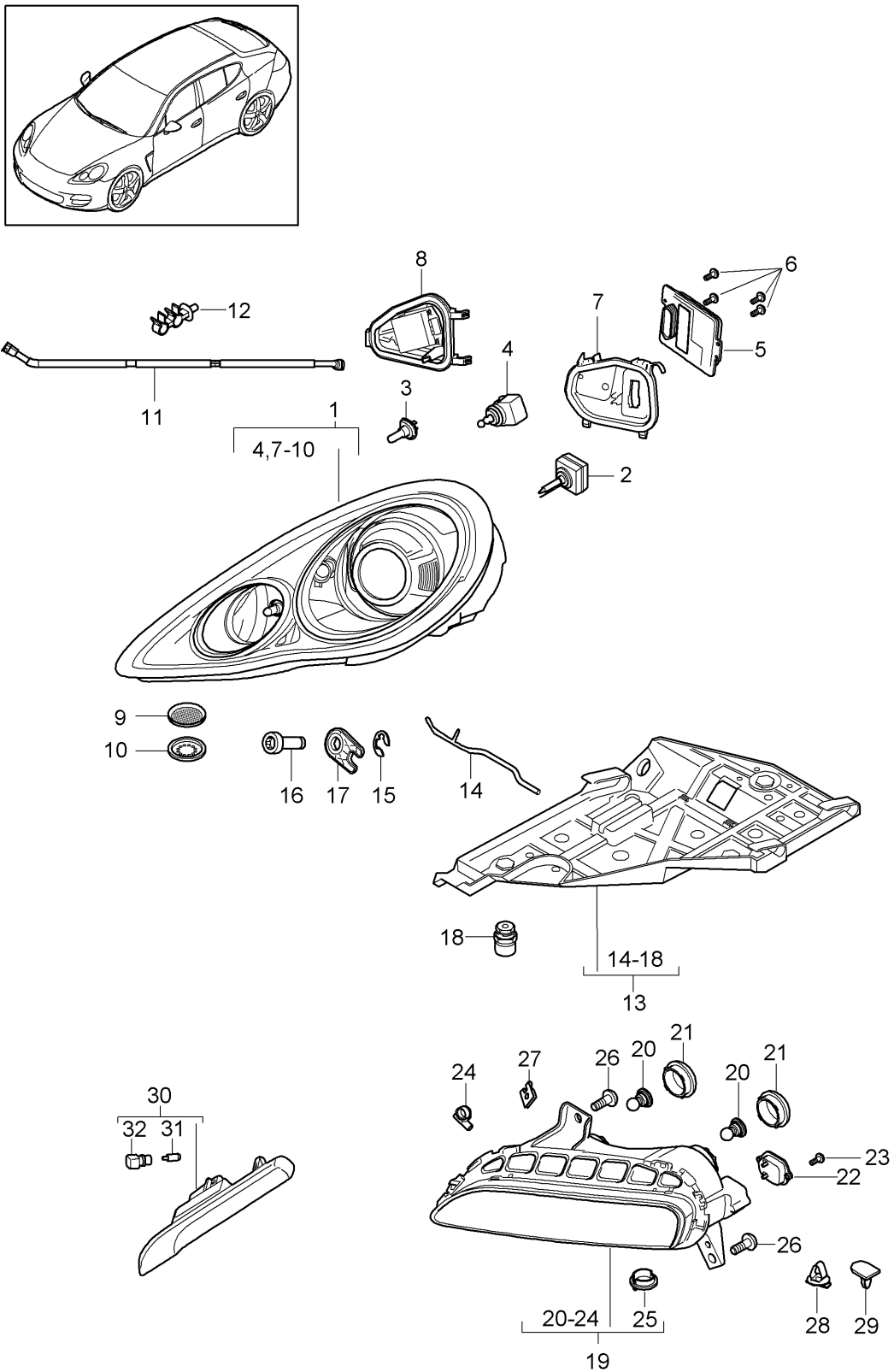
Model: 970 10

Model life 2010>>2016

Pos	Part Number	Description	Remark	Qty	Model
21	997 631 271 00	Turn signal indicator Cover cap		4	
22	997 631 241 00	Turn signal indicator LED module		2	
(22)	970 631 215 01	Position light LED module		2	
		Position light D - MJ 2014>>			
23	997 631 297 00	Screw		8	
24	997 631 247 00	ventilation union		2	
-	970 631 291 00	Diaphragm		2	
25	997 631 267 01	ventilation valve		2	
26	999 073 227 09	panel screw 4,8 X 19		6	
27	999 507 795 09	panel nut 4,8		6	
-		Turn signal repeater			
28	970 631 033 01	Turn signal repeater Discontinued part	left	1	
(28)	970 631 033 02	Turn signal repeater D >> - MJ 2013	left	1	
(28)	970 631 043 01	Turn signal repeater D - MJ 2014>>	left	1	
(28)	970 631 034 01	Turn signal repeater Discontinued part	right	1	
(28)	970 631 034 02	Turn signal repeater D >> - MJ 2013	right	1	
(28)	970 631 044 01	Turn signal repeater D - MJ 2014>>	right	1	
29	999 631 138 90	bulb 5 W yellow		2	
30	970 631 133 00	Bulb holder		2	

Model: 970 10

Model life 2010>>2016



Model: 970 10 Model life 2010>>2016

Pos	Part Number	Description	Remark	Qty	Model
-		Headlights Turn signal repeater Fog lights Headlights without: Control unit and bulb Xenon			
1	970 631 169 02	Headlights	left	1	PR:603
		Discontinued part			
1	970 631 169 04	Headlights	left	1	PR:603
		Discontinued part			"CN."
1	970 631 169 05	Headlights	left	1	PR:603
		D >> - MJ 2013			
(1)	970 631 169 53	Headlights	left	1	PR:603
		D - MJ 2014>>			
		Discontinued part			
(1)	970 631 169 54	Headlights	left	1	PR:603
		D - MJ 2014>>			
(1)	970 631 983 00	Headlights	left	1	PR:603,XEX
(1)	970 631 170 02	Headlights	right	1	PR:603
		Discontinued part			
(1)	970 631 170 04	Headlights	right	1	PR:603
		Discontinued part			"CN."
(1)	970 631 170 05	Headlights	right	1	PR:603
		D >> - MJ 2013			
(1)	970 631 170 53	Headlights	right	1	PR:603
		D - MJ 2014>>			
		Discontinued part			
(1)	970 631 170 54	Headlights	right	1	PR:603
		D - MJ 2014>>			
(1)	970 631 984 00	Headlights	right	1	PR:603,XEX
(1)	970 631 171 02	Headlights	left	1	Turbo
		Discontinued part			PR:604
(1)	970 631 171 04	Headlights	left	1	Turbo
		Discontinued part			PR:604
					"CN."
(1)	970 631 171 05	Headlights	left	1	Turbo
		D >> - MJ 2013			PR:604
(1)	970 631 983 02	Headlights	left	1	Turbo / GTS
					PR:604,XEX
(1)	970 631 172 02	Headlights	right	1	Turbo
		Discontinued part			PR:604
(1)	970 631 172 04	Headlights	right	1	Turbo
		Discontinued part			PR:604
					"CN."
(1)	970 631 172 05	Headlights	right	1	Turbo
		D >> - MJ 2013			PR:604
(1)	970 631 984 02	Headlights	right	1	Turbo / GTS
					PR:604,XEX
(1)	970 631 165 52	Headlights	left	1	PR:620
		Black			
		D - MJ 2014>>			
(1)	970 631 166 52	Headlights	right	1	PR:620
		Black			
		D - MJ 2014>>			
2	N 105 661 01	Gas discharge lamp		2	
		D1S			
-	955 631 199 00	retaining ring for bulb		2	
		D1S			
3	999 631 133 91	Halogen bulb		4	
		H 7			

Model: 970 10 Model life 2010>>2016

Pos	Part Number	Description	Remark	Qty	Model
4	970 631 141 00	Adjusting motor Headlight range control D >> - MJ 2013		2	
(4)	970 631 153 00	Adjusting motor Headlight range control D - MJ 2014>>		2	
5	970 618 143 01	Control unit F >> 97-AL045 686 F >> 97-AL082 884		2	
(5)	970 618 143 02	Control unit F 97-AL045 686>> F 97-AL082 884>> F A7-AL091 399>>		2	
(5)	970 618 143 02	Control unit D - MJ 2011>> - MJ 2013		2	
(5)	7PP 941 597 A	Control unit D - MJ 2014>>		2	PR:603,620
-	7PP 941 329 N	Control unit for LED headlight D - MJ 2014>>		2	PR:603,620
-	7PP 941 329 R	Discontinued part Control unit for LED headlight D - MJ 2014>>		2	PR:603,620
6	970 631 199 00	Screw		6	
7	970 631 105 00	Protective hood D >> - MJ 2013	left	1	
(7)	970 631 111 00	Protective hood D - MJ 2014>>	left	1	
(7)	970 631 106 00	Protective hood D >> - MJ 2013	right	1	
(7)	970 631 112 00	Protective hood D - MJ 2014>>	right	1	
8	970 631 103 00	Cover cap for main beam	left side	1	
(8)	970 631 104 00	Cover cap for main beam	right side	1	
(8)	970 631 107 00	Cap High beam Control unit D >> - MJ 2013	left side	1	
(8)	970 631 107 01	Cap High beam Control unit D - MJ 2014>>	left side	1	
(8)	970 631 108 00	Cap High beam Control unit D >> - MJ 2013	right side	1	
(8)	970 631 108 01	Cap High beam Control unit D - MJ 2014>>	right side	1	
9	955 631 254 00	filter element		2	
10	955 631 255 00	Ventilation component		2	

Model: 970 10 Model life 2010>>2016

Pos	Part Number	Description	Remark	Qty	Model
11	970 631 129 02	Vent hose Included Bracket Position 12	left	1	
(11)	970 631 130 02	Vent hose Included Bracket Position 12	right	1	
12	999 507 168 40	Hose bracket	left	1	
(12)	999 507 167 40	Hose bracket	right	1	
13	970 631 073 02	Mounting for main beam headl. D >> - MJ 2013	left	1	
(13)	970 631 073 50	Mounting for main beam headl. D - MJ 2014>> Discontinued part	left	1	
13	970 631 073 51	Mounting for main beam headl. D - MJ 2014>>	left	1	
(13)	970 631 074 02	Mounting for main beam headl. D >> - MJ 2013	right	1	
(13)	970 631 074 50	Mounting for main beam headl. D - MJ 2014>> Discontinued part	right	1	
(13)	970 631 074 51	Mounting for main beam headl. D - MJ 2014>>	right	1	
15	900 116 004 09	Retaining washer		2	
16	970 631 175 00	Bracket for headlight Pos. 13 verwenden		2	
17	970 631 177 00	Lever Pos. 13 verwenden		2	
18	970 631 194 00	adjuster for headlight adjustment No longer use the part here		6	
-		Additional headlight			
19	970 631 081 02	Additional headlight D >> - MJ 2013 Discontinued part	left	1	S, 4S PR:605
(19)	970 631 081 03	Additional headlight D >> - MJ 2013 Discontinued part	left	1	S, 4S PR:605
(19)	970 631 081 04	Additional headlight D >> - MJ 2013	left	1	S, 4S PR:605
(19)	970 631 087 01	Additional headlight D >> - MJ 2013	left	1	HYBRID DIESEL PR:-XAP
(19)	970 631 087 01	Additional headlight D >> - MJ 2013	left	1	DIESEL
(19)	970 631 082 02	Additional headlight D >> - MJ 2013 Discontinued part	right	1	S, 4S PR:605
(19)	970 631 082 03	Additional headlight D >> - MJ 2013 Discontinued part	right	1	S, 4S PR:605
(19)	970 631 082 04	Additional headlight D >> - MJ 2013	right	1	S, 4S PR:605
(19)	970 631 088 01	Additional headlight D >> - MJ 2013	right	1	HYBRID DIESEL PR:-XAP
(19)	970 631 088 01	Additional headlight D >> - MJ 2013	right	1	DIESEL
(19)	970 631 083 01	Additional headlight	left	1	Turbo GTS

Model: 970 10

Model life 2010>>2016

Pos	Part Number	Description	Remark	Qty	Model
(19)	970 631 083 02	D >> - MJ 2013 Discontinued part Additional headlight	left	1	Turbo GTS
(19)	970 631 083 03	D >> - MJ 2013 Discontinued part Additional headlight	left	1	Turbo GTS
(19)	970 631 084 01	D >> - MJ 2013 Additional headlight	right	1	Turbo GTS
(19)	970 631 084 02	D >> - MJ 2013 Discontinued part Additional headlight	right	1	Turbo GTS
(19)	970 631 084 03	D >> - MJ 2013 Discontinued part Additional headlight	right	1	Turbo GTS
(19)	970 631 081 50	D >> - MJ 2013 Additional headlight	left	1	PR:605,-015
(19)	970 631 081 51	D - MJ 2014>> Discontinued part Additional headlight	left	1	PR:605,-015
(19)	970 631 081 52	D - MJ 2014>> Additional headlight	left	1	PR:605,-015
(19)	970 631 082 50	D - MJ 2014>> Additional headlight	right	1	PR:605,-015
(19)	970 631 082 51	D - MJ 2014>> Discontinued part Additional headlight	right	1	PR:605,-015
(19)	970 631 082 52	D - MJ 2014>> Additional headlight	right	1	PR:605,-015
(19)	970 631 083 51	D - MJ 2014>> Discontinued part Additional headlight	left	1	TURBO
(19)	970 631 083 52	D - MJ 2014>> Additional headlight	left	1	TURBO
(19)	970 631 084 51	D - MJ 2014>> Additional headlight	right	1	TURBO
(19)	970 631 084 52	D - MJ 2014>> Discontinued part Additional headlight	right	1	TURBO
20	999 631 253 91	bulb Turn signal indicator		4	
21	997 631 271 00	Cover cap Turn signal indicator		2 4	Turbo
22	997 631 241 00	LED module Position light		2 2	Turbo S, 4S
(22)	970 631 243 00	D >> - MJ 2013 LED module Position light		2	Turbo
(22)	970 631 215 01	D >> - MJ 2013 LED module Position light	left	2	
(22)	970 631 216 01	D - MJ 2014>> LED module Position light	right	2	

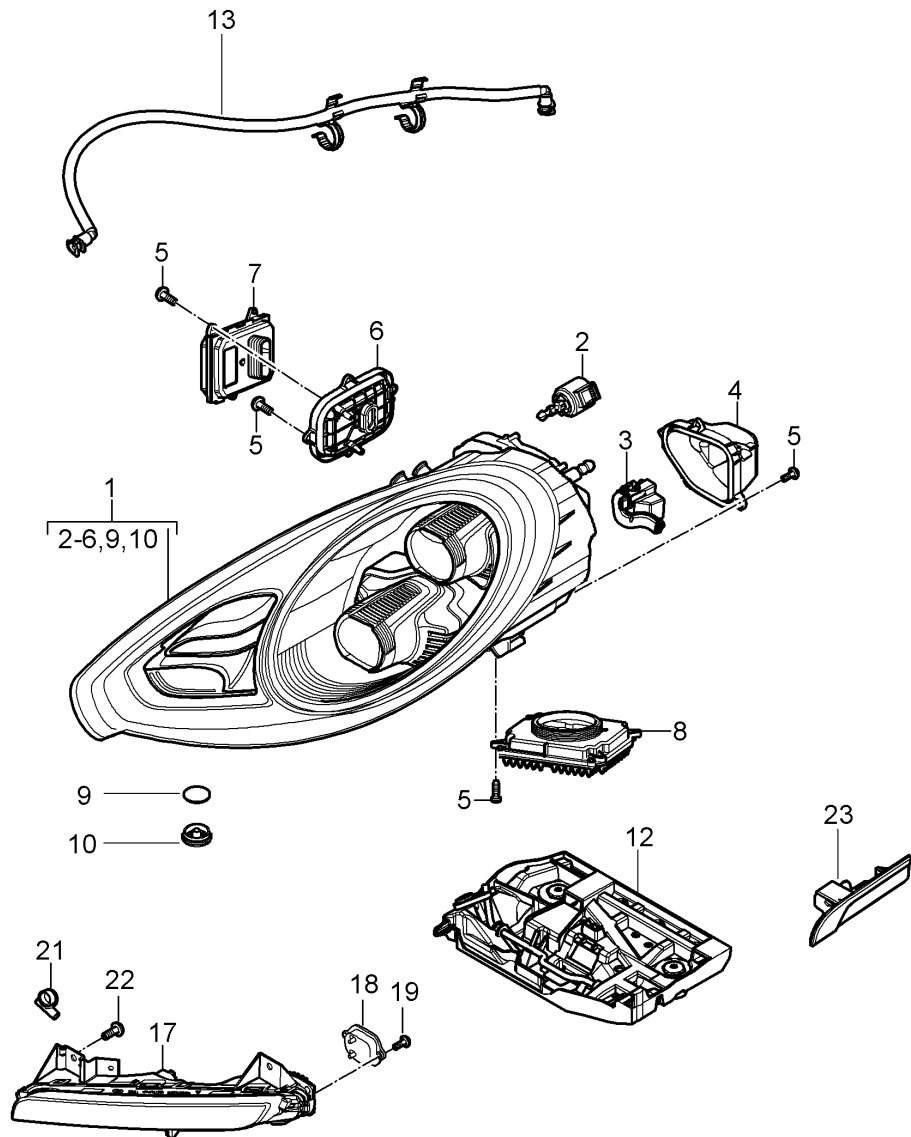
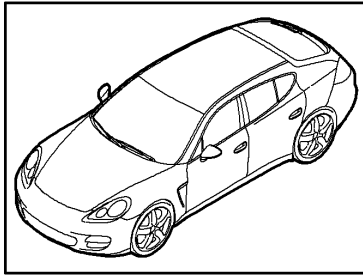
Model: 970 10

Model life 2010>>2016

Pos	Part Number	Description	Remark	Qty	Model
		D - MJ 2014>>			
23	997 631 297 00	Screw		8	
24	997 631 247 00	ventilation union		2	
-	970 631 291 00	Diaphragm		2	S, 4S
25	997 631 267 01	ventilation valve		2	
26	999 073 227 09	panel screw 4,8 X 19		6	
				4	Turbo
27	999 507 795 09	panel nut 4,8		6	
				4	Turbo
28	999 507 143 01	Clip		2	Turbo
29	970 631 213 00	Bungs Additional headlight		2	Turbo
		D >> - MJ 2011			
-		Turn signal repeater			
30	970 631 033 01	Turn signal repeater	left	1	
		D >> - MJ 2013			
		Discontinued part			
(30)	970 631 033 02	Turn signal repeater	left	1	
		D >> - MJ 2013			
(30)	970 631 043 01	Turn signal repeater	left	1	
		D - MJ 2014>>			
(30)	970 631 034 01	Turn signal repeater	right	1	
		D >> - MJ 2013			
		Discontinued part			
(30)	970 631 034 02	Turn signal repeater	right	1	
		D >> - MJ 2013			
(30)	970 631 044 01	Turn signal repeater	right	1	
		D - MJ 2014>>			
31	999 631 138 90	bulb 5 W yellow		2	
32	970 631 133 00	Bulb holder		2	

Model: 970 10

Model life 2010>>2016



Model: 970 10

Model life 2010>>2016

Pos	Part Number	Description	Remark	Qty	Model
-		LED headlight Turn signal repeater Fog lights D - MJ 2014>> LED headlight			
		without:			
1	970 631 171 53	Control unit LED headlight	left	1	PR:602
		Discontinued part			
(1)	970 631 171 54	LED headlight	left	1	PR:602
(1)	970 631 172 53	LED headlight	right	1	PR:602
		Discontinued part			
(1)	970 631 172 54	LED headlight	right	1	PR:602
(1)	970 631 973 02	LED headlight	left	1	PR:XEY
		Discontinued part			
(1)	970 631 973 03	LED headlight	left	1	PR:XEY
(1)	970 631 974 02	LED headlight	right	1	PR:XEY
		Discontinued part			
(1)	970 631 974 03	LED headlight	right	1	PR:XEY
-	7PP 907 357 F	Control unit		1	
		Headlight range control			
-	7PP 907 357 H	D >> - MJ 2014 Control unit		1	
		Headlight range control			
2	970 631 153 00	D - MJ 2015>> Adjusting motor		2	
		Headlight range control			
3	970 631 139 00	Fan	left	2	
		LED headlight			
(3)	970 631 140 00	Fan	right	2	
		LED headlight			
5	970 631 199 50	Screw		X	
		4 X 14			
6	970 631 114 00	Cover cap for main beam	left	2	
			side		
(6)	970 631 115 00	Cover cap for main beam	right	2	
			side		
7	7PP 941 329 P	Control unit for LED headlight		2	
		AFS LEISTUNGSMODUL			
		Discontinued part			
7	7PP 941 329 S	Control unit for LED headlight		2	
		AFS LEISTUNGSMODUL			
8	7PP 941 472 D	Control unit		2	
		LED module			
9	955 631 254 00	filter element		2	
		Ventilation component			
		Headlights			
10	955 631 255 00	Ventilation component		2	
12	970 631 075 51	Support	left	1	
(12)	970 631 076 51	Support	right	1	
13	970 631 129 51	Vent hose	left	1	
		Included			
		Bracket			
		Discontinued part			
13	970 631 129 52	Vent hose	left	1	
		Included			
		Bracket			
(13)	970 631 130 51	Vent hose	right	1	
		Included			
		Bracket			
		Discontinued part			

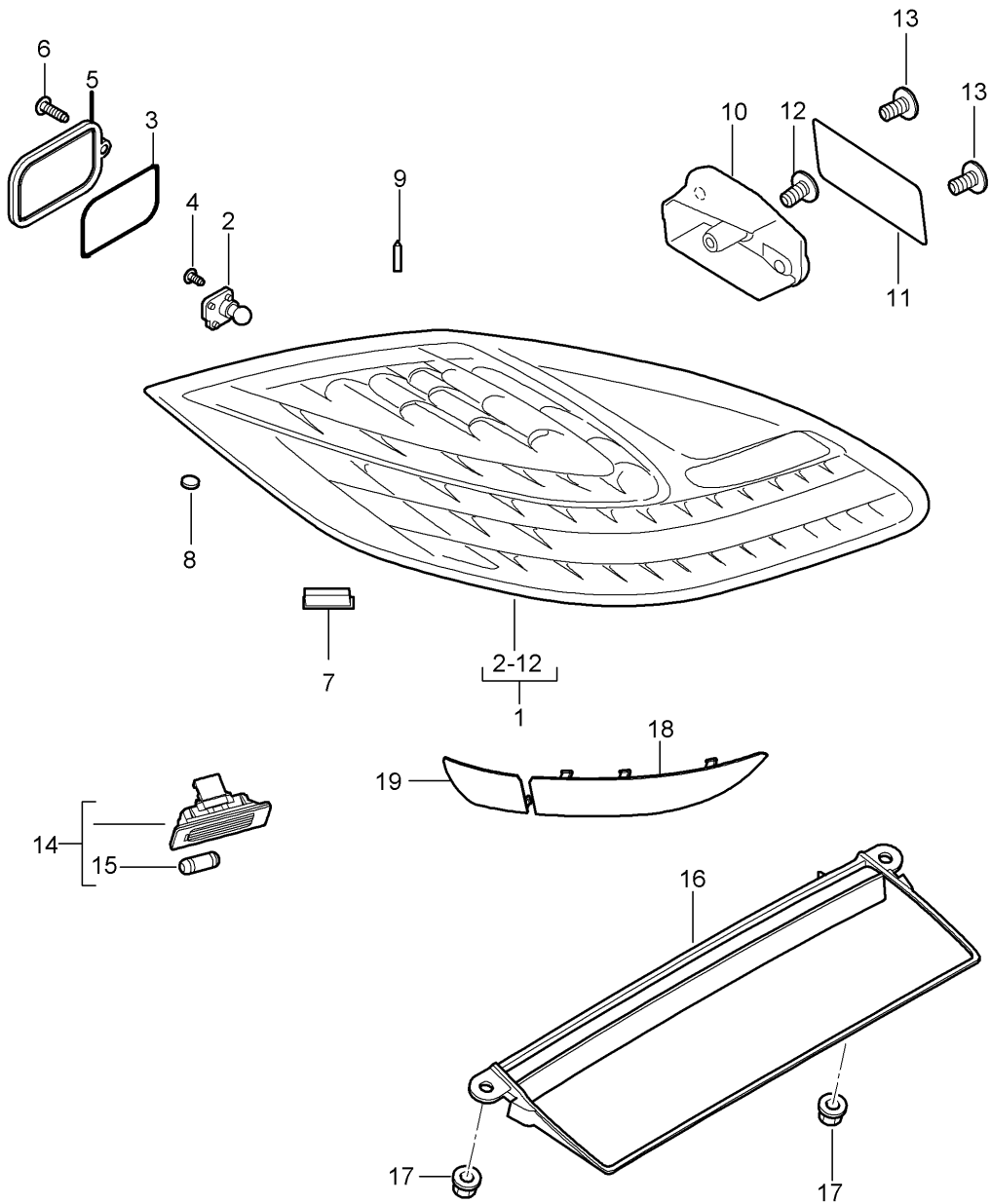
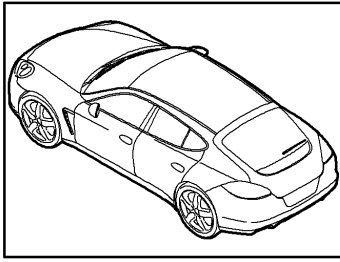
Model: 970 10

Model life 2010>>2016

Pos	Part Number	Description	Remark	Qty	Model
(13)	970 631 130 52	Vent hose Included Bracket	right	1	
-		Additional headlight			
17	970 631 079 51	Additional headlight Discontinued part	left	1	GTS PR:015,605
17	970 631 079 52	Additional headlight	left	1	GTS PR:015,605
(17)	970 631 080 51	Additional headlight Discontinued part	right	1	GTS PR:015,605
(17)	970 631 080 52	Additional headlight	right	1	GTS PR:015,605
(17)	970 631 081 51	Additional headlight Discontinued part	left	1	PR:-015,605
(17)	970 631 081 52	Additional headlight	left	1	PR:-015,605
(17)	970 631 082 51	Additional headlight Discontinued part	right	1	PR:-015,605
(17)	970 631 082 52	Additional headlight	right	1	PR:-015,605
(17)	970 631 083 51	Additional headlight Discontinued part	left	1	TURBO
(17)	970 631 083 52	Additional headlight	left	1	TURBO
(17)	970 631 084 51	Additional headlight Discontinued part	right	1	TURBO
(17)	970 631 084 52	Additional headlight	right	1	TURBO
18	970 631 215 01	LED module Position light No longer use the part here		1	PR:-015
18	970 631 216 01	LED module Position light		2	PR:-015
(18)	970 631 217 00	LED module Position light		2	TURBO GTS PR:015
19	997 631 297 00	Screw		6 4 4	TURBO GTS
21	970 631 267 00	Ventilation component		2	
22	999 919 246 01	fillister hd. bolt 6 X 18		6	
-		Turn signal repeater			
23	970 631 043 01	Turn signal repeater	left	1	
(23)	970 631 044 01	Turn signal repeater	right	1	

Model: 970 10

Model life 2010>>2016



Model: 970 10

Model life 2010>>2016

Pos	Part Number	Description	Remark	Qty	Model
1	970 631 411 02	Rear light Licence plate light Additional brake light Rear light D >> - MJ 2013 Discontinued part	left	1	PR:465
1	970 631 411 03	Rear light D >> - MJ 2013 Discontinued part	left	1	PR:465
1	970 631 411 04	Rear light D >> - MJ 2013	left	1	PR:465
1	970 631 411 02	Rear light D >> - MJ 2013 No longer use the part here	left	1	PR:465 "D..", "I..", "NL.", "F..", "CH."
1	970 631 411 03	Rear light D >> - MJ 2013 No longer use the part here	left	1	PR:465 "D..", "I..", "NL.", "F..", "CH."
1	970 631 411 04	Rear light D >> - MJ 2013	left	1	PR:465 "D..", "I..", "NL.", "F..", "CH."
1	970 631 411 02	Rear light D >> - MJ 2013 No longer use the part here	left	1	PR:465 "RUS", "N..", "B.."
1	970 631 411 03	Rear light D >> - MJ 2013 No longer use the part here	left	1	PR:465 "RUS", "N..", "B.."
1	970 631 411 04	Rear light D >> - MJ 2013	left	1	PR:465 "RUS", "N..", "B.."
(1)	970 631 412 02	Rear light D >> - MJ 2013 Discontinued part	right	1	PR:465
(1)	970 631 412 03	Rear light D >> - MJ 2013 Discontinued part	right	1	PR:465
(1)	970 631 412 04	Rear light D >> - MJ 2013	right	1	PR:465
(1)	970 631 412 02	Rear light D >> - MJ 2013 No longer use the part here	right	1	PR:465 "D..", "I..", "NL.", "F..", "CH."
(1)	970 631 412 03	Rear light D >> - MJ 2013 No longer use the part here	right	1	PR:465 "D..", "I..", "NL.", "F..", "CH."
(1)	970 631 412 04	Rear light D >> - MJ 2013	right	1	PR:465 "D..", "I..", "NL.", "F..", "CH."
(1)	970 631 412 02	Rear light D >> - MJ 2013 No longer use the part here	right	1	PR:465 "RUS", "N..", "B.."
(1)	970 631 412 03	Rear light D >> - MJ 2013 No longer use the part here	right	1	PR:465 "RUS", "N..", "B.."
(1)	970 631 412 04	Rear light D >> - MJ 2013	right	1	PR:465 "RUS", "N..", "B.."
(1)	970 631 413 02	Rear light D >> - MJ 2013	left	1	PR:466 -"J..",

Model: 970 10 Model life 2010>>2016

Pos	Part Number	Description	Remark	Qty	Model
(1)	970 631 413 03	Discontinued part Rear light D >> - MJ 2013	left	1	- "GB." PR:466
(1)	970 631 413 04	Discontinued part Rear light D >> - MJ 2013	left	1	PR:466
1	970 631 413 02	Rear light D >> - MJ 2013 No longer use the part here	left	1	PR:466 "J..", "GB."
(1)	970 631 413 04	Rear light D >> - MJ 2013	left	1	PR:466 "J..", "GB."
(1)	970 631 414 02	Rear light D >> - MJ 2013	right	1	PR:466 -"J..", -"GB."
(1)	970 631 414 03	Discontinued part Rear light D >> - MJ 2013	right	1	PR:466
(1)	970 631 414 04	Discontinued part Rear light D >> - MJ 2013	right	1	PR:466
(1)	970 631 414 02	Rear light D >> - MJ 2013 No longer use the part here	right	1	PR:466 "J..", "GB."
(1)	970 631 414 04	Rear light D >> - MJ 2013	right	1	PR:466 "J..", "GB."
(1)	970 631 431 02	Rear light D - MJ 2014>> Discontinued part	left	1	PR:465,-XXP
(1)	970 631 431 03	Rear light D - MJ 2014>> Discontinued part	left	1	PR:465,-XXP
(1)	970 631 431 04	Rear light D - MJ 2014>>	left	1	PR:465,-XXP
(1)	970 631 432 02	Rear light D - MJ 2014>> Discontinued part	right	1	PR:-466,-XXP
(1)	970 631 432 03	Rear light D - MJ 2014>> Discontinued part	right	1	PR:-466,-XXP
(1)	970 631 432 04	Rear light D - MJ 2014>>	right	1	PR:-466,-XXP
(1)	970 631 433 02	Rear light D - MJ 2014>> Discontinued part	left	1	PR:-465,-XXP
(1)	970 631 433 03	Rear light D - MJ 2014>> Discontinued part	left	1	PR:-465,-XXP
(1)	970 631 433 04	Rear light D - MJ 2014>>	left	1	PR:-465,-XXP
(1)	970 631 434 02	Rear light D - MJ 2014>> Discontinued part	right	1	PR:466,-XXP
(1)	970 631 434 03	Rear light D - MJ 2014>> Discontinued part	right	1	PR:466,-XXP
(1)	970 631 434 04	Rear light D - MJ 2014>>	right	1	PR:466,-XXP
(1)	970 631 991 01	Rear light D - MJ 2014>> Discontinued part	left	1	PR:465,XXP
(1)	970 631 991 02	Rear light D - MJ 2014>> Discontinued part	left	1	PR:465,XXP
(1)	970 631 991 03	Rear light	left	1	PR:465,XXP

Model: 970 10 Model life 2010>>2016

Pos	Part Number	Description	Remark	Qty	Model
(1)	970 631 992 01	D - MJ 2014>> Rear light	right	1	PR:XXP,-466
(1)	970 631 992 02	D - MJ 2014>> Discontinued part Rear light	right	1	PR:XXP,-466
(1)	970 631 992 03	D - MJ 2014>> Discontinued part Rear light	right	1	PR:XXP,-466
(1)	970 631 993 01	D - MJ 2014>> Rear light	left	1	PR:XXP,-465
(1)	970 631 993 02	D - MJ 2014>> Discontinued part Rear light	left	1	PR:XXP,-465
(1)	970 631 993 03	D - MJ 2014>> Discontinued part Rear light	left	1	PR:XXP,-465
(1)	970 631 994 01	D - MJ 2014>> Rear light	right	1	PR:XXP,466
(1)	970 631 994 02	D - MJ 2014>> Discontinued part Rear light	right	1	PR:XXP,466
(1)	970 631 994 03	D - MJ 2014>> Discontinued part Rear light	right	1	PR:XXP,466
2	999 631 250 91	bulb Back-up light		2	
3	970 631 497 00	Seal Cover		2	
4	997 631 598 00	Screw Mount Back-up light		4	
5	970 631 481 00	Cover Rear light		2	
6	997 631 497 00	Screw		2	
7	970 631 585 00	Stop buffer		2	
8	997 631 441 00	Ventilation component		2	
9	970 631 595 00	Stop buffer Small		2	
10	970 631 447 01	Bracket Rear light	left	1	
(10)	970 631 448 01	Bracket Rear light	right	1	
11	970 631 493 00	Seal Bracket		2	
12	999 073 238 01	fillister hd. bolt		2	
13	999 073 295 A2	fillister hd. bolt M 5 X 12		4	
14	7PP 943 021	Licence plate light		2	
(14)	1K8 943 021 C	D >> - MJ 2013 LED licence plate light		2	PR:193,553
(14)	1K8 943 021 C	D - MJ 2014>> LED licence plate light		4	PR:-193,-553
15	900 631 025 90	D - MJ 2014>> bulb 12V 5W		2	
16	970 631 050 02	Additional brake light D >> - MJ 2013		1	
(16)	970 631 050 03	Discontinued part Additional brake light D >> - MJ 2013		1	
		Discontinued part			

also use:

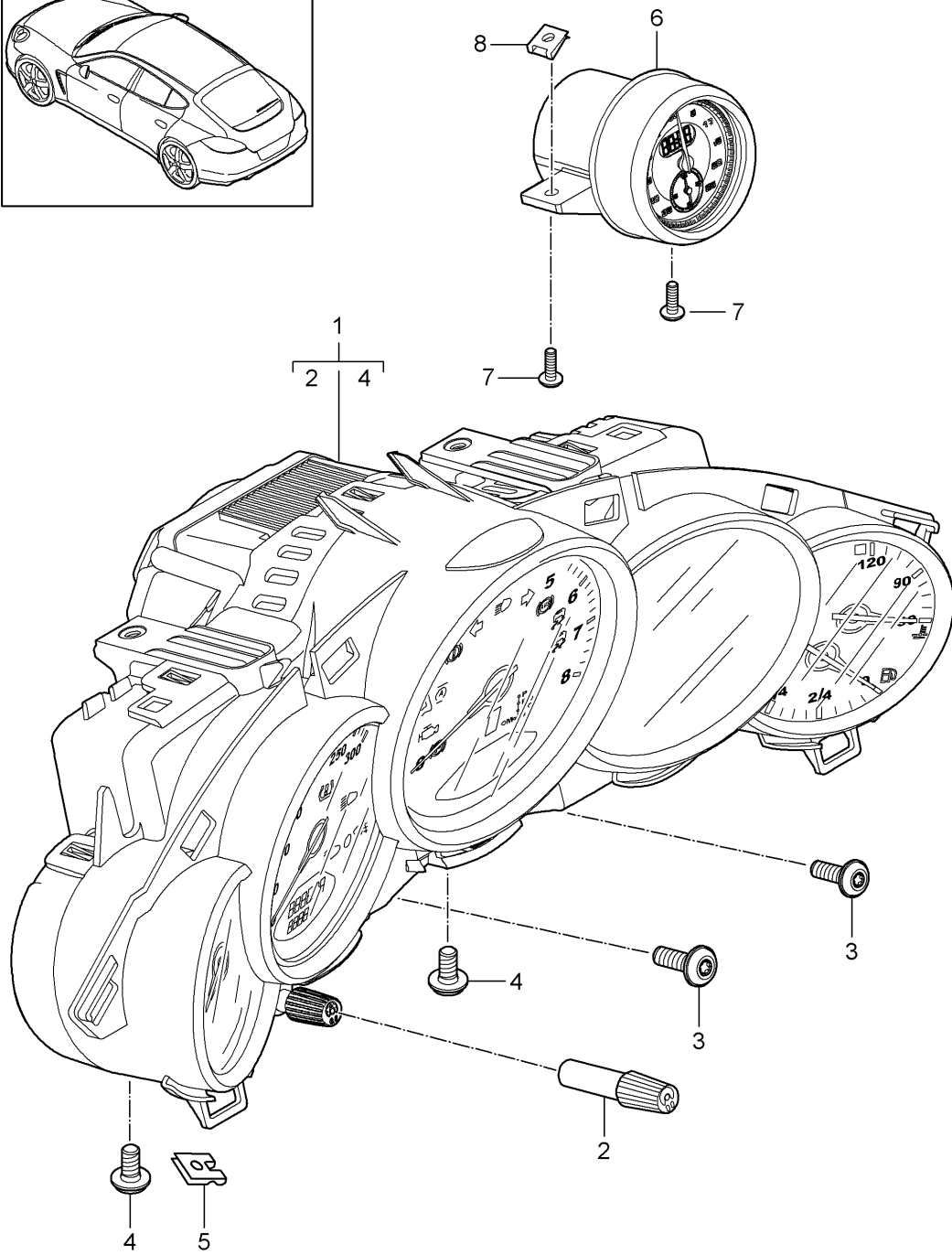
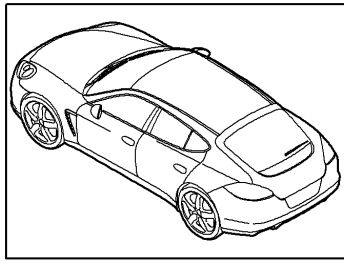
Model: 970 10

Model life 2010>>2016

Pos	Part Number	Description	Remark	Qty	Model
(16)	970 631 050 04	Additional brake light D >> - MJ 2013		1	
(16)	970 631 060 01	Additional brake light D - MJ 2014>>		1	PR:863,865
(16)	970 631 061 01	Additional brake light D - MJ 2014>>		1	PR:864,866
17	900 377 010 01	Hexagon nut Hexagon nut M 6		2 3	
18	970 631 487 01	D - MJ 2014>> rear light reflector	left	1	
(18)	970 631 488 01	D - MJ 2014>> rear light reflector	right	1	
19	970 631 489 01	D - MJ 2014>> Small rear light reflector	left	1	
(19)	970 631 490 01	D - MJ 2014>> Small rear light reflector	right	1	

Model: 970 10

Model life 2010>>2016



Model: 970 10 Model life 2010>>2016

Pos	Part Number	Description	Remark	Qty	Model
1	970 641 103 06	Instruments Stopwatch D >> - MJ 2013 Combi-instrument Manual gearbox (complete)		1	PR:022,480, 696
1	970 641 103 06 A05 970 641 103 08	D >> - MJ 2010 Discontinued part Matt black Combi-instrument Manual gearbox (complete)		1	PR:022,480, 696
(1)	970 641 103 08 A05 970 641 103 06	D >> - MJ 2011 Discontinued part Matt black Combi-instrument Manual gearbox (complete)		1	PR:022,075, 480,665 "CN."
(1)	970 641 103 06 A05 970 641 103 08	D >> - MJ 2010 Discontinued part Matt black Combi-instrument Manual gearbox (complete)		1	PR:022,075, 480,665 "CN."
(1)	970 641 103 08 A05 970 641 103 06	D >> - MJ 2011 Discontinued part Matt black Combi-instrument Manual gearbox (complete)		1	PR:022,075, 480,665 "CN."
(1)	970 641 103 06 A05 970 641 103 08	D >> - MJ 2010 Discontinued part Matt black Combi-instrument Manual gearbox (complete)		1	PR:022,480, 675 "J.."
(1)	970 641 103 06 A05 970 641 103 08	D >> - MJ 2011 Discontinued part Matt black Combi-instrument Manual gearbox (complete)		1	PR:022,480, 675 "J.."
(1)	970 641 103 08 A05 970 641 104 06	D >> - MJ 2010 Discontinued part Matt black Combi-instrument - PDK - (complete)		1	PR:022,250, 696
(1)	970 641 104 06 A05 970 641 104 08	D >> - MJ 2010 Discontinued part Matt black Combi-instrument - PDK - (complete)		1	PR:022,250, 696
(1)	970 641 104 08 A05 970 641 104 06	D >> - MJ 2011 Discontinued part Matt black Combi-instrument - PDK - (complete)		1	PR:022,075, 250,665 "CN."
(1)	970 641 104 06 A05 970 641 104 08	D >> - MJ 2010 Discontinued part Matt black Combi-instrument - PDK - (complete)		1	PR:022,075, 250,665 "CN."
(1)	970 641 104 06 A05 970 641 104 08	D >> - MJ 2011 Discontinued part Matt black Combi-instrument - PDK - (complete)		1	PR:022,075, 250,665 "CN."
(1)	970 641 104 08 A05	D >> - MJ 2011 Discontinued part Matt black		1	PR:022,075, 250,665 "CN."

Model: 970 10 Model life 2010>>2016

Pos	Part Number	Description	Remark	Qty	Model
(1)	970 641 104 06	Combi-instrument - PDK - (complete) D >> - MJ 2010 Discontinued part		1	PR:022,250, 675 "J.."
(1)	970 641 104 06 A05 970 641 104 08	Matt black Combi-instrument - PDK - (complete) D >> - MJ 2011 Discontinued part		1	PR:022,250, 675 "J.."
(1)	970 641 104 08 A05 970 641 107 06	Matt black Combi-instrument Manual gearbox (complete) D >> - MJ 2010 Discontinued part		1	PR:022,061, 480,696 "GB."
(1)	970 641 107 06 A05 970 641 107 08	Matt black Combi-instrument Manual gearbox (complete) D >> - MJ 2011 Discontinued part		1	PR:022,061, 480,696 "GB."
(1)	970 641 107 08 A05 970 641 108 06	Matt black Combi-instrument - PDK - (complete) D >> - MJ 2010 Discontinued part		1	PR:022,061, 250,696 "GB."
(1)	970 641 108 06 A05 970 641 108 08	Matt black Combi-instrument - PDK - (complete) D >> - MJ 2011 Discontinued part		1	PR:022,061, 250,696 "GB."
(1)	970 641 108 08 A05 970 641 113 04	Matt black Combi-instrument Manual gearbox (complete) D >> - MJ 2010 Discontinued part		1	PR:023,480, 696
(1)	970 641 113 04 A05 970 641 113 06	Matt black Combi-instrument Manual gearbox (complete) D >> - MJ 2010 Discontinued part		1	PR:023,480, 696
(1)	970 641 113 06 A05 970 641 113 08	Matt black Combi-instrument Manual gearbox (complete) D >> - MJ 2011 Discontinued part		1	PR:023,480, 696
(1)	970 641 113 08 A05 970 641 113 04	Matt black Combi-instrument Manual gearbox (complete) D >> - MJ 2010 Discontinued part		1	PR:023,075, 480,665 "CN."
(1)	970 641 113 04 A05 970 641 113 06	Matt black Combi-instrument Manual gearbox (complete)		1	PR:023,075, 480,665 "CN."

Model: 970 10 Model life 2010>>2016

Pos	Part Number	Description	Remark	Qty	Model
(1)	970 641 113 06 A05 970 641 113 08	D >> - MJ 2010 Discontinued part Matt black Combi-instrument Manual gearbox (complete)		1	PR:023,075, 480,665 "CN."
(1)	970 641 113 08 A05 970 641 113 04	D >> - MJ 2011 Discontinued part Matt black Combi-instrument Manual gearbox (complete)		1	PR:023,480, 675 "J.."
(1)	970 641 113 04 A05 970 641 113 06	D >> - MJ 2010 Discontinued part Matt black Combi-instrument Manual gearbox (complete)		1	PR:023,480, 675 "J.."
(1)	970 641 113 06 A05 970 641 113 08	D >> - MJ 2010 Discontinued part Matt black Combi-instrument Manual gearbox (complete)		1	PR:023,480, 675 "J.."
(1)	970 641 113 08 A05 970 641 114 04	D >> - MJ 2011 Discontinued part Matt black Combi-instrument - PDK - (complete)		1	PR:023,250, 696
(1)	970 641 114 04 A05 970 641 114 06	D >> - MJ 2010 Discontinued part Matt black Combi-instrument - PDK - (complete)		1	PR:023,250, 696
(1)	970 641 114 06 A05 970 641 114 08	D >> - MJ 2010 Discontinued part Matt black Combi-instrument - PDK - (complete)		1	PR:023,250, 696
(1)	970 641 114 08 A05 970 641 114 04	D >> - MJ 2011 Discontinued part Matt black Combi-instrument - PDK - (complete)		1	PR:023,075, 250,665 "CN."
(1)	970 641 114 04 A05 970 641 114 06	D >> - MJ 2010 Discontinued part Matt black Combi-instrument - PDK - (complete)		1	PR:023,075, 250,665 "CN."
(1)	970 641 114 06 A05 970 641 114 08	D >> - MJ 2010 Discontinued part Matt black Combi-instrument - PDK - (complete)		1	PR:023,075, 250,665 "CN."
	970 641 114 08 A05	D >> - MJ 2011 Discontinued part Matt black			

Model: 970 10 Model life 2010>>2016

Pos	Part Number	Description	Remark	Qty	Model
(1)	970 641 114 04	Combi-instrument - PDK - (complete) D >> - MJ 2010 Discontinued part		1	PR:023,250, 675 "J.."
(1)	970 641 114 04 A05 970 641 114 06	Matt black Combi-instrument - PDK - (complete) D >> - MJ 2010 Discontinued part		1	PR:023,250, 675 "J.."
(1)	970 641 114 06 A05 970 641 114 08	Matt black Combi-instrument - PDK - (complete) D >> - MJ 2011 Discontinued part		1	PR:023,250, 675 "J.."
(1)	970 641 114 08 A05 970 641 117 04	Matt black Combi-instrument Manual gearbox (complete) D >> - MJ 2010 Discontinued part		1	PR:023,061, 480,696 "GB."
(1)	970 641 117 04 A05 970 641 117 06	Matt black Combi-instrument Manual gearbox (complete) D >> - MJ 2010 Discontinued part		1	PR:023,061, 480,696 "GB."
(1)	970 641 117 06 A05 970 641 117 08	Matt black Combi-instrument Manual gearbox (complete) D >> - MJ 2011 Discontinued part		1	PR:023,061, 480,696 "GB."
(1)	970 641 117 08 A05 970 641 118 04	Matt black Combi-instrument - PDK - (complete) D >> - MJ 2010 Discontinued part		1	PR:023,061, 250,696 "GB."
(1)	970 641 118 04 A05 970 641 118 06	Matt black Combi-instrument - PDK - (complete) D >> - MJ 2010 Discontinued part		1	PR:023,061, 250,696 "GB."
(1)	970 641 118 06 A05 970 641 118 08	Matt black Combi-instrument - PDK - (complete) D >> - MJ 2011 Discontinued part		1	PR:023,061, 250,696 "GB."
(1)	970 641 118 08 A05 970 641 143 06	Matt black Combi-instrument Manual gearbox (complete) D >> - MJ 2010 Discontinued part		1	PR:022,480, 665
(1)	970 641 143 06 A05 970 641 143 08	Matt black Combi-instrument Manual gearbox (complete)		1	PR:022,480, 665

Model: 970 10 Model life 2010>>2016

Pos	Part Number	Description	Remark	Qty	Model
(1)	970 641 143 08 A05	D >> - MJ 2011 Discontinued part Matt black			
(1)	970 641 143 09	Combi-instrument Manual gearbox (complete)		1	PR:022,480, 665
(1)	970 641 143 09 A05	D >> - MJ 2012 Matt black			
(1)	970 641 143 10	Combi-instrument Manual gearbox (complete)		1	PR:022,480
(1)	970 641 143 10 A05	D - MJ 2013>> Matt black			
(1)	970 641 144 06	Combi-instrument - PDK - (complete)		1	PR:022,250, 665
(1)	970 641 144 06 A05	D >> - MJ 2010 Discontinued part Matt black			
(1)	970 641 144 08	Combi-instrument - PDK - (complete)		1	PR:022,250, 665
(1)	970 641 144 08 A05	D >> - MJ 2011 Discontinued part Matt black			
(1)	970 641 144 09	Combi-instrument - PDK - (complete)		1	PR:022,250, 665
(1)	970 641 144 09 A05	D >> - MJ 2012 Matt black			
(1)	970 641 144 10	Combi-instrument - PDK - (complete)		1	PR:022,250
(1)	970 641 144 10 A05	D - MJ 2013>> Matt black			
(1)	970 641 147 06	Combi-instrument Manual gearbox (complete)		1	PR:022,061, 480,665 "GB."
(1)	970 641 147 06 A05	D >> - MJ 2010 Discontinued part Matt black			
(1)	970 641 147 08	Combi-instrument Manual gearbox (complete)		1	PR:022,061, 480,665 "GB."
(1)	970 641 147 08 A05	D >> - MJ 2011 Discontinued part Matt black			
(1)	970 641 147 09	Combi-instrument Manual gearbox (complete)		1	PR:022,061, 480,665 "GB."
(1)	970 641 147 09 A05	D >> - MJ 2012 Matt black			
(1)	970 641 147 10	Combi-instrument Manual gearbox (complete)		1	PR:022,061, 480 "GB."
(1)	970 641 147 10 A05	D - MJ 2013>> Matt black			
(1)	970 641 148 06	Combi-instrument - PDK - (complete)		1	PR:022,061, 250,665 "GB."
(1)	970 641 148 06 A05	D >> - MJ 2010 Discontinued part Matt black			

Model: 970 10 Model life 2010>>2016

Pos	Part Number	Description	Remark	Qty	Model
(1)	970 641 148 08	Combi-instrument - PDK - (complete) D >> - MJ 2011 Discontinued part		1	PR:022,061, 250,665 "GB."
(1)	970 641 148 08 A05 970 641 148 09	Matt black Combi-instrument - PDK - (complete) D >> - MJ 2012		1	PR:022,061, 250,665 "GB."
(1)	970 641 148 09 A05 970 641 148 10	Matt black Combi-instrument - PDK - (complete) D - MJ 2013>>		1	PR:022,061, 250 "GB."
(1)	970 641 148 10 A05 970 641 153 04	Matt black Combi-instrument Manual gearbox (complete) D >> - MJ 2010 Discontinued part		1	PR:023,480, 665
(1)	970 641 153 04 A05 970 641 153 06	Matt black Combi-instrument Manual gearbox (complete) D >> - MJ 2010 Discontinued part		1	PR:023,480, 665
(1)	970 641 153 06 A05 970 641 153 08	Matt black Combi-instrument Manual gearbox (complete) D >> - MJ 2011 Discontinued part		1	PR:023,480, 665
(1)	970 641 153 08 A05 970 641 153 09	Matt black Combi-instrument Manual gearbox (complete) D >> - MJ 2012		1	PR:023,480, 665
(1)	970 641 153 09 A05 970 641 153 10	Matt black Combi-instrument Manual gearbox (complete) D - MJ 2013>>		1	PR:023,480
(1)	970 641 153 10 A05 970 641 154 04	Matt black Combi-instrument - PDK - (complete) D >> - MJ 2010 Discontinued part		1	PR:023,250, 665
(1)	970 641 154 04 A05 970 641 154 06	Matt black Combi-instrument - PDK - (complete) D >> - MJ 2010 Discontinued part		1	PR:023,250, 665
(1)	970 641 154 06 A05 970 641 154 08	Matt black Combi-instrument - PDK - (complete) D >> - MJ 2011 Discontinued part		1	PR:023,250, 665
(1)	970 641 154 08 A05 970 641 154 09	Matt black Combi-instrument		1	PR:023,250,

Model: 970 10 Model life 2010>>2016

Pos	Part Number	Description	Remark	Qty	Model
		- PDK - (complete) D >> - MJ 2012			665
(1)	970 641 154 09 A05 970 641 154 10	Matt black Combi-instrument - PDK - (complete) D - MJ 2013>>		1	PR:023,250
(1)	970 641 154 10 A05 970 641 157 04	Matt black Combi-instrument Manual gearbox (complete) D >> - MJ 2010		1	PR:023,061, 480,665 "GB."
(1)	970 641 157 04 A05 970 641 157 06	Discontinued part Matt black Combi-instrument Manual gearbox (complete) D >> - MJ 2010		1	PR:023,061, 480,665 "GB."
(1)	970 641 157 06 A05 970 641 157 08	Discontinued part Matt black Combi-instrument Manual gearbox (complete) D >> - MJ 2011		1	PR:023,061, 480,665 "GB."
(1)	970 641 157 08 A05 970 641 157 09	Discontinued part Matt black Combi-instrument Manual gearbox (complete) D >> - MJ 2012		1	PR:023,061, 480,665 "GB."
(1)	970 641 157 09 A05 970 641 157 10	Discontinued part Matt black Combi-instrument Manual gearbox (complete) D - MJ 2013>>		1	PR:023,061, 480,665 "GB."
(1)	970 641 157 10 A05 970 641 158 04	Matt black Combi-instrument - PDK - (complete) D >> - MJ 2010		1	PR:023,061, 250,665 "GB."
(1)	970 641 158 04 A05 970 641 158 06	Discontinued part Matt black Combi-instrument - PDK - (complete) D >> - MJ 2010		1	PR:023,061, 250,665 "GB."
(1)	970 641 158 06 A05 970 641 158 08	Discontinued part Matt black Combi-instrument - PDK - (complete) D >> - MJ 2011		1	PR:023,061, 250,665 "GB."
(1)	970 641 158 08 A05 970 641 158 09	Discontinued part Matt black Combi-instrument - PDK - (complete) D >> - MJ 2012		1	PR:023,061, 250,665 "GB."
(1)	970 641 158 09 A05 970 641 158 10	Discontinued part Matt black Combi-instrument - PDK - (complete)		1	PR:023,061, 250,665 "GB."

Model: 970 10 Model life 2010>>2016

Pos	Part Number	Description	Remark	Qty	Model
(1)	970 641 158 10 A05 970 641 124 04	D - MJ 2013>> Matt black Combi-instrument - PDK - (complete) D >> - MJ 2010 Discontinued part		1	Turbo PR:021,250, 665
(1)	970 641 124 04 A05 970 641 124 06	Matt black Combi-instrument - PDK - (complete) D >> - MJ 2010 Discontinued part		1	Turbo PR:021,250, 665
(1)	970 641 124 06 A05 970 641 124 08	Matt black Combi-instrument - PDK - (complete) D >> - MJ 2011 Discontinued part		1	Turbo PR:021,250, 665
(1)	970 641 124 08 A05 970 641 124 09	Matt black Combi-instrument - PDK - (complete) D >> - MJ 2012		1	Turbo PR:021,250, 665
(1)	970 641 124 09 A05 970 641 124 10	Matt black Combi-instrument - PDK - (complete) D - MJ 2013>>		1	Turbo PR:021,250, 665
(1)	970 641 124 10 A05 970 641 125 08	Matt black Combi-instrument - PDK - (complete) D >> - MJ 2011 Discontinued part		1	Turbo S PR:016,021, 250,665
(1)	970 641 125 08 A05 970 641 125 09	Matt black Combi-instrument - PDK - (complete) D >> - MJ 2012		1	Turbo S PR:016,021, 250,665
(1)	970 641 125 09 A05 970 641 125 10	Matt black Combi-instrument - PDK - (complete) D - MJ 2013>>		1	Turbo S PR:016,021, 250,665
(1)	970 641 125 10 A05 970 641 124 09	Matt black Combi-instrument - PDK - (complete) D >> - MJ 2012		1	Turbo PR:021,250, 665
(1)	970 641 124 09 A05 970 641 124 10	Matt black Combi-instrument - PDK - (complete) D - MJ 2013>>		1	Turbo PR:021,250, 665
(1)	970 641 124 10 A05 970 641 128 04	Matt black Combi-instrument - PDK - (complete) D >> - MJ 2010 Discontinued part		1	Turbo PR:021,061, 250,665 "GB."
(1)	970 641 128 04 A05 970 641 128 06	Matt black Combi-instrument		1	Turbo

Model: 970 10 Model life 2010>>2016

Pos	Part Number	Description	Remark	Qty	Model
		- PDK - (complete) D >> - MJ 2010 Discontinued part			PR:021,061, 250,665 "GB."
(1)	970 641 128 06 A05	Matt black		1	Turbo
	970 641 128 08	Combi-instrument - PDK - (complete) D >> - MJ 2011 Discontinued part		1	PR:021,061, 250,665 "GB."
(1)	970 641 128 08 A05	Matt black		1	Turbo
	970 641 128 09	Combi-instrument - PDK - (complete) D >> - MJ 2012		1	PR:021,061, 250,665 "GB."
(1)	970 641 128 09 A05	Matt black		1	Turbo
	970 641 128 10	Combi-instrument - PDK - (complete) D - MJ 2013>>		1	PR:021,061, 250,665 "GB."
(1)	970 641 128 10 A05	Matt black		1	Turbo S
	970 641 129 08	Combi-instrument - PDK - (complete) D >> - MJ 2011		1	PR:016,021, 061,250,665 "GB."
(1)	970 641 129 08 A05	Matt black		1	Turbo S
	970 641 129 09	Combi-instrument - PDK - (complete) D >> - MJ 2012		1	PR:016,021, 061,250,665 "GB."
(1)	970 641 129 09 A05	Matt black		1	Turbo S
	970 641 129 10	Combi-instrument - PDK - (complete) D - MJ 2013>>		1	PR:016,021, 061,250,665 "GB."
(1)	970 641 129 10 A05	Matt black		1	Turbo
	970 641 174 04	Combi-instrument - PDK - (complete) D >> - MJ 2010 Discontinued part		1	PR:021,075, 250,665 "CN."
(1)	970 641 174 04 A05	Matt black		1	Turbo
	970 641 174 06	Combi-instrument - PDK - (complete) D >> - MJ 2010 Discontinued part		1	PR:021,075, 250,665 "CN."
(1)	970 641 174 06 A05	Matt black		1	Turbo
	970 641 174 08	Combi-instrument - PDK - (complete) D >> - MJ 2011 Discontinued part		1	PR:021,075, 250,665 "CN."
(1)	970 641 174 08 A05	Matt black		1	Turbo
	970 641 174 04	Combi-instrument - PDK - (complete) D >> - MJ 2010 Discontinued part		1	PR:021,250, 675 "J.."
(1)	970 641 174 04 A05	Matt black		1	Turbo
	970 641 174 06	Combi-instrument - PDK - (complete)		1	PR:021,250, 675

Model: 970 10 Model life 2010>>2016

Pos	Part Number	Description	Remark	Qty	Model
		D >> - MJ 2010 Discontinued part			"J.."
(1)	970 641 174 06 A05	Matt black			
	970 641 174 08	Combi-instrument - PDK - (complete)		1	Turbo PR:021,250, 675
		D >> - MJ 2011 Discontinued part			"J.."
(1)	970 641 174 08 A05	Matt black			
	970 641 175 08	Combi-instrument - PDK - (complete)		1	Turbo S PR:016,021, 075,250,665
		D >> - MJ 2011 Discontinued part			"CN."
(1)	970 641 175 08 A05	Matt black			
	970 641 175 08	Combi-instrument - PDK - (complete)		1	Turbo S PR:016,021, 250,665
		D >> - MJ 2011 Discontinued part			"J.."
(1)	970 641 175 08 A05	Matt black			
	970 641 134 08	Combi-instrument Automatic transmission (complete)		1	HYBRID PR:022,061, 250,665
		D >> - MJ 2011 Discontinued part			
(1)	970 641 134 08 A05	Matt black			
	970 641 134 08	Combi-instrument Automatic transmission (complete)		1	HYBRID PR:023,075, 249,665
		D >> - MJ 2011 Discontinued part			"CN."
(1)	970 641 134 08 A05	Matt black			
	970 641 134 08	Combi-instrument Automatic transmission (complete)		1	HYBRID PR:023,249, 675
		D >> - MJ 2011 Discontinued part			"J.."
(1)	970 641 134 08 A05	Matt black			
	970 641 138 08	Combi-instrument Automatic transmission (complete)		1	HYBRID PR:023,061, 249,696
		D >> - MJ 2011 Discontinued part			"GB."
(1)	970 641 138 08 A05	Matt black			
	970 641 164 08	Combi-instrument Automatic transmission (complete)		1	HYBRID PR:023,249, 665
		D >> - MJ 2011 Discontinued part			
(1)	970 641 164 08 A05	Matt black			
	970 641 164 09	Combi-instrument Automatic transmission (complete)		1	HYBRID PR:023,249, 665
		D >> - MJ 2012 Discontinued part			
(1)	970 641 164 09 A05	Matt black			
	970 641 164 10	Combi-instrument Automatic transmission (complete)		1	HYBRID PR:023,249, 665
		D - MJ 2013>> Discontinued part			
(1)	970 641 164 10 A05	Matt black			
	970 641 168 08	Combi-instrument Automatic transmission		1	HYBRID PR:023,061,

Model: 970 10 Model life 2010>>2016

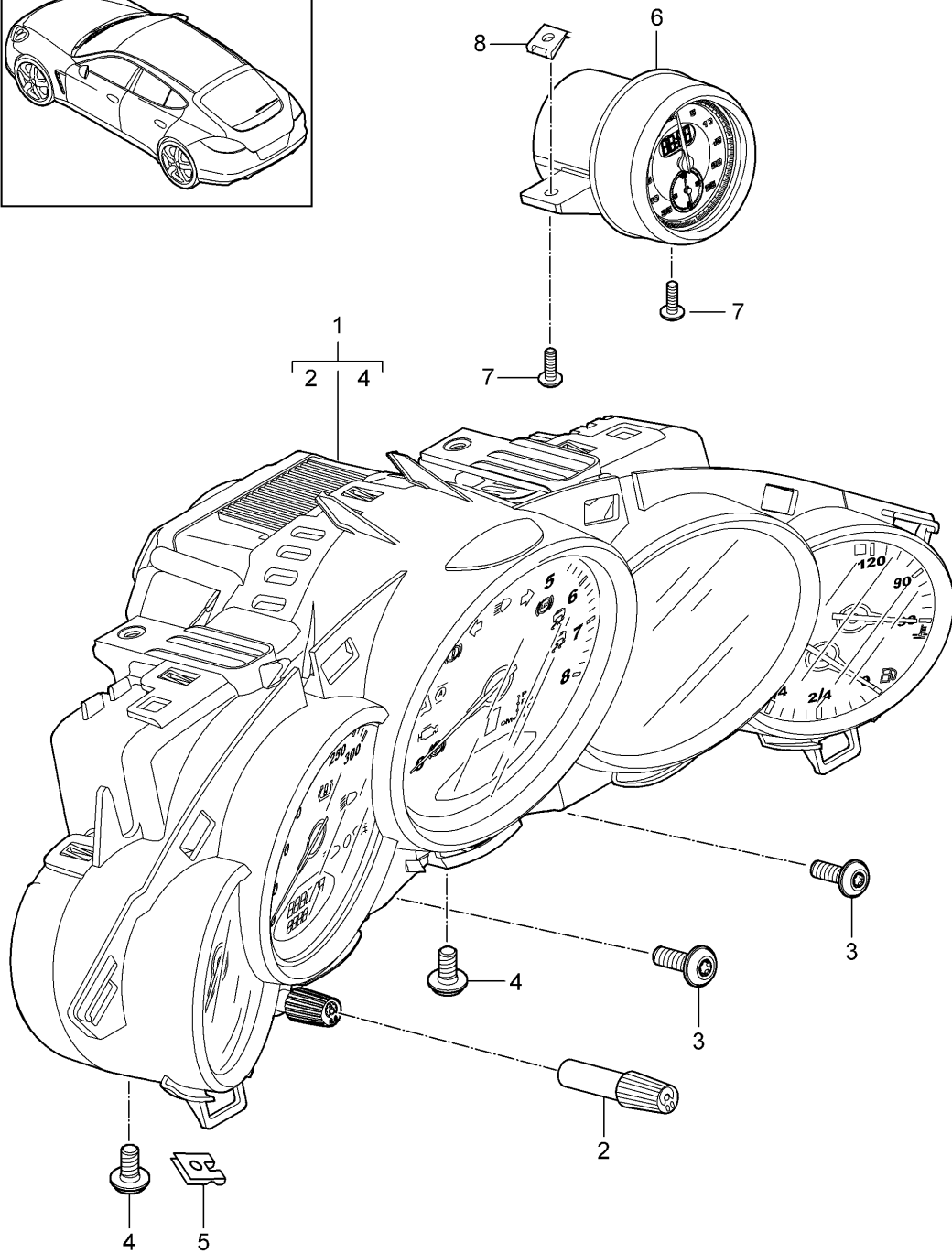
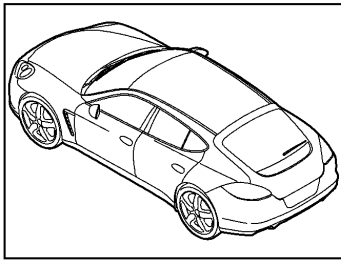
Pos	Part Number	Description	Remark	Qty	Model
		(complete) D >> - MJ 2011 Discontinued part			249,665 "GB."
(1)	970 641 168 08 A05	Matt black			
	970 641 168 09	Combi-instrument Automatic transmission (complete) D >> - MJ 2012		1	HYBRID PR:023,061, 249,665 "GB."
(1)	970 641 168 09 A05	Matt black			
	970 641 168 10	Combi-instrument Automatic transmission (complete) D - MJ 2013>>		1	HYBRID PR:023,061, 249,665 "GB."
(1)	970 641 168 10 A05	Matt black			
	970 641 184 08	Combi-instrument Automatic transmission (complete) D >> - MJ 2011 Discontinued part		1	DIESEL PR:022,075, 249,665 "CN."
(1)	970 641 184 08 A05	Matt black			
	970 641 184 08	Combi-instrument Automatic transmission (complete) D >> - MJ 2011 Discontinued part		1	DIESEL PR:022,249, 675 "J.."
(1)	970 641 184 08 A05	Matt black			
	970 641 184 08	Combi-instrument Automatic transmission (complete) D >> - MJ 2011 Discontinued part		1	DIESEL PR:022,249, 696 "GB."
(1)	970 641 184 08 A05	Matt black			
	970 641 188 08	Combi-instrument Automatic transmission (complete) D >> - MJ 2011 Discontinued part		1	DIESEL PR:022,061, 249,696 "GB."
(1)	970 641 188 08 A05	Matt black			
	970 641 194 08	Combi-instrument Automatic transmission (complete) D >> - MJ 2011 Discontinued part		1	DIESEL PR:022,249, 665 "GB."
(1)	970 641 194 08 A05	Matt black			
	970 641 194 09	Combi-instrument Automatic transmission (complete) D >> - MJ 2012		1	DIESEL PR:022,249, 665 "GB."
(1)	970 641 194 09 A05	Matt black			
	970 641 194 10	Combi-instrument Automatic transmission (complete) D - MJ 2013>>		1	DIESEL PR:022,249, 665 "GB."
(1)	970 641 194 10 A05	Matt black			
	970 641 198 08	Combi-instrument Automatic transmission (complete) D >> - MJ 2011 Discontinued part		1	DIESEL PR:022,061, 249,665 "GB."
(1)	970 641 198 08 A05	Matt black			
	970 641 198 09	Combi-instrument Automatic transmission (complete)		1	DIESEL PR:022,061, 249,665

Model: 970 10 Model life 2010>>2016

Pos	Part Number	Description	Remark	Qty	Model
		D >> - MJ 2012			"GB."
(1)	970 641 198 09 A05 970 641 198 10	Matt black Combi-instrument Automatic transmission (complete) D - MJ 2013>>		1	DIESEL PR:022,061, 249,665 "GB."
(1)	970 641 198 10 A05 970 641 195 09	Matt black Combi-instrument Automatic transmission (complete)		1	GTS PR:015,023, 250,665
(1)	970 641 195 09 A05 970 641 195 10	Matt black F >> 97-DL070 019 Combi-instrument Automatic transmission (complete)		1	GTS PR:015,023, 250,665
(1)	970 641 195 10 A05 970 641 199 09	Matt black F 97-DL070 020>> Combi-instrument Automatic transmission (complete)		1	GTS PR:015,023, 061,250,665 "GB."
(1)	970 641 199 09 A05 970 641 199 10	Matt black F >> 97-DL070 019 Combi-instrument Automatic transmission (complete)		1	GTS PR:015,023, 061,250,665 "GB."
2	7PP 919 069	Matt black F 97-DL070 020>> knob		1	
3	999 073 498 01	fillister hd. bolt		2	
4	900 385 152 01	Outer hexagon round screw M 5 X 22		2	
5	999 507 556 01	panel nut M 5		4	
-		Stopwatch			
6	970 641 301 02	Stopwatch		1	PR:025
(6)	970 641 301 02 DAP 970 641 301 03	D >> - MJ 2011 Discontinued part Matt Black/Galvano Silver Stopwatch		1	PR:025
(6)	970 641 301 03 DAP 970 641 301 04	D >> - MJ 2011 Discontinued part Matt Black/Galvano Silver Stopwatch		1	PR:025
(6)	970 641 301 04 DAP 970 641 301 08	D - MJ 2012>> - MJ 2012 Discontinued part Matt Black/Galvano Silver Stopwatch		1	PR:025
7	970 641 301 08 DAP 999 073 499 01	D - MJ 2013>> - MJ 2013 Matt Black/Galvano Silver fillister hd. bolt		2	PR:639,640
8	999 507 556 01	M 5 X 14 - TC panel nut M 5		2	PR:639,640

Model: 970 10

Model life 2010>>2016



Model: 970 10 Model life 2010>>2016

Pos	Part Number	Description	Remark	Qty	Model
-		Instruments			
		Stopwatch			
		D - MJ 2014>>			
(1)	970 641 144 54	Combi-instrument		1	
		Combi-instrument		1	PR:022,250,
		- PDK -			-IY2
		(complete)			
		D >> - MJ 2014			
(1)	970 641 144 54 A05	Matt black			
(1)	970 641 144 55	Combi-instrument		1	PR:022,250,
		- PDK -			IY2
		(complete)			
		D >> - MJ 2014			
(1)	970 641 144 55 A05	Matt black			
(1)	970 641 144 56	Combi-instrument		1	PR:022,250
		- PDK -			
		(complete)			
		D - MJ 2015>>			
		Discontinued part			
		Matt black			
(1)	970 641 144 56 A05	Combi-instrument		1	PR:022,250,
	970 641 144 57	- PDK -			IY2
		(complete)			
		D - MJ 2015>>			
(1)	970 641 144 57 A05	Matt black			
(1)	970 641 148 54	Combi-instrument		1	PR:022,061,
		- PDK -			250,-IY2
		(complete)			"GB."
		D >> - MJ 2014			
(1)	970 641 148 54 A05	Matt black			
(1)	970 641 148 55	Combi-instrument		1	PR:022,061,
		- PDK -			250,IY2
		(complete)			"GB."
		D >> - MJ 2014			
(1)	970 641 148 55 A05	Matt black			
(1)	970 641 148 56	Combi-instrument		1	PR:022,061,
		- PDK -			250
		(complete)			"GB."
		D - MJ 2015>>			
		Discontinued part			
		Matt black			
(1)	970 641 148 56 A05	Combi-instrument		1	PR:022,061,
	970 641 148 57	- PDK -			250,IY2
		(complete)			"GB."
		D - MJ 2015>>			
(1)	970 641 148 57 A05	Matt black			
(1)	970 641 154 54	Combi-instrument		1	PR:023,250,
		- PDK -			-IY2
		(complete)			
		D >> - MJ 2014			
(1)	970 641 154 54 A05	Matt black			
(1)	970 641 154 55	Combi-instrument		1	PR:023,250,
		- PDK -			IY2
		(complete)			
		D >> - MJ 2014			
(1)	970 641 154 55 A05	Matt black			
(1)	970 641 154 56	Combi-instrument		1	PR:023,250
		- PDK -			
		(complete)			
		D - MJ 2015>>			
		Discontinued part			
		Matt black			
(1)	970 641 154 56 A05	Combi-instrument		1	PR:023,250,
	970 641 154 57	- PDK -			

Model: 970 10 Model life 2010>>2016

Pos	Part Number	Description	Remark	Qty	Model
		- PDK - (complete) D - MJ 2015>> Matt black			IY2
(1)	970 641 154 57 A05 970 641 158 54	Combi-instrument - PDK - (complete) D >> - MJ 2014		1	PR:023,061, 250,-IY2 "GB."
(1)	970 641 158 54 A05 970 641 158 55	Matt black Combi-instrument - PDK - (complete) D >> - MJ 2014		1	PR:023,061, 250,IY2 "GB."
(1)	970 641 158 55 A05 970 641 158 56	Matt black Combi-instrument - PDK - (complete) D - MJ 2015>> Discontinued part		1	PR:023,061, 250 "GB."
(1)	970 641 158 56 A05 970 641 158 57	Matt black Combi-instrument - PDK - (complete) D - MJ 2015>>		1	PR:023,061, 250,IY2 "GB."
(1)	970 641 158 57 A05 970 641 124 54	Matt black Combi-instrument - PDK - (complete) D >> - MJ 2014		1	TURBO PR:021,250, -IY2
(1)	970 641 124 54 A05 970 641 124 55	Matt black Combi-instrument - PDK - (complete) D >> - MJ 2014		1	TURBO PR:021,250, IY2
(1)	970 641 124 55 A05 970 641 124 56	Matt black Combi-instrument - PDK - (complete) D - MJ 2015>> Discontinued part		1	TURBO PR:021,250
(1)	970 641 124 56 A05 970 641 124 57	Matt black Combi-instrument - PDK - (complete) D - MJ 2015>>		1	TURBO PR:021,250, IY2
(1)	970 641 124 57 A05 970 641 128 54	Matt black Combi-instrument - PDK - (complete) D >> - MJ 2014		1	TURBO PR:021,061, 250,-IY2 "GB."
(1)	970 641 128 54 A05 970 641 128 55	Matt black Combi-instrument - PDK - (complete) D >> - MJ 2014		1	TURBO PR:021,061, 250,IY2 "GB."
(1)	970 641 128 55 A05 970 641 128 56	Matt black Combi-instrument - PDK - (complete) D - MJ 2015>> Discontinued part		1	TURBO PR:021,061, 250 "GB."
(1)	970 641 128 56 A05 970 641 128 57	Matt black Combi-instrument		1	TURBO

Model: 970 10 Model life 2010>>2016

Pos	Part Number	Description	Remark	Qty	Model
(1)	970 641 128 57 A05	- PDK - (complete) D - MJ 2015>> Matt black		1	PR:021,061, 250,IY2 "GB."
(1)	970 641 125 54	Combi-instrument - PDK - (complete) D >> - MJ 2014		1	TURBO S PR:016,021, 250,-IY2
(1)	970 641 125 54 A05	Matt black		1	TURBO S
(1)	970 641 125 55	Combi-instrument - PDK - (complete) D >> - MJ 2014		1	PR:016,021, 250,IY2
(1)	970 641 125 55 A05	Matt black		1	TURBO S
(1)	970 641 125 56	Combi-instrument - PDK - (complete) D - MJ 2015>> Discontinued part		1	PR:016,021, 250
(1)	970 641 125 56 A05	Matt black		1	TURBO S
(1)	970 641 125 57	Combi-instrument - PDK - (complete) D - MJ 2015>>		1	PR:016,021, 250,IY2
(1)	970 641 125 57 A05	Matt black		1	TURBO S
(1)	970 641 129 54	Combi-instrument - PDK - (complete) D >> - MJ 2014		1	PR:016,021, 061,250,-IY2 "GB."
(1)	970 641 129 54 A05	Matt black		1	TURBO S
(1)	970 641 129 55	Combi-instrument - PDK - (complete) D >> - MJ 2014		1	PR:016,021, 061,250,IY2 "GB."
(1)	970 641 129 55 A05	Matt black		1	TURBO S
(1)	970 641 129 56	Combi-instrument - PDK - (complete) D - MJ 2015>> Discontinued part		1	PR:016,021, 061,250 "GB."
(1)	970 641 129 56 A05	Matt black		1	TURBO S
(1)	970 641 129 57	Combi-instrument - PDK - (complete) D - MJ 2015>>		1	PR:016,021, 061,250,IY2 "GB."
(1)	970 641 129 57 A05	Matt black		1	TURBO S
(1)	970 641 164 54	Combi-instrument Tiptronic (complete) D >> - MJ 2014		1	PR:023,249, -IY2
(1)	970 641 164 54 A05	Matt black		1	PR:023,249, IY2
(1)	970 641 164 55	Combi-instrument Tiptronic (complete) D >> - MJ 2014		1	PR:023,249, IY2
(1)	970 641 164 55 A05	Matt black		1	PR:023,249
(1)	970 641 164 56	Combi-instrument Tiptronic (complete) D - MJ 2015>> Discontinued part		1	PR:023,249
(1)	970 641 164 56 A05	Matt black		1	PR:023,249,
(1)	970 641 164 57	Combi-instrument		1	PR:023,249,

Model: 970 10 Model life 2010>>2016

Pos	Part Number	Description	Remark	Qty	Model
		Tiptronic (complete) D - MJ 2015>>			IY2
(1)	970 641 164 57 A05 970 641 168 54	Matt black Combi-instrument Tiptronic (complete) D >> - MJ 2014		1	PR:023,061, 249,-IY2 "GB."
(1)	970 641 168 54 A05 970 641 168 55	Matt black Combi-instrument Tiptronic (complete) D >> - MJ 2014		1	PR:023,061, 249,IY2 "GB."
(1)	970 641 168 55 A05 970 641 168 56	Matt black Combi-instrument Tiptronic (complete) D - MJ 2015>> Discontinued part		1	PR:023,061, 249 "GB."
(1)	970 641 168 56 A05 970 641 168 57	Matt black Combi-instrument Tiptronic (complete) D - MJ 2015>>		1	PR:023,061, 249,IY2 "GB."
(1)	970 641 168 57 A05 970 641 194 54	Matt black Combi-instrument Tiptronic (complete) D >> - MJ 2014		1	DIESEL PR:022,249, -IY2
(1)	970 641 194 54 A05 970 641 194 55	Matt black Combi-instrument Tiptronic (complete) D >> - MJ 2014		1	DIESEL PR:022,249, IY2
(1)	970 641 194 55 A05 970 641 194 56	Matt black Combi-instrument Tiptronic (complete) D - MJ 2015>> Discontinued part		1	DIESEL PR:022,249
(1)	970 641 194 56 A05 970 641 194 57	Matt black Combi-instrument Tiptronic (complete) D - MJ 2015>>		1	DIESEL PR:022,249, IY2
(1)	970 641 194 57 A05 970 641 198 54	Matt black Combi-instrument Tiptronic (complete) D >> - MJ 2014		1	DIESEL PR:022,061, 249,-IY2 "GB."
(1)	970 641 198 54 A05 970 641 198 55	Matt black Combi-instrument Tiptronic (complete) D >> - MJ 2014		1	DIESEL PR:022,061, 249,IY2 "GB."
(1)	970 641 198 55 A05 970 641 198 56	Matt black Combi-instrument Tiptronic (complete) D - MJ 2015>> Discontinued part		1	DIESEL PR:022,061, 249 "GB."
(1)	970 641 198 56 A05 970 641 198 57	Matt black Combi-instrument		1	DIESEL

Model: 970 10 Model life 2010>>2016

Pos	Part Number	Description	Remark	Qty	Model
(1)	970 641 198 57 A05 970 641 195 54	Tiptronic (complete) D - MJ 2015>> Matt black Combi-instrument - PDK - (complete) D >> - MJ 2014		1	PR:022,061, 249,IY2 "GB." GTS PR:015,023, 250,-IY2
(1)	970 641 195 54 A05 970 641 195 55	Matt black Combi-instrument - PDK - (complete) D >> - MJ 2014		1	GTS PR:015,023, 250,IY2
(1)	970 641 195 55 A05 970 641 195 56	Matt black Combi-instrument - PDK - (complete) D - MJ 2015>> Discontinued part		1	GTS PR:015,023, 250
(1)	970 641 195 56 A05 970 641 195 57	Matt black Combi-instrument - PDK - (complete) D - MJ 2015>>		1	GTS PR:015,023, 250,IY2
(1)	970 641 195 57 A05 970 641 199 54	Matt black Combi-instrument - PDK - (complete) D >> - MJ 2014		1	GTS PR:015,023, 061,250,-IY2 "GB."
(1)	970 641 199 54 A05 970 641 199 55	Matt black Combi-instrument - PDK - (complete) D >> - MJ 2014		1	GTS PR:015,023, 061,250,IY2 "GB."
(1)	970 641 199 55 A05 970 641 199 56	Matt black Combi-instrument - PDK - (complete) D - MJ 2015>> Discontinued part		1	GTS PR:015,023, 061,250 "GB."
(1)	970 641 199 56 A05 970 641 199 57	Matt black Combi-instrument - PDK - (complete) D - MJ 2015>>		1	GTS PR:015,023, 061,250,IY2 "GB."
2	970 641 199 57 A05 7PP 919 069	Matt black knob throttle control element		1	
3	999 073 498 01	fillister hd. bolt M 5 X 20		2	
4	900 385 152 01	Outer hexagon round screw M 5 X 22		2	
5	999 507 556 01	panel nut M 5		4	
-		Stopwatch			
6	970 641 301 08	Stopwatch Discontinued part		1	PR:025
(6)	970 641 301 08 DAP 970 641 301 09	Matt Black/Galvano Silver Stopwatch Pointer red		1	PR:025
(6)	970 641 301 09 DAP 970 641 301 10	Matt Black/Galvano Silver Stopwatch		1	PR:025,639,

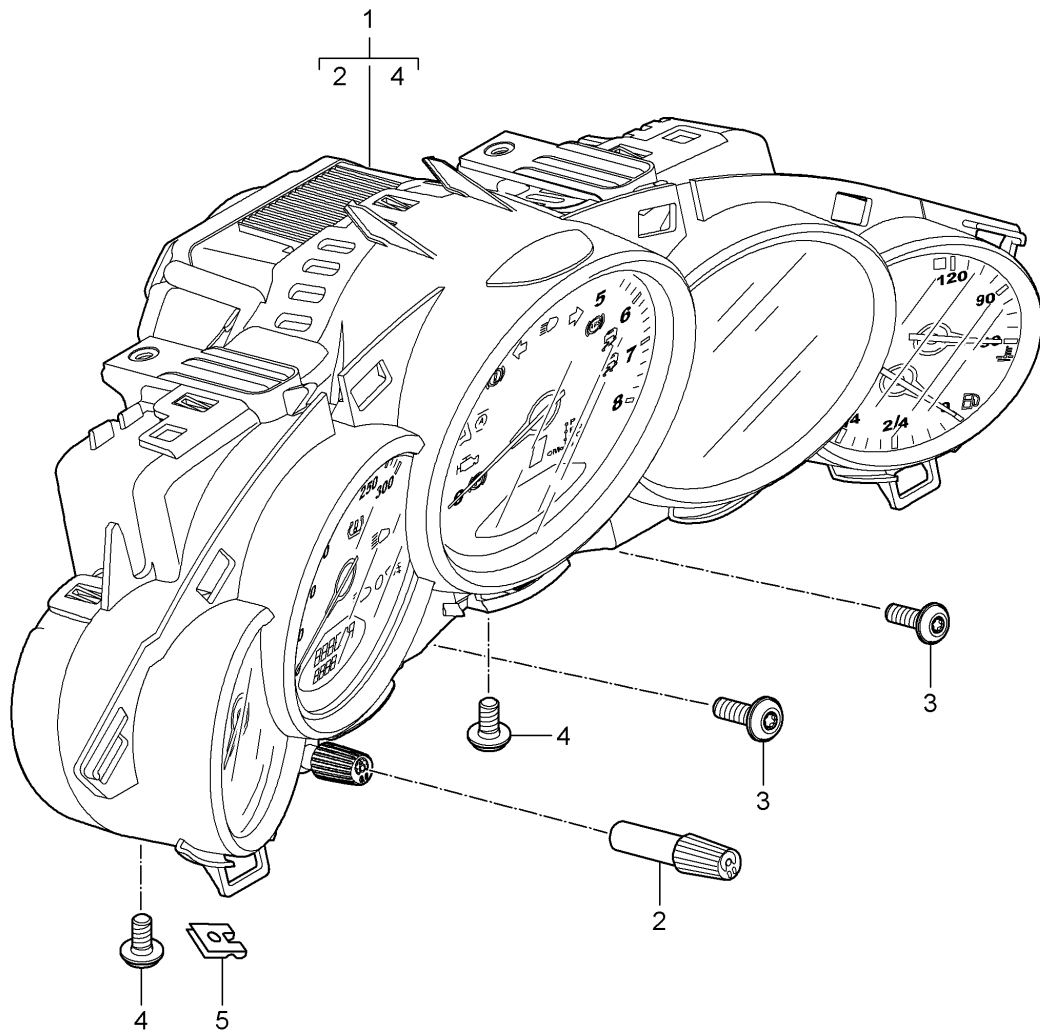
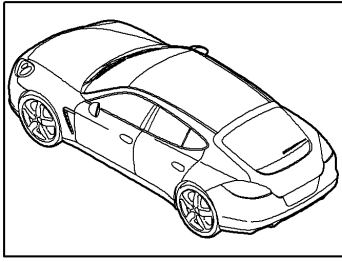
Model: 970 10

Model life 2010>>2016

Pos	Part Number	Description	Remark	Qty	Model
		Pointer green			640
7	970 641 301 10 DAP 999 073 499 01	D - MJ 2014>> Matt Black/Galvano Silver fillister hd. bolt		2	
8	999 507 556 01	M 5 X 14 - TC panel nut M 5		2	

Model: 970 10

Model life 2010>>2016



Model: 970 10 Model life 2010>>2016

Pos	Part Number	Description	Remark	Qty	Model
1	970 641 980 03	Instruments Exclusive programme Combi-instrument Manual gearbox (complete) Dial Lacquered D >> - MJ 2011 Discontinued part		1	PR:480,696
	970 641 980 03 84A	guards red (Porsche)			PR:XFG
	970 641 980 03 B9A	Carrara white			PR:XFJ
	970 641 980 03 6W0	Luxor beige			PR:XFL
1	970 641 982 13	Combi-instrument Manual gearbox (complete) Dial Lacquered D >> - MJ 2012 Discontinued part		1	PR:480
	970 641 982 13 84A	guards red (Porsche)			PR:XFG
	970 641 982 13 B9A	Carrara white			PR:XFJ
	970 641 982 13 6W0	Luxor beige			PR:XFL
1	970 641 982 23	Combi-instrument Manual gearbox (complete) Dial Lacquered D >> - MJ 2012 Discontinued part		1	PR:480
	970 641 982 23 84A	guards red (Porsche)			PR:XFG
	970 641 982 23 B9A	Carrara white			PR:XFJ
	970 641 982 23 6W0	Luxor beige			PR:XFL
1	970 641 982 33	Combi-instrument Manual gearbox (complete) Dial Lacquered D - MJ 2013>> Discontinued part		1	PR:480
	970 641 982 33 84A	guards red (Porsche)			PR:XFG
	970 641 982 33 B9A	Carrara white			PR:XFJ
	970 641 982 33 6W0	Luxor beige			PR:XFL
(1)	970 641 980 03	Combi-instrument Manual gearbox (complete) Dial Lacquered Discontinued part		1	PR:075,480, 665 "CN."
	970 641 980 03 84A	guards red (Porsche)			PR:XFG
	970 641 980 03 B9A	Carrara white			PR:XFJ
	970 641 980 03 6W0	Luxor beige			PR:XFL
(1)	970 641 982 13	Combi-instrument Manual gearbox (complete) Dial Lacquered D >> - MJ 2012 Discontinued part		1	PR:075,480, 665 "CN."
	970 641 982 13 84A	guards red (Porsche)			PR:XFG
	970 641 982 13 B9A	Carrara white			PR:XFJ
	970 641 982 13 6W0	Luxor beige			PR:XFL
(1)	970 641 982 23	Combi-instrument Manual gearbox (complete) Dial		1	PR:075,480, 665 "CN."

Model: 970 10 Model life 2010>>2016

Pos	Part Number	Description	Remark	Qty	Model
		Lacquered D >> - MJ 2012			
	970 641 982 23 84A	guards red (Porsche)			PR:XFG
	970 641 982 23 B9A	Carrara white			PR:XFJ
	970 641 982 23 6W0	Luxor beige			PR:XFL
(1)	970 641 982 33	Combi-instrument Manual gearbox (complete) Dial Lacquered		1	PR:075,480, 665 "CN."
		D - MJ 2013>>			
	970 641 982 33 84A	guards red (Porsche)			PR:XFG
	970 641 982 33 B9A	Carrara white			PR:XFJ
	970 641 982 33 6W0	Luxor beige			PR:XFL
(1)	970 641 980 03	Combi-instrument Manual gearbox (complete) Dial Lacquered		1	PR:480,675 "J.."
		D >> - MJ 2011			
		Discontinued part			
	970 641 980 03 84A	guards red (Porsche)			PR:XFG
	970 641 980 03 B9A	Carrara white			PR:XFJ
	970 641 980 03 6W0	Luxor beige			PR:XFL
(1)	970 641 982 13	Combi-instrument Manual gearbox (complete) Dial Lacquered		1	PR:480,675 "J.."
		D >> - MJ 2012			
		Discontinued part			
	970 641 982 13 84A	guards red (Porsche)			PR:XFG
	970 641 982 13 B9A	Carrara white			PR:XFJ
	970 641 982 13 6W0	Luxor beige			PR:XFL
(1)	970 641 982 23	Combi-instrument Manual gearbox (complete) Dial Lacquered		1	PR:480,675 "J.."
		D >> - MJ 2012			
		Discontinued part			
	970 641 982 23 84A	guards red (Porsche)			PR:XFG
	970 641 982 23 B9A	Carrara white			PR:XFJ
	970 641 982 23 6W0	Luxor beige			PR:XFL
(1)	970 641 982 33	Combi-instrument Manual gearbox (complete) Dial Lacquered		1	PR:480,675 "J.."
		D - MJ 2013>>			
	970 641 982 33 84A	guards red (Porsche)			PR:XFG
	970 641 982 33 B9A	Carrara white			PR:XFJ
	970 641 982 33 6W0	Luxor beige			PR:XFL
(1)	970 641 980 04	Combi-instrument - PDK - (complete) Dial Lacquered		1	PR:250,696
		D >> - MJ 2011			
		Discontinued part			
	970 641 980 04 84A	guards red (Porsche)			PR:XFG
	970 641 980 04 B9A	Carrara white			PR:XFJ
	970 641 980 04 6W0	Luxor beige			PR:XFL
(1)	970 641 982 14	Combi-instrument		1	PR:250

Model: 970 10 Model life 2010>>2016

Pos	Part Number	Description	Remark	Qty	Model
		- PDK - (complete) Dial Lacquered D >> - MJ 2012 Discontinued part			
	970 641 982 14 84A	guards red (Porsche)			PR:XFG
	970 641 982 14 B9A	Carrara white			PR:XFJ
	970 641 982 14 6W0	Luxor beige			PR:XFL
(1)	970 641 982 24	Combi-instrument		1	PR:250
		- PDK - (complete) Dial Lacquered D >> - MJ 2012 Discontinued part			
	970 641 982 24 84A	guards red (Porsche)			PR:XFG
	970 641 982 24 B9A	Carrara white			PR:XFJ
	970 641 982 24 6W0	Luxor beige			PR:XFL
(1)	970 641 982 34	Combi-instrument		1	PR:250
		- PDK - (complete) Dial Lacquered D - MJ 2013>>			
	970 641 982 34 84A	guards red (Porsche)			PR:XFG
	970 641 982 34 B9A	Carrara white			PR:XFJ
	970 641 982 34 6W0	Luxor beige			PR:XFL
(1)	970 641 980 04	Combi-instrument		1	PR:075,250, 665 "CN."
		- PDK - (complete) Dial Lacquered D >> - MJ 2011 Discontinued part			
	970 641 980 04 84A	guards red (Porsche)			PR:XFG
	970 641 980 04 B9A	Carrara white			PR:XFJ
	970 641 980 04 6W0	Luxor beige			PR:XFL
(1)	970 641 982 14	Combi-instrument		1	PR:075,250, 665 "CN."
		- PDK - (complete) Dial Lacquered D >> - MJ 2012 Discontinued part			
	970 641 982 14 84A	guards red (Porsche)			PR:XFG
	970 641 982 14 B9A	Carrara white			PR:XFJ
	970 641 982 14 6W0	Luxor beige			PR:XFL
(1)	970 641 982 24	Combi-instrument		1	PR:075,250, 665 "CN."
		- PDK - (complete) Dial Lacquered D >> - MJ 2012 Discontinued part			
	970 641 982 24 84A	guards red (Porsche)			PR:XFG
	970 641 982 24 B9A	Carrara white			PR:XFJ
	970 641 982 24 6W0	Luxor beige			PR:XFL
(1)	970 641 982 34	Combi-instrument		1	PR:075,250, 665 "CN."
		- PDK - (complete) Dial Lacquered D - MJ 2013>>			
	970 641 982 34 84A	guards red (Porsche)			PR:XFG

Model: 970 10 Model life 2010>>2016

Pos	Part Number	Description	Remark	Qty	Model
(1)	970 641 982 34 B9A	Carrara white		1	PR:XFJ
	970 641 982 34 6W0	Luxor beige			PR:XFL
	970 641 980 04	Combi-instrument - PDK - (complete) Dial Lacquered D >> - MJ 2011 Discontinued part			PR:250,675 "J.."
(1)	970 641 980 04 84A	guards red (Porsche)		1	PR:XFG
	970 641 980 04 B9A	Carrara white			PR:XFJ
	970 641 980 04 6W0	Luxor beige			PR:XFL
(1)	970 641 982 14	Combi-instrument - PDK - (complete) Dial Lacquered D >> - MJ 2012 Discontinued part		1	PR:250,675 "J.."
	970 641 982 14 84A	guards red (Porsche)			PR:XFG
	970 641 982 14 B9A	Carrara white			PR:XFJ
(1)	970 641 982 14 6W0	Luxor beige		1	PR:XFL
	970 641 982 24	Combi-instrument - PDK - (complete) Dial Lacquered D >> - MJ 2012 Discontinued part			PR:250,675 "J.."
	970 641 982 24 84A	guards red (Porsche)			PR:XFG
(1)	970 641 982 24 B9A	Carrara white		1	PR:XFJ
	970 641 982 24 6W0	Luxor beige			PR:XFL
	970 641 982 34	Combi-instrument - PDK - (complete) Dial Lacquered D - MJ 2013>>			PR:250,675 "J.."
(1)	970 641 982 34 84A	guards red (Porsche)		1	PR:XFG
	970 641 982 34 B9A	Carrara white			PR:XFJ
	970 641 982 34 6W0	Luxor beige			PR:XFL
(1)	970 641 980 07	Combi-instrument Manual gearbox (complete) Dial Lacquered D >> - MJ 2011 Discontinued part		1	PR:061,480, 696 "GB."
	970 641 980 07 84A	guards red (Porsche)			PR:XFG
	970 641 980 07 B9A	Carrara white			PR:XFJ
(1)	970 641 980 07 6W0	Luxor beige		1	PR:XFL
	970 641 982 17	Combi-instrument Manual gearbox (complete) Dial Lacquered D >> - MJ 2012 Discontinued part			PR:061,480 "GB."
	970 641 982 17 84A	guards red (Porsche)			PR:XFG
(1)	970 641 982 17 B9A	Carrara white		1	PR:XFJ
	970 641 982 17 6W0	Luxor beige			PR:XFL
	970 641 982 27	Combi-instrument Manual gearbox (complete)			PR:061,480 "GB."

Model: 970 10 Model life 2010>>2016

Pos	Part Number	Description	Remark	Qty	Model
(1)	970 641 982 27 84A 970 641 982 27 B9A 970 641 982 27 6W0 970 641 982 37	Dial Lacquered D >> - MJ 2012 guards red (Porsche) Carrara white Luxor beige Combi-instrument Manual gearbox (complete)		1	PR:XFG PR:XFJ PR:XFL PR:061,480 "GB."
(1)	970 641 982 37 84A 970 641 982 37 B9A 970 641 982 37 6W0 970 641 980 08	Dial Lacquered D - MJ 2013>> guards red (Porsche) Carrara white Luxor beige Combi-instrument - PDK - (complete)		1	PR:XFG PR:XFJ PR:XFL PR:061,250,696 "GB."
(1)	970 641 980 08 84A 970 641 980 08 B9A 970 641 980 08 6W0 970 641 982 18	Discontinued part guards red (Porsche) Carrara white Luxor beige Combi-instrument - PDK - (complete)		1	PR:XFG PR:XFJ PR:XFL PR:061,250 "GB."
(1)	970 641 982 18 84A 970 641 982 18 B9A 970 641 982 18 6W0 970 641 982 28	Dial Lacquered D >> - MJ 2012 Discontinued part guards red (Porsche) Carrara white Luxor beige Combi-instrument - PDK - (complete)		1	PR:XFG PR:XFJ PR:XFL PR:061,250 "GB."
(1)	970 641 982 28 84A 970 641 982 28 B9A 970 641 982 28 6W0 970 641 982 38	Dial Lacquered D >> - MJ 2012 Discontinued part guards red (Porsche) Carrara white Luxor beige Combi-instrument - PDK - (complete)		1	PR:XFG PR:XFJ PR:XFL PR:061,250 "GB."
(1)	970 641 982 38 84A 970 641 982 38 B9A 970 641 982 38 6W0 970 641 982 03	Dial Lacquered D - MJ 2013>> guards red (Porsche) Carrara white Luxor beige Combi-instrument Manual gearbox (complete)		1	PR:XFG PR:XFJ PR:XFL PR:480,665
(1)	970 641 982 03 84A 970 641 982 03 B9A 970 641 982 03 6W0	Dial Lacquered D >> - MJ 2011 Discontinued part guards red (Porsche) Carrara white Luxor beige			PR:XFG PR:XFJ PR:XFL

Model: 970 10 Model life 2010>>2016

Pos	Part Number	Description	Remark	Qty	Model
(1)	970 641 982 13	Combi-instrument Manual gearbox (complete) Dial Lacquered D >> - MJ 2012 Discontinued part		1	PR:480
	970 641 982 13 84A	guards red (Porsche)			PR:XFG
	970 641 982 13 B9A	Carrara white			PR:XFJ
	970 641 982 13 6W0	Luxor beige			PR:XFL
(1)	970 641 982 23	Combi-instrument Manual gearbox (complete) Dial Lacquered D >> - MJ 2012 Discontinued part		1	PR:480
	970 641 982 23 84A	guards red (Porsche)			PR:XFG
	970 641 982 23 B9A	Carrara white			PR:XFJ
	970 641 982 23 6W0	Luxor beige			PR:XFL
(1)	970 641 982 33	Combi-instrument Manual gearbox (complete) Dial Lacquered D - MJ 2013>>		1	PR:480
	970 641 982 33 84A	guards red (Porsche)			PR:XFG
	970 641 982 33 B9A	Carrara white			PR:XFJ
	970 641 982 33 6W0	Luxor beige			PR:XFL
(1)	970 641 982 04	Combi-instrument - PDK - (complete) Dial Lacquered D >> - MJ 2011 Discontinued part		1	PR:250,665
	970 641 982 04 84A	guards red (Porsche)			PR:XFG
	970 641 982 04 B9A	Carrara white			PR:XFJ
	970 641 982 04 6W0	Luxor beige			PR:XFL
(1)	970 641 982 14	Combi-instrument - PDK - (complete) Dial Lacquered D >> - MJ 2012 Discontinued part		1	PR:250
	970 641 982 14 84A	guards red (Porsche)			PR:XFG
	970 641 982 14 B9A	Carrara white			PR:XFJ
	970 641 982 14 6W0	Luxor beige			PR:XFL
(1)	970 641 982 24	Combi-instrument - PDK - (complete) Dial Lacquered D >> - MJ 2012 Discontinued part		1	PR:250
	970 641 982 24 84A	guards red (Porsche)			PR:XFG
	970 641 982 24 B9A	Carrara white			PR:XFJ
	970 641 982 24 6W0	Luxor beige			PR:XFL
(1)	970 641 982 34	Combi-instrument - PDK - (complete) Dial Lacquered D - MJ 2013>>		1	PR:250

Model: 970 10 Model life 2010>>2016

Pos	Part Number	Description	Remark	Qty	Model
(1)	970 641 982 34 84A	guards red (Porsche)		1	PR:XFG
	970 641 982 34 B9A	Carrara white			PR:XFJ
	970 641 982 34 6W0	Luxor beige			PR:XFL
	970 641 982 07	Combi-instrument Manual gearbox (complete) Dial Lacquered Discontinued part			PR:061,480, 665 "GB."
(1)	970 641 982 07 84A	guards red (Porsche)		1	PR:XFG
	970 641 982 07 B9A	Carrara white			PR:XFJ
	970 641 982 07 6W0	Luxor beige			PR:XFL
	970 641 982 17	Combi-instrument Manual gearbox (complete) Dial Lacquered D - MJ 2012>> Discontinued part			PR:061,480 "GB."
(1)	970 641 982 17 84A	guards red (Porsche)		1	PR:XFG
	970 641 982 17 B9A	Carrara white			PR:XFJ
	970 641 982 17 6W0	Luxor beige			PR:XFL
	970 641 982 08	Combi-instrument - PDK - (complete) Dial Lacquered D >> - MJ 2011 Discontinued part			PR:061,250, 665 "GB."
(1)	970 641 982 08 84A	guards red (Porsche)		1	PR:XFG
	970 641 982 08 B9A	Carrara white			PR:XFJ
	970 641 982 08 6W0	Luxor beige			PR:XFL
	970 641 982 18	Combi-instrument - PDK - (complete) Dial Lacquered D >> - MJ 2012 Discontinued part			PR:061,250 "GB."
(1)	970 641 982 18 84A	guards red (Porsche)		1	PR:XFG
	970 641 982 18 B9A	Carrara white			PR:XFJ
	970 641 982 18 6W0	Luxor beige			PR:XFL
	970 641 982 28	Combi-instrument - PDK - (complete) Dial Lacquered D >> - MJ 2012 Discontinued part			PR:061,250 "GB."
(1)	970 641 982 28 84A	guards red (Porsche)		1	PR:XFG
	970 641 982 28 B9A	Carrara white			PR:XFJ
	970 641 982 28 6W0	Luxor beige			PR:XFL
	970 641 982 38	Combi-instrument - PDK - (complete) Dial Lacquered D - MJ 2013>>			PR:061,250 "GB."
(1)	970 641 982 38 84A	guards red (Porsche)		1	PR:XFG
	970 641 982 38 B9A	Carrara white			PR:XFJ
	970 641 982 38 6W0	Luxor beige			PR:XFL
	970 641 984 04	Combi-instrument - PDK - (complete)			Turbo PR:250,665

Model: 970 10 Model life 2010>>2016

Pos	Part Number	Description	Remark	Qty	Model
		Dial Lacquered D >> - MJ 2011 Discontinued part			
	970 641 984 04 84A	guards red (Porsche)			PR:XFG
	970 641 984 04 B9A	Carrara white			PR:XFJ
	970 641 984 04 6W0	Luxor beige			PR:XFL
(1)	970 641 984 14	Combi-instrument - PDK - (complete)		1	Turbo PR:250
		Dial Lacquered D >> - MJ 2012 Discontinued part			
	970 641 984 14 84A	guards red (Porsche)			PR:XFG
	970 641 984 14 B9A	Carrara white			PR:XFJ
	970 641 984 14 6W0	Luxor beige			PR:XFL
(1)	970 641 984 24	Combi-instrument - PDK - (complete)		1	Turbo PR:250
		Dial Lacquered D >> - MJ 2012 Discontinued part			
	970 641 984 24 84A	guards red (Porsche)			PR:XFG
	970 641 984 24 B9A	Carrara white			PR:XFJ
	970 641 984 24 6W0	Luxor beige			PR:XFL
(1)	970 641 984 34	Combi-instrument - PDK - (complete)		1	Turbo PR:250
		Dial Lacquered D - MJ 2013>>			
	970 641 984 34 84A	guards red (Porsche)			PR:XFG
	970 641 984 34 B9A	Carrara white			PR:XFJ
	970 641 984 34 6W0	Luxor beige			PR:XFL
(1)	970 641 984 08	Combi-instrument - PDK - (complete)		1	Turbo PR:061,250, 665 "GB."
		Dial Lacquered D >> - MJ 2011 Discontinued part			
	970 641 984 08 84A	guards red (Porsche)			PR:XFG
	970 641 984 08 B9A	Carrara white			PR:XFJ
	970 641 984 08 6W0	Luxor beige			PR:XFL
(1)	970 641 984 18	Combi-instrument - PDK - (complete)		1	Turbo PR:061,250 "GB."
		Dial Lacquered D >> - MJ 2012 Discontinued part			
	970 641 984 18 84A	guards red (Porsche)			PR:XFG
	970 641 984 18 B9A	Carrara white			PR:XFJ
	970 641 984 18 6W0	Luxor beige			PR:XFL
(1)	970 641 984 28	Combi-instrument - PDK - (complete)		1	Turbo PR:061,250 "GB."
		Dial Lacquered D >> - MJ 2012 Discontinued part			
	970 641 984 28 84A	guards red (Porsche)			PR:XFG
	970 641 984 28 B9A	Carrara white			PR:XFJ

Model: 970 10 Model life 2010>>2016

Pos	Part Number	Description	Remark	Qty	Model
(1)	970 641 984 28 6W0 970 641 984 38	Luxor beige Combi-instrument - PDK - (complete) Dial Lacquered D - MJ 2013>>		1	PR:XFL Turbo PR:061,250 "GB."
	970 641 984 38 84A 970 641 984 38 B9A	guards red (Porsche) Carrara white			PR:XFG PR:XFJ
(1)	970 641 984 38 6W0 970 641 984 05	Luxor beige Combi-instrument - PDK - (complete) Dial Lacquered D >> - MJ 2011 Discontinued part		1	PR:XFL Turbo PR:075,250, 665 "CN."
	970 641 984 05 84A 970 641 984 05 B9A	guards red (Porsche) Carrara white			PR:XFG PR:XFJ
(1)	970 641 984 05 6W0 970 641 984 14	Luxor beige Combi-instrument - PDK - (complete) Dial Lacquered D >> - MJ 2012 Discontinued part		1	PR:XFL Turbo PR:075,250, 665 "CN."
	970 641 984 14 84A 970 641 984 14 B9A	guards red (Porsche) Carrara white			PR:XFG PR:XFJ
(1)	970 641 984 14 6W0 970 641 984 24	Luxor beige Combi-instrument - PDK - (complete) Dial Lacquered D >> - MJ 2012 Discontinued part		1	PR:XFL Turbo PR:075,250, 665 "CN."
	970 641 984 24 84A 970 641 984 24 B9A	guards red (Porsche) Carrara white			PR:XFG PR:XFJ
(1)	970 641 984 24 6W0 970 641 984 34	Luxor beige Combi-instrument - PDK - (complete) Dial Lacquered D - MJ 2013>>		1	PR:XFL Turbo PR:075,250, 665 "CN."
	970 641 984 34 84A 970 641 984 34 B9A	guards red (Porsche) Carrara white			PR:XFG PR:XFJ
(1)	970 641 984 34 6W0 970 641 984 05	Luxor beige Combi-instrument - PDK - (complete) Dial Lacquered D >> - MJ 2011 Discontinued part		1	PR:XFL Turbo PR:250,675 "J.."
	970 641 984 05 84A 970 641 984 05 B9A	guards red (Porsche) Carrara white			PR:XFG PR:XFJ
(1)	970 641 984 05 6W0 970 641 984 14	Luxor beige Combi-instrument - PDK - (complete) Dial Lacquered		1	PR:XFL Turbo PR:250,675 "J.."

Model: 970 10 Model life 2010>>2016

Pos	Part Number	Description	Remark	Qty	Model
		D >> - MJ 2012 Discontinued part			
	970 641 984 14 84A	guards red (Porsche)			PR:XFG
	970 641 984 14 B9A	Carrara white			PR:XFJ
	970 641 984 14 6W0	Luxor beige			PR:XFL
(1)	970 641 984 24	Combi-instrument - PDK - (complete) Dial Lacquered		1	Turbo PR:250,675 "J.."
		D >> - MJ 2012 Discontinued part			
	970 641 984 24 84A	guards red (Porsche)			PR:XFG
	970 641 984 24 B9A	Carrara white			PR:XFJ
	970 641 984 24 6W0	Luxor beige			PR:XFL
(1)	970 641 984 34	Combi-instrument - PDK - (complete) Dial Lacquered		1	Turbo PR:250,675 "J.."
		D - MJ 2013>>			
	970 641 984 34 84A	guards red (Porsche)			PR:XFG
	970 641 984 34 B9A	Carrara white			PR:XFJ
	970 641 984 34 6W0	Luxor beige			PR:XFL
(1)	970 641 984 09	Combi-instrument - PDK - (complete) Dial Lacquered		1	Turbo S PR:016,250
		D >> - MJ 2012			
	970 641 984 09 84A	guards red (Porsche)			PR:XFG
	970 641 984 09 B9A	Carrara white			PR:XFJ
	970 641 984 09 6W0	Luxor beige			PR:XFL
(1)	970 641 984 19	Combi-instrument - PDK - (complete) Dial Lacquered		1	Turbo S PR:016,250
		D - MJ 2013>>			
	970 641 984 19 84A	guards red (Porsche)			PR:XFG
	970 641 984 19 B9A	Carrara white			PR:XFJ
	970 641 984 19 6W0	Luxor beige			PR:XFL
(1)	970 641 984 12	Combi-instrument - PDK - (complete) Dial Lacquered		1	Turbo S PR:016,061, 250 "CDN"
		D >> - MJ 2012			
	970 641 984 12 84A	guards red (Porsche)			PR:XFG
	970 641 984 12 B9A	Carrara white			PR:XFJ
	970 641 984 12 6W0	Luxor beige			PR:XFL
(1)	970 641 984 22	Combi-instrument - PDK - (complete) Dial Lacquered		1	Turbo S PR:016,061, 250 "CDN"
		D - MJ 2013>>			
	970 641 984 22 84A	guards red (Porsche)			PR:XFG
	970 641 984 22 B9A	Carrara white			PR:XFJ
	970 641 984 22 6W0	Luxor beige			PR:XFL
(1)	970 641 985 03	Combi-instrument Manual gearbox (complete)		1	PR:480,696

Model: 970 10 Model life 2010>>2016

Pos	Part Number	Description	Remark	Qty	Model
		Dial Lacquered D >> - MJ 2011 Discontinued part			
	970 641 985 03 84A	guards red (Porsche)			PR:XFG
	970 641 985 03 B9A	Carrara white			PR:XFJ
	970 641 985 03 6W0	Luxor beige			PR:XFL
(1)	970 641 986 13	Combi-instrument Manual gearbox (complete) Dial Lacquered D >> - MJ 2012 Discontinued part		1	PR:480,696
	970 641 986 13 84A	guards red (Porsche)			PR:XFG
	970 641 986 13 B9A	Carrara white			PR:XFJ
	970 641 986 13 6W0	Luxor beige			PR:XFL
(1)	970 641 986 23	Combi-instrument Manual gearbox (complete) Dial Lacquered D >> - MJ 2012 Discontinued part		1	PR:480
	970 641 986 23 84A	guards red (Porsche)			PR:XFG
	970 641 986 23 B9A	Carrara white			PR:XFJ
	970 641 986 23 6W0	Luxor beige			PR:XFL
(1)	970 641 986 33	Combi-instrument Manual gearbox (complete) Dial Lacquered D - MJ 2013>>		1	PR:480
	970 641 986 33 84A	guards red (Porsche)			PR:XFG
	970 641 986 33 B9A	Carrara white			PR:XFJ
	970 641 986 33 6W0	Luxor beige			PR:XFL
(1)	970 641 985 03	Combi-instrument Manual gearbox (complete) Dial Lacquered D >> - MJ 2011 Discontinued part		1	PR:075,480,665
	970 641 985 03 84A	guards red (Porsche)			PR:XFG
	970 641 985 03 B9A	Carrara white			PR:XFJ
	970 641 985 03 6W0	Luxor beige			PR:XFL
(1)	970 641 986 13	Combi-instrument Manual gearbox (complete) Dial Lacquered D >> - MJ 2012 Discontinued part		1	PR:075,480,665
	970 641 986 13 84A	guards red (Porsche)			PR:XFG
	970 641 986 13 B9A	Carrara white			PR:XFJ
	970 641 986 13 6W0	Luxor beige			PR:XFL
(1)	970 641 986 23	Combi-instrument Manual gearbox (complete) Dial Lacquered D >> - MJ 2012 Discontinued part		1	PR:075,480
	970 641 986 23 84A	guards red (Porsche)			PR:XFG
	970 641 986 23 B9A	Carrara white			PR:XFJ

Model: 970 10 Model life 2010>>2016

Pos	Part Number	Description	Remark	Qty	Model
(1)	970 641 986 23 6W0 970 641 986 33	Luxor beige Combi-instrument Manual gearbox (complete) Dial Lacquered D - MJ 2013>>		1	PR:XFL PR:075,480
	970 641 986 33 84A 970 641 986 33 B9A	guards red (Porsche) Carrara white			PR:XFG PR:XFJ
(1)	970 641 986 33 6W0 970 641 985 03	Luxor beige Combi-instrument Manual gearbox (complete) Dial Lacquered D >> - MJ 2011 Discontinued part		1	PR:XFL PR:480,675
	970 641 985 03 84A 970 641 985 03 B9A	guards red (Porsche) Carrara white			PR:XFG PR:XFJ
(1)	970 641 985 03 6W0 970 641 986 13	Luxor beige Combi-instrument Manual gearbox (complete) Dial Lacquered D >> - MJ 2012 Discontinued part		1	PR:XFL PR:480,675
	970 641 986 13 84A 970 641 986 13 B9A	guards red (Porsche) Carrara white			PR:XFG PR:XFJ
(1)	970 641 986 13 6W0 970 641 986 23	Luxor beige Combi-instrument Manual gearbox (complete) Dial Lacquered D >> - MJ 2012 Discontinued part		1	PR:XFL PR:480
	970 641 986 23 84A 970 641 986 23 B9A	guards red (Porsche) Carrara white			PR:XFG PR:XFJ
(1)	970 641 986 23 6W0 970 641 986 33	Luxor beige Combi-instrument Manual gearbox (complete) Dial Lacquered D - MJ 2013>>		1	PR:XFL PR:480
	970 641 986 33 84A 970 641 986 33 B9A	guards red (Porsche) Carrara white			PR:XFG PR:XFJ
(1)	970 641 986 33 6W0 970 641 985 04	Luxor beige Combi-instrument - PDK - (complete) Dial Lacquered D >> - MJ 2011 Discontinued part		1	PR:XFL PR:250,696
	970 641 985 04 84A 970 641 985 04 B9A	guards red (Porsche) Carrara white			PR:XFG PR:XFJ
(1)	970 641 985 04 6W0 970 641 986 14	Luxor beige Combi-instrument - PDK - (complete) Dial Lacquered		1	PR:XFL PR:250

Model: 970 10 Model life 2010>>2016

Pos	Part Number	Description	Remark	Qty	Model
		D >> - MJ 2012 Discontinued part			
	970 641 986 14 84A	guards red (Porsche)			PR:XFG
	970 641 986 14 B9A	Carrara white			PR:XFJ
	970 641 986 14 6W0	Luxor beige			PR:XFL
(1)	970 641 986 24	Combi-instrument - PDK - (complete) Dial Lacquered		1	PR:250
		D >> - MJ 2012 Discontinued part			
	970 641 986 24 84A	guards red (Porsche)			PR:XFG
	970 641 986 24 B9A	Carrara white			PR:XFJ
	970 641 986 24 6W0	Luxor beige			PR:XFL
(1)	970 641 986 34	Combi-instrument - PDK - (complete) Dial Lacquered		1	PR:250
		D - MJ 2013>>			
	970 641 986 34 84A	guards red (Porsche)			PR:XFG
	970 641 986 34 B9A	Carrara white			PR:XFJ
	970 641 986 34 6W0	Luxor beige			PR:XFL
(1)	970 641 985 04	Combi-instrument - PDK - (complete) Dial Lacquered		1	PR:075,250,665
		D >> - MJ 2011 Discontinued part			
	970 641 985 04 84A	guards red (Porsche)			PR:XFG
	970 641 985 04 B9A	Carrara white			PR:XFJ
	970 641 985 04 6W0	Luxor beige			PR:XFL
(1)	970 641 986 14	Combi-instrument - PDK - (complete) Dial Lacquered		1	PR:075,250,665
		D >> - MJ 2012 Discontinued part			
	970 641 986 14 84A	guards red (Porsche)			PR:XFG
	970 641 986 14 B9A	Carrara white			PR:XFJ
	970 641 986 14 6W0	Luxor beige			PR:XFL
(1)	970 641 986 24	Combi-instrument - PDK - (complete) Dial Lacquered		1	PR:075,250,665
		D >> - MJ 2012 Discontinued part			
	970 641 986 24 84A	guards red (Porsche)			PR:XFG
	970 641 986 24 B9A	Carrara white			PR:XFJ
	970 641 986 24 6W0	Luxor beige			PR:XFL
(1)	970 641 986 34	Combi-instrument - PDK - (complete) Dial Lacquered		1	PR:075,250,665
		D - MJ 2013>>			
	970 641 986 34 84A	guards red (Porsche)			PR:XFG
	970 641 986 34 B9A	Carrara white			PR:XFJ
	970 641 986 34 6W0	Luxor beige			PR:XFL
(1)	970 641 985 04	Combi-instrument - PDK -		1	PR:250,675

Model: 970 10 Model life 2010>>2016

Pos	Part Number	Description	Remark	Qty	Model
		(complete) Dial Lacquered D >> - MJ 2011 Discontinued part			
	970 641 985 04 84A	guards red (Porsche)			PR:XFG
	970 641 985 04 B9A	Carrara white			PR:XFJ
	970 641 985 04 6W0	Luxor beige			PR:XFL
(1)	970 641 986 14	Combi-instrument - PDK - (complete) Dial Lacquered D >> - MJ 2012 Discontinued part		1	PR:250,675
	970 641 986 14 84A	guards red (Porsche)			PR:XFG
	970 641 986 14 B9A	Carrara white			PR:XFJ
	970 641 986 14 6W0	Luxor beige			PR:XFL
(1)	970 641 986 24	Combi-instrument - PDK - (complete) Dial Lacquered D >> - MJ 2012 Discontinued part		1	PR:250,675
	970 641 986 24 84A	guards red (Porsche)			PR:XFG
	970 641 986 24 B9A	Carrara white			PR:XFJ
	970 641 986 24 6W0	Luxor beige			PR:XFL
(1)	970 641 986 34	Combi-instrument - PDK - (complete) Dial Lacquered D - MJ 2013>>		1	PR:250,675
	970 641 986 34 84A	guards red (Porsche)			PR:XFG
	970 641 986 34 B9A	Carrara white			PR:XFJ
	970 641 986 34 6W0	Luxor beige			PR:XFL
(1)	970 641 985 07	Combi-instrument Manual gearbox (complete) Dial Lacquered D >> - MJ 2011 Discontinued part		1	PR:061,480,696 "GB."
	970 641 985 07 84A	guards red (Porsche)			PR:XFG
	970 641 985 07 B9A	Carrara white			PR:XFJ
	970 641 985 07 6W0	Luxor beige			PR:XFL
(1)	970 641 986 17	Combi-instrument Manual gearbox (complete) Dial Lacquered D >> - MJ 2012 Discontinued part		1	PR:061,480 "GB."
	970 641 986 17 84A	guards red (Porsche)			PR:XFG
	970 641 986 17 B9A	Carrara white			PR:XFJ
	970 641 986 17 6W0	Luxor beige			PR:XFL
(1)	970 641 986 27	Combi-instrument Manual gearbox (complete) Dial Lacquered D >> - MJ 2012 Discontinued part		1	PR:061,480 "GB."
	970 641 986 27 84A	guards red (Porsche)			PR:XFG

Model: 970 10 Model life 2010>>2016

Pos	Part Number	Description	Remark	Qty	Model
(1)	970 641 986 27 B9A	Carrara white		1	PR:XFJ
	970 641 986 27 6W0	Luxor beige			PR:XFL
	970 641 986 37	Combi-instrument Manual gearbox (complete) Dial Lacquered D - MJ 2013>>			PR:061,480 "GB."
(1)	970 641 986 37 84A	guards red (Porsche)		1	PR:XFG
	970 641 986 37 B9A	Carrara white			PR:XFJ
	970 641 986 37 6W0	Luxor beige			PR:XFL
(1)	970 641 985 08	Combi-instrument - PDK - (complete) Dial Lacquered D >> - MJ 2011 Discontinued part		1	PR:061,250, 696 "GB."
	970 641 985 08 84A	guards red (Porsche)			PR:XFG
	970 641 985 08 B9A	Carrara white			PR:XFJ
(1)	970 641 985 08 6W0	Luxor beige		1	PR:XFL
	970 641 986 18	Combi-instrument - PDK - (complete) Dial Lacquered D >> - MJ 2012 Discontinued part			PR:061,250 "GB."
	970 641 986 18 84A	guards red (Porsche)			PR:XFG
(1)	970 641 986 18 B9A	Carrara white		1	PR:XFJ
	970 641 986 18 6W0	Luxor beige			PR:XFL
	970 641 986 38	Combi-instrument - PDK - (complete) Dial Lacquered D - MJ 2013>>			PR:061,250 "GB."
(1)	970 641 986 38 84A	guards red (Porsche)		1	PR:XFG
	970 641 986 38 B9A	Carrara white			PR:XFJ
	970 641 986 38 6W0	Luxor beige			PR:XFL
(1)	970 641 986 03	Combi-instrument Manual gearbox (complete) Dial Lacquered D >> - MJ 2011 Discontinued part		1	PR:480,665
	970 641 986 03 84A	guards red (Porsche)			PR:XFG
	970 641 986 03 B9A	Carrara white			PR:XFJ
(1)	970 641 986 03 6W0	Luxor beige		1	PR:XFL
	970 641 986 13	Combi-instrument Manual gearbox (complete) Dial Lacquered D >> - MJ 2012 Discontinued part			PR:480
	970 641 986 13 84A	guards red (Porsche)			PR:XFG
(1)	970 641 986 13 B9A	Carrara white		1	PR:XFJ
	970 641 986 13 6W0	Luxor beige			PR:XFL
	970 641 986 33	Combi-instrument Manual gearbox (complete) Dial Lacquered			PR:480

Model: 970 10 Model life 2010>>2016

Pos	Part Number	Description	Remark	Qty	Model
(1)	970 641 986 33 84A 970 641 986 33 B9A 970 641 986 33 6W0 970 641 986 04	D - MJ 2013>> guards red (Porsche) Carrara white Luxor beige Combi-instrument - PDK - (complete) Dial Lacquered D >> - MJ 2011		1	PR:XFG PR:XFJ PR:XFL PR:250,665
(1)	970 641 986 04 84A 970 641 986 04 B9A 970 641 986 04 6W0 970 641 986 14	guards red (Porsche) Carrara white Luxor beige Combi-instrument - PDK - (complete) Dial Lacquered D >> - MJ 2012		1	PR:XFG PR:XFJ PR:XFL PR:250
(1)	970 641 986 14 84A 970 641 986 14 B9A 970 641 986 14 6W0 970 641 986 34	guards red (Porsche) Carrara white Luxor beige Combi-instrument - PDK - (complete) Dial Lacquered D - MJ 2013>>		1	PR:XFG PR:XFJ PR:XFL PR:250
(1)	970 641 986 34 84A 970 641 986 34 B9A 970 641 986 34 6W0 970 641 986 07	guards red (Porsche) Carrara white Luxor beige Combi-instrument Manual gearbox (complete) Dial Lacquered D >> - MJ 2011		1	PR:XFG PR:XFJ PR:XFL PR:061,480, 665 "GB."
(1)	970 641 986 07 84A 970 641 986 07 B9A 970 641 986 07 6W0 970 641 986 17	guards red (Porsche) Carrara white Luxor beige Combi-instrument Manual gearbox (complete) Dial Lacquered D >> - MJ 2012		1	PR:XFG PR:XFJ PR:XFL PR:061,480 "GB."
(1)	970 641 986 17 84A 970 641 986 17 B9A 970 641 986 17 6W0 970 641 986 37	guards red (Porsche) Carrara white Luxor beige Combi-instrument Manual gearbox (complete) Dial Lacquered D - MJ 2013>>		1	PR:XFG PR:XFJ PR:XFL PR:061,480 "GB."
(1)	970 641 986 37 84A 970 641 986 37 B9A 970 641 986 37 6W0 970 641 986 08	guards red (Porsche) Carrara white Luxor beige Combi-instrument - PDK - (complete) Dial Lacquered		1	PR:XFG PR:XFJ PR:XFL PR:061,250, 665 "GB."

Model: 970 10 Model life 2010>>2016

Pos	Part Number	Description	Remark	Qty	Model
		D >> - MJ 2011			
(1)	970 641 986 08 84A	guards red (Porsche)		1	PR:XFG
	970 641 986 08 B9A	Carrara white			PR:XFJ
	970 641 986 08 6W0	Luxor beige			PR:XFL
	970 641 986 18	Combi-instrument - PDK - (complete) Dial Lacquered			PR:061,250 "GB."
		D >> - MJ 2012			
(1)	970 641 986 18 84A	guards red (Porsche)		1	PR:XFG
	970 641 986 18 B9A	Carrara white			PR:XFJ
	970 641 986 18 6W0	Luxor beige			PR:XFL
	970 641 986 38	Combi-instrument - PDK - (complete) Dial Lacquered			PR:061,250 "GB."
		D - MJ 2013>>			
(1)	970 641 986 38 84A	guards red (Porsche)		1	PR:XFG
	970 641 986 38 B9A	Carrara white			PR:XFJ
	970 641 986 38 6W0	Luxor beige			PR:XFL
	970 641 988 14	Combi-instrument Automatic transmission (complete) Dial Lacquered			DIESEL PR:249 -"GB."
		D >> - MJ 2012			
(1)	970 641 988 14 84A	guards red (Porsche)		1	PR:XFG
	970 641 988 14 B9A	Carrara white			PR:XFJ
	970 641 988 14 6W0	Luxor beige			PR:XFL
	970 641 988 24	Combi-instrument Automatic transmission (complete) Dial Lacquered			DIESEL PR:249 -"GB."
		D - MJ 2013>>			
(1)	970 641 988 24 84A	guards red (Porsche)		1	PR:XFG
	970 641 988 24 B9A	Carrara white			PR:XFJ
	970 641 988 24 6W0	Luxor beige			PR:XFL
	970 641 988 18	Combi-instrument Automatic transmission (complete) Dial Lacquered			DIESEL PR:061,249 "GB."
		D >> - MJ 2012			
(1)	970 641 988 18 84A	guards red (Porsche)		1	PR:XFG
	970 641 988 18 B9A	Carrara white			PR:XFJ
	970 641 988 18 6W0	Luxor beige			PR:XFL
	970 641 988 28	Combi-instrument Automatic transmission (complete) Dial Lacquered			DIESEL PR:249 "GB."
		D - MJ 2013>>			
(1)	970 641 988 28 84A	guards red (Porsche)		1	PR:XFG
	970 641 988 28 B9A	Carrara white			PR:XFJ
	970 641 988 28 6W0	Luxor beige			PR:XFL
	970 641 982 09	Combi-instrument Automatic transmission (complete) Dial Lacquered			GTS PR:015 -"GB."

Model: 970 10 Model life 2010>>2016

Pos	Part Number	Description	Remark	Qty	Model
		F >> 97-DL071 075 D - MJ 2013>>			
	970 641 982 09 84A	guards red (Porsche)			PR:XFG
	970 641 982 09 B9A	Carrara white			PR:XFJ
	970 641 982 09 6W0	Luxor beige			PR:XFL
(1)	970 641 982 19	Combi-instrument Automatic transmission (complete) Dial Lacquered		1	GTS PR:015 -"GB."
	970 641 982 19 84A	guards red (Porsche)			PR:XFG
	970 641 982 19 B9A	Carrara white			PR:XFJ
	970 641 982 19 6W0	Luxor beige			PR:XFL
(1)	970 641 982 11	Combi-instrument Automatic transmission (complete) Dial Lacquered		1	GTS PR:061,015 "GB."
	970 641 982 11 84A	guards red (Porsche)			PR:XFG
	970 641 982 11 B9A	Carrara white			PR:XFJ
	970 641 982 11 6W0	Luxor beige			PR:XFL
(1)	970 641 982 21	Combi-instrument Automatic transmission (complete) Dial Lacquered		1	GTS PR:061,015 "GB."
	970 641 982 21 84A	guards red (Porsche)			PR:XFG
	970 641 982 21 B9A	Carrara white			PR:XFJ
	970 641 982 21 6W0	Luxor beige			PR:XFL
-		Combi-instrument		1	
(1)	970 641 986 54	D - MJ 2014>> Combi-instrument - PDK - (complete) Dial Lacquered		1	PR:250,-IY2
	970 641 986 54 84A	guards red (Porsche)			PR:XFG
	970 641 986 54 B9A	Carrara white			PR:XFJ
	970 641 986 54 6W0	Luxor beige			PR:XFL
(1)	970 641 986 64	Combi-instrument - PDK - (complete) Dial Lacquered		1	PR:250,IY2
	970 641 986 64 84A	guards red (Porsche)			PR:XFG
	970 641 986 64 B9A	Carrara white			PR:XFJ
	970 641 986 64 6W0	Luxor beige			PR:XFL
(1)	970 641 986 74	Combi-instrument - PDK - (complete) Dial Lacquered		1	PR:250
	970 641 986 74 84A	guards red (Porsche)			PR:XFG
	970 641 986 74 B9A	Carrara white			PR:XFJ
	970 641 986 74 84A	guards red (Porsche)			PR:XFG
	970 641 986 74 B9A	Carrara white			PR:XFJ

Model: 970 10 Model life 2010>>2016

Pos	Part Number	Description	Remark	Qty	Model
(1)	970 641 986 74 6W0 970 641 986 58	Luxor beige Combi-instrument - PDK - (complete) Dial Lacquered D - MJ 2014>>		1	PR:XFL PR:250,061, -IY2
	970 641 986 58 84A 970 641 986 58 B9A	guards red (Porsche) Carrara white			PR:XFG PR:XFJ
(1)	970 641 986 58 6W0 970 641 986 68	Luxor beige Combi-instrument - PDK - (complete) Dial Lacquered D - MJ 2014>>		1	PR:XFL PR:250,061, IY2
	970 641 986 68 84A 970 641 986 68 B9A	guards red (Porsche) Carrara white			PR:XFG PR:XFJ
(1)	970 641 986 68 6W0 970 641 986 78	Luxor beige Combi-instrument - PDK - (complete) Dial Lacquered D - MJ 2015>>		1	PR:XFL PR:250,061
	970 641 986 78 84A 970 641 986 78 B9A	guards red (Porsche) Carrara white			PR:XFG PR:XFJ
(1)	970 641 986 78 6W0 970 641 982 54	Luxor beige Combi-instrument - PDK - (complete) Dial Lacquered D - MJ 2014>>		1	PR:XFL PR:250,-IY2
	970 641 986 78 84A 970 641 986 78 B9A	guards red (Porsche) Carrara white			PR:XFG PR:XFJ
(1)	970 641 982 54 6W0 970 641 982 64	Luxor beige Combi-instrument - PDK - (complete) Dial Lacquered D - MJ 2014>>		1	PR:XFL PR:250,IY2
	970 641 982 64 84A 970 641 982 64 B9A	guards red (Porsche) Carrara white			PR:XFG PR:XFJ
(1)	970 641 982 64 6W0 970 641 982 74	Luxor beige Combi-instrument - PDK - (complete) Dial Lacquered D - MJ 2015>>		1	PR:XFL PR:250
	970 641 982 74 84A 970 641 982 74 B9A	guards red (Porsche) Carrara white			PR:XFG PR:XFJ
(1)	970 641 982 74 6W0 970 641 982 74	Luxor beige Combi-instrument - PDK - (complete) Dial Lacquered D - MJ 2015>>		1	PR:XFL PR:250
	970 641 982 74 84A 970 641 982 74 B9A	guards red (Porsche) Carrara white			PR:XFG PR:XFJ

Model: 970 10 Model life 2010>>2016

Pos	Part Number	Description	Remark	Qty	Model
(1)	970 641 982 74 6W0 970 641 982 58	Luxor beige Combi-instrument - PDK - (complete) Dial Lacquered D - MJ 2014>>		1	PR:XFL PR:250,061, -IY2 "GB."
	970 641 982 58 84A 970 641 982 58 B9A	guards red (Porsche) Carrara white			PR:XFG PR:XFJ
(1)	970 641 982 58 6W0 970 641 982 68	Luxor beige Combi-instrument - PDK - (complete) Dial Lacquered D - MJ 2014>>		1	PR:XFL PR:250,061, IY2 "GB."
	970 641 982 68 84A 970 641 982 68 B9A	guards red (Porsche) Carrara white			PR:XFG PR:XFJ
(1)	970 641 982 68 6W0 970 641 982 78	Luxor beige Combi-instrument - PDK - (complete) Dial Lacquered D - MJ 2015>>		1	PR:XFL PR:250,061 "GB."
	970 641 982 78 84A 970 641 982 78 B9A	guards red (Porsche) Carrara white			PR:XFG PR:XFJ
(1)	970 641 982 78 6W0 970 641 984 54	Luxor beige Combi-instrument - PDK - (complete) Dial Lacquered D - MJ 2014>>		1	PR:XFL TURBO PR:250,-IY2
	970 641 982 78 84A 970 641 982 78 B9A	guards red (Porsche) Carrara white			PR:XFG PR:XFJ
(1)	970 641 984 54 6W0 970 641 984 64	Luxor beige Combi-instrument - PDK - (complete) Dial Lacquered D - MJ 2014>>		1	PR:XFL TURBO PR:250,IY2
	970 641 984 54 84A 970 641 984 54 B9A	guards red (Porsche) Carrara white			PR:XFG PR:XFJ
(1)	970 641 984 64 6W0 970 641 984 74	Luxor beige Combi-instrument - PDK - (complete) Dial Lacquered D - MJ 2015>>		1	PR:XFL TURBO PR:250
	970 641 984 64 84A 970 641 984 64 B9A	guards red (Porsche) Carrara white			PR:XFG PR:XFJ
(1)	970 641 984 74 6W0 970 641 984 58	Luxor beige Combi-instrument - PDK - (complete) Dial Lacquered D - MJ 2014>>		1	PR:XFL TURBO PR:250,061, -IY2 "GB."
	970 641 984 74 84A 970 641 984 74 B9A	guards red (Porsche) Carrara white			PR:XFG PR:XFJ
(1)	970 641 984 58 6W0 970 641 984 58 84A 970 641 984 58 B9A	Luxor beige Combi-instrument - PDK - (complete) Dial Lacquered D - MJ 2014>> guards red (Porsche) Carrara white		1	PR:XFL TURBO PR:250,061, -IY2 "GB."
	970 641 984 58 84A 970 641 984 58 B9A	guards red (Porsche) Carrara white			PR:XFG PR:XFJ

Model: 970 10 Model life 2010>>2016

Pos	Part Number	Description	Remark	Qty	Model
(1)	970 641 984 58 6W0 970 641 984 68	Luxor beige Combi-instrument - PDK - (complete) Dial Lacquered D - MJ 2014>>		1	PR:XFL TURBO PR:250,061, IY2 "GB."
	970 641 984 68 84A 970 641 984 68 B9A	guards red (Porsche) Carrara white			PR:XFG PR:XFJ
(1)	970 641 984 68 6W0 970 641 984 78	Luxor beige Combi-instrument - PDK - (complete) Dial Lacquered D - MJ 2015>>		1	PR:XFL TURBO PR:250,061 "GB."
	970 641 984 78 84A 970 641 984 78 B9A	guards red (Porsche) Carrara white			PR:XFG PR:XFJ
(1)	970 641 984 78 6W0 970 641 984 49	Luxor beige Combi-instrument - PDK - (complete) Dial Lacquered D - MJ 2014>>		1	PR:XFL TURBO S PR:250,016, -IY2
	970 641 984 49 84A 970 641 984 49 B9A	guards red (Porsche) Carrara white			PR:XFG PR:XFJ
(1)	970 641 984 49 6W0 970 641 984 59	Luxor beige Combi-instrument - PDK - (complete) Dial Lacquered D - MJ 2014>>		1	PR:XFL TURBO S PR:250,016, IY2
	970 641 984 59 84A 970 641 984 59 B9A	guards red (Porsche) Carrara white			PR:XFG PR:XFJ
(1)	970 641 984 59 6W0 970 641 984 69	Luxor beige Combi-instrument - PDK - (complete) Dial Lacquered D - MJ 2015>>		1	PR:XFL TURBO S PR:250,016, 061,-IY2
	970 641 984 69 84A 970 641 984 69 B9A	guards red (Porsche) Carrara white			PR:XFG PR:XFJ
(1)	970 641 984 69 6W0 970 641 984 52	Luxor beige Combi-instrument - PDK - (complete) Dial Lacquered D - MJ 2014>>		1	PR:XFL TURBO S PR:250,016, 061,IY2
	970 641 984 52 84A 970 641 984 52 B9A	guards red (Porsche) Carrara white			PR:XFG PR:XFJ
(1)	970 641 984 52 6W0 970 641 984 62	Luxor beige Combi-instrument - PDK - (complete) Dial Lacquered D - MJ 2014>>		1	PR:XFL TURBO S PR:250,016, 061,IY2
	970 641 984 62 84A 970 641 984 62 B9A	guards red (Porsche) Carrara white			PR:XFG PR:XFJ

Model: 970 10 Model life 2010>>2016

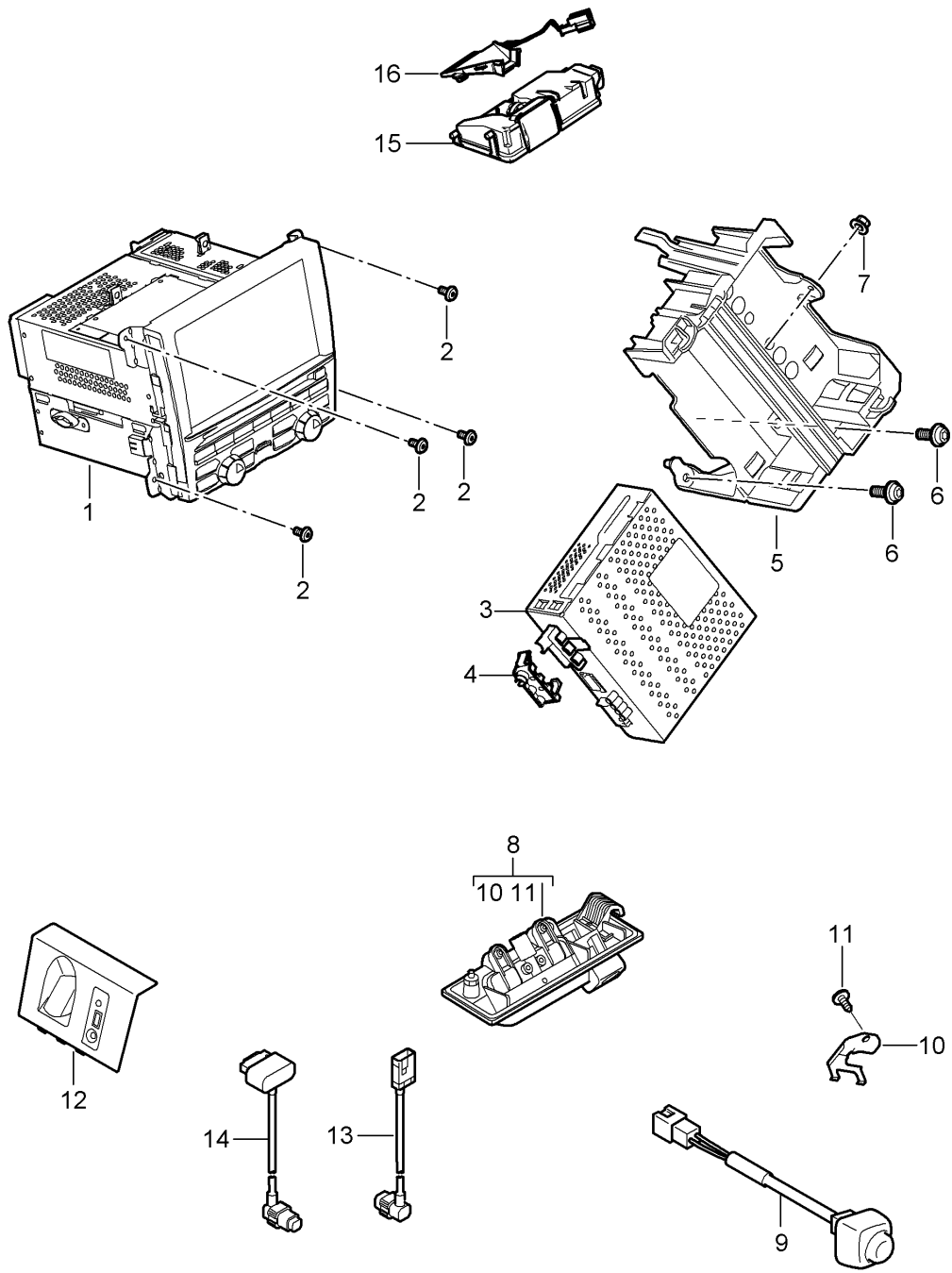
Pos	Part Number	Description	Remark	Qty	Model
(1)	970 641 984 62 6W0 970 641 984 72	Luxor beige Combi-instrument - PDK - (complete) Dial Lacquered D - MJ 2015>>		1	PR:XFL TURBO S PR:250,016, 061,IY2
	970 641 984 72 84A 970 641 984 72 B9A	guards red (Porsche) Carrara white			PR:XFG PR:XFJ
(1)	970 641 984 72 6W0 970 641 988 54	Luxor beige Combi-instrument Tiptronic (complete) Dial Lacquered D - MJ 2014>>		1	PR:XFL DIESEL PR:249,-IY2
	970 641 988 54 84A 970 641 988 54 B9A	guards red (Porsche) Carrara white			PR:XFG PR:XFJ
(1)	970 641 988 54 6W0 970 641 988 64	Luxor beige Combi-instrument Tiptronic (complete) Dial Lacquered D - MJ 2014>>		1	PR:XFL DIESEL PR:249,IY2
	970 641 988 64 84A 970 641 988 64 B9A	guards red (Porsche) Carrara white			PR:XFG PR:XFJ
(1)	970 641 988 64 6W0 970 641 988 74	Luxor beige Combi-instrument Tiptronic (complete) Dial Lacquered D - MJ 2015>>		1	PR:XFL DIESEL PR:249,-IY2 "GB."
	970 641 988 74 84A 970 641 988 74 B9A	guards red (Porsche) Carrara white			PR:XFG PR:XFJ
(1)	970 641 988 74 6W0 970 641 988 58	Luxor beige Combi-instrument Tiptronic (complete) Dial Lacquered D - MJ 2014>>		1	PR:XFL DIESEL PR:249,IY2 "GB."
	970 641 988 58 84A 970 641 988 58 B9A	guards red (Porsche) Carrara white			PR:XFG PR:XFJ
(1)	970 641 988 58 6W0 970 641 988 68	Luxor beige Combi-instrument Tiptronic (complete) Dial Lacquered D - MJ 2014>>		1	PR:XFL DIESEL PR:249,IY2 "GB."
	970 641 988 68 84A 970 641 988 68 B9A	guards red (Porsche) Carrara white			PR:XFG PR:XFJ
(1)	970 641 988 68 6W0 970 641 982 55	Luxor beige Combi-instrument - PDK - (complete) Dial Lacquered D - MJ 2014>>		1	PR:XFL GTS PR:015,250, -IY2
	970 641 982 55 84A 970 641 982 55 B9A	guards red (Porsche) Carrara white			PR:XFG PR:XFJ

Model: 970 10 Model life 2010>>2016

Pos	Part Number	Description	Remark	Qty	Model
(1)	970 641 982 55 6W0 970 641 982 65	Luxor beige Combi-instrument - PDK - (complete) Dial Lacquered D - MJ 2014>> guards red (Porsche)		1	PR:XFL GTS PR:015,250, IY2
(1)	970 641 982 65 84A 970 641 982 65 B9A 970 641 982 65 6W0 970 641 982 75	Carrara white Luxor beige Combi-instrument - PDK - (complete) Dial Lacquered D - MJ 2015>> guards red (Porsche) Carrara white		1	PR:XFG PR:XFJ PR:XFL GTS PR:015,250
(1)	970 641 982 75 84A 970 641 982 75 B9A 970 641 982 75 6W0 970 641 982 59	Luxor beige Combi-instrument - PDK - (complete) Dial Lacquered D - MJ 2014>> guards red (Porsche) Carrara white		1	PR:XFG PR:XFJ PR:XFL GTS PR:015,250, 061,-IY2 "GB."
(1)	970 641 982 59 84A 970 641 982 59 B9A 970 641 982 59 6W0 970 641 982 69	Luxor beige Combi-instrument - PDK - (complete) Dial Lacquered D - MJ 2014>> guards red (Porsche) Carrara white		1	PR:XFG PR:XFJ PR:XFL GTS PR:015,250, 061,IY2 "GB."
(1)	970 641 982 69 84A 970 641 982 69 B9A 970 641 982 69 6W0 970 641 982 79	Luxor beige Combi-instrument - PDK - (complete) Dial Lacquered D - MJ 2015>> guards red (Porsche) Carrara white		1	PR:XFG PR:XFJ PR:XFL GTS PR:015,250, 061 "GB."
2	970 641 982 79 84A 970 641 982 79 B9A 970 641 982 79 6W0 7PP 919 069	Luxor beige Combi-instrument - PDK - (complete) Dial Lacquered D - MJ 2015>> guards red (Porsche) Carrara white knob throttle control element Trip meter and Clock		1	PR:XFG PR:XFJ PR:XFL
3	999 073 498 01	fillister hd. bolt M 5 X 20		2	
4	900 385 152 01	Outer hexagon round screw M 5 X 22		2	
5	999 507 556 01	panel nut M 5		4	

Model: 970 10

Model life 2010>>2016



Model: 970 10 Model life 2010>>2016

Pos	Part Number	Description	Remark	Qty	Model
-		Radio unit Navigation system Receiving part TV Reversing camera Multimedia interface Control panel Only in exchange			
1	970 642 970 X	Control panel		1	PR:665,672, -686,-693
	970 642 970 X DML	Matt Black/hi-gloss chrome We take back: 970.642.970.00.DML D >> - 01.08.2009			
(1)	970 642 970 AX	Control panel		1	PR:665,672, -686,-693
	970 642 970 AX DML	Matt Black/hi-gloss chrome We take back: 970.642.970.01.DML D - 02.08.2009>> - 02.03.2010			
(1)	970 642 970 BX	Control panel		1	PR:665,672, -686,-693
	970 642 970 BX DML	Matt Black/hi-gloss chrome We take back: 970.642.970.02.DML D - 03.03.2010>> - 03.09.2011			
(1)	970 642 970 CX	Control panel		1	PR:665,672, -686,-688, -693
	970 642 970 CX DML	Matt Black/hi-gloss chrome We take back: 970.642.970.03.DML D - 04.09.2011>> - 21.09.2012			
(1)	970 642 970 DX	Control panel D - MJ 2013>> - MJ 2014 Discontinued part		1	PR:665,672, -686,-688, -691,-693
	970 642 970 DX DML	Matt Black/hi-gloss chrome We take back: 970.642.970.50.DML			
(1)	970 642 970 EX	Control panel D - MJ 2013>> - MJ 2014 Discontinued part		1	PR:665,672, -686,-688, -691,-693
	970 642 970 EX DML	Matt Black/hi-gloss chrome We take back: 970.642.970.52.DML			
(1)	970 642 970 FX	Control panel D - MJ 2013>> - MJ 2014 Discontinued part		1	PR:665,672, -686,-688, -691,-693
	970 642 970 FX DML	Matt Black/hi-gloss chrome We take back: 970.642.970.53.DML			
(1)	970 642 970 GX	Control panel D - MJ 2013>> - MJ 2014 Discontinued part		1	PR:665,672, -686,-688, -691,-693
	970 642 970 GX DML	Matt Black/hi-gloss chrome We take back: 970.642.970.54.DML			
(1)	970 642 970 HX	Control panel D - MJ 2015>> - MJ 2015 Discontinued part		1	PR:665,672, -686,-688, -691,-693
	970 642 970 HX DML	Matt Black/hi-gloss chrome We take back: 970.642.970.55.DML			

Model: 970 10 Model life 2010>>2016

Pos	Part Number	Description	Remark	Qty	Model
(1)	970 642 970 JX	Control panel D - MJ 2016>> Discontinued part		1	PR:665,672, -686,-688, -691,-693
	970 642 970 JX DML	Matt Black/hi-gloss chrome We take back: 970.642.970.56.DML			
(1)	970 642 970 KX	Control panel D - MJ 2016>>		1	PR:665,672, -686,-688, -691,-693
	970 642 970 KX DML	Matt Black/hi-gloss chrome We take back: 970.642.970.57.DML			
(1)	970 642 972 00	Control panel		1	PR:665,672, -686,693
	970 642 972 00 DML	Matt Black/hi-gloss chrome We take back: 970.642.972.00.DML D >> - 01.08.2009 F >> 97-AL040 413 F >> 97-AL080 489 F >> 97-AL060 183 F >> 97-AL090 104			
(1)	970 642 972 X	Control panel		1	PR:665,672, -686,693
	970 642 972 X DML	Matt Black/hi-gloss chrome We take back: 970.642.972.00.DML D >> - 01.08.2009 F >> 97-AL040 413 F >> 97-AL080 489 F >> 97-AL060 183 F >> 97-AL090 104			
(1)	970 642 972 01	Control panel		1	PR:665,672, -686,693
	970 642 972 01 DML	Matt Black/hi-gloss chrome We take back: 970.642.972.01.DML D - 02.08.2009>> - 02.03.2010 F 97-AL040 414>> 97-AL045 689 F 97-AL080 490>> 97-AL082 883 F 97-AL060 184>> 97-AL064 275 F 97-AL090 105>> 97-AL091 394			
(1)	970 642 972 AX	Control panel		1	PR:665,672, -686,693
	970 642 972 AX DML	Matt Black/hi-gloss chrome We take back: 970.642.972.01.DML D - 02.08.2009>> - 02.03.2010 F 97-AL040 414>> 97-AL045 689 F 97-AL080 490>> 97-AL082 883 F 97-AL060 184>> 97-AL064 275 F 97-AL090 105>> 97-AL091 394			
(1)	970 642 972 02	Control panel		1	PR:665,672, -686,693
	970 642 972 02 DML	Matt Black/hi-gloss chrome We take back: 970.642.972.02.DML D - 03.03.2010>> - 03.09.2011			
(1)	970 642 972 BX	Control panel		1	PR:665,672, -686,693
	970 642 972 BX DML	Matt Black/hi-gloss chrome We take back: 970.642.972.02.DML			

Model: 970 10 Model life 2010>>2016

Pos	Part Number	Description	Remark	Qty	Model
(1)	970 642 972 03	D - 03.03.2010>> - 03.09.2011 Control panel		1	PR:665,672, 693,-686
	970 642 972 03 DML	Matt Black/hi-gloss chrome We take back: 970.642.972.03.DML			
(1)	970 642 972 CX	D - 04.09.2011>> - 21.09.2012 Control panel		1	PR:665,672, 693,-686
	970 642 972 CX DML	Matt Black/hi-gloss chrome We take back: 970.642.972.03.DML			
(1)	970 642 972 50	D - 04.09.2011>> - 21.09.2012 Control panel		1	PR:665,672, 693,-686
	970 642 972 50 DML	D - MJ 2013>> - MJ 2013 Discontinued part Matt Black/hi-gloss chrome We take back: 970.642.972.50.DML			
(1)	970 642 972 DX	Control panel		1	PR:665,672, 693,-686
	970 642 972 DX DML	D - MJ 2013>> - MJ 2013 Discontinued part Matt Black/hi-gloss chrome We take back: 970.642.972.50.DML			
(1)	970 642 972 52	Control panel		1	PR:665,672, -686,-688, 693,-691
	970 642 972 52 DML	D - MJ 2013>> - MJ 2013 Matt Black/hi-gloss chrome We take back: 970.642.972.52.DML			
(1)	970 642 972 EX	Control panel		1	PR:665,672, -686,-688, 693,-691
	970 642 972 EX DML	D - MJ 2013>> - MJ 2013 Matt Black/hi-gloss chrome We take back: 970.642.972.52.DML			
(1)	970 642 972 53	Control panel		1	PR:665,672, -686,-688, 693,-691
	970 642 972 53 DML	D - MJ 2014>> - MJ 2014 Discontinued part Matt Black/hi-gloss chrome We take back: 970.642.972.53.DML			
(1)	970 642 972 FX	Control panel		1	PR:665,672, -686,-688, 693,-691
	970 642 972 FX DML	D - MJ 2014>> - MJ 2014 Discontinued part Matt Black/hi-gloss chrome We take back: 970.642.972.53.DML			
(1)	970 642 972 54	Control panel		1	PR:665,672, -686,-688, 693,-691
	970 642 972 54 DML	D - MJ 2014>> - MJ 2014 Discontinued part Matt Black/hi-gloss chrome We take back: 970.642.972.54.DML			
(1)	970 642 972 GX	Control panel		1	PR:665,672, -686,-688, 693,-691
	970 642 972 GX DML	D - MJ 2014>> - MJ 2014 Discontinued part Matt Black/hi-gloss chrome We take back: 970.642.972.54.DML			
(1)	970 642 972 HX	Control panel		1	PR:665,672, -686,-688,
		D - MJ 2015>> - MJ 2015			

Model: 970 10 Model life 2010>>2016

Pos	Part Number	Description	Remark	Qty	Model
	970 642 972 HX DML	Discontinued part Matt Black/hi-gloss chrome We take back: 970.642.972.55.DML			693,-691
(1)	970 642 972 56	Control panel D - MJ 2016>> Discontinued part		1	PR:665,672, -686,-688, 693,-691
	970 642 972 56 DML	Matt Black/hi-gloss chrome We take back: 970.642.972.56.DML			
(1)	970 642 972 JX	Control panel D - MJ 2016>> Discontinued part		1	PR:665,672, -686,-688, 693,-691
	970 642 972 JX DML	Matt Black/hi-gloss chrome We take back: 970.642.972.56.DML			
(1)	970 642 972 57	Control panel D - MJ 2016>>		1	PR:665,672, -686,-688, 693,-691
	970 642 972 57 DML	Matt Black/hi-gloss chrome We take back: 970.642.972.57.DML			
(1)	970 642 972 KX	Control panel D - MJ 2016>>		1	PR:665,672, -686,-688, 693,-691
	970 642 972 KX DML	Matt Black/hi-gloss chrome We take back: 970.642.972.57.DML			
(1)	970 642 974 X	Control panel		1	PR:075,665, 672,-693
	970 642 974 X DML	Matt Black/hi-gloss chrome We take back: 970.642.974.00.DML F >> 97-AL064 275 F >> 97-AL091 394			
(1)	970 642 974 AX	Control panel		1	PR:075,665, 672,-693
	970 642 974 AX DML	Matt Black/hi-gloss chrome We take back: 970.642.974.01.DML F 97-AL064 276>> 97-CL060 604 F 97-AL091 395>> 97-CL090 363 F >> 97-CL012 600 F >> 97-CL045 099			
(1)	970 642 974 BX	Control panel		1	PR:075,665, 672,-693
	970 642 974 BX DML	Matt Black/hi-gloss chrome We take back: 970.642.974.02.DML F 97-CL060 605>> F 97-CL090 364>> F 97-CL012 601>> F 97-CL045 100>>			
(1)	970 642 974 CX	Control panel D - MJ 2013>> - MJ 2013		1	PR:075,665, 672,-693,IY2
	970 642 974 CX DML	Matt Black/hi-gloss chrome We take back: 970.642.974.50.DML			
(1)	970 642 974 DX	Control panel D - MJ 2014>> - MJ 2014 Discontinued part		1	PR:075,665, 672,-693, -IY2
	970 642 974 DX DML	Matt Black/hi-gloss chrome We take back:			

Model: 970 10 Model life 2010>>2016

Pos	Part Number	Description	Remark	Qty	Model
(1)	970 642 974 EX	970.642.974.52.DML Control panel D - MJ 2014>> - MJ 2014 Discontinued part		1	PR:075,665, 672,-693
	970 642 974 EX DML	Matt Black/hi-gloss chrome We take back: 970.642.974.53.DML			
(1)	970 642 974 GX	970.642.974.53.DML Control panel D - MJ 2014>> - MJ 2014 Discontinued part		1	PR:075,665, 672,-693
	970 642 974 GX DML	Matt Black/hi-gloss chrome We take back: 970.642.974.54.DML			
(1)	970 642 974 HX	970.642.974.54.DML Control panel D - MJ 2015>> - MJ 2015 Discontinued part		1	PR:075,665, 672,-693,IY2
	970 642 974 HX DML	Matt Black/hi-gloss chrome We take back: 970.642.974.55.DML			
(1)	970 642 974 JX	970.642.974.55.DML Control panel D - MJ 2016>> Discontinued part		1	PR:075,665, 672,-693
	970 642 974 JX DML	Matt Black/hi-gloss chrome We take back: 970.642.974.56.DML			
(1)	970 642 974 KX	970.642.974.56.DML Control panel D - MJ 2016>>		1	PR:075,665, 672,-693
	970 642 974 KX DML	Matt Black/hi-gloss chrome We take back: 970.642.974.57.DML			
(1)	970 642 975 X	970.642.974.57.DML Control panel		1	PR:075,665, 672,693
	970 642 975 X DML	Matt Black/hi-gloss chrome We take back: 970.642.975.00.DML F >> 97-AL064 275 F >> 97-AL091 394			
(1)	970 642 975 AX	970.642.975.00.DML Control panel		1	PR:075,665, 672,693
	970 642 975 AX DML	Matt Black/hi-gloss chrome We take back: 970.642.975.01.DML F 97-AL064 276>> 97-CL060 604 F 97-AL091 395>> 97-CL090 363 F >> 97-CL012 600 F >> 97-CL045 099			
1	970 642 975 BX	970.642.975.01.DML Control panel		1	PR:075,665, 672,693
	970 642 975 BX DML	Matt Black/hi-gloss chrome We take back: 970.642.975.02.DML F 97-CL060 605>> F 97-CL090 364>> F 97-CL012 601>> F 97-CL045 100>>			
(1)	970 642 975 CX	970.642.975.02.DML Control panel D - MJ 2013>> - MJ 2013 Discontinued part		1	PR:075,665, 672,693
	970 642 975 CX DML	Matt Black/hi-gloss chrome We take back: 970.642.975.50.DML			
(1)	970 642 975 DX	970.642.975.50.DML Control panel D - MJ 2014>> - MJ 2014		1	PR:075,665, 672,693

Model: 970 10 Model life 2010>>2016

Pos	Part Number	Description	Remark	Qty	Model
	970 642 975 DX DML	Discontinued part Matt Black/hi-gloss chrome We take back: 970.642.975.52.DML			
(1)	970 642 975 EX	Control panel D - MJ 2014>> - MJ 2014 Discontinued part		1	PR:075,665, 672,693
	970 642 975 EX DML	Discontinued part Matt Black/hi-gloss chrome We take back: 970.642.975.53.DML			
(1)	970 642 975 GX	Control panel D - MJ 2014>> - MJ 2014 Discontinued part		1	PR:075,665, 672,693
	970 642 975 GX DML	Discontinued part Matt Black/hi-gloss chrome We take back: 970.642.975.54.DML			
(1)	970 642 975 HX	Control panel D - MJ 2015>> - MJ 2015 Discontinued part		1	PR:075,665, 672,693,IY2
	970 642 975 HX DML	Discontinued part Matt Black/hi-gloss chrome We take back: 970.642.975.55.DML			
(1)	970 642 975 JX	Control panel D - MJ 2016>> Discontinued part		1	PR:075,665, 672,693
	970 642 975 JX DML	Discontinued part Matt Black/hi-gloss chrome We take back: 970.642.975.56.DML			
(1)	970 642 975 KX	Control panel D - MJ 2016>>		1	PR:075,665, 672,693
	970 642 975 KX DML	Discontinued part Matt Black/hi-gloss chrome We take back: 970.642.975.57.DML			
(1)	970 642 976 X	Control panel D >> - MJ 2013		1	PR:215,665, 672,-693, -IY2
	970 642 976 X DML	Discontinued part Matt Black/hi-gloss chrome We take back: 970.642.976.00.DML F A7-CL012 577>> F A7-CL060 593>> F A7-CL090 365>> F A7-CL045 082>>			
(1)	970 642 976 AX	Control panel D - MJ 2013>> - MJ 2013 Discontinued part		1	PR:215,665, 672,IY2,-693
	970 642 976 AX DML	Discontinued part Matt Black/hi-gloss chrome We take back: 970.642.976.50.DML			
(1)	970 642 976 BX	Control panel D - MJ 2014>> - MJ 2014 Discontinued part		1	PR:215,665, 672,-693
	970 642 976 BX DML	Discontinued part Matt Black/hi-gloss chrome We take back: 970.642.976.52.DML			
(1)	970 642 976 CX	Control panel D - MJ 2014>> - MJ 2014 Discontinued part		1	PR:215,665, 672,-693
	970 642 976 CX DML	Discontinued part Matt Black/hi-gloss chrome We take back: 970.642.976.53.DML			
(1)	970 642 976 DX	Control panel D - MJ 2014>> - MJ 2014		1	PR:215,665, 672,-693

Model: 970 10 Model life 2010>>2016

Pos	Part Number	Description	Remark	Qty	Model
	970 642 976 DX DML	Discontinued part Matt Black/hi-gloss chrome We take back: 970.642.976.54.DML			
(1)	970 642 976 EX	Control panel D - MJ 2015>> - MJ 2015		1	PR:215,665, 672,-693
	970 642 976 EX DML	Discontinued part Matt Black/hi-gloss chrome We take back: 970.642.976.55.DML			
(1)	970 642 976 FX	Control panel D - MJ 2016>>		1	PR:215,665, 672,-693
	970 642 976 FX DML	Discontinued part Matt Black/hi-gloss chrome We take back: 970.642.976.56.DML			
(1)	970 642 976 GX	Control panel D - MJ 2016>>		1	PR:215,665, 672,-693
	970 642 976 GX DML	Discontinued part Matt Black/hi-gloss chrome We take back: 970.642.976.57.DML			
(1)	970 642 977 X	Control panel D >> - MJ 2013		1	PR:215,665, 672,693,-IY2
	970 642 977 X DML	Discontinued part Matt Black/hi-gloss chrome We take back: 970.642.977.00.DML F A7-CL012 577>> F A7-CL060 593>> F A7-CL090 365>> F A7-CL045 082>>			
(1)	970 642 977 AX	Control panel D - MJ 2013>> - MJ 2013		1	PR:215,665, 672,693,IY2
	970 642 977 AX DML	Discontinued part Matt Black/hi-gloss chrome We take back: 970.642.977.50.DML			
(1)	970 642 977 BX	Control panel D - MJ 2014>> - MJ 2014		1	PR:215,665, 672,693
	970 642 977 BX DML	Discontinued part Matt Black/hi-gloss chrome We take back: 970.642.977.52.DML			
(1)	970 642 977 CX	Control panel D - MJ 2014>> - MJ 2014		1	PR:215,665, 672,693
	970 642 977 CX DML	Discontinued part Matt Black/hi-gloss chrome We take back: 970.642.977.53.DML			
(1)	970 642 977 DX	Control panel D - MJ 2014>> - MJ 2014		1	PR:215,665, 672,693
	970 642 977 DX DML	Discontinued part Matt Black/hi-gloss chrome We take back: 970.642.977.54.DML			
(1)	970 642 977 EX	Control panel D - MJ 2015>> - MJ 2015		1	PR:215,665, 672,693
	970 642 977 EX DML	Discontinued part Matt Black/hi-gloss chrome We take back: 970.642.977.55.DML			
(1)	970 642 977 FX	Control panel D - MJ 2016>> Discontinued part		1	PR:215,665, 672,693

Model: 970 10 Model life 2010>>2016

Pos	Part Number	Description	Remark	Qty	Model
	970 642 977 FX DML	Matt Black/hi-gloss chrome We take back: 970.642.977.56.DML			
(1)	970 642 977 GX	Control panel D - MJ 2016>>		1	PR:215,665, 672,693
	970 642 977 GX DML	Matt Black/hi-gloss chrome We take back: 970.642.977.57.DML			
(1)	970 642 950 X	Control panel D - MJ 2014>> - MJ 2014 Discontinued part		1	PR:665,672, 691,-693
	970 642 950 X DML	Matt Black/hi-gloss chrome We take back: 970.642.950.00.DML			
(1)	970 642 950 BX	Control panel D - MJ 2015>> - MJ 2015 Discontinued part		1	PR:665,672, 691,-693
	970 642 950 BX DML	Matt Black/hi-gloss chrome We take back: 970.642.950.02.DML			
(1)	970 642 950 CX	Control panel D - MJ 2015>> - MJ 2015 Discontinued part		1	PR:665,672, 691,-693
	970 642 950 CX DML	Matt Black/hi-gloss chrome We take back: 970.642.950.03.DML			
(1)	970 642 950 DX	Control panel D - MJ 2016>> Discontinued part		1	PR:665,672, 691,-693
	970 642 950 DX DML	Matt Black/hi-gloss chrome We take back: 970.642.950.04.DML			
(1)	970 642 950 EX	Control panel D - MJ 2016>>		1	PR:665,672, 691,-693
	970 642 950 EX DML	Matt Black/hi-gloss chrome We take back: 970.642.950.05.DML			
(1)	970 642 951 X	Control panel D - MJ 2014>> - MJ 2014 Discontinued part		1	PR:665,672, 691,693
	970 642 951 X DML	Matt Black/hi-gloss chrome We take back: 970.642.951.00.DML			
(1)	970 642 951 BX	Control panel D - MJ 2015>> - MJ 2015 Discontinued part		1	PR:665,672, 691,693,-IY2
	970 642 951 BX DML	Matt Black/hi-gloss chrome We take back: 970.642.951.02.DML			
(1)	970 642 951 CX	Control panel D - MJ 2015>> - MJ 2015 Discontinued part		1	PR:665,672, 691,693,IY2
	970 642 951 CX DML	Matt Black/hi-gloss chrome We take back: 970.642.951.03.DML			
(1)	970 642 951 DX	Control panel D - MJ 2016>> Discontinued part		1	PR:665,672, 691,693
	970 642 951 DX DML	Matt Black/hi-gloss chrome We take back: 970.642.951.04.DML			
(1)	970 642 951 EX	Control panel D - MJ 2016>>		1	PR:665,672, 691,693

Model: 970 10 Model life 2010>>2016

Pos	Part Number	Description	Remark	Qty	Model
	970 642 951 EX DML	Matt Black/hi-gloss chrome We take back: 970.642.951.05.DML			
(1)	970 642 952 00	Control panel D - MJ 2014>> - MJ 2014 Discontinued part		1	PR:665,-672, 691,-693, -IY2
	970 642 952 00 DML	Matt Black/hi-gloss chrome			
(1)	970 642 952 X	Control panel D - MJ 2014>> - MJ 2014 Discontinued part		1	PR:665,-672, 691,-693, -IY2
	970 642 952 X DML	Matt Black/hi-gloss chrome			
		We take back: 970.642.952.00.DML			
(1)	970 642 952 AX	Control panel D - MJ 2014>> - MJ 2014 Discontinued part		1	PR:665,-672, 691,-693,IY2
	970 642 952 AX DML	Matt Black/hi-gloss chrome			
		We take back: 970.642.952.01.DML			
(1)	970 642 952 BX	Control panel D - MJ 2015>> - MJ 2015 Discontinued part		1	PR:665,-672, 691,-693, -IY2
	970 642 952 BX DML	Matt Black/hi-gloss chrome			
		We take back: 970.642.952.02.DML			
(1)	970 642 952 CX	Control panel D - MJ 2015>> - MJ 2015 Discontinued part		1	PR:665,-672, 691,-693,IY2
	970 642 952 CX DML	Matt Black/hi-gloss chrome			
		We take back: 970.642.952.03.DML			
(1)	970 642 952 DX	Control panel D - MJ 2016>> Discontinued part		1	PR:665,-672, 691,-693
	970 642 952 DX DML	Matt Black/hi-gloss chrome			
		We take back: 970.642.952.04.DML			
(1)	970 642 952 05	Control panel D - MJ 2016>>		1	PR:665,-672, 691,-693
	970 642 952 05 DML	Matt Black/hi-gloss chrome			
		We take back: 970.642.952.05.DML			
(1)	970 642 952 EX	Control panel D - MJ 2016>>		1	PR:665,-672, 691,-693
	970 642 952 EX DML	Matt Black/hi-gloss chrome			
		We take back: 970.642.952.05.DML			
(1)	970 642 953 X	Control panel D - MJ 2014>> - MJ 2014 Discontinued part		1	PR:665,-672, 691,693,-IY2
	970 642 953 X DML	Matt Black/hi-gloss chrome			
		We take back: 970.642.953.00.DML			
1	970 642 953 AX	Control panel D - MJ 2014>> - MJ 2014 Discontinued part		1	PR:665,-672, 691,693,IY2
	970 642 953 AX DML	Matt Black/hi-gloss chrome			
		We take back: 970.642.953.01.DML			
(1)	970 642 953 BX	Control panel D - MJ 2015>> - MJ 2015 Discontinued part		1	PR:665,-672, 691,693,-IY2
	970 642 953 BX DML	Matt Black/hi-gloss chrome			

Model: 970 10 Model life 2010>>2016

Pos	Part Number	Description	Remark	Qty	Model
(1)	970 642 953 CX	We take back: 970.642.953.02.DML Control panel D - MJ 2015>> - MJ 2015 Discontinued part		1	PR:665,-672, 691,693,IY2
	970 642 953 CX DML	Matt Black/hi-gloss chrome			
(1)	970 642 953 DX	We take back: 970.642.953.03.DML Control panel D - MJ 2016>> Discontinued part		1	PR:665,-672, 691,693
	970 642 953 DX DML	Matt Black/hi-gloss chrome			
(1)	970 642 953 EX	We take back: 970.642.953.04.DML Control panel D - MJ 2016>>		1	PR:665,-672, 691,693
	970 642 953 EX DML	Matt Black/hi-gloss chrome			
-		We take back: 970.642.953.05.DML Control unit Telephone			
-	970 642 929 00	see illustration: Rot. knob for Control panel Use for 970.642.97X.00.DML F >> 97-AL040 413 F >> 97-AL080 489 F >> 97-AL060 183 F >> 97-AL090 104	911-010 left	1	PR:665
-	970 642 929 01	Rot. knob for Control panel Use for 970.642.97X.01/02.DML F 97-AL040 414>> F 97-AL080 490>> F 97-AL060 184>> F 97-AL090 105>>	left	1	PR:665
-	970 642 930 00	Rot. knob for Control panel Use for 970.642.97X.00.DML F >> 97-AL040 413 F >> 97-AL080 489 F >> 97-AL060 183 F >> 97-AL090 104	right	1	PR:665
-	970 642 930 01	Rot. knob for Control panel Use for 970.642.97X.01/02.DML F 97-AL040 414>> F 97-AL080 490>> F 97-AL060 184>> F 97-AL090 105>>	right	1	PR:665
1	970 645 130 04	radio		1	PR:696

Model: 970 10 Model life 2010>>2016

Pos	Part Number	Description	Remark	Qty	Model
(1)	970 645 130 04 DML 970 645 130 DX	CDR 31 Discontinued part Matt Black/hi-gloss chrome radio		1	PR:696
1	970 645 130 DX DML 970 645 130 05	CDR 31 Discontinued part Matt Black/hi-gloss chrome We take back: 970.645.130.04.DML radio		1	PR:696
(1)	970 645 130 05 DML 970 645 130 EX	CDR 31 D >> - MJ 2011 Discontinued part Matt Black/hi-gloss chrome radio		1	PR:696
(1)	970 645 130 EX DML 970 645 130 09	CDR 31 D >> - MJ 2011 Discontinued part Matt Black/hi-gloss chrome We take back: 970.645.130.05.DML radio		1	PR:696
(1)	970 645 130 09 DML 970 645 130 IX	CDR 31 D - MJ 2012>> - MJ 2014 Discontinued part Matt Black/hi-gloss chrome radio		1	PR:696
(1)	970 645 130 IX DML 970 645 130 10	CDR 31 D - MJ 2012>> - MJ 2014 Discontinued part Matt Black/hi-gloss chrome We take back: 970.645.130.09.DML radio		1	PR:696
(1)	970 645 130 10 DML 970 645 130 JX	CDR 31 D - MJ 2015>> Matt Black/hi-gloss chrome radio		1	PR:696
(1)	970 645 130 JX DML 970 645 132 04	CDR 31 D - MJ 2015>> Matt Black/hi-gloss chrome We take back: 970.645.130.10.DML radio		1	PR:692,696
(1)	970 645 132 04 DML 970 645 132 DX	CDR 31 Discontinued part Matt Black/hi-gloss chrome radio		1	PR:692,696
(1)	970 645 132 DX DML 970 645 132 05	CDR 31 Discontinued part Matt Black/hi-gloss chrome We take back: 970.645.132.04.DML radio		1	PR:692,696
(1)	970 645 132 05 DML 970 645 132 EX	CDR 31 D >> - MJ 2011 Matt Black/hi-gloss chrome radio		1	PR:692,696
	970 645 132 EX DML	CDR 31 D >> - MJ 2011 Matt Black/hi-gloss chrome We take back: 970.645.132.05.DML			

Model: 970 10 Model life 2010>>2016

Pos	Part Number	Description	Remark	Qty	Model
(1)	970 645 132 09	radio CDR 31 D - MJ 2012>> - MJ 2014		1	PR:692,696
(1)	970 645 132 09 DML 970 645 132 IX	Matt Black/hi-gloss chrome radio CDR 31 D - MJ 2012>> - MJ 2014		1	PR:692,696
(1)	970 645 132 IX DML	Matt Black/hi-gloss chrome We take back: 970.645.132.09.DML		1	PR:692,696
(1)	970 645 132 10	radio CDR 31 D - MJ 2015>>		1	PR:692,696
(1)	970 645 132 10 DML 970 645 132 JX	Matt Black/hi-gloss chrome radio CDR 31 D - MJ 2015>>		1	PR:692,696
(1)	970 645 132 JX DML	Matt Black/hi-gloss chrome We take back: 970.645.132.10.DML		1	PR:692,696
(1)	970 645 134 04	radio CDR 31 D >> - MJ 2010 Discontinued part		1	PR:619,696
(1)	970 645 134 04 DML 970 645 134 DX	Matt Black/hi-gloss chrome radio CDR 31 D >> - MJ 2010 Discontinued part		1	PR:619,696
(1)	970 645 134 DX DML	Matt Black/hi-gloss chrome We take back: 970.645.134.04.DML		1	PR:619,696
(1)	970 645 134 05	radio CDR 31 D - MJ 2011>> - MJ 2011 Discontinued part		1	PR:619,696
(1)	970 645 134 05 DML 970 645 134 EX	Matt Black/hi-gloss chrome radio CDR 31 D - MJ 2011>> - MJ 2011 Discontinued part		1	PR:619,696
(1)	970 645 134 EX DML	Matt Black/hi-gloss chrome We take back: 970.645.134.05.DML		1	PR:619,696
(1)	970 645 134 09	radio CDR 31 D - MJ 2012>> - MJ 2014 Discontinued part		1	PR:619,696
(1)	970 645 134 09 DML 970 645 134 IX	Matt Black/hi-gloss chrome radio CDR 31 D - MJ 2012>> - MJ 2014 Discontinued part		1	PR:619,696
(1)	970 645 134 IX DML	Matt Black/hi-gloss chrome We take back: 970.645.134.09.DML		1	PR:619,696
(1)	970 645 134 10	radio CDR 31 D - MJ 2015>>		1	PR:619,696
(1)	970 645 134 10 DML 970 645 134 JX	Matt Black/hi-gloss chrome radio CDR 31 D - MJ 2015>>		1	PR:619,696

Model: 970 10 Model life 2010>>2016

Pos	Part Number	Description	Remark	Qty	Model
(1)	970 645 134 JX DML 970 645 136 04	Matt Black/hi-gloss chrome We take back: 970.645.134.10.DML radio CDR 31 D >> - MJ 2010 Discontinued part		1	PR:619,692, 696
(1)	970 645 136 04 DML 970 645 136 DX	Matt Black/hi-gloss chrome radio CDR 31 D >> - MJ 2010 Discontinued part		1	PR:619,692, 696
(1)	970 645 136 DX DML 970 645 136 05	Matt Black/hi-gloss chrome We take back: 970.645.136.04.DML radio CDR 31 D - MJ 2011>> - MJ 2011 Discontinued part		1	PR:619,692, 696
(1)	970 645 136 05 DML 970 645 136 EX	Matt Black/hi-gloss chrome radio CDR 31 D - MJ 2011>> - MJ 2011 Discontinued part		1	PR:619,692, 696
(1)	970 645 136 EX DML 970 645 136 09	Matt Black/hi-gloss chrome We take back: 970.645.136.05.DML radio CDR 31 D - MJ 2012>> - MJ 2014 Discontinued part		1	PR:619,692, 696
(1)	970 645 136 09 DML 970 645 136 IX	Matt Black/hi-gloss chrome radio CDR 31 D - MJ 2012>> - MJ 2014 Discontinued part		1	PR:619,692, 696
(1)	970 645 136 IX DML 970 645 136 10	Matt Black/hi-gloss chrome We take back: 970.645.136.09.DML radio CDR 31 D - MJ 2015>>		1	PR:619,692, 696
(1)	970 645 136 10 DML 970 645 136 JX	Matt Black/hi-gloss chrome radio CDR 31 D - MJ 2015>>		1	PR:619,692, 696
-	970 645 136 JX DML 970 645 929 00	Matt Black/hi-gloss chrome We take back: 970.645.136.10.DML Rot. knob for Radio unit CDR 31	left	1	PR:665
-	970 645 930 00	Rot. knob for Radio unit CDR 31	right	1	PR:665
2	999 919 247 01	fillister hd. bolt 5,0 X 12		4	
-	970 642 271 50	DVD-ROM for navigation system for Software		1	PR:610

Model: 970 10

Model life 2010>>2016

Pos	Part Number	Description	Remark	Qty	Model
-	997 642 271 52	D >> - MJ 2010 DVD-ROM for navigation system for Software D - MJ 2011>>		1	PR:610,IY1
-	997 642 271 53	DVD-ROM for navigation system for Software D - MJ 2011>>		1	PR:610,IY2
-	997 642 271 54	DVD-ROM for navigation system for Software 7PP.919.193.BG D - MJ 2012>>		1	PR:610
-	997 642 271 55	DVD-ROM for navigation system for Software D - MJ 2013>>		1	PR:610
-	997 642 271 56	DVD-ROM for navigation system for Software D - MJ 2014>>		1	PR:610
-	997 642 271 57	DVD-ROM for navigation system for Software D - MJ 2015>>		1	PR:610
-	997 642 271 58	DVD-ROM for navigation system for Software D - MJ 2016>>		1	PR:610
-	997 642 271 59	DVD-ROM for navigation system for Software D - MJ 2016>>		1	PR:610
-	970 642 275 50	DVD-ROM for navigation system for Software D - MJ 2011>>		1	PR:611
-	997 642 275 52	DVD-ROM for navigation system for Software D - MJ 2011>>		1	PR:611,IY1
-	997 642 275 53	DVD-ROM for navigation system for Software 7PP.919.193.AN D - MJ 2011>>		1	PR:611,IY2
-	997 642 275 54	DVD-ROM for navigation system for Software D - MJ 2012>>		1	PR:611
-	997 642 275 55	DVD-ROM for navigation		1	PR:611

Model: 970 10

Model life 2010>>2016

Pos	Part Number	Description	Remark	Qty	Model
-	997 642 275 56	system for Software D - MJ 2013>> DVD-ROM for navigation system		1	PR:611
-	997 642 275 57	system for Software D - MJ 2014>> DVD-ROM for navigation system		1	PR:611
-	997 642 275 58	system for Software D - MJ 2015>> DVD-ROM for navigation system		1	PR:611
-	970 642 277 50	system for Software D - MJ 2016>> DVD-ROM for navigation system		1	PR:612
-	997 642 277 52	system for Software DVD-ROM for navigation system		1	PR:612
-	997 642 277 53	system for Software DVD-ROM for navigation system		1	PR:612
-	997 642 277 54	system for Software DVD-ROM for navigation system		1	PR:612
-	997 642 287 50	system for Software DVD-ROM for navigation system		1	PR:612
-	991 642 287 51	system for Software DVD-ROM for navigation system		1	PR:612
-	991 642 287 52	system for Software D - MJ 2013>> DVD-ROM for navigation system		1	PR:612
-	991 642 287 57	system for Software D - MJ 2014>> DVD-ROM for navigation system		1	PR:612
-	991 642 287 58	system for Software D - MJ 2015>> DVD-ROM for navigation system		1	PR:612
-	970 642 279 50	system for Software D - MJ 2016>> DVD-ROM for navigation system		1	PR:613

Model: 970 10

Model life 2010>>2016

Pos	Part Number	Description	Remark	Qty	Model
-	997 642 279 52	DVD-ROM for navigation system for Software D - MJ 2011>>		1	PR:613,IY1
-	997 642 279 53	DVD-ROM for navigation system for Software D - MJ 2011>>		1	PR:613,IY2
-	997 642 279 54	DVD-ROM for navigation system for Software D - MJ 2012>>		1	PR:613
-	997 642 279 55	DVD-ROM for navigation system for Software D - MJ 2013>>		1	PR:613
-	997 642 279 56	DVD-ROM for navigation system for Software D - MJ 2014>>		1	PR:613
-	997 642 279 57	DVD-ROM for navigation system for Software D - MJ 2015>>		1	PR:613
-	997 642 279 58	DVD-ROM for navigation system for Software D - MJ 2016>>		1	PR:613
-	970 642 281 50	DVD-ROM for navigation system for Software		1	PR:614
-	997 642 281 52	DVD-ROM for navigation system for Software D - MJ 2011>>		1	PR:614,IY1
-	997 642 281 53	DVD-ROM for navigation system for Software D - MJ 2011>>		1	PR:614,IY2
-	997 642 281 54	DVD-ROM for navigation system for Software D - MJ 2012>>		1	PR:614
-	997 642 281 55	DVD-ROM for navigation system for Software D - MJ 2013>>		1	PR:614
-	997 642 281 56	DVD-ROM for navigation system for Software		1	PR:614

Model: 970 10

Model life 2010>>2016

Pos	Part Number	Description	Remark	Qty	Model
-	997 642 281 57	D - MJ 2014>> DVD-ROM for navigation system for Software		1	PR:614
-	997 642 281 58	D - MJ 2015>> DVD-ROM for navigation system for Software		1	PR:614
-	970 642 283 50	D - MJ 2016>> DVD-ROM for navigation system for Software		1	PR:616
-	997 642 283 52	DVD-ROM for navigation system for Software		1	PR:616,IY1
-	997 642 283 53	D - MJ 2011>> DVD-ROM for navigation system for Software		1	PR:616,IY2
-	997 642 283 54	D - MJ 2011>> DVD-ROM for navigation system for Software		1	PR:616
-	997 642 283 55	D - MJ 2012>> DVD-ROM for navigation system for Software		1	PR:616
-	997 642 283 56	D - MJ 2013>> DVD-ROM for navigation system for Software		1	PR:616
-	997 642 283 57	D - MJ 2014>> DVD-ROM for navigation system for Software		1	PR:616
-	997 642 283 58	D - MJ 2015>> DVD-ROM for navigation system for Software		1	PR:616
-	970 642 285 50	D - MJ 2016>> DVD-ROM for navigation system for Software		1	PR:617
-	970 642 285 51	DVD-ROM for navigation system for Software		1	PR:617
-	970 642 285 52	DVD-ROM for navigation system for Software D - MJ 2012>>		1	PR:617

Model: 970 10

Model life 2010>>2016

Pos	Part Number	Description	Remark	Qty	Model
-	970 642 285 53	DVD-ROM for navigation system for Software D - MJ 2013>>		1	PR:617,IY1
-	970 642 285 54	DVD-ROM for navigation system for Software D - MJ 2013>>		1	PR:617,IY2
-	970 642 285 55	DVD-ROM for navigation system for Software D - MJ 2014>>		1	PR:617
-	970 642 285 57	DVD-ROM for navigation system for Software D - MJ 2014>>		1	PR:617
-	970 642 285 58	DVD-ROM for navigation system for Software D - MJ 2016>>		1	PR:617
-	991 642 288 56	DVD-ROM for navigation system for Software D - MJ 2014>>		1	PR:77J
-	991 642 288 57	DVD-ROM for navigation system for Software D - MJ 2015>>		1	PR:77J
-	991 642 288 58	DVD-ROM for navigation system for Software D - MJ 2016>>		1	PR:77J
-	991 642 289 56	DVD-ROM for navigation system for Software D - MJ 2014>>		1	PR:77K
-	991 642 289 57	DVD-ROM for navigation system for Software D - MJ 2015>>		1	PR:77K
-	997 642 148 02	CD-ROM for electronic driver's logbook D >> - MJ 2011		1	PR:641
-	7PP 919 855	CD-ROM for electronic driver's logbook D - MJ 2012>>		1	PR:641
3	7PP 919 148	Receiving part TV No longer use the part here		1	PR:676
3	7PP 919 148 E	Receiving part TV F >> 97-CL000 962 F >> 97-CL080 622		1	PR:676

Model: 970 10 Model life 2010>>2016

Pos	Part Number	Description	Remark	Qty	Model
		F >> 97-CL040 758 F >> 97-CL020 978 also use:	970 642 331 02 7PP 971 067 8D0 971 897 A	1 1 2	
3	7PP 919 148 E	Receiving part TV F 97-CL000 963>> F 97-CL050 734>> F 97-CL080 623>> F 97-CL080 623>> F 97-CL020 979>>		1	PR:676
3	7PP 919 148 F	Discontinued part Receiving part TV F 97-CL000 963>> F 97-CL050 734>> F 97-CL080 623>> F 97-CL080 623>> F 97-CL020 979>>		1	PR:676
3	7PP 919 148 H	Discontinued part Receiver unit for TV reception TV F 97-CL050 734>> F 97-CL080 623>> F 97-CL040 759>> F 97-CL020 979>>		1	
-	7PP 971 067	Adapter Line Receiving part TV D - MJ 2012>>		1	PR:676
-	8D0 971 897 A	Bracket Adapter Line D - MJ 2012>>		2	PR:676
4	955 642 295 10	Coding connector Reversing camera F >> 97-CL000 962 F >> 97-CL050 733 F >> 97-CL080 622 F >> 97-CL040 758 F >> 97-CL020 978		1	PR:637,638, 676
5	970 642 331 01	Bracket F >> 97-CL000 962 F >> 97-CL050 733 F >> 97-CL080 622 F >> 97-CL040 758 F >> 97-CL020 978		1	PR:676
5	970 642 331 02	Bracket F 97-CL000 963>> F 97-CL050 734>> F 97-CL080 623>> F 97-CL040 759>> F 97-CL020 979>>		1	PR:676
6	900 378 252 01	Hexagon bolt M 6 X 16		2	PR:676
7	N 100 151 01	Hexagon nut T 5		1	PR:676
8	970 613 425 01	Reversing camera Module with:		1	PR:637,638

Model: 970 10 Model life 2010>>2016

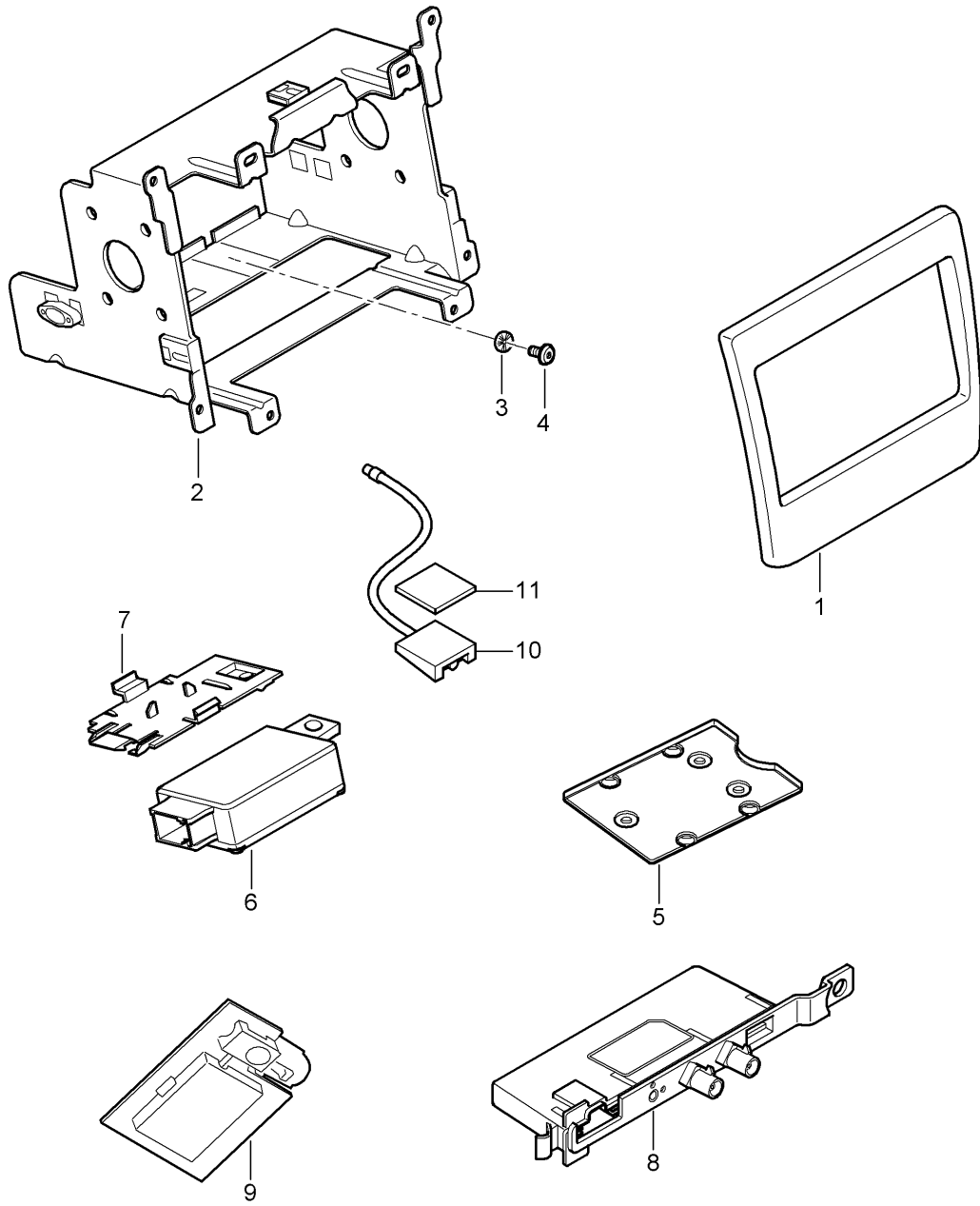
Pos	Part Number	Description	Remark	Qty	Model
(8)	970 613 425 01 1E0 970 613 425 02	Tip switch Rear lid Discontinued part Black Reversing camera Module		1	PR:637,638
		with:			
9	970 613 425 02 1E0 970 642 733 00	Tip switch Rear lid Black Reversing camera		1	PR:637,638
(9)	7PP 980 546	D >> - MJ 2013 Reversing camera		1	PR:638
(9)	9A7 980 546 01	D - MJ 2014>> - MJ 2015 Reversing camera		1	PR:638
(9)	7PP 980 551 D	also use: D - MJ 2016>> Camera	970 618 733 60 front and rear	2	PR:633
(9)	7PP 980 551 B	Real Top View Linings D - MJ 2014>> Camera	left right	2	PR:633
10	970 642 525 00	Exterior mirror D - MJ 2014>> Retaining plate		1	PR:637,638
10	970 642 525 01	Reversing camera Discontinued part Retaining plate		1	PR:637,638
11	999 919 050 09	Reversing camera fillister hd. bolt 4,0 X 12		1	
12	970 553 345 02	Adapter Multimedia interface F >> 97-AL045 689 F >> 97-AL082 883		1	PR:665,870
(12)	970 553 345 03	Adapter Multimedia interface F 97-AL045 690>> F 97-AL082 884>>		1	PR:665,870
(12)	970 553 345 03	Adapter Multimedia interface D >> - MJ 2011		1	PR:665,870
(12)	970 553 345 05	Adapter Multimedia interface D - MJ 2012>>		1	PR:665,870
(12)	970 553 345 01	Adapter Multimedia interface D >> - MJ 2011		1	PR:696,870
(12)	970 553 345 04	Adapter Multimedia interface D - MJ 2012>>		1	PR:696,870
(12)		Trim see illustration:	903-005	1	PR:-870
-	970 612 060 50	Connecting line Multimedia interface		1	PR:665,870
-	970 612 061 00	Connecting line Control panel		1	
-	997 612 471 02	Combi-instrument Connection cable iPOD		1	PR:665,870
13	970 642 123 00	AUX Connection cable AUX		1	PR:696,870

Model: 970 10 Model life 2010>>2016

Pos	Part Number	Description	Remark	Qty	Model
14	970 642 121 00	D - MJ 2012>> Connection cable USB		1	PR:665,870
15	7PP 980 653 C	D - MJ 2012>> Camera Windscreen		1	PR:458
16	7PP 858 066	D - MJ 2014>> Trim with: heater		1	PR:458
-	970 647 053 00	D - MJ 2014>> Aerial GPS VTS vehicle tracking		1	PR:674,7G9, 7I2
-	970 612 081 00	D - MJ 2014>> Aerial connection line GPS		1	PR:675
-	970 612 051 20	Aerial connection line GPS		1	PR:631,632, 672
-	970 612 082 00	D - MJ 2014>> Connecting line Reversing camera		1	PR:675
-	970 647 063 00	Aerial VTS vehicle tracking GSM		1	PR:674,7G9, 7I2
-	970 612 052 50	D - MJ 2014>> Telephone aerial D - MJ 2014>>		1	PR:631,632, 666

Model: 970 10

Model life 2010>>2016



Model: 970 10 Model life 2010>>2016

Pos	Part Number	Description	Remark	Qty	Model
		Preparation Navigation system Japan			PR:675
1	970 642 323 00	Front frame		1	PR:675
	970 642 323 00 A05	Matt black			
2	970 642 327 00	Bracket		1	PR:675
		Discontinued part			
(2)	970 642 327 01	Bracket		1	PR:675
3	999 591 243 01	Clamping washer 4,0		4	PR:675
4	999 919 247 01	fillister hd. bolt 5,0 X 12		4	PR:675
5	970 642 329 00	Bracket Card reader INKL. CLIPS		1	PR:675
		D >> - MJ 2010			
		Discontinued part			
(5)	7PP 919 669	Bracket Card reader INKL. CLIPS		1	PR:675
		D >> - MJ 2011			
(5)	7PP 919 669 A	Bracket Card reader INKL. CLIPS		1	PR:675
		D - MJ 2012>> - MJ 2014			
(5)	7PP 919 669 B	Bracket Card reader INKL. CLIPS		1	PR:675
		D - MJ 2015>>			
6	7PP 971 324	Adapter cable for CAN bus Discontinued part		1	PR:675
(6)	7PP 971 324 C	Adapter cable for CAN bus		1	PR:675
7	970 642 325 00	Bracket Adapter Can		1	PR:675
-	970 612 080 00	Connecting line microphone		1	PR:675
-	970 612 079 00	Aerial connection line Radio unit		1	PR:675
-		Amplifiers Bose		1	PR:675
8	970 647 112 01	see illustration: Aerial amplifier TV Japan	911-010	1	PR:675
9	7PP 035 504	Aerial GPS Discontinued part		1	PR:675
(9)	7PP 035 504 A	Aerial GPS		1	PR:672,675
(9)	970 647 053 00	EINS. M. G1 GTS Aerial GPS VTS vehicle tracking D - MJ 2014>>		1	PR:674,7G9, 7I2
-	970 612 081 00	Aerial connection line GPS		1	PR:675
-	970 612 051 20	Aerial connection line GPS		1	PR:631,632, 672
-	970 612 082 00	D - MJ 2014>> Connecting line Reversing camera		1	PR:675

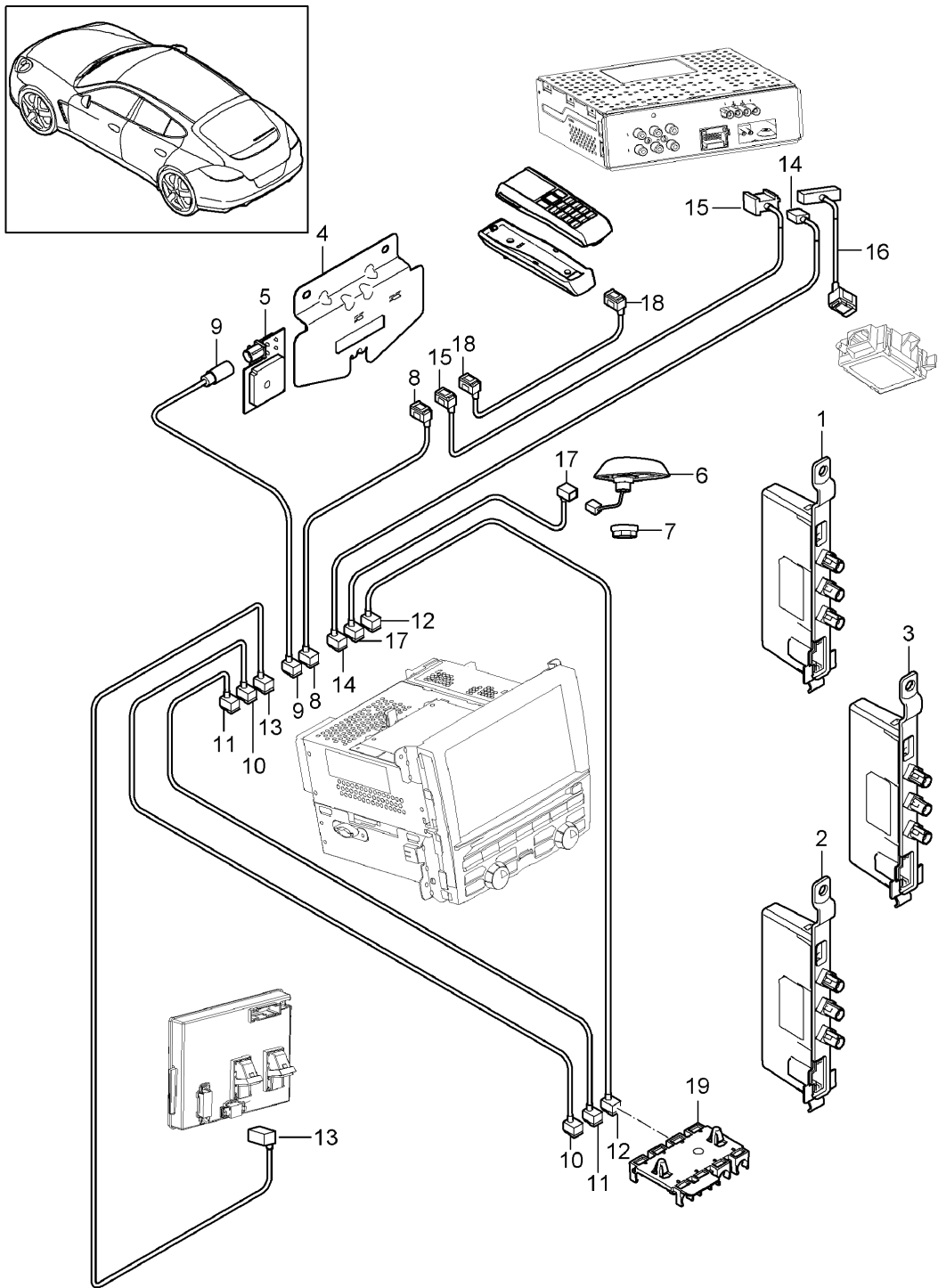
Model: 970 10

Model life 2010>>2016

Pos	Part Number	Description	Remark	Qty	Model
-	970 647 063 00	Aerial VTS vehicle tracking GSM D - MJ 2014>>		1	PR:675,7G9, 7I2
-	970 612 052 50	Telephone aerial D - MJ 2014>>		1	PR:631,632, 666
10	7PP 035 500	Aerial ETC		1	PR:675
11	958 637 213 00	Retainer for aerial ETC		1	PR:675

Model: 970 10

Model life 2010>>2016



Model: 970 10

Model life 2010>>2016

Pos	Part Number	Description	Remark	Qty	Model
-		Aerial amplifier Lines Aerial Video Aerial			
1	970 647 106 01	Aerial amplifier Discontinued part	right	1	PR:524,696
1	970 647 106 02	Aerial amplifier No longer use the part here	right	1	PR:524,696
1	970 647 106 03	Aerial amplifier	right	1	PR:524,696
1	970 647 116 00	Aerial amplifier No longer use the part here	right	1	PR:525,696
-	4E0 035 610 E	Removable housing for aerial bracket female connector SIEHE SY 1709		1	"MEX", "CDN", "PAP"
1	970 647 106 01	Aerial amplifier No longer use the part here	right	1	PR:675
1	970 647 116 00	Aerial amplifier No longer use the part here	right	1	PR:675
1	970 647 116 01	Aerial amplifier	right	1	PR:675
-	4E0 035 610 E	Removable housing for aerial bracket female connector see		1	PR:675
(1)	970 647 108 01	Aerial amplifier Discontinued part	right	1	PR:440,524, 665
(1)	970 647 108 02	Aerial amplifier No longer use the part here	right	1	PR:440,524, 665
(1)	970 647 108 03	Aerial amplifier	right	1	PR:440,524, 665
(1)	970 647 118 00	Aerial amplifier No longer use the part here	right	1	PR:440,525,
(1)	970 647 118 01	Aerial amplifier	right	1	PR:440,525, 665
(1)	970 647 113 00	Aerial amplifier D - MJ 2014>>	right	1	PR:440,665, 691
(1)	970 647 115 00	Aerial amplifier D - MJ 2014>>	right	1	PR:440,665, 691,676
-	4E0 035 610 E	Removable housing for aerial bracket female connector see		1	"MEX", "CDN", "PAP"
2	970 647 105 01	Aerial amplifier No longer use the part here	left	1	PR:440,665,
2	970 647 105 02	Aerial amplifier	left	1	PR:440,665, -676
(2)	970 647 107 01	Aerial amplifier No longer use the part here	left	1	PR:440,665,
(2)	970 647 107 02	Aerial amplifier	left	1	PR:440,665, 676
(2)	970 647 112 01	Aerial amplifier	left	1	PR:675 "J.."
3	970 647 110 01	Aerial amplifier TV		1	PR:665,676
(3)	970 647 131 01	Aerial amplifier		1	PR:-676,851
(3)	970 647 133 01	Aerial amplifier		1	PR:676,851
4	970 647 125 01	Telephone aerial		1	PR:619,666
5	7PP 035 504	Aerial GPS		1	PR:672,675
(5)	7PP 035 504 A	Discontinued part Aerial GPS		1	PR:672,675
-		Connecting line			

Model: 970 10

Model life 2010>>2016

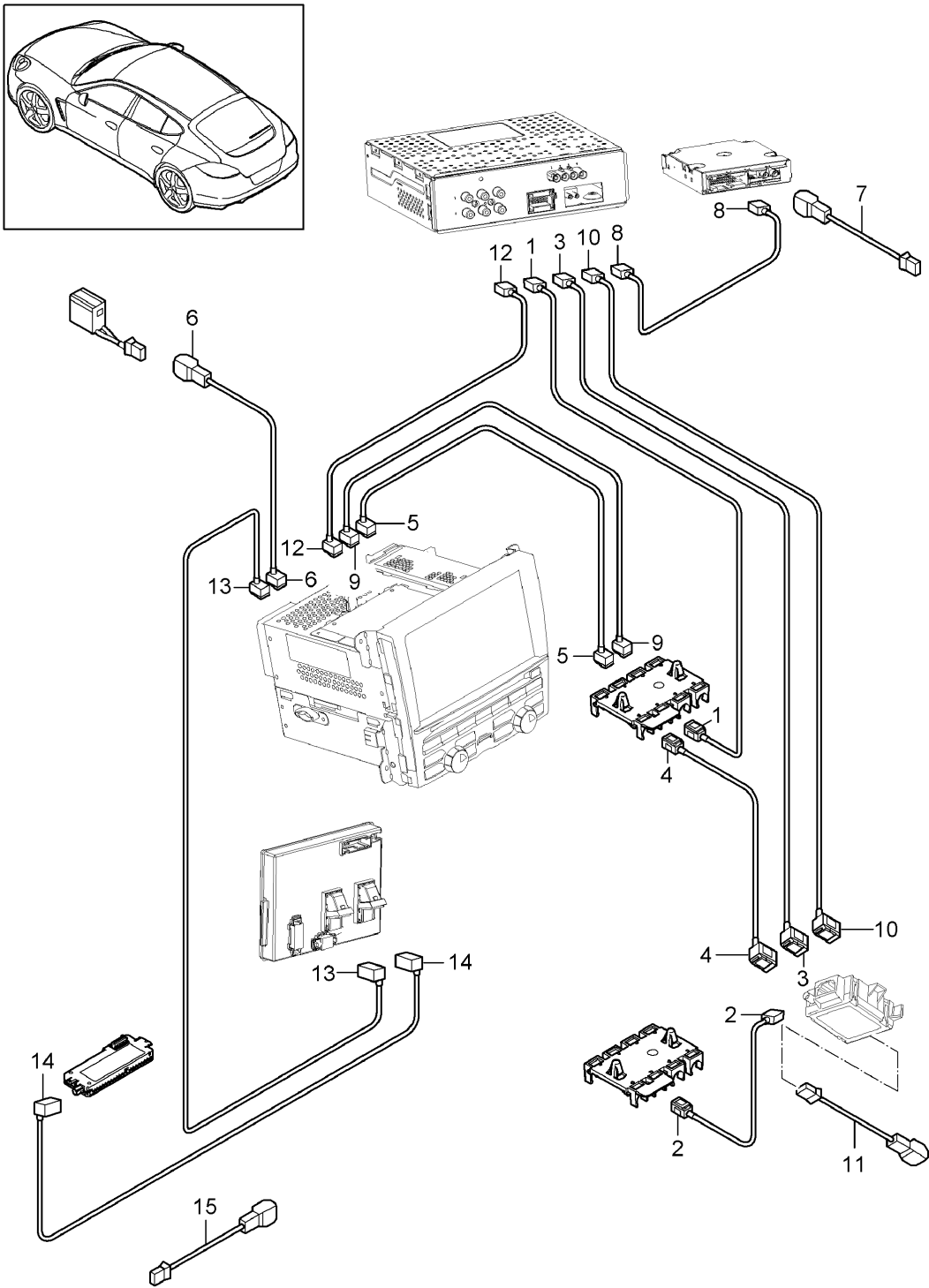
Pos	Part Number	Description	Remark	Qty	Model
8	970 612 052 00	Aerial Connecting line PCM After Aerial Telephone D >> - MJ 2013		1	PR:618,619, 666,669
(8)	970 612 052 40	Connecting line PCM After Aerial Telephone D - MJ 2014>>		1	PR:666
(8)	970 612 052 50	Telephone aerial PCM After D - MJ 2014>>		1	PR:666,631, 632,098
9	970 612 051 00	Aerial connection line PCM After Navigation		1	PR:672
(9)	970 612 051 20	Aerial connection line PCM After Navigation		1	PR:672,631, 632
10	970 612 048 50	Aerial connection line PCM After FM D >> - MJ 2013		1	PR:665,666, 672
(10)	970 612 048 53	Aerial connection line PCM After Rear lid D - MJ 2014>>	right	1	PR:665,666, 672
(10)	970 612 058 50	Aerial connection line Radio unit After FM		1	PR:696
11	970 612 037 00	Aerial connection line PCM After TV D >> - MJ 2013		1	PR:676
(11)	970 612 037 40	Aerial connection line PCM After TV D - MJ 2014>>		1	PR:676,0E1
(11)	970 612 037 60	Aerial connection line PCM After TV D - MJ 2014>>		1	PR:676,0E2
12	970 623 046 40	Aerial connection line PCM After DAB Rear lid D - MJ 2014>>	left	1	PR:691,0E1
(12)	970 623 046 41	Aerial connection line PCM After	left	1	PR:691,0E2

Model: 970 10 Model life 2010>>2016

Pos	Part Number	Description	Remark	Qty	Model
13	970 612 046 01	DAB Rear lid D - MJ 2014>> Aerial connection line PCM After Central locking system		1	
(13)	970 612 046 03	Aerial connection line PCM After Central locking system		1	PR:0E2
14	970 612 010 00	D - MJ 2014>> Aerial connection line PCM After VTS		1	PR:677
(14)	970 612 010 60	D >> - MJ 2013 Connecting line PCM After Aerial VTS		1	PR:674,7G9, 7I2
15	970 612 011 01	D - MJ 2014>> Aerial connection line Telephone After Control unit VTS		1	PR:674,7G9, 7I2
16	970 612 013 01	D - MJ 2014>> Connecting line Front After Control unit VTS		1	PR:674,7G9, 7I2
17	970 612 053 01	D - MJ 2014>> Aerial connection line PCM After		1	PR:665,686, 0E2
18	970 612 054 50	D - MJ 2014>> - MJ 2014 Aerial connection line Mobile Preparation After Telephone		1	PR:618,619
19	955 647 432 10	Bracket 4-pole Connection point Roof		1	
(19)	958 647 432 00	Bracket 3-pole Connection point Roof		1	

Model: 970 10

Model life 2010>>2016



Model: 970 10 Model life 2010>>2016

Pos	Part Number	Description	Remark	Qty	Model
-		Lines Aerial Video Connecting line Video			
1	970 612 066 00	Connecting line Receiving part TV After Connection point Roof		1	PR:676
2	970 612 035 00	Connecting line Control unit Reversing camera After Connection point Rear lid		1	PR:637,638
3	970 612 032 50	Connecting line Control unit Reversing camera After Receiving part TV		1	PR:637,638, 676
4	970 612 031 00	Connecting line Control unit Reversing camera After Connection point Roof		1	PR:637,638, -676
5	970 612 030 50	Connecting line Connection point Roof After PCM		1	PR:637,638, -675,676
6	970 612 080 00	Connecting line microphone		1	"J.."
-		Connecting line Camera		1	
7	970 612 084 01	Real Top View Connecting line Control unit Camera Real Top View Trim	front	1	PR:633
(7)	970 612 087 00	D - MJ 2014>> Connecting line Control unit Camera Real Top View Trim	rear	1	PR:633
(7)	970 612 085 00	D - MJ 2014>> Connecting line Control unit Camera Real Top View Door	front left	1	PR:633
(7)	970 612 086 01	D - MJ 2014>> Connecting line Control unit Camera Real Top View Door D - MJ 2014>>	front right	1	PR:633

Model: 970 10 Model life 2010>>2016

Pos	Part Number	Description	Remark	Qty	Model
8	970 612 088 00	Connecting line Control unit Camera Real Top View Receiving part TV D - MJ 2014>>	outer	1	PR:633,676
(8)	970 612 090 00	Connecting line Control unit Camera Real Top View Connection point Receiving part TV Reversing camera D - MJ 2014>>		1	PR:633,-676
9	970 612 030 41	Connecting line Control panel Connection point Receiving part TV Reversing camera D - MJ 2014>>		1	PR:633,638, 676,-675
10	970 612 091 00	Connecting line Control unit Reversing camera Receiving part TV D - MJ 2014>>		1	PR:638,676
11	970 623 092 00	Connecting line Control unit Reversing camera Connection point Trim D - MJ 2014>>	rear	1	PR:638
(11)	970 612 092 00	Connecting line Control unit Reversing camera Connection point Trim D - MJ 2014>>	rear	1	PR:638
(11)	970 612 094 00	Connecting line Control unit Reversing camera Connection point Receiving part TV Reversing camera D - MJ 2014>>		1	PR:638,676
12	970 612 082 41	Connecting line Navigation system Connection point Receiving part TV Reversing camera D - MJ 2014>>		1	PR:638,675 "J.."
-		Connecting line VTS vehicle tracking D - MJ 2014>>		1	
13	970 612 010 60	Connecting line Card VTS vehicle tracking Control unit		1	PR:674,7G9, 7I2

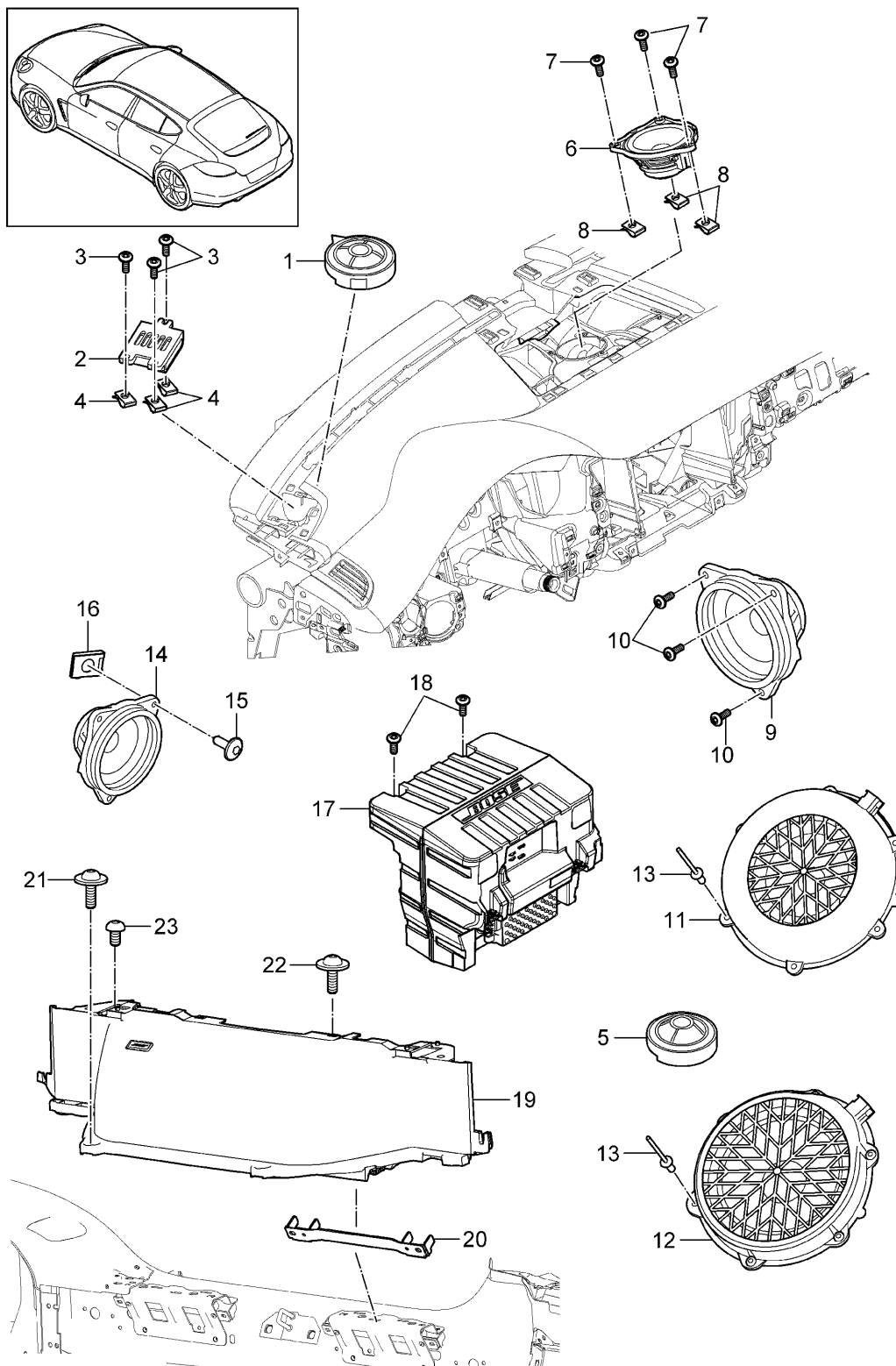
Model: 970 10

Model life 2010>>2016

Pos	Part Number	Description	Remark	Qty	Model
14	970 612 011 01	VTS vehicle tracking D - MJ 2014>> Aerial connection line ANTENNE GSM Control unit		1	PR:674,7G9, 7I2
15	970 612 013 01	VTS vehicle tracking D - MJ 2014>> Connecting line Connection point Vehicle Control unit VTS vehicle tracking D - MJ 2014>>	front	1	PR:674,7G9, 7I2

Model: 970 10

Model life 2010>>2016



Model: 970 10 Model life 2010>>2016

Pos	Part Number	Description	Remark	Qty	Model
1	7PP 035 411	Loudspeaker Treble speaker dashboard	rear	X 2	PR:441,490
(1)	7PP 035 411 D	Door Treble speaker dashboard	rear	X 2	PR:680
2	7PP 035 411 E	Door Bose Treble speaker dashboard		2	PR:682
3	999 073 499 01	Burmester fillister hd. bolt M 5 X 14 dashboard		6	PR:682
4	999 507 556 01	panel nut M 5 dashboard		6	PR:682
5	7PP 035 412 A	Treble speaker Door	rear	2	PR:682
6	7PP 035 828 C	Burmester Loudspeaker dashboard	center	1	PR:490
(6)	7PP 035 828 D	Loudspeaker dashboard	center	1	PR:680
(6)	7PP 035 828 E	Loudspeaker dashboard	center	1	PR:682
7	999 073 499 01	fillister hd. bolt M 5 X 14		3	
8	999 507 556 01	panel nut M 5		3	
9	7PP 035 415 D	Mid tone speaker Door	front	2	PR:441
(9)	7PP 035 415 E	Mid tone speaker Door	front	2	PR:490
(9)	7PP 035 415 F	Mid tone speaker Door Bose	front	2	PR:680
(9)	7PP 035 415 G	Mid tone speaker Door	front rear	X 2 2	PR:682
10	N 104 420 03	Burmester self-tapping screw 5,0 X 16,0		6	
(10)	N 104 420 03	self-tapping screw 5,0 X 16,0		12	PR:682
11	970 645 551 01	Bass loudspeaker Door	front	2	PR:441
(11)	7PP 035 454 D	Bass loudspeaker Door	front	2	PR:490
(11)	7PP 035 454 J	Discontinued part Bass loudspeaker Door	front	2	PR:490
(11)	7PP 035 454 L	Bass loudspeaker Door	front	2	PR:490,IY2
(11)	7PP 035 454 E	D - MJ 2014>> Bass loudspeaker Door	front	2	PR:680
(1)	7PP 035 454 M	Bose Bass loudspeaker Door		2	PR:680
(11)	7PP 035 454 F	Bass loudspeaker	front front	2	PR:682

Model: 970 10 Model life 2010>>2016

Pos	Part Number	Description	Remark	Qty	Model
(11)	7PP 035 454 H	Door Burmester Discontinued part Bass loudspeaker	front	2	PR:682
12	970 645 651 01	Door Burmester Bass loudspeaker	rear	2	PR:441,490
(12)	7PP 035 710 B	Door Bass loudspeaker	rear	2	PR:680
(12)	7PP 035 453 A	Door Bose Bass loudspeaker	rear	2	PR:682
(12)	7PP 035 453 B	Door Burmester Discontinued part Bass loudspeaker	rear	2	PR:682
13	N 907 657 01	Door Burmester Pop rivet 4,8 X 15		24	
14	7PP 035 416 B	Loudspeaker c-pillar		2	PR:680
(14)	7PP 035 416 C	Bose Loudspeaker c-pillar		2	PR:682
15	999 073 339 09	Burmester panel screw 4,2 X 13		6	PR:680,682
16	999 507 138 01	panel nut		6	
17	970 645 565 03	Subwoofer		1	PR:680
(17)	970 645 567 03	Bose Subwoofer		1	PR:682
18	999 073 348 09	Burmester fillister hd. bolt M 6 X 20		4	PR:680,682
19	970 645 575 00	Subwoofer		1	HYBRID PR:680
		Bose D - MJ 2012>> - MJ 2013			
	970 645 575 00 6B0	Black			
	970 645 575 00 8E0	Platinum Grey			
	970 645 575 00 7K0	Luxor beige			
	970 645 575 00 6D0	yachting blue			
	970 645 575 00 7G0	Marsala Red			
	970 645 575 00 9D0	Espresso			
	970 645 575 00 9E0	Cognac			
(19)	970 645 575 50	Subwoofer		1	HYBRID PR:680
		Bose D - MJ 2014>>			
	970 645 575 50 6B0	Black			
	970 645 575 50 9C0	agate grey			
	970 645 575 50 7K0	Luxor beige			
	970 645 575 50 7G0	Marsala Red			
	970 645 575 50 9D0	Espresso			
	970 645 575 50 9E0	Cognac			
20	970 645 581 00	Bracket for subwoofer		2	HYBRID PR:680
		D - MJ 2012>>			
21	N 906 847 07	fillister head bolt (combi.) M 6 X 20		2	HYBRID PR:680
		D - MJ 2012>>			
22	999 073 372 01	panel screw 4,2 X 16		2	HYBRID PR:680
		D - MJ 2012>>			

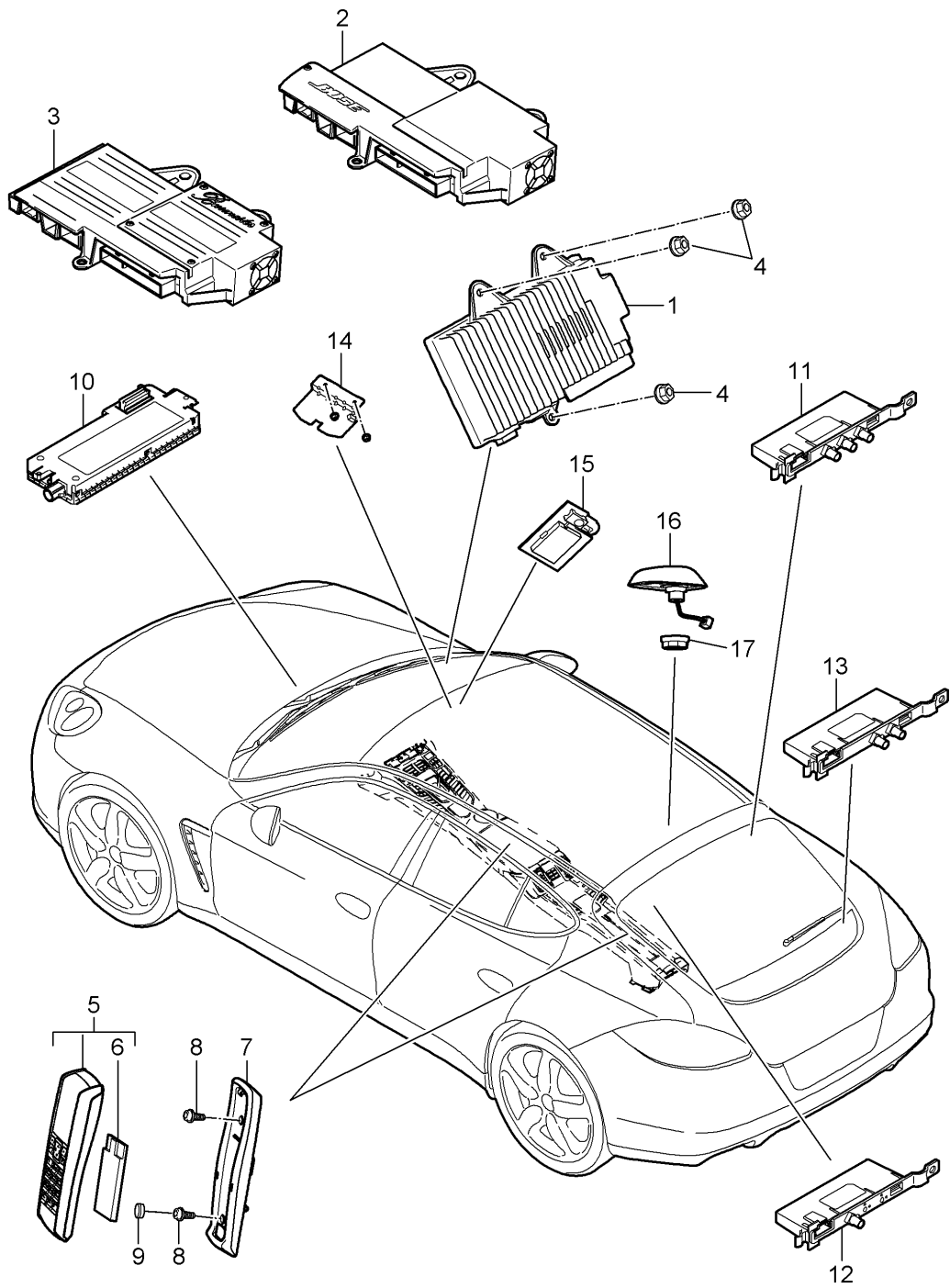
Model: 970 10

Model life 2010>>2016

Pos	Part Number	Description	Remark	Qty	Model
23	999 073 189 01	flat round head bolt M 6 X 12 D - MJ 2012>>		3	HYBRID PR:680

Model: 970 10

Model life 2010>>2016



Model: 970 10 Model life 2010>>2016

Pos	Part Number	Description	Remark	Qty	Model
-		Telephone Amplifiers Aerial amplifier Lines Aerial Video Amplifiers Audio			
1	970 645 443 01	Amplifiers Discontinued part		1	PR:490
(1)	970 645 443 02	Amplifiers Discontinued part		1	PR:490
(1)	970 645 443 03	Amplifiers Discontinued part		1	PR:490
(1)	970 645 443 04	Amplifiers Discontinued part		1	PR:490
(1)	970 645 443 05	Amplifiers		1	PR:490
2	7PP 035 223 E	Amplifiers Bose Discontinued part		1	PR:680
(2)	7PP 035 223 K	Amplifiers Bose Discontinued part		1	PR:680
(2)	7PP 035 223 P	Amplifiers Bose Discontinued part		1	PR:680
(2)	7PP 035 223 AA	Amplifiers Bose		1	PR:680
(2)	7PP 035 223 J	Amplifiers Bose Discontinued part		1	PR:675,680 "J.."
(2)	7PP 035 223 M	Amplifiers Bose		1	PR:675,680 "J.."
3	7PP 035 223 L	Amplifiers Burmester Discontinued part		1	PR:682
(3)	7PP 035 223 N	Amplifiers Burmester D >> - MJ 2010 Discontinued part		1	PR:682
(3)	7PP 035 223 Q	Amplifiers Burmester Discontinued part		1	PR:682
(3)	7PP 035 223 R	Amplifiers Burmester Discontinued part		1	PR:682
(3)	7PP 035 223 S	Amplifiers Burmester Discontinued part		1	PR:682
(3)	7PP 035 223 T	Amplifiers Burmester Discontinued part		1	PR:682
(3)	7PP 035 223 AB	Amplifiers Burmester		1	PR:682
4	900 377 018 09	Hexagon nut M 6		3	
-		Telephone			
5	7PP 035 725	Telephone controls/receiver Discontinued part		1	PR:669
(5)	7PP 035 725 A	Telephone controls/receiver Discontinued part		1	PR:669
(5)	7PP 035 725 B	Telephone controls/receiver		1	PR:669
6	997 646 216 00	Battery		1	PR:669

Model: 970 10 Model life 2010>>2016

Pos	Part Number	Description	Remark	Qty	Model
(6)	997 646 916 00	Discontinued part Battery		1	PR:669
7	997 646 214 00	Support for cellphone receiver		1	PR:669
		Discontinued part			
	997 646 214 00 A05	Black			
(7)	955 646 214 00	Support for cellphone receiver		1	PR:669
8	999 919 230 00	countersunk bolt 3,0 X 10,0		2	PR:669
9	997 646 311 00	Bungs		2	PR:669
-		Telephone Centre console comprising:	rear		PR:626
10	997 646 218 01	Control unit for telephone		1	PR:666
		Discontinued part			
(10)	7PP 035 730 B	Control unit for telephone		1	PR:666
		Discontinued part			
(10)	7PP 035 730 C	Control unit for telephone		1	PR:666
-		Aerial			
11	970 647 106 01	Aerial amplifier	right	1	PR:524,696
		Discontinued part			
(11)	970 647 106 02	Aerial amplifier	right	1	PR:524,696
		No longer use the part here			
(11)	970 647 106 03	Aerial amplifier	right	1	PR:524,696
(11)	970 647 116 00	Aerial amplifier	right	1	PR:525,696
		No longer use the part here			
-	4E0 035 610 E	Removable housing for aerial bracket female connector		1	"MEX", "CDN", "PAP"
		also use:			
		SY 1709			
(11)	970 647 106 01	Aerial amplifier	right	1	PR:675
		No longer use the part here			
(11)	970 647 116 00	Aerial amplifier	right	1	PR:675
		No longer use the part here			
(11)	970 647 116 01	Aerial amplifier	right	1	PR:675
-	4E0 035 610 E	Removable housing for aerial bracket female connector		1	PR:675
		also use:			
		see			
(11)	970 647 108 01	Aerial amplifier	right	1	PR:440,524, 665
		Discontinued part			
(11)	970 647 118 00	Aerial amplifier	right	1	PR:440,525,
		No longer use the part here			
(11)	970 647 118 01	Aerial amplifier	right	1	PR:440,525, 665
(11)	970 647 113 00	Aerial amplifier	right	1	PR:440,665, 691
		D - MJ 2014>>			
(11)	970 647 115 00	Aerial amplifier	right	1	PR:440,665, 691,676
		D - MJ 2014>>			
-	4E0 035 610 E	Removable housing for aerial bracket female connector		1	"MEX", "CDN", "PAP"
		also use:			
		see			
12	970 647 105 01	Aerial amplifier	left	1	PR:440,665,
		No longer use the part here			
(12)	970 647 105 02	Aerial amplifier	left	1	PR:440,665, -676
(12)	970 647 107 01	Aerial amplifier	left	1	PR:440,665,
		No longer use the part here			
(12)	970 647 107 02	Aerial amplifier	left	1	PR:440,665,

Model: 970 10 Model life 2010>>2016

Pos	Part Number	Description	Remark	Qty	Model
(12)	970 647 112 01	Aerial amplifier	left	1	676 PR:675 "J.."
13	970 647 110 01	Aerial amplifier TV		1	PR:665,676
(13)	970 647 131 01	Aerial amplifier		1	PR:-676,851
(13)	970 647 133 01	Aerial amplifier		1	PR:676,851
14	970 647 125 01	Telephone aerial GSM		1	PR:619,666
15	7PP 035 504	Aerial GPS		1	PR:672,675
-		Connecting line Aerial			
-	970 612 052 00	Connecting line PCM After Aerial Telephone		1	PR:618,619, 666,669
-	970 612 054 50	Aerial connection line Mobile Preparation After Telephone		1	PR:618,619
-	970 612 051 00	Aerial connection line PCM After Navigation		1	PR:672
-	970 612 048 50	Aerial connection line PCM After FM		1	PR:665,666, 672
-	970 612 058 50	Aerial connection line Radio unit After FM		1	PR:696
-	970 612 037 00	Aerial connection line PCM After TV		1	PR:676
-	970 612 010 00	Aerial connection line PCM After VTS		1	PR:677
-	970 612 046 01	Aerial connection line PCM After Central locking system		1	
-	970 612 046 03	Aerial connection line PCM After Central locking system D - MJ 2014>>		1	PR:0E2
-	970 612 053 01	Aerial connection line PCM After D - MJ 2014>> - MJ 2014		1	PR:665,686, 0E2
-		Connecting line Japan		1	PR:675 "J.."
-		Wire set Rear lid	see illustration: 911-005	1	
-		Connecting line	see illustration: 902-020		

Model: 970 10 Model life 2010>>2016

Pos	Part Number	Description	Remark	Qty	Model
-	970 612 066 00	Video Connecting line Receiving part TV After Connection point Roof		1	PR:676
-	970 612 035 00	Connecting line Control unit Reversing camera After Connection point Rear lid		1	PR:637,638
-	970 612 032 50	Connecting line Control unit Reversing camera After Receiving part TV		1	PR:637,638, 676
-	970 612 031 00	Connecting line Control unit Reversing camera After Connection point Roof		1	PR:637,638, -676
-	970 612 030 50	Connecting line Connection point Roof After PCM		1	PR:637,638, -675,676
-	970 612 080 00	Connecting line microphone		1	"J.."
-		Connecting line Camera	outer	1	
-	970 612 084 01	Real Top View Connecting line Control unit Camera Real Top View Trim	front	1	PR:633
-	970 612 087 00	D - MJ 2014>> Connecting line Control unit Camera Real Top View Trim	rear	1	PR:633
-	970 612 085 00	D - MJ 2014>> Connecting line Control unit Camera Real Top View Door	front left	1	PR:633
-	970 612 086 01	D - MJ 2014>> Connecting line Control unit Camera Real Top View Door	outer front right	1	PR:633
-	970 612 088 00	D - MJ 2014>> Connecting line Control unit Camera Real Top View	outer	1	PR:633,676

Model: 970 10 Model life 2010>>2016

Pos	Part Number	Description	Remark	Qty	Model
-	970 612 090 00	Receiving part TV D - MJ 2014>> Connecting line Control unit Camera Real Top View Connection point Receiving part TV Reversing camera D - MJ 2014>>		1	PR:633,-676
-	970 612 030 41	Connecting line Control panel Connection point Receiving part TV Reversing camera D - MJ 2014>>		1	PR:633,676, -675
-	970 612 091 00	Connecting line Control unit Reversing camera Receiving part TV D - MJ 2014>>		1	PR:638,676
-	970 623 092 00	Connecting line Control unit Reversing camera Connection point Trim D - MJ 2014>>	rear	1	PR:638
-	970 612 092 00	Connecting line Control unit Reversing camera Connection point Trim D - MJ 2014>>	rear	1	PR:638
-	970 612 094 00	Connecting line Control unit Reversing camera Connection point Receiving part TV Reversing camera D - MJ 2014>>		1	PR:638,676
-	970 612 082 41	Connecting line Navigation system Connection point Receiving part TV Reversing camera D - MJ 2014>>		1	PR:638,675 "J.."
-	970 612 010 60	Connecting line Card VTS vehicle tracking Control unit VTS vehicle tracking D - MJ 2014>>		1	PR:674,7G9, 7I2
-	970 612 011 01	Aerial connection line D - MJ 2014>>		1	PR:674,7G9, 7I2

Model: 970 10

Model life 2010>>2016

Pos	Part Number	Description	Remark	Qty	Model
-	970 612 013 01	GSM Control unit VTS vehicle tracking D - MJ 2014>> Connecting line Connection point Vehicle Control unit VTS vehicle tracking D - MJ 2014>>	front	1	PR:674,7G9, 7I2